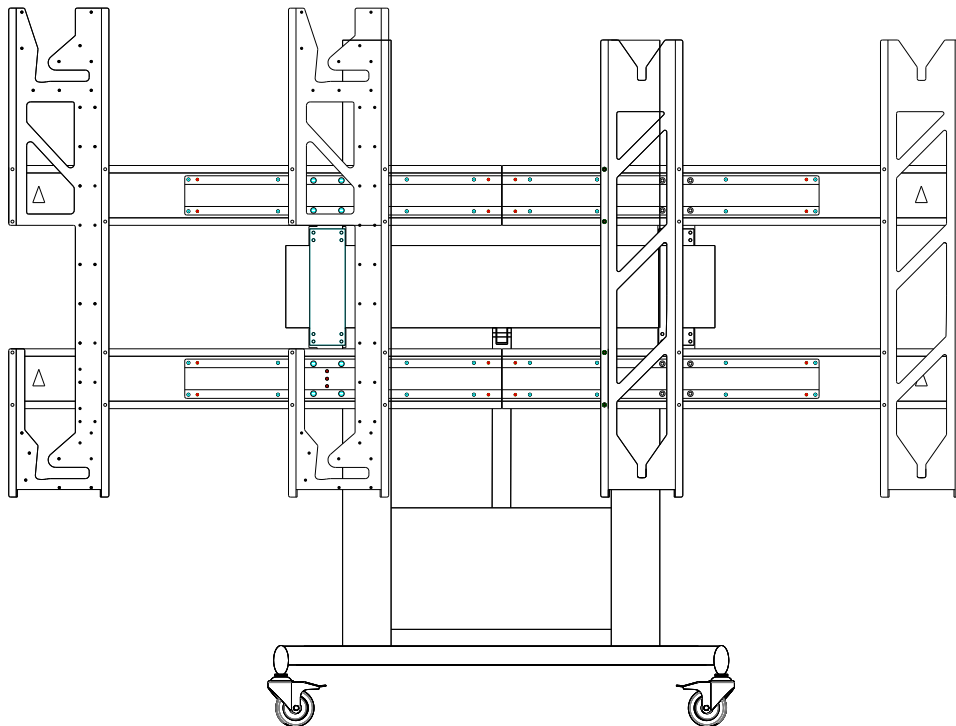


1.5625 mm Pixel Pitch with SMD LEDs

# ST-1362FH

All-in-one LED Display

A modular system for Indoor applications



**Installation Manual**

**2021.05  
Document version 1.01**

## Technical Data

Type	ST-1362FH
Material	Aluminum profile,Steel
Surface Finish	Coating matte black
Recommended Screen Size	80" – 140"
Rated Weight Capacity	441lbs/ 200kg (Overall)
Max Hole Pattern	750x750x750mm-1125mm
Lift range	490mm
Voltage	100~240v
Certification	CB,CE,FCC,ETL,RoHS2.0,REACH
Stand dimension(with frame)	255.6 x 723 x 1920cm
Carton Dimension	182 x 141 x 71 cm
Weight (Gross)	75.5kg

## Product Highlights

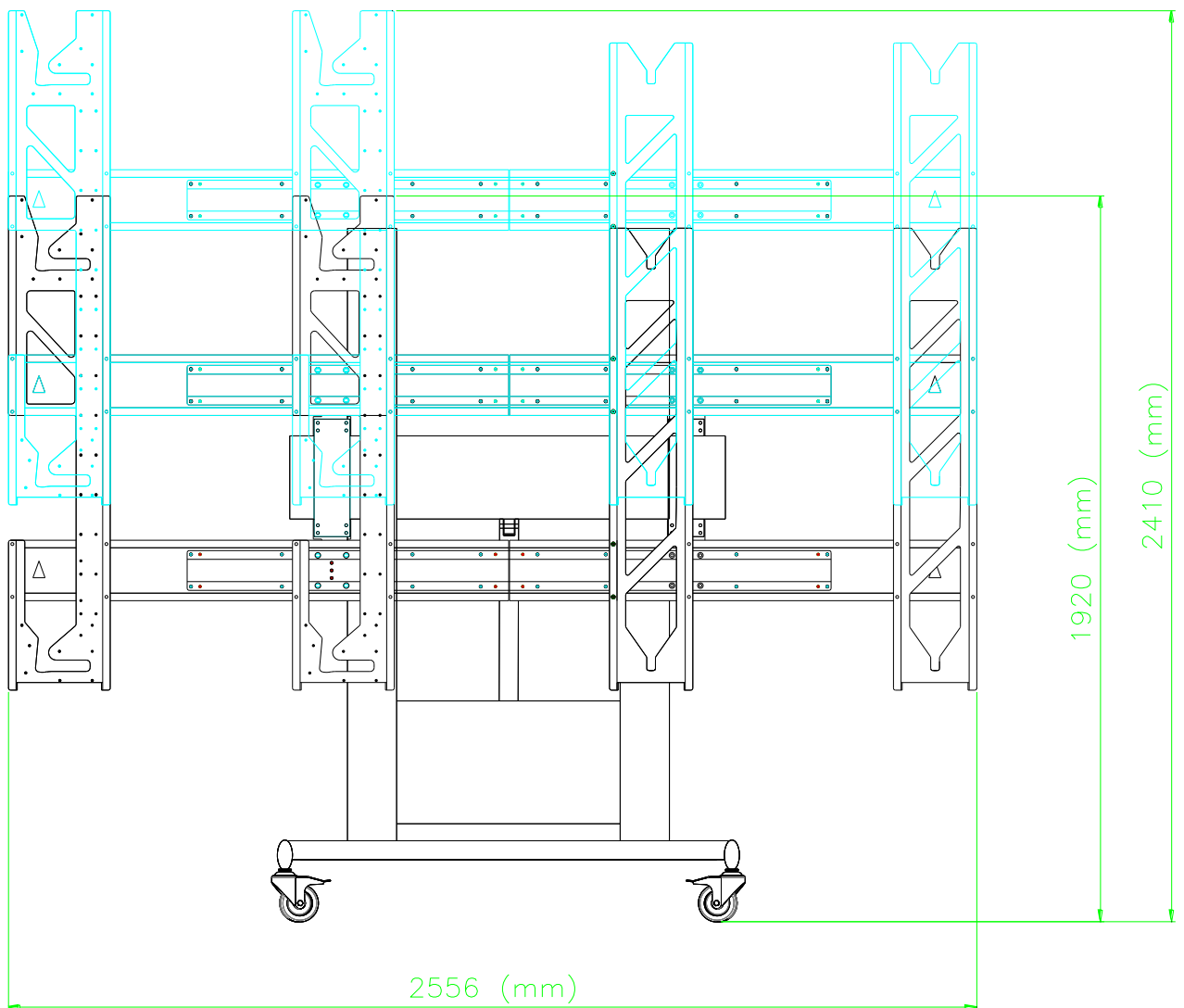
- Smooth anodized dual columns with adjustable flat-panel TV height.
- With exclusive patent technology hanging back frame.
- The safe and quiet remote control lifting function can make your TV lift 490MM at will
- High tensile strength steel and rigid aluminum alloy materials.
- Integrated cable management through columns.
- Carry maximum load 441lbs(200kgs) and up to 140" flat panel TV
- Flexible and installer-friendly.

## Caution

- This stand is designed for LAEC015-GN screen. Use with other equipment may result in instability causing injury
- Manufacturer's name: Lighthouse Technologies (HuiZhou) Limited
- Model number: ST-1362FH
- Equipment name: Motor stand

## Warning



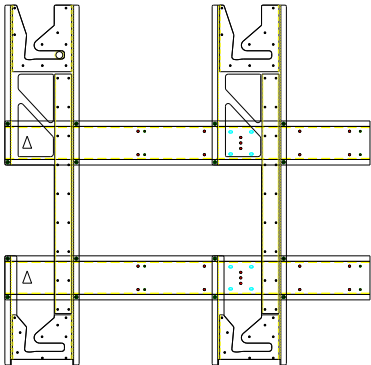
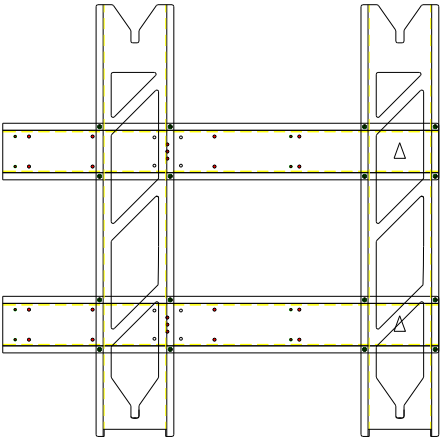
- This equipment is compliant with Class A of CISPR 32. In a residential environment this equipment may cause radio interference.









 **WARNING**   
**RISK OF ELECTRIC SHOCK**  
**DO NOT OPEN**  
**AVERTISSEMENT**  
**RISQUE DE CHOC ELECTRIQUE**  
**NE PAS OUVRIR**

 **CAUTION**  
**MOVING PARTS**  
**KEEP BODY PARTS AWAY FROM**  
**MOVING PARTS**  
**ATTENTION**  
**PARTIES MOBILES**  
**SE TENIR À L'ÉCART DES PARTIES**  
**MOBILES**

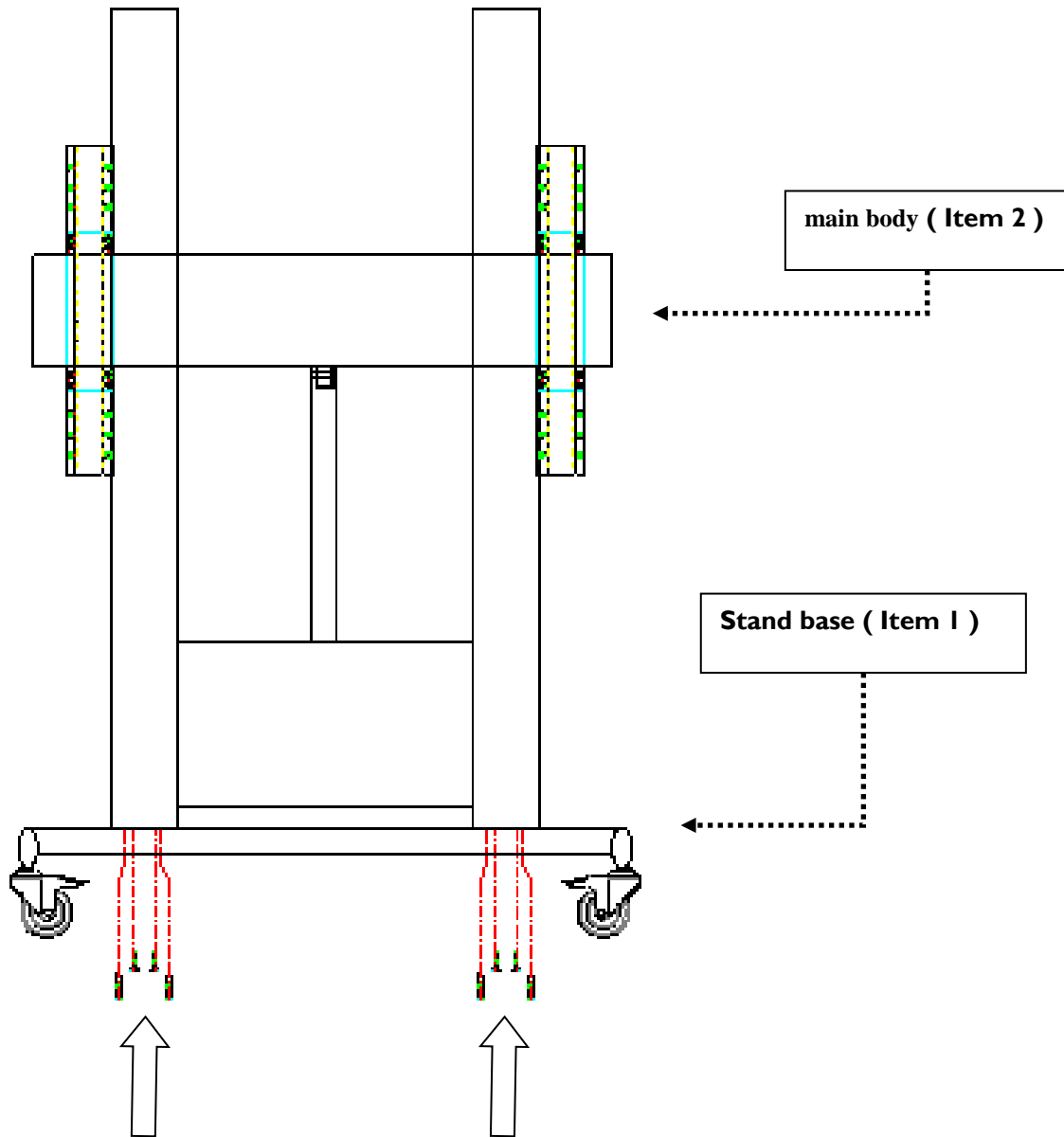
# Checklist

Item	Photo	Qty	Description	Item	Photo	Qty	Description
1		1	Stand base	2		1	The main body
3						1	Left panel mounting assembly
4						1	Right panel mounting assembly

5		2	Beam reinforce plate	6		10	Cable cover
7		8	Socket head cap screw - M8X40	8		32	Screw-M4x15
9		16	Hexagon socket head screw M6X20	10		1	Hex key -#6

**Step1. Install the main body to the stand base.**

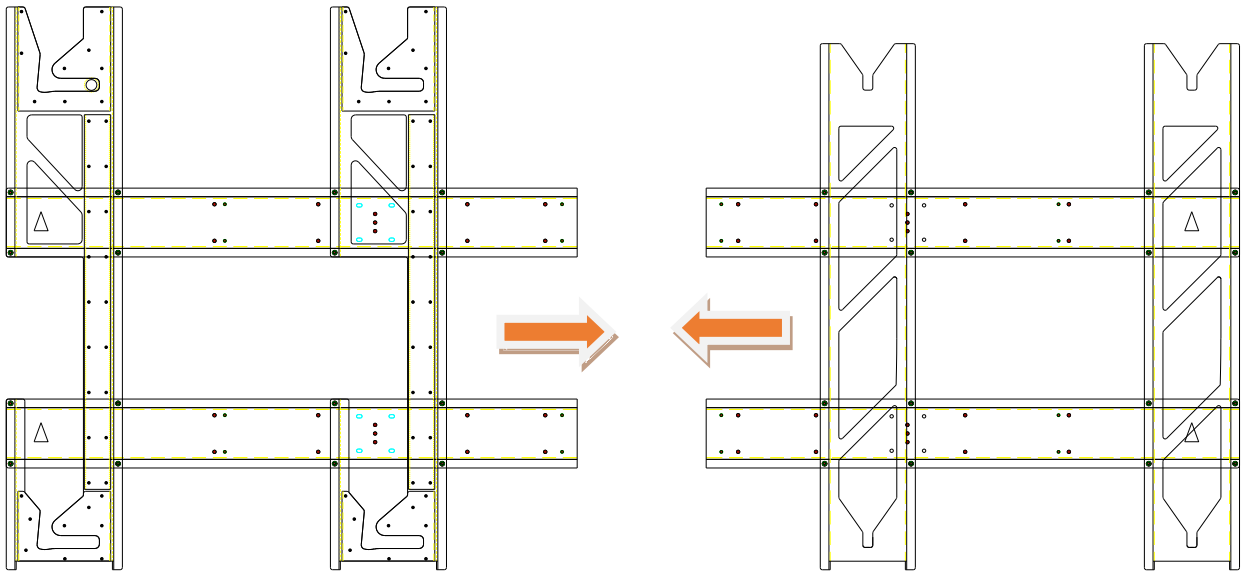
**Front View**



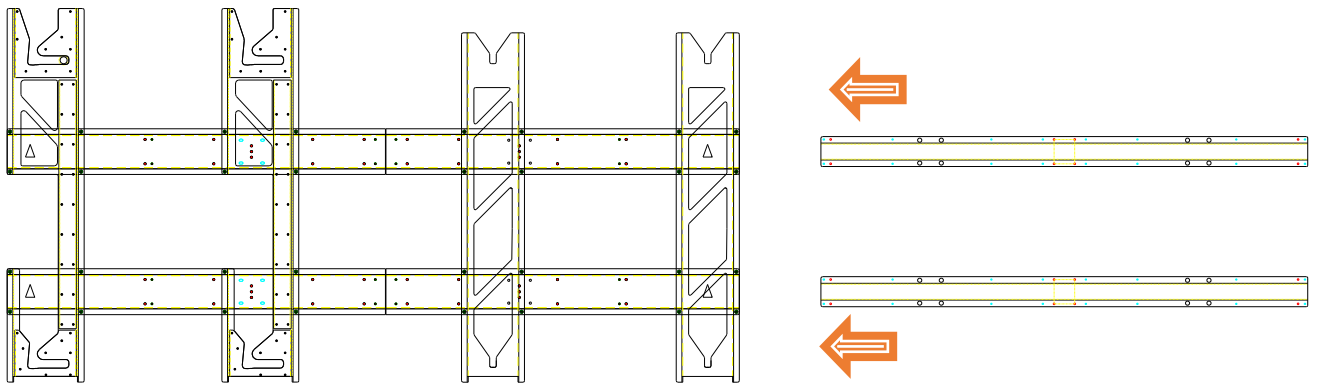
Use 8pcs M8X40 hexagon socket head cap screws (item 7) to install the stand base .

**Step2. Install the panel mounting plate.**

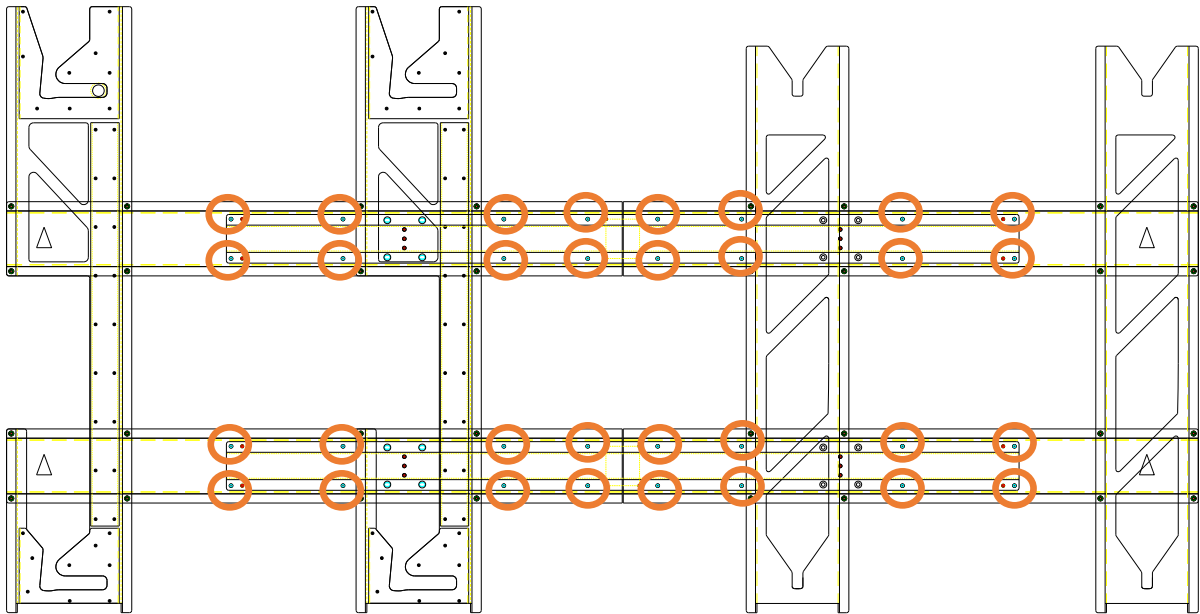
**Front View**



Put the left (item 3) and right (item 4) halves together.



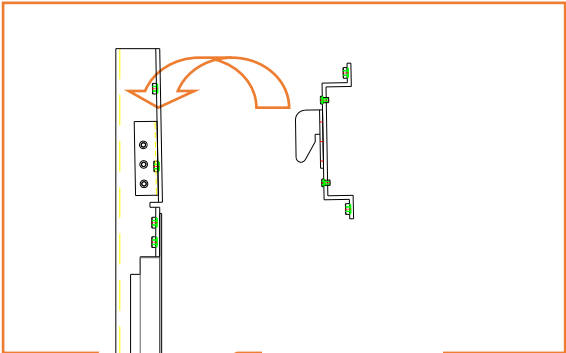
Insert the beam reinforce plate(item 5) to fixing the screw hole position.



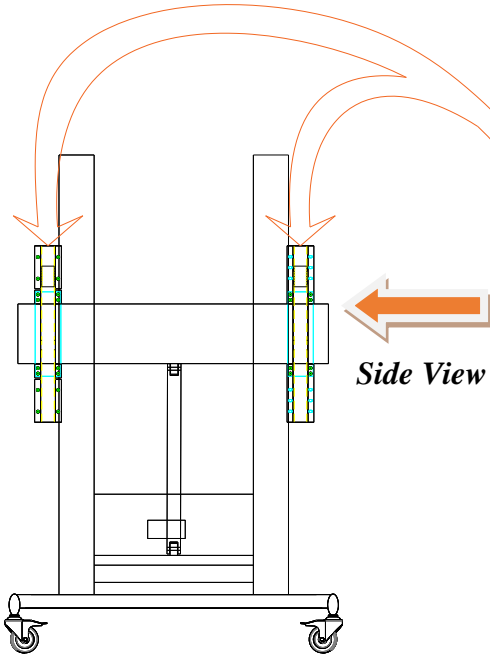
Tighten the beam reinforce plate with 32-M4x15 screw (item 8) as the red circle marked.

**Step3. Install the panel mounting plate to the main body.**

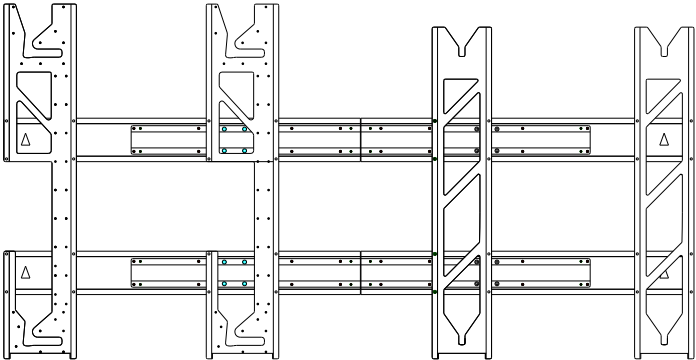
***Front View***



*Side View*

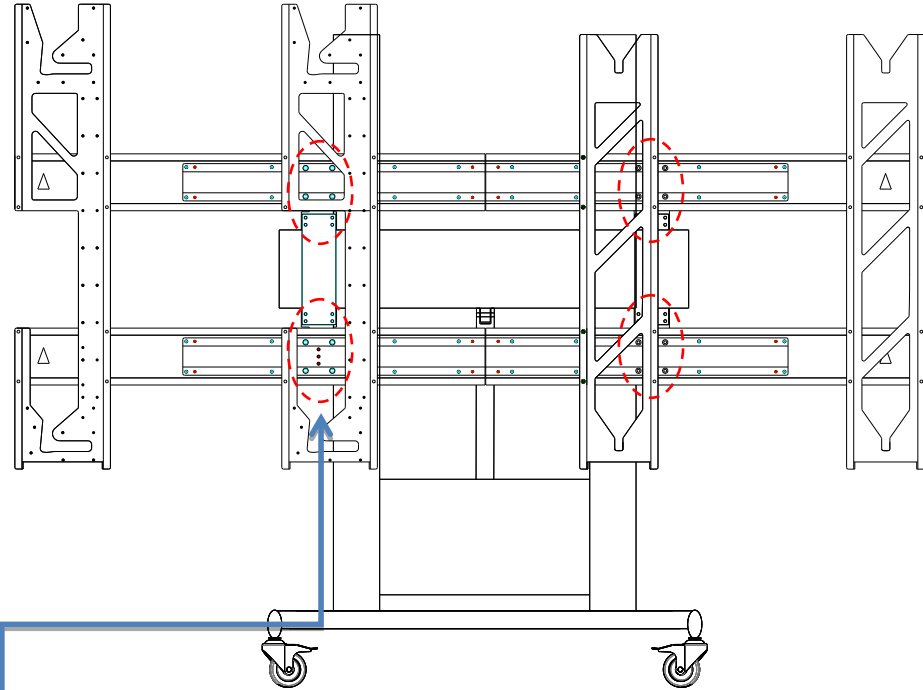


*Side View*



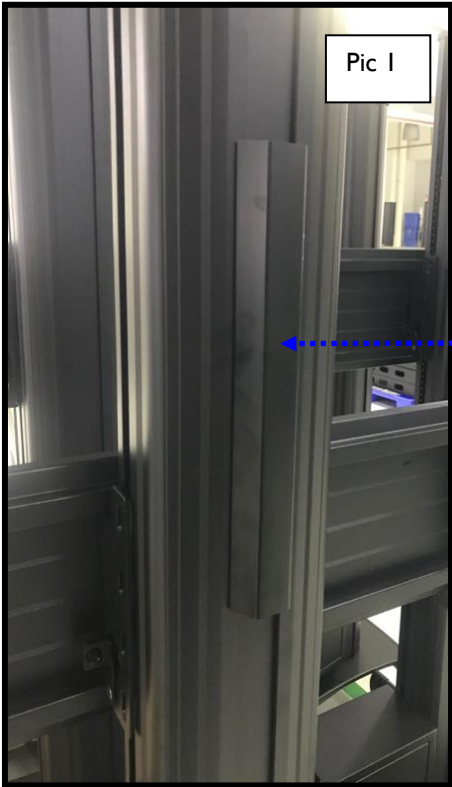
Hang the assembled back frame to the corresponding buckle points of the stand.





Install the panel mounting plate to the main body ,Use 16pcs M6x20 screw ( Item9)

**Step4. Lifting cable routing.**



If you would like to hide the lifting cable. Please install the cover as Pic 1 and 2.

Cable cover (Item 6)



Pic 2

The cable can be hidden under this cover.

# Packaging

**NOTE: The pictures are schematic diagrams. Everything is subject to the infact products.**

