

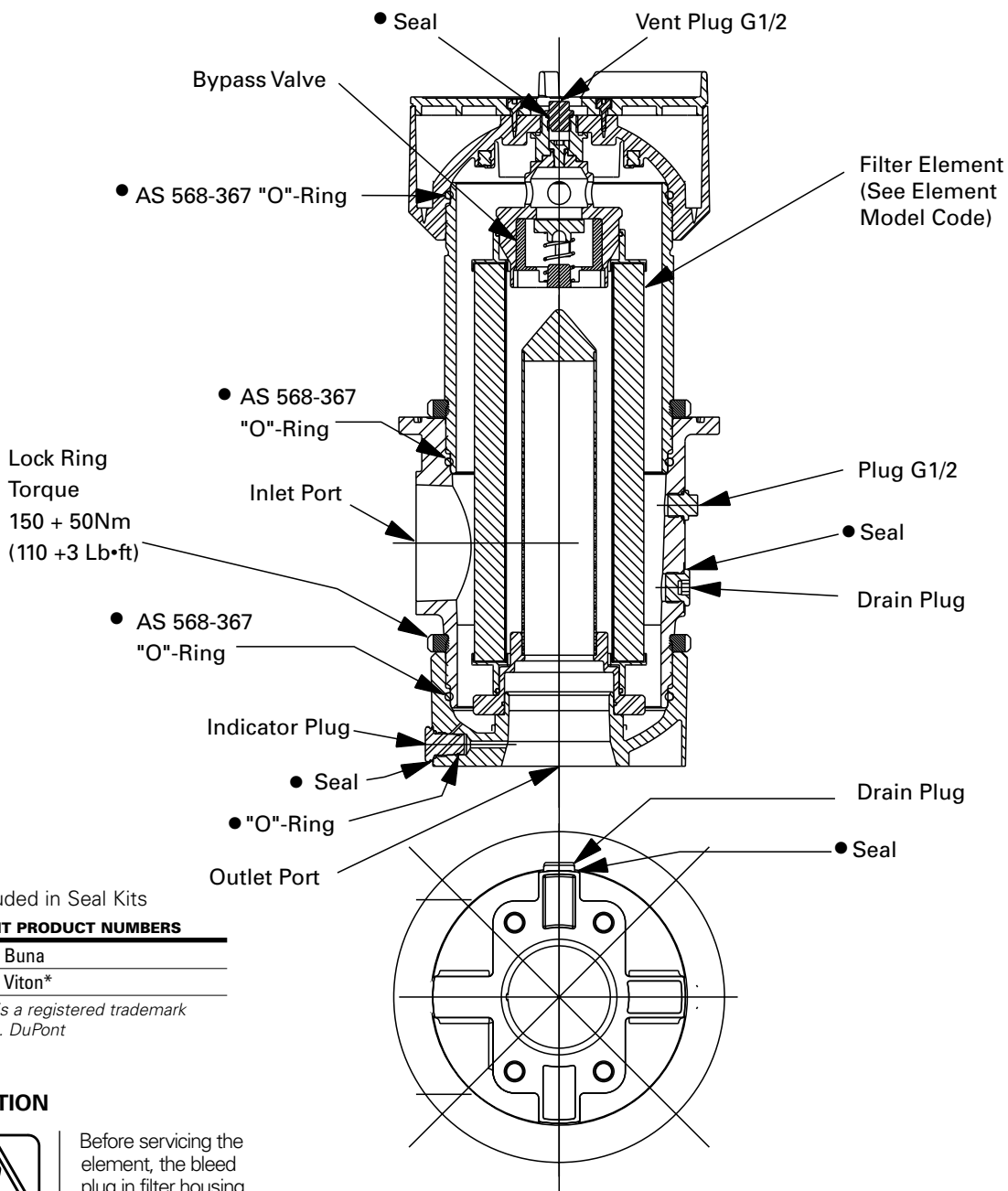


Vickers

HV6R Series Low Pressure Filter

Flows to 1135 L/min (300 USgpm)

Service Data



● Included in Seal Kits

SEAL KIT PRODUCT NUMBERS

3039688 Buna

3039689 Viton*

* Viton is a registered trademark of E.I. DuPont

CAUTION

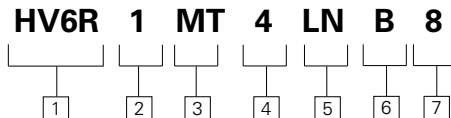


Before servicing the element, the bleed plug in filter housing must be loosened to relieve pressure. This will minimize fluid overflow.



Model Code

Housing Assembly



1 Filter Series - New

HV6R

2 Element Collapse Rating

1 - 150 PSI Low Collapse

3 Port options

MT - 4" SAE 4 Bolt Flange with Metric threads (M16 bolts provided)

4 Valve options

- 1 - Non-Bypass**
- 2 - Bypass set at 25 PSI cracking pressure**
- 4 - Bypass set at 43 PSI cracking pressure**

5 Indicator options

First Designator - Indicator Type

J - No Indicator (plug)

Second Designator - Electrical Receptacle

N - No Connector - use with visual indicators and "J"

6 Seal material

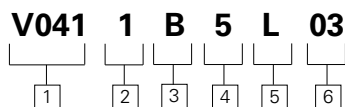
B - Buna-N

V - Viton-A

7 Element length Assembly length

	mm (in)	mm (in)
5	407 (16)	472 (18.6)
8	981 (39)	1056 (41.6)

Element



1 Filter element

V041 - For use with HV6R series housings

2 Element collapse rating

1 - 150 PSI Low Collapse
NOTE: L-Pak elements are rated at 100 PSI collapse. If used in a Non-Bypass housing, a monitored differential pressure indicator (70 PSI max.) should be used. (Indicator option A, B, I, U, or V)

3 Seal material

B - Buna-N
V - Viton-A

4 Element length

mm (inch)
5 - 406 (16)
8 - 990 (39)

5 Element construction

C - C-Pak (grade 3, 5, 10, 20)
L - L-Pak (grade 3, 5, 10, 20)

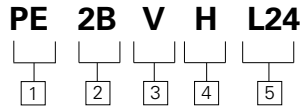
6 Fluid cleanliness ratings

Code	Target fluid cleanliness level
03	16/ 14 / 12 or better
05	18/ 16 / 14 or better
10	20/ 18 / 15 or better
20	22/ 19 / 16 or better

The table assumes limited ingress/single pass of pump flow through element. For detailed assistance, see "The Systemic Approach to Contamination Control" or contact your local Eaton representative.

Model Code

Indicator



1 Indicator type and pressure rating

PV - visual 210 bar (3000psi)
PE - electrical 210 bar (3000psi)

2 Pressure setting

1B - 1 bar (15PSID)
2B - 2 bar (30PSID)
5B - 5 bar (75PSID)

3 Seal material

V - Viton-A

4 Connector

B - Brad Harrison 5 Pin
H - Hirshman
N - None
 (use with PV indicators)

5 Light option

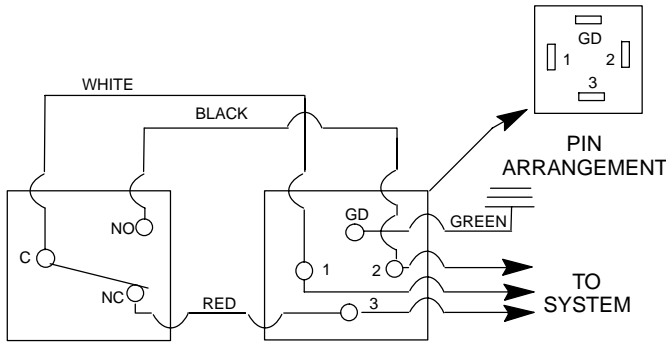
L24 - 24 Volt Light
L115 - 115 Volt Light
L230 - 230 Volt Light
 (use with Hirshman Connector only)

Schematic Wiring Diagram

Indicator Switch

Note

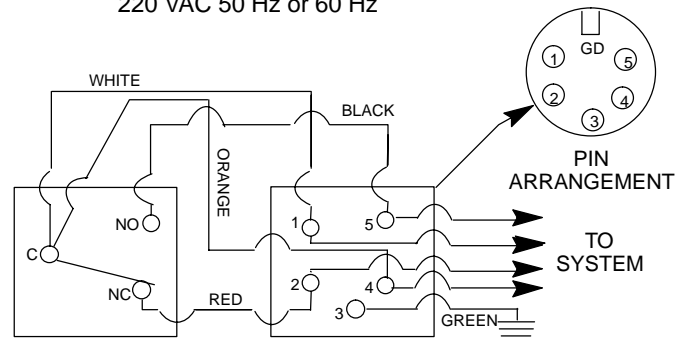
When fitting indicator, torque to 41-47 Nm.



Hirschmann (DIN 43650 Type AM) Receptacle

Electrical

Switch: SPDT
 Rating: 7 amps, resistive
 4 amps, inductive
 2 amps, lamp load
 @28 VDC, 115 VAC 60 Hz &
 220 VAC 50 Hz or 60 Hz



Brad Harrison (41512) Receptacle

Eaton
 14615 Lone Oak Road
 Eden Prairie, MN 55344
 USA
 Tel: 952 937-9800
 Fax: 952 974-7722
 www.hydraulics.eaton.com

Eaton
 20 Rosamond Road
 Footscray
 Victoria 3011
 Australia
 Tel: (61) 3 9319 8222
 Fax: (61) 3 9318 5714

Eaton
 46 New Lane, Havant
 Hampshire PO9 2NB
 England
 Tel: (44) 23 92 486 451
 Fax: (44) 23 92 487 110

