

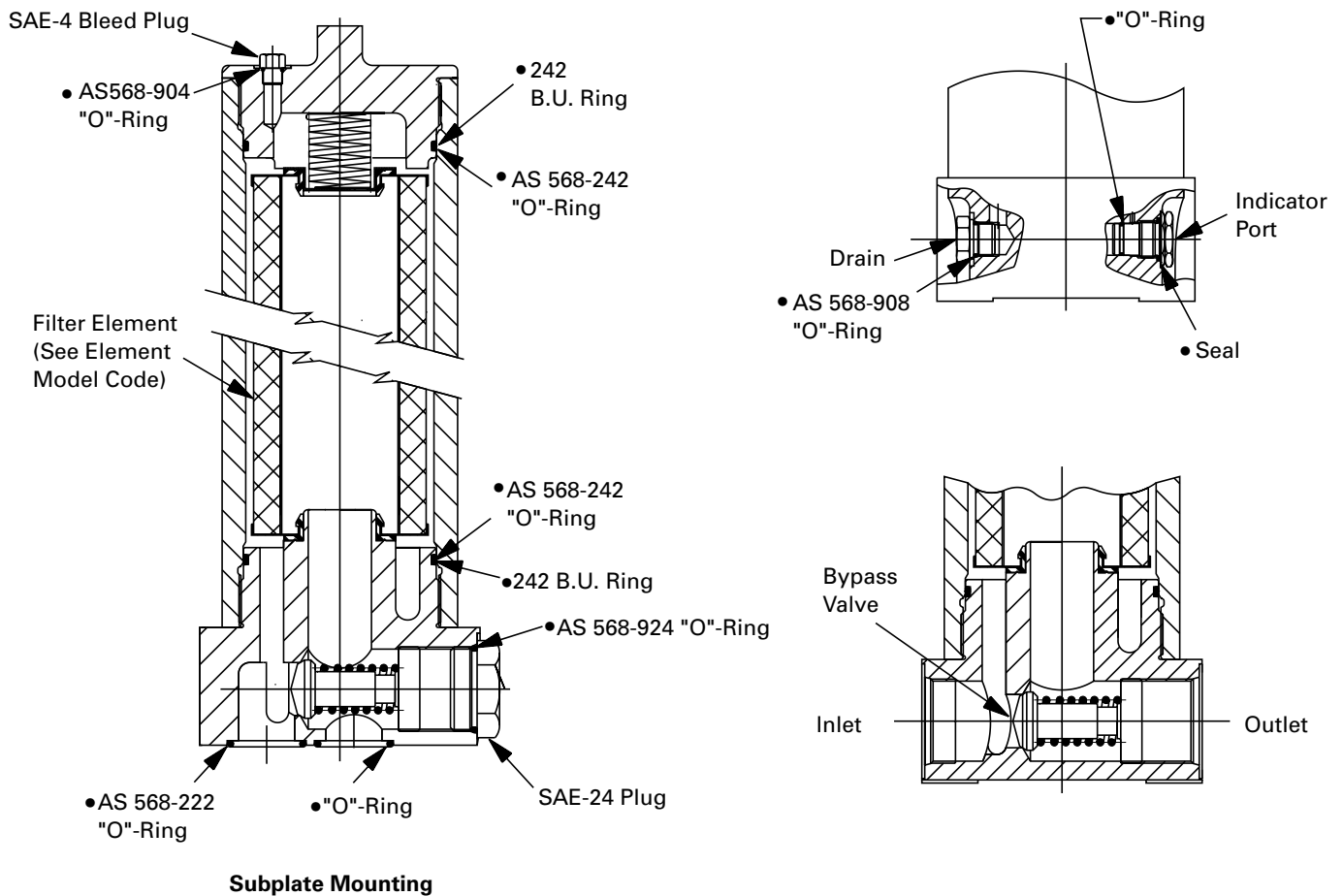


# Vickers

## HF4P Series High Performance Pressure Filter

Flows to 568 L/min (150 USgpm) 310 bar (4500 psi)

Service Data



### CAUTION



Before servicing the element, the bleed plug in filter housing must be loosened to relieve pressure. This will minimize fluid overflow.

● Included in Seal Kits

#### SEAL KIT PRODUCT NUMBERS

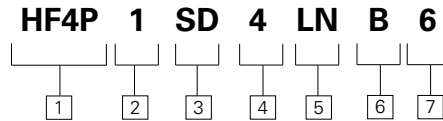
3039700 Buna

3039701 Viton\*

\* Viton is a registered trademark of E.I. DuPont

# Model Code

## Housing Assembly



### 1 Filter Series

**HF4P**

### 2 Element Collapse Rating

- 1 - 150 PSI Low Collapse
- 4 - 3000 PSI High Collapse

### 3 Port options

- BD** - G1 1/2 to ISO 228
- ME** - 1 1/2" SAE 4 bolt Flange Code 61 (M12 x 1.75)
- MR** - 1 1/2" SAE 4 bolt Flange Code 62 (M16 x 2.0)
- SD** - 1.875 - 12 UN SAE-24 str. Thd. (1 1/2" tube)
- FE** - 1 1/2" SAE 4 bolt Flange Code 61 (UNC)
- FR** - 1 1/2" SAE 4 bolt Flange Code 62 (UNC)
- WS** - Subplate mounting

### 4 Valve options

- 1 - Non-Bypass
- 4 - Bypass set at 43 PSI cracking pressure
- 6 - Bypass set at 90 PSI cracking pressure

### 5 Indicator options

#### First Designator - Indicator Type

- A** - Visual 70 PSI
- J** - No Indicator (plug)
- L** - Visual 30 PSI
- O** - Visual 115 PSI
- R** - Electrical 30 PSI
- T** - Electrical 115 PSI
- U** - Electrical 70 PSI

### 5 Indicator options

#### Second Designator - Electrical Receptical

- B** - Brad Harrison
- H** - Hirshman
- J** - Hirshman with 24 volt light
- K** - Hirshman with 115 volt light
- L** - Hirshman with 230 volt light
- N** - No Connector - use with visual indicators and "J"

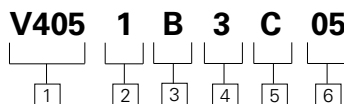
### 6 Seal material

- B** - Buna-N
- V** - Viton-A

### 7 Element length

Element length	Assembly length
mm (in)	mm (in)
3 - 228mm (9")	447mm (17.6")
6 - 457mm (18")	685.3mm (27")
7 - 685mm (27")	923.5mm (36.4")

## Element



### 1 Filter element

**V405** - For use with HF4P series filters

### 2 Element collapse rating

- 1 - 150 PSI Low Collapse
- 4 - 3000 PSI High Collapse

*NOTE: Use 1 only with bypass valve or monitored ΔP indicator.*

### 3 Seal material

- B** - Buna-N
- V** - Viton-A

### 4 Element length

- mm (in)
- 3 - 229 (9)
- 6 - 457 (18)
- 7 - 686 (27)

All meet HF4 specifications.

### 5 Element construction

- C** - C-Pak (grade 3, 5, 10, 20)
- H** - H-Pak (grade 3, 5, 10)

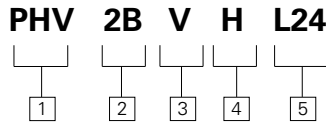
### 6 Fluid cleanliness ratings

Code	Target fluid cleanliness level
<b>03</b>	16/14/12 or better
<b>05</b>	18/16/14 or better
<b>10</b>	20/18/15 or better
<b>20</b>	22/19/16 or better

The table assumes limited ingress/single pass of pump flow through element. For detailed assistance, see "The Vickers Guide to Systemic Contamination Control" or contact your local Eaton representative.

# Model Code

## Indicator



**1 Indicator type and pressure rating**

**PHV** - visual 420 bar (6000PSI)  
**PVE** - electrical 420 bar (6000PSI)

**2 Pressure setting**

**2B** - 2 bar (30PSID)  
**5B** - 5 bar (75PSID)  
**8B** - 8 bar (115PSID)

**3 Seal material**

**V** - Viton-A

**4 Connector**

**B** - Brad Harrison 5 Pin  
**H** - Hirshman  
**N** - None (use with PV indicators)

**5 Light Option**

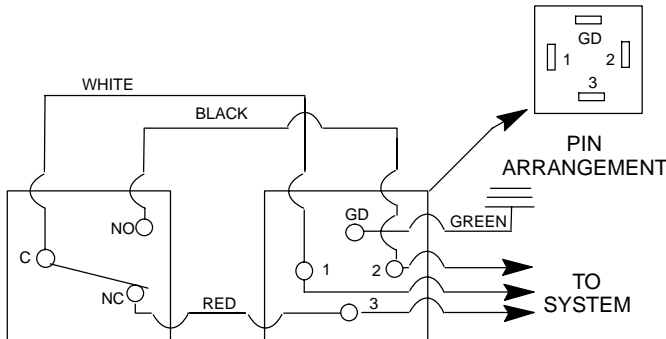
**L24** - 24 Volt Lamp  
**L115** - 115 Volt Lamp  
**L230** - 230 Volt Lamp (use with Hirshman Connector only)

## Schematic Wiring Diagram

### Indicator Switch

**Note**

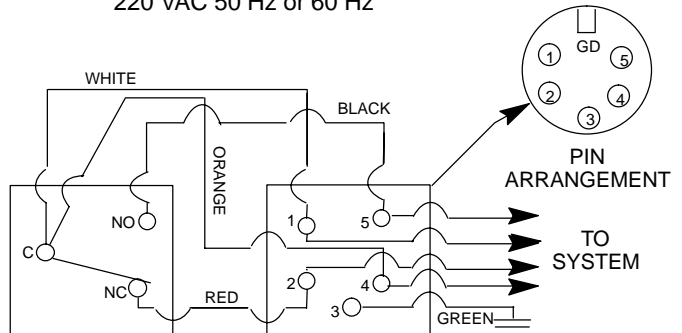
When fitting indicator, torque to 41-47 Nm.



Hirschmann (DIN 43650 Type AM) Receptacle

### Electrical

Switch: SPDT  
 Rating: 7 amps, resistive  
 4 amps, inductive  
 2 amps, lamp load  
 @28 VDC, 115 VAC 60 Hz &  
 220 VAC 50 Hz or 60 Hz



Brad Harrison (41512) Receptacle

**Eaton**  
 14615 Lone Oak Road  
 Eden Prairie, MN 55344  
 USA  
 Tel: 952 937-9800  
 Fax: 952 974-7722  
 www.hydraulics.eaton.com

**Eaton**  
 20 Rosamond Road  
 Footscray  
 Victoria 3011  
 Australia  
 Tel: (61) 3 9319 8222  
 Fax: (61) 3 9318 5714

**Eaton**  
 46 New Lane, Havant  
 Hampshire PO9 2NB  
 England  
 Tel: (44) 23 92 486 451  
 Fax: (44) 23 92 487 110