

ARMORCAST®

ABOVE GRADE PEDESTALS



ARMORCAST PRODUCTS COMPANY
9140 Lurline Avenue, Chatsworth, CA 91311 Tel: (818) 982-3600 Fax: (818) 982-7742 www.armorcast.com

ARMORCAST COMPANY INFORMATION



ARMORCAST PRODUCTS COMPANY

• INNOVATION

Innovation has been a cornerstone of Armorcast since 1966. Combined with our outstanding Quality, Variety and Service that we are renowned for, Armorcast Products continues as the innovative leader for below and above grade enclosures.

Two words describe innovation; Improvement and Originality. To our staff this also means creating and developing effective and efficient solutions to problems. To accomplish all of this takes a tremendous amount of ingenuity, vision, understanding and experience.

We have been developing successful, innovative solutions for over 40 years.

• QUALITY

Outstanding quality is a direct result of careful planning, diligent adherence to many established practices and implementation of precise and repetitive procedures and practices. Our customer driven Quality Assurance Guidelines and Procedures initiated many years ago, insure the highest standards for raw materials, manufacturing operations and consistency in workmanship in all our offerings. Every one of our products will meet and/or exceed the most stringent and demanding conditions set forth by our customers, time after time.

• VARIETY

Numerous situations arise whereby the need for product variety, versatility and affordability for specific applications or projects are most critical. Armorcast offers the broadest range of underground and above grade enclosures for a multitude of applications, industries and markets.

• SERVICE

We believe that the growth of Armorcast is in direct proportion to the success of our customers in their individual endeavors by providing them with excellent service, on-time delivery and complete satisfaction.



Armorcast Products Company

9140 Lurline Avenue

Chatsworth, California 91311

Tel: (818) 982-3600 Fax: (818) 982-7742

MADE IN THE U.S.A.



Nov. 2019



ARMORCAST PRODUCTS COMPANY

ARMORCAST COMPANY INFORMATION

Since 1966, Armorcast Products has been the innovative leader in supplying the utility industry with secure and protective enclosures. Providing below and above grade ground boxes and vaults of all shapes and sizes. Armorcast continues to be the sought after source for enclosures from numerous utilities, municipalities, contractors, state agencies and communication companies. The markets we serve are as diverse as our product offerings. Armorcast produces durable, functional and effective finished products, engineered to the end-user specifications and are available when and where they are needed. Armorcast has several facilities totaling nearly 475,000 sq. ft. of manufacturing space.



*Corporate Headquarters
Chatsworth, California*



Corporate Facility Chatsworth, California

Ontario, California



PRODUCT INFORMATION

FEATURES & BENEFITS



ARMORCAST PRODUCTS COMPANY

- Molded from Linear High Strength Polyethylene
- UV Resistant-Will Not Discolor
 - High Impact Strength
 - Freeze/Thaw Resistant



Vertical and Low Profile models available

Rotational Molded for High Impact Strength

Vented for excellent heat dispersion

Louvered to limit water intrusion

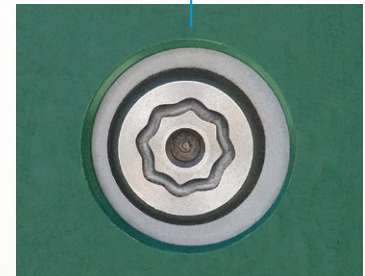
Cover easily removed and replaced

360 degree access

Custom Company LOGO's Available



SLAM LOCK-Self Locking Option with security bolts



Variety of colors available

Light Green

Medium Green

Dark Green

Beige



See page 18 for detailed ordering information.

*Custom colors and custom brackets available. Contact factory for more information. *See page 18 for detailed ordering information.



ARMORCAST PRODUCTS COMPANY

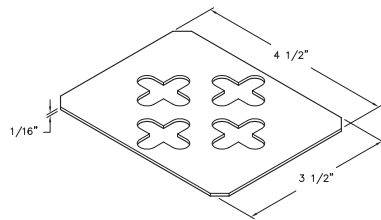
PRODUCT INFORMATION

FEATURES & BENEFITS

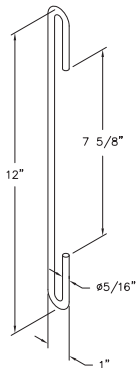


Optional Brackets Available

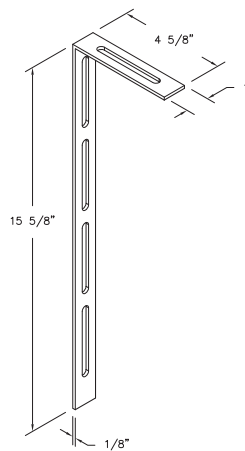
Custom brackets available. Contact factory for more information.



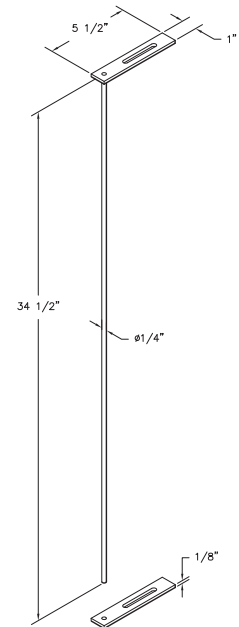
Star Bracket



C-Loop Bracket



Vertical Tap Bracket



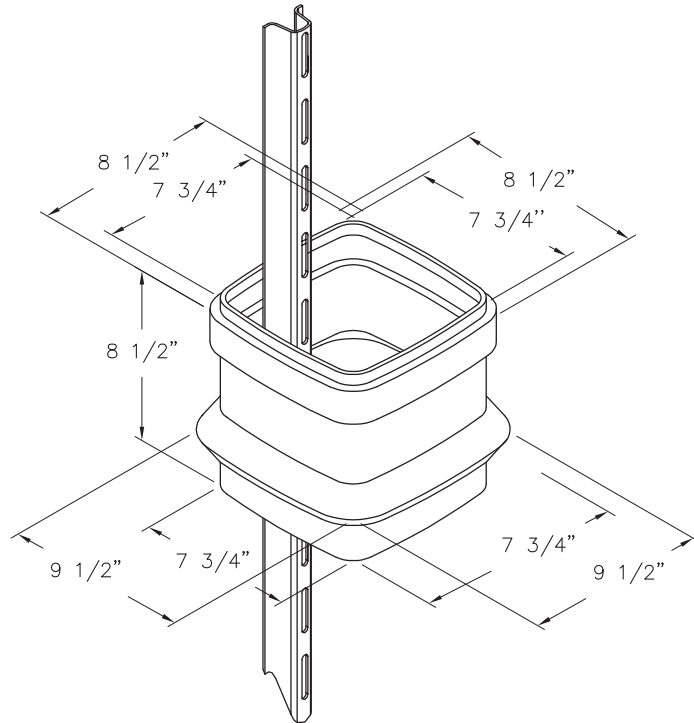
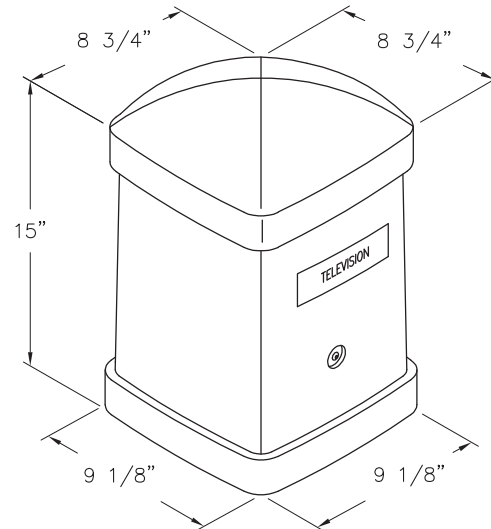
Adjustable Vertical Strand Bracket

8" x 8" PEDESTAL ASSEMBLY

P6001201



ARMORCAST PRODUCTS COMPANY



DESCRIPTION	NOMINAL SIZE W x L x D	DOVE HEIGHT	ABOVE GRADE	SERIES PART NUMBER	APPROX. WEIGHT	PALLET QTY.
PEDESTAL	8 x 8 x 15	13	16	P6001201	08 lbs.	100

*Custom colors and custom brackets available. Contact factory for more information. *See page 18 for detailed ordering information.

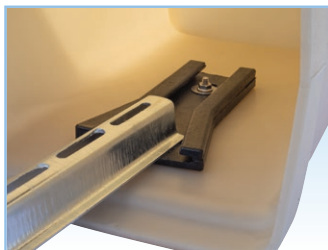
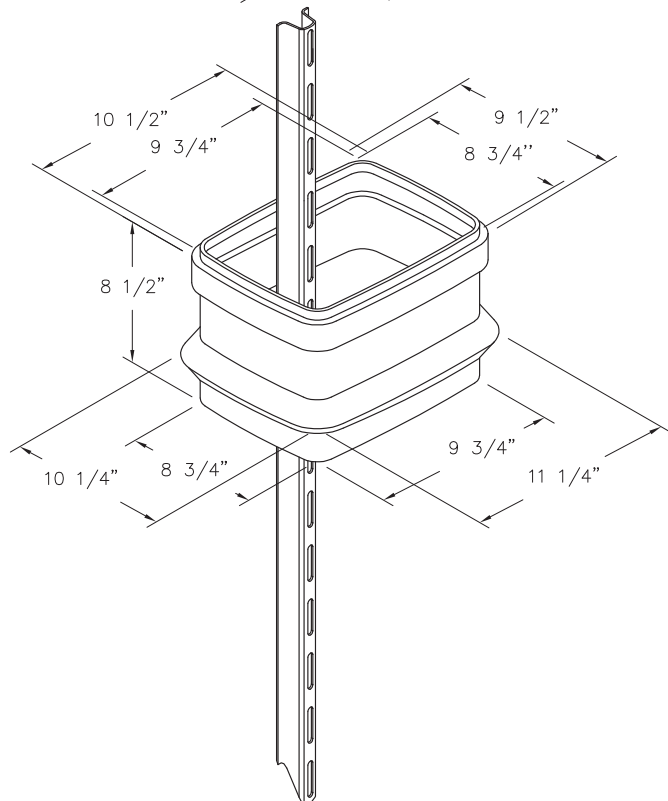
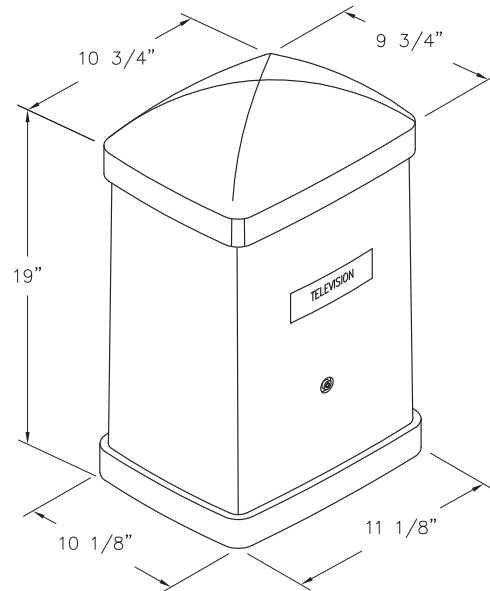
www.armorcastprod.com Tel: (818) 982-3600 Fax: (818) 982-7742



9" x 10" PEDESTAL ASSEMBLY

P6001203

ARMORCAST PRODUCTS COMPANY



DESCRIPTION	NOMINAL SIZE W x L x D	DOME HEIGHT	ABOVE GRADE	SERIES PART NUMBER	APPROX. WEIGHT	PALLET QTY.
PEDESTAL	9 x 10 x 19	17	20	P6001203	13 lbs.	80

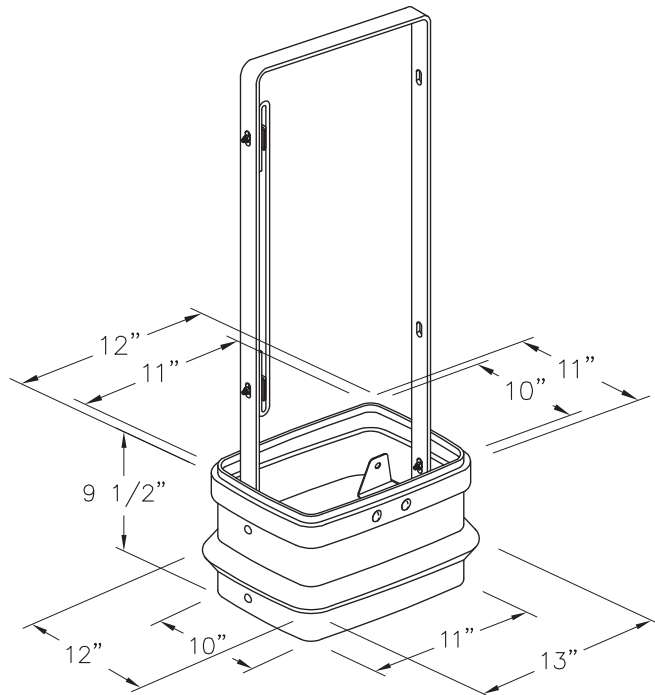
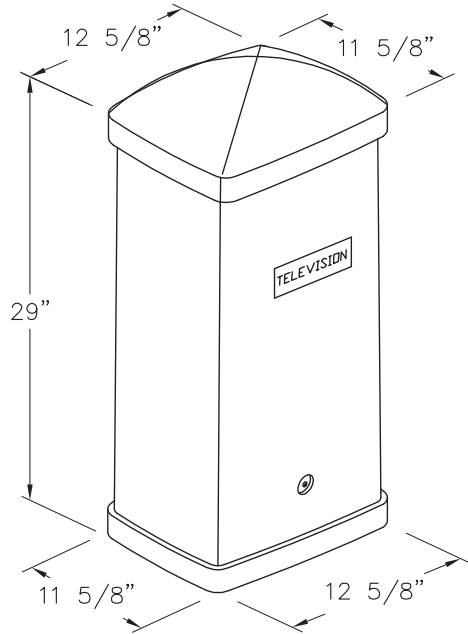
*Custom colors and custom brackets available. Contact factory for more information. *See page 18 for detailed ordering information.

10" x 11" PEDESTAL ASSEMBLY

P6001205



ARMORCAST PRODUCTS COMPANY



DESCRIPTION	NOMINAL SIZE W x L x D	DOVE HEIGHT	ABOVE GRADE	SERIES PART NUMBER	APPROX. WEIGHT	PALLET QTY.
PEDESTAL	10 x 11 x 29	27	30	P6001205	16 lbs.	35

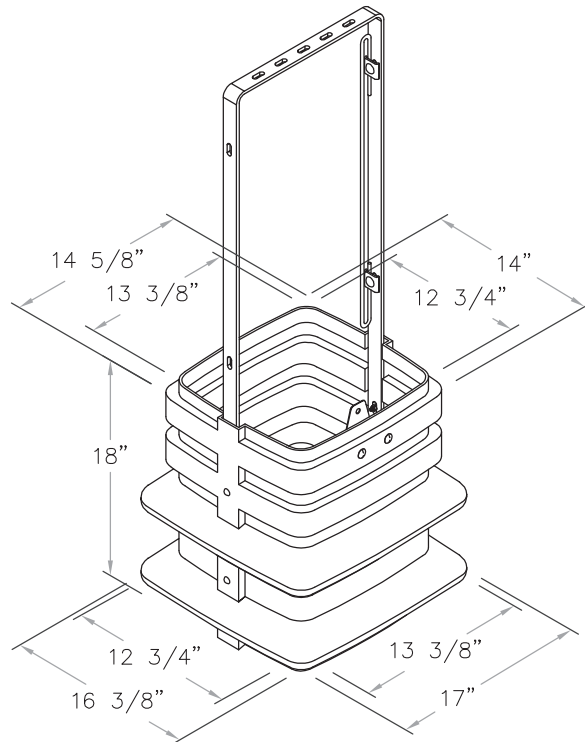
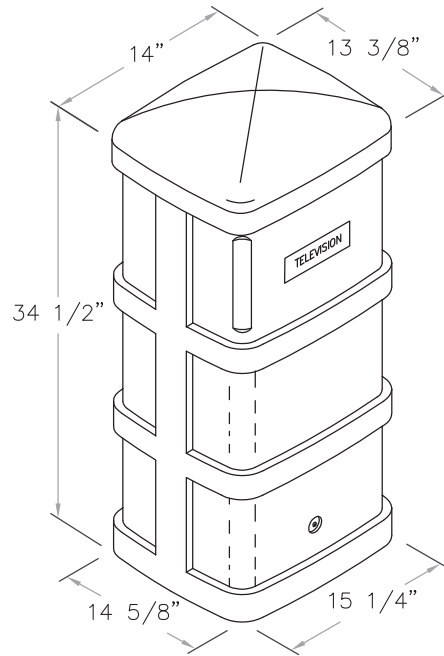
*Custom colors and custom brackets available. Contact factory for more information. *See page 18 for detailed ordering information.



14" x 12" PEDESTAL ASSEMBLY

P6001210

ARMORCAST PRODUCTS COMPANY



DESCRIPTION	NOMINAL SIZE W x L x D	DOMES HEIGHT	ABOVE GRADE	SERIES PART NUMBER	APPROX. WEIGHT	PALLET QTY.
PEDESTAL	14 x 12 x 32	32	36	P6001210	25 lbs.	10

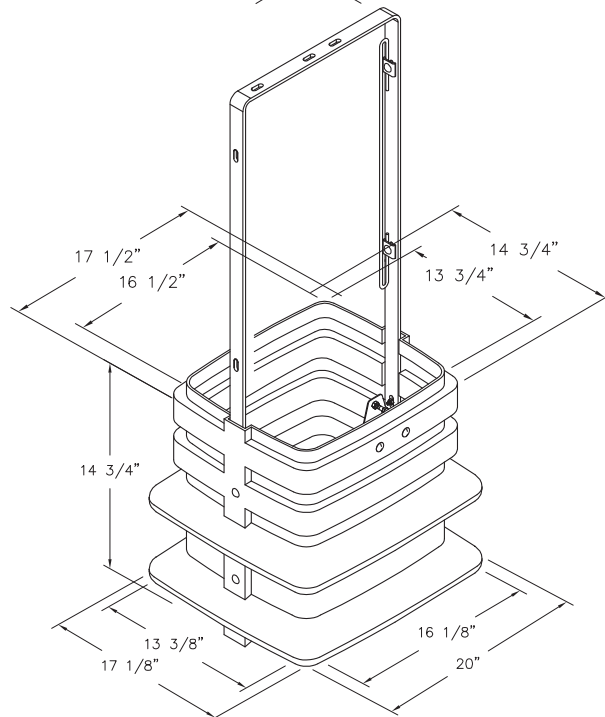
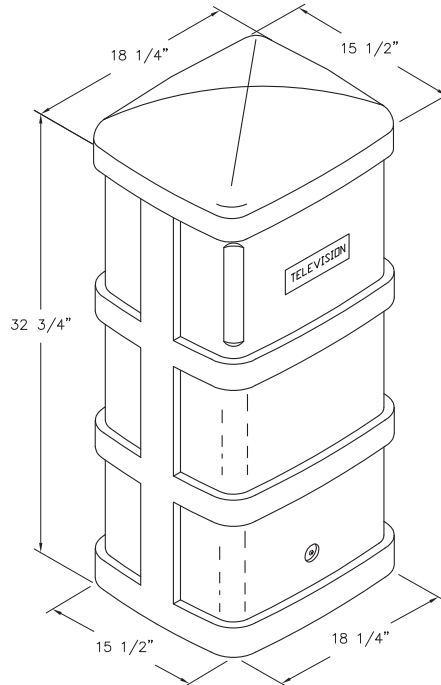
*Custom colors and custom brackets available. Contact factory for more information. *See page 18 for detailed ordering information.

13" x 16" PEDESTAL ASSEMBLY

P6001215



ARMORCAST PRODUCTS COMPANY



DESCRIPTION	NOMINAL SIZE W x L x D	DOMES HEIGHT	ABOVE GRADE	SERIES PART NUMBER	APPROX. WEIGHT	PALLET QTY.
PEDESTAL	13 x 16 x 32	30	34	P6001215	33 lbs.	10

*Custom colors and custom brackets available. Contact factory for more information. *See page 18 for detailed ordering information.

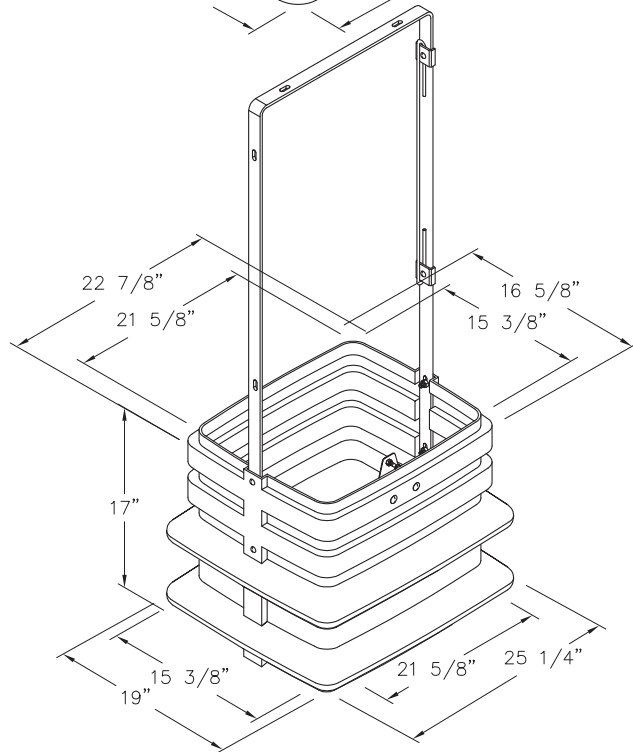
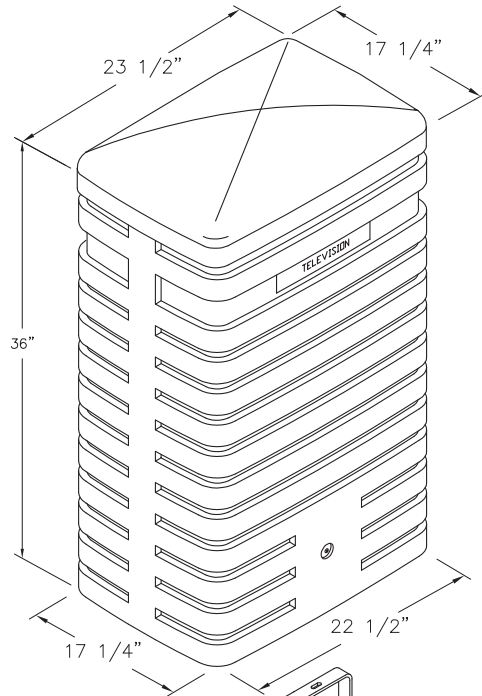
www.armorcastprod.com Tel: (818) 982-3600 Fax: (818) 982-7742



14" x 22" PEDESTAL ASSEMBLY

P6001220

ARMORCAST PRODUCTS COMPANY



DESCRIPTION	NOMINAL SIZE W x L x D	DOMES HEIGHT	ABOVE GRADE	SERIES PART NUMBER	APPROX. WEIGHT	PALLET QTY.
PEDESTAL	14 x 22 x 36	34	37	P6001220	41 lbs.	08

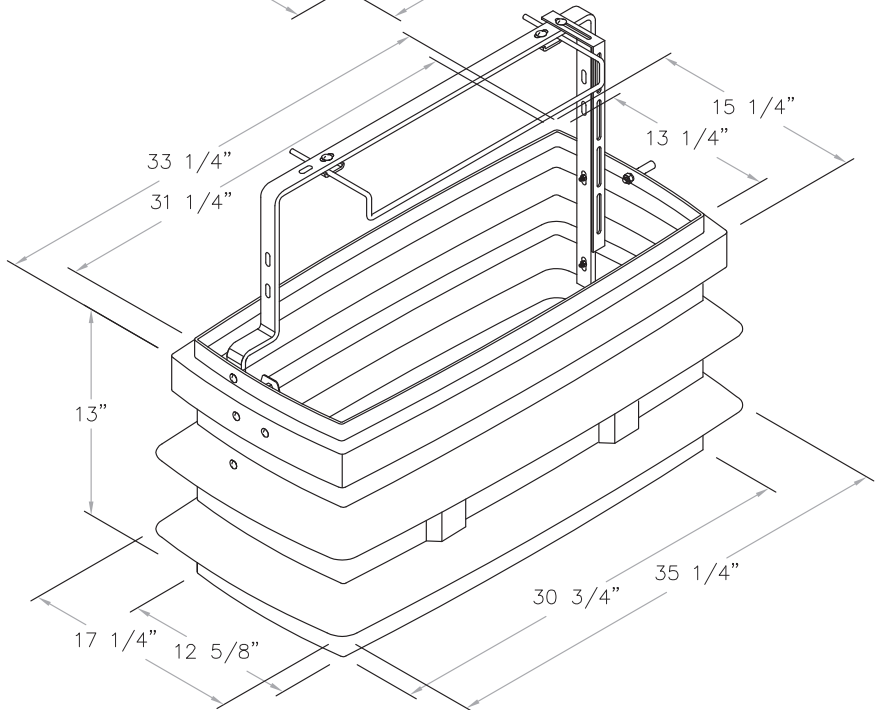
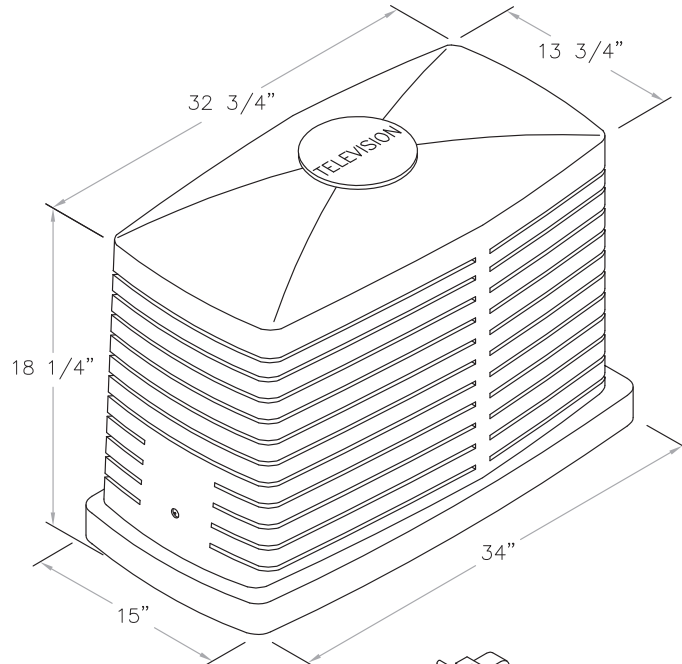
*Custom colors and custom brackets available. Contact factory for more information. *See page 18 for detailed ordering information.

12" x 30" PEDESTAL ASSEMBLY

P6001230



ARMORCAST PRODUCTS COMPANY



DESCRIPTION	NOMINAL SIZE W x L x D	DOVE HEIGHT	ABOVE GRADE	SERIES PART NUMBER	APPROX. WEIGHT	PALLET QTY.
PEDESTAL	12 x 30 x 18	16	19	P6001230	31 lbs.	10

*Custom colors and custom brackets available. Contact factory for more information. *See page 18 for detailed ordering information.

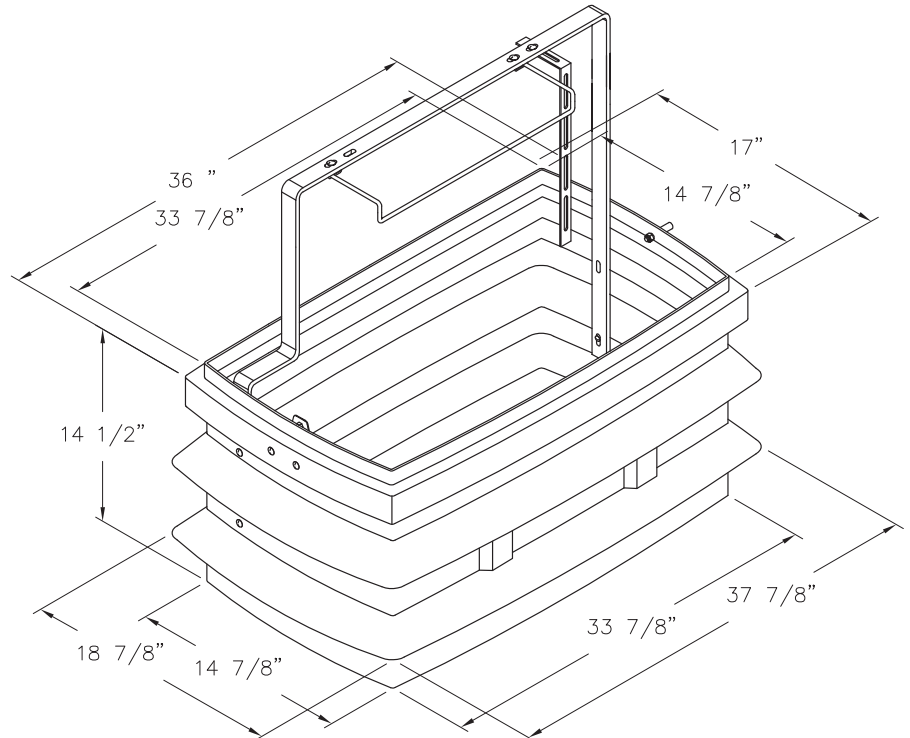
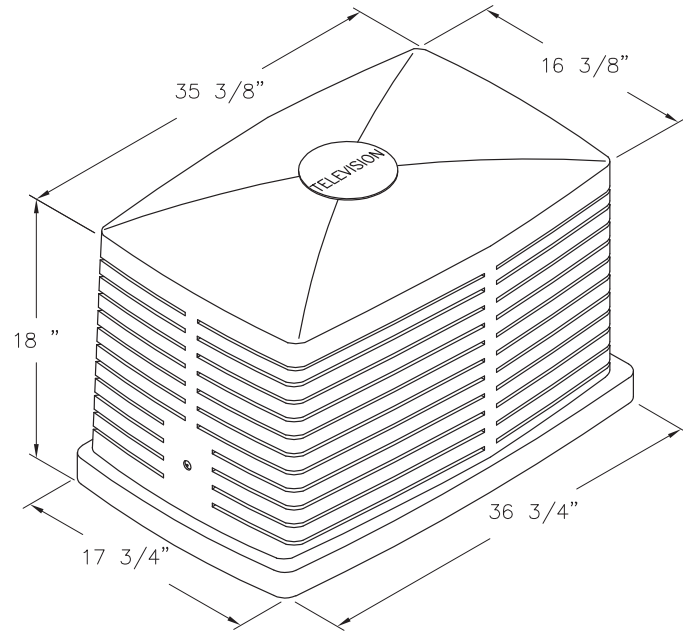
www.armorcastprod.com Tel: (818) 982-3600 Fax: (818) 982-7742



14" x 32" PEDESTAL ASSEMBLY

P6001235

ARMORCAST PRODUCTS COMPANY



DESCRIPTION	NOMINAL SIZE W x L x D	DOMES HEIGHT	ABOVE GRADE	SERIES PART NUMBER	APPROX. WEIGHT	PALLET QTY.
PEDESTAL	14 x 32 x 15	16	19	P6001235	38 lbs.	08

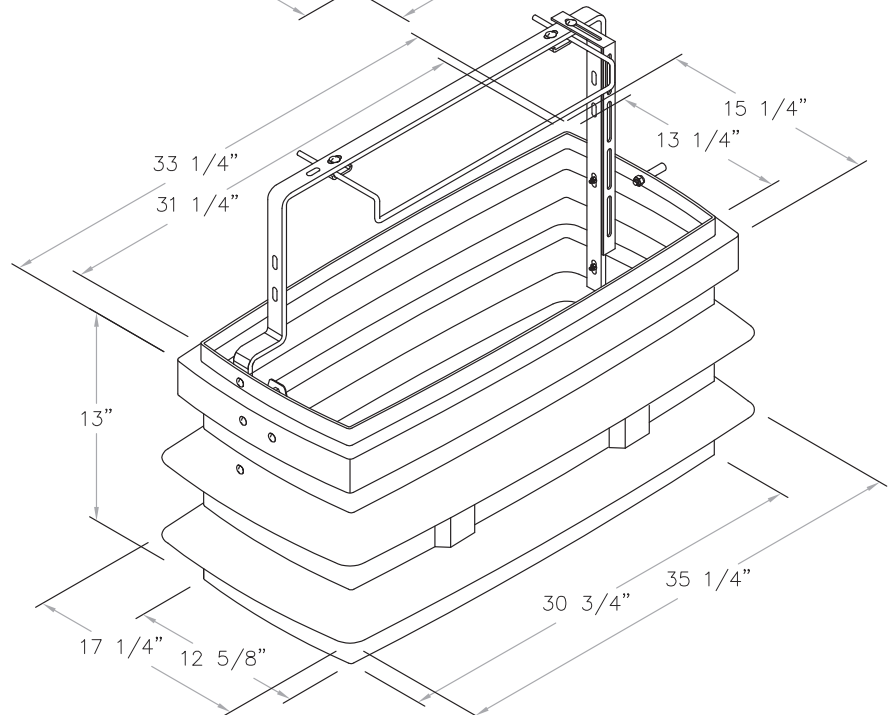
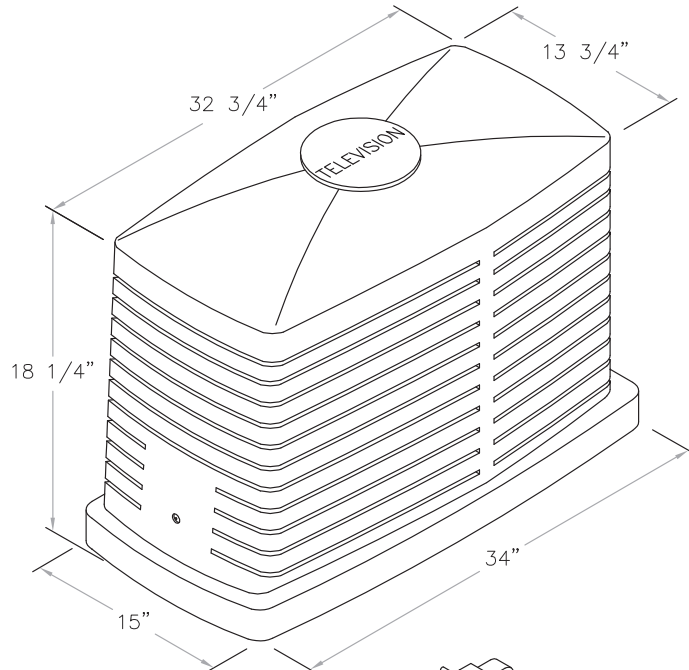
*Custom colors and custom brackets available. Contact factory for more information. *See page 18 for detailed ordering information.

17" x 30" PEDESTAL ASSEMBLY

P6001240



ARMORCAST PRODUCTS COMPANY



DESCRIPTION	NOMINAL SIZE W x L x D	DOMES HEIGHT	ABOVE GRADE	SERIES PART NUMBER	APPROX. WEIGHT	PALLET QTY.
PEDESTAL	17 x 30 x 20	18	22	P6001240	38 lbs.	08

*Custom colors and custom brackets available. Contact factory for more information. *See page 18 for detailed ordering information.

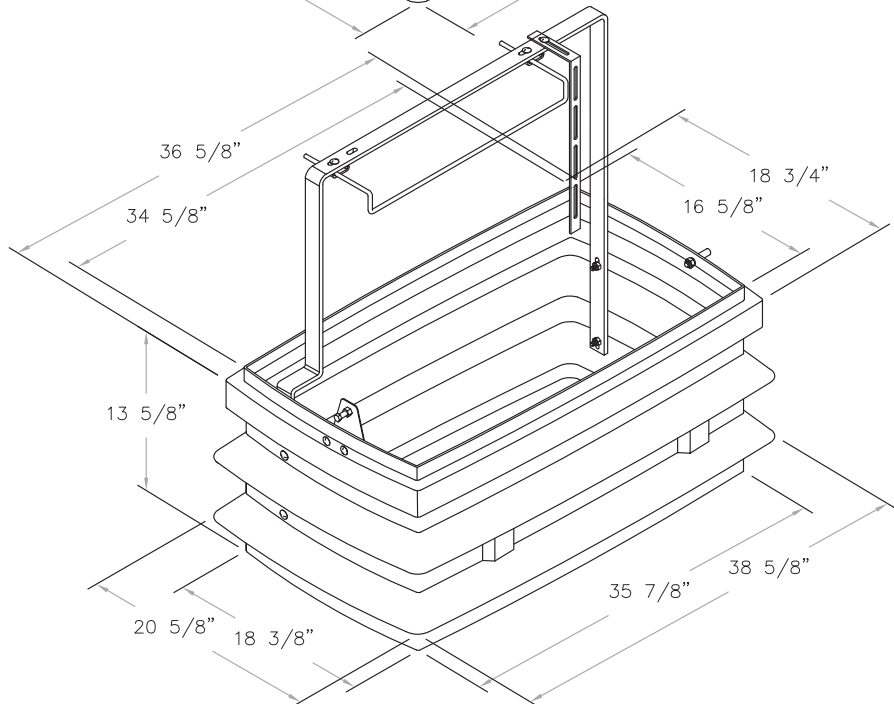
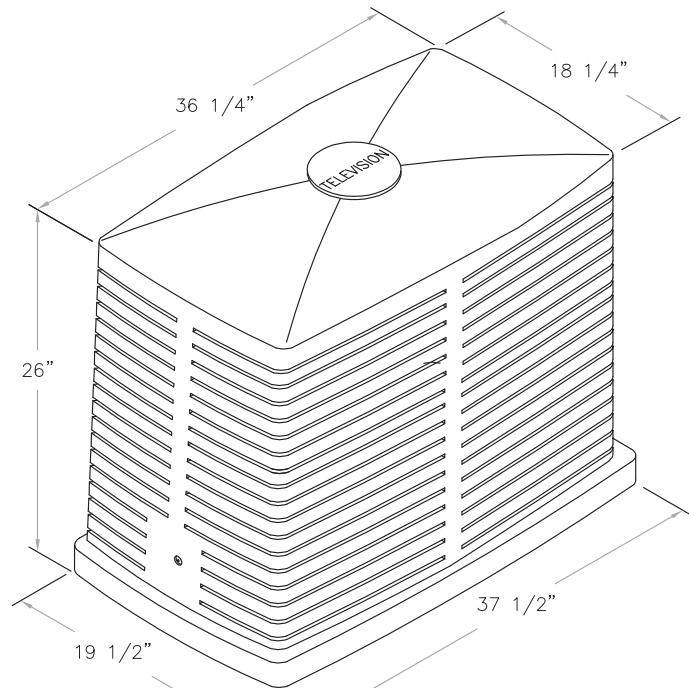
www.armorcastprod.com Tel: (818) 982-3600 Fax: (818) 982-7742



17" x 35" PEDESTAL ASSEMBLY

P6001245

ARMORCAST PRODUCTS COMPANY



DESCRIPTION	NOMINAL SIZE W x L x D	DOVE HEIGHT	ABOVE GRADE	SERIES PART NUMBER	APPROX. WEIGHT	PALLET QTY.
PEDESTAL	17 x 35 x 38	24	27	P6001245	45 lbs.	08

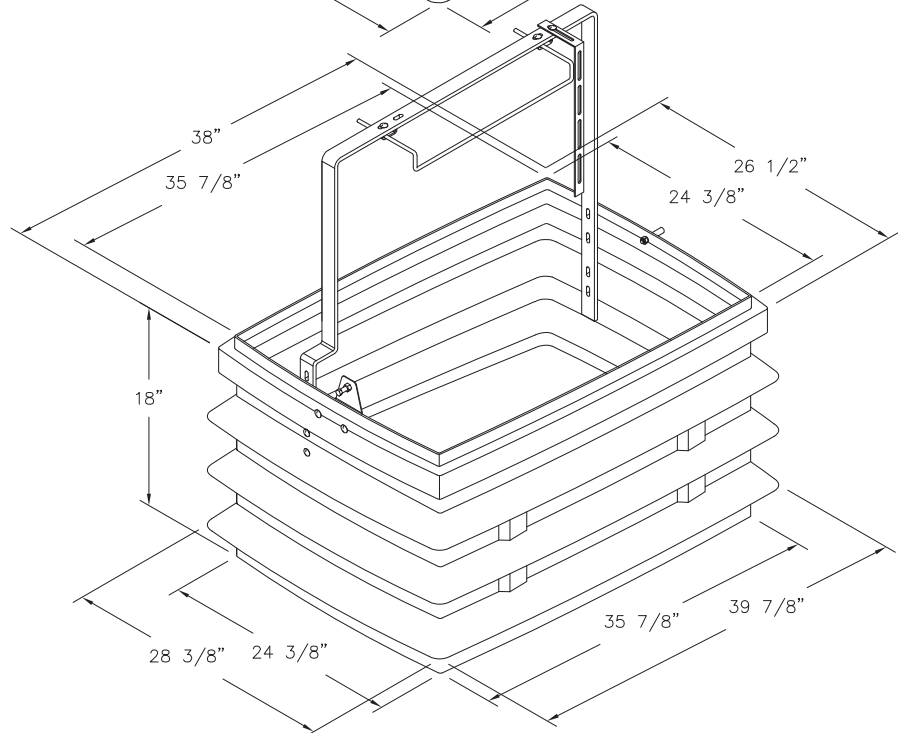
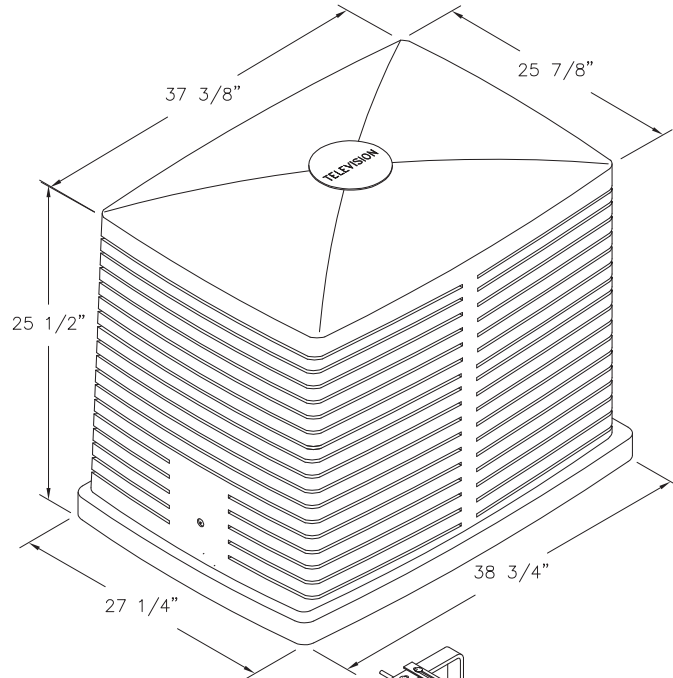
*Custom colors and custom brackets available. Contact factory for more information. *See page 18 for detailed ordering information.

24" x 36" PEDESTAL ASSEMBLY

P6001250



ARMORCAST PRODUCTS COMPANY



DESCRIPTION	NOMINAL SIZE W x L x D	DOVE HEIGHT	ABOVE GRADE	SERIES PART NUMBER	APPROX. WEIGHT	PALLET QTY.
PEDESTAL	24 x 36 x 26	23	27	P6001250	65 lbs.	03

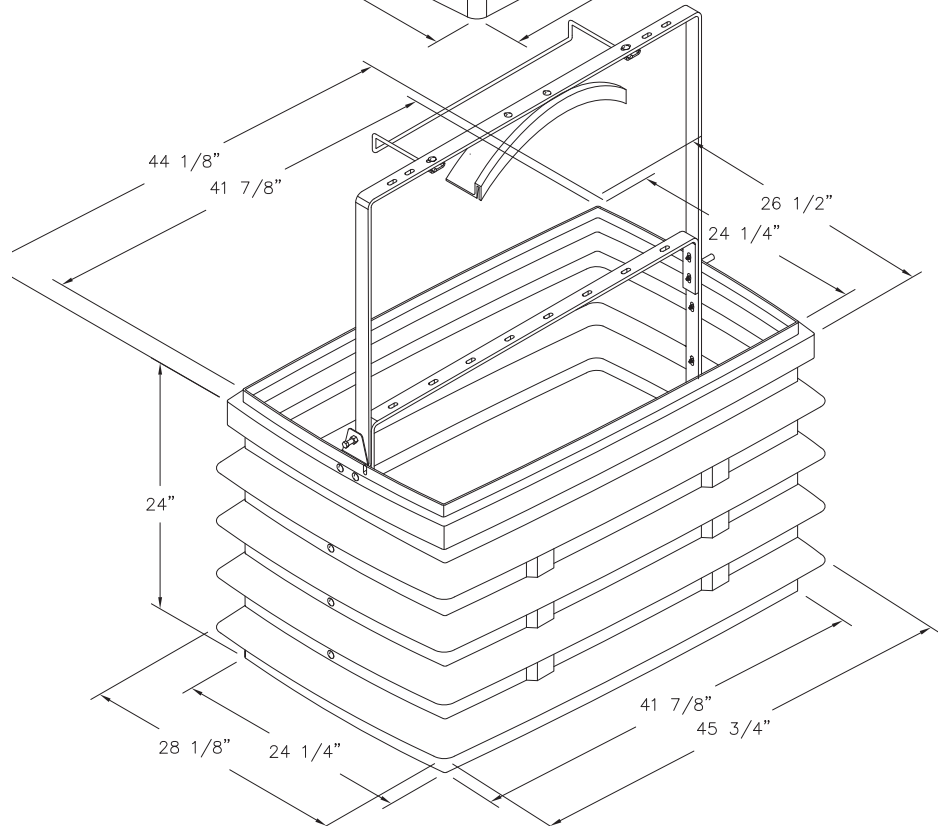
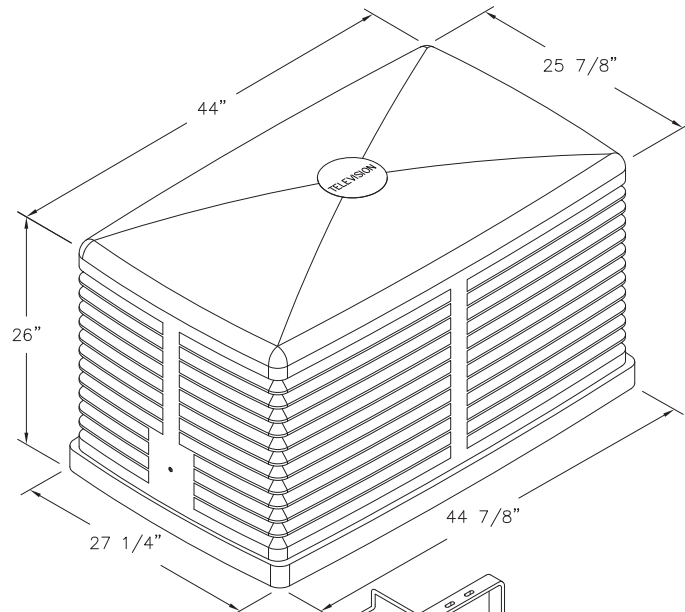
*Custom colors and custom brackets available. Contact factory for more information. *See page 18 for detailed ordering information.



24" x 42" PEDESTAL ASSEMBLY

P6001260

ARMORCAST PRODUCTS COMPANY



DESCRIPTION	NOMINAL SIZE W x L x D	DOMES HEIGHT	ABOVE GRADE	SERIES PART NUMBER	APPROX. WEIGHT	PALLET QTY.
PEDESTAL	24 x 42 x 26	23	27	P6001260	85 lbs.	03

*Custom colors and custom brackets available. Contact factory for more information. *See page 18 for detailed ordering information.

ORDERING INFORMATION



ARMORCAST PRODUCTS COMPANY

DESCRIPTION	NOMINAL SIZE W x L x D	DOVE HEIGHT	ABOVE GRADE	SERIES PART NUMBER	APPROX. WEIGHT	PALLET QTY.
PEDESTAL	8 x 8 x 15	13	16	P6001201XXX	08 lbs.	100
PEDESTAL	9 x 10 x 19	17	20	P6001203XXX	13 lbs.	80
PEDESTAL	10 x 11 x 29	27	30	P6001205XXX	16 lbs.	35
PEDESTAL	14 x 12 x 32	32	36	P6001210XXX	25 lbs.	10
PEDESTAL	13 x 16 x 32	30	34	P6001215XXX	33 lbs.	10
PEDESTAL	14 x 22 x 36	34	37	P6001220XXX	41 lbs.	08
PEDESTAL	12 x 30 x 18	16	19	P6001230XXX	31 lbs.	10
PEDESTAL	14 x 32 x 15	16	19	P6001235XXX	38 lbs.	08
PEDESTAL	17 x 30 x 20	18	22	P6001240XXX	38 lbs.	08
PEDESTAL	17 x 35 x 38	24	27	P6001245XXX	45 lbs.	08
PEDESTAL	24 x 36 x 26	23	27	P6001250XXX	65 lbs.	03
PEDESTAL	24 x 42 x 26	23	27	P6001260XXX	85 lbs.	03

Part Number Key for Ordering:

P 6 0 0 1 2 3 0 X X X

Color

Lock Type

Bolt Type



A	Light Green	A	Hasp Lock	A	Pattern 79
B	Medium Green	B	Highfield Barrel Lock	B	Pattern 801
C	Dark Green	C	Slam Lock	C	Pattern 35
D	Beige			D	Pattern 85
E	Custom Color*			E	Pattern 802
				F	Pattern 112
				G	Pattern 710
				H	7/16" SEMS Bolt
				I	3/8" Pin Allen Bolt
				J	Diversified 83
				K	P key

* Contact factory for more information.

* Custom brackets available (shown on page 5).
Contact factory for more information.



Armorcast Products Company
Secure and Protective Enclosures

**FIBERGLASS
VAULT & MANHOLE ASSEMBLIES**



**POLYMER CONCRETE
VAULT & MANHOLE ASSEMBLIES**



MADE IN THE U.S.A.



**POLYMER CONCRETE
BOX ASSEMBLIES**



**FIBERGLASS
BOX ASSEMBLIES**

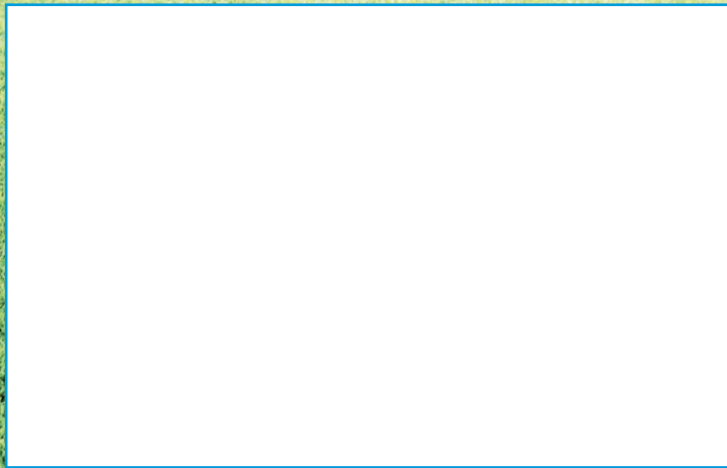


Innovation • Quality • Variety • Service



ABOVE GRADE PEDESTALS

MADE IN THE U.S.A.



ARMORCAST PRODUCTS COMPANY

9140 Lurline Avenue, Chatsworth, CA 91311 Tel: (818) 982-3600 Fax: (818) 982-7742 www.armorcast.com

©2019 Armorcast Products Company