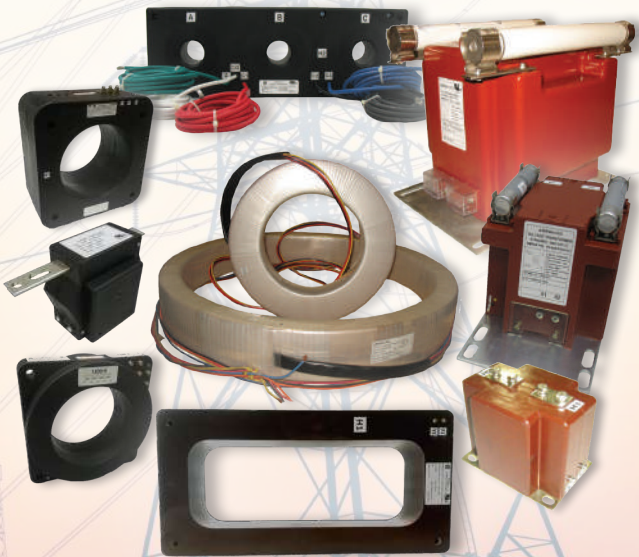


AMRAN

INSTRUMENT TRANSFORMERS

OEM Reference Guide



Engineering Excellence Through Expertise

www.amranit.com

VISION

Be the industry leader in instrument transformers by providing value through engineering expertise and innovation with unparalleled customer service.

“Customers First.....no exceptions”

MISSION

Provide OEMs with solutions in the changing market place that creates value and partnerships with continued growth. Changes happen and we are here to provide solutions not obstructions to growth and change. Developing new products to serve our market is what we do and do well.

GUIDING PRINCIPLES AND VALUES

Commitment to customers....Customers first, without them we do not exist and their experience is a reflection of our performance. Our golden rule is to treat our internal and external customers with respect, honesty, and integrity.

QUALITY POLICY

AMRAN Inc. accepts responsibility for the complete satisfaction of its customers. We are committed to meeting the customer's requirements and to continually improve the effectiveness of the quality management system. Our objective is to deliver defect free products/services on time, every time.

Our Quality Motto Is

“If It's Worth Doing, It's Worth Doing Right”

COMMITMENT



- Quality
- Environment
- Customer Service

CODE OF CONDUCT & STEWARDSHIP



- Ethics/Values
- Integrity
- Positive Work Environment

For more information, visit our website at www.amranit.com



Amran Instrument Transformers is a leading manufacturer of Low Voltage and Medium Voltage Instrument Transformers (Current and Voltage Transformers), having multiple manufacturing plants in USA and India, selling its products to over 40 countries around the world. Amran's product portfolio includes standard products as well as numerous custom products specifically designed and developed for OEM specific equipment.

PRODUCT RANGE

- Low Voltage CTs (600V, 720V)
- Low Voltage VTs (600V, 720V)
- Medium Voltage CTs (Upto 34.5kV)
- Medium Voltage VTs (Upto 34.5KV)
- Rogowski Coils

PRODUCT STANDARDS / SPECIFICATIONS

- IEEE/ANSI C57.13 (North America)
- Other International Standards
 - IEC (61869-1, -2, etc.)
 - Canada (CAN/CSA)
 - Australia (AS)
 - United Kingdom (BS)
- Customer Specific standard & requirement

PRODUCT APPROVALS / CERTIFICATIONS

- UL
- cUL
- CSA
- CE
- Industry Canada (IC Approval)
- ROHS
- REACH

CERTIFICATIONS and PROCESSES

- Minority Business Enterprise (MBE)
- ISO 9001 (Quality)
- ISO 14001 (Environment)
- OHSAS 18001 (Health & Safety)
- PPAP, FMEA, Control Plans, Flow-Chart, etc.

- Many of Amran's standard products in this pocket guide are to show the dimensional and electrical specifications. Further information such as drawings, excitation curves, custom options etc. are available. For such requests, please call us or email us on sales@amranit.com
- Most up-to-date version of this Pocket guide is available on Amran's website www.amranit.com/pocketguide
- Most up-to-date versions of the product datasheets are available on Amran's website www.amranit.com/datasheets
- Product specifications and dimensions provided in this book are for reference only. While choosing the products, consideration should be given to the field conditions, installation, altitude, temperature etc. factors. Contact us for any questions.

For additional information about Amran, Inc. and product portfolio/gallery, go to page 250.

Low Voltage Current Transformers (Low Voltage Switchgear and General Purpose)					
Primary Current Range	Window Size (inches)	AMRAN Model Number	GE-ITI MODEL #	ABB MODEL #	Page #
10 to 100	0.61	CT212	9A		6
50 to 300	1.0	CT211	2D, 2DRL, 2DARL		6
50 to 300	1.13	CT201	AL(2RL)		8
50 to 300	1.14	CT225	2SFT		8
75 to 800	1.22	CT222			10
50 to 1000	1.22	CT223			10
50 to 1000	1.22	CT224			12
50 to 400	1.25	CT229	16SFT		12
50 to 1000	1.25	CT230	21		14
50 to 1200	1.55	CT226	5SFT		16
50 to 1200	1.56	CT202	5RL		16
100 to 500	1.63	CT231	22		18
100 to 600	2.00	CT232	23		20
100 to 1500	2.05	CT227	6SFT		22
100 to 1500	2.06	CT203	6RL		22
50 to 1200	2.06	CT304	BL, BT, BF		24
50 to 1200	2.08	CT300	56 (RB, RT, RL)		24
50 to 1200	2.08	CT301	56RBT		26
50 to 1200	2.08	CT302	56RBL		26
50 to 1200	2.25	CT372	112	SCG-1	28
50 to 1500	2.25	CT206	7RL		30
100 to 1600	2.5	CT204	7RL		30
50 to 600	2.5	CT213	200		32
50 to 2000	2.5	CT220	180SHT		34
100 to 1600	2.5	CT233	24		36
100 to 1600	2.5	CT235	7SHT		38
50 to 1500	2.75	CT373	113	SCG-2	40
200 to 2000	3.0	CT303	76RBL		42
50 to 800	3.0	CT382	298	SCH-3	42
200 to 2000	3.06	CT365	195		44
200 to 2000	3.13	CT234	25		46
50 to 1600	3.25	CT374	114	SCG-3	48
200 to 4000	3.25	CT205	8RL		50
200 to 4000	3.25	CT255	8SHT		52
50 to 800	3.5	CT214	201		54
300 to 4000	3.5	CT207			56
50 to 3200	4	CT375	115	SCG-4	58
Up to 4000	4	CT236	100	SCN	60
100 to 4000	4	CT239			62
200 to 4000	4.25	CT209	170RL		64
200 to 4000	4.25	CT221	170SHT, 19SHT	SCE	66
100 to 1000	4.50	CT217	204		68
50 to 4000	4.62	CT377	117	SCG-5	70
100 to 1000	4.88	CT215	202		72
200 to 5000	5.25	CT216	203, 203MR		74
50 to 5000	5.75	CT237	135, 135MR	SCO	76
600 to 4000	6.31	CT238	125, 125MR	SCM	78

Split Core Current Transformers					
Primary Current Range	Window Size (inches)	AMRAN Model Number	GE-ITI MODEL #	ABB MODEL #	Page #
100 to 400	0.84 x 2.16	CT160	613		80
100 to 400	0.90 x 2.16	CT150			80
200 to 300	1.26 x 1.42	CT170			82
200 to 1200	1.60 x 3.42	CT161			82
200 to 1200	1.65 x 3.42	CT151			84
600 to 3000	2.36 x 5.70	CT152			84
600 to 3000	2.40 x 5.71	CT162	600		86
200 to 1200	2.44 x 2.89	CT171			86
3 Phase Current Transformers					
Primary Current Range	Window Size (inches)	AMRAN Model Number	GE-ITI MODEL #	ABB MODEL #	Page #
50 to 100	1.25	CT460			88
50 to 1000	1.97	CT453			90
150 to 1000	2.00	CT461	3P41		92
300 to 1000	2.50	CT462	3P42		94
Medium Voltage Switchgear Current Transformers					
Primary Current Range	Window Size (inches)	AMRAN Model Number	GE-ITI MODEL #	ABB MODEL #	Page #
50 to 4000	5.08	CT108			96
1200 to 3000 (multi-ratio)	5.08	CT109MR			98
600 to 4000 (multi-ratio)	5.9	CT105MR			100
50 to 5000	5.25	CT342	622	SAB-1	102
600 to 4000 (multi-ratio)	5.25	CT342MR	622 (multi-ratio)	SAB-1 (multi-ratio)	104
50 to 5000	5.25	CT344	624	SAB-1D	106
600 to 4000 (multi-ratio)	5.25	CT344MR	624 (multi-ratio)	SAB-1D (multi-ratio)	108
50 to 5000	6.5	CT343	623	SAB-2	110
600 to 4000 (multi-ratio)	6.5	CT343MR	623 (multi-ratio)	SAB-2 (multi-ratio)	112
50 to 5000	6.5	CT345	625	SAB-2D	114
600 to 4000 (multi-ratio)	6.5	CT345MR	625 (multi-ratio)	SAB-2D (multi-ratio)	116
50 to 4000	6.5	CT101	780	SCV	118
50 to 4000	6.5	CT101I (IEC)	780I		120
600 to 4000 (multi-ratio)	6.5	CT102MR	781	SCV	122
50 to 4000	6.5	CT103	785	SCV-D	124
50 to 4000	6.5	CT103I (IEC)	785I		126
600 to 4000 (multi-ratio)	6.5	CT104MR	786	SCV-D	128
50 to 5000	7.02	CT111	680	SCR	130
600 to 4000 (multi-ratio)	7.02	CT111MR	681	SCR	132
50 to 5000	7.02	CT112	685	SCR-D	134
600 to 4000 (multi-ratio)	7.02	CT112MR	686	SCR-D	136
50 to 4000	7.25	CT340	882	SCP-2	138
600 to 4000 (multi-ratio)	7.25	CT340MR			140

Medium Voltage Switchgear Current Transformers					
Primary Current Range	Window Size (inches)	AMRAN Model Number	GE-ITI MODEL #	ABB MODEL #	Page #
50 to 6000	7.31	CT354	142	SCP-2	142
600 to 4000 (multi-ratio)	7.31	CT354MR	142MR		144
50 to 6000	7.31	CT355	143	SCD-2, BYZ-S	146
600 TO 4000 (multi-ratio)	7.31	CT355MR	143MR		148
50 to 6000	8.13	CT352	140	SCP-3	150
600 TO 4000 (multi-ratio)	8.13	CT352MR	140MR		152
50 to 6000	8.13	CT353	141	SCD-3	154
600 to 4000 (multi-ratio)	8.13	CT353MR	141MR		156

Ground Fault Sensors (600 V)

Primary Current Range	Window Size (inches)	AMRAN Model Number	GE-ITI MODEL #	ABB MODEL #	Page #
50	6.31	CT238	HGF5C		158
50 to 100	7.31	CT355	143		158
50 to 100	12.80 x 13.58	CTQ2340			160
50 to 500	8.06 x 22.06	CT428	593, 594	BYZ-L	160

Rectangular Current Transformers

Primary Current Range	Window Size (inches)	AMRAN Model Number	GE-ITI MODEL #	ABB MODEL #	Page #
1000 to 1250	1.96 x 0.43	CT405			162
400 to 800	1.96 x 0.59	CT406			164
1600 to 3200	2.37 x 3.15	CT426	584		166
5000 to 9000	2.56 x 4.0	CT403			168
100 to 2000	2.63 x 5.25	CT425			170
100 to 4000	3.25 x 4.25	CT401	561		172
1600 to 2000	3.26 x 0.71	CT407			174
200 to 3200	3.75 x 4.75	CT402	567		176
2000 to 4000	4.00 x 5.38	CT400	562		178
100 to 2000	4.25 x 1.18	CT409			180
100 to 3200	4.29 x 3.24	CT410			182
2000 to 5000	4.25 x 5.67	CT411			184
100 to 3200	4.26 x 2.77	CT420			186
2500 to 3200	4.84 x 0.71	CT408			188
2000 to 5000	5.85 x 4.25	CT421			190
2500 to 6000	6.33 x 2.13	CT422			192
4000 to 6000	6.30 x 5.17	CT423			194
2500 to 3000	6.33 x 1.79	CT424			196
2000 to 6000	6.90 x 3.15	CT427	585		198
50 TO 500	8.06 X 22.06	CT428	593, 594	BYZ-L	200
50 TO 100	12.80 X 13.58	CTQ2340-101DR			202

Auxiliary Current Transformers

Primary Current Range	Window Size (inches)	AMRAN Model Number	GE-ITI MODEL #	ABB MODEL #	Page #
0.4 to 10.5		CT550	190, 190X		204

600 Volt Voltage Transformers

Primary Voltage Range	Thermal VA Rating	AMRAN Model Number	GE-ITI MODEL #	ABB MODEL #	Page #
69.3 to 600	75VA @ 30C	PT101	468		206
69.3 to 600	150VA @ 30C	PT100	465	PPD	206
69.3 to 600	40VA @ 30C	PT103	469, 2VT469		208
69.3 to 600	75VA @ 30C	PT104	460		210
69.3 to 600	750VA @ 30C	PT105	450		212

Medium Voltage Current Transformers

Primary Current Range	Voltage Class	AMRAN Model Number	GE-ITI MODEL #	ABB MODEL #	Page #
5 to 600	15.5 kV	C6.1	CTW5-L-110 / CTWH5-L-110		214
5 to 600	5.6 kV	C8.6	CTW3-60-T50 / CTWH3-60-T50		216
5 to 1200	5.6 kV	C8.7	CTWH3-60-T100	KIR-60	218
5 to 600	5.6 kV	C18	CTW3-60-T50 / CTWH3-60-T50		220

Medium Voltage Single Phase Indoor Voltage Transformers

Primary Voltage Range	Voltage Class	AMRAN Model Number	GE-ITI MODEL #	ABB MODEL #	Page #
2400 to 4800	5.6 kV	V9	PTG3	VIY-60	222
2400 to 4800	5.6 kV	V9.1	PTW3	VIY-60	224
7200 to 14400	15.5 kV	V10	PTW4, PTG4, PTW5, PTG5	VIZ-75, VIZ-11	226
2400 to 14400	15.5 kV	V21.1	PTG4, PTG5	VIZ-75, VIZ-11	228
2400 to 14400	15.5 kV	V21.1 (Westinghouse Style)	PTW4, PTW5	VIZ-75, VIZ-11	230
4160 to 13800	15.5kV	V21.5		TJP 5.0	232
7200 to 24000	25.5 kV	V22.1		VIZ-12	234
12000 to 24000	25.5 kV	V22.2		VIZ-12G	234
18000 to 24000	25.5 kV	V22.5	PT6-2		236
10200 to 24000	25.5 kV	V22.6	PT6-1		236

Medium Voltage Three Phase Indoor Voltage Transformers

Primary Voltage Range	Voltage Class	AMRAN Model Number	GE-ITI MODEL #	ABB MODEL #	Page #
2400 to 7200	7.2 kV	V19			238
2400 to 7200	7.2 kV	V19.4			240
2400 to 12000	12 kV	V20.1			242
7200 to 13200	13.2 kV	V20.2			244
6600 to 13200	15.5 kV	V21			246

Custom Engineered Bushing Current Transformers

Primary Current Range	Voltage Class	AMRAN Model Number	GE-ITI MODEL #	ABB MODEL #	Page #
50 to 20000	600 V	Various			248

Additional Information

Company Profile	250
Product Gallery/Portfolio	252

Model CT212

Window 0.61", 600V, 10kV BIL



INSULATION LEVEL
600 V; BIL 10kV full wave

FREQUENCY
50-400 Hz.

RATING FACTOR
1.0 @ 30 deg. C ambient

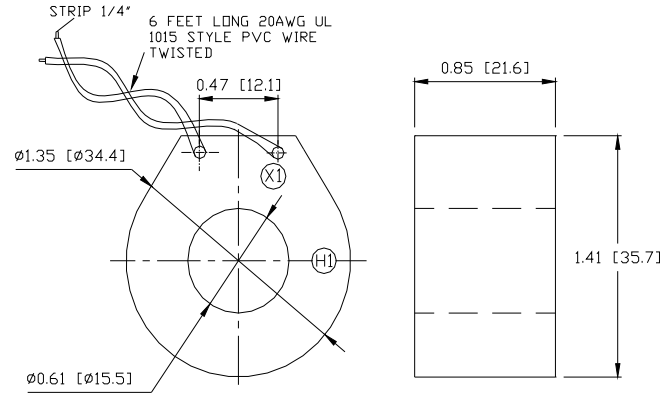
OUTER ENCAPSULATION
Plastic Cased. Polarity side is white for ease of identification.

SECONDARY LEADS
Flexible leads UL 1015, 20 AWG, 72" long. Twisted pair is standard.

APPROX. WEIGHT
0.35 lbs.

Equivalent to GE-ITI MODEL 9A

Catalog Number	Current Ratio	Accuracy (60 Hz)	Burden (Ohms)
CT212-100	10:0.1	± 3 %	1.0
CT212-150	15:0.1	± 2 %	1.0
CT212-250	25:0.1	± 1 %	1.0
CT212-500	50:0.1	± 1 %	3.3
CT212-750	75:0.1	± 1 %	3.3
CT212-101	100:0.1	± 1 %	3.3



All dimensions are in inches [mm]

Model CT211

Window 1.00", 600V, 10kV BIL



INSULATION LEVEL
600 V; BIL 10kV full wave

FREQUENCY
50-400 Hz.

RATING FACTOR
2.0 @ 30 deg. C ambient for upto 150:5 A
1.5 @ 30 deg. C ambient from 150:5 to 300:5 A

OUTER ENCAPSULATION
Plastic Cased

SECONDARY LEADS
Flexible leads UL 1015, 16 to 20 AWG, 12 to 24" long

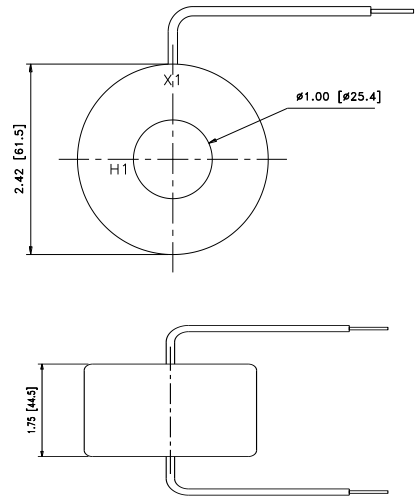
APPROX. WEIGHT
0.9 lbs.

Equivalent to GE-ITI MODEL 2D, 2DRL, 2DARL

* Approved for revenue metering by Industry
Canada No. AE-1757, AE-1566



CATALOG NUMBER	CURRENT RATIO	ACCURACY @ 60 Hz	BURDEN VA @ 60 HZ	ANSI METERING CLASS AT 60 HZ			
				B0.1	B0.2	B0.5	B0.9
CT211-500	50:5	+/- 5%	2.5	4.8	-	-	-
CT211-600	60:5	+/- 5%	2.5	4.8	-	-	-
CT211-750	75:5	+/- 3%	2.5	2.4	-	-	-
CT211-800	80:5	+/- 3%	2.5	2.4	-	-	-
CT211-101	100:5	+/- 3%	2.5	2.4	-	-	-
CT211-121	120:5	+/- 3%	3	2.4	2.4	-	-
CT211-1250	125:5	+/- 3%	3	2.4	2.4	-	-
CT211-151	150:5 *	+/- 1%	2.5	1.2	1.2	-	-
CT211-201	200:5 *	+/- 1%	5	0.3	0.6	1.2	-
CT211-251	250:5 *	+/- 1%	5	0.3	0.6	1.2	-
CT211-301	300:5 *	+/- 1%	10	0.3	0.3	0.6	1.2



All dimensions are in inches [mm]

Model CT201

Window 1.13", 600V, 10kV BIL



INSULATION LEVEL
600 V; BIL 10kV full wave

FREQUENCY
50-400 Hz.

RATING FACTOR
1.33 @ 30 deg. C ambient

OUTER ENCAPSULATION
Plastic Cased

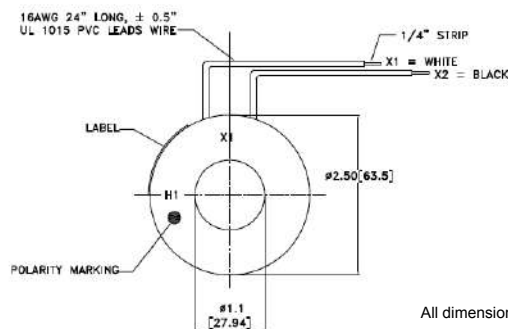
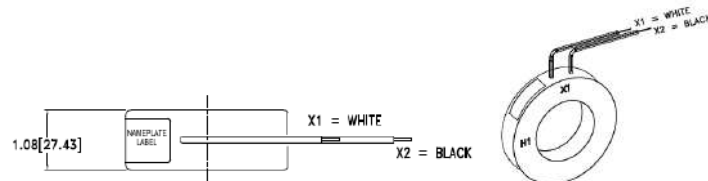
SECONDARY LEADS
Flexible leads UL 1015, 16 to 20 AWG, 24" long

APPROX. WEIGHT
0.5 lbs.

Catalog Number	Current Ratio	Accuracy (60 Hz)	Burden VA
CT201-300	30:5	± 5 %	0.5
CT201-500	50:5	± 3 %	2.0
CT201-600	60:5	± 2 %	2.0
CT201-750	75:5	± 2 %	2.0
CT201-800	80:5	± 2 %	2.0
CT201-101	100:5	± 1 %	2.0
CT201-121	120:5	± 1 %	2.5
CT201-1250	125:5	± 1 %	2.5
CT201-151	150:5	± 1 %	4.0
CT201-201	200:5	± 1 %	4.0
CT201-251	250:5	± 1 %	6.0
CT201-301	300:5	± 1 %	8.0



DIMENSIONS:



Model CT225

Window 1.14", 600V, 10kV BIL Full Wave



Equivalent to GE-ITI MODEL 2SFT/2SHT

INSULATION LEVEL
600 V; BIL 10kV full wave

FREQUENCY
50-400 Hz.

RATING FACTOR
1.33 @ 30 deg. C ambient

OUTER ENCAPSULATION
Plastic Cased

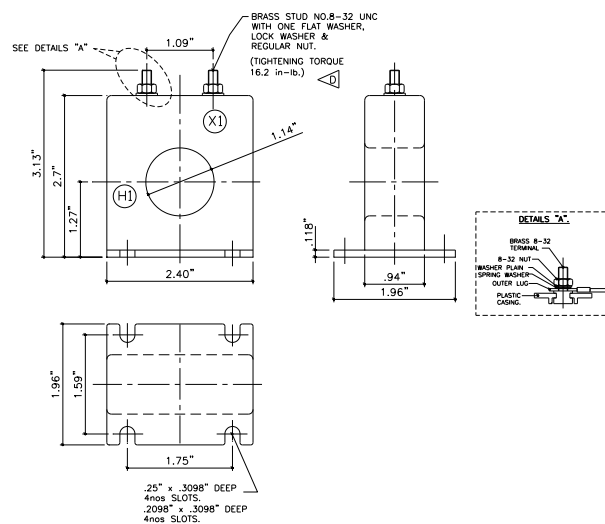
TERMINALS
Brass studs No 8-32 UNC with one flat washer, lockwasher and regular nut.

APPROX. WEIGHT
0.5 lbs.



Catalog Number	Current Ratio	Accuracy (60 Hz)	Burden VA
CT225-500	50:5A	± 3 %	2.0
CT225-600	60:5A	± 2 %	2.0
CT225-750	75:5A	± 2 %	2.0
CT225-800	80:5A	± 2 %	2.0
CT225-101	100:5A	± 1 %	2.0
CT225-121	120:5A	± 1 %	2.5
CT225-1250	125:5A	± 1 %	2.5
CT225-151	150:5A	± 1 %	4.0
CT225-201	200:5A	± 1 %	4.0
CT225-251	250:5A	± 1 %	6.0
CT225-301	300:5A	± 1 %	8.0

DIMENSIONS:



All dimensions are in inches

Model CT222

Window 1.22", 600V, 10kV BIL Full Wave



INSULATION LEVEL
600 V; BIL 10kV

FREQUENCY
50-400 Hz.

THERMAL RATING
2.0 @ 30 deg. C ambient
1.5 @ 55 deg. C ambient

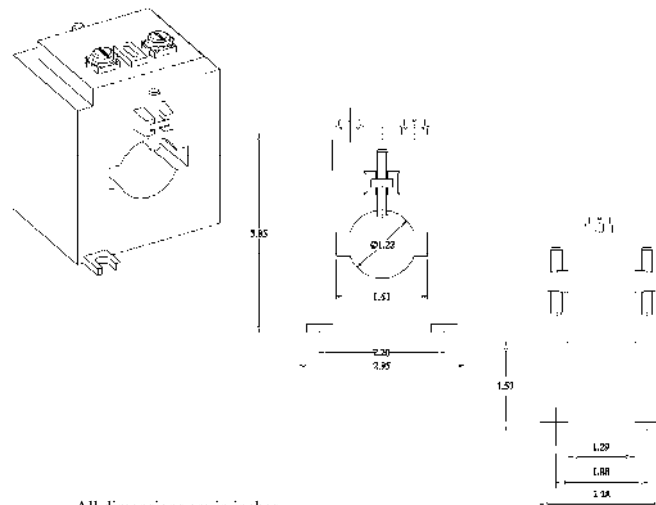
OUTER ENCAPSULATION
Plastic Cased

SECONDARY TERMINALS
Brass terminal with one flat washer and lock washer

APPROX. WEIGHT
0.8 Lbs.

Catalog Number	Current Ratio	Maximum VA at Accuracy class (50hz)			Max Primary Bus Size
		0.5	1.0	3.0	
CT222-750	75:5A	-	-	1.5	40x10 mm thick flat or round of 30 mm Dia
CT222-101	100:5A	-	1.5	2.5	
CT222-121	120:5A	-	2.5	5.0	
CT222-151	150:5A	-	2.5	5.0	
CT222-201	200:5A	2.5	5.0	7.5	
CT222-251	250:5A	5.0	10.0	10.0	
CT222-301	300:5A	5.0	10.0	10.0	
CT222-401	400:5A	10.0	10.0	15.0	
CT222-501	500:5A	10.0	15.0	15.0	
CT222-601	600:5A	15.0	15.0	15.0	
CT222-801	800:5A	15.0	15.0	15.0	

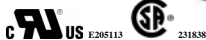
DIMENSIONS:



All dimensions are in inches.

Model CT223

Window 1.22", 600V, 10kV BIL Full Wave



INSULATION LEVEL
600 V; BIL 10kV

FREQUENCY
50-400 Hz.

THERMAL RATING
2.0 @ 30 deg. C ambient
1.5 @ 55 deg. C ambient

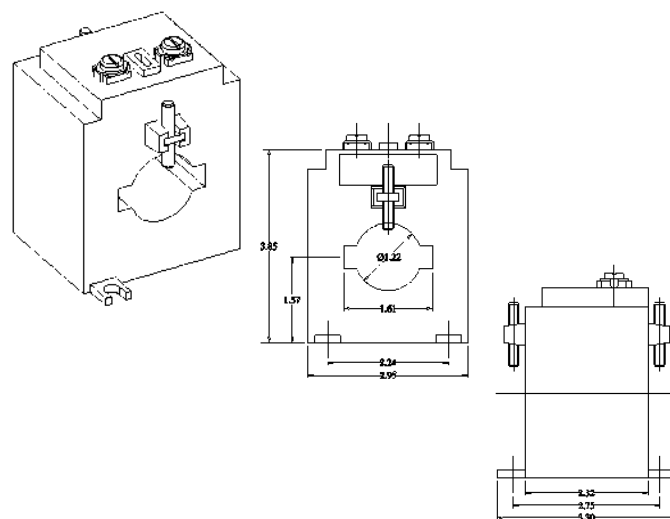
OUTER ENCAPSULATION
Plastic Cased

SECONDARY TERMINALS
Brass terminal with one flat washer and lock washer

APPROX. WEIGHT
0.9 Lbs.

Catalog Number	Current Ratio	Maximum VA at Accuracy class (50hz)			Max Primary Bus Size
		0.5	1.0	3.0	
CT223-500	50:5A	-	-	2.5	40x10 mm thick flat or round of 30 mm Dia
CT223-600	60:5A	-	-	2.5	
CT223-750	75:5A	-	-	5.0	
CT223-101	100:5A	-	2.5	7.5	
CT223-121	120:5A	2.5	5.0	10.0	
CT223-151	150:5A	2.5	7.5	10.0	
CT223-201	200:5A	5.0	15.0	15.0	
CT223-251	250:5A	10.0	15.0	15.0	
CT223-301	300:5A	15.0	15.0	15.0	
CT223-401	400:5A	15.0	15.0	-	
CT223-501	500:5A	15.0	-	-	
CT223-102	1000:5A	15.0	15.0	15.0	

DIMENSIONS:



All dimensions are in inches.

Model CT224

Window 1.22", 600V, 10kV BIL Full Wave



INSULATION LEVEL
600 V; BIL 10kV

FREQUENCY
50-400 Hz.

THERMAL RATING
2.0 @ 30 deg. C ambient
1.5 @ 55 deg. C ambient

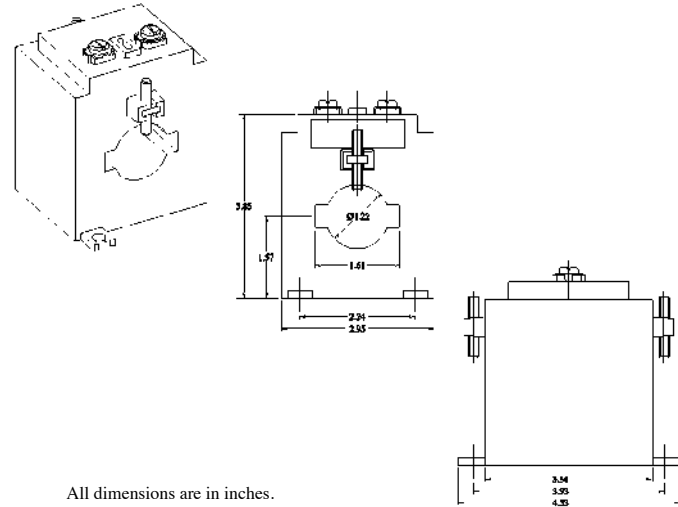
OUTER ENCAPSULATION
Plastic Cased

SECONDARY TERMINALS
Brass terminal with one flat washer and lock washer

APPROX. WEIGHT
0.9 Lbs.



DIMENSIONS:



All dimensions are in inches.

Catalog Number	Current Ratio	Maximum VA at Accuracy class (50hz)			Max Primary Bus Size
		0.5	1.0	3.0	
CT224-500	50:5A	-	-	2.5	40x10 mm thick flat or round of 30 mm Dia
CT224-600	60:5A	-	-	2.5	
CT224-750	75:5A	-	-	5.0	
CT224-101	100:5A	-	2.5	7.5	
CT224-121	120:5A	2.5	5.0	10.0	
CT224-151	150:5A	2.5	7.5	10.0	
CT224-201	200:5A	5.0	15.0	15.0	
CT224-251	250:5A	10.0	15.0	15.0	
CT224-301	300:5A	15.0	15.0	15.0	
CT224-401	400:5A	15.0	15.0	-	
CT224-501	500:5A	15.0	-	-	
CT224-102	1000:5A	15.0	15.0	15.0	

Model CT229

Window 1.25", 600V, 10kV BIL Full Wave



Equivalent to GE-ITI MODEL 165FT

INSULATION LEVEL
600 V; BIL 10kV full wave

FREQUENCY
50-400 Hz.

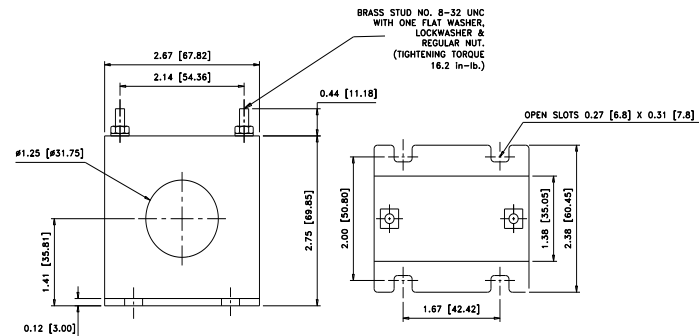
OUTER ENCAPSULATION
Plastic Cased

TERMINALS
Brass studs No 8-32 UNC with one flat washer, lockwasher and regular nut.

APPROX. WEIGHT
1.2 lbs.



DIMENSIONS:



All dimensions are in inches [mm]

Catalog Number	Current Ratio	ANSI Metering Class (60Hz)	
		Accuracy	Burden VA
CT229-500	50:5	± 2 %	1.5
CT229-600	60:5	± 2 %	1.5
CT229-750	75:5	± 2 %	3.0
CT229-800	80:5	± 2 %	3.0
CT229-101	100:5	± 1 %	3.0
CT229-121	120:5	± 1 %	4.0
CT229-1250	125:5	± 1 %	5.0
CT229-151	150:5	± 1 %	6.0
CT229-1750	175:5	± 1 %	7.0
CT229-201	200:5	± 1 %	8.0
CT229-251	250:5	± 1 %	10.0
CT229-301	300:5	± 1 %	10.0
CT229-401	400:5	± 1 %	15.0



INSULATION LEVEL
600 V; BIL 10kV full wave

FREQUENCY
50-400 Hz.

OUTER ENCAPSULATION
Plastic Cased

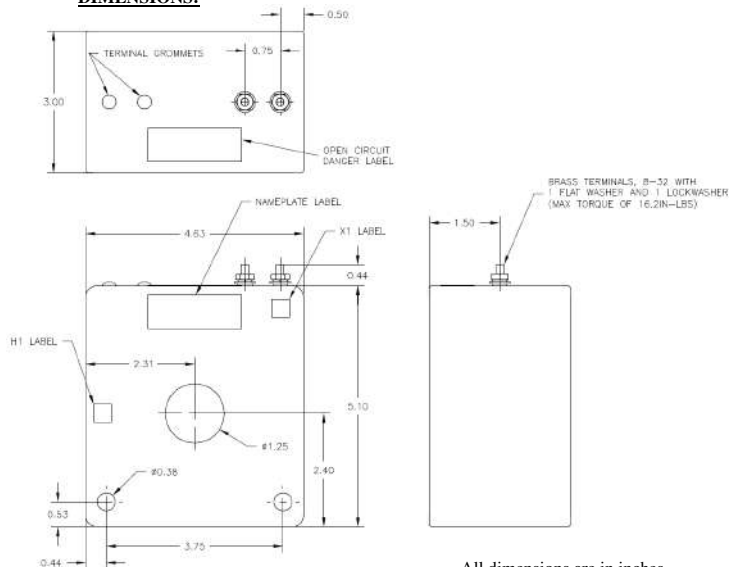
TERMINALS
Brass studs No 8-32 UNC with one flat washer, lockwasher and regular nut.

APPROX. WEIGHT
10 lbs.



Equivalent to GE-ITI MODEL 21

DIMENSIONS:



All dimensions are in inches.

Catalog Number	Current Ratio	Relay Class	
			B0.1
CT230-500	50:5	-	1.2
CT230-750	75:5	C10	0.6
CT230-101	100:5	C10	0.6
CT230-151	150:5	C20	0.3
CT230-201	200:5	C20	0.3
CT230-251	250:5	C20	0.3
CT230-301	300:5	C20	0.3
CT230-401	400:5	C50	0.3
CT230-501	500:5	C20	0.3
CT230-601	600:5	C50	0.3
CT230-751	750:5	C50	0.3
CT230-801	800:5	C50	0.3
CT230-102	1000:5	C100	0.3

ANSI Metering Class at 60 Hz				Continuous Thermal Rating Factor	
B0.2	B0.5	B0.9	B1.8	at 30C	at 55C
2.4	-	-	-	2.0	1.5
1.2	2.4	4.8	-	2.0	1.5
1.2	1.2	2.4	-	2.0	1.5
0.6	0.6	1.2	2.4	2.0	1.5
0.3	0.6	0.6	1.2	2.0	1.5
0.3	0.3	0.6	1.2	1.5	1.33
0.3	0.3	0.3	0.6	1.5	1.33
0.3	0.3	0.3	0.6	1.5	1.33
0.3	0.3	0.3	0.6	1.5	1.33
0.3	0.3	0.3	0.3	1.33	1.0
0.3	0.3	0.3	0.3	1.0	0.8
0.3	0.3	0.3	0.3	1.0	0.8
0.3	0.3	0.3	0.3	1.0	0.8

Model CT226

Window 1.55", 600V, 10kV BIL Full Wave



INSULATION LEVEL
600 V; BIL 10kV full wave

FREQUENCY
50-400 Hz.

RATING FACTOR
2.0 @ 30 deg. C ambient

OUTER ENCAPSULATION
Plastic Cased

TERMINALS
Brass studs No 8-32 UNC with one flat washer, lockwasher and regular nut.

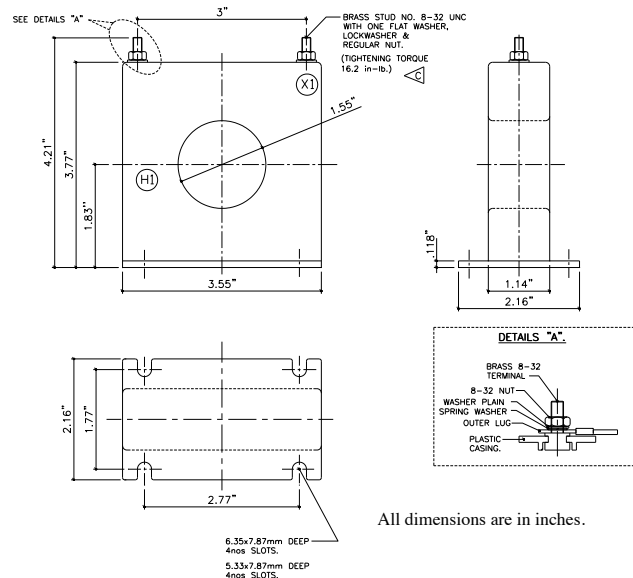
APPROX. WEIGHT
1.0 lbs.

Equivalent to GE-ITI MODEL 5SFT

Catalog Number	Current Ratio	Accuracy (60 Hz)	Burden VA
CT226-500	50:5	± 2 %	1.0
CT226-750	75:5	± 2 %	1.5
CT226-101	100:5	± 2 %	2.5
CT226-150	150:5	± 1 %	5.0
CT226-201	200:5	± 1 %	5.0
CT226-251	250:5	± 1 %	10.0
CT226-301	300:5	± 1 %	12.5
CT226-401	400:5	± 1 %	12.5
CT226-501	500:5	± 1 %	20.0
CT226-601	600:5	± 1 %	25.0
CT226-751	750:5	± 1 %	25.0
CT226-801	800:5	± 1 %	25.0
CT226-102	1000:5	± 1 %	25.0
CT226-122	1200:5	± 1 %	30.0



DIMENSIONS:



All dimensions are in inches.

Model CT202

Window 1.56", 600V, 10kV BIL Full Wave



Equivalent to GE-ITI MODEL 5RL

INSULATION LEVEL
600 V; BIL 10kV full wave

FREQUENCY
50-400 Hz.

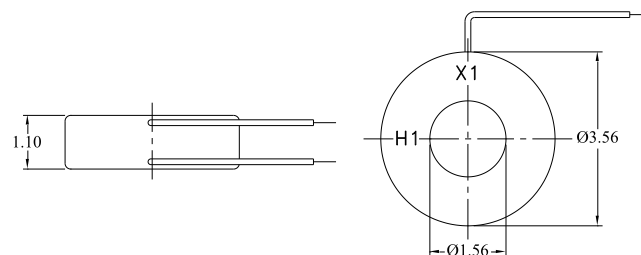
OUTER ENCAPSULATION
Plastic Cased

SECONDARY LEADS
Flexible leads UL 1015, 16 to 20 AWG, 24" long

APPROX. WEIGHT
1.0 lbs.



DIMENSIONS:



All dimensions are in inches.

Catalog Number	Current Ratio	Accuracy (60 Hz)	Burden VA
CT202-500	50:5	± 2 %	1.0
CT202-750	75:5	± 2 %	1.5
CT202-101	100:5	± 2 %	2.0
CT202-151	150:5	± 1 %	5.0
CT202-201	200:5	± 1 %	5.0
CT202-251	250:5	± 1 %	10.0
CT202-301	300:5	± 1 %	12.5
CT202-401	400:5	± 1 %	15.0
CT202-501	500:5	± 1 %	20.0
CT202-601	600:5	± 1 %	25.0
CT202-751	750:5	± 1 %	25.0
CT202-801	800:5	± 1 %	25.0
CT202-102	1000:5	± 1 %	25.0
CT202-122	1200:5	± 1 %	30.0



Equivalent to GE-ITI MODEL 22

INSULATION LEVEL
600 V; BIL 10kV full wave

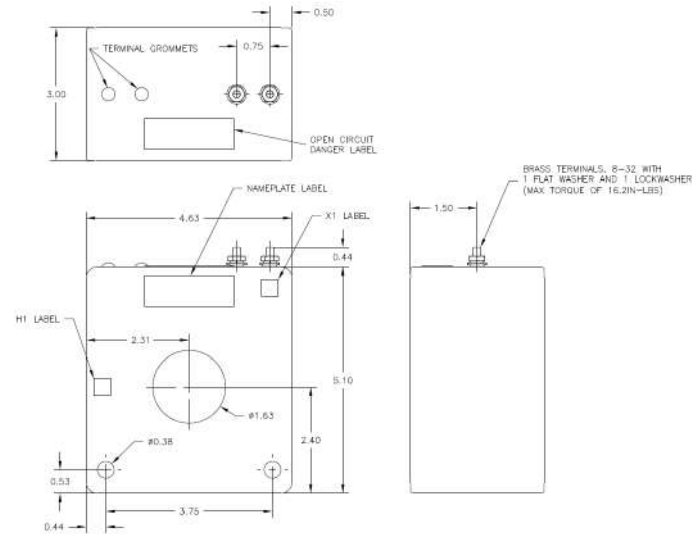
FREQUENCY
50-400 Hz.

OUTER ENCAPSULATION
Plastic Cased

TERMINALS
Brass studs No 8-32 UNC with one flat washer, lockwasher and regular nut.

APPROX. WEIGHT
9 lbs.

DIMENSIONS:



Note: -All dimensions are in Inches

Catalog Number	Current Ratio	Relay Class	
			B0.1
CT231-101	100:5	C10	0.6
CT231-151	150:5	C10	0.3
CT231-201	200:5	C20	0.3
CT231-251	250:5	C20	0.3
CT231-301	300:5	C20	0.3
CT231-401	400:5	C20	0.3
CT231-501	500:5	C50	0.3

ANSI Metering Class at 60 Hz				Continuous Thermal Rating Factor	
B0.2	B0.5	B0.9	B1.8	at 30C	at 55C
1.2	2.4	2.4	4.8	2.0	1.5
0.6	1.2	1.2	2.4	2.0	1.5
0.3	0.6	1.2	1.2	2.0	1.5
0.3	0.6	0.6	1.2	1.5	1.33
0.3	0.3	0.6	0.6	1.5	1.33
0.3	0.3	0.3	0.6	1.5	1.33
0.3	0.3	0.3	0.3	1.5	1.33



Equivalent to GE-ITI MODEL 23

INSULATION LEVEL
600 V; BIL 10kV full wave

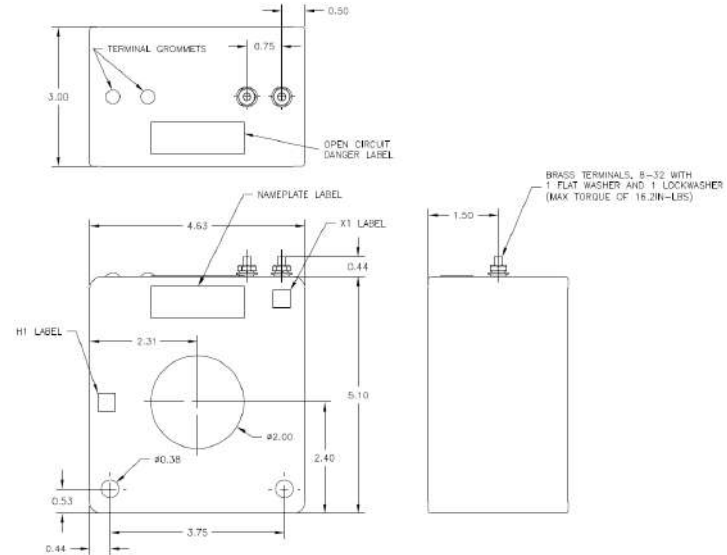
FREQUENCY
50-400 Hz.

OUTER ENCAPSULATION
Plastic Cased

TERMINALS
Brass studs No 8-32 UNC with one flat washer, lockwasher and regular nut.

APPROX. WEIGHT
8.5 lbs.

DIMENSIONS:



Note: -

All dimensions are in Inches

Catalog Number	Current Ratio	Relay Class	
			B0.1
CT232-101	100:5	-	0.6
CT232-151	150:5	C10	0.6
CT232-201	200:5	C10	0.3
CT232-251	250:5	C20	0.3
CT232-301	300:5	C20	0.3
CT232-401	400:5	C20	0.3
CT232-501	500:5	C50	0.3
CT232-601	600:5	C50	0.3

ANSI Metering Class at 60 Hz					Continuous Thermal Rating Factor	
	B0.2	B0.5	B0.9	B1.8	at 30C	at 55C
	0.6	2.4	4.8	-	2.0	1.5
	0.6	0.6	1.2	2.4	2.0	1.5
	0.6	0.6	1.2	2.4	2.0	1.5
	0.3	0.6	0.6	1.2	2.0	1.5
	0.3	0.3	0.6	1.2	1.5	1.33
	0.3	0.3	0.3	0.6	1.5	1.33
	0.3	0.3	0.3	0.3	1.5	1.33
	0.3	0.3	0.3	0.3	1.33	1.0

Model CT227

Window 2.05", 600V, 10kV BIL Full Wave



Equivalent to GE-ITI MODEL 6SFT

INSULATION LEVEL
600 V; BIL 10kV full wave

FREQUENCY
50-400 Hz.

OUTER ENCAPSULATION
Plastic Cased

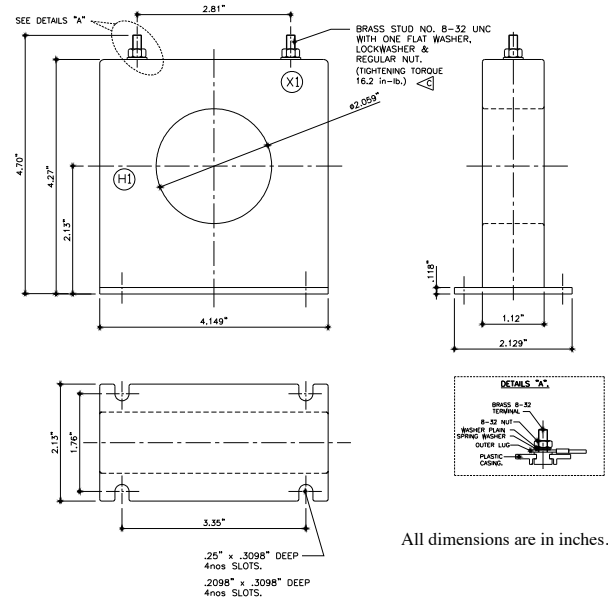
TERMINALS
Brass studs No 8-32 UNC with one flat washer, lockwasher and regular nut.

APPROX. WEIGHT
1.2 lbs.



Catalog Number	Current Ratio	Accuracy (60 Hz)	Burden VA
CT227-101	100:5	± 2 %	2.0
CT227-151	150:5	± 1 %	5.0
CT227-201	200:5	± 1 %	5.0
CT227-251	250:5	± 1 %	7.5
CT227-301	300:5	± 1 %	12.5
CT227-401	400:5	± 1 %	15.0
CT227-501	500:5	± 1 %	25.0
CT227-601	600:5	± 1 %	30.0
CT227-751	750:5	± 1 %	25.0
CT227-801	800:5	± 1 %	25.0
CT227-102	1000:5	± 1 %	35.0
CT227-122	1200:5	± 1 %	40.0
CT227-152	1500:5	± 1 %	50.0

DIMENSIONS:



All dimensions are in inches.

Model CT203

Window 2.06", 600V, 10kV BIL Full Wave



Equivalent to GE-ITI MODEL 6RL

INSULATION LEVEL
600 V; BIL 10kV full wave

FREQUENCY
50-400 Hz.

OUTER ENCAPSULATION
Plastic Cased

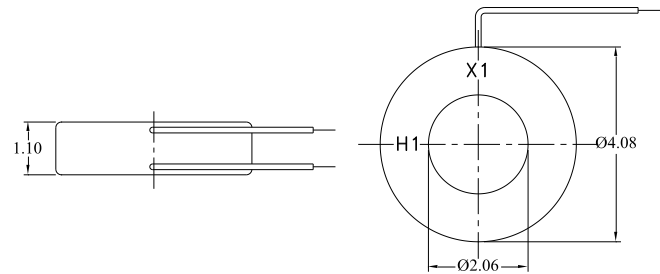
SECONDARY LEADS
Flexible leads UL 1015, 16 to 20 AWG, 24" long

APPROX. WEIGHT
1.2 lbs.



Catalog Number	Current Ratio	Accuracy (60 Hz)	Burden VA
CT203-101	100:5	± 2 %	2.0
CT203-151	150:5	± 1 %	5.0
CT203-201	200:5	± 1 %	5.0
CT203-251	250:5	± 1 %	7.5
CT203-301	300:5	± 1 %	12.5
CT203-401	400:5	± 1 %	15.0
CT203-501	500:5	± 1 %	25.0
CT203-601	600:5	± 1 %	30.0
CT203-751	750:5	± 1 %	25.0
CT203-801	800:5	± 1 %	25.0
CT203-102	1000:5	± 1 %	35.5
CT203-122	1200:5	± 1 %	40.0
CT203-152	1500:5	± 1 %	50.0

DIMENSIONS:



All dimensions are in inches.

Model CT304

Window 2.06", 600V, 10kV BIL Full Wave



Equivalent to GE-ITI MODEL BL, BT, BF

CATALOG NUMBER	CURRENT RATIO	ACCURACY AT 60 Hz	BURDEN VA at 60 Hz
CT304-500	50:5	±3%	0.5
CT304-750	75:5	±1%	0.5
CT304-101	100:5	±1%	1.0
CT304-151	150:5	±1%	2.5
CT304-201	200:5	±1%	4.0
CT304-251	250:5	±1%	6.0
CT304-301	300:5	±1%	7.5
CT304-401	400:5	±1%	10.0
CT304-501	500:5	±1%	12.5
CT304-601	600:5	±1%	15.0
CT304-751	750:5	±1%	7.0
CT304-801	800:5	±1%	8.0
CT304-102	1000:5	±1%	10.0
CT304-122	1200:5	±1%	12.5

INSULATION LEVEL
600 V; BIL 10kV full wave

FREQUENCY
50-400 Hz.

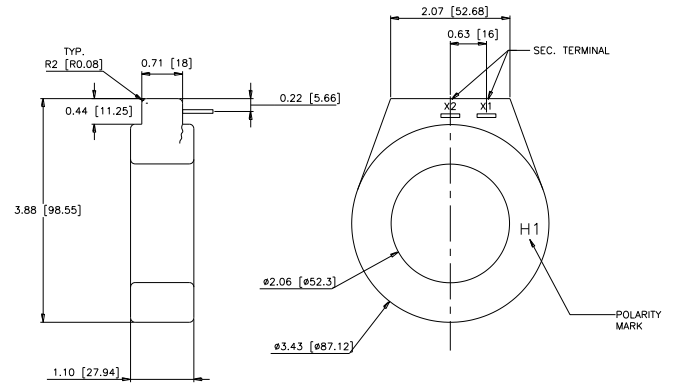
RATING FACTOR
1.0 @ 30 deg. C ambient

OUTER ENCAPSULATION
Plastic Cased

TERMINALS
¼" Faston connectors are standard.

APPROX. WEIGHT
0.6 lbs.

DIMENSIONS:



All dimensions are in inches [mm]

Model CT300

Window 2.08", 600V, 10kV BIL Full Wave



Equivalent to GE-ITI MODEL 56 (RB, RT, RL)

Catalog Number	Current Ratio	Accuracy (60 Hz)	Burden VA
CT300-500	50:5	± 3 %	0.5
CT300-750	75:5	±1%	0.5
CT300-101	100:5	±1%	1.0
CT300-151	150:5	±1%	2.5
CT300-201	200:5	±1%	4.0
CT300-251	250:5	±1%	6.0
CT300-301	300:5	±1%	7.5
CT300-401	400:5	±1%	10.0
CT300-501	500:5	±1%	12.5
CT300-601	600:5	±1%	15.0
CT300-751	750:5	±1%	7.0
CT300-801	800:5	±1%	8.0
CT300-102	1000:5	±1%	10.0
CT300-122	1200:5	±1%	12.5

INSULATION LEVEL
600 V; BIL 10kV full wave

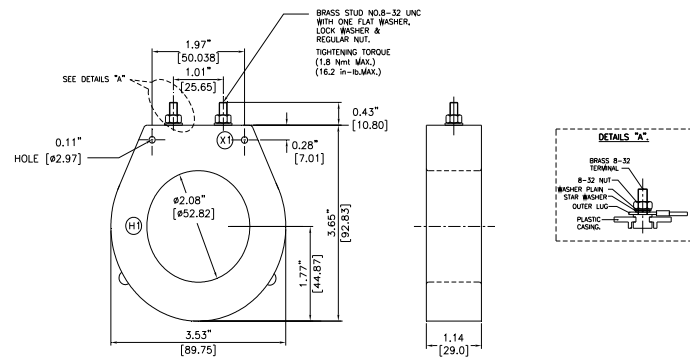
FREQUENCY
50-400 Hz.

OUTER ENCAPSULATION
Plastic Cased

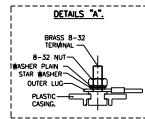
TERMINALS
Brass studs No 8-32 UNC with one flat washer, lock washer and regular nut.

APPROX. WEIGHT
0.6 lbs.

DIMENSIONS:



All dimensions are in inches [mm]



Model CT301

Window 2.08", 600V, 10kV BIL Full Wave



Equivalent to GE-ITI MODEL 56RBT

Catalog Number	Current Ratio	ANSI Metering Class (60Hz)	
		Accuracy	Burden VA
CT301-500	50:5	± 3 %	0.5
CT301-750	75:5	± 1 %	0.5
CT301-101	100:5	± 1 %	1.0
CT301-151	150:5	± 1 %	2.5
CT301-201	200:5	± 1 %	4.0
CT301-251	250:5	± 1 %	6.0
CT301-301	300:5	± 1 %	7.5
CT301-401	400:5	± 1 %	10.0
CT301-501	500:5	± 1 %	12.5
CT301-601	600:5	± 1 %	15.0
CT301-751	750:5	± 1 %	7.0
CT301-801	800:5	± 1 %	8.0
CT301-102	1000:5	± 1 %	10.0
CT301-122	1200:5	± 1 %	12.5

INSULATION LEVEL
600 V; BIL 10kV full wave

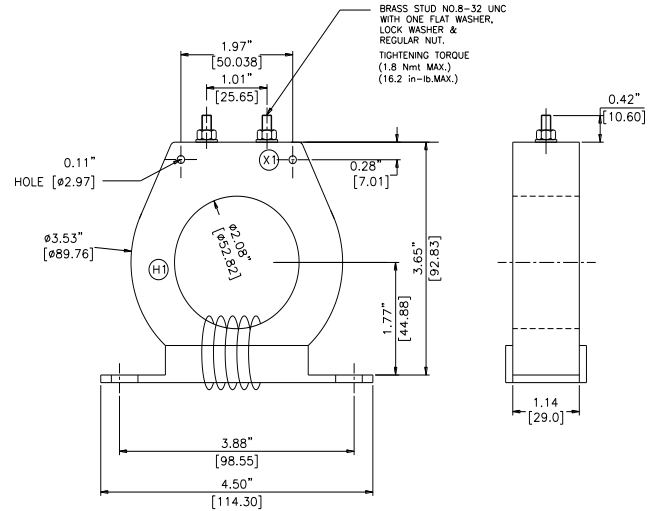
FREQUENCY
50-400 Hz.

OUTER ENCAPSULATION
Plastic Cased. Mounting Bracket Included.

TERMINALS
Brass studs No 8-32 UNC with one flat washer, lock washer and regular nut.

APPROX. WEIGHT
0.6 lbs.

DIMENSIONS:



All dimensions are in inches [mm]

Model CT302

Window 2.08", 600V, 10kV BIL Full Wave



Equivalent to GE-ITI MODEL 56RBL

Catalog Number	Current Ratio	ANSI Metering Class (60Hz)	
		Accuracy	Burden VA
CT302-500	50:5	± 3 %	0.5
CT302-750	75:5	± 1 %	0.5
CT302-101	100:5	± 1 %	1.0
CT302-151	150:5	± 1 %	2.5
CT302-201	200:5	± 1 %	4.0
CT302-251	250:5	± 1 %	6.0
CT302-301	300:5	± 1 %	7.5
CT302-401	400:5	± 1 %	10.0
CT302-501	500:5	± 1 %	12.5
CT302-601	600:5	± 1 %	15.0
CT302-751	750:5	± 1 %	7.0
CT302-801	800:5	± 1 %	8.0
CT302-102	1000:5	± 1 %	10.0
CT302-122	1200:5	± 1 %	12.5

INSULATION LEVEL
600 V; BIL 10kV full wave

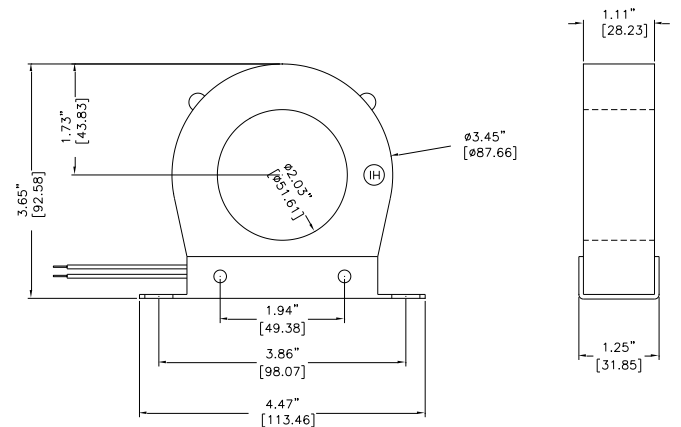
FREQUENCY
50-400 Hz.

OUTER ENCAPSULATION
Plastic Cased. Mounting Bracket Included.

SECONDARY LEADS
Flexible leads, UL 1015, 16AWG, 24" long.

APPROX. WEIGHT
0.6 lbs.

DIMENSIONS:



All dimensions are in inches [mm]



INSULATION LEVEL
600 V; BIL 10kV full wave

FREQUENCY
50-400 Hz.

OUTER ENCAPSULATION
Plastic Cased

TERMINALS
Brass studs No 8-32 UNC with one flat washer, lockwasher and regular nut.

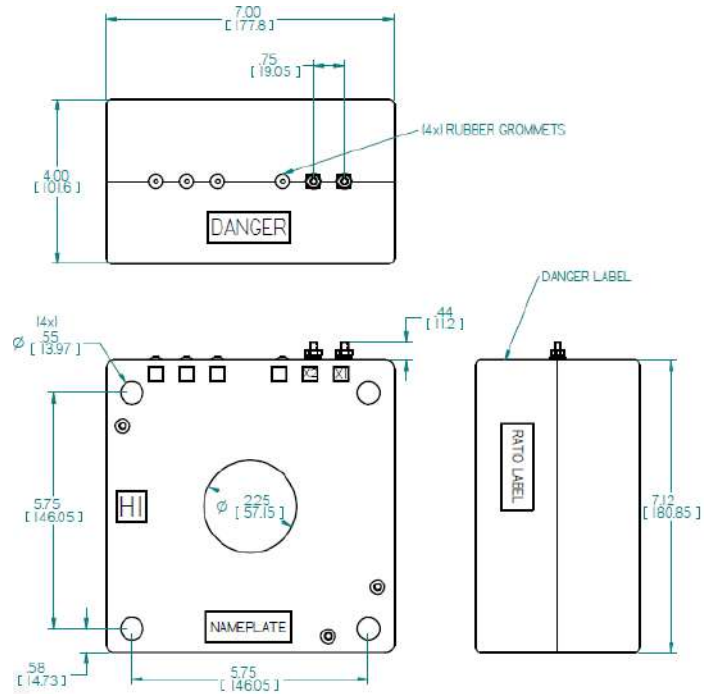
APPROX. WEIGHT
28 lbs



- UL, cUL Recognized and CSA Certified
- As per ANSI/IEEE C57.13, IEC, OR relevant standard

Equivalent to GE-ITI MODEL 112 and ABB MODEL SCG-1

DIMENSIONS: All dimensions are in inches [mm]



Catalog Number	Current Ratio	Relay Class	Accuracy Class
			B0.1
CT372-500	50:5	C10	1.2
CT372-750	75:5	C20	0.6
CT372-101	100:5	C20	0.6
CT372-151	150:5	C50	0.3
CT372-201	200:5	C50	0.3
CT372-251	250:5	C50	0.3
CT372-301	300:5	C100	0.3
CT372-401	400:5	C100	0.3
CT372-501	500:5	C100	0.3
CT372-601	600:5	C100	0.3
CT372-751	750:5	C200	0.3
CT372-801	800:5	C200	0.3
CT372-102	1000:5	C200	0.3
CT372-122	1200:5	C200	0.3

ANSI Metering Class @ 60 Hz				Continuous Thermal Rating Factor	
B0.2	B0.5	B0.9	B1.8	@ 30C	@ 55C
2.4	-	-	-	2.0	2.0
1.2	2.4	4.8	-	2.0	2.0
0.6	2.4	2.4	4.8	2.0	2.0
0.6	1.2	1.2	2.4	2.0	2.0
0.3	0.6	0.6	1.2	2.0	2.0
0.3	0.3	0.3	0.6	2.0	2.0
0.3	0.3	0.3	0.6	2.0	2.0
0.3	0.3	0.3	0.3	2.0	1.5
0.3	0.3	0.3	0.3	2.0	1.5
0.3	0.3	0.3	0.3	1.5	1.33
0.3	0.3	0.3	0.3	1.5	1.0
0.3	0.3	0.3	0.3	1.5	1.0
0.3	0.3	0.3	0.3	1.33	1.0
0.3	0.3	0.3	0.3	1.33	1.0

Model CT206

Window 2.25", 600V, 10kV BIL Full Wave



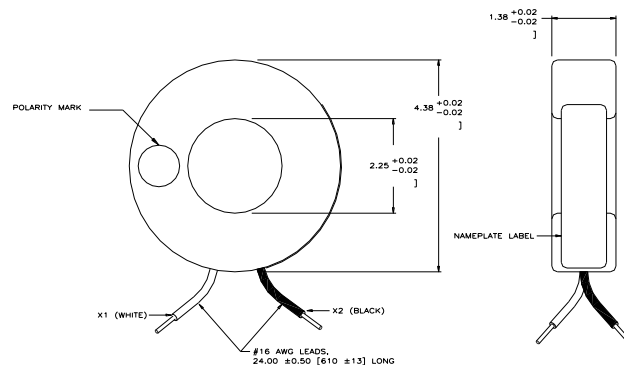
INSULATION LEVEL 600 V; BIL 10kV full wave	OUTER ENCAPSULATION Plastic Cased
FREQUENCY 50-400 Hz.	SECONDARY LEADS Flexible leads, UL 1015, 16 AWG, 24" long.
RATING FACTOR 1.5 @ 30 deg. C Ambient	APPROX. WEIGHT 2.5 lbs.

Equivalent to GE-ITI MODEL 7RL



Catalog Number	Current Ratio	Accuracy Rating at Specified Burden (Power factor of 1.0)			
		2.5VA @ 60Hz	5.0VA @ 60Hz	12.5VA @ 60Hz	25VA @ 60Hz
CT206-500	50:5	1.5%	-	-	-
CT206-101	100:5	1.0%	-	-	-
CT206-151	150:5	1.0%	-	-	-
CT206-201	200:5	0.6%	1.0%	2.0%	-
CT206-251	250:5	0.6%	0.6%	1.2%	-
CT206-301	300:5	0.3%	0.6%	1.0%	-
CT206-401	400:5	0.3%	0.3%	0.6%	1.0%
CT206-501	500:5	0.3%	0.3%	0.6%	1.0%
CT206-601	600:5	0.3%	0.3%	0.6%	0.6%
CT206-751	750:5	0.3%	0.3%	0.6%	1.0%
CT206-801	800:5	0.3%	0.3%	0.6%	0.6%
CT206-102	1000:5	0.3%	0.3%	0.3%	0.6%
CT206-122	1200:5	0.3%	0.3%	0.3%	0.6%
CT206-152	1500:5	0.3%	0.3%	0.3%	0.3%

DIMENSIONS:



All dimensions are in inches.

Model CT204

Window 2.50", 600V, 10kV BIL Full Wave



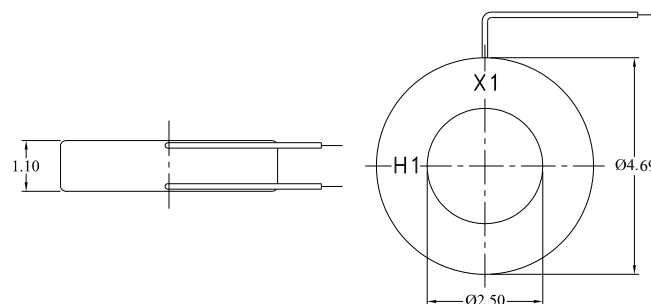
INSULATION LEVEL 600 V; BIL 10kV full wave	SECONDARY LEADS Flexible leads, UL 1015, 16 to 20AWG, 24" long.
FREQUENCY 50-400 Hz.	APPROX. WEIGHT 1.5 lbs.
OUTER ENCAPSULATION Plastic Cased	

Equivalent to GE-ITI MODEL 7RL



Catalog Number	Current Ratio	Accuracy	Burden VA
CT204-101	100:5	± 2 %	2.5
CT204-151	150:5	± 1 %	5.0
CT204-201	200:5	± 1 %	5.0
CT204-251	250:5	± 1 %	5.0
CT204-301	300:5	± 1 %	12.5
CT204-401	400:5	± 1 %	15.0
CT204-501	500:5	± 1 %	25.0
CT204-601	600:5	± 1 %	30.0
CT204-751	750:5	± 1 %	30.0
CT204-801	800:5	± 1 %	35.0
CT204-102	1000:5	± 1 %	35.0
CT204-122	1200:5	± 1 %	35.0
CT204-152	1500:5	± 1 %	40.0
CT204-162	1600:5	± 1 %	45.0

DIMENSIONS:



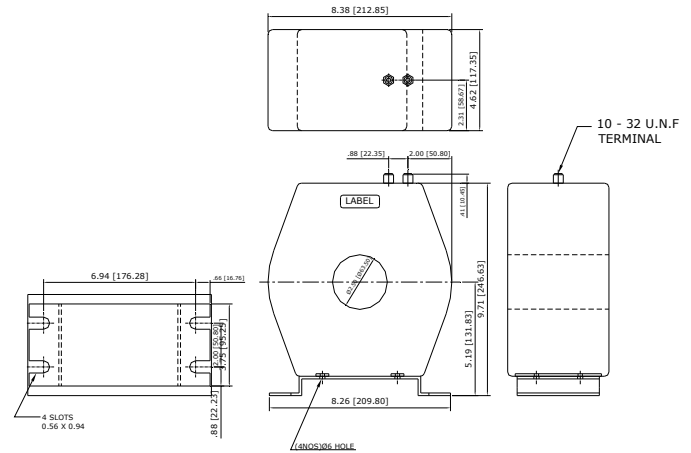
All dimensions are in inches.



Equivalent to GE-ITI MODEL 200

INSULATION LEVEL 600 V, BIL 10kV full wave
FREQUENCY 50-400 Hz
THERMAL RATING As per table
OUTER ENCAPSULATION Plastic Cased
SECONDARY TERMINALS Brass screw # 10-32 with one flat washer and lock washer

DIMENSIONS:



All dimensions are in inches [mm]

CATALOG NUMBER	CURRENT RATIO	RELAY CLASS (@ 60 HZ)	ANSI METER	
			B0.1	B0.2
CT213-500	50:5	C20	2.4	2.4
CT213-750	75:5	C20	1.2	1.2
CT213-101	100:5	C20	0.6	1.2
CT213-151	150:5	C50	0.3	0.6
CT213-201	200:5	C50	0.3	0.3
CT213-251	250:5	C100	0.3	0.3
CT213-301	300:5	C100	0.3	0.3
CT213-401	400:5	C200	0.3	0.3
CT213-501	500:5	C200	0.3	0.3
CT213-601	600:5	C200	0.3	0.3

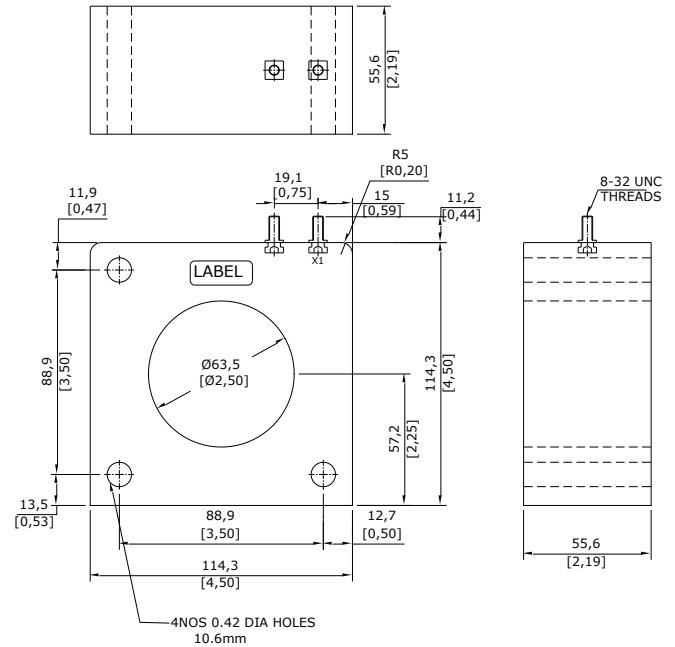
WINDING CLASS @ 60 HZ			SECONDARY WINDING RESISTANCE (Ω@75° C)	CONTINUOUS THERMAL RATING FACTOR	
B0.5	B0.9	B1.8		@ 30°C	@ 55°C
4.8	-	-	0.026	2.0	2.0
2.4	4.8	-	0.039	2.0	2.0
1.2	2.4	4.8	0.051	2.0	2.0
0.6	1.2	2.4	0.077	2.0	2.0
0.6	0.6	1.2	0.103	2.0	2.0
0.3	0.6	1.2	0.129	2.0	2.0
0.3	0.3	0.6	0.154	2.0	2.0
0.3	0.3	0.3	0.206	2.0	1.5
0.3	0.3	0.3	0.408	1.5	1.5
0.3	0.3	0.3	0.489	1.5	1.5



Equivalent to GE-ITI MODEL 180SHT

INSULATION LEVEL 600 V, BIL 10kV full wave	OUTER ENCAPSULATION Plastic Cased
FREQUENCY 50-400 Hz	SECONDARY TERMINALS Brass screw # 8-32 with one flat washer and lock washer
THERMAL RATING As per table	APPROX. WEIGHT 3.5 lbs.

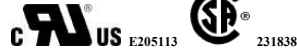
DIMENSIONS (ALL DIMENSIONS ARE IN MILLIMETERS [Inches]):



***Approved for revenue metering by Industry Canada
No. AE-2230**

CATALOG NUMBER	CURRENT RATIO	V.A. ±1% CLASS	ANSI METERING CL		
			B0.1	B0.2	B0.5
CT220-500	50:5	1.5	2.4	-	-
CT220-750	75:5	2.5	1.2	2.4	-
CT220-101	100:5	2.5	1.2	2.4	4.8
CT220-151	150:5 *	5.0	0.6	1.2	2.4
CT220-201	200:5 *	12.5	0.6	1.2	1.2
CT220-251	250:5 *	12.5	0.3	0.6	1.2
CT220-301	300:5 *	25.0	0.3	0.3	0.6
CT220-401	400:5 *	50.0	0.3	0.3	0.3
CT220-501	500:5 *	50.0	0.3	0.3	0.3
CT220-601	600:5 *	50.0	0.3	0.3	0.3
CT220-751	750:5 *	50.0	0.3	0.3	0.3
CT220-801	800:5 *	75.0	0.3	0.3	0.3
CT220-102	1000:5 *	100.0	0.3	0.3	0.3
CT220-122	1200:5 *	125.0	0.3	0.3	0.3
CT220-152	1500:5 *	160.0	0.3	0.3	0.3
CT220-162	1600:5*	175.0	0.3	0.3	0.3
CT220-202	2000:5*	200.0	0.3	0.3	0.3

ASS @ 60 HZ		CONTINUOUS THERMAL RATING FACTOR	
B0.9	B1.8	@ 30°C	@ 55°C
-	-	1.33	1.0
-	-	1.33	1.0
-	-	1.33	1.0
4.8	-	1.33	1.0
2.4	-	1.33	1.0
1.2	-	1.33	1.0
1.2	2.4	1.33	1.0
0.6	1.2	1.33	1.0
0.6	1.2	1.33	1.0
0.6	1.2	1.33	1.0
0.6	1.2	1.33	1.0
0.6	1.2	1.33	1.0
0.6	0.6	1.33	1.0
0.3	0.6	1.33	1.0
0.3	0.3	1.33	1.0
0.3	0.3	1.33	1.0
0.3	0.3	1.25	1.0
0.3	0.3	1.0	0.75



Equivalent to GE-ITI MODEL 24

INSULATION LEVEL
600 V; BIL 10kV full wave

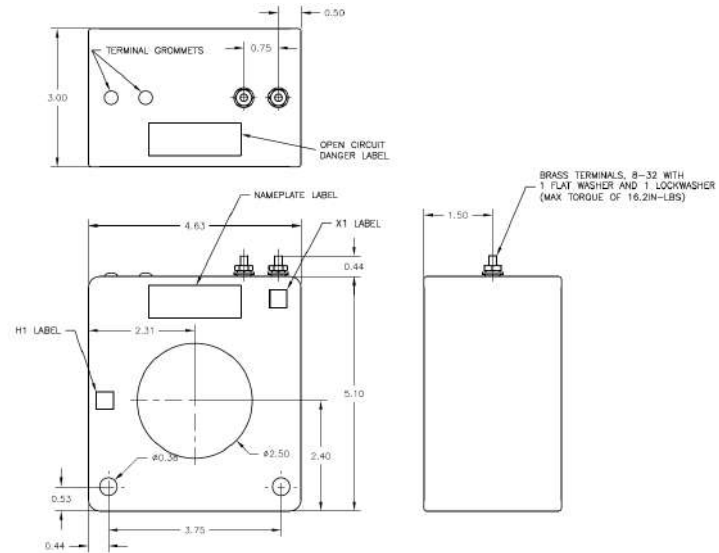
FREQUENCY
50-400 Hz.

OUTER ENCAPSULATION
Plastic Cased

TERMINALS
Brass studs No 8-32 UNC with one flat washer, lockwasher and regular nut.

APPROX. WEIGHT
6.5 lbs.

DIMENSIONS:



All dimensions are in inches.

Catalog Number	Current Ratio	Relay Class	
			B0.1
CT233-101	100:5	-	0.6
CT233-151	150:5	-	0.6
CT233-201	200:5	C10	0.3
CT233-251	250:5	C10	0.3
CT233-301	300:5	C10	0.3
CT233-401	400:5	C20	0.3
CT233-501	500:5	C20	0.3
CT233-601	600:5	C20	0.3
CT233-751	750:5	C20	0.3
CT233-801	800:5	C20	0.3
CT233-102	1000:5	C10	0.3
CT233-122	1200:5	C10	0.3
CT233-152	1500:5	C10	0.3
CT233-162	1600:5	C10	0.3

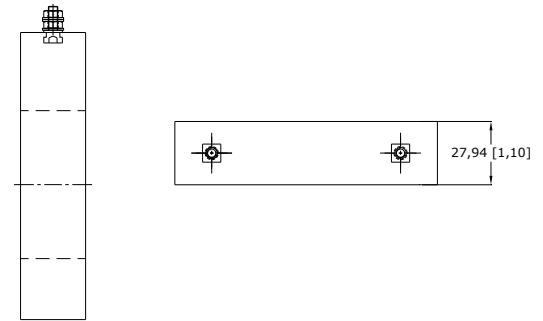
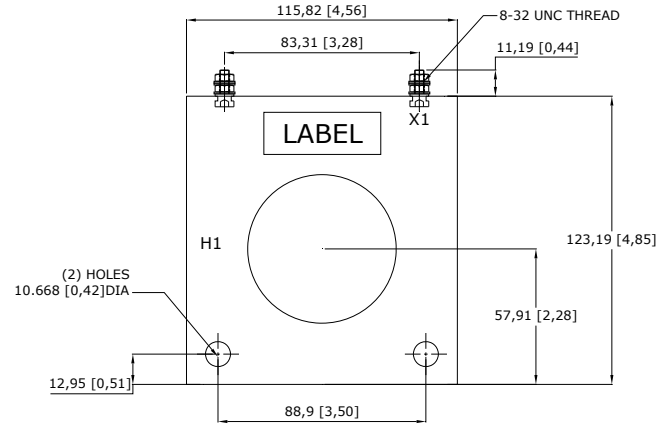
ANSI Metering Class at 60 Hz				Continuous Thermal Rating Factor	
B0.2	B0.5	B0.9	B1.8	at 30C	at 55C
1.2	2.4	4.8	-	2.0	1.5
0.6	1.2	2.4	4.8	2.0	1.5
0.3	0.6	1.2	2.4	2.0	1.5
0.3	0.3	0.6	1.2	2.0	1.33
0.3	0.3	0.6	1.2	2.0	1.33
0.3	0.3	0.6	0.6	1.5	1.33
0.3	0.3	0.3	0.6	1.5	1.33
0.3	0.3	0.3	0.3	1.33	1.0
0.3	0.3	0.3	0.3	1.0	0.8
0.3	0.3	0.3	0.3	1.0	0.8
0.3	0.3	0.3	0.3	1.0	0.8
0.3	0.3	0.3	0.3	1.0	0.8
0.3	0.3	0.3	0.3	1.0	0.8
0.3	0.3	0.3	0.3	1.0	0.8
0.3	0.3	0.3	0.3	0.8	0.6



Equivalent to GE-ITI MODEL 7SHT

INSULATION LEVEL 600 V; BIL 10kV full wave	TERMINALS Brass studs No 8-32 UNC with one flat washer, lockwasher and regular nut.
FREQUENCY 50-60 Hz.	APPROX. WEIGHT 1.5 lbs.
OUTER ENCAPSULATION Plastic Cased	

DIMENSIONS:



All dimensions are in mm [Inches]
Metal mounting bracket and hardware are optional.

Catalog Number	Current Ratio	Accuracy at 60 Hz	Burden at 60 Hz	Rating Factor
CT235-101	100:5	±2%	2.5	1.2 @ 30C
CT235-151	150:5	±1%	5.0	1.2 @ 30C
CT235-201	200:5	±1%	5.0	1.2 @ 30C
CT235-251	250:5	±1%	5.0	1.2 @ 30C
CT235-301	300:5	±1%	12.5	1.2 @ 30C
CT235-401	400:5	±1%	15.0	1.2 @ 30C
CT235-501	500:5	±1%	25.0	1.2 @ 30C
CT235-601	600:5	±1%	30.0	1.2 @ 30C
CT235-751	750:5	±1%	30.0	1.2 @ 30C
CT235-801	800:5	±1%	35.0	1.2 @ 30C
CT235-102	1000:5	±1%	35.0	1.2 @ 30C
CT235-122	1200:5	±1%	35.0	1.2 @ 30C
CT235-152	1500:5	±1%	40.0	1.2 @ 30C
CT235-162	1600:5	±1%	45.5	1.2 @ 30C
CT235-102-01	1000:1	±1%	2.5	1.2 @ 30C
CT235-401-01	400:1	±1%	7.5	1.2 @ 30C



INSULATION LEVEL
600 V; BIL 10kV full wave

FREQUENCY
50-400 Hz.

OUTER ENCAPSULATION
Plastic Cased

TERMINALS
Brass studs No 8-32 UNC with one flat washer, lockwasher and regular nut.

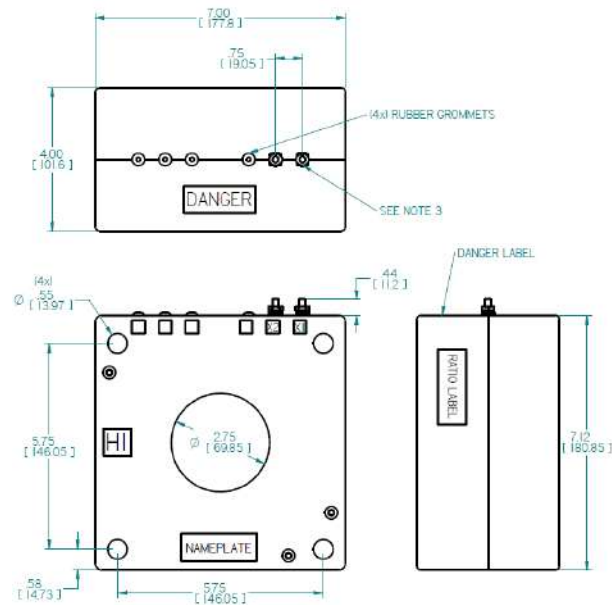
APPROX. WEIGHT
25 lbs.



- UL, cUL Recognized and CSA Certified
- As per ANSI/IEEE C57.13, IEC, OR relevant standard

Equivalent to GE-ITI MODEL 113 and ABB MODEL SCG-2

DIMENSIONS:



All dimensions are in Inches [mm]

Catalog Number	Current Ratio	Relay Class	A
CT373-500	50:5	C10	2.4
CT373-750	75:5	C10	0.6
CT373-101	100:5	C20	0.6
CT373-151	150:5	C20	0.3
CT373-201	200:5	C50	0.3
CT373-251	250:5	C50	0.3
CT373-301	300:5	C50	0.3
CT373-401	400:5	C100	0.3
CT373-501	500:5	C100	0.3
CT373-601	600:5	C100	0.3
CT373-751	750:5	C200	0.3
CT373-801	800:5	C200	0.3
CT373-102	1000:5	C200	0.3
CT373-122	1200:5	C200	0.3
CT373-152	1500:5	C200	0.3

ANSI Metering Class @ 60 Hz				Continuous Thermal Rating Factor	
B0.2	B0.5	B0.9	B1.8	@ 30C	@ 55C
4.8	-	-	-	2.0	2.0
1.2	4.8	4.8	-	2.0	2.0
0.6	2.4	2.4	4.8	2.0	2.0
0.3	0.6	1.2	2.4	2.0	2.0
0.3	0.6	0.6	1.2	2.0	2.0
0.3	0.3	0.6	1.2	2.0	2.0
0.3	0.3	0.6	1.2	2.0	2.0
0.3	0.3	0.3	0.6	2.0	1.5
0.3	0.3	0.3	0.3	2.0	1.5
0.3	0.3	0.3	0.3	1.5	1.33
0.3	0.3	0.3	0.3	1.5	1.0
0.3	0.3	0.3	0.3	1.5	1.0
0.3	0.3	0.3	0.3	1.33	1.0
0.3	0.3	0.3	0.3	1.33	1.0
0.3	0.3	0.3	0.3	1.0	0.8

Model CT303

Window 3.0", 600V, 10kV BIL Full Wave



INSULATION LEVEL
600 V; BIL 10kV full wave

FREQUENCY
50-400 Hz.

OUTER ENCAPSULATION
Plastic Cased. Mounting Bracket Included.

SECONDARY LEADS
Flexible leads, UL 1015, 16AWG, 24" long.

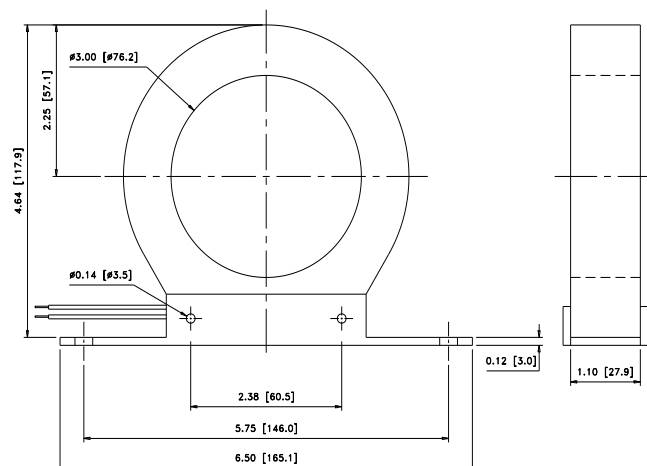
APPROX. WEIGHT
2.5 lbs.

Equivalent to GE-ITI MODEL 76RBL

Catalog Number	Current Ratio	ANSI Metering Class (60Hz)	
		Accuracy	Burden VA
CT303-101	100:5	± 1 %	2.5
CT303-201	200:5	± 1 %	5.0
CT303-251	250:5	± 1 %	5.0
CT303-301	300:5	± 1 %	6.0
CT303-401	400:5	± 1 %	10.0
CT303-501	500:5	± 1 %	10.0
CT303-601	600:5	± 1 %	10.0
CT303-751	750:5	± 1 %	10.0
CT303-801	800:5	± 1 %	12.5
CT303-102	1000:5	± 1 %	10.0
CT303-122	1200:5	± 1 %	10.0
CT303-152	1500:5	± 1 %	12.5
CT303-162	1600:5	± 1 %	12.5
CT303-202	2000:5	± 1 %	15.0



DIMENSIONS:



All dimensions are in inches [mm]

Model CT382

Window 3.0", 600V, 10kV BIL Full Wave



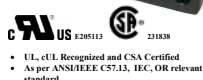
INSULATION LEVEL
600 V; BIL 10kV full wave

FREQUENCY
50-400 Hz.

OUTER ENCAPSULATION
Plastic Cased

TERMINALS
Brass studs No 8-32 UNC with one flat washer, lockwasher and hex nut.

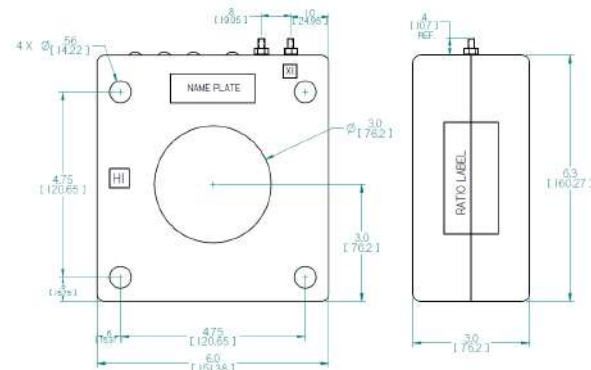
APPROX. WEIGHT
6.5 lbs.



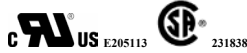
Equivalent to GE-ITI MODEL 298 and ABB MODEL SCH-3

Catalog Number	Current Ratio	Relay Class	ANSI Metering Class at 60 Hz					Secondary Winding Resistance (ohms @ 75°C)	Continuous Thermal Rating Factor	
			B0.1	B0.2	B0.5	B0.9	B1.8		at 30C	at 55C
CT382-500	50:5	-	2.4	4.8	-	-	-	0.014	2.0	2.0
CT382-750	75:5	-	1.2	1.2	4.8	-	-	0.02	2.0	2.0
CT382-101	100:5	C10	1.2	1.2	2.4	4.8	-	0.032	2.0	2.0
CT382-151	150:5	C10	0.6	0.6	1.2	2.4	4.8	0.046	2.0	2.0
CT382-201	200:5	C20	0.3	0.6	1.2	1.2	2.4	0.06	2.0	2.0
CT382-251	250:5	C20	0.3	0.3	0.6	1.2	2.4	0.075	2.0	2.0
CT382-301	300:5	C20	0.3	0.3	0.6	0.6	1.2	0.09	2.0	2.0
CT382-401	400:5	C20	0.3	0.3	0.3	0.6	0.6	0.12	2.0	1.5
CT382-501	500:5	C50	0.3	0.3	0.3	0.3	0.6	0.15	2.0	1.5
CT382-601	600:5	C50	0.3	0.3	0.3	0.3	0.3	0.22	1.5	1.33
CT382-751	750:5	C50	0.3	0.3	0.3	0.3	0.3	0.29	1.5	1.0
CT382-801	800:5	C50	0.3	0.3	0.3	0.3	0.3	0.32	1.5	1.0

DIMENSIONS:



All dimensions are in Inches



- UL, cUL Recognized and CSA Certified
- As per ANSI/IEEE C57.13, IEC, OR relevant standard

INSULATION LEVEL
600 V; BIL 10kV full wave

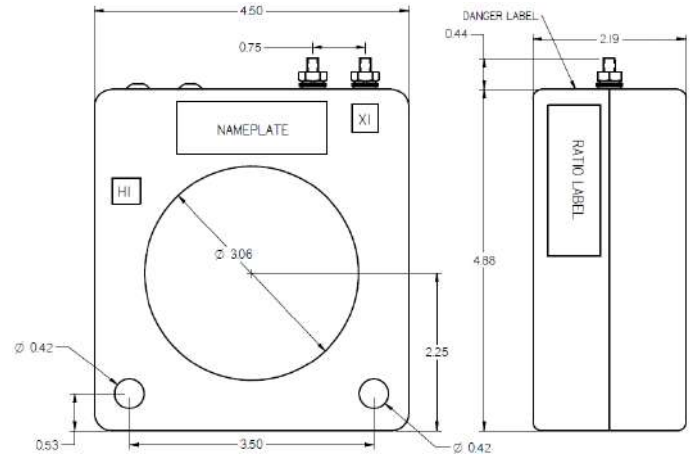
FREQUENCY
50-400 Hz.

OUTER ENCAPSULATION
Plastic Cased

TERMINALS
Brass studs No 8-32 UNC with one flat washer, lockwasher and regular nut.

APPROX. WEIGHT
2.5 lbs

DIMENSIONS: All dimensions are in inches



Equivalent to GE-ITI MODEL 195

Catalog Number	Current Ratio	ANSI Meter	
		B0.1	B0.2
CT365-201	200:5	0.6	1.2
CT365-251	250:5	0.6	1.2
CT365-301	300:5	0.6	0.6
CT365-401	400:5	0.3	0.6
CT365-501	500:5	0.3	0.3
CT365-601	600:5	0.3	0.3
CT365-751	750:5	0.3	0.3
CT365-801	800:5	0.3	0.3
CT365-102	1000:5	0.3	0.3
CT365-122	1200:5	0.3	0.3
CT365-152	1500:5	0.3	0.3
CT365-162	1600:5	0.3	0.3
CT365-202	2000:5	0.3	0.3

ring Class @ 60 Hz			Continuous Thermal Rating Factor	
B0.5	B0.9	B1.8	@ 30C	@ 55C
-	-	-	2.0	2.0
2.4	-	-	2.0	2.0
1.2	-	-	2.0	2.0
1.2	-	-	2.0	1.5
0.6	1.2	-	2.0	1.5
0.6	0.6	-	1.5	1.33
0.3	0.6	1.2	1.5	1.0
0.3	0.6	0.6	1.0	0.8
0.3	0.6	1.2	1.0	0.6
0.3	0.3	0.6	1.0	0.6
0.3	0.3	0.3	1.0	0.6
0.3	0.3	0.3	1.0	0.6
0.3	0.3	0.3	0.6	0.6



INSULATION LEVEL
600 V; BIL 10kV full wave

FREQUENCY
50-400 Hz.

OUTER ENCAPSULATION
Plastic Cased

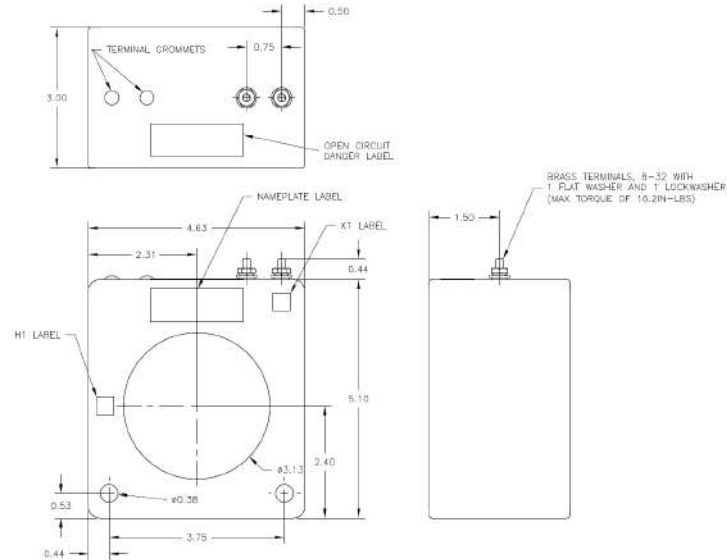
TERMINALS
Brass studs No 8-32 UNC with one flat washer, lockwasher and regular nut.

APPROX. WEIGHT
5.5 lbs.



Equivalent to GE-ITI MODEL 25

DIMENSIONS: All dimensions are in inches [mm]



Catalog Number	Current Ratio	V.A. ±1% Class	
			B0.1
CT234-201	200:5	10	0.6
CT234-251	250:5	15	0.6
CT234-301	300:5	20	0.3
CT234-401	400:5	30	0.3
CT234-501	500:5	45	0.3
CT234-601	600:5	60	0.3
CT234-751	750:5	75	0.3
CT234-801	800:5	80	0.3
CT234-102	1000:5	100	0.3
CT234-122	1200:5	75	0.3
CT234-152	1500:5	90	0.3
CT234-162	1600:5	95	0.3
CT234-202	2000:5	100	0.3

ANSI Metering Class at 60 Hz				Continuous Thermal Rating Factor	
B0.2	B0.5	B0.9	B1.8	at 30C	at 55C
0.6	1.2	2.4	-	2.0	1.5
0.6	1.2	1.2	-	2.0	1.5
0.3	0.6	1.2	2.4	2.0	1.5
0.3	0.6	0.6	1.2	1.5	1.33
0.3	0.3	0.6	1.2	1.5	1.33
0.3	0.3	0.3	0.6	1.33	1.0
0.3	0.3	0.3	0.6	1.0	0.8
0.3	0.3	0.3	0.3	1.0	0.8
0.3	0.3	0.3	0.3	1.0	0.8
0.3	0.3	0.3	0.3	1.0	0.8
0.3	0.3	0.3	0.3	1.0	0.8
0.3	0.3	0.3	0.3	1.0	0.8
0.3	0.3	0.3	0.3	0.8	0.6



- UL, cUL Recognized and CSA Certified
- As per ANSI/IEEE C57.13, IEC, OR relevant standard

Equivalent to GE-ITI MODEL 114 and ABB MODEL SCG-3

INSULATION LEVEL
600 V; BIL 10kV full wave

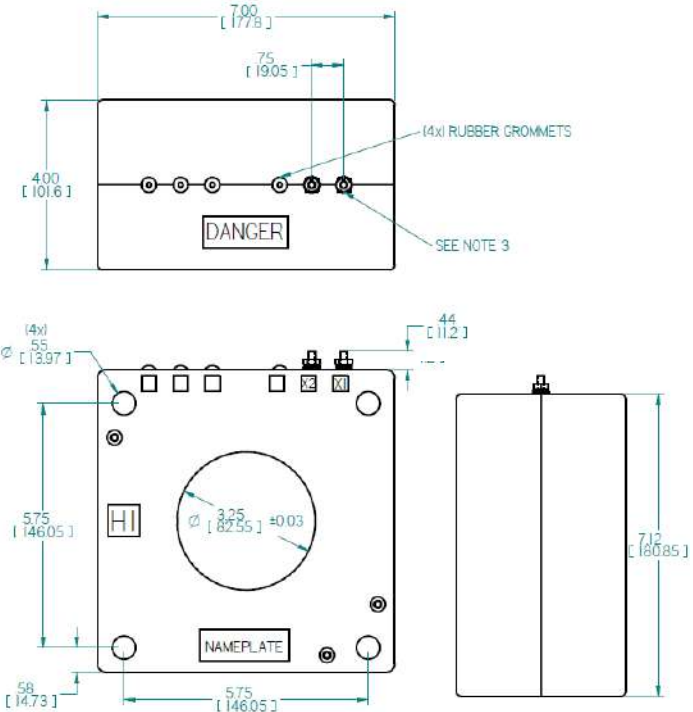
FREQUENCY
50-400 Hz.

OUTER ENCAPSULATION
Plastic Cased

TERMINALS
Brass studs No 8-32 UNC with one flat washer, lockwasher and regular nut.

APPROX. WEIGHT
22.5 lbs

DIMENSIONS: All dimensions are in inches



Catalog Number	Current Ratio	Relay Class	ANSI Meter	
			B0.1	B0.2
CT374-500	50:5	C10	2.4	4.8
CT374-750	75:5	C10	1.2	2.4
CT374-101	100:5	C10	1.2	1.2
CT374-151	150:5	C20	0.6	0.6
CT374-201	200:5	C20	0.3	0.3
CT374-251	250:5	C50	0.3	0.3
CT374-301	300:5	C50	0.3	0.3
CT374-401	400:5	C100	0.3	0.3
CT374-501	500:5	C100	0.3	0.3
CT374-601	600:5	C100	0.3	0.3
CT374-751	750:5	C100	0.3	0.3
CT374-801	800:5	C100	0.3	0.3
CT374-102	1000:5	C200	0.3	0.3
CT374-122	1200:5	C200	0.3	0.3
CT374-152	1500:5	C200	0.3	0.3
CT374-162	1600:5	C200	0.3	0.3

Accuracy Class @ 60 Hz			Continuous Thermal Rating Factor	
B0.5	B0.9	B1.8	@ 30C	@ 55C
-	-	-	2.0	2.0
4.8	-	-	2.0	2.0
2.4	4.8	-	2.0	2.0
1.2	2.4	4.8	2.0	2.0
0.6	1.2	2.4	2.0	2.0
0.6	1.2	1.2	2.0	2.0
0.6	0.6	1.2	2.0	2.0
0.3	0.3	0.6	2.0	1.5
0.3	0.3	0.6	2.0	1.5
0.3	0.3	0.3	1.5	1.33
0.3	0.3	0.3	1.5	1.0
0.3	0.3	0.3	1.5	1.0
0.3	0.3	0.3	1.5	1.0
0.3	0.3	0.3	1.33	1.0
0.3	0.3	0.3	1.0	0.8
0.3	0.3	0.3	1.0	0.8



INSULATION LEVEL
600 V; BIL 10kV full wave

FREQUENCY
50-400 Hz.

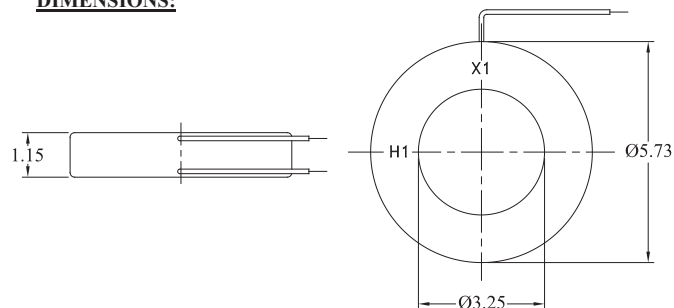
OUTER ENCAPSULATION
Plastic Cased

SECONDARY LEADS
Flexible leads UL 1015,
16 to 20 AWG, 24" long

APPROX. WEIGHT
2.5 lbs.

Equivalent to GE-ITI MODEL 8RL

DIMENSIONS:



All dimensions are in inches

CATALOG NUMBER	CURRENT RATIO	VA FOR ± 1% CLASS
CT205-201	200:5	5.0
CT205-251	250:5	7.5
CT205-301	300:5	15.0
CT205-401	400:5	25.0
CT205-501	500:5	35.0
CT205-601	600:5	50.0
CT205-751	750:5	50.0
CT205-801	800:5	60.0
CT205-102	1000:5	75.0
CT205-122	1200:5	75.0
CT205-152	1500:5	90.0
CT205-162	1600:5	100.0
CT205-202	2000:5	120.0
CT205-252	2500:5	50.0
CT205-302	3000:5	60.0
CT205-322	3200:5	70.0
CT205-402	4000:5	80.0

ANSI Metering Class (60 Hz)					Continuous Thermal Rating Factor @ 30° C
B0.1	B0.2	B0.5	B0.9	B1.8	
1.2	1.2	2.4	4.8	4.8	1.33
0.6	0.6	1.2	2.4	4.8	1.33
0.6	0.6	1.2	2.4	2.4	1.33
0.3	0.3	0.6	1.2	2.4	1.33
0.3	0.3	0.6	0.6	1.2	1.33
0.3	0.3	0.6	0.6	1.2	1.33
0.3	0.3	0.3	0.6	1.2	1.0
0.3	0.3	0.3	0.6	0.6	1.0
0.3	0.3	0.3	0.3	0.6	1.0
0.3	0.3	0.3	0.3	0.3	1.0
0.3	0.3	0.3	0.3	0.3	1.0
0.3	0.3	0.3	0.3	0.3	0.8
0.3	0.3	0.3	0.3	0.3	0.8
0.3	0.3	0.3	0.3	0.3	0.8
0.3	0.3	0.3	0.3	0.3	0.8
0.3	0.3	0.3	0.3	0.3	0.8



INSULATION LEVEL
600 V; BIL 10kV full wave

FREQUENCY
50-400 Hz.

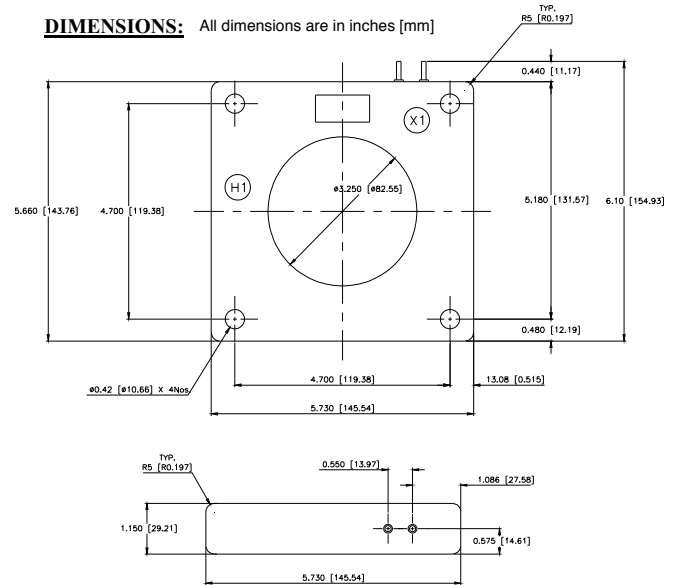
RATING FACTOR
2.0 @ 30 deg. C ambient

OUTER ENCAPSULATION
Plastic Cased

TERMINALS
Brass studs No 8-32 UNC with one flat washer, lockwasher and regular nut.

APPROX. WEIGHT
2.5 lbs.

DIMENSIONS: All dimensions are in inches [mm]



Equivalent to GE-ITI MODEL 8SHT

CATALOG NUMBER	CURRENT RATIO	VA FOR $\pm 1\%$ CLASS
CT255-201	200:5	5.0
CT255-251	250:5	7.5
CT255-301	300:5	15.0
CT255-401	400:5	25.0
CT255-501	500:5	35.0
CT255-601	600:5	50.0
CT255-751	750:5	50.0
CT255-801	800:5	60.0
CT255-102	1000:5	75.0
CT255-122	1200:5	75.0
CT255-152	1500:5	90.0
CT255-162	1600:5	100.0
CT255-202	2000:5	120.0
CT255-252	2500:5	50.0
CT255-302	3000:5	60.0
CT255-322	3200:5	70.0
CT255-402	4000:5	80.0

ANSI Metering Class (60 Hz)					Continuous Thermal Rating Factor @ 30°C
B0.1	B0.2	B0.5	B0.9	B1.8	
1.2	1.2	2.4	4.8	4.8	2.0
0.6	0.6	1.2	2.4	4.8	2.0
0.6	0.6	1.2	2.4	2.4	2.0
0.3	0.3	0.6	1.2	2.4	2.0
0.3	0.3	0.6	0.6	1.2	2.0
0.3	0.3	0.6	0.6	1.2	1.5
0.3	0.3	0.3	0.6	1.2	1.5
0.3	0.3	0.3	0.6	0.6	1.5
0.3	0.3	0.3	0.3	0.6	1.33
0.3	0.3	0.3	0.3	0.3	1.5
0.3	0.3	0.3	0.3	0.3	1.33
0.3	0.3	0.3	0.3	0.3	1.33
0.3	0.3	0.3	0.3	0.3	1.0
0.3	0.3	0.3	0.3	0.3	1.0
0.3	0.3	0.3	0.3	0.3	1.0
0.3	0.3	0.3	0.3	0.3	1.0
0.3	0.3	0.3	0.3	0.3	0.8



INSULATION LEVEL
600 V, BIL 10kV full wave

FREQUENCY
50-400 Hz

THERMAL RATING
As per table

OUTER ENCAPSULATION
Plastic Cased

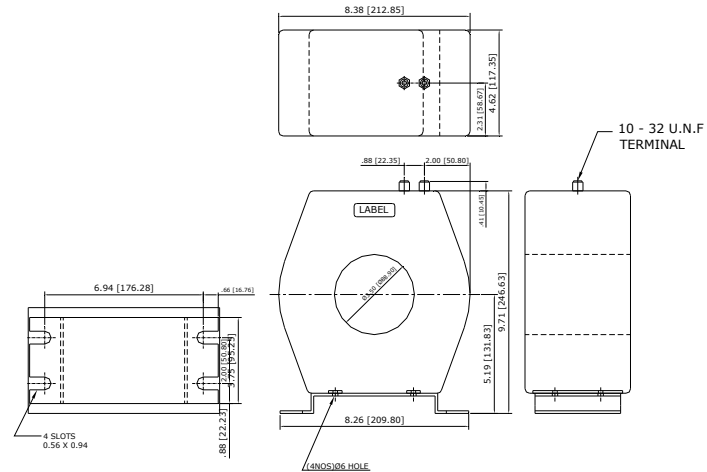
SECONDARY TERMINALS
Brass screw # 10-32 with one flat washer and lock washer, accessible from either side

APPROX. WEIGHT
43 lbs.



Equivalent to GE-ITI MODEL 201

DIMENSIONS (ALL DIMENSIONS ARE IN INCHES [mm]):

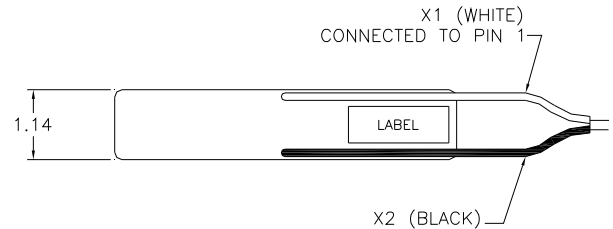
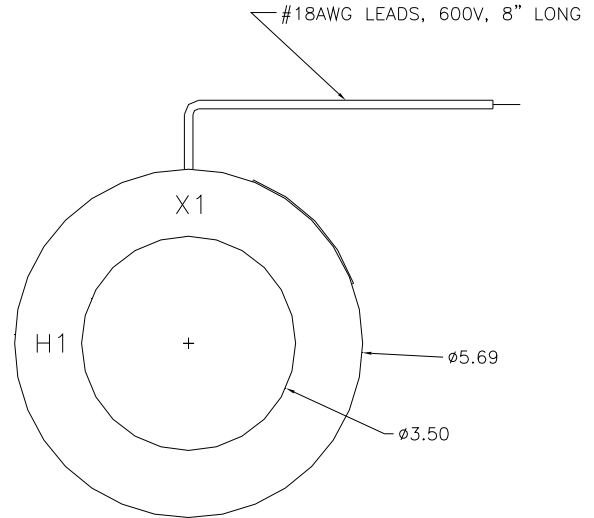


CATALOG NUMBER	CURRENT RATIO	RELAY CLASS (@ 60 HZ)	ANSI METEF	
			B0.1	B0.2
CT214-500	50:5	C10	2.4	4.8
CT214-750	75:5	C20	1.2	2.4
CT214-101	100:5	C20	0.6	1.2
CT214-151	150:5	C20	0.3	0.6
CT214-201	200:5	C50	0.3	0.3
CT214-251	250:5	C50	0.3	0.3
CT214-301	300:5	C100	0.3	0.3
CT214-401	400:5	C100	0.3	0.3
CT214-501	500:5	C100	0.3	0.3
CT214-601	600:5	C200	0.3	0.3
CT214-751	750:5	C200	0.3	0.3
CT214-801	800:5	C200	0.3	0.3

RATING CLASS @ 60 HZ			SECONDARY WINDING RESISTANCE (Ω@75° C)	CONTINUOUS THERMAL RATING FACTOR	
B0.5	B0.9	B1.8		@ 30°C	@ 55°C
-	-	-	0.024	2.0	2.0
4.8	4.8	-	0.036	2.0	2.0
2.4	4.8	4.8	0.047	2.0	2.0
1.2	1.2	2.4	0.071	2.0	2.0
0.6	1.2	2.4	0.095	2.0	2.0
0.6	0.6	1.2	0.119	2.0	2.0
0.3	0.6	1.2	0.142	2.0	2.0
0.3	0.3	0.6	0.190	2.0	2.0
0.3	0.3	0.3	1.237	2.0	2.0
0.3	0.3	0.3	0.385	2.0	2.0
0.3	0.3	0.3	0.448	2.0	1.5
0.3	0.3	0.3	0.478	2.0	1.5



DIMENSIONS: All dimensions are in inches.



INSULATION LEVEL 600 V, BIL 10kV full wave	OUTER ENCAPSULATION Plastic Cased
FREQUENCY 50-400 Hz	SECONDARY TERMINALS 16AWG lead wire, 24" long

CATALOG NUMBER	CURRENT RATIO	ACCURACY @ 60 HZ		THERMAL RATING FACTOR @ 30°C
		±%	BURDEN (VA)	
CT207-301	300:5	1.5	2.0	1.33
CT207-401	400:5	1.0	2.0	1.33
CT207-501	500:5	1.0	4.0	1.33
CT207-601	600:5	1.0	6.0	1.33
CT207-801	800:5	1.0	10	1.33
CT207-102	1000:5	1.0	12	1.33
CT207-122	1200:5	1.0	20	1.33
CT207-152	1500:5	1.0	15	1.33
CT207-162	1600:5	1.0	15	1.33
CT207-202	2000:5	1.0	12	1.33
CT207-252	2500:5	1.0	15	1.0
CT207-302	3000:5	1.0	25	1.0
CT207-402	4000:5	1.0	45	1.0



INSULATION LEVEL
600 V; BIL 10kV full wave

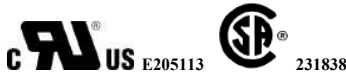
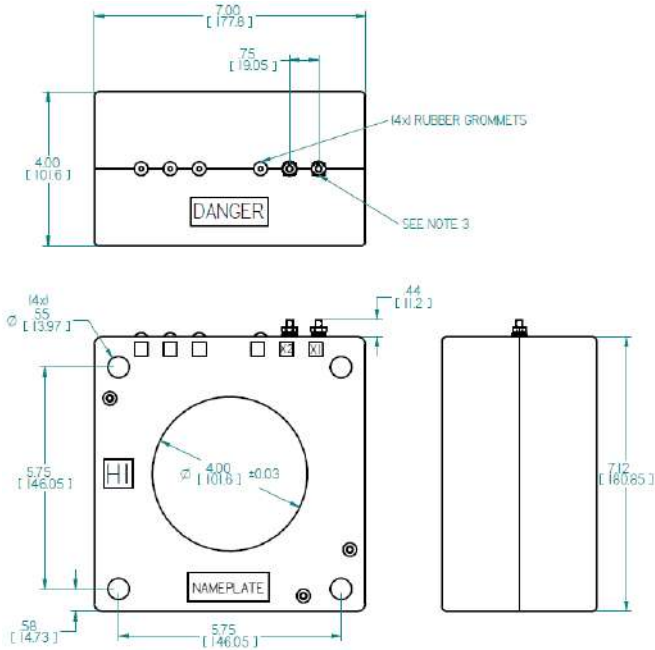
FREQUENCY
50-400 Hz.

OUTER ENCAPSULATION
Plastic Cased

TERMINALS
Brass studs No 8-32 UNC with one flat washer, lockwasher and regular nut.

APPROX. WEIGHT
20 lbs

DIMENSIONS: All dimensions are in inches [mm]

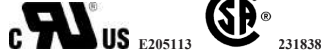


- UL, cUL Recognized and CSA Certified
- As per ANSI/IEEE C57.13, IEC, OR relevant standard

Equivalent to GE-ITI MODEL 115 and ABB MODEL SCG-4

Catalog Number	Current Ratio	Relay Class	A
			B0.1
CT375-500	50:5	-	2.4
CT375-750	75:5	C10	1.2
CT375-101	100:5	C10	1.2
CT375-151	150:5	C20	0.6
CT375-201	200:5	C20	0.3
CT375-251	250:5	C20	0.3
CT375-301	300:5	C50	0.3
CT375-401	400:5	C50	0.3
CT375-501	500:5	C50	0.3
CT375-601	600:5	C100	0.3
CT375-751	750:5	C100	0.3
CT375-801	800:5	C100	0.3
CT375-102	1000:5	C100	0.3
CT375-122	1200:5	C100	0.3
CT375-152	1500:5	C100	0.3
CT375-162	1600:5	C100	0.3
CT375-202	2000:5	C200	0.3
CT375-252	2500:5	C200	0.3
CT375-302	3000:5	C200	0.3
CT375-322	3200:5	C200	0.3

ANSI Metering Class @ 60 Hz				Continuous Thermal Rating Factor	
B0.2	B0.5	B0.9	B1.8	@ 30C	@ 55C
4.8	-	-	-	2.0	2.0
2.4	4.8	-	-	2.0	2.0
1.2	2.4	4.8	-	2.0	2.0
0.6	1.2	2.4	4.8	2.0	2.0
0.6	1.2	1.2	2.4	2.0	2.0
0.3	0.6	1.2	1.2	2.0	2.0
0.3	0.6	0.6	1.2	2.0	2.0
0.3	0.3	0.3	0.6	2.0	2.0
0.3	0.3	0.3	0.3	2.0	1.5
0.3	0.3	0.3	0.3	2.0	1.33
0.3	0.3	0.3	0.3	1.5	1.0
0.3	0.3	0.3	0.3	1.5	1.0
0.3	0.3	0.3	0.3	1.5	1.0
0.3	0.3	0.3	0.3	1.33	1.0
0.3	0.3	0.3	0.3	1.0	0.8
0.3	0.3	0.3	0.3	1.0	0.8
0.3	0.3	0.3	0.3	1.0	0.8
0.3	0.3	0.3	0.3	1.0	0.8
0.3	0.3	0.3	0.3	1.0	0.8
0.3	0.3	0.3	0.3	1.0	0.8



Equivalent to GE-ITI MODEL100 and ABB MODEL SCN

INSULATION LEVEL
600 V; BIL 10kV full wave

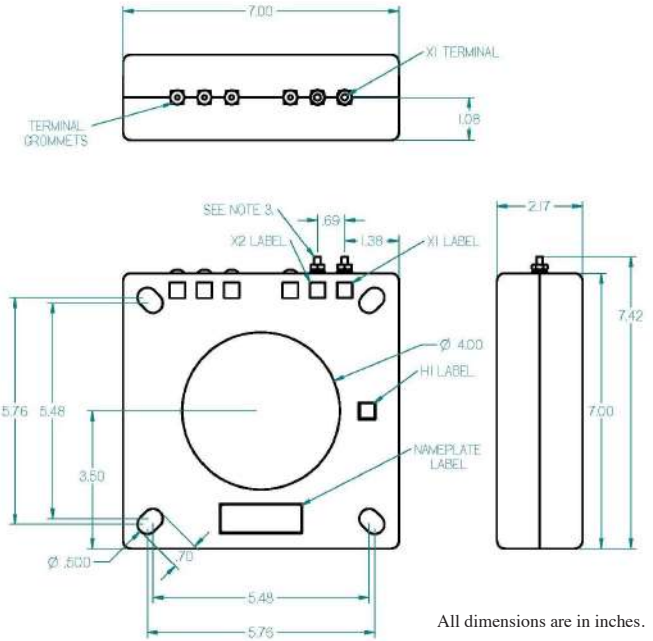
FREQUENCY
50-400 Hz.

OUTER ENCAPSULATION
Plastic Cased

TERMINALS
Brass studs No 8-32 UNC with one flat washer, one lockwasher and regular hex nut.

APPROX. WEIGHT
8 lbs.

DIMENSIONS:



All dimensions are in inches.

Amran PN	Ratio	ANSI Relay Class	ANSI Metering Accuracy		
			B0.1	B0.2	B0.5
CT236-101	100/5	-	2.4	2.4	4.8
CT236-201	200/5	C10	0.6	0.6	1.2
CT236-301	300/5	C10	0.3	0.3	0.6
CT236-401	400/5	C20	0.3	0.3	0.6
CT236-501	500/5	C20	0.3	0.3	0.6
CT236-601	600/5	C20	0.3	0.3	0.3
CT236-801	800/5	C20	0.3	0.3	0.3
CT236-102	1000/5	C50	0.3	0.3	0.3
CT236-122	1200/5	C20	0.3	0.3	0.3
CT236-152	1500/5	C50	0.3	0.3	0.3
CT236-162	1600/5	C50	0.3	0.3	0.3
CT236-202	2000/5	C50	0.3	0.3	0.3
CT236-252	2500/5	C50	0.3	0.3	0.3
CT236-302	3000/5	C50	0.3	0.3	0.3
CT236-402	4000/5	C50	0.3	0.3	0.3

Accuracy @ 60Hz		Thermal Rating Factor	
B0.9	B1.8	@ 30C	@ 55C
-	-	2	1.5
2.4	-	2	1.5
1.2	-	2	1.5
0.6	1.2	2	1.5
0.6	1.2	2	1.5
0.6	0.6	2	1.5
0.3	0.6	1.5	1.33
0.3	0.3	1.5	1.33
0.3	0.3	1.5	1.33
0.3	0.3	1.33	1
0.3	0.3	1.33	1
0.3	0.3	1	0.8
0.3	0.3	1	0.8
0.3	0.3	1	0.8
0.3	0.3	1	0.8



- UL, cUL Recognized and CSA Certified
- As per ANSI/IEEE C57.13, IEC, OR relevant standard

INSULATION LEVEL
600 V; BIL 10kV full wave

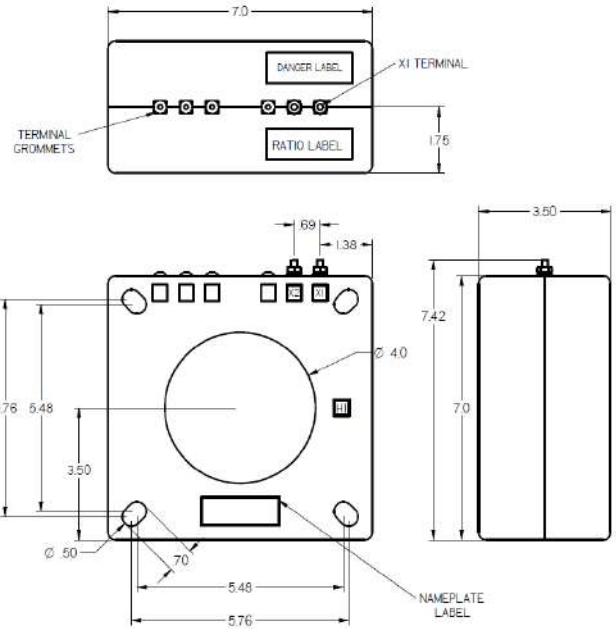
FREQUENCY
50-400 Hz.

OUTER ENCAPSULATION
Plastic Cased

TERMINALS
Brass studs No 8-32 UNC with one flat washer, lockwasher and regular nut.

APPROX. WEIGHT
15 lbs.

DIMENSIONS: All dimensions are in inches.



Catalog Number	Current Ratio	ANSI Relay Class	Accuracy Class
			B0.1
CT239-101	100:5	C10	2.4
CT239-201	200:5	C20	0.6
CT239-301	300:5	C20	0.3
CT239-401	400:5	C50	0.3
CT239-501	500:5	C50	0.3
CT239-601	600:5	C50	0.3
CT239-801	800:5	C100	0.3
CT239-102	1000:5	C100	0.3
CT239-122	1200:5	C100	0.3
CT239-152	1500:5	C100	0.3
CT239-162	1600:5	C100	0.3
CT239-202	2000:5	C200	0.3
CT239-252	2500:5	C200	0.3
CT239-302	3000:5	C200	0.3
CT239-402	4000:5	C200	0.3

ANSI Metering Class at 60 Hz				Secondary Winding Resistance @ 75°C	Continuous Thermal Rating Factor
B0.2	B0.5	B0.9	B1.8		at 30C
2.4	-	-	-	0.0314	2.0
1.2	1.2	2.4	-	0.0602	2.0
0.6	1.2	1.2	2.4	0.0868	2.0
0.3	0.6	0.6	1.2	0.1145	2.0
0.3	0.3	0.6	0.6	0.1703	2.0
0.3	0.3	0.3	0.6	0.2595	1.5
0.3	0.3	0.3	0.3	0.2754	1.5
0.3	0.3	0.3	0.3	0.4252	1.33
0.3	0.3	0.3	0.3	0.4716	1.33
0.3	0.3	0.3	0.3	0.5926	1.33
0.3	0.3	0.3	0.3	0.6294	1.33
0.3	0.3	0.3	0.3	0.8360	1.33
0.3	0.3	0.3	0.3	1.2928	1.0
0.3	0.3	0.3	0.3	1.5636	1.0
0.3	0.3	0.3	0.3	2.1455	1.0



Equivalent to GE-ITI MODEL 170RL

INSULATION LEVEL
600 V; BIL 10kV full wave

FREQUENCY
50-400 Hz.

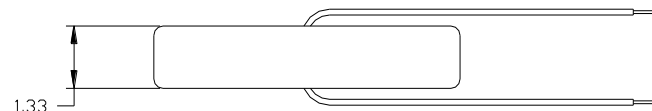
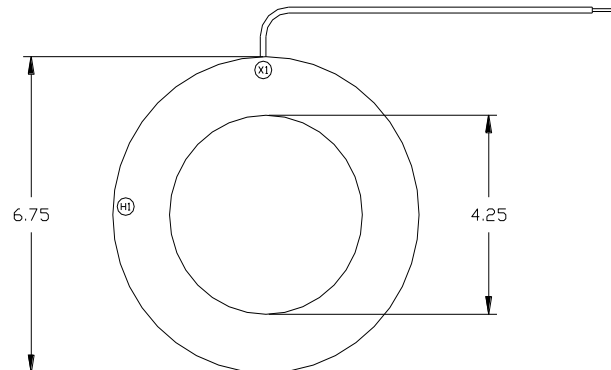
RATING FACTOR
See table.

OUTER ENCAPSULATION
Plastic Cased

SECONDARY LEADS
Flexible leads UL 1015, 16 AWG, 24" long

APPROX. WEIGHT
2.5 lbs.

DIMENSIONS: All dimensions are in inches.



Catalog Number	Current Ratio	VA for 1% Class	ANSI Meter	
			B0.1	B0.2
CT209-201	200:5	5.0	0.6	1.2
CT209-251	250:5	5.0	0.6	0.6
CT209-301	300:5	12.5	0.6	0.6
CT209-401	400:5	25.0	0.3	0.3
CT209-501	500:5	25.0	0.3	0.3
CT209-601	600:5	25.0	0.3	0.3
CT209-751	750:5	40.0	0.3	0.3
CT209-801	800:5	50.0	0.3	0.3
CT209-102	1000:5	75.0	0.3	0.3
CT209-122	1200:5	100.0	0.3	0.3
CT209-152	1500:5	80.0	0.3	0.3
CT209-162	1600:5	90.0	0.3	0.3
CT209-202	2000:5	100.0	0.3	0.3
CT209-252	2500:5	130.0	0.3	0.3
CT209-302	3000:5	160.0	0.3	0.3
CT209-352	3500:5	190.0	0.3	0.3
CT209-402	4000:5	200.0	0.3	0.3

Accuracy Class at 60Hz			Thermal Rating Factor @ 30C
B0.5	B0.9	B1.8	
2.4	-	-	2.0
1.2	2.4	-	2.0
1.2	2.4	-	2.0
0.6	1.2	2.4	2.0
0.6	1.2	1.2	2.0
0.6	0.6	1.2	2.0
0.3	0.6	0.6	2.0
0.3	0.6	0.6	2.0
0.3	0.6	0.6	1.33
0.3	0.3	0.6	1.33
0.3	0.3	0.6	1.33
0.3	0.3	0.6	1.33
0.3	0.3	0.3	1.0
0.3	0.3	0.3	1.0
0.3	0.3	0.6	1.0
0.3	0.3	0.6	1.0
0.3	0.3	0.6	1.0



INSULATION LEVEL
600 V, BIL 10kV full wave

FREQUENCY
50-400 Hz

THERMAL RATING
200:5-2500:5 - 1.33 @ 30 deg. C ambient
3000:5-4000:5 - 1.00 @ 30 deg. C ambient

OUTER ENCAPSULATION
Plastic Cased

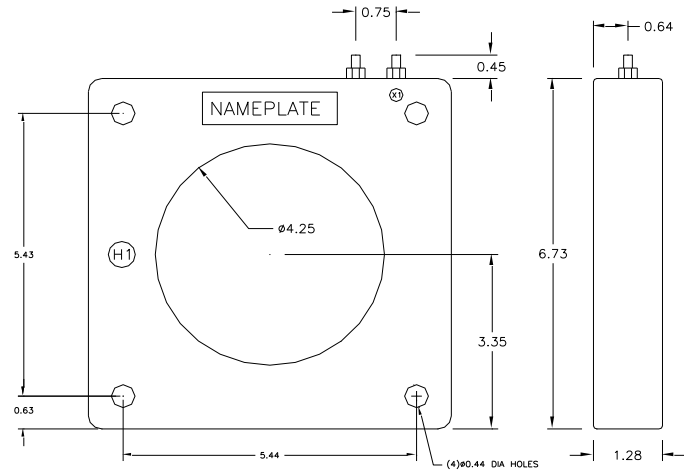
SECONDARY TERMINALS
Brass screw # 8-32 with one flat washer and lock washer

APPROX. WEIGHT
3 lbs.



Equivalent to GE-ITI MODEL170SHT, 19SHT and ABB MODEL SCE

DIMENSIONS: All dimensions are in inches.



CATALOG NUMBER	CURRENT RATIO	ANSI METERS	
		B0.1	B0.2
CT221-201	200:5	1.2	1.2
CT221-251	250:5	1.2	1.2
CT221-301	300:5	0.6	0.6
CT221-401	400:5	0.6	0.6
CT221-501	500:5	0.3	0.3
CT221-601	600:5	0.3	0.3
CT221-751	750:5	0.3	0.3
CT221-801	800:5	0.3	0.3
CT221-102	1000:5	0.3	0.3
CT221-122	1200:5	0.3	0.3
CT221-152	1500:5	0.3	0.3
CT221-162	1600:5	0.3	0.3
CT221-202	2000:5	0.3	0.3
CT221-252	2500:5	0.3	0.3
CT221-302	3000:5	0.3	0.3
CT221-352	3500:5	0.3	0.3
CT221-402	4000:5	0.3	0.3

RING CLASS @ 60 HZ			THERMAL RATING FACTOR @30°C
B0.5	B0.9	B1.8	
-	-	-	1.33
-	-	-	1.33
1.2	2.4	-	1.33
1.2	1.2	2.4	1.33
0.6	1.2	2.4	1.33
0.6	0.6	1.2	1.33
0.3	0.3	0.6	1.33
0.3	0.3	0.6	1.33
0.3	0.3	0.6	1.33
0.3	0.3	0.6	1.33
0.3	0.3	0.6	1.33
0.3	0.3	0.6	1.33
0.3	0.3	0.3	1.33
0.3	0.3	0.3	1.33
0.3	0.3	0.3	1.0
0.3	0.3	0.3	1.0
0.3	0.3	0.3	1.0



Equivalent to GE-ITI MODEL204

INSULATION LEVEL
600 V, BIL 10kV full wave

FREQUENCY
50-400 Hz

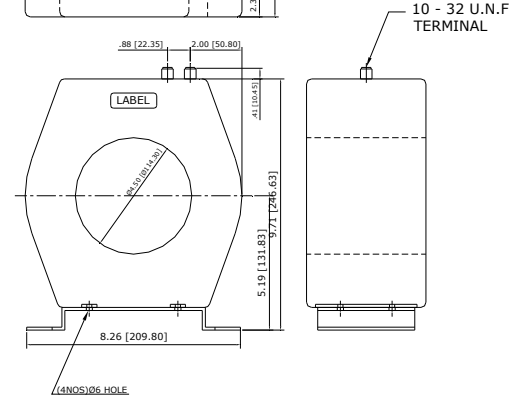
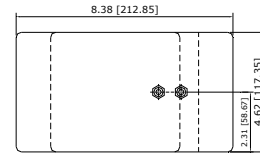
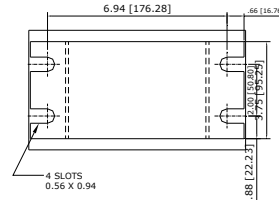
THERMAL RATING
As per table

OUTER ENCAPSULATION
Plastic Cased

SECONDARY TERMINALS
Brass screw # 10-32 with one flat washer and lock washer

APPROX. WEIGHT
35 lbs.

DIMENSIONS: All dimensions are in inches [mm]



CATALOG NUMBER	CURRENT RATIO	RELAY CLASS (@ 60 HZ)	ANSI METERING CLASS		
			B0.1	B0.2	B0.5
CT217-101	100:5	C20	1.2	2.4	2.4
CT217-151	150:5	C20	0.6	0.6	1.2
CT217-201	200:5	C20	0.3	0.6	1.2
CT217-251	250:5	C20	0.3	0.3	0.6
CT217-301	300:5	C50	0.3	0.3	0.3
CT217-401	400:5	C50	0.3	0.3	0.3
CT217-501	500:5	C100	0.3	0.3	0.3
CT217-601	600:5	C100	0.3	0.3	0.3
CT217-751	750:5	C200	0.3	0.3	0.3
CT217-801	800:5	C200	0.3	0.3	0.3
CT217-102	1000:5	C200	0.3	0.3	0.3

SS @ 60 HZ		SECONDARY WINDING RESISTANCE (Ω@75° C)	CONTINUOUS THERMAL RATING FACTOR	
B0.9	B1.8		@ 30°C	@ 55°C
4.8	-	0.043	2.0	2.0
2.4	4.8	0.065	2.0	2.0
1.2	2.4	0.087	2.0	2.0
1.2	1.2	0.109	2.0	2.0
0.6	1.2	0.130	2.0	2.0
0.6	0.6	0.174	2.0	2.0
0.3	0.6	0.217	2.0	2.0
0.3	0.3	0.261	2.0	2.0
0.3	0.3	0.326	2.0	1.5
0.3	0.3	0.348	2.0	1.5
0.3	0.3	0.435	2.0	1.5



INSULATION LEVEL
600 V; BIL 10kV full wave

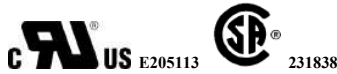
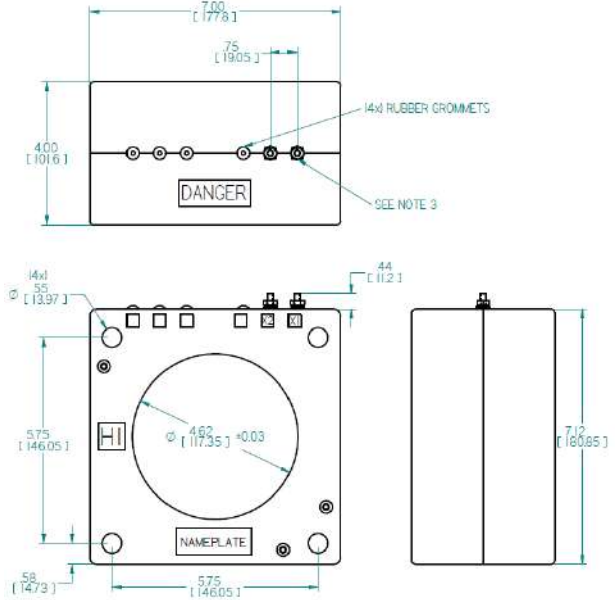
FREQUENCY
50-400 Hz.

OUTER ENCAPSULATION
Plastic Cased

TERMINALS
Brass studs No 8-32 UNC with one flat washer, lockwasher and regular nut.

APPROX. WEIGHT
15 lbs

DIMENSIONS: All dimensions are in inches.



- UL, cUL Recognized and CSA Certified
- As per ANSI/IEEE C57.13, IEC, OR relevant standard

Equivalent to GE-ITI MODEL117 and ABB MODEL SCG-5

Catalog Number	Current Ratio	Relay Class	Accuracy Class	
			B0.1	A
CT377-500	50:5	-	4.8	
CT377-750	75:5	-	2.4	
CT377-101	100:5	-	1.2	
CT377-151	150:5	C10	0.6	
CT377-201	200:5	C10	0.6	
CT377-251	250:5	C20	0.6	
CT377-301	300:5	C20	0.3	
CT377-401	400:5	C20	0.3	
CT377-501	500:5	C20	0.3	
CT377-601	600:5	C20	0.3	
CT377-751	750:5	C50	0.3	
CT377-801	800:5	C50	0.3	
CT377-102	1000:5	C50	0.3	
CT377-122	1200:5	C100	0.3	
CT377-152	1500:5	C50	0.3	
CT377-162	1600:5	C50	0.3	
CT377-202	2000:5	C100	0.3	
CT377-252	2500:5	C100	0.3	
CT377-302	3000:5	C200	0.3	
CT377-322	3200:5	C200	0.3	
CT377-402	4000:5	C200	0.3	

NSI Metering Class @ 60 Hz				Continuous Thermal Rating Factor	
B0.2	B0.5	B0.9	B1.8	@ 30C	@ 55C
-	-	-	-	2.0	2.0
4.8	-	-	-	2.0	2.0
2.4	4.8	-	-	2.0	2.0
1.2	2.4	4.8	-	2.0	2.0
0.6	1.2	2.4	4.8	2.0	2.0
0.6	1.2	1.2	2.4	2.0	2.0
0.3	0.6	1.2	2.4	2.0	2.0
0.3	0.6	0.6	1.2	2.0	2.0
0.3	0.3	0.6	0.6	2.0	1.5
0.3	0.3	0.3	0.3	2.0	1.5
0.3	0.3	0.3	0.3	1.5	1.33
0.3	0.3	0.3	0.3	1.5	1.33
0.3	0.3	0.3	0.3	1.5	1.0
0.3	0.3	0.3	0.3	1.33	1.0
0.3	0.3	0.3	0.3	1.33	1.0
0.3	0.3	0.3	0.3	1.0	0.8
0.3	0.3	0.3	0.3	1.0	0.6
0.3	0.3	0.3	0.3	1.0	0.6
0.3	0.3	0.3	0.3	1.0	0.6
0.3	0.3	0.3	0.3	1.0	0.6

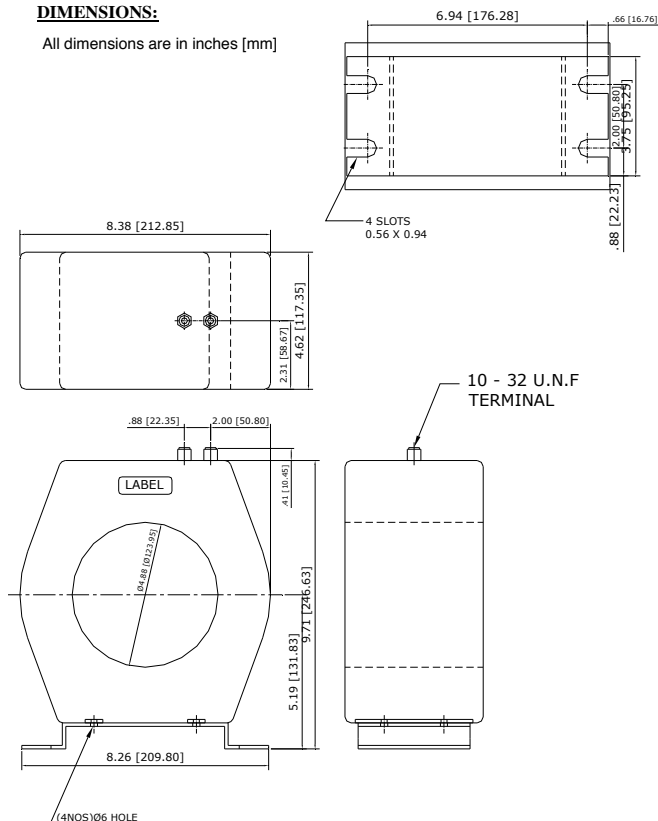


Equivalent to GE-ITI MODEL 202

INSULATION LEVEL 600 V, BIL 10kV full wave
FREQUENCY 50-400 Hz
THERMAL RATING As per table
OUTER ENCAPSULATION Plastic Cased
SECONDARY TERMINALS Brass screw # 10-32 with one flat washer and lock washer, accessible from either side
APPROX. WEIGHT 34 lbs.

DIMENSIONS:

All dimensions are in inches [mm]

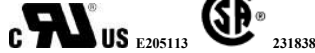


CATALOG NUMBER	CURRENT RATIO	RELAY CLASS (@ 60 HZ)	ANSI METERS	
			B0.1	B0.2
CT215-101	100:5	C20	1.2	2.4
CT215-151	150:5	C20	0.6	1.2
CT215-201	200:5	C20	0.6	0.6
CT215-251	250:5	C20	0.6	0.6
CT215-301	300:5	C50	0.3	0.3
CT215-401	400:5	C50	0.3	0.3
CT215-501	500:5	C100	0.3	0.3
CT215-601	600:5	C100	0.3	0.3
CT215-751	750:5	C100	0.3	0.3
CT215-801	800:5	C100	0.3	0.3
CT215-102	1000:5	C200	0.3	0.3

RING CLASS @ 60 HZ			SECONDARY WINDING RESISTANCE (Ω@75° C)	CONTINUOUS THERMAL RATING FACTOR	
B0.5	B0.9	B1.8		@ 30°C	@ 55°C
4.8	4.8	-	0.042	2.0	2.0
2.4	2.4	4.8	0.063	2.0	2.0
1.2	1.2	2.4	0.084	2.0	2.0
0.6	1.2	2.4	0.105	2.0	2.0
0.6	0.6	1.2	0.126	2.0	2.0
0.3	0.6	0.6	0.168	2.0	2.0
0.3	0.6	0.6	0.211	2.0	2.0
0.3	0.3	0.6	0.253	2.0	2.0
0.3	0.3	0.3	0.316	2.0	1.5
0.3	0.3	0.3	0.337	2.0	1.5
0.3	0.3	0.3	0.421	2.0	1.5



Equivalent to GE-ITI MODEL 203, 203MR



INSULATION LEVEL
600 V, BIL 10kV full wave

FREQUENCY
50-400 Hz

THERMAL RATING
50:5-4000:5 - 1.33 @ 30 deg. C ambient

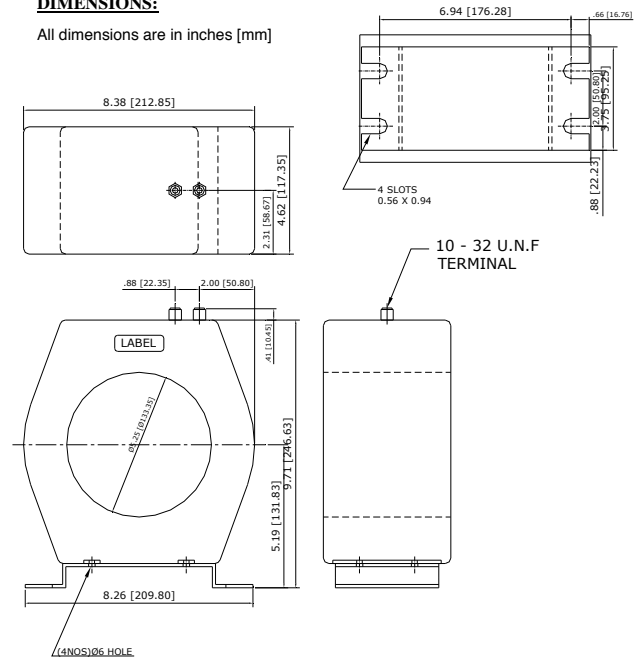
OUTER ENCAPSULATION
Plastic Cased

SECONDARY TERMINALS
Brass screw # 10-32 with one flat washer and lock washer

APPROX. WEIGHT
26 lbs.

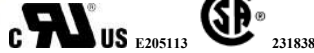
DIMENSIONS:

All dimensions are in inches [mm]



CATALOG NUMBER	CURRENT RATIO	RELAY CLASS (@ 60 HZ)	ANSI METE	
			B0.1	B0.2
CT216-201	200:5	C20	0.6	0.6
CT216-251	250:5	C20	0.3	0.6
CT216-301	300:5	C20	0.3	0.6
CT216-401	400:5	C20	0.3	0.3
CT216-501	500:5	C50	0.3	0.3
CT216-601	600:5	C50	0.3	0.3
CT216-751	750:5	C100	0.3	0.3
CT216-801	800:5	C100	0.3	0.3
CT216-102	1000:5	C100	0.3	0.3
CT216-122	1200:5	C200	0.3	0.3
CT216-152	1500:5	C200	0.3	0.3
CT216-162	1600:5	C200	0.3	0.3
CT216-202	2000:5	C200	0.3	0.3
CT216-252	2500:5	C200	0.3	0.3
CT216-302	3000:5	C200	0.3	0.3
CT216-402	4000:5	C100	0.3	0.3
CT216-502	5000:5	C100	0.3	0.3

RING CLASS @ 60 HZ			SECONDARY WINDING RESISTANCE (Ω@75° C)	CONTINUOUS THERMAL RATING FACTOR	
B0.5	B0.9	B1.8		@ 30°C	@ 55°C
1.2	2.4	-	0.064	2.0	2.0
1.2	1.2	2.4	0.081	2.0	2.0
0.6	1.2	1.2	0.097	2.0	2.0
0.3	0.6	1.2	0.129	2.0	2.0
0.3	0.3	0.6	1.161	2.0	2.0
0.3	0.3	0.6	0.193	2.0	2.0
0.3	0.3	0.3	1.242	2.0	2.0
0.3	0.3	0.3	0.324	2.0	2.0
0.3	0.3	0.3	0.405	2.0	1.5
0.3	0.3	0.3	0.485	2.0	1.5
0.3	0.3	0.3	0.961	1.3	1.0
0.3	0.3	0.3	1.292	1.3	1.0
0.3	0.3	0.3	1.194	1.0	0.8
0.3	0.3	0.3	1.493	1.0	0.8
0.3	0.3	0.3	1.791	1.0	0.6
0.3	0.3	0.3	2.214	1.0	0.6
0.3	0.3	0.3	3.472	0.8	0.3



Equivalent to GE-ITI MODEL 135, 135MR and ABB MODEL SCO

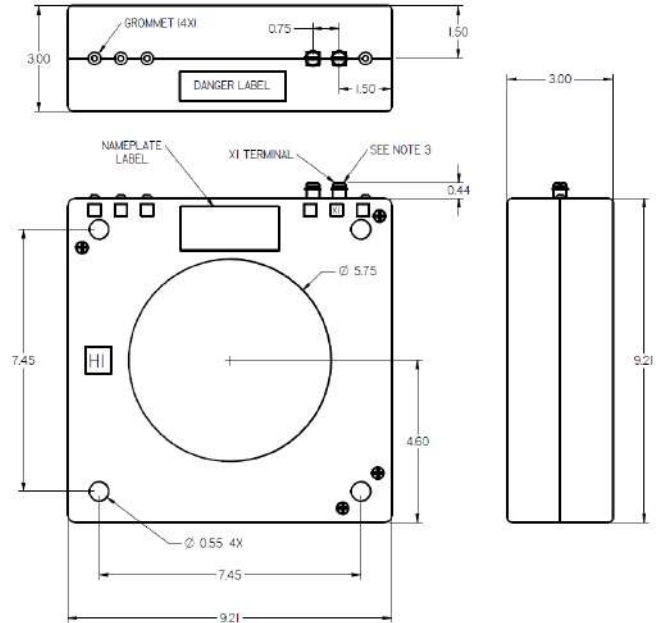
INSULATION LEVEL
600 V, BIL 10kV full wave

FREQUENCY
50-400 Hz

OUTER ENCAPSULATION
Plastic Cased

SECONDARY TERMINALS
Brass screw # 10-32 with one flat washer and one lock washer.

DIMENSIONS: All dimensions are in inches



CATALOG NUMBER	CURRENT RATIO	ANSI Relay Class	TRF @ 30C
CT237-500	50/5	-	2.0
CT237-750	75/5	-	2.0
CT237-101	100/5	C10	2.0
CT237-151	150/5	C10	2.0
CT237-201	200/5	C20	2.0
CT237-251	250/5	C20	2.0
CT237-301	300/5	C20	2.0
CT237-401	400/5	C20	2.0
CT237-501	500/5	C50	2.0
CT237-601	600/5	C50	2.0
CT237-751	750/5	C50	2.0
CT237-801	800/5	C50	2.0
CT237-102	1000/5	C100	1.5
CT237-122	1200/5	C100	1.5
CT237-152	1500/5	C100	1.5
CT237-162	1600/5	C100	1.5
CT237-202	2000/5	C100	1.33
CT237-252	2500/5	C200	1.0
CT237-302	3000/5	C200	1.0
CT237-322	3200/5	C200	1.0
CT237-352	3500/5	C200	1.0
CT237-402	4000/5	C200	1.0
CT237-502	5000/5	C200	1.0

ANSI METERING CLASS @ 60 HZ					Winding Res. @75C
B0.1	B0.2	B0.5	B0.9	B1.8	
4.8	-	-	-	-	0.0151
2.4	4.8	-	-	-	0.0176
1.2	2.4	4.8	-	-	0.0410
0.6	1.2	2.4	4.8	-	0.031
0.6	0.6	1.2	2.4	4.8	0.0497
0.6	0.6	1.2	2.4	2.4	0.0619
0.3	0.3	0.6	1.2	2.4	0.0737
0.3	0.3	0.6	0.6	1.2	0.1232
0.3	0.3	0.3	0.6	1.2	0.1517
0.3	0.3	0.3	0.3	0.6	0.1836
0.3	0.3	0.3	0.3	0.6	0.2262
0.3	0.3	0.3	0.3	0.6	0.2427
0.3	0.3	0.3	0.3	0.3	0.3802
0.3	0.3	0.3	0.3	0.3	0.4554
0.3	0.3	0.3	0.3	0.3	0.5680
0.3	0.3	0.3	0.3	0.3	0.5491
0.3	0.3	0.3	0.3	0.3	0.6918
0.3	0.3	0.3	0.3	0.3	1.0997
0.3	0.3	0.3	0.3	0.3	1.3419
0.3	0.3	0.3	0.3	0.3	1.1709
0.3	0.3	0.3	0.3	0.3	1.2909
0.3	0.3	0.3	0.3	0.3	1.4806
0.3	0.3	0.3	0.3	0.3	1.9276



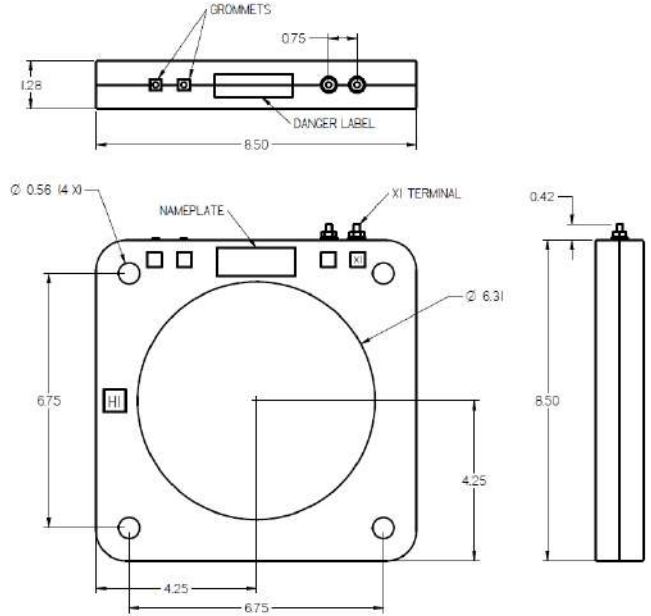
INSULATION LEVEL
600 V, BIL 10kV full wave

FREQUENCY
50-400 Hz

OUTER ENCAPSULATION
Plastic Cased

SECONDARY TERMINALS
#8-32 Brass Stud with one flat washer, lock washer, and one regular hex nut.

DIMENSIONS: All dimensions are in inches



Equivalent to GE-ITI MODEL 125, 125MR and ABB MODEL SCM

CATALOG NUMBER	CURRENT RATIO	TRF @ 30C
CT238-401	400:5	1.5
CT238-601	600:5	1.5
CT238-751	750:5	1.5
CT238-801	800:5	1.5
CT238-102	1000:5	1.5
CT238-122	1200:5	1.5
CT238-152	1500:5	1.5
CT238-162	1600:5	1.5
CT238-202	2000:5	1.5
CT238-252	2500:5	1.33
CT238-302	3000:5	1.33
CT238-322	3200:5	1.33
CT238-352	3500:5	1.33
CT238-402	4000:5	1.0

ANSI METERING CLASS @ 60 HZ				
B0.1	B0.2	B0.5	B0.9	B1.8
0.6	1.2	2.4	-	-
0.3	0.3	1.2	1.2	2.4
0.3	0.3	0.6	1.2	2.4
0.3	0.3	0.6	1.2	2.4
0.3	0.3	0.3	0.6	1.2
0.3	0.3	0.3	0.6	1.2
0.3	0.3	0.3	0.3	0.6
0.3	0.3	0.3	0.3	0.6
0.3	0.3	0.3	0.3	0.6
0.3	0.3	0.3	0.3	0.6
0.3	0.3	0.3	0.3	0.6
0.3	0.3	0.3	0.3	0.6
0.3	0.3	0.3	0.3	0.6
0.3	0.3	0.3	0.3	0.6
0.3	0.3	0.3	0.3	0.3
0.3	0.3	0.3	0.3	0.3

Model CT160

Window 0.84" x 2.16", 600V, 10kV BIL



INSULATION LEVEL
600 V, BIL 10kV full wave

FREQUENCY
50-400 Hz

THERMAL RATING
1.33 @ 30 deg. C ambient

OUTER ENCAPSULATION
Plastic Cased

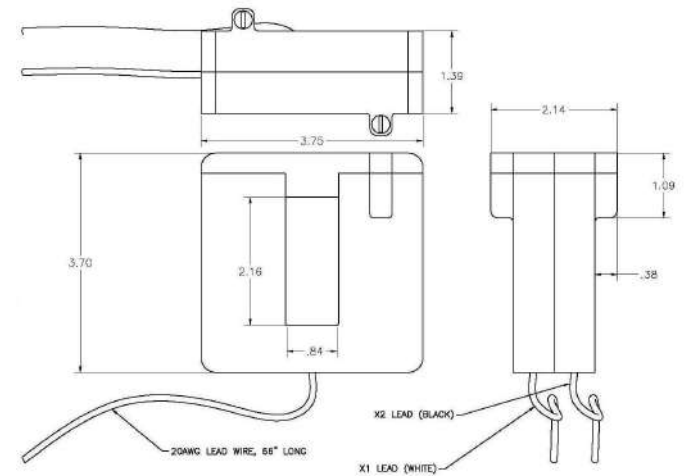
SECONDARY TERMINALS
20AWG lead wire, 66" long



Equivalent to GE-ITI MODEL 613

CATALOG NUMBER	CURRENT RATIO	ANSI METERING RATINGS @ 60 HZ	
		ACCURACY	BURDEN (VA @ UPF)
CT160-101	100:5	± 3%	1.0
CT160-201	200:5	± 1%	1.5
CT160-301	300:5	± 1%	2.0
CT160-401	400:5	± 1%	5.0

DIMENSIONS (ALL DIMENSIONS ARE IN INCHES):



Model CT150

Window 0.90" x 2.16", 600V, 10kV BIL



INSULATION LEVEL
600 V; BIL 10kV full wave

FREQUENCY
50-400 Hz.

RATING FACTOR
1.33 @ 30 deg. C ambient

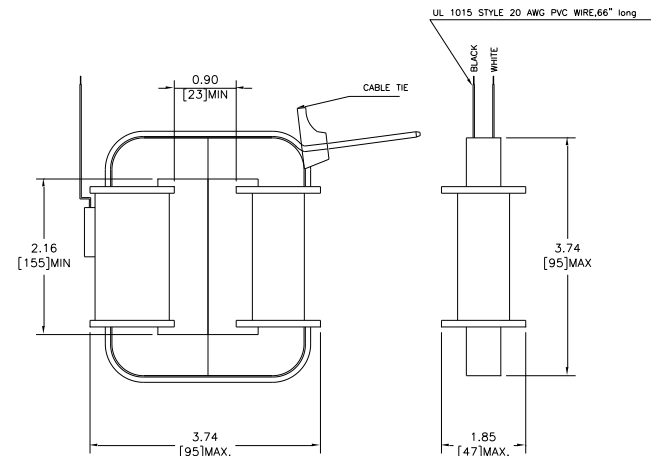
SECONDARY LEADS
Flexible leads UL 1015, 20 AWG, 66" long

APPROX. WEIGHT
0.5 lbs.



Catalog Number	Current Ratio	ANSI C 57.13 (60Hz)	
		Accuracy	Burden VA
CT150-101	100:5	± 3 %	1.0
CT150-201	200:5	± 1 %	1.5
CT150-301	300:5	± 1 %	2.0
CT150-401	400:5	± 1 %	5.0

DIMENSIONS:



All dimensions are in inches [mm]

Split Core Current Transformers

Model CT170

Window 1.26" x 1.42", 600V, 10kV BIL



INSULATION LEVEL
600 V; BIL 10kV full wave

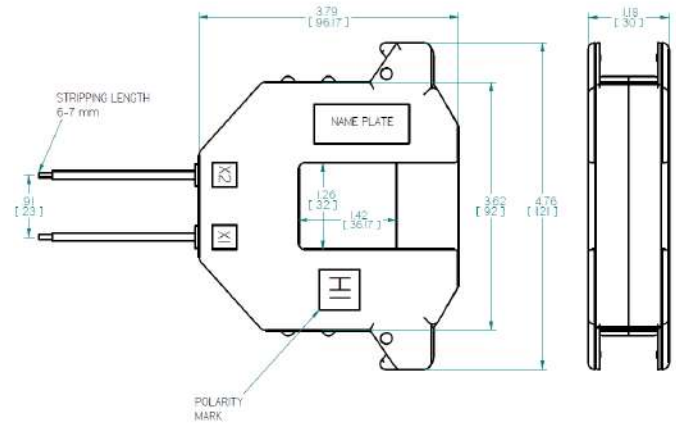
FREQUENCY
50-400 Hz.

SECONDARY LEADS
Flexible leads UL 1015, 18 AWG, 72" long

APPROX. WEIGHT
0.5 lbs.



All dimensions are in inches [mm]



For installation notes please see full data sheet published on our website, www.amranit.com

CATALOG NUMBER	CURRENT RATIO	BURDEN VA	ACCURACY@ 50/60 Hz	THERMAL RATING @ 30°C
CT170-201	200:5	1.5	± 1 %	1.0
CT170-251	250:5	2.0	± 1 %	1.0
CT170-301	300:5	2.5	± 1 %	1.0

Model CT161

Window 1.60" x 3.42", 600V, 10kV BIL



INSULATION LEVEL
600 V, BIL 10kV full wave

FREQUENCY
50-400 Hz

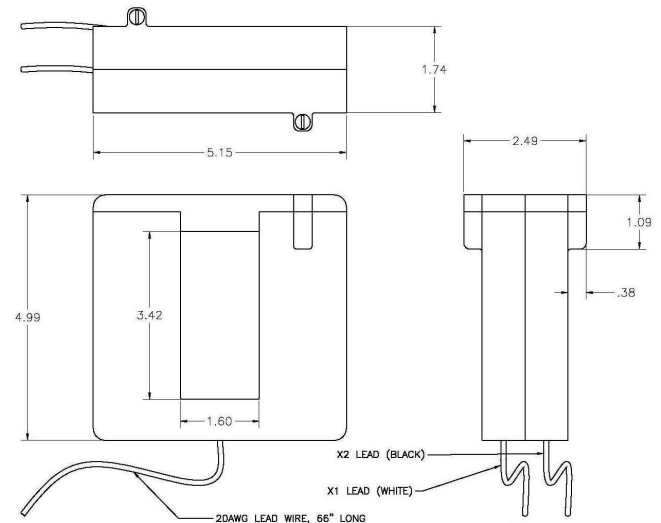
THERMAL RATING
1.33 @ 30 deg. C ambient

OUTER ENCAPSULATION
Plastic Cased

SECONDARY TERMINALS
16 to 20AWG lead wire, 66" long



DIMENSIONS (ALL DIMENSIONS ARE IN INCHES):



CATALOG NUMBER	CURRENT RATIO	ANSI METERING RATINGS @ 60 HZ	
		ACCURACY	BURDEN (VA @ UPF)
CT161-201	200:5	± 1.5%	1.0
CT161-251	250:5	± 1.5%	1.0
CT161-301	300:5	± 1%	1.0
CT161-401	400:5	± 1%	2.0
CT161-501	500:5	± 1%	3.0
CT161-601	600:5	± 1%	5.0
CT161-102	1000:5	± 1%	20.0
CT161-122	1200:5	± 1%	30.0

Model CT151

Window 1.65" x 3.42", 600V, 10kV BIL Full Wave



INSULATION LEVEL
600 V; BIL 10kV full wave

FREQUENCY
50-400 Hz.

RATING FACTOR
1.33 @ 30 deg. C ambient

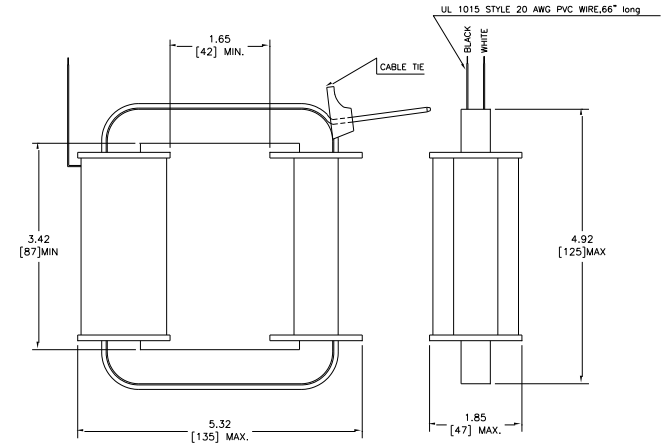
SECONDARY LEADS
Flexible leads UL 1015, 20 AWG, 66" long

APPROX. WEIGHT
0.5 lbs.



Catalog Number	Current Ratio	ANSI C 57.13 (60Hz)	
		Accuracy	Burden VA
CT151-201	200:5	± 1.5 %	1.0
CT151-301	300:5	± 1 %	1.0
CT151-401	400:5	± 1 %	2.0
CT151-501	500:5	± 1 %	3.0
CT151-601	600:5	± 1 %	5.0
CT151-102	1000:5	± 1 %	20.0
CT151-122	1200:5	± 1 %	30.0

DIMENSIONS:



All dimensions are in inches [mm]

Model CT152

Window 2.36" x 5.70", 600V, 10kV BIL Full Wave



INSULATION LEVEL
600 V; BIL 10kV full wave

FREQUENCY
50-400 Hz.

RATING FACTOR
1.33 @ 30 deg. C ambient

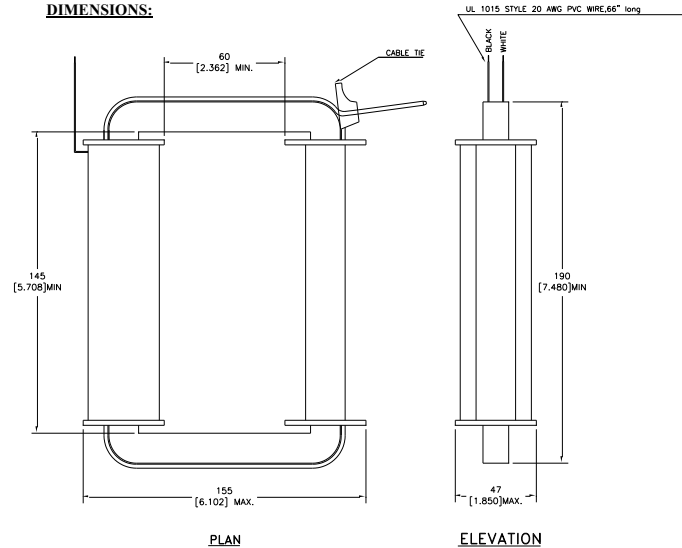
SECONDARY LEADS
Flexible leads UL 1015, 20 AWG, 66" long

APPROX. WEIGHT
0.5 lbs.



Catalog Number	Current Ratio	ANSI C 57.13 (60Hz)	
		Accuracy	Burden VA
CT152-601	600:5	± 1 %	2.5
CT152-801	800:5	± 1 %	5.0
CT152-102	1000:5	± 1 %	10.0
CT152-122	1200:5	± 1 %	15.0
CT152-152	1500:5	± 1 %	20.0
CT152-202	2000:5	± 1 %	40.0
CT152-252	2500:5	± 1 %	50.0
CT152-302	3000:5	± 1 %	50.0

DIMENSIONS:



All dimensions are in mm [inches]

Model CT162

Window 2.40" x 5.71", 600V, 10kV BIL



INSULATION LEVEL
600 V, BIL 10kV full wave

FREQUENCY
50-400 Hz

THERMAL RATING
1.33 @ 30 deg. C ambient

OUTER ENCAPSULATION
Plastic Cased

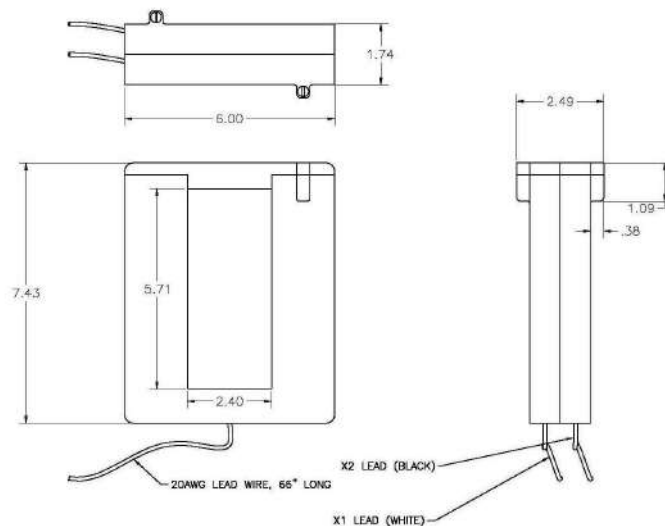
SECONDARY TERMINALS
20AWG lead wire, 66" long

Equivalent to GE-ITI MODEL 600



CATALOG NUMBER	CURRENT RATIO	ANSI METERING RATINGS @ 60 HZ	
		ACCURACY	BURDEN (VA @ UPF)
CT162-601	600:5	± 1%	2.5
CT162-801	800:5	± 1%	5.0
CT162-102	1000:5	± 1%	10.0
CT162-122	1200:5	± 1%	15.0
CT162-152	1500:5	± 1%	20.0
CT162-202	2000:5	± 1%	40.0
CT162-252	2500:5	± 1%	50.0
CT162-302	3000:5	± 1%	50.0

DIMENSIONS (ALL DIMENSIONS ARE IN INCHES):



Model CT171

Window 2.44" x 2.89", 600V, 10kV BIL



INSULATION LEVEL
600 V; BIL 10kV full wave

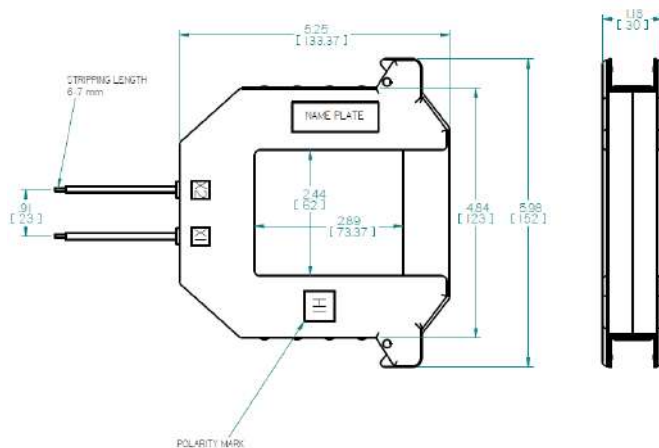
FREQUENCY
50-400 Hz.

SECONDARY LEADS
Flexible leads UL 1015, 18 AWG, 72" long

APPROX. WEIGHT
4 lbs.

CATALOG NUMBER	CURRENT RATIO	BURDEN VA	ACCURACY@ 50/60 Hz	THERMAL RATING @ 30°C
CT171-201	200:5	1.0	± 1.5 %	1.0
CT171-251	250:5	1.0	± 1.5 %	1.0
CT171-301	300:5	1.0	± 1 %	1.0
CT171-401	400:5	2.0	± 1 %	1.0
CT171-501	500:5	3.0	± 1 %	1.0
CT171-601	600:5	5.0	± 1 %	1.0
CT171-701	700:5	5.0	± 1 %	1.0
CT171-801	800:5	10.0	± 1 %	1.0
CT171-901	900:5	12.5	± 1 %	1.0
CT171-102	1000:5	20.0	± 1 %	1.0
CT171-122	1200:5	30.0	± 1 %	1.0

All dimensions are in inches [mm]



For installation notes please see full data sheet published on our website, www.amranit.com



INSULATION LEVEL
600 V, BIL 10kV full wave

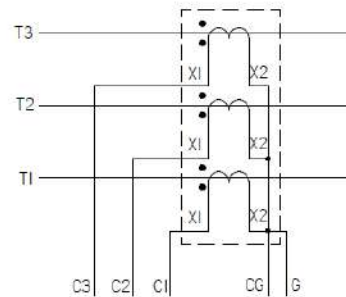
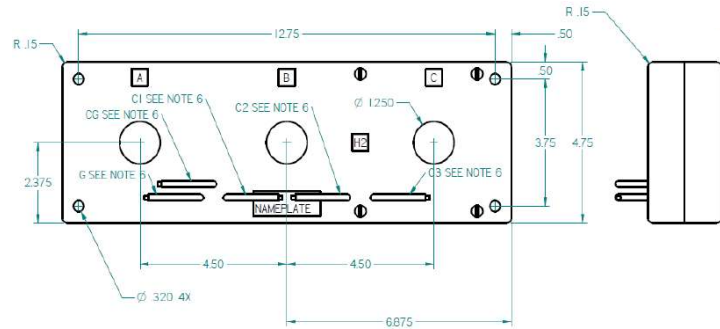
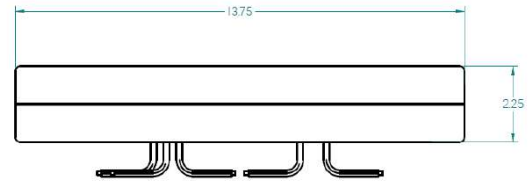
FREQUENCY
50-60 Hz

THERMAL RATING
1.33 @ 30 deg. C ambient
1.0 @ 55 deg. C ambient

OUTER ENCAPSULATION
Plastic Cased

SECONDARY TERMINALS
10AWG, UL1015 leads, 108" long

DIMENSIONS: All dimensions are in inches

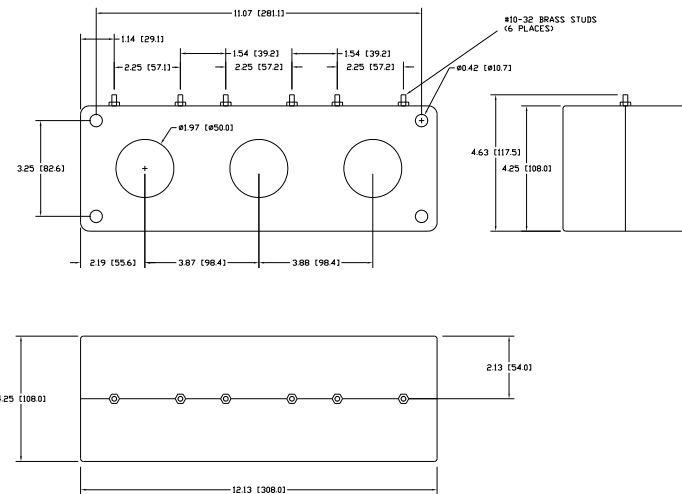


SCHMATIC DIAGRAM

CATALOG NUMBER	CURRENT RATIO	ANSI METERING CLASS @ 60 HZ					TRF @ 30C
		B0.1	B0.2	B0.5	B0.9	B1.8	
CT460-500	50:5	1.2	2.4	-	-	-	1.0
CT460-101	100:5	0.6	1.2	2.4	-	-	1.33



DIMENSIONS (ALL DIMENSIONS ARE IN INCHES [mm]):



INSULATION LEVEL
600 V, BIL 10kV full wave

FREQUENCY
50-400 Hz

THERMAL RATING
50:5-4000:5 - 1.33 @ 30 deg. C ambient

OUTER ENCAPSULATION
Plastic Cased

SECONDARY TERMINALS
Brass screw # 8-32 with one flat washer and lock washer, accessible from either side

CATALOG NUMBER	CURRENT RATIO	RELAY CLASS (@ 60 HZ)	ANSI METERING		
			B0.1	B0.2	B0.4 PF0.8
CT453-500	50:5	N/A	2.4	4.8	6.0
CT453-750	75:5	N/A	2.4	2.4	3.0
CT453-101	100:5	N/A	1.2	1.2	2.4
CT453-151	150:5	C10	0.6	0.6	1.2
CT453-201	200:5	C10	0.6	0.6	1.2
CT453-251	250:5	C10	0.3	0.6	0.6
CT453-301	300:5	C10	0.3	0.3	0.6
CT453-401	400:5	C10	0.3	0.3	0.3
CT453-501	500:5	C20	0.3	0.3	0.3
CT453-601	600:5	C20	0.3	0.3	0.3
CT453-801	800:5	C20	0.3	0.3	0.3
CT453-102	1000:5	C50	0.3	0.3	0.3

CLASS @ 60 HZ			SECONDARY WINDING RESISTANCE (Ω@55° C)
B0.5	B0.9	B1.8	
-	-	-	0.0351
4.8	-	-	0.0526
2.4	4.8	-	0.0701
1.2	2.4	-	0.1051
1.2	1.2	2.4	0.1402
0.6	1.2	1.2	0.1752
0.6	0.6	1.2	0.2103
0.3	0.6	0.6	0.2804
0.3	0.3	0.6	0.3505
0.3	0.3	0.6	0.4206
0.3	0.3	0.3	0.5128
0.3	0.3	0.3	0.6410



Equivalent to GE-ITI MODEL 3P41

INSULATION LEVEL
600 V, BIL 10kV full wave

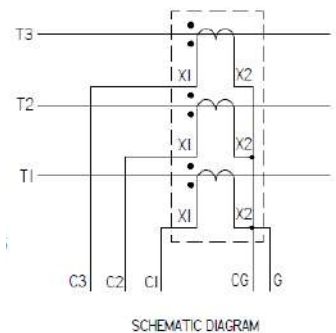
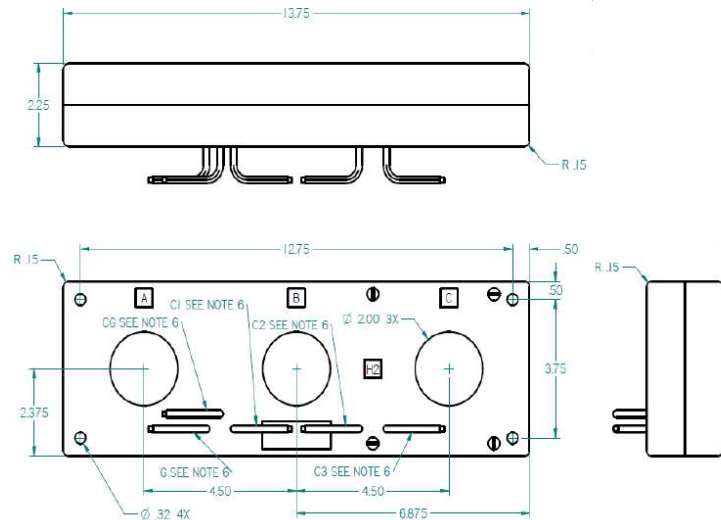
FREQUENCY
50-60 Hz

THERMAL RATING
1.33 @ 30 deg. C ambient
1.0 @ 55 deg. C ambient

OUTER ENCAPSULATION
Plastic Cased

SECONDARY TERMINALS
10AWG, UL1015 leads, 108' long

DIMENSIONS (ALL DIMENSIONS ARE IN INCHES):



CATALOG NUMBER	CURRENT RATIO	ANSI METERING CLASS @ 60 HZ				
		B0.1	B0.2	B0.5	B0.9	B1.8
CT461-151	150:5	0.6	1.2	2.4	-	-
CT461-201	200:5	0.6	0.6	1.2	2.4	-
CT461-251	250:5	0.3	0.3	1.2	2.4	-
CT461-601	600:5	0.3	0.3	0.3	0.6	0.6
CT461-801	800:5	0.3	0.3	0.3	0.3	0.3
CT461-102	1000:5	0.3	0.3	0.3	0.3	0.3

TRF @ 30C
1.33
1.33
1.33
1.33
1.33
1.33

3 Phase Current Transformers

Model CT462

Window 2.50", 600V, 10kV BIL



Equivalent to GE-ITI MODEL 3P42

INSULATION LEVEL
600 V, BIL 10kV full wave

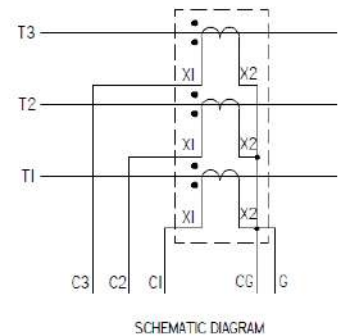
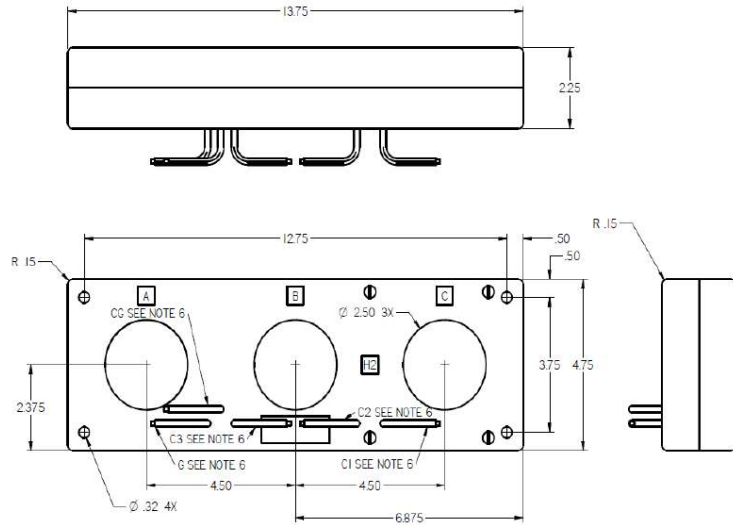
FREQUENCY
50-60 Hz

THERMAL RATING
1.33 @ 30 deg. C ambient
1.0 @ 55 deg. C ambient

OUTER ENCAPSULATION
Plastic Cased

SECONDARY TERMINALS
10AWG, UL1015 leads, 108" long

DIMENSIONS (ALL DIMENSIONS ARE IN INCHES):



CATALOG NUMBER	CURRENT RATIO	ANSI METERING CLASS @ 60 HZ				
		B0.1	B0.2	B0.5	B0.9	B1.8
CT462-301	300:5	0.6	1.2	2.4	-	-
CT462-401	200:5	0.6	0.6	1.2	2.4	-
CT462-501	250:5	0.3	0.3	1.2	2.4	-
CT462-601	600:5	0.3	0.3	0.3	0.6	0.6
CT462-801	800:5	0.3	0.3	0.3	0.3	0.3
CT462-102	1000:5	0.3	0.3	0.3	0.3	0.3

TRF @ 30C
1.33
1.33
1.33
1.33
1.33
1.33



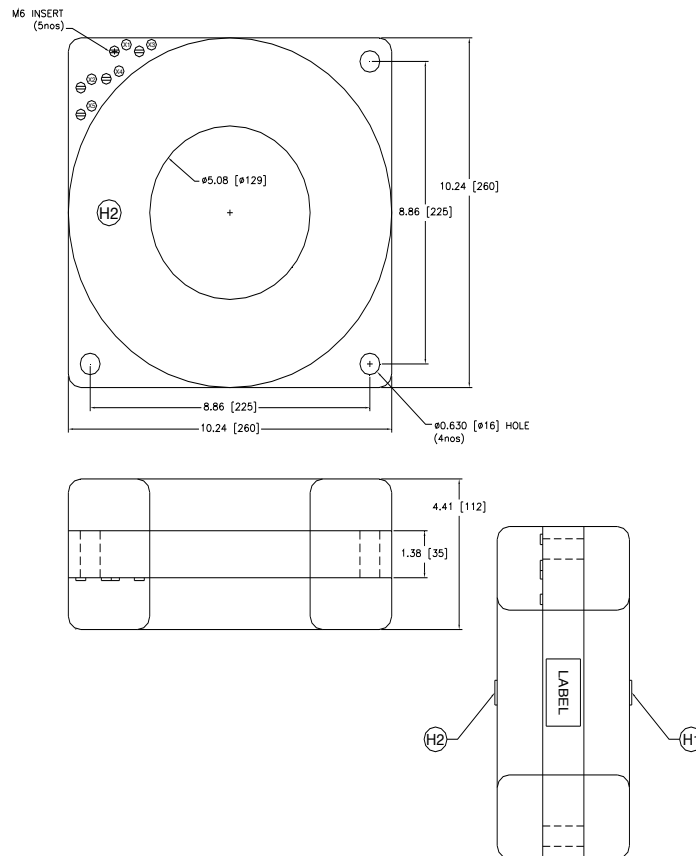
INSULATION LEVEL
600 V, BIL 10kV full wave

FREQUENCY
50-400 Hz

OUTER ENCAPSULATION
Plastic Cased

SECONDARY TERMINALS
Brass screw # 10-32 with one flat washer and lock washer, accessible from either side

DIMENSIONS (ALL DIMENSIONS ARE IN INCHES [mm]):



CATALOG NUMBER	CURRENT RATIO	ANSI RELAY CLASS (60HZ)	THERMAL RATING FACTOR (@ 30°C)
CT108-500	50:5	C10	2.0
CT108-750	75:5	C10	2.0
CT108-101	100:5	C20	2.0
CT108-151	150:5	C20	2.0
CT108-201	200:5	C50	2.0
CT108-251	250:5	C50	2.0
CT108-301	300:5	C100	2.0
CT108-401	400:5	C100	2.0
CT108-501	500:5	C150	2.0
CT108-601	600:5	C200	2.0
CT108-751	750:5	C200	2.0
CT108-801	800:5	C200	2.0
CT108-102	1000:5	C200	2.0
CT108-122	1200:5	C400	2.0
CT108-152	1500:5	C400	2.0
CT108-202	2000:5	C400	2.0
CT108-302	3000:5	C400	2.0
CT108-322	3200:5	C400	2.0
CT108-352	3500:5	C400	2.0
CT108-402	4000:5	C400	1.0

MULTI RATIO OPTION

Catalog #	Current Ratio	ANSI Relay Accuracy	THERMAL RATING FACTOR (@ 30°C)
CT108-601MR	600:5 MR	C200	2.0
CT108-122MR	1200:5 MR	C400	2.0
CT108-202MR	2000:5 MR	C400	2.0
CT108-302MR	3000:5 MR	C400	2.0
CT108-402MR	4000:5 MR	C400	1.0

MR	Turns			
	X1-X2	X2-X3	X3-X4	X4-X5
600:5	20	10	50	40
1200:5	40	20	100	80
2000:5	80	160	60	100
3000:5	200	240	60	100
4000:5	100	300	200	200



INSULATION LEVEL
600 V, BIL 10kV full wave

FREQUENCY
50-400 Hz

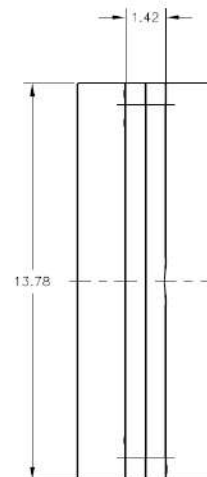
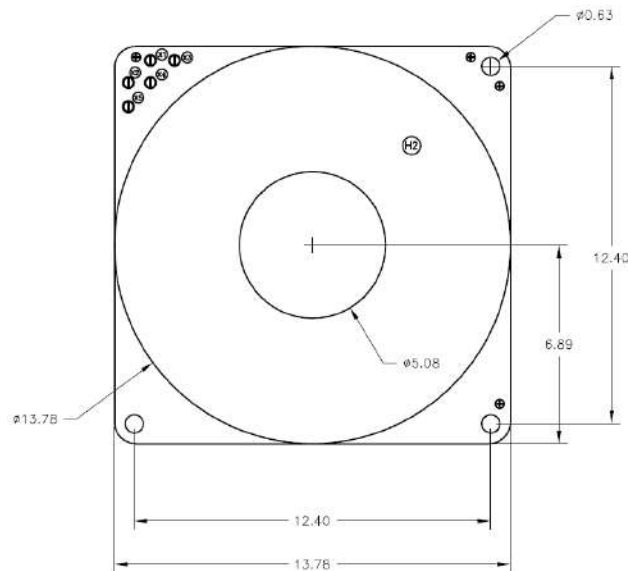
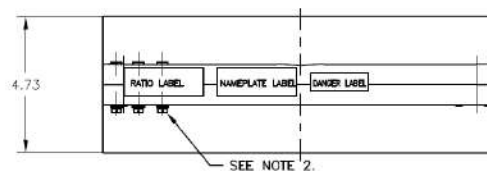
OUTER ENCAPSULATION
Plastic Cased

SECONDARY TERMINALS
Brass screw # 10-32 with one flat washer and lock washer, accessible from either side

CATALOG NUMBER	CURRENT RATIO	ANSI RELAY (@ 60 HZ)	THERMAL RATING FACTOR (@ 30° C)	THERMAL RATING FACTOR (@ 55° C)
CT109-601MR	600:5	C400	1.33	1.0
CT109-122MR	1200:5	C800	1.33	1.0
CT109-202MR	2000:5	C800	1.33	1.0
CT109-302MR	3000:5	C800	1.33	1.0
CT109-402MR	4000:5	C800	1.33	1.0

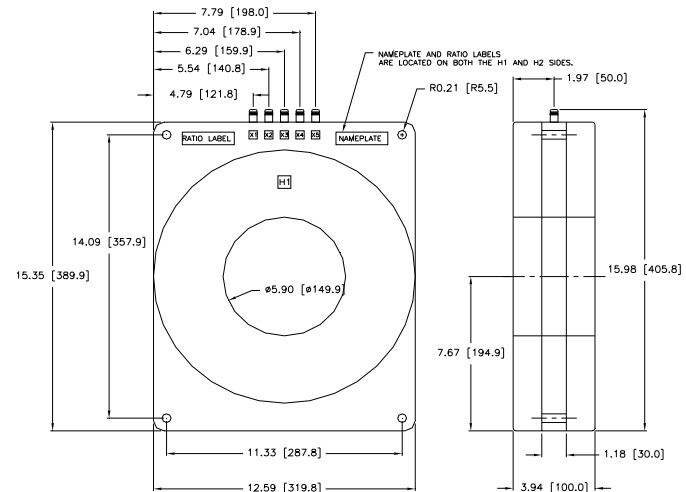
Turns				
MR	X1-X2	X2-X3	X3-X4	X4-X5
600:5	20	10	50	40
1200:5	40	20	100	80
2000:5	80	160	60	100
3000:5	200	240	60	100
4000:5	100	300	200	200

DIMENSIONS (ALL DIMENSIONS ARE IN INCHES):





DIMENSIONS (ALL DIMENSIONS ARE IN INCHES [mm]):

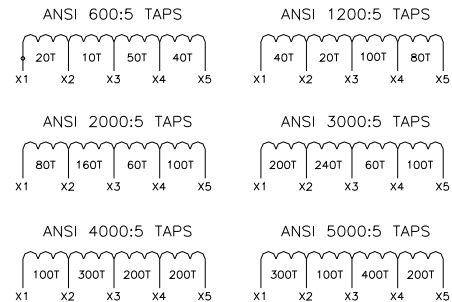


INSULATION LEVEL
600 V, BIL 10kV full wave

FREQUENCY
50-400 Hz

OUTER ENCAPSULATION
Plastic Cased

SECONDARY TERMINALS
Brass screw # 10-32 with one flat washer and lock washer



CATALOG NUMBER	CURRENT RATIO	ANSI METERING CLASS		
		B0.1	B0.2	B0.5
CT105-601MR	600:5	0.3	0.3	0.3
CT105-601MR-01	600:5	0.3	0.3	0.3
CT105-122MR	1200:5	0.3	0.3	0.3
CT105-122MR-01	1200:5	0.3	0.3	0.3
CT105-202MR	2000:5	0.3	0.3	0.3
CT105-202MR-02	2000:5	0.3	0.3	0.3
CT105-302MR	3000:5	0.3	0.3	0.3
CT105-302MR-01	3000:5	0.3	0.3	0.3
CT105-402MR	4000:5	0.3	0.3	0.3
CT105-402MR-01	4000:5	0.3	0.3	0.3

SS @ 60 HZ		ANSI RELAY (@ 60 HZ)	THERMAL RATING FACTOR (@ 30°C)
B0.9	B1.8		
0.3	0.6	C100	1.5
0.3	0.6	C200	1.5
0.3	0.3	C200	1.33
0.3	0.3	C400	1.5
0.3	0.3	C400	1.33
0.3	0.3	C800	2.0
0.3	0.3	C400	1.33
0.3	0.3	C800	1.33
0.3	0.3	C400	1.33
0.3	0.3	C800	1.33



- UL, cUL Recognized and CSA Certified
- As per ANSI/IEEE C57.13, IEC, OR relevant standard

INSULATION LEVEL
600 V; BIL 10kV full wave

FREQUENCY
50-400 Hz

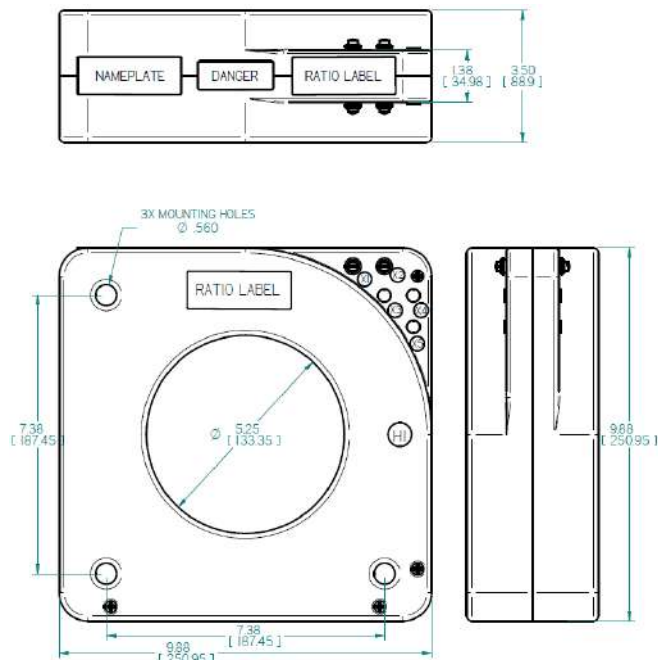
OUTER ENCAPSULATION
Plastic Cased

SECONDARY TERMINALS
Brass screw # 10-32 with one flat washer, one lockwasher

APPROX. WEIGHT
34 lbs

Equivalent to GE-ITI MODEL 622 and ABB MODEL SAB-1

DIMENSIONS (ALL DIMENSIONS ARE IN INCHES):



CATALOG NUMBER	CURRENT RATIO	RELAY CLASS	ANSI METERING CLASS @ 60 HZ					Thermal Rating	
			B0.1	B0.2	B0.5	B0.9	B1.8	30° C	55° C
CT342-500	50:5	C 10	2.4	4.8	-	-	-	1.33	1.0
CT342-750	75:5	C 10	1.2	2.4	4.8	-	-	1.33	1.0
CT342-101	100:5	C 20	1.2	1.2	4.8	4.8	-	1.33	1.0
CT342-151	150:5	C 20	0.6	0.6	1.2	2.4	4.8	1.33	1.0
CT342-201	200:5	C 20	0.3	0.6	1.2	1.2	2.4	1.33	1.0
CT342-251	250:5	C 50	0.3	0.3	0.6	0.6	1.2	1.33	1.0
CT342-301	300:5	C 50	0.3	0.3	0.6	0.6	1.2	1.33	1.0
CT342-401	400:5	C 100	0.3	0.3	0.3	0.6	0.6	1.33	1.0
CT342-501	500:5	C 100	0.3	0.3	0.3	0.3	0.6	1.33	1.0
CT342-601	600:5	C 100	0.3	0.3	0.3	0.3	0.3	1.33	1.0
CT342-801	800:5	C 200	0.3	0.3	0.3	0.3	0.3	1.33	1.0
CT342-102	1000:5	C 200	0.3	0.3	0.3	0.3	0.3	1.33	1.0
CT342-122	1200:5	C 200	0.3	0.3	0.3	0.3	0.3	1.33	1.0
CT342-152	1500:5	C 200	0.3	0.3	0.3	0.3	0.3	1.33	1.0
CT342-162	1600:5	C 200	0.3	0.3	0.3	0.3	0.3	1.33	1.0
CT342-202	2000:5	C 200	0.3	0.3	0.3	0.3	0.3	1.33	1.0
CT342-252	2500:5	C 400	0.3	0.3	0.3	0.3	0.3	1.33	1.0
CT342-302	3000:5	C 400	0.3	0.3	0.3	0.3	0.3	1.33	1.0
CT342-322	3200:5	C 400	0.3	0.3	0.3	0.3	0.3	1.33	1.0
CT342-402	4000:5	C 400	0.3	0.3	0.3	0.3	0.3	1.33	1.0
CT342-502	5000:5	C 400	0.3	0.3	0.3	0.3	0.3	1.0	0.8



INSULATION LEVEL
600 V, BIL 10kV full wave

FREQUENCY
50-400 Hz

OUTER ENCAPSULATION
Plastic Cased

SECONDARY TERMINALS
Brass screw # 10-32 with one flat washer and lock washer

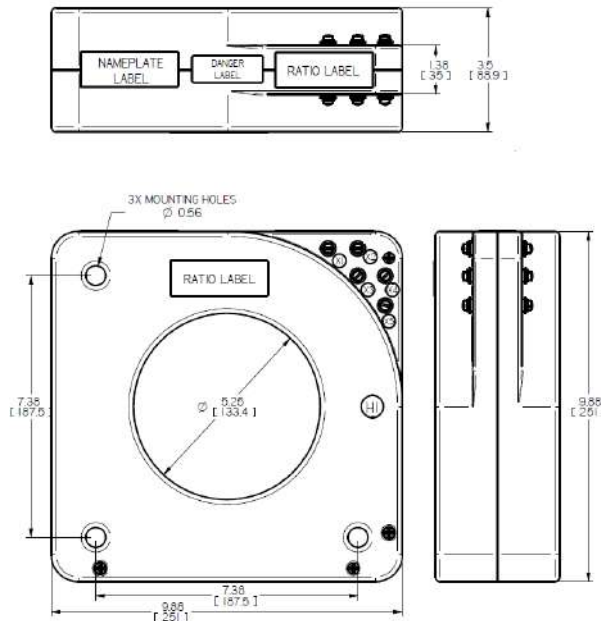
APPROX WEIGHT
34 lbs



- UL, cUL Recognized and CSA Certified
- As per ANSI/IEEE C57.13, IEC, OR relevant standard

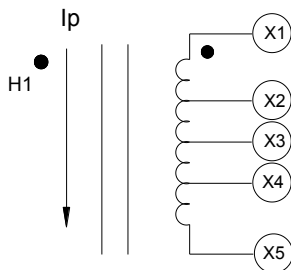
Equivalent to GE-ITI MODEL 622 (Multi-ratio) and ABB MODEL SAB-1 (Multi-ratio)

DIMENSIONS (ALL DIMENSIONS ARE IN INCHES):



CATALOG NUMBER	CURRENT RATIO	RELAY CLASS	ANSI METER	
			B0.1	B0.2
CT342-601MR	600:5	C100	0.3	0.3
CT342-122MR	1200:5	C200	0.3	0.3
CT342-202MR	2000:5	C200	0.3	0.3
CT342-302MR	3000:5	C400	0.3	0.3
CT342-402MR	4000:5	C400	0.3	0.3

WINDING CLASS @ 60 HZ			THERMAL RATING	
B0.5	B0.9	B1.8	@ 30° C	@ 55° C
0.3	0.3	0.3	1.33	1.0
0.3	0.3	0.3	1.33	1.0
0.3	0.3	0.3	1.33	1.0
0.3	0.3	0.3	1.33	1.0
0.3	0.3	0.3	1.33	1.0



MR	TURNS			
	X1-X2	X2-X3	X3-X4	X4-X5
600:5	20	10	50	40
1200:5	40	20	100	80
2000:5	80	160	60	100
3000:5	200	240	60	100
4000:5	100	300	200	200
5000:5	300	100	400	200



INSULATION LEVEL
600 V; BIL 10kV full wave

FREQUENCY
50-400 Hz

OUTER ENCAPSULATION
Plastic Cased

SECONDARY TERMINALS
Brass screw # 10-32 with one flat washer, one lockwasher

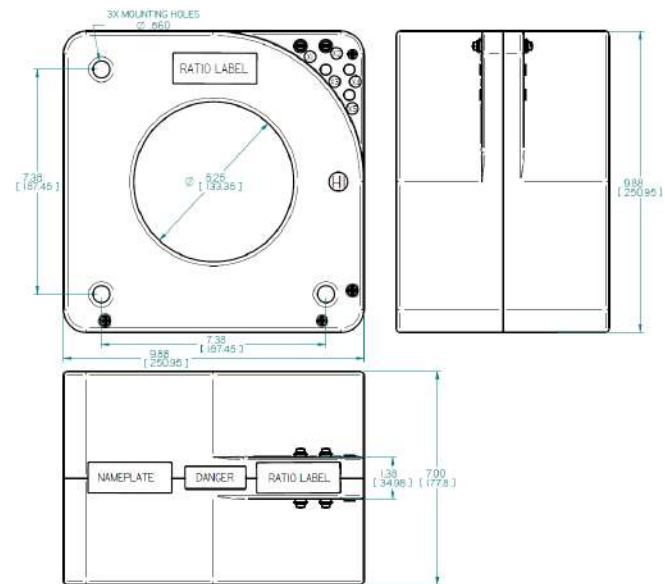
APPROX. WEIGHT
60 lbs



- UL, cUL Recognized and CSA Certified
- As per ANSI/IEEE C57.13, IEC, OR relevant standard

Equivalent to GE-ITI MODEL 624 and ABB MODEL SAB-1D

DIMENSIONS (ALL DIMENSIONS ARE IN INCHES):



CATALOG NUMBER	CURRENT RATIO	RELAY CLASS	ANSI METERING CLASS @ 60 HZ					Thermal Rating	
			B0.1	B0.2	B0.5	B0.9	B1.8	30° C	55° C
CT344-500	50:5	C20	2.4	4.8	-	-	-	1.33	1.0
CT344-750	75:5	C20	1.2	2.4	4.8	4.8	-	1.33	1.0
CT344-101	100:5	C50	0.6	1.2	2.4	4.8	4.8	1.33	1.0
CT344-151	150:5	C50	0.6	0.6	1.2	2.4	4.8	1.33	1.0
CT344-201	200:5	C100	0.3	0.6	1.2	1.2	2.4	1.33	1.0
CT344-251	250:5	C100	0.3	0.6	0.6	1.2	2.4	1.33	1.0
CT344-301	300:5	C100	0.3	0.3	0.6	0.6	1.2	1.33	1.0
CT344-401	400:5	C200	0.3	0.3	0.3	0.3	0.6	1.33	1.0
CT344-501	500:5	C200	0.3	0.3	0.3	0.3	0.6	1.33	1.0
CT344-601	600:5	C200	0.3	0.3	0.3	0.3	0.3	1.33	1.0
CT344-751	750:5	C200	0.3	0.3	0.3	0.3	0.3	1.33	1.0
CT344-801	800:5	C200	0.3	0.3	0.3	0.3	0.3	1.33	1.0
CT344-102	1000:5	C400	0.3	0.3	0.3	0.3	0.3	1.33	1.0
CT344-122	1200:5	C400	0.3	0.3	0.3	0.3	0.3	1.33	1.0
CT344-152	1500:5	C400	0.3	0.3	0.3	0.3	0.3	1.33	1.0
CT344-162	1600:5	C400	0.3	0.3	0.3	0.3	0.3	1.33	1.0
CT344-202	2000:5	C400	0.3	0.3	0.3	0.3	0.3	1.33	1.0
CT344-252	2500:5	C800	0.3	0.3	0.3	0.3	0.3	1.33	1.0
CT344-302	3000:5	C800	0.3	0.3	0.3	0.3	0.3	1.33	1.0
CT344-322	3200:5	C800	0.3	0.3	0.3	0.3	0.3	1.33	1.0
CT344-402	4000:5	C800	0.3	0.3	0.3	0.3	0.3	1.0	0.8
CT344-502	5000:5	C800	0.3	0.3	0.3	0.3	0.3	0.8	0.6

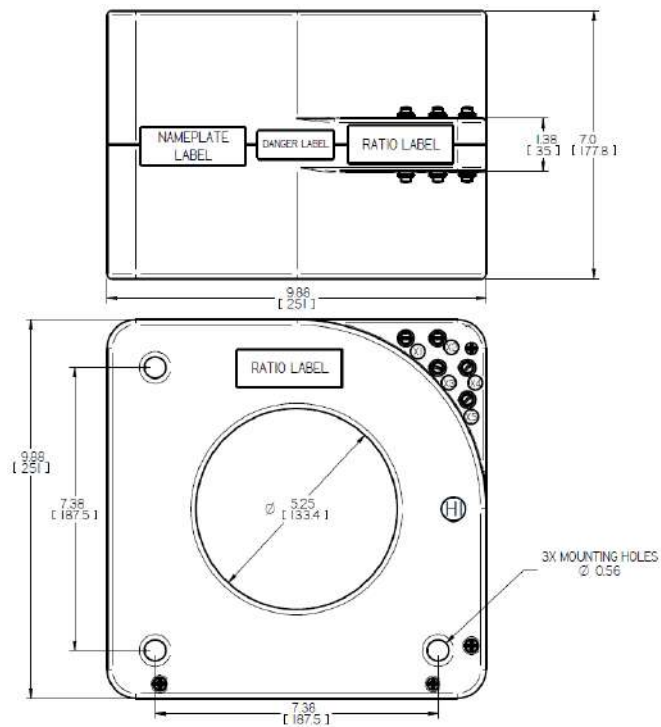


- UL, cUL Recognized and CSA Certified
- As per ANSI/IEEE C57.13, IEC, OR relevant standard

INSULATION LEVEL
600 V, BIL 10kV full wave
FREQUENCY
50-400 Hz
OUTER ENCAPSULATION
Plastic Cased
SECONDARY TERMINALS
Brass screw # 10-32 with one flat washer and lock washer
APPROX WEIGHT
60 lbs

Equivalent to GE-ITI MODEL 624 (Multi-ratio) and ABB MODEL SAB-1D (Multi-ratio)

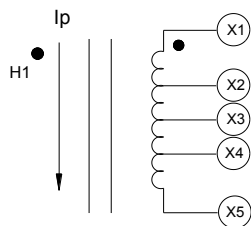
DIMENSIONS (ALL DIMENSIONS ARE IN INCHES):



TABLES

CATALOG NUMBER	CURRENT RATIO	RELAY CLASS	ANSI METER	
			B0.1	B0.2
CT344-601MR	600:5	C200	0.3	0.3
CT344-122MR	1200:5	C400	0.3	0.3
CT344-202MR	2000:5	C400	0.3	0.3
CT344-302MR	3000:5	C800	0.3	0.3
CT344-402MR	4000:5	C800	0.3	0.3

WINDING CLASS @ 60 HZ			THERMAL RATING	
B0.5	B0.9	B1.8	@ 30° C	@ 55° C
0.3	0.3	0.3	1.33	1.0
0.3	0.3	0.3	1.33	1.0
0.3	0.3	0.3	1.33	1.0
0.3	0.3	0.3	1.33	1.0
0.3	0.3	0.3	1.0	0.8



MR	TURNS			
	X1-X2	X2-X3	X3-X4	X4-X5
600:5	20	10	50	40
1200:5	40	20	100	80
2000:5	80	160	60	100
3000:5	200	240	60	100
4000:5	100	300	200	200



- UL, cUL Recognized and CSA Certified
- As per ANSI/IEEE C57.13, IEC, OR relevant standard

INSULATION LEVEL
600 V; BIL 10kV full wave

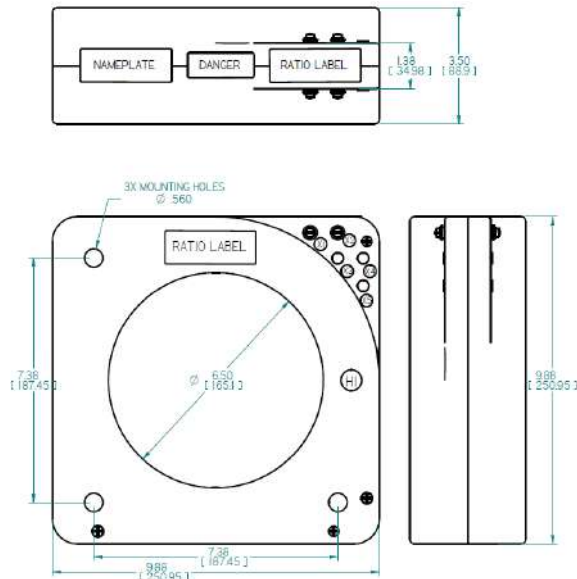
FREQUENCY
50-400 Hz

OUTER ENCAPSULATION
Plastic Cased

SECONDARY TERMINALS
Brass screw # 10-32 with one flat washer, one lockwasher

Equivalent to GE-ITI MODEL 623 and ABB MODEL SAB-2

DIMENSIONS (ALL DIMENSIONS ARE IN INCHES):



CATALOG NUMBER	CURRENT RATIO	RELAY CLASS	ANSI METERING	
			B0.1	B0.2
CT343-500	50:5	-	4.8	-
CT343-750	75:5	C10	2.4	4.8
CT343-101	100:5	C10	2.4	2.4
CT343-151	150:5	C20	1.2	1.2
CT343-201	200:5	C20	0.6	0.6
CT343-251	250:5	C20	0.6	0.6
CT343-301	300:5	C20	0.3	0.3
CT343-401	400:5	C50	0.3	0.3
CT343-501	500:5	C50	0.3	0.3
CT343-601	600:5	C50	0.3	0.3
CT343-751	750:5	C100	0.3	0.3
CT343-801	800:5	C100	0.3	0.3
CT343-102	1000:5	C100	0.3	0.3
CT343-122	1200:5	C100	0.3	0.3
CT343-152	1500:5	C200	0.3	0.3
CT343-162	1600:5	C200	0.3	0.3
CT343-202	2000:5	C200	0.3	0.3
CT343-252	2500:5	C200	0.3	0.3
CT343-302	3000:5	C200	0.3	0.3
CT343-322	3200:5	C200	0.3	0.3
CT343-402	4000:5	C200	0.3	0.3
CT343-502	5000:5	C200	0.3	0.3

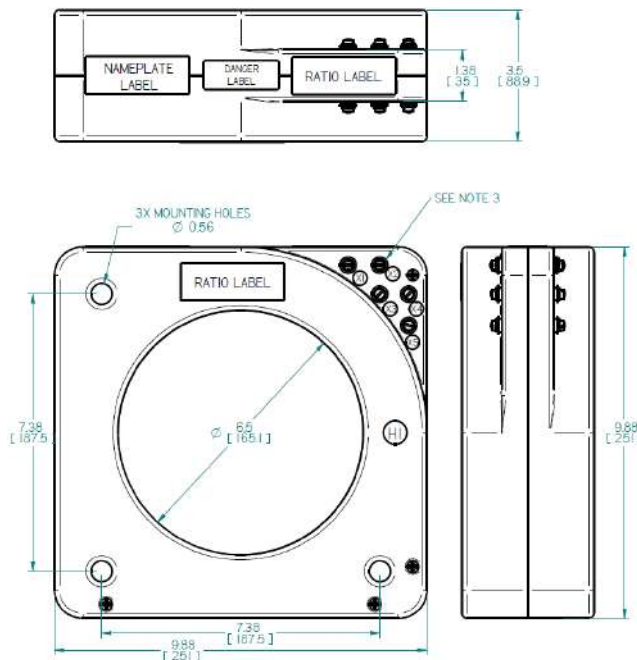
VOLTAGE CLASS @ 60 HZ			Thermal Rating	
B0.5	B0.9	B1.8	30° C	55° C
-	-	-	1.33	1
-	-	-	1.33	1
4.8	-	-	1.33	1
2.4	4.8	4.8	1.33	1
1.2	2.4	4.8	1.33	1
1.2	2.4	2.4	1.33	1
0.6	1.2	2.4	1.33	1
0.6	0.6	1.2	1.33	1
0.3	0.6	0.6	1.33	1
0.3	0.3	0.6	1.33	1
0.3	0.3	0.3	1.33	1
0.3	0.3	0.3	1.33	1
0.3	0.3	0.3	1.33	1
0.3	0.3	0.3	1.33	1
0.3	0.3	0.3	1.33	1
0.3	0.3	0.3	1.33	1
0.3	0.3	0.3	1.33	1
0.3	0.3	0.3	1.33	1
0.3	0.3	0.3	1	0.8



- UL, eUL Recognized and CSA Certified
- As per ANSI/IEEE C57.13, IEC, OR relevant standard

INSULATION LEVEL 600 V, BIL 10kV full wave
FREQUENCY 50-400 Hz
OUTER ENCAPSULATION Plastic Cased
SECONDARY TERMINALS Brass screw # 10-32 with one flat washer and lock washer
APPROX WEIGHT 34 lbs

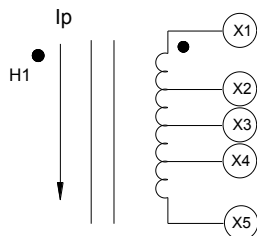
DIMENSIONS (ALL DIMENSIONS ARE IN INCHES):



Equivalent to GE-ITI MODEL 623 (Multi-ratio) and ABB MODEL SAB-2 (Multi-ratio)

CATALOG NUMBER	CURRENT RATIO	RELAY CLASS	ANSI METER	
			B0.1	B0.2
CT343-601MR	600:5	C50	0.3	0.3
CT343-122MR	1200:5	C100	0.3	0.3
CT343-202MR	2000:5	C200	0.3	0.3
CT343-302MR	3000:5	C400	0.3	0.3
CT343-402MR	4000:5	C400	0.3	0.3

WINDING CLASS @ 60 HZ			THERMAL RATING	
B0.5	B0.9	B1.8	@ 30° C	@ 55° C
0.3	0.3	0.6	1.33	1.0
0.3	0.3	0.3	1.33	1.0
0.3	0.3	0.3	1.33	1.0
0.3	0.3	0.3	1.33	1.0
0.3	0.3	0.3	1.33	1.0



MR	TURNS			
	X1-X2	X2-X3	X3-X4	X4-X5
600:5	20	10	50	40
1200:5	40	20	100	80
2000:5	80	160	60	100
3000:5	200	240	60	100
4000:5	100	300	200	200
5000:5	300	100	400	200



INSULATION LEVEL
600 V; BIL 10kV full wave

FREQUENCY
50-400 Hz

OUTER ENCAPSULATION
Plastic Cased

SECONDARY TERMINALS
Brass screw # 10-32 with one flat washer, one lockwasher

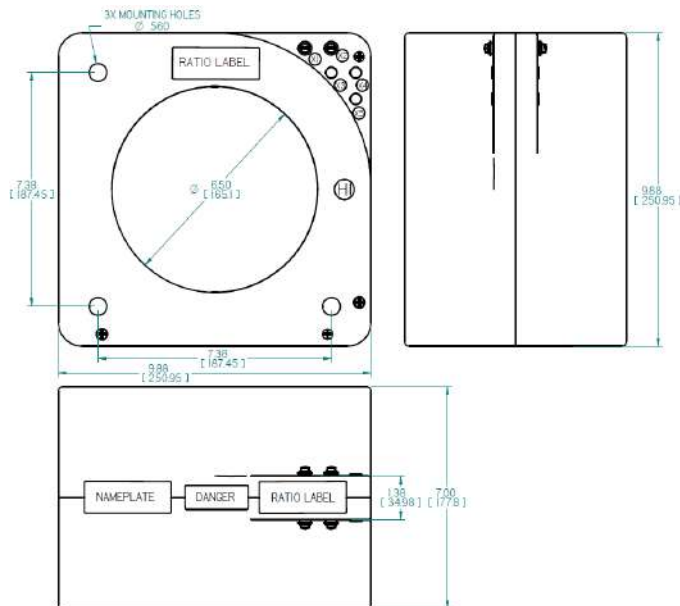
APPROX. WEIGHT
60 lbs



- UL, cUL Recognized and CSA Certified
- As per ANSI/IEEE C57.13, IEC, OR relevant standard

Equivalent to GE-ITI MODEL 625 and ABB MODEL SAB-2D

DIMENSIONS (ALL DIMENSIONS ARE IN INCHES):



CATALOG NUMBER	CURRENT RATIO	RELAY CLASS	ANSI METERING CLA		
			BO.1	BO.2	BO.5
CT345-500	50:5	C10	4.8	4.8	-
CT345-750	75:5	C20	2.4	2.4	4.8
CT345-101	100:5	C20	1.2	2.4	4.8
CT345-151	150:5	C50	0.6	1.2	2.4
CT345-201	200:5	C50	0.3	0.6	1.2
CT345-251	250:5	C50	0.3	0.3	0.6
CT345-301	300:5	C100	0.3	0.3	0.6
CT345-401	400:5	C100	0.3	0.3	0.3
CT345-501	500:5	C100	0.3	0.3	0.3
CT345-601	600:5	C200	0.3	0.3	0.3
CT345-751	750:5	C200	0.3	0.3	0.3
CT345-801	800:5	C200	0.3	0.3	0.3
CT345-102	1000:5	C200	0.3	0.3	0.3
CT345-122	1200:5	C400	0.3	0.3	0.3
CT345-152	1500:5	C400	0.3	0.3	0.3
CT345-162	1600:5	C400	0.3	0.3	0.3
CT345-202	2000:5	C400	0.3	0.3	0.3
CT345-252	2500:5	C400	0.3	0.3	0.3
CT345-302	3000:5	C400	0.3	0.3	0.3
CT345-322	3200:5	C400	0.3	0.3	0.3
CT345-352	3500:5	C400	0.3	0.3	0.3
CT345-402	4000:5	C400	0.3	0.3	0.3

SS @ 60 HZ		Thermal Rating	
B0.9	B1.8	30° C	55° C
-	-	1.33	1.0
-	-	1.33	1.0
4.8	-	1.33	1.0
2.4	4.8	1.33	1.0
1.2	2.4	1.33	1.0
1.2	2.4	1.33	1.0
0.6	1.2	1.33	1.0
0.6	0.6	1.33	1.0
0.3	0.6	1.33	1.0
0.3	0.6	1.33	1.0
0.3	0.3	1.33	1.0
0.3	0.3	1.33	1.0
0.3	0.3	1.33	1.0
0.3	0.3	1.33	1.0
0.3	0.3	1.33	1.0
0.3	0.3	1.33	1.0
0.3	0.3	1.33	1.0
0.3	0.3	1.33	1.0
0.3	0.3	1.33	1.0
0.3	0.3	1.0	0.8



INSULATION LEVEL
600 V, BIL 10kV full wave

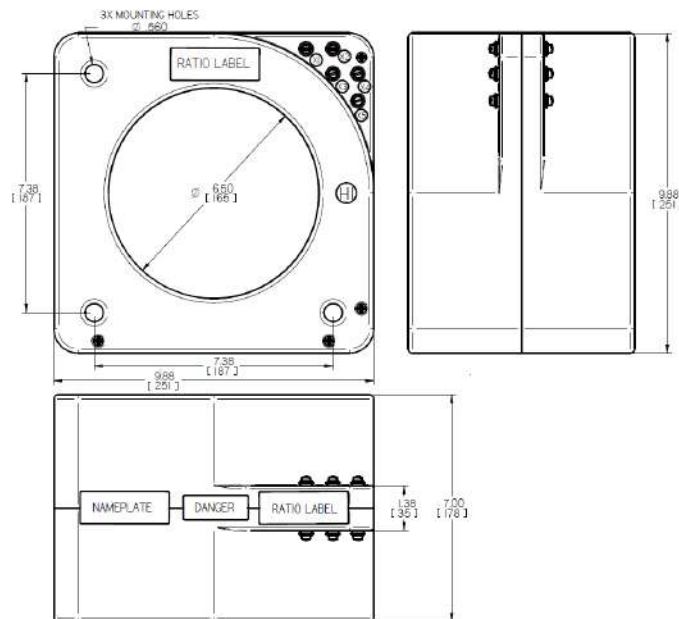
FREQUENCY
50-400 Hz

OUTER ENCAPSULATION
Plastic Cased

SECONDARY TERMINALS
Brass screw # 10-32 with one flat washer and lock washer

APPROX WEIGHT
60 lbs

DIMENSIONS (ALL DIMENSIONS ARE IN INCHES):

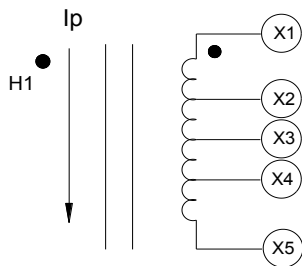


- UL, cUL Recognized and CSA Certified
- As per ANSI/IEEE C57.13, IEC, OR relevant standard

Equivalent to GE-ITI MODEL 625 (Multi-ratio) and ABB MODEL SAB-2D (Multi-ratio)

CATALOG NUMBER	CURRENT RATIO	RELAY CLASS	ANSI METEF	
			B0.1	B0.2
CT345-601MR	600:5	C200	0.3	0.3
CT345-122MR	1200:5	C400	0.3	0.3
CT345-202MR	2000:5	C400	0.3	0.3
CT345-302MR	3000:5	C400	0.3	0.3
CT345-402MR	4000:5	C400	0.3	0.3

RING CLASS @ 60 HZ			THERMAL RATING	
B0.5	B0.9	B1.8	@ 30° C	@ 55° C
0.3	0.3	0.6	1.33	1
0.3	0.3	0.3	1.33	1
0.3	0.3	0.3	1.33	1
0.3	0.3	0.3	1.33	1
0.3	0.3	0.3	1.33	1



MR	TURNS			
	X1-X2	X2-X3	X3-X4	X4-X5
600:5	20	10	50	40
1200:5	40	20	100	80
2000:5	80	160	60	100
3000:5	200	240	60	100
4000:5	100	300	200	200



INSULATION LEVEL
600 V, BIL 10kV full wave

FREQUENCY
50-400 Hz

THERMAL RATING
50:5-3000:5 - 2.0 @ 30 deg. C ambient
1.5 @ 55 deg. C ambient
3200:5-4000:5 - 1.5 @ 30 deg. C ambient
1.33 @ 55 deg. C ambient

OUTER ENCAPSULATION
Plastic Cased

SECONDARY TERMINALS
Brass screw # 10-32 with one flat washer, accessible from either side

APPROX. WEIGHT
30 lbs.

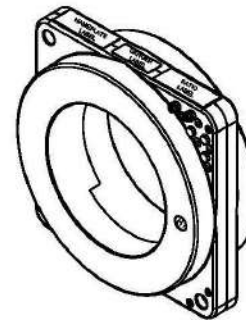
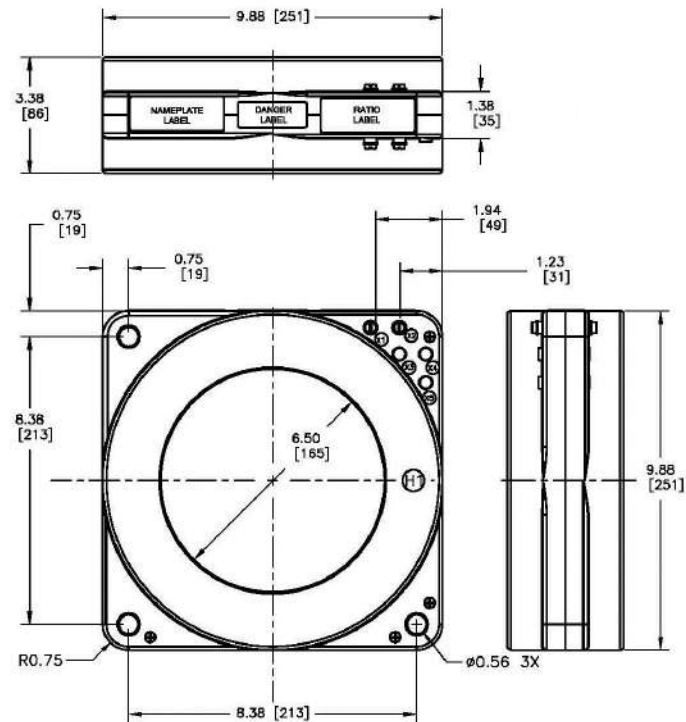


Equivalent to GE-ITI MODEL 780 and ABB MODEL SCV

*Approved for revenue metering by Industry Canada
No. AE-2240

CATALOG NUMBER	CURRENT RATIO	RELAY CLASS	ANSI METERING CLASS @ 60 HZ				
			BO.1	BO.2	BO.5	BO.9	B1.8
CT101-500	50:5	-	4.8	-	-	-	-
CT101-750	75:5	C 10	4.8	4.8	-	-	-
CT101-101	100:5	C 10	2.4	2.4	4.8	-	-
CT101-151	150:5	C 20	1.2	1.2	2.4	4.8	4.8
CT101-201*	200:5	C 20	0.6	1.2	2.4	2.4	4.8
CT101-251*	250:5	C 20	0.6	0.6	1.2	1.2	2.4
CT101-301*	300:5	C 20	0.3	0.6	1.2	1.2	2.4
CT101-401*	400:5	C 50	0.3	0.3	0.6	1.2	2.4
CT101-501*	500:5	C 50	0.3	0.3	0.3	0.6	1.2
CT101-601*	600:5	C100	0.3	0.3	0.3	0.6	0.6
CT101-701*	700:5	C100	0.3	0.3	0.3	0.6	0.6
CT101-751*	750:5	C100	0.3	0.3	0.3	0.3	0.3
CT101-801*	800:5	C100	0.3	0.3	0.3	0.3	0.3
CT101-102*	1000:5	C100	0.3	0.3	0.3	0.3	0.3
CT101-122*	1200:5	C200	0.15	0.15	0.15	0.15	0.3
CT101-152*	1500:5	C200	0.15	0.15	0.15	0.15	0.15
CT101-162*	1600:5	C200	0.15	0.15	0.15	0.15	0.15
CT101-202*	2000:5	C200	0.15	0.15	0.15	0.15	0.15
CT101-252*	2500:5	C200	0.15	0.15	0.15	0.15	0.15
CT101-302*	3000:5	C200	0.15	0.15	0.15	0.15	0.15
CT101-322*	3200:5	C200	0.15	0.15	0.15	0.15	0.15
CT101-352*	3500:5	C200	0.15	0.15	0.15	0.15	0.15
CT101-402*	4000:5	C200	0.15	0.15	0.15	0.15	0.15

DIMENSIONS: INCHES [mm]

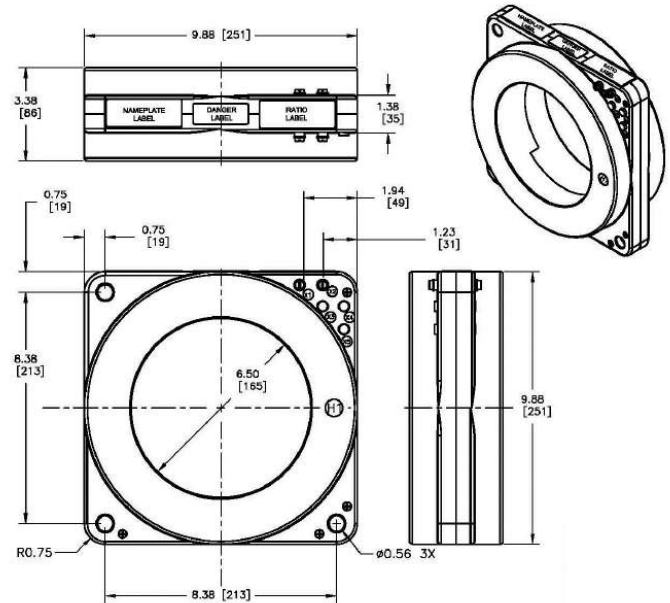




Equivalent to GE-ITI MODEL 780I

INSULATION LEVEL
600 V, BIL 10kV full wave
FREQUENCY
50-400 Hz
THERMAL RATING
50:1-1200:1 - 2.0 @ 30 deg. C ambient
1.5 @ 55 deg. C ambient
1500:1-4000:1 - 1.5 @ 30 deg. C ambient
1.33 @ 55 deg. C ambient
OUTER ENCAPSULATION
Plastic Cased
SECONDARY TERMINALS
Brass screw # 10-32 with one flat washer, accessible from either side
APPROX. WEIGHT
30 lbs.

DIMENSIONS: INCHES [mm]



Amran PN	Ratio	TRF @ 30C	TRF @ 55C	IEC Protection Class		
				Burden VA		
				2.5	5	10
CT1011-500-1	50/1	2	1.5	10P10		
CT1011-750-1	75/1	2	1.5	5P15	10P5	
CT1011-101-1	100/1	2	1.5	5P20	10P10	10P5
CT1011-151-1	150/1	2	1.5	5P30	5P15	10P5
CT1011-201-1	200/1	2	1.5	5P30	5P20	5P10
CT1011-251-1	250/1	2	1.5	5P30	10P30	10P5
CT1011-301-1	300/1	2	1.5	5P30	10P30	5P10
CT1011-401-1	400/1	2	1.5	5P30	5P30	10P25
CT1011-501-1	500/1	2	1.5	5P30	5P30	10P25
CT1011-601-1	600/1	2	1.5	5P30	5P30	10P25
CT1011-751-1	750/1	2	1.5	5P30	5P30	10P30
CT1011-801-1	800/1	2	1.5	5P30	5P30	10P30
CT1011-102-1	1000/1	2	1.5	5P30	5P30	10P30
CT1011-122-1	1200/1	2	1.5	5P30	5P30	10P30
CT1011-152-1	1500/1	1.5	1.33	5P30	5P30	5P30
CT1011-162-1	1600/1	1.5	1.33	5P30	5P30	5P30
CT1011-202-1	2000/1	1.5	1.33	5P30	5P30	5P30
CT1011-252-1	2500/1	1.5	1.33	5P30	5P30	10P30
CT1011-302-1	3000/1	1.5	1.33	5P30	5P30	5P30
CT1011-322-1	3200/1	1.5	1.33	5P30	5P30	5P30
CT1011-352-1	3500/1	1.5	1.33	5P30	5P30	5P30
CT1011-402-1	4000/1	1.5	1.33	5P30	5P30	5P30

@ 50/60 Hz		IEC Metering Class @ 50/60 Hz						Winding Res. @ 75c	ith (1 sec) kA
		Burden VA							
15	30	2.5	5	10	15	30			
		3.0					0.11	11	
		3.0	3.0	5.0			0.2	14	
		3.0	3.0	5.0	5.0		0.29	18	
10P5		0.5	1.0	3.0	3.0	5.0	0.45	25	
10P5		0.5	0.5	1.0	3.0	3.0	0.56	36	
10P10	10P5	0.5	0.5	0.5	1.0	3.0	0.73	47	
5P10	5P5	0.5	0.5	0.5	0.5	1.0	1.35	35	
10P15	5P5	0.2	0.2	0.5	0.5	1.0	1.82	47	
10P20	10P10	0.2	0.2	0.2	0.5	0.5	2.1	58	
10P15	5P5	0.2	0.2	0.2	0.5	0.5	1.45	65	
10P20	10P10	0.2	0.2	0.2	0.2	0.5	2.75	65	
10P20	10P10	0.2	0.2	0.2	0.2	0.5	2.98	65	
10P20	5P5	0.2	0.2	0.2	0.2	0.2	6.3	65	
10P25	10P15	0.2	0.2	0.2	0.2	0.2	7.65	65	
10P30	5P15	0.2	0.2	0.2	0.2	0.2	9.54	65	
10P30	10P20	0.2	0.2	0.2	0.2	0.2	10.2	65	
10P30	5P20	0.2	0.2	0.2	0.2	0.2	12.25	65	
10P25	5P15	0.2	0.2	0.2	0.2	0.2	11.75	65	
10P30	10P20	0.2	0.2	0.2	0.2	0.2	14.32	65	
10P30	10P20	0.2	0.2	0.2	0.2	0.2	15.55	65	
10P30	10P20	0.2	0.2	0.2	0.2	0.2	16.95	65	
10P30	5P20	0.2	0.2	0.2	0.2	0.2	19.8	65	

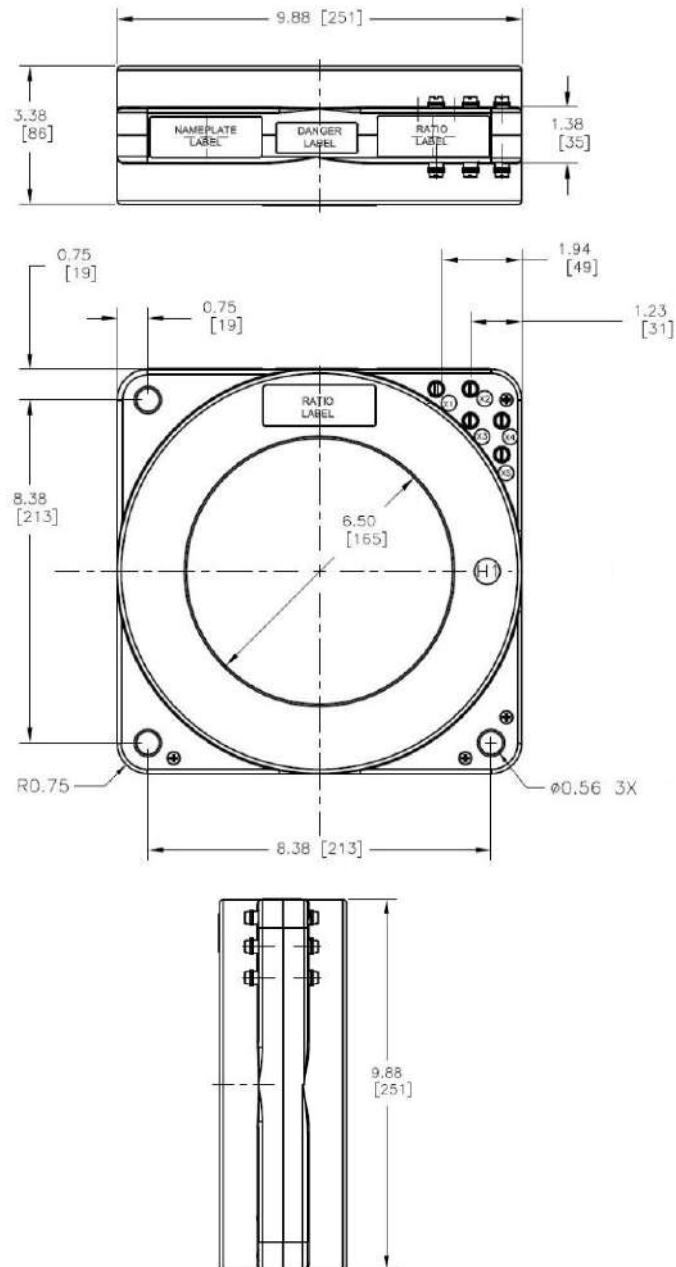


INSULATION LEVEL 600 V; BIL 10kV full wave	
FREQUENCY 50-400 Hz	
THERMAL RATING	
600:5MR – 3000:5MR	2.0 @ 30 deg. C ambient 1.5 @ 55 deg. C ambient
4000:5MR	1.5 @ 30 deg. C ambient 1.33 @ 55 deg. C ambient
OUTER ENCAPSULATION Plastic Cased	
SECONDARY TERMINALS Brass screw # 10-32 with one flat washer and lock washer, accessible from either side	
APPROX. WEIGHT 31 lbs.	



Equivalent to GE-ITI MODEL 781 and ABB MODEL SCV

DIMENSIONS (ALL DIMENSIONS ARE IN INCHES):



Catalog #	Current Ratio	ANSI Relay Accuracy	ANSI Metering Accuracy (60Hz)
CT102-601MR	600:5 MR	C100	0.6B1.8
CT102-122MR	1200:5 MR	C200	0.3B1.8
CT102-202MR	2000:5 MR	C200	0.15B1.8
CT102-302MR	3000:5 MR	C200	0.15B1.8
CT102-402MR	4000:5 MR	C200	0.15B1.8

MR	Turns			
	X1-X2	X2-X3	X3-X4	X4-X5
600:5	20	10	50	40
1200:5	40	20	100	80
2000:5	80	160	60	100
3000:5	200	240	60	100
4000:5	100	300	200	200



INSULATION LEVEL
600 V, BIL 10kV full wave

FREQUENCY
50-400 Hz

THERMAL RATING
50:5-3000:5 - 2.0 @ 30 deg. C ambient
1.5 @ 55 deg. C ambient

4000:5 - 1.5 @ 30 deg. C ambient
1.33 @ 55 deg. C ambient

OUTER ENCAPSULATION
Plastic Cased

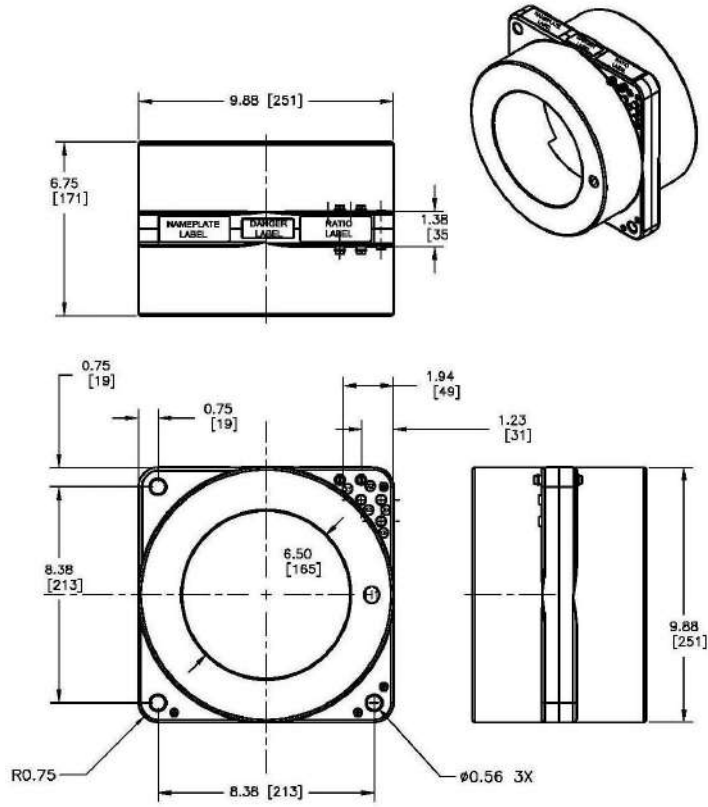
SECONDARY TERMINALS
Brass screw # 10-32 with one flat washer and lock washer, accessible from either side

APPROX. WEIGHT
59 lbs.



Equivalent to GE-ITI MODEL 785 and ABB MODEL SCV-D

DIMENSIONS (ALL DIMENSIONS ARE IN INCHES [mm]):



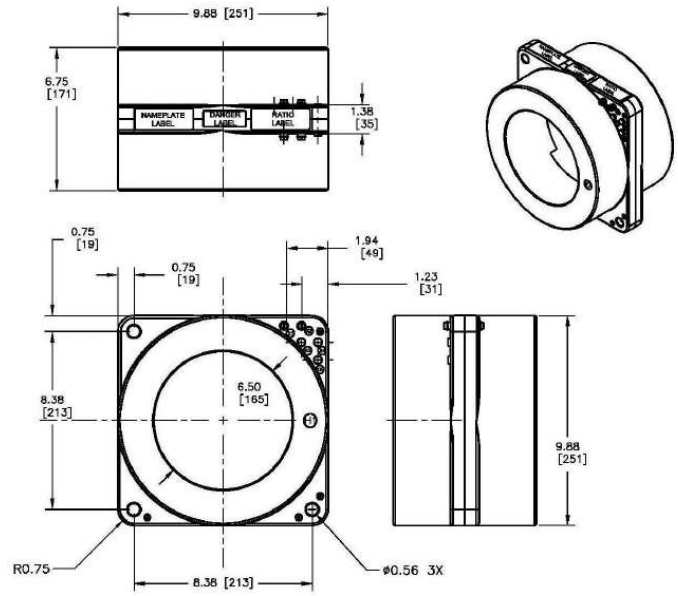
CATALOG NUMBER	CURRENT RATIO	RELAY CLASS	ANSI METERING CLASS @ 60 HZ				
			B0.1	B0.2	B0.5	B0.9	B1.8
CT103-500	50:5	C 10	2.4	4.8	-	-	-
CT103-750	75:5	C 20	1.2	1.2	2.4	-	-
CT103-101	100:5	C 20	0.6	1.2	2.4	-	-
CT103-151	150:5	C 50	0.6	0.6	1.2	2.4	-
CT103-201	200:5	C 50	0.6	0.6	1.2	2.4	2.4
CT103-251	250:5	C 50	0.3	0.3	0.6	1.2	2.4
CT103-301	300:5	C100	0.3	0.3	0.3	0.6	1.2
CT103-401	400:5	C100	0.3	0.3	0.3	0.6	1.2
CT103-501	500:5	C100	0.3	0.3	0.3	0.3	0.6
CT103-601	600:5	C200	0.3	0.3	0.3	0.3	0.6
CT103-751	750:5	C200	0.3	0.3	0.3	0.3	0.3
CT103-801	800:5	C200	0.3	0.3	0.3	0.3	0.3
CT103-102	1000:5	C200	0.3	0.3	0.3	0.3	0.3
CT103-122	1200:5	C400	0.15	0.15	0.15	0.15	0.15
CT103-152	1500:5	C400	0.15	0.15	0.15	0.15	0.15
CT103-162	1600:5	C400	0.15	0.15	0.15	0.15	0.15
CT103-202	2000:5	C400	0.15	0.15	0.15	0.15	0.15
CT103-252	2500:5	C400	0.15	0.15	0.15	0.15	0.15
CT103-302	3000:5	C400	0.15	0.15	0.15	0.15	0.15
CT103-402	4000:5	C400	0.15	0.15	0.15	0.15	0.15



Equivalent to GE-ITI MODEL 785I

INSULATION LEVEL
600 V, BIL 10kV full wave
FREQUENCY
50-400 Hz
THERMAL RATING
50:1-1600:1 - 2.0 @ 30 deg. C ambient
 1.5 @ 55 deg. C ambient
2000:1-3500:1- 1.5 @ 30 deg. C ambient
 1.33 @ 55 deg. C ambient
OUTER ENCAPSULATION
Plastic Cased
SECONDARY TERMINALS
Brass screw # 10-32 with one flat washer and lock washer, accessible from either side
APPROX. WEIGHT
59 lbs.

DIMENSIONS (ALL DIMENSIONS ARE IN INCHES [mm]):



Amran PN	Ratio	TRF @ 30C	TRF @ 55C	IEC Protection Class ()		
				Burden VA		
				2.5	5	10
CT103I-500-1	50/1	2	1.5	10P10		
CT103I-750-1	75/1	2	1.5	5P30	10P20	10P10
CT103I-101-1	100/1	2	1.5	5P30	10P25	10P10
CT103I-151-1	150/1	2	1.5	5P30	5P30	10P20
CT103I-201-1	200/1	2	1.5	5P30	5P30	5P25
CT103I-251-1	250/1	2	1.5	5P30	5P30	5P30
CT103I-301-1	300/1	2	1.5	5P30	5P30	5P30
CT103I-401-1	400/1	2	1.5	5P30	5P30	5P30
CT103I-501-1	500/1	2	1.5	5P30	5P30	5P30
CT103I-601-1	600/1	2	1.5	5P30	5P30	5P30
CT103I-751-1	750/1	2	1.5	5P30	5P30	5P30
CT103I-801-1	800/1	2	1.5	5P30	5P30	5P30
CT103I-102-1	1000/1	2	1.5	5P30	5P30	5P30
CT103I-122-1	1200/1	2	1.5	5P30	5P30	5P30
CT103I-152-1	1500/1	2	1.5	5P30	5P30	5P30
CT103I-162-1	1600/1	2	1.5	5P30	5P30	5P30
CT103I-202-1	2000/1	1.5	1.33	5P30	5P30	5P30
CT103I-252-1	2500/1	1.5	1.33	5P30	5P30	5P30
CT103I-302-1	3000/1	1.5	1.33	5P30	5P30	5P30
CT103I-322-1	3200/1	1.5	1.33	5P30	5P30	5P30
CT103I-352-1	3500/1	1.5	1.33	5P30	5P30	5P30
CT103I-402-1	4000/1	1.33	1	5P30	5P30	5P30

Ratio	IEC Metering Class @ 50/60 Hz						Winding Res. @ 75C (OHM)	Ith (1 sec) kA	
	Burden VA								
	15	30	2.5	5	10	15			30
			3.0	5.0			0.239	9	
			1.0	3.0	5.0		0.353	14	
			1.0	1.0	3.0	3.0	5.0	0.469	18
10P5			0.5	0.5	1.0	3.0	5.0	0.699	28
10P10			0.5	0.5	0.5	1.0	3.0	0.926	37
5P15	10P5		0.5	0.5	0.5	1.0	3.0	1.15	47
5P25	5P5		0.2	0.5	0.5	0.5	1.0	2.12	55
5P30	5P5		0.2	0.2	0.2	0.5	0.5	2.82	47
5P30	10P10		0.2	0.2	0.2	0.2	0.5	4.52	55
5P30	5P5		0.2	0.2	0.2	0.2	0.5	5.42	55
5P30	10P10		0.2	0.2	0.2	0.2	0.2	6.76	65
5P30	10P10		0.2	0.2	0.2	0.2	0.2	7.54	65
5P30	5P5		0.2	0.2	0.2	0.2	0.2	8.42	65
5P30	5P30		0.2	0.2	0.2	0.2	0.2	10.21	65
5P30	5P30		0.2	0.2	0.2	0.2	0.2	12.74	65
5P30	5P30		0.2	0.2	0.2	0.2	0.2	12.91	65
5P30	5P30		0.2	0.2	0.2	0.2	0.2	21.42	65
5P30	5P30		0.2	0.2	0.2	0.2	0.2	23.95	65
5P30	5P30		0.2	0.2	0.2	0.2	0.2	29.51	65
5P30	5P30		0.2	0.2	0.2	0.2	0.2	30.92	65
5P30	5P30		0.2	0.2	0.2	0.2	0.2	34.14	65
5P30	5P30		0.2	0.2	0.2	0.2	0.2	51.12	65



Equivalent to GE-ITI MODEL 786 and ABB MODEL SCV-D

INSULATION LEVEL
600 V, BIL 10kV full wave

FREQUENCY
50-400 Hz

THERMAL RATING

600:5MR – 3000:5MR 2.0 @ 30 deg. C ambient
1.5 @ 55 deg. C ambient
4000:5MR 1.5 @ 30 deg. C ambient
1.33 @ 55 deg. C ambient

OUTER ENCAPSULATION
Plastic Cased

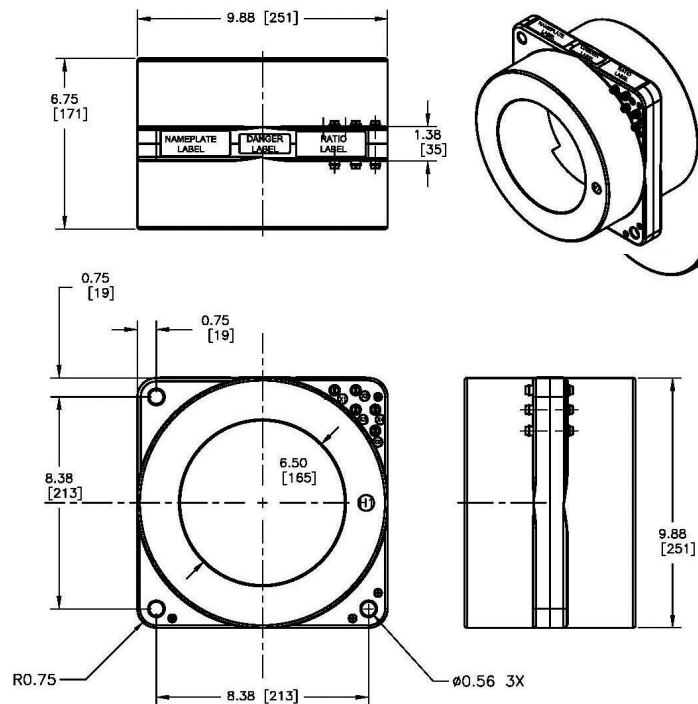
SECONDARY TERMINALS
Brass screw # 10-32 with one flat washer,
accessible from either side

APPROX. WEIGHT
59 lbs.

Catalog Number	Current Ratio	Relay Class	ANSI Metering Class (60Hz)
CT104-601MR	600:5MR	C200	0.6B1.8
CT104-122MR	1200:5MR	C400	0.3B1.8
CT104-202MR	2000:5MR	C400	0.15B1.8
CT104-302MR	3000:5MR	C400	0.15B1.8
CT104-402MR	4000:5MR	C400	0.15B1.8

MR	Turns			
	X1-X2	X2-X3	X3-X4	X4-X5
600:5	20	10	50	40
1200:5	40	20	100	80
2000:5	80	160	60	100
3000:5	200	240	60	100
4000:5	100	300	200	200

DIMENSIONS (ALL DIMENSIONS ARE IN INCHES [mm]):





Equivalent to GE-ITI MODEL 680 and ABB MODEL SCR

INSULATION LEVEL
600 V; BIL 10kV full wave

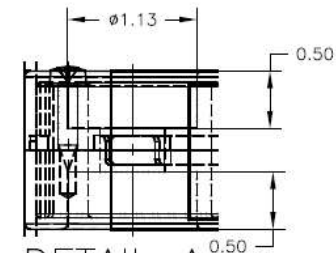
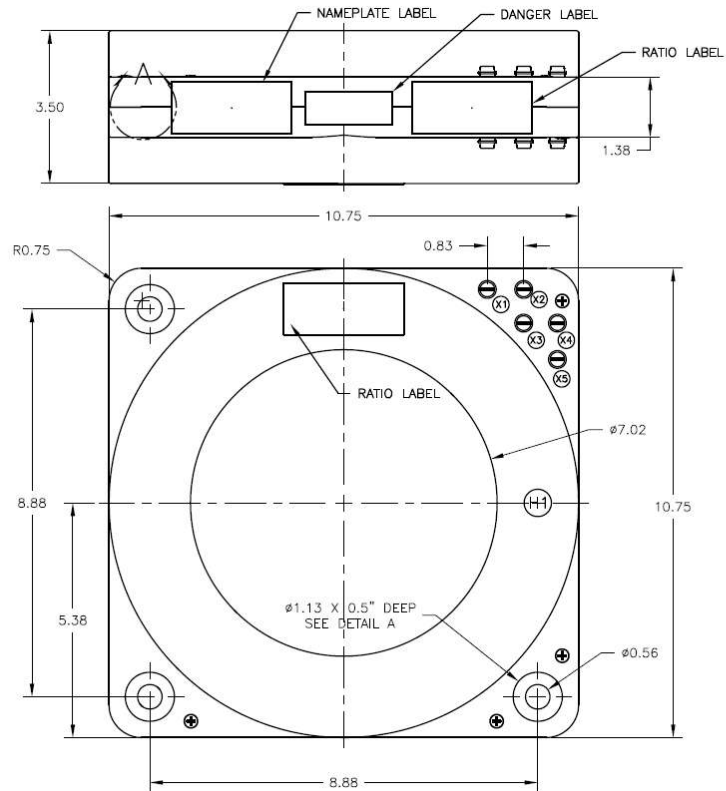
FREQUENCY
50-400 Hz

OUTER ENCAPSULATION
Plastic Cased

SECONDARY TERMINALS
Brass screw # 10-32 with one flat washer,
accessible from either side

APPROX. WEIGHT
31 lbs.

DIMENSIONS (ALL DIMENSIONS ARE IN INCHES):



DETAIL A
SCALE 1:1

CATALOG NUMBER	CURRENT RATIO	RELAY CLASS	ANSI METERING CLASS @ 60 HZ					Thermal Rating	
			B0.1	B0.2	B0.5	B0.9	B1.8	30 C	55 C
CT111-500	50:5	-	4.8	-	-	-	-	2.0	1.5
CT111-750	75:5	C 10	2.4	4.8	-	-	-	2.0	1.5
CT111-101	100:5	C 10	2.4	2.4	4.8	-	-	2.0	1.5
CT111-151	150:5	C 20	1.2	1.2	2.4	4.8	-	2.0	1.5
CT111-201	200:5	C 20	0.6	1.2	1.2	2.4	4.8	2.0	1.5
CT111-251	250:5	C 20	0.6	0.6	1.2	2.4	2.4	2.0	1.5
CT111-301	300:5	C 20	0.3	0.6	1.2	1.2	2.4	2.0	1.5
CT111-401	400:5	C 50	0.3	0.3	0.6	0.6	1.2	2.0	1.5
CT111-501	500:5	C 50	0.3	0.3	0.3	0.6	1.2	2.0	1.5
CT111-601	600:5	C 100	0.3	0.3	0.3	0.3	0.6	2.0	1.5
CT111-751	750:5	C 100	0.3	0.3	0.3	0.3	0.6	2.0	1.5
CT111-801	800:5	C 100	0.3	0.3	0.3	0.3	0.3	2.0	1.5
CT111-102	1000:5	C 100	0.3	0.3	0.3	0.3	0.3	2.0	1.5
CT111-122	1200:5	C 200	0.3	0.3	0.3	0.3	0.3	2.0	1.5
CT111-152	1500:5	C 200	0.3	0.3	0.3	0.3	0.3	2.0	1.5
CT111-202	2000:5	C 200	0.3	0.3	0.3	0.3	0.3	2.0	1.5
CT111-252	2500:5	C 200	0.3	0.3	0.3	0.3	0.3	1.33	1.0
CT111-302	3000:5	C 200	0.3	0.3	0.3	0.3	0.3	1.33	1.0
CT111-402	4000:5	C 200	0.3	0.3	0.3	0.3	0.3	1.33	1.0
CT111-502	5000:5	C 200	0.3	0.3	0.3	0.3	0.3	1.0	0.8



Equivalent to: GE-ITI MODEL 681 and ABB MODEL SCR

INSULATION LEVEL
600 V; BIL 10kV full wave

FREQUENCY
50-400 Hz

OUTER ENCAPSULATION
Plastic Cased

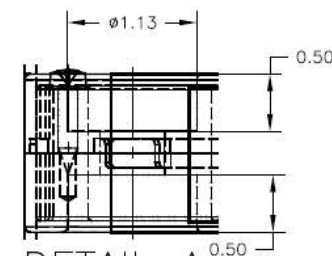
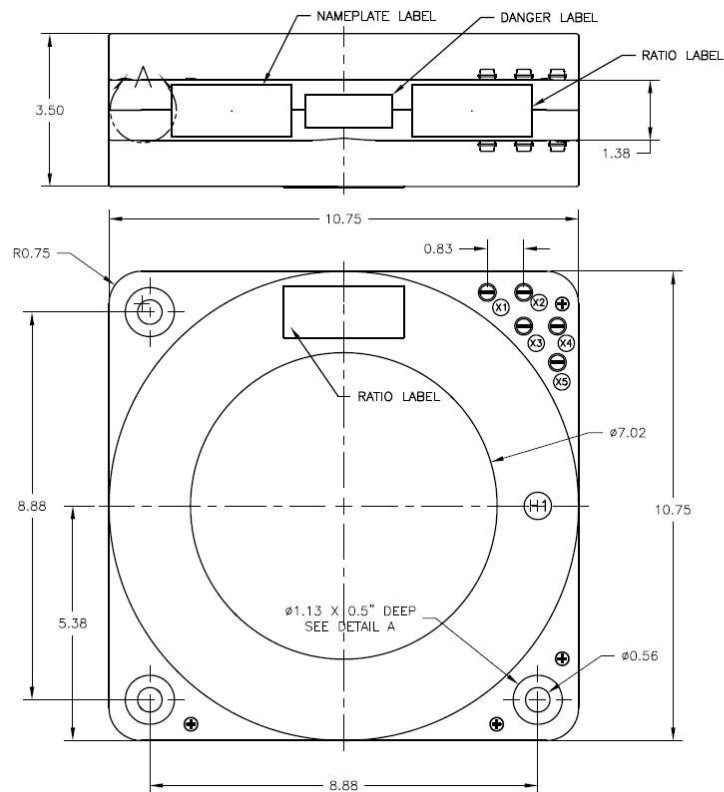
SECONDARY TERMINALS
Brass screw # 10-32 with one flat washer, accessible from either side

APPROX. WEIGHT
31 lbs.

Catalog #	Current Ratio	ANSI Relay Accuracy	ANSI Metering Accuracy (60Hz)
CT111-601MR	600:5 MR	C100	0.6B1.8
CT111-122MR	1200:5 MR	C200	0.3B1.8
CT111-202MR	2000:5 MR	C200	0.15B1.8
CT111-302MR	3000:5 MR	C200	0.15B1.8
CT111-402MR	4000:5 MR	C200	0.15B1.8

Thermal Rating		Turns Between Taps			
30C	55C	X1-X2	X2-X3	X3-X4	X4-X5
2.0	1.5	20	10	50	40
2.0	1.5	40	20	100	80
2.0	1.5	80	160	60	100
1.33	1.0	200	240	60	100
1.33	1.0	100	300	200	200

DIMENSIONS (ALL DIMENSIONS ARE IN INCHES):



DETAIL A
SCALE 1:1



Equivalent to GE-ITI MODEL 685 and ABB MODEL SCR-D

INSULATION LEVEL
600 V, BIL 10kV full wave

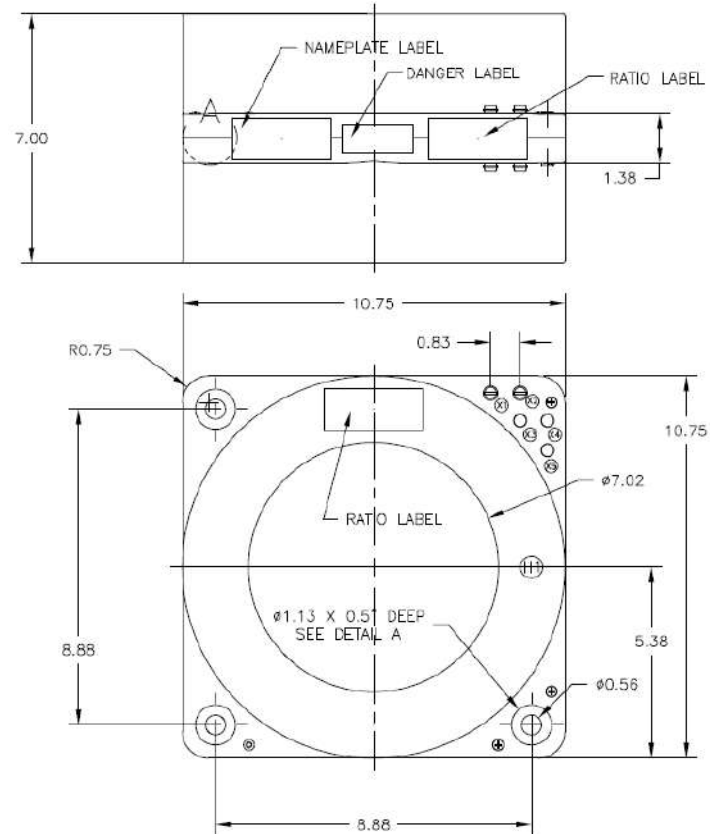
FREQUENCY
50-400 Hz

OUTER ENCAPSULATION
Plastic Cased

SECONDARY TERMINALS
Brass screw # 10-32 with one flat washer and lock washer, accessible from either side

APPROX. WEIGHT
30 lbs.

DIMENSIONS (ALL DIMENSIONS ARE IN INCHES):



CATALOG NUMBER	CURRENT RATIO	RELAY CLASS	ANSI METERING CLASS @ 60 HZ					Thermal Rating	
			B0.1	B0.2	B0.5	B0.9	B1.8	30 C	55 C
CT112-500	50:5	C 10	2.4	4.8	-	-	-	2.0	1.5
CT112-750	75:5	C 20	2.4	2.4	4.8	-	-	2.0	1.5
CT112-101	100:5	C 20	1.2	2.4	2.4	4.8	-	2.0	1.5
CT112-151	150:5	C 20	0.6	1.2	1.2	2.4	4.8	2.0	1.5
CT112-201	200:5	C 50	0.6	0.6	1.2	1.2	2.4	2.0	1.5
CT112-251	250:5	C 50	0.3	0.6	0.6	1.2	2.4	2.0	1.5
CT112-301	300:5	C 100	0.3	0.3	0.6	0.6	1.2	2.0	1.5
CT112-401	400:5	C 100	0.3	0.3	0.3	0.3	0.6	2.0	1.5
CT112-501	500:5	C 100	0.3	0.3	0.3	0.3	0.6	2.0	1.5
CT112-601	600:5	C 200	0.3	0.3	0.3	0.3	0.3	2.0	1.5
CT112-751	750:5	C 200	0.3	0.3	0.3	0.3	0.3	2.0	1.5
CT112-801	800:5	C 200	0.3	0.3	0.3	0.3	0.3	2.0	1.5
CT112-102	1000:5	C 200	0.3	0.3	0.3	0.3	0.3	2.0	1.5
CT112-122	1200:5	C 400	0.3	0.3	0.3	0.3	0.3	2.0	1.5
CT112-152	1500:5	C 400	0.3	0.3	0.3	0.3	0.3	2.0	1.5
CT112-202	2000:5	C 400	0.3	0.3	0.3	0.3	0.3	2.0	1.5
CT112-252	2500:5	C 400	0.3	0.3	0.3	0.3	0.3	1.33	1.0
CT112-302	3000:5	C 400	0.3	0.3	0.3	0.3	0.3	1.33	1.0
CT112-402	4000:5	C 400	0.3	0.3	0.3	0.3	0.3	1.33	1.0
CT112-502	5000:5	C 400	0.3	0.3	0.3	0.3	0.3	1.0	0.8



Equivalent to GE-ITI MODEL 686 and ABB MODEL SCR-D

INSULATION LEVEL
600 V; BIL 10kV full wave

FREQUENCY
50-400 Hz

THERMAL RATING
600:5MR – 1200/5MR 2.0 @ 30 deg. C ambient
1.5 @ 55 deg. C ambient

2000/5MR-4000/5MR 1.33 @ 30 deg. C ambient
1.0 @ 55 deg. C ambient

OUTER ENCAPSULATION
Plastic Cased

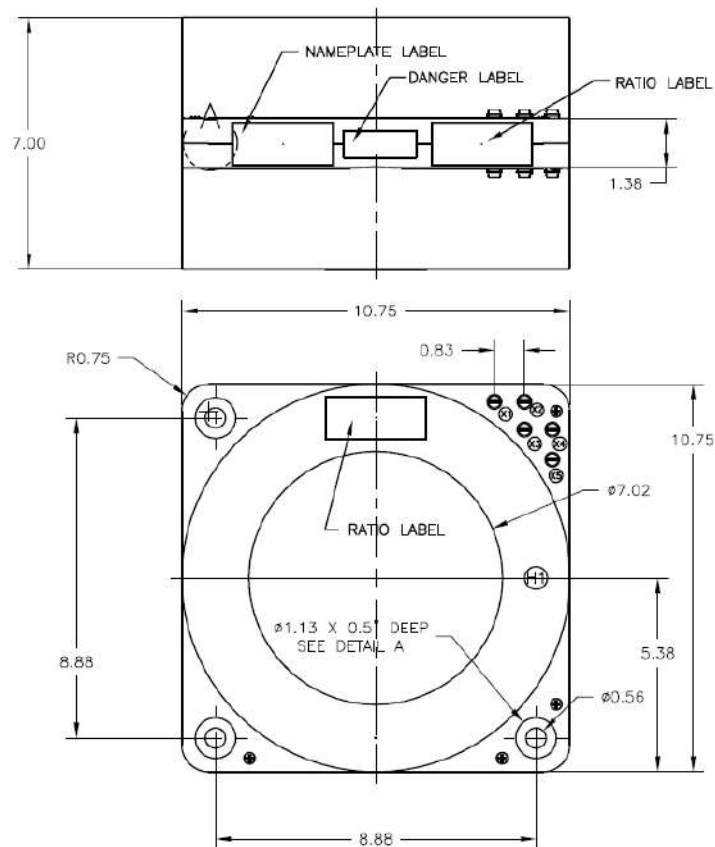
SECONDARY TERMINALS
Brass screw # 10-32 with one flat washer and lock washer, accessible from either side

APPROX. WEIGHT
31 lbs.

CUSTOM OPTIONS (CONTACT US)

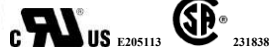
- Different Ratios
- Non-standard thermal rating
- Different encapsulation
- Different secondary termination
- Special mounting needs

DIMENSIONS (ALL DIMENSIONS ARE IN INCHES):



Catalog #	Current Ratio	ANSI Relay Accuracy	ANSI Metering Accuracy (60Hz)
CT112-601MR	600:5 MR	C200	0.3B0.9
CT112-122MR	1200:5 MR	C400	0.3B1.8
CT112-202MR	2000:5 MR	C400	0.3B1.8
CT112-302MR	3000:5 MR	C400	0.3B1.8
CT112-402MR	4000:5 MR	C400	0.3B1.8

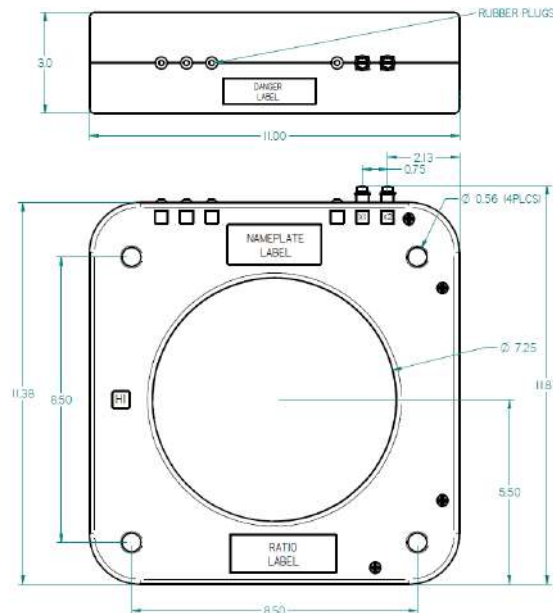
Turns				
MR	X1-X2	X2-X3	X3-X4	X4-X5
600:5	20	10	50	40
1200:5	40	20	100	80
2000:5	80	160	60	100
3000:5	200	240	60	100
4000:5	100	300	200	200



Equivalent to GE-ITI MODEL 882 and ABB MODEL SCP-2

INSULATION LEVEL 600 V, BIL 10kV full wave
FREQUENCY 50-400 Hz
OUTER ENCAPSULATION Plastic Cased
SECONDARY TERMINALS Brass screw # 10-32 with one flat washer and lock washer
APPROX WEIGHT 31lbs.

DIMENSIONS (ALL DIMENSIONS ARE IN INCHES):



CATALOG NUMBER	CURRENT RATIO	RELAY CLASS	ANSI METERS	
			B0.1	B0.2
CT340-500	50:5	-	4.8	-
CT340-750	75:5	C10	2.4	2.4
CT340-101	100:5	C10	1.2	2.4
CT340-151	150:5	C20	1.2	1.2
CT340-201	200:5	C20	0.6	0.6
CT340-301	300:5	C50	0.3	0.3
CT340-401	400:5	C50	0.3	0.3
CT340-501	500:5	C50	0.3	0.3
CT340-601	600:5	C100	0.3	0.3
CT340-801	800:5	C100	0.3	0.3
CT340-102	1000:5	C100	0.3	0.3
CT340-122	1200:5	C200	0.3	0.3
CT340-152	1500:5	C200	0.3	0.3
CT340-202	2000:5	C200	0.3	0.3
CT340-252	2500:5	C200	0.3	0.3
CT340-302	3000:5	C200	0.3	0.3
CT340-402	4000:5	C200	0.3	0.3

RING CLASS @ 60 HZ			WINDING RESISTANCE @75°C	THERMAL RATING @ 30° C
B0.5	B0.9	B1.8		
-	-	-	-	2.0
-	-	-	0.028	2.0
-	-	-	0.0354	2.0
2.4	-	-	0.0542	2.0
1.2	2.4	4.8	0.0677	2.0
0.6	1.2	2.4	0.061	2.0
0.6	0.6	1.2	0.1356	2.0
0.3	0.6	1.2	0.1686	2.0
0.3	0.3	0.6	0.204	2.0
0.3	0.3	0.3	0.2718	2.0
0.3	0.3	0.3	0.3398	2.0
0.3	0.3	0.3	0.4076	2.0
0.3	0.3	0.3	0.459	2.0
0.3	0.3	0.3	0.6239	2.0
0.3	0.3	0.3	0.717	1.5
0.3	0.3	0.3	0.834	1.5
0.3	0.3	0.3	1.15	1.5



INSULATION LEVEL
600 V, BIL 10kV full wave

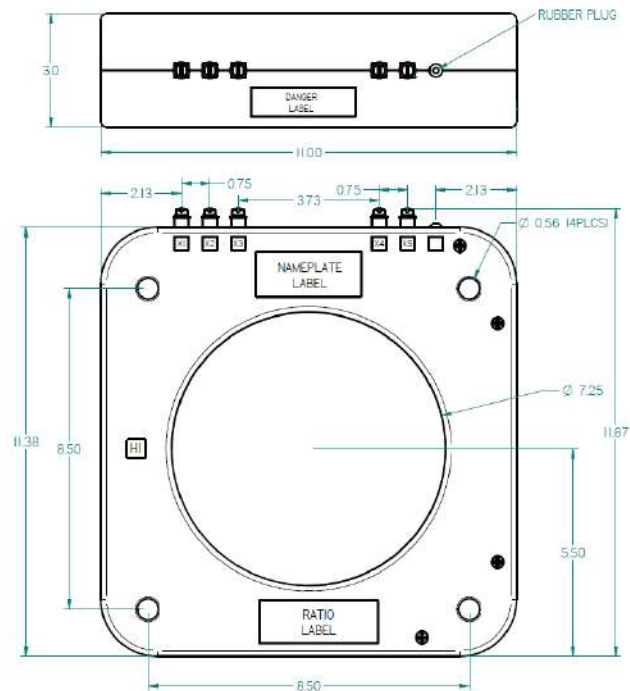
FREQUENCY
50-400 Hz

OUTER ENCAPSULATION
Plastic Cased

SECONDARY TERMINALS
Brass screw # 10-32 with one flat washer and lock washer

APPROX WEIGHT
31lbs.

DIMENSIONS (ALL DIMENSIONS ARE IN INCHES):



CATALOG NUMBER	CURRENT RATIO	RELAY CLASS	ANSI METERING CLASS @ 60 HZ
			B0.1
CT340-601MR	600:5	C100	0.3
CT340-122MR	1200:5	C200	0.3
CT340-202MR	2000:5	C200	0.3
CT340-302MR	3000:5	C200	0.3
CT340-402MR	4000:5	C200	0.3

ANSI METERING CLASS @ 60 HZ				WINDING RESISTANCE @75°C
B0.2	B0.5	B0.9	B1.8	
0.3	0.3	0.3	0.6	0.204
0.3	0.3	0.3	0.3	0.4076
0.3	0.3	0.3	0.3	0.6239
0.3	0.3	0.3	0.3	0.834
0.3	0.3	0.3	0.3	1.15

TURNS				
MR	X1-X2	X2-X3	X3-X4	X4-X5
600:5	20	10	50	40
1200:5	40	20	100	80
2000:5	80	160	60	100
3000:5	200	240	60	100
4000:5	100	300	200	200



Equivalent to GE-ITI MODEL 142MR

INSULATION LEVEL
600 V, BIL 10kV full wave

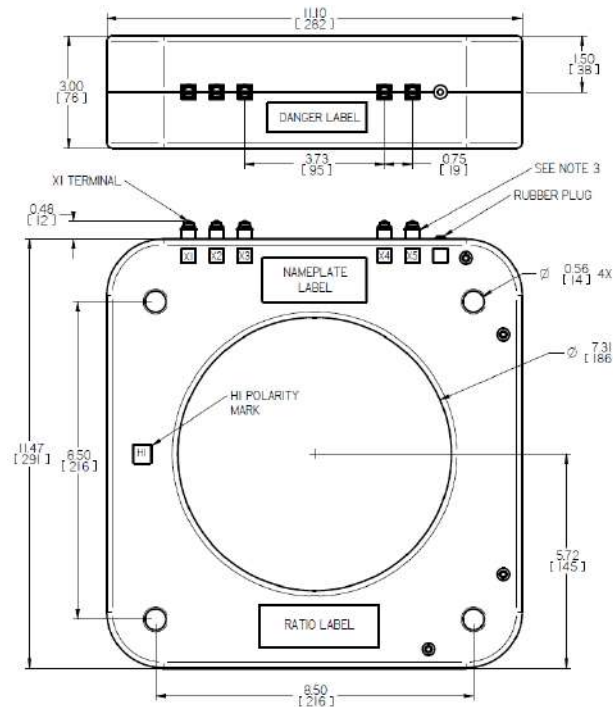
FREQUENCY
50-400 Hz

OUTER ENCAPSULATION
Plastic Cased

SECONDARY TERMINALS
Brass screw # 10-32 with one flat washer and lock washer

APPROX WEIGHT
31lbs.

DIMENSIONS (ALL DIMENSIONS ARE IN INCHES [mm]):



CATALOG NUMBER	CURRENT RATIO	RELAY CLASS	ANSI METERS	
			B0.1	B0.2
CT354-601MR	600:5	C100	0.3	0.3
CT354-122MR	1200:5	C200	0.3	0.3
CT354-202MR	2000:5	C200	0.3	0.3
CT354-302MR	3000:5	C200	0.3	0.3
CT354-402MR	4000:5	C200	0.3	0.3

RING CLASS @ 60 HZ			THERMAL RATING	
B0.5	B0.9	B1.8	@ 30° C	@ 55° C
0.3	0.3	0.6	2.0	2.0
0.3	0.3	0.3	1.5	1.0
0.3	0.3	0.3	2.0	1.5
0.3	0.3	0.3	1.0	0.8
0.3	0.3	0.3	1.0	0.8

TURNS				
MR	X1-X2	X2-X3	X3-X4	X4-X5
600:5	20	10	50	40
1200:5	40	20	100	80
2000:5	80	160	60	100
3000:5	200	240	60	100
4000:5	100	300	200	200

Medium Voltage Switchgear Current Transformers

Model CT355

Window 7.31", 600V, 10kV BIL



Equivalent to GE-ITI MODEL 143, 143MR and ABB MODEL SCD-2, BYZ-5

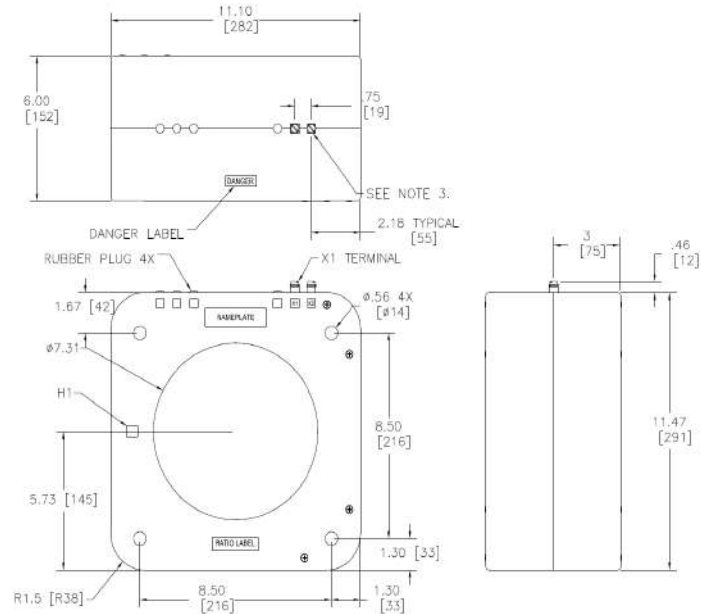
INSULATION LEVEL
600 V, BIL 10kV full wave

FREQUENCY
50-400 Hz

OUTER ENCAPSULATION
Plastic Cased

SECONDARY TERMINALS
Brass screw # 10-32 with one flat washer and lock washer

DIMENSIONS (ALL DIMENSIONS ARE IN INCHES [mm]):



CATALOG NUMBER	CURRENT RATIO	RELAY CLASS	ANSI METERING CLASS @ 60 HZ				
			B0.1	B0.2	B0.5	B0.9	B1.8
CT355-500-01	50:5	C10	4.8	4.8	-	-	-
CT355-500	50:5	C20	4.8	4.8	-	-	-
CT355-750	75:5	C20	2.4	2.4	-	-	-
CT355-101	100:5	C20	1.2	2.4	4.8	4.8	-
CT355-151	150:5	C50	0.6	0.6	1.2	2.4	4.8
CT355-201	200:5	C50	0.3	0.3	0.6	1.2	2.4
CT355-251	250:5	C50	0.3	0.3	0.6	1.2	2.4
CT355-301	300:5	C100	0.3	0.3	0.3	0.6	1.2
CT355-401	400:5	C100	0.3	0.3	0.3	0.3	0.6
CT355-501	500:5	C100	0.3	0.3	0.3	0.3	0.6
CT355-601	600:5	C200	0.3	0.3	0.3	0.3	0.3
CT355-751	750:5	C200	0.3	0.3	0.3	0.3	0.3
CT355-801	800:5	C200	0.3	0.3	0.3	0.3	0.3
CT355-102	1000:5	C200	0.3	0.3	0.3	0.3	0.3
CT355-122	1200:5	C400	0.3	0.3	0.3	0.3	0.3
CT355-152	1500:5	C400	0.3	0.3	0.3	0.3	0.3
CT355-162	1600:5	C400	0.3	0.3	0.3	0.3	0.3
CT355-202	2000:5	C400	0.3	0.3	0.3	0.3	0.3
CT355-252	2500:5	C400	0.3	0.3	0.3	0.3	0.3
CT355-302	3000:5	C800	0.3	0.3	0.3	0.3	0.3
CT355-322	3200:5	C800	0.3	0.3	0.3	0.3	0.3
CT355-352	3500:5	C800	0.3	0.3	0.3	0.3	0.3
CT355-402	4000:5	C800	0.3	0.3	0.3	0.3	0.3
CT355-502	5000:5	C800	0.3	0.3	0.3	0.3	0.3
CT355-602	6000:5	C800	0.3	0.3	0.3	0.3	0.3

THERMAL RATING	
@ 30° C	@ 55° C
2.0	2.0
2.0	2.0
2.0	2.0
2.0	2.0
2.0	2.0
2.0	2.0
2.0	2.0
2.0	2.0
2.0	2.0
2.0	2.0
2.0	2.0
2.0	2.0
2.0	2.0
2.0	2.0
2.0	2.0
2.0	2.0
2.0	2.0
2.0	2.0
1.5	1.33
1.5	1.0
1.5	1.0
1.33	1.0
1.33	1.0
1.0	0.8
1.0	0.8
1.0	0.8
1.0	0.8
1.0	0.8
1.0	0.8
1.0	0.6
1.0	0.6
0.8	0.6



Equivalent to GE-ITI MODEL 143MR

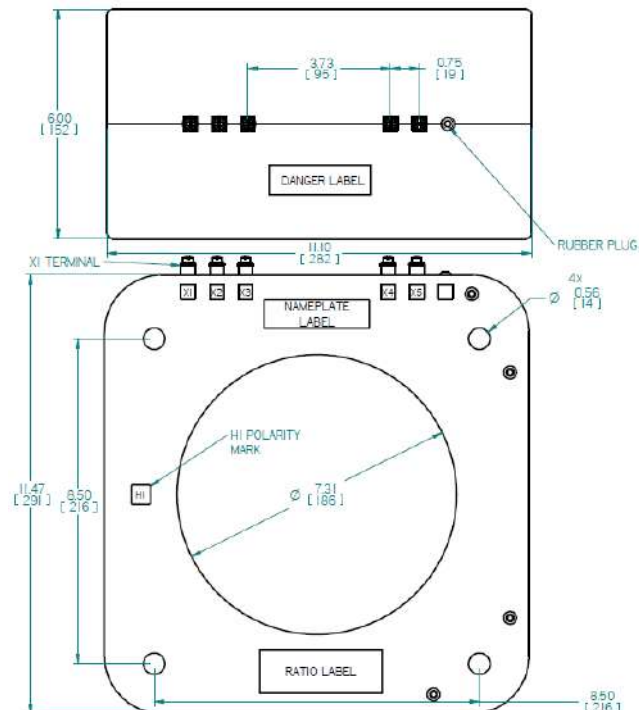
INSULATION LEVEL
600 V, BIL 10kV full wave

FREQUENCY
50-400 Hz

OUTER ENCAPSULATION
Plastic Cased

SECONDARY TERMINALS
Brass screw # 10-32 with one flat washer and lock washer

DIMENSIONS (ALL DIMENSIONS ARE IN INCHES [mm]):



CATALOG NUMBER	CURRENT RATIO	RELAY CLASS	ANSI METERS	
			B0.1	B0.2
CT355-601MR	600:5	C200	0.3	0.3
CT355-122MR	1200:5	C400	0.3	0.3
CT355-202MR	2000:5	C400	0.3	0.3
CT355-302MR	3000:5	C800	0.3	0.3
CT355-402MR	4000:5	C800	0.3	0.3

RING CLASS @ 60 HZ			THERMAL RATING	
B0.5	B0.9	B1.8	@ 30° C	@ 55° C
0.3	0.3	0.3	2.0	2.0
0.3	0.3	0.3	1.5	1.0
0.3	0.3	0.3	1.33	1.0
0.3	0.3	0.3	1.0	0.8
0.3	0.3	0.3	1.0	0.6

TURNS				
MR	X1-X2	X2-X3	X3-X4	X4-X5
600:5	20	10	50	40
1200:5	40	20	100	80
2000:5	80	160	60	100
3000:5	200	240	60	100
4000:5	100	300	200	200



Equivalent to GE-ITI MODEL 140, 140MR and ABB MODEL SCP-3

INSULATION LEVEL
600 V, BIL 10kV full wave

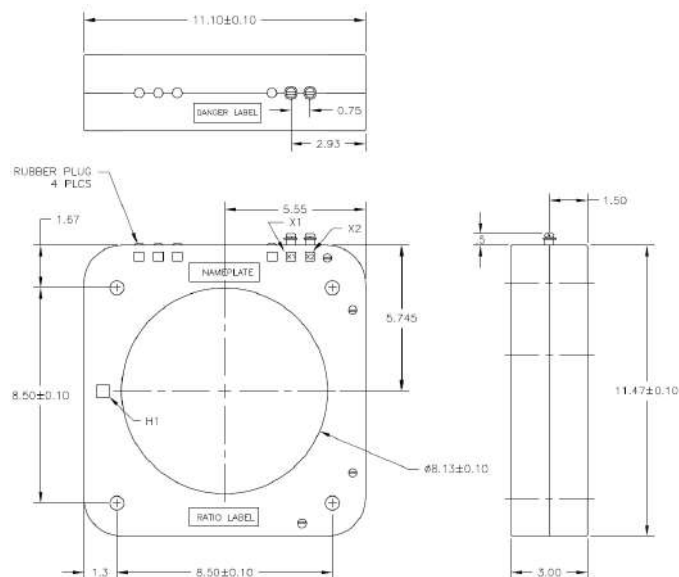
FREQUENCY
50-400 Hz

OUTER ENCAPSULATION
Plastic Cased

SECONDARY TERMINALS
Brass screw # 10-32 with one flat washer and lock washer

APPROX WEIGHT
22lbs

DIMENSIONS (ALL DIMENSIONS ARE IN INCHES):



CATALOG NUMBER	CURRENT RATIO	RELAY CLASS	ANSI METERING CLASS @ 60 HZ				
			B0.1	B0.2	B0.5	B0.9	B1.8
CT352-500	50:5	-	4.8	-	-	-	-
CT352-101	100:5	-	2.4	4.8	-	-	-
CT352-201	200:5	C10	1.2	1.2	2.4	4.8	-
CT352-251	250:5	C20	1.2	1.2	2.4	2.4	4.8
CT352-301	300:5	C20	0.6	1.2	1.2	2.4	2.4
CT352-401	400:5	C20	0.3	0.3	0.6	1.2	2.4
CT352-501	500:5	C20	0.3	0.3	0.6	1.2	1.2
CT352-601	600:5	C50	0.3	0.3	0.3	0.6	1.2
CT352-801	800:5	C50	0.3	0.3	0.3	0.3	0.6
CT352-102	1000:5	C50	0.3	0.3	0.3	0.3	0.6
CT352-122	1200:5	C100	0.3	0.3	0.3	0.3	0.3
CT352-152	1500:5	C100	0.3	0.3	0.3	0.3	0.3
CT352-202	2000:5	C100	0.3	0.3	0.3	0.3	0.3
CT352-252	2500:5	C100	0.3	0.3	0.3	0.3	0.3
CT352-302	3000:5	C100	0.3	0.3	0.3	0.3	0.3
CT352-402	4000:5	C200	0.3	0.3	0.3	0.3	0.3
CT352-502	5000:5	C100	0.3	0.3	0.3	0.3	0.3
CT352-602	6000:5	C100	0.3	0.3	0.3	0.3	0.3

THERMAL RATING	
@ 30° C	@ 55° C
2.0	2.0
2.0	2.0
2.0	2.0
2.0	2.0
2.0	2.0
2.0	2.0
2.0	2.0
2.0	2.0
2.0	2.0
2.0	1.5
1.5	1.5
1.5	1.0
1.33	1.0
1.33	1.0
1.0	0.8
1.0	0.8
1.0	0.8
1.0	0.8



Equivalent to GE-ITI MODEL 140MR

INSULATION LEVEL
600 V, BIL 10kV full wave

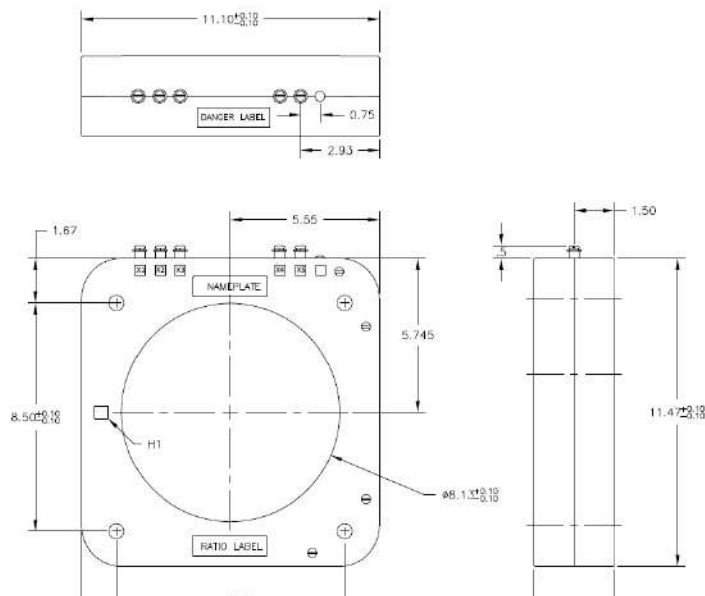
FREQUENCY
50-400 Hz

OUTER ENCAPSULATION
Plastic Cased

SECONDARY TERMINALS
Brass screw # 10-32 with one flat washer and lock washer

APPROX WEIGHT
22lbs

DIMENSIONS (ALL DIMENSIONS ARE IN INCHES):



CATALOG NUMBER	CURRENT RATIO	RELAY CLASS	ANSI METERS	
			B0.1	B0.2
CT352-601MR	600:5	C50	0.3	0.3
CT352-122MR	1200:5	C100	0.3	0.3
CT352-202MR	2000:5	C100	0.3	0.3
CT352-302MR	3000:5	C100	0.3	0.3
CT352-402MR	4000:5	C200	0.3	0.3
CT352-502MR	5000:5	C100	0.3	0.3

RING CLASS @ 60 HZ			THERMAL RATING	
B0.5	B0.9	B1.8	@ 30° C	@ 55° C
0.3	0.6	1.2	2.0	2.0
0.3	0.3	0.3	1.5	1.5
0.3	0.3	0.3	1.33	1.0
0.3	0.3	0.3	1.0	0.8
0.3	0.3	0.3	1.0	0.8
0.3	0.3	0.3	1.0	0.8

TURNS				
MR	X1-X2	X2-X3	X3-X4	X4-X5
600:5	20	10	50	40
1200:5	40	20	100	80
2000:5	80	160	60	100
3000:5	200	240	60	100
4000:5	100	300	200	200
5000:5	300	100	400	200



Equivalent to GE-ITI MODEL 141, 141MR and ABB MODEL SCD-3

INSULATION LEVEL
600 V, BIL 10kV full wave

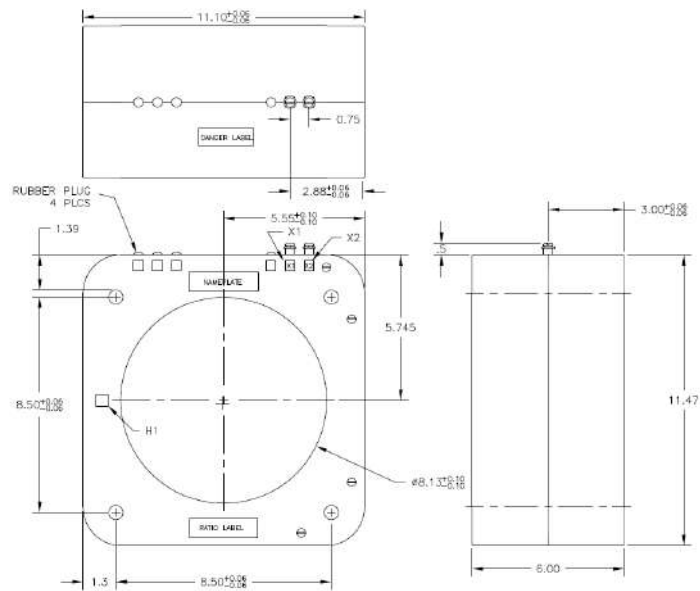
FREQUENCY
50-400 Hz

OUTER ENCAPSULATION
Plastic Cased

SECONDARY TERMINALS
Brass screw # 8-32 with one flat washer and lock washer

APPROX WEIGHT
44lbs

DIMENSIONS (ALL DIMENSIONS ARE IN INCHES):



CATALOG NUMBER	CURRENT RATIO	RELAY CLASS	ANSI METERING CLASS @ 60 HZ				
			B0.1	B0.2	B0.5	B0.9	B1.8
CT353-500	50:5	C10	4.8	-	-	-	-
CT353-101	100:5	C10	2.4	2.4	-	-	-
CT353-201	200:5	C20	0.6	1.2	1.2	2.4	4.8
CT353-301	300:5	C50	0.6	0.6	1.2	1.2	2.4
CT353-401	400:5	C50	0.3	0.3	0.6	0.6	1.2
CT353-501	500:5	C100	0.3	0.3	0.3	0.6	0.6
CT353-601	600:5	C100	0.3	0.3	0.3	0.3	0.6
CT353-801	800:5	C100	0.3	0.3	0.3	0.3	0.3
CT353-102	1000:5	C200	0.3	0.3	0.3	0.3	0.3
CT353-122	1200:5	C200	0.3	0.3	0.3	0.3	0.3
CT353-152	1500:5	C400	0.3	0.3	0.3	0.3	0.3
CT353-202	2000:5	C400	0.3	0.3	0.3	0.3	0.3
CT353-252	2500:5	C400	0.3	0.3	0.3	0.3	0.3
CT353-302	3000:5	C400	0.3	0.3	0.3	0.3	0.3
CT353-402	4000:5	C400	0.3	0.3	0.3	0.3	0.3
CT353-502	5000:5	C400	0.3	0.3	0.3	0.3	0.3
CT353-602	6000:5	C400	0.3	0.3	0.3	0.3	0.3

THERMAL RATING	
@ 30° C	@ 55° C
2.0	2.0
2.0	2.0
2.0	2.0
2.0	2.0
2.0	2.0
2.0	2.0
2.0	1.5
2.0	1.5
2.0	1.5
2.0	1.5
1.5	1.0
1.33	1.0
1.5	1.33
1.5	1.0
1.0	0.8
1.0	0.8
1.0	0.6



Equivalent to GE-ITI MODEL 141MR

INSULATION LEVEL
600 V, BIL 10kV full wave

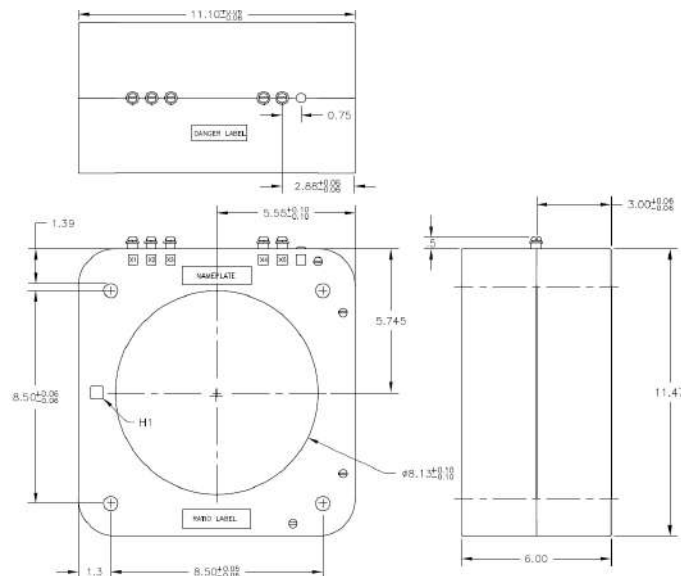
FREQUENCY
50-400 Hz

OUTER ENCAPSULATION
Plastic Cased

SECONDARY TERMINALS
Brass screw # 8-32 with one flat washer and lock washer

APPROX WEIGHT
44lbs

DIMENSIONS (ALL DIMENSIONS ARE IN INCHES):



CATALOG NUMBER	CURRENT RATIO	RELAY CLASS	ANSI METERING CLASS		
			B0.1	B0.2	B0.5
CT353-601MR	600:5	C100	0.3	0.3	0.3
CT353-122MR	1200:5	C200	0.3	0.3	0.3
CT353-202MR	2000:5	C400	0.3	0.3	0.3
CT353-302MR	3000:5	C400	0.3	0.3	0.3
CT353-402MR	4000:5	C400	0.3	0.3	0.3
CT353-502MR	5000:5	C400	0.3	0.3	0.3

SS @ 60 HZ		THERMAL RATING	
B0.9	B1.8	@ 30° C	@ 55° C
0.3	0.6	2.0	1.5
0.3	0.3	2.0	1.5
0.3	0.3	1.33	1.0
0.3	0.3	1.5	1.0
0.3	0.3	1.0	0.8
0.3	0.3	1.0	0.8

TURNS				
MR	X1-X2	X2-X3	X3-X4	X4-X5
600:5	20	10	50	40
1200:5	40	20	100	80
2000:5	80	160	60	100
3000:5	200	240	60	100
4000:5	100	300	200	200
5000:5	300	100	400	200

Model CT238

Window 6.31", 600V, 10kV BIL



INSULATION LEVEL
600 V, BIL 10kV full wave

FREQUENCY
50-400 Hz

OUTER ENCAPSULATION
Plastic Cased

SECONDARY TERMINALS
#8-32 Brass Stud with one flat washer, lock washer, and one regular hex nut.

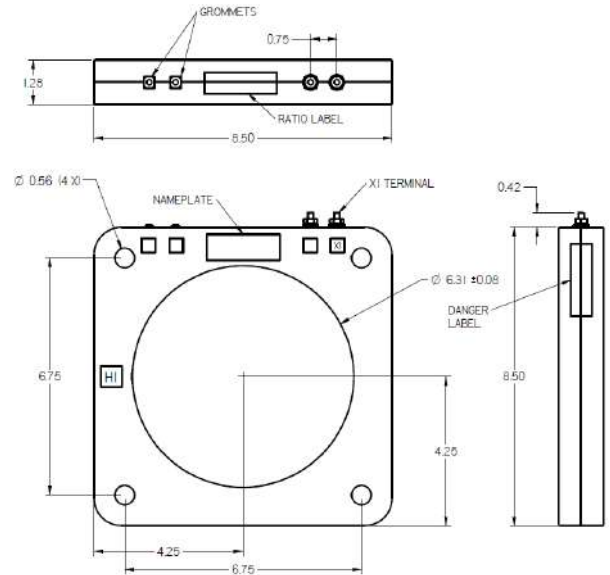


- UL, cUL Recognized and CSA Certified
- As per ANSI/IEEE C57.13, IEC, OR relevant standard

Equivalent to GE-ITI MODEL HGF5C

CATALOG NUMBER	CURRENT RATIO	TRF @ 30C	ACCURACY RATING (50/60Hz)
CT238-500-01	50:0.025	1.2	0.3%@1OHM

DIMENSIONS (ALL DIMENSIONS ARE IN INCHES):



Model CT355

Window 7.31", 600V, 10kV BIL



INSULATION LEVEL
600 V, BIL 10kV full wave

FREQUENCY
50-400 Hz

OUTER ENCAPSULATION
Plastic Cased

SECONDARY TERMINALS
Brass screw # 10-32 with one flat washer and lock washer

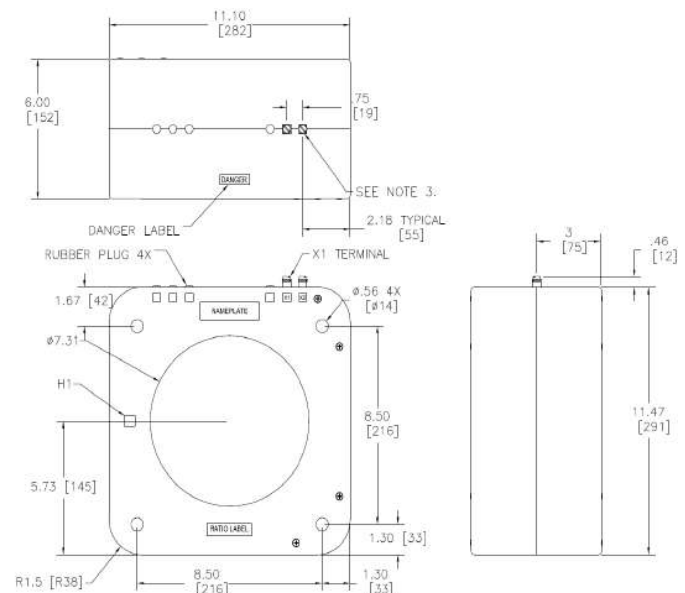


- UL, cUL Recognized and CSA Certified
- As per ANSI/IEEE C57.13, IEC, OR relevant standard

Equivalent to GE-ITI MODEL 143

CATALOG NUMBER	CURRENT RATIO	RELAY CLASS	ANSI METERING CLASS @ 60 HZ					THERMAL RATING	
			B0.1	B0.2	B0.5	B0.9	B1.8	@ 30° C	@ 55° C
CT355-101DR	100/50.5	C20	1.2	-	-	-	-	1.33	1.0
CT395-900-01	50:5	C10	4.8	4.8	-	-	-	2.0	2.0
CT355-500	50:5	C20	4.8	4.8	-	-	-	2.0	2.0
CT355-750	75:5	C20	2.4	2.4	-	-	-	2.0	2.0
CT355-101	100:5	C20	1.2	2.4	4.8	4.8	-	2.0	2.0

DIMENSIONS (ALL DIMENSIONS ARE IN INCHES):



Model CTQ2340

Window 12.80" x 13.58", 600V, 10kV BIL



INSULATION LEVEL
600 V, BIL 10kV full wave

FREQUENCY
60 Hz

THERMAL RATING
2.0 @ 30 deg. C ambient

OUTER ENCAPSULATION
Resin Cased

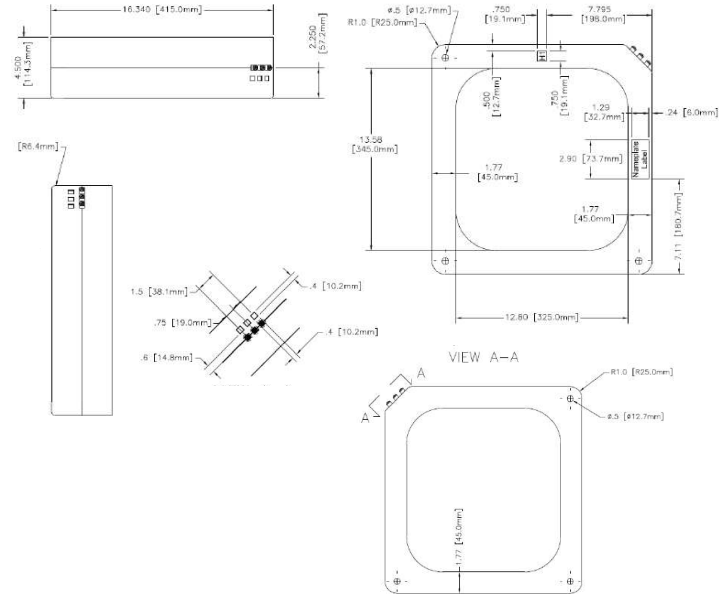
SECONDARY TERMINALS
Brass screw # 10-32 with one flat washer, accessible from either side



- UL, cUL Recognized and CSA Certified
- As per ANSI/IEEE C57.13, IEC, OR relevant standard

CATALOG NUMBER	CURRENT RATIO	RELAY CLASS @ 60Hz	THERMAL RATING 30°C
CTQ2340-101DR	100/50:5	C20 @ 100:5, C10 @ 50:5	2.0

DIMENSIONS: mm



Model CT428

Window 8.06" x 22.06", 600V, 10kV BIL



INSULATION LEVEL
600 V, BIL 10kV full wave

FREQUENCY
50-400 Hz

OUTER ENCAPSULATION
Resin Encapsulated

SECONDARY TERMINALS
Brass screw # 10-32 with one flat washer and lock washer

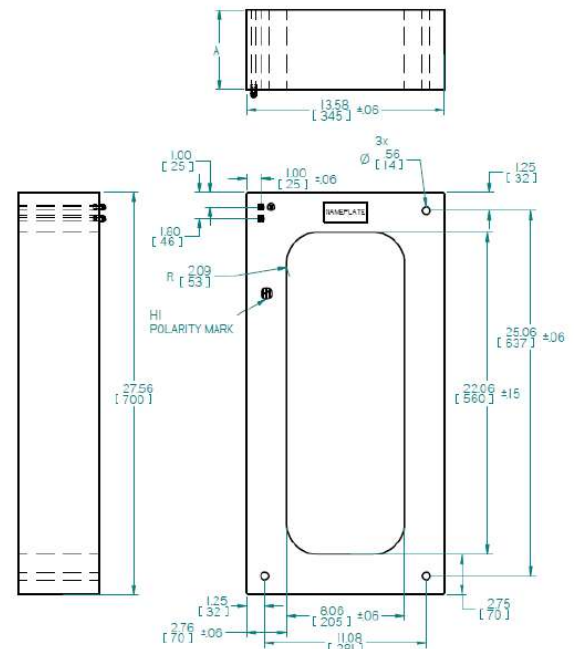


- UL, cUL Recognized and CSA Certified
- As per ANSI/IEEE C57.13, IEC, OR relevant standard

Equivalent to GE-ITI MODEL 593, 594 and ABB MODEL BYZ-L

CATALOG NUMBER	CURRENT RATIO	Relay Class	THERMAL RATING		DEPTH "A"
			30°C	55°C	
CT428-500	50:5	C10	2.0	2.0	4.5
CT428-750	75:5	C20	2.0	2.0	5.5
CT428-101	100:5	C30	2.0	2.0	5.5
CT428-151	150:5	C50	2.0	2.0	5.5
CT428-201	200:5	C50	2.0	2.0	5.5
CT428-301	300:5	C100	2.0	2.0	5.5
CT428-401	400:5	C100	2.0	2.0	5.5
CT428-501	500:5	C200	2.0	2.0	5.5

DIMENSIONS (ALL DIMENSIONS ARE IN INCHES):





INSULATION LEVEL
600V; BIL 10kV

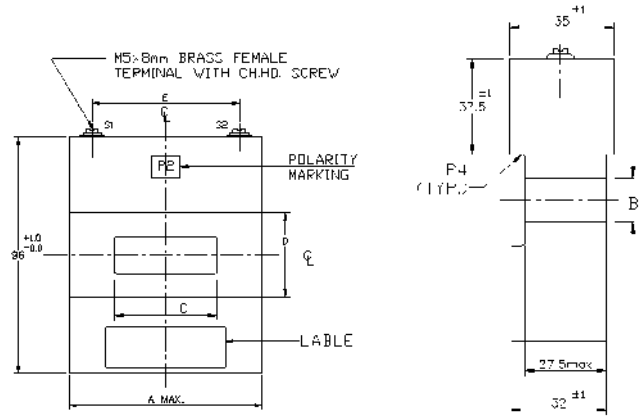
FREQUENCY
50/60 Hz.

THERMAL RATING
2.0 @ 30 deg. C ambient
1.5 @ 55 deg. C ambient

OUTER ENCAPSULATION
Resin casted(PU/Epoxy)

SECONDARY TERMINALS
Brass screw with one flat washer and lock washer

DIMENSIONS: All dimensions are in mm



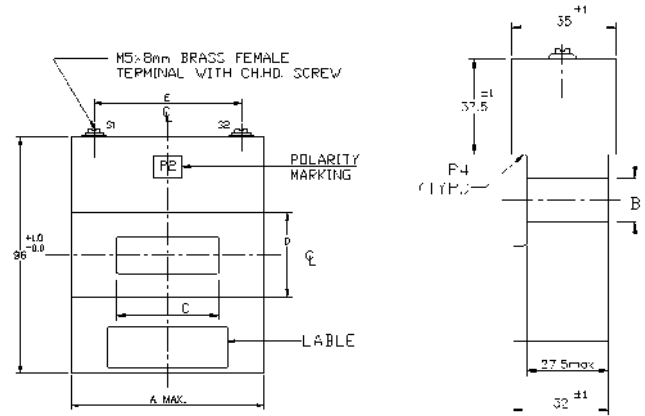
RATIO	A max.	B +1.0 -0.0	C +1.0 -0.0	D ±1	E
400/5A	78.3	11	43	31	60
630/5A	78.3	11	43	31	60
800/5A	78.3	11	43	31	60
1000/5A	78.3	15	43	31	60
1250/5A	78.3	15	43	31	60
1600/5A	108.3	18	83	31	90
2000/5A	108.3	18	83	31	90
2500/5A	155.3	18	123	31	140
3200/5A	155.3	18	123	31	140

Catalog Number	Current Ratio	ID (mm)
CT405-XXX	400:5 A to 800:5A	43 X 11
CT406-XXX	1000:5A to 1250:5A	43 X 15
CT407-XXX	1600:5A to 2000:5A	83 X 18
CT408-XXX	2500:5A to 3200:5A	123 X 18

Burden VA	Accuracy class (50 Hz.) IEC 60044
1 VA to 10 VA	Class 0.2 to Class 1.0
1 VA to 10 VA	Class 0.2 to Class 1.0
1 VA to 10 VA	Class 0.2 to Class 1.0
1 VA to 10 VA	Class 0.2 to Class 1.0



DIMENSIONS: All dimensions are in mm



INSULATION LEVEL
600V; BIL 10kV

FREQUENCY
50/60 Hz.

THERMAL RATING
2.0 @ 30 deg. C ambient
1.5 @ 55 deg. C ambient

OUTER ENCAPSULATION
Resin casted(PU/Epoxy)

SECONDARY TERMINALS
Brass screw with one flat washer and lock washer

RATIO	A max.	B ^{+1.0} / _{-0.0}	C ^{+1.0} / _{-0.0}	D ±1	E
400/5A	78.3	11	43	31	60
630/5A	78.3	11	43	31	60
800/5A	78.3	11	43	31	60
1000/5A	78.3	15	43	31	60
1250/5A	78.3	15	43	31	60
1600/5A	108.3	18	83	31	90
2000/5A	108.3	18	83	31	90
2500/5A	155.3	18	123	31	140
3200/5A	155.3	18	123	31	140

Catalog Number	Current Ratio	ID (mm)
CT405-XXX	400:5 A to 800:5A	43 X 11
CT406-XXX	1000:5A to 1250:5A	43 X 15
CT407-XXX	1600:5A to 2000:5A	83 X 18
CT408-XXX	2500:5A to 3200:5A	123 X 18

Burden VA	Accuracy class (50 Hz.) IEC 60044
1 VA to 10 VA	Class 0.2 to Class 1.0
1 VA to 10 VA	Class 0.2 to Class 1.0
1 VA to 10 VA	Class 0.2 to Class 1.0
1 VA to 10 VA	Class 0.2 to Class 1.0



Equivalent to GE-ITI MODEL 584

INSULATION LEVEL
600 V, BIL 10kV full wave

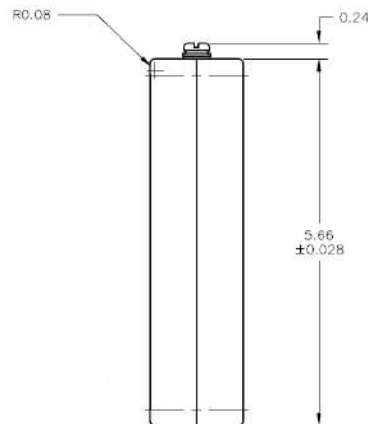
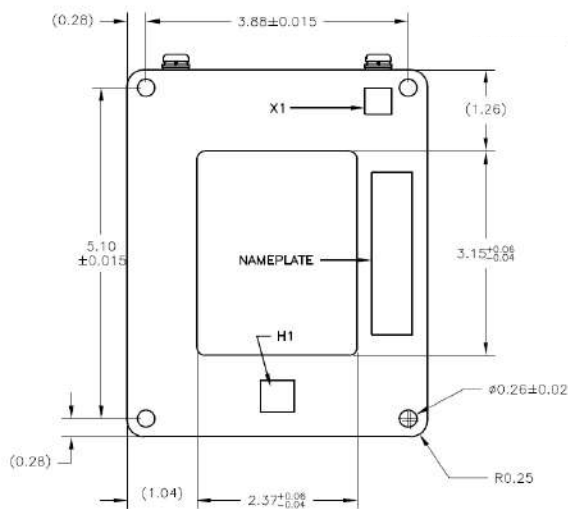
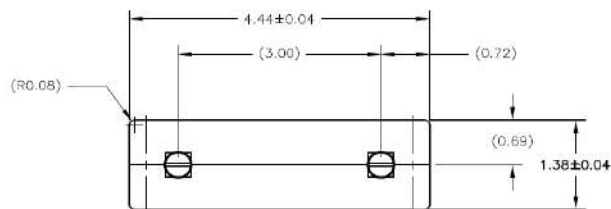
FREQUENCY
50-400 Hz

THERMAL RATING
1.33 @ 30 deg. C ambient
1.0 @ 55 deg. C ambient

OUTER ENCAPSULATION
Plastic Cased

SECONDARY TERMINALS
Brass screw # 10-32 x 1/4" pan HD, slotted with one flat and one lock washer

DIMENSIONS (ALL DIMENSIONS ARE IN INCHES):



CATALOG NUMBER	CURRENT RATIO	ANSI METERING CLASS @ 60 HZ				
		B0.1	B0.2	B0.5	B0.9	B1.8
CT426-162	1600:5	0.3	0.3	0.6	0.6	1.2
CT426-202	2000:5	0.3	0.3	0.6	0.6	1.2
CT426-252	2500:5	0.3	0.3	0.6	0.6	0.6
CT426-302	3000:5	0.3	0.3	0.3	0.6	0.6
CT426-322	3200:5	0.3	0.3	0.3	0.6	0.6



INSULATION LEVEL
0.6 V; BIL 10kV full wave

FREQUENCY
50 - 400 Hz.

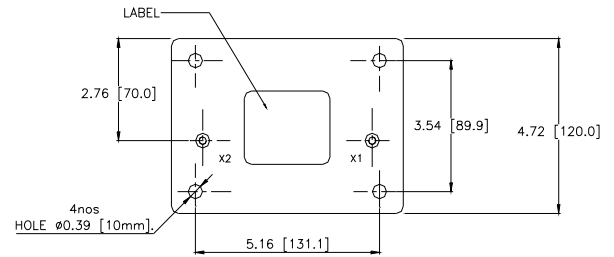
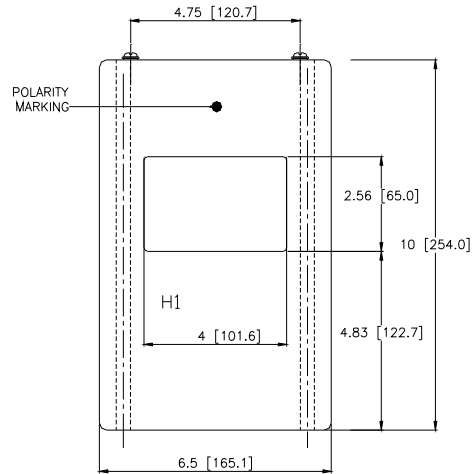
RATING FACTOR
1.0 @ 30 deg. C ambient

OUTER ENCAPSULATION
Polyurethane/Epoxy Resin Encapsulated

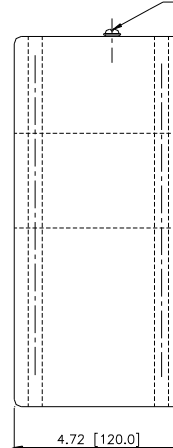
TERMINALS
Brass insert with No 10-32 UNF screw. One flat washer, and one lockwasher.

APPROX. WEIGHT
22.0 lbs.

DIMENSIONS (ALL DIMENSIONS ARE IN INCHES [mm]):



SEC. TERMINAL
#10-32UNF
WITH ONE FLAT WASHER
AND LOCK WASHER



Catalog Number	Current Ratio	Relay Class
CT403-502	5000:5	C50
CT403-552	5500:5	C50
CT403-602	6000:5	C50
CT403-652	6500:5	C50
CT403-702	7000:5	C50
CT403-752	7500:5	C50
CT403-802	8000:5	C50
CT403-852	8500:5	C50
CT403-902	9000:5	C50



INSULATION LEVEL
600 V, BIL 10kV full wave

FREQUENCY
60-400 Hz

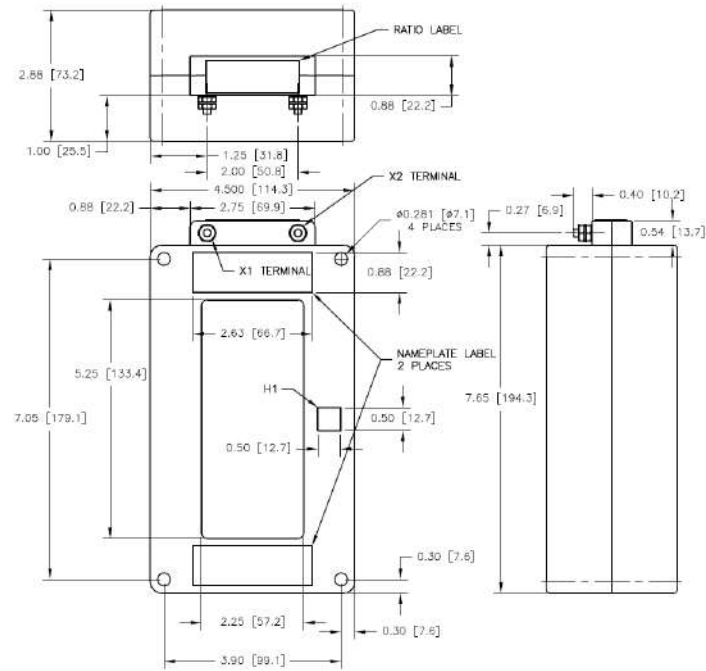
THERMAL RATING
1.33 @ 30 deg. C ambient
1.0 @ 55 deg. C ambient

OUTER ENCAPSULATION
Plastic Cased

SECONDARY TERMINALS
Brass screw # 8-32 with one flat washer and lock washer, and two nuts.



DIMENSIONS (ALL DIMENSIONS ARE IN INCHES [mm]):



CATALOG NUMBER	CURRENT RATIO	RELAY CLASS (@ 60 HZ)	ANSI METE	
			B0.1	B0.2
CT425-101-01	100:5	-	2.4	2.4
CT425-151-01	150:5	C10	1.2	2.4
CT425-201-01	200:5	C10	0.6	1.2
CT425-251-01	250:5	C10	0.6	0.6
CT425-301-01	300:5	C10	0.6	0.6
CT425-401-01	400:5	C20	0.3	0.3
CT425-501-01	500:5	C20	0.3	0.3
CT425-601-01	600:5	C20	0.3	0.3
CT425-751-01	750:5	C20	0.3	0.3
CT425-801-01	800:5	C20	0.3	0.3
CT425-102-01	1000:5	C50	0.3	0.3
CT425-122-01	1200:5	C50	0.3	0.3
CT425-152-01	1500:5	C50	0.3	0.3
CT425-162-01	1600:5	C50	0.3	0.3
CT425-202-01	2000:5	C50	0.3	0.3

RING CLASS @ 60 HZ			SECONDARY WINDING RESISTANCE (Ω@75° C)
B0.5	B0.9	B1.8	
-	-	-	0.0108
-	-	-	0.0260
2.4	-	-	0.0667
1.2	2.4	-	0.0821
1.2	2.4	-	0.0975
0.6	1.2	2.4	0.1283
0.6	1.2	1.2	0.1590
0.3	0.6	1.2	0.1900
0.3	0.3	0.6	0.2362
0.3	0.3	0.6	0.2520
0.3	0.3	0.3	0.3130
0.3	0.3	0.3	0.2805
0.3	0.3	0.3	0.4384
0.3	0.3	0.3	0.4667
0.3	0.3	0.3	0.5813



INSULATION LEVEL
0.6 V; BIL 10kV full wave

FREQUENCY
50 - 400 Hz.

RATING FACTOR
1.33 @ 30 deg. C ambient

OUTER ENCAPSULATION
Plastic Case

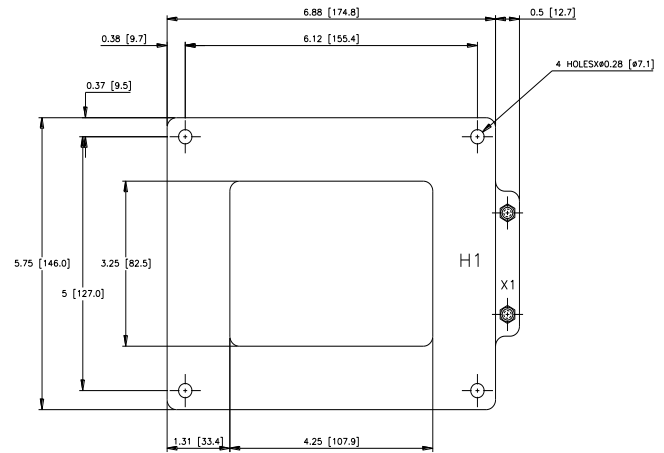
TERMINALS
Brass studs No 10-32 UNC with one flat washer, lockwasher and regular nut.

APPROX. WEIGHT
12. lbs.

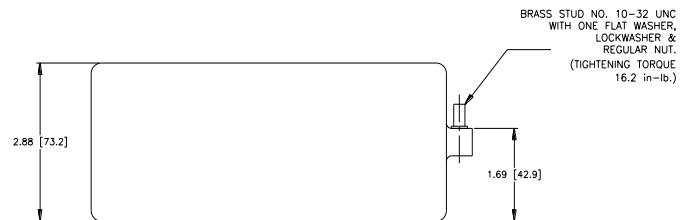
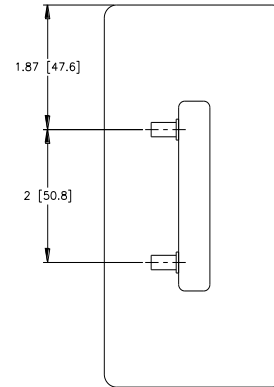


Equivalent to GE-ITI MODEL 561

DIMENSIONS (ALL DIMENSIONS ARE IN INCHES [mm]):



Catalog Number	Current Ratio	ANSI Metering Class at 60Hz				
		B0.1	B0.2	B0.5	B0.9	B1.8
CT401-101	100:5	2.4	2.4	-	-	-
CT401-151	150:5	1.2	2.4	-	-	-
CT401-201	200:5	0.6	1.2	2.4	2.4	-
CT401-251	250:5	0.6	0.6	1.2	2.4	-
CT401-301	300:5	0.3	0.6	1.2	1.2	2.4
CT401-401	400:5	0.3	0.3	0.6	1.2	1.2
CT401-501	500:5	0.3	0.3	0.3	0.6	0.6
CT401-601	600:5	0.3	0.3	0.3	0.3	0.6
CT401-751	750:5	0.3	0.3	0.3	0.3	0.6
CT401-801	800:5	0.3	0.3	0.3	0.3	0.6
CT401-102	1000:5	0.3	0.3	0.3	0.3	0.3
CT401-122	1200:5	0.3	0.3	0.3	0.3	0.3
CT401-152	1500:5	0.3	0.3	0.3	0.3	0.3
CT401-162	1600:5	0.3	0.3	0.3	0.3	0.3
CT401-202	2000:5	0.3	0.3	0.3	0.3	0.3
CT401-252	2500:5	0.3	0.3	0.3	0.3	0.3
CT401-302	3000:5	0.3	0.3	0.3	0.3	0.3
CT401-322	3200:5	0.3	0.3	0.3	0.3	0.3
CT401-402	4000:5	0.3	0.3	0.3	0.3	0.3





INSULATION LEVEL
600V; BIL 10kV

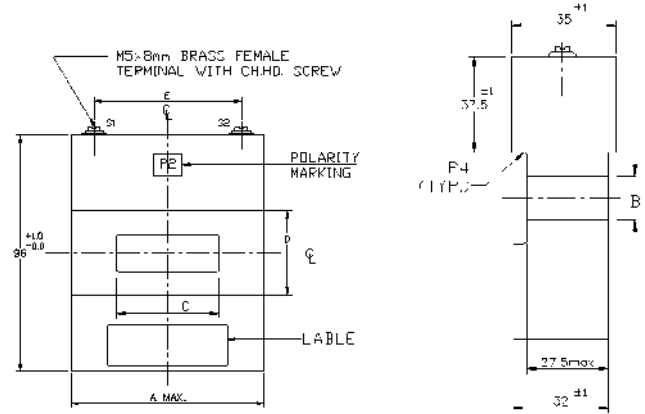
FREQUENCY
50/60 Hz.

THERMAL RATING
2.0 @ 30 deg. C ambient
1.5 @ 55 deg. C ambient

OUTER ENCAPSULATION
Resin casted(PU/Epoxy)

SECONDARY TERMINALS
Brass screw with one flat washer and lock washer

DIMENSIONS: All dimensions are in mm



RATIO	A max.	B $+1.0$ -0.0	C $+1.0$ -0.0	D ± 1	E
400/5A	78.3	11	43	31	60
630/5A	78.3	11	43	31	60
800/5A	78.3	11	43	31	60
1000/5A	78.3	15	43	31	60
1250/5A	78.3	15	43	31	60
1600/5A	108.3	18	83	31	90
2000/5A	108.3	18	83	31	90
2500/5A	155.3	18	123	31	140
3200/5A	155.3	18	123	31	140

Catalog Number	Current Ratio	ID (mm)
CT405-XXX	400:5 A to 800:5A	43 X 11
CT406-XXX	1000:5A to 1250:5A	43 X 15
CT407-XXX	1600:5A to 2000:5A	83 X 18
CT408-XXX	2500:5A to 3200:5A	123 X 18

Burden VA	Accuracy class (50 Hz.) IEC 60044
1 VA to 10 VA	Class 0.2 to Class 1.0
1 VA to 10 VA	Class 0.2 to Class 1.0
1 VA to 10 VA	Class 0.2 to Class 1.0
1 VA to 10 VA	Class 0.2 to Class 1.0



INSULATION LEVEL
0.6 V; BIL 10kV full wave

FREQUENCY
50 - 400 Hz.

RATING FACTOR
1.33 @ 30 deg. C ambient

OUTER ENCAPSULATION
Plastic Case

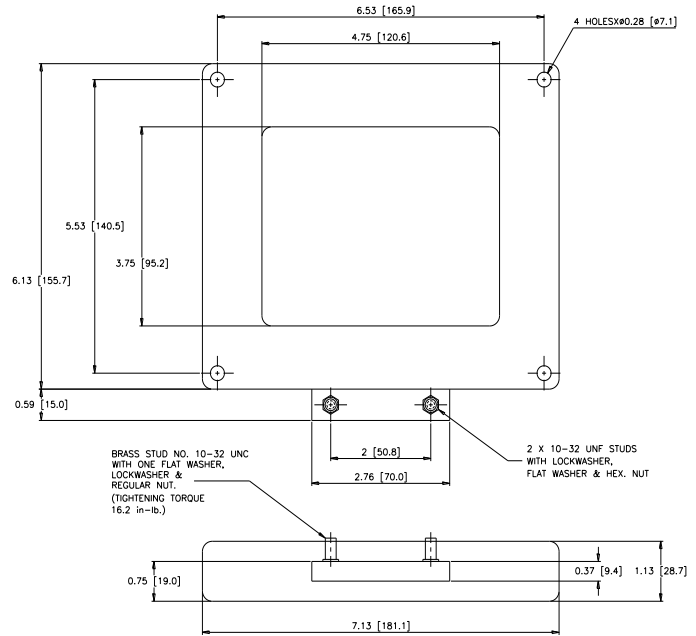
TERMINALS
Brass studs No 10-32 UNC with one flat washer, lockwasher and regular nut.

APPROX. WEIGHT
12. lbs.



Equivalent to GE-ITI MODEL 567

DIMENSIONS (ALL DIMENSIONS ARE IN INCHES [mm]):



Catalog Number	Current Ratio	ANSI Meter	
		B0.1	B0.2
CT402-201	200:5	2.4	2.4
CT402-251	250:5	1.2	2.4
CT402-301	300:5	1.2	1.2
CT402-401	400:5	0.6	1.2
CT402-501	500:5	0.6	0.6
CT402-601	600:5	0.6	0.6
CT402-751	750:5	0.3	0.6
CT402-801	800:5	0.3	0.6
CT402-102	1000:5	0.3	0.3
CT402-122	1200:5	0.3	0.3
CT402-152	1500:5	0.3	0.3
CT402-162	1600:5	0.3	0.3
CT402-202	2000:5	0.3	0.3
CT402-252	2500:5	0.3	0.3
CT402-302	3000:5	0.3	0.3
CT402-322	3200:5	0.3	0.3

Accuracy Class at 60Hz		
B0.5	B0.9	B1.8
-	-	-
-	-	-
2.4	-	-
2.4	2.4	-
1.2	2.4	-
1.2	1.2	2.4
0.6	1.2	2.4
0.6	1.2	1.2
0.6	0.6	1.2
0.3	0.6	0.6
0.3	0.3	0.6
0.3	0.3	0.6
0.3	0.3	0.6
0.3	0.3	0.3
0.3	0.3	0.3
0.3	0.3	0.3



Equivalent to GE-ITI MODEL 562

INSULATION LEVEL
0.6 V; BIL 10kV full wave

FREQUENCY
60 Hz.

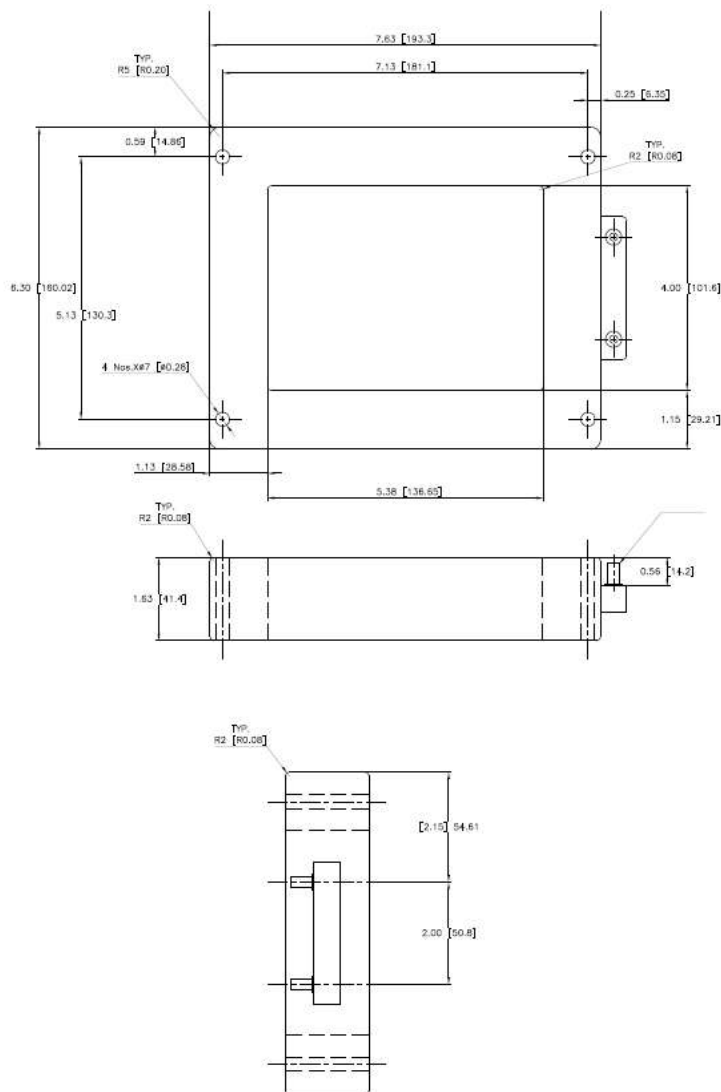
RATING FACTOR
1.33 @ 30 deg. C ambient
1.00 @ 55 deg. C ambient

OUTER ENCAPSULATION
Plastic Case

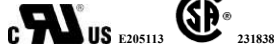
TERMINALS
Brass studs No 10-32 UNC with one flat washer, lockwasher and regular nut.

APPROX. WEIGHT
12. lbs.

DIMENSIONS: All dimensions are in mm



CATALOG NUMBER	CURRENT RATIO	ANSI METERING CLASS AT 60 Hz				
		B0.1	B0.2	B0.5	B0.9	B1.8
CT400-202	2000:5	0.3	0.3	0.3	0.6	0.6
CT400-252	2500:5	0.3	0.3	0.3	0.3	0.6
CT400-302	3000:5	0.3	0.3	0.3	0.3	0.6
CT400-322	3200:5	0.3	0.3	0.3	0.3	0.6
CT400-352	3500:5	0.3	0.3	0.3	0.3	0.3
CT400-402	4000:5	0.3	0.3	0.3	0.3	0.3



INSULATION LEVEL
600 V, BIL 10kV full wave

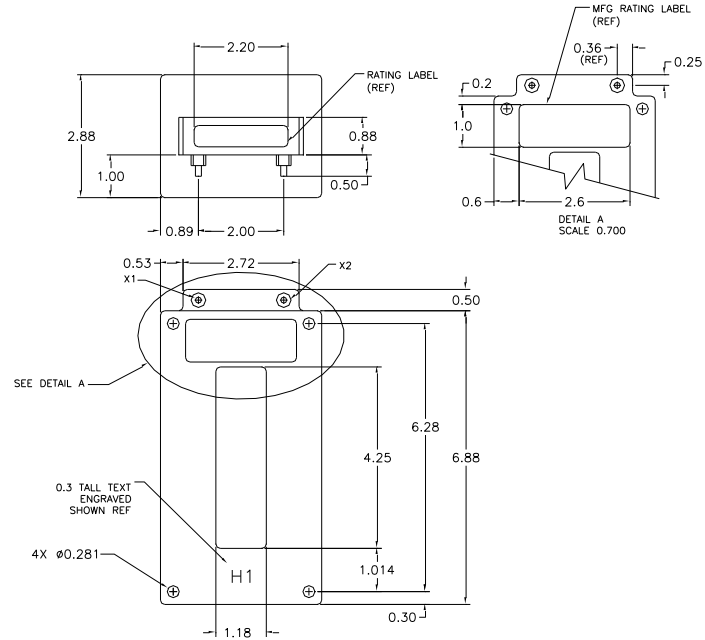
FREQUENCY
50-400 Hz

THERMAL RATING
1.33 @ 30 deg. C ambient
1.5 @ 50 deg. C ambient

OUTER ENCAPSULATION
Plastic Cased

SECONDARY TERMINALS
Brass screw # 8-32 with one flat washer and lock washer

DIMENSIONS (ALL DIMENSIONS ARE IN INCHES):



CATALOG NUMBER	CURRENT RATIO	RELAY CLASS (@ 60 HZ)	AI	
			B0.1	
CT409-101	100:5	N/A	2.4	
CT409-151	150:5	N/A	1.2	
CT409-201	200:5	N/A	0.6	
CT409-251	250:5	C10	0.6	
CT409-301	300:5	C10	0.6	
CT409-401	400:5	C20	0.3	
CT409-501	500:5	C20	0.3	
CT409-601	600:5	C20	0.3	
CT409-751	750:5	C20	0.3	
CT409-801	800:5	C20	0.3	
CT409-102	1000:5	C20	0.3	
CT409-122	1200:5	C50	0.3	
CT409-152	1500:5	C50	0.3	
CT409-162	1600:5	C50	0.3	
CT409-202	2000:5	C50	0.3	

ANSI METERING CLASS @ 60 HZ				SECONDARY WINDING RESISTANCE (Ω@75° C)
B0.2	B0.5	B0.9	B1.8	
1.2	-	-	-	0.0313
1.2	-	-	-	0.0236
1.2	2.4	-	-	0.0651
0.6	2.4	-	-	0.0460
0.6	1.2	2.4	-	0.0760
0.3	0.6	2.4	-	0.1063
0.3	0.6	1.2	2.4	0.1394
0.3	0.3	1.2	1.2	0.1509
0.3	0.3	0.6	1.2	0.1858
0.3	0.3	0.3	0.6	0.2091
0.3	0.3	0.3	0.6	0.2673
0.3	0.3	0.3	0.3	0.3480
0.3	0.3	0.3	0.3	0.3948
0.3	0.3	0.3	0.3	0.4180
0.3	0.3	0.3	0.3	0.5109



INSULATION LEVEL
600 V, BIL 10kV full wave

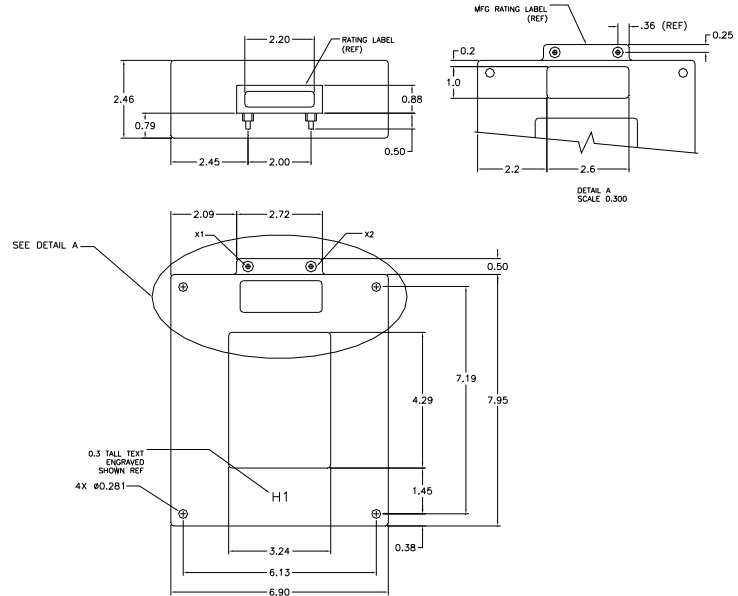
FREQUENCY
50-400 Hz

THERMAL RATING
1.33 @ 30 deg. C ambient
1.00 @ 55 deg. C ambient

OUTER ENCAPSULATION
Plastic Cased

SECONDARY TERMINALS
Brass screw # 8-32 with one flat washer and lock washer, accessible from either side

DIMENSIONS (ALL DIMENSIONS ARE IN INCHES):



CATALOG NUMBER	CURRENT RATIO	RELAY CLASS (@ 60 HZ)	ANSI METE	
			B0.1	B0.2
CT410-101	100:5	-	2.4	2.4
CT410-151	150:5	C10	2.4	2.4
CT410-201	200:5	C10	0.6	1.2
CT410-251	250:5	C10	0.6	1.2
CT410-301	300:5	C20	0.6	0.6
CT410-401	400:5	C20	0.3	0.6
CT410-501	500:5	C20	0.3	0.3
CT410-601	600:5	C50	0.3	0.3
CT410-751	750:5	C50	0.3	0.3
CT410-801	800:5	C50	0.3	0.3
CT410-102	1000:5	C50	0.3	0.3
CT410-122	1200:5	C100	0.3	0.3
CT410-152	1500:5	C50	0.3	0.3
CT410-162	1600:5	C50	0.3	0.3
CT410-202	2000:5	C50	0.3	0.3
CT410-252	2500:5	C100	0.3	0.3
CT410-302	3000:5	C50	0.3	0.3
CT410-322	3200:5	C50	0.3	0.3

RING CLASS @ 60 HZ			SECONDARY WINDING RESISTANCE (Ω@75° C)
B0.5	B0.9	B1.8	
-	-	-	0.03356
-	-	-	0.03830
2.4	-	-	0.04760
1.2	2.4	2.4	0.09670
1.2	1.2	2.4	0.04350
0.6	1.2	2.4	0.15097
0.6	0.6	1.2	0.18580
0.3	0.6	0.6	0.21136
0.3	0.3	0.6	0.26710
0.3	0.3	0.6	0.29030
0.3	0.3	0.3	0.36002
0.3	0.3	0.3	0.39480
0.3	0.3	0.3	0.41810
0.3	0.3	0.3	0.42960
0.3	0.3	0.3	0.60340
0.3	0.3	0.3	0.70840
0.3	0.3	0.3	0.65030
0.3	0.3	0.3	0.70840



INSULATION LEVEL
600 V, BIL 10kV full wave

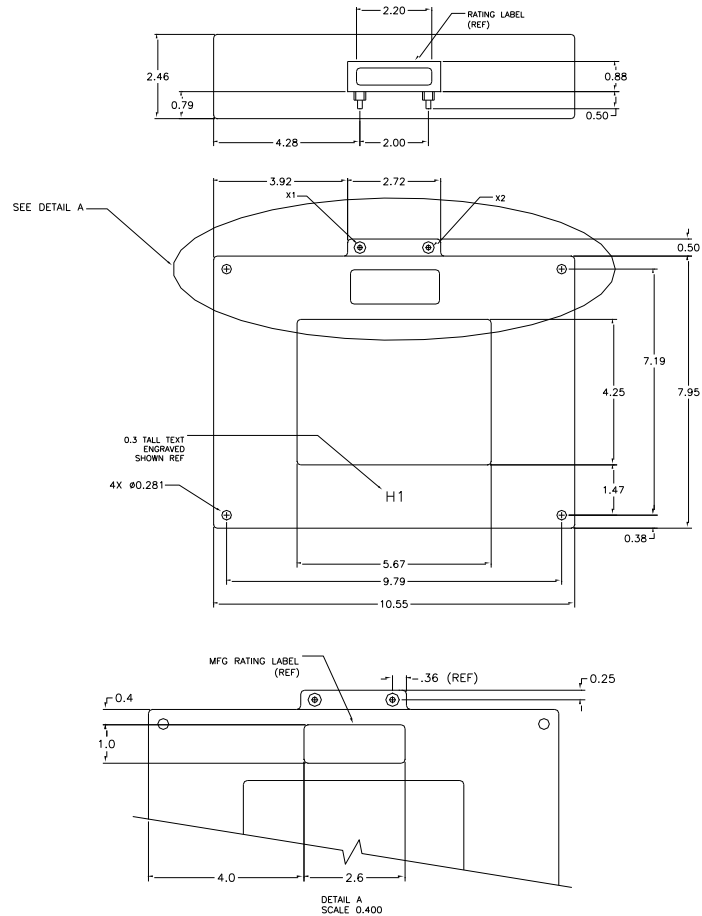
FREQUENCY
50-400 Hz

THERMAL RATING
1.33 @ 30 deg. C ambient
1.0 @ 55 deg. C ambient

OUTER ENCAPSULATION
Plastic Cased

SECONDARY TERMINALS
Brass screw # 8-32 with one flat washer and lock washer, accessible from either side

DIMENSIONS (ALL DIMENSIONS ARE IN INCHES):



CATALOG NUMBER	CURRENT RATIO	RELAY CLASS (@ 60 HZ)	A	
			B0.1	
CT411-202	2000:5	C100	0.3	
CT411-252	2500:5	C100	0.3	
CT411-302	3000:5	C100	0.3	
CT411-322	3200:5	C100	0.3	
CT411-402	4000:5	C50	0.3	
CT411-502	5000:5	C50	0.3	

NSI METERING CLASS @ 60 HZ				SECONDARY WINDING RESISTANCE (Ω @75° C)
B0.2	B0.5	B0.9	B1.8	
0.3	0.3	0.3	0.3	0.5450
0.3	0.3	0.3	0.3	0.6387
0.3	0.3	0.3	0.3	0.7781
0.3	0.3	0.3	0.3	0.8477
0.3	0.3	0.3	0.3	0.8245
0.3	0.3	0.3	0.3	1.0450



INSULATION LEVEL
600 V, BIL 10kV full wave

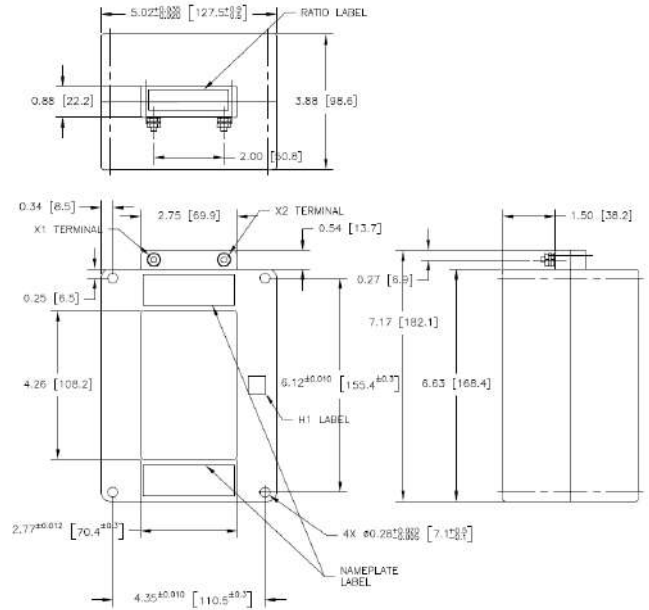
FREQUENCY
60-400 Hz

THERMAL RATING
1.33 @ 30 deg. C ambient
1.0 @ 55 deg. C ambient

OUTER ENCAPSULATION
Plastic Cased

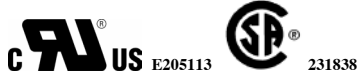
SECONDARY TERMINALS
Brass screw # 8-32 with one flat washer, lock washer, and two regular nuts.

DIMENSIONS (ALL DIMENSIONS ARE IN INCHES [mm]):



CATALOG NUMBER	CURRENT RATIO	RELAY CLASS (@ 60 Hz)	AM	
			B0.1	
CT420-101	100:5	N/A	2.4	
CT420-151	150:5	C10	2.4	
CT420-201	200:5	C10	0.6	
CT420-251	250:5	C10	0.6	
CT420-301	300:5	C20	0.6	
CT420-401	400:5	C20	0.3	
CT420-501	500:5	C20	0.3	
CT420-601	600:5	C50	0.3	
CT420-751	750:5	C50	0.3	
CT420-801	800:5	C50	0.3	
CT420-102	1000:5	C50	0.3	
CT420-122	1200:5	C100	0.3	
CT420-152	1500:5	C50	0.3	
CT420-162	1600:5	C50	0.3	
CT420-202	2000:5	C50	0.3	
CT420-252	2500:5	C100	0.3	
CT420-302	3000:5	C50	0.3	
CT420-322	3200:5	C50	0.3	

ISI METERING CLASS @ 60 HZ				SECONDARY WINDING RESISTANCE (Ω@75° C)
B0.2	B0.5	B0.9	B1.8	
2.4	-	-	-	0.0270
2.4	-	-	-	0.0321
1.2	2.4	2.4	-	0.0465
1.2	1.2	2.4	2.4	0.1084
0.6	1.2	1.2	2.4	0.1287
0.6	0.6	1.2	2.4	0.1702
0.3	0.6	0.6	1.2	0.2112
0.3	0.3	0.6	0.6	0.2791
0.3	0.3	0.3	0.6	0.3146
0.3	0.3	0.3	0.6	0.3344
0.3	0.3	0.3	0.3	0.4178
0.3	0.3	0.3	0.3	0.6801
0.3	0.3	0.3	0.3	0.6435
0.3	0.3	0.3	0.3	0.6862
0.3	0.3	0.3	0.3	0.8811
0.3	0.3	0.3	0.3	1.0872
0.3	0.3	0.3	0.3	1.1968
0.3	0.3	0.3	0.3	1.2914



INSULATION LEVEL
600V; BIL 10kV

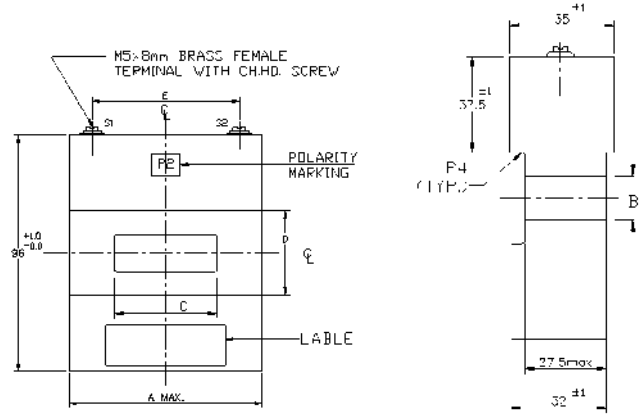
FREQUENCY
50/60 Hz.

THERMAL RATING
2.0 @ 30 deg. C ambient
1.5 @ 55 deg. C ambient

OUTER ENCAPSULATION
Resin casted(PU/Epoxy)

SECONDARY TERMINALS
Brass screw with one flat washer and lock washer

DIMENSIONS: All dimensions are in mm



RATIO	A max.	B +1.0 -0.0	C +1.0 -0.0	D ±1	E
400/5A	78.3	11	43	31	60
630/5A	78.3	11	43	31	60
800/5A	78.3	11	43	31	60
1000/5A	78.3	15	43	31	60
1250/5A	78.3	15	43	31	60
1600/5A	108.3	18	83	31	90
2000/5A	108.3	18	83	31	90
2500/5A	155.3	18	123	31	140
3200/5A	155.3	18	123	31	140

Catalog Number	Current Ratio	ID (mm)
CT405-XXX	400:5 A to 800:5A	43 X 11
CT406-XXX	1000:5A to 1250:5A	43 X 15
CT407-XXX	1600:5A to 2000:5A	83 X 18
CT408-XXX	2500:5A to 3200:5A	123 X 18

Burden VA	Accuracy class (50 Hz.) IEC 60044
1 VA to 10 VA	Class 0.2 to Class 1.0
1 VA to 10 VA	Class 0.2 to Class 1.0
1 VA to 10 VA	Class 0.2 to Class 1.0
1 VA to 10 VA	Class 0.2 to Class 1.0



INSULATION LEVEL
600 V, BIL 10kV full wave

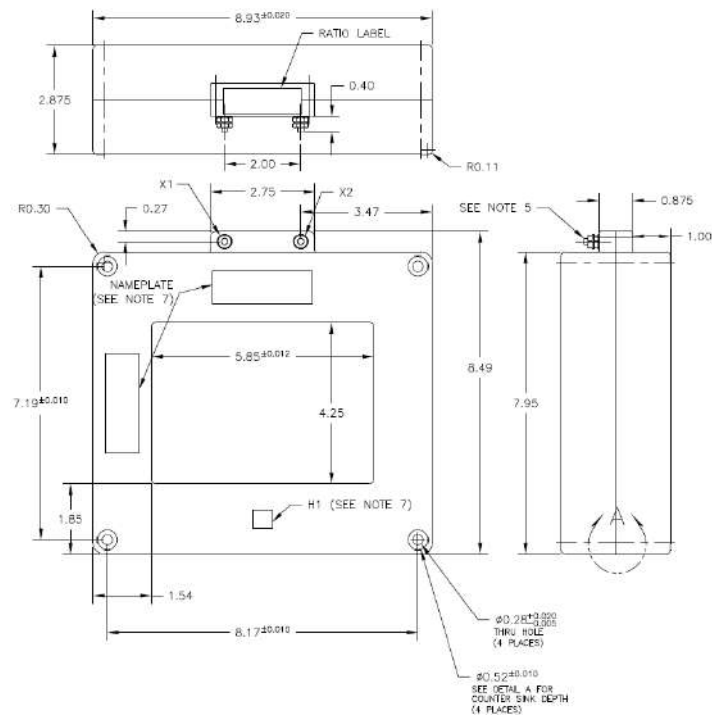
FREQUENCY
60-400 Hz

THERMAL RATING
1.33 @ 30 deg. C ambient
1.0 @ 55 deg. C ambient

OUTER ENCAPSULATION
Plastic Cased

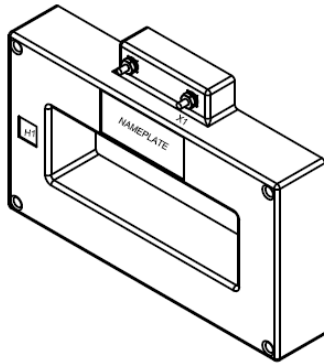
SECONDARY TERMINALS
Brass screw # 8-32 with one flat washer and lock washer, and two regular hex nuts.

DIMENSIONS (ALL DIMENSIONS ARE IN INCHES):



CATALOG NUMBER	CURRENT RATIO	RELAY CLASS (@ 60 HZ)	
			B0.1
CT421-202	2000:5	C100	0.3
CT421-252	2500:5	C100	0.3
CT421-302	3000:5	C100	0.3
CT421-322	3200:5	C100	0.3
CT421-402	4000:5	C50	0.3
CT421-502	5000:5	C50	0.3

ANSI METERING CLASS @ 60 HZ				SECONDARY WINDING RESISTANCE (Ohms @75° C)
B0.2	B0.5	B0.9	B1.8	
0.3	0.3	0.3	0.3	0.6875
0.3	0.3	0.3	0.3	0.8555
0.3	0.3	0.3	0.3	1.0634
0.3	0.3	0.3	0.3	1.1332
0.3	0.3	0.3	0.3	1.0968
0.3	0.3	0.3	0.3	1.3005



INSULATION LEVEL
600 V, BIL 10kV full wave

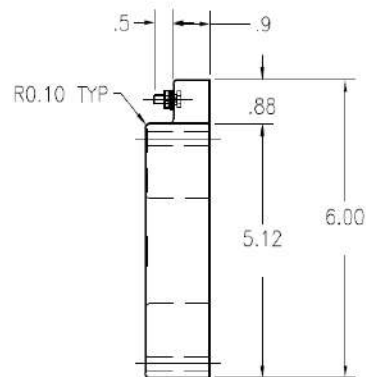
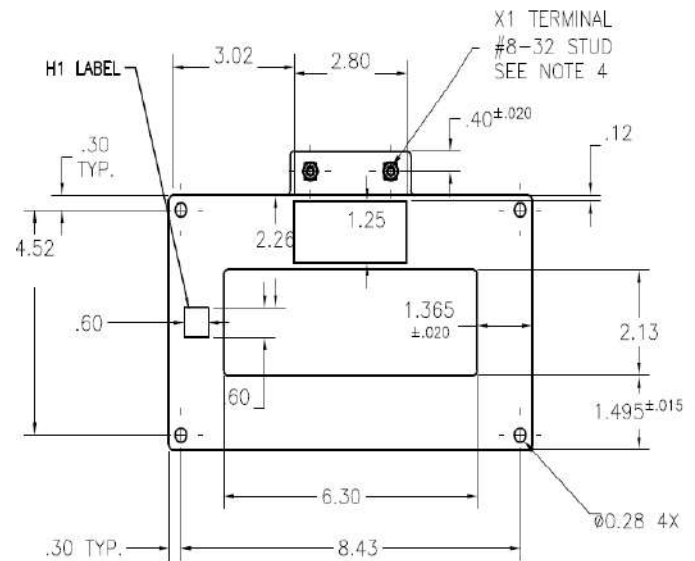
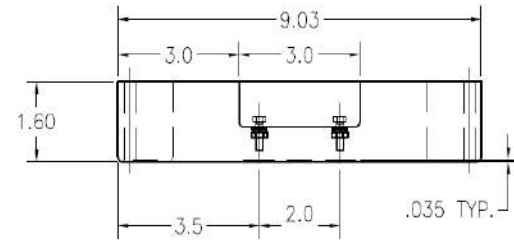
FREQUENCY
60-400 Hz

THERMAL RATING
1.33 @ 30 deg. C ambient
1.0 @ 55 deg. C ambient

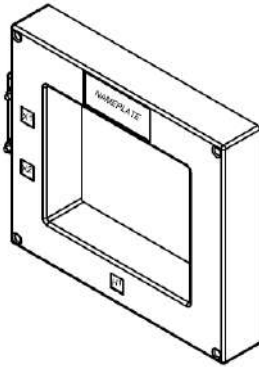
OUTER ENCAPSULATION
Fully Encapsulated Casted Construction for Indoor use.

SECONDARY TERMINALS
Brass stud #8-32, supplied with one flat, one lock washer, and one reguar hex nut.

DIMENSIONS (ALL DIMENSIONS ARE IN INCHES):



CATALOG NUMBER	CURRENT RATIO	ANSI METERING CLASS @ 60 HZ				
		B0.1	B0.2	B0.5	B0.9	B1.8
CT422-252-01	2500:5	0.3	0.3	0.3	0.3	0.3
CT422-302-01	3000:5	0.3	0.3	0.3	0.3	0.3
CT422-402-01	4000:5	0.3	0.3	0.3	0.3	0.3
CT422-502-01	5000:5	0.3	0.3	0.3	0.3	0.3
CT422-602-01	6000:5	0.3	0.3	0.3	0.3	0.3



INSULATION LEVEL
600 V, BIL 10kV full wave

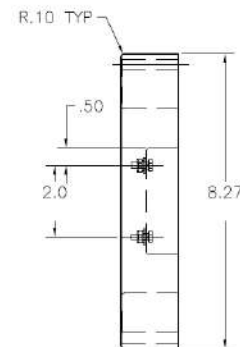
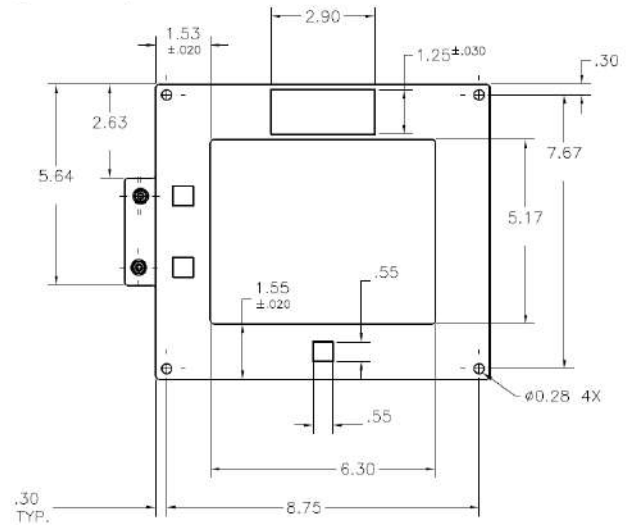
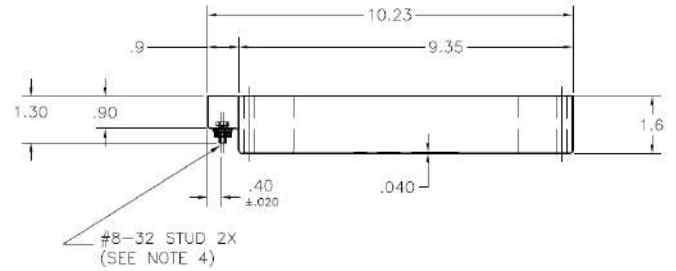
FREQUENCY
60-400 Hz

THERMAL RATING
1.33 @ 30 deg. C ambient
1.0 @ 55 deg. C ambient

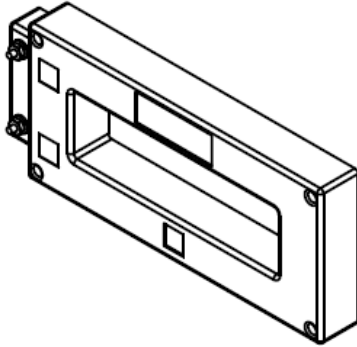
OUTER ENCAPSULATION
Fully Encapsulated Casted Construction for Indoor use.

SECONDARY TERMINALS
Brass stud #8-32, supplied with one flat, one lock washer, and one reguar hex nut.

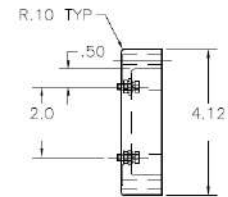
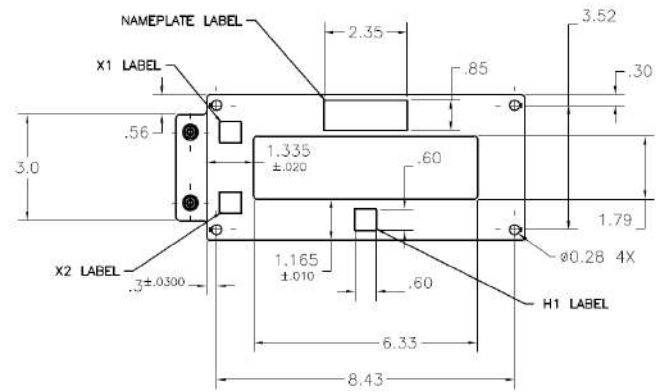
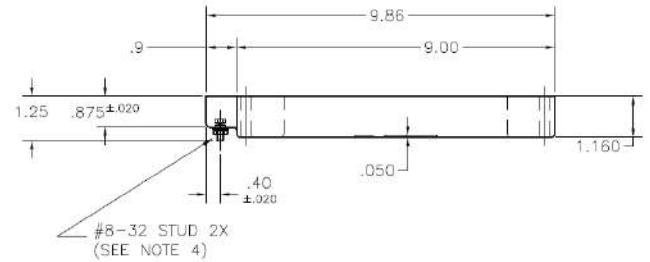
DIMENSIONS (ALL DIMENSIONS ARE IN INCHES):



CATALOG NUMBER	CURRENT RATIO	ANSI METERING CLASS @ 60 HZ				
		B0.1	B0.2	B0.5	B0.9	B1.8
CT423-402-01	4000:5	0.3	0.3	0.3	0.3	0.3
CT423-502-01	5000:5	0.3	0.3	0.3	0.3	0.3
CT423-602-01	6000:5	0.3	0.3	0.3	0.3	0.3



DIMENSIONS (ALL DIMENSIONS ARE IN INCHES):



INSULATION LEVEL
600 V, BIL 10kV full wave

FREQUENCY
60-400 Hz

THERMAL RATING
1.33 @ 30 deg. C ambient
1.0 @ 55 deg. C ambient

OUTER ENCAPSULATION
Fully Encapsulated Casted Construction for Indoor use.

SECONDARY TERMINALS
Brass stud #8-32, supplied with one flat, one lock washer, and one regular hex nut.

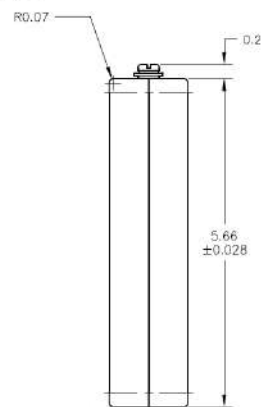
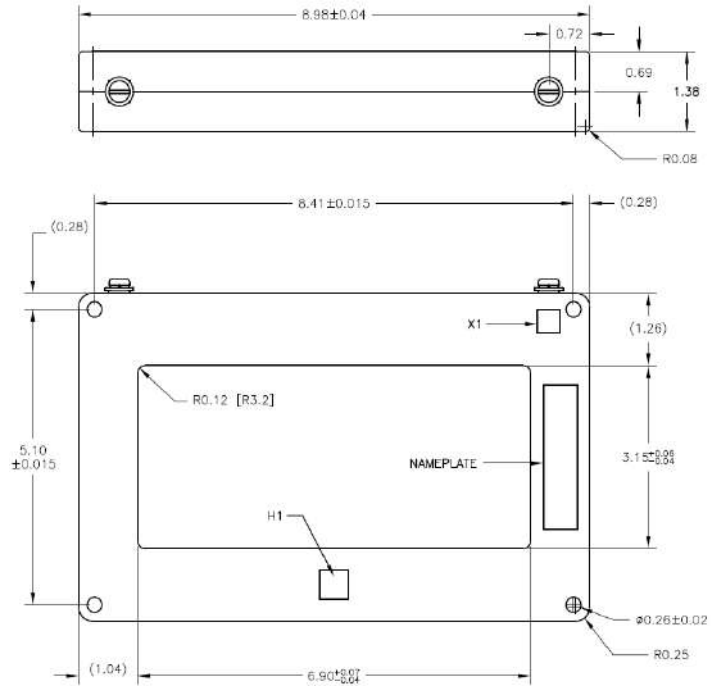
CATALOG NUMBER	CURRENT RATIO	ANSI METERING CLASS @ 60 HZ				
		B0.1	B0.2	B0.5	B0.9	B1.8
CT424-252-01	2500:5	0.3	0.3	0.3	0.3	0.6
CT424-302-01	3000:5	0.3	0.3	0.3	0.3	0.3



Equivalent to GE-ITI MODEL 585

INSULATION LEVEL 600 V, BIL 10kV full wave
FREQUENCY 50-400 Hz
THERMAL RATING 1.33 @ 30 deg. C ambient 1.0 @ 55 deg. C ambient
OUTER ENCAPSULATION Plastic Cased
SECONDARY TERMINALS Brass screw # 10-32 with one flat washer and lock washer

DIMENSIONS (ALL DIMENSIONS ARE IN INCHES):



CATALOG NUMBER	CURRENT RATIO	ANSI METERING CLASS @ 60 HZ				
		B0.1	B0.2	B0.5	B0.9	B1.8
CT427-202	2000:5	0.3	0.3	0.6	0.6	1.2
CT427-252	2500:5	0.3	0.3	0.6	0.6	1.2
CT427-302	3000:5	0.3	0.3	0.6	0.6	0.6
CT427-322	3200:5	0.3	0.3	0.6	0.6	0.6
CT427-402	4000:5	0.3	0.3	0.3	0.3	0.6
CT427-502	5000:5	0.3	0.3	0.3	0.3	0.3
CT427-602	6000:5	0.3	0.3	0.3	0.3	0.3



Equivalent to GE-ITI MODEL 593, 594 and ABB MODEL BYZ-L

INSULATION LEVEL
600 V, BIL 10kV full wave

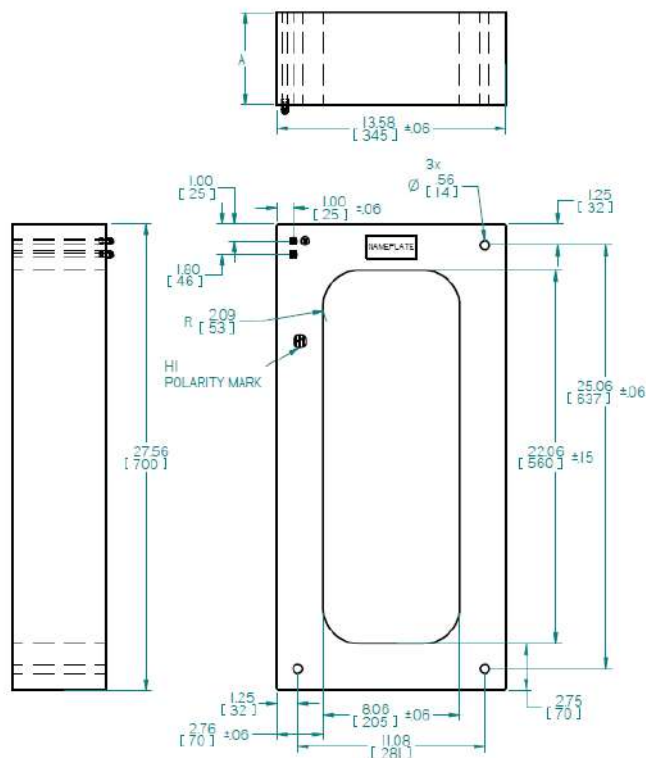
FREQUENCY
50-400 Hz

OUTER ENCAPSULATION
Resin Encapsulated

SECONDARY TERMINALS
Brass screw # 10-32 with one flat washer and lock washer

CATALOG NUMBER	CURRENT RATIO	Relay Class	THERMAL RATING		DEPTH "A"
			30°C	55°C	
CT428-500	50:5	C10	2.0	2.0	4.5
CT428-750	75:5	C20	2.0	2.0	5.5
CT428-101	100:5	C30	2.0	2.0	5.5
CT428-151	150:5	C50	2.0	2.0	5.5
CT428-201	200:5	C50	2.0	2.0	5.5
CT428-301	300:5	C100	2.0	2.0	5.5
CT428-401	400:5	C100	2.0	2.0	5.5
CT428-501	500:5	C200	2.0	2.0	5.5

DIMENSIONS (ALL DIMENSIONS ARE IN INCHES [mm]):





INSULATION LEVEL
600 V, BIL 10kV full wave

FREQUENCY
60 Hz

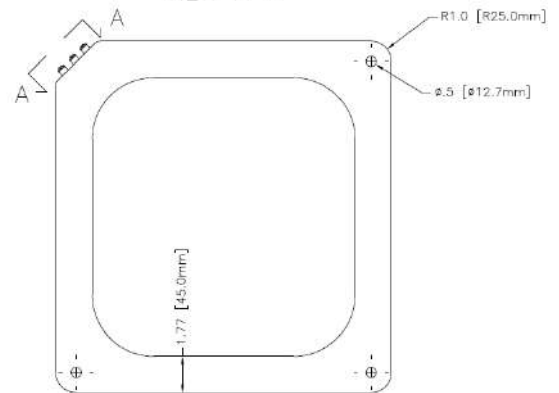
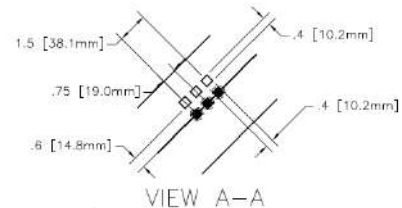
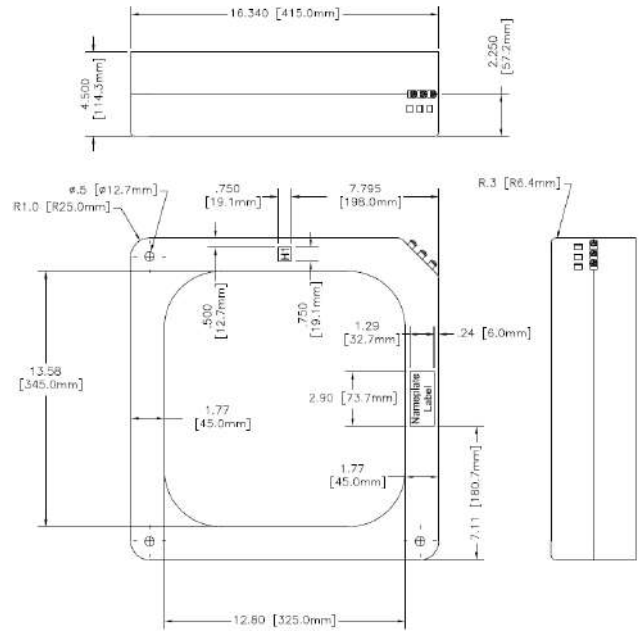
THERMAL RATING
2.0 @ 30 deg. C ambient

OUTER ENCAPSULATION
Resin Cased

SECONDARY TERMINALS
Brass screw # 10-32 with one flat washer, accessible from either side

APPROX. WEIGHT
85 lbs.

DIMENSIONS: All dimensions are in inches [mm]



CATALOG NUMBER	CURRENT RATIO	RELAY CLASS @ 60Hz	THERMAL RATING 30°C
CTQ2340-101DR	100/50:5	C20 @ 100:5, C10 @ 50:5	2.0



Equivalent to GE-ITI MODEL 190, 190X

INSULATION LEVEL
0.6KV; BIL 10kV full wave

FREQUENCY
50-400 Hz.

RATING FACTOR
1.33 @ 30 deg. C ambient

OUTER ENCAPSULATION
Plastic Cased. Mounting Brackets included.

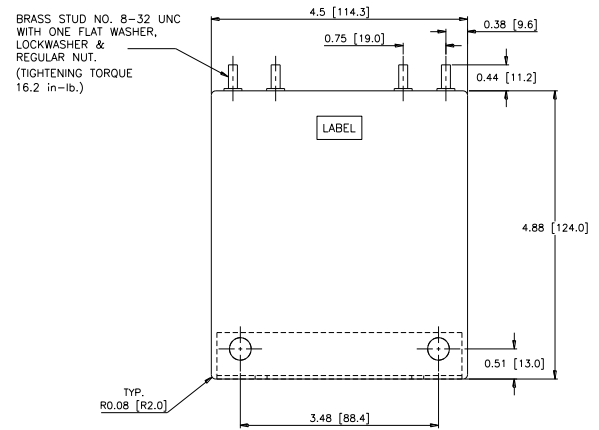
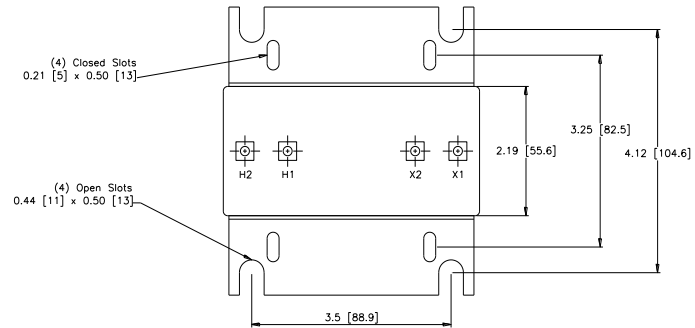
TERMINALS
Brass studs No 8-32 UNC with one flat washer, lockwasher and regular nut.

APPROX. WEIGHT
2.8 lbs.

CATALOG NUMBER	CURRENT RATIO
CT550-0100	5:0.100
CT550-0200	5:0.200
CT550-0250	5:0.250
CT550-0500	5:0.500
CT550-0625	5:0.625
CT550-1000	5:1.000
CT550-1250	5:1.250
CT550-1667	5:1.667
CT550-2000	5:2.000
CT550-2395	5:2.395
CT550-2500	5:2.500
CT550-2890	5:2.890
CT550-3000	5:3.000
CT550-3330	5:3.330
CT550-3750	5:3.750
CT550-4000	5:4.000
CT550-5000	5:5.000
CT550-5330	5:5.330

CATALOG NUMBER	CURRENT RATIO
CT550-6250	5:6.250
CT550-7500	5:7.500
CT550-8000	5:8.000
CT550-10000	5:10.000
CT550-12500	5:12.500
CT550-15000	5:15.000
CT550-1500-5	1.500:5
CT550-1667-5	1.667:5
CT550-2500-5	2.500:5
CT550-2875-5	2.875:5
CT550-7500-5	7.500:5
CT550-10500-5	10.500:5
CT550-0500-1	0.500:1
CT550-0923-1	0.923:1
CT550-0400-1	0.400:1
CT550-5X2-5	5+5:5
CT550-5X3-5	5+5+5:5
CT550-5X4-5	5+5+5+5:5
CT550-5X5-5	5+5+5+5+5:5

DIMENSIONS (ALL DIMENSIONS ARE IN INCHES [mm]):



Model PT101

600V, 10kV BIL Full Wave



Equivalent to GE-ITI MODEL 468

CATALOG NUMBER	VOLTAGE RATING	TURNS RATIO	ACCURACY
PT101-069	69.3:120	0.58:1	0.6% @ 7.5VA
PT101-120	120:120	1:1	0.6% @ 7.5VA
PT101-208	208:120	1.73:1	0.6% @ 7.5VA
PT101-240	240:120	2.1	0.6% @ 7.5VA
PT101-277	277:120	2.31:1	0.6% @ 7.5VA
PT101-288	288:120	2.4:1	0.6% @ 7.5VA
PT101-300	300:120	2.5:1	0.6% @ 7.5VA
PT101-346	346:120	2.88:1	0.6% @ 7.5VA
PT101-360	360:120	3:1	0.6% @ 7.5VA
PT101-480	480:120	4:1	0.6% @ 7.5VA
PT101-600	600:120	5:1	0.6% @ 7.5VA

INSULATION LEVEL
600 V; BIL 10kV full wave

FREQUENCY
60 Hz.

ACCURACY CLASS
0.6% @ all burdens upto
7.5VA and 1.5% upto
20VA burden

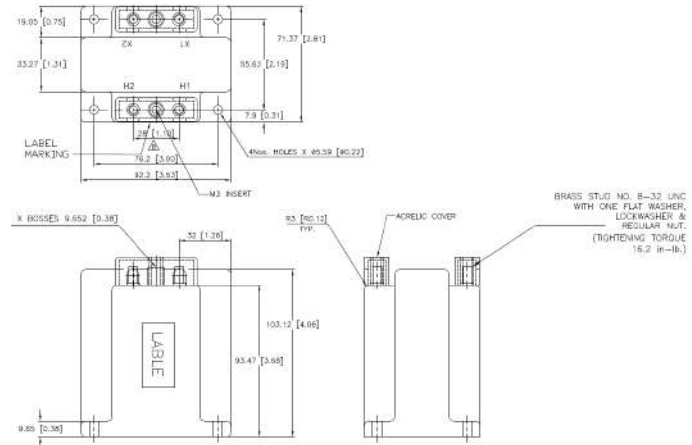
THERMAL RATINGS
75 VA @ 30 deg. C ambient
50 VA @ 55 deg. C ambient

OUTER ENCAPSULATION
Polyurethane/Epoxy Resin
Encapsulated

TERMINALS
Brass studs No 8-32 UNC
with one flat washer, lock-
washer and regular nut.

APPROX. WEIGHT
5 lbs.

DIMENSIONS: All dimensions are in millimeters [inches]



Model PT100

600V, 10kV BIL Full Wave



Equivalent to GE-ITI MODEL 465 and ABB MODEL PPD

CATALOG NUMBER	VOLTAGE RATING	TURNS RATIO	RECOMMENDED SECONDARY FUSE RATING
PT100-069	69.3:120	0.58:1	1.6 Amp
PT100-120	120:120	1:1	1.6 Amp
PT100-208	208:120	1.73:1	1.6 Amp
PT100-240	240:120	2.1	1.6 Amp
PT100-277	277:120	2.31:1	1.6 Amp
PT100-288	288:120	2.4:1	1.6 Amp
PT100-300	300:120	2.5:1	1.6 Amp
PT100-346	346:120	2.88:1	1.6 Amp
PT100-480	480:120	4:1	1.6 Amp
PT100-600	600:120	5:1	1.6 Amp

INSULATION LEVEL
600 V; BIL 10kV full wave

FREQUENCY
60 Hz.

ACCURACY CLASS
0.6W, 1.2X @ 60 Hz

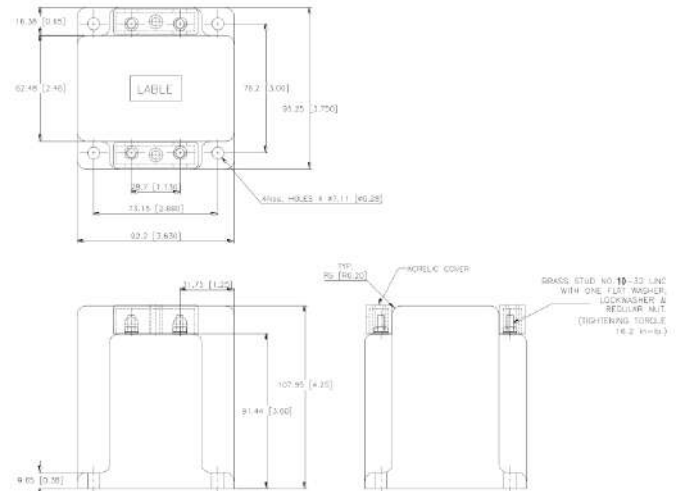
THERMAL RATINGS
150VA @ 30 deg. C ambient
100VA @ 55 deg. C ambient

OUTER ENCAPSULATION
Thermoplastic Shell

TERMINALS
Brass studs No 10-32 UNC
with one flat washer,
lockwasher and regular nut.

APPROX. WEIGHT
7.75 lbs.

DIMENSIONS: All dimensions are in millimeters [inches]





Equivalent to GE-ITI MODEL 469, 2VT469

INSULATION LEVEL
600 V; BIL 10kV full wave

FREQUENCY
60 Hz.

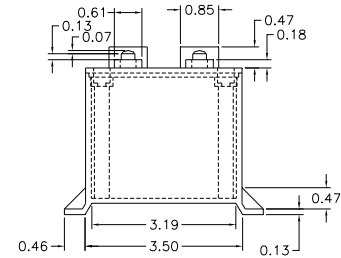
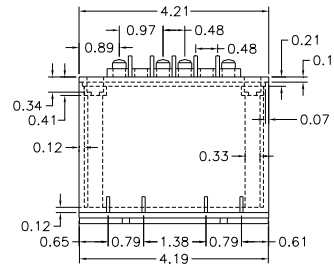
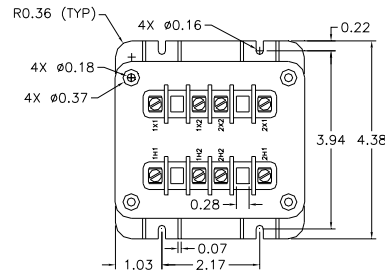
THERMAL RATINGS
40VA @ 30 deg. C ambient
27VA @ 55 deg. C ambient

OUTER ENCAPSULATION
Plastic cased

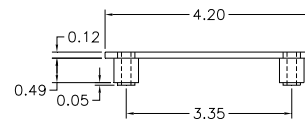
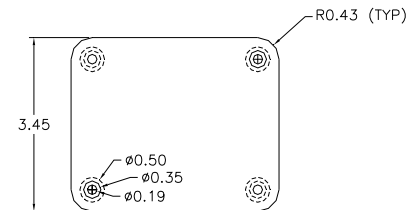
TERMINALS
#6-32 screws with one lockwasher and one flatwasher

APPROX. WEIGHT
4.5 lbs.

DIMENSIONS (ALL DIMENSIONS ARE IN INCHES):



CLEAR PLASTIC COVER



CATALOG NUMBER	VOLTAGE RATIO	TURNS RATIO	RECOMMENDED PRIMARY FUSE RATING
PT103-069	69.3:120	0.58:1	1.5
PT103-120	120:120	1:1	1.0
PT103-208	208:120	1.73:1	0.5
PT103-240	240:120	2:1	0.5
PT103-227	277:120	2.31:1	0.5
PT103-288	288:120	2.4:1	0.4
PT103-300	300:120	2.5:1	0.4
PT103-346	346:120	2.88:1	0.4
PT103-480	480:120	4:1	0.25
PT103-600	600:120	5:1	0.25

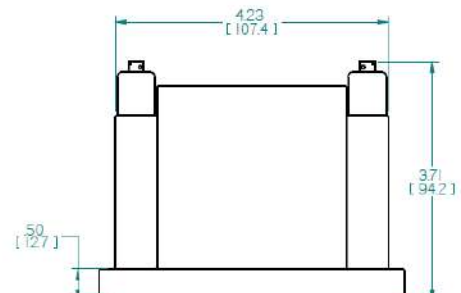
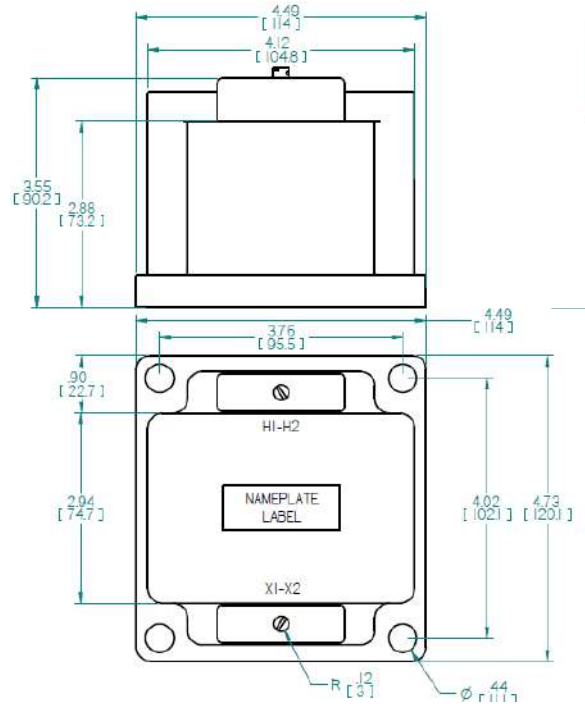


Equivalent to GE-ITI MODEL 460

INSULATION LEVEL 600 V; BIL 10kV full wave	OUTER ENCAPSULATION Polyurethane/Epoxy Resin Encapsulated
FREQUENCY 60 Hz.	TERMINALS Brass studs No 10-32 with one flat washer, lockwasher and regular nut.
ACCURACY CLASS 0.6W, 1.2X @ 60Hz	APPROX. WEIGHT 5 lbs.
THERMAL RATINGS 150 VA @ 30 deg. C ambient 100 VA @ 55 deg. C ambient	

CATALOG NUMBER	VOLTAGE RATING	TURNS RATIO	ACCURACY
PT104-069	69.3:120	0.58:1	0.6W, 1.2X
PT104-120	120:120	1:1	0.6W, 1.2X
PT104-208	208:120	1.73:1	0.6W, 1.2X
PT104-240	240:120	2.1	0.6W, 1.2X
PT104-277	277:120	2.31:1	0.6W, 1.2X
PT104-288	288:120	2.4:1	0.6W, 1.2X
PT104-300	300:120	2.5:1	0.6W, 1.2X
PT104-346	346:120	2.88:1	0.6W, 1.2X
PT104-360	360:120	3:1	0.6W, 1.2X
PT104-400	400:120	3.33:1	0.6W, 1.2X
PT104-415	415:120	3.45:1	0.6W, 1.2X
PT104-480	480:120	4:1	0.6W, 1.2X
PT104-600	600:120	5:1	0.6W, 1.2X

DIMENSIONS (ALL DIMENSIONS ARE IN INCHES [mm]):





INSULATION LEVEL
600 V; BIL 10kV full wave

FREQUENCY
60 Hz.

ACCURACY CLASS
Per Table

THERMAL RATINGS
750 VA @ 30 deg. C ambient
500 VA @ 55 deg. C ambient

OUTER ENCAPSULATION
Fully encapsulated with plastic case outer shell

TERMINALS
No 10-32 UNC female inserts with one screw, one flat washer, and one lockwasher

APPROX. WEIGHT
17 lbs.

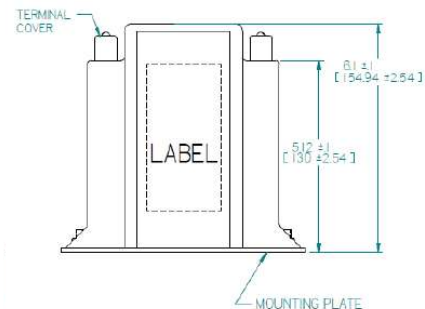
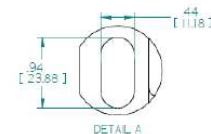
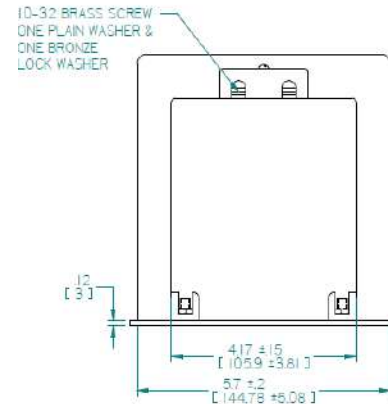
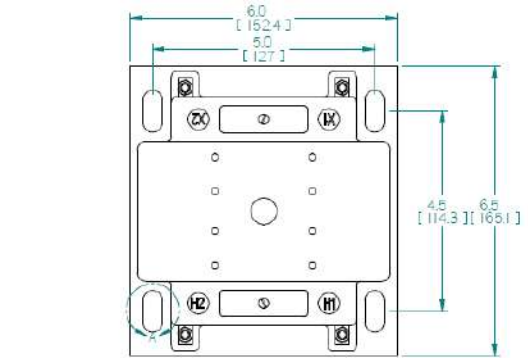


- UL, cUL Recognized and CSA Certified
- As per ANSI/IEEE C57.13, IEC, OR relevant standard

Equivalent to GE-ITI MODEL 450

CATALOG NUMBER	VOLTAGE RATING	TURNS RATIO	ACCURACY
PT105-069	69.3:120	0.58:1	0.3W, 0.6X, M, Y
PT105-120	120:120	1:1	0.3W, 0.6X, M, Y
PT105-208	208:120	1.73:1	0.3W, X, M, Y, 1.2Z
PT105-240	240:120	2.1	0.3W, X, M, Y, 1.2Z
PT105-277	277:120	2.31:1	0.3W, X, M, Y, 1.2Z
PT105-288	288:120	2.4:1	0.3W, X, M, Y, 1.2Z
PT105-300	300:120	2.5:1	0.3W, X, M, Y, 1.2Z
PT105-346	346:120	2.88:1	0.3W, X, M, Y, 1.2Z
PT105-480	480:120	4:1	0.3W, X, M, Y, 1.2Z
PT105-600	600:120	5:1	0.3W, X, M, Y, 1.2Z

DIMENSIONS (ALL DIMENSIONS ARE IN INCHES [mm]):

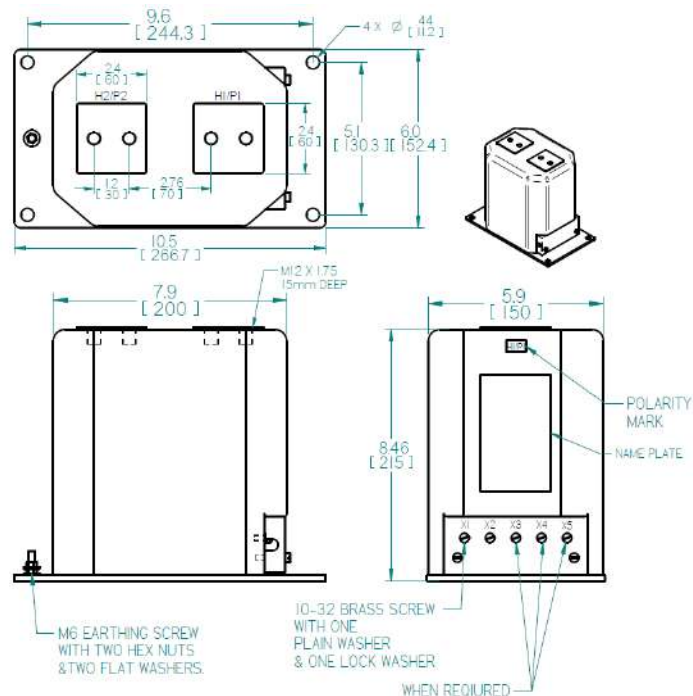




Equivalent to GE-ITI MODEL CTW5-L-110 / CTWH5-L-110

INSULATION LEVEL	PRIMARY TERMINALS Plated copper bars can be provided.
FREQUENCY 50-400 Hz	SECONDARY TERMINALS 10-32 Brass screw with one flat washer and lock washer
CONTINUOUS THERMAL CURRENT RATING FACTOR 1.5 @ 30 deg. C ambient 1.33 @ 55 deg. C ambient	APPROX. WEIGHT 75 lbs.
OUTER ENCAPSULATION Polyurethane/Epoxy Resin Encapsulated	PLATED STEEL MOUNTING BASE Mounting holes/dimensions as per customer requirement at no additional cost
PRIMARY TERMINALS Plated copper bars can be provided.	

• DIMENSIONS: INCHES [mm]



Catalog Number	Current Ratio	Relay Class	Accuracy	
			ANSI m	
			B0.1	B0.2
C6.1-050	5:5	T20	0.3	0.3
C6.1-100	10:5	T20	0.3	0.3
C6.1-500	50:5	T20	0.3	0.3
C6.1-750	75:5	T25	0.3	0.3
C6.1-101	100:5	T25	0.3	0.3
C6.1-151	150:5	T25	0.3	0.3
C6.1-201	200:5	T30	0.3	0.3
C6.1-501	500:5	C35	0.3	0.3
C6.1-601	600:5	C40	0.3	0.3
C6.1-801	800:5	C50	0.3	0.3
C6.1-122	1200:5	C50	0.3	0.3

(60 Hz)			Thermal Current Rating 1 sec AMPS
Metering Class			
B0.5	B0.9	B1.8	
0.6	1.2	2.4	375
0.6	1.2	2.4	590
0.6	1.2	2.4	4715
0.6	1.2	2.4	4715
0.6	1.2	2.4	8625
0.6	1.2	2.4	11500
0.6	1.2	2.4	11500
0.3	0.6	1.2	44700
0.3	0.6	1.2	44700
0.3	0.3	0.3	44700
0.3	0.3	0.3	44700



CAI US E205113

Equivalent to GE-ITI MODEL CTW3-60-T50 / CTWH3-60-T50

INSULATION LEVEL
5.6 kV, BIL 60 kV full wave

FREQUENCY
50-400 Hz

CONTINUOUS THERMAL CURRENT RATING FACTOR
1.5 @ 30 deg. C ambient
1.33 @ 55 deg. C ambient

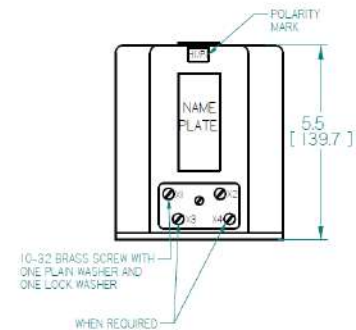
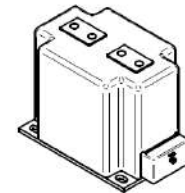
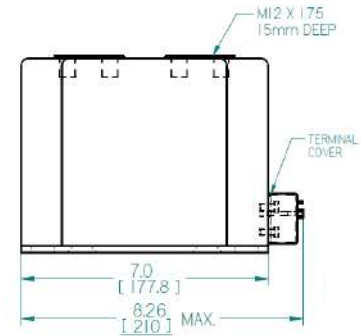
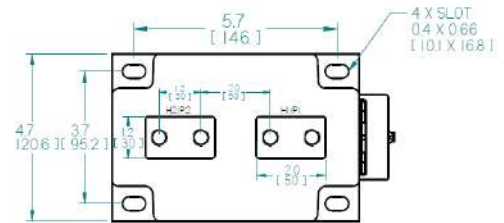
OUTER ENCAPSULATION
Polyurethane/Epoxy Resin Encapsulated

PRIMARY TERMINALS
1/2-1/3 bolts with one Belleville washer

SECONDARY TERMINALS
10-32 Brass screw with one flat washer and lock washer

APPROX. WEIGHT
20 lbs.

DIMENSIONS (ALL DIMENSIONS ARE IN INCHES [mm]):



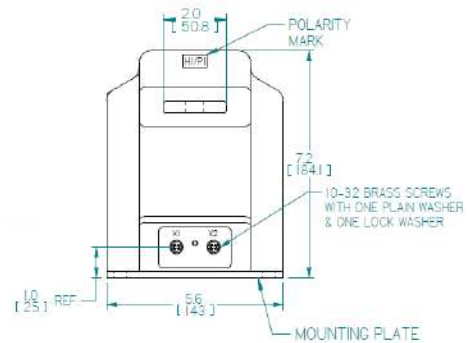
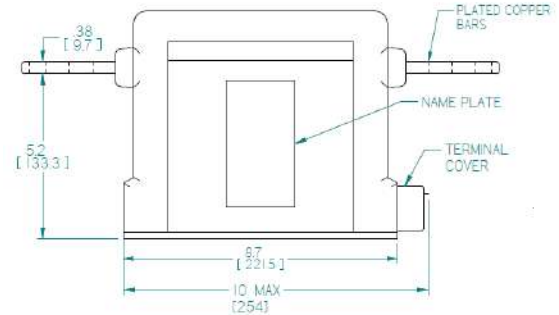
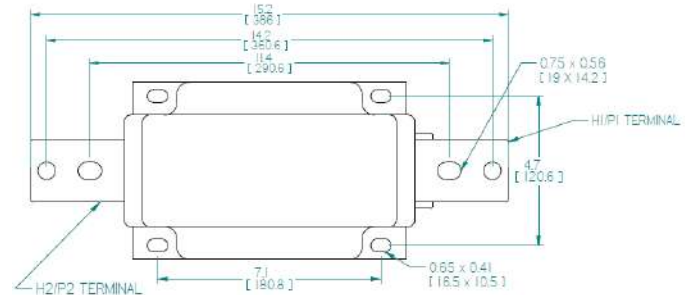
Catalog Number	Current Ratio	Relay Class	Accuracy (60 Hz)				
			ANSI metering Class				
			B0.1	B0.2	B0.5	B0.9	B1.8
C8.6-050	5:5	C50	0.3	0.3	0.3	0.6	1.2
C8.6-100	10:5	C50	0.3	0.3	0.3	0.6	1.2
C8.6-150	15:5	C50	0.3	0.3	0.3	0.6	1.2
C8.6-200	20:5	C50	0.3	0.3	0.3	0.6	1.2
C8.6-250	25:5	C50	0.3	0.3	0.3	0.6	1.2
C8.6-300	30:5	C50	0.3	0.3	0.3	0.6	1.2
C8.6-400	40:5	C50	0.3	0.3	0.3	0.6	1.2
C8.6-500	50:5	C50	0.3	0.3	0.3	0.6	1.2
C8.6-750	75:5	C50	0.3	0.3	0.3	0.6	1.2
C8.6-101	100:5	C50	0.3	0.3	0.3	0.6	1.2
C8.6-151	150:5	C50	0.3	0.3	0.3	0.6	1.2
C8.6-201	200:5	C50	0.3	0.3	0.3	0.6	1.2
C8.6-251	250:5	C50	0.3	0.3	0.3	0.6	1.2
C8.6-301	300:5	C50	0.3	0.3	0.3	0.6	1.2
C8.6-401	400:5	C50	0.3	0.3	0.3	0.6	1.2
C8.6-501	500:5	C50	0.3	0.3	0.3	0.6	1.2
C8.6-601	600:5	C50	0.3	0.3	0.3	0.6	1.2



Equivalent to GE-ITI MODEL CTWH3-60-T100 and ABB MODEL KIR-60

INSULATION LEVEL 5.6 kV, BIL 60 kV full wave
FREQUENCY 50-400 Hz
CONTINUOUS THERMAL CURRENT RATING FACTOR 1.5 @ 30 deg. C ambient 1.33 @ 55 deg. C ambient
OUTER ENCAPSULATION Polyurethane/Epoxy Resin Encapsulated
PRIMARY TERMINALS Primary terminals are plated copper bars.
SECONDARY TERMINALS 10-32 Brass screw with one flat washer and lock washer
APPROX. WEIGHT 41 lbs;

DIMENSIONS (ALL DIMENSIONS ARE IN INCHES [mm]):



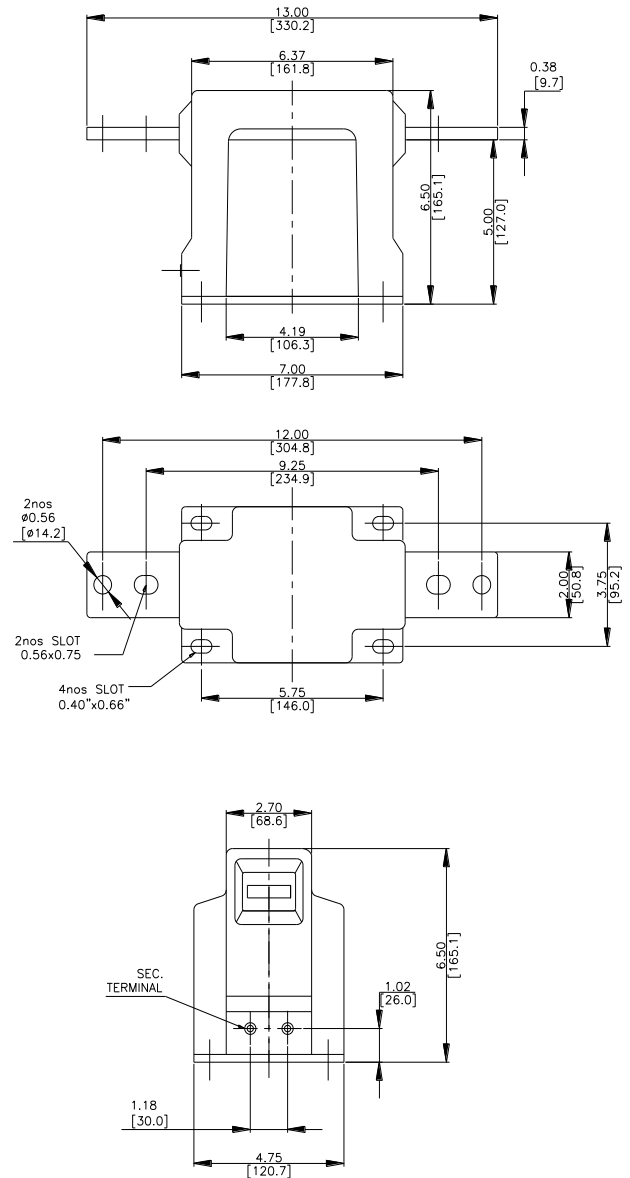
Catalog Number	Current Ratio	Accuracy (60 Hz)					
		Relay Class	ANSI metering Class				
			B0.1	B0.2	B0.5	B0.9	B1.8
C8.7-050	5:5	T100	0.3	0.3	0.3	0.3	0.3
C8.7-100	10:5	T100	0.3	0.3	0.3	0.3	0.3
C8.7-150	15:5	T100	0.3	0.3	0.3	0.3	0.3
C8.7-200	20:5	T100	0.3	0.3	0.3	0.3	0.3
C8.7-250	25:5	T100	0.3	0.3	0.3	0.3	0.3
C8.7-300	30:5	T100	0.3	0.3	0.3	0.3	0.3
C8.7-400	40:5	T100	0.3	0.3	0.3	0.3	0.3
C8.7-500	50:5	T100	0.3	0.3	0.3	0.3	0.3
C8.7-750	75:5	T100	0.3	0.3	0.3	0.3	0.3
C8.7-101	100:5	T100	0.3	0.3	0.3	0.3	0.3
C8.7-151	150:5	T100	0.3	0.3	0.3	0.3	0.3
C8.7-201	200:5	T100	0.3	0.3	0.3	0.3	0.3
C8.7-251	250:5	T100	0.3	0.3	0.3	0.3	0.3
C8.7-301	300:5	T100	0.3	0.3	0.3	0.3	0.3
C8.7-401	400:5	T100	0.3	0.3	0.3	0.3	0.3
C8.7-601	600:5	T100	0.3	0.3	0.3	0.3	0.3
C8.7-801	800:5	T100	0.3	0.3	0.3	0.3	0.3
C8.7-102	1000:5	T100	0.3	0.3	0.3	0.3	0.3
C8.7-122	1200:5	T100	0.3	0.3	0.3	0.3	0.3



Equivalent to GE-ITI MODEL CTW3-60-T50 / CTWH3-60-T50

INSULATION LEVEL 5.6 kV, BIL 60 kV full wave
FREQUENCY 50-400 Hz
CONTINUOUS THERMAL CURRENT RATING FACTOR 1.5 @ 30 deg. C ambient 1.33 @ 55 deg. C ambient
OUTER ENCAPSULATION Polyurethane/Epoxy Resin Encapsulated
PRIMARY TERMINALS 1/2-1/3 bolts with one Belleville washer
SECONDARY TERMINALS 10-32 Brass screw with one flat washer and lock washer
APPROX. WEIGHT 20 lbs;

DIMENSIONS (ALL DIMENSIONS ARE IN INCHES [mm]):



Catalog Number	Current Ratio	Relay Class	Accuracy (60 Hz)				
			ANSI metering Class				
			B0.1	B0.2	B0.5	B0.9	B1.8
C18-050	5:5	T50	0.3	0.3	0.3	0.6	1.2
C18-100	10:5	T50	0.3	0.3	0.3	0.6	1.2
C18-150	15:5	T50	0.3	0.3	0.3	0.6	1.2
C18-200	20:5	T50	0.3	0.3	0.3	0.6	1.2
C18-250	25:5	T50	0.3	0.3	0.3	0.6	1.2
C18-300	30:5	T50	0.3	0.3	0.3	0.6	1.2
C18-400	40:5	T50	0.3	0.3	0.3	0.6	1.2
C18-500	50:5	T50	0.3	0.3	0.3	0.6	1.2
C18-750	75:5	T50	0.3	0.3	0.3	0.6	1.2
C18-101	100:5	T50	0.3	0.3	0.3	0.6	1.2
C18-151	150:5	T50	0.3	0.3	0.3	0.6	1.2
C18-201	200:5	T50	0.3	0.3	0.3	0.6	1.2
C18-251	250:5	T50	0.3	0.3	0.3	0.6	1.2
C18-301	300:5	T50	0.3	0.3	0.3	0.6	1.2
C18-401	400:5	T50	0.3	0.3	0.3	0.6	1.2
C18-501	500:5	T50	0.3	0.3	0.3	0.6	1.2
C18-601	600:5	T50	0.3	0.3	0.3	0.6	1.2

Model V9

Maximum System Voltage 5.6 kV, BIL 60kV Full Wave



INSULATION LEVEL
5.6 kV, BIL 60 kV full wave

FREQUENCY
60 Hz (50 Hz upon request)

ACCURACY CLASS
0.3WXM, 1.2Z @ 100% rated V, 120V based ANSI burden
0.6WX, 1.2MY @ 58% rated V, 69.3V based ANSI burden

THERMAL RATING
750 VA @ 30 deg. C ambient
500 VA @ 55 deg. C ambient

OUTER ENCAPSULATION
Polyurethane/Epoxy Resin Encapsulated

PRIMARY TERMINALS
1/4 -20 Brass screw with one flat washer and lock washer

SECONDARY TERMINALS
10-32 Brass screw with one flat washer and lock washer

APPROX. WEIGHT
35 lbs.

Equivalent to GE-ITI MODEL PTG3 and VIY-60

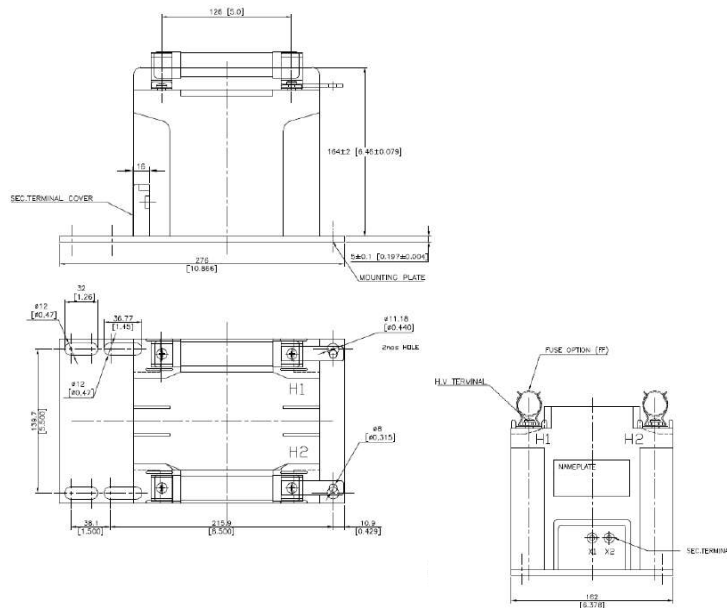
TWO BUSHING				
CATALOG #	GROUP	PRIMARY VOLTAGE	RATIO	SECONDARY VOLTAGE
V9-2-242FF	1	2400	20:1	120
V9-2-332FF	2	3300	30:1	110-50Hz
V9-2-422FF	2	4200	35:1	120
V9-2-482FF	2	4800	40:1	120

SINGLE BUSHING				
CATALOG #	GROUP	PRIMARY VOLTAGE	RATIO	SECONDARY VOLTAGE
V9-242F	4A	2400	20:1	120
V9-332F	4A	3300	30:1	110-50HZ
V9-422F	4B	4200	35:1	120
V9-482F	4B	4800	40:1	120

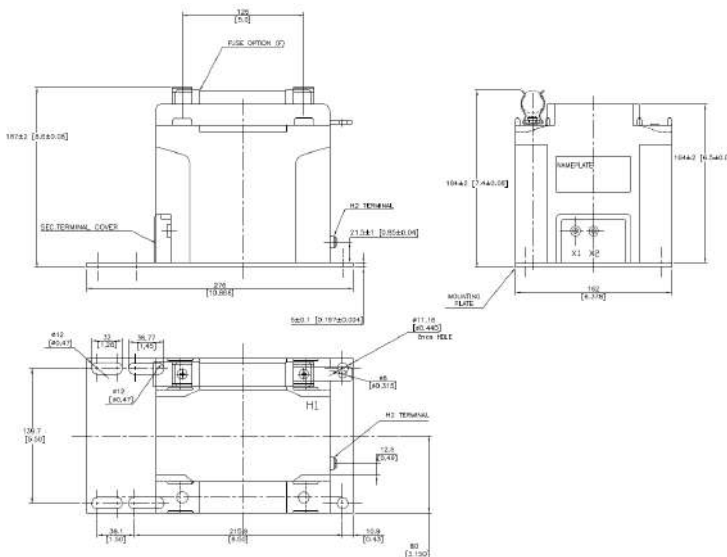
- Standard Fuse rating: 5.5kV, 0.5E
- Fuse clips accept 1.0" diameter fuses with Max. length of 5.75"
- Fuses are intended to protect the system and not the PT in the event of a failure

DIMENSIONS: All dimensions are in millimeters [inches]

2 Fuse



Single Fuse



Model V9.1

Maximum System Voltage 5.6 kV, BIL 60kV Full Wave



INSULATION LEVEL 5.6 kV, BIL 60 kV full wave
FREQUENCY 60 Hz (50 Hz upon request)
ACCURACY CLASS 0.3WXMV, 1.2Z @ 100% rated V, 120V based ANSI burden 0.6WX, 1.2MY @ 58% rated V, 69.3V based ANSI burden
THERMAL RATING 750 VA @ 30 deg. C ambient 500 VA @ 55 deg. C ambient
OUTER ENCAPSULATION Polyurethane/Epoxy Resin Encapsulated
PRIMARY TERMINALS 1/4 -20 Brass screw with one flat washer and lock washer
SECONDARY TERMINALS 10-32 Brass screw with one flat washer and lock washer
APPROX. WEIGHT 35 lbs.

Equivalent to GE-ITI MODEL PTW3 and VIY-60

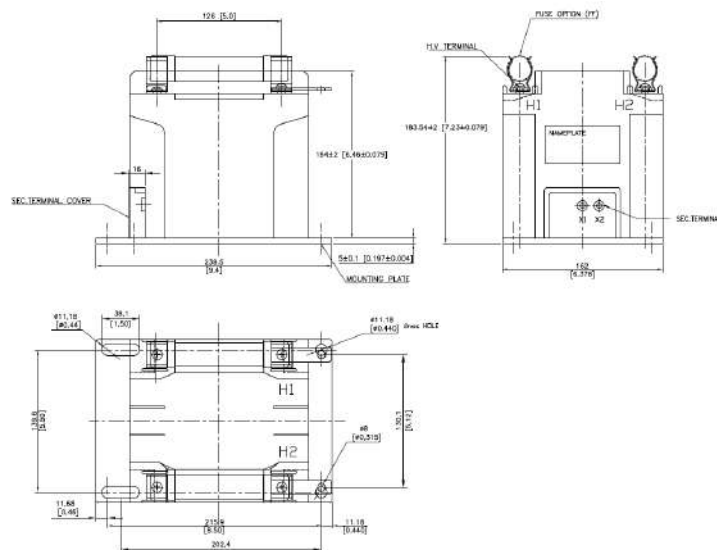
TWO BUSHING				
CATALOG #	GROUP	PRIMARY VOLTAGE	RATIO	SECONDARY VOLTAGE
V9.1-2-242FF	1	2400	20:1	120
V9.1-2-332FF	2	3300	30:1	110-50Hz
V9.1-2-422FF	2	4200	35:1	120
V9.1-2-482FF	2	4800	40:1	120

SINGLE BUSHING				
CATALOG #	GROUP	PRIMARY VOLTAGE	RATIO	SECONDARY VOLTAGE
V9.1-242F	4A	2400	20:1	120
V9.1-332F	4A	3300	30:1	110-50HZ
V9.1-422F	4B	4200	35:1	120
V9.1-482F	4B	4800	40:1	120

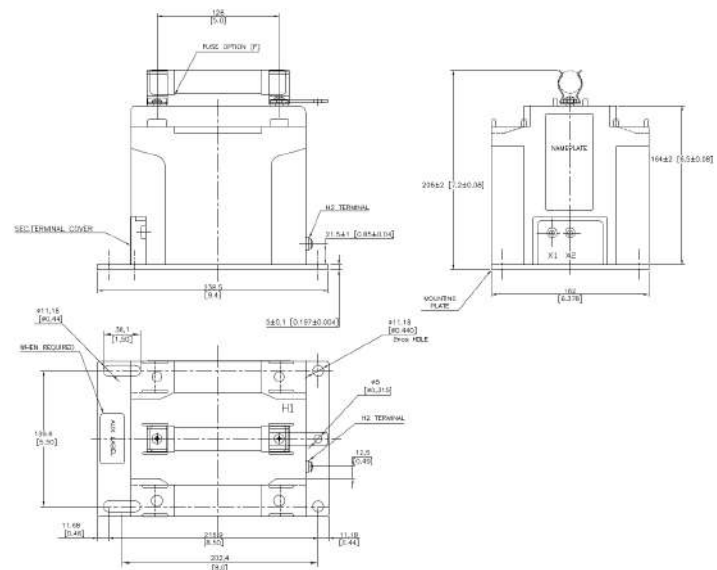
- Standard Fuse rating: 5.5kV, 0.5E
- Fuse clips accept 1.0" diameter fuses with Max. length of 5.75"
- Fuses are intended to protect the system and not the PT in the event of a failure

DIMENSIONS: All dimensions are in millimeters [inches]

2 Fuse



Single Fuse



Model V10

Maximum System Voltage 15.5 kV, BIL 110kV Full Wave



INSULATION LEVEL 15.5 kV, BIL 110 kV full wave
FREQUENCY 60 Hz (50 Hz upon request)
ACCURACY CLASS 0.3WXMV, 0.6Z, 1.2ZZ @ 100% rated V, 120V based ANSI burden 0.3WXMV, 1.2Z @ 58% rated V, 69.3V based ANSI burden
THERMAL RATING 1500 VA @ 30 deg. C ambient 1000 VA @ 55 deg. C ambient
OUTER ENCAPSULATION Polyurethane/Epoxy Resin Encapsulated
PRIMARY TERMINALS 1/4"-20 Brass screw with one flat washer and lock washer
SECONDARY TERMINALS 10-32 Brass screw with one flat washer and lock washer
APPROX. WEIGHT 90 lbs.

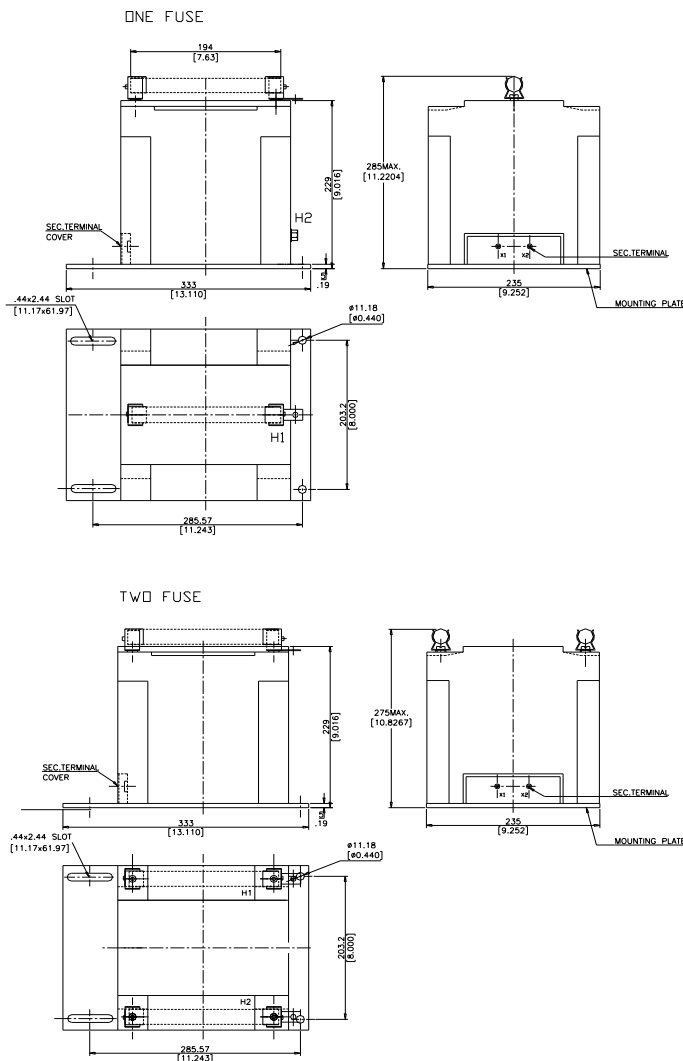
Equivalent to: GE-ITI MODEL PTW4, PTG4, PTW5, PTG5
ABB MODEL VIZ-75, VIZ-11

TWO BUSHING				
CATALOG #*	GROUP	PRIMARY VOLTAGE	RATIO	SECONDARY VOLTAGE
V10-2-722FF	1	7200	60:1	120
V10-2-842FF	1	8400	70:1	120
V10-2-113FF	2	11000	100:1	110-50Hz
V10-2-123FF	2	12000	100:1	120
V10-2-1322FF	2	13200	110:1	120
V10-2-1382FF	4B	13800	110:1	120
V10-2-1442FF	2	14400	120:1	120

SINGLE BUSHING				
CATALOG #*	GROUP	PRIMARY VOLTAGE	RATIO	SECONDARY VOLTAGE
V10-722F	4A	7200	60:1	120
V10-842F	4A	8400	70:1	120
V10-113F	4B	11000	100:1	110-50Hz
V10-123F	4B	12000	100:1	120
V10-1322F	4B	13200	110:1	120
V10-1382F	4B	13800	110:1	120
V10-1442F	4B	14400	120:1	120

* For unfused version replace FF with NF for two bushing style, replace F with NF for single bushing style.

DIMENSIONS: All dimensions are in millimeters [inches]





Equivalent to: GE-ITI MODEL PTG4, PTG5
ABB MODEL VIZ-75, VIZ-11

INSULATION LEVEL
15.5 kV, BIL 110 kV full wave

FREQUENCY
60 Hz (50 Hz upon request)

ACCURACY CLASS
0.3WXYZ, 1.2ZZ @ 100% rated V, 120V based ANSI burden
0.3WXYZ, 1.2ZZ @ 58% rated V, 69.3V based ANSI burden

THERMAL RATING
1500 VA @ 30 deg. C ambient
1000 VA @ 55 deg. C ambient

OUTER ENCAPSULATION
Resin Encapsulated

PRIMARY TERMINALS
1/4"-20 Brass screw with one flat washer and lock washer

SECONDARY TERMINALS
MSX0.8 Female Insert, with brass slotted pan head screw, two plain washers and one lock washer

APPROX. WEIGHT
90 lbs.

TWO BUSHING						
CATALOG # WITH FUSES	CATALOG # WITHOUT FUSES	CATALOG # WITH FUSES AND GROUNDING CLIPS	GROUP	PRIMARY VOLTAGE	RATIO	SECONDARY VOLTAGE
V21.1-2-242FF	*V21.1-2-242NF	V21.1-242FFG2	1	2400	20:1	120
V21.1-2-422FF	*V21.1-2-422NF	V21.1-422FFG2	1	4200	35:1	120
V21.1-2-482FF	*V21.1-2-482NF	V21.1-482FFG2	1	4800	40:1	120
V21.1-2-662FF	*V21.1-2-662NF	V21.1-662FFG2	1	6600	60:1	110-50Hz
V21.1-2-722FF	*V21.1-2-722NF	V21.1-722FFG2	1	7200	60:1	120
V21.1-2-842FF	*V21.1-2-842NF	V21.1-842FFG2	1	8400	70:1	120
V21.1-2-113FF	*V21.1-2-113NF	V21.1-113FFG2	2	11000	100:1	110-50Hz
V21.1-2-123FF	*V21.1-2-123NF	V21.1-123FFG2	2	12000	100:1	120
V21.1-2-12471FF	*V21.1-2-12471NF	V21.1-12471FFG2	2	12470	104:1	120
V21.1-2-1322FF	*V21.1-2-1322NF	V21.1-1322FFG2	2	13200	110:1	120
V21.1-2-1382FF	*V21.1-2-1382NF	V21.1-1382FFG2	2	13800	115:1	120
V21.1-2-1442FF	*V21.1-2-1442NF	V21.1-1442FFG2	2	14400	120:1	120

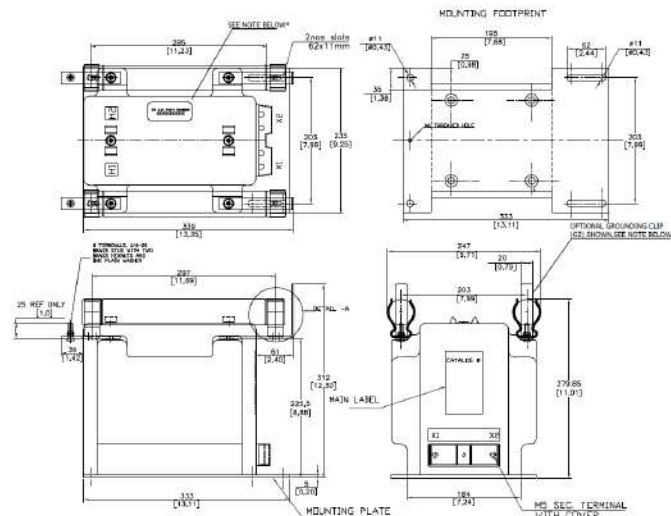
SINGLE BUSHING						
CATALOG # WITH FUSE	CATALOG # WITHOUT FUSES	CATALOG # WITH FUSES AND GROUNDING CLIPS	GROUP	PRIMARY VOLTAGE	RATIO	SECONDARY VOLTAGE
V21.1-242F	*V21.1-242NF	V21.1-242FG1	4A	2400	20:1	120
V21.1-422F	*V21.1-422NF	V21.1-422FG1	4A	4200	35:1	120
V21.1-482F	*V21.1-482NF	V21.1-482FG1	4A	4800	40:1	120
V21.1-722F	*V21.1-722NF	V21.1-722FG1	4A	7200	60:1	120
V21.1-7621F	*V21.1-7621NF	V21.1-7621FG1	4A	7620	63.5:1	120
V21.1-7971F	*V21.1-7971NF	V21.1-7971FG1	4A	7970	66.4:1	120
V21.1-842F	*V21.1-842NF	V21.1-842FG1	4A	8400	70:1	120
V21.1-113F	*V21.1-113NF	V21.1-113FG1	4B	11000	100:1	110-50Hz
V21.1-123F	*V21.1-123NF	V21.1-123FG1	4B	12000	100:1	120
V21.1-12471F	*V21.1-12471NF	V21.1-12471FG1	4B	12470	104:1	120
V21.1-1322F	*V21.1-1322NF	V21.1-1322FG1	4B	13200	110:1	120
V21.1-1382F	*V21.1-1382NF	V21.1-1382FG1	4B	13800	115:1	120
V21.1-1442F	*V21.1-1442NF	V21.1-1442FG1	4B	14400	120:1	120

* Contact Amran for the unfused version drawing

- Standard Fuse:
 - 15.5kV, 1.0E fuse for primary voltages below 10kV
 - 15.5kV, 0.5E fuse for primary voltages above 10kV
- Fuse clips accept 1.63" diameter fuses with Max. length of 12.87"
- Fuses are intended to protect the system and not the PT in the event of a failure

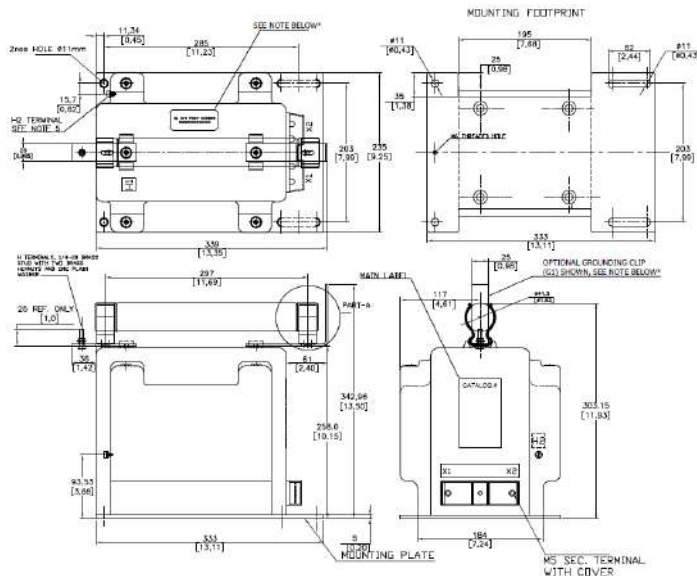
DIMENSIONS: Dimensions are in mm [inches]

TWO BUSHING, TWO FUSE



- *Units with optional grounding clips (G2) as shown have the additional label with the corresponding G2 part number listed

SINGLE BUSHING, ONE FUSE



- *Units with optional grounding clips (G1) as shown have the additional label with the corresponding G1 part number listed.

Model V21.1 (Westinghouse Style)

Maximum System Voltage 15.5 kV, BIL 110kV Full Wave



Equivalent to:
GE-ITI MODEL PTW4, PTW5
ABB MODEL VIZ-75, VIZ-11

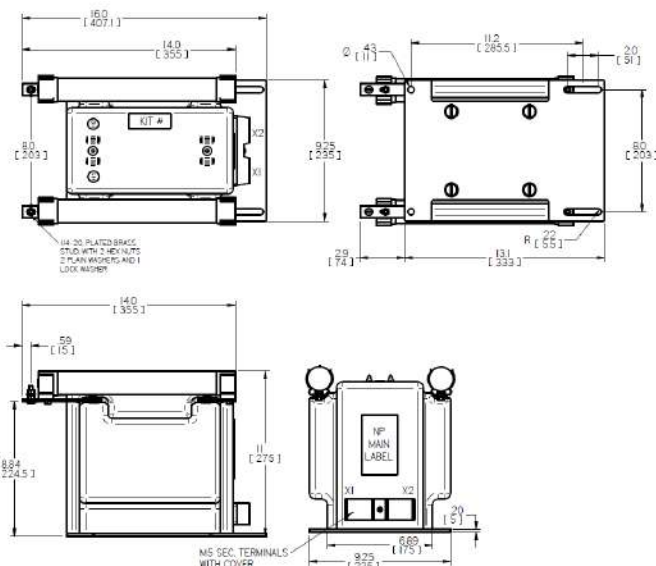
INSULATION LEVEL 15.5 kV, BIL 110 kV full wave
FREQUENCY 60 Hz (50 Hz upon request)
ACCURACY CLASS 0.3WXMZY, 1.2ZZ @ 100% rated V, 120V based ANSI burden 0.3WXMZY, 1.2ZZ @ 58% rated V, 69.3V based ANSI burden
THERMAL RATING 1500 VA @ 30 deg. C ambient 1000 VA @ 55 deg. C ambient
OUTER ENCAPSULATION Resin Encapsulated
PRIMARY TERMINALS 1/4"-20 Brass screw with one flat washer and lock washer
SECONDARY TERMINALS M5X0.8 Female Insert, with brass slotted pan head screw, two plain washers and one lock washer
APPROX. WEIGHT 90 lbs.
PLATED STEEL MOUNTING BASE

TWO BUSHING				
CATALOG # WITH FUSES	GROUP	PRIMARY VOLTAGE	RATIO	SECONDARY VOLTAGE
V21.1-2-242FFW2	1	2400	20:1	120
V21.1-2-422FFW2	1	4200	35:1	120
V21.1-2-482FFW2	1	4800	40:1	120
V21.1-2-662FFW2	1	6600	60:1	110-50Hz
V21.1-2-722FFW2	1	7200	60:1	120
V21.1-2-842FFW2	1	8400	70:1	120
V21.1-2-123FFW2	2	12000	100:1	120
V21.1-2-12471FFW2	2	12470	104:1	120
V21.1-2-1322FFW2	2	13200	110:1	120
V21.1-2-1382FFW2	2	13800	115:1	120
V21.1-2-1442FFW2	2	14400	120:1	120

SINGLE BUSHING				
CATALOG # WITH FUSE	GROUP	PRIMARY VOLTAGE	RATIO	SECONDARY VOLTAGE
V21.1-242FW1	4A	2400	20:1	120
V21.1-422FW1	4A	4200	35:1	120
V21.1-482FW1	4A	4800	40:1	120
V21.1-662FW1	4A	6600	60:1	110-50Hz
V21.1-722FW1	4A	7200	60:1	120
V21.1-842FW1	4A	8400	70:1	120
V21.1-123FW1	4B	12000	100:1	120
V21.1-12471FW1	4B	12470	104:1	120
V21.1-1322FW1	4B	13200	110:1	120
V21.1-1382FW1	4B	13800	115:1	120
V21.1-1442FW1	4B	14400	120:1	120

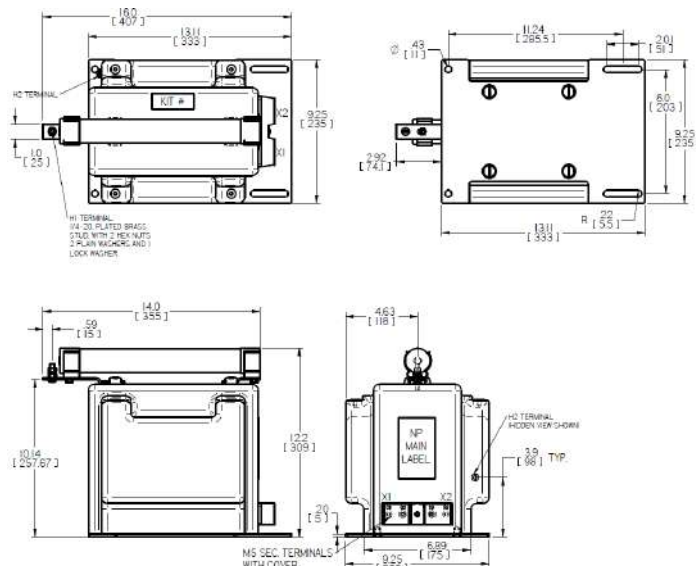
DIMENSIONS: Dimensions are in mm [inches]

TWO BUSHING, TWO FUSE



DIMENSIONS: Dimensions are in mm [inches]

SINGLE BUSHING, ONE FUSE



- Standard Fuse:
 - 15.5kV, 1.0E fuse for primary voltages below 10kV
 - 15.5kV, 0.5E fuse for primary voltages above 10kV
- Fuse clips accept 1.63" diameter fuses with Max. length of 12.87"
- Fuses are intended to protect the system and not the PT in the event of a failure



- UL and cUL Approved (File #E247592)
- As per ANSI/IEEE C57.13, IEC, OR relevant standard

Equivalent to: ABB MODEL TJP 5.0

INSULATION LEVEL
15.5 kV, BIL 95 kV full wave

FREQUENCY
60 Hz

ACCURACY CLASS
0.3X

THERMAL RATING
400 VA @ 30° C ambient

OUTER ENCAPSULATION
Resin Encapsulated

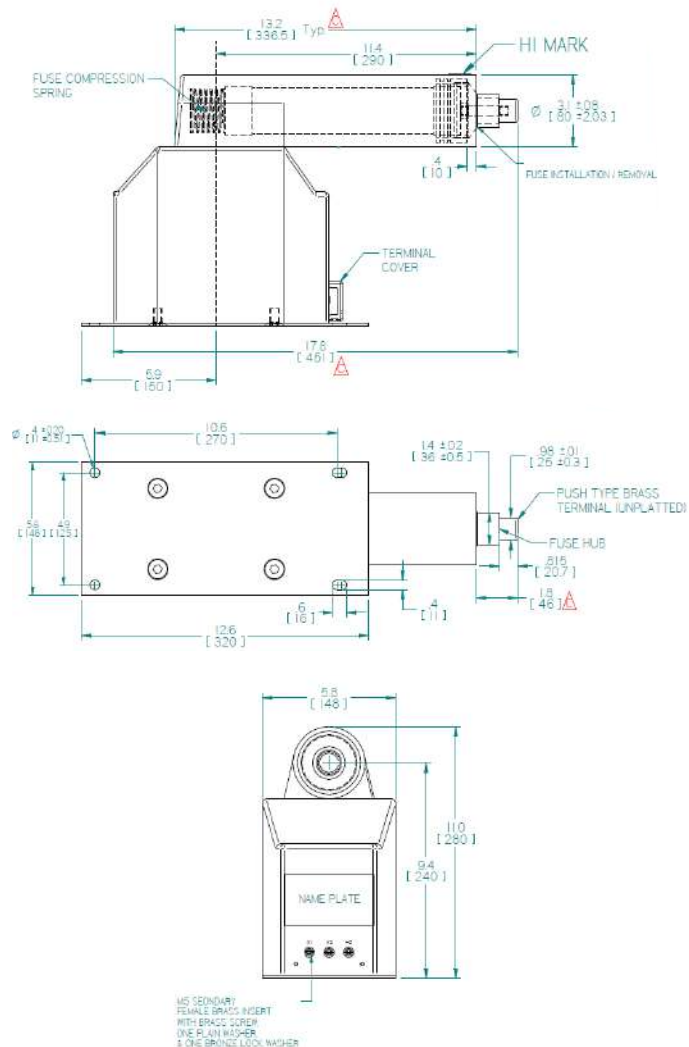
PRIMARY TERMINALS
H1 Push type brass terminal, see drawing
H2 Brass M5 screw, one plain washer & one bronze lock washer

SECONDARY TERMINALS
Brass M5 screw, one plain washer & one bronze lock washer

APPROX. WEIGHT
55 lbs

CATALOG #	PRIMARY VOLTAGE	RATIO	SECONDARY VOLTAGE
V21.5-242F	4160/2400 GY	20:1	120
V21.5-4161F	7200/4160 GY	35:1	120
V21.5-482F	8320/4800 GY	40:1	120
V21.5-722F	12470/7200 GY	60:1	120
V21.5-842F	14400/8400 GY	70:1	120
V21.5-12471F	12470/7200 G	104:1	120
V21.5-1322F	13200/7621 GY	110:1	120
V21.5-1382F	13800/7967 GY	115:1	120

DIMENSIONS (ALL DIMENSIONS ARE IN INCHES [mm]):



- Fuse PN: 12ABCN1.0
Rating: 1.0 amp
Make- Eaton Bussmann
Limiting dimension [OD x HT]: 1.03' x 7.8'

- FUSE INSTALLATION / REMOVAL:
 1. PT must be de-energized
 2. Remove fuse hub and brass terminal by rotating the fuse hub counter-clockwise
 3. Remove / replace fuse making sure fuse compression spring is in the location as shown
 4. Align fuse hub threads with the PT and fully tighten by rotating it clockwise. Fuse hub should be tightened by hand

Model V22.1



INSULATION LEVEL
25.5 kV, BIL 125 kV full wave

FREQUENCY
60 Hz

ACCURACY CLASS
0.3 Z

THERMAL RATING
2000 VA @ 30 deg. C ambient
1500 VA @ 55 deg. C ambient

OUTER ENCAPSULATION
Resin Encapsulated

PRIMARY TERMINALS
1/4"-20 Brass screw with one flat washer and lock washer

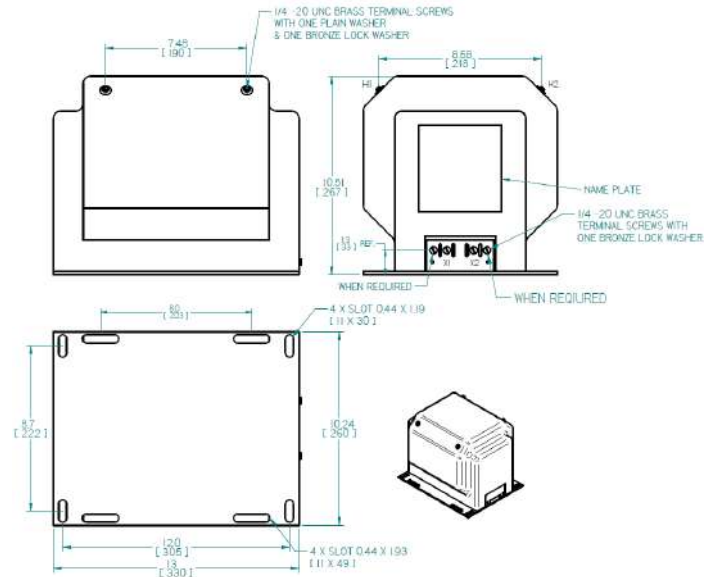


Equivalent to: ABB MODEL VIZ-12

CATALOG #	PRIMARY VOLTAGE	SECONDARY VOLTAGE	WINDING RATIO	RATED VOLTAGE FACTOR
V22.1-2-722	7200/12470Y	120	60:1	1.1
V22.1-2-123	12000/20800Y	120	100:1	1.1
V22.1-2-1322	13200/22865Y	120	110:1	1.1
V22.1-2-1442	14400/24940Y	120	120:1	1.1
V22.1-2-1652	16500/16500Y	120	137.5:1	1.1
V22.1-2-183	18000/18000Y	120	150:1	1.1
V22.1-2-213	21000/21000Y	120	175:1	1.1
V22.1-2-243	24000/24000Y	120	200:1	1.1

Maximum System Voltage 25.5 kV, BIL 125kV Full Wave

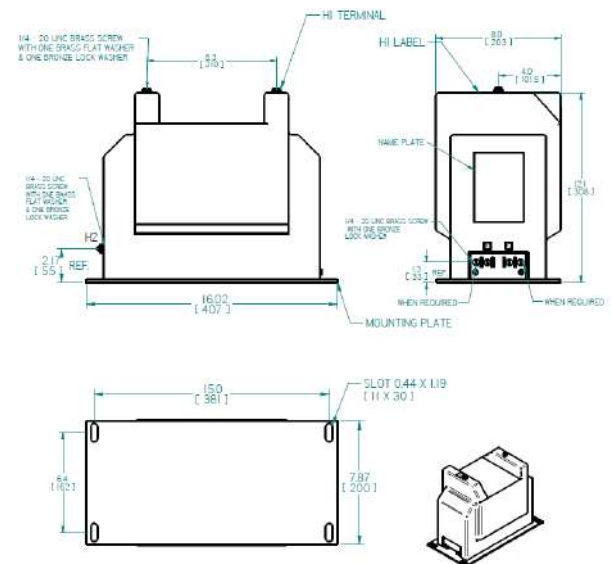
DIMENSIONS (ALL DIMENSIONS ARE IN INCHES [mm]):



Model V22.2

Maximum System Voltage 25.5 kV, BIL 125kV Full Wave

DIMENSIONS (ALL DIMENSIONS ARE IN INCHES [mm]):



INSULATION LEVEL
25.5 kV, BIL 125 kV full wave

FREQUENCY
60 Hz

ACCURACY CLASS
0.3 Z

THERMAL RATING
1500 VA @ 30 deg. C ambient
750 VA @ 55 deg. C ambient

OUTER ENCAPSULATION
Resin Encapsulated

PRIMARY TERMINALS
1/4"-20 Brass screw with one flat washer and lock washer



Equivalent to: ABB MODEL VIZ-12G

CATALOG #	PRIMARY VOLTAGE	SECONDARY VOLTAGE	WINDING RATIO	RATED VOLTAGE FACTOR
V22.2-123	12000/20780GY	120	100:1	1.25
V22.2-1322	13200/22900GY	120	110:1	1.25
V22.2-1442	14400/24940GY	120	120:1	1.25
V22.2-153	15000/15000GY	120	125:1	1.25
V22.2-163	16000/27600GY	120	133.33:1	1.25
V22.2-1652	16500/28578GY	120	137.5:1	1.25
V22.2-183	18000/18000GY	120	150:1	1.25
V22.2-203	20000/20000GY	120	166.67:1	1.25
V22.2-243	24000/24000GY	120	200:1	1.25

Medium Voltage Single Phase Indoor Voltage Transformer

Model V22.5

Maximum System Voltage 25.5 kV, BIL 125kV Full Wave



INSULATION LEVEL 25.5 kV, BIL 125 kV full wave	THERMAL RATING 1500 VA @ 30 deg. C ambient 1000 VA @ 55 deg. C ambient
FREQUENCY 60 Hz	OUTER ENCAPSULATION Resin Encapsulated
ACCURACY CLASS 0.3WXMZY, 1.2ZZ @ 100% rated V, 120V based ANSI burden 0.3WXMZY, 1.2Z @ 58% rated V, 69.3V based ANSI burden	PRIMARY TERMINALS 3/8-16 Brass screw with one flat washer and lock washer

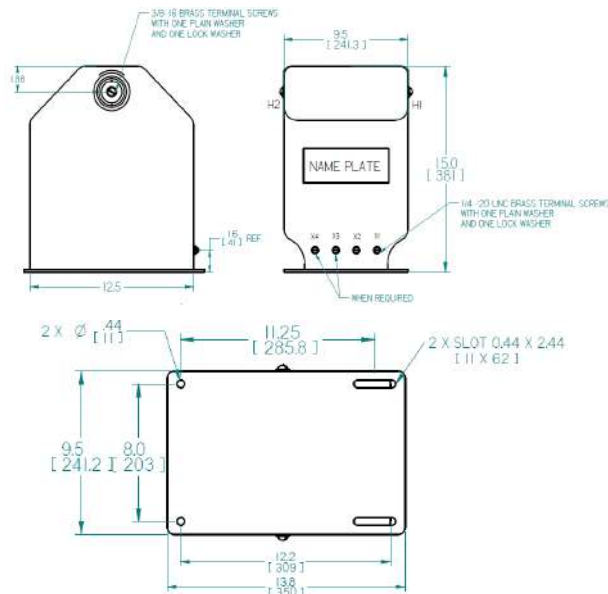


E247592

Equivalent to: GE-ITI MODEL PT6-2

CATALOG #	PRIMARY VOLTAGE	RATIO	SECONDARY VOLTAGE	ANSI GROUP
V22.5-2-123	12000	100:1	120	2
V22.5-2-1442	14400	120:1	120	2
V22.5-2-183	18000	150:1	120	2
V22.5-2-213	21000	175:1	120	2
V22.5-2-233	23000	191.6:1	120	2
V22.5-2-243	24000	200:1	120	2
V22.5-2-24941	24940	207.8:1	120	2
V22.5-2-253	25000	208:1	120	2

DIMENSIONS (ALL DIMENSIONS ARE IN INCHES [mm]):



Model V22.6

Maximum System Voltage 25.5 kV, BIL 125kV Full Wave



INSULATION LEVEL 25.5 kV, BIL 125 kV full wave	THERMAL RATING 1500 VA @ 30 deg. C ambient 1000 VA @ 55 deg. C ambient
FREQUENCY 60 Hz	OUTER ENCAPSULATION Resin Encapsulated
ACCURACY CLASS 0.3WXMZY, 1.2ZZ @ 100% rated V, 120V based ANSI burden 0.3WXMZY, 1.2Z @ 58% rated V, 69.3V based ANSI burden	PRIMARY TERMINALS 3/8 Brass screw with one flat washer and lock washer

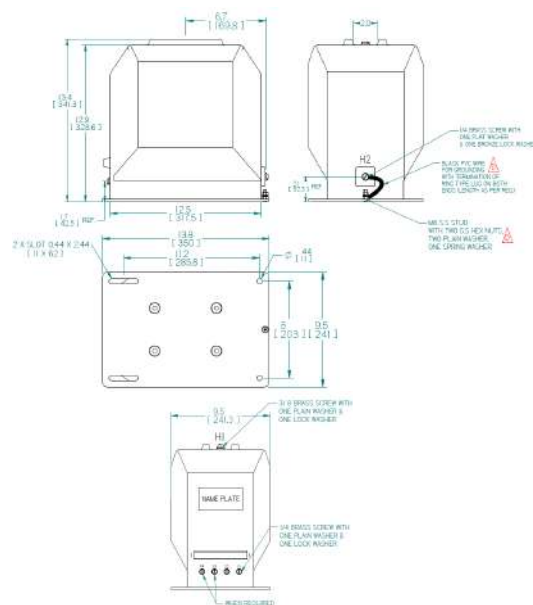


E247592

Equivalent to: GE-ITI-MODEL PT6-1

CATALOG #	PRIMARY VOLTAGE	RATIO	SECONDARY VOLTAGE	ANSI GROUP
V22.6-1022	10200	85:1	120	4A
V22.6-123	12000	100:1	120	4A
V22.6-1322	13200	110:1	120	4A
V22.6-1382	13800	115:1	120	4A
V22.6-1442	14400	120:1	120	4A
V22.6-183	18000	150:1	120	4B
V22.6-213	21000	175:1	120	4B
V22.6-243	24000	200:1	120	4B
V22.6-2492	24900	207.5:1	120	4B
V22.6-253	25000	208:1	120	4B

DIMENSIONS (ALL DIMENSIONS ARE IN INCHES [mm]):





INSULATION LEVEL
7.2 kV, BIL 60 kV full wave

FREQUENCY
60 Hz (50 Hz upon request)

ACCURACY CLASS
1% at 5VA load per phase, 3% at 15VA load per phase

THERMAL RATING
15 VA per phase @ 30 deg. C

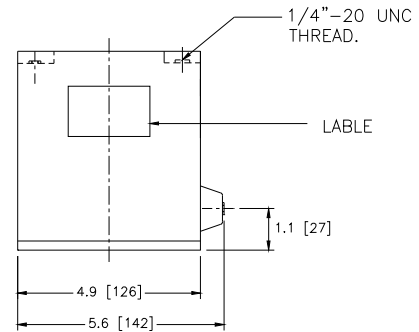
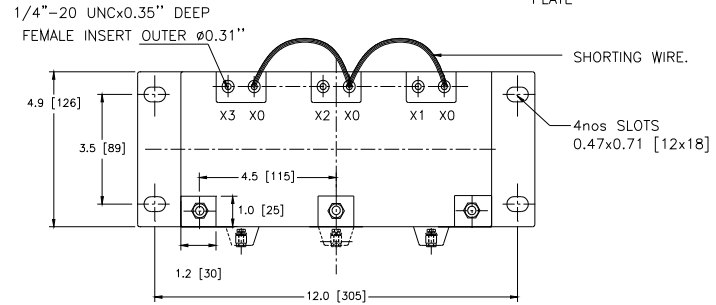
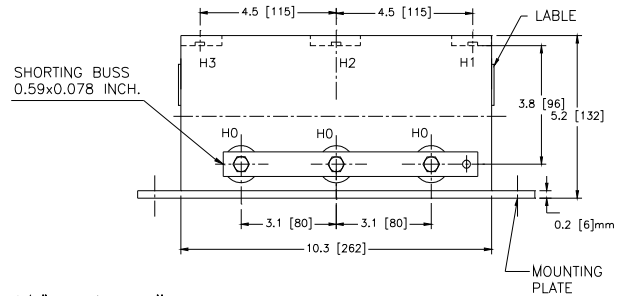
OUTER ENCAPSULATION
Polyurethane/Epoxy Resin Encapsulated

PRIMARY TERMINALS
1/4 -20 Brass screw with one flat washer and lock washer

SECONDARY TERMINALS
1/4 -20 Brass screw with one flat washer and lock washer

APPROX. WEIGHT
30 lbs.

DIMENSIONS (ALL DIMENSIONS ARE IN INCHES [mm]):



ALL VALUES ARE @ 60HZ

CATALOG NUMBER	CONNECTION	PRIMARY VOLTAGE (L-L)	RATIO	SECONDARY VOLTAGE (L-L)
V19-242-01-3P	Wye – Wye	2400	10.4:1	230
V19-332-01-3P	Wye – Wye	3300	14.3:1	230
V19-422-01-3P	Wye – Wye	4160	18.1:1	230
V19-662-01-3P	Wye – Wye	6600	28.7:1	230
V19-722-01-3P	Wye – Wye	7200	31.3:1	230



INSULATION LEVEL
BIL 60 kV full wave

FREQUENCY
60 Hz (50 Hz upon request)

ACCURACY CLASS
1% at 5VA load per phase

THERMAL RATING
15 VA per phase @ 30 deg. C

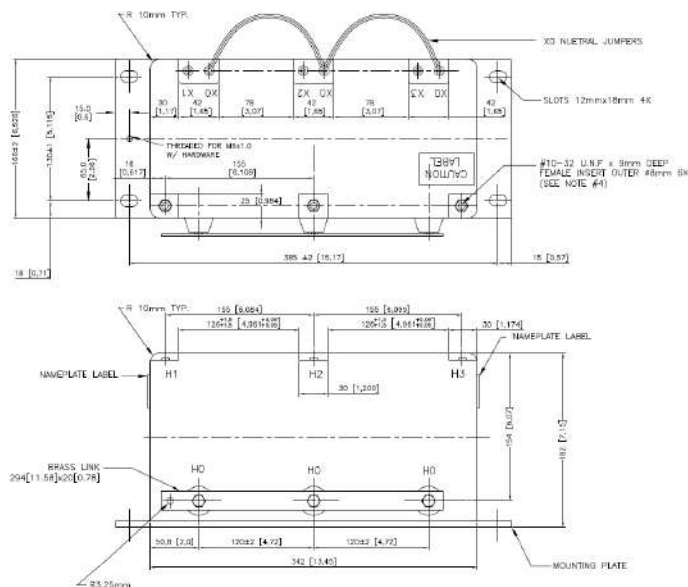
OUTER ENCAPSULATION
Polyurethane/Epoxy Resin Encapsulated

PRIMARY TERMINALS
1/4 -20 Brass screw with one flat washer and lock washer

SECONDARY TERMINALS
1/4 -20 Brass screw with one flat washer and lock washer

APPROX. WEIGHT
30 lbs.

DIMENSIONS: All dimensions are in millimeters [inches]



Electrical Specifications

CATALOG NUMBER	CONNECTION	PRIMARY VOLTAGE (L-L)	RATIO	SECONDARY VOLTAGE (L-L)	Operating Frequency (Hz)	OVER VOLTAGE %
V19.4-242-3P	Wye - Wye	2400	10.4:1	230	50-60	25%
V19.4-332-3P	Wye - Wye	3300	14.3:1	230	50-60	25%
V19.4-4161-3P	Wye - Wye	4160	18.1:1	230	50-60	25%
V19.4-662-3P	Wye - Wye	6600	28.7:1	230	50-60	25%
V19.4-722-3P	Wye - Wye	7200	31.3:1	230	60	25%



INSULATION LEVEL
12 kV, BIL 95 kV full wave

FREQUENCY
60 Hz (50 Hz upon request)

ACCURACY CLASS
0.6XMY, 1.2Z @ 100% rated V, 120V based ANSI burden
0.6XMY, 1.2Z @ 58% rated V, 69.3V based ANSI burden

THERMAL RATING
750 VA @ 30 deg. C ambient

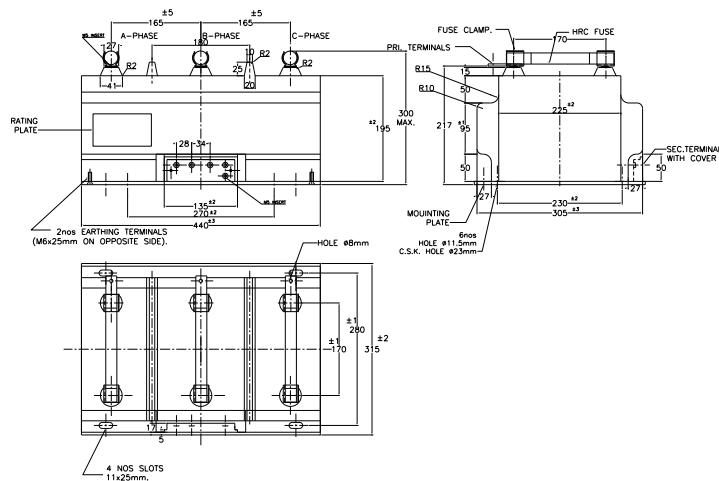
OUTER ENCAPSULATION
Polyurethane/Epoxy Resin Encapsulated

Suitable for 10-32 or M5 screws with one flat washer and lock washer and two nuts.

SECONDARY TERMINALS
Brass insert with M5 Brass screw with one flat washer and lock washer (10-32 screw with option available)

APPROX. WEIGHT
140 lbs.

DIMENSIONS (ALL DIMENSIONS ARE IN MILLIMETERS):



CATALOG NUMBER	CONNECTIO N	PRIMARY VOLTAGE	SECONDARY VOLTAGE	WINDING RATIO
V20.1-242X-3P	WYE-WYE	2400	120	20:1
V20.1-422X-3P	WYE-WYE	4200	120	35:1
V20.1-482X-3P	WYE-WYE	4800	120	40:1
V20.1-722X-3P	WYE-WYE	7200	120	60:1
V20.1-842X-3P	WYE-WYE	8400	120	70:1
V20.1-113X-3P	WYE-WYE	11000	110, 50Hz	100:1
V20.1-123X-3P	WYE-WYE	12000	120	100:1



INSULATION LEVEL
13.2 kV, BIL 95 kV full wave

FREQUENCY
60 Hz (50 Hz upon request)

ACCURACY CLASS
0.3WX, 0.6MY, 1.2Z @ 100% rated V, 120V based ANSI burden
0.3WX, 0.6MY, 1.2Z @ 58% rated V, 69.3V based ANSI burden

THERMAL RATING
600 VA/phase @ 30 deg. C ambient

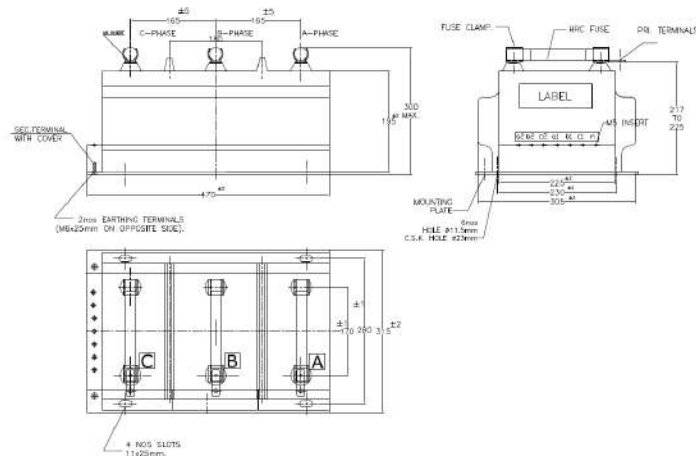
OUTER ENCAPSULATION
Polyurethane/Epoxy Resin Encapsulated

PRIMARY TERMINALS
Suitable for 10-32 or M5 screws with one flat washer and lock washer and two nuts.

SECONDARY TERMINALS
Brass insert with M5 Brass screw with one flat washer and lock washer (10-32 screw with option available)

APPROX. WEIGHT
160 lbs.

DIMENSIONS (ALL DIMENSIONS ARE IN MILLIMETERS):



CATALOG NUMBER	CONNECTION	PRIMARY VOLTAGE	SECONDARY VOLTAGE	WINDING RATIO
V20.2-722X-3P	WYE- WYE	7200	120	60:1
V20.2-842X-3P	WYE- WYE	8400	120	70:1
V20.2-113X-3P	WYE- WYE	11000	110, 60Hz	100:1
V20.2-123X-3P	WYE- WYE	12000	120	100:1
V20.2-133X-3P	WYE- WYE	13200	120	110:1



INSULATION LEVEL
13.2 kV, BIL 110 kV full wave

FREQUENCY
60 Hz (50 Hz upon request)

ACCURACY CLASS
1% at 100VA load per phase, 3% at 500VA load per phase

THERMAL RATING
500 VA per phase @ 30 deg. C

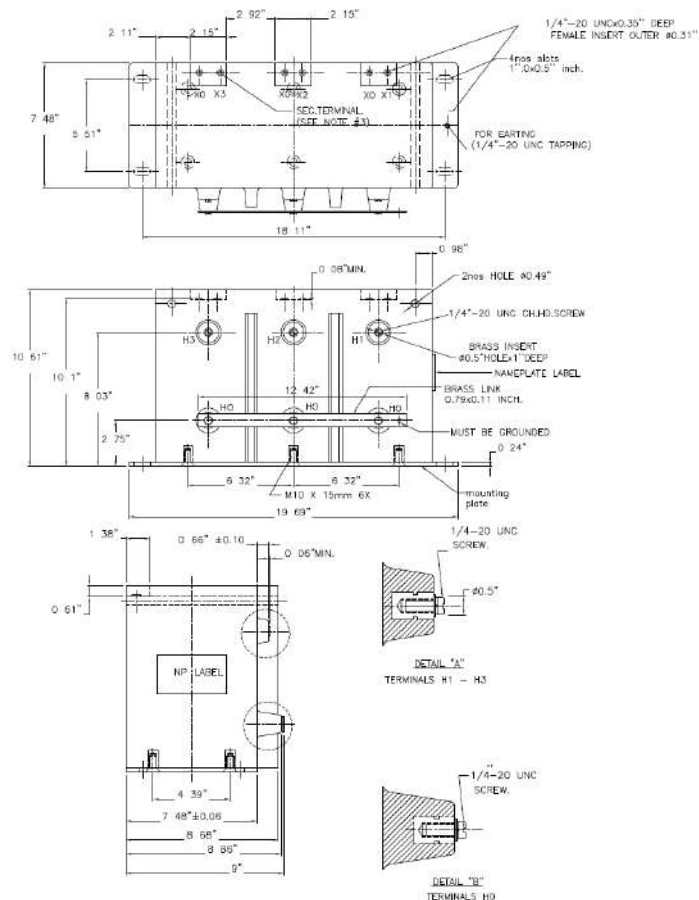
OUTER ENCAPSULATION
Polyurethane/Epoxy Resin Encapsulated

PRIMARY TERMINALS
1/4 -20 Brass screw with one flat washer and lock washer

SECONDARY TERMINALS
1/4 -20 Brass screw with one flat washer and lock washer

APPROX. WEIGHT
150 lbs.

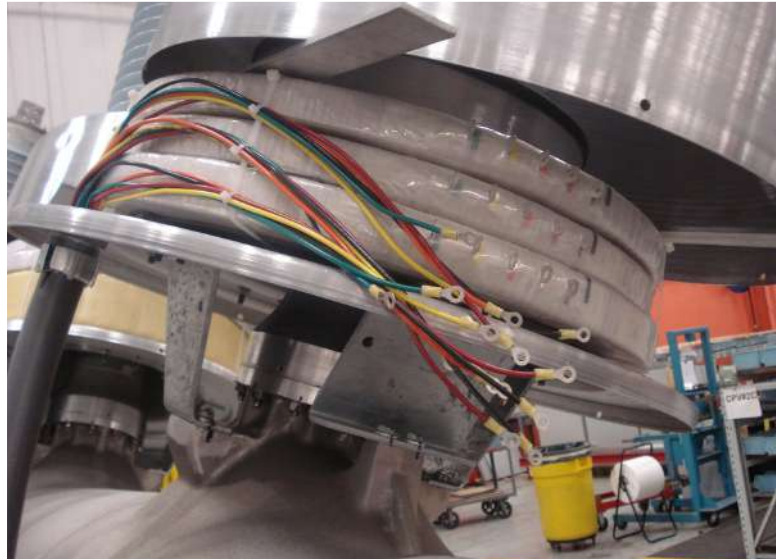
DIMENSIONS (ALL DIMENSIONS ARE IN INCHES):



ALL VALUES ARE @ 60HZ

CATALOG NUMBER	CONNECTION	PRIMARY VOLTAGE (L-L)	RATIO	SECONDARY VOLTAGE (L-L)
V21-662-01-3P	Wye – Wye	6600	28.7:1	230
V21-692-01-3P	Wye – Wye	6900	30:1	230
V21-722-01-3P	Wye – Wye	7200	31.3:1	230
V21-1322-01-3P	Wye – Wye	13200	57.4:1	230

Custom Engineered Bushing Current Transformers



Amran specializes in manufacturing broad range of Bushing Current Transformers for medium and high voltage Circuit breakers, large power generators and power transformer applications. Amran Bushing Current Transformers are specifically designed to meet exact customer specifications and requirements. Many custom options are available for encapsulation, secondary termination etc. Serialized test records are provided for each BCT and collapsible, returnable packaging option is standard for many customers.

When ordering BCT, include following information

- Dimensions – Minimum ID, Maximum OD, Maximum Ht
- Current Ratio
- Accuracy and Burden Requirement (Metering and relaying accuracy)
- Applicable standard (ANSI/IEEE or IEC or else)
- Thermal Rating Factor
- Frequency
- Secondary Type (Terminals or Lead wires (Specify type, gauge etc. Std is 10AWG THHN))
- Any other information specific to application (Dry type, under oil type, temperature etc.)



AMRAN INSTRUMENT TRANSFORMERS
 12320 Cardinal Meadow Drive, Suite 100 • Sugar Land, Texas 77478
 Phone: 281.243.2200 • Toll Free: 866.829.1572 • Fax: 281.243.2205
 sales@amranit.com • www.amranit.com

Core Manufacturing

Amran Instrument Transformers

- Multiple manufacturing locations in USA and India
- 400+ employees with strong management and engineering teams
- Design and Engineering expertise to allow custom development of products with the smallest and least expensive solutions
- Various manufacturing floors based on size and type of products (Current and Voltage Transformers).
- Vertically integrated manufacturing, strong teams in engineering, R&D, design and custom product development.
- Minority Business Enterprise (MBE)
- ISO 9001, ISO 14001, OHSAS 18001

- In-house Core manufacturing facilities – multiple locations
- Electrical Steel coil slitting capabilities
- State of the art, high-speed, programmable core winding machines
- Automated annealing furnaces with controllers to monitor temperature and time cycles



LV and MV Instrument Transformer Manufacturing

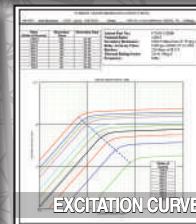


- Multiple manufacturing plants to mitigate risk and support customers in over 43 countries around the world
- Over 85,000 sq. ft. of manufacturing space for LV and MV Instrument Transformers (Current and Voltage Transformers)
- State of the art equipment for core manufacturing, CT and VT windings and encapsulation processes
- Fully automated resin molding equipment and APG machines for epoxy/polyurethane encapsulation process for MV products



Testing

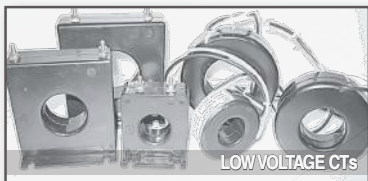
- In-house type testing and routine testing capabilities
- Full capabilities to conduct all the routine testing per ANSI/IEEE, IEC and various other standards
- 100% final testing on each CT and VT product
- 100 % Traceability of the test records with serial # on the product label
- Website interface for test record availability
- In-house labs for BIL, Partial Discharge testing



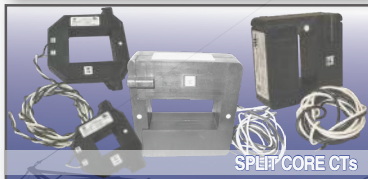
Warehouse and Inventory Management Services

- Large warehousing available for stocking support out of Texas location
- Lead time reduction through inventory management system
- Repackaging, returnable packaging options available

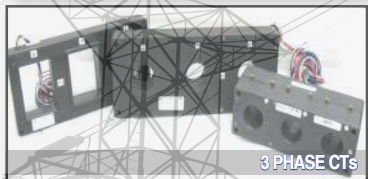




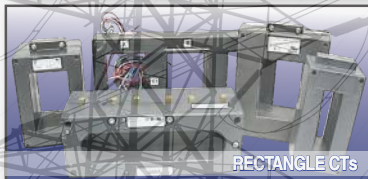
LOW VOLTAGE CTs



SPLIT CORE CTs



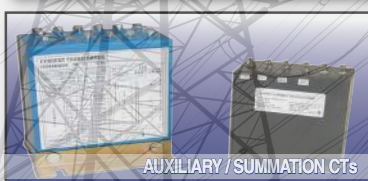
3 PHASE CTs



RECTANGLE CTs



SWITCHGEAR STYLE CTs



AUXILIARY / SUMMATION CTs



GROUND SENSING CTs



IEEE / ANSI CTs



CTs GENERATORS (High Current)



BUSHING CTs



MINIATURE CTs



MEDIUM VOLTAGE CTs



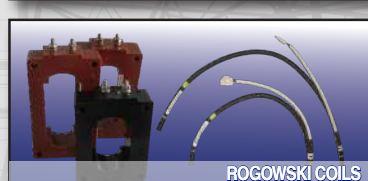
LOW VOLTAGE PTs



MEDIUM VOLTAGE PTs - SINGLE PHASE
(ONE AND TWO FUSE VERSIONS)



MEDIUM VOLTAGE PTs - THREE PHASE



ROGOWSKI COILS



AMRAN INSTRUMENT TRANSFORMERS

12320 Cardinal Meadow Drive, Suite 100 • Sugar Land, Texas 77478
Phone: 281.243.2200 • Toll Free: 866.829.1572 • Fax: 281.243.2205
sales@amranit.com • www.amranit.com