
MPV-60

Power Sweeper



Parts List & Options

After Serial Number 482151

for American-Lincoln MODELS 578-618, 578-619, 578-620, 578-621, 578-622, 578-623

American-Lincoln®

TABLE OF CONTENTS - CHAPTER 2 - PARTS

MAIN BROOM LEVER AND LIFT CABLE	2-4
MAIN BROOM LIFT FRAME	2-6
MAIN BROOM DRIVER	2-7
MAIN BROOM IDLER	2-8
SIDE BROOM ASSEMBLY	2-9
SIDE BROOM LEVER	2-10
SIDE BROOM LIFT SYSTEM	2-12
BRAKE PEDAL	2-14
HOPPER	2-16
HOPPER ASSEMBLY	2-18
HOPPER COVER	2-20
DUMP DOOR	2-22
FILTER SHAKER	2-24
FRONT WHEEL	2-26
REAR WHEEL	2-28
STEERING COLUMN	2-30
BROOM DOOR	2-32
FORWARD/REVERSE CONTROL	2-34
ADJUSTABLE FOOT PEDAL	2-36
SAFETY ARM	2-38
OIL COOLER	2-39
LIGHTS AND HORN ELECTRICAL	2-40
BATTERY	2-41
HYDRAULIC RESERVOIR	2-42
VACUUM FAN	2-44
FLAPS (WHEEL WELL)	2-46
BROOM CHAMBER FLAPS AND SEALS	2-48
CONTROL AND RELIEF VALVE	2-50
PUMP	2-52
HYDRAULIC FILTER	2-54
INSTRUMENT PANEL HOUSING	2-55
INSTRUMENT PANEL	2-56
FRONT BUMPER	2-58
REAR BUMPER	2-59
SEAT AND FLOOR ASSEMBLY	2-60
ENGINE COVER	2-62
MITSUBISHI S4L2 DIESEL ENGINE (FANS, BRACKETS)	2-64
MITSUBISHI S4L2 DIESEL ENGINE (COOLING SYSTEM)	2-66
MITSUBISHI S4L2 DIESEL ENGINE (AIR INTAKE)	2-68
MITSUBISHI S4L2 DIESEL ENGINE (THROTTLE PUMP PLATE)	2-70
MITSUBISHI S4L2 DIESEL ENGINE (THROTTLE CONTROL)	2-71
MITSUBISHI S4L2 DIESEL ENGINE (EXHAUST SYSTEM)	2-72
MITSUBISHI S4L2 DIESEL ENGINE (FUEL SYSTEM)	2-73
FUEL TANK (GAS & DIESEL)	2-74
FORD 416EFI ENGINE COMPUTER RELAY BOX	2-75
FORD 416EFI GAS & LP ENGINES (ALTERNATOR, STARTER, BRACKETS)	2-76
FORD 416EFI GAS ENGINE (COOLING SYSTEM)	2-78
FORD 416EFI GAS ENGINE (AIR INTAKE & EXHAUST SYSTEMS)	2-80
FORD 416EFI GAS ENGINE (FUEL SYSTEM)	2-82
FORD 416EFI LP ENGINE (FUEL SYSTEM)	2-84
LP TANK SYSTEM	2-88

TABLE OF CONTENTS

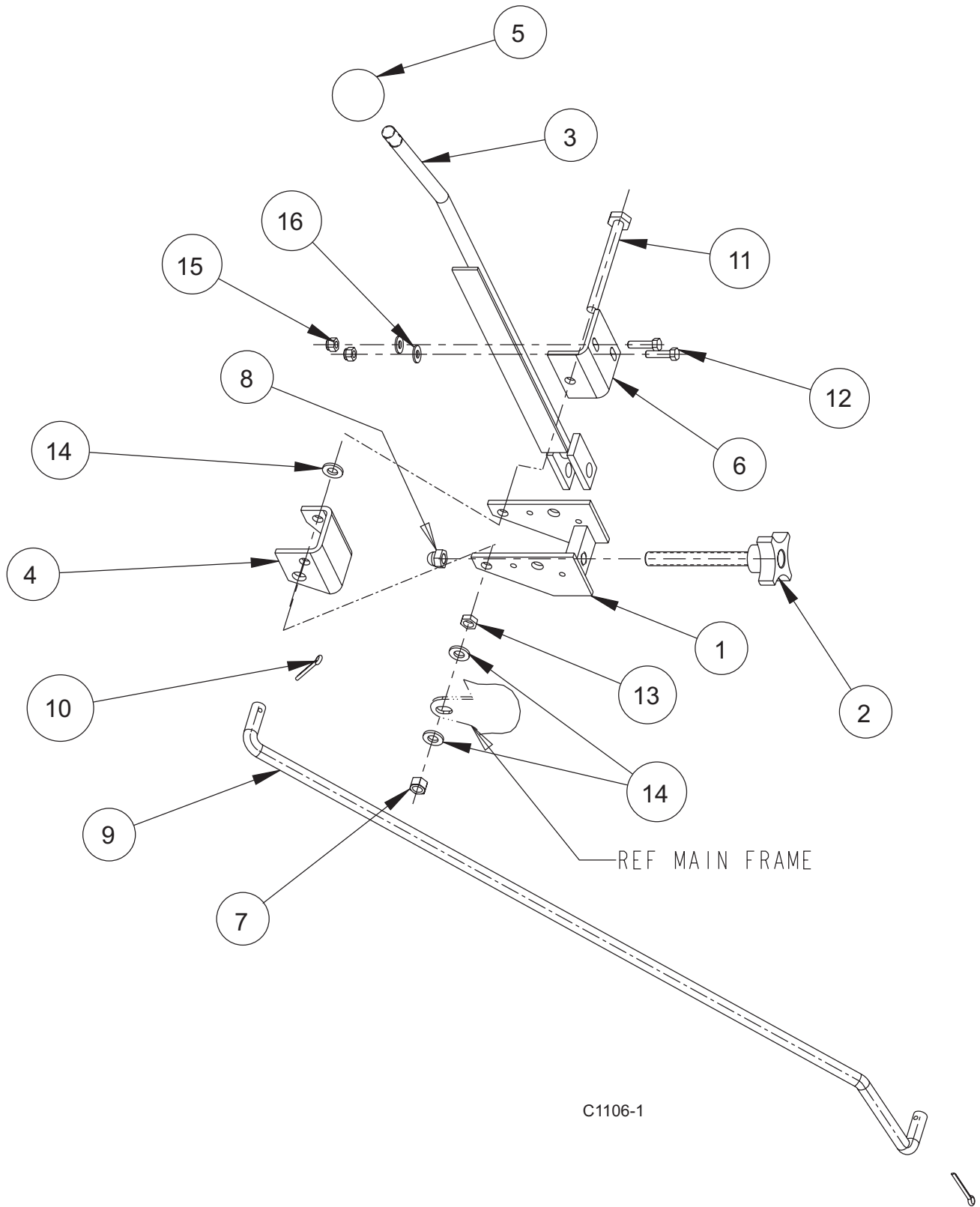
FORD 416EFI LP ENGINE (AIR INTAKE & EXHAUST SYSTEMS)	2-90
FORD 416EFI LP ENGINE (COOLING SYSTEM)	2-92
CE KIT	2-94
DECALS	2-96
TOTAL STEEL PACKAGE	2-98
HYDRAULIC HOSE DIAGRAM	2-100
NOTES	2-102
HYDRAULIC SCHEMATIC	2-103
HARNES ROUTING (GAS/LP/DIESEL)	2-104
HARNES CONNECTION DIAGRAM (GAS/LP/DIESEL)	2-105
FORD 416EFI ENGINE HARNES CONNECTIONS	2-106
MITSUBISHI S4L2 ENGINE HARNES CONNECTIONS	2-107
INSTRUMENT PANEL CONNECTION DIAGRAM	2-108
ELECTRICAL SCHEMATIC (GAS/LP/DIESEL)	2-109

MAIN BROOM LEVER - PARTS LIST

<u>KEY NO.</u>	<u>PART NUMBER</u>	<u>DESCRIPTION</u>	<u>QTY.</u>
1	8-08-00876	Bracket Broom Lift Main Broom	1
2	8-39-00017	Knob Assembly	1
3	8-66-00188	Lever Handle	1
4	8-08-00831	Adjustment Angle/Main Broom	1
5	8-39-00003	Control Knob, Small	1
6	8-08-00779	Pivot, Main Broom Lift	1
7	2-95-04182	Nut, Elastic Stop	1
8	2-00-00656	Nut, 1/2 - 13 Cap (Acorn)	1
9	8-66-00187	Rod Link	1
10	2-00-00776	Cotter Pin	2
11	2-00-03296	Screw, 3/8-16 x 4.000 HHC	1
12	2-00-00205	Screw, 1/4-20 x 1.000 HHC	2
13	2-00-02360	Nut, 3/8-16 Hex.	1
14	2-00-00402	Flat Washer, .750 x .390 x .094	3
15	2-00-00641	Nut, 1/4-20 Insert Fiber	2
16	2-00-03702	Washer, .625 x .281 x .063	2

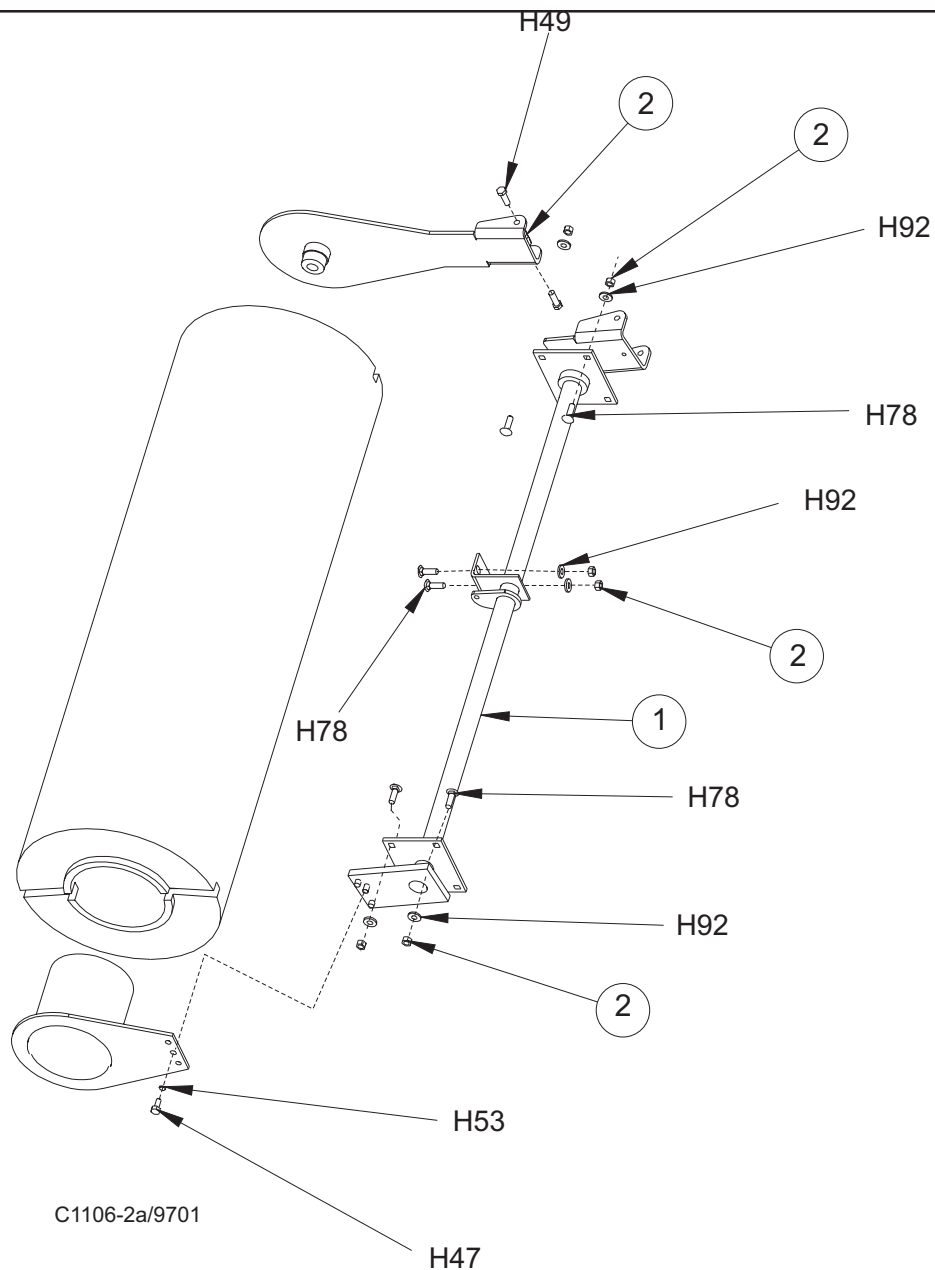
C1106-1

MAIN BROOM LEVER - EXPLODED VIEW



C1106-1

MAIN BROOM LIFT FRAME



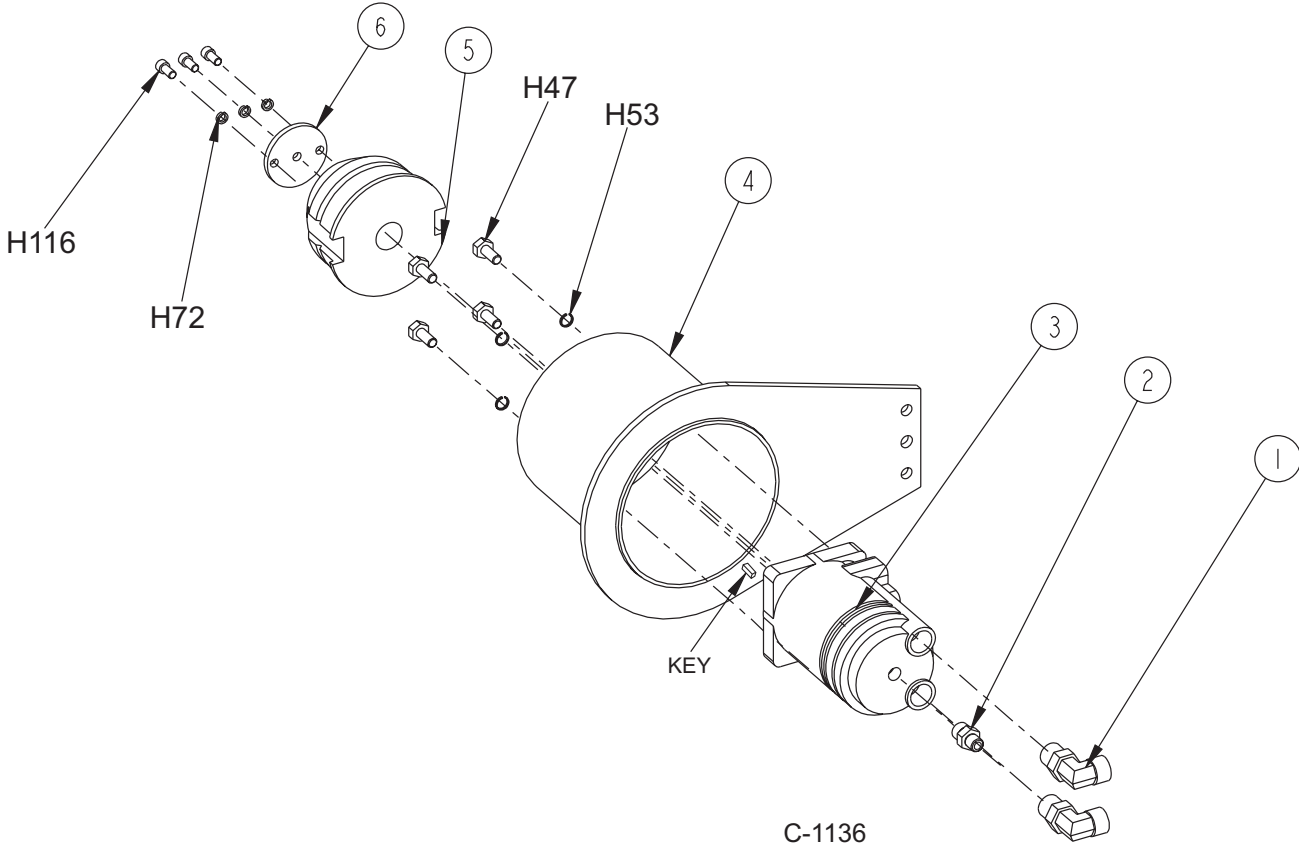
<u>KEY NO.</u>	<u>PART NUMBER</u>	<u>DESCRIPTION</u>	<u>QTY.</u>
1	8-03-04319	Main Broom Lift Frame Assembly	1
2	2-95-04182	Nut, Eleastic Stop Nut	8

HARDWARE USED:

H47	2-00-00232	Screw, 3/8-16 x .750 HHC	1
H49	2-00-00209	Screw, 3/8-16 x 1.250 HHC	2
H53	2-00-02310	Lock Washer, Helical Spring 3/8 Med.	1
H78	2-00-05187	Carriage Bolt, 3/8-16 x 1.250	6
H92	2-00-04801	Flat Washer, .875 x .375 x .125	6

C1326/9702

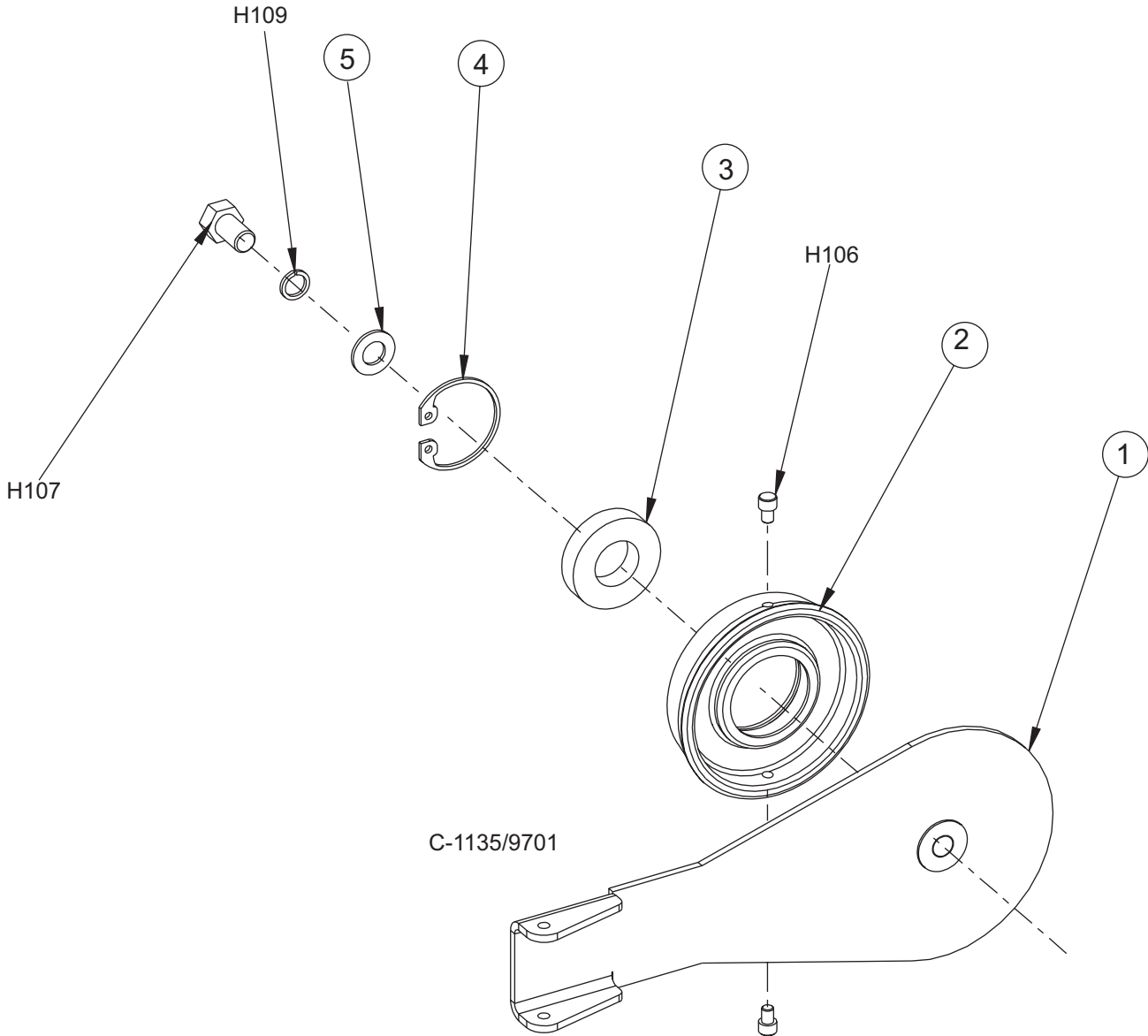
MAIN BROOM DRIVER



<u>KEY NO.</u>	<u>PART NUMBER</u>	<u>DESCRIPTION</u>	<u>QTY.</u>
1	2-00-04885	Fitting	2
2	2-00-04895	Fitting	1
3	0882-040	Motor	1
	2-00-03838	Key (comes w/motor)	
	0880-448	Motor Seal Kit (Service Part)	
4	8-16-00041	Drive Broom Arm	1
5	8-33-09046-1	Driver, Hub	1
6	8-58-05160	Hub, Lock Plate	1
HARDWARE USED:			
H47	2-00-00232	Screw, 3/8-16 x .750 HHC	4
H53	2-00-02310	Lock Washer, Helical Spring 3/8 Med.	4
H72	2-00-00518	Lock Washer, Helical Spring	3
H116	2-00-03039	Screw, 1/4-20 x .625 HSHC	3

C1136/9901

MAIN BROOM IDLER



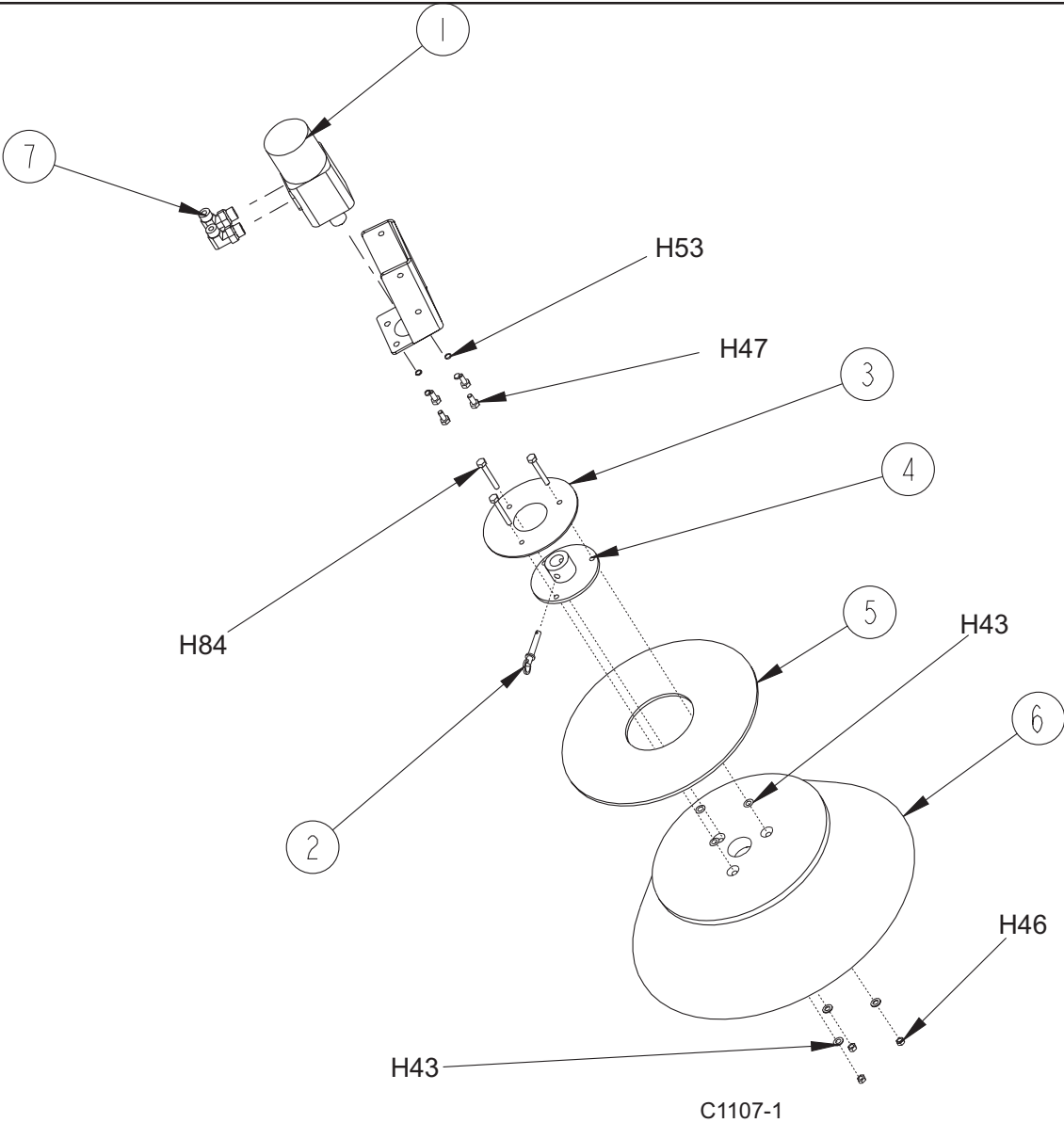
<u>KEY NO.</u>	<u>PART NUMBER</u>	<u>DESCRIPTION</u>	<u>QTY.</u>
1	8-16-00064	Broom Idler Arm	1
2	8-33-09090	Idler, Machined	1
3	2-00-04889	Bearing	1
4	2-00-04890	Clip, Retainer	1
5	8-75-01157	Washer	

HARDWARE USED:

H106	2-00-04886	Screw, 3/8-16 x .500 HSHC	2
H107	2-00-04887	Screw	1
H109	2-00-00522	Lock Washer, Helical Spring	1

C1135/9901

SIDE BROOM ASSEMBLY



<u>KEY NO.</u>	<u>PART NUMBER</u>	<u>DESCRIPTION</u>	<u>QTY.</u>
1	0882-050	Side Broom Motor	1
	0880-448	Side Broom Motor Seal Kit (Service Part)	
2	8-55-08122	Pin, Side Broom Flange	1
3	8-25-06010	Flange, Roller Disc	1
4	8-33-09091	Hub Weldment	1
5	8-66-05011	Disc, Roller	1
6	8-08-03211	Side Broom, Nylon	1
7	2-00-04921	Fitting	2

HARDWARE USED:

H43	2-00-00409	Flat Washer, .687 x .344 x .062	6
H46	2-00-00644	Nut, 5/16-18, Insert Fiber	3
H47	2-00-00232	Screw, 3/8-16 x .750 HHC	4
H53	2-00-02310	Lock Washer, Helical Spring 3/8 Med.	4
H84	2-00-00228	Screw, 5/16-18 x 2.250 HHC	3

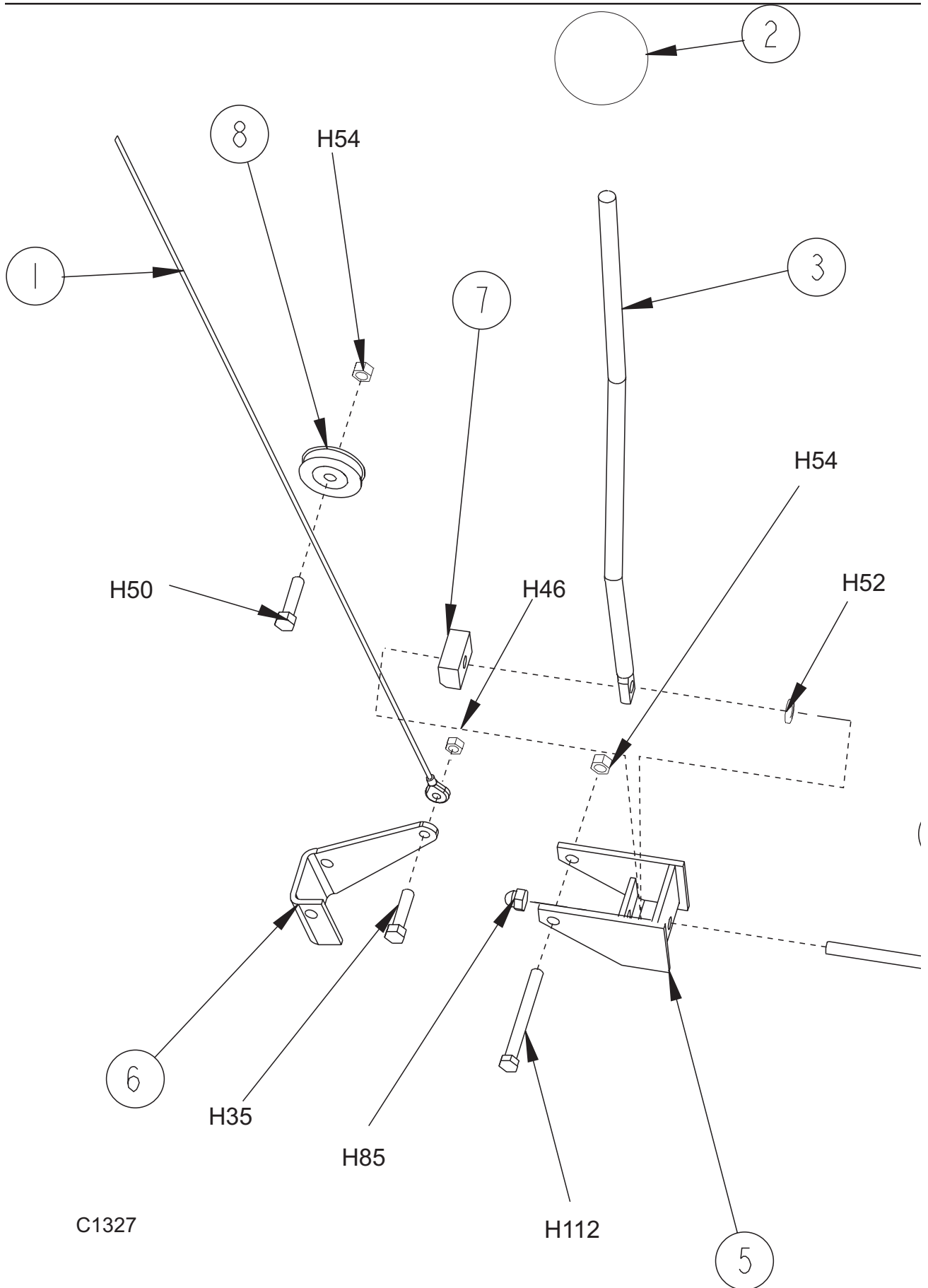
C1107/9812

SIDE BROOM LEVER - PARTS LIST

<u>KEY NO.</u>	<u>PART NUMBER</u>	<u>DESCRIPTION</u>	<u>QTY.</u>
1	8-10-00039	Cable	Ref.
2	8-39-00003	Control Knob, Small	1
3	8-66-00190	Lever Handle	1
4	8-39-00017	Knob Assembly	1
5	8-08-00876	Broom Lift, Weldment	1
6	8-08-00775	Bracket, Angle Adjustment	1
7	7-60-00160	Pulley, Cable	1
8	2-00-00656	Nut, 1/2 -13 Cap (acorn)	1
9	8-08-00890	Bracket, Side Broom Lever Mtg.	1
HARDWARE USED:			
H35	2-00-02708	Screw, 5/16-18 x 1.000 HHM	3
H43	2-00-00409	Flat Washer, .687 x .344 x .062	4
H46	2-00-00644	Nut, 5/16-18, Insert Fiber	3
H50	2-00-00234	Screw, 3/8-16 x 1.500 HHC	1
H54	2-00-02360	Nut, 3/8-16 Hex.	2
H94	2-00-00410	Flat Washer, .875 x .375 x .060	1
H111	2-00-03296	Screw, 3/8-16 x 4.00 HHC	1

C1327/9901

SIDE BROOM LEVER - EXPLODED VIEW

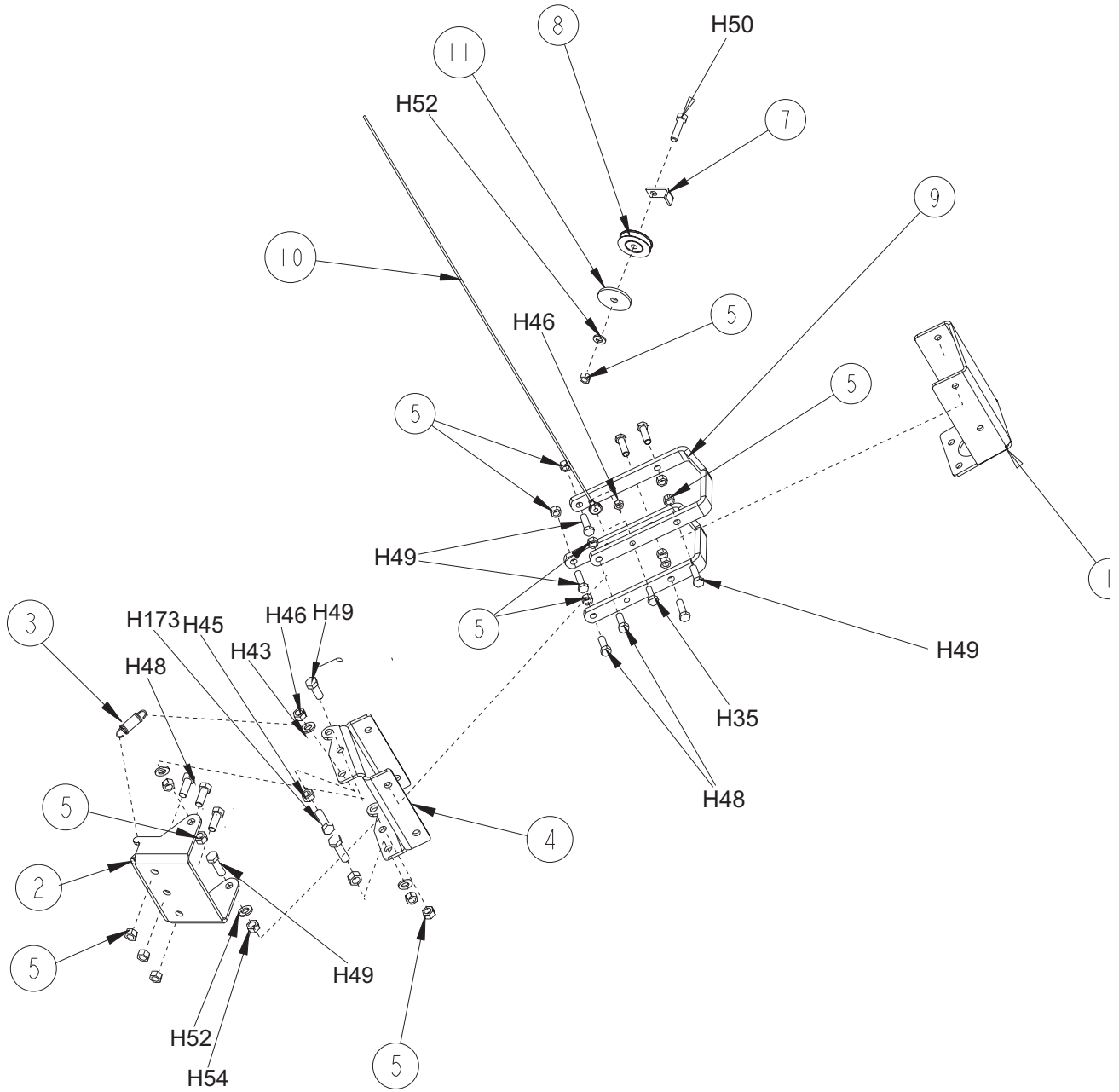


SIDE BROOM LIFT SYSTEM - PARTS LIST

<u>KEY NO.</u>	<u>PART NUMBER</u>	<u>DESCRIPTION</u>	<u>QTY.</u>
1	8-08-00772	Bracket, Side Broom	1
2	8-08-00790	Bracket	1
3	7-76-00101	Spring	2
4	8-08-00846	Pivot Bracket	1
5	2-95-04182	Nut, Elastic Stop	14
7	7-13-07130	Clip, Cable Retainer	1
8	7-60-00160	Pulley, Cable	1
9	8-42-05143	Side Broom Link	2
10	8-10-00039	Cable	1
11	2-95-04689	Flat Washer	1
HARDWARE USED:			
H35	2-00-02708	Screw, 5/16-18 x 1.000 HHM	1
H43	2-00-00409	Flat Washer, .687 x .344 x .062	2
H45	2-00-00585	Nut, Hex. 5/16-18 x .500 x .265	2
H46	2-00-00644	Nut, 5/16-18, Insert Fiber	3
H48	2-00-00233	Screw, 3/8-16 x 1.000 HHC	4
H49	2-00-00209	Screw, 3/8-16 x 1.250 HHC	7
H50	2-00-00234	Screw, 3/8-16 x 1.500 HHC	1
H52	2-00-00402	Flat Washer, .750 x .390 x .094	3
H54	2-00-02360	Nut, 3/8-16 Hex.	2
H173	2-00-02709	Screw, 5/16-18 x 1.500	2

C1328/9901

SIDE BROOM LIFT SYSTEM - EXPLODED VIEW



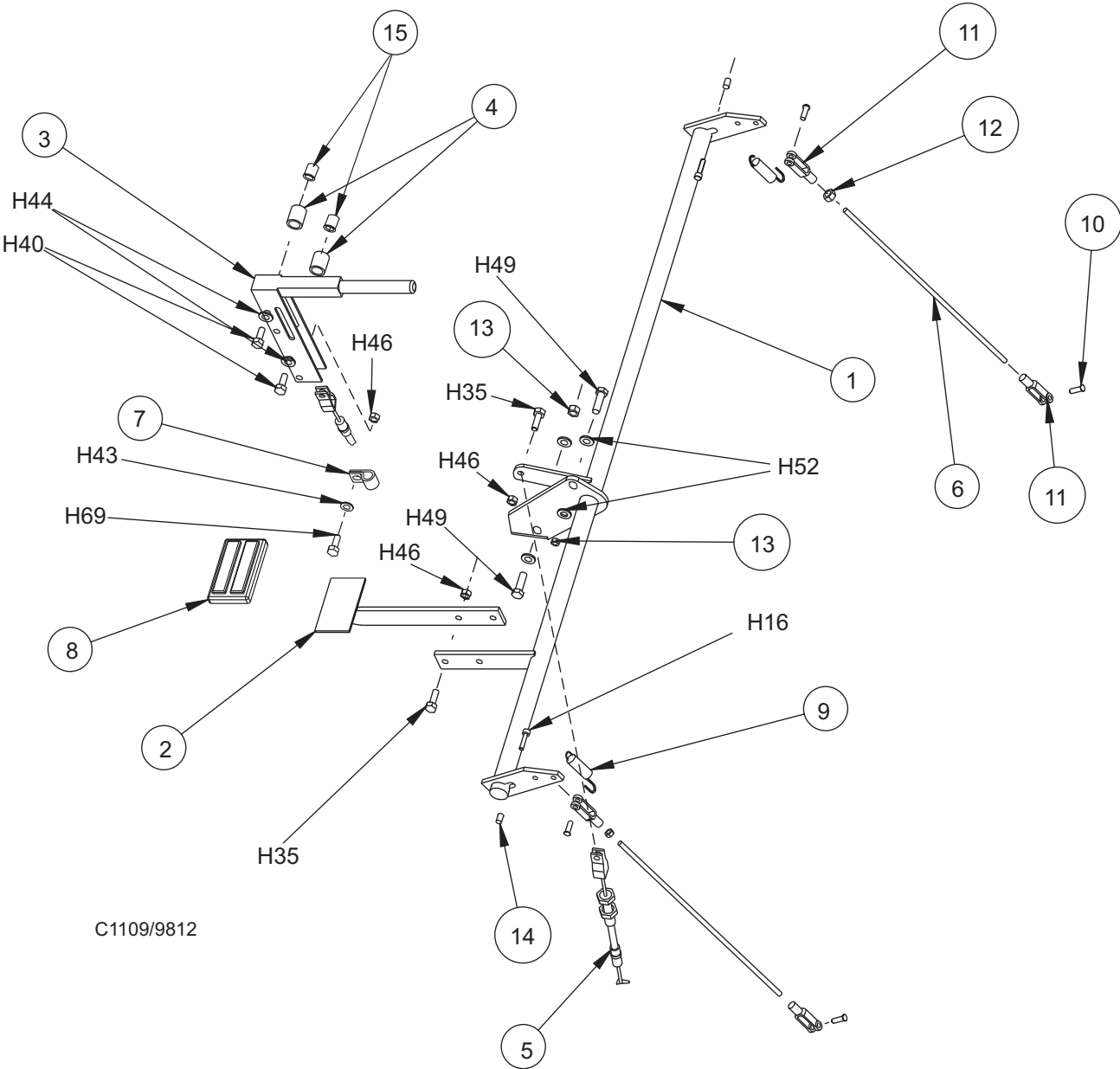
C-1328

BRAKE PEDAL - PARTS LIST

<u>KEY NO.</u>	<u>PART NUMBER</u>	<u>DESCRIPTION</u>	<u>QTY.</u>
1	8-70-05293	Brake Cross Shaft	1
2	8-55-00033	Brake Pedal	1
3	7-41-05083	Lever, Parking Brake	1
4	8-75-01184	Spacer, Lever Mounting	2
5	8-10-00038	Cable	1
6	8-66-00154	Brake Rod	2
7	2-00-05169	Cable Clamp	1
8	7-50-05145	Pad, Pedal	1
9	7-76-00051	Spring	2
10	2-00-04909	Yoke Pin Assembly	4
11	8-14-01006	Clevis	4
12	2-95-01999	Nut, Jam	2
13	2-95-04182	Nut, Jam	3
14	2-00-05261	Threaded Insert	2
15	2-00-05330	Threaded Insert-5/16-18	2
HARDWARE USED:			
H16	2-00-03051	Screw, 1/4-20 x .750 HSHC	2
H35	2-00-02708	Screw, 5/16-18 x 1.000 HHM	3
H40	2-00-01770	Screw, 5/16-18 x 2.750 HHC	2
H43	2-00-00409	Flat Washer, .687 x .344 x .062	1
H44	2-00-00530	Lock Washer, 5/16 HS Med.	2
H46	2-00-00644	Nut, 5/16 - 18 , Insert Fiber	4
H49	2-00-00209	Screw, 3/8-16 x 1.250 HHC	3
H52	2-00-00402	Flat Washer, .750 x .390 x .094	6
H69	2-00-01255	Screw, 5/16-18 x .875 HHC	1

C1109/9812

BRAKE PEDAL - EXPLODED VIEW



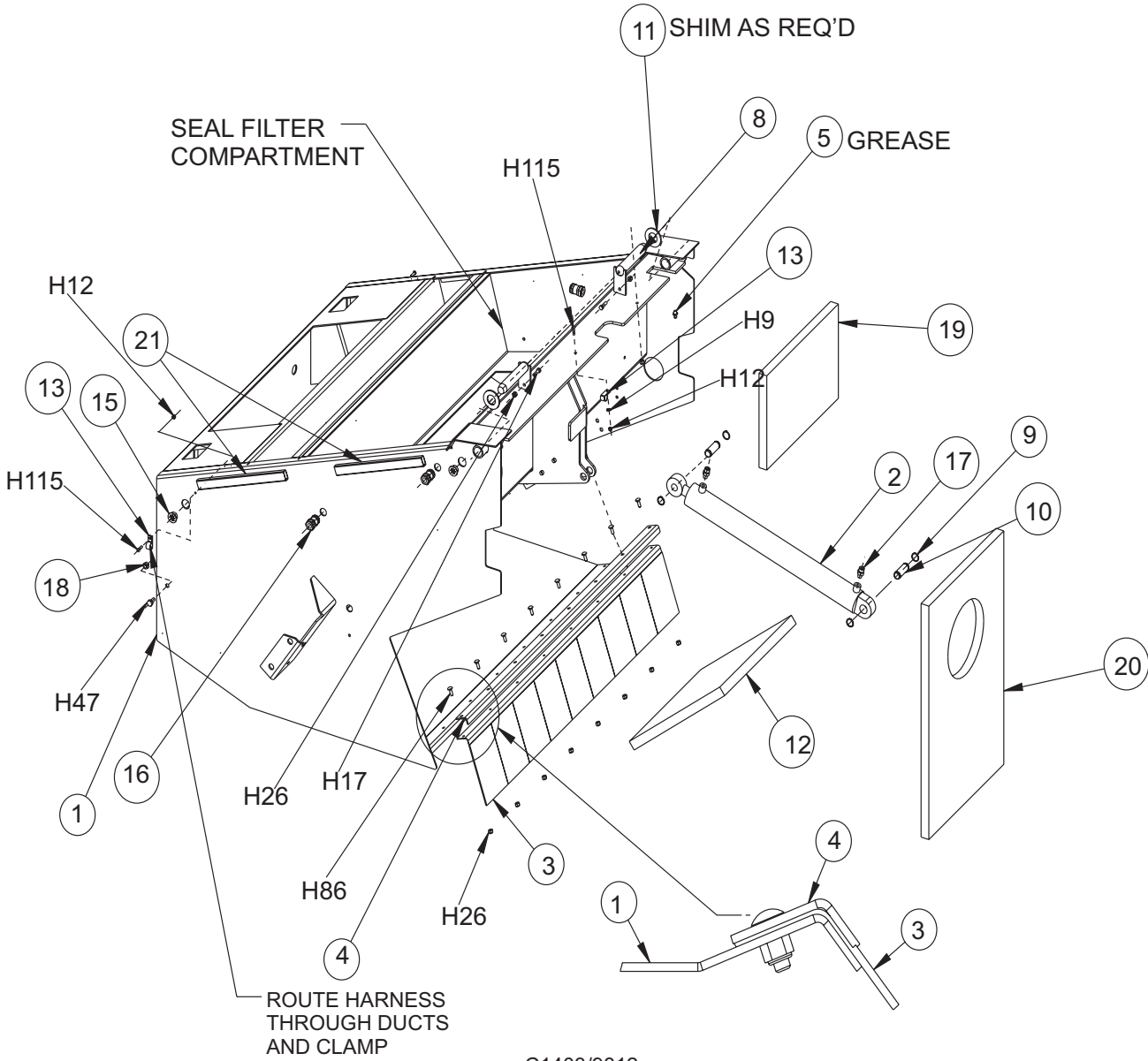
C1109/9812

HOPPER - PARTS LIST

<u>KEY NO.</u>	<u>PART NUMBER</u>	<u>DESCRIPTION</u>	<u>QTY.</u>
1	8-32-06105	Hopper	1
2	7-17-05014 0880-449	Lift Cylinder Lift Cylinder Seal Kit (Service Part)	1
3	8-25-08223	Hopper Flap	1
4	8-13-07169	Clamp, Hopper Flap	1
5	2-00-00566	Grease Zerk	2
8	8-55-08118	Pin, Hopper Pivot	2
9	2-00-00540	Retaining Ring, .750 Ext.	4
10	8-55-08123	Pin, 3/4 Dia.	2
11	2-00-05024	Washer	2
12	8-34-09024	Insulation	1
13	2-00-04210	Clamp	3
15	8-09-01082	Bushing, Star	3
16	8-09-01083	Bushing, Loc-Tite	2
17	2-00-04895	Fitting	2
18	2-95-04182	Nut, Fiber	1
19	8-34-09023	Insulation	1
20	8-34-09022	Insulation	1
21	8-20-06043	Duct Wire	2
22	2-00-05382	Hole Plug	1
HARDWARE USED:			
H9	2-00-00426	Flat Washer, .500 x .219 x .063	1
H12	2-00-01246	Nut, Hex Fiber Insert #10-24	3
H17	2-00-00205	Screw, 1/4-20 x 1.000 HHC	2
H26	2-00-00641	Nut, 1/4-20 Insert Fiber	10
H27	2-00-03702	Washer, .625 x .281 x .063	8
H47	2-00-00232	Screw, 3/8-16 x .750 HHC	1
H86	2-00-03575	Carriage Bolt, 1/4-20 x .750	8
H115	2-00-03063	Screw, #10-24 x .750 THM	3

C1403/9812

HOPPER - EXPLODED VIEW



HOPPER ASSEMBLY - PARTS LIST

<u>KEY NO.</u>	<u>PART NUMBER</u>	<u>DESCRIPTION</u>	<u>QTY.</u>
1	7-21-04022	Edging	1
2	8-82-00058	Switch, Door Indicator	1
3			
4	8-63-05014	Clogged Filter Switch	1
5	7-87-02155	Hose	1
6	2-00-04518	Fitting, 1/8 NPT - 1/4 Tube	1
7	8-24-04075	Filter Plug	1
8	8-20-06036	Duct Wire	1
9			
10	2-00-05253	Clamp	3
11	8-82-00050	Switch, Hopper	1
12	2-00-05261	Threaded Insert	1
13	2-00-00092	Carriage Bolt	2
14	2-00-03261	Grommet	1

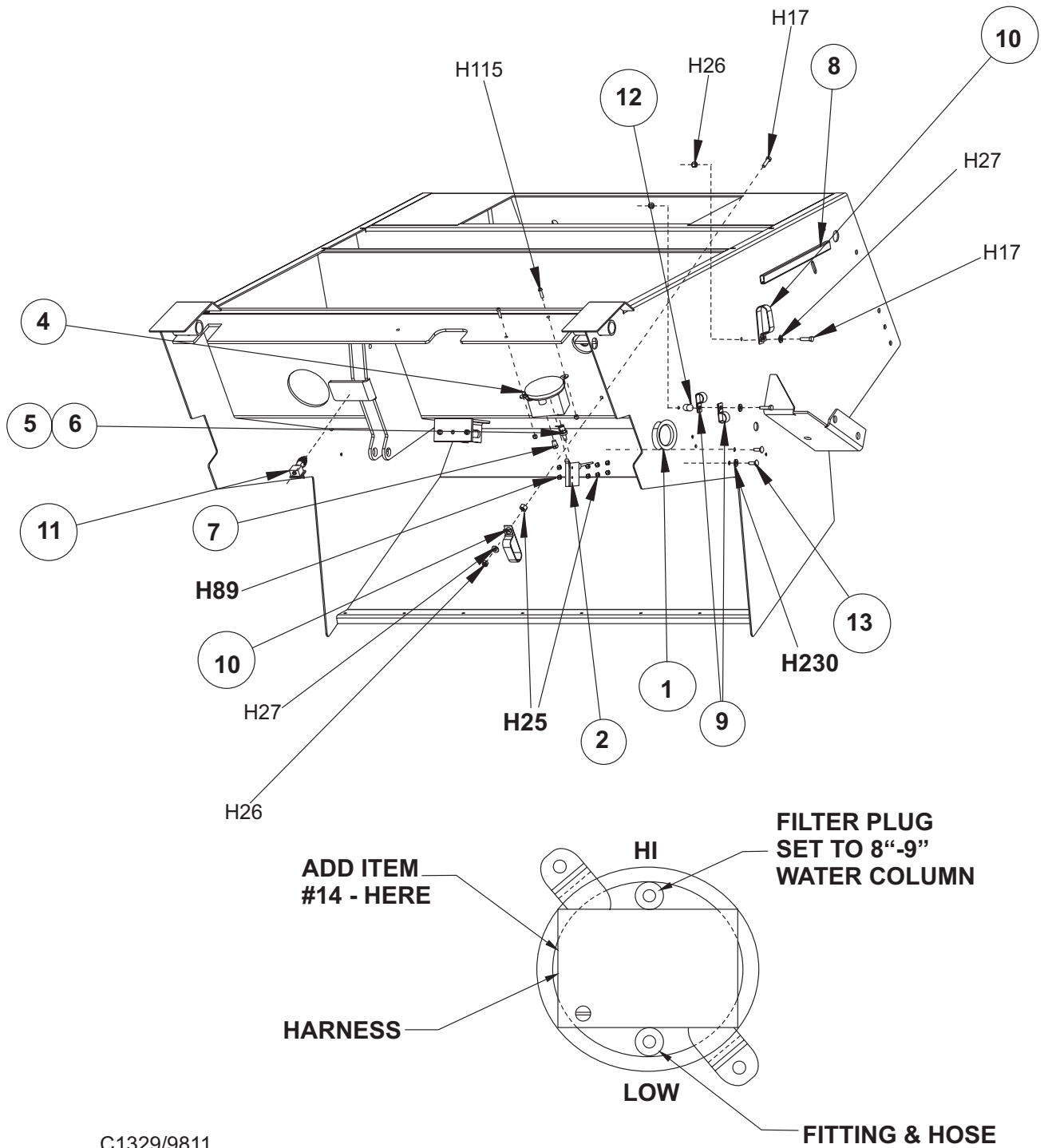
0860-635 Hopper Debris Lid Service Kit

HARDWARE USED:

H17	2-00-00205	Screw, 1/4-20 x 1.000 HHC	3
H25	2-00-00594	Nut, Hex 1/4-20 x .437 x .218	5
H26	2-00-00641	Nut, 1/4-20 Insert Fiber	2
H27	2-00-03702	Washer, .625 x .281 x .063	3
H89	2-00-01372	Nut, Fiber Insert #8-32 Steel	2
H115	2-00-03063	Screw, #10-24 x .750 THM	2
H230	2-00-00466	Flat Washer, .625 x .203 x .031	4

C1329/9901

HOPPER ASSEMBLY - EXPLODED VIEW



C1329/9811

HOPPER COVER - PARTS LIST

<u>KEY NO.</u>	<u>PART NUMBER</u>	<u>DESCRIPTION</u>	<u>QTY.</u>
1	8-08-00878	Bracket - Hinge Cover Pivot	2
2	8-16-07397	Cover , Filter	1
3	8-16-07398	Cover, Debris	1
4	8-29-00240	Gasket	1
5	8-29-00278	Gasket	1
6	8-29-00279	Gasket	1
7	8-41-00069	Latch, Cover	3
8	2-00-00233	Screw, 3/8-16 x 1.000 HHC	4
9	2-95-04182	Nut, 3/8-16 Stop Hex	4
10	2-00-03979	Flat Washer, 1.0 x .39 x .062	*
11	2-00-02360	Nut, 3/8-16 Hex	12
12	8-16-07411	Hopper Cover - RH	1
13	8-16-07412	Hopper Cover - LH	1
14	2-00-02310	Lock Washer, Helical Spring 3/8 Med.	6
15	7-89-07423	Rod, Threaded	6
16	8-10-00027	Cable	1
17	2-00-00221	Bolt, 1/4-20 x 3/4 Fin. Hex Head	2
18	2-00-00641	Nut, 1/4-20 Fiber Insert	2

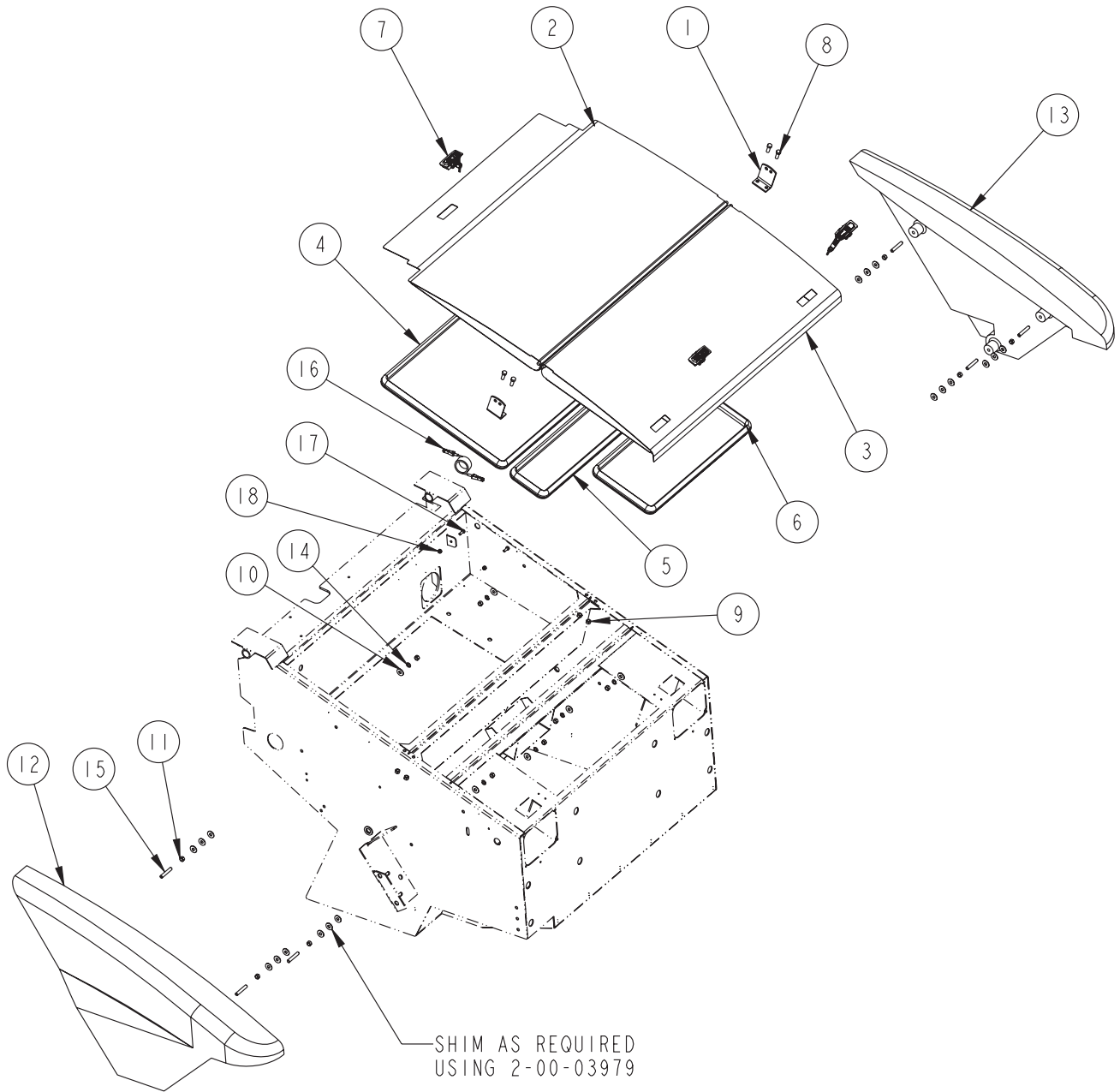
* = As Required

NOTE: Old latches (8-41-00040) include machines up to Serial Number 481411 and 481417 - 481419; and can only be used on the old covers.

NEW latches include machines with Serial Numbers 481412 - 481416 and 481420 on; and can only be used with the new covers.

C1644-1/0603

HOPPER COVER - EXPLODED VIEW

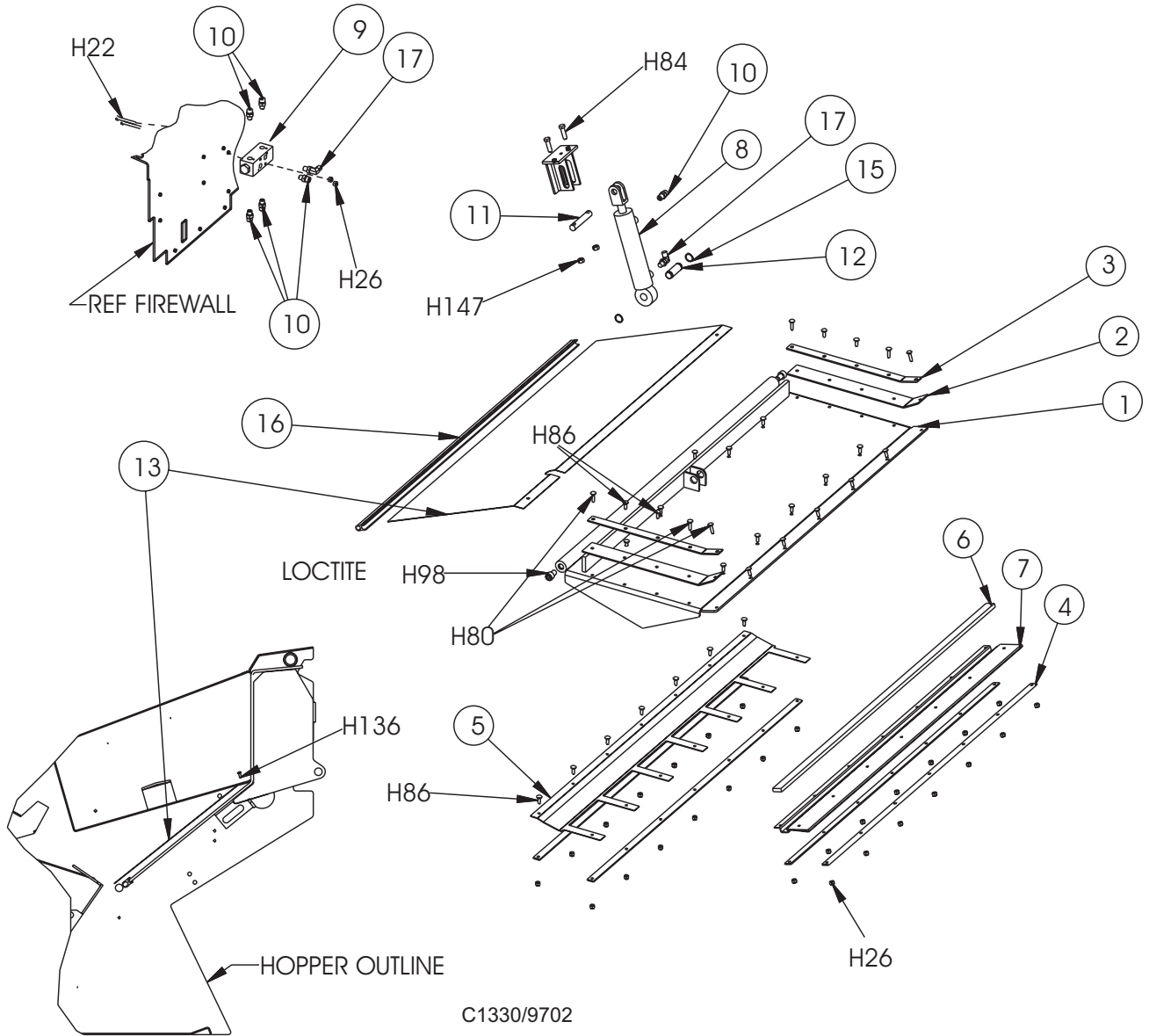


DUMP DOOR - PARTS LIST

<u>KEY NO.</u>	<u>PART NUMBER</u>	<u>DESCRIPTION</u>	<u>QTY.</u>
1	8-19-08058	Hopper Door	1
2	8-68-05075	Seal, Dump Door	2
3	8-13-07118	Clamp, Door Seal	2
4	8-13-07119	Clamp, Door Seal	4
5	8-25-08193	Flap, Door Vent	1
6	8-68-05076	Seal, Dump Door	1
7	8-68-05077	Seal, Dump Door	1
8	7-17-05011	Cylinder	1
	7-70-00021	Cylinder Seal Kit (Service Part)	
9	8-88-00064	Valve	1
10	2-00-04895	Fitting	6
11	8-55-08124	Pin, Door Cylinder	1
12	8-55-08123	Pin, 3/4 Dia.	1
13	8-52-00191	Panel, Hopper Seal	1
15	2-00-00540	Retaining Ring, 3/4 Dia.	2
16	8-29-00149	Gasket, Dump Door	1
17	2-00-04892	Fitting	2
HARDWARE USED:			
H22	2-00-02589	Screw, 1/4 - 20 x 2.000 HHC	2
H26	2-00-00641	Nut, 1/4-20 Insert Fiber	34
H80	2-00-02196	Carriage Bolt, 1/4-20 x 1.000 RHM	6
H84	2-00-00228	Screw, 5/16-18 x 2.250 HHC	2
H86	2-00-03575	Carriage Bolt, 1/4-20 x .750	30
H98	2-00-05277	Screw, 1/2-13 x .750 HSHC	2
H136	2-00-03940	Screw, #10-24 x .500 T/C HH	2
H147	2-00-00642	Nut, Fiber Insert 5/18-18	2

C1330/9702

DUMP DOOR - EXPLODED VIEW



FILTER SHAKER - PARTS LIST

<u>KEY NO.</u>	<u>PART NUMBER</u>	<u>DESCRIPTION</u>	<u>QTY.</u>
1	8-13-07170	Clamp, Filter	1
2	8-05-07090	Vibrator Bar	1
3	8-09-01083	Bushing	1
4	8-58-05280	Plate, Shaker	1
5	8-03-04302	Arm, Shaker	1
6	8-16-07406	Filter Shaker Motor Cover	1
7	0860-623	Filter Shaker Motor	1
8	8-89-04019	Weight	1
9	8-24-04139-1	Filter	1
	8-24-04139-2	POLY Filter Option	
10	8-13-07168	Mounting Angle, Shaker	1
11	8-41-00065	Latch	1
12	8-08-00786	Mounting Angle, Shaker	1
13	8-90-07433	Wire, Hopper Shaker	1
14	2-00-05330	Threaded Insert, 5/16 - 18	3
15	8-68-05099	Dust Seal	1
16	8-13-07172	Clamp - Vibration Bar	1

HARDWARE USED:

H26	2-00-00641	Nut, 1/4-20 Insert Fiber	8
H27	2-00-03702	Washer, .625 x .281 x .063	8
H34	2-00-00208	Screw, 5/16-18 x .750 HHC	5
H37	2-00-00207	Screw, 5/16 - 18 x 1.250 HHC	2
H44	2-00-00530	Lock Washer, 5/16 HS Med.	3
H46	2-00-00644	Nut, 5/16 - 18 Insert Fiber	2
H58	2-00-00241	Screw, 1/2 - 13 x 1.750 HHC	2
H64	2-00-00596	Nut, Hex 1/2 - 13 x .750 x .437	2
H65	2-00-04936	Nut, 1/2 - 13 Fiber Lock	2
H81	2-00-05276	Screw, 3/8 - 16 x 5.500	1
H86	2-00-03575	Carriage Bolt, 1/4-20 x .750	8
H87	2-00-00263	Set Screw, 1/4-20 x .250 HSKCP	1
H219	2-00-05359	Nut, Serrated Flange 5/16 - 18	4

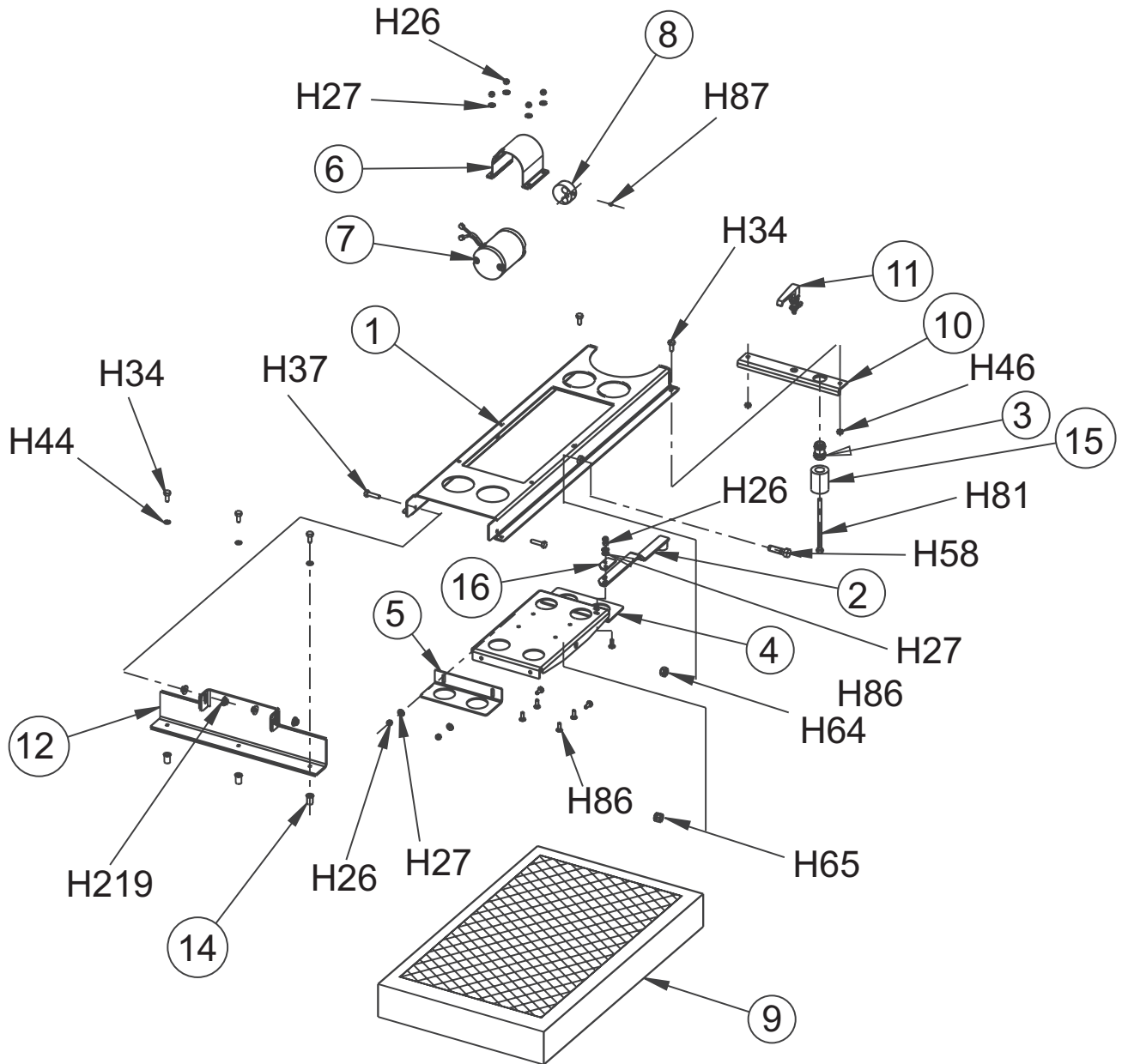
FRAME AND SHAKER ADJUSTMENT INSTRUCTIONS:

- ADJUST FRAME TO FILTER- ADJUST FILTER FRAME PIVOT BOLTS AND PAWL OF FILTER FRAME LATCH SUCH THAT FILTER GASKET COMPRESSES APPROXIMATELY 1/8 INCH.
- ADJUST SHAKER TO FILTER-ADJUST SHAKER ARM (8-03-04302) SUCH THAT IT AND SHAKER PLATE (8-58-05280) FORCE FILTER SCREEN TO CONTACT FILTER MEDIA.

NOTE: DO NOT COMPRESS FILTER MEDIA WITH SHAKER

C1404/9812

FILTER SHAKER - EXPLODED VIEW



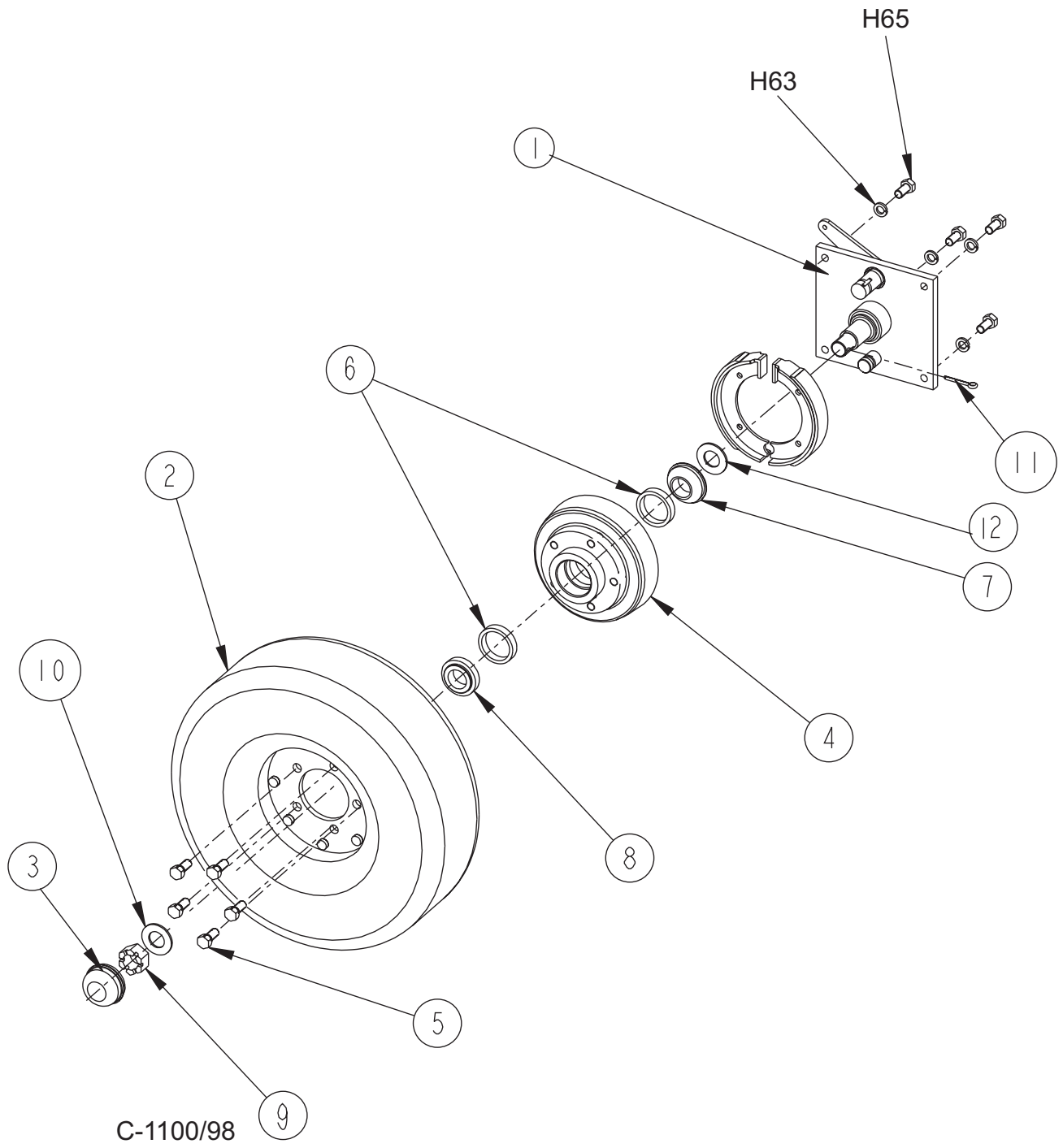
C1404/9906

FRONT WHEEL - PARTS LIST

<u>KEY NO.</u>	<u>PART NUMBER</u>	<u>DESCRIPTION</u>	<u>QTY.</u>
1	0860-703 8-71-05007	Brake Brake Shoe (Service Part)	2
2	8-89-08067 8-85-06021 8-70-00085 8-70-00084 8-65-05015 7-18-00159	Wheel Assy., Pneumatic - 18.5" Tire, 5 x 8 (Service Part) Tube (Service Part) Flap Rim Assy., 5 x 8 x 3.75 (Service Part) Decal, Pneumatic Tire Warning	2
3	8-11-00030	Grease Cap	2
4	8-33-09089	Hub and Drum	2
5	8-80-05035	Stud	10
6	2-00-04621	Bearing Cup	4
7	2-00-02079	Bearing Cone (Sealed)	2
8	2-00-04622	Bearing Cone	2
9	2-00-05026	Nut, Slotted Hex 1-14 UNF	2
10	2-00-05024	Flat Washer	2
11	2-00-02436	Cotter Pin	2
12	2-00-03797	Flat Washer	*
	* AS NEEDED		
HARDWARE USED:			
H63	2-00-02312	Lock Washer, 1/2 HS Med.	8
H66	2-00-02689	Screw, 1/2-20 x 1.000 HHC	8

C1100

FRONT WHEEL - EXPLODED VIEW



REAR (DRIVE) WHEEL - PARTS LIST

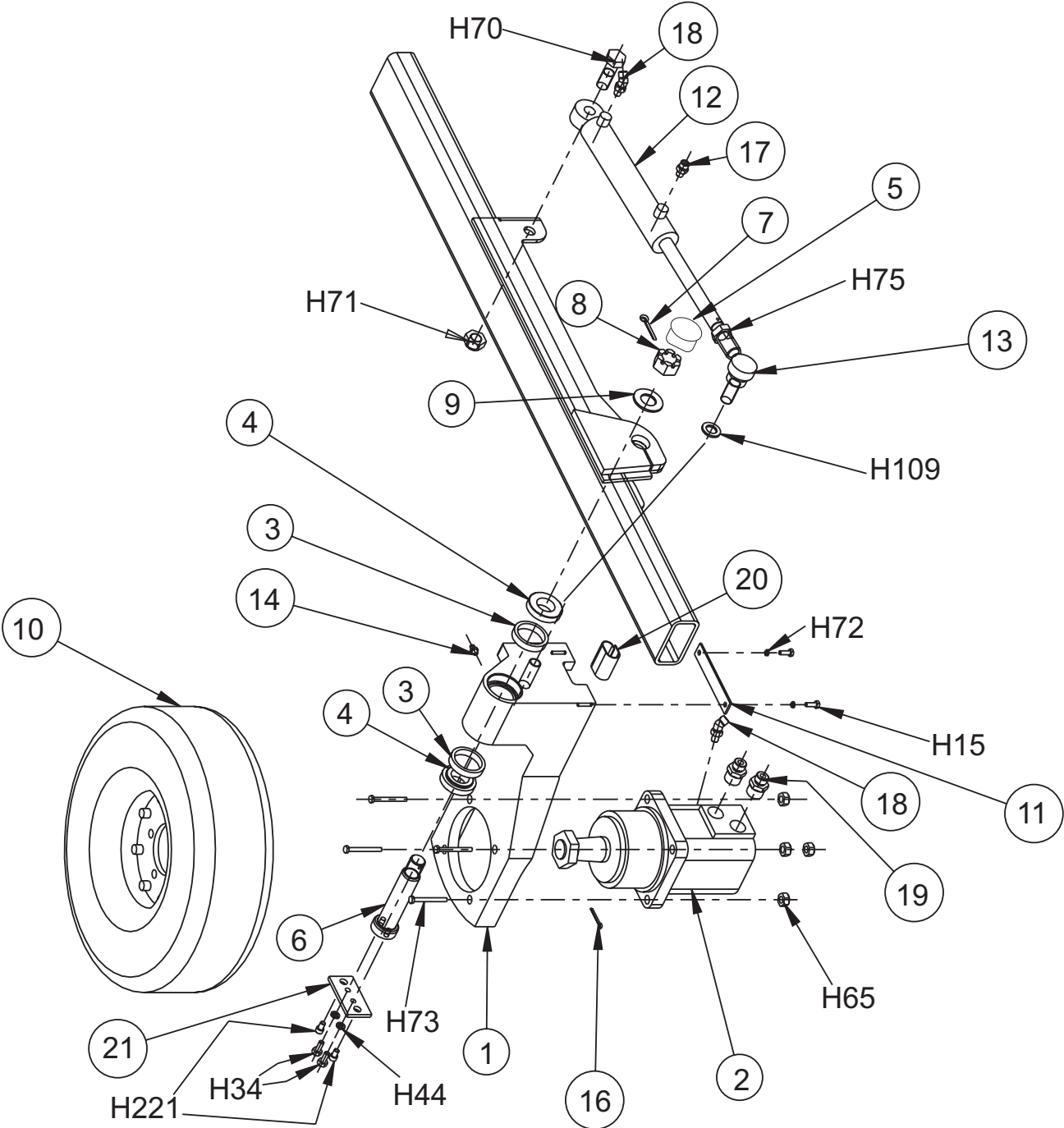
<u>KEY NO.</u>	<u>PART NUMBER</u>	<u>DESCRIPTION</u>	<u>QTY.</u>
1	8-92-00040	Yoke, Rear Wheel	1
2	0885-083	Hydraulic Motor, 4000 Series	1
	0880-238	Motor Seal Kit (Service Part)	
	0880-586	Shaft Seal Kit (Service Kit)	
3	2-00-04621	Bearing, Outer Race (Cup Only)	2
4	2-00-02079	Bearing, Roller	2
5	7-11-00048	Cap, 7/8 Hex Nut	1
6	8-55-08131	Pivot Pin, Rear Wheel	1
7	2-00-02436	Cotter Pin	1
8	2-00-05026	Nut, Slotted Hex 1-14 UNF	1
9	2-00-05024	Flat Washer	1
10	8-89-08068	Wheel Assembly	1
	8-85-06021	Tire (Service Part)	
	8-70-00085	Tube (Service Part)	
	8-33-09088	Inner Rim	
	8-65-05017	Outer Rim	
	8-80-05035	Stud (Qty. 6)	
	8-70-00084	Flap	
	7-18-00159	Decal, Pneumatic Wheel Warning	
	0860-639	Service Kit - Wheel Mount	
11	8-65-00045	Retainer, Hydraulic Hose	1
12	7-17-05017	Hydraulic Cylinder	1
	7-70-00021	Cylinder Seal Kit (Service Part)	
13	8-66-00149	Rod End	1
14	2-00-00566	Grease Zerk	1
15			
16	2-00-00776	Cotter Pin, .12 diameter	1
17	2-00-04895	Fitting, Straight	1
18	2-00-04976	Fitting, 45°	2
19	2-00-04979	Fitting, Straight	2
20	8-30-05175	Guard - Hose	1
21	7-13-07176	Clamp - Pivot Pin	1

HARDWARE USED:

H15	2-00-00221	Screw, 1/4-20 x .750 HHC	2
H34	2-00-00208	Screw, 5/16 - 18 x 7.50 HHC	2
H44	2-00-00530	Lock Washer, 5/16 HS Med.	2
H65	2-00-04936	Nut, 1/2-13 Fiber Lock	4
H70	2-00-05254	Screw, 3/4-10 x 2.250 HHC	1
H71	2-00-05255	Nut, 3/4-10 Nylon Lock	1
H72	2-00-00518	Lock Washer, Helical Spring	2
H73	2-00-00247	Screw, 1/2-13 x 2.500 HHC	4
H75	2-00-00618	Nut, Hex Jam 3/8-16	1
H109	2-00-00522	Lock Washer, 3/4 Helical Spring	1
H221	2-00-03335	Screw, 5/16-18 x .500 Hex Soc. Cap	2

C1311a/0703

REAR (DRIVE) WHEEL - EXPLODED VIEW



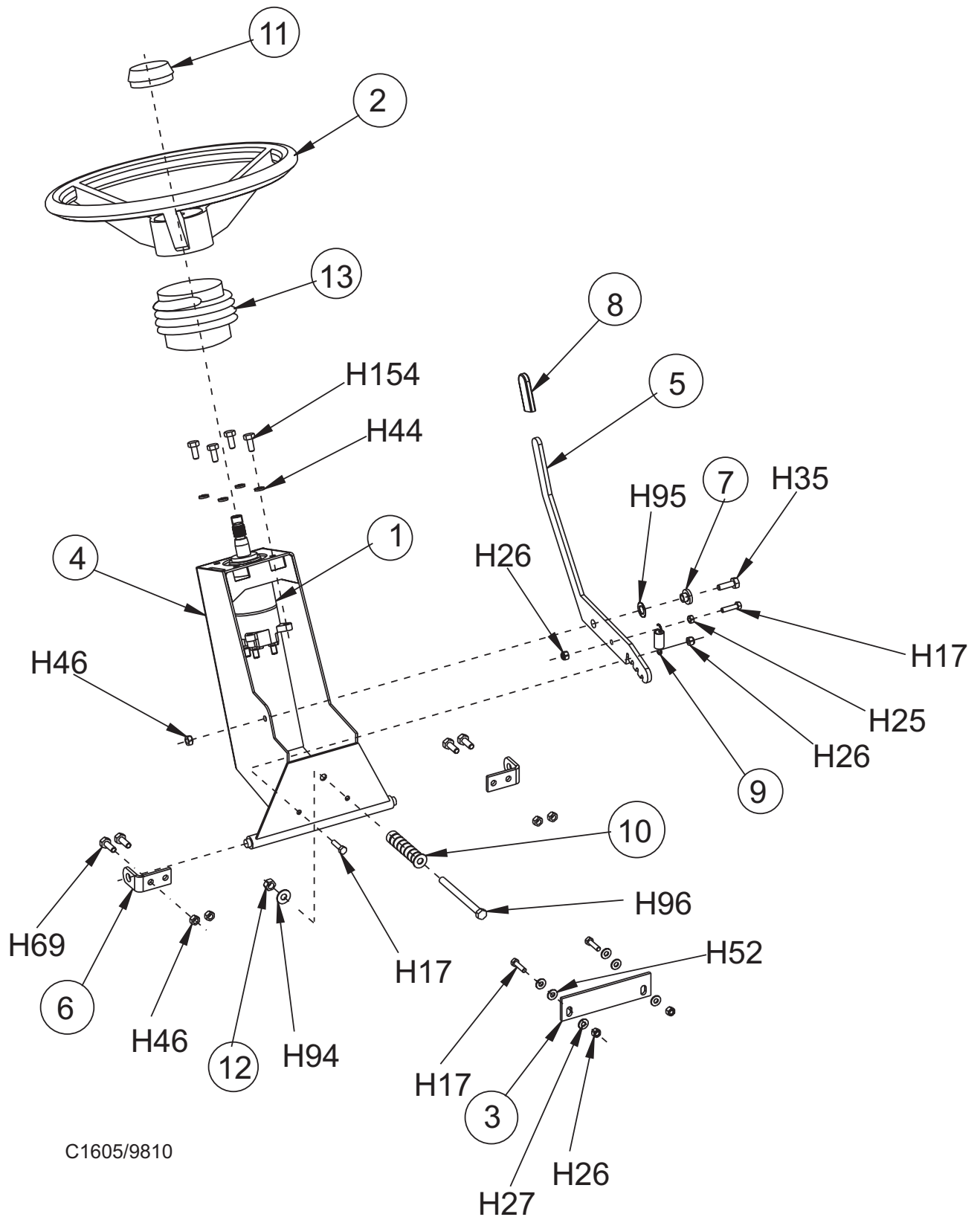
C1311A/0703

STEERING COLUMN - PARTS LIST

<u>KEY NO.</u>	<u>PART NUMBER</u>	<u>DESCRIPTION</u>	<u>QTY.</u>
1	8-60-05034	Steering Control Unit	1
2	8-89-08016	Steering Wheel	1
3	8-58-05270	Plate, Latch	1
4	8-33-05136	Steering, Housing	1
5	8-41-00050	Latch, Tilt Steering	1
6	8-08-00780	Housing, Mounting Bracket	2
7	7-09-01057	Bushing	1
8	8-31-06083	Grip, Latch	1
9	8-76-00042	Spring, Tension	1
10	2-10-01336	Spring, Compression	1
11	8-11-00022	Cap	1
12	2-95-04182	Stop Nut, Elastic	1
13	8-33-02360	Hose, Heat Shield	1
HARDWARE USED:			
H17	2-00-00205	Screw, 1/4-20 x 1.000 HHC	4
H25	2-00-00594	Nut, Hex 1/4-20 x .437 x .218	1
H26	2-00-00641	Nut, 1/4-20 Insert Fiber	4
H27	2-00-03702	Washer, .625 x .281 x .063	2
H35	2-00-02708	Screw, 5/16-18 x 1.000 HHM	1
H44	2-00-00530	Lock Washer, 5/16 HS Med.	4
H46	2-00-00644	Nut, 5/16-18, Insert Fiber	5
H52	2-00-00402	Flat Washer, .750 x .390 x .94	4
H69	2-00-01255	Screw, 5/16-18 x .875 HHC	4
H94	2-00-00410	Flat Washer, .875 x .375 x .060	2
H95	2-00-03382	Spring Washer, .875 x .500 x .015	1
H96	2-00-02605	Screw, 3/8-16 x 4.500 HHC, Cadium Pl	1
H154	2-00-04363	Screw, M8 - 1.250 x .750	4

C1605/9812

STEERING COLUMN - EXPLODED VIEW

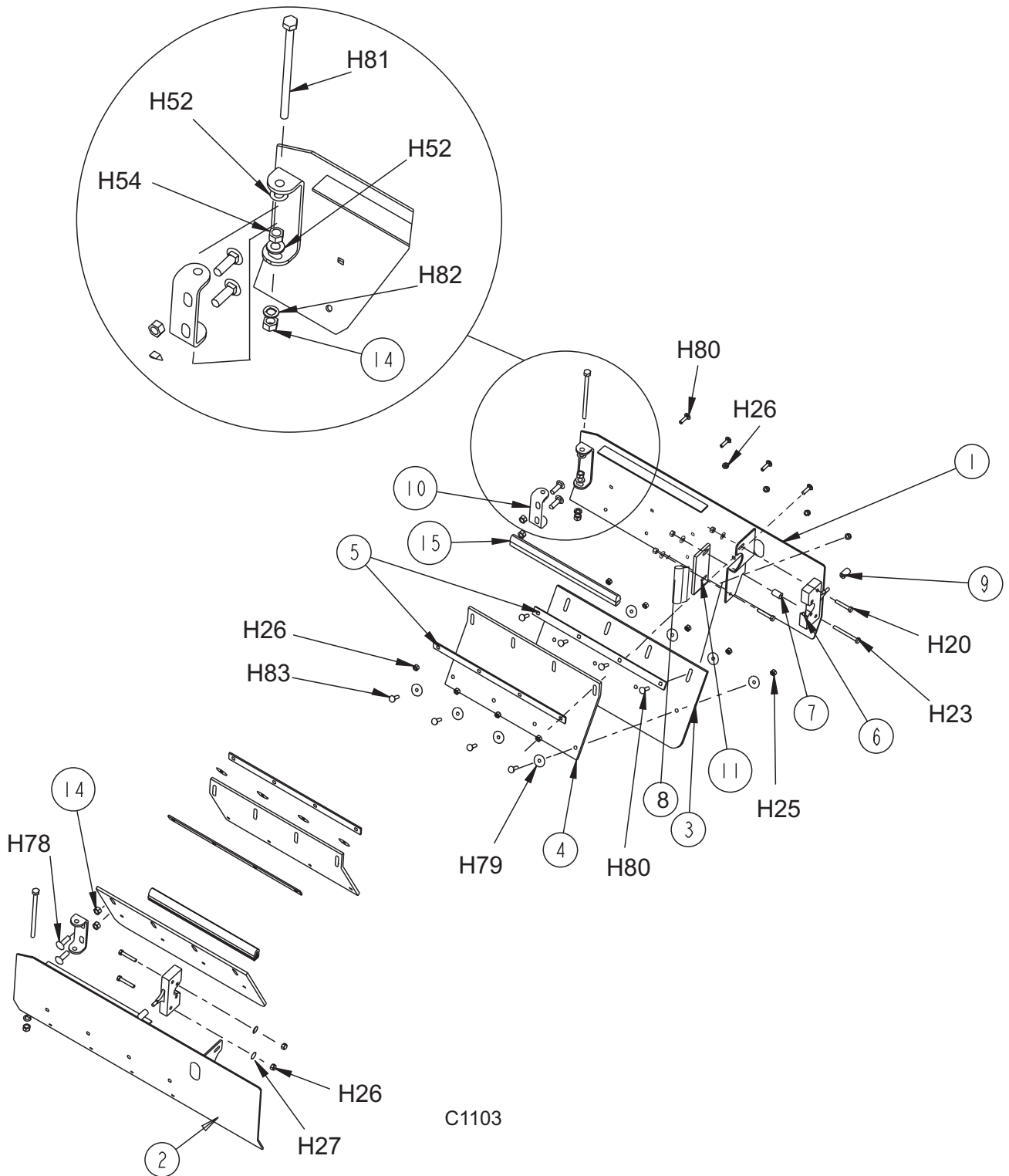


BROOM DOOR - PARTS LIST

<u>KEY NO.</u>	<u>PART NUMBER</u>	<u>DESCRIPTION</u>	<u>QTY.</u>
1	8-19-08060	Broom Door Weldment (Right)	1
2	8-19-08059	Broom Door Weldment (Left)	1
3	8-25-08222	Flap, Broom Door (Outer)	2
4	8-25-08198	Flap, Broom Door (Inner)	2
5	8-13-07116	Clamp, Broom Door Flap	4
6	8-41-00052	Latch	2
7	8-75-01199	Spacer, Broom Door Latch	1
8	8-29-00232	Gasket	1
9	8-39-00015	Latch Knob, Broom Door	2
10	8-57-05024	Door Pivot Bracket	2
11	8-58-05271	Plate, Idler Retainer	1
14	2-95-04182	Nut, Fiber	6
15	8-29-00235	Edging	2
HARDWARE USED:			
H20	2-00-00203	Screw, 1/4-20 x 1.500 HHC	4
H23	2-00-01980	Screw, 1/4-20 x 2.500 HHC	1
H25	2-00-00594	Nut, Hex 1/4-20 x .437 x .218	8
H26	2-00-00641	Nut, 1/4-20 Insert Fiber	21
H27	2-00-03702	Washer, .625 x .281 x .063	5
H52	2-00-00402	Flat Washer, .750 x .390 x .094	4
H54	2-00-02360	Nut, 3/8-16 Hex.	2
H78	2-00-05187	Carriage Bolt, 3/8-16 x 1.250	4
H79	2-00-01676	Flat Washer, 1.062 x .265 x .062	16
H80	2-00-02196	Carriage Bolt, 1/4-20 x 1.000 RHM	16
H81	2-00-05276	Screw, 3/8-16 x 5.500	2
H82	2-00-00505	Lock Washer, 3/8 Int. Tooth	2
H83	2-00-04877	Screw, 1/4-20 x 1.000 BHS	8

C1103/9812

BROOM DOOR - EXPLODED VIEW

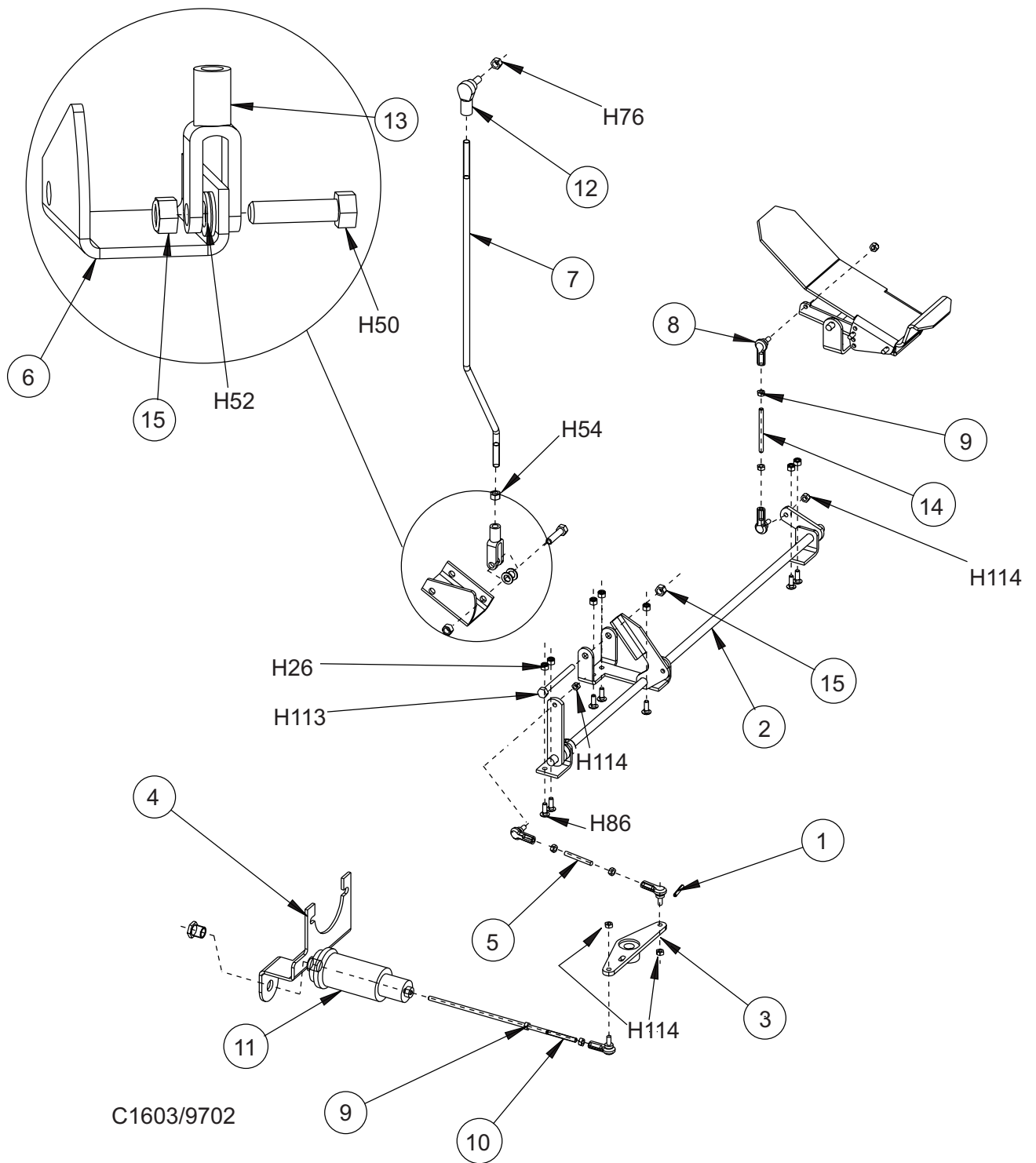


FORWARD/REVERSE CONTROL - PARTS LIST

<u>KEY NO.</u>	<u>PART NUMBER</u>	<u>DESCRIPTION</u>	<u>QTY.</u>
1	2-00-00880	Roll Pin	1
2	8-70-05294	Forward/Reverse Shaft	1
3	8-03-04322	Arm, Pump Control	1
4	8-08-00877	Bracket, Hydroback	1
5	8-66-00169	Rod, 1/4-28 x 2.0 Threaded	1
6	8-03-04306	Arm, Speed Limiter	1
7	8-66-00172	Rod, Speed Limiter	1
8	7-25-02050	Rod End	5
9	2-95-01999	Nut, Jam	6
10	8-66-00189	Rod, Threaded	1
11	8-16-00063	Centering Control	1
12	8-66-00173	Rod End	1
13	8-14-01001	Clevis	1
14	8-66-00194	Rod, Threaded, 1/4-28 x 1.50	1
15	2-95-04182	Nut, Fiber	2
HARDWARE USED:			
H26	2-00-00641	Nut, 1/4-20 Insert Fiber	7
H50	2-00-00234	Screw, 3/8-16 x 1.50 HHC	1
H52	2-00-00402	Flat Washer, .750 x .390 x .094	2
H54	2-00-02360	Nut, 3/8-16 Hex.	1
H76	2-00-00632	Nut, Fiber Insert 3/8-24 Steel	1
H86	2-00-03575	Carriage Bolt, 1/4-20 x .75	7
H113	2-00-03333	Screw, 3/8-16 x 3.75 HHC	1
H114	2-00-00633	Nut, Fiber 1/4-28	5

C1603/2-04

FORWARD/REVERSE CONTROL - EXPLODED VIEW



ADJUSTABLE FOOT PEDAL - PARTS LIST

<u>KEY NO.</u>	<u>PART NUMBER</u>	<u>DESCRIPTION</u>	<u>QTY.</u>
1	8-55-00034	Adjustable Foot Pedal	1
2	8-55-00035	Pedal Base	1
3	8-08-00782	Bracket	1
4	2-00-05246	Pin	1
5	2-00-05247	Pin	2
6	2-00-05249	Cotter Pin	3
7	7-23-03048	Spring Washer	*

* AS NEEDED

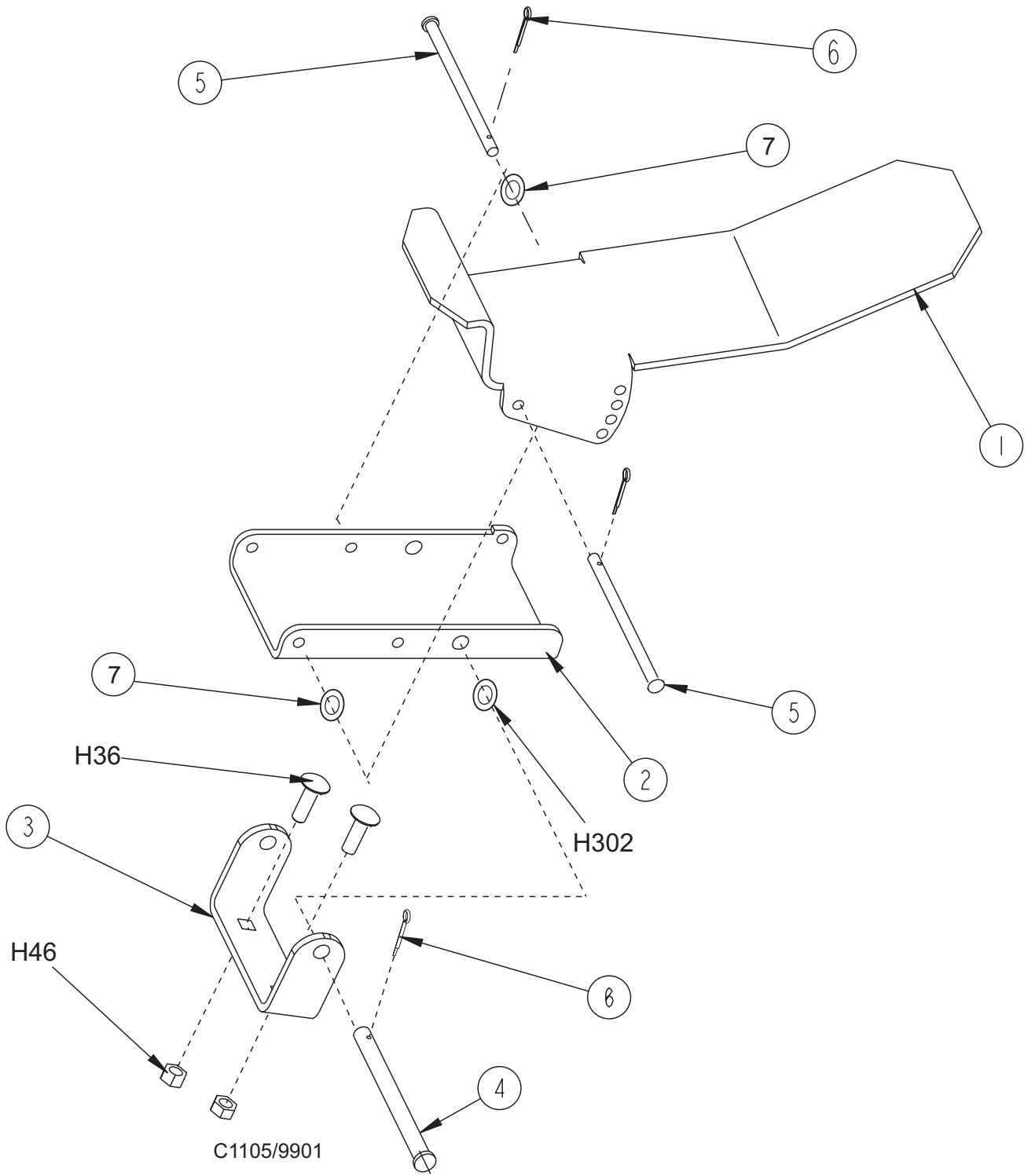
HARDWARE USED:

H36	2-00-00196	Carriage Bolt, 5/16-18 x 1.000	2
H46	2-00-00644	Nut, 5/16-18, Insert Fiber	2
H302*	2-00-00490	Washer, Spring, Shakeproof	1

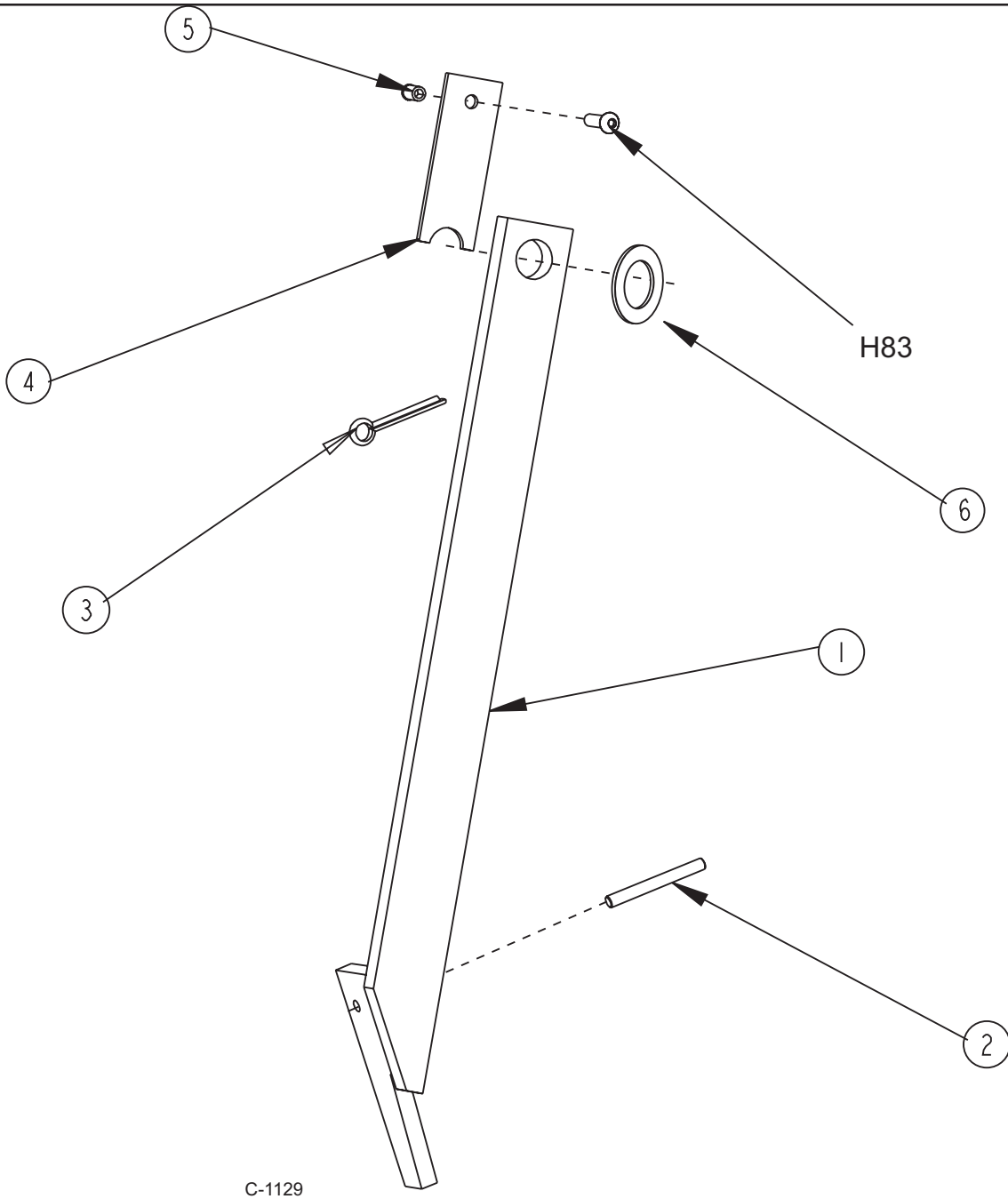
* DIESEL ONLY

C1105/9901

ADJUSTABLE FOOT PEDAL - EXPLODED VIEW



SAFETY ARM



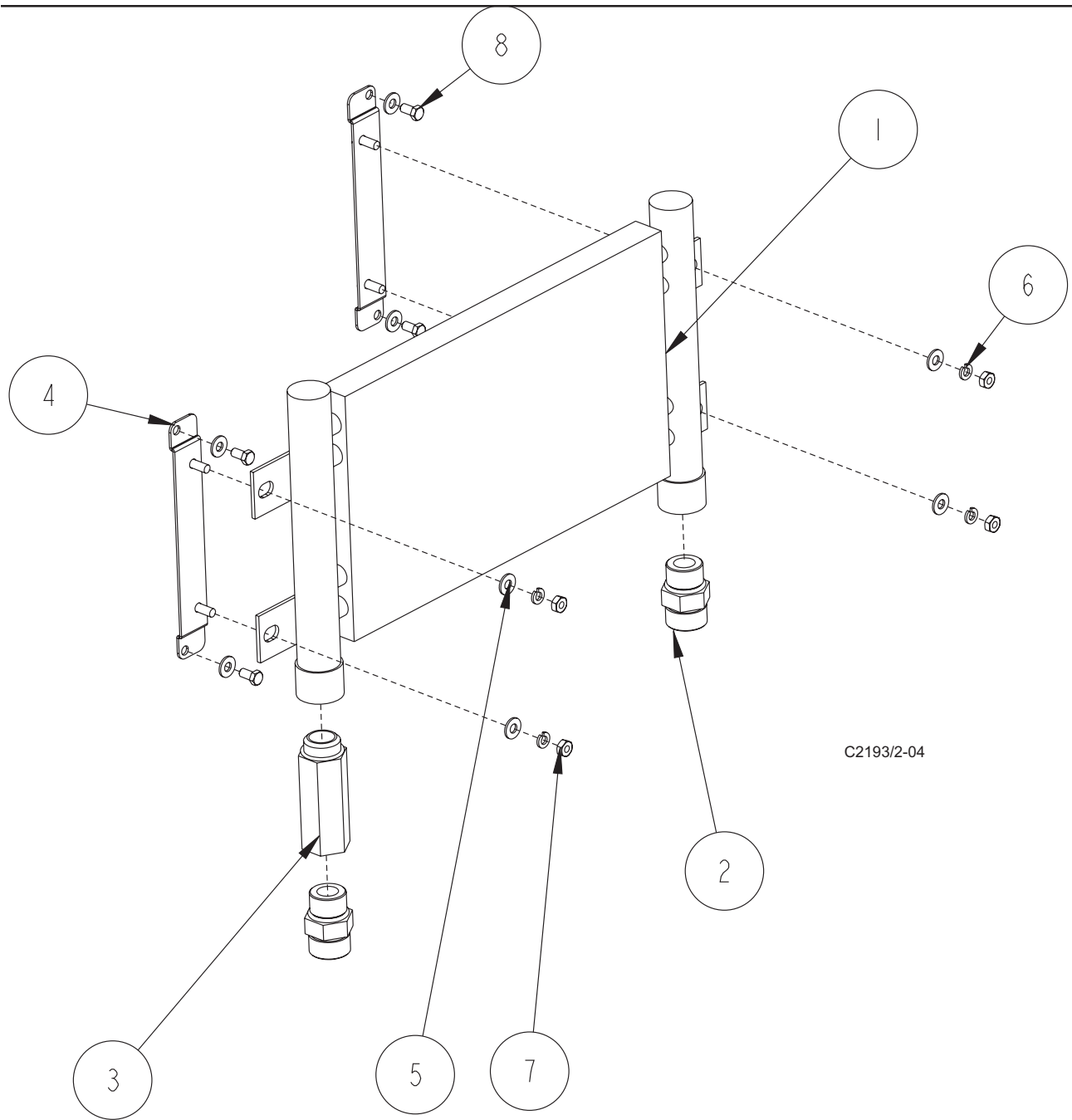
C-1129

<u>KEY NO.</u>	<u>PART NUMBER</u>	<u>DESCRIPTION</u>	<u>QTY.</u>
1	8-81-00168	Safety Arm Weldment	1
3	2-00-02436	Cotter Pin	1
4	8-71-00018	Shim	1
5	2-00-05261	Threaded Insert	1
6	2-00-00432	Flat Washer	1

HARDWARE USED:

H83	2-00-04877	Screw, 1/4-20 x 1.000 BHS	1
-----	------------	---------------------------	---

OIL COOLER

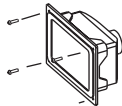
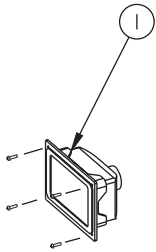


C2193/2-04

KEY NO.	PART NUMBER	DESCRIPTION	QTY.
1	8-62-01012	Oil Cooler	1
2	2-00-04973	Fitting	2
3	8-88-00059	Check Valve, 5 psi	1
4	7-08-01189	Bracket, Oil Cooler	2
5	2-00-03702	Washer, .625 x .281 x .063	8
6	2-00-00518	Lock Washer, 1/4" Helical Spring	4
7	2-00-00594	Nut, 1/4-20 Hex	4
8	2-00-00219	Bolt, 1/4-20 Fin. Hex Head	4

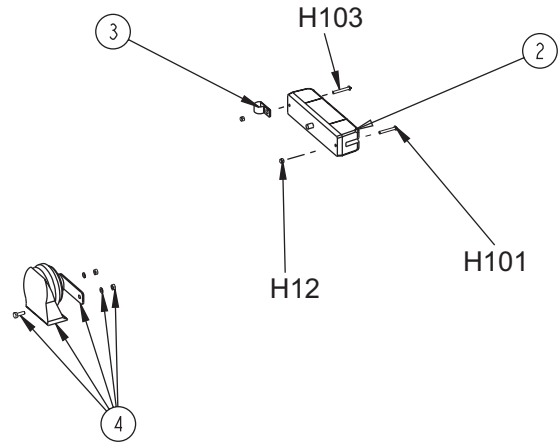
C2193/2-04

LIGHTS & HORN



H102

C1115

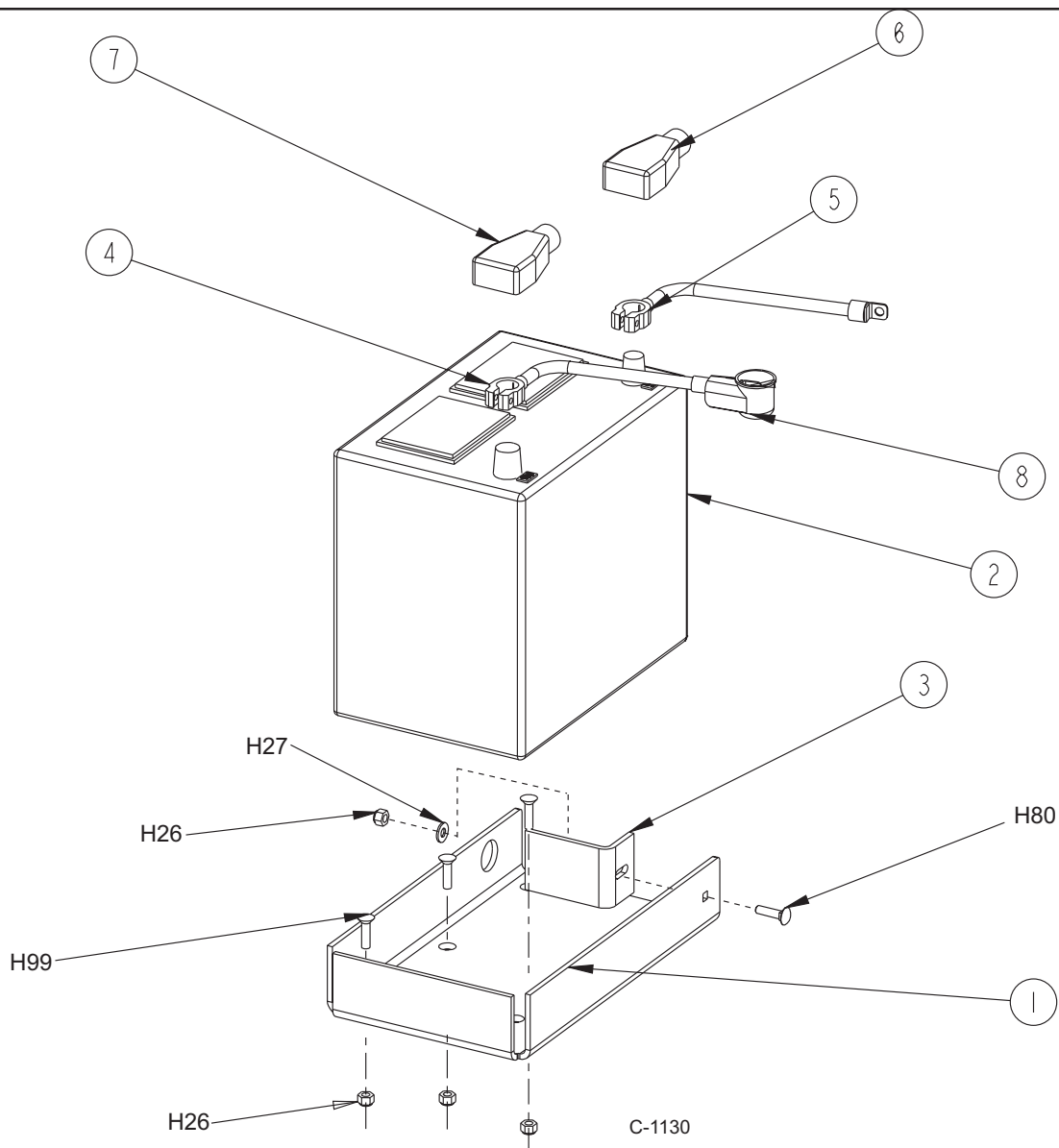


<u>KEY NO.</u>	<u>PART NUMBER</u>	<u>DESCRIPTION</u>	<u>QTY.</u>
1	8-40-05051	Head Light	2
	8-40-05050	Head Light Sealed Beam (Service Part)	
2	8-40-05044	Tail Light	1
	2-00-05291	Bulb, Tail Light (Service Part)	
	8-41-03010	Lens, Tail Light, Center (Service Part)	
	8-41-03011	Lens, Tail Light, Outer (Service Part)	
3	2-00-04210	Clamp	1
4	8-32-09013	Horn	1

HARDWARE USED:

H12	2-00-01246	Nut, Hex Fiber Insert #10-24	2
H101	2-00-04897	Screw, #10-24 x 1.250 THM	1
H102	2-00-04795	Screw, #10-24 x .750 BHS	8
H103	2-00-00089	Screw, 10-24 x 1.500 RHM	1

C1115/9812



<u>KEY NO.</u>	<u>PART NUMBER</u>	<u>DESCRIPTION</u>	<u>QTY.</u>
1	8-08-00792	Battery Bracket	1
2	0875-008	Battery	1
	0875-057	Battery (Diesel Only)	1
3	7-13-07109	Battery Bracket	1
4	7-90-07280	Cable, Positive	1
5	7-90-07281	Cable, Negative	1
6	2-00-05171	Boot, Black	1
7	2-00-05173	Boot, Red	1
8	2-00-04952	Boot, Red	1

HARDWARE USED:

H26	2-00-00641	Nut, 1/4-20 Insert Fiber	4
H27	2-00-03702	Washer, .625 x .281 x .063	1
H80	2-00-02196	Carriage Bolt, 1/4-20 x 1.000 RHM	1
H99	2-00-02810	Screw, 1/4-20 x 1.000 FHM	3

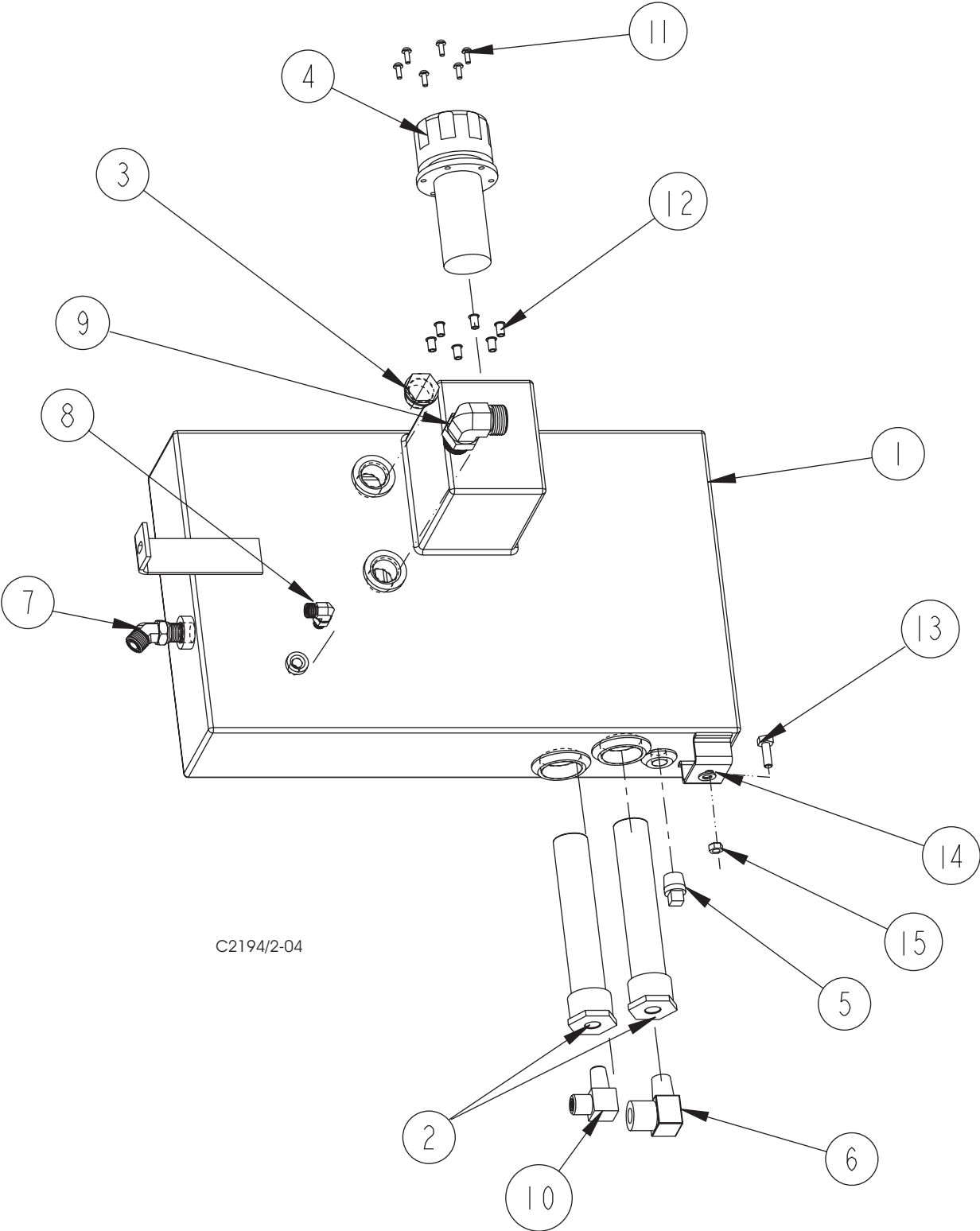
C1130/990

HYDRAULIC RESERVOIR - PARTS LIST

<u>KEY NO.</u>	<u>PART NUMBER</u>	<u>DESCRIPTION</u>	<u>QTY.</u>
1	8-83-04044	Reservoir	1
2	8-24-04115	Strainer, Hyd. Fluid	2
3	8-48-05033	Sight Glass, Hyd. Fluid	1
4	8-11-00026	Filter Cap Assy., Reservoir	1
5	2-00-02474	Plug, 1/2 NPT	1
6	2-00-05074	Fitting, 3/4 NPT - 12 ORS, 90°	1
7	2-00-04975	Fitting, 8 SAE 45° Elbow	1
8	2-00-04892	Fitting, 90° Elbow (O-Ring)	1
9	2-00-04972	Fitting, -12 ORS x -12 SAE, 90°	1
10	2-00-05438	Fitting, 3/4 MP x 1/2 ORS 90° Elbow	1
11	2-00-00049	Screw, 10-24 x .50 RHM	6
12	2-00-05262	Insert, 10-24 Threaded	6
14	2-00-00409	Flat Washer, .687 x .344 x .062	1
13	2-00-02708	Screw, 5/16-18 x 1.000 HHM	1
15	2-00-00644	Nut, 5/16-18, Insert Fiber	1

C2194/2-04

HYDRAULIC RESERVOIR - EXPLODED VIEW

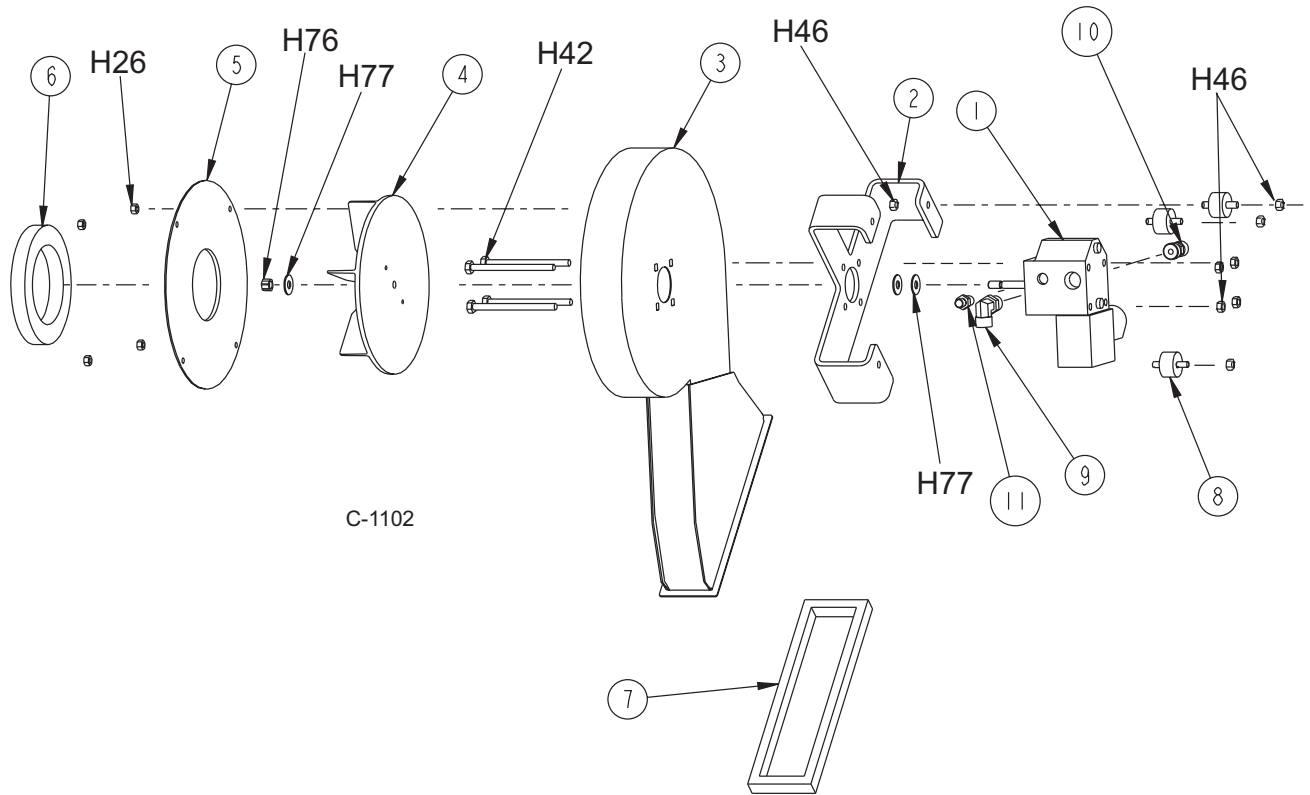


VACUUM FAN - PARTS LIST

<u>KEY NO.</u>	<u>PART NUMBER</u>	<u>DESCRIPTION</u>	<u>QTY.</u>
1	0882-064	Vacuum Motor	1
2	8-08-00787	Bracket, Vacuum Fan	1
3	8-20-06035	Vacuum Fan Exhaust Duct	1
4	8-23-00012	Fan Impellor	1
5	8-30-05169	Guard, Impellor	1
6	8-29-00183	Gasket, Blower	1
7	8-29-00230	Gasket, Blower Exhaust	1
8	8-50-05037	Radiator Mount Pad	3
9	2-00-04885	Fitting, 90°	1
10	2-00-04970	Fitting, Straight	1
11	2-00-04895	Fitting, Straight	1
12	0875-117	Diode Assembly	1
HARDWARE USED:			
H26	2-00-00641	Nut, 1/4-20 Insert Fiber	4
H42	2-00-02655	Screw, 5/16-18 x 4.500 HHC	4
H46	2-00-00644	Nut, 5/16-18, Insert Fiber	10
H76	2-00-00632	Nut, Fiber Insert 3/8-24 Steel	1
H77	2-00-00484	Flat Washer, .625 x .375 x .046	3

C1102/9908

VACUUM FAN - EXPLODED VIEW

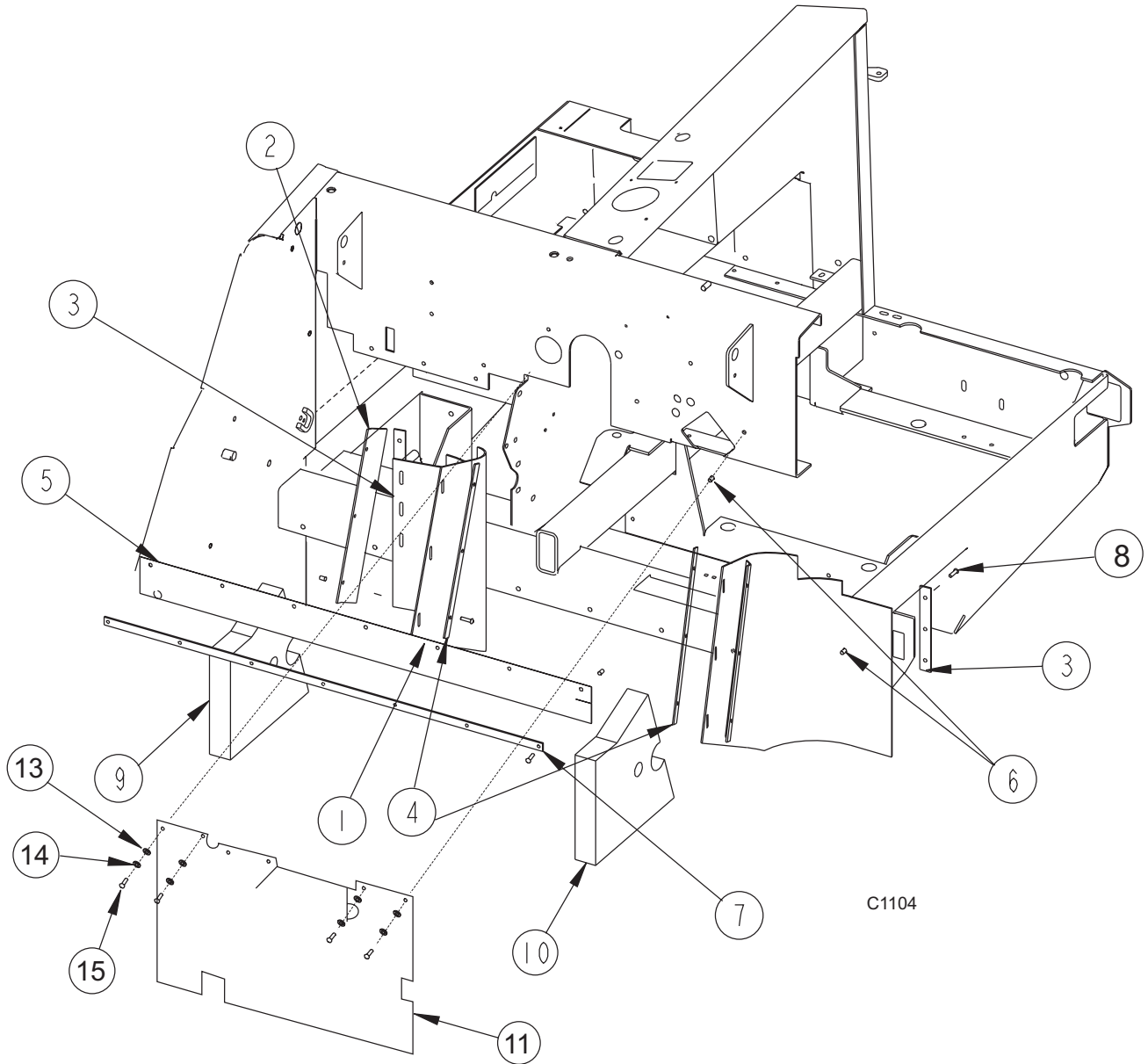


FLAPS (WHEEL WELL) - PARTS LIST

<u>KEY NO.</u>	<u>PART NUMBER</u>	<u>DESCRIPTION</u>	<u>QTY.</u>
1	8-25-08194	Flap, Wheel Well	2
2	8-13-07113	Clamp, Wheel Well Flap, Front	2
3	8-13-07112	Clamp, Wheel Well Flap, Rear	2
4	8-13-07123	Clamp, Wheel Well Flap, Front	2
5	8-68-05078	Seal, Broom Door Chamber/Dump Door	1
6	2-00-05261	Threaded Insert	25
7	8-13-07119	Clamp, Dump Door Seal	1
8	2-00-04877	Screw, 1/4-20 x 1.000 BHS	19
9	8-68-05079	Seal, Wheel Well, Right	1
10	8-68-05080	Seal, Wheel Well, Left	1
11	8-25-08218	Flap, Dust Control	1
12	2-00-03702	Washer, .625 x .281 x .063	6
13	2-00-00518	Lock Washer, 1/4"	6
14	2-00-00221	Screw, 1/4-20 x 3/4	6

C1104

FLAPS (WHEEL WELL) - EXPLODED VIEW

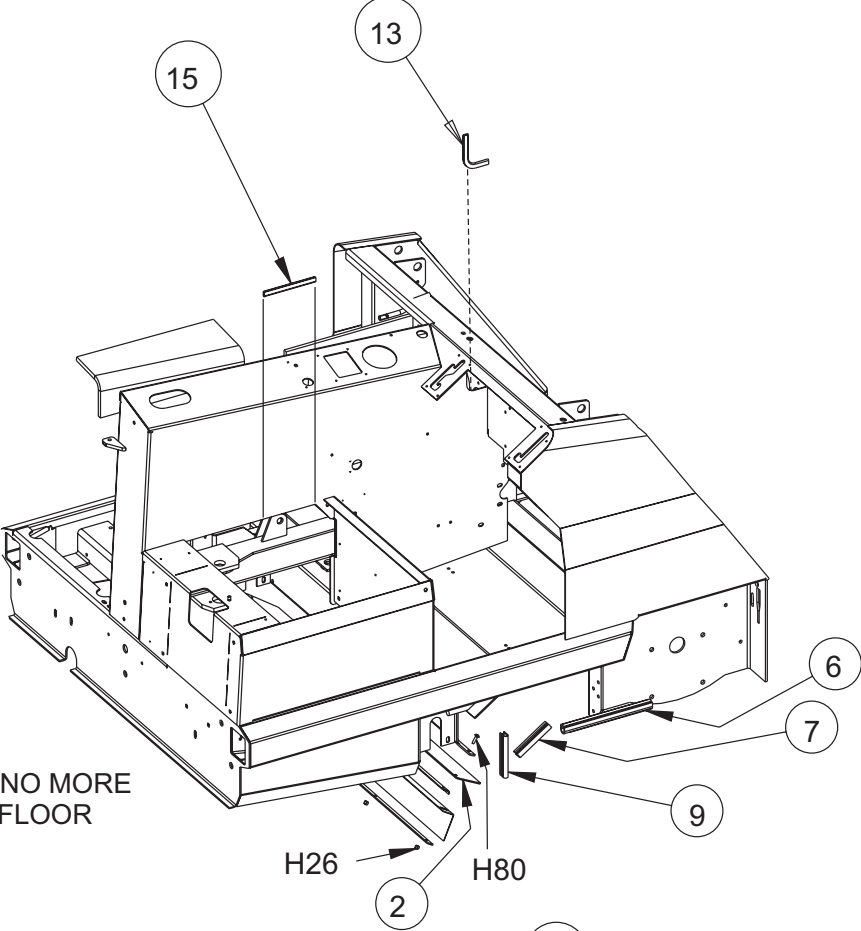


BROOM CHAMBER FLAPS & SEALS - PARTS LIST

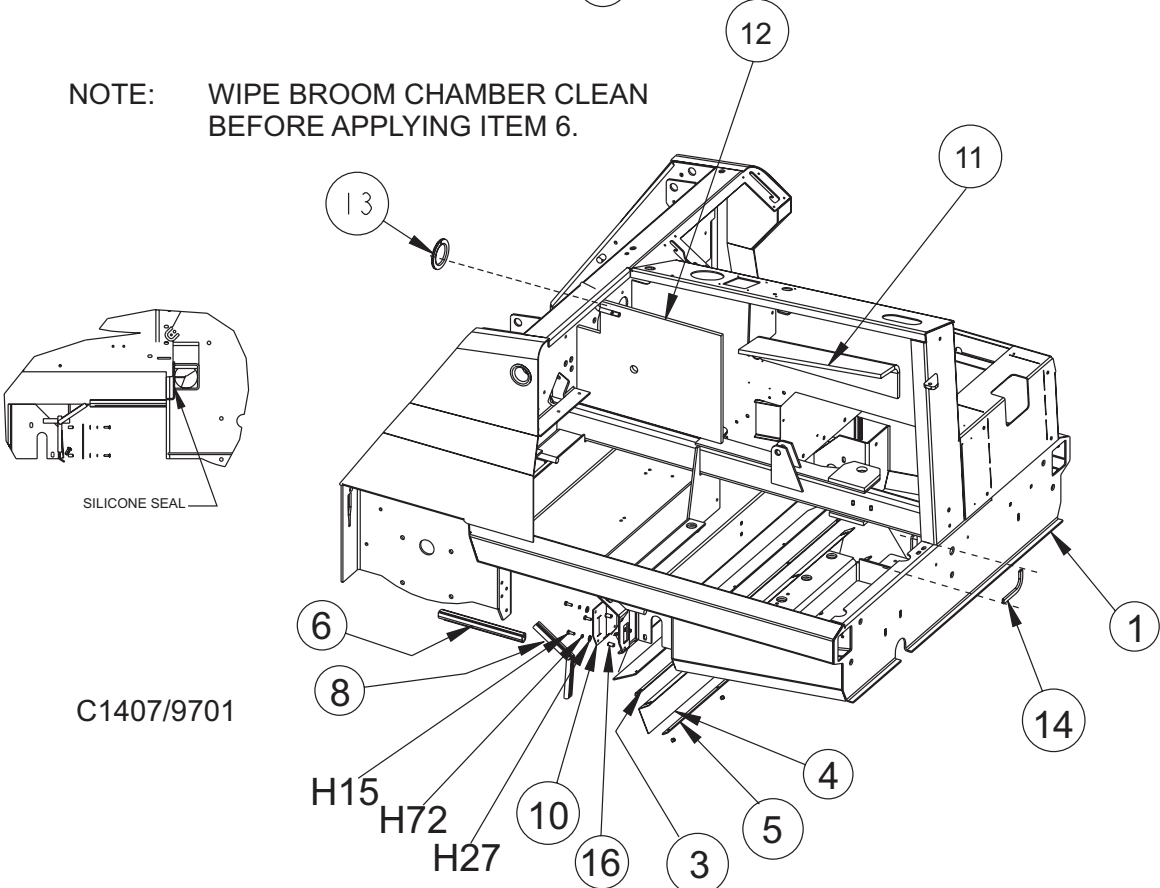
<u>KEY NO.</u>	<u>PART NUMBER</u>	<u>DESCRIPTION</u>	<u>QTY.</u>
1	8-27-07119	Frame, Weldment	1
2	8-25-08197	Flap, Rear Inside Frame	1
3	8-13-07114	Clamp, Rear Flap Broom Chamber Inner	1
4	8-25-08196	Flap, Rear Outside Frame	1
5	8-13-07115	Clamp, Rear Flap Broom Chamber Outer	1
6	8-29-00231	Gasket	2
7	8-29-00232	Gasket	1
8	8-29-00234	Gasket	1
9	8-29-00233	Gasket	1
10	8-29-00277	Gasket-Broom Chamber	1
11	8-34-09017	Insulation	1
12	8-34-09018	Insulation	1
13	7-21-04022	Edging	2
14	7-21-04031	Edging	1
15	7-21-03003	Edging	1
16	2-00-05261	¼ - 20 Threaded Insert	4
HARDWARE USED:			
H15	2-00-00221	Screw, ¼ - 20 x .750 HHC	4
H26	2-00-00641	Nut, 1/4-20 Insert Fiber	5
H27	2-00-03702	Washer, .625 x .281 x .063	4
H72	2-00-00518	Lock Washer, Helical spring	4
H80	2-00-02196	Carriage Bolt, 1/4-20 x 1.000 RHM	5

C1407/9702

BROOM CHAMBER FLAPS & SEALS - EXPLODED VIEW



NOTE: WIPE BROOM CHAMBER CLEAN BEFORE APPLYING ITEM 6.

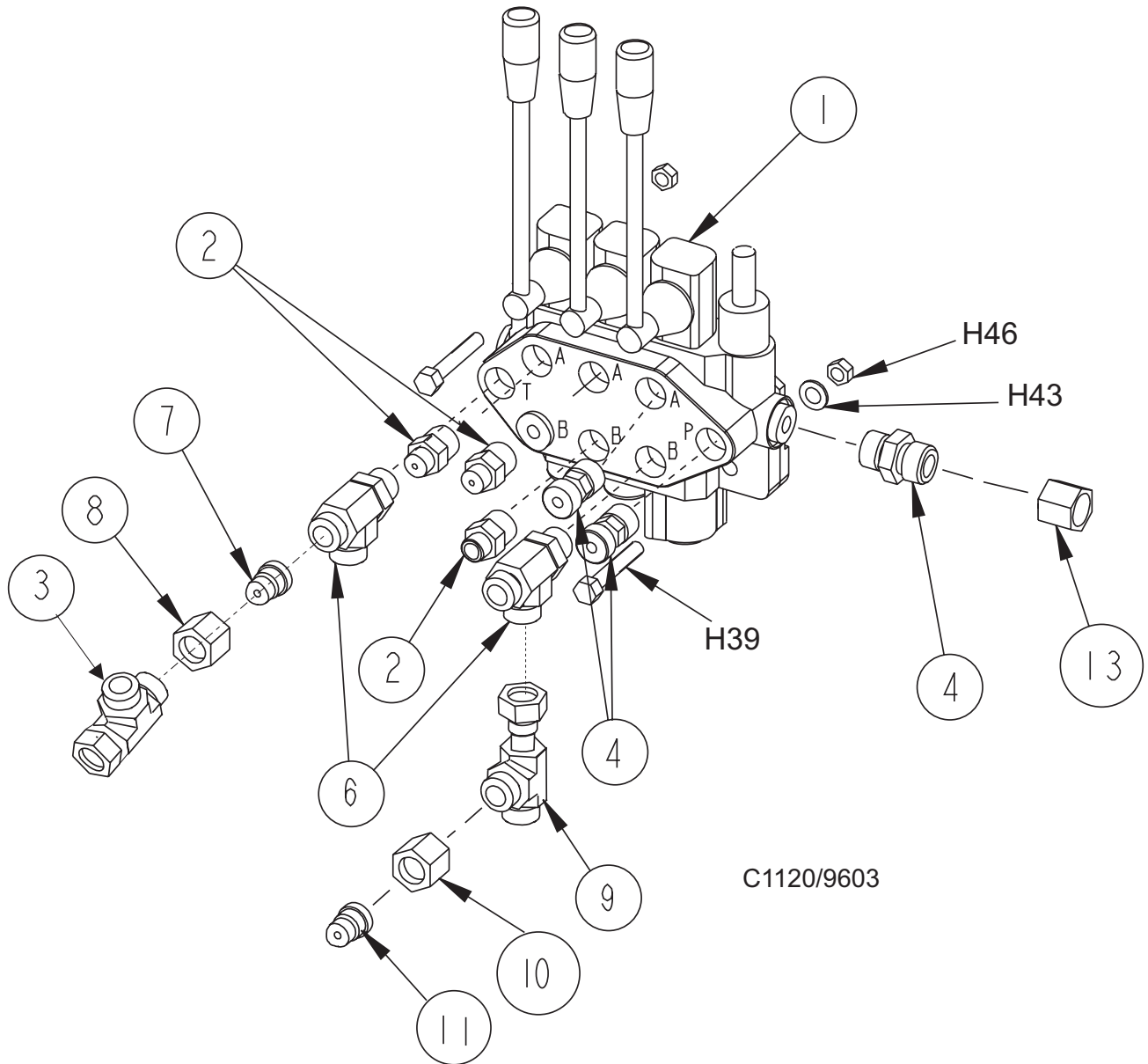


CONTROL & RELIEF VALVES - PARTS LIST

<u>KEY NO.</u>	<u>PART NUMBER</u>	<u>DESCRIPTION</u>	<u>QTY.</u>
1	8-88-00060	Control Valve	1
	7-70-00095	Seal Kit, Control Valve (Service Part)	Ref.
	7-88-00068	Relief Valve, Control Valve (Service Part)	Ref.
2	2-00-05264	Fitting	3
3	2-00-05162	Fitting - Tee	1
4	2-00-04970	Fitting, Connector	3
6	2-00-04924	Fitting, Run Tee	2
7	2-00-04929	Fitting, Reducer	1
8	2-00-04939	Fitting, Nut for Reducer	1
9	2-00-04928	Fitting, Run Tee	1
10	2-00-04939	Fitting	1
11	2-00-04929	Fitting	1
13	2-00-04957	Fitting	1
HARDWARE USED:			
H39	2-00-00218	Screw, 5/16-18 x 2.000 HHC	2
H43	2-00-00409	Flat Washer, .687 x .344 x .062	1
H46	2-00-00644	Nut, 5/16-18, Insert Fiber	2

C1120/9603

CONTROL & RELIEF VALVES - EXPLODED VIEW

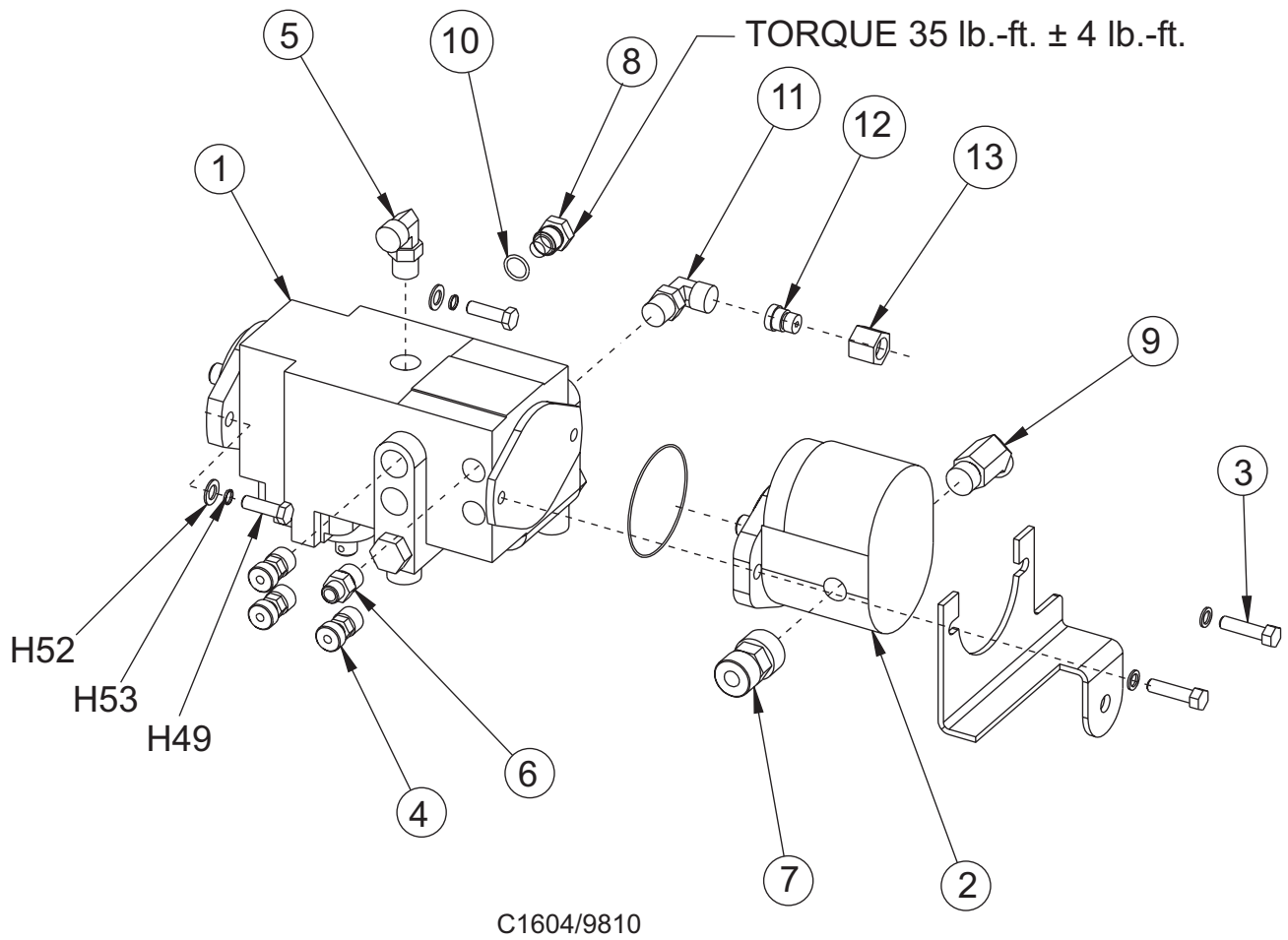


PUMP - PARTS LIST

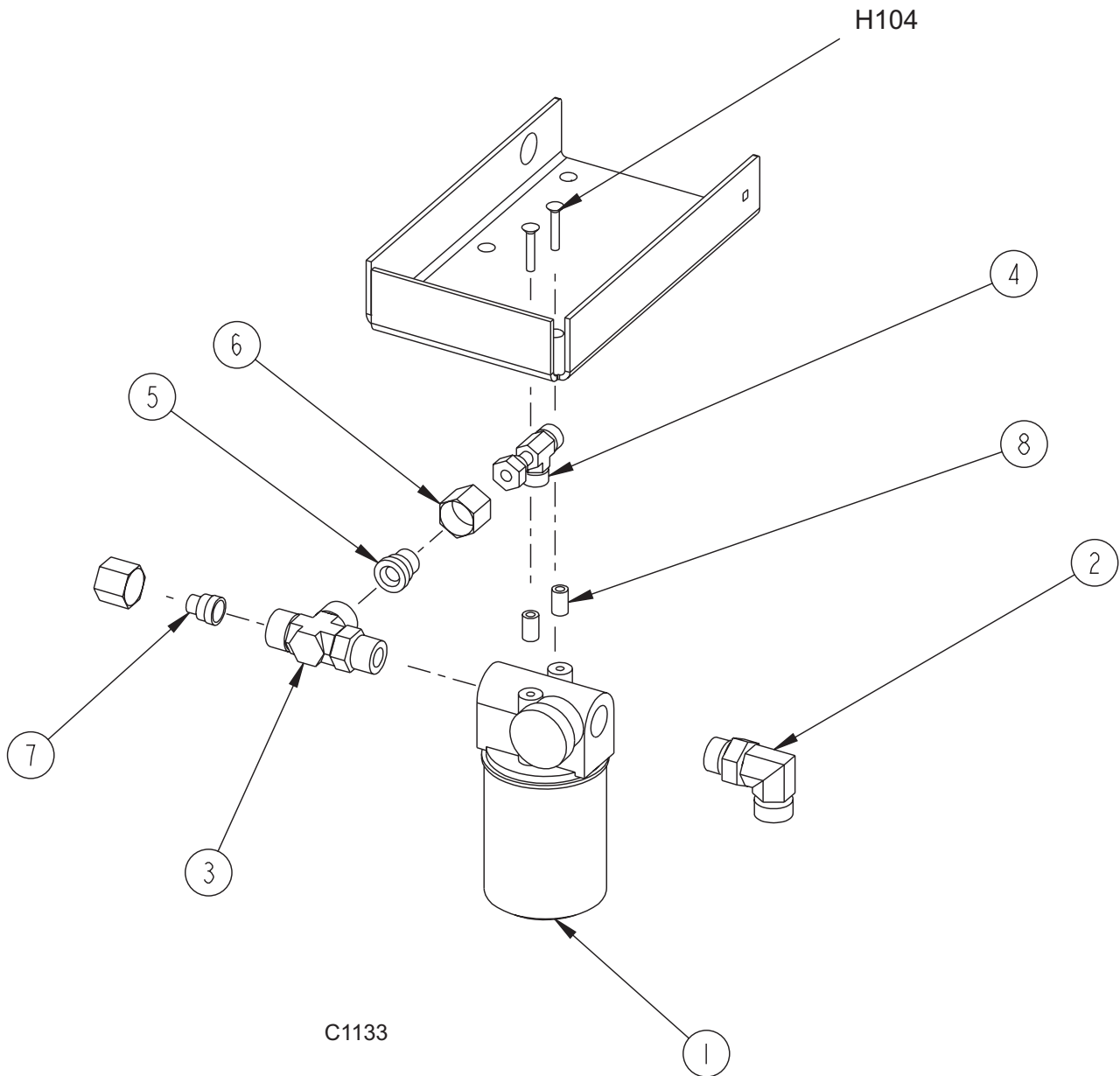
<u>KEY NO.</u>	<u>PART NUMBER</u>	<u>DESCRIPTION</u>	<u>QTY.</u>
1	7-60-05023-1	Piston Pump	1
	7-70-00093	Piston Pump Seal Kit (Service Part)	
2	0885-067	Gear Pump	1
	0880-488	Gear Pump Seal Kit (Service Part)	
3	0880-404	Seal Kit	1
4	2-00-04970	Fitting, Connector	3
5	2-00-04885	Fitting, 90° Elbow	1
6	2-00-05264	Fitting, Connector	1
7	2-00-04971	Fitting, Connector	1
8	7-78-05023	Pump Stop	1
9	2-00-04989	Fitting, 45° Elbow	1
10	2-00-04983	O-Ring	1
11	2-00-04885	Fitting, 90° #8 - #8	1
12	2-00-04929	Reducer, #8 - #4	1
13	2-00-04939	Cap Nut #8	1
HARDWARE USED:			
H49	2-00-00209	Screw, 3/8-16 x 1.250 HHC	2
H52	2-00-00402	Flat Washer, .750 x .390 x .094	2
H53	2-00-02310	Lock Washer, Helical Spring 3/8 Med.	2

C1604/9901

PUMP - EXPLODED VIEW



HYDRAULIC FILTER



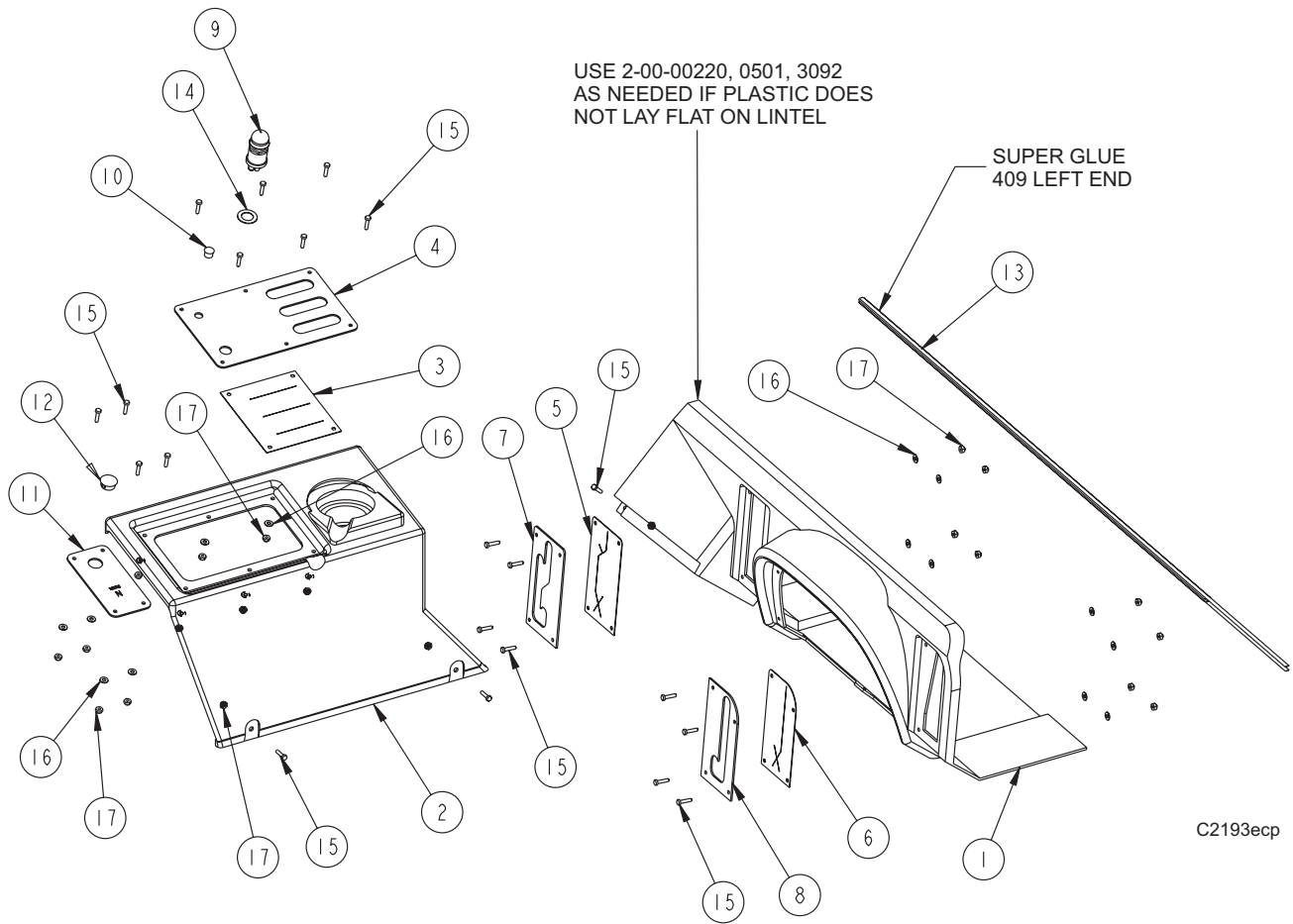
KEY NO.	PART NUMBER	DESCRIPTION	QTY.
1	8-24-04116	Hydraulic Filter	1
	8-24-04118	Filter Element (Service Part)	
	2-60-02280	Pressure Gauge (Service Part)	
2	2-00-04972	90° Elbow	1
3	2-00-05269	Run Tee	1
4	2-00-04928	Run Tee	1
5	2-00-05271	Reducer	1
6	2-00-05270	Nut for Reducer	1
7	2-00-05282	Reducer	1
8	8-75-01199	Spacer	2

HARDWARE USED:

H104	2-00-03541	Screw, 1/4-20 x 1.500 FHSC	2
------	------------	----------------------------	---

C1133

INSTRUMENT PANEL HOUSING



KEY NO.	PART NUMBER	DESCRIPTION	QTY.
1*	8-33-05118	Housing, Instrument	1
2*	8-33-05119	Housing, Center Wall	1
3	8-16-07356	Cover, Valve Slot	1
4*	8-52-00196	Panel, Control Valve	1
5	8-16-07355	Cover, Main Broom Slot	1
6	8-16-07354	Cover, Side Broom Slot	1
7*	8-52-00194	Panel, Main Broom	1
8*	8-52-00195	Panel, Side Broom	1
9	8-82-00024	Horn, Push Button	1
10	2-00-05283	Plug Button (Diesel Only)	1
11	8-52-00189	Panel, Throttle	1
12	2-00-04513	Plug	1
13	8-68-05081	Seal, Trim	1
14	2-00-02293	Lock Washer, Int. Tooth, .63 dia.	1
15	2-00-05337	Screw, #8-32 x .75 BHS SS	21
16	2-00-00460	Flat Washer, .437 x .192 x .031	18
17	2-00-01372	Nut, #8-32 Fiber Insert Lock	21

*Part of 0860-630

C2193ecp/11-04

INSTRUMENT PANEL - PARTS LIST

<u>KEY NO.</u>	<u>PART NUMBER</u>	<u>DESCRIPTION</u>	<u>QTY.</u>
1	8-52-00203	Panel, Instrument	1
2	8-64-00008	Circuit Breaker (15 amp)	6
3	7-64-00025	Circuit Breaker (25 amp)	2
4	7-82-00026	Switch, Anti-Restart Key	1
5	8-48-05023	Gauge, Hour Meter	1
6	8-41-03014	Lens, Warning Light	1
7	8-75-01223	Spacer, Panel	4
8	8-58-05292	Plate, Warning Light	1
9	2-00-05324	Insert, #8-32 Threaded	9
10	2-00-05337	Screw, #8-32 x .75 BHSC	9
11	8-08-00948	Bracket, Timer	1
12	2-00-01372	Nut, #8-32 Fiber Insert Lock	4
13	2-00-01246	Nut, #10-24 Elastic Stop	3
14	0895-142	Harness, Instrument Panel (not shown)	1

C1438ecp/3-05

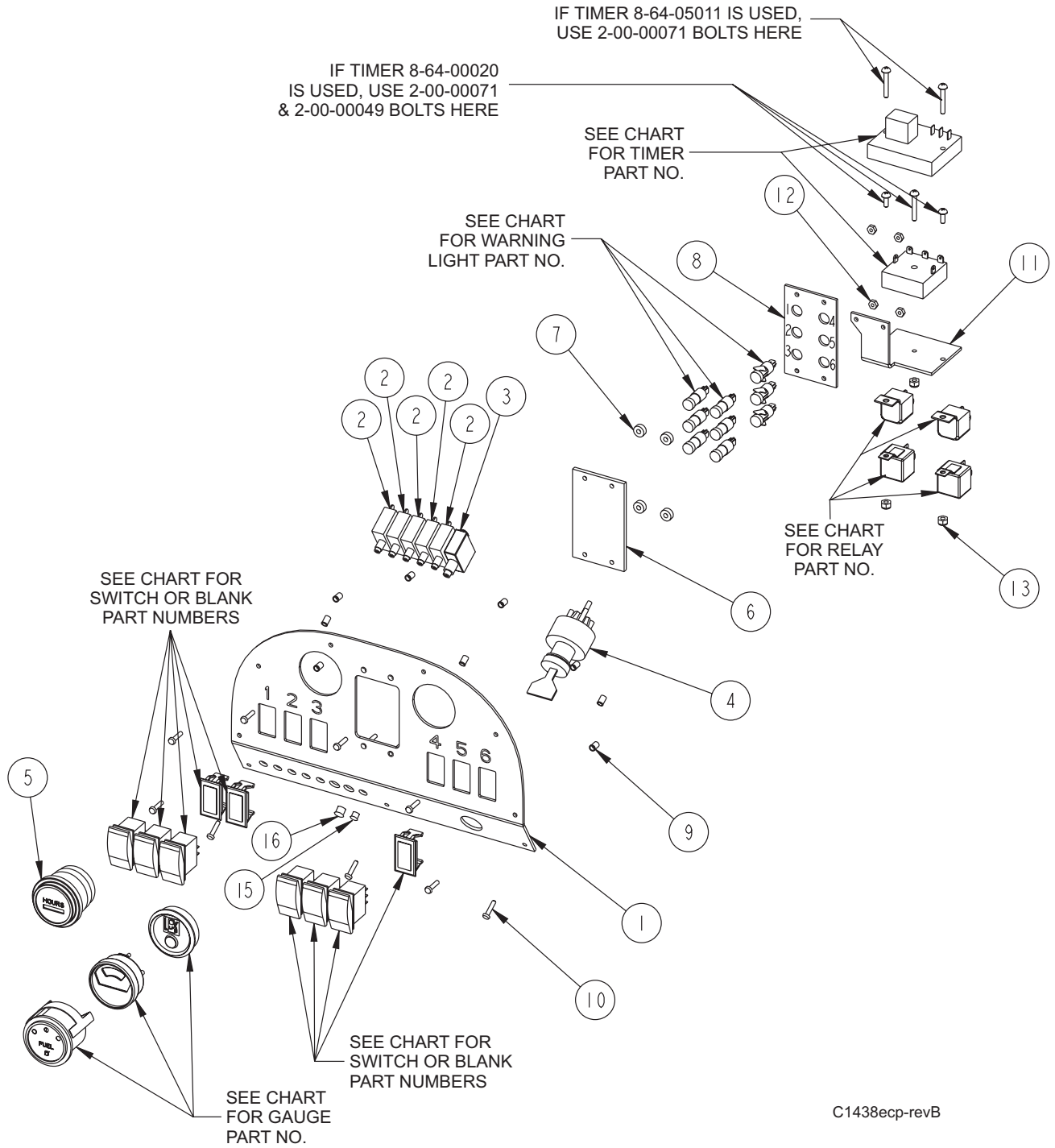
SWITCH POSITIONS						
	1	2	3	4	5	6
	HEAD LIGHTS	WORK LIGHT	GLOW PLUG	FILTER SHAKER	DUST CONTROL	THROTTLE
GAS	8-82-00072	2-00-05375	2-00-05375	8-82-00073	8-82-00072	8-82-00074
LP	8-82-00072	2-00-05375	2-00-05375	8-82-00073	8-82-00072	8-82-00074
DIESEL	8-82-00072	2-00-05375	8-82-00073	8-82-00073	8-82-00072	2-00-05375

0880-594 CURB BROOM LIGHT SWITCH (POSITION 2): 8-82-00072

0880-595 REAR WORK LIGHT SWITCH (POSITION 2): 8-82-00072

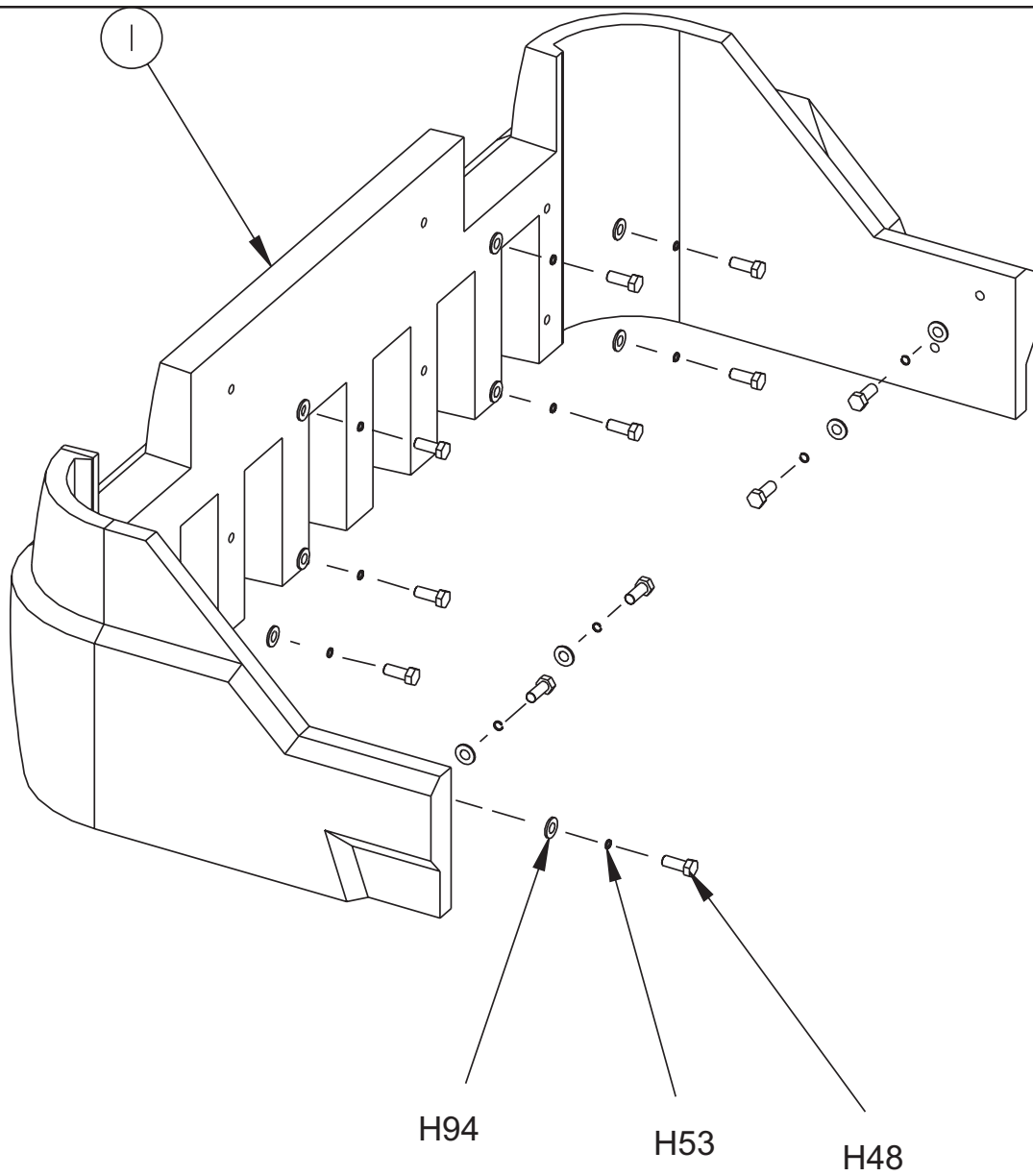
	LIGHT POSITIONS		GAUGE	TIMER	RELAY (2 PER)
	1 - 3	4 - 6			
GAS	8-40-05057	8-40-05056	8-48-05032	8-64-05011	8-64-05009
LP	8-40-05057	8-40-05056	7-11-04035	8-64-05011	8-64-05009
DIESEL	8-40-05057	8-40-05056	8-48-05032	8-64-05011	8-64-05009

INSTRUMENT PANEL - EXPLODED VIEW



C1438ecp-revB

FRONT BUMPER



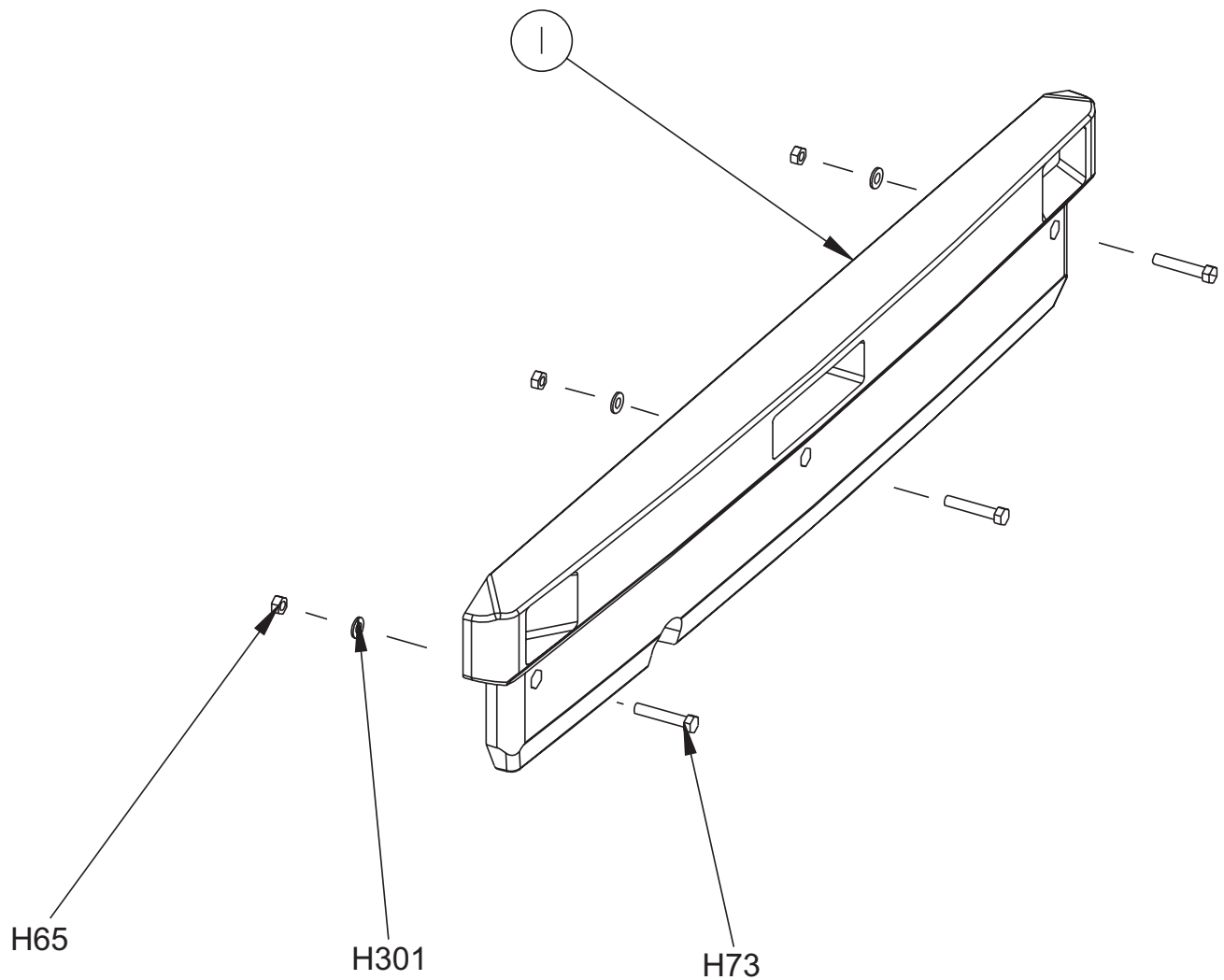
<u>KEY NO.</u>	<u>PART NUMBER</u>	<u>DESCRIPTION</u>	<u>QTY.</u>
1	8-08-07055	Front Bumper	1

HARDWARE USED:

H48	2-00-00233	Screw, 3/8-16 x 1.000 HHC	12
H53	2-00-02310	Lock Washer, Helical Spring 3/8 Med.	12
H94	2-00-04851	Flat Washer	12

C-1121/9506

REAR BUMPER



C1118/9812

<u>KEY NO.</u>	<u>PART NUMBER</u>	<u>DESCRIPTION</u>	<u>QTY.</u>
1	8-08-07056	Rear Bumper	1
HARDWARE USED:			
H65	2-00-04936	Nut, 1/2-13 Fiber Lock	3
H73	2-00-00247	Screw, 1/2-13 x 2.500 HHC	3
H301	2-00-04159	Flat Washer, 1.375 x .563 x .109 STL	3

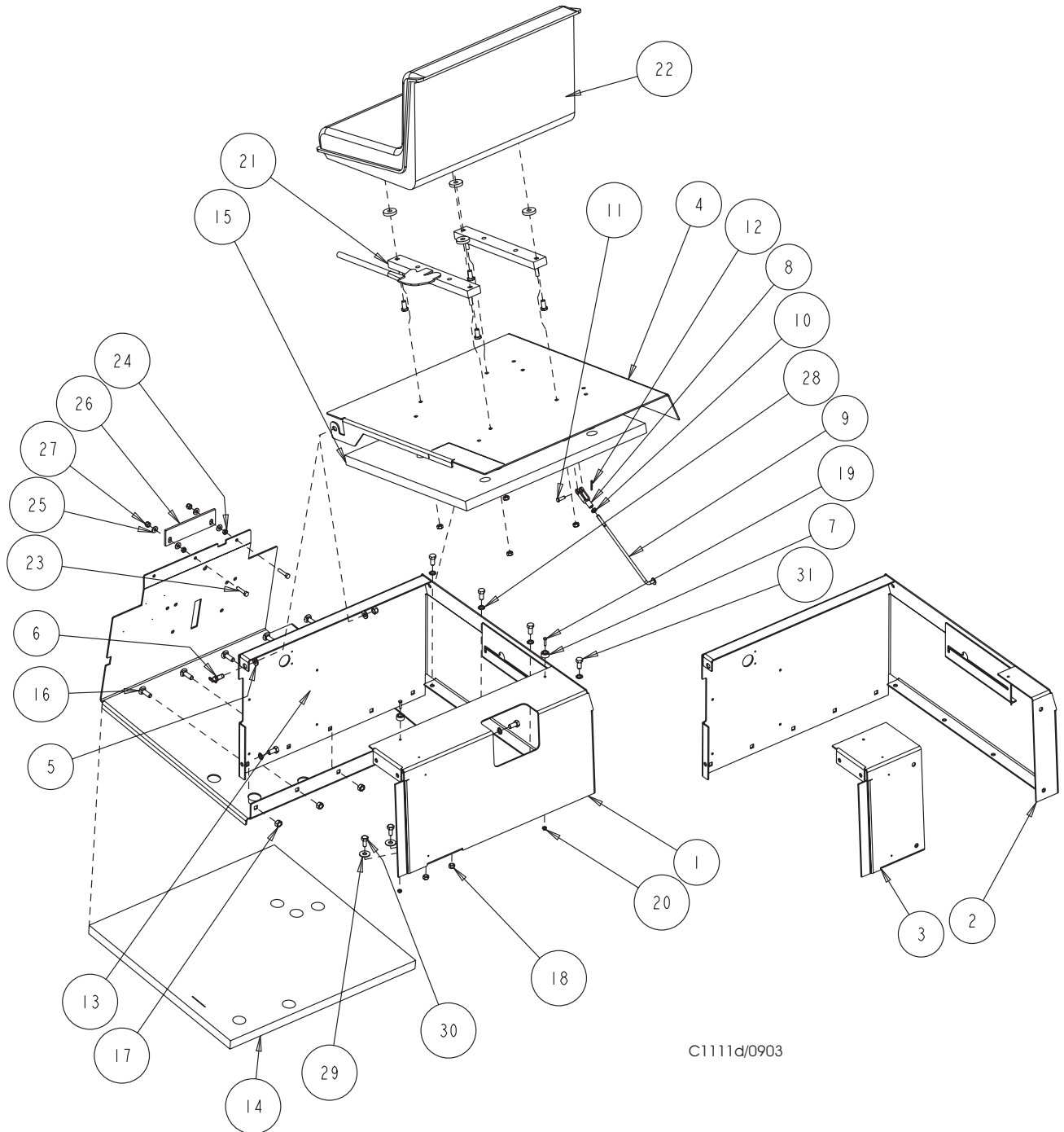
C1118/9812

SEAT & FLOOR ASSEMBLY - PARTS LIST

<u>KEY NO.</u>	<u>PART NUMBER</u>	<u>DESCRIPTION</u>	<u>QTY.</u>
1	8-33-05152	Housing, Seat (Gas & Diesel only)	1
2	8-33-05153	Housing, Seat (LP only)	1
3	8-08-00922	Bracket, Seat Pedestal (LP only)	1
4	8-16-07348	Seat Deck	1
5	2-00-00402	Flat Washer, .750 x .390 x .094	2
6	8-55-08121	Pin, Seat Deck Pivot	1
7	8-50-05058	Rubber Bumpers	2
8	8-14-01006	Clevis	1
9	8-66-00171	Prop Rod	1
10	2-95-01999	Nut, 1/4-28 Hex Jam	1
11	2-00-04909	Pin, 1/4 x 3/4 LG	1
12	2-00-05249	Hair Pin (Cotter)	1
13	8-52-00123	Kick Panel, Floor	1
14	8-34-09016	Insulation, Floor	1
15	8-34-09019	Insulation, Seat Deck	1
16	2-00-05187	Carriage Bolt, 3/8-16 x 1.0	5
17	2-95-04182	Nut, 3/8-16 Hex Stop	6
18	2-00-00644	Nut, 5/16-18 Hex Insert Fiber	6
19	2-00-05258	Screw, #8-32 x 3/4 SOC BHCS	2
20	2-00-01372	Nut, #8-32 Hex Fiber Lock	2
21	7-72-05005	Slide Adjuster Kit	1
22	8-69-00022	Seat	1
23	2-00-00222	Screw, 1/4-20 x 1.25 Hex Head	2
24	2-00-00589	Nut, 1/4-20	2
25	2-00-03702	Washer, .625 x .281 x .063	4
26	8-58-05270	Plate, Latch	1
27	2-00-00641	Nut, 1/4-20 Fiber Insert	2
28	2-00-02310	Lock Washer, 3/8 Helical Spring	7
29	2-00-03979	Flat Washer, 1.0 x .39 x .062	2
30	2-00-00208	Screw, 5/16-18 x .75 HHC	2
31	2-00-00232	Bolt, 3/8-16 Hex Head Finished	7

C1111d/0903

SEAT & FLOOR ASSEMBLY - EXPLODED VIEW



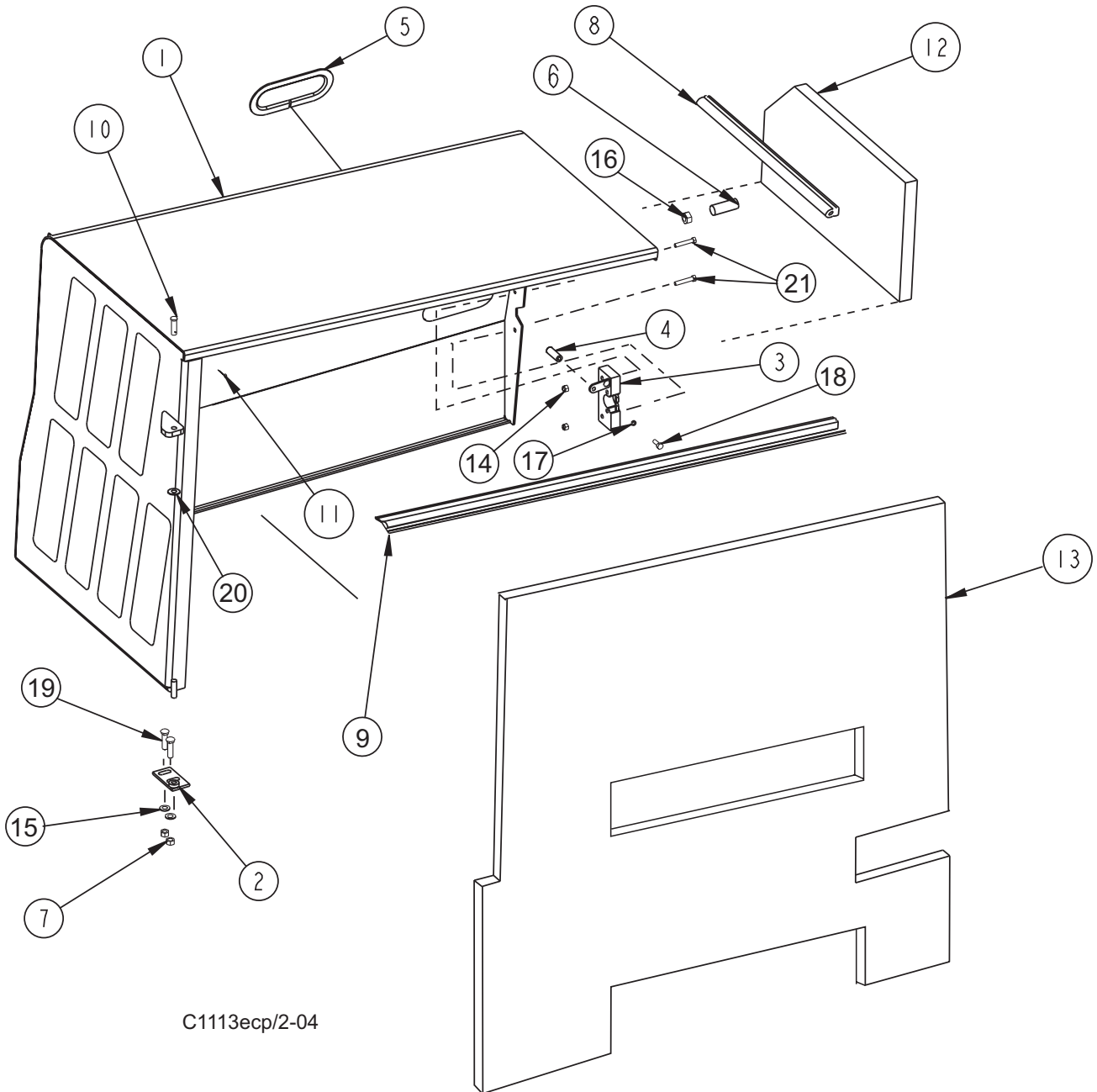
C1111d/0903

ENGINE COVER - PARTS LIST

<u>KEY NO.</u>	<u>PART NUMBER</u>	<u>DESCRIPTION</u>	<u>QTY.</u>
1	8-16-07363	Engine Cover	1
2	8-08-00776	Plate, Engine Cover Mounting	1
3	8-41-00051	Latch, Rotor	1
4	8-39-00014	Knob, Latch	1
5	7-21-03003	Edging	1
6	8-66-05012	Roller, Engine Cover Mtg.	1
7	2-95-04182	Nut, 3/8-16 Hex Stop	2
8	8-29-00236	Gasket, Engine Cover	1
9	8-29-00237	Gasket, Engine Cover	1
10	2-00-05266	Pin, 3/8 Dia. Clevis	1
11	2-00-05249	Cotter Pin	1
12	8-34-09037	Insulation	1
13	8-34-09021	Insulation	1
14	2-00-00641	Nut, 1/4-20 Insert Fiber	2
15	2-00-00402	Flat Washer, .750 x .390 x .094	1
16	2-00-04936	Nut, 1/2-13 Fiber Lock	1
17	2-00-00518	Lock Washer, Helical Spring	1
18	2-00-00221	Bolt, 1/4-20 x .750 HHC	1
19	2-00-03750	Carriage Bolt, 3/8-16 x 1.50	2
20	2-00-00410	Flat Washer, .875 x .375 x .060	1
21	2-00-00203	Screw, 1/4-20 x 1.50 Hex	2

C1113ecp/2-04

ENGINE COVER - EXPLODED VIEW



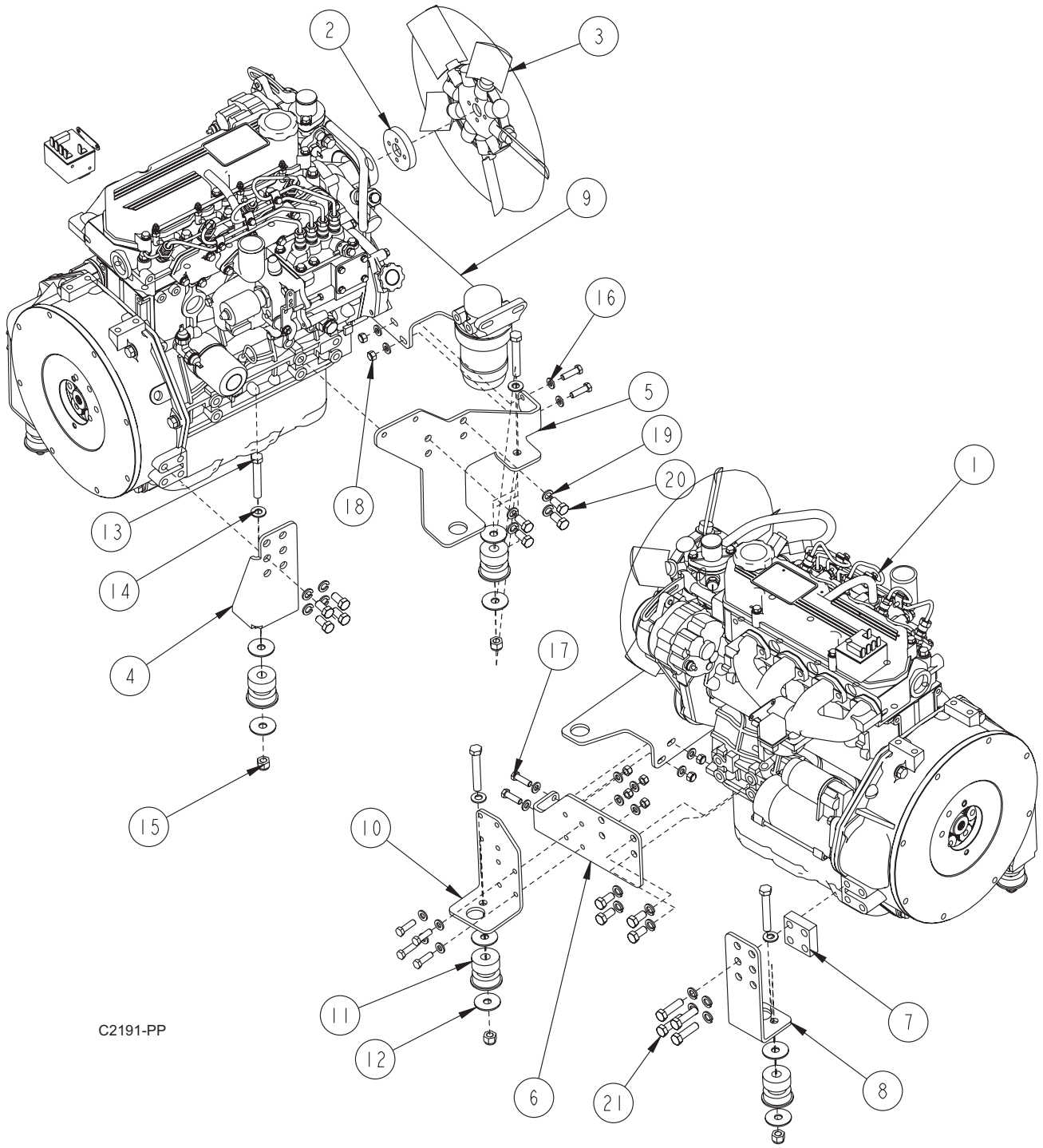
C1113ecp/2-04

MITSUBISHI S4L2 DIESEL ENGINE (FAN, BRACKETS)

<u>KEY NO.</u>	<u>PART NUMBER</u>	<u>DESCRIPTION</u>	<u>QTY.</u>
1	0777-049	Engine, Mitsubishi S4L2 Diesel	1
2	7-75-01250	Spacer, Breeza Fan	1
3	7-23-00023	Fan, S4L2 Engine	1
4	7-08-02042	Bracket, Right Rear Mount	1
5	7-08-01176	Bracket, Front Mount	1
6	7-08-01177	Bracket, Front Mount	1
7	7-75-01246	Spacer, Engine Mount	1
8	7-08-02043	Bracket, Left Rear Mount	1
9	7-08-01175	Bracket, Front Mount	1
10	7-08-02041	Bracket, Front Mount	1
11	7-35-00017	Isolator, Engine Mount (Red Dot)	4
12	2-00-05067	Spacer, Snubbing Washer	8
13	2-00-02617	Screw, 1/2-13 x 3.5	4
14	2-00-00405	Flat Washer, 1.063 x .531 x .094	4
15	2-00-04936	Nut, 1/2-13 Elastic Lock	4
16	2-00-00402	Washer, 25/64 ID x 3/4 OD	16
17	2-00-00209	Bolt, 3/8-16 x 1.25 Hex Head	8
18	2-95-04182	Nut, 3/8-16 Hex Stop	8
19	2-00-05043	Washer, 25/64 ID x 3/4 OD	16
20	2-00-05960	Screw, M12 x 1.25 x 25mm HHC	12
21	2-00-05962	Screw, M12 x 1.25 x 45mm HHC	4

C2191-PP/6-04

MITSUBISHI S4L2 DIESEL ENGINE (FAN, BRACKETS)



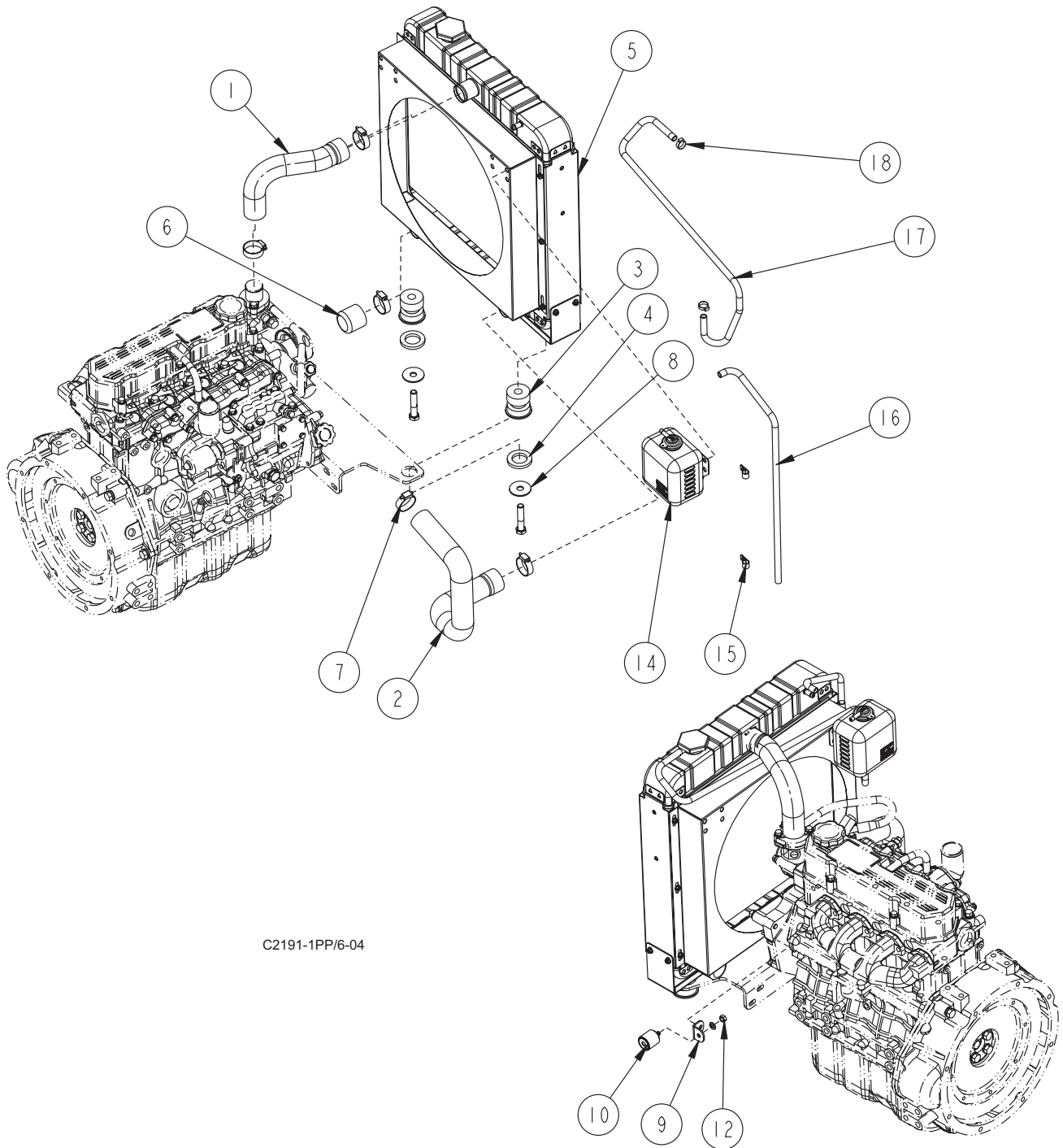
C2191-PP

MITSUBISHI S4L2 DIESEL ENGINE (COOLING SYSTEM)

<u>KEY NO.</u>	<u>PART NUMBER</u>	<u>DESCRIPTION</u>	<u>QTY.</u>
1	7-33-02604	Hose, Upper Radiator	1
2	7-33-02605	Hose, Lower Radiator	1
3	7-35-00017	Isolator, Engine Mount (Red Dot)	2
4	2-00-05955	Washer, 1.25 ID x 2.00 OD x .25	2
5	7-62-01008	Radiator	1
6	2-00-05956	Plug, Radiator Outlet	1
7	2-00-03404	Clamp, Witteck C24P	5
8	2-00-05067	Spacer, Snubbing Washer	2
9	7-08-02047	Bracket, Radiator	1
10	7-35-00028	Isolator, M8-1.25 32 x 32	1
11	2-00-05041	Lock Washer, M8 Helical Spring	2
12	2-00-05964	Nut, M8 x 1.25	1
13	2-00-00247	Screw, 1/2-13 x 2.50 HHC	2
14	7-07-02002	Overflow Bottle Assy. (1 liter)	1
15	2-00-04602	Clamp	2
16	7-33-02644	Hose, 1/4" ID x 24" long (Clear)	1
17	7-33-02643	Hose, 1/4" ID x 36" long (Black)	1
18	2-95-04388	Clamp, Hose	2

C2191-1PP/6-04

MITSUBISHI S4L2 DIESEL ENGINE (COOLING SYSTEM)



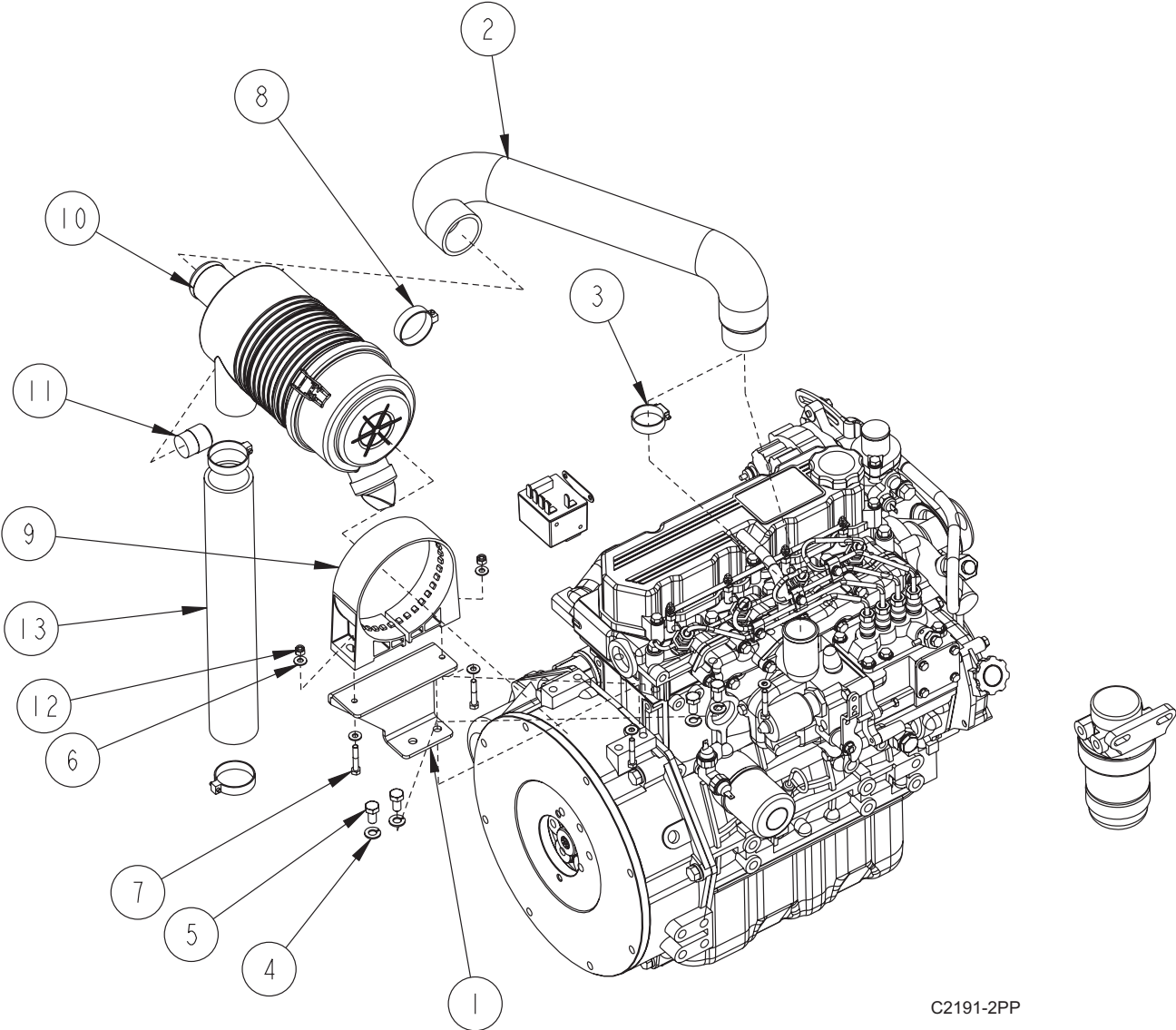
C2191-1PP/6-04

MITSUBISHI S4L2 DIESEL ENGINE (AIR INTAKE SYSTEM)

<u>KEY NO.</u>	<u>PART NUMBER</u>	<u>DESCRIPTION</u>	<u>QTY.</u>
1	7-08-02044	Bracket, Air Cleaner	1
2	7-33-02608	Hose, Air Intake	1
3	2-00-03404	Clamp	1
4	2-00-05042	Lock Washer, M10 Helical Spring	4
5	2-00-05958	Screw, M10 x 1.25 x 20mm HHC	4
6	2-00-03702	Washer, .625 x .281 x .063	6
7	2-00-00203	Screw, 1/4-20 x 1.50 Hex Head	4
8	2-00-02216	Clamp, Hose	3
9	7-13-07231	Band, Filter	1
10	7-24-04083	Filter Assy., Air Cleaner	1
11	7-24-04087	Filter Service Indicator (20" WC)	1
12	2-00-00641	Nut, 1/4-20 Fiber Insert	2
13	8-33-02398	Hose, Air Intake	1

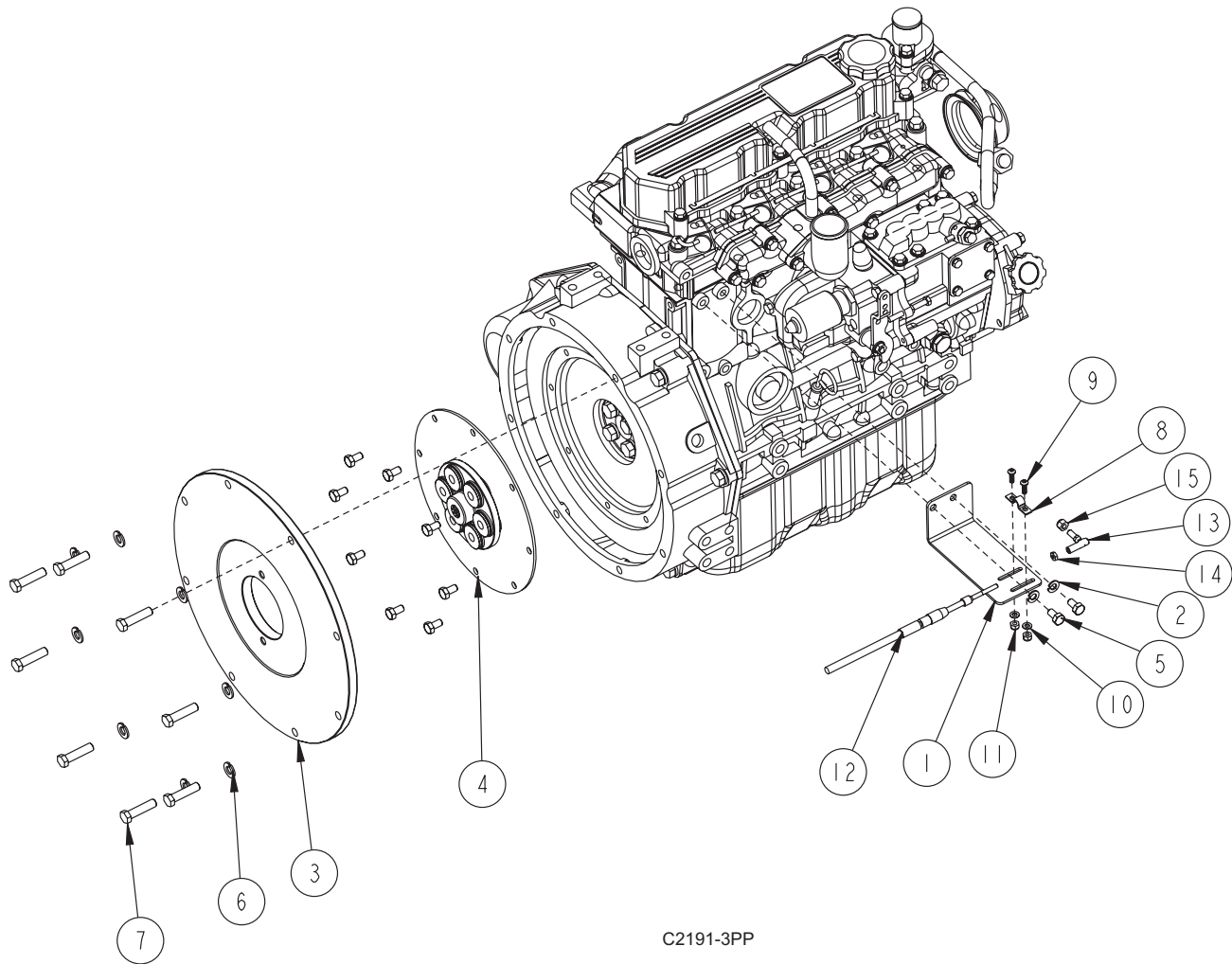
C2191-2PP/6-04

MITSUBISHI S4L2 DIESEL ENGINE (AIR INTAKE SYSTEM)



C2191-2PP

MITSUBISHI S4L2 DIESEL ENGINE (THROTTLE, PUMP PLATE)

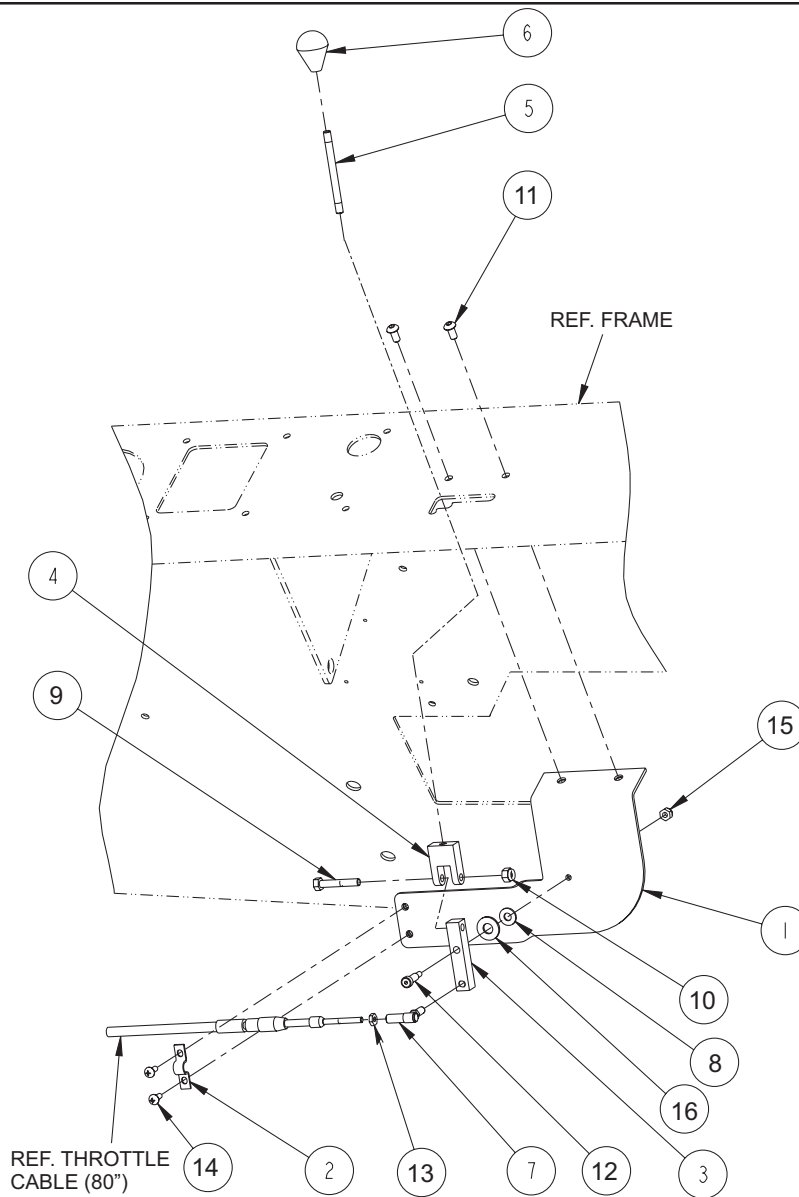


C2191-3PP

KEY NO.	PART NUMBER	DESCRIPTION	QTY.
1	7-08-02048	Bracket, Throttle	1
2	2-00-05041	Lock Washer, M8 Helical Spring	2
3	7-58-05335	Casting, Pump Plate	1
4	7-16-05044	Coupling, Engine	1
5	2-00-05963	Screw, M8 x 1.25 x 15mm 8.8 Blox HHC	10
6	2-00-05042	Lock Washer, M10 Helical Spring	8
7	2-00-05329	Bolt, .39 Dia. x 1.57	8
8	8-13-07094	Clamp, Conduit	1
9	2-00-04794	Screw, 10-24 x .63 BHS	2
10	2-00-00426	Flat Washer, .500 x .219 x .063	2
11	2-00-01246	Insert, 10-24 Thin Nylon	2
12	8-10-00033	Cable, Throttle (57")	1
13	8-25-02036	Connector, Ball Joint	1
14	2-00-00626	Nut, 10-32 Hex	1
15	2-00-00633	Nut, 1/4-28 Fiber Insert	1

C2191-3PP/6-04

THROTTLE CONTROL (DIESEL)

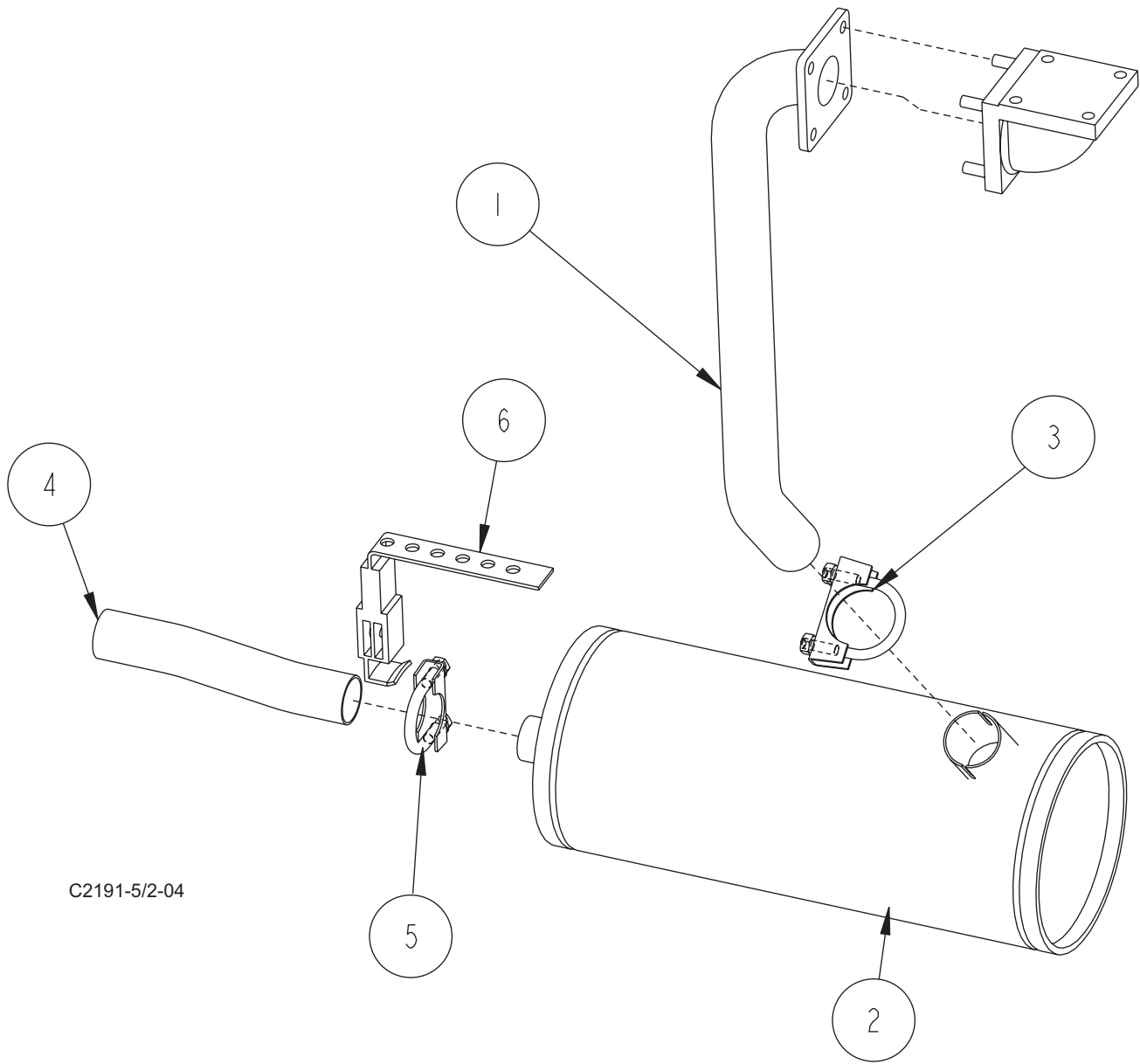


C1296

KEY NO.	PART NUMBER	DESCRIPTION	QTY.
1	8-08-00899	Bracket, Throttle	1
2	8-13-07094	Clamp, Conduit	1
3	8-92-00046	Block, Throttle Pivot	1
4	8-92-00045	Yoke, Throttle	1
5	8-66-00192	Rod, Throttle Control	1
6	7-39-00017	Knob, Solution Control	1
7	8-25-02036	Connector, Ball Joint	1
8	2-00-03702	Washer, .625 x .281 x .063	1
9	2-00-00203	Screw, 1/4-20 x 1.50 Hex Head	1
10	2-00-00641	Nut, 1/4-20 Fiber Insert	1
11	2-00-04876	Screw, 1/4-20 x .50 BHS	2
12	2-00-04563	Screw, 10-24 Shoulder	1
13	2-00-00626	Nut, 10-32 Hex	1
14	2-00-00049	Screw, 10-24 x .50 RHM	2
15	2-00-01246	Insert, 10-24 Thin Nylon	1
16	7-23-03048	Washer, Shakeproof Spring	1

C2196/6-04

mitsubishi S4L2 DIESEL ENGINE (EXHAUST SYSTEM)

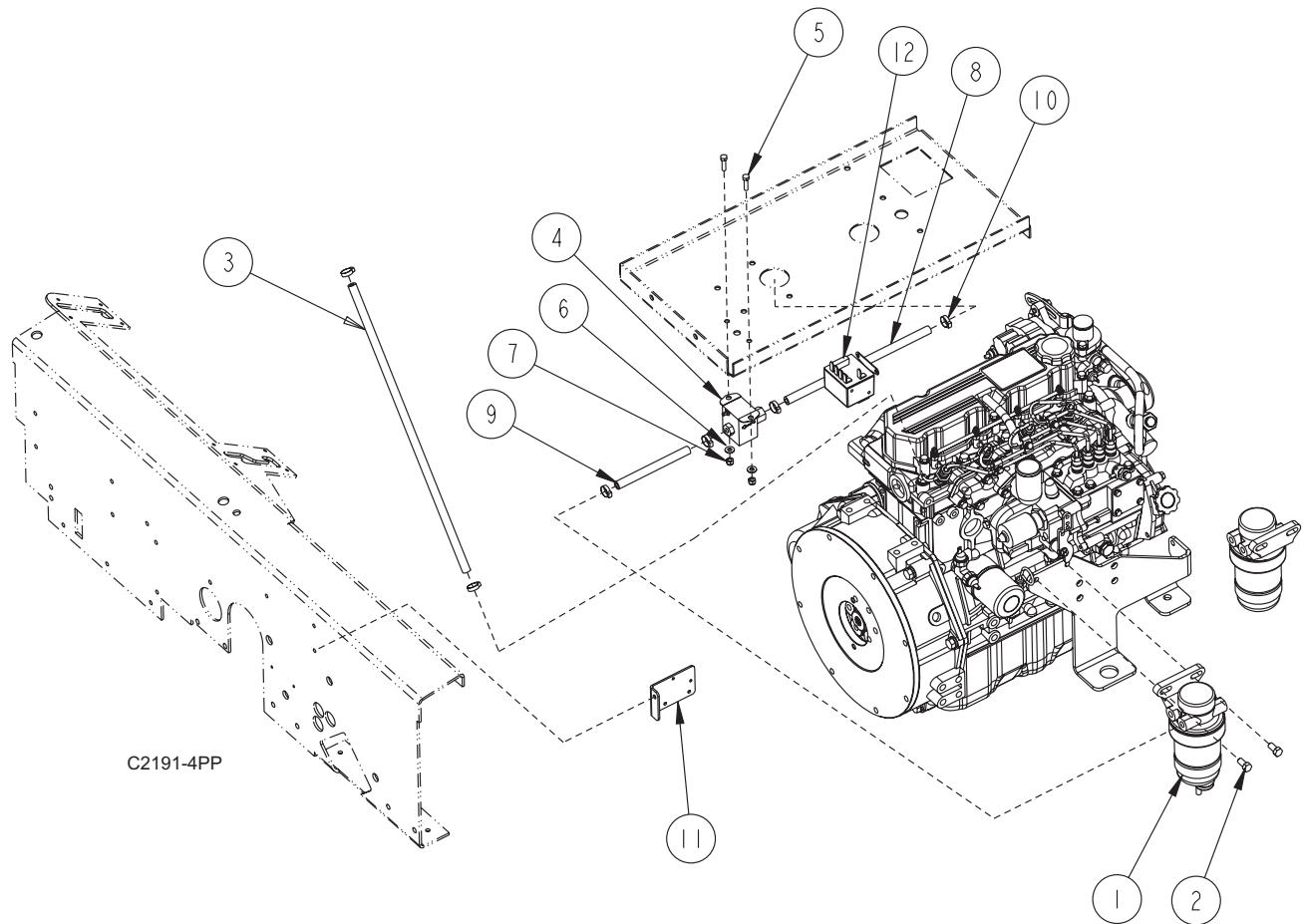


C2191-5/2-04

KEY NO.	PART NUMBER	DESCRIPTION	QTY.
1	8-87-02120	Tube, Exhaust	1
2	7-49-00043	Muffler	1
3	7-13-07075	Clamp, Muffler (1.50)	1
4	8-87-02123	Tube, Exhaust	1
5	2-00-04040	Clamp, Muffler (1.25)	1
6	7-31-07033	Hanger, Muffler	1

C2191-5/2-04

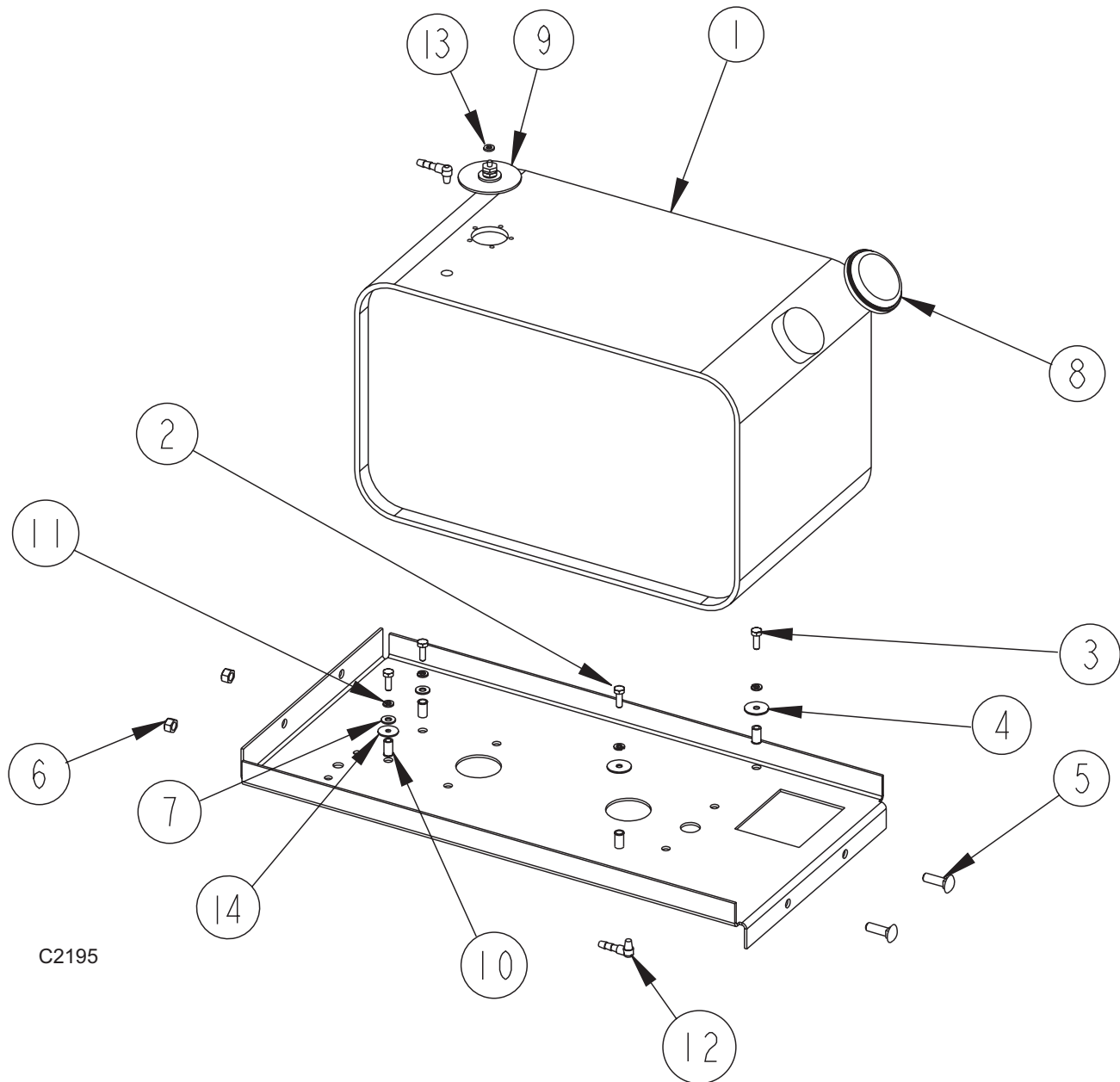
MITSUBISHI S4L2 DIESEL ENGINE (FUEL SYSTEM)



KEY NO.	PART NUMBER	DESCRIPTION	QTY.
1	7-24-04078	Filter, Diesel Fuel	1
2	2-00-00232	Bolt, 3/8-16 Fin. Hex Head	2
3	8-33-02145	Hose, Fuel (22")	1
4	8-60-05028	Pump, Fuel	1
5	2-00-00205	Bolt, 1/4-20 Fin. Hex Head	2
6	2-00-03702	Washer, .625 x .281 x .063	2
7	2-00-00641	Nut, 1/4-20 Fiber Insert	2
8	8-33-02386	Hose, Fuel	1
9	8-33-02387	Hose, Fuel	1
10	2-95-04388	Clamp, Hose	6
11	8-08-00936	Bracket, Murphy	1
12	7-64-00040	Relay, Murphy	1

C2191-4PP/6-04

FUEL TANK (GAS & DIESEL)

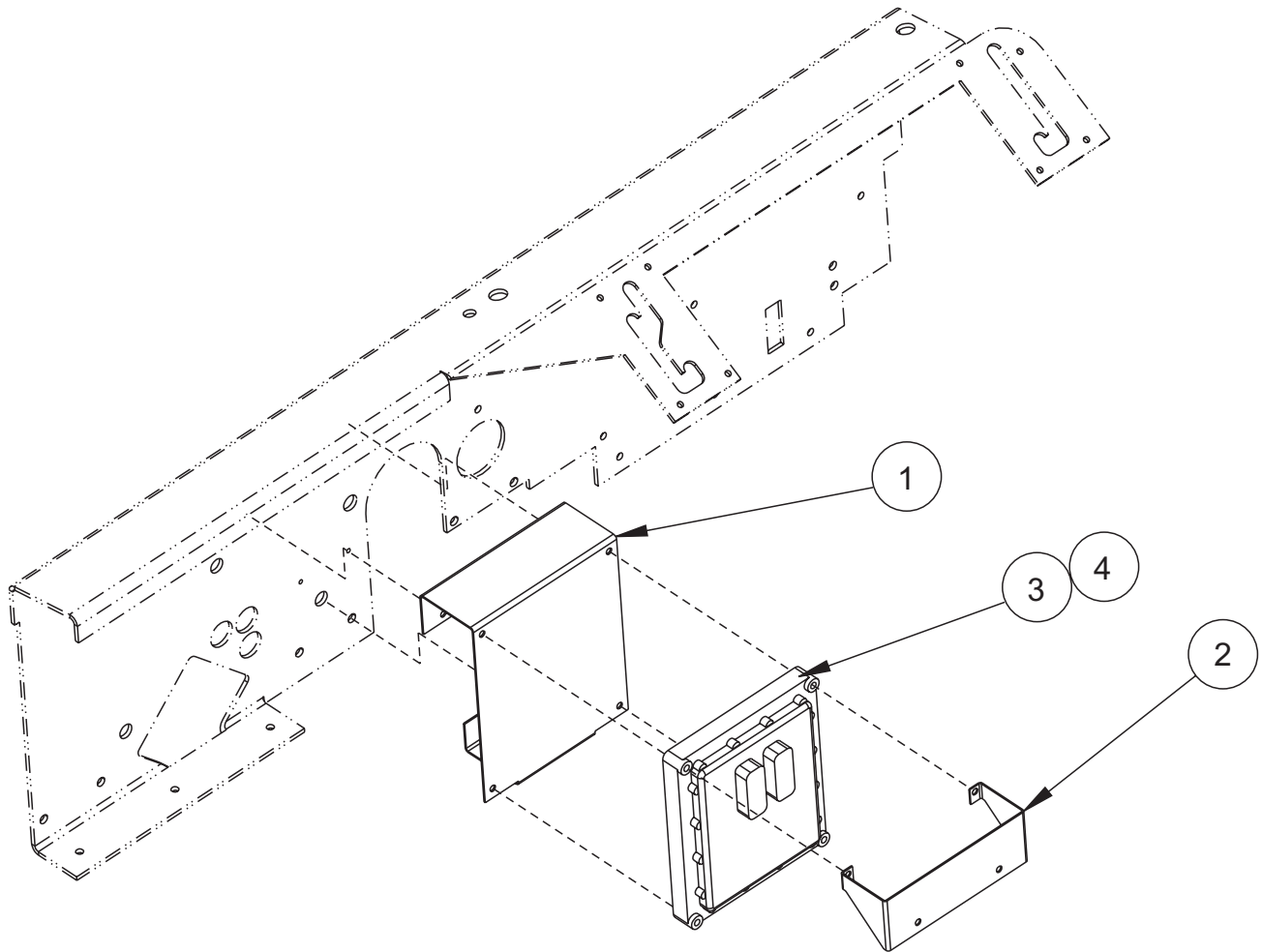


C2195

<u>KEY NO.</u>	<u>PART NUMBER</u>	<u>DESCRIPTION</u>	<u>QTY.</u>
1	8-83-04029	Gas Tank	1
2	8-08-00791	Fuel Support Bracket	1
3	2-00-00221	Screw, 1/4-20 x .750 HHC	7
4	2-00-01676	Flat Washer, 1.062 x .265 x .062	2
5	2-00-05187	Carriage Bolt, 3/8-16 x 1.250	2
6	2-95-04182	Nut, Fiber Insert	2
7	2-00-03702	Washer, .625 x .281 x .063	5
8	7-11-00029	Cap	1
9	8-26-04003	Float/Sender	1
10	2-00-05261	Insert, 1/4-20	4
11	2-00-00518	Lock Washer, 1/4"	4
12	2-00-05973	Hose Barb, 1/8 NPT x 5/16 90° Elbow	2
13	2-00-00512	Star Washer	1
14	2-00-03829	Lock Washer, 3/8 Int./Ext. Tooth	1

C2195/6-04

FORD 416EFI ENGINE COMPUTER RELAY BOX (GAS & LP)



<u>KEY NO.</u>	<u>PART NUMBER</u>	<u>DESCRIPTION</u>	<u>QTY.</u>
1	8-08-00926	Bracket, EPM	1
2	8-08-00927	Bracket, Relay Box	1
3	0769-031	EPM w/Calibration (N. America)	1
4	0769-032	EPM w/Calibration (Export)	1

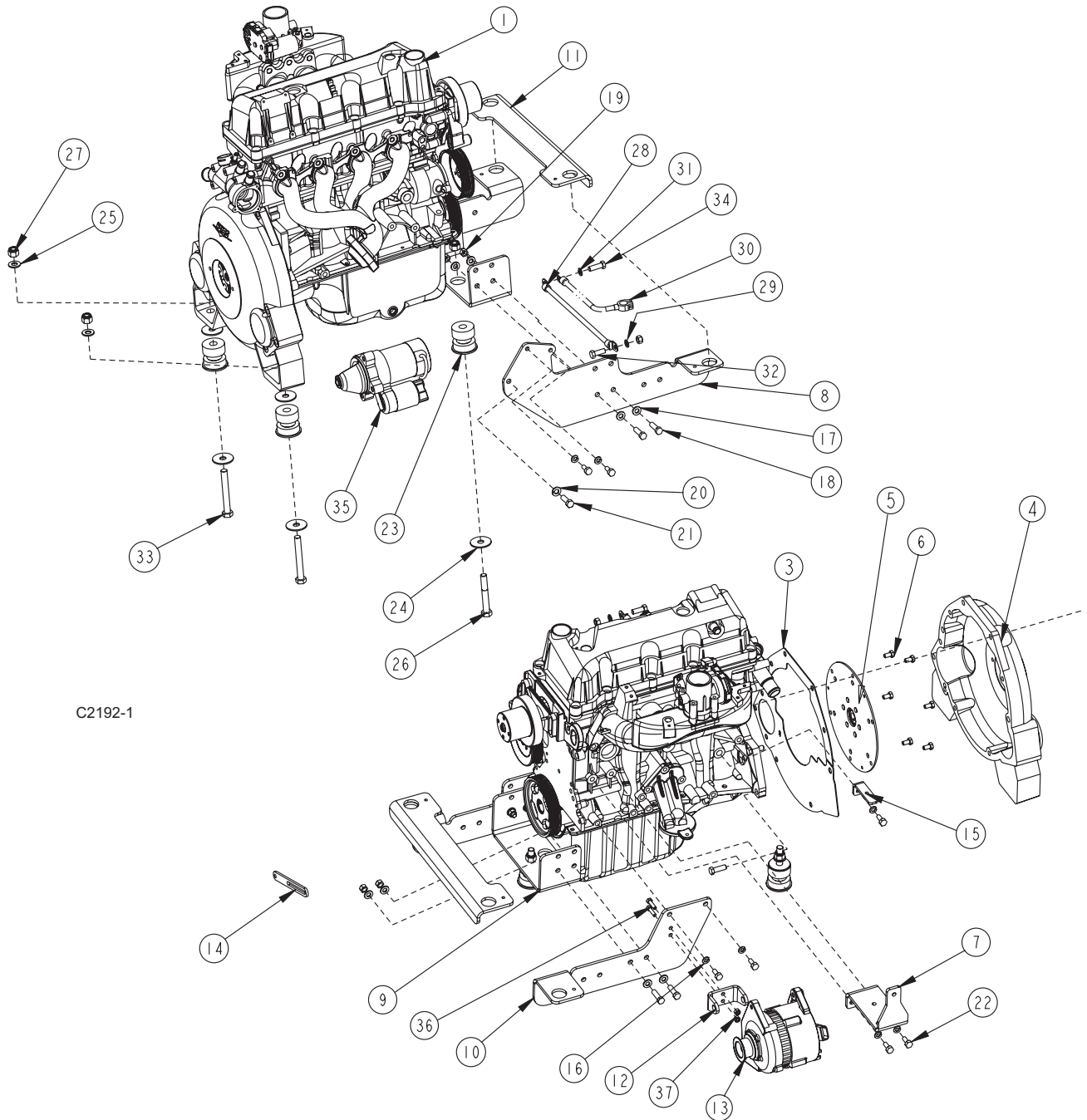
C2192/9-04

FORD 416EFI GAS & LP ENGINES (BRACKETS, ALTERNATOR, STARTER)

<u>KEY NO.</u>	<u>PART NUMBER</u>	<u>DESCRIPTION</u>	<u>QTY.</u>
1	0777-047	Engine, 416EFI Gas	1
	0777-048	Engine, 416EFI LP	1
2	0777-058	Engine, 416EFI Gas (Export Only)	1
	0777-059	Engine, 416EFI LP (Export Only)	1
3<	7-58-05338	Plate, Starter	Ref
4<	7-33-05145	Housing, Pump Mount	Ref
5<	7-16-05047	Coupling, Engine/Pump	Ref
6	2-00-05963	Screw, M8 x 1.25 x 15mm 8.8 Blox HHC	6
7	7-08-01185	Bracket, Tube Support Front	1
8	7-08-01179	Bracket, Right Front Leg (Gas)	1
	7-08-01255	Bracket, Right Front Leg (LP)	1
9	7-08-01182	Bracket, Cross	1
10	7-08-01180	Bracket, Left Front Leg (Gas)	1
	7-08-01256	Bracket, Left Front Leg (LP)	1
11	7-08-01181	Bracket, Cross	1
12	7-08-01183	Bracket, Alternator	1
13<	0775-292	Alternator Assy.	1
14	7-03-04254	Arm, Alternator	1
15	7-08-01186	Bracket, Tube Support Back	1
16	2-00-05041	Lock Washer, M8 Helical Spring	7
17	2-00-00402	Washer, 25/64 ID x 3/4 OD	8
18	2-00-00209	Bolt, 3/8-16 x 1.25 Hex Head	4
19	2-95-04182	Nut, 3/8-16 Hex Stop	5
20	2-00-05042	Lock Washer, M10 Helical Spring	1
21	2-00-05922	Bolt, M10-1.5 x 30mm Hex Head	1
22	2-00-04363	Screw, M8 x 1.25 x 20mm	7
23	7-35-00017	Isolator, Engine Mount (Red Dot)	3
24	2-00-05067	Spacer, Snubbing Washer	5
25	2-00-00405	Flat Washer, 1.063 x .531 x .094	2
26	2-00-02618	Bolt, 1/2-13 x 3.5 Hex	1
27	2-00-04936	Nut, 1/2-13 Elastic Lock	3
28	8-90-07328	Wire (Ground to Frame)	1
29	2-00-00505	Lock Washer, 7/16 HS Med.	1
30	7-90-07281	Cable, Battery	1
31	2-00-02310	Lock Washer, 3/8 Helical Spring	1
32	2-00-00233	Bolt, 3/8-16 x 1.00 Fin. Hex Head	1
33	2-00-04816	Bolt, 1/2-13 x 4.0 Hex	2
34	2-00-05005	Screw, M10 x 1.5 x 30mm HHC	4
35<	0775-291	Starter Assy.	1
36	2-00-00205	Bolt, 1/4-20 Fin. Hex Head	2
37	2-00-00641	Nut, 1/4-20 Fiber Insert	2

<Comes with Engine Assy.

FORD 416EFI GAS & LP ENGINES (BRACKETS, ALTERNATOR, STARTER)



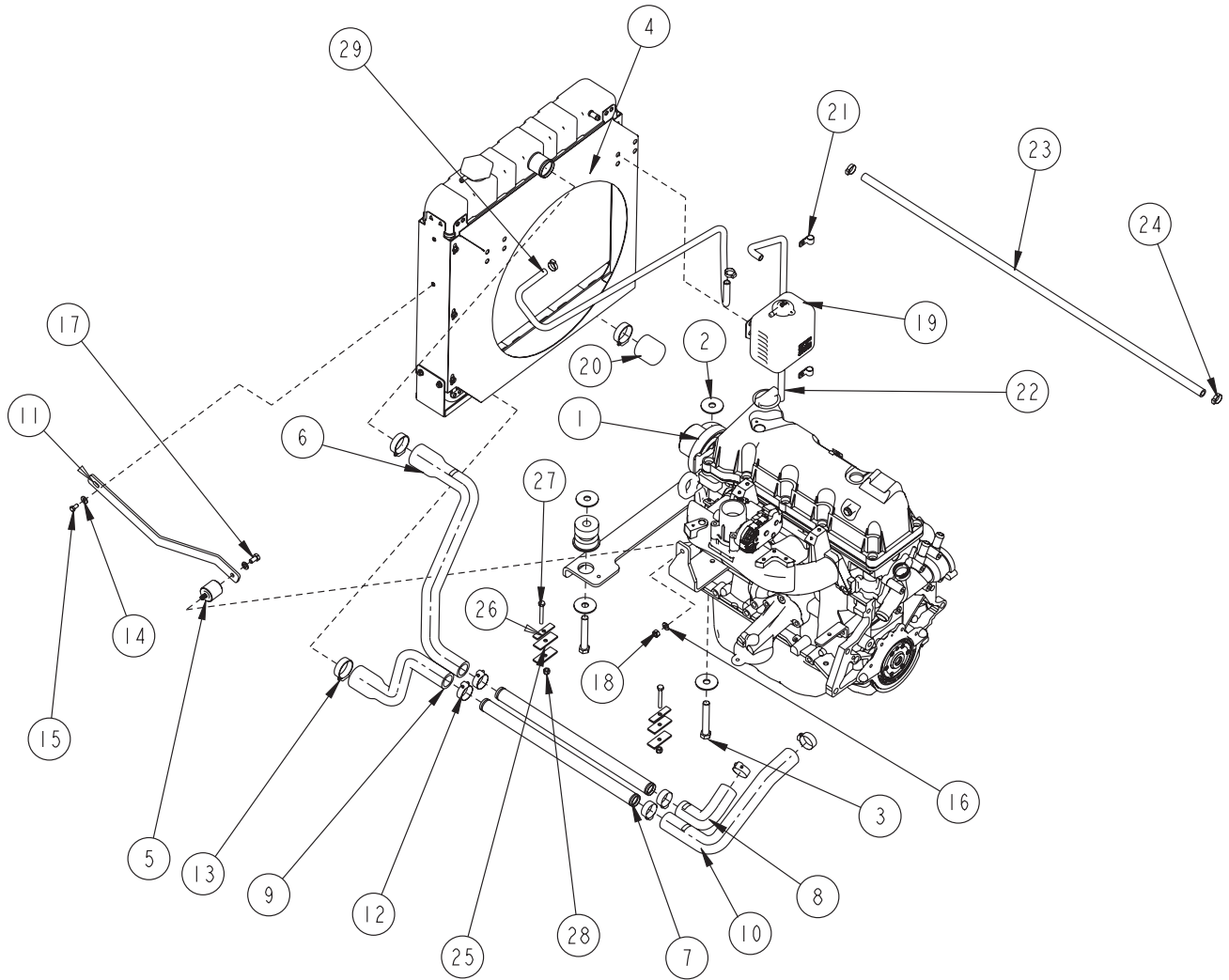
C2192-1

FORD 416EFI GAS ENGINE - COOLING SYSTEM

<u>KEY NO.</u>	<u>PART NUMBER</u>	<u>DESCRIPTION</u>	<u>QTY.</u>
1	7-35-00017	Isolator, Engine Mount (Red Dot)	2
2	2-00-05067	Spacer, Snubbing Washer	4
3	2-00-02617	Screw, 1/2-13 x 3.5	2
4	7-62-01008	Radiator	1
5	7-35-00028	Isolator, M8-1.25, 32 x 32	1
6	7-33-02610	Hose, Front, 25 ID, 20R4, 23000072T	1
7	7-87-02930	Connector, 410.0 x 25.40 dia. Straight	2
8	7-33-02612	Hose, Back, 27 ID, 20R4, 23000057T	1
9	7-33-02609	Hose, Front, 25 ID, 20R4, 23000072B	1
10	7-33-02611	Hose, Back, 27 ID, 20R4, 23000057B	1
11	7-08-01184	Support, Upper	1
12	2-00-02220	Clamp, Hose	6
13	2-00-03404	Clamp	3
14	2-00-03702	Washer, .625 x .281 x .063	1
15	2-00-00219	Bolt, 1/4-20 Fin. Hex Head	1
16	2-00-05041	Lock Washer, M8 Helical Spring	2
17	2-00-05963	Screw, M8 x 1.25 x 15mm 8.8 Blox HHC	1
18	2-00-05964	Nut, M8 x 1.25	1
19	7-07-02002	Overflow Bottle Assy. (1 liter)	1
20	2-00-05956	Plug, Radiator Outlet	1
21	2-00-04602	Clamp	2
22	7-33-02644	Hose, 1/4" ID x 24" long (Clear)	1
23	7-33-02655	Hose, Vent (Radiator to Engine)	1
24	2-95-04388	Clamp, Hose	4
25	7-29-00192	Gasket, Oil Cooler	4
26	8-13-07088	Clip	2
27	2-00-02589	Bolt, 1/4-20 x 2.0 Fin. Hex Head	2
28	2-00-00641	Nut, 1/4-20 Fiber Insert	2
29	7-33-02643	Hose, 1/4" ID x 36" long (Black)	1

C2192-4PP/6-04

FORD 416EFI GAS ENGINE - COOLING SYSTEM



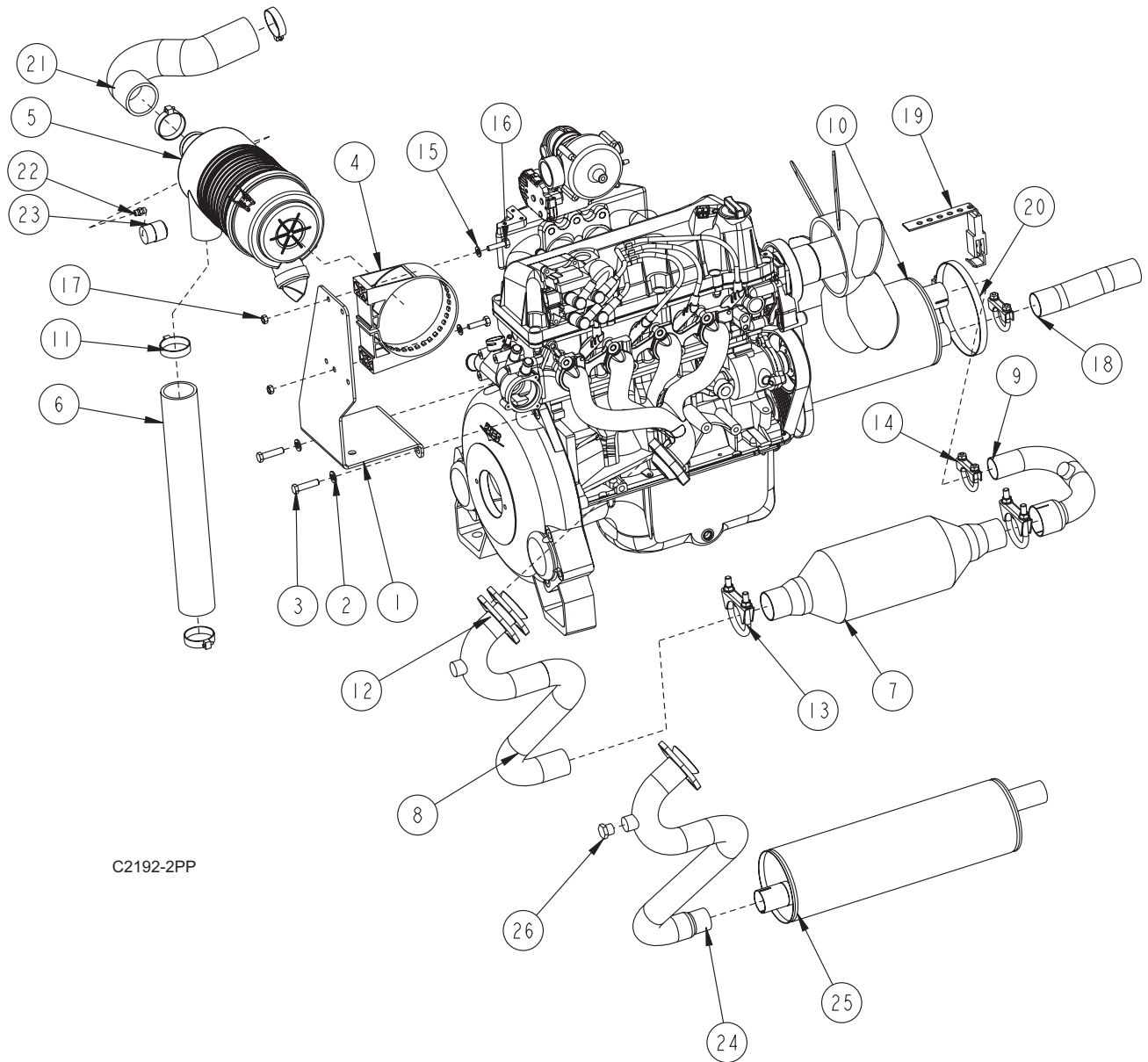
FORD 416EFI GAS ENGINE - AIR INTAKE & EXHAUST SYSTEMS

<u>KEY NO.</u>	<u>PART NUMBER</u>	<u>DESCRIPTION</u>	<u>QTY.</u>
1	7-08-02051	Bracket, Air Cleaner	1
2	2-00-05042	Lock Washer, M10 Helical Spring	2
3	2-00-05329	Bolt, .39 dia. x 1.57	2
4	7-13-07231	Band, Filter	1
5	7-24-04083	Filter Assy., Air Cleaner	1
6	8-33-02398	Hose, Air Intake	1
7<~	7-11-04037	Catalytic Converter	1
8<	7-87-02223	Tube, Exhaust	1
9<	7-87-02222	Tube, Exhaust	1
10<	7-49-00041	Muffler	1
11	7-33-02607	Hose, Air Intake	1
12	2-00-02216	Clamp, Hose	4
13	7-58-05340	Plate, Exhaust Flange	1
14	2-00-05970	Clamp, Muffler, 2"	2
15	2-00-04040	Clamp, Muffler, 1.25"	2
16	2-00-00409	Flat Washer, .687 x .344 x .062	2
17	2-00-00207	Screw, 5/16-18 x 1.25 Hex Head	2
18	2-00-00644	Nut, 5/16-18 Fiber Insert Hex	2
19<	8-87-02122	Tube, Exhaust	1
20	7-31-07033	Hanger, Muffler	1
21	2-00-04400	Clamp	1
22	2-95-02519	Nipple, 1/8 NPT Closed	1
23	7-24-04087	Filter Service Indicator (20" WC)	1
24*	8-87-02124	Tube, Exhaust	1
25*	7-49-00031	Muffler	1
26	2-00-06090	Plug, 18mm x 1.5	1

<North American Only
 *Export Only
 ~Comes with Engine Assy.

C2192-2PP/7-04

FORD 416EFI GAS ENGINE - AIR INTAKE & EXHAUST SYSTEMS



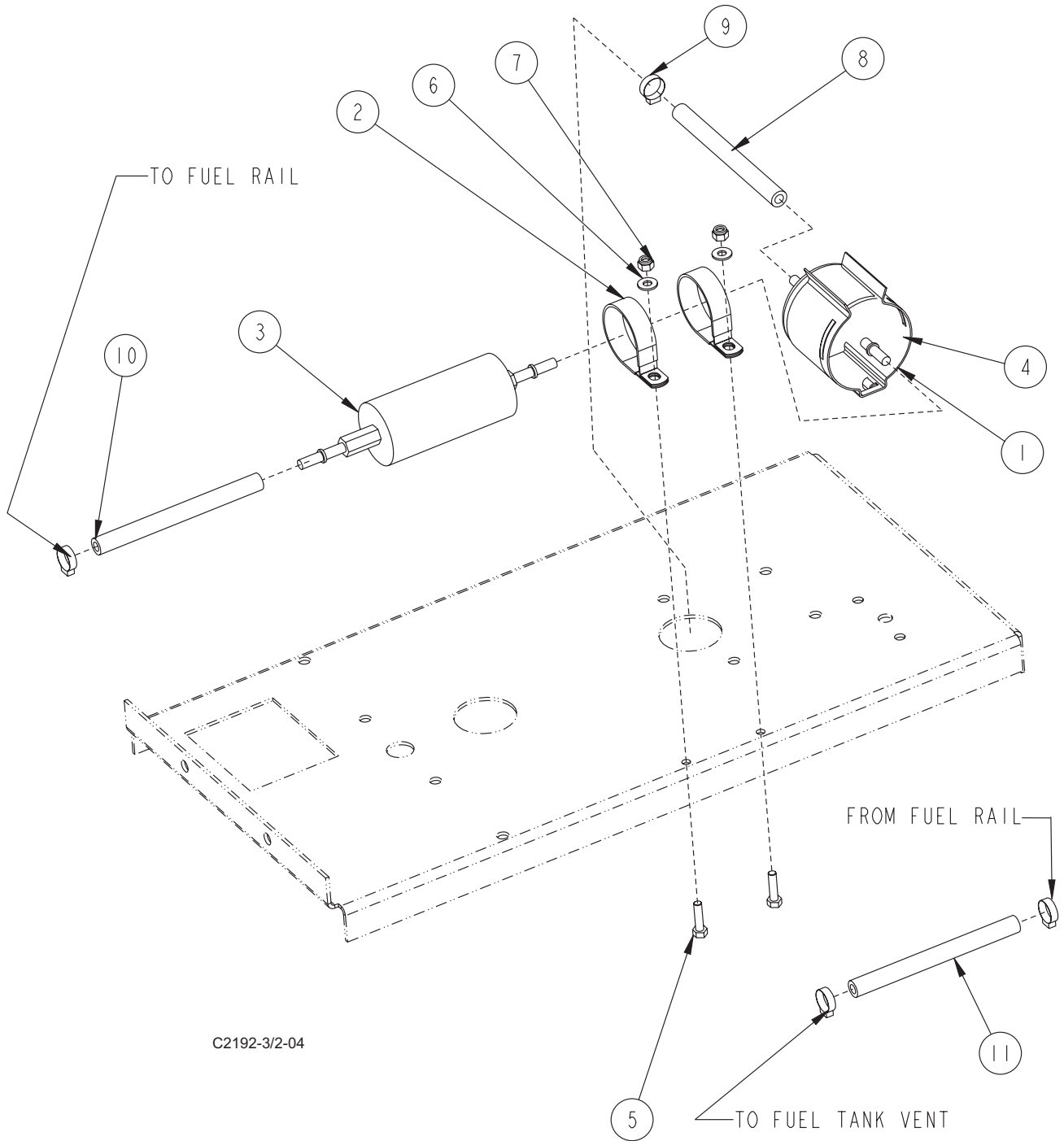
C2192-2PP

FORD 416EFI GAS ENGINE - FUEL SYSTEM

<u>KEY NO.</u>	<u>PART NUMBER</u>	<u>DESCRIPTION</u>	<u>QTY.</u>
1	7-08-01188	Bracket, Fuel Filter	1
2	7-08-01187	Bracket, Fuel Pump	2
3	0769-030	Pump, Fuel	1
4	7-24-04067	Filter, Fuel	1
5	2-00-00205	Bolt, 1/4-20 Fin. Hex Head	2
6	2-00-03702	Washer, .625 x .281 x .063	2
7	2-00-00641	Nut, 1/4-20 Fiber Insert	2
8	8-33-02386	Hose, Fuel	1
9	2-95-04388	Clamp, Hose	4
10	8-33-02388	Hose, Fuel	1
11	8-33-02389	Hose, Fuel	1

C2192-3/2-04

FORD 416EFI GAS ENGINE - FUEL SYSTEM



FORD 416EFI LP ENGINE - FUEL SYSTEM (N. AMERICA & "EX" MODELS)

<u>KEY NO.</u>	<u>PART NUMBER</u>	<u>DESCRIPTION</u>	<u>QTY.</u>
1	8-08-00944	Bracket, LP Regulator	1
2<~	7-11-04043	LP Regulator	Ref
3	2-00-05972	Fitting, 3/8 NPT x 5/8 90° Hose	2
4	2-00-05674	Fitting, 1/4 NPT Hex Nipple (Brass)	1
5<~	7-88-00110	Valve, LP Safety	Ref
6	2-00-05678	Fitting, 1/4 NPT 90° Street Elbow Brass	1
7	2-00-05942	Fitting, 1/4 NPT x 1/8 NPT x 3/8 JIC TEE	1
8	8-82-00046	Switch, Oil Pressure	1
9<~	7-11-04052	Megajector	Ref
10	8-33-02390	Hose, 5/8 ID Heater (55")	1
11	8-33-02391	Hose, 5/8 ID Heater (54")	1
12<	8-33-02392	Hose, 3/4" ID x 15.6" LP Low Pressure	1
13<	8-33-02393	Hose, 5/8" ID x 34.8" LP Low Pressure	1
14<	8-33-02394	Hose, 1/4" ID x 45" LP Low Pressure	1
15<	2-00-00518	Lock Washer, 1/4 Helical Spring	4
16	2-00-00219	Bolt, 1/4-20 Fin. Hex Head	4
17	2-00-00519	Lock Washer, #10-24 Helical Spring	2
18	2-00-00049	Screw, 10-24 x .50 RHM	2
19	2-00-03407	Clamp, Wittek #10P Hose	4
20	2-95-04388	Clamp, Hose	4
21~	7-33-02654	Hose, LP High Pressure (19.25")	Ref
22*~	7-11-04046	LP Regulator	Ref
23*	8-33-02402	Hose, 5/8" ID LP Low Pressure (36")	1
24*	7-33-02647	Hose, 1/4" ID Vapor (44")	1
25*	2-00-06085	Fitting, 3/8 NPT x 5/8 Hose 90° Elbow	1
26	2-00-06000	Fitting, 1/2 NPT x 3/4 Barb Str.	1
27*	2-00-06087	Fitting, 1/2 NPT x Hose Barb 90° Elbow	1
28*~	F48	Fitting, 1/8 NPT x 1/4 Hose 90° Elbow	Ref

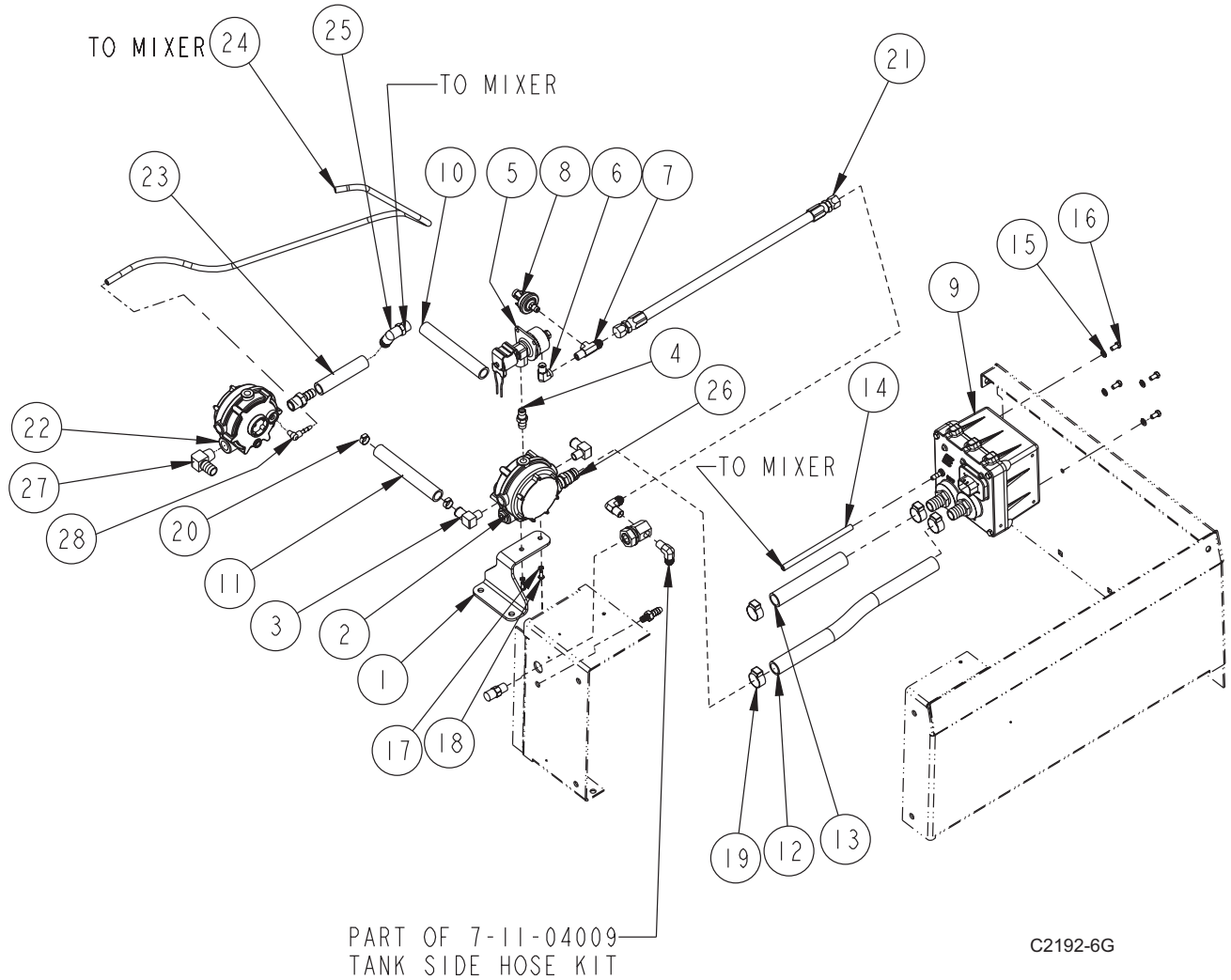
< North America Only

*EX Models Only

~Comes w/Engine Assembly

C2192-6G/9-04

FORD 416EFI LP ENGINE - FUEL SYSTEM (N. AMERICA & "EX" MODELS)

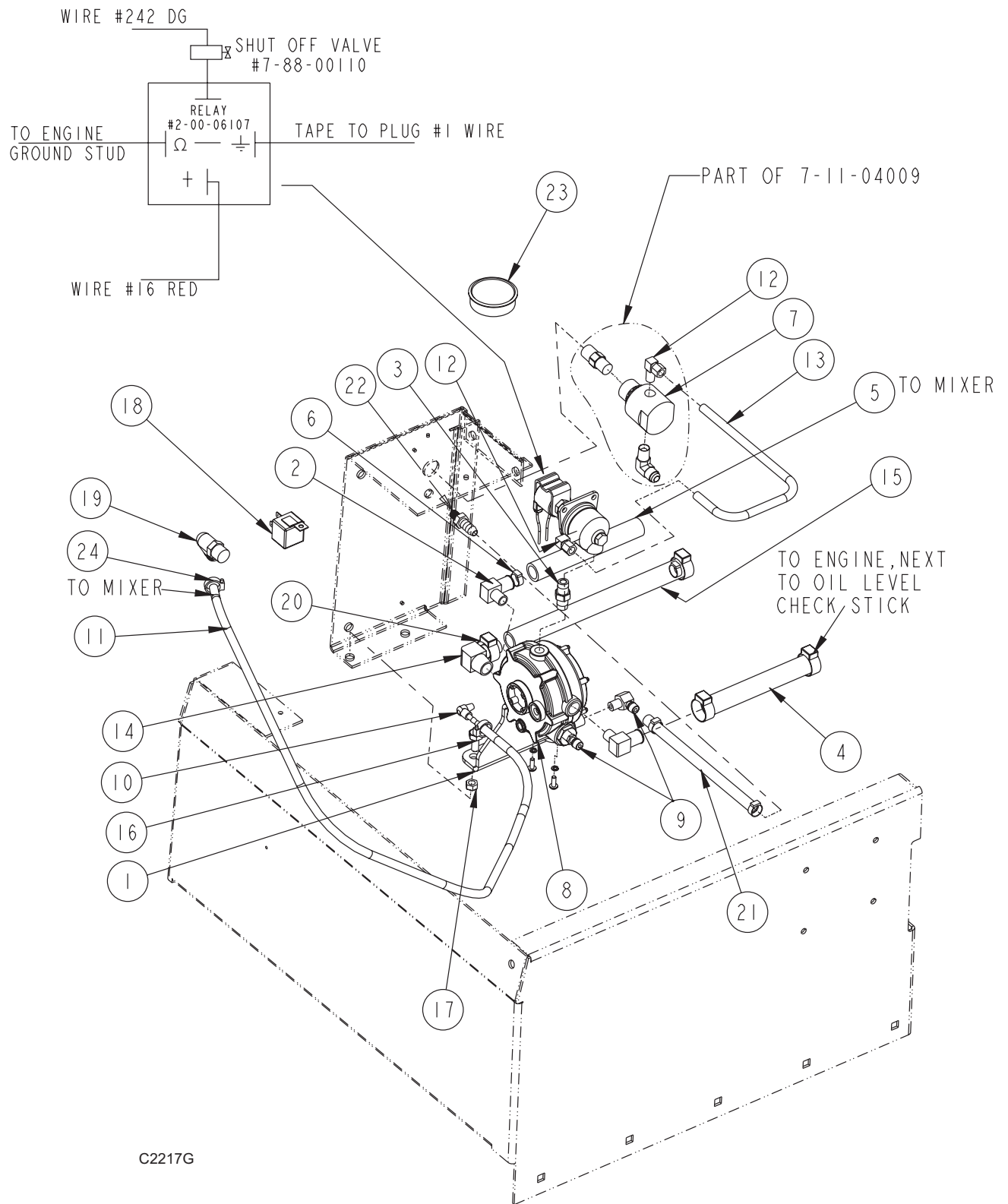


FORD 416EFI LP ENGINE - FUEL SYSTEM ("CE" MODELS)

<u>KEY NO.</u>	<u>PART NUMBER</u>	<u>DESCRIPTION</u>	<u>QTY.</u>
1	8-08-00944	Bracket, LP Regulator	1
2	2-00-05972	Fitting, 3/8 NPT x 5/8 90° Hose	2
3	2-00-05674	Fitting, 1/4 NPT Hex Nipple (Brass)	1
4	8-33-02390	Hose, 5/8" ID Heater (55")	1
5	8-33-02391	Hose, 5/8" ID Heater (54")	1
6	2-95-04388	Clamp, Hose	4
7<	2-00-06093	Fitting, 1/4 NPT 3-way Bulkhead	Ref
8<	7-11-04046	LP Regulator	Ref
9	7-88-00117	Valve Kit, LP Safety	Ref
10<	2-00-04787	Fitting, 1/8 NPT x 1/4 Hose Barb 90° Elbow	1
11	7-33-02647	Hose, 1/4" ID Vapor (44")	1
12	2-00-06099	Fitting, 3/8 Tube x 1/4 NPT 90° Elbow (SS)	2
13	8-87-02126	Tubing, LP High Pressure	1
14<	2-00-06087	Fitting, 1/2 NPT x 5/8 90° Hose	1
15	7-33-02677	Hose, 5/8 ID LP Low Pressure (36")	1
16	2-00-00208	Screw, 5/16-18 x .75 HHC	2
17	2-00-00644	Nut, 5/16-18 Fiber Insert Hex	2
18	2-00-06107	Relay, Lektron Safety	1
19	2-00-06085	Fitting, 3/8 NPT x 5/8 90° Elbow Hose	1
20	2-00-03407	Clamp, Wittek #10P Hose	4
21	7-33-02652	Hose, LP (34")	1
22<	2-00-05997	Fitting, 3/8 Hose Barb x 1/8 NPT	Ref
23	2-00-05281	Plug, Fuel Gauge	1
24	2-00-05363	Clamp, Hose	2

<Comes w/Engine Assembly

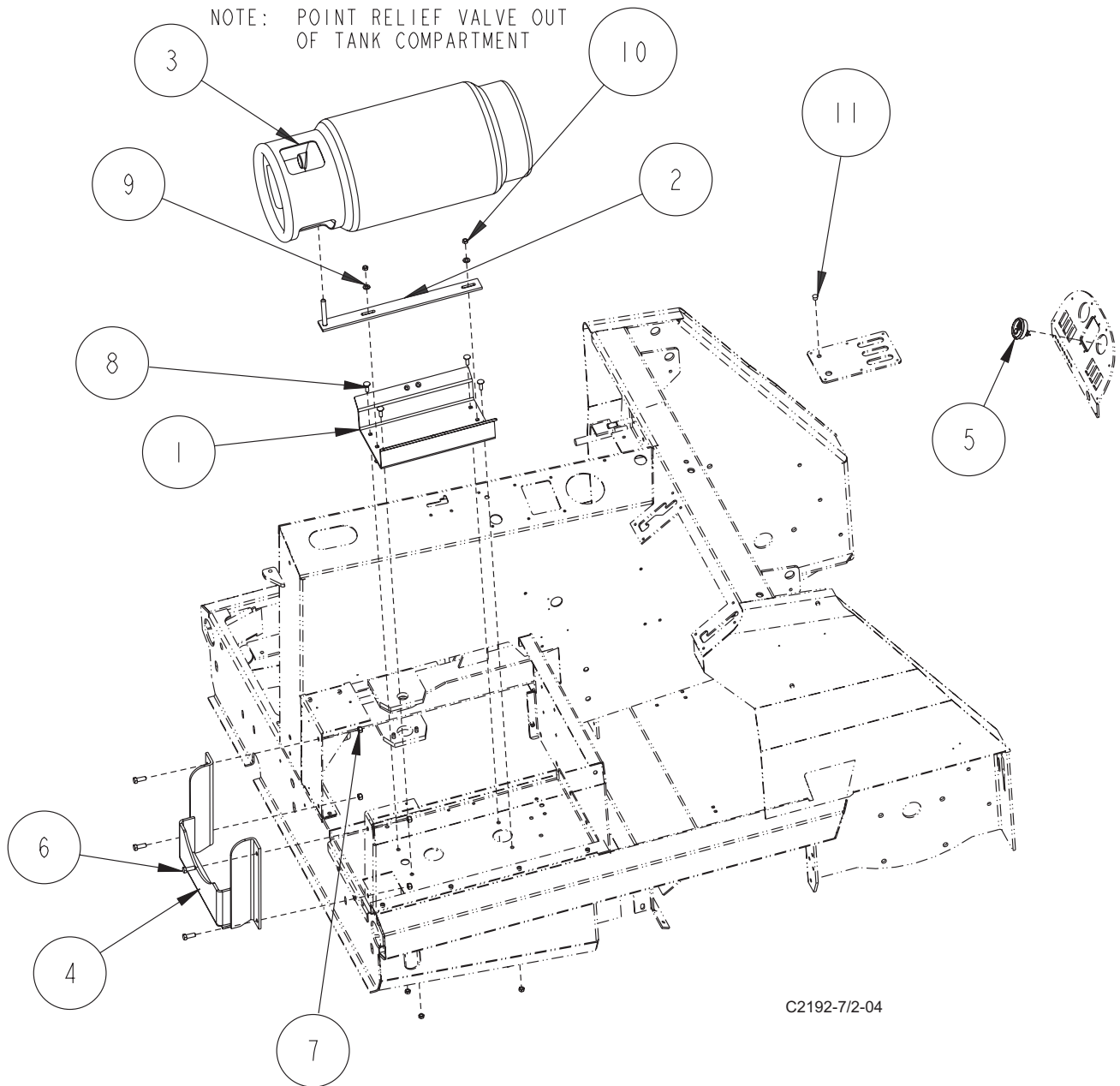
C2217G/9-04



LP TANK

<u>KEY NO.</u>	<u>PART NUMBER</u>	<u>DESCRIPTION</u>	<u>QTY.</u>
1	8-08-00813	Bracket, LP Tank	1
2	8-43-05005	Pin, LP Tank Locate	1
3	8-83-04016	LP Tank	1
4	8-30-05171	Guard, LP Tank	1
5	7-11-04035	Kit, Low LP Indicator	1
6	2-00-00233	Bolt, 3/8-18 x 1.00 Fin. Hex Head	4
7	2-95-04182	Nut, 3/8-16 Hex Stop	4
8	2-00-00196	Carriage Bolt, .31-18 x 1.00	6
9	2-00-00409	Flat Washer, .687 x .344 x .062	2
10	2-00-00644	Nut, 5/16-18 Insert Fiber Hex	6
11	2-00-05283	Plug Button	1

C2192-7/2-04



C2192-7/2-04

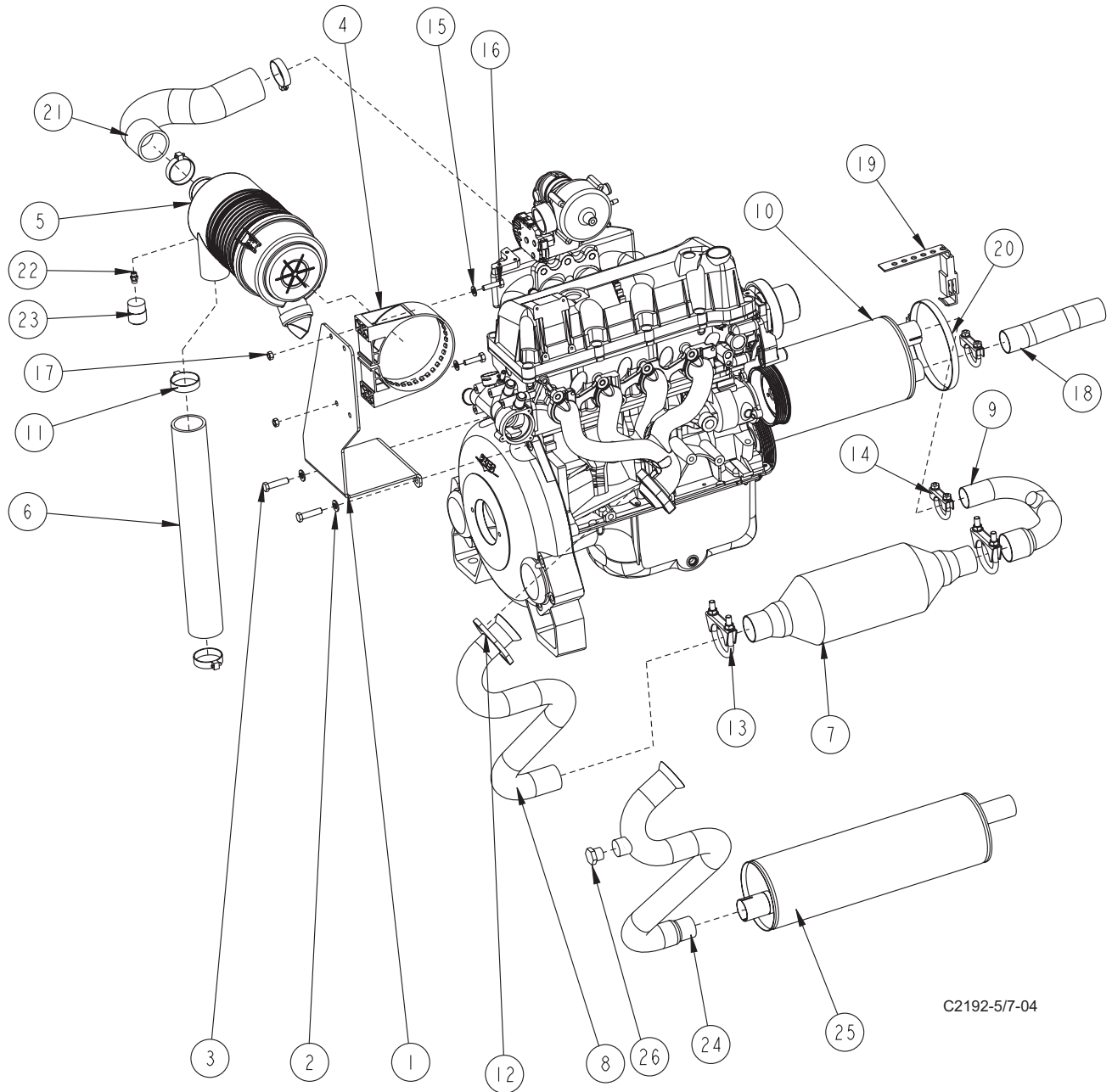
FORD 416EFI LP ENGINE - AIR INTAKE & EXHAUST SYSTEMS

<u>KEY NO.</u>	<u>PART NUMBER</u>	<u>DESCRIPTION</u>	<u>QTY.</u>
1	7-08-02051	Bracket, Air Cleaner	1
2	2-00-05042	Lock Washer, M10 Helical Spring	2
3	2-00-05329	Bolt, .39 dia. x 1.57	2
4	7-13-07231	Band, Filter	1
5	7-24-04083	Filter Assy., Air Cleaner	1
6	8-33-02398	Hose, Air Intake	1
7<~	7-11-04037	Catalytic Converter	1
8<	7-87-02223	Tube, Exhaust	1
9<	7-87-02222	Tube, Exhaust	1
10<	7-49-00041	Muffler	1
11	2-00-02216	Clamp, Hose	4
12	7-58-05340	Plate, Exhaust Flange	1
13	2-00-05970	Clamp, Muffler, 2"	2
14	2-00-04040	Clamp, Muffler, 1.25"	2
15	2-00-00409	Flat Washer, .687 x .344 x .062	2
16	2-00-00207	Screw, 5/16-18 x 1.25 Hex Head	2
17	2-00-00644	Nut, 5/16-18 Fiber Insert Hex	2
18<	8-87-02122	Tube, Exhaust	1
19	7-31-07033	Hanger, Muffler	1
20	2-00-04400	Clamp	1
21	8-33-02395	Hose, Air Intake	1
22	2-95-02519	Nipple, 1/8 NPT Closed	1
23	7-24-04087	Filter Service Indicator (20" WC)	1
24*	8-87-02124	Tube, Exhaust	1
25*	7-49-00031	Muffler	1
26	2-00-06090	Plug, 18mm x 1.5	1

<North American Only
 *Export Only
 ~Comes with Engine Assy.

C2192-5/7-04

FORD 416EFI LP ENGINE - AIR INTAKE & EXHAUST SYSTEMS



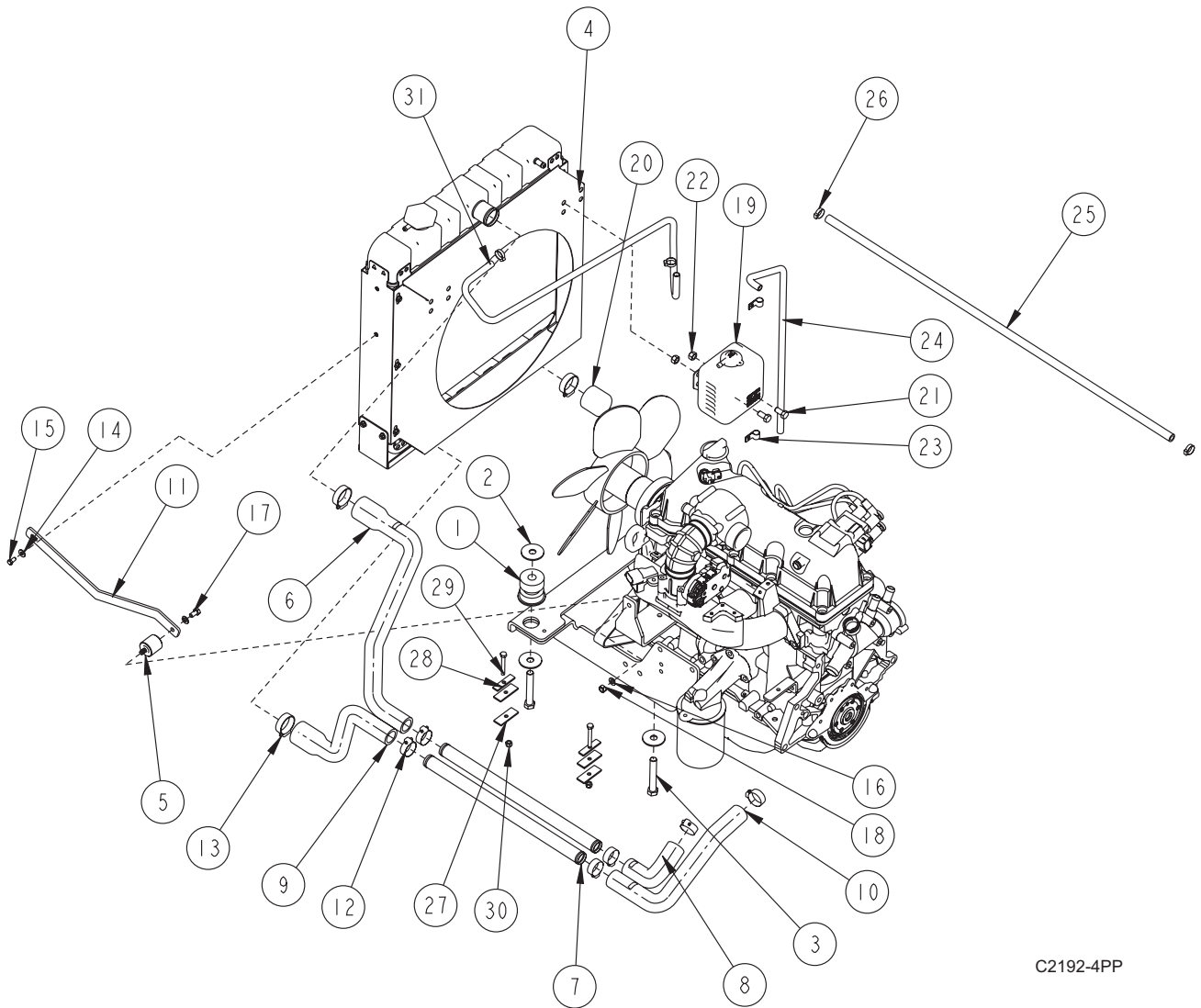
C2192-5/7-04

FORD 416EFI LP ENGINE - COOLING SYSTEM

<u>KEY NO.</u>	<u>PART NUMBER</u>	<u>DESCRIPTION</u>	<u>QTY.</u>
1	7-35-00017	Isolator, Engine Mount (Red Dot)	2
2	2-00-05067	Spacer, Snubbing Washer	4
3	2-00-02617	Screw, 1/2-13 x 3.5	2
4	7-62-01008	Radiator	1
5	7-35-00028	Isolator, M8-1.25, 32 x 32	1
6	7-33-02610	Hose, Front, 25 ID, 20R4, 23000072T	1
7	7-87-02930	Connector, 410.0 x 25.40 dia. Straight	2
8	7-33-02612	Hose, Back, 27 ID, 20R4, 23000057T	1
9	7-33-02609	Hose, Front, 25 ID, 20R4, 23000072B	1
10	7-33-02611	Hose, Back, 27 ID, 20R4, 23000057B	1
11	7-08-01184	Support, Upper	1
12	2-00-02220	Clamp, Hose	6
13	2-00-03404	Clamp	3
14	2-00-03702	Washer, .625 x .281 x .063	1
15	2-00-00220	Bolt, 1/4-20 Fin. Hex Head	1
16	2-00-05041	Lock Washer, M8 Helical Spring	2
17	2-00-05963	Screw, M8 x 1.25 x 15mm 8.8 Blox HHC	1
18	2-00-05964	Nut, M8 x 1.25	1
19	7-07-02002	Overflow Bottle Assy. (1 liter)	1
20	2-00-05956	Plug, Radiator Outlet	1
21	2-00-00232	Bolt, 3/8-16 x .75 HHC	2
22	2-95-04182	Nut, 3/8-16 Hex Stop	2
23	2-00-04602	Clamp	2
24	7-33-02644	Hose, 1/4" ID x 24" long (Clear)	1
25	7-33-02655	Hose, Vent (Radiator to Engine)	1
26	2-95-04388	Clamp, Hose	4
27	7-29-00192	Gasket, Oil Cooler	4
28	8-13-07088	Clip	2
29	2-00-02589	Bolt, 1/4-20 Fin. Hex Head	2
30	2-00-00641	Nut, 1/4-20 Fiber Insert	2
31	7-33-02643	Hose, 1/4" ID x 36" long (Black)	1

C2192-4PP/6-04

FORD 416EFI LP ENGINE - COOLING SYSTEM

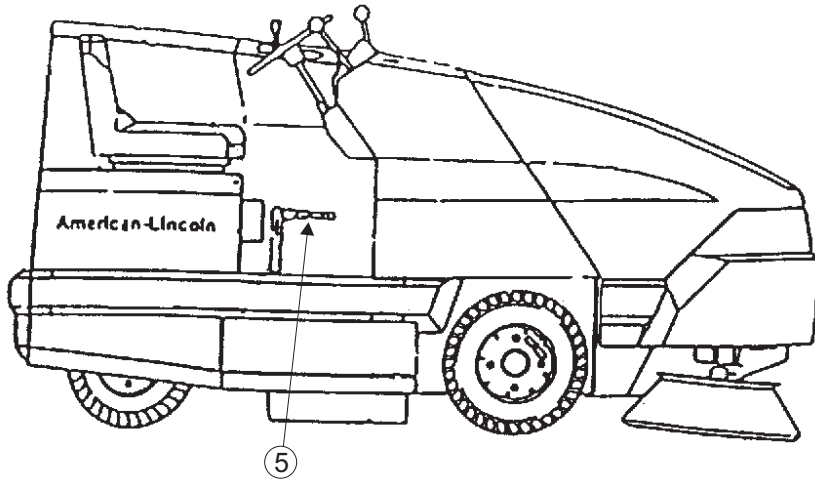


C2192-4PP

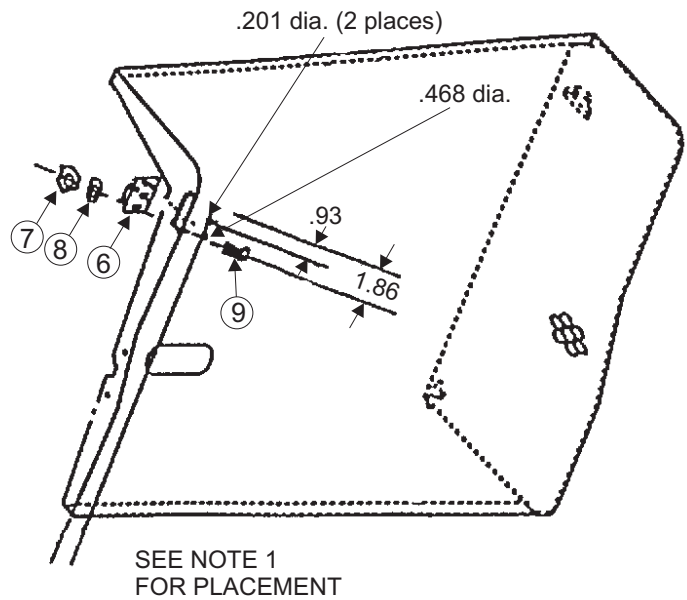
CE KIT

<u>KEY NO.</u>	<u>PART NUMBER</u>	<u>DESCRIPTION</u>	<u>QTY.</u>
1	8-79-00030	Static Strap	1
2	0880-593	Back-up Alarm (see Options)	1
3	8-41-05087	Latch (placement shown)	1
4	8-50-00016	CE Serial Plate (see decals)	1
5	7-41-05099	Brake Handle (replaces 7-41-05083)	1
6	8-31-06090	Latch Key	2
7	2-00-01246	Insert, #10-24 Thin Nylon	2
8	2-00-00426	Flat Washer, .500 x .219 x .063	2
9	2-00-03062	Screw, #10-24 x.063 THM	2
10	2-00-02310	Lock Washer, Helical Spring	2
11	2-00-02360	Nut, .38-16 Fin. Hex	1
12	2-00-00233	Screw, .375 x 1.00	1
13	2-00-00402	Flat Washer, .375 x .391 x .093	1
14	2-00-03829	Lock Washer, Int./Ext/ Tooth	1

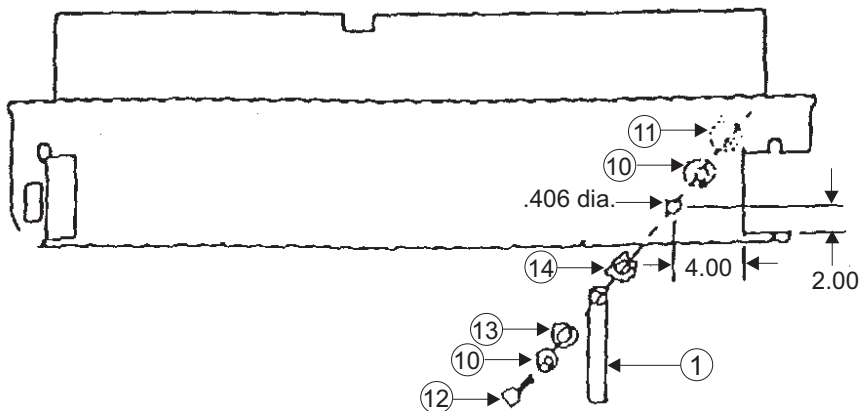
CE KIT/2-04



NOTE 1: POSITION HOLES WHERE LATCH CATCHES & HOLDS LENTEL BY AS MUCH AS POSSIBLE BUT NO LESS THAN 3/16".



BROOM CHAMBER



DECALS - PARTS LIST

<u>KEY NO.</u>	<u>PART NUMBER</u>	<u>DESCRIPTION</u>	<u>QTY.</u>
1*<	REF	ATF/Dextron Fluid Only	1
2	8-18-00490	Bi-Directional Pedal/horizontal	1
3~	8-18-00487	Blank Square-Option Covers	1
4<	REF	Gasoline Only	1
	REF	Diesel Fuel Only	1
5*<	REF	Do Not Use with Flammables	1
6*<	REF	Exhaust Warning (G, LP, D)	1
7*<	REF	Fire Hazard-Fuel Could Explode (G, D)	1
8<	REF	Moving Belts-Stay Clear (G, LP, D)	1
9<	REF	Moving Fan Blade-Stay Clear (G, LP, D)	1
10	8-18-00505	Throttle Lever (D)	1
11*<	REF	Patent/Patents Pending	1
12<	REF	Read Operator's Manual	1
13<	REF	Surface Hot-Stay Clear (G, LP, D)	1
14*<	REF	Turn Off-Lock Wheel	1
15<	REF	Cover/Hopper Could Close	3
16*<	REF	Split Rim (pneumatic tires)	3
17<	REF	Pinch Point-Stay Clear	6
18	8-18-00549	A-L Technology-small (Export Only)	1
19	8-18-00525	American-Lincoln (medium)	1
	8-18-00528	Alto (Export Only)	1
20	8-18-00524	American-Lincoln (small)	2
	8-18-00548	A-L Technology-large (Export Only)	1
21	8-18-00529	MPV- 60	1
22	REF	Serial Plate	1
23	7-50-05136	Non-Skid	3
24	8-50-05055	Non-Skid	1
25	2-00-04115	Rivets	2
26	8-18-00552	Check Engine (G, LP)	1

G=Gas LP=Liquid Petroleum D=Diesel

<English Text Warning and MPV-60 No-text Warning decals contained in kit: 0760-859

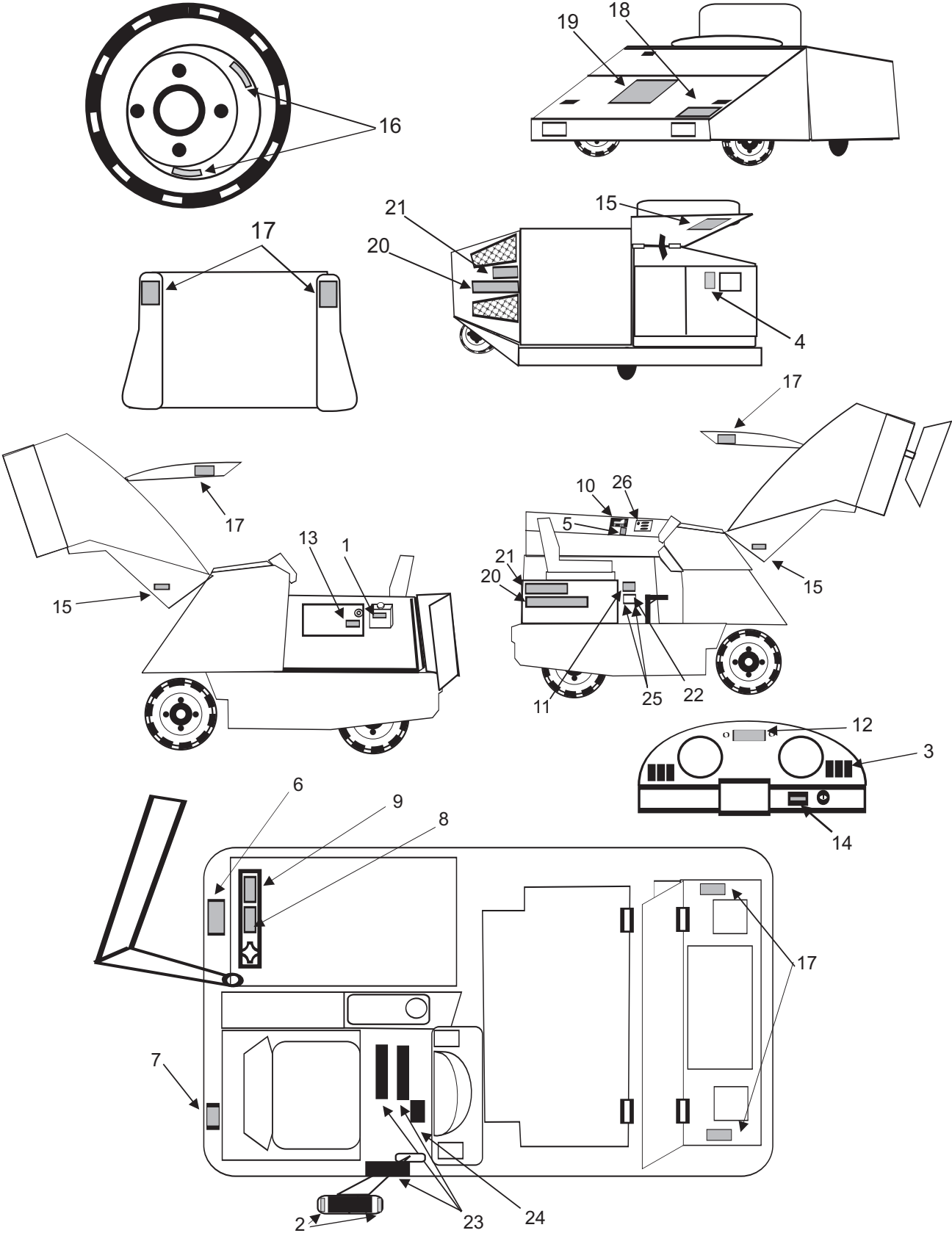
*ALL WARNING/SAFETY DECALS with TEXT SOLD IN A KIT BY LANGUAGE:

DANISH	0760-850	ITALIAN	0760-851
DUTCH	0760-849	FRENCH	0760-847
NORWEGIAN	0760-852	SPANISH	0760-846
SWEDISH	0760-853	PORTUGUESE	0760-854
GERMAN	0760-848		

~Can be ordered separately, but is included in 0760-859

C1440A/4-04

DECALS - EXPLODED VIEW



TOTAL STEEL PACKAGE - PARTS LIST

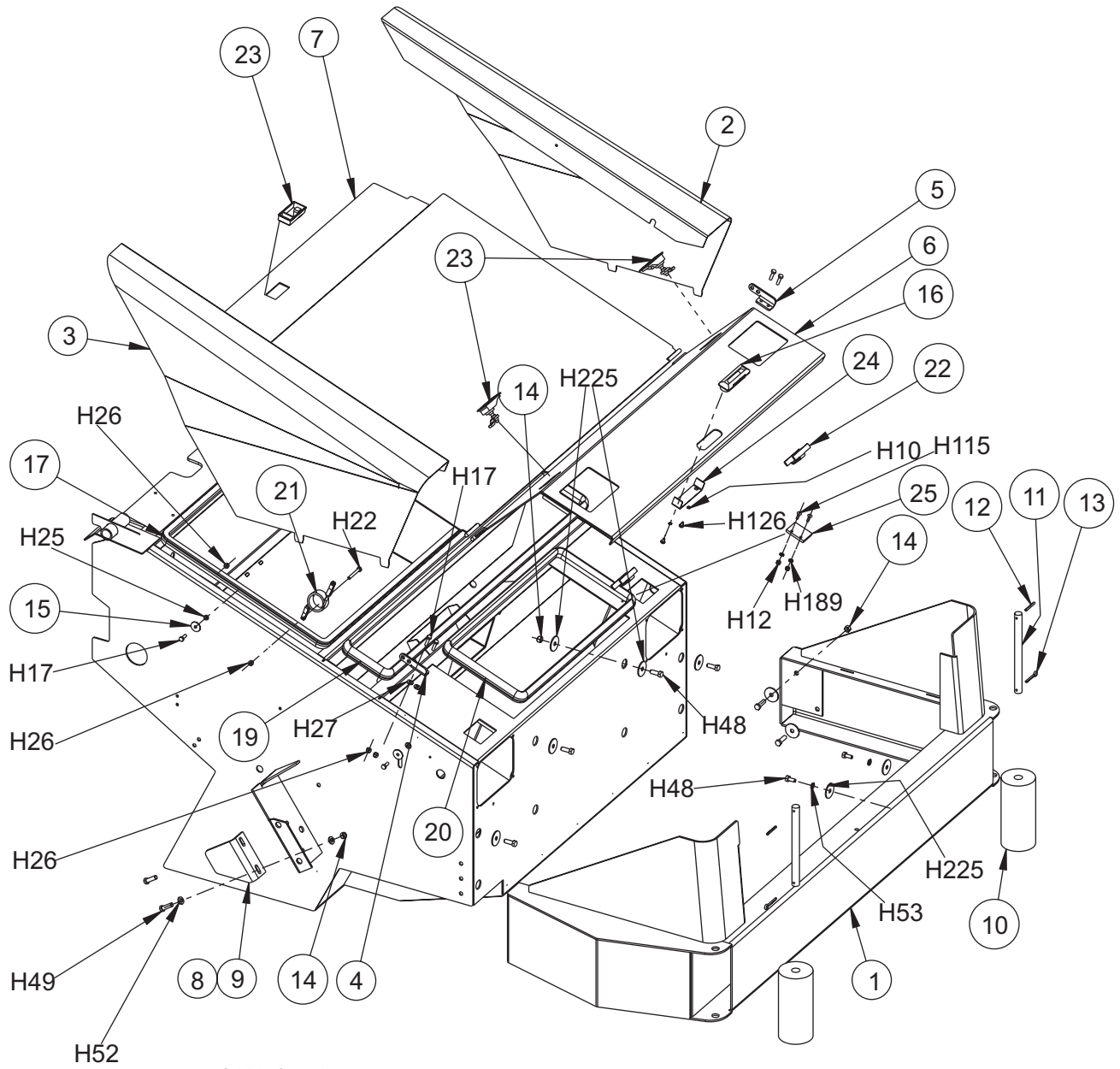
<u>KEY NO.</u>	<u>PART NUMBER</u>	<u>DESCRIPTION</u>	<u>QTY.</u>
1	8-08-07063	Bumper, Front	1
2	8-16-07378	Side Cover (LH)	1
3	8-16-07377	Side Cover (RH)	1
4	8-08-00850	Bracket (RH)	1
5	8-08-00851	Bracket (LH)	1
6	8-16-07402	Front Cover	1
7	8-16-07401	Top Cover	1
8	8-08-00852	Bracket, Bumper Guide (RH)	1
9	8-08-00853	Bracket, Bumper Guide (LH)	1
10	8-66-05013	Roller Bumper	2
11	8-70-05304	Pin, Roller Bumper	2
12	2-00-02444	Roll Pin, 3/16 x 1.750	2
13	2-00-02436	Cotter Pin	2
14	2-95-04182	Nut, Fiber	12
15	7-23-03092	Washer	4
16	8-31-06078	Handle	1
17	8-29-00240	Gasket	1
18			
19	8-29-00278	Gasket	1
20	8-29-00279	Gasket	1
21	8-10-00027	Cable	1
22	8-08-00886	Bracket-Latch	2
23	8-41-00040	Latch, Top Cover	3
24	8-79-00098	Strap, Handle	1
25	8-05-07091	Latch Bar	2

HARDWARE USED:

H10	2-00-00519	Lock Washer, # 10 Med. HS	2
H12	2-00-01246	Nut, Hex Fiber Insert #10-24	2
H17	2-00-00205	Screw, 1/4-20 x 1.000 HHC	8
H22	2-00-02589	Screw, 1/4-20 x 2.000 HHC	2
H25	2-00-00594	Nut, Hex 1/4-20 x .437 x .218	4
H26	2-00-00641	Nut, 1/4-20 Insert Fiber	8
H27	2-00-03702	Washer, .625 x .281 x .063	4
H48	2-00-00233	Screw, 3/8-16 x 1.000 HHC	12
H49	2-00-00209	Screw, 3/8-16 x 1.250 HHC	4
H52	2-00-00402	Flat Washer, .750 x .390 x .094	4
H53	2-00-02310	Lock Washer, Helical Spring 3/8 Med.	4
H115	2-00-03063	Screw, #10-24 x .750 THM	2
H126	2-00-03466	Screw, #10-16 x .500	2
H189	2-00-00460	Flat Washer, .437 x .192 x .031-s	2
H225	2-00-04851	Washer, Engine Mount	16

C-1167/9901

TOTAL STEEL PACKAGE - EXPLODED VIEW



C1167/9901

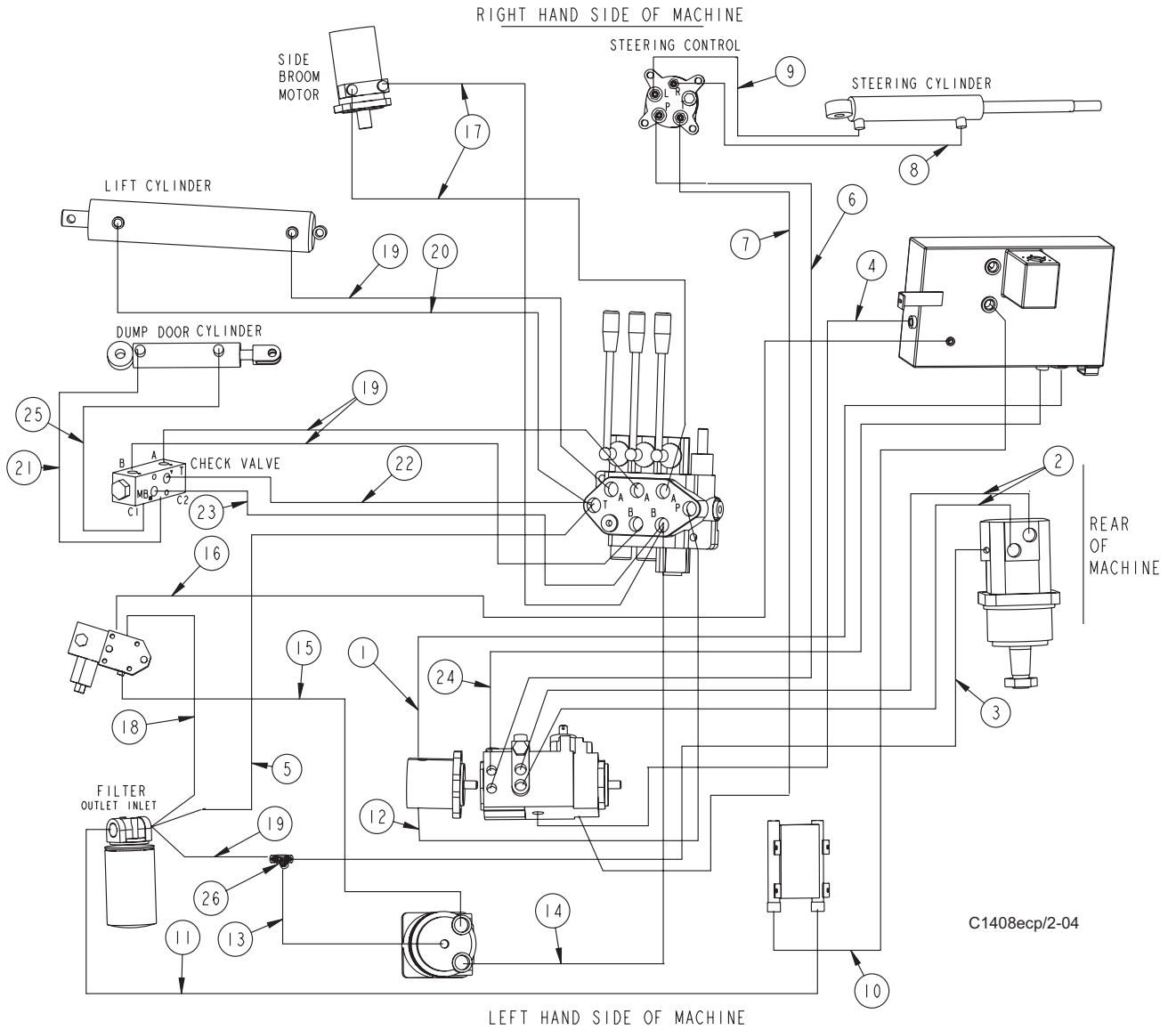
HYDRAULIC HOSE DIAGRAM - PARTS LIST

<u>KEY NO.</u>	<u>PART NUMBER</u>	<u>DESCRIPTION</u>	<u>QTY.</u>
1	8-33-02343	Hose, #12 x 45.0" 0-45-ORS	1
2	8-33-02344	Hose, #8 x 55.0" 0-0-ORS	2
3	8-33-02173	Hose, #4 x 80.0" 0-0-ORS	
4	8-33-02214	Hose, #8 x 29.0" 0-0-ORS	1
5	8-33-02326	Hose, #8 x 34.5" 0-0-ORS	1
6	8-33-02185	Hose, #4 x 56.0" 0-0-ORS	1
7	8-33-02189	Hose, #4 x 66.0" 0-0-ORS	1
8	7-33-02193	Hose, #4 x 49.0" 0-0-ORS	1
9	8-33-02182	Hose, #4 x 42.5" 0-0-ORS	1
10	8-33-02401	Hose, #12 x 41.0" 0-90-ORS	1
11	8-33-02372	Hose, #12 x 64.0" 0-90-ORS	1
12	8-33-02323	Hose, #8 x 55.0" 0-90-ORS	1
13	8-33-02329	Hose, #4 x 30.0" 0-90-ORS	1
14	8-33-02324	Hose, #8 x 72.0" 0-0-ORS	1
15	8-33-02325	Hose, #8 x 65.0" 0-0-ORS	1
16	8-33-02328	Hose, #4 x 78.5" 0-90-ORS	1
17	8-33-02327	Hose, #8 x 64.0" 0-0-ORS	2
18	7-33-02206	Hose, #8 x 14.25" 0-90-ORS	1
19	7-33-02189	Hose, #4 x 26.0" 0-90-ORS	4
20	8-33-02175	Hose, #4 x 21.0" 0-0-ORS	1
21	7-33-02193	Hose, #4 x 49.0" 0-90-ORS	1
22	8-33-02176	Hose, #4 x 21.0" 0-90-ORS	1
23	8-33-02199	Hose, #4 x 24.5" 0-90-ORS	1
24	7-33-02546	Hose, #8 x 42.0" 0-0-ORS	1
25	7-33-02191	Hose, #4 x 42.0" 0-90-ORS	1
26	2-00-04930	Fitting, #4 Union Tee	1

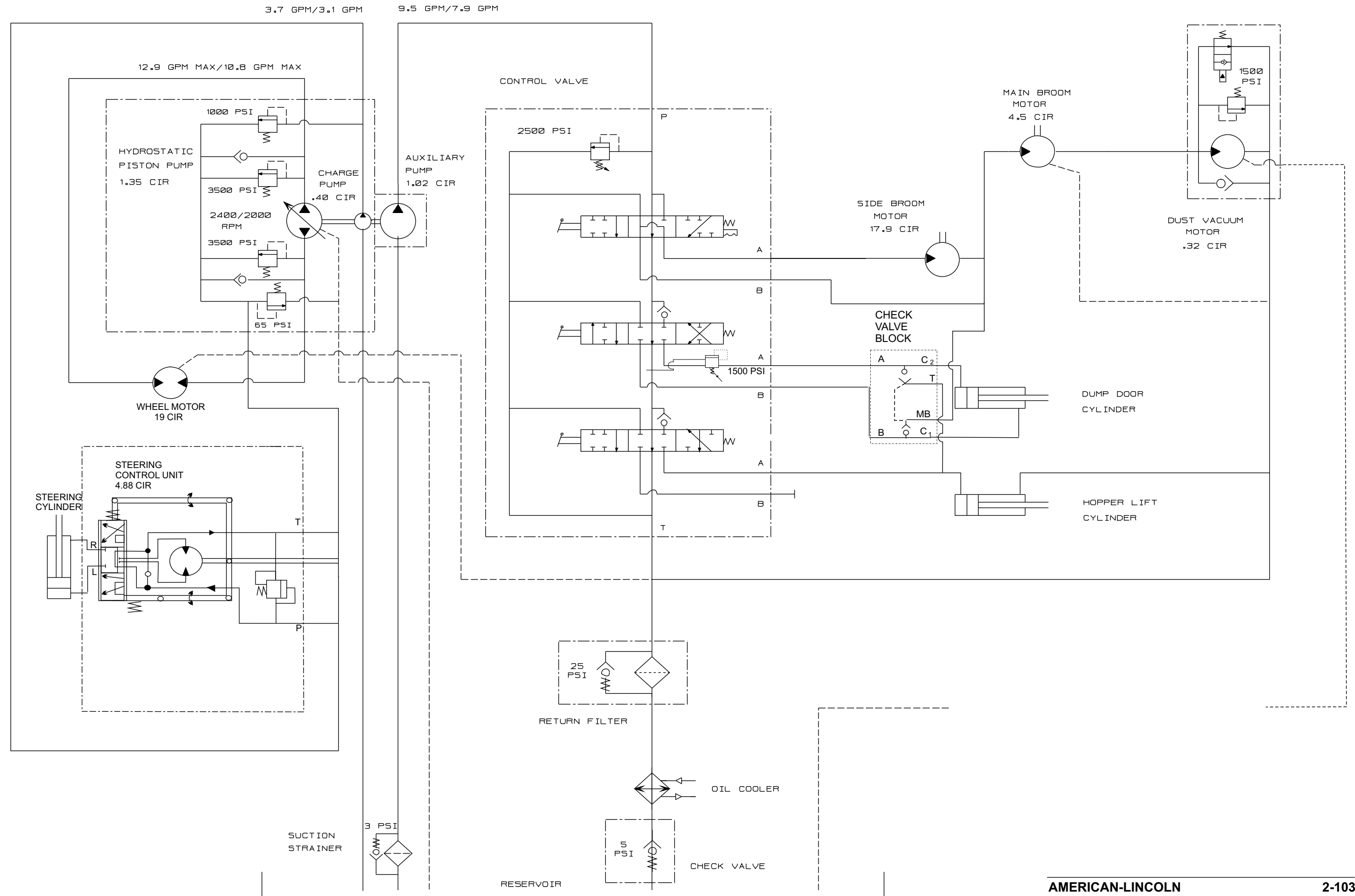
NOTE: Hoses are part of Kit 0860-625

C1408F/7-04

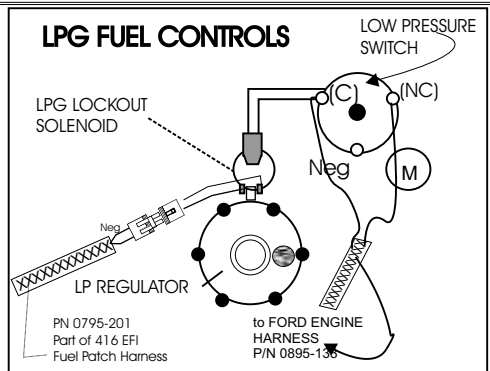
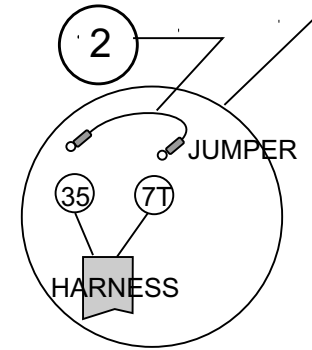
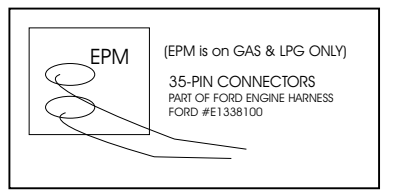
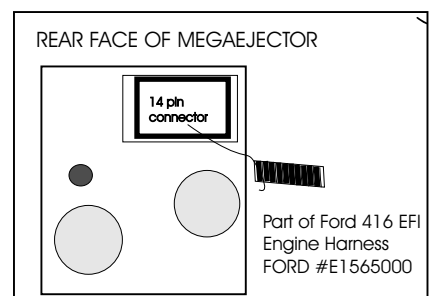
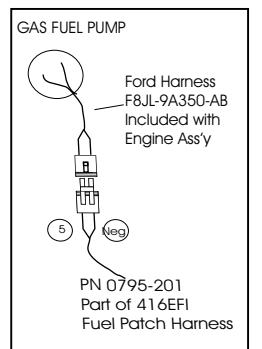
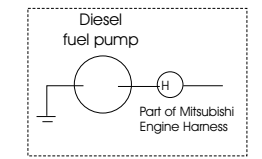
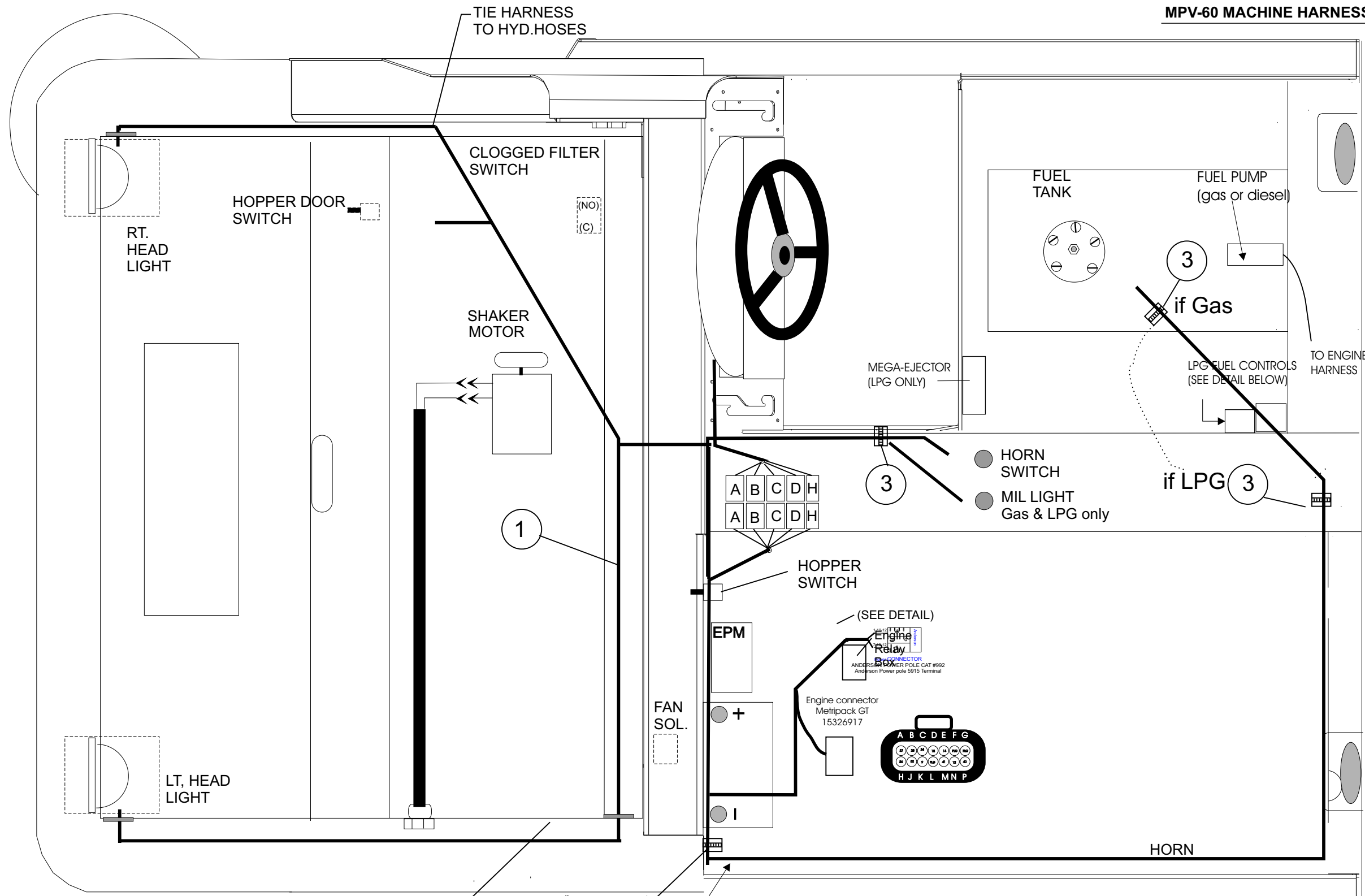
HYDRAULIC HOSE DIAGRAM - EXPLODED VIEW

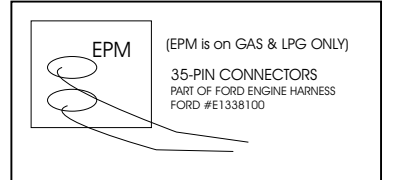
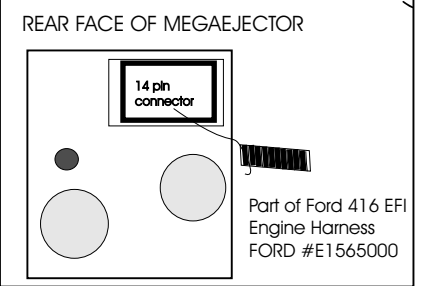
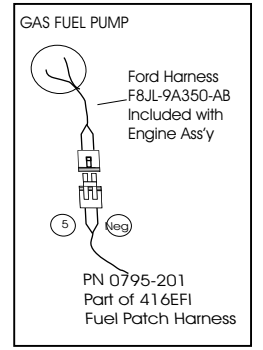
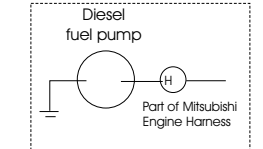
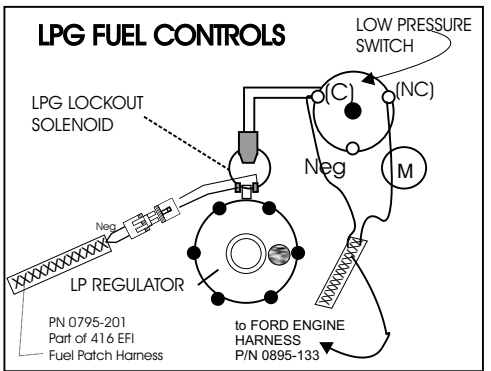
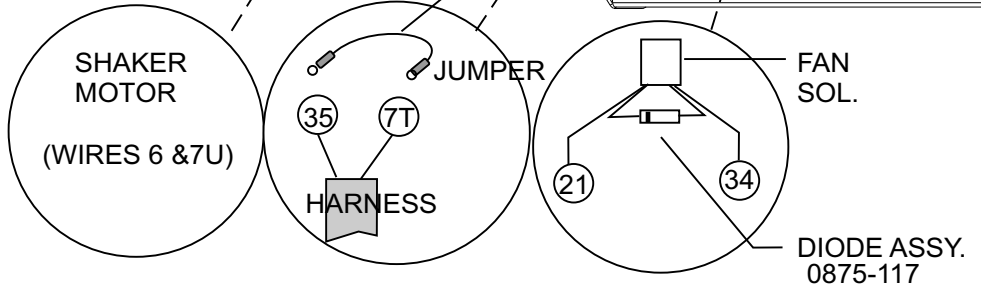
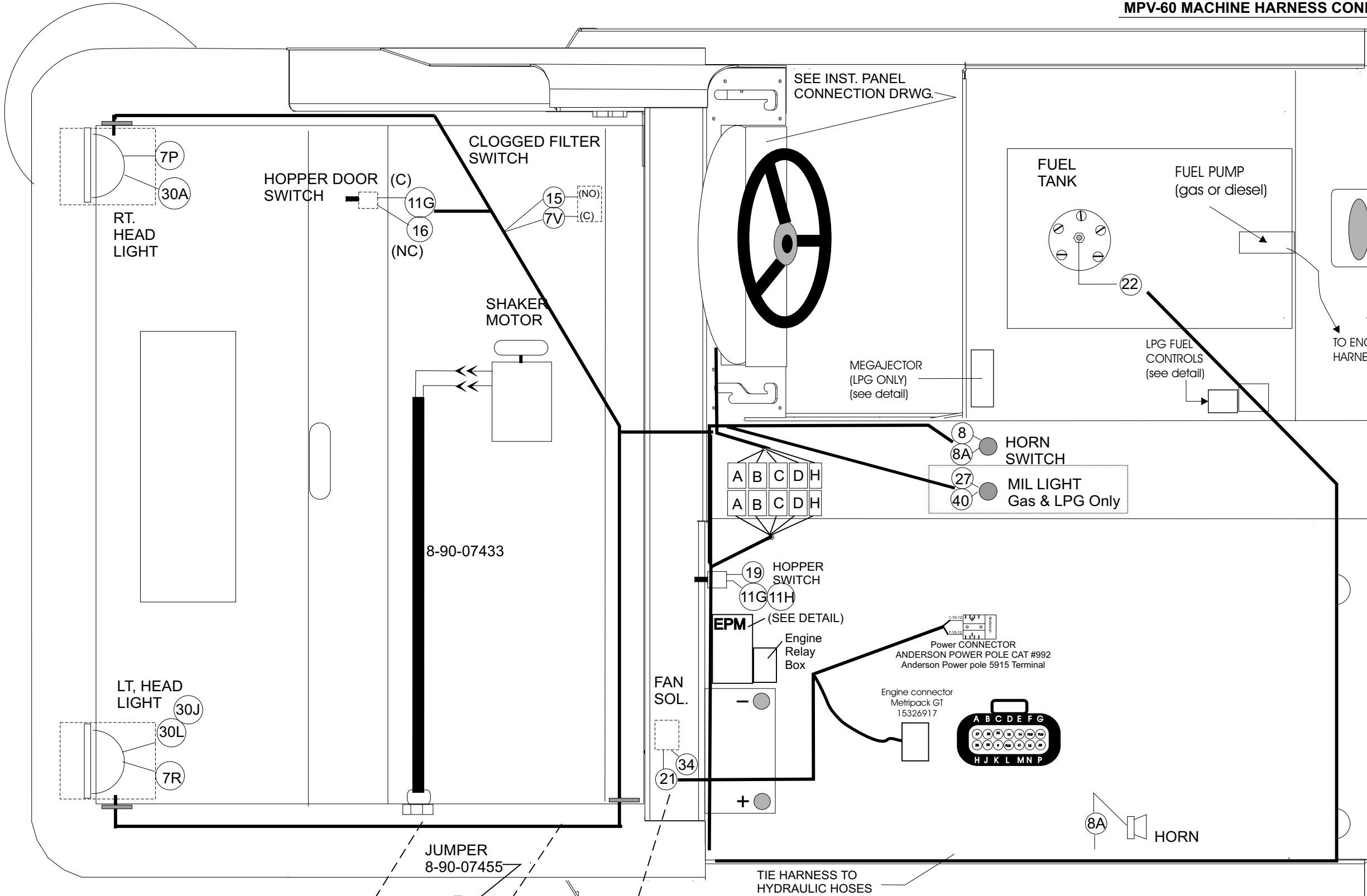


NOTES

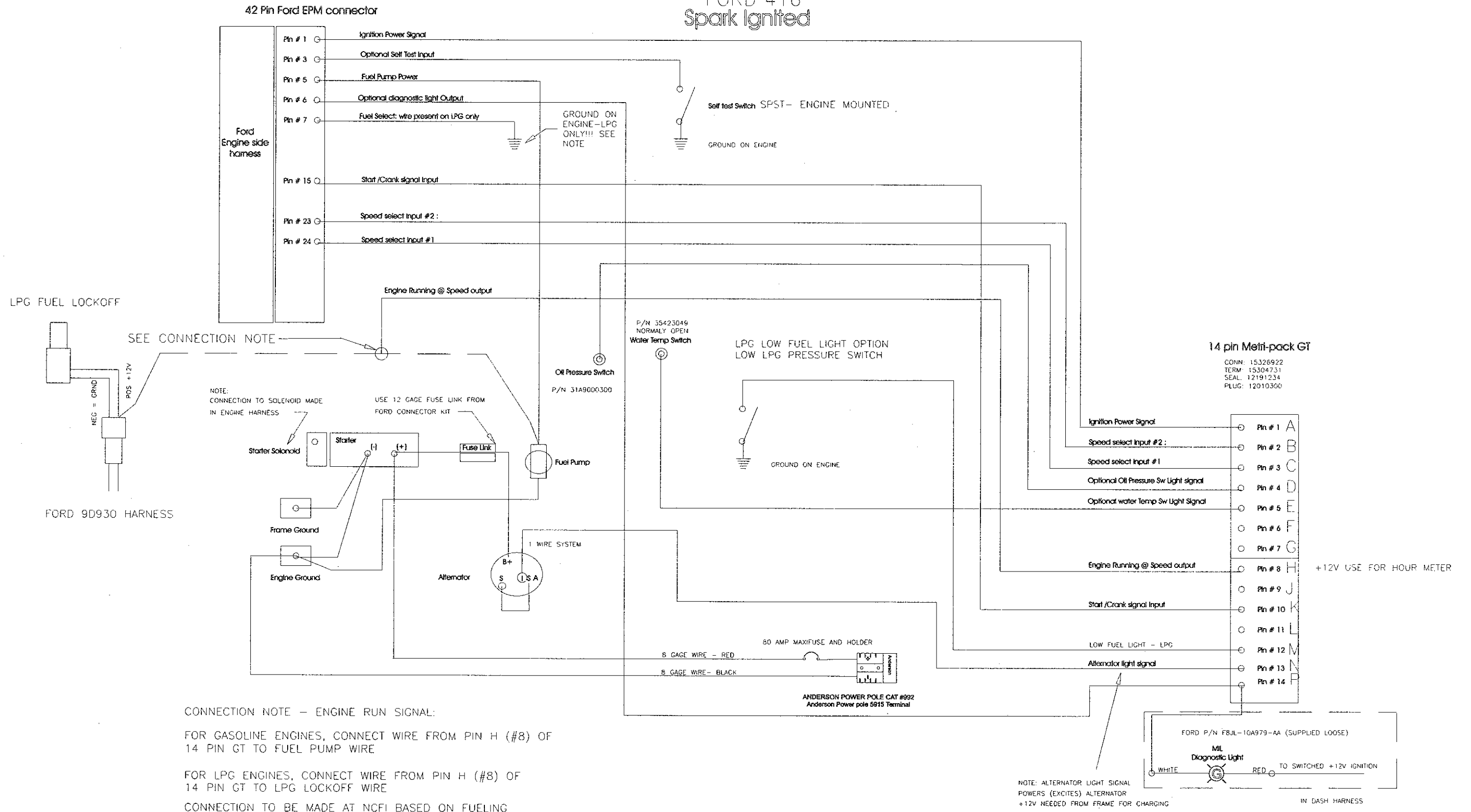


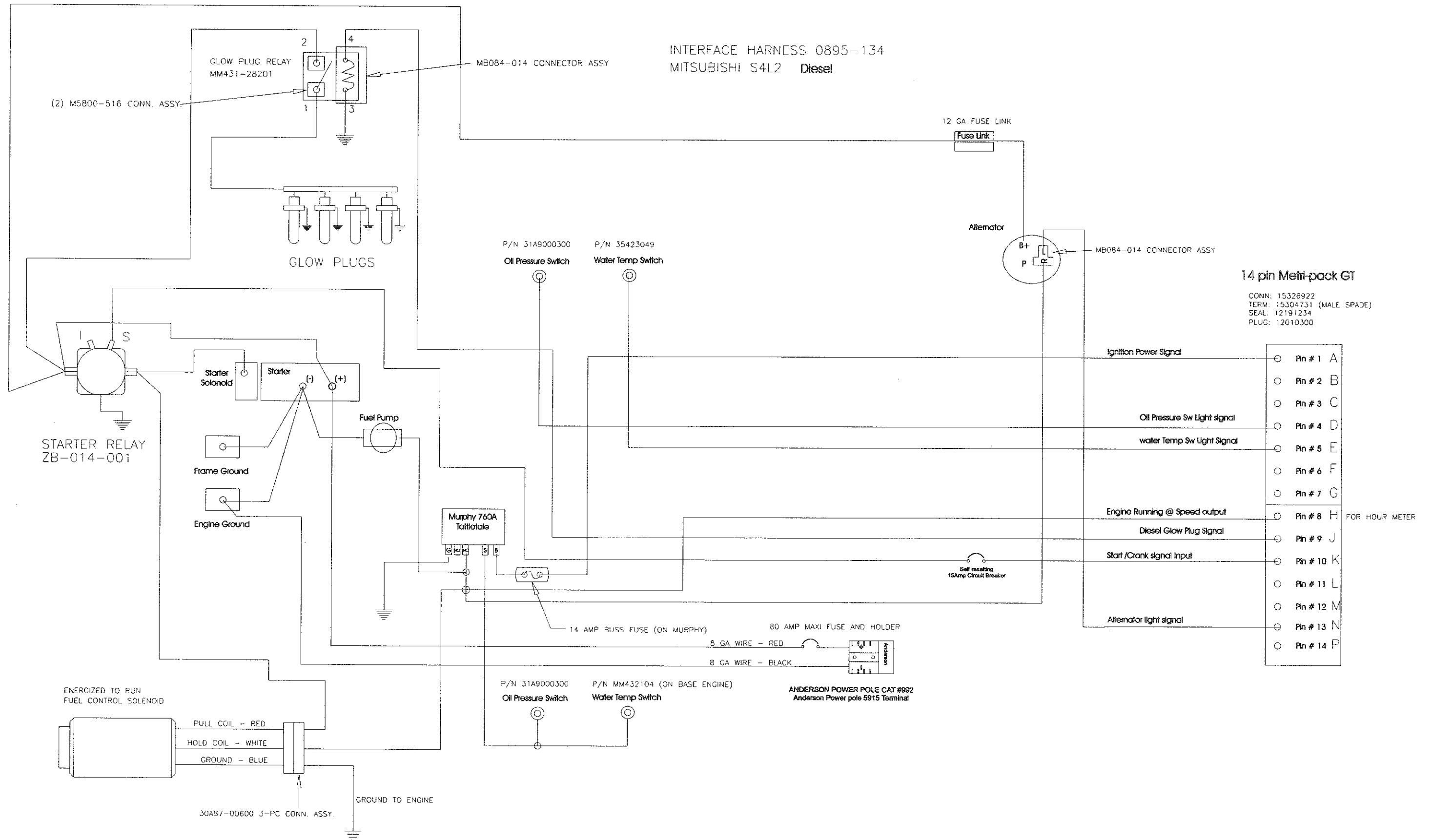
ITEM	QTY.	PART NO.	DESCRIPTION
1	1	0895-128	HARN.-BODY
2	1	8-90-07455	WIRE
3	3	7-13-07096	CLAMP

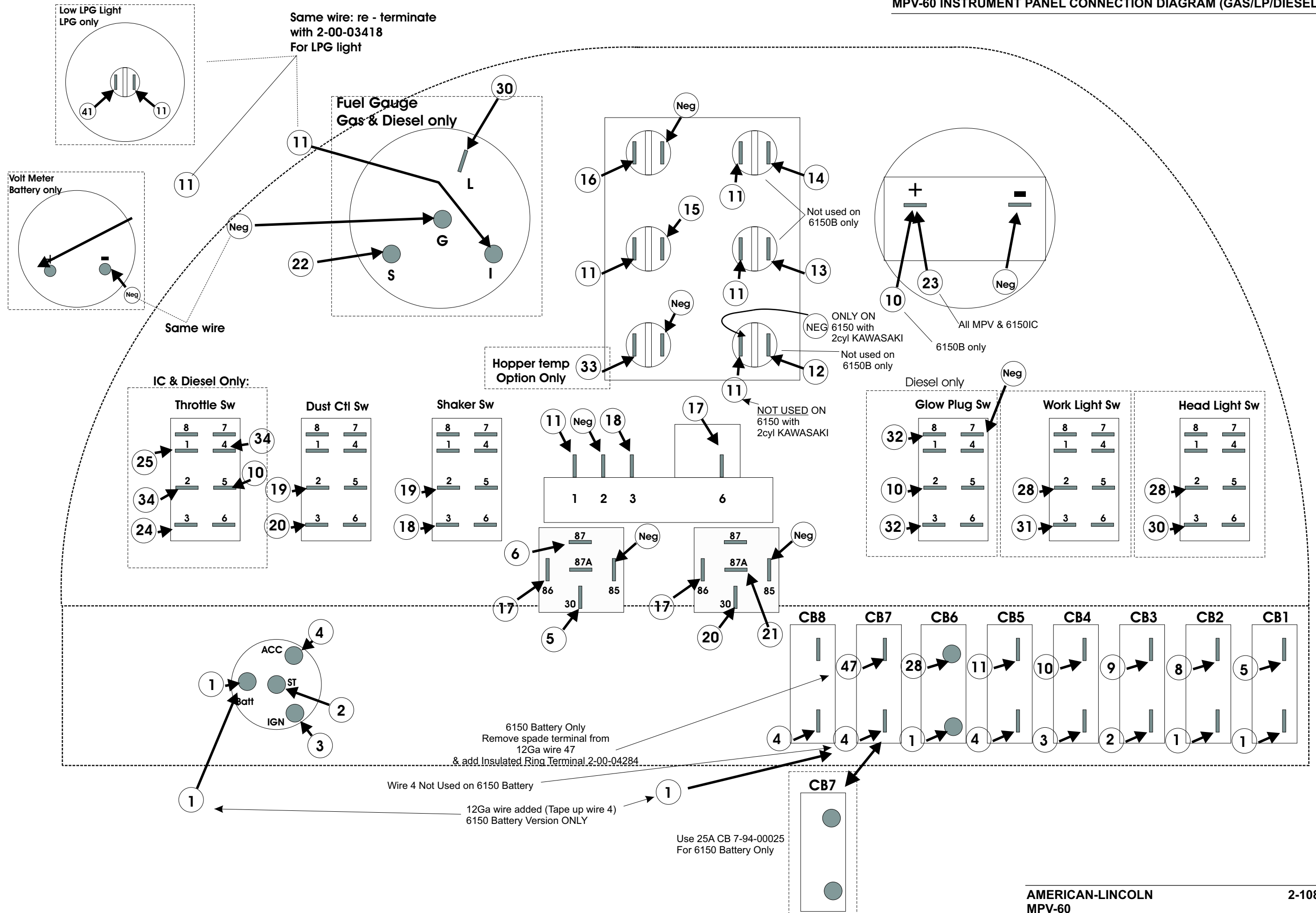


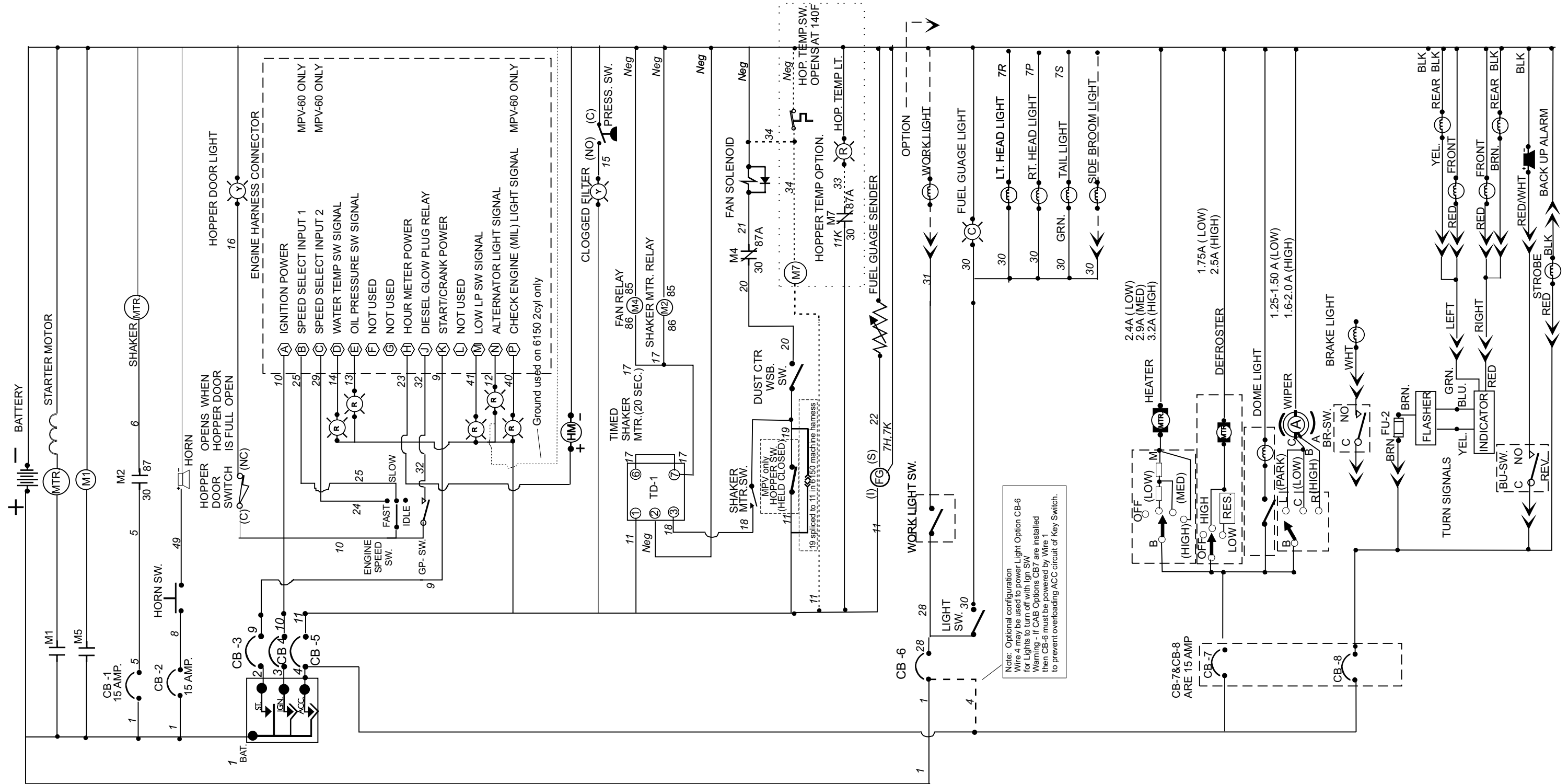


INTERFACE HARNESS 0895-133
 FORD 416
 Spark Ignited







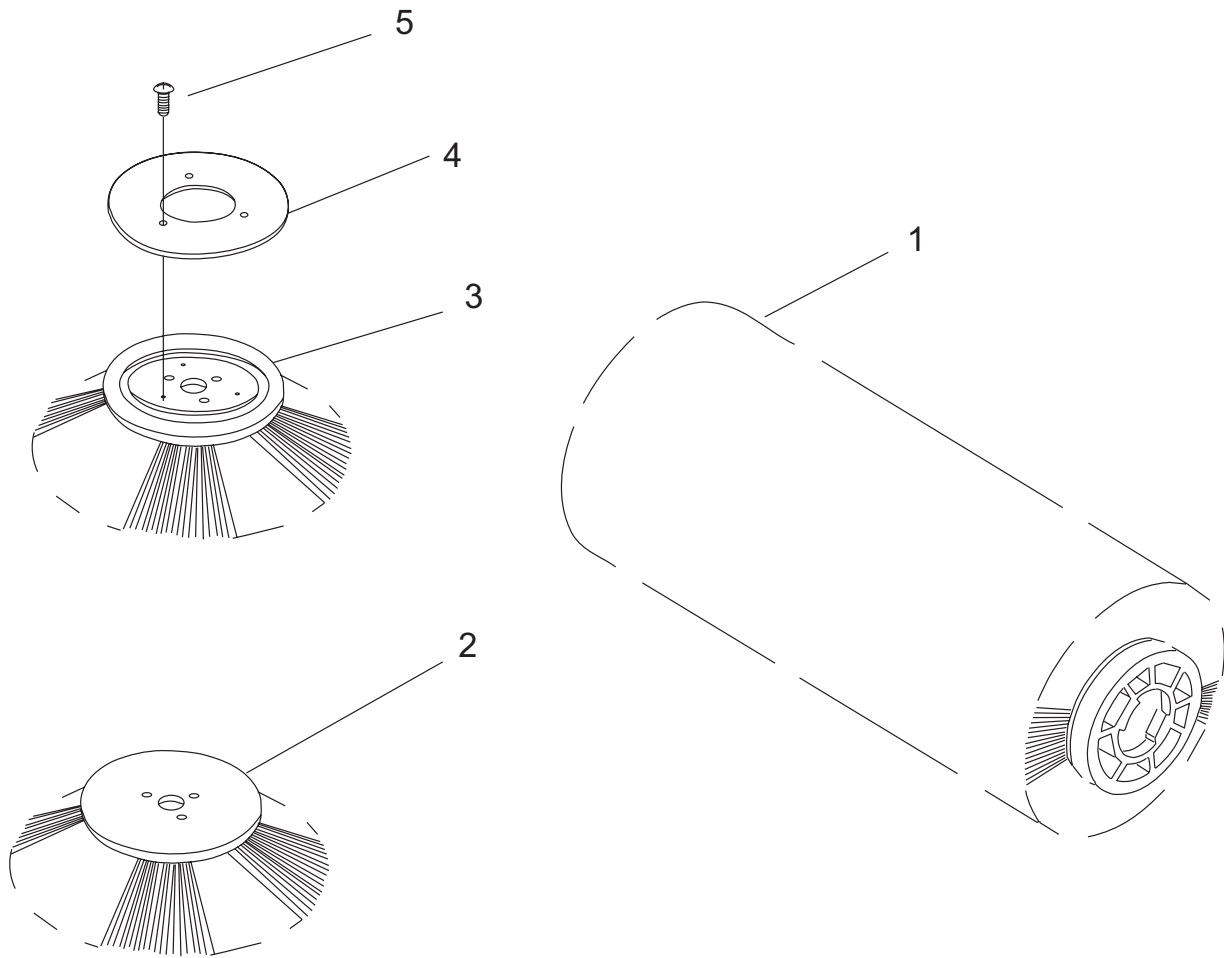


80862revC/8-05

TABLE OF CONTENTS - CHAPTER 3 - OPTIONS

Broom Options	3-2
Side Broom Spotlight Option	3-3
Skirted Vacuumized Side Broom Option	3-4
Back-Up Alarm Option	3-6
Brake Lights Option	3-8
Turn Signals Option	3-10
Rear Work Light Option	3-12
Fire Extinguisher Option	3-13
Overhead Guard Option	3-14
Strobe Light Option (with Overhead Guard)	3-16
Strobe Light Option (without Overhead Guard)	3-18
Litter Vac Option	3-20
Prototectoseal Gas Cap Option	3-26
Spark Arrestor Option	3-27
Retractable Seatbelt Option	3-28
Righthand Armrest Option	3-29
Suspension Seat Option	3-30
Stainless Steel Hopper Option	3-31
Hopper High Temperature Shutdown Option	3-32
Tire Options	3-34
SE Air Cleaner with Raised Air Intake Option (with Overhead Guard)	3-36
SE Air Cleaner with Raised Air Intake Option (without Overhead Guard)	3-38
Blower Wand Option	3-40
Diesel Spare Parts Kit/Engine Service Parts	3-42
Gas Spare Parts Kit/Engine Service Parts	3-43

BROOM OPTIONS



C1158

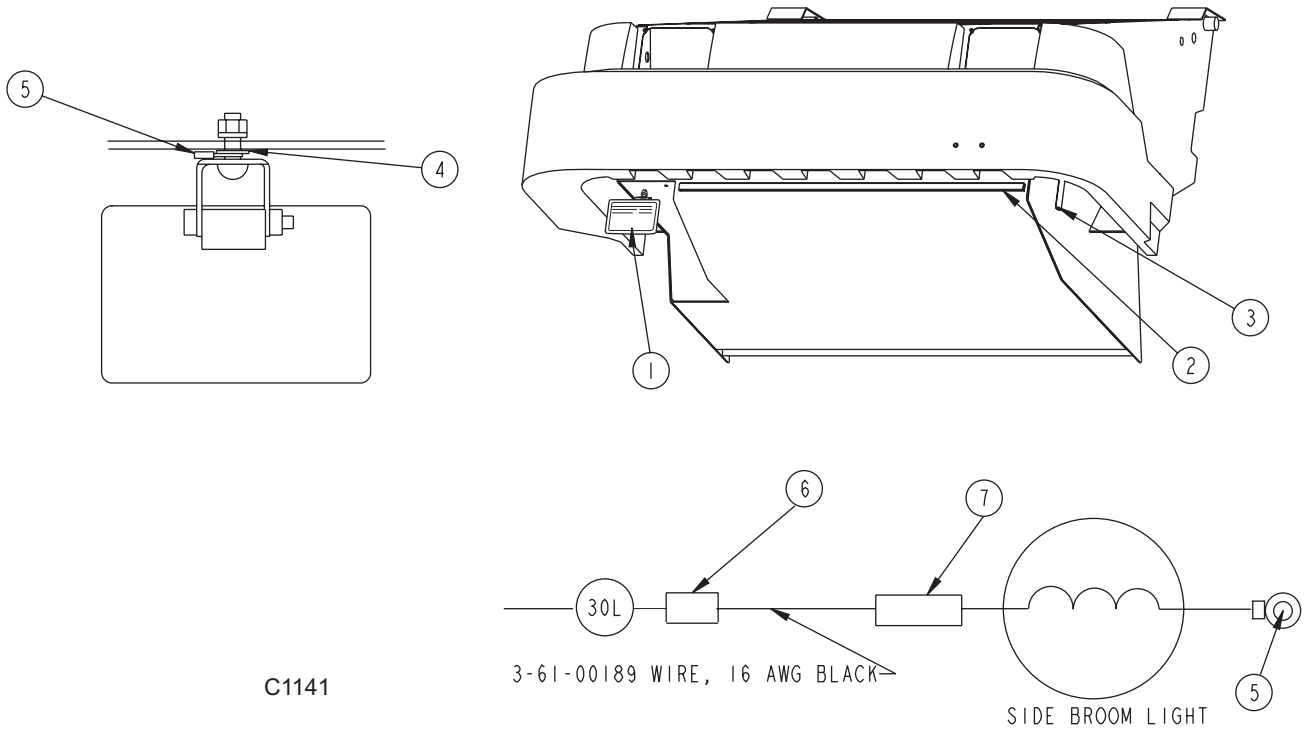
<u>KEY NO.</u>	<u>PART NUMBER</u>	<u>DESCRIPTION</u>	<u>QTY.</u>
1	8-08-03217	Proex and Wire Main Broom	Ref.
1	8-08-03219	Nylon Main Broom	Ref.
1	8-08-03220	Nylon, High Density Main Broom	Ref.
1	8-08-03221	Fiber and Wire High Density Main Broom	Ref.
1	8-08-03218	Poly and Wire Main Broom	Ref.
1	8-08-03232	Nylon	Ref.
2	8-08-03212	Black Prolene Side Broom	Ref.
2	8-08-03211	Nylon Side Broom	Ref.

**0880-439
Wire Bristle Side Broom Option**

3	8-08-03199	Wire Side Broom	1
4	8-58-05248	Plate	1
5	2-00-04121	Screw #10 - 13 x .750 RHW	3

C1158

SIDE BROOM SPOTLIGHT OPTION



C1141

OPTION NO. 0880-594

<u>KEY NO.</u>	<u>PART NUMBER</u>	<u>DESCRIPTION</u>	<u>QTY.</u>
1	8-40-05049	Light	1
2	8-20-06038	Duct, Wire	1
3	8-20-06037	Duct, Wire	1
4	2-00-02303	Washer, Internal Lock	1
5	2-00-04282	Ring Terminal	1
6	2-00-04578	Terminal	1
7	2-00-01128	Butt Splice	1

C1141/9901

SKIRTED VACUUMIZED SIDE BROOM OPTION

**OPTION 0880-607
0880-712 TOTAL STEEL**

<u>KEY NO.</u>	<u>PART NUMBER</u>	<u>DESCRIPTION</u>	<u>QTY.</u>
1	8-33-05144	Broom Guard	1
*	8-33-05146	Broom Guard	1
2^	8-08-00864	Bracket, Broom Guard	1
3	8-25-08216	Flap	1
*	8-25-08224	Flap	1
4	8-25-08226	Flap	1
*	8-25-08227	Flap	1
5^	8-13-07155	Clamp	1
6^	8-13-07156	Clamp	1
7^	8-13-07157	Clamp	3
8^	8-13-07158	Clamp	2
9^	8-13-07159	Clamp	1
10^	8-03-02043	Hose Adapter	2
11^	8-33-02357	Hose	1
12^	8-29-00253	Gasket	2
13^	2-00-02217	Clamp, Hose	2
14^	2-00-05261	Insert - 1/4 - 20	10
15^	2-00-05347	Insert - 3/8 - 16	8

* USED ON TOTAL STEEL MACHINES

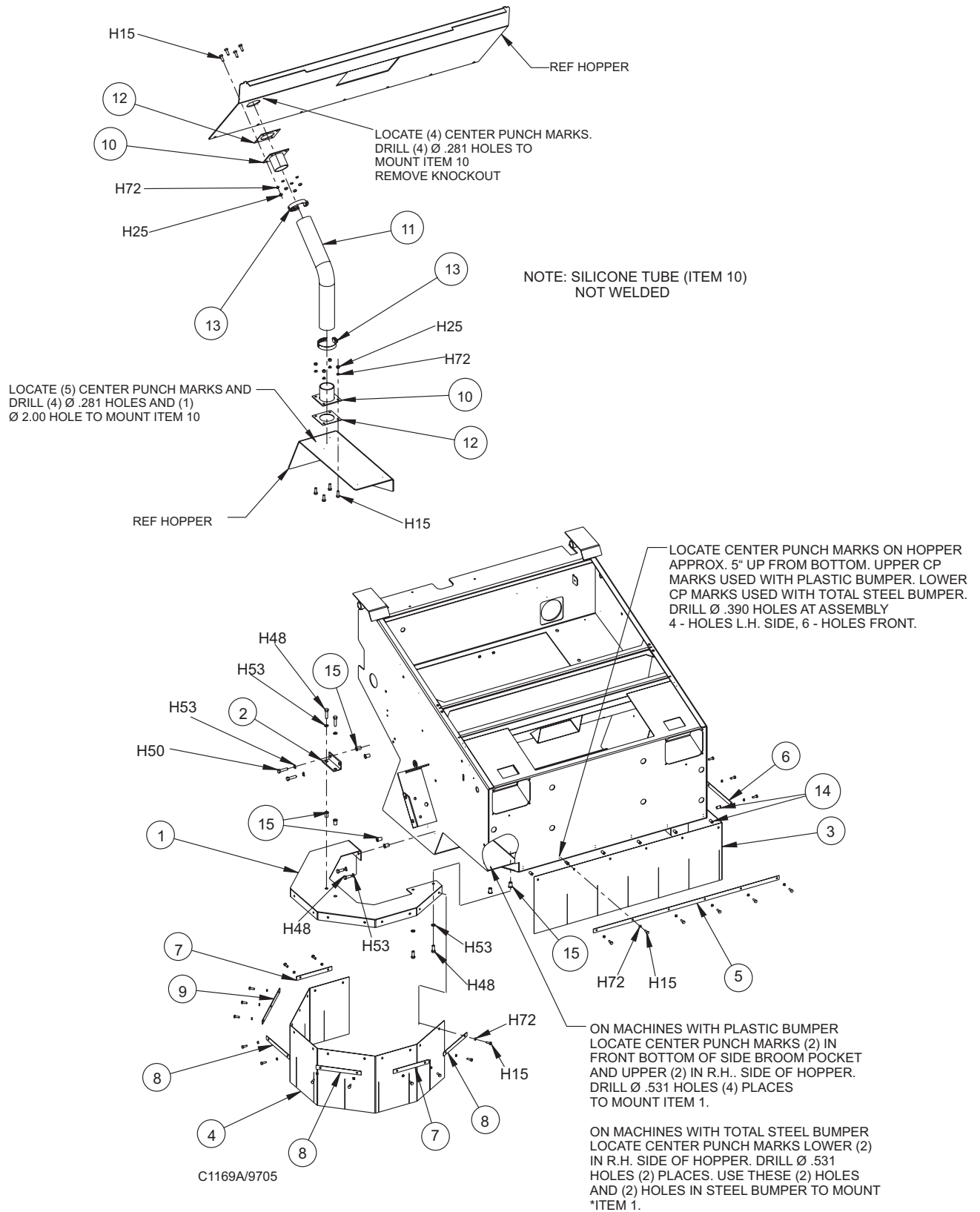
^ USED ON BOTH TOTAL STEEL AND REGULAR MACHINES

HARDWARE USED:

H15	2-00-00221	Screw, 1/4-20 x .750 HHC	31
H25	2-00-00594	Nut, Hex 1/4- 20 x .437 x .218	8
H48	2-00-00233	Screw, 3/8-16 x 1.000 HHC	5
H50	2-00-00234	Screw, 3/8-16 x 1.500 HHC	2
H53	2-00-02310	Lockwasher Split .375 Cad. Pl.	6
H72	2-00-00518	Lock Washer, Helical Spring	31

C-1169a/9901

SKIRTED VACUUMIZED SIDE BROOM OPTION



BACK-UP ALARM OPTION

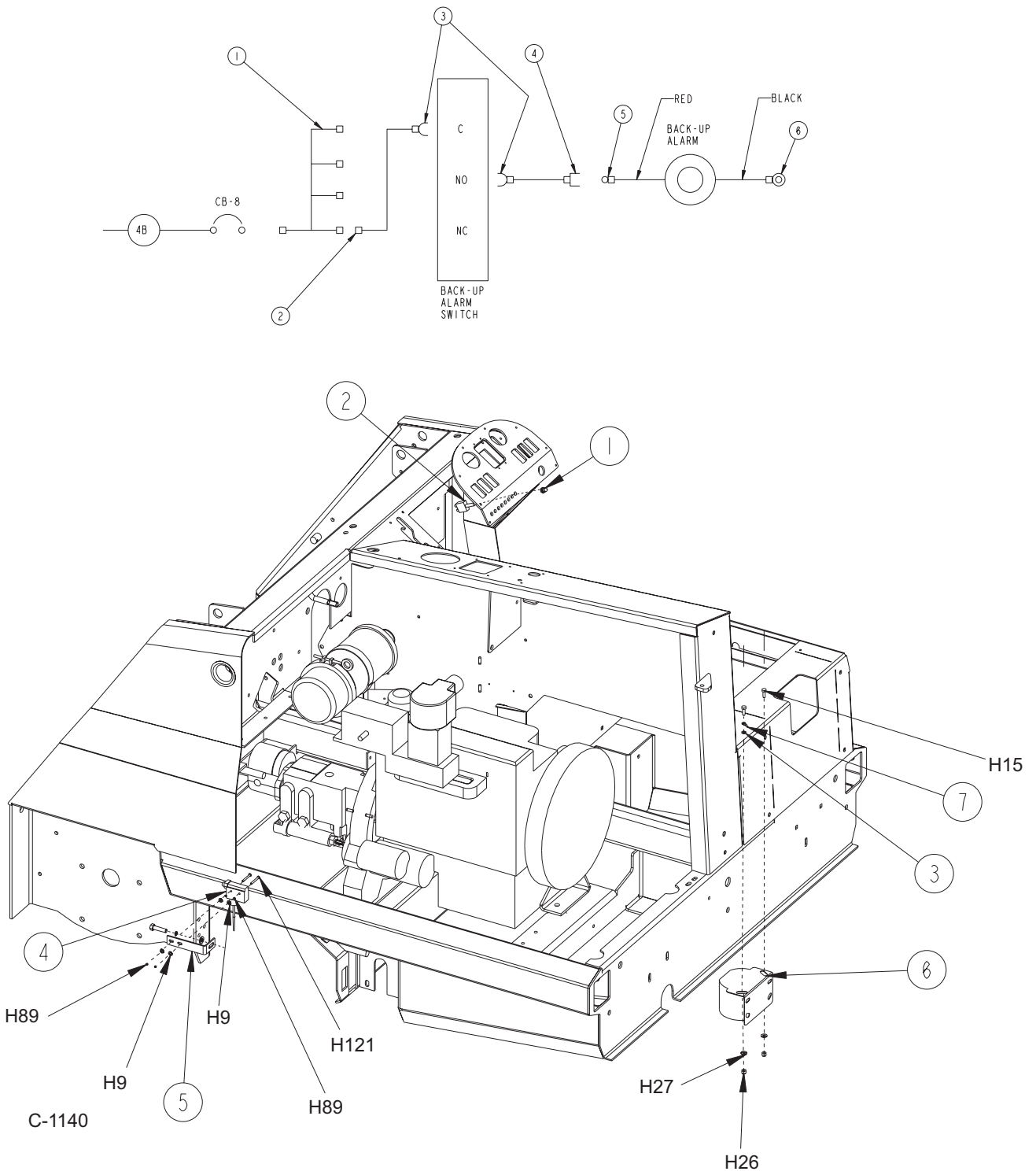
OPTION NO. 0880-593

<u>KEY NO.</u>	<u>PART NUMBER</u>	<u>DESCRIPTION</u>	<u>QTY.</u>
1	8-11-00044	Cap, Instrument Panel (Boot)	1
2	8-64-00008	Circuit Breaker, 15 amp	1
3	2-00-00501	Washer, Internal Lock	1
4	8-82-00058	Switch	1
5	8-08-02040	Bracket, Back Up Alarm Switch	1
6	8-32-09009	Alarm, Back Up	1
7	2-00-00828	Ring Terminal	REF.
8	8-90-07434	Wing Wire	1
9	8-11-00015	Terminal	1
10	2-00-04742	Terminal	2
11	2-00-04626	Terminal	1
12	2-00-04578	Terminal, Male Bullet	1
13	2-00-00828	Ring Terminal	1

HARDWARE USED:

H9	2-00-00426	Flat Washer, .500 x .219 x .063	4
H15	2-00-00221	Screw, 1/4 - 20 x .750 HHC	2
H26	2-00-00641	Nut, 1/4 - 20 Insert Fiber	2
H27	2-00-03702	Washer, .625 x .281 x .063	2
H89	2-00-01372	Nut Fiber Insert, #8 - 32 Steel	4
H121	2-00-00090	Screw, #8 - 32 x 1.500 RHM	2

C1140/9901



BRAKE LIGHTS OPTION

OPTION NO. 0880-617

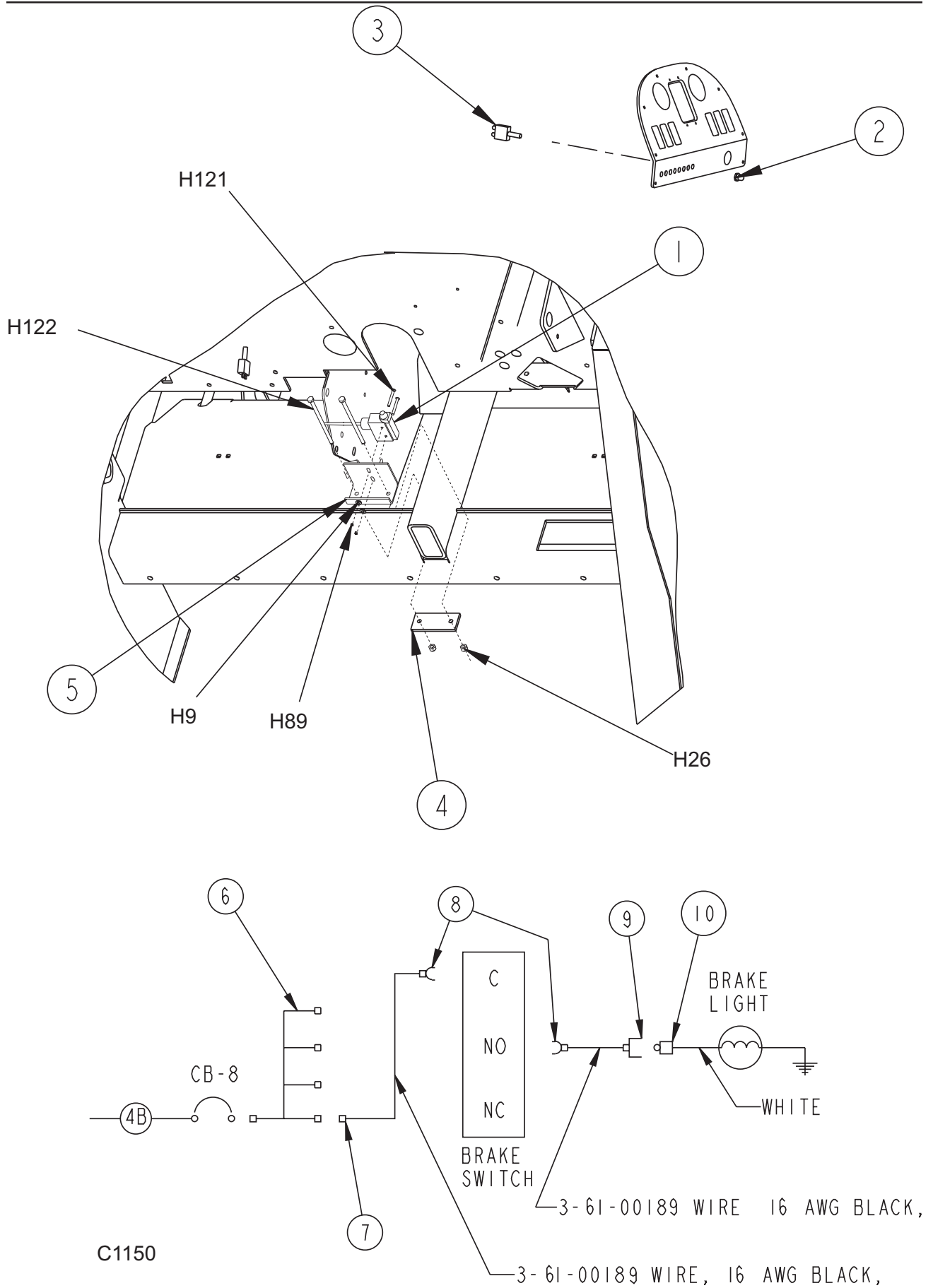
<u>KEY NO.</u>	<u>PART NUMBER</u>	<u>DESCRIPTION</u>	<u>QTY.</u>
1	8-82-00058	Switch	1
2	8-11-00044	Cap, Instrument Panel Boot	1
3	8-64-00008	Circuit Breaker, 15 amp	1
4	8-13-07132	Clamp, Brake Switch	1
5	8-08-00818	Bracket, Brake Switch	1
6	8-90-07434	Wing Wire	1
7	8-11-00015	Terminal	1
8	2-00-04742	Terminal	2
9	2-00-04626	Terminal	1
10	2-00-04578	Terminal	1
	2-00-05291	Bulb, Brake Light	(Service Part)

HARDWARE USED:

H9	2-00-00426	Flat Washer, .500 x .219 x .063	2
H26	2-00-00641	Nut, 1/4-20 Insert Fiber	2
H89	2-00-01372	Nut, Fiber Insert #8-32 Steel	2
H121	2-00-00090	Screw, #8-32 x 1.500 RHM	2
H122	2-00-05216	Screw, 1/4-20 x 5.000 HHC	2

C1150/9901

BRAKE LIGHTS OPTION

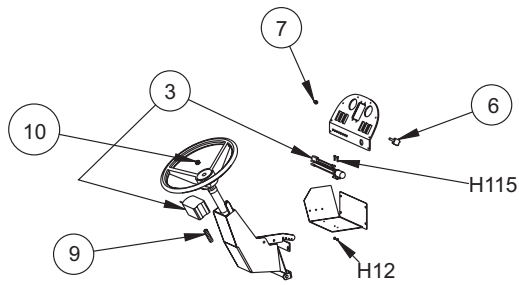


TURN SIGNALS OPTION

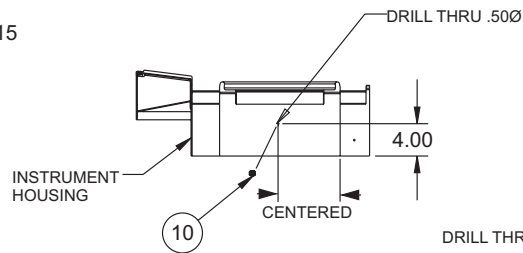
OPTION NO. 0880-596

<u>KEY NO.</u>	<u>PART NUMBER</u>	<u>DESCRIPTION</u>	<u>QTY.</u>
1	8-08-00884	Bracket, Light	2
2	8-40-05046	Turn Light	2
	2-00-05291	Bulb, Turn Signal, Front (Service Part)	REF.
	8-41-03012	Lens, Turn Signal, Front (Service Part)	REF.
3	8-82-00025	Turn Signal Switch	1
4	8-20-06037	Duct Wire	2
5	8-41-03009	Lens, Turn Signal	2
	2-00-05292	Bulb, Turn Signal, Rear (Service Part)	REF.
6	8-64-00008	Circuit Breaker	1
7	8-11-00044	Cap, Instrument Panel Boot	1
8	2-00-00828	Ring Terminal	REF.
9	3-61-02014	Convoluted Tube	5'
10	2-00-00491	Grommet	2
11	2-00-05261	Insert - ¼ - 20	4
12	8-90-07434	Wing Wire	1
13	8-11-00015	Terminal	1
14	2-00-04626	Terminal	6
15	2-00-04578	Terminal	6
16	2-00-04479	Connector	2
17	2-00-00828	Ring Terminal	2
HARDWARE USED:			
H8	2-00-00039	Screw, 10-24 x 1.000 RHM	4
H12	2-00-01246	Nut, Hex Fiber Insert #10-24	6
H15	2-00-00221	Screw, 1/4-20 x .750 HHC	4
H72	2-00-00518	Lock Washer, Helical Spring	4
H115	2-00-03063	Screw, #10-24 x .750 THM	2
H124	2-00-02296	Lock Washer, #10 Ext. Shakeproof	2

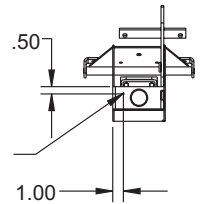
C1143a/9901



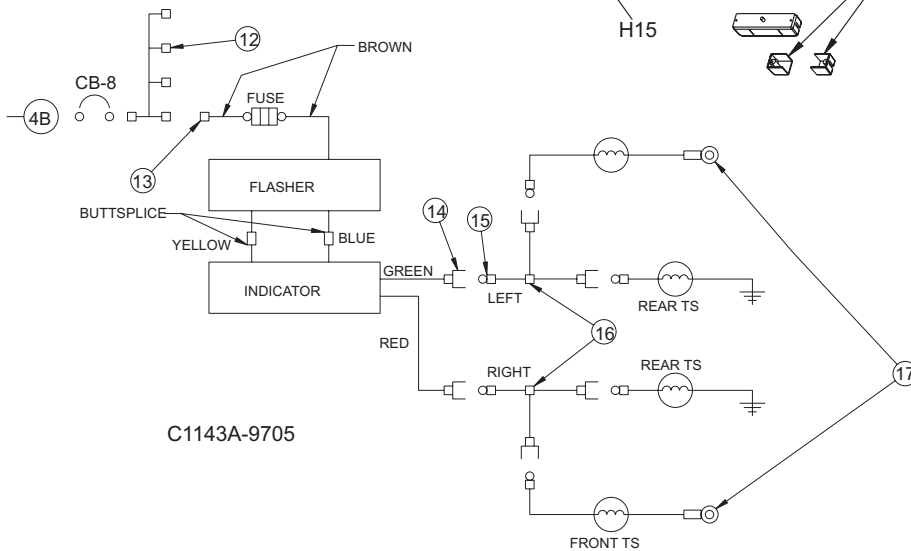
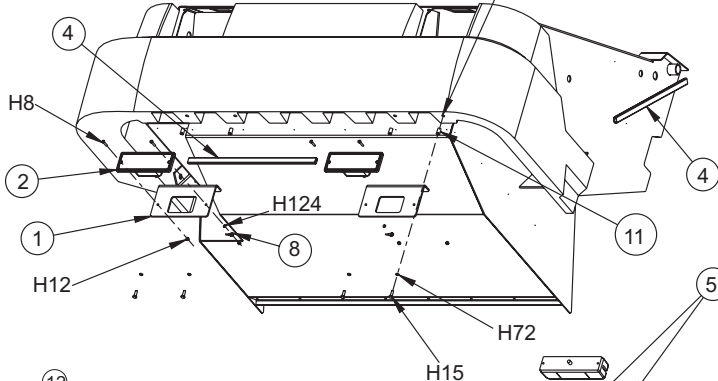
NOTE: SECURE WIRES TO COLUMN WITH TY-RAPS AS REQUIRED



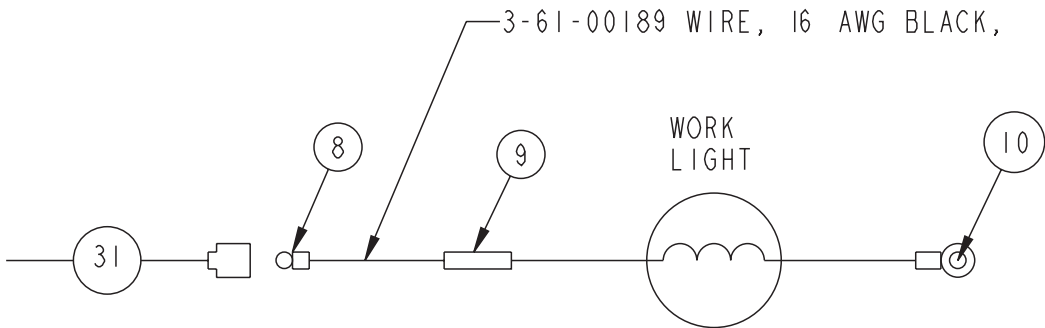
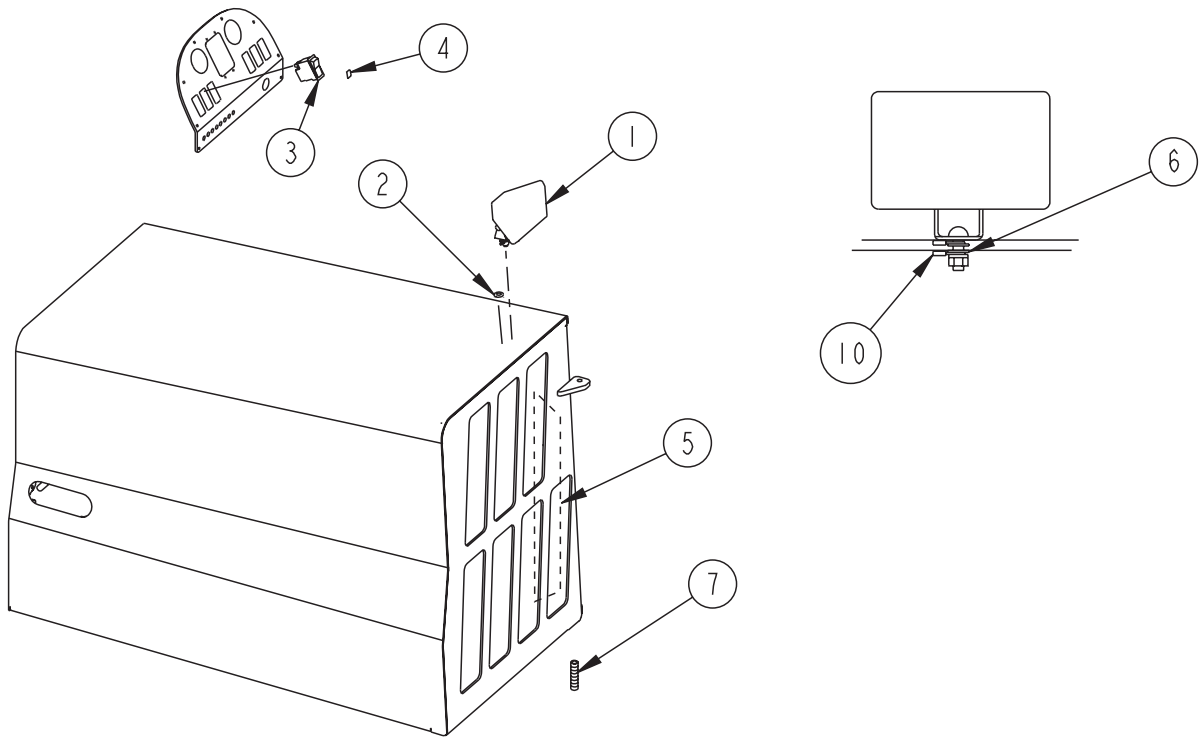
DRILL THRU .50Ø



NOTE: POSITION LIGHT BRKTS AT SIDE EDGES OF HOPPER AND AGAINST BUMPER TO LOCATE HOLES 1.00" IN FROM FRONT EDGE OF BUMPER DRILL (4) Ø .390 HOLES THRU



REAR WORK LIGHT OPTION



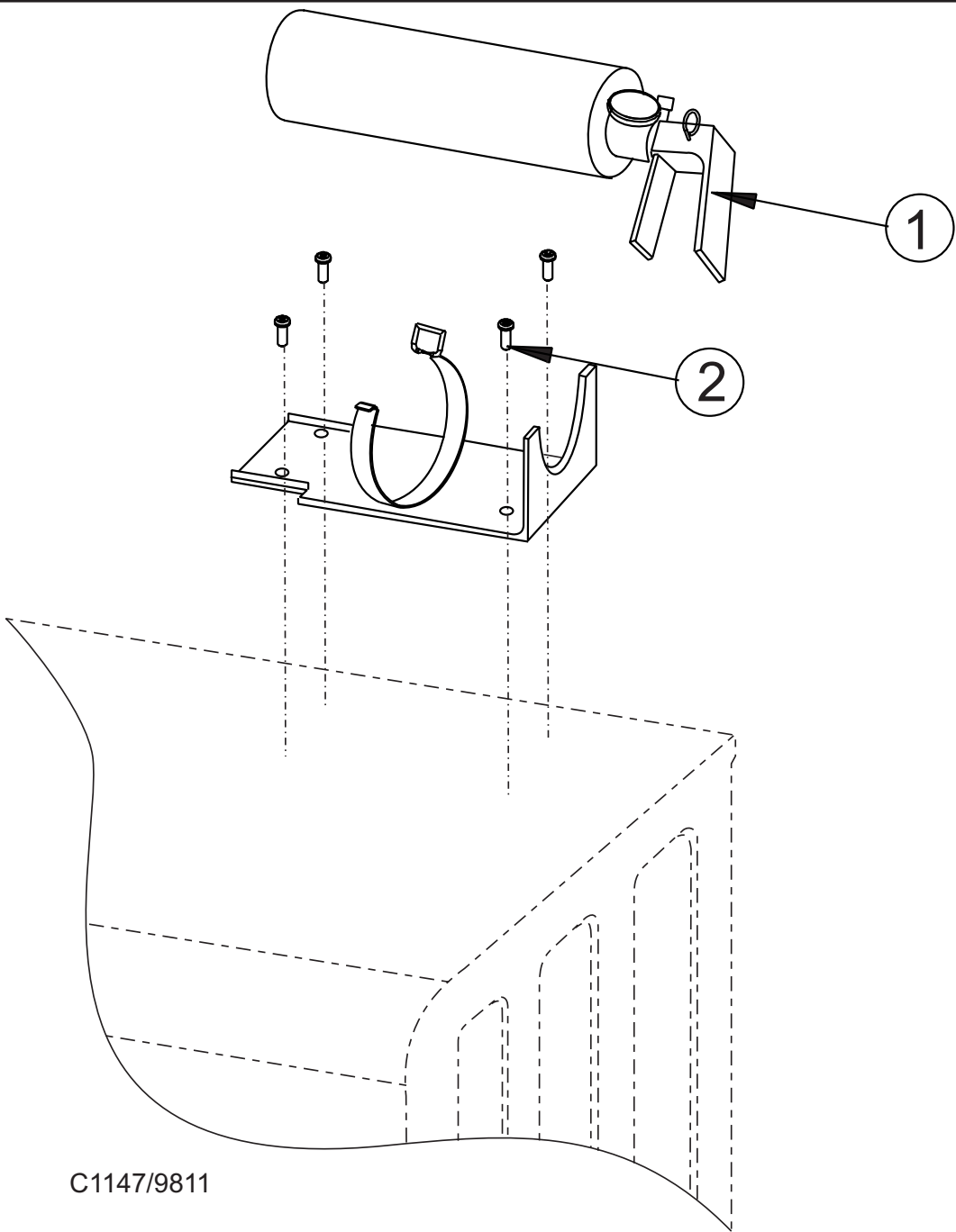
C1142

OPTION NO. 0880-595

<u>KEY NO.</u>	<u>PART NUMBER</u>	<u>DESCRIPTION</u>	<u>QTY.</u>
1	8-40-05049	Light	1
2	2-00-00491	Grommet	2
3	8-82-00053	Switch	1
4	8-41-03004	Lens, Work Light	1
5	8-20-06037	Duct, Wire	1
6	2-00-02303	Washer, Internal Lock	1
7	3-61-02014	Convoluted Tube	1
8	2-00-04578	Terminal	1
9	2-00-01128	Butt Splice	1
10	2-00-04282	Ring Terminal	1

C1142/9901

FIRE EXTINGUISHER OPTION



C1147/9811

OPTION NO. 0880-609

<u>KEY NO.</u>	<u>PART NUMBER</u>	<u>DESCRIPTION</u>	<u>QTY.</u>
1	8-83-04033	Fire Extinguisher	1
2	2-95-01998	Screw, #14-10 x .750 T/F R.H.	2

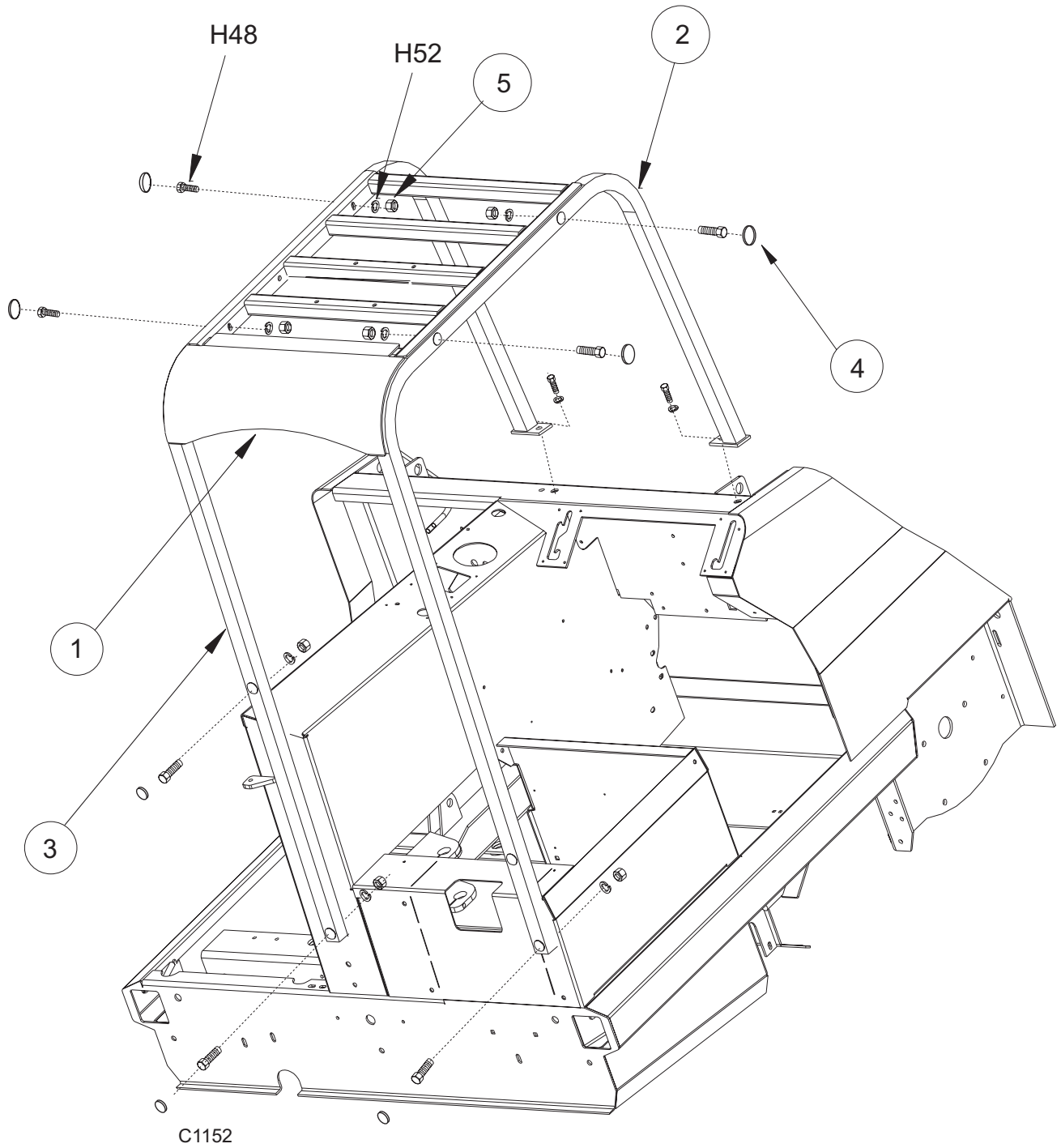
C1147/9901

OVERHEAD GUARD OPTION

OPTION NO. 0880-601

<u>KEY NO.</u>	<u>PART NUMBER</u>	<u>DESCRIPTION</u>	<u>QTY.</u>
1	8-30-05174	Overhead Guard, Top Weld	1
2	8-30-05172	Overhead Guard, Leg Weld R.H.	1
3	8-30-05173	Overhead Guard, Leg Weld L.H.	1
4	2-00-05134	Plug Button	8
5	2-95-04182	Nut, Fiber	8
HARDWARE USED:			
H48	2-00-00233	Screw 3/8 - 16 x 1.000 HHC	2
H52	2-00-00402	Flat Washer, .750 X .390 X .094	4
H57	2-00-00240	Screw, 1/2 - 13 x 1.250 HHC	8
H63	2-00-02312	Lock Washer, 1/2 HS Med.	2

C1152-1/9901



STROBE LIGHT WITH OVERHEAD GUARD OPTION

OPTION NO. 0880-600 (Amber Strobe)

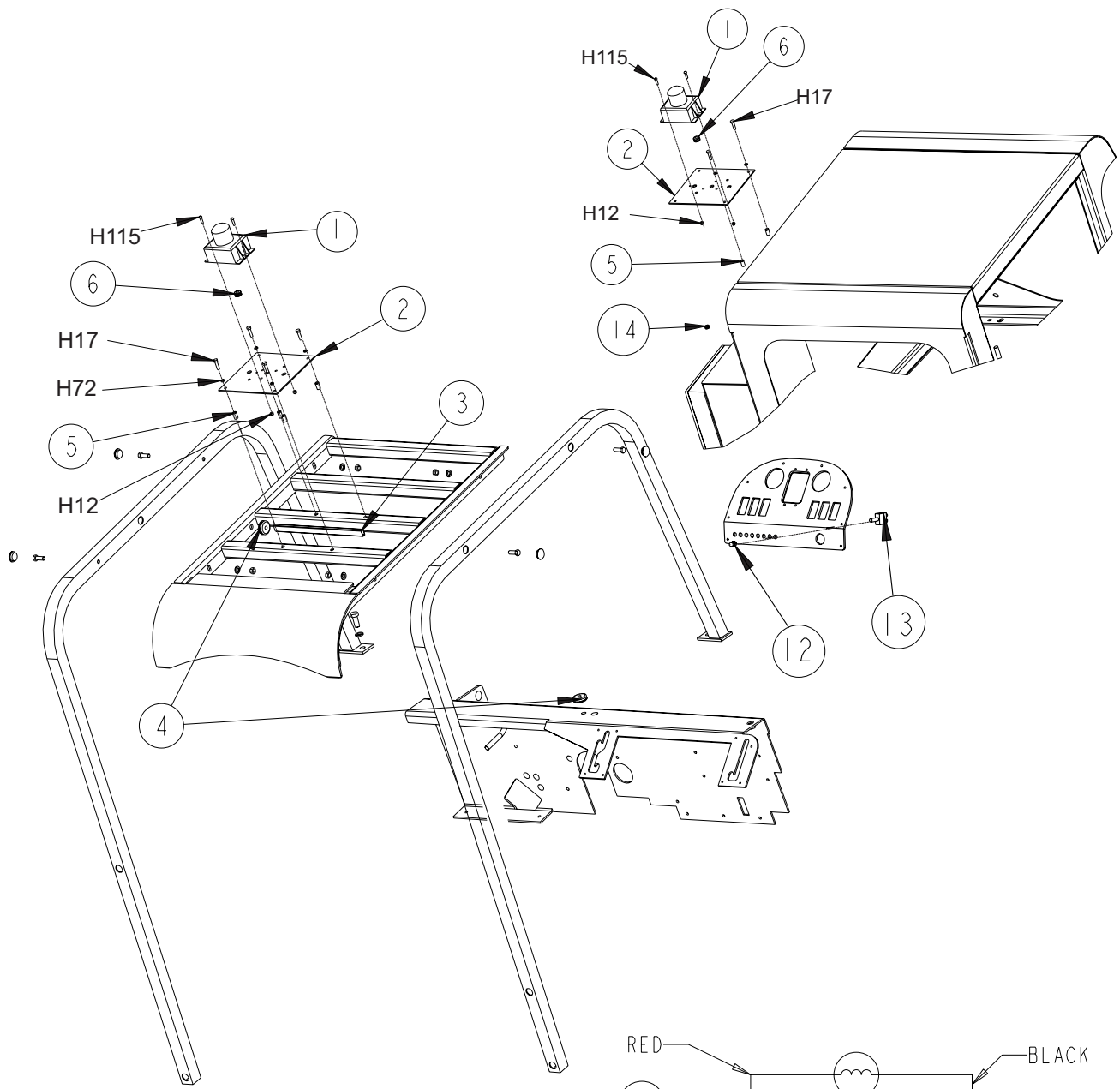
<u>KEY NO.</u>	<u>PART NUMBER</u>	<u>DESCRIPTION</u>	<u>QTY.</u>
1	8-40-05036	Strobe, Amber	1
2	8-58-05228	Panel, Light Support	1
3	8-20-06036	Duct, Wire	1
4	2-00-01915	Grommet	2
5	2-00-05261	Threaded Insert	4
6	2-00-00491	Grommet	1
7	2-00-04281	Terminal	1
8	8-90-07434	Wing Wire	1
9	8-11-00015	Terminal	1
10	2-00-04578	Terminal	2
11	2-00-04626	Terminal	2
12	8-11-00044	Cap, Boot	1
13	8-64-00008	Circuit Breaker, 15 amp	1
14	2-00-04200	Grommet	1

HARDWARE USED:

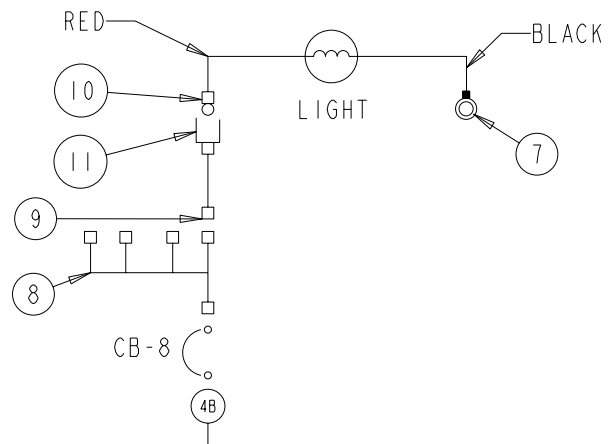
H12	2-00-01246	Nut, Hex Fiber Insert #10-24	4
H17	2-00-00205	Screw, 1/4-20 x 1.000 HHC	6
H72	2-00-00518	Lock Washer, Helical Spring	4
H115	2-00-03063	Screw, #10-24 x .750 THM	4

C1145/9901

STROBE LIGHT WITH OVERHEAD GUARD OPTION



C1145-1/9704



STROBE LIGHT *WITHOUT* OVERHEAD GUARD OPTION

OPTION NO. 0880-598

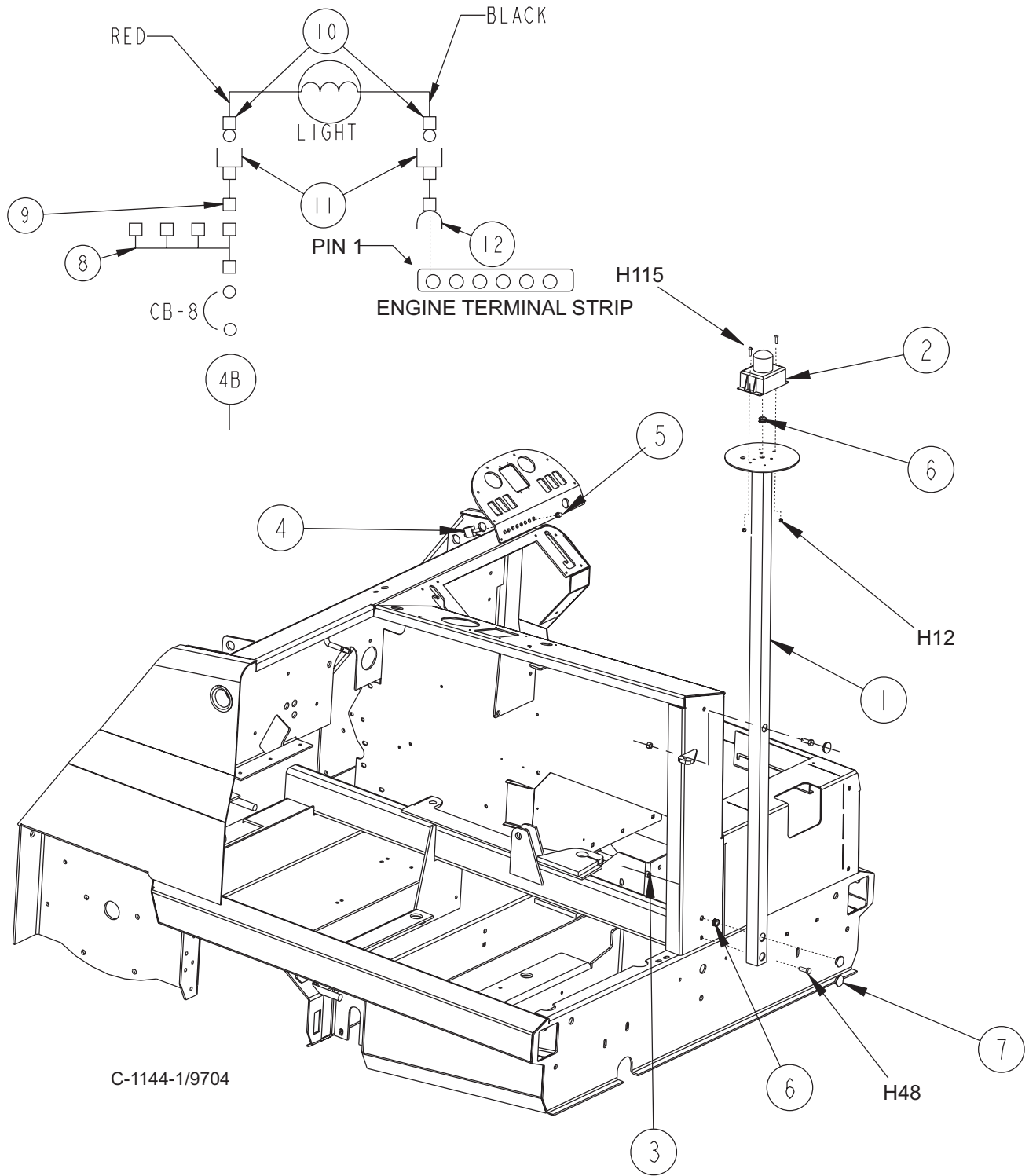
<u>KEY NO.</u>	<u>PART NUMBER</u>	<u>DESCRIPTION</u>	<u>QTY.</u>
1	8-81-00173	Light Pole	1
2	8-40-05036	Strobe, Amber	1
3	2-95-04182	Nut, Elastic Stop	2
4	8-64-00008	Circuit Breaker, 15 amp	1
5	8-11-00044	Cap, Instrument Panel Boot	1
6	2-00-00491	Grommet	2
7	2-00-05134	Plug Button	3
8	8-90-07434	Wing Wire	1
9	8-11-00015	Terminal	1
10	2-00-04578	Terminal	2
11	2-00-04626	Terminal	2
12	2-00-04742	Terminal	1

HARDWARE USED:

H12	2-00-01246	Nut, Hex Fiber Insert #10-24	2
H48	2-00-00233	Screw 3/8 - 16 x 1.000 HHC	2
H115	2-00-03063	Screw, #10-24 x .750 THM	2

C1144/9901

STROBE LIGHT *WITHOUT* OVERHEAD GUARD OPTION



LITTER VAC OPTION

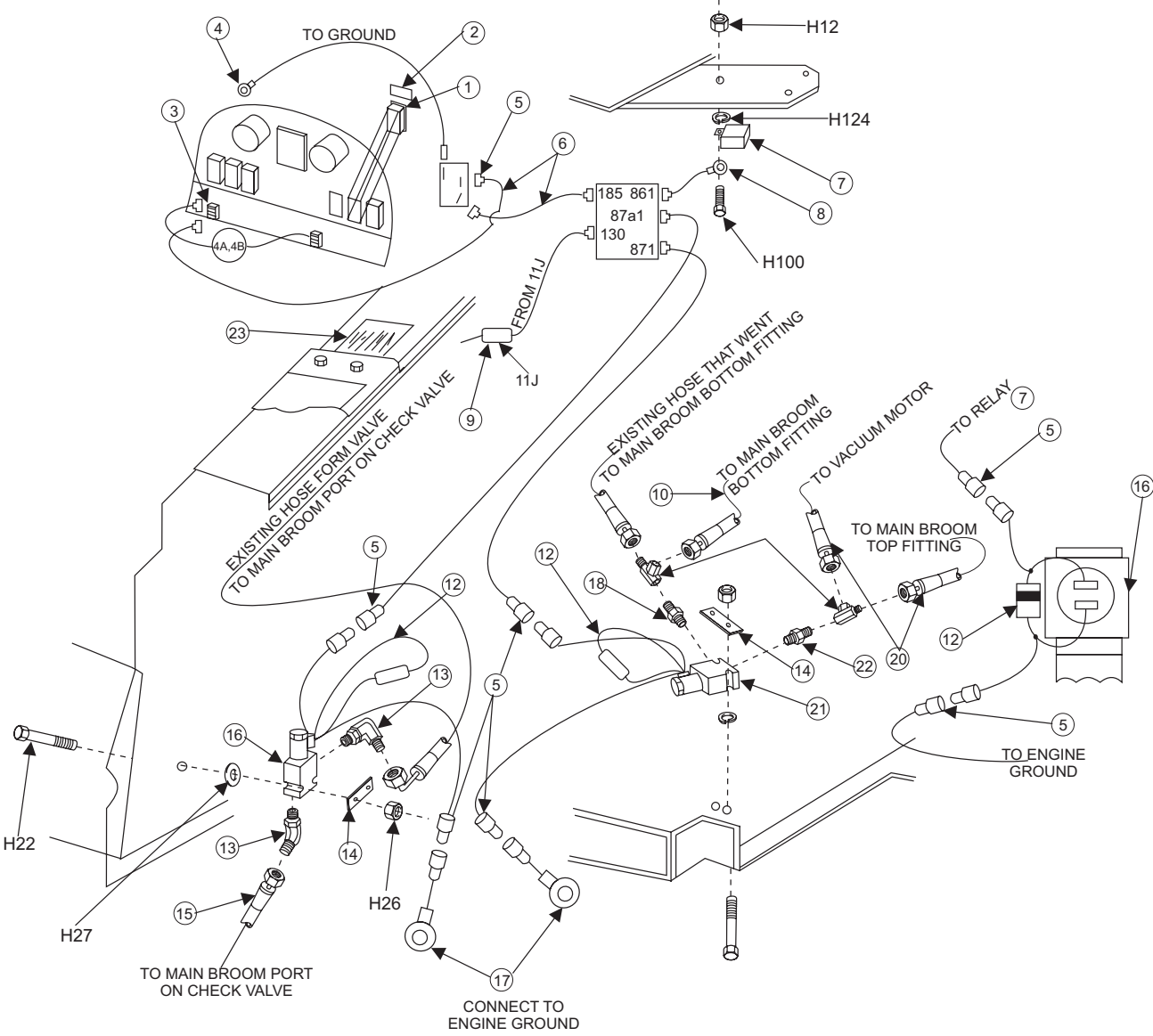
OPTION 0880-713 SHT. 1 OF 3

<u>KEY NO.</u>	<u>PART NUMBER</u>	<u>DESCRIPTION</u>	<u>QTY.</u>
1	8-82-00068	Switch 2 Position On-Off & Light	1
2	8-18-00445	Decal-LitterVac	1
3	8-64-00008	Circuit Breaker-15 Amp.	1
4	2-00-04742	Terminal, #6 Spring Spade	1
5	2-00-03418	Terminal, .25 FISO	13
6	3-61-00189	Wire, Black 16 AWG	11'
7	8-64-05009	Relay	1
8	2-00-00833	Terminal- #10 Ring	1
9	2-00-04479	Splice, 3-Way	1
10	8-33-02326	Hose, #8 ORS 0-0 34.5	1
11			
12	0875-117	Diode Assembly	2
13	2-00-04926	Fitting, 90° SAE 6 x ORS 4	2
14	8-08-00590	Bracket- Valve Mount	2
15	7-33-02189	Hose, #4 ORS 0-90° 26.00"	1
16	8-88-00044	Valve	1
17	2-00-05048	Terminal- Ring	2
18	2-00-04885	Fitting 90° SAE 8 x ORS 8	1
19	2-00-04928	Run Tee ORS 8 x 8 x 8	2
20	8-33-02214	Hose, #8 ORS 0-0 29.00"	2
21	8-88-00042	Valve	1
22	2-00-04970	Fitting, Strt. SAE 8 x ORS 8	1
23	8-18-00444	Decal- LitterVac Instructions	1

HARDWARE USED:

H12	2-00-01246	Nut, Hex Fiber Insert #10-24	1
H22	2-00-02589	Screw, 1/4-20 x 2.000HHC	4
H26	2-00-00641	Nut, 1/4-20 Insert Fiber	4
H27	2-00-03702	Washer, .625 x .281 x .063	8
H100	2-00-03062	Screw, #10-24 x .625 THM	1
H124	2-00-02296	Lock Washer, #10 Ext. Shakeproof	1

C1441/9901



C-1441/9709

LITTER VAC OPTION (cont.)

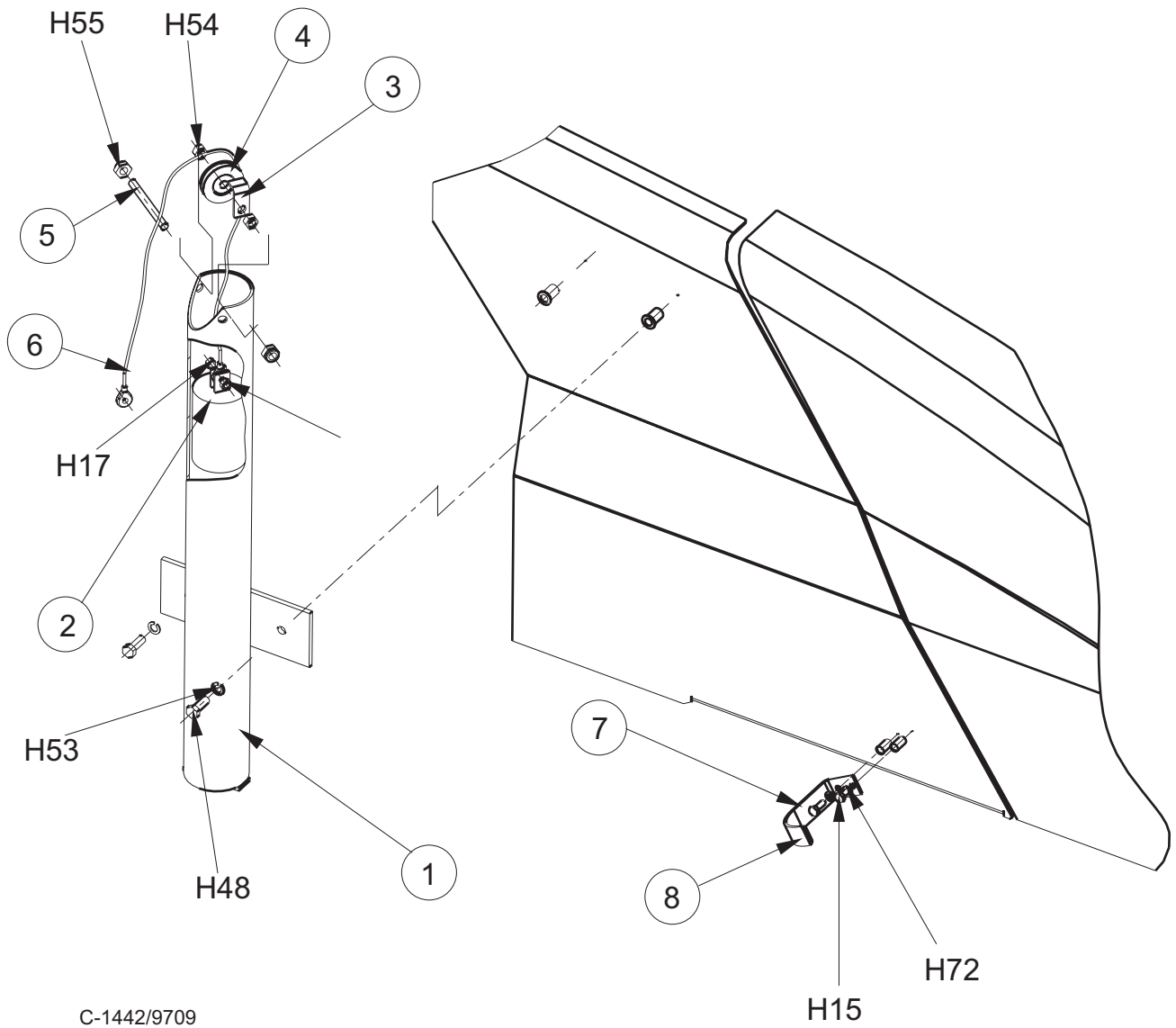
OPTION 0880-713 SHT. 2 OF 3

<u>KEY NO.</u>	<u>PART NUMBER</u>	<u>DESCRIPTION</u>	<u>QTY.</u>
1	8-81-00180	Support-Litter Vac Hose	1
2	8-89-04020	Counter Weight	1
3	7-13-07130	Cable Retainer	1
4	7-60-00160	Pulley	1
5	8-80-05047	Threaded Rod, 3/8-16	1
6	8-10-00036	Cable	1
7	8-08-00881	Bracket- Vac. Wand	1
8	7-31-06065	Edging	1

HARDWARE USED:

H15	2-00-00221	Screw, 1/4-20 x .750 HHC	2
H17	2-00-00205	Screw, 1/4-20 x 1.000 HHC	1
H26	2-00-00641	Nut, 1/4-20 Insert Fiber	1
H48	2-00-00233	Screw, 3/8-16 x 1.000 HHC	2
H53	2-00-02310	Lock Washer, HS, 3/8-16 x 1.000	2
H54	2-00-02360	Nut, 3/8-16 Hex.	2
H55	2-00-00643	Nut, 3/8-16 Stop	2
H72	2-00-00518	Lock Washer, Helical Spring	2

c1442/9901



C-1442/9709

LITTER VAC OPTION (cont.)

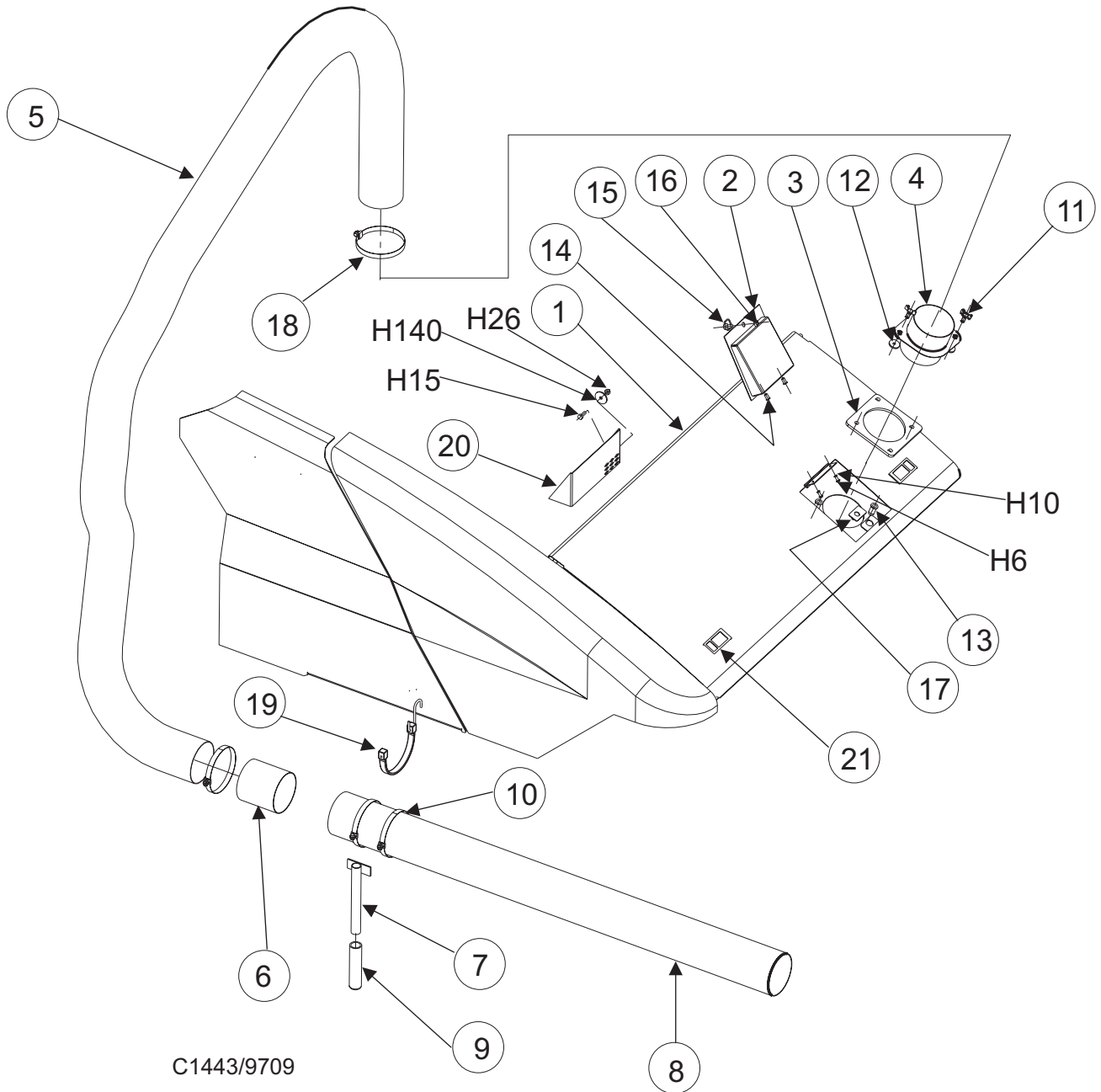
**OPTION 0880-713
SHT. 3 OF 3**

<u>KEY NO.</u>	<u>PART NUMBER</u>	<u>DESCRIPTION</u>	<u>QTY.</u>
1	8-16-07400	Cover	1
2	8-16-07404	Cover	1
3	8-29-00281	Gasket	1
4	8-87-02117	Hose Connector	1
5	8-33-02359	Hose	1
6	8-87-02119	Interconnect	1
7	8-08-00883	Handle	1
8	8-87-02118	Wand Tube (Plastic)	1
9	2-95-03355	Handle-Grip	1
10	2-00-03959	Clamp-Hose	2
11	2-00-04066	Wing Screw-5/16-18	2
12	2-14-03197	Washer-Rubber	2
13	2-00-05330	Insert-5/16-18	2
14	2-00-05262	Insert- #10-24	2
15	7-23-03113	Fastener, QTR Turn	1
16	7-23-03107	Grommet	1
17	7-23-03108	Clip	1
18	8-13-07171	Bridge Clamp	2
19	8-79-00128	Strap-Bungee	1
20	8-30-05180	Guard	1
21	8-41-00040	Latch	2
22		Print of 0880-715	1

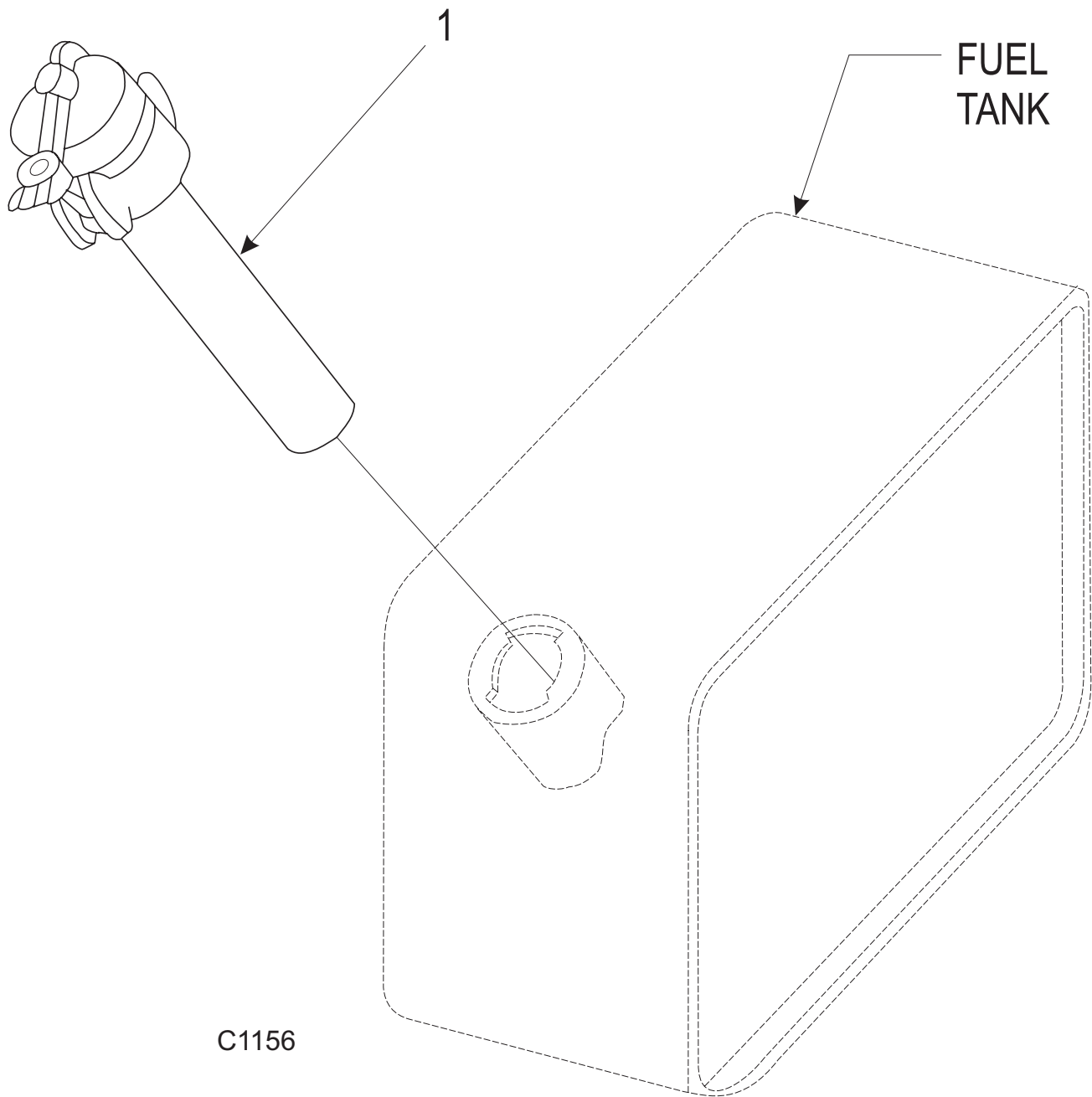
HARDWARE USED:

H6	2-00-00049	Screw #10-24 x .500 RHM	2
H10	2-00-00519	Lock Washer, #10 Med. HS	2
H15	2-00-00221	Screw, 1/4-20 x .750 HHC	2
H26	2-00-00641	Nut, 1/4-20 Fiber Insert	2
H140	2-00-00447	Flatwasher, 1.250 x .280 x .090	2

c1443/9901



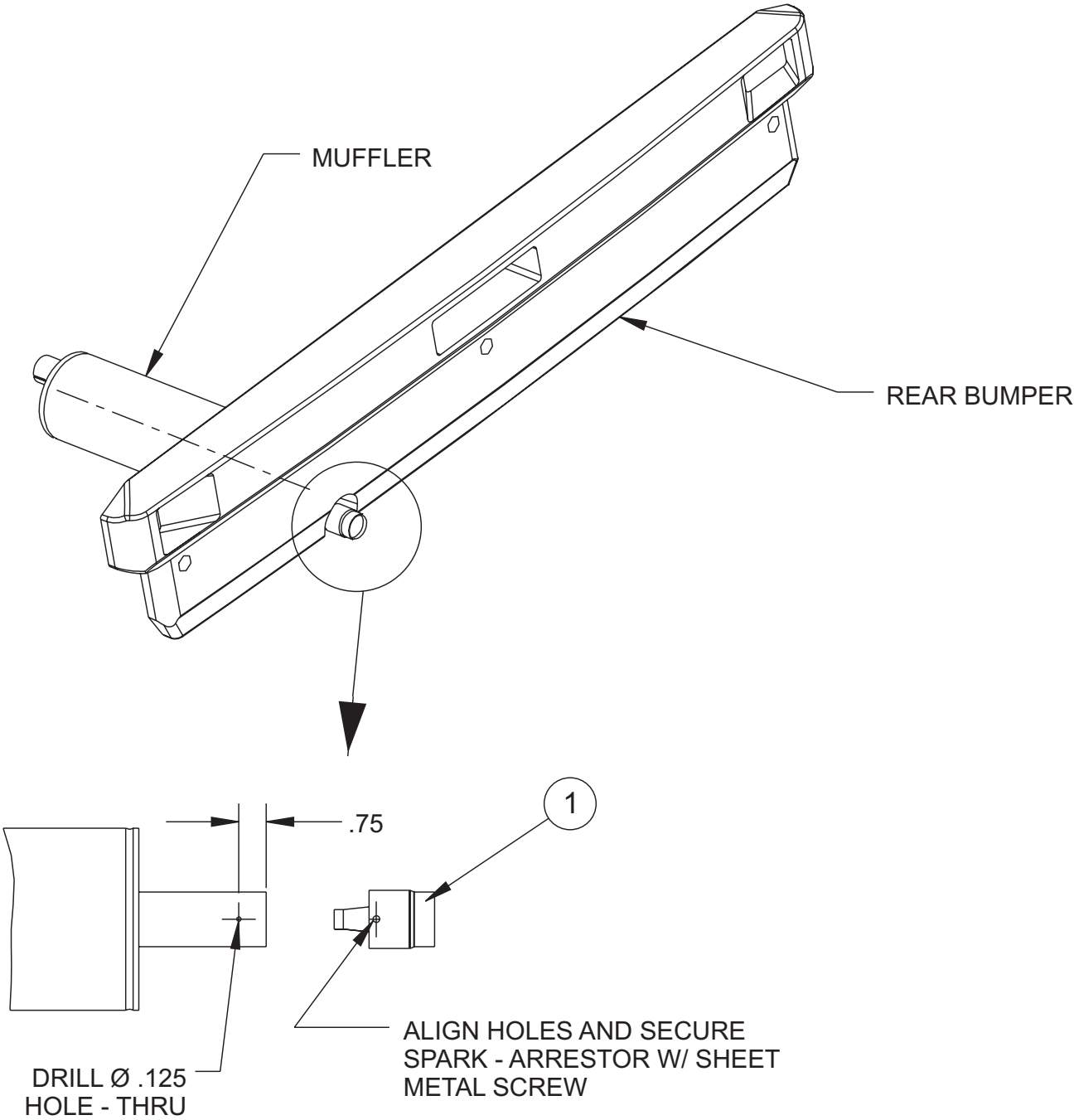
PROTOTECTOSEAL GAS CAP OPTION



<u>KEY NO.</u>	<u>PART NUMBER</u>	<u>DESCRIPTION</u>	<u>QTY.</u>
1	8-11-00024	Protoseal Gas Cap	1

C1156

SPARK ARRESTOR OPTION



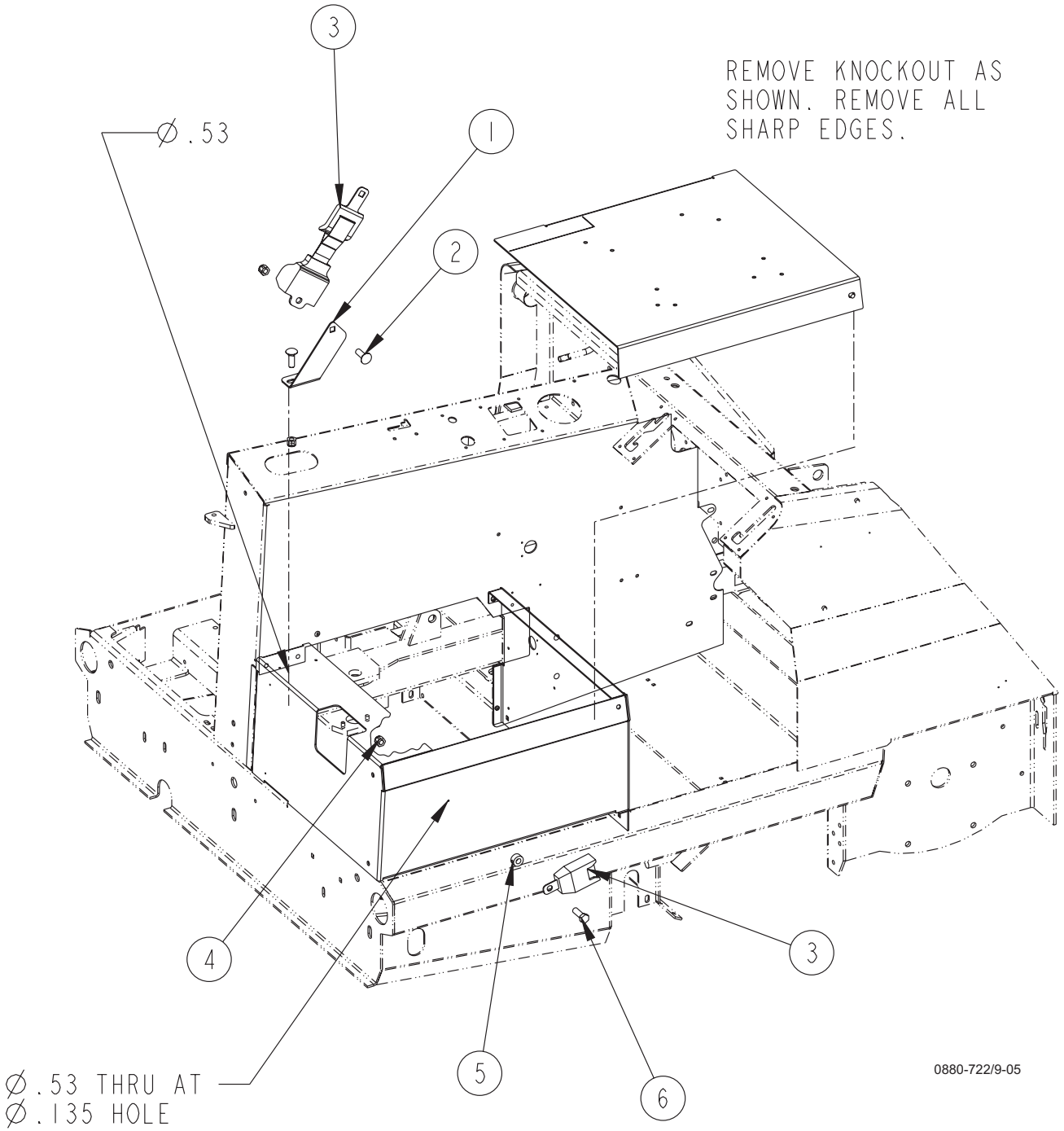
C1146

OPTION NO. 0880-608

<u>KEY NO.</u>	<u>PART NUMBER</u>	<u>DESCRIPTION</u>	<u>QTY.</u>
1	8-81-05001	Spark Arrestor	1

C1146/9901

RETRACTABLE SEATBELT OPTION

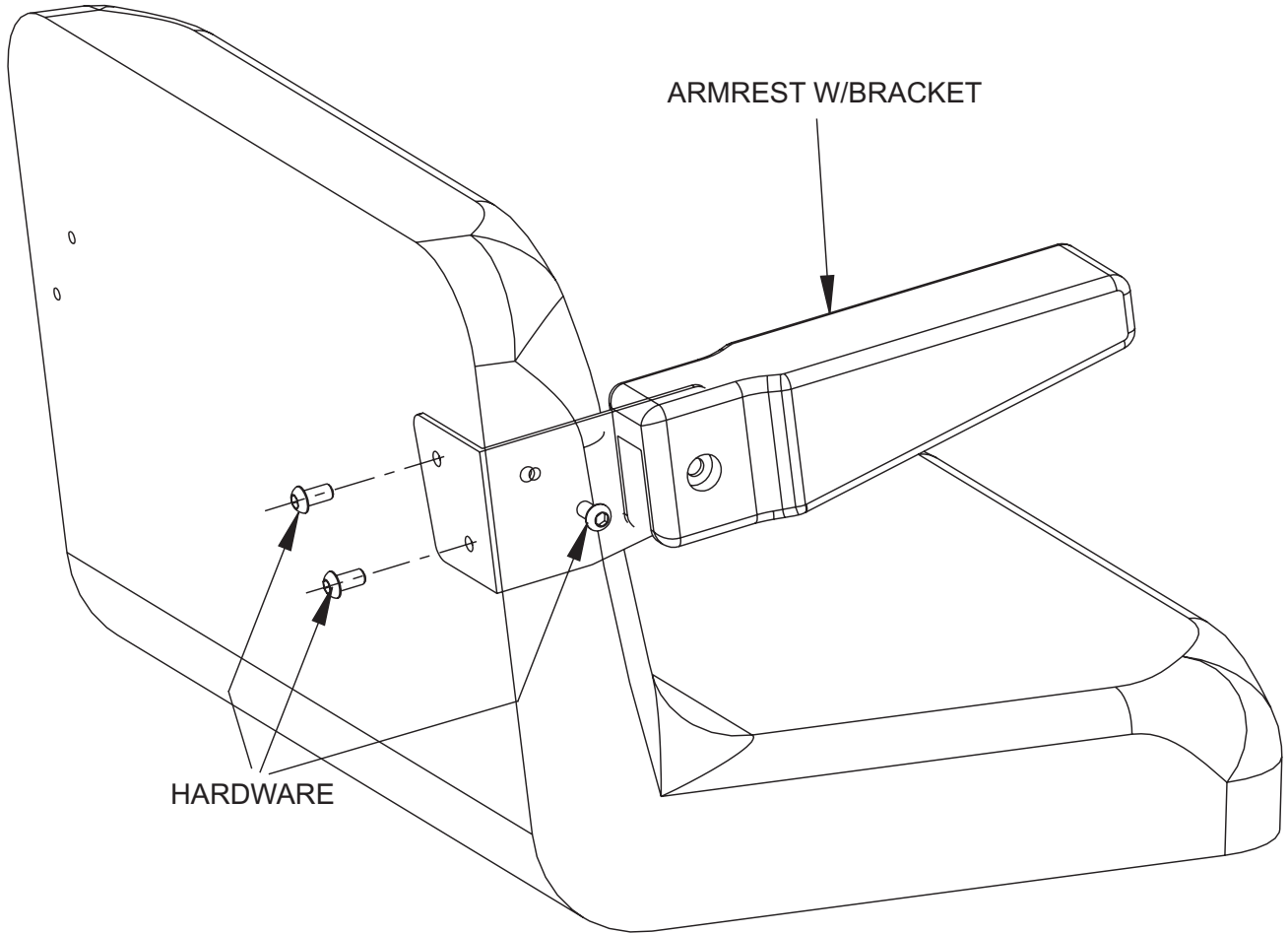


0880-722/9-05

OPTION NO. 0880-722

KEY NO.	PART NUMBER	DESCRIPTION	QTY.
1	8-08-00971	Bracket, Seat Belt	1
2	2-00-05077	Carriage Bolt, 1/2-13 x 1.5	2
3	2-00-05391	Retractable Seatbelt	1
4	2-00-04936	Nut, 1/2 -13 Fibre Lock	3
5	2-00-03589	Collar, Set Screw	1
6	2-00-01254	Screw, 1/2-13 x 1.5 Hex	1

0880-722/9-05

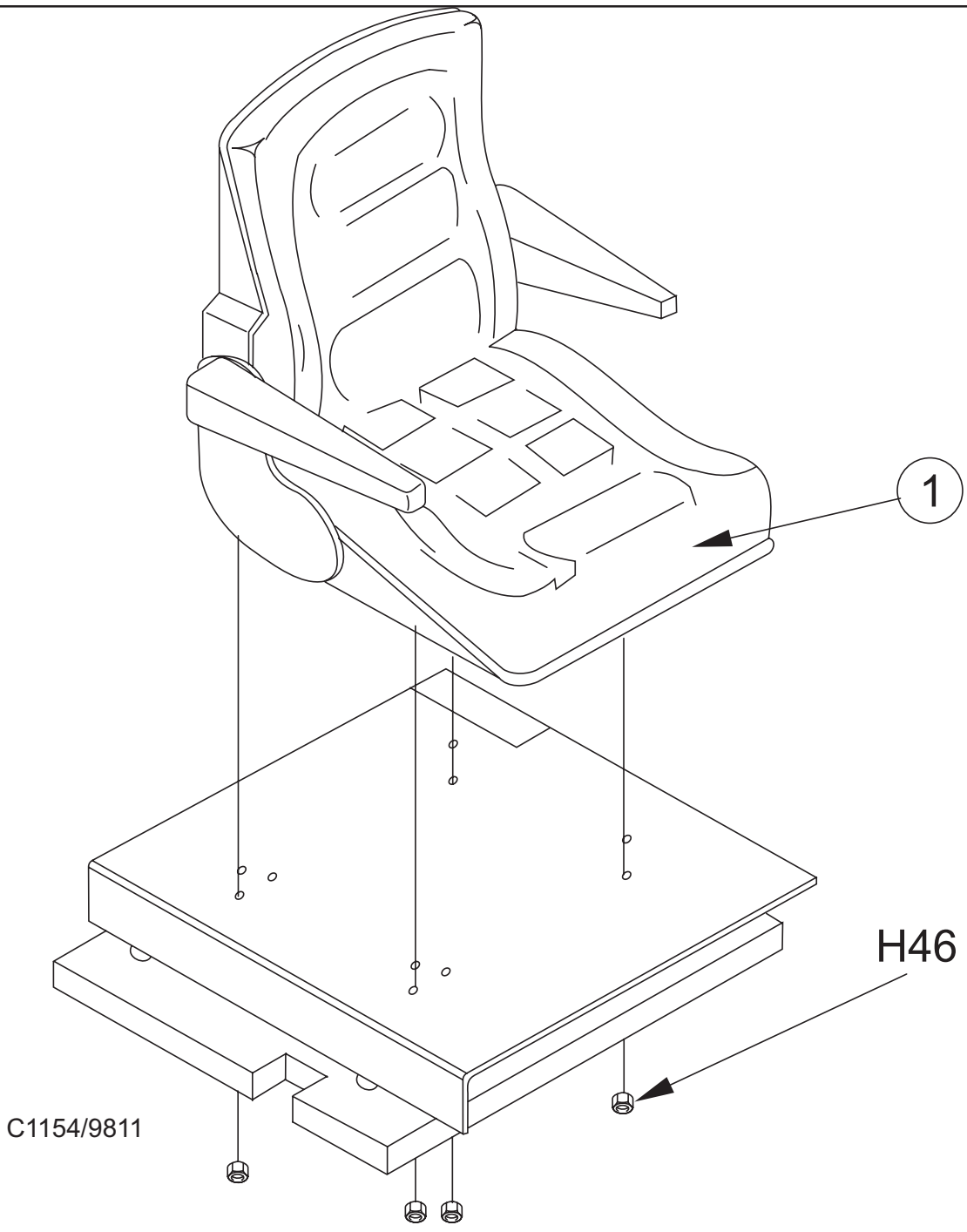


OPTION NO. 0780-606*

***Includes armrest with bracket and hardware to attach to existing seat.
(For service, order Kit #7-03-04250)**

0780-606/9-03

SUSPENSION SEAT OPTION

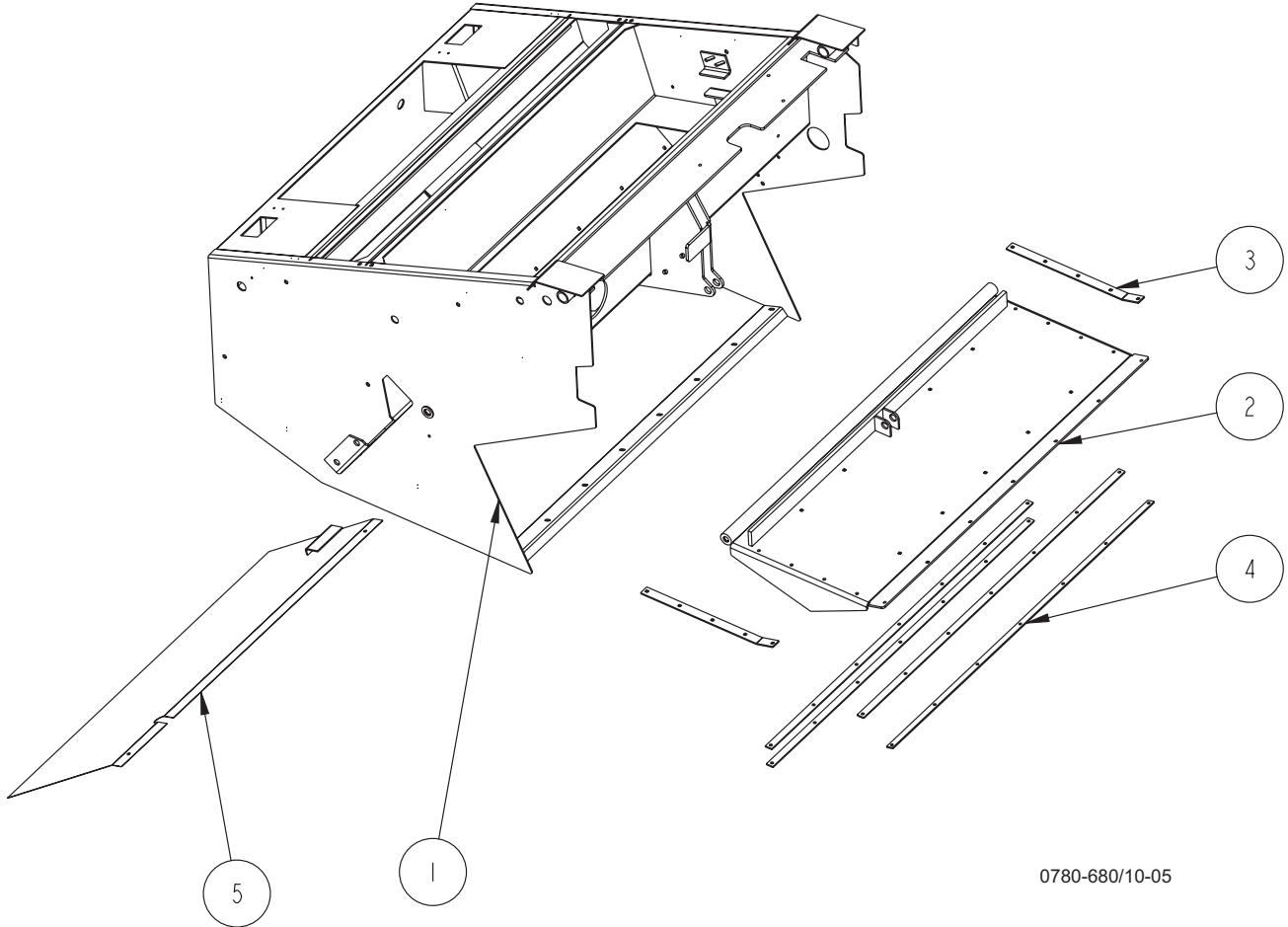


OPTION NO. 0880-734

<u>KEY NO.</u>	<u>PART NUMBER</u>	<u>DESCRIPTION</u>	<u>QTY.</u>
1	8-69-00019	Seat - Suspension	1
HARDWARE USED:			
H46	2-00-00644	Nut, 5/16-18, Insert Fiber	4

C1154/9901

STAINLESS STEEL HOPPER OPTION



0780-680/10-05

OPTION NO. 0780-680

<u>KEY NO.</u>	<u>PART NUMBER</u>	<u>DESCRIPTION</u>	<u>QTY.</u>
1	8-32-06105-1	Hopper, Stainless Steel	1
2	8-19-08058-2	Door, Hopper (Welded)	1
3	8-13-07118-1	Clamp, Dump Door Seal	2
4	8-13-07119-1	Clamp, Dump Door Seal	4
5	8-52-00191-1	Panel, Stainless Steel Hopper Seal	1

IN LIEU OF STANDARD PARTS 8-32-06105, 8-19-08058, 8-13-07118, 8-13-07119, 8-52-00191.

0780-680/10-05

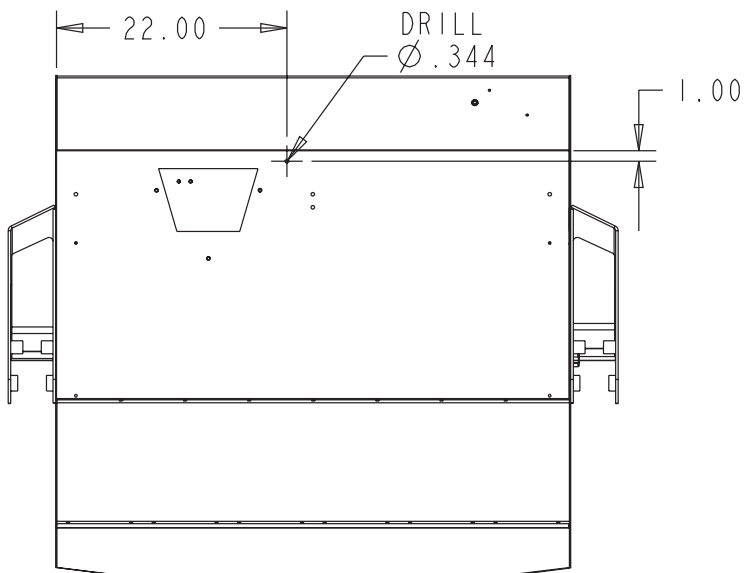
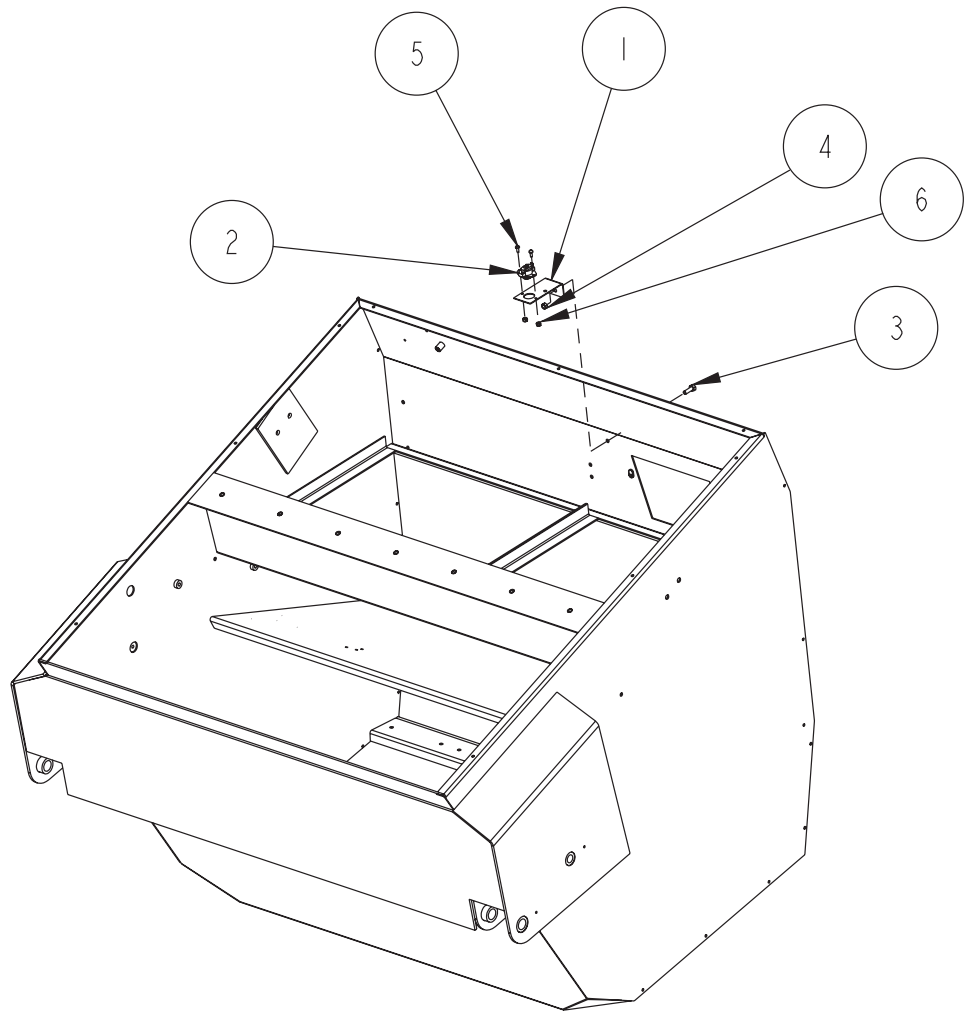
HOPPER HIGH TEMPERATURE SHUTDOWN OPTION

OPTION NO. 0780-694

<u>KEY NO.</u>	<u>PART NUMBER</u>	<u>DESCRIPTION</u>	<u>QTY.</u>
1	8-08-00803	Bracket, Temperature Switch	1
2	8-82-00056	Switch, Thermostat	1
3	2-00-02708	Screw, 5/16-18 x 1.0 Hex Head	1
4	2-00-00644	Nut, 5/16-18 Fiber Insert Hex	1
5	2-00-00049	Screw, 10-24 x 1/2 RHM	2
6	2-00-01246	Nut, 10-24 Elastic Stop	2

0780-694/1-05

HOPPER HIGH TEMPERATURE SHUTDOWN OPTION



0780-694

TIRE OPTIONS

OPTION NO. 674

<u>KEY NO.</u>	<u>PART NUMBER</u>	<u>DESCRIPTION</u>	<u>QTY.</u>
1*	8-89-08081	Wheel Assy., Pneumatic Foam-filled (Rear)	1
2*	8-89-08080	Wheel Assy., Pneumatic Foam-filled (Front)	2

*No serviceable parts

~OPTION NO. 675

<u>KEY NO.</u>	<u>PART NUMBER</u>	<u>DESCRIPTION</u>	<u>QTY.</u>
1	8-89-08070	Wheel Assy., Solid Pneum. Soft Shoe Lug Tread (Rear)	1
2	8-89-08071	Wheel Assy., Solid Pneum. Soft Shoe Lug Tread (Front)	2

~OPTION NO. 676

<u>KEY NO.</u>	<u>PART NUMBER</u>	<u>DESCRIPTION</u>	<u>QTY.</u>
1	8-89-08088	Wheel Assy., Solid Pneum. Non-Mark Lug Tread (Rear)	1
2	8-89-08087	Wheel Assy., Solid Pneum. Non-Mark Lug Tread (Front)	2

~Service Parts

For 8-89-08070 & 8-89-08088:
 8-33-09088 - Inner Rim Half
 8-65-05017 - Outer Rim Half
 7-85-06029 - Tire Only
 8-80-05035 - Studs (Qty. 6)

For 8-89-08071 & 8-89-08087:
 8-65-05015 - Rim Assy. (5 x 8 x 3.75)
 7-85-06029 - Tire Only

>OPTION NO. 677

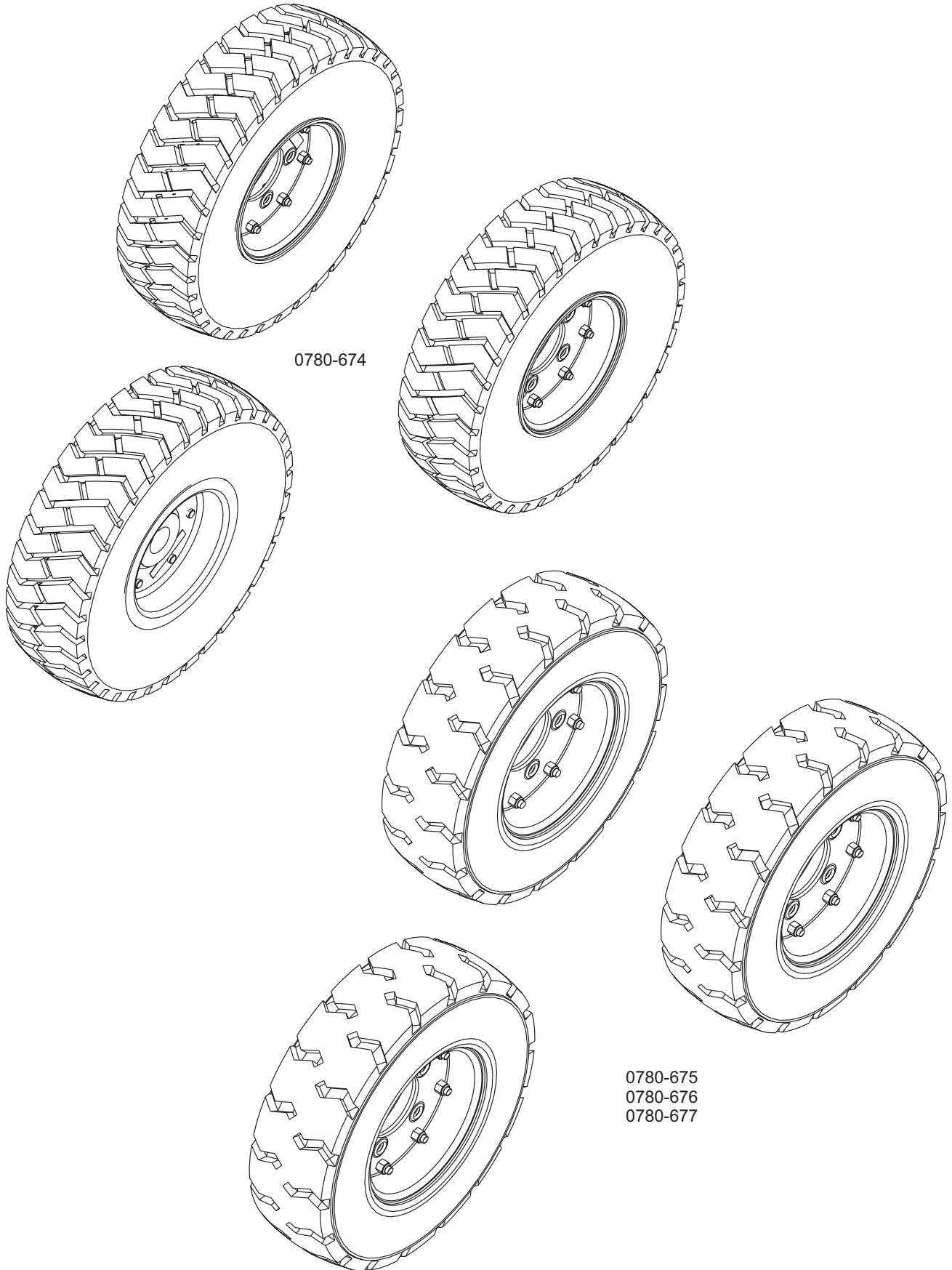
<u>KEY NO.</u>	<u>PART NUMBER</u>	<u>DESCRIPTION</u>	<u>QTY.</u>
1	8-89-08085	Wheel Assy., Solid Pneum. Man-Toter Lug Tread (Rear)	1
2	8-89-08084	Wheel Assy., Solid Pneum. Man-Toter Lug Tread (Front)	2

>Service Parts

For 8-89-08085:
 8-33-09088 - Inner Rim Half
 8-65-05017 - Outer Rim Half
 7-85-06027 - Tire Only
 8-80-05035 - Studs (Qty. 6)

For 8-89-08084:
 8-65-05015 - Rim Assy. (5 x 8 x 3.75)
 7-85-06027 - Tire Only

0780-674-677/12-05



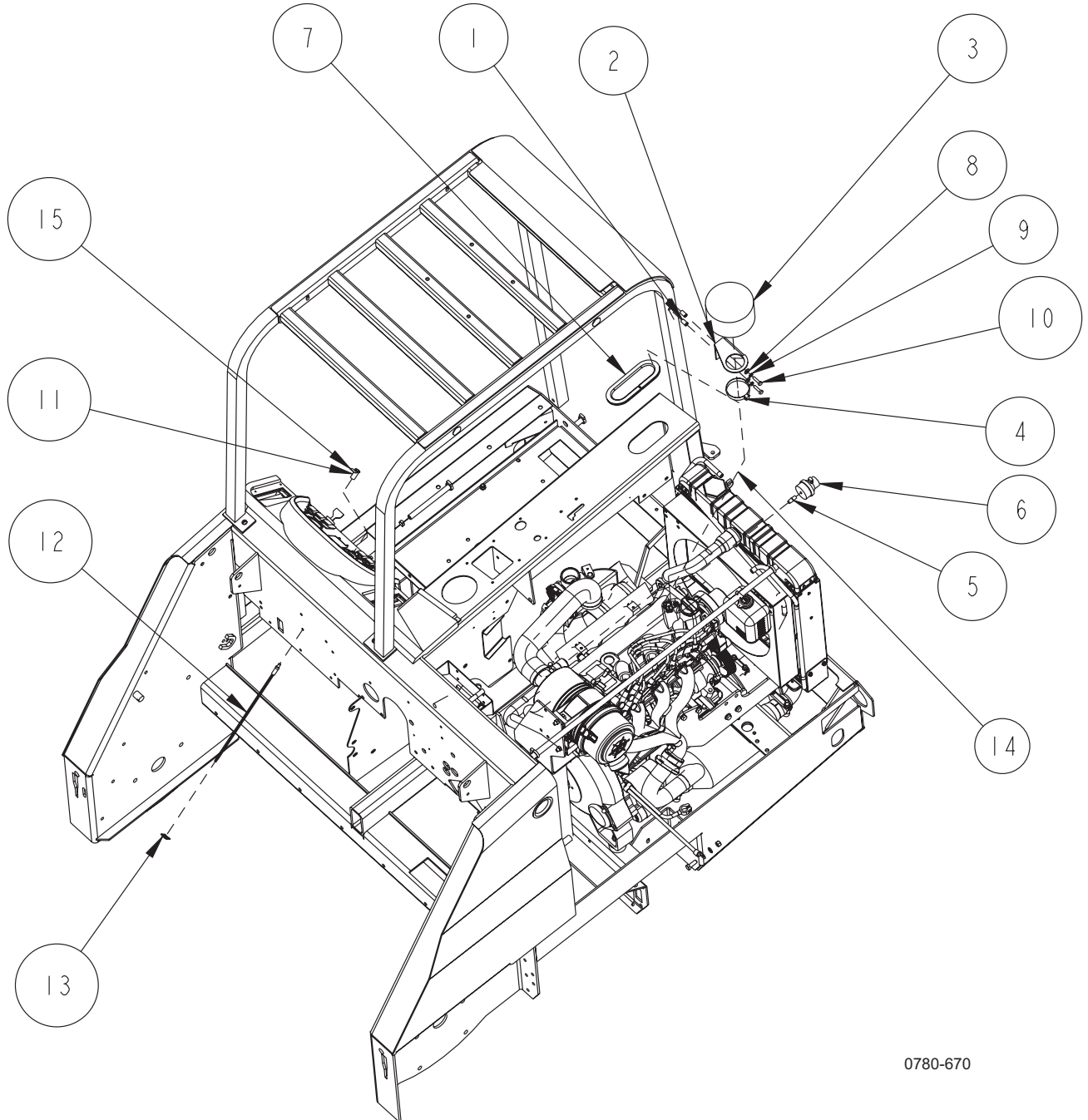
SE AIR CLEANER W/ RAISED INTAKE OPTION (W/ OVERHEAD GUARD)

OPTION NO. 0780-670

<u>KEY NO.</u>	<u>PART NUMBER</u>	<u>DESCRIPTION</u>	<u>QTY.</u>
1	2-00-02561	Insert, 1/4-20 Threaded	2
2	7-08-01336	Bracket	1
3	7-24-04107	Filter, Pre-Cleaner	1
4	2-00-02216	Clamp, Hose	1
5	2-00-03875	Nipple, Brass Close	1
6	7-82-00065	Switch, Dust Load Indicator	1
7	7-21-03003	Edging	1
8	2-00-03702	Washer, .625 x .281 x .063	2
9	2-00-00518	Lock Washer, 1/4" Helical Spring	2
10	2-00-00205	Bolt, 1/4-20 Fin. Hex Head	2
11	7-41-03004-1	Lens, Red	1
12	7-40-05027	Lamp Assembly	1
13	2-00-04735	Clip, Spring	1
14	3-71-00302	Hose	10 ft.
15	8-18-00144	Decal	1

0780-670/2-06

SE AIR CLEANER W/ RAISED INTAKE OPTION (W/ OVERHEAD GUARD)



0780-670

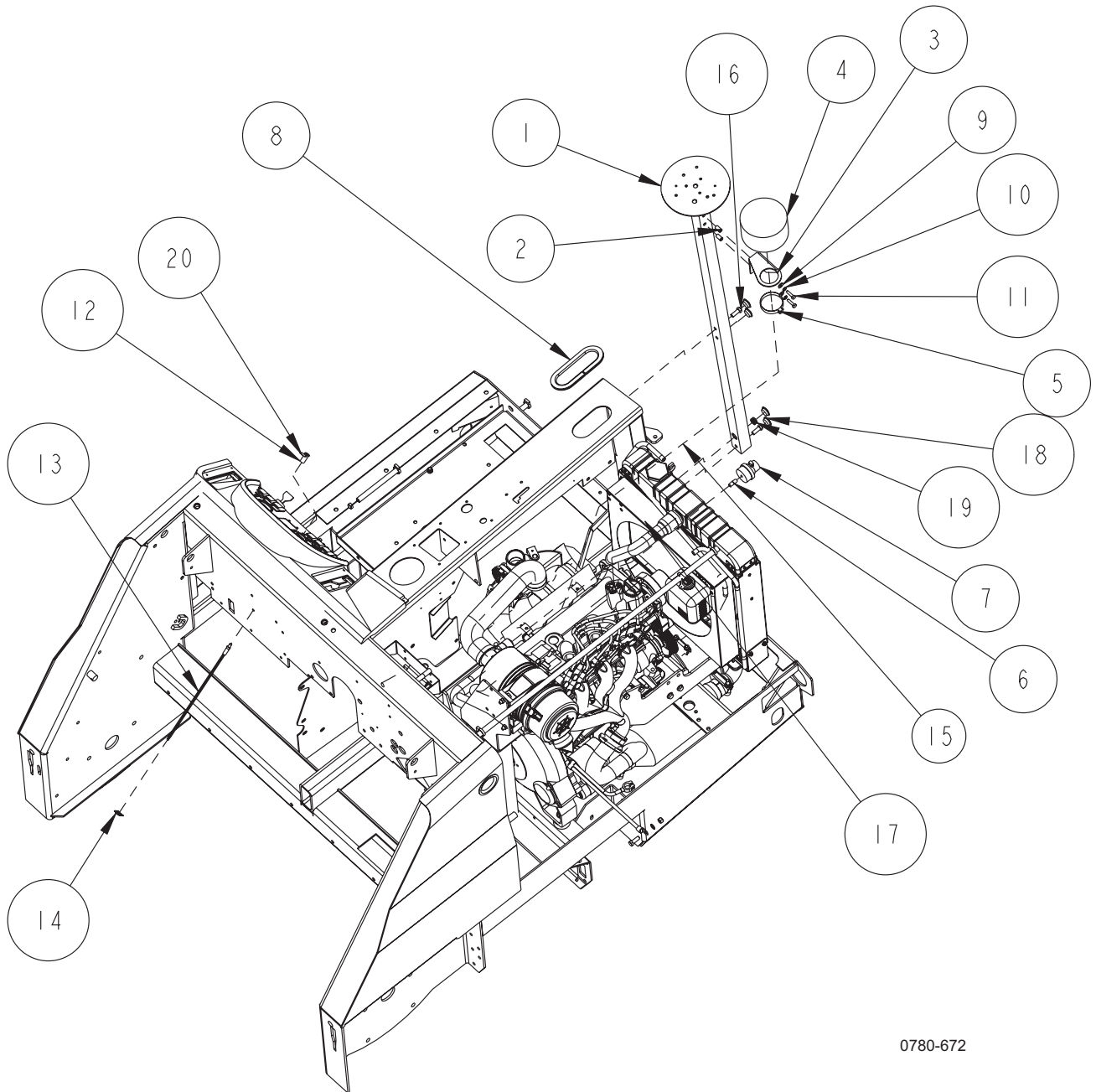
SE AIR CLEANER W/ RAISED INTAKE OPTION (NO OVERHEAD GUARD)

OPTION NO. 0780-672

<u>KEY NO.</u>	<u>PART NUMBER</u>	<u>DESCRIPTION</u>	<u>QTY.</u>
1	8-81-00173	Pole, Light	1
2	2-00-02561	Insert, 1/4-20 Threaded	2
3	7-08-01336	Bracket	1
4	7-24-04107	Filter, Pre-Cleaner	1
5	2-00-02216	Clamp, Hose	1
6	2-00-03875	Nipple, Brass Close	1
7	7-82-00065	Switch, Dust Load Indicator	1
8	7-21-03003	Edging	1
9	2-00-03702	Washer, .625 x .281 x .063	2
10	2-00-00518	Lock Washer, 1/4" Helical Spring	2
11	2-00-00205	Bolt, 1/4-20 x 1.0 Fin. Hex Head	2
12	7-41-03004-1	Lens, Red	1
13	7-40-05027	Lamp Assembly	1
14	2-00-04735	Clip, Spring	1
15	3-71-00302	Hose	10 ft.
16	2-00-00233	Bolt, 3/8-16 x 1.0 Fin. Hex Head	2
17	2-95-04182	Nut, 3/8-16 Hex Stop	2
18	2-00-05134	Plug Button	4
19	2-00-00491	Grommet	1

0780-672/2-06

SE AIR CLEANER W/ RAISED INTAKE OPTION (NO OVERHEAD GUARD)



0780-672

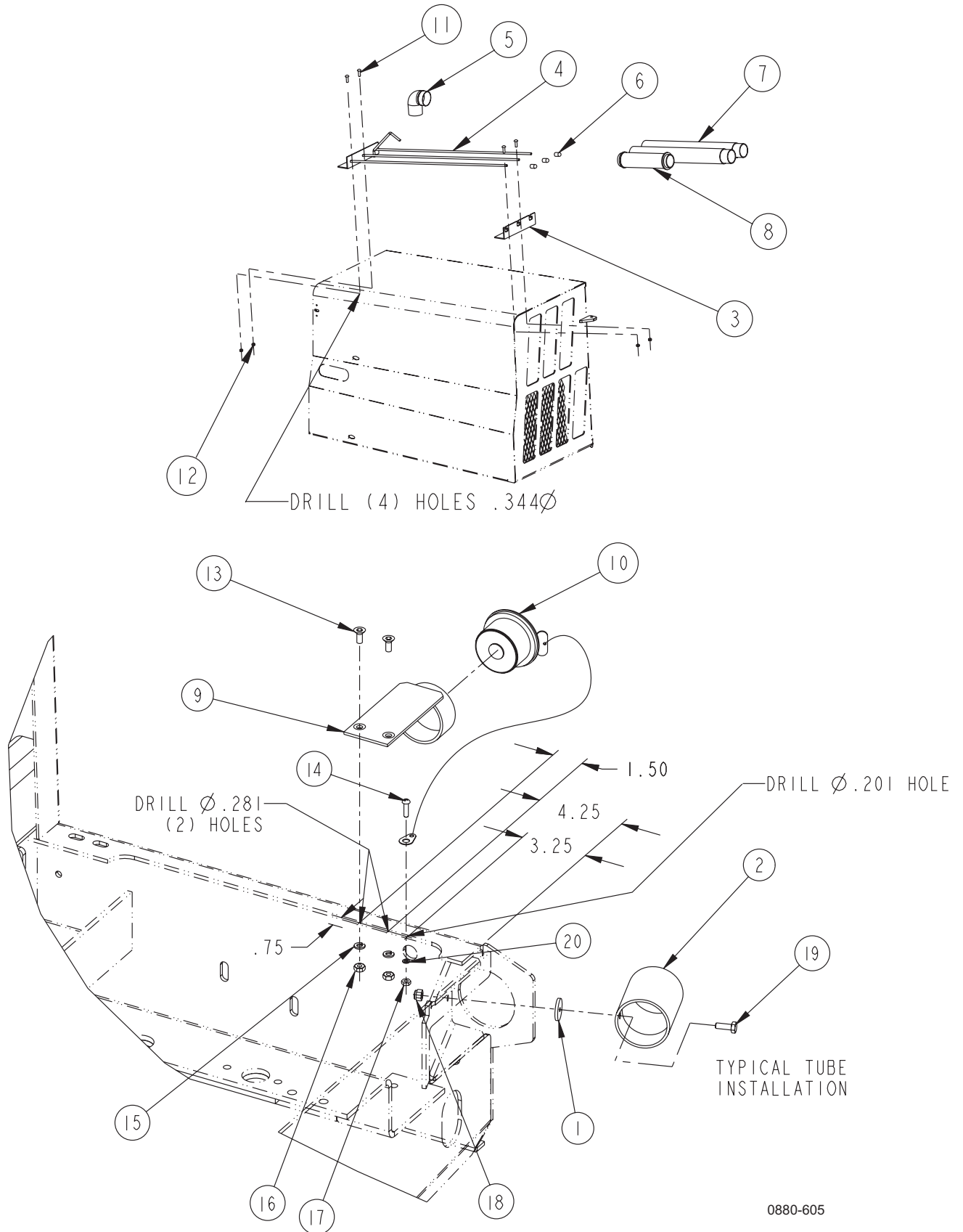
BLOWER WAND OPTION

OPTION NO. 0880-605

<u>KEY NO.</u>	<u>PART NUMBER</u>	<u>DESCRIPTION</u>	<u>QTY.</u>
1	2-14-03197	Rubber Washer	2
2	8-87-02115	Tube, Blower Wand	2
3	8-08-00622	Bracket, Latch	1
4	8-08-00670	Bracket, Blower Comp Storage	1
5	8-21-07019	Adapter, 90 Elbow	1
6	8-11-00034	Cap	4
7	8-89-00002	Wand Section	2
8	8-33-02121	Hose	1
9	8-65-00048	Plug Retainer (Weldment)	1
10	8-25-02038	Plug, Blower Wand	1
11	2-00-01481	Screw, .31 x 1.0 RHM	4
12	2-00-00644	Nut, .31-18 Fiber Insert	4
13	2-00-03027	Screw, 1/4-20 x .63 HSFHC	2
14	2-00-00056	Screw, 10-24 x 3/4 RHM	1
15	2-00-00518	Lock Washer, 1/4 Med.	2
16	2-00-00594	Nut, 1/4-20 Fin. Hex	2
17	2-00-00605	Nut, 10-24 Hex	1
18	2-00-00641	Nut, 1/4-20 Fiber Insert	2
19	2-00-00221	Screw, 1/4-20 x 3/4 HHC	2
20	2-00-00519	Lock Washer, #10 Med.	1

0880-605/2-96

BLOWER WAND OPTION



0880-605

SPARE PARTS KIT/MITSUBISHI S4L2 DIESEL ENGINE SERVICE PARTS

OPTION NO. 0860-752

<u>KEY NO.</u>	<u>PART NUMBER</u>	<u>DESCRIPTION</u>	<u>QTY.</u>
1	8-25-08222	Flap, Broom Door Outer	2
2	8-25-08198	Flap, Broom Door Inner	2
3	8-25-08194	Flap, Wheel Well	1
4	8-25-08197	Flap, Rear Inside Frame	1
5	8-25-08196	Flap, Frame Rear Outside	1
6	8-24-04139-1	Hopper Panel Filter	1
7	8-25-08202	Hopper Flap	1
8	8-68-05075	Seal, Dump Door - Sides	2
9	8-68-05077	Seal, Dump Door - Lip	1
10*	7-24-04085	Engine Main Air Filter	1
	7-24-04086	Engine Safety Air Filter	1
11	2-00-05989	Belt, Alternator/Fan	1
12	7-24-04088	Fuel Filter	1
13	7-24-04099	Engine Oil Filter	1
14	8-24-04118	Hydraulic Filter Element	1
15	8-68-05076	Seal, Dump Door (Foam)	1

*Both filters should be replaced at the same time

ADDITIONAL MITSUBISHI S4L2 ENGINE SERVICE PARTS

<u>PART NUMBER</u>	<u>DESCRIPTION</u>	<u>QTY</u>
7-24-04099	Oil Filter	1
7-84-08017	Thermostat	1
7-29-00313	Gasket, Thermostat	1
7-60-05049	Water Pump	1
7-29-00311	Gasket, Water Pump	1
7-75-03005	Glow Plug	4
7-64-00041	Relay, Glow Plug (installed on wire harness)	1
0775-288	Alternator	1
2-00-05989	Belt, Alternator/Fan	1
7-29-00337	Gasket, Cylinder Head	1
7-56-04075	Pipe, Cylinder #1	1
7-56-04076	Pipe, Cylinder #2	1
7-56-04077	Pipe, Cylinder #3	1
7-56-04078	Pipe, Cylinder #4	1
7-82-00056	Switch, Water Temperature	1
8-82-00070	Sending Unit, Water Temperature	1
0775-286	Starter	1
2-00-04982	Fitting, 1/8 NPT Street Tee	1
7-82-00055	Switch, Oil Pressure	2
0895-134	Wiring Harness	1
7-16-05044	Coupling, Engine	1
7-58-05335	Casting, Pump Plate	1
7-64-00040	Relay, Murphy (installed on wire harness)	1
7-24-04088	Fuel Filter	1
2-86-00383	Operators Handbook	
2-86-00384	Parts Catalog	
2-86-00405	Service Manual	

SPARE PARTS KIT/FORD 416EFI GAS/LP SERVICE PARTS

OPTION NO. 0860-751			
<u>KEY NO.</u>	<u>PART NUMBER</u>	<u>DESCRIPTION</u>	<u>QTY.</u>
1	8-25-08222	Flap, Broom Door Outer	2
2	8-25-08198	Flap, Broom Door Inner	2
3	8-25-08194	Flap, Wheel Well	1
4	8-25-08197	Flap, Rear Inside Frame	1
5	8-25-08196	Flap, Frame Rear Outside	1
6	8-24-04139-1	Hopper Panel Filter	1
7	8-25-08202	Hopper Flap	1
8	8-68-05075	Seal, Dump Door-Sides	2
9	8-68-05077	Seal, Dump Door-Lip	1
10*	7-24-04085*	Engine Air Filter (Main)	1
	7-24-04086*	Engine Air Filter (Safety)	1
11	2-00-05990	Belt, Alternator/Water Pump	1
12	7-24-04067	Fuel Filter	1
13	8-24-04156	Engine Oil Filter	1
14	8-24-04118	Hydraulic Filter Element	1
15	8-68-05076	Seal, Dump Door (Foam)	1

*Both filters should be replaced at the same time

ADDITIONAL FORD 416 ENGINE SERVICE PARTS

<u>PART NO.</u>	<u>DESCRIPTION</u>	<u>QTY.</u>
7-23-00025	Fan	1
2-00-06092	Belt, Fan	1
0782-652	Thermostat	1
7-11-04071	Mixer, Ford 416 LP Engine (EXPORT)	1
7-11-04054	Mixer, Ford 416 LP Engine (N. Am. certified)	1
7-88-00110	LP Safety Valve	1
7-11-04062	HEGO Sensor (Pre Cat)	1
7-11-04055	TMap Sensor	1
7-11-04065	Light, Malfunction Indicator	1
7-11-04066	O ₂ Sensor (Post Cat Monitor)	1
7-75-03007	Spark Plug	4
7-90-08017	Spark Plug Wire #1	1
7-90-08018	Spark Plug Wire #2	1
7-90-08019	Spark Plug Wire #3	1
7-90-08020	Spark Plug Wire #4	1
7-14-07015	Coil Pack	1
7-11-04041	Throttle Body	1
7-21-07005	Elbow, Vacuum	1
7-11-04046	LP Regulator (EXPORT)	1
7-11-04043	LP Regulator (N.Am. certified)	1
7-11-04045	MegaJector (N. Am. certified)	1
7-11-04037	Catalytic Converter	1
0775-292	Alternator	1
0775-291	Starter	1
0769-030	Fuel Pump	1
7-60-05062	Water Pump	1
7-29-00	Gasket, Water Pump	1
7-11-04041	Throttle Body	1
7-21-07005	Elbow, Vacuum	1
0769-031	EPM w/Calibration (N. Am. certified)	1
0769-032	EPM w/Calibration (EXPORT)	1
7-08-01188	Bracket, Fuel Filter	1
2-00-04641	Fitting, 3/8 NPT Close Nipple	1
2-00-06539	Fitting, 3/8 NPT - 5/8 Hose Nipple	1
2-00-06540	Fitting, NPT Brass "T"	1
2-00-05447	Fitting, 5/8 Nylon Hose "T"	1
2-86-00394	Operators Handbook	
2-86-00395	Parts Catalog	
2-86-00390	Service Manual	

American-Lincoln®

14600 21st Avenue North
Plymouth, MN 55447-3408
www.americanlincoln.com
Phone: 800-331-7692
Fax: 877-877-2586
©2006 American-Lincoln