

# SC7750

## Battery Sweeper/Scrubber



## Parts List & Options

**After Serial Number 683178  
for American-Lincoln MODELS 505-831, 505-832**

# American-Lincoln®

---

---

---

## TABLE OF CONTENTS - CHAPTER 2 - COMPONENT PRINTS & PARTS LISTS

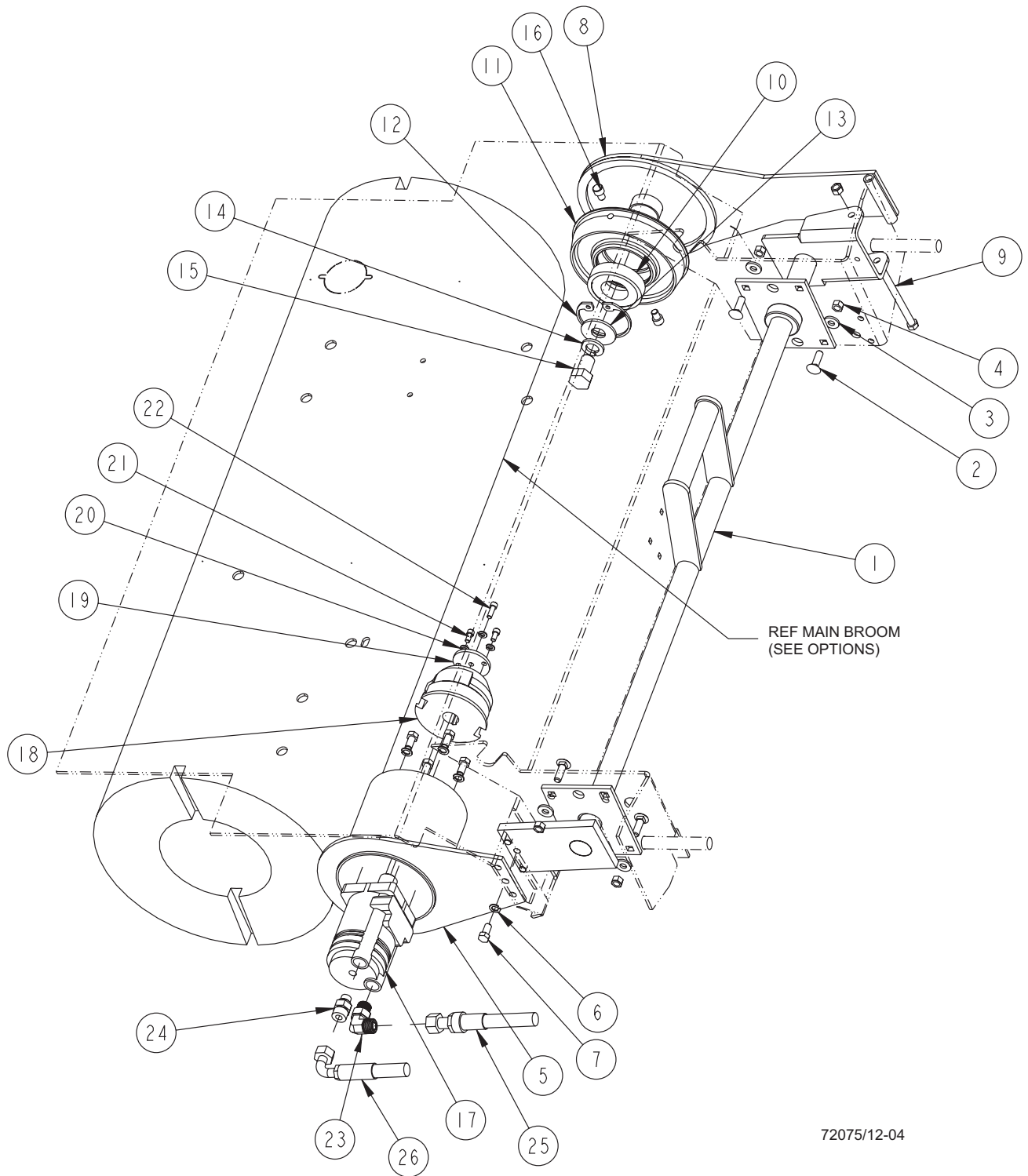
Main Broom .....	2-2
Side Broom .....	2-4
Side Broom Pulley .....	2-6
Side Broom Lever .....	2-8
Side Broom Lift System .....	2-10
Broom Chamber Flaps & Seals .....	2-12
Broom Chamber Doors .....	2-14
Hopper .....	2-16
Hopper Lid/Cover .....	2-20
Hopper Door Cylinder .....	2-21
Hopper Dump Door .....	2-22
Hopper Control Valve .....	2-24
Scrub Deck (46") .....	2-26
Side Squeegees (46") .....	2-30
Rear Squeegee (46") .....	2-32
Scrub Deck (53") .....	2-34
Side Squeegees (53") .....	2-40
Rear Squeegee (53") .....	2-42
Squeegee Lift .....	2-44
Swing Squeegee Support .....	2-46
Solution Tank .....	2-48
Solution Feed .....	2-50
Recovery Tank .....	2-52
Recovery Tank Drain System .....	2-56
Front Bumper .....	2-57
Front Wheels .....	2-58
Wheel Well Flaps .....	2-59
Rear (Drive) Wheel Assembly .....	2-60
Brake Pedal/Parking Brake .....	2-62
Accelerator/Floor Panel Assembly .....	2-66
Drive Computer .....	2-67
Frame .....	2-68
Safety Arm .....	2-69
Steering Column .....	2-70
Vac Fan .....	2-72
Vac Motor Manifold .....	2-74
Filter Shaker .....	2-76
Seat Assembly .....	2-78
Hydraulic Pump Assembly .....	2-80
Main Broom Hydraulics .....	2-81
Side Broom Hydraulics .....	2-82
Hopper Lift Hydraulics .....	2-83
Hopper Dump Door Hydraulics .....	2-84
Scrub Deck Hydraulics .....	2-85
Scrub Deck Lift Hydraulics .....	2-86
Squeegee Lift Hydraulics .....	2-87
Hydraulic Reservoir .....	2-88
2-Way Hydraulic Valve .....	2-90
Drive Wheel Hydraulics .....	2-92
Steering 90° - 90° Hydraulics .....	2-93
Covers .....	2-94
Instrument Panel Assembly .....	2-96
Power Panel #2 .....	2-98
Decals .....	2-100
CE Kit .....	2-103
Hydraulic Hose Diagram .....	2-104
Hydraulic Schematic .....	2-106
Instrument Panel Connection Drawing .....	2-107
Machine Harness Routing .....	2-108
Machine Harness Connection Diagram .....	2-109
Power Panel Connection Diagram .....	2-110
Electrical Schematic .....	2-111

## MAIN BROOM

---

<u>KEY NO.</u>	<u>PART NUMBER</u>	<u>DESCRIPTION</u>	<u>QTY.</u>
1	7-03-04226	Lift Frame, Main Broom	1
2	2-00-05187	Carriage Bolt, 3/8-16 x 1.0	4
3	2-00-04801	Flat Washer, .875 x .375 x .125	4
4	2-00-04182	Nut, 3/8-16 Hex Stop	5
5	8-16-00041	Arm, Broom Drive	1
6	2-00-02310	Lock Washer, 3/8 Helical Spring	5
7	2-00-00232	Bolt, 3/8-16 x .750 Fin. Hex Head	5
8	7-03-04158	Arm, Main Broom Idler	1
9	2-00-02605	Bolt, 3/8-16 x 4.50 HHC	1
10	2-00-04889	Bearing, Main Broom Idler	1
11	8-33-09090	Idler, Main Broom (Machined)	1
12	2-00-04890	Retaining Ring, Main Broom Idler	1
13	8-75-01157	Thrust Washer	1
14	2-00-00522	Lock Washer, 3/4 Helical Spring	1
15	2-00-04887	Screw, 1/4-10 x 1.25 Hex Head	1
16	2-00-04886	Screw, 3/8-16 x 1/2 Allen Set	2
17	0882-037 0880-174	Hyd. Motor, Main Broom Motor Seal Kit (service part)	1
18	8-33-09046-1	Hub, Broom Driver	1
19	8-58-05160	Plate, Broom Driver Locking	1
20	2-00-00518	Lock Washer, 1/4 Helical Spring	3
21	2-00-03039	Set Screw, 1/4-20 x .625 HSHC	2
22	2-00-06352	Screw, 1/4-28 x 3/4 Socket Head	1
23	2-00-04885	Fitting, 90° Elbow (O-Ring)	1
24	2-00-04970	Fitting, 8 ORS - 6 SAE, Str.	1
25	7-33-02662	Hose, #8 Str. - Str. (74")	Ref.
26	7-33-02633	Hose, #8 Str. - 90° (73")	Ref.

72075revD/12-04

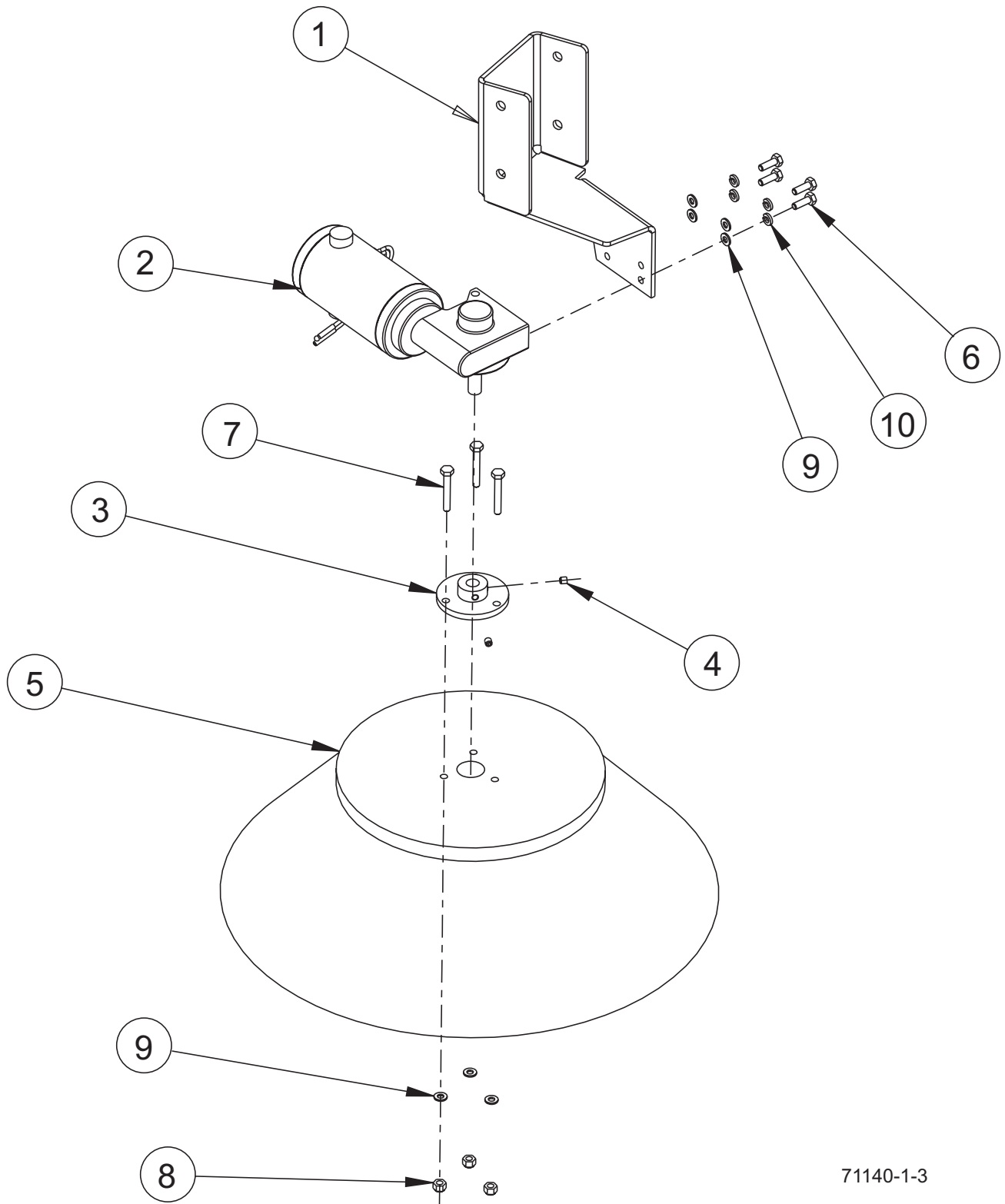


## SIDE BROOM

---

<u>KEY NO.</u>	<u>PART NUMBER</u>	<u>DESCRIPTION</u>	<u>QTY.</u>
1	7-08-00902	Bracket, Side Broom	Ref.
2	0885-082	Motor Gear Unit, Side Broom Motor brushes: 0875-134 (4 required)	1
3	7-25-06035	Flange, Broom Mount	1
4	2-00-00264	Set Screw, HS Knurled Cup Pt. #10-24 x 3/8	2
5	8-08-03140	Broom, Curb	1
6	2-00-00221	Screw, 1/4-20 x 3/4 HHC	4
7	2-00-01769	Screw, 1/4-20 x 1.75 HHC	3
8	2-00-00641	Nut, 1/4-20 Insert Fiber	3
9	2-00-03702	Washer, .625 x .281 x .063	7
10	2-00-00518	Lock Washer, Helical Spring	4

71140-1-3/5-98



71140-1-3

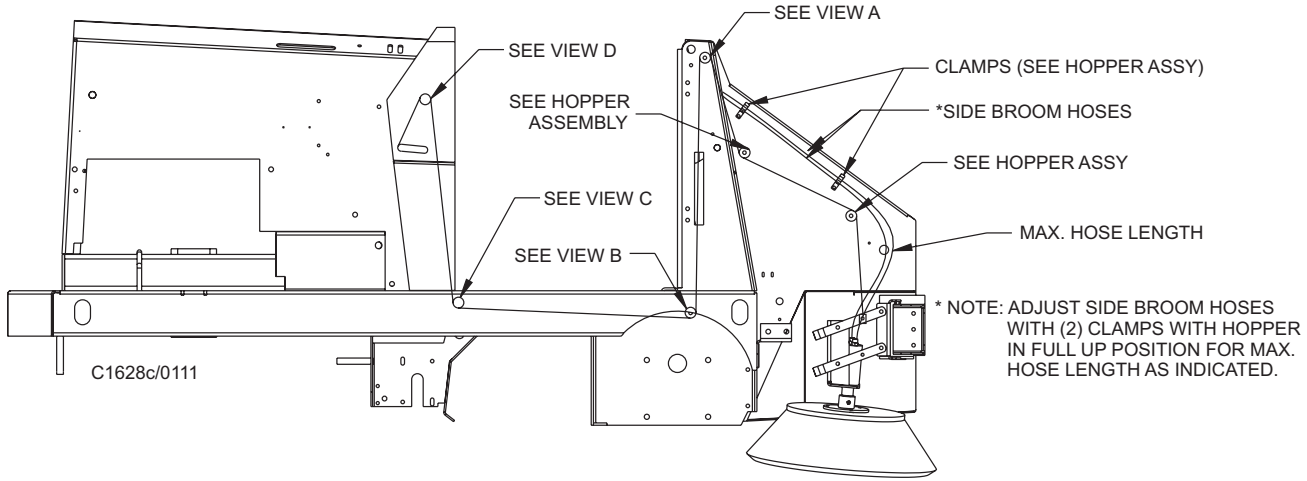
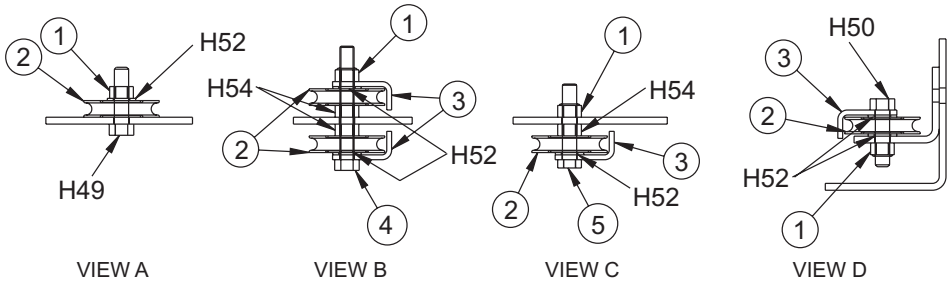
## SIDE BROOM PULLEY

---

<u>KEY NO.</u>	<u>PART NUMBER</u>	<u>DESCRIPTION</u>	<u>QTY.</u>
1	2-95-04182	Nut, 3/8-16 Elastic Stop	4
2	7-60-00160	Pulley, Cable	Ref.
3	7-13-07130	Clip, Cable Retainer	Ref.
4	2-00-05384	Screw, 3/8-16 x 3.0 HHC	1
5	2-00-00235	Screw, 3/8-16 x 1.75 HHC	1
HARDWARE USED:			
H49	2-00-00209	Screw, 3/8-16 x 1.25 HHC	1
H50	2-00-00234	Screw, 3/8-16 x 1.50 HHC	1
H52	2-00-00402	Flat Washer, .750 x .390 x .094	4
H54	2-00-02360	Nut, 3/8-16 Hex	3

C1628c/0111





## SIDE BROOM LEVER

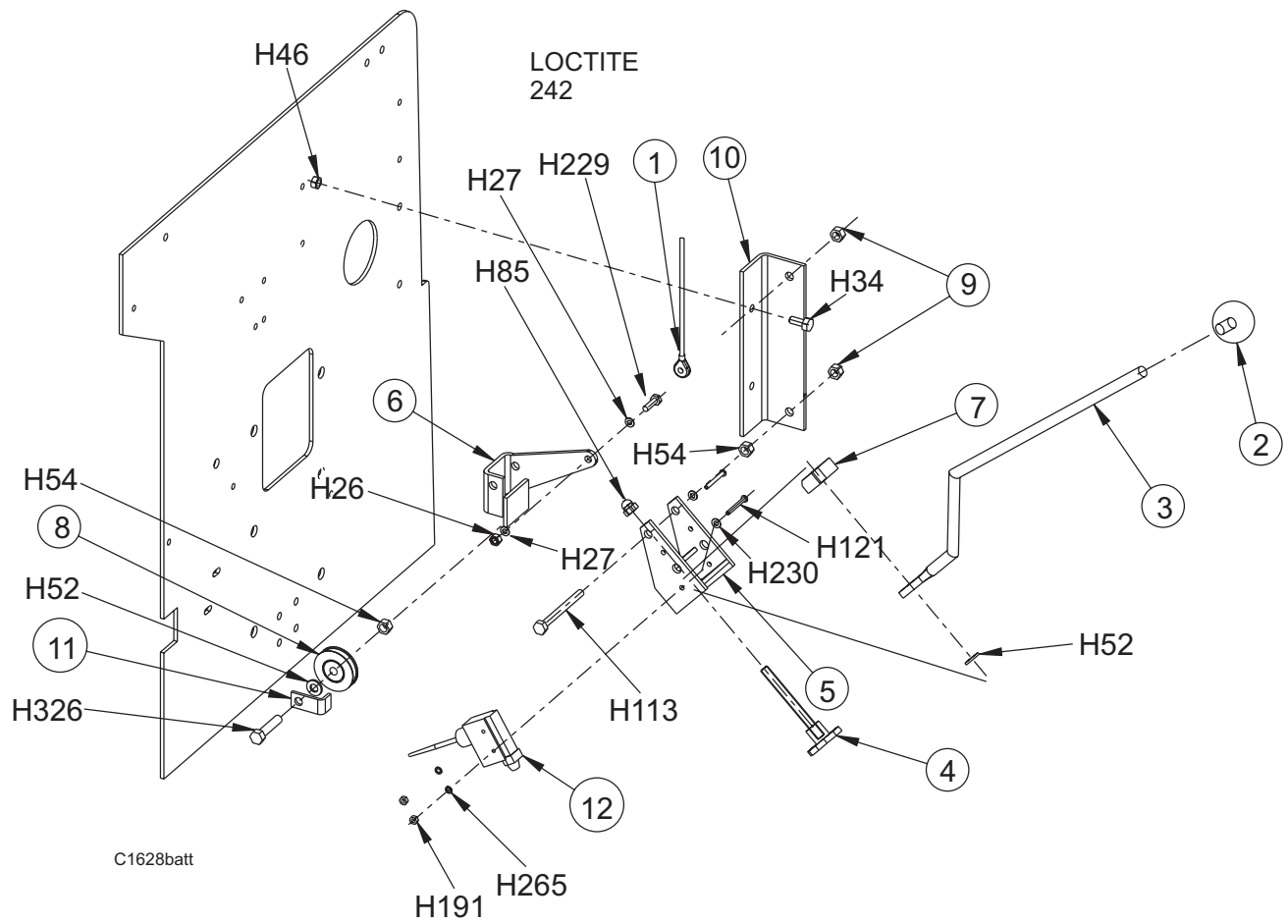
---

<u>KEY NO.</u>	<u>PART NUMBER</u>	<u>DESCRIPTION</u>	<u>QTY.</u>
1	7-10-00030	Cable	Ref.
2	8-39-00003	Control Knob	1
3	7-66-00170	Lever Handle	1
4	8-39-00013	Knob Assembly	1
5	8-08-00773	Broom Lift	1
6	8-08-00866	Bracket , Angle Adjustment	1
7	8-50-03002	Block, Broom Adjustment	1
8	7-60-00160	Pulley, Cable	4
9	2-95-04182	Nut, 3/8-16 Elastic Stop	2
10	7-08-00851	Bracket , Angle Adjustment	1
11	7-13-07130	Clip, Cable Retainer	4
12	8-82-00058	Switch	1

### HARDWARE USED:

H26	2-00-00641	Nut, 1/4-20 Insert Fiber	1
H34	2-00-00208	Screw, 5/16-18 x .75 HHC	1
H46	2-00-00644	Nut, 5/16-18 Insert Fiber	1
H52	2-00-00402	Flat Washer, .750 x .390 x .094	1
H54	2-00-02360	Nut, Hex. 3/8-16	2
H85	2-00-00650	Nut, Cap 3/8-16 Low Crown	1
H113	2-00-03333	Screw, 3/8-16 x 3.75 HHC	1
H121	2-00-00090	Screw, #8-32 x 1.50 RHM	2
H191	2-00-00602	Nut, MSCA - Hex, 8-32	2
H229	2-00-01490	Screw, .25-20 x .875 HHC STL	2
H230	2-00-00466	Flat Washer, .625 x .203 x .031	2
H265	2-00-00506	Lock Washer, Int Tooth #8 Dia Screw	2
H326	2-00-00235	Screw HHC .375-16 x 1.75	1

C1628batt/9912



## SIDE BROOM LIFT SYSTEM

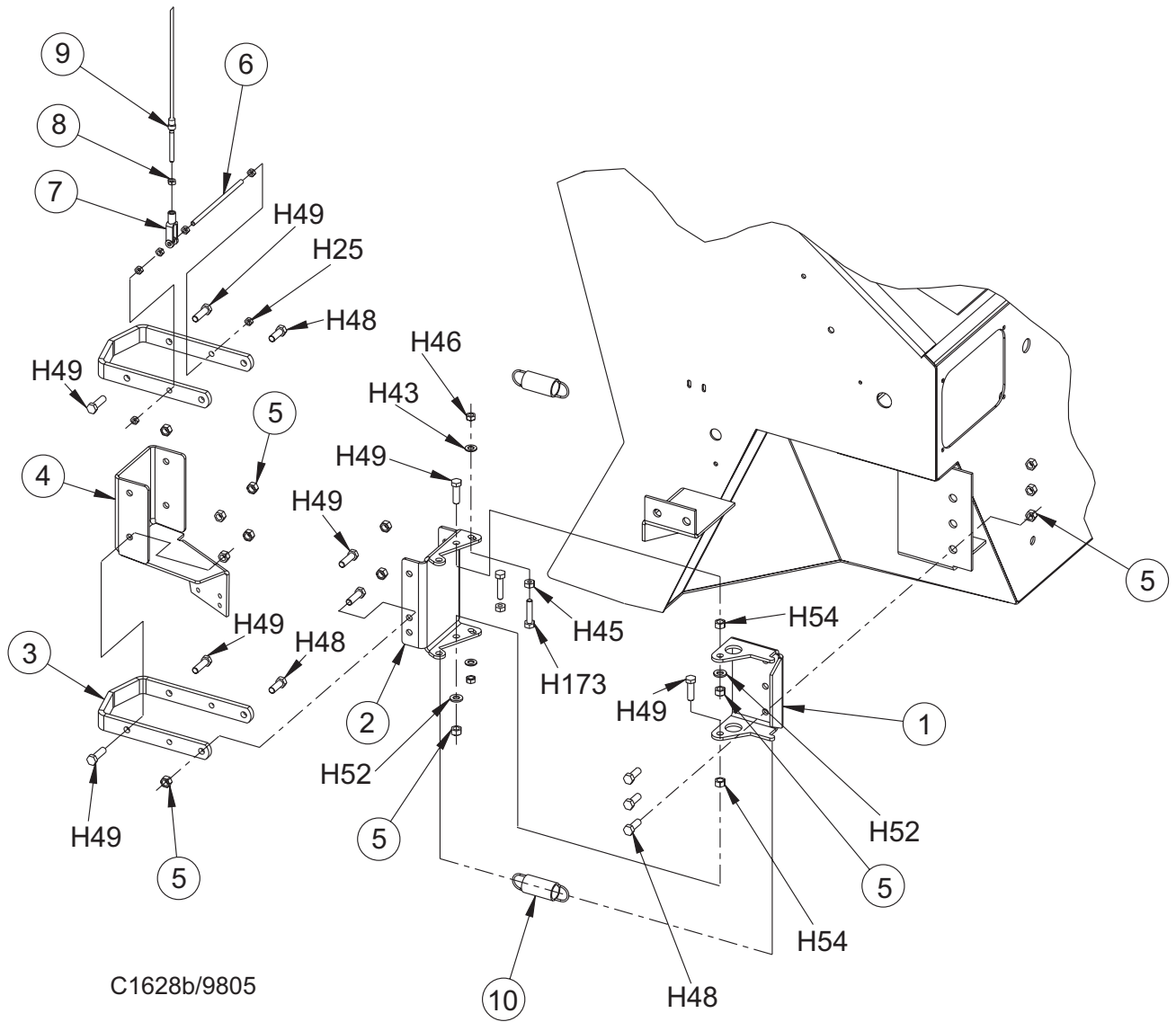
---

<u>KEY NO.</u>	<u>PART NUMBER</u>	<u>DESCRIPTION</u>	<u>QTY.</u>
1	8-08-00790	Bracket, Side Broom	1
2	8-08-00846	Pivot Bracket, Side Broom	1
3	8-42-05136	Link, Side Broom Lift	2
4	7-08-00902	Bracket, Side Broom	1
5	2-95-04182	Nut, 3/8-16 Elastic Stop	13
6	7-66-00180	Rod , Threaded	1
7	8-14-01006	Clevis	1
8	2-95-01999	Nut , 1/4-28 Hex Jam	1
9	7-10-00030	Cable, Side Broom	Ref.
10	7-76-00101	Spring, Brush Load	2

### HARDWARE USED:

H25	2-00-00594	Nut, 1/4-20 x .437 x .218 Hex	6
H43	2-00-00409	Flat Washer, .687 x .344 x .062	2
H45	2-00-00585	Nut, 5/16-18 x .503 x .265 Hex	2
H46	2-00-00644	Nut, 5/16-18 Insert Fiber	2
H48	2-00-00233	Screw, 3/8-16 x 1.0 HHC	5
H49	2-00-00209	Screw, 3/8-16 x 1.25 HHC	8
H52	2-00-00402	Flat Washer, .750 x .390 x .094	4
H54	2-00-02360	Nut, 3/8-16 Hex	2
H173	2-00-02709	Screw, 5/16-18 x 1.50	2

C1628b/0203



C1628b/9805

## BROOM CHAMBER FLAPS & SEALS

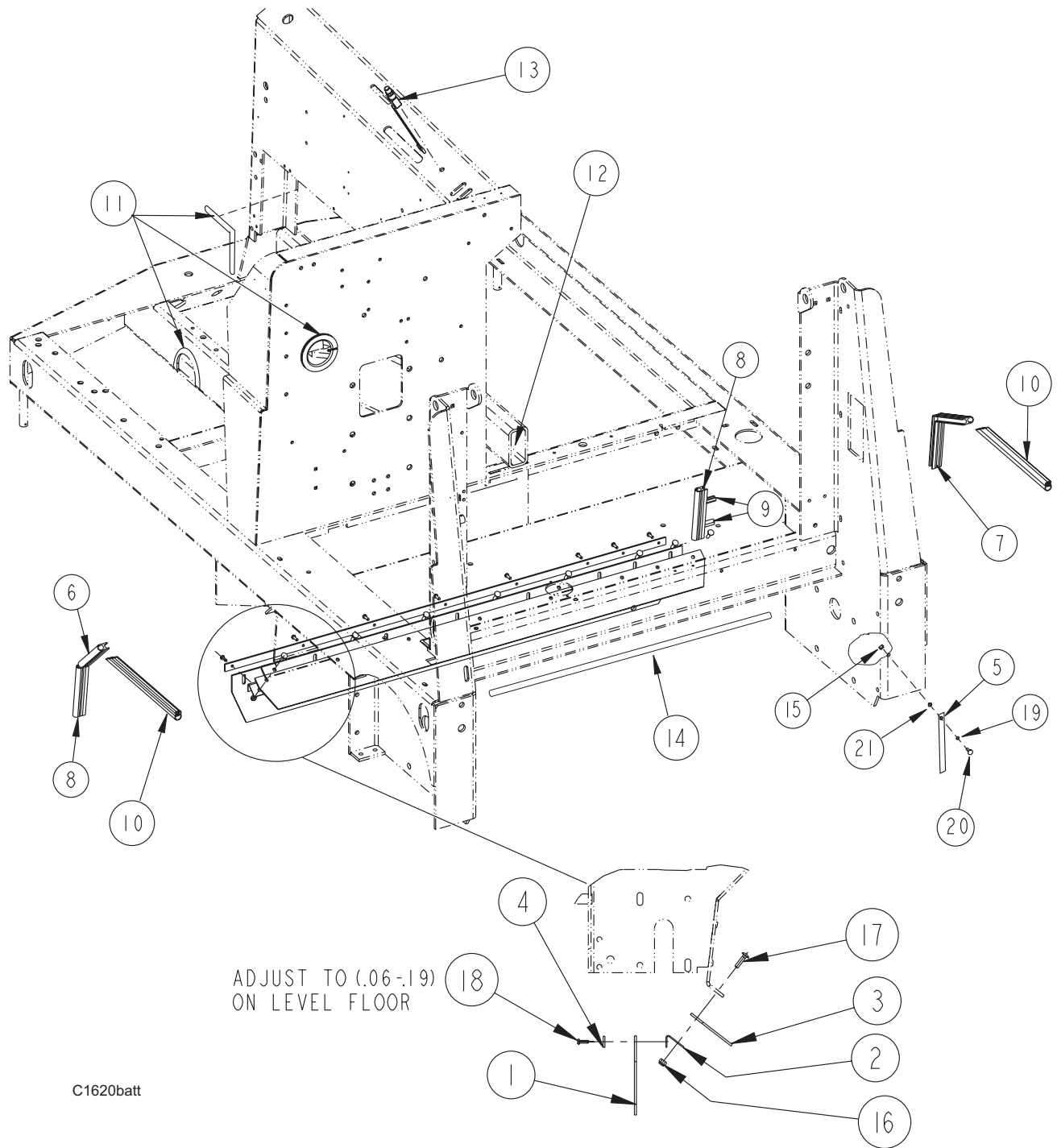
---

<u>KEY NO.</u>	<u>PART NUMBER</u>	<u>DESCRIPTION</u>	<u>QTY.</u>
1*	7-25-08071	Flap, Br. Ch. Outer	1
2	7-13-07167	Clamp, Br. Ch. Inner	1
3*	7-25-08072	Flap, Br. Ch. Inner	1
4	7-13-07168	Clamp, Br. Ch. Outer	1
5	8-79-00030	Static Strap	1
6	8-29-00232	Gasket	1
7	8-29-00234	Gasket	1
8	8-29-00233	Gasket	2
9	8-21-04048	Edging	2
10	8-29-00256	Gasket	1
11	7-21-03003	Edging	3
12	7-21-04031	Edging	2
13	8-82-00030	Horn Button	1
14	7-29-00240	Gasket	1
15	2-00-00644	Nut, .31-18 Fiber Insert	1
16	2-00-00641	Nut, 1/4 Fiber Insert	8
17	2-00-03575	Carriage Bolt, 1/4-20 x 3/4	8
18	2-00-03940	Screw, #10-24 x 1/2 T/C HH	8
19	2-00-01803	Washer, 1.063 x .031 x .063	1
20	2-00-02708	Screw, 5/16-18 X 1.0 HHC	1
21	2-00-03829	Lock Washer, Int/Ext Tooth	1

\*Assemble items 1 & 3 with the larger chamber to the left side of the machine.

C1620batt/9-03

# BROOM CHAMBER FLAPS & SEALS



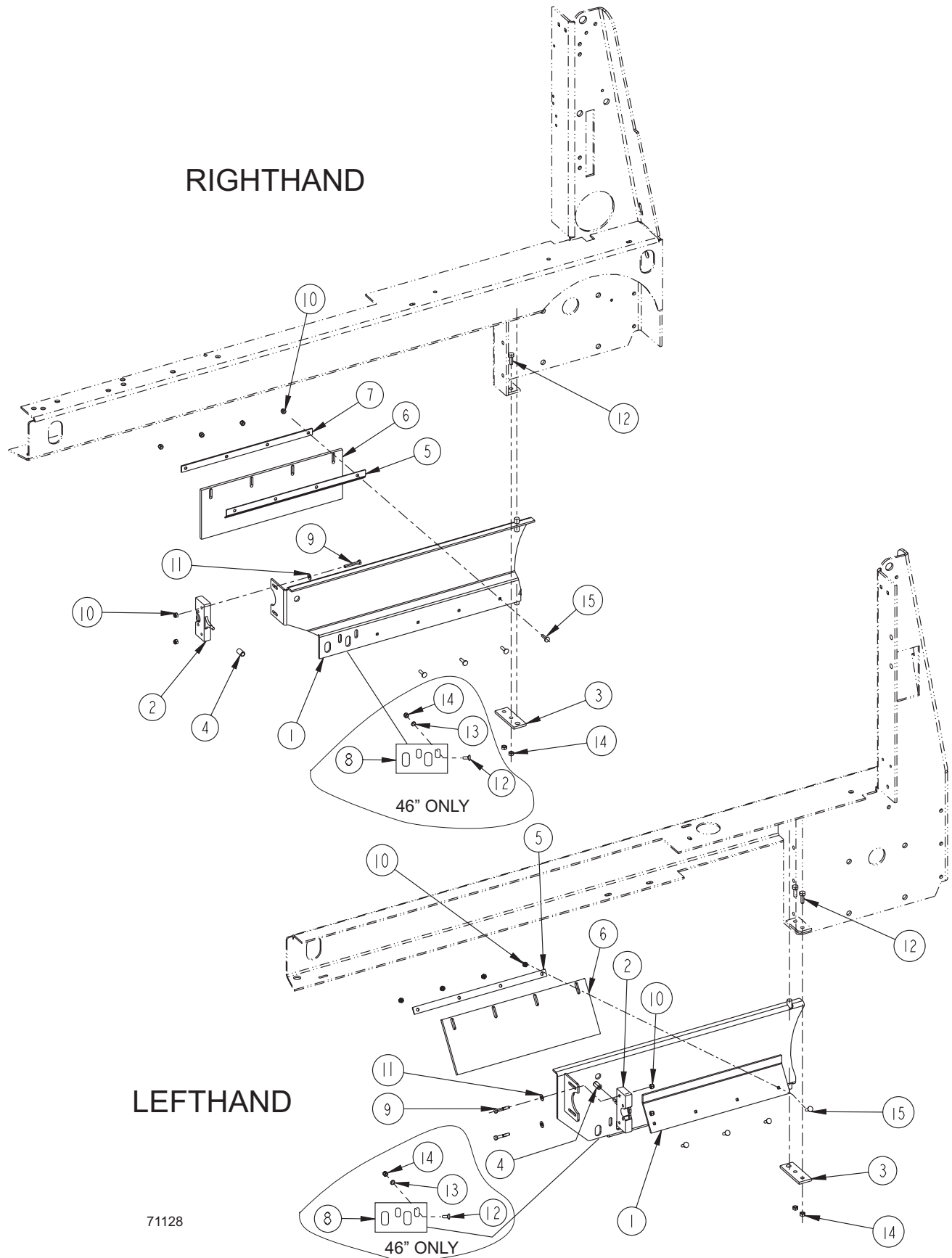
## BROOM CHAMBER DOORS

---

<u>KEY NO.</u>	<u>PART NUMBER</u>	<u>DESCRIPTION</u>	<u>QTY.</u>
1	7-19-08057	Broom Door Weldment (RH)	1
1	7-19-08060	Broom Door Weldment (LH)	1
2	8-41-00052	Latch	2
3	7-57-05038	Pivot Retainer	2
4	8-39-00015	Latch Knob - Broom door	2
5	7-13-07171	Clamp	1
6	8-25-08212	Flap	2
7	8-13-07145	Clamp	2
8	7-57-05042	Pivot, Side Squeegee	2
9	2-00-00203	Screw, 1/4-20 x 1.50 HHC	4
10	2-00-00641	Nut, 1/4-20 Insert Fiber	12
11	2-00-03702	Washer, .625 x .281 x .063	4
12	2-00-02708	Screw, 5/16-18 x 1.0 HHM	4
13	2-00-00409	Flat Washer, .687 x .344 x .062	2
14	2-00-00644	Nut, 5/16-18 Insert Fiber	6
15	2-00-02196	Carriage Bolt, 1/4-20 x 1.0 RHM	8

71128/9-04





## HOPPER ASSEMBLY

---

<u>KEY NO.</u>	<u>PART NUMBER</u>	<u>DESCRIPTION</u>	<u>QTY.</u>
1	7-32-06018	Hopper	1
2	8-17-05022	Lift Cylinder	Ref.
3	7-25-08070	Hopper Flap	1
4	7-13-07173	Clamp - Hopper Flap	1
5	2-00-00566	Grease Zerk	2
6	7-55-08148	Pin - Hopper Pivot	2
7	2-00-05024	Washer	6
8	2-00-00776	Cotter Pin	4
9	8-55-08112	Pin - Cylinder	2
10	8-09-01082	Bushing - Star	1
11	8-09-01083	Bushing - Liquid Tight	1
12	7-20-06012	Duct 6"	Ref.
13	8-20-06036	Duct 12"	Ref.
14	8-82-00058	Switch	1
15	2-00-05054	Hyd Fitting	Ref.
16	2-00-04589	Hydraulic Fitting 90°	Ref.

### HARDWARE USED:

H9	2-00-00426	Flat Washer, .500 x .219 x .063	8
H25	2-00-00594	Nut, Hex. 1/4-20 x .437 x .218	8
H26	2-00-00641	Nut, 1/4-20 Insert Fiber	7
H46	2-00-00644	Nut, 5/16-18 Insert Fiber	2
H69	2-00-01255	Screw, 5/16-18 x .875 HHC	2
H86	2-00-03575	Carriage Bolt, 1/4-20 x .750	7
H89	2-00-01372	Nut, Fiber Insert #8-32 Steel	4
H325	2-00-00092	Screw, Ph.RHM #8-32 x 1.75 Zn.	4

C1671/0402



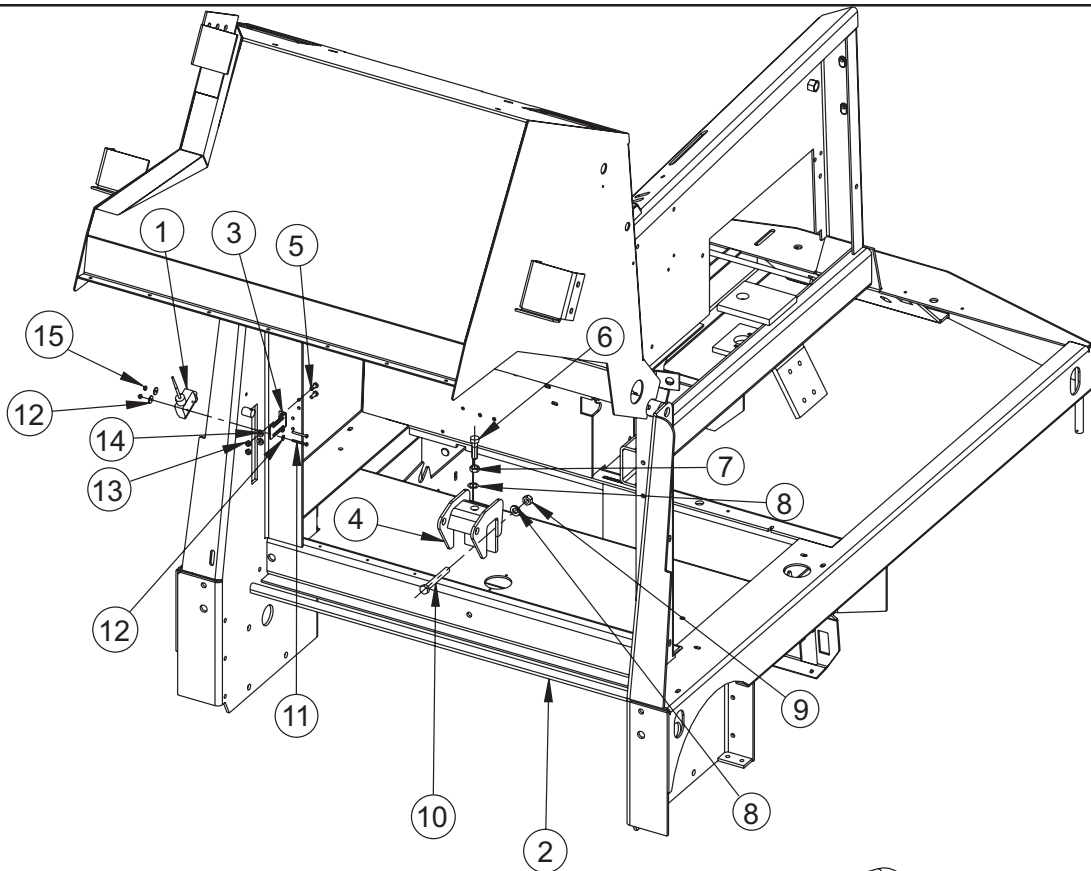
## HOPPER ASSEMBLY (cont.)

---

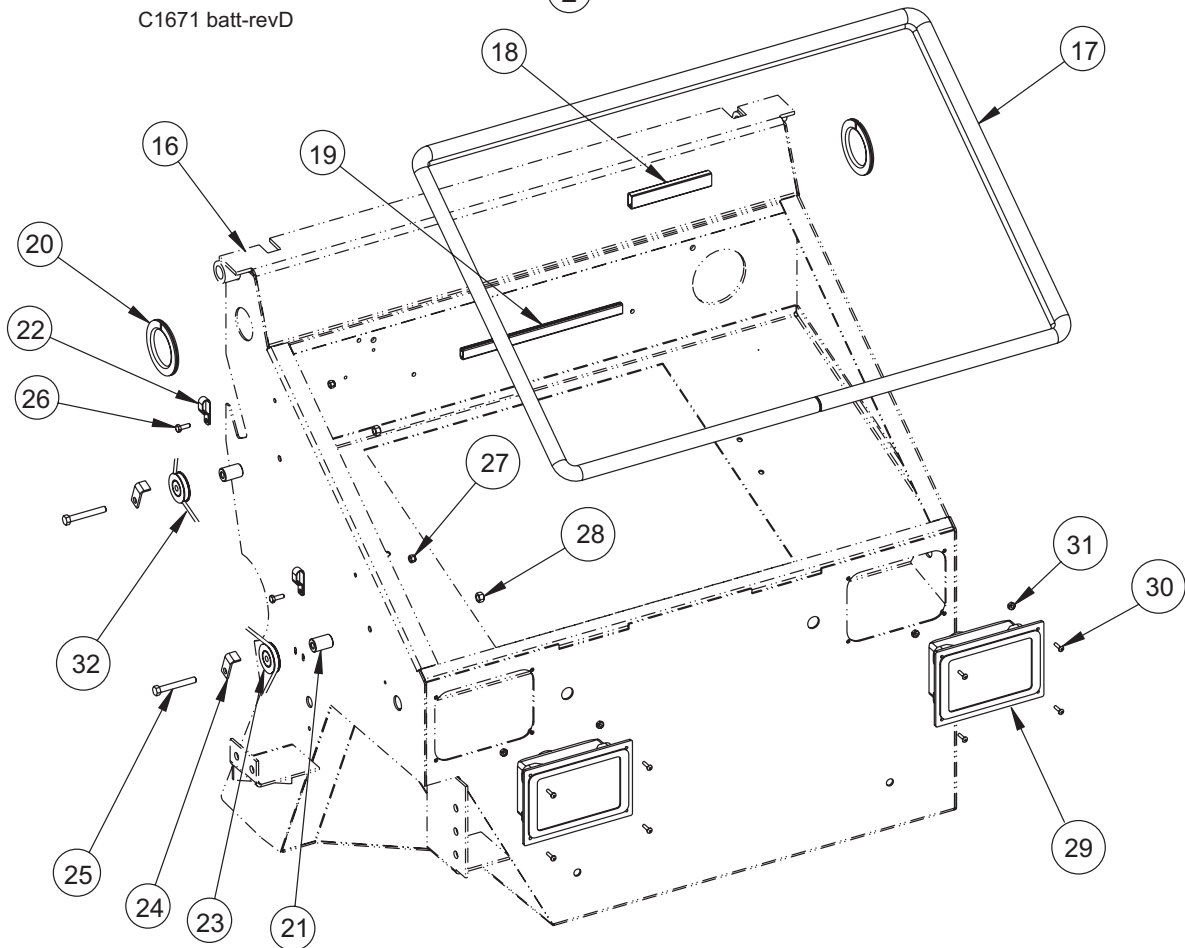
<u>KEY NO.</u>	<u>PART NUMBER</u>	<u>DESCRIPTION</u>	<u>QTY.</u>
1	8-82-00058	Switch	1
2	7-29-00240	Gasket	1
3	7-08-02017	Bracket, Switch	1
4	7-81-00190	Support, Cylinder (Welded)	1
5	2-00-00221	Screw, 1/4-20 x .750 HHC	2
6	2-00-04967	Screw, 1/2-13 x 2.50 HHM	1
7	2-00-02371	Nut, 1/2-13 Steel Hex Jam	1
8	2-00-00405	Flat Washer, 1.063 x .531 x .094	1
9	2-00-04936	Nut, 1/2-13 Fiber Lock	1
10	2-00-02617	Screw, 1/2-13 x 3.50 HHC	1
11	2-00-00090	Screw, #8-32 x 1.50 RHM	2
12	2-00-00426	Flat Washer, .500 x .219 x .063	4
13	2-00-00594	Nut, 1/4-20 x .437 x .218	2
14	2-00-00518	Lock Washer, 1/4 Medium	2
15	2-00-01372	Nut, #8-32 Fiber Insert	2
16	7-32-06018	Hopper	1
17*	7-29-00333	Gasket, Hopper	1
18	7-20-06012	Duct, Wire (6")	1
19*	8-20-06036	Duct, Wire (12")	1
20	7-21-04022	Edging	2
21	7-75-01066	Spacer	2
22	2-00-04603	Clamp, 1/2 O.D. Double Hose	2
23	7-60-00160	Pulley, Cable	2
24	7-13-07130	Clip, Cable Retainer	2
25	2-00-02602	Screw, 3/8-16 x 3.25	2
26	2-00-00221	Bolt, 1/4-20 x .75 Fin. Hex Head	2
27	2-00-00641	Nut, 1/4-20 Insert Fiber	2
28	2-95-04182	Nut, 3/8-16 Hex Stop	2
29	8-40-05052	Headlight	2
30	2-00-04795	Screw, 10-24 x .75	8
31	2-00-00594	Nut, Hex. 1/4-20 x .437 x .218	4
32	7-10-00030	Cable, Side Broom	1

C1671batt-revD/6-05

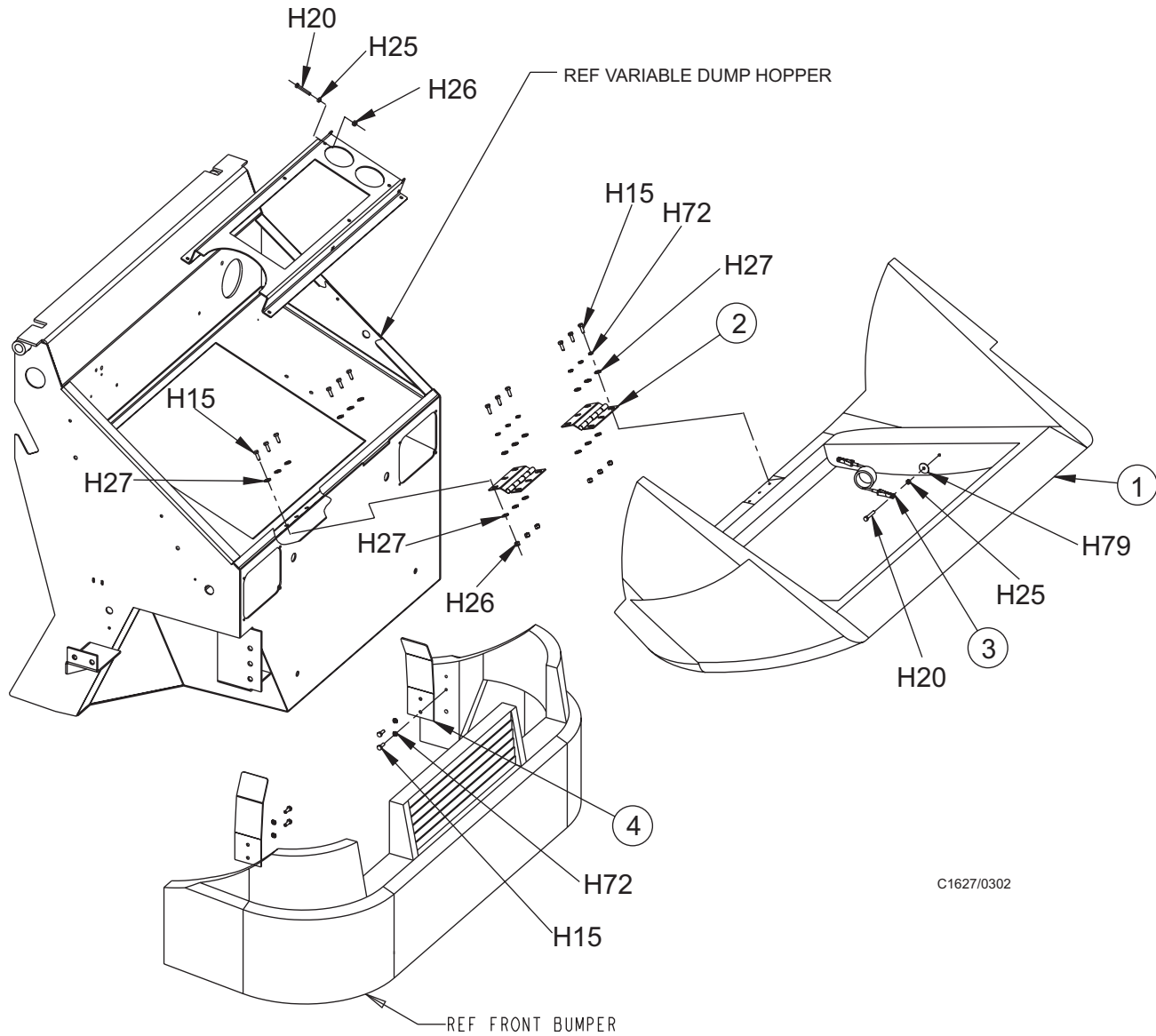
# HOPPER ASSEMBLY (cont.)



C1671 batt-revD



# HOPPER LID/COVER



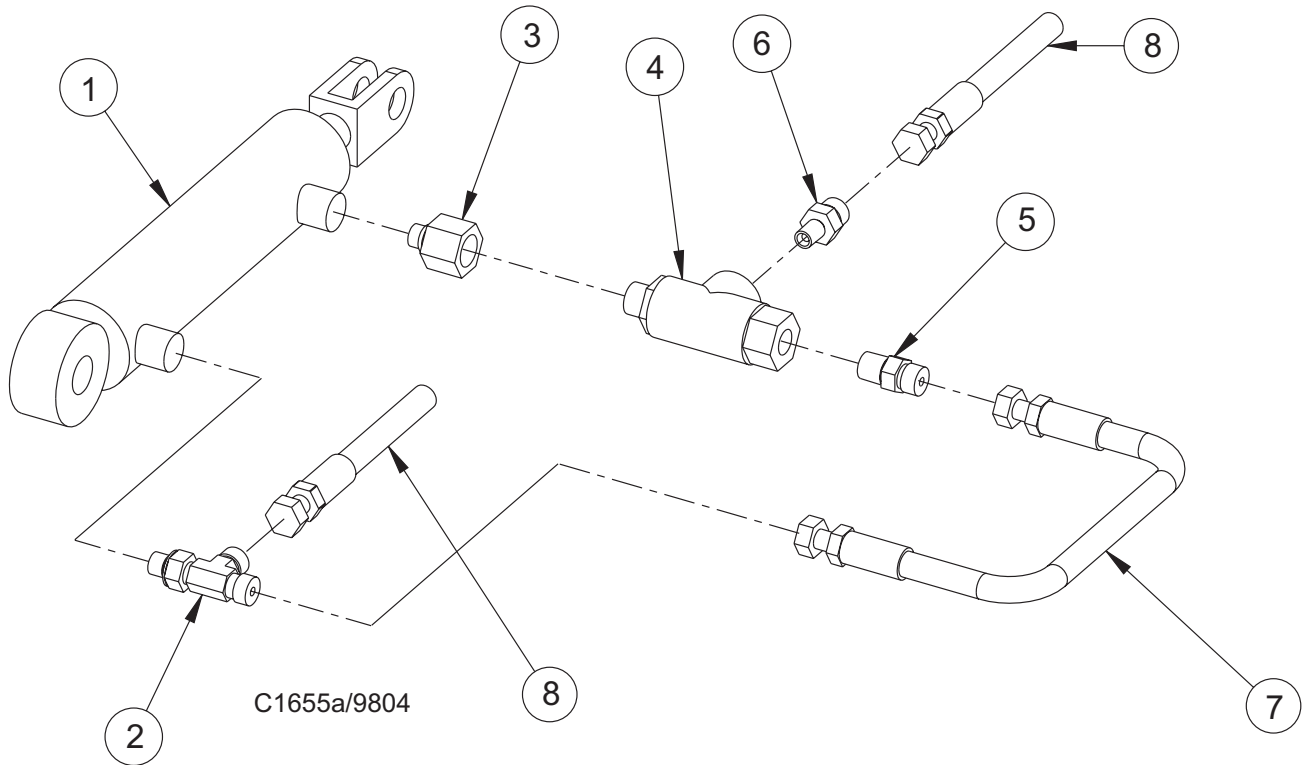
C1627/0302

<u>KEY NO.</u>	<u>PART NUMBER</u>	<u>DESCRIPTION</u>	<u>QTY.</u>
1*	7-16-07411	Cover, Hopper	1
2	7-32-00039	Hinge, Hopper	2
3	8-10-00027	Cable	1
4	7-41-00035	Latch, Hopper Cover	2
<b>HARDWARE USED:</b>			
H15	2-00-00221	Screw, 1/4-20 x .75 HHC	13
H20	2-00-00203	Screw, 1/4-20 x 1.50 HHC	2
H25	2-00-00594	Nut, Hex 1/4-20 x .437 x .218	2
H26	2-00-00641	Nut, 1/4-20 Insert Fiber	7
H27	2-00-03702	Washer, .625 x .218 x .063	18
H72	2-00-00518	Lock Washer, Helical Spring	10
H79	2-00-01676	Flat Washer, 1.062 x .265 x .062	1

\*If you are ordering a replacement cover, you must also order: 1 of 8-18-00525 (American-Lincoln decal)

C1627/0302

# HOPPER DUMP DOOR CYLINDER



<u>KEY NO.</u>	<u>PART NUMBER</u>	<u>DESCRIPTION</u>	<u>QTY.</u>
1	7-17-05011	Lift Cylinder	1
	7-70-00021	Cylinder Seal Kit (service part)	
2	2-00-04927	Fitting, 9/16-20 X 9/16-18 Tee	1
3	2-00-04994	Fitting, Male Connector	1
4	8-88-00045	Pilot Check	1
5	2-00-04997	Fitting, ORS NPT Adapter (#4-1/4)	1
6	2-00-05054	Fitting, 9/16-18 to 3/8-18 Adapter	1
7	8-33-02178	Hose, #4 ORS STR Ends (15")	Ref
8	8-33-02278	Hose, #4 ORS STR Ends (130")	Ref

C1655a/9804

## HOPPER DUMP DOOR

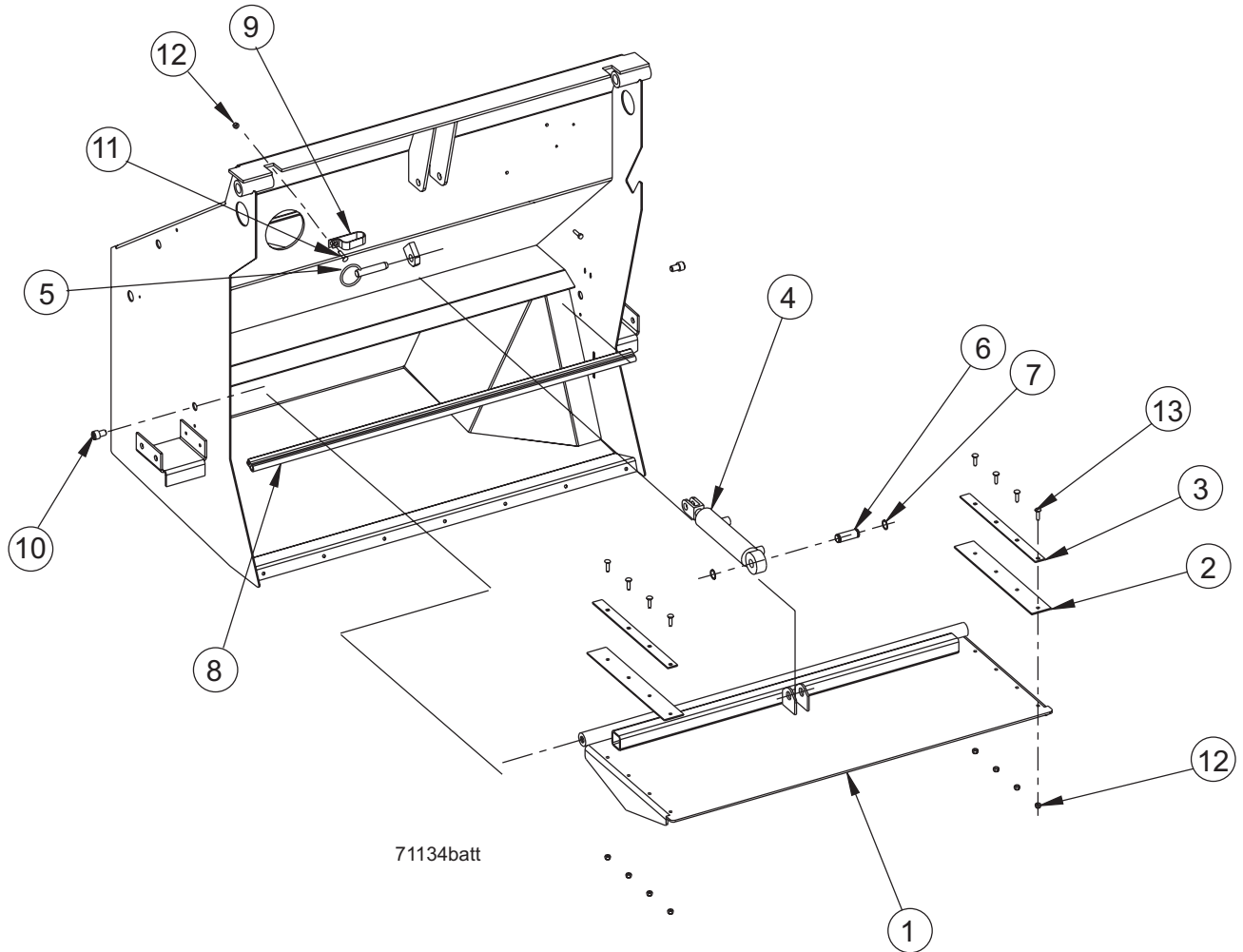
---

<u>KEY NO.</u>	<u>PART NUMBER</u>	<u>DESCRIPTION</u>	<u>QTY.</u>
1	7-19-08056	Door , Hopper (Welded)	1
2	8-68-05087	Seal, Dump Door	2
3	8-13-07140	Clamp, Door Seal	2
4	7-17-05011	Cylinder	Ref.
5	7-55-08121	Pin, Door Cylinder	1
6	8-55-08123	Pin, 3/7 Dia.	1
7	2-00-00540	Retaining Ring, 3/4 Dia.	2
8	7-29-00237	Gasket, Dump Door	1
9	2-00-04603	Clamp	1
10	7-23-03116	Screw, Special	2
11	2-00-00205	Screw, 1/4-20 x 1.0 HHC	3
12	2-00-00641	Nut, 1/4-20 Fiber Insert	10
13	2-00-03575	Carriage Bolt, 1/4-20 x 3/4	8

71134batt/8-04



# HOPPER DUMP DOOR



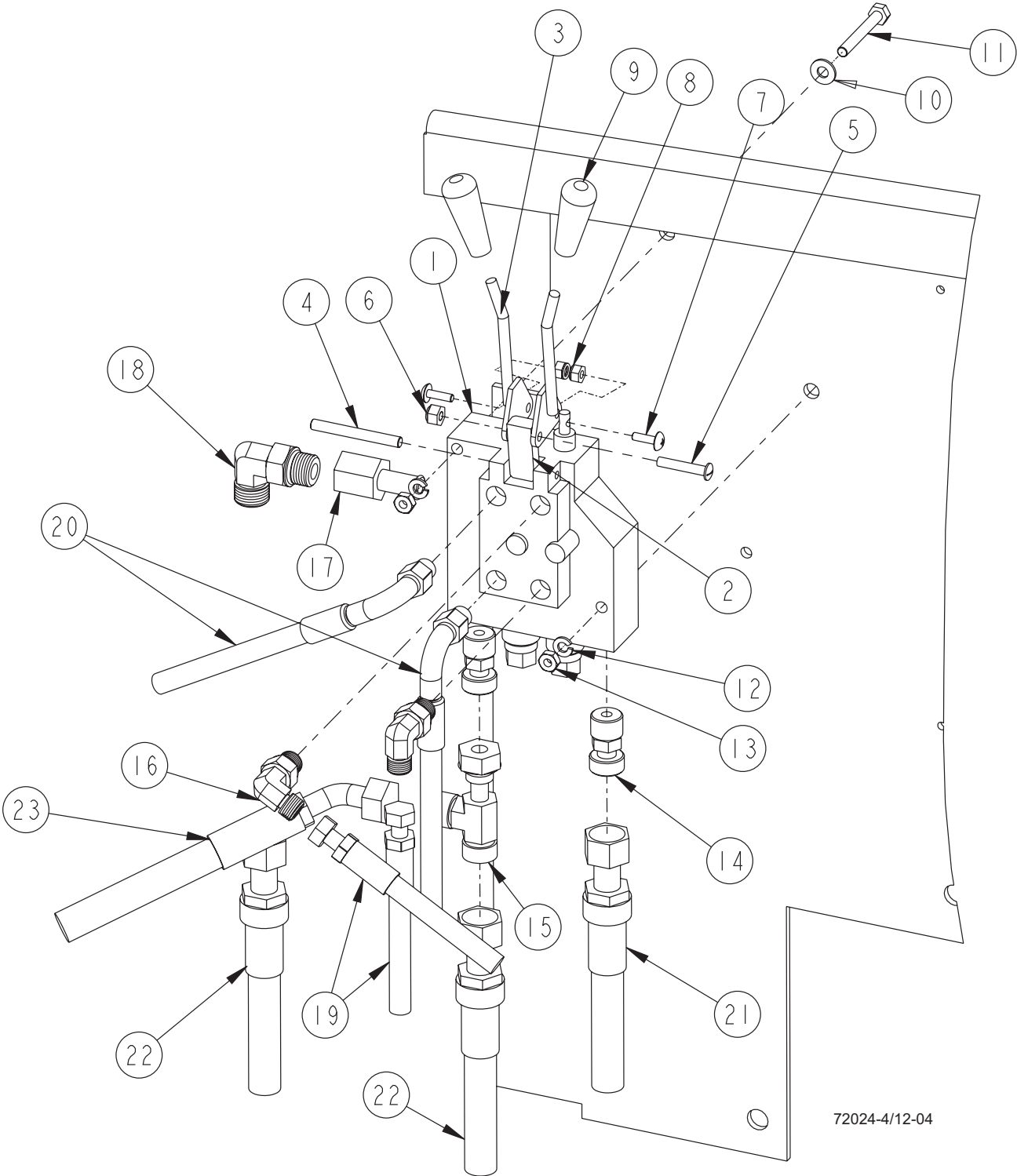
## HOPPER CONTROL VALVE

---

<u>KEY NO.</u>	<u>PART NUMBER</u>	<u>DESCRIPTION</u>	<u>QTY.</u>
1	8-88-00053 0880-367	Control Valve Assy. Seal Kit (Service Part)	1
2	7-42-05127	Link, Valve Lever Pivot	1
3	7-41-05105	Lever (for valve 8-88-00053)	2
4	2-00-00868	Roll Pin (1/4 dia. x 7/8 lg.)	1
5	2-00-00074	Screw, #12-24. RH Philips, 1.25 LG	1
6	2-00-00637	Nut, #12-24 Fiber Insert Hex	1
7	2-00-03062	Screw, #10-24 x .625 THM	2
8	2-00-01246	Nut, #10-24 Elastic Stop	2
9	7-31-06059	Handle	2
10	2-00-03702	Washer, .625 x .281 x .063	2
11	2-00-02589	Bolt, 1/4-20 x 2.0 Fin. Hex Head	2
12	2-00-00518	Lock Washer, 1/4 Helical Spring	2
13	2-00-00594	Nut, 1/4-20 Hex	2
14	2-00-04970	Fitting, #8 ORS - #8 SAE Connector	2
15	2-00-04928	Fitting, 13/16-16 x 13/16-16 Tee	1
16	2-00-04926	Fitting, 9/16-18 x 9/16-18 Elbow	2
17	2-00-06353	Sleeve, Power Beyond	1
18	2-00-04885	Fitting, 90° Elbow (O-Ring)	1
19	8-33-02278	Hose, #4 STR - STR (130")	Ref
20	7-33-02495	Hose, #4 STR - 90° (76")	Ref
21	7-33-02667	Hose, #8 STR - STR (48")	Ref
22	7-33-02666	Hose, #8 STR - 90° (48")	Ref
23	7-33-02668	Hose, #6 STR #4 - 45° #8 (30")	Ref

72024-4revC/12-04

HOPPER CONTROL VALVE



72024-4/12-04

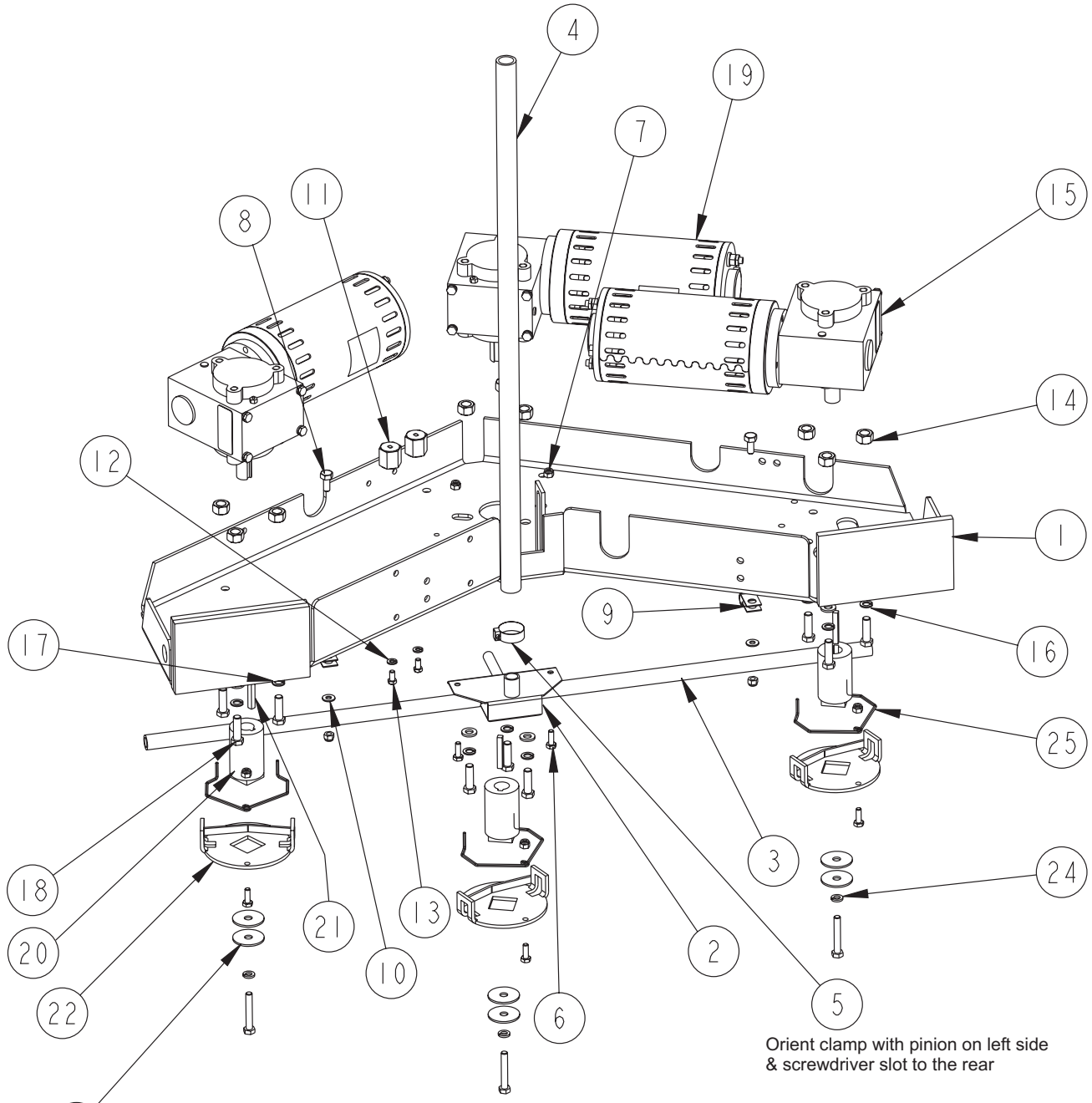
## SCRUB DECK (46")

---

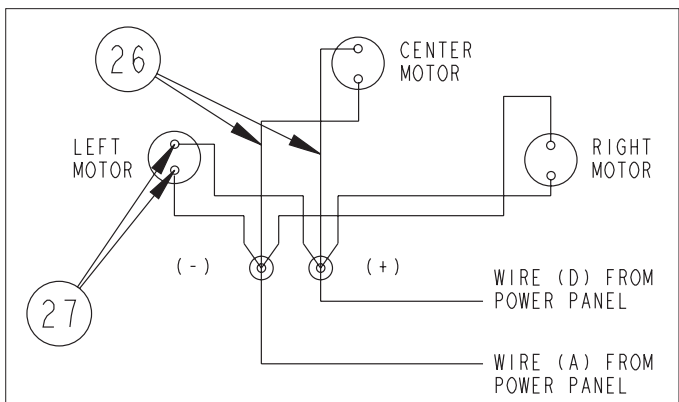
<u>KEY NO.</u>	<u>PART NUMBER</u>	<u>DESCRIPTION</u>	<u>QTY.</u>
1	7-27-07218	Brush Frame (46")	Ref.
2	7-48-00034	Manifold, Solution Feed	1
3	7-33-02361	Hose, Scrub Deck Water	2
4	7-33-02383	Hose, Solution Feed	1
5	2-00-02220	Clamp, Hose	1
6	2-00-00221	Screw, 1/4-20 x .75 HHC	5
7	2-00-00641	Nut, 1/4-20 Fiber Insert	7
8	2-00-00208	Screw, 5/16-18 x .75 HHC	2
9	2-00-04873	Clamp, Cable	2
10	2-00-03702	Washer, .625 x .281 x .063	2
11	8-35-00021	Isolator	2
12	2-00-00518	Lock Washer, 1/4 Helical Spring	2
13	2-00-00219	Bolt, 1/4-20 x 1/2 Fin. Hex Head	2
14	2-00-00596	Nut, 1/2-13 Hex	9
15	0785-089	Reducer Assy (36 VDC / Ratio 25 to 1)	3
16	2-00-00402	Flat Washer, .750 x .390 x .094	9
17	2-00-02310	Lock Washer, Helical Spring 3/8 Med	9
18	2-00-00209	Screw, 3/8-16 x 1.25 HHC	9
19	0782-144	Brush Motor	3
20	7-33-09042	Hub, Brush Drive	3
21	2-00-03761	Key-1/4 sq. x 1.75 Steel	3
22	7-03-04123	Arm, Brush Drive (Weldment)	3
23	2-00-04851	Washer, Engine Mount	6
24	2-00-00530	Lock Washer, 5/16 HS Med	3
25	7-41-00027	Latch, Brush Driver	3
26	7-90-07400-1	Wire, Interconnecting	6
27	2-00-04203	Terminal Boot	6

72077-1-2revB/9-04

# SCRUB DECK (46")



Orient clamp with pinion on left side & screwdriver slot to the rear



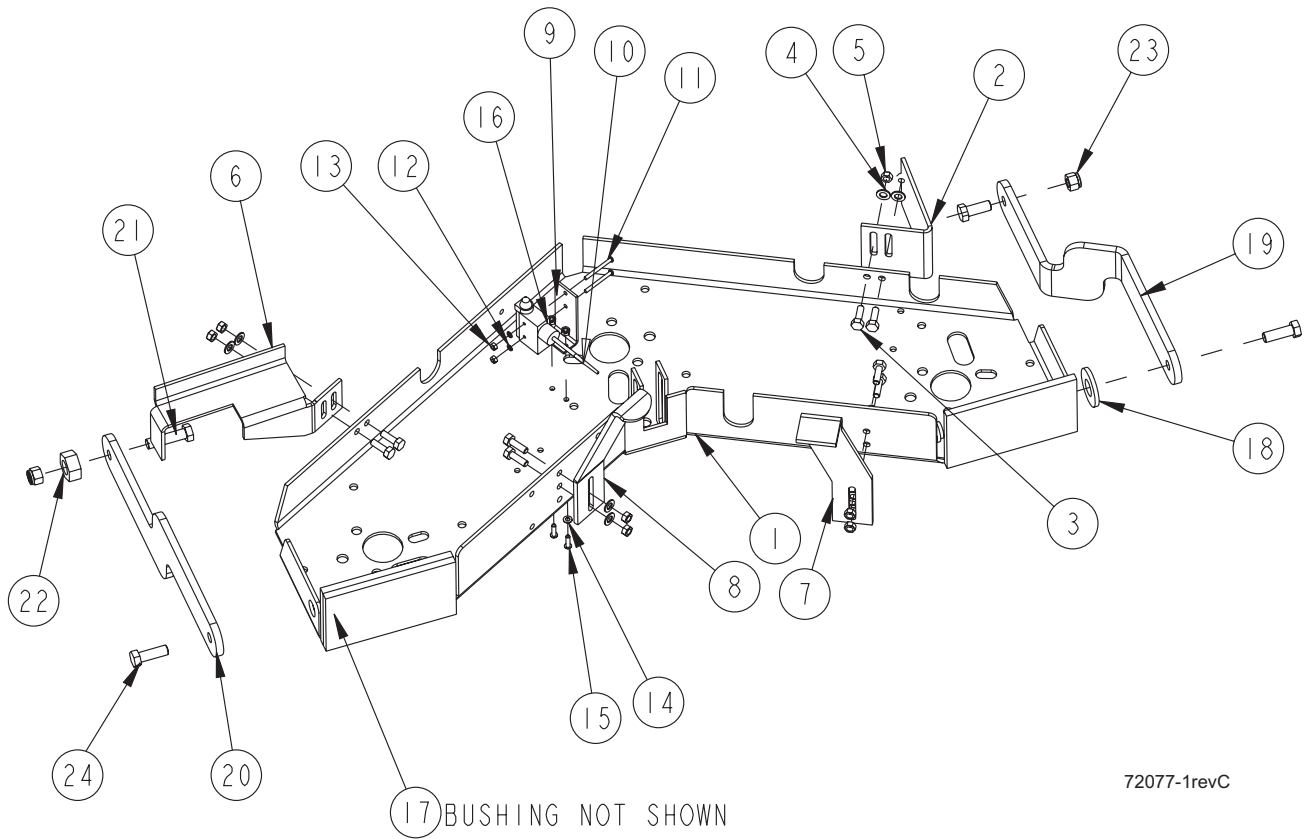
72077-1-2/9-04

**SCRUB DECK (46") - cont.**

---

<u>KEY NO.</u>	<u>PART NUMBER</u>	<u>DESCRIPTION</u>	<u>QTY.</u>
1	7-27-07218	Brush Frame (46")	1
2	7-03-00053	Arm, Side Squeegee Lift (RH)	1
3	2-00-02708	Screw, 5/16-18 x 1.0 HHM	8
4	2-00-00409	Flat Washer, 687 x .344 x .062	8
5	2-00-00644	Nut, 5/16-18 Fiber Insert	8
6	7-03-00055	Arm, Side Squeegee Lift (LH)	1
7	7-78-05034	Stop, Scrub Deck (RH)	1
8	7-78-05025	Stop, Scrub Deck (LH)	1
9	7-08-00901	Bracket, Scrub Switch	1
10	8-82-00058	Switch	1
11	2-00-00092	Screw, #8-32 x 1.75 RHM	2
12	2-00-00506	Lock Washer, Int. Tooth	2
13	2-00-00602	Nut, 8-32 Hex	2
14	2-00-00426	Flat Washer, .500 x .219 x .063	2
15	2-00-00056	Screw, #10-24 x .75 RHM	2
16	2-00-01246	Nut, #10-24 Fiber Insert Hex	2
17	7-09-01144	Bushing, Scrub Deck	2
18	2-00-05460	Flat Washer, 2.0 OD x .88 ID	1
19	7-42-05143	Link, RH Brush Frame	1
20	7-42-05174	Link, LH Brush Frame	1
21	2-00-01778	Screw, 1/2-13 x 2.0 HHC	1
22	2-00-00617	Nut, 3/4-16 Fin. Hex	1
23	2-00-04936	Nut, 1/2-13 Elastic Lock	4
24	2-00-01254	Screw, 1/2-13 x 1.50 Hex Head	2

72077-1-1revC/1-05



## SIDE SQUEEGEES (46")

---

<u>KEY NO.</u>	<u>PART NUMBER</u>	<u>DESCRIPTION</u>	<u>QTY.</u>
1	7-86-08035	Weldment, LH Bracket	1
2	7-77-00111	Squeegee, Rubber Side	1
3	7-13-07165	Strap	1
4	2-00-05320	Hair Pin	1
5	7-77-00114	Squeegee, Rubber Side	1
6	7-57-05042	Pivot, Side Squeegee	2
7	7-55-08151	Lock Up Pin	1
8	7-86-08036	Weldment, RH Bracket	1

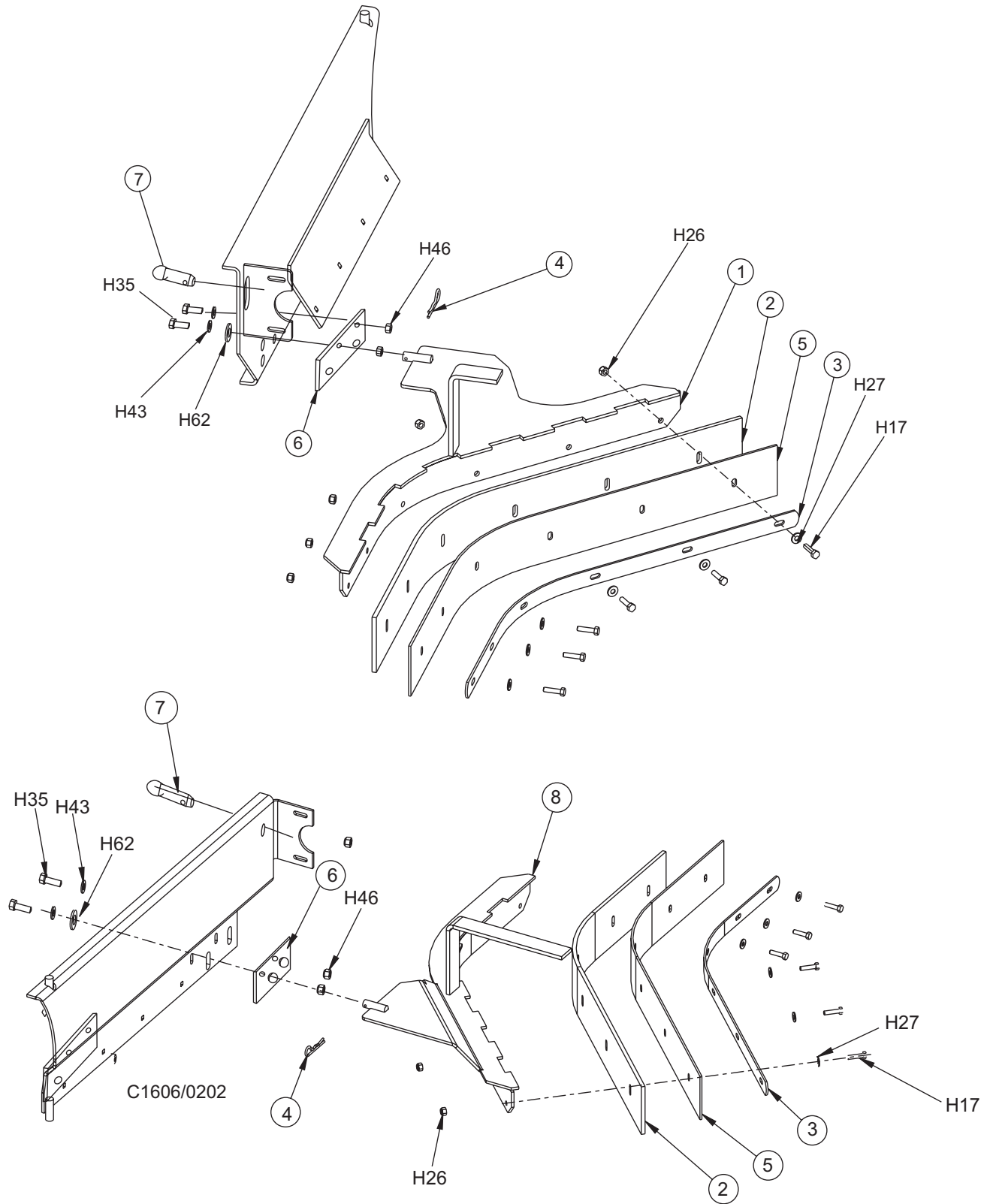
### HARDWARE USED:

H17	2-00-00205	Screw, 1/4-20 x 1.25 HHC	12
H26	2-00-00641	Nut, 1/4-20 Fiber Insert	12
H27	2-00-03702	Washer, .625 x .281 x .063	12
H35	2-00-02708	Screw, 5/16 - 18 x 1.0 HHM	4
H43	2-00-00409	Flat Washer, .687 x .344 x .062	4
H46	2-00-00644	Nut, 5/16-18 Fiber Insert	4
H62	2-00-00405	Flat Washer, 1.063 x .531 x .094	2

C1606/0202



# SIDE SQUEEGEES (46")



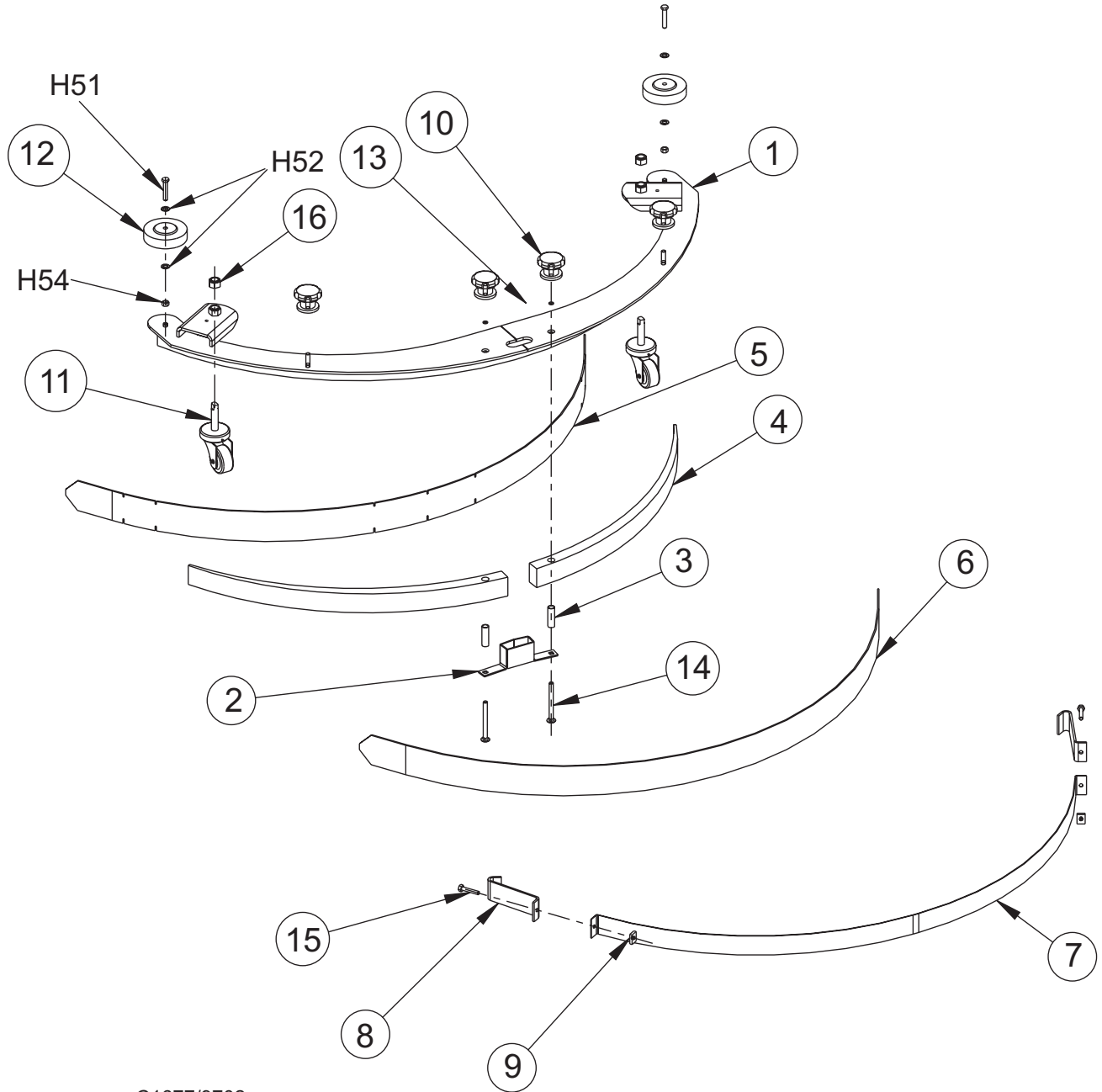
## REAR SQUEEGEE (46")

---

<u>KEY NO.</u>	<u>PART NUMBER</u>	<u>DESCRIPTION</u>	<u>QTY.</u>
1	7-86-08038	Squeegee Weldment	1
2	7-20-06010	Duct, Squeegee Inlet	1
3	7-75-01164	Spacer, Bushing	2
4	7-75-01169	Spacer, Squeegee	2
5	7-77-00110	Squeegee, Rubber Inner	1
6	7-77-00109	Squeegee, Rubber Outer	1
7	7-79-00088	Strap, Squeegee Clamp	1
8	7-13-07157	Clamp, Squeegee End	2
9	7-13-07156	Clamp, Nut	2
10	7-39-00026	Knob, Squeegee	4
11	7-89-08073	Caster Assy.	2
12	2-14-00184	Wheel	2
13	2-00-04962	O-Ring	2
14	2-00-05343	Carriage Bolt, 3/8-16 x 3.0STL.	2
15	2-00-05344	Tap Bolt, 5/16-18 x 1.75 SS Hex	2
16	2-00-00615	Nut, .625-11 Fin. Hex	2
HARDWARE USED:			
H51	2-00-00216	Screw, 3/8-16 x 2.0 HHC	2
H52	2-00-00402	Flat Washer, .750 x .390 x .094	4
H54	2-00-02360	Nut, 3/4-16 STL. Hex	2

C1677/9802

REAR SQUEEGEE (46")



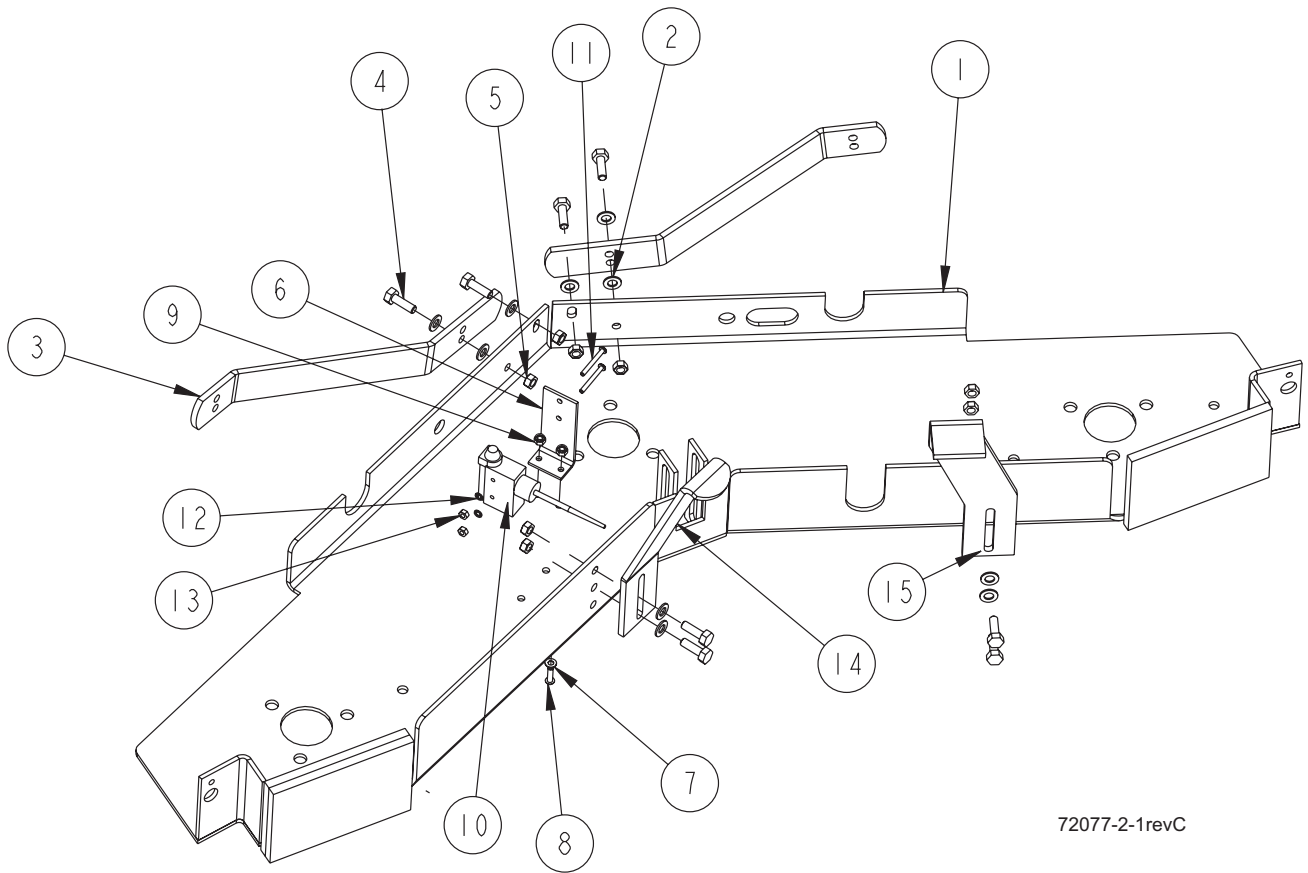
C1677/9702

## SCRUB DECK (53")

---

<u>KEY NO.</u>	<u>PART NUMBER</u>	<u>DESCRIPTION</u>	<u>QTY.</u>
1	7-27-07219	Brush Frame (53")	1
2	2-00-00409	Flat Washer, .687 x .344 x .062	10
3	7-42-05132	Link, Side Squeegee (53")	2
4	2-00-02708	Screw, 5/16-18 x 1.0 HHM	8
5	2-00-00644	Nut, 5/16-18 Fiber Insert Hex	8
6	7-08-00901	Bracket, Scrub Switch	1
7	2-00-00426	Flat Washer, .500 x .219 x .063	2
8	2-00-00056	Screw, #10-24 x .75 RHM	2
9	2-00-01246	Nut, #10-24 Elastic Stop	2
10	8-82-00058	Switch	1
11	2-00-00090	Screw, #8-32 x 1.50 RHM	2
12	2-00-00506	Lock Washer, Int. Tooth	2
13	2-00-00602	Nut, 8-32 MSCR Hex	2
14	7-78-05033	Stop, Scrub Deck (LH)	1
15	7-78-05034	Stop, Scrub Deck (RH)	1

72077-2-1revD/2-05



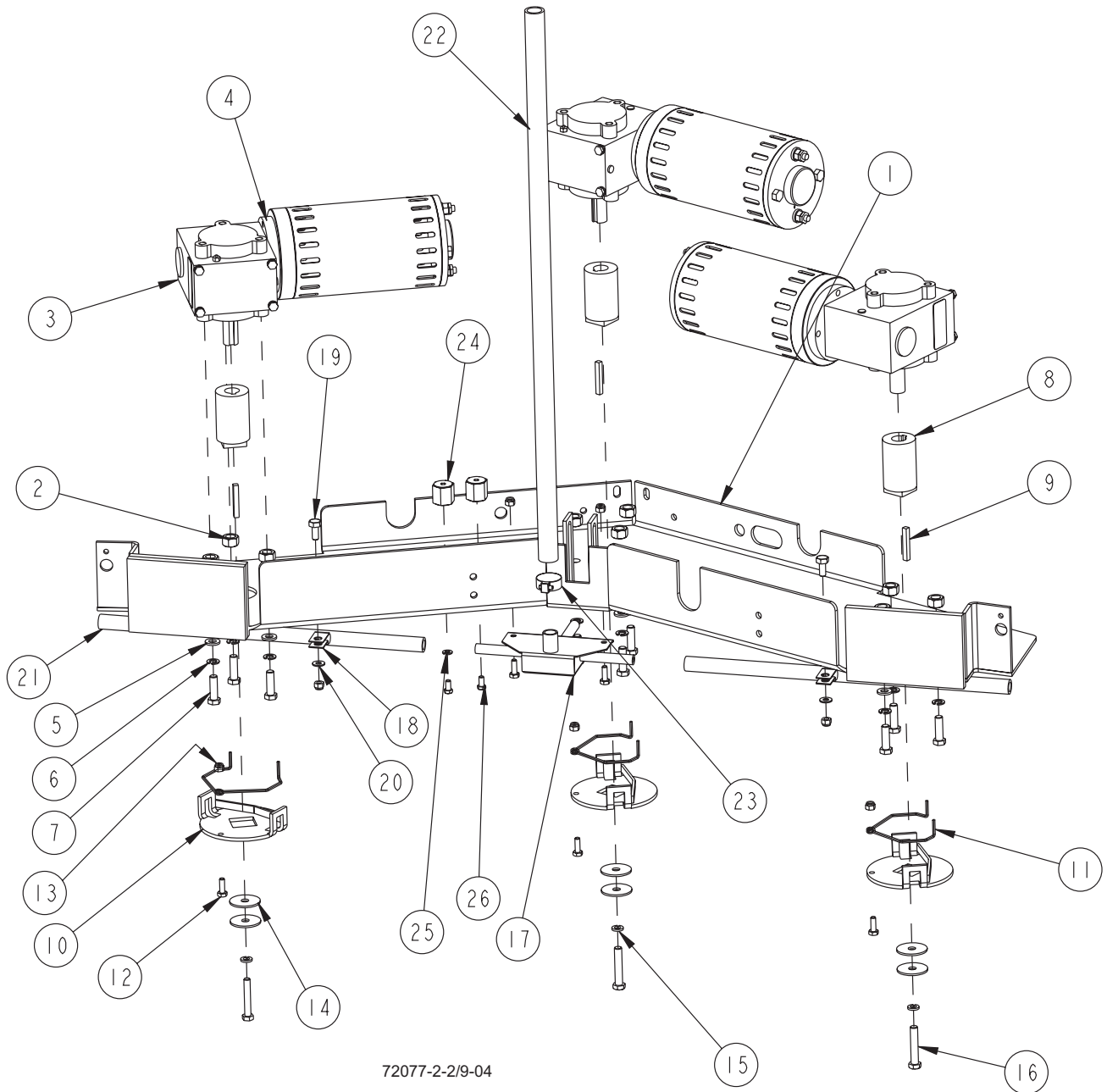
72077-2-1revC

**SCRUB DECK (53") - cont.**

---

<u>KEY NO.</u>	<u>PART NUMBER</u>	<u>DESCRIPTION</u>	<u>QTY.</u>
1	7-27-07219	Brush Frame (53")	Ref.
2	2-00-00596	Nut, 1/2-13 Hex	9
3	0785-089	Reducer Assy (36 VDC / Ratio 25 to 1)	3
4	0782-144	Brush Motor	3
5	2-00-00402	Flat Washer, .750 x .390 x .094	9
6	2-00-02310	Lock Washer, Helical Spring 3/8 Med	9
7	2-00-00209	Screw, 3/8-16 x 1.25 HHC	9
8	7-33-09042	Hub, Brush Drive	3
9	2-00-03761	Key-1/4 sq. x 1.75 Steel	3
10	7-03-04123	Arm, Brush Drive (Weldment)	3
11	7-41-00027	Latch, Brush Driver	3
12	2-00-00221	Screw, 1/4-20 x .75 HHC	5
13	2-00-00641	Nut, 1/4-20 Fiber Insert	7
14	2-00-04851	Washer, Engine Mount	6
15	2-00-00530	Lock Washer, 5/16 HS Med	3
16	2-00-00216	Screw, 3/8-16 x 2.0 HHC	2
17	7-48-00034	Manifold, Solution Feed	1
18	2-00-04873	Clamp, Cable	2
19	2-00-00208	Screw, 5/16-18 x .75 HHC	2
20	2-00-03702	Washer, .625 x .281 x .063	2
21	7-33-02361	Hose, Scrub Deck Water	2
22	7-33-02383	Hose, Solution Feed	1
23	2-00-02220	Clamp, Hose	1
24	8-35-00021	Isolator	2
25	2-00-00518	Lock Washer, 1/4 Helical Spring	2
26	2-00-00219	Bolt, 1/4-20 x 1/2 Fin. Hex Head	2
27	7-90-07400-1	Wire, Interconnecting	6
28	2-00-04203	Terminal Boot	6

72077-2-2revB/9-04



72077-2-2/9-04

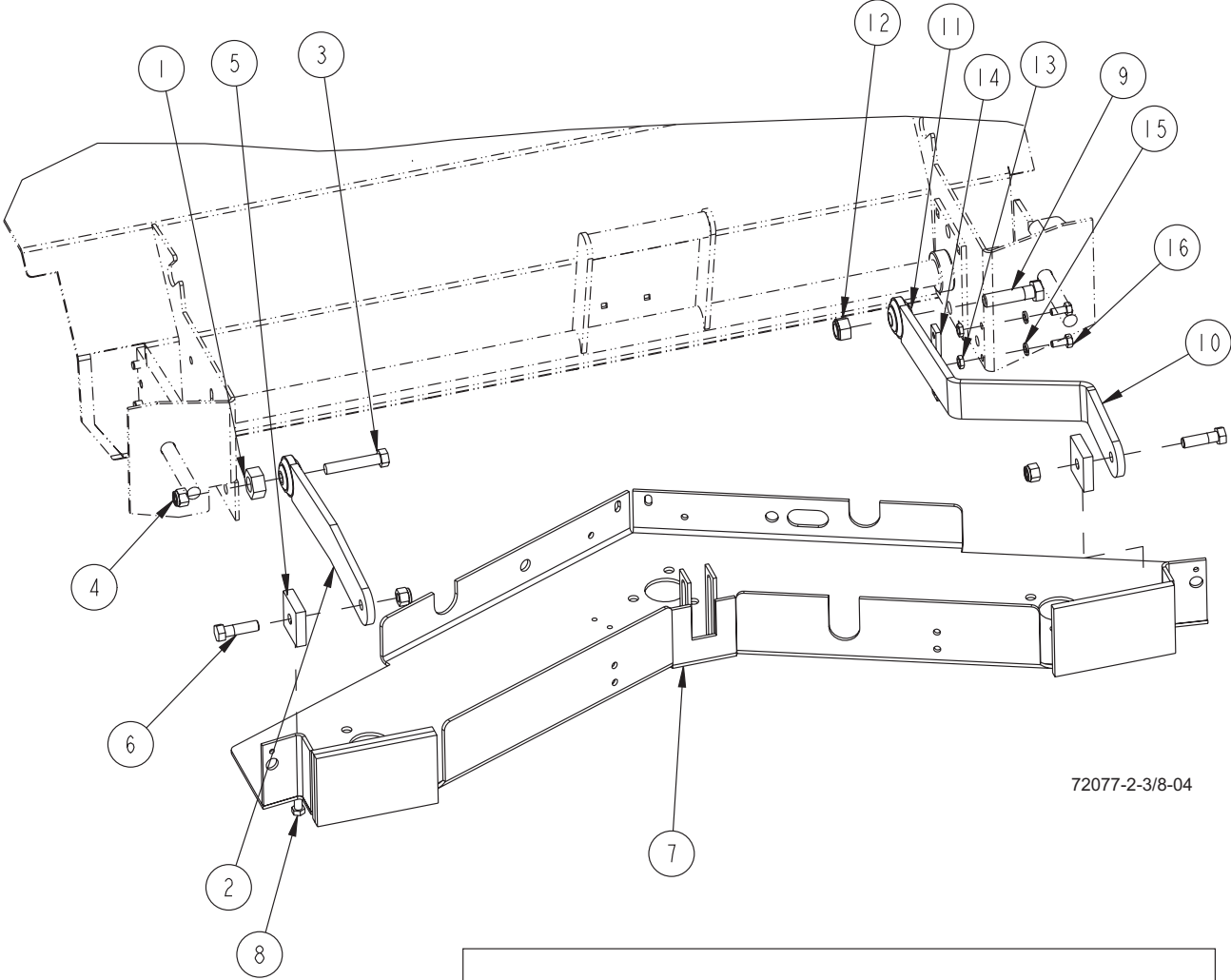
**SCRUB DECK (53") - cont.**

---

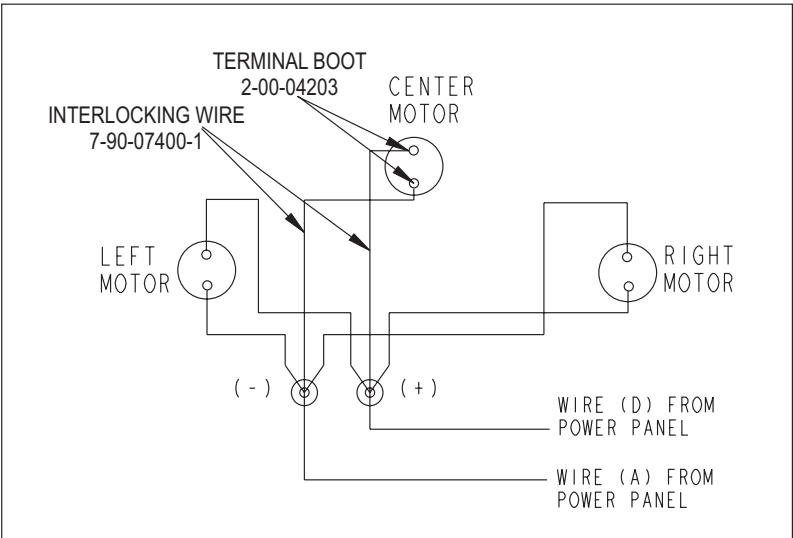
<u>KEY NO.</u>	<u>PART NUMBER</u>	<u>DESCRIPTION</u>	<u>QTY</u>
1	2-00-00617	Nut, 3/4-16 Hex	1
2	7-42-05147	Link, LH Brush Frame (53")	1
3	2-00-02682	Screw, 1/2-13 x 2.75 HHC	1
4	2-00-04936	Nut, 1/2-13 Elastic Lock	3
5	7-57-05039	Pivot, Brush Drive Side (53")	2
6	2-00-00241	Screw, 1/2-13 x 1.75 HHC	2
7	7-27-07219	Brush Frame (53")	Ref.
8	2-00-00233	Screw, 3/8-16 x 1.0 HHC	2
9	2-00-02622	Screw, 5/16-18 x 1.0 HHM	1
10	7-42-05135	Link, Brush Frame	1
11	2-00-02313	Lock Washer, 3/4 Helical Spring	1
12	2-00-00615	Nut, 5/8-11 Hex	1
13	2-00-02369	Nut, 3/8-16 Hex Jam	2
14	7-30-08016	Guide, Brush Frame (53")	1
15	2-00-00530	Lock Washer, 5/16 HS Med	2
16	2-00-00208	Screw, 5/16-18 x .75 HHC	2

72077-2-3/8-04





72077-2-3/8-04



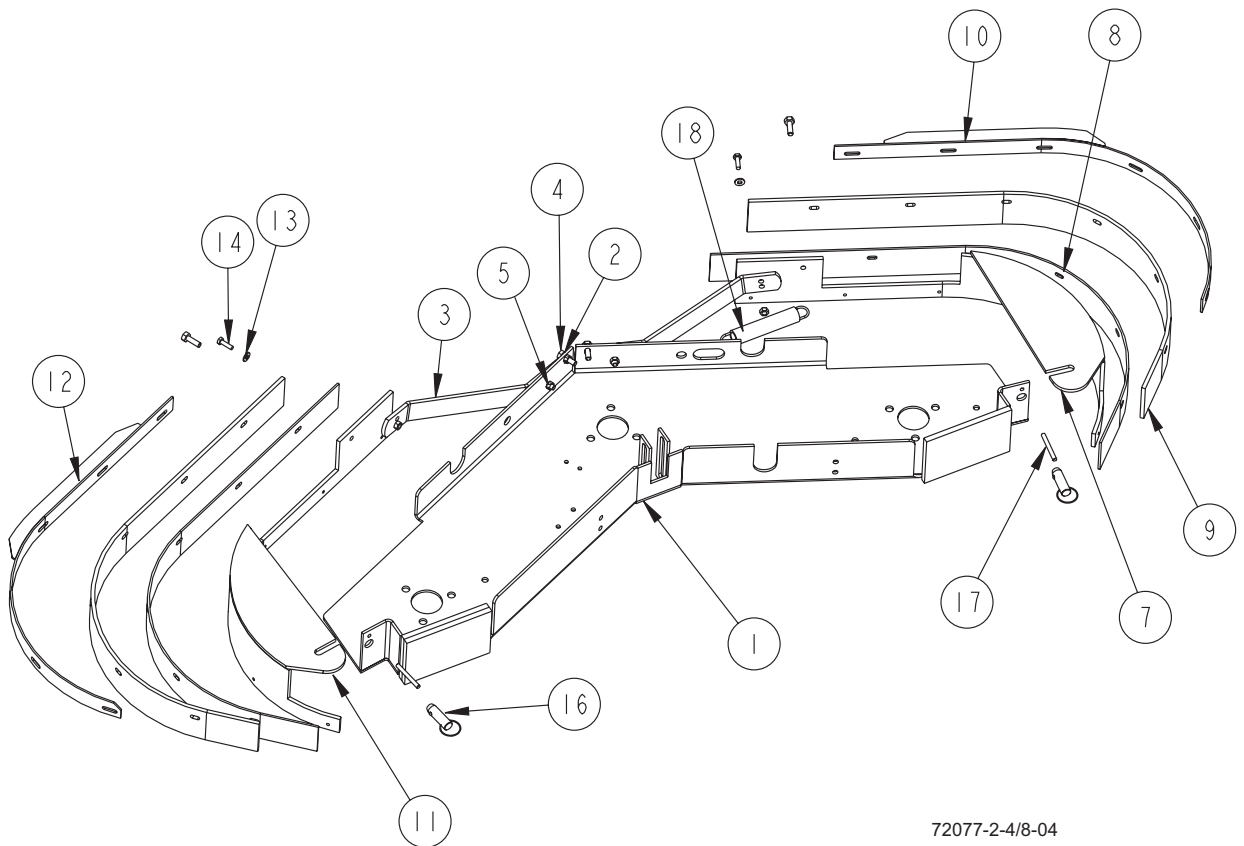
## SIDE SQUEEGEES (53")

---

<u>KEY NO.</u>	<u>PART NUMBER</u>	<u>DESCRIPTION</u>	<u>QTY</u>
1	7-27-07219	Brush Frame (53")	Ref.
2	2-00-00409	Flat Washer, .687 x .344 x .062	Ref.
3	7-42-05132	Link-Side Squeegee (53")	Ref.
4	2-00-02708	Screw, 5/16-18 x 1.0 Hex Head	Ref.
5	2-00-00644	Nut, 5/16-18 x 1.0 HHM	Ref.
6	2-00-00090	Screw, #8-32 x 1.50 RHM	2
7	7-86-08043	Tool, RH Side Squeegee (53")	2
8	7-77-00113	Rubber-Side Squeegee (Inner)	2
9	7-77-00112	Rubber-Side Squeegee (Outer)	2
10	7-13-07174	Clamp, RH Side Squeegee (53")	1
11	7-86-08042	Tool, LH Side Squeegee (53")	1
12	7-13-07175	Clamp, LH Side Squeegee (53")	1
13	2-00-03702	Washer, .625 x .281 x .063	2
14	2-00-01490	Screw, 1/4-20 x .875 HHC STL	2
15	2-00-00206	Screw, 5/16-18 x 1.0 HHC	2
16	7-55-08151	Pin, Lock Up	2
17	2-00-00868	Roll Pin (1/4 Dia x 7/8 Lg)	2
18	7-76-00114	Spring	1

72077-2-4/8-04

# SIDE SQUEEGEES (53")



72077-2-4/8-04

## REAR SQUEEGEE (53")

---

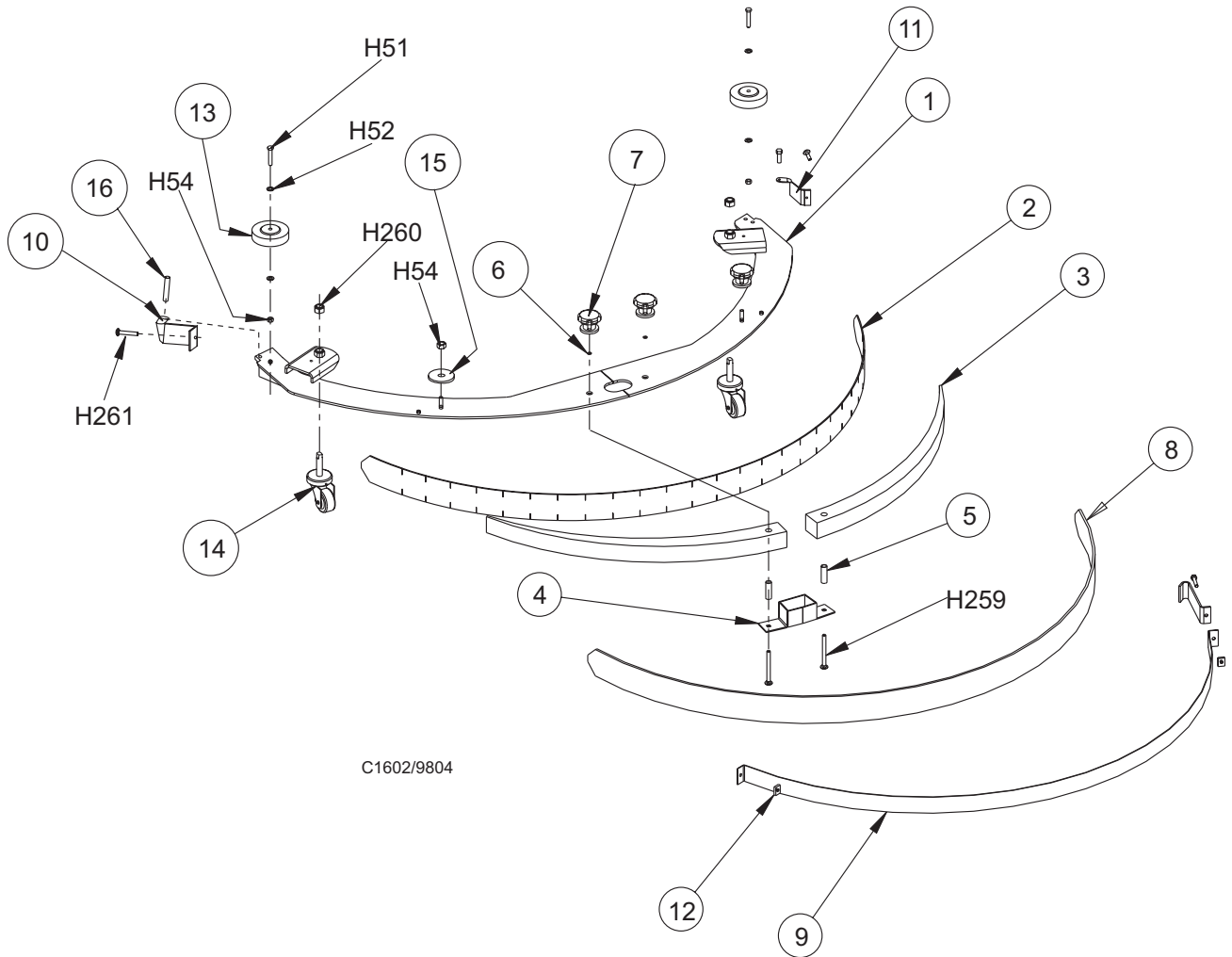
<u>KEY NO.</u>	<u>PART NUMBER</u>	<u>DESCRIPTION</u>	<u>QTY.</u>
1	7-86-08049	Weldment, Squeegee	1
2	7-77-00115	Squeegee, Inner Rubber	1
3	7-75-01165	Spacer, Squeegee	2
4	7-20-06009	Duct, Squeegee	1
5	7-75-01164	Spacer, Bushing	2
6	2-00-04962	O-Ring	2
7	7-39-00026	Knob, Squeegee	2
8	7-77-00105	Squeegee, Outer Rubber	1
9	7-79-00098	Strap, Squeegee Clamp	1
10	7-13-07188	Clamp, LH Squeegee End	1
11	7-13-07187	Clamp, RH Squeegee End	1
12	7-13-07156	Clamp, Nut	2
13	2-14-00184	Wheel	2
14	7-89-08073	Caster	2
15	2-95-04689	Washer, Axle	2
16	2-00-03842	Pin, 1/4 x 1.0 Roll	2

### HARDWARE USED:

H51	2-00-00216	Screw, 3/8-16 x 2.0 HHC	2
H52	2-00-00402	Flat Washer, .75 x .39 x .94	2
H54	2-00-02360	Nut, 3/8-16 Hex	4
H259	2-00-05343	CarriageBolt, .38-16 x 3.5 SS	2
H260	2-00-00615	Nut, .63-22 Fin. Hex	2
H261	2-00-05344	Screw, HHM .313 - 18 x 1.75 SS	2

C1602/9804

# REAR SQUEEGEE (53")



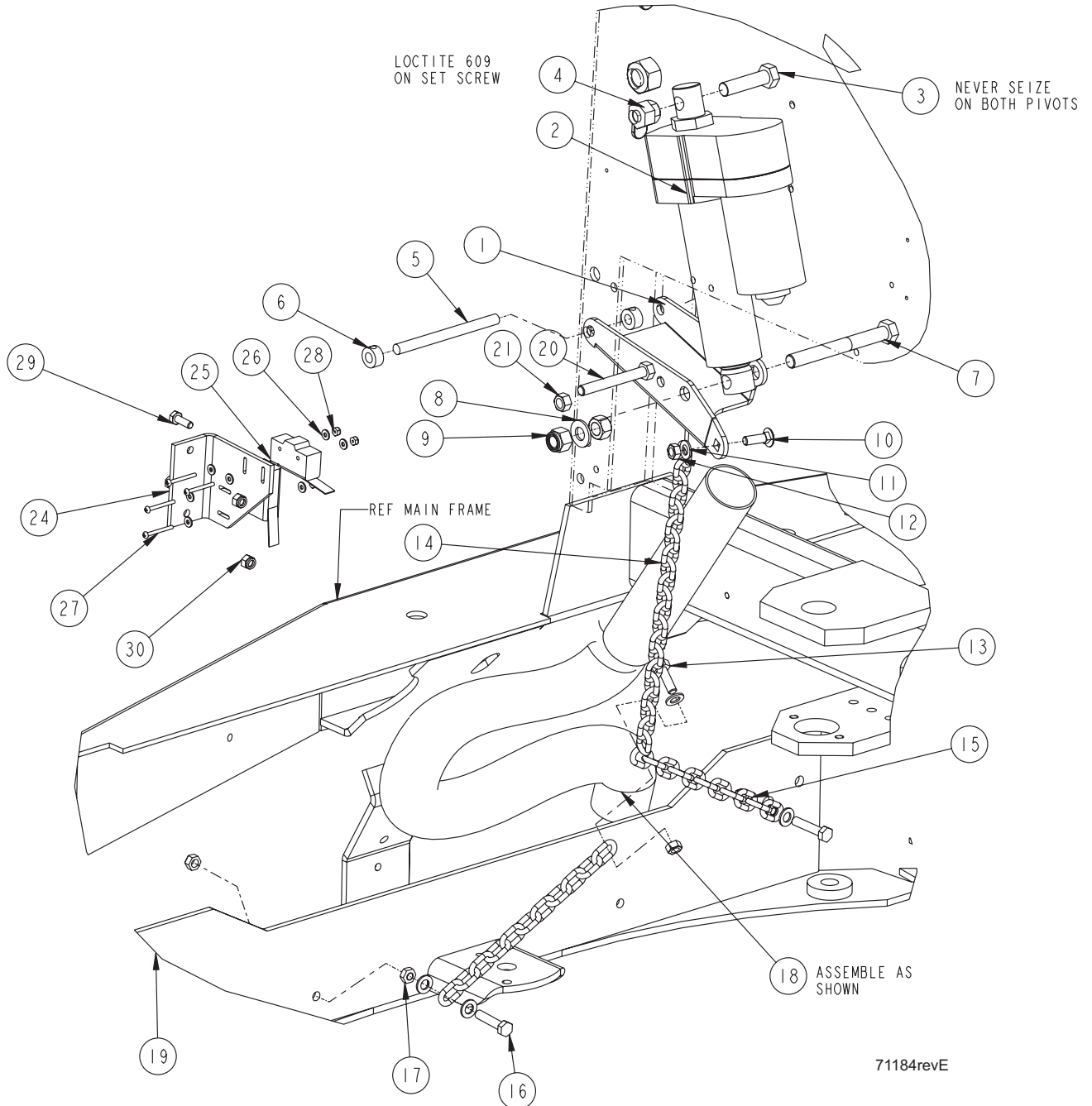
C1602/9804

## SQUEEGEE LIFT

---

<u>KEY NO.</u>	<u>PART NUMBER</u>	<u>DESCRIPTION</u>	<u>QTY.</u>
1	7-41-05122	Lever, Squeegee Lift	1
2	0782-106	Actuator, Squeegee Lift (36V)	1
3	2-00-01778	Screw, 1/2-13 x 2.0 HHC	1
4	2-00-00596	Nut, Hex 1/2-13 x .750 x .437	2
5	7-66-00179	Rod	1
6	7-15-01022	Collar, Setscrew	2
7	2-00-04914	Screw, HHC 1/2-13 x 4.50	1
8	2-00-00405	Flat Washer, 1.063 x .531 x .094	1
9	2-00-04936	Nut, 1/2-13 Fiber Lock	1
10	2-00-00196	Carriage Bolt, 5/16-18 x 1.00	1
11	2-00-00409	Flat Washer, .687 x .344 x .062	6
12	2-00-00644	Nut, 5/16-18, Insert Fiber	4
13	2-00-02708	Screw, 5/16-18 x 1.00 HHM	1
14	7-13-05082	Chain, Squeegee Lift	1
15	7-13-05076	Chain, Squeegee Lift	2
16	2-00-00225	Screw, 5/16-18 x 1.50 HHC	2
17	2-00-00585	Nut, 5/16-18 Hex	2
18	7-33-02599	Hose, Squeegee	1
19	7-86-08068	Squeegee Support	REF
20	2-00-05384	Screw, 3/8-16 x 3.0 LG	1
21	2-95-04182	Nut, 3/8-16 Hex Stop	1
22	8-08-00834	Bracket	1
23	7-33-09062	Housing, Seat & Fuel	1
24	7-08-01315	Bracket	1
25	7-82-00008	Switch	2
26	2-00-00455	Flat Washer, .375 x .156 x .047	8
27	2-00-05060	Screw, #6-32 x 1.25 RHM	4
28	2-00-00645	Nut, Hex Fiber Insert #6-32	4
29	2-00-00221	Bolt, 1/4-20 x 3/4 Fin. Hex Head	2
30	2-00-00641	Nut, 1/4-20 Fiber Insert	2

71184revE/1-05



## SWING SQUEEGEE SUPPORT

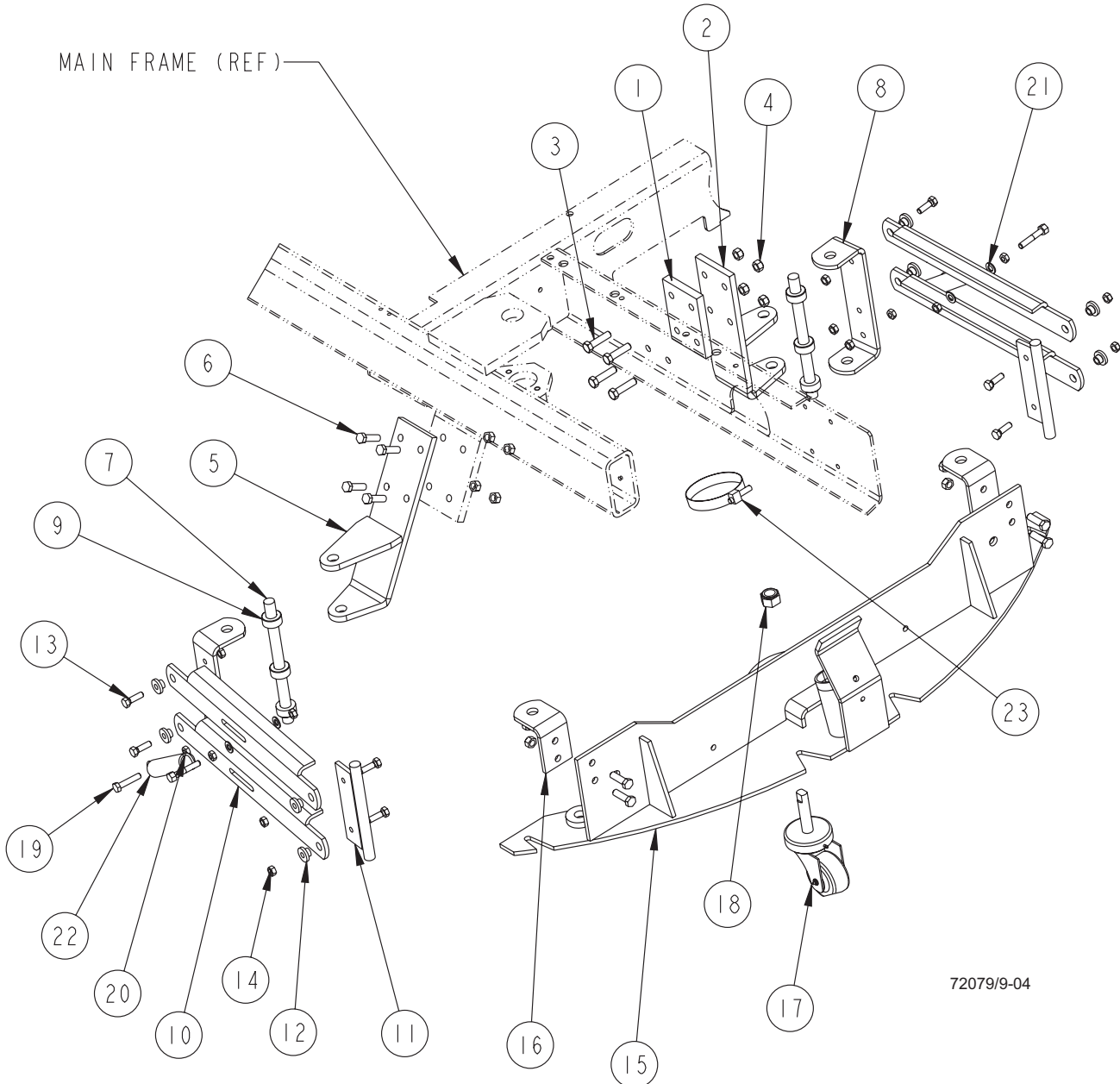
---

<u>KEY NO.</u>	<u>PART NUMBER</u>	<u>DESCRIPTION</u>	<u>QTY.</u>
1	7-81-00288	Shim Plate	1
2	7-08-00853	Bracket, RH Assembly	1
3	2-00-00235	Screw, 3/8-16 x 1.75 HHC	4
4	2-95-04182	Nut, 3/8-16 Hex Stop	12
5	7-08-01102	Bracket, LH (welded assy.)	1
6	2-00-00209	Screw, 3/8-16 x 1.25 HHC	8
7	7-70-05174	Shaft	2
8	7-81-00185	Support, Squeegee	2
9	8-15-01002	Collar (w/Setscrew)	6
10	7-03-04156-1	Arm, Squeegee	4
11	7-55-08144	Rear Pin Assembly	2
12	7-09-01057	Bushing, Brush Lift	8
13	2-00-05356	Screw, 5/16-18 x 1.25 Hex Head	8
14	2-00-00644	Nut, 5/16-18, Fiber Insert Hex	8
15	7-86-08068	Support, Squeegee	1
16	7-08-00839	Bracket, Angle	2
17	7-89-08073	Caster	1
18	2-00-00615	Nut, 5/8-11 Hex	1
19	2-00-00225	Screw, 5/16-18 x 1.50 HHC	2
20	2-00-00585	Hex Nut, 5/16-18 x .500 x .265	4
21	2-00-00409	Flat Washer, .687 x .344 x .062	4
22	7-76-00114	Spring	2
23	7-13-07104	Clamp, Hose	1

72079revB/9-04



SWING SQUEEGEE SUPPORT



72079/9-04

## SOLUTION TANK

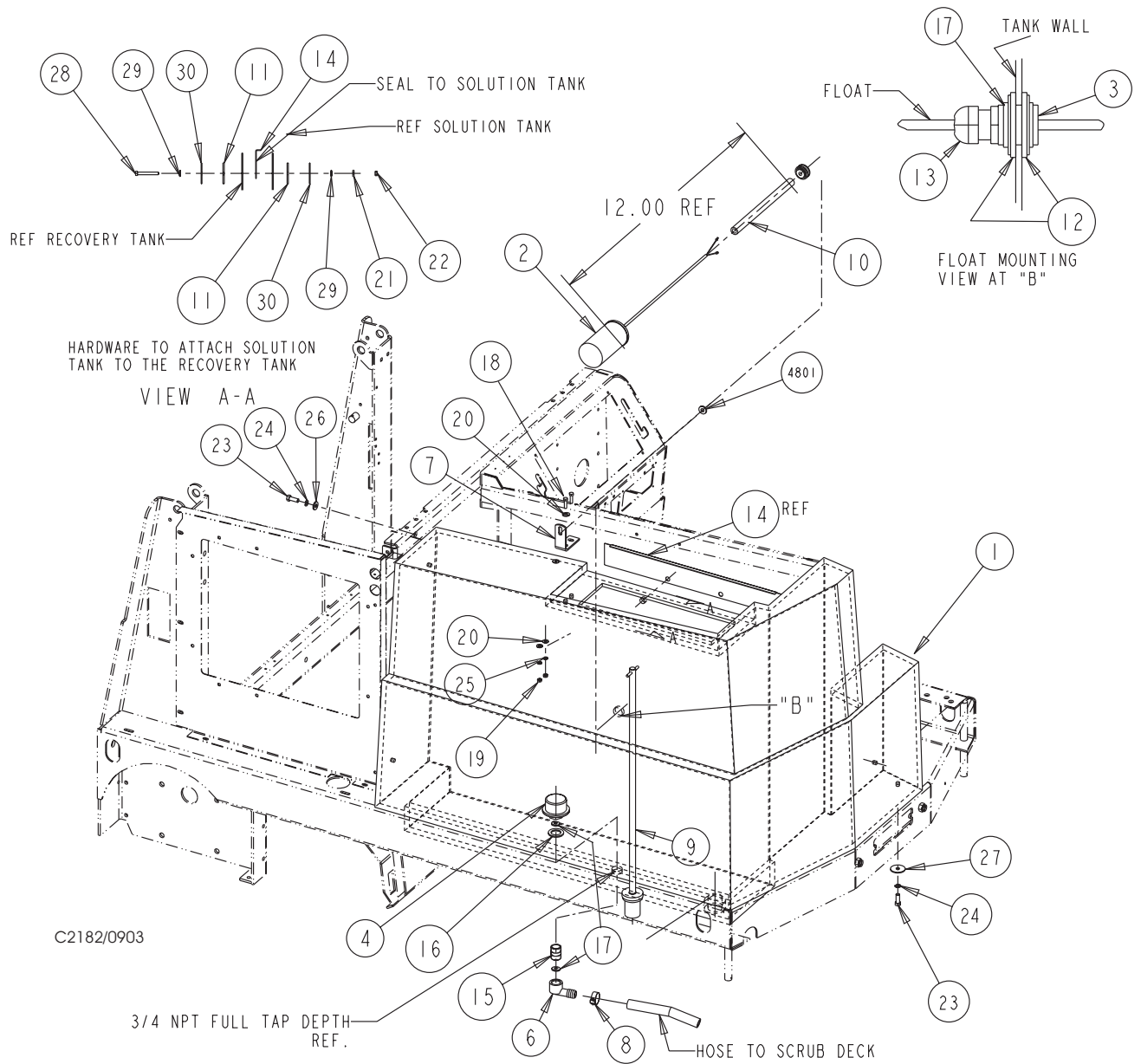
---

<u>KEY NO.</u>	<u>PART NUMBER</u>	<u>DESCRIPTION</u>	<u>QTY.</u>
1*	7-83-04206	Solution Tank	1
2	0775-217	Solution Float (Yellow)	1
3	7-09-01124	Bulk Head Fitting	1
4	7-24-04034	Strainer	1
5	2-95-03047	Washer	1
6	2-00-05132	Fitting, 90° Barb	1
7	7-57-05037	Bracket	1
8	2-00-02220	Hose Clamp	1
9	7-25-02095	Drain Plug	1
10	7-87-02188	Tube, Float Switch	1
11	2-00-05028	Gasket	2
12	7-29-00225	Gasket	2
13	7-09-01122	Bushing	1
14	7-30-05099	Guard, Solution Tank	1
15	2-95-02518	Pipe Nipple, Close 3/4 NPT	1
16	7-29-00225	Gasket	1
17	2-95-03047	Washer	3
18	2-00-00222	Screw, 1/4-20 x 1.25 HHM	2
19	2-00-00594	Nut, Hex 1/4-20 x .437 x .218	2
20	2-00-03702	Washer, .625 x .281 x .063	4
21	2-00-04687	Lock Washer, Helical Spring ¼ Med.	1
22	2-00-04688	Nut, 1/4-20 Hex	1
23	2-00-00232	Screw, .375-16 x .75 HHC	2
24	2-00-02310	Lock Washer, Helical Spring 3/8 Med.	2
25	2-00-00518	Lock Washer, Helical Spring	2
26	2-00-00402 (if needed)	Flat Washer, .750 x .391 x .093	1
27	2-00-04851	Washer, Engine Mount	1
28	2-00-05122	Screw-HHC, 1/4-20 x 2.0	1
29	2-00-04590	Washer	2
30	2-00-05236	Flat Washer, 2.00 x .281 x .063	2

\*If you are ordering a replacement tank, you must also order the following:

- 1 of 8-18-00539 (SC7750 decal)(provides 2)
- 2 of 8-18-00524 (American-Lincoln decal)

C2182/0903

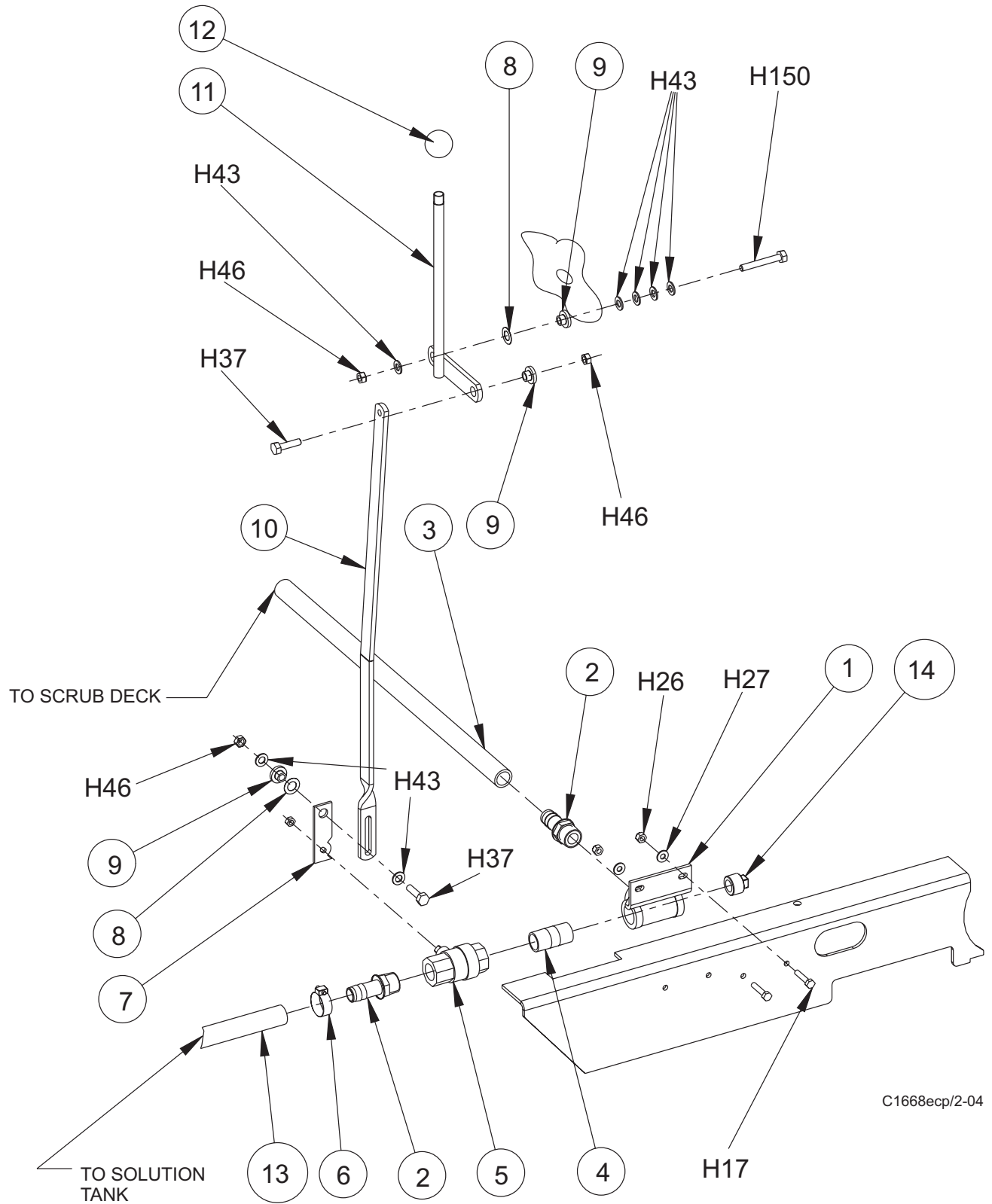


## SOLUTION FEED

---

<u>KEY NO.</u>	<u>PART NUMBER</u>	<u>DESCRIPTION</u>	<u>QTY.</u>
1	7-08-00922	Bracket, Solution Pipe	1
2	7-25-02012	Fitting, Hose to ¾ - 14 NPT	2
3	7-33-02383	Hose, Solution Feed	1
4	2-00-03586	Pipe Nipple ¾ NPT x 2.00	1
5	7-88-00027	Ball Valve	1
6	2-00-02220	Hose Clamp	1
7	7-41-05085	Lever	1
8	2-00-03382	Spring Washer	2
9	7-09-01057	Bushing	3
10	7-42-05128	Link	1
11	7-41-05108	Lever Assembly	1
12	8-39-00002	Knob	1
13	7-33-02339	Hose, Solution Feed	1
14	2-00-02475	Plug	1
HARDWARE USED:			
H17	2-00-00205	Screw, ¼ - 20 x 1.0 HHC	2
H26	2-00-00641	Nut, ¼ -20 Insert Fiber	2
H27	2-00-03702	Washer, .625 x .281 x .063	2
H37	2-00-00207	Screw, 5/16 -18 x 1.25 HHC	2
H43	2-00-00409	Flat Washer, .687 x .344 x .062	7
H46	2-00-00644	Nut, 5/16-18 Insert Fiber	3
H150	2-00-00211	Screw, 5/16 - 20 x 1.75 HHC	1

C1668ecp/2-04



C1668ecp/2-04

## RECOVERY TANK

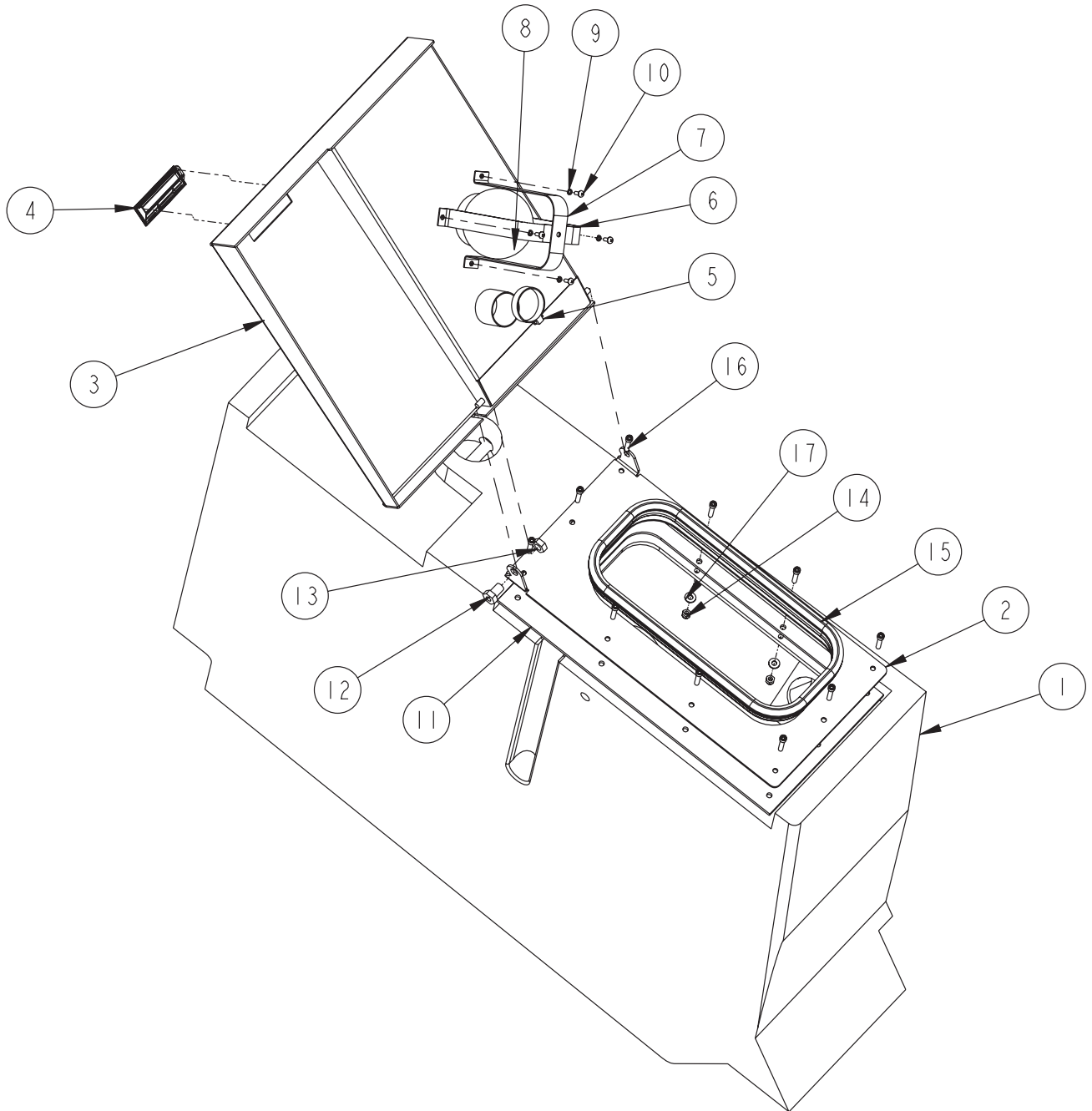
---

<u>KEY NO.</u>	<u>PART NUMBER</u>	<u>DESCRIPTION</u>	<u>QTY</u>
1*	7-83-04223	Recovery Tank	1
2	7-32-00048	Hinge, Tank Lid	1
3	7-48-00048	Lid, Vacuum	1
4	7-31-06082	Handle, Cover	1
5	2-00-02216	Clamp, Hose	1
6	7-62-05119	Cage, 4" Float	1
7	7-62-05120	Cage, 4" Float	1
8	7-26-04010	Ball, 4" Float	1
9	2-00-00519	Lock Washer, #10-24 Helical Spring	4
10	2-00-00049	Screw, 10-24 x .50 ZN PL	4
11	7-29-00297	Gasket, Tank Lid	1
12	7-09-01155	Bushing, Hinge Pivot	1
13	2-00-00591	Nut, 1/2-20 Hex Jam	1
14	2-00-00641	Nut, 1/4-20 Fiber Insert	10
15	7-29-00298	Gasket, Recovery Tank	1
16	2-00-03041	Screw, HSHC, 1/4-20 x 1.25 LG	10
17	2-00-03702	Washer, .625 x .281 x .063	10

\*If you are ordering a replacement tank, you must also order the following:

- 1 of 8-18-00539 (SC7750 decal)(provides 2)
- 2 of 8-18-00524 (American-Lincoln decal)

C1670h/0803



## RECOVERY TANK (CON'T)

---

<u>KEY NO.</u>	<u>PART NUMBER</u>	<u>DESCRIPTION</u>	<u>QTY</u>
1*	7-83-04223	Recovery Tank	REF
2	7-29-00276	Gasket, Tank Drain Dual	1
3	7-25-02101	Fitting, Recovery Tank Dual Port	1
4	2-00-02216	Clamp, Hose	4
5	7-71-00010	Shim, Tank Spacer	2
6	7-33-02461	Hose, Vacuum Recovery	1
7	7-09-01124	Bulkhead Fitting	1
8	7-29-00225	Gasket, Black Neoprene	2
9	7-09-01122	Bushing	1
10	0775-164	Float Switch (gray)	1
11	7-16-07454	Cover, Solution Tank Lid	1
12	7-08-01131	Bracket, Hose	1
13	2-00-00809	Screw, HSHC, .31-18 x 1.00	4
14	7-33-02397	Hose, Squeegee	2
15	2-00-05028	Washer, Flat, 2.00 OD x .281 x .125	2
16	2-00-05236	Washer, Flat, 2.00 OD x .28 x .08	2
17	2-00-04590	Washer, Sealing	2
18	2-00-05122	Screw, 1/4-20 x 2.00 LG SS	1
19	2-00-04688	Nut, 1/4-20 Hex	1
20	7-33-02705	Hose, Vacuum	1

\*If you are ordering a replacement tank, you must also order the following:

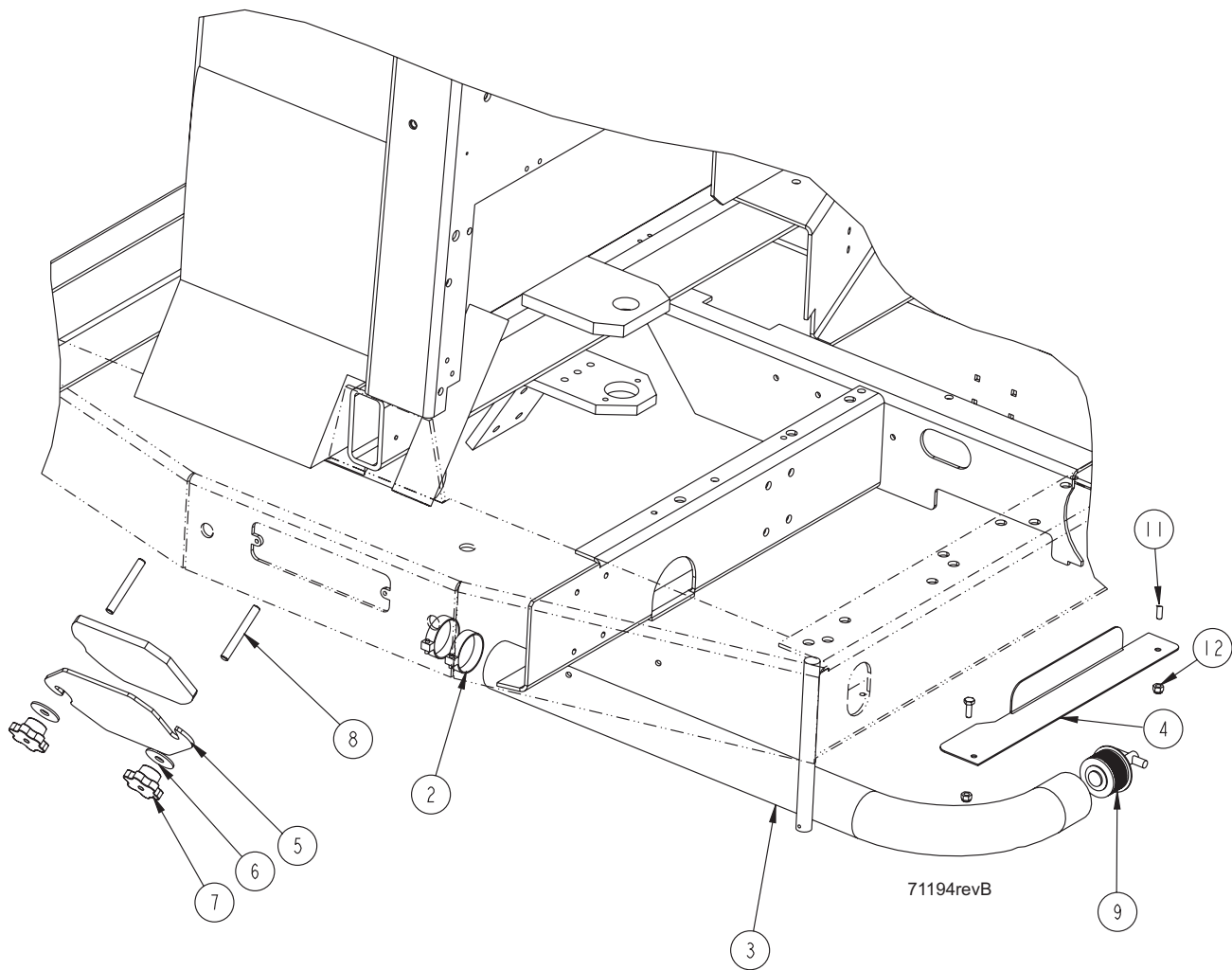
- 1 of 8-18-00539 (SC7750 decal)(provides 2)
- 2 of 8-18-00524 (American-Lincoln decal)

71188-2revM/9-05





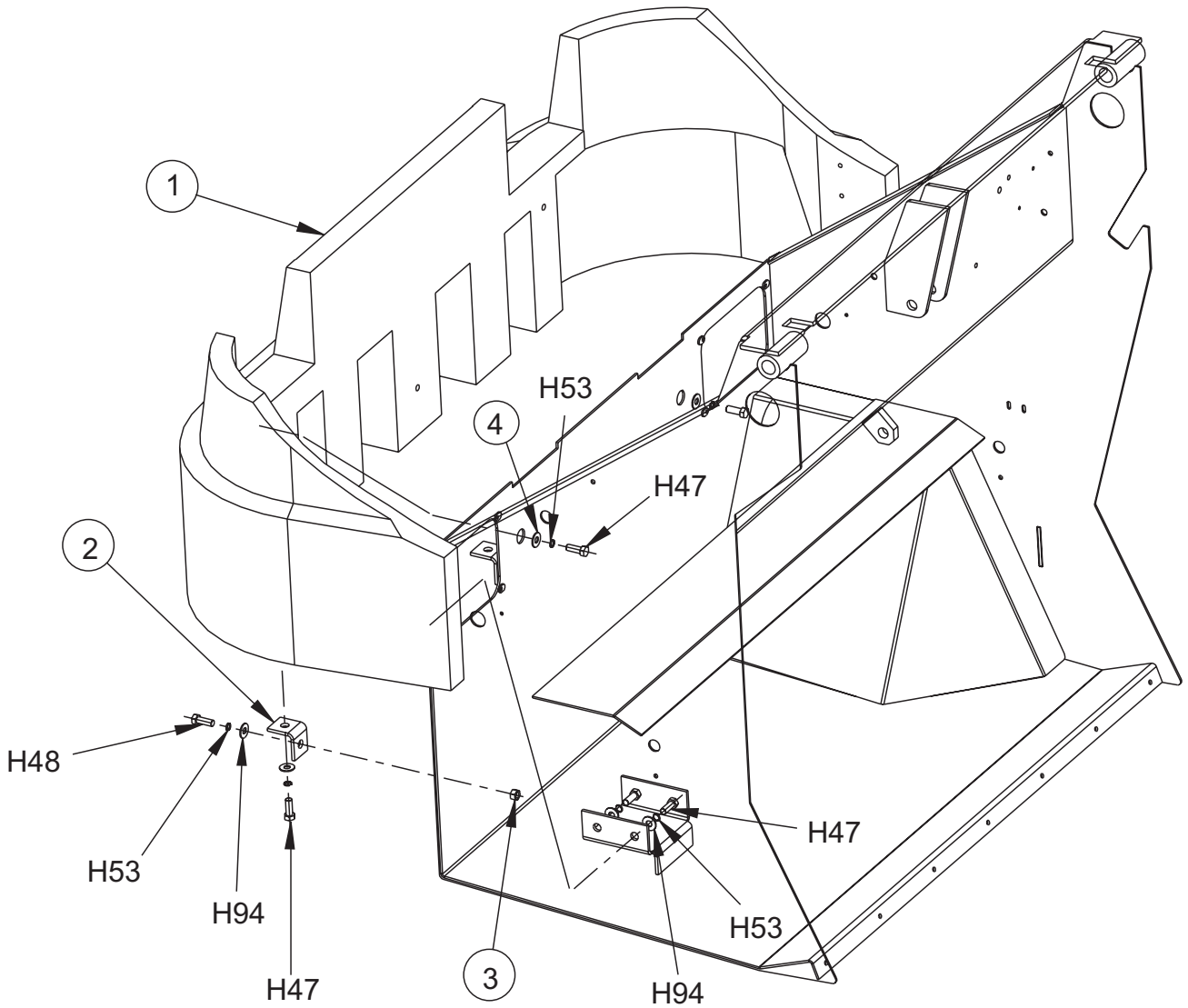
# RECOVERY TANK DRAIN SYSTEM



<u>KEY NO.</u>	<u>PART NUMBER</u>	<u>DESCRIPTION</u>	<u>QTY.</u>
1	7-83-04223	Recovery Tank	REF
2	2-00-02216	Clamp, Hose	2
3	7-33-02696	Hose, Drain	1
4	7-08-07107	Bracket, Drain Hose	1
5	7-19-08089	Door, Recovery Drain	1
6	2-95-04012	Washer, 1.50 OD x .468 x .093	2
7	25201A	Knob	2
8	7-80-05086	Stud, Clean-Out Door	2
9	7-25-02110	Plug, Drain	1
10	7-29-00318	Gasket, Recovery Tank Drain	1
11	2-00-00221	Bolt, 1/4-20 x 3/4 Fin. Hex Head	2
12	2-00-00641	Nut, 1/4-20 Fiber Insert	2

71194revB/1-05

**FRONT BUMPER**



C1675/9702

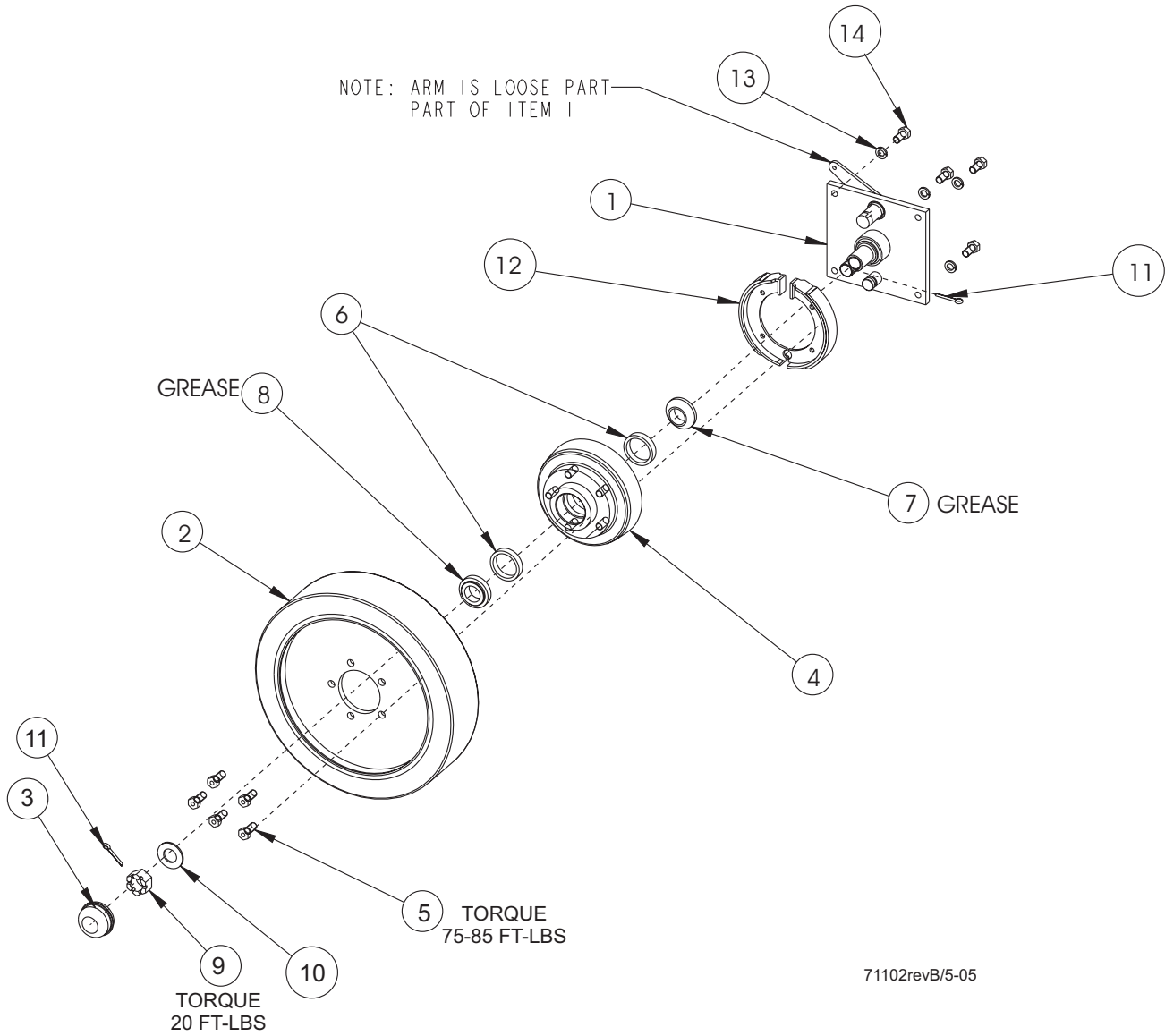
<u>KEY NO.</u>	<u>PART NUMBER</u>	<u>DESCRIPTION</u>	<u>QTY.</u>
1	7-08-07075	Front Bumper	1
2	7-08-00863	Bracket, Bumper	2
3	2-00-05347	Insert, 3/8-16 Threaded	2
4	2-00-04851	Washer, Engine Mount	2

**HARDWARE USED:**

H47	2-00-00232	Screw, 3/8-16 x .75 HHC	8
H48	2-00-00233	Screw, 3/8-16 x 1.0 HHC	10
H53	2-00-02310	Lock Washer, 3/8 Helical Spring	10
H94	2-00-00410	Flat Washer, .875 x .375 x .060	12

C1675/9702

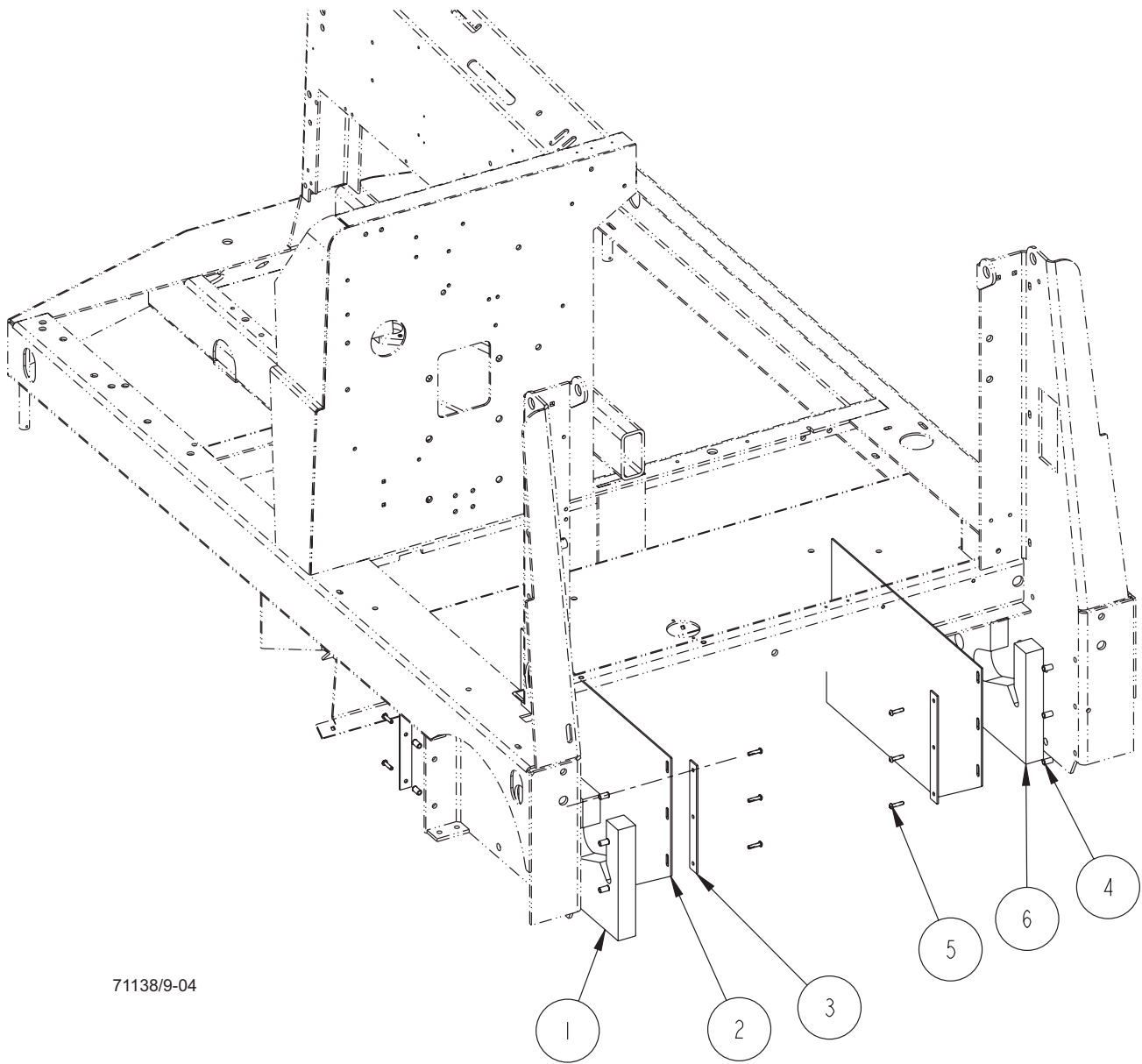
# FRONT WHEEL



<u>KEY NO.</u>	<u>PART NUMBER</u>	<u>DESCRIPTION</u>	<u>QTY.</u>
1	0860-571	Knott Brake	2
2*	7-89-08098	Molded Wheel	2
3	8-11-00030	Grease Cap	2
4	8-33-09089	Hub and Drum	2
5	8-80-05035	Stud	10
6	2-00-04621	Bearing Cup	4
7	2-00-02079	Bearing Cone (Sealed)	2
8	2-00-04622	Bearing Cone	2
9	2-00-05026	Nut	2
10	2-00-05024	Flat Washer	2
11	2-00-02436	Cotter Pin	2
12	8-71-05007	Brake Shoe	2
13	2-00-02312	Lock Washer, 1/2 HS Med.	8
14	2-00-02689	Screw, 1/2-20 x 1.0 HHC	8

71102revB/5-05

**WHEEL WELL FLAP**



71138/9-04

<b>KEY NO.</b>	<b>PART NUMBER</b>	<b>DESCRIPTION</b>	<b>QTY.</b>
1	7-68-05016	Seal, RH Wheel Well	1
2	7-25-08074	Flap, Wheel Well	2
3	8-13-07148	Clamp, Wheel Well Flap	4
4	2-00-05261	Insert, 1/4-20 Threaded	12
5	2-00-04877	Screw, 1/4-20 x 1.0 BHS w/Nylok	12
6	7-68-05017	Seal, LH Wheel Well	1

71138/9-04

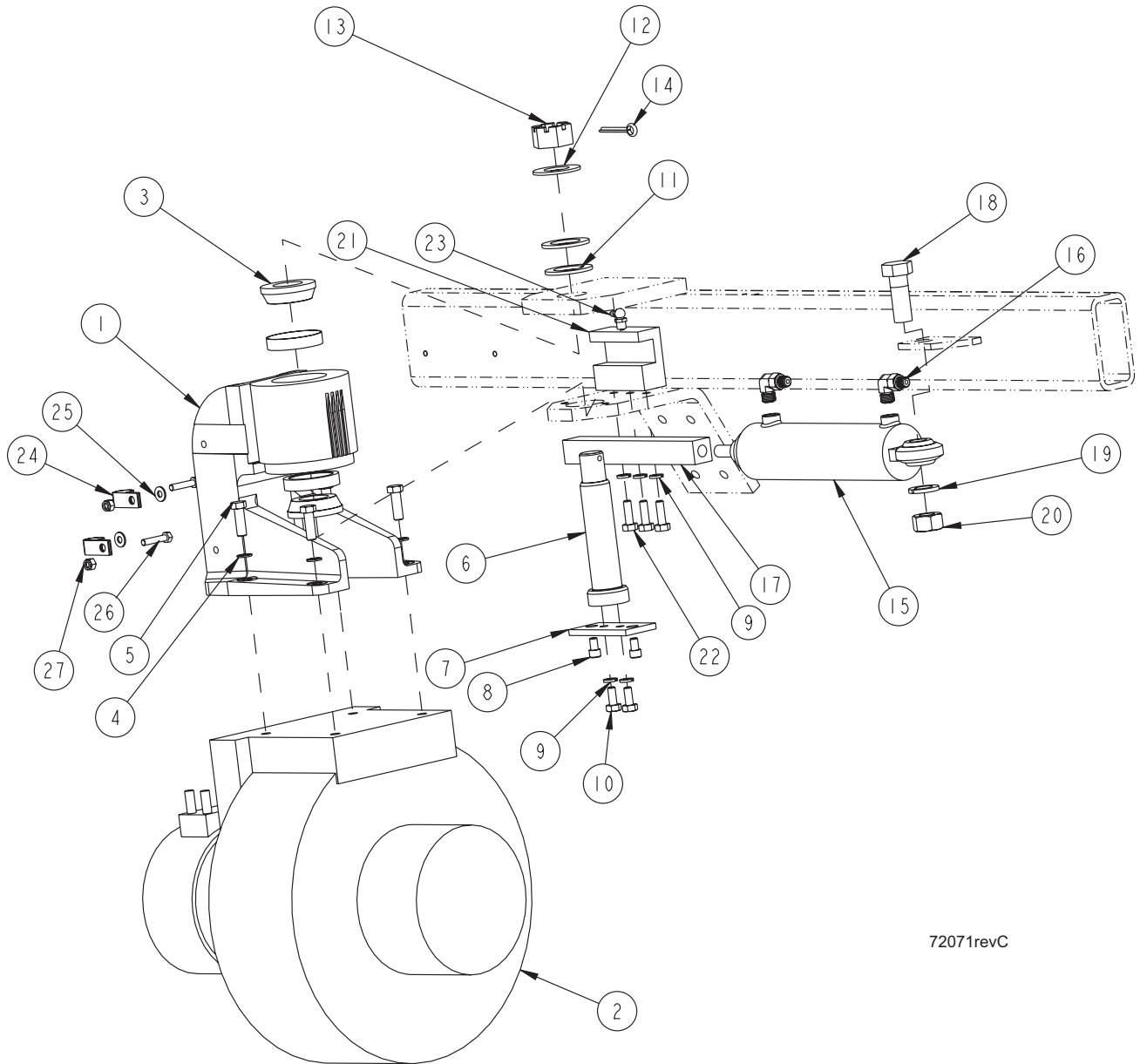
## REAR (DRIVE) WHEEL ASSEMBLY

---

<u>KEY NO.</u>	<u>PART NUMBER</u>	<u>DESCRIPTION</u>	<u>QTY.</u>
1	7-81-00263	Support, Wheel	1
2	0785-105	Drive Wheel Assembly	1
	7-85-06018	Tire ONLY (service part)	1
	0780-643	Motor Brush Kit (service part)	1
3	2-00-02079	Roller Bearing	2
4	2-00-02311	Lock Washer, 7/16 Med.	4
5	2-00-05922	Bolt, M10-1.5 x 30mm lg Fin. Hex Head	4
6	8-55-08131	Pivot Pin, Rear Wheel	1
7	7-13-07176	Clamp, Pivot Pin	1
8	2-00-03335	Screw, 5/16-18 x .50 SHCS	2
9	2-00-00530	Lock Washer, 5/16 HS Med.	5
10	2-00-00208	Screw, 5/16-18 x .75 HHC	2
11	8-75-01136	Thrust Washer	2
12	2-00-05024	Flat Washer	1
13	2-00-05026	Nut, (Slotted Head)	1
14	2-00-02436	Cotter Pin (.18 Dia.)	1
15	7-17-05010-1	Cylinder, Power Steering	1
16	2-00-04892	Fitting, 90° Elbow (O-Ring)	2
17	7-62-00006	Rack	1
18	2-00-05341	Screw, 1/4-10 x 2.0 HHC	1
19	2-00-00522	Lock Washer, 3/4 Helical Spring	1
20	2-00-03293	Nut, 3/4-10 Fin. Hex	1
21	7-30-08015	Guide, Rack	1
22	2-00-02708	Screw, 5/16 - 18 x 1.0 HHM	3
23	2-00-02557	Grease Fitting, 1/8 PTF x 90°	1
24	2-00-04564	Clamp, Cable	2
25	2-00-03702	Washer, .625 x .281 x .063	2
26	2-00-00222	Bolt, 1/4-20 x 1.25 Hex Head	2
27	2-00-00641	Nut, 1/4-20 Fiber Insert	2

72071revC/12-04

# REAR (DRIVE) WHEEL ASSEMBLY



72071revC

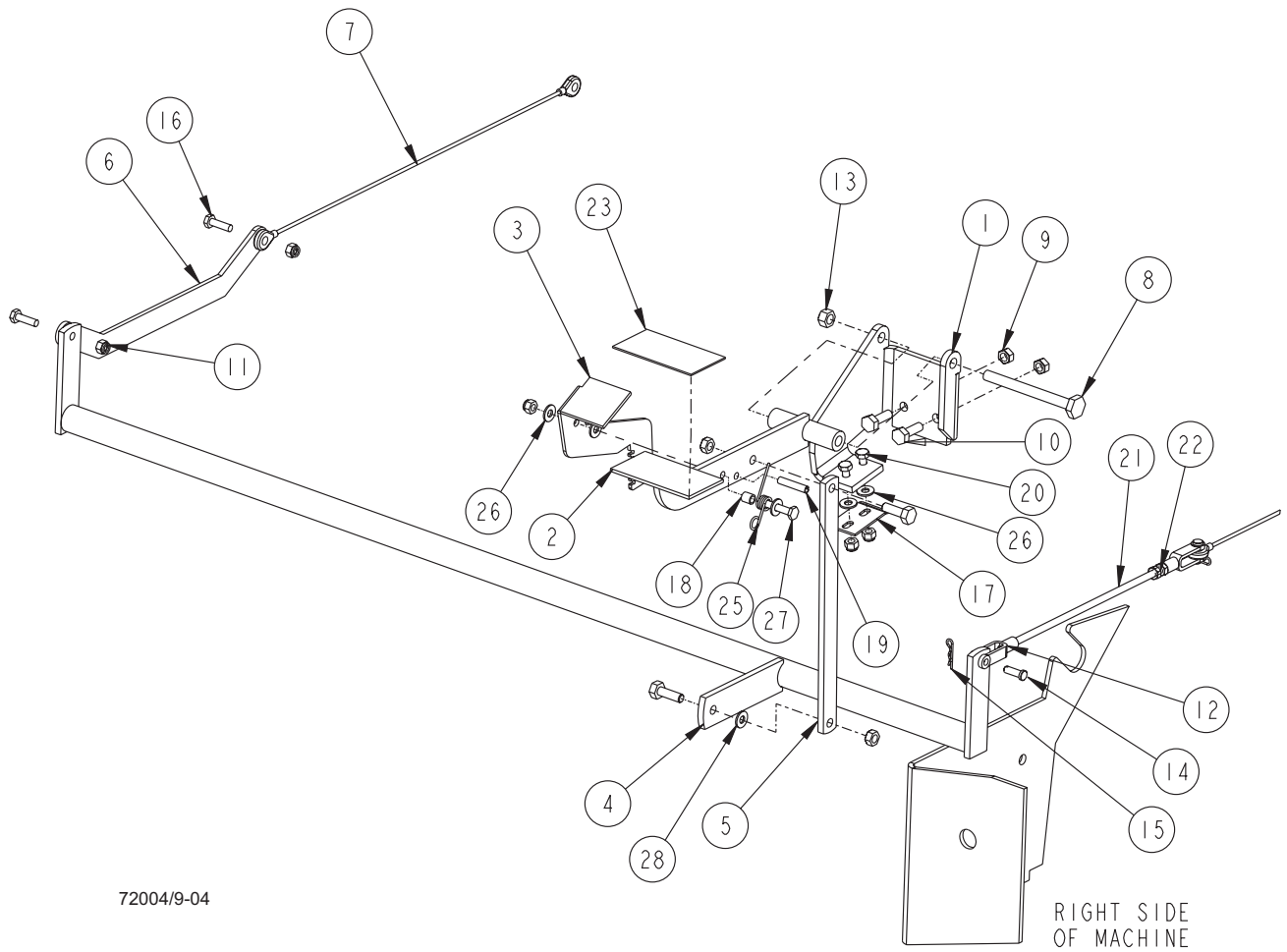
## BRAKE PEDAL

---

<u>KEY NO.</u>	<u>PART NUMBER</u>	<u>DESCRIPTION</u>	<u>QTY.</u>
1	7-57-05079	Pivot, Brake Pedal	1
2	7-55-00047	Pedal, Brake	1
3	7-55-00046	Arm, Brake Pedal	1
4	7-17-00014	Crank, Brake	1
5	7-42-05126	Link, Brake Pedal	1
6	7-42-05131	Link, L.H. Brake	1
7	8-10-00043	Cable	2
8	2-00-03296	Screw, 3/8-16 x 4.0 HHC	1
9	2-00-00644	Nut, 5/16 - 18 Fiber Insert	4
10	2-00-02708	Screw, 5/16-18 x 1.0 HHM	4
11	2-00-00641	Nut, 1/4-20 Fiber Insert	5
12	8-14-01006	Clevis	4
13	2-95-04182	Nut, 3/8-16 Elastic Stop	1
14	2-00-04909	Pin, 1/4 x 3/4 long	4
15	2-00-05249	Hair Pin (Cotter)	4
16	2-00-01490	Screw, 1/4-20 x .875 Hex Head	2
17	7-13-07226	Clip, Parking Brake	1
18	8-09-01069	Spacer, .259 x .355 x .375	1
19	2-00-03635	Roll Pin	1
20	2-00-00221	Screw, 1/4-20 x .75 HHC	2
21	8-66-00162	Rod, Brake Pull	2
22	2-95-01999	Nut, 1/4-28 Hex Jam	4
23	8-50-05063	Pad, Brake Pedal	1
24	0860-071	Brake Assembly	1
25	7-76-00013	Spring, Pedal Release	1
26	2-00-03702	Washer, .625 x .281 x .063	5
27	2-00-04966	Screw, 1/4-20 x 1.50 HHM	1
28	2-00-00402	Washer, 25/64 ID x 3/4 OD	2

72004/9-04





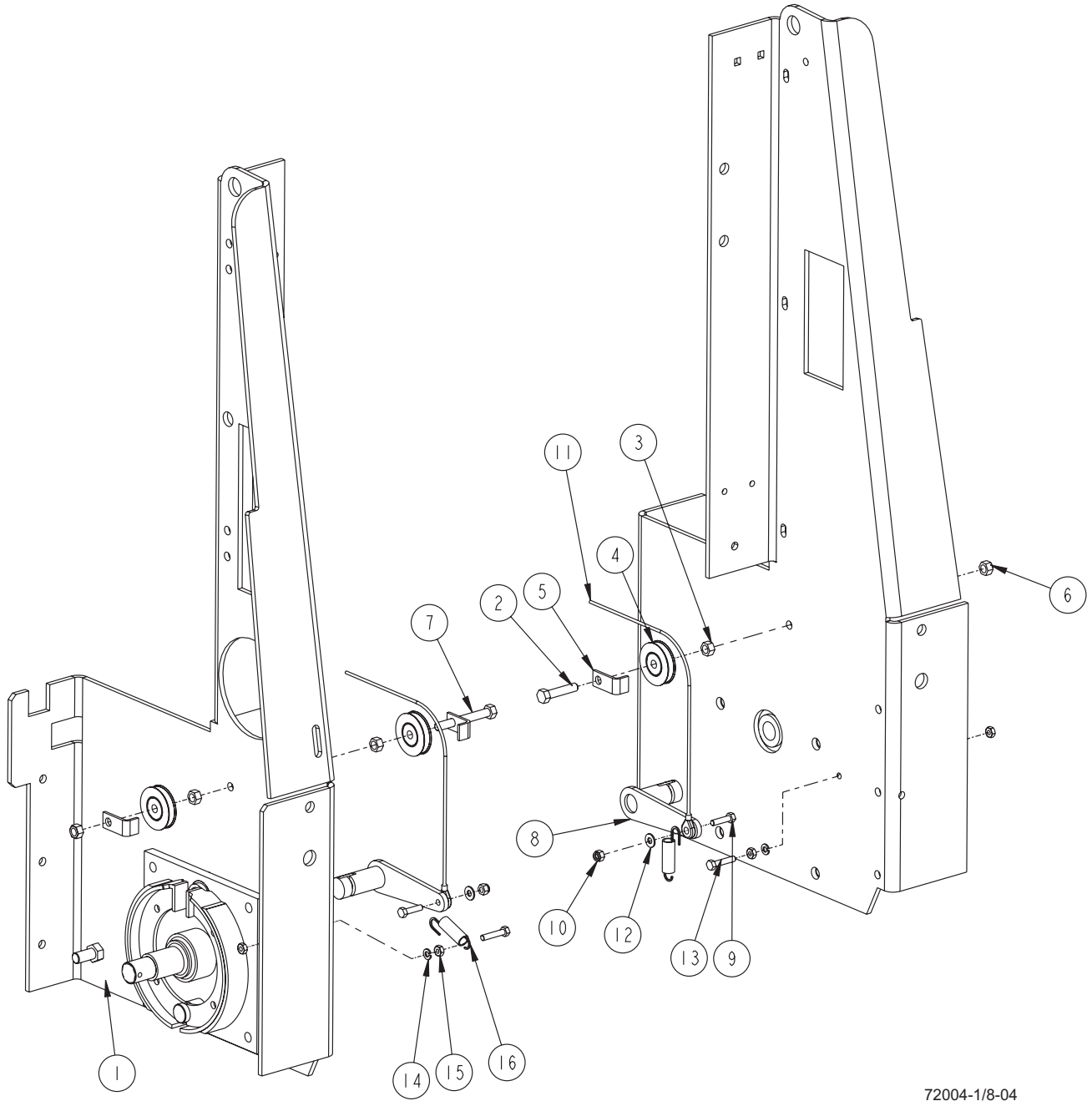
72004/9-04

## BRAKE PEDAL (CON'T)

---

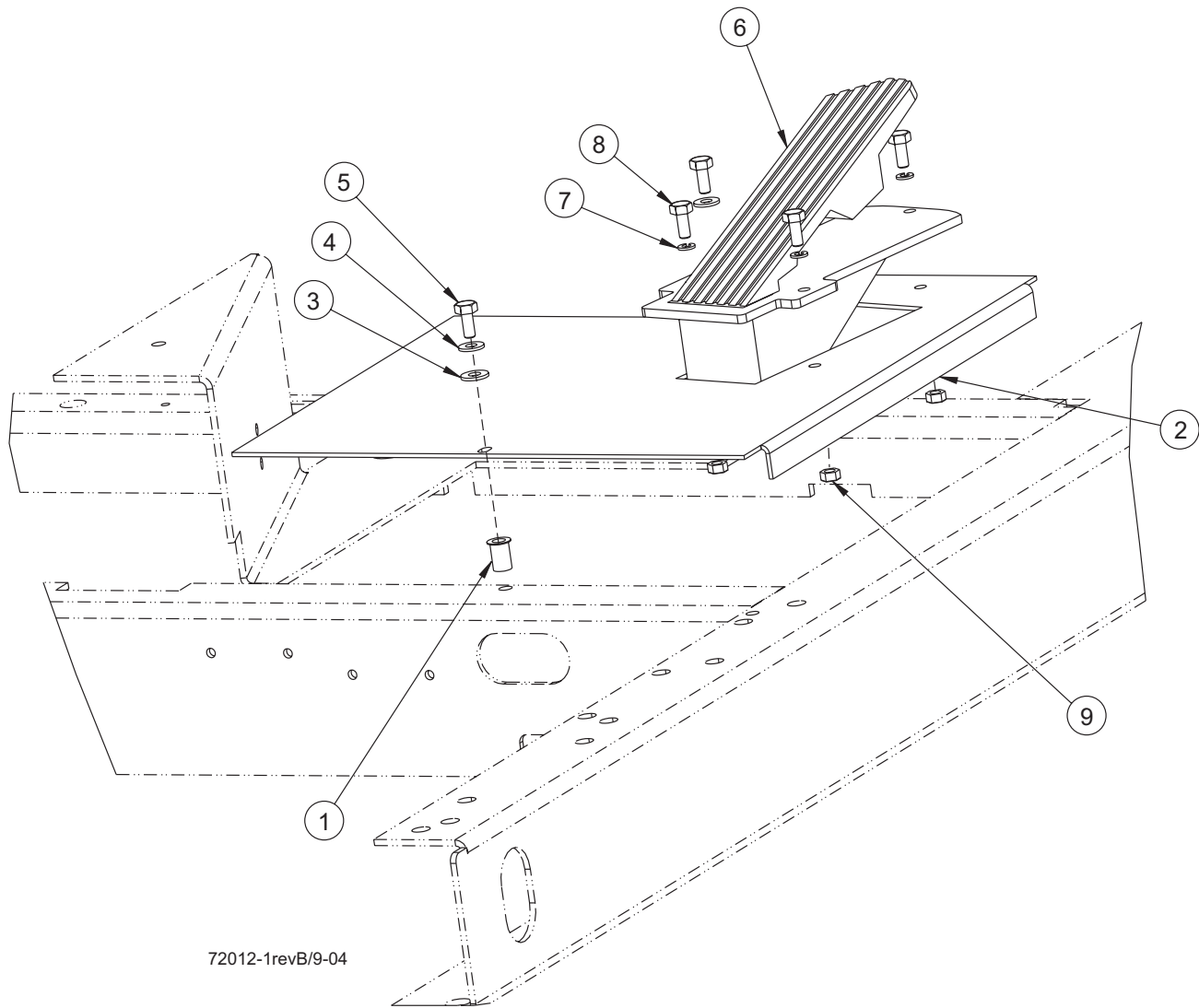
<u>KEY NO.</u>	<u>PART NUMBER</u>	<u>DESCRIPTION</u>	<u>QTY.</u>
1	7-27-07241	Main Frame	REF
2	2-00-05385	Screw - HHM .375-16 x 1.75	1
3	2-00-02360	Nut, 3/8-16 Hex	3
4	7-60-00160	Pulley	3
5	7-13-07130	Clip, Cable Retainer	3
6	2-95-04182	Nut, 3/8-16 Hex Stop	2
7	2-00-05384	Screw, 3/8-16 x 3.0	1
8	0860-071	Brake Assembly	REF
9	2-00-00205	Screw, 1/4-20 x 1.0 HHC	2
10	2-00-00641	Nut, 1/4-20 Fiber Insert	2
11	8-10-00043	Cable	REF
12	2-00-03702	Washer, .625 x .281 x .063	2
13	2-00-02587	Cap Screw, 1/4-20 x 1.25 Hex Head	2
14	2-00-00518	Lock Washer, 1/4 Helical Spring	2
15	2-00-00594	Nut, 1/4-20 Hex	4
16	7-76-00051	Spring	2

72004-1/9-04



72004-1/8-04

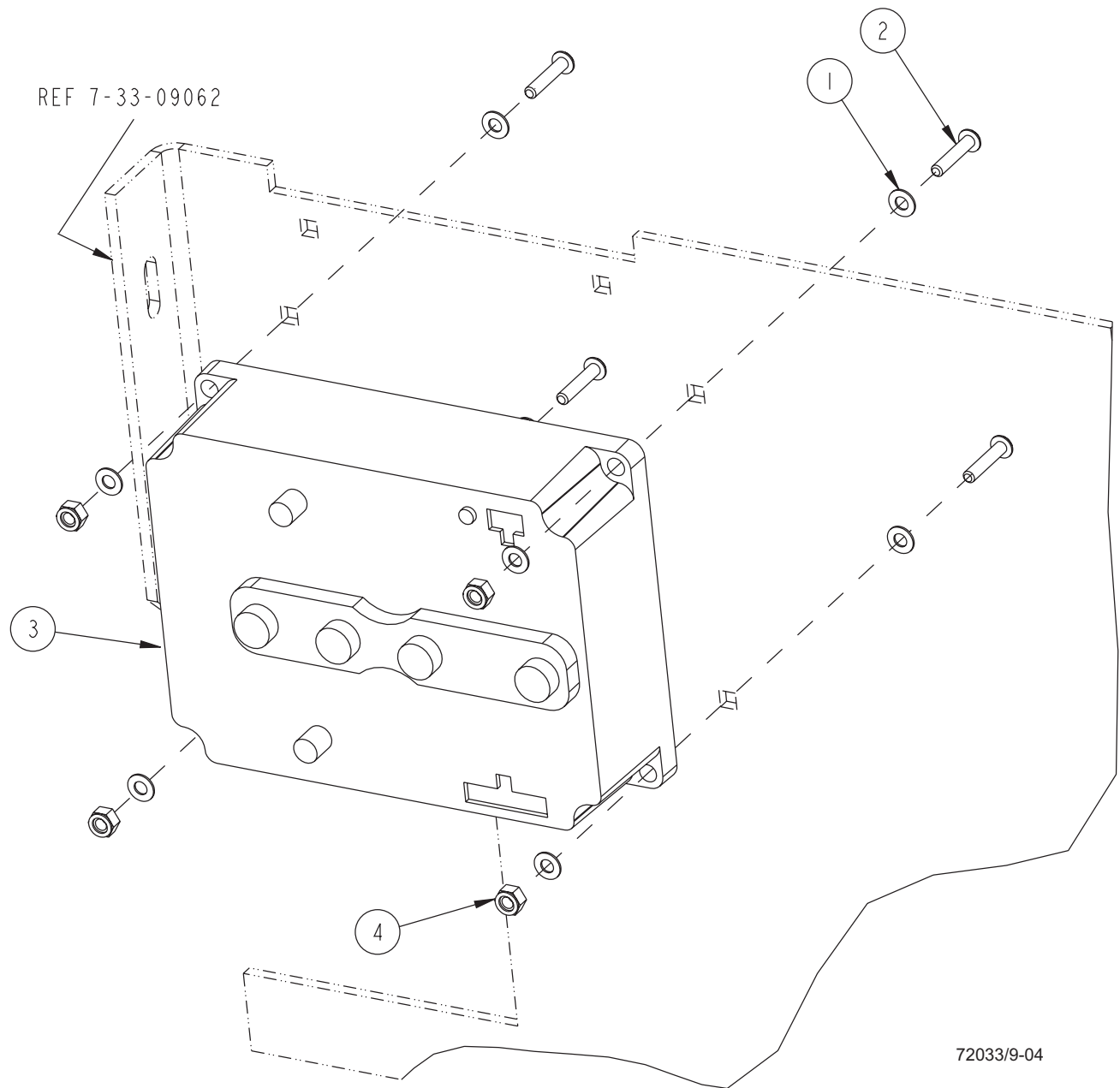
# ACCELERATOR/FLOOR PANEL



72012-1revB/9-04

<b>KEY NO.</b>	<b>PART NUMBER</b>	<b>DESCRIPTION</b>	<b>QTY.</b>
1	2-00-05261	Insert, 1/4-20 Threaded	2
2	7-81-00284	Plate, Floor	1
3	2-00-03702	Washer, .625 x .281 x .063	2
4	2-00-00518	Lock Washer, 1/4 Helical Spring	2
5	2-00-00221	Bolt, 1/4-20 x 3/4 Fin. Hex Head	2
6	7-55-00038	Pedal, Forward/Reverse	1
7	2-00-00530	Lock Washer, 5/16	3
8	2-00-00208	Screw, 5/16-18 x .75	3
9	2-00-00644	Nut, 5/16-18 Fiber Insert Hex	3

72012-1/7-04

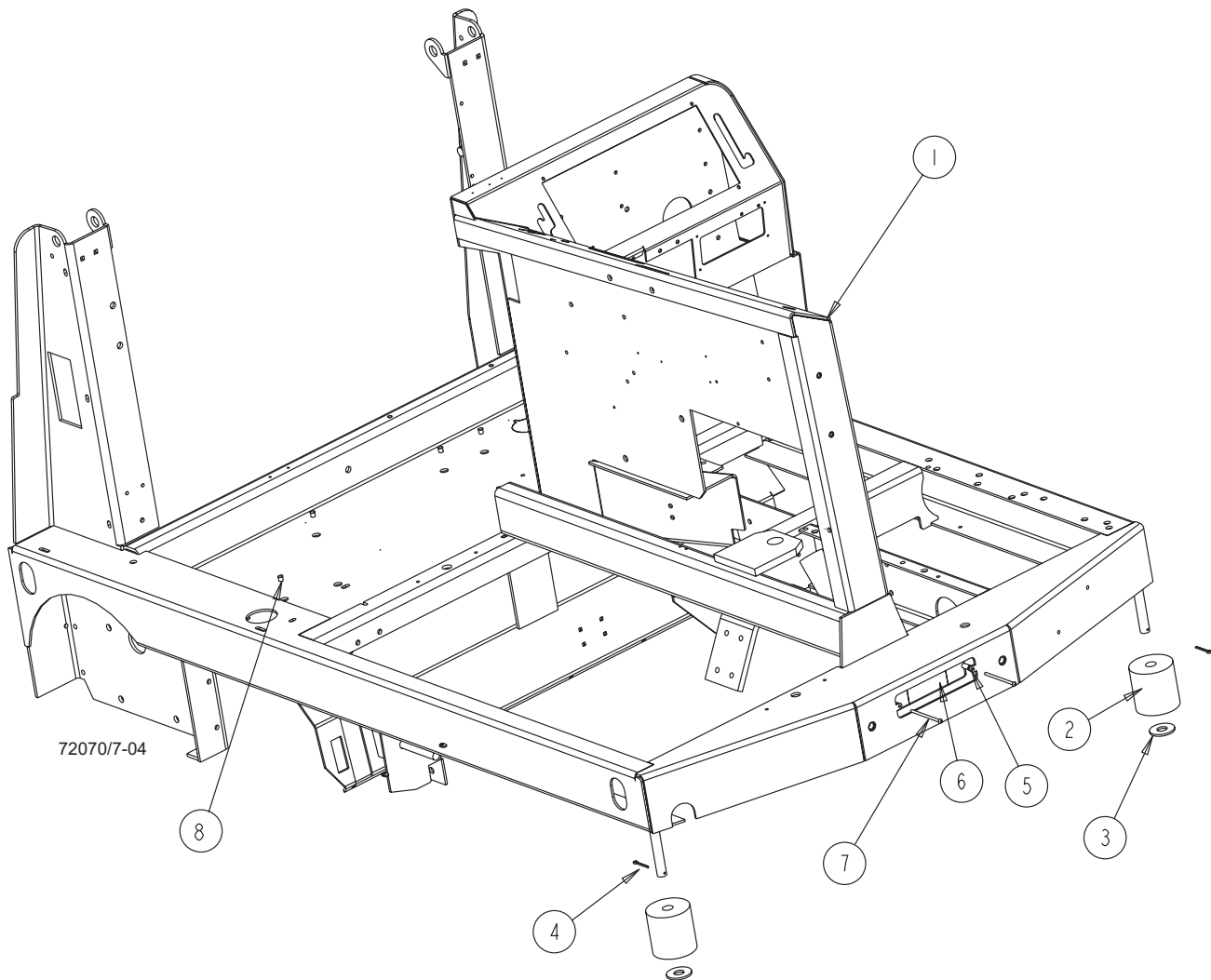


72033/9-04

<b>KEY NO.</b>	<b>PART NUMBER</b>	<b>DESCRIPTION</b>	<b>QTY.</b>
1	2-00-00426	Flat Washer, .500 x .219 x .063	8
2	2-00-00039	Screw, #10-24 x 1.0 RHM	4
3	0785-106	Controller, Traction Drive	1
4	2-00-02196	Carriage Bolt, 1/4-20 x 1.0 lg	4

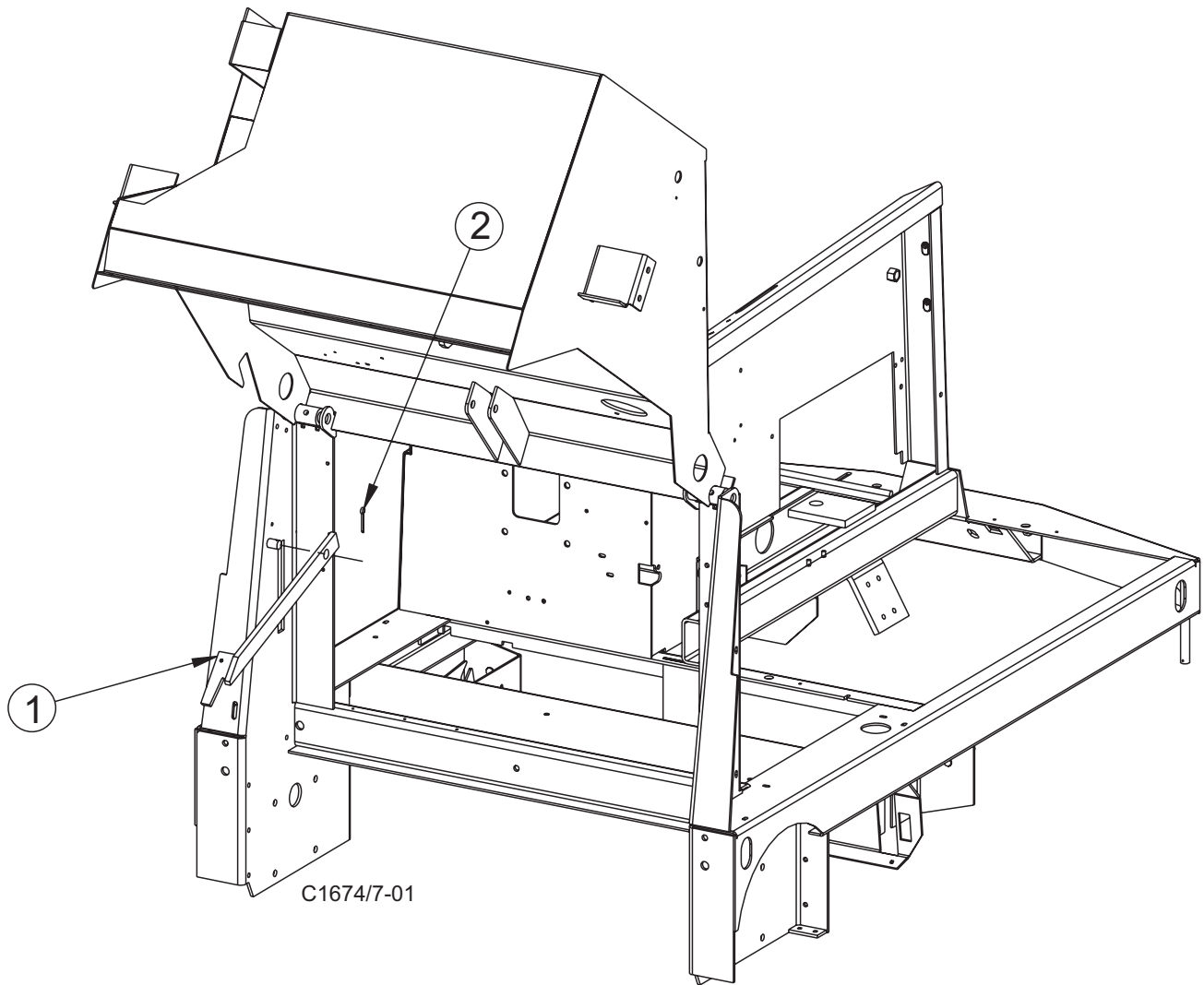
72033revB/9-04

# MAIN FRAME



<u>KEY NO.</u>	<u>PART NUMBER</u>	<u>DESCRIPTION</u>	<u>QTY.</u>
1	7-27-07241	Main Frame	1
2	7-66-05009	Roller Bumper	2
3	8-75-01157	Thrust Washer, 2.0 x .812 x .157	2
4	2-00-02436	Cotter Pin, 1/8 dia. x 1.50 lg.	2
5	8-75-01207	Spacer, Tail Light Mounting	2
6	8-40-05053	Tail Light	1
7	2-00-02933	Screw, #10-24 x 3.50	2
8	2-00-04757	Plug Button	Ref

72070/7-04



<b>KEY NO.</b>	<b>PART NUMBER</b>	<b>DESCRIPTION</b>	<b>QTY.</b>
1	7-81-00198	Safety Arm Weldment	1
2	2-00-02436	Cotter Pin	1

C1674/7-01

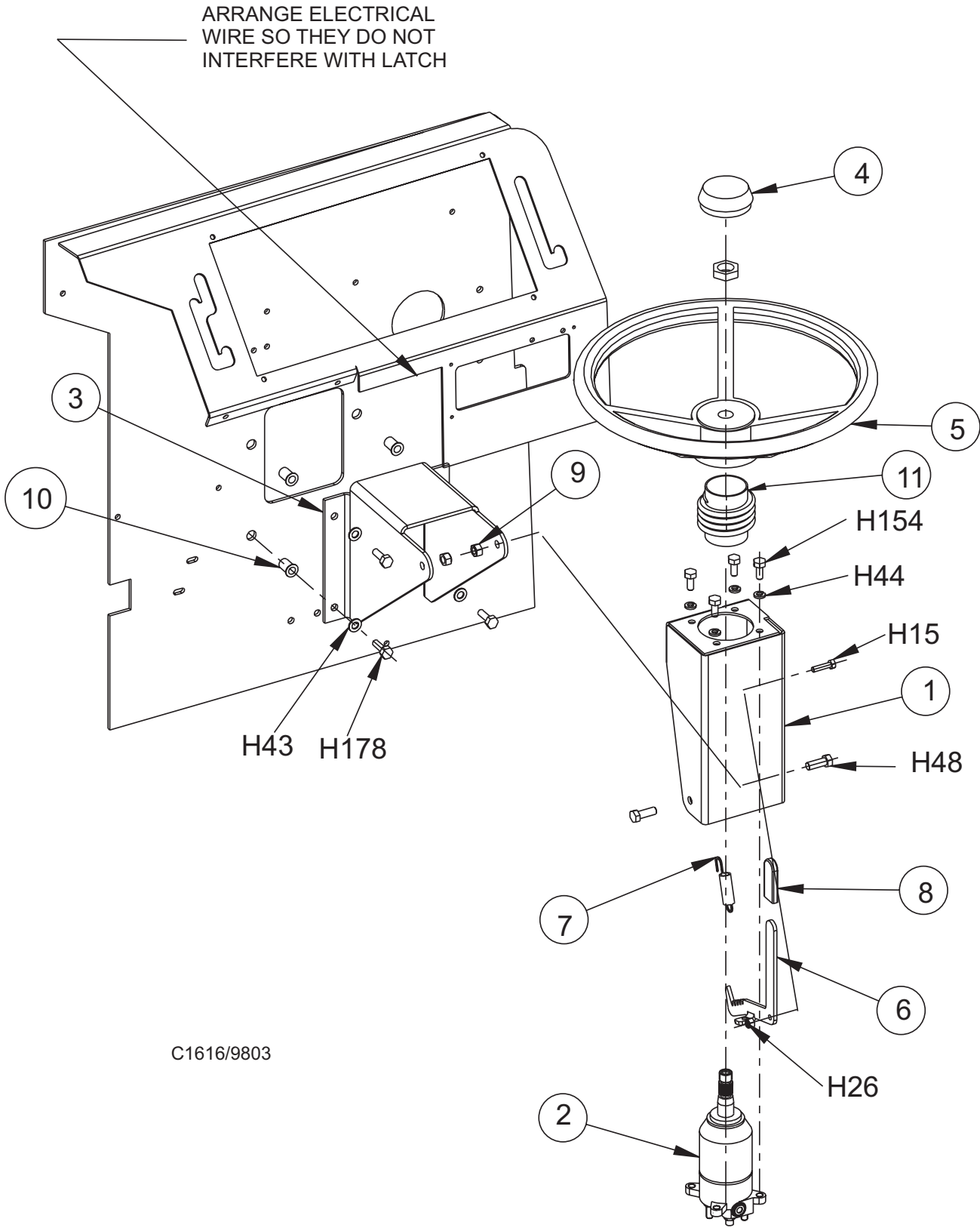
## STEERING COLUMN

---

<u>KEY NO.</u>	<u>PART NUMBER</u>	<u>DESCRIPTION</u>	<u>QTY.</u>
1	7-33-05124	Housing, Steering Control Valve	1
2	8-60-05034	Steering Control Unit (4.88 CIR/1100 PSI)	Ref.
3	7-81-00202	Support, Steering	1
4	8-11-00022	Cap, Steering Wheel	1
5	8-89-08016	Steering Wheel	1
6	7-41-00038	Latch	1
7	7-76-00051	Spring	1
8	8-31-06083	Grip Latch	1
9	2-95-04182	3/8-16 Lock Nut	2
10	2-00-05330	5/16-18 THD Insert	4
11	8-33-02360	Hose, Heat Shield	1
HARDWARE USED:			
H15	2-00-00221	Screw, 1/4 - 20 x .75 HHC	1
H26	2-00-00641	Nut, 1/4-20 Insert Fiber	1
H44	2-00-00530	Lock Washer, 5/16 Helical Spring Med.	4
H48	2-00-00233	Screw, 3/8-16 x 1.0 HHC	2
H154	2-00-04363	ScrewScrew, M8-1.25 x .75	4
H178	2-00-00206	Screw, 5/16 - 18 x 1.0 HHC	2

C1616/0402





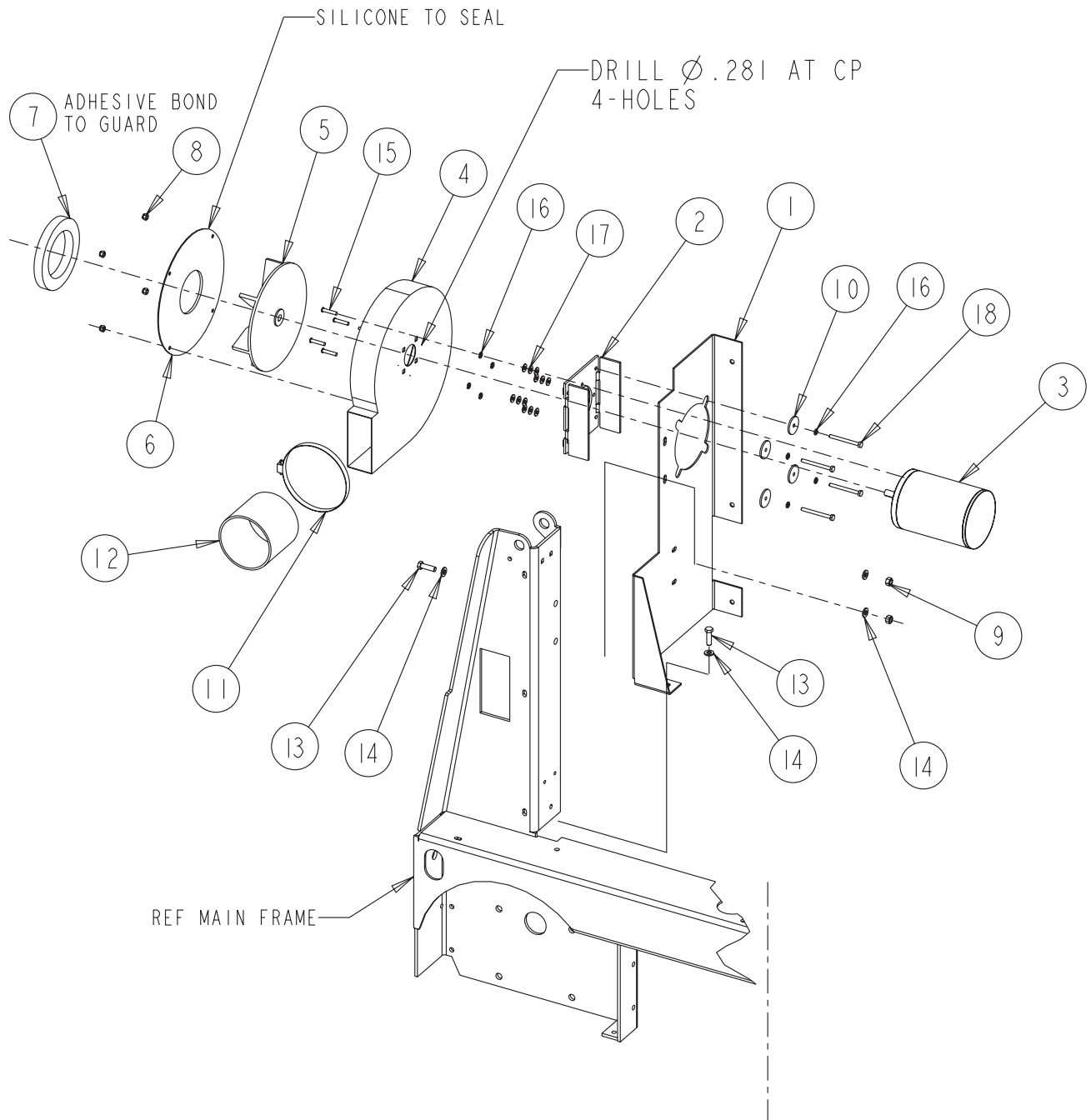
C1616/9803

**VAC FAN**

---

<u>KEY NO.</u>	<u>PART NUMBER</u>	<u>DESCRIPTION</u>	<u>QTY.</u>
1	7-81-00197	Support, Motor	1
2	7-08-00868	Bracket, IMP. Motor	1
3	0882-062	Motor, Impeller	1
4	8-72-00005	Shroud, Impeller	1
5	8-23-00013	Impeller	1
6	8-30-05169	Weldment, Guard Plate	1
7	8-29-00183	Gasket, Blower	1
8	2-00-00641	Nut, 1/4-20 Fiber Insert	4
9	2-95-04182	Nut, 3/8-16 Elastic Stop	3
10	7-23-03092	Washer	4
11	2-00-03454	Clamp, Hose	1
12	8-33-02271	Hose, Blower Exhaust	1
13	2-00-00209	Screw, 3/8-16 x 1.25 HHC	3
14	2-00-00402	Flat Washer, .750 x .390 x .094	6
15	2-00-00060	Screw, 1/4-20 x 1.25 RHM	4
16	2-00-00518	Lock Washer, Helical Spring	8
17	2-00-03702	Washer, .625 x .281 x .063	12
18	2-00-02637	Screw, 1/4-20 x 2.75 HHC	4

C1767/0206



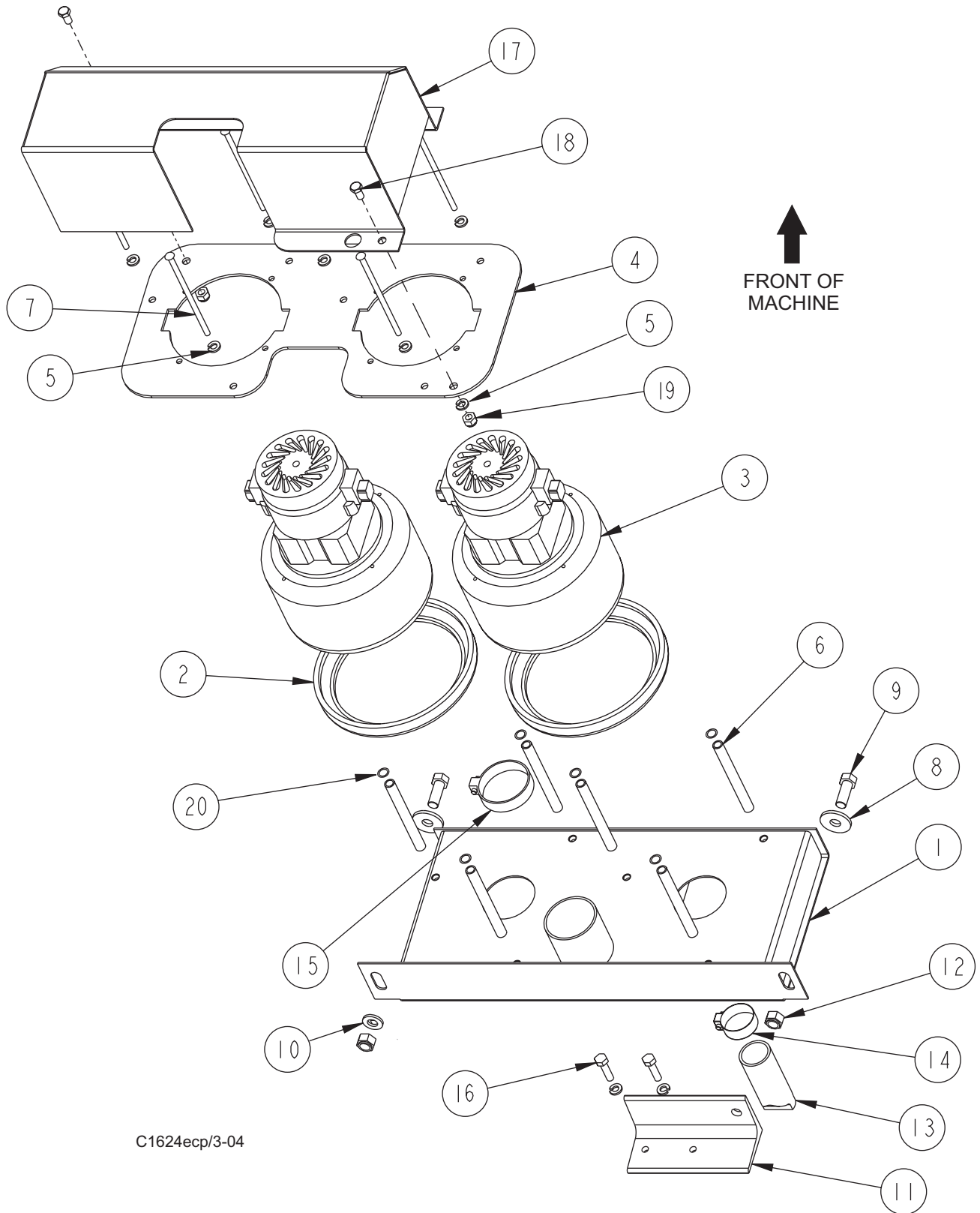
## VAC MOTOR MANIFOLD

---

<u>KEY NO.</u>	<u>PART NUMBER</u>	<u>DESCRIPTION</u>	<u>QTY.</u>
1	7-48-00045	Manifold, Vac Motor (Weldment)	1
2	2-22-00003	Ring, Motor Mounting	2
3	0782-163	Motor, Vacuum Fan, 36V w/Connections (Motor brush: 0775-186/2 required)	2
4	7-08-01109	Bracket, Vac Fan	1
5	2-00-00518	Lock Washer, 1/4 Helical Spring	12
6	7-75-01128	Spacer	6
7	2-00-04986	Screw, 1/4-20 x 4.5	6
8	2-00-03266	Washer	2
9	2-00-00233	Bolt, 3/8-16 Fin. Hex Head	2
10	2-00-00402	Washer, 25/64 ID x 3/4 OD	2
11	7-81-00249	Support, Vacuum Manifold	1
12	2-00-03407	Clamp, 10P Witteck	3
13	8-88-00016	Valve, Dust Unloader	1
14	2-00-02220	Clamp, Hose	1
15	2-00-02216	Clamp, Hose	1
16	2-00-00221	Bolt, 1/4-20 x .75 Fin. Hex Head	2
17	7-72-00019	Shroud, Vac Fan	1
18	2-00-00219	Bolt, 1/4-20 x .50 Fin. Hex Head	2
19	2-00-00594	Nut, 1/4-20 Hex	2
20	2-00-00407	Flat Washer, .563 x .266 x .063	6

C1624ecp/3-04

# VAC MOTOR MANIFOLD



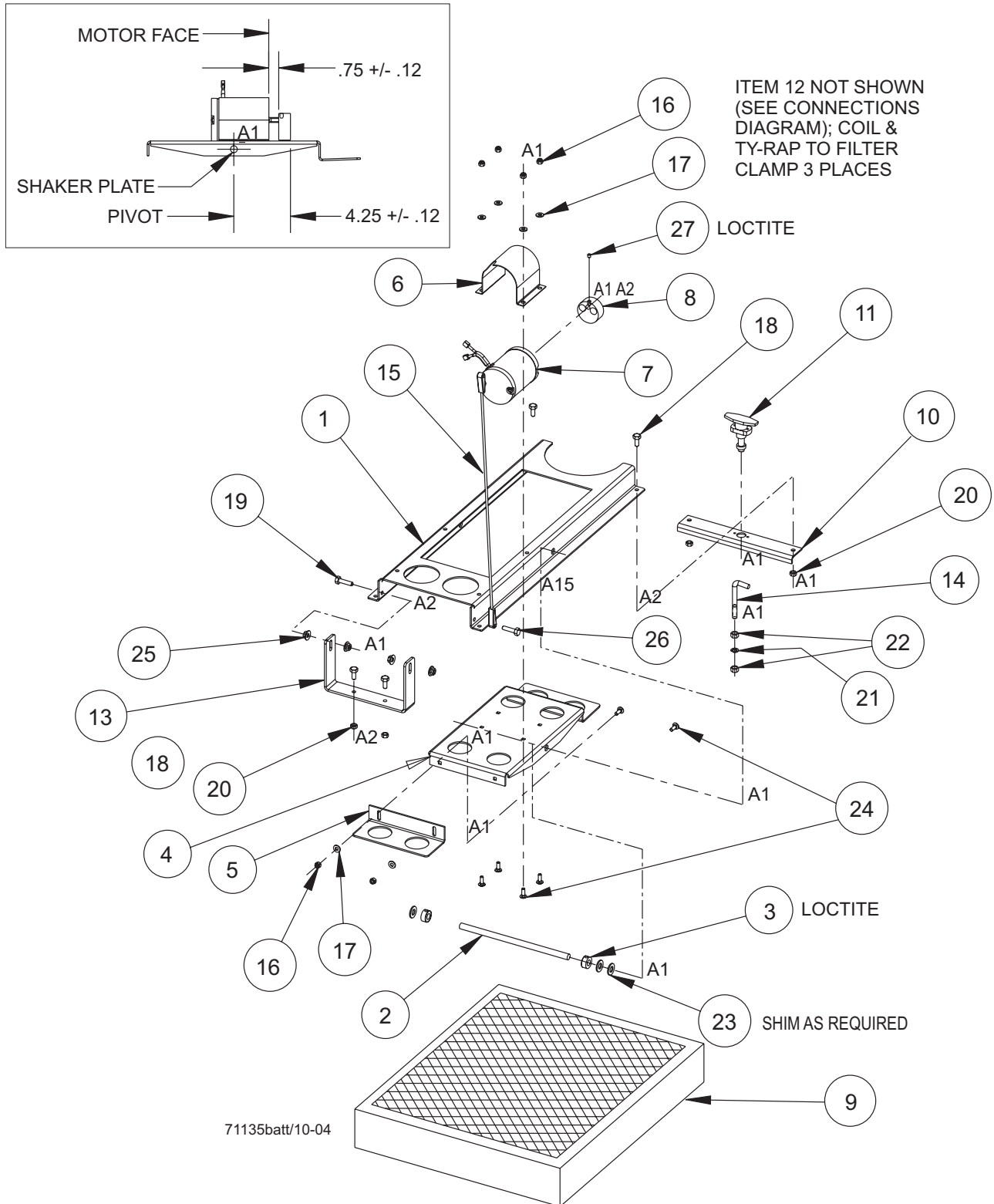
C1624ecp/3-04

## FILTER SHAKER

---

<u>KEY NO.</u>	<u>PART NUMBER</u>	<u>DESCRIPTION</u>	<u>QTY.</u>
1	8-13-07139	Clamp, Filter	1
2	8-55-08119	Pin, Shaker Pod	1
3	2-00-03589	½" Stop Collar	2
4	8-58-05284	Plate, Shaker	1
5	8-03-04302	Arm, Shaker	1
6	8-16-07406	Cover, Filter Shaker Motor	1
7	0860-624	Motor, Filter Shaker (36 VDC)	1
8	8-89-04019	Weight	1
9	8-24-04148	Filter	1
	8-24-04148-2	POLY Filter Option	
10	8-13-07121	Mounting, Shaker Angle	1
11	8-41-00053	Latch	1
12	8-90-07433	Wire, Hopper Shaker	1
13	8-08-00826	Mounting, Shaker Angle	1
14	7-80-05080	Stud, Latch	1
15	8-10-00027	Cable, Hopper	1
16	2-00-00641	Nut, 1/4-20 Fiber Insert	6
17	2-00-03702	Washer, .625 x .281 x .063	6
18	2-00-00208	Screw, 5/16-18 x .75 HHC	4
19	2-00-00207	Screw, 5/16-18 x 1.25 HHC	1
20	2-00-00644	Nut, 5/16-18 Fiber Insert	4
21	2-00-02310	Lock Washer, 3/8 Helical Spring	1
22	2-00-02360	Nut, 3/8-16 Hex	2
23	2-00-00405	Flat Washer, 1.063 x .531 x .094	3
24	2-00-03575	Carriage Bolt, 1/4-20 d .750	6
25	2-00-05359	Nut, 5/16-18 Serrated Flange	4
26	2-00-00203	Screw, 1/4-20 x 1.5 HHC	1
27	2-00-00263	Set Screw, 1/4-20 x 1/4	1

71135batt/10-04



**FRAME & SHAKER ADJUSTMENT INSTRUCTIONS:**

1. ADJUST FRAME TO FILTER: ADJUST FILTER FRAME PIVOT BOLTS PAWL OF FILTER FRAME LATCH SUCH THAT FILTER GASKET COMPRESSES APPROXIMATELY 1/8"
2. ADJUST SHAKER TO FILTER: ADJUST SHAKER SHAKER ARM SUCH THAT IT & SHAKER PLATE FORCE FILTER SCREEN TO CONTACT FILTER MEDIA. (NOTE - DO NOT COMPRESS FILTER MEDIA WITH SHAKER)

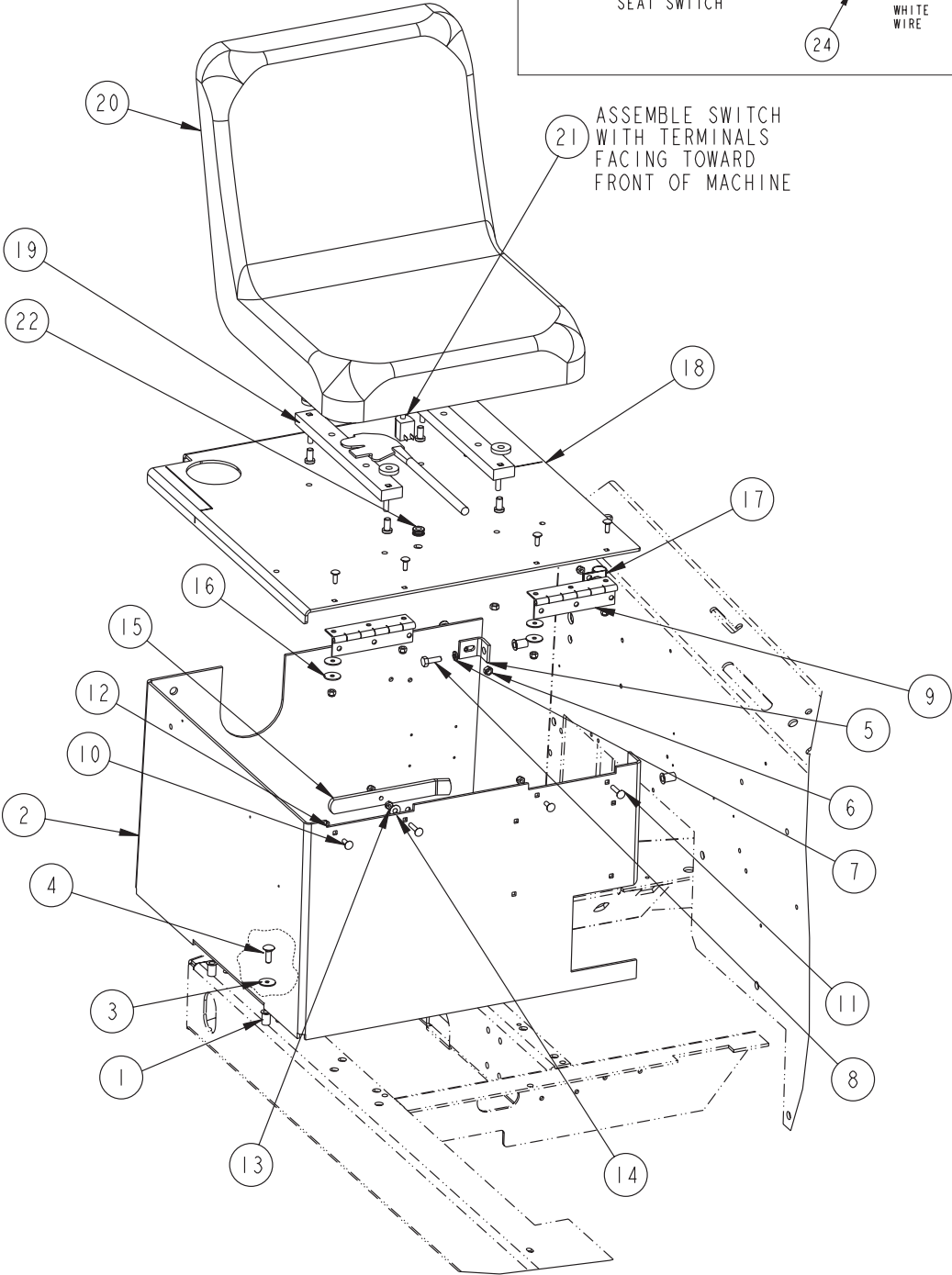
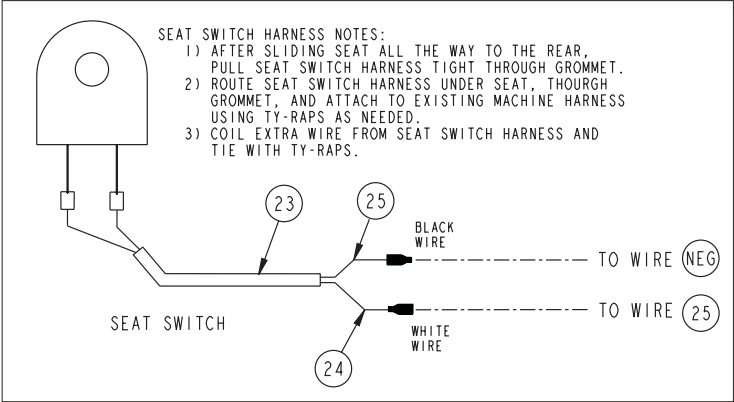
## SEAT ASSEMBLY

---

<u>KEY NO.</u>	<u>PART NUMBER</u>	<u>DESCRIPTION</u>	<u>QTY.</u>
1	2-00-05330	Threaded Insert, 5/16-18	4
2	7-33-09062	Housing, Seat & Fuel	1
3	2-00-00409	Flat Washer, .687 x .344 x .062	3
4	2-00-00206	Bolt, 5/16-18 x .75 lg	2
5	8-08-00834	Bracket	1
6	2-00-00644	Nut, 5/16-18 Insert Fiber	5
7	2-00-00530	Lock Washer, 5/16 HS Med	2
8	2-00-02708	Screw, 5/16-18 x 1.0 HHM	2
9	8-32-00044	Hinge, Door	2
10	2-00-03575	Carriage Bolt, 1/4-20 x .75	6
11	2-00-01951	Carriage Bolt, 1/4-20 x 1.25	2
12	2-00-00641	Nut, 1/4-20 Insert Fiber	8
13	2-00-00594	Nut, Hex 1/4-20 x .437 x .218	1
14	7-23-03048	Washer-Spring-Shakeproof	1
15	8-41-00064	Latch, Seat Panel	1
16	2-00-01676	Flat Washer, 1.062 x .265 x .062	6
17	2-00-04564	Clamp, Cable	1
18	8-52-00186	Panel, Seat Mounting	1
19	7-72-05005	Seat (Slide) Adjuster Kit	1
20	7-69-00008	Seat	1
21	7-82-00050	Switch, Seat	1
22	2-00-00491	Grommet	1
23	0785-126	Wire Assy., Seat Switch	1
24	2-00-04626	Terminal, .156 Female Bullett	1
25	2-00-04578	Terminal, .156 Male Bullett	1
26	2-00-04345	Ty-Rap (not shown)	10

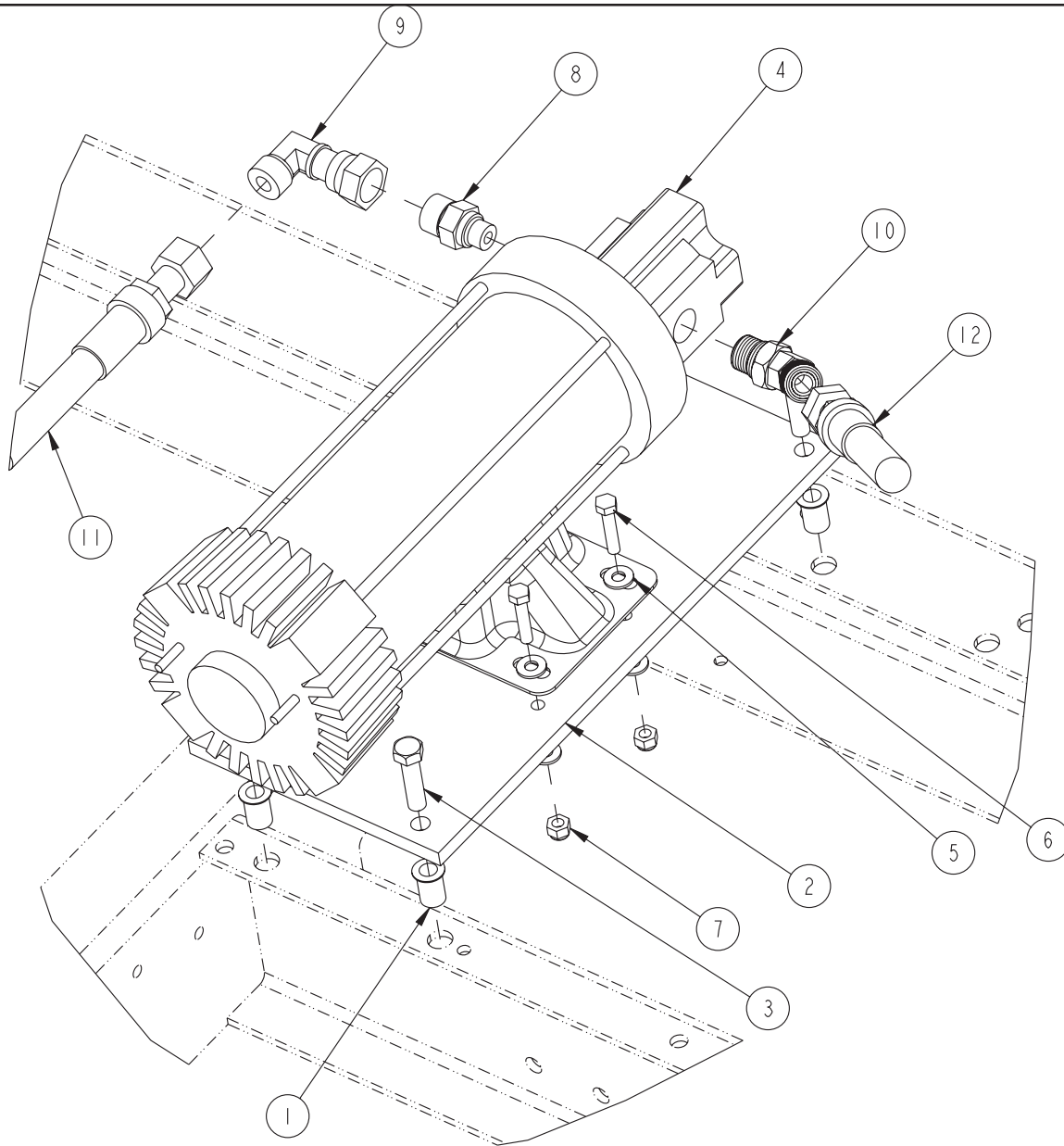
72072revC/10-04





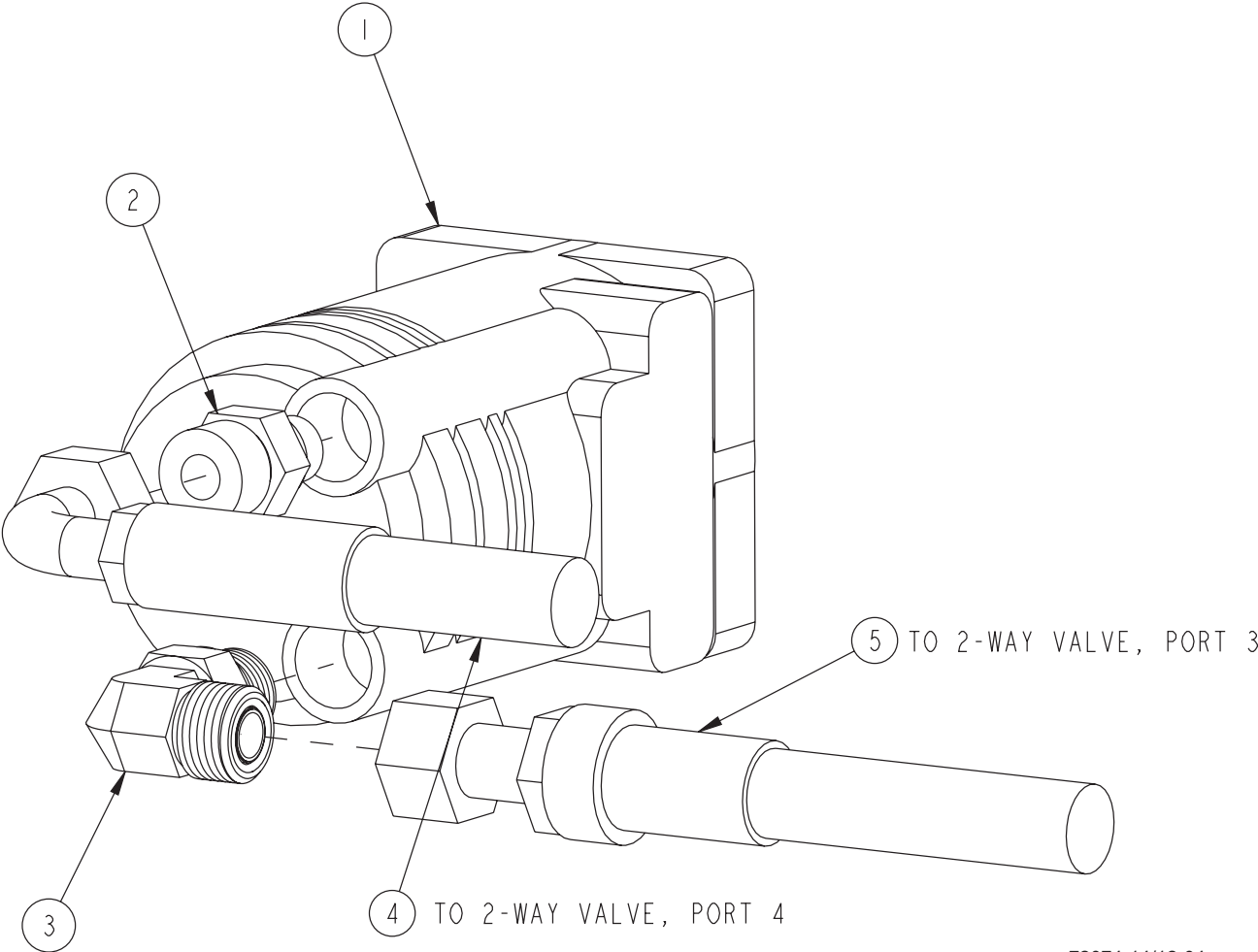
72072revC/10-04

# HYDRAULIC PUMP



KEY NO.	PART NUMBER	DESCRIPTION	QTY.
1	2-00-05347	Insert, 3/8-16 Threaded	4
2	7-81-00285	Plate, Pump Motor Mounting	1
3	2-00-00234	Screw, 3/8-16 x 1.50 HHC	4
4	8-50-05037	Pad, Radiator Mount	4
5	0882-071	Pump Motor	1
	0780-644	Motor Brush Kit (service part)	1
	0780-645	Motor Seal Kit (service part)	1
6	2-00-00409	Flat Washer, .687 x .344 x .062	4
7	2-00-00644	Nut, 5/16-18 Fiber Insert Hex	8
8	2-00-04977	Fitting, -8 ORS - 6 SAE, STR.	1
9	2-00-05046	Fitting, -8 ORS Swivel 90° Elbow	1
10	2-00-04975	Fitting, -8 SAE 45° Elbow	1
11	7-33-02667	Hose, #8 STR. - STR. (42")	Ref
12	7-33-02665	Hose, #8 STR. - STR. (24")	Ref

72074revC/10-04

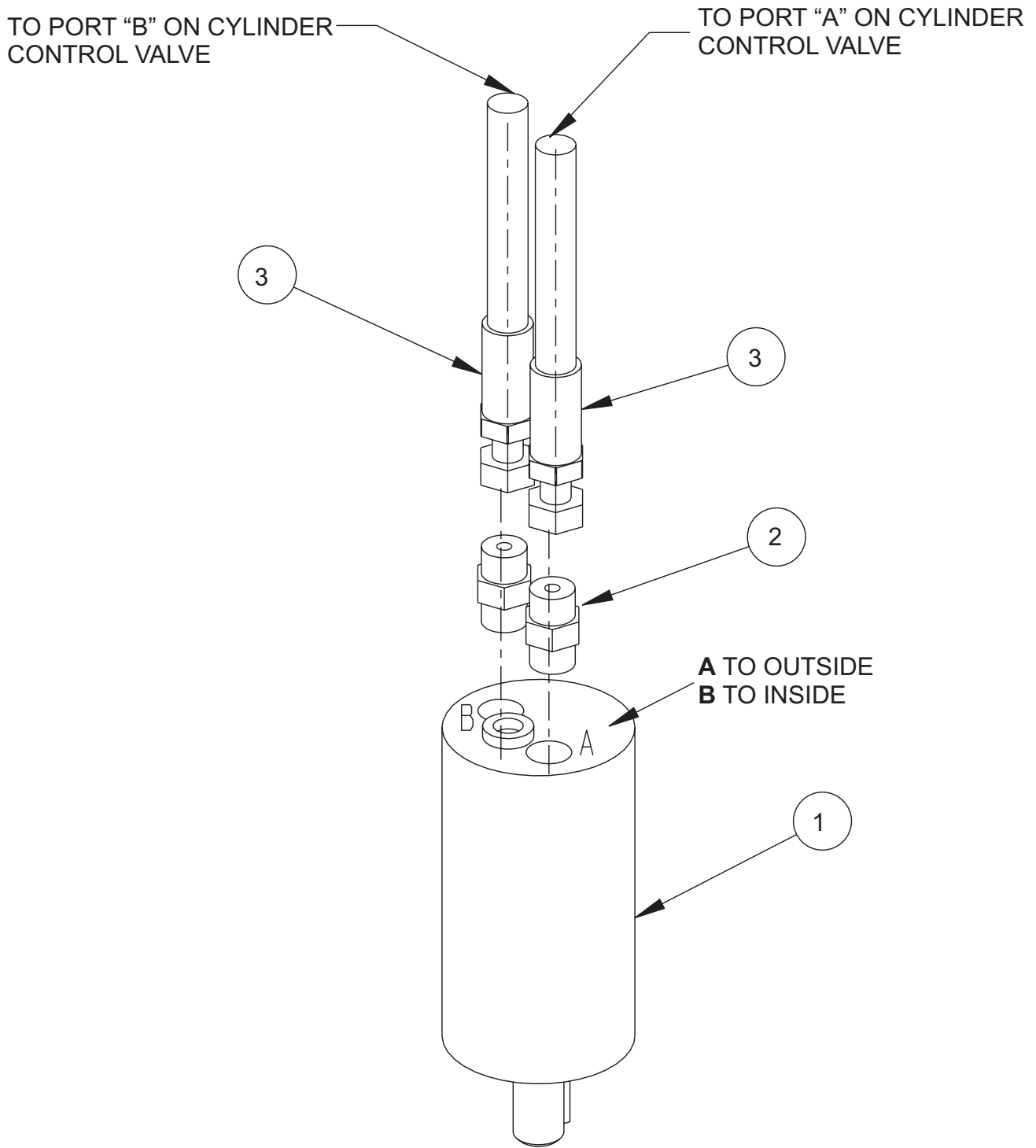


72074-14/12-04

<u>KEY NO.</u>	<u>PART NUMBER</u>	<u>DESCRIPTION</u>	<u>QTY.</u>
1	0885-061	Motor, Main Broom	Ref
2	2-00-04977	Fitting, 8 ORS - 6 SAE, STR.	Ref
3	2-00-04885	Fitting, 90° Elbow (O-Ring)	Ref
4	7-33-02662	Hose, #8 ORS, STR. x 90° (74")	Ref
5	7-33-02663	Hose, #8 ORS, STR. x 90° (73")	Ref

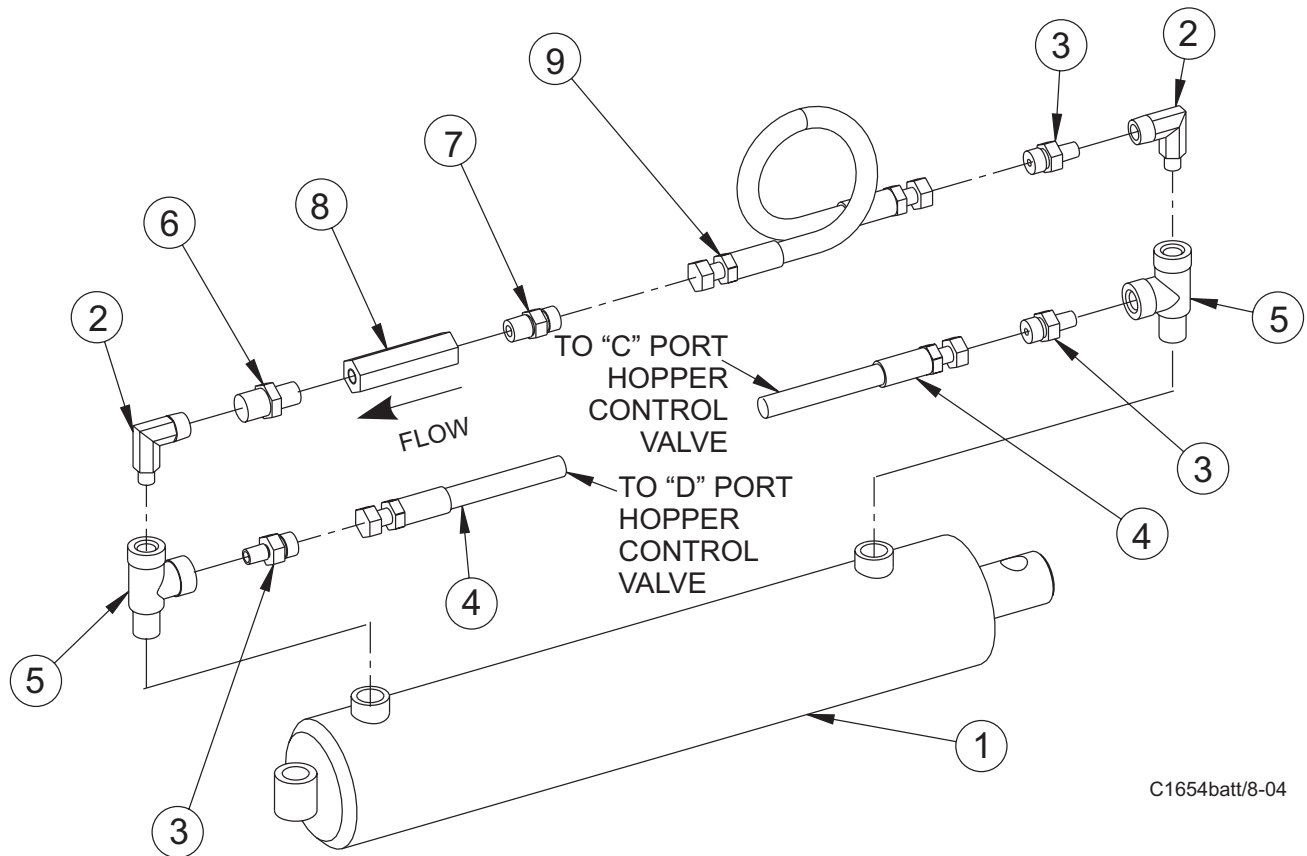
72074-14revD/12-04

# SIDE BROOM HYDRAULICS



<u>KEY NO.</u>	<u>PART NUMBER</u>	<u>DESCRIPTION</u>	<u>QTY.</u>
1	0885-061	Hyd. Motor	1
	0780-144	Motor Seal Kit (service part)	
2	2-00-04918	Straight Fitting	2
3	7-33-02353	Hose, 98.5"	Ref

# HOPPER LIFT HYDRAULICS

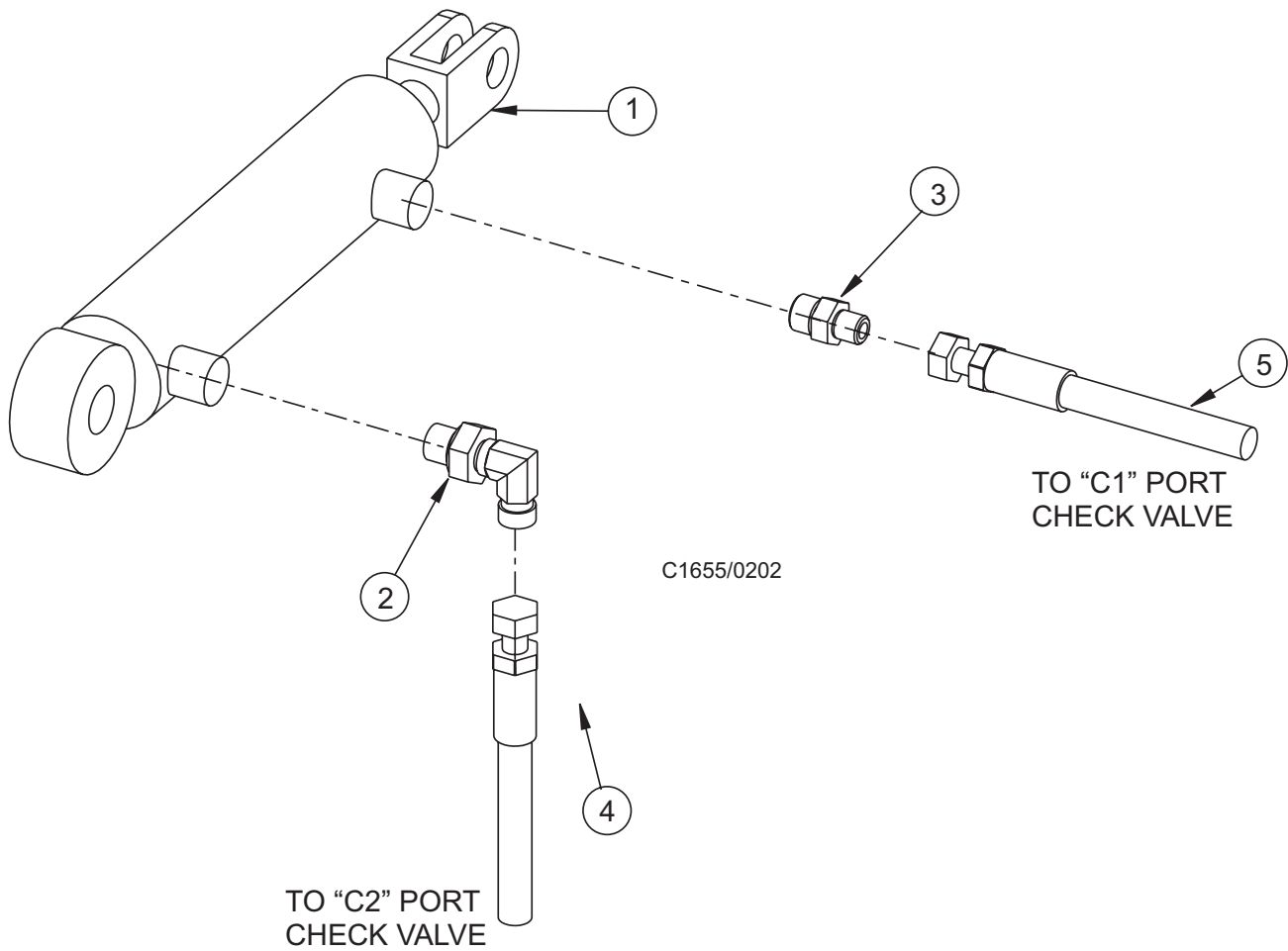


C1654batt/8-04

<u>KEY NO.</u>	<u>PART NUMBER</u>	<u>DESCRIPTION</u>	<u>QTY.</u>
1	8-17-05022 0880-183-1	Cylinder, Rotation Seal Kit (Service Part)	1
2	2-00-04589	Fitting, 3/8 to 3/8 90° Street Elbow	1
3	2-00-05054	Fitting, 9/16-18 to 3/8-18 Adapter	3
4	7-33-02352	Hose, #4 ORS 0-90° Swivel 71"	Ref
5	2-00-04462	Fitting Street Tee (3/8)	2
6	2-00-04628	Fitting, STR 3/8 to 1/4	1
7	2-00-04997	Fitting ORS NPT Adapter (#4-1/4)	1
8	8-88-00014	Valve, Ball Check	1
9	8-33-02178	Hose, .25" ID 15.0"	1

C1654batt/8-04

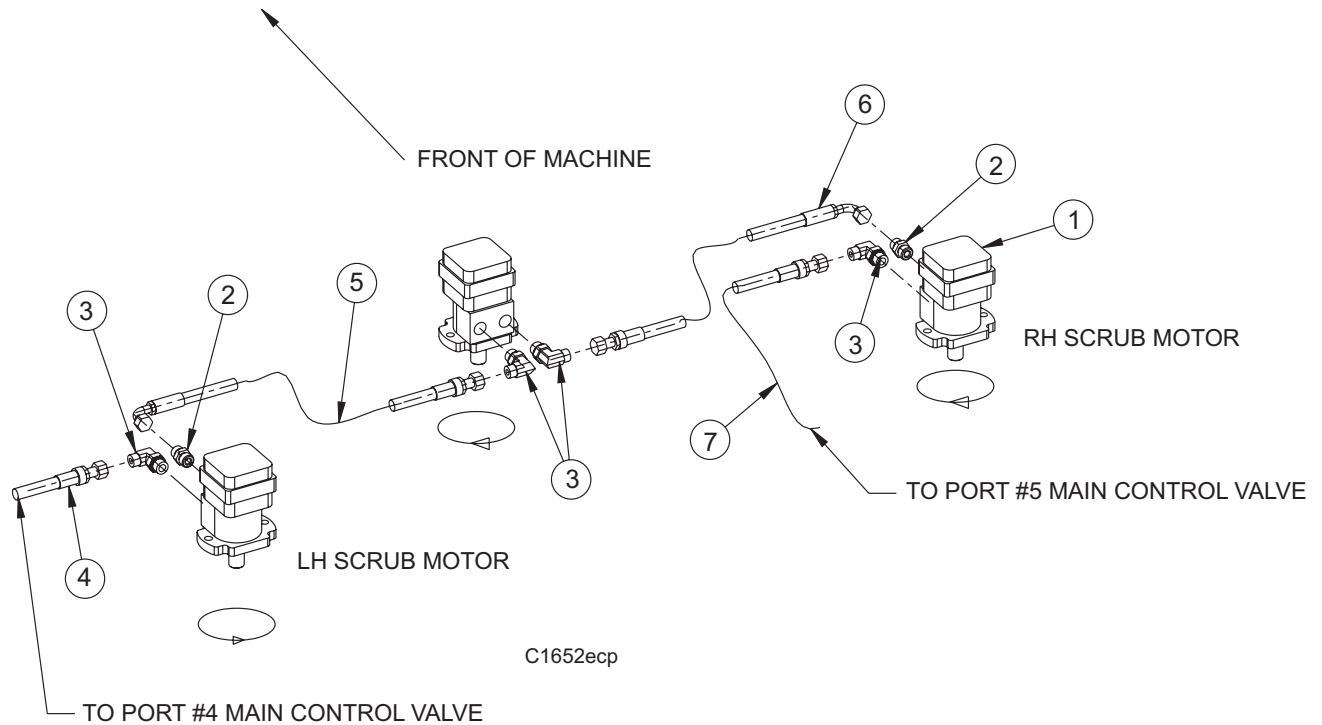
# HOPPER DUMP DOOR HYDRAULICS



<u>KEY NO.</u>	<u>PART NUMBER</u>	<u>DESCRIPTION</u>	<u>QTY.</u>
1	7-17-05011	Cylinder	1
	7-70-00021	Seal Kit (Service Part)	
2	2-00-04926	#4 SAE to #4 ORS 90°	1
3	2-00-04895	#4 SAE to #4 ORS	1
4	7-33-02342	#4 Hose STR 92.5"	Ref
5	8-33-02216	#4 Hose STR 88.0"	Ref

C1655/0402

# SCRUB DECK HYDRAULICS

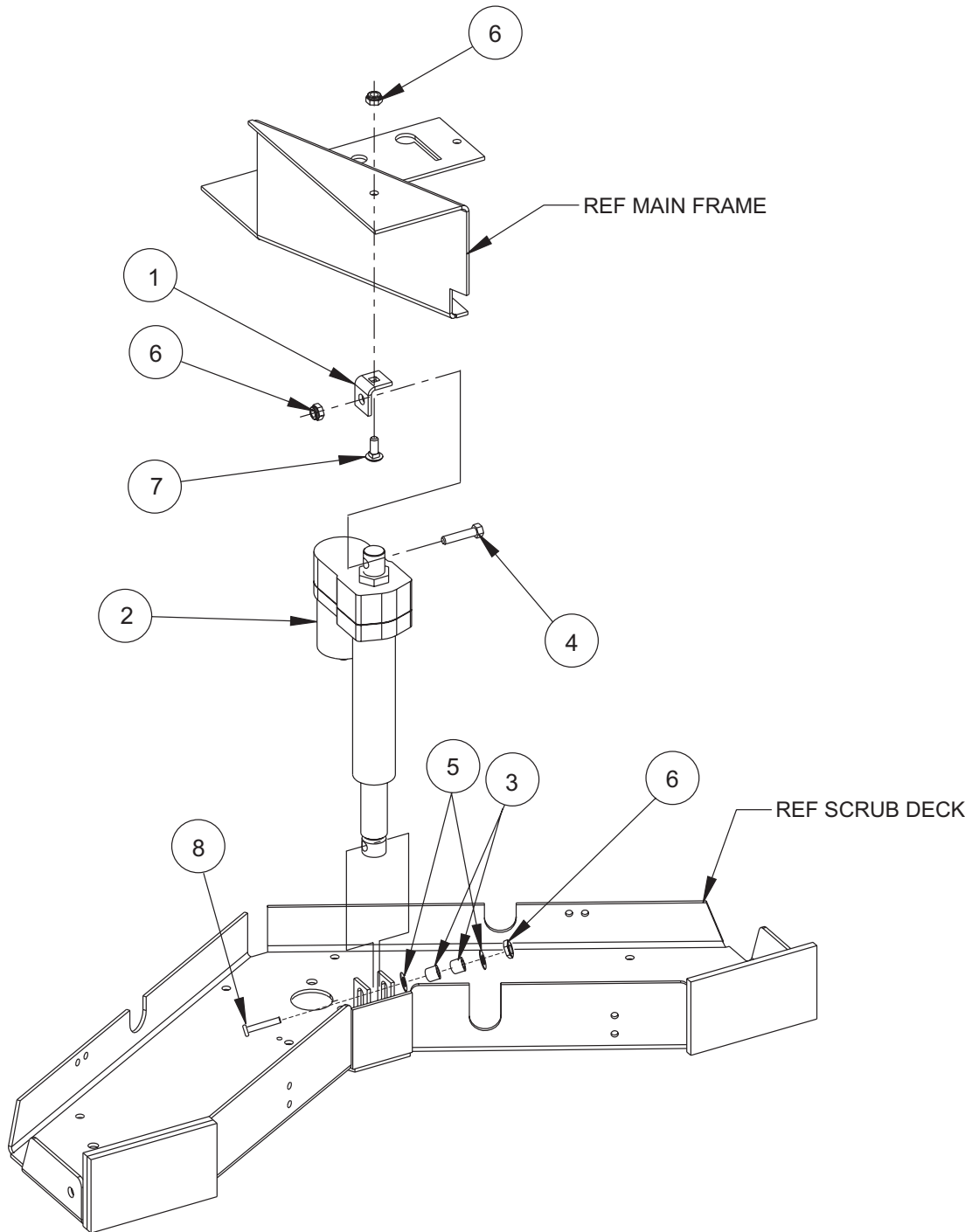


<b>KEY NO.</b>	<b>PART NUMBER</b>	<b>DESCRIPTION</b>	<b>QTY.</b>
1	0782-111 0780-070	Hydraulic Motor Seal Kit (Service Part)	3
2	2-00-04974	#10 SAE to #8 ORS	2
3	2-00-04921	#10 SAE to #8 ORS, 90°	4
4	7-33-02347	#8 Hose STR - 90° 49.0"	Ref.
5	7-33-02354	#8 Hose STR - 90° 13.5"	Ref.
5*	7-33-02327	#8 Hose STR - 90° 15.25"	Ref.
6	7-33-02327	#8 Hose STR - 90° 15.25"	Ref.
6*	7-33-02326	#8 Hose STR - 90° 15.25"	Ref.
7	7-33-02428	#8 Hose STR - 90° 57"	Ref.

\* These hoses are for 53" Scrub Deck

C1652ecp/3-04

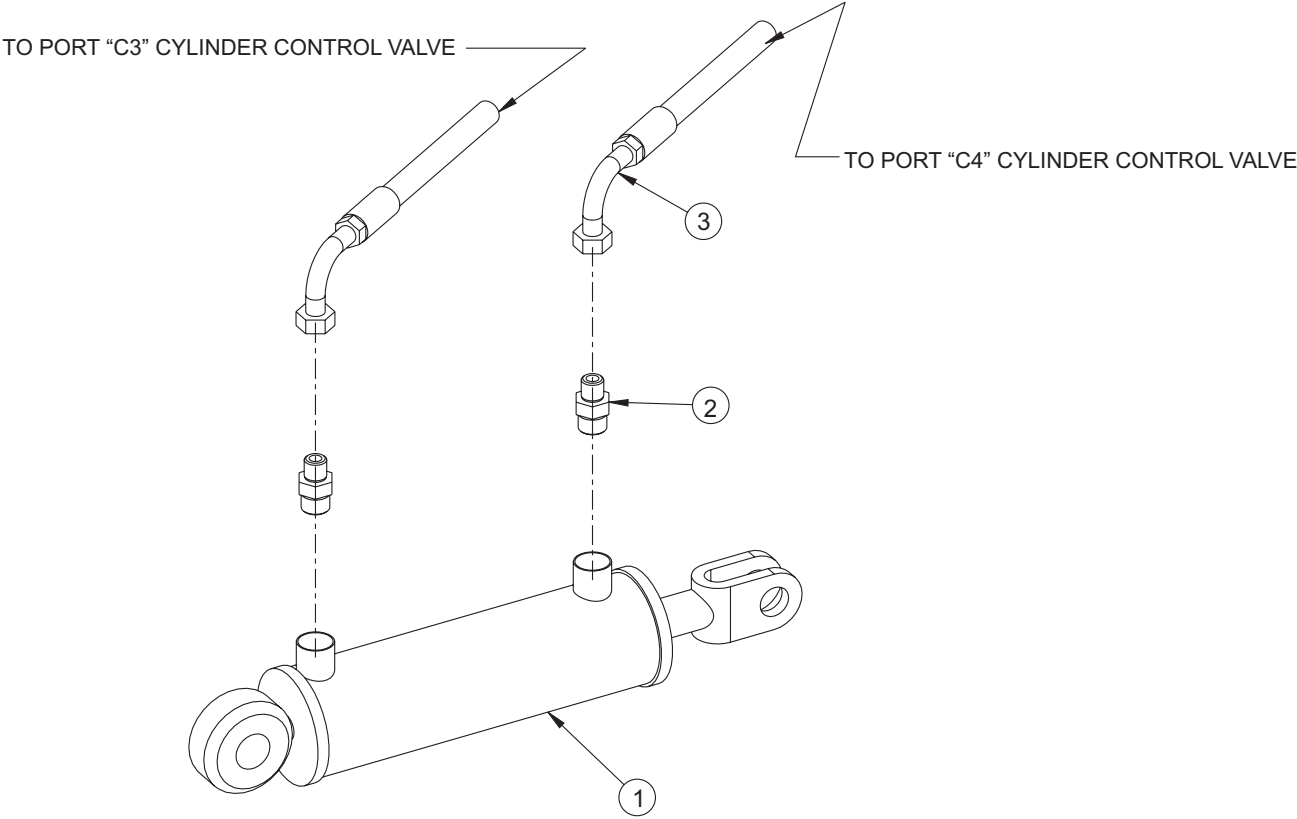
# SCRUB DECK LIFT HYDRAULICS



<b>KEY NO.</b>	<b>PART NUMBER</b>	<b>DESCRIPTION</b>	<b>QTY.</b>
1	7-31-07025	Hanger, Brush Lift	1
2	0782-130	Actuator (36V)	1
3	2-00-03151	Spacer, 1/2 ID x 3/4 OD x 5/8 LG	2
4	2-00-00242	Screw, 1/2-13 x 2.25 HHC	1
5	2-00-00405	Flat Washer, 1.063 x .531 x .094	2
6	2-00-04936	Nut, 1/2-13 Fiber Lock	3
7	2-00-05187	Carriage Bolt, 3/8-16 x 1.25	1
8	2-00-04618	Screw, 1/2-13 x 3.50 HHC	1

C1769batt/4-03





C1656/0402

<u>KEY NO.</u>	<u>PART NUMBER</u>	<u>DESCRIPTION</u>	<u>QTY.</u>
1	7-17-05019 0780-402	Cylinder Seal Kit (Service Part)	1
2	2-00-04895	Fitting, #4 SAE to #4 ORS	2
3	7-33-02190	Hose, #4 ORS STR-90 (67")	Ref

C1656/0402

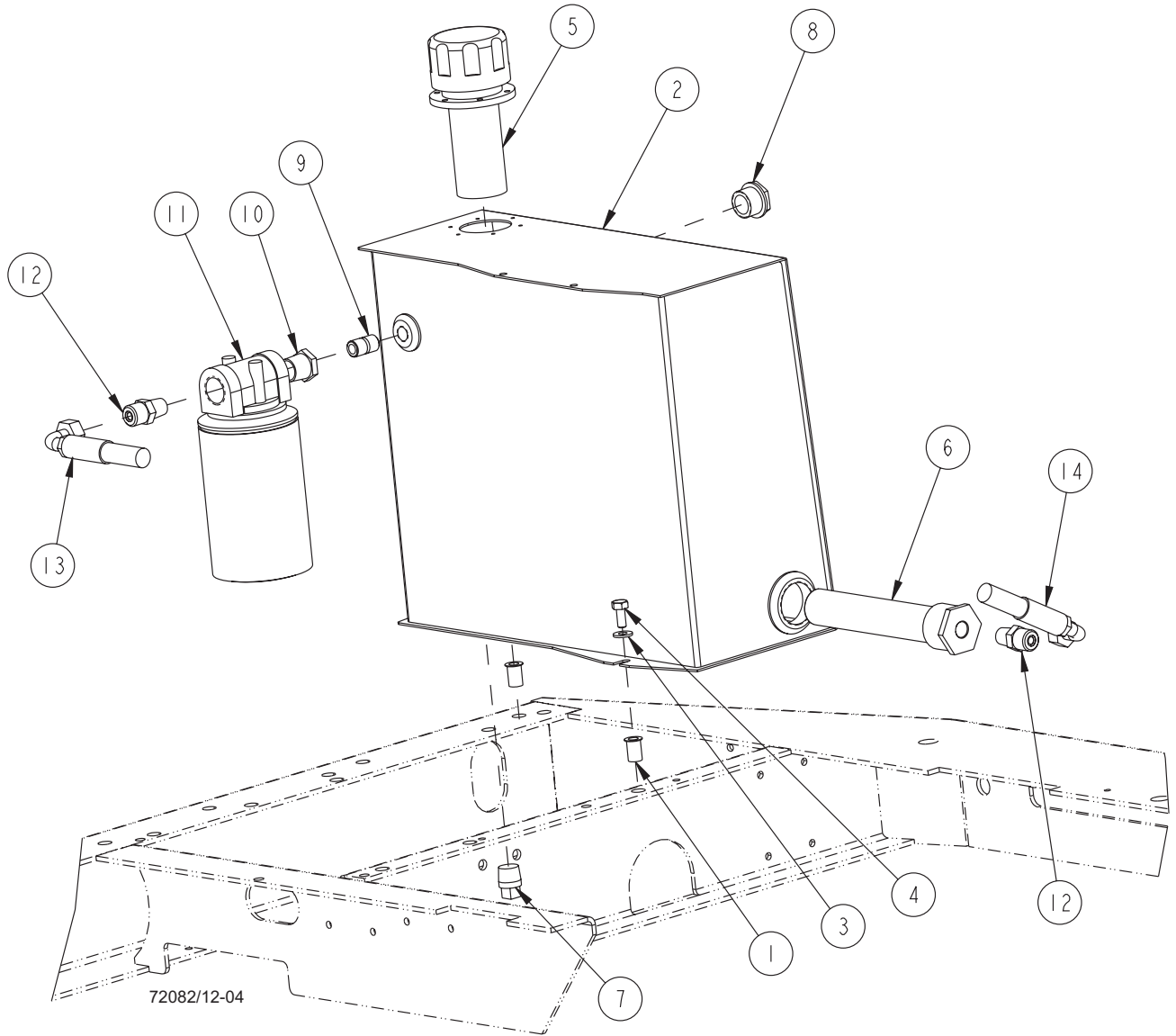
## HYDRAULIC RESERVOIR

---

<u>KEY NO.</u>	<u>PART NUMBER</u>	<u>DESCRIPTION</u>	<u>QTY.</u>
1	2-00-05330	Insert, 5/16-18 Threaded	2
2	7-83-08004	Hydraulic Reservoir	1
3	2-00-00451	Flat Washer, .750 X .312 X .065 Stl Zn	2
4	2-00-00208	Screw, 5/16-18 X .75 HHC	2
5	8-11-00026	Filter, Cap Reservoir	1
6	8-24-04115	Strainer, Hyd. Reservoir	1
7	2-00-02474	Plug, 1/2 NPT	1
8	8-48-05033	Sight Glass, Hyd. Fluid	1
9	2-95-02516	1/2 Pipe Nipple Close	1
10	2-00-04474	Reducer, 3/4-14 x 1/2-14	1
11	7-24-04013	Return Filter Assy.	1
12	2-00-05436	Fitting, ORFS M to NPTF M 08 x 12	2
13	7-33-02666	Hose, #8 STR - 90° (48")	Ref
14	7-33-02665	Hose, #8 STR - 90° (28")	Ref

72082revC/12-04

# HYDRAULIC RESERVOIR



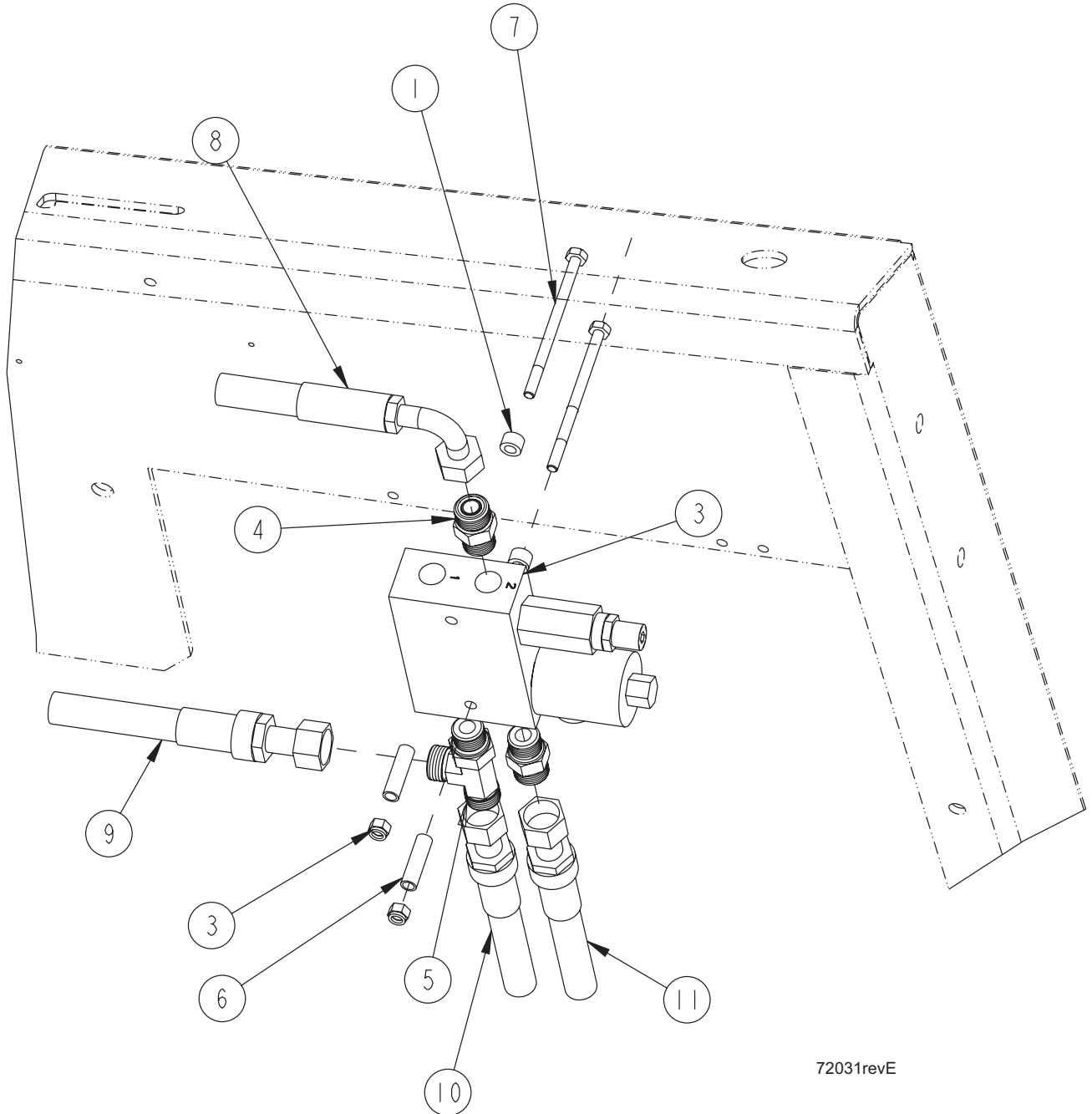
## 2-WAY HYDRAULIC VALVE

---

<u>KEY NO.</u>	<u>PART NUMBER</u>	<u>DESCRIPTION</u>	<u>QTY.</u>
1.	7-75-01234	Spacer, Vac	2
2.	7-88-00123	Valve, 2-way Pressure Relief	1
	7-12-02023	Valve Cartridge (service part)	
	7-14-07010	Valve Coil (service part)	
3.	2-00-00641	Nut, 1/4-20 Fiber Insert	2
4.	2-00-04970	Fitting, STR -8 ORS x -8 SAE	2
5.	2-00-04924	Fitting,3/4-16 x 13/16-16 Tee	1
6.	8-75-01207	Spacer, Taillight Mounting	2
7.	2-00-05485	Bolt, 1/4-20 x 4.0	2
8.	7-33-02666	Hose, #8 STR - 90° (48")	Ref
9.	7-33-02664	Hose, #6 STR #4 - STR #8 (64")	Ref
10.	7-33-02663	Hose, #8 STR - 90° (73")	Ref
11.	7-33-02662	Hose, #8 STR - STR (74")	Ref

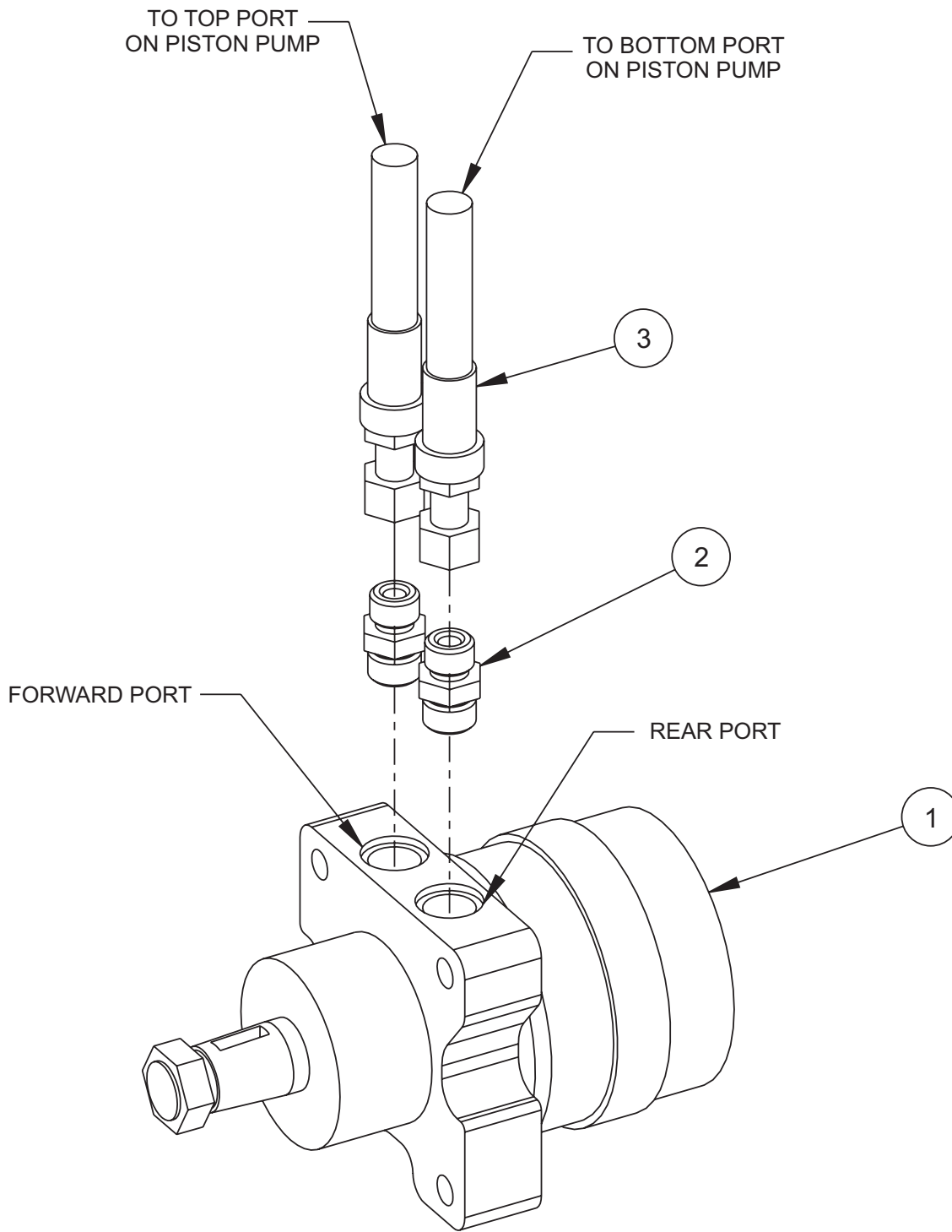
72031revE/12-04

## 2-WAY HYDRAULIC VALVE



72031revE

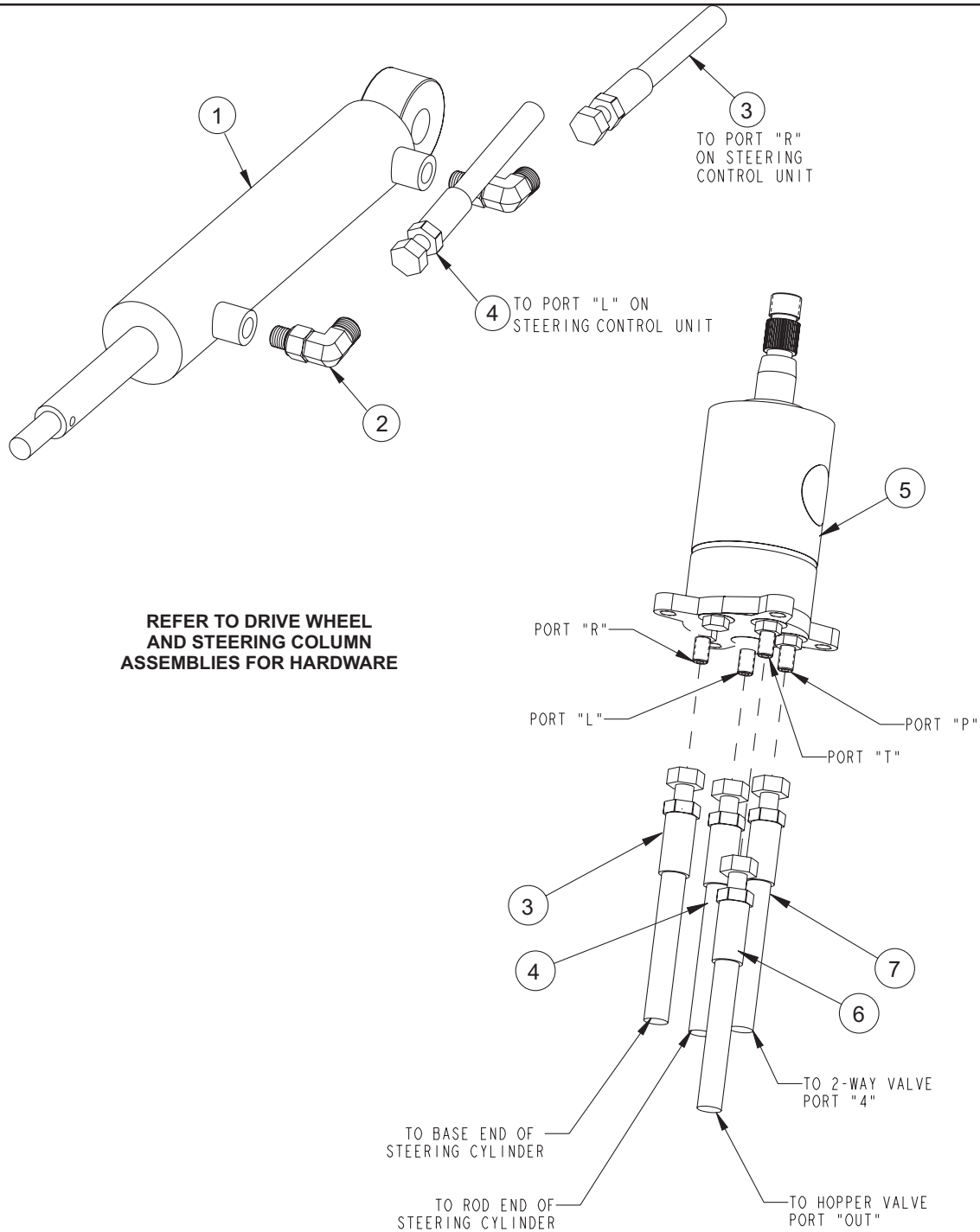
# DRIVE WHEEL HYDRAULICS



<u>KEY NO.</u>	<u>PART NUMBER</u>	<u>DESCRIPTION</u>	<u>QTY.</u>
1	0785-087	Hydraulic Motor	1
2	2-00-04974	Fitting #8 ORS to #10 SAE Connector	2
3	7-33-02382	Hose - #8 ORS STR Ends 43.25"	Ref.

C1661/9804

# STEERING 90° - 90° HYDRAULICS



72024-12revD

KEY NO.	PART NUMBER	DESCRIPTION	QTY.
1	7-17-05010	Cylinder, Power Steering	1
	7-70-00021	Cylinder Seal Kit (service part)	
2	2-00-04892	Fitting, 90° Elbow (O-Ring)	2
3	8-33-02183	Hose #4, STR - STR, 49" LG	Ref
4	8-33-02185	Hose #4, STR - STR, 56" LG	Ref
5	8-60-05034	Steering Control Unit	1
6	7-33-02668	Hose #6, STR #4 - 45° #8, 30" LG	Ref
7	7-33-02664	Hose #6, STR #4 - STR #8, 64" LG	Ref

72024-12revD/12-04

## COVERS

---

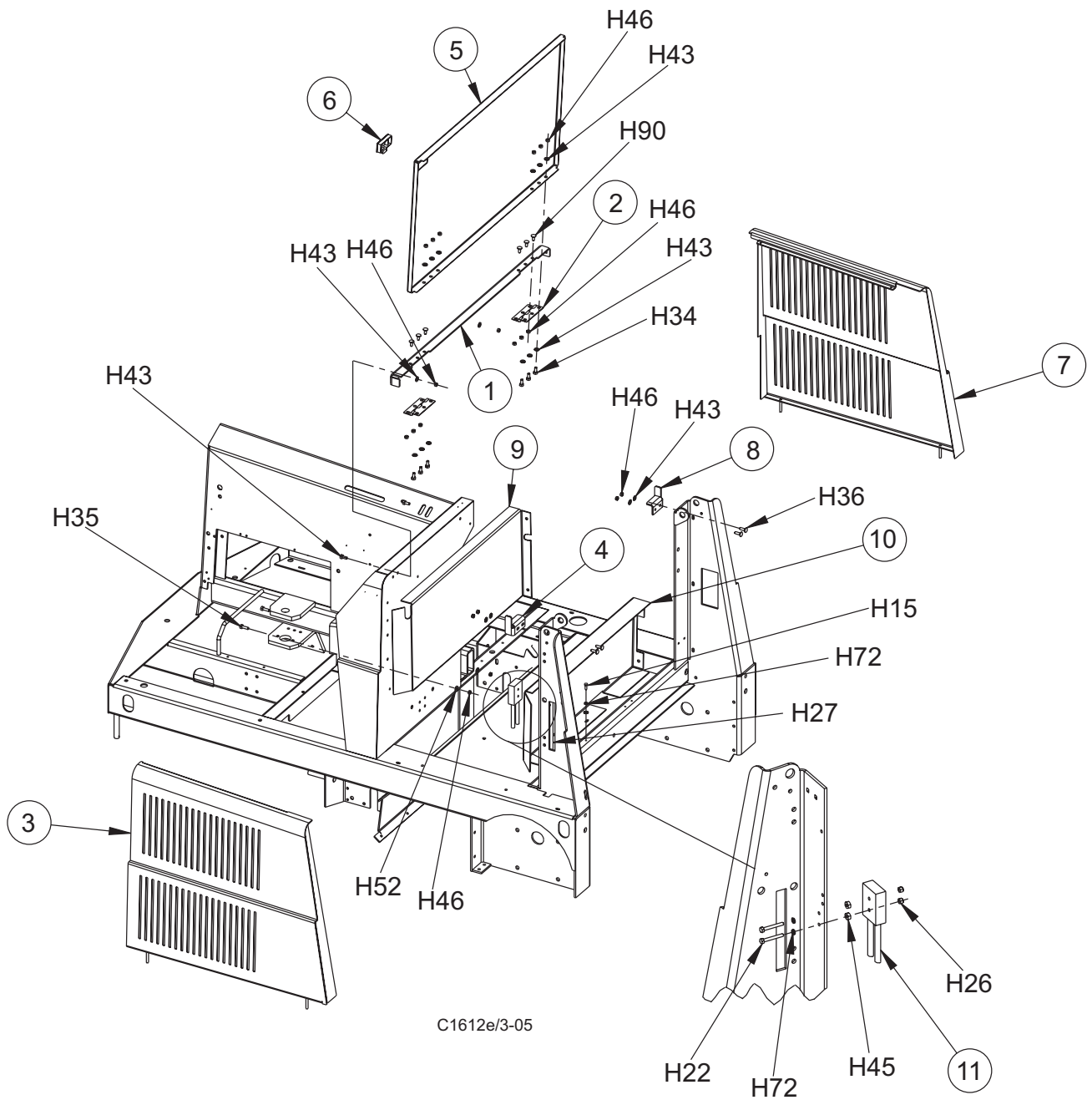
<u>KEY NO.</u>	<u>PART NUMBER</u>	<u>DESCRIPTION</u>	<u>QTY.</u>
1	7-81-00192	Support , Top Cover	1
2	8-32-00046	Hinge	2
3	7-16-07385	Cover, RH Side	1
4	7-41-00062	Latch, RH Side Cover	1
5	7-16-07383	Cover, Engine	1
6	8-41-00040	Latch	1
7	7-16-07384	Cover, LH Side	1
8	7-41-00034	Latch, LH Side Cover	1
9	7-62-05108	Rail, Battery Guide (Rear)	1
10	7-62-05109	Rail, Battery Guide (Front)	1
11	0775-166	Connection Assembly	1

### HARDWARE USED:

H15	2-00-00221	Screw, ¼ - 20 x .75 HHC	3
H22	2-00-02589	Screw, 1/4-20 x 2.0 HHC	2
H26	2-00-00641	Nut, 1/4-20 Fiber Insert	2
H27	2-00-03702	Washer, .625 x .281 x .063	4
H34	2-00-00208	Screw, 5/16-18 x .75 HHC	6
H35	2-00-02708	Screw, 5/16-18 x 1.0 HHM	4
H36	2-00-00196	Carriage Bolt, 5/16-18 x 1.0	4
H43	2-00-00409	Flat Washer, .687 x .344 x .062	18
H45	2-00-00585	Nut, Hex. 5/16-18 x .500 x .265	2
H46	2-00-00644	Nut, 5/16-18 Fiber Insert	20
H52	2-00-00402	Flat Washer, .750 x .390 x .094	2
H72	2-00-00518	Lock Washer, Helical Spring	5
H90	2-00-03569	Carriage Bolt, 5/16 - 18 x .75	6

C1612e/3-05



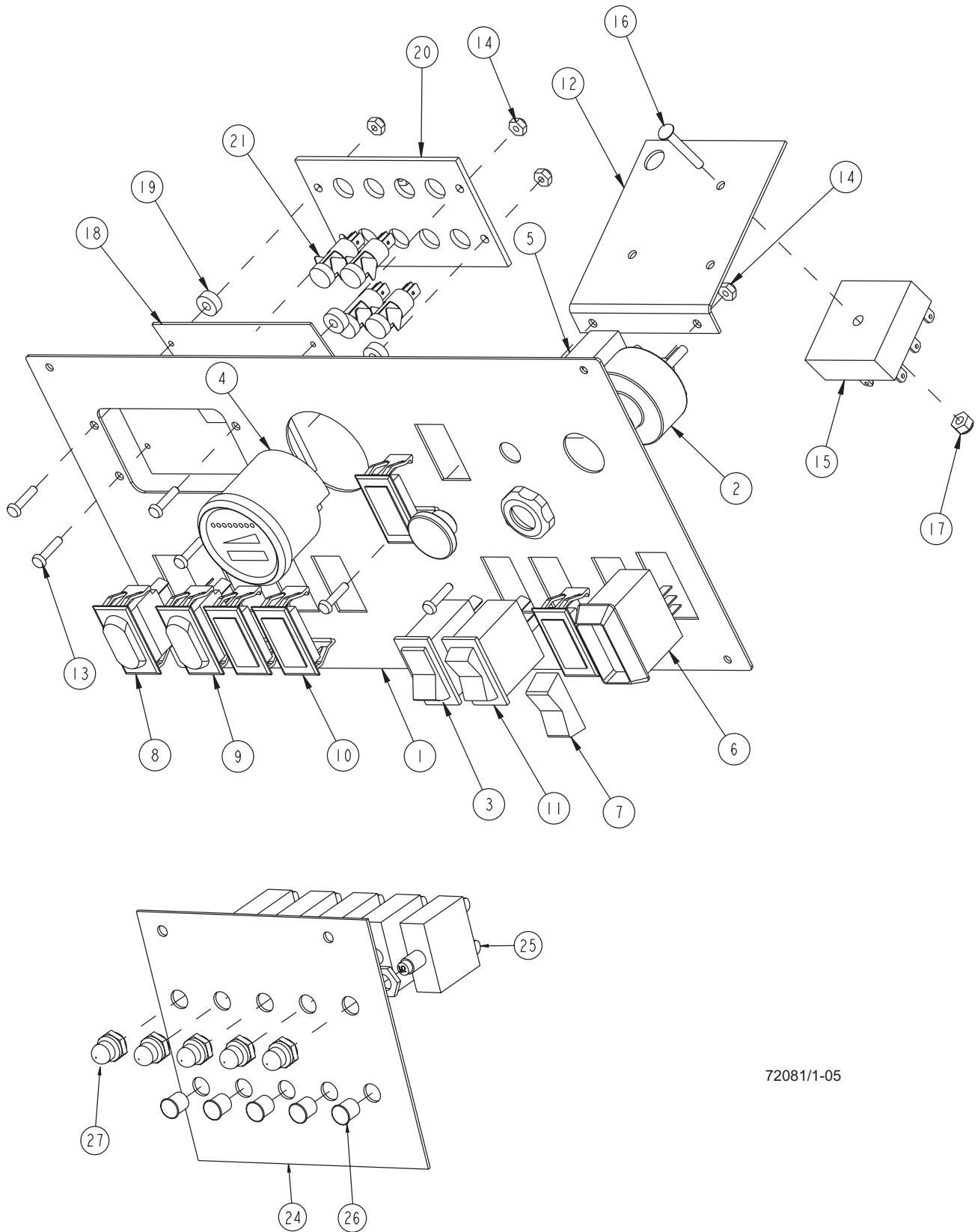


## INSTRUMENT PANEL

---

<u>KEY NO.</u>	<u>PART NUMBER</u>	<u>DESCRIPTION</u>	<u>QTY.</u>
1	7-52-00208	Instrument Panel	1
2	8-82-00041	Key Switch (Ignition)	1
3	8-82-00059	Rocker Switch (SPST)	1
4	0785-095	Hobbsmeter	1
5	8-82-00027	Light Switch	1
6	2-00-05827	Switch Body	1
7	2-00-05834	Actuator, Forward/Reverse	1
8	7-82-00041	Switch, Double Pole, Triple Throw (On-On-On)	1
9	7-82-00042	Switch, Motor Reversing	1
10	2-00-05375	Blank, McGill Switch	4
11	8-82-00062	Switch, Rocker (SPST)	1
12	8-08-00838	Panel, Relay	1
13	2-00-05337	Screw, #8-32 x 3/4 BHSC	6
14	2-00-01372	Nut, #8-32 Fiber Lock Hex	6
15	8-64-00020	Relay, 20-Second Time Delay	1
16	2-00-04897	Screw, #10-24 x 1.25 lg	1
17	2-00-01246	Nut, #10-24 Elastic Stop	1
18	7-41-08007	Panel, Warning Light	1
19	8-75-01223	Spacer, Panel	4
20	7-52-00209	Panel, Warning Light	1
21	7-40-05038	Amber Light	4
22	8-18-00567	Decal, Instrument Panel	1
23	0795-216	Harness, Wiring (not shown)	1
24	7-52-00179	Panel, Circuit Breaker	1
25	8-64-00008	Circuit Breaker, 15 amp	5
26	2-00-04757	Plug Button (.375 dia.)	5
27	8-11-00044	Boot	5

72081revC/1-05



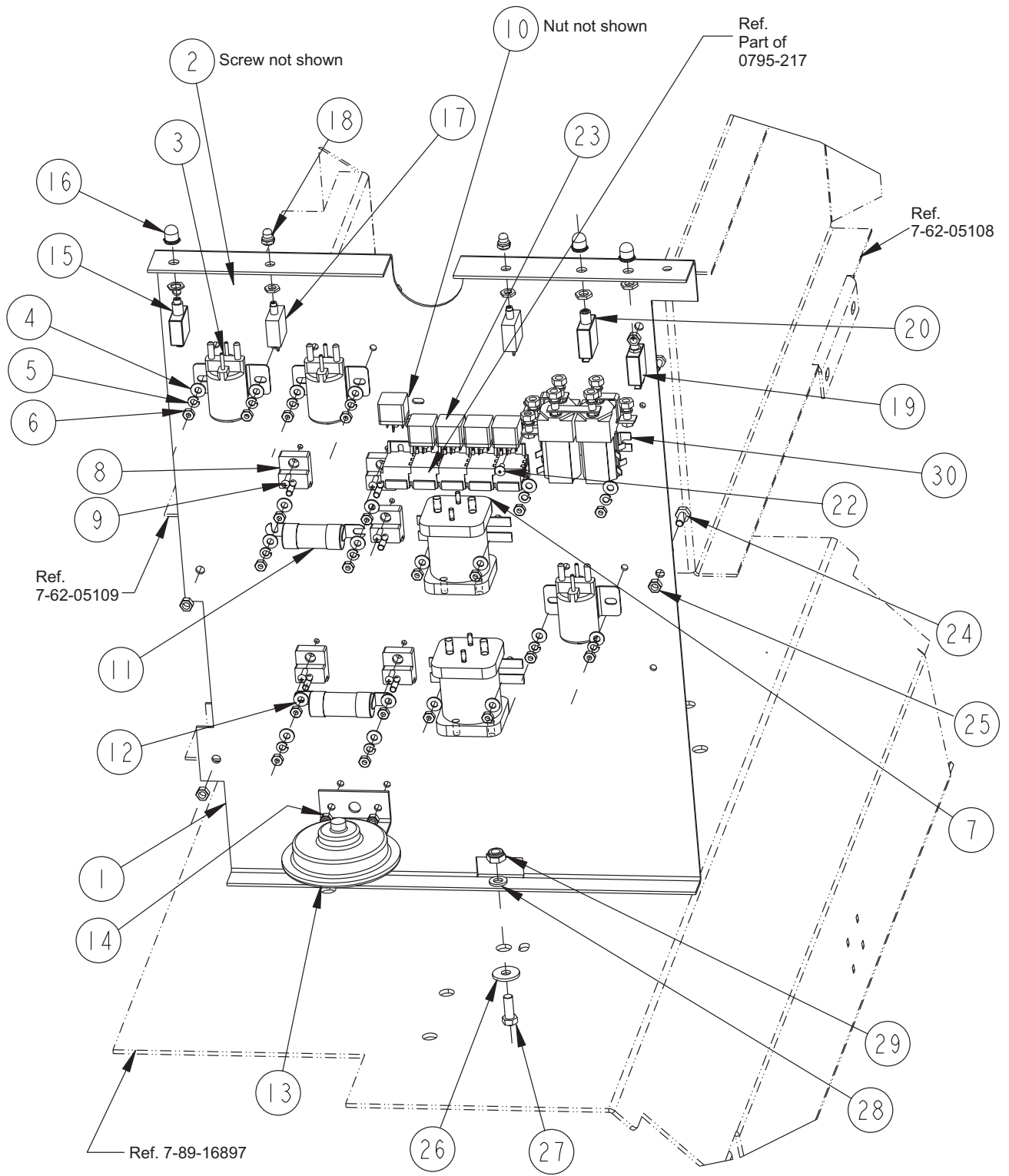
72081/1-05

## POWER PANEL #2

---

<u>KEY NO.</u>	<u>PART NUMBER</u>	<u>DESCRIPTION</u>	<u>QTY.</u>
1	7-52-00207	Power Panel	1
2	2-00-00220	Screw, 1/4-20 x .625 HHC	14
3	41801A	Solenoid	3
4	2-00-03702	Washer, .625 x .281 x .063	20
5	2-00-00518	Lock Washer, Helical Spring	12
6	2-00-00594	Nut, 1/4-20 x .437 x .218 Hex	20
7	7-15-08005	Contactora	2
8	8-06-05004	Terminal Block	5
9	2-00-00056	Screw, #10-24 x .75 RHM	5
10	2-00-01246	Nut, #10-24 Fiber Insert Hex	5
11	7-28-00002	Fuse - 80 AMP	1
12	8-28-05014	Fuse - 140 AMP	1
13	8-32-09008	Horn	1
14	2-00-00641	Nut, 1/4-20 Fiber Insert	2
15	7-64-00025	Circuit Breaker - 25 AMP	1
16	8-11-00051	Cap-Clear Boot	3
17	8-64-00008	Circuit Breaker - 15 AMP	2
18	8-11-00044	Boot	2
19	7-64-00020	Circuit Breaker - 45 AMP	1
20	7-64-00032	Circuit Breaker - 50 AMP	1
21	2-00-05262	Insert, 10-24 Threaded	2
22	2-00-03061	Screw, #10-24 x 1.0 Truss Head	2
23	7-64-00037	Relay - 36V w/Diode Assy.	7
24	2-00-00208	Screw, 5/16-18 x 3/4 HHC	4
25	2-00-00644	Nut, 5/16-18 Fiber Insert Hex	4
26	2-00-01803	Flat Washer, 1.063 x .328 x .063	1
27	2-00-00233	Bolt, 3/8-16 x 1.0 Fin. Hex Head	1
28	2-00-00402	Washer, 25/64 ID x 3/4 OD	1
29	2-00-00643	Locknut, 3/8-16 Elastic	1
30	8-74-00014	Solenoid, Power Panel	1

72080revC/3-05



72080/3-05

## DECALS

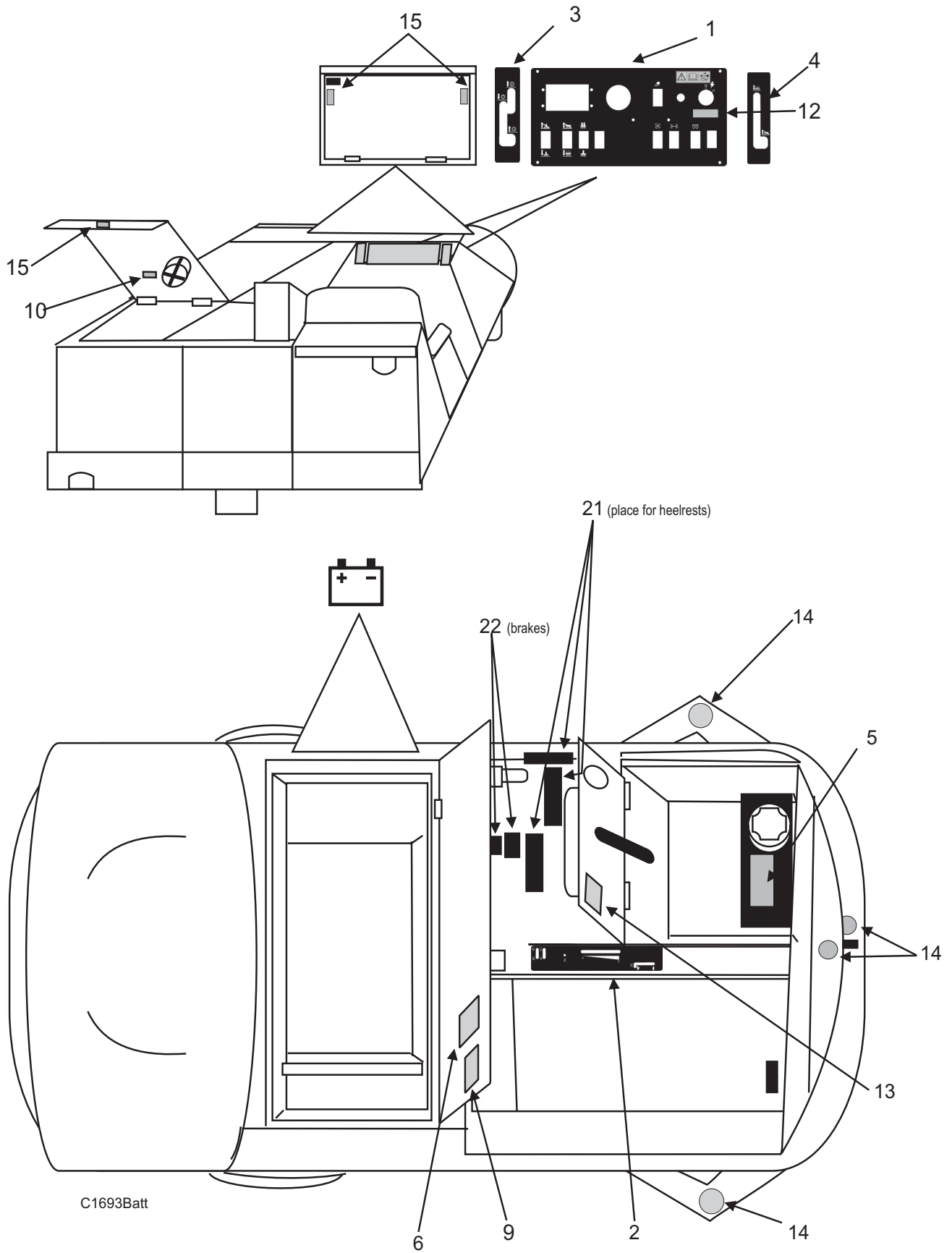
---

<u>KEY NO.</u>	<u>PART NUMBER</u>	<u>DESCRIPTION</u>	<u>QTY.</u>
1	8-18-00567	Instrument Panel	1
2	8-18-00520	Left Side Panel	1
3	8-18-00506	Main Broom	1
4	8-18-00507	Side Broom	1
5*	REF	ATF/Dextron Fluid Only	1
6*	REF	Battery Charging Warning	1
7<	8-18-00487	Blank Square - Option Covers	1
8*	REF	Do Not Use with Flammables	1
9*	REF	Electrical Hazard	1
10*	REF	No Gasoline or Combustibles	1
11*	REF	Patent/Patents Pending	1
12*	REF	Turn Off-Lock Wheel	1
13*	REF	Cover/Hopper Could Close	3
14*	REF	No Step	4
15*	REF	Pinch Point-Stay Clear	9
16	8-18-00539	SC7750	1
17	8-18-00524	American-Lincoln (small)	2
18	8-18-00525	American-Lincoln (medium)	1
19	REF	Serial Plate	1
20	7-50-05136	Non Skid	3
21	8-50-05055	Non Skid	2
22	2-00-04115	Rivet	2

**\*Contained in Warning Decal Kit 0760-892**

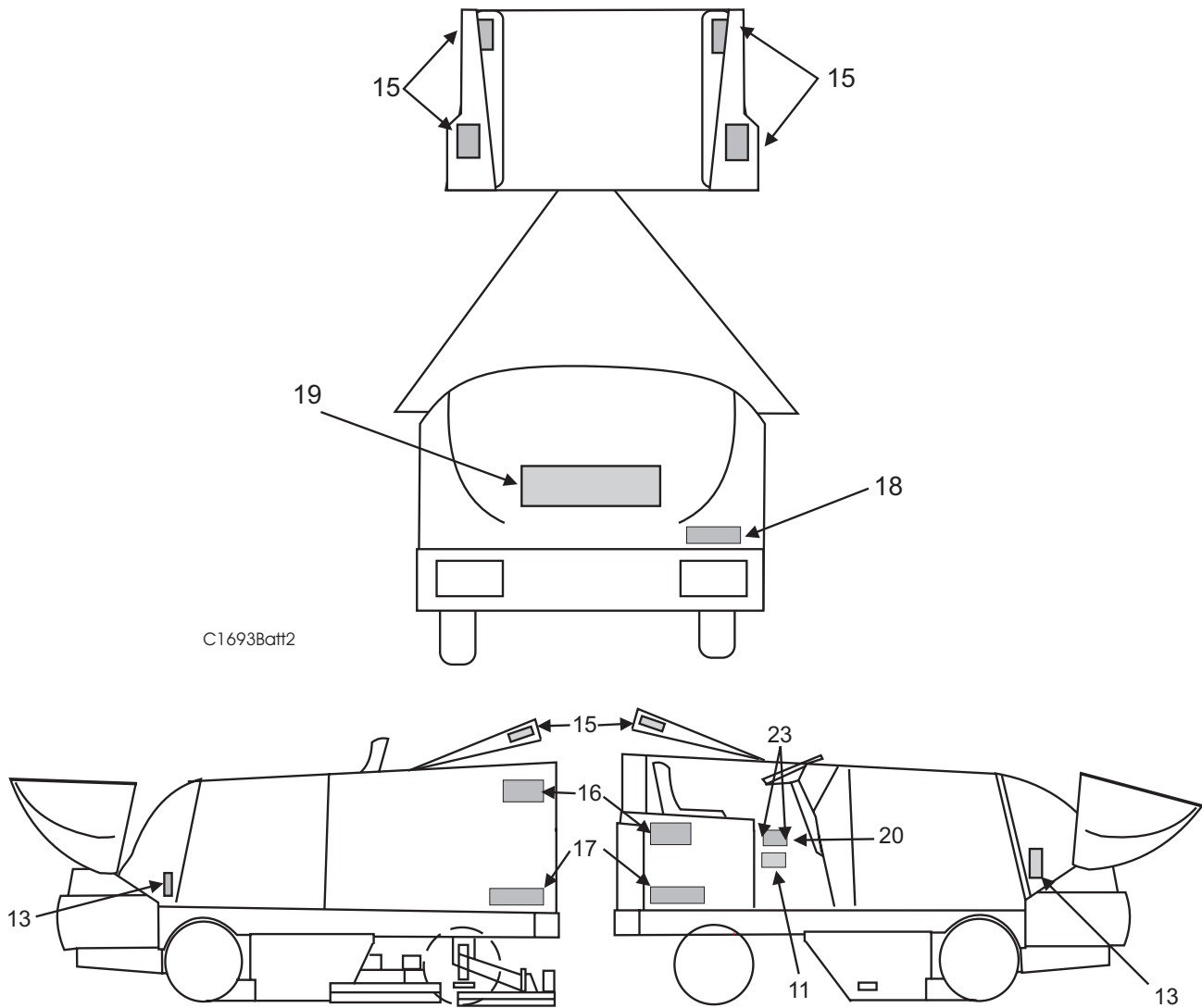
**<Can be ordered separately but is also included in 0760-892**

C1693Batt/9-04



C1693Batt

**DECALS (CON'T)**



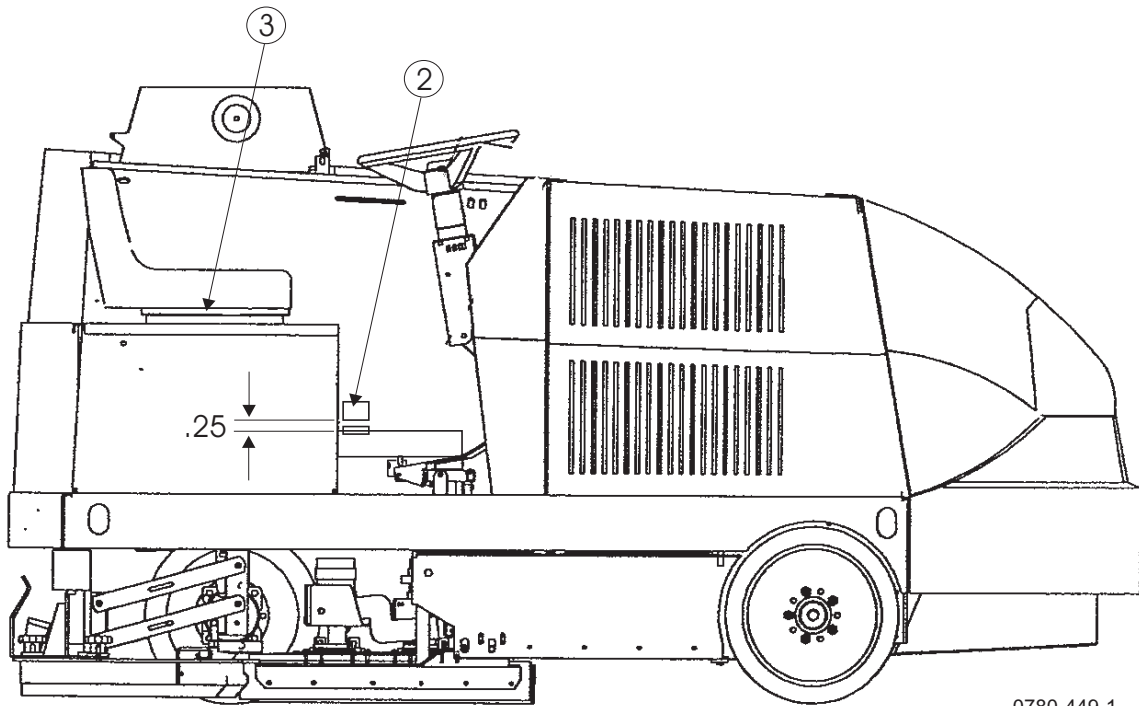
C1693Batt2

<b>KEY NO.</b>	<b>PART NUMBER</b>	<b>DESCRIPTION</b>	<b>QTY.</b>
12*	REF	Turn Off-Lock Wheel	1
13*	REF	Cover/Hopper Could Close	3
14*	REF	Decal, No Step	4
15*	REF	Pinch Point-Stay Clear	9
16	8-18-00539	SC7750	1
17	8-18-00524	American-Lincoln (small)	2
18	8-18-00525	American-Lincoln (medium)	1
19	REF	Serial Plate	1
20	7-50-05136	Non Skid (Edge)	3
21	8-50-05055	Non Skid	1
22	2-00-04115	Rivet	2

\*Contained in Warning Decal Kit 0760-892

C1693Batt2/9-04





0780-449-1

<u>KEY NO.</u>	<u>PART NUMBER</u>	<u>DESCRIPTION</u>	<u>QTY.</u>
1*	0780-439	Back-Up Alarm (not shown)	1
2	REF	Serial Number Plate	1
3	0780-471	Seat Switch (see Seat Assy.)	1

\*See Chapter 3 - Options - for parts list & assembly diagram

0780-449-1/7-04

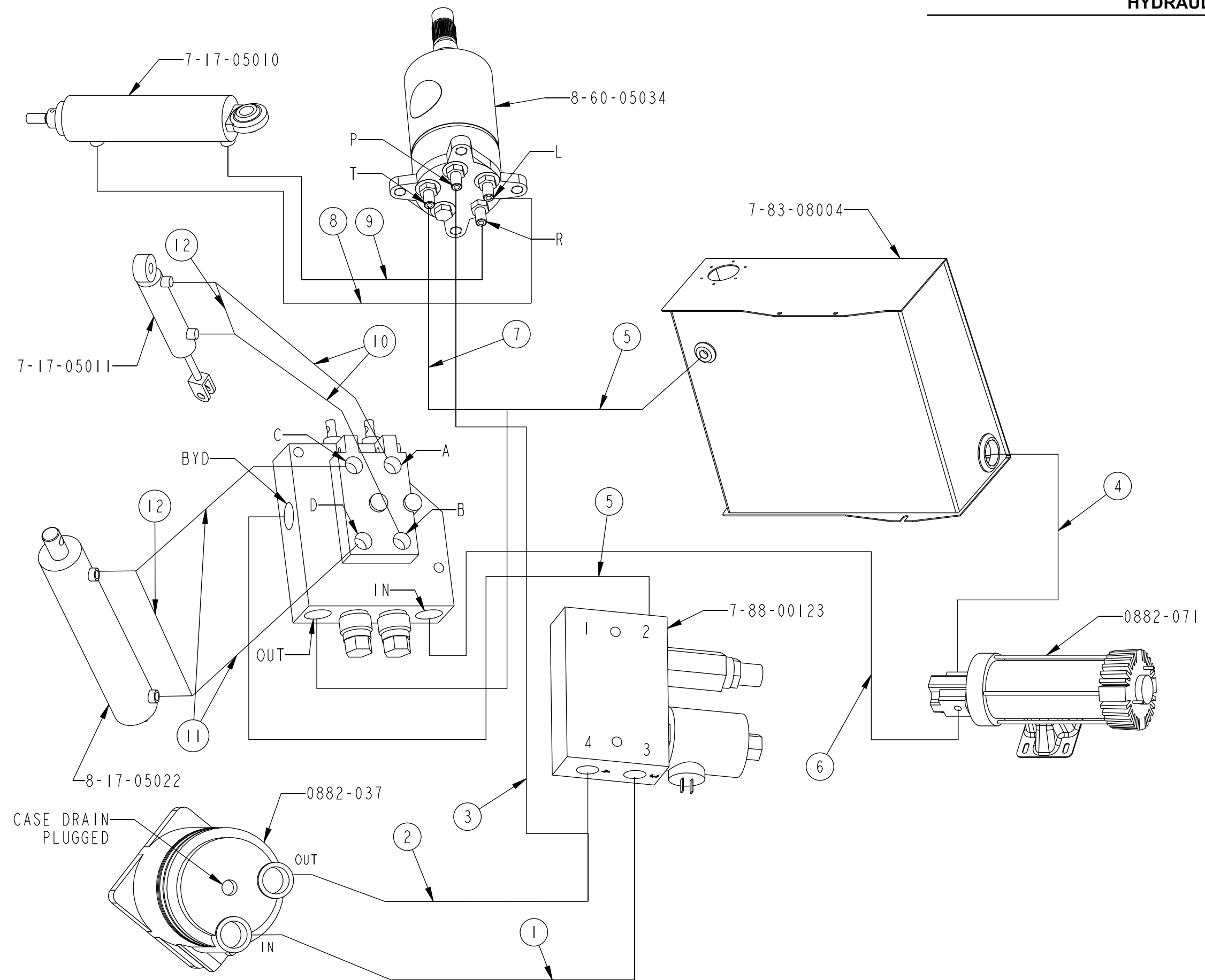
## HYDRAULIC HOSE DIAGRAM

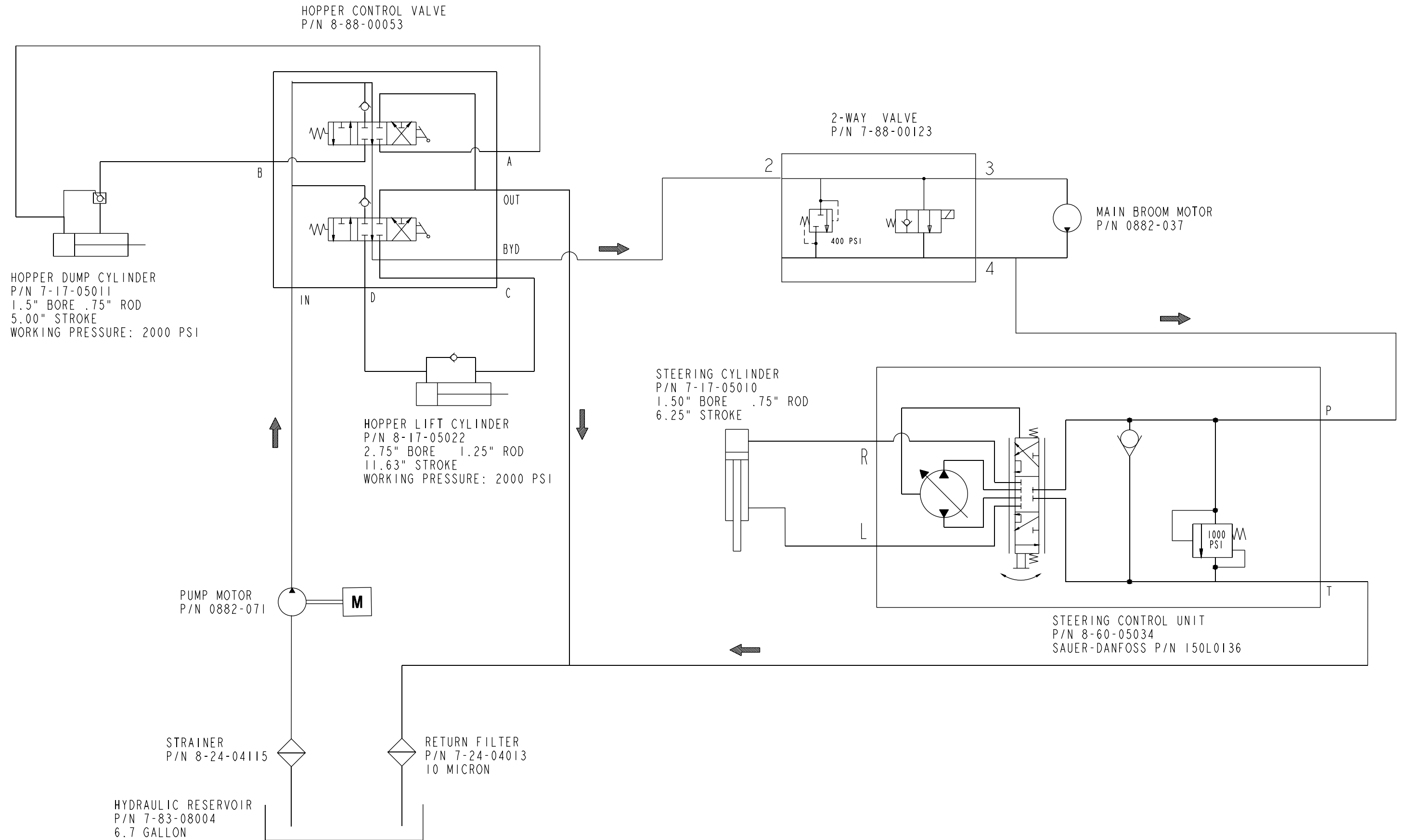
---

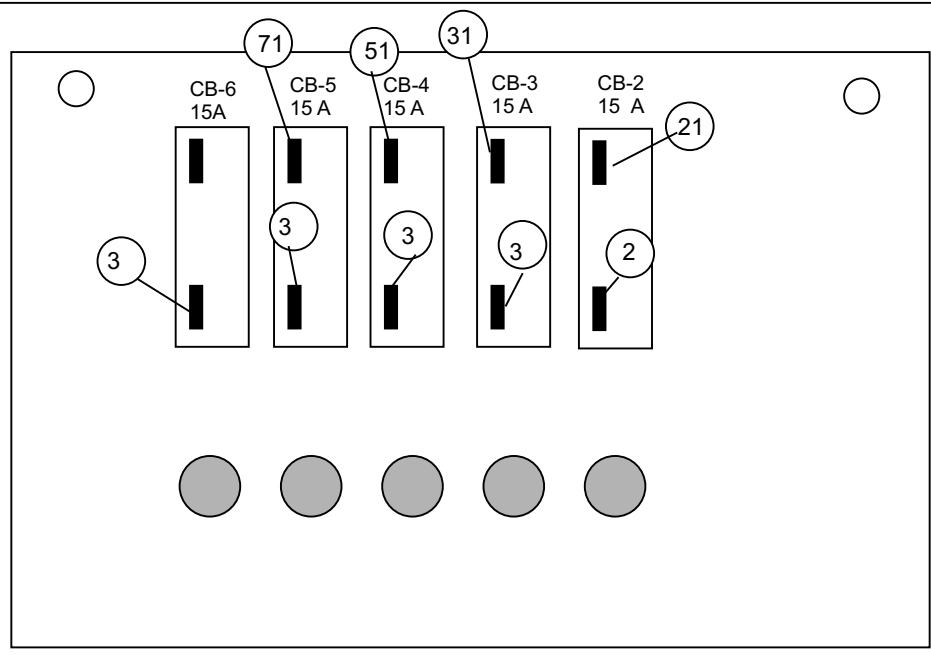
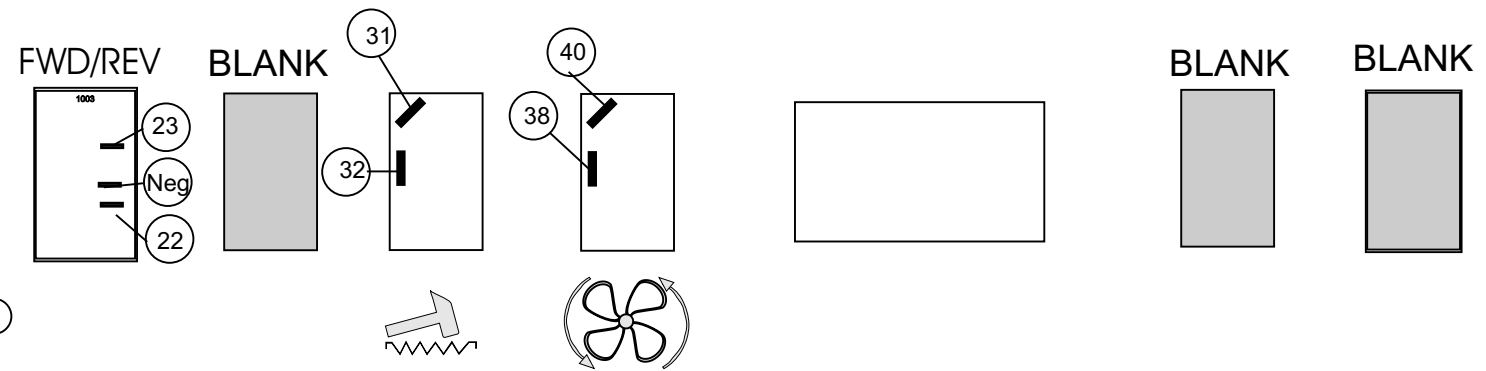
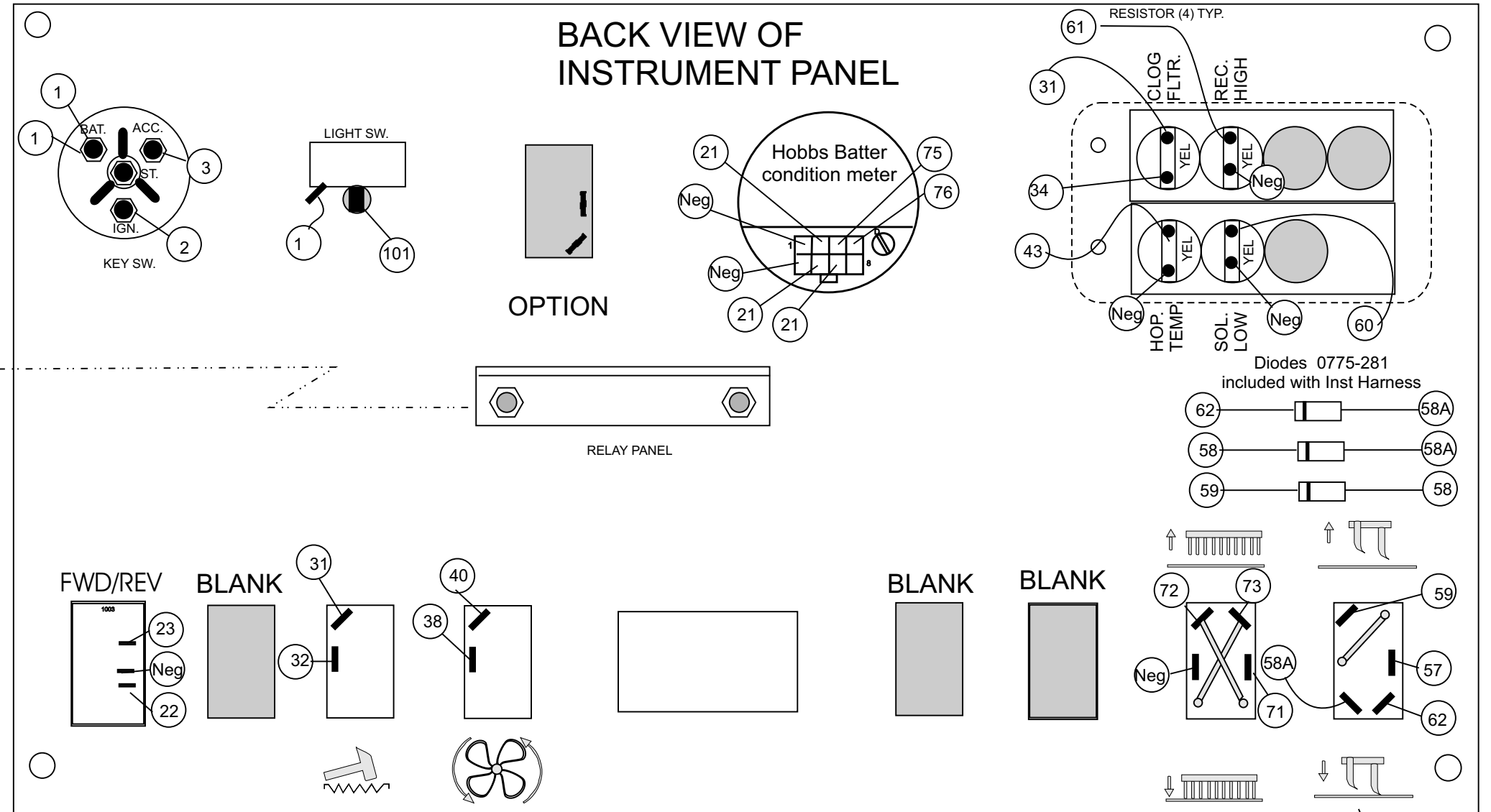
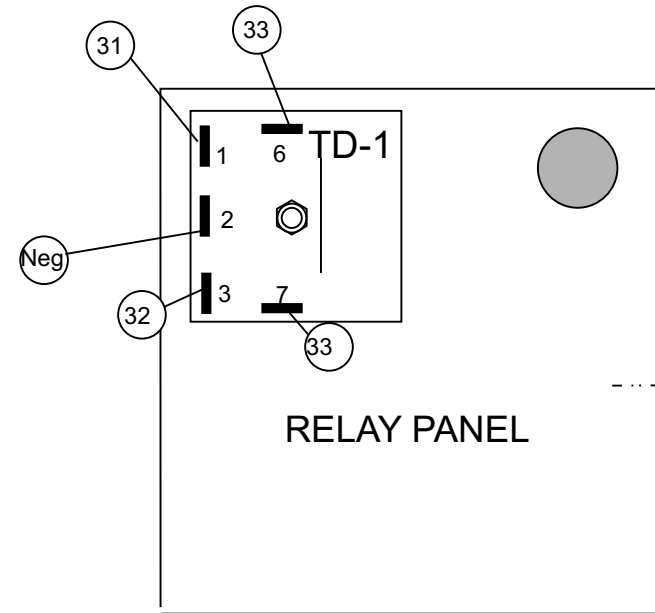
<u>KEY NO.</u>	<u>PART NUMBER</u>	<u>DESCRIPTION</u>	<u>QTY.</u>
1	7-33-02662	Hose #8, STR x STR, 74" LG	1
2	7-33-02663	Hose #8, STR x 90°, 73" LG	1
3	7-33-02664	Hose #6, STR #4 - STR #8, 64" LG	1
4	7-33-02665	Hose #8, STR x 90°, 28" LG	1
5	7-33-02666	Hose #8, STR x 90°, 48" LG	2
6	7-33-02667	Hose #8, STR - STR, 48" LG	1
7	7-33-02668	Hose #6, STR #4 x 45° #8, 30" LG	1
8	8-33-02185	Hose #4, STR - STR, 56" LG	1
9	8-33-02183	Hose #4, STR - STR, 49" LG	1
10	8-33-02278	Hose #4, STR - STR 130" LG	2
11	7-33-02495	Hose #4, STR x 90°, 76" LG	2
12	8-33-02178	Hose #4, STR - STR, 15" LG	2

All are part of hose kit #0760-934

PG106/12-04



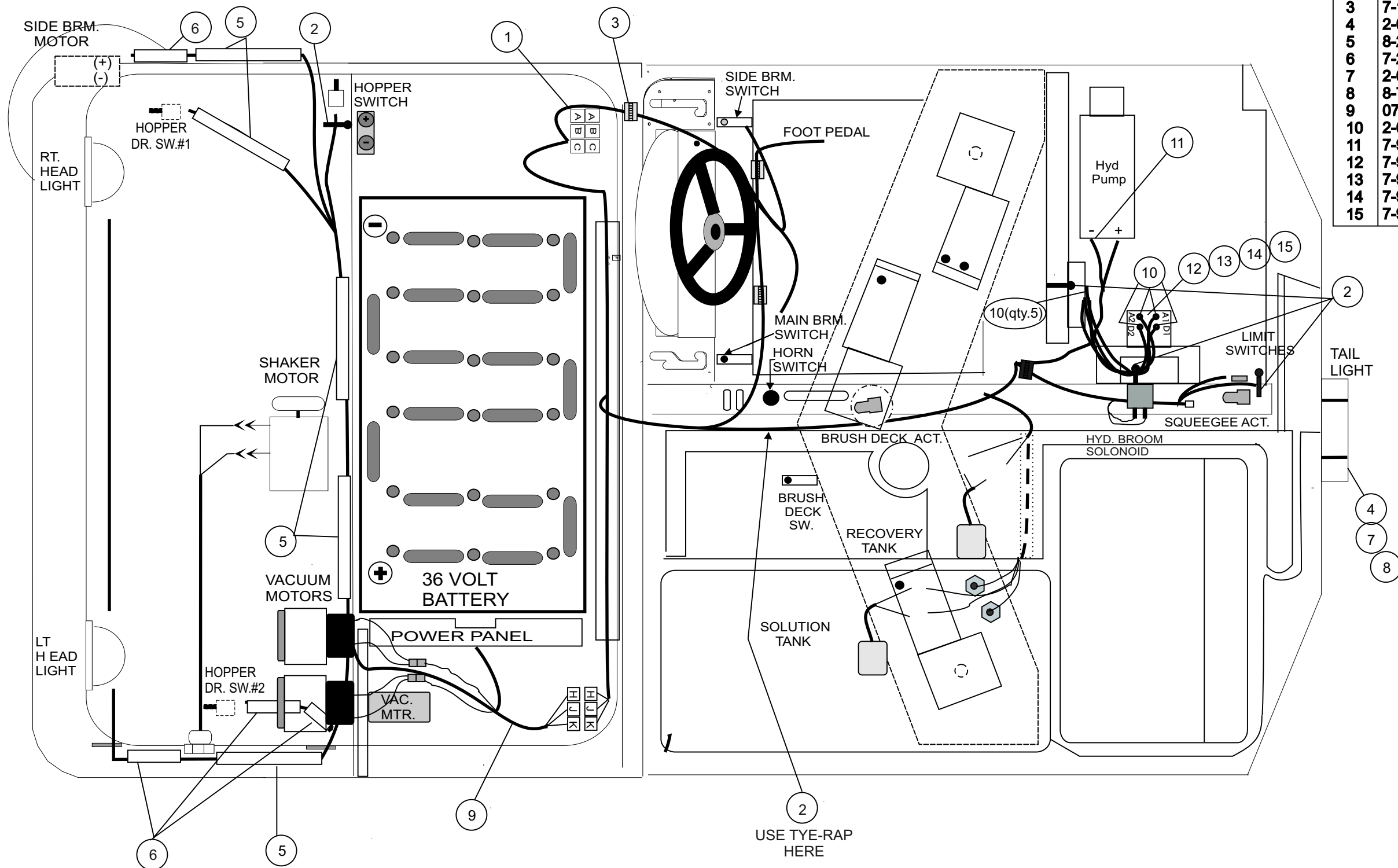


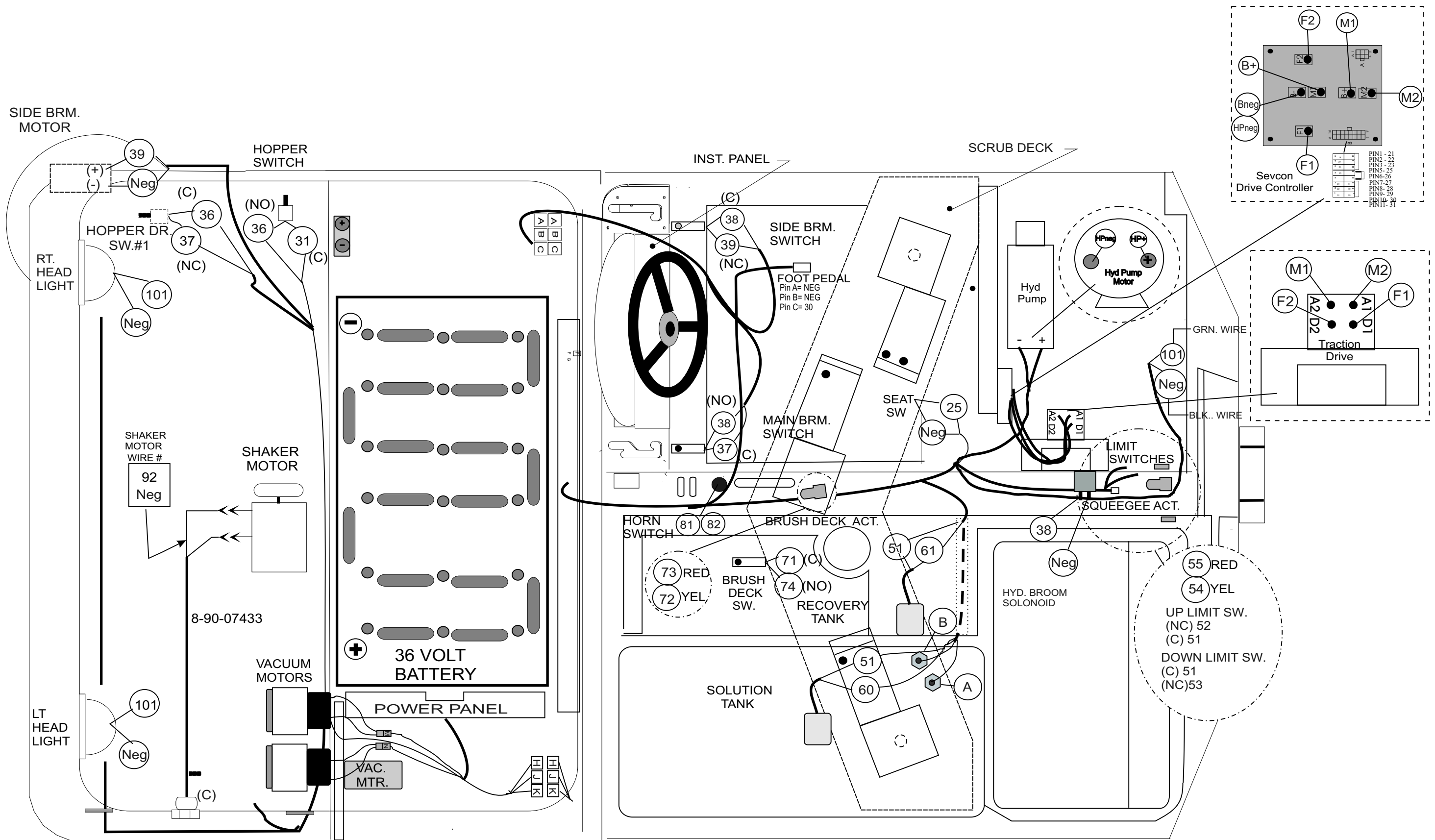


NOTE: SYMBOLS ARE ON FRONT OF PANEL (SHOWN FOR REF. ONLY)

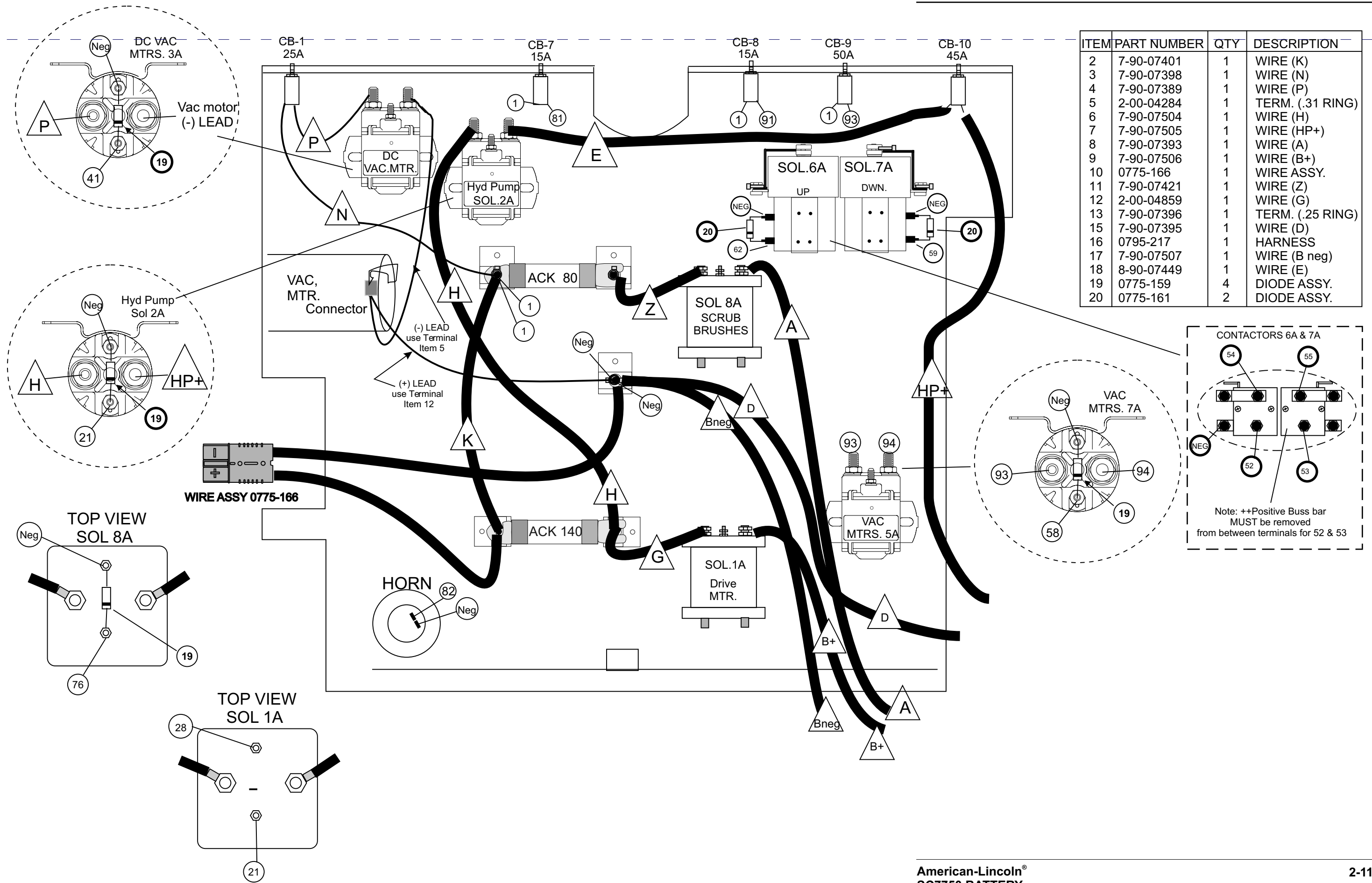
HARNES ROUTING DIAGRAM

ITEM	PART NO.	DESCRIPTION	QTY.
1	0795-215	Mach. Harness	1
2	2-00-04345	Tye-Rap	6
3	7-13-07096	Clamp	8
4	2-00-01246	10-24 Lock Nut	1
5	8-20-06036	12" Duct	6
6	7-20-06012	6" Duct	4
7	2-00-02933	Screw, 10-24 x 3.5	2
8	8-75-01207	Spacer	2
9	0795-217	Power Panel Harm.	REF
10	2-00-04203	Black Boot	11
11	7-90-07508	Wire (H neg.)	1
12	7-90-07509	Wire (M1)	1
13	7-90-07210	Wire (M2)	1
14	7-90-07511	Wire (F1)	1
15	7-90-07512	Wire (F2)	1

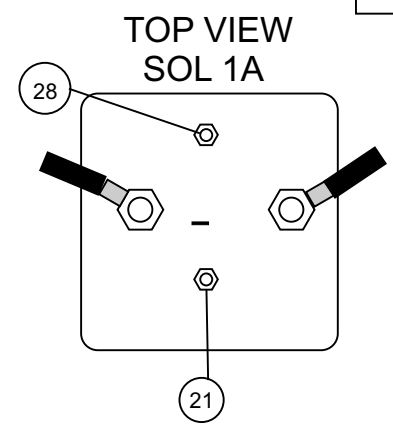
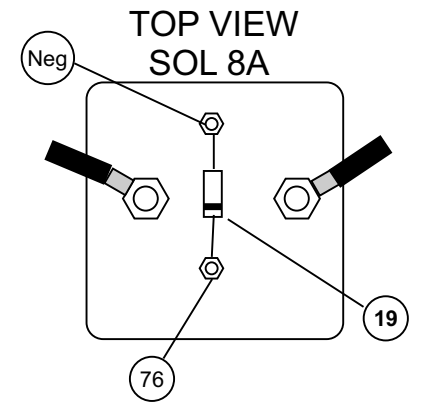
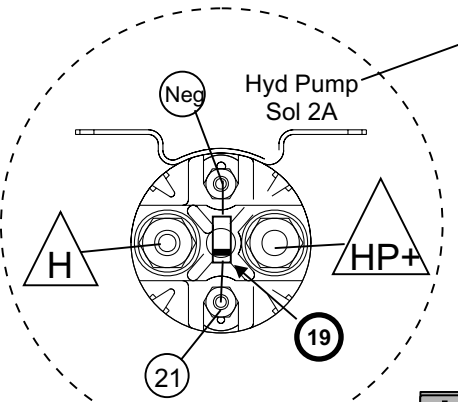
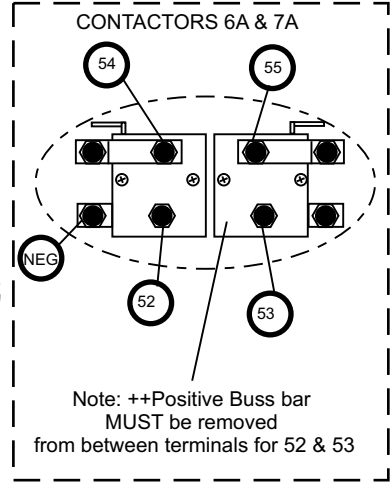




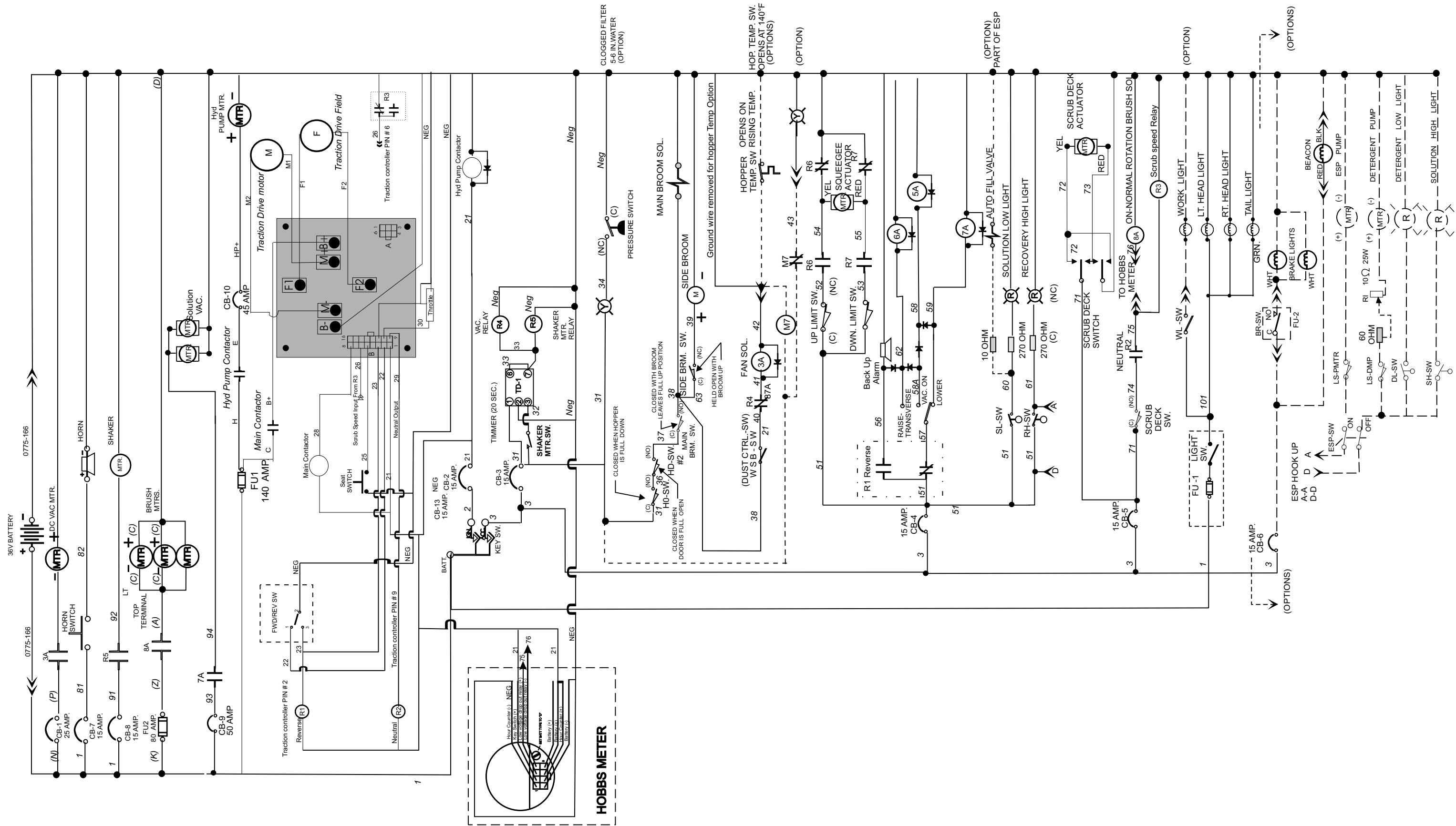
**POWER PANEL CONNECTION DIAGRAM**



ITEM	PART NUMBER	QTY	DESCRIPTION
2	7-90-07401	1	WIRE (K)
3	7-90-07398	1	WIRE (N)
4	7-90-07389	1	WIRE (P)
5	2-00-04284	1	TERM. (.31 RING)
6	7-90-07504	1	WIRE (H)
7	7-90-07505	1	WIRE (HP+)
8	7-90-07393	1	WIRE (A)
9	7-90-07506	1	WIRE (B+)
10	0775-166	1	WIRE ASSY.
11	7-90-07421	1	WIRE (Z)
12	2-00-04859	1	WIRE (G)
13	7-90-07396	1	TERM. (.25 RING)
15	7-90-07395	1	WIRE (D)
16	0795-217	1	HARNESS
17	7-90-07507	1	WIRE (B neg)
18	8-90-07449	1	WIRE (E)
19	0775-159	4	DIODE ASSY.
20	0775-161	2	DIODE ASSY.







---

---

---

## TABLE OF CONTENTS - CHAPTER 3 - OPTIONS

Roll-Out Battery (800 AH) Option .....	3-2
Broom & Brush Options .....	3-4
Hopper Thermo-Sensor Shutdown Option .....	3-6
Clogged Filter Sensor Option .....	3-8
Rear Work Light Option .....	3-10
Overhead Guard Option .....	3-12
Amber Safety Light with Overhead Guard Option .....	3-14
Amber Safety Light without Overhead Guard Option .....	3-16
Turn Signals Option .....	3-18
ESP/Autofil Option .....	3-22
ESP/Autofil Option Wiring .....	3-28
Fire Extinguisher Option .....	3-32
Back-Up Alarm Option .....	3-33
Spray Wand Option .....	3-34
Retractable Seatbelt Option .....	3-38
Suspension Seat Option .....	3-39
Pad Driver Option (16") .....	3-40
Pad Driver Option (18") .....	3-41
Vacuum Wand Option .....	3-42
Vac Hose Service Kit .....	3-43
Roller Bumper Option .....	3-44
Wrap-Around Bumper Option .....	3-46
Extended Recovery Tank Drain Option .....	3-48
Stainless Steel VD Hopper Option .....	3-50
Cam-Style Hopper Switch Option .....	3-51
Tire Options .....	3-52
Solution Off in Neutral Option .....	3-53
Spare Parts Lists .....	3-54

## ROLL-OUT BATTERY (800 AH) OPTION

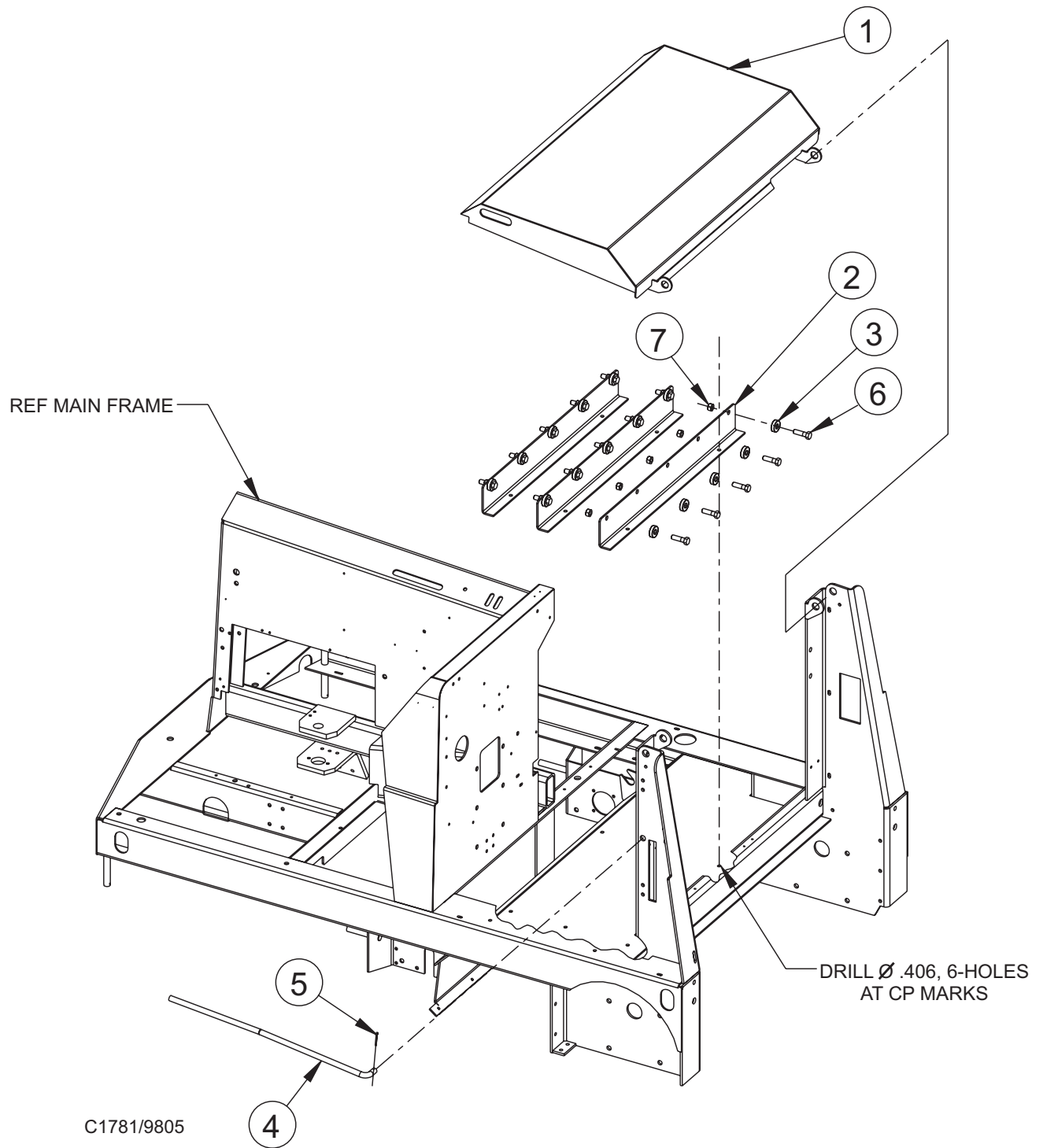
---

### OPTION 0780-452

<u>KEY NO.</u>	<u>PART NUMBER</u>	<u>DESCRIPTION</u>	<u>QTY</u>
1	7-16-07391	Cover-Battery (800 AH Option)	1
2	7-62-05110	Rail-Battery Roller	3
3	2-00-03306	Bearing-Ball	15
4	7-05-07175	Bar-Battery Retainer	1
5	2-00-00776	Cotter Pin (1/8 Dia. X 1 1/2 Lg)	1
6	2-00-00241	Screw, 1/2-13 x 1.750 HHC	15
7	2-00-04936	Nut, 1/2-13 Fiber Lock	15

C1781/9805

# ROLL-OUT BATTERY (800 AH) OPTION



## BROOM & BRUSH OPTIONS

<u>KEY NO.</u>	<u>PART NUMBER</u>	<u>DESCRIPTION</u>	<u>QTY.</u>
1	8-08-03217	Main Broom, Proex & Wire	1
1	8-08-03218	Main Broom, Poly & Wire (8-Row)	1
1	8-08-03219	Main Broom, Nylon (8-Row)	1
1	8-08-03220	Main Broom, High Density Nylon	1
1	8-08-03221	Main Broom, High Density Wire & Fiber	1
2	0765-256	Scrub Brush Assy, 16" Black Nylon	3
	7-08-03261-1	Brush Only	3
2	0765-257	Scrub Brush Assy, 16" Amerfil	3
	7-08-03264-1	Brush Only	3
2	0765-258	Scrub Brush Assy, 16" Supergrit	3
	7-08-03265-1	Brush Only	3
2	0765-259	Scrub Brush Assy, 16" Soft Nylon	3
	7-08-03266-1	Brush Only	3
2	0765-260	Scrub Brush Assy, 18" Black Nylon	3
	7-08-03170-1	Brush Only	3
2	0765-265	Scrub Brush Assy., 16" Clean Grit	3
	7-08-03271	Brush Only	3
2	0765-261	Scrub Brush Assy, Amerfil 18"	3
	7-08-03172-1	Brush Only	3
2	0765-262	Scrub Brush Assy, Supergrit 18"	3
	7-08-03205-1	Brush Only	3
2	0765-263	Scrub Brush Assy, Soft Nylon 18"	3
	7-08-03262-1	Brush Only	3
2	0765-266	Scrub Brush Assy, 18" Clean Grit	3
	7-08-03269	Brush Only	3
3	0880-439	Wire Side Broom Assy.	1
	8-08-03199	Broom Only	1
3	8-08-03211	Side Broom, Nylon	1
3	8-08-03140	Side Broom, Polypropylene	1
4	7-19-02034	Disc, 18" Brush Driver	1
4	7-19-02035	Disc, 16" & 18" Brush Driver	1
5	8-58-05248	Plate, Side Broom Retainer	1
6	2-00-00081	Screw, 1/4-20 x 1.0 RHM	4
7	2-00-04121	Screw, 10-13 x .75 Pan Head Wood	3

C1710/9805



# HOPPER THERMO-SENSOR SHUTDOWN OPTION

---

## OPTION 0780-451

<u>KEY NO.</u>	<u>PART NUMBER</u>	<u>DESCRIPTION</u>	<u>QTY</u>
1	7-52-00148	Panel-Circuit Breaker	Ref.
2	8-64-00008	Circuit Breaker- 15 AMP	1
3	8-11-00044	Boot	1
4	8-64-00019	Relay- 36V	1
5	8-08-00803	Bracket-Temperature Switch	1
6	8-82-00056	Switch-Thermostat	1
7	2-00-05261	Threaded Insert-1/4-20	1
8	2-00-04716	Terminal- #10 SS	1
9	2-00-03418	Terminal- .25 FISO Female	6
10	2-00-04708	Terminal- .25 FISO Female	1
11	2-00-04578	Terminal- .156 Male Bullet	1
12	2-00-04479	Connector- 3 Way	1
13	3-61-00189	Wire- 16 AWG, Black	35'

### HARDWARE USED:

H12	2-00-01246	Nut, Hex Fiber Insert #10-24	3
H24	2-00-00220	Screw, 1/4-20 x .625 HHC	1
H27	2-00-03702	Washer, .625 x .281 x .063	1
H72	2-00-00518	Lock Washer, Helical Spring	1
H100	2-00-03062	Screw, #10-24 x .625 THM	3

C1782/9805





## **CLOGGED FILTER INDICATOR OPTION**

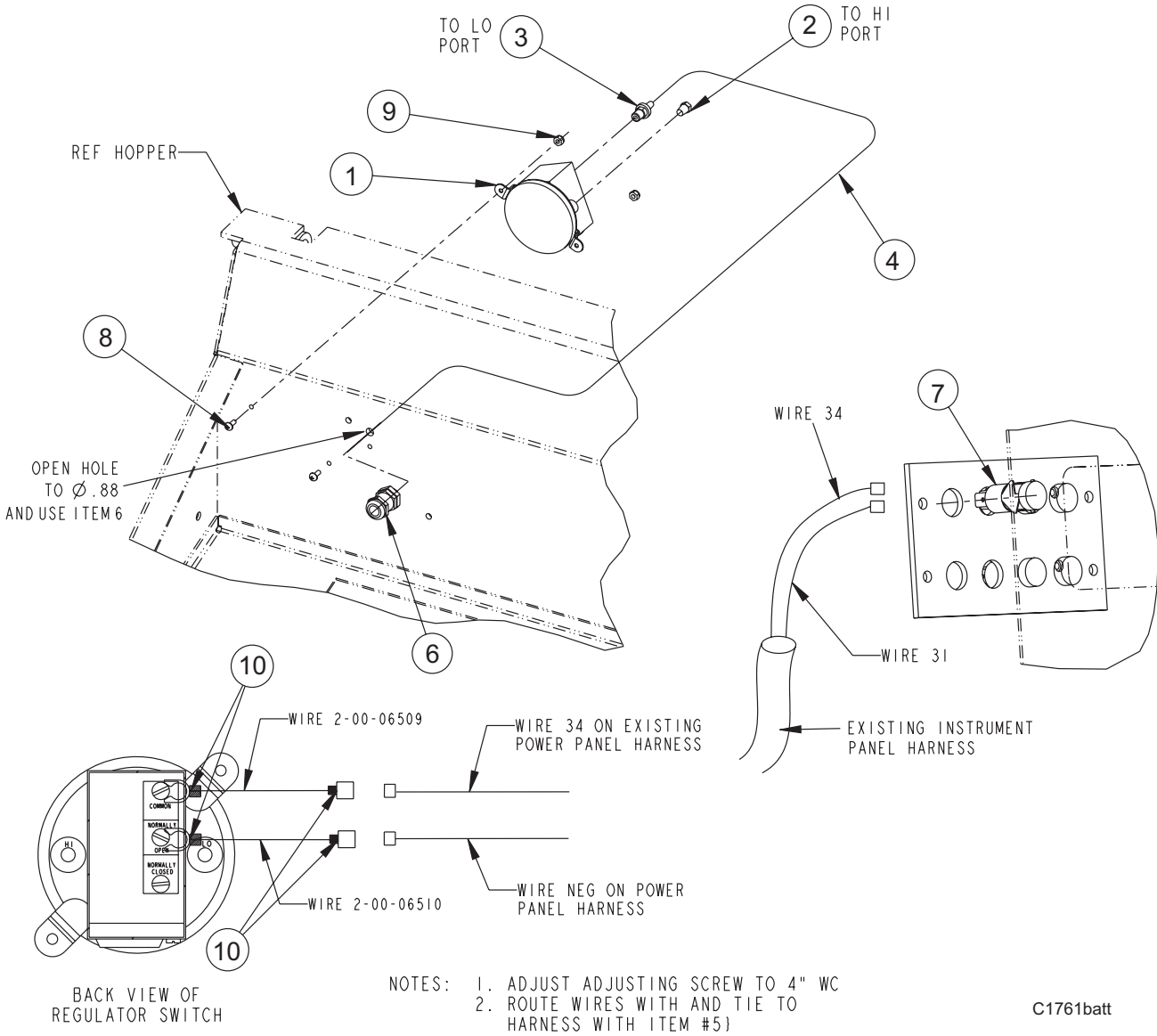
---

### **OPTION 0780-651**

<b><u>KEY NO.</u></b>	<b><u>PART NUMBER</u></b>	<b><u>DESCRIPTION</u></b>	<b><u>QTY.</u></b>
1	8-63-05008	Switch, Pressure Dif.	1
2	8-24-04075	Filter Plug	1
3	2-00-04518	Fitting, 1/8 NPT - 1/4 Tube	1
4	7-87-02155	Hose, 3/8 (9")	1
5	2-00-04345	Tye-Raps (not shown)	10
6	8-09-01083	Grommet	1
7	7-40-05038	Amber Light (36V)	1
8	2-00-00049	Screw, #10-24 x 1/2 RHM	2
9	2-00-01246	Nut, #10-24 Fiber Insert Hex	2
10	2-00-04708	Terminal, Male Spade	4

C1761-batt/11-04

# CLOGGED FILTER INDICATOR OPTION



## REAR WORK LIGHT OPTION

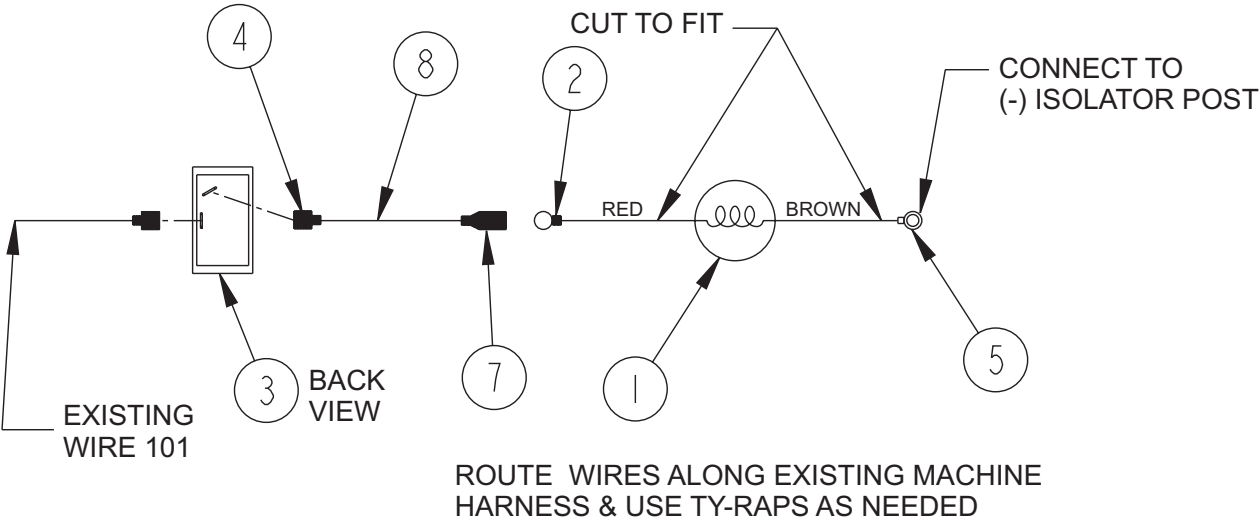
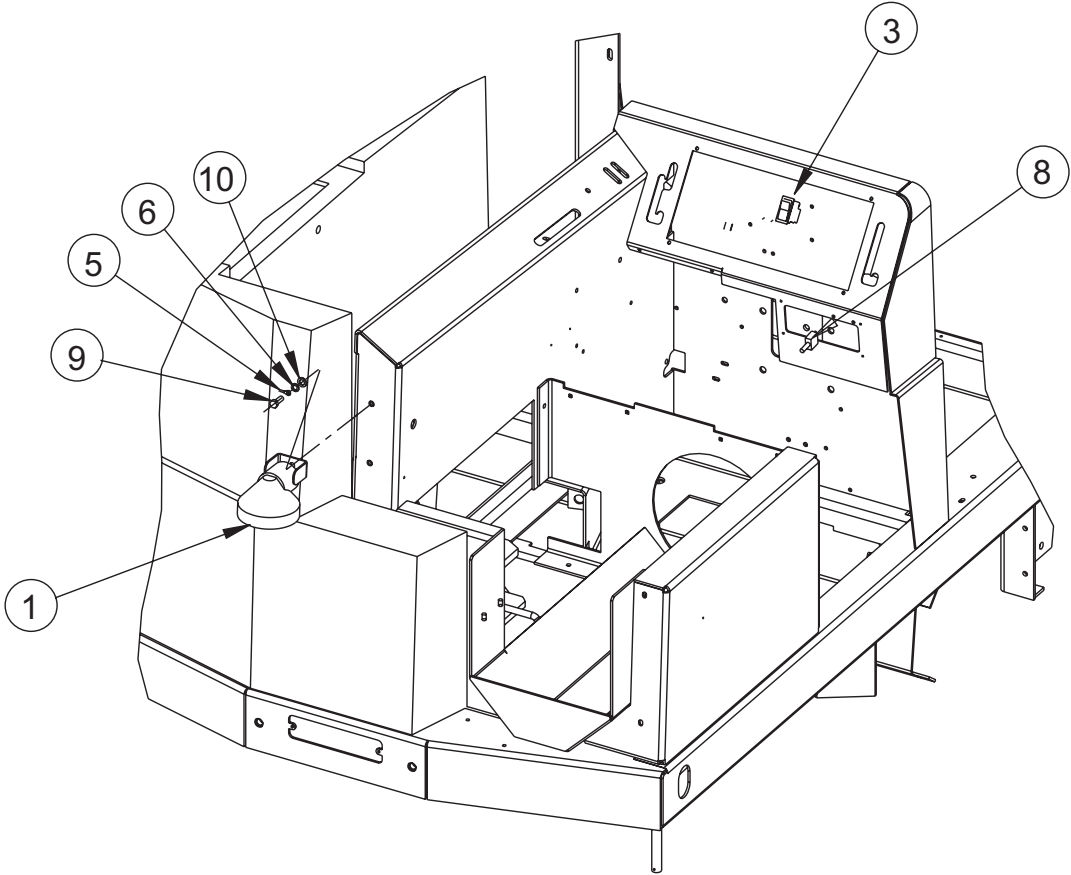
---

### OPTION 0780-648

<u>KEY NO.</u>	<u>PART NUMBER</u>	<u>DESCRIPTION</u>	<u>QTY.</u>
1	8-40-05024	Light (36V)	1
2	2-00-04578	Terminal	1
3	8-82-00059	Switch	1
4	2-00-03418	Terminal, .25 FISO	1
5	2-00-06476	Terminal, .25 Ring	1
6	2-00-02303	Washer, Internal Lock	1
7	2-00-04626	Terminal, .156 Female Bullet	1
8	2-00-06507	Wire, 16-Gauge Red	-
9	2-00-00233	Screw, 3/8-16 x 1.0 HHC	1
10	2-00-00402	Flat Washer, .750 x .390 x .094	1

C1744a/11-04

**REAR WORK LIGHT OPTION**



## OVERHEAD GUARD OPTION

---

### OPTION 0780-417

<u>KEY NO.</u>	<u>PART NUMBER</u>	<u>DESCRIPTION</u>	<u>QTY.</u>
1	8-30-05174	Top Weld	1
2	7-81-00200	RH Leg Weld	1
3	7-81-00199	LH Leg Weld	1
4	2-00-05134	Plug Button	8
5	2-95-04182	Fibre Nut	8
6	2-00-05347	Insert, 3/8 Threaded	2
7	7-41-00037	Latch, Engine Cover	1
HARDWARE USED:			
H22	2-00-02589	Screw, 1/4-20 x 2.0 HHC	1
H26	2-00-00641	Nut, 1/4-20 Fiber Insert	1
H48	2-00-00233	Screw, 3/8-16 x 1.0 HHC	10
H53	2-00-02310	Lock Washer, Helical Spring 3/8 Med.	4
H131	2-00-03855	Carriage Bolt, 3/8-16 x 1.0	2

C1696/9809



## AMBER SAFETY LIGHT WITH OVERHEAD GUARD OPTION

---

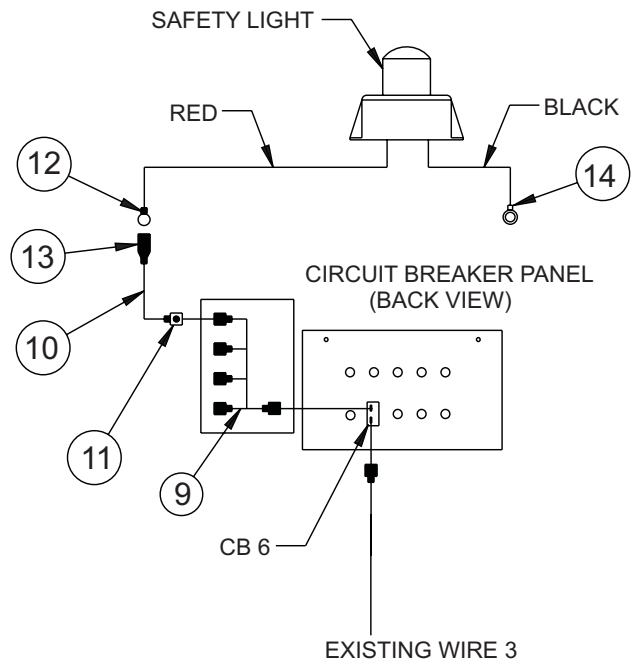
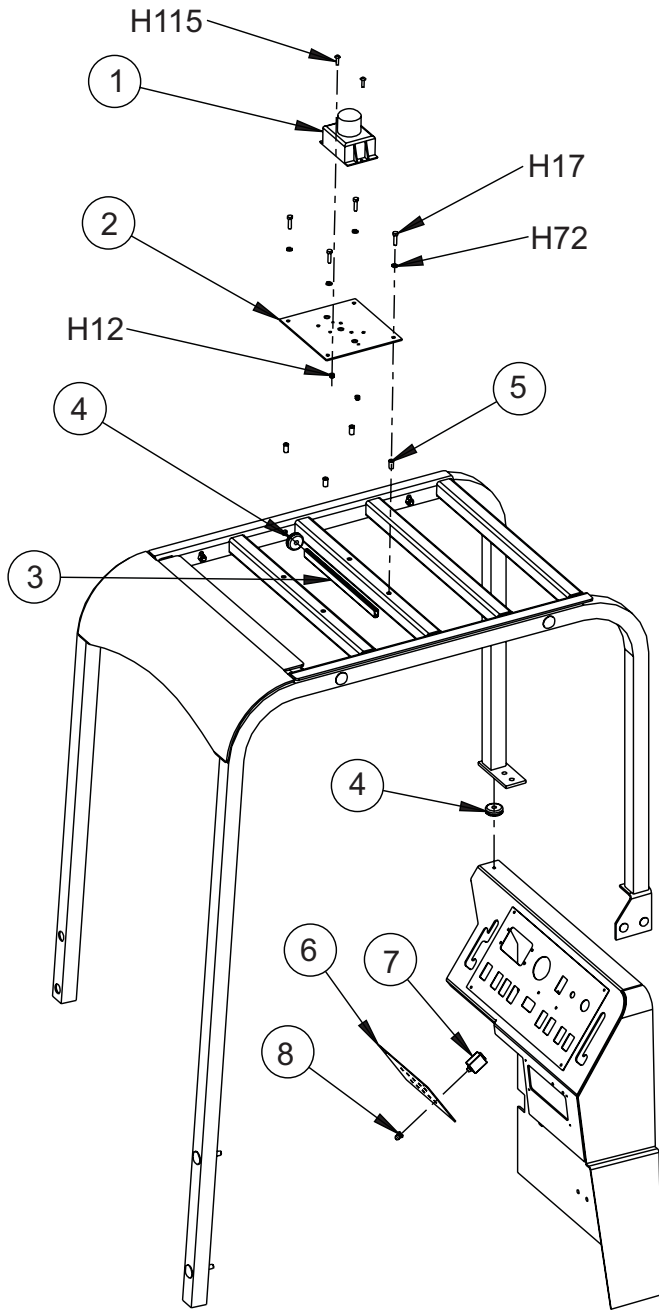
### OPTION 0780-646

<u>KEY NO.</u>	<u>PART NUMBER</u>	<u>DESCRIPTION</u>	<u>QTY.</u>
1	8-40-05036	Amber Strobe	1
2	8-58-05228	Panel, Light support	1
3	8-20-06036	Duct, Wire	1
4	2-00-01915	Grommet	2
5	2-00-05261	Threaded Insert	4
6	7-52-00148	Panel, Circuit Breaker	Ref.
7	8-64-00008	Circuit Breaker, 15 AMP	1
8	8-11-00044	Cap, Boot	1
9	8-90-07434	Wing Wire Assy.	1
10	2-00-06507	Wire, 16 AWG Red	7.5'
11	8-11-00015	Terminal	1
12	2-00-04578	Terminal (.156 bullet)	1
13	2-00-04626	Terminal	1
14	2-00-04281	Terminal (#10 ring)	1
<b><u>HARDWARE USED:</u></b>			
H12	2-00-01246	Nut, #10-24 Fiber Insert Hex	2
H17	2-00-00205	Screw, 1/4-20 x 1.0 HHC	4
H72	2-00-00518	Lock Washer, Helical Spring	4
H115	2-00-03063	Screw, #10-24 x .75 THM	2

C1750batt/11-04



# AMBER SAFETY LIGHT WITH OVERHEAD GUARD OPTION



C1750-batt/9-04

## AMBER SAFETY LIGHT *WITHOUT* OVERHEAD GUARD OPTION

---

### OPTION 0780-647

<u>KEY NO.</u>	<u>PART NUMBER</u>	<u>DESCRIPTION</u>	<u>QTY.</u>
1	8-40-05036	Amber Strobe, 12 - 48 VDC	1
2	7-81-00204	Support, Warning Light	1
3	2-00-00491	Grommet	1
4	2-00-04200	Grommet	1
5	2-00-05134	Plug Button	2
6	7-52-00148	Panel, Circuit Breaker	Ref.
7	8-64-00008	Circuit Breaker, 15 AMP	1
8	8-11-00044	Cap, Instrument Panel Boot	1
9	8-90-07434	Wing Wire	1
10	8-11-00015	Terminal	1
11	2-00-04626	Terminal	1
12	2-00-04578	Terminal (.156 bullet)	1
13	2-00-04281	Terminal (#10 ring)	1
14	2-00-06507	Wire, 16 AWG Red.	15'
15	2-00-04345	Tye-Rap	*

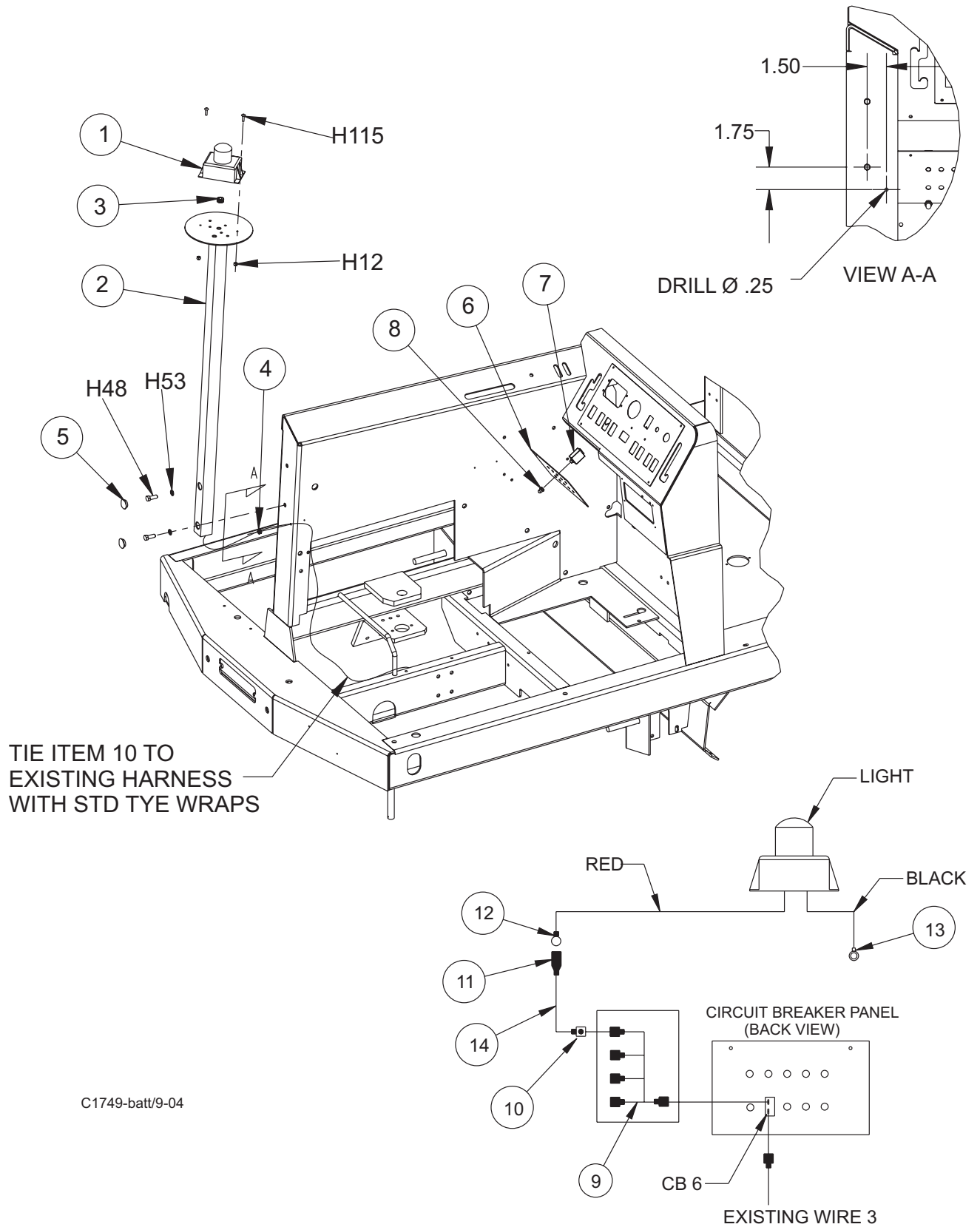
\*As Needed

#### HARDWARE USED:

H12	2-00-01246	Nut, #10-24 Fiber Insert Hex	2
H48	2-00-00233	Screw, 3/8-15 x 1.0 HHC	2
H53	2-00-02310	Lock Washer, Helical Spring 3/8 Med.	2
H115	2-00-03063	Screw, #10-24 x .75 THM	2

C1749batt/9-04

# AMBER SAFETY LIGHT *WITHOUT* OVERHEAD GUARD OPTION



## TURN SIGNALS OPTION

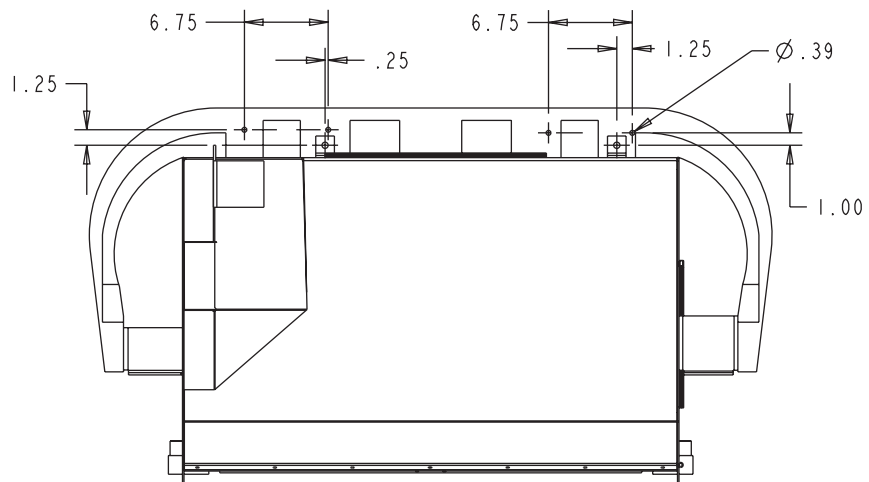
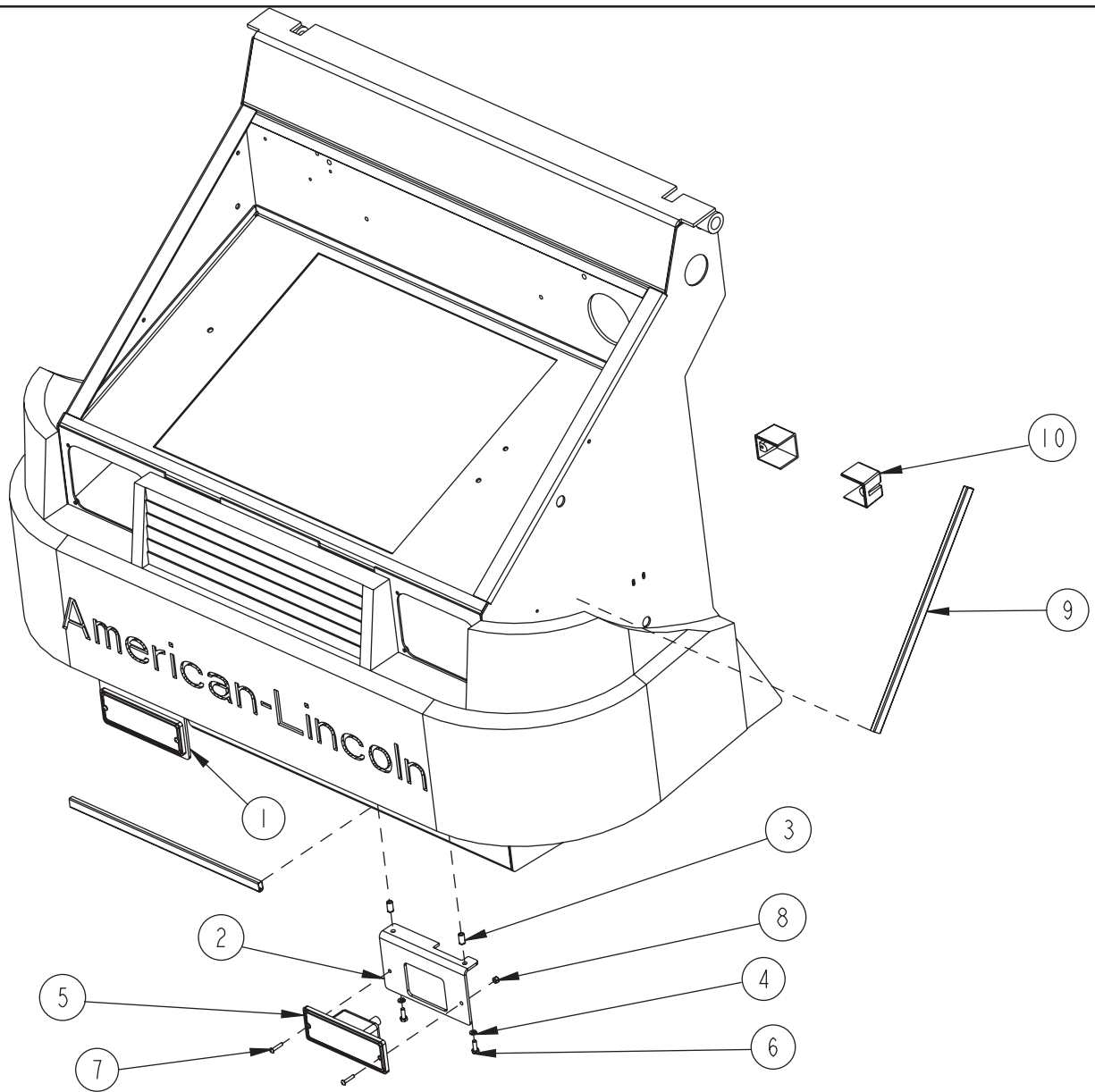
---

### OPTION 0780-709 (PAGE 1 OF 2)

<u>KEY NO.</u>	<u>PART NUMBER</u>	<u>DESCRIPTION</u>	<u>QTY.</u>
1	7-08-01144	Bracket, Light	1
2	7-08-01145	Bracket, Light	1
3	2-00-05261	Insert, 1/4-20	4
4	2-00-00518	Lock Washer, 1/4 Helical Spring	4
5	8-40-05046	Light, Turn Signal	2
6	2-00-00221	Bolt, 1/4-20 x 3/4 Fin. Hex Head	4
7	2-00-00039	Screw, #10-24 x 1.0	4
8	2-00-01246	Nut, #10-24 Elastic Stop	4
9	8-20-06037	Duct, Wire	2
10	8-41-03009	Lens, Turn Signal	2

0780-709-1/1-06

# TURN SIGNALS OPTION



0780-709-1/1-06

## TURN SIGNALS OPTION (con't)

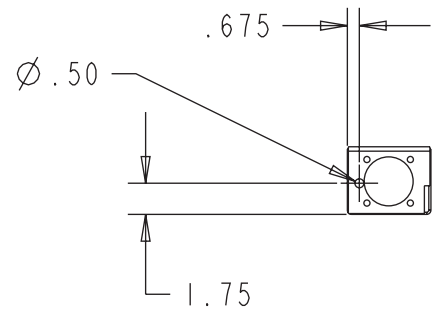
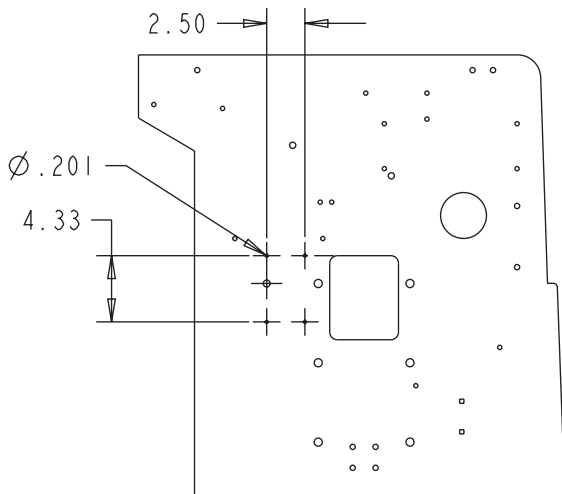
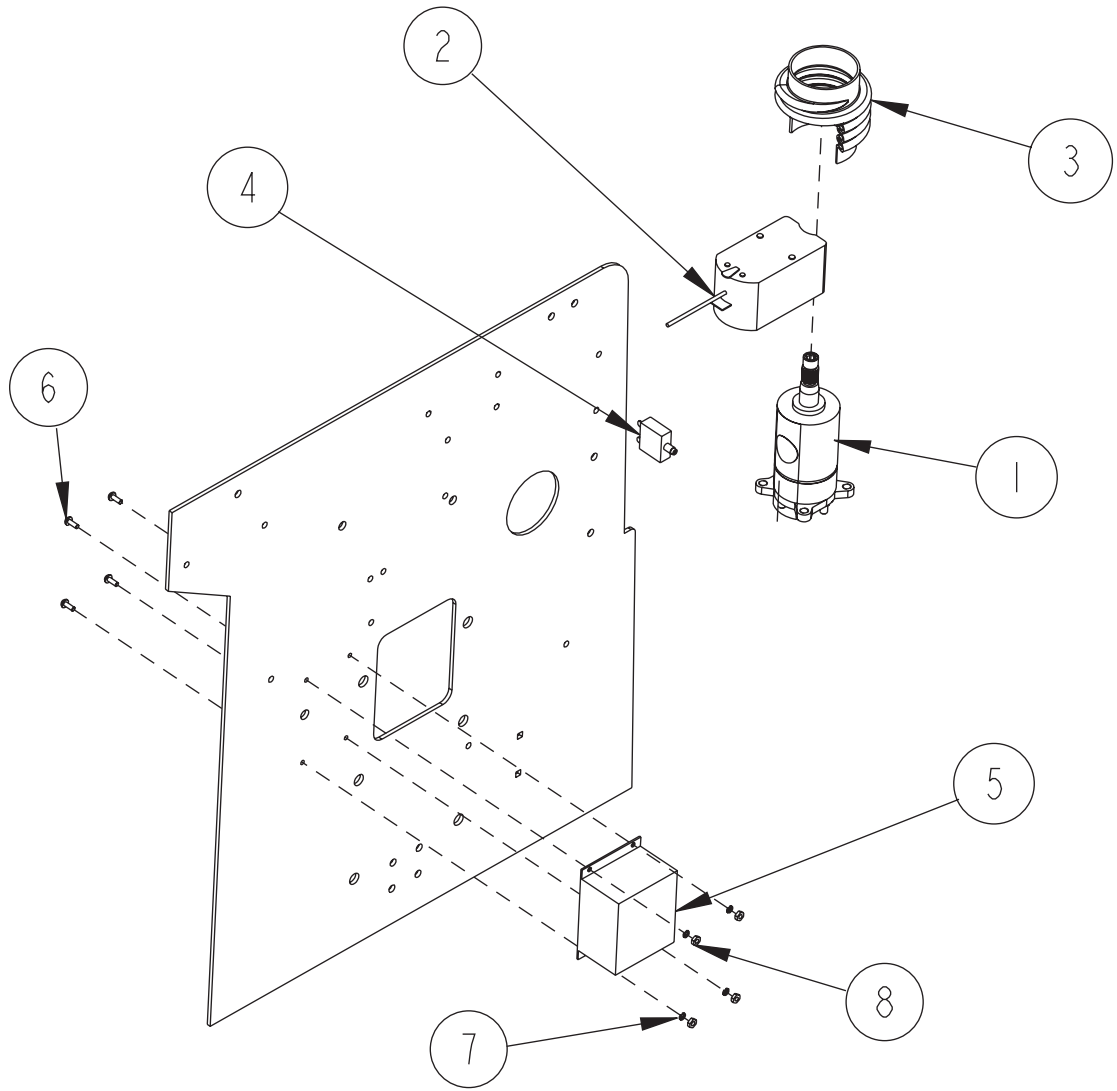
---

### OPTION 0780-709 (PAGE 2 OF 2)

<u>KEY NO.</u>	<u>PART NUMBER</u>	<u>DESCRIPTION</u>	<u>QTY.</u>
1	8-60-05034	Steering Control Unit	1
2	8-82-00025	Switch, Turn Signal	1
3	8-33-02360	Hose, Heat Shield	1
4	8-64-00008	Circuit Breaker (15 amp)	1
5	7-14-07020	DC Converter	1
6	2-00-00049	Screw, #10-24 x 1/2 RHM	4
7	2-00-00519	Lock Washer, #10-24 Helical Spring	4
8	2-00-00605	Nut, #10-24 Hex	4

0780-709-2/1-06

TURN SIGNALS OPTION (con't)



0780-709-2/1-06

## ESP/AUTOFIL OPTION

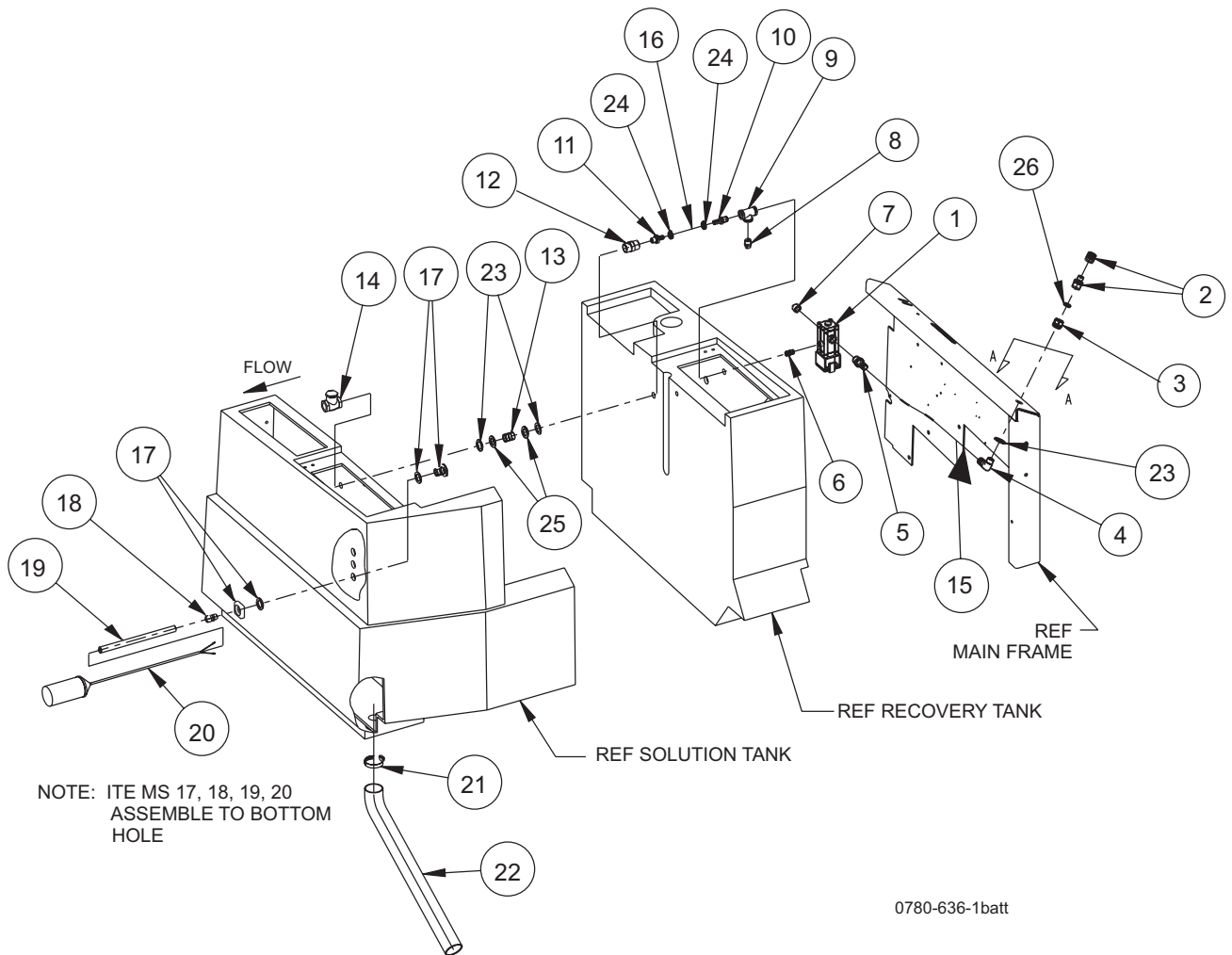
---

### OPTION 0780-463 (1 OF 5 PAGES)

<u>KEY NO.</u>	<u>PART NUMBER</u>	<u>DESCRIPTION</u>	<u>QTY.</u>
1	7-88-00078	Valve , Autofil (12VDC)	1
2	7-25-02087	Connector, Quick Disconnect	1
3	7-25-02088	Coupling	1
4	7-25-02053	Fitting, 90° ¾ Tube	1
5	7-25-02012	Fitting, Hose to ¾-14 NPT	1
6	2-95-02516	Nipple, ½ NPT Close	1
7	2-00-02475	Plug, ¾ NPT	1
8	7-25-02090	Plug, Oriface	1
9	2-95-02537	Fitting, Tee ½ NPT	1
10	2-00-04722	Fitting, ½ NPT - ½ Hose	1
11	2-00-05342	Fitting, ¾ NPT - ½ Hose	1
12	2-00-04736	Coupling, ¾ NPT	1
13	2-95-02518	Nipple, ¾ Close	1
14	7-88-00031	Check Valve	1
15	7-33-02339	Hose, ¾ x 22" LG	1
16	7-33-02360	Hose, ½ x 8" LG	1
17	7-09-01124	Bushing, Bulkhead Fitting	Ref.
18	7-09-01122	Bushing	Ref.
19	7-87-02188	Tube, Float Switch	Ref.
20	0775-217	Solution Float (Yellow)	Ref.
21	2-00-02217	Clamp, Hose	1
22	7-87-02153	Tube, Drain	1
23	2-95-03047	Washer	3
24	2-00-04345	Tye-Rap	2
25	7-29-00225	Gasket	2
26	2-00-05388	Sealing Washer	1

0780-636-1batt/8-04





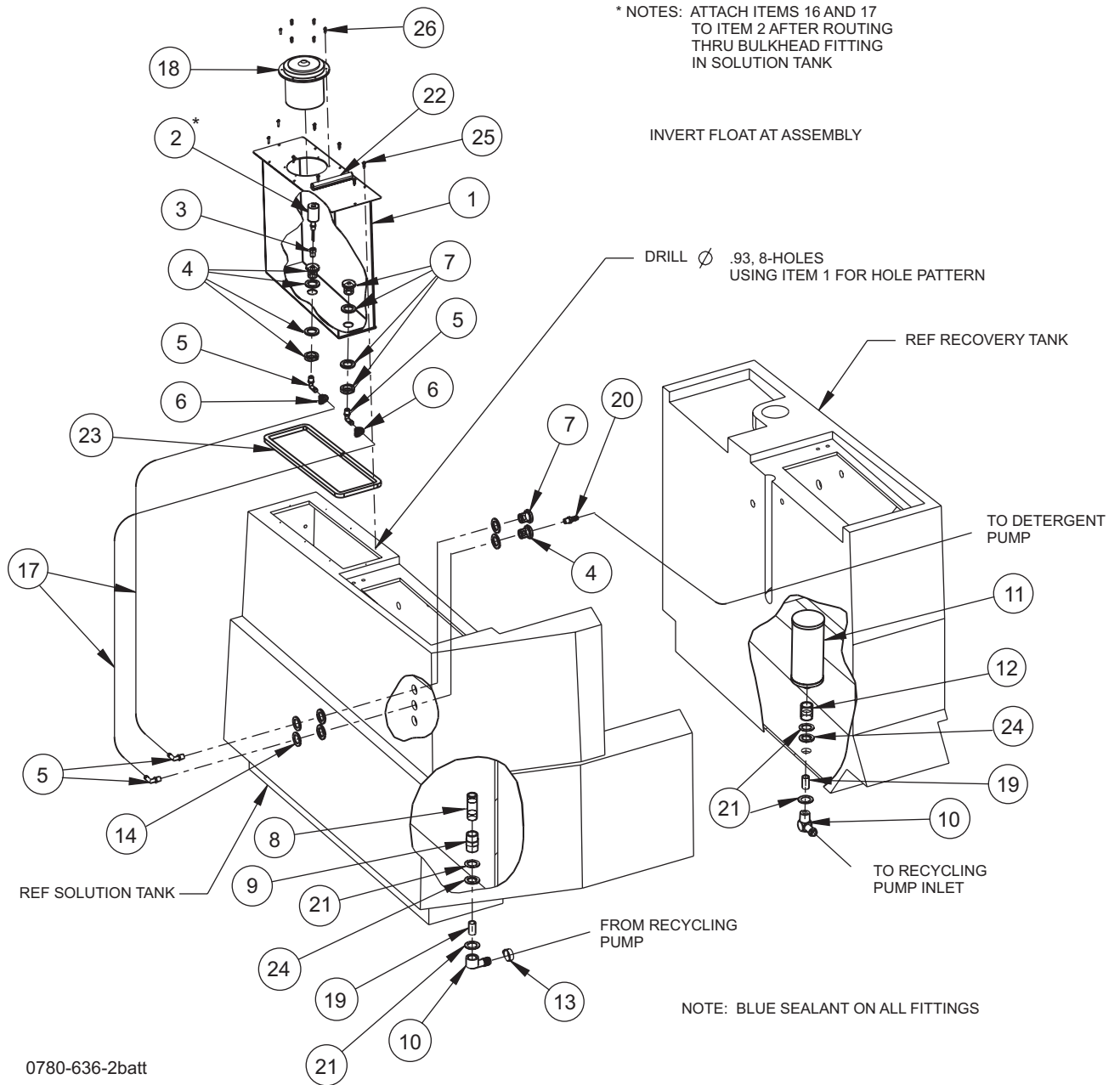
**ESP/AUTOFIL OPTION (cont.)**

---

**OPTION 0780-463  
(2 OF 5 PAGES)**

<u>KEY NO.</u>	<u>PART NUMBER</u>	<u>DESCRIPTION</u>	<u>QTY.</u>
1	7-83-04172	Tank, Detergent	1
2	7-82-00017	Float	1
3	2-00-05003	Fitting, Reducer	1
4	7-25-02080	Fitting, Bulkhead (Det. Float)	2
5	2-00-04654	Fitting, 90°	4
6	7-13-07084	Clamp, Hose	2
7	2-00-05346	Fitting, Bulkhead (Det. Tank)	2
8	2-95-04267	Nipple, 3/4 NPT x 3.0" LG	1
9	2-00-04736	Coupling, 3/4 NPT	1
10	2-00-05132	Fitting, 90 °, 3/4 NPT 1/4 Tube	2
11	7-24-04027	Filter	1
12	7-25-02089	Coupling, 3/4 NPT (PVC)	1
13	2-00-02220	Clamp, Hose	1
14	2-00-05346	Fitting, 1/4 NPT Bulkhead	10
15	2-00-04551	Terminal, .156 Male Bullet (not shown)	1
16	2-00-04584	Terminal, .156 Female Bullet (not shown)	1
17	7-33-02372	Hose, 3/8 ID x18" LG (not shown)	2
18	7-11-00031	Filter Assembly	1
19	2-00-05131	Fitting, Nipple	1
20	2-74-00001	Fitting, Straight	1
21	2-95-03047	Washer	1
22	3-73-00060	Bumper	5"
23	3-73-00065	Gasket	4 ft.
24	7-29-00225	Gasket	2
25	2-00-02968	Screw, T/FRH, #10-16 x 3/4	8
26	2-00-01081	Screw, T/C PHRH, #8-32 x 1/2	6

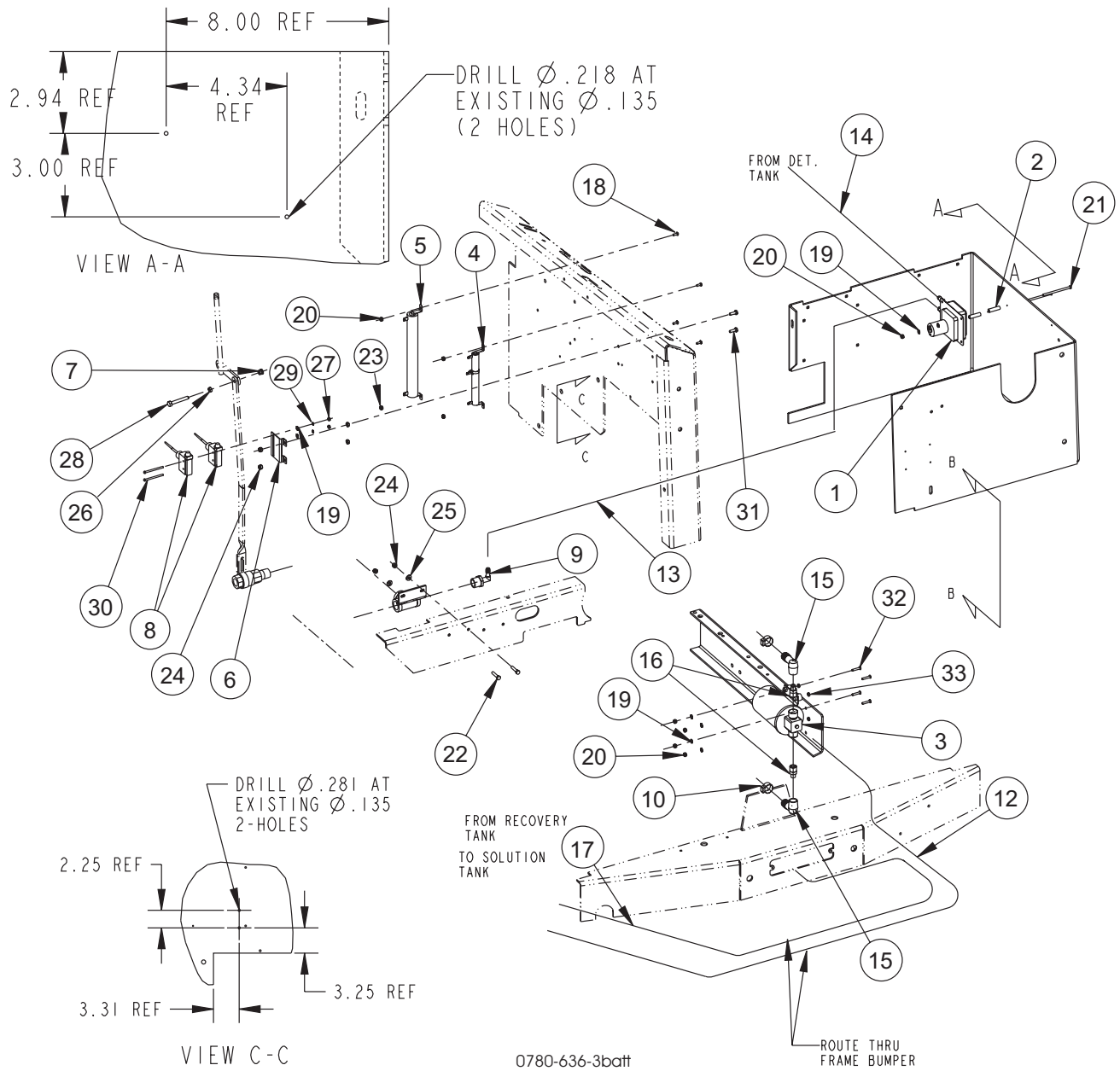
0780-636-2batt/8-04



**ESP/AUTOFIL OPTION (cont.)****OPTION 0780-463  
(3 OF 5 PAGES)**

<b><u>KEY NO.</u></b>	<b><u>PART NUMBER</u></b>	<b><u>DESCRIPTION</u></b>	<b><u>QTY.</u></b>
1	7-60-05031	Detergent Pump (12VDC)	1
2	8-75-01207	Spacer	2
3	7-60-05013	Recycling Pump (36VDC)	1
4	0775-222	Resistor Assy.	Ref
5	0775-223	Resistor Assy.	Ref
6	8-08-00845	Bracket	1
7	7-23-03056	Nut	1
8	8-82-00058	Switch	2
9	2-00-04655	Fitting, 90° Elbow	1
10	2-00-02220	Clamp, Hose	2
11	2-00-05412	Reducer Connector	2
12	7-33-02370	Hose, .75 ID x 50" LG	2
13	7-33-02367	Hose, .25 ID x 30" LG	1
14	7-33-02683	Hose, .25 ID x 56" LG	1
15	2-00-05132	Fitting, L	2
16	7-25-02062	Fitting, Reducer Nipple	2
17	7-33-02387	Hose, .75 ID x 72" LG	1
18	2-00-00049	Screw, #10-24 x 1.50 RHM	4
19	2-00-00426	Flat Washer, .500 x .219 x .063	8
20	2-00-01246	Nut, Hex Fiber Insert #10-24	10
22	2-00-02587	Screw, 1/4-20 x 1.250 HHC	2
23	2-00-00594	Nut, Hex 1/4-20 x .437 x .218	2
24	2-00-00641	Nut, 1/4-20 Insert Fiber	4
25	2-00-03702	Washer, .625 x .281 x .063	2
26	2-00-00585	Nut, Hex 5/16-18 x 1/2 x .265	1
27	2-00-00602	Nut, 8-32 MSCR Hex	2
21	2-00-02933	Screw, Mach. 10-24 x 3.50	2
28	2-00-00227	Screw, HHC .313-18 x 2.25	1
29	2-00-00506	Lock Washer, Int Tooth #8 Dia Screw	2
30	2-00-05371	Screw, RHM #8-32 x 2.38	2
31	2-00-00221	Screw, 1/4-20 x 3/4 HHC	2
32	2-00-00039	Screw, #10-24 x 1.0 RHM	4
33	2-00-00605	Nut, 10-24 Hex	4

0780-636-3batt/8-04



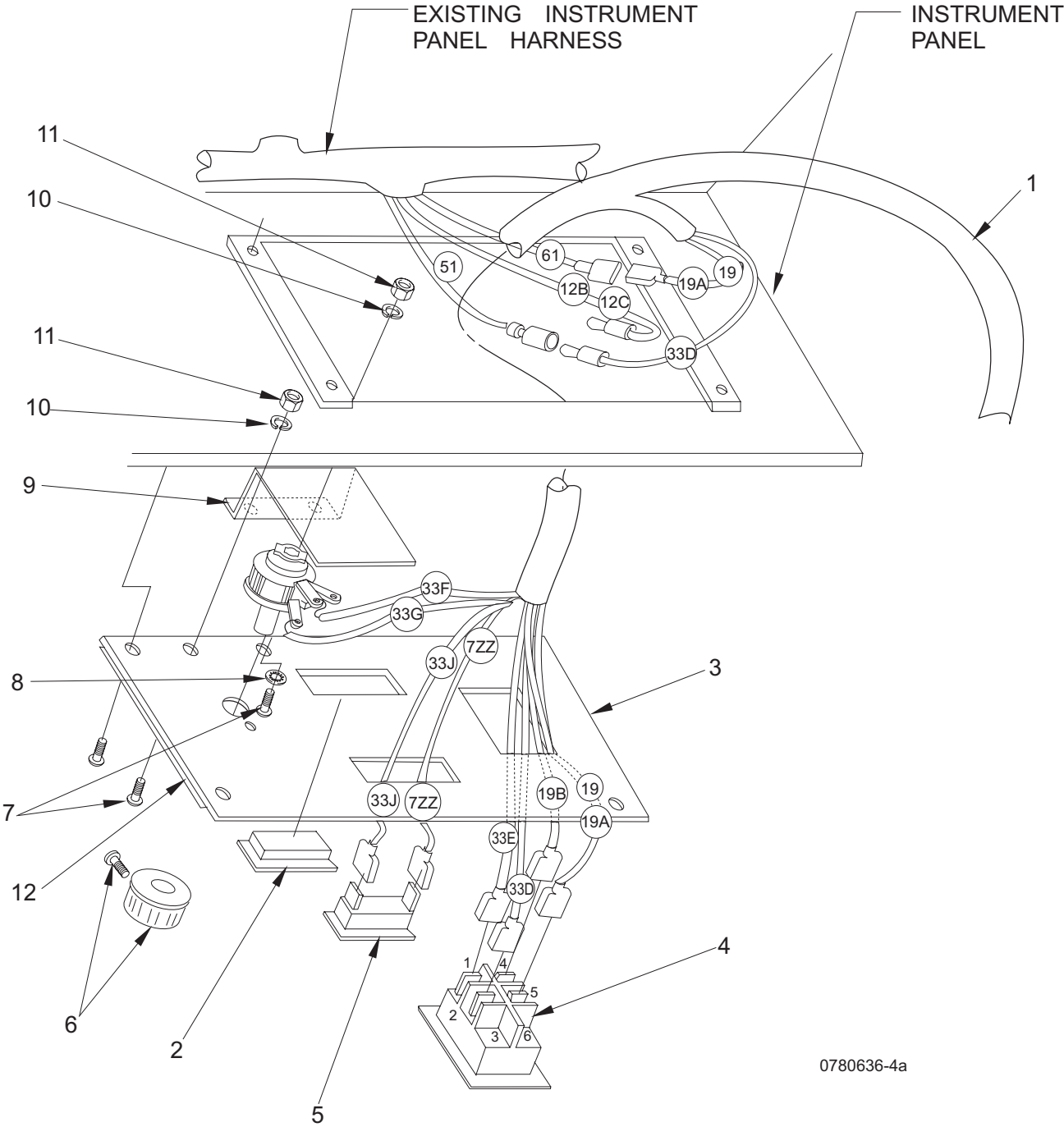
# ESP/AUTOFILEOPTION WIRING

---

## OPTION 0780-463 (4 OF 5 PAGES)

<u>KEY NO.</u>	<u>PART NUMBER</u>	<u>DESCRIPTION</u>	<u>QTY.</u>
1	0795-122	ESP Wiring Harness	1
2	Ref.	Hole Plug	1
3	7-52-00082	ESP Instrument Panel	1
4	7-82-00022	Switch, On/Off DPS	1
5	7-40-05030	Light-32V	1
6	7-39-00021	Knob	1
7	2-00-03062	Screw, #10-24 x .625 RHM	2
8	2-00-02296	Lock Washer, #10 Ext	2
9	7-30-05057	Guard, Rheostat	1
10	2-00-00529	Lock Washer, Helical Spring #8 Med	2
11	2-00-00605	Nut, Hex MS #10-24 THDS	2
12	7-18-00136	Decal, Detergent Flow	1
13	2-00-04479	Terminal, 3-Way	2
14	2-00-03418	Terminal, .25 FISO Female	2
15	2-00-05048	Terminal, .25 Ring	2
16	3-61-00189	Wire, 16 AWG. Black	10 ft.
17	0775-223	Resistor Assy.	1
18	0775-222	Resistor Assy.	1
19	2-00-04626	Terminal, .156 Female Bullet	4
20	2-00-04584	Terminal, .156 Male Bullet	4

0780-636-4a/8-04



0780636-4a

## ESP/AUTOFIL OPTION WIRING (CON'T)

---

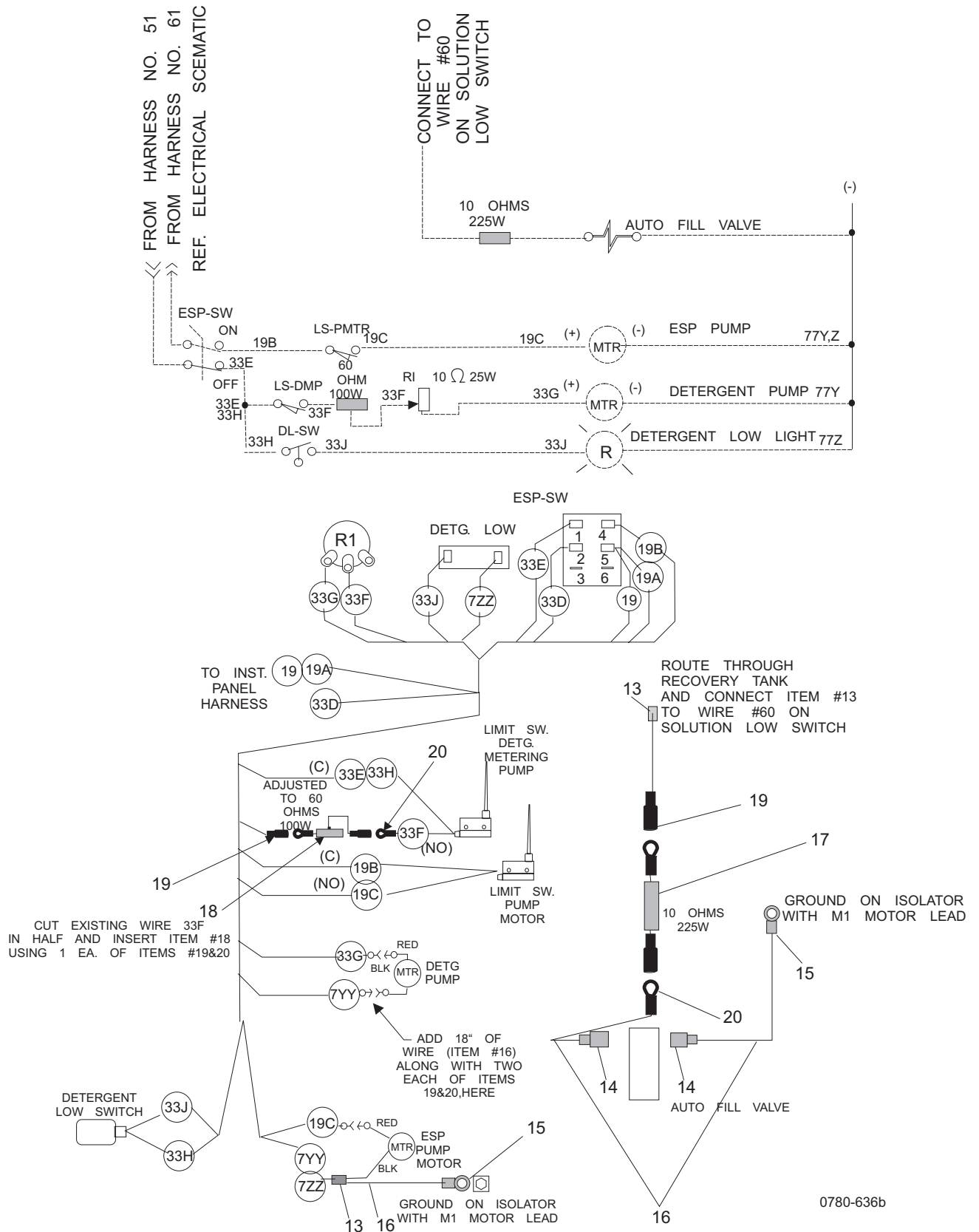
### OPTION 0780-463 (5 OF 5 PAGES)

<u>KEY NO.</u>	<u>PART NUMBER</u>	<u>DESCRIPTION</u>	<u>QTY.</u>
1	0795-122	ESP Wiring Harness	1
2		Hole Plug	1
3	7-52-00082	ESP Instrument Panel	1
4	7-82-00022	Switch, On/Off DPS	1
5	7-40-05030	Light-32V	1
6	7-39-00021	Knob	1
7	2-00-03059	Screw, #10-24 x .375 RHM	2
8	2-00-02296	Lock Washer, #10 Ext	2
9	7-30-05057	Guard, Rheostat	1
10	2-00-00529	Lock Washer, Helical Spring #8 Med	2
11	2-00-00605	Nut, Hex MS #10-24 THDS	2
12	7-18-00136	Decal, Detergent Flow	1
13	2-00-04479	Terminal-3-Way	2
14	2-00-03418	Terminal-.25 FISO Fem	2
15	2-00-05048	Terminal-.25 Ring	2
16	3-61-00189	Wire-16 AWG. Black	10'
17	0775-223	Assy. Resistor	1
18	0775-222	Assy. Resistor	1
19	2-00-04626	Terminal, .156 Female Bullet	4
20	2-00-04584	Terminal, .156 Male Bullet	4

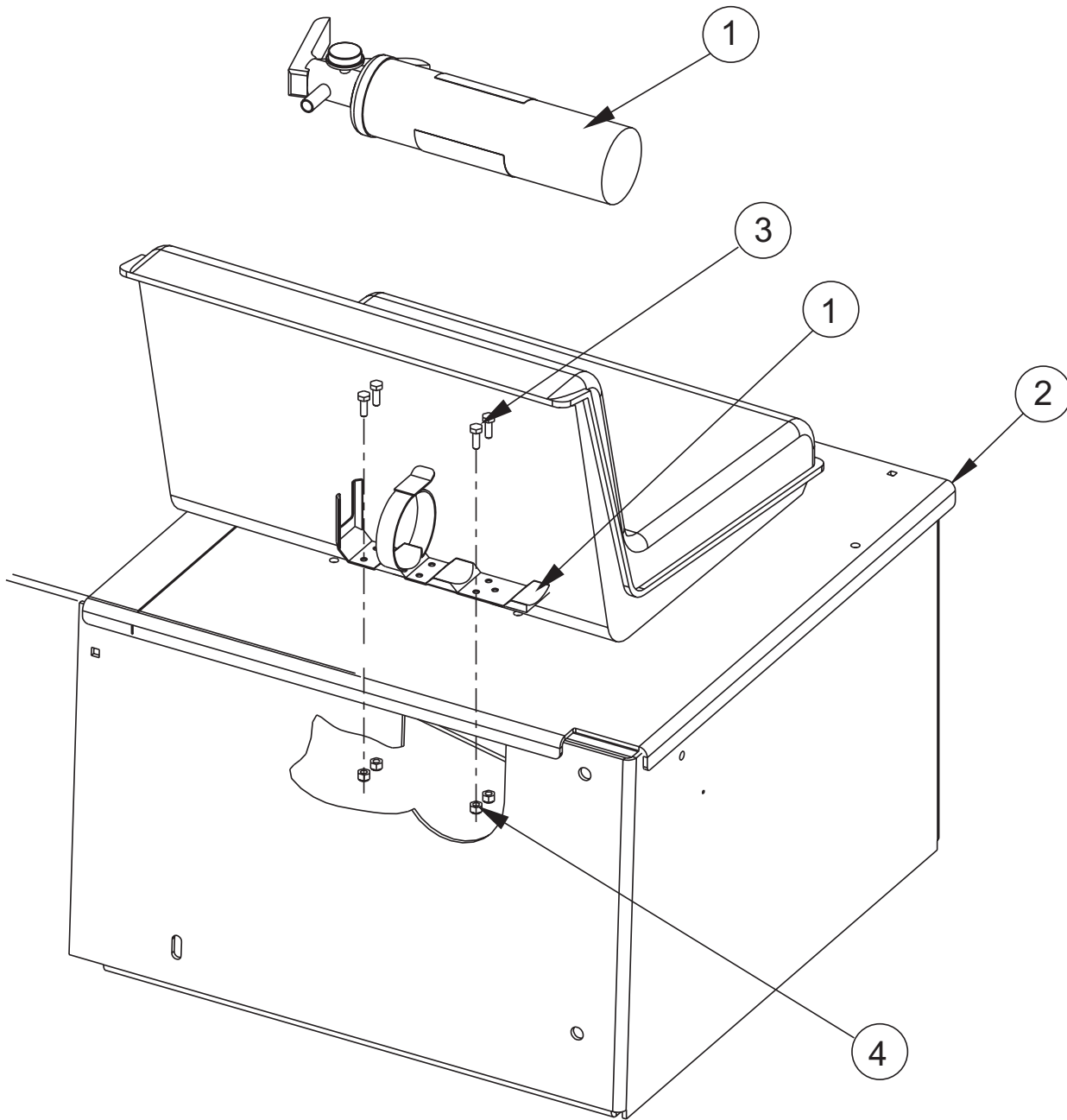
0780-636-4b/8-04



# ESP/AUTOFIL OPTION WIRING (CON'T)



**FIRE EXTINGUISHER OPTION**

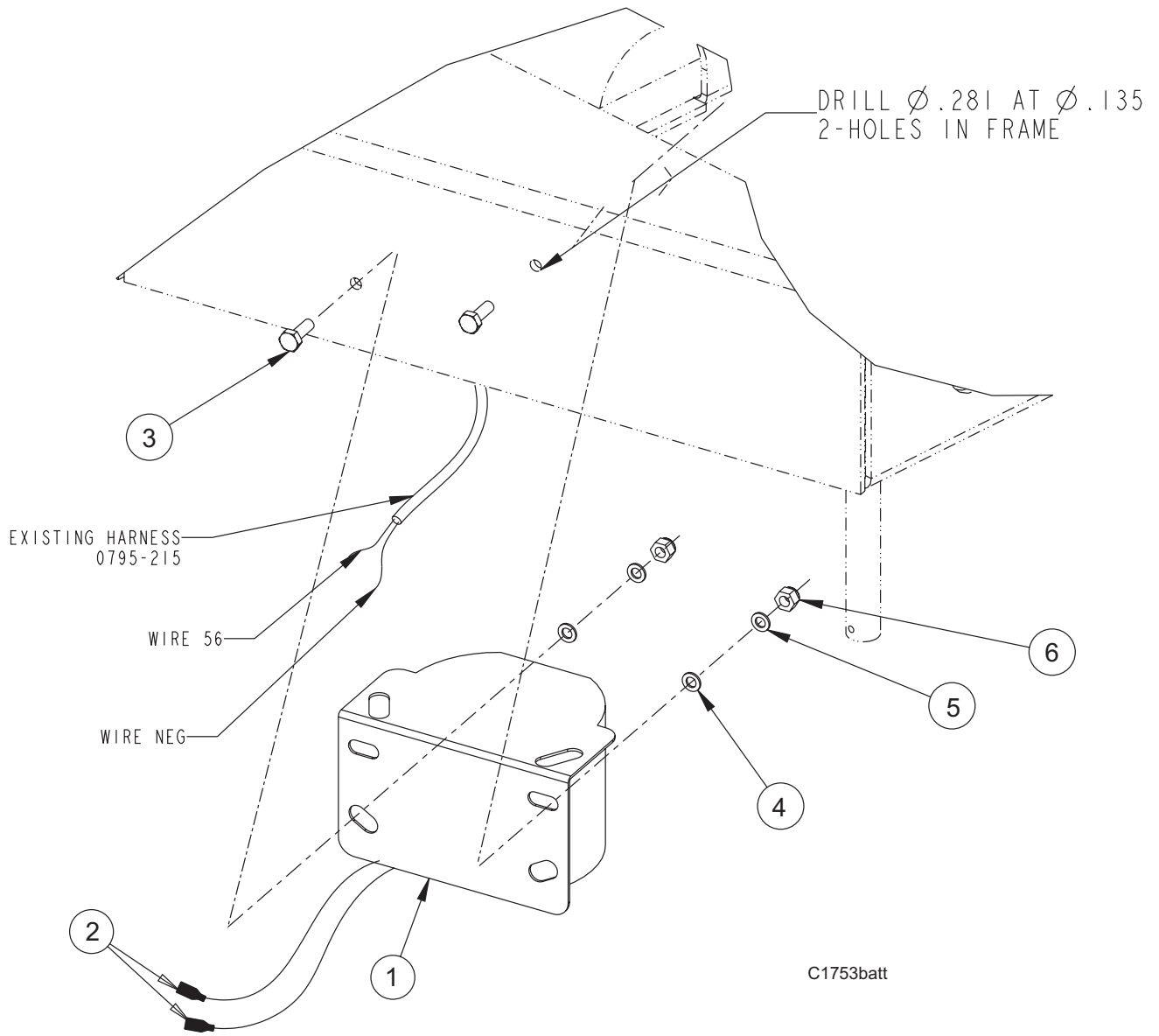


**OPTION 0780-453**

<b>KEY NO.</b>	<b>PART NUMBER</b>	<b>DESCRIPTION</b>	<b>QTY.</b>
1	8-83-04033	Fire Extinguisher & Mounting Bracket	1
2	8-52-00186	Panel, Seat Mounting	1
3	2-00-00221	Screw, 1/4-20 X .75 HHC	4
4	2-00-00641	Nut, 1/4-20 Fiber Insert	4

C1766/9711

**BACK-UP ALARM OPTION**



**OPTION 0780-650**

<b>KEY NO.</b>	<b>PART NUMBER</b>	<b>DESCRIPTION</b>	<b>QTY.</b>
1	8-32-09009	Back-Up Alarm	1
2	2-00-04708	Male Terminal	2
3	2-00-00221	Screw, 1/4-20 x .750 HHC	2
4	2-00-00409	Flat Washer, .687 x .344 x .062	2
5	2-00-00501	Washer, Internal Lock	2
6	2-00-00641	Nut, 1/4-20 Insert Fiber	2

C1753batt/11-04

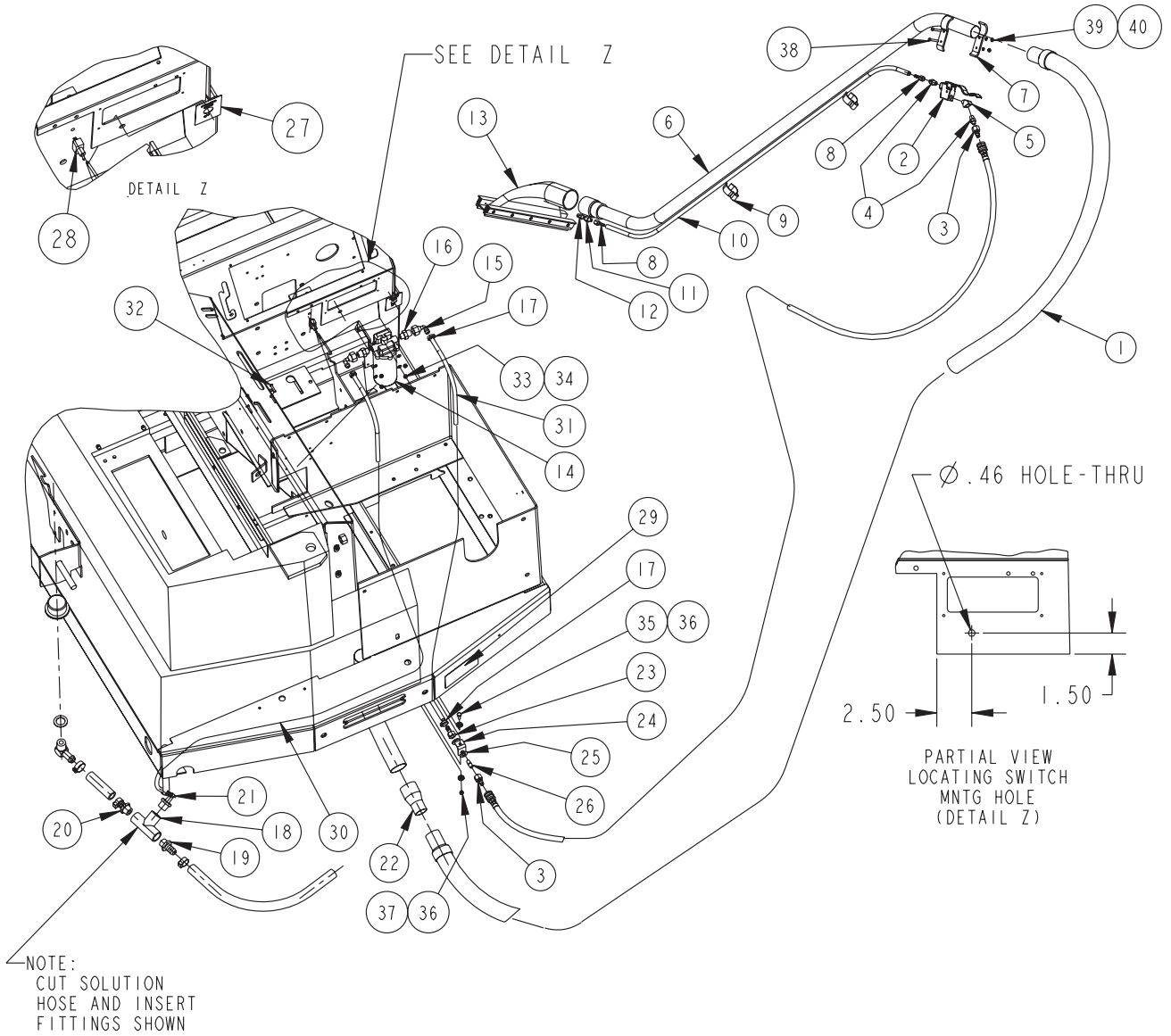
## SPRAY WAND OPTION

---

### OPTION 0780-464 (1 OF 2 PAGES)

<u>KEY NO.</u>	<u>PART NUMBER</u>	<u>DESCRIPTION</u>	<u>QTY.</u>
1	0261-029	Hose Assembly	1
2	7-88-00058	Valve, Solution (1/4 NPT)	1
3	7-16-05028	Coupling, Quick Disconnect	2
4	2-00-05206	Reducer	2
5	8-56-05026	Elbow, 45° Street	1
6	639804	Wand Assembly	1
7	7-13-07139	Clamp, Valve	2
8	2-00-05207	Adapter	2
9	7-13-07140	Clamp, Hose	5
10	7-33-02306	Hose, Solution Feed	1
11	2-00-05208	Adapter	1
12	7-50-01002	Spray Nozzle	1
13	638828	Squeegee Tool Assembly	1
14	7-60-05017	Water Pump (36 VDC)	1
15	7-25-02073	Fitting, 90° Elbow	2
16	7-03-00047	Adapter	2
17	2-95-04388	Hose Clamp	5
18	7-25-02037	Fitting, 3/4 Tee	1
19	7-25-02052	Fitting, Straight	2
20	2-00-03407	Hose Clamp	3
21	2-00-04655	Fitting, 90° Elbow	1
22	7-03-00044	Adapter, Hose	1
23	2-00-05211	Adapter, Hose	1
24	7-08-00769	Bracket, Hose Connection	1
25	2-00-00415	Washer	2
26	2-00-03875	Fitting, Closed Nipple	1
27	7-18-00217	Decal	1
28	2-00-03499	Switch	1
29	7-18-00121	Decal, Warning	1
30	3-71-03025	Hose, 3/8" Clear	3'
31	3-71-00081	Hose, Fiber Braid	5'
32	2-00-00039	Screw, 10-24 x 1.0 RHM	4
33	2-00-00460	Flat Washer, .437 x .192 x .031	4
34	2-00-01246	Nut, #10-24 Fiber Insert Hex	4
35	2-00-00221	Screw, 1/4-20 x .75 HHC	1
36	2-00-00503	Lock Washer, 1/4 Ext	2
37	2-00-00594	Nut, 1/4-20 x .437 x .218 Hex	1
38	2-00-00089	Screw, 10-24 x 1.50 RHM	2
39	2-00-04686	Lock Washer, #10 Helical	2
40	2-00-00605	Nut, #10-24 x .375 x .125 Hex	2

C1760/0206



## SPRAY WAND OPTION (con't)

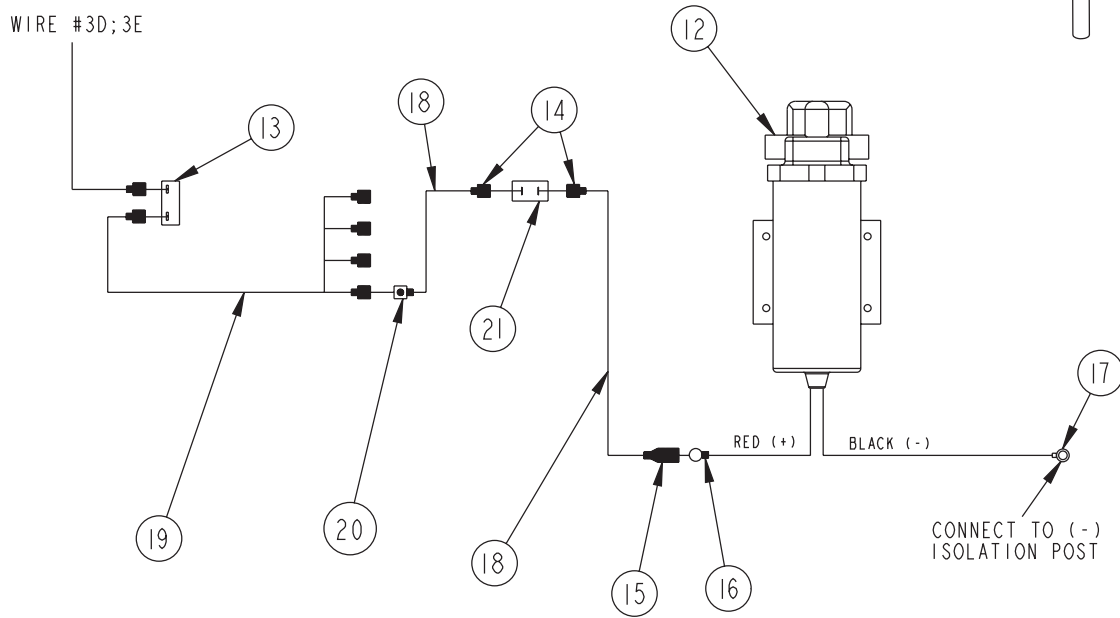
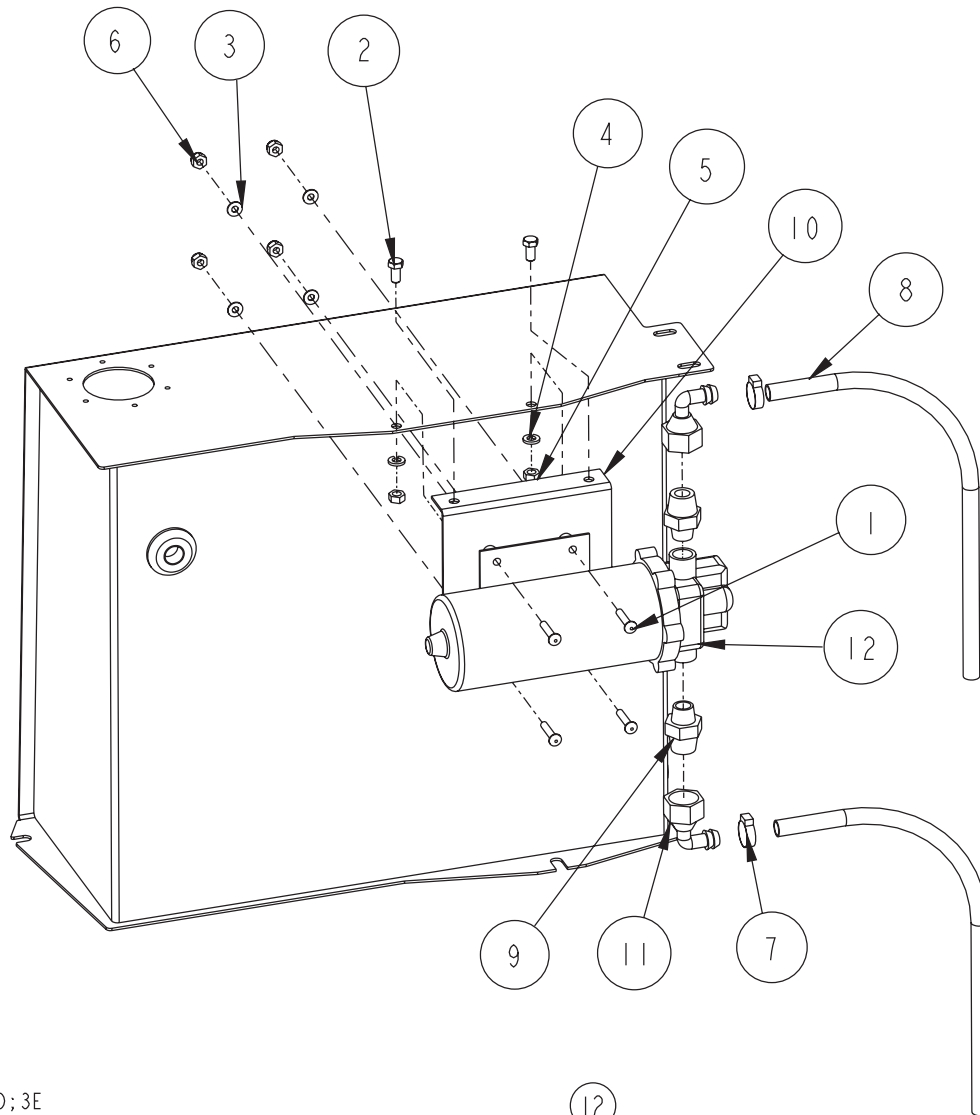
---

### OPTION 0780-464 (2 OF 2 PAGES)

<u>KEY NO.</u>	<u>PART NUMBER</u>	<u>DESCRIPTION</u>	<u>QTY.</u>
1	2-00-00039	Screw, 10-24 x 1.0 RHM	4
2	2-00-00219	Bolt, 1/4-20 Fin. Hex Head	2
3	2-00-00460	Flat Washer, .437 x .192 x .031	4
4	2-00-00518	Lock Washer, 1/4" Helical Spring	2
5	2-00-00594	Nut, 1/4-20 x .437 x .218 Hex	1
6	2-00-01246	Nut, #10-24 Fiber Insert Hex	8
7	2-95-04388	Clamp, Hose	2
8	3-71-00081	Hose, Fiber Braid	8'
9	7-03-00047	Adapter, 3/8-1/2 NPT Plastic	2
10	7-08-01119	Bracket, Spray Pump	1
11	7-25-02073	Fitting, 90° Elbow, 1/2 NPT x 3/8 Barb	2
12	7-60-05017	Water Pump, 36VDC	1
13	8-64-00008	Circuit Breaker	1
14	2-00-03418	Terminal, .25 FISO	3
15	2-00-04626	Terminal, .156 Fem. Bullet	1
16	2-00-04578	Terminal, .156 Male Bullet	1
17	2-00-00828	Terminal, .25 Ring	1
18	3-61-00189	Wire, 16 AWG	-
19	8-90-07434	Wing Wire	1
20	8-11-00015	Terminal, .25 FISO Male	1
21	2-00-03499	Switch, Toggle	Ref.

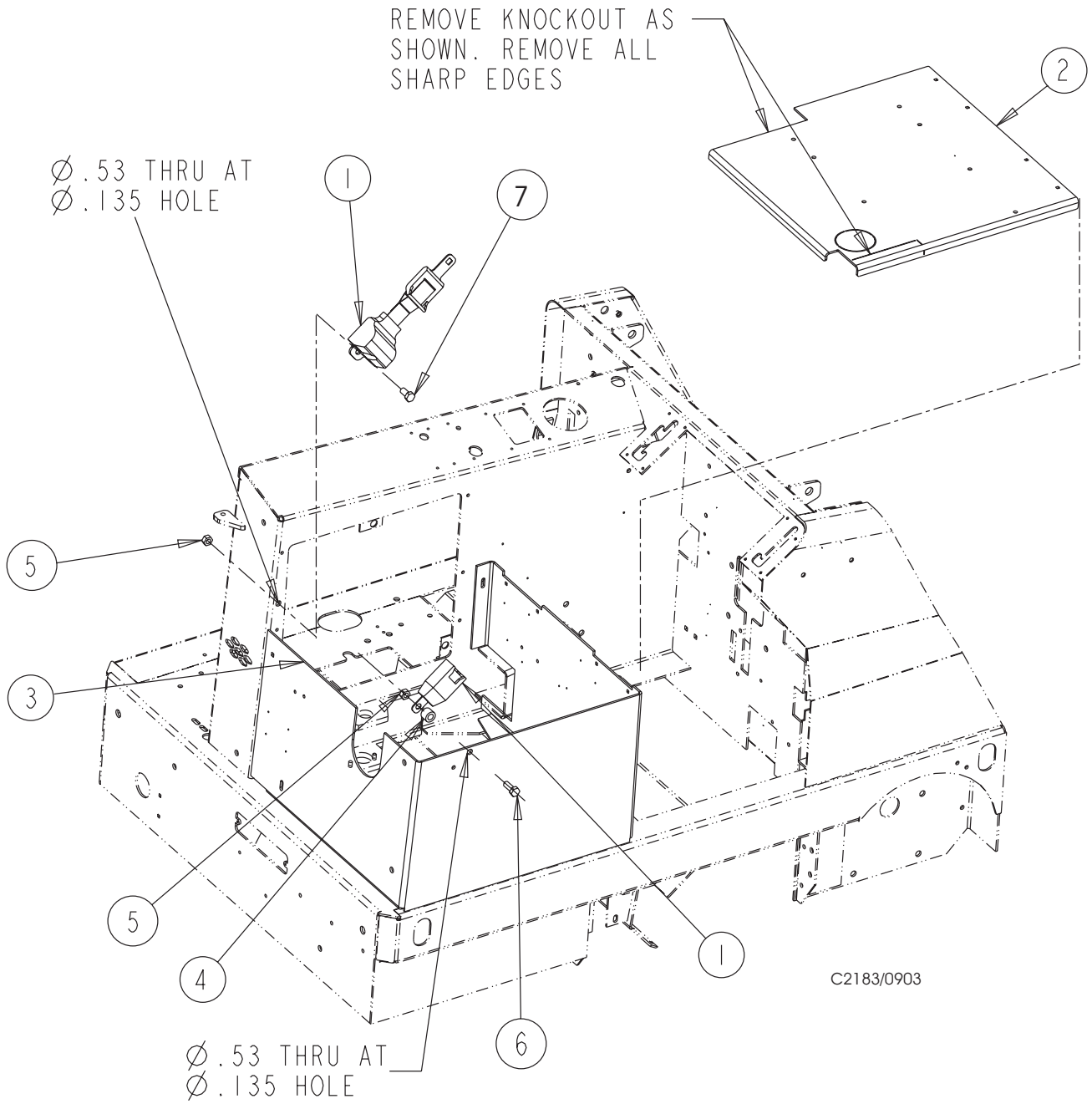
C1762-batt/9-04

**SPRAY WAND OPTION (con't)**



NOTE: ROUTE WITH EXISTING HARNESS USING TYE-RAPS WHEN NEEDED

# RETRACTABLE SEATBELT OPTION



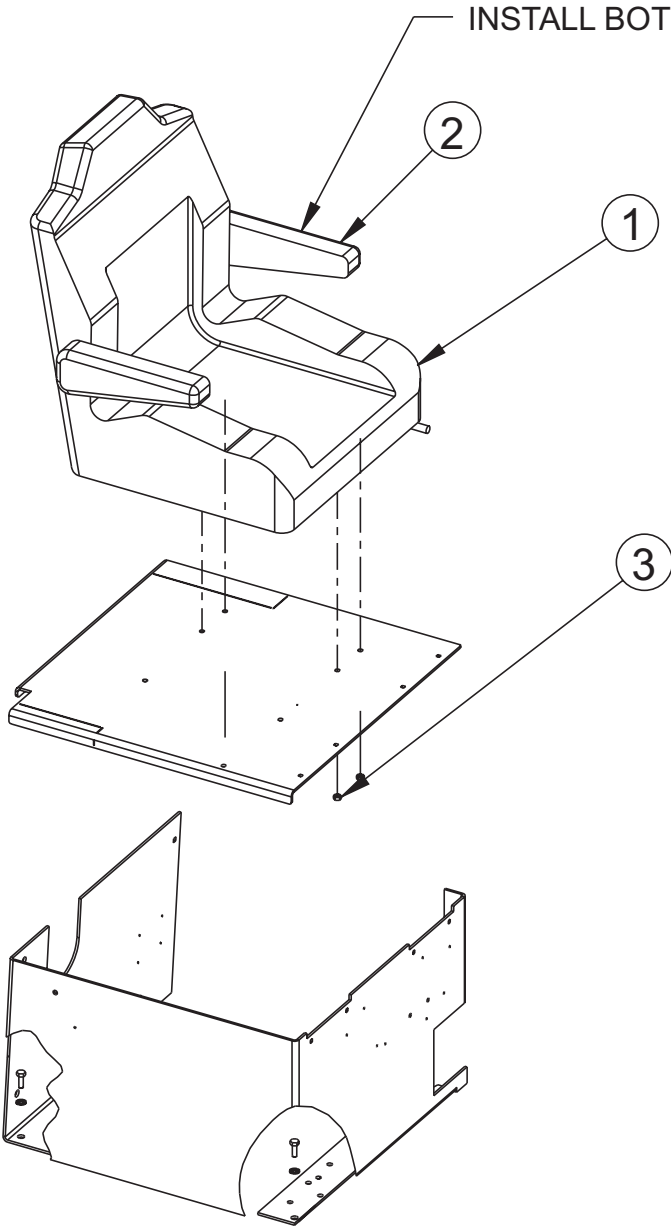
## OPTION NO. 0880-723

KEY NO.	PART NUMBER	DESCRIPTION	QTY.
1	2-00-05391	Seatbelt, Retractable	1
2	8-52-00186	Panel, Seal Mounting	REF
3	8-33-05124	Housing, Seat	REF
4	7-75-01099	Spacer, Idler Pulley	1
5	2-00-04936	Nut, 1/2-13 Fiber Insert	1
6	2-00-00240	Screw, 1/2-13 x 1.25 HHC	1
7	2-00-00239	Screw, 1/2-13 x 1.00 HHC	1

C2183/0399



**SUSPENSION SEAT OPTION**



NOTE: DO NOT USE SEAT MOUNTED SEATBELT ON THIS MACHINE

**OPTION 0780-456**

<b><u>KEY NO.</u></b>	<b><u>PART NUMBER</u></b>	<b><u>DESCRIPTION</u></b>	<b><u>QTY.</u></b>
1	8-69-00019	Seat, Suspension	1
2	8-03-04320	Kit , Arm Rest	1
3	2-00-00644	Nut, 5/16-18 Fiber Insert	4

C1791/0007

**PAD DRIVER OPTION (16")**

---

**OPTION NO. 0780-434**

<u>KEY NO.</u>	<u>PART NUMBER</u>	<u>DESCRIPTION</u>	<u>QTY.</u>
1	7-19-02035	Disc - Driver	1
2	7-20-00010	Pad Driver - 16" Diameter	1
3	2-00-00081	Screw, 1/4-20 x 1.000 RHM	4

**PAD HOLDERS FOR THIS OPTION**

4 Lefthand (complete)7-32-03013  
 4a Lefthand (lower piece only)7-32-03014



5 Righthand (complete)7-32-03015  
 5a Righthand (lower piece only)7-32-03016



C1741/9707

**OPTION 0780-445**

<b><u>KEY NO.</u></b>	<b><u>PART NUMBER</u></b>	<b><u>DESCRIPTION</u></b>	<b><u>QTY.</u></b>
1	7-19-02035	Disc - Driver 18"	1
2	7-20-00012	Pad Driver - 18"	1
3	2-00-00081	Screw, 1/4-20 x 1.0 HHC	4

C1741b/9712

## VACUUM WAND OPTION

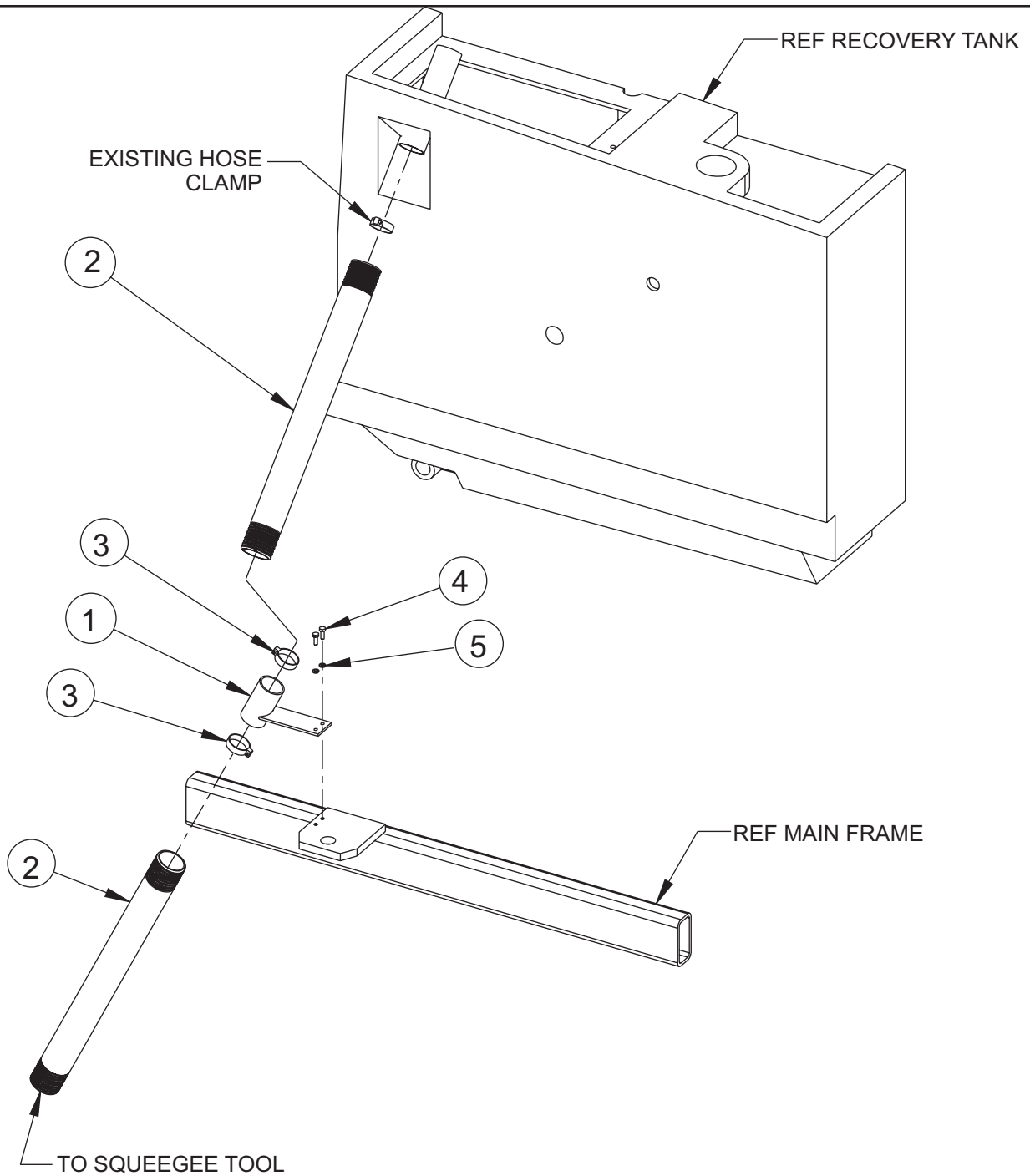
---

### OPTION 0780-457

<u>KEY NO.</u>	<u>PART NUMBER</u>	<u>DESCRIPTION</u>	<u>QTY.</u>
1	19501A	Lower Wand (includes Key #6)	1
2	7-03-00044	Hose Adapter	1
3	19202A	Squeegee Tool	1
4	7-55-08128	Pin	Ref.
5	7-33-02213	Hose, 1 ½ x 15'	1
6	68701A	Lower Wand	1

C1444/9804

**VAC HOSE SERVICE KIT OPTION**



OPTION 0780-469

<u>KEY NO.</u>	<u>PART NUMBER</u>	<u>DESCRIPTION</u>	<u>QTY</u>
1	7-25-02097	Fitting, Vac. Hose Coupling (Welded)	1
2	7-33-02386	Hose, Vacuum	2
3	2-00-02216	Clamp, Hose	2
4	2-00-00221	Screw, 1/4-20 x .75 HHC	2
5	2-00-00518	Lock Washer, 1/4 Helical Spring	2

C1788/9807

## ROLLER BUMPER OPTION

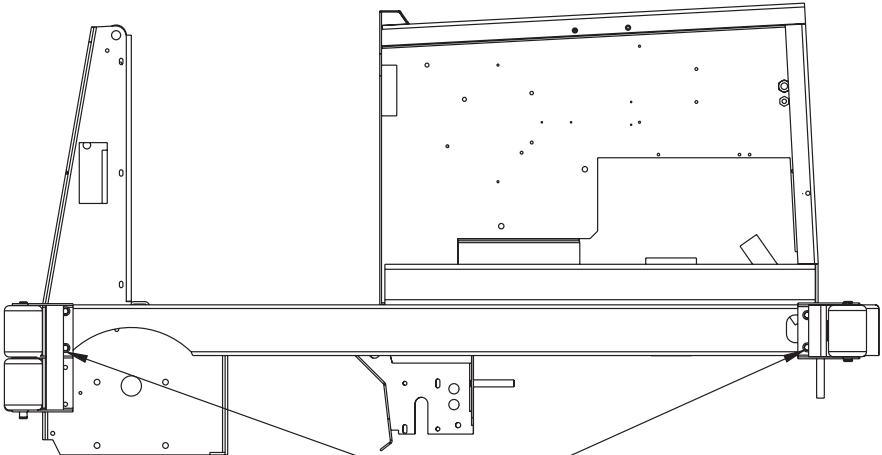
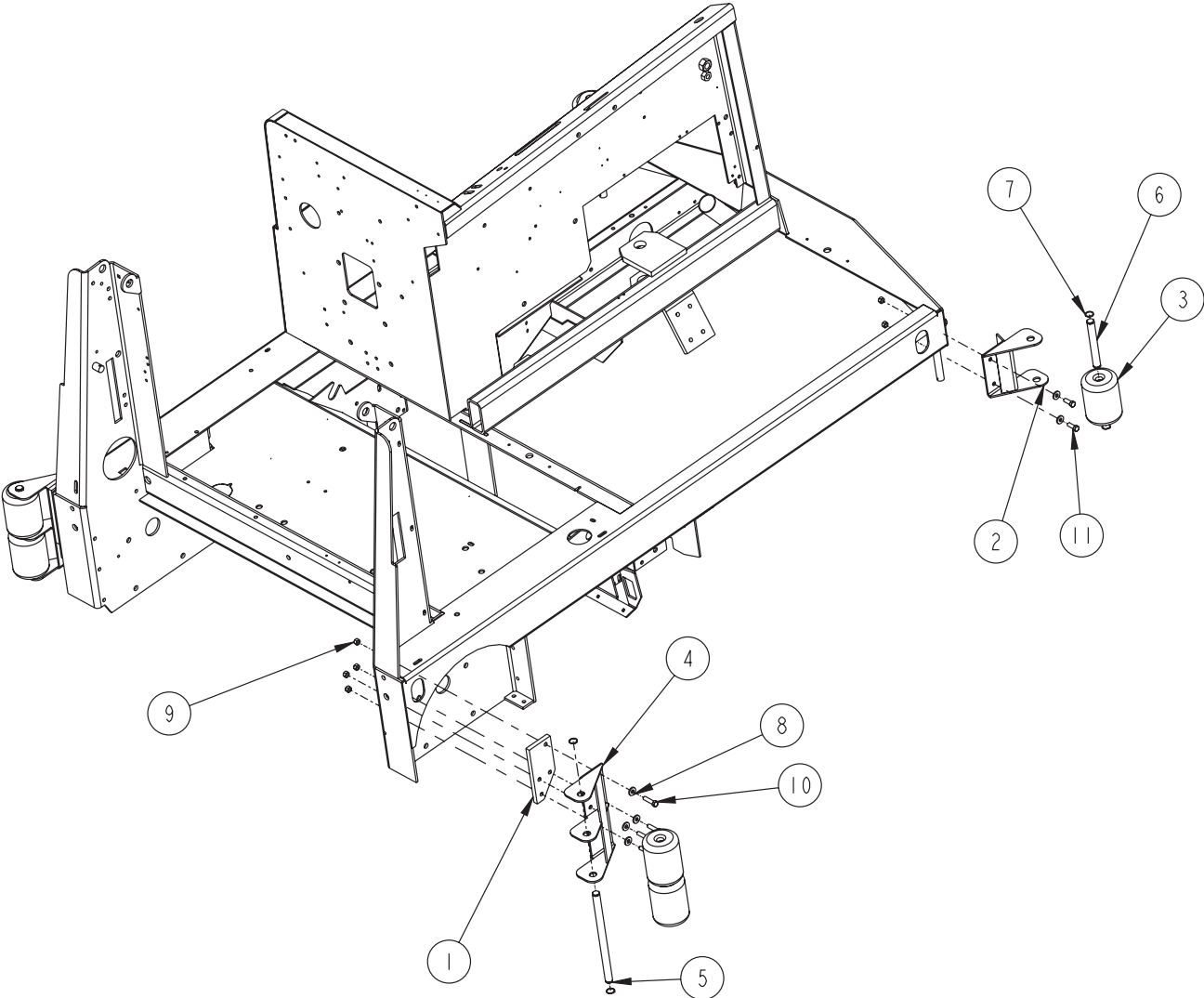
---

### OPTION 0780-703

<u>KEY NO.</u>	<u>PART NUMBER</u>	<u>DESCRIPTION</u>	<u>QTY</u>
1	7-58-05362	Spacer, Bumper	2
2	7-08-07116	Bumper (weldment), LH Rear	2
3	7-66-05011-1	Roller, Bumper	6
4	7-08-07117	Bumper (weldment), Front	2
5	7-70-05188	Pin, Roller Bumper/Side Broom	2
6	7-70-05175	Pin, Roller Bumper	2
7	2-00-00540	Retainer Ring, Ext. #5100-75 for 3/4 D	8
8	2-00-004801	Flat Washer, 1.0 x .39 x .06	14
9	2-00-04182	Nut, #3/8-16 Hex Stop	15
10	2-00-00234	Screw, 3/8-16 x 1.50	8
11	2-00-00233	Bolt, 3/8-16 x 1.0 Fin. Hex Head	6

0780-703/11-05

**ROLLER BUMPER OPTION**



DRILL  $\varnothing 0.532$  HOLE (14X)  
USE BRACKETS AS TEMPLATE

0780-703/11-05

## WRAP-AROUND BUMPER OPTION

---

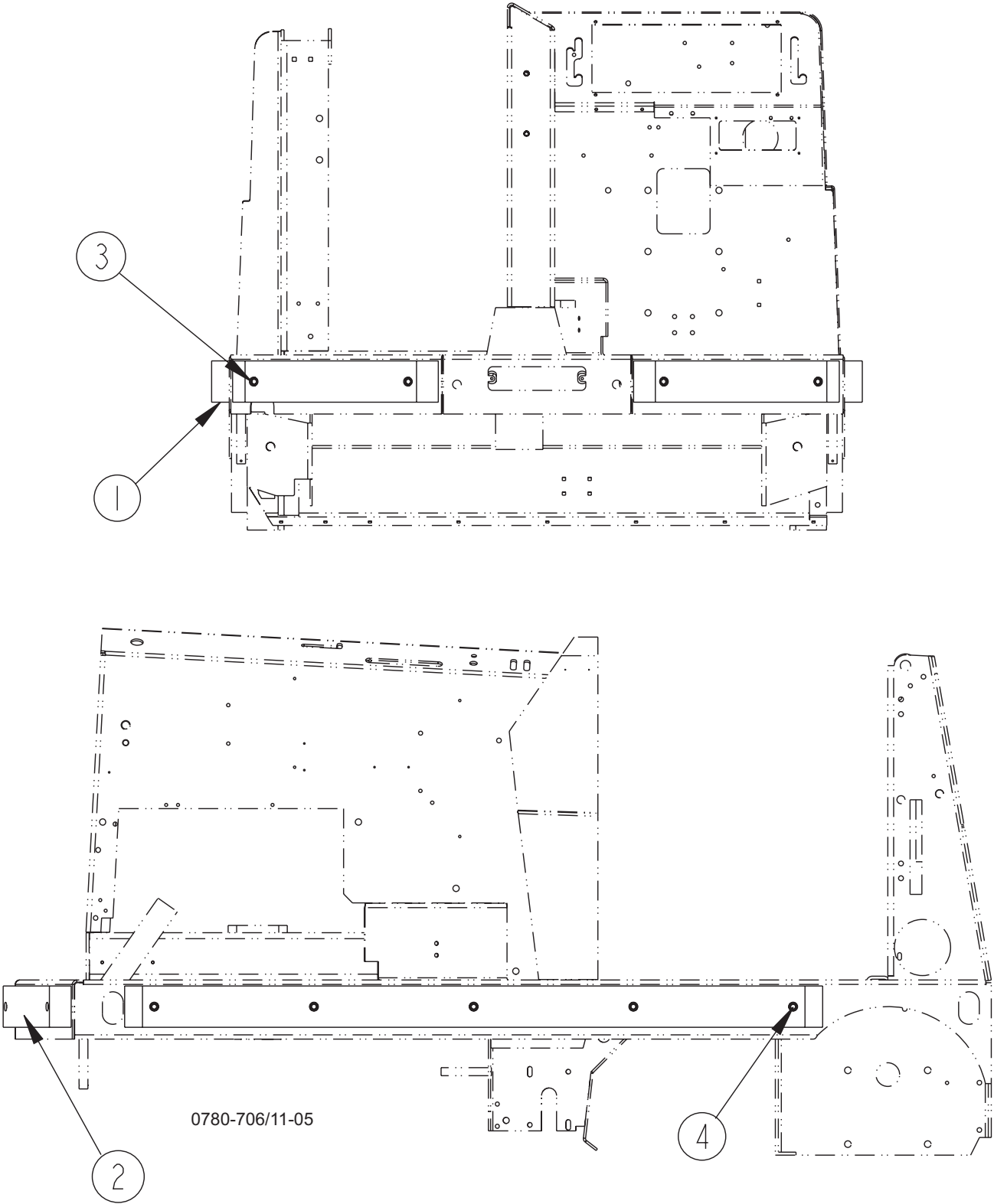
### OPTION 0780-706

<u>KEY NO.</u>	<u>PART NUMBER</u>	<u>DESCRIPTION</u>	<u>QTY</u>
1	7-08-07130	Bumper, Poly (59.0")	2
2	7-08-07131	Bumper, Poly (18.0")	2
3	2-00-00409	Flat Washer, .687 x .344 x .062	14
4	2-00-06543	Screw, 1/4-20 x 2.0	14

0780-706/11-05



WRAP-AROUND BUMPER OPTION



## EXTENDED RECOVERY TANK DRAIN OPTION

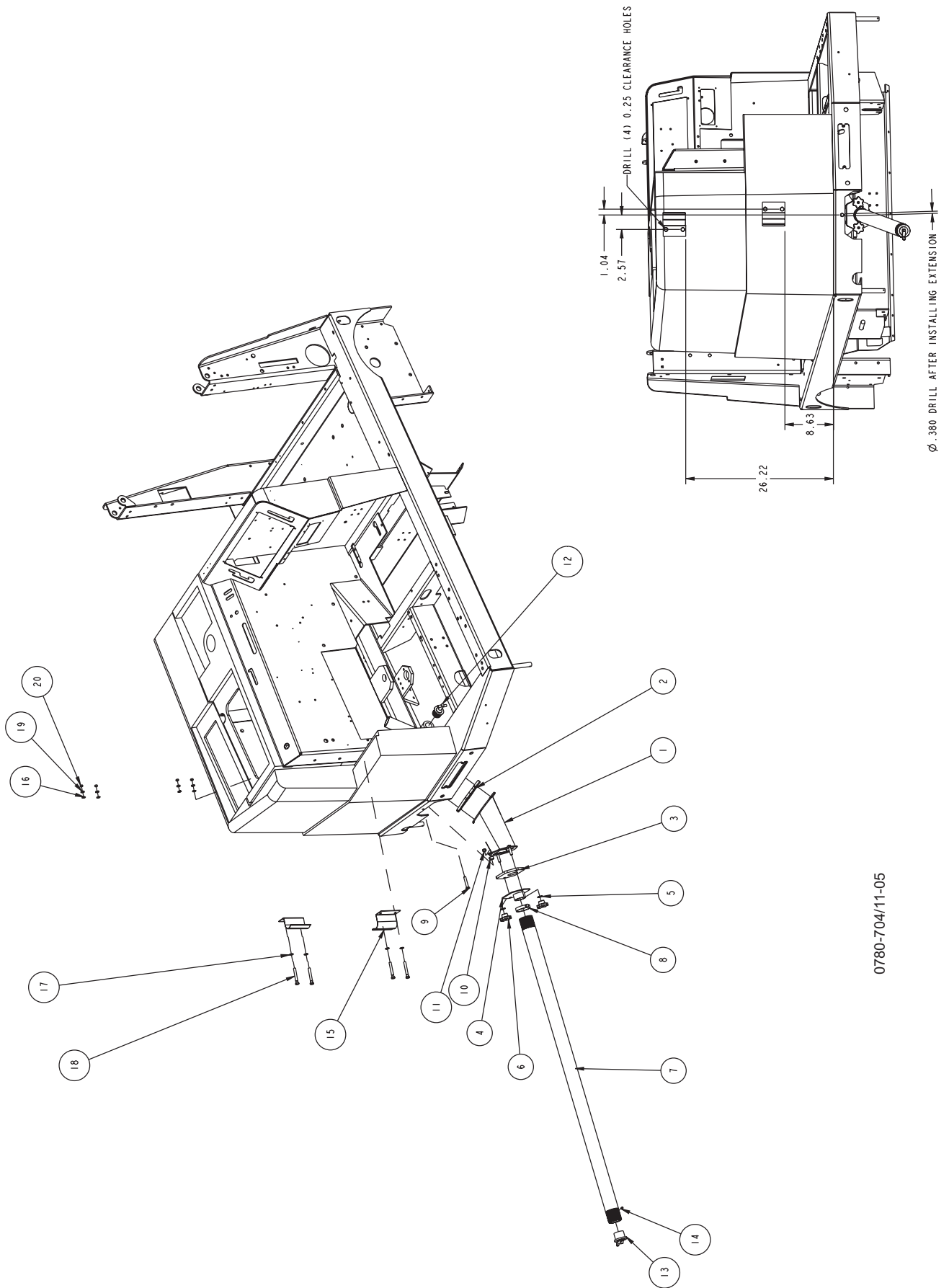
---

### OPTION 0780-704

<u>KEY NO.</u>	<u>PART NUMBER</u>	<u>DESCRIPTION</u>	<u>QTY</u>
1	7-33-05151	Extension, Clean-Out Door	1
2	7-29-00318-1	Gasket, Drain	1
3	7-29-00250-1	Gasket, Drain	1
4	7-19-08099	Door, Recovery Tank Drain	1
5	2-00-00410	Flat Washer, .875 x .375 x .060	2
6	25201A	Knob	2
7	7-33-02591	Hose Assy., Drain	1
8	2-00-02216	Clamp, Hose	1
9	2-00-00216	Bolt, 3/8-16 x 2.0 Hex Head	1
10	7-15-01022	Collar w/setscrew	1
11	2-95-04182	Nut, 3/8-16 Hex Stop	1
12	7-58-08001	Plug	1
13	7-25-02033	Plug, Hose	1
14	2-00-03466	Screw, 10-16 x 1/2 Self-Tapping	1
15	7-08-01138-1	Bracket, Drain Hose	2
16	2-00-04590	Washer, Sealing	4
17	2-00-04689	11/16 OD x .26 ID x .050	4
18	2-00-04699	Screw, 1/4-20 x 2.75 HHC	4
19	2-00-04687	Lock Washer, 1/4" Helical Spring	4
20	2-00-04688	Nut, 1/4-20 Hex	4

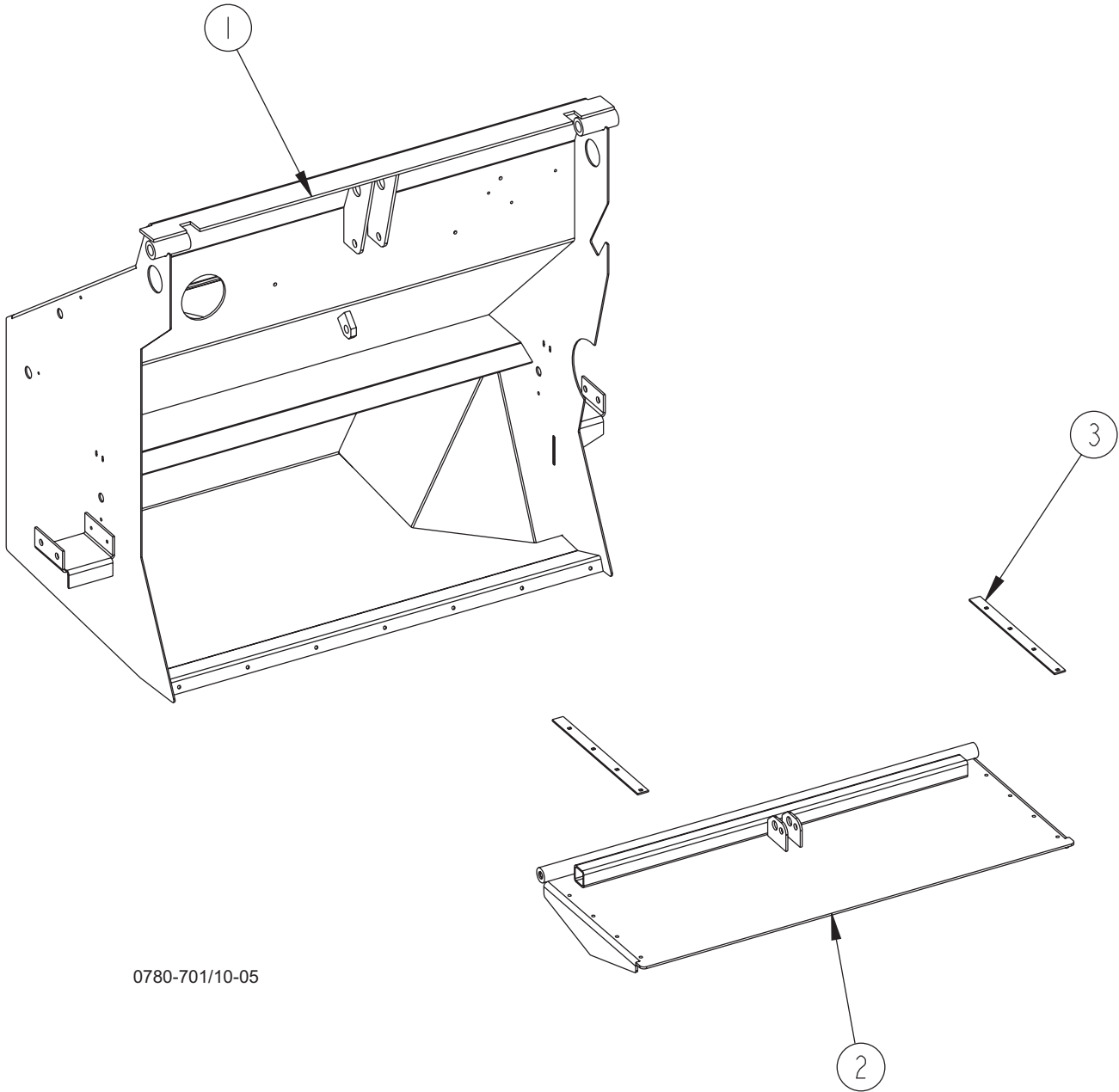
0780-704/11-05

# EXTENDED RECOVERY TANK DRAIN OPTION



0780-704/11-05

# STAINLESS STEEL VD HOPPER OPTION



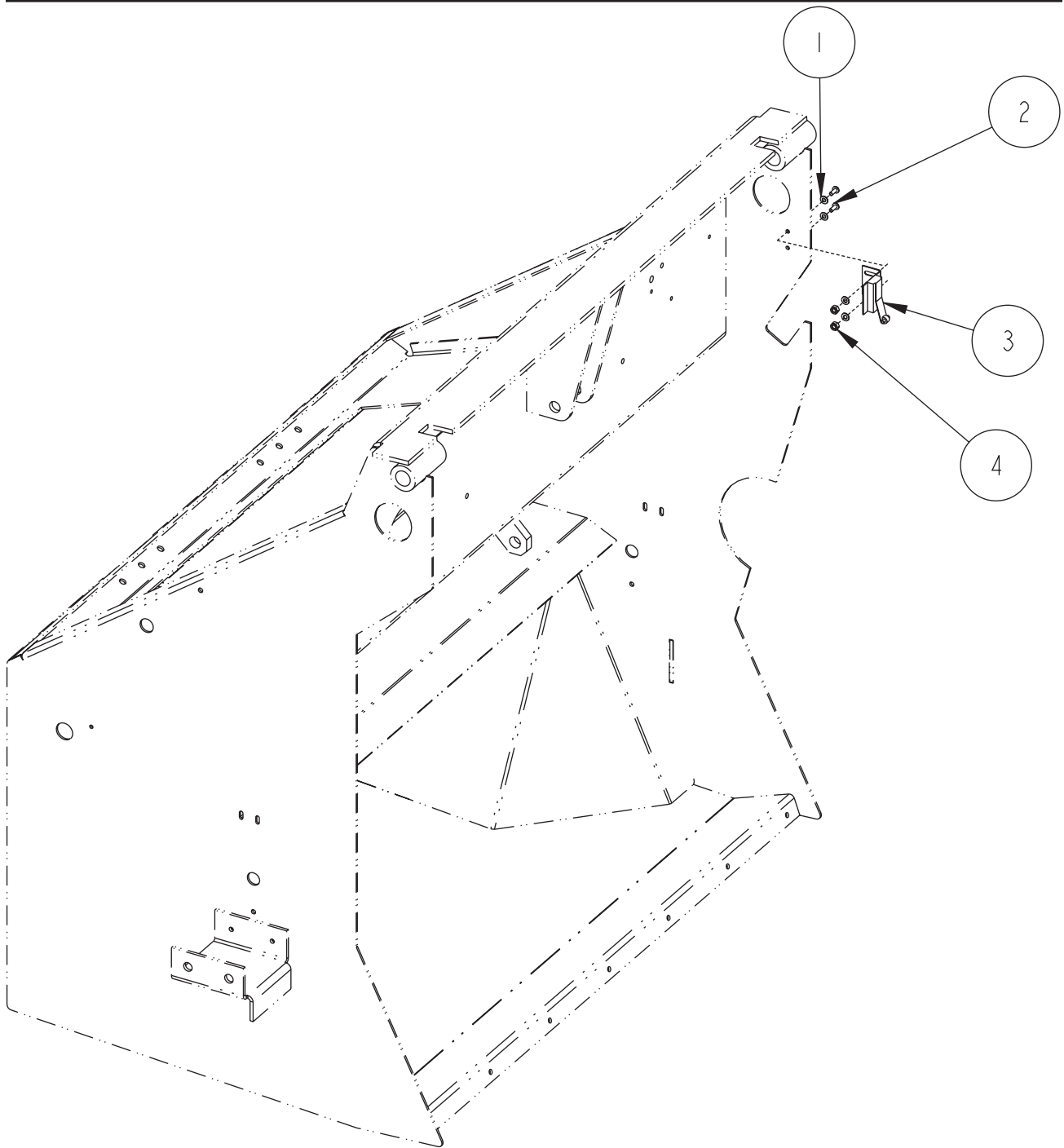
0780-701/10-05

## OPTION 0780-701

<u>KEY NO.</u>	<u>PART NUMBER</u>	<u>DESCRIPTION</u>	<u>QTY</u>
1	7-32-06018-1	Hopper, Variable Dump	1
2	7-19-08056-1	Door, Welded Hopper	1
3	8-13-07140-1	Clamp, Dump Seal	1

0780-701/10-05

## CAM-STYLE HOPPER SWITCH OPTION



### OPTION 0780-707

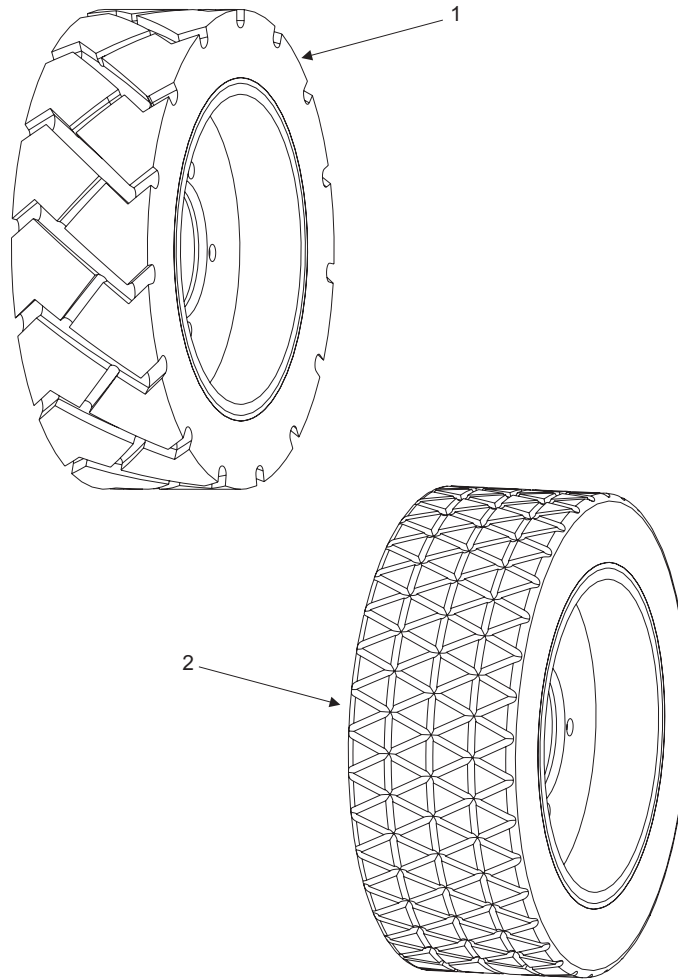
<u>KEY NO.</u>	<u>PART NUMBER</u>	<u>DESCRIPTION</u>	<u>QTY</u>
1	2-00-00426	Flat Washer, .500 x .219 x .063	4
2	2-00-00049	Screw, 10-24 x 1/2	2
3*	7-82-00059	Switch	1
4	2-00-01246	Nut, #10-24 Elastic Stop	2

\*Wires same as existing switch

0780-707/10-05

# TIRE OPTIONS

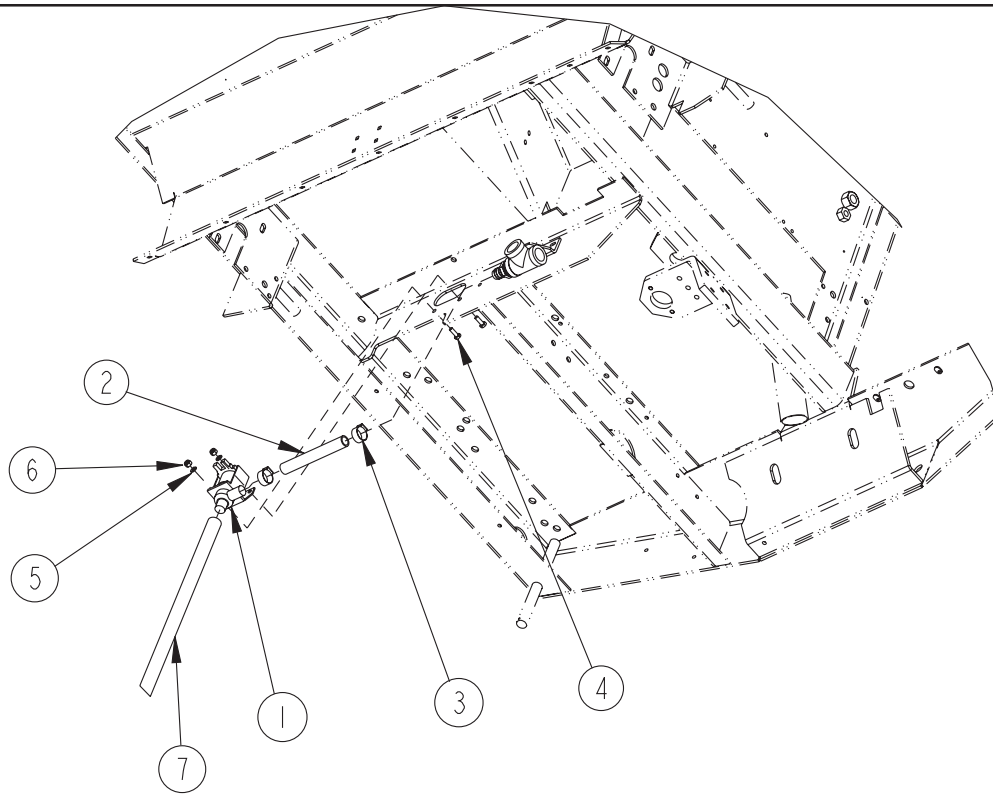
---



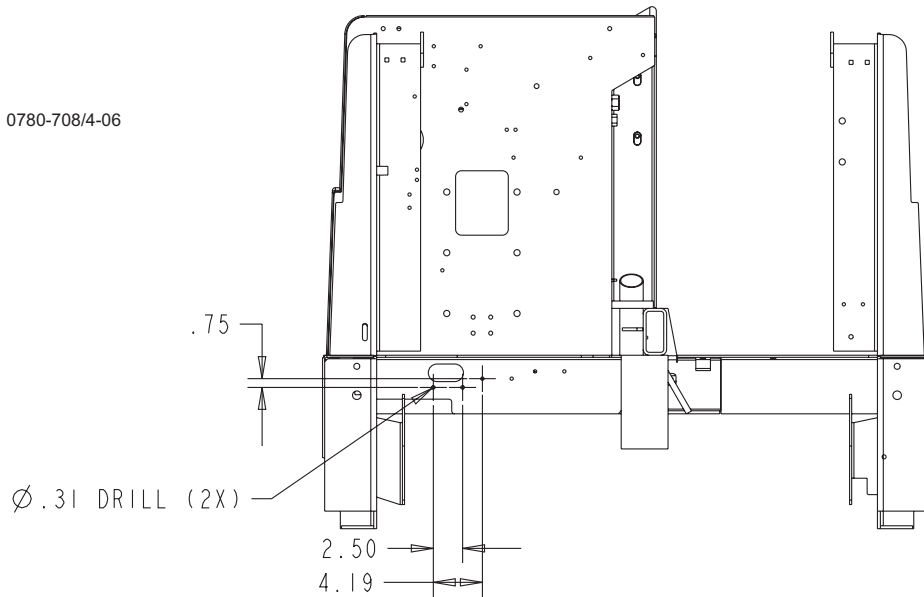
<u>KEY NO.</u>	<u>PART NUMBER</u>	<u>DESCRIPTION</u>	<u>QTY.</u>
1*	0780-700	Non-Marking Mono-Grip Drive Wheel	1
*Service Parts			
7-89-08271	Wheel Assy.		
7-85-06027	Tire Only		
7-33-09041-1	Hub		
2~	0780-705	High Traction Drive Wheel	1
~Service Parts			
7-89-08270	Wheel Assy.		
7-85-06026	Tire Only		
7-33-09041-1	Hub		

0780-700-705/12-05

## SOLUTION OFF IN NEUTRAL OPTION



0780-708/4-06



KEY NO.	PART NUMBER	DESCRIPTION	QTY.
1	7-88-00073	Valve, Solution (36Vdc)	1
2	7-33-02593	Hose, 5/8 ID x 6.0 Solution Feed	1
3	2-00-03407	Clamp, Witteck #10P Hose	2
4	2-00-00221	Bolt, 1/4-20 x 3/4 Fin. Hex Head	2
5	2-00-00518	Lock Washer, 1/4 Helical Spring	2
6	2-00-00641	Nut, 1/4-20 Fiber Insert	2
7	7-33-02383	Hose, Solution Feed	REF

0780-708/4-06

**OPTION 0760-514  
46" MACHINE**

**BROOM & HOPPER CHAMBER COMPONENTS**

7-25-08070	Hopper Flap	1
7-25-08071	Flap - BC Outer	1
7-25-08072	Flap - BC Inner	1
8-29-00257	Gasket	1
8-29-00232	Gasket	1
8-29-00234	Gasket	1
8-29-00233	Gasket	3
8-21-04048	Edging	2
8-29-00256	Gasket	1
7-21-03003	Edging	3
7-21-04031	Edging	1
8-25-08212	Flap Door	2
8-24-04148	Dust Filter Element	1

**SQUEEGEE COMPONENTS**

7-77-00109	Outer Rubber	1
7-77-00110	Inner Rubber	1
7-77-00111	Side Sq. Outer Rubber	2
7-77-00114	Side Sq. Inner Rubber	2

**OPTION 0760-515  
53" MACHINE**

**BROOM & HOPPER CHAMBER COMPONENTS**

7-25-08070	Hopper Flap	1
7-25-08071	Flap - BC Outer	1
7-25-08072	Flap - BC Inner	1
8-29-00257	Gasket	1
8-29-00232	Gasket	1
8-29-00234	Gasket	1
8-29-00233	Gasket	3
8-21-04048	Edging	2
8-29-00256	Gasket	1
7-21-03003	Edging	3
7-21-04031	Edging	1
8-25-08212	Flap Door	2
8-24-04148	Dust Filter Element	1

**SQUEEGEE COMPONENTS**

7-77-00105	Outer Swing Squeegee Rubber	1
7-77-00115	Inner Swing Squeegee Rubber	1
7-77-00112	Outer Side Squeegee Rubber	2
7-77-00113	Inner Side Squeegee Rubber	2



## SPARE PARTS LISTS

---

### OPTION 0780-418 53" SCRUB DECK & SQUEEGEE

7-86-08041	Squeegee-Weldment	1	7-33-02359	Hose-6"	1
7-20-06010	Duct-Squeegee Inlet	1	7-33-02361	Hose - 17"	1
7-75-01164	Spacer-Bushing	2	7-42-05132	Link - Side Squeegee	2
7-75-01169	Spacer-Squeegee	2	7-30-08016	Guide - Brush Frame Arm	1
7-77-00110	Squeegee-Rubber-Inner	1	7-76-00114	Spring	1
7-77-00109	Squeegee-Rubber-Outer	1	7-33-00360	Hose - 8"	2
7-79-00088	Strap-Squeegee Clamp	1	7-33-09031	Hub-Brush Drive	3
7-13-07157	Clamp-End Squeegee	2	7-03-04123	Arm-Brush Drive	3
7-13-07156	Clamp-Nut	2	7-78-05026	Stop-Scrub Frame RH	1
7-39-00026	Knob-Squeegee	4	7-78-05025	Stop-Scrub Frame LH	1
7-89-08073	Wheel-Caster	2	7-08-00437	Welding Tee	1
7-27-07181	Brush Deck Weldment	1	7-33-02339	Hose-22"	1
7-42-05135	Link - Brush RH	1	7-86-08042	LH Side Squeegee Tool	1
0782-111	Motor-Hyd	1	7-86-08043	RH Side Squeegee Tool	1
7-57-05039	Pivot Brush Drive	2	7-77-00113	Rubber Inner Side Squ.	2
7-42-05134	Link - Brush Frame LH	1	7-77-00112	Rubber Outer Side Squ.	2
7-41-00027	Latch-Brush Drive	3	7-13-07175	Clamp RH Side Squeegee	1
7-25-02012	Fitting - Straight Barb	1	7-13-07174	Clamp RH Side Squeegee	1
7-55-08151	Pin-Lock	2			

