



MW851UST Digital Projector

Highlights

- Ultra Short Throw
- Designed for Education
- Easy Installation & Control
- Easy Maintenance

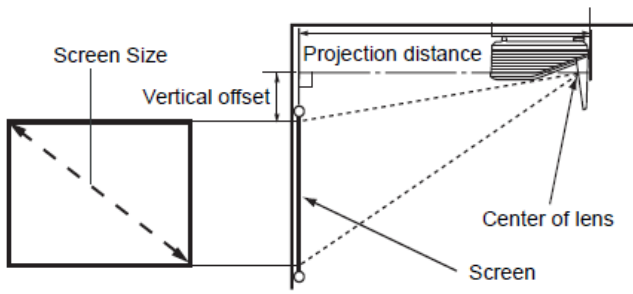


| | | | |
|-------------------------------------|--|--|-------------------|
| Projection System | DLP | | |
| Native Resolution | WXGA(1280x800) | | |
| Brightness | 2500AL | | |
| Contrast Ratio | 5000:1 | | |
| Display Color | 1.07 Billion Colors | | |
| Lens | F=2.65 | | |
| Aspect Ratio | Native 16:10 (5 aspect ratio selectable) | | |
| Throw Ratio | 0.33 (96" @ 70.8cm) | | |
| Image Size (Diagonal) | 60"~300" | | |
| Zoom Ratio | Fixed | | |
| Lamp Type | UHP230W | | |
| Lamp (Normal/Economic Mode)* | 3500/5000hr | | |
| Keystone Adjustment | 1D, Vertical +/- 40 degrees | | |
| Projection Offset | 144%+-5% | | |
| Resolution Support | VGA(640 x 480) to UXGA(1600 x 1200) | | |
| Horizontal Frequency | 31K~102KHz | | |
| Vertical Scan Rate | 23~120Hz | | |
| Compatibility | HDTV Compatibility | 480i, 480p, 576i, 576p, 720p, 1080i, 1080p | |
| | Video Compatibility | NTSC, PAL, SECAM | |
| | 3D Compatibility | | |
| Interface | Computer in (D-sub 15pin) | x 2 | |
| | Monitor out (D-sub 15pin) | x 1 | |
| | Composite Video in (RCA) | x 1 | |
| | S-Video in (Mini DIN 4pin) | x 1 | |
| | Component Video in | x 2 (shared with D-sub 15pin) | |
| | Audio in (Mini Jack) | x 1 | |
| | Audio L/R in (RCA) | x 2 | |
| | Audio out (Mini Jack) | x 1 | |
| | Microphone in (Mini Jack) | x 1 | |
| | Speaker | 10W x 2 | |
| | LAN (RJ45) | x 1 (LAN Control) | |
| | HDMI V1.3 | x 1 | |
| | USB (Type Mini B) | x 1 (USB Download & Page up/down) | |
| | DC 12V Trigger (3.5mm Jack) | x 1 | |
| | RS232 (DB-9pin) | x 1 | |
| Dimensions | Dimensions(W x H x D) | 339 x 236.9 x 322.8 mm | |
| | Weight | 5.3kg (11.7lbs) | |
| Power | Power Supply | 100 to 240 VAC, 50 to 60 Hz | |
| | Power Consumption | 397W, Standby<0.5W | |
| Audible Noise | 34/28 dBA (Normal/Economic mode) | | |
| On-Screen Display Languages | Arabic/Bulgarian/ Croatian/ Czech/ Danish/ Dutch/ English/ Finnish/ French/ German/ Greek/ Hungarian/Hindi/Italian/ Indonesian/ Japanese/ Korean/ Norwegian/ Polish/ Portuguese/ Romanian/ Russian/ Simplified Chinese/Spanish/ Swedish/ Turkish/ Thai/ Traditional Chinese (28 Languages) | | |
| Picture Modes | Dynamic/Presentation/sRGB/Cinema/User 1/User 2 | | |
| Accessories | Standard | Optional | |
| | Remote Control w/ Battery | Presentation Plus | P/N: 65J9306.002 |
| | Power Cord (by region) | Spare Lamp Kit | P/N: 5JJ4V05.001 |
| | User Manual CD | Wireless USB Dongle | P/N: 5JJ0614.A21* |
| | Quick Start Guide | Wall Mount (T/R 0.4) | P/N: 5JJ4V10.001 |
| | Warranty Card (by region) | 3D Glasses | P/N: 5JJ0T14.011 |
| | VGA(D-sub 15pin) Cable | | |

*Lamp life results will vary depending on environmental conditions and usage. Actual product's features and specifications are subject to change without notice.

*Each region has different wireless dongle P/N, please check PM-BM file for detail.

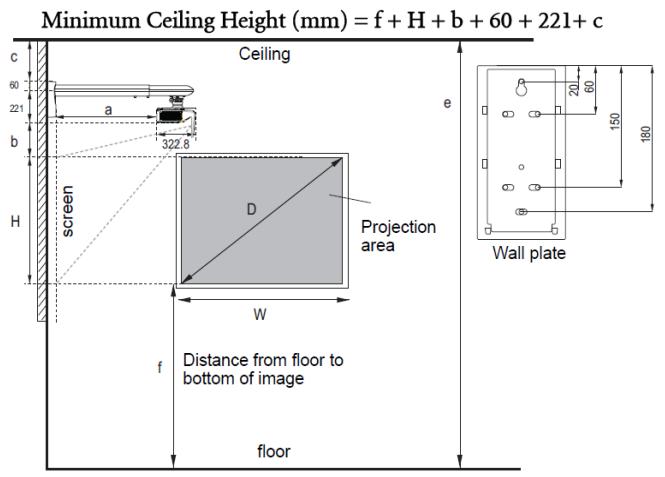
Distance Chart



| Screen Size | | | | Distance from Screen in mm | Vertical offset in mm |
|-------------|------|------|------|----------------------------|-----------------------|
| Diagonal | W | H | | | |
| Inches | mm | (mm) | (mm) | | |
| 60 | 1524 | 1292 | 808 | 427 | 177.7 |
| 70 | 1778 | 1508 | 942 | 505 | 207.3 |
| 80 | 2032 | 1723 | 1077 | 583 | 236.9 |
| 90 | 2286 | 1939 | 1212 | 661 | 266.5 |
| 100 | 2540 | 2154 | 1346 | 739 | 296.2 |
| 120 | 3048 | 2585 | 1615 | 896 | 355.4 |
| 150 | 3810 | 3231 | 2019 | 1130 | 444.2 |
| 200 | 5080 | 4308 | 2692 | 1521 | 592.3 |
| 220 | 5588 | 4739 | 2962 | 1677 | 651.6 |
| 240 | 6096 | 5169 | 3231 | 1833 | 710.8 |
| 260 | 6604 | 5600 | 3500 | 1989 | 770.0 |
| 280 | 7112 | 6031 | 3769 | 2146 | 829.3 |
| 300 | 7620 | 6462 | 4039 | 2302 | 888.5 |

Wall Mount Chart

| Computer Resolution: WXGA Image Resolution: WXGA | Diagram Reference | SMART Board 685 | Promethean ActivBoard 387 | Hitachi FX-TRIO-88W | Hitachi FX-DUO-88W |
|---|-------------------|-----------------|---------------------------|---------------------|--------------------|
| Image Diagonal (inches) | D | 87 | 87 | 88 | 88 |
| Image Height (mm) | H | 1171 | 1171 | 1181 | 1181 |
| Image Width (mm) | W | 1874 | 1874 | 1887 | 1887 |
| Distance from floor to bottom of image (mm) | f | 900 | 900 | 900 | 900 |
| Distance from screen surface to projector lens (mm) | a | 344 | 344 | 352 | 352 |
| Distance from top case to the top of image(mm) | b | 258 | 258 | 260 | 260 |
| Distance from top of wall mount to ceiling (mm) | c | 50 | 50 | 50 | 50 |
| Minimum Ceiling Height (mm) | e | 2600 | 2660 | 2672 | 2672 |



The dimensions are based on the BenQ wall mount (P/N: 5J.J4V10.001).

Dimension

