

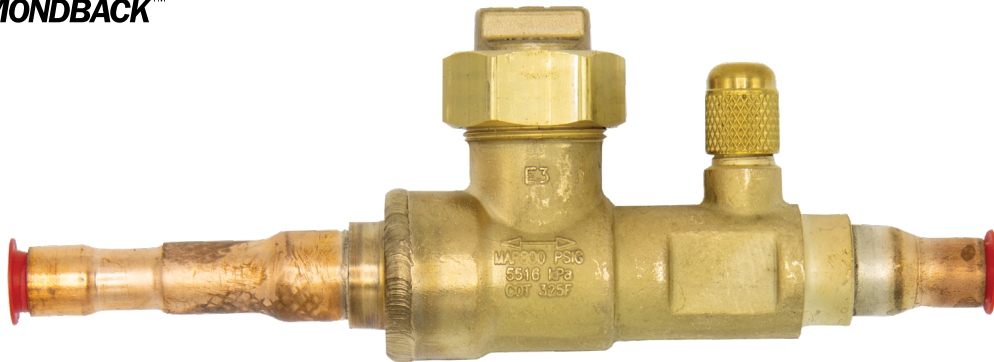
BV-BB SERIES BALL VALVES BRAZED CONNECTIONS



Job Name:

System Reference:

Date:



SPECIFICATIONS

- Engineered for Mini-split and Multi-split HVAC Units
- Full Port Design
- 800 PSIG Rated
- R-410A Compatible
- Brazed Connections

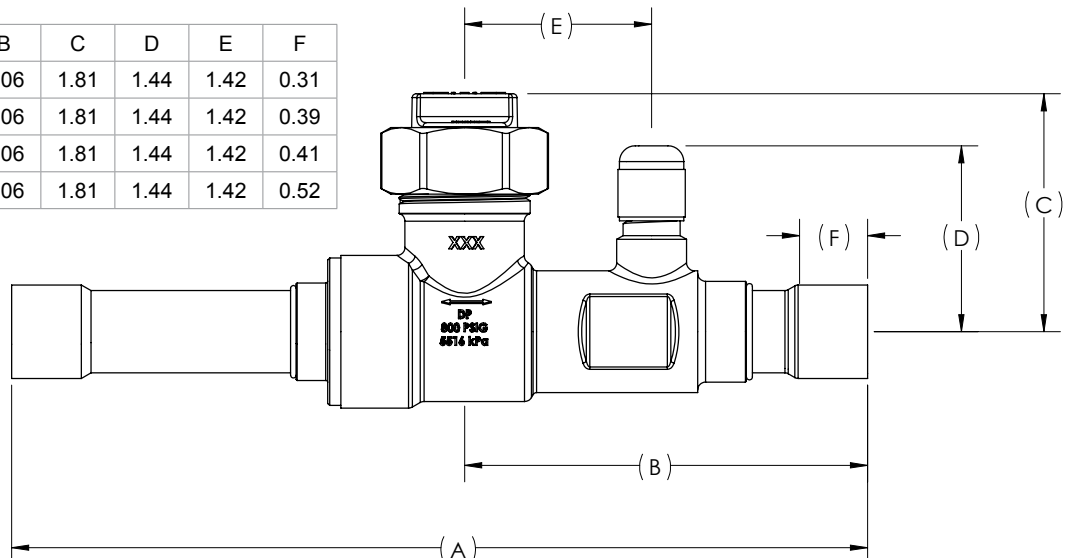
MODEL NUMBERS:

BV12BBSI, BV14BBSI, BV38BBSI, and BV58BBSI

- Size available: 1/4"; 3/8"; 1/2"; 5/8"
- Fully factory assembled
- Furnace brazed and pressure tested
- Each ball valve is equipped with Schrader Valve for refrigerant service—valve rated to 800 psi
- Design working pressure: 700 PSIG
- Temperature range: -40° F to +325° F (-40° C to +149° C)
- Forged brass body and seal cap
- PTFE seals and gaskets (no synthetic O-rings)
- Seal cap design permits valve operation without removal of seal cap
- Suitable for use with R-11, R-22, R-123, R-125, R-134A, R-236FA, R-4202A, R-402B, R-404A, R-407C, R-410A, R-500, R-502, and R-507
- One year limited materials and workmanship warranty on Ball Valves
- Made in the U.S.A

*ball valves come with an insulation piece

Part Number	ODS	A	B	C	D	E	F
BV14BBSI	1/4	6.5	3.06	1.81	1.44	1.42	0.31
BV38BBSI	3/8	6.5	3.06	1.81	1.44	1.42	0.39
BV12BBSI	1/2	6.5	3.06	1.81	1.44	1.42	0.41
BV58BBSI	5/8	6.5	3.06	1.81	1.44	1.42	0.52



BV-BB SERIES BALL VALVES BRAZED CONNECTIONS (INSULATION DETAILS)

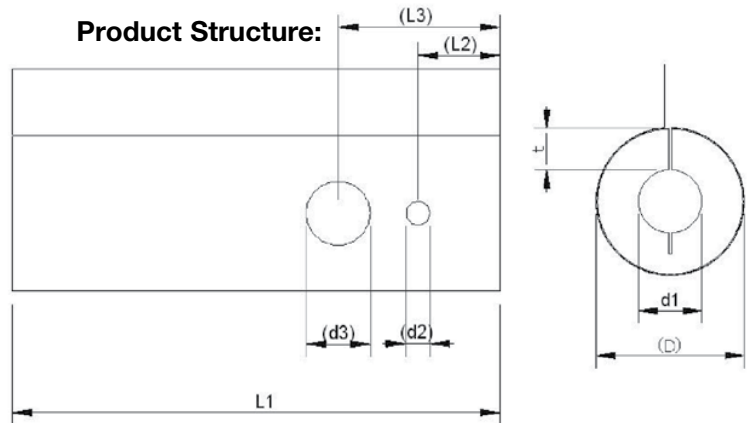


Product name: Ball valve insulation
 Product code: HKG-20HF

Materials:

1. Insulation: Inner and outer layer Polyethylene foam (PEF)
2. Covering: Adhesive tape of Polyvinyl chloride (PVC)
3. Separator: Soft film of Polyvinyl chloride (PVC)

Physical property:
 Insulation



Product Code	d1	t	(D)	L1	(d2)	(d3)	(L2)	(L3)
HKG-20HF Unit: inches (mm)	1 3/8 (30)	3/4 (20)	2 3/4 (70)	8 9/16 220	7/8 (11)	1 9/64 (29)	1 15/32 (37)	2 7/8 (73)

Performance items	Unit	Performance
Density	lb/ft3 (kg/m3)	1.87 (30)
Heat Conductivity (at 23° C)	W/m•K	0.040
Tensile Strength	N/cm2	23
Heat Resistant	° F (° C)	≤176 (≤80)
UL-94	—	HF-1