

HVAC LINE

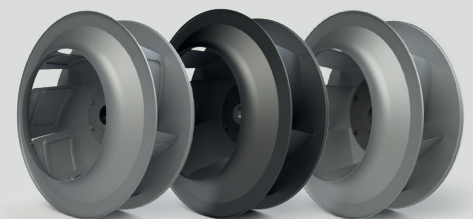
GENERAL HVAC



► APPLICATIONS

Plug Fans, Air Handling Units, Fan Arrays

The **General HVAC** fan wheels from punker have been specially developed to meet the technical requirements of the HVAC industry. They are particularly suitable for plug fans used in unhooded applications, such as fan arrays and Air Handling Units (AHU). The fan wheels of the General HVAC Line are designed for high energy efficiency, low noise emission, low weight and optimum use of available space, and offer a convincing price /performance ratio.

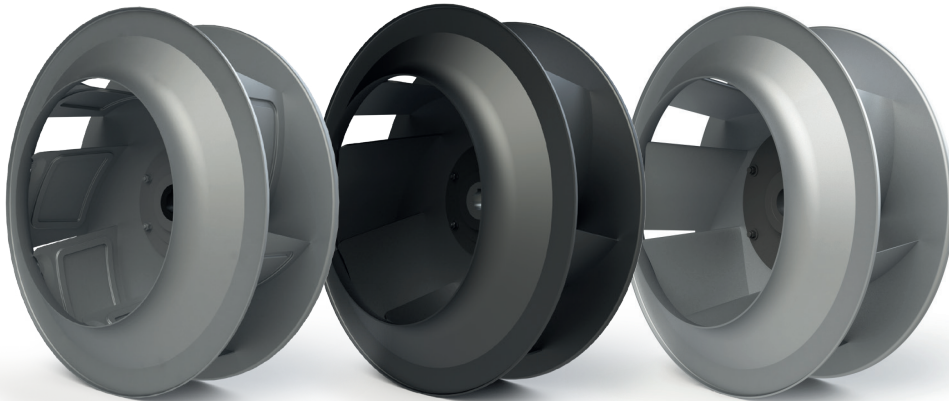


punker GmbH
 Newark 1
 24340 Eckernförde
 Germany
 Fon: +49.4351.472.0
 Fax: +49.4351.472.740
 info@punker.de
 ► www.punker.com

punker LLC
 1112 Lincoln County Pkwy
 Lincolnton, NC 28092
 USA
 Fon: +1.828.322.1951
 Fax: +1.828.328.1336
 info@punker.com
 ► www.punker-usa.com

GENERAL HVAC

SPECIFICATIONS



► TECHNICAL DATA

- Material: galvanized steel, aluminum, steel
- Direction of rotation: clockwise (R)
- Installation type: unhoused
- Design: single flow
- Mounting: Taperlock Hub system, fixed hub
- Temperature range: -20°C to +80°C
- Durability through cycle fatigue testing
- Half key balance according to ISO 21940-32 (applies to hub-execution only)
- Balance according to ISO 21940-11
- Compatible with various AC/EC motors 50/60 Hz

► CUSTOMER NOTE

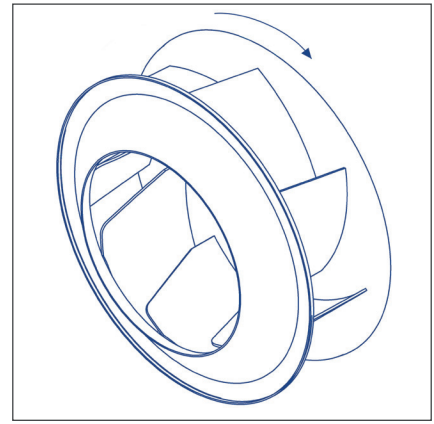
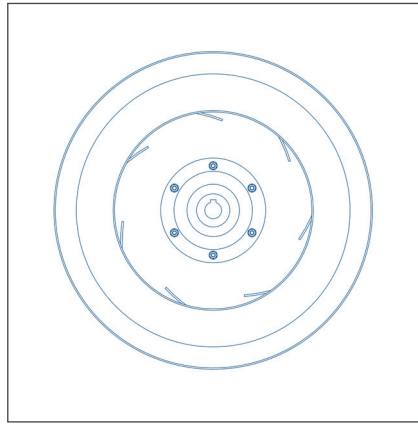
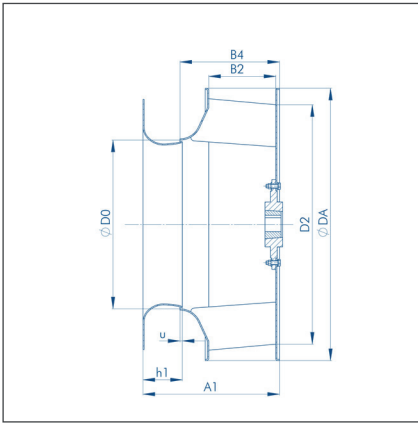
- Perform installation and start-up checks
- Designed for continuous operation S1
- Balance check with possible trim balance is recommended
- Checking of frequencies necessary, system resonant frequencies must be avoided
- Installation and start-up should be carried out by qualified personnel only
- For technical information please refer to fan wheels data sheet [0.0.0.01/0.0.0.02](#)
- Technical information regarding hubs available through punker Engineering
- Use this fan wheel only with the corresponding inlet cone

punker GmbH
 Newark 1
 24340 Eckernförde
 Germany
 Fon: +49.4351.472.0
 Fax: +49.4351.472.740
 info@punker.de
 ► www.punker.com

punker LLC
 1112 Lincoln County Pkwy
 Lincolnton, NC 28092
 USA
 Fon: +1.828.322.1951
 Fax: +1.828.328.1336
 info@punker.com
 ► www.punker-usa.com

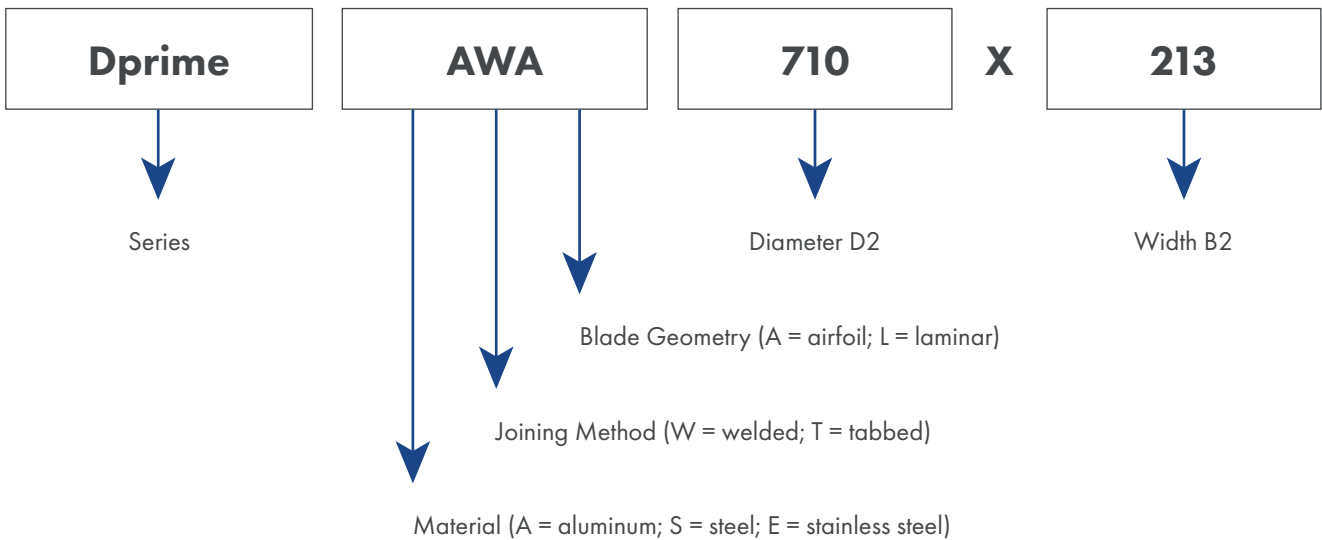
GENERAL HVAC

DIMENSIONS



Direction of rotation example: suction
side view: clockwise rotation (R)

FAN WHEEL TYPE EXPLANATION



punker GmbH
 Niewark 1
 24340 Eckernförde
 Germany
 Fon: +49.4351.472.0
 Fax: +49.4351.472.740
 info@punker.de
 ► www.punker.com

punker LLC
 1112 Lincoln County Pkwy
 Lincolnton, NC 28092
 USA
 Fon: +1.828.322.1951
 Fax: +1.828.328.1336
 info@punker.com
 ► www.punker-usa.com

GENERAL HVAC

METRIC DIMENSIONS

Type*	Fan wheel dimensions					Operating data nmax	Hub assembly dimensions		Inlet cone assembly dimensions For details see sheet: 5.1.331-3.01			
	D2	B2	ØDA	ØDO	B4		Ødmin	Ødmax	Type	h1	u	A1
	mm	mm	mm	mm	mm		mm	mm		mm	mm	mm
Dclassic SWL 225x63	225	63	256	158,6	91,6	6400	11	32	ED11 225	36	2,3	125,1
Dclassic SWL 250x71	250	71	284	176,3	102,5	5800	11	32	ED11 250	40,1	2,5	140,1
Dclassic SWL 280x80	280	80	319	197,4	122,5	5200	11	32	ED11 280	45	2,8	164,7
Dclassic SWL 315x90	315	90	360	222,1	136,7	4600	11	42	ED11 315	50,8	3,2	184,4
Dprime AWA 315x94,5	315	94,5	360	222,1	141,2	5750	14	42	ED11 315	50,8	3,2	188,8
Dlight AWL 355x100	355	100	404	250,3	151,7	2950	11	32	ED11 355	59,4	3,6	207,5
Dclassic SWL 355x100	355	100	404	250,3	151,7	4100	11	42	ED11 355	59,4	3,6	207,6
Dprime AWA 355x106,5	355	106,5	404	250,3	158,2	5100	14	42	ED11 355	59,4	3,6	214
Dlight AWL 400x112	400	112	455	282	169,1	2650	11	32	ED11 400	65,7	4,0	230,8
Dclassic SWL 400x112	400	112	455	282	169,1	3600	11	42	ED11 400	65,7	4,0	230,8
Dprime AWA 400x120	400	120	455	282	177,1	4550	14	42	ED11 400	65,7	4,0	238,8
Dlight AWL 450x125	450	125	505	317,3	189,7	2350	11	32	ED11 450	73,6	4,5	258,8
Dclassic SWL 450x125	450	125	505	317,3	189,7	3200	14	50	ED11 450	73,6	4,5	258,8
Dprime AWA 450x135	450	135	505	317,3	199,7	4000	19	50	ED11 450	73,6	4,5	268,8
Dlight AWL 500x140	500	140	566	352,5	210,5	2100	19	50	ED11 500	82	5,0	287,5
Dclassic SWL 500x140	500	140	566	352,5	210,5	2900	14	50	ED11 500	82	5,0	287,5
Dprime AWA 500x150	500	150	566	352,5	220,5	3650	19	50	ED11 500	82	5,0	297,5
Dlight AWL 560x160	560	160	636	394,8	238,7	1850	19	50	ED11 560	92	5,6	325,1
Dclassic SWL 560x160	560	160	636	394,8	238,7	2600	14	50	ED11 560	92	5,6	325,1
Dprime AWA 560x168	560	168	636	394,8	250,7	3250	24	60	ED11 560	92	5,6	337,1
Dlight AWL 630x180	630	180	716	444,2	274,3	1550	19	50	ED11 630	100	6,3	368
Dclassic SWL 630x180	630	180	716	444,2	274,3	2300	14	50	ED11 630	100	6,3	368
Dprime AWA 630x189	630	189	716	444,2	283,3	2880	24	60	ED11 630	100	6,3	377
Dclassic SWL 710x200	710	200	806	500,6	303,8	2100	16	60	ED11 710	117	7,1	413,7
Dprime AWA 710x213	710	213	806	500,6	317,8	2550	24	60	ED11 710	117	7,1	427,7
Dclassic SWL 800x224	800	224	909	564	338,6	1850	16	60	ED11 800	131	8,0	461,6
Dprime AWA 800x240	800	240	909	564	355,6	2250	28	75	ED11 800	131	8,0	478,6
Dclassic SWL 900x250	900	250	1010	634,5	366,2	1600	25	75	ED11 900	148	9,0	505,2
Dprime AWA 900x270	900	270	1010	634,5	399,2	2000	28	75	ED11 900	148	9,0	538,2
Dclassic SWL 1000x280	1000	280	1140	705	408,4	1400	25	75	ED11 1000	164	10,0	562,4
Dprime AWA 1000x300	1000	300	1140	705	428,4	1800	td	75	ED11 1000	164	10,0	582,4

* Type Dlight AWL can be ordered exclusively from punker LLC.

punker GmbH
Niewark 1
24340 Eckernförde
Germany

Fon: +49.4351.472.0
Fax: +49.4351.472.740

info@punker.de
▶ www.punker.com

punker LLC
1112 Lincoln County Pkwy
Lincolnton, NC 28092
USA

Fon: +1.828.322.1951
Fax: +1.828.328.1336

info@punker.com
▶ www.punker-usa.com

GENERAL HVAC

IMPERIAL DIMENSIONS

Type*	Fan wheel dimensions					Operating data nmax	Hub assembly dimensions		Inlet cone assembly dimensions For details see sheet: 5.1.331-3.01			
	D2	B2	ØDA	ØDO	B4		Ødmin	Ødmax	Type	h1	u	A1
	inch	inch	inch	inch	inch		inch	inch		inch	inch	inch
Dclassic SWL 225x63	9	2,48	10,08	6,24	3,61	6400	0,43	1,26	ED11 225	1,42	0,09	4,93
Dclassic SWL 250x71	10	2,80	11,18	6,94	4,04	5800	0,43	1,26	ED11 250	1,58	0,10	5,52
Dclassic SWL 280x80	11	3,15	12,56	7,77	4,82	5200	0,43	1,26	ED11 280	1,77	0,11	6,48
Dclassic SWL 315x90	12	3,54	14,17	8,74	5,38	4600	0,43	1,65	ED11 315	2,00	0,12	7,26
Dprime AWA 315x94,5	12	3,72	14,17	8,74	5,56	5750	0,55	1,65	ED11 315	2,00	0,12	7,43
Dlight AWL 355x100	14	3,94	15,91	9,85	5,97	2950	0,43	1,26	ED11 355	2,34	0,14	8,17
Dclassic SWL 355x100	14	3,94	15,91	9,85	5,97	4100	0,43	1,65	ED11 355	2,34	0,14	8,17
Dprime AWA 355x106,5	14	4,19	15,91	9,85	6,23	5100	0,55	1,65	ED11 355	2,34	0,14	8,43
Dlight AWL 400x112	16	4,41	17,91	11,10	6,66	2650	0,43	1,26	ED11 400	2,59	0,16	9,09
Dclassic SWL 400x112	16	4,41	17,91	11,10	6,66	3600	0,43	1,65	ED11 400	2,59	0,16	9,09
Dprime AWA 400x120	16	4,72	17,91	11,10	6,97	4550	0,55	1,65	ED11 400	2,59	0,16	9,40
Dlight AWL 450x125	18	4,92	19,88	12,49	7,47	2350	0,43	1,26	ED11 450	2,90	0,18	10,19
Dclassic SWL 450x125	18	4,92	19,88	12,49	7,47	3200	0,55	1,97	ED11 450	2,90	0,18	10,19
Dprime AWA 450x135	18	5,31	19,88	12,49	7,86	4000	0,75	1,97	ED11 450	2,90	0,18	10,58
Dlight AWL 500x140	20	5,51	22,28	13,88	8,29	2100	0,75	1,97	ED11 500	3,23	0,20	11,32
Dclassic SWL 500x140	20	5,51	22,28	13,88	8,29	2900	0,55	1,97	ED11 500	3,23	0,20	11,32
Dprime AWA 500x150	20	5,91	22,28	13,88	8,68	3650	0,75	1,97	ED11 500	3,23	0,20	11,71
Dlight AWL 560x160	22	6,30	25,04	15,54	9,40	1850	0,75	1,97	ED11 560	3,62	0,22	12,80
Dclassic SWL 560x160	22	6,30	25,04	15,54	9,40	2600	0,55	1,97	ED11 560	3,62	0,22	12,80
Dprime AWA 560x168	22	6,61	25,04	15,54	9,87	3250	0,94	2,36	ED11 560	3,62	0,22	13,27
Dlight AWL 630x180	25	7,09	28,19	17,49	10,80	1550	0,75	1,97	ED11 630	3,94	0,25	14,49
Dclassic SWL 630x180	25	7,09	28,19	17,49	10,80	2300	0,55	1,97	ED11 630	3,94	0,25	14,49
Dprime AWA 630x189	25	7,44	28,19	17,49	11,15	2880	0,94	2,36	ED11 630	3,94	0,25	14,84
Dclassic SWL 710x200	28	7,87	31,73	19,71	11,96	2100	0,63	2,36	ED11 710	4,61	0,28	16,29
Dprime AWA 710x213	28	8,39	31,73	19,71	12,51	2550	0,94	2,36	ED11 710	4,61	0,28	16,84
Dclassic SWL 800x224	31	8,82	35,79	22,20	13,33	1850	0,63	2,36	ED11 800	5,16	0,31	18,17
Dprime AWA 800x240	31	9,45	35,79	22,20	14,00	2250	1,10	2,95	ED11 800	5,16	0,31	18,84
Dclassic SWL 900x250	35	9,84	39,76	24,98	14,42	1600	0,98	2,95	ED11 900	5,83	0,35	19,89
Dprime AWA 900x270	35	10,63	39,76	24,98	15,72	2000	1,10	2,95	ED11 900	5,83	0,35	21,19
Dclassic SWL 1000x280	39	11,02	44,88	27,76	16,08	1400	0,98	2,95	ED11 1000	6,46	0,39	22,14
Dprime AWA 1000x300	39	11,81	44,88	27,76	16,87	1800	1,10	2,95	ED11 1000	6,46	0,39	22,93

* Type Dlight AWL can be ordered exclusively from punker LLC.

punker GmbH
 Newark 1
 24340 Eckernförde
 Germany

Fon: +49.4351.472.0
 Fax: +49.4351.472.740

info@punker.de
 ▶ www.punker.com

punker LLC
 1112 Lincoln County Pkwy
 Lincolnton, NC 28092
 USA

Fon: +1.828.322.1951
 Fax: +1.828.328.1336

info@punker.com
 ▶ www.punker-usa.com