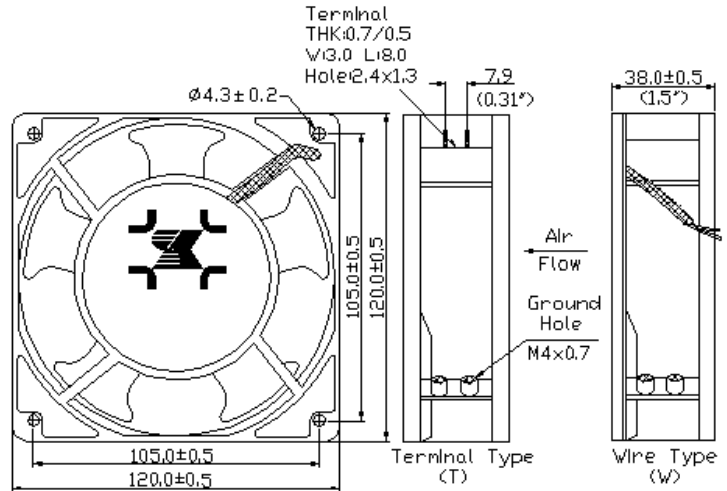


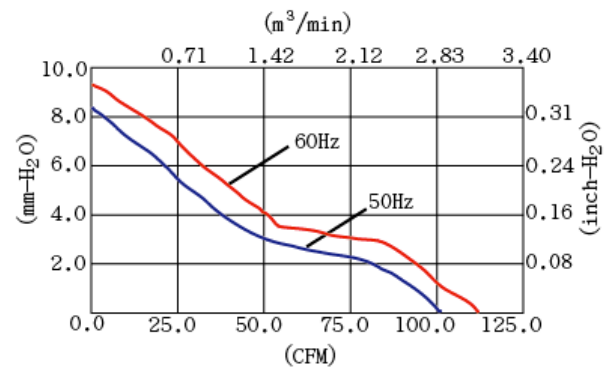
# AC FAN SK109AP

120 X 120 X 38mm(4.5")113~80 CFM



- Motor** Shaded pole, impedance protected
- Housing / Frame** Die-cast aluminum, Painted black (AP) or Plated (AN)
- Impeller** Glass reinforced thermoplastic, UL 94V-0
- Bearing Type** Two-ball or sleeve available
- Connecting** T-Terminal push-on type or W-Lead wire type
- Dielectric Strength** 1 min. at 1,500VAC, 50/60Hz
- Operating Temp** Ball bearing -20°C~+70°C  
Sleeve bearing -10°C~+55°C
- Life Expectancy** Ball bearing 60,000 hours at 60°C  
Sleeve bearing 20,000 hours at 45°C
- Net Weight** 550gm (1.2 pounds)
- Safety Approvals** UL, CUL, TUV, CE, RoHS

SK109 P-Q Curves



Model No.	Rated VAC	Freq. Hz	Rated Input Amp	Rated Input Watt	Rated Speed RPM	Max. Air Flow		Max. Static Pressure		Noise Level (dB)
						m <sup>3</sup> /min	CFM	mm-H <sub>2</sub> O	inch-H <sub>2</sub> O	
SK109AP-11-1	115 (100V~120V)	50/60	0.25/0.21	17/15	2650/3000	2.9/3.2	101/113	8.3/9.3	0.33/0.37	45/49
SK109AP-11-2	115 (100V~120V)	50/60	0.14/0.13	12/11	2500/2400	2.7/2.6	95/93	6.6/4.0	0.26/0.16	43/45
SK109AP-11-3	115 (100V~120V)	50/60	0.10/0.10	9/8	2300/1800	2.5/2.0	87/69	4.4/2.1	0.17/0.08	41/32
SK109AP-22-1	230 (200V~230V)	50/60	0.12/0.10	17/15	2650/3000	2.9/3.2	101/113	8.3/9.3	0.33/0.37	45/49
SK109AP-22-2	230 (200V~230V)	50/60	0.07/0.06	12/11	2500/2400	2.7/2.6	95/93	6.6/4.0	0.26/0.16	43/41
SK109AP-22-3	230 (200V~230V)	50	0.06	9	2050	2.3	80	3.1	0.12	36/25