

AUSTRALIA

REXNORD Australia Pty. Ltd.
 Picton, New South Wales
 Phone: 61-2-4677-3811
 Fax: 61-2-4677-3812

BRAZIL

REXNORD Correntes Ltda.
 Sao Leopoldo – RS
 Phone: 55-51-579-8022
 Fax: 55-51-579-8029

CANADA

REXNORD Canada Ltd.
 Scarborough, Ontario
 Phone: 1-416-297-6868
 Fax: 1-416-297-6873

CHINA

REXNORD China
 Shanghai
 Phone: 86-21-62701942
 Fax: 86-21-62701943

FLATTOP EUROPE

REXNORD FlatTop Europe b.v.
 's-Gravenzande, The Netherlands
 Phone: 31-174-445-111
 Fax: 31-174-445-222
 REXNORD Marbett S.r.l.
 Correggio (RE), Italy
 Phone: 39-0522-639333
 Fax: 39-0522-637778

RMCC Deutschland Kette GmbH
 Phone: 0800-5888083
 Fax: 0800-5888084

REXNORD FlatTop France
 Phone: 0805 540 444
 Fax: 0805 540 555
 REXNORD.Marbett@rexnord.com

UNITED STATES

Customer Service
 Phone: 1-866-REXNORD
 (1-866-739-6673)
 Fax: 1-614-675-1898
 rexnordcs(state)@rexnord.com
 Example: rexnordcs(ohio)@rexnord.com

REXNORD FlatTop North America
 Grafton, Wisconsin
 Phone: 1-262-376-4700
 Fax: 1-262-376-4720

REXNORD International - Power Transmission
 Milwaukee, Wisconsin
 Phone: 1-414-643-2366
 Fax: 1-414-643-3222
 international2@rexnord.com

ALL COUNTRIES NOT LISTED

REXNORD FlatTop Europe b.v.
 's-Gravenzande,
 The Netherlands
 Phone: 31-174-445-111
 Fax: 31-174-445-222

After Hours/Emergency Phone:
 31-174-445-112

INDEX

| | PAGE |
|---|------|
| COMPANY PROFILE | 4 |
| OVERVIEW TABLETOP CHAINS | 6 |
| INTRODUCTION STEEL TABLETOP CHAINS | 8 |
| STEEL TABLETOP CHAINS | 10 |
| STEEL TABLETOP CHAINS WITH RUBBER TOP | 21 |
| INTRODUCTION PLASTIC TABLETOP CHAINS | 26 |
| PLASTIC TABLETOP CHAINS | 28 |
| PLASTIC TABLETOP CHAINS WITH RUBBER TOP | 42 |
| PLASTIC TABLETOP LBP CHAINS | 47 |
| PLASTIC CHAINBELTS | 52 |
| SPROCKETS FOR TABLETOP CHAINS | 55 |
| CORNER DISCS FOR PLASTIC TABLETOP CHAINS | 73 |
| INTRODUCTION MULTIFLEX AND CASE CONVEYOR CHAINS | 74 |
| MULTIFLEX CHAINS | 76 |
| SPROCKETS FOR MULTIFLEX CHAINS | 82 |
| CORNER DISCS FOR MULTIFLEX CHAINS | 84 |
| CASE CONVEYOR CHAINS | 85 |
| SPROCKETS FOR CASE CONVEYOR CHAINS | 89 |
| INTRODUCTION PLATE TOP AND GRIPPER CHAINS | 90 |
| PLATE TOP CHAINS | 92 |
| GRIPPER CHAINS | 97 |
| INTRODUCTION CURVES AND STRAIGHT TRACKS | 102 |
| MAGNETFLEX COMBI CURVES | 104 |
| TAB CURVES | 121 |
| BEVEL CURVES | 125 |
| STRAIGHT TRACKS | 127 |
| OVERVIEW MATTOP MODULAR CONVEYOR BELTS | 128 |
| INTRODUCTION MATTOP | 130 |
| 500 -SERIES | 132 |
| 510 -SERIES | 134 |
| 1500-SERIES | 136 |
| 8500-SERIES | 142 |
| 5930-SERIES | 146 |
| 1000-SERIES | 150 |
| 1005-SERIES | 158 |
| 1010-SERIES | 164 |
| 7700-SERIES | 166 |
| 6300-SERIES | 170 |
| 2000-SERIES | 174 |
| 2010-SERIES | 180 |
| 9200-SERIES FORTREX | 184 |
| 2500-SERIES | 188 |
| 6990-SERIES | 190 |
| 3120-SERIES | 193 |
| INTRODUCTION SIDEFLEXING MODULAR BELTS | 196 |
| 505-SERIES | 197 |
| 1200-SERIES | 199 |
| 7956-SERIES | 204 |
| BELT CODE NUMBERS | 206 |
| MATERIALS | 207 |
| PRODUCT INDEX | 210 |



The company

Rexnord is a global company supplying many industries with power transmission and conveying components. The product offering ranges from roller chains, couplings and geared products to conveyor chains, belts and components.

The head office is based in the United States, with several divisions all over the world. The Rexnord FlatTop division is manufacturing conveyor chains, belts and components.

Rexnord is fully committed to meet customer expectations; huge knowledge of the business reduces maintenance costs, eliminates redundant inventories and prevents downtime, all in close co-operation with OEMs and end users. This is a result of Rexnord's focus on product development, application engineering, operations and customer service.

Rexnord FlatTop Europe represents 3 strong brands: Rexnord, MCC and Marbett.

With production facilities in 's-Gravenzande and Correggio, sales offices in The Netherlands and Italy, a large sales group for local service in many countries and distributors all over the world, Rexnord is always close to its customers. In this way a fast and reliable delivery is guaranteed.

Rexnord chains and belts are being used to convey a wide variety of products: bottles, cans, boxes, crates, tires, loose food, glass jars, PET containers, trays; shortly every transport in production halls in virtually any industry.

The product range has been split up over two catalogues, one for Rexnord/MCC Table Top/MatTop chains and one for Marbett conveyor components.

The industries served

As the handling specialist in the field of conveying, the Rexnord product portfolio is providing solutions for complete lines in several industries in order to improve productivity.

In beverage industry palletizers, depalletizers, washers, labelers, fillers, pasteurizers, inliners, outfeeds, elevators and accumulation tables are equipped with slatband chains, curves, sprockets, belts, bearings, leveling elements and many more conveyor components.



For the container manufacturing industry special products and materials are available, such as abrasion resistant polyamide for glass plants, vacuum chains for can making and gripper chains for vertical transport.

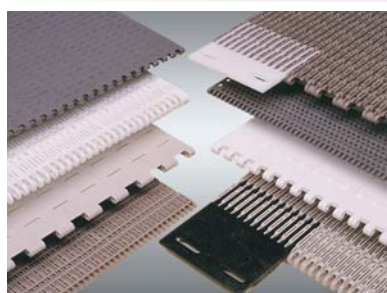


A wide range of products is also offered for blanchers, cookers, washers, coolers and processing lines in fruit, vegetables, bakery, confectionary etc. And many more products are available for the handling of packed food.



In automotive industry the products are engineered to meet the most demanding applications, such as rubber processing and tire handling.

This is just a short selection of the applications in which Rexnord products are being used. Among others they have also found their way into pharmaceutical production lines, battery manufacture, paper and cardboard production.



Rexnord and MCC TableTop chains and MatTop belts

The product line can be split up into:



- Steel slatband chains
In various materials ranging from carbon steel to special stainless steel with better wear and sliding properties; types straight running, sideflexing tab, bevel and Magnetflex, with

and without rubber top.

- Plastic slatband chains

Wide range of materials and various executions; single hinge, double hinge, heavy duty, vacuum, lbp rollers and rubber top.



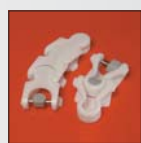
- Plate Top and Gripper chains

Based on the Rexnord roller chains in both stainless and carbon steel; Plate Top chains have steel or plastic top plates; Gripper chains have different types of rubber inserts.



- Case conveyor and Multiflex chains

Different types of acetal for both straight running and sideflexing transport of products varying from heavy crates to small juice packs.



- Curves

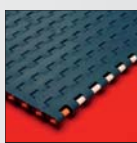
Magnetflex, Tab and bevel, as well as straight tracks to support the chain in all parts of the line; there are many standard versions besides the ability to make any special curve needed



in your applications with short delivery times.

- Modular belts

Pitches differ from 0.5 to 2.25 inch to suit any application. Most series have both closed and open top executions; some also available with rubber top for inclined conveying.



Marbett conveyor components

The product line can be split up into:

- Chain guide components

Profiles, corner tracks, straight tracks, return rollers, serpentine, plugs for connections.



- Product handling components

Guide rails, roller guides, guide rail clamps, guide rail brackets and connecting clamps in plastic or stainless steel.



- Frame support components

Side mounting top brackets, bearing heads, support bases and connecting joints, stainless steel components.



- Supporting and leveling elements

Different versions in steel and plastic, articulated and fixed, with and without gripper bottom and vibration absorbing feet.



- Self-aligning bearings

Square, oval, pillow block, side flange, take-up, round, and other executions, all with open and closed unit. Lubricated for life versions are also available.



- Miscellaneous components Line control elements, hinges, locks, knobs, modular transfer roller plates, rollers, tensioners, nozzles, cable carriage chains, shaft collars and nose-over bars.












OVERVIEW REXNORD TABLE
















S T R A I G H T

S I D E F L E X

| | | | | | | | | | | |
|----------------------|---|--|--|--|--|--|--|--|--|--|
| Steel | SINGLE HINGE page 10 | | SINGLE HINGE MAX-LINE page 10, 11 | | DOUBLE HINGE MAX-LINE page 12 | | HEAVY DUTY MAX-LINE page 12 | | SINGLE HINGE TAB MAX-LINE page 13 | |
| Plastic | SINGLE HINGE page 28 | | SINGLE HINGE SIDEFLEX JOINT HINGE page 29 | | SINGLE HINGE WITH THICK TOP PLATE page 29 | | DOUBLE HINGE page 30 | | HEAVY DUTY page 30 | |
| Rubber Top | STEEL SINGLE HINGE page 21 | | STEEL SINGLE HINGE TAB page 21 | | STEEL DOUBLE HINGE MAX-LINE page 22 | | STEEL HEAVY DUTY MAX-LINE page 23 | | STEEL HEAVY DUTY TAB MAX-LINE page 23 | |
| LBP | SINGLE HINGE page 47 | | DOUBLE HINGE page 47 | | HEAVY DUTY page 48 | | HEAVY DUTY page 48 | | | |
| Case Conveyor | WITHOUT TABS page 85 | | REINFORCED WITHOUT TABS page 87 | | | | | | | |
| Plate Top | STEEL TOP PLATE 3/4" page 92 | | PLASTIC TOP PLATE 3/4" page 92 | | PLASTIC TOP PLATE 1/2" page 93 | | | | | |
| Steel | MAGNETFLEX SINGLE HINGE MAX-LINE page 16 | | SINGLE HINGE BEVEL MAX-LINE page 16 | | SINGLE HINGE BEVEL page 17 | | SINGLE HINGE TAB page 17 | | SINGLE HINGE TAB MAX-LINE page 18 | |
| Plastic | MAGNETFLEX page 31 | | MAGNETFLEX HEAVY DUTY page 32 | | STANDARD RADIUS BEVEL page 32,33 | | BEVEL HEAVY DUTY page 33 | | STANDARD RADIUS SINGLE HINGE TAB page 34, 35 | |
| Rubber Top | STEEL SINGLE HINGE MAGNETFLEX MAX-LINE page 24 | | STEEL SINGLE HINGE BEVEL MAX-LINE page 24 | | STEEL SINGLE HINGE TAB MAX-LINE page 25 | | STEEL MAGNETFLEX HEAVY DUTY MAX-LINE page 25 | | PLASTIC MAGNETFLEX HEAVY DUTY SUPERGRIP page 44 | |
| LBP | MAGNETFLEX page 49 | | MAGNETFLEX HEAVY DUTY page 49 | | STANDARD RADIUS SINGLE HINGE TAB page 50 | | SMALL RADIUS SINGLE HINGE TAB page 50 | | HEAVY DUTY TAB page 51 | |
| Chainbelts | FLUSH GRID MAGNETFLEX page 52 | | FLATTOP MAGNETFLEX page 53 | | FLATTOP MAGNETFLEX HEAVY DUTY page 53 | | FLATTOP TAB page 54 | | FLATTOP TAB HEAVY DUTY page 54 | |
| Multiflex | 1765 ZERO GAP page 76 | | 2565 HEAVY DUTY page 76 | | 1757 TAB page 77 | | 1757 TAB WITH RUBBER page 77 | | 1700 (TAB) K page 78 | |
| Case Conveyor | TAB page 85 | | TAB WITH HIGHER LINK page 86 | | REINFORCED TAB page 87 | | REINFORCED TAB WITH HIGHER LINK page 88 | | | |
| Plate Top | PLASTIC TOP PLATE TAB 1/2" page 93 | | STEEL TOP PLATE TAB 3/4" page 94 | | PLASTIC TOP PLATE TAB 3/4" page 95 | | PLASTIC TOP PLATE TAB CLOSED SURFACE 3/4" page 96 | | PLASTIC TOP PLATE TAB WITH RUBBER 3/4" page 96 | |
| Gripper | STEEL TAB 3/4" page 97 | | STEEL TAB HEAVY DUTY 3/4" page 97 | | PLASTIC TAB 1/2" page 98 | | PLASTIC TAB SNAP-ON 3/4" page 98 | | PLASTIC TAB SNAP-ON 2-FINGER 3/4" page 99 | |

TOP CONVEYOR CHAINS

| | | | | | | | | | |
|---------------------------------|--|--|---|---|---|---------------------------------|---|---|---|
| MINI HINGE page 14 |  | SINGLE HINGE 1" MAX-LINE page 14 |  | | | | | | |
| VACUUM page 39 |  | MINIATURE page 41 |  | | | | | | |
| PLASTIC SINGLE HINGE page 42 |  | PLASTIC DOUBLE HINGE WITH PUSHERS page 42 |  | PLASTIC DOUBLE HINGE SUPERGRIP page 43 |  | PLASTIC DOUBLE HINGE page 43 |  | PLASTIC HEAVY DUTY SUPERGRIP page 44 |  |

| | | | | | | | | | | | |
|---|--|---|---|--|---|--|---|-----------------------------|---|--|---|
| SINGLE HINGE SMALL RADIUS TAB page 18 |  | MAGNETFLEX HEAVY DUTY MAX-LINE page 19 |  | SINGLE HINGE 1" MAX-LINE page 19 |  | DOUBLE HINGE 1" 661 MAX-LINE page 15-20 |  | | | | |
| SMALL RADIUS SINGLE HINGE TAB page 36, 37 |  | TAB HEAVY DUTY page 38 |  | TAB VACUUM page 39 |  | TAB WITH FLIGHTS page 40 |  | TAB WITH FLANGES page 40 |  | ARTICULATED WITH TOP PLATES page 41 |  |
| PLASTIC STANDARD RADIUS SINGLE HINGE TAB page 45 |  | PLASTIC STANDARD RADIUS SINGLE HINGE TAB page 45 |  | PLASTIC SMALL RADIUS SINGLE HINGE TAB page 46 |  | PLASTIC SMALL RADIUS SINGLE HINGE TAB page 46 |  | | | | |
| HEAVY DUTY TAB page 51 |  | | | | | | | | | | |

| | | | | | | | | | | | |
|-----------------|--|-----------------|---|-----------------|---|-----------------------|---|-----------------|---|-----------------------|---|
| 1702 page 79 |  | 1720 page 79 |  | 1710 page 80 |  | TAB 1710 K page 80 |  | 1713 page 81 |  | TAB 1713 K page 81 |  |
|-----------------|--|-----------------|---|-----------------|---|-----------------------|---|-----------------|---|-----------------------|---|

| | | | | | |
|--|--|------------------------------|---|---|---|
| PLASTIC TAB SNAP-ON 3-FINGER 3/4" page 99 |  | PLASTIC TAB 3/4" page 100 |  | PLASTIC TAB INTEGRATED GRIPPER 3/4" page 101 |  |
|--|--|------------------------------|---|---|---|

STEEL TABLETOP CHAINS

In 1938 Rexnord introduced the worlds first metal TableTop chain with integrated top plate and hinge eyes. Nowadays the Rexnord and MCC product lines of steel slatband chains offer many materials, types and grades, enabling a solution for any application. Steel slatband chains are ideal for handling glass bottles, PET containers, kegs, crates and many other products.

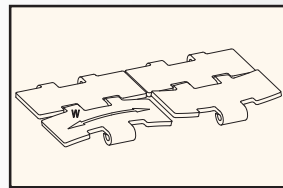
FEATURES

- Surface finish

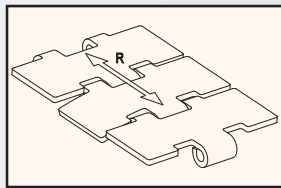
When products are sliding on a chain, the bottom will affect the surface finish of the chain. Rexnord tests have shown that during the first days after installation the initial surface finish is changing to a lower level that is maintained during the normal life of the chain. Surface finish is a valuable feature, although it is not the determining factor between good and great performance.

- Sliding properties

These depend on the base material and the treatments during the manufacturing process. To ensure superior sliding properties, Rexnord uses a number of patented chain materials, specifically designed for slatband chain applications. You can find more details on these materials on next page.



FLATNESS IN WIDTH DIRECTION



FLATNESS IN RUNNING DIRECTION

Flatness when a product moves from one link of the chain to the next is also important, as poor flatness will cause products tipping, leading to production loss in the line. MCC and Rexnord steel slatband chains offer an outstanding flatness in running direction.

- Working load

At which load a chain is actually breaking is not relevant to determine if a certain chain is suitable for your application. More important is the maximum working load a chain can handle before permanent deformation occurs. Rexnord's chain calculation program will assist in defining the right chain for specified applications, considering conveyor length, chain speed, accumulation level, lubrication, product type and weight.

- Polished hinge eyes

The performance of the chain on high-speed side-transfers, such as pressure-less combiners improves with polished hinge eyes, due to the smooth contact with the wearstrips. This prevents pulsating of the chain and improves product handling. Most Rexnord sideflexing chains have polished hinge eyes, because these are always in contact with the curve. The specification table of each chain indicates whether a chain has polished hinge eyes.

- Hardened Pins

Hardened pin material reduces the chain elongation significantly. Patented special hardened pins will give the highest resistance to chain elongation over a long period of time. High quality 60-series HB Stainless Steel TableTop® chain with Hardened Pins with improved wear resistance properties. Special 66-series XHB Stainless Steel TableTop® with special hardened pins to offer superior wear resistance properties.

| Series | Ra µm |
|------------------------------|----------------|
| MCC 10-series | 0.5 |
| MCC 60-series | 0.3 |
| MCC 60-series HB | 0.3 |
| MCC 66-series XHB | 0.3 |
| Rexnord SSC OPTI-Plus series | 0.5 |
| Rexnord SS-series | 0.5 |
| Rexnord SSB-series | 0.5 |
| Rexnord S-series | not applicable |

MEAN SURFACE FINISH OF TABLETOP SLATBAND CHAIN

- Flatness

During the entire production process the flatness is measured in running direction (R) and in width direction (W).

The flatness in width direction is important when products slide sideways from one chain to the other. For this reason the cross sections of all Rexnord and MCC chains are convex instead of concave, to prevent products to fall. Due to the careful control in production, these chains offer superior lateral flatness values, which can be found in the tables on the page of each chain.

| Series | Flatness mm |
|-------------------------------|----------------|
| MCC Sideline® chains | 0.10 |
| MCC standard chains | 0.15 |
| Rexnord SSC OPTI-Plus® chains | 0.10 |
| Rexnord standard chains | 0.15 |

FLATNESS IN RUNNING DIRECTION



STEEL TABLETOP CHAINS

PROGRAMME

Steel TableTop chains are available in the following materials:

| REXNORD | |
|---|---|
| SSC/SSR | OPTI-Plus patented alloy of ferritic chrome nickel stainless steel, offering high strength and great wear resistance. These chains feature a ground surface and are fitted with pins in AISI 431 (1.4057) material |
| SS 805/815/881 | Austenitic chrome nickel stainless steel with properties similar to 18/8 material, offering good chemical resistance. These chains are fitted with pins in austenitic stainless steel |
| SS 802/812 | Ferritic chrome stainless steel for general purposes, offering a mix of good wear life and high strength. These chains are fitted with pins in AISI 431(1.4057) material |
| S/SC | Thorough hardened carbon steel, very suitable for glassworks and other dry, abrasive applications, offering extremely high working loads and superior wear resistance. These chains are fitted with hardened carbon steel pins |
| SSB | Austenitic stainless steel with a very high chemical resistance for corrosive environments where strong acids or bases are present. As SSB is nearly non-magnetic it is used in applications where magnetism of the chain can cause malfunctioning of the system. It is fitted with austenitic stainless steel pins |
| Rexnord chain description starts with the material, followed by an 8.. number for the type and finally the width K. For example SSC 8811 TAB-K450 is an Opti-Plus sideflexing TAB 4½" wide chain. | |
| MCC | |
| 10-Series | Specially treated 17% chrome ferritic stainless steel for general applications, offering a long wear life and high strength, together with good sliding properties. It is fitted with pins in AISI 431(1.4057) material |
| 60-Series | Special chrome nickel ferritic stainless steel for heavy duty and high-speed applications, requiring very smooth transfer of (unstable) products. It is offering superior sliding properties and the highest working loads. These chains are fitted with pins in AISI 431(1.4057) material |
| 60-Series HB | Special chrome nickel ferritic stainless steel for heavy duty and high-speed applications, requiring very smooth transfer of (unstable) products. It is offering superior sliding properties and the highest working loads. These chains are fitted with Hardened pins (HB) in AISI 431(1.4057) material |
| 66-Series XHB | Special chrome nickel ferritic stainless steel for heavy duty and high-speed applications, requiring very smooth transfer of (unstable) products. It is offering superior sliding properties and the highest working loads. Furthermore the 66-series offers ultimate wearlife. These chains are fitted with special alloy process hardened pins. |
| 661-Series | Exclusive 1" pitch design with better product stability, lower noise and lower energy consumption; ideal for mass handling, standard inliners and high speed-inliners. |
| MCC chain description starts with the material, followed by an S for straight running, M for Magnetflex, B for bevel or T for tab sideflexing chains, followed by the width and finally the execution: S for Slideline, X for X-line, M for Max-Line and R for Rubber. For example 60 S 31 XM is a 60-series straight running 3¼" wide chain with Max-Line and X-Line. | |

Slideline chains offer very close tolerances with respect to flatness and surface finish

X-line chains have extreme precision flatness and superior sliding properties

Max-line chains take care of perfect product support, due to maximum plate surface.

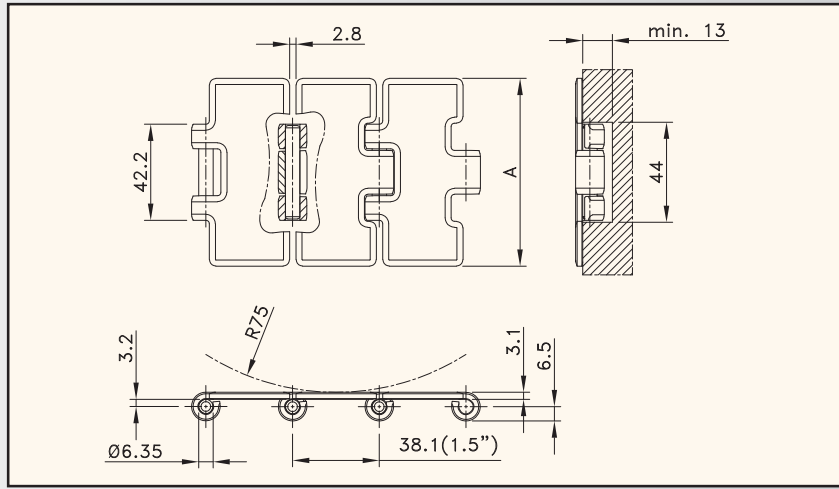
| CHAIN MATERIAL | APPLICATION | | | | | | | |
|----------------|---------------|------------------|--------------------|--------------|--------------|-------------|-------------|----------------|
| | Mass handling | Inliner standard | Inliner high-speed | Abrasive wet | Abrasive dry | Chemicals | Incline | Crate handling |
| 10-series | Best choice | | | | | | | |
| SS 812/802 | Best choice | | | | | | | |
| 60-series | Best choice | Optional | Optional | Optional | | | | Optional |
| 60-series HB | Best choice | Optional | Optional | Optional | Optional | | | Optional |
| 66-series XHB | Best choice | Optional | Optional | Optional | Optional | | | Best choice |
| SSC Opti-Plus® | Best choice | Optional | Optional | Optional | | | | Optional |
| SS 815/805/881 | | | | | | Best choice | | |
| S/SC 815 | | | | | Best choice | | | |
| SSB | | | | | | Optional | | |
| Rubber Top | | | | | | | Best choice | Best choice |

Optional Best choice

STEEL TABLETOP CHAINS



**STRAIGHT RUN
SINGLE HINGE**

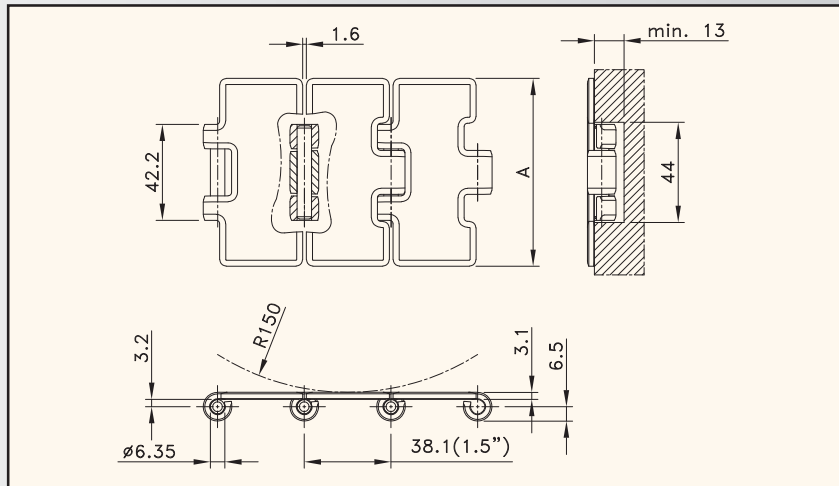


| Chain type | Code nr. | Plate width | | Weight | Surface flatness (max.) | Polished hinge eyes | Working load (max.) |
|---------------------------------|--------------|-------------|------|--------|-------------------------|---------------------|---------------------|
| | | mm | inch | | | | |
| 10-SERIES | | | | | | | |
| 10 S 31 | 762.10.31 | 82.5 | 3.25 | 2.55 | 0.18 | no | 4950 |
| 10 S 31 S | 762.12.31 | 82.5 | 3.25 | 2.55 | 0.18 | yes | |
| FERRITIC STAINLESS STEEL | | | | | | | |
| SS 812-K325 | 10.001.11.11 | 82.5 | 3.25 | 2.55 | 0.18 | no | 4950 |

Standard length: 3.048 m - 10 feet (80 links)

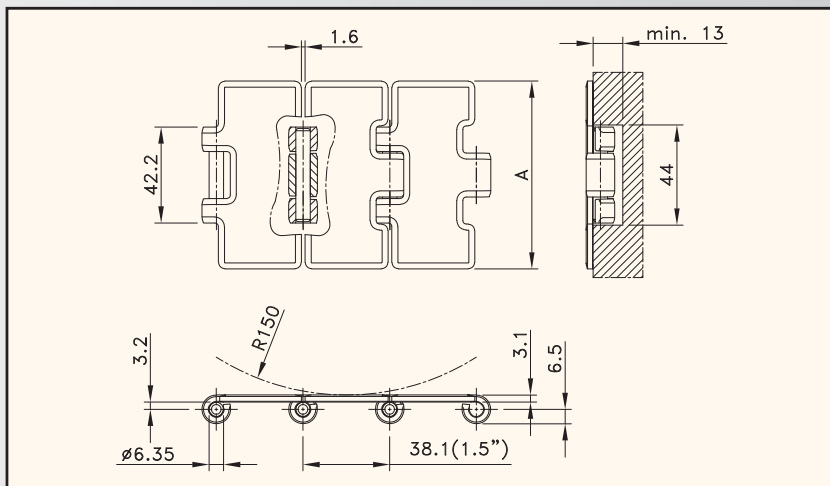


**STRAIGHT RUN
SINGLE HINGE
MAX-LINE**



| Chain type | Code nr. | Plate width | | Weight | Surface flatness (max.) | Polished hinge eyes | Working load (max.) |
|------------------|-----------|-------------|------|--------|-------------------------|---------------------|---------------------|
| | | mm | inch | | | | |
| 10-SERIES | | | | | | | |
| 10 S 31 M | 762.13.31 | 82.5 | 3.25 | 2.61 | 0.18 | no | 4950 |
| 10 S 42 M | 762.13.42 | 114.3 | 4.50 | 3.28 | 0.25 | no | |
| 10 S 72 M | 762.13.72 | 190.5 | 7.50 | 4.99 | 0.60 | no | |
| 60-SERIES | | | | | | | |
| 60 S 22 SM | 762.69.22 | 63.5 | 2.50 | 2.14 | 0.18 | yes | 6000 |
| 60 S 25 M | 762.53.25 | 66.7 | 2.63 | 2.27 | 0.18 | no | |
| 60 S 23 M | 762.53.23 | 69.9 | 2.75 | 2.34 | 0.18 | no | |
| 60 S 30 M | 762.53.30 | 76.2 | 3.00 | 2.43 | 0.18 | no | |
| 60 S 31 M | 762.53.31 | 82.5 | 3.25 | 2.61 | 0.18 | no | |
| 60 S 31 XM | 762.69.31 | 82.5 | 3.25 | 2.61 | 0.08 | yes | |
| 60 S 84 XM | 762.69.84 | 84.0 | 3.30 | 2.63 | 0.08 | yes | |
| 60 S 32 M | 762.53.32 | 88.9 | 3.50 | 2.71 | 0.18 | no | |
| 60 S 32 SM | 762.69.32 | 88.9 | 3.50 | 2.71 | 0.18 | yes | |
| 60 S 40 M | 762.53.40 | 101.6 | 4.00 | 3.17 | 0.25 | no | |
| 60 S 42 M | 762.53.42 | 114.3 | 4.50 | 3.28 | 0.25 | no | |
| 60 S 60 M | 762.53.60 | 152.4 | 6.00 | 4.14 | 0.40 | no | |
| 60 S 72 M | 762.53.72 | 190.5 | 7.50 | 4.99 | 0.60 | no | |

STEEL TABLETOP CHAINS



| Chain type | Code nr. | Plate width | | Weight | Surface flatness (max.) | Polished hinge eyes | Working load (max.) |
|-----------------------------------|--------------|-------------|------|--------|-------------------------|---------------------|---------------------|
| | | A | | | | | |
| | | mm | inch | kg/m | mm | | N |
| 60-SERIES HB | | | | | | | |
| 60 S 31 XM HB | 762.69.31 | 82.5 | 3.25 | 2.61 | 0.08 | yes | 6000 |
| 60 S 84 XM HB | 762.69.84 | 84.0 | 3.30 | 2.63 | 0.08 | yes | |
| 66-SERIES XHB | | | | | | | |
| 66 S 31 XM XHB | 762.09.31 | 82.5 | 3.25 | 2.61 | 0.08 | yes | 6000 |
| 66 S 84 XM XHB | 762.09.84 | 84.0 | 3.30 | 2.63 | 0.08 | yes | |
| 66 S 72 M | 762.03.72 | 190.5 | 7.50 | 4.99 | 0.60 | no | |
| OPTI-PLUS | | | | | | | |
| SSC 812-K250 | 10.006.21.05 | 63.5 | 2.50 | 2.14 | 0.18 | no | 6000 |
| SSC 812-K263 | 10.006.21.08 | 66.7 | 2.63 | 2.27 | 0.18 | no | |
| SSC 812-K300 | 10.006.21.10 | 76.2 | 3.00 | 2.43 | 0.18 | no | |
| SSC 812-K325 | 10.006.21.11 | 82.5 | 3.25 | 2.61 | 0.18 | no | |
| SSC 812-K330 | 10.006.21.20 | 84.0 | 3.30 | 2.63 | 0.18 | no | |
| SSC 812-K350 | 10.006.21.12 | 88.9 | 3.50 | 2.71 | 0.18 | no | |
| SSC 812-K400 | 10.006.21.13 | 101.6 | 4.00 | 3.17 | 0.25 | no | |
| SSC 812-K450 | 10.006.21.14 | 114.3 | 4.50 | 3.28 | 0.25 | no | |
| SSC 812-K600 | 10.006.21.15 | 152.4 | 6.00 | 4.14 | 0.40 | no | |
| SSC 812-K750 | 10.006.21.16 | 190.5 | 7.50 | 4.99 | 0.60 | no | |
| CARBON STEEL | | | | | | | |
| S 815-K225 | 762.93.21 | 57.2 | 2.25 | 2.12 | 0.40 | no | 8350 |
| S 815-K250 | 762.93.22 | 63.5 | 2.50 | 2.14 | 0.40 | no | |
| S 815-K263 | 762.93.25 | 66.7 | 2.63 | 2.27 | 0.40 | no | |
| S 815-K325 | 762.93.31 | 82.5 | 3.25 | 2.61 | 0.40 | no | |
| S 815-K400 | 762.93.40 | 101.6 | 4.00 | 3.17 | 0.50 | no | |
| S 815-K450 | 762.93.42 | 114.3 | 4.50 | 3.28 | 0.60 | no | |
| S 815-K600 | 762.93.60 | 152.4 | 6.00 | 4.14 | 0.80 | no | |
| S 815-K750 | 762.93.72 | 190.5 | 7.50 | 4.99 | 0.90 | no | |
| AUSTENITIC CHROME NICKEL | | | | | | | |
| SS 815-K225 | 762.33.21 | 57.2 | 2.25 | 2.12 | 0.18 | no | 3500 |
| SS 815-K250 | 762.33.22 | 63.5 | 2.50 | 2.14 | 0.18 | no | |
| SS 815-K263 | 762.33.25 | 66.7 | 2.63 | 2.27 | 0.18 | no | |
| SS 815-K325 | 762.33.31 | 82.5 | 3.25 | 2.61 | 0.18 | no | |
| SS 815-K350 | 762.33.32 | 88.9 | 3.50 | 2.71 | 0.18 | no | |
| SS 815-K400 | 762.33.40 | 101.6 | 4.00 | 3.17 | 0.25 | no | |
| SS 815-K450 | 762.33.42 | 114.3 | 4.50 | 3.28 | 0.25 | no | |
| SS 815-K600 | 762.33.60 | 152.4 | 6.00 | 4.14 | 0.40 | no | |
| SS 815-K750 | 762.33.72 | 190.5 | 7.50 | 4.99 | 0.60 | no | |
| AUSTENITIC STAINLESS STEEL | | | | | | | |
| SSB 815-K325 | 10.006.84.11 | 82.5 | 3.25 | 2.61 | 0.18 | no | 2900 |
| SSB 815-K450 | 10.006.84.14 | 114.3 | 4.50 | 3.28 | 0.25 | no | |
| SSB 815-K600 | 10.006.84.15 | 152.4 | 6.00 | 4.14 | 0.40 | no | |
| SSB 815-K750 | 10.006.84.16 | 190.5 | 7.50 | 4.99 | 0.60 | no | |

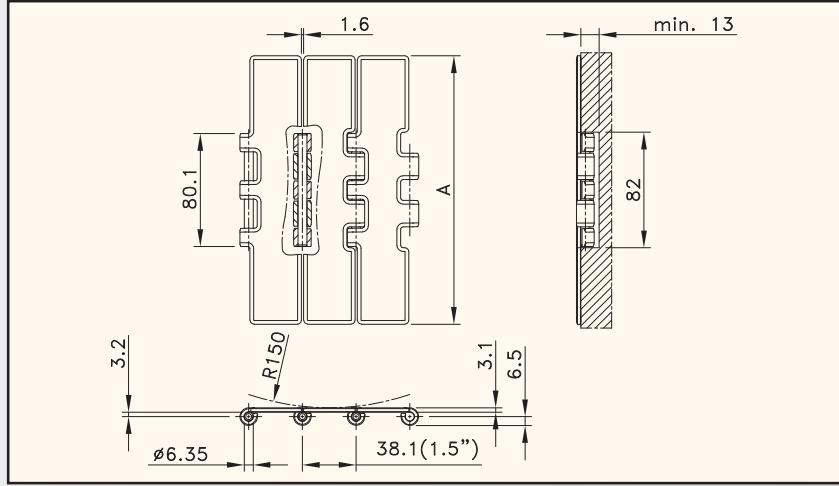
Standard length: 3.048 m - 10 feet (80 links)

Note: SSB 815 chains have a plate thickness of 3.0 mm instead of 3.1 mm.

STEEL TABLETOP CHAINS



**STRAIGHT RUN
DOUBLE HINGE
MAX-LINE**

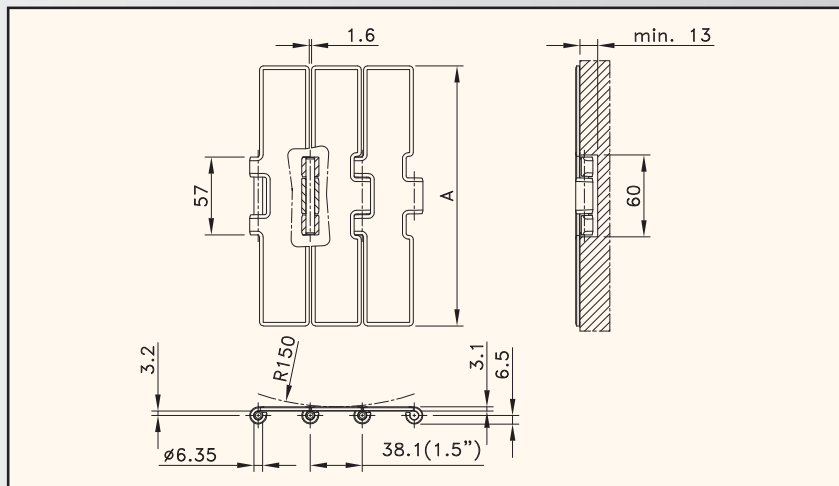


| Chain type | Code nr. | Plate width | | Weight | Surface flatness (max.) | Polished hinge eyes | Working load (max.) |
|---------------------------------|---------------|-------------|------|--------|-------------------------|---------------------|---------------------|
| | | A | A | | | | |
| | | mm | inch | | | | |
| 10-SERIES | | | | | | | |
| 10 S 77 M | 762.13.77 | 190.5 | 7.50 | 5.64 | 0.60 | no | 7000 |
| 60-SERIES | | | | | | | |
| 60 S 77 M | 762.53.77 | 190.5 | 7.50 | 5.64 | 0.60 | no | 8900 |
| 66-SERIES | | | | | | | |
| 66 S 77 M | 762.03.77 | 190.5 | 7.50 | 5.64 | 0.60 | no | 8900 |
| FERRITIC STAINLESS STEEL | | | | | | | |
| SS 802-K750 | 10.008.11.16 | 190.5 | 7.50 | 5.64 | 0.60 | no | 7000 |
| OPTI-PLUS | | | | | | | |
| SSC 802-K450 | 10.008.21.14 | 114.3 | 4.50 | 4.00 | 0.25 | no | 8900 |
| SSC 802-K750 | 10.008.21.16 | 190.5 | 7.50 | 5.64 | 0.60 | no | |
| CARBON STEEL | | | | | | | |
| SC 800-K750 | 10.008.73.16 | 190.5 | 7.50 | 5.64 | 0.90 | no | 15000 |
| AUSTENITIC CHROME NICKEL | | | | | | | |
| SS 805-K750 | 10.008.94.160 | 190.5 | 7.50 | 5.64 | 0.60 | no | 5000 |

Standard length: 3.048 m - 10 feet (80 links)



**STRAIGHT RUN
HEAVY DUTY
MAX-LINE**



| Chain type | Code nr. | Plate width | | Weight | Surface flatness (max.) | Polished hinge eyes | Working load (max.) |
|------------------|-----------|-------------|------|--------|-------------------------|---------------------|---------------------|
| | | A | A | | | | |
| | | mm | inch | | | | |
| 60-SERIES | | | | | | | |
| 60 S 75 M | 762.53.75 | 190.5 | 7.50 | 5.10 | 0.60 | no | 7000 |
| 66-SERIES | | | | | | | |
| 66 S 75 M | 762.03.75 | 190.5 | 7.50 | 5.10 | 0.60 | no | 7000 |

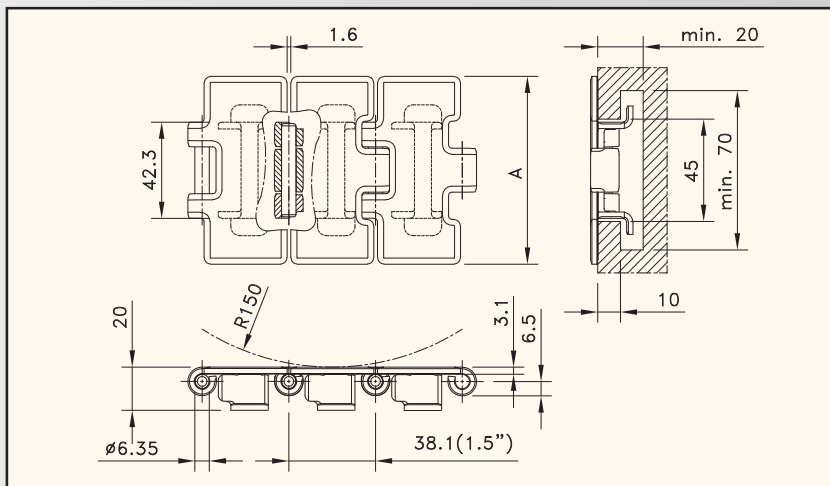
Standard length: 3.048 m - 10 feet (80 links)

NOTE: 60 S 75 M is recommended for medium duty applications

STEEL TABLETOP CHAINS

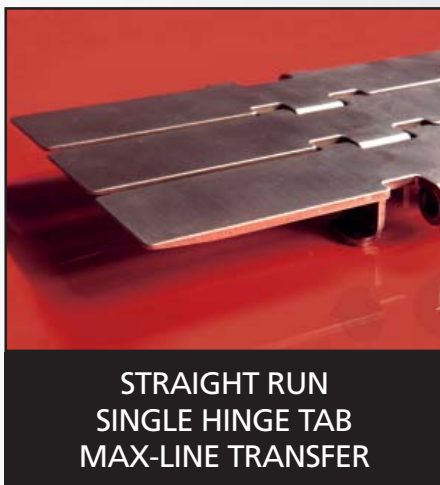


**STRAIGHT RUN
SINGLE HINGE TAB
MAX-LINE**

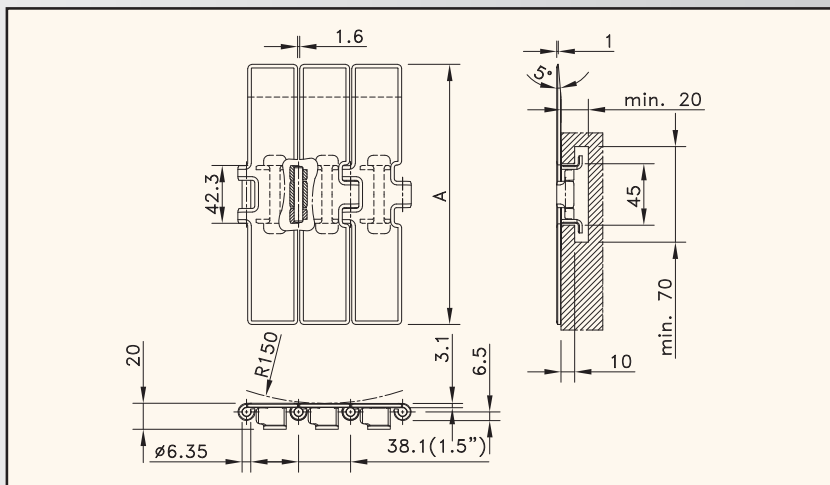


| Chain type | Code nr. | Plate width | | Weight | Surface flatness (max.) | Polished hinge eyes | Working load (max.) |
|---------------------------------|---------------|-------------|------|--------|-------------------------|---------------------|---------------------|
| | | mm | inch | | | | |
| OPTI-PLUS | | | | | | | |
| SSC 812 TAB-K325 | 10.124.21.11 | 82.5 | 3.25 | 3.14 | 0.18 | no | 6000 |
| SSC 812 TAB-K450 | 10.124.21.14* | 114.3 | 4.50 | 3.88 | 0.25 | no | |
| SSC 812 TAB-K750 | 10.124.21.16* | 190.5 | 7.50 | 5.67 | 0.60 | no | |
| CARBON STEEL | | | | | | | |
| S 815 TAB-K325 | 763.93.31 | 82.5 | 3.25 | 3.14 | 0.40 | no | 8350 |
| S 815 TAB-K450 | 763.93.42* | 114.3 | 4.50 | 3.88 | 0.60 | no | |
| S 815 TAB-K750 | 763.93.72* | 190.5 | 7.50 | 5.67 | 0.90 | no | |
| AUSTENITIC CHROME NICKEL | | | | | | | |
| SS 815 TAB-K325 | 763.33.31 | 82.5 | 3.25 | 3.14 | 0.18 | no | 3500 |
| SS 815 TAB-K450 | 763.33.42* | 114.3 | 4.50 | 3.88 | 0.25 | no | |
| SS 815 TAB-K750 | 763.33.72* | 190.5 | 7.50 | 5.67 | 0.60 | no | |

Standard length: 3.048 m - 10 feet (80 links)



**STRAIGHT RUN
SINGLE HINGE TAB
MAX-LINE TRANSFER**



| Chain type | Code nr. | Plate width | | Weight | Surface flatness (max.) | Polished hinge eyes | Working load (max.) |
|---------------------------------|------------|-------------|------|--------|-------------------------|---------------------|---------------------|
| | | mm | inch | | | | |
| AUSTENITIC CHROME NICKEL | | | | | | | |
| SS 815 TAB-K750 TRANSFER LEFT | 763.33.73* | 190.5 | 7.50 | 5.56 | 0.60 | no | 3500 |
| SS 815 TAB-K750 TRANSFER RIGHT | 763.33.74* | 190.5 | 7.50 | 5.56 | 0.60 | no | |

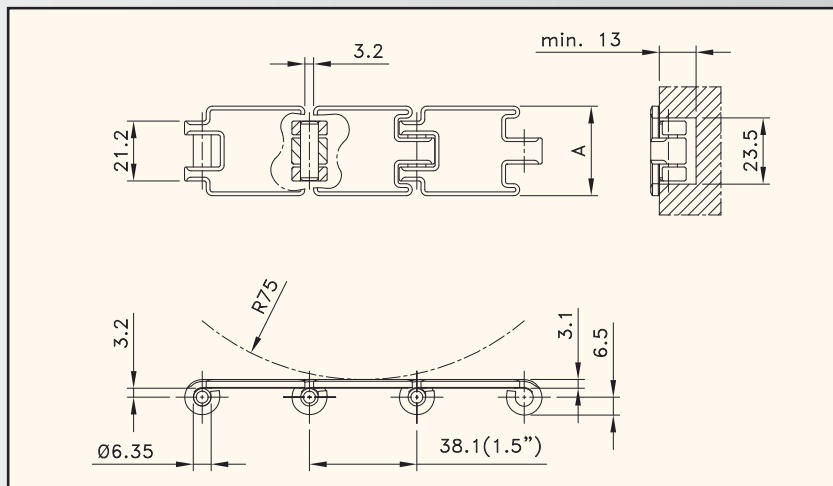
Standard length: 3.048 m - 10 feet (80 links)

* Ask customer service for minimum order quantity

STEEL TABLETOP CHAINS



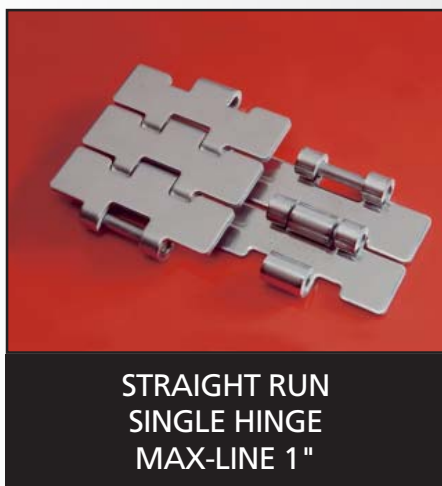
**STRAIGHT RUN
MINI HINGE**



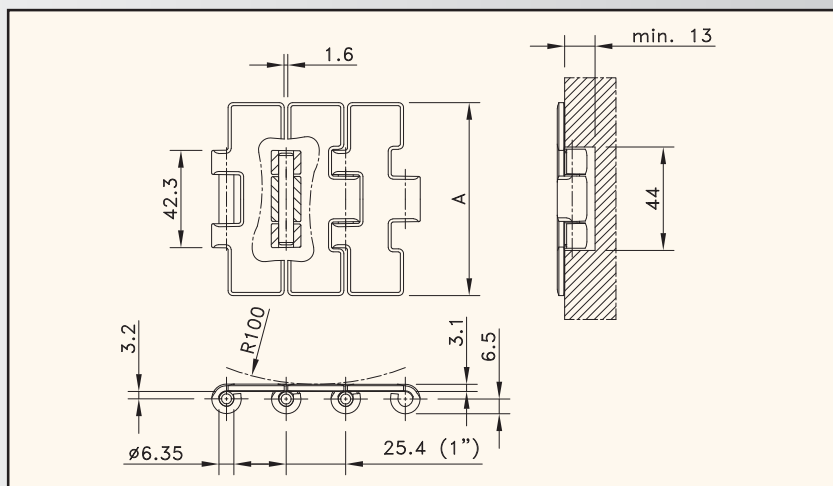
| Chain type | Code nr. | Plate width | | Weight | Surface flatness (max.) | Polished hinge eyes | Working load (max.) |
|---------------------|--------------|-------------|------|--------|-------------------------|---------------------|---------------------|
| | | A | | | | | |
| | | mm | inch | kg/m | mm | | N |
| 60-SERIES | | | | | | | |
| 60 S 11* | 762.50.11 | 31.8 | 1.25 | 1.07 | 0.18 | no | 2500 |
| 60 S 13** | 762.50.13 | 44.5 | 1.75 | 1.35 | 0.18 | no | |
| 66-SERIES | | | | | | | |
| 66 S 11* | 762.00.11 | 31.8 | 1.25 | 1.07 | 0.18 | no | 2500 |
| 66 S 13** | 762.00.13 | 44.5 | 1.75 | 1.35 | 0.18 | no | |
| OPTI-PLUS | | | | | | | |
| SSR 812-K125 | 10.010.21.01 | 31.8 | 1.25 | 1.07 | 0.18 | no | 2500 |
| SSR 812-K175 | 10.010.21.02 | 44.5 | 1.75 | 1.35 | 0.18 | no | |
| CARBON STEEL | | | | | | | |
| SR 810-K125 | 10.010.73.01 | 31.8 | 1.25 | 1.07 | 0.40 | no | 3250 |
| SR 810-K175 | 10.010.73.02 | 44.5 | 1.75 | 1.35 | 0.40 | no | |

* Packaging: three strands of 3.048 m - 10 feet (3 x 80 links) per box

** Packaging: two strands of 3.048 m - 10 feet (2 x 80 links) per box



**STRAIGHT RUN
SINGLE HINGE
MAX-LINE 1"**



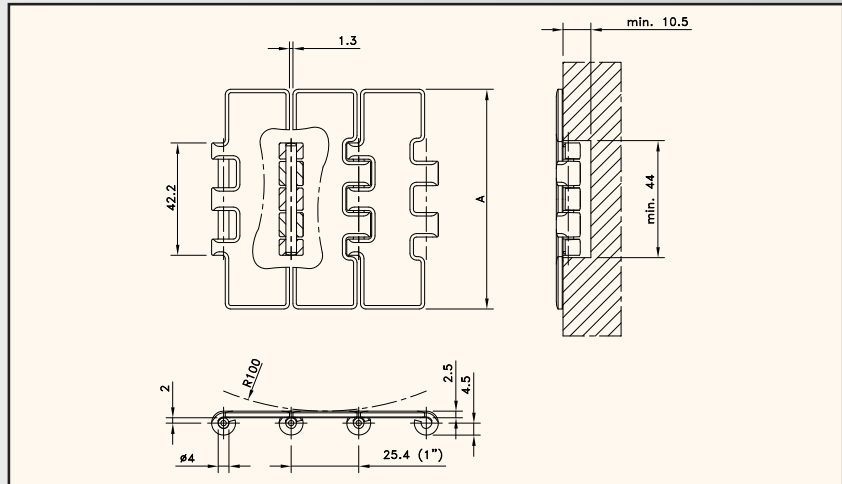
| Chain type | Code nr. | Plate width | | Weight | Surface flatness (max.) | Polished hinge eyes | Working load (max.) |
|------------------|--------------|-------------|------|--------|-------------------------|---------------------|---------------------|
| | | A | | | | | |
| | | mm | inch | kg/m | mm | | N |
| OPTI-PLUS | | | | | | | |
| SSC 512-K217 | 10.011.61.04 | 55.1 | 2.17 | 2.29 | 0.18 | no | 5000 |
| SSC 512-K236 | 10.011.61.07 | 59.9 | 2.36 | 2.41 | 0.18 | no | |
| SSC 512-K250 | 10.011.61.05 | 63.5 | 2.50 | 2.49 | 0.18 | no | |
| SSC 512-K283 | 10.011.61.09 | 71.9 | 2.83 | 2.65 | 0.18 | no | |
| SSC 512-K325 | 10.011.61.11 | 82.5 | 3.25 | 2.86 | 0.18 | no | |
| SSC 512-K350 | 10.011.61.12 | 88.9 | 3.50 | 3.01 | 0.18 | no | |
| SSC 512-K400 | 10.011.61.13 | 101.6 | 4.00 | 3.26 | 0.25 | no | |

Standard length: 3.048 m - 10 feet (120 links)

STEEL TABLETOP CHAINS



**STRAIGHT RUN
DOUBLE HINGE
MAX-LINE 1"**



| Chain type | Code nr. | Plate width | | Weight | Surface flatness (max.) | Polished hinge eyes | Working load (max.) |
|-------------------|-----------|-------------|------|--------|-------------------------|---------------------|---------------------|
| | | mm | inch | | | | |
| 661-SERIES | | | | | | | |
| 661 S 31 SM | 762.09.90 | 82.5 | 3.25 | 1.96 | 0.10 | yes | 5100 |
| 661 S 84 SM | 762.09.91 | 83.8 | 3.30 | 1.97 | | | |

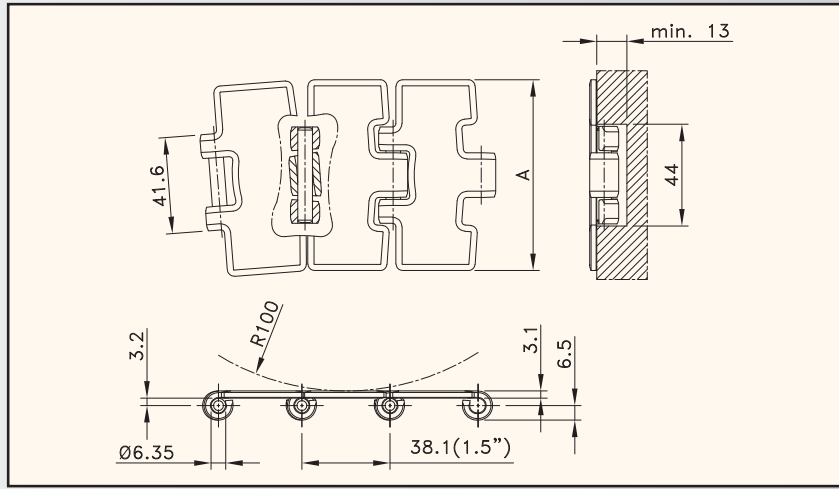
Standard length: 3.048 m – 10 feet (120 links)



STEEL TABLETOP CHAINS



**MAGNETFLEX®
SINGLE HINGE
MAX-LINE**

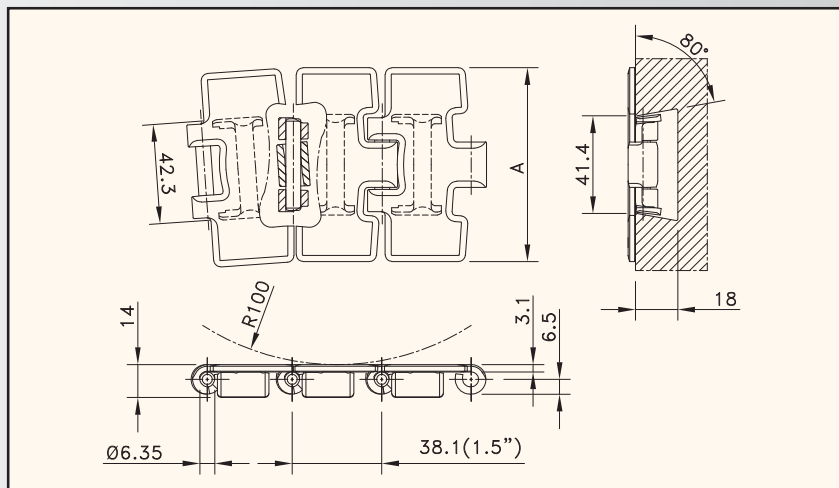


| Chain type | Code nr. | Plate width | | Weight | Surface flatness (max.) | Polished hinge eyes | Working load (max.) |
|----------------------|-----------|-------------|------|--------|-------------------------|---------------------|---------------------|
| | | mm | inch | | | | |
| 10-SERIES | | | | | | | |
| 10 M 31 M | 767.13.31 | 82.5 | 3.25 | 2.50 | 0.18 | yes | 4950 |
| 10 M 42 M | 767.13.42 | 114.3 | 4.50 | 3.12 | 0.25 | yes | |
| 10 M 72 M | 767.13.72 | 190.5 | 7.50 | 4.59 | 0.60 | yes | |
| 60-SERIES | | | | | | | |
| 60 M 31 M | 767.53.31 | 82.5 | 3.25 | 2.50 | 0.18 | yes | 6000 |
| 60 M 31 XM | 767.69.31 | 82.5 | 3.25 | 2.50 | 0.08 | yes | |
| 60 M 84 XM | 767.69.84 | 84.0 | 3.30 | 2.52 | 0.08 | yes | |
| 60 M 42 M | 767.53.42 | 114.3 | 4.50 | 3.12 | 0.25 | yes | |
| 60 M 72 M | 767.53.72 | 190.5 | 7.50 | 4.59 | 0.60 | yes | |
| 60-SERIES HB | | | | | | | |
| 60 M 31 XM HB | 767.69.15 | 82.5 | 3.25 | 2.61 | 0.08 | yes | 6000 |
| 60 M 84 XM HB | 767.69.14 | 84.0 | 3.30 | 2.63 | 0.08 | yes | |
| 66-SERIES XHB | | | | | | | |
| 66 M 31 XM XHB | 767.09.31 | 82.5 | 3.25 | 2.50 | 0.08 | yes | 6000 |
| 66 M 84 XM XHB | 767.09.84 | 84.0 | 3.30 | 2.52 | 0.08 | yes | |
| 66 M 72 M | 767.03.72 | 190.5 | 7.50 | 4.59 | 0.60 | yes | |

Standard length: 3.048 m - 10 feet (80 links). Sideflex radius min. 500 mm.



**SIDEFLEX
SINGLE HINGE BEVEL
MAX-LINE**

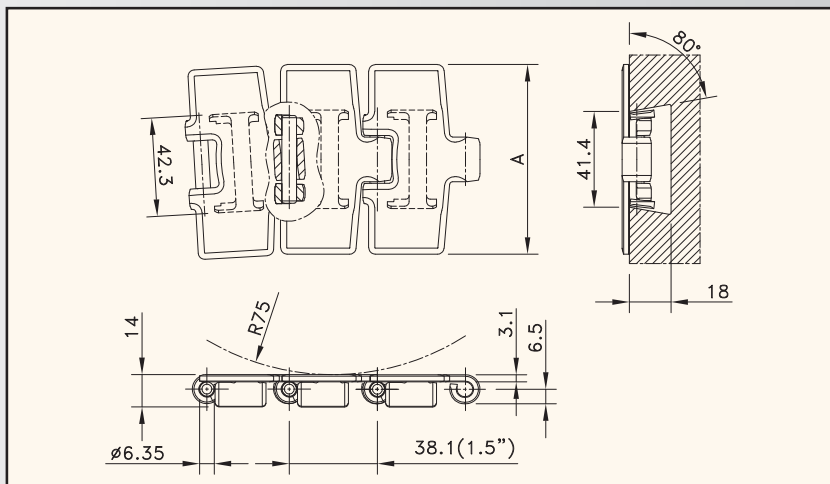


| Chain type | Code nr. | Plate width | | Weight | Surface flatness (max.) | Polished hinge eyes | Working load (max.) |
|------------------|--------------|-------------|------|--------|-------------------------|---------------------|---------------------|
| | | mm | inch | | | | |
| OPTI-PLUS | | | | | | | |
| SSC 8811-K325 | 10.115.21.11 | 82.5 | 3.25 | 2.90 | 0.18 | no | 6000 |
| SSC 8811-K350 | 10.115.21.12 | 88.9 | 3.50 | 3.10 | 0.18 | no | |
| SSC 8811-K450 | 10.115.21.14 | 114.3 | 4.50 | 3.60 | 0.25 | no | |
| SSC 8811-K750 | 10.115.21.16 | 190.5 | 7.50 | 5.30 | 0.60 | no | |

STEEL TABLETOP CHAINS



**SIDEFLEX
SINGLE HINGE BEVEL**



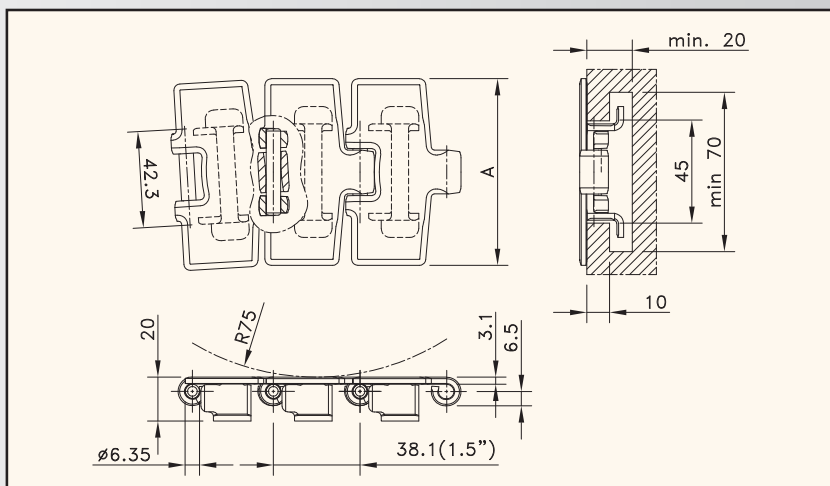
| Chain type | Code nr. | Plate width | | Weight | Surface flatness (max.) | Polished hinge eyes | Working load (max.) |
|---------------------------------|-----------|-------------|------|--------|-------------------------|---------------------|---------------------|
| | | mm | inch | | | | |
| AUSTENITIC CHROME NICKEL | | | | | | | |
| SS 881-K325 | 765.32.31 | 82.5 | 3.25 | 2.97 | 0.18 | no | 3500 |
| SS 881-K450 | 765.32.42 | 114.3 | 4.50 | 3.71 | 0.25 | no | |
| SS 881-K750 | 765.32.72 | 190.5 | 7.50 | 5.49 | 0.60 | no | |
| CARBON STEEL | | | | | | | |
| S 881-K325 | 765.92.31 | 82.5 | 3.25 | 2.97 | 0.40 | no | 8350 |
| S 881-K450 | 765.92.42 | 114.3 | 4.50 | 3.71 | 0.60 | no | |
| S 881-K750 | 765.92.72 | 190.5 | 7.50 | 5.49 | 0.90 | no | |

Standard length: 3.048 m - 10 feet (80 links)

Sideflex radius min. 500 mm (for K325) and min. 610 mm (for K450 and K750).



**SIDEFLEX
SINGLE HINGE TAB**



| Chain type | Code nr. | Plate width | | Weight | Surface flatness (max.) | Polished hinge eyes | Working load (max.) |
|---------------------------------|-----------|-------------|------|--------|-------------------------|---------------------|---------------------|
| | | mm | inch | | | | |
| AUSTENITIC CHROME NICKEL | | | | | | | |
| SS 881 TAB-K325 | 765.31.31 | 82.5 | 3.25 | 2.97 | 0.18 | no | 3500 |
| SS 881 TAB-K450 | 765.31.42 | 114.3 | 4.50 | 3.71 | 0.25 | no | |
| SS 881 TAB-K750 | 765.31.72 | 190.5 | 7.50 | 5.49 | 0.60 | no | |
| CARBON STEEL | | | | | | | |
| S 881 TAB-K325 | 765.91.31 | 82.5 | 3.25 | 2.97 | 0.40 | no | 8350 |
| S 881 TAB-K450 | 765.91.42 | 114.3 | 4.50 | 3.71 | 0.60 | no | |
| S 881 TAB-K750 | 765.91.72 | 190.5 | 7.50 | 5.49 | 0.90 | no | |

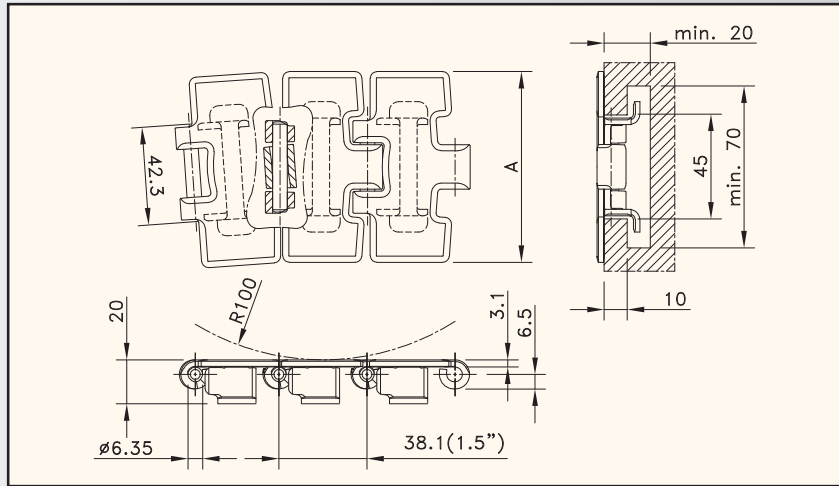
Standard length: 3.048 m - 10 feet (80 links)

Sideflex radius min. 500 mm (for K325) and min. 610 mm (for K450 and K750).

STEEL TABLETOP CHAINS



**SIDEFLEX
SINGLE HINGE TAB
MAX-LINE**



-  page 121
-  page 61
- MATERIAL**
page 207

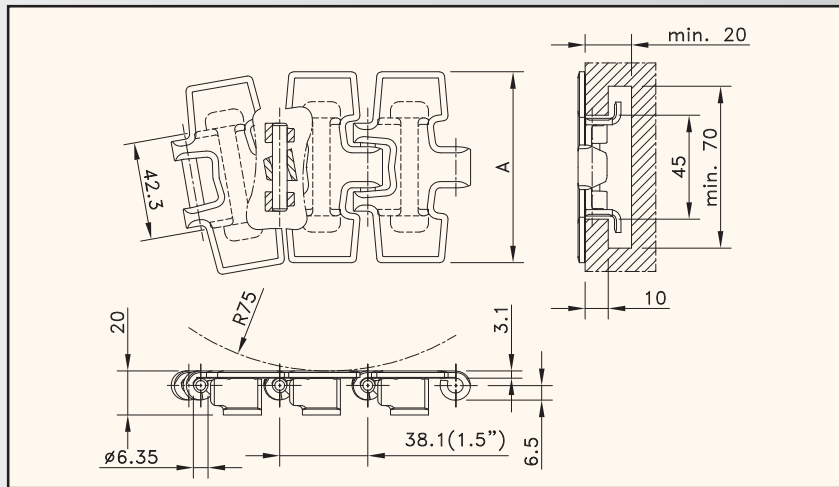
| Chain type | Code nr. | Plate width | | Weight | Surface flatness (max.) | Polished hinge eyes | Working load (max.) |
|-------------------|--------------|-------------|------|--------|-------------------------|---------------------|---------------------|
| | | A | | | | | |
| | | mm | inch | kg/m | mm | | N |
| OPTI-PLUS | | | | | | | |
| SSC 8811 TAB-K325 | 10.114.21.11 | 82.5 | 3.25 | 3.10 | 0.18 | no | 6000 |
| SSC 8811 TAB-K350 | 10.114.21.12 | 88.9 | 3.50 | 3.30 | 0.18 | no | |
| SSC 8811 TAB-K450 | 10.114.21.14 | 114.3 | 4.50 | 3.80 | 0.25 | no | |
| SSC 8811 TAB-K750 | 10.114.21.16 | 190.5 | 7.50 | 5.50 | 0.60 | no | |

Standard length: 3.048 m - 10 feet (80 links)

Sideflex radius min. 500 mm.



**SIDEFLEX
SINGLE HINGE TAB
SMALL RADIUS**



-  page 121
-  page 61
- MATERIAL**
page 207

| Chain type | Code nr. | Plate width | | Weight | Surface flatness (max.) | Polished hinge eyes | Working load (max.) |
|----------------------|----------|-------------|------|--------|-------------------------|---------------------|---------------------|
| | | A | | | | | |
| | | mm | inch | kg/m | mm | | N |
| OPTI-PLUS | | | | | | | |
| SSR 8811 TAB BO-K325 | 62969 | 82.5 | 3.25 | 3.10 | 0.18 | no | 4500 |

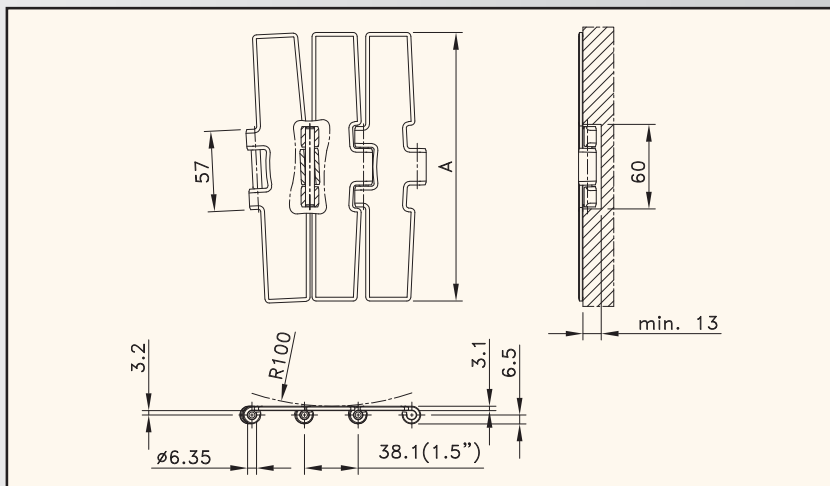
Standard length: 3.048 m - 10 feet (80 links)

Sideflex radius min. 200 mm.

STEEL TABLETOP CHAINS



**MAGNETFLEX®
HEAVY DUTY
MAX-LINE**

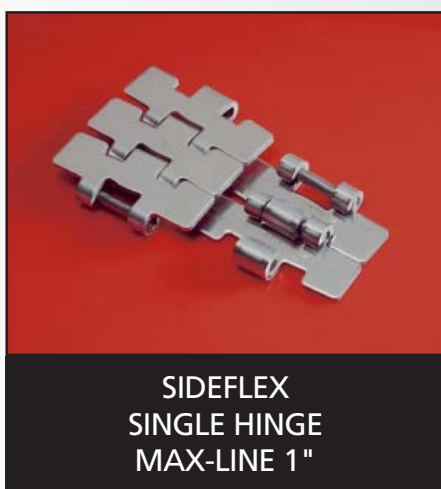


| Chain type | Code nr. | Plate width | | Weight | Surface flatness (max.) | Polished hinge eyes | Working load (max.) |
|------------------|-----------|-------------|------|--------|-------------------------|---------------------|---------------------|
| | | mm | inch | | | | |
| 60-SERIES | | | | | | | |
| 60 M 75 M | 767.53.75 | 190.5 | 7.50 | 5.03 | 0.60 | yes | 7000 |
| 66-SERIES | | | | | | | |
| 66 M 75 M | 767.03.75 | 190.5 | 7.50 | 5.03 | 0.60 | yes | 7000 |

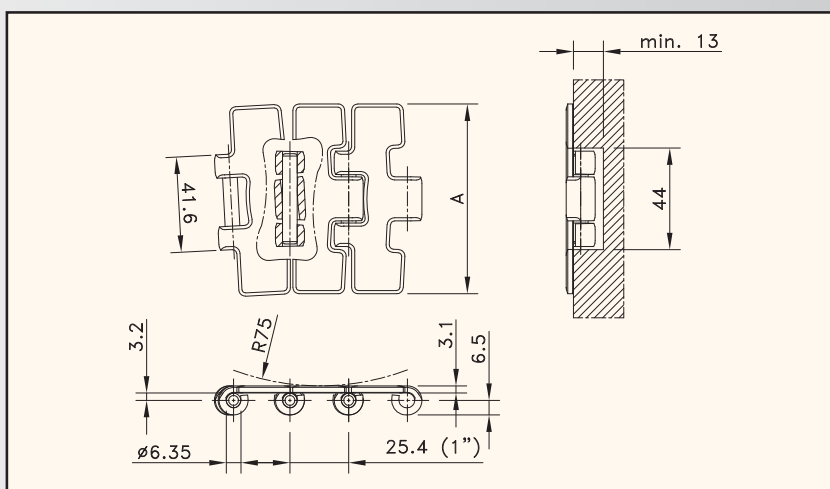
Standard length: 3.048 m - 10 feet (80 links)

Sideflex radius min. 860 mm.

NOTE: 60 M 75 M is recommended for medium duty applications, 66 M 75 M is recommended for heavy duty applications



**SIDEFLEX
SINGLE HINGE
MAX-LINE 1"**



| Chain type | Code nr. | Plate width | | Weight | Surface flatness (max.) | Polished hinge eyes | Working load (max.) |
|------------------|---------------|-------------|------|--------|-------------------------|---------------------|---------------------|
| | | mm | inch | | | | |
| OPTI-PLUS | | | | | | | |
| SSC 581 M-K325 | 10.027.21.11* | 82.5 | 3.25 | 2.80 | 0.18 | no | 5000 |

Standard length: 3.048 m - 10 feet (120 links)

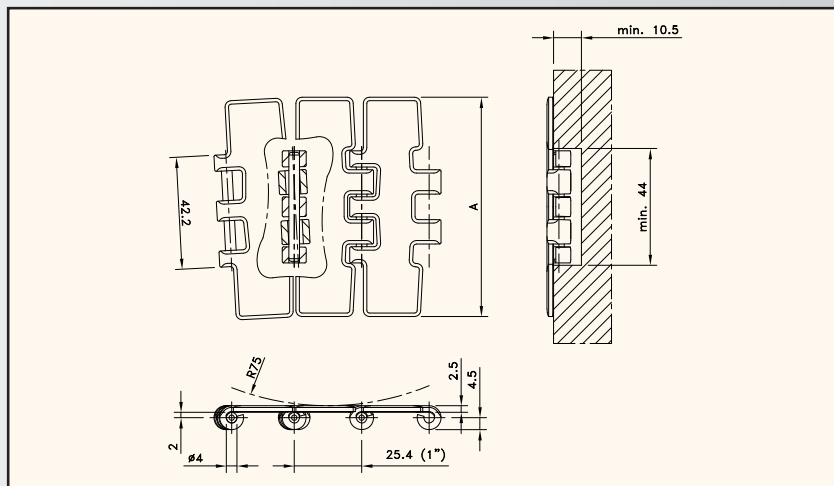
Sideflex radius min. 500 mm.

* Ask customer service for minimum order quantity.

STEEL TABLETOP CHAINS



**MAGNETFLEX®
DOUBLE HINGE
MAX-LINE 1"**



| Chain type | Code nr. | Plate width | | Weight | Surface flatness (max.) | Polished hinge eyes | Working load (max.) |
|-------------------|-----------|-------------|------|--------|-------------------------|---------------------|---------------------|
| | | mm | inch | | | | |
| 661-SERIES | | | | | | | |
| 661 M 31 SM | 767.09.90 | 82.5 | 3.25 | 1.84 | 0.10 | yes | 5100 |
| 661 M 84 SM | 767.09.91 | 83.8 | 3.30 | 1.87 | | | |

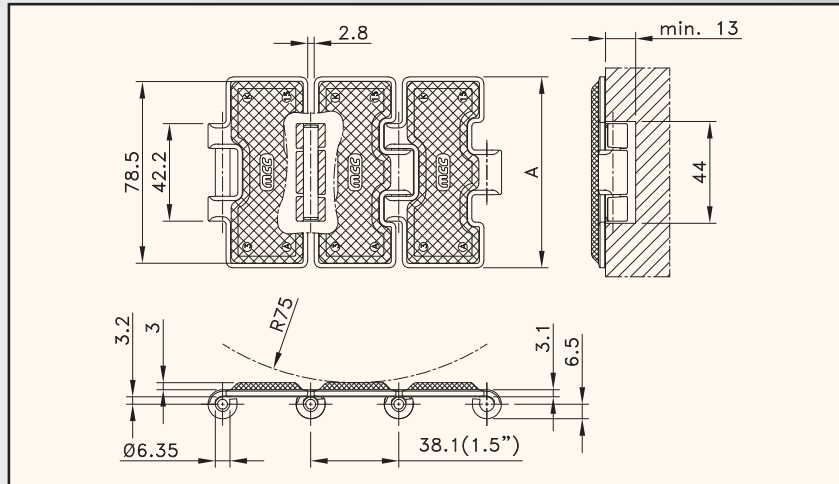
Standard length: 3.048 m – 10 feet (120 links)



STEEL TABLETOP CHAINS WITH RUBBER TOP



**STRAIGHT RUN
SINGLE HINGE**



 page 55, 56, 57, 58, 59

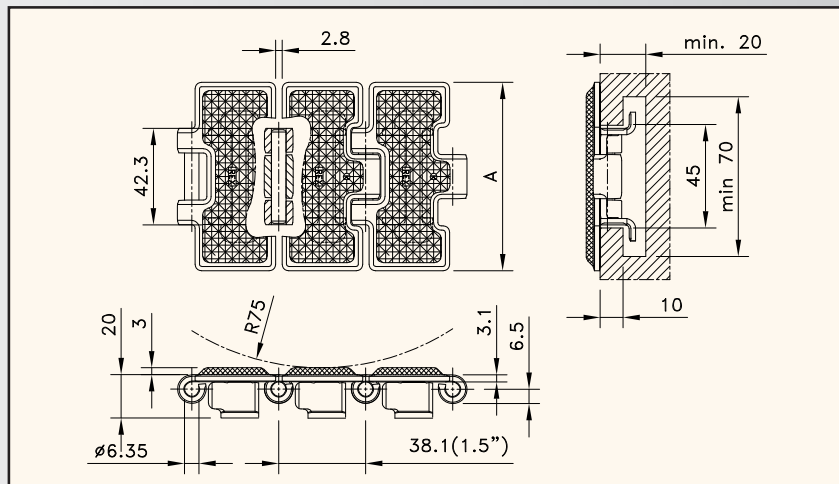
MATERIAL
page 207

| Chain type | Code nr. | Plate width | | Weight | Polished hinge eyes | Working load (max.) |
|------------------|-----------|-------------|------|--------|---------------------|---------------------|
| | | A | | | | |
| | | mm | inch | kg/m | | |
| 66-SERIES | | | | | | |
| 66 S 31 R | 762.04.31 | 82.5 | 3.25 | 2.80 | no | 6000 |

Standard length: 3.048 m - 10 feet (80 links)



**STRAIGHT RUN
SINGLE HINGE TAB**



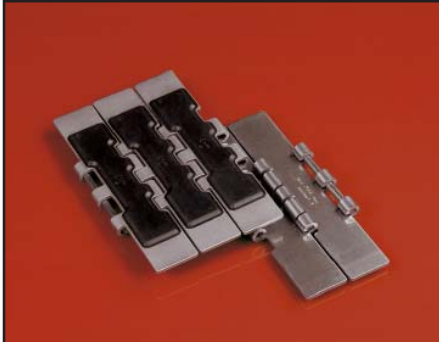
 page 61

MATERIAL
page 207

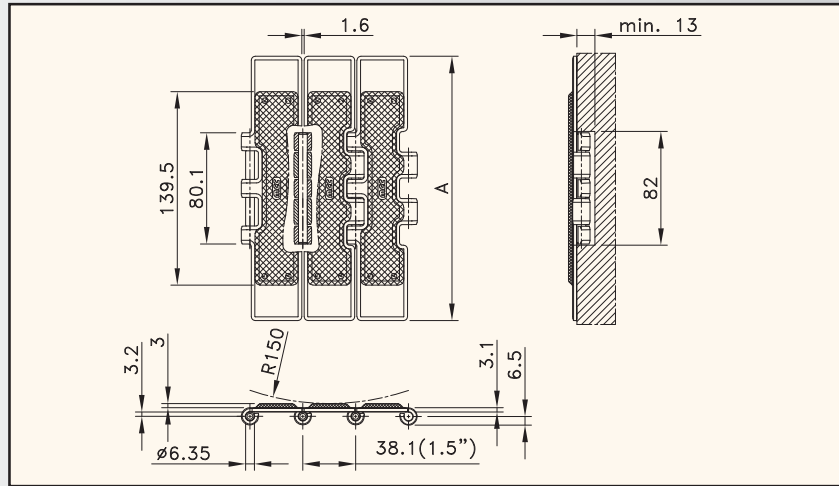
| Chain type | Code nr. | Plate width | | Weight | Polished hinge eyes | Working load (max.) |
|---------------------|--------------|-------------|------|--------|---------------------|---------------------|
| | | A | | | | |
| | | mm | inch | kg/m | | |
| OPTI-PLUS | | | | | | |
| SSR 812 TAB-K325 RT | 10.105.21.11 | 82.5 | 3.25 | 3.40 | no | 6000 |

Standard length: 3.048 m - 10 feet (80 links)

STEEL TABLETOP CHAINS WITH RUBBER TOP



**STRAIGHT RUN
DOUBLE HINGE
MAX-LINE**



| Chain type | Code nr. | Plate width | | Weight | Polished hinge eyes | Working load (max.) |
|------------------|-----------|-------------|------|--------|---------------------|---------------------|
| | | A | A | | | |
| | | mm | inch | kg/m | | N |
| 66-SERIES | | | | | | |
| 66 S 77 RM | 762.06.72 | 190.5 | 7.50 | 6.20 | no | 8900 |

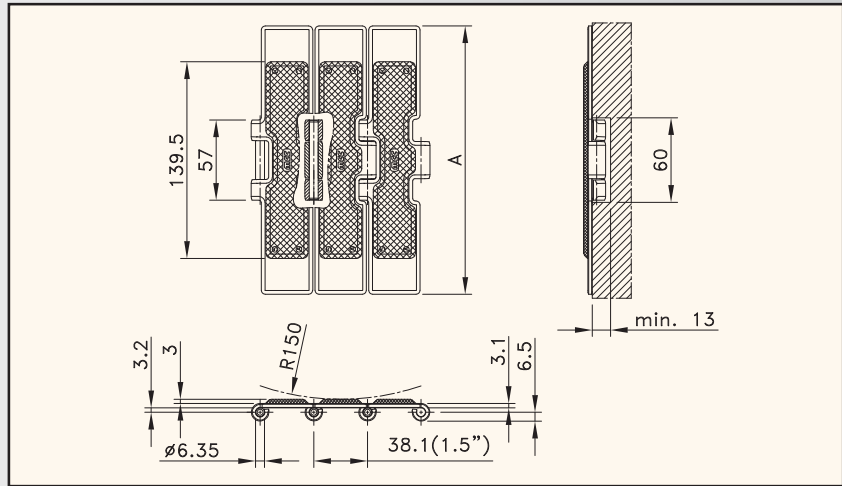
Standard length: 3.048 m - 10 feet (80 links)



STEEL TABLETOP CHAINS WITH RUBBER TOP



**STRAIGHT RUN
HEAVY DUTY
MAX-LINE**

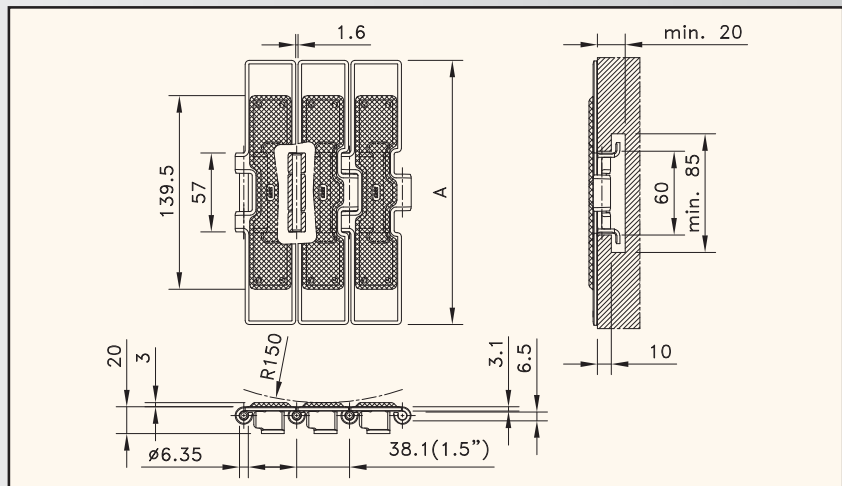


| Chain type | Code nr. | Plate width | | Weight | Polished hinge eyes | Working load (max.) |
|------------------|-----------|-------------|------|--------|---------------------|---------------------|
| | | A | | | | |
| | | mm | inch | kg/m | | |
| 66-SERIES | | | | | | |
| 66 S 75 RM | 752.64.75 | 190.5 | 7.50 | 5.21 | no | 7000 |

Standard length: 3.048 m - 10 feet (80 links)



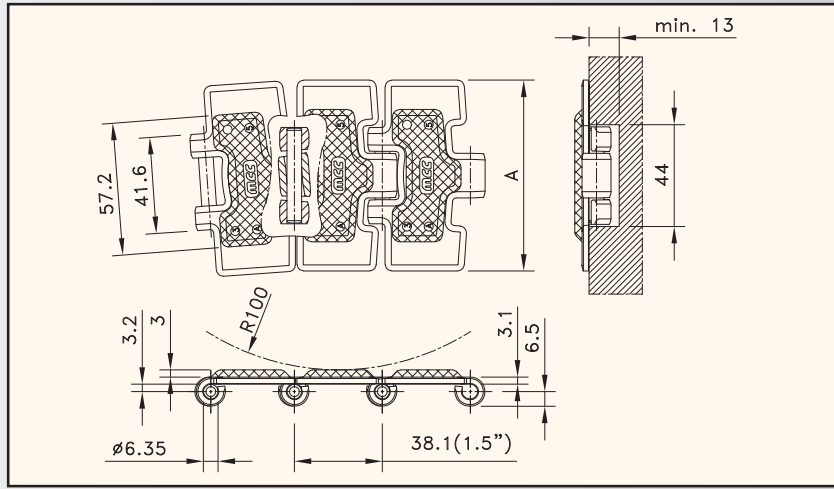
**STRAIGHT RUN
HEAVY DUTY TAB
MAX-LINE**





| Chain type | Code nr. | Plate width | | Weight | Polished hinge eyes | Working load (max.) |
|------------------|-----------|-------------|------|--------|---------------------|---------------------|
| | | A | | | | |
| | | mm | inch | kg/m | | |
| 66-SERIES | | | | | | |
| 66 ST 75 RM | 763.04.75 | 190.5 | 7.50 | 6.30 | no | 7000 |

Standard length: 3.048 m - 10 feet (80 links)

STEEL TABLETOP CHAINS WITH RUBBER TOP

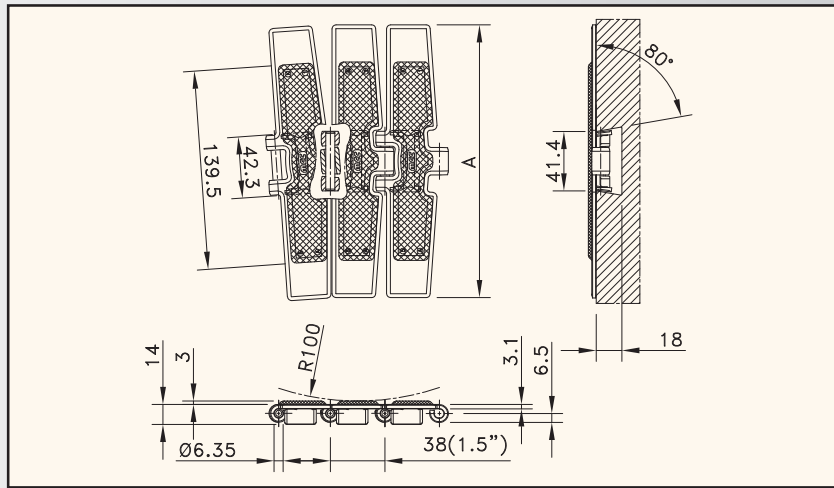


-  page 104
-  page 55, 56, 57, 58, 59
- MATERIAL**
page 207

| Chain type | Code nr. | Plate width | | Weight | Polished hinge eyes | Working load (max.) |
|------------------|-----------|-------------|------|--------|---------------------|---------------------|
| | | mm | inch | | | |
| 66-SERIES | | | | | | |
| 66 M 31 RM | 767.06.31 | 82.5 | 3.25 | 2.54 | yes | 6000 |
| 66 M 72 RM | 767.06.72 | 190.5 | 7.50 | 4.70 | yes | |

Standard length: 3.048 m - 10 feet (80 links)

Sideflex radius min. 500 mm.



-  page 125
-  page 59, 61
- MATERIAL**
page 207

| Chain type | Code nr. | Plate width | | Weight | Polished hinge eyes | Working load (max.) |
|------------------|-----------|-------------|------|--------|---------------------|---------------------|
| | | mm | inch | | | |
| 66-SERIES | | | | | | |
| 66 B 72 RM | 765.17.72 | 190.5 | 7.50 | 5.10 | no | 6000 |

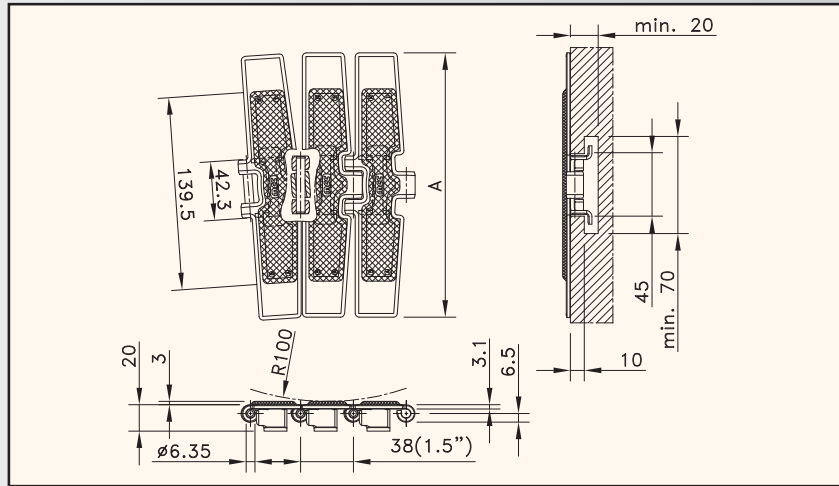
Standard length: 3.048 m - 10 feet (80 links)

Sideflex radius min. 500 mm.

STEEL TABLETOP CHAINS WITH RUBBER TOP



**SIDEFLEX
SINGLE HINGE TAB
MAX-LINE**



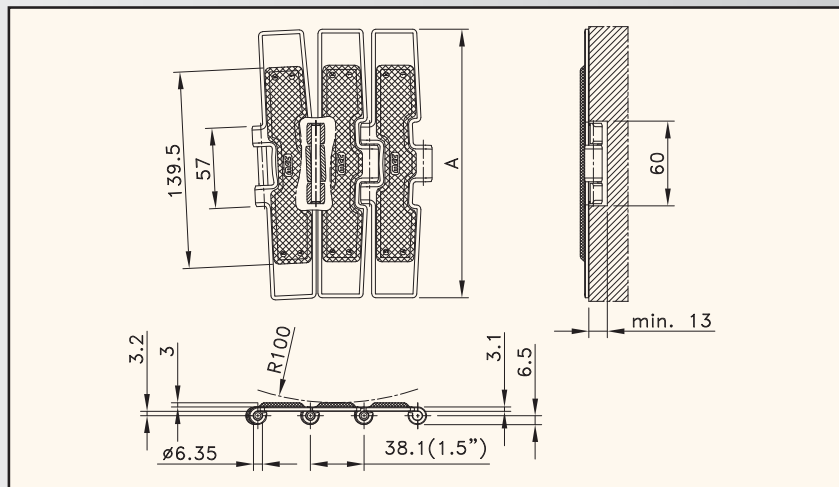
| Chain type | Code nr. | Plate width | | Weight | Polished hinge eyes | Working load (max.) |
|----------------------|--------------|-------------|------|--------|---------------------|---------------------|
| | | A | A | | | |
| | | mm | inch | kg/m | | N |
| 66-SERIES | | | | | | |
| 66 T 72 RM | 765.16.72 | 190.5 | 7.50 | 5.30 | no | 6000 |
| OPTI-PLUS | | | | | | |
| SSC 8811 TAB-K325 RT | 10.117.21.11 | 82.5 | 3.25 | 3.30 | no | 6000 |

Standard length: 3.048 m - 10 feet (80 links)

Sideflex radius min. 500 mm.



**MAGNETFLEX®
HEAVY DUTY
MAX-LINE**



| Chain type | Code nr. | Plate width | | Weight | Polished hinge eyes | Working load (max.) |
|------------------|-----------|-------------|------|--------|---------------------|---------------------|
| | | A | A | | | |
| | | mm | inch | kg/m | | N |
| 66-SERIES | | | | | | |
| 66 M 75 RM | 767.04.75 | 190.5 | 7.50 | 5.14 | yes | 7000 |

Standard length: 3.048 m - 10 feet (80 links)

Sideflex radius min. 860 mm.

PLASTIC TABLETOP CHAINS

From standard low friction to specialized high-tech materials for very specific applications, the Rexnord plastic TableTop range is capable of delivering a wide range of solutions for conveyor applications for virtually any industry.

FEATURES

- High strength materials

For dry running and lubricated beverage applications and also for abrasive applications in glass works, special materials are available, offering high PV resistance or very low friction.

- Sliding properties

To ensure superior sliding properties, Rexnord uses a number of patented chain materials. In many cases these materials are especially defined for conveyor applications. All different materials have friction coefficients tailored to the intended application.

- Flatness

The design of the mould and the control of the production process take care of flatness values meeting the highest standards. Together with the optimum sliding properties, this will prevent tipping of the products conveyed.

- Standardization

In case handling a number of different chains are used. Standard chains (XL, LF, HP) are used for general conveying of cases, trays or crates. High friction versions (Rubber Top, SuperGrip) are used for inclines and declines or on stopper belts. Version with rollers (LBP) are used in lines feeding palletizers in order to reduce the backline pressure and noise. The wide product range allows standardization of case handling conveyors, as a result of the same sprockets, track width, return rollers, return design, wearstrips and hinge width, also in co-operation with stainless steel (60 M 75 and 60 S 75). If plastic modular belts are used for straight running, sideflexing chainbelts are ideal for conveyors with 85 mm pitch; FGM 1050, FT 1050 and FTM 1060 match with 1000- and 8500-series, FTM 1055 and FT 1055 with 1005- and 7700-series. These chains feature a maximum support area and excellent transfers, even in small radii. For demanding applications FGM/FTM Magnetflex versions are recommended, whilst the FT tab versions are intended for less critical circumstances.

- 84 mm wide chains

Rexnord offers a complete range of both plastic and steel chains with 84 mm width, intended for the global beverage standard 85 mm pitch between the lanes of multi-lane conveyors. In plastic chains the straight running SHP84 and the sideflexing RHMP84 are companions, running on the same sprockets. The gap between the different tracks/lanes is minimized compared to the traditional 3.25" chains as well as the gap between the links of the chains, to offer superior product handling and minimize the risks of products falling.

- D-pins

SHP, RHMP, 1060, 1055, 879, 880 and 882 chains have D-style pins. Once assembled, the pin retention is done by means of geometrical fit instead of mechanical tension on the hinge eyes. This makes the chain less sensitive for attack by chemicals; it also allows (dis)assembly from both sides of the chains, reducing the chance of error.



PLASTIC TABLETOP CHAINS

PROGRAMME

Plastic slatband chains are available in the following materials:

| REXNORD/MCC | |
|-------------|---|
| XL | Acetal with low friction, to reduce wear up to 15% over plain acetal; intended for high output applications at moderate to high speeds for general conveying. |
| LF | Low Friction acetal (POM) and special blend of lubricants. This can reduce wear up to 15% over plain acetal; it is intended for high output applications at moderate to high speeds for general conveying. |
| HP | High Performance internally lubricated acetal (POM), capable of reducing wear up to 40% over plain acetal; intended for dry running or reduced lubrication and high-speed applications. |
| PS | Platinum Series internally lubricated acetal (POM). It can decrease wear by 5 times. PV-limits are increased, which means that a sideflexing chain moulded in PS can run 2 times faster than the same chain in acetal and 1.5 times faster than in HP. PET bottles running on PS chains exhibit the lowest friction available, to reduce product backline pressure and minimize pulsations. |
| WX | Polyamide composite to extend chain wear life in abrasive circumstances up to five times compared to acetal materials; to be used in glass handling applications where abrasive shards of glass can wear other plastic chain materials rapidly; it is also applicable when the chain is subjected to sand and dirt. |
| DKA | Aramide reinforced acetal (POM) for wet or dry abrasive conditions, offering enhanced wear properties over plain acetals in combination with the low friction of a lubricated material. This material is available on request for a selected range of TableTop products. |

Anti-static and chemical resistant materials can be supplied for a limited number of chains. Please ask Customer Service for more details.

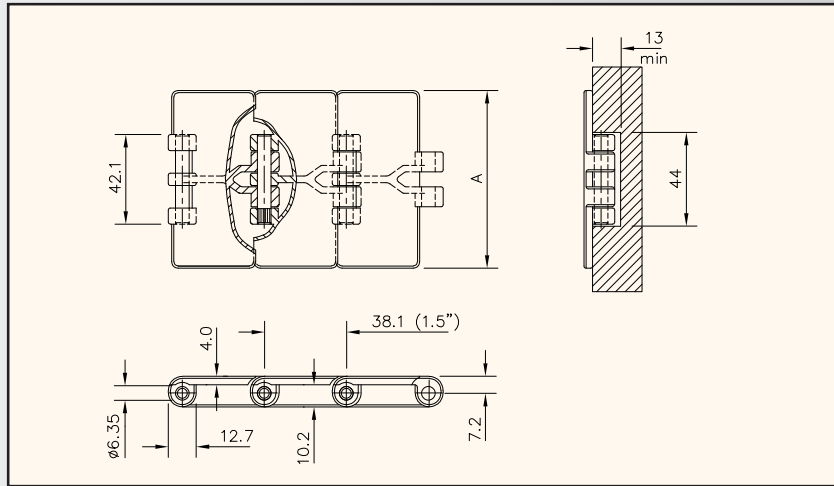
| CHAIN MATERIAL | APPLICATION | | | | |
|----------------|---------------|------------------|----------------------------|--------------|--------------|
| | Mass handling | Inliner standard | Inliner / PET / high-speed | Abrasive wet | Abrasive dry |
| XL | Best choice | Optional | | | |
| LF | Best choice | Optional | | | |
| HP | Best choice | Best choice | Best choice | Optional | Optional |
| PS | Best choice | Best choice | Best choice | Optional | Optional |
| WX | | | | | Best choice |
| DKA | | | | Best choice | Optional |

| |
|-------------|
| Best choice |
| Optional |

PLASTIC TABLETOP CHAINS



**STRAIGHT RUN
SINGLE HINGE**



| Chain type | Code nr. | Plate width | | Weight | Working load (max.) | Backflex radius (min.) | Plate thickness |
|-------------------------------|-------------|-------------|------|--------|---------------------|------------------------|-----------------|
| | | A | | | | | |
| | | mm | inch | kg/m | N (21°C) | mm | mm |
| XL-ACETAL | | | | | | | |
| SH 250 XL | 750.42.22 | 63.5 | 2.50 | 0.69 | 1230 | 50 | 4.0 |
| SH 325 XL | 750.42.31 | 82.5 | 3.25 | 0.82 | | | |
| SH 84 XL | 750.42.35 | 83.8 | 3.30 | 0.82 | | | |
| SH 350 XL | 750.42.32 | 88.9 | 3.50 | 0.87 | | | |
| SH 400 XL | 750.42.40 | 101.6 | 4.00 | 0.95 | | | |
| SH 450 XL | 750.42.42 | 114.3 | 4.50 | 1.00 | | | |
| SH 600 XL | 750.42.60 | 152.4 | 6.00 | 1.20 | | | |
| SH 750 XL | 750.42.72 | 190.5 | 7.50 | 1.44 | | | |
| LF-ACETAL | | | | | | | |
| LF 820-K250 | L0820667731 | 63.5 | 2.50 | 0.73 | 1230 | 50 | 4.0 |
| LF 820-K325 | L0820603761 | 82.5 | 3.25 | 0.83 | | | |
| LF 820-K325 plastic pin* | L0820613711 | 82.5 | 3.25 | 0.63 | 1200 | | |
| LF 820-K343 | L0820666361 | 87.0 | 3.43 | 0.85 | 1230 | | |
| LF 820-K350 | L0820603771 | 88.9 | 3.50 | 0.87 | | | |
| LF 820-K400 | L0820603781 | 101.6 | 4.00 | 0.95 | | | |
| LF 820-K450 | L0820603791 | 114.3 | 4.50 | 1.03 | 1200 | | |
| LF 820-K450 plastic pin* | L0820645211 | 114.3 | 4.50 | 0.83 | | | |
| LF 820-K600 | L0820603801 | 152.4 | 6.00 | 1.25 | 1230 | | |
| LF 820-K750 | L0820603811 | 190.5 | 7.50 | 1.47 | | | |
| HP-ACETAL | | | | | | | |
| HP 820-K325 | L0820613041 | 82.5 | 3.25 | 0.83 | 1230 | 50 | 4.0 |
| HP 820-K343 | L0820670561 | 87.0 | 3.43 | 0.85 | | | |
| HP 820-K350 | L0820669071 | 88.9 | 3.50 | 0.87 | | | |
| HP 820-K400 | L0820649231 | 101.6 | 4.00 | 0.95 | | | |
| HP 820-K450 | L0820613051 | 114.3 | 4.50 | 1.03 | | | |
| HP 820-K600 | L0820613061 | 152.4 | 6.00 | 1.25 | | | |
| HP 820-K750 | L0820613071 | 190.5 | 7.50 | 1.47 | | | |
| PS-ACETAL | | | | | | | |
| SH 325 PS | 750.10.03 | 82.5 | 3.25 | 0.82 | 1230 | 50 | 4.0 |
| PS 820-K325 | L0820605513 | 82.5 | 3.25 | 0.82 | | | |
| SH 84 PS | 750.10.04 | 83.8 | 3.30 | 0.82 | | | |
| SH 450 PS | 750.10.11 | 114.3 | 4.50 | 1.00 | | | |
| PS 820-K450 | L0820605523 | 114.3 | 4.50 | 1.00 | | | |
| SH 750 PS | 750.10.09 | 190.5 | 7.50 | 1.44 | | | |
| WX-POLYAMIDE COMPOSITE | | | | | | | |
| SH 325 WX | 750.10.05 | 82.5 | 3.25 | 0.83 | 1230 | 50 | 4.0 |
| WX 820-K325 | L0820646071 | 82.5 | 3.25 | 0.83 | | | |
| WX 820-K450 | L0820616412 | 114.3 | 4.50 | 1.03 | | | |
| WX 820-K600 | L0820606583 | 152.4 | 6.00 | 1.25 | | | |
| WX 820-K750 | L0820670542 | 190.5 | 7.50 | 1.47 | | | |

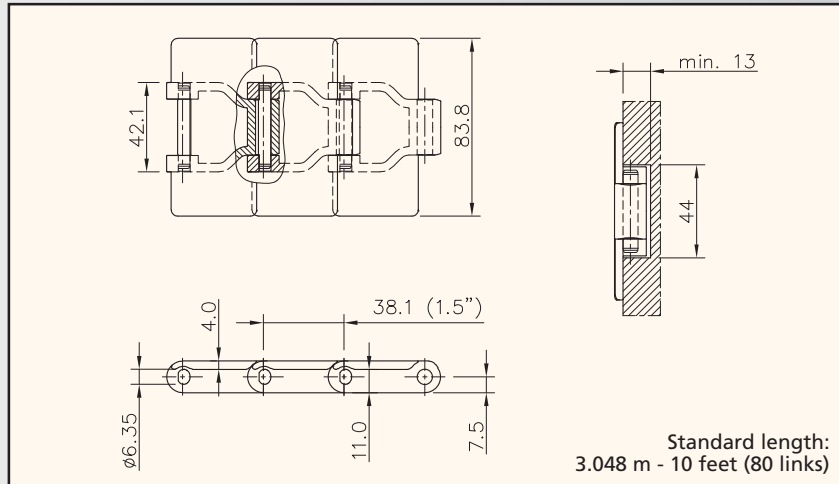
* Pins made of black reinforced polyamide for non-magnetic or chemical applications. Ask customer service for minimum order quantity.

Standard length: 3.048 m - 10 feet (80 links)

PLASTIC TABLETOP CHAINS



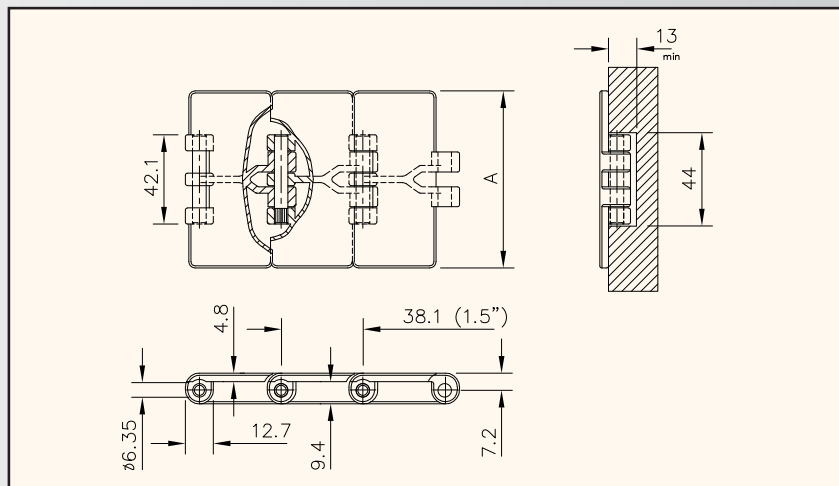
**STRAIGHT RUN
SINGLE HINGE
SIDEFLEX JOINT HINGE**



| Chain type | Code nr. | Plate width | | Weight | Working load (max.) | Backflex radius (min.) | Plate thickness |
|------------------|-----------|-------------|------|--------|---------------------|------------------------|-----------------|
| | | A | | | | | |
| | | mm | inch | kg/m | N (21°C) | mm | mm |
| XL-ACETAL | | | | | | | |
| SHP 325 XL | 750.10.22 | 82.5 | 3.25 | 0.94 | 2100 | 50 | 4.0 |
| SHP 84 XL | 750.12.35 | 83.8 | 3.30 | 0.94 | | | |
| PS-ACETAL | | | | | | | |
| SHP 325 PS | 750.10.23 | 82.5 | 3.25 | 0.94 | 2100 | 50 | 4.0 |
| SHP 84 PS | 750.10.01 | 83.8 | 3.30 | 0.94 | | | |



**STRAIGHT RUN
SINGLE HINGE
WITH THICK TOP PLATE**



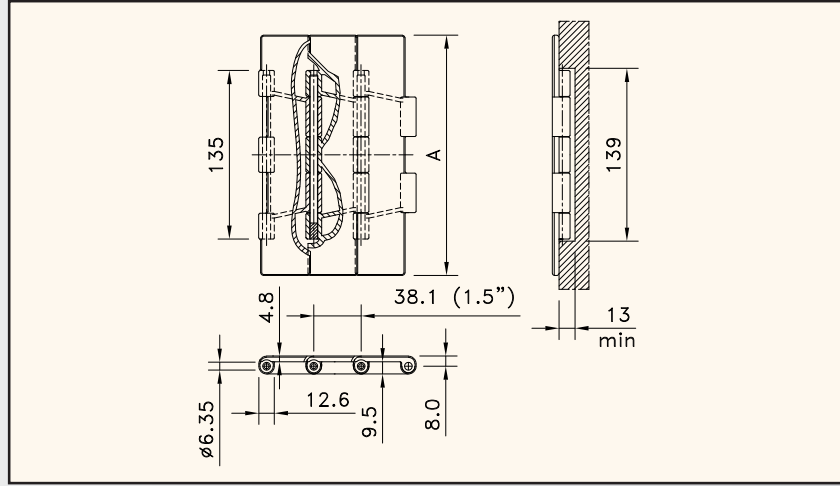
| Chain type | Code nr. | Plate width | | Weight | Working load (max.) | Backflex radius (min.) | Plate thickness |
|-------------------------------|-------------|-------------|------|--------|---------------------|------------------------|-----------------|
| | | A | | | | | |
| | | mm | inch | kg/m | N (21°C) | mm | mm |
| XL-ACETAL | | | | | | | |
| SHD 325 XL | 750.92.31 | 82.5 | 3.25 | 0.87 | 1230 | 50 | 4.8 |
| SHD 450 XL | 750.92.42 | 114.3 | 4.50 | 1.06 | | | |
| SHD 750 XL | 750.92.72 | 190.5 | 7.50 | 1.53 | | | |
| LF-ACETAL | | | | | | | |
| LF 831-K325 | L0831603821 | 82.5 | 3.25 | 0.83 | 1230 | 50 | 4.8 |
| LF 831-K450 | L0831603831 | 114.3 | 4.50 | 1.03 | | | |
| LF 831-K750 | L0831603841 | 190.5 | 7.50 | 1.47 | | | |
| HP-ACETAL | | | | | | | |
| HP 831-K325 | L0831613261 | 82.5 | 3.25 | 0.83 | 1230 | 50 | 4.8 |
| HP 831-K450 | L0831613271 | 114.3 | 4.50 | 1.03 | | | |
| HP 831-K750 | L0831613281 | 190.5 | 7.50 | 1.47 | | | |
| PS-ACETAL | | | | | | | |
| SHD 325 PS | 750.10.02 | 82.5 | 3.25 | 0.87 | 1230 | 50 | 4.8 |
| WX-POLYAMIDE COMPOSITE | | | | | | | |
| WX 831-K325 | L0831603533 | 82.5 | 3.25 | 0.87 | 1230 | 50 | 4.8 |
| WX 831-K450 | L0831676362 | 114.3 | 4.50 | 1.06 | | | |

Standard length: 3.048 m - 10 feet (80 links)

PLASTIC TABLETOP CHAINS



**STRAIGHT RUN
DOUBLE HINGE**

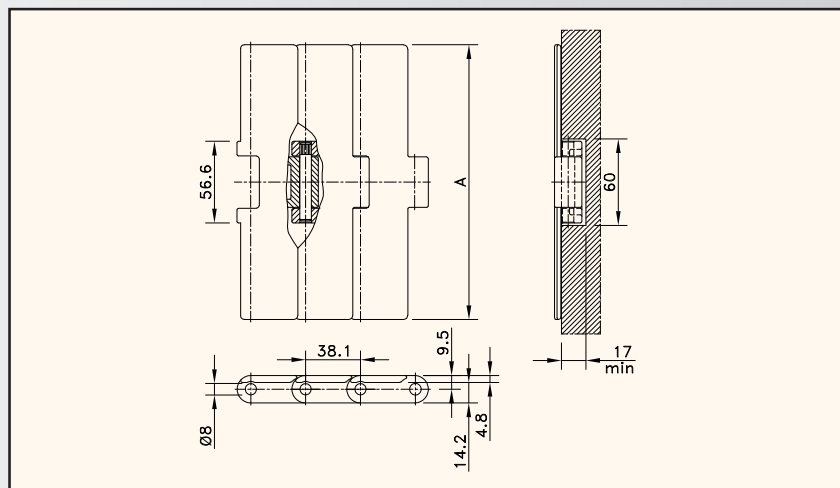


| Chain type | Code nr. | Plate width | | Weight | Working load (max.) | Backflex radius (min.) | Plate thickness |
|-------------------------------|--------------|-------------|-------|--------|---------------------|------------------------|-----------------|
| | | A | | | | | |
| | | mm | inch | kg/m | N (21°C) | mm | mm |
| XL-ACETAL | | | | | | | |
| SWH 750 XL | 750.72.77 | 190.5 | 7.50 | 2.48 | 2680 | 50 | 4.8 |
| SWH 1000 XL | 750.72.91 | 254.0 | 10.00 | 2.82 | | | |
| SWH 1200 XL | 750.72.92 | 304.8 | 12.00 | 3.12 | | | |
| LF-ACETAL | | | | | | | |
| LF 821-K750 | L0821603931 | 190.5 | 7.50 | 2.50 | 2680 | 50 | 4.8 |
| LF 821-K1000 | L0821603941 | 254.0 | 10.00 | 2.95 | | | |
| LF 821-K1200 | L0821603951 | 304.8 | 12.00 | 3.25 | | | |
| HP-ACETAL | | | | | | | |
| HP 821-K750 | L0821613161 | 190.5 | 7.50 | 2.50 | 2680 | 50 | 4.8 |
| HP 821-K1000 | L0821613171 | 254.0 | 10.00 | 2.95 | | | |
| HP 821-K1200 | L0821613181 | 304.8 | 12.00 | 3.25 | | | |
| PS-ACETAL | | | | | | | |
| SWH 750 PS | 750.10.08 | 190.5 | 7.50 | 2.48 | 2680 | 50 | 4.8 |
| WX-POLYAMIDE COMPOSITE | | | | | | | |
| WX 821-K750 | L0821602503* | 190.5 | 7.50 | 2.50 | 2680 | 50 | 4.8 |

Standard length: 3.048 m - 10 feet (80 links). * Ask customer service for minimum order quantity.



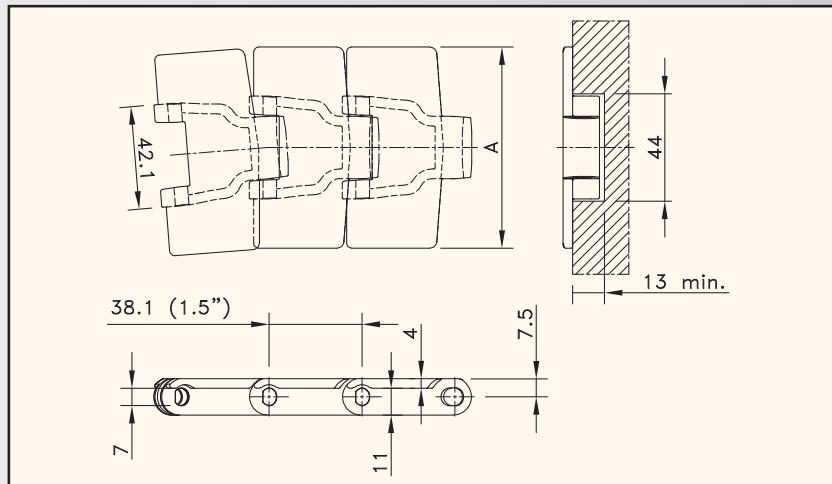
**STRAIGHT RUN
HEAVY DUTY**



| Chain type | Code nr. | Plate width | | Weight | Working load (max.) | Backflex radius (min.) | Plate thickness |
|------------------|-----------|-------------|-------|--------|---------------------|------------------------|-----------------|
| | | A | | | | | |
| | | mm | inch | kg/m | N (21°C) | mm | mm |
| XL-ACETAL | | | | | | | |
| HDS 750 XL | 752.62.72 | 190.5 | 7.50 | 2.16 | 3830 | 50 | 4.8 |
| HDS 1000 XL | 752.62.90 | 254.0 | 10.00 | 2.42 | | | |
| HDS 1200 XL | 752.62.92 | 304.8 | 12.00 | 2.69 | | | |

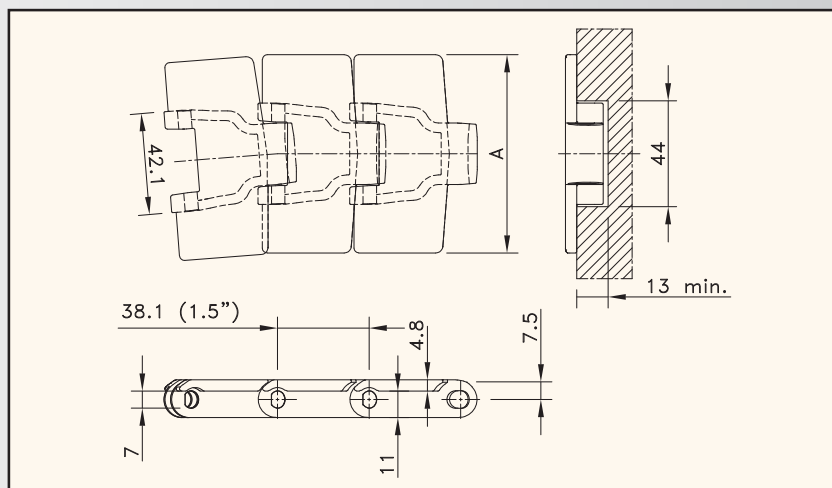
Standard length: 3.048 m - 10 feet (80 links)

PLASTIC TABLETOP CHAINS



| Chain type | Code nr. | Plate width | | Weight | Sideflex radius (min.) | Working load (max.) | Backflex radius (min.) | Plate thickness |
|-------------------------------|-----------|-------------|------|--------|------------------------|---------------------|------------------------|-----------------|
| | | A | | | | | | |
| | | mm | inch | kg/m | mm | N (21°C) | mm | mm |
| XL-ACETAL | | | | | | | | |
| RHMP 325 XL | 781.10.07 | 82.5 | 3.25 | 0.82 | 500 | 2100 | 50 | 4.0 |
| RHMP 84 XL | 781.10.13 | 83.8 | 3.30 | 0.82 | | | | |
| RHM 350 XL | 781.12.32 | 88.9 | 3.50 | 1.10 | 457 | | | |
| RHM 450 XL | 781.12.42 | 114.3 | 4.50 | 1.16 | | | | |
| PS-ACETAL | | | | | | | | |
| RHMP 325 PS | 781.10.08 | 82.5 | 3.25 | 0.82 | 500 | 2100 | 50 | 4.0 |
| RHMP 84 PS | 781.10.14 | 83.8 | 3.30 | 0.82 | | | | |
| WX-POLYAMIDE COMPOSITE | | | | | | | | |
| RHMP 84 WX | 781.10.15 | 83.8 | 3.30 | 0.82 | 500 | 2100 | 50 | 4.0 |
| HP-ACETAL | | | | | | | | |
| RHMP 325 HP | 781.10.20 | 82.5 | 3.25 | 0.82 | 500 | 2100 | 50 | 4.0 |

Standard length: 3.048 m - 10 feet (80 links)



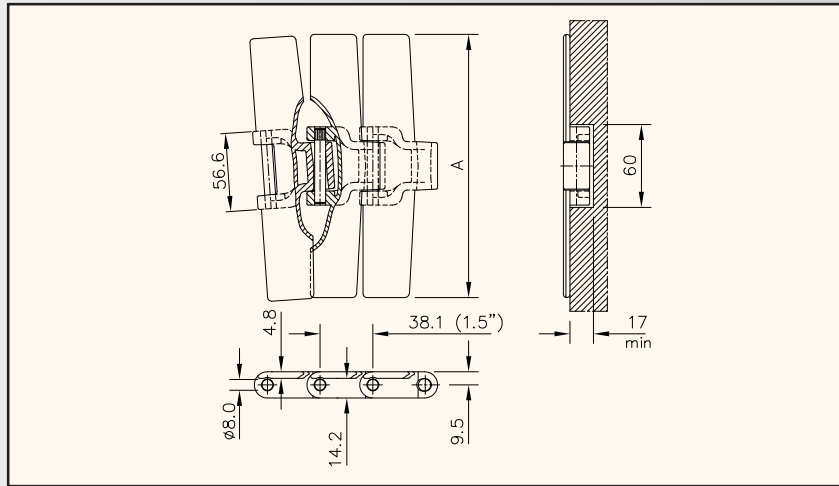
| Chain type | Code nr. | Plate width | | Weight | Sideflex radius (min.) | Working load (max.) | Backflex radius (min.) | Plate thickness |
|------------------|-----------|-------------|------|--------|------------------------|---------------------|------------------------|-----------------|
| | | A | | | | | | |
| | | mm | inch | kg/m | mm | N (21°C) | mm | mm |
| XL-ACETAL | | | | | | | | |
| RHMDP 325 XL | 781.10.10 | 82.5 | 3.25 | 1.08 | 500 | 2100 | 50 | 4.8 |
| RHMD 450 XL | 781.22.42 | 114.3 | 4.50 | 1.26 | 457 | | | |
| PS-ACETAL | | | | | | | | |
| RHMDP 325 PS | 781.10.11 | 82.5 | 3.25 | 0.87 | 500 | 2100 | 50 | 4.8 |

Standard length: 3.048 m - 10 feet (80 links)

PLASTIC TABLETOP CHAINS



**MAGNETFLEX®
HEAVY DUTY**



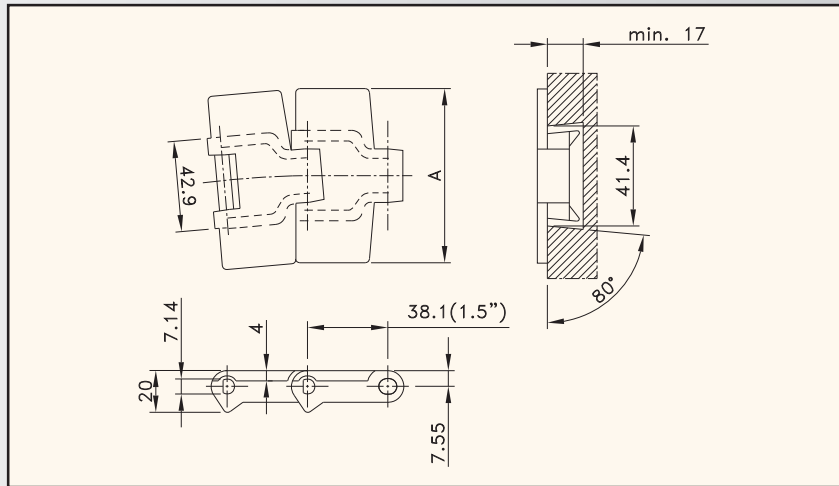
-  page 104
-  page 60,70
- MATERIAL**
page 207

| Chain type | Code nr. | Plate width A | | Weight kg/m | Working load (max.) N (21°C) | Backflex radius (min.) mm | Sideflex radius (min.) mm | Plate thickness mm |
|------------------|-----------|------------------|-------|----------------|---------------------------------------|------------------------------------|------------------------------------|--------------------------|
| | | mm | inch | | | | | |
| XL-ACETAL | | | | | | | | |
| HDFM 750 XL | 751.32.72 | 190.5 | 7.50 | 2.16 | 3830 | 50 | 610 | 4.8 |
| HDFM 1000 XL | 751.32.90 | 254.0 | 10.00 | 2.42 | | | | |
| HDFM 1200 XL | 751.32.92 | 304.8 | 12.00 | 2.69 | | | | |

Standard length: 3.048 m - 10 feet (80 links)



**STANDARD RADIUS
SINGLE HINGE BEVEL**



-  page 125
-  page 69, 71
- MATERIAL**
page 207

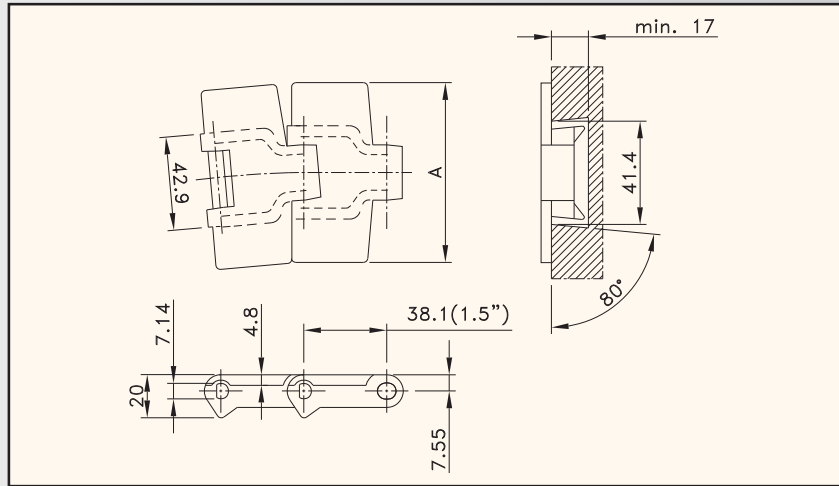
| Chain type | Code nr. | Plate width A | | Weight kg/m | Sideflex radius (min.) mm | Working load (max.) N (21°C) | Backflex radius (min.) mm | Plate thickness mm |
|-------------------------------|-------------|------------------|------|----------------|------------------------------------|---------------------------------------|------------------------------------|--------------------------|
| | | mm | inch | | | | | |
| LF-ACETAL | | | | | | | | |
| LF 880-K325 | L0880603981 | 82.5 | 3.25 | 0.89 | 457 | 2100 | 40 | 4.0 |
| LF 880-K450 | L0880603991 | 114.3 | 4.50 | 1.04 | | | | |
| WX-POLYAMIDE COMPOSITE | | | | | | | | |
| WX 880-K325 | L0880639072 | 82.5 | 3.25 | 0.89 | 457 | 2100 | 40 | 4.0 |
| WX 880-K450 | L0880616002 | 114.3 | 4.50 | 1.04 | | | | |

Standard length: 3.048 m - 10 feet (80 links)

PLASTIC TABLETOP CHAINS



**STANDARD RADIUS
SINGLE HINGE BEVEL
WITH THICK TOP PLATE**

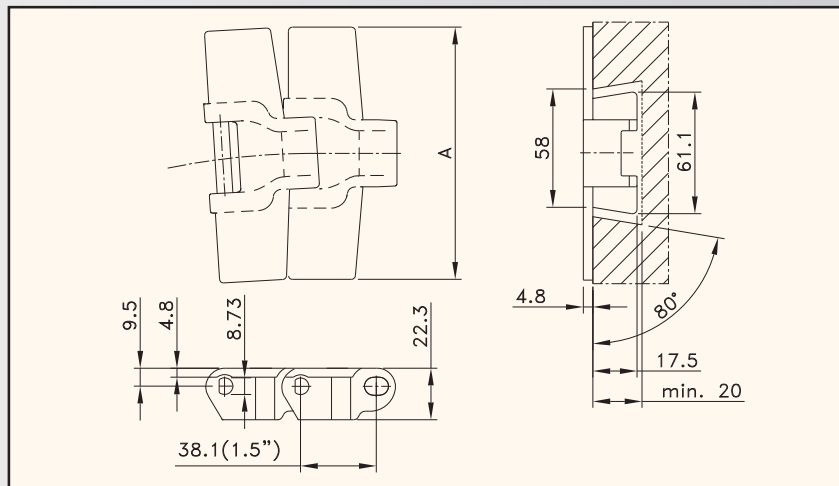


| Chain type | Code nr. | Plate width | | Weight | Sideflex radius (min.) | Working load (max.) | Backflex radius (min.) | Plate thickness |
|-------------------------------|-------------|-------------|------|--------|------------------------|---------------------|------------------------|-----------------|
| | | A | | | | | | |
| | | mm | inch | kg/m | mm | N (21°C) | mm | mm |
| LF-ACETAL | | | | | | | | |
| LF 879-K325 | LF879K3-1/4 | 82.5 | 3.25 | 0.89 | 457 | 2100 | 40 | 4.8 |
| LF 879-K450 | LF879K4-1/2 | 114.3 | 4.50 | 1.04 | | | | |
| WX-POLYAMIDE COMPOSITE | | | | | | | | |
| WX 879-K450 | 81428412 | 114.3 | 4.50 | 1.04 | 457 | 2100 | 40 | 4.8 |

Standard length: 3.048 m - 10 feet (80 links)



**SIDEFLEX
BEVEL
HEAVY DUTY**



| Chain type | Code nr. | Plate width | | Weight | Sideflex radius (min.) | Working load (max.) | Backflex radius (min.) | Plate thickness |
|------------------|--------------|-------------|-------|--------|------------------------|---------------------|------------------------|-----------------|
| | | A | | | | | | |
| | | mm | inch | kg/m | mm | N (21°C) | mm | mm |
| LF-ACETAL | | | | | | | | |
| LF 882-K450 | LF882K4-1/2* | 114.3 | 4.50 | 1.94 | 610 | 3830 | 40 | 4.8 |
| LF 882-K750 | LF882K7-1/2* | 190.5 | 7.50 | 2.38 | | | | |
| LF 882-K1000 | LF882K10 | 254.0 | 10.00 | 2.83 | | | | |

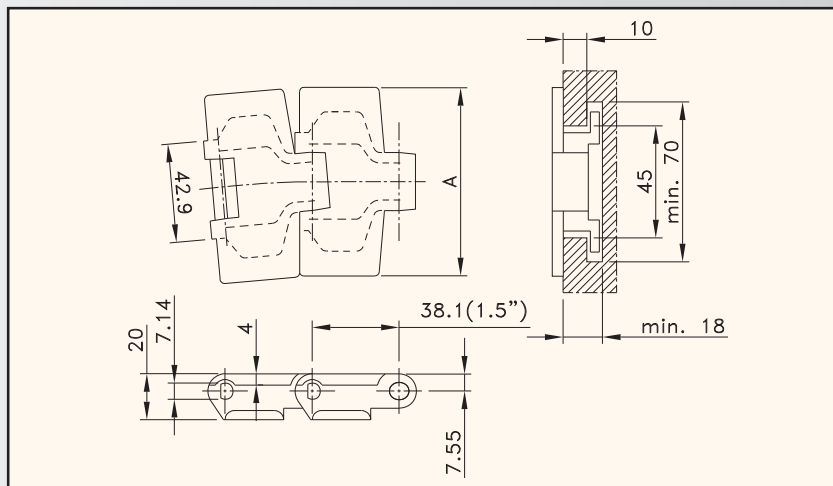
Standard length: 3.048 m - 10 feet (80 links)

* Ask customer service for minimum order quantity.

PLASTIC TABLETOP CHAINS



**STANDARD RADIUS
SINGLE HINGE TAB**



| Chain type | Code nr. | Plate width | | Weight | Sideflex radius (min.) | Working load (max.) | Backflex radius (min.) | Plate thickness |
|------------------------------------|-------------|-------------|------|--------|------------------------|---------------------|------------------------|-----------------|
| | | A | | | | | | |
| | | mm | inch | kg/m | N (21°C) | mm | mm | mm |
| XL-ACETAL | | | | | | | | |
| RH 325 XL | 751.42.31 | 82.5 | 3.25 | 0.94 | 457 | 2100 | 50 | 4.0 |
| RH 450 XL | 751.42.42 | 114.3 | 4.50 | 1.08 | | | | |
| LF-ACETAL | | | | | | | | |
| LF 880 TAB-K325 | L0880604031 | 82.5 | 3.25 | 0.94 | 457 | 2100 | 40 | 4.0 |
| LF 880 TAB-K325 plastic pin* | L0880632221 | 82.5 | 3.25 | 0.74 | | 1050 | | |
| LF 880 TAB-K325 non-magnetic pin** | L0880683712 | 82.5 | 3.25 | 0.94 | | | | |
| LF 880 TAB-K343 | L0880667941 | 87.0 | 3.43 | 1.01 | 500 | 2100 | 40 | 4.0 |
| LF 880 TAB-K350 | L0880641151 | 88.9 | 3.50 | 1.01 | | | | |
| LF 880 TAB-K450 | L0880604041 | 114.3 | 4.50 | 1.08 | | | | |
| LF 880 TAB-K450 plastic pin* | L0880648371 | 114.3 | 4.50 | 0.91 | 500 | 1050 | 40 | 4.0 |
| LF 880 TAB-K450 non-magnetic pin** | L0880605273 | 114.3 | 4.50 | 1.08 | | 2100 | | |
| PS-ACETAL | | | | | | | | |
| RH 325 PS | 751.10.03 | 82.5 | 3.25 | 0.94 | 457 | 2100 | 40 | 4.0 |
| PS 880 TAB-K325 | L0880606723 | 82.5 | 3.25 | 0.94 | | | | |
| PS 880 TAB-K325 non-magnetic pin** | L0880612863 | 82.5 | 3.25 | 0.94 | | | | |
| PS 880 TAB-K343 | L0880616043 | 87.0 | 3.43 | 1.01 | 500 | 2100 | 40 | 4.0 |
| PS 880 TAB-K450 | L0880608503 | 114.3 | 4.50 | 1.08 | | | | |
| PS 880 TAB-K450 non-magnetic pin** | L0880620573 | 114.3 | 4.50 | 1.08 | | | | |
| WX-POLYAMIDE COMPOSITE | | | | | | | | |
| WX 880 TAB-K325 | L0880613512 | 82.5 | 3.25 | 0.94 | 457 | 2100 | 40 | 4.0 |
| WX 880 TAB-K450 | L0880639662 | 114.3 | 4.50 | 1.08 | 500 | | | |
| HP-ACETAL | | | | | | | | |
| HP 880 TAB-K325 | L0880613141 | 82.5 | 3.25 | 0.94 | 457 | 2100 | 40 | 4.0 |
| HP 880 TAB-K325 non-magnetic pin** | L0880613093 | 82.5 | 3.25 | 0.94 | | | | |
| HP 880 TAB-K450 | L0880613151 | 114.3 | 4.50 | 1.08 | 500 | 2100 | 40 | 4.0 |
| HP 880 TAB-K450 non-magnetic pin** | L0880620563 | 114.3 | 4.50 | 1.08 | | | | |

* Pins made of black reinforced polyamide for non-magnetic or chemical applications. Ask customer service for minimum order quantity.

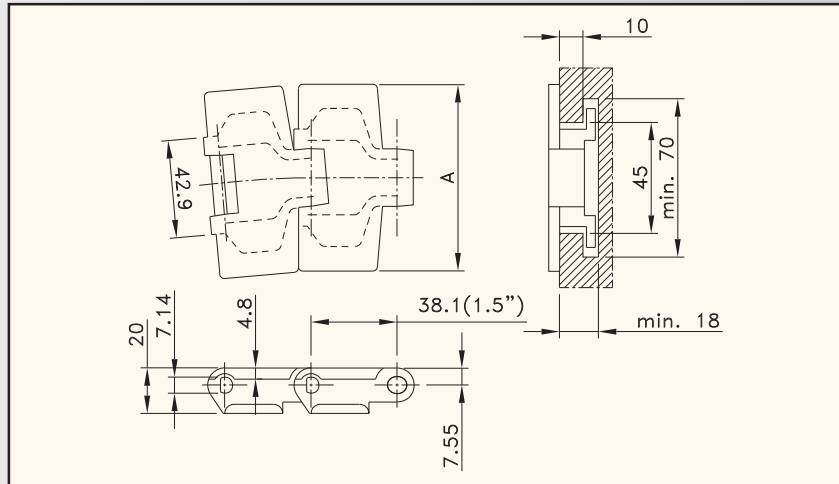
** Pins made of stainless steel for non-magnetic applications.

Standard length: 3.048 m - 10 feet (80 links)

PLASTIC TABLETOP CHAINS



**STANDARD RADIUS
SINGLE HINGE TAB
WITH THICK TOP PLATE**

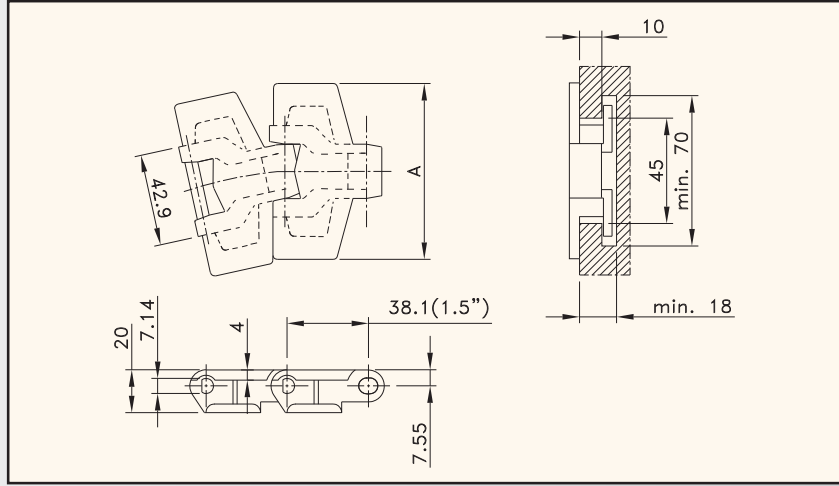


| Chain type | Code nr. | Plate width | | Weight | Sideflex radius (min.) | Working load (max.) | Backflex radius (min.) | Plate thickness |
|-------------------------------|-------------|-------------|------|--------|------------------------|---------------------|------------------------|-----------------|
| | | A | | | | | | |
| | | mm | inch | kg/m | mm | N (21°C) | mm | mm |
| XL-ACETAL | | | | | | | | |
| RHD 325 XL | 751.62.31 | 82.5 | 3.25 | 0.98 | 457 | 2100 | 50 | 4.8 |
| RHD 450 XL | 751.62.42 | 114.3 | 4.50 | 1.14 | 610 | | | |
| LF-ACETAL | | | | | | | | |
| LF 879 TAB-K325 | L0879604071 | 82.5 | 3.25 | 0.98 | 457 | 2100 | 40 | 4.8 |
| LF 879 TAB-K450 | L0879604081 | 114.3 | 4.50 | 1.14 | 610 | | | |
| WX-POLYAMIDE COMPOSITE | | | | | | | | |
| WX 879 TAB-K450 | L0879676002 | 114.3 | 4.50 | 1.14 | 610 | 2100 | 40 | 4.8 |

Standard length: 3.048 m - 10 feet (80 links)



PLASTIC TABLETOP CHAINS



| Chain type | Code nr. | Plate width | | Weight | Sideflex radius (min.) | Working load (max.) | Backflex radius (min.) | Plate thickness |
|-------------------------------|--------------|-------------|------|--------|------------------------|---------------------|------------------------|-----------------|
| | | A | | | | | | |
| | | mm | inch | kg/m | mm | N (21°C) | mm | mm |
| LF-ACETAL | | | | | | | | |
| LF 880 TAB BO-K325 | L0880604061 | 82.5 | 3.25 | 0.96 | 190 | 1680 | 40 | 4.0 |
| LF 880 TAB BO-K450 | L0880688981 | 114.3 | 4.50 | 1.11 | | | | |
| HP-ACETAL | | | | | | | | |
| HP 880 TAB BO-K325 | L0880649241 | 82.5 | 3.25 | 0.96 | 190 | 1680 | 40 | 4.0 |
| HP 880 TAB BO-K450 | 81410922 | 114.3 | 4.50 | 1.11 | | | | |
| WX-POLYAMIDE COMPOSITE | | | | | | | | |
| WX 880 TAB BO-K325 | L0880699072* | 82.5 | 3.25 | 0.96 | 190 | 1680 | 40 | 4.0 |

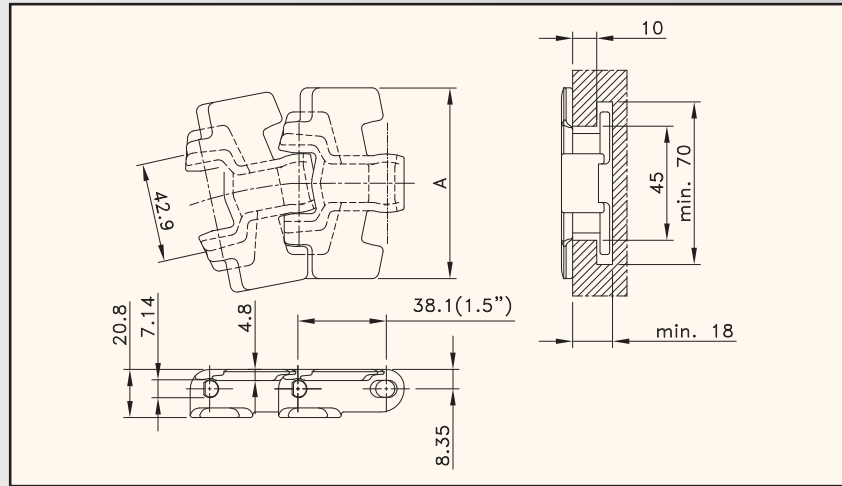
Standard length: 3.048 m - 10 feet (80 links)

* Ask customer service for minimum order quantity.

PLASTIC TABLETOP CHAINS



**SMALL RADIUS
SINGLE HINGE TAB
WITH THICK TOP PLATE**



-  page 73
-  page 121
-  page 69, 71
-  MATERIAL page 207

| Chain type | Code nr. | Plate width | | Weight | Sideflex radius (min.) | Working load (max.) | Backflex radius (min.) | Plate thickness |
|-------------------------------|--------------|-------------|------|--------|------------------------|---------------------|------------------------|-----------------|
| | | A | | | | | | |
| | | mm | inch | kg/m | mm | N (21°C) | mm | mm |
| LF-ACETAL | | | | | | | | |
| LF 879 TAB BO-K325 | L0879605412 | 82.5 | 3.25 | 1.08 | 190 | 2100 | 40 | 4.8 |
| LF 879 TAB BO-K450 | L0879605422 | 114.3 | 4.50 | 1.20 | | | | |
| HP-ACETAL | | | | | | | | |
| HP 879 TAB BO-K325 | L0879621823 | 82.5 | 3.25 | 1.08 | 190 | 2100 | 40 | 4.8 |
| HP 879 TAB BO-K450 | L0879615683 | 114.3 | 4.50 | 1.20 | | | | |
| WX-POLYAMIDE COMPOSITE | | | | | | | | |
| WX 879 TAB BO-K325 | L0879690932* | 82.5 | 3.25 | 1.08 | 190 | 2100 | 40 | 4.8 |
| WX 879 TAB BO-K450 | L0879621043* | 114.3 | 4.50 | 1.20 | | | | |

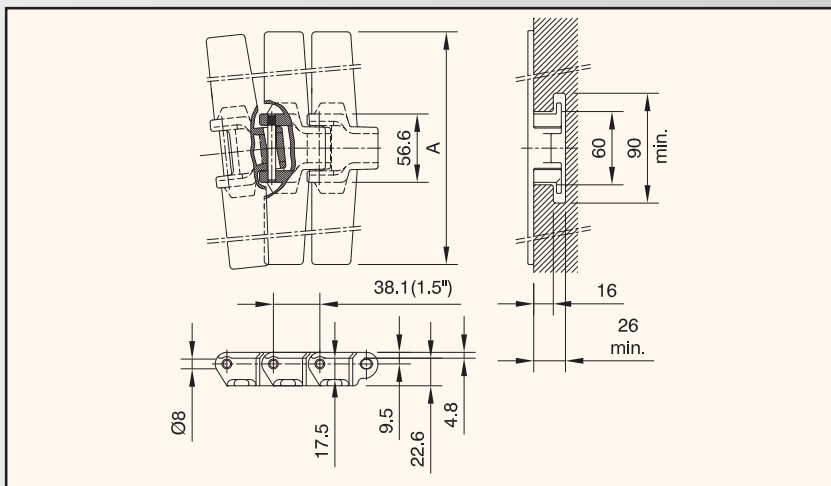
Standard length: 3.048 m - 10 feet (80 links).
* Ask customer service for minimum order quantity.



PLASTIC TABLETOP CHAINS



**SIDEFLEX
TAB
HEAVY DUTY**

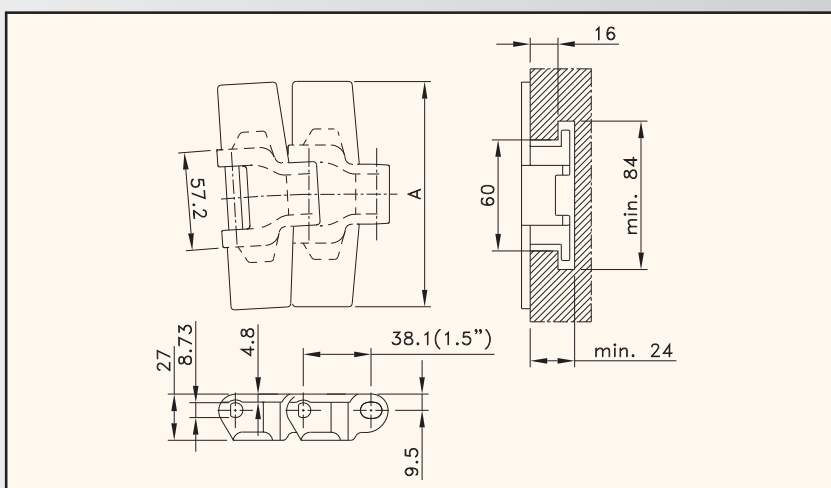


| Chain type | Code nr. | Plate width | | Weight | Sideflex radius (min.) | Working load (max.) | Backflex radius (min.) | Plate thickness |
|------------------|-----------|-------------|-------|--------|------------------------|---------------------|------------------------|-----------------|
| | | A | | | | | | |
| | | mm | inch | kg/m | mm | N (21°C) | mm | mm |
| XL-ACETAL | | | | | | | | |
| HDF 450 XL | 751.82.42 | 114.3 | 4.50 | 1.96 | 610 | 3830 | 50 | 4.8 |
| HDF 750 XL | 751.82.72 | 190.5 | 7.50 | 2.38 | | | | |
| HDF 1000 XL | 751.82.90 | 254.0 | 10.00 | 2.69 | | | | |
| HDF 1200 XL | 751.82.92 | 304.8 | 12.00 | 2.94 | | | | |

Standard length: 3.048 m - 10 feet (80 links)



**SIDEFLEX
TAB
HEAVY DUTY**



| Chain type | Code nr. | Plate width | | Weight | Sideflex radius (min.) | Working load (max.) | Backflex radius (min.) | Plate thickness |
|------------------|-------------|-------------|-------|--------|------------------------|---------------------|------------------------|-----------------|
| | | A | | | | | | |
| | | mm | inch | kg/m | mm | N (21°C) | mm | mm |
| LF-ACETAL | | | | | | | | |
| LF 882 TAB-K325 | 81402575* | 82.5 | 3.25 | 1.86 | 610 | 3830 | 40 | 4.8 |
| LF 882 TAB-K450 | L0882604141 | 114.3 | 4.50 | 1.98 | | | | |
| LF 882 TAB-K750 | L0882604151 | 190.5 | 7.50 | 2.43 | | | | |
| LF 882 TAB-K1000 | L0882604161 | 254.0 | 10.00 | 2.87 | | | | |
| LF 882 TAB-K1200 | L0882604171 | 304.8 | 12.00 | 3.41 | | | | |

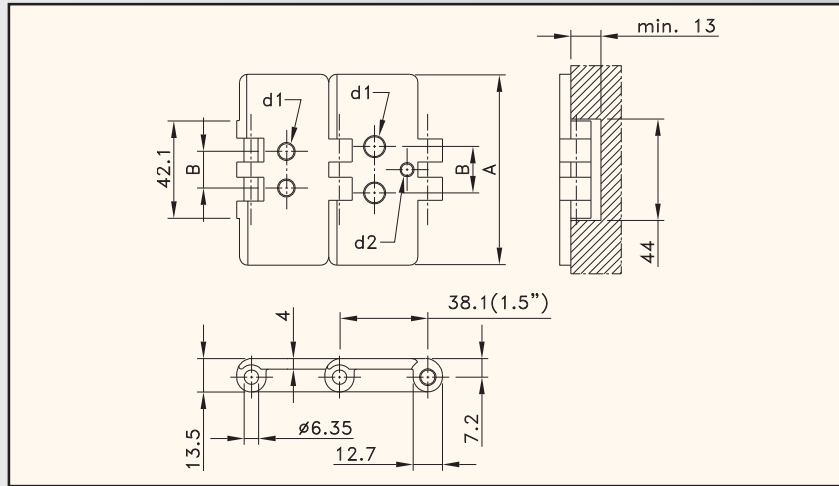
Standard length: 3.048 m - 10 feet (80 links)

* Ask customer service for minimum order quantity.

PLASTIC VACUUM CHAINS



**STRAIGHT RUN
VACUUM**



page 58, 59, 67, 68

MATERIAL

page 207

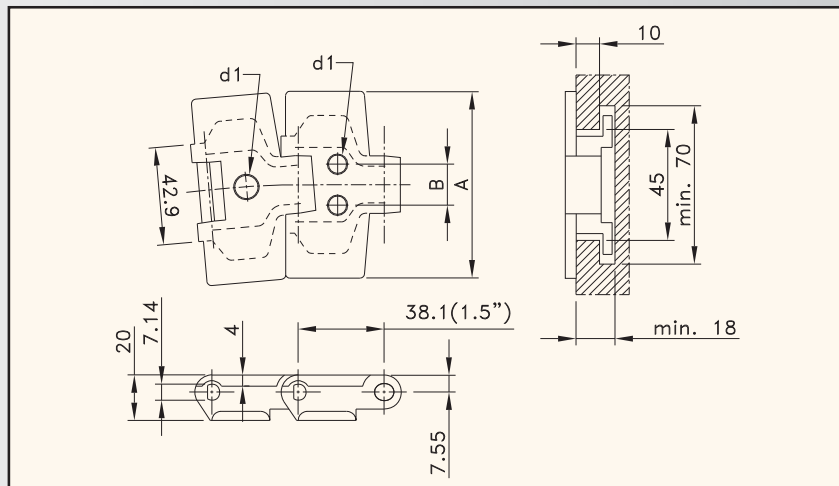
| Chain type | Code nr. | Plate width | | Weight | Distance between holes B | Hole diameter d1 | Working load (max.) | Backflex radius (min.) | Plate thickness |
|----------------------|-------------|-------------|------|--------|--------------------------|------------------|---------------------|------------------------|-----------------|
| | | A | | | | | | | |
| | | mm | inch | kg/m | mm | mm | N (21°C) | mm | mm |
| LF-ACETAL | | | | | | | | | |
| LF 820-K325 V2** | L0820638301 | 82.5 | 3.25 | 0.83 | 19 | 6.5 | 1230 | 40 | 4.0 |
| LF 820-K350 V2** | L0820692431 | 88.9 | 3.50 | 0.87 | 45 | 4.0 | | | |
| LF 820-K450 V2 I30** | L0820613392 | 114.3 | 4.50 | 1.03 | 30 | 8.0 | | | |
| LF 820-K450 V2 I50** | L0820670221 | 114.3 | 4.50 | 1.03 | 50 | 8.0 | | | |
| LF 820-K325 V3*** | L0820615961 | 82.5 | 3.25 | 0.83 | 20 | 7.9 | | | |

** 2 holes
*** 3 holes. Hole diameter 3rd hole (d2) is 4.4 mm

Standard length: 3.048 m - 10 feet (80 links)



**SIDEFLEX
TAB
VACUUM**



page 121

page 69, 71

MATERIAL

page 207

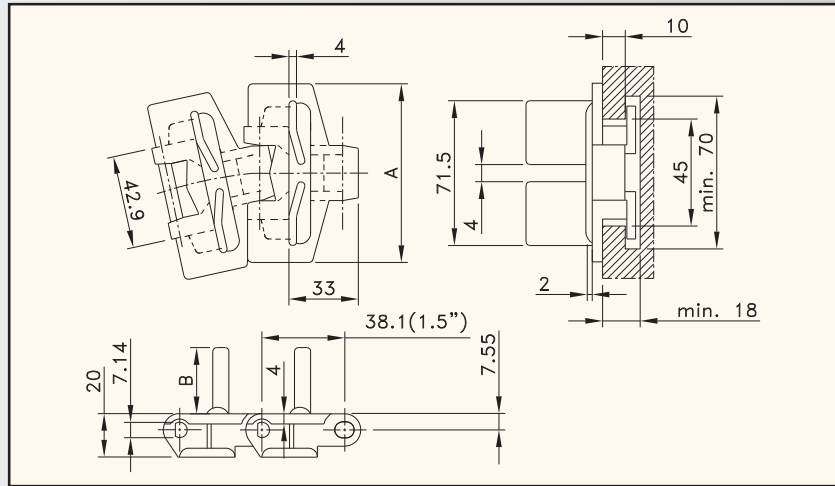
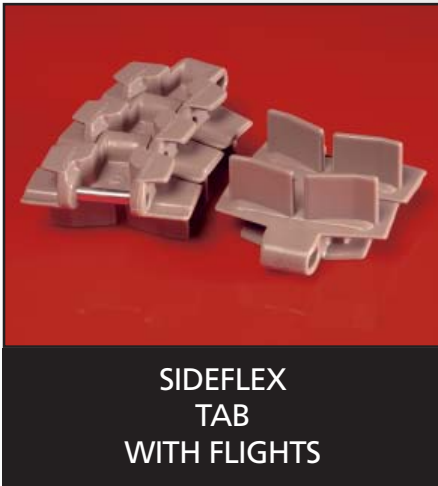
| Chain type | Code nr. | Plate width | | Weight | Distance between holes B | Hole diameter d1 | Sideflex radius (min.) | Working load (max.) | Backflex radius (min.) | Plate thickness |
|--------------------------|-------------|-------------|------|--------|--------------------------|------------------|------------------------|---------------------|------------------------|-----------------|
| | | A | | | | | | | | |
| | | mm | inch | kg/m | mm | mm | mm | N (21°C) | mm | mm |
| LF-ACETAL | | | | | | | | | | |
| LF 880 TAB-K325 V1 D6,5* | L0880655912 | 82.5 | 3.25 | 0.94 | - | 6.5 | 457 | 2100 | 40 | 4.0 |
| LF 880 TAB-K325 V1 D8* | L0880684591 | 82.5 | 3.25 | 0.94 | - | 8.0 | | | | |
| LF 880 TAB-K325 V1 D10* | L0880638221 | 82.5 | 3.25 | 0.94 | - | 10.0 | | | | |
| LF 880 TAB-K325 V2 D6** | L0880647851 | 82.5 | 3.25 | 0.94 | 24 | 6.0 | | | | |
| LF 880 TAB-K325 V2 D8** | L0880615331 | 82.5 | 3.25 | 0.94 | 20 | 8.0 | | | | |
| LF 880 TAB-K450 V2 D6** | L0880647861 | 114.3 | 4.50 | 1.08 | 24 | 6.0 | 500 | | | |

* 1 hole
** 2 holes

Standard length: 3.048 m - 10 feet (80 links)

* Ask customer service for minimum order quantity of vacuum chains.

PLASTIC SPECIAL CHAINS



page 73

page 121

page 69, 71

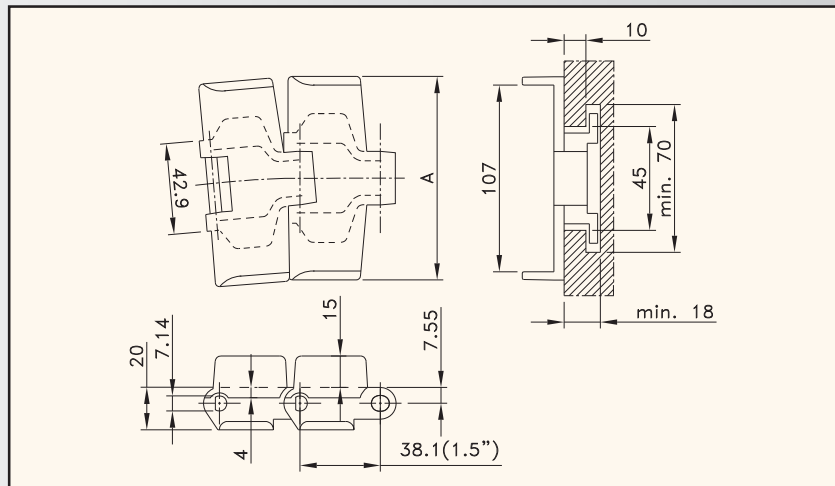
MATERIAL
page 207

| Chain type | Code nr. | Plate width | | Weight | Sideflex radius (min.) | Working load (max.) | Backflex radius (min.) | Plate thickness |
|--------------------------|-------------|-------------|------|--------|------------------------|---------------------|------------------------|-----------------|
| | | A | A | | | | | |
| | | mm | inch | kg/m | mm | N (21°C) | mm | mm |
| LF-ACETAL | | | | | | | | |
| LF 880 TAB BO-K325 F25* | L0880609792 | 82.5 | 3.25 | 0.96 | 190 | 1680 | 40 | 4.0 |
| LF 880 TAB BO-K325 F39** | L0880698801 | 82.5 | 3.25 | 0.96 | | | | |

* Height of flight (B) 25 mm
** Height of flight (B) 39 mm

Standard length: 3.048 m - 10 feet (80 links)

As a standard flights on every second link; other patterns are possible.



page 121

page 69, 71

MATERIAL
page 207

| Chain type | Code nr. | Plate width | | Weight | Sideflex radius (min.) | Working load (max.) | Backflex radius (min.) | Plate thickness |
|------------------|-------------|-------------|------|--------|------------------------|---------------------|------------------------|-----------------|
| | | A | A | | | | | |
| | | mm | inch | kg/m | mm | N (21°C) | mm | mm |
| LF-ACETAL | | | | | | | | |
| LF 880 TAB-K454 | L0880604051 | 115.3 | 4.54 | 1.12 | 610 | 2100 | 100 | 4.0 |

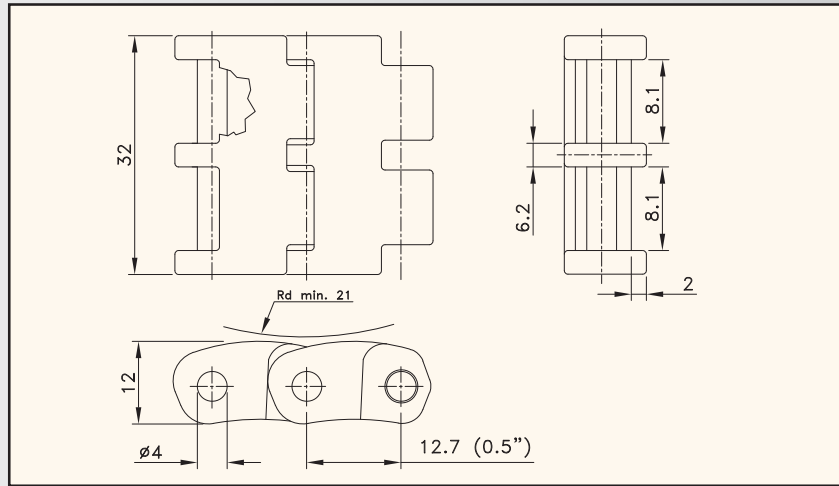
Standard length: 3.048 m - 10 feet (80 links)

* Ask customer service for minimum order quantity of these special chains.

PLASTIC SPECIAL CHAINS



**STRAIGHT RUN
MINIATURE**



| Chain type | Code nr. | Plate width | | Weight | Working load (max.) | Backflex radius (min.) | Plate thickness |
|------------|----------|-------------|------|--------|---------------------|------------------------|-----------------|
| | | A | | | | | |
| | | mm | inch | kg/m | N (21°C) | mm | mm |
| D-ACETAL | | | | | | | |
| ZN 1108* | L1108WZN | 32.0 | 1.26 | 0.51 | 800 | 21 | 12.0 |
| SS 1108** | L1108WSS | | | | | | |

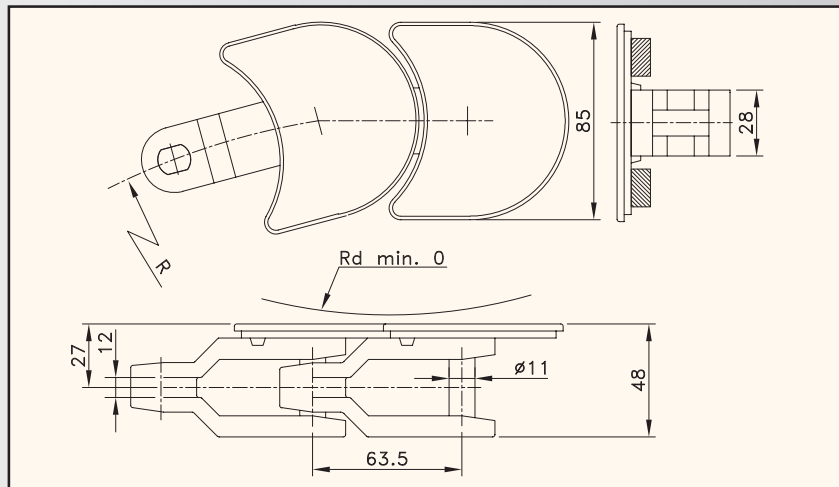
* With zinc plated pins
** With stainless steel pins

Standard length: 5 m - 16.4 feet (395 links).

These chains are recommended for packaging machines of pharmaceutical, cosmetic and food products; if installed to the base chain, it facilitates product head transfers.



**SIDEFLEX
ARTICULATED
WITH TOP PLATES**



| Chain type | Code nr. | Plate width | | Weight | Sideflex radius (min.) | Working load (max.) | Backflex radius (min.) | Plate thickness |
|------------|----------|-------------|------|--------|------------------------|---------------------|------------------------|-----------------|
| | | A | | | | | | |
| | | mm | inch | kg/m | mm | N (21°C) | mm | mm |
| D-ACETAL | | | | | | | | |
| W 1080 SS | L1080WSS | 85.0 | 3.35 | 1.76 | 83 | 3950 | - | 5.9 |

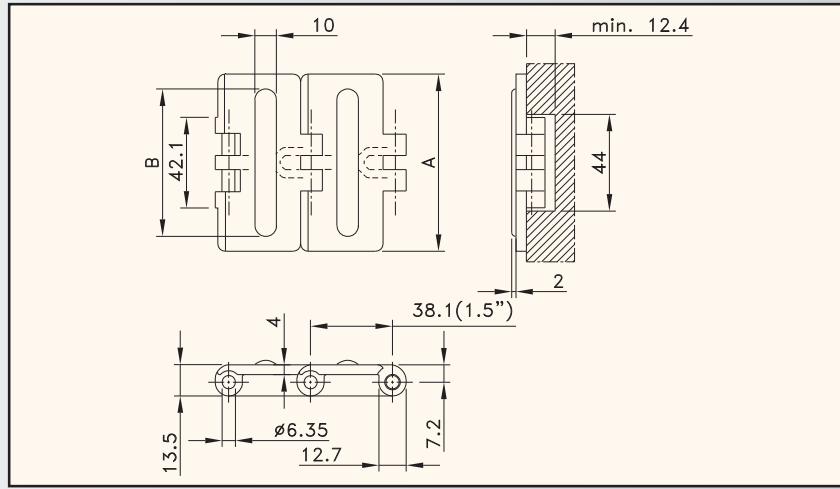
Standard length: 8 m - 26.2 feet (128 links).

This chain is recommended for closed ring transport due to the lateral traction drive.

PLASTIC TABLETOP CHAINS WITH RUBBER TOP



**STRAIGHT RUN
SINGLE HINGE**



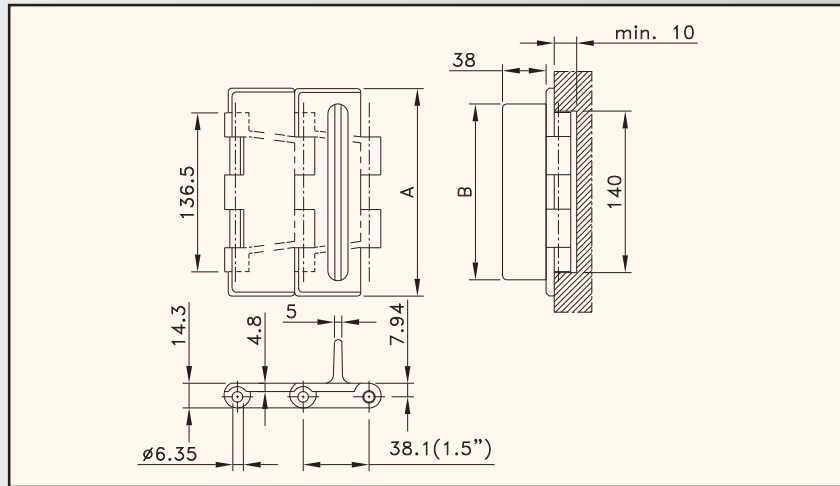
| Chain type | Code nr. | Plate width | | Weight | Working load (max.) | Backflex radius (min.) | Plate thickness |
|--------------|-------------|-------------|------|--------|---------------------|------------------------|-----------------|
| | | A | | | | | |
| | | mm | inch | kg/m | N (21°C) | mm | mm |
| LF-ACETAL | | | | | | | |
| HFP 820-K325 | L0820688461 | 82.5 | 3.25 | 0.83 | 1230 | 40 | 4.0 |
| HFP 820-K400 | L0820610152 | 101.6 | 4.00 | 0.95 | | | |
| HFP 820-K450 | L0820606852 | 114.3 | 4.50 | 1.03 | | | |
| HFP 820-K600 | L0820610172 | 152.4 | 6.00 | 1.25 | | | |

Standard length: 3.048 m - 10 feet (80 links)

The width (B) of the rubber varies per chain type:
65.0, 101.6, 114.3 and 135.0 for respectively HFP 820-K325, HFP 820-K400, HFP 820-K450 and HFP 820-K600.



**STRAIGHT RUN
DOUBLE HINGE
RUBBER PUSHERS**



| Chain type | Code nr. | Plate width | | Weight | Working load (max.) | Backflex radius (min.) | Plate thickness |
|-----------------|-------------|-------------|-------|--------|---------------------|------------------------|-----------------|
| | | A | | | | | |
| | | mm | inch | kg/m | N (21°C) | mm | mm |
| LF-ACETAL | | | | | | | |
| HFP 821-K750 F | L0821609752 | 190.5 | 7.50 | 2.43 | 2680 | 70 | 4.8 |
| HFP 821-K1000 F | L0821609762 | 254.0 | 10.00 | 2.85 | | | |
| HFP 821-K1200 F | L0821609772 | 304.8 | 12.00 | 3.17 | | | |

Standard length: 3.048 m - 10 feet (80 links)

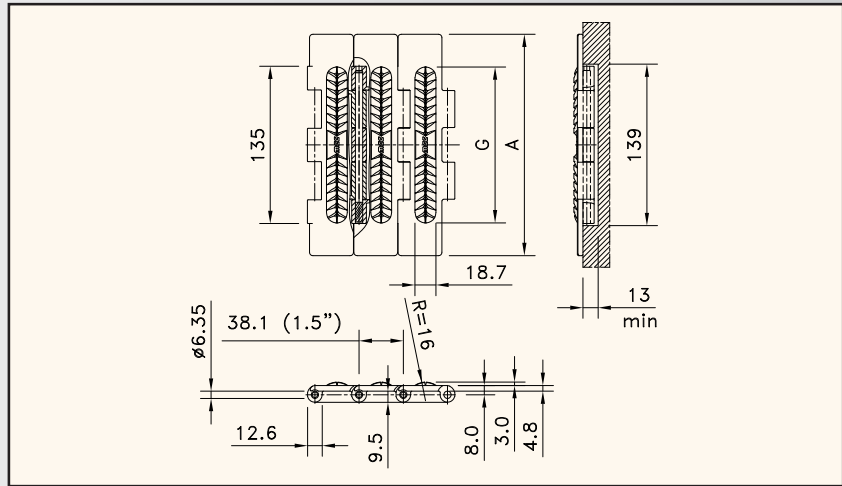
The width (B) of the pushers varies per chain type:
151, 214 and 265 mm for respectively HFP 821-K750 F, HFP 821-K1000 F and HFP 821-K1200 F.

* Ask customer service for minimum order quantity of HFP chains.

PLASTIC TABLETOP CHAINS WITH RUBBER TOP



**STRAIGHT RUN
DOUBLE HINGE
SUPERGRIP**



page 62, 63,
64, 69

MATERIAL
page 207

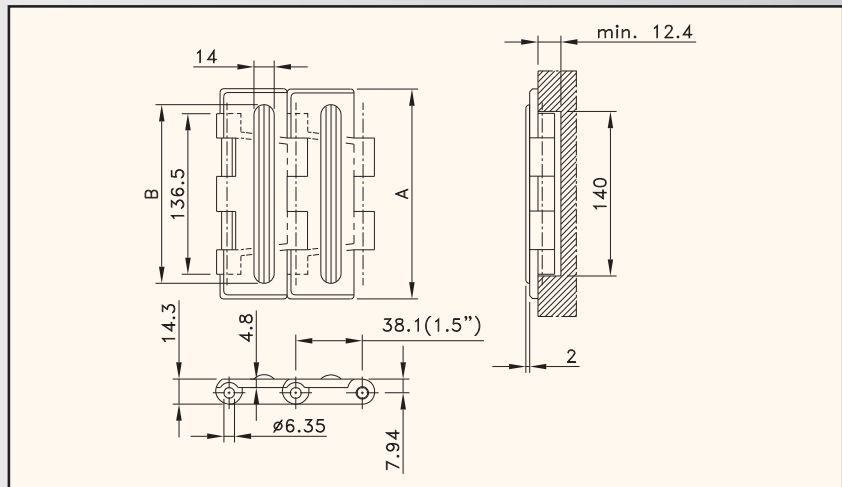
| Chain type | Code nr. | Plate width | | Weight | Working load (max.) | Backflex radius (min.) | Plate thickness |
|-------------|-----------|-------------|-------|--------|---------------------|------------------------|-----------------|
| | | A | | | | | |
| | | mm | inch | kg/m | N (21°C) | mm | mm |
| PBT | | | | | | | |
| SWH 750 SG | 780.11.77 | 190.5 | 7.50 | 2.29 | 2680 | 50 | 4.8 |
| SWH 1000 SG | 780.11.90 | 254.0 | 10.00 | 2.67 | | | |
| SWH 1200 SG | 780.11.92 | 304.8 | 12.00 | 3.06 | | | |

Standard length: 3.048 m - 10 feet (80 links)

The width (G) of the moulded-in rubber top varies per chain type:
134, 192.1 and 252.5 mm for respectively SWH 750 SG, SWH 1000 SG and SWH 1200 SG.



**STRAIGHT RUN
DOUBLE HINGE**



page 62, 63,
64, 69

MATERIAL
page 207

| Chain type | Code nr. | Plate width | | Weight | Working load (max.) | Backflex radius (min.) | Plate thickness |
|------------------|-------------|-------------|-------|--------|---------------------|------------------------|-----------------|
| | | A | | | | | |
| | | mm | inch | kg/m | N (21°C) | mm | mm |
| LF-ACETAL | | | | | | | |
| HFP 821-K750 | L0821683171 | 190.5 | 7.50 | 2.50 | 2680 | 40 | 4.8 |
| HFP 821-K1000 | L0821688301 | 254.0 | 10.00 | 2.95 | | | |
| HFP 821-K1200 | L0821688511 | 304.8 | 12.00 | 3.25 | | | |

Standard length: 3.048 m - 10 feet (80 links)

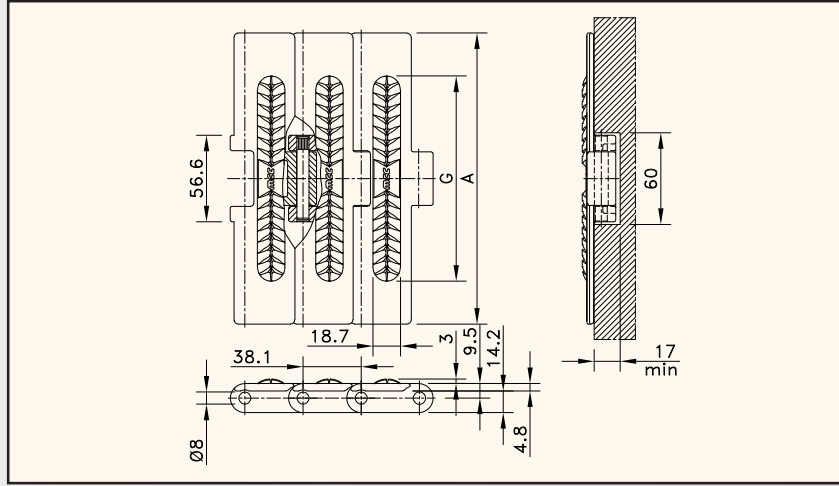
The width (B) of the rubber varies per chain type:
132, 195 and 245 mm for respectively HFP 821-K750, HFP 821-K1000 and HFP 821-K1200.

* Ask customer service for minimum order quantity of HFP chains.

PLASTIC TABLETOP CHAINS WITH RUBBER TOP



**STRAIGHT RUN
HEAVY DUTY
SUPERGRIP**



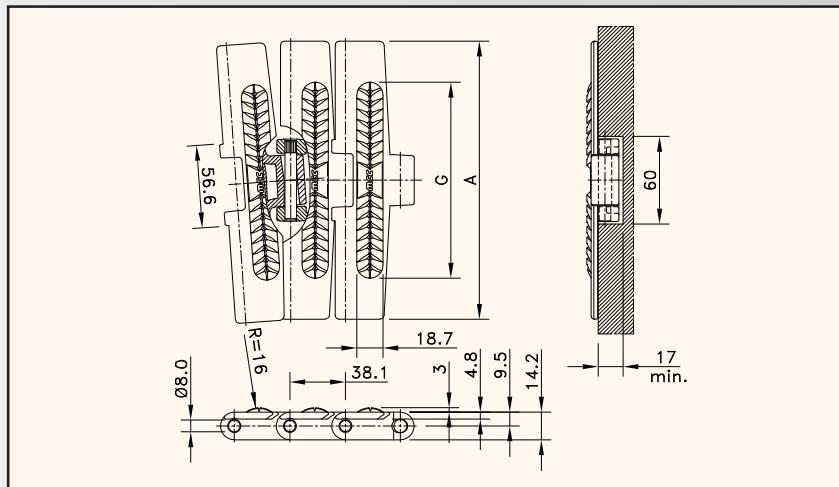
| Chain type | Code nr. | Plate width | | Weight | Working load (max.) | Backflex radius (min.) | Plate thickness |
|-------------|-----------|-------------|-------|--------|---------------------|------------------------|-----------------|
| | | A | | | | | |
| | | mm | inch | kg/m | N (21°C) | mm | mm |
| PBT | | | | | | | |
| HDS 450 SG | 780.31.42 | 114.3 | 4.50 | 1.70 | 2700 | 50 | 4.8 |
| HDS 750 SG | 780.31.72 | 190.5 | 7.50 | 2.10 | | | |
| HDS 1000 SG | 780.31.90 | 254.0 | 10.00 | 2.42 | | | |
| HDS 1200 SG | 780.31.92 | 304.8 | 12.00 | 2.69 | | | |

Standard length: 3.048 m - 10 feet (80 links)

The width (G) of the moulded-in rubber top varies per chain type:
92, 134, 192 and 252.5 mm for respectively HDS 450 SG, HDS 750 SG, HDS 1000 SG and HDS 1200 SG.



**MAGNETFLEX®
HEAVY DUTY
SUPERGRIP**



| Chain type | Code nr. | Plate width | | Weight | Sideflex radius (min.) | Working load (max.) | Backflex radius (min.) | Plate thickness |
|--------------|-----------|-------------|-------|--------|------------------------|---------------------|------------------------|-----------------|
| | | A | | | | | | |
| | | mm | inch | kg/m | mm | N (21°C) | mm | mm |
| PBT | | | | | | | | |
| HDFM 750 SG | 780.21.72 | 190.5 | 7.50 | 2.10 | 610 | 2700 | 50 | 4.8 |
| HDFM 1000 SG | 780.21.90 | 254.0 | 10.00 | 2.42 | | | | |
| HDFM 1200 SG | 780.21.92 | 304.8 | 12.00 | 2.69 | | | | |

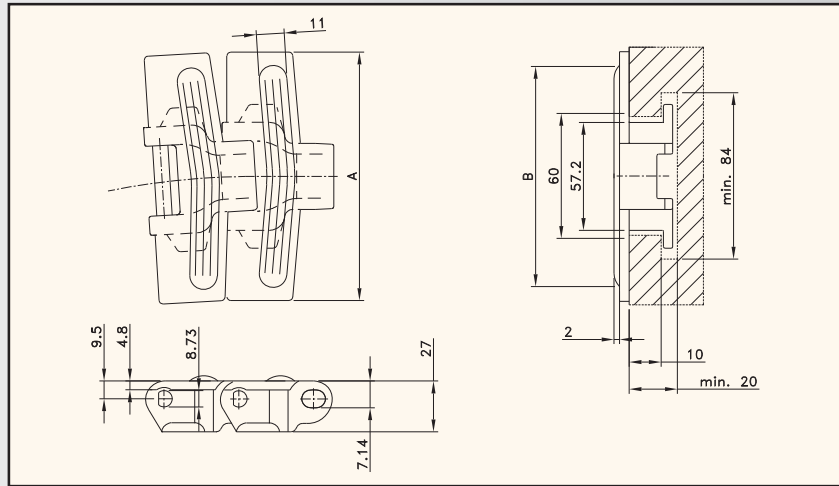
Standard length: 3.048 m - 10 feet (80 links)

The width (G) of the moulded-in rubber top varies per chain type:
134, 192 and 251 mm for respectively HDFM 750 SG, HDFM 1000 SG and HDFM 1200 SG.

PLASTIC TABLETOP CHAINS WITH RUBBER TOP



**STANDARD RADIUS
HEAVY DUTY
SINGLE HINGE TAB**



| Chain type | Code nr. | Plate width | | Weight | Sideflex radius (min.) | Working load (max.) | Backflex radius (min.) | Plate thickness |
|-------------------|-------------|-------------|-------|--------|------------------------|---------------------|------------------------|-----------------|
| | | A | | | | | | |
| | | mm | inch | kg/m | mm | N (21°C) | mm | mm |
| LF-ACETAL | | | | | | | | |
| HFP 882 TAB-K750 | L0882691681 | 190.5 | 7.50 | 2.43 | 610 | 3830 | 40 | 4.8 |
| HFP 882 TAB-K1000 | L0882692981 | 254.0 | 10.00 | 2.87 | | | | |
| HFP 882 TAB-K1200 | L0882691811 | 304.8 | 12.00 | 3.41 | | | | |

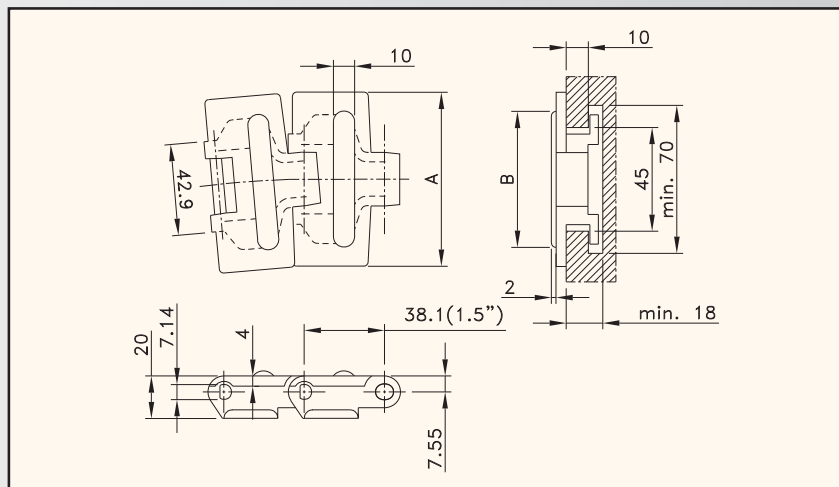
Standard length: 3.048 m - 10 feet (80 links)

The width (B) of the rubber varies per chain type:
132, 195 and 246 mm for respectively HFP 882 TAB-K750, HFP 882 TAB-K1000 and HFP 882 TAB-K1200.

Other rubber patterns and materials are possible.



**STANDARD RADIUS
SINGLE HINGE TAB**



| Chain type | Code nr. | Plate width | | Weight | Sideflex radius (min.) | Working load (max.) | Backflex radius (min.) | Plate thickness |
|------------------|-------------|-------------|------|--------|------------------------|---------------------|------------------------|-----------------|
| | | A | | | | | | |
| | | mm | inch | kg/m | mm | N (21°C) | mm | mm |
| LF-ACETAL | | | | | | | | |
| HFP 880 TAB-K325 | L0880691121 | 82.5 | 3.25 | 0.94 | 457 | 2100 | 40 | 4.0 |
| HFP 880 TAB-K450 | L0880684291 | 114.3 | 4.50 | 1.08 | 500 | | | |

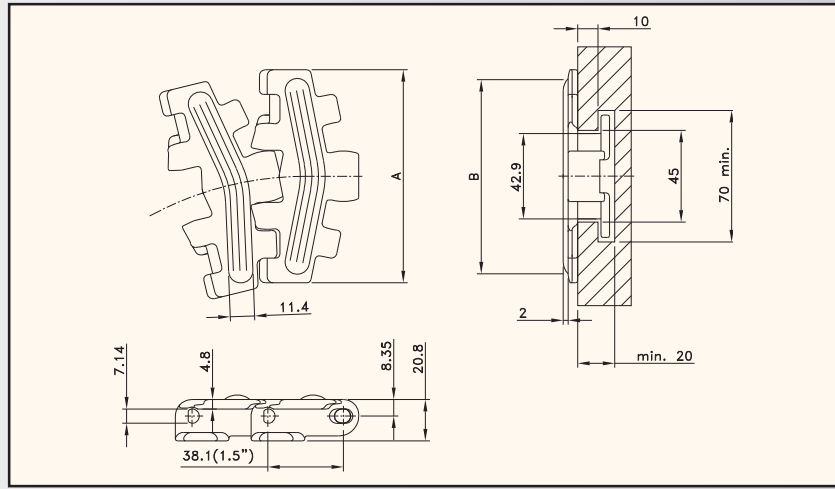
Standard length: 3.048 m - 10 feet (80 links).

The width (B) of the rubber varies per chain type:
65 and 95 mm for respectively HFP 880 TAB-K325 and HFP 880 TAB-K450.

Other rubber patterns and materials are possible.

* Ask customer service for minimum order quantity of HFP chains.

PLASTIC TABLETOP CHAINS WITH RUBBER TOP



page 73

page 121

page 69, 71

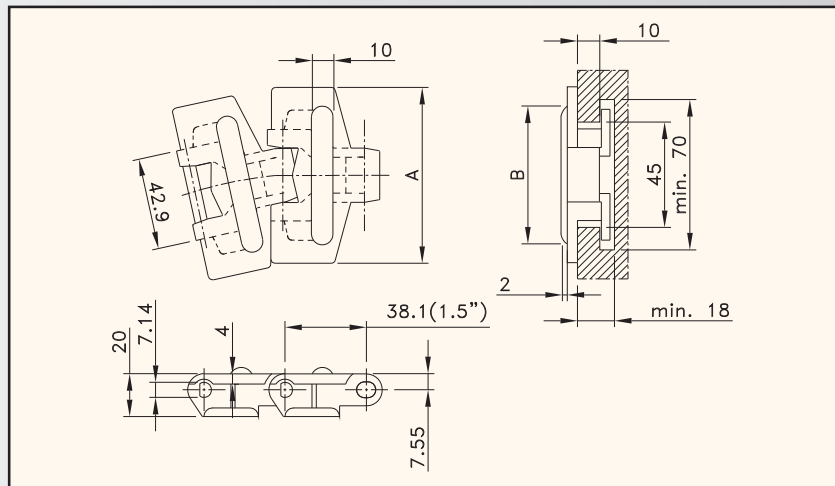
MATERIAL
page 207

| Chain type | Code nr. | Plate width | | Weight | Working load (max.) | Backflex radius (min.) | Sideflex radius (min.) | Plate thickness |
|---------------------|-------------|-------------|------|--------|---------------------|------------------------|------------------------|-----------------|
| | | A | | | | | | |
| | | mm | inch | kg/m | N (21°C) | mm | mm | mm |
| LF-ACETAL | | | | | | | | |
| HFP 879 TAB BO-K325 | L0879618812 | 82.5 | 3.25 | 1.08 | 2100 | 40 | 190 | 4.8 |
| HFP 879 TAB BO-K450 | L0879605452 | 114.3 | 4.50 | 1.20 | | | | |

Standard length: 3.048 m - 10 feet (80 links)

The width (B) of the rubber varies per chain type:
71 and 102 mm for respectively HFP 879 TAB BO-K325 and HFP 879 TAB BO-K450.

Other rubber patterns and materials are possible.



page 73

page 121

page 69, 71

MATERIAL
page 207

| Chain type | Code nr. | Plate width | | Weight | Working load (max.) | Backflex radius (min.) | Sideflex radius (min.) | Plate thickness |
|----------------------|-------------|-------------|------|--------|---------------------|------------------------|------------------------|-----------------|
| | | A | | | | | | |
| | | mm | inch | kg/m | N (21°C) | mm | mm | mm |
| LF-ACETAL | | | | | | | | |
| HFP 880 TAB BOT-K325 | L0880605222 | 82.5 | 3.25 | 0.96 | 1680 | 40 | 190 | 4.0 |

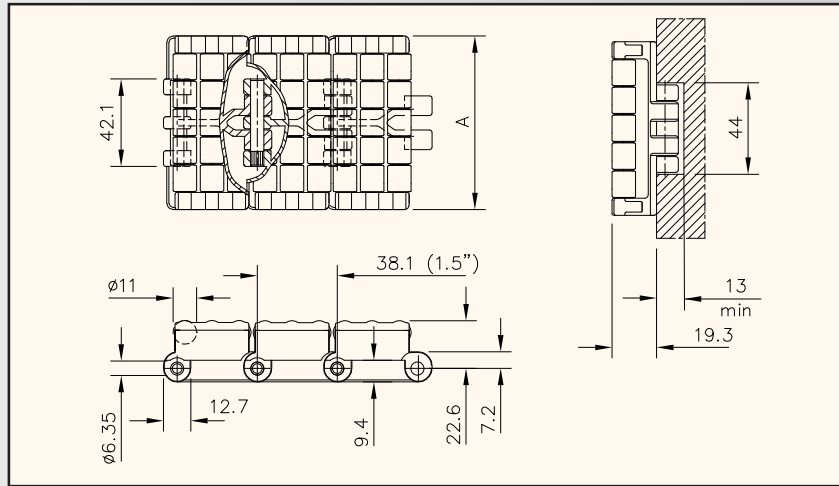
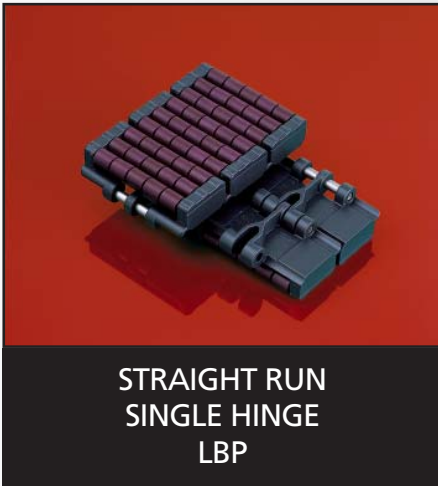
Standard length: 3.048 m - 10 feet (80 links)

The width (B) of the rubber is 65 mm.

Other rubber patterns and materials are possible.

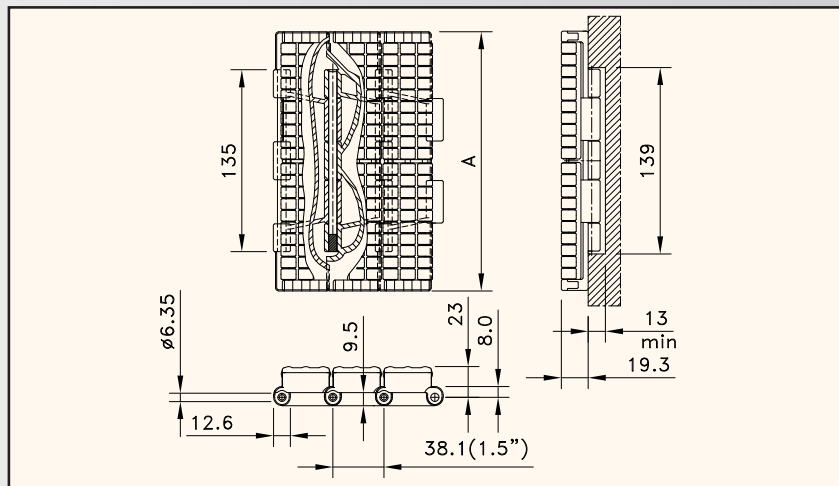
* Ask customer service for minimum order quantity of HFP chains.

PLASTIC TABLETOP LBP CHAINS



| Chain type | Code nr. | Plate width | | Weight | Working load (max.) | Backflex radius (min.) | Plate thickness |
|-------------|-----------|-------------|------|--------|---------------------|------------------------|-----------------|
| | | A | | | | | |
| | | mm | inch | kg/m | N (21°C) | mm | mm |
| XLA-ACETAL | | | | | | | |
| SHD 325 LBP | 752.85.09 | 82.5 | 3.25 | 2.20 | 1230 | 400 | 4.8 |

Standard length: 1.524 m - 5 feet (40 links)



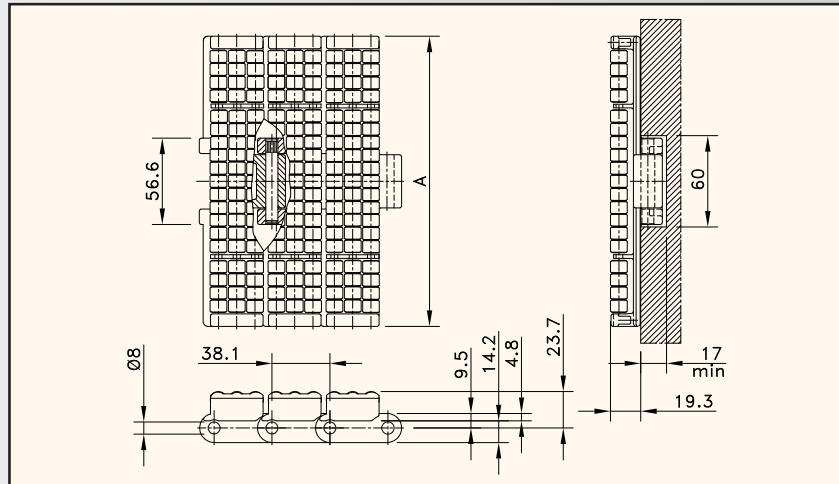
| Chain type | Code nr. | Plate width | | Weight | Working load (max.) | Backflex radius (min.) | Plate thickness |
|--------------|-----------|-------------|-------|--------|---------------------|------------------------|-----------------|
| | | A | | | | | |
| | | mm | inch | kg/m | N (21°C) | mm | mm |
| XLA-ACETAL | | | | | | | |
| SWH 750 LBP | 752.82.09 | 190.5 | 7.50 | 5.30 | 2680 | 300 | 4.8 |
| SWH 1000 LBP | 752.82.11 | 254.0 | 10.00 | 6.60 | | | |
| SWH 1200 LBP | 752.82.10 | 304.8 | 12.00 | 7.85 | | | |

Standard length: 1.524 m - 5 feet (40 links)

PLASTIC TABLETOP LBP CHAINS



**STRAIGHT RUN
HEAVY DUTY
LBP**

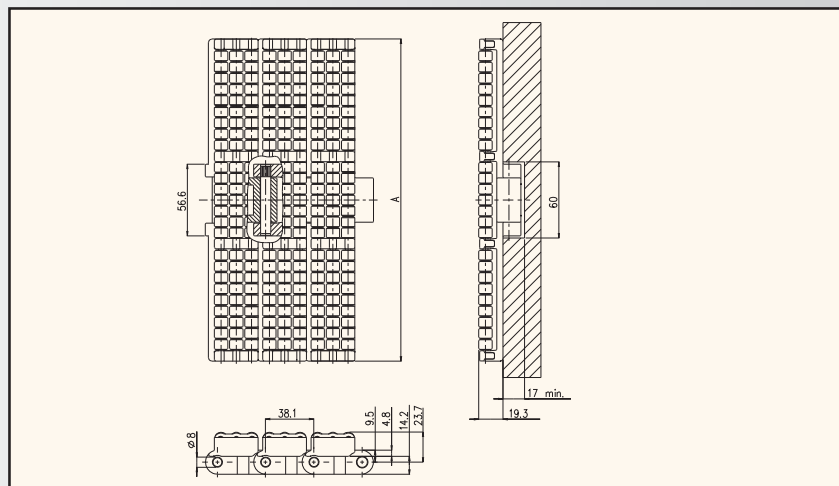


| Chain type | Code nr. | Plate width | | Weight | Working load (max.) | Backflex radius (min.) | Plate thickness |
|-------------------|-----------|-------------|------|--------|---------------------|------------------------|-----------------|
| | | A | | | | | |
| | | mm | inch | kg/m | N (21°C) | mm | mm |
| XLA-ACETAL | | | | | | | |
| HDS 750 LBP | 752.81.13 | 190.5 | 7.50 | 4.28 | 3830 | 200 | 4.8 |

Standard length: 1.524 m - 5 feet (40 links)



**STRAIGHT RUN
HEAVY DUTY
LBP**



| Chain type | Code nr. | Plate width | | Weight | Working load (max.) | Backflex radius (min.) | Plate thickness |
|-------------------|-----------|-------------|-------|--------|---------------------|------------------------|-----------------|
| | | A | | | | | |
| | | mm | inch | kg/m | N (21°C) | mm | mm |
| XLA-ACETAL | | | | | | | |
| HDS 1000 LBP | 752.81.19 | 254.0 | 10.00 | 5.23 | 3830 | 200 | 4.8 |
| HDS 1200 LBP | 752.81.20 | 304.8 | 12.00 | 5.83 | | | |

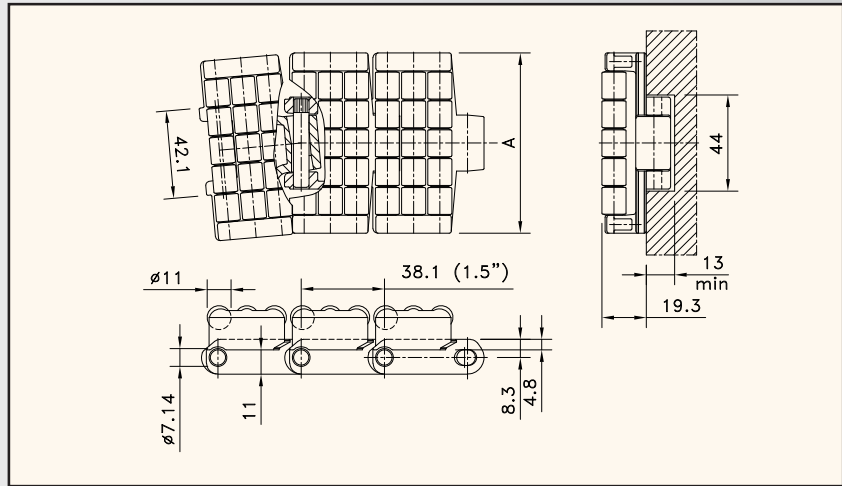
Standard length: 1.524 m - 5 feet (40 links)

* Ask customer service for minimum order quantity of sprockets with inch bores

PLASTIC TABLETOP LBP CHAINS



**MAGNETFLEX®
LBP**



 page 117

 page 59, 71

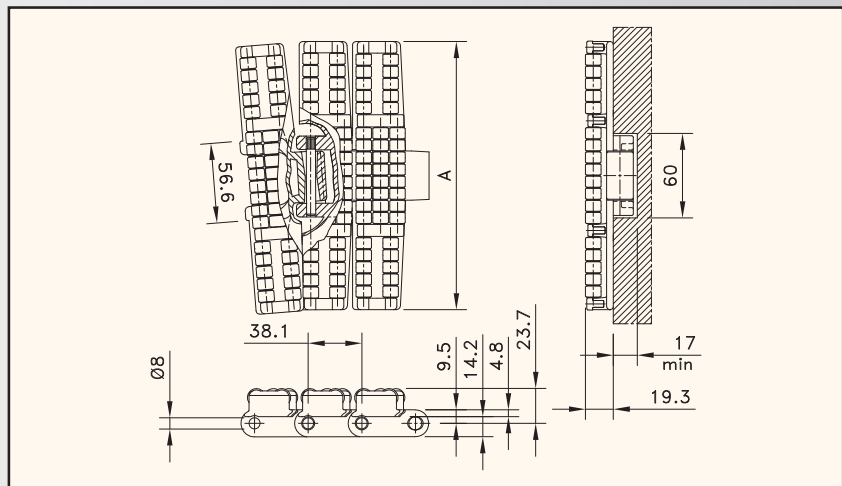
MATERIAL
page 207

| Chain type | Code nr. | Plate width | | Weight | Sideflex radius (min.) | Working load (max.) | Backflex radius (min.) | Plate thickness |
|-------------------|-----------|-------------|------|--------|------------------------|---------------------|------------------------|-----------------|
| | | A | | | | | | |
| | | mm | inch | kg/m | mm | N (21°C) | mm | mm |
| XLA-ACETAL | | | | | | | | |
| RHMD 325 LBP | 752.87.09 | 82.5 | 3.25 | 2.29 | 500 | 2100 | 400 | 4.8 |

Standard length: 1.524 m - 5 feet (40 links)



**MAGNETFLEX®
HEAVY DUTY
LBP**



 page 117, 118

 page 60, 70

MATERIAL
page 207

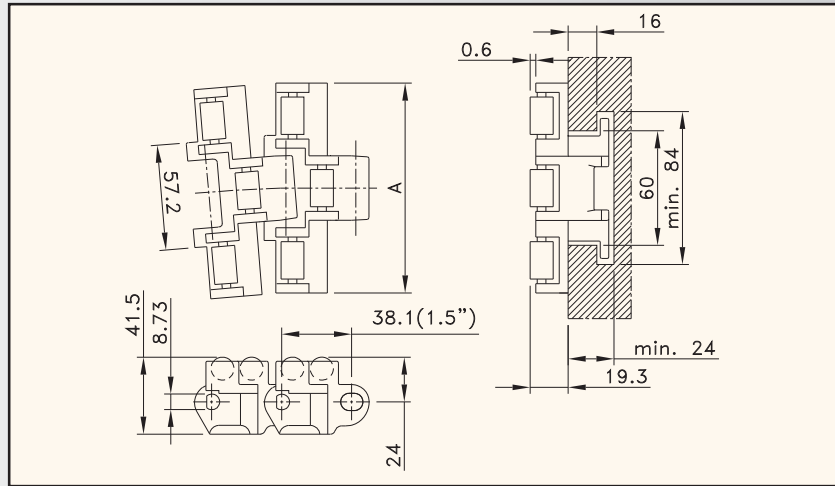
| Chain type | Code nr. | Plate width | | Weight | Sideflex radius (min.) | Working load (max.) | Backflex radius (min.) | Plate thickness |
|-------------------|-----------|-------------|-------|--------|------------------------|---------------------|------------------------|-----------------|
| | | A | | | | | | |
| | | mm | inch | kg/m | mm | N (21°C) | mm | mm |
| XLA-ACETAL | | | | | | | | |
| HDFM 750 LBP | 752.88.13 | 190.5 | 7.50 | 4.28 | 610 | 3830 | 200 | 4.8 |
| HDFM 1000 LBP | 752.88.19 | 254.0 | 10.00 | 5.23 | | | | |
| HDFM 1200 LBP | 752.88.20 | 304.8 | 12.00 | 5.83 | 680 | | | |

Standard length: 1.524 m - 5 feet (40 links)

PLASTIC TABLETOP LBP CHAINS



**STANDARD RADIUS
SINGLE HINGE TAB
LBP**



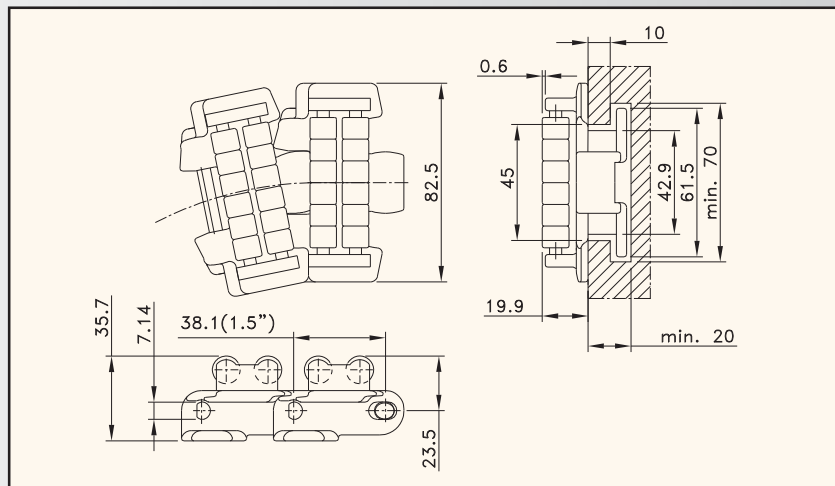
-  page 122
-  page 70
- MATERIAL**
page 207

| Chain type | Code nr. | Plate width | | Weight | Sideflex radius (min.) | Working load (min.) | Backflex radius (max.) | Plate thickness (min.) |
|------------------|-------------|-------------|------|--------|------------------------|---------------------|------------------------|------------------------|
| | | A | | | | | | |
| | | mm | inch | kg/m | mm | N (21°C) | mm | mm |
| LF-ACETAL | | | | | | | | |
| LBP 883 TAB-K450 | LBP883TK4.5 | 114.3 | 4.50 | 2.50 | 610 | 3830 | 51 | 4.8 |
| LBP 883 TAB-K750 | LBP883TK7.5 | 190.5 | 7.50 | 3.40 | | | | |

Standard length: 3.048 m - 10 feet (80 links)



**SMALL RADIUS
SINGLE HINGE TAB
LBP**



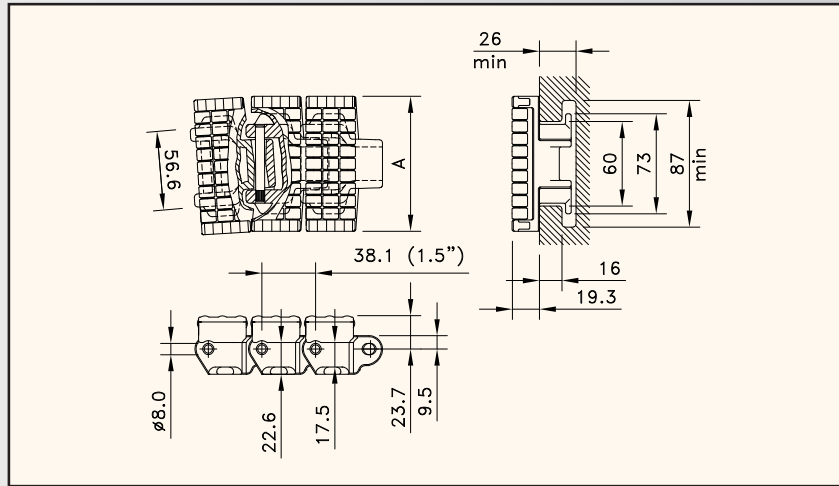
-  page 73
-  page 121
-  page 69, 71
- MATERIAL**
page 207

| Chain type | Code nr. | Plate width | | Weight | Sideflex radius (min.) | Working load (max.) | Backflex radius (min.) | Plate thickness |
|---------------------|-------------|-------------|------|--------|------------------------|---------------------|------------------------|-----------------|
| | | A | | | | | | |
| | | mm | inch | kg/m | mm | N (21°C) | mm | mm |
| LF-ACETAL | | | | | | | | |
| LBP 879 TAB BO-K325 | L0879605482 | 82.5 | 3.25 | 1.08 | 200 | 2100 | 100 | 4.8 |

Standard length: 3.048 m - 10 feet (80 links)

*Ask customer service for minimum order quantity of LBP 879 and 883 chains.

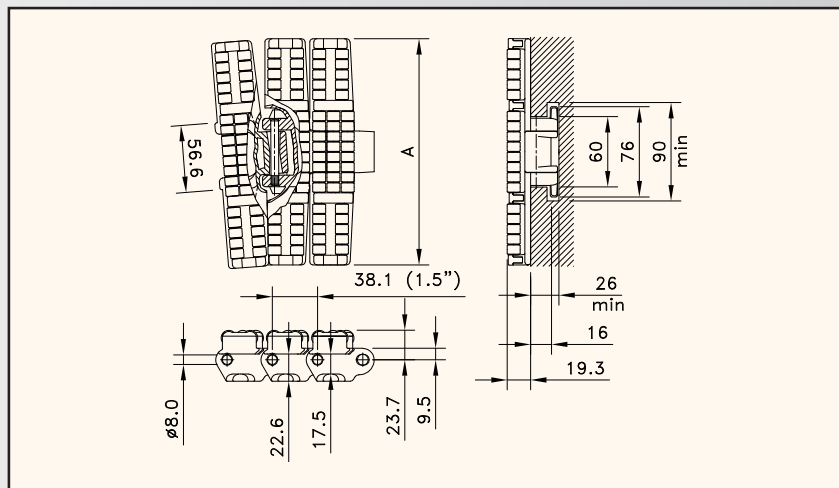
PLASTIC TABLETOP LBP CHAINS



-  page 122
-  page 70
- MATERIAL**
page 207

| Chain type | Code nr. | Plate width | | Weight | Sideflex radius (min.) | Working load (max.) | Backflex radius (min.) | Plate thickness |
|-------------------|-----------|-------------|------|--------|------------------------|---------------------|------------------------|-----------------|
| | | A | | | | | | |
| | | mm | inch | kg/m | mm | N (21°C) | mm | mm |
| XLA-ACETAL | | | | | | | | |
| HDF 375 LBP | 752.89.09 | 95.3 | 3.75 | 3.30 | 667 | 3830 | 200 | 4.8 |

Standard length: 1.524 m - 5 feet (40 links)



-  page 122
-  page 70
- MATERIAL**
page 207

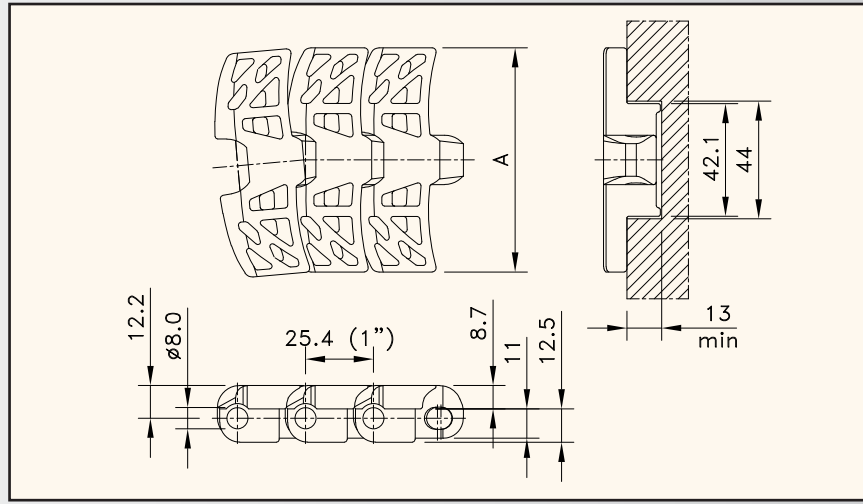
| Chain type | Code nr. | Plate width | | Weight | Sideflex radius (min.) | Working load (max.) | Backflex radius (min.) | Plate thickness |
|-------------------|-----------|-------------|-------|--------|------------------------|---------------------|------------------------|-----------------|
| | | A | | | | | | |
| | | mm | inch | kg/m | mm | N (21°C) | mm | mm |
| XLA-ACETAL | | | | | | | | |
| HDF 750 LBP | 752.89.13 | 190.5 | 7.50 | 4.50 | 610 | 3830 | 200 | 4.8 |
| HDF 1000 LBP | 752.89.19 | 254.0 | 10.00 | 5.71 | | | | |
| HDF 1200 LBP | 752.89.20 | 304.8 | 12.00 | 6.38 | | | | |

Standard length: 1.524 m - 5 feet (40 links)

CHAINBELTS



**FLUSH GRID
MAGNETFLEX®
1050**



| Chain type | Code nr. | Plate width | | Weight | Sideflex radius (min.) | Working load (max.) | Backflex radius (min.) | Plate thickness |
|--------------|-----------|-------------|------|--------|------------------------|---------------------|------------------------|-----------------|
| | | A | | | | | | |
| | | mm | inch | kg/m | mm | N (21°C) | mm | mm |
| XLG-ACETAL | | | | | | | | |
| FGM 1050 XLG | 749.11.31 | 83.8 | 3.30 | 1.54 | 500 | 1650 | 130 | 8.7 |
| PS-ACETAL | | | | | | | | |
| FGM 1050 PS | 749.10.11 | 83.8 | 3.30 | 1.54 | 500 | 1650 | 130 | 8.7 |

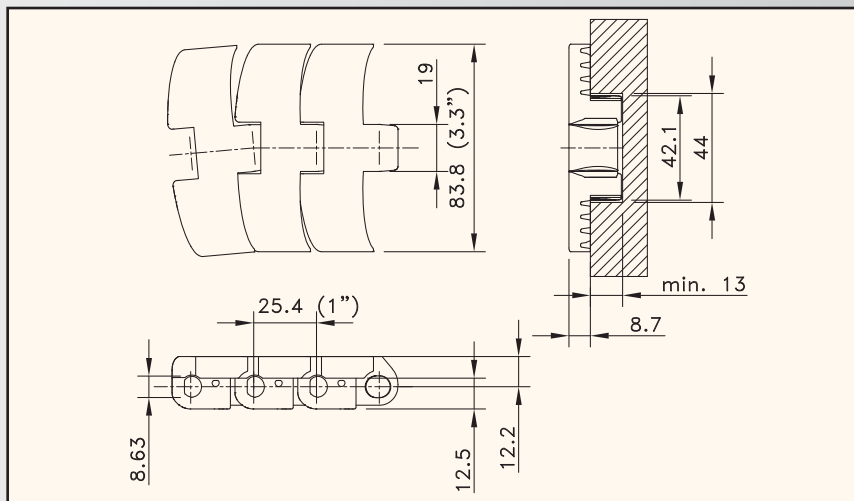
Standard length: 3.048 m - 10 feet (120 links).



CHAINBELTS



**FLAT TOP
MAGNETFLEX®
1060**

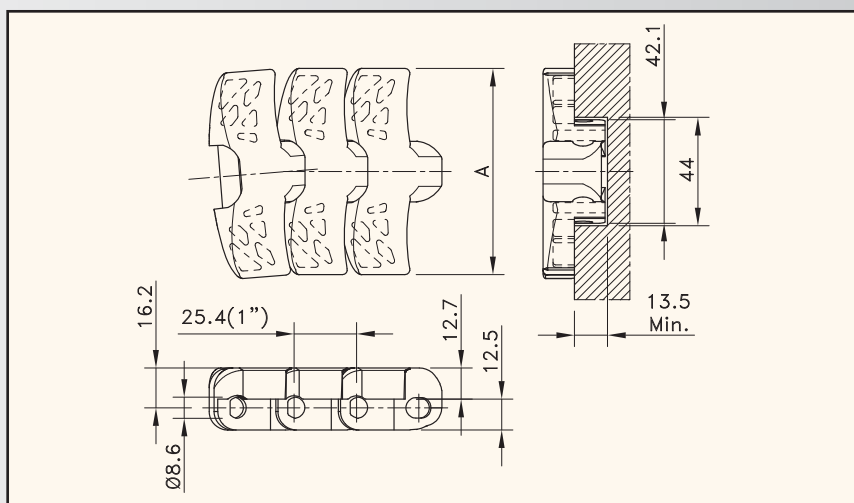


| Chain type | Code nr. | Plate width | | Weight | Sideflex radius (min.) | Working load (max.) | Backflex radius (min.) | Plate thickness |
|-------------------------------|-----------|-------------|------|--------|------------------------|---------------------|------------------------|-----------------|
| | | A | | | | | | |
| | | mm | inch | kg/m | mm | N (21°C) | mm | mm |
| XLG-ACETAL | | | | | | | | |
| FTM 1060 XLG | 749.10.06 | 83.8 | 3.30 | 1.68 | 500 | 1900 | 130 | 8.7 |
| PS-ACETAL | | | | | | | | |
| FTM 1060 PS | 749.10.07 | 83.8 | 3.30 | 1.68 | 500 | 1900 | 130 | 8.7 |
| WX-POLYAMIDE COMPOSITE | | | | | | | | |
| FTM 1060 WX | 749.10.08 | 83.8 | 3.30 | 1.68 | 500 | 1900 | 130 | 8.7 |

Standard length: 3.048 m - 10 feet (120 links).



**FLAT TOP
MAGNETFLEX®
1055**



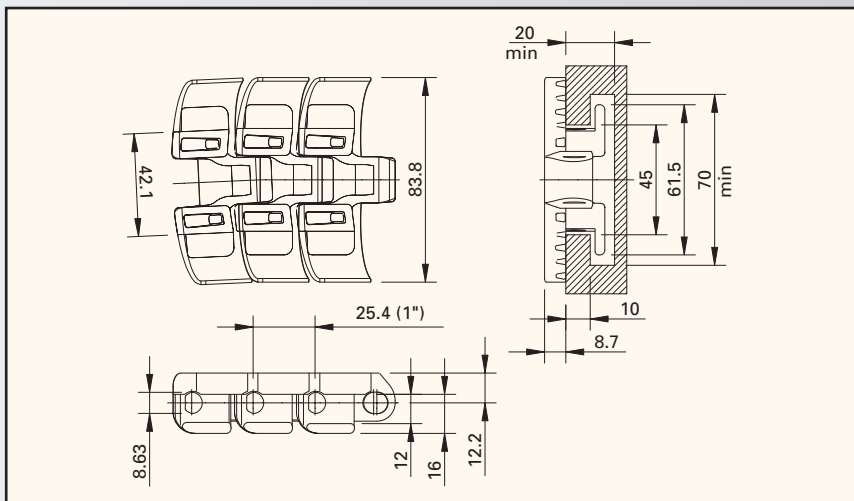
| Chain type | Code nr. | Plate width | | Weight | Sideflex radius (min.) | Working load (max.) | Backflex radius (min.) | Plate thickness |
|-------------------------------|-----------|-------------|------|--------|------------------------|---------------------|------------------------|-----------------|
| | | A | | | | | | |
| | | mm | inch | kg/m | mm | N (21°C) | mm | mm |
| XLG-ACETAL | | | | | | | | |
| FTM 1055 XLG K330 | 749.41.31 | 83.8 | 3.30 | 1.90 | 500 | 2200 | 130 | 12.7 |
| FTM 1055 XLG K450 | 749.41.42 | 114.3 | 4.50 | 2.20 | | | | |
| PS-ACETAL | | | | | | | | |
| FTM 1055 PS K330 | 749.10.10 | 83.8 | 3.30 | 1.90 | 500 | 2200 | 130 | 12.7 |
| WX-POLYAMIDE COMPOSITE | | | | | | | | |
| FTM 1055 WX K330 | 749.49.31 | 83.8 | 3.30 | 1.90 | 500 | 2200 | 130 | 12.7 |
| FTM 1055 WX K450 | 749.10.25 | 114.3 | 4.50 | 2.20 | | | | |

Standard length: 3.048 m - 10 feet (120 links).

CHAINBELTS



**FLAT TOP
1050
TAB**



page 121



page 72



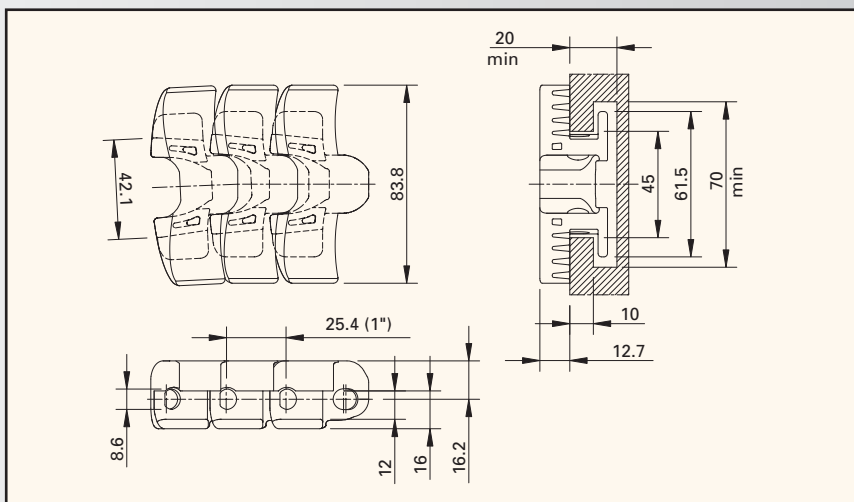
page 207

| Chain type | Code nr. | Plate width | | Weight | Sideflex radius (min.) | Working load (max.) | Backflex radius (min.) | Plate thickness |
|-------------------|-----------|-------------|------|--------|------------------------|---------------------|------------------------|-----------------|
| | | A | | | | | | |
| | | mm | inch | kg/m | mm | N (21°C) | mm | mm |
| XLG-ACETAL | | | | | | | | |
| FT 1050 XLG | 749.61.31 | 83.8 | 3.30 | 1.93 | 500 | 1650 | 130 | 8.7 |
| PS-ACETAL | | | | | | | | |
| FT 1050 PS | 749.10.12 | 83.8 | 3.30 | 1.93 | 500 | 1650 | 130 | 8.7 |

Standard length: 3.048 m - 10 feet (120 links).



**FLAT TOP
1055
TAB**



page 121



page 72



page 207


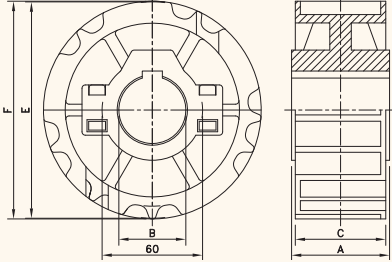


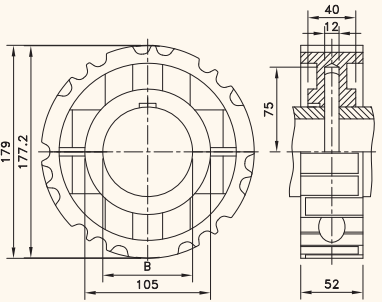
| Chain type | Code nr. | Plate width | | Weight | Sideflex radius (min.) | Working load (max.) | Backflex radius (min.) | Plate thickness |
|-------------------|-----------|-------------|------|--------|------------------------|---------------------|------------------------|-----------------|
| | | A | | | | | | |
| | | mm | inch | kg/m | mm | N (21°C) | mm | mm |
| XLG-ACETAL | | | | | | | | |
| FT 1055 XLG K330 | 749.71.31 | 83.8 | 3.30 | 2.13 | 500 | 2200 | 130 | 12.7 |

Standard length: 3.048 m - 10 feet (120 links).


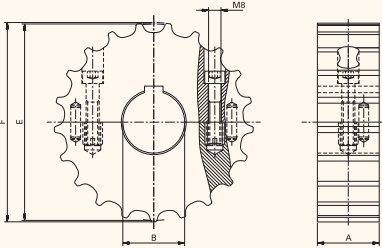
SPROCKETS FOR TABLETOP CHAINS

Nominal dimensions of the key according ISO 773; keyway tolerances in plastic sprockets may differ from ISO 773 due to material properties.

Idler sprockets and drums are optimised for shafts with diameter tolerance of h9.

| Sprocket type | Code nr. | Nr. of teeth | Bore | Pitch diameter | Outside diameter | Width (Teeth) | Hub width | Hub diameter | <div style="border: 1px solid black; padding: 2px;"> MATERIAL page 209 </div> | | |
|---|-------------|--------------|-------|----------------|------------------|---------------|-----------|--------------|--|--|---|
| | | | B | E | F | C | A | H | | | |
| | | | | | | | | | | | |
| SPLIT SPROCKETS, INJECTION MOULDED - NS 815 | | | | | | | | | | | |
| METRIC BORES | | | | | | | | | | | |
| NS815 21-25 | L0815663881 | 21 | 25 | 129.3 | 129.5 | 52.0 | 51.0 | 60 |  | | |
| NS815 21-30 | L0815663891 | 21 | 30 | | | | | | | | |
| NS815 21-35 | L0815663901 | 21 | 35 | | | | | | | | |
| NS815 21-40 | L0815663911 | 21 | 40 | | | | | | | | |
| NS815 21-45 | L0815663921 | 21 | 45 | 141.2 | 142.0 | 52.0 | 51.0 | | | | |
| NS815 23-25 | L0815662481 | 23 | 25 | | | | | | | | |
| NS815 23-30 | L0815662491 | 23 | 30 | | | | | | | | |
| NS815 23-35 | L0815662501 | 23 | 35 | | | | | | | | |
| NS815 23-40 | L0815662511 | 23 | 40 | 153.2 | 154.2 | 54.0 | 58.5 | | |  | |
| NS815 23-45 | L0815662521 | 23 | 45 | | | | | | | | |
| NS815 25-25 | L0815665331 | 25 | 25 | | | | | | | | |
| NS815 25-30 | L0815665311 | 25 | 30 | | | | | | | | |
| NS815 25-35 | L0815665341 | 25 | 35 | 153.2 | 154.2 | 54.0 | 58.5 | | | | |
| NS815 25-40 | L0815664931 | 25 | 40 | | | | | | | | |
| NS815 25-45 | L0815665351 | 25 | 45 | | | | | | | | |
| INCH BORES | | | | | | | | | | | |
| NS815 21-1 | L0815663931 | 21 | 1.00" | 129.3 | 129.5 | 52.0 | 51.0 | 60 |  | | |
| NS815 21-1 1/4 | L0815663991 | 21 | 1.25" | | | | | | | | |
| NS815 23-1 | L0815662661 | 23 | 1.00" | 141.2 | 142.0 | 52.0 | 51.0 | | | | |
| NS815 23-1 1/4 | L0815662701 | 23 | 1.25" | | | | | | | | |
| NS815 25-1 | L0815665411 | 25 | 1.00" | 153.2 | 154.2 | 54.0 | 58.5 | | | | |
| NS815 25-1 1/4 | L0815665451 | 25 | 1.25" | | | | | | | | |
| NS815 25-1 1/2 | L0815665491 | 25 | 1.50" | | | | | | | | |
| For steel chain series: Rexnord: 812 (except TAB and mini hinge), 815 MCC: single hinge straight run, single hinge Magnetflex. Note: not for heavy duty tab * Ask customer service for minimum order quantity | | | | | | | | | | | |
| SPLIT SPROCKETS, INJECTION MOULDED - NS 815 | | | | | | | | | | | |
| METRIC LARGE BORES | | | | | | | | | | | |
| NS815 29-75 | L0815660911 | 29 | 75 | 177.2 | 179.0 | 52.0 | 40.0 | | | 105 |  |
| NS815 29-87 | L0815660921 | 29 | 87 | | | | | | | | |
| For steel chain series: Rexnord: 812 (except TAB and mini hinge), 815 MCC: single hinge straight run, single hinge Magnetflex. Note: not for heavy duty tab This 29 tooth sprocket doesn't use a keyway, but a 12 mm round pin mounted through the shaft. | | | | | | | | | | | |
|  | | | | | | | | | | | |

SPROCKETS FOR TABLETOP CHAINS

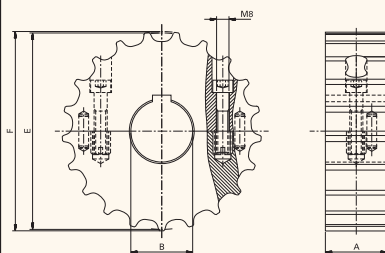
| Sprocket type | Code nr. | Nr. of teeth | Bore | Pitch diameter | Outside diameter | Width (Teeth) | Hub width | Hub diameter | MATERIAL |
|--|-----------|--------------|------|----------------|------------------|---------------|-----------|--------------|---|
| | | | B | E | F | C | A | H | |
| | | | mm | mm | mm | mm | mm | mm | page 209 |
| SPLIT SPROCKETS AND IDLERS, MACHINED - KUS 815 | | | | | | | | | |
| SPROCKETS, METRIC BORES | | | | | | | | | |
| KUS815 17-25 | 753.62.11 | 17 | 25 | 105.5 | 104.5 | 40.0 | 40.0 | - |  |
| KUS815 17-30 | 753.62.21 | 17 | 30 | | | | | | |
| KUS815 17-35 | 753.62.31 | 17 | 35 | | | | | | |
| KUS815 17-40 | 753.62.41 | 17 | 40 | | | | | | |
| KUS815 19-25 | 753.62.12 | 19 | 25 | 117.3 | 116.3 | | | | |
| KUS815 19-30 | 753.62.22 | 19 | 30 | | | | | | |
| KUS815 19-35 | 753.62.32 | 19 | 35 | | | | | | |
| KUS815 19-40 | 753.62.42 | 19 | 40 | | | | | | |
| KUS815 19-50 | 753.62.62 | 19 | 50 | | | | | | |
| KUS815 21-25 | 753.62.13 | 21 | 25 | 129.3 | 130.0 | | | | |
| KUS815 21-30 | 753.62.23 | 21 | 30 | | | | | | |
| KUS815 21-35 | 753.62.33 | 21 | 35 | | | | | | |
| KUS815 21-40 | 753.62.43 | 21 | 40 | | | | | | |
| KUS815 21-50 | 753.62.63 | 21 | 50 | | | | | | |
| KUS815 23-25 | 753.62.14 | 23 | 25 | 141.2 | 141.9 | | | | |
| KUS815 23-30 | 753.62.24 | 23 | 30 | | | | | | |
| KUS815 23-35 | 753.62.34 | 23 | 35 | | | | | | |
| KUS815 23-40 | 753.62.44 | 23 | 40 | | | | | | |
| KUS815 23-50 | 753.62.64 | 23 | 50 | | | | | | |
| KUS815 25-25 | 753.62.15 | 25 | 25 | 153.2 | 153.9 | | | | |
| KUS815 25-30 | 753.62.25 | 25 | 30 | | | | | | |
| KUS815 25-35 | 753.62.35 | 25 | 35 | | | | | | |
| KUS815 25-40 | 753.62.45 | 25 | 40 | | | | | | |
| KUS815 25-50 | 753.62.65 | 25 | 50 | | | | | | |
| KUS815 27-25 | 753.62.16 | 27 | 25 | 165.2 | 165.9 | | | | |
| KUS815 27-30 | 753.62.26 | 27 | 30 | | | | | | |
| KUS815 27-35 | 753.62.36 | 27 | 35 | | | | | | |
| KUS815 27-40 | 753.62.46 | 27 | 40 | | | | | | |
| KUS815 27-50 | 753.62.66 | 27 | 50 | | | | | | |
| IDLERS, METRIC BORES | | | | | | | | | |
| KUS815 17-25 | 753.61.11 | 17 | 25 | 105.5 | 104.5 | 40.0 | 40.0 | - |  |
| KUS815 17-30 | 753.61.21 | 17 | 30 | | | | | | |
| KUS815 17-35 | 753.61.31 | 17 | 35 | | | | | | |
| KUS815 17-40 | 753.61.41 | 17 | 40 | | | | | | |
| KUS815 19-25 | 753.61.12 | 19 | 25 | 117.3 | 116.3 | | | | |
| KUS815 19-30 | 753.61.22 | 19 | 30 | | | | | | |
| KUS815 19-35 | 753.61.32 | 19 | 35 | | | | | | |
| KUS815 19-40 | 753.61.42 | 19 | 40 | | | | | | |
| KUS815 19-50 | 753.61.62 | 19 | 50 | | | | | | |
| KUS815 21-25 | 753.61.13 | 21 | 25 | 129.3 | 130.0 | | | | |
| KUS815 21-30 | 753.61.23 | 21 | 30 | | | | | | |
| KUS815 21-35 | 753.61.33 | 21 | 35 | | | | | | |
| KUS815 21-40 | 753.61.43 | 21 | 40 | | | | | | |
| KUS815 21-50 | 753.61.63 | 21 | 50 | | | | | | |
| KUS815 23-25 | 753.61.14 | 23 | 25 | 141.2 | 141.9 | | | | |
| KUS815 23-30 | 753.61.24 | 23 | 30 | | | | | | |
| KUS815 23-35 | 753.61.34 | 23 | 35 | | | | | | |
| KUS815 23-40 | 753.61.44 | 23 | 40 | | | | | | |
| KUS815 23-50 | 753.61.64 | 23 | 50 | | | | | | |
| KUS815 25-25 | 753.61.15 | 25 | 25 | 153.2 | 153.9 | | | | |
| KUS815 25-30 | 753.61.25 | 25 | 30 | | | | | | |
| KUS815 25-35 | 753.61.35 | 25 | 35 | | | | | | |
| KUS815 25-40 | 753.61.45 | 25 | 40 | | | | | | |
| KUS815 25-50 | 753.61.65 | 25 | 50 | | | | | | |
| KUS815 27-25 | 753.61.16 | 27 | 25 | 165.2 | 165.9 | | | | |
| KUS815 27-30 | 753.61.26 | 27 | 30 | | | | | | |
| KUS815 27-35 | 753.61.36 | 27 | 35 | | | | | | |
| KUS815 27-40 | 753.61.46 | 27 | 40 | | | | | | |
| KUS815 27-50 | 753.61.66 | 27 | 50 | | | | | | |
| For steel chain series: Rexnord: 812 (except TAB and mini hinge), 815 MCC: single hinge straight run, single hinge Magnetflex, 66 ST 75 RM Tel. +32 (52) 750 430 www.bogaert-transmission.com | | | | | | | | | |

MATERIAL

page 209

SPLIT SPROCKETS AND IDLERS, MACHINED - KUS 815


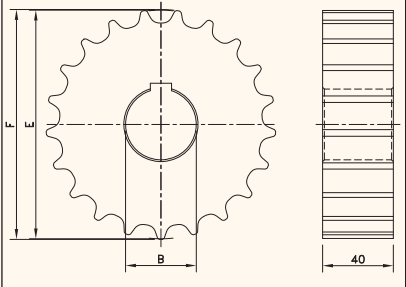
SPROCKETS, METRIC BORES



For steel chain series: Rexnord: 812 (except TAB and mini hinge), 815
MCC: single hinge straight run, single hinge Magnetflex, 66 ST 75 RM

Tel. +32 (52) 750 430 www.bogaert-transmission.com

SPROCKETS FOR TABLETOP CHAINS

| Sprocket type | Code nr. | Nr. of teeth | Bore | Pitch diameter | Outside diameter | Width (Teeth) | Hub width | Hub diameter | MATERIAL |
|---|-----------|--------------|------|----------------|------------------|---------------|-----------|--------------|---|
| | | | B | E | F | C | A | H | |
| | | | mm | mm | mm | mm | mm | mm | page 209 |
| CLASSIC SPROCKETS, MACHINED - KU 815 | | | | | | | | | |
| METRIC BORES | | | | | | | | | |
| KU815 17-20 | 753.91.77 | 17 | 20* | 105.5 | 104.5 | 40 | - | - |  |
| KU815 19-20 | 753.91.78 | 19 | 20* | 117.3 | 116.3 | | | | |
| KU815 21-20 | 753.91.79 | 21 | 20* | 129.3 | 130.0 | | | | |
| KU815 23-20 | 753.91.80 | 23 | 20* | 141.2 | 141.9 | | | | |
| KU815 25-20 | 753.91.81 | 25 | 20* | 153.2 | 153.9 | | | | |
| KU815 27-20 | 753.91.82 | 27 | 20* | 165.2 | 165.9 | | | | |
| <p>*Pre-bore</p> <p>For steel chain series: Rexnord: 812 (except TAB and mini hinge), 815 MCC: single hinge straight run, single hinge Magnetflex, 66 ST 75 RM</p> | | | | | | | | | |
|  | | | | | | | | | |

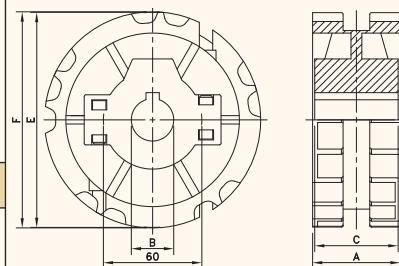
SPROCKETS FOR TABLETOP CHAINS

| Sprocket type | Code nr. | Nr. of teeth | Bore | Pitch diameter | Outside diameter | Width (Teeth) | Hub width | Hub diameter | MATERIAL |
|---------------|----------|--------------|---------|----------------|------------------|---------------|-----------|--------------|----------|
| | | | B | E | F | C | A | H | |
| | | | mm/inch | mm | mm | mm | mm | mm | page 209 |

SPLIT SPROCKETS, INJECTION MOULDED - NS 820

METRIC BORES

| | | | | | | | | |
|-------------|-------------|----|----|-------|-------|------|------|----|
| NS820 21-25 | L0820664341 | 21 | 25 | 129.3 | 129.5 | 52.0 | 51.0 | 60 |
| NS820 21-30 | L0820664351 | 21 | 30 | 129.3 | 129.5 | 52.0 | 51.0 | |
| NS820 21-35 | L0820664361 | 21 | 35 | 129.3 | 129.5 | 52.0 | 51.0 | |
| NS820 21-40 | L0820664371 | 21 | 40 | 129.3 | 129.5 | 52.0 | 51.0 | |
| NS820 21-45 | L0820664381 | 21 | 45 | 129.3 | 129.5 | 52.0 | 51.0 | |
| NS820 23-25 | L0820662531 | 23 | 25 | 141.2 | 142.0 | 52.0 | 51.0 | |
| NS820 23-30 | L0820662541 | 23 | 30 | 141.2 | 142.0 | 52.0 | 51.0 | |
| NS820 23-35 | L0820662551 | 23 | 35 | 141.2 | 142.0 | 52.0 | 51.0 | |
| NS820 23-40 | L0820662561 | 23 | 40 | 141.2 | 142.0 | 52.0 | 51.0 | |
| NS820 23-45 | L0820662571 | 23 | 45 | 141.2 | 142.0 | 52.0 | 51.0 | |
| NS820 25-25 | L0820665361 | 25 | 25 | 153.2 | 154.2 | 54.0 | 58.5 | |
| NS820 25-30 | L0820665371 | 25 | 30 | 153.2 | 154.2 | 54.0 | 58.5 | |
| NS820 25-35 | L0820665381 | 25 | 35 | 153.2 | 154.2 | 54.0 | 58.5 | |
| NS820 25-40 | L0820665391 | 25 | 40 | 153.2 | 154.2 | 54.0 | 58.5 | |
| NS820 25-45 | L0820665401 | 25 | 45 | 153.2 | 154.2 | 54.0 | 58.5 | |



INCH BORES*

| | | | | | | | | |
|--|-------------|----|-------|-------|-------|------|------|----|
| NS820 21-1 | L0820664391 | 21 | 1.00" | 129.3 | 129.5 | 52.0 | 51.0 | 60 |
| NS820 21-1 ¹ / ₄ | L0820664411 | 21 | 1.25" | 129.3 | 129.5 | 52.0 | 51.0 | |
| NS820 23-1 | L0820662741 | 23 | 1.00" | 141.2 | 142.0 | 52.0 | 51.0 | |
| NS820 23-1 ¹ / ₄ | L0820662761 | 23 | 1.25" | 141.2 | 142.0 | 52.0 | 51.0 | |
| NS820 25-1 | L0820665611 | 25 | 1.00" | 153.2 | 154.2 | 54.0 | 58.5 | |
| NS820 25-1 ¹ / ₄ | L0820665631 | 25 | 1.25" | 153.2 | 154.2 | 54.0 | 58.5 | |

For steel chain series (optional): Rexnord: 812 (except TAB and mini hinge), 815

MCC: single hinge straight run, single hinge Magnetflex

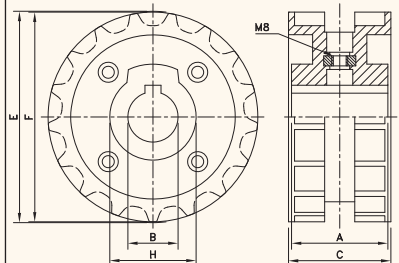
For plastic chain series: 820, SH; Note: not suitable for 831 and SHD.

*Ask Customer service for minimum order quantity of sprockets with inch bores.

CLASSIC SPROCKETS, INJECTION MOULDED - N 820

METRIC BORES

| | | | | | | | | |
|------------|-------------|----|----|-------|-------|------|------|----|
| N820 15-25 | L0820661451 | 15 | 25 | 93.7 | 92.2 | 50.0 | 50.0 | 43 |
| N820 15-30 | L0820661461 | 15 | 30 | 93.7 | 92.2 | 50.0 | 50.0 | 43 |
| N820 17-25 | L0820661681 | 17 | 25 | 105.5 | 104.7 | 51.0 | 48.0 | 43 |
| N820 17-30 | L0820661691 | 17 | 30 | 105.5 | 104.7 | 51.0 | 48.0 | 43 |
| N820 19-20 | L0820661911 | 19 | 20 | 117.4 | 117.1 | 50.0 | 50.0 | 60 |
| N820 19-25 | L0820661921 | 19 | 25 | 117.4 | 117.1 | 50.0 | 50.0 | 60 |
| N820 19-30 | L0820661931 | 19 | 30 | 117.4 | 117.1 | 50.0 | 50.0 | 60 |
| N820 19-35 | L0820661961 | 19 | 35 | 117.4 | 117.1 | 50.0 | 50.0 | 60 |
| N820 19-40 | L0820661941 | 19 | 40 | 117.4 | 117.1 | 50.0 | 50.0 | 60 |


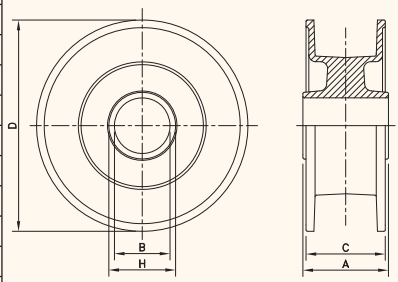

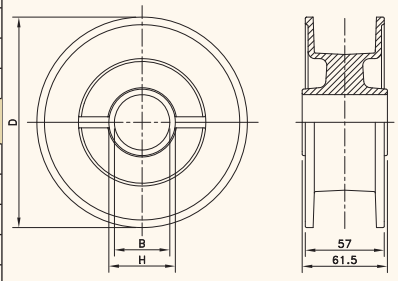


For steel chain series (optional): Rexnord: 812 (except TAB and mini hinge), 815


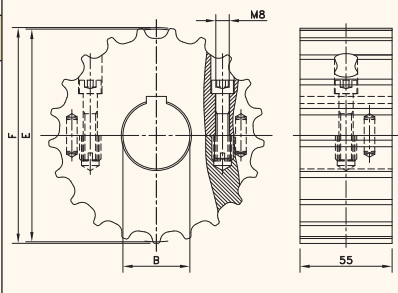

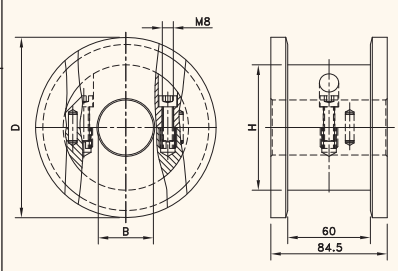
MCC: single hinge straight run, single hinge Magnetflex

For plastic chain series: 820, SH; Note: not suitable for 831 and SHD

SPROCKETS FOR TABLETOP CHAINS

| Sprocket type | Code nr. | Nr. of teeth | Bore | Pitch diameter | Outside diameter | Width (Ring) | Hub width | Hub diameter | MATERIAL | |
|---|-------------|--------------|---------|----------------|------------------|--------------|-----------|--------------|---|--|
| | | | B | E | D | C | A | H | | |
| | | | mm/inch | mm | mm | mm | mm | mm | page 209 | |
| CLASSIC IDLER DRUMS, INJECTION MOULDED - NXT 820 | | | | | | | | | | |
| METRIC BORES | | | | | | | | | | |
| NXT820 15-25 | L0820662461 | 15 | 25 | -- | 95.5 | 55.0 | 92.0 | 40 |  | |
| NXT820 15-30 | L0820662471 | 15 | 30 | -- | 95.5 | 55.0 | 92.0 | 40 | | |
| NXT820 17-25 | L0820661701 | 17 | 25 | -- | 106.5 | 53.0 | 57.0 | 42 | | |
| NXT820 17-30 | L0820661711 | 17 | 30 | -- | 106.5 | 53.0 | 57.0 | 42 | | |
| NXT820 18-25 | L0820661801 | 18 | 25 | -- | 113.0 | 57.0 | 92.0 | 40 | | |
| NXT820 18-30 | L0820661811 | 18 | 30 | -- | 113.0 | 57.0 | 92.0 | 40 | | |
| NXT820 19-25 | L0820661471 | 19 | 25 | -- | 118.0 | 57.0 | 57.0 | 42 | | |
| NXT820 19-30 | L0820661481 | 19 | 30 | -- | 118.0 | 57.0 | 57.0 | 42 | | |
| NXT820 19-40 | L0820661491 | 19 | 40 | -- | 118.0 | 57.0 | 57.0 | 51 | | |
| NXT820 21-25 | L0820662091 | 21 | 25 | -- | 130.0 | 60.0 | 61.5 | 35 | | |
| NXT820 21-30 | L0820662101 | 21 | 30 | -- | 130.0 | 60.0 | 61.5 | 40 | | |
| NXT820 21-35 | L0820662121 | 21 | 35 | -- | 130.0 | 60.0 | 61.5 | 45 | | |
| NXT820 21-40 | L0820662111 | 21 | 40 | -- | 130.0 | 60.0 | 61.5 | 50 | | |
| NXT820 23-25 | L0820661821 | 23 | 25 | -- | 142.5 | 59.5 | 61.5 | 35 | | |
| NXT820 23-30 | L0820661831 | 23 | 30 | -- | 142.5 | 59.5 | 61.5 | 40 | | |
| NXT820 23-35 | L0820661861 | 23 | 35 | -- | 142.5 | 59.5 | 61.5 | 45 | | |
| NXT820 23-40 | L0820661841 | 23 | 40 | -- | 142.5 | 59.5 | 61.5 | 50 | | |
| NXT820 25-25 | L0820661721 | 25 | 25 | -- | 154.5 | 59.0 | 61.5 | 35 | | |
| NXT820 25-30 | L0820661731 | 25 | 30 | -- | 154.5 | 59.0 | 61.5 | 40 | | |
| NXT820 25-35 | L0820661741 | 25 | 35 | -- | 154.5 | 59.0 | 61.5 | 45 | | |
| NXT820 25-40 | L0820661751 | 25 | 40 | -- | 154.5 | 59.0 | 61.5 | 50 | | |
| INCH BORES | | | | | | | | | | |
| NXT820 21-1 | L0820619132 | 21 | 1.00" | -- | 130.0 | 60.0 | 61.5 | 35 |  | |
| NXT820 21-1 1/4 | L0820688801 | 21 | 1.25" | -- | 130.0 | 60.0 | 61.5 | 40 | | |
| NXT820 21-1 1/2 | L0820688811 | 21 | 1.50" | -- | 130.0 | 60.0 | 61.5 | 45 | | |
| NXT820 23-1 1/4 | L0820661891 | 23 | 1.25" | -- | 142.5 | 59.5 | 61.5 | 40 | | |
| NXT820 23-1 1/2 | L0820661881 | 23 | 1.50" | -- | 142.5 | 59.5 | 61.5 | 45 | | |
| NXT820 25-1 | L0820619142 | 25 | 1.00" | -- | 154.5 | 59.0 | 61.5 | 35 | | |
| NXT820 25-1 1/4 | L0820661761 | 25 | 1.25" | -- | 154.5 | 59.0 | 61.5 | 40 | | |
| NXT820 25-1 1/2 | L0820661771 | 25 | 1.50" | -- | 154.5 | 59.0 | 61.5 | 45 | | |
| For steel chain series: Rexnord: 812 (except TAB and mini hinge), 815, 881 (except TAB), 8811 (except TAB) MCC: single hinge straight run, single hinge Magnetflex For plastic chain series: 879-Bevel, 880-Bevel, 820, 831, SH, SHD, RHM, RHMD, RHMP, RHMDP, SHP | | | | | | | | | | |
| SPLIT IDLER DRUMS, INJECTION MOULDED - NSXT 820 | | | | | | | | | | |
| METRIC BORES | | | | | | | | | | |
| NSXT 820 21-25 | L0820665821 | 21 | 25 | -- | 130.0 | 57.0 | 61.5 | 40 |  | |
| NSXT 820 21-30 | L0820664861 | 21 | 30 | -- | 130.0 | 57.0 | 61.5 | 40 | | |
| NSXT 820 21-35 | L0820664881 | 21 | 35 | -- | 130.0 | 57.0 | 61.5 | 50 | | |
| NSXT 820 21-40 | L0820665841 | 21 | 40 | -- | 130.0 | 57.0 | 61.5 | 50 | | |
| NSXT 820 23-25 | L0820665861 | 23 | 25 | -- | 142.5 | 57.0 | 61.5 | 40 | | |
| NSXT 820 23-30 | L0820665881 | 23 | 30 | -- | 142.5 | 57.0 | 61.5 | 40 | | |
| NSXT 820 23-35 | L0820665901 | 23 | 35 | -- | 142.5 | 57.0 | 61.5 | 50 | | |
| NSXT 820 23-40 | L0820665921 | 23 | 40 | -- | 142.5 | 57.0 | 61.5 | 50 | | |
| NSXT 820 25-25 | L0820665591 | 25 | 25 | -- | 154.5 | 57.0 | 61.5 | 40 | | |
| NSXT 820 25-30 | L0820665941 | 25 | 30 | -- | 154.5 | 57.0 | 61.5 | 40 | | |
| NSXT 820 25-35 | L0820665961 | 25 | 35 | -- | 154.5 | 57.0 | 61.5 | 50 | | |
| NSXT 820 25-40 | L0820664901 | 25 | 40 | -- | 154.5 | 57.0 | 61.5 | 50 | | |
| NSXT 820 25-45 | L0820697961 | 25 | 45 | -- | 154.5 | 57.0 | 61.5 | 50 | | |
| INCH BORES* | | | | | | | | | | |
| NSXT 820 21-1 | L0820619152 | 21 | 1.00" | -- | 130.0 | 57.0 | 61.5 | 40 |  | |
| NSXT 820 21-1 1/4 | L0820619162 | 21 | 1.25" | -- | 130.0 | 57.0 | 61.5 | 40 | | |
| NSXT 820 25-1 | L0820619172 | 25 | 1.00" | -- | 154.5 | 57.0 | 61.5 | 40 | | |
| NSXT 820 25-1 1/4 | L0820655612 | 25 | 1.25" | -- | 154.5 | 57.0 | 61.5 | 40 | | |
| NSXT 820 25-1 1/2 | L0820604386 | 25 | 1.50" | -- | 154.5 | 57.0 | 61.5 | 50 | | |
| For steel chain series: Rexnord: 812 (except TAB and mini hinge), 815, 881 (except TAB), 8811 (except TAB) MCC: single hinge straight run, single hinge Magnetflex, single hinge bevel rubber top For plastic chain series: 879-Bevel, 880-Bevel, 820, 831, SH, SHD, RHM, RHMD, RHMP, RHMDP, SHP *Ask Customer service for minimum order quantity of sprockets with inch bores. | | | | | | | | | | |

SPROCKETS FOR TABLETOP CHAINS

| Sprocket type | Code nr. | Nr. of teeth | Bore | Pitch diameter | Outside diameter | Width teeth/ring | Hub width | Hub diameter | MATERIAL |
|---|-----------|--------------|------|----------------|------------------|------------------|-----------|--------------|---|
| | | | B | E | F/D | A | H | | |
| mm | | | | | | | | | |
| SPLIT SPROCKETS AND IDLERS, MACHINED - SS/SI 75 | | | | | | | | | |
| SPROCKETS, METRIC BORES | | | | | | | | | |
| SS 75 21-25 | 753.63.61 | 21 | 25 | 129.3 | 130.0 | 55.0 | 55.0 | - |  |
| SS 75 21-30 | 753.63.62 | 21 | 30 | | | | | | |
| SS 75 21-35 | 753.63.63 | 21 | 35 | | | | | | |
| SS 75 21-40 | 753.63.64 | 21 | 40 | | | | | | |
| SS 75 21-50 | 753.63.65 | 21 | 50 | | | | | | |
| SS 75 25-25 | 753.63.81 | 25 | 25 | 153.2 | 153.9 | 55.0 | 55.0 | - | |
| SS 75 25-30 | 753.63.82 | 25 | 30 | | | | | | |
| SS 75 25-35 | 753.63.83 | 25 | 35 | | | | | | |
| SS 75 25-40 | 753.63.84 | 25 | 40 | | | | | | |
| SS 75 25-50 | 753.63.85 | 25 | 50 | | | | | | |
| IDLERS, METRIC BORES | | | | | | | | | |
| SI 75 21-25 | 753.63.11 | 21 | 25 | 129.3 | 130.0 | 55.0 | 55.0 | - |  |
| SI 75 21-30 | 753.63.12 | 21 | 30 | | | | | | |
| SI 75 21-35 | 753.63.13 | 21 | 35 | | | | | | |
| SI 75 21-40 | 753.63.14 | 21 | 40 | | | | | | |
| SI 75 21-50 | 753.63.15 | 21 | 50 | | | | | | |
| SI 75 25-25 | 753.63.31 | 25 | 25 | 153.2 | 153.9 | 55.0 | 55.0 | - | |
| SI 75 25-30 | 753.63.32 | 25 | 30 | | | | | | |
| SI 75 25-35 | 753.63.33 | 25 | 35 | | | | | | |
| SI 75 25-40 | 753.63.34 | 25 | 40 | | | | | | |
| SI 75 25-50 | 753.63.35 | 25 | 50 | | | | | | |
| For steel chain series: MCC: straight run heavy duty, heavy duty Magnetflex | | | | | | | | | |
| SPLIT IDLER DRUMS, MACHINED - SD 75 | | | | | | | | | |
| METRIC BORES | | | | | | | | | |
| SD 75 131-20 | 754.10.46 | 21 | 20 | 129.3 | 131.0 | 84.5 | 84.5 | 91 |  |
| SD 75 131-25 | 754.10.47 | 21 | 25 | | | | | | |
| SD 75 131-30 | 754.10.48 | 21 | 30 | | | | | | |
| SD 75 131-35 | 754.10.49 | 21 | 35 | | | | | | |
| SD 75 131-40 | 754.10.50 | 21 | 40 | | | | | | |
| SD 75 131-50 | 754.10.51 | 21 | 50 | 153.2 | 155.0 | 84.5 | 84.5 | 115 | |
| SD 75 155-20 | 754.12.86 | 25 | 20 | | | | | | |
| SD 75 155-25 | 754.12.87 | 25 | 25 | | | | | | |
| SD 75 155-30 | 754.12.88 | 25 | 30 | | | | | | |
| SD 75 155-35 | 754.12.89 | 25 | 35 | | | | | | |
| SD 75 155-40 | 754.12.90 | 25 | 40 | | | | | | |
| SD 75 155-50 | 754.12.91 | 25 | 50 | | | | | | |
| For steel chain series: MCC: straight run heavy duty, heavy duty Magnetflex | | | | | | | | | |
| For plastic chain series: HDS, HDFM | | | | | | | | | |
|  | | | | | | | | | |

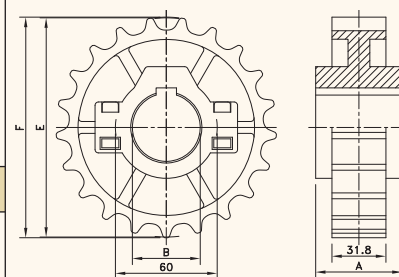
SPROCKETS FOR TABLETOP CHAINS

| Sprocket type | Code nr. | Nr. of teeth | Bore | Pitch diameter | Outside diameter | Width (Teeth) | Hub width | Hub diameter | MATERIAL |
|---------------|----------|--------------|---------|----------------|------------------|---------------|-----------|--------------|----------|
| | | | B | E | F | C | A | H | |
| | | | mm/inch | mm | mm | mm | mm | mm | page 209 |

SPLIT SPROCKETS AND IDLERS, INJECTION MOULDED - NS/NSX 881

SPROCKETS, METRIC BORES

| | | | | | | | | |
|-------------|-------------|----|----|-------|-------|------|------|----|
| NS881 21-25 | L0881664501 | 21 | 25 | 129.3 | 129.5 | 31.8 | 51.0 | 60 |
| NS881 21-30 | L0881664511 | 21 | 30 | | | | | |
| NS881 21-35 | L0881664521 | 21 | 35 | | | | | |
| NS881 21-40 | L0881664531 | 21 | 40 | | | | | |
| NS881 21-45 | L0881664541 | 21 | 45 | | | | | |
| NS881 23-25 | L0881662821 | 23 | 25 | 141.2 | 142.0 | 31.8 | 51.0 | 60 |
| NS881 23-30 | L0881662831 | 23 | 30 | | | | | |
| NS881 23-35 | L0881662841 | 23 | 35 | | | | | |
| NS881 23-40 | L0881662851 | 23 | 40 | | | | | |
| NS881 23-45 | L0881662861 | 23 | 45 | 153.2 | 154.2 | 31.8 | 58.5 | 60 |
| NS881 25-25 | L0881663351 | 25 | 25 | | | | | |
| NS881 25-30 | L0881663361 | 25 | 30 | | | | | |
| NS881 25-35 | L0881663371 | 25 | 35 | | | | | |
| NS881 25-40 | L0881663381 | 25 | 40 | | | | | |
| NS881 25-45 | L0881663391 | 25 | 45 | | | | | |



SPROCKETS, INCH BORES*

| | | | | | | | | |
|--|-------------|----|-------|-------|-------|------|------|----|
| NS881 21-1 | L0881664551 | 21 | 1.00" | 129.3 | 129.5 | 31.8 | 51.0 | 60 |
| NS881 21-1 ¹ / ₄ | L0881664571 | 21 | 1.25" | | | | | |
| NS881 21-1 ¹ / ₂ | L0881664591 | 21 | 1.50" | | | | | |
| NS881 23-1 | L0881662921 | 23 | 1.00" | 141.2 | 142.0 | 31.8 | 51.0 | 60 |
| NS881 23-1 ¹ / ₄ | L0881662941 | 23 | 1.25" | | | | | |
| NS881 25-1 | L0881663401 | 25 | 1.00" | 153.2 | 154.2 | 31.8 | 58.5 | 60 |
| NS881 25-1 ¹ / ₄ | L0881663441 | 25 | 1.25" | | | | | |
| NS881 25-1 ¹ / ₂ | L0881663481 | 25 | 1.50" | | | | | |

* Ask Customer service for minimum order quantity of sprockets with inch bores.

IDLERS, METRIC BORES

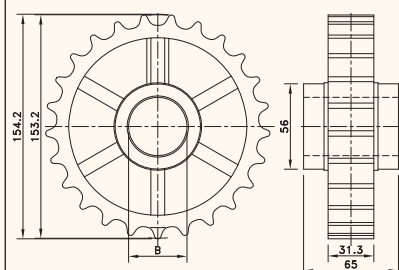
| | | | | | | | | |
|--------------|-------------|----|----|-------|-------|------|------|----|
| NSX881 21-25 | L0881639842 | 21 | 25 | 129.3 | 129.5 | 31.8 | 51.0 | 60 |
| NSX881 21-30 | L0881612242 | 21 | 30 | | | | | |
| NSX881 21-35 | L0881612252 | 21 | 35 | | | | | |
| NSX881 21-40 | L0881612262 | 21 | 40 | | | | | |
| NSX881 23-25 | L0881631332 | 23 | 25 | | | | | |
| NSX881 23-30 | L0881612272 | 23 | 30 | 141.2 | 142.0 | 31.8 | 51.0 | 60 |
| NSX881 23-35 | L0881612282 | 23 | 35 | | | | | |
| NSX881 23-40 | L0881612292 | 23 | 40 | | | | | |
| NSX881 25-30 | L0881609932 | 25 | 30 | 153.2 | 154.2 | 31.8 | 58.5 | 60 |
| NSX881 25-35 | L0881600282 | 25 | 35 | | | | | |
| NSX881 25-40 | L0881609942 | 25 | 40 | | | | | |
| NSX881 25-45 | L0881631222 | 25 | 45 | | | | | |

For steel chain series: Rexnord: 812 mini hinge, 812-TAB, 881, 8811 (all) MCC: single hinge TAB rubber top

CLASSIC IDLERS, INJECTION MOULDED - NX 881


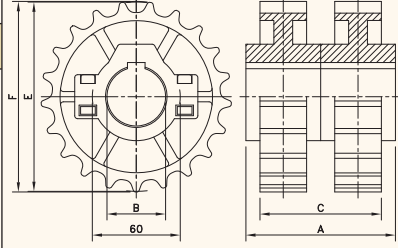


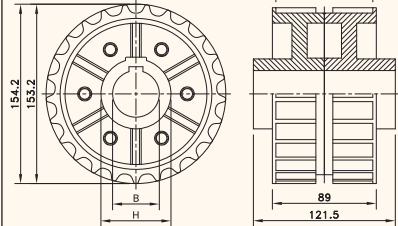
METRIC BORES

| | | | | | | | | |
|-------------|-------------|----|----|-------|-------|------|------|----|
| NX881 25-25 | L0881620072 | 25 | 25 | 153.2 | 154.2 | 31.3 | 65.0 | 56 |
| NX881 25-30 | L0881666081 | 25 | 30 | | | | | |
| NX881 25-35 | L0881666091 | 25 | 35 | | | | | |
| NX881 25-40 | L0881602916 | 25 | 40 | | | | | |



For steel chain series: Rexnord: 812 mini hinge, 812-TAB, 881, 8811 (all)

SPROCKETS FOR TABLETOP CHAINS

| Sprocket type | Code nr. | Nr. of teeth | Bore | | Pitch diameter E | Outside diameter F | Width (Teeth) C | Hub width A | Hub diameter H | <div style="border: 1px solid black; padding: 2px; display: inline-block;">MATERIAL</div> page 209 | | | |
|---|-------------|--------------|------|-------|------------------|--------------------|-----------------|-------------|---|---|---|--|--|
| | | | B | mm | | | | | | | | | |
| SPLIT SPROCKETS AND IDLERS, INJECTION MOULDED - NS/NSX 821 | | | | | | | | | | | | | |
| SPROCKETS, METRIC BORES | | | | | | | | | | | | | |
| NS821 21-35 | L0821665261 | 21 | 35 | 129.2 | 129.5 | 82.0 | 103.0 | 60 |  | | | | |
| NS821 21-40 | L0821665121 | 21 | 40 | | | | | | | | | | |
| NS821 21-45 | L0821665271 | 21 | 45 | | | | | | | | | | |
| NS821 23-30 | L0821648082 | 23 | 30 | 141.2 | 142.0 | 82.0 | 103.0 | 60 | | | | | |
| NS821 23-35 | L0821663111 | 23 | 35 | | | | | | | | | | |
| NS821 23-40 | L0821663121 | 23 | 40 | | | | | | | | | | |
| NS821 23-45 | L0821663131 | 23 | 45 | 153.2 | 154.2 | 89.5 | 117.0 | 60 | | |  | | |
| NS821 25-30 | L0821600482 | 25 | 30 | | | | | | | | | | |
| NS821 25-35 | L0821665671 | 25 | 35 | | | | | | | | | | |
| NS821 25-40 | L0821665681 | 25 | 40 | 153.2 | 154.2 | 89.5 | 117.0 | 60 | | | | | |
| NS821 25-45 | L0821665691 | 25 | 45 | | | | | | | | | | |
| IDLERS, METRIC BORES | | | | | | | | | | | | | |
| NSX821 21-30 | L0821665001 | 21 | 30 | 129.2 | 129.5 | 82.0 | 103.0 | 60 |  | | | | |
| NSX821 21-35 | L0821665031 | 21 | 35 | | | | | | | | | | |
| NSX821 21-40 | L0821665061 | 21 | 40 | | | | | | | | | | |
| NSX821 23-30 | L0821663011 | 23 | 30 | 141.2 | 142.0 | 82.0 | 103.0 | 60 | | | | | |
| NSX821 23-35 | L0821663041 | 23 | 35 | | | | | | | | | | |
| NSX821 23-40 | L0821663071 | 23 | 40 | | | | | | | | | | |
| NSX821 25-30 | L0821665721 | 25 | 30 | 153.2 | 154.2 | 89.5 | 117.0 | 60 | | | | | |
| NSX821 25-35 | L0821665751 | 25 | 35 | | | | | | | | | | |
| NSX821 25-40 | L0821665781 | 25 | 40 | | | | | | | | | | |
| For steel chain series: Rexnord: 802 (all), 805 MCC: double hinge For plastic chain series: 821, SWH NS 821 is a set of 2 NS 881 sprockets; NSX 821 is a set of 2 NSX 881 idlers | | | | | | | | | | | | | |
| CLASSIC SPROCKETS AND IDLERS, INJECTION MOULDED - N/NX 800 | | | | | | | | | | | | | |
| SPROCKETS, METRIC BORES | | | | | | | | | | | | | |
| N800 25-30 | L0800666101 | 25 | 30 | 153.2 | 154.2 | 89.0 | 121.5 | 60 |  | | | | |
| N800 25-35 | L0800666121 | 25 | 35 | | | | | | | | | | |
| N800 25-40 | L0800666131 | 25 | 40 | | | | | | | | | | |
| IDLERS, METRIC BORES | | | | | | | | | | | | | |
| NX800 25-30 | L0800666141 | 25 | 30 | 153.2 | 154.2 | 89.0 | 121.5 | 60 | | |  | | |
| NX800 25-35 | L0800666161 | 25 | 35 | | | | | | | | | | |
| NX800 25-40 | L0800666181 | 25 | 40 | | | | | | | | | | |
| For steel chain series: Rexnord: 802 (all), 805 MCC: double hinge | | | | | | | | | | | | | |

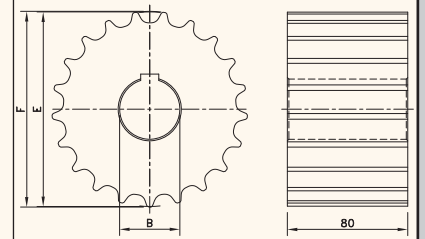
SPROCKETS FOR TABLETOP CHAINS

| Sprocket type | Code nr. | Nr. of teeth | Bore | Pitch diameter | Outside diameter | Width (Teeth) | Hub width | Hub diameter | MATERIAL |
|---------------|----------|--------------|------|----------------|------------------|---------------|-----------|--------------|----------|
| | | | B | E | F | C | A | H | |
| | | | mm | mm | mm | mm | mm | mm | page 209 |

CLASSIC SPROCKETS AND IDLERS, MACHINED - KU 821

SPROCKETS, METRIC BORES

| | | | | | | | | |
|-------------|-----------|----|----|-------|-------|------|---|---|
| KU821 19-25 | 753.94.07 | 19 | 25 | 117.3 | 116.3 | 80.0 | - | - |
| KU821 19-30 | 753.94.08 | 19 | 30 | | | | | |
| KU821 19-35 | 753.94.09 | 19 | 35 | | | | | |
| KU821 19-40 | 753.94.10 | 19 | 40 | | | | | |
| KU821 19-50 | 753.94.11 | 19 | 50 | | | | | |
| KU821 21-25 | 753.94.13 | 21 | 25 | 129.3 | 130.0 | | | |
| KU821 21-30 | 753.94.14 | 21 | 30 | | | | | |
| KU821 21-35 | 753.94.15 | 21 | 35 | | | | | |
| KU821 21-40 | 753.94.16 | 21 | 40 | | | | | |
| KU821 21-50 | 753.94.17 | 21 | 50 | | | | | |
| KU821 23-25 | 753.94.19 | 23 | 25 | 141.2 | 141.9 | | | |
| KU821 23-30 | 753.94.20 | 23 | 30 | | | | | |
| KU821 23-35 | 753.94.21 | 23 | 35 | | | | | |
| KU821 23-40 | 753.94.22 | 23 | 40 | | | | | |
| KU821 23-50 | 753.94.23 | 23 | 50 | | | | | |
| KU821 25-25 | 753.94.25 | 25 | 25 | 153.2 | 153.9 | | | |
| KU821 25-30 | 753.94.26 | 25 | 30 | | | | | |
| KU821 25-35 | 753.94.27 | 25 | 35 | | | | | |
| KU821 25-40 | 753.94.28 | 25 | 40 | | | | | |
| KU821 25-50 | 753.94.29 | 25 | 50 | | | | | |
| KU821 27-25 | 753.94.31 | 27 | 25 | 165.2 | 165.9 | | | |
| KU821 27-30 | 753.94.32 | 27 | 30 | | | | | |
| KU821 27-35 | 753.94.33 | 27 | 35 | | | | | |
| KU821 27-40 | 753.94.34 | 27 | 40 | | | | | |
| KU821 27-50 | 753.94.35 | 27 | 50 | | | | | |
| KU821 29-25 | 753.94.37 | 29 | 25 | 177.2 | 178.0 | | | |
| KU821 29-30 | 753.94.38 | 29 | 30 | | | | | |
| KU821 29-35 | 753.94.39 | 29 | 35 | | | | | |
| KU821 29-40 | 753.94.40 | 29 | 40 | | | | | |
| KU821 29-50 | 753.94.41 | 29 | 50 | | | | | |


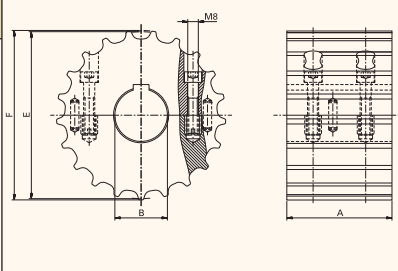
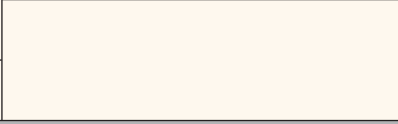
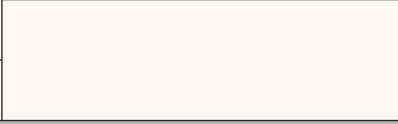

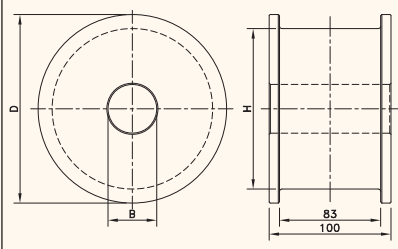


IDLERS, METRIC BORES

| | | | | | | | | |
|-------------|-----------|----|----|-------|-------|------|---|---|
| KU821 19-25 | 753.94.47 | 19 | 25 | 117.3 | 116.3 | 80.0 | - | - |
| KU821 19-30 | 753.94.48 | 19 | 30 | | | | | |
| KU821 19-35 | 753.94.49 | 19 | 35 | | | | | |
| KU821 19-40 | 753.94.50 | 19 | 40 | | | | | |
| KU821 19-50 | 753.94.51 | 19 | 50 | | | | | |
| KU821 21-25 | 753.94.52 | 21 | 25 | 129.3 | 130.0 | | | |
| KU821 21-30 | 753.94.53 | 21 | 30 | | | | | |
| KU821 21-35 | 753.94.54 | 21 | 35 | | | | | |
| KU821 21-40 | 753.94.55 | 21 | 40 | | | | | |
| KU821 21-50 | 753.94.56 | 21 | 50 | | | | | |
| KU821 23-25 | 753.94.57 | 23 | 25 | 141.2 | 141.9 | | | |
| KU821 23-30 | 753.94.58 | 23 | 30 | | | | | |
| KU821 23-35 | 753.94.59 | 23 | 35 | | | | | |
| KU821 23-40 | 753.94.60 | 23 | 40 | | | | | |
| KU821 23-50 | 753.94.61 | 23 | 50 | | | | | |
| KU821 25-25 | 753.94.62 | 25 | 25 | 153.2 | 153.9 | | | |
| KU821 25-30 | 753.94.63 | 25 | 30 | | | | | |
| KU821 25-35 | 753.94.64 | 25 | 35 | | | | | |
| KU821 25-40 | 753.94.65 | 25 | 40 | | | | | |
| KU821 25-50 | 753.94.66 | 25 | 50 | | | | | |
| KU821 27-25 | 753.94.67 | 27 | 25 | 165.2 | 165.9 | | | |
| KU821 27-30 | 753.94.68 | 27 | 30 | | | | | |
| KU821 27-35 | 753.94.69 | 27 | 35 | | | | | |
| KU821 27-40 | 753.94.70 | 27 | 40 | | | | | |
| KU821 27-50 | 753.94.71 | 27 | 50 | | | | | |
| KU821 29-25 | 753.94.72 | 29 | 25 | 177.2 | 178.0 | | | |
| KU821 29-30 | 753.94.73 | 29 | 30 | | | | | |
| KU821 29-35 | 753.94.74 | 29 | 35 | | | | | |
| KU821 29-40 | 753.94.75 | 29 | 40 | | | | | |
| KU821 29-50 | 753.94.76 | 29 | 50 | | | | | |

For steel chain series: Rexnord: 802 (all), 805 MCC: double hinge For plastic chain series: 821, SWH

SPROCKETS FOR TABLETOP CHAINS

| Sprocket type | Code nr. | Nr. of teeth | Bore | Pitch diameter | Outside diameter | Width teeth/ring | Hub width | Hub diameter | MATERIAL | | | | |
|---|-------------|--------------|------|----------------|------------------|------------------|-----------|--------------|---|------|---|---|--|
| | | | B | E | F/D | A | H | | | | | | |
| | | | mm | mm | mm | mm | mm | mm | page 209 | | | | |
| SPLIT SPROCKETS AND IDLERS, MACHINED - KUS 821 | | | | | | | | | | | | | |
| SPROCKETS, METRIC BORES | | | | | | | | | | | | | |
| KUS821 23-25 | 753.64.71 | 23 | 25 | 141.2 | 141.9 | 80.0 | - | - |  | | | | |
| KUS821 23-30 | 753.64.72 | 23 | 30 | | | | | | | | | | |
| KUS821 23-35 | 753.64.73 | 23 | 35 | | | | | | | | | | |
| KUS821 23-40 | 753.64.74 | 23 | 40 | | | | | | | | | | |
| KUS821 23-50 | 753.64.75 | 23 | 50 | | | | | | | | | | |
| KUS821 27-25 | 753.64.91 | 27 | 25 | 165.2 | 165.9 | | | | | 80.0 | - | - |  |
| KUS821 27-30 | 753.64.92 | 27 | 30 | | | | | | | | | | |
| KUS821 27-35 | 753.64.93 | 27 | 35 | | | | | | | | | | |
| KUS821 27-40 | 753.64.94 | 27 | 40 | | | | | | | | | | |
| KUS821 27-50 | 753.64.95 | 27 | 50 | | | | | | | | | | |
| IDLERS, METRIC BORES | | | | | | | | | | | | | |
| KUS821 23-25 | 753.64.21 | 23 | 25 | 141.2 | 141.9 | 80.0 | - | - |  | | | | |
| KUS821 23-30 | 753.64.22 | 23 | 30 | | | | | | | | | | |
| KUS821 23-35 | 753.64.23 | 23 | 35 | | | | | | | | | | |
| KUS821 23-40 | 753.64.24 | 23 | 40 | | | | | | | | | | |
| KUS821 23-50 | 753.64.25 | 23 | 50 | | | | | | | | | | |
| KUS821 27-25 | 753.64.41 | 27 | 25 | 165.2 | 165.9 | | | | | 80.0 | - | - |  |
| KUS821 27-30 | 753.64.42 | 27 | 30 | | | | | | | | | | |
| KUS821 27-35 | 753.64.43 | 27 | 35 | | | | | | | | | | |
| KUS821 27-40 | 753.64.44 | 27 | 40 | | | | | | | | | | |
| KUS821 27-50 | 753.64.45 | 27 | 50 | | | | | | | | | | |
| For steel chain series: Rexnord: 802 (all), 805 MCC: double hinge For plastic chain series: 821, SWH | | | | | | | | | | | | | |
| CLASSIC IDLER DRUMS, MACHINED - KXT 800 | | | | | | | | | | | | | |
| METRIC BORES | | | | | | | | | | | | | |
| KXT 800 21-25 | L0800605761 | 21 | 25* | 106.8 | 129.8 | 100.0 | - | 106.8 |  | | | | |
| KXT 800 23-25 | L0800605771 | 23 | 25* | 119.3 | 142.3 | | | 119.3 | | | | | |
| KXT 800 25-25 | L0800605781 | 25 | 25* | 131.7 | 154.7 | | | 131.7 | | | | | |
| * Pre-bore For steel chain series: Rexnord: 802 (all), 805 MCC: double hinge | | | | | | | | | | | | | |
|  | | | | | | | | | | | | | |

SPROCKETS FOR TABLETOP CHAINS

| Sprocket type | Code nr. | Nr. of teeth | Bore | Pitch diameter | Outside diameter | Width (Teeth) | Hub width | Hub diameter | MATERIAL |
|---------------|----------|--------------|------|----------------|------------------|---------------|-----------|--------------|----------|
| | | | B | E | F | C | A | H | |
| | | | mm | mm | mm | mm | mm | mm | page 209 |

CLASSIC SPROCKETS, MACHINED - ST 512

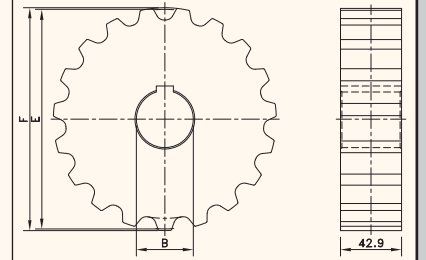
METRIC BORES

| | | | | | | | | |
|-------------|-----------|----|-----|-------|-------|------|------|---|
| ST512 13-20 | 753.93.77 | 13 | 20* | 106.1 | 107.4 | 42.9 | 42.9 | - |
| ST512 15-20 | 753.93.78 | 15 | 20* | 122.2 | 123.9 | | | |
| ST512 17-20 | 753.93.79 | 17 | 20* | 138.2 | 140.3 | | | |
| ST512 19-20 | 753.93.80 | 19 | 20* | 154.3 | 156.6 | | | |
| ST512 21-20 | 753.93.81 | 21 | 20* | 170.4 | 172.9 | | | |
| ST512 23-20 | 753.93.82 | 23 | 20* | 186.5 | 189.2 | | | |
| ST512 25-20 | 753.93.83 | 25 | 20* | 202.7 | 205.4 | | | |



* Pre-bore

For steel chain series: Rexnord: 512, 581 M



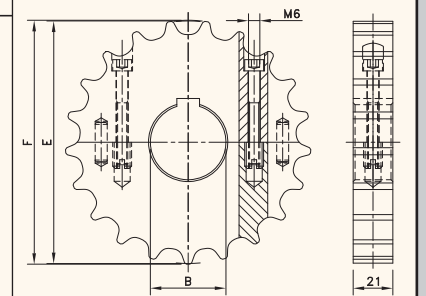
SPLIT SPROCKETS, MACHINED - SS MINI

METRIC BORES

| | | | | | | | | |
|---------------|-----------|----|----|-------|-------|------|------|---|
| SS MINI 21-25 | 753.67.61 | 21 | 25 | 129.3 | 130.0 | 21.0 | 21.0 | - |
| SS MINI 21-30 | 753.67.62 | 21 | 30 | | | | | |
| SS MINI 21-35 | 753.67.63 | 21 | 35 | | | | | |
| SS MINI 21-40 | 753.67.64 | 21 | 40 | | | | | |
| SS MINI 21-50 | 753.67.65 | 21 | 50 | | | | | |
| SS MINI 25-25 | 753.67.81 | 25 | 25 | 153.2 | 153.9 | | | |
| SS MINI 25-30 | 753.67.82 | 25 | 30 | | | | | |
| SS MINI 25-35 | 753.67.83 | 25 | 35 | | | | | |
| SS MINI 25-40 | 753.67.84 | 25 | 40 | | | | | |
| SS MINI 25-50 | 753.67.85 | 25 | 50 | | | | | |



For steel chain series: Rexnord: 812-narrow, mini hinge



SPROCKETS FOR TABLETOP CHAINS

| Sprocket type | Code nr. | Nr. of teeth | Bore | Pitch diameter | Outside diameter | Hub width | MATERIAL |
|---------------|----------|--------------|---------|----------------|------------------|-----------|----------|
| | | | B | E | F/D | A | |
| | | | mm/inch | mm | mm | mm | page 209 |

SPLIT SPROCKETS AND IDLERS, MACHINED - SS/SI 661

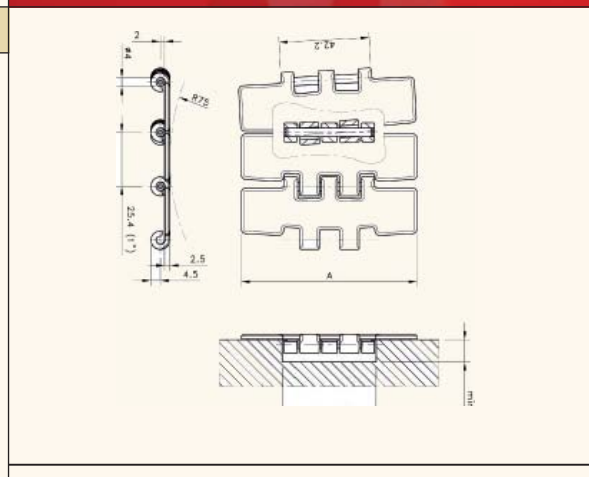
SPROCKETS, METRIC BORES

| SS 661 11-30 | 753.95.01 | 11 | 30 | 90.2 | 89.9 | 40 |
|--------------|-----------|----|----|-------|-------|----|
| SS 661 11-35 | 753.95.02 | 11 | 35 | | | |
| SS 661 11-40 | 753.95.03 | 11 | 40 | | | |
| SS 661 13-30 | 753.95.14 | 13 | 30 | 106.1 | 106.7 | |
| SS 661 13-35 | 753.95.15 | 13 | 35 | | | |
| SS 661 13-40 | 753.95.16 | 13 | 40 | | | |
| SS 661 14-30 | 753.95.27 | 14 | 30 | 114.1 | 114.6 | |
| SS 661 14-35 | 753.95.28 | 14 | 35 | | | |
| SS 661 14-40 | 753.95.29 | 14 | 40 | | | |
| SS 661 15-30 | 753.95.40 | 15 | 30 | 122.2 | 122.8 | |
| SS 661 15-35 | 753.95.41 | 15 | 35 | | | |
| SS 661 15-40 | 753.95.42 | 15 | 40 | | | |
| SS 661 16-30 | 753.95.53 | 16 | 30 | 130.2 | 131.0 | |
| SS 661 16-35 | 753.95.54 | 16 | 35 | | | |
| SS 661 16-40 | 753.95.55 | 16 | 40 | | | |
| SS 661 19-30 | 753.95.66 | 19 | 30 | 154.3 | 155.4 | |
| SS 661 19-35 | 753.95.67 | 19 | 35 | | | |
| SS 661 19-40 | 753.95.68 | 19 | 40 | | | |



SPROCKETS, INCH BORES

| SS 661 11-1 | 1/4" | 753.95.04 | 11 | 1.250" | 90.2 | 89.9 | 40 |
|-------------|-------|-----------|----|--------|-------|-------|----|
| SS 661 11-1 | 7/16" | 753.95.05 | 11 | 1.438" | | | |
| SS 661 11-1 | 1/2" | 753.95.06 | 11 | 1.500" | | | |
| SS 661 13-1 | 1/4" | 753.95.17 | 13 | 1.250" | 106.1 | 106.7 | |
| SS 661 13-1 | 7/16" | 753.95.18 | 13 | 1.438" | | | |
| SS 661 13-1 | 1/2" | 753.95.19 | 13 | 1.500" | | | |
| SS 661 14-1 | 1/4" | 753.95.30 | 14 | 1.250" | 114.1 | 114.6 | |
| SS 661 14-1 | 7/16" | 753.95.31 | 14 | 1.438" | | | |
| SS 661 14-1 | 1/2" | 753.95.32 | 14 | 1.500" | | | |
| SS 661 15-1 | 1/4" | 753.95.43 | 15 | 1.250" | 122.2 | 122.8 | |
| SS 661 15-1 | 7/16" | 753.95.44 | 15 | 1.438" | | | |
| SS 661 15-1 | 1/2" | 753.95.45 | 15 | 1.500" | | | |
| SS 661 16-1 | 1/4" | 753.95.56 | 16 | 1.250" | 130.2 | 131.0 | |
| SS 661 16-1 | 7/16" | 753.95.57 | 16 | 1.438" | | | |
| SS 661 16-1 | 1/2" | 753.95.58 | 16 | 1.500" | | | |
| SS 661 19-1 | 1/4" | 753.95.69 | 19 | 1.250" | 154.3 | 155.4 | |
| SS 661 19-1 | 7/16" | 753.95.70 | 19 | 1.438" | | | |
| SS 661 19-1 | 1/2" | 753.95.71 | 19 | 1.500" | | | |



IDLERS, METRIC BORES


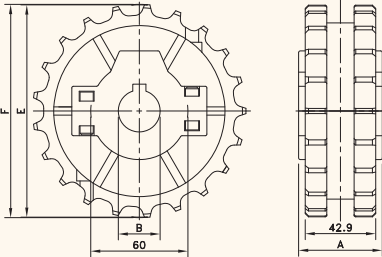
| SI 661 11-30 | 753.95.07 | 11 | 30 | 90.2 | 89.9 | 40 |
|--------------|-----------|----|----|-------|-------|----|
| SI 661 11-35 | 753.95.08 | 11 | 35 | | | |
| SI 661 11-40 | 753.95.09 | 11 | 40 | | | |
| SI 661 13-30 | 753.95.20 | 13 | 30 | 106.1 | 106.7 | |
| SI 661 13-35 | 753.95.21 | 13 | 35 | | | |
| SI 661 13-40 | 753.95.22 | 13 | 40 | | | |
| SI 661 14-30 | 753.95.33 | 14 | 30 | 114.1 | 114.6 | |
| SI 661 14-35 | 753.95.34 | 14 | 35 | | | |
| SI 661 14-40 | 753.95.35 | 14 | 40 | | | |
| SI 661 15-30 | 753.95.46 | 15 | 30 | 122.2 | 122.8 | |
| SI 661 15-35 | 753.95.47 | 15 | 35 | | | |
| SI 661 15-40 | 753.95.48 | 15 | 40 | | | |
| SI 661 16-30 | 753.95.59 | 16 | 30 | 130.2 | 131.0 | |
| SI 661 16-35 | 753.95.60 | 16 | 35 | | | |
| SI 661 16-40 | 753.95.61 | 16 | 40 | | | |
| SI 661 19-30 | 753.95.72 | 19 | 30 | 154.3 | 155.4 | |
| SI 661 19-35 | 753.95.73 | 19 | 35 | | | |
| SI 661 19-40 | 753.95.74 | 19 | 40 | | | |

For steel chain series: 661


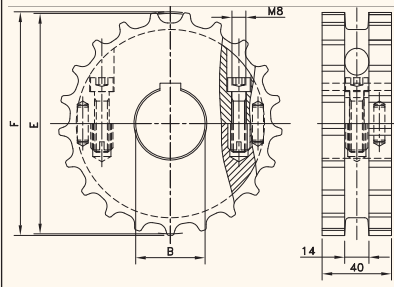
IDLERS, INCH BORES

| SI 661 11-1 | 1/4" | 753.95.10 | 11 | 1.250" | 90.2 | 89.9 | 40 |
|-------------|-------|-----------|----|--------|-------|-------|----|
| SI 661 11-1 | 7/16" | 753.95.11 | 11 | 1.438" | | | |
| SI 661 11-1 | 1/2" | 753.95.12 | 11 | 1.500" | | | |
| SI 661 13-1 | 1/4" | 753.95.23 | 13 | 1.250" | 106.1 | 106.7 | |
| SI 661 13-1 | 7/16" | 753.95.24 | 13 | 1.438" | | | |
| SI 661 13-1 | 1/2" | 753.95.25 | 13 | 1.500" | | | |
| SI 661 14-1 | 1/4" | 753.95.36 | 14 | 1.250" | 114.1 | 114.6 | |
| SI 661 14-1 | 7/16" | 753.95.37 | 14 | 1.438" | | | |
| SI 661 14-1 | 1/2" | 753.95.38 | 14 | 1.500" | | | |
| SI 661 15-1 | 1/4" | 753.95.49 | 15 | 1.250" | 122.2 | 122.8 | |
| SI 661 15-1 | 7/16" | 753.95.50 | 15 | 1.438" | | | |
| SI 661 15-1 | 1/2" | 753.95.51 | 15 | 1.500" | | | |
| SI 661 16-1 | 1/4" | 753.95.62 | 16 | 1.250" | 130.2 | 131.0 | |
| SI 661 16-1 | 7/16" | 753.95.63 | 16 | 1.438" | | | |
| SI 661 16-1 | 1/2" | 753.95.64 | 16 | 1.500" | | | |
| SI 661 19-1 | 1/4" | 753.95.75 | 19 | 1.250" | 154.3 | 155.4 | |
| SI 661 19-1 | 7/16" | 753.95.76 | 19 | 1.438" | | | |
| SI 661 19-1 | 1/2" | 753.95.77 | 19 | 1.500" | | | |

SPROCKETS FOR TABLETOP CHAINS

| Sprocket type | Code nr. | Nr. of teeth | Bore | Pitch diameter | Outside diameter | Width (Teeth) | Hub width | Hub diameter | MATERIAL |
|---|-------------|--------------|---------|----------------|------------------|---------------|-----------|--------------|---|
| | | | B | E | F | C | A | | |
| | | | mm/inch | mm | mm | mm | mm | mm | page 209 |
| METRIC BORES | | | | | | | | | |
| NS831 21-25 | L0831604102 | 21 | 25 | 129.3 | 129.5 | 42.9 | 51.0 | 60 |  |
| NS831 21-30 | L0831604112 | 21 | 30 | | | | | | |
| NS831 21-35 | L0831604122 | 21 | 35 | | | | | | |
| NS831 21-40 | L0831604132 | 21 | 40 | | | | | | |
| NS831 21-45 | L0831604142 | 21 | 45 | | | | | | |
| NS831 23-25 | L0831604152 | 23 | 25 | 141.2 | 142.0 | 42.9 | 51.0 | | |
| NS831 23-30 | L0831604162 | 23 | 30 | | | | | | |
| NS831 23-35 | L0831604172 | 23 | 35 | | | | | | |
| NS831 23-40 | L0831604182 | 23 | 40 | | | | | | |
| NS831 23-45 | L0831604192 | 23 | 45 | | | | | | |
| NS831 25-25 | L0831604202 | 25 | 25 | 153.2 | 154.2 | 42.9 | 58.5 | | |
| NS831 25-30 | L0831604212 | 25 | 30 | | | | | | |
| NS831 25-35 | L0831604222 | 25 | 35 | | | | | | |
| NS831 25-40 | L0831604232 | 25 | 40 | | | | | | |
| NS831 25-45 | L0831604242 | 25 | 45 | | | | | | |
| INCH BORES | | | | | | | | | |
| NS831 21-1 | L0831604252 | 21 | 1.000" | 129.26 | 129.5 | 42.9 | 51.0 | 60 |  |
| NS831 25-1 | L0831604312 | 25 | 1.000" | 153.21 | 154.2 | 42.9 | 58.5 | | |
| <p>For plastic chain series: 820, 831, SH, SHD</p> <p>* Ask Customer service for minimum order quantity of sprockets with inch bores.</p> | | | | | | | | | |

SPROCKETS FOR TABLETOP CHAINS

| Sprocket type | Code nr. | Nr. of teeth | Bore | Pitch diameter | Outside diameter | Width (Teeth) | Hub width | Hub diameter | MATERIAL |
|---|-----------|--------------|---------|----------------|------------------|---------------|-----------|--------------|---|
| | | | B | E | F | | H | | |
| | | | mm/inch | mm | mm | mm | mm | mm | page 205 |
| SPLIT SPROCKETS, MACHINED - SS SH | | | | | | | | | |
| METRIC BORES | | | | | | | | | |
| SS SH 17-25 | 754.62.11 | 17 | 25 | 105.5 | 104.5 | 40 | 40 | -- |  |
| SS SH 17-30 | 754.62.21 | 17 | 30 | | | | | | |
| SS SH 17-35 | 754.62.31 | 17 | 35 | | | | | | |
| SS SH 17-40 | 754.62.41 | 17 | 40 | | | | | | |
| SS SH 19-25 | 754.62.12 | 19 | 25 | 117.3 | 116.3 | | | | |
| SS SH 19-30 | 754.62.22 | 19 | 30 | | | | | | |
| SS SH 19-35 | 754.62.32 | 19 | 35 | | | | | | |
| SS SH 19-40 | 754.62.42 | 19 | 40 | | | | | | |
| SS SH 19-50 | 754.62.62 | 19 | 50 | 129.3 | 130.0 | | | | |
| SS SH 21-25 | 754.62.13 | 21 | 25 | | | | | | |
| SS SH 21-30 | 754.62.23 | 21 | 30 | | | | | | |
| SS SH 21-35 | 754.62.33 | 21 | 35 | | | | | | |
| SS SH 21-40 | 754.62.43 | 21 | 40 | | | | | | |
| SS SH 21-50 | 754.62.63 | 21 | 50 | | | | | | |
| SS SH 23-25 | 754.62.14 | 23 | 25 | 141.2 | 141.9 | | | | |
| SS SH 23-30 | 754.62.24 | 23 | 30 | | | | | | |
| SS SH 23-35 | 754.62.34 | 23 | 35 | | | | | | |
| SS SH 23-40 | 754.62.44 | 23 | 40 | | | | | | |
| SS SH 23-50 | 754.62.64 | 23 | 50 | 153.2 | 153.9 | | | | |
| SS SH 25-25 | 754.62.15 | 25 | 25 | | | | | | |
| SS SH 25-30 | 754.62.25 | 25 | 30 | | | | | | |
| SS SH 25-35 | 754.62.35 | 25 | 35 | | | | | | |
| SS SH 25-40 | 754.62.45 | 25 | 40 | 165.2 | 165.9 | | | | |
| SS SH 25-50 | 754.62.65 | 25 | 50 | | | | | | |
| SS SH 27-25 | 754.62.16 | 27 | 25 | | | | | | |
| SS SH 27-30 | 754.62.26 | 27 | 30 | | | | | | |
| SS SH 27-35 | 754.62.36 | 27 | 35 | 165.2 | 165.9 | | | | |
| SS SH 27-40 | 754.62.46 | 27 | 40 | | | | | | |
| SS SH 27-50 | 754.62.66 | 27 | 50 | | | | | | |
| INCH BORES | | | | | | | | | |
| SS SH 21-1 | 754.66.12 | 21 | 1.000" | 129.3 | 130.0 | 40 | 40 | -- |  |
| SS SH 21-1 ³ / ₁₆ | 754.66.22 | 21 | 1.188" | | | | | | |
| SS SH 21-1 ¹ / ₄ | 754.66.32 | 21 | 1.250" | | | | | | |
| SS SH 21-1 ⁷ / ₁₆ | 754.66.42 | 21 | 1.438" | | | | | | |
| SS SH 21-1 ¹ / ₂ | 754.66.52 | 21 | 1.500" | | | | | | |
| SS SH 25-1 | 754.66.15 | 25 | 1.000" | 153.2 | 153.9 | | | | |
| SS SH 25-1 ³ / ₁₆ | 754.66.25 | 25 | 1.188" | | | | | | |
| SS SH 25-1 ¹ / ₄ | 754.66.35 | 25 | 1.250" | | | | | | |
| SS SH 25-1 ⁷ / ₁₆ | 754.66.45 | 25 | 1.438" | | | | | | |
| SS SH 25-1 ¹ / ₂ | 754.66.55 | 25 | 1.500" | | | | | | |
| For plastic chain series: 820, 831, SH, SHD | | | | | | | | | |

Split idlers are also available; all parameters are the same as for SS SH; just change in the code nr. 62 into 61 and 66 into 65.

SPROCKETS FOR TABLETOP CHAINS

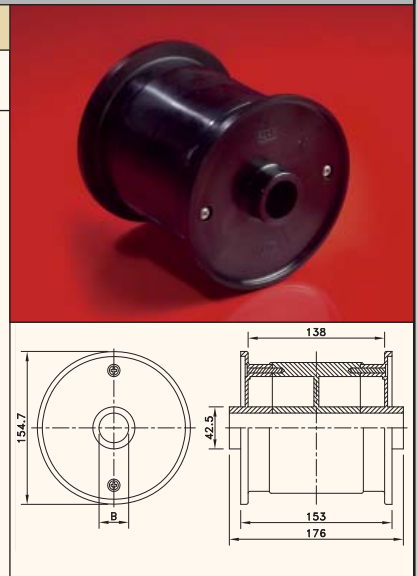
| Sprocket type | Code nr. | Nr. of teeth | Bore | Pitch diameter | Outside diameter | Width (Ring) | Hub width | Hub diameter | MATERIAL |
|---------------|----------|--------------|------|----------------|------------------|--------------|-----------|--------------|----------|
| | | | B | E | D | A | H | | |
| | | | mm | mm | mm | mm | mm | mm | page 209 |

CLASSIC IDLER DRUMS, INJECTION MOULDED - NXT 821

METRIC BORES

| | | | | | | | | |
|--------------|-------------|----|----|-------|-------|-------|-------|------|
| NXT821 25-30 | L0821661601 | 25 | 30 | 153.2 | 154.7 | 153.0 | 176.0 | 42.5 |
| NXT821 25-35 | L0821661611 | 25 | 35 | | | | | |

For plastic chain series: 821, SWH



SPLIT SPROCKETS INJECTION MOULDED - NSH 880

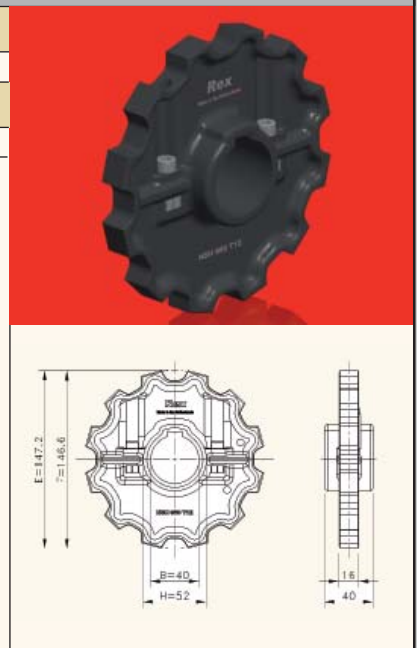
SPROCKETS, METRIC BORES

| | | | | | | | | |
|--------------|-----------|----|----|-------|-------|------|------|----|
| NSH880 12-40 | 751.90.02 | 12 | 40 | 147.2 | 147.4 | 15.9 | 58.5 | 60 |
|--------------|-----------|----|----|-------|-------|------|------|----|

SPROCKETS, INCH BORES

| | | | | | | | | |
|------------------|-----------|----|------|-------|-------|------|------|----|
| NSH880 12-1 1/2" | 751.90.05 | 12 | 1.5" | 147.2 | 147.4 | 15.9 | 58.5 | 60 |
|------------------|-----------|----|------|-------|-------|------|------|----|

For plastic chain series: 879, 880, RH, RHD, RHM, RHMD, RHMP, RHMDP, SHP

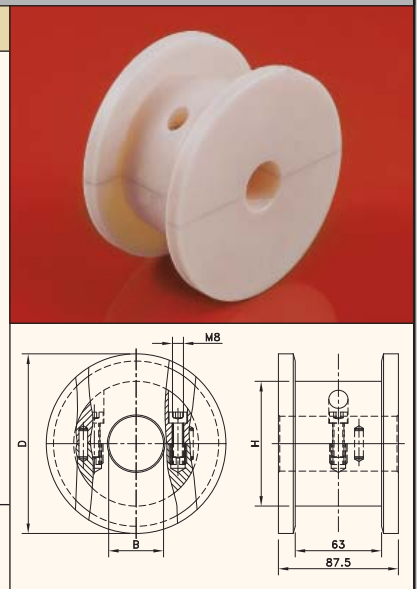


SPLIT IDLER DRUMS, MACHINED - SD RH


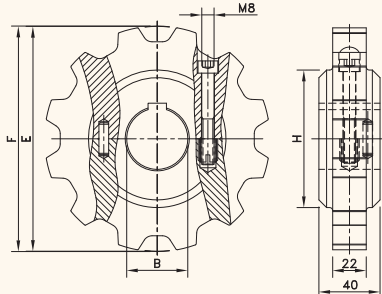

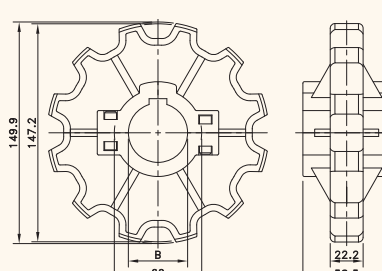
METRIC BORES

| | | | | | | | | |
|--------------|-----------|----|----|-------|-------|------|------|----|
| SD RH 131-25 | 754.10.62 | 10 | 25 | 123.3 | 131.0 | 87.5 | 87.5 | -- |
| SD RH 131-30 | 754.10.63 | 10 | 30 | | | | | |
| SD RH 131-35 | 754.10.64 | 10 | 35 | | | | | |
| SD RH 131-40 | 754.10.65 | 10 | 40 | | | | | |
| SD RH 131-50 | 754.10.66 | 10 | 50 | | | | | |
| SD RH 143-25 | 754.11.82 | 11 | 25 | 135.2 | 143.0 | 87.5 | 87.5 | -- |
| SD RH 143-30 | 754.11.83 | 11 | 30 | | | | | |
| SD RH 143-35 | 754.11.84 | 11 | 35 | | | | | |
| SD RH 143-40 | 754.11.85 | 11 | 40 | | | | | |
| SD RH 143-50 | 754.11.86 | 11 | 50 | 147.2 | 155.0 | 87.5 | 87.5 | -- |
| SD RH 155-25 | 754.13.02 | 12 | 25 | | | | | |
| SD RH 155-30 | 754.13.03 | 12 | 30 | | | | | |
| SD RH 155-35 | 754.13.04 | 12 | 35 | | | | | |
| SD RH 155-40 | 754.13.05 | 12 | 40 | | | | | |
| SD RH 155-50 | 754.13.06 | 12 | 50 | | | | | |

For plastic chain series: 879-TAB, 880-TAB, RH, RHD



SPROCKETS FOR TABLETOP CHAINS

| Sprocket type | Code nr. | Nr. of teeth | Bore | Pitch diameter | Outside diameter | Width (Teeth) | Hub width | Hub diameter | MATERIAL page 209 | | | |
|--|-------------|--------------|--------|----------------|------------------|---------------|-----------|--------------|---|--|--|--|
| | | | B | E | F | | H | | | | | |
| | | mm/inch | | mm | mm | mm | mm | mm | | | | |
| SPLIT SPROCKETS AND IDLERS, MACHINED - SS/SI HD | | | | | | | | | | | | |
| SPROCKETS, METRIC BORES | | | | | | | | | | | | |
| SS HD 11-25 | 754.63.71 | 11 | 25 | 135.2 | 135.4 | 22.0 | 40 | 90 |  | | | |
| SS HD 11-30 | 754.63.72 | 11 | 30 | | | | | | | | | |
| SS HD 11-35 | 754.63.73 | 11 | 35 | | | | | | | | | |
| SS HD 11-40 | 754.63.74 | 11 | 40 | | | | | | | | | |
| SS HD 11-50 | 754.63.75 | 11 | 50 | | | | | | | | | |
| SS HD 12-25 | 754.63.81 | 12 | 25 | 147.2 | 147.6 | 22.0 | 40 | 90 | | | | |
| SS HD 12-30 | 754.63.82 | 12 | 30 | | | | | | | | | |
| SS HD 12-35 | 754.63.83 | 12 | 35 | | | | | | | | | |
| SS HD 12-40 | 754.63.84 | 12 | 40 | | | | | | | | | |
| SS HD 12-50 | 754.63.85 | 12 | 50 | | | | | | | | | |
| SPROCKETS, INCH BORES | | | | | | | | | | | | |
| SS HD 11-1 | 754.63.76 | 11 | 1.000" | 135.2 | 135.4 | 22.0 | 40 | 90 |  | | | |
| SS HD 11-1 ³ / ₁₆ | 754.63.77 | 11 | 1.188" | | | | | | | | | |
| SS HD 11-1 ¹ / ₄ | 754.63.78 | 11 | 1.250" | | | | | | | | | |
| SS HD 11-1 ⁷ / ₁₆ | 754.63.79 | 11 | 1.438" | | | | | | | | | |
| SS HD 11-1 ¹ / ₂ | 754.63.80 | 11 | 1.500" | | | | | | | | | |
| SS HD 12-1 | 754.63.86 | 12 | 1.000" | 147.2 | 147.6 | 22.0 | 40 | 90 | | | | |
| SS HD 12-1 ³ / ₁₆ | 754.63.87 | 12 | 1.188" | | | | | | | | | |
| SS HD 12-1 ¹ / ₄ | 754.63.88 | 12 | 1.250" | | | | | | | | | |
| SS HD 12-1 ⁷ / ₁₆ | 754.63.89 | 12 | 1.438" | | | | | | | | | |
| SS HD 12-1 ¹ / ₂ | 754.63.90 | 12 | 1.500" | | | | | | | | | |
| IDLERS, METRIC BORES | | | | | | | | | | | | |
| SI HD 11-25 | 754.63.21 | 11 | 25 | 135.2 | 135.4 | 22.0 | 40 | 90 | | | | |
| SI HD 11-30 | 754.63.22 | 11 | 30 | | | | | | | | | |
| SI HD 11-35 | 754.63.23 | 11 | 35 | | | | | | | | | |
| SI HD 11-40 | 754.63.24 | 11 | 40 | | | | | | | | | |
| SI HD 11-50 | 754.63.25 | 11 | 50 | | | | | | | | | |
| SI HD 12-25 | 754.63.31 | 12 | 25 | 147.2 | 147.6 | 22.0 | 40 | 90 | | | | |
| SI HD 12-30 | 754.63.32 | 12 | 30 | | | | | | | | | |
| SI HD 12-35 | 754.63.33 | 12 | 35 | | | | | | | | | |
| SI HD 12-40 | 754.63.34 | 12 | 40 | | | | | | | | | |
| SI HD 12-50 | 754.63.35 | 12 | 50 | | | | | | | | | |
| For plastic chain series: 882, 883, HDF, HDFM, HDS | | | | | | | | | | | | |
| SPLIT SPROCKETS AND IDLERS, INJECTION MOULDED - NS(X) 882 | | | | | | | | | | | | |
| SPROCKETS, METRIC BORES | | | | | | | | | | | | |
| NS882 12-25 | L0882663551 | 12 | 25 | 147.2 | 149.9 | 22.2 | 58.5 | 60 |  | | | |
| NS882 12-30 | L0882663561 | 12 | 30 | | | | | | | | | |
| NS882 12-35 | L0882663571 | 12 | 35 | | | | | | | | | |
| NS882 12-40 | L0882663581 | 12 | 40 | | | | | | | | | |
| NS882 12-45 | L0882663591 | 12 | 45 | | | | | | | | | |
| SPROCKETS, INCH BORES* | | | | | | | | | | | | |
| NS882 12-1 | L0882663601 | 12 | 1.000" | 147.2 | 149.9 | 22.2 | 58.5 | 60 | | | | |
| NS882 12-1 ¹ / ₄ | L0882619072 | 12 | 1.250" | | | | | | | | | |
| NS882 12-1 ¹ / ₂ | L0882619082 | 12 | 1.500" | | | | | | | | | |
| IDLERS, METRIC BORES | | | | | | | | | | | | |
| NSX882 12-25 | L0882663641 | 12 | 25 | 147.2 | 149.9 | 22.2 | 58.5 | 60 |  | | | |
| NSX882 12-30 | L0882663651 | 12 | 30 | | | | | | | | | |
| NSX882 12-35 | L0882663661 | 12 | 35 | | | | | | | | | |
| NSX882 12-40 | L0882663671 | 12 | 40 | | | | | | | | | |
| For plastic chain series: 882, 883, HDF, HDFM, HDS | | | | | | | | | | | | |
| *Ask Customer service for minimum order quantity of NS882 sprockets with inch bores. | | | | | | | | | | | | |

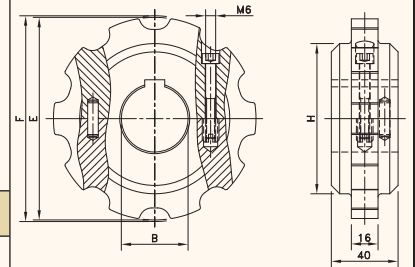
SPROCKETS FOR TABLETOP CHAINS

| Sprocket type | Code nr. | Nr. of teeth | Bore | Pitch diameter | Outside diameter | Width (Teeth) | Hub width | Hub diameter | MATERIAL |
|---------------|----------|--------------|---------|----------------|------------------|---------------|-----------|--------------|----------|
| | | | B | E | F | | H | | |
| | | | mm/inch | mm | mm | mm | mm | mm | page 209 |

SPLIT SPROCKETS AND IDLERS, MACHINED - SS/SI RH

SPROCKETS, METRIC BORES

| | | | | | | | | |
|-------------|-----------|----|----|-------|-------|------|------|----|
| SS RH 9-25 | 754.60.51 | 9 | 25 | 111.4 | 109.0 | 16.0 | 40.0 | 75 |
| SS RH 9-30 | 754.60.52 | 9 | 30 | | | | | |
| SS RH 9-35 | 754.60.53 | 9 | 35 | | | | | |
| SS RH 9-40 | 754.60.54 | 9 | 40 | | | | | |
| SS RH 10-25 | 754.60.61 | 10 | 25 | 123.3 | 121.4 | 16.0 | 40.0 | 90 |
| SS RH 10-30 | 754.60.62 | 10 | 30 | | | | | |
| SS RH 10-35 | 754.60.63 | 10 | 35 | | | | | |
| SS RH 10-40 | 754.60.64 | 10 | 40 | | | | | |
| SS RH 11-25 | 754.60.71 | 11 | 25 | 135.2 | 133.9 | 16.0 | 40.0 | 90 |
| SS RH 11-30 | 754.60.72 | 11 | 30 | | | | | |
| SS RH 11-35 | 754.60.73 | 11 | 35 | | | | | |
| SS RH 11-40 | 754.60.74 | 11 | 40 | | | | | |
| SS RH 12-25 | 754.60.81 | 12 | 25 | 147.2 | 145.8 | 16.0 | 40.0 | 90 |
| SS RH 12-30 | 754.60.82 | 12 | 30 | | | | | |
| SS RH 12-35 | 754.60.83 | 12 | 35 | | | | | |
| SS RH 12-40 | 754.60.84 | 12 | 40 | | | | | |



IDLERS, METRIC BORES

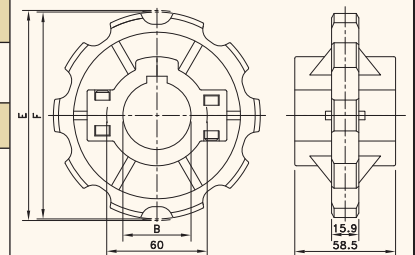
| | | | | | | | | |
|-------------|-----------|----|----|-------|-------|------|------|----|
| SI RH 9-25 | 754.60.01 | 9 | 25 | 111.4 | 109.0 | 16.0 | 40.0 | 75 |
| SI RH 9-30 | 754.60.02 | 9 | 30 | | | | | |
| SI RH 9-35 | 754.60.03 | 9 | 35 | | | | | |
| SI RH 9-40 | 754.60.04 | 9 | 40 | | | | | |
| SI RH 10-25 | 754.60.11 | 10 | 25 | 123.3 | 121.4 | 16.0 | 40.0 | 90 |
| SI RH 10-30 | 754.60.12 | 10 | 30 | | | | | |
| SI RH 10-35 | 754.60.13 | 10 | 35 | | | | | |
| SI RH 10-40 | 754.60.14 | 10 | 40 | | | | | |
| SI RH 11-25 | 754.60.21 | 11 | 25 | 135.2 | 133.9 | 16.0 | 40.0 | 90 |
| SI RH 11-30 | 754.60.22 | 11 | 30 | | | | | |
| SI RH 11-35 | 754.60.23 | 11 | 35 | | | | | |
| SI RH 11-40 | 754.60.24 | 11 | 40 | | | | | |
| SI RH 12-25 | 754.60.31 | 12 | 25 | 147.2 | 145.8 | 16.0 | 40.0 | 90 |
| SI RH 12-30 | 754.60.32 | 12 | 30 | | | | | |
| SI RH 12-35 | 754.60.33 | 12 | 35 | | | | | |
| SI RH 12-40 | 754.60.34 | 12 | 40 | | | | | |

For plastic chain series: 879, 880, RH, RHD, RHM, RHMD, RHMP, RHMDP, SHP

SPLIT SPROCKETS AND IDLERS, INJECTION MOULDED - NS(X) 880

SPROCKETS, METRIC BORES

| | | | | | | | | |
|-------------|-------------|----|----|-------|-------|------|------|----|
| NS880 10-25 | L0880662171 | 10 | 25 | 123.3 | 122.5 | 15.9 | 58.5 | 60 |
| NS880 10-30 | L0880662211 | 10 | 30 | | | | | |
| NS880 10-35 | L0880662251 | 10 | 35 | | | | | |
| NS880 10-40 | L0880662291 | 10 | 40 | | | | | |
| NS880 10-45 | L0880662331 | 10 | 45 | 147.2 | 147.4 | 15.9 | 58.5 | 60 |
| NS880 12-25 | L0880663151 | 12 | 25 | | | | | |
| NS880 12-30 | L0880663161 | 12 | 30 | | | | | |
| NS880 12-35 | L0880663171 | 12 | 35 | | | | | |
| NS880 12-40 | L0880663181 | 12 | 40 | 147.2 | 147.4 | 15.9 | 58.5 | 60 |
| NS880 12-45 | L0880663191 | 12 | 45 | | | | | |



SPROCKETS, INCH BORES

| | | | | | | | | |
|-------------|-------------|----|--------|-------|-------|------|------|----|
| NS880 12-1 | L0880663201 | 12 | 1.000" | 147.2 | 147.4 | 15.9 | 58.5 | 60 |
| NS880 12-1¼ | L0880663241 | 12 | 1.250" | | | | | |

IDLERS, METRIC BORES

| | | | | | | | | |
|--------------|-------------|----|----|-------|-------|------|------|----|
| NSX880 10-25 | L0880662401 | 10 | 25 | 123.3 | 122.5 | 15.9 | 58.5 | 60 |
| NSX880 10-30 | L0880662421 | 10 | 30 | | | | | |
| NSX880 10-35 | L0880662441 | 10 | 35 | | | | | |
| NSX880 10-40 | L0880619422 | 10 | 40 | | | | | |
| NSX880 12-25 | L0880604082 | 12 | 25 | 147.2 | 147.4 | 15.9 | 58.5 | 60 |
| NSX880 12-30 | L0880604092 | 12 | 30 | | | | | |
| NSX880 12-35 | L0880699811 | 12 | 35 | | | | | |
| NSX880 12-40 | L0880604602 | 12 | 40 | | | | | |

* Ask Customer service for minimum order quantity of NS880 sprockets with inch bores.

For plastic chain series: 879, 880, RH, RHD, RHM, RHMD, RHMP, RHMDP, SHP

SPROCKETS FOR TABLETOP CHAINS

| Sprocket type | Code nr. | Nr. of teeth | Bore | Pitch diameter | Outside diameter | Width (Teeth) | Hub width | Hub diameter | MATERIAL |
|---------------|----------|--------------|---------|----------------|------------------|---------------|-----------|--------------|----------|
| | | | B | E | F | | H | | |
| | | | mm/inch | mm | mm | mm | mm | mm | page 209 |

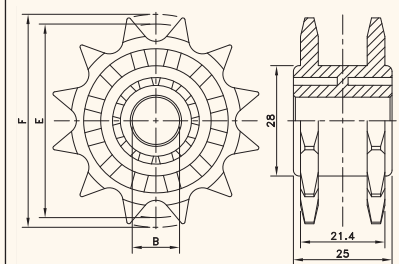
CLASSIC SPROCKET AND IDLER, INJECTION MOULDED - N(X) 1108

| SPROCKET, METRIC BORE | | | | | | | | |
|-----------------------|-------------|----|----|------|------|------|------|------|
| N1108 12-12 | L1108666211 | 12 | 12 | 49.1 | 54.0 | 21.4 | 25.0 | 28.0 |
| IDLER, METRIC BORE | | | | | | | | |
| NX1108 12-12 | L1108666231 | 12 | 12 | 49.1 | 54.0 | 21.4 | 25.0 | 28.0 |

For plastic chain series: 1108

The drive sprocket is fixed by mounting a pin radially through sprocket and shaft.

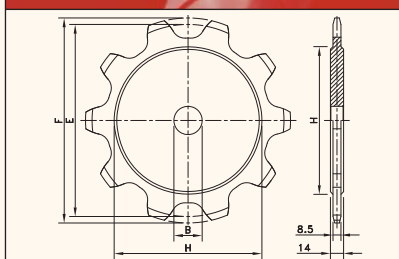
1108 plastic chains also run on standard $\frac{1}{2}$ " pitch roller chain sprockets that meet ANSI 40.



CLASSIC SPROCKETS - ST 1080

| METRIC PREBORES | | | | | | | | |
|-----------------|-------------|----|----|-------|-------|-----|------|-------|
| ST1080 08-30 | L1080668371 | 8 | 30 | 165.9 | 177.7 | 8.5 | 14.0 | 119.0 |
| ST1080 09-30 | L1080668381 | 9 | 30 | 185.7 | 198.5 | 8.5 | 14.0 | 136.0 |
| ST1080 10-30 | L1080668391 | 10 | 30 | 205.5 | 219.3 | 8.5 | 14.0 | 158.0 |
| ST1080 12-30 | L1080668401 | 12 | 30 | 245.4 | 260.5 | 8.5 | 14.0 | 200.0 |
| ST1080 14-30 | L1080668411 | 14 | 30 | 285.4 | 301.5 | 8.5 | 14.0 | 240.0 |

For plastic chain series: 1080



SPLIT SPROCKETS AND IDLERS, INJECTION MOULDED - SSW/SIW 1050

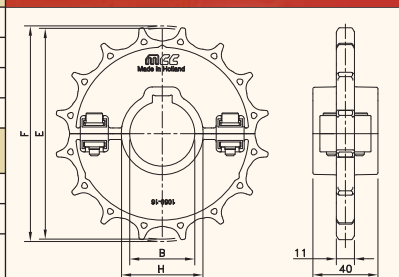
| SPROCKETS, METRIC BORES | | | | | | | | |
|-------------------------|-----------|----|----|-------|-------|------|------|------|
| SSW 1050 16-30 | 749.82.23 | 16 | 30 | 131.2 | 130.9 | 11.0 | 40.0 | 40.0 |
| SSW 1050 16-40 | 749.82.43 | 16 | 40 | 131.2 | 130.9 | 11.0 | 40.0 | 50.0 |
| SSW 1050 18-30 | 749.82.25 | 18 | 30 | 147.2 | 146.8 | 11.0 | 40.0 | 40.0 |
| SSW 1050 18-40 | 749.82.45 | 18 | 40 | 147.4 | 146.8 | 11.0 | 40.0 | 50.0 |

| SPROCKETS, INCH BORES | | | | | | | | |
|-----------------------------|-----------|----|--------|-------|-------|------|------|------|
| SSW 1050 16-1 $\frac{1}{2}$ | 749.86.53 | 16 | 1.500" | 131.2 | 130.9 | 11.0 | 40.0 | 48.1 |
| SSW 1050 18-1 $\frac{1}{2}$ | 749.86.55 | 18 | 1.500" | 147.4 | 146.8 | 11.0 | 40.0 | 48.1 |


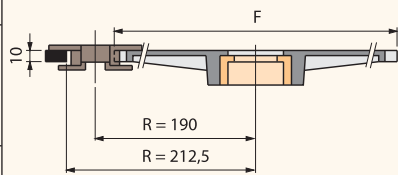
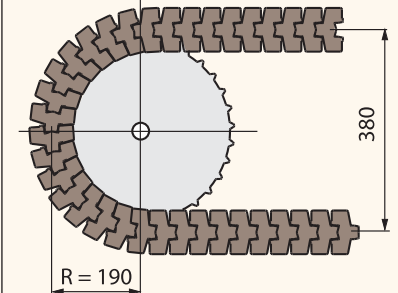
| IDLERS, METRIC BORES | | | | | | | | |
|----------------------|-----------|----|----|-------|-------|------|------|------|
| SIW 1050-16-30 | 749.81.23 | 16 | 30 | 131.2 | 130.9 | 11.0 | 40.0 | 40.0 |
| SIW 1050-16-40 | 749.81.43 | 16 | 40 | 131.2 | 130.9 | 11.0 | 40.0 | 50.0 |
| SIW 1050-18-30 | 749.81.25 | 18 | 30 | 147.4 | 146.8 | 11.0 | 40.0 | 40.0 |
| SIW 1050-18-40 | 749.81.45 | 18 | 40 | 147.4 | 146.8 | 11.0 | 40.0 | 50.0 |

| IDLERS, INCH BORES | | | | | | | | |
|-----------------------------|-----------|----|--------|-------|-------|------|------|------|
| SIW 1050-16-1 $\frac{1}{2}$ | 749.85.53 | 16 | 1.500" | 131.2 | 130.9 | 11.0 | 40.0 | 48.1 |
| SIW 1050-18-1 $\frac{1}{2}$ | 749.85.55 | 18 | 1.500" | 147.4 | 146.8 | 11.0 | 40.0 | 48.1 |

For plastic chain series: 1050, 1055, 1060



CORNER DISCS FOR TABLETOP CHAINS

| Corner disc type | Code nr. | Execution | Open/ closed | Pitch diameter chain | Outside diameter F | Weight | <div style="border: 1px solid black; padding: 2px;"> MATERIAL page 207 </div> |
|--|-------------|--------------|-----------------|----------------------------|--------------------------|--------|---|
| | | | | mm | mm | kg | |
| FOR PLASTIC SLATBAND TAB CHAINS 879BO, 880BO, 880BO F, HFP880BOT AND LBP879BO | | | | | | | |
| WITH 32 TEETH | | | | | | | |
| N880BOT32 | L0880684051 | drive | open | 380 | 352 | 0.98 |  |
| - clamping device not included (bore 50H7 mm) | | | | | | | |
| WITH 32 TEETH | | | | | | | |
| NX880BOT32 | L0880698581 | carry/return | closed | 380 | 352 | 0.98 |  |
| - inclusive 2x single race ball bearing 25x47x8 - contour symmetrical: no difference between carry and return corner disc - opened by breaking out diaphragm | | | | | | | |
| WITHOUT TEETH | | | | | | | |
| NXT880 BO | L0880632762 | carry/return | closed | 380 | 335 | 0.98 |  |
| - inclusive 2x single race ball bearing 25x47x8 - contour symmetrical: no difference between carry and return corner disc - opened by breaking out diaphragm | | | | | | | |

See page 74 for explanation.

MULTIFLEX AND CASE CONVEYOR CHAINS

The product program offers a wide range of Rexnord multiflex chains and MCC case conveyor chains. These chains are intended for single lane product handling in a variety of applications.

FEATURES

- Multiflex chains

These chains use a unique pivot to connect the hinge pin with the chain link. In standard sideflexing chains the pin and hinge have to deal with horizontal rotation, due to the sideflexing of the chain in the curve, and with vertical rotation of the hinge, when moving over the sprocket. The pivot uncouples these movements, as the hinge pin is only involved in the rotations because of the chain links moving over the sprocket. The pivot can rotate inside the chain link, allowing sideflexing in a curve. Due to the pivot, multiflex chains are ideally suitable for running through multiple curves.

- Armor Clad

The 1700 multiflex chains are also available with a hardened steel cover, the Armor Clad AC 1700 K. Because of this cover the chain is very suitable to convey parts with a high temperature that could damage a plastic chain surface. The steel cover gives the chain an excellent wear life, to make it suitable for part handling in automotive and similar applications.

- Safety

The ZeroGap 1765 and 2565 multiflex chain have a patented top plate design. The chain surface always stays closed when the chain is running through a curve or over a sprocket. Both chains are commonly used in packaging and automotive industry. The 1710 K and 1713 K multiflex chains also offer surfaces preventing people's fingers to be trapped if larger products have to be conveyed.

- Case conveyor chains

These chains have a very robust design, making them ideally suited for tough applications, such as case and crate handling. They are very open to deal with the often abrasive debris in these kinds of applications. The conveyor design for these chains can be very simple, resulting in a very economic solution for the sometimes very long distances empty or full crates and cases have to be conveyed in a production line.

- Pin design

Both Multiflex and Case Conveyor chains have chain links characterized by two legs. The pins have a special design to prevent opening up of these link legs. This results in a high allowable working load.

- Corner discs

For multiflex and some sideflexing slatband chains, corner discs can be used to reduce the friction in the curves, allowing a multitude of curves within one conveyor. The use of corner discs is mainly found in conveyors with low-speed part handling in dairy applications, automotive part handling, tobacco industry, etc.

The N880 drive corner disc with a toothed contour is used to drive the chain, integrating sprocket and curve function in the corner disc. This means that no return section for the chain is needed, making the conveyor design more simple and economic. In this kind of conveyor design however the amount of pitch elongation due to wear that can be absorbed is limited. The disc is mounted on the drive shafts by means of a clamping device, for which standard machine components can be used.

The carry disc is used in the upper part of the conveyor, contacting the chain in the normal position when it is conveying products. The return disc is used in the return part of the conveyor, contacting the chain when it is in the upside-down position.

The ball bearing types of corner discs are recommended for high-speed and high-load applications; ball bearings are not included. In all other applications corner discs with thermoplastic bushings can be used.

An open corner disc is mounted on the shaft which needs to run through the disc. A closed corner disc is mounted on top of the shaft. Some closed versions, such as 880BO, offer the ability to break out a diaphragm in the closing cap.



MULTIFLEX AND CASE CONVEYOR CHAINS

PROGRAMME

Multiflex and case conveyor chains are available in the following executions:

| REXNORD MULTIFLEX CHAINS | |
|--------------------------|---|
| 1765 | ZeroGap 50 mm pitch chain without gaps if sideflexing or running over a sprocket; low noise and long wear life |
| 2565 | ZeroGap 76 mm pitch chain without gaps if sideflexing; heavy duty execution in wear resistant polyamide |
| 1757 | 1.5" pitch chain with unique top plate design, ideal for extruded aluminum modular conveyor designs, commonly used for part handling applications; also available with rubber top |
| 1700 | Basic 50 mm pitch chain when using corner disks; available in 3 versions: standard, with tabs and with hardened steel top surface (AC1700K) |
| 1702 | Basic 50 mm pitch chain; bidirectional and FDA-approved for direct food contact |
| 1720 | 50 mm pitch chain for irregular cardboard containers; bidirectional and smooth edges |
| 1710 | 1700 Base chain with round top plates for a uniform and continuous surface, also in curves |
| 1713 | 1700 Base chain with wide top plates riveted to the chain; the links overlap even in tight corners, so there are no gaps causing safety issues |
| 1775 | 1775 Zerogap 1.5" pitch chain with unique zerogap plate design, ideal for critical product handling like delicate consumer packaging |
| MCC CASE CONVEYOR CHAINS | |
| CC 600 | Standard chain; available in straight running and sideflexing executions |
| CC 631 | Standard chain with higher links; available in sideflexing execution; can be supplied with pusher |
| CC 1400 | Reinforced chain; available in straight running and sideflexing executions |
| CC 1431 | Reinforced chain with higher links; available in sideflexing execution |

| CHAIN TYPE | APPLICATION | | | | | | | | |
|----------------------|--------------------------|---------------------------------|-------------------------------------|---------------|--------------------------|--------------------------|-------------------|-----------------|---------------|
| | Standard stable products | Small parts & unstable products | Large & heavy products (industrial) | Wide products | Bi-directional conveyors | Abrasive parts conveying | Incline conveyors | Crate conveying | Finger safety |
| 1700 | Best choice | | | | | Optional | | Optional | |
| AC 1700 | | | | | Best choice | | | | |
| 1702 | Best choice | | | | | Optional | | Optional | |
| 1710 | | | | Best choice | | | | | Optional |
| 1713 | | | | Best choice | | | | | Optional |
| 1720 | Optional | Best choice | | | Best choice | | | | |
| 1757 | Optional | Best choice | | Optional | | | Best choice | | |
| 1765 ZeroGap | Optional | Best choice | | | Best choice | Optional | | | Best choice |
| 1775 ZeroGap | Optional | Best choice | | | | | | | Best choice |
| 2565 | | | Best choice | | Best choice | Optional | | | Best choice |
| CC 600/631/1400/1431 | | | Optional | | | | Optional | Best choice | |

Best choice

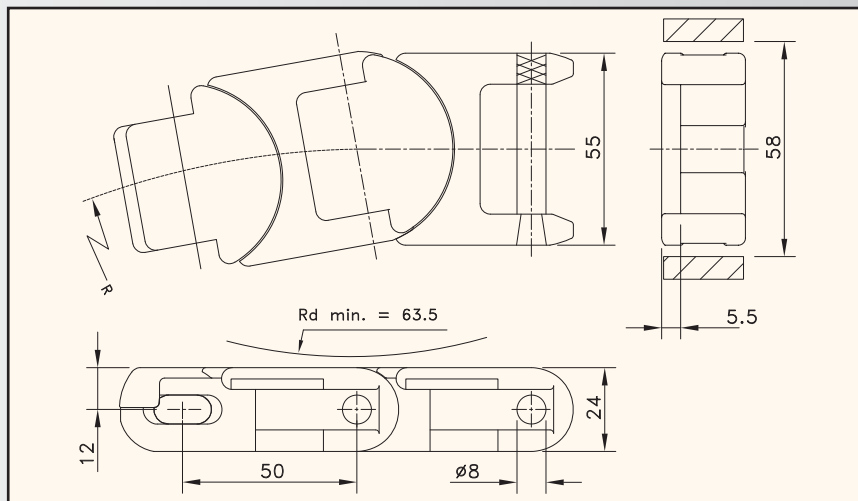
Optional

Tel. +32 (52) 750 430 www.bogaert-transmission.com

MULTIFLEX CHAINS



**1765
ZEROGAP™**



page 84

page 82, 83

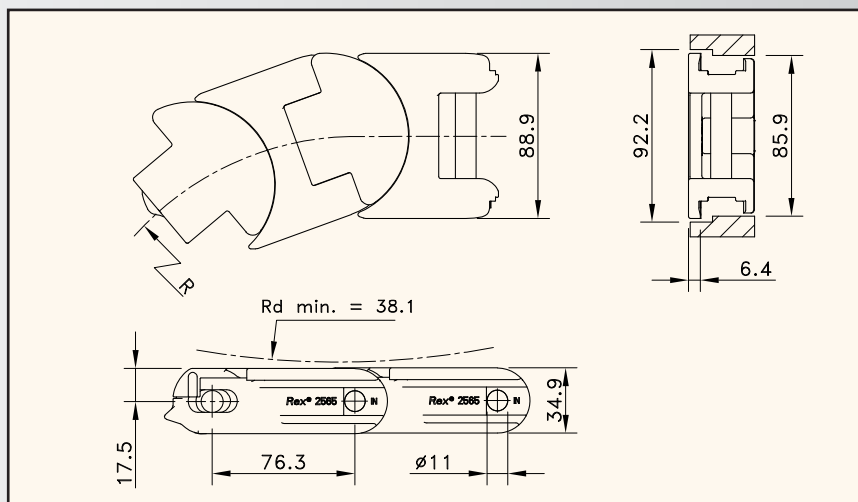
MATERIAL
page 207

| Chain type | Code nr. | Link width A | | Weight kg/m | Working load (max.) N (21°C) | Backflex radius (min.) mm | Sideflex radius (min.) mm |
|-------------------------------|-------------|--------------|------|----------------|------------------------------------|---------------------------------|---------------------------------|
| | | mm | inch | | | | |
| HP-ACETAL | | | | | | | |
| HP 1765 ZeroGap | L1765604062 | 55.0 | 2.17 | 1.46 | 2670 | 64 | 125 |
| WX-POLYAMIDE COMPOSITE | | | | | | | |
| WX 1765 ZeroGap | L1765654842 | 55.0 | 2.17 | 1.46 | 2670 | 64 | 125 |

Standard length: 3.05 m - 10 feet (61 links)



**2565
HEAVY DUTY**



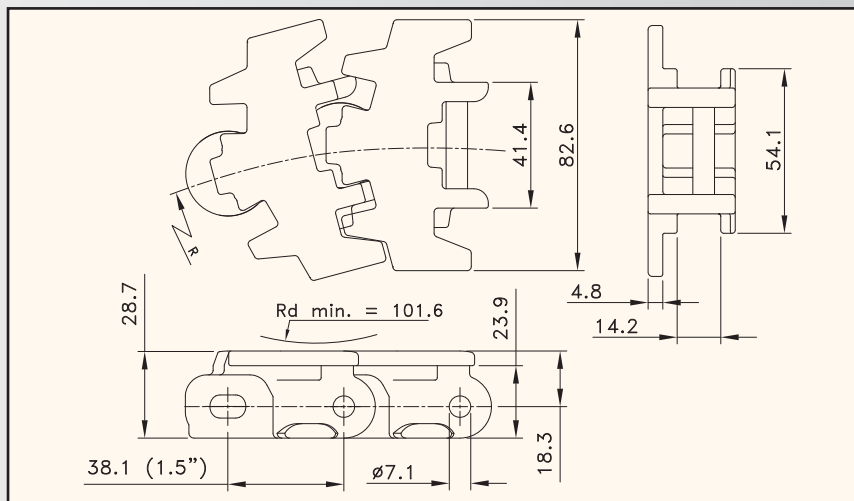
page 83

MATERIAL
page 207

| Chain type | Code nr. | Link width A | | Weight kg/m | Working load (max.) N (21°C) | Backflex radius (min.) mm | Sideflex radius (min.) mm |
|----------------------|----------|--------------|------|----------------|------------------------------------|---------------------------------|---------------------------------|
| | | mm | inch | | | | |
| BWX-POLYAMIDE | | | | | | | |
| BWX 2565 | 81432921 | 88.9 | 3.50 | 2.67 | 10675 | 89 | 241 |

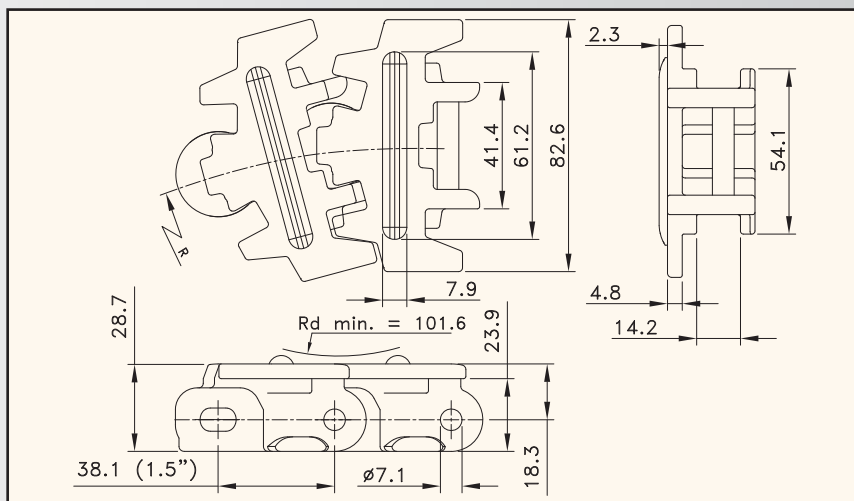
Standard length: 3.048 m - 10 feet (40 links)

MULTIFLEX CHAINS



| Chain type | Code nr. | Link width A | | Weight | Working load (max.) | Backflex radius (min.) | Sideflex radius (min.) |
|------------------|----------|--------------|------|--------|---------------------|------------------------|------------------------|
| | | mm | inch | | | | |
| LF-ACETAL | | | | | | | |
| LF 1757 TAB | 81400161 | 82.6 | 3.25 | 1.48 | 1735 | 102 | 152 |

Standard length: 3.048 m - 10 feet (80 links)



| Chain type | Code nr. | Link width A | | Weight | Working load (max.) | Backflex radius (min.) | Sideflex radius (min.) |
|------------------|----------|--------------|------|--------|---------------------|------------------------|------------------------|
| | | mm | inch | | | | |
| HP-ACETAL | | | | | | | |
| HPM 1757 TAB | 81421361 | 82.6 | 3.25 | 1.48 | 1735 | 102 | 152 |

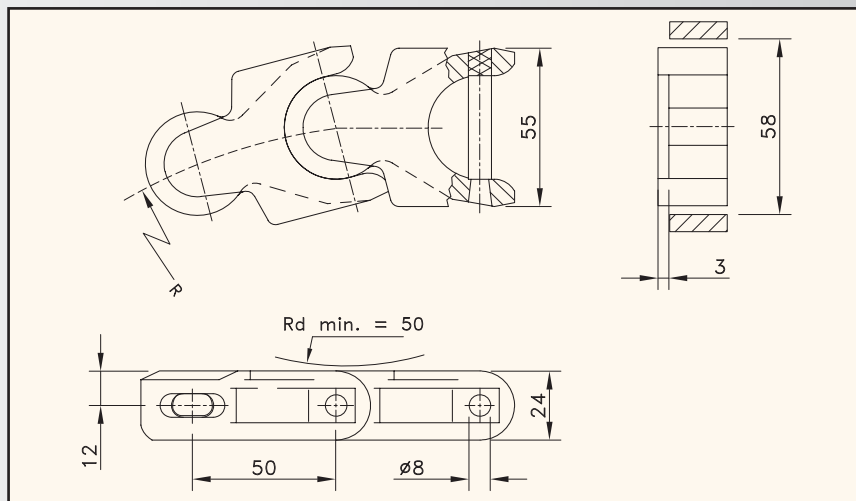
Standard length: 3.048 m - 10 feet (80 links)

*Ask Customer service for minimum order quantity of 1757 Chains.

MULTIFLEX CHAINS



1700 K



page 84



page 82, 83



MATERIAL

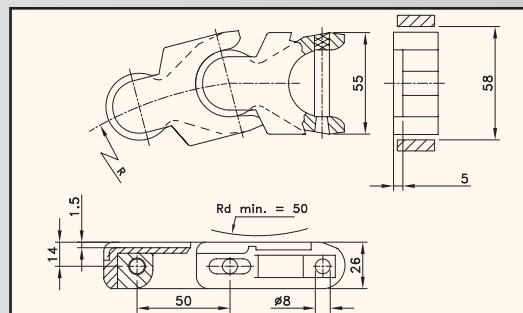
page 207

| Chain type | Code nr. | Link width A | | Weight kg/m | Working load (max.) N (21°C) | Backflex radius (min.) mm | Sideflex radius (min.) mm |
|---------------------------------------|-----------|--------------|------|----------------|------------------------------------|---------------------------------|---------------------------------|
| | | mm | inch | | | | |
| LF-ACETAL | | | | | | | |
| A 1700 K | L1700AK | 55.0 | 2.17 | 1.26 | 2670 | 38 | 140 |
| WLF-ACETAL | | | | | | | |
| WLF 1700 K | L1700WLFK | 55.0 | 2.17 | 1.26 | 2670 | 38 | 140 |
| HP-ACETAL | | | | | | | |
| HP 1700 K | L1700HPK | 55.0 | 2.17 | 1.26 | 2670 | 38 | 140 |
| ACETAL WITH HARDENED STEEL TOP PLATES | | | | | | | |
| AC 1700 K | L1700ACK | 55.0 | 2.17 | 60 | 2670 | 38 | 140 |

Standard length: 10 m - 32.8 feet (200 links)



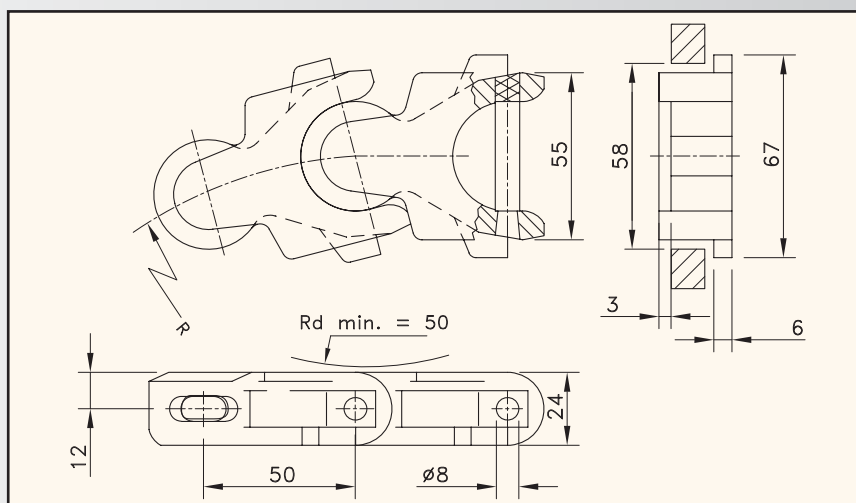
AC (ARMOR CLAD) EXECUTION



AC (ARMOR CLAD) EXECUTION



1700
TAB K



page 84



page 124



page 82, 83



MATERIAL

page 207

| Chain type | Code nr. | Link width A | | Weight kg/m | Working load (max.) N (21°C) | Backflex radius (min.) mm | Sideflex radius (min.) mm |
|----------------|---------------|--------------|------|----------------|------------------------------------|---------------------------------|---------------------------------|
| | | mm | inch | | | | |
| WLF-ACETAL | | | | | | | |
| WLF 1700 TAB K | L1700WLF TABK | 55.0 | 2.17 | 1.30 | 2670 | 38 | 140 |

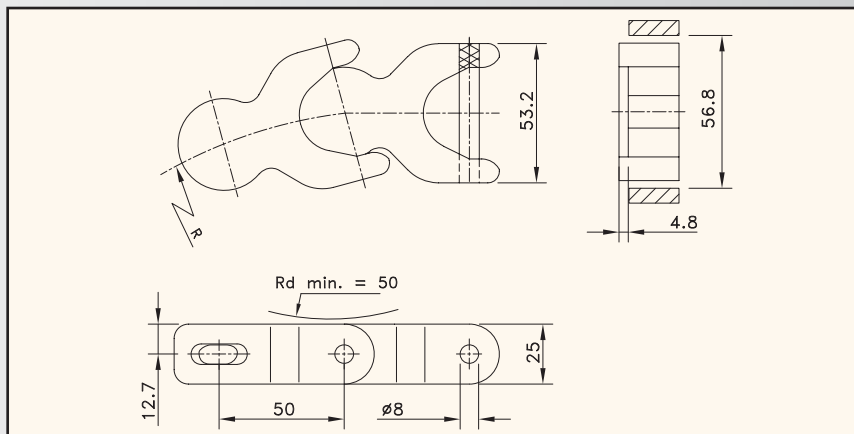
Standard length: 10 m - 32.8 feet (200 links)

Tel. +32 (52) 750 430 www.bogaert-transmission.com

MULTIFLEX CHAINS

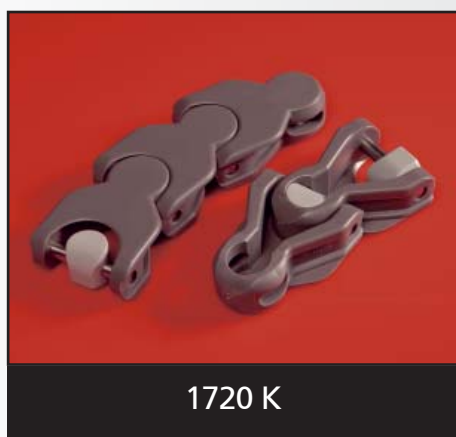


1702

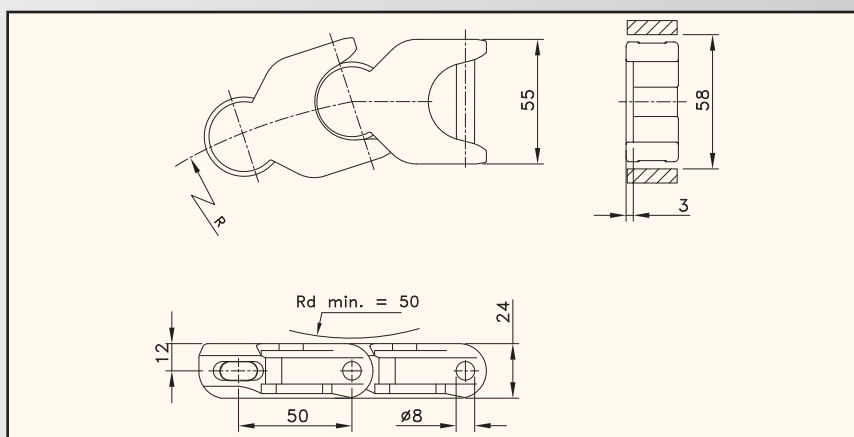


| Chain type | Code nr. | Link width A | | Weight kg/m | Working load (max.) N (21°C) | Backflex radius (min.) mm | Sideflex radius (min.) mm |
|------------|-------------|--------------|------|----------------|------------------------------------|---------------------------------|---------------------------------|
| | | mm | inch | | | | |
| WLF-ACETAL | | | | | | | |
| WLF 1702 | L1702698592 | 53.1 | 2.09 | 1.43 | 2670 | 38 | 140 |

Standard length: 3.05 m - 10 feet (61 links)



1720 K

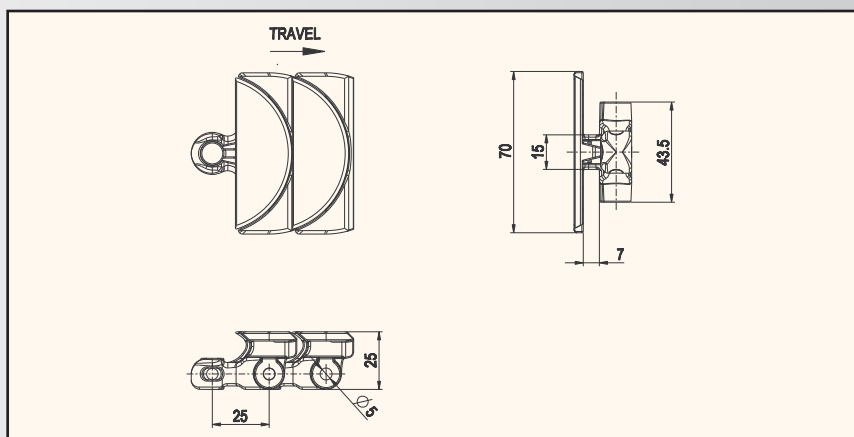


| Chain type | Code nr. | Link width A | | Weight kg/m | Working load (max.) N (21°C) | Backflex radius (min.) mm | Sideflex radius (min.) mm |
|------------|----------|--------------|------|----------------|------------------------------------|---------------------------------|---------------------------------|
| | | mm | inch | | | | |
| HP-ACETAL | | | | | | | |
| HP 1720 K | L1720HPK | 55.0 | 2.17 | 1.26 | 2600 | 50 | 140 |

Standard length: 10 m - 32.8 feet (200 links)



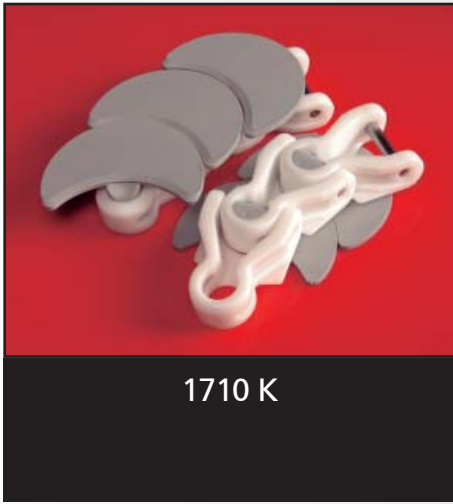
1775 ZERO GAP



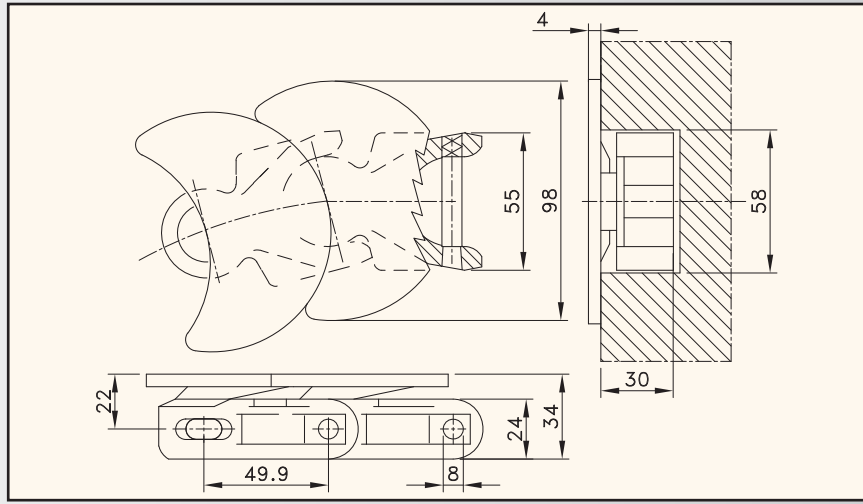
| Chain type | Code nr. | Link width A | | Weight kg/m | Working load (max.) N (21°C) | Backflex radius (min.) mm | Sideflex radius (min.) mm |
|------------|-------------|--------------|------|----------------|------------------------------------|---------------------------------|---------------------------------|
| | | mm | inch | | | | |
| HP-ACETAL | | | | | | | |
| HP® 1775 | L1775634993 | 70.0 | 2.76 | 1.05 | 1000 | 80 | 150 |

Standard length: 5 m - 16.4 ft (200 pitches) **Tel. +32 (52) 750 430 www.bogaert-transmission.com**

MULTIFLEX CHAINS



1710 K



page 84

page 82, 83

MATERIAL

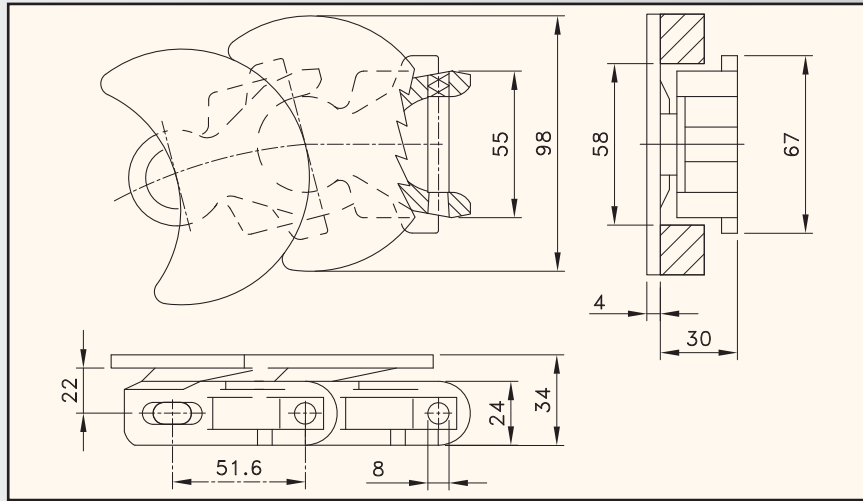
page 207

| Chain type | Code nr. | Link width A | | Weight | Working load (max.) | Backflex radius (min.) | Sideflex radius (min.) |
|------------|-----------|--------------|------|--------|---------------------|------------------------|------------------------|
| | | mm | inch | | | | |
| WLF-ACETAL | | | | | | | |
| WLF 1710 K | L1710WLFK | 98.0 | 3.86 | 1.88 | 2600 | 0 | 140 |

Standard length: 10 m - 32.8 feet (200 links). Top plate grey polyamide.



1710 TAB K



page 84

page 124

page 82, 83

MATERIAL

page 207

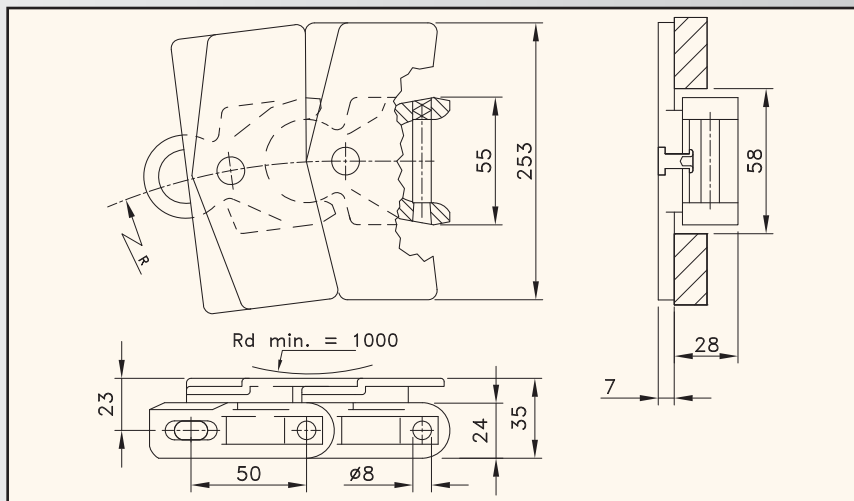
| Chain type | Code nr. | Link width A | | Weight | Working load (max.) | Backflex radius (min.) | Sideflex radius (min.) |
|----------------|--------------|--------------|------|--------|---------------------|------------------------|------------------------|
| | | mm | inch | | | | |
| WLF-ACETAL | | | | | | | |
| WLF 1710 TAB K | L1710WLFTABK | 98.0 | 3.86 | 1.93 | 2600 | 0 | 140 |

Standard length: 10 m - 32.8 feet (200 links). Top plate grey polyamide.

MULTIFLEX CHAINS



1713 K

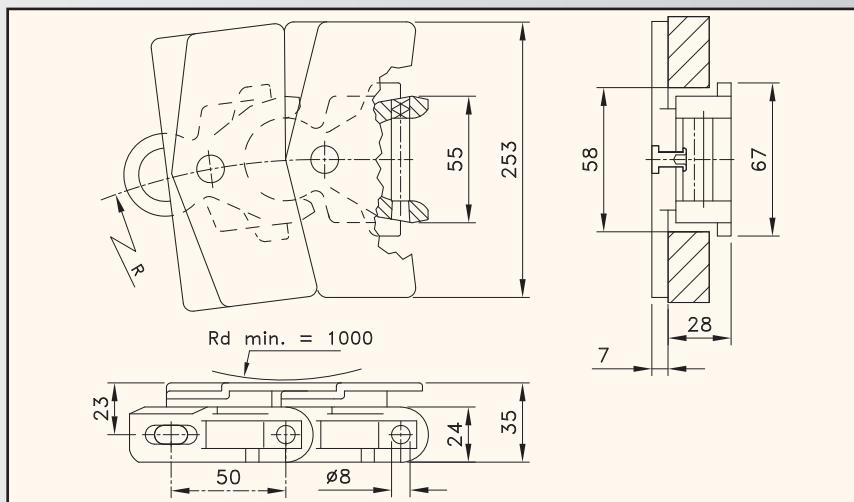


| Chain type | Code nr. | Link width A | | Weight | Working load (max.) | Backflex radius (min.) | Sideflex radius (min.) |
|-------------------|-----------|--------------|------|--------|---------------------|------------------------|------------------------|
| | | mm | inch | | | | |
| WLF-ACETAL | | | | | | | |
| WLF 1713 K | L1713WLFK | 253.0 | 9.96 | 2.70 | 2600 | 1000 | 500 |

Standard length: 10 m - 32.8 feet (200 links). Top plate white acetal.



1713 TAB K



| Chain type | Code nr. | Link width A | | Weight | Working load (max.) | Backflex radius (min.) | Sideflex radius (min.) |
|-------------------|---------------|--------------|------|--------|---------------------|------------------------|------------------------|
| | | mm | inch | | | | |
| WLF-ACETAL | | | | | | | |
| WLF 1713 TAB K | L1713WLF TABK | 253.0 | 9.96 | 2.75 | 2600 | 1000 | 500 |

Standard length: 10 m - 32.8 feet (200 links). Top plate white acetal.

SPROCKETS FOR MULTIFLEX CHAINS

| Sprocket type | Code nr. | Nr. of teeth | Bore | Pitch diameter | Outside diameter | Width (Teeth/Ring) | Hub width | Hub diameter | MATERIAL |
|---------------|----------|--------------|------|----------------|------------------|--------------------|-----------|--------------|----------|
| | | | B | E | F | mm | mm | mm | |

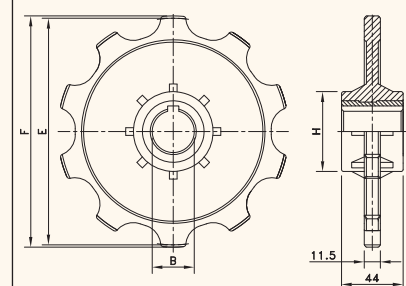
page 209

CLASSIC PLASTIC SPROCKETS, INJECTION MOULDED, BRASS HUB - N 1700

METRIC BORES

| | | | | | | | | |
|-------------|-------------|----|----|-------|-------|------|------|----|
| N1700 10-24 | L1700661391 | 10 | 24 | 161.8 | 165.1 | 11.1 | 44.0 | 57 |
| N1700 10-25 | L1700661381 | 10 | 25 | | | | | |
| N1700 10-30 | L1700661401 | 10 | 30 | | | | | |

For Multiflex chain series: 1700, 1702, 1710, 1713, 1720, 1765

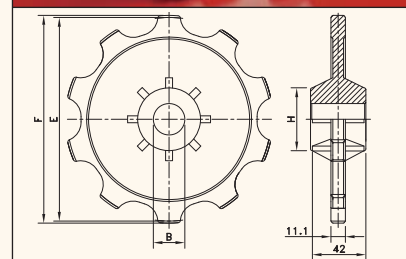


CLASSIC PLASTIC IDLER, INJECTION MOULDED - NX 1700

METRIC BORE

| | | | | | | | | |
|--------------|-------------|----|----|-------|-------|------|------|----|
| NX1700 10-25 | L1700661411 | 10 | 25 | 161.8 | 165.1 | 11.1 | 43.0 | 50 |
|--------------|-------------|----|----|-------|-------|------|------|----|

For Multiflex chain series: 1700, 1702, 1710, 1713, 1720, 1765

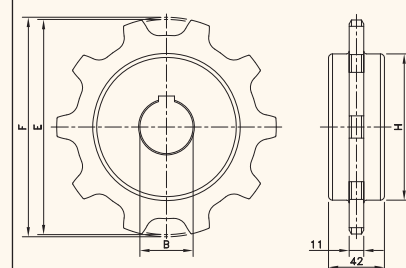


CLASSIC PLASTIC SPROCKETS, MACHINED - KU 1700

METRIC BORES

| | | | | | | | | |
|--------------|-------------|----|----|-------|-------|------|------|-----|
| KU1700 08-19 | L1700668341 | 8 | 19 | 130.7 | 132.8 | 11.1 | 42.0 | 79 |
| KU1700 08-25 | L1700613242 | 8 | 25 | | | | | |
| KU1700 08-30 | L1700630842 | 8 | 30 | | | | | |
| KU1700 10-19 | L1700668351 | 10 | 19 | 161.8 | 165.1 | 11.1 | 42.0 | 110 |
| KU1700 10-25 | L1700602806 | 10 | 25 | | | | | |
| KU1700 10-30 | L1700618392 | 10 | 30 | | | | | |
| KU1700 13-19 | L1700668361 | 13 | 19 | 209.0 | 215.2 | 11.1 | 42.0 | 158 |

For Multiflex chain series: 1700, 1702, 1710, 1713, 1720, 1765



SPROCKETS FOR MULTIFLEX CHAINS

| Sprocket type | Code nr. | Nr. of teeth | Bore | Pitch diameter | Outside diameter | Width (Teeth/Ring) | Hub width | Hub diameter | MATERIAL |
|---------------|----------|--------------|------|----------------|------------------|--------------------|-----------|--------------|----------|
| | | | B | E | F | mm | mm | mm | |

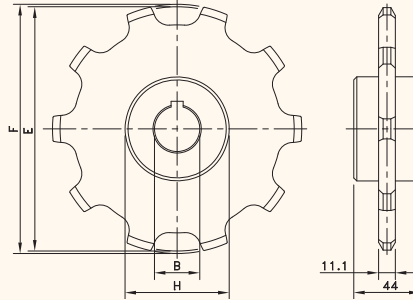
page 209

CLASSIC ZINC PLATED STEEL IDLERS - ZN 1700

METRIC BORES

| | | | | | | | | |
|--------------|-------------|----|----|-------|-------|------|------|------|
| ZN1700 10-20 | L1700661421 | 10 | 20 | 161.8 | 165.1 | 11.1 | 44.0 | 69.0 |
| ZN1700 12-20 | L1700661431 | 12 | 20 | 193.2 | 196.1 | | | |

For Multiflex chain series: 1700, 1702, 1710, 1713, 1720, 1765

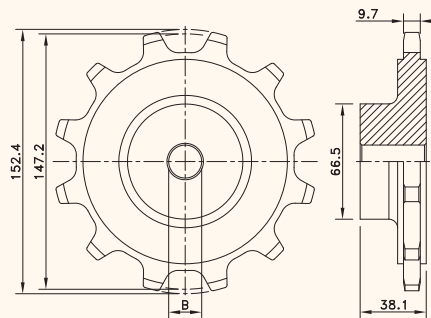


CLASSIC SEMI-STEEL SPROCKET, EXCENTERED HUB - GG 1757

INCH BORE

| | | | | | | | | |
|-----------------------|----------|----|--------|-------|-------|-----|------|------|
| GG1757 12-3/4 prebore | 414-36-2 | 12 | 0.750" | 147.2 | 152.4 | 9.7 | 38.1 | 66.5 |
|-----------------------|----------|----|--------|-------|-------|-----|------|------|

For Multiflex chain series: 1757

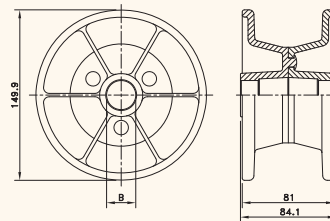


CLASSIC PLASTIC IDLER DRUM, INJECTION MOULDED - NXT 1757

METRIC BORE

| | | | | | | | | |
|---------------|----------|----|----|---|-------|----|------|------|
| NXT1757 10-25 | 614-35-1 | 10 | 25 | - | 149.9 | 81 | 84.1 | 38.1 |
|---------------|----------|----|----|---|-------|----|------|------|

For Multiflex chain series: 1757

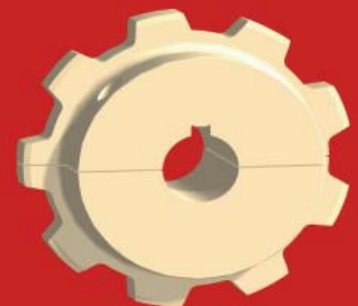
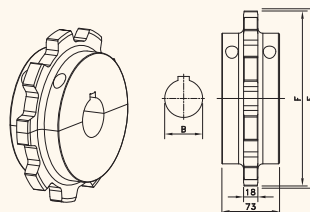


SPLIT PLASTIC SPROCKETS, INJECTION MOULDED - KUS 2500

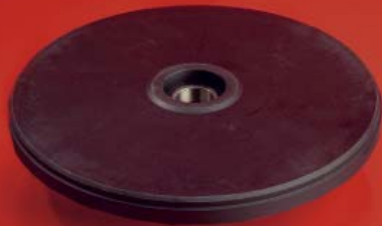
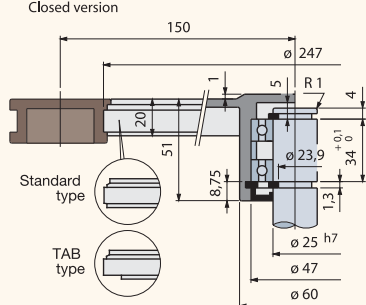


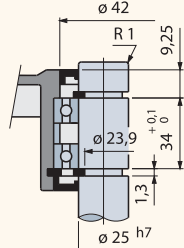
METRIC BORE

| | | | | | | | | |
|------------------|-----------|---|----|-------|-------|------|------|-------|
| KUS 2500 T09 R50 | 614-681-8 | 9 | 50 | 222.8 | 221.2 | 18.0 | 73.0 | 165.0 |
|------------------|-----------|---|----|-------|-------|------|------|-------|

For Multiflex chain series: 2565



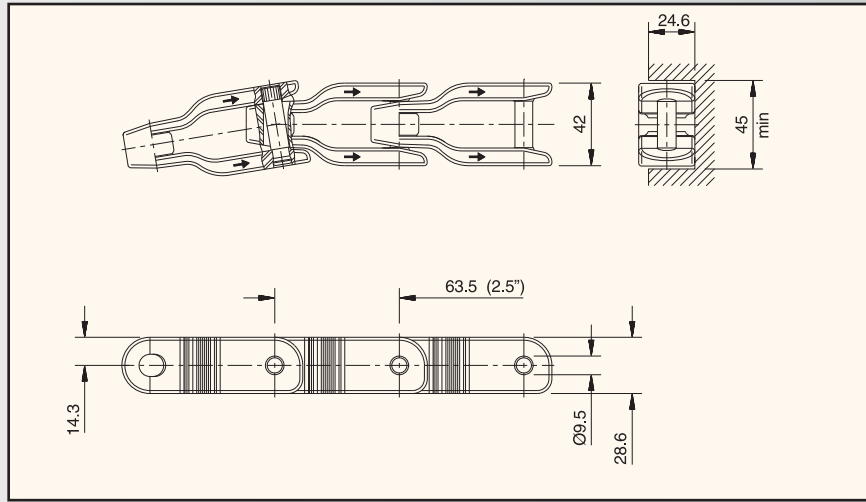
CORNER DISCS FOR MULTIFLEX CHAINS

| Corner disc type | Code nr. | Execution | Open/ closed | Pitch diameter chain | Outside diameter | Weight | <div style="border: 1px solid black; padding: 2px;"> MATERIAL page 207 </div> |
|---|-------------|-----------|-----------------|----------------------------|---------------------|--------|---|
| | | | | mm | mm | kg | |
| FOR PLASTIC MULTIFLEX CHAINS 1700 K, 1710 K, 1720 K AND 1765 ZEROGAP | | | | | | | |
| STANDARD | | | | | | | |
| ND1700BC-TR | L1700669701 | carry | closed | 300 | 247 | 0.70 |  |
| ND1700BO-TR | L1700669721 | carry | open | | | | |
| ND1700BC-RET | L1700669611 | return | closed | | | | |
| ND1700BO-RET | L1700669641 | return | open | | | | |
| - prepared for 2x single race ball bearing (25x47x12 mm) | | | | | | | |
| WITH 4 HOLES ON BOTTOM FOR PUSHERS | | | | | | | |
| ND1700-TR | L1700669561 | carry | open | 300 | 247 | 0.47 |  |
| ND1700-RET | L1700669591 | return | open | | | | |
| - plastic bushing diameter $\varnothing 25$ mm | | | | | | | |
| WITH FLANGES ($\varnothing 355$) | | | | | | | |
| ND1700FL-TR | L1700689461 | carry | open | 300 | 247 | 0.92 |  |
| ND1700FL-RET | L1700609602 | return | open | | | | |
| - plastic bushing diameter $\varnothing 25$ mm | | | | | | | |
| FOR PLASTIC MULTIFLEX CHAINS 1700 TAB K AND 1710 TAB K | | | | | | | |
| STANDARD | | | | | | | |
| ND1700TBC-TR | L1700669741 | carry | closed | 300 | 247 | 0.70 |  |
| ND1700TBO-TR | L1700669761 | carry | open | | | | |
| ND1700TBC-RET | L1700669661 | return | closed | | | | |
| ND1700TBO-RET | L1700669681 | return | open | | | | |
| - prepared for 2x single race ball bearing (25x47x12 mm) | | | | | | | |
| WITH 4 HOLES ON BOTTOM FOR PUSHERS | | | | | | | |
| ND1700T-TR | L1700669571 | carry | open | 300 | 247 | 0.47 |  |
| ND1700T-RET | L1700669601 | return | open | | | | |
| - plastic bushing diameter $\varnothing 25$ mm | | | | | | | |
| - holes $\varnothing 8.5$ mm | | | | | | | |

PLASTIC CASE CONVEYOR CHAINS

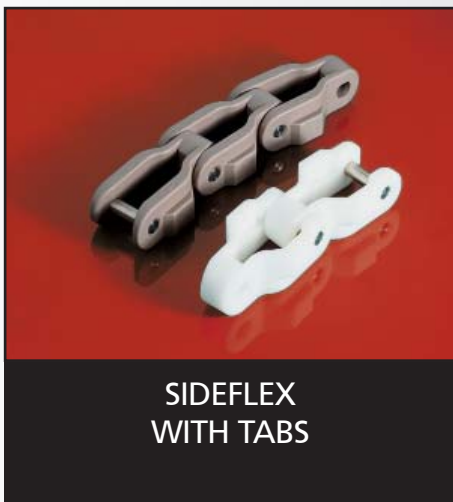


**STRAIGHT RUN
WITHOUT TABS**

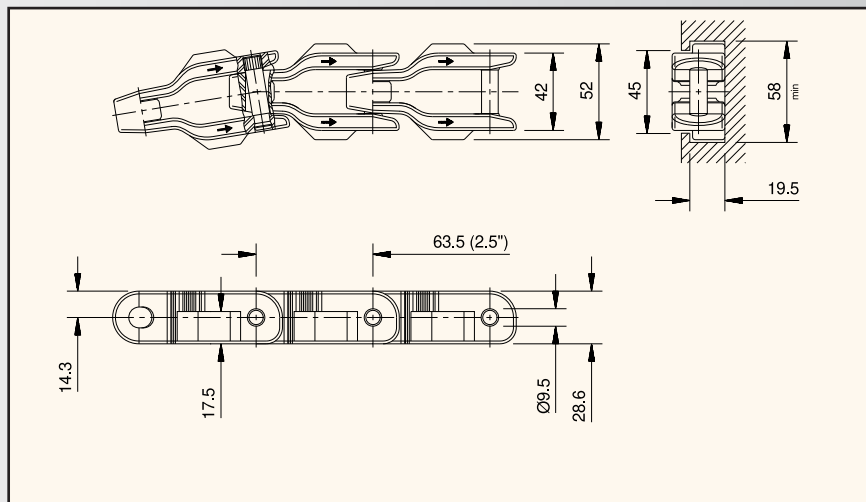


| Chain type | Code nr. | Link width | | Weight | Working load (max.) | Backflex radius (min.) | Sideflex radius (min.) |
|-------------------|-----------|------------|------|--------|---------------------|------------------------|------------------------|
| | | A | | | | | |
| | | mm | inch | kg/m | N (21°C) | mm | mm |
| XL-ACETAL | | | | | | | |
| CC 600 XL | 752.72.05 | 42.0 | 1.66 | 1.20 | 3950 | 50 | 457 |
| NC-ACETAL | | | | | | | |
| CC 600 NC | 752.75.05 | 42.0 | 1.66 | 1.20 | 3950 | 50 | 457 |
| WPP-POLYPROPYLENE | | | | | | | |
| CC 600 WPP | 752.77.05 | 42.0 | 1.66 | 1.00 | 1975 | 50 | 457 |

Standard length: 3.048 m - 10 feet (48 links)



**SIDEFLEX
WITH TABS**



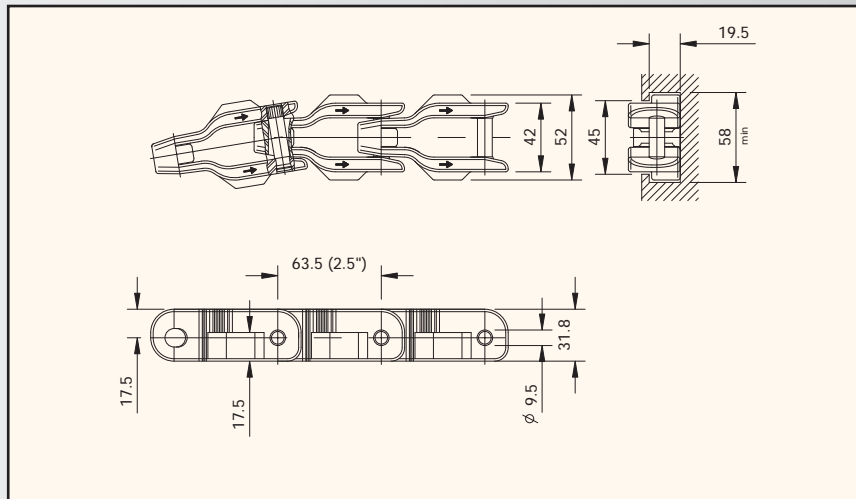
| Chain type | Code nr. | Link width | | Weight | Working load (max.) | Backflex radius (min.) | Sideflex radius (min.) |
|-------------------|-----------|------------|------|--------|---------------------|------------------------|------------------------|
| | | A | | | | | |
| | | mm | inch | kg/m | N (21°C) | mm | mm |
| XL-ACETAL | | | | | | | |
| CC 600 TXL | 752.72.04 | 42.0 | 1.66 | 1.25 | 3950 | 50 | 457 |
| NC-ACETAL | | | | | | | |
| CC 600 TNC | 752.75.04 | 42.0 | 1.66 | 1.25 | 3950 | 50 | 457 |
| WPP-POLYPROPYLENE | | | | | | | |
| CC 600 TWPP | 752.77.04 | 42.0 | 1.66 | 1.03 | 1975 | 50 | 457 |

Standard length: 3.048 m - 10 feet (48 links)

PLASTIC CASE CONVEYOR CHAINS



**SIDEFLEX
WITH TABS
WITH HIGHER LINK**



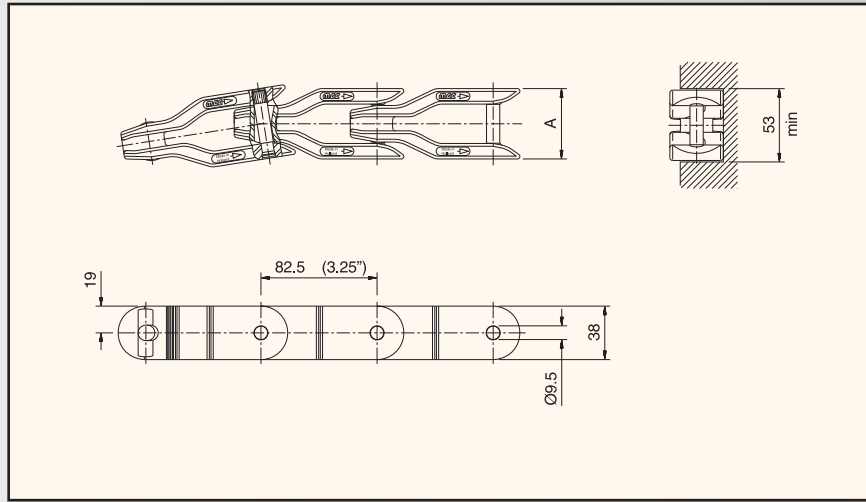
| Chain type | Code nr. | Link width | | Weight | Working load (max.) | Backflex radius (min.) | Sideflex radius (min.) |
|------------|-----------|------------|------|--------|---------------------|------------------------|------------------------|
| | | A | | | | | |
| | | mm | inch | kg/m | N (21°C) | mm | mm |
| XL-ACETAL | | | | | | | |
| CC 631 TXL | 752.42.04 | 42.0 | 1.66 | 1.35 | 3950 | 50 | 457 |
| NC-ACETAL | | | | | | | |
| CC 631 TNC | 752.45.04 | 42.0 | 1.66 | 1.35 | 3950 | 50 | 457 |

Standard length: 3.048 m - 10 feet (48 links)

PLASTIC CASE CONVEYOR CHAINS



**STRAIGHT RUN
REINFORCED
WITHOUT TABS**

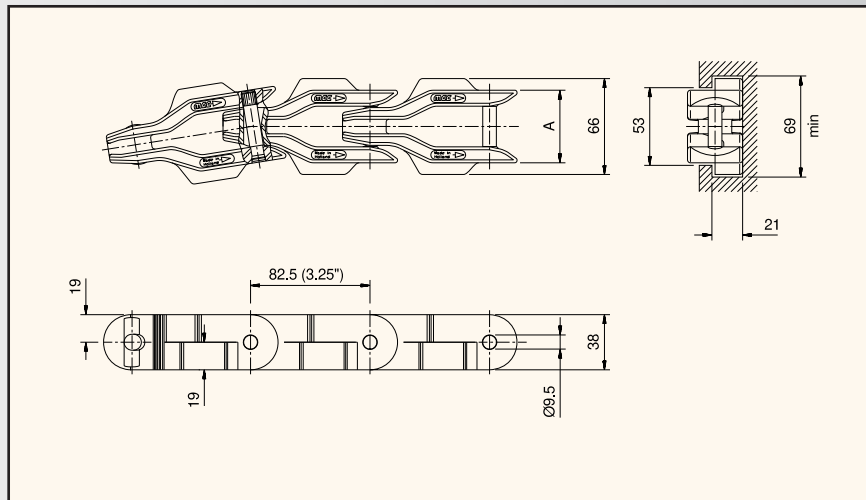


| Chain type | Code nr. | Link width | | Weight | Working load (max.) | Backflex radius (min.) | Sideflex radius (min.) |
|------------------|-----------|------------|------|--------|---------------------|------------------------|------------------------|
| | | A | | | | | |
| | | mm | inch | kg/m | N (21°C) | mm | mm |
| XL-ACETAL | | | | | | | |
| CC 1400 XL | 752.32.05 | 50.0 | 1.97 | 1.70 | 6500 | 50 | 660 |
| NC-ACETAL | | | | | | | |
| CC 1400 NC | 752.35.05 | 50.0 | 1.97 | 1.70 | 6500 | 50 | 660 |

Standard length: 3.053 m - 10 feet (37 links)



**SIDEFLEX
REINFORCED
WITH TABS**



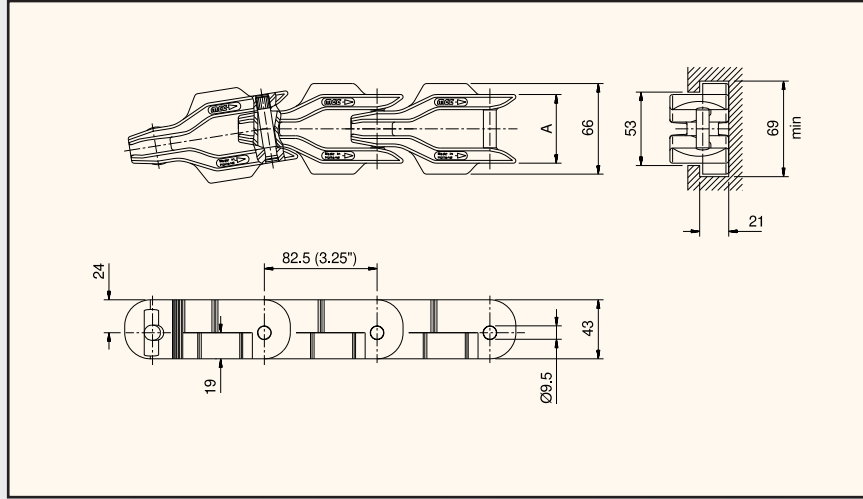
| Chain type | Code nr. | Link width | | Weight | Working load (max.) | Backflex radius (min.) | Sideflex radius (min.) |
|------------------|-----------|------------|------|--------|---------------------|------------------------|------------------------|
| | | A | | | | | |
| | | mm | inch | kg/m | N (21°C) | mm | mm |
| XL-ACETAL | | | | | | | |
| CC 1400 TXL | 752.32.04 | 50.0 | 1.97 | 1.75 | 6500 | 50 | 660 |
| NC-ACETAL | | | | | | | |
| CC 1400 TNC | 752.35.04 | 50.0 | 1.97 | 1.75 | 6500 | 50 | 660 |

Standard length: 3.053 m - 10 feet (37 links)

PLASTIC CASE CONVEYOR CHAINS



**SIDEFLEX
REINFORCED
WITH TABS WITH HIGHER LINK**



| Chain type | Code nr. | Link width | | Weight | Working load (max.) | Backflex radius (min.) | Sideflex radius (min.) |
|-------------|-----------|------------|------|--------|---------------------|------------------------|------------------------|
| | | A | A | | | | |
| | | mm | inch | kg/m | N (21°C) | mm | mm |
| XL-ACETAL | | | | | | | |
| CC 1431 TXL | 752.92.04 | 50.0 | 1.97 | 2.02 | 6500 | 50 | 660 |
| NC-ACETAL | | | | | | | |
| CC 1431 TNC | 752.95.04 | 50.0 | 1.97 | 2.02 | 6500 | 50 | 660 |

Standard length: 3.053 m - 10 feet (37 links)

* Ask customer service for minimum order quantity of CC1431 TBL chains.



SPROCKETS FOR CASE CONVEYOR CHAINS

| Type | Code nr. | Nr. of teeth | Bore | | Pitch diameter | | Outside diameter | | Hub width | | MATERIAL page 209 |
|---|-------------|--------------|------|-------|----------------|----|------------------|----|-----------|---|----------------------|
| | | | B | E | E | F | A | A | | | |
| | | | mm | mm | mm | mm | mm | mm | mm | | |
| SEMI-SPLIT SPROCKETS FOR CC600/631 | | | | | | | | | | | |
| SPROCKET RING SET | | | | | | | | | | | |
| SR CC600 10 | 753.83.62 | 10 | - | 205.5 | 209.4 | - | - | - | - | - | |
| SR CC600 14 | 753.83.65 | 14 | - | 285.4 | 289.8 | - | - | - | - | - | |
| CARBON STEEL HUB | | | | | | | | | | | |
| CH CC-C 24 | 753.78.62 | - | 24 | - | - | - | - | - | 50 | | |
| STAINLESS STEEL HUB | | | | | | | | | | | |
| CH CC-S 24 | 753.78.61 | - | 24 | - | - | - | - | - | 50 | | |
| The split sprocket rings and unsplit hubs are supplied separately, so that the hub doesn't need to be replaced in case of wear of the sprocket rings. | | | | | | | | | | | |
| CLASSIC SPROCKETS FOR CC600/631 | | | | | | | | | | | |
| METRIC BORES | | | | | | | | | | | |
| KU 600 06-20 | L0600699111 | 6 | 20 | 127.0 | 128.0 | 50 | | | | | |
| KU 600 08-20 | L0600604046 | 8 | 20 | 165.9 | 177.7 | | | | | | |
| KU 600 10-20 | L0600605916 | 10 | 20 | 205.5 | 219.3 | | | | | | |
| SEMI-SPLIT SPROCKETS FOR CC1400/1431 | | | | | | | | | | | |
| SPROCKET RING SET | | | | | | | | | | | |
| SR CC1400 10 | 753.83.42 | 10 | - | 267.0 | 278.4 | - | - | - | - | - | |
| CARBON STEEL HUB | | | | | | | | | | | |
| CH CC-C 24 | 753.78.62 | - | 24 | - | - | - | - | - | 50 | | |
| STAINLESS STEEL HUB | | | | | | | | | | | |
| CH CC-S 24 | 753.78.61 | - | 24 | - | - | - | - | - | 50 | | |
| The split sprocket rings and unsplit hubs are supplied separately, so that the hub doesn't need to be replaced in case of wear of the sprocket rings. | | | | | | | | | | | |

PLATE TOP AND GRIPPER CHAINS

Rexnord has a wide variety of Plate Top and Gripper chains. The roller chain based Plate Top is developed for greater loading capacity and permits even higher speeds and longer runs than slatband chains. The roller based Gripper is perfect for product elevating, lowering, rinsing, sterilizing and inverting, by means of soft rubber gripper elements. The base chain is made of steel or stainless steel.

FEATURES

- Plate Top chains

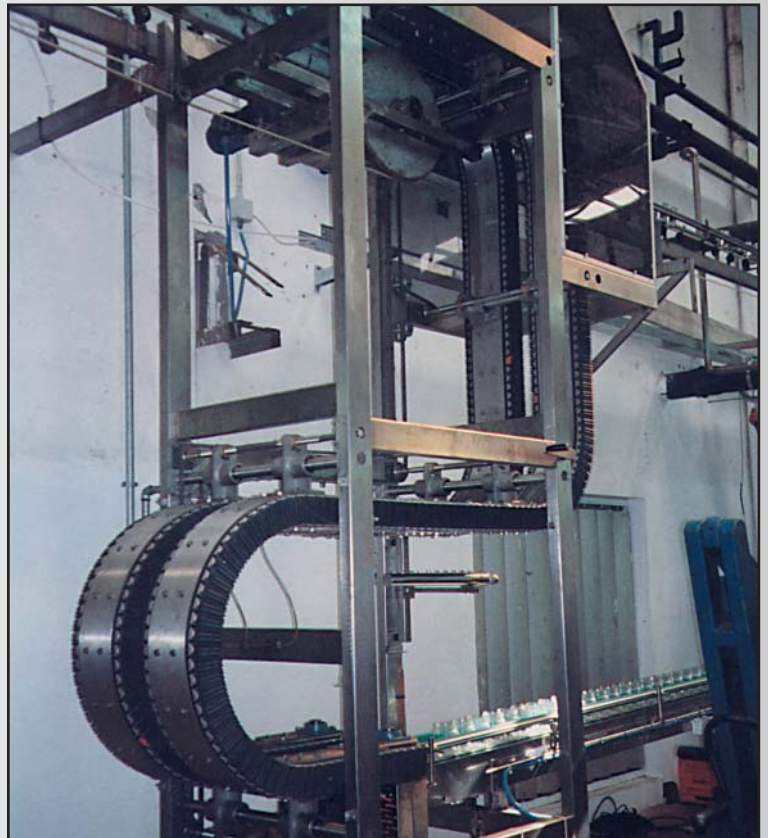
These chains permit a huge loading capacity, higher speeds and longer runs with a single drive. The straight running 843- and the 1843-series have a roller base chain ANSI 40. The 12.7 mm small pitch reduces the sagging effect and permits the use of smaller sprockets. They are recommended for step by step positioning.

The straight running 1864- and 963-series have a roller base chain ANSI 60. The sideflexing 1874-, 1873-, and 3873-series have a roller base chain Side Bow ANSI 63 SB. They are also very suitable for step by step positioning.

Plate Top chains fitted with steel top plates are designed for abrasive and heavy duty or high-temperature conditions. 963-, 1873-, and 3873-series, with "snap-on" plastic top plates combine the benefits of a plastic conveying surface with those of a precision roller base chain: less slip-stick, high working load and accurate positioning; the replaceable top plates are clipped on to the protruding pins.

- Gripper chains

Main applications of Plate Top Gripper chains can be found in glass works. However, they can be used in various other situations, such as crate handling and can manufacturing. Typical Gripper solutions are omegas for easy crossing of production lines, all lifting and lowering with Gripper chain elevators. The grippers are provided in 2- or 3-finger grippers for smaller products and in D-type Grippers for other applications.



- Connection links

All roller based chains are supplied in 10 ft sections and provided with a connection link, so that the chains can be coupled very easily.

- Sprockets

Plate Top chains don't require special sprockets. Standard ANSI 40 and 60 sprockets will fit; therefore they are not part of Rexnord's standard offering.

PLATE TOP AND GRIPPER CHAINS

PROGRAMME

| PLATE TOP | |
|--|--|
| 1864 | Straight running chains with steel top plates, suitable for heavy loads, long distances and high speeds. The chain consists of a base roller chain with welded on top plates in various steel alloys. The gap between the plates is 1.6 mm wide |
| 963 | Straight running chains with plastic overlapping top plates, therefore a uni-directional travel. The continuous surface facilitates stability and eases operations with unstable products |
| 843 | Straight running chains with plastic overlapping top plates, clipped on the protruding pins. Uni-directional travel |
| 1843 TAB | Sideflexing tab chains with plastic top plates. Same construction as 843 |
| 1874 TAB | Sideflexing chains with steel "snap-on" top plates to form a continuous flat conveying surface. Hold-down tabs provide positive retention in curves and inclines. They will be used in abrasive and heavy duty or high-temperature conditions |
| 1873 TAB | Sideflexing chains with plastic top plates; bi-directional travel. Also available with a rubber, anti-slip insert for inclined conveying up to 25°. The TAB guides permit to continue either from an inclined run to a plain one or vice versa |
| 3873 TAB | Sideflexing chains with plastic top plates for a continuous surface, even in tight radius. Perfect for transport of trays. |
| | The Polycarbonate top plates are extreme resistant against impact |
| GRIPPER | |
| 1874 TAB | Fitted with steel top plates for abrasive or high-temperature conditions. The base is a standard roller chain Side Bow ANSI 63 SB. The gripper elements are available as GD (smooth pad) and GJ (grooved pad); as clipped on they are easily replaceable. The clip for the TAB guide is riveted on the top plate. The heavy duty execution can handle higher loads, resulting in an increased tensile strength by 15%, and permits reduced stretching during operation. The heavy duty design of the top plates implies that guide and top plate are a single unit |
| 1843 TAB | Fitted with thermoplastic top plates for a quieter and smoother operation; these mini-gripper chains enable reduction of plant weight, increase of conveying speed and dry service. The base is a standard roller chain Side Bow ANSI 43 SB. The clipped on gripper elements are available as GD (smooth pad) and GJ (grooved pad). These chains are specially suited for conveying ampoules, test tubes and other minute products, such as small industrial components |
| 1873 TAB | Fitted with thermoplastic top plates for a quieter and smoother operation, enabling reduction of plant weight, increase of conveying speed and dry service. The base chain is a standard roller chain Side Bow ANSI 63 SB. GSD/GS2J/GS3J grippers are clipped on for easy replacement, GDB/GJB grippers are resistant to bending and GJM grippers are integrated in the top plate, ideal for packaging applications |
| The chain description consists of respectively the material, type, a K number for the plate width in inches, a G for grippers and a code indicating the gripper execution: D for D-style grippers, providing a smooth pad or flat surface; J for grooved path, in some cases combined with the number of gripper fingers per link. Finally S means a special rubber gripper assembly system, resistant to bending. M stands for an integrated gripper, moulded into the top plate, ideal for packaging applications. | |

| PLATE TOP CHAIN TYPE | APPLICATION | | | | | | | | | |
|------------------------|------------------------|------------------------|---------------------------|---------------------------|------------------------|------------------------|---------------------------|---------------------------|------------------|--|
| | Clean, dry, light duty | Clean, wet, light duty | Abrasive, dry, light duty | Abrasive, wet, light duty | Clean, dry, heavy duty | Clean, wet, heavy duty | Abrasive, dry, heavy duty | Abrasive, wet, heavy duty | Incline conveyor | |
| 1864 | | | | | | | | | | |
| 1864 SS | | | | | | | | | | |
| 963 | | | | | | | | | | |
| 843 | | | | | | | | | | |
| 1843 TAB | | | | | | | | | | |
| 1874 TAB | | | | | | | | | | |
| 1873 TAB, LF top plate | | | | | | | | | | |
| 1873 TAB, WX top plate | | | | | | | | | | |
| 3873 TAB | | | | | | | | | | |
| HFP 1873 TAB | | | | | | | | | | |

| GRIPPER CHAIN TYPE | APPLICATION | | | | | | | |
|--|------------------------------|-----------------------------|------------------------------|-----------------------------|---------------------------------|-----------------------------|--------------------------------------|--|
| | Small empty product elevator | Small full product elevator | Large empty product elevator | Large full product elevator | High load, abrasive application | Rinser application, ambient | Rinser application, high temperature | |
| 1874 TAB, stainless steel top plate | | | | | | | | |
| 1874 TAB HD, stainless steel top plate | | | | | | | | |
| 1843 TAB, LF top plate | | | | | | | | |
| 1873 TAB, HP top plate | | | | | | | | |
| 1873 TAB, LF top plate | | | | | | | | |

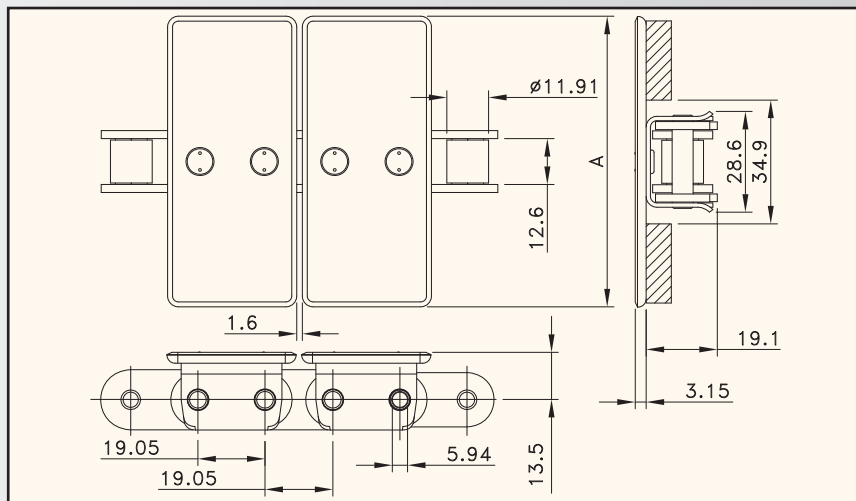
Steel base chains are recommended for dry applications, stainless steel base chains are recommended for wet applications.

Best choice
Optional

PLATE TOP CHAINS



**STRAIGHT RUN
3/4" PITCH
STEEL TOP PLATE**

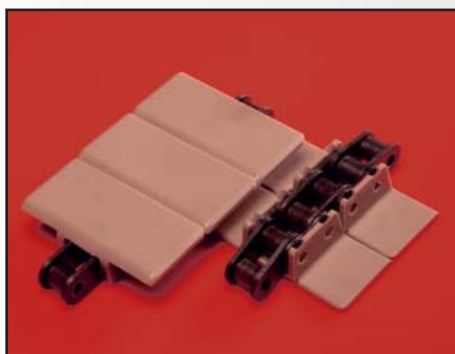


MATERIAL

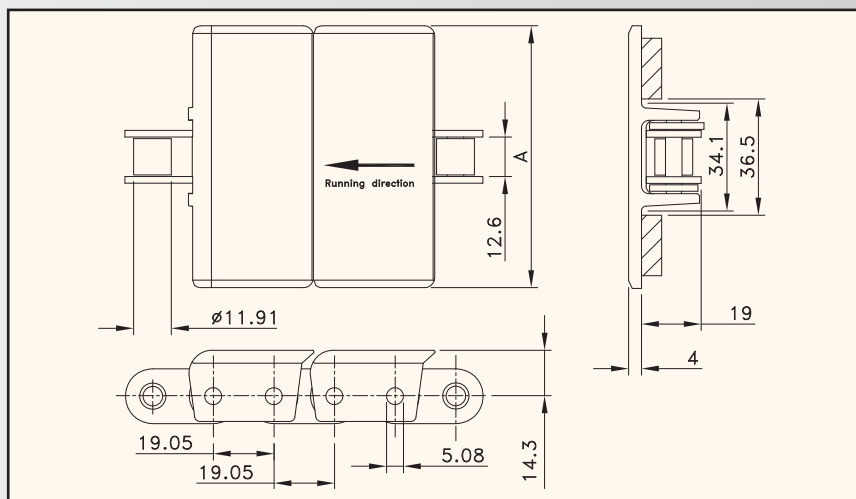
page 208

| Chain type | Code nr. | Plate width | | Weight | Loose top plate | Working load (max.) | Connection link | |
|---|-----------|-------------|------|--------|-----------------|---------------------|-----------------|-----------|
| | | A | | | | | code nr. | code nr. |
| | | mm | inch | kg/m | | N (21°C) | type | code nr. |
| STEEL TOP PLATE/STEEL BASE CHAIN | | | | | | | | |
| 1864-K325 | 814036213 | 82.5 | 3.25 | 3.33 | 514-113-13 | 4500 | CL-1864 CA | 514-331-1 |
| 1864-K450 | 814036219 | 114.3 | 4.50 | 4.00 | 514-113-19 | | | |
| 1864-K600 | 814036223 | 152.4 | 6.00 | 4.40 | 514-113-23 | | | |
| 1864-K750 | 814036225 | 190.5 | 7.50 | 4.80 | 514-113-25 | | | |
| STAINLESS STEEL TOP PLATE/STAINLESS STEEL BASE CHAIN | | | | | | | | |
| 1864 SS-K325 | 814036313 | 82.5 | 3.25 | 3.33 | 514-114-13 | 3400 | CL-1864 SS | 514-115-1 |
| 1864 SS-K450 | 814036319 | 114.3 | 4.50 | 4.00 | 514-114-19 | | | |
| 1864 SS-K600 | 814036323 | 152.4 | 6.00 | 4.40 | 514-114-23 | | | |
| 1864 SS-K750 | 814036325 | 190.5 | 7.50 | 4.80 | 514-114-25 | | | |

Standard length: 3.048 m – 10 feet (160 links). Min. backflex radius 305 mm.



**STRAIGHT RUN
3/4" PITCH
PLASTIC TOP PLATE**



MATERIAL

page 208

| Chain type | Code nr. | Plate width | | Weight | Loose top plate | Working load (max.) | Connection link | |
|---|-------------|-------------|------|--------|-----------------|---------------------|-----------------|----------|
| | | A | | | | | code nr. | code nr. |
| | | mm | inch | kg/m | | N (21°C) | type | code nr. |
| LF-ACETAL TOP PLATE/STEEL BASE CHAIN | | | | | | | | |
| LF 963-K325 | L0963604431 | 82.5 | 3.25 | 2.10 | 114-139-5 | 2700 | CL-63 | 36742 |
| LF 963-K450 | L0963604441 | 114.3 | 4.50 | 2.23 | 114-139-6 | | | |
| LF 963-K600 | L0963604451 | 152.4 | 6.00 | 2.53 | 114-139-7 | | | |
| LF 963-K750 | L0963604461 | 190.5 | 7.50 | 2.68 | 114-139-8 | | | |
| LF-ACETAL TOP PLATE/STAINLESS STEEL BASE CHAIN | | | | | | | | |
| LF 963 SS-K325 | L0963604471 | 82.5 | 3.25 | 2.10 | 114-139-5 | 1900 | CL-63 SS | 36747 |
| LF 963 SS-K450 | L0963604481 | 114.3 | 4.50 | 2.23 | 114-139-6 | | | |
| LF 963 SS-K600 | L0963604491 | 152.4 | 6.00 | 2.53 | 114-139-7 | | | |
| LF 963 SS-K750 | L0963604501 | 190.5 | 7.50 | 2.68 | 114-139-8 | | | |

Standard length: 3.048 m – 10 feet (160 links). Min. backflex radius 153 mm. Tel. +32 (52) 750 430 www.bogaert-transmission.com

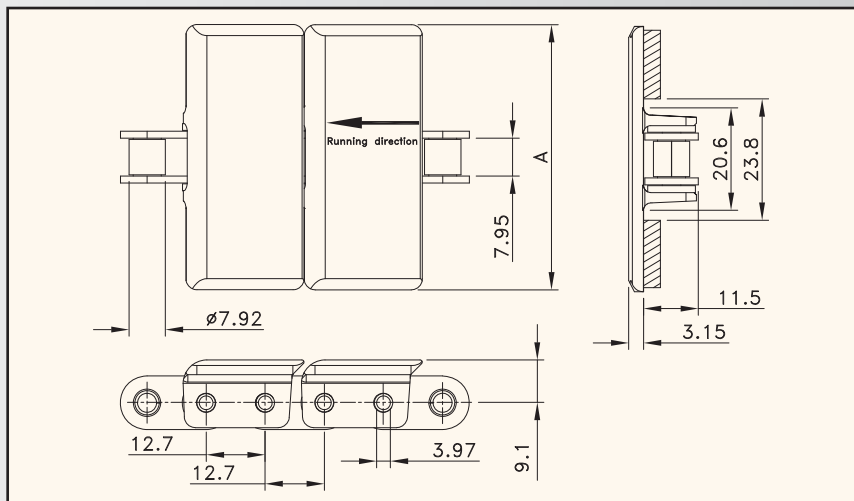
PLATE TOP CHAINS

MATERIAL

page 208



**STRAIGHT RUN
1/2" PITCH
PLASTIC TOP PLATE**



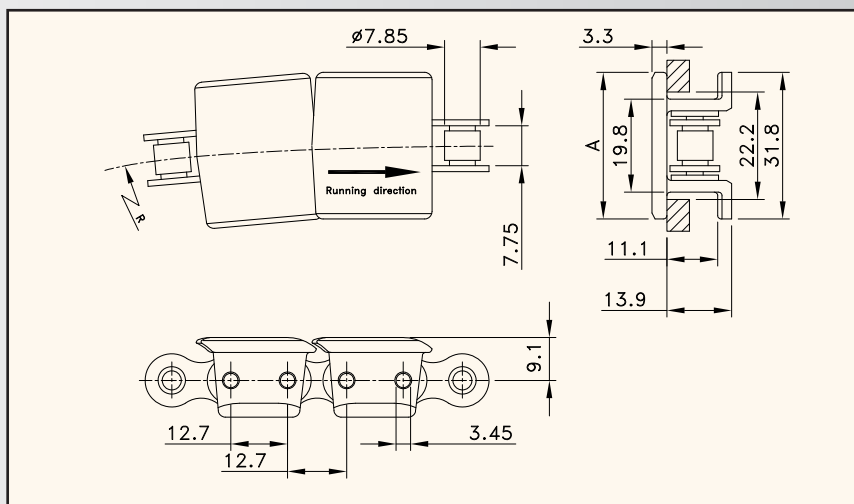
| Chain type | Code nr. | Plate width | | Weight | Loose top plate | Working load (max.) | Connection link | |
|---|-------------|-------------|------|--------|-----------------|---------------------|-----------------|----------|
| | | A | | | | | | |
| | | mm | inch | kg/m | code nr. | N (21°C) | type | code nr. |
| LF-ACETAL TOP PLATE/STEEL BASE CHAIN | | | | | | | | |
| LF 843-K138 | L0843604271 | 34.9 | 1.38 | 0.83 | L0843621601 | 2700 | CL-843 | 36418 |
| LF 843-K144 | L0843604281 | 36.5 | 1.44 | 0.84 | L0000601742 | | | |
| LF 843-K200 | L0843604291 | 50.8 | 2.00 | 0.89 | L0000669391 | | | |
| LF 843-K325 | L0843604301 | 82.5 | 3.25 | 1.03 | L0843623581 | | | |
| LF-ACETAL TOP PLATE/STAINLESS STEEL BASE CHAIN | | | | | | | | |
| LF 843 SS-K138 | L0843604311 | 34.9 | 1.38 | 0.83 | L0843621601 | 1900 | CL-843 SS | 69479 |
| LF 843 SS-K144 | L0843604321 | 36.5 | 1.44 | 0.84 | L0000601742 | | | |
| LF 843 SS-K200 | L0843604331 | 50.8 | 2.00 | 0.89 | L0000669391 | | | |
| LF 843 SS-K325 | L0843604341 | 82.5 | 3.25 | 1.03 | L0843623581 | | | |

Standard length: 3.048 m – 10 feet (240 links).

Min. backflex radius 153 mm.



**SIDEFLEX
1/2" PITCH TAB
PLASTIC TOP PLATE**



upon request

MATERIAL

page 208

| Chain type | Code nr. | Plate width | | Weight | Loose top plate | Working load (max.) | Sideflex radius (min.) | Connection link | |
|---|-------------|-------------|------|--------|-----------------|---------------------|------------------------|-----------------|------------|
| | | A | | | | | | | |
| | | mm | inch | kg/m | code nr. | N (21°C) | mm | type | code nr. |
| LF-ACETAL TOP PLATE/STEEL BASE CHAIN | | | | | | | | | |
| LF 1843 TAB-K125 | L1843604601 | 31.8 | 1.25 | 0.74 | 114-495-1 | 2700 | 254 | CL-1843 | 1843-MO-CL |
| LF 1843 TAB-K200 | L1843688961 | 50.8 | 2.00 | 0.90 | 114-1448-1 | | | | |

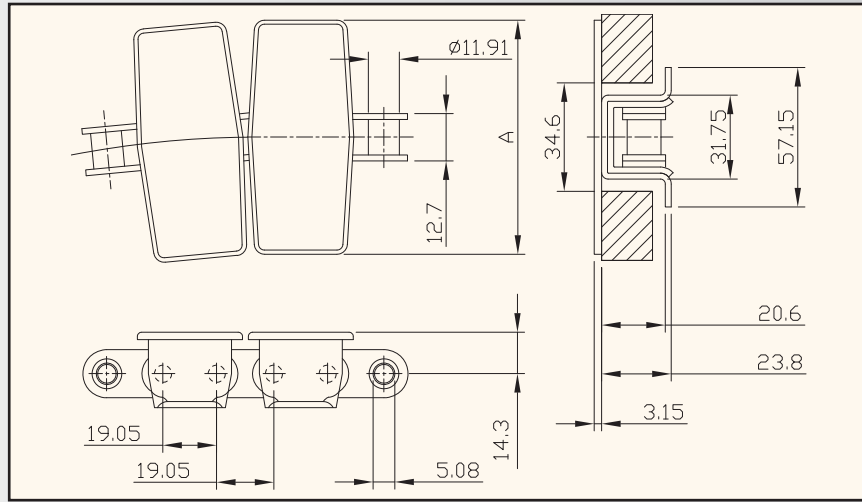
Standard length: 3.048 m – 10 feet (240 links).

Min. backflex radius 102 mm.

PLATE TOP CHAINS



**SIDEFLEX
3/4" PITCH TAB
STEEL TOP PLATE**

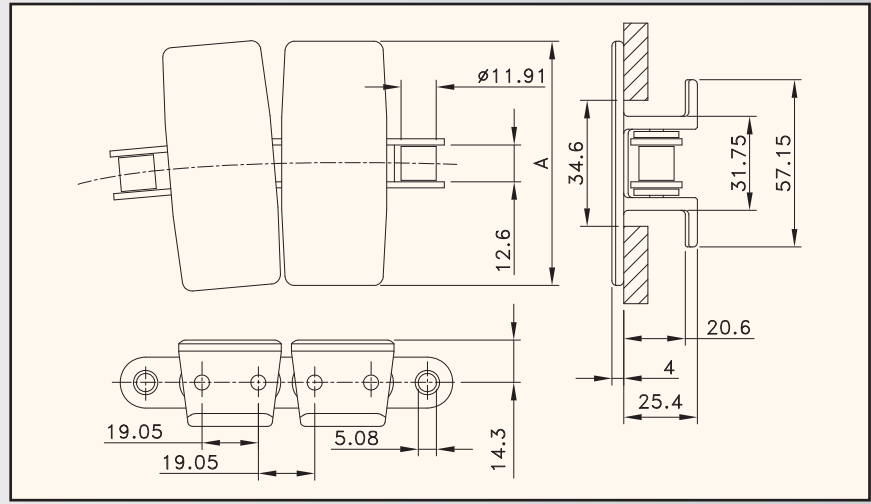


| Chain type | Code nr. | Plate width | | Weight | Loose top plate | Working load (max.) | Sideflex radius (min.) | Connection link | |
|---|--------------|-------------|------|--------|-----------------|---------------------|------------------------|-----------------|----------|
| | | A | | | | | | type | code nr. |
| | | mm | inch | kg/m | code nr. | N (21°C) | mm | | |
| STEEL TOP PLATE/STEEL BASE CHAIN | | | | | | | | | |
| 1874 TAB-K325 | 1874K3-1/4 | 82.5 | 3.25 | 4.20 | 114-130-1 | 4500 | 381 | CL-63 | 36742 |
| 1874 TAB-K450 | 1874K4-1/2 | 114.3 | 4.50 | 4.80 | 114-130-2 | | 381 | | |
| 1874 TAB-K600 | 1874K6 | 152.4 | 6.00 | 5.70 | 114-130-6 | | 457 | | |
| 1874 TAB-K750 | 1874K7-1/2 | 190.5 | 7.50 | 6.40 | 114-130-3 | | 610 | | |
| STAINLESS STEEL TOP PLATE/STAINLESS STEEL BASE CHAIN | | | | | | | | | |
| 1874 TAB SS-K325 | 1874SSK3-1/4 | 82.5 | 3.25 | 4.20 | 114-130-4 | 3400 | 381 | CL-63 SS | 36747 |
| 1874 TAB SS-K450 | 1874SSK4-1/2 | 114.3 | 4.50 | 4.80 | 114-130-5 | | 381 | | |
| 1874 TAB SS-K600 | 1874SSK6 | 152.4 | 6.00 | 5.70 | 114-130-8 | | 457 | | |
| 1874 TAB SS-K750 | 1874SSK7-1/2 | 190.5 | 7.50 | 6.40 | 114-130-7 | | 610 | | |

Standard length: 3.048 m – 10 feet (160 links).

Min. backflex radius 254 mm.

PLATE TOP CHAINS



| Chain type | Code nr. | Plate width | | Weight | Loose top plate | Working load (max.) | Sideflex radius (min.) | Connection link | |
|--|--------------|-------------|-------|--------|-----------------|---------------------|------------------------|-----------------|----------|
| | | A | | | | | | code nr. | N (21°C) |
| mm | inch | kg/m | | | | | | | |
| LF-ACETAL TOP PLATE/STEEL BASE CHAIN | | | | | | | | | |
| LF 1873 TAB-K325 | L1873604731 | 82.5 | 3.25 | 2.10 | L1873615621 | 4500 | 356 | CL-63 | 36742 |
| LF 1873 TAB-K450 | L1873604741 | 114.3 | 4.50 | 2.30 | L1873LF623621 | | 457 | | |
| LF 1873 TAB-K600 | L1873604751 | 152.4 | 6.00 | 2.40 | L1873LF631801 | | 610 | | |
| LF 1873 TAB-K750 | L1873604761 | 190.5 | 7.50 | 2.60 | L1873LF622011 | | | | |
| LF 1873 TAB-K1000 | L1873604771 | 254.0 | 10.00 | 2.80 | L1873LF610701 | | | | |
| LF 1873 TAB-K1200 | L1873604781 | 304.8 | 12.00 | 3.00 | L1873LF645071 | | | | |
| LF-ACETAL TOP PLATE/STAINLESS STEEL BASE CHAIN | | | | | | | | | |
| LF 1873 TAB SS-K325 | L1873604791 | 82.5 | 3.25 | 2.10 | L1873615621 | 3400 | 356 | CL-63 SS | 36747 |
| LF 1873 TAB SS-K450 | L1873604801 | 114.3 | 4.50 | 2.30 | L1873LF623621 | | 457 | | |
| LF 1873 TAB SS-K600 | L1873604811 | 152.4 | 6.00 | 2.40 | L1873LF631801 | | 610 | | |
| LF 1873 TAB SS-K750 | L1873604821 | 190.5 | 7.50 | 2.60 | L1873LF622011 | | | | |
| LF 1873 TAB SS-K1000 | L1873604831 | 254.0 | 10.00 | 2.80 | L1873LF610701 | | | | |
| LF 1873 TAB SS-K1200 | L1873604841 | 304.8 | 12.00 | 3.00 | L1873LF645071 | | | | |
| WX-POLYAMIDE COMPOSITE TOP PLATE/STEEL BASE CHAIN | | | | | | | | | |
| WX 1873 TAB-K450 | L1873683652* | 114.3 | 4.50 | 2.30 | L1873610683 | 4500 | 356 | CL-63 SS | 36742 |

Standard length: 3.048 m – 10 feet (160 links).

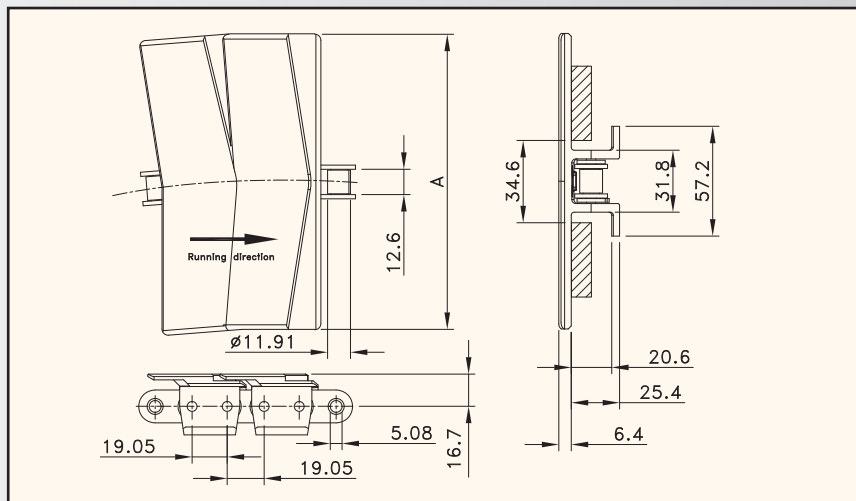
Min. backflex radius 305 mm.

* Ask customer service for minimum order quantity of WX 1873 chains.

PLATE TOP CHAINS



**SIDEFLEX 3/4" PITCH TAB
PLASTIC TOP PLATE
CLOSED SURFACE**



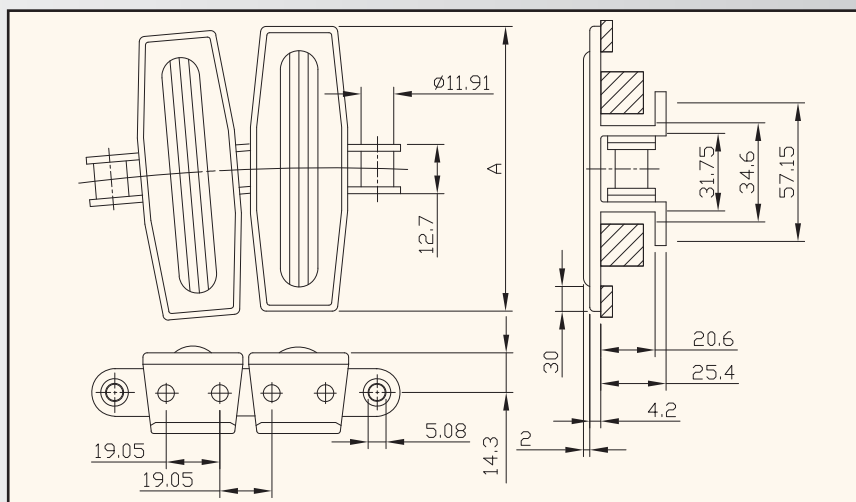
| Chain type | Code nr. | Plate width | | Weight | Loose top plate | Working load (max.) | Sideflex radius (min.) | Connection link | |
|--|-------------|-------------|-------|--------|-----------------|---------------------|------------------------|-----------------|----------|
| | | A | | | | | | type | code nr. |
| | | mm | inch | kg/m | code nr. | N (21°C) | mm | | |
| LF-ACETAL TOP PLATE/STAINLESS STEEL BASE CHAIN | | | | | | | | | |
| LF 3873 TAB SS-K1000 | L3873604921 | 254.0 | 10.00 | 3.10 | 114-129-2 | 3400 | 457 | CL-63 SS | 36747 |
| PC POLYCARBONATE TOP PLATE/STAINLESS STEEL BASE CHAIN | | | | | | | | | |
| WPC 3873 TAB SS-K1200 | L3873604941 | 304.8 | 12.00 | 3.20 | 114-1046-5 | 3400 | 610 | CL-63 SS | 36747 |

Standard length: 3.048 m – 10 feet (160 links).

Min. backflex radius 178 mm.



**SIDEFLEX 3/4" PITCH TAB
PLASTIC TOP PLATE
WITH RUBBER**



| Chain type | Code nr. | Plate width | | Weight | Loose top plate | Working load (max.) | Sideflex radius (min.) | Connection link | |
|---|-------------|-------------|-------|--------|-----------------|---------------------|------------------------|-----------------|----------|
| | | A | | | | | | type | code nr. |
| | | mm | inch | kg/m | code nr. | N (21°C) | mm | | |
| LF-ACETAL TOP PLATE/STEEL BASE CHAIN | | | | | | | | | |
| HFP 1873 TAB-K750 | L1873648142 | 190.5 | 7.50 | 3.10 | L1873635192 | 4500 | 457 | CL-63 | 36742 |
| HFP 1873 TAB-K1000 | L1873648152 | 254.0 | 10.00 | 3.40 | L1873635222 | | | | |
| HFP 1873 TAB-K1200 | L1873645302 | 304.8 | 12.00 | 3.60 | L1873635252 | | | | |
| LF-ACETAL TOP PLATE/STAINLESS STEEL BASE CHAIN | | | | | | | | | |
| HFP 1873 TAB SS-K750 | L1873653102 | 190.5 | 7.50 | 3.10 | L1873635192 | 3400 | 457 | CL-63 SS | 36747 |
| HFP 1873 TAB SS-K1000 | L1873645522 | 254.0 | 10.00 | 3.40 | L1873635222 | | | | |
| HFP 1873 TAB SS-K1200 | L1873644202 | 304.8 | 12.00 | 3.60 | L1873635252 | | | | |

Standard length: 3.048 m – 10 feet (160 links).

Rubber: SEBS grey; 60 shore A hardness. Other rubber patterns and materials are possible.

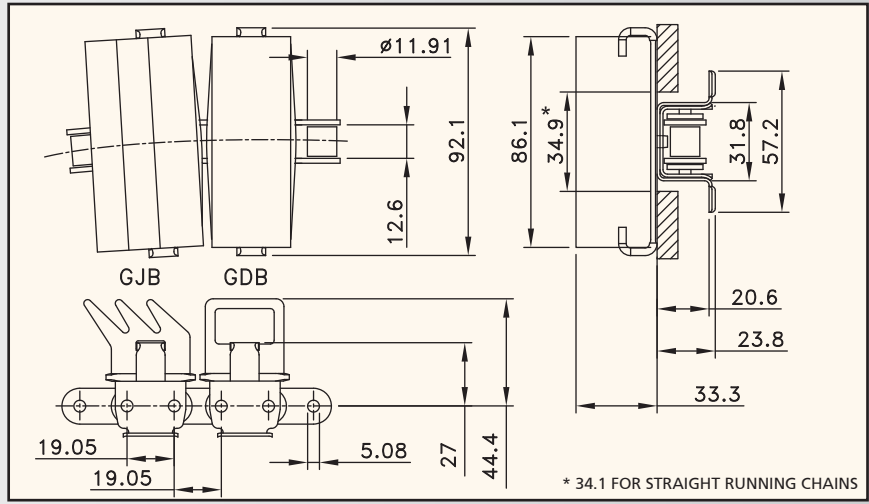
Min. backflex radius 305 mm.

* Ask customer service for minimum order quantity of HFP 1873 TAB chains

PLATE TOP GRIPPER CHAINS



**GRIPPER
3/4" PITCH
STEEL TAB**



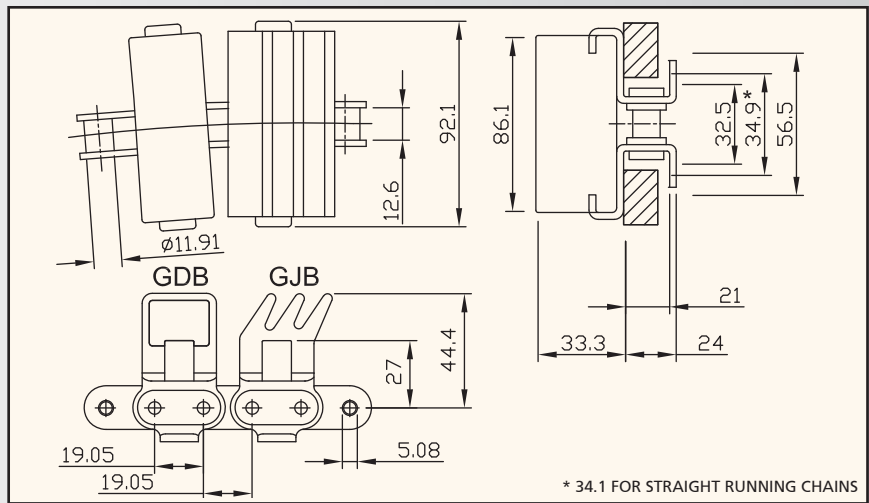
| Chain type | Code nr. | Plate width A | | Weight kg/m | Working load (max.) N (21°C) | Sideflex radius (min.) mm | Connection link | |
|---|-------------|------------------|------|----------------|---------------------------------------|------------------------------------|-----------------|----------|
| | | mm | inch | | | | type | code nr. |
| STEEL TOP PLATE/STEEL BASE CHAIN | | | | | | | | |
| 1874 TAB-K363 GDB | L1874606541 | 92.1 | 3.63 | 5.60 | 4500 | 381 | CL-63 | 36742 |
| 1874 TAB-K363 GJB | L1874606322 | | | | | | | |
| STAINLESS STEEL TOP PLATE/STAINLESS STEEL BASE CHAIN | | | | | | | | |
| 1874 TABSS-K363 GDB | L1874606581 | 92.1 | 3.63 | 5.60 | 3400 | 381 | CL-63 SS | 36747 |
| 1874 TABSS-K363 GJB | L1874606591 | | | | | | | |

Standard length: 3.048 m – 10 feet (160 links).

Gripper: EPDM black; 50 shore A hardness.



**GRIPPER
3/4" PITCH
STEEL TAB HEAVY DUTY**

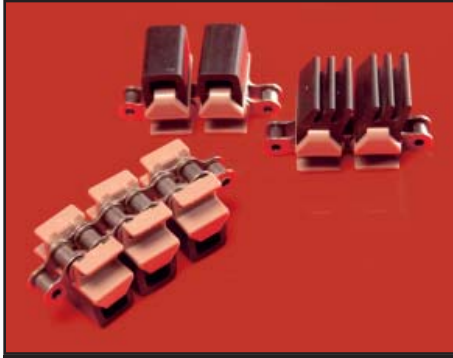


| Chain type | Code nr. | Plate width A | | Weight kg/m | Working load (max.) N (21°C) | Sideflex radius (min.) mm | Connection link | |
|---|-------------|------------------|------|----------------|---------------------------------------|------------------------------------|-----------------|----------|
| | | mm | inch | | | | type | code nr. |
| STEEL TOP PLATE/STEEL BASE CHAIN | | | | | | | | |
| 1874 TAB HD-K363 GDB | L1874695701 | 92.1 | 3.63 | 6.30 | 4900 | 400 | CL-1874 HD | 102910 |
| 1874 TAB HD-K363 GJB | L1874606332 | | | | | | | |
| STAINLESS STEEL TOP PLATE/STAINLESS STEEL BASE CHAIN | | | | | | | | |
| 1874 TAB HDSS-K363 GJB | L1874606342 | 92.1 | 3.63 | 6.30 | 3700 | 400 | CL-1874 HD SS | 102406 |
| 1874 TAB HDSS-K363 GDB | L1874695711 | | | | | | | |

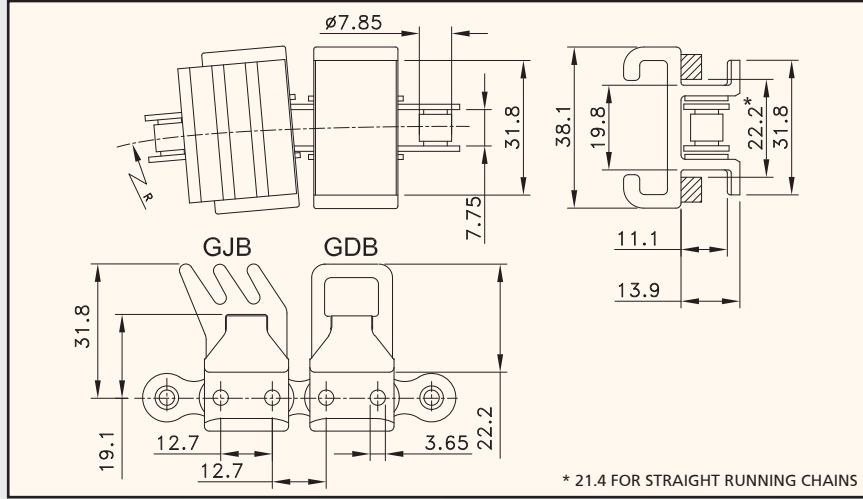
Standard length: 3.048 m – 10 feet (160 links).

Gripper: EPDM black; 50 shore A hardness.

PLATE TOP GRIPPER CHAINS



**GRIPPER
1/2" PITCH
PLASTIC TAB**



MATERIAL

page 208

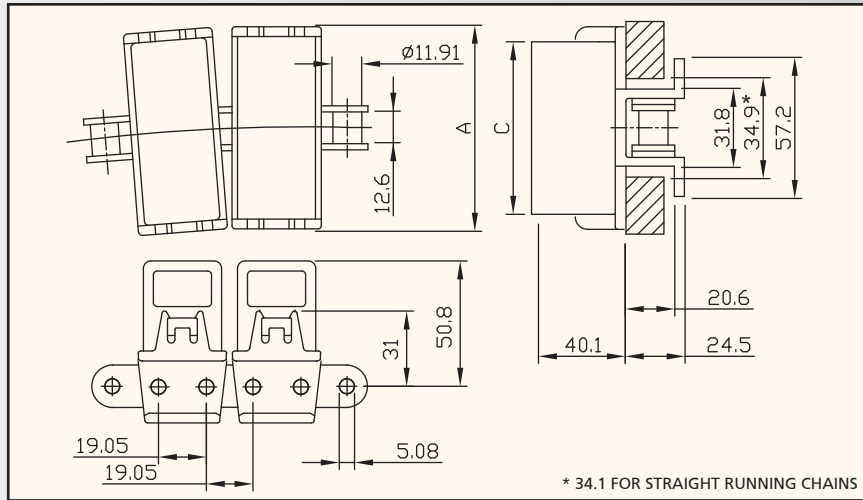
| Chain type | Code nr. | Plate width A | | Weight kg/m | Working load (max.) N (21°C) | Sideflex radius (min.) mm | Connection link | |
|---|-------------|------------------|------|----------------|------------------------------------|------------------------------------|-----------------|---------------|
| | | mm | inch | | | | type | code nr. |
| LF-ACETAL TOP PLATE/STEEL BASE CHAIN | | | | | | | | |
| LF 1843 TAB-K150 GDB | L1843606461 | 38.1 | 1.50 | 1.20 | 2700 | 254 | CL-1843 | 1843-MO-CL |
| LF 1843 TAB-K150 GJB | L1843606471 | | | | | | | |
| LF-ACETAL TOP PLATE/STAINLESS STEEL BASE CHAIN | | | | | | | | |
| LF 1843 TABSS-K150 GDB | L1843606481 | 38.1 | 1.50 | 1.20 | 1900 | 254 | CL-1843 SS | 1843 SS-MO-CL |
| LF 1843 TABSS-K150 GJB | L1843606491 | | | | | | | |

Standard length: 3.048 m – 10 feet (240 links).

Gripper: EPDM black; 40 shore A hardness.



**SNAP-ON CLOSED GRIPPER
3/4" PITCH
PLASTIC TAB**



page 123

MATERIAL
page 208

| Chain type | Code nr. | Plate width A | | Gripper width C | Weight kg/m | Working load (max.) N (21°C) | Sideflex radius (min.) mm | Connection link | |
|---|-------------|------------------|---------|--------------------|----------------|------------------------------------|------------------------------------|-----------------|----------|
| | | mm | pollici | | | | | mm | code nr. |
| HP-ACETAL TOP PLATE/STEEL BASE CHAIN | | | | | | | | | |
| HP 1873 TAB-K325 GSD | L1873628703 | 82,5 | 3.25 | 70 | 2.90 | 4500 | 381 | CL-63 | 36742 |
| HP 1873 TAB-K450 GSD | L1873631143 | 114,3 | 4.50 | 102 | 3.00 | | | | |
| HP-ACETAL TOP PLATE/STAINLESS STEEL BASE CHAIN | | | | | | | | | |
| HP 1873 TABSS-K325 GSD | L1873628753 | 82,5 | 3.25 | 70 | 2.90 | 3400 | 381 | CL-63 SS | 36747 |
| HP 1873 TABSS-K450 GSD | L1873631383 | 114,3 | 4.50 | 102 | 3.00 | | | | |

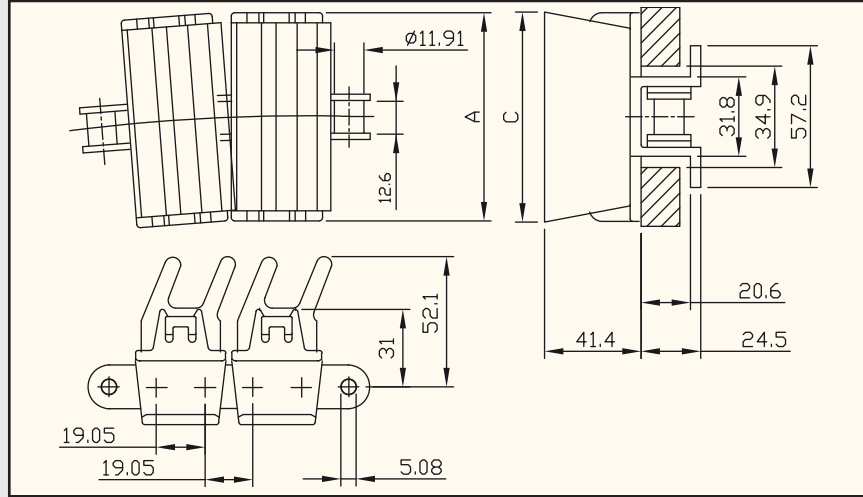
Standard length: 3.048 m – 10 feet (160 links).

Gripper: EPDM grey; 55 shore A hardness.

PLATE TOP GRIPPER CHAINS



**SNAP-ON 2-FINGER GRIPPER
¾" PITCH
PLASTIC TAB**

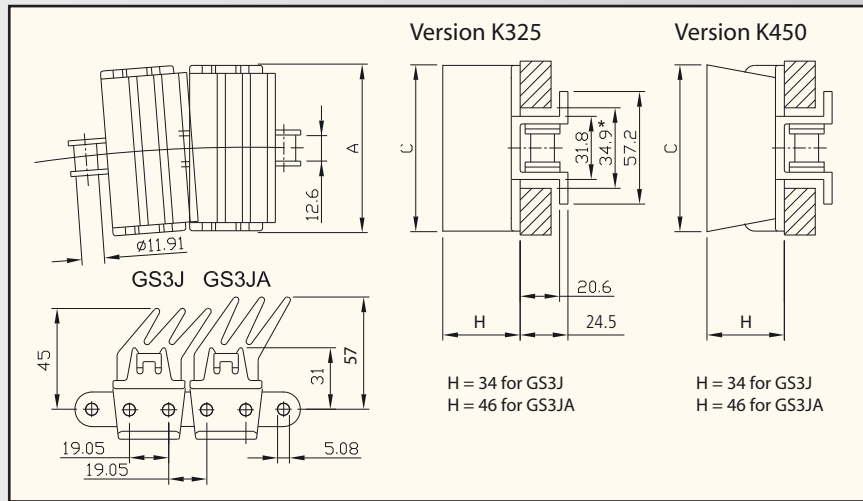


| Chain type | Code nr. | Plate width | | Gripper width C | Weight | Working load (max.) | Sideflex radius (min.) | Connection link | |
|--|-------------|-------------|---------|--------------------|--------|------------------------|------------------------------|-----------------|----------|
| | | A | | | | | | type | code nr. |
| | | mm | pollici | mm | kg/m | N (21°C) | mm | | |
| HP-ACETAL TOP PLATE /STEEL BASE CHAIN | | | | | | | | | |
| HP 1873 TAB-K325 GS2J | L1873628693 | 82.5 | 3.25 | 77 | 2.90 | 4500 | 381 | CL-63 | 36742 |
| HP 1873 TAB-K450 GS2J | L1873628713 | 114.3 | 4.50 | 108 | 3.00 | | | | |
| HP-ACETAL TOP PLATE /STAINLESS STEEL BASE CHAIN | | | | | | | | | |
| HP 1873 TABSS-K325 GS2J | L1873628743 | 82.5 | 3.25 | 77 | 2.90 | 3400 | 381 | CL-63 SS | 36747 |
| HP 1873 TABSS-K450 GS2J | L1873628763 | 114.3 | 4.50 | 108 | 3.00 | | | | |

Standard length: 3.048 m – 10 feet (160 links). Gripper: EPDM black; 45 shore



**SNAP-ON 3-FINGER GRIPPER
¾" PITCH
PLASTIC TAB**



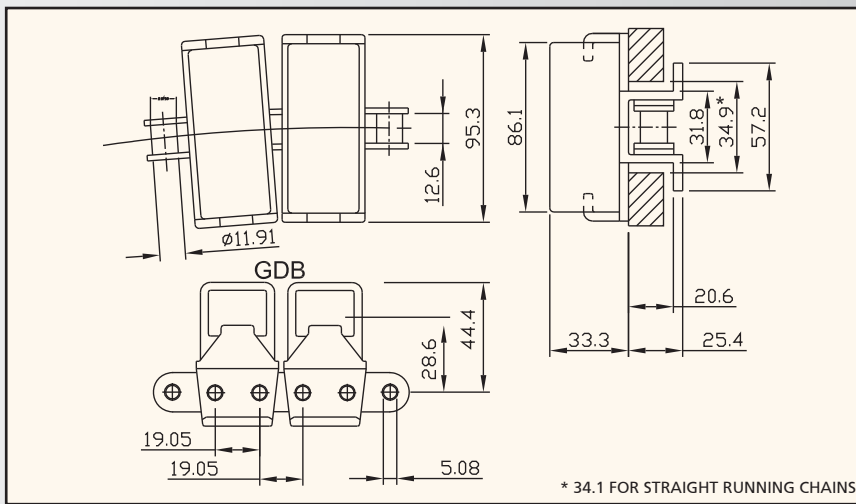
| Chain type | Code nr. | Plate width | | Gripper width C | Weight | Working load (max.) | Sideflex radius (min.) | Connection link | |
|--|-------------|-------------|---------|--------------------|--------|------------------------|------------------------------|-----------------|----------|
| | | A | | | | | | type | code nr. |
| | | mm | pollici | mm | kg/m | N (21°C) | mm | | |
| HP-ACETAL TOP PLATE /STEEL BASE CHAIN | | | | | | | | | |
| HP 1873 TAB-K325 GS3J | L1873628673 | 82.5 | 3.25 | 82.5 | 2.90 | 4500 | 381 | CL-63 | 36742 |
| HP 1873 TAB-K450 GS3J | L1873631773 | 114.3 | 4.50 | 107 | 3.00 | | | | |
| HP-ACETAL TOP PLATE /STAINLESS STEEL BASE CHAIN | | | | | | | | | |
| HP 1873 TABSS-K325 GS3J | L1873628723 | 82.5 | 3.25 | 82.5 | 2.90 | 3400 | 381 | CL-63 SS | 36747 |
| HP 1873 TABSS-K450 GS3J | L1873632733 | 114.3 | 4.50 | 107 | 3.00 | | | | |
| HP-ACETAL TOP PLATE /STEEL BASE CHAIN | | | | | | | | | |
| HP 1873 TAB-K325 GS3JA | L1873628683 | 82.5 | 3.25 | 82.5 | 2.90 | 4500 | 381 | CL-63 | 36742 |
| HP 1873 TAB-K450 GS3JA | L1873631863 | 114.3 | 4.50 | 109 | 3.00 | | | | |
| HP-ACETAL TOP PLATE /STAINLESS STEEL BASE CHAIN | | | | | | | | | |
| HP 1873 TABSS-K325 GS3JA | L1873628733 | 82.5 | 3.25 | 82.5 | 2.90 | 3400 | 381 | CL-63 SS | 36747 |
| HP 1873 TABSS-K450 GS3JA | L1873631873 | 114.3 | 4.50 | 109 | 3.00 | | | | |

Standard length: 3.048 m – 10 feet (160 links). Gripper EPDM grey 55 shore A hardness for GS3J K325-K450, gripper black for GS3JA K450 45 shore A hardness.

PLATE TOP GRIPPER CHAINS



CLOSED GRIPPER
3/4" PITCH
PLASTIC TAB



page 123

MATERIAL
page 208

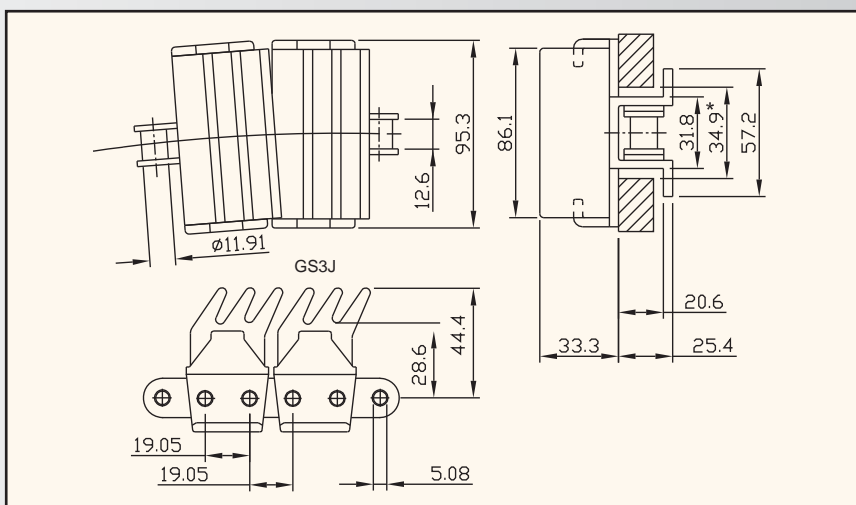
| Chain type | Code nr. | Plate width A | | Weight kg/m | Working load (max.) N (21°C) | Sideflex radius (min.) mm | Connection link | |
|---|-------------|------------------|---------|----------------|------------------------------------|------------------------------------|-----------------|----------|
| | | mm | pollici | | | | type | code nr. |
| HP-ACETAL TOP PLATE/STEEL BASE CHAIN | | | | | | | | |
| HP 1873 TAB-K375 GSD | L1873677162 | 95.3 | 3.75 | 2.80 | 4500 | 381 | CL-63 | 36742 |
| HP-ACETAL TOP PLATE/STAINLESS STEEL BASE CHAIN | | | | | | | | |
| HP 1873 TABSS-K375 GSD | L1873677172 | 95.3 | 3.75 | 2.80 | 3400 | 381 | CL-63 SS | 36747 |

Standard length: 3.048 m – 10 feet (160 links)

Gripper: EPDM Grey; 55 shore A hardness



3-FINGER GRIPPER
3/4" PITCH
PLASTIC TAB



page 123

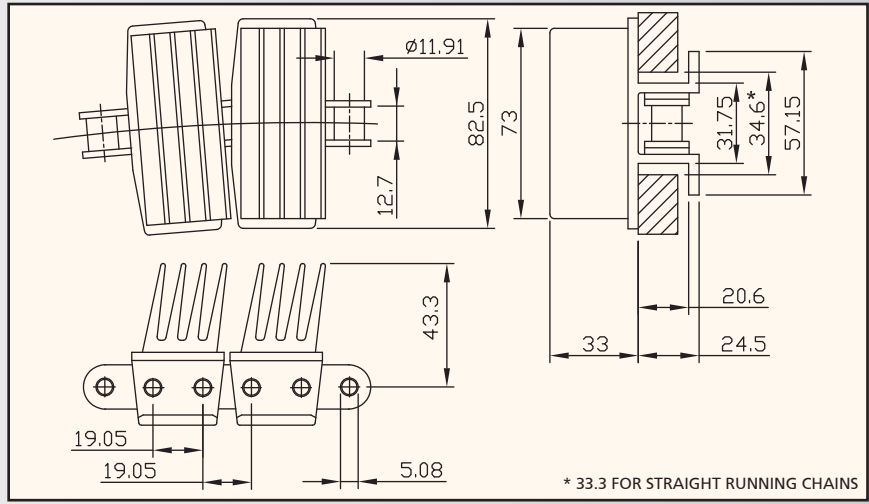
MATERIAL
page 208

| Chain type | Code nr. | Plate width A | | Weight kg/m | Working load (max.) N (21°C) | Sideflex radius (min.) mm | Connection link | |
|---|-------------|------------------|---------|----------------|------------------------------------|------------------------------------|-----------------|----------|
| | | mm | pollici | | | | type | code nr. |
| HP-ACETAL TOP PLATE/STEEL BASE CHAIN | | | | | | | | |
| HP 1873 TAB-K375 GS3J | L1873677082 | 95.3 | 3.75 | 2.80 | 4500 | 381 | CL-63 | 36742 |
| HP-ACETAL TOP PLATE/STAINLESS STEEL BASE CHAIN | | | | | | | | |
| HP 1873 TABSS-K375 GS3J | L1873677092 | 95.3 | 3.75 | 2.80 | 3400 | 381 | CL-63 SS | 36747 |

Standard length: 3.048 m – 10 feet (160 links)

Gripper: EPDM Grey; 55 shore A hardness

PLATE TOP GRIPPER CHAINS



| Chain type | Code nr. | Plate width A | | Weight kg/m | Working load (max.) N (21°C) | Sideflex radius (min.) mm | Connection link | |
|--|-------------|------------------|---------|----------------|---------------------------------------|------------------------------------|-----------------|----------|
| | | mm | pollici | | | | type | code nr. |
| LF-ACETAL TOP PLATE /STEEL BASE CHAIN | | | | | | | | |
| LF 1873 TAB-K325 GJM | L1873649841 | 82.5 | 3.25 | 3.00 | 4500 | 356 | CL-63 | 36742 |
| LF-ACETAL TOP PLATE /STAINLESS STEEL BASE CHAIN | | | | | | | | |
| LF 1873 TABSS-K325 GJM | L1873613912 | 82.5 | 3.25 | 3.00 | 3400 | 356 | CL-63 SS | 36747 |

Standard length: 3.048 m – 10 feet (160 links).

Gripper: TPE black; 75 shore A hardness.

* Ask customer service for minimum order quantity of 1873 TAB GJM chains.

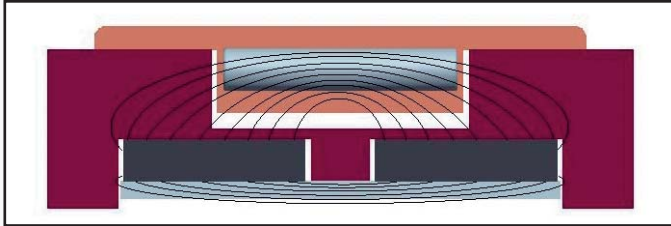
CURVES AND STRAIGHT TRACKS

For steel and plastic sideflexing chains Rexnord offers the corresponding curve profiles. Without a doubt Magnetflex® is worldwide seen as the superior curve system. The programme also includes curves and straight tracks for Bevel and TAB chains.

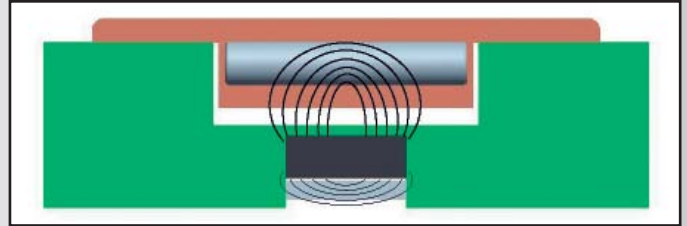
Magnetflex® system

The MCC Magnetflex system has become the worldwide standard in the beverage industry. The great advantages of this patented system have made it the choice of the worlds leading OEMs. It is a Combi system for both plastic and steel chains. Magnets underneath the track hold the chain down in a reliable way.

Magnetflex is the only system where two magnets cover almost the complete base of the curve instead of just the track. Because the magnets are connected by a steel plate, a very broad magnetic field is being formed. Unlike other magnetic curves this results in a force that keeps down plastic chains with steel pins just as well as steel chains. Another advantage is that this magnet position only has a slight reduction in hold-down force when the chain is being lifted, in case of pollution or broken glass, without jumping from the track. Where in other systems the chains can block and jam in the curve profile due to pollution, in the Magnetflex system the chain simply lifts slightly and keeps on running. The magnets are placed in the curve at fixed angles instead of at fixed distances to make sure that no pulsation effect is being created by the magnets, when a chain is being pulled through the curve.



MAGNETFLEX CURVE WITH 2 MAGNETS FOR BETTER HOLD-DOWN OF THE CHAIN

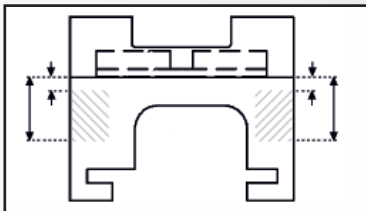


USUAL MAGNETIC CURVE WITH ONLY 1 MAGNET

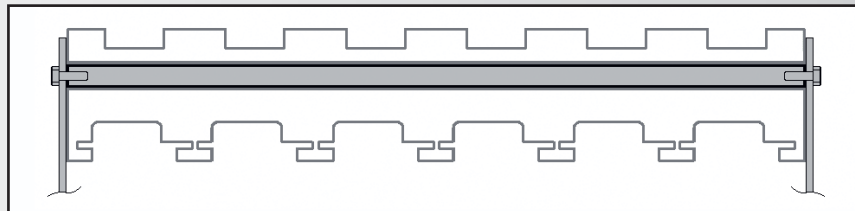
The magnets make sure that all chains lie perfectly flat in the curve without tilting. In other systems the chain tension is causing the chain to use up the play in the chain guidance, causing chain edges to lift. Especially in multiple-strand curves and with high-speed conveying this means product toppling.

Another big advantage of the Magnetflex system is the easy installation of the chains and the perfect cleanability of the system. This is due to the open and rectangular track in the curve. The chains can easily be installed from above as if the curve was a straight part of the conveyor. Also the chains can easily be lifted from the track for maintenance and cleaning, without breaking the chain or even removing it from the conveyor construction.

Magnetflex curves can be installed in the conveyor frame in different ways. The upper and return part can be supplied bolted together and with inserts to mount the assembled curve into the conveyor frame. The option most often used in multiple track curves is to deliver the upper and return part separately. They are then mounted against a conveyor crossbar. In this case both upper part and return part are equipped with inserts and/or holes. In both build-in options the hole and inserts can be standard or customer specific.

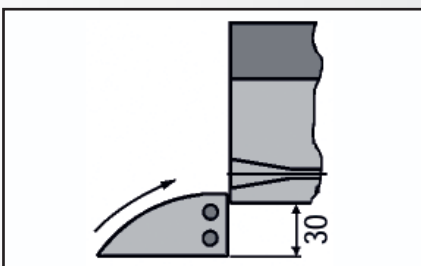


UPPER AND RETURN PART BOLTED TOGETHER

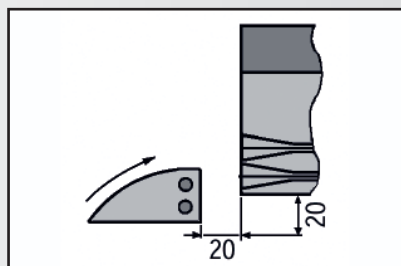


UPPER AND RETURN PART MOUNTED AGAINST A CROSS BAR

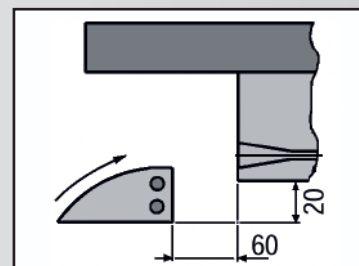
Most Magnetflex curves are equipped with a return guide shoe. This machined shoe is meant to bring the chain at the right level to enter the return part of the curve. The position of the return guide shoe is determined by the design of the return part (level or staggered) and by the chain type. A staggered design is used when the pitch between the tracks is too small to allow the chains to run at the same level in the return. In that case two levels of tracks are made in the return part: one level in which the uneven tracks (1, 3, 5 etc.) run and one in which the even tracks run. The height of a staggered return part (usually 63 mm) is always higher than that of a non-staggered return (usually 55 mm).



RETURN PART AT SAME LEVEL



STAGGERED RETURN PART

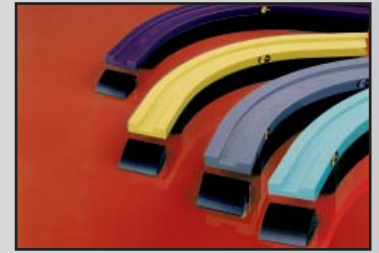


CHAINBELTS

A special execution of a Magnetflex curve is a CIP (Cleaning in Place) curve, equipped with spraying nozzles and tubes. It is opened up as much as possible to allow good cleaning of the steel or plastic chain and curve profile from the inside of the curve. The CIP curve can be integrated in an existing CIP system.

CURVES AND STRAIGHT TRACKS

Magnetflex curves are available in four different materials. The standard material, Combi-A, is a high grade of polyethylene. It is suitable for most lubricated applications with steel and plastic chains. In clean environment and with low chain speeds Combi-A can also be used in dry running applications. For dry running applications with plastic TableTop chains Combi-L and Combi-S are recommended. These materials are able to work with higher chain speeds. Combi-S has the largest application field, where Combi-L offers better noise reduction. Rexnord's calculation program determines the PV (pressure-velocity) load on the curve in a specific application and will advise in which application load and speed require Combi-L or Combi-S curves. For lubricated, abrasive applications (filler discharge) or abrasive, dry running applications (glassworks) with (stainless) steel chains, Combi-G is most suitable. This ceramic reinforced polyethylene offers an extremely good wear resistance.



FROM LEFT TO RIGHT: COMBI-A, -G, -S AND -L

| CURVE MATERIAL | APPLICATION | | | | | | |
|----------------|--|--|--------------------------------------|--|---|--|---|
| | Lubricated, clean, stainless steel chains plastic chains | Lubricated, abrasive, stainless steel chains | Lubricated, abrasive, plastic chains | Dry running, low speed, abrasive, steel chains | Dry running, low speed, clean, plastic chains | Dry running high speed, clean plastic chains | Dry running, high speed, abrasive, plastic chains |
| Combi-A | Best choice | | | | Best choice | | |
| Combi-L | | Optional | Best choice | | Optional | Best choice | Optional |
| Combi-S | | | | Optional | | Optional | Best choice |
| Combi-G | | Best choice | | Optional | | | |

Best choice
Optional

Combi-C Non Marking Tubular Returnpart

With today's high speed conveyor applications and sometimes also abrasive conditions, it is required that the chain surface remains in optimum condition to avoid any unwanted product handling issues. Therefore Rexnord has developed a special Non Marking return part to be combined with the standard Magnetflex upper part. This new return part features a Stainless Steel tubular return which reduces abrasive wear of the chain topsurface. The result is that the chain surface will remain in perfect condition over a long period of time, and optimum product handling at high speeds can be achieved.



RETURNPART EQUIPPED WITH TUBES

Tab and Bevel

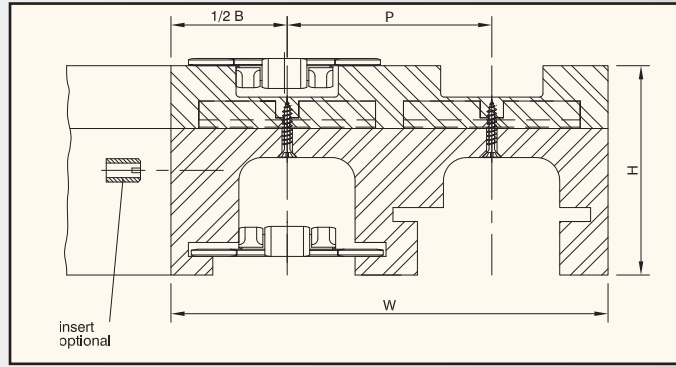
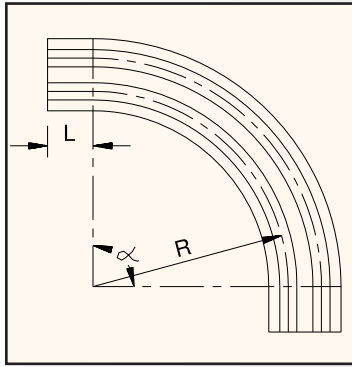
In many industry segments Tab and Bevel curves and straight tracks are an economic solution if stability of the product conveyed, cleanability and ease of installation are not the key areas of interest. They are available for TableTop, Multiflex and Plate Top chains. Tab and Bevel machined profiles retain the chains in a mechanical way. For these tracks a high grade, wear resistant polyethylene is used.

Customized curves

If these standard versions do not meet specific conveyor needs, it is possible to order customized versions. Both standard and customer specific curves can be supplied in just several working days.



MAGNETFLEX CURVES



SELECTION TABLES

Select your curve by reading the tables from left to right. You'll find more information on the specified pages.

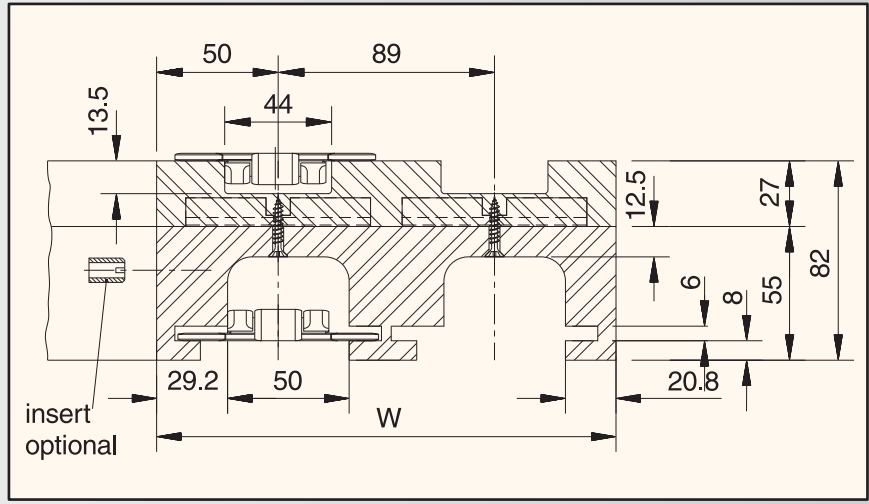
| For chain type(s) | Radius | Pitch | Basic width | Infeed length | Total height | Version number | See page | |
|--|--|-------|-------------|---------------|--------------|----------------|----------|-----|
| | R | P | B | L | H | | | |
| | mm | mm | mm | mm | mm | | | |
| FOR CHAINS WITH 3.25"/3.30" PLATE WIDTH | | | | | | | | |
| Steel/plastic | 500 | 85 | 100 | 0 | 82 / 90 | C7 | 109 | |
| | | | | 100 | 90 | C6 | 109 | |
| | | | 111 | 90 | C4 | 106 | | |
| | | 89 | 100 | 90 | C14 | 110 | | |
| | | | 100 | 82 | C1 | 105 | | |
| | | | 110 | 82 | C3 | 106 | | |
| | 590 | 180 | 100 | 100 | 82 | C5B | 107 | |
| | | 680 | – | 100 | 100 | 82 | C5A | 107 |
| | | 750 | 85 | 111 | 100 | 90 | C42 | 112 |
| | | 860 | – | 100 | 125 | 82 | C5C | 108 |
| | 1000 | – | 100 | 0 | 82 | C5D | 108 | |
| | | 85 | 111 | 100 | 90 | C43 | 112 | |
| | CIP-CURVE FOR CHAINS WITH 3.25" PLATE WIDTH FOR CHAINS WITH 4.50" PLATE WIDTH | | | | | | | |
| 661 steel | 500 | 85 | 100 | 100 | 82 | CF6 | 110 | |
| Steel | 500 | 85 | 111 | 100 | 100 | CIP4 | 119 | |
| Steel/plastic | 500 | 120 | 129 | 125 | 90 | C21A | 111 | |
| | 610 | 120 | 129 | 125 | 90 | C22A | 111 | |
| FOR CHAINS WITH 7.50" PLATE WIDTH | | | | | | | | |
| Steel | 610 | 196 | 214 | 125 | 90 | C61 | 113 | |
| | 860 | – | 214 | 0 | 82 | C66 | 114 | |
| | 1000 | – | 214 | 0 | 82 | C65 | 114 | |
| Steel / HDFM 750 (SG) | 610 | 195 | 200 | 100 | 95 | C81 | 115 | |
| | 860 | – | 214 | 0 | 87 | C86 | 115 | |
| FOR CHAINS WITH 10.00" PLATE WIDTH | | | | | | | | |
| HDFM 1000 (SG) | 860 | – | 290 | 0 | 87 | C91 | 116 | |
| FOR CHAINS WITH 12.00" PLATE WIDTH | | | | | | | | |
| HDFM 1200 (SG) | 860 | – | 340 | 0 | 87 | C96 | 116 | |
| FOR LBP CHAINS | | | | | | | | |
| RHMD 325 LBP | 500 | 90 | 100 | 100 | 90 | LBP2 | 117 | |
| HDFM 750 LBP | 860 | – | 214 | 0 | 95 | LBP861 | 117 | |
| HDFM 1000 LBP | 860 | – | 290 | 0 | 95 | LBP91 | 118 | |
| HDFM 1200 LBP | 860 | – | 340 | 0 | 95 | LBP96 | 118 | |
| FOR CHAINBELTS | | | | | | | | |
| FGM 1050/FTM 1060 | 500 | 85 | 100 | 100 | 90 | CB6 | 119 | |
| FTM 1055 K330 | 500 | 85 | 100 | 100 | 90 | CC6 | 120 | |
| FTM 1055 K450 | 500 | 120 | 129 | 125 | 90 | CC21 | 120 | |

All these Magnetflex curves include a return guide shoe, except C7. Inserts are optional; M8 or M10 inserts in the return part and M6 or M8 inserts in the guide shoe can be supplied according your detailed drawing. If you need a special Magnetflex curve, following parameters are necessary:

1. Basic width
2. Radius
3. Infeed length
4. Pitch
5. Angle
6. Number of tracks

For tab and bevel curves see page 121-126.

MAGNETFLEX CURVES

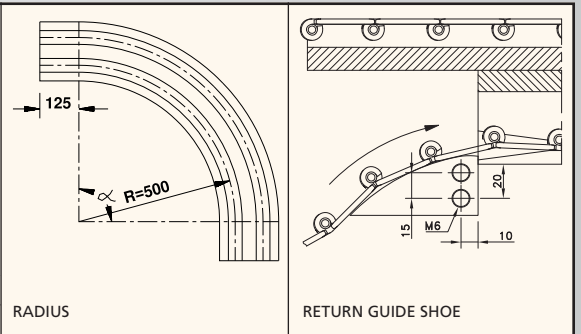


page 16, 24

page 31

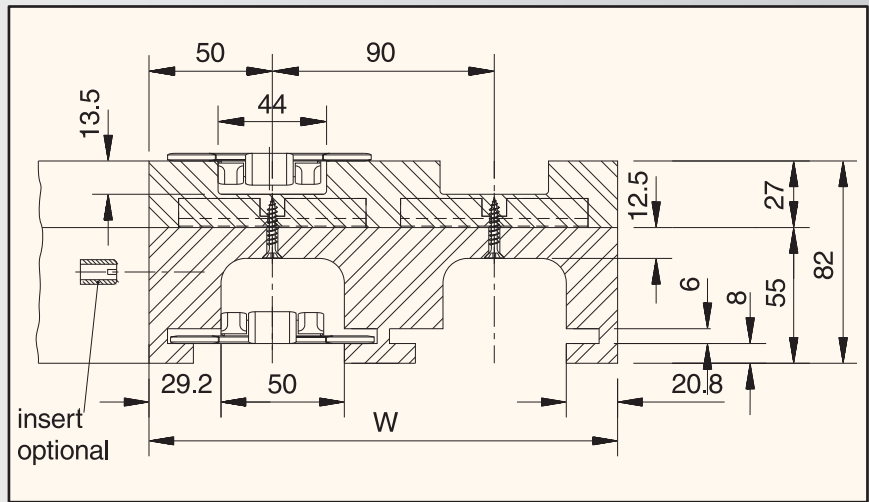
MATERIAL
page 209

| Nr. of tracks | 1 | 2 | 3 | 4 | 5 | 6 |
|-------------------|-----------|-----------|-----------|-----------|-----------|-----------|
| Width W | 100 mm | 189 mm | 278 mm | 367 mm | 456 mm | 545 mm |
| VERSION C1 | | | | | | |
| 15° | 704.05.16 | 704.05.17 | 704.05.18 | 704.05.19 | 704.05.20 | 704.05.21 |
| 30° | 704.05.31 | 704.05.32 | 704.05.33 | 704.05.34 | 704.05.35 | 704.05.36 |
| 45° | 704.05.46 | 704.05.47 | 704.05.48 | 704.05.49 | 704.05.50 | 704.05.51 |
| 60° | 704.05.61 | 704.05.62 | 704.05.63 | 704.05.64 | 704.05.65 | 704.05.66 |
| 75° | 704.05.76 | 704.05.77 | 704.05.78 | 704.05.79 | 704.05.80 | 704.05.81 |
| 90° | 704.05.01 | 704.05.02 | 704.05.03 | 704.05.04 | 704.05.05 | 704.05.06 |



More than 6 tracks on request.

- For steel chains: 10/60/66 M 31 M, 60/66 M 31 XM, 66 M 31 RM, 60/66 M 84 XM
- For plastic chains: RHMP 325, RHMDP 325, RHMP 84

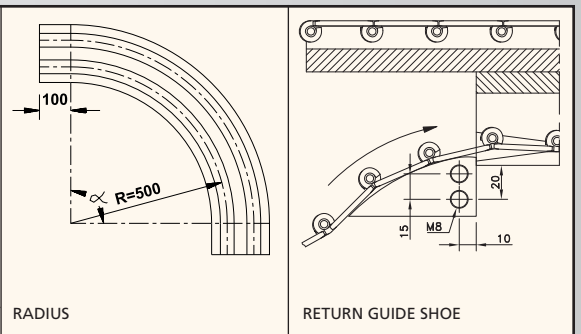


page 16, 24

page 31

MATERIAL
page 209

| Nr. of tracks | 1 | 2 | 3 | 4 | 5 | 6 |
|-------------------|-----------|-----------|-----------|-----------|-----------|-----------|
| Width W | 100 mm | 190 mm | 280 mm | 370 mm | 460 mm | 550 mm |
| VERSION C2 | | | | | | |
| 15° | 704.06.16 | 704.06.17 | 704.06.18 | 704.06.19 | 704.06.20 | 704.06.21 |
| 30° | 704.06.31 | 704.06.32 | 704.06.33 | 704.06.34 | 704.06.35 | 704.06.36 |
| 45° | 704.06.46 | 704.06.47 | 704.06.48 | 704.06.49 | 704.06.50 | 704.06.51 |
| 60° | 704.06.61 | 704.06.62 | 704.06.63 | 704.06.64 | 704.06.65 | 704.06.66 |
| 75° | 704.06.76 | 704.06.77 | 704.06.78 | 704.06.79 | 704.06.80 | 704.06.81 |
| 90° | 704.06.01 | 704.06.02 | 704.06.03 | 704.06.04 | 704.06.05 | 704.06.06 |



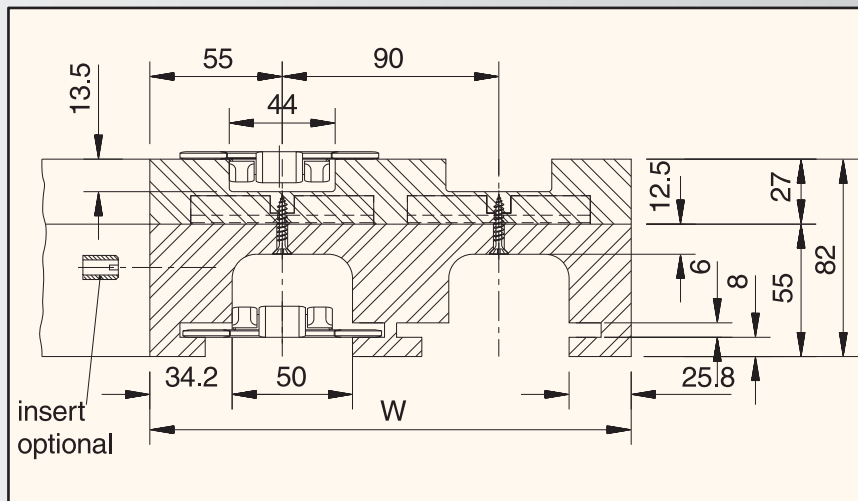
More than 6 tracks on request.

- For steel chains: 10/60/66 M 31 M, 60/66 M 31 XM, 66 M 31 RM, 60/66 M 84 XM
- For plastic chains: RHMP 325, RHMDP 325, RHMP 84

MAGNETFLEX CURVES



**MAGNETFLEX®
COMBI-A
VERSION C3**

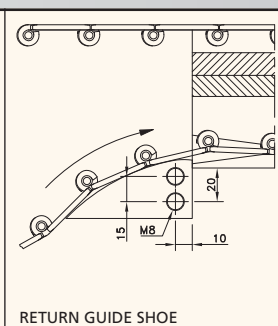
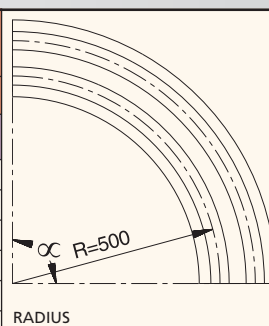


page 16, 24

page 31

MATERIAL
page 209

| Nr. of tracks | 1 | 2 | 3 | 4 | 5 | 6 |
|-------------------|-----------|-----------|-----------|-----------|-----------|-----------|
| Width W | 110 mm | 200 mm | 290 mm | 380 mm | 470 mm | 560 mm |
| VERSION C3 | | | | | | |
| 15° | 704.07.16 | 704.07.17 | 704.07.18 | 704.07.19 | 704.07.20 | 704.07.21 |
| 30° | 704.07.31 | 704.07.32 | 704.07.33 | 704.07.34 | 704.07.35 | 704.07.36 |
| 45° | 704.07.46 | 704.07.47 | 704.07.48 | 704.07.49 | 704.07.50 | 704.07.51 |
| 60° | 704.07.61 | 704.07.62 | 704.07.63 | 704.07.64 | 704.07.65 | 704.07.66 |
| 75° | 704.07.76 | 704.07.77 | 704.07.78 | 704.07.79 | 704.07.80 | 704.07.81 |
| 90° | 704.07.01 | 704.07.02 | 704.07.03 | 704.07.04 | 704.07.05 | 704.07.06 |

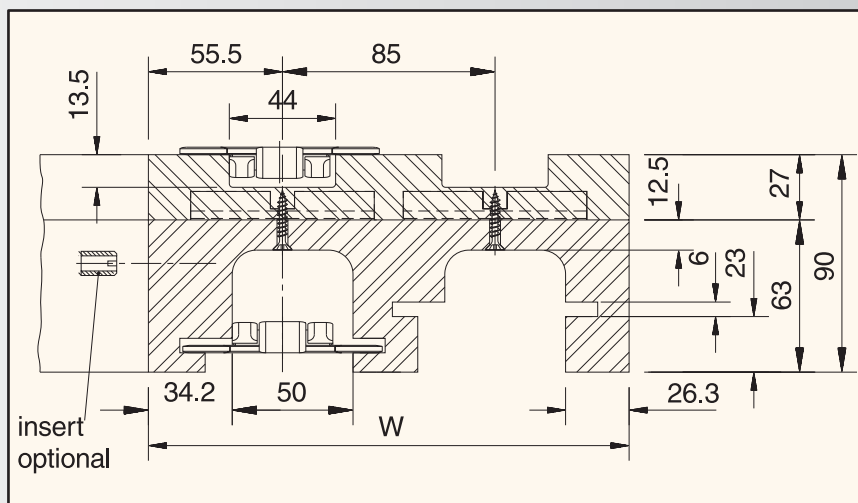


More than 6 tracks on request.

- For steel chains: 10/60/66 M 31 M, 60/66 M 31 XM, 66 M 31 RM, 60/66 M 84 XM
- For plastic chains: RHMP 325, RHMDP 325, RHMP 84



**MAGNETFLEX®
COMBI-A
VERSION C4**

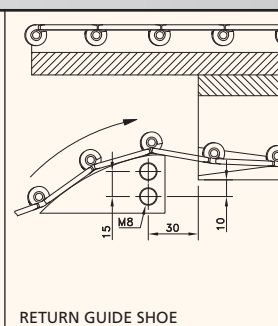
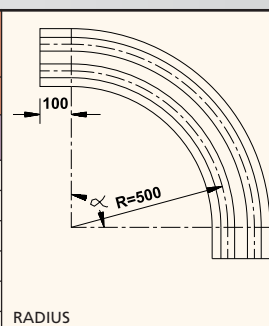


page 16, 24

page 31

MATERIAL
page 209

| Nr. of tracks | 1 | 2 | 3 | 4 | 5 | 6 |
|-------------------|-----------|-----------|-----------|-----------|-----------|-----------|
| Width W | 111 mm | 196 mm | 281 mm | 366 mm | 451 mm | 536 mm |
| VERSION C4 | | | | | | |
| 15° | 704.08.16 | 704.08.17 | 704.08.18 | 704.08.19 | 704.08.20 | 704.08.21 |
| 30° | 704.08.31 | 704.08.32 | 704.08.33 | 704.08.34 | 704.08.35 | 704.08.36 |
| 45° | 704.08.46 | 704.08.47 | 704.08.48 | 704.08.49 | 704.08.50 | 704.08.51 |
| 60° | 704.08.61 | 704.08.62 | 704.08.63 | 704.08.64 | 704.08.65 | 704.08.66 |
| 75° | 704.08.76 | 704.08.77 | 704.08.78 | 704.08.79 | 704.08.80 | 704.08.81 |
| 90° | 704.08.01 | 704.08.02 | 704.08.03 | 704.08.04 | 704.08.05 | 704.08.06 |



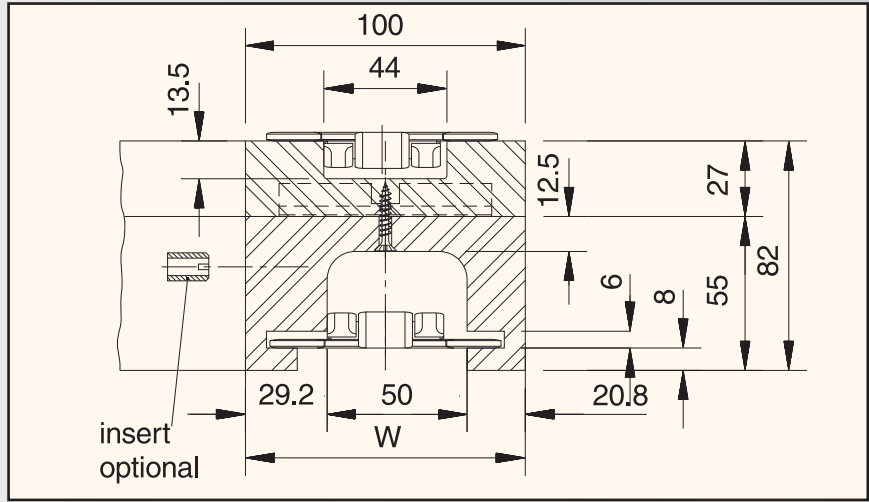
More than 6 tracks on request.

- For steel chains: 10/60/66 M 31 M, 60/66 M 31 XM, 66 M 31 RM, 60/66 M 84 XM
- For plastic chains: RHMP 325, RHMDP 325, RHMP 84

MAGNETFLEX CURVES



**MAGNETFLEX®
COMBI-A
VERSION C5A**

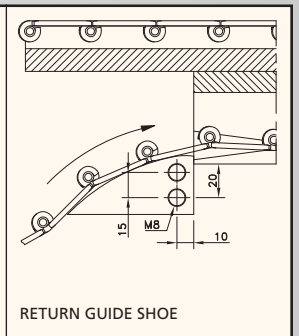
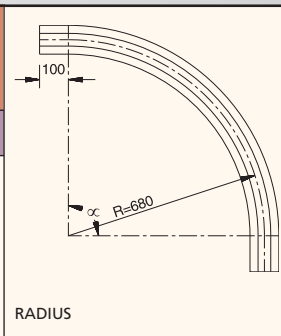


page 16, 24

page 31

MATERIAL
page 209

| | | |
|--------------------|-----------|--|
| Nr. of tracks | 1 | |
| Width W | 100 mm | |
| VERSION C5A | | |
| 15° | 704.09.16 | |
| 30° | 704.09.31 | |
| 45° | 704.09.46 | |
| 60° | 704.09.61 | |
| 75° | 704.09.76 | |
| 90° | 704.09.01 | |

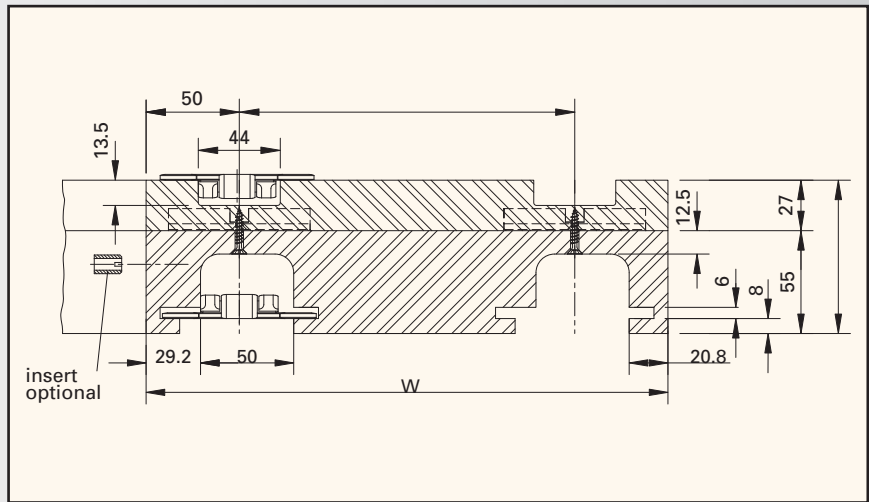


More than 1 track on request.

- For steel chains: 10/60/66 M 31 M, 60/66 M 31 XM, 66 M 31 RM, 60/66 M 84 XM
- For plastic chains: RHMP 325, RHMDP 325, RHMP 84



**MAGNETFLEX®
COMBI-A
VERSION C5B**

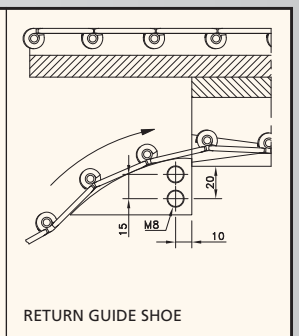
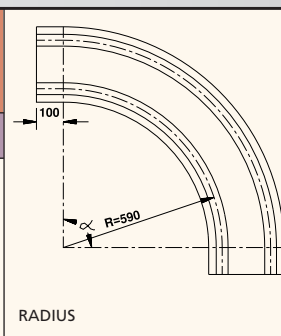


page 16, 24

page 31

MATERIAL
page 209

| | | |
|--------------------|-----------|--|
| Nr. of tracks | 2 | |
| Width W | 280 mm | |
| VERSION C5B | | |
| 15° | 704.10.17 | |
| 30° | 704.10.32 | |
| 45° | 704.10.47 | |
| 60° | 704.10.62 | |
| 75° | 704.10.77 | |
| 90° | 704.10.02 | |



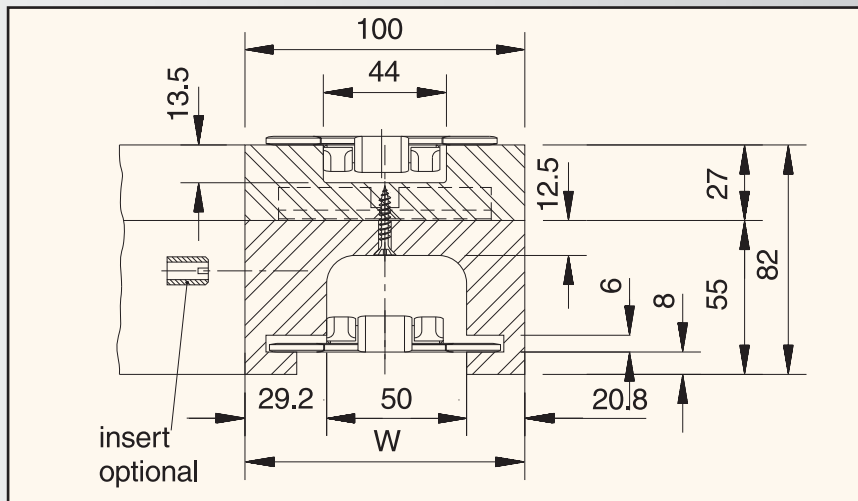
Special twin-track design for crate conveyors.

- For steel chains: 10/60/66 M 31 M, 60/66 M 31 XM, 66 M 31 RM, 60/66 M 84 XM
- For plastic chains: RHMP 325, RHMDP 325, RHMP 84

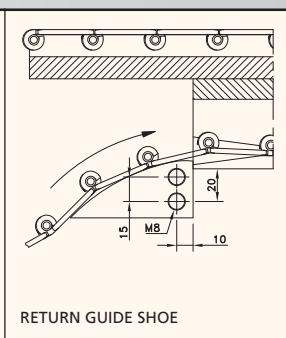
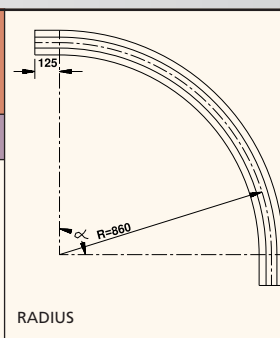
MAGNETFLEX CURVES



**MAGNETFLEX®
COMBI-A
VERSION C5C**



| | | |
|--------------------|-----------|--|
| Nr. of tracks | 1 | |
| Width W | 100 mm | |
| VERSION C5C | | |
| 15° | 704.11.16 | |
| 30° | 704.11.31 | |
| 45° | 704.11.46 | |
| 60° | 704.11.61 | |
| 75° | 704.11.76 | |
| 90° | 704.11.01 | |

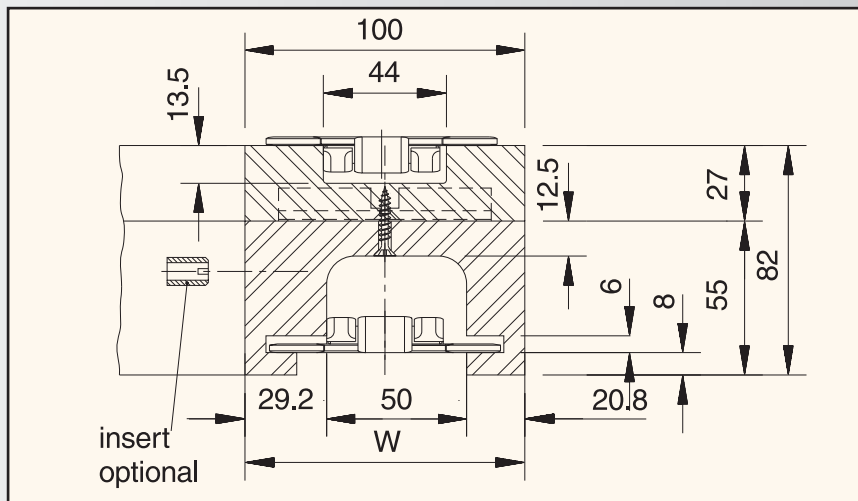


More than 1 track on request.

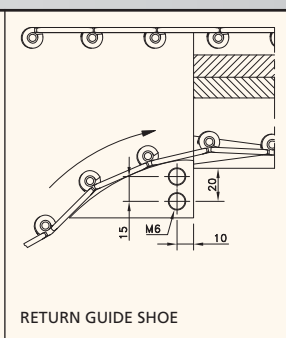
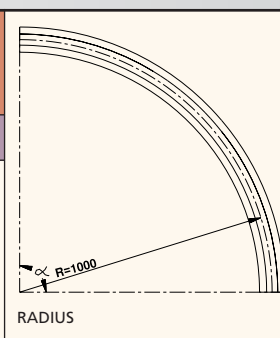
- For steel chains: 10/60/66 M 31 M, 60/66 M 31 XM, 66 M 31 RM, 60/66 M 84 XM, SSC 581 M-K325
- For plastic chains: RHMP 325, RHMDP 325, RHMP 84



**MAGNETFLEX®
COMBI-A
VERSION C5D**



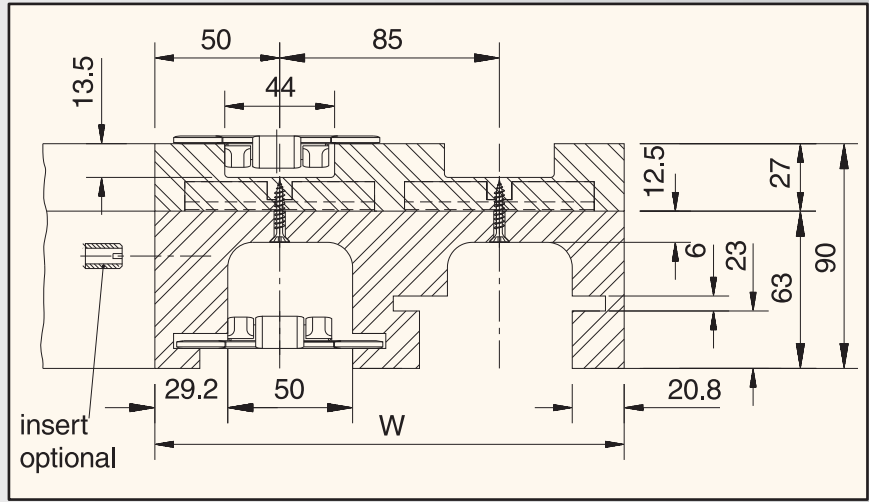
| | | |
|--------------------|-----------|--|
| Nr. of tracks | 1 | |
| Width W | 100 mm | |
| VERSION C5D | | |
| 15° | 704.12.16 | |
| 30° | 704.12.31 | |
| 45° | 704.12.46 | |
| 60° | 704.12.61 | |
| 75° | 704.12.76 | |
| 90° | 704.12.01 | |



More than 1 track on request.

- For steel chains: 10/60/66 M 31 M, 60/66 M 31 XM, 66 M 31 RM, 60/66 M 84 XM, SSC 581 M-K325
- For plastic chains: RHMP 325, RHMDP 325, RHMP 84

MAGNETFLEX CURVES

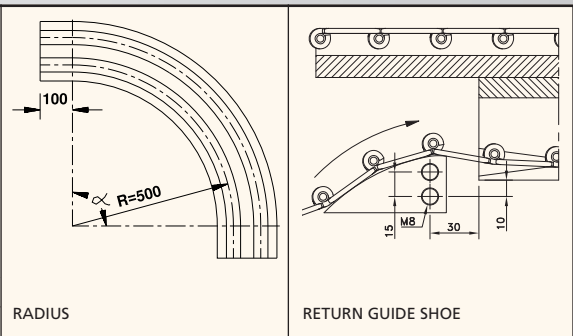


page 16, 24

page 31

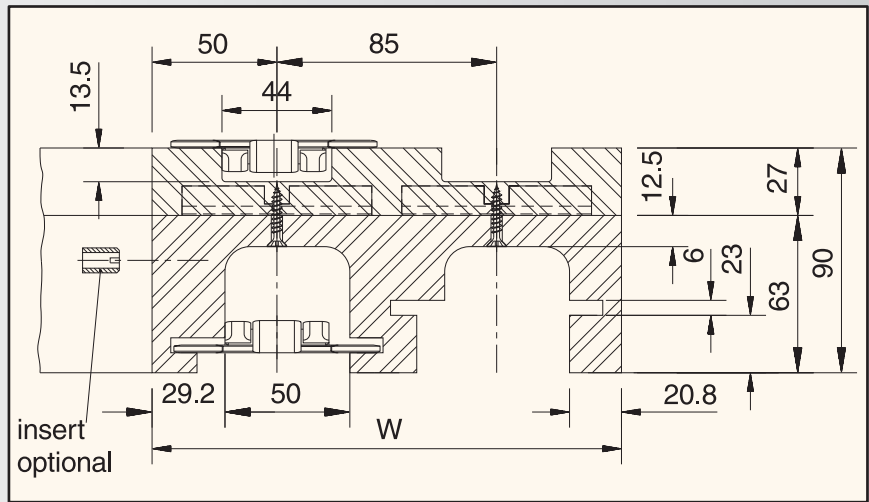
MATERIAL
page 209

| Nr. of tracks | 1 | 2 | 3 | 4 | 5 | 6 |
|-------------------|-----------|-----------|-----------|-----------|-----------|-----------|
| Width W | 100 mm | 185 mm | 270 mm | 355 mm | 440 mm | 525 mm |
| VERSION C6 | | | | | | |
| 15° | 704.14.16 | 704.14.17 | 704.14.18 | 704.14.19 | 704.14.20 | 704.14.21 |
| 30° | 704.14.31 | 704.14.32 | 704.14.33 | 704.14.34 | 704.14.35 | 704.14.36 |
| 45° | 704.14.46 | 704.14.47 | 704.14.48 | 704.14.49 | 704.14.50 | 704.14.51 |
| 60° | 704.14.61 | 704.14.62 | 704.14.63 | 704.14.64 | 704.14.65 | 704.14.66 |
| 75° | 704.14.76 | 704.14.77 | 704.14.78 | 704.14.79 | 704.14.80 | 704.14.81 |
| 90° | 704.14.01 | 704.14.02 | 704.14.03 | 704.14.04 | 704.14.05 | 704.14.06 |



More than 6 tracks on request.

- For steel chains: 10/60/66 M 31 M, 60/66 M 31 XM, 66 M 31 RM, 60/66 M 84 XM
- For plastic chains: RHMP 325, RHMDP 325, RHMP 84

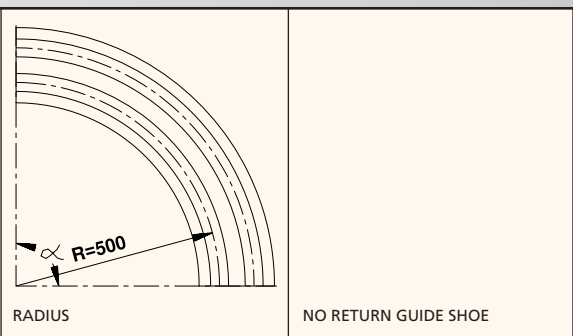


page 16, 24

page 31

MATERIAL
page 209

| Nr. of tracks | 1 | 2 | 3 | 4 | 5 | 6 |
|-------------------|-----------|-----------|-----------|-----------|-----------|-----------|
| Width W | 100 mm | 185 mm | 270 mm | 355 mm | 440 mm | 525 mm |
| VERSION C7 | | | | | | |
| 15° | 704.15.16 | 704.15.17 | 704.15.18 | 704.15.19 | 704.15.20 | 704.15.21 |
| 30° | 704.15.31 | 704.15.32 | 704.15.33 | 704.15.34 | 704.15.35 | 704.15.36 |
| 45° | 704.15.46 | 704.15.47 | 704.15.48 | 704.15.49 | 704.15.50 | 704.15.51 |
| 60° | 704.15.61 | 704.15.62 | 704.15.63 | 704.15.64 | 704.15.65 | 704.15.66 |
| 75° | 704.15.76 | 704.15.77 | 704.15.78 | 704.15.79 | 704.15.80 | 704.15.81 |
| 90° | 704.15.01 | 704.15.02 | 704.15.03 | 704.15.04 | 704.15.05 | 704.15.06 |



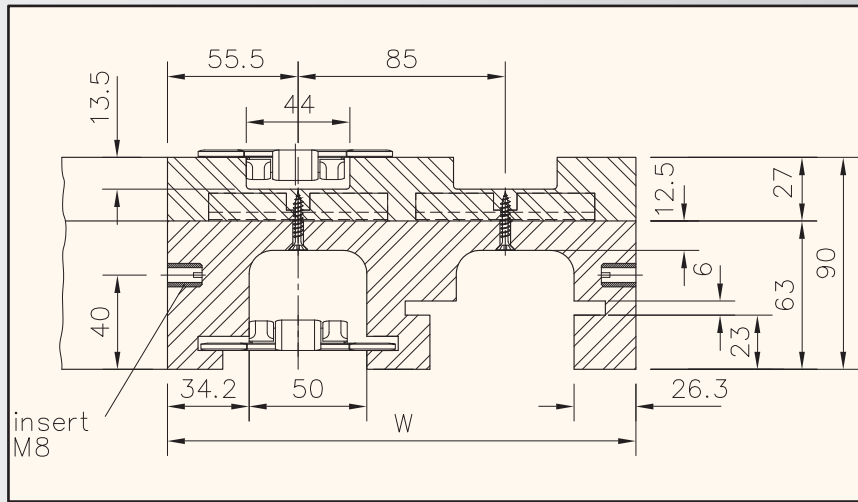
More than 6 tracks on request. The height of the return part is 55 mm in case of a single track C7.

- For steel chains: 10/60/66 M 31 M, 60/66 M 31 XM, 66 M 31 RM, 60/66 M 84 XM
- For plastic chains: RHMP 325, RHMDP 325, RHMP 84

MAGNETFLEX CURVES

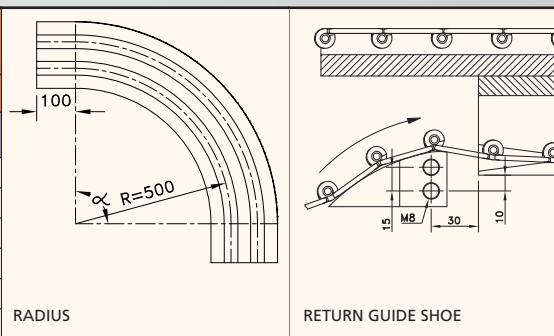


**MAGNETFLEX®
COMBI-A
VERSION C14**



page 16, 24
page 31
MATERIAL
page 209

| Nr. of tracks | 1 | 2 | 3 | 4 | 5 | 6 |
|--------------------|-----------|-----------|-----------|-----------|-----------|-----------|
| Width W | 111 mm | 196 mm | 281 mm | 366 mm | 451 mm | 536 mm |
| VERSION C14 | | | | | | |
| 15° | 704.19.16 | 704.19.17 | 704.19.18 | 704.19.19 | 704.19.20 | 704.19.21 |
| 30° | 704.19.31 | 704.19.32 | 704.19.33 | 704.19.34 | 704.19.35 | 704.19.36 |
| 45° | 704.19.46 | 704.19.47 | 704.19.48 | 704.19.49 | 704.19.50 | 704.19.51 |
| 60° | 704.19.61 | 704.19.62 | 704.19.63 | 704.19.64 | 704.19.65 | 704.19.66 |
| 75° | 704.19.76 | 704.19.77 | 704.19.78 | 704.19.79 | 704.19.80 | 704.19.81 |
| 90° | 704.19.01 | 704.19.02 | 704.19.03 | 704.19.04 | 704.19.05 | 704.19.06 |

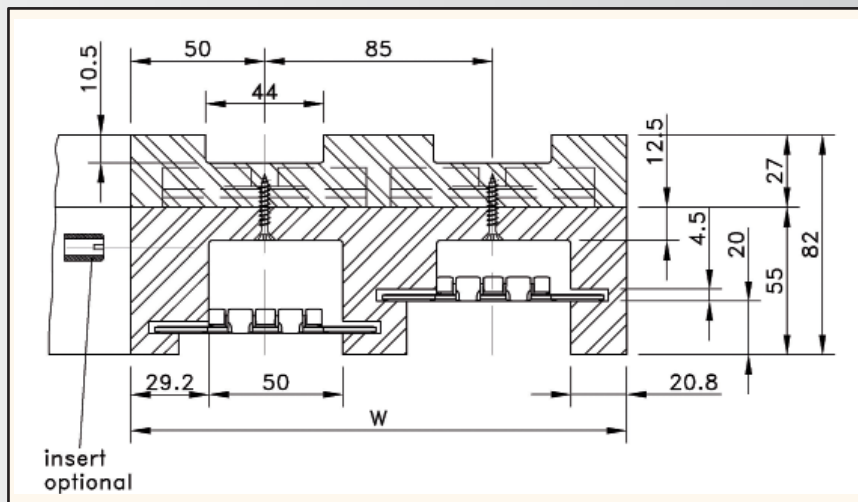


More than 6 tracks on request. C14 curves include inserts, of which the pattern varies per angle.

- For steel chains: 10/60/66 M 31 M, 60/66 M 31 XM, 66 M 31 RM, 60/66 M 84 XM
- For plastic chains: RHMP 325, RHMDP 325, RHMP 84

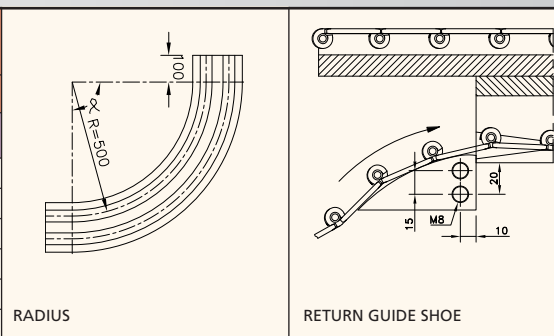


**MAGNETFLEX®
COMBI-A
VERSION CF6**



page 20
MATERIAL
page 209

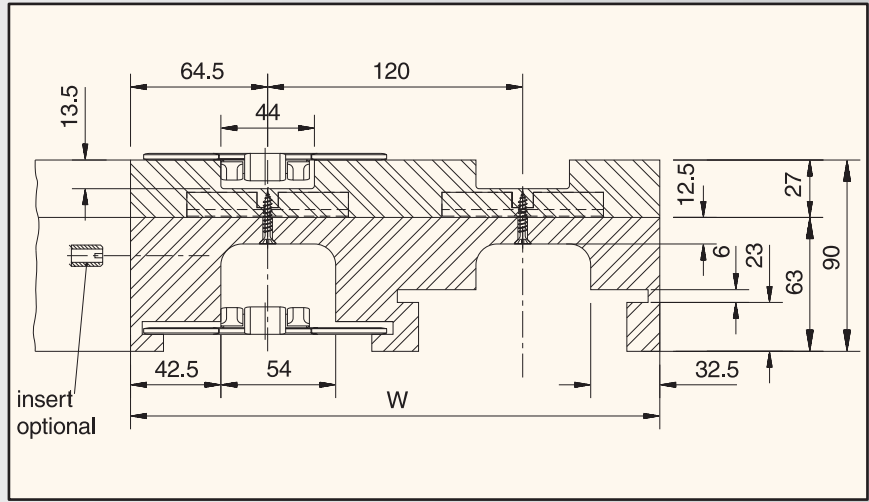
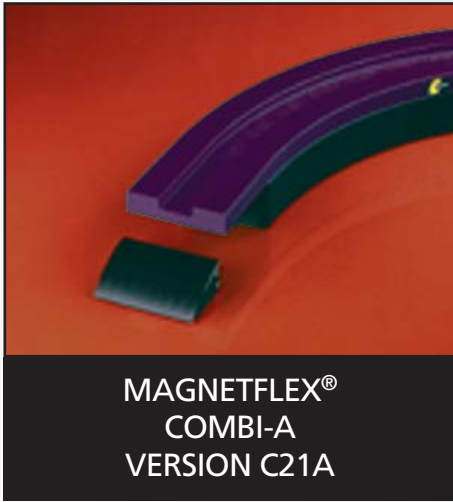
| Nr. of tracks | 1 | 2 | 3 | 4 | 5 | 6 |
|--------------------|-----------|-----------|-----------|-----------|-----------|-----------|
| Width W | 100 mm | 185 mm | 270 mm | 355 mm | 440 mm | 525 mm |
| VERSION CF6 | | | | | | |
| 15° | 624.38.16 | 624.38.17 | 624.38.18 | 624.38.19 | 624.38.20 | 624.38.21 |
| 30° | 624.38.31 | 624.38.32 | 624.38.33 | 624.38.34 | 624.38.35 | 624.38.36 |
| 45° | 624.38.46 | 624.38.47 | 624.38.48 | 624.38.49 | 624.38.50 | 624.38.51 |
| 60° | 624.38.61 | 624.38.62 | 624.38.63 | 624.38.64 | 624.38.65 | 624.38.66 |
| 75° | 624.38.76 | 624.38.77 | 624.38.78 | 624.38.79 | 624.38.80 | 624.38.81 |
| 90° | 624.38.01 | 624.38.02 | 624.38.03 | 624.38.04 | 624.38.05 | 624.38.06 |



More than 6 tracks on request.

- Other curves, such as CF4, CF7, CF42 and CF5C can be supplied as well. Please ask Technical Support for all details.
- For steel chains: 661 M 31 SM, 661 M 84 SM

MAGNETFLEX CURVES

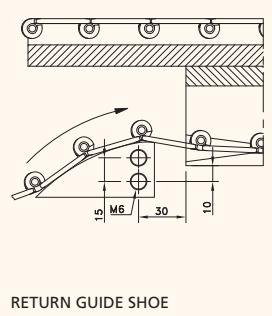
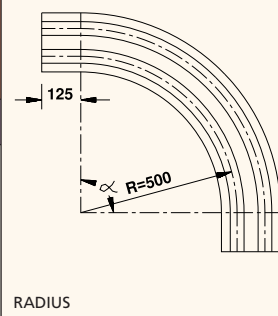


page 16

page 31

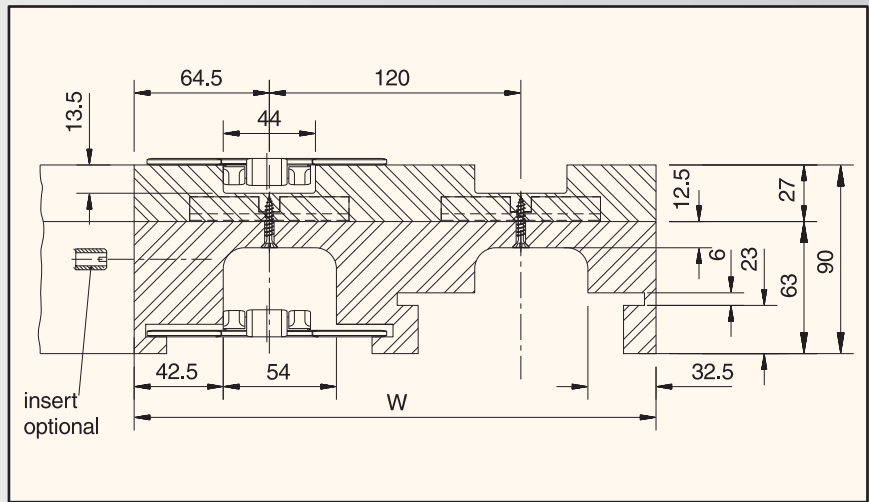
MATERIAL
page 209

| Nr. of tracks | 1 | 2 | 3 | 4 |
|---------------------|-----------|-----------|-----------|-----------|
| Width W | 129 mm | 249 mm | 369 mm | 489 mm |
| VERSION C21A | | | | |
| 15° | 714.08.16 | 714.08.17 | 714.08.18 | 714.08.19 |
| 30° | 714.08.31 | 714.08.32 | 714.08.33 | 714.08.34 |
| 45° | 714.08.46 | 714.08.47 | 714.08.48 | 714.08.49 |
| 60° | 714.08.61 | 714.08.62 | 714.08.63 | 714.08.64 |
| 75° | 714.08.76 | 714.08.77 | 714.08.78 | 714.08.79 |
| 90° | 714.08.01 | 714.08.02 | 714.08.03 | 714.08.04 |



More than 4 tracks on request.

- For steel chains: 10/60 M 42 M
- For plastic chains: RHM 450, RHMD 450

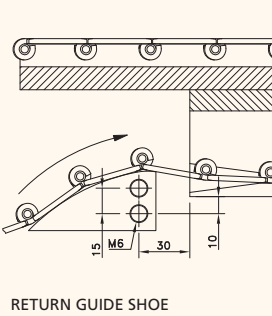
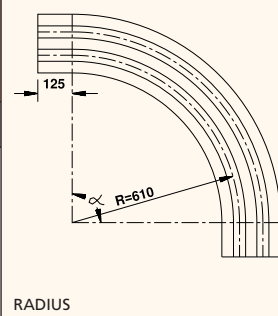


page 16

page 31

MATERIAL
page 209

| Nr. of tracks | 1 | 2 | 3 | 4 |
|---------------------|-----------|-----------|-----------|-----------|
| Width W | 129 mm | 249 mm | 369 mm | 489 mm |
| VERSION C22A | | | | |
| 15° | 714.09.16 | 714.09.17 | 714.09.18 | 714.09.19 |
| 30° | 714.09.31 | 714.09.32 | 714.09.33 | 714.09.34 |
| 45° | 714.09.46 | 714.09.47 | 714.09.48 | 714.09.49 |
| 60° | 714.09.61 | 714.09.62 | 714.09.63 | 714.09.64 |
| 75° | 714.09.76 | 714.09.77 | 714.09.78 | 714.09.79 |
| 90° | 714.09.01 | 714.09.02 | 714.09.03 | 714.09.04 |



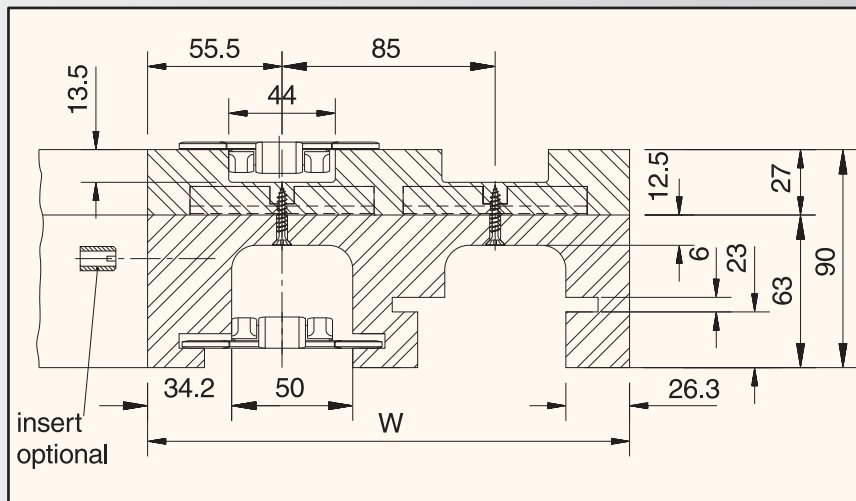
More than 4 tracks on request.

- For steel chains: 10/60 M 42 M
- For plastic chains: RHM 450, RHMD 450

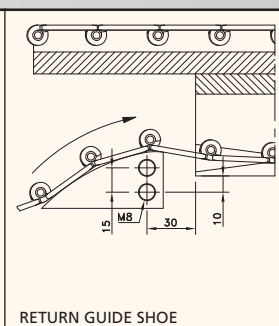
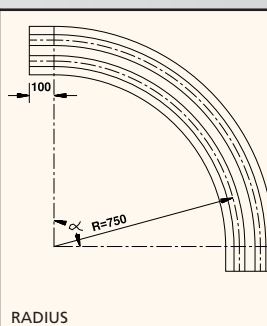
MAGNETFLEX CURVES



**MAGNETFLEX®
COMBI-A
VERSION C42**



| Nr. of tracks | 1 | 2 | 3 | 4 | 5 | 6 |
|--------------------|-----------|-----------|-----------|-----------|-----------|-----------|
| Width W | 111 mm | 196 mm | 281 mm | 366 mm | 451 mm | 536 mm |
| VERSION C42 | | | | | | |
| 15° | 704.28.16 | 704.28.17 | 704.28.18 | 704.28.19 | 704.28.20 | 704.28.21 |
| 30° | 704.28.31 | 704.28.32 | 704.28.33 | 704.28.34 | 704.28.35 | 704.28.36 |
| 45° | 704.28.46 | 704.28.47 | 704.28.48 | 704.28.49 | 704.28.50 | 704.28.51 |
| 60° | 704.28.61 | 704.28.62 | 704.28.63 | 704.28.64 | 704.28.65 | 704.28.66 |
| 75° | 704.28.76 | 704.28.77 | 704.28.78 | 704.28.79 | 704.28.80 | 704.28.81 |
| 90° | 704.28.01 | 704.28.02 | 704.28.03 | 704.28.04 | 704.28.05 | 704.28.06 |

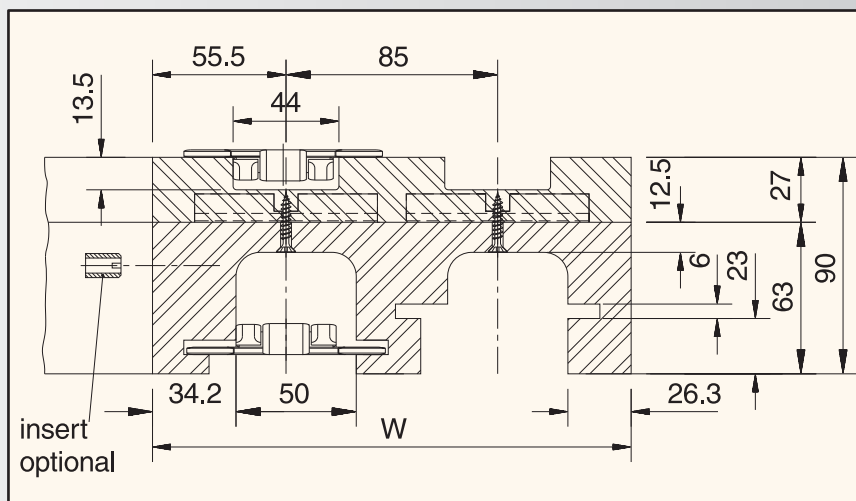


More than 6 tracks on request.

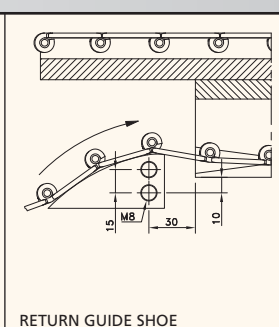
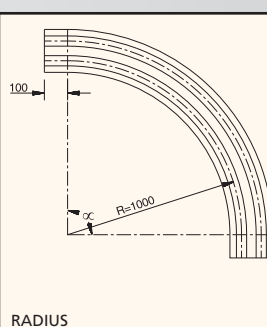
- For steel chains: 10/60/66 M 31 M, 60/66 M 31 XM, 66 M 31 RM, 60/66 M 84 XM
- For plastic chains: RHMP 325, RHMDP 325, RHMP 84



**MAGNETFLEX®
COMBI-A
VERSION C43**



| Nr. of tracks | 1 | 2 | 3 | 4 | 5 | 6 |
|--------------------|-----------|-----------|-----------|-----------|-----------|-----------|
| Width W | 111 mm | 196 mm | 281 mm | 366 mm | 451 mm | 536 mm |
| VERSION C43 | | | | | | |
| 15° | 704.29.16 | 704.29.17 | 704.29.18 | 704.29.19 | 704.29.20 | 704.29.21 |
| 30° | 704.29.31 | 704.29.32 | 704.29.33 | 704.29.34 | 704.29.35 | 704.29.36 |
| 45° | 704.29.46 | 704.29.47 | 704.29.48 | 704.29.49 | 704.29.50 | 704.29.51 |
| 60° | 704.29.61 | 704.29.62 | 704.29.63 | 704.29.64 | 704.29.65 | 704.29.66 |
| 75° | 704.29.76 | 704.29.77 | 704.29.78 | 704.29.79 | 704.29.80 | 704.29.81 |
| 90° | 704.29.01 | 704.29.02 | 704.29.03 | 704.29.04 | 704.29.05 | 704.29.06 |



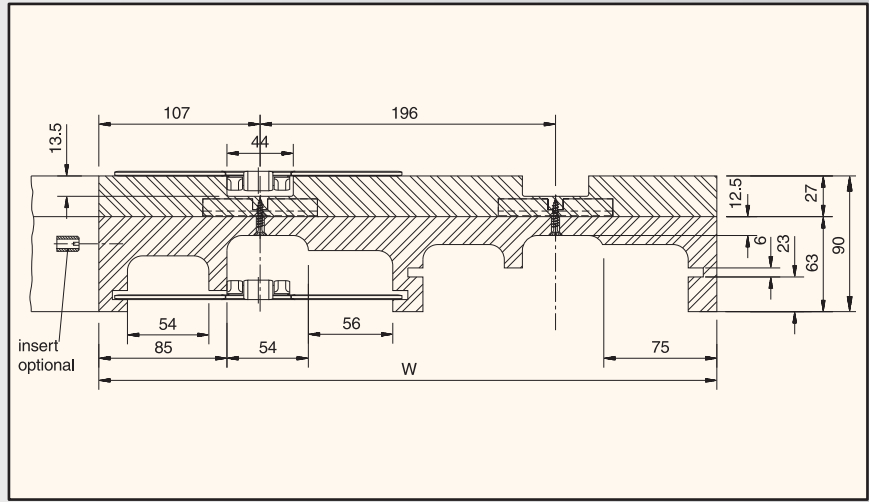
More than 6 tracks on request.

- For steel chains: 10/60/66 M 31 M, 60/66 M 31 XM, 66 M 31 RM, 60/66 M 84 XM, SSC 581 M-K325
- For plastic chains: RHMP 325, RHMDP 325, RHMP 84

MAGNETFLEX CURVES



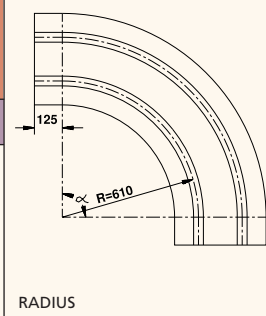
**MAGNETFLEX®
COMBI-A
VERSION C61**



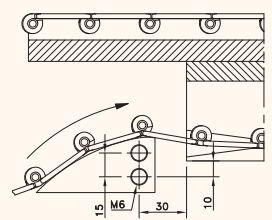
page 16, 24

MATERIAL
page 209

| Nr. of tracks | 1 | 2 | 3 | 4 |
|--------------------|-----------|-----------|-----------|-----------|
| Width W | 214 mm | 410 mm | 606 mm | 802 mm |
| VERSION C61 | | | | |
| 15° | 724.05.16 | 724.05.17 | 724.05.18 | 724.05.19 |
| 30° | 724.05.31 | 724.05.32 | 724.05.33 | 724.05.34 |
| 45° | 724.05.46 | 724.05.47 | 724.05.48 | 724.05.49 |
| 60° | 724.05.61 | 724.05.62 | 724.05.63 | 724.05.64 |
| 75° | 724.05.76 | 724.05.77 | 724.05.78 | 724.05.79 |
| 90° | 724.05.01 | 724.05.02 | 724.05.03 | 724.05.04 |



RADIUS



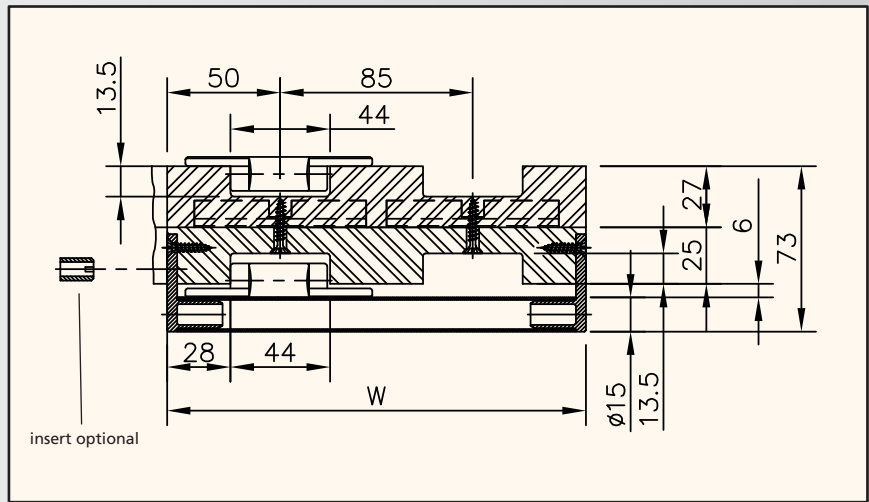
RETURN GUIDE SHOE

More than 4 tracks on request.

- For steel chains: 10/60/66 M 72 M, 66 M 72 RM



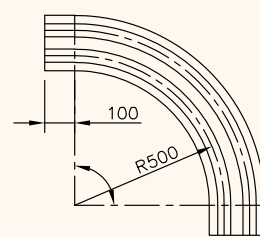
**MAGNETFLEX®
COMBI-A
VERSION C6T**



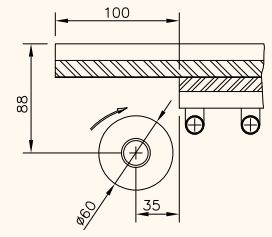
page 31

MATERIAL
page 209

| Nr. of tracks | 1 | 2 | 3 | 4 | 5 | 6 |
|--------------------|-----------|-----------|-----------|-----------|-----------|-----------|
| Width W | 100 mm | 185 mm | 270 mm | 355 mm | 340 mm | 525 mm |
| VERSION C6T | | | | | | |
| 15° | 704.32.16 | 704.32.17 | 704.32.18 | 704.32.19 | 704.32.20 | 704.32.21 |
| 30° | 704.32.31 | 704.32.32 | 704.32.33 | 704.32.34 | 704.32.35 | 704.32.36 |
| 45° | 704.32.46 | 704.32.47 | 704.32.48 | 704.32.49 | 704.32.50 | 704.32.51 |
| 60° | 704.32.61 | 704.32.62 | 704.32.63 | 704.32.64 | 704.32.65 | 704.32.66 |
| 75° | 704.32.76 | 704.32.77 | 704.32.78 | 704.32.79 | 704.32.80 | 704.32.81 |
| 90° | 704.32.01 | 704.32.02 | 704.32.03 | 704.32.04 | 704.32.05 | 704.32.06 |



RADIUS



OPTIONAL INFED ROLLER

More than 6 tracks on request.

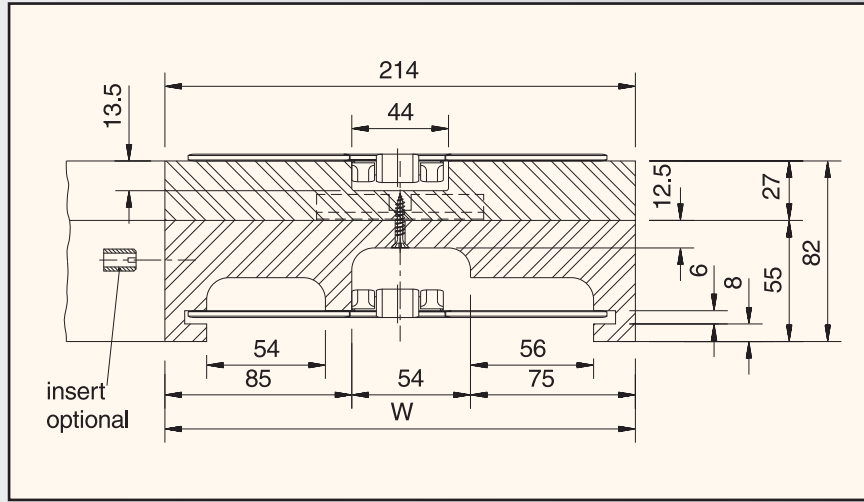
- For plastic chains: RHMP 325, RHMDP 325, RHMP 84
- Not suitable for steel chains
- Also available in the following executions:
 - COMBI A VERSION CB6T suitable for: FGM 1050 and FTM 1060 chainbelts
 - COMBI A VERSION CC6T suitable for: FTM 1055 chainbelts

Tel. +32 (52) 750 430 www.bogaert-transmission.com

MAGNETFLEX CURVES



**MAGNETFLEX®
COMBI-A
VERSION C65**



page 16, 24

MATERIAL
page 209

| | | | |
|--------------------|-----------|--|--|
| Nr. of tracks | 1 | | |
| Width W | 214 mm | | |
| VERSION C65 | | | |
| 15° | 724.07.16 | | |
| 30° | 724.07.31 | | |
| 45° | 724.07.46 | | |
| 60° | 724.07.61 | | |
| 75° | 724.07.76 | | |
| 90° | 724.07.01 | | |

RADIUS

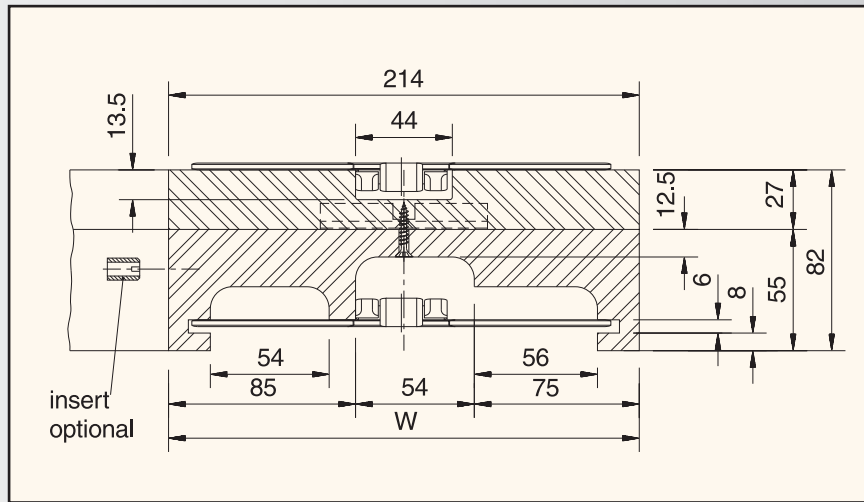
RETURN GUIDE SHOE

More than 1 track on request.

- For steel chains: 10/60/66 M 72 M, 66 M 72 RM



**MAGNETFLEX®
COMBI-A
VERSION C66**



page 16, 24

MATERIAL
page 209

| | | | |
|--------------------|-----------|--|--|
| Nr. of tracks | 1 | | |
| Width W | 214 mm | | |
| VERSION C66 | | | |
| 15° | 724.11.16 | | |
| 30° | 724.11.31 | | |
| 45° | 724.11.46 | | |
| 60° | 724.11.61 | | |
| 75° | 724.11.76 | | |
| 90° | 724.11.01 | | |

RADIUS

RETURN GUIDE SHOE

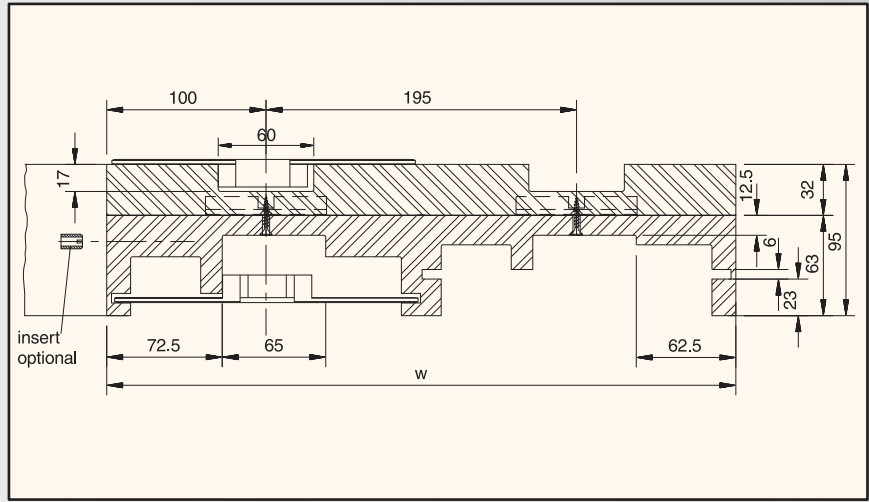
More than 1 track on request.

- For steel chains: 10/60/66 M 72 M, 66 M 72 RM

MAGNETFLEX CURVES



**MAGNETFLEX®
COMBI-A
VERSION C81**

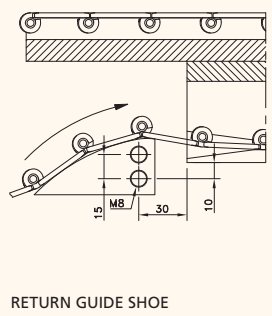
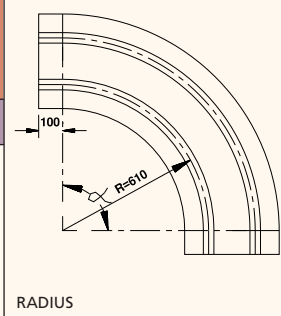


page 19, 25

page 32, 44

MATERIAL
page 209

| Nr. of tracks | 1 | 2 | 3 | 4 |
|--------------------|-----------|-----------|-----------|-----------|
| Width W | 200 mm | 395 mm | 590 mm | 785 mm |
| VERSION C81 | | | | |
| 15° | 724.31.16 | 724.31.17 | 724.31.18 | 724.31.19 |
| 30° | 724.31.31 | 724.31.32 | 724.31.33 | 724.31.34 |
| 45° | 724.31.46 | 724.31.47 | 724.31.48 | 724.31.49 |
| 60° | 724.31.61 | 724.31.62 | 724.31.63 | 724.31.64 |
| 75° | 724.31.76 | 724.31.77 | 724.31.78 | 724.31.79 |
| 90° | 724.31.01 | 724.31.02 | 724.31.03 | 724.31.04 |

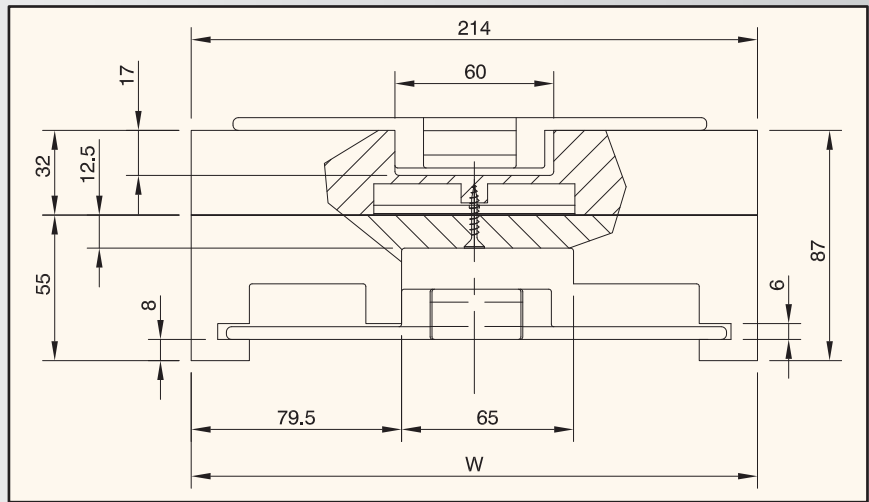


More than 4 tracks on request.

- For steel chains: 60/66 M 75 M, 66 M 75 RM
- For plastic chains: HDFM 750 XL/SG



**MAGNETFLEX®
COMBI-A
VERSION C86**

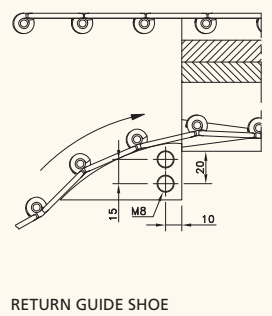
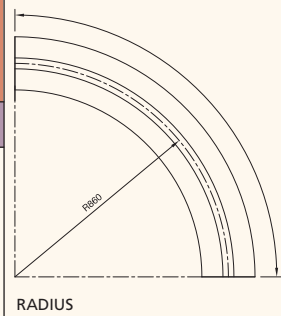


page 19, 25

page 32, 44

MATERIAL
page 209

| Nr. of tracks | 1 |
|--------------------|-----------|
| Width W | 214 mm |
| VERSION C86 | |
| 15° | 724.36.16 |
| 30° | 724.36.31 |
| 45° | 724.36.46 |
| 60° | 724.36.61 |
| 75° | 724.36.76 |
| 90° | 724.36.01 |



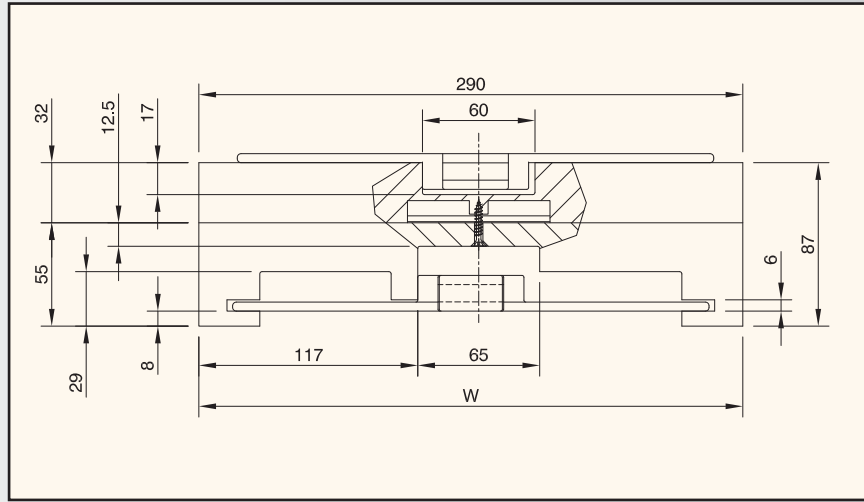
More than 1 track on request.

- For steel chains: 60/66 M 75 M, 66 M 75 RM
- For plastic chains: HDFM 750 XL/SG

MAGNETFLEX CURVES



**MAGNETFLEX®
COMBI-A
VERSION C91**



page 32, 44

MATERIAL
page 209

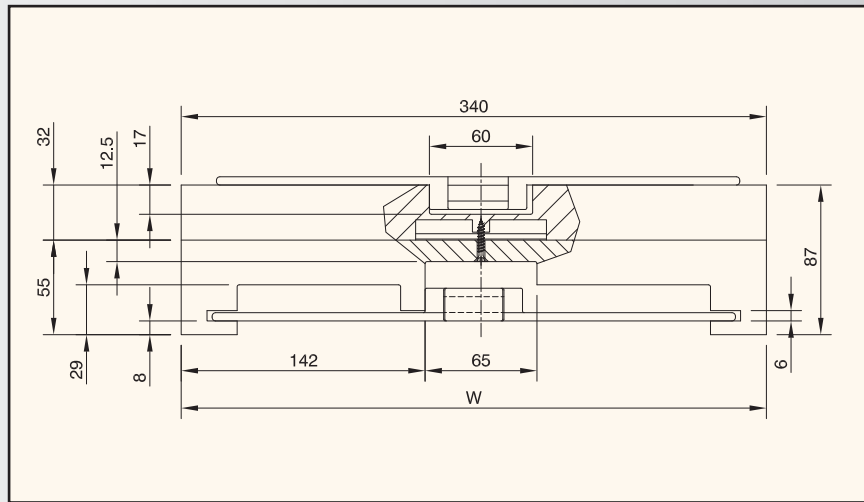
| | | | | | |
|--------------------|-----------|--|--|---------------|--------------------------|
| Nr. of tracks | 1 | | | <p>RADIUS</p> | <p>RETURN GUIDE SHOE</p> |
| Width W | 290 mm | | | | |
| VERSION C91 | | | | | |
| 15° | 724.42.16 | | | | |
| 30° | 724.42.31 | | | | |
| 45° | 724.42.46 | | | | |
| 60° | 724.42.61 | | | | |
| 75° | 724.42.76 | | | | |
| 90° | 724.42.01 | | | | |

More than 1 track on request.

- For plastic chains: HDFM 1000 XL/SG



**MAGNETFLEX®
COMBI-A
VERSION C96**



page 32, 44

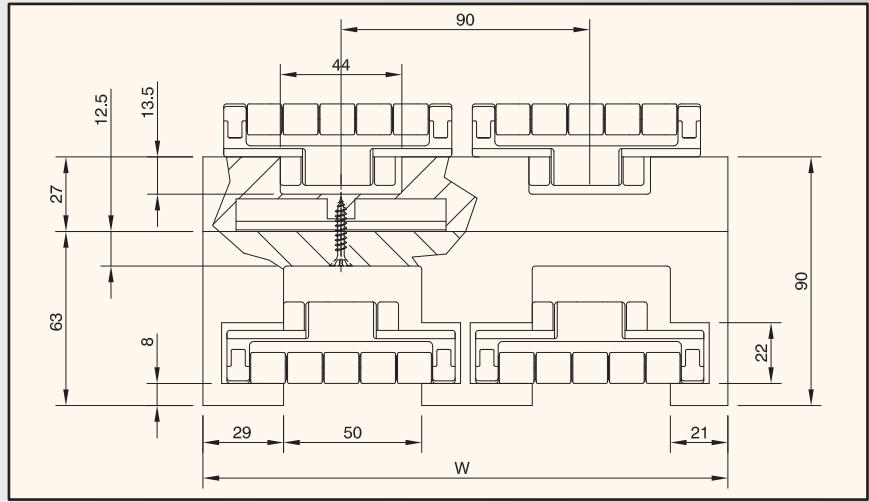
MATERIAL
page 209

| | | | | | |
|--------------------|-----------|--|--|---------------|--------------------------|
| Nr. of tracks | 1 | | | <p>RADIUS</p> | <p>RETURN GUIDE SHOE</p> |
| Width W | 340 mm | | | | |
| VERSION C96 | | | | | |
| 15° | 724.44.16 | | | | |
| 30° | 724.44.31 | | | | |
| 45° | 724.44.46 | | | | |
| 60° | 724.44.61 | | | | |
| 75° | 724.44.76 | | | | |
| 90° | 724.44.01 | | | | |

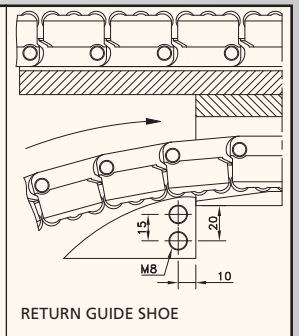
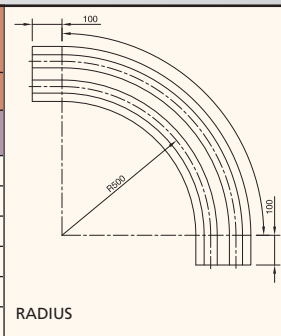
More than 1 track on request.

- For plastic chains: HDFM 1200 XL/SG

MAGNETFLEX CURVES

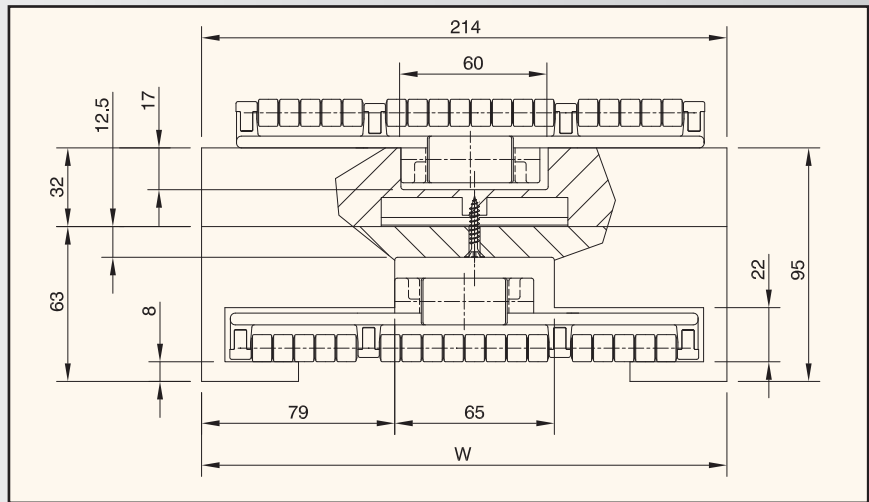


| Nr. of tracks | 1 | 2 | 3 | 4 | 5 | 6 |
|---------------------|-----------|-----------|-----------|-----------|-----------|-----------|
| Width W | 100 mm | 190 mm | 280 mm | 370 mm | 460 mm | 550 mm |
| VERSION LBP2 | | | | | | |
| 15° | 704.34.16 | 704.34.17 | 704.34.18 | 704.34.19 | 704.34.20 | 704.34.21 |
| 30° | 704.34.31 | 704.34.32 | 704.34.33 | 704.34.34 | 704.34.35 | 704.34.36 |
| 45° | 704.34.46 | 704.34.47 | 704.34.48 | 704.34.49 | 704.34.50 | 704.34.51 |
| 60° | 704.34.61 | 704.34.62 | 704.34.63 | 704.34.64 | 704.34.65 | 704.34.66 |
| 75° | 704.34.76 | 704.34.77 | 704.34.78 | 704.34.79 | 704.34.80 | 704.34.81 |
| 90° | 704.34.01 | 704.34.02 | 704.34.03 | 704.34.04 | 704.34.05 | 704.34.06 |

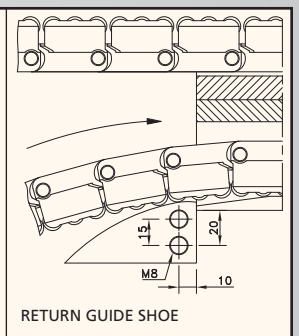
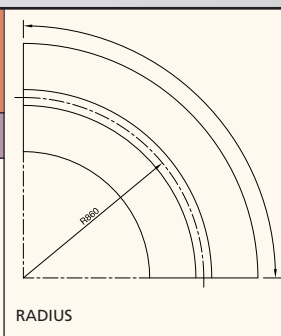


More than 6 tracks on request.

- For plastic chains: RHMD 325 LBP



| Nr. of tracks | 1 | |
|-----------------------|-----------|--|
| Width W | 214 mm | |
| VERSION LBP861 | | |
| 15° | 724.47.16 | |
| 30° | 724.47.31 | |
| 45° | 724.47.46 | |
| 60° | 724.47.61 | |
| 75° | 724.47.76 | |
| 90° | 724.47.01 | |



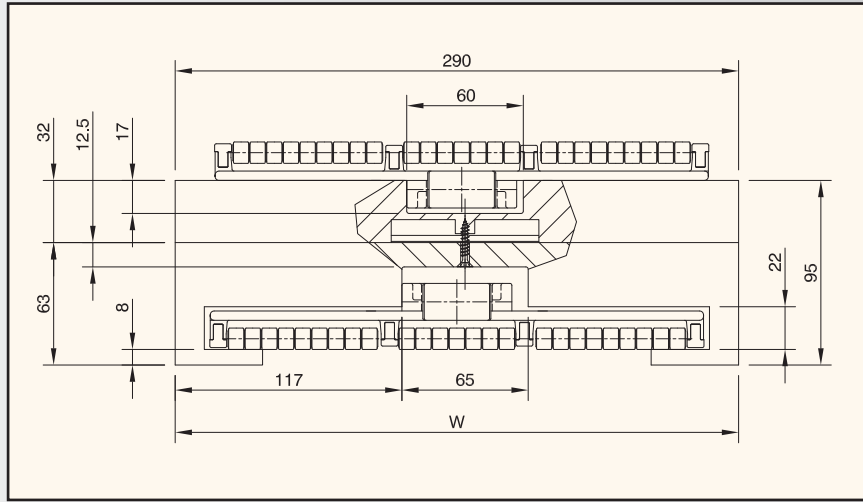
More than 1 track on request.

- For plastic chains: HDFM 750 LBP

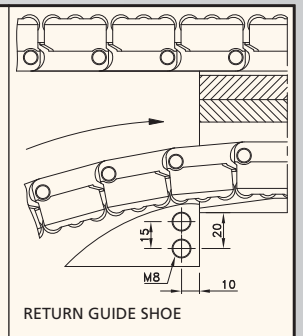
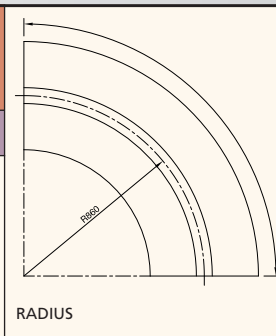
MAGNETFLEX CURVES



**MAGNETFLEX®
COMBI-A
VERSION LBP91**

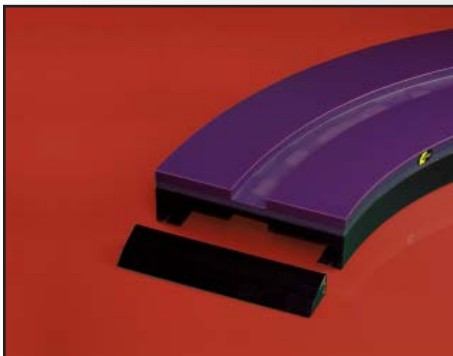


| | | |
|----------------------|-----------|--|
| Nr. of tracks | 1 | |
| Width W | 290 mm | |
| VERSION LBP91 | | |
| 15° | 724.45.16 | |
| 30° | 724.45.31 | |
| 45° | 724.45.46 | |
| 60° | 724.45.61 | |
| 75° | 724.45.76 | |
| 90° | 724.45.01 | |

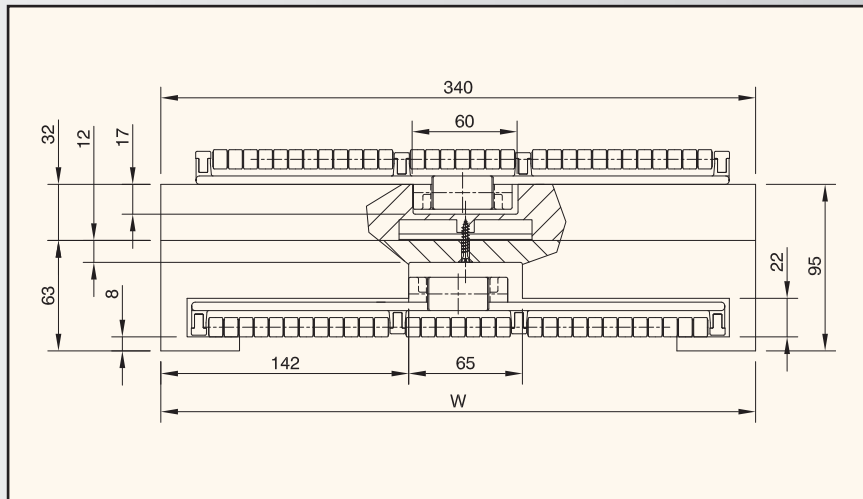


More than 1 track on request.

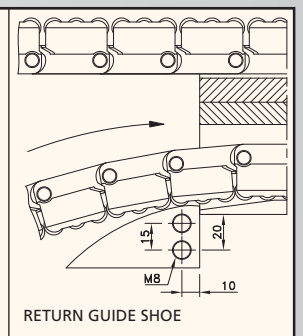
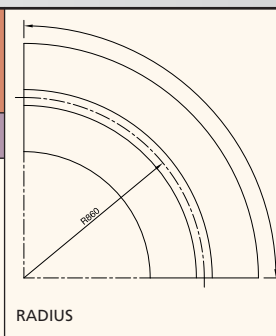
- For plastic chains: HDFM 1000 LBP



**MAGNETFLEX®
COMBI-A
VERSION LBP96**



| | | |
|----------------------|-----------|--|
| Nr. of tracks | 1 | |
| Width W | 340 mm | |
| VERSION LBP96 | | |
| 15° | 724.46.16 | |
| 30° | 724.46.31 | |
| 45° | 724.46.46 | |
| 60° | 724.46.61 | |
| 75° | 724.46.76 | |
| 90° | 724.46.01 | |



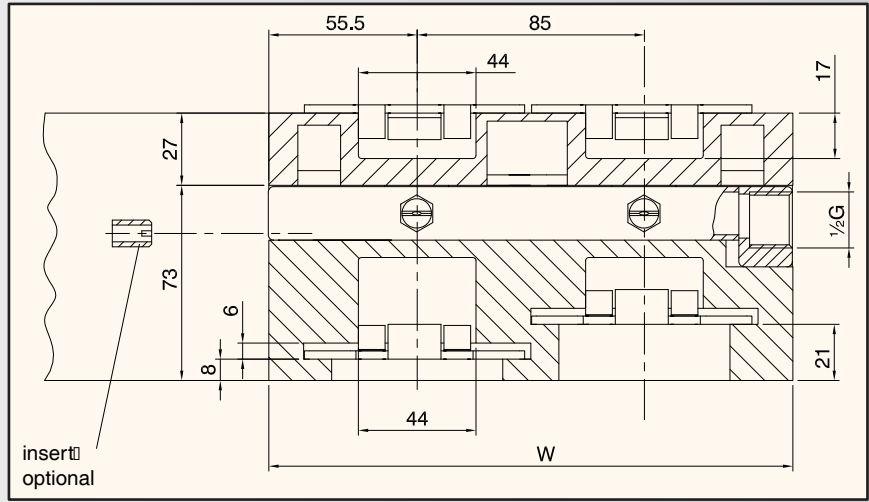
More than 1 track on request.

- For plastic chains: HDFM 1200 LBP

MAGNETFLEX CURVES



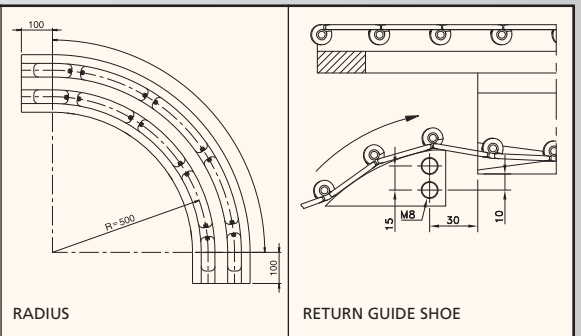
**MAGNETFLEX®
VERSION CIP4**



page 16, 24

MATERIAL
page 209

| Nr. of tracks | 1 | 2 | 3 | 4 | 5 | 6 |
|---------------|-----------|-----------|-----------|-----------|-----------|-----------|
| Width W | 111 mm | 196 mm | 281 mm | 366 mm | 451 mm | 536 mm |
| VERSION CIP4 | | | | | | |
| 15° | 785.45.16 | 785.45.17 | 785.45.18 | 785.45.19 | 785.45.20 | 785.45.21 |
| 30° | 785.45.31 | 785.45.32 | 785.45.33 | 785.45.34 | 785.45.35 | 785.45.36 |
| 45° | 785.45.46 | 785.45.47 | 785.45.48 | 785.45.49 | 785.45.50 | 785.45.51 |
| 60° | 785.45.61 | 785.45.62 | 785.45.63 | 785.45.64 | 785.45.65 | 785.45.66 |
| 75° | 785.45.76 | 785.45.77 | 785.45.78 | 785.45.79 | 785.45.80 | 785.45.81 |
| 90° | 785.45.01 | 785.45.02 | 785.45.03 | 785.45.04 | 785.45.05 | 785.45.06 |

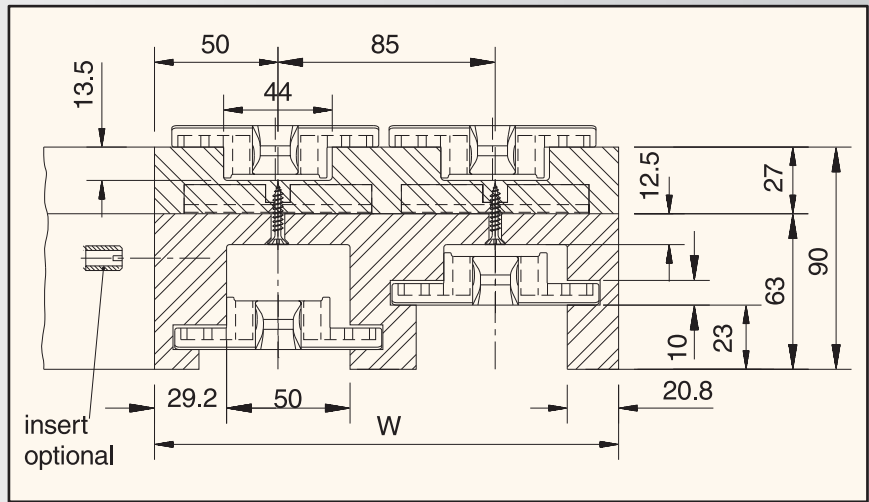


More than 6 tracks on request.

- For steel chains: 10/60/66 M 31 M, 60/66 M 31 XM, 66 M 31 RM, 60/66 M 84 XM



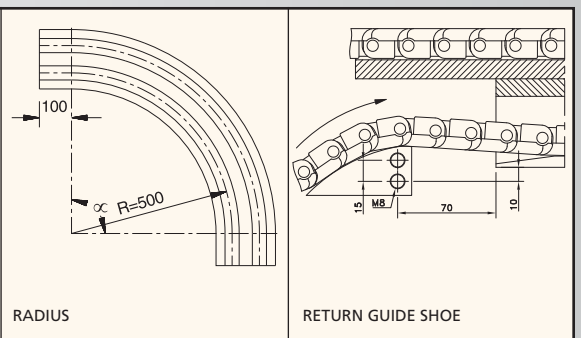
**MAGNETFLEX®
COMBI-A
VERSION CB6**



page 52, 53

MATERIAL
page 209

| Nr. of tracks | 1 | 2 | 3 | 4 | 5 | 6 |
|---------------|-----------|-----------|-----------|-----------|-----------|-----------|
| Width W | 100 mm | 185 mm | 270 mm | 355 mm | 440 mm | 525 mm |
| VERSION CB6 | | | | | | |
| 15° | 604.14.16 | 604.14.17 | 604.14.18 | 604.14.19 | 604.14.20 | 604.14.21 |
| 30° | 604.14.31 | 604.14.32 | 604.14.33 | 604.14.34 | 604.14.35 | 604.14.36 |
| 45° | 604.14.46 | 604.14.47 | 604.14.48 | 604.14.49 | 604.14.50 | 604.14.51 |
| 60° | 604.14.61 | 604.14.62 | 604.14.63 | 604.14.64 | 604.14.65 | 604.14.66 |
| 75° | 604.14.76 | 604.14.77 | 604.14.78 | 604.14.79 | 604.14.80 | 604.14.81 |
| 90° | 604.14.01 | 604.14.02 | 604.14.03 | 604.14.04 | 604.14.05 | 604.14.06 |



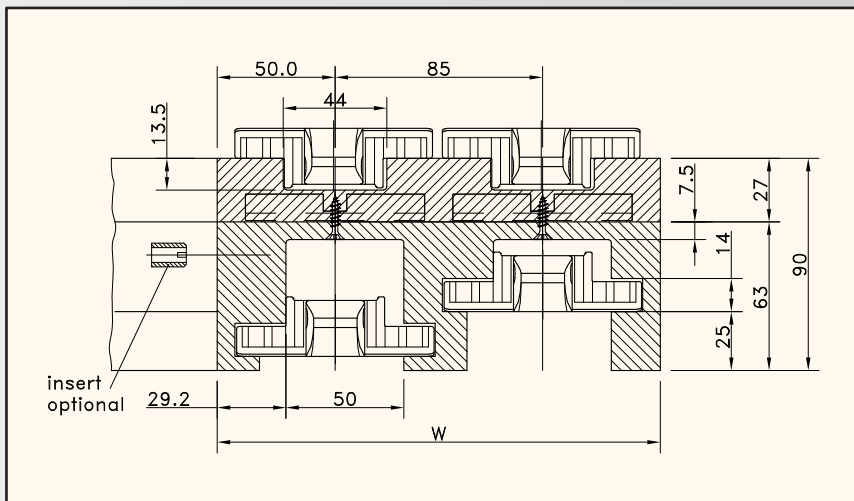
More than 6 tracks on request.

- For plastic chains: FGM 1050, FTM 1060

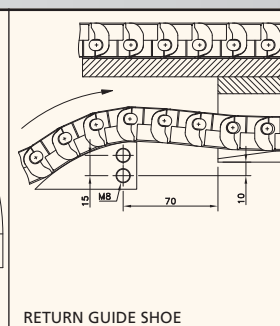
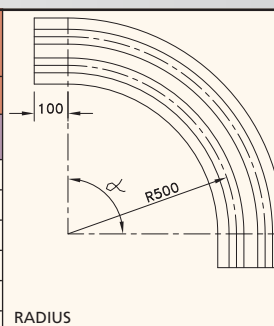
MAGNETFLEX CURVES



**MAGNETFLEX®
COMBI-A
VERSION CC6**



| Nr. of tracks | 1 | 2 | 3 | 4 | 5 | 6 |
|--------------------|-----------|-----------|-----------|-----------|-----------|-----------|
| Width W | 100 mm | 185 mm | 270 mm | 355 mm | 440 mm | 525 mm |
| VERSION CC6 | | | | | | |
| 15° | 614.02.16 | 614.02.17 | 614.02.18 | 614.02.19 | 614.02.20 | 614.02.21 |
| 30° | 614.02.31 | 614.02.32 | 614.02.33 | 614.02.34 | 614.02.35 | 614.02.36 |
| 45° | 614.02.46 | 614.02.47 | 614.02.48 | 614.02.49 | 614.02.50 | 614.02.51 |
| 60° | 614.02.61 | 614.02.62 | 614.02.63 | 614.02.64 | 614.02.65 | 614.02.66 |
| 75° | 614.02.76 | 614.02.77 | 614.02.78 | 614.02.79 | 614.02.80 | 614.02.81 |
| 90° | 614.02.01 | 614.02.02 | 614.02.03 | 614.02.04 | 614.02.05 | 614.02.06 |

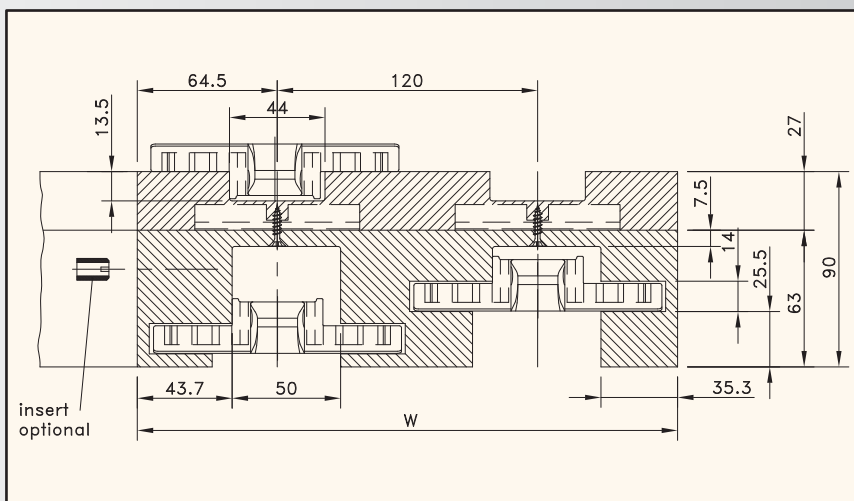


More than 6 tracks on request.

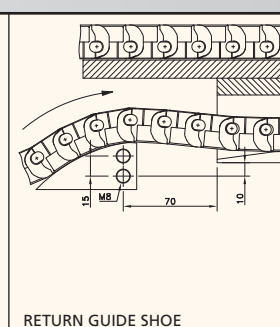
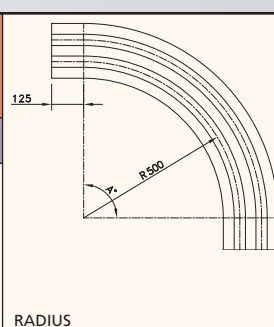
- For plastic chains: FTM 1055 K330



**MAGNETFLEX®
COMBI-A
VERSION CC21**



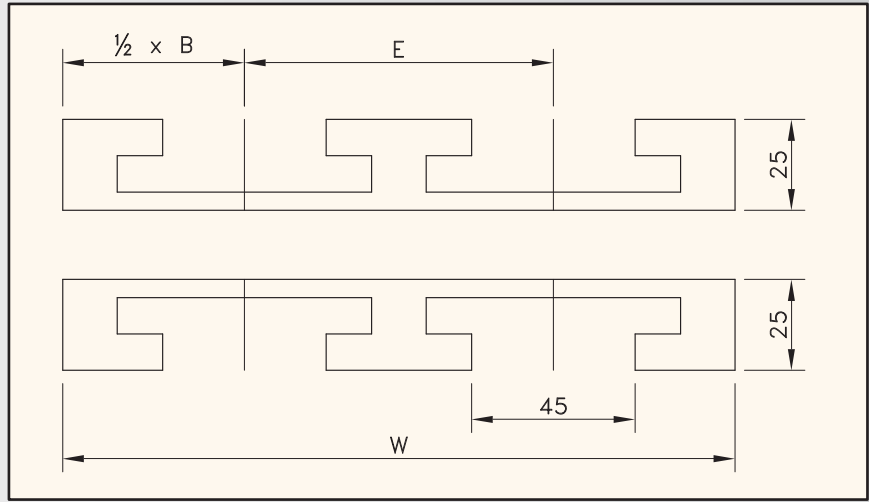
| Nr. of tracks | 1 | 2 | 3 | 4 |
|---------------------|-----------|-----------|-----------|-----------|
| Width W | 129 mm | 249 mm | 369 mm | 489 mm |
| VERSION CC21 | | | | |
| 15° | 614.08.16 | 614.08.17 | 614.08.18 | 614.08.19 |
| 30° | 614.08.31 | 614.08.32 | 614.08.33 | 614.08.34 |
| 45° | 614.08.46 | 614.08.47 | 614.08.48 | 614.08.49 |
| 60° | 614.08.61 | 614.08.62 | 614.08.63 | 614.08.64 |
| 75° | 614.08.76 | 614.08.77 | 614.08.78 | 614.08.79 |
| 90° | 614.08.01 | 614.08.02 | 614.08.03 | 614.08.04 |



More than 4 tracks on request.

- For plastic chains: FTM 1055 K450

TAB CURVES

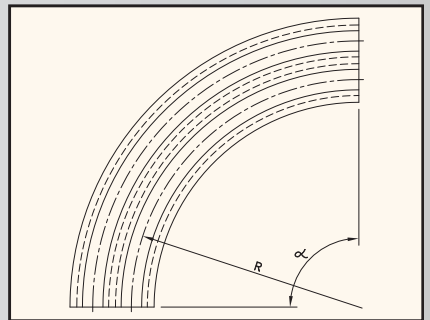


page 17, 18, 25

page 34-37, 39, 40, 45, 46, 50, 54

MATERIAL
page 209

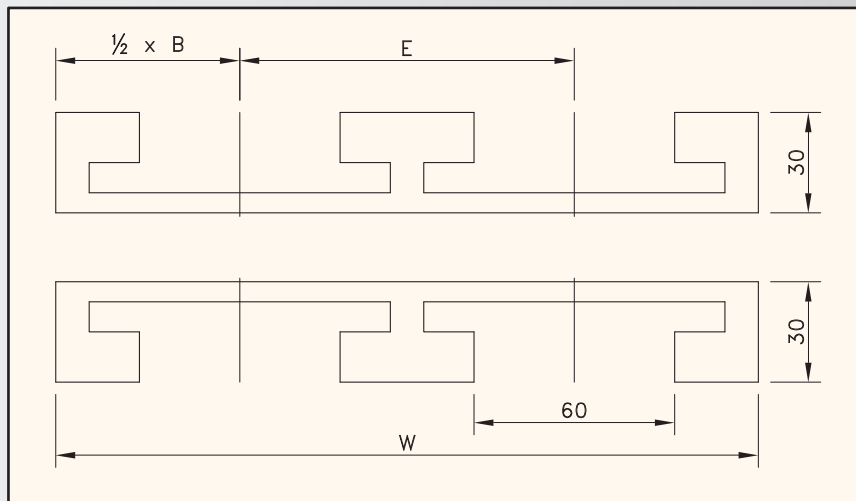
| Nr. of tracks | 1 | 2 | 3 | Pitch E | Basic width B | Radius R |
|------------------------|-----------|-----------|-----------|-----------------------|------------------|-------------|
| | | | | mm | mm | mm |
| VERSION KTU 013 | | | | | | |
| Width W | 100 mm | 190 mm | 280 mm | For 3.25" wide chains | | |
| 15° | 787.02.77 | 787.08.24 | 787.08.25 | 90 | 100 | 500 |
| 30° | 787.05.60 | 787.08.29 | 787.08.30 | | | |
| 45° | 787.03.08 | 787.04.06 | 787.08.34 | | | |
| 60° | 787.05.71 | 787.08.38 | 787.08.39 | | | |
| 75° | 787.05.77 | 787.08.43 | 787.08.44 | | | |
| 90° | 787.00.02 | 787.00.51 | 787.00.50 | | | |
| VERSION KTU 018 | | | | | | |
| Width W | 125 mm | 245 mm | 365 mm | For 4.50" wide chains | | |
| 15° | 787.08.49 | 787.08.50 | 787.08.51 | 120 | 125 | 610 |
| 30° | 787.08.55 | 787.08.56 | 787.08.57 | | | |
| 45° | 787.07.37 | 787.08.61 | 787.08.62 | | | |
| 60° | 787.08.66 | 787.08.67 | 787.08.68 | | | |
| 75° | 787.08.72 | 787.08.73 | 787.08.74 | | | |
| 90° | 787.01.09 | 787.00.87 | 787.01.10 | | | |
| VERSION KTU 030 | | | | | | |
| Width W | 200 mm | 395 mm | 590 mm | For 7.50" wide chains | | |
| 15° | 787.08.80 | 787.08.81 | 787.08.82 | 195 | 200 | 610 |
| 30° | 787.08.86 | 787.08.87 | 787.08.88 | | | |
| 45° | 787.08.92 | 787.08.93 | 787.08.94 | | | |
| 60° | 787.08.98 | 787.08.99 | 787.09.00 | | | |
| 75° | 787.09.04 | 787.09.05 | 787.09.06 | | | |
| 90° | 787.00.07 | 787.01.11 | 787.01.12 | | | |



- For steel chains:
- 8811 TAB
 - 881 TAB
 - 66 T 72 RM
- For plastic chains:
- 880 TAB
 - 880 TAB BO
 - 879 TAB
 - 879 TAB BO
 - 880 TAB BOT
 - RH
 - RHD
 - 1050 TAB
 - 1055 TAB

The code nr. includes both upper and under part

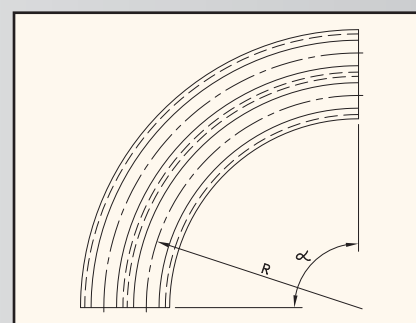
TAB CURVES



page 38, 45,
50, 51

MATERIAL
page 209

| Nr. of tracks | 1 | 2 | 3 | Pitch E | Basic width B | Radius R |
|------------------------|-----------|-----------|-----------|---------------------------------|------------------|-------------|
| | | | | mm | mm | mm |
| VERSION KTU 215 | | | | | | |
| Width W | 110 mm | 210 mm | 310 mm | For 3.25" and 3.75" wide chains | | |
| 15° | 787.12.09 | 787.12.10 | 787.12.11 | 100 | 110 | 700 |
| 30° | 787.12.15 | 787.12.16 | 787.12.17 | | | |
| 45° | 787.12.21 | 787.12.22 | 787.12.23 | | | |
| 60° | 787.12.27 | 787.12.28 | 787.12.29 | | | |
| 75° | 787.12.33 | 787.12.34 | 787.12.35 | | | |
| 90° | 787.00.05 | 787.12.39 | 787.12.40 | | | |
| VERSION KTU 218 | | | | | | |
| Width W | 130 mm | 250 mm | 370 mm | For 4.50" wide chains | | |
| 15° | 787.11.08 | 787.11.09 | 787.11.10 | 120 | 130 | 610 |
| 30° | 787.11.14 | 787.11.15 | 787.11.16 | | | |
| 45° | 787.04.69 | 787.11.20 | 787.11.21 | | | |
| 60° | 787.04.07 | 787.11.25 | 787.11.26 | | | |
| 75° | 787.11.30 | 787.11.31 | 787.11.32 | | | |
| 90° | 787.02.80 | 787.07.80 | 787.11.36 | | | |
| VERSION KTU 230 | | | | | | |
| Width W | 210 mm | 405 mm | 600 mm | For 7.50" wide chains | | |
| 15° | 787.11.40 | 787.11.41 | 787.11.42 | 195 | 210 | 610 |
| 30° | 787.11.46 | 787.11.47 | 787.11.48 | | | |
| 45° | 787.04.68 | 787.11.52 | 787.11.53 | | | |
| 60° | 787.11.57 | 787.11.58 | 787.11.59 | | | |
| 75° | 787.11.63 | 787.11.64 | 787.11.65 | | | |
| 90° | 787.00.54 | 787.11.69 | 787.11.70 | | | |
| VERSION KTU 240 | | | | | | |
| Width W | 270 mm | 530 mm | 790 mm | For 10.00" wide chains | | |
| 15° | 787.11.74 | 787.11.75 | 787.11.76 | 260 | 270 | 610 |
| 30° | 787.11.80 | 787.11.81 | 787.11.82 | | | |
| 45° | 787.11.86 | 787.11.87 | 787.11.88 | | | |
| 60° | 787.11.92 | 787.11.93 | 787.11.94 | | | |
| 75° | 787.11.98 | 787.11.99 | 787.12.00 | | | |
| 90° | 787.00.06 | 787.03.26 | 787.12.04 | | | |
| VERSION KTU 248 | | | | | | |
| Width W | 320 mm | 630 mm | 940 mm | For 12.00" wide chains * | | |
| 15° | 787.12.44 | 787.12.45 | 787.12.46 | 310 | 320 | 610 |
| 30° | 787.12.50 | 787.12.51 | 787.12.52 | | | |
| 45° | 787.12.56 | 787.12.57 | 787.12.58 | | | |
| 60° | 787.12.62 | 787.12.63 | 787.12.64 | | | |
| 75° | 787.12.68 | 787.12.69 | 787.12.70 | | | |
| 90° | 787.00.21 | 787.12.74 | 787.12.75 | | | |



For plastic chains:

- 882 TAB
- 883 TAB
- HDF

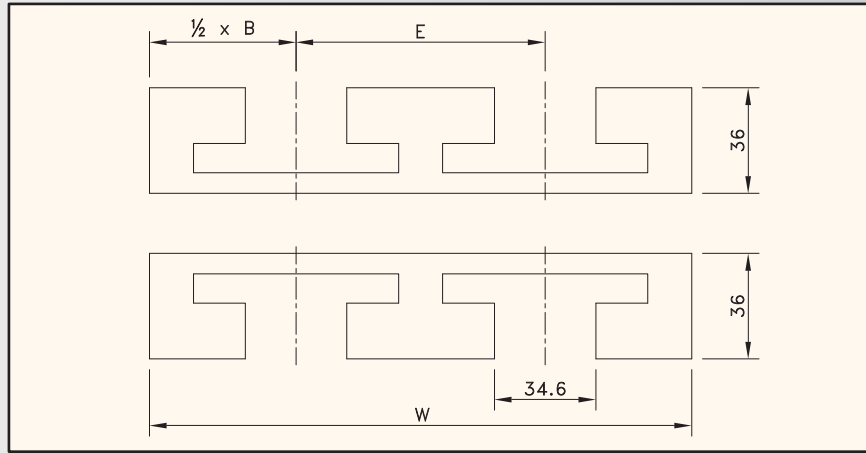
* not for LBP 1200 chains

The code nr. includes both upper and under part

TAB CURVES



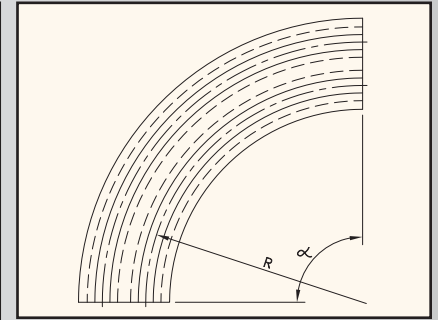
**KTU 300
FOR PLATE TOP CHAINS**



page 94-101

MATERIAL
page 209

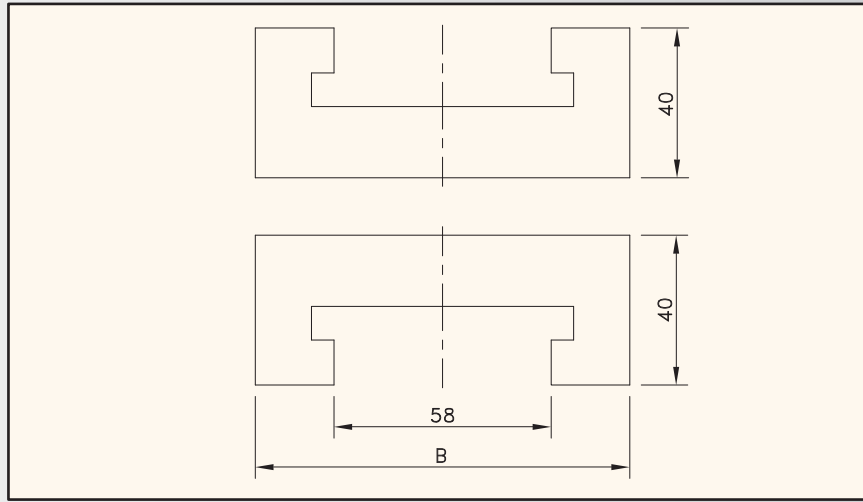
| Nr. of tracks | 1 | 2 | 3 | Pitch E | Basic width B | Radius R |
|------------------------|-----------|-----------|-----------|------------------------|---------------|----------|
| | | | | mm | mm | mm |
| VERSION KTU 313 | | | | | | |
| Width W | 100 mm | 190 mm | 280 mm | For 3.25" wide chains | | |
| 15° | 787.09.13 | 787.09.14 | 787.09.15 | 90 | 100 | 500 |
| 30° | 787.09.19 | 787.09.20 | 787.09.21 | | | |
| 45° | 787.09.25 | 787.09.26 | 787.09.27 | | | |
| 60° | 787.09.31 | 787.09.32 | 787.09.33 | | | |
| 75° | 787.09.37 | 787.09.38 | 787.09.39 | | | |
| 90° | 787.01.13 | 787.01.14 | 787.01.15 | | | |
| VERSION KTU 318 | | | | | | |
| Width W | 125 mm | 245 mm | 365 mm | For 4.50" wide chains | | |
| 15° | 787.09.45 | 787.09.46 | 787.09.47 | 120 | 125 | 500 |
| 30° | 787.09.51 | 787.09.52 | 787.09.53 | | | |
| 45° | 787.07.50 | 787.09.57 | 787.09.58 | | | |
| 60° | 787.09.62 | 787.09.63 | 787.09.64 | | | |
| 75° | 787.09.68 | 787.09.69 | 787.09.70 | | | |
| 90° | 787.01.16 | 787.01.17 | 787.01.18 | | | |
| VERSION KTU 324 | | | | | | |
| Width W | 160 mm | 320 mm | 480 mm | For 6.00" wide chains | | |
| 15° | 787.09.77 | 787.09.78 | 787.09.79 | 160 | 160 | 610 |
| 30° | 787.09.83 | 787.09.84 | 787.09.85 | | | |
| 45° | 787.09.89 | 787.09.90 | 787.09.91 | | | |
| 60° | 787.09.95 | 787.09.96 | 787.09.97 | | | |
| 75° | 787.10.01 | 787.10.02 | 787.10.03 | | | |
| 90° | 787.01.19 | 787.01.20 | 787.01.21 | | | |
| VERSION KTU 330 | | | | | | |
| Width W | 200 mm | 395 mm | 590 mm | For 7.50" wide chains | | |
| 15° | 787.10.10 | 787.10.11 | 787.10.12 | 195 | 200 | 610 |
| 30° | 787.10.16 | 787.10.17 | 787.10.18 | | | |
| 45° | 787.10.22 | 787.10.23 | 787.10.24 | | | |
| 60° | 787.10.28 | 787.10.29 | 787.10.30 | | | |
| 75° | 787.10.34 | 787.10.35 | 787.10.36 | | | |
| 90° | 787.01.22 | 787.01.23 | 787.01.24 | | | |
| VERSION KTU 340 | | | | | | |
| Width W | 260 mm | 520 mm | 780 mm | For 10.00" wide chains | | |
| 15° | 787.10.43 | 787.10.44 | 787.10.45 | 260 | 260 | 610 |
| 30° | 787.10.49 | 787.10.50 | 787.10.51 | | | |
| 45° | 787.04.70 | 787.10.55 | 787.10.56 | | | |
| 60° | 787.10.60 | 787.10.61 | 787.10.62 | | | |
| 75° | 787.10.66 | 787.10.67 | 787.10.68 | | | |
| 90° | 787.01.25 | 787.01.26 | 787.01.27 | | | |
| VERSION KTU 348 | | | | | | |
| Width W | 310 mm | 620 mm | 930 mm | For 12.00" wide chains | | |
| 15° | 787.10.75 | 787.10.76 | 787.10.77 | 310 | 310 | 610 |
| 30° | 787.10.81 | 787.10.82 | 787.10.83 | | | |
| 45° | 787.10.87 | 787.10.88 | 787.10.89 | | | |
| 60° | 787.10.93 | 787.10.94 | 787.10.95 | | | |
| 75° | 787.10.99 | 787.11.00 | 787.11.01 | | | |
| 90° | 787.01.28 | 787.01.29 | 787.01.30 | | | |



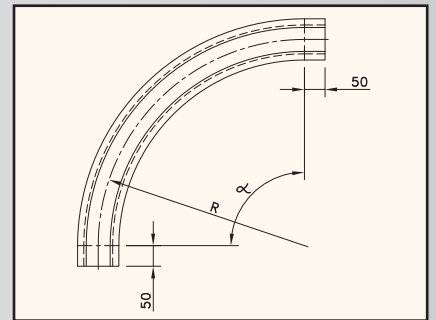
- For plate top chains:
- 1873 TAB
 - 1874 TAB
 - 3873 TAB

The code nr. includes both upper and under part

TAB CURVES



| Nr. of tracks | 1 | | Basic width B |
|------------------------|-----------|-----------|------------------|
| | | | mm |
| VERSION KTU 508 | | | |
| Radius | 250 mm | 500 mm | For 1700 TAB K |
| 15° | 787.12.79 | 787.12.89 | 100 |
| 30° | 787.12.80 | 787.04.35 | |
| 45° | 787.12.81 | 787.12.90 | |
| 60° | 787.12.82 | 787.12.91 | |
| 75° | 787.12.83 | 787.12.92 | |
| 90° | 787.03.31 | 787.01.81 | |
| VERSION KTU 515 | | | |
| Radius | 250 mm | 500 mm | For 1710 TAB K |
| 15° | 787.12.84 | 787.12.93 | 110 |
| 30° | 787.12.85 | 787.12.94 | |
| 45° | 787.12.86 | 787.12.95 | |
| 60° | 787.12.87 | 787.12.96 | |
| 75° | 787.12.88 | 787.12.97 | |
| 90° | 787.02.97 | 787.00.40 | |
| VERSION KTU 540 | | | |
| Radius | 500 mm | | For 1713 TAB K |
| 15° | 787.12.98 | | 270 |
| 30° | 787.12.99 | | |
| 45° | 787.13.00 | | |
| 60° | 787.13.01 | | |
| 75° | 787.13.02 | | |
| 90° | 787.03.63 | | |

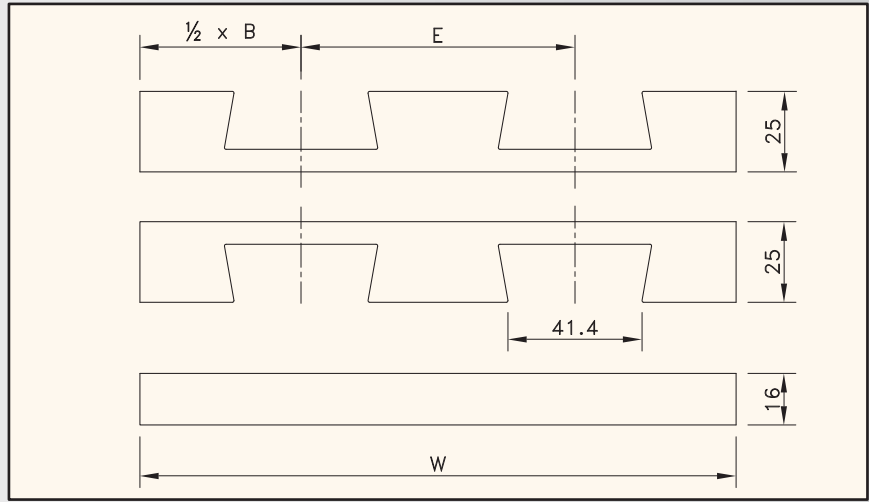


For plastic Multiflex chains:

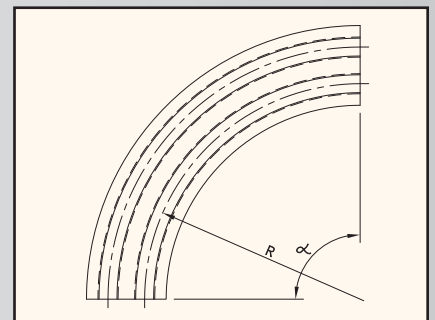
- 1700 TAB K
- 1710 TAB K
- 1713 TAB K

The code nr. includes both upper and under part

BEVEL CURVES



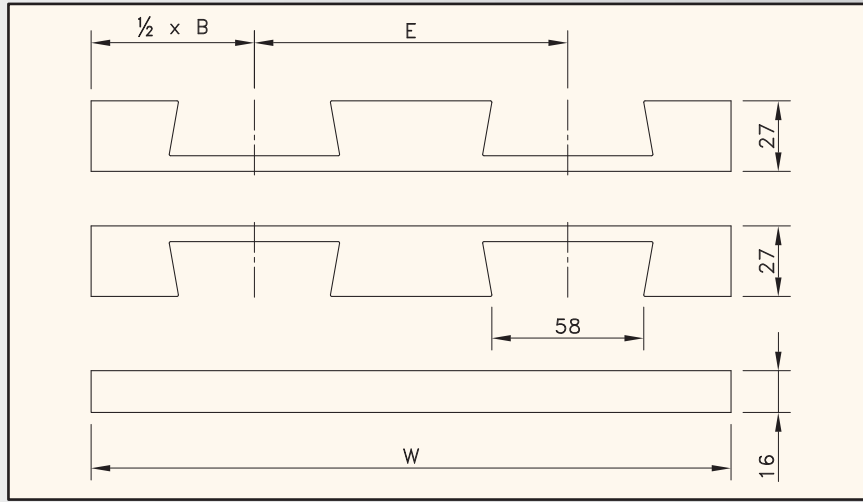
| Nr. of tracks | 1 | 2 | 3 | Pitch E | Basic width B | Radius R |
|------------------------|-----------|-----------|-----------|-----------------------|------------------|-------------|
| | | | | mm | mm | mm |
| VERSION KSU 013 | | | | | | |
| Width W | 100 mm | 190 mm | 280 mm | For 3.25" wide chains | | |
| 15° | 787.13.03 | 787.13.04 | 787.13.05 | 90 | 100 | 500 |
| 30° | 787.02.50 | 787.13.09 | 787.13.10 | | | |
| 45° | 787.02.51 | 787.13.14 | 787.13.15 | | | |
| 60° | 787.13.19 | 787.13.20 | 787.13.21 | | | |
| 75° | 787.13.25 | 787.13.26 | 787.13.27 | | | |
| 90° | 787.00.85 | 787.00.97 | 787.00.75 | | | |
| VERSION KSU 018 | | | | | | |
| Width W | 125 mm | 245 mm | 365 mm | For 4.50" wide chains | | |
| 15° | 787.13.33 | 787.13.34 | 787.13.35 | 120 | 125 | 610 |
| 30° | 787.13.39 | 787.13.40 | 787.13.41 | | | |
| 45° | 787.13.45 | 787.13.46 | 787.13.47 | | | |
| 60° | 787.13.51 | 787.13.52 | 787.13.53 | | | |
| 75° | 787.13.57 | 787.13.58 | 787.13.59 | | | |
| 90° | 787.00.17 | 787.00.98 | 787.00.99 | | | |
| VERSION KSU 030 | | | | | | |
| Width W | 200 mm | 395 mm | 590 mm | For 7.50" wide chains | | |
| 15° | 787.13.66 | 787.13.67 | 787.13.68 | 195 | 200 | 610 |
| 30° | 787.13.72 | 787.13.73 | 787.13.74 | | | |
| 45° | 787.13.78 | 787.13.79 | 787.13.80 | | | |
| 60° | 787.13.84 | 787.13.85 | 787.13.86 | | | |
| 75° | 787.13.90 | 787.13.91 | 787.13.92 | | | |
| 90° | 787.00.94 | 787.01.00 | 787.01.01 | | | |



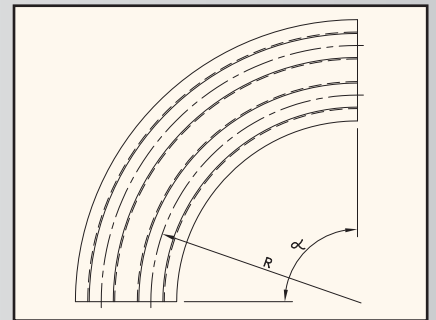
- For steel chains:
- 8811
 - 881
 - 66 B 72 RM
- For plastic chains:
- 880
 - 879

The code nr. includes both upper and under part

BEVEL CURVES



| Nr. of tracks | 1 | 2 | 3 | Pitch E | Basic width B | Radius R |
|------------------------|-----------|-----------|-----------|------------------------|------------------|-------------|
| | | | | mm | mm | mm |
| VERSION KSU 218 | | | | | | |
| Width W | 125 mm | 245 mm | 365 mm | For 4.50" wide chains | | |
| 15° | 787.13.99 | 787.14.00 | 787.14.01 | 120 | 125 | 610 |
| 30° | 787.14.05 | 787.14.06 | 787.14.07 | | | |
| 45° | 787.14.11 | 787.14.12 | 787.14.13 | | | |
| 60° | 787.14.17 | 787.14.18 | 787.14.19 | | | |
| 75° | 787.14.23 | 787.14.24 | 787.14.25 | | | |
| 90° | 787.00.95 | 787.01.02 | 787.01.03 | | | |
| VERSION KSU 230 | | | | | | |
| Width W | 200 mm | 395 mm | 590 mm | For 7.50" wide chains | | |
| 15° | 787.14.32 | 787.14.33 | 787.14.34 | 195 | 200 | 610 |
| 30° | 787.14.38 | 787.14.39 | 787.14.40 | | | |
| 45° | 787.14.44 | 787.14.45 | 787.14.46 | | | |
| 60° | 787.14.50 | 787.14.51 | 787.14.52 | | | |
| 75° | 787.14.56 | 787.14.57 | 787.14.58 | | | |
| 90° | 787.00.96 | 787.01.04 | 787.01.05 | | | |
| VERSION KSU 240 | | | | | | |
| Width W | 265 mm | 525 mm | 785 mm | For 10.00" wide chains | | |
| 15° | 787.14.65 | 787.14.66 | 787.14.67 | 260 | 265 | 610 |
| 30° | 787.14.71 | 787.14.72 | 787.14.73 | | | |
| 45° | 787.14.77 | 787.14.78 | 787.14.79 | | | |
| 60° | 787.14.83 | 787.14.84 | 787.14.85 | | | |
| 75° | 787.14.89 | 787.14.90 | 787.14.91 | | | |
| 90° | 787.01.06 | 787.01.07 | 787.01.08 | | | |



For plastic chains:
• 882

The code nr. includes both upper and under part

STRAIGHT TRACKS



| Type | Code number | Basic width B | For chain types | |
|------------------------|-------------|---------------|--|--|
| VERSION STU | | | | |
| STU 013 | 787.90.09 | 100 | <ul style="list-style-type: none"> • 8811 TAB • 881 TAB • 880 TAB/BO/BOT • 879 TAB/BO • RH/RHD • 1050/1055 TAB | |
| STU 018 | 787.90.04 | 130 | | |
| VERSION STU 200 | | | | |
| STU 218 | 787.90.17 | 130 | <ul style="list-style-type: none"> • 882 TAB • 883 TAB • HDF | |
| STU 230 | 787.90.05 | 210 | | |
| STU 240 | 787.90.06 | 270 | | |
| STU 248 | 787.90.07 | 320 | | |
| VERSION STU 300 | | | | |
| STU 313 | 787.45.27 | 100 | <ul style="list-style-type: none"> • 1873 TAB • 1874 TAB • 3873 TAB | |
| STU 318 | 787.47.56 | 125 | | |
| STU 324 | 787.47.97 | 160 | | |
| STU 330 | 787.46.85 | 200 | | |
| STU 340 | 787.48.04 | 260 | | |
| STU 348 | 787.90.16 | 310 | | |
| VERSION STU 500 | | | | |
| STU 508 | 787.40.74 | 100 | <ul style="list-style-type: none"> • 1700 TAB K • 1710 TAB K • 1713 TAB K | |
| STU 515 | 787.90.11 | 110 | | |
| STU 540 | 787.90.20 | 270 | | |




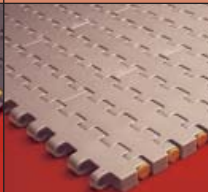
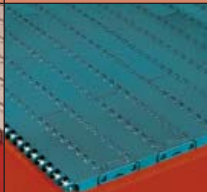
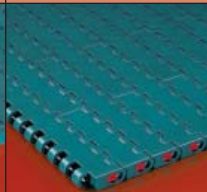

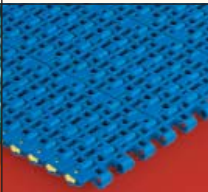
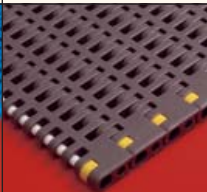

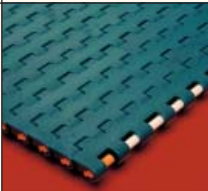
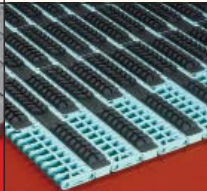
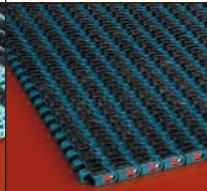
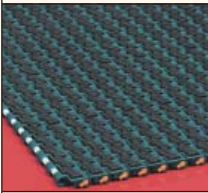
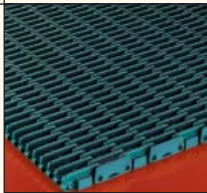
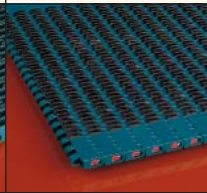
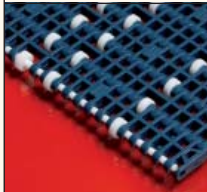
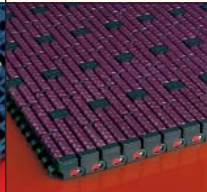


| Type | Code number | Basic width B | For chain types | |
|----------------------|-------------|---------------|---|--|
| VERSION SSU | | | | |
| SSU 013 | 787.90.02 | 100 | <ul style="list-style-type: none"> • 8811 • 881 • 880 • 879 | |
| SSU 018 | 787.90.18 | 130 | | |
| RETURN PLATES | | | | |
| SSU 013 P | 787.90.03 | 100 | <ul style="list-style-type: none"> • 8811 • 881 • 880 • 879 | |
| SSU 018 P | 787.90.19 | 130 | | |



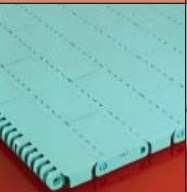


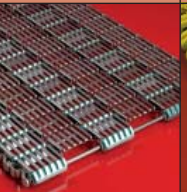

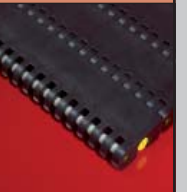

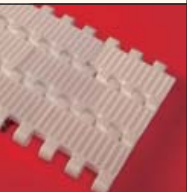
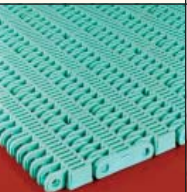






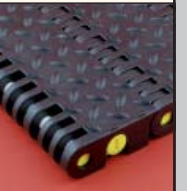
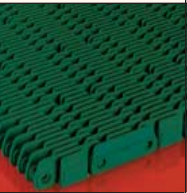

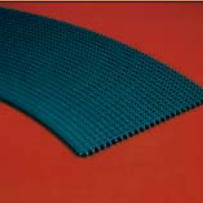

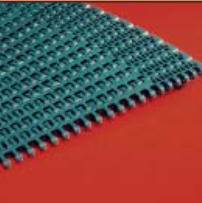
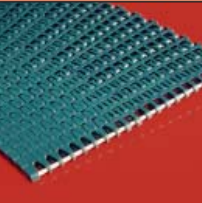
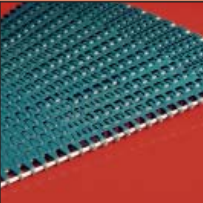
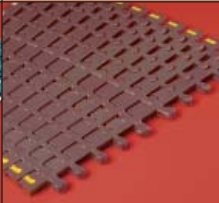


All straight tracks have a standard length of 2 meters; other lengths upon request.

OVERVIEW REXNORD MATTOP M

| Pitch inch mm | 1/2" 12.8 | 9/16" 15 | 3/4" 19.1 | | 1" 25.4 | | |
|---------------------|---|---|---|--|--|---|---|
| Series | 500/510 | 1500 | 8500 | 5930 | 1000 | 1005 | 1010 |
| CLOSED SURFACE |  |  |  |  |  |  |  |
| | 515 SOLID TOP Page 135 | 1505 SOLID TOP Page 137 | 8505 SOLID TOP Page 143 | 5935 SOLID TOP Page 147 | 1000 FLAT TOP Page 151 | 1005 FLAT TOP Page 159 | 1015 SOLID TOP Page 165 |
| OPEN AREA |  |  |  |  |  | | |
| | 500 FLUSH GRID Page 133 | 1506 PERFORATED TOP Page 138 | 8506 PERFORATED TOP Page 144 | 5936 PERFORATED TOP Page 147 | 1000 FLUSH GRID Page 152 | | |
| OTHER | |  | |  |  |  | |
| | | 1505 FLAT TOP METRIC Page 139 | | 5935 VACUUM TOP Page 148 | 1000 SUPERGRIP Page 153 | 1005 SUPERGRIP Page 160 | |
| | |  | | |  |  | |
| | | 1505 SUPERGRIP Page 140 | | | 1000 RAISED RIB Page 154, 155 | 1005 SUPERGRIP SIDE-INDENT Page 161 | |
| | | | | |  |  | |
| | | | | | 1000 LBP Page 156 | 1005 LBP Page 162 | |

MODULAR CONVEYOR BELTS

| | 1" 25.4 | 1 ³¹ / ₃₂ " 50 | 2" 50.8 | | 2 ¹ / ₄ " 57.2 | | 2 ¹ / ₂ " 63.6 | 3" 76.2 | |
|------------------|--|---|---|---|--|---|---|--|--|
| | 7700 | 6300 | 2000 | 2010 | 6990 | 9200 | 2500 | 3120 | |
| |  |  |  |  |  |  |  |  | |
| | 7705 SOLID TOP Page 167 | 6390T SOLID TOP Page 171 | 2000 FLAT TOP Page 175 | 2015 SOLID TOP Page 181 | 6995 SOLID TOP Page 191 | 9200 FORTREX Page 185 | 2500 SOLID RIB Page 189 | 3125 SOLID TOP Page 194 | |
| |  |  |  |  | | | | | |
| | 7706 PERFORATED TOP Page 168 | 6391T PERFORATED TOP Page 172 | 2000 FLUSH GRID Page 175 | 2016 PERFORATED TOP Page 181 | | | | | |
| |  |  |  |  |  | | |  | |
| | 7708 PERFORATED TOP Page 168 | 6392T PERFORATED TOP Page 173 | 2000 RAISED RIB Page 176 | 2011 TEXTURED TOP Page 182 | 6999 SAFETY TOP Page 191 | | | 3129 SAFETY TOP Page 194 | |
| | | |  | | | | | | |
| | | | 2000 RAISED RIB HEAVY DUTY Page 176 | | | | | | |
| | | |  | | | | | | |
| | | | 2000 SUPER RIB Page 177 | | | | | | |
| Pitch | 1/2" | | 1 1/4" | | | | | | |
| inch | 12.8 | | 31.9 | | | | | | |
| mm | | | | | | | | | |
| Series | 505 | | 1200 | | | | 7956 | | |
| FLEXBELTS |  |  |  |  |  |  | | | |
| | 505 Page 197 | 1255 Page 199 | 1265 Page 200 | 1275 Page 201 | 1285 Page 202 | 7956 Page 204 | | | |

PLASTIC MODULAR BELTS

With a large variety of MatTop executions and materials Rexnord has got a conveying solution for virtually any application, especially in combination with the huge TableTop chain programme. The MCC brand has set a standard for modular conveyor belts in beverage industry and now the cleanable designs and specific accessories make several Rexnord MatTop series very suitable for food industry as well. Also in many other industries, such as container making, pharmaceutical and automotive, lines are equipped with Rexnord modular belts.

MatTop modular belts offer a reliable drive concept, using Rexnord's great experience in chain drive technology. The design of both belt and sprocket make a perfect combination meeting high standards for tooth and belt engagement, belt release from the sprocket and allowable elongation. Rexnord and MCC modular belts are also known for their clever pin retention systems, which make them very easy to install and maintain.

- MatTop modular belts

The range of MatTop modular belts varies from 1/2-inch small pitch sideflexing executions to 2 1/2-inch pitch straight running heavy duty solutions. The different series are offered in many variations to suit any application:

- Solid Top/Flat Top

A fully closed surface is used if products require maximum support, due to their vulnerability or instability, and if small particles, such as broken glass, bolts and nuts, bones or the product itself, could get stuck in the surface of the belt, possibly damaging or jamming the product or the belt.

- Perforated Top/Flush Grid

An open area surface is used to allow water- or airflow through the belt and to remove debris, making sure the contact surface between the belt and the conveyed product stays clean. Pollution is washed out in a regular cleaning program. The open area varies per belt type.

- Raised Top/Raised Rib

If (unstable) products need to be conveyed onto or from a belt or chain, Raised Top belts and fingerplates are suitable. The fingers of the transfer plate reach into and below the surface of the ribs of the belt. Fingerplates are available with longer and shorter fingers; short fingers are normally used in case of a risk of broken glass.

- Vacuum Top

Vacuum conveyors are mainly used for can making or empty can handling in beverage plants. Small holes in a Solid Top belt enable to handle the empty cans by means of a vacuum underneath the belt.

- Rubber Top/SuperGrip

On inclined and declined conveyors packs or crates can be handled smoothly using surfaces with rubber, moulded on top of a specially prepared module using either over-moulding or 2-component technology, ensuring 100% secure bonding. Rubber Top modular belts can be used up to an angle of 20 degrees, depending on the pack style and material.

- Low Backline Pressure (LBP)

Handling accumulated products (cardboard cases, shrink-wrapped packs, flat based crates, tires, etc.) LBP belts are the best choice. LBP1005 modular belts are recommended for shrink-wrapped packages without solid (cardboard) base and small packages, while LBP7703 is the best choice for (cardboard) cases, shrink-wrapped packs with a cardboard bottom and larger products. Both executions guarantee optimum product protection and low noise operation.

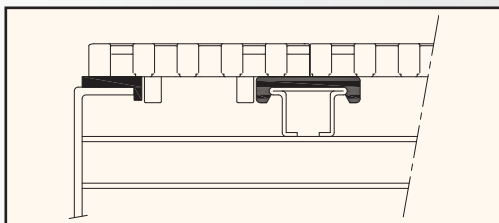
- Sideflexing

This belt range offers a solution for almost any curved application.



- Metric and imperial widths

Most belt series are available in either metric or imperial widths. Metric width has developed as the standard of the (European) beverage industry, following the standard 85 mm pitch between different strands of slatband chains. This enables a high level of standardization between TableTop and MatTop conveyor design. Imperial widths, mainly used in the North American market, are the standard in many applications outside (European) beverage industry.

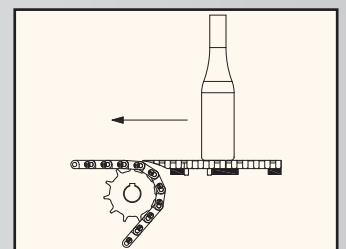
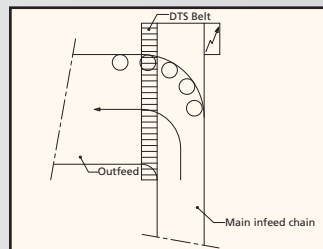


- Positrack guiding system

In several MatTop series Rexnord offers Positrack or Tab guiding. This system consists of two lugs underneath the belt, offering an easy way to guide it in the conveyor. Positrack has advantages if lateral forces apply, as on side transfers of beverage containers and products entering from the side otherwise. The system retains the belt on the conveyor frame without the need for additional wearstrips at the sides. The lugs are usually situated on one side only (double Positrack) allowing for belt expansion without interfering with the accurate guiding of the belt.

- Dynamic Transfer System (DTS/FreeFlow)

The DTS option makes it possible to construct self-clearing 90-degree transfers on which no products are left behind, avoiding the use of dead plates. A narrow DTS or FreeFlow belt is often used next to the main conveyor belt. Due to the constant moving belt underneath the product, pressure between the products, and therefore noise and product damage, is minimized in comparison with dead plate transfers. This system is available on 1500-, 8500-, 1000-, 1005- and 7700-series.



- Flights and sideguards

In several series flights and sideguards can be selected. Due to the great variety in positioning of these accessories these belts don't have fixed codes. On the product page a table is added explaining the possibilities; examples are given how to make a description for the desired product configuration.

PLASTIC MODULAR BELTS

PROGRAMME

| STRAIGHT RUNNING BELT SERIES | | APPLICATION | | | | | | | | | | | | | | |
|------------------------------|--------|------------------------|----------------|--------------|--------------|---------------|-------------------|------------------------|-----------------------------|---------------------|--------------------|---------------------|--------------------------|------------------------------|---------|------------|
| | | Small Products (Packs) | Glass handling | PET handling | Can handling | Pack handling | Pack accumulation | Pack incline conveyors | Pasteurizer, warmer, cooler | Accumulation tables | Crates, bread tins | Direct food contact | Blancher, cooker, cooler | Loose food incline conveyors | Cutting | Automotive |
| type | pitch | | | | | | | | | | | | | | | |
| 500 | 1/2" | | | | | | | | | | | | | | | |
| 510 | 1/2" | | | | | | | | | | | | | | | |
| 1500 | 15 mm | | | | | | | | | | | | | | | |
| 8500 | 3/4" | | | | | | | | | | | | | | | |
| 5930 | 3/4" | | | | | | | | | | | | | | | |
| 1000 | 1" | | | | | | | | | | | | | | | |
| 1005 | 1" | | | | | | | | | | | | | | | |
| 1010 | 1" | | | | | | | | | | | | | | | |
| 7700 | 1" | | | | | | | | | | | | | | | |
| 6300T | 50 mm | | | | | | | | | | | | | | | |
| 2000 | 2" | | | | | | | | | | | | | | | |
| 2010 | 2" | | | | | | | | | | | | | | | |
| 6990 | 2 1/4" | | | | | | | | | | | | | | | |
| 9200 | 2 1/4" | | | | | | | | | | | | | | | |
| 2500 | 2 1/2" | | | | | | | | | | | | | | | |
| 3120 | 3" | | | | | | | | | | | | | | | |

| SIDEFLEXING BELT TYPES | | APPLICATION | | | | | | | |
|------------------------|--------|----------------|-------------------|----------------------|----------------------|--------------|--------------------|-------------------|---------------------|
| | | Small packages | Standard packages | 180-Degree conveyors | High-speed conveyors | Small radius | Crates, bread tins | Incline conveyors | Direct food contact |
| type | pitch | | | | | | | | |
| 505 | 1/2" | | | | | | | | |
| 1255 | 1 1/4" | | | | | | | | |
| 1265 | 1 1/4" | | | | | | | | |
| 1275 | 1 1/4" | | | | | | | | |
| 1285 | 1 1/4" | | | | | | | | |
| 7956 | 1 1/4" | | | | | | | | |

Best choice
Optional

| MATERIAL | APPLICATION | | | | | | | | | | | | |
|----------|---------------|------------------|----------------------------|--------------|--------------|------------------------------------|-----------------------------------|------------------------------------|---------|-------------------|----------|---------------------------------|------------|
| | Mass handling | Inliner standard | Inliner / high-speed / PET | Abrasive wet | Abrasive dry | Static electricity sensitive (dry) | Chemicals, strong cleaning agents | Direct food contact (FDA approved) | Cutting | High temperatures | Freezing | General conveying food industry | Automotive |
| LF | | | | | | | | | | | | | |
| XLG | | | | | | | | | | | | | |
| HP | | | | | | | | | | | | | |
| PS | | | | | | | | | | | | | |
| WX | | | | | | | | | | | | | |
| DKA | | | | | | | | | | | | | |
| AS | | | | | | | | | | | | | |
| XP/HT | | | | | | | | | | | | | |
| WSA/WSM* | | | | | | | | | | | | | |
| WHA/WHT* | | | | | | | | | | | | | |
| WLA/WLT* | | | | | | | | | | | | | |
| BSM/BYSM | | | | | | | | | | | | | |

*For different colours of similar materials (e.g. BSA, BHA, etc.) the same recommendations apply. Not all materials are available in each belt series, but for specific applications the best materials are chosen.

*) for individual application advice contact us at +32 (0) 20 760 430 www.boyar-transmission.com

500-SERIES MODULAR BELTS

The 500-series 1/2-inch pitch belt offers the smallest pitch available in the market. This pitch makes this belt very suitable for handling small or unstable products requiring small inline transfers, such as infeed conveyors of packaging equipment and can manufacturing. As a standard the belts are supplied in low friction acetal.

FEATURES

- Perfect product handling due to very small pitch ensuring smooth operation and low friction acetal.
- The small 12.7 mm pitch reduces chordal action and permits the use of small or no dead plates at inline transfers.
- Rounded outside edges for better side transfers and improved product handling.
- Pin retention system with clips allows easy pin access for installation and maintenance.

| PROGRAMME | |
|----------------|--|
| 500 Flush Grid | 16% Open area; this guarantees optimum water- and airflow and allows pollution to fall through and maintain a clean contact surface between products and the belt; suitable for amongst others can making and can processing |
| Positrack | Small lugs on one or both sides of the belt, to ensure a superior guiding of the belt even on long conveyors and at side transfers. Positrack is also recommended on 85 mm wide single track belt executions |

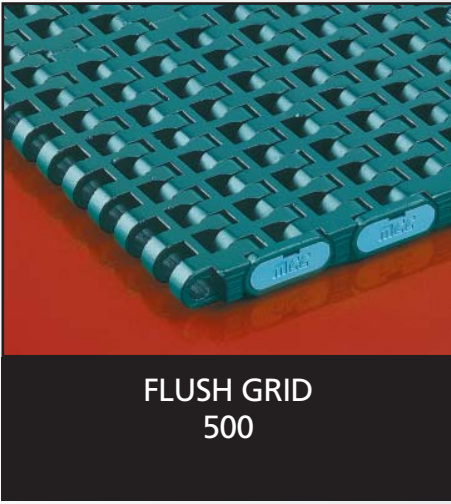


SMALL BOTTLE CONVEYOR WITH 500 BELT

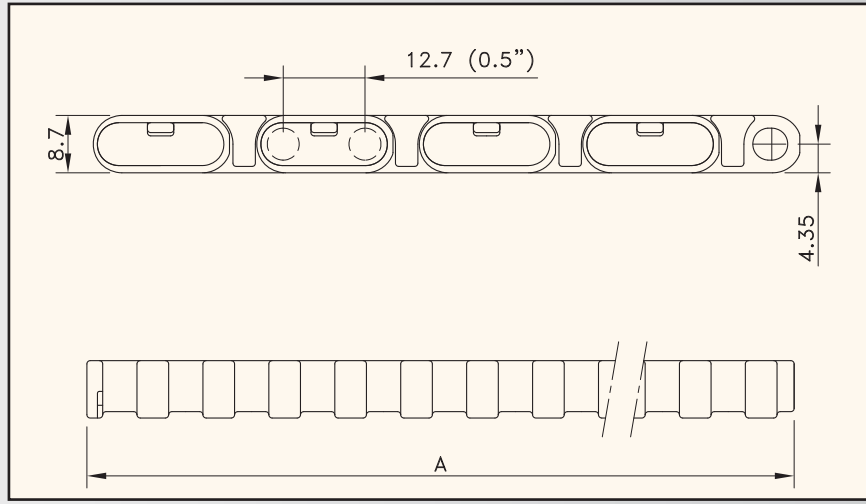


CAN PROCESSING ON 500 BELT

500-SERIES



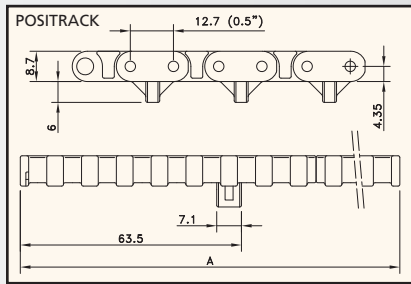
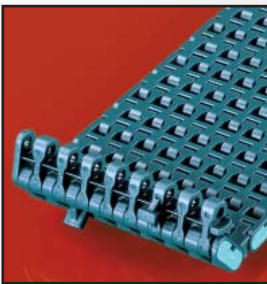
FLUSH GRID 500



MATERIAL
page 208

| Assembly | Belt type | Code nr.* | Temperature range °C | | Working load (max.) N/m (21°C) | Weight kg/m ² | Backflex radius (min.) mm |
|---|-------------|-----------|----------------------|---------|-----------------------------------|-----------------------------|------------------------------|
| | | | dry | wet | | | |
| XLG-ACETAL WITH POLYPROPYLENE PINS | | | | | | | |
| STANDARD | FG 500 XLG | 857.40.xx | 4 to 80 | 4 to 65 | 13000 | 6.00 | 8 |
| POSITRACK LEFT | FGP 500 XLG | 874.05.xx | | | | | |
| POSITRACK RIGHT | FGP 500 XLG | 874.06.xx | | | | | |
| POSITRACK TWO SIDES | FGP 500 XLG | 874.04.xx | | | | | |

* In code numbers xx corresponds with the belt width (A), starting with 10 for 85 mm, 11 for 170 mm and so on in steps of 85 mm. See page 206 for all code numbers. Cut to width options upon request.



FLUSH GRID 500 BELT WITH POSITRACK

| Sprocket Type | Code nr. | Nr. of teeth | Bore | Pitch diameter | Outside diameter | Hub width | | |
|--------------------------|-----------|--------------|---------|----------------|------------------|-----------|--|--|
| | | | B | E | F | A | | |
| | | | mm/inch | mm | mm | mm | | |
| SPLIT SPROCKETS | | | | | | | | |
| ROUND BORES | | | | | | | | |
| SSW 500 28-30 | 899.14.17 | 28 | 30 mm | 113.4 | 113.4 | 39 | | |
| SSW 500 28-40 | 899.14.11 | 28 | 40 mm | | | | | |
| SSW 500 28-1½ | 899.14.31 | 28 | 1.5" | | | | | |
| SQUARE BORES | | | | | | | | |
| SSW 500 28-40x40 | 899.14.21 | 28 | 40 mm | 113.4 | 113.4 | 39 | | |
| SSW 500 28-1½ x1½ | 899.14.41 | 28 | 1.5" | | | | | |
| CLASSIC SPROCKETS | | | | | | | | |
| ROUND BORES | | | | | | | | |
| CS 500 16-25 | 895.26.16 | 16 | 25 mm | 65.2 | 65.2 | 20 | | |
| CS 500 16-30 | 895.26.17 | 16 | 30 mm | | | | | |
| CS 500 28-25 | 895.24.16 | 28 | 25 mm | 113.4 | 113.4 | | | |
| CS 500 28-30 | 895.24.17 | 28 | 30 mm | | | | | |
| CS 500 28-40 | 895.24.11 | 28 | 40 mm | | | | | |
| CS 500 28-1½ | 895.24.41 | 28 | 1.5" | 153.8 | 153.1 | | | |
| CS 500 38-40 | 895.20.11 | 38 | 40 mm | | | | | |
| SQUARE BORES | | | | | | | | |
| CS 500 28-40x40 | 895.24.21 | 28 | 40 mm | 113.4 | 113.4 | 20 | | |
| CS 500 28-60x60 | 895.24.28 | 28 | 60 mm | | | | | |

MATERIAL
page 209

510-SERIES MODULAR BELTS

The 510-series ½-inch pitch belt is meant for light duty applications, where cleanability and hygiene have got the highest importance. The extreme small ½" pitch enables very small transfers, high speeds and low noise. It can handle meat, poultry, seafood, fruits and salads after being cut or processed otherwise. As a standard the belts are supplied in food grade materials with antibacterial protection, especially for direct food contact and high risk areas.

FEATURES

- When turning over a small roller and/or nose bar (suitable for up to 20mm) the hinges open, exposing a large pin surface, offering excellent cleaning possibilities. The hinge design is extremely open and accessible, so a large surface of the pin and the inside of the hinge can be cleaned directly. The bottom of the module is rounded, improving drainage and reducing drying time of the belt after cleaning.
- The belt is supplied mould-to-width up to 12 inch, avoiding adjacent surfaces between the modules. The hinges are ½ inch wide, reducing the number of adjacent surfaces in-between.
- Smooth running at high speeds (up to 2 m/s) and low noise operation. Bi-directional; virtual no chordal action due to the specific hinge design and therefore smooth handling of most vulnerable.
- Double teeth rows fully closed machine sprockets, ideal for cleaning. Sprocket well positioned and retained sideways. Sprockets drive on the pin (roller chain principle).
- Small transfers, total centre to centre distance 43 mm only.
- Moulded pin with T-shaped pin retention. Minimum of pin coverage by eyes (front and bottom) and easy pin retention without loose parts. Open and accessible the pin is completely "free" from the module.
- As a standard antibacterial protection incorporated for direct food contact.

| PROGRAMME | |
|---------------|---|
| 515 Solid Top | Closed Surface; it offers the best support to vulnerable products and prevents loss of small products |

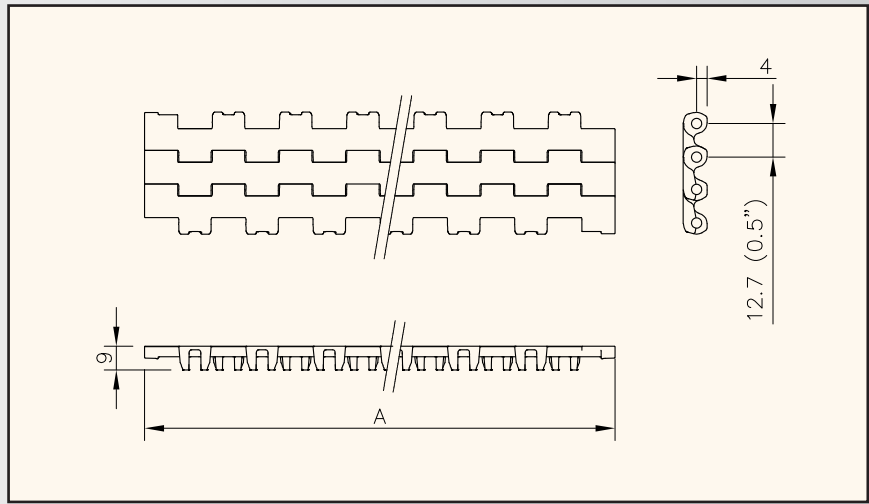


515 BELT ON INFEED OF AUTOMATIC PORK TRIMMER



MEAT PROCESSING ON 515 BELT

510-SERIES



| Assembly | Belt type | Code nr.* | Temperature range °C | | Working load (max.) N/m (21°C) | Weight kg/m ² | Backflex radius (min.) mm |
|--|-----------|-----------|----------------------|------------|--------------------------------|--------------------------|---------------------------|
| | | | dry | wet | | | |
| ANTIBACTERIAL WLA-POLYETHYLENE WITH POLYESTER PINS | | | | | | | |
| STANDARD | WLA 515 | 846.42.02 | -40 to +35 | -40 to +35 | 3000 | 4.40 | 15 |
| ANTIBACTERIAL BLA-POLYETHYLENE WITH POLYESTER PINS | | | | | | | |
| STANDARD | BLA 515 | 846.42.52 | -40 to +35 | -40 to +35 | 3000 | 4.40 | 15 |
| ANTIBACTERIAL WHA-POLYPROPYLENE WITH POLYESTER PINS | | | | | | | |
| STANDARD | WHA 515 | 849.42.02 | 4 to 80 | 4 to 65 | 5000 | 4.20 | 15 |
| ANTIBACTERIAL BHA-POLYPROPYLENE WITH POLYESTER PINS | | | | | | | |
| STANDARD | BHA 515 | 849.42.52 | 4 to 80 | 4 to 65 | 5000 | 4.20 | 15 |
| ANTIBACTERIAL WSA-ACETAL WITH POLYESTER PINS | | | | | | | |
| STANDARD | WSA 515 | 844.42.02 | -40 to +80 | -40 to +65 | 7500 | 6.10 | 15 |
| ANTIBACTERIAL BSA-ACETAL WITH POLYESTER PINS | | | | | | | |
| STANDARD | BSA 515 | 844.42.52 | -40 to +80 | -40 to +65 | 7500 | 6.10 | 15 |

* In code numbers xx corresponds with the belt width (A), for White belts (WLA, WHA, WSA) starting with 02 for 4, 03 for 5", for Blue belts (BLA, BHA, BSA) starting with 52 for 4", 53 for 5", and so on in steps of 1", up to 44"; see also page 206.

| Sprocket type | Code nr. | Nr. of teeth | Bore | Pitch diameter | Outside diameter | Hub width | |
|--------------------------|-----------|--------------|------|----------------|------------------|-----------|--|
| | | | B mm | E mm | F mm | A mm | |
| CLASSIC SPROCKETS | | | | | | | |
| ROUND BORES | | | | | | | |
| KU 510 T10 R20 | 897.01.01 | 10 | 20 | 41.1 | 43.6 | 16.7 | |
| KU 510 T14 R25 | 897.00.00 | 14 | 25 | 57.1 | 61.1 | | |
| KU 510 T24 R25 | 897.00.01 | 24 | 25 | 97.3 | 101.3 | | |
| KU 510 T38 R 40 | 897.00.10 | 38 | 40 | 153.8 | 157.8 | | |
| SQUARE BORES | | | | | | | |
| KU 510 T24 S40 | 774.01.80 | 24 | 40 | 97.3 | 101.3 | 16.7 | |
| KU 510 T32 S40 | 897.01.73 | 32 | 40 | 129.6 | 133.6 | | |
| KU 510 T38 S40 | 897.00.11 | 38 | 40 | 153.8 | 157.8 | | |



1500-SERIES MODULAR BELTS

The 1500-series 15 mm pitch belt helps to eliminate container tipping and jam-ups at conveyor transfer points. These belts are designed to enable smooth inline nose-over and 90° transfers. 1500-series is available in open, closed and rubber top executions, of which last two in both imperial and metric widths. As a standard the belts are supplied in high-performance acetal and high-temperature resistant polypropylene for beverage applications and in materials with antibacterial protection, especially for direct food contact and high-risk food processing environments.

FEATURES

- The 15 mm pitch in combination with the curved underside of the belt reduces chordal action and permits the use of very short transfer plates or no transfer plates at all.
- The small pitch ensures perfect product handling, even for the most vulnerable products.
- Practical plug pin retention system allows easy installation and maintenance; metric executions have orange plugs, imperial versions have a yellow pin retention.
- Belt and sprocket design ensure optimum engagement and a reliable, bi-directional drive.

| PROGRAMME | |
|------------------|--|
| 1505 Flat Top | Closed surface; suitable for (instable) glass and PET containers and otherwise vulnerable products |
| 1506 Flush Grid | 26% Open area for optimum water- and airflow; suitable for amongst others can handling |
| 1505 SuperGrip | Rubber Top for inclined and declined conveyors with packs and for metering applications; |
| DTS | Positrack and 44 mm side-indent possible. Standard angles up to 20° Single module Dynamic Transfer System for left- or right-hand self-clearing 90° transfers to avoid dead plates; as a standard equipped with Positrack guiding |
| Positrack | Lugs for accurate guiding of the belt in the conveyor (metric execution and DTS only) |
| Belt accessories | Flights and sideguards for special applications in food industry (imperial executions only) |

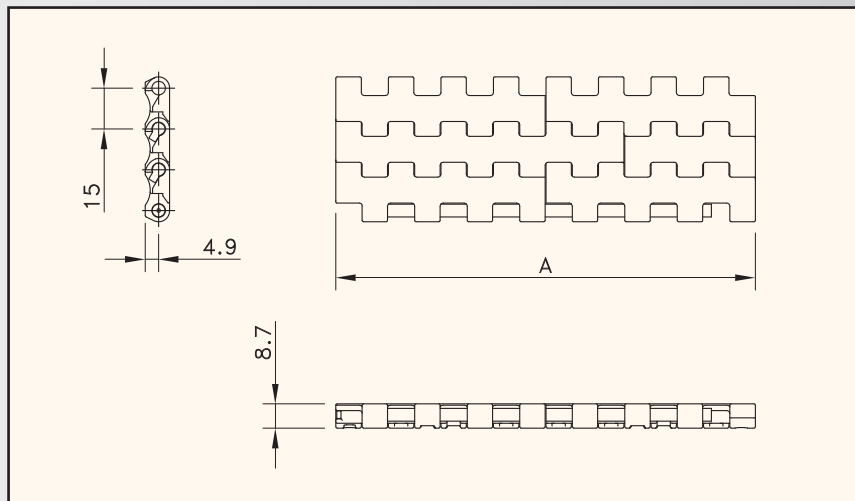


WINE BOTTLE CONVEYOR WITH 1505 BELT



HYGIENIC POULTRY PROCESSING ON 1505 BELT

1500-SERIES



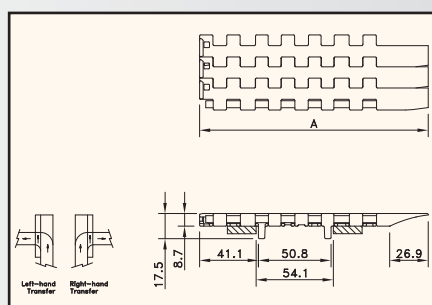
| Assembly | Belt type | Code nr.* | Temperature range °C | | Working load (max.) N/m (21°C) | Weight kg/m ² | Backflex radius (min.) mm |
|--|----------------|-------------|----------------------|------------|--------------------------------|--------------------------|---------------------------|
| | | | dry | wet | | | |
| HP-ACETAL WITH PBT PINS | | | | | | | |
| STANDARD | HP 1505 | I1505HPKxx | -40 to +80 | -40 to +65 | 13200 | 6.24 | 16 |
| DTS LEFT | HP 1505 DTS SX | 81413971 | | | | | |
| DTS RIGHT | HP 1505 DTS DX | 81414111 | | | | | |
| HT-POLYPROPYLENE WITH POLYPROPYLENE PINS | | | | | | | |
| STANDARD | HT 1505 | I1505HTKxx | 5 to 105 | 5 to 105 | 7300 | 4.52 | 16 |
| ANTIBACTERIAL WLA-POLYETHYLENE WITH POLYETHYLENE PINS | | | | | | | |
| STANDARD | WLA 1505 | I1505WLAKxx | -70 to +35 | -70 to +35 | 2800 | 4.80 | 16 |
| ANTIBACTERIAL BLA-POLYETHYLENE WITH POLYETHYLENE PINS | | | | | | | |
| STANDARD | BLA 1505 | I1505BLAKxx | -70 to +35 | -70 to +35 | 2800 | 4.80 | 16 |
| ANTIBACTERIAL WHA-POLYPROPYLENE WITH PBT PINS | | | | | | | |
| STANDARD | WHA 1505 | I1505WHAKxx | 4 to 80 | 4 to 65 | 7300 | 4.50 | 16 |
| ANTIBACTERIAL BHA-POLYPROPYLENE WITH PBT PINS | | | | | | | |
| STANDARD | BHA 1505 | I1505BHAKxx | 4 to 80 | 4 to 65 | 7300 | 4.50 | 16 |
| ANTIBACTERIAL WSA-ACETAL WITH PBT PINS | | | | | | | |
| STANDARD | WSA 1505 | I1505WSAKxx | -40 to +80 | -40 to +65 | 13200 | 6.20 | 16 |
| ANTIBACTERIAL BSA-ACETAL WITH PBT PINS | | | | | | | |
| STANDARD | BSA 1505 | I1505BSAKxx | -40 to +80 | -40 to +65 | 13200 | 6.20 | 16 |

* In code numbers xx corresponds with the belt width (A). Standard nominal widths of these belts begin at 3" with 3" increments, or optionally 3/4" up to 96". NOTE: 3 3/4" is impossible. Example: I1505HPK06.75 is a 6.75" wide belt. See also page 206.

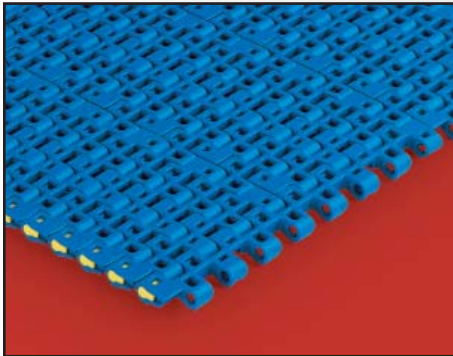
If you need flights or sideguards, describe the belt by choosing from the required options listed in the 2nd column of the table:

| | | |
|-----------------------|---|---|
| Material | WLA or BLA or WHA or BHA or WSA or BSA | |
| Belt type | 1505 | |
| Width (A) | K.. (in inches) | |
| Flights | F1 or F2 or H.. | Standard height of 1" (25.4 mm), 2" (50.8 mm) or special height in mm |
| Pitch between flights | T..P | Flights on every .. th row |
| Flight side-indent | N.. (in inches) | Minimal 1 7/8" (48 mm) with 3/4" (19 mm) increments |
| Sideguards | SG2 | Standard height of 2" |

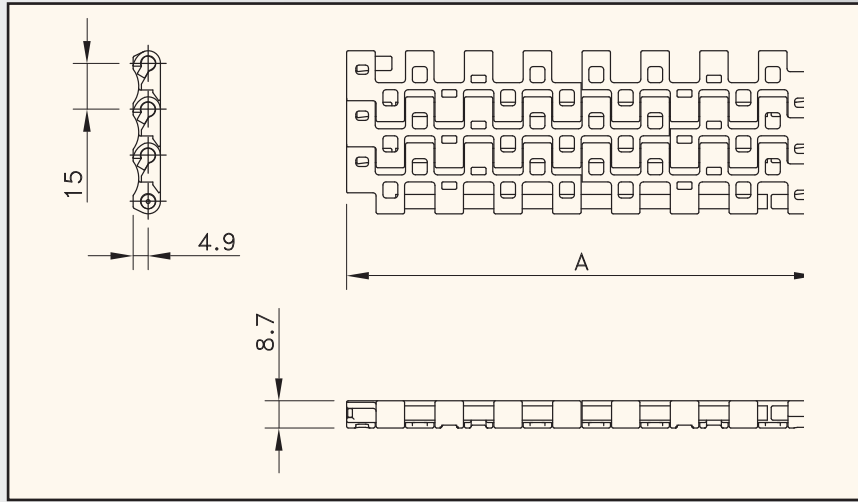
Example: BLA 1505 K-12 H50 T4P N1 7/8 SG2 is a 1505 Flat Top belt, made of blue polyethylene with Microban, width 12", special 50 mm high flights on every 4th row at 1 7/8" from the sides and 2" high sideguards.



1500-SERIES



**FLUSH GRID
1506
IMPERIAL SIZES**



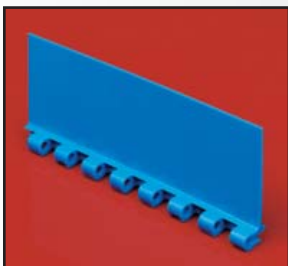
| Assembly | Belt type | Code nr.* | Temperature range °C | | Working load (max.) N/m (21°C) | Weight kg/m ² | Backflex radius (min.) mm |
|--|----------------|-------------|----------------------|------------|--------------------------------|--------------------------|---------------------------|
| | | | dry | wet | | | |
| HP-ACETAL WITH PBT PINS | | | | | | | |
| STANDARD | HP 1506 | I1506HPKxx | -40 to +80 | -40 to +65 | 13200 | 6.24 | 16 |
| DTS LEFT | HP 1505 DTS SX | 81413971 | | | | | |
| DTS RIGHT | HP 1505 DTS DX | 81414111 | | | | | |
| HT-POLYPROPYLENE WITH POLYPROPYLENE PINS | | | | | | | |
| STANDARD | HT 1506 | I1506HTKxx | 5 to 105 | 5 to 105 | 7300 | 4.52 | 16 |
| ANTIBACTERIAL WLA-POLYETHYLENE WITH POLYETHYLENE PINS | | | | | | | |
| STANDARD | WLA 1506 | I1506WLAKxx | -70 to +35 | -70 to +35 | 2800 | 4.80 | 16 |
| ANTIBACTERIAL BLA-POLYETHYLENE WITH POLYETHYLENE PINS | | | | | | | |
| STANDARD | BLA 1506 | I1506BLAKxx | -70 to +35 | -70 to +35 | 2800 | 4.80 | 16 |
| ANTIBACTERIAL WHA-POLYPROPYLENE WITH PBT PINS | | | | | | | |
| STANDARD | WHA 1506 | I1506WHAKxx | 4 to 80 | 4 to 65 | 7300 | 4.50 | 16 |
| ANTIBACTERIAL BHA-POLYPROPYLENE WITH PBT PINS | | | | | | | |
| STANDARD | BHA 1506 | I1506BHAKxx | 4 to 80 | 4 to 65 | 7300 | 4.50 | 16 |
| ANTIBACTERIAL WSA-ACETAL WITH PBT PINS | | | | | | | |
| STANDARD | WSA 1506 | I1506WSAKxx | -40 to +80 | -40 to +65 | 13200 | 6.20 | 16 |
| ANTIBACTERIAL BSA-ACETAL WITH PBT PINS | | | | | | | |
| STANDARD | BSA 1506 | I1506BSAKxx | -40 to +80 | -40 to +65 | 13200 | 6.20 | 16 |

* In code numbers xx corresponds with the belt width (A). Standard nominal widths of these belts begin at 3" (76.2 mm), with 3" increments, or optionally 3/4" up to 120". NOTE: 3 3/4" is impossible. Example: I1506HPK06.75 is a 6.75" wide belt. See also page 206.

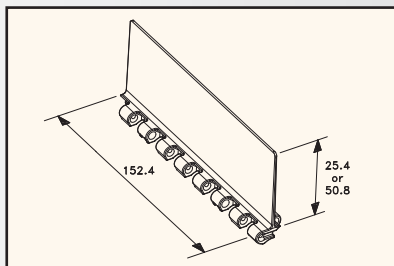
If you need flights or sideguards, describe the belt by choosing from the required options listed in the 2nd column of the table:

| | | |
|-----------------------|---|---|
| Material | WLA or BLA or WHA or BHA or WSA or BSA | |
| Belt type | 1506 | |
| Width (A) | K.. (in inches) | |
| Flights | F1 or F2 or H.. | Standard height of 1" (25.4 mm), 2" (50.8 mm) or special height in mm |
| Pitch between flights | T..P | Flights on every .. th row |
| Flight side-indent | N.. (in inches) | Minimal 1 7/8" (48 mm) with 3/4" (19 mm) increments |
| Sideguards | SG2 | Standard height of 2" |

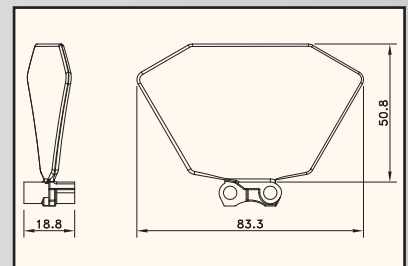
Example: WSA 1506 K-15 3/4 F1 T8P N1 7/8 SG2 is a 1506 Flush Grid belt, made of white acetal with Microban, width 15 3/4", 1" high flights on every 8th row at 1 7/8" from the sides and 2" high sideguards.



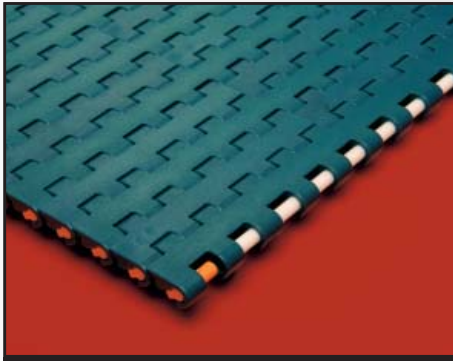
FLIGHT FOR 1500-SERIES IMPERIAL



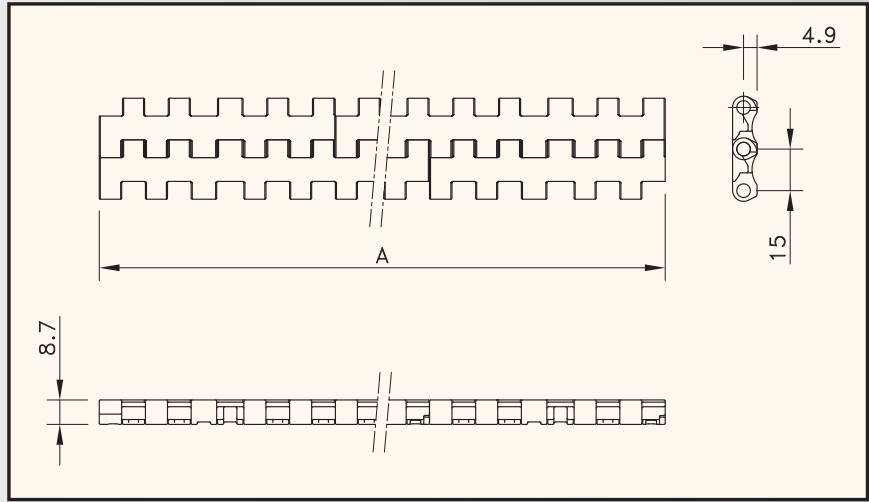
SIDEGUARDS FOR 1500-SERIES IMPERIAL



1500-SERIES

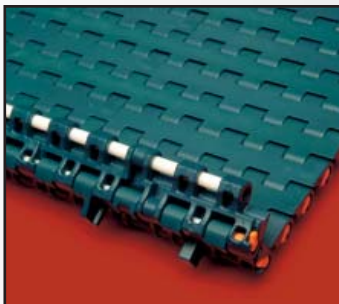


**FLAT TOP
1505
METRIC SIZES**

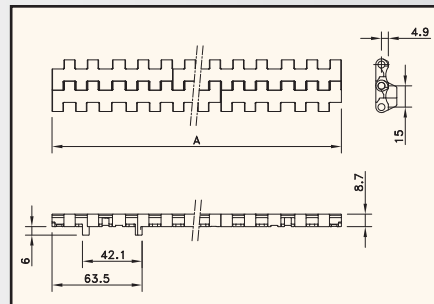


| Assembly | Belt type | Code nr.* | Temperature range °C | | Working load (max.) N/m (21°C) | Weight kg/m ² | Backflex radius (min.) mm |
|--|---------------|-----------|----------------------|------------|-----------------------------------|-----------------------------|------------------------------|
| | | | dry | wet | | | |
| XLG-ACETAL WITH PBT PINS | | | | | | | |
| STANDARD | FT 1505 XLG | 873.44.xx | -40 to +80 | -40 to +65 | 13200 | 6.35 | 25 |
| DOUBLE POSITRACK | FTDP 1505 XLG | 873.54.xx | | | | | |
| XP-POLYPROPYLENE WITH POLYPROPYLENE PINS | | | | | | | |
| STANDARD | FT 1505 XP | 873.46.xx | 4 to 104 | 4 to 104 | 7300 | 4.49 | 25 |
| DOUBLE POSITRACK | FTDP 1505 XP | 873.56.xx | | | | | |
| ANTIBACTERIAL WSA-ACETAL WITH PBT PINS | | | | | | | |
| STANDARD | WSA 1505 FT | 873.48.xx | -40 to +80 | -40 to +65 | 13200 | 6.35 | 25 |
| DOUBLE POSITRACK | WSA 1505 FTDP | 873.57.xx | | | | | |
| ANTIBACTERIAL WHA-POLYPROPYLENE WITH PBT PINS | | | | | | | |
| STANDARD | WHA 1505 FT | 873.49.xx | 4 to 104 | 4 to 104 | 7300 | 4.49 | 25 |
| DOUBLE POSITRACK | WHA 1505 FTDP | 873.58.xx | | | | | |

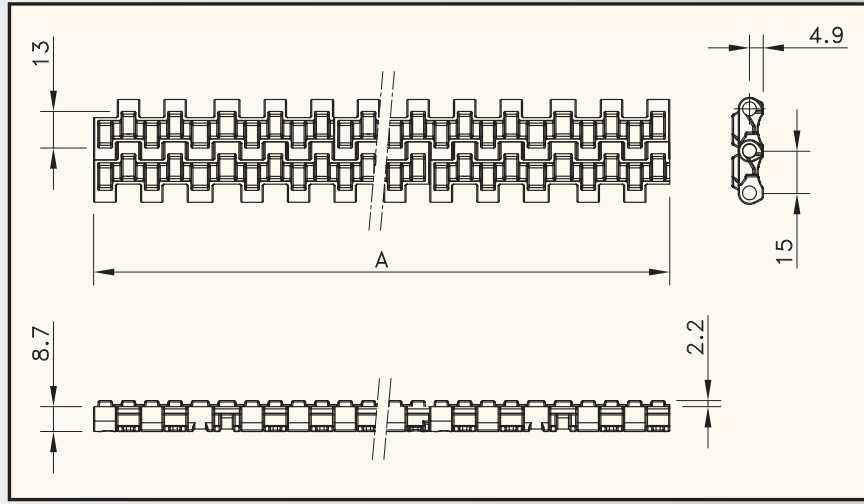
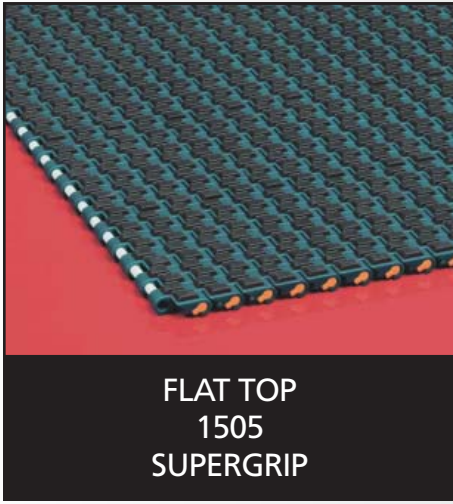
* In code numbers xx corresponds with the belt width (A), starting with 11 for 170 mm, 12 for 255 mm and so on in steps of 85 mm, up to 6120 mm; wider belts upon request. See page 206 for all code numbers. Cut to width options are possible.



POSITRACK 1505 METRIC



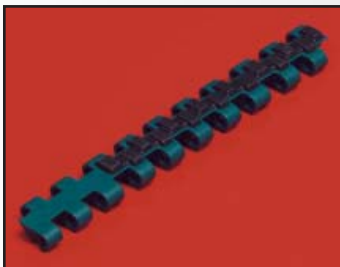
1500-SERIES



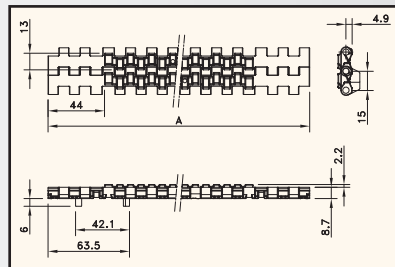
| Assembly | Belt type | Code nr.* | Temperature range °C | | Working load (max.) N/m (21°C) | Weight kg/m ² | Backflex radius (min.) mm |
|--|----------------|-----------|----------------------|------------|--------------------------------|--------------------------|---------------------------|
| | | | dry | wet | | | |
| XLG-ACETAL WITH PBT PINS | | | | | | | |
| STANDARD | SG 1505 XLG | 878.00.xx | -40 to +80 | -40 to +65 | 13200 | 6.35 | 25 |
| DOUBLE POSITRACK | SGDP 1505 XLG | 878.12.xx | | | | | |
| SIDE-INDENT | SGS 1505 XLG | 878.01.xx | | | | | |
| SIDE-INDENT DOUBLE POSITRACK | SGSDP 1505 XLG | 878.13.xx | | | | | |
| XP-POLYPROPYLENE WITH POLYPROPYLENE PINS | | | | | | | |
| STANDARD | SG 1505 XP | 878.02.xx | 4 to 80 | 4 to 65 | 7300 | 4.49 | 25 |
| DOUBLE POSITRACK | SGDP 1505 XP | 878.14.xx | | | | | |
| SIDE-INDENT | SGS 1505 XP | 878.03.xx | | | | | |
| SIDE-INDENT DOUBLE POSITRACK | SGSDP 1505 XP | 878.15.xx | | | | | |
| ANTIBACTERIAL WSA-ACETAL WITH PBT PINS | | | | | | | |
| STANDARD | SG 1505 WSA | 878.06.xx | -40 to +80 | -40 to +65 | 13200 | 6.35 | 25 |
| DOUBLE POSITRACK | SGDP 1505 WSA | 878.16.xx | | | | | |
| SIDE-INDENT | SGS 1505 WSA | 878.07.xx | | | | | |
| SIDE-INDENT DOUBLE POSITRACK | SGSDP 1505 WSA | 878.17.xx | | | | | |
| ANTIBACTERIAL WHA-POLYPROPYLENE WITH PBT PINS | | | | | | | |
| STANDARD | SG 1505 WHA | 878.04.xx | 4 to 80 | 4 to 65 | 7300 | 4.49 | 25 |
| DOUBLE POSITRACK | SGDP 1505 WHA | 878.18.xx | | | | | |
| SIDE-INDENT | SGS 1505 WHA | 878.05.xx | | | | | |
| SIDE-INDENT DOUBLE POSITRACK | SGSDP 1505 WHA | 878.19.xx | | | | | |

* In code numbers xx corresponds with the belt width (A), starting with 11 for 170 mm, 12 for 255 mm and so on in steps of 85 mm, up to 6120 mm. SuperGrip Side-indent versions start with 255 mm width. See page 206 for all code numbers. Cut to width options are possible. Side-indent in SuperGrip versions is 44 mm.

Rubber top is a black elastomere, with a hardness of 40 (XP) or 50 (XLG, WSA) or 60 (WHA) shore A.



1505 SUPERGRIP SIDE-INDENT




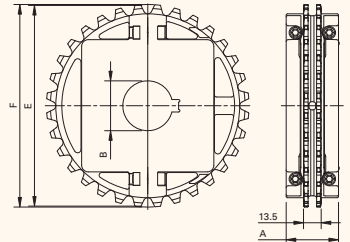
1505 SUPERGRIP SIDE-INDENT WITH POSITRACK

1500-SERIES

| Sprocket type | Code nr. | Nr. of teeth | Bore | Pitch diameter | Outside diameter | Hub width | MATERIAL |
|---------------|----------|--------------|------|----------------|------------------|-----------|----------|
| | | | B | E | F | A | |
| | | | mm | mm | mm | mm | page 209 |

SPLIT SPROCKETS 1505 INJECTION MOULDED

| ROUND BORES | | | | | | |
|-----------------|-----------|----|----|-------|-------|------|
| NS 1500 T24 R25 | 614-213-7 | 24 | 25 | 114.9 | 115.5 | 40.0 |
| NS 1500 T24 R30 | 614-213-1 | 24 | 30 | | | |
| NS 1500 T24 R35 | 614-213-6 | 24 | 35 | | | |
| NS 1500 T24 R40 | 614-213-4 | 24 | 40 | | | |
| NS 1500 T32 R25 | 614-212-8 | 32 | 25 | 153.4 | 154.8 | |
| NS 1500 T32 R30 | 614-212-1 | 32 | 30 | | | |
| NS 1500 T32 R35 | 614-212-6 | 32 | 35 | | | |
| NS 1500 T32 R40 | 614-212-2 | 32 | 40 | | | |

Not suitable in combination with FTDP, SGDP, and SGSDP due to the Positrack lugs

| SQUARE BORES | | | | | | |
|-----------------|-----------|----|----|-------|-------|------|
| NS 1500 T24 S40 | 614-142-2 | 24 | 40 | 114.9 | 115.5 | 40.0 |
| NS 1500 T24 S60 | 614-142-1 | 24 | 60 | | | |
| NS 1500 T32 S40 | 614-211-1 | 32 | 40 | 153.4 | 154.8 | |
| NS 1500 T32 S60 | 614-211-2 | 32 | 60 | | | |


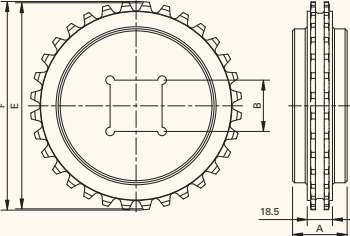
SPLIT SPROCKETS 1505 MACHINED

| ROUND BORES | | | | | | |
|------------------|-----------|----|----|-------|-------|------|
| KUS 1500 T24 R25 | 614-284-5 | 24 | 25 | 114.9 | 115.5 | 50.8 |
| KUS 1500 T24 R30 | 614-284-1 | 24 | 30 | | | |
| KUS 1500 T24 R35 | 614-284-6 | 24 | 35 | | | |
| KUS 1500 T24 R40 | 614-284-2 | 24 | 40 | | | |




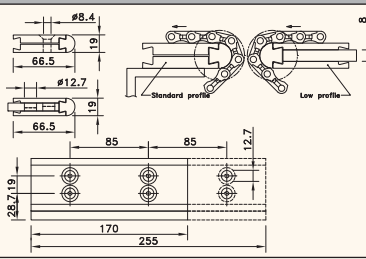

CLASSIC SPROCKETS 1505 MACHINED

| ROUND BORES | | | | | | |
|-----------------|-------------|----|----|-------|-------|------|
| KU 1500 T12 R30 | 114-3625-22 | 12 | 30 | 58.1 | 58.2 | 24.1 |
| KU 1500 T16 R30 | 114-3756-28 | 16 | 30 | 77.1 | 77.7 | 31.8 |
| KU 1500 T24 R30 | 114-2727-7 | 24 | 30 | 114.9 | 115.5 | 40.0 |
| KU 1500 T24 R40 | 114-2727-8 | 24 | 40 | | | |
| KU 1500 T32 R30 | 114-2812-6 | 32 | 30 | 153.4 | 154.8 | 40.0 |
| KU 1500 T32 R40 | 114-2812-12 | 32 | 40 | | | |

| SQUARE BORES | | | | | | |
|-----------------|-------------|----|----|-------|-------|------|
| KU 1500 T24 S25 | 114-4518-4 | 24 | 25 | 114.9 | 115.5 | 40.0 |
| KU 1500 T32 S40 | 114-2813-10 | 32 | 40 | 153.4 | 154.8 | 40.0 |

| Part number | Width | Hole spacing | Plate size | Inserts |
|------------------|--------|--------------|------------|---------|
| NOSE-OVER BARS | | | | |
| STANDARD VERSION | | | | |
| 905-655711 | 6" | 3" | - | - |
| LOW VERSION | | | | |
| 905-656301 | 170 mm | 85 mm | 8 mm | M6 |
| 905-656291 | 255 mm | 85 mm | 8 mm | M6 |
| 905-655721 | 6" | 3" | 8 mm | M6 |
| 905-655731 | 6" | 3" | 1/4" | 1/4-20 |

Other versions can be supplied upon request.

8500-SERIES MODULAR BELTS

The 8500-series $\frac{3}{4}$ -inch pitch belt has several strong design features, making it suitable for amongst others beverage, packaging and food industry. The small belt pitch ensures a smooth operation. 8500-Series is available in a closed and an open execution. Mold-to-width executions are available with Tab guides for single line applications. As a standard the belts are supplied in high-performance acetal and in food grade polypropylene.

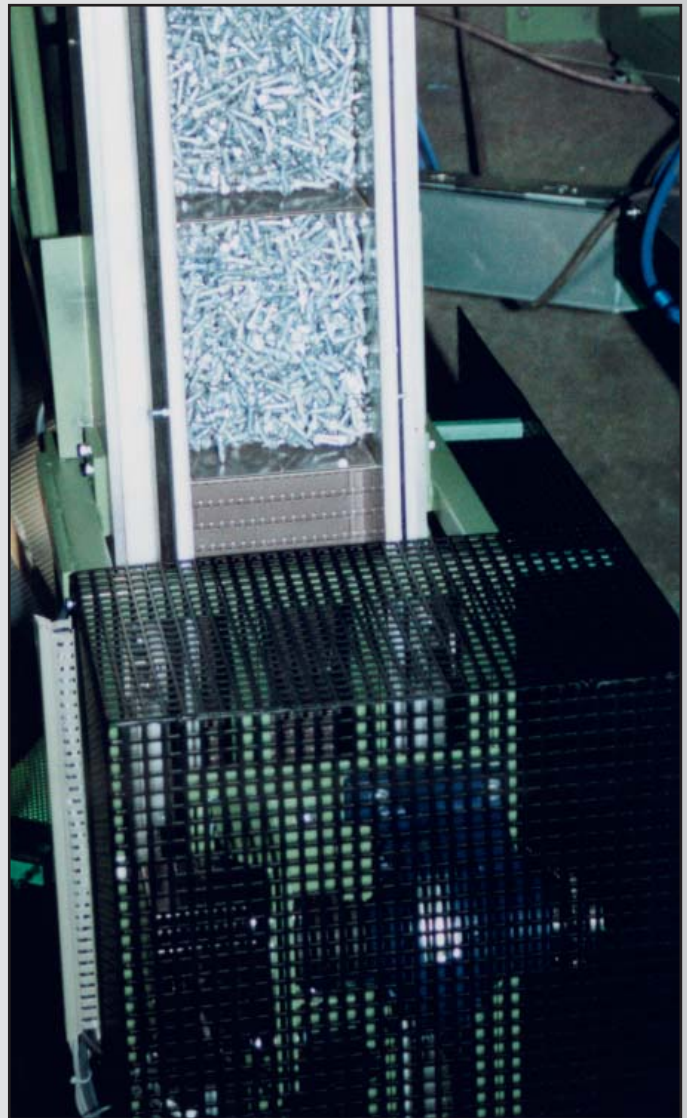
FEATURES

- Perfect product handling due to the small pitch and superior low friction HP material. The stiffness of the modules results in an optimum belt flatness.
- The small 19.05 mm pitch reduces the chordal action and permits the use of short transfer plates.
- Rounded outside edges for better side transfers and improved product handling.
- Twist-lock™ pin retention by means of a hinged plug prevents plug loss and allows easy pin access for installation and maintenance.
- 8500-Series belt is companioned by FTM 1060, FGM 1050 or FT 1050 chainbelts, to make a perfect match between straight running and sideflexing conveyors.

| PROGRAMME | |
|---------------------|--|
| 8505 Solid Top | Closed surface and high strength make it suitable for both glass and PET containers |
| 8506 Perforated Top | 22% Open area for optimum water- and airflow; suitable for amongst others can making and can processing environment |
| DTS | Single module Dynamic Transfer System for left- or right-hand self-clearing transfers to avoid dead plates at 90° transfers; as a standard equipped with Positrack guiding |
| Belt accessories | Flights, sideguards and hold-down tabs for special applications in food industry |



CONVEYOR WITH 8506 BELT AND FLIGHTS READY FOR TRANSPORT

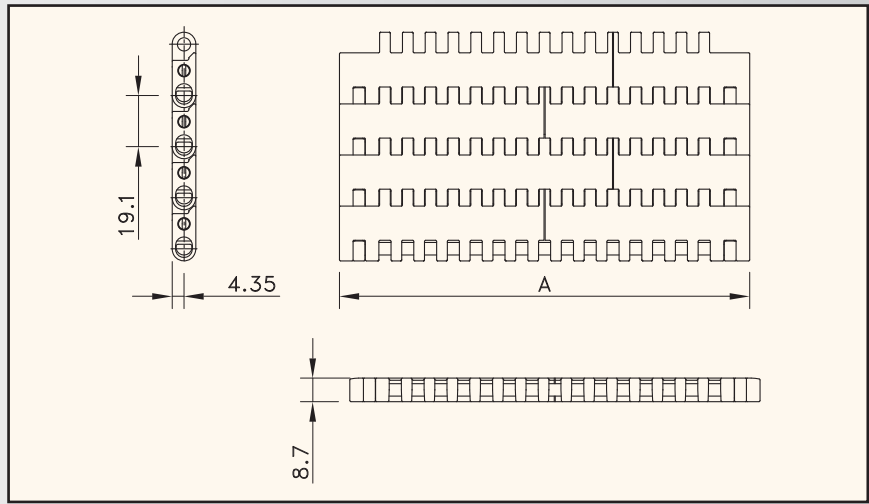


BOLT ELEVATING ON 8505 BELT

8500-SERIES



**SOLID TOP
8505**



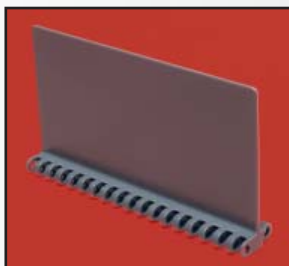
| Assembly | Belt type | Code nr.* | Temperature range °C | | Working load (max.) N/m (21°C) | Weight kg/m ² | Backflex radius (min.) mm |
|--|---------------------|------------|----------------------|------------|-----------------------------------|-----------------------------|------------------------------|
| | | | dry | wet | | | |
| HP-ACETAL WITH POLYPROPYLENE PINS | | | | | | | |
| STANDARD | HP 8505 | I8505HPKxx | -40 to +80 | -40 to +65 | 29000 | 8.89 | 25 |
| DTS LEFT/POSITRACK | HP 8505 K450 DTS-SX | 81415811 | | | | | |
| DTS RIGHT/POSITRACK | HP 8505 K450 DTS-DX | 81415791 | | | | | |
| WHT-POLYPROPYLENE WITH POLYPROPYLENE PINS | | | | | | | |
| STANDARD | WHT 8505 | I8505HTKxx | 5 to 105 | 5 to 105 | 16000 | 5.96 | 25 |

* In code numbers xx corresponds with the belt width (A). Standard widths of these belts begin at 6", with 6" increments up to 120"; special widths begin at 2 1/3" with 1/3" increments. See also page 206.

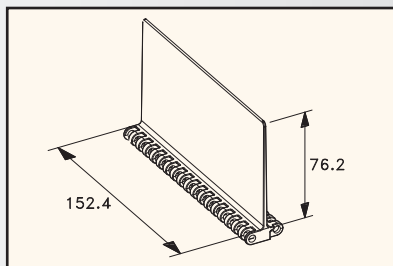
If you require flights, sideguards or tab guides, please describe the belt by choosing from the options listed in the 2nd column of the table:

| | | |
|-----------------------|-----------------------|---|
| Material | HP or WHT | |
| Belt type | 8505 | |
| Width (A) | K.. (in inches) | Belts with flights have a minimal width of 6" |
| Flights | F3 or F2 or F1 or H.. | Standard height of 3", 2", 1" or special height in mm |
| Pitch between flights | T..P | Flights on every .. th row; with sideguards it must correspond to an even number of rows |
| Flight side-indent | N.. (in inches) | Minimal 1 1/3" with 1/3" increments; in case of sideguards indents 1 1/2" or 2 1/4" only |
| Sideguards | SG2 or SG1 | Standard height of 2" or 1" |
| Tab guides | TAB1 or TAB2 | TAB1 is only one row; TAB2 is two rows |
| Distance between Tabs | D.. | Minimal 3" with increments of 2/3" |
| Pitch between Tabs | D..P | Must correspond to an even number of rows |

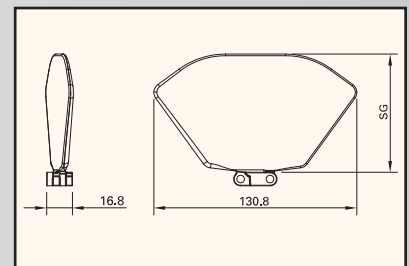
Example: HP 8505 K16 1/3 F3 T4P N2 1/3 TAB2 D3 D4P is a 8505 Solid Top belt, made of dark grey acetal, width 16 1/3", 3" high flights on every 4th row at 2 1/3" from the sides, no sideguards and 2 rows of tabs with a distance in-between of 3" on every 4th row.



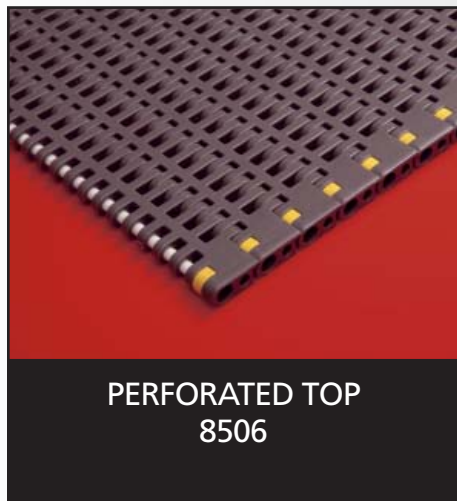
FLIGHT 8500-SERIES FOR INCLINED APPLICATIONS



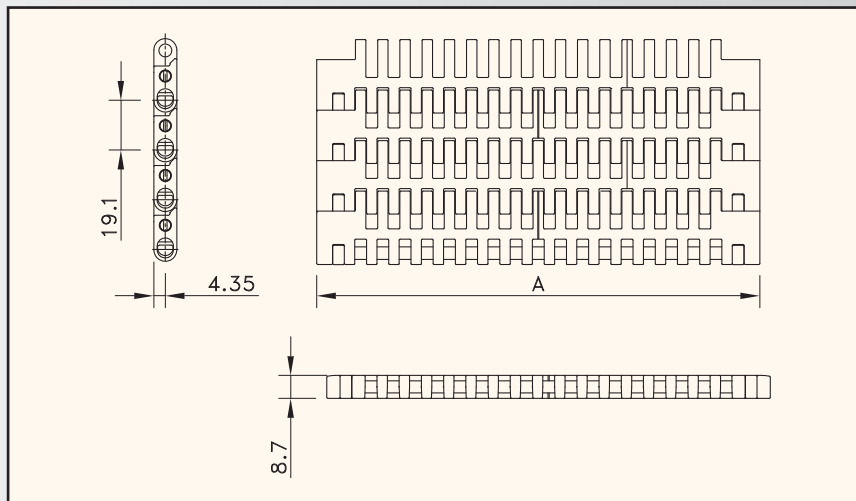
SIDEGUARDS 8500-SERIES



8500-SERIES



**PERFORATED TOP
8506**



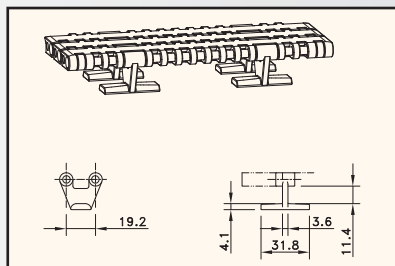
| Assembly | Belt type | Code nr.* | Temperature range °C | | Working load (max.) N/m (21°C) | Weight kg/m ² | Backflex radius (min.) mm |
|--|---------------------|-------------|----------------------|------------|--------------------------------|--------------------------|---------------------------|
| | | | dry | wet | | | |
| HP-ACETAL WITH POLYPROPYLENE PINS | | | | | | | |
| STANDARD | HP 8506 | I8506HPKxx | -40 to +80 | -40 to +65 | 29000 | 8.89 | 25 |
| DTS LEFT/POSITRACK | HP 8505 K450 DTS-SX | 81415811 | | | | | |
| DTS RIGHT/POSITRACK | HP 8505 K450 DTS-DX | 81415791 | | | | | |
| WHT-POLYPROPYLENE WITH POLYPROPYLENE PINS | | | | | | | |
| STANDARD | WHT 8506 | I8506WHTKxx | 5 to 105 | 5 to 105 | 16000 | 5.96 | 25 |

* In code numbers xx corresponds with the belt width (A). Standard widths of these belts begin at 6", with 6" increments up to 120"; special widths begin at 2 1/3" with 1/3" increments. See also page 206.

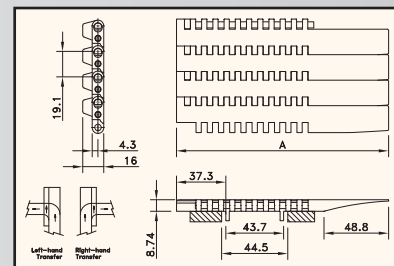
If you require flights, sideguards or tab guides, please describe the belt by choosing from the options listed in the 2nd column of the table:

| | | |
|-----------------------|-----------------------|---|
| Material | HP or WHT | |
| Belt type | 8506 | |
| Width (A) | K.. (in inches) | Belts with flights have a minimal width of 6" |
| Flights | F3 or F2 or F1 or H.. | Standard height of 3", 2", 1" or special height in mm |
| Pitch between flights | T..P | Flights on every .. th row; with sideguards it must correspond to an even number of rows |
| Flight side-indent | N.. (in inches) | Minimal 1 1/3" with 1/3" increments; in case of sideguards indents 1 1/2" or 2 1/4" only |
| Sideguards | SG2 or SG1 | Standard height of 2" or 1" |
| Tab guides | TAB1 or TAB2 | TAB1 is only one row; TAB2 is two rows |
| Distance between Tabs | D.. | Minimal 3" with increments of 2/3" |
| Pitch between Tabs | D..P | Must correspond to an even number of rows |

Example: WHT 8506 K7.50 SG2 N1 1/2 is a 8506 Perforated Top belt, made of white Polypropylene, width 7.5", 2" high sideguards at 1 1/2" from the sides. No flights, tab guides and DTS.


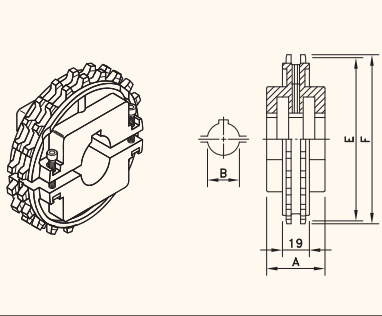


TAB GUIDE 8500-SERIES



DYNAMIC TRANSFER SYSTEM 8500-SERIES

8500-SERIES

| Sprocket type | Code nr. | Nr. of teeth | Bore | Pitch diameter | Outside diameter | Hub width | |
|--------------------------|------------|--------------|------|----------------|------------------|-----------|--|
| | | | B | E | F | A | |
| | | | mm | mm | mm | mm | |
| MATERIAL | | | | | | | |
| page 209 | | | | | | | |
| SPLIT SPROCKETS | | | | | | | |
| ROUND BORES | | | | | | | |
| NS 8500 T17 R25 | 614-176-25 | 17 | 25 | 104.7 | 105.4 | 39 |   |
| NS 8500 T17 R30 | 614-176-30 | 17 | 30 | | | | |
| NS 8500 T17 R35 | 614-176-35 | 17 | 35 | | | | |
| NS 8500 T21 R25 | 614-239-1 | 21 | 25 | 129.0 | 130.0 | | |
| NS 8500 T21 R30 | 614-239-2 | 21 | 30 | | | | |
| NS 8500 T21 R35 | 614-239-3 | 21 | 35 | | | | |
| NS 8500 T21 R40 | 614-239-4 | 21 | 40 | 147.3 | 148.3 | | |
| NS 8500 T24 R25 | 614-188-25 | 24 | 25 | | | | |
| NS 8500 T24 R30 | 614-188-30 | 24 | 30 | | | | |
| NS 8500 T24 R35 | 614-188-35 | 24 | 35 | 153.4 | 154.7 | | |
| NS 8500 T25 R25 | 614-192-25 | 25 | 25 | | | | |
| NS 8500 T25 R30 | 614-192-30 | 25 | 30 | | | | |
| NS 8500 T25 R35 | 614-192-35 | 25 | 35 | | | | |
| SQUARE BORES | | | | | | | |
| NS 8500 T17 S25 | 614-177-1 | 17 | 25 | 104.7 | 105.4 | 39 | |
| NS 8500 T17 S30 | 614-177-2 | 17 | 30 | | | | |
| NS 8500 T17 S35 | 614-177-3 | 17 | 35 | | | | |
| NS 8500 T21 S25 | 614-240-1 | 21 | 25 | 129.0 | 130.0 | | |
| NS 8500 T21 S40 | 614-240-2 | 21 | 40 | | | | |
| NS 8500 T21 S60 | 614-240-3 | 21 | 60 | | | | |
| NS 8500 T24 S25 | 614-189-1 | 24 | 25 | 147.3 | 148.3 | | |
| NS 8500 T24 S30 | 614-189-5 | 24 | 30 | | | | |
| NS 8500 T24 S35 | 614-189-4 | 24 | 35 | | | | |
| NS 8500 T25 S25 | 614-193-1 | 25 | 25 | 153.4 | 154.7 | | |
| NS 8500 T25 S30 | 614-193-6 | 25 | 30 | | | | |
| NS 8500 T25 S35 | 614-193-5 | 25 | 35 | | | | |
| CLASSIC SPROCKETS | | | | | | | |
| ROUND BORES | | | | | | | |
| KU 8500 T24 R30 | 114-3046-8 | 24 | 30 | 147.3 | 148.3 | 35 | |
| KU 8500 T25 R50 | 114-3266-2 | 25 | 50 | 153.4 | 154.7 | | |
| SQUARE BORES | | | | | | | |
| KU 8500 T17 S40 | 114-3215-2 | 17 | 40 | 104.7 | 105.4 | 35 | |
| KU 8500 T25 S40 | 114-3216-2 | 25 | 40 | 153.4 | 154.7 | | |

5930-SERIES MODULAR BELTS

The 5930-series $\frac{3}{4}$ -inch pitch belt is intended for light to medium loads in can manufacturing, can handling and food industry applications. The belts ensure a smooth operation. 5930-Series is available in a closed and an open execution. As a standard the belts are supplied in polypropylene and acetal.

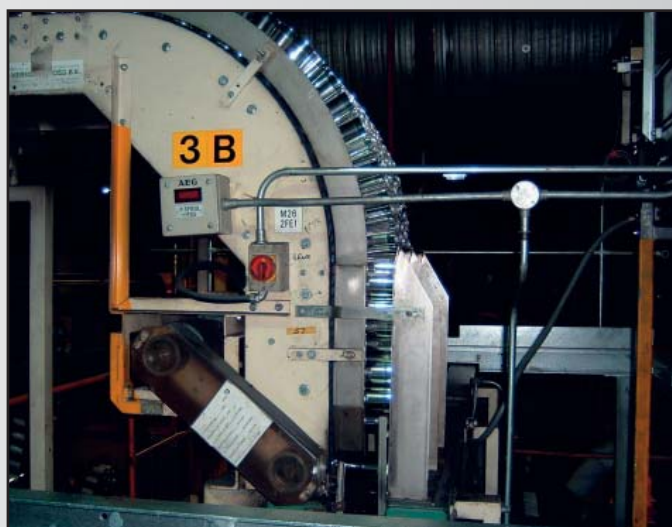
FEATURES

- The 19.05 mm pitch reduces chordal action.
- The small pitch permits the use of short transfer plates.
- Smooth edges and closed hinges ensure perfect product handling.
- Pin retention by means of one plugged end module and one blind end module.
- 5930-Series belts with flights, sideguards and hold-down tabs have been replaced by 8500-series; this series is identical in pitch, thickness and standard widths.

| PROGRAMME | |
|---------------------|---|
| 5935 Solid Top | Closed surface; suitable for PET containers and otherwise lightweight products |
| 5936 Perforated Top | 16% Open area for optimum water- and airflow; suitable for amongst others can making and can processing |
| 5935 Vacuum Top | Solid Top execution with small holes for amongst others vacuum conveyors in can manufacturing lines |

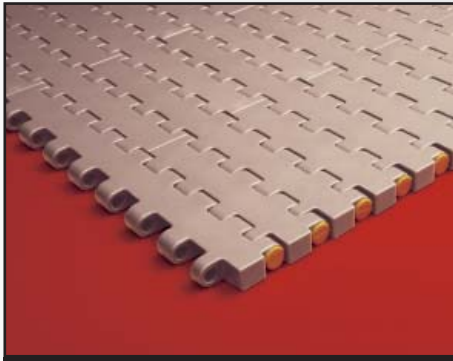


CAN WASHER DISCHARGE WITH 5936 BELT

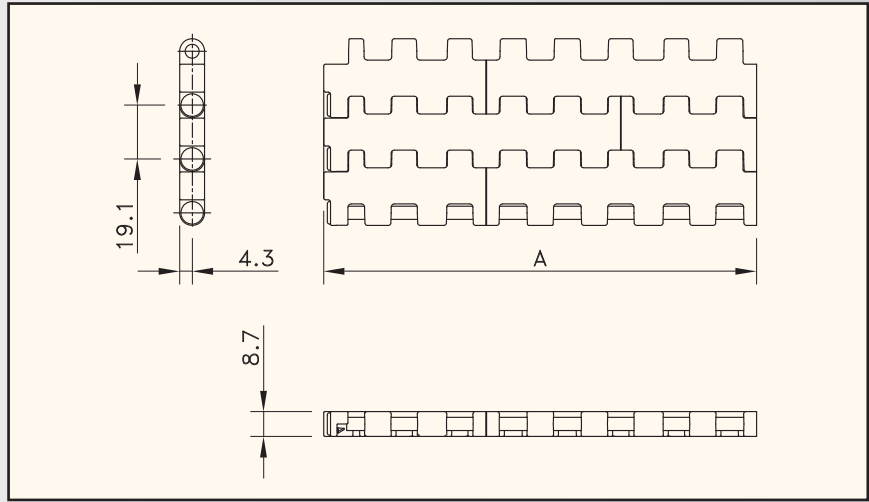


CAN PROCESSING ON 5935 VACUUM BELT

5930-SERIES

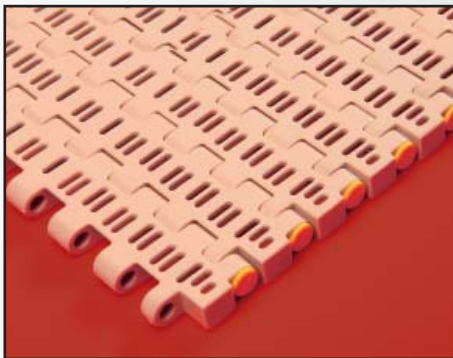


**SOLID TOP
5935**

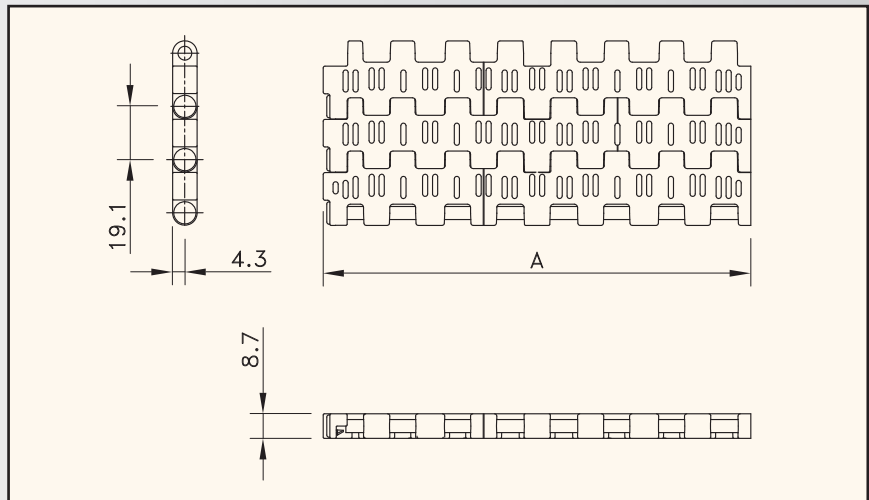


| Assembly | Belt type | Code nr.* | Temperature range °C | | Working load (max.) N/m (21°C) | Weight kg/m ² | Backflex radius (min.) mm |
|---|-----------|------------|----------------------|------------|-----------------------------------|-----------------------------|------------------------------|
| | | | dry | wet | | | |
| HT-POLYPROPYLENE WITH POLYPROPYLENE PINS | | | | | | | |
| STANDARD | HT 5935 | I5935HTKxx | 5 to 105 | 5 to 105 | 7000 | 4.92 | 25 |
| LF-ACETAL WITH POLYPROPYLENE PINS | | | | | | | |
| STANDARD | LF 5935 | I5935LFKxx | -40 to +80 | -40 to +65 | 13000 | 6.35 | 25 |

* In code numbers xx corresponds with the belt width (A). Standard widths of these belts begin at 9" with 3" increments up to 120"; special widths begin at 3" with 3/4" increments. See also page 206.



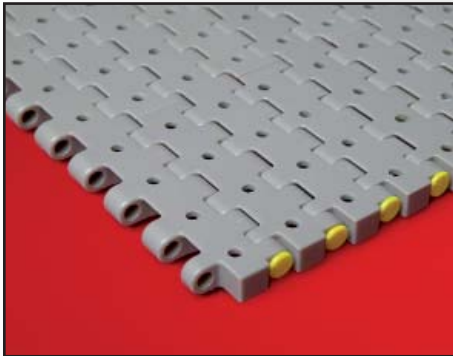
**PERFORATED TOP
5936**



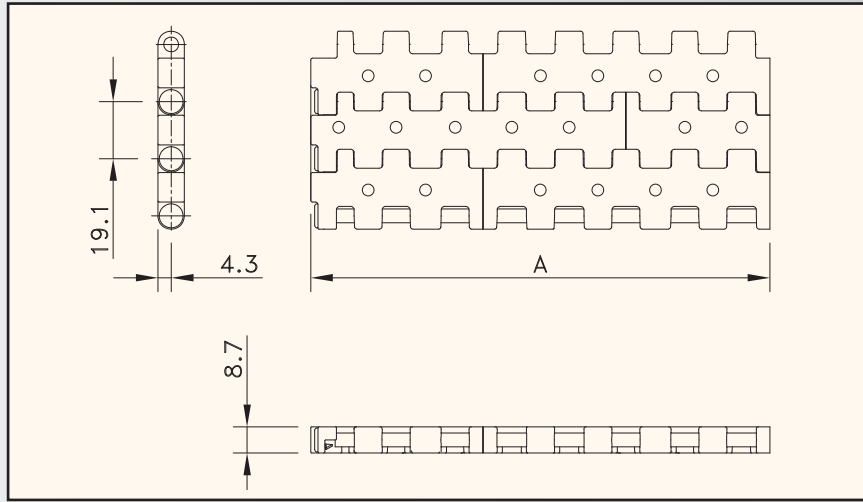
| Assembly | Belt type | Code nr.* | Temperature range °C | | Working load (max.) N/m (21°C) | Weight kg/m ² | Backflex radius (min.) mm |
|---|-----------|------------|----------------------|------------|-----------------------------------|-----------------------------|------------------------------|
| | | | dry | wet | | | |
| HT-POLYPROPYLENE WITH POLYPROPYLENE PINS | | | | | | | |
| STANDARD | HT 5936 | I5936HTKxx | 5 to 105 | 5 to 105 | 7000 | 4.49 | 25 |
| LF-ACETAL WITH POLYPROPYLENE PINS | | | | | | | |
| STANDARD | LF 5936 | I5936LFKxx | -40 to +80 | -40 to +65 | 13000 | 5.90 | 25 |

* In code numbers xx corresponds with the belt width (A). Standard widths of these belts begin at 9" with 3" increments up to 120"; special widths begin at 3" with 3/4" increments. See also page 206.

5930-SERIES

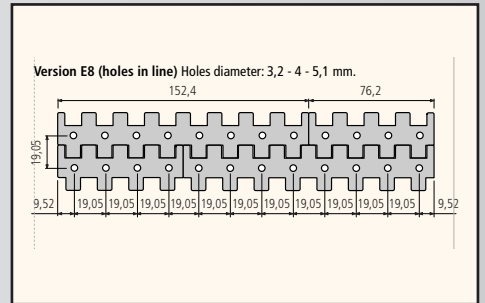
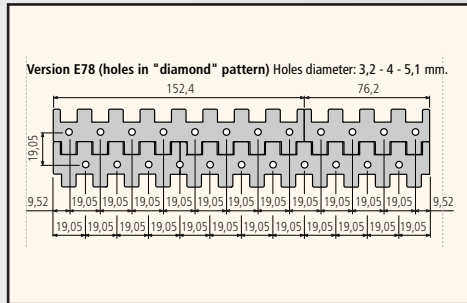
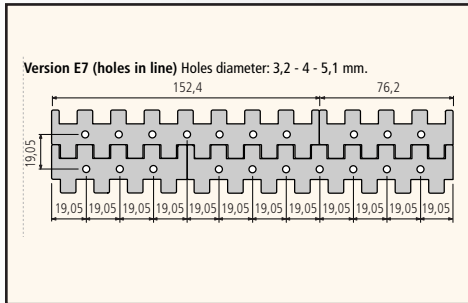


VACUUM TOP
5935


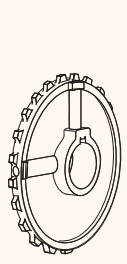
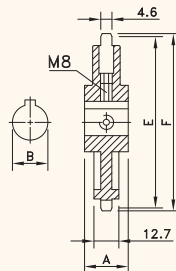
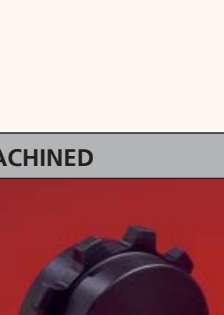
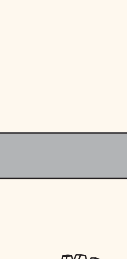
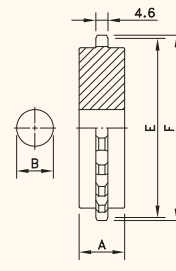
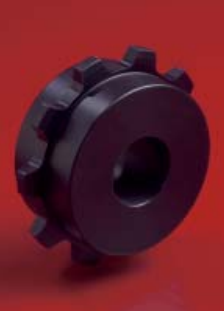
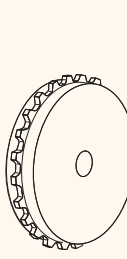
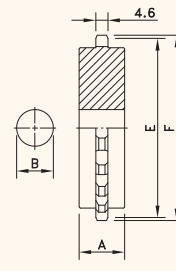


| Assembly | Belt type | Temperature range °C | | Working load (max.) N/m (21°C) | Weight kg/m ² | Backflex radius (min.) mm |
|---|-------------|-------------------------|------------|--------------------------------------|-----------------------------|------------------------------------|
| | | dry | wet | | | |
| HT-POLYPROPYLENE WITH POLYPROPYLENE PINS | | | | | | |
| STANDARD | HT 5935 VAC | 5 to 105 | 5 to 105 | 7000 | 4.92 | 25 |
| LF-ACETAL WITH POLYPROPYLENE PINS | | | | | | |
| STANDARD | LF 5935 VAC | -40 to +80 | -40 to +65 | 13000 | 6.35 | 25 |

As the patterns of the holes will be made to order, these belts will be supplied upon request.



5930-SERIES

| Sprocket type | Code nr. | Nr. of teeth | Bore | Pitch diameter | Outside diameter | Hub width | | |
|-------------------------------------|-------------|--------------|------|----------------|------------------|-----------|---|--|
| | | | B | E | F | A | | |
| | | | | | | | MATERIAL | |
| | | | | | | | page 209 | |
| CLASSIC SPROCKETS INJECTION MOULDED | | | | | | | | |
| ROUND BORES | | | | | | |    | |
| N 5936 T10 R25 | 114-811-8 | 10 | 25 | 62.2 | 63.5 | 25 | | |
| N 5936 T24 R25 | 114-699-8 | 24 | 25 | 147.3 | 149.2 | | | |
| N 5936 T24 R30 | 114-699-9 | 24 | 30 | | | | | |
| N 5936 T24 R35 | 114-699-10 | 24 | 35 | | | | | |
| N 5936 T24 R40 | 114-700-11 | 24 | 40 | | | | | |
| N 5936 T24 R50 | 114-700-13 | 24 | 50 | | | | | |
| SQUARE BORES | | | | | | |    | |
| N 5936 T24 S40 | 114-696-11 | 24 | 40 | 147.3 | 149.2 | 25 | | |
| N 5936 T24 S50 | 114-697-13 | 24 | 50 | | | | | |
| N 5936 T24 S65 | 114-698-16 | 24 | 65 | | | | | |
| N 5936 T25 S40 | 114-692-11 | 25 | 40 | 153.4 | 156.2 | 25 | | |
| N 5936 T25 S50 | 114-692-13 | 25 | 50 | | | | | |
| N 5936 T25 S65 | 114-692-16 | 25 | 65 | | | | | |
| CLASSIC SPROCKETS MACHINED | | | | | | | | |
| ROUND BORES | | | | | | |    | |
| KU 5936 T10 R20 | I5936647701 | 10 | 20 | 63.2 | 63.5 | 25 | | |
| KU 5936 T24 R20 | I5936644081 | 24 | 20 | 147.3 | 149.2 | | | |
| KU 5936 T31 R20 | I5936600402 | 31 | 20 | 190.1 | 193.3 | | | |

1000-SERIES MODULAR BELTS

The 1000-series 1-inch pitch belt combines strong design features with an all-round pitch, making it a versatile belt; it is suitable for amongst others beverage, packaging and food industry. Mold-to-width executions are available with Positrack guiding for single line applications and packaging machines. 1000-Series can be equipped with flights for food industry applications. As a standard the belts are supplied in low friction acetal and polypropylene for beverage and in materials with antibacterial protection, especially for direct food contact and high-risk processing areas.

FEATURES

- Versatile 1-inch pitch and the rigid cross-rib design result in optimum flatness and therefore superior product handling.
- The clip pin retention system in combination with the 2 module system makes the belt very easy to install and maintain.
- Rounded outside edges for better side transfers and improved product handling.
- 1000-Series belt is companioned by FTM 1060 and FGM 1050 or FT 1050 chainbelts, to make a perfect match between straight running and sideflexing conveyors.

| PROGRAMME | |
|---------------------------------|--|
| 1000 Flat Top (FT) | Closed surface; suitable for both glass and PET containers due to high strength. The absence of gaps prevents small (glass) particles to jam in the surface of the belt; the fully closed surface gives maximum support to the products conveyed |
| 1000 Flush Grid (FG) | 40% Open area; this guarantees optimum water- and airflow and allows pollution to fall through and maintain a clean contact surface between products and the belt. Suitable for amongst others can making and can processing |
| 1000 Raised Rib (RR) | 40% Open area; in combination with the special Click-Comb fingerplates the Raised Rib surface creates smooth transfers on accumulation tables, (de)palletizers and discharge tables |
| 1000 Raised Rib narrow (RR) | 13% Open area; suitable for packaging machines |
| 1000 Raised Rib Railtrack (RRR) | 1000 RR narrow belts with Railtrack, for optimum guiding and economic conveyor set-up |
| 1000 SuperGrip (SG) | High friction rubber surface to handle packages on inclined and declined conveyors. Standard angles up to 20° |
| 1000 LBP | Low Backline Pressure execution with low noise rollers, securing optimum handling of vulnerable packed products, such as shrink-wrapped trays with and without cardboard bottom |
| FreeFlow | Dynamic Transfer System for complete elimination of dead plates at 90° transfers, creating self-clearing transfers |
| Positrack | Lugs for accurate and reliable guiding of mass handling and single track belts, resulting in optimum product handling |
| Belt accessories | Flights to handle bulk food stuff on inclined and declined conveyors; fingerplates RR 1000 and RR 1000 narrow for precise transfers |

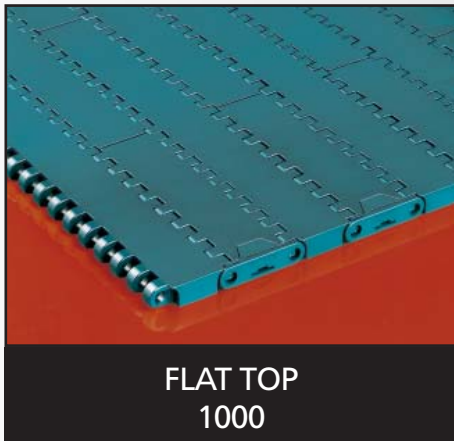


PET BOTTLE CONVEYOR WITH 1000 FLAT TOP BELT

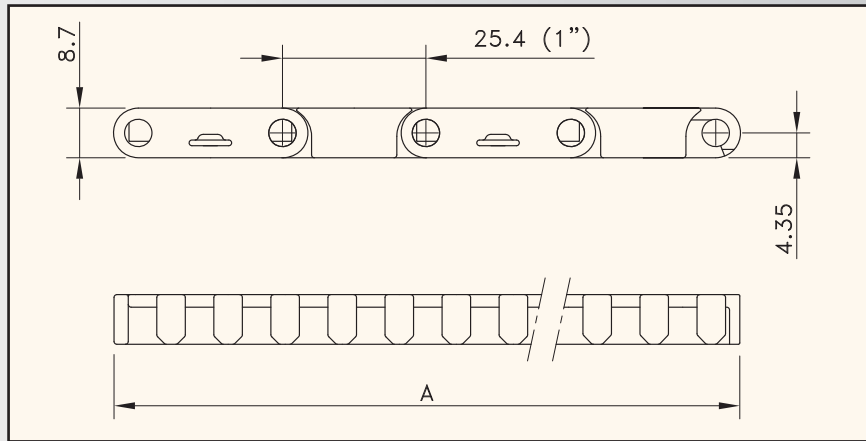


CHICKEN ON FREEZER INFEED WITH 1000 FLUSH GRID BELT

1000-SERIES



**FLAT TOP
1000**



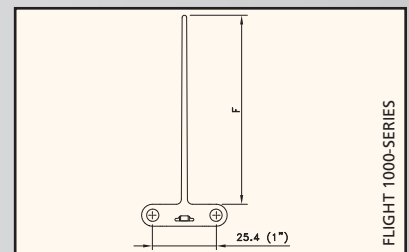
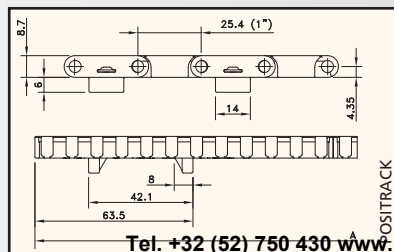
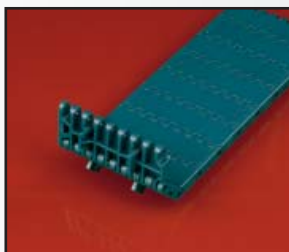
| Assembly | Belt type | Code nr.* | Temperature range °C | | Working load (max.) N/m (21°C) | Weight kg/m ² | Backflex radius (min.) mm |
|--|------------------|-----------|----------------------|------------|--------------------------------|--------------------------|---------------------------|
| | | | dry | wet | | | |
| XLG-ACETAL WITH POLYPROPYLENE PINS (84 HAS PBT PINS) | | | | | | | |
| STANDARD | FT 1000 XLG | 817.30.xx | 4 to 80 | 4 to 65 | 22000 | 6.50 | 25 |
| DOUBLE POSITRACK | FTDP 1000 XLG | 873.27.xx | | | | | |
| POSITRACK 1 SIDE, FREEFLOW 1 SIDE | FFTP 1000 XLG | 873.08.xx | | | | | |
| POSITRACK 2 SIDES, FREEFLOW 1 SIDE | FFTP 1000 XLG | 873.07.xx | | | | | |
| DOUBLE POSITRACK 84 | FTDP 1000 XLG 84 | 873.21.09 | -30 to +80 | up to 65 | | | |
| PS-ACETAL WITH POLYPROPYLENE PINS (84 HAS PBT PINS) | | | | | | | |
| DOUBLE POSITRACK | FTDP 1000 PS | 873.35.xx | 4 to 80 | 4 to 65 | 22000 | 6.50 | 25 |
| DOUBLE POSITRACK 84 | FTDP 1000 PS 84 | 873.35.09 | -30 to +80 | up to 65 | | | |
| XP-POLYPROPYLENE WITH POLYPROPYLENE PINS | | | | | | | |
| STANDARD | FT 1000 XP | 818.30.xx | 4 to 104 | 4 to 104 | 11000 | 4.25 | 25 |
| DOUBLE POSITRACK | FTDP 1000 XP | 873.29.xx | | | | | |
| AS-ACETAL WITH POLYPROPYLENE PINS | | | | | | | |
| STANDARD | FT 1000 AS | 814.30.xx | 4 to 80 | - | 13000 | 6.11 | 25 |
| DOUBLE POSITRACK | FTDP 1000 AS | 873.32.xx | | | | | |
| ANTIBACTERIAL WLA-POLYETHYLENE WITH POLYETHYLENE PINS | | | | | | | |
| STANDARD | WLA 1000 FT | 812.60.xx | -70 to +35 | -70 to +35 | 5000 | 4.60 | 25 |
| ANTIBACTERIAL BLA-POLYETHYLENE WITH POLYETHYLENE PINS | | | | | | | |
| STANDARD | BLA 1000 FT | 812.80.xx | -70 to +35 | -70 to +35 | 5000 | 4.60 | 25 |
| ANTIBACTERIAL WHA-POLYPROPYLENE WITH POLYPROPYLENE PINS | | | | | | | |
| STANDARD | WHA 1000 FT | 811.80.xx | 4 to 104 | 4 to 104 | 11000 | 4.30 | 25 |
| ANTIBACTERIAL WSA-ACETAL WITH POLYPROPYLENE PINS | | | | | | | |
| STANDARD | WSA 1000 FT | 815.70.xx | 4 to 80 | 4 to 65 | 22000 | 6.50 | 25 |
| DOUBLE POSITRACK | WSA 1000 FTDP | 873.28.xx | | | | | |

* In code numbers xx corresponds with the belt width (A), starting with 10 for 85 mm, 11 for 170 mm and so on with 85 mm increments, or optionally 5 mm, up to 6120 mm; see also page 206.

If you need flights, describe the belt by choosing from the required options listed in the 2nd column of the table:

| | | |
|-----------------------|---------------------------------|---|
| Material | WLA or BLA or WHA or WSA | |
| Belt type | 1000 FT or 1000 FTDP | (Double) Positrack not possible for WLA, BLA and WHA |
| Width (A) | KM-.. (in mm) | Belts with flights have a minimal width of 130 mm with 10 mm increments |
| Flights | F3 or F2 or F1 or H.. | Standard height of 3", 2", 1" or special height in mm |
| Pitch between flights | T..P | Flights on every .. th row (must correspond to an even number of rows) |
| Flight side-indent | N.. (in mm) | Minimal 40 mm with 5 mm increments |

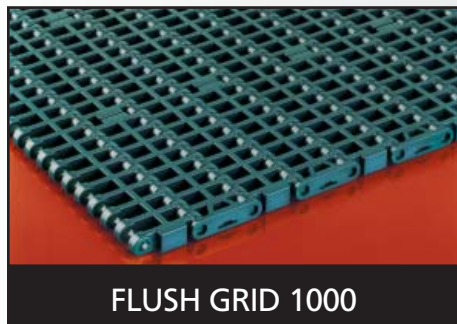
Example: WSA 1000 FTDP KM-430 H50 T6P N45 is a 1000 Flat Top belt with Double Positrack, made of white acetal with Microban, special width 430 mm, special 50 mm high flights on every 6th row at 45 mm from the sides



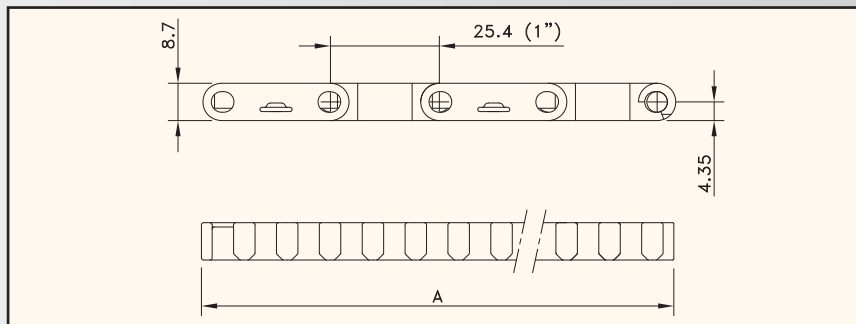
Tel. +32 (52) 750 430 www.bogaert-transmission.com

FLIGHT 1000-SERIES

1000-SERIES



FLUSH GRID 1000

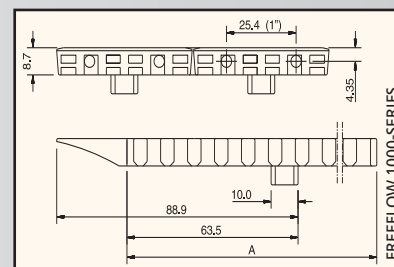
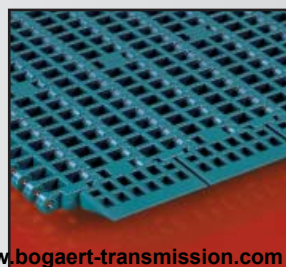
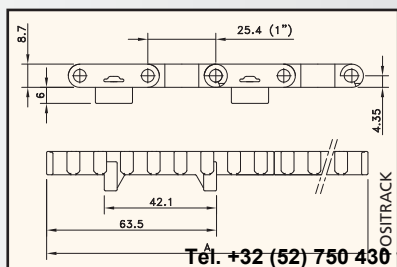
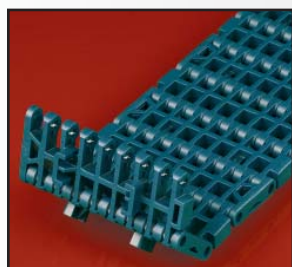


| Assembly | Belt type | Code nr.* | Temperature range °C | | Working load (max.) N/m (21°C) | Weight kg/m ² | Backflex radius (min.) mm |
|--|------------------|-----------|----------------------|------------|-----------------------------------|-----------------------------|------------------------------|
| | | | dry | wet | | | |
| XLG-ACETAL WITH POLYPROPYLENE PINS (84 HAS PBT PINS) | | | | | | | |
| STANDARD | FG 1000 XLG | 817.40.xx | 4 to 80 | 4 to 65 | 22000 | 5.40 | 25 |
| DOUBLE POSITRACK | FGDP 1000 XLG | 874.43.xx | | | | | |
| POSITRACK 1 SIDE, FREEFLOW 1 SIDE | FFGP 1000 XLG | 874.08.xx | | | | | |
| POSITRACK 2 SIDES, FREEFLOW 1 SIDE | FFGP 1000 XLG | 874.07.xx | | | | | |
| DOUBLE POSITRACK 84 | FGDP 1000 XLG 84 | 874.30.09 | -30 to +80 | up to 65 | | | |
| PS-ACETAL WITH POLYPROPYLENE PINS (84 HAS PBT PINS) | | | | | | | |
| DOUBLE POSITRACK | FGDP 1000 PS | 874.57.xx | 4 to 80 | 4 to 65 | 22000 | 5.40 | 25 |
| DOUBLE POSITRACK 84 | FGDP 1000 PS 84 | 874.57.09 | -30 to +80 | | | | |
| XP-POLYPROPYLENE WITH POLYPROPYLENE PINS | | | | | | | |
| STANDARD | FG 1000 XP | 818.40.xx | 4 to 104 | 4 to 104 | 11000 | 3.53 | 25 |
| DOUBLE POSITRACK | FGDP 1000 XP | 874.45.xx | | | | | |
| AS-ACETAL WITH POLYPROPYLENE PINS WITH POLYPROPYLENE PINS | | | | | | | |
| STANDARD | FG 1000 AS | 814.40.xx | 4 to 80 | - | 13000 | 5.08 | 25 |
| DOUBLE POSITRACK | FGDP 1000 AS | 874.48.xx | | | | | |
| ANTIBACTERIAL WLA-POLYETHYLENE WITH POLYETHYLENE PINS | | | | | | | |
| STANDARD | WLA 1000 FG | 812.70.xx | -70 to +35 | -70 to +35 | 5000 | 3.70 | 25 |
| ANTIBACTERIAL BLA-POLYETHYLENE WITH POLYETHYLENE PINS | | | | | | | |
| STANDARD | BLA 1000 FG | 812.90.xx | -70 to +35 | -70 to +35 | 5000 | 3.70 | 25 |
| ANTIBACTERIAL WHA-POLYPROPYLENE WITH POLYPROPYLENE PINS | | | | | | | |
| STANDARD | WHA 1000 FG | 811.90.xx | 4 to 104 | 4 to 104 | 11000 | 3.50 | 25 |
| ANTIBACTERIAL BHA-POLYPROPYLENE WITH POLYPROPYLENE PINS | | | | | | | |
| STANDARD | BHA 1000 FG | 810.08.xx | 4 to 104 | 4 to 104 | 11000 | 3.50 | 25 |
| ANTIBACTERIAL WSA-ACETAL WITH POLYPROPYLENE PINS | | | | | | | |
| STANDARD | WSA 1000 FG | 815.80.xx | 4 to 80 | 4 to 65 | 22000 | 5.40 | 25 |
| DOUBLE POSITRACK | WSA 1000 FGDP | 874.44.xx | | | | | |
| ANTIBACTERIAL BSA-ACETAL WITH POLYPROPYLENE PINS | | | | | | | |
| STANDARD | BSA 1000 FG | 810.07.xx | 4 to 80 | 4 to 65 | 22000 | 5.40 | 25 |

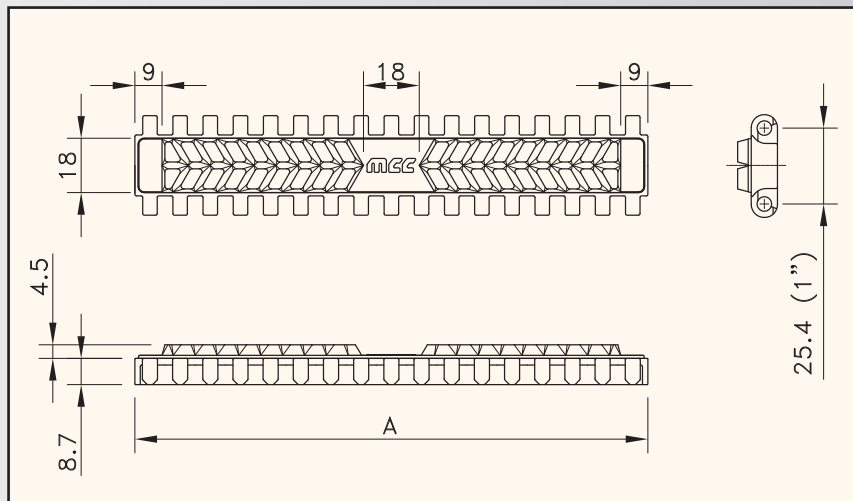
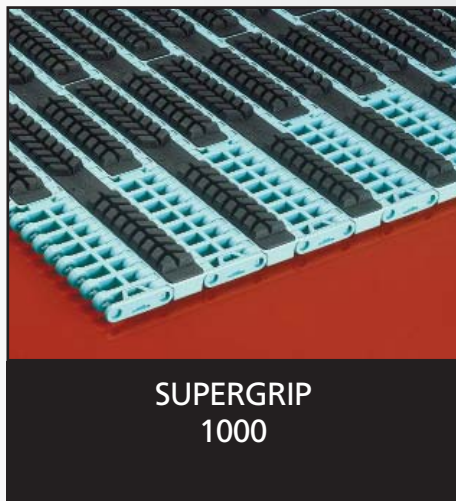
* In code numbers xx corresponds with the belt width (A), starting with 10 for 85 mm, 11 for 170 mm and so on with 85 mm increments, or optionally 5 mm, up to 6120 mm; see also page 206.

If you need flights, describe the belt by choosing from the required options listed in the 2nd column of the table:

| | | |
|-----------------------|---|---|
| Material | WLA or BLA or WHA or BHA or WSA or BSA | |
| Belt type | 1000 FG or 1000 FGDP | (Double) Positrack not possible for WLA, BLA, WHA, BHA and BSA |
| Width (A) | KM.. (in mm) | Belts with flights have a minimal width of 130 mm with 10 mm increments |
| Flights | F3 or F2 or F1 or H.. | Standard height of 3", 2", 1" or special height in mm |
| Pitch between flights | T..P | Flights on every .. th row (must correspond to an even number of rows) |
| Flight side-indent | N.. (in mm) | Minimal 40 mm with 5 mm increments |



1000-SERIES



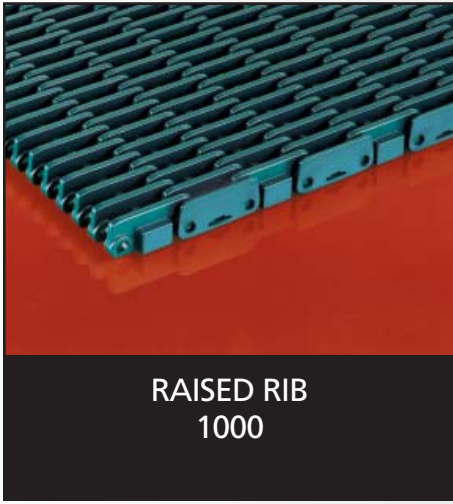
| Assembly | Belt type | Code nr. | Width | Temperature range °C | | Working load (max.) N/m (21°C) | Weight kg/m ² | Backflex radius (min.) mm |
|--|-------------------|-----------|---------|----------------------|----------|-----------------------------------|-----------------------------|------------------------------|
| | | | A mm | dry | wet | | | |
| XP-POLYPROPYLENE WITH POLYPROPYLENE PINS | | | | | | | | |
| STANDARD | SG 1000 XP 170 | 875.00.11 | 170 | 4 to 65 | 4 to 65 | 11000 | 5.00 | 30 |
| | SG 1000 XP 255 | 875.00.12 | 255 | | | | 5.33 | |
| | SG 1000 XP 340 | 875.00.13 | 340 | | | | 5.50 | |
| | SG 1000 XP 425 | 875.00.14 | 425 | | | | 5.60 | |
| | SG 1000 XP 510 | 875.00.15 | 510 | | | | 5.66 | |
| | SG 1000 XP 595 | 875.00.16 | 595 | | | | 5.71 | |
| | SG 1000 XP 680 | 875.00.17 | 680 | | | | 5.75 | |
| DOUBLE POSITRACK | SGDP 1000 XP 170 | 875.54.11 | 170 | 4 to 65 | 4 to 65 | 11000 | 5.00 | 30 |
| | SGDP 1000 XP 255 | 875.54.12 | 255 | | | | 5.33 | |
| | SGDP 1000 XP 340 | 875.54.13 | 340 | | | | 5.50 | |
| | SGDP 1000 XP 425 | 875.54.14 | 425 | | | | 5.60 | |
| | SGDP 1000 XP 510 | 875.54.15 | 510 | | | | 5.66 | |
| | SGDP 1000 XP 595 | 875.54.16 | 595 | | | | 5.71 | |
| | SGDP 1000 XP 680 | 875.54.17 | 680 | | | | 5.75 | |
| XLG-ACETAL WITH POLYPROPYLENE PINS | | | | | | | | |
| STANDARD | SG 1000 XLG 170 | 875.30.11 | 170 | 4 to 65 | 4 to 65 | 19000 | 7.34 | 30 |
| | SG 1000 XLG 255 | 875.30.12 | 255 | | | | 7.70 | |
| | SG 1000 XLG 340 | 875.30.13 | 340 | | | | 7.88 | |
| | SG 1000 XLG 425 | 875.30.14 | 425 | | | | 7.99 | |
| | SG 1000 XLG 510 | 875.30.15 | 510 | | | | 8.06 | |
| | SG 1000 XLG 595 | 875.30.16 | 595 | | | | 8.12 | |
| | SG 1000 XLG 680 | 875.30.17 | 680 | | | | 8.16 | |
| DOUBLE POSITRACK | SGDP 1000 XLG 170 | 875.59.11 | 170 | 4 to 65 | 4 to 65 | 19000 | 7.34 | 30 |
| | SGDP 1000 XLG 255 | 875.59.12 | 255 | | | | 7.70 | |
| | SGDP 1000 XLG 340 | 875.59.13 | 340 | | | | 7.88 | |
| | SGDP 1000 XLG 425 | 875.59.14 | 425 | | | | 7.99 | |
| | SGDP 1000 XLG 510 | 875.59.15 | 510 | | | | 8.06 | |
| | SGDP 1000 XLG 595 | 875.59.16 | 595 | | | | 8.12 | |
| | SGDP 1000 XLG 680 | 875.59.17 | 680 | | | | 8.16 | |
| ANTIBACTERIAL WHA-POLYPROPYLENE WITH POLYPROPYLENE PINS | | | | | | | | |
| STANDARD | SG 1000 WHA 255 | 875.25.12 | 255 | 4 to 104 | 4 to 104 | 11000 | 5.33 | 30 |
| | SG 1000 WHA 340 | 875.25.13 | 340 | | | | 5.50 | |
| | SG 1000 WHA 425 | 875.25.14 | 425 | | | | 5.60 | |
| | SG 1000 WHA 510 | 875.25.15 | 510 | | | | 5.66 | |
| | SG 1000 WHA 595 | 875.25.16 | 595 | | | | 5.71 | |
| | SG 1000 WHA 680 | 875.25.17 | 680 | | | | 5.75 | |

Special widths begin at 85 mm with 5 mm increments. Wider belts are available upon request.

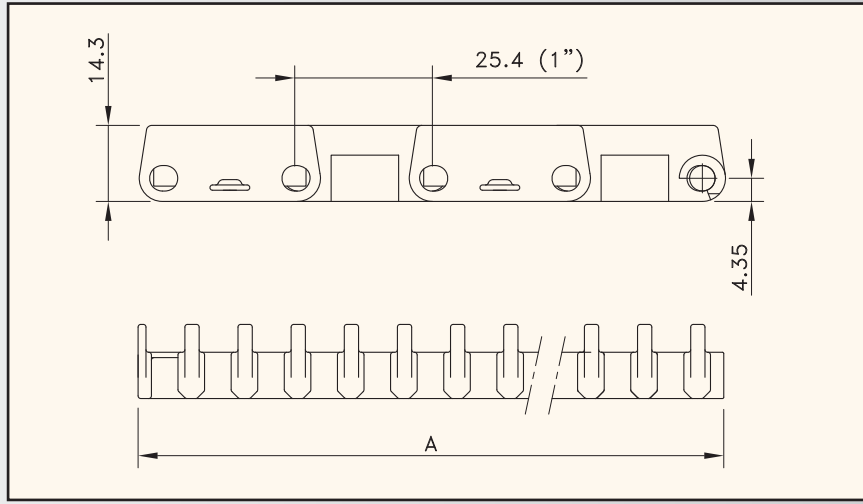
Standard 100% rubber; other percentages can be supplied upon request.

Rubber top is a black elastomere, with a hardness of 40 (XP) or 50 (XLG) or 60 (WHA) shore A

1000-SERIES



**RAISED RIB
1000**



| Assembly | Belt type | Code nr.* | Temperature range °C | | Working load (max.) N/m (21°C) | Weight kg/m ² | Backflex radius (min.) mm |
|---|-------------|-----------|----------------------|---------|-----------------------------------|-----------------------------|------------------------------|
| | | | dry | wet | | | |
| XLG-ACETAL WITH POLYPROPYLENE PINS | | | | | | | |
| STANDARD | RR 1000 XLG | 817.10.xx | 4 to 80 | 4 to 65 | 22000 | 7.95 | 50 |
| AS-ACETAL WITH POLYPROPYLENE PINS | | | | | | | |
| STANDARD | RR 1000 AS | 814.10.xx | 4 to 80 | – | 13000 | 7.47 | 50 |

* In code numbers xx corresponds with the belt width (A), starting with 10 for 85 mm, 11 for 170 mm and so on with 85 mm increments, up to 6120 mm; see also page 206. Special widths begin at 85 mm with 5 mm increments.

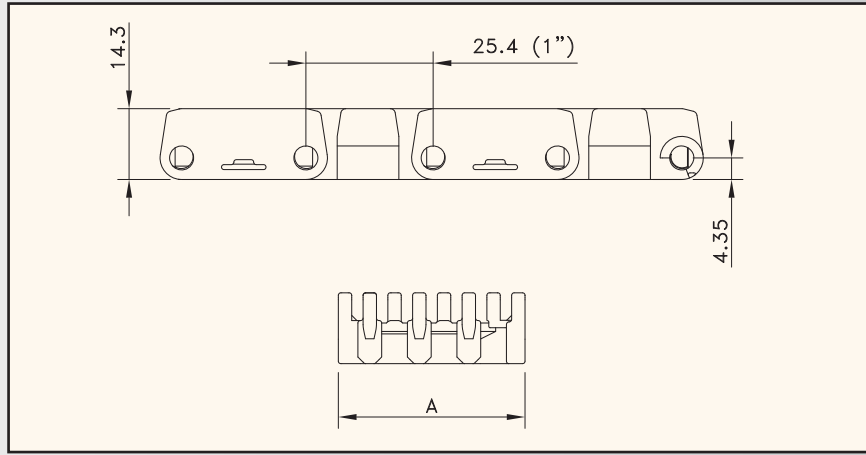
| Type | Code nr. | Weight kg | Width W mm | Length mm | | |
|--------------------------------|-----------|--------------|---------------|--------------|--|--|
| FINGERPLATES RAISED RIB | | | | | | |
| XLG-ACETAL | | | | | | |
| 1000 XLG 154 x 170 | 817.12.05 | 0.14 | 168 | 154 | | |
| 1000 XLG 154 x 85 | 817.12.04 | 0.07 | 83 | | | |
| AS-ACETAL | | | | | | |
| 1000 AS 154 x 170 | 814.12.05 | 0.13 | 168 | 154 | | |
| 1000 AS 154 x 85 | 814.12.04 | 0.06 | 83 | | | |

| Code nr. | Number of pitches | Length L mm | For belt width mm | Weight kg | Height H mm | Pitch X | | | |
|----------------------------------|-------------------|----------------|----------------------|--------------|----------------|---------|------|----|------|
| | | | | | | | | mm | inch |
| PROFILES FOR FINGERPLATES | | | | | | | | | |
| STAINLESS STEEL | | | | | | | | | |
| 801.55.10 | 7 | 672 | 0 < W ≤ 595 | 0.54 | 18 | 85.0 | 3.35 | | |
| 801.55.11 | 13 | 1182 | 595 < W ≤ 1105 | 0.95 | | | | | |
| 801.55.13 | 19 | 1692 | 1105 < W ≤ 1615 | 1.35 | | | | | |
| 801.55.14 | 25 | 2202 | 1615 < W ≤ 2125 | 1.76 | | | | | |
| 801.55.16 | 31 | 2712 | 2125 < W ≤ 2635 | 2.17 | | | | | |
| 801.55.19 | 43 | 3732 | 2635 < W ≤ 3655 | 2.99 | | | | | |
| 801.55.22 | 55 | 4752 | 3655 < W ≤ 4675 | 3.80 | | | | | |
| 801.55.01 | 70 | 6027 | 4675 < W ≤ 5950 | 4.82 | | | | | |

1000-SERIES



**RAISED RIB 1000
NARROW**

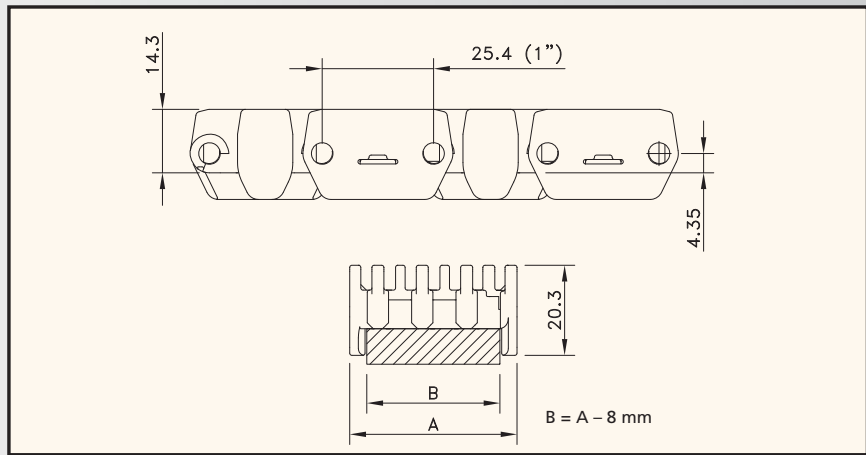


| Assembly | Belt type | Code nr. | Width | | Temperature range °C | | Working load (max.) N (21°C) | Weight kg/m | Backflex radius (min.) mm |
|---------------------------------|----------------|-----------|-------|----|----------------------|----------|---------------------------------|----------------|------------------------------|
| | | | A | mm | dry | wet | | | |
| XLG-ACETAL WITH PBT PINS | | | | | | | | | |
| STANDARD | RR 1000-38 XLG | 871.01.00 | 38 | | -30 to +80 | up to 65 | 400 | 0.39 | 50 |
| | RR 1000-48 XLG | 871.01.01 | 48 | | -30 to +80 | up to 65 | 600 | 0.48 | |
| | RR 1000-58 XLG | 871.01.02 | 58 | | -30 to +80 | up to 65 | 800 | 0.59 | |

Standard length: 6.096 m - 20 feet.



**RAISED RIB 1000
RAILTRACK NARROW**

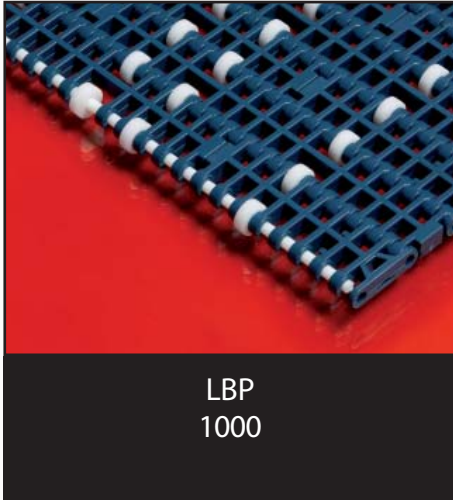


| Assembly | Belt type | Code nr. | Width | | Temperature range °C | | Working load (max.) N (21°C) | Weight kg/m | Backflex radius (min.) mm |
|---------------------------------|-----------------|-----------|-------|----|----------------------|----------|---------------------------------|----------------|------------------------------|
| | | | A | mm | dry | wet | | | |
| XLG-ACETAL WITH PBT PINS | | | | | | | | | |
| STANDARD | RRR 1000-28 XLG | 871.00.03 | 28 | | -30 to +80 | up to 65 | 200 | 0.33 | 50 |
| | RRR 1000-38 XLG | 871.00.00 | 38 | | -30 to +80 | up to 65 | 400 | 0.43 | |
| | RRR 1000-48 XLG | 871.00.01 | 48 | | -30 to +80 | up to 65 | 600 | 0.53 | |
| | RRR 1000-58 XLG | 871.00.02 | 58 | | -30 to +80 | up to 65 | 800 | 0.62 | |

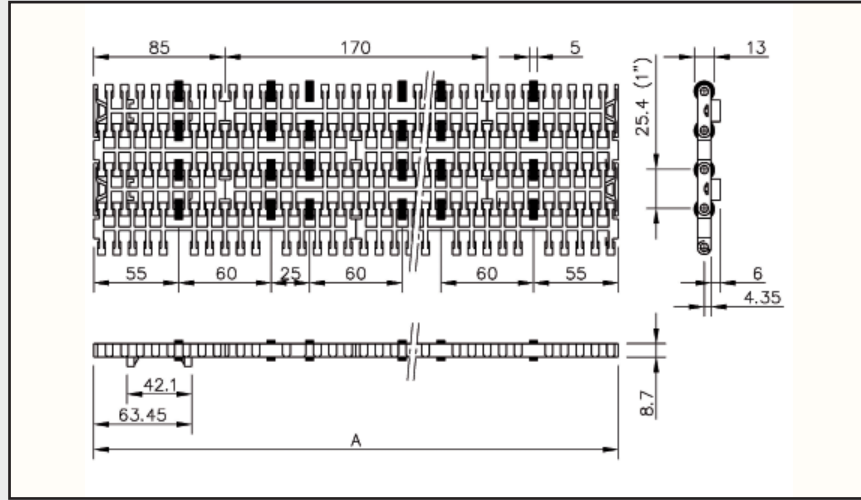
Standard length: 3.048 m - 10 feet.

| Type | Code nr. | Weight | Width W | Length | |
|---------------------------------------|-----------|--------|---------|--------|--|
| | | kg | mm | mm | |
| FINGERPLATES RAISED RIB NARROW | | | | | |
| XLG-ACETAL | | | | | |
| 1000 XLG 114 x 23 | 817.12.13 | 0.01 | 23 | 114 | |
| 1000 XLG 114 x 33 | 817.12.10 | 0.02 | 33 | | |
| 1000 XLG 114 x 43 | 817.12.11 | 0.02 | 43 | | |
| 1000 XLG 114 x 53 | 817.12.12 | 0.03 | 53 | | |

1000-SERIES



LBP
1000



| Assembly | Belt type | Code nr.* | Temperature range °C | | Working load (max.) N/m (21°C) | Weight kg/m ² | Backflex radius (min.) mm |
|---------------------------------|----------------|-----------|----------------------|---------|--------------------------------|--------------------------|---------------------------|
| | | | dry | wet | | | |
| XLG-ACETAL WITH PBT PINS | | | | | | | |
| DOUBLE POSITRACK | LBPDP 1000 XLG | 874.47.xx | 4 to 80 | 4 to 65 | 19400 | 5.40 | 25 |

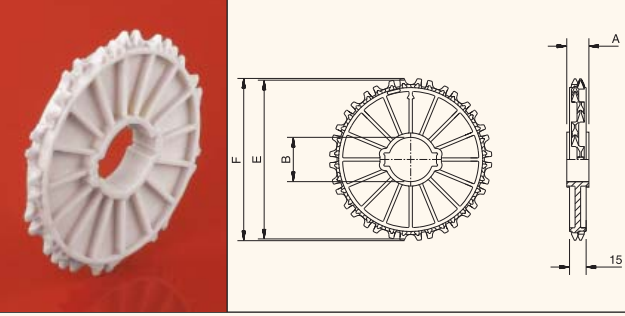
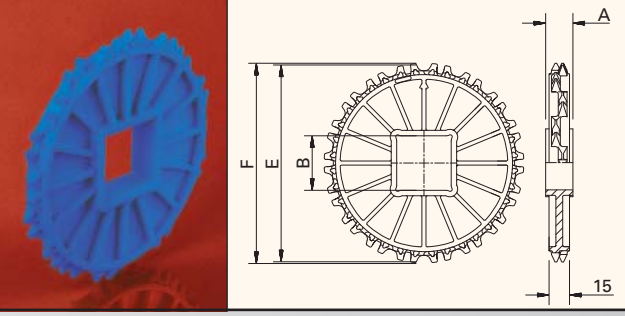
* In code numbers xx corresponds with the belt width (A), starting with 11 for 170 mm, 12 for 255 mm and so on with 85 mm increments up to 6120 mm; see also page 206.

| Sprocket type | Code nr. | Nr. of teeth | Bore | Pitch diameter | Outside diameter | Hub width | | | |
|---------------------------------|-----------|--------------|-----------|----------------|------------------|-----------|--|----|--|
| | | | B mm/inch | E mm | F mm | A mm | | | |
| SPLIT SPROCKETS WIDE HUB | | | | | | | | | |
| ROUND BORES | | | | | | | | | |
| SSW 1000 16-30 | 899.06.17 | 16 | 30 mm | 130.2 | 130.6 | 39 | | | |
| SSW 1000 16-35 | 899.06.10 | 16 | 35 mm | | | | | | |
| SSW 1000 16-40 | 899.06.11 | 16 | 40 mm | | | | | | |
| SSW 1000 18-30 | 899.08.17 | 18 | 30 mm | 146.3 | 146.8 | | | | |
| SSW 1000 18-35 | 899.08.10 | 18 | 35 mm | | | | | | |
| SSW 1000 18-40 | 899.08.11 | 18 | 40 mm | | | | | | |
| SSW 1000 20-30 | 899.09.17 | 20 | 30 mm | 162.4 | 163.1 | | | | |
| SSW 1000 20-35 | 899.09.10 | 20 | 35 mm | | | | | | |
| SSW 1000 20-40 | 899.09.11 | 20 | 40 mm | | | | | | |
| SSW 1000 16-1½ | 899.06.31 | 16 | 1.5" | 130.2 | 130.6 | | | 39 | |
| SSW 1000 18-1½ | 899.08.31 | 18 | 1.5" | 146.3 | 146.8 | | | | |
| SSW 1000 20-1½ | 899.09.31 | 20 | 1.5" | 162.4 | 163.1 | | | | |
| SQUARE BORES | | | | | | | | | |
| SSW 1000 16-40x40 | 899.06.21 | 16 | 40 mm | 130.2 | 130.6 | 39 | | | |
| SSW 1000 18-40x40 | 899.08.21 | 18 | 40 mm | 146.3 | 146.8 | | | | |
| SSW 1000 20-40x40 | 899.09.21 | 20 | 40 mm | 162.4 | 163.1 | | | | |
| SSW 1000 16-1½x1½ | 899.06.41 | 16 | 1.5" | 130.2 | 130.6 | | | | |
| SSW 1000 18-1½x1½ | 899.08.41 | 18 | 1.5" | 146.3 | 146.8 | | | | |
| SSW 1000 20-1½x1½ | 899.09.41 | 20 | 1.5" | 162.4 | 163.1 | | | | |

For wide hub sprockets with round bore one keyway is sufficient.

For humid, hot applications like pasteurizing, special sprockets are available; see next page.

1000-SERIES

| Sprocket type | Code nr. | Nr. of teeth | Bore | Pitch diameter | Outside diameter | Hub width | MATERIAL page 209 | |
|--|-----------|--------------|--------------|----------------|------------------|-----------|--|----|
| | | | B mm/inch | E mm | F mm | A mm | | |
| CLASSIC SPROCKETS | | | | | | | | |
| ROUND BORES | | | | | | | | |
| CS 1000 12-30 | 895.02.17 | 12 | 30 mm | 98.1 | 96.5 | 20 |  | |
| CS 1000 12-40 | 895.02.11 | 12 | 40 mm | | | | | |
| CS 1000 12-50 | 895.02.12 | 12 | 50 mm | | | | | |
| CS 1000 18-30 | 895.08.17 | 18 | 30 mm | 146.3 | 145.9 | | | |
| CS 1000 18-35 | 895.08.10 | 18 | 35 mm | | | | | |
| CS 1000 18-40 | 895.08.11 | 18 | 40 mm | | | | | |
| CS 1000 18-45 | 895.08.15 | 18 | 45 mm | | | | | |
| CS 1000 18-50 | 895.08.12 | 18 | 50 mm | | | | | |
| CS 1000 18-65 | 895.08.13 | 18 | 65 mm | | | | | 30 |
| CS 1000 20-35 | 895.09.10 | 20 | 35 mm | 162.4 | 161.7 | | | 20 |
| CS 1000 20-40 | 895.09.11 | 20 | 40 mm | | | | | |
| CS 1000 20-50 | 895.09.12 | 20 | 50 mm | | | | | |
| CS 1000 12-1 | 895.02.46 | 12 | 1.0" | 98.1 | 96.5 | | | |
| CS 1000 18-1 | 895.08.46 | 18 | 1.0" | 146.3 | 145.9 | | | |
| CS 1000 18-1½ | 895.08.41 | 18 | 1.5" | | | | | |
| CS 1000 18-2 | 895.08.42 | 18 | 2.0" | | | | | |
| CS 1000 20-1 | 895.09.46 | 20 | 1.0" | 162.4 | 161.7 | | | |
| CS 1000 20-1½ | 895.09.41 | 20 | 1.5" | | | | | |
| SQUARE BORES | | | | | | | | |
| CS 1000 18-40x40 | 895.08.21 | 18 | 40 mm | 146.3 | 145.9 | 20 | | |
| CS 1000 18-60x60 | 895.08.28 | 18 | 60 mm | | | 30 | | |
| CS 1000 18-65x65 | 895.08.23 | 18 | 65 mm | | | | | |
| CS 1000 20-40x40 | 895.09.21 | 20 | 40 mm | 162.4 | 161.7 | 20 | | |
| CS 1000 20-60x60 | 895.09.28 | 20 | 60 mm | | | 30 | | |
| CS 1000 20-65x65 | 895.09.23 | 20 | 65 mm | | | | | |
| CS 1000 12-1½x1½ | 895.02.51 | 12 | 1.5" | 98.1 | 96.5 | 20 | | |
| CS 1000 18-1½x1½ | 895.08.51 | 18 | 1.5" | 146.3 | 145.9 | | | |
| CS 1000 20-1½x1½ | 895.09.51 | 20 | 1.5" | 162.4 | 161.7 | | | |
| CLASSIC SPROCKETS FOR HUMID, HOT APPLICATIONS LIKE PASTEURIZING | | | | | | | | |
| SQUARE BORES | | | | | | | | |
| CS 1000 12-40x40 POM | 893.02.21 | 12 | 40 mm | 98.1 | 96.5 | 20 |  | |
| CS 1000 18-40x40 POM | 893.08.21 | 18 | 40 mm | 146.3 | 145.9 | 20 | | |
| CS 1000 18-60x60 POM | 893.08.28 | 18 | 60 mm | | | 30 | | |
| CS 1000 20-40x40 POM | 893.09.21 | 20 | 40 mm | 162.4 | 161.7 | 20 | | |
| CS 1000 20-60x60 POM | 893.09.28 | 20 | 60 mm | | | 30 | | |

1005-SERIES MODULAR BELTS

The 1005-series 1-inch pitch heavy-duty belt combines a 1/2-inch thickness with a robust belt design and an all-round pitch, making it a versatile belt for amongst others beverage, glass manufacturing and packaging applications. As a standard the belts are supplied in low friction acetal, extremely wear resistant polyamide and polypropylene.

FEATURES

- Robust belt design and high strength to meet the most demanding applications in beverage, glass making and packaging.
- The revolutionary Easy Lock pin retention system in combination with the 2 module system makes the belt very easy to install and maintain.
- Rounded outside edges for better side transfers and improved product handling.
- 85 mm pitched fixed sprocket positions improve the drive properties and contribute to standardization of the conveyor design.
- Equipped with wear resistant polyester (PBT) pins for the best long term performance.
- 1005-Series belts are companioned by FTM 1055 or FT 1055 chainbelts, to make a perfect match between straight running and sideflexing conveyors.

| PROGRAMME | |
|---------------------|---|
| 1005 Flat Top (FT) | Closed surface; suitable for heavy duty glass handling applications and other abrasive environments |
| 1005 SuperGrip (SG) | Execution with high friction rubber surface to handle packages on inclined, declined and metering conveyors; standard angles up to 20°. Special design of the rubber profile makes it suitable for crate handling as well |
| 1005 LBP | Low Backline Pressure execution with low noise rollers, securing optimum handling of vulnerable packed products, such as shrink-wrapped trays with and without cardboard bottom |
| FreeFlow | Dynamic Transfer System allows complete elimination of dead plates at 90° transfers, creating self-clearing transfers |
| Positrack | Lugs for accurate and reliable guiding of mass handling and single track belts, resulting in optimum product handling |



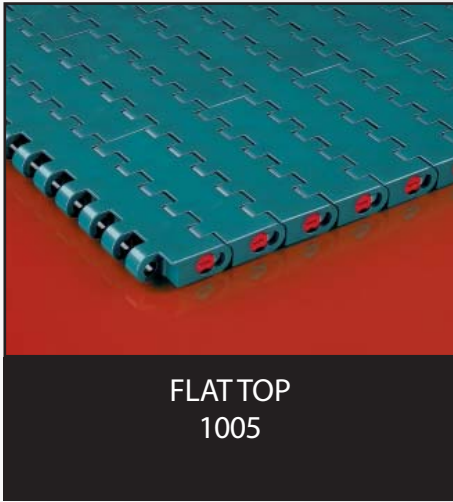
TRAY CONVEYOR WITH 1005 SUPERGRIP BELT



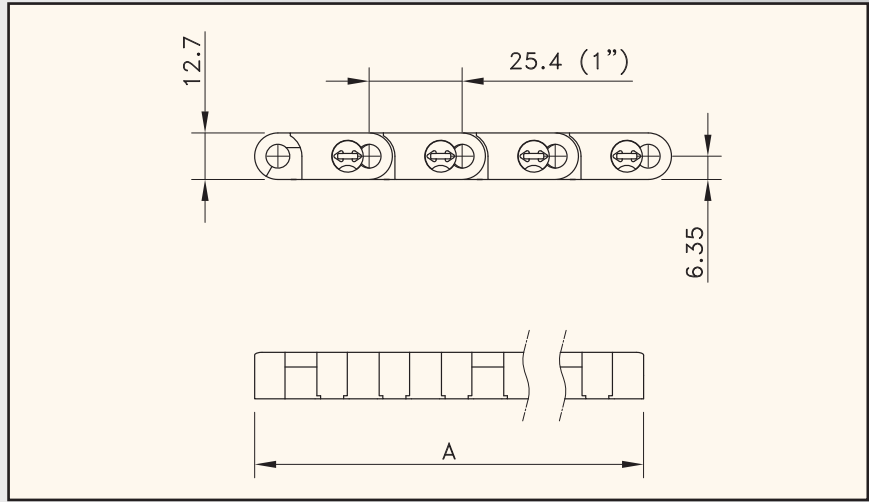
GLASS BOTTLE MANUFACTURING ON 1005 FLAT TOP BELT



1005-SERIES

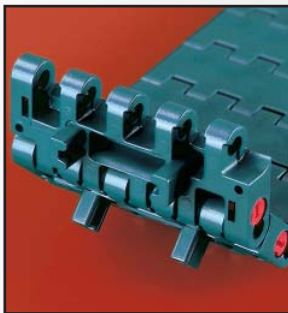


**FLAT TOP
1005**

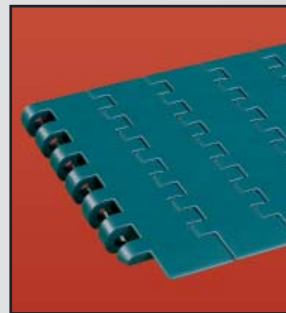
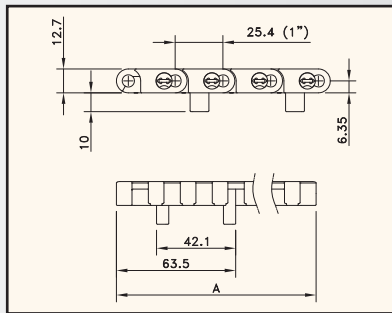


| Assembly | Belt type | Code nr.* | Temperature range °C | | Working load (max.) N/m (21°C) | Weight kg/m ² | Backflex radius (min.) mm |
|---|------------------------|-----------|----------------------|-----------------|--------------------------------|--------------------------|---------------------------|
| | | | dry | wet | | | |
| XLG-ACETAL WITH PBT PINS | | | | | | | |
| STANDARD | FT 1005 XLG | 877.00.xx | -40 to +80 | up to 65 | 35000 | 13.50 | 25 |
| DOUBLE POSITRACK | FTDP 1005 XLG | 877.01.xx | | | | | |
| DOUBLE POSITRACK, FREEFLOW | FTDP 1005 XLG | 877.02.xx | | | | | |
| MOULD TO WIDTH (MTW) | FT 1005 XLG K450 MTW | 877.00.00 | | | | | |
| MTW DOUBLE POSITRACK | FTDP 1005 XLG K450 MTW | 877.01.00 | | | | | |
| PS-ACETAL WITH PBT PINS | | | | | | | |
| STANDARD | FT 1005 PS | 877.16.xx | -40 to +80 | up to 65 | 35000 | 13.50 | 25 |
| DOUBLE POSITRACK | FTDP 1005 PS | 877.13.xx | | | | | |
| WX-POLYAMIDE COMPOSITE WITH PBT PINS | | | | | | | |
| STANDARD | FT 1005 WX | 877.14.xx | -40 to +80 | not recommended | 35000 | 13.50 | 25 |
| DOUBLE POSITRACK | FTDP 1005 WX | 877.15.xx | | | | | |
| MOULD TO WIDTH (MTW) | FT 1005 WX K450 MTW | 877.14.00 | | | | | |
| MTW DOUBLE POSITRACK | FTDP 1005 WX K450 MTW | 877.15.00 | | | | | |
| XP-POLYPROPYLENE WITH PBT PINS | | | | | | | |
| STANDARD | FT 1005 XP | 877.05.xx | 4 to 65 | 4 to 65 | 17500 | 9.00 | 25 |
| DOUBLE POSITRACK | FTDP 1005 XP | 877.06.xx | | | | | |

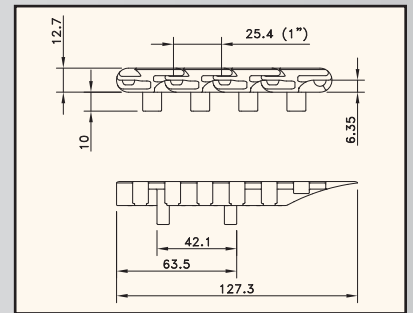
* In code numbers xx corresponds with the belt width (A), starting with 10 for 85 mm, 11 for 170 mm and so on in steps of 85 mm up to 6120 mm. Other sizes upon request. See page 206 for all code numbers.



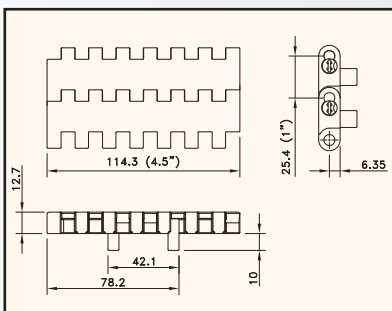
FLAT TOP 1005 HEAVY DUTY BELT WITH POSITRACK



FLAT TOP 1005 HEAVY DUTY BELT WITH INTEGRATED FREEFLOW

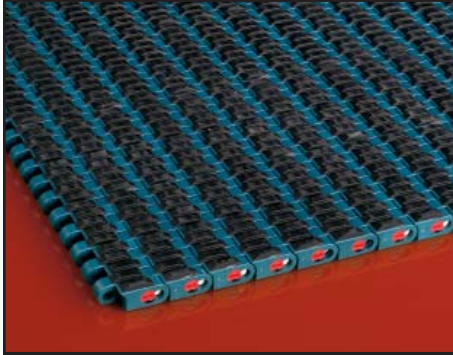


The double Positrac lugs are positioned on one side of the belt for precise transfer possibilities.

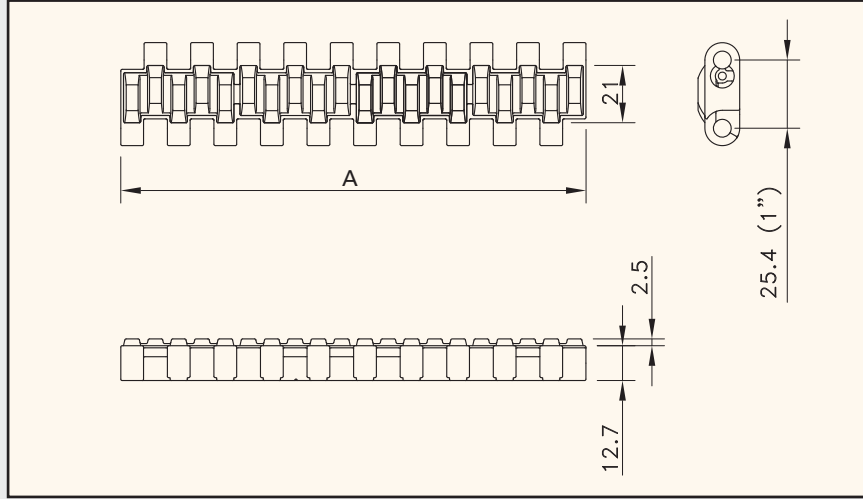


1005 BELT MOULD TO WIDTH WITH DOUBLE POSITRACK

1005-SERIES



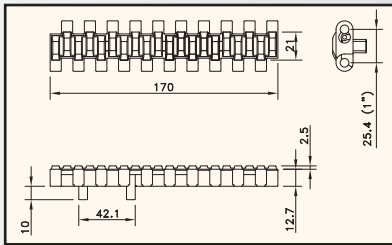
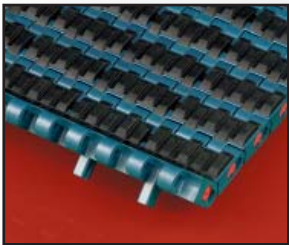
**SUPERGRIP
1005**



| Assembly | Belt type | Code nr.* | Temperature range °C | | Working load (max.) N/m (21°C) | Weight kg/m ² | Backflex radius (min.) mm |
|--|---------------|-----------|----------------------|------------|--------------------------------|--------------------------|---------------------------|
| | | | dry | wet | | | |
| XLG-ACETAL WITH PBT PINS | | | | | | | |
| STANDARD | SG 1005 XLG | 877.50.xx | -40 to +65 | up to +65 | 35000 | 14.00 | 25 |
| DOUBLE POSITRACK | SGDP 1005 XLG | 877.51.xx | | | | | |
| XP-POLYPROPYLENE WITH PBT PINS | | | | | | | |
| STANDARD | SG 1005 XP | 877.64.xx | 4 to 65 | 4 to 65 | 17500 | 10.00 | 25 |
| DOUBLE POSITRACK | SGDP 1005 XP | 877.66.xx | | | | | |
| TCF-TOUGH COMPOSITE FRICTION MATERIAL WITH STAINLESS STEEL PINS | | | | | | | |
| STANDARD | SG 1005 TCF | 877.71.xx | -18 to +82 | -18 to +60 | 32000 | 19.30 | 25 |
| DOUBLE POSITRACK | SGDP 1005 TCF | 877.72.xx | | | | | |

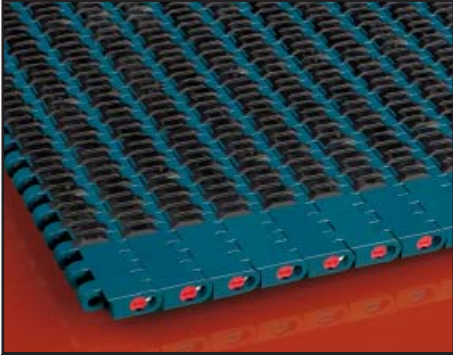
* In code numbers xx corresponds with the belt width (A), starting with 11 for 170 mm, 12 for 255 mm and so on with 85 mm increments up to 6120 mm; see also page 206. Standard 100% rubber; other percentages and sizes on request.

Rubber top is a black elastomere, with a hardness of 40 (XP) or 50 (XLG) or 70 (TCF) shore A.

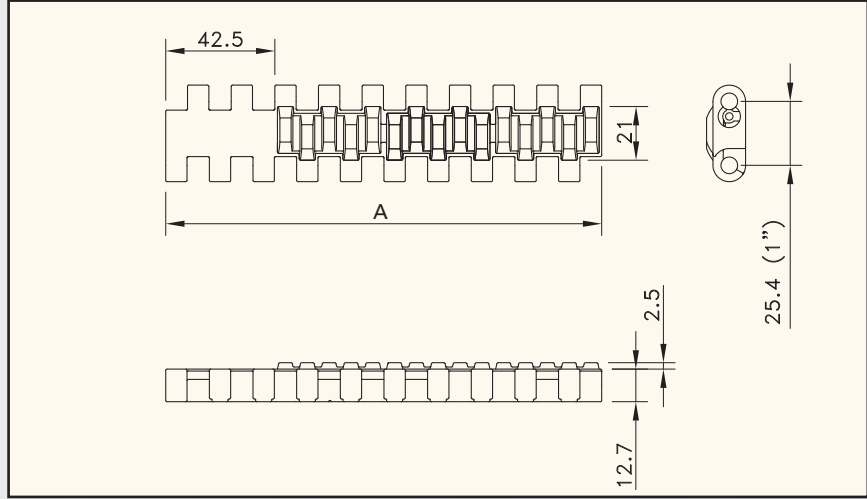


1005 SUPERGRIP BELT WITH DOUBLE POSITRACK ON ONE SIDE OF THE BELT

1005-SERIES



**SUPERGRIP
SIDE-INDENT
1005**

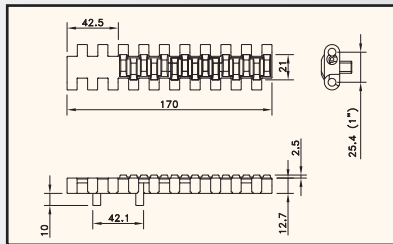
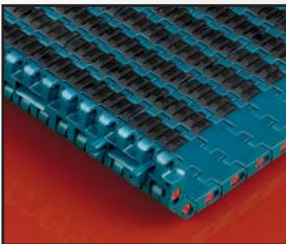


| Assembly | Belt type | Code nr.* | Temperature range °C | | Working load (max.) N/m (21°C) | Weight kg/m ² | Backflex radius (min.) mm |
|---------------------------------------|----------------|-----------|----------------------|----------|--------------------------------|--------------------------|---------------------------|
| | | | dry | wet | | | |
| XLG-ACETAL WITH PBT PINS | | | | | | | |
| STANDARD | SGS 1005 XLG | 877.52.xx | -40 to +65 | up to 65 | 35000 | 14.00 | 25 |
| DOUBLE POSITRACK | SGSDP 1005 XLG | 877.53.xx | | | | | |
| XP-POLYPROPYLENE WITH PBT PINS | | | | | | | |
| STANDARD | SGS 1005 XP | 877.65.xx | 4 to 65 | 4 to 65 | 17500 | 10.00 | 25 |
| DOUBLE POSITRACK | SGSDP 1005 XP | 877.67.xx | | | | | |

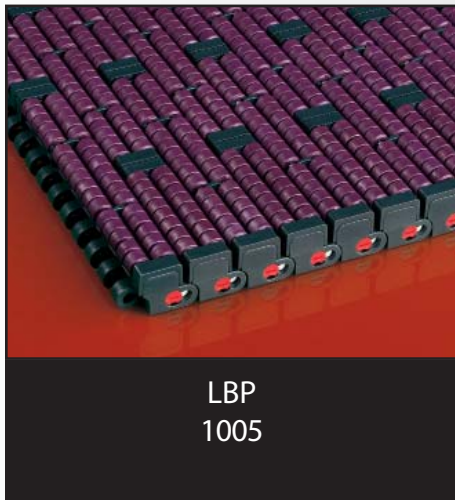
* In code numbers xx corresponds with the belt width (A), starting with 12 for 255 mm, 13 for 340 mm and so on with 85 mm increments up to 6120 mm; see also page 206. Standard 100% rubber; other percentages and sizes on request.

Rubber top is a black elastomere, with a hardness of 40 (XP) or 50 (XLG) shore A.

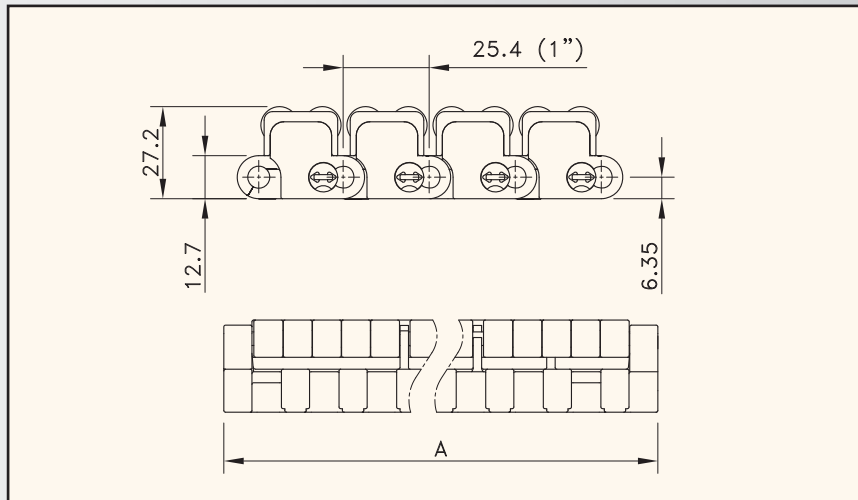
A center indent of 85 mm is possible from 765 mm belt width, with steps of 170 mm. A



1005 SUPERGRIP SIDE-INDENT BELT WITH DOUBLE POSITRACK

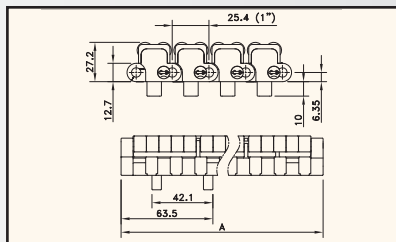
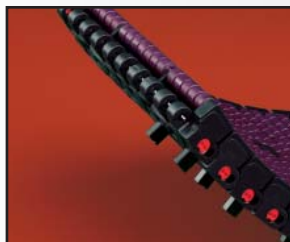


LBP
1005



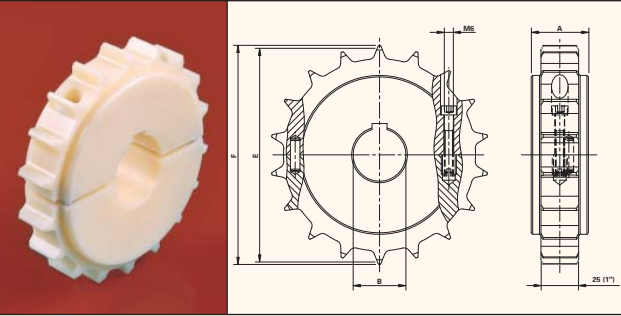
| Assembly | Belt type | Code nr.* | Temperature range °C | | Working load (max.) N/m (21°C) | Weight kg/m ² | Backflex radius (min.) mm |
|---------------------------------|------------------|------------------------|----------------------|-------|-----------------------------------|-----------------------------|------------------------------|
| | | | dry | wet | | | |
| XLA-ACETAL WITH PBT PINS | | | | | | | |
| STANDARD | LBP 1005SR XLA | 877.17.xx 40 to 180 | 1 to 65 | 35000 | 30 | 120 | |
| DOUBLE POSITRACK | LBPDP 1005SR XLA | 877.18.xx | | | | | |

* In code numbers xx corresponds with the belt width (A), starting with 11 for 170 mm, 12 for 255 mm and so on in steps of 85 mm up to 6120 mm. Other sizes upon request. See page 206 for all code numbers.



1005 HEAVY DUTY LBP BELT WITH DOUBLE POSITRACK ON ONE SIDE OF THE BELT

1005-SERIES

| Sprocket Type | Code nr. | Nr. of teeth | Bore | Pitch diameter | Outside diameter | Hub width | |
|------------------------------------|-----------|--------------|--------------|----------------|------------------|-----------|--|
| | | | B mm/inch | E mm | F mm | A mm | |
| SPLIT SPROCKETS AND IDLERS | | | | | | | |
| SPROCKETS WITH ROUND BORES | | | | | | | |
| SS 1005 18-30 | 894.30.67 | 18 | 30 mm | 146.3 | 145.3 | 38 |  |
| SS 1005 18-40 | 894.30.61 | 18 | 40 mm | | | | |
| SS 1005 21-30 | 894.33.67 | 21 | 30 mm | 170.4 | 169.7 | | |
| SS 1005 21-40 | 894.33.61 | 21 | 40 mm | | | | |
| SS 1005 18-1 | 894.30.86 | 18 | 1.0" | 146.3 | 145.3 | | |
| SS 1005 18-1½ | 894.30.81 | 18 | 1.5" | | | | |
| SS 1005 21-1 | 894.33.86 | 21 | 1.0" | 170.4 | 169.7 | | |
| SS 1005 21-1½ | 894.33.81 | 21 | 1.5" | | | | |
| IDLERS | | | | | | | |
| SI 1005 18-30 | 894.30.77 | 18 | 30 mm | 146.3 | 145.3 | 38 | <p>Split sprockets with keyways are 'tight fit' onto the shaft and can be used for belt widths up to 680 mm and temperature differences of max. 30°C. For wider belts or bigger temperature differences, square bores have to be used.</p> <p>Square sprockets can be used on the drive- and on the idler shaft. They 'float' freely on the shaft.</p> |
| SI 1005 18-40 | 894.30.71 | 18 | 40 mm | | | | |
| SI 1005 21-30 | 894.33.77 | 21 | 30 mm | 170.4 | 169.7 | | |
| SI 1005 21-40 | 894.33.71 | 21 | 40 mm | | | | |
| SI 1005 18-1 | 894.30.96 | 18 | 1.0" | 146.3 | 145.3 | | |
| SI 1005 18-1½ | 894.30.91 | 18 | 1.5" | | | | |
| SI 1005 21-1 | 894.33.96 | 21 | 1.0" | 170.4 | 169.7 | | |
| SI 1005 21-1½ | 894.33.91 | 21 | 1.5" | | | | |
| SPROCKETS WITH SQUARE BORES | | | | | | | |
| SS 1005 18-40x40 | 894.30.21 | 18 | 40 mm | 146.3 | 145.3 | 38 | |
| SS 1005 21-40x40 | 894.33.21 | 21 | 40 mm | 170.4 | 169.7 | | |
| SS 1005 18-1½x1½ | 894.30.51 | 18 | 1.5" | 146.3 | 145.3 | | |
| SS 1005 21-1½x1½ | 894.33.51 | 21 | 1.5" | 170.4 | 169.7 | | |

MATERIAL

page 209

1010-SERIES MODULAR BELTS

The 1010-series 1-inch pitch belt is designed to meet the increasing demand from food processing industry for improved hygiene and better cleanable products. It is meant for light to medium duty applications, where cleanability and hygiene have got the highest importance. It can handle meat, poultry, seafood, fruits and salads after being cut or processed otherwise. As a standard the belts are supplied in food-grade materials with antibacterial protection, especially for direct food contact and high-risk areas.

FEATURES

- When turning over a small roller the hinges open, exposing a large pin surface, offering excellent cleaning possibilities. The hinge design is extremely open and accessible, so a large surface of the pin and the inside of the hinge can be cleaned directly. The bottom of the module is curved, improving drainage and reducing drying time of the belt after cleaning.
- Using a moulded pin with T-shaped head keeps the pin in a specially designed eccentric outer hinge eye. This makes the belt easy to operate for maintenance and cleaning.
- The belt is supplied mould-to-width up to 24 inch, avoiding adjacent surfaces between the modules. The hinges are 1/2 inch wide, reducing the number of adjacent surfaces in-between.
- Fully closed machined sprockets, ideal for cleaning. Due to the double teeth rows the sprockets are bi-directional and easy to position.
- As a standard antibacterial protection incorporated for direct food contact.

| PROGRAMME | |
|------------------|---|
| 1015 Solid Top | Closed surface; it offers the best support to vulnerable products and prevents loss of small products |
| Belt accessories | Flights to handle bulk food stuff on inclined and declined conveyors. They are ribbed on both sides, improving the release properties against sticky or frozen products. The flights can be positioned until the side of the belt or with a 1-inch side-indent on any pitch required. Other side-indent on request. |



PORK MEAT ON AFTER TRIMMING ON 1015 BELT

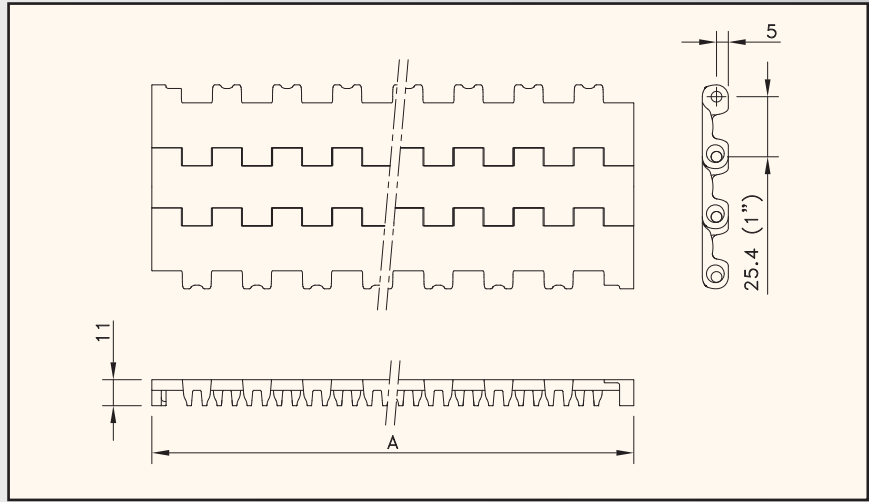


FISH FINGER PROCESSING ON 1015 BELT

1010-SERIES



**SOLIDTOP
1015**



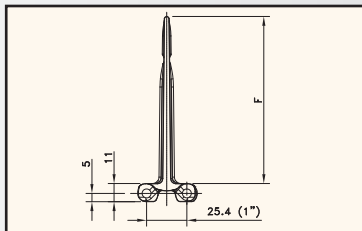
see below

MATERIAL

page 208

| Assembly | Belt type | Code nr.* | Temperature range °C | | Working load (max.) N/m (21°C) | Weight kg/m ² | Backflex radius (min.) mm |
|--|-----------|-----------|----------------------|------------|--------------------------------|--------------------------|---------------------------|
| | | | dry | wet | | | |
| ANTIBACTERIAL WLA-POLYETHYLENE WITH POLYETHYLENE PINS | | | | | | | |
| STANDARD | WLA 1015 | 846.22.xx | -70 to +35 | -70 to +35 | 5000 | 4.80 | 40 |
| ANTIBACTERIAL BLA-POLYETHYLENE WITH POLYETHYLENE PINS | | | | | | | |
| STANDARD | BLA 1015 | 846.22.xx | -70 to +35 | -70 to +35 | 5000 | 4.80 | 40 |
| ANTIBACTERIAL WHA-POLYPROPYLENE WITH POLYPROPYLENE PINS | | | | | | | |
| STANDARD | WHA 1015 | 849.22.xx | 4 to 104 | 4 to 104 | 6000 | 4.40 | 40 |
| ANTIBACTERIAL BHA-POLYPROPYLENE WITH POLYPROPYLENE PINS | | | | | | | |
| STANDARD | BHA 1015 | 849.22.xx | 4 to 104 | 4 to 104 | 6000 | 4.40 | 40 |
| ANTIBACTERIAL WSA-ACETAL WITH POLYPROPYLENE PINS | | | | | | | |
| STANDARD | WSA 1015 | 844.22.xx | -40 to +80 | -40 to +65 | 12000 | 7.00 | 40 |
| ANTIBACTERIAL BSA-ACETAL WITH POLYPROPYLENE PINS | | | | | | | |
| STANDARD | BSA 1015 | 844.22.xx | -40 to +80 | -40 to +65 | 12000 | 7.00 | 40 |

* In code numbers xx corresponds with the belt width (A), for White belts (WLA, WHA, WSA) starting with 00 for 4", 01 for 5", for Blue belts (BLA, BHA, BSA) starting with 50 for 4", 51 for 5" and so on in steps of 1", up to 44". Optionally 1/2" increments are possible up to 24". See also page 206.



If you need flights, describe the belt by choosing the required options listed in the 2nd column of the table

| | | |
|-----------------------|--|---|
| Material | WLA or BLA or WHA or BHA or WSA or BSA | |
| Belt type | 1015 | |
| Width (A) | K.. (in inches) | Belts with flights have minimal width of 6" |
| Flights | RF3 or RF4 or RH.. | Ribbed 3 to 4" high flight or special height in mm |
| Pitch between flights | T..P | Flight on every .. th row |
| Flight side-indent | N0 or N1 or N.. | Standard 0 or 1"; non-standard increments of 1/2", starting with 1 1/2" |

FLIGHT FOR 1010-SERIES

| Sprocket Type | Code nr. | Nr. of teeth | Bore | Pitch diameter | Outside diameter | Hub width | | |
|--------------------------|-----------|--------------|------|----------------|------------------|-----------|--|--|
| | | | B mm | E mm | F mm | A mm | | |
| CLASSIC SPROCKETS | | | | | | | | |
| ROUND BORES | | | | | | | | |
| KU 1010 T10 R40 | 897.10.33 | 10 | 40 | 82.2 | 82.7 | 25 | | |
| KU 1010 T12 R40 | 897.10.42 | 12 | 40 | 98.1 | 98.9 | | | |
| KU 1010 T16 R40 | 897.10.71 | 16 | 40 | 130.2 | 131.5 | | | |
| KU 1010 T18 R40 | 897.10.86 | 18 | 40 | 146.3 | 147.8 | | | |
| KU 1010 T20 R40 | 897.11.01 | 20 | 40 | 162.4 | 164.0 | | | |
| SQUARE BORES | | | | | | | | |
| KU 1010 T10 S40 | 897.10.35 | 10 | 40 | 82.2 | 82.7 | 25 | | |
| KU 1010 T12 S40 | 897.10.44 | 12 | 40 | 98.1 | 98.9 | | | |
| KU 1010 T16 S40 | 897.10.73 | 16 | 40 | 130.2 | 131.5 | | | |
| KU 1010 T18 S40 | 897.10.88 | 18 | 40 | 146.3 | 147.8 | | | |
| KU 1010 T20 S40 | 897.11.03 | 20 | 40 | 162.4 | 164.0 | | | |

7700-SERIES MODULAR BELTS

The 7700-series 1-inch pitch heavy-duty belt is used for a large variety of applications. Because of its robust design these belts are common for glass works and automotive industry. 7700-Series is available in a closed, two open, a rubber top and a LBP execution. For single lane conveying several mold-to-width executions with Tab Guides are available. For applications in glass works and beverage industry the Dynamic Transfer System is a proven solution. As a standard the belts are supplied in high-performance acetal and polypropylene.

FEATURES

- Robust 1/2-inch thick module design means very high strength.
- HP acetal reduces friction, offers excellent wear resistance and creates dry-running possibilities.
- Rounded outside edges for better side transfers and improved product handling.
- Twist-lock™ pin retention by means of a hinged plug prevents plug loss and allows easy pin access for installation and maintenance.
- Dynamic Transfer System (DTS) creates smooth 90° transfers.
- Belt and sprocket design ensure an optimum engagement and a reliable drive.
- 7700-Series belts are companioned by FTM 1055 or FT 1055 chainbelts, to make a perfect match between straight running and sideflexing conveyors; 1055 can also be driven by NS 7700 sprockets.

| PROGRAMME | |
|---------------------|--|
| 7705 Solid Top | Closed surface; for heavy-duty glass and PET applications metric version can optionally be equipped with Positrack |
| 7706 Perforated Top | 8% Open area; for amongst others can handling |
| 7708 Perforated Top | 20% Open area; for amongst others warmers and coolers |
| 7705 Rubber Top | For inclined and declined conveyors up to 20°; available upon request |
| Positrack | Tabs for accurate guiding of the belt in the conveyor (metric execution and DTS only) |
| DTS | Single module Dynamic Transfer System for left- or right hand self-clearing transfers to avoid dead plates at 90° transfers; as a standard equipped with Positrack guiding |

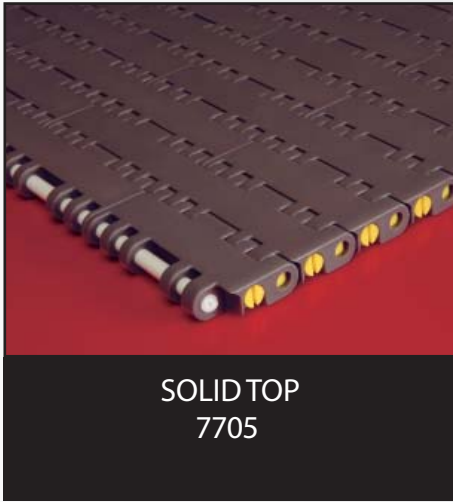


BOTTLE TRANSFER WITH 7705 BELT

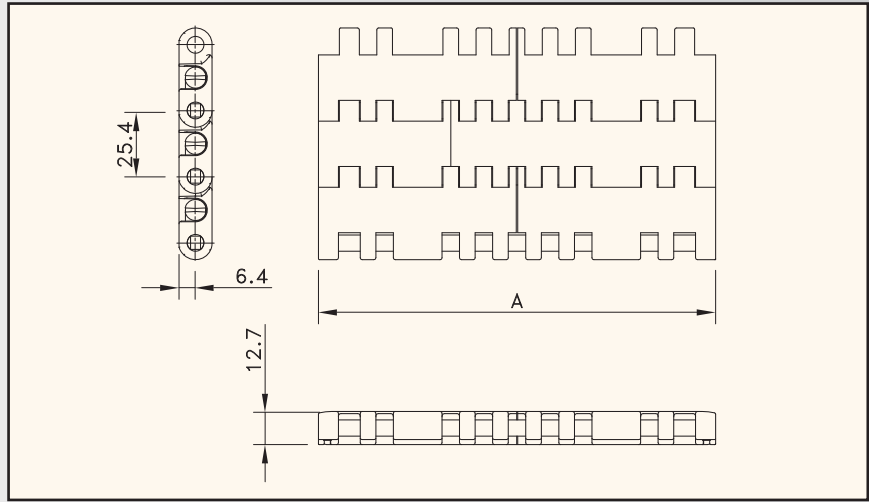


TIRE PROCESSING ON 7708 BELT

7700-SERIES

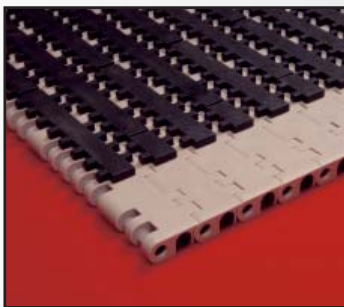


**SOLIDTOP
7705**

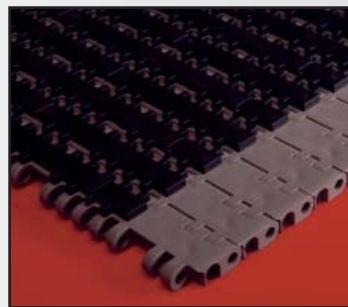


| Assembly | Belt type | Code nr.* | Temperature range | | Working Weight | Backflex load (max.) (21°C) | radius (min.) mm |
|--------------------------------|---------------------|------------|-------------------|-----------------|----------------|-----------------------------|------------------|
| | | | °C | °C | | | |
| | | | dry | wet | | | |
| HP-ACETAL WITH PBT PINS | | | | | | | |
| STANDARD | HP 7705 | I7705HPKxx | -40 to +80 | -40 to +65 | 43000 N/m | 13.47 kg/m ² | 25 |
| DTS LEFT | HP 7705 K450 DTS-SX | 81413921 | | | | | |
| POSITRACK | HP 7705 K750 DTS-SX | 81413922 | | | | | |
| DTS RIGHT | HP 7705 K450 DTS-DX | 81413931 | | | | | |
| POSITRACK | HP 7705 K750 DTS-DX | 81413932 | | | | | |
| MOULD TO WIDTH POSITRACK | HP7705PTK325 | 81415101 | | | | | |
| | HP7705PTK450 | 81415141 | | | | | |
| | HP7705PTK750 | 81415181 | | | | | |
| WX-ACETAL WITH PBT PINS | | | | | | | |
| STANDARD | WX7705 | WX7705-xx | -40 to +104 | Not recommended | 43000 N/m | 13.47 kg/m ² | 25 |
| MOULD TO WIDTH POSITRACK | WX7705PTK325 | 81430031 | | | | | |
| | WX7705PTK450 | WX7705-4.5 | | | | | |
| | WX7705PTK750 | 81430041 | | | | | |

* In code numbers xx corresponds with the belt width (A). Standard widths of these belts begin at 6" with 3" increments up to 120". Special widths start from 5" with 1/2" increments. see also page 206. Upon request 7705 belts can be supplied in metric versions.



7705 HTF BELT WITH RUBBER TOP

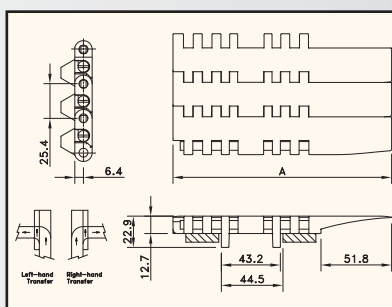


7705 TCF BELT WITH RUBBER TOP

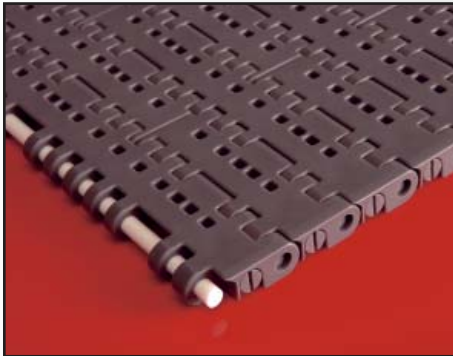
7705 belts are also available with rubber top in HTF and TCF versions. Please contact Customer Service for more details.



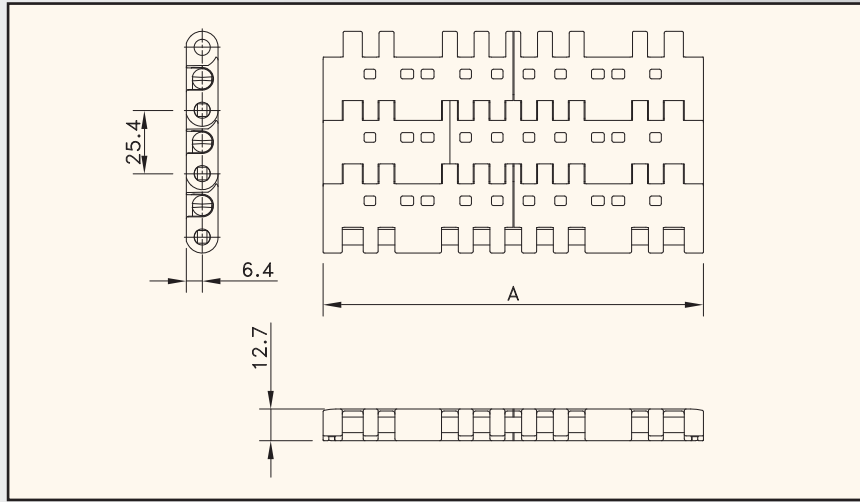
SINGLE MODULE DYNAMIC TRANSFER SYSTEM (DTS)



7700-SERIES



**PERFORATED TOP
7706**

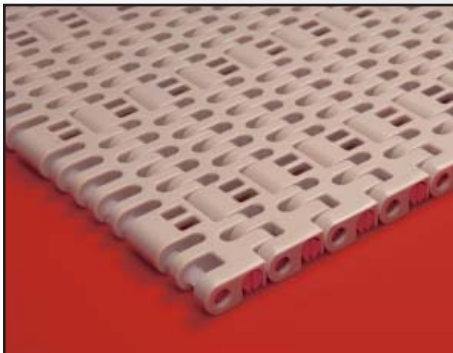


| Assembly | Belt type | Code nr.* | Temperature range °C | | Working load (max.) N/m (21°C) | Weight kg/m ² | Backflex radius (min.) mm |
|--|-----------|------------|-------------------------|------------|--------------------------------------|-----------------------------|---------------------------------|
| | | | dry | wet | | | |
| HP-ACETAL WITH POLYPROPYLENE PINS | | | | | | | |
| STANDARD | HP 7706 | I7706HPKxx | -40 to +80 | -40 to +65 | 43000 | 13.18 | 25 |

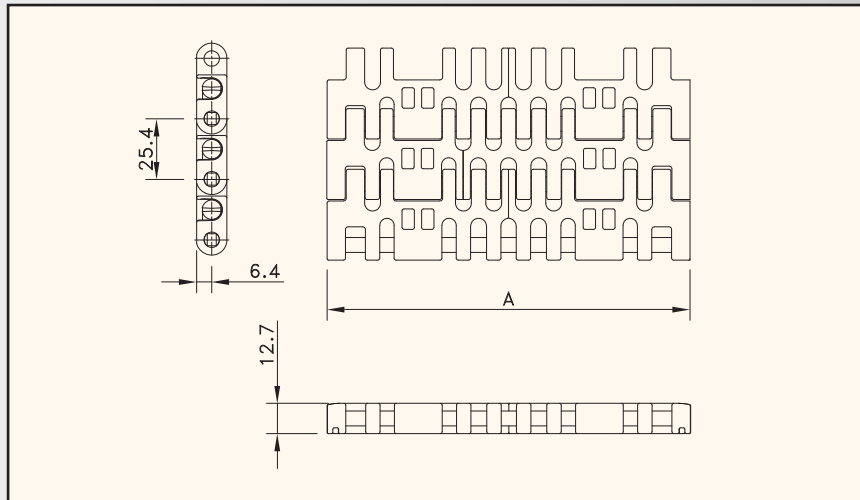
* In code numbers xx corresponds with the belt width (A). Standard widths of these belts begin at 6" with 3" increments up to 120". Special widths start from 5" with 1/2" increments. See also page 206.

For DTS, modules from page 167 are used.

7706 belts can be supplied in metric versions upon request.




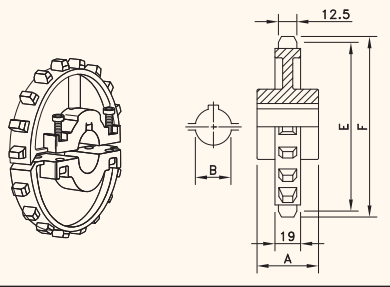

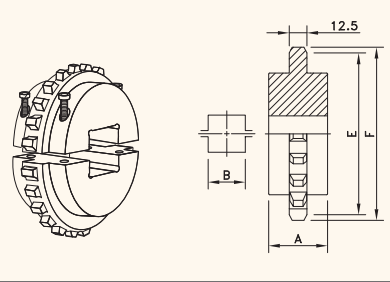

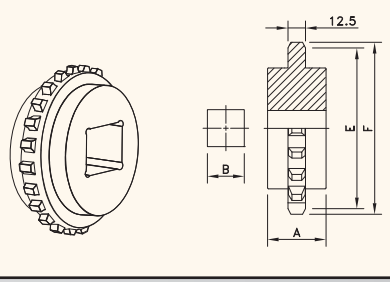
**PERFORATED TOP
7708**



| Assembly | Belt type | Code nr.* | Temperature range °C | | Working load (max.) N/m (21°C) | Weight kg/m ² | Backflex radius (min.) mm |
|--|-----------|------------|-------------------------|----------|--------------------------------------|-----------------------------|---------------------------------|
| | | | dry | wet | | | |
| HT-POLYPROPYLENE WITH POLYPROPYLENE PINS | | | | | | | |
| STANDARD | HT 7708 | I7708HTKxx | 4 to 100 | 4 to 100 | 26000 | 7.81 | 25 |
| USP-POLYPROPYLENE WITH POLYPROPYLENE PINS | | | | | | | |
| STANDARD | USP 7708 | USP7708Kxx | 4 to 100 | 4 to 100 | 26000 | 7.81 | 25 |

* In code numbers xx corresponds with the belt width (A). Standard widths of these belts begin at 9" with 3" increments up to 120". Special widths start from 5" with 1/2" increments. See also page 206.

7700-SERIES

| Sprocket type | Code nr. | Nr. of teeth | Bore | Pitch diameter | Outside diameter | Hub width | MATERIAL |
|--|-------------|--------------|------|----------------|------------------|-----------|--|
| | | | B | E | F | A | |
| | | | | | | | page 209 |
| SPLIT SPROCKETS INJECTION MOULDED | | | | | | | |
| ROUND BORES | | | | | | |   |
| NS 7700 T16 R25 | 614-62-25 | 16 | 25 | 130.2 | 130.6 | 51 | |
| NS 7700 T16 R30 | 614-62-30 | 16 | 30 | | | | |
| NS 7700 T16 R35 | 614-62-35 | 16 | 35 | | | | |
| NS 7700 T16 R40 | 614-62-40 | 16 | 40 | | | | |
| NS 7700 T18 R25 | 614-60-25 | 18 | 25 | 146.3 | 146.9 | | |
| NS 7700 T18 R30 | 614-60-30 | 18 | 30 | | | | |
| NS 7700 T18 R35 | 614-60-35 | 18 | 35 | | | | |
| NS 7700 T18 R40 | 614-60-40 | 18 | 40 | | | | |
| NS 7700 T21 R25 | 614-63-25 | 21 | 25 | 170.4 | 170.7 | | |
| NS 7700 T21 R30 | 614-63-30 | 21 | 30 | | | | |
| NS 7700 T21 R35 | 614-63-35 | 21 | 35 | | | | |
| NS 7700 T21 R40 | 614-63-40 | 21 | 40 | | | | |
| SPLIT SPROCKETS MACHINED | | | | | | | |
| SQUARE BORES | | | | | | |   |
| KUS 7700 T16 S40 | 614-370-4 | 16 | 40 | 130.2 | 130.6 | 48 | |
| KUS 7700 T18 S40 | I7700604166 | 18 | 40 | 146.3 | 146.9 | | |
| KUS 7700 T18 S50 | I7700604176 | 18 | 50 | | | | |
| KUS 7700 T21 S40 | 614-383-4 | 21 | 40 | 170.3 | 170.7 | | |
| KUS 7700 T21 S50 | 614-383-6 | 21 | 50 | | | | |
| KUS 7700 T21 S60 | 614-383-8 | 21 | 60 | | | | |
| CLASSIC SPROCKETS MACHINED | | | | | | | |
| SQUARE BORES | | | | | | |   |
| KU 7700 T18 S50 | 114-3926-10 | 18 | 50 | 146.3 | 146.9 | 48 | |
| KU 7700 T18 S60 | 114-3926-12 | 18 | 60 | | | | |
| KU 7700 T21 S50 | 114-3925-12 | 21 | 50 | | | | |
| KU 7700 T21 S60 | 114-3925-14 | 21 | 60 | 170.3 | 170.7 | | |
| KU 7700 T21 S65 | 114-3925-15 | 21 | 65 | | | | |
| KU 7700 T25 S50 | 114-3927-13 | 25 | 50 | | | | 202.7 |
| Round bores are available upon request. | | | | | | | |

6300T-SERIES MODULAR BELTS

The 6300-series 50 mm pitch hybrid belt combines the features of steel and plastic components with the advantages of a real modular system. The new 6300T series offers a brick-layed pattern in combination with a reusable pin retention system. In combination with flights and sideguards this belt is a common choice for the food industry. As a standard the belts are supplied in polypropylene and polyethylene.

FEATURES

- Fully plastic product support surface due to the cleverly positioned tension plates underneath the belt surface.
- 6391 and 6392 belt modules are diamond-shaped, resulting in a minimum contact area with the product, with little risk of product sticking to the belt surface.
- Easy to operate pin retention system.
- 6300T-series is strongly recommended for high-temperature applications, such as cookers and blanchers.
- High strength and good dimensional stability due to stainless steel frame of tension plates and pins; no large pitch elongation occurs because of thermal expansion during operation.
- Completely flush modules and edges.
- Bricklaid pattern improves belt robustness and enables easy maintenance and assembly.
- 6300T-Series belts are a replacement for the original 6300-series offering important advantages with respect to pin retention and product handling. 6300T and 6300-series run on the same sprockets. For replacement purposes 6300-series can still be obtained.

| PROGRAMME | |
|----------------------|--|
| 6390T Solid Top | Closed surface; suitable for handling small and large products without product loss and where no drainage is required |
| 6391T Perforated Top | 26% Open area and the fine mesh make it suitable for applications with very small products requiring good drainage or airflow capabilities, such as blanchers, cookers and coolers |
| 6392T Perforated Top | 48% Open area for optimum water- and airflow; due to the bigger gaps it is intended for larger product particles; also suitable for blanchers, cookers and coolers |
| Belt accessories | Flights and sideguards can be supplied upon request; contact Technical Support |

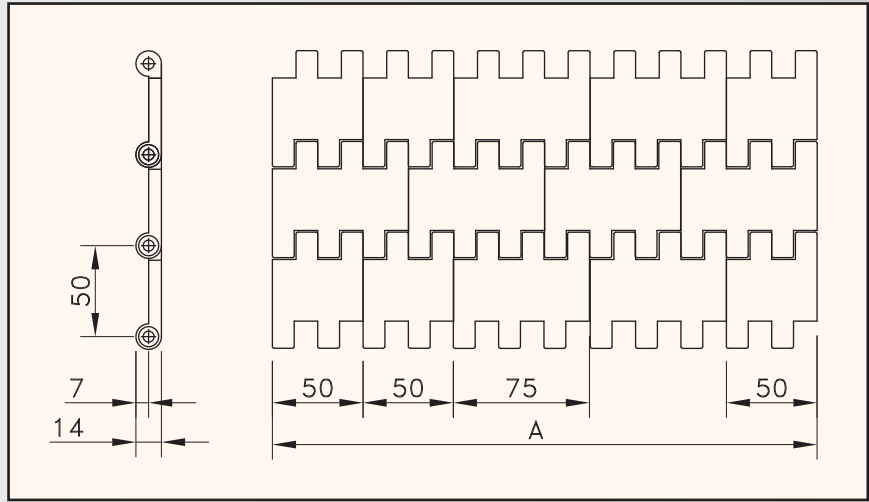


BEAN BLANCHER WITH 6391 BELT



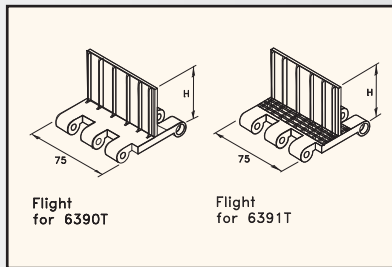
SPINACH ELEVATED ON 6391 BELT

6390-SERIES



| Assembly | Belt type | Code nr.* | Temperature range °C | | Working load (max.) N/m (21°C) | Weight kg/m ² | Backflex radius (min.) mm |
|--|-----------|--------------|----------------------|-----|-----------------------------------|-----------------------------|------------------------------|
| | | | dry | wet | | | |
| WHT-POLYPROPYLENE WITH POLYPROPYLENE PINS | | | | | | | |
| STANDARD | WHT 6390T | I6390TWHTKxx | 5 to 105 | | 1500 per row tension plates | 9.55 | 50 |
| BHT-POLYPROPYLENE WITH POLYPROPYLENE PINS | | | | | | | |
| STANDARD | BHT 6390T | I6390TBHTKxx | 5 to 105 | | 1500 per row tension plates | 9.55 | 50 |

* In code numbers xx corresponds with the belt width (A), starting with 225 mm with 75 mm increments up to 2475 mm. Other sizes upon request. See also page 206.



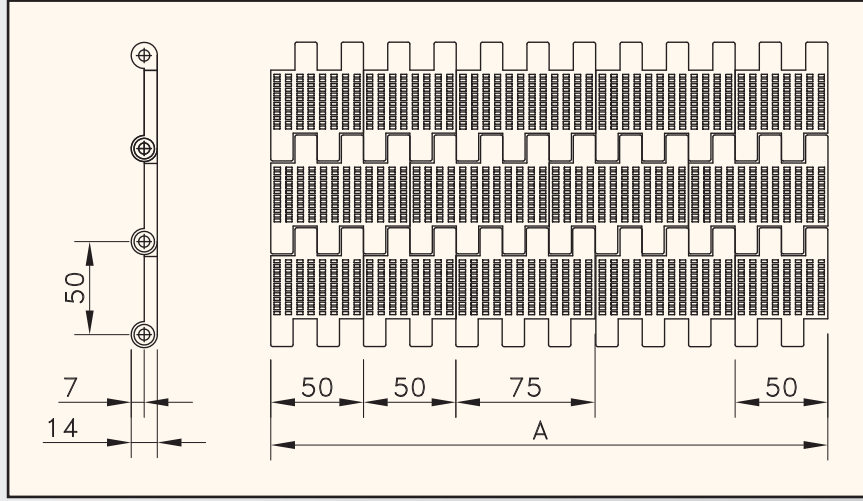
FLIGHT 6390-SERIES FOR INCLINED APPLICATIONS

SIDEGUARDS 6390-SERIES

6390-series belts are equipped with stainless steel pins and with tension plates as shown in this table:

| Belt width mm | Standard number tension plates | Max. number tension plates without sideguards | Max. number tension plates with sideguards |
|---------------|--------------------------------|---|--|
| 225 | 1 | $\frac{\text{Belt width} - 225}{75} + 1$ | $\frac{\text{Belt width} - 225}{75}$ |
| 300 - 750 | 2 | | |
| 825 - 1200 | 4 | | |
| 1275 - 1500 | 6 | | |
| 1575 - 1800 | 8 | | |
| 1875 - 2475 | 10 | | |

6390-SERIES



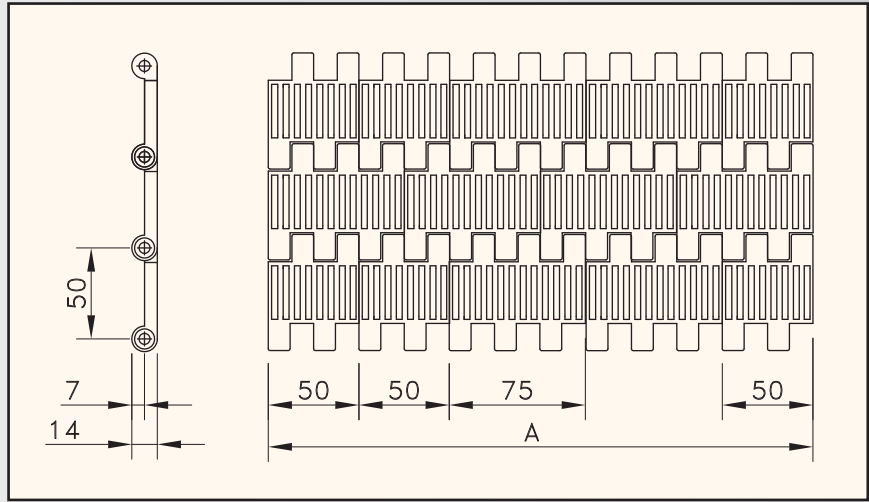
| Assembly | Belt type | Code nr.* | Temperature range °C | | Working load (max.) N/m (21°C) | Weight kg/m ² | Backflex radius (min.) mm |
|--|-----------|--------------|-------------------------|-----|--------------------------------------|-----------------------------|---------------------------------|
| | | | dry | wet | | | |
| WHT-POLYPROPYLENE WITH POLYPROPYLENE PINS | | | | | | | |
| STANDARD | WHT 6391T | I6391TWHTKxx | 5 to 105 | | 1500 per row tension plates | 9.02 | 50 |
| BHT-POLYPROPYLENE WITH POLYPROPYLENE PINS | | | | | | | |
| STANDARD | BHT 6391T | I6391TBHTKxx | 5 to 105 | | 1500 per row tension plates | 9.02 | 50 |
| WLT-POLYETHYLENE WITH POLYETHYLENE PINS | | | | | | | |
| STANDARD | WLT 6391T | I6391TWLTxx | -70 to +25 | | 1500 per row tension plates | 9.02 | 50 |

* In code numbers xx corresponds with the belt width (A). Standard nominal widths of these belts begin at 225 mm with 75 mm increments up to 2475 mm. Other sizes upon request. See also page 206.

6390-SERIES



**PERFORATED TOP
6392T**



| Assembly | Belt type | Code nr.* | Temperature range °C | | Working load (max.) N/m (21°C) | Weight kg/m ² | Backflex radius (min.) mm |
|--|-----------|--------------|-------------------------|-----|--------------------------------------|-----------------------------|---------------------------------|
| | | | dry | wet | | | |
| WHT-POLYPROPYLENE WITH POLYPROPYLENE PINS | | | | | | | |
| STANDARD | WHT 6392T | I6392TWHTKxx | 5 to 105 | | 1500 per row tension plates | 8.75 | 50 |
| BHT-POLYPROPYLENE WITH POLYPROPYLENE PINS | | | | | | | |
| STANDARD | BHT 6392T | I6392TBHTKxx | 5 to 105 | | 1500 per row tension plates | 8.75 | 50 |
| WLT-POLYETHYLENE WITH POLYETHYLENE PINS | | | | | | | |
| STANDARD | WLT 6392T | I6392TWLTxx | -70 to +25 | | 1500 per row tension plates | 8.75 | 50 |

* In code numbers xx corresponds with the belt width (A). Standard nominal widths of these belts begin at 225 mm with 75 mm increments up to 2475 mm. Other sizes upon request. See also page 206.

| Sprocket type | Code nr. | Nr. of teeth | Bore | Pitch diameter | Outside diameter | Hub width | MATERIAL page 209 |
|------------------------|-------------|--------------|---------|----------------|------------------|-----------|-----------------------------|
| | | | B mm | E mm | F mm | A mm | |
| SPLIT SPROCKETS | | | | | | | |
| ROUND BORES | | | | | | | |
| KUS 6390 T08 R30 | I6390630652 | 8 | 30 | 130.6 | 120.7 | 60 | |
| KUS 6390 T08 R40 | I6390630692 | 8 | 40 | | | | |
| KUS 6390 T10 R30 | I6390631462 | 10 | 30 | 161.8 | 153.9 | | |
| KUS 6390 T10 R40 | I6390631482 | 10 | 40 | | | | |
| KUS 6390 T12 R30 | I6390631572 | 12 | 30 | 193.1 | 186.6 | | |
| KUS 6390 T12 R40 | I6390631592 | 12 | 40 | | | | |
| KUS 6390 T16 R30 | I6390631682 | 16 | 30 | 256.3 | 251.4 | | |
| KUS 6390 T16 R40 | I6390631702 | 16 | 40 | | | | |
| SQUARE BORES | | | | | | | |
| KUS 6390 T08 S40 | I6390603836 | 8 | 40 | 130.6 | 120.7 | 60 | |
| KUS 6390 T10 S40 | I6390630512 | 10 | 40 | 161.8 | 153.9 | | |
| KUS 6390 T12 S40 | I6390630532 | 12 | 40 | 193.1 | 186.6 | | |
| KUS 6390 T16 S40 | I6390630552 | 16 | 40 | 256.3 | 251.4 | | |

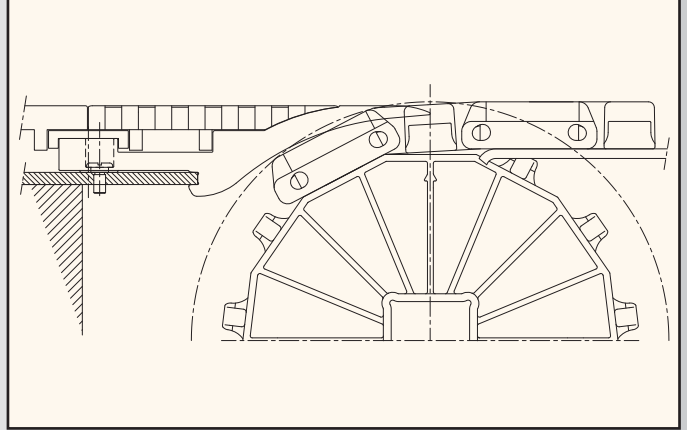
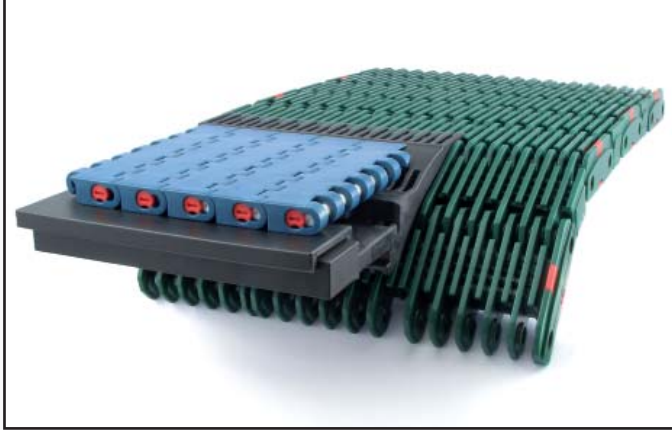
Other bore sizes upon request.

2000-SERIES MODULAR BELTS

The 2000-series 2-inch pitch belt is typically used in heavy-duty applications, such as pasteurizers, palletizers and accumulation tables. The modules are designed with rigid cross ribs and the multi-angular sprockets support the modules optimally. As a standard the belts are supplied in high-temperature and chemical resistant polypropylene.

FEATURES

- Pin retention by means of clips for easy installation and maintenance.
- Cross rib design creating a high stiffness of the modules to handle huge product loads and taking care of a flat surface for optimum product handling.
- Superb product handling from and onto the belt by using DTS-C transfer system in combination with Raised Rib 2000.



This system consists of a static fingerplate combined with a moving DTS or FreeFlow belt. The belt is positioned in the surface of the DTS-C fingerplate, enabling self-clearing transfers; this is important if changing from one product batch to another in a filling/processing line and if "hot-filled" products should not stay on the infeed transfer of the cooler. The DTS-C transfer eliminates sweepers for better line efficiency. The DTS belt in the system and the chain or belt on the main infeed or outfeed conveyor are supported by the same central wearstrip on the fingerplate, saving installation time and avoiding conveyor height adjustments.

| PROGRAMME | |
|-----------------------------------|---|
| 2000 Flat Top (FT) | Closed surface; for large and heavy products |
| 2000 Flush Grid (FG) | 31% Open area; this guarantees optimum water- and airflow and allows pollution to fall through; suitable for amongst others food and automotive applications |
| 2000 Raised Rib (RR) | 30% Open area; ideal for pasteurizer applications, warmers and coolers. This standard RR execution is meant for can or flat-based PET handling |
| 2000 Raised Rib Heavy Duty (RRHD) | 27% Open area; reinforced to deal with the difficult conditions in (one way) glass pasteurizers and dual purpose applications (cans and bottles) |
| 2000 Super Rib (SR) | 27% Open area; Full reinforced Super Rib design. Designed to deal with the difficult conditions in Glass pasteurizers and dual purpose applications (cans and bottles). SR 2000 chains are also suitable for PET handling |
| Positrack | Lugs in Raised Rib executions for reliable and accurate tracking of the belt in pasteurizer tunnels, allowing optimal use of the belt surface |
| Fingerplates | DTS System for self-clearing transfers, standard click-comb for cans and click-comb for glass applications, resulting in precise transfers |



GLASS BOTTLE WARMER WITH 2000 RAISED RIB BELT AND DTS-C TRANSFER

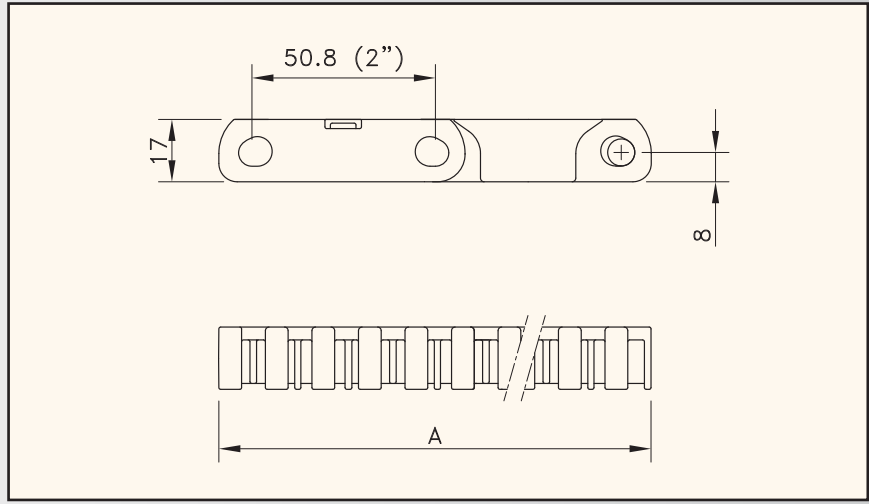


BOTTLE ACCUMULATING ON 2000 BELT

2000-SERIES



**FLAT TOP
2000**

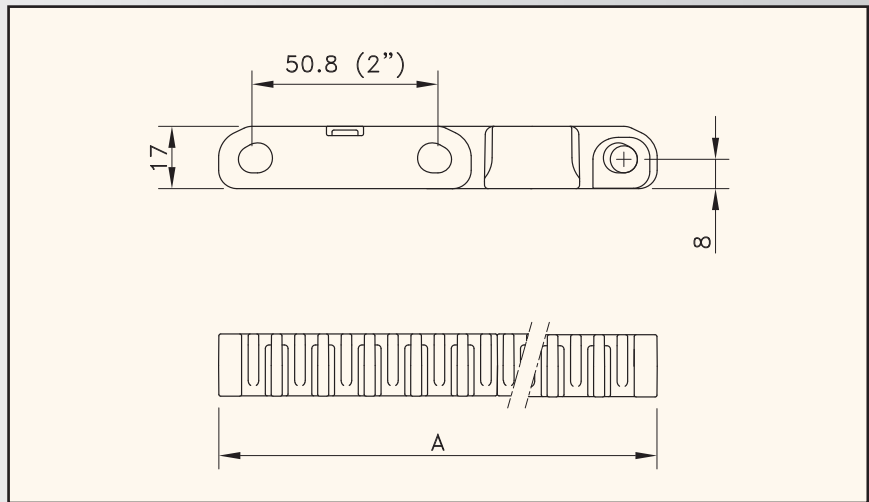


| Assembly | Belt type | Code nr.* | Temperature range °C | | Working load (max.) N/m (21°C) | Weight kg/m ² | Backflex radius (min.) mm |
|--|------------|-----------|----------------------|----------|-----------------------------------|-----------------------------|------------------------------|
| | | | dry | wet | | | |
| XP-POLYPROPYLENE WITH POLYPROPYLENE PINS | | | | | | | |
| STANDARD | FT 2000 XP | 838.30.xx | 4 to 104 | 4 to 104 | 29500 | 8.20 | 45 |

* In code numbers xx corresponds with the belt width (A), starting with 10 for 3', 11 for 6" and so on in steps of 3". See also page 206.



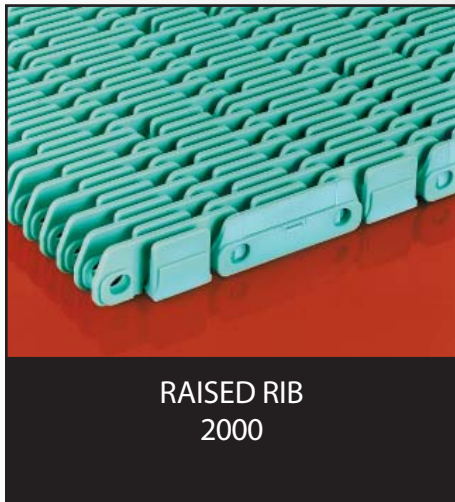
**FLUSH GRID
2000**



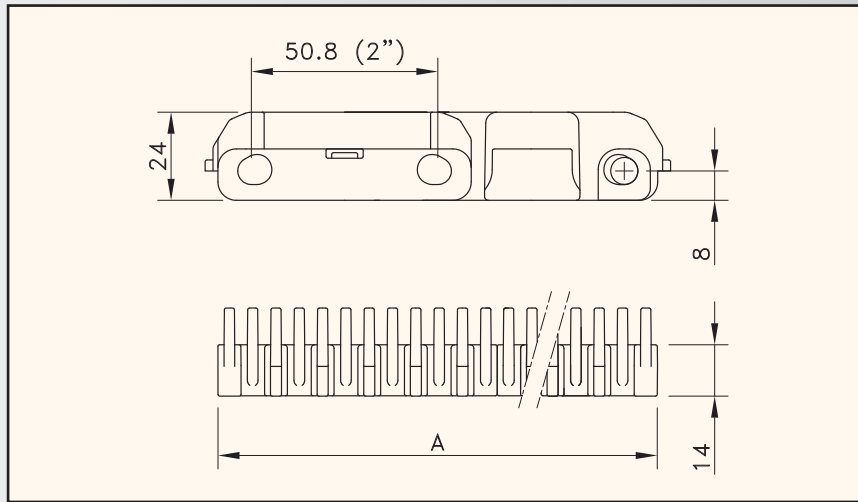
| Assembly | Belt type | Code nr.* | Temperature range °C | | Working load (max.) N/m (21°C) | Weight kg/m ² | Backflex radius (min.) mm |
|--|------------|-----------|----------------------|----------|-----------------------------------|-----------------------------|------------------------------|
| | | | dry | wet | | | |
| XP-POLYPROPYLENE WITH POLYPROPYLENE PINS | | | | | | | |
| STANDARD | FG 2000 XP | 838.40.xx | 4 to 104 | 4 to 104 | 29500 | 7.55 | 35 |

* In code numbers xx corresponds with the belt width (A), starting with 10 for 3', 11 for 6" and so on in steps of 3". See also page 206.

2000-SERIES



**RAISED RIB
2000**

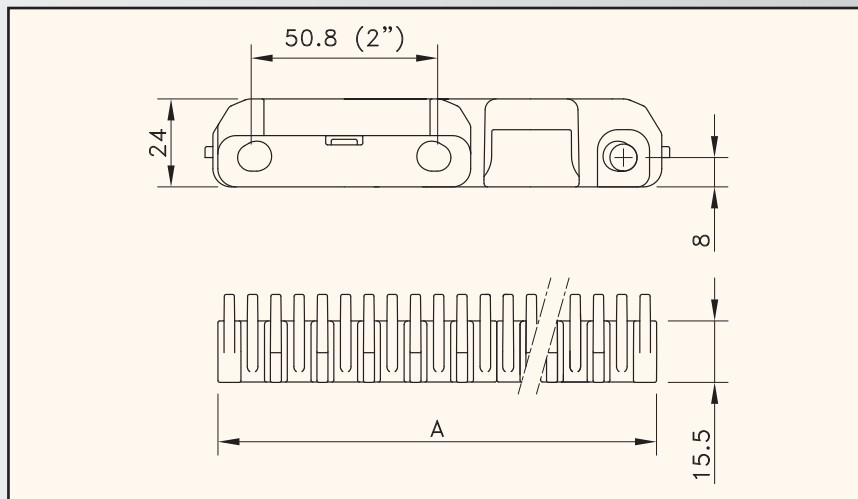


| Assembly | Belt type | Code nr.* | Temperature range °C | | Working load (max.) N/m (21°C) | Weight kg/m ² | Backflex radius (min.) mm |
|---|-------------|-----------|----------------------|----------|--------------------------------|--------------------------|---------------------------|
| | | | dry | wet | | | |
| XP-POLYPROPYLENE WITH POLYPROPYLENE PINS | | | | | | | |
| STANDARD | RR 2000 XP | 838.10.xx | 4 to 104 | 4 to 104 | 29500 | 10.60 | 75 |
| POSITRACK | RRP 2000 XP | 838.90.xx | | | | | |

* In code numbers xx corresponds with the belt width (A), starting with 10 for 3", 11 for 6" and so on in steps of 3". 2000 Belts with Positrack start with 12 for 9". See also page 206.



**RAISED RIB
2000
HEAVY DUTY**



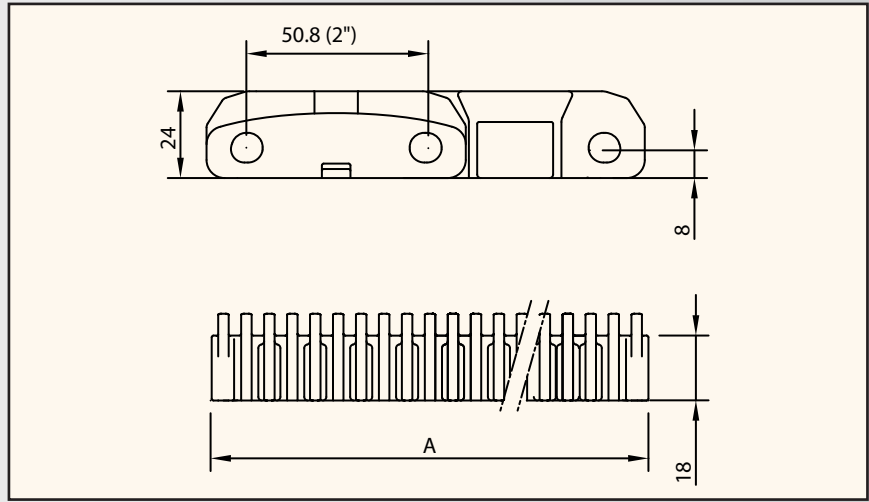
| Assembly | Belt type | Code nr.* | Temperature range °C | | Working load (max.) N/m (21°C) | Weight kg/m ² | Backflex radius (min.) mm |
|--|-------------------------|-----------|----------------------|-------|--------------------------------|--------------------------|---------------------------|
| | | | dry | wet | | | |
| USP-POLYPROPYLENE WITH POLYPROPYLENE PINS | | | | | | | |
| STANDARD | RRHD 2000 USP 881.60.xx | 4 to 104 | 4 to 104 | 29500 | 11.20 | 75 | |
| POSITRACK | RRHDP 2000 USP | 881.90.xx | | | | | |

* In code numbers xx corresponds with the belt width (A), starting with 10 for 3", 11 for 6" and so on in steps of 3". 2000 Belts with Positrack start with 12 for 9". See also page 206.

2000-SERIES

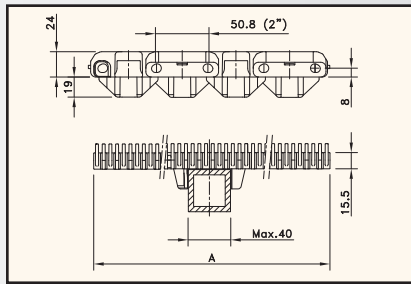
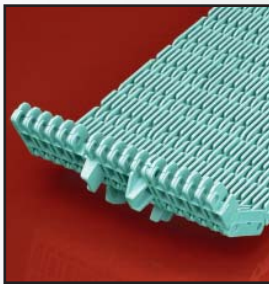


**SUPER RIB
2000**



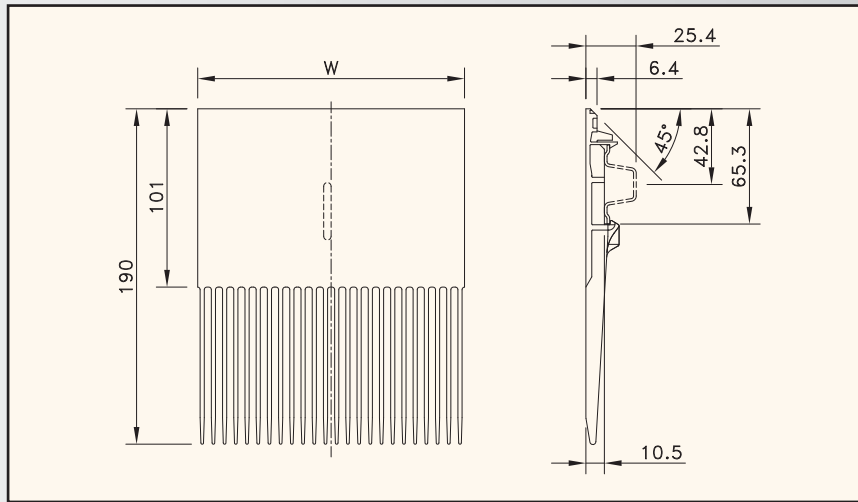
| Assembly | Belt type | Code nr.* | Temperature range °C | | Working load (max.) N/m (21°C) | Weight kg/m ² | Backflex radius (min.) mm |
|--|--------------|-----------|----------------------|----------|-----------------------------------|-----------------------------|------------------------------|
| | | | dry | wet | | | |
| USP-POLYPROPYLENE WITH POLYPROPYLENE PINS | | | | | | | |
| STANDARD | SR 2000 USP | 881.50.xx | 4 to 104 | 4 to 104 | 29500 | 11.20 | 75 |
| POSITRACK | SRP 2000 USP | 881.80.xx | | | | | |

* In code numbers xx corresponds with the belt width (A), starting with 10 for 3", 11 for 6" and so on in steps of 3". 2000 Belts with Positrack start with 12 for 9". See also page 206.

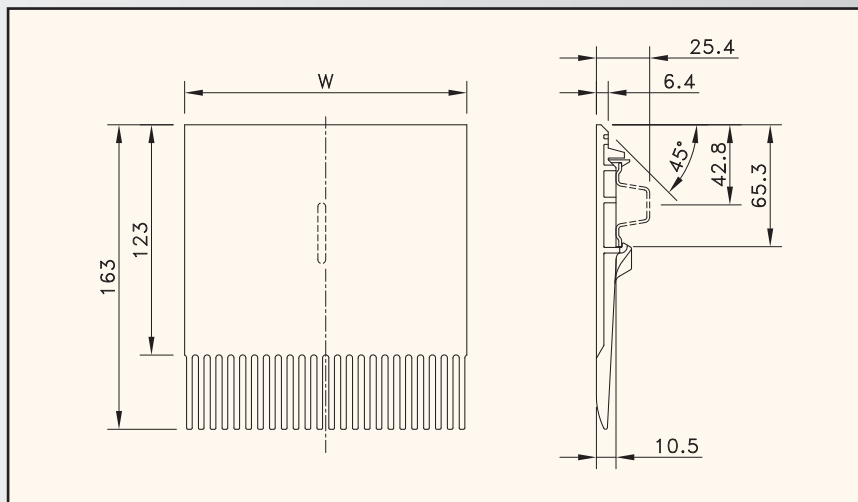


RAISED RIB 2000 BELT WITH POSITRACK IN THE CENTER OF THE BELT OR 1.5" OFFSET, DEPENDING ON THE WIDTH

2000-SERIES



| 'Click-Comb' fingerplate type | Code nr. | Length | Width W | Weight ≈ |
|-------------------------------|-----------|--------|---------|----------|
| | | mm | mm | kg |
| XLG-ACETAL | | | | |
| 2000 XLG 190 x 152 | 837.12.01 | 190 | 151 | 0.16 |
| 2000 XLG 190 x 74 | 837.12.02 | 190 | 74 | 0.08 |



| 'Click-Comb' fingerplate type | Code nr. | Length | Width W | Weight ≈ |
|-------------------------------|-----------|--------|---------|----------|
| | | mm | mm | kg |
| XLG-ACETAL | | | | |
| GL 2000 XLG 163 x 152 | 837.12.09 | 163.1 | 151 | 0.16 |
| GL 2000 XLG 163 x 74 | 837.12.03 | 163.1 | 74 | 0.08 |

| Code nr. | Number of pitches | Length L | For belt width | Weight kg | Pitch X | | Height H | MATERIAL page 208 |
|----------|-------------------|----------|----------------|-----------|---------|------|----------|-----------------------------|
| | | mm | mm | | mm | inch | | |

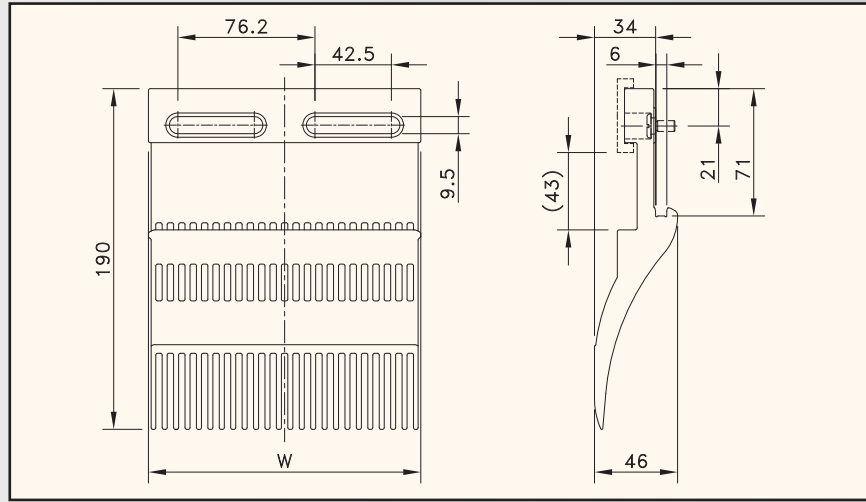
PROFILES FOR FINGERPLATES

| STAINLESS STEEL | | | | | |
|------------------------|----|------|-----------------|------|--|
| 801.55.28 | 7 | 602 | 0 < W ≤ 533 | 0.44 | |
| 801.55.29 | 13 | 1059 | 533 < W ≤ 991 | 0.77 | |
| 801.55.31 | 19 | 1516 | 991 < W ≤ 1448 | 1.11 | |
| 801.55.32 | 25 | 1973 | 1448 < W ≤ 1905 | 1.44 | |
| 801.55.34 | 31 | 2430 | 1905 < W ≤ 2362 | 1.77 | |
| 801.55.37 | 43 | 3345 | 2362 < W ≤ 3277 | 2.44 | |
| 801.55.40 | 55 | 4259 | 3277 < W ≤ 4191 | 3.11 | |
| 801.55.43 | 67 | 5174 | 4191 < W ≤ 5105 | 3.78 | |
| 801.55.02 | 78 | 6012 | 5105 < W ≤ 5944 | 4.39 | |

2000-SERIES

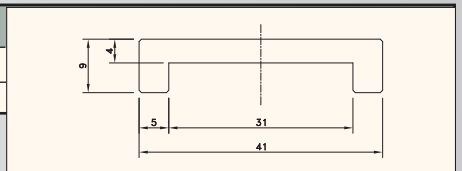


**DTS-C TRANSFER SYSTEM
FOR PASTEURIZERS**



| Product | Code nr. | Length | Width W | Weight ≈ |
|-----------------------------|-----------|--------|---------|----------|
| | | mm | mm | kg |
| REINFORCED POLYAMIDE | | | | |
| DTS-C 2000-1005 190 x 152 | 834.12.79 | 190 | 152 | 0.25 |

| BLACK UHMWPE | | |
|----------------------|----------------|---|
| Wearstrip DTS-C 2000 | S0 362 694 341 | 3 |
| Wearstrip DTS-C 2000 | S0 362 617 26 | 6 |



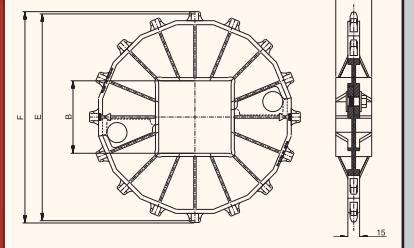
| Sprocket Type | Code nr. | Nr. of teeth | Bore | Pitch diameter | Outside diameter | Hub width | |
|---------------|----------|--------------|---------|----------------|------------------|-----------|--|
| | | | B | E | F | A | |
| | | | mm/inch | mm | mm | mm | |



SPLIT SPROCKETS

SQUARE BORES

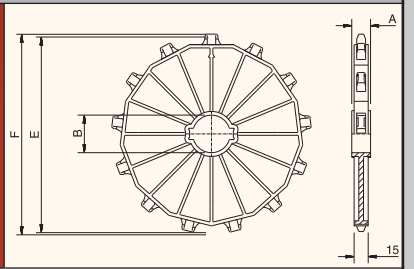
| | | | | | | |
|------------------------|-----------|----|--------|-------|-------|----|
| SS 2000 13-90x90 POM | 893.73.24 | 13 | 90 mm | 212.3 | 209.0 | 45 |
| SS 2000 16-65x65 POM | 893.76.23 | 16 | 65 mm | 260.4 | 262.0 | |
| SS 2000 16-90x90 POM | 893.76.24 | 16 | 90 mm | | | |
| SS 2000 16-120x120 POM | 893.76.29 | 16 | 120 mm | | | |



CLASSIC SPROCKETS

ROUND BORES

| | | | | | | |
|----------------------|-----------|----|-------|-------|-------|----|
| CS 2000 10-40 POM | 893.10.11 | 10 | 40 mm | 164.4 | 163.1 | 20 |
| CS 2000 10-50 POM | 893.10.12 | 10 | 50 mm | 164.4 | 163.1 | |
| CS 2000 12-40 POM | 893.12.11 | 12 | 40 mm | 196.3 | 196.3 | |
| CS 2000 13-65 POM | 893.13.13 | 13 | 65 mm | 212.3 | 209.0 | 30 |
| CS 2000 13-90 POM | 893.13.14 | 13 | 90 mm | 212.2 | 209.0 | |
| CS 2000 16-90 POM | 893.16.14 | 16 | 90 mm | 260.4 | 262.0 | 45 |
| CS 2000 16-2 1/2 POM | 893.16.43 | 16 | 2.5" | 260.4 | 262.0 | |



SQUARE BORES

| | | | | | | |
|------------------------|-----------|----|--------|-------|-------|----|
| CS 2000 10-40x40 POM | 893.10.21 | 10 | 40 mm | 164.4 | 163.1 | 20 |
| CS 2000 10-60x60 POM | 893.10.28 | 10 | 60 mm | 164.4 | 163.1 | 30 |
| CS 2000 10-65x65 POM | 893.10.23 | 10 | 65 mm | 164.4 | 163.1 | |
| CS 2000 12-40x40 POM | 893.12.21 | 12 | 40 mm | 196.3 | 196.3 | 20 |
| CS 2000 12-60x60 POM | 893.12.28 | 12 | 60 mm | 196.3 | 196.3 | 30 |
| CS 2000 12-65x65 POM | 893.12.23 | 12 | 65 mm | 196.3 | 196.3 | |
| CS 2000 13-40x40 POM | 893.13.21 | 13 | 40 mm | 212.3 | 209.0 | 20 |
| CS 2000 13-65x65 POM | 893.13.23 | 13 | 65 mm | 212.3 | 209.0 | 30 |
| CS 2000 13-90x90 POM | 893.13.24 | 13 | 90 mm | 212.3 | 209.0 | 45 |
| CS 2000 16-65x65 POM | 893.16.23 | 16 | 65 mm | 260.4 | 262.0 | 30 |
| CS 2000 16-90x90 POM | 893.16.24 | 16 | 90 mm | 260.4 | 262.0 | 45 |
| CS 2000 16-120x120 POM | 893.16.29 | 16 | 120 mm | 260.4 | 262.0 | |

2010-SERIES MODULAR BELTS

The 2010-series 2-inch pitch belts can be used in a large variety of food applications. These belts are used on deboning and trimming lines as well as medium- and heavy-duty elevators. Due to the various executions and the large range of accessories, a tailor-made solution for each food handling application is possible. All 2010-series belt materials are standard equipped with antibacterial protection for direct food contact.

FEATURES

- The modules are flush all around and do not have closed or hidden pockets. Especially the large open area between the rows of hinge eyes underneath the belt offer very good accessibility for cleaning. The rod retention area is very easy to clean and because of the absence of rims or hidden areas there is no risk of dirt and debris accumulating.
- This belt is very easy to assemble or disassemble, due to the integrated locking system. With a screwdriver the rod retention finger can be positioned in either the 'locked' or the 'unlocked' position.
- The extended hinge eyes underneath the belt provide a large footprint, reducing contact pressure and wear. The connection of the hinge eyes with the top plate is very rigid, giving the belt excellent impact resistance. The large rod diameter also means less pressure and wear reduction in the hinges.
- The design of the sprocket and the belt has been optimised to ensure an excellent drive, up to the maximum working load of the belt during its whole life. The machined sprockets have excellent strength and cleanability.
- As a standard equipped with antibacterial protection.

| PROGRAMME | |
|---------------------|---|
| 2015 Solid Top | Closed surface; allows cutting and deboning on the belt surface; it offers the best support to vulnerable products and prevents loss of small products |
| 2016 Perforated Top | 20% open area; this allows optimum drainage and airflow in combination with good product support due to the rectangular slots |
| 2011 Textured Top | Small nubs prevent sticking of soft and frozen products and sliding on the belt surface |
| Belt accessories | Straight, curved and bucket flights for elevators and other food applications. These can be combined with conventional sideguards and integrated siderails. |



INCLINED CONVEYOR FOR CHIPS FTR2015 BELT



CONFECTIONARY ELEVATING ON 2015 BELT



CHICKEN DEBONING LINE WITH 2015 BELT



INFEEED OF INCLINED CONVEYOR WITH 2010 ISR6

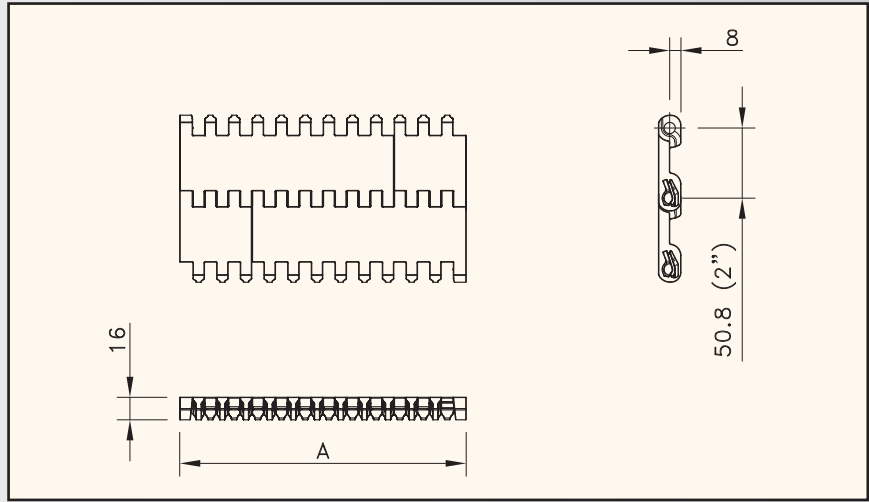


TOMATO SORTING ON 2015 BELT

2010-SERIES



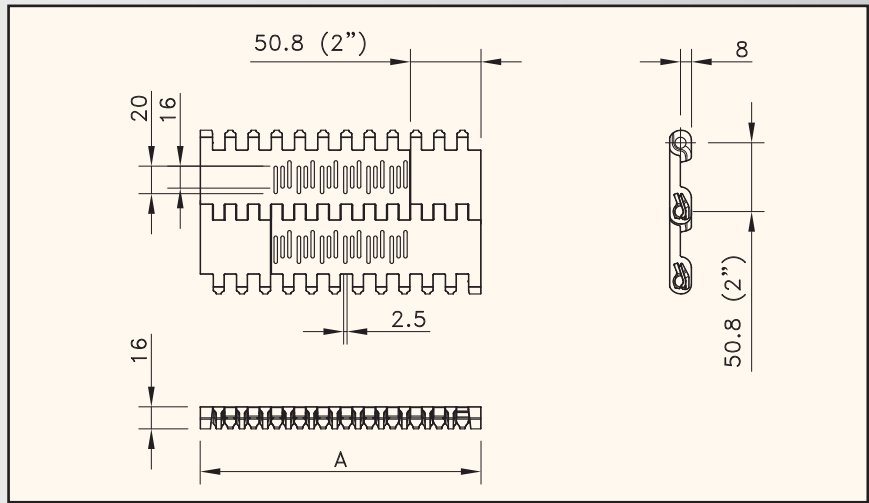
**SOLIDTOP
2015**



| Assembly | Belt type | Code nr.* | Temperature range °C | | Working load (max.) N/m (21°C) | Weight kg/m ² | Backflex radius (min.) mm |
|--|-----------|------------|----------------------|------------|-----------------------------------|-----------------------------|------------------------------|
| | | | dry | wet | | | |
| ANTIBACTERIAL POLYETHYLENE WITH POLYETHYLENE PINS | | | | | | | |
| STANDARD | WLA 2015 | 846.04.10 | -70 to +35 | -70 to +35 | 7500 | 9.50 | 87 |
| STANDARD | BLA 2015 | 846.05.10 | -70 to +35 | -70 to +35 | 7500 | 9.50 | 87 |
| ANTIBACTERIAL POLYPROPYLENE WITH POLYPROPYLENE PINS | | | | | | | |
| STANDARD | WHA 2015 | 849.04.10 | 4 to 104 | 4 to 104 | 15000 | 8.90 | 87 |
| STANDARD | BHA 2015 | 849.03.600 | 4 to 104 | 4 to 104 | 15000 | 8.90 | 87 |
| ANTIBACTERIAL ACETAL WITH POLYPROPYLENE PINS | | | | | | | |
| STANDARD | WSA 2015 | 844.03.10 | 4 to 80 | 4 to 65 | 20000 | 13.60 | 87 |
| STANDARD | BSA 2015 | 844.02.510 | 4 to 80 | 4 to 65 | 20000 | 13.60 | 87 |



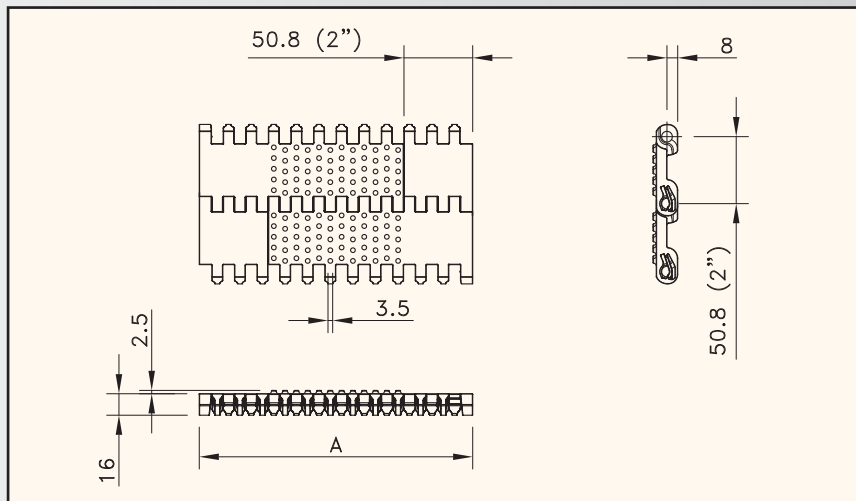
**PERFORATED TOP
2016**



| Assembly | Belt type | Code nr.* | Temperature range °C | | Working load (max.) N/m (21°C) | Weight kg/m ² | Backflex radius (min.) mm |
|--|-----------|------------|----------------------|------------|-----------------------------------|-----------------------------|------------------------------|
| | | | dry | wet | | | |
| ANTIBACTERIAL POLYETHYLENE WITH POLYETHYLENE PINS | | | | | | | |
| STANDARD | WLA 2016 | 846.07.00 | -70 to +35 | -70 to +35 | 7500 | 9.50 | 87 |
| STANDARD | BLA 2016 | 846.09.00 | -70 to +35 | -70 to +35 | 7500 | 9.50 | 87 |
| ANTIBACTERIAL POLYPROPYLENE WITH POLYPROPYLENE PINS | | | | | | | |
| STANDARD | WHA 2016 | 849.06.00 | 4 to 104 | 4 to 104 | 15000 | 8.90 | 87 |
| STANDARD | BHA 2016 | 849.04.60 | 4 to 104 | 4 to 104 | 15000 | 8.90 | 87 |
| ANTIBACTERIAL ACETAL WITH POLYPROPYLENE PINS | | | | | | | |
| MOULD TO ORDER | WSA 2016 | 844.03.51 | 4 to 80 | 4 to 65 | 20000 | 13.60 | 87 |
| MOULD TO ORDER | BSA 2016 | 844.04.100 | 4 to 80 | 4 to 65 | 20000 | 13.60 | 87 |

* Code numbers in the table correspond with 6" wide belts. Code numbers go up with 1 (e.g. 846.07.01, 846.07.02 etc.) for each standard 2" increment (8", 10" etc.) up to 120". Optionally 2/3" increments possible. See also page 206.

2010-SERIES



| Assembly | Belt type | Code nr.* | Temperature range °C | | Working load (max.) N/m (21°C) | Weight kg/m ² | Backflex radius (min.) mm |
|--|-----------|-----------|----------------------|------------|-----------------------------------|-----------------------------|------------------------------|
| | | | dry | wet | | | |
| ANTIBACTERIAL POLYETHYLENE WITH POLYETHYLENE PINS | | | | | | | |
| STANDARD | WLA 2011 | 846.07.51 | -70 to +35 | -70 to +35 | 7500 | 9.50 | 87 |
| STANDARD | BLA 2011 | 846.09.51 | -70 to +35 | -70 to +35 | 7500 | 9.50 | 87 |
| ANTIBACTERIAL POLYPROPYLENE WITH POLYPROPYLENE PINS | | | | | | | |
| MOULD TO ORDER | WHA 2011 | 849.06.51 | 4 to 104 | 4 to 104 | 15000 | 8.90 | 87 |
| MOULD TO ORDER | BHA 2011 | 849.02.60 | 4 to 104 | 4 to 104 | 15000 | 8.90 | 87 |
| ANTIBACTERIAL ACETAL WITH POLYPROPYLENE PINS | | | | | | | |
| MOULD TO ORDER | WSA 2011 | 844.04.51 | 4 to 80 | 4 to 65 | 20000 | 13.60 | 87 |
| MOULD TO ORDER | BSA 2011 | 844.05.00 | 4 to 80 | 4 to 65 | 20000 | 13.60 | 87 |

* Code numbers in the table correspond with 6" wide belts. Code numbers go up with 1 (e.g. 846.07.52, 846.07.53 etc.) for each standard 2" increment (8", 10" etc.) up to 120". Optionally 2/3" increments possible. See also page 206.

If you require flights or sideguards, please describe the belt by choosing from the options listed in the 2nd column of the table:

| | | |
|-----------------------|--|---|
| Material | WLA or BLA or WHA or BHA | |
| Belt type | 2016 | |
| Width (A) | K.. (in inches) | Belts with flights have a minimal width of 8"; smaller upon request |
| Flights | F1 or F2 or F3 or F4 or H.. F5 or F6 C4 or C6 RF2 or RF3 or RF4 or RH.. RC4 or RC6 B4 or B6 | Straight; standard height 1" to 4" or special in mm; all materials available Straight; standard height 5" or 6" Curved; height 4" or 6" Ribbed straight; height 2", 3" or 4" or special in mm Ribbed curved; height 4" or 6" or special in mm Bucket flight; height 4" or 6" |
| Pitch between flights | T..P | Flights on every .. th row |
| Flight side-indent | N.. (in inches) | Minimal 1 1/3" with 2/3" increments; sideguards are situated at 1/3" from the flight, reducing the indent by 2/3"; if side-indent is 1 1/3", sideguards are directly besides the flight, reducing the indent by 1/3" |
| Sideguards | SG2 or SG3 or SG4 | Standard height of 2", 3" or 4" |
| Integrated Siderail | ISR4 or ISR6 | Standard height of 4" or 6" Other sizes up on request. Side Indent in combination with ISR is always 2 2/3" to the flight. Flights are positioned directly against the Integrated Siderail (ISR). |

* Flight materials can differ from the belt material in some flight / belt combinations. F5 and F6 are heavy duty flights. Ribbed flights can be double ribbed (both sides) or single rib depending on material and execution.

Example: BLA 2016 K10 SG4 is a 2016 Perforated Top belt, made of blue polyethylene with Microban, width 10", no flights and 4" high sideguards.

Example: BHA2015 K24 C6 T4P ISR6, is a SolidTop belt, made of blue Polypropylene with Microban, width 24", with 6" high curved pushers every 6th row and 6" high Integrated Siderail (and therefore a side indent of 2 2/3")

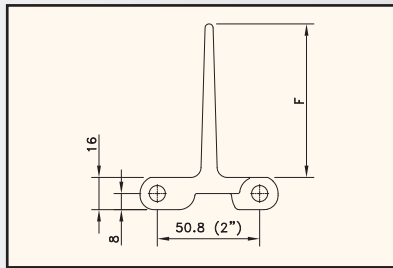
2010-SERIES

| Type | Code nr. | Nr. of teeth | Bore | Pitch diameter | Outside diameter | Hub width | MATERIAL |
|---|-----------|--------------|------|----------------|------------------|-----------|----------|
| | | | B | E | F | A | |
| | | | mm | mm | mm | mm | page 209 |
| CLASSIC SPROCKETS | | | | | | | |
| SQUARE BORES | | | | | | | |
| CS 2010-6-40x40 | 897.20.23 | 6* | 40 | 101.6 | 87.0 | 33 | |
| CS 2010-8-40x40 | 897.20.04 | 8 | 40 | 132.8 | 121.0 | | |
| CS 2010-10-40x40 | 897.20.07 | 10 | 40 | 164.4 | 154.0 | | |
| CS 2010-10-60x60 | 897.20.10 | 10 | 60 | | | | |
| CS 2010-12-40x40 | 897.20.26 | 12 | 40 | 196.3 | 188.0 | | |
| CS 2010-12-60x60 | 897.20.29 | 12 | 60 | | | | |
| * 6 teeth sprockets are not recommended as drive sprockets. | | | | | | | |

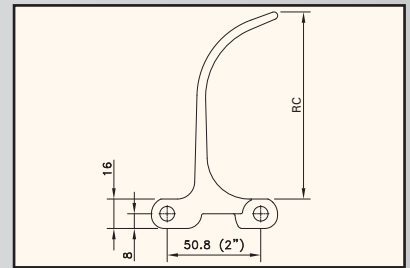
ACCESSORY INFORMATION:



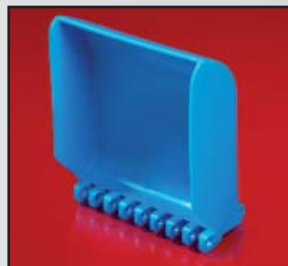
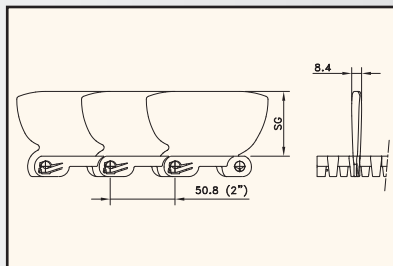
STRAIGHT FLIGHT FOR 2010-SERIES



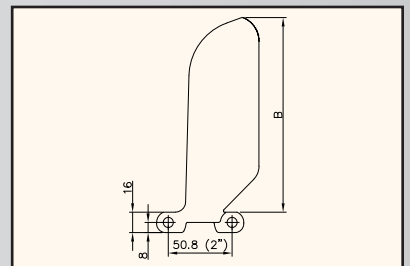
CURVED RIBBED FLIGHT FOR 2010-SERIES



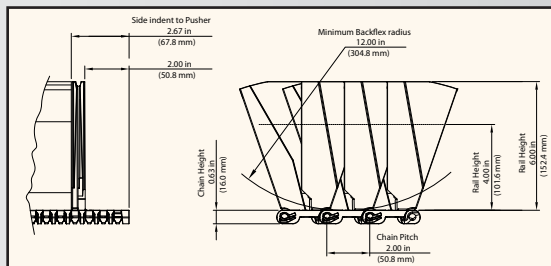
SIDEGUARDS FOR 2010-SERIES



BUCKET FLIGHT FOR 2010-SERIES



INTEGRATED SIDERAIL (ISR) FOR 2010-SERIES, 6-INCH AND 4-INCH HIGH



9200-SERIES FORTREX™ STAINLESS STEEL MATTOP® CHAINS

To achieve the industry's highest reliability, Rexnord has designed 2¼-inch pitch Fortrex stainless steel MatTop chain, a breakthrough in tunnel pasteurizing conveying. In pasteurization, long-lasting shelf life and chain life are critically important. Long-lasting shelf life preserves the good taste and quality of beverages and foods. And, long-lasting chain life guarantees uninterrupted productivity as containers move at precise speeds through controlled temperature zones of long pasteurizer tunnels.

FEATURES

- Stainless steel chain design ensures ultimate reliability at reduced total cost of ownership, including glass handling applications.
- Suitable for parallel and chevron stainless steel wearstrips, so significantly reduced retrofit cost.
- Chain rollers reduce tension by 60% over sliding belts and reduce motor power requirements.
- Split sprockets and idlers can accommodate a classic drive shaft construction.
- Superior, extended chain life.
- Elimination of unscheduled tunnel pasteurizer downtime.
- User-friendly riveted-pin retention system eliminates the need for welding during assembly.
- Maximum chain width is 6 meters.
- Maximum conveyor length is 43 meters.
- Open area is 50%.

| PROGRAMME | |
|--------------|--|
| 9217 | Equipped with rollers every 3", suitable to run on chevron wearstrips |
| 9227 | Equipped with rollers every 6", to run parallel wearstrips spaced at 6" |
| Positrack | Tracking guides for optimum reliability throughout the length of the pasteurizer tunnel. |
| Fingerplates | Smooth product transfers at infeed and outfeed with self-clearing DTS® -C. |

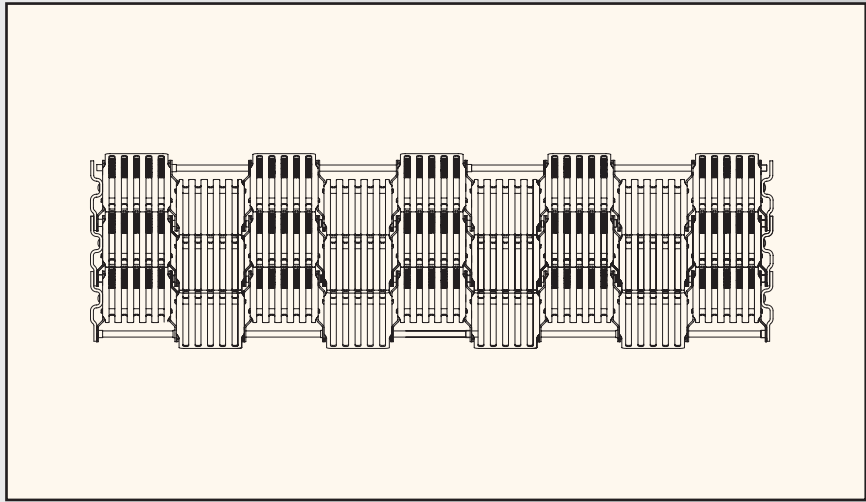


FORTREX 9227 BELT IN A FOOD TUNNEL PASTEURIZER

9200-SERIES

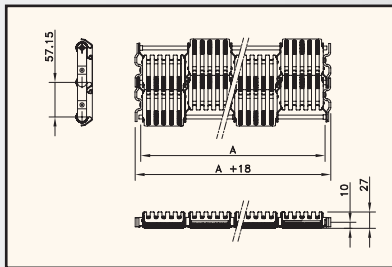
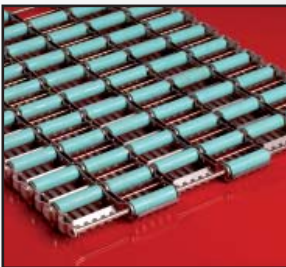


**FORTREX
9200**

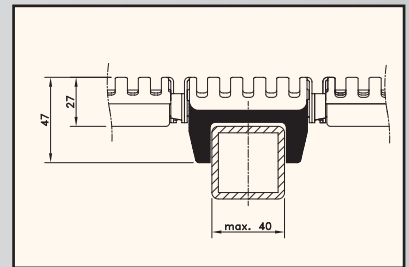
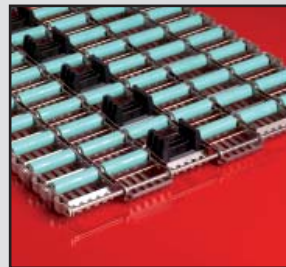


| Assembly | Belt type | Code nr.* | Temperature rangeProduct °C | | Weight load (max.) kg/m ² | Backflex kg/m ² | radius (min.) mm |
|---------------------|-----------|-----------|-----------------------------|-----|--------------------------------------|----------------------------|------------------|
| | | | dry | wet | | | |
| FORTREX 9217 | | | | | | | |
| STANDARD | 9217 | 820.05.xx | 4 to 100 | 285 | 24.5 | 80 | |
| POSITRACK | 9217 PT | 820.06.xx | | | | | |
| FORTREX 9227 | | | | | | | |
| STANDARD | 9227 | 820.02.xx | 4 to 100 | 285 | 24.0 | 80 | |
| POSITRACK | 9227 PT | 820.04.xx | | | | | |

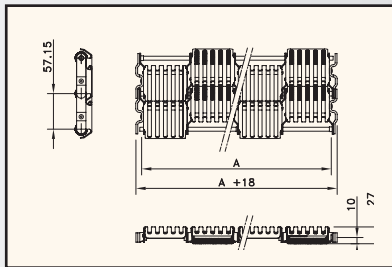
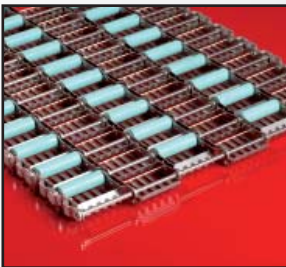
* In code numbers xx corresponds with the belt width (A), starting with 29 for 90, 30 for 93", and so on in steps of 3", up to 240"; see also page 206.



FORTREX 9217



POSITRACK IN THE CENTER OF THE BELT OR 1.5" OFFSET, DEPENDING ON THE WIDTH

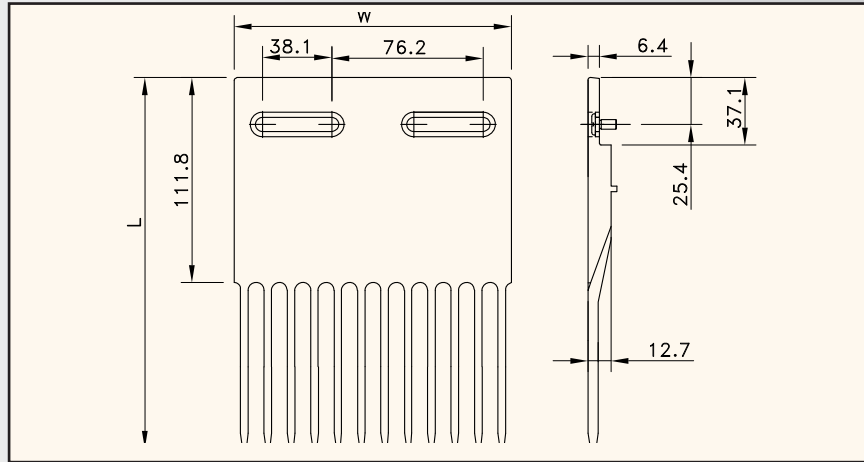


FORTREX 9227

9200-SERIES



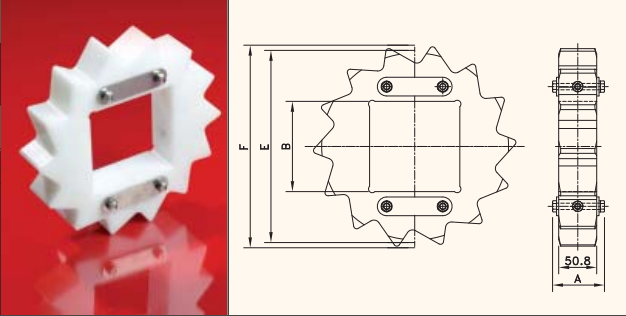
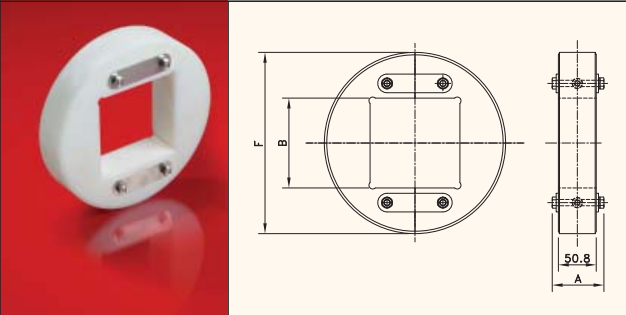
**CLASSIC
FINGERPLATE**



| Comb fingerplate with M6 screw and caps | Code nr. | Length L | Width W | Weight |
|---|--------------|----------|---------|--------|
| | | mm | mm | kg |
| REINFORCED POLYAMID | | | | |
| Comb 5997/Fortrex | I5997/631183 | 202 | 150.6 | 0.2 |

*Combs are supplied with 2 * M6 Stainless Steel screws and 2 caps

9200-SERIES

| Sprocket type | Code nr. | Nr. of teeth | Bore | Pitch diameter | Outside diameter | Hub width | MATERIAL page 209 | |
|--------------------------|-----------|--------------|--------------|----------------|------------------|-----------|--|--|
| | | | B mm/inch | E mm | F mm | A mm | | |
| SPLIT SPROCKETS | | | | | | | | |
| SQUARE BORES | | | | | | | | |
| KUS 9200 T14 S120 | 820.10.00 | 14 | 120 mm | 256.8 | 270.8 | 50.8 |  | |
| KUS 9200 T14 S3.5 | 820.10.04 | 14 | 3.5" | | | | | |
| ROUND BORES | | | | | | | | |
| KUS 9200 T14 R90 | 820.10.02 | 14 | 90 mm | 256.8 | 270.8 | 50.8 | | |
| SPLIT IDLER DRUMS | | | | | | | | |
| SQUARE BORES | | | | | | | | |
| KSXTS 9200 T14 S120 | 820.10.01 | 14 | 120 mm | 256.8 | 236.0 | 50.8 |  | |
| KSXTS 9200 T14 S3.5 | 820.10.05 | 14 | 3.5" | | | | | |
| ROUND BORES | | | | | | | | |
| KSXT 9200 T14 R90 | 820.10.03 | 14 | 90 mm | 256.8 | 236.0 | 50.8 | | |
| KSXT 9200 T14 R3.5 | 820.10.06 | 14 | 3.5" | | | | | |

* Other bore sizes available upon request

2500-SERIES MODULAR BELTS

The 2500-series 2½-inch pitch belt is intended for heavy-duty pasteurizing. The high working load permits application in heavily loaded glass pasteurisers. The total system, the module design, the transfer fingers, the sprockets and the pin retention system have been designed to cope with the harsh environment of glass pasteurizers. As a standard the belts are made of yellow reinforced polypropylene; the transfer plates are made of the same material in green-blue.

FEATURES

- The surface of the belt is designed to handle broken glass without interference with the long term performance of the belt. The special design optimizes water flow and prevents glass particles from getting stuck. Besides the solid ribs are designed to withstand the high forces that might be generated by broken glass.
- The curved bottom of the slots between the ribs ensures an optimum contact with the finger transfer system, unaffected by the chordal action of the belt. This allows the fingers to push glass particles from the slot bottom to leave the system. If damaged, the fingers can be replaced individually.
- The fingers are grouped in a transfer block which allows them to slide and follow the expansion and contraction of the belt.
- The Easy Lock pin retention allows easy installation and maintenance of the belt.

| PROGRAMME | |
|----------------|--|
| 2500 Solid Rib | The 20% open area combines optimum drainage with perfect support for the bottles. The ribbed design prevents broken glass to jam in the surface of the belt as with conventional Raised Rib designs |
| Positrack | Guiding lugs beneath the belt for accurate tracking of the belt in pasteurizer tunnels over the full length, allowing optimum use of the belt surface |
| Fingerplates | Transfer system for easy loading of products from and onto the belt |



BOTTLE PASTEURIZER INFEED WITH 2500 BELT

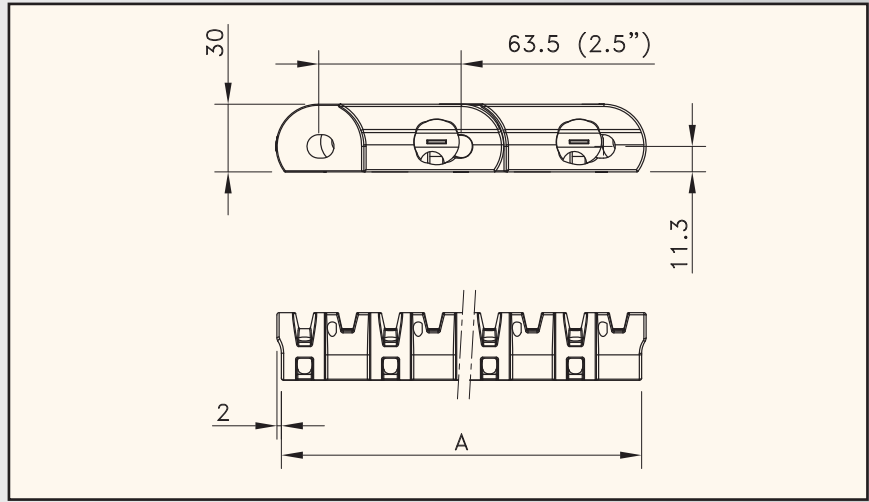


GLASS JARS PASTEURIZING ON 2500 BELT

2500-SERIES



**SOLID RIB
2500**



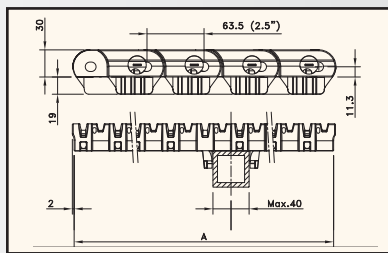
see below

MATERIAL

page 208

| Assembly | Belt type | Code nr.* | Temperature range °C | | Working load (max.) N/m (21°C) | Weight kg/m ² | Backflex radius (min.) mm |
|--|--------------|-----------|----------------------|----------|--------------------------------|--------------------------|---------------------------|
| | | | dry | wet | | | |
| YPR-REINFORCED POLYPROPYLENE WITH REINFORCED POLYPROPYLENE PINS | | | | | | | |
| STANDARD | SR 2500 YPR | 832.70.xx | 4 to 104 | 4 to 104 | 47500 | 18.50 | 75 |
| POSITRACK | SRP 2500 YPR | 832.80.xx | | | | | |

* In code numbers xx corresponds with the belt width (A), starting with 15 for 18"; 16 for 21" and so on in steps of 3" up to 240". Other widths upon request. See also page 206.



SOLID RIB 2500 BELT WITH POSITRACK IN THE CENTER OF THE BELT OR 1.5" OFFSET, ONLY FOR CUT-TO-WIDTH BELTS

| Product | Code nr. | Weight | Pitch | Length | |
|---|-----------|--------|-------|--------|--|
| | | kg | mm | mm | |
| FINGER TRANSFER SYSTEM | | | | | |
| BPR-POLYPROPYLENE | | | | | |
| MC 2500 mounting-block incl. 16 fingers | 834.72.61 | 1.71 | 304.4 | 255.8 | |
| Mounting-block | 801.57.01 | 0.85 | 304.4 | 63.0 | |
| RF 2500 BPR exchange set of 16 fingers | 834.72.51 | 0.54 | - | - | |

| Sprocket Type | Code nr. | Nr. of teeth | Bore | Pitch diameter | Outside diameter | Hub width | |
|------------------------|-----------|--------------|------|----------------|------------------|-----------|--|
| | | | B | E | F | A | |
| | | | mm | mm | mm | mm | |
| SPLIT SPROCKET | | | | | | | |
| SQUARE BORE | | | | | | | |
| SS 2500 14-120x120 RPA | 899.97.29 | 14 | 120 | 285.4 | 282.0 | 36 | |

MATERIAL

page 209

6990-SERIES MODULAR BELTS

The 6990-series 2¼-inch pitch heavy-duty belt is mainly intended for long and wide conveyors in different segments of the automotive industry. The closed surface of the 6995, the non-skid surface of the 6999 execution and the high load capability of these belts allow the handling of people and cars in assembly lines, water and leak testing and car wash applications. As a standard the belts are supplied in high-performance acetal.

FEATURES

- High load capacity up to 50,000 N/m with standard pins and over 70,000 N/M with PBT Pins.
- Equally divided hinge eyes for higher chain stiffness.
- Long life chain design due to large pin diameter, optimum hinge eye width and proven wear resistant design of the chain underside.
- Easy installation and maintenance in combination with Twist-Lock[®] pin retention at both sides, which are easy to operate with just a screwdriver and prevent the loss of plugs; self-closing under influence of chain weight.
- Standard available in BSM Acetal and in BYSM with yellow sides for clear moving belt edge safety indication; upon request also available with red sides.
- Superior drive technology also under high loading, due to specific belt pocket and drive sprocket design.
- High strength indented pushers available for car wash and automotive applications.

| PROGRAMME | |
|------------------|---|
| 6995 Solid Top | Closed surface; suitable for automotive and people moving applications |
| 6999 Safety Top | Closed non-skid surface; prevents slipping in humid, greasy or wet environments |
| Belt accessories | T1-inch and T2-inch DIN style automotive pushers. These pushers meet the requirements of the DIN24446 standard. Pushers can be combined with 40mm high sideguards (sideguards are available exclusively through selected industry channels) |



CAR INTERIOR CLEANING (DETAILING) INSTALLATION WITH 6995 BELT

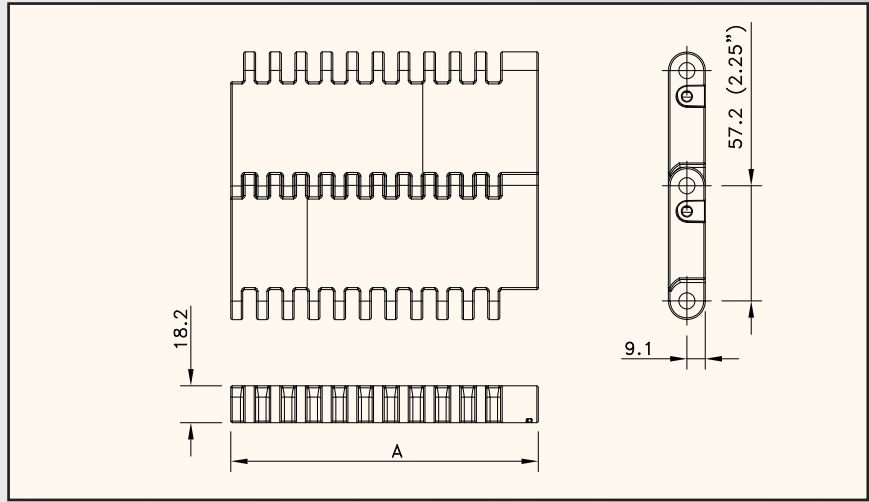


DUAL LANE EXTERIOR CAR WASHING ON 6990-SERIES WITH T1 PUSHERS

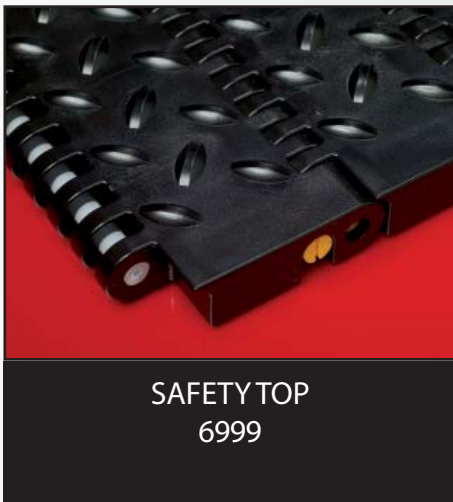
6990-SERIES



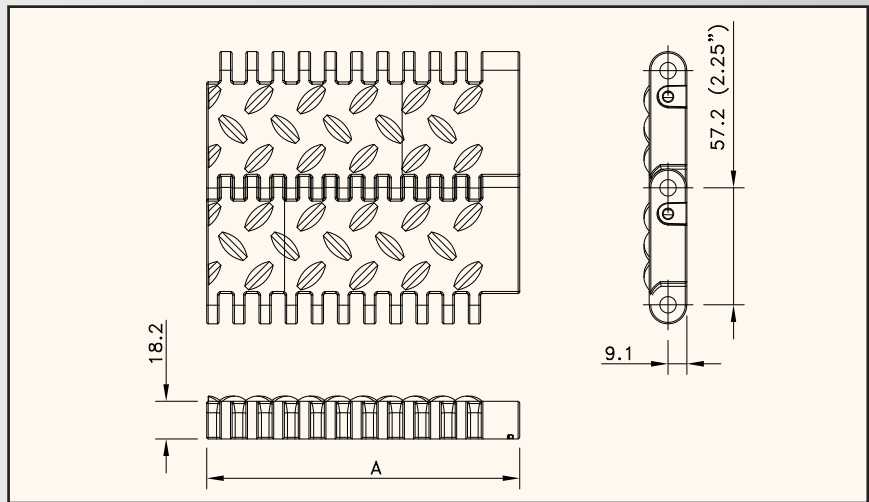
**SOLIDTOP
6995**



| Assembly | Belt type | Code nr.* | Temperature rangeWorking °C | | Weight load (max.) N/m (21°C) | Backflex kg/m ² | radius (min.) mm |
|--|-----------|--------------|-----------------------------|----------|-------------------------------|----------------------------|------------------|
| | | | dry | wet | | | |
| BSM-ACETAL WITH POLYPROPYLENE PINS | | | | | | | |
| STANDARD | BSM 6995 | I6995BSMKxx | 4 to +80 | 4 to +65 | 51000 | 14.65 | 38 |
| BYSM-ACETAL WITH POLYPROPYLENE PINS | | | | | | | |
| STANDARD | BYSM 6995 | I6995BYSMKxx | 4 to +80 | 4 to +65 | 51000 | 14.65 | 38 |



**SAFETY TOP
6999**



| Assembly | Belt type | Code nr.* | Temperature rangeWorking °C | | Weight load (max.) N/m (21°C) | Backflex kg/m ² | radius (min.) mm |
|--|-----------|--------------|-----------------------------|----------|-------------------------------|----------------------------|------------------|
| | | | dry | wet | | | |
| BSM-ACETAL WITH POLYPROPYLENE PINS | | | | | | | |
| STANDARD | BSM 6999 | I6999BSMKxx | 4 to +80 | 4 to +65 | 51000 | 14.65 | 38 |
| BYSM-ACETAL WITH POLYPROPYLENE PINS | | | | | | | |
| STANDARD | BYSM 6999 | I6999BYSMKxx | 4 to +80 | 4 to +65 | 51000 | 14.65 | 38 |

* In code numbers xx corresponds with the belt width (A). Standard widths of these belts begin at 9" with 6" increments up to 190"; special widths begin at 5" with 1/2" increments. See also page 206.

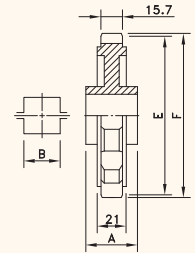
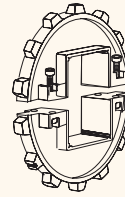
6990-SERIES

| Sprocket type | Code nr. | Nr. of teeth | Bore | Pitch diameter | Outside diameter | Hub width | MATERIAL |
|---------------|----------|--------------|------|----------------|------------------|-----------|----------|
| | | | B | E | F | A | |
| | | | | | | | page 209 |

SPLIT SPROCKETS

SQUARE BORES

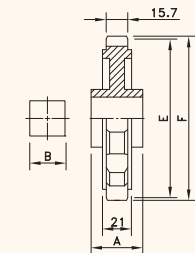
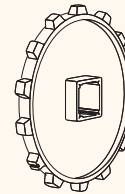
| | | | | | | |
|------------------|-----------|----|-----|-------|-------|----|
| NS 5996 T09 S90 | 614-91-2 | 9 | 90 | 167.1 | 164.1 | 48 |
| NS 5996 T12 S90 | 614-97-2 | 12 | 90 | 220.8 | 221.0 | |
| NS 5996 T14 S90 | 614-89-2 | 14 | 90 | 256.8 | 256.5 | |
| NS 5996 T14 S120 | 614-128-1 | 14 | 120 | | | |



CLASSIC SPROCKETS

SQUARE BORES

| | | | | | | |
|-------------------|-------------|----|----|-------|-------|----|
| N 5996 T07 S40 | 114-821-11 | 7 | 40 | 131.7 | 125.5 | 48 |
| N 5996 T09 S40 HS | 114-2238-1 | 9 | 40 | 167.1 | 164.1 | |
| N 5996 T09 S50 HS | 114-3278-1 | 9 | 50 | | | |
| N 5996 T09 S65 HS | 114-1599-16 | 9 | 65 | 256.8 | 256.5 | |
| N 5996 T14 S40 HS | 114-2239-1 | 14 | 40 | | | |
| N 5996 T14 S50 HS | 114-2239-2 | 14 | 50 | | | |
| N 5996 T14 S65 HS | 114-1101-2 | 14 | 65 | | | |
| N 5996 T14 S90 HS | 114-1032-2 | 14 | 90 | | | |

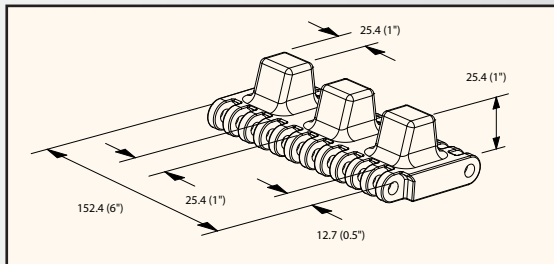


HS suitable for hot and humid applications.

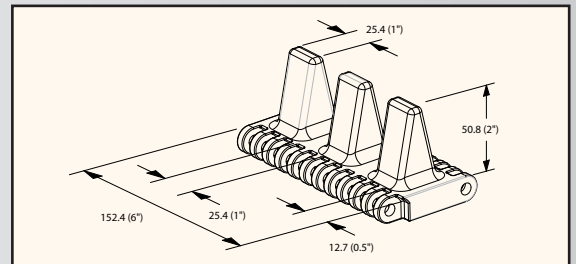
ACCESSORY INFORMATION:



DIN STYLE PUSHER 6990



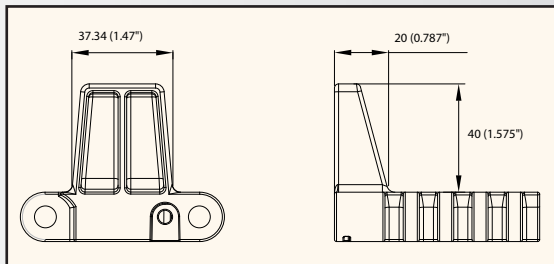
T1 DIMENSIONS



T2 DIMENSIONS



DIN STYLE SIDEGUARD 6990



H40 DIMENSIONS

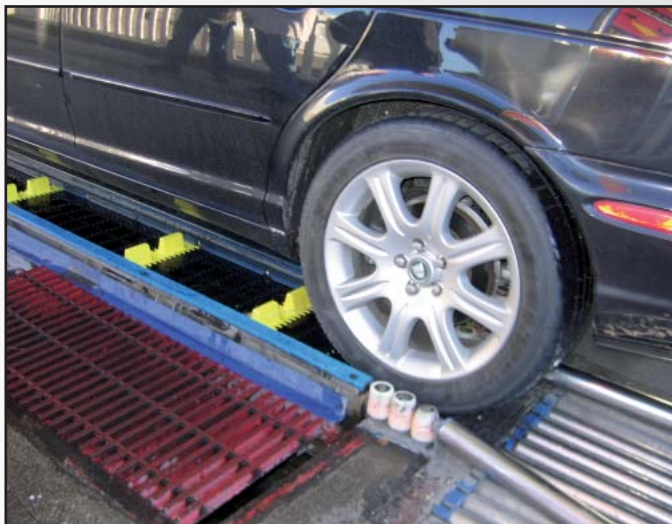
3120 SERIES MODULAR BELTS

The 3120-series 3-inch pitch belt is Rexnord strongest plastic modular chain, primarily used for industrial-type applications including oil-change conveyors, 2 lane final assembly line conveyors, Skid and pallet handling conveyors, 2-lane water test conveyors and automotive parts handling. The chain has proven itself also in single lane car wash and single lane end-of-line inspection conveyors replacing conventional technology. It is moulded in high performance acetal and utilizes patented Twist-Lock® plugs as well as 1/2" diameter polyester or stainless steel pins. The chain is available with several accessories like T1-inch and T2-inch automotive pushers and sideguards, all meeting the DIN24446 standard. The pushers are designed to be driven over and ensure a controlled handling of any size vehicles on top of the chain. This bricked chain is available from 4-inch wide with increments of 2-inch. Sprockets are available in solid or split execution and in several materials in robust design to handle increased loads.

FEATURES

- Ultra high load capacity of 115,000 N/m (strongest plastic MatTop chain available). No need for (stainless) steel pins to reach maximum working load reducing overall chain weight and power consumption.
- Equally divided hinges combination with large 1/2" pin diameter provide very high stiffness.
- Long life design due to large pin diameter, optimum hinge eye width and proven wear resistant design of the chain underside (large contact surface).
- Easy installation and maintenance in combination with Twist-Lock pin retention at both sides, which are easy to operate with just a screwdriver and prevent the loss of plugs; self-closing under influence of chain weight.
- Superior drive technology also under high load and heavy duty circumstances, due to specific belt pocket and sprocket design.
- High strength pushers available intended for automotive and industrial usage.
- Available in SolidTop (3125) and SafetyTop (3129) surface execution to meet any application conditions requirement.
- Standard available in BSM and in BYSM with yellow sides for clear moving belt edge safety indication; upon request also available with other color sides.
- High strength DIN style Automotive T1-inch and T2-inch pushers and H40-mm Sideguards available intended for automotive and industrial usage (sideguards are available exclusively through selected industry channels). Pushers and sideguards both meet the requirements of the DIN24446 standard.

| PROGRAMME | |
|------------------|--|
| 3125 Solid Top | Close Surface, suitable for any kind of industrial and automotive application |
| 3129 SafetyTop | Closed non-skid surface; prevents slipping in wet, greasy or humid environments. |
| Belt accessories | T2-inch pushers available. Robust pushers designed to be driven over by vehicles |

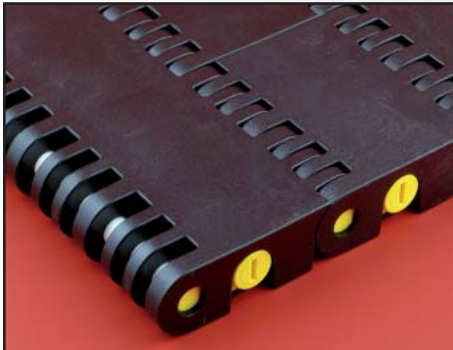


EXTERIOR CARWASH ENTRY 3125 BELT CONVEYOR WITH T2 PUCHERS

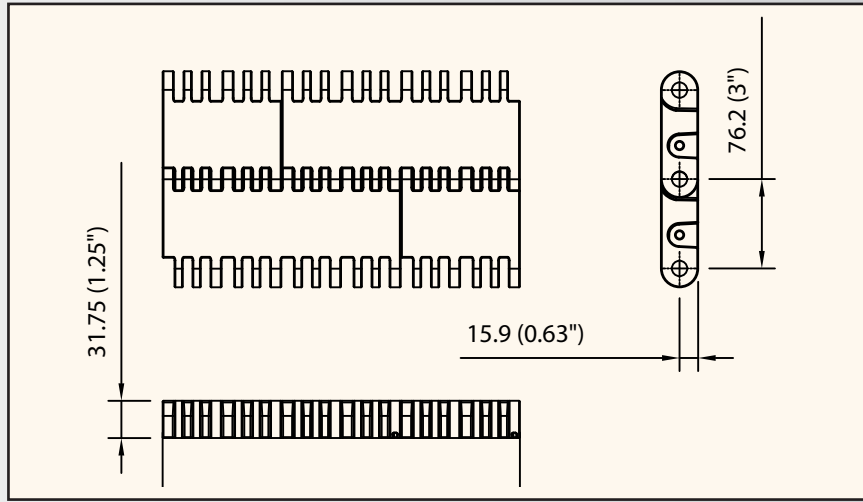


3125 END OF LINE INSPECTION BELT CONVEYOR WITH T2 DIN PUSHERS

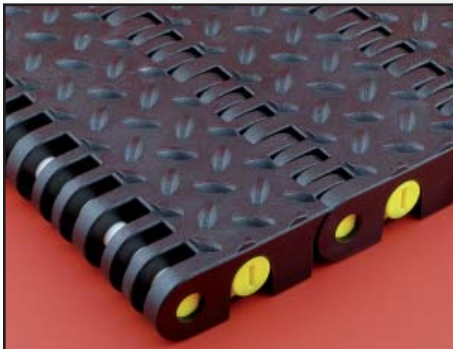
3120-SERIES



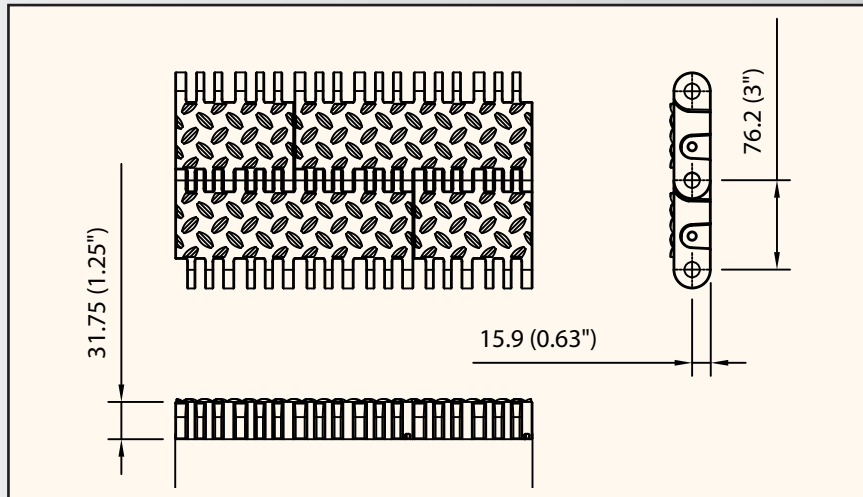
**SOLID TOP
3125**



| Assembly | Belt type | Code nr.* | Temperature range °C | | Working load (max.) N/m (21°C) | Weight kg/m ² | Backflex radius (min.) mm |
|----------------------------|-----------|-------------|----------------------|----------|--------------------------------|--------------------------|---------------------------|
| | | | dry | wet | | | |
| ACETAL WITH POLYESTER PINS | | | | | | | |
| STANDARD | BSM 3125 | I3125BSMKxx | -30 to +80 | up to 65 | 115000 | 31.10 | 76.2 |
| STANDARD | BYSM 3125 | I3125BYSMK | | | | | |

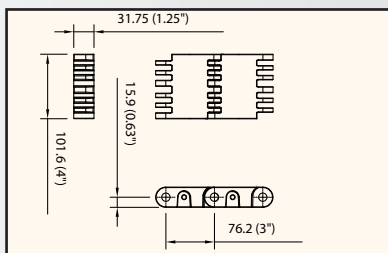


**SAFETYTOP
3129**



| Assembly | Belt type | Code nr.* | Temperature range °C | | Working load (max.) N/m (21°C) | Weight kg/m ² | Backflex radius (min.) mm |
|----------------------------|-----------|--------------|----------------------|----------|--------------------------------|--------------------------|---------------------------|
| | | | dry | wet | | | |
| ACETAL WITH POLYESTER PINS | | | | | | | |
| STANDARD | BSM 3129 | I3125BSMKxx | -30 to +80 | up to 65 | 115000 | 31.10 | 76.2 |
| STANDARD | BYSM 3125 | I3125BYSMKxx | | | | | |

* In code numbers xx correspond with the belt width (A). Standard width of these belts begin at 4" with 2" increments up to 190"; 4" and 8" execution are mold-to-width executions.



BSM3125-K4 MTW EXECUTION

Belt can be equipped with T1 or T2 automotive pushers and or sideguards, please indicate pushers with T1 or T2 followed by the spacing of the pushers (e.g T18P means every 18th row). Indicate sideguard with SG40. Side indent to the pusher is minimum 1/2" with 2" increments.

Chain is standard equipped with Polyester (PBT) pins. On request the chain can be equipped with stainless steel pins and in other chain materials as well.

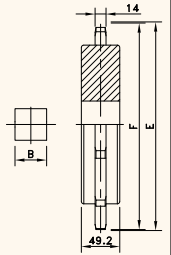
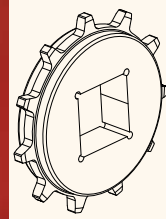
3120-SERIES

| Type | Code nr. | Nr. of teeth | Bore | | Outside diameter F | Hub width A | <div style="border: 1px solid black; padding: 2px;"> MATERIAL page 209 </div> |
|------|----------|--------------|------|----|--------------------|-------------|---|
| | | | B | E | | | |
| | | | mm | mm | mm | mm | |

CLASSIC SPROCKETS

SQUARE BORE

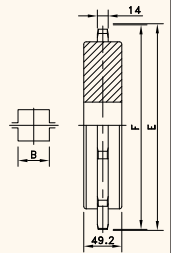
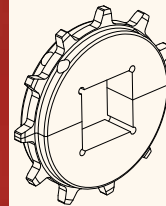
| Type | Code nr. | Nr. of teeth | Bore B | Pitch diameter E | Outside diameter F | Hub width A |
|-----------------|-------------|--------------|--------|------------------|--------------------|-------------|
| KU 3120 T09 S60 | 114-5171-8 | 9 | 60 | 222.8 | 218.9 | 47.8 |
| KU 3120 T09 S90 | 114-5171-14 | 9 | 90 | | | |
| KU 3120 T10 S60 | 114-5172-8 | 10 | 60 | 246.6 | 244.1 | |
| KU 3120 T10 S90 | 114-5172-14 | 10 | 90 | | | |
| KU 3120 T11 S60 | 114-5173-8 | 11 | 60 | 270.5 | 269.1 | |
| KU 3120 T11 S90 | 114-5173-14 | 11 | 90 | | | |



SPLIT SPROCKETS

SQUARE BORE

| Type | Code nr. | Nr. of teeth | Bore B | Pitch diameter E | Outside diameter F | Hub width A |
|------------------|-----------|--------------|--------|------------------|--------------------|-------------|
| KUS 3120 T09 S60 | 614-731-3 | 9 | 60 | 222.8 | 218.9 | 47.8 |
| KUS 3120 T09 S90 | 614-731-9 | 9 | 90 | | | |
| KUS 3120 T10 S60 | 614-732-3 | 10 | 60 | 246.6 | 244.1 | |
| KUS 3120 T10 S90 | 614-732-9 | 10 | 90 | | | |
| KUS 3120 T11 S60 | 614-733-3 | 11 | 60 | 270.5 | 269.1 | |
| KUS 3120 T11 S90 | 614-733-9 | 11 | 90 | | | |

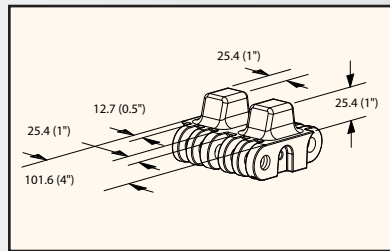


* Other bores sizes (square and round) and number of teeth are available on request. Smallest possible sprocket has 8 teeth.

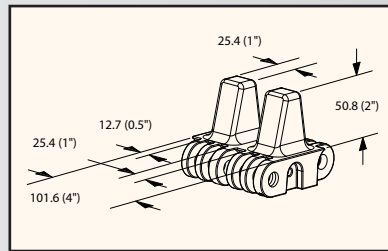
* Stainless steel sprockets available upon request.



DIN STYLE PUSHER 3120



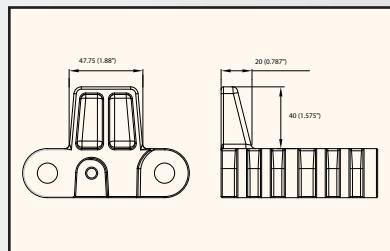
T1 DIMENSIONS



T2 DIMENSIONS



DIN STYLE SIDEGUARD 3120



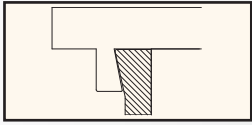
H40 DIMENSIONS

SIDEFLEXING MODULAR BELTS

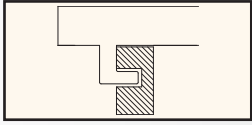
The sideflexing belts range exists of 1/2-inch pitch 505, 1 1/4-inch pitch 1200 and 1 1/4-inch pitch 7956 belts, offering a solution for almost any curved application. As a standard the belts are supplied in low friction acetal for beverage and in acetal or polypropylene with antibacterial protection, especially for direct food contact.

FEATURES

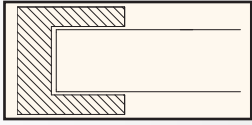
- In compliance with the industry standards, three curve guiding systems are offered:



RBP uses beveled Positrack lugs underneath the belt to guide the belt in the curve. The lugs run against a beveled strip, retaining the belt in the curve. This system enables easy removal of the belt from the conveyor for cleaning or maintenance. The conveyed product can be wider than the belt width as there is no wearstrip on top of the belt to hold it down.



RBT guiding uses Tabs underneath the belt to hold the belt down while running through the curve. Often the tabs can also be used to hang the belt in the return part of the conveyor. Depending on the construction modular belts with tabs are more difficult to remove from the conveyor for cleaning and maintenance.



RB (Flat belt without Tabs or Positrack) is suitable for the conventional guiding method, supporting the belt on its inner radius. The belt is held down in the curve by a wearstrip on top of the belt or by running through a U-channel. This method can also be applied in the return part. In this way it is difficult to remove the belt from the conveyor. The RB executions are also suitable for low-tension spiral applications.

- Belt and curve guiding materials have a PV (Pressure/Velocity)-limit determining the maximum speed or load in a specific application. Rexnord's calculation software and engineering manuals will advise concerning the feasibility of a specific application. For spiral applications it is recommended to discuss with a qualified OEM retrofit or design details, to avoid overload issues or failures.

| PROGRAMME | |
|------------------|--|
| 505-Series | For small packed products and loose foodstuff; combines a small internal radius with minimum inline transfers and an open area of 10%; available in RBP and RB |
| 1200-Series | For food, beverage, packaging and other industries. Combines a 39% open area and cleanable design with a surface optimized for product support. There are several types: <ul style="list-style-type: none"> • 1255 standard execution; available in RBP and RB; RBT upon request • 1255 SuperGrip with rubber for inclined and declined applications; available in RBP and RB • 1265 combines standard 1255 inner modules with specially designed outer end modules with TAB and special sliding blocks for huge loading, high-speed possibilities; available in RBT on the outer radius, the inner radius can be equipped with RBP, RBT and RB • 1275 combines standard 1255 outer modules with specially designed inner modules, creating a compact radius design from 1.2 collapse factor upwards; available in RBP, RBT and RB • 1285 combines the 1265 outer and 1275 inner modules for high strength, high speed and compact design. RBT guiding on the outer radius, the inner radius can be equipped with RBP, RBT and RB |
| 7956-Series | For large and heavy products in beverage and case handling applications; the inside radius is 2 times the belt width and the 16% open area offers maximum product support; the belt features the same strength rating for straight and curved sections. There are several types: <ul style="list-style-type: none"> • 7956 NT without tabs • 7956 TAB with original hold down tabs • 7956 GT with high performance tabs with similar dimensions as the bearing option • 7956 B with bearings every second row for high-speed and huge load applications |
| Belt accessories | Flights on 1255 for inclined and declined applications in food industry |



PACK CONVEYOR WITH 505 BELT



Tel. +32 (52) 750 430 www.bogaert-transmission.com

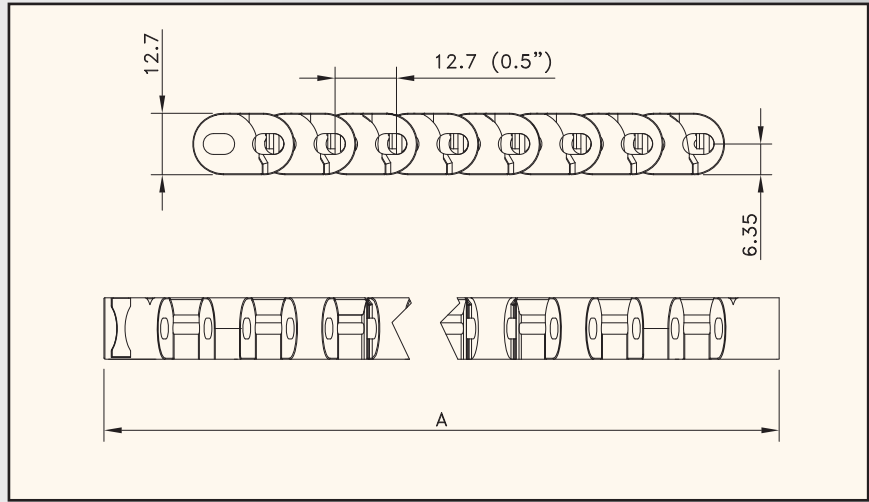


BOXES CONVEYED THROUGH CURVE WITH 1285 BELT

505-SERIES

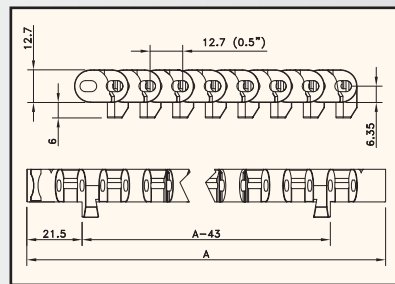
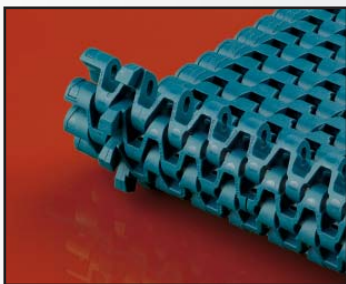


**RADIUS
505**

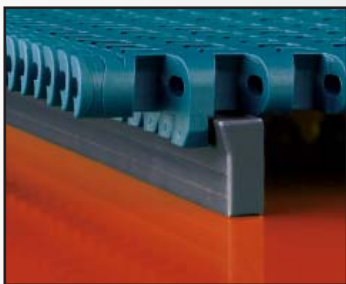


| Assembly | Belt type | Code nr.* | Width A | Sideflex radius inside (min.) | Working load (max.) | | Temperature range °C | | Weight kg/m ² | Backflex radius (min.) mm |
|---|-----------------|-----------|------------|-------------------------------------|---------------------|----------|-------------------------|------------|-----------------------------|------------------------------------|
| | | | | | straight | in curve | dry | wet | | |
| | | | | | N/m | N | | | | |
| WITH SPECIAL REINFORCED PLASTIC PINS | | | | | | | | | | |
| FLAT | RB 505 XLG 255 | 867.20.12 | 255 | 510 | 15000 | 1300 | -40 to +80 | -40 to +65 | 9.0 | 15 |
| | RB 505 XLG 340 | 867.20.13 | 340 | 680 | | | | | | |
| | RB 505 XLG 425 | 867.20.14 | 425 | 850 | | | | | | |
| | RB 505 XLG 510 | 867.20.15 | 510 | 1020 | | | | | | |
| | RB 505 XLG 595 | 867.20.16 | 595 | 1190 | | | | | | |
| | RB 505 XLG 680 | 867.20.17 | 680 | 1360 | | | | | | |
| POSITRACK TWO SIDES | RBP 505 XLG 255 | 867.30.12 | 255 | 510 | 15000 | 1300 | -40 to +80 | -40 to +65 | 9.0 | 15 |
| | RBP 505 XLG 340 | 867.30.13 | 340 | 680 | | | | | | |
| | RBP 505 XLG 425 | 867.30.14 | 425 | 850 | | | | | | |
| | RBP 505 XLG 510 | 867.30.15 | 510 | 1020 | | | | | | |
| | RBP 505 XLG 595 | 867.30.16 | 595 | 1190 | | | | | | |
| | RBP 505 XLG 680 | 867.30.17 | 680 | 1360 | | | | | | |
| ANTIBACTERIAL WSA-ACETAL WITH PBT PINS | | | | | | | | | | |
| FLAT | WSA 505 RB | 868.20.xx | 255 to 680 | 2x belt width | 15000 | 1300 | -40 to +80 | -40 to +65 | 9.0 | 15 |
| POSITRACK | WSA 505 RBP | 868.30.xx | | | | | | | | |
| ANTIBACTERIAL BSA-ACETAL WITH PBT PINS | | | | | | | | | | |
| FLAT | BSA 505 RB | 867.10.xx | 255 to 680 | 2x belt width | 15000 | 1300 | -40 to +80 | -40 to +65 | 9.0 | 15 |
| POSITRACK | BSA 505 RBP | 868.50.xx | | | | | | | | |

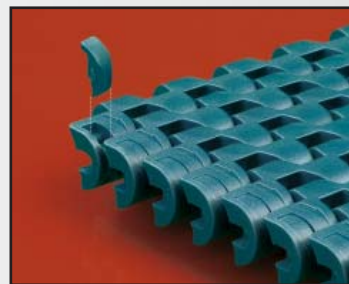
* In code numbers xx corresponds with the belt width (A), starting with 12 for 255 mm, 13 for 340 mm and so on with 85 mm increments up to 680 mm; wider belts available upon request. See also page 206.



STANDARD POSITRACK LUGS ON BOTH SIDES



CURVE GUIDING PROFILE FOR 505



PIN RETENTION CLIPS FOR EASY (DIS)ASSEMBLY

The curve guiding profile for the 505 has a standard length of 2 meters; it is made of MCC 3500 special polyamide, code nr. 800.00.01, or MCC 3600 polyester for direct food contact, code nr. 800.00.02.

Tel. +32 (0)2 750 430 www.bogaert-transmission.com

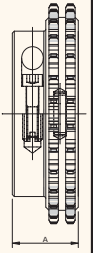
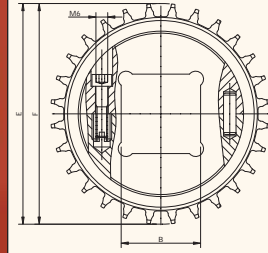
505-SERIES

| Sprocket Type | Code nr. | Nr. of teeth | Bore | Pitch diameter | Outside diameter | Hub width | MATERIAL |
|---------------|----------|--------------|---------|----------------|------------------|-----------|----------|
| | | | B | E | F | A | |
| | | | mm/inch | mm | mm | mm | page 209 |

SPLIT SPROCKETS MACHINED

ROUND BORES

| SS 505 28-25 | 894.26.16 | 28 | 25 mm | 113.4 | 113.4 | 33.5 |
|--------------|-----------|----|-------|-------|-------|------|
| SS 505 28-30 | 894.26.17 | 28 | 30 mm | | | |
| SS 505 28-35 | 894.26.10 | 28 | 35 mm | | | |
| SS 505 28-1 | 894.26.41 | 28 | 1.0" | | | |



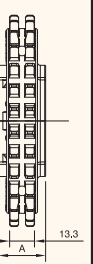
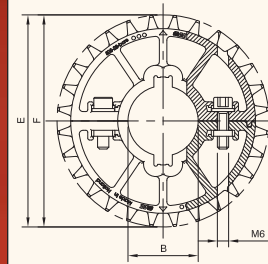
SQUARE BORES

| SS 505 28-25x25 | 894.26.26 | 28 | 25 mm | 113.4 | 113.4 | 33.5 |
|-----------------|-----------|----|-------|-------|-------|------|
| SS 505 28-30x30 | 894.26.27 | 28 | 30 mm | | | |
| SS 505 28-35x35 | 894.26.20 | 28 | 35 mm | | | |
| SS 505 28-1x1 | 894.26.56 | 28 | 1.0" | | | |

SPLIT SPROCKETS INJECTION MOULDED

ROUND BORES

| SS 505 28-40 | 895.54.11 | 28 | 40 mm | 113.4 | 113.4 | 25.5 |
|-----------------|-----------|----|-------|-------|-------|------|
| SS 505 28-1 1/2 | 895.54.41 | 28 | 1.5" | | | |



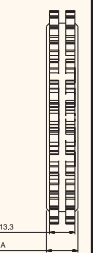
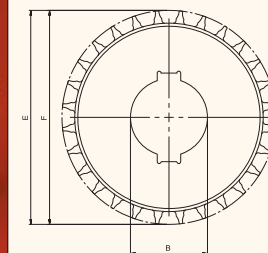
SQUARE BORES

| SS 505 28-40x40 | 895.54.21 | 28 | 40 mm | 113.4 | 113.4 | 25.5 |
|-----------------------|-----------|----|-------|-------|-------|------|
| SS 505 28-1 1/2x1 1/2 | 895.54.51 | 28 | 1.5" | | | |

CLASSIC SPROCKETS

ROUND BORES

| CS 505 28-25 | 894.25.16 | 28 | 25 mm | 113.4 | 113.4 | 16.5 |
|-----------------|-----------|----|-------|-------|-------|------|
| CS 505 28-30 | 894.25.17 | 28 | 30 mm | | | |
| CS 505 28-35 | 894.25.10 | 28 | 35 mm | | | |
| CS 505 28-40 | 894.25.11 | 28 | 40 mm | | | |
| CS 505 28-1 | 894.25.46 | 28 | 1.0" | | | |
| CS 505 28-1 1/2 | 894.25.41 | 28 | 1.5" | | | |



SQUARE BORES

| CS 505 28-25x25 | 894.25.26 | 28 | 25 mm | 113.4 | 113.4 | 16.5 |
|-----------------------|-----------|----|-------|-------|-------|------|
| CS 505 28-30x30 | 894.25.27 | 28 | 30 mm | | | |
| CS 505 28-35x35 | 894.26.20 | 28 | 35 mm | | | |
| CS 505 28-40x40 | 894.25.21 | 28 | 40 mm | | | |
| CS 505 28-1x1 | 894.25.56 | 28 | 1.0" | | | |
| CS 505 28-1 1/2x1 1/2 | 894.25.51 | 28 | 1.5" | | | |

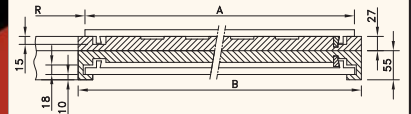
| Code nr. | Radius | Belt width | Height | Curve width | Angle | MATERIAL |
|----------|--------|------------|--------|-------------|-------|----------|
| | R | A | | B | | |
| | mm | mm | mm | mm | | |

page 209

TAB CURVES

FOR 505

| 804.02.02 | 510 | 255 | 27 + 55 | 281 | 90° |
|-----------|------|-----|---------|-----|-----|
| 804.02.03 | 680 | 340 | 27 + 55 | 366 | |
| 804.02.04 | 850 | 425 | 27 + 55 | 451 | |
| 804.02.05 | 1020 | 510 | 27 + 55 | 536 | |
| 804.02.06 | 1190 | 595 | 27 + 55 | 621 | |
| 804.02.07 | 1360 | 680 | 27 + 55 | 706 | |

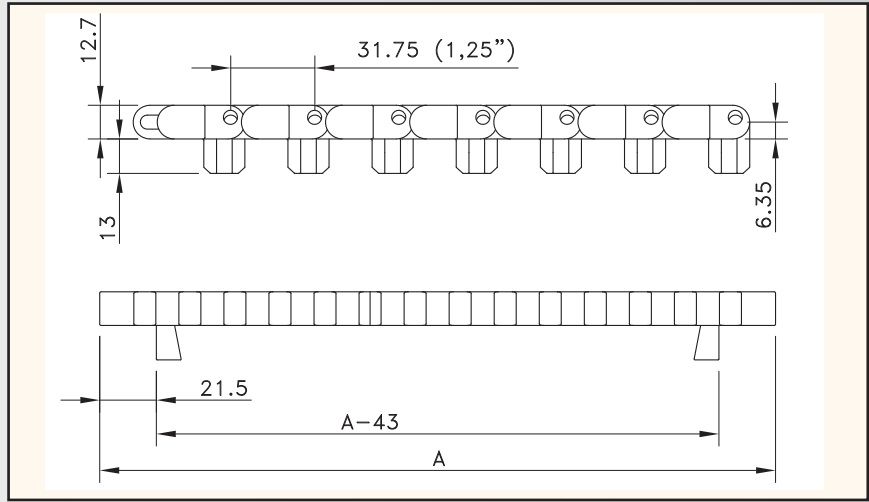


Other angles and non-standard tab curves on request; these curves include a curve guiding profile.
Including 100 mm long straight sections at upper part.

1200-SERIES



**RADIUS
1255**



page 203

page 203

MATERIAL

page 208

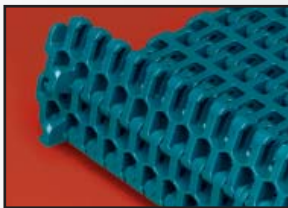
| Assembly | Belt type | Code nr.* | Sideflex radius (min.) | Temperature range °C | | Working load (max.) | | Weight kg/m ² | Backflex radius (min.) mm |
|--|-----------------|-----------|------------------------|----------------------|------------|---------------------|--------------|--------------------------|---------------------------|
| | | | | mm | dry | wet | straight N/m | | |
| XLG-ACETAL WITH PBT PINS | | | | | | | | | |
| POSITRACK TWO SIDES | RBP 1255 XLG | 867.40.xx | 2 x belt width | -40 to +80 | -40 to +65 | 22000 | 2000 | 8.00 | 25 |
| FLAT | RB 1255 XLG | 867.70.xx | | -40 to +65 | | | | | |
| SUPERGRIP POSITRACK | SG 1255 XLG RBP | 867.53.xx | | -40 to +65 | | | | | |
| ANTIBACTERIAL WHA-POLYPROPYLENE WITH PBT PINS | | | | | | | | | |
| POSITRACK TWO SIDES | WHA 1255 RBP | 869.40.xx | 2 x belt width | 4 to 80 | 4 to 65 | 11000 | 1200 | 5.20 | 25 |
| FLAT | WHA 1255 RB | 869.90.xx | | 4 to 65 | | | | | |
| SUPERGRIP POSITRACK | SG 1255 WHA RBP | 869.53.xx | | 4 to 65 | | | | | |
| ANTIBACTERIAL BHA-POLYPROPYLENE WITH PBT PINS | | | | | | | | | |
| FLAT | BHA 1255 RB | 869.80.xx | 2x belt width | 4 to 80 | 4 to 65 | 11000 | 1200 | 5.20 | 25 |
| ANTIBACTERIAL WSA-ACETAL WITH PBT PINS | | | | | | | | | |
| POSITRACK TWO SIDES | WSA 1255 RBP | 868.40.xx | 2x belt width | -40 to +80 | up to 65 | 22000 | 2000 | 8.00 | 25 |
| FLAT | WSA 1255 RB | 869.00.xx | | -40 to +65 | | | | | |
| SUPERGRIP POSITRACK | SG 1255 WSA RBP | 868.63.xx | | -40 to +65 | | | | | |
| ANTIBACTERIAL BSA-ACETAL WITH PBT PINS | | | | | | | | | |
| POSITRACK TWO SIDES | BSA 1255 RBP | 868.70.xx | 2x belt width | -40 to +80 | up to 65 | 22000 | 2000 | 8.00 | 25 |
| FLAT | BSA 1255 RB | 869.10.xx | | -40 to +80 | | | | | |

* In code numbers xx corresponds with the belt width (A), starting with 12 for 255 mm, 13 for 340 mm.

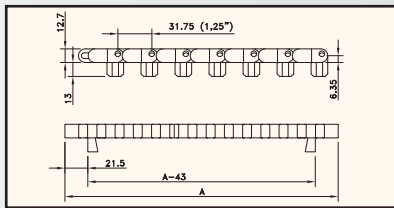
If you need flights, describe the belt by choosing from the required options listed in the 2nd column of the table:

| | | |
|-----------------------|---------------------------------|---|
| Material | WHA or BHA or WSA or BSA | |
| Belt type | 1255 RBP or 1255 RBT or 1255 RB | RBP for Positrack (only in WHA, WSA and BSA), RBT for Tabs (only in WSA and BSA), RB for Flat |
| Width (A) | KM... (in mm) | |
| Flights | F3 or H.. | Standard height of 3" (76.2 mm) or special height in mm |
| Pitch between flights | T..P | Flights on every .. th row |
| Flight side-indent | N.. (in mm) | Minimal 51 mm with 17 mm increments |

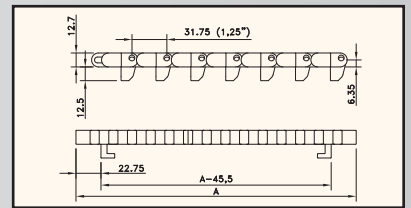
code nr. for special polyamide MCC3500 profile of 2 meters is 800.00.10, code for FDA approved MCC3600 polyester profile of 2 meters is 800.00.11.



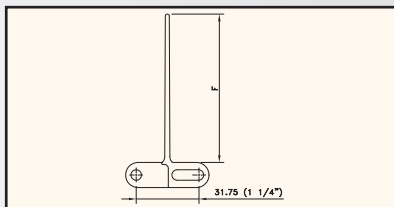
POSITRACK LUGS ON BOTH SIDES



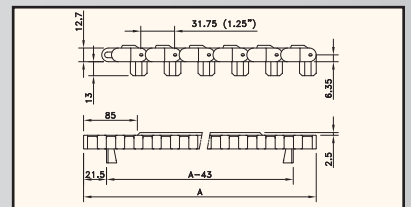
TABS ON BOTH SIDES



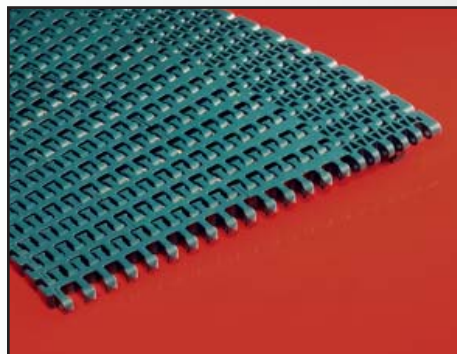
FLIGHT FOR ELEVATING



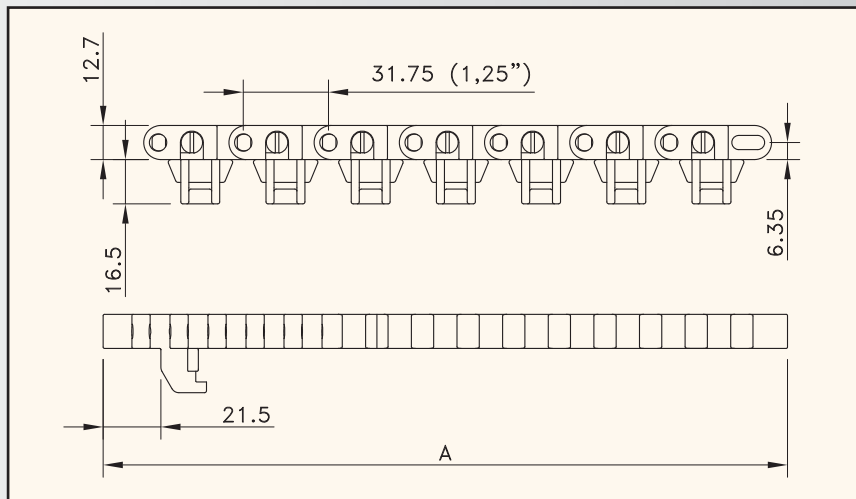
SUPERGRIP FOR INCLINED CONVEYING; STANDARD 100% RUBBER.



1200-SERIES



**RADIUS 1265
REINFORCED OUTER
MODULES**



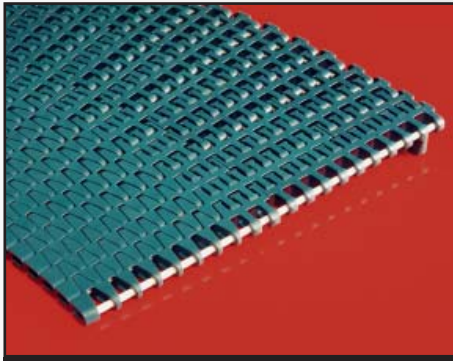
| Assembly | Belt type | Code nr. | Width A | Sideflex radius (min.) mm | Temperature range °C | | Working load (max.) | | Weight kg/m ² | Backflex radius (min.) mm |
|---|------------------------|-----------|------------|------------------------------------|-------------------------|------------|---------------------|---------------|-----------------------------|------------------------------------|
| | | | | | dry | wet | straight N/m | in curve N | | |
| | | | | | | | | | | |
| XLG-ACETAL WITH PBT PINS | | | | | | | | | | |
| TABS/FLAT | RBT 1265 RB XLG/B 255 | 864.60.12 | 255 | 510 | -40 to 80 | -40 to +65 | 22000 | 3000 | 8.00 | 25 |
| | RBT 1265 RB XLG/B 340 | 864.60.13 | 340 | 680 | | | | | | |
| | RBT 1265 RB XLG/B 425 | 864.60.14 | 425 | 850 | | | | | | |
| | RBT 1265 RB XLG/B 510 | 864.60.15 | 510 | 1020 | | | | | | |
| | RBT 1265 RB XLG/B 595 | 864.60.16 | 595 | 1190 | | | | | | |
| | RBT 1265 RB XLG/B 680 | 864.60.17 | 680 | 1360 | | | | | | |
| | RBT 1265 RB XLG/B 765 | 864.60.18 | 765 | 1530 | | | | | | |
| | RBT 1265 RB XLG/B 850 | 864.60.19 | 850 | 1700 | | | | | | |
| | RBT 1265 RB XLG/B 935 | 864.60.20 | 935 | 1870 | | | | | | |
| RBT 1265 RB XLG/B 1020 | 864.60.21 | 1020 | 2040 | | | | | | | |
| TABS/ POSITRACK | RBT 1265 RBP XLG/B255 | 864.00.12 | 255 | 510 | -40 to +80 | -40 to +65 | 22000 | 3000 | 8.00 | 25 |
| | RBT 1265 RBP XLG/B340 | 864.00.13 | 340 | 680 | | | | | | |
| | RBT 1265 RBP XLG/B425 | 864.00.14 | 425 | 850 | | | | | | |
| | RBT 1265 RBP XLG/B510 | 864.00.15 | 510 | 1020 | | | | | | |
| | RBT 1265 RBP XLG/B595 | 864.00.16 | 595 | 1190 | | | | | | |
| | RBT 1265 RBP XLG/B680 | 864.00.17 | 680 | 1360 | | | | | | |
| | RBT 1265 RBP XLG/B765 | 864.00.18 | 765 | 1530 | | | | | | |
| | RBT 1265 RBP XLG/B850 | 864.00.19 | 850 | 1700 | | | | | | |
| | RBT 1265 RBP XLG/B935 | 864.00.20 | 935 | 1870 | | | | | | |
| RBT 1265 RBP XLG/B1020 | 864.00.21 | 1020 | 2040 | | | | | | | |
| ANTIBACTERIAL WSA-ACETAL WITH PBT PINS | | | | | | | | | | |
| TABS/FLAT | WSA/B 1265 RBT RB 255 | 864.90.12 | 255 | 510 | -40 to +80 | -40 to +65 | 22000 | 3000 | 8.00 | 25 |
| | WSA/B 1265 RBT RB 340 | 864.90.13 | 340 | 680 | | | | | | |
| | WSA/B 1265 RBT RB 425 | 864.90.14 | 425 | 850 | | | | | | |
| | WSA/B 1265 RBT RB 510 | 864.90.15 | 510 | 1020 | | | | | | |
| | WSA/B 1265 RBT RB 595 | 864.90.16 | 595 | 1190 | | | | | | |
| | WSA/B 1265 RBT RB 680 | 864.90.17 | 680 | 1360 | | | | | | |
| | WSA/B 1265 RBT RB 765 | 864.90.18 | 765 | 1530 | | | | | | |
| | WSA/B 1265 RBT RB 850 | 864.90.19 | 850 | 1700 | | | | | | |
| | WSA/B 1265 RBT RB 935 | 864.90.20 | 935 | 1870 | | | | | | |
| | WSA/B 1265 RBT RB 1020 | 864.90.21 | 1020 | 2040 | | | | | | |

Other widths (17 mm increments from standard) available upon request.

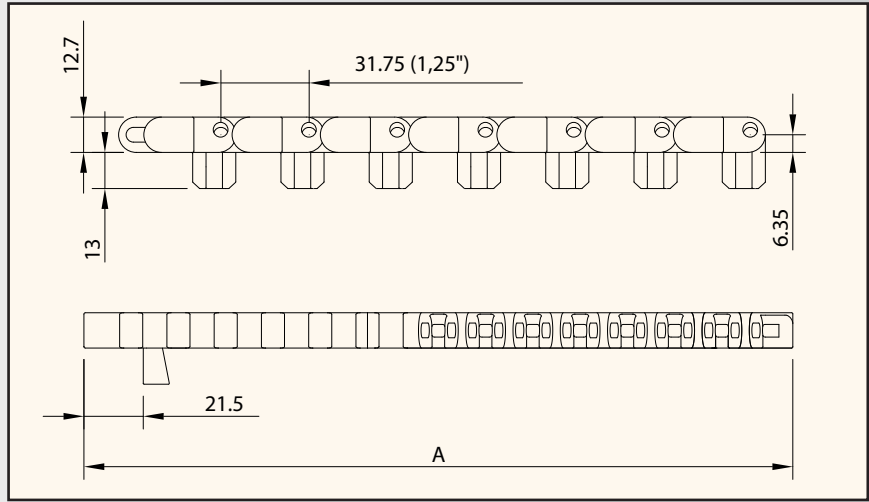
Code nr. for special polyamide profile of 2 meters is 800.00.10.

Not for use in the U.S.A.

1200-SERIES



**RADIUS 1275
TIGHT FIT
INNER MODULES**



| Assembly | Belt type | Code nr. | Width | | Temperature range °C | | Working load (max.) | | Weight kg/m ² | Backflex radius (min.) mm |
|--|-----------------|-----------|-------|------------------------|----------------------|------------|---------------------|------------|--------------------------|---------------------------|
| | | | A | Sideflex radius (min.) | dry | wet | straight N/m | in curve N | | |
| | | | mm | mm | | | | | | |
| XLG-ACETAL WITH PBT PINS | | | | | | | | | | |
| FLAT | RB 1275 XLG 255 | 860.90.12 | 255 | 300 | -40 to +80 | -40 to +65 | 22000 | 2000 | 8.00 | 25 |
| | RB 1275 XLG 340 | 860.90.13 | 340 | 400 | | | | | | |
| | RB 1275 XLG 425 | 860.90.14 | 425 | 500 | | | | | | |
| | RB 1275 XLG 510 | 860.90.15 | 510 | 600 | | | | | | |
| | RB 1275 XLG 595 | 860.90.16 | 595 | 720 | | | | | | |
| | RB 1275 XLG 680 | 860.90.17 | 680 | 880 | | | | | | |
| | RB 1275 XLG 765 | 860.90.18 | 765 | 1040 | | | | | | |
| ANTIBACTERIAL WHA-POLYPROPYLENE WITH PBT PINS | | | | | | | | | | |
| FLAT | WHA 1275 RB 255 | 860.70.12 | 255 | 300 | 4 to 80 | 4 to 65 | 11000 | 1200 | 5.20 | 25 |
| | WHA 1275 RB 340 | 860.70.13 | 340 | 400 | | | | | | |
| | WHA 1275 RB 425 | 860.70.14 | 425 | 500 | | | | | | |
| | WHA 1275 RB 510 | 860.70.15 | 510 | 600 | | | | | | |
| | WHA 1275 RB 595 | 860.70.16 | 595 | 720 | | | | | | |
| | WHA 1275 RB 680 | 860.70.17 | 680 | 880 | | | | | | |
| | WHA 1275 RB 765 | 860.70.18 | 765 | 1040 | | | | | | |
| ANTIBACTERIAL BHA-POLYPROPYLENE WITH PBT PINS | | | | | | | | | | |
| FLAT | BHA 1275 RB 255 | 860.60.12 | 255 | 300 | 4 to 80 | 4 to 65 | 11000 | 1200 | 5.20 | 25 |
| | BHA 1275 RB 340 | 860.60.13 | 340 | 400 | | | | | | |
| | BHA 1275 RB 425 | 860.60.14 | 425 | 500 | | | | | | |
| | BHA 1275 RB 510 | 860.60.15 | 510 | 600 | | | | | | |
| | BHA 1275 RB 595 | 860.60.16 | 595 | 720 | | | | | | |
| | BHA 1275 RB 680 | 860.60.17 | 680 | 880 | | | | | | |
| | BHA 1275 RB 765 | 860.60.18 | 765 | 1040 | | | | | | |
| ANTIBACTERIAL WSA-ACETAL WITH PBT PINS | | | | | | | | | | |
| FLAT | WSA 1275 RB 255 | 860.80.12 | 255 | 300 | -40 to +80 | -40 to +65 | 22000 | 2000 | 8.00 | 25 |
| | WSA 1275 RB 340 | 860.80.13 | 340 | 400 | | | | | | |
| | WSA 1275 RB 425 | 860.80.14 | 425 | 500 | | | | | | |
| | WSA 1275 RB 510 | 860.80.15 | 510 | 600 | | | | | | |
| | WSA 1275 RB 595 | 860.80.16 | 595 | 720 | | | | | | |
| | WSA 1275 RB 680 | 860.80.17 | 680 | 880 | | | | | | |
| | WSA 1275 RB 765 | 860.80.18 | 765 | 1040 | | | | | | |

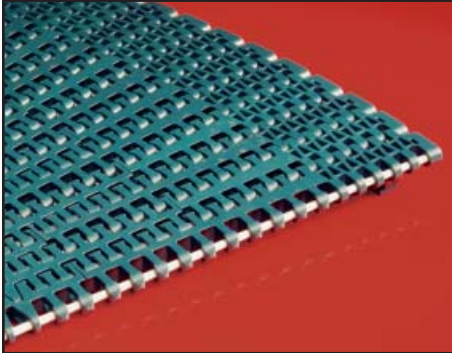
Other widths (17 mm increments from standard) available upon request.

For 1275 belts with Positrack or tabs, please contact Customer Service.

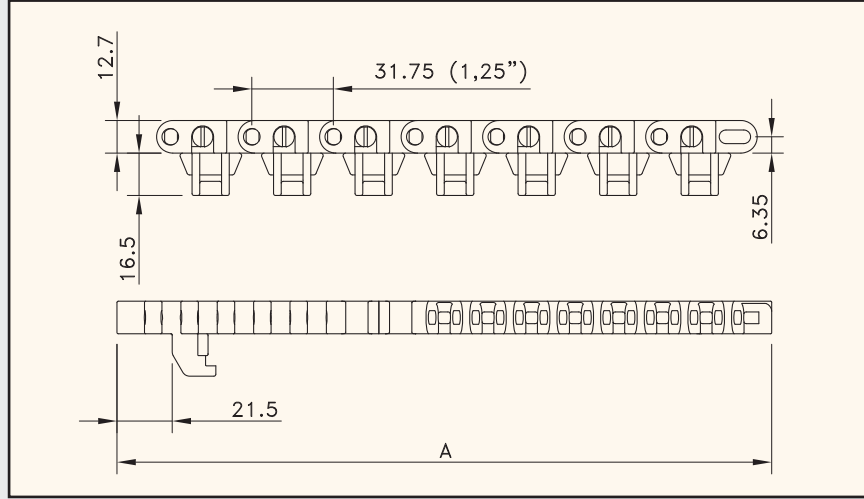
Code nr. for special polyamide MCC3500 profile of 2 meters is 800.00.10, code for FDA approved MCC3600 polyester profile of 2 meters is 800.00.11

Not for use in the U.S.A.

1200-SERIES



**RADIUS 1285
REINFORCED OUTER AND
TIGHT FIT INNER MODULES**



| Assembly | Belt type | Code nr. | Width A | Sideflex radius (min.) mm | Temperature range °C | | Working load (max.) | | Weight kg/m ² | Backflex radius (min.) mm |
|---|------------------------|-----------|------------|------------------------------------|-------------------------|------------|---------------------|---------------|-----------------------------|------------------------------------|
| | | | | | dry | wet | straight N/m | in curve N | | |
| | | | | | | | | | | |
| XLG-ACETAL WITH PBT PINS | | | | | | | | | | |
| TABS/FLAT | RBT 1285 RB XLG/B 425 | 864.80.14 | 425 | 500 | -40 to +80 | -40 to +65 | 22000 | 3000 | 8.00 | 25 |
| | RBT 1285 RB XLG/B 510 | 864.80.15 | 510 | 600 | | | | | | |
| | RBT 1285 RB XLG/B 595 | 864.80.16 | 595 | 720 | | | | | | |
| | RBT 1285 RB XLG/B 680 | 864.80.17 | 680 | 880 | | | | | | |
| | RBT 1285 RB XLG/B 765 | 864.80.18 | 765 | 1040 | | | | | | |
| | RBT 1285 RB XLG/B 850 | 864.80.19 | 850 | 1200 | | | | | | |
| | RBT 1285 RB XLG/B 935 | 864.80.20 | 935 | 1350 | | | | | | |
| | RBT 1285 RB XLG/B 1020 | 864.80.21 | 1020 | 1500 | | | | | | |
| ANTIBACTERIAL WSA-ACETAL WITH PBT PINS | | | | | | | | | | |
| TABS/FLAT | WSA/B 1285 RBT RB 425 | 865.10.14 | 425 | 500 | -40 to +80 | -40 to +65 | 22000 | 3000 | 8.00 | 25 |
| | WSA/B 1285 RBT RB 510 | 865.10.15 | 510 | 600 | | | | | | |
| | WSA/B 1285 RBT RB 595 | 865.10.16 | 595 | 720 | | | | | | |
| | WSA/B 1285 RBT RB 680 | 865.10.17 | 680 | 880 | | | | | | |
| | WSA/B 1285 RBT RB 765 | 865.10.18 | 765 | 1040 | | | | | | |
| | WSA/B 1285 RBT RB 850 | 865.10.19 | 850 | 1200 | | | | | | |
| | WSA/B 1285 RBT RB 935 | 865.10.20 | 935 | 1350 | | | | | | |
| | WSA/B 1285 RBT RB 1020 | 865.10.21 | 1020 | 1500 | | | | | | |

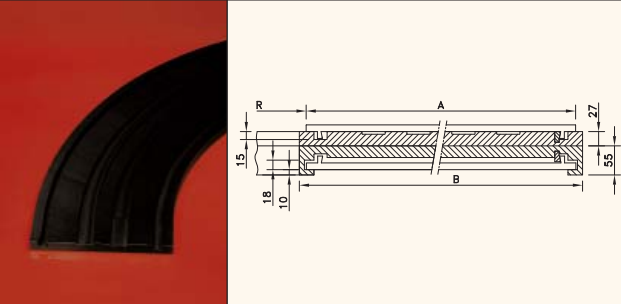
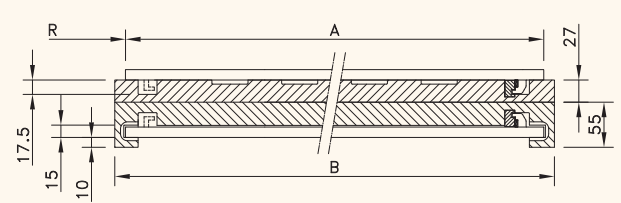
Other widths (17 mm increments from standard) available upon request. Code nr. for special polyamide profile of 2 meters is 800.00.21.

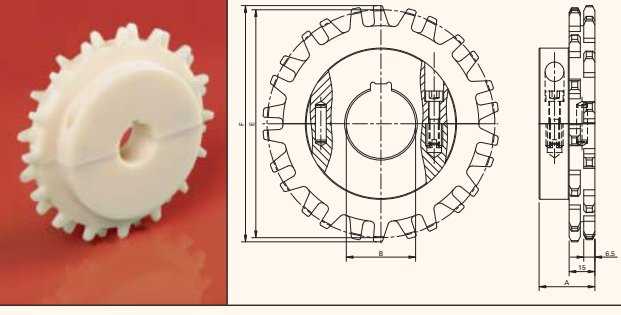
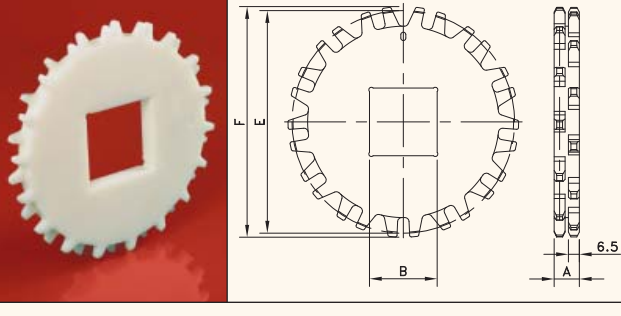
For 1285 belts with Positrack, please contact Customer Service.

Not for use in the U.S.A.



1200-SERIES

| Code nr. | Radius R | Belt width A | Curve width B | Height | Angle | MATERIAL page 209 |
|---------------------|----------|--------------|---------------|---------|-------|--|
| | mm | mm | mm | mm | | |
| CURVES | | | | | | |
| FOR 1255 RBP | | | | | | |
| 805.02.02 | 510 | 255 | 281 | 27 + 55 | 90° |  |
| 805.02.03 | 680 | 340 | 366 | | | |
| 805.02.04 | 850 | 425 | 451 | | | |
| 805.02.05 | 1020 | 510 | 536 | | | |
| 805.02.06 | 1190 | 595 | 621 | | | |
| 805.02.07 | 1360 | 680 | 706 | | | |
| FOR 1275 RBP | | | | | | |
| 805.22.61 | 300 | 255 | 281 | 27+55 | 90° | <p>These curves include a curve guiding profile. Including 100 mm long straight sections at upper part. Other angles and non-standard tab curves on request.</p> |
| 805.22.62 | 400 | 340 | 366 | | | |
| 805.22.63 | 500 | 425 | 451 | | | |
| 805.22.64 | 600 | 510 | 536 | | | |
| 805.22.65 | 720 | 595 | 621 | | | |
| 805.22.66 | 880 | 680 | 706 | | | |
| FOR 1265 RBT | | | | | | |
| 806.40.13 | 510 | 255 | 281 | 27+55 | 90° |  |
| 806.40.14 | 680 | 340 | 366 | | | |
| 806.40.15 | 850 | 425 | 451 | | | |
| 806.40.16 | 1020 | 510 | 536 | | | |
| 806.40.17 | 1190 | 595 | 621 | | | |
| 806.40.18 | 1360 | 680 | 706 | | | |
| FOR 1285 RBT | | | | | | |
| 806.40.19 | 500 | 425 | 451 | 27+55 | 90° | |
| 806.40.20 | 600 | 510 | 536 | | | |
| 806.40.21 | 720 | 595 | 621 | | | |
| 806.40.22 | 880 | 680 | 706 | | | |

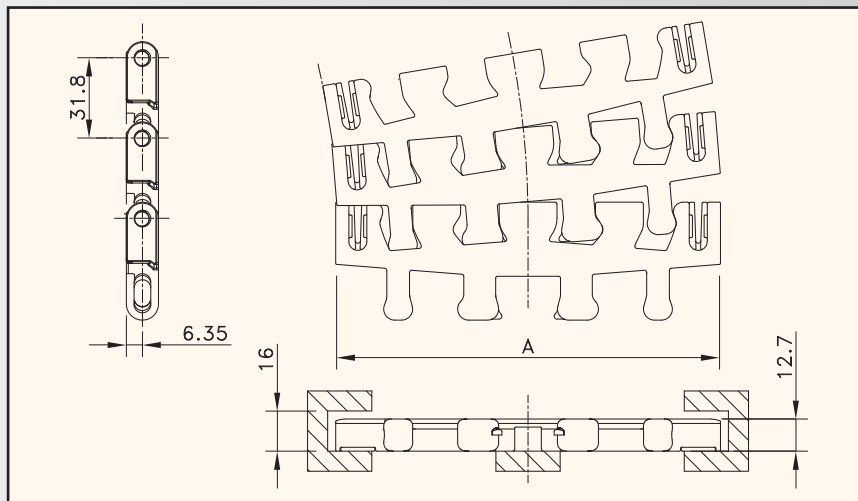
| Sprocket Type | Code nr. | Nr. of teeth | Bore | Pitch diameter | Outside diameter | Hub width | MATERIAL page 209 |
|--------------------------|-----------|--------------|---------|----------------|------------------|-----------|--|
| | | | B mm | E mm | F mm | A mm | |
| SPLIT SPROCKETS | | | | | | | |
| ROUND BORES | | | | | | | |
| SS 1255 10-30 | 894.60.17 | 10 | 30 | 102.8 | 106.6 | 32.5 |  |
| SS 1255 13-40 | 894.64.11 | 13 | 40 | 132.7 | 137.5 | | |
| SS 1255 15-40 | 894.62.11 | 15 | 40 | 152.7 | 158.1 | | |
| SS 1255 16-40 | 894.66.11 | 16 | 40 | 162.8 | 168.3 | | |
| SQUARE BORES | | | | | | | |
| SS 1255 10-30x30 | 894.60.27 | 10 | 30 | 102.8 | 106.6 | 32.5 | |
| SS 1255 13-40x40 | 894.64.21 | 13 | 40 | 132.7 | 137.5 | | |
| SS 1255 15-40x40 | 894.62.21 | 15 | 40 | 152.7 | 158.1 | | |
| SS 1255 16-40x40 | 894.66.21 | 16 | 40 | 162.8 | 168.3 | | |
| CLASSIC SPROCKETS | | | | | | | |
| ROUND BORES | | | | | | | |
| CS 1255 8-30 | 894.67.37 | 8* | 30 | 83.0 | 85.4 | 15.0 |  |
| CS 1255 10-30 | 894.59.37 | 10 | 30 | 102.8 | 106.6 | | |
| CS 1255 13-40 | 894.63.31 | 13 | 40 | 132.7 | 137.5 | | |
| CS 1255 15-40 | 894.61.31 | 15 | 40 | 152.7 | 158.1 | | |
| CS 1255 16-40 | 894.65.31 | 16 | 40 | 162.8 | 168.3 | | |
| SQUARE BORES | | | | | | | |
| CS 1255 8-25x25 | 894.67.46 | 8* | 25 | 83.0 | 85.4 | 15.0 | |
| CS 125510-40x40 | 894.59.41 | 10 | 40 | 102.8 | 106.6 | | |
| CS 125513-40x40 | 894.63.41 | 13 | 40 | 132.7 | 137.5 | | |
| CS 125515-40x40 | 894.61.41 | 15 | 40 | 152.7 | 158.1 | | |
| CS 125516-40x40 | 894.65.41 | 16 | 40 | 162.8 | 168.3 | | |

* 8-teeth sprockets are not applicable for 1265 and 1285.

7956-SERIES



**RADIUS
7956**

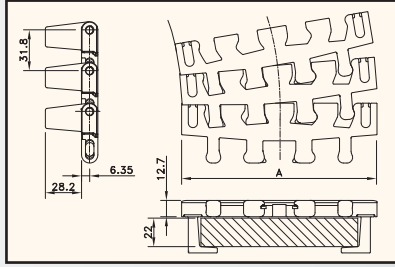


| Assembly | Belt type | Code nr. | Width | | Sideflex radius (min.) | | Working load (max.) | | Temperature range °C | | Weight kg/m ² | Backflex radius (min.) mm |
|--|-----------------|----------|----------|------|------------------------|------|---------------------|------------|----------------------|------|--------------------------|---------------------------|
| | | | A | | | | straight | in curve | dry | wet | | |
| | | | inch | inch | inch | inch | N | N | | | | |
| HP-ACETAL WITH POLYPROPYLENE PINS | | | | | | | | | | | | |
| FLAT | HP 7956 NT-K6 | 81417101 | 6 | 12 | 2000 | 2000 | -40 to +80 | -40 to +65 | 11.7 | 152 | | |
| | HP 7956 NT-K12 | 81429711 | 12 | 24 | 3560 | 3560 | | | | | | |
| | HP 7956 NT-K15 | 81427901 | 15 | 30 | 4000 | 4000 | | | | | | |
| | HP 7956 NT-K18 | 81427911 | 18 | 36 | 4225 | 4225 | | | | | | |
| | HP 7956 NT-K24 | 81428241 | 24 | 48 | 5300 | 5300 | | | | | | |
| | HP 7956 NT-K30 | 81428631 | 30 | 60 | 5780 | 5780 | | | | | | |
| TABS TWO SIDES (HOLD-DOWN) | HP 7956 TAB-K6 | 81417091 | 6 | 12 | 2000 | 2000 | -40 to +80 | -40 to +65 | 11.7 | 152 | | |
| | HP 7956 TAB-K12 | 81429671 | 12 | 24 | 3560 | 3560 | | | | | | |
| | HP 7956 TAB-K15 | 81415631 | 15 | 30 | 4000 | 4000 | | | | | | |
| | HP 7956 TAB-K18 | 81421801 | 18 | 36 | 4225 | 4225 | | | | | | |
| | HP 7956 TAB-K24 | 81419711 | 24 | 48 | 5300 | 5300 | | | | | | |
| | HP 7956 TAB-K30 | 81427261 | 30 | 60 | 5780 | 5780 | | | | | | |
| TABS TWO SIDES (GT) | HP7956 GT-K6 | 81436441 | 6 | 12 | 2000 | 2000 | -40 to +80 | -40 to +65 | 11.7 | 152 | | |
| | HP7956 GT-K12 | 81436471 | 12 | 24 | 3560 | 3560 | | | | | | |
| | HP7956 GT-K15 | 81436501 | 15 | 30 | 4000 | 4000 | | | | | | |
| | HP7956 GT-K18 | 81436531 | 18 | 36 | 4225 | 4225 | | | | | | |
| | HP7956 GT-K24 | 81436561 | 24 | 48 | 5300 | 5300 | | | | | | |
| | HP7956 GT-K30 | 81436591 | 30 | 60 | 5780 | 5780 | | | | | | |
| BEARING (EVERY 2ND ROW) | HP7956 B-K6 | CCW | 81437471 | 6 | 12 | 2000 | 2000 | -40 to +80 | -40 to +65 | 11.7 | 152 | |
| | | CW | 81437461 | | | | | | | | | |
| | | STURN | 81437481 | | | | | | | | | |
| | HP7956 B-K12 | CCW | 81437491 | 12 | 24 | 3560 | 3560 | | | | | |
| | | CW | 81433641 | | | | | | | | | |
| | | STURN | 81437501 | | | | | | | | | |
| | HP7956 B-K15 | CCW | 81437521 | 15 | 30 | 4000 | 4000 | | | | | |
| | | CW | 81437511 | | | | | | | | | |
| | | STURN | 81437531 | | | | | | | | | |
| | HP7956 B-K18 | CCW | 81433441 | 18 | 36 | 4225 | 4225 | | | | | |
| | | CW | 81433691 | | | | | | | | | |
| | | STURN | 81437541 | | | | | | | | | |
| HP7956 B-K24 | CCW | 81433611 | 24 | 48 | 5300 | 5300 | | | | | | |
| | CW | 81437551 | | | | | | | | | | |
| | STURN | 81437561 | | | | | | | | | | |
| HP7956 B-K30 | CCW | 81437581 | 30 | 60 | 5780 | 5780 | | | | | | |
| | CW | 81437571 | | | | | | | | | | |
| | STURN | 81437591 | | | | | | | | | | |

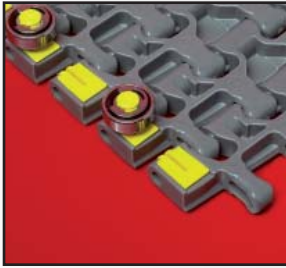
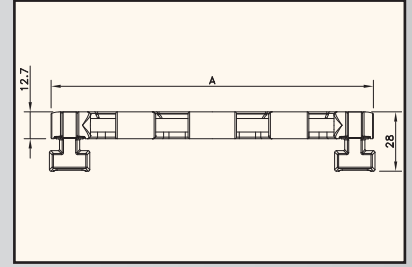
7956-SERIES



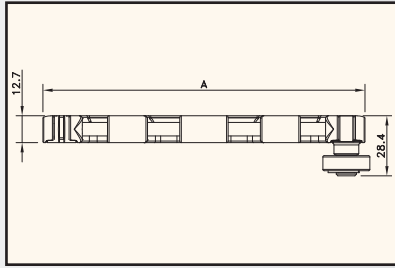
HOLD-DOWN TABS



GT TABS



BEARINGS



| Code nr. | Radius R | Belt width A | Curve width B | Height | Angle | MATERIAL page 209 | |
|---|----------|--------------|---------------|--------|-------|----------------------|----|
| | mm | | | | | | mm |
| CURVES | | | | | | | |
| FOR 7956 B | | | | | | | |
| 808.40.00 | 305 | 6 | 196 | 27+55 | 90° | | |
| 808.40.01 | 610 | 12 | 366 | | | | |
| 808.40.02 | 762 | 15 | 451 | | | | |
| 808.40.03 | 915 | 18 | 536 | | | | |
| 808.40.04 | 1220 | 24 | 706 | | | | |
| 808.40.05 | 1524 | 30 | 791 | | | | |
| FOR 7956 GT | | | | | | | |
| 808.40.06 | 305 | 6 | 196 | 27+55 | 90° | | |
| 808.40.07 | 610 | 12 | 366 | | | | |
| 808.40.08 | 762 | 15 | 451 | | | | |
| 808.40.09 | 915 | 18 | 536 | | | | |
| 808.40.10 | 1220 | 24 | 706 | | | | |
| 808.40.11 | 1524 | 30 | 791 | | | | |
| <p>Curves for 7956 GT include a special curve guiding profile. Other angles and non-standard tab curves on request.</p> | | | | | | | |

| Sprocket type | Code nr. | Nr. of teeth | Bore | Pitch diameter | Outside diameter | Hub width | MATERIAL page 209 | |
|--------------------------|-------------|--------------|------|----------------|------------------|-----------|----------------------|--|
| | | | B | E | F | A | | |
| SPLIT SPROCKETS | | | | | | | | |
| ROUND BORES | | | | | | | | |
| NS 7956 T16 R25 | 614-169-4 | 16 | 25 | 162.7 | 163.2 | 48 | | |
| NS 7956 T16 R30 | 614-169-1 | 16 | 30 | | | | | |
| NS 7956 T16 R35 | 614-169-3 | 16 | 35 | | | | | |
| NS 7956 T16 R40 | 614-169-5 | 16 | 40 | | | | | |
| SQUARE BORES | | | | | | | | |
| NS 7956 T16 S40 | 614-170-3 | 16 | 40 | 162.7 | 163.2 | 48 | | |
| NS 7956 T16 S50 | 614-170-4 | 16 | 50 | | | | | |
| NS 7956 T16 S60 | 614-170-2 | 16 | 60 | | | | | |
| CLASSIC SPROCKETS | | | | | | | | |
| ROUND BORES | | | | | | | | |
| KU 7956 T14 R30 | 114-4133-66 | 14 | 40 | 142.7 | 142.4 | 35 | | |
| KU 7956 T14 R40 | 114-4133-68 | 14 | 40 | | | | | |
| SQUARE BORE | | | | | | | | |
| KU 7956 T14 S40 | 114-4102-7 | 14 | 40 | 142.7 | 142.4 | 35 | | |

TABLE BELT WIDTHS

| Belt series | Standard (uncut) | | Non-standard (cut) | | MTW |
|---------------|--------------------|-----------------------|--------------------|-----------------------|---|
| | Minimum belt width | Belt width increments | Minimum belt width | Belt width increments | Moulded to width belts |
| 500 | 85 mm | 85 mm | 85 mm | on request | - |
| 515 | 4" | 1" | 2" | 1/2"* | - |
| 1505 imperial | 3" | 3" | 4 1/2" | 3/4" | - |
| 1505 metric | 85 mm | 85 mm | 85 mm | on request | - |
| 1506 | 3" | 3" | 4 1/2" | 3/4" | - |
| 1505 SG | 85 mm | 85 mm | 85 mm | on request | - |
| 8500 | 6" | 6" | 2 1/3" | 1/3" | 2 1/3" - 3 1/4" - 4 1/2" - 7 1/2" - 85 mm |
| 5935 | 6" | 3" | 3" | 3/4" | - |
| 5936 | 6" | 3" | 2 1/4" | 3/4" | - |
| 1000 | 85 mm | 85 mm | 55 mm | 5 mm | - |
| 1000 SG | 85 mm | 85 mm | 80 mm | 10 mm | - |
| 1015 | 4" | 1" | 4" | 1/2"*** | - |
| 1005 | 85 mm | 85 mm | 85 mm | 17 mm | - |
| 1005 SG | 170 mm | 85 mm | 85 mm | 17 mm | - |
| 7705 | 6" | 3" | 5" | 1/2" | 3 1/4" - 4 1/2" - 7 1/2" |
| 7706 | 6" | 3" | 5" | 1/2" | 3 1/4" - 4 1/2" - 7 1/2" |
| 7708 | 9" | 3" | 5" | 1/2" | - |
| 6300 | 255 mm | 75 mm | 225 mm | on request | - |
| 2000 | 3" | 3" | 3" | 1 1/2" | - |
| 2010 | 6" | 2" | 3 1/3" | 2/3" | - |
| 6990 | 9" | 3" | 5" | 1/2" | - |
| 9200 | 9" | 3" | - | - | - |
| 2500 | 18" | 3" | 3" | 1 1/2" | - |
| 3125 | - | - | - | - | 12" |
| 505 | 255 mm | 85 mm | 153 mm | 17 mm | - |
| 1255 | 255 mm | 85 mm | 153 mm | 17 mm | - |
| 1255 SG | 255 mm | 85 mm | 153 mm | 17 mm | - |
| 1265 | 255 mm | 85 mm | 255 mm | 17 mm | - |
| 1275 | 255 mm | 85 mm | 237 mm | 17 mm | - |
| 1285 | 425 mm | 85 mm | 357 mm | 17 mm | - |
| 7956 | - | - | - | - | 6" - 12" - 15" - 18" - 24" - 30" |

*) after 12" belt width increments are 1"
 **) after 24" belt width increments are 1"
 ***) smaller sizes on request

| Code nr. ending on | Width mm | Code nr. ending on | Width mm | Code nr. ending on | Width mm | Code nr. ending on | Width mm | Code nr. ending on | Width mm | Code nr. ending on | Width mm | Code nr. ending on | Width mm |
|--|----------|--------------------|----------|--------------------|----------|--------------------|----------|--------------------|----------|--------------------|----------|--------------------|----------|
| CODE NUMBERS FOR 500-, 1000-, 1005-, 505 AND 1200-SERIES | | | | | | | | | | | | | |
| 10 | 85 | 21 | 1020 | 32 | 1955 | 43 | 2890 | 54 | 3825 | 65 | 4760 | 76 | 5695 |
| 11 | 170 | 22 | 1105 | 33 | 2040 | 44 | 2975 | 55 | 3910 | 66 | 4845 | 77 | 5780 |
| 12 | 255 | 23 | 1190 | 34 | 2125 | 45 | 3060 | 56 | 3995 | 67 | 4930 | 78 | 5865 |
| 13 | 340 | 24 | 1275 | 35 | 2210 | 46 | 3145 | 57 | 4080 | 68 | 5015 | 79 | 5950 |
| 14 | 425 | 25 | 1360 | 36 | 2295 | 47 | 3230 | 58 | 4165 | 69 | 5100 | 80 | 6035 |
| 15 | 510 | 26 | 1445 | 37 | 2380 | 48 | 3315 | 59 | 4250 | 70 | 5185 | 81 | 6120 |
| 16 | 595 | 27 | 1530 | 38 | 2465 | 49 | 3400 | 60 | 4335 | 71 | 5270 | | |
| 17 | 680 | 28 | 1615 | 39 | 2550 | 50 | 3485 | 61 | 4420 | 72 | 5355 | | |
| 18 | 765 | 29 | 1700 | 40 | 2635 | 51 | 3570 | 62 | 4505 | 73 | 5440 | | |
| 19 | 850 | 30 | 1785 | 41 | 2720 | 52 | 3655 | 63 | 4590 | 74 | 5525 | | |
| 20 | 935 | 31 | 1870 | 42 | 2805 | 53 | 3740 | 64 | 4675 | 75 | 5610 | | |

| Code nr. ending on | Width mm inch | | Code nr. ending on | Width mm inch | | Code nr. ending on | Width mm inch | | Code nr. ending on | Width mm inch | | Code nr. ending on | Width mm inch | | | | | | | |
|--|---------------|----|--------------------|---------------|----|--------------------|---------------|-----|--------------------|---------------|-----|--------------------|---------------|-----|----|------|-----|----|------|-----|
| CODE NUMBERS FOR 2000- AND 2500-SERIES | | | | | | | | | | | | | | | | | | | | |
| 10 | 76 | 3 | 22 | 991 | 39 | 34 | 1905 | 75 | 46 | 2819 | 111 | 58 | 3734 | 147 | 70 | 4648 | 183 | 82 | 5563 | 219 |
| 11 | 152 | 6 | 23 | 1067 | 42 | 35 | 1981 | 78 | 47 | 2896 | 114 | 59 | 3810 | 150 | 71 | 4724 | 186 | 83 | 5639 | 222 |
| 12 | 229 | 9 | 24 | 1143 | 45 | 36 | 2057 | 81 | 48 | 2972 | 117 | 60 | 3886 | 153 | 72 | 4801 | 189 | 84 | 5715 | 225 |
| 13 | 305 | 12 | 25 | 1219 | 48 | 37 | 2134 | 84 | 49 | 3048 | 120 | 61 | 3962 | 156 | 73 | 4877 | 192 | 85 | 5791 | 228 |
| 14 | 381 | 15 | 26 | 1295 | 51 | 38 | 2210 | 87 | 50 | 3124 | 123 | 62 | 4039 | 159 | 74 | 4953 | 195 | 86 | 5867 | 231 |
| 15 | 457 | 18 | 27 | 1372 | 54 | 39 | 2286 | 90 | 51 | 3200 | 126 | 63 | 4115 | 162 | 75 | 5029 | 198 | 87 | 5944 | 234 |
| 16 | 533 | 21 | 28 | 1448 | 57 | 40 | 2362 | 93 | 52 | 3277 | 129 | 64 | 4191 | 165 | 76 | 5105 | 201 | 88 | 6020 | 237 |
| 17 | 610 | 24 | 29 | 1524 | 60 | 41 | 2438 | 96 | 53 | 3353 | 132 | 65 | 4267 | 168 | 77 | 5182 | 204 | 89 | 6096 | 240 |
| 18 | 686 | 27 | 30 | 1600 | 63 | 42 | 2515 | 99 | 54 | 3429 | 135 | 66 | 4343 | 171 | 78 | 5258 | 207 | | | |
| 19 | 762 | 30 | 31 | 1676 | 66 | 43 | 2591 | 102 | 55 | 3505 | 138 | 67 | 4420 | 174 | 79 | 5334 | 210 | | | |
| 20 | 838 | 33 | 32 | 1753 | 69 | 44 | 2667 | 105 | 56 | 3581 | 141 | 68 | 4496 | 177 | 80 | 5410 | 213 | | | |
| 21 | 914 | 36 | 33 | 1829 | 72 | 45 | 2743 | 108 | 57 | 3657 | 144 | 69 | 4572 | 180 | 81 | 5486 | 216 | | | |

MATERIALS

| Product | Material chain | Material pin |
|---|--|--|
| STEEL SLATBAND CHAINS | | |
| 10-series | AISI 430 (Werkstoff-Nr. 1.4016) special 17% chrome stainless steel for improved corrosion resistance, wearlife and strength | AISI 431 (Werkstoff-Nr. 1.4057) |
| 60-series | Special chrome-nickel stainless steel for excellent sliding properties, improved corrosion resistance, long wearlife and high strength | AISI 431 (Werkstoff-Nr. 1.4057) |
| 60-series HB | Special chrome-nickel stainless steel for excellent sliding properties, improved corrosion resistance, long wearlife and high strength | AISI 431 (Werkstoff-Nr. 1.4057) hardened |
| 66-series XHB | Special chrome-nickel stainless steel for excellent sliding properties, improved corrosion resistance, long wearlife and high strength | Special alloy Process hardened |
| SSC SSR | OPTI-Plus patented alloy of ferritic chrome-nickel stainless steel, for high strength and great wear resistance | AISI 431 (Werkstoff-Nr. 1.4057) |
| SS 805/815/881 | Austenitic chrome-nickel stainless steel with properties similar to 18/8 material, offering good chemical resistance | Austenitic stainless steel |
| SS 802/812 | Ferritic chrome stainless steel for mix of good wear life and high strength | AISI 431 (Werkstoff-Nr. 1.4057) |
| S SC | Thorough hardened carbon steel, for glassworks and other dry, abrasive applications, offering extremely high working loads and superior wear resistance | Hardened carbon steel |
| SSB 815 | Austenitic stainless steel with a very high chemical resistance for corrosive environments where strong acids or bases are present. As nearly non-magnetic it is used in applications where magnetism of the chain can cause malfunctioning of the system | Austenitic stainless steel |
| Rubber top | Special elastomere with a hardness of 70 Shore A | |
| PLASTIC SLATBAND CHAINS | | |
| XL | Internally lubricated, extra low friction acetal for improved wearlife and high strength. Colour: light brown | Stainless steel (Werkstoff-Nr. 1.4057) |
| LF | Low Friction acetal (POM) and special blend of lubricants for reduced wear up to 15% over plain acetal; intended for high-output applications at moderate to high speeds. Colour: light brown | |
| HP | High Performance internally lubricated acetal (POM), for reduced wear up to 40% over plain acetal; intended for dry running or reduced lubrication and high-speed applications. Colour: grey | |
| PS | Internally lubricated polyacetal for high-speed applications, improving wear life. Colour: grey | |
| WX | Polyamide composite for extended wear life in abrasive circumstances up to five times compared to plain acetal; to be used in dry running glass handling applications and when the chain is subjected to sand and dirt. Colour: light green | |
| D | Acetal with higher friction and wear resistance; economic alternative. Colour: grey | |
| LBP | Wear resistant, extra low friction XLA-acetal with special selflubricating additives. Colour: anthracite Rollers are made of special wear resistant and sound absorbing plastic; colour: aubergine. Roller shafts: stainless steel AISI 304 (Werkstoff-Nr. 1.4301) | |
| SuperGrip | Wear resistant polyester. Colour: anthracite. Rubber top material: special elastomere with a hardness of 70 Shore A. Colour: aubergine | |
| XLG | Internally lubricated, extra low friction acetal for improved wearlife and high strength; FDA approved. Colour: green-blue | |
| DKA | Aramide reinforced acetal (POM) for wet or dry abrasive conditions, offering enhanced wear properties over plain acetals in combination with the low friction of a lubricated material. This material is available on request for a selected range of TableTop products. | |
| MULTIFLEX AND CASE CONVEYOR CHAINS | | |
| HP | High Performance internally lubricated acetal (POM), for reduced wear up to 40% over plain acetal. Colour: grey | Stainless steel |
| LF | Low Friction acetal (POM) and special blend of lubricants for reduced wear up to 15% over plain acetal. Colour: light brown | Stainless steel 1700 K: zinc plated stainless steel |
| WX | Polyamide composite for extended wear life in abrasive circumstances up to five times compared to plain acetal. Colour: light green | Stainless steel |
| WLF | Low Friction acetal (POM) and special blend of lubricants for reduced wear up to 15% over plain acetal. Colour: white | Stainless steel 1700 K: zinc plated stainless steel |
| AC | Armor Clad acetal with hardened steel top plates | Zinc plated |
| BWX | Polyamide composite for extended wear life in abrasive circumstances up to five times compared to plain acetal; to be used in dry running glass handling applications and when the chain is subjected to sand and dirt. Colour: Black | Stainless steel (Werkstoff-Nr. 1.4057) |
| Corner disc - hub | Reinforced polyamide HP low friction acetal (ND 1700 FL/TR); brass (880) | |
| XL | Internally lubricated, extra low friction acetal for improved wearlife and high strength. Colour: light brown | AISI 431 (Werkstoff-Nr. 1.4057) |
| NC | Wear resistant, special acetal. Colour: white | AISI 301 (Werkstoff-Nr. 1.4310) |
| BL | Acetal. Colour: blue, RAL 5005 | AISI 301 (Werkstoff-Nr. 1.4310) |
| WPP | Chemical resistant and high temperature water resistant polypropylene with glass fibers. Colour: White | |

MATERIALS

| Product | Material belt |
|---------------------------------------|--|
| PLASTIC MODULAR CONVEYOR BELTS | |
| AS | Acetal with improved electrical conductive properties, reducing the build-up of static electricity. Colour: black |
| BHA | Polypropylene with Microban antibacterial protection for high temperature |
| BHT | Polypropylene for high temperature applications. FDA-approved. Colour: blue |
| BLA | Polyethylene with Microban antibacterial protection for low temperature applications; high impact resistance. FDA-approved. Colour: blue |
| BSA | Acetal with Microban antibacterial protection for high pressure and high speed, due to the hard surface; good abrasion resistance. FDA-approved. Colour: blue |
| BSM | Acetal with high resistance against wear and superficial damage. Colour: black |
| BYSM | Acetal with high resistance against wear and superficial damage. Colour: black with yellow end modules |
| HP | High Performance internally lubricated acetal (POM), for reduced wear up to 40% over plain acetal; intended for dry running or reduced lubrication and high-speed applications. Colour: grey |
| HT | Polypropylene for applications with high temperatures; good chemical resistance. Colour: beige |
| LF | Low Friction acetal (POM) and special blend of lubricants for reduced wear up to 15% over plain acetal; intended for high-output applications at moderate to high speeds. Colour: light brown |
| PS | Internally lubricated acetal for high-speed applications, improving wear life. Colour: grey |
| TCF | Tough Composite Friction material with high strength and excellent impact and chemical resistance for high-speed case incline or decline conveyors. Colour: light grey |
| USP | Ultra Stabilized Polypropylene to increase reliability and prolong wear life in high temperature, chemically-aggressive pasteurizer, warmer and cooler applications. |
| WHA | Polypropylene with Microban antibacterial protection for high temperature applications. FDA-approved. Colour: white |
| WHT | Polypropylene for high temperature applications. FDA-approved. Colour: white Colour: green |
| WLA | Polyethylene with Microban antibacterial protection for low temperature applications; high impact resistance. FDA-approved. Colour: white |
| WLT | Polyethylene for low temperature applications; high impact resistance. FDA-approved. Colour: white |
| WSA | Acetal with Microban antibacterial protection for high pressure and high speed, due to the hard surface; good abrasion resistance. FDA-approved. Colour white |
| WX | Polyamide composite for extended wear life up to five times compared to acetal materials; to be used in dry running glass handling applications where abrasive shards of glass can wear other materials rapidly; it can also be used in applications where the belt is subjected to sand and dirt. Colour: light green |
| DKA | Aramide reinforced acetal (POM) for wet or dry abrasive conditions, offering enhanced wear properties over plain acetals in combination with the low friction of a lubricated material. This material is available on request for a selected range of TableTop products. |
| XLA | Internally lubricated, extra low friction acetal for improved wearlife and high strength. Colour: anthracite |
| XLG | Internally lubricated, extra low friction acetal for improved wearlife and high strength; FDA approved. Colour: green-blue |
| XP | Wear resistant polypropylene with excellent long term heat stability – up to 104°C – and a very good chemical resistance; FDA approved. Colour: light green |
| USP | Ultra Stabilized Polypropylene with Superior long term heat stability – up to 104°C – and excellent chemical resistance; FDA approved. Colour dark green |
| YPR | Wear resistant reinforced polypropylene with excellent long term heat stability – up to 104°C – and a very good chemical resistance. Colour: yellow |
| DTS-C transfer | Super tough reinforced polyamide, wear and abrasion resistant, extra high strength. Colour: black |
| Finger transfer 2500 | Mounting block: MCC 1001; high grade mix of UHMWPE. Colour: black Fingers: Reinforced BPR-Polypropylene. Colour: green-blue |
| Profile fingerplates 1000/2000 | Stainless steel AISI 304 (Werkstoff Nr. 1.4301) |
| Wearstrip MCC 3500 | Special lubricated polyamide for superior PV-rating. Colour: grey-black |
| Wearstrip MCC 3600 | Polyester based plastic for direct food contact; FDA-approved. Colour: white |
| PLATE TOP CHAINS | |
| Base chain | Standard: Carbon steel SS: Stainless steel |
| Top Plate | LF acetal (POM) and special blend of lubricants for reduced wear up to 15% over plain acetal. Colour: light brown |
| | HP internally lubricated acetal (POM), for reduced wear up to 40% over plain acetal. Colour: grey |
| | WX Polyamide composite for extended wear life in abrasive circumstances up to five times compared to plain acetal. Colour: light green |
| | WPC Polycarbonate offering resistance to product dropped onto the chain. Colour: white |

MATERIALS

| Part | Material |
|--------------------------------------|---|
| CURVES | |
| Upper part of Combi-A and CIP-curves | MCC 1200, ultra high molecular weight polyethylene, for optimum wear and abrasion resistance with a molecular weight exceeding 9 million g/mol. Colour: aubergine |
| Upper part of Combi-G curves | MCC 2000, ultra high molecular weight polyethylene, with specially integrated ceramic additives, for superior abrasion resistance with a molecular weight exceeding 9 million g/mol. Colour: green-yellow |
| Upper part of Combi-S curves | MCC 3500, special polyamide for optimum wear resistance in dry running lines where plastic chains run at high speeds. Colour: sulphite grey |
| Upper part of Combi-L curves | MCC 3000, ultra high molecular weight polyethylene, for noise reduction and high PV limits with a molecular weight exceeding 9 million g/mol. Colour: light blue |
| All return parts | MCC 1002, high grade mix of ultra high molecular weight polyethylene, for good wear and abrasion resistance with a molecular weight exceeding 3-7 million g/mol. Colour: black |
| Cover plates | Stainless steel AISI 430 (Werkstoff Nr. 1.4016) |
| Screws | Stainless steel |
| Inserts (optional) | Brass |
| Return guide shoe | MCC 1200, ultra high molecular weight polyethylene, for good wear and abrasion resistance with a molecular weight exceeding 9 million g/mol. Colour: black |
| Tubes in CIP-curves | Stainless steel AISI 303 (Werkstoff Nr. 1.4305) |
| Nozzles in CIP-curves | Stainless steel AISI 303 (Werkstoff Nr. 1.4305) |
| Tab curves | MCC 1003, ultra high molecular weight polyethylene, for good wear and abrasion resistance with a molecular weight exceeding 1 million g/mol |
| - inserts (optional) | Brass |

| Sprocket | Material |
|--|--|
| SPROCKETS AND IDLERS FOR TABLETOP CHAINS | |
| N/NS/SSW/SIW | Super tough reinforced polyamide, wear and abrasion resistant |
| KU(S)/KXT/NSX(T)/NX(T)/SD/SS/SI | Polyamide |
| ST | Carbon steel |
| Bolts | Stainless steel AISI 304 (Werkstoff Nr. 1.4301) |
| Inserts | Brass |
| SPROCKETS AND IDLERS FOR MULTIFLEX CHAINS | |
| KU/KUS/N/NX/NXT | Polyamide |
| ZN | Zinc plated steel |
| GG | Cast iron |
| SPROCKETS FOR CASE CONVEYOR CHAINS | |
| KU | Polyamide |
| SR | Super tough reinforced polyamide, wear and abrasion resistant |
| Hub | Carbon steel with black finish or stainless steel |
| SPROCKETS FOR MODULAR BELTS | |
| SSW 500/1000 NS 1500/5996/5700/7700/8500/7956 N 1500 SS 2500 RPA | Reinforced polyamide; extra high strength, wear and abrasion resistant |
| CS 500/1000/505/1255 KU 1500/3125/5936/7700/8500/7956 KUS 1500/7700/3125 | Polyamide; super tough, wear and abrasion resistant |
| SS 1005/505/1255 SI 1005 | Special plastic; super tough, wear and abrasion resistant |
| KU 1010 CS 2010 KUS 6390 | Polyethylene |
| N 5996/4700/5936 CS/SS 2000 KU 510 KUS/KSXT 9200 | POM Acetal; wear resistant |
| Bolts and nuts | Stainless steel AISI 304 (Werkstoff Nr. 1.4301) |
| Inserts | Brass |

| Chain | page | Belt | page | Sprocket | page | Curve/straight track | page |
|-----------------|--------------------------|-----------------|----------|----------------|------|----------------------|------|
| 10 M | 16 | 500 FG | 133 | CH CC | 89 | 505 TAB CURVE | 194 |
| 10 S | 10, 12 | 500 FGP | 133 | CS 500 | 133 | 1200 TAB CURVE | 199 |
| 60 M | 16, 19 | 505 RB | 197 | CS 505 | 198 | C1 | 107 |
| 60 S | 10, 12, 14 | 505 RBP | 197 | CS 1000 | 157 | C2 | 107 |
| 66 B | 24 | 515 | 135 | CS 1255 | 203 | C3 | 108 |
| 66 M | 16, 19, 24, 25 | 905 Nosebar | 141 | CS 2000 | 179 | C4 | 108 |
| 66 S | 11, 12, 14, 21, 22, 23 | 1000 CLICK-COMB | 154 | CS 2010 | 183 | C5A | 109 |
| 66 ST | 23 | 1000 FFGP | 152 | GG 1757 | 83 | C5B | 109 |
| 66 T | 25 | 1000 FFTP | 151 | KSXTS 9200 | 187 | C5C | 110 |
| 512 | 14 | 1000 FG | 152 | KU 515 | 135 | C5D | 110 |
| 581 M | 19 | 1000 FGDP | 152 | KU 600 | 89 | C6 | 111 |
| 661 S | 15 | 1000 FINGER | 155 | KU 815 | 57 | C7 | 111 |
| 661 M | 20 | 1000 FT | 151 | KU 821 | 63 | C14 | 112 |
| 800/802/805 | 12 | 1000 FTDP | 151 | KU 1010 | 165 | C21A | 113 |
| 810 | 14 | 1000 LBP | 156 | KU 1500 | 141 | C22A | 113 |
| 812 | 10, 11, 14 | 1000 RR | 154, 155 | KU 1700 | 82 | C42 | 114 |
| 812 TAB | 13, 21 | 1000 RRR | 155 | KU 3120 | 195 | C43 | 114 |
| 815 | 11 | 1000 SG | 153 | KU 5936 | 149 | C61 | 115 |
| 815 TAB | 13 | 1000 SGDP | 153 | KU 7700 | 169 | C65 | 116 |
| 820 | 28 | 1005 FFTDP | 159 | KU 7956 | 205 | C66 | 116 |
| 820 HFP | 42 | 1005 FT | 159 | KU 8500 | 145 | C81 | 117 |
| 820 Vacuum | 39 | 1005 FTDP | 159 | KUS 815 | 56 | C86 | 117 |
| 821 | 30 | 1005 LBP | 162 | KUS 821 | 69 | C91 | 118 |
| 821 HFP | 42, 43 | 1005 LBPDP | 162 | KUS 1500 | 141 | C96 | 118 |
| 831 | 29 | 1005 SG | 160 | KUS 2500 | 83 | CB6 | 121 |
| 843 | 93 | 1005 SGDP | 160 | KUS 3120 | 195 | CC6 | 122 |
| 879 | 33 | 1005 SGS | 161 | KUS 6390 | 173 | CC21 | 122 |
| 879 TAB | 35 | 1005 SGSDP | 161 | KUS 7700 | 169 | CF6 | 110 |
| 879 TAB BO | 37 | 1015 | 165 | KUS 9200 | 187 | CIP4 | 121 |
| 879 TAB BO HFP | 46 | 1255 RB | 199 | KXT 800 | 64 | KSU | 127 |
| 879 TAB BO LBP | 50 | 1255 RBP | 199 | N 800 | 62 | KSU 200 | 128 |
| 880 | 32 | 1255 SG | 199 | N 820 | 58 | KTU | 123 |
| 880 TAB | 34, 40 | 1265 RBT | 200 | N 1108 | 72 | KTU 200 | 124 |
| 880 TAB BO | 46, 40 | 1275 RB | 201 | N 1500 | 141 | KTU 300 | 125 |
| 880 TAB BOT HFP | 46 | 1285 RBT | 202 | N 1700 | 82 | KTU 500 | 126 |
| 880 TAB HFP | 45 | 1505 | 137 | NSH 880 | 69 | LBP2 | 119 |
| 880 TAB Vacuum | 39 | 1505 DTS | 137 | N 5936 | 149 | LBP91 | 120 |
| 881/ | 17 | 1505 FT | 139 | N 5996 | 187 | LBP96 | 120 |
| 881 TAB | 17 | 1505 FTDP | 139 | NS 815 | 55 | LBP861 | 119 |
| 882 | 33 | 1505 SG | 140 | NS 820 | 58 | N 880 BOT | 75 |
| 882 TAB | 38 | 1505 SGDP | 140 | NS 821 | 62 | ND 1700 | 86 |
| 882 TAB HFP | 45 | 1505 SGS | 140 | NS 831 | 67 | ND 1700BC | 86 |
| 883 TAB LBP | 50 | 1505 SGSDP | 140 | NS 880 | 71 | ND 1700BO | 86 |
| 963 | 92 | 1506 | 138 | NS 881 | 61 | ND 1700FL | 86 |
| 1050 FGM/FT | 52, 54 | 2000 CLICK-COMB | 177 | NS 882 | 70 | NX 880 BOT | 75 |
| 1055 FT/FTM | 53, 54 | 2000 DTS-C | 178 | NS 1500 | 141 | NXT 880 BO | 75 |
| 1060 FTM | 53 | 2000 FG | 175 | NSH 880 | 69 | SSU | 129 |
| 1080 | 41 | 2000 FT | 175 | NS 5996 | 192 | STU | 129 |
| 1108 | 41 | 2000 RR | 176 | NS 7700 | 169 | STU 200 | 129 |
| 1700 | 78 | 2000 RRHD | 176 | NS 7956 | 205 | STU 300 | 129 |
| 1702 | 79 | 2000 RRHDP | 176 | NS 8500 | 145 | STU 500 | 129 |
| 1710 | 80 | 2000 RRP | 176 | NSX 821 | 62 | | |
| 1713 | 81 | 2000 SR | 177 | NSX 880 | 71 | | |
| 1720 | 79 | 2000 SRP | 177 | NSX 881 | 61 | | |
| 1757 | 77 | 2011 | 182 | NSX 882 | 70 | | |
| 1765 ZeroGap | 76 | 2015 | 181 | NSXT 820 | 59 | | |
| 1775 ZeroGap | 79 | 2016 | 181 | NX 800 | 62 | | |
| 1843 TAB | 93, 98 | 2500 FINGER | 189 | NX 881 | 61 | | |
| 1864 | 92 | 2500 SR | 189 | NX 1108 | 72 | | |
| 2565 | 77 | 2500 SRP | 189 | NX 1700 | 82 | | |
| 1873 TAB | 97, 98, 100, 95, 96, 101 | 3125 | 194 | NXT 820 | 59 | | |
| 1874 TAB | 94, 97 | 3129 | 194 | NXT 821 | 69 | | |
| 3873 TAB | 96 | 5935 | 147 | NXT 1757 | 83 | | |
| 8811 | 16 | 5935 VAC | 148 | SD 75 | 60 | | |
| 8811 TAB | 18, 25 | 5936 | 147 | SD RH | 69 | | |
| CC 600 | 85 | 6390T | 171 | SI 75 | 60 | | |
| CC 631 TAB | 86 | 6391T | 172 | SI 1005 | 163 | | |
| CC 1400 | 87 | 6392T | 173 | SI HD | 70 | | |
| CC 1431 TAB | 88 | 6995 | 191 | SI RH | 71 | | |
| HDF | 38 | 6999 | 191 | SIW 1050 | 72 | | |
| HDF LBP | 51 | 7705 | 167 | SR CC 600/1400 | 89 | | |
| HDFM | 32 | 7705 DTS | 167 | SS 75 | 60 | | |
| HDFM LBP | 49 | 7706 | 168 | SS 505 | 198 | | |
| HDFM SG | 44 | 7708 | 168 | SS 661 | 66 | | |
| HDS | 30 | 7956 | 204 | SS 1005 | 163 | | |
| HDS LBP | 48 | 8505 | 143 | SS 1255 | 203 | | |
| HDS SG | 44 | 8505 DTS | 143 | SS 2000 | 179 | | |
| RH/RHD | 34, 35 | 8506 | 144 | SS 2500 | 189 | | |
| RHM/RHMD | 31 | 9217 | 185 | SS HD | 70 | | |
| RHMD LBP | 49 | 9227 | 185 | SS MINI | 65 | | |
| RHMP/RHMDP | 31 | | | SS RH | 71 | | |
| SH/SHD/SHP | 28, 29 | | | SS SH | 68 | | |
| SHD LBP | 47 | | | SSW 500 | 133 | | |
| SRH | 36 | | | SSW 1000 | 156 | | |
| SWH | 30 | | | SSW 1050 | 72 | | |
| SWH LBP | 47 | | | ST 512 | 65 | | |
| SWH SG | 43 | | | ZN 1700 | 83 | | |

NOTES