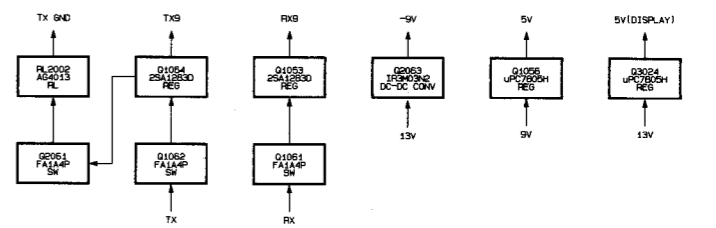
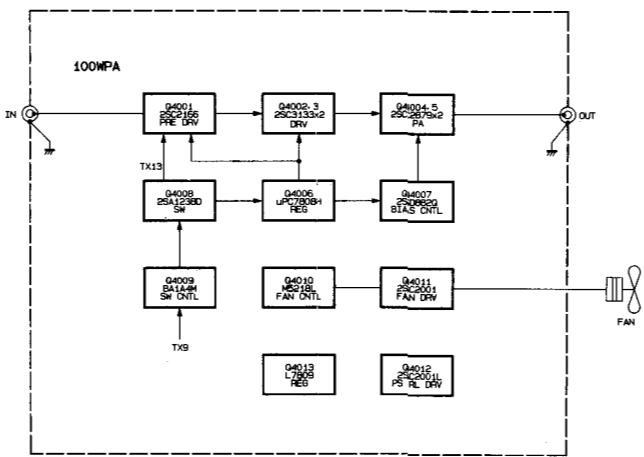
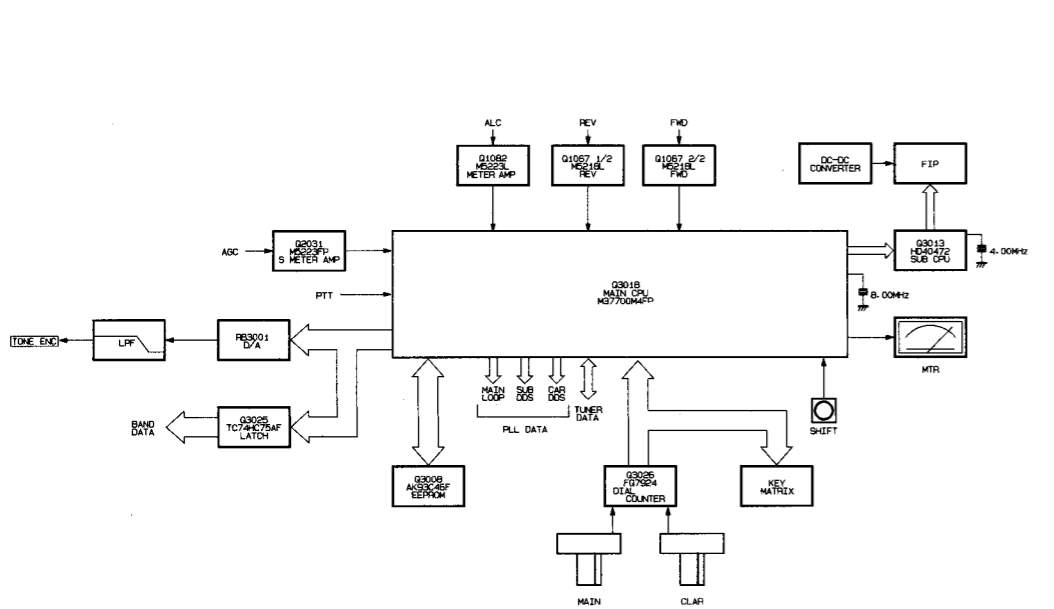
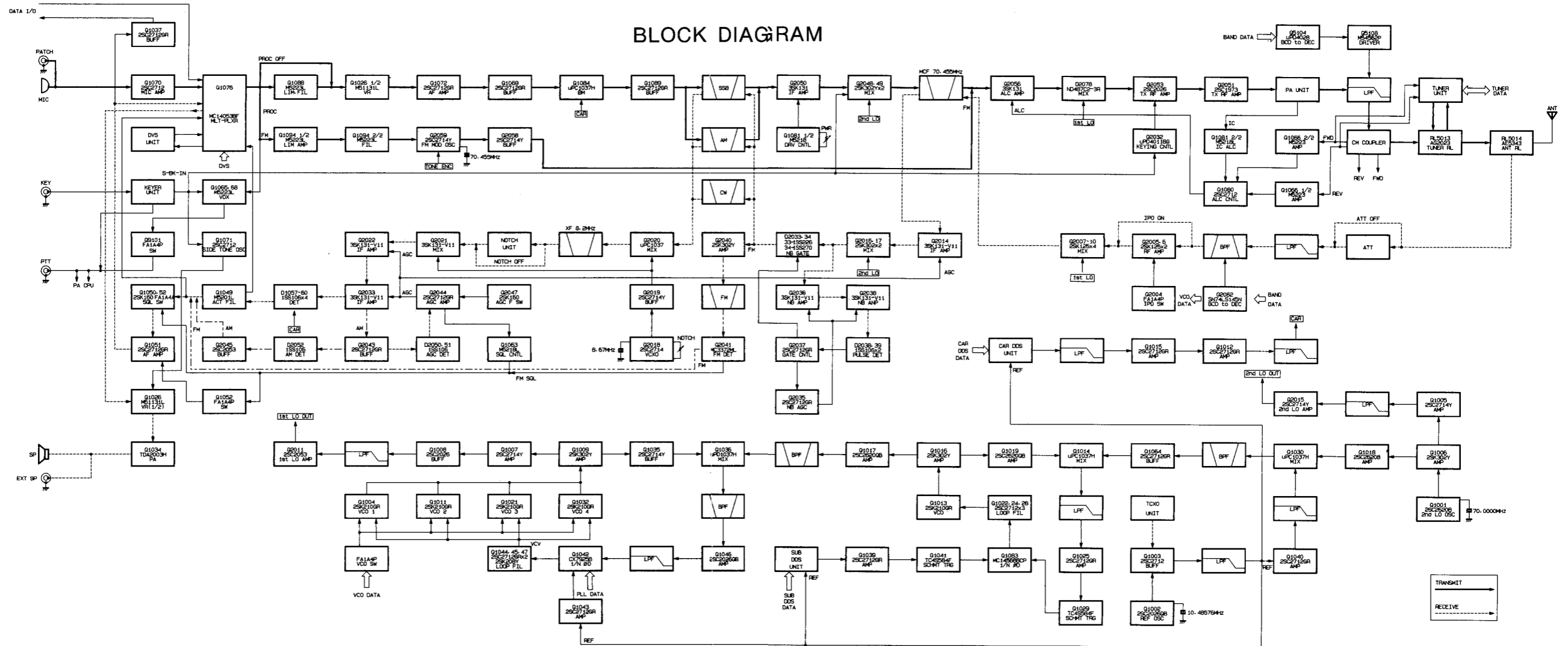
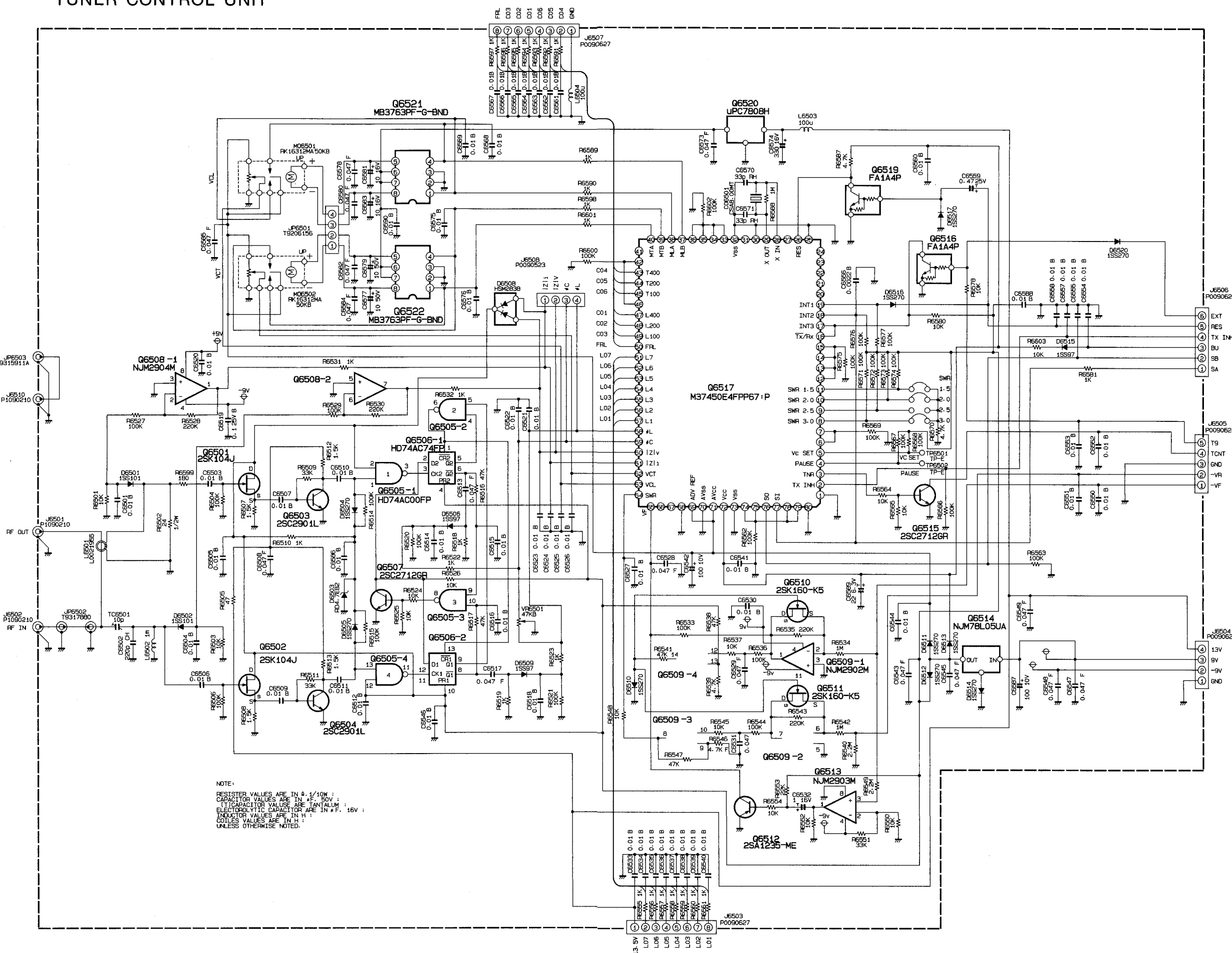


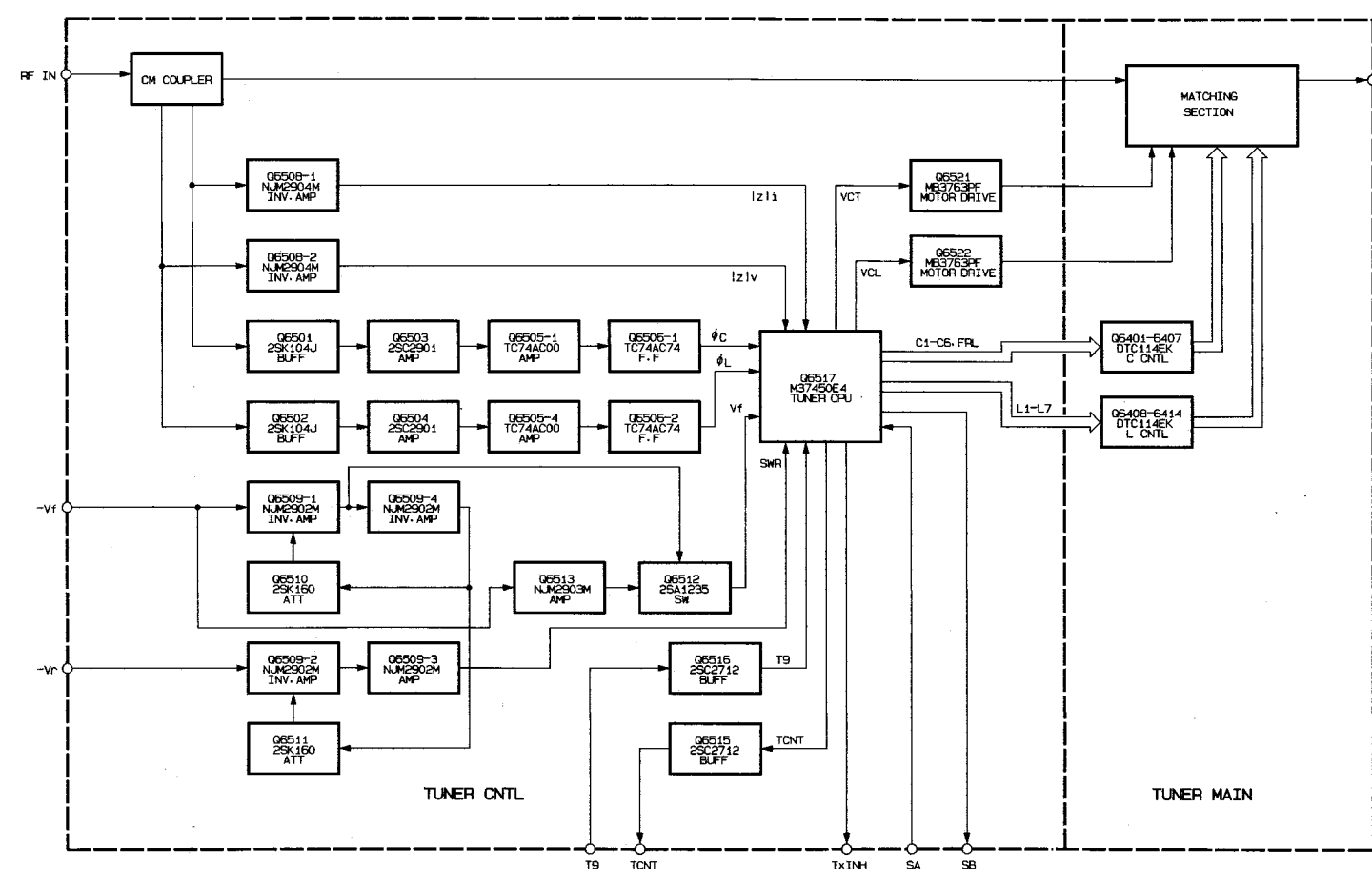
# BLOCK DIAGRAM



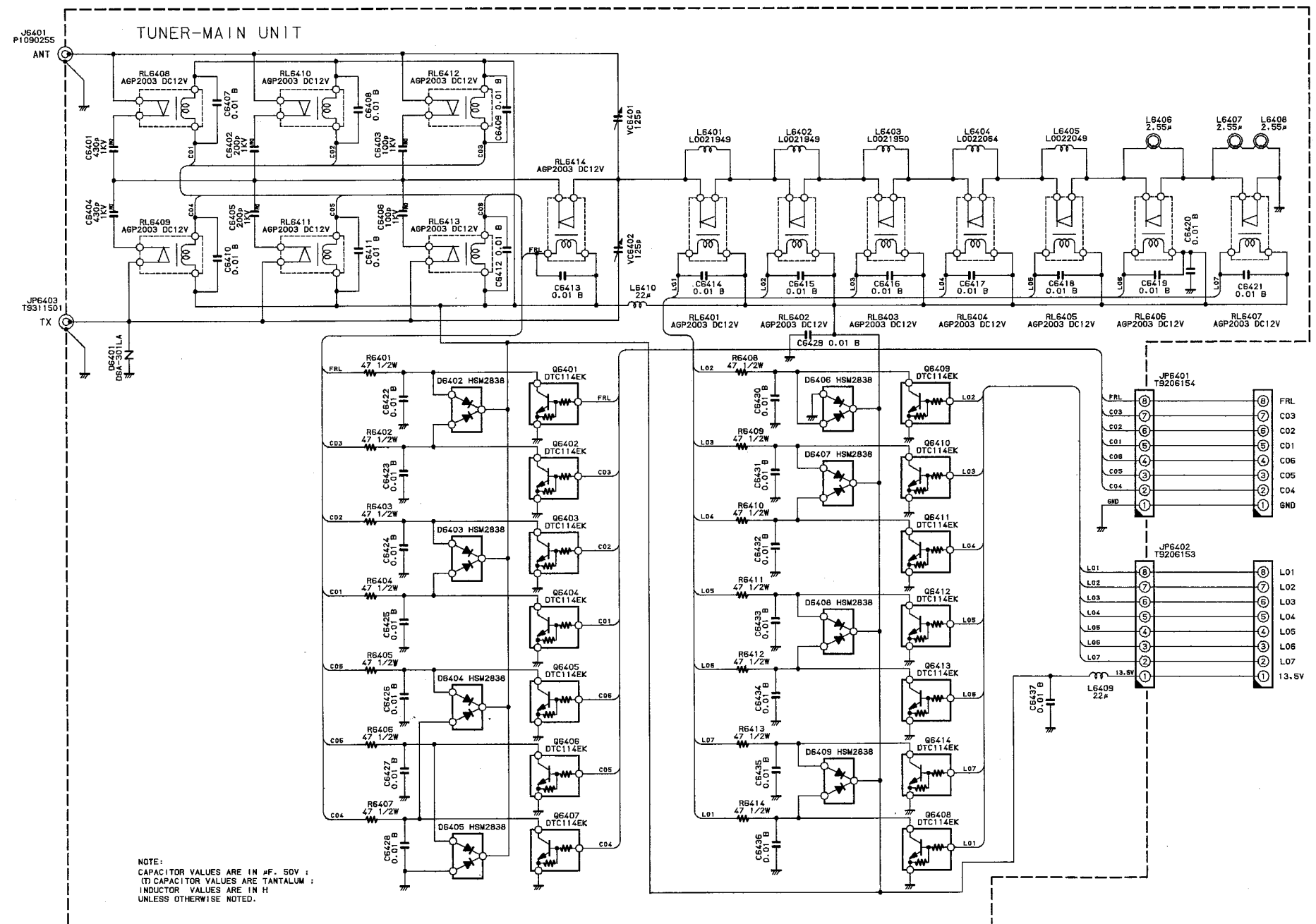
TUNER CONTROL UNIT



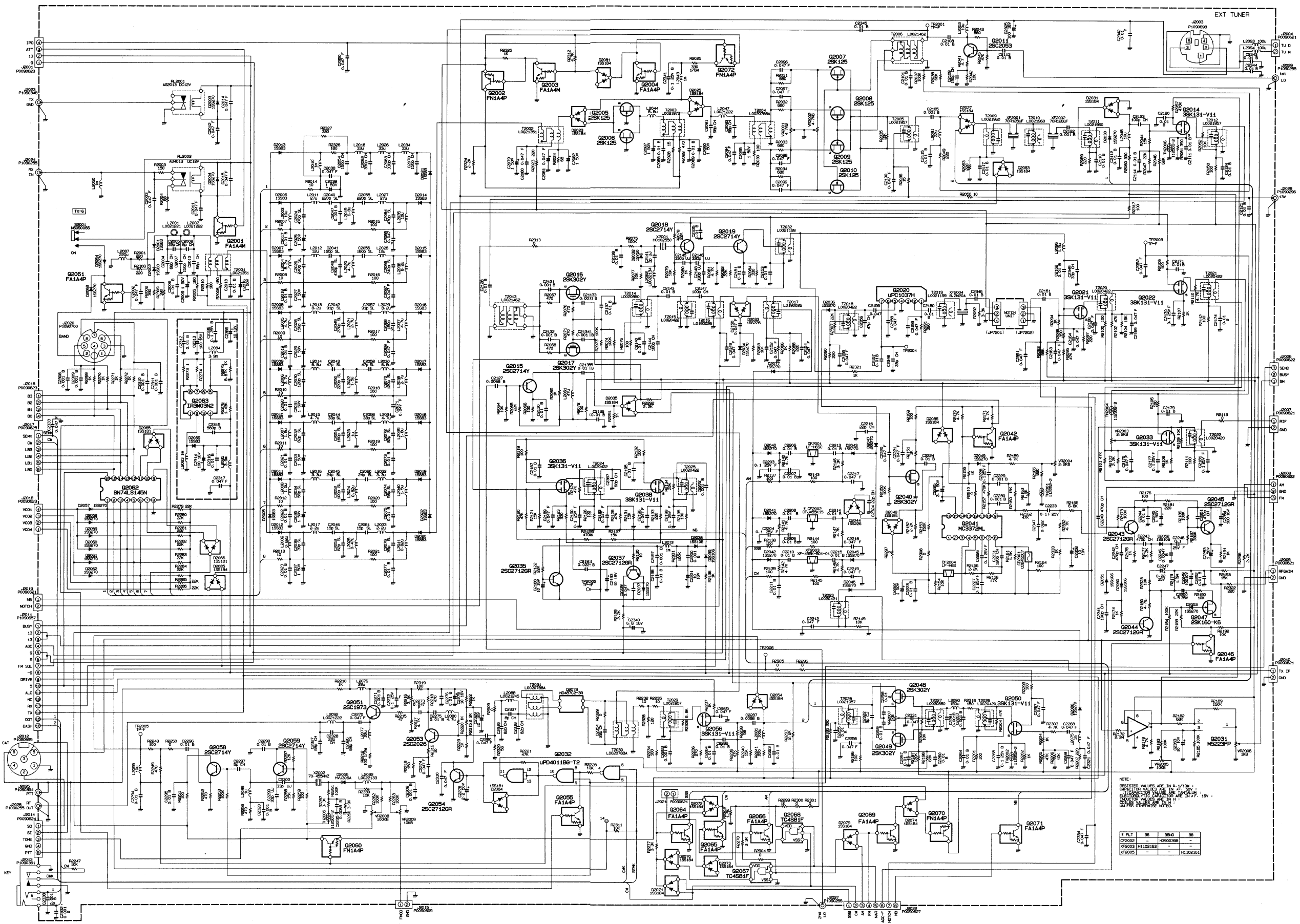
TUNER BLOCK DIAGRAM



TUNER-MAIN UNIT



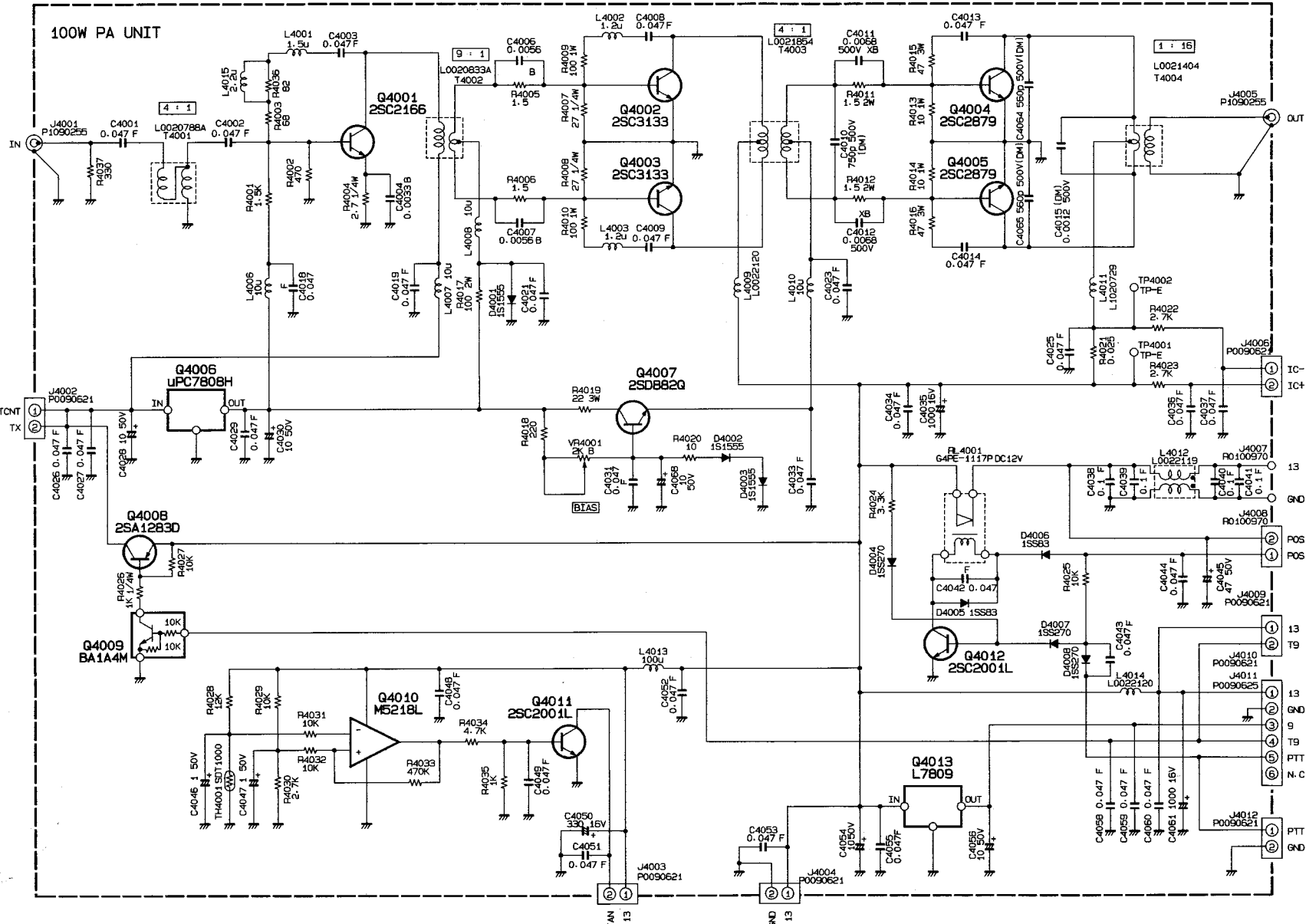
# RF UNIT

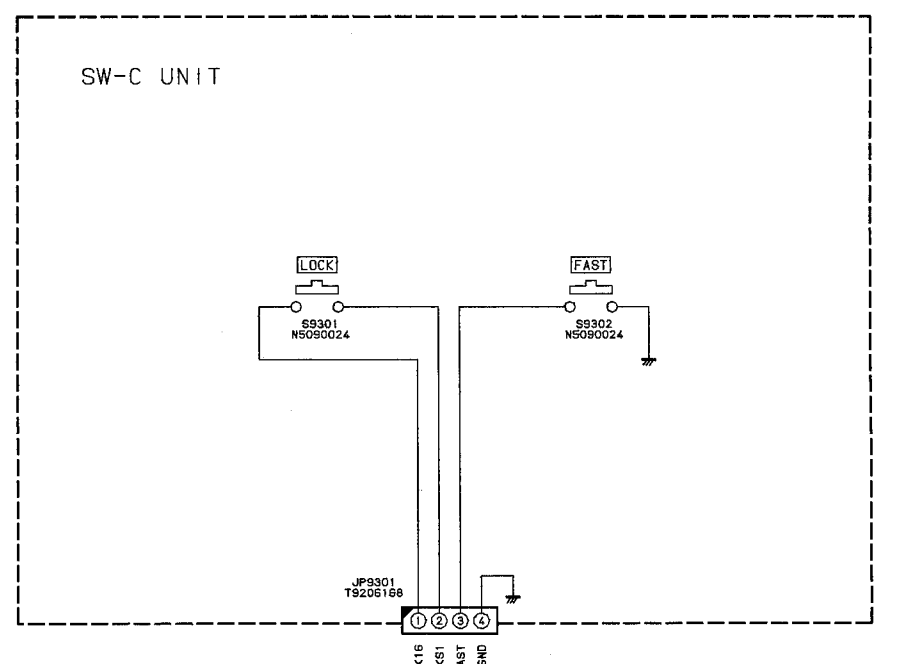
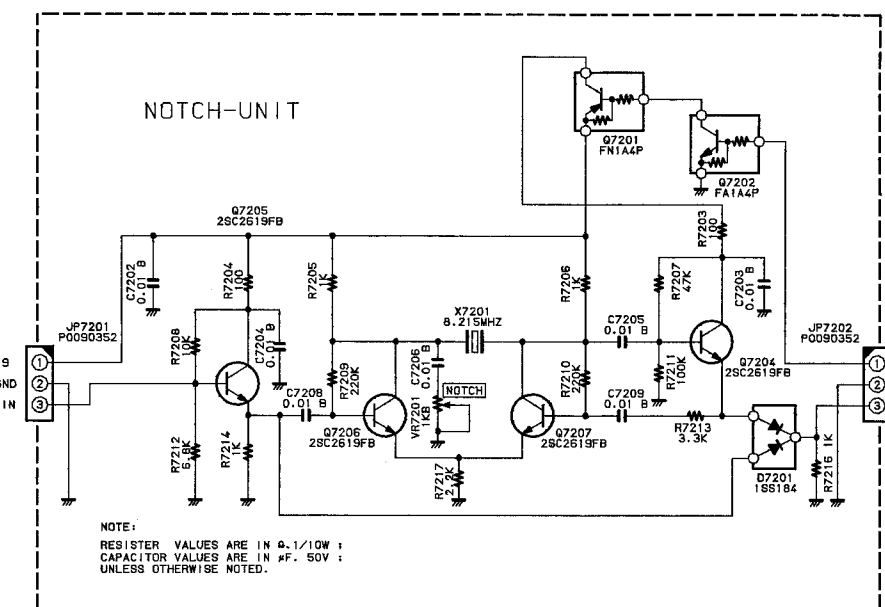
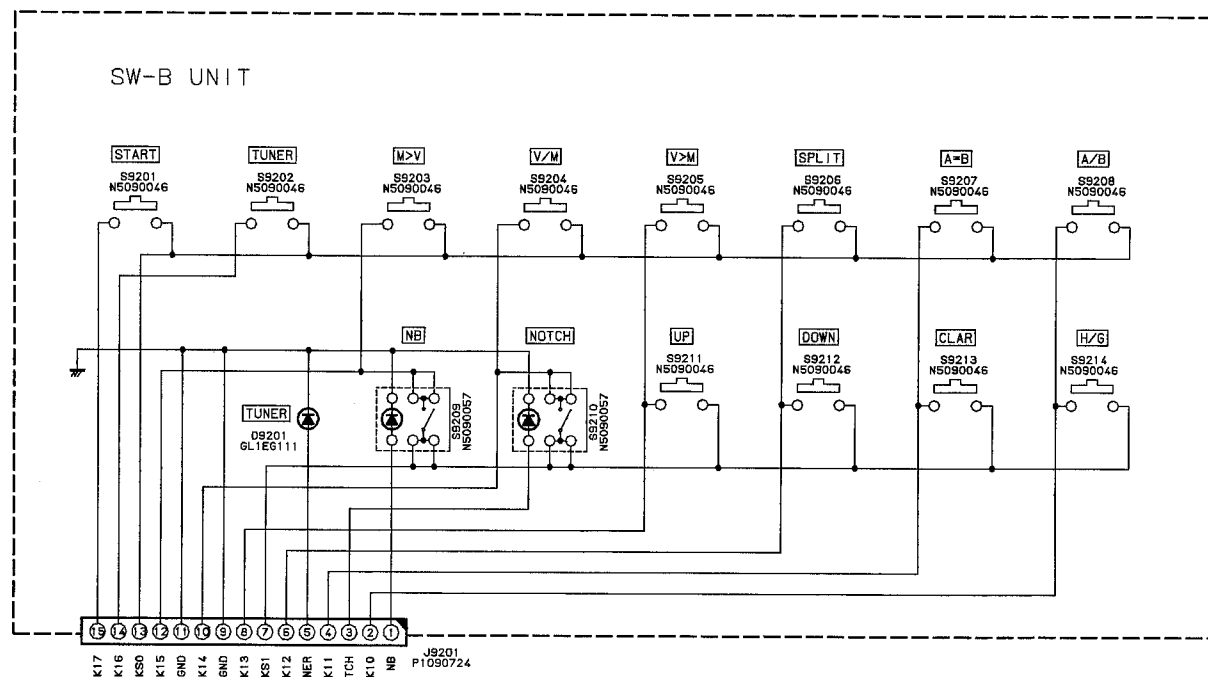
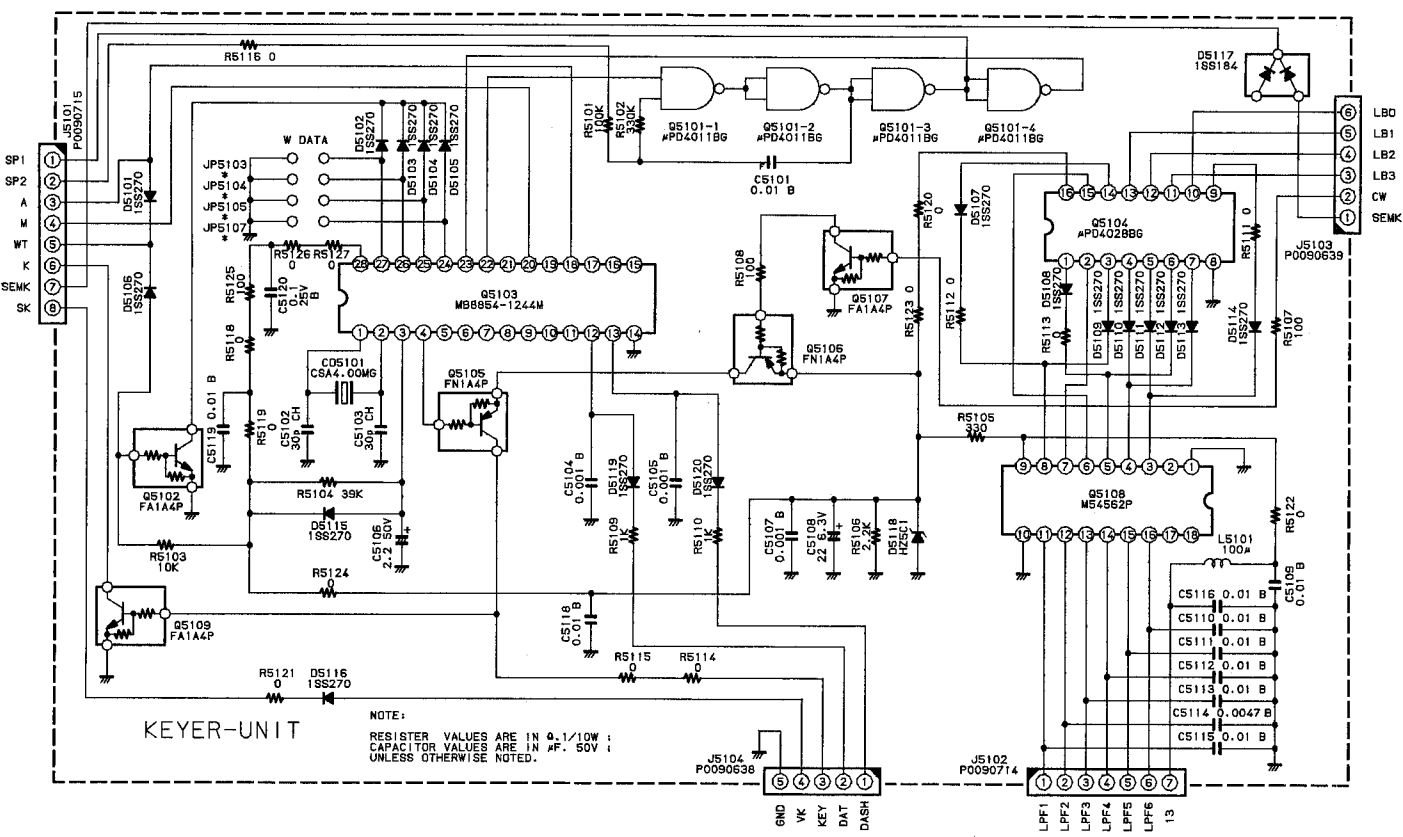
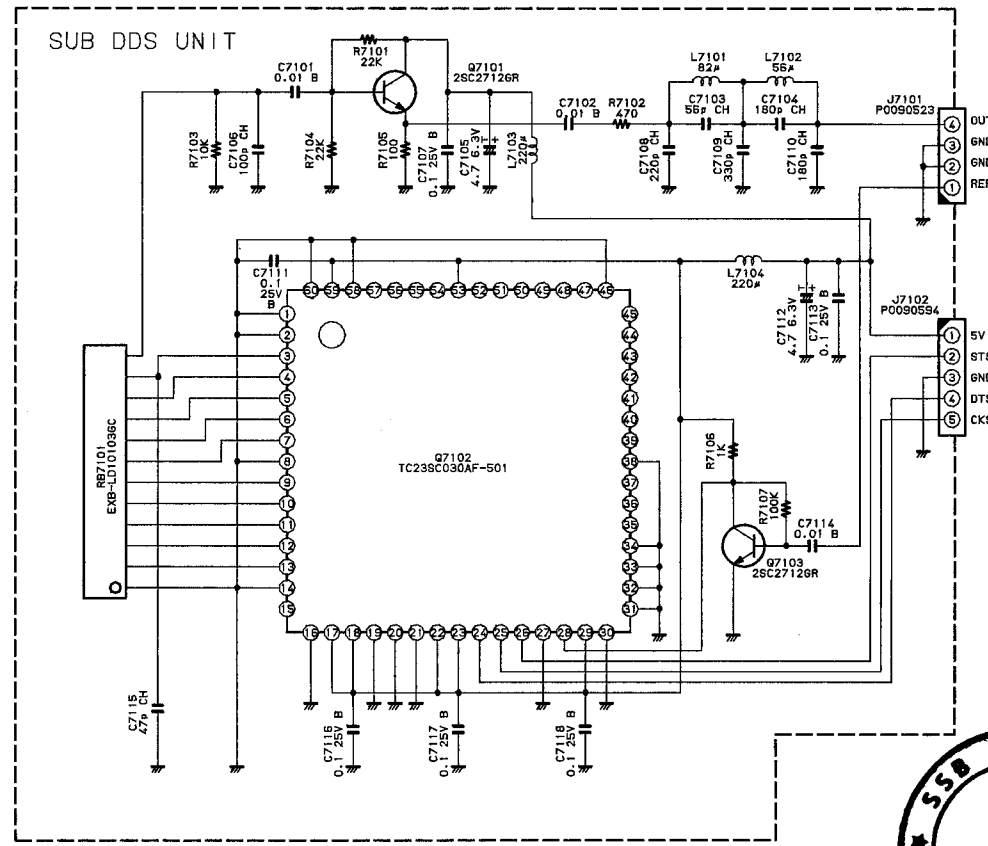
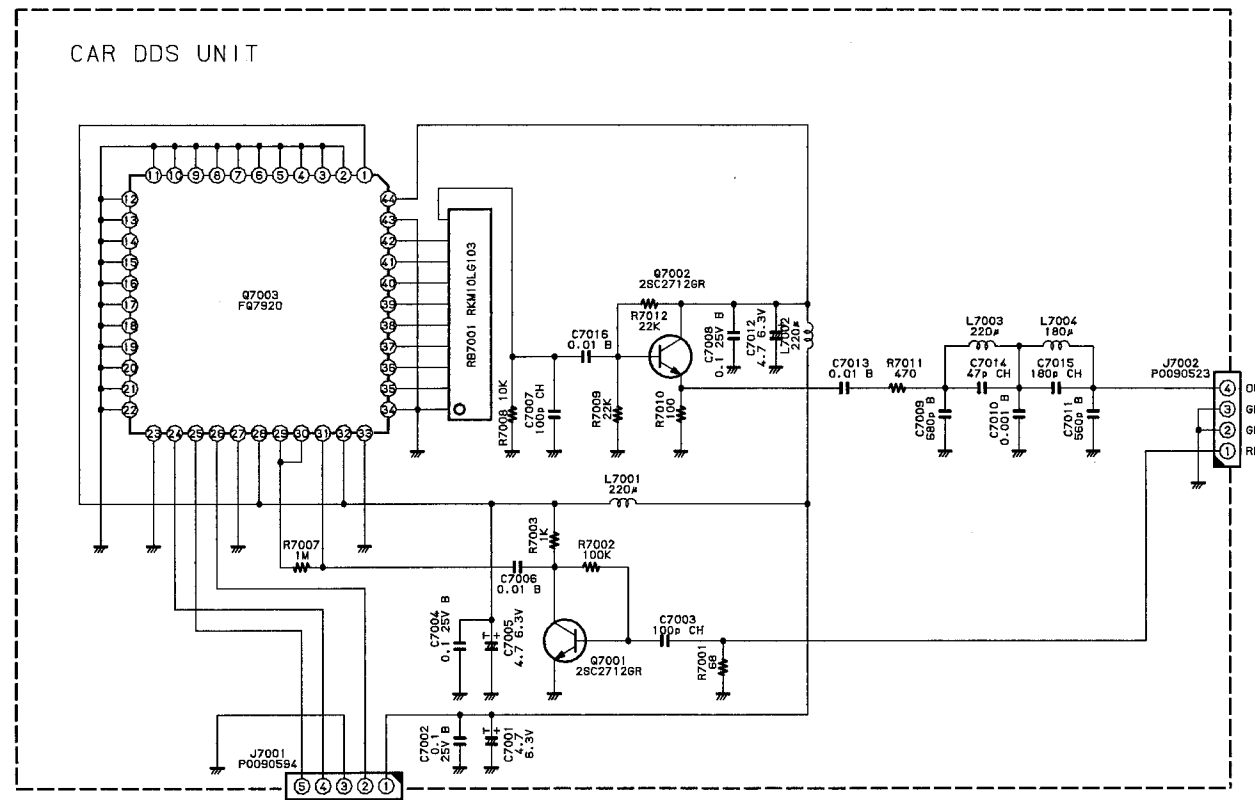
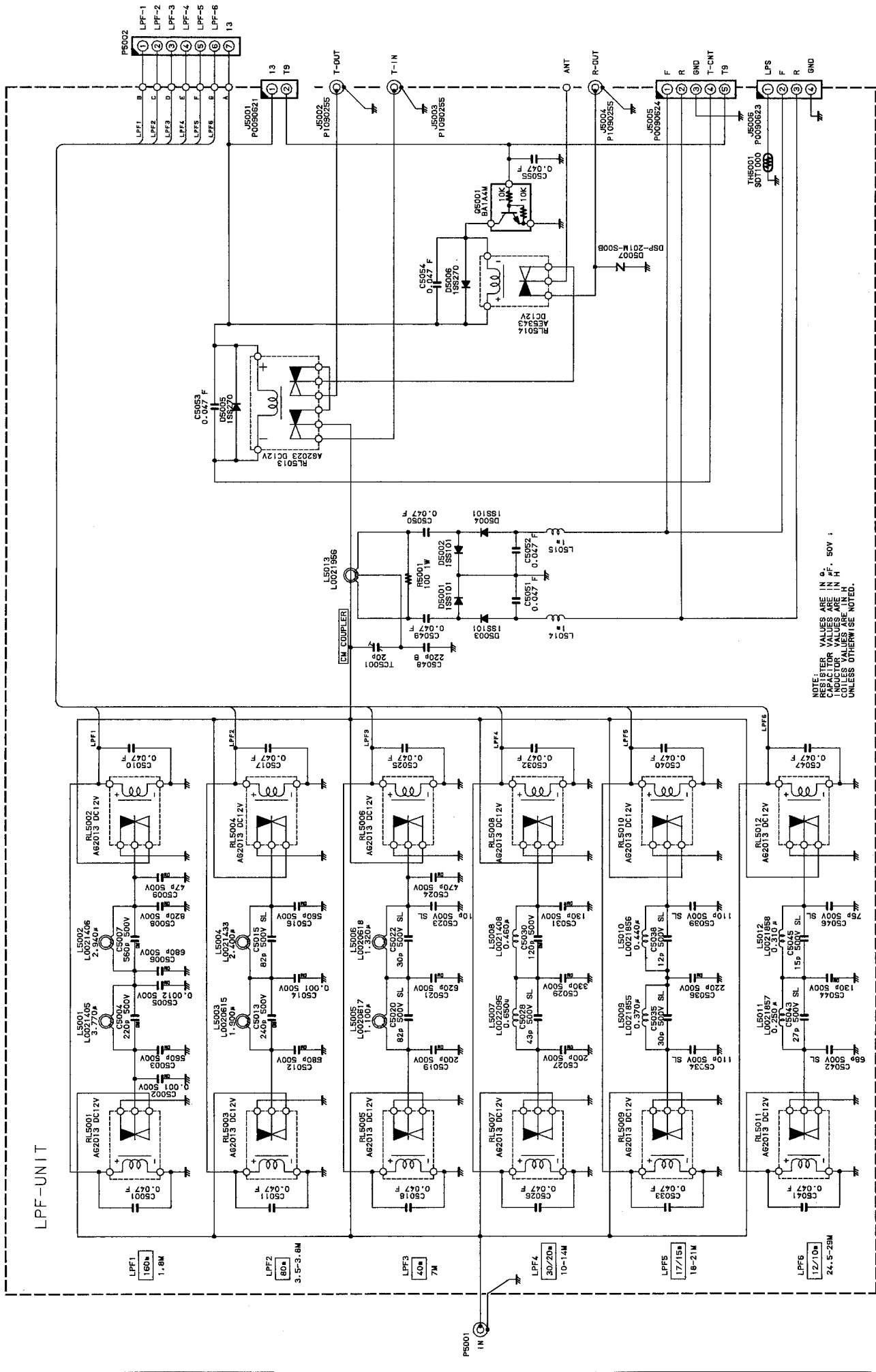


NOTE:  
 1. ALL VALUES ARE IN OHMS UNLESS OTHERWISE SPECIFIED.  
 2. CAPACITANCE VALUES ARE IN PICO FARADS UNLESS OTHERWISE SPECIFIED.  
 3. RESISTANCE VALUES ARE IN OHMS UNLESS OTHERWISE SPECIFIED.  
 4. ALL DIMENSIONS ARE IN MILLIMETERS UNLESS OTHERWISE SPECIFIED.  
 5. ALL DIMENSIONS ARE TO CENTER UNLESS OTHERWISE SPECIFIED.

FLT	36	360	36
QF003	H102163	H360136	-
QF005	H102163	-	H102163

100W PA UNIT





LOCAL UNIT

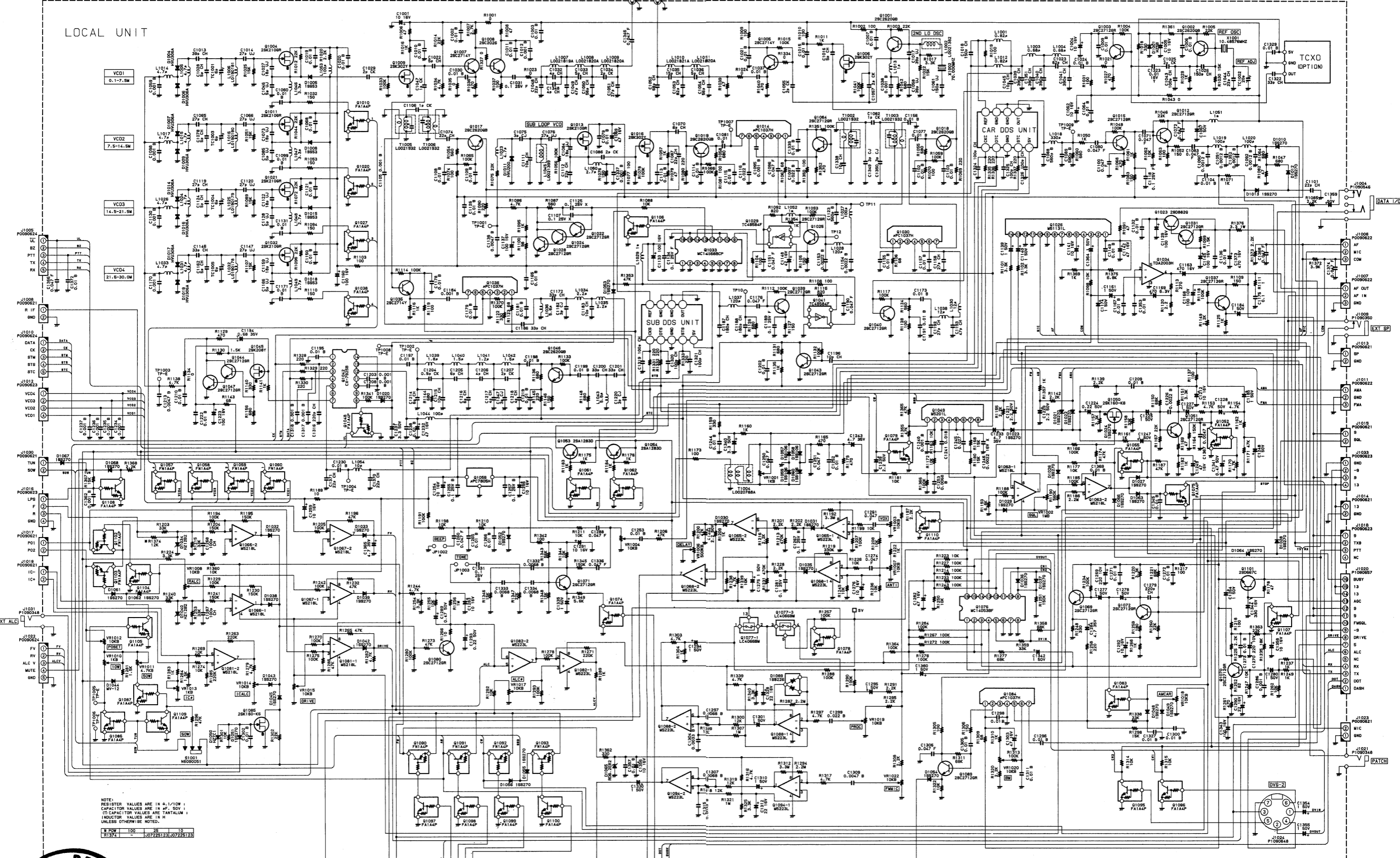
1ST LO P100055  
2ND LO P100056

VC01  
0.1-7.5M

VC02  
7.5-14.5M

VC03  
14.5-21.5M

VC04  
21.5-30.0M



NOTE:  
RESISTOR VALUES ARE IN  $\Omega$ ,  $\text{k}\Omega$ ,  $\text{M}\Omega$   
CAPACITOR VALUES ARE IN  $\text{pF}$ ,  $\text{NF}$ ,  $\mu\text{F}$   
( $\mu$  CAPACITOR VALUES ARE TANTALUM)  
INDUCTOR VALUES ARE IN  $\mu\text{H}$   
UNLESS OTHERWISE NOTED.

R1374	100	25	10
J0225123	J0225123	J0225123	J0225123



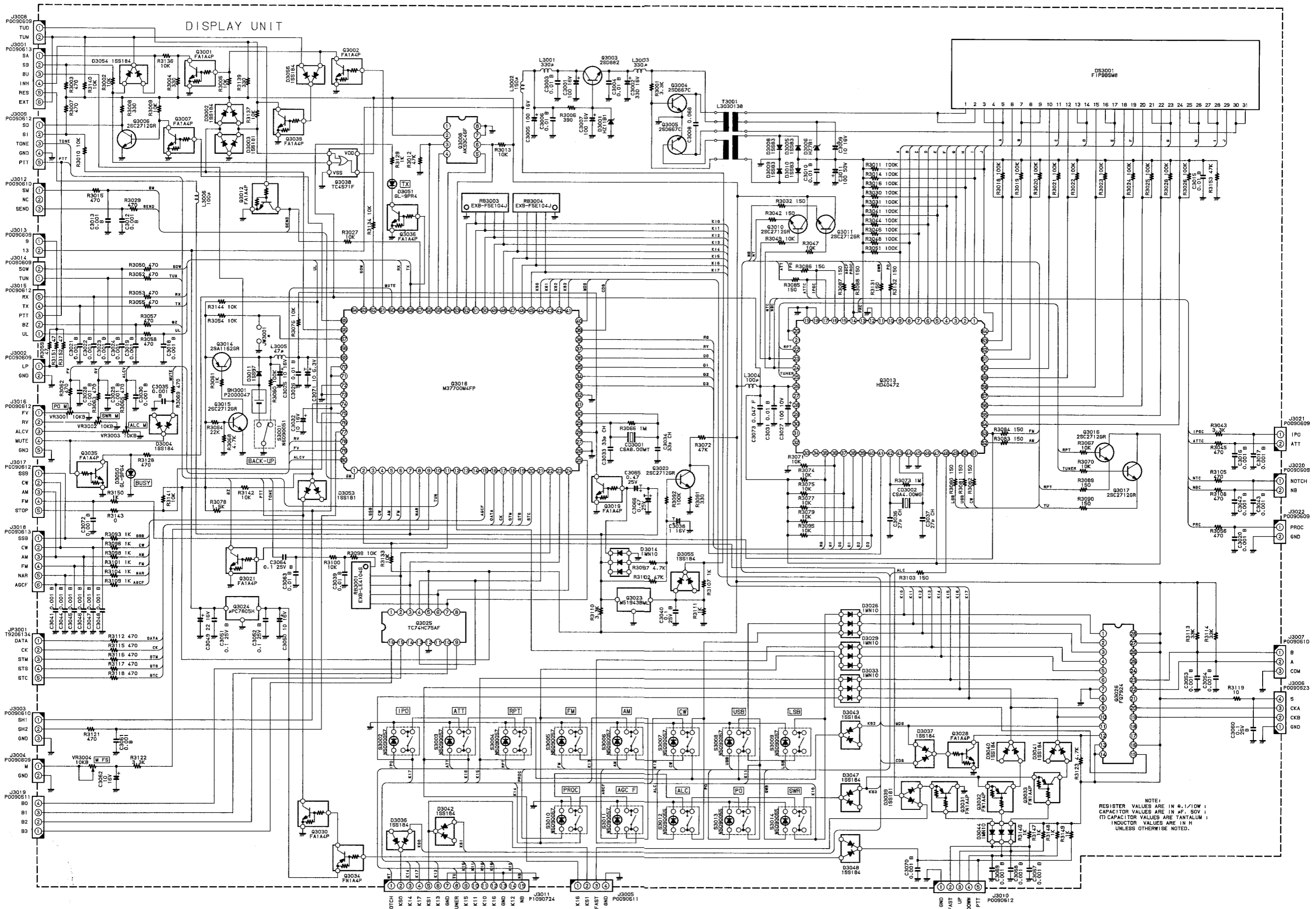
DATA I/O

EXT BP

PATCH

1021 P100064

# DISPLAY UNIT



NOTE:  
RESISTOR VALUES ARE IN OHMS UNLESS OTHERWISE NOTED.  
CAPACITOR VALUES ARE IN P.F. UNLESS OTHERWISE NOTED.  
INDUCTOR VALUES ARE IN H. UNLESS OTHERWISE NOTED.

- J3006 P0090509 TUD
- TUM
- J3001 P0090513 SA
- SB
- BU
- INH
- RES
- EXT
- J3005 P0090512 S1
- SD
- TONE
- GND
- PTT
- J3012 P0090510 SM
- NC
- SEND
- J3013 P0090509 9
- 13
- J3014 P0090509 S0W
- TUN
- J3015 P0090512 RK
- TX
- PTT
- BZ
- UL
- J3002 P0090509 LP
- GND
- J3016 P0090512 RV
- ALCV
- MUTE
- GND
- J3017 P0090512 SSB
- CW
- AM
- FM
- STOP
- J3018 P0090513 SSB
- CW
- AM
- FM
- NAR
- AGCF
- JP3001 T9206134 DATA
- CK
- STM
- STS
- STC
- J3003 P0090510 SH1
- SH2
- GND
- J3004 P0090509 M
- GND
- P3019 P0090511 B0
- B1
- B2

- J3021 P0090509 IPG
- ATT
- J3020 P0090509 NOTCH
- NB
- J3022 P0090509 PRRC
- GND

- J3007 P0090510 B
- A
- COM
- J3006 P0090523 5
- CKA
- CKB
- GND

- NOTCH
- K20
- K17
- K81
- K81
- K13
- GND
- TUNER
- K11
- K10
- K16
- K15
- K12
- NB
- J3011 P1090724
- K16
- K81
- FAST
- GND
- J3005 P0090511

- GND
- FAST
- UP
- DOWN
- PTT
- J3010 P0090512

# CONNECTION DIAGRAM

