



STORE MORE. SAVE MONEY.

5 Cu. Ft. Chest Freezer	MRC05M3AWW	2469977
7 Cu. Ft. Chest Freezer	MRC07M3AWW	2469978

Perfect for long-term frozen food storage, Midea Chest Freezers feature easy-access defrost drains along with mechanical temperature control. A multi-angle hinge lock holds the lid open freeing both hands to move larger items. A removable wire basket puts frequently accessed items within easy reach and the airtight construction helps keep food frozen for up to 44 hours in the event of a power outage.

Garage Ready

Maintains stable and consistent temperature under extreme ambient temperatures— from 0°F to 110°F.

Multi-Angle Hinge Design

Allows the lid to stay open between 45 and 75 degrees for easy packing and unpacking. You don't need to hold the lid up with your hands allowing you to pack and unpack faster.

Removable Storage Basket

Keeps short-term stored items within easy reach while keeping things tidy.

Mechanical Temperature Control

Easily control the temperature without opening the freezer.



5 Cu. Ft. Chest Freezer

Model MRC05M3AWW

7 Cu. Ft. Chest Freezer

Model MRC07M3AWW

SPECIFICATIONS

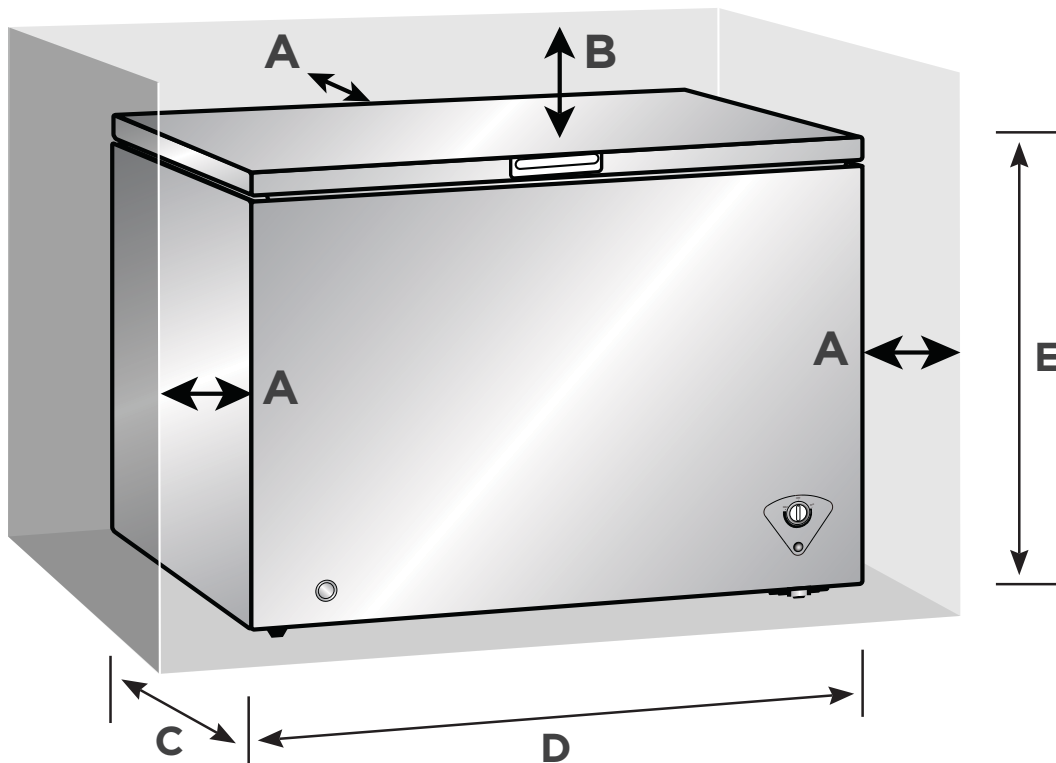
Model		MRC05M3AWW	MRC07M3AWW
Color		White	White
PERFORMANCE			
Energy Class		DOE	DOE
FEATURES			
Capacity (cu. ft.)		5.0	7.0
Defrost Type		Manual	Manual
Foam Blowing Agent		Cyclopentane	Cyclopentane
Interior Lighting		No	No
Refrigerant		R600a	R600a
Temperature Control		Mechanical	Mechanical
ELECTRICAL			
Energy Consumption (Kwh/Y)		218	250
Voltage (V)		115	115
PHYSICAL ATTRIBUTES			
Adjustable Legs		Yes	Yes
Appliance Cabinet Color		White	White
Door Handles Color		White	White
Door Handle Type		Recessed	Recessed
Removable Bin/Basket(s)		1, Wire	1, Wire
Dimensions (W*D*H)	in	24.9 x 21.7 x 33.5	32.1 x 21.7 x 33.5
	cm	63.2 x 55.1 x 85.1	81.5 x 55.1 x 85.1
Net Weight	lbs	60	66
	kg	27	30
Warranty		1 Year Parts and Labor, 10 Years Compressor	1 Year Parts and Labor, 10 Years Compressor

5 Cu. Ft. Chest Freezer

Model MRC05M3AWW

Recommended Clearance

Minimum clearances between the freezer and adjacent walls or other surfaces:



A 7.9" (20 cm)

Between sides and back of cabinet and walls

B 27.5" (70 cm)

Above the freezer

C 21.7" (55.1 cm)

Depth

D 24.9" (63.2 cm)

Width

E 33.5" (85.1 cm)

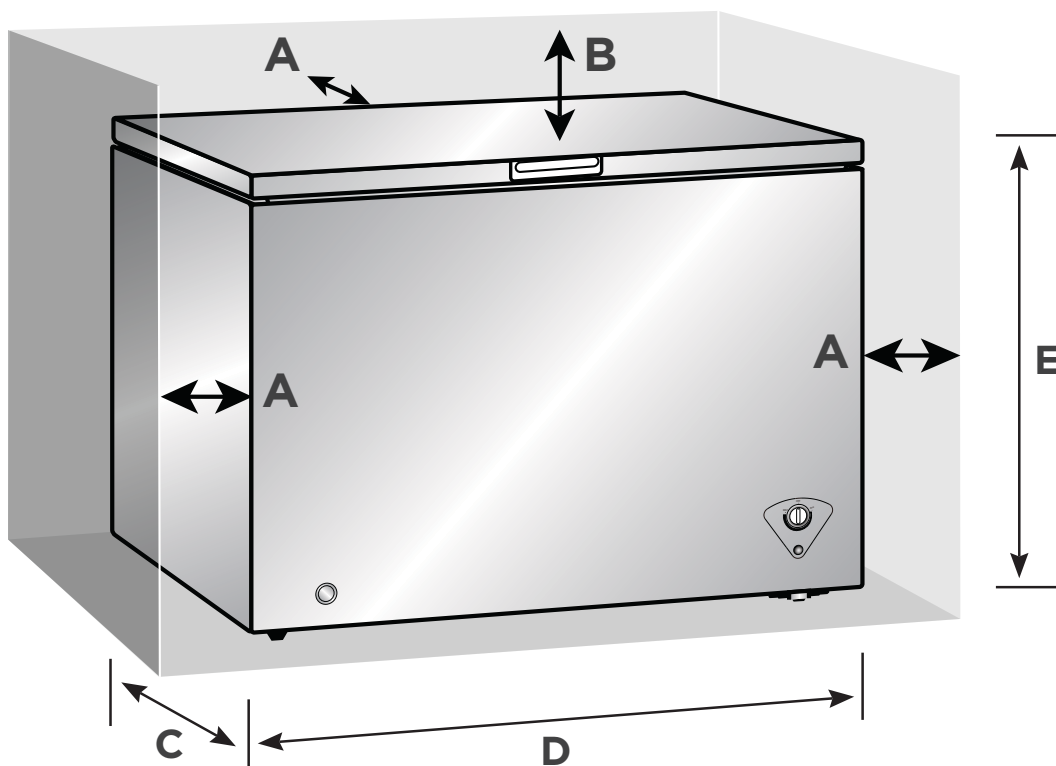
Height

7 Cu. Ft. Chest Freezer

Model MRC07M3AWW

Recommended Clearance

Minimum clearances between the freezer and adjacent walls or other surfaces:



A 7.9" (20 cm)

Between sides and back
of cabinet and walls

B 27.5" (70 cm)

Above the freezer

C 21.7" (55.1 cm)

Depth

D 32.1" (81.5 cm)

Width

E 33.5" (85.1 cm)

Height