

Distribution boards and switchboard cabinets





**CONTENTS**



**INDEX ..... A**

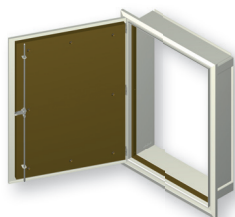


▶ **DistriTon DISTRIBUTION BOARDS ..... B**

RNG, RZG, RZV, ECO, CT plastic distribution boards .....2

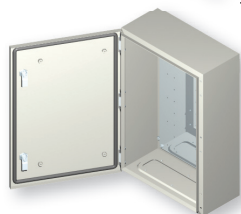
CX, KJ terminal covers .....11

RZB, RNB steel-sheet distribution boards .....13



▶ **DistriSet DISTRIBUTION BOARDS ..... C**

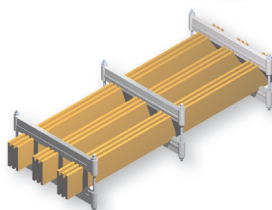
DZ, DN, DZ...E130 distribution boards .....2



▶ **DistriBox SWITCHBOARD CABINETS ..... D**

NP wall-mounted cabinets .....2

QA side-by-side cabinets .....12



▶ **Busbar systems ..... E**

Busbar holders .....2

Support insulators .....7

Flexible connectors .....9

Busbar systems holders .....10

Pressing-in nut .....17



**GLOSSARY ..... F**





## INDEX

<b>A</b>			
A-SST-60/49-...	E12		
<b>C</b>			
C30/...	E16		
C40/...	E16		
C50/...	E16		
C60/...	E16		
CS-N7	B14		
CT-...	B6		
CX-...	B11		
<b>D</b>			
DSB-E	B7		
D100/185	E10		
DN43-...	C3		
DZ43-...	C2		
DZ43-...-E130	C4		
<b>E</b>			
ECO-...	B6		
<b>K</b>			
KD-D100/185	E10		
KJ-...	B11		
<b>N</b>			
NP65-...	D2		
<b>P</b>			
PD-D-...DP...	C11	PD-Q01-PP...	D18
PD-D-...LPU...	C11	PD-Q01-PR...	D18
PD-D-1E...	C11	PD-Q03-45LB12	D24
PD-D-KM...	C12	PD-Q03-4Z012	D29
PD-D-KMV...	C12	PD-Q03-76LB12	D24
PD-D-L35-VU...	C11	PD-Q03-AD120	D29
PD-D-UM5P	C12	PD-Q03-KBD...	D20
PD-N-4Z08	D11	PD-Q03-MP...	D23
PD-N-KM...	D10	PD-Q03-MPV...	D24
PD-N-KMV...	D10	PD-Q03-SPC...	D29
PD-N-M...	D9	PD-Q03PP-PK...	D22
PD-N-MPD...	D8	PD-Q03PR-PK...	D22
PD-N-P...	D9	PD-Q11-KB...	D20
PD-N-UD	D11	PD-Q11-KBP...	D20
PD-N-URD	D11	PD-Q12-KB...	D20
PD-N-URZ	D11	PD-Q12-KBP...	D20
PD-N-UZ	D11	PD-Q13-1KD...	D23
PD-N-VD...	D10	PD-Q13-3KD...	D22
PD-N-VY...	D8	PD-Q13-40LBC...	D24
		PD-Q13-45LBD...	E6
		PD-Q13-65LBC...	D24
		PD-Q13-AD160	D29
		PD-Q13-DIM3-185	E8
		PD-Q13-DIZ1	E8
		PD-Q13-DSK	D31
		PD-Q13-KM...	D28
		PD-Q13-KMM...	D28
		PD-Q13-KMK...	D28
		PD-Q13-KMV...	D28
		PD-Q13-LMP...	D23
		PD-Q13-M...	D28
		PD-Q13-PK...	D21
		PD-Q13-SPC...	D29
		PD-Q13-UR...	B14
		PD-QK-100LP...	D26
		PD-QK-100LV...	D25
		PD-QK-120LP...	D26
		PD-QK-150LP...	D26
		PD-QK-160LP...	D26
		PD-QK-1D	D25
		PD-QK-2D	D25
		PD-QK-200LP...	D26
		PD-QK-40LP...	D26
		PD-QK-45LB...	D24
		PD-QK-50LV...	D25
		PD-QK-60LP...	D26
		PD-QK-60LSP...	D27
		PD-QK-60LSZ...	D27
		PD-QK-76LB...	D24
		PD-QK-80LP...	D26
		PD-QK-ARAL7035	D30
		PD-QK-D1M...	D11, D29
		PD-QK-DELTA...	E2, E4
		PD-QK-DIVV...	E8
		PD-QK-DP1	D26
		PD-QK-DS...	E4
		PD-QK-DVA...	D30
		PD-QK-LKU...	D27
		PD-QK-M...	D30
		PD-QK-MLBD	E6
		PD-QK-OSL	D31
		PD-QK-PW40M...	E7
		PD-QK-SK11	D31
		PD-QK-SV270	E2
		PD-QK-UBB5	D30, D11
		PD-QK-UBD	D30, D11
		PD-QK-UVD	D30
		PD-QK-UVZ	D30
		PD-QT-DSM	D27
		PD-QT-DSV	D27
		PD-R-ZAS...	B7, B14, C12
		PD-RB-2LEM...	B14
		PD-RB-4MU	B14
		PD-RB-DSB01	B14
		PD-RG...-DH	B5
		PD-RGV-DSB...	B5
		PD-RGV-SB...	B5
		PS-...	E9
<b>Q</b>			
QA40-...	D12		
QA55-...	D12		
<b>R</b>			
RNB-...	B13		
RNG-...	B2		
RZB-...	B13		
RZG-...	B3		
RZV-...	B4		
<b>S</b>			
SAP	E16		
SB...	B7		
SEA	E16		
SST-60/49-...	E12		
<b>Z</b>			
ZAM-E	B7		
ZAS...	B7		
ZM...	E17		

**NOTES**

---

A large grid of small dots for taking notes, covering the majority of the page below the 'NOTES' header.

**RNG, RZG, RZV, ECO, CT PLASTIC DISTRIBUTION BOARDS**

RNG wall-mounted distribution boards (IP40) .....	B2
RZG flush-mounted distribution boards (IP40) .....	B3
RZV flush-mounted distribution boards (IP40) tested by hot loop to 850 °C .....	B4
RNG, RZG, RZV accessories .....	B5
ECO, CT wall-mounted distribution boards (IP55) .....	B6
ECO accessories .....	B7
Dimensions of RNG distribution boards .....	B8
Dimensions of RZG, RZV distribution boards.....	B9
ECO dimensions.....	B10

**CX, KJ TERMINAL COVERS**

CX, KJ terminal covers.....	B11
-----------------------------	-----


**RZB, RNB STEEL-SHEET DISTRIBUTION BOARDS**

RZB, RNB distribution boards.....	B13
Accessories for RZB, RNB distribution boards .....	B14
Specifications of RZB, RNB distribution boards .....	B15


**DISTRIBUTION BOARDS DistriTon**

## RNG WALL-MOUNTED DISTRIBUTION BOARDS (IP40)



- For building, residential and similar installations.
- For mounting devices on "U" rail according to EN 60715 of width 35 mm with cut-out in 45 mm cover plate.
- Colour: white (RAL 9003).
- Protection class: II 
- Package contains standardly:
  - metal "U" rails according to EN 60715 of width 35 mm
  - PE and N terminal blocks divided into PE and N, for Cu conductors
  - N terminal blocks for residual current circuit breakers
  - labels
  - blind plates for 2 modules per a row
- Package: 1 pc

### Specifications

Type	<b>RNG</b>
Standards	EN 62208
Approval marks	
Colour	white (RAL9003)
Degree of protection	IP40
Stage of protection against external mechanical shocks	IK07
Rated values of the used devices	max. 63 A, 230/400 V a.c.
Rated insulation voltage	500 V a.c.
Device rail	„U“ rail according to EN 60715 of width 35 mm
Protection class	II
Door	opening: left/right; upwards design: transparent/non-transparent
Material	self-extinguishing thermoplastic - hot loop max. 650 °C

### Products identification

#### Wall-mounted distribution boards - opening right/left

Door	Total number of modules	Number of rows × modules in row	Type	Product code	PE and N terminal blocks	N terminal blocks for residual current circuit breakers	Weight [kg]	Power loss *) [W]
Non-transparent	8	1 × 8	<b>RNG-1N8</b>	40578	PE 2×16 mm <sup>2</sup> + 12×6 mm <sup>2</sup>	-	0.95	18.8
	14	1 × 14	<b>RNG-1N14</b>	40579	N 5×6 mm <sup>2</sup>	N 5×6 mm <sup>2</sup>	1.38	28.9
	28	2 × 14	<b>RNG-2N28</b>	40581	PE 2 ks (2×16 mm <sup>2</sup> + 12×6 mm <sup>2</sup> )	N 2 pcs 5×6 mm <sup>2</sup>	2.21	50.3
	42	3 × 14	<b>RNG-3N42</b>	40583	N 2×16 mm <sup>2</sup> + 12×6 mm <sup>2</sup>	N 2 pcs 5×6 mm <sup>2</sup>	2.75	68.7
	56	4 × 14	<b>RNG-4N56</b>	40584	N 2×16 mm <sup>2</sup> + 12×6 mm <sup>2</sup>	N 2 pcs 5×6 mm <sup>2</sup>	3.42	76.8
Transparent	8	1 × 8	<b>RNG-1P8</b>	40586	PE 2×16 mm <sup>2</sup> + 12×6 mm <sup>2</sup>	-	0.96	18.8
	14	1 × 14	<b>RNG-1P14</b>	40587	N 5×6 mm <sup>2</sup>	N 5×6 mm <sup>2</sup>	1.41	28.9
	28	2 × 14	<b>RNG-2P28</b>	40589	PE 2 ks (2×16 mm <sup>2</sup> + 12×6 mm <sup>2</sup> )	N 2 pcs 5×6 mm <sup>2</sup>	2.23	50.3
	42	3 × 14	<b>RNG-3P42</b>	40591	N 2×16 mm <sup>2</sup> + 12×6 mm <sup>2</sup>	N 2 pcs 5×6 mm <sup>2</sup>	2.83	68.7
	56	4 × 14	<b>RNG-4P56</b>	40592	N 2×16 mm <sup>2</sup> + 12×6 mm <sup>2</sup>	N 2 pcs 5×6 mm <sup>2</sup>	3.53	76.8

For installation on materials of fire reaction class A1, A2 (EN 13501-1).

1 module = 18 mm.

\*) Power loss dissipated by the surface of the distribution board. ΔT = 30 K (difference between internal and external temperature).



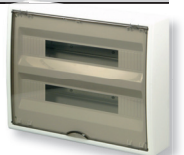
#### Wall-mounted distribution boards - opening upwards

Door	Total number of modules	Number of rows × modules in row	Type	Product code	PE and N terminal blocks	N terminal blocks for residual current circuit breakers	Weight [kg]	Power loss *) [W]
Non-transparent	4	1 × 4	<b>RNG-1N4</b>	40577	PE 2×16 mm <sup>2</sup> + 6×6 mm <sup>2</sup>	N 5×6 mm <sup>2</sup>	0.66	9.7
	18	1 × 18	<b>RNG-1N18</b>	40580	PE 2×16 mm <sup>2</sup> + 12×6 mm <sup>2</sup>	N 2×16 mm <sup>2</sup> + 12×6 mm <sup>2</sup>	1.42	37.5
	40	2 × 20	<b>RNG-2N40</b>	40582	PE 2 pcs (2×16 mm <sup>2</sup> + 12×6 mm <sup>2</sup> )	N 2×16 mm <sup>2</sup> + 12×6 mm <sup>2</sup>	2.06	47.1
Transparent	4	1 × 4	<b>RNG-1P4</b>	40585	PE 2×16 mm <sup>2</sup> + 6×6 mm <sup>2</sup>	N 5×6 mm <sup>2</sup>	0.66	9.7
	18	1 × 18	<b>RNG-1P18</b>	40588	PE 2×16 mm <sup>2</sup> + 12×6 mm <sup>2</sup>	N 2×16 mm <sup>2</sup> + 12×6 mm <sup>2</sup>	1.47	37.5
	40	2 × 20	<b>RNG-2P40</b>	40590	PE 2 pcs (2×16 mm <sup>2</sup> + 12×6 mm <sup>2</sup> )	N 2×16 mm <sup>2</sup> + 12×6 mm <sup>2</sup>	2.07	47.1

For installation on materials of fire reaction class A1, A2 (EN 13501-1).

1 module = 18 mm.

\*) Power loss dissipated by the surface of the distribution board. ΔT = 30 K (difference between internal and external temperature).





## RZG FLUSH-MOUNTED DISTRIBUTION BOARDS (IP40)



- For building, residential and similar installations.
- For mounting devices on "U" rail according to EN 60715 of width 35 mm with cut-out in 45 mm cover plate.
- Colour: white (RAL 9003).
- Double and multi row distribution boards have self-supporting removable frame with "U" rails.
- Protection class: II
- Package contains standardly:
  - metal "U" rails according to EN 60715 of width 35 mm
  - PE and N terminal blocks divided into PE and N, for Cu conductors
  - N terminal blocks for residual current circuit breakers
  - labels
  - blind plates for 2 modules per a row
- Package: 1 pc

### Specifications

Type	RZG
Standards	EN 62208
Approval marks	
Colour	white (RAL9003)
Degree of protection	IP40
Stage of protection against external mechanical shocks	IK07
Rated values of the used devices	max. 63 A, 230/400 V a.c.
Rated insulation voltage	500 V a.c.
Device rail	„U“ rail according to EN 60715 of width 35 mm
Protection class	II
Door	opening: left/right; upwards design: transparent/non-transparent
Material	self-extinguishing thermoplastic - hot loop max. 650 °C

### Products identification

#### Flush-mounted distribution boards - opening right/left

Door	Total number of modules	Number of rows × modules in row	Type	Product code	PE and N terminal blocks	N terminal blocks for residual current circuit breakers	Weight [kg]	Power loss *) [W]
Non-transparent	8	1 × 8	RZG-1N8	40554	PE 2×16 mm <sup>2</sup> + 12×6 mm <sup>2</sup>	-	0.71	15.3
	14	1 × 14	RZG-1N14	40555	N 5×6 mm <sup>2</sup>	N 5×6 mm <sup>2</sup>	1.33	23.9
	28	2 × 14	RZG-2N28	40557	PE 2 pcs (2×16 mm <sup>2</sup> + 12×6 mm <sup>2</sup> )	N 2 pcs 5×6 mm <sup>2</sup>	1.96	43.0
	42	3 × 14	RZG-3N42	40559	PE 2×16 mm <sup>2</sup> + 12×6 mm <sup>2</sup>	N 2 pcs 5×6 mm <sup>2</sup>	2.53	60.8
Transparent	56	4 × 14	RZG-4N56	40560	N 2×16 mm <sup>2</sup> + 12×6 mm <sup>2</sup>	N 2 pcs 5×6 mm <sup>2</sup>	3.01	68.0
	8	1 × 8	RZG-1P8	40562	PE 2×16 mm <sup>2</sup> + 12×6 mm <sup>2</sup>	-	0.84	15.3
	14	1 × 14	RZG-1P14	40563	N 5×6 mm <sup>2</sup>	N 5×6 mm <sup>2</sup>	1.22	23.9
	28	2 × 14	RZG-2P28	40565	PE 2 pcs (2×16 mm <sup>2</sup> + 12×6 mm <sup>2</sup> )	N 2 pcs 5×6 mm <sup>2</sup>	2.03	43.0
	42	3 × 14	RZG-3P42	40567	PE 2×16 mm <sup>2</sup> + 12×6 mm <sup>2</sup>	N 2 pcs 5×6 mm <sup>2</sup>	2.61	60.8
	56	4 × 14	RZG-4P56	40568	N 2×16 mm <sup>2</sup> + 12×6 mm <sup>2</sup>	N 2 pcs 5×6 mm <sup>2</sup>	3.24	68.0

The distribution boards can be front mounted on building panels (e.g. plasterboard) by means of mounting anchors PD-RG-..DH, see accessories.

The distribution boards are not intended into hollow walls according to EN 60439-3.

For installation in materials of fire reaction class A1, A2 (EN 13501-1).

1 module = 18 mm.

\*) Power loss dissipated by the surface of the distribution board. ΔT = 30 K (difference between internal and external temperature).



#### Flush-mounted distribution boards - opening upwards

Door	Total number of modules	Number of rows × modules in row	Type	Product code	PE and N terminal blocks	N terminal blocks for residual current circuit breakers	Weight [kg]	Power loss *) [W]
Non-transparent	4	1 × 4	RZG-1N4	40553	PE 2×16 mm <sup>2</sup> + 6×6 mm <sup>2</sup>	N 5×6 mm <sup>2</sup>	0.49	7.8
	18	1 × 18	RZG-1N18	40556	PE 2×16 mm <sup>2</sup> + 12×6 mm <sup>2</sup>	N 2×16 mm <sup>2</sup> + 12×6 mm <sup>2</sup>	1.17	31.5
	40	2 × 20	RZG-2N40	40558	PE 2 pcs (2×16 mm <sup>2</sup> + 12×6 mm <sup>2</sup> )	N 2×16 mm <sup>2</sup> + 12×6 mm <sup>2</sup>	1.68	41.0
Transparent	4	1 × 4	RZG-1P4	40561	PE 2×16 mm <sup>2</sup> + 6×6 mm <sup>2</sup>	N 5×6 mm <sup>2</sup>	0.49	7.8
	18	1 × 18	RZG-1P18	40564	PE 2×16 mm <sup>2</sup> + 12×6 mm <sup>2</sup>	N 2×16 mm <sup>2</sup> + 12×6 mm <sup>2</sup>	1.18	31.5
	40	2 × 20	RZG-2P40	40566	PE 2 pcs (2×16 mm <sup>2</sup> + 12×6 mm <sup>2</sup> )	N 2×16 mm <sup>2</sup> + 12×6 mm <sup>2</sup>	1.68	41.0

For installation in materials of fire reaction class A1, A2 (EN 13501-1).

1 module = 18 mm.

\*) Power loss dissipated by the surface of the distribution board. ΔT = 30 K (difference between internal and external temperature).



## RZV FLUSH-MOUNTED DISTRIBUTION BOARDS (IP40) TESTED BY HOT LOOP TO 850 °C



- For building, residential and similar installations.
- Prepared for mounting into hollow walls.
- For mounting devices on "U" rail according to EN 60715 of width 35 mm with cut-out in 45 mm cover plate.
- Double and multi row distribution boards have self-supporting removable frame with "U" rails.
- Protection class: II
- Package contains standardly:
  - metal "U" rails according to EN 60715 of width 35 mm
  - PE and N terminal blocks divided into PE and N, for Cu conductors
  - N terminal blocks for residual current circuit breakers
  - labels
  - blind plates for 2 modules per a row
  - mounts for mounting into hollow walls
- Package: 1 pc

### Specifications

Type	RZV
Standards	EN 62208
Approval marks	
Colour	white (RAL9003)
Degree of protection	IP40
Stage of protection against external mechanical shocks	IK07
Rated values of the used devices	max. 63 A, 230/400 V a.c.
Rated insulation voltage	500 V a.c.
Device rail	„U" rail according to EN 60715 of width 35 mm
Protection class	II
Door	opening: left/right design: transparent/non-transparent
Material	self-extinguishing thermoplastic - hot loop max. 850 °C

### Products identification

Door	Total number of modules	Number of rows × modules in row	Type	Product code	PE and N terminal blocks	N terminal blocks for residual current circuit breakers	Weight [kg]	Power loss *) [W]	
Non-transparent	14	1 × 14	<b>RZV-1N14</b>	40569	PE 2×16 mm <sup>2</sup> + 12×6 mm <sup>2</sup>	N 5×6 mm <sup>2</sup>	N 5×6 mm <sup>2</sup>	1.40	23.9
	28	2 × 14	<b>RZV-2N28</b>	40570	PE 2 pcs (2×16 mm <sup>2</sup> + 12×6 mm <sup>2</sup> )	N 2×16 mm <sup>2</sup> + 12×6 mm <sup>2</sup>	N 2 pcs 5×6 mm <sup>2</sup>	1.90	43.0
	42	3 × 14	<b>RZV-3N42</b>	40571	PE 2 pcs (2×16 mm <sup>2</sup> + 12×6 mm <sup>2</sup> )	N 2×16 mm <sup>2</sup> + 12×6 mm <sup>2</sup>	N 2 pcs 5×6 mm <sup>2</sup>	2.66	60.8
	56	4 × 14	<b>RZV-4N56</b>	40572	PE 2 pcs (2×16 mm <sup>2</sup> + 12×6 mm <sup>2</sup> )	N 2×16 mm <sup>2</sup> + 12×6 mm <sup>2</sup>	N 2 pcs 5×6 mm <sup>2</sup>	3.03	68.0
Transparent	14	1 × 14	<b>RZV-1P14</b>	40573	PE 2×16 mm <sup>2</sup> + 12×6 mm <sup>2</sup>	N 5×6 mm <sup>2</sup>	N 5×6 mm <sup>2</sup>	1.24	23.9
	28	2 × 14	<b>RZV-2P28</b>	40574	PE 2 pcs (2×16 mm <sup>2</sup> + 12×6 mm <sup>2</sup> )	N 2×16 mm <sup>2</sup> + 12×6 mm <sup>2</sup>	N 2 pcs 5×6 mm <sup>2</sup>	1.93	43.0
	42	3 × 14	<b>RZV-3P42</b>	40575	PE 2 pcs (2×16 mm <sup>2</sup> + 12×6 mm <sup>2</sup> )	N 2×16 mm <sup>2</sup> + 12×6 mm <sup>2</sup>	N 2 pcs 5×6 mm <sup>2</sup>	3.16	60.8
	56	4 × 14	<b>RZV-4P56</b>	40576	PE 2 pcs (2×16 mm <sup>2</sup> + 12×6 mm <sup>2</sup> )	N 2×16 mm <sup>2</sup> + 12×6 mm <sup>2</sup>	N 2 pcs 5×6 mm <sup>2</sup>	3.18	68.0

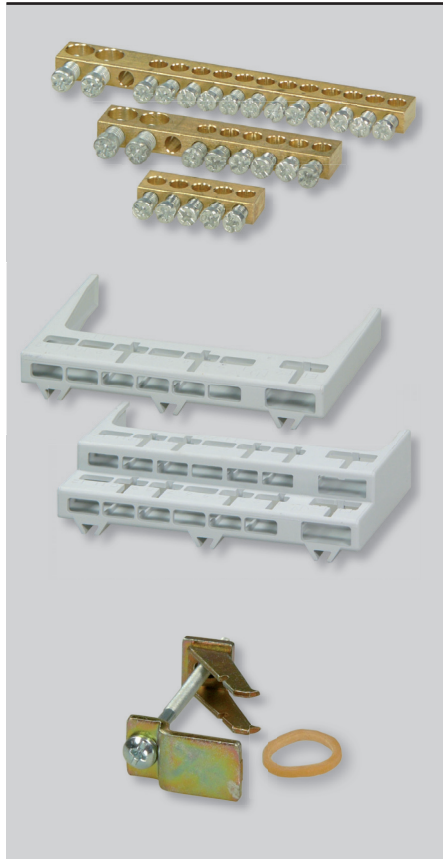
For installation in materials of fire reaction class A1, A2 (EN 13501-1)  
1 module = 18 mm

\*) Power loss dissipated by the surface of the distribution board. ΔT = 30 K (difference between internal and external temperature)

### Static load of distribution boards

Total number of modules	Distribution boards - opening right/left			Static load (N)		
	Wall-mounted	Flush-mounted	Flush-mounted (850 °C)	Per a row	Total	Of door
8	RNG-1N8, RNG-1P8	RZG-1N8, RZG-1P8	--	22.8	22.8	0
14	RNG-1N14, RNG-1P14	RZG-1N14, RZG-1P14	RZV-1N14, RZV-1P14	22.8	22.8	0
28	RNG-2N28, RNG-2P28	--	--	22.9	45.7	0
28	--	RZG-2N28, RZG-2P28	RZV-2N28, RZV-2P28	22.3	44.6	0
42	RNG-3N42, RNG-3P42	--	--	22.9	68.6	0
42	--	RZG-3N42, RZG-3P42	RZV-3N42, RZV-3P42	22.2	66.6	0
56	RNG-4N56, RNG-4P56	--	--	22.9	91.4	0
56	--	RZG-4N56, RZG-4P56	RZV-4N56, RZV-4P56	22.1	88.7	0
Total number of modules	Distribution boards - opening upwards			Static load (N)		
	Wall-mounted	Flush-mounted		Per a row	Total	Of door
4	RNG-1N4, RNG-1P4	RZG-1N4, RZG-1P4	--	22.9	22.9	0
18	RNG-1N18, RNG-1P18	RZG-1N18, RZG-1P18	--	22.8	22.8	0
40	RNG-2N40, RNG-2P40	--	--	22.6	45.1	0
40	--	RZG-2N40, RZG-2P40	--	21.4	42.9	0

## ACCESSORIES FOR RNG, RZG, RZV DISTRIBUTION BOARDS



### Terminal blocks

Type	Product code	Connection range	Weight [kg]	Package [pcs]
PD-RGV-SB5	40593	Cu conductors 5 x 6 mm <sup>2</sup>	0.01	1
PD-RGV-SB8	40594	Cu conductors 2 x 16 mm <sup>2</sup> + 6 x 6 mm <sup>2</sup>	0.03	1
PD-RGV-SB14	40595	Cu conductors 2 x 16 mm <sup>2</sup> + 12 x 6 mm <sup>2</sup>	0.04	1

### Terminal block brackets

Type	Product code	Number of available places for terminal blocks PD-RGV-SB..	Weight [kg]	Package [pcs]
PD-RGV-DSB1-G	40599	1	0.01	1
PD-RGV-DSB2-G	40600	2	0.02	1

### Mounting anchors

Type	Product code	For distribution board	Weight [kg]	Package [sad]
PD-RG81428-DH	40596	RZG-1.8; RZG-1.14; RZG-2.28	0.05	1
PD-RG42-DH	40597	RZG-3.42	0.04	1
PD-RG56-DH	40598	RZG-4.56	0.07	1

## ECO, CT WALL-MOUNTED DISTRIBUTION BOARDS (IP55)



- For building, residential and similar installations.
- For mounting devices on "U" rail according to EN 60715 of width 35 mm with cut-out in 45 mm cover plate.
- Enable locking capability with lock ZAM-E (page B7)
- Protection class: II

### CT series distribution boards

- Door: transparent door, opening upwards.
- Package contains standardly:
  - metal device "U" rails according to EN 60715 of width 35 mm fixed to the base with screws
  - PE and N terminal blocks divided into PE and N, for Cu conductors
  - labels
  - blind plates (size 6 modules) for filling unused cut-outs in cover plate in the distribution board colour (1 pc/row) max. 2 pcs
  - caps on screws fastening distribution board to the wall (for preserving protection stage and protection class II)
- Package: 1 pc

### Specifications

Type		ECO, CT
Standards		EN 62208
Approval marks		
Colour		grey (RAL 7035)
Degree of protection		IP55
Stage of protection against external mechanical shocks		IK07
Rated values of the used devices		max. 63 A, 230/400 V a.c.
Rated insulation voltage		520 V a.c.
Device rail		„U” rail according to EN 60715 of width 35 mm
Protection class		II
Door	opening	type ECO left/right type CT upwards
	design	transparent/non-transparent
Material		self-extinguishing thermoplastic - hot loop max. 650 °C

### Products identification

#### Wall-mounted distribution boards - opening right/left

Door	Total number of modules	Number of rows × modules in row	Type	Product code	PE terminal blocks	N terminal blocks	N terminal blocks for residual current circuit breakers	Number of doors	Weight[kg]	Power loss *) [W]
Non-transparent	4	1 × 4	ECO-04N	11977	2×16 mm <sup>2</sup> + 4×10 mm <sup>2</sup>	2×16 mm <sup>2</sup> + 4×10 mm <sup>2</sup>	-	1	0.60	9.4
	6	1 × 6	ECO-06N	11978	2×16 mm <sup>2</sup> + 4×10 mm <sup>2</sup>	2×16 mm <sup>2</sup> + 4×10 mm <sup>2</sup>	-	1	0.75	11.0
	9	1 × 9	ECO-09N	11979	2×16 mm <sup>2</sup> + 8×10 mm <sup>2</sup>	2×16 mm <sup>2</sup> + 4×10 mm <sup>2</sup>	-	1	0.85	12.9
	13	1 × 13	ECO-13N	11980	2×16 mm <sup>2</sup> + 12×10 mm <sup>2</sup>	2×16 mm <sup>2</sup> + 8×10 mm <sup>2</sup>	-	1	1.10	15.9
	26	2 × 13	ECO-26N	11981	2 pcs (2×16 mm <sup>2</sup> + 12×10 mm <sup>2</sup> )	2×16 mm <sup>2</sup> + 12×10 mm <sup>2</sup>	-	1	2.20	28.7
	39	3 × 13	ECO-39N	11982	2 pcs (2×16 mm <sup>2</sup> + 12×10 mm <sup>2</sup> )	2×16 mm <sup>2</sup> + 12×10 mm <sup>2</sup>	2×16 mm <sup>2</sup> + 12×10 mm <sup>2</sup>	1	3.30	37.1
Transparent	57	3 × 19	ECO-57N	15188	3 pcs (2×16 mm <sup>2</sup> + 8×10 mm <sup>2</sup> )	2 pcs (2×16 mm <sup>2</sup> + 8×10 mm <sup>2</sup> )	2×16 mm <sup>2</sup> + 8×10 mm <sup>2</sup>	3	3.90	45.9
	4	1 × 4	ECO-04P	11983	2×16 mm <sup>2</sup> + 4×10 mm <sup>2</sup>	2×16 mm <sup>2</sup> + 4×10 mm <sup>2</sup>	-	1	0.60	9.4
	6	1 × 6	ECO-06P	11984	2×16 mm <sup>2</sup> + 4×10 mm <sup>2</sup>	2×16 mm <sup>2</sup> + 4×10 mm <sup>2</sup>	-	1	0.75	11.0
	9	1 × 9	ECO-09P	11985	2×16 mm <sup>2</sup> + 8×10 mm <sup>2</sup>	2×16 mm <sup>2</sup> + 4×10 mm <sup>2</sup>	-	1	0.85	12.9
	13	1 × 13	ECO-13P	11986	2×16 mm <sup>2</sup> + 12×10 mm <sup>2</sup>	2×16 mm <sup>2</sup> + 8×10 mm <sup>2</sup>	-	1	1.10	15.9
	26	2 × 13	ECO-26P	11987	2 pcs (2×16 mm <sup>2</sup> + 12×10 mm <sup>2</sup> )	2×16 mm <sup>2</sup> + 12×10 mm <sup>2</sup>	-	1	2.20	28.7
	39	3 × 13	ECO-39P	11988	2 pcs (2×16 mm <sup>2</sup> + 12×10 mm <sup>2</sup> )	2×16 mm <sup>2</sup> + 12×10 mm <sup>2</sup>	2×16 mm <sup>2</sup> + 12×10 mm <sup>2</sup>	1	3.30	37.1
	57	3 × 19	ECO-57P	15187	3 pcs (2×16 mm <sup>2</sup> + 8×10 mm <sup>2</sup> )	2 pcs (2×16 mm <sup>2</sup> + 8×10 mm <sup>2</sup> )	2×16 mm <sup>2</sup> + 8×10 mm <sup>2</sup>	3	3.90	45.9

#### Wall-mounted distribution boards - opening upwards

Door	Total number of modules	Number of rows × modules in row	Type	Product code	Number of doors	Weight [kg]	Power loss *) [W]
Transparent	3	1 × 3	CT-3G	129	1	0.35	6.5
	4	1 × 4	CT-4G	130	1	0.35	7.1

For installation on materials of fire reaction class A1, A2 (EN 13501-1).

1 module = 18 mm.

\*) Power loss dissipated by the surface of the distribution board. ΔT = 30 K (difference between internal and external temperature).



## ECO, CT WALL-MOUNTED DISTRIBUTION BOARDS (IP55)

### Static load of distribution boards

Total number of modules	Distribution boards - opening right/left		Static load [N]	
	Type	Per a row	Total	Of door
4	ECO-04N, ECO-04P	14.7	14.7	0
6	ECO-06N, ECO-06P	19.6	19.6	0
9	ECO-09N, ECO-09P	29.4	29.4	0
13	ECO-13N, ECO-13P	44.1	44.1	0
26	ECO-26N, ECO-26P	44.1	88.3	0
39	ECO-39N, ECO-39P	44.1	132.4	0
57	ECO-57N, ECO-57P	68.7	206.0	0

Total number of modules	Distribution boards - opening upwards		Static load [N]	
	Type	Per a row	Total	Of door
3	CT-3G	9.8	9.8	0
4	CT-4G	14.7	14.7	0

## ACCESSORIES FOR ECO DISTRIBUTION BOARDS



### SB terminal blocks

- Together with DSB terminal block holders enable increasing number of PE and N attachment sites in distribution boards.
- DSB-E Terminal block holder.

Type	Product code	Connection range	Weight [kg]	Package [pcs]
SB6	00143	Cu conductors 2 x 16 mm <sup>2</sup> + 4 x 10 mm <sup>2</sup>	0.020	1
SB10	00144	Cu conductors 2 x 16 mm <sup>2</sup> + 8 x 10 mm <sup>2</sup>	0.025	1
SB14	00146	Cu conductors 2 x 16 mm <sup>2</sup> + 12 x 10 mm <sup>2</sup>	0.030	1

### DSB-E terminal block bracket

- Fastened by two screws on available plastic plates at the top/bottom of the distribution board. Number of available plates is given in table of each distribution board series.
- Holder is divided into two cavities – PE and N (into each cavity it is possible to a. SB6, SB10, SB14 only one of the terminal blocks).

Type	Product code	Number of available places for SB.. terminal blocks	Weight [kg]	Package [pcs]
DSB-E	12293	2	0.02	1

### ZAM-E lock

- For locking ECO distribution boards.
- ZAM-E contains two universal keys and its insert.
- Insert is mounted into opening after pressing out plastic swivel door handle.

Type	Product code	Weight [kg]	Package [pcs]
ZAM-E	00154	0.02	1

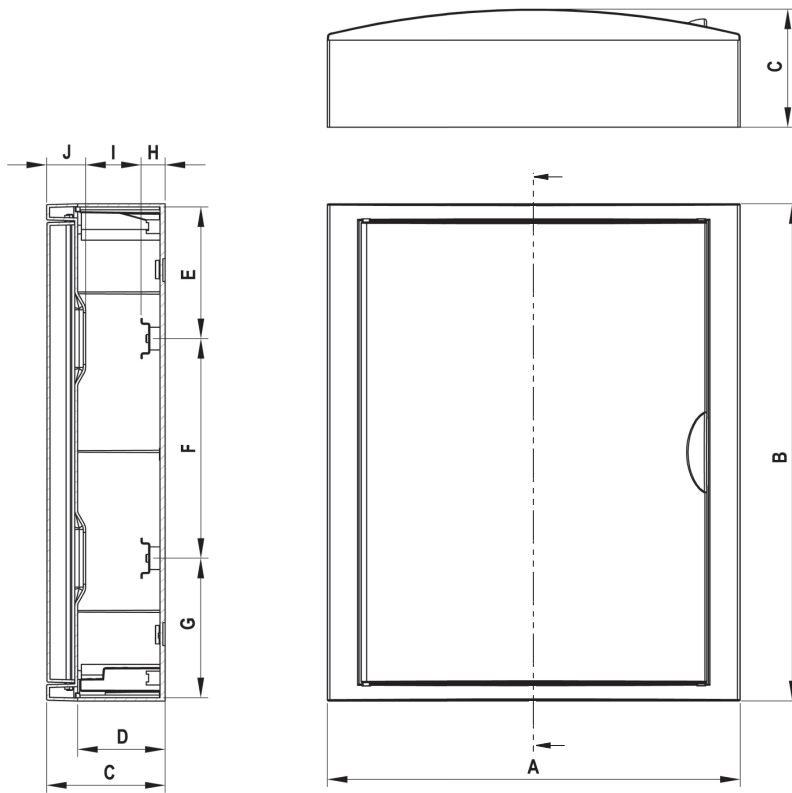
### Blind plates

- For covering free place.
- Possibility of use for RNG, RZG and RZV.

Type	Product code	Description	Weight [kg]	Package [pcs]
ZAS-G	12294	6 modules, white RAL9010	0.01	1
ZAS-S	10726	6 modules, grey RAL 7035	0.01	1
PD-R-ZAS1000-S	39354	55 modules, grey RAL 7035	0.05	1

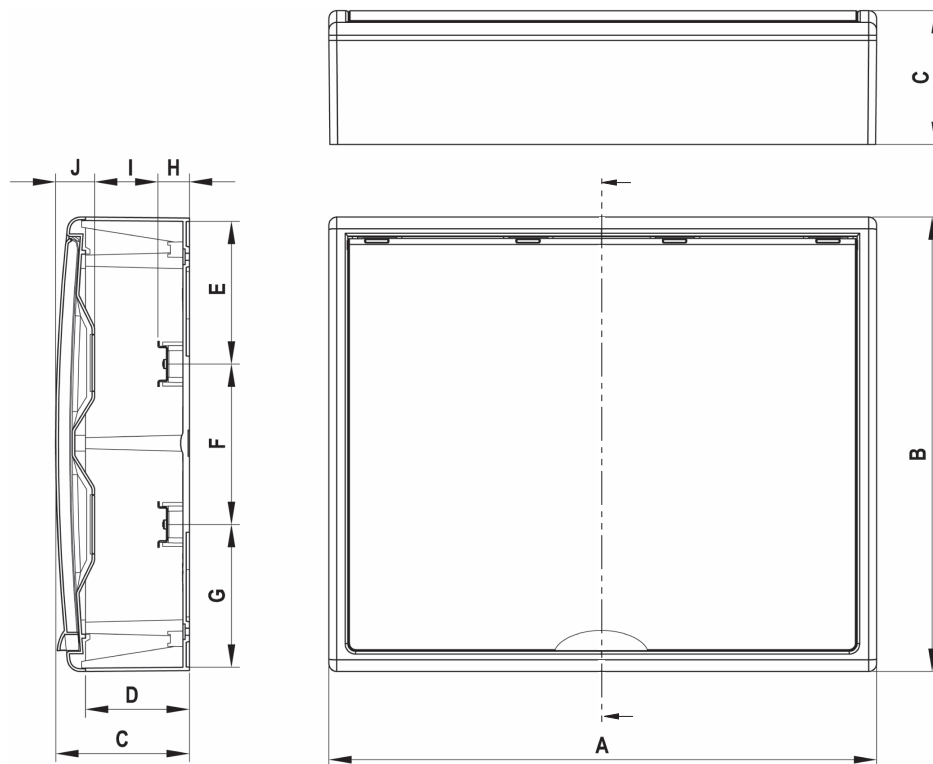
## DIMENSIONS OF RNG DISTRIBUTION BOARDS

### Wall-mounted distribution boards - RNG series - opening right/left



Dimension [mm]	Type				
	RNG-1.8	RNG-1.14	RNG-2.28	RNG-3.42	RNG-4.56
A	245	362	362	362	363
B	250	250	436	543	687
C	104	104	104	115	103
D	77	77	76.5	88	76.5
E	121	121	115	118	115
F	-	-	193.5	150	150
G	121	121	115	118	115
H	21.5	21	21	19	21
I	48	48	48	48	48
J	34.5	35	35	50	34.5
Number of rails	1	1	2	3	4

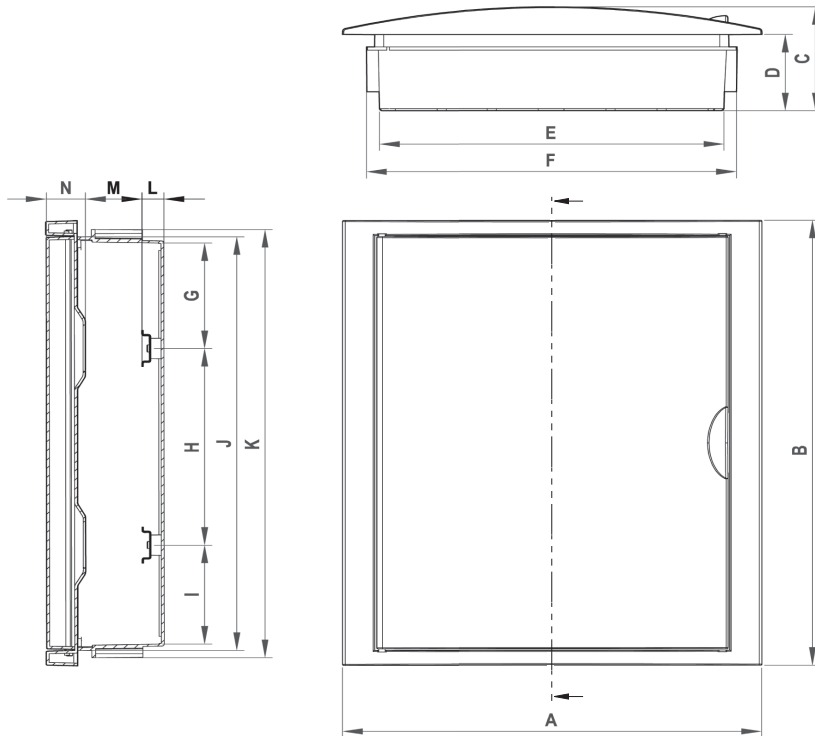
### Wall-mounted distribution boards - RNG series - opening upwards



Dimension [mm]	Type		
	RNG-1.4	RNG-1.18	RNG-2.40
A	148	407	424
B	222	246	352
C	95	104	103
D	72	80	80
E	109	119	110
F	-	-	125
G	109	119	110
H	16.5	24	25
I	44.5	48	48
J	34	32	30
Number of rails	1	1	2

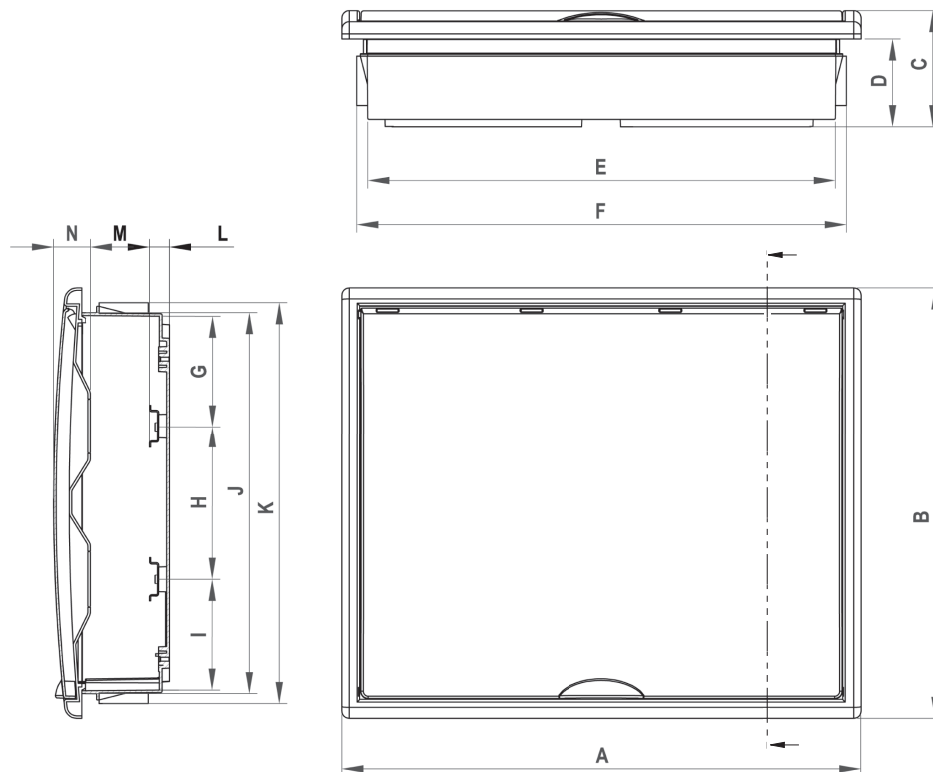
## DIMENSIONS OF RZG, RZV DISTRIBUTION BOARDS

Flush-mounted distribution boards - RZG series, RZV - opening right/left



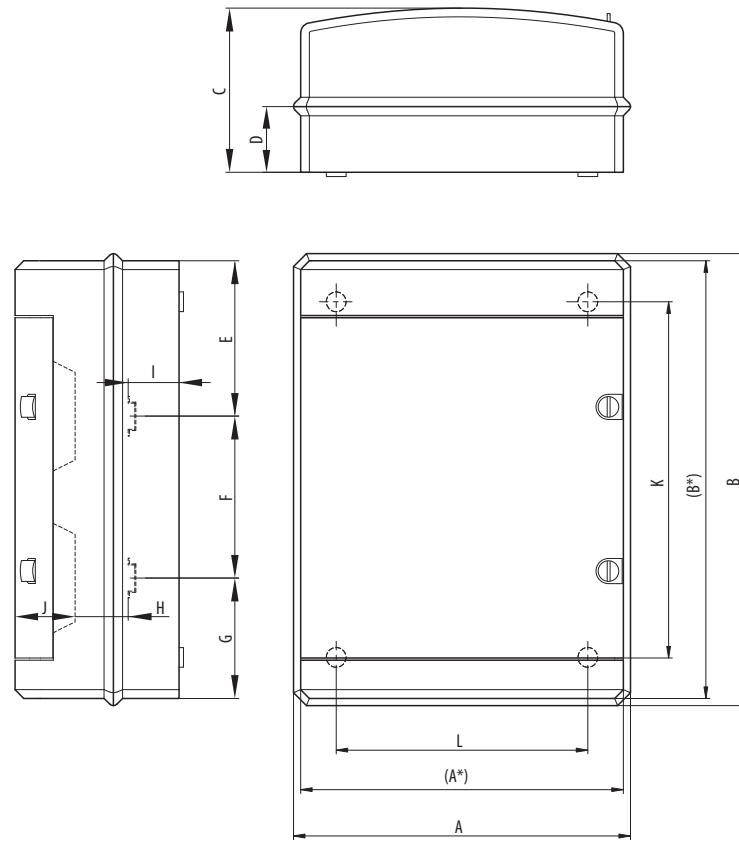
Dimension [mm]	Type				
	RZG-1.8 RZV-1.8	RZG-1.14 RZV-1.14	RZG-2.28 RZV-2.28	RZG-3.42 RZV-3.42	RZG-4.56 RZV-4.56
A	245	362	362	362	363
B	250	250	436	543	687
C	100	101	102	113	102
D	72	75	75	86	75
E	188	298	300	337	300
F	205	320	320	360	320
G	103	103	104	100	99
H	-	-	193.5	150	150
I	103	103	97	100	99
J	219	219	400	512	656
K	233	233	420	526	670
L	16.5	19	19	17	19
M	48	48	48	48	48
N	34	36	34	47	35
<b>Number of rails</b>	1	1	2	3	4

Flush-mounted distribution boards - RZG series - opening upwards



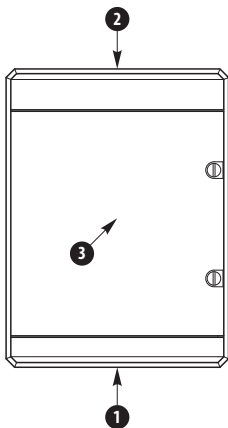
Dimension [mm]	Type		
	RZG-1.4	RZG-1.18	RZG-2.40
A	148	407	424
B	222	246	352
C	101	95	95
D	71	71	71
E	109	366	381
F	125	386	401
G	86	97	86
H	-	-	125
I	86	97	86
J	186	205	311
K	195	225	321
L	16	15.5	15.5
M	48	48	48
N	30	25	30.5
<b>Number of rails</b>	1	1	2

## DIMENSIONS OF ECO DISTRIBUTION BOARDS



Wall-mounted distribution boards - ECO and CT series [mm]

Dimension	Type								
	ECO-04...	ECO-06...	ECO-09...	ECO-13...	ECO-26...	ECO-39...	ECO-57...	CT-3G	CT-4G
A	146	184	233	304	304	304	410	84	101
(A*)	136	174	223	294	294	294	400	-	-
B	214	214	214	214	408	560	560	174	174
(B*)	204	204	204	204	398	550	550	-	-
C	110	110	110	114	148	148	148	110	110
D	60	60	60	60	60	60	60	58	58
E	102	102	102	102	135	135	137	87	87
F	-	-	-	-	150	2x150	2x150	-	-
G	102	102	102	102	112	112	113	87	87
H	44	44	44	44	48	48	48	50	50
I	26	26	26	25	48	48	48	24	24
J	40	40	40	45	52	52	52	36	36
K	142	142	142	142	325	475	450	135	135
L	102	140	190	260	230	230	343	38	55



### Pressed for outlets with nut and installed PE and N terminal blocks

Type of distribution board	Pressed for outlets with nut - side			Installed PE and N terminal blocks *)	Number of available plates **)
	1	2	3		
ECO-04...	∅ 32-25-20	∅ 32-25-20	∅ 32	1xSB6 a 1xSB6	1
ECO-06...	∅ 32-25-20 + 2x ∅ 25-20-16	∅ 32-25-20 + 2x ∅ 25-20-16	∅ 25	1xSB6 a 1xSB6	1
ECO-09...	4x ∅ 32-25-20	4x ∅ 32-25-20	3x ∅ 25	1xSB10 a 1xSB6	1
ECO-13...	∅ 40-32-25 + 3x ∅ 32-25-20 + 3x ∅ 25-25-16	∅ 40-32-25 + 3x ∅ 32-25-20 + ∅ 25-20-16	2x 3x ∅ 25	1xSB14 a 1xSB10	3
ECO-26...	5x ∅ 32-25 + 4x ∅ 20-16	5x ∅ 32-25 + 4x ∅ 20-16	-	2xSB14 a 1xSB14	2
ECO-39...	5x ∅ 32-25 + 4x ∅ 20-16	5x ∅ 32-25 + 4x ∅ 20-16	-	2xSB14 a 2xSB14	2
ECO-57...	∅ 40-32-25 + 8x ∅ 32-25-20	2x ∅ 40-32-25 + 8x ∅ 32-25-20	(4x2x4xPg21)	3xSB10 a 3xSB10	2
CT-3G	-	-	-	-	-
CT-4G	-	-	-	-	-

\*) SB6=2x16 mm<sup>2</sup> + 4x10 mm<sup>2</sup>, SB10=2x16 mm<sup>2</sup> + 8x10 mm<sup>2</sup>, SB14=2x16 mm<sup>2</sup> + 12x10 mm<sup>2</sup>

\*\*) Each PE and N pair is placed in a DSB-E holder, which is affixed onto the plates at the top/bottom of the distribution board; if needed, additional DSB-E holders with PE and N (SB6, SB10, SB14) terminal strips may be placed on available plates – see accessories



## CX, KJ TERMINAL COVERS

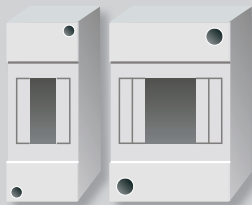
- For mounting devices on DIN EN 60715 rail of width 35 mm with cut-out in 46 mm cover plate.
- Degree of protection IP30.
- Simple prevention against dangerous direct contact.
- Standards: EN 60439-1, EN 60439-3.

### CX terminal covers

- Sealing option.
- Cover is fastened to the base with plastic latches.
- At the top of the base and cover are prepressed openings for wires leading out.

### KJ terminal covers

- Sealing capability after inserting the pin into the base (the pin is part of the cover).
- Base contains „U“ device rail according to EN 60715 of width 35 mm.
- Cover is fastened to the base with plastic latches.
- At the top of the base and cover are prepressed openings for wires leading out.
- Type KJ-4L is equipped with 4x16 mm<sup>2</sup> terminal block for Cu conductors.



### CX terminal covers

Max. number of modules <sup>1)</sup>	Type	Product code	Weight [kg]	Package [pcs]
2	<b>CX-2</b>	00083	0.08	1
4	<b>CX-4</b>	00084	0.09	1

1 module = 17,5 mm.

### KJ terminal covers

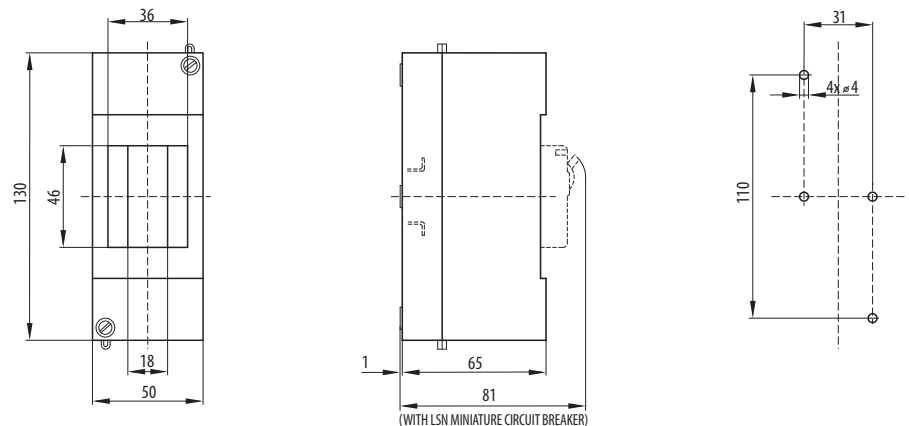
Max. number of modules <sup>1)</sup>	Type	Product code	Weight [kg]	Package [pcs]
1	<b>KJ-1</b>	00037	0.055	1
3	<b>KJ-3</b>	08048	0.09	1
4	<b>KJ-4</b>	00039	0.14	1
	<b>KJ-4L</b> *)	08419	0.16	1

1 module = 17.5 mm.

\*) Contains a terminal board 4x16 mm<sup>2</sup>.

## Dimensions

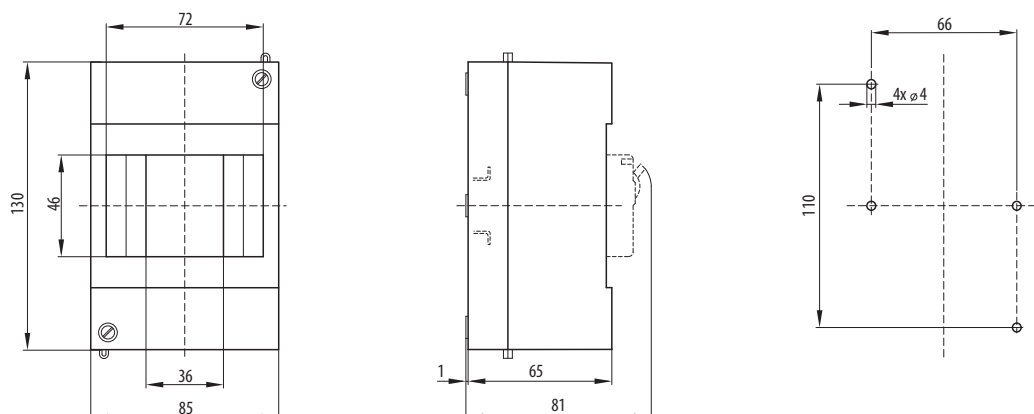
### CX-2



# CX, KJ TERMINAL COVERS

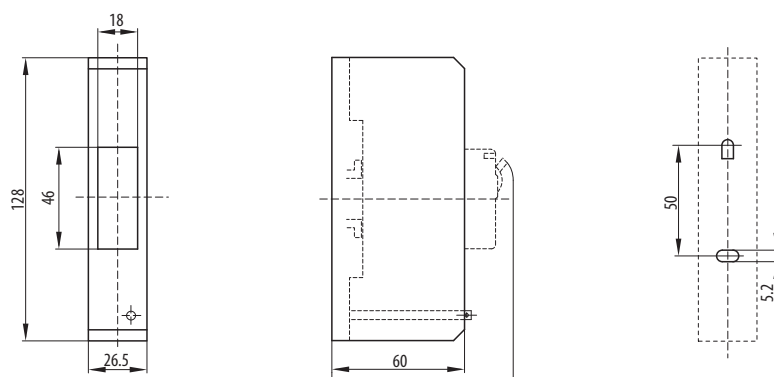
## Dimensions

**CX-4**



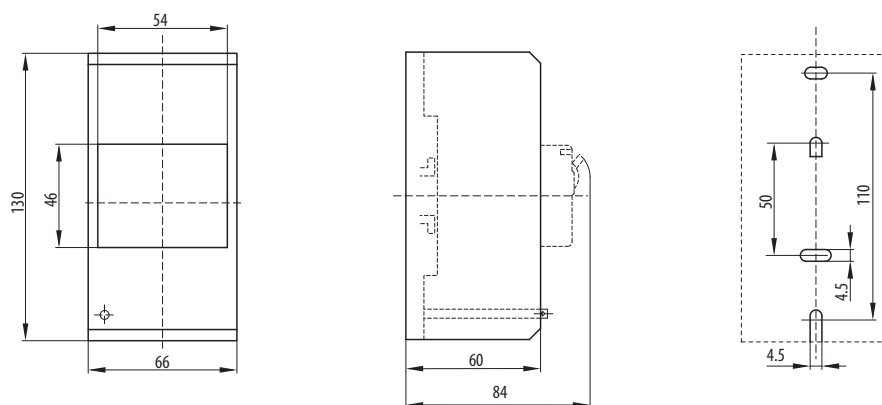
(WITH LPN MINIATURE CIRCUIT BREAKER)

**KJ-1**



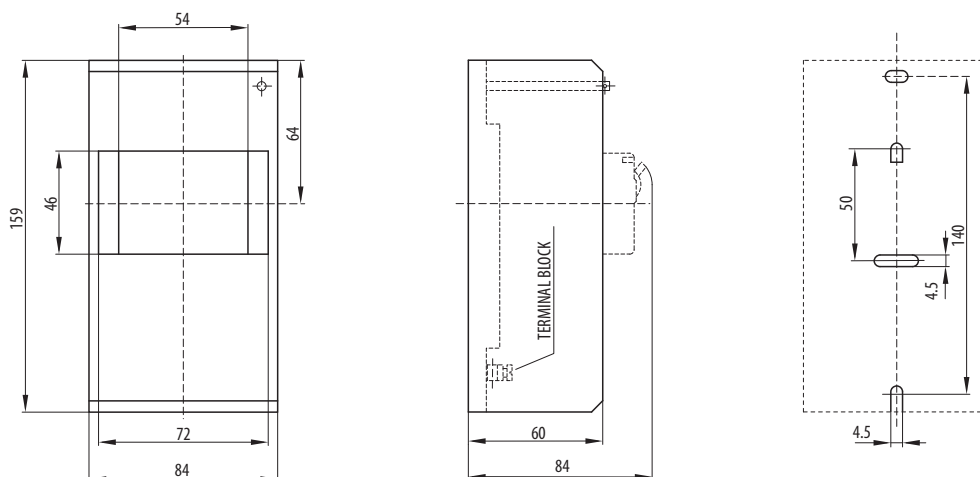
(WITH LPN MINIATURE CIRCUIT BREAKER)

**KJ-3**



(WITH LPN MINIATURE CIRCUIT BREAKER)

**KJ-4, KJ-4L**



(WITH LPN MINIATURE CIRCUIT BREAKER)

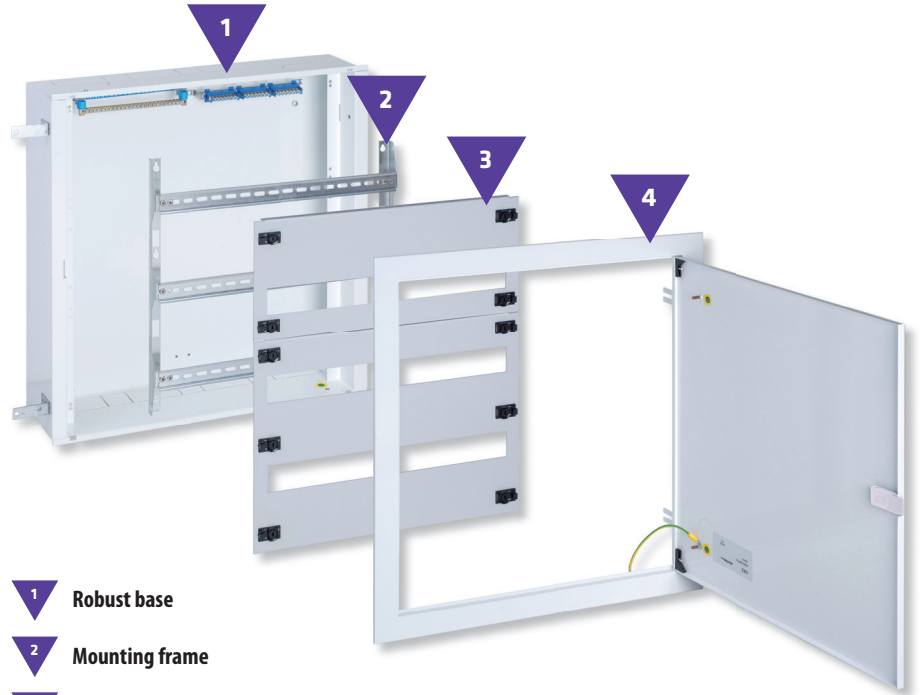
## RZB, RNB DISTRIBUTION BOARDS



**N terminal blocks for residual current circuit breakers are for free now in DistriTon RZB, RNB distribution boards.**

- Steel-sheet distribution boards for flush mounting RZB and for wall mounting RNB.
- For building installations and infrastructure.
- For mounting devices on "U" rails according to EN 60715 of width 35 mm.
- 24 or 33 modules in row, 3 ÷ 6 rows.
- Self-supporting mounting frame, made from "U" rails, allows easily to fill distribution board outside the base.
- White colour according to RAL9016.
- Package contains standardly: - SB terminal blocks for Cu conductors.
- Protection class: I.

### Distribution board assembly



- 1 Robust base
- 2 Mounting frame
- 3 Front cover
- 4 Steel front frame with door

### Products identification

#### RZB distribution boards for flush mounting (IP30)

Number of rows	Number of modules in a row (total)	Type	Product code	PE and N terminal blocks	N terminal blocks for residual current circuit breakers	Weight [kg]	Power loss *) [W]	Package [pcs]
2	24 (48)	RZB-2N48-B	41307		2 pcs N: 7 × 16 mm <sup>2</sup>	9.9	35.5	1
3	24 (72)	RZB-3N72-B	39331	PE 2x25 mm <sup>2</sup> +43x16 mm <sup>2</sup> N 2x25 mm <sup>2</sup> +23x16 mm <sup>2</sup>	3 pcs N: 7 × 16 mm <sup>2</sup>	11.7	80	1
4	24 (96)	RZB-4N96-B	39332		3 pcs N: 7 × 16 mm <sup>2</sup>	13.9	92	1
5	24 (120)	RZB-5N120-B	39333		4 pcs N: 7 × 16 mm <sup>2</sup>	16.7	107	1
6	24 (144)	RZB-6N144-B	39334	PE 2x25 mm <sup>2</sup> +58x16 mm <sup>2</sup> N 2x25 mm <sup>2</sup> +28x16 mm <sup>2</sup>	5 pcs N: 7 × 16 mm <sup>2</sup>	19.3	121	1
4	33 (132)	RZB-4N132-B	39335		4 pcs N: 7 × 16 mm <sup>2</sup>	17.5	117	1
5	33 (165)	RZB-5N165-B	39336	PE 2x25 mm <sup>2</sup> +78x16 mm <sup>2</sup> N 2x25 mm <sup>2</sup> +38x16 mm <sup>2</sup>	5 pcs N: 7 × 16 mm <sup>2</sup>	20.5	133	1
6	33 (198)	RZB-6N198-B	39337		5 pcs N: 7 × 16 mm <sup>2</sup>	23.1	140	1

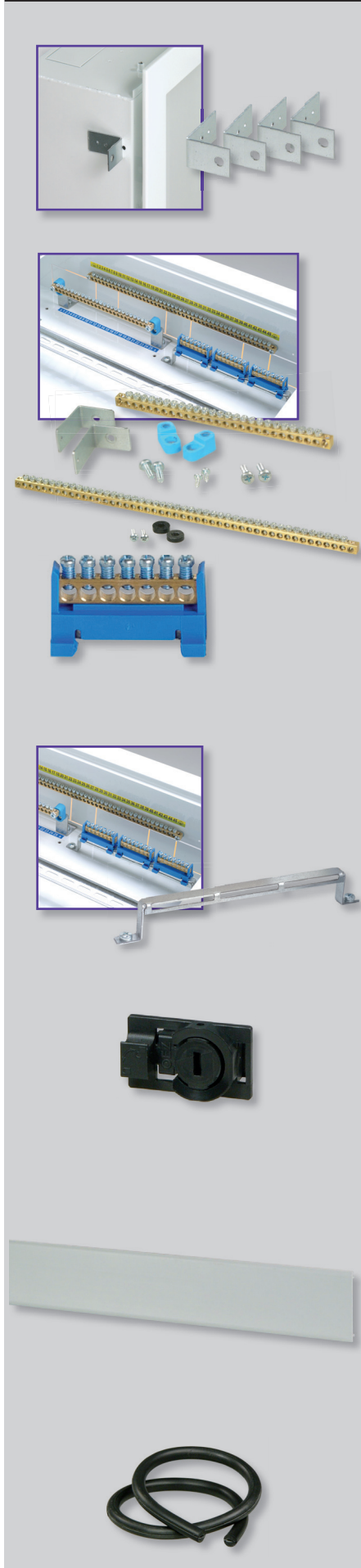
#### RNB distribution boards for wall mounting

Number of rows	Number of modules in a row (total)	Type	Product code	PE and N terminal blocks	N terminal blocks for residual current circuit breakers	Weight [kg]	Power loss *) [W]	Package [pcs]
2	24 (48)	RNB-2N48-B	41308		2 pcs N: 7 × 16 mm <sup>2</sup>	11.4	47.3	1
3	24 (72)	RNB-3N72-B	39338	PE 2x25 mm <sup>2</sup> +43x16 mm <sup>2</sup> N 2x25 mm <sup>2</sup> +23x16 mm <sup>2</sup>	3 pcs N: 7 × 16 mm <sup>2</sup>	14.2	86	1
4	24 (96)	RNB-4N96-B	39339		3 pcs N: 7 × 16 mm <sup>2</sup>	17.1	101	1
5	24 (120)	RNB-5N120-B	39340		4 pcs N: 7 × 16 mm <sup>2</sup>	20.0	115	1
6	24 (144)	RNB-6N144-B	39341	PE 2x25 mm <sup>2</sup> +58x16 mm <sup>2</sup> N 2x25 mm <sup>2</sup> +28x16 mm <sup>2</sup>	5 pcs N: 7 × 16 mm <sup>2</sup>	22.9	130	1
4	33 (132)	RNB-4N132-B	39342		4 pcs N: 7 × 16 mm <sup>2</sup>	19.9	127	1
5	33 (165)	RNB-5N165-B	39343	PE 2x25 mm <sup>2</sup> +78x16 mm <sup>2</sup> N 2x25 mm <sup>2</sup> +38x16 mm <sup>2</sup>	5 pcs N: 7 × 16 mm <sup>2</sup>	23.3	137	1
6	33 (198)	RNB-6N198-B	39344		5 pcs N: 7 × 16 mm <sup>2</sup>	26.7	153	1

1 module = 18 mm.

\*) Power loss dissipated by the surface of the distribution board. According to IEC 890 + A1 - A method of temperature-rise assessment by extrapolation for partially type-tested assemblies (PTTA) of low-voltage switchgear and controlgear, ΔT = 15 K (difference between internal and external temperature).

## ACCESSORIES FOR RZB, RNB DISTRIBUTION BOARDS



### Mounting anchors

Type	Product code	Description	Hmotnost [kg]	Package [pcs]
PD-RB-4MU	39355	for fastening distribution board in walling-in, set of 4 pcs	0.1	1

### SB terminal blocks

Type	Product code	Description	Weight [kg]	Package [pcs]
PD-RB-SB25	39345	for connection of Cu conductors 25x16 mm <sup>2</sup> , for PE, N	0.06	1
PD-RB-SB30	39347	for connection of Cu conductors 30x16 mm <sup>2</sup> , for PE, N	0.08	1
PD-RB-SB60	39348	for connection of Cu conductors 60x16 mm <sup>2</sup> , for PE	0.17	1
CS-N7	35901	for connection of Cu conductors 7x16 mm <sup>2</sup>	0.03	1

### Terminal block bracket

Type	Product code	Description	Weight [kg]	Package [pcs]
PD-RB-DSB01	39349	for fastening 1 - 3 terminal blocks CS-N7	0.04	1

### Quick-acting closures

Type	Product code	Description	Weight [kg]	Package [pcs]
PD-Q13-UR	38548	for modular covers, set of 10 pcs, for QA, RxB 33 modules in a row, Dx	0.14	1
PD-Q13-UR2	41311	for modular covers, set of 10 pcs, for RxB 24 modules in a row	0.14	1

### Blind plates

- Serve for coverage of unused 45 mm cut-outs in the modular covers.

Type	Product code	Description	Weight [kg]	Package [pcs]
PD-R-ZAS1000-S	39354	55 modules, grey RAL 7035	0.05	1


### Welts

Type	Product code	Description	Weight [kg]	Package [pcs]
PD-RB-2LEM24	41309	welt around the hole for cables RxB 24 modules in a row	0.15	1
PD-RB-2LEM33	41310	welt around the hole for cables RxB 33 modules in a row	0.15	1

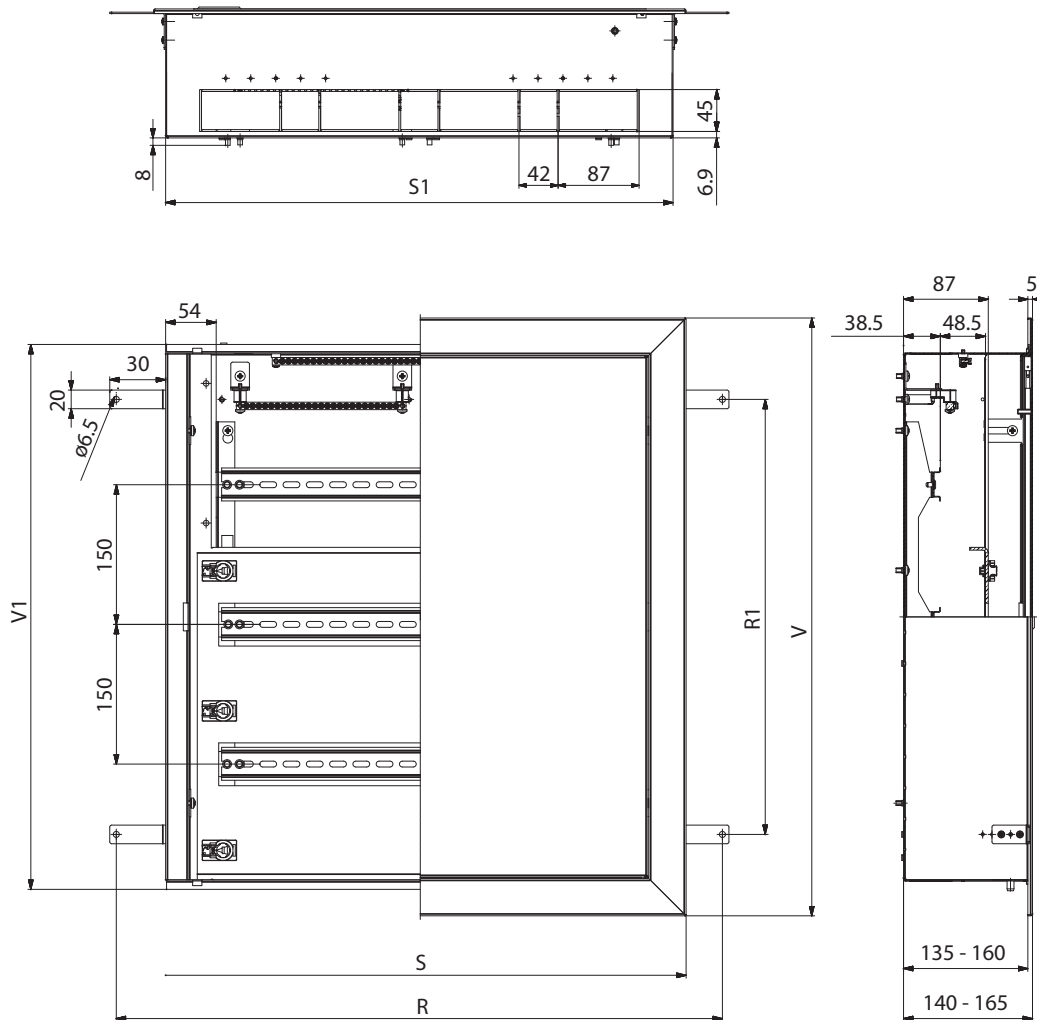


## SPECIFICATIONS OF RZB, RNB DISTRIBUTION BOARDS

### Specifications

Type	<b>RZB, RNB</b>	
Standards	EN 60439-1, EN 60439-3, EN 62208	
Approval marks		
Colour	white RAL 9016	
Degree of protection	IP30	
Stage of protection against external mechanical shocks	IK09	
Rated values of the used devices	max. 125 A, 230/400 V a.c., RxB-2N48-B max. 63 A	
Device rail	„U“ rail according to EN 60715 of width 35 mm	
Protection class	I	
Door	opening	left/right
	design	non-transparent
Material	steel sheet	
Mounting	wall / flush	

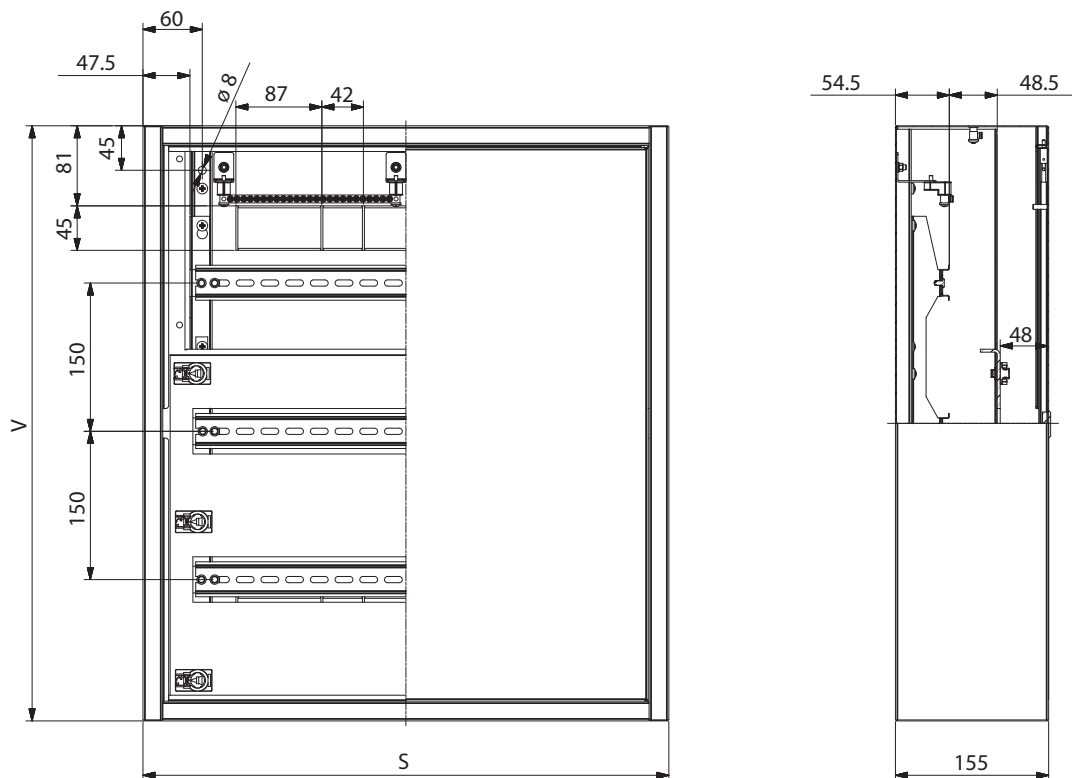
### RZB dimensions



Type	V [mm]	S [mm]	V1 [mm]	S1 [mm]	R [mm]	R1 [mm]
RZB-2N48-B	492	572	435	545	651	317
RZB-3N72-B	642	572	585	545	651	467
RZB-4N96-B	792	572	735	545	651	617
RZB-5N120-B	942	572	885	545	651	767
RZB-6N144-B	1092	572	1035	545	651	917
RZB-4N132-B	792	734	735	707	813	617
RZB-5N165-B	942	734	885	707	813	767
RZB-6N198-B	1092	734	1035	707	813	917

## SPECIFICATIONS OF RZB, RNB DISTRIBUTION BOARDS

### RNB dimensions



Type	V [mm]	S [mm]
RNB-2N48-B	452	532
RNB-3N72-B	602	532
RNB-4N96-B	752	532
RNB-5N120-B	902	532
RNB-6N144-B	1052	532
RNB-4N132-B	752	694
RNB-5N165-B	902	694
RNB-6N198-B	1052	694

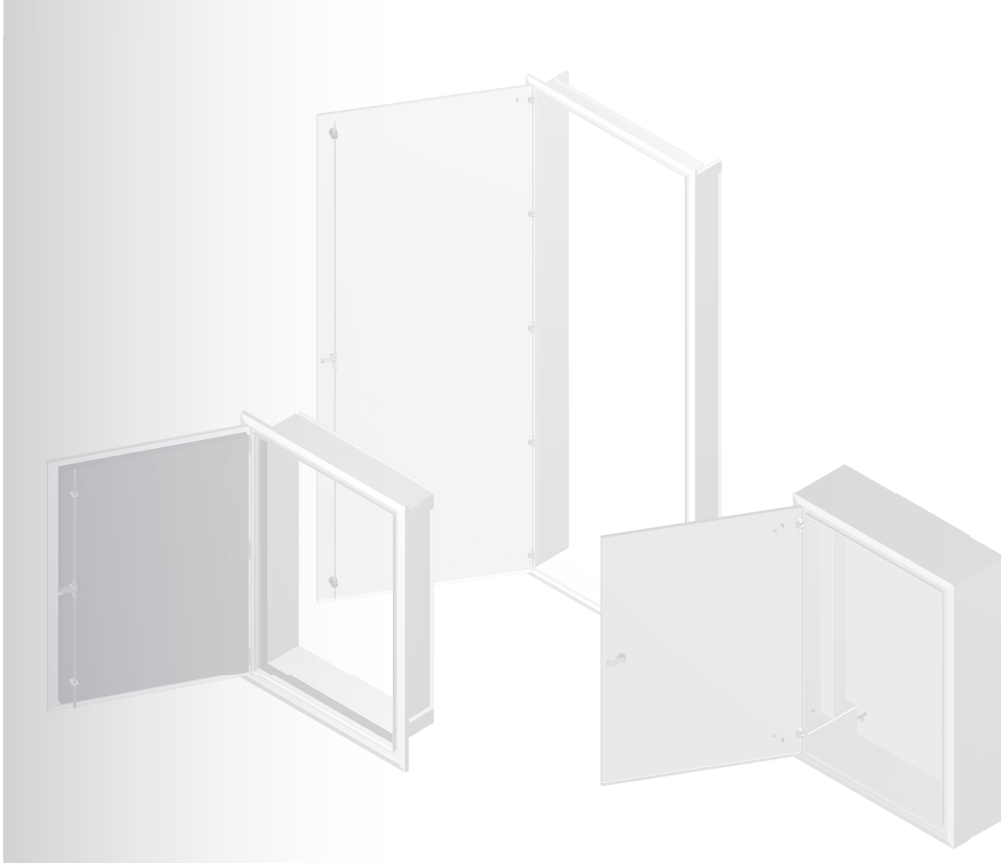
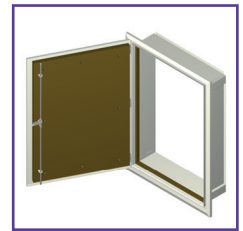
### Static load of distribution boards

Total number of modules	Distribution boards Type	Static load [N]		
		Per a row	Total	Of door
72	RZB-3N72-B, RNB-3N72-B	78.5	235	0
96	RZB-4N96-B, RNB-4N96-B	78.5	314	0
120	RZB-5N120-B, RNB-5N120-B	78.5	392	0
144	RZB-6N144-B, RNB-6N144-B	78.5	471	0
132	RZB-4N132-B, RNB-4N132-B	78.5	314	0
165	RZB-5N165-B, RNB-5N165-B	78.5	392	0
198	RZB-6N198-B, RNB-6N198-B	78.5	471	0

**DZ, DN, DZ...EI30 DISTRIBUTION BOARDS**

DZ flush-mounted distribution boards .....C2  
 DN wall-mounted distribution boards .....C3  
 DZ...EI30 fire resistant flush-mounted distribution boards .....C4  
 Specifications and description .....C5  
 Examples of fitting of the distribution boards .....C6  
 Dimensions of DZ distribution boards .....C8  
 Dimensions of DN distribution boards .....C9  
 Dimensions of DZ distribution boards...EI30.....C10  
 Accessories for distribution boards .....C11

**DISTRIBUTION BOARDS DistriSet**



## DZ FLUSH-MOUNTED DISTRIBUTION BOARDS



- For building, housing and industrial installations.
  - The distribution board is normally equipped with modular rails for installation of device rails and covers.
  - Lock insert is formed by internal square 6 x 6 mm.
- Package contains: frame  
door  
modular rails  
coupling elements

### Purchase order example:

Product code	Type	Product name	pc
39370	<b>DZ43-3509</b>	DZ 1 flush-mounted distribution board	1
39455	<b>PD-D-KMV01535</b>	Modular system cover DZ with cut-out, height 150 mm	4
39599	<b>PD-D-KM00535</b>	Modular system cover DZ without cut-out, height 50 mm	1
39459	<b>PD-D-KM01035</b>	Modular system cover DZ without cut-out, height 100 mm	1
39463	<b>PD-D-KM01535</b>	Modular system cover DZ without cut-out, height 150 mm	1
39471	<b>PD-D-KM04535</b>	Modular system cover DZ without cut-out, height 450 mm	1
39354	<b>PD-R-ZAS1000-S</b>	Grey blind plate (RAL 7035), 55 modules	1
39501	<b>PD-D-L35-VU35</b>	„U“ rail TH35-15	4

Configurator can be used for specification of the distribution board.

### Selection table

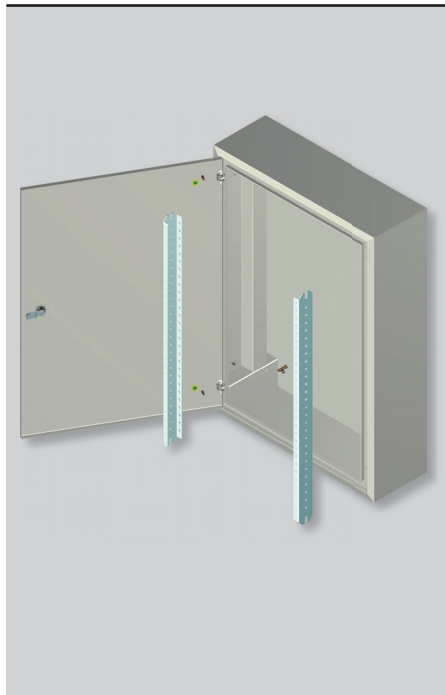
Frame internal dimensions		Number of modules in a row	Number of rows	Max. total number of modules	Door design **)	Number of meters in a row	Max. number of rows of electric meters	Type	Product code	Weight [kg]	Power loss *) [W]	Package [pcs]
height	width											
550	510	24	3	72	1K	2	1	<b>DZ43-2403</b>	39358	16	62	1
750			5	120			1	<b>DZ43-2405</b>	39359	20	79	1
950			6	144			2	<b>DZ43-2406</b>	39360	23	96	1
1150			7	168			2	<b>DZ43-2407</b>	39361	27	113	1
1350			9	216			3	<b>DZ43-2409</b>	39362	31	130	1
1550			10	240			3	<b>DZ43-2410</b>	39363	35	148	1
1750			11	264			4	<b>DZ43-2411</b>	39364	38	165	1
1950			13	312			4	<b>DZ43-2413</b>	39365	42	182	1
550			710	35			3	105	1K	3	1	<b>DZ43-3503</b>
750	5	175			1	<b>DZ43-3505</b>	39367	23			101	1
950	6	210			2	<b>DZ43-3506</b>	39368	28			123	1
1150	7	245			2	<b>DZ43-3507</b>	39369	32			145	1
1350	9	315			3	<b>DZ43-3509</b>	39370	36			167	1
1550	10	350			3	<b>DZ43-3510</b>	39371	41			189	1
1750	11	385			4	<b>DZ43-3511</b>	39372	45			211	1
1950	13	455			4	<b>DZ43-3513</b>	39373	49			233	1
550	910	46			3	138	2K	4			1	<b>DZ43-4603</b>
750			5	230	1	<b>DZ43-4605</b>			39375	26	123	1
950			6	276	2	<b>DZ43-4606</b>			39376	31	150	1
1150			7	322	2	<b>DZ43-4607</b>			39377	36	176	1
1350			9	414	3	<b>DZ43-4609</b>			39378	41	203	1
1550			10	460	3	<b>DZ43-4610</b>			39379	46	230	1
1750			11	506	4	<b>DZ43-4611</b>			39380	51	256	1
1950			13	598	4	<b>DZ43-4613</b>			39381	56	283	1
550			1110	57	3	171			2K	5	1	<b>DZ43-5703</b>
750	5	285			1	<b>DZ43-5705</b>	39383	30			145	1
950	6	342			2	<b>DZ43-5706</b>	39384	36			177	1
1150	7	399			2	<b>DZ43-5707</b>	39385	41			208	1
1350	9	513			3	<b>DZ43-5709</b>	39386	47			240	1
1550	10	570			3	<b>DZ43-5710</b>	39387	52			271	1
1750	11	627			4	<b>DZ43-5711</b>	39388	58			302	1
1950	13	741			4	<b>DZ43-5713</b>	39389	63			334	1

1 module = 18 mm.

\*) Power loss dissipated by the surface of the distribution board. According to IEC 890 + A1 - A method of temperature-rise assessment by extrapolation for partially type-tested assemblies (PTTA) of low-voltage switchgear and controlgear,  $\Delta T = 15 \text{ K}$  (difference between internal and external temperature).

\*\*) Door 1K - single, door 2K - double.

## DN WALL-MOUNTED DISTRIBUTION BOARDS



- For building, housing and industrial installations.
- The distribution board is normally equipped with modular rails for installation of device rails and covers.
- Lock insert is formed by internal square 6 x 6 mm.
- Package contains: frame  
door  
modular rails  
additional covers  
coupling elements

### Purchase order example:

Product code	Type	Product name	pc
39434	<b>DN43-3509</b>	DN wall-mounted distribution board	1
39505	<b>PD-D-1E335</b>	Electrometer plate	1
39455	<b>PD-D-KMV01535</b>	Modular system cover DN with cut-out, height 150 mm	4
39599	<b>PD-D-KM00535</b>	Modular system cover DN without cut-out, height 50 mm	2
39459	<b>PD-D-KM01035</b>	Modular system cover DN without cut-out, height 100 mm	1
39463	<b>PD-D-KM01535</b>	Modular system cover DN without cut-out, height 150 mm	1
39354	<b>PD-R-ZAS1000-S</b>	Grey blind plate (RAL 7035), 55 modules	1
39501	<b>PD-D-L35-VU35</b>	„U“ rail TH35-15	5

Configurator can be used for specification of the distribution board.

### Selection table

Frame internal dimensions		Number of modules in a row <sup>**</sup>	Number of rows	Max. total number of modules	Door design <sup>***</sup>	Number of meters in a row	Max. number of rows of electric meters	Type	Product code	Weight [kg]	Power loss <sup>*</sup> [W]	Package [pcs]
height <sup>**</sup>	width											
650	510	24	3	72	1K	2	1	<b>DN43-2403</b>	39422	23	88	1
850			5	120			1	<b>DN43-2405</b>	39423	28	110	1
1050			6	144			2	<b>DN43-2406</b>	39424	33	131	1
1250			7	168			2	<b>DN43-2407</b>	39425	39	149	1
1450			9	216			3	<b>DN43-2409</b>	39426	44	174	1
1650			10	240			3	<b>DN43-2410</b>	39427	48	192	1
1850			11	264			4	<b>DN43-2411</b>	39428	53	217	1
2050			13	312			4	<b>DN43-2413</b>	39429	58	238	1
650	710	35	3	105	1K	3	1	<b>DN43-3503</b>	39430	28	109	1
850			5	175			1	<b>DN43-3505</b>	39431	34	135	1
1050			6	210			2	<b>DN43-3506</b>	39432	39	161	1
1250			7	245			2	<b>DN43-3507</b>	39433	46	183	1
1450			9	315			3	<b>DN43-3509</b>	39434	52	214	1
1650			10	350			3	<b>DN43-3510</b>	39435	58	235	1
1850			11	385			4	<b>DN43-3511</b>	39436	64	266	1
2050			13	455			4	<b>DN43-3513</b>	39437	70	292	1
650	910	46	3	138	2K	4	1	<b>DN43-4603</b>	39438	32	130	1
850			5	230			1	<b>DN43-4605</b>	39439	39	161	1
1050			6	276			2	<b>DN43-4606</b>	39440	46	192	1
1250			7	322			2	<b>DN43-4607</b>	39441	54	217	1
1450			9	414			3	<b>DN43-4609</b>	39442	61	253	1
1650			10	460			3	<b>DN43-4610</b>	39443	68	278	1
1850			11	506			4	<b>DN43-4611</b>	39444	75	314	1
2050			13	598			4	<b>DN43-4613</b>	39445	81	345	1
650	1110	57	3	171	2K	5	1	<b>DN43-5703</b>	39446	37	151	1
850			5	285			1	<b>DN43-5705</b>	39447	45	187	1
1050			6	342			2	<b>DN43-5706</b>	39448	53	222	1
1250			7	399			2	<b>DN43-5707</b>	39449	62	251	1
1450			9	513			3	<b>DN43-5709</b>	39450	69	293	1
1650			10	570			3	<b>DN43-5710</b>	39451	78	322	1
1850			11	627			4	<b>DN43-5711</b>	39452	85	363	1
2050			13	741			4	<b>DN43-5713</b>	39453	93	398	1

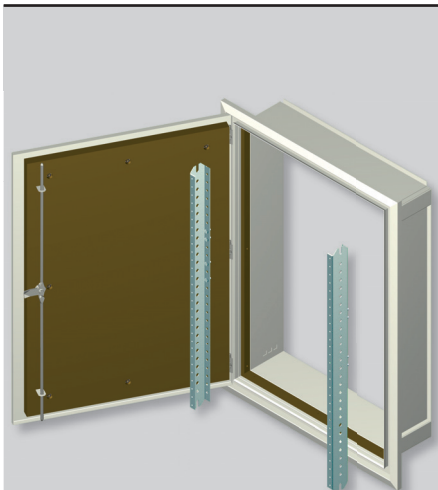
1 module = 18 mm.

<sup>\*</sup>) Power loss dissipated by the surface of the distribution board. According to IEC 890 + A1 - A method of temperature-rise assessment by extrapolation for partially type-tested assemblies (PTTA) of low-voltage switchgear and controlgear,  $\Delta T = 15$  K (difference between internal and external temperature).

<sup>\*\*</sup>) Total height for covering = (cabinet height - 100 mm).

<sup>\*\*\*</sup>) Door 1K - single, door 2K - double.

## DZ...EI30 FIRE RESISTANT FLUSH-MOUNTED DISTRIBUTION BOARDS



The fire stoppings of distribution boards are manufactured according to EN 1634-1 and EN 13501-2 (Fire classification of construction products and building elements).

- For building, housing and industrial installations.
- The distribution board is normally equipped with modular rails for installation of device rails and covers.
- Fire-proof insulation GRENAMAT.
- Three-point bar closure.
- Package contains: frame door modular rails coupling elements

### Purchase order example:

Product code	Type	Product name	pc
39402	<b>DZ43-3509-EI30</b>	DZ...EI30 Fire resistant flush-mounted distribution board	1
39455	<b>PD-D-KMV01535</b>	Modular system cover DZ with cut-out, height 150 mm	4
39599	<b>PD-D-KM00535</b>	Modular system cover DZ without cut-out, height 50 mm	1
39459	<b>PD-D-KM01035</b>	Modular system cover DZ without cut-out, height 100 mm	1
39463	<b>PD-D-KM01535</b>	Modular system cover DZ without cut-out, height 150 mm	1
39471	<b>PD-D-KM04535</b>	Modular system cover DZ without cut-out, height 450 mm	1
39354	<b>PD-R-ZAS1000-S</b>	Grey blind plate (RAL 7035), 55 modules	1
39501	<b>PD-D-L35-VU35</b>	„U“ rail TH35-15	4

Configurator can be used for specification of the distribution board.

### FIRE RESISTANCE CERTIFICATION EI30

The product has been certified in the authorized testing laboratory PAVUS a.s. (Authorized body No. 216, Notified body No. 1391) Prosecká 412/74, 190 00 Praha 9 - Prosek.

#### Certificates numbers:

No. 216/C5a/2010/0062 One-leaf closure of the distribution board, type „DZ43-1K2“

No. 216/C5a/2010/0063 Two-leaf closure of the distribution board, type „DZ43-2K2“

Both certificates confirm the fulfilment of the requirements of classification of Reaction to fire Class A1 according to Commission Decision 96/603/EC and fire resistance according to EN 1634-1 satisfactory for EI120 / EI230 / EW60.

### Selection table

Frame internal dimensions		Number of modules in a row	Number of rows	Max. total number of modules	Door design **)	Number of meters in a row	Max. number of rows of electric meters	Type	Product code	Weight [kg]	Power loss *) [W]	Package [pcs]
height	width											
550	510	24	3	72	1K	2	1	<b>DZ43-2403-EI30</b>	39390	42	56	1
750			5	120			1	<b>DZ43-2405-EI30</b>	39391	48	72	1
950			6	144			2	<b>DZ43-2406-EI30</b>	39392	54	88	1
1150			7	168			2	<b>DZ43-2407-EI30</b>	39393	61	104	1
1350			9	216			3	<b>DZ43-2409-EI30</b>	39394	67	120	1
1550			10	240			3	<b>DZ43-2410-EI30</b>	39395	73	136	1
1750			11	264			4	<b>DZ43-2411-EI30</b>	39396	80	152	1
1950			13	312			4	<b>DZ43-2413-EI30</b>	39397	86	168	1
550	710	35	3	105	1K	3	1	<b>DZ43-3503-EI30</b>	39398	47	72	1
750			5	175			1	<b>DZ43-3505-EI30</b>	39399	55	93	1
950			6	210			2	<b>DZ43-3506-EI30</b>	39400	62	113	1
1150			7	245			2	<b>DZ43-3507-EI30</b>	39401	70	134	1
1350			9	315			3	<b>DZ43-3509-EI30</b>	39402	77	155	1
1550			10	350			3	<b>DZ43-3510-EI30</b>	39403	85	176	1
1750			11	385			4	<b>DZ43-3511-EI30</b>	39404	92	196	1
1950			13	455			4	<b>DZ43-3513-EI30</b>	39405	100	217	1
550	910	46	3	138	2K	4	1	<b>DZ43-4603-EI30</b>	39406	53	88	1
750			5	230			1	<b>DZ43-4605-EI30</b>	39407	62	113	1
950			6	276			2	<b>DZ43-4606-EI30</b>	39408	71	139	1
1150			7	322			2	<b>DZ43-4607-EI30</b>	39409	80	164	1
1350			9	414			3	<b>DZ43-4609-EI30</b>	39410	88	189	1
1550			10	460			3	<b>DZ43-4610-EI30</b>	39411	97	215	1
1750			11	506			4	<b>DZ43-4611-EI30</b>	39412	106	240	1
1950			13	598			4	<b>DZ43-4613-EI30</b>	39413	115	265	1
550	1110	57	3	171	2K	5	1	<b>DZ43-5703-EI30</b>	39414	59	105	1
750			5	285			1	<b>DZ43-5705-EI30</b>	39415	69	134	1
950			6	342			2	<b>DZ43-5706-EI30</b>	39416	79	164	1
1150			7	399			2	<b>DZ43-5707-EI30</b>	39417	89	194	1
1350			9	513			3	<b>DZ43-5709-EI30</b>	39418	99	224	1
1550			10	570			3	<b>DZ43-5710-EI30</b>	39419	109	254	1
1750			11	627			4	<b>DZ43-5711-EI30</b>	39420	119	284	1
1950			13	741			4	<b>DZ43-5713-EI30</b>	39421	129	314	1


1 module = 18 mm.

\*) Power loss dissipated by the surface of the distribution board. According to IEC 890 + A1 - A method of temperature-rise assessment by extrapolation for partially type-tested assemblies (PTTA) of low-voltage switchgear and controlgear, ΔT = 15 K (difference between internal and external temperature).

\*\*\*) Door 1K - single, closure type DZ43-1K2; door 2K - double, closure type DZ43-2K2.

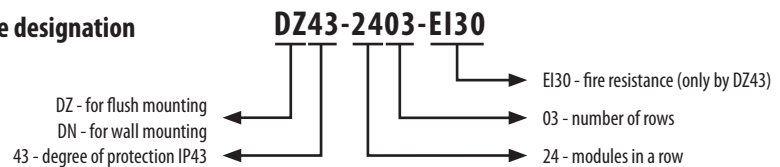


## SPECIFICATIONS AND DESCRIPTION

Type	<b>DZ, DN, DZ...EI30</b>	
Standards	EN 60439-1, EN 60439-3, EN 62208	
Approval marks		
Colour	grey (RAL 7035)	
Degree of protection	IP43	
For circuits up to rated voltages	$U_n$	1000 V a.c., 1500 V d.c.
For circuits up to rated current	$I_n$	400 A
Rated short-time withstand current	$I_{cw}$	up to 36 kA/1 s
Place of use	internal / for outdoor applications we recommend consultation with the producer	
Sea level	up to 1000 m	
Protection class	I	
Door	opening	standardly left / easily modifiable to right; DZ...EI30 only left
	design	non-transparent
		transparent custom production
Material	steel sheet	
Mounting	flush / wall	
Fire resistance	EI30 only for distribution boards marked DZ...EI30	

On demand we can perform painting in other colour according to RAL colour chart.

### Type designation



### Description of the cabinets design

#### Frame

- welded from 1.3 mm steel sheet (DZ); 1.5 mm (DN, DZ...EI30)
- earthing points for connection of earth conductor
- in design with fire resistance EI30 it is equipped with fire-proof sealing piece GRENAMAT

#### „U“ rails

- (accessories)
- according to EN 60715

#### Device rails

- (accessories)
- sheet of thickness 2 mm, rail height 50, 100 mm
  - installation by means of sliding brackets

#### Modular rails

- (part of supply)
- sheet of thickness 1.5 mm

#### Covers for modular system

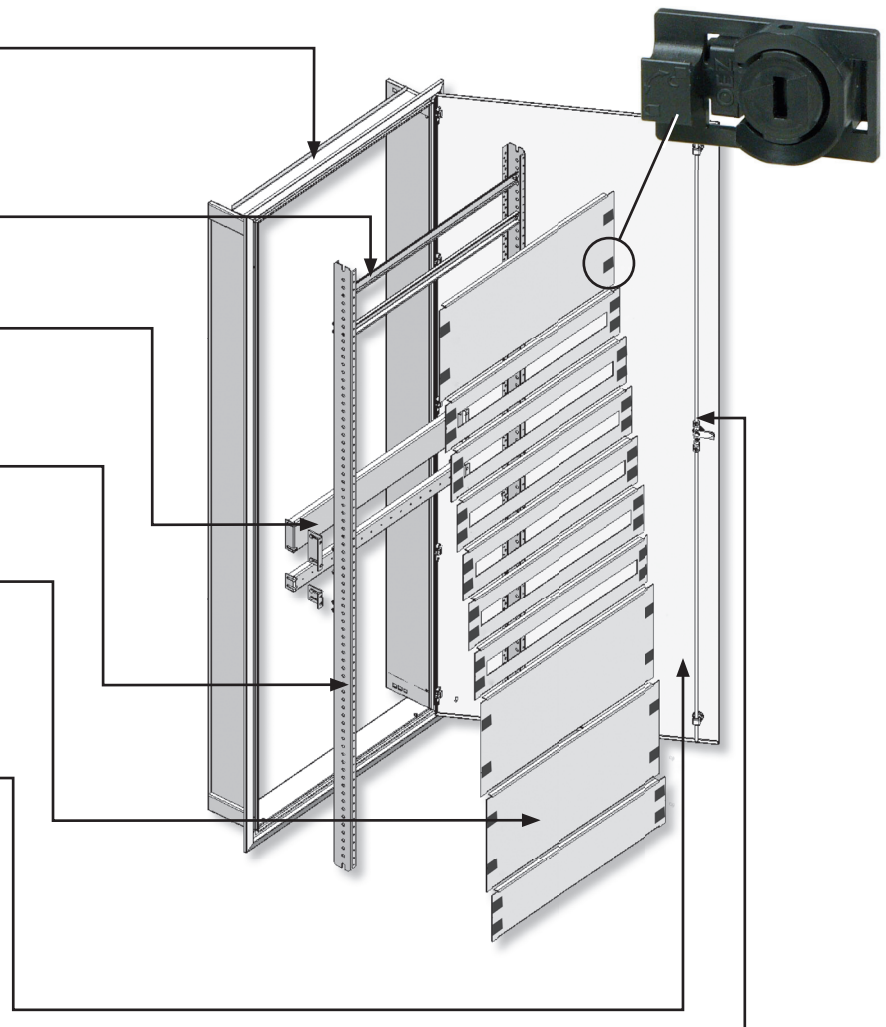
- (accessories)
- plastic of thickness 2 mm
  - with 45 mm cut-out, covers height 150 mm
  - without cut-out, covers height 50, 150, 300, 450 mm
  - fastening by means of quick-acting closures with handles

#### Door

- sheet of thickness 1.5 mm
- left, easily modifiable to right
- earthing points for connection of protective conductor
- opening door 120°
- in design with fire resistance EI30 it is equipped with fire-proof sealing plate GRENAMAT
- double door from internal width 910 mm

#### Closing

- 3 - 6 rows 1 tongue lock (internal square 6 x 6 mm)
- 7 - 10 rows 2 tongue locks (internal square 6 x 6 mm)
- 11 - 13 rows rows three-point bar closure (internal square 6 x 6 mm)

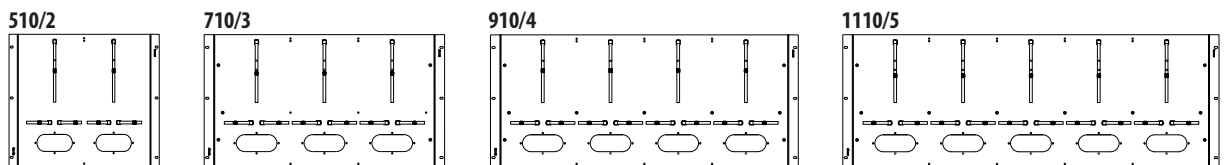


Three-point closure is used for all fire-resistant designs.

**DZ, DN, DZ...EI30 EXAMPLES OF FITTING OF THE DISTRIBUTION BOARDS**

Internal height (mm)		DZ flush-mounted distribution boards			
<b>550</b>	100		150		150
	150				
	150				
	150				
<b>750</b>	150		150		150
	150				
	150				
	150				
	150				
<b>950</b>	50		100		150
	150		150		
	150				
	150				
	150				
	150				
	150				
150					
<b>1150</b>	100		150		150
	150		150		
	150		150		
	150				
	150				
	150				
	150				
	150				
<b>1350</b>	150		50		150
	150		150		
	150		150		
	150		150		
	150		150		
	150				
	150				
	150				
	150				
	150				

Electrometer plates for distribution boards of internal width / number of meters in a row



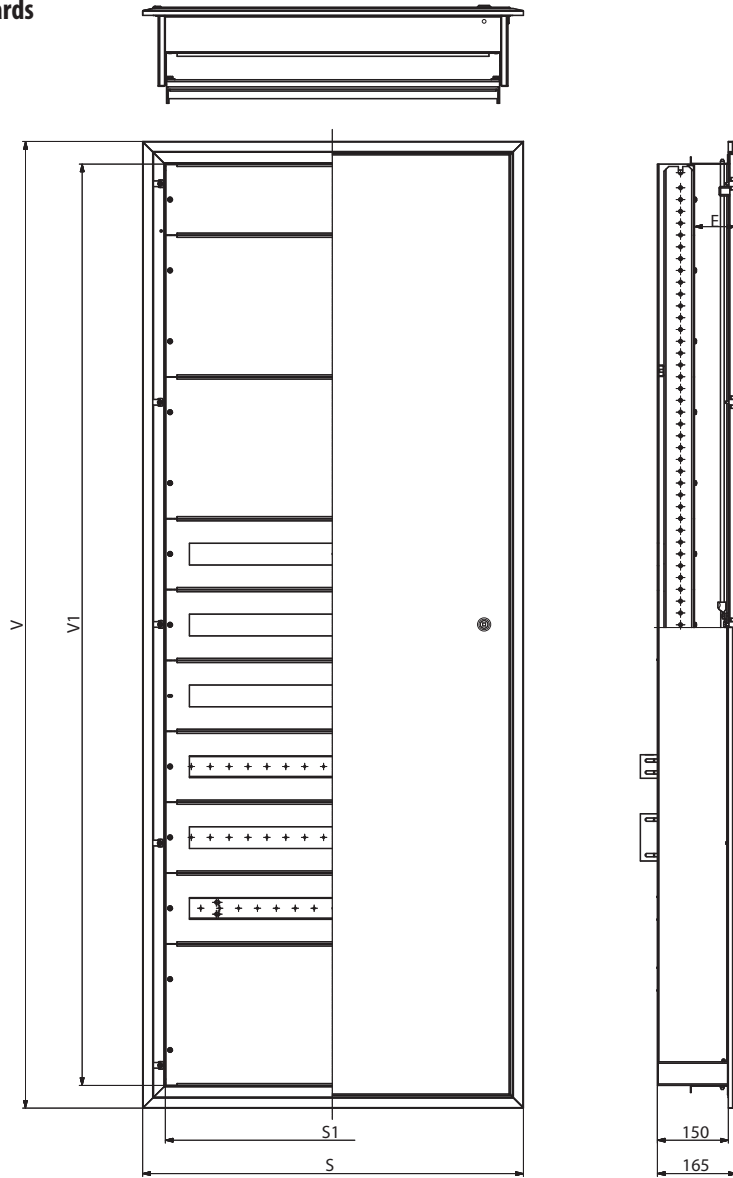
### DZ, DN, DZ...EI30 EXAMPLES OF FITTING OF THE DISTRIBUTION BOARDS

Internal height (mm)		DZ flush-mounted distribution boards				
<b>1550</b>	50		100		150	
	150		150		150	
	150		150		150	
	150		150		150	
	150		150		150	
	150		150		150	
	150		150		150	
	150		150		150	
	150		150		150	
	150		150		150	
	150		150		150	
	150		150		150	
	150		150		150	
	150		150		150	
150		150		150		
<b>1750</b>	100		150		50	
	150		150		150	
	150		150		150	
	150		150		150	
	150		150		150	
	150		150		150	
	150		150		150	
	150		150		150	
	150		150		150	
	150		150		150	
	150		150		150	
	150		150		150	
	150		150		150	
	150		150		150	
150		150		150		
<b>1950</b>	150		50		100	
	150		150		150	
	150		150		150	
	150		150		150	
	150		150		150	
	150		150		150	
	150		150		150	
	150		150		150	
	150		150		150	
	150		150		150	
	150		150		150	
	150		150		150	
	150		150		150	
	150		150		150	
150		150		150		

DN wall-mounted distribution boards - total height for covering = (cabinet height - 100 mm).

## DIMENSIONS OF DZ DISTRIBUTION BOARDS

### DZ flush-mounted distribution boards



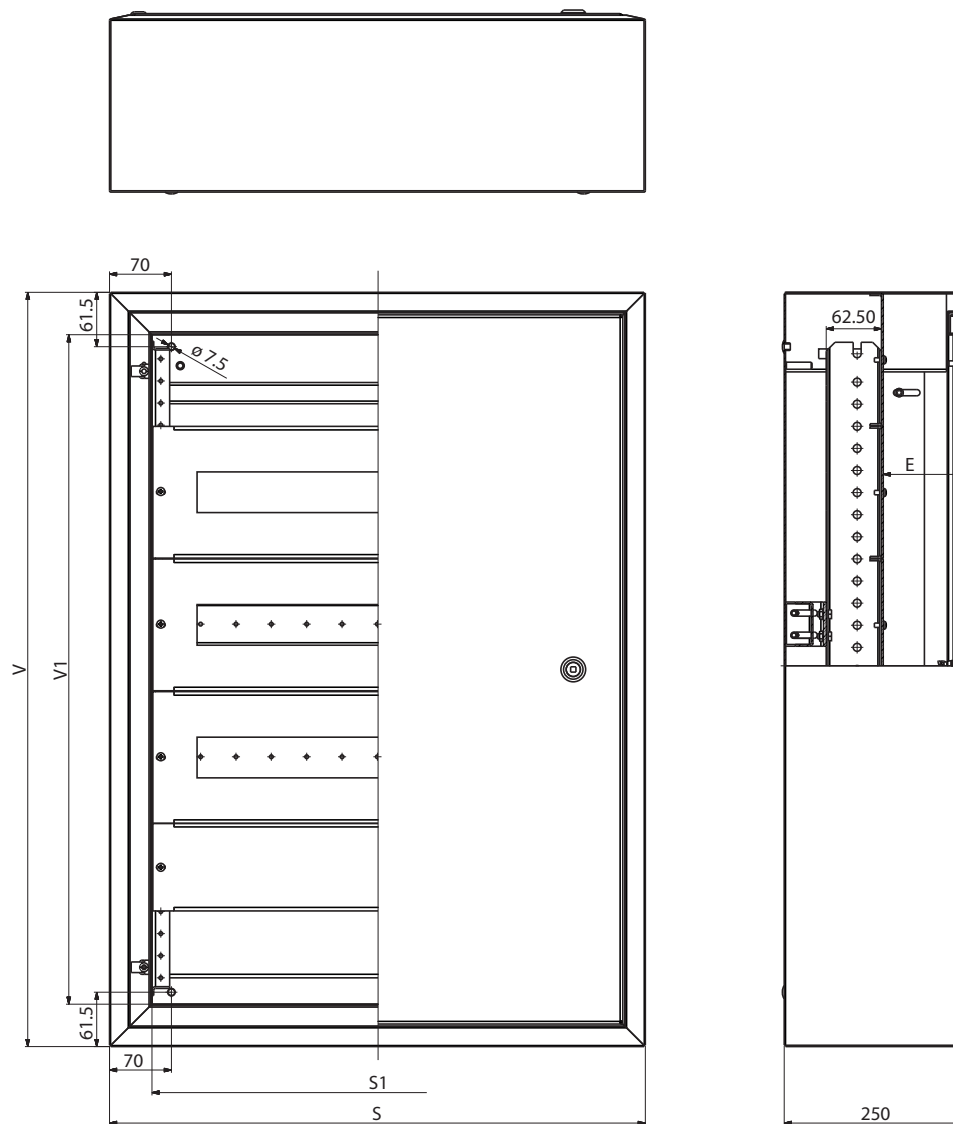
Type	H [mm]	W [mm]	V1 - height for covering [mm]	S1 [mm]	Emin. [mm]	Estř. [mm]	Emax. [mm]					
DZ43-2403	646	606	550	510	66.5	85	103.5					
DZ43-2405	846											
DZ43-2406	1046											
DZ43-2407	1246											
DZ43-2409	1446											
DZ43-2410	1646											
DZ43-2411	1846											
DZ43-2413	2046											
DZ43-3503	646		806					550	710	66.5	85	103.5
DZ43-3505	846											
DZ43-3506	1046											
DZ43-3507	1246											
DZ43-3509	1446											
DZ43-3510	1646											
DZ43-3511	1846											
DZ43-3513	2046											
DZ43-4603	646	1006		550	910	66.5	85	103.5				
DZ43-4605	846											
DZ43-4606	1046											
DZ43-4607	1246											
DZ43-4609	1446											
DZ43-4610	1646											
DZ43-4611	1846											
DZ43-4613	2046											
DZ43-5703	646		1206	550					1110	66.5	85	103.5
DZ43-5705	846											
DZ43-5706	1046											
DZ43-5707	1246											
DZ43-5709	1446											
DZ43-5710	1646											
DZ43-5711	1846											
DZ43-5713	2046											

Hole for immersion						
Height	Width	Depth	Depth with use of holders PD-...DP100			
605	565	180	260			
805						
1005						
1205						
1405						
1605						
1805						
2005						
605				765	180	260
805						
1005						
1205						
1405						
1605						
1805						
2005						
605	965	180	260			
805						
1005						
1205						
1405						
1605						
1805						
2005						
605				1165	180	260
805						
1005						
1205						
1405						
1605						
1805						
2005						

Tolerance of hole for immersion: 0÷10 mm.

## DIMENSIONS OF DN DISTRIBUTION BOARDS

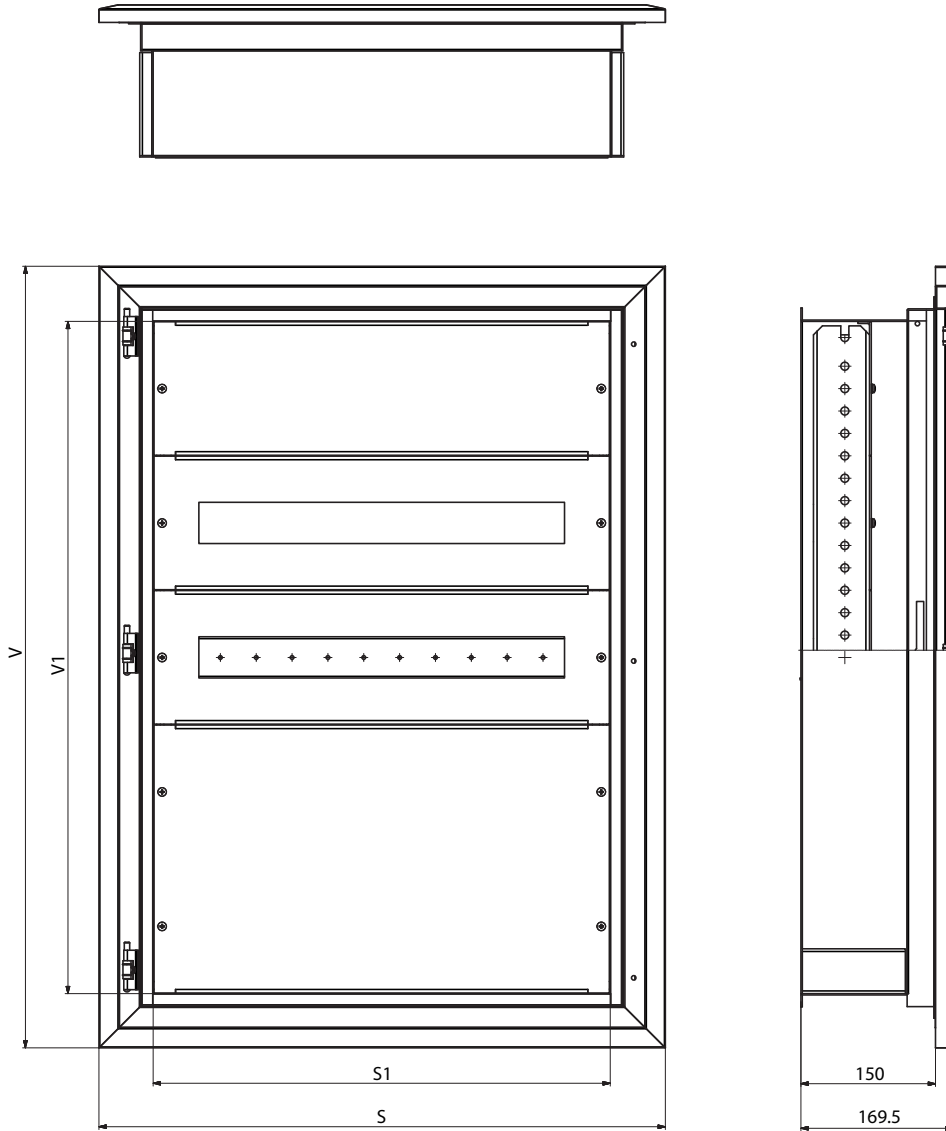
### DN wall-mounted distribution boards



Type	H [mm]	W [mm]	V1 [mm]	S1 [mm]	Emin. [mm]	Estr. [mm]	Estr. [mm]	Emax. [mm]	Height for covering [mm]
DN43-2403	653		557						550
DN43-2405	853		757						750
DN43-2406	1053		957						950
DN43-2407	1253		1157						1150
DN43-2409	1453	606	1357	510	68	86.5	105	123.5	1350
DN43-2410	1653		1557						1550
DN43-2411	1853		1757						1750
DN43-2413	2053		1957						1950
DN43-3503	653		557						550
DN43-3505	853		757						750
DN43-3506	1053		957						950
DN43-3507	1253		1157						1150
DN43-3509	1453	806	1357	710	68	86.5	105	123.5	1350
DN43-3510	1653		1557						1550
DN43-3511	1853		1757						1750
DN43-3513	2053		1957						1950
DN43-4603	653		557						550
DN43-4605	853		757						750
DN43-4606	1053		957						950
DN43-4607	1253		1157						1150
DN43-4609	1453	1006	1357	910	68	86.5	105	123.5	1350
DN43-4610	1653		1557						1550
DN43-4611	1853		1757						1750
DN43-4613	2053		1957						1950
DN43-5703	653		557						550
DN43-5705	853		757						750
DN43-5706	1053		957						950
DN43-5707	1253		1157						1150
DN43-5709	1453	1206	1357	1110	68	86.5	105	123.5	1350
DN43-5710	1653		1557						1550
DN43-5711	1853		1757						1750
DN43-5713	2053		1957						1950

# DIMENSIONS OF DZ DISTRIBUTION BOARDS...EI30

## DZ...EI30 Fire resistant flush-mounted distribution boards

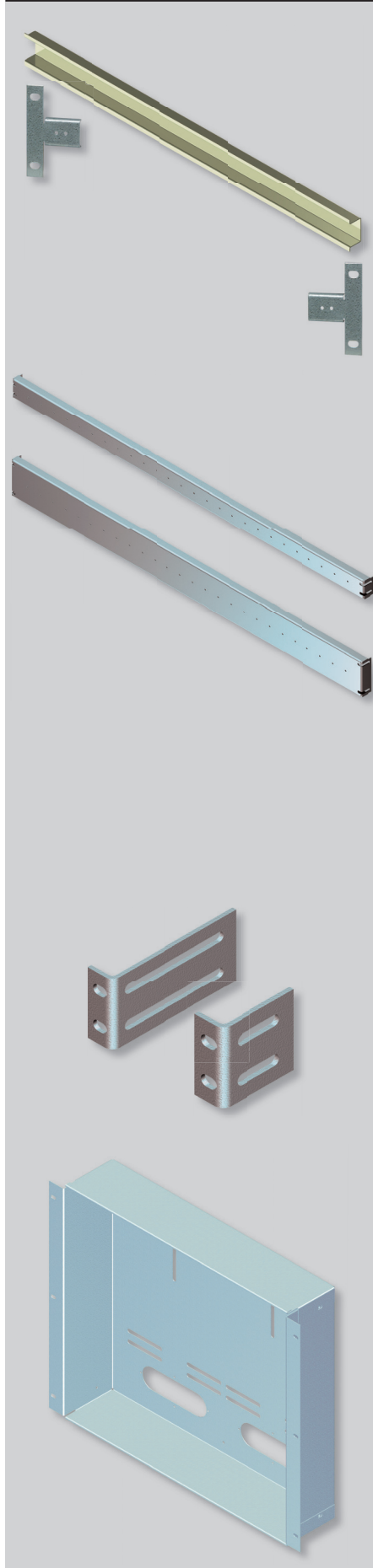


Type	H [mm]	W [mm]	V1 - height for covering [mm]	S1 [mm]	Emin. [mm]	Estr. [mm]	Emax. [mm]
DZ43-2403-EI30	673	635	550	510	46.5	65	83.5
DZ43-2405-EI30	873		750				
DZ43-2406-EI30	1073		950				
DZ43-2407-EI30	1273		1150				
DZ43-2409-EI30	1473		1350				
DZ43-2410-EI30	1673		1550				
DZ43-2411-EI30	1873		1750				
DZ43-2413-EI30	2073	1950					
DZ43-3503-EI30	673	830	550	710	46.5	65	83.5
DZ43-3505-EI30	873		750				
DZ43-3506-EI30	1073		950				
DZ43-3507-EI30	1273		1150				
DZ43-3509-EI30	1473		1350				
DZ43-3510-EI30	1673		1550				
DZ43-3511-EI30	1873		1750				
DZ43-3513-EI30	2073	1950					
DZ43-4603-EI30	673	1030	550	910	46.5	65	83.5
DZ43-4605-EI30	873		750				
DZ43-4606-EI30	1073		950				
DZ43-4607-EI30	1273		1150				
DZ43-4609-EI30	1473		1350				
DZ43-4610-EI30	1673		1550				
DZ43-4611-EI30	1873		1750				
DZ43-4613-EI30	2073	1950					
DZ43-5703-EI30	673	1230	550	1110	46.5	65	83.5
DZ43-5705-EI30	873		750				
DZ43-5706-EI30	1073		950				
DZ43-5707-EI30	1273		1150				
DZ43-5709-EI30	1473		1350				
DZ43-5710-EI30	1673		1550				
DZ43-5711-EI30	1873		1750				
DZ43-5713-EI30	2073	1950					

Hole for immuration			
Height	Width	Depth	Depth with use of holders PD-D-...DP100
635	590	180	260
825			
1025			
1225			
1425			
1625			
1825			
2025			
625	785	180	260
825			
1025			
1225			
1425			
1625			
1825			
2025			
625	985	180	260
825			
1025			
1225			
1425			
1625			
1825			
2025			
625	1185	180	260
825			
1025			
1225			
1425			
1625			
1825			
2025			

Tolerance of hole for immuration: 0÷10mm.

## DZ, DN, DZ...EI30 ACCESSORIES FOR DISTRIBUTION BOARDS



### „U“ RAILS

- Intended for device fastening.
- „U“ rails according to EN 60715 of width 35 mm.
- Galvanised finish.
- Package contains: 1 pc rail coupling elements

For distribution board of internal width [mm]	modules in a row	Rail height [mm]	Type	Product code	Weight [kg]	Package [pcs]
510	24	15	PD-D-L35-VU24	39500	0.2	1
710	35		PD-D-L35-VU35	39501	0.3	1
910	46		PD-D-L35-VU46	39502	0.4	1
1110	57		PD-D-L35-VU57	39503	0.4	1

### DEVICE RAILS

- For DZ, DN, DZ...EI30.
- Intended for device fastening.
- 2 mm steel sheet.
- Galvanised finish.
- PD-D-50LPU.. perforated for „U“ rail fastening.
- Package contains: 1 pc rail coupling elements

For distribution board of internal width [mm]	modules in a row	Rail height [mm]	Type	Product code	Weight [kg]	Package [pcs]
510	24	50	PD-D-50LPU24	39719	0.7	1
		100	PD-D-100LPU24	39720	1.1	1
		130	PD-D-130LPU24	41312	1.4	1
710	35	50	PD-D-50LPU35	39721	0.9	1
		100	PD-D-100LPU35	39722	1.2	1
		130	PD-D-130LPU35	41313	1.6	1
910	46	50	PD-D-50LPU46	39723	1.3	1
		100	PD-D-100LPU46	39724	1.9	1
		130	PD-D-130LPU46	41314	2.3	1
1110	57	50	PD-D-50LPU57	39725	1.5	1
		100	PD-D-100LPU57	39726	2.3	1
		130	PD-D-130LPU57	41315	2.8	1

Rails PD-D-130LPU.. are fastened by means of sliding brackets PD-D-100DP.

### SLIDING BRACKETS

- Serve for adaptation of the mounting depth of devices.
- Package contains: 2 pc brackets coupling elements

Type	Product code	For rails	Depth [mm]	Weight [kg]	Package [pcs]
PD-D-50DP50	39494	PD-D-50LPU..	50	0.10	1
PD-D-50DP100	39495		100	0.12	1
PD-D-100DP50	39757	PD-D-100LPU..	50	0.20	1
PD-D-100DP100	39758	PD-D-130LPU..	100	0.24	1

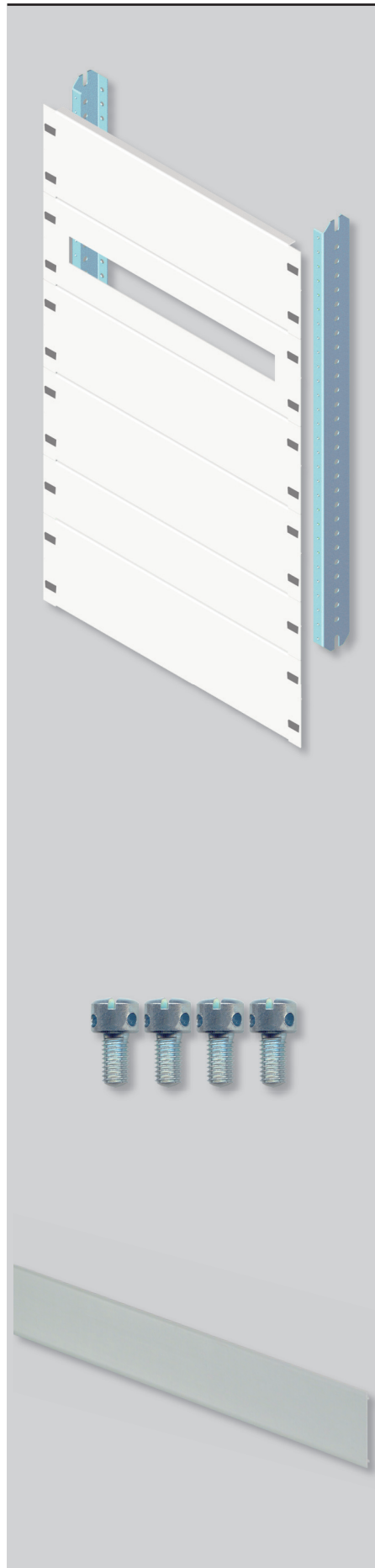
### ELECTROMETER PLATES

- Serve for installation of electric meters in the distribution board DZ, DN, DZ...EI30.
- Equipped with sealing places.
- Sheet thickness 1 mm.
- Galvanised finish.
- Package contains: 1 pc electrometer plate 2 pc sealing screws plastic bushes coupling elements

For distribution board of internal width [mm]	number of meters in a row	Type	Product code	Tank height [mm]	Weight [kg]	Package [pcs]
510	2	PD-D-1E224	39504	400	2.8	1
710	3	PD-D-1E335	39505	400	3.2	1
910	4	PD-D-1E446	39506	400	3.6	1
1110	5	PD-D-1E557	39507	400	4.2	1
510	2	PD-D-1E224-450	39759	450	3.0	1



## DZ, DN, DZ...EI30 ACCESSORIES FOR DISTRIBUTION BOARDS



### COVERS FOR MODULAR SYSTEM

- Serve for covering the devices.
- Plastic of thickness 2 mm with cut-out of 45 mm or without cut-out, for coverage of e.g. terminals or empty place.
- Colour grey RAL7035.
- Overall height for coverage is identical to the internal height of the distribution board.
- Package contains: 1 pc cover coupling elements

For distribution board of internal width [mm]	modules in a row	Cover height [mm]	Cover design	Type	Product code	Cut-out with [mm]	Weight [kg]	Package [pcs]
510	24	50	without cut-out	PD-D-KM00524	39598	432	0.13	1
710	35		without cut-out	PD-D-KM00535	39599	630	0.15	1
910	46		without cut-out	PD-D-KM00546	39600	828	0.23	1
1110	57		without cut-out	PD-D-KM00557	39601	1026	0.26	1
510	24	100	without cut-out	PD-D-KM01024	39458	432	0.25	1
710	35		without cut-out	PD-D-KM01035	39459	630	0.31	1
910	46		without cut-out	PD-D-KM01046	39460	828	0.45	1
1110	57		without cut-out	PD-D-KM01057	39461	1026	0.51	1
510	24	150	cut-out 45 mm	PD-D-KMV01524	39454	432	0.24	1
710	35		cut-out 45 mm	PD-D-KMV01535	39455	630	0.28	1
910	46		cut-out 45 mm	PD-D-KMV01546	39456	828	0.35	1
1110	57		cut-out 45 mm	PD-D-KMV01557	39457	1026	0.45	1
510	24	150	without cut-out	PD-D-KM01524	39462	432	0.26	1
710	35		without cut-out	PD-D-KM01535	39463	630	0.35	1
910	46		without cut-out	PD-D-KM01546	39464	828	0.50	1
1110	57		without cut-out	PD-D-KM01557	39465	1026	0.56	1
510	24	300	without cut-out	PD-D-KM03024	39466	432	0.48	1
710	35		without cut-out	PD-D-KM03035	39467	630	0.66	1
910	46		without cut-out	PD-D-KM03046	39468	828	0.97	1
1110	57		without cut-out	PD-D-KM03057	39469	1026	1.08	1
510	24	450	without cut-out	PD-D-KM04524	39470	432	0.94	1
710	35		without cut-out	PD-D-KM04535	39471	630	1.05	1
910	46		without cut-out	PD-D-KM04546	39472	828	1.10	1
1110	57		without cut-out	PD-D-KM04557	39473	1026	2.10	1

### SEALING SCREWS

- Serve for sealing the electrometer plates and covers for modular systems.
- Package contains: 4 sealing screws M5x10.

Type	Product code	Weight [kg]	Package [sets]
PD-D-UMSP	39732	0.015	1

### BLIND PLATES

- Serve for coverage of unused 45 mm cut-outs in the modular covers.
- Material - plastic.
- Package contains: 1 blind plate

Colour	Number of modules	Type	Product code	Weight [kg]	Package [pcs]
Grey (RAL7035)	55	PD-R-ZAS1000-S	39354	0.142	1

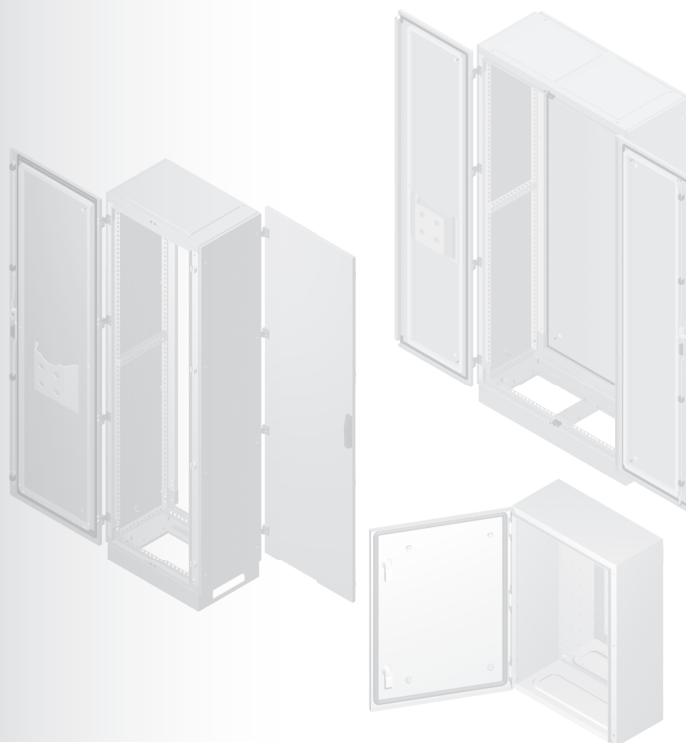
**NP WALL-MOUNTED CABINETS**

Standard sizes, NP cabinets .....D2  
 Specifications and description .....D3  
 Heat dissipation static load of cabinet .....D5  
 Dimensions .....D6  
 Accessories for NP wall-mounted cabinets .....D8  
     Mounting plates on door, door reinforcers .....D8  
     Adjustable-depth systems, modular systems .....D9  
     Covers for modular system, inside door .....D10  
     Locks, spacers, lifting lugs .....D11

**QA SWITCHBOARD CABINETS**

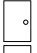
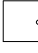
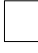

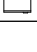


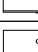

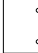
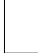
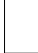


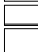
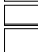
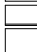

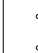
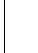
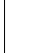
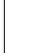
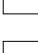
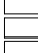
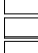




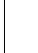
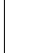


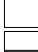





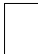









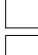



Standard sizes, QA cabinets .....D12  
 Specifications and description .....D13  
 Heat dissipation .....D16  
 Dimensions .....D17  
 Accessories for QA switchboard cabinets .....D18  
     Corner enclosures, transition enclosures .....D18  
     Side covers, dividing covers between cabinets, covers for variable depths of cabinets .....D20  
     Pedestals .....D21  
     Pedestals for corner and transition enclosures, bottom sliding flanges .....D22  
     One - piece bottom covers, mounting plates, rails for easy mounting of mounting plate.....D23  
     Filler plates between mounting plates, rails for back, side or front mounting .....D24  
     Vertical rails, vertical rail brackets .....D25  
     Device rails, sliding brackets of the device rail .....D26  
     Front and back terminal rails, terminal block brackets, rails for Sonap cable holders .....D27  
     Modular rails, vertical outer covers for modular system, covers for modular system .....D28  
     Spacers, cabinet joining kits, lifting lugs, door catch .....D29  
     Locks, cage nuts, data pockets, repair varnishes .....D30  
     Door switch brackets, door switches, lights .....D31

**SWITCHBOARD CABINETS DistriBox**

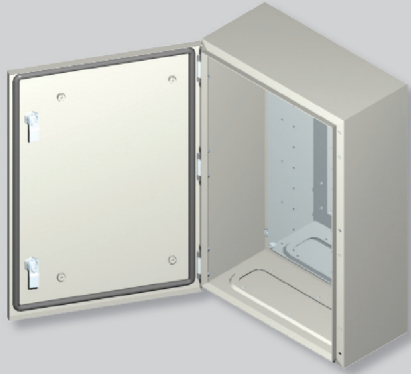


# NP WALL-MOUNTED CABINETS

## Standard sizes, NP cabinets

Height	Width	200	300	400	500	600	700	800
300	Depth							
	120							
	150							
	200							
400	150							
	200							
	250							
500	150							
	200							
	250							
600	150							
	200							
	250							
700	200							
	250							
800	250							
	300							
	400							
1000	250							
	300							
	400							
1200	250							
								

## NP WALL-MOUNTED CABINETS



### Specifications and description

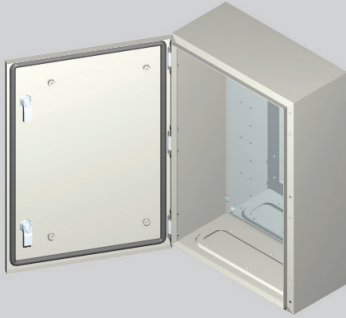
- Cabinet is for front mounting externally on a wall for industrial applications.
- Highly sturdy frame.
- Degree of protection IP65.
- Light grey (RAL 7035) epoxy-polyester powder coating, lightly textured.
- Mounting plate is standard equipment.

	Frame dimensions [mm]			Type	Product code	Weight [kg]	Package [pcs]	
	height	width	depth					
300	200	120		NP65-0302012	18690	4.70	1	
		150		NP65-0302015	18691	5.00	1	
		200		NP65-0302020	18692	5.50	1	
	300	200		NP65-0303020	18693	7.50	1	
		150		NP65-0304015	18694	8.50	1	
	400	200	200		NP65-0304020	18695	9.50	1
150				NP65-0403015	18696	8.50	1	
300		200		NP65-0403020	18697	9.50	1	
		150		NP65-0404015	18698	10.50	1	
400		200		NP65-0404020	18699	12.50	1	
		150		NP65-0405015	18800	12.50	1	
500	500	200		NP65-0405020	18801	13.50	1	
		150		NP65-0406015	18802	14.50	1	
	600	200		NP65-0406020	18803	15.50	1	
		250		NP65-0406025	18804	17.00	1	
	600	300	200		NP65-0503020	18805	11.50	1
			150		NP65-0504015	18806	12.50	1
400		200		NP65-0504020	18807	13.50	1	
		250		NP65-0504025	20692	14.50	1	
500		150		NP65-0505015	18808	15.00	1	
		200		NP65-0505020	18809	16.00	1	
700	500	250		NP65-0505025	18810	16.50	1	
		200		NP65-0507020	18811	21.00	1	
	700	250		NP65-0507025	18812	22.50	1	
		150		NP65-0604015	18813	14.50	1	
	800	400	200		NP65-0604020	18814	15.50	1
			250		NP65-0604025	18815	17.00	1
500		150		NP65-0605015	20693	17.50	1	
		200		NP65-0606020	18816	21.50	1	
600		250		NP65-0606025	18817	24.00	1	
		300		NP65-0606030	18818	27.00	1	
900	800	250		NP65-0608025	18819	31.50	1	
		300		NP65-0608030	18820	33.00	1	
	700	500		NP65-0705020	18821	21.00	1	
		250		NP65-0705025	18822	22.50	1	
	800	600	250		NP65-0806025	18823	29.50	1
			300		NP65-0806030	18824	31.50	1
800		300		NP65-0808030	18825	39.00	1	
		400		NP65-0808040	18826	43.00	1	
1000	600	250		NP65-1006025	20694	35.00	1	
		250		NP65-1008025	20695	42.00	1	
	800	300		NP65-1008030	18827	47.50	1	
		400		NP65-1008040	18828	51.50	1	
	1200	600		NP65-1206025	18829	43.00	1	
		800	300		NP65-1208030	18830	55.50	1
	400			NP65-1208040	18831	60.00	1	

Basic design cabinets include:

- **frame**
  - base with removable flange
  - fixed rear cover, side and top cover
- **door**
  - double-bar 5 mm lock
  - perforated reinforcement frame, ready for installation or mounting plate
- **mounting plate**

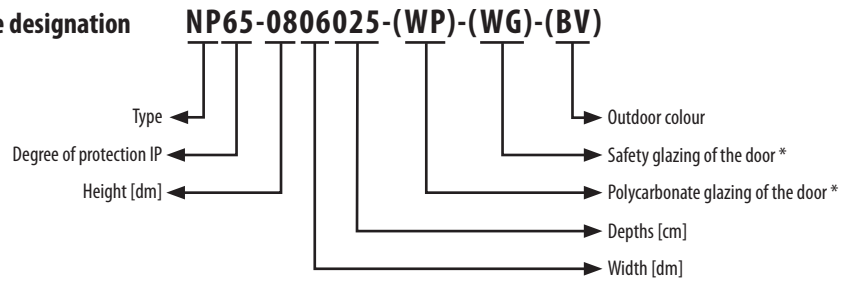
**NP WALL-MOUNTED CABINETS**



Type	NP65
For circuits up to rated voltages	1000 V a.c., 1500 V d.c.
Degree of protection	IP65
Sealing material	Expanded polyurethane
Stage of protection against external mechanical shocks	IK09
Colour	Grey (RAL 7035)
Place of use	Internal For outdoor applications we recommend consultation with the producer
Ambient temperature range	-5 ÷ +40 °C
Sea level	up to 1000 m
Standards	EN 62208, EN 60439-1

Per the customer's wish, we will provide other colours according to the RAL colour list.

**Type designation NP65-0806025-(WP)-(WG)-(BV)**



\* Note: max. size of door glazing is by 200 mm smaller than the nominal width (height) of the cabinet.

**Description of the cabinets design**

**Door**

- 1.5 mm steel sheet
- expanded polyurethane sealing
- perforated reinforcement frame, ready for installation
- double-bar 5 mm locks, perch-bar lock for heights 800 mm and greater
- left, easily modifiable to right
- earthing points for connection of protective conductor
- opening door 120°

**Frame**

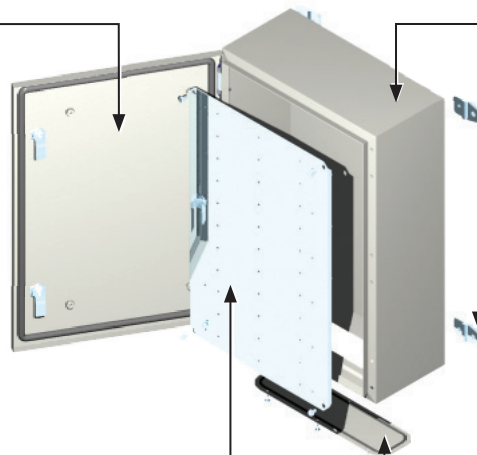
- welded from 1.5 mm formed steel sheet, fixed rear cover
- fixed top and side covers
- ready for fitting with lifting lugs
- earthing points for connection of protective conductor

**Lifting lugs**

(accessories ordered separately)

**Mounting plate**

**Bottom cover with removable flange**



## NP WALL-MOUNTED CABINETS

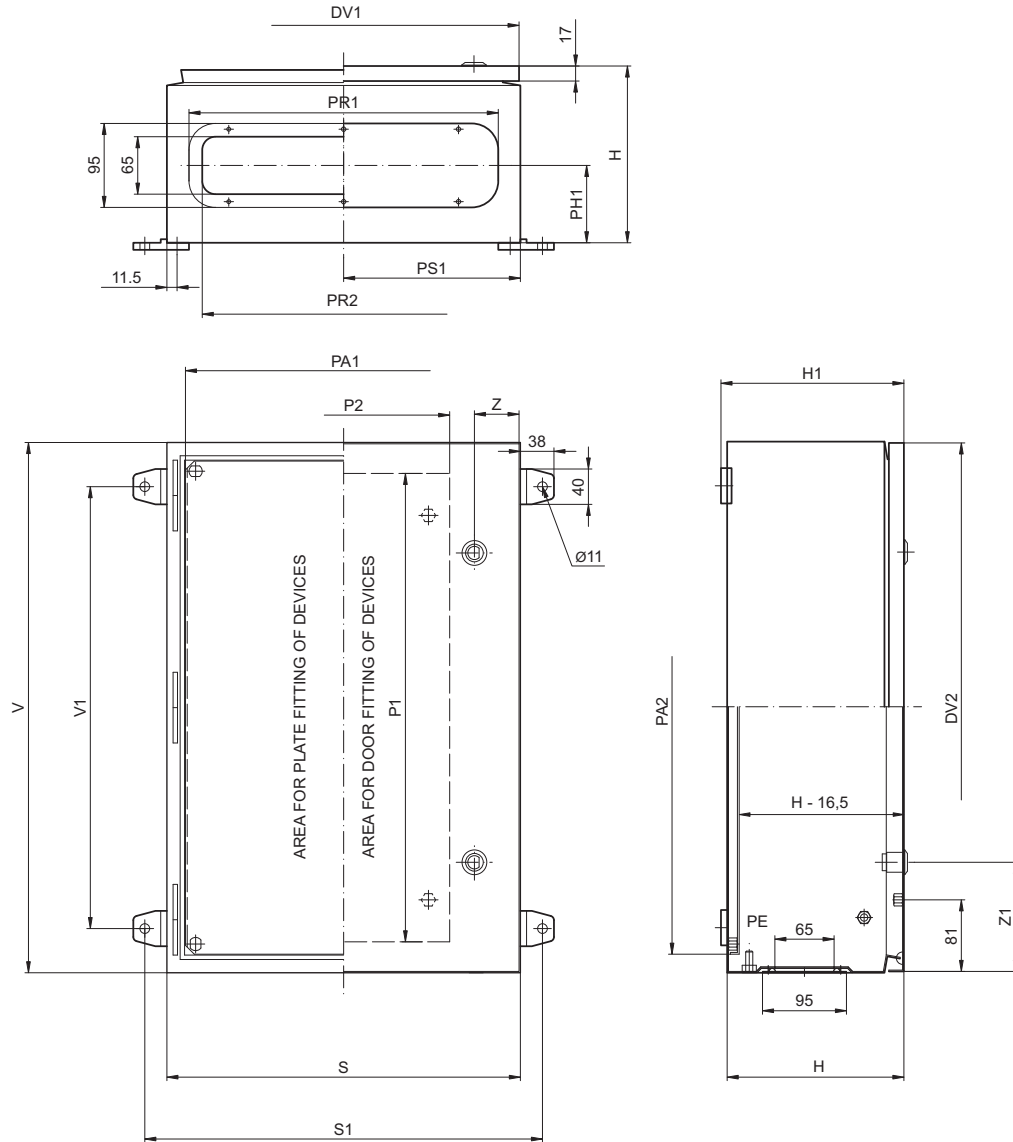
### Heat dissipation static load of cabinet

Frame dimensions			Cabinet surface [m <sup>2</sup> ]	Power loss * [W]	Static load [N]			
height [mm]	width [mm]	depth [mm]			of cabinet	of door	of mounting plate	
300	200	120	0.1824	14	147.2	49.1	98.1	
		150	0.207	16	147.2	49.1	98.1	
		200	0.248	19	147.2	49.1	98.1	
	400	300	200	0.318	24	147.2	49.1	98.1
		150	200	0.333	25	147.2	49.1	98.1
			200	0.388	29	147.2	49.1	98.1
400	300	150	0.339	26	147.2	49.1	98.1	
		200	0.396	30	147.2	49.1	98.1	
	400	150	200	0.416	32	196.2	49.1	147.2
			200	0.480	36	196.2	49.1	147.2
		500	150	0.493	37	196.2	49.1	147.2
	600	200	150	0.564	43	196.2	49.1	147.2
			150	0.570	43	196.2	49.1	147.2
			200	0.648	49	196.2	49.1	147.2
		250	150	0.726	55	196.2	49.1	147.2
			200	0.474	36	147.2	49.1	98.1
			150	0.499	38	196.2	49.1	147.2
	500	400	200	0.572	43	196.2	49.1	147.2
250			0.666	44	196.2	49.1	147.2	
150			0.590	45	196.2	49.1	147.2	
500		200	0.670	51	196.2	49.1	147.2	
		250	0.750	57	196.2	49.1	147.2	
		200	0.866	66	255.1	58.9	196.2	
600	700	250	0.960	73	255.1	58.9	196.2	
		150	0.582	44	215.8	68.7	147.2	
		200	0.664	50	215.8	68.7	147.2	
	500	250	250	0.746	57	215.8	68.7	147.2
			150	0.646	50	245.3	68.7	176.6
			200	0.888	67	264.9	68.7	196.2
		600	250	0.984	75	264.9	68.7	196.2
			300	1.080	82	264.9	68.7	196.2
			250	1.222	93	313.9	68.7	245.3
700	800	300	1.332	101	313.9	68.7	245.3	
		500	0.882	67	274.7	78.5	196.2	
		250	0.980	74	274.7	78.5	196.2	
	600	250	1.242	94	343.4	98.1	245.3	
		300	1.356	103	343.4	98.1	245.3	
		300	1.664	126	392.4	98.1	294.3	
800	800	400	1.920	146	392.4	98.1	294.3	
		600	1.435	140	441.5	147.2	392.4	
		250	1.743	148	539.6	147.2	392.4	
	1000	800	1.996	151	539.6	147.2	392.4	
		400	2.288	174	539.6	147.2	392.4	
		600	1.758	133	441.5	147.2	294.3	
1200	800	300	2.328	177	588.6	147.2	441.5	
		400	2.656	202	588.6	147.2	441.5	

\*) Power loss dissipated by the surface of the cabinet. Measurement of warming inside the cabinet  $\Delta t = 15$  K at 3/4 cabinet height.

# NP WALL-MOUNTED CABINETS

## Dimensions

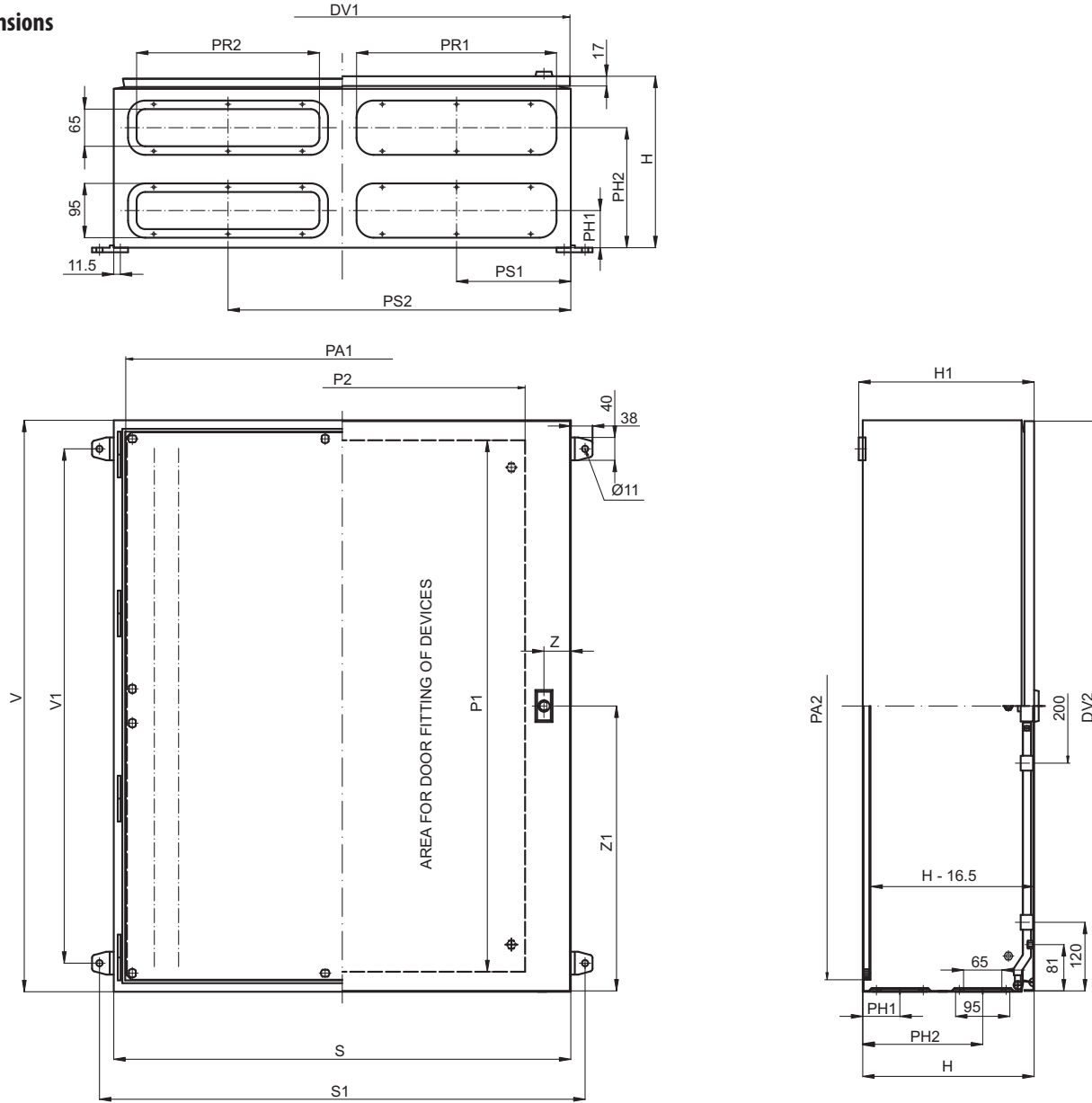


Frame dimensions			Type	S1 [mm]	V1 [mm]	H1 [mm]	DV1 [mm]	DV2 [mm]	Z [mm]	Z1 [mm]	P1 [mm]	P2 [mm]	PA1 [mm]	PA2 [mm]	PH1 [mm]	PR1 [mm]	PR2 [mm]
H [mm]	W [mm]	D [mm]															
300	200	120	NP65-0302012	250	200	128	197	297	51	149	230	85	158	258			
		150	NP65-0302015	250	200	158	197	297	51	149	230	85	158	258	64.5	150	120
		200	NP65-0302020	250	200	208	197	297	51	149	230	85	158	258	89	150	120
	300	200	NP65-0303020	350	200	208	297	297	51	149	230	185	258	258	89	250	220
		150	NP65-0304015	450	200	158	397	297	51	149	230	285	358	258	64.5	350	320
		200	NP65-0304020	450	200	208	397	297	51	149	230	285	358	258	89	350	320
400	300	150	NP65-0403015	350	300	158	297	397	51	66	330	185	258	358	64.5	250	220
		200	NP65-0403020	350	300	208	297	397	51	66	330	185	258	358	89	250	220
	400	150	NP65-0404015	450	300	158	397	397	51	66	330	285	358	358	64.5	350	320
		200	NP65-0404020	450	300	208	397	397	51	66	330	285	358	358	89	350	320
		150	NP65-0405015	550	300	158	497	397	51	66	330	385	458	358	64.5	350	320
		200	NP65-0405020	550	300	208	497	397	51	66	330	385	458	358	89	350	320
500	300	200	NP65-0503020	350	400	208	297	497	51	66	430	185	258	458	89	250	220
		150	NP65-0504015	450	400	158	397	497	51	66	430	285	358	458	64.5	350	320
	400	200	NP65-0504020	450	400	208	397	497	51	66	430	285	358	458	89	350	320
		250	NP65-0504025	450	400	258	397	497	51	66	430	285	358	458	114	350	320
		150	NP65-0505015	550	400	158	497	497	51	66	430	385	458	458	64.5	350	320
		200	NP65-0505020	550	400	208	497	497	51	66	430	385	458	458	89	350	320
600	500	250	NP65-0505025	550	400	258	497	497	51	66	430	385	458	458	114	350	320
		150	NP65-0604015	450	500	158	397	597	51	124	530	285	358	558	64.5	350	320
		200	NP65-0604020	450	500	208	397	597	51	124	530	285	358	558	89	350	320
	500	250	NP65-0604025	450	500	258	397	597	51	124	530	285	358	558	114	350	320
		150	NP65-0605015	550	500	158	497	597	51	124	530	385	458	558	64.5	350	320
		200	NP65-0705020	550	600	208	497	697	51	149	630	385	458	658	89	350	320
700	500	250	NP65-0705025	550	600	258	497	697	51	149	630	385	458	658	114	350	320



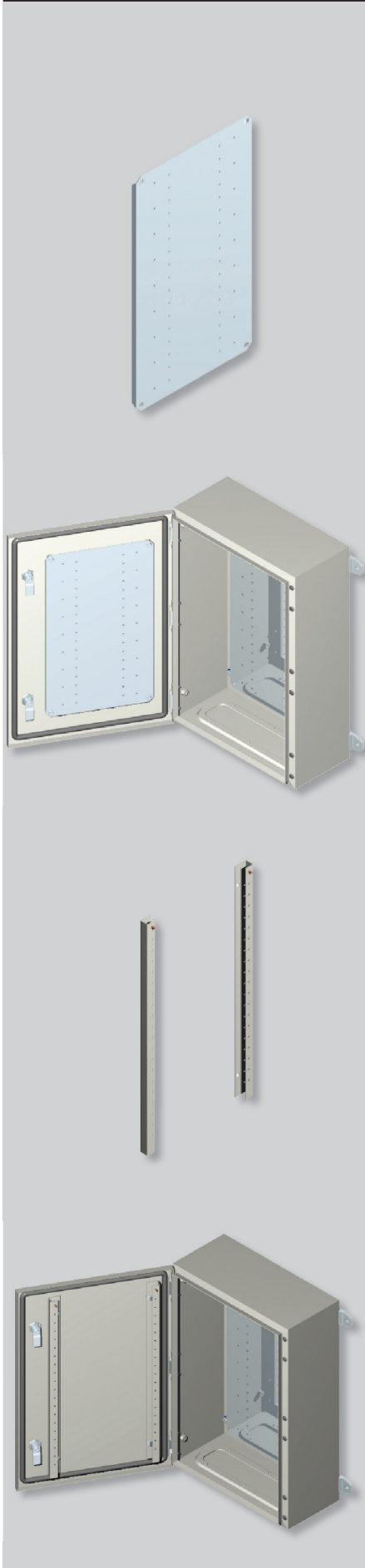
# NP WALL-MOUNTED CABINETS

## Dimensions



Frame dimensions			Type	S1 [mm]	V1 [mm]	H1 [mm]	DV1 [mm]	DV2 [mm]	Z [mm]	Z1 [mm]	P1 [mm]	P2 [mm]	PA1 [mm]	PA2 [mm]	PS1 [mm]	PS2 [mm]	PH1 [mm]	PH2 [mm]	PR1 [mm]	PR2 [mm]
H [mm]	W [mm]	D [mm]																		
400	600	150	<b>NP65-0406015</b>	650	300	158	597	397	51	66	330	485	558	358	150	450	64.5		250	220
		200	<b>NP65-0406020</b>	650	300	208	597	397	51	66	330	485	558	358	150	450	89		250	220
		250	<b>NP65-0406025</b>	650	300	258	597	397	51	66	330	485	558	358	150	450	114		250	220
500	700	200	<b>NP65-0507020</b>	750	400	208	697	497	51	66	430	585	658	458	150	500	89		350/250	320/220
		250	<b>NP65-0507025</b>	750	400	258	697	497	51	66	430	585	658	458	150	500	114		350/250	320/220
600	600	200	<b>NP65-0606020</b>	650	500	208	597	597	51	124	530	485	558	558	150	450	89		250	220
		250	<b>NP65-0606025</b>	650	500	258	597	597	51	124	530	485	558	558	150	450	114		250	220
	800	250	<b>NP65-0608025</b>	850	500	258	797	597	51	124	530	685	758	558	200	600	114		350	320
		300	<b>NP65-0608030</b>	850	500	308	797	597	51	124	530	685	758	558	200	600	66.5	212	250	220
800	600	250	<b>NP65-0806025</b>	650	700	258	597	797	45.5	399	730	485	558	758	150	450	114		250	220
		300	<b>NP65-0806030</b>	650	700	308	597	797	45.5	399	730	485	558	758	150	450	66.5	212	250	220
	800	300	<b>NP65-0808030</b>	850	700	308	797	797	45.5	399	730	685	758	758	200	600	66.5	212	350	320
		400	<b>NP65-0808040</b>	850	700	408	797	797	45.5	399	730	685	758	758	200	600	119	264	350	320
1000	600	250	<b>NP65-1006025</b>	650	900	258	597	997	45.5	499	930	485	558	958	150	450	114		250	220
		250	<b>NP65-1008025</b>	850	900	258	797	997	45.5	499	930	685	758	958	200	600	114		350	320
	800	300	<b>NP65-1008030</b>	850	900	308	797	997	45.5	499	930	685	758	958	200	600	66.5	212	350	320
		400	<b>NP65-1008040</b>	850	900	408	797	997	45.5	499	930	685	758	958	200	600	119	264	350	320
1200	600	250	<b>NP65-1206025</b>	650	1100	258	597	1197	45.5	599	1130	485	558	1158	150	450	114		250	220
		300	<b>NP65-1208030</b>	850	1100	308	797	1197	45.5	599	1130	685	758	1158	200	600	66.5	212	350	320
	800	400	<b>NP65-1208040</b>	850	1100	408	797	1197	45.5	599	1130	685	758	1158	200	600	119	264	350	320

NP WALL-MOUNTED CABINETS



Accessories for NP wall-mounted cabinets

MOUNTING PLATES ON DOOR

- Allows mounting components on inside of door.
- 2 mm formed steel sheet.
- Galvanised finish.
- Affixed to door using M6 nuts with spacers.
- Package contains:
  - 1 plate
  - fastening materials for attaching to door

For cabinet		Type	Product code	Plate			Weight [kg]	Package [pcs]
height [mm]	width [mm]			height [mm]	width [mm]	surface area [cm <sup>2</sup> ]		
	200	-	-	-	-	-	-	
300	300	PD-N-MPD0303	18832	158	158	250	1.4	1
	400	PD-N-MPD0304	18833	158	258	408	1.9	1
400	300	PD-N-MPD0403	18834	258	158	408	1.9	1
	400	PD-N-MPD0404	18835	258	258	666	2.6	1
	500	PD-N-MPD0405	18836	258	358	924	3.2	1
	600	PD-N-MPD0406	18837	258	458	1182	3.8	1
500	300	PD-N-MPD0503	18838	358	158	566	2.4	1
	400	PD-N-MPD0504	18839	358	258	924	3.2	1
	500	PD-N-MPD0505	18840	358	358	1282	4.0	1
	700	PD-N-MPD0507	18841	358	558	1998	5.6	1
600	400	PD-N-MPD0604	18842	458	258	1182	3.8	1
	500	PD-N-MPD0605	21140	458	358	1640	4.8	1
	600	PD-N-MPD0606	18843	458	458	2098	5.8	1
	800	PD-N-MPD0608	18844	458	658	3014	7.7	1
700	500	PD-N-MPD0705	18845	558	358	1998	5.6	1
800	600	PD-N-MPD0806	18846	658	458	3014	7.7	1
	800	PD-N-MPD0808	18847	658	658	4330	10.2	1
1000	600	PD-N-MPD1006	21141	858	458	3930	9.7	1
	800	PD-N-MPD1008	18848	858	658	5646	12.8	1
1200	600	PD-N-MPD1206	18849	1058	458	4846	11.5	1
	800	PD-N-MPD1208	18850	1058	658	6962	15.4	1

DOOR REINFORCERS

- Allows mounting components on inside of door.
- 1.5 mm formed steel sheet.
- Light grey (RAL 7035) epoxy-polyester powder coating, lightly textured.
- Affixed to door using 4 M6 nuts.
- Package contains:
  - 2 reinforcers
  - fastening materials for attaching to door

For cabinet		Type	Product code	Weight [kg]	Package [pcs]
height [mm]	width [mm]				
	200	-	-	-	-
300	300	PD-N-VY0303	18851	0.6	1
	400	PD-N-VY0304	18852	0.6	1
400	300	PD-N-VY0403	18853	0.8	1
	400	PD-N-VY0404	18854	0.8	1
	500	PD-N-VY0405	18855	0.8	1
	600	PD-N-VY0406	18856	0.8	1
500	300	PD-N-VY0503	18857	1.0	1
	400	PD-N-VY0504	18858	1.0	1
	500	PD-N-VY0505	18859	1.0	1
	700	PD-N-VY0507	18860	1.0	1
600	400	PD-N-VY0604	18861	1.2	1
	500	PD-N-VY0605	21142	1.2	1
	600	PD-N-VY0606	18862	1.2	1
	800	PD-N-VY0608	18863	1.2	1
700	500	PD-N-VY0705	18864	1.4	1
800	600	PD-N-VY0806	18865	1.6	1
	800	PD-N-VY0808	18866	1.6	1
1000	600	PD-N-VY1006	21143	1.8	1
	800	PD-N-VY1008	18867	1.8	1
1200	600	PD-N-VY1206	18868	2.0	1
	800	PD-N-VY1208	18869	2.0	1

## NP WALL-MOUNTED CABINETS

### Accessories for NP wall-mounted cabinets

#### ADJUSTABLE-DEPTH SYSTEMS

- Enables creating of device racks.
- Plate depth adjustable in 25 mm increments.
- Depth of individual rails can be spaced according to thickness of vertical rails (i.e. 40 mm).
- 2 mm formed steel sheet.
- Light grey (RAL 7035) epoxy-polyester powder coating, lightly textured.
- Fasten to frame using 8 M6 cage nuts.
- Package contains:  
2 vertical rails  
4 brackets  
fastening materials for anchoring into cabinets

*DIN rails not included.*

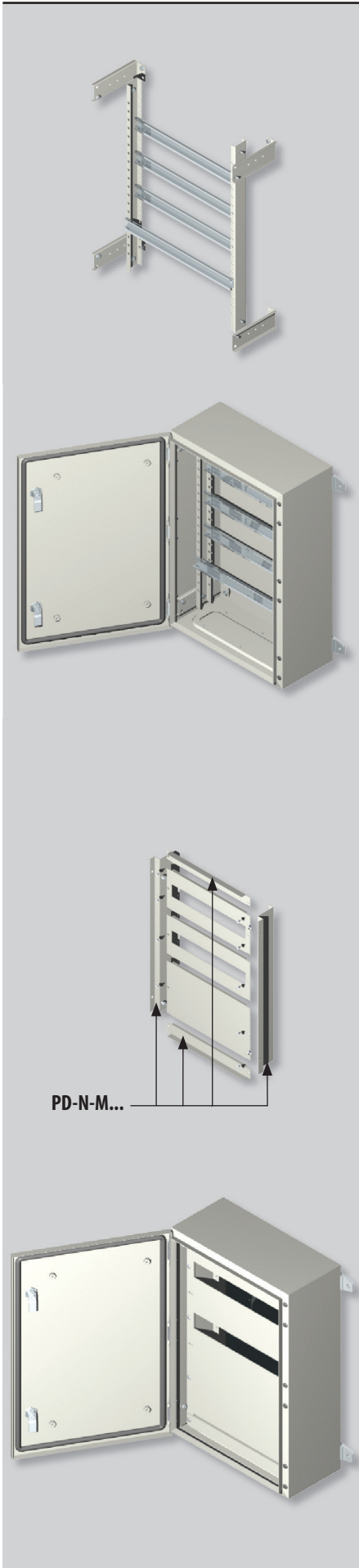
For cabinet		Type	Product code	Weight [kg]	Package [pcs]
height [mm]	depth [mm]				
400	200	PD-N-P04020	18871	2.0	1
	250	PD-N-P04025	18872	2.0	1
500	200	PD-N-P05020	18873	2.5	1
	250	PD-N-P05025	18874	2.5	1
600	200	PD-N-P06020	18875	3.0	1
	250	PD-N-P06025	18876	3.0	1
	300	PD-N-P06030	18877	3.0	1
700	200	PD-N-P07020	18878	3.5	1
	250	PD-N-P07025	18879	3.5	1
800	250	PD-N-P08025	18880	4.0	1
	300	PD-N-P08030	18881	4.0	1
	400	PD-N-P08040	18882	4.0	1
1000	250	PD-N-P10025	21144	4.5	1
	300	PD-N-P10030	18883	4.5	1
	400	PD-N-P10040	18884	4.5	1
1200	250	PD-N-P12025	18885	5.0	1
	300	PD-N-P12030	18886	5.0	1
	400	PD-N-P12040	18887	5.0	1

#### MODULAR SYSTEMS

- For mounting modular devices (17,5 mm).
- PD-N-KM.. covers are for covering devices from front, which ensures IP20 degree of protection with an open door.
- Vertical rails are channel formed from 1.5 mm steel sheet.
- Light grey (RAL 7035) epoxy-polyester powder coating, lightly textured.
- Package contains:  
2 vertical rails  
lower and upper filler plates  
coupling elements

*DIN rails not included.*

For cabinet		Type	Product code	Weight [kg]	Package [sets]
height [mm]	depth [mm]				
300	400	PD-N-M0304	18890	1.1	1
	300	PD-N-M0403	18891	1.4	1
400	400	PD-N-M0404	18892	1.4	1
	500	PD-N-M0405	18893	1.4	1
	600	PD-N-M0406	18894	1.4	1
500	300	PD-N-M0503	18895	1.7	1
	400	PD-N-M0504	18896	1.7	1
	500	PD-N-M0505	18897	1.7	1
	700	PD-N-M0507	18898	1.7	1
600	400	PD-N-M0604	18899	2.0	1
	500	PD-N-M0605	20762	2.0	1
	600	PD-N-M0606	18900	2.0	1
	800	PD-N-M0608	18901	2.0	1
700	500	PD-N-M0705	18902	2.3	1
	600	PD-N-M0806	18903	2.6	1
800	800	PD-N-M0808	18904	2.6	1
	600	PD-N-M1006	20763	3.2	1
1000	800	PD-N-M1008	18905	3.2	1
	600	PD-N-M1206	18906	4.0	1
1200	800	PD-N-M1208	18907	4.0	1



PD-N-M...

## NP WALL-MOUNTED CABINETS



### Accessories for NP wall-mounted cabinets

#### COVERS FOR MODULAR SYSTEM

- For mounting into the modular system.
- With 45 mm cut-out or without cut-out.
- Total height for covering = (cabinet height - 100 mm).
- Package contains:  
1 cover  
coupling elements

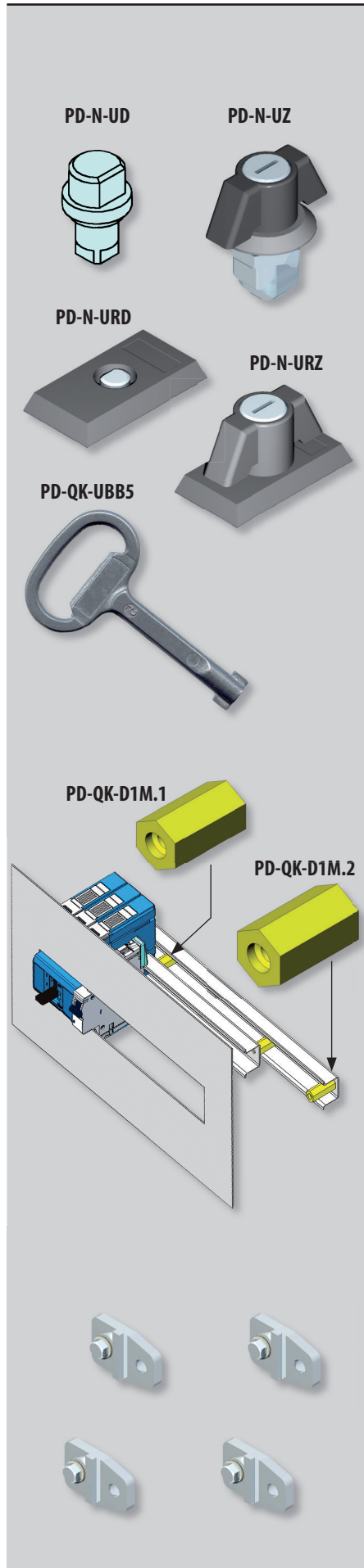
For cabinet width [mm]	Type	Product code	Cover height [mm]	Cover design	Cut-out with [mm]	Number of 180 mm modules	Weight [kg]	Package [pcs]
300	PD-N-KMV01503	18908	150	cut-out 45 mm	225	12	0.33	1
400	PD-N-KMV01504	18909	150	cut-out 45 mm	325	18	0.47	1
500	PD-N-KMV01505	18910	150	cut-out 45 mm	425	23	0.59	1
600	PD-N-KMV01506	18911	150	cut-out 45 mm	525	29	0.72	1
700	PD-N-KMV01507	18912	150	cut-out 45 mm	625	34	0.86	1
800	PD-N-KMV01508	18913	150	cut-out 45 mm	725	40	0.99	1
300	PD-N-KMV02003	18915	200	cut-out 45 mm	225	12	0.38	1
400	PD-N-KMV02004	18916	200	cut-out 45 mm	325	18	0.51	1
500	PD-N-KMV02005	18917	200	cut-out 45 mm	425	23	0.62	1
600	PD-N-KMV02006	18918	200	cut-out 45 mm	525	29	0.78	1
700	PD-N-KMV02007	18919	200	cut-out 45 mm	625	34	0.93	1
800	PD-N-KMV02008	18920	200	cut-out 45 mm	725	40	1.02	1
300	PD-N-KM01503	18921	150	without cut-out	--	--	1.18	1
400	PD-N-KM01504	18922	150	without cut-out	--	--	0.52	1
500	PD-N-KM01505	18923	150	without cut-out	--	--	0.63	1
600	PD-N-KM01506	18924	150	without cut-out	--	--	0.76	1
700	PD-N-KM01507	18925	150	without cut-out	--	--	0.85	1
800	PD-N-KM01508	18926	150	without cut-out	--	--	0.97	1
300	PD-N-KM02003	18927	200	without cut-out	--	--	0.57	1
400	PD-N-KM02004	18928	200	without cut-out	--	--	0.69	1
500	PD-N-KM02005	18929	200	without cut-out	--	--	0.8	1
600	PD-N-KM02006	18930	200	without cut-out	--	--	0.93	1
700	PD-N-KM02007	18931	200	without cut-out	--	--	1.07	1
800	PD-N-KM02008	18932	200	without cut-out	--	--	1.25	1

#### INSIDE DOOR

- Allows for installing signal and control devices to be visible after opening main door.
- Ensures IP20 degree of protection with an open door.
- Light grey (RAL 7035) epoxy-polyester powder coating, lightly textured.
- Door opening angle 110°.
- Can be mounted on left or right side.
- Double-bar 5 mm locks (double-bar, 5 mm lock), perch-bar lock for heights 800 mm and greater.
- Package contains:  
1 door  
side, upper and lower covers  
coupling elements

height [mm]	For cabinet		Type	Product code	Weight [kg]	Package [pcs]
	height [mm]	width [mm]				
400		300	PD-N-VD0403	18935	3.6	1
		400	PD-N-VD0404	18936	4.3	1
		500	PD-N-VD0405	18937	5.0	1
		600	PD-N-VD0406	18938	5.6	1
500		300	PD-N-VD0503	18939	4.2	1
		400	PD-N-VD0504	18940	5.0	1
		500	PD-N-VD0505	18941	5.7	1
		700	PD-N-VD0507	18942	7.3	1
600		400	PD-N-VD0604	18943	5.6	1
		500	PD-N-VD0605	21145	6.5	1
		600	PD-N-VD0606	18944	7.4	1
		800	PD-N-VD0608	18945	9.2	1
700		500	PD-N-VD0705	18946	7.3	1
800		600	PD-N-VD0806	18947	9.2	1
		800	PD-N-VD0808	18948	11.5	1
1000		600	PD-N-VD1006	21146	11.0	1
		800	PD-N-VD1008	18949	13.8	1
1200		600	PD-N-VD1206	18950	12.9	1
		800	PD-N-VD1208	18951	16.3	1

## NP WALL-MOUNTED CABINETS



### Accessories for NP wall-mounted cabinets

#### LOCKS

- For quick replacement with another lock type and design for the standard issued double-bar 5 mm lock with faceplate.
- Per customer request similar locks with different inserts can be fit with structural fastening materials necessary for replacing the original lock.
- Package contains: lock, insert fastening materials necessary for replacing original lock

Type	Product code	Design	Weight [kg]	Package [sets]
PD-N-UD	18952	Tongue lock - Insert "D"	0.04	1
PD-N-UZ	18954	Tongue lock - locking insert	0.08	1
PD-N-URD	18955	Faceplate with „D“ insert for perch-bar latch	0.08	1
PD-N-URZ	18957	Faceplate with locking insert for perch-bar latch	0.10	1
PD-QK-UBD	17454	D key (Czech D)	0.05	1
PD-QK-UBB5	17455	DB5 key	0.04	1

#### SPACERS

- For QA55, QA40 and NP65 cabinets.
- For depth offset of BC circuit breakers and joining of profiles with modular devices.
- Used with 15 mm "U" rail.
- Mounting to modular system.
- Package contains: 10 spacers coupling elements

Use	Type	Product code	Spacer			Weight [kg]	Package [sets]
			design	thread	height [mm]		
Joining BC profile and modular devices mounting on 15 mm "U" rails	PD-QK-D1M51	33786	internal threading	M5	19	0.23	1
	PD-QK-D1M61	33789	internal threading	M6	19	0.28	1
	PD-QK-D1M81	33791	internal threading	M8	19	0.44	1
Offset of BC circuit breakers from modular system of QA cabinets, mounting on 15 mm DIN rail	PD-QK-D1M52	33787	internal threading	M5	22	0.26	1
	PD-QK-D1M62	33790	internal threading	M6	22	0.31	1
	PD-QK-D1M82	33792	internal threading	M8	22	0.47	1

#### LIFTING LUGS

- For anchoring cabinet to wall using 4 screws on outside of cabinet.
- Package contains: 4 lifting lugs fastening materials for anchoring to wall

Type	Product code	Weight [kg]	Package [sets]
PD-N-4Z08	19799	0.2	1



# QA SWITCHBOARD CABINETS

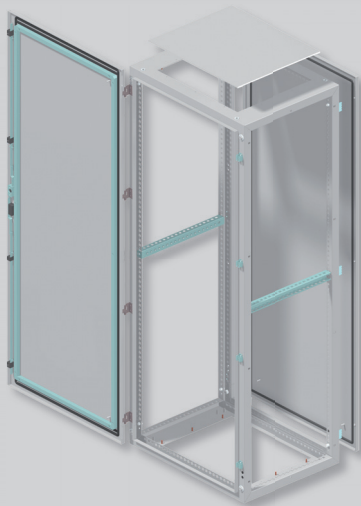
## Standard sizes, QA cabinets

Frame dimensions			Cabinet IP40		Side covers IP40		Cabinet IP55		Side covers IP55		Pedestals		Mounting plates		
depth [mm]	width [mm]	height [mm]	Type	Product code	Type	Product code	Type	Product code	Type	Product code	Type	Product code	Type	Product code	
300	600	1800	QA40-180603	35462	PD-Q12-KB1803	35589	QA55-180603	35393	PD-Q11-KB1803	35571	PD-Q13-PK010603	35607	PD-Q03-MP1706	17499	
		2000	QA40-200603	35485	PD-Q12-KB2003	35595	QA55-200603	35416	PD-Q11-KB2003	35577	PD-Q13-PK010603	35607	PD-Q03-MP1906	17603	
		2200	QA40-220603	35508	PD-Q12-KB2203	35601	QA55-220603	35439	PD-Q11-KB2203	35583	PD-Q13-PK010603	35607	PD-Q03-MP2106	17607	
	800	1800	QA40-180803	35468	PD-Q12-KB1803	35589	QA55-180803	35399	PD-Q11-KB1803	35571	PD-Q13-PK010803	35613	PD-Q03-MP1708	17500	
		2000	QA40-200803	35491	PD-Q12-KB2003	35595	QA55-200803	35422	PD-Q11-KB2003	35577	PD-Q13-PK010803	35613	PD-Q03-MP1908	17604	
		2200	QA40-220803	35514	PD-Q12-KB2203	35601	QA55-220803	35445	PD-Q11-KB2203	35583	PD-Q13-PK010803	35613	PD-Q03-MP2108	17608	
	1000	1800	QA40-181003	35474	PD-Q12-KB1803	35589	QA55-181003	35405	PD-Q11-KB1803	35571	PD-Q13-PK011003	35619	PD-Q03-MP1710	17601	
		2000	QA40-201003	35497	PD-Q12-KB2003	35595	QA55-201003	35428	PD-Q11-KB2003	35577	PD-Q13-PK011003	35619	PD-Q03-MP1910	17605	
		2200	QA40-221003	35520	PD-Q12-KB2203	35601	QA55-221003	35451	PD-Q11-KB2203	35583	PD-Q13-PK011003	35619	PD-Q03-MP2110	17609	
400	600	1800	QA40-181203	35480	PD-Q12-KB1803	35589	QA55-181203	35411	PD-Q11-KB1803	35571	PD-Q13-PK011203	35625	PD-Q03-MP1712	17602	
		2000	QA40-201203	35503	PD-Q12-KB2003	35595	QA55-201203	35434	PD-Q11-KB2003	35577	PD-Q13-PK011203	35625	PD-Q03-MP1912	17606	
		2200	QA40-221203	35526	PD-Q12-KB2203	35601	QA55-221203	35457	PD-Q11-KB2203	35583	PD-Q13-PK011203	35625	PD-Q03-MP2112	21132	
	800	1800	QA40-180604	35463	PD-Q12-KB1804	35590	QA55-180604	35394	PD-Q11-KB1804	35572	PD-Q13-PK010604	35608	PD-Q03-MP1706	17499	
		2000	QA40-200604	35486	PD-Q12-KB2004	35596	QA55-200604	35417	PD-Q11-KB2004	35578	PD-Q13-PK010604	35608	PD-Q03-MP1906	17603	
		2200	QA40-220604	35509	PD-Q12-KB2204	35602	QA55-220604	35440	PD-Q11-KB2204	35584	PD-Q13-PK010604	35608	PD-Q03-MP2106	17607	
	1000	1800	QA40-180804	35469	PD-Q12-KB1804	35590	QA55-180804	35400	PD-Q11-KB1804	35572	PD-Q13-PK010804	35614	PD-Q03-MP1708	17500	
		2000	QA40-200804	35492	PD-Q12-KB2004	35596	QA55-200804	35423	PD-Q11-KB2004	35578	PD-Q13-PK010804	35614	PD-Q03-MP1908	17604	
		2200	QA40-220804	35515	PD-Q12-KB2204	35602	QA55-220804	35446	PD-Q11-KB2204	35584	PD-Q13-PK010804	35614	PD-Q03-MP2108	17608	
500	600	1800	QA40-181004	35475	PD-Q12-KB1804	35590	QA55-181004	35406	PD-Q11-KB1804	35572	PD-Q13-PK011004	35620	PD-Q03-MP1710	17601	
		2000	QA40-201004	35498	PD-Q12-KB2004	35596	QA55-201004	35429	PD-Q11-KB2004	35578	PD-Q13-PK011004	35620	PD-Q03-MP1910	17605	
		2200	QA40-221004	35521	PD-Q12-KB2204	35602	QA55-221004	35452	PD-Q11-KB2204	35584	PD-Q13-PK011004	35620	PD-Q03-MP2110	17609	
	800	1800	QA40-181204	35481	PD-Q12-KB1804	35590	QA55-181204	35412	PD-Q11-KB1804	35572	PD-Q13-PK011204	35626	PD-Q03-MP1712	17602	
		2000	QA40-201204	35504	PD-Q12-KB2004	35596	QA55-201204	35435	PD-Q11-KB2004	35578	PD-Q13-PK011204	35626	PD-Q03-MP1912	17606	
		2200	QA40-221204	35527	PD-Q12-KB2204	35602	QA55-221204	35458	PD-Q11-KB2204	35584	PD-Q13-PK011204	35626	PD-Q03-MP2112	21132	
	600	600	1800	QA40-180605	35464	PD-Q12-KB1805	35591	QA55-180605	35395	PD-Q11-KB1805	35573	PD-Q13-PK010605	35609	PD-Q03-MP1706	17499
			2000	QA40-200605	35487	PD-Q12-KB2005	35597	QA55-200605	35418	PD-Q11-KB2005	35579	PD-Q13-PK010605	35609	PD-Q03-MP1906	17603
			2200	QA40-220605	35510	PD-Q12-KB2205	35603	QA55-220605	35441	PD-Q11-KB2205	35585	PD-Q13-PK010605	35609	PD-Q03-MP2106	17607
800		1800	QA40-180805	35470	PD-Q12-KB1805	35591	QA55-180805	35401	PD-Q11-KB1805	35573	PD-Q13-PK010805	35615	PD-Q03-MP1708	17500	
		2000	QA40-200805	35493	PD-Q12-KB2005	35597	QA55-200805	35424	PD-Q11-KB2005	35579	PD-Q13-PK010805	35615	PD-Q03-MP1908	17604	
		2200	QA40-220805	35516	PD-Q12-KB2205	35603	QA55-220805	35447	PD-Q11-KB2205	35585	PD-Q13-PK010805	35615	PD-Q03-MP2108	17608	
700		600	1800	QA40-181005	35476	PD-Q12-KB1805	35591	QA55-181005	35407	PD-Q11-KB1805	35573	PD-Q13-PK011005	35621	PD-Q03-MP1710	17601
			2000	QA40-201005	35499	PD-Q12-KB2005	35597	QA55-201005	35430	PD-Q11-KB2005	35579	PD-Q13-PK011005	35621	PD-Q03-MP1910	17605
			2200	QA40-221005	35522	PD-Q12-KB2205	35603	QA55-221005	35453	PD-Q11-KB2205	35585	PD-Q13-PK011005	35621	PD-Q03-MP2110	17609
	800	1800	QA40-181205	35482	PD-Q12-KB1805	35591	QA55-181205	35413	PD-Q11-KB1805	35573	PD-Q13-PK011205	35627	PD-Q03-MP1712	17602	
		2000	QA40-201205	35505	PD-Q12-KB2005	35597	QA55-201205	35436	PD-Q11-KB2005	35579	PD-Q13-PK011205	35627	PD-Q03-MP1912	17606	
		2200	QA40-221205	35528	PD-Q12-KB2205	35603	QA55-221205	35459	PD-Q11-KB2205	35585	PD-Q13-PK011205	35627	PD-Q03-MP2112	21132	
	800	600	1800	QA40-180606	35465	PD-Q12-KB1806	35592	QA55-180606	35396	PD-Q11-KB1806	35574	PD-Q13-PK010606	35610	PD-Q03-MP1706	17499
			2000	QA40-200606	35488	PD-Q12-KB2006	35598	QA55-200606	35419	PD-Q11-KB2006	35580	PD-Q13-PK010606	35610	PD-Q03-MP1906	17603
			2200	QA40-220606	35511	PD-Q12-KB2206	35604	QA55-220606	35442	PD-Q11-KB2206	35586	PD-Q13-PK010606	35610	PD-Q03-MP2106	17607
800		1800	QA40-180806	35471	PD-Q12-KB1806	35592	QA55-180806	35402	PD-Q11-KB1806	35574	PD-Q13-PK010806	35616	PD-Q03-MP1708	17500	
		2000	QA40-200806	35494	PD-Q12-KB2006	35598	QA55-200806	35425	PD-Q11-KB2006	35580	PD-Q13-PK010806	35616	PD-Q03-MP1908	17604	
		2200	QA40-220806	35517	PD-Q12-KB2206	35604	QA55-220806	35448	PD-Q11-KB2206	35586	PD-Q13-PK010806	35616	PD-Q03-MP2108	17608	
900		600	1800	QA40-181006	35477	PD-Q12-KB1806	35592	QA55-181006	35408	PD-Q11-KB1806	35574	PD-Q13-PK011006	35622	PD-Q03-MP1710	17601
			2000	QA40-201006	35500	PD-Q12-KB2006	35598	QA55-201006	35431	PD-Q11-KB2006	35580	PD-Q13-PK011006	35622	PD-Q03-MP1910	17605
			2200	QA40-221006	35523	PD-Q12-KB2206	35604	QA55-221006	35454	PD-Q11-KB2206	35586	PD-Q13-PK011006	35622	PD-Q03-MP2110	17609
	800	1800	QA40-181206	35483	PD-Q12-KB1806	35592	QA55-181206	35414	PD-Q11-KB1806	35574	PD-Q13-PK011206	35628	PD-Q03-MP1712	17602	
		2000	QA40-201206	35506	PD-Q12-KB2006	35598	QA55-201206	35437	PD-Q11-KB2006	35580	PD-Q13-PK011206	35628	PD-Q03-MP1912	17606	
		2200	QA40-221206	35529	PD-Q12-KB2206	35604	QA55-221206	35460	PD-Q11-KB2206	35586	PD-Q13-PK011206	35628	PD-Q03-MP2112	21132	
	1000	600	1800	QA40-180608	35466	PD-Q12-KB1808	35593	QA55-180608	35397	PD-Q11-KB1808	35575	PD-Q13-PK010608	35611	PD-Q03-MP1706	17499
			2000	QA40-200608	35489	PD-Q12-KB2008	35599	QA55-200608	35420	PD-Q11-KB2008	35581	PD-Q13-PK010608	35611	PD-Q03-MP1906	17603
			2200	QA40-220608	35512	PD-Q12-KB2208	35605	QA55-220608	35443	PD-Q11-KB2208	35587	PD-Q13-PK010608	35611	PD-Q03-MP2106	17607
800		1800	QA40-180808	35472	PD-Q12-KB1808	35593	QA55-180808	35403	PD-Q11-KB1808	35575	PD-Q13-PK010808	35617	PD-Q03-MP1708	17500	
		2000	QA40-200808	35495	PD-Q12-KB2008	35599	QA55-200808	35426	PD-Q11-KB2008	35581	PD-Q13-PK010808	35617	PD-Q03-MP1908	17604	
		2200	QA40-220808	35518	PD-Q12-KB2208	35605	QA55-220808	35449	PD-Q11-KB2208	35587	PD-Q13-PK010808	35617	PD-Q03-MP2108	17608	
1000		1800	QA40-181008	35478	PD-Q12-KB1808	35593	QA55-181008	35409	PD-Q11-KB1808	35575	PD-Q13-PK011008	35623	PD-Q03-MP1710	17601	
		2000	QA40-201008	35501	PD-Q12-KB2008	35599	QA55-201008	35432	PD-Q11-KB2008	35581	PD-Q13-PK011008	35623	PD-Q03-MP1910	17605	
		2200	QA40-221008	35524	PD-Q12-KB2208	35605	QA55-221008	35455	PD-Q11-KB2208	35587	PD-Q13-PK011008	35623	PD-Q03-MP2110	17609	
1200	600	1800	QA40-181208	35484	PD-Q12-KB1808	35593	QA55-181208	35415	PD-Q11-KB1808	35575	PD-Q13-PK011208	35629	PD-Q03-MP1712	17602	
		2000	QA40-201208	35507	PD-Q12-KB2008	35599	QA55-201208	35438	PD-Q11-KB2008	35581	PD-Q13-PK011208	35629	PD-Q03-MP1912	17606	
		2200	QA40-221208	35530	PD-Q12-KB2208	35605	QA55-221208	35461	PD-Q11-KB2208	35587	PD-Q13-PK011208	35629	PD-Q03-MP2112	21132	
	800	1800	QA40-180610	35467	PD-Q12-KB1810	35594	QA55-180610	35398	PD-Q11-KB1810	35576	PD-Q13-PK010610	35612	PD-Q03-MP1706	17499	
		2000	QA40-200610	35490	PD-Q12-KB2010	35600	QA55-200610	35421	PD-Q11-KB2010	35582	PD-Q13-PK010610	35612	PD-Q03-MP1906	17603	
		2200	QA40-220610	35513	PD-Q12-KB2210	35606	QA55-220610	35444	PD-Q11-KB2210	35588	PD-Q13-PK010610	35612	PD-Q03-MP2106	17607	
	1000	1800	QA40-180810	35473	PD-Q12-KB1810	35594	QA55-180810	35404	PD-Q11-KB1810	35576	PD-Q13-PK010810</				

**QA SWITCHBOARD CABINETS**

**Specifications and description**

- For circuits up to rated current 600 kg.
- Sturdy construction.
- For circuits with rated current up to 6300 A.
- Degree of protection IP40 and IP55.
- To reach IP55 degree of protection, it is necessary to use the overall bottom cover (accessories).
- Epoxy-polyester powder coating, light grey RAL 7035.
- Technically connectable with QL (another door design).
- For widths of 1000 and 1200 mm of double doors.
- Flexible configuration of the cabinet interior for a choice of mounting plate or rack-mounting systems, allowing assemblies from various types of rails.



Basic design cabinets include:

- frame
  - removable top cover
  - removable rear cover
  - opening in bottom
  - 2 side support rails
- door
  - swivel door handle
  - double-bar 5mm insert
  - bolted perforated reinforcement frame around entire door periphery with bracing in corners
  - door opening angle 180°
  - outdoor hinges

Frame dimensions [mm]			Cabinet IP40		Cabinet IP55		Weight [kg]	
depth	width	height	Type	Product code	Type	Product code		
300	600	1800	QA40-180603	35462	QA55-180603	35393	66	
		2000	QA40-200603	35485	QA55-200603	35416	71	
		2200	QA40-220603	35508	QA55-220603	35439	77	
	800	1800	QA40-180803	35468	QA55-180803	35399	80	
		2000	QA40-200803	35491	QA55-200803	35422	85	
		2200	QA40-220803	35514	QA55-220803	35445	91	
	1000	1800	1800	QA40-181003	35474	QA55-181003	35405	94
			2000	QA40-201003	35497	QA55-201003	35428	100
			2200	QA40-221003	35520	QA55-221003	35451	105
1200		1800	QA40-181203	35480	QA55-181203	35411	108	
		2000	QA40-201203	35503	QA55-201203	35434	114	
		2200	QA40-221203	35526	QA55-221203	35457	119	
400	600	1800	QA40-180604	35463	QA55-180604	35394	68	
		2000	QA40-200604	35486	QA55-200604	35417	74	
		2200	QA40-220604	35509	QA55-220604	35440	79	
	800	1800	QA40-180804	35469	QA55-180804	35400	87	
		2000	QA40-200804	35492	QA55-200804	35423	89	
		2200	QA40-220804	35515	QA55-220804	35446	94	
	1000	1800	QA40-181004	35475	QA55-181004	35406	98	
		2000	QA40-201004	35498	QA55-201004	35429	103	
		2200	QA40-221004	35521	QA55-221004	35452	109	
1200	1800	QA40-181204	35481	QA55-181204	35412	112		
	2000	QA40-201204	35504	QA55-201204	35435	118		
	2200	QA40-221204	35527	QA55-221204	35458	124		
500	600	1800	QA40-180605	35464	QA55-180605	35395	70	
		2000	QA40-200605	35487	QA55-200605	35418	76	
		2200	QA40-220605	35510	QA55-220605	35441	81	
	800	1800	QA40-180805	35470	QA55-180805	35401	90	
		2000	QA40-200805	35493	QA55-200805	35424	92	
		2200	QA40-220805	35516	QA55-220805	35447	98	
	1000	1800	QA40-181005	35476	QA55-181005	35407	102	
		2000	QA40-201005	35499	QA55-201005	35430	107	
		2200	QA40-221005	35522	QA55-221005	35453	113	
1200	1800	QA40-181205	35482	QA55-181205	35413	117		
	2000	QA40-201205	35505	QA55-201205	35436	122		
	2200	QA40-221205	35528	QA55-221205	35459	128		
600	600	1800	QA40-180606	35465	QA55-180606	35396	73	
		2000	QA40-200606	35488	QA55-200606	35419	78	
		2200	QA40-220606	35511	QA55-220606	35442	84	
	800	1800	QA40-180806	35471	QA55-180806	35402	93	
		2000	QA40-200806	35494	QA55-200806	35425	96	
		2200	QA40-220806	35517	QA55-220806	35448	101	
	1000	1800	QA40-181006	35477	QA55-181006	35408	105	
		2000	QA40-201006	35500	QA55-201006	35431	111	
		2200	QA40-221006	35523	QA55-221006	35454	116	
1200	1800	QA40-181206	35483	QA55-181206	35414	121		
	2000	QA40-201206	35506	QA55-201206	35437	126		
	2200	QA40-221206	35529	QA55-221206	35460	132		
800	600	1800	QA40-180608	35466	QA55-180608	35397	77	
		2000	QA40-200608	35489	QA55-200608	35420	83	
		2200	QA40-220608	35512	QA55-220608	35443	88	
	800	1800	QA40-180808	35472	QA55-180808	35403	100	
		2000	QA40-200808	35495	QA55-200808	35426	102	
		2200	QA40-220808	35518	QA55-220808	35449	108	
	1000	1800	QA40-181008	35478	QA55-181008	35409	112	
		2000	QA40-201008	35501	QA55-201008	35432	118	
		2200	QA40-221008	35524	QA55-221008	35455	124	
1200	1800	QA40-181208	35484	QA55-181208	35415	129		
	2000	QA40-201208	35507	QA55-201208	35438	135		
	2200	QA40-221208	35530	QA55-221208	35461	140		
1000	600	1800	QA40-180610	35467	QA55-180610	35398	83	
		2000	QA40-200610	35490	QA55-200610	35421	87	
		2200	QA40-220610	35513	QA55-220610	35444	93	
	800	1800	QA40-180810	35473	QA55-180810	35404	107	
		2000	QA40-200810	35496	QA55-200810	35427	109	
		2200	QA40-220810	35519	QA55-220810	35450	114	
	1000	1800	QA40-181010	35479	QA55-181010	35410	119	
		2000	QA40-201010	35502	QA55-201010	35433	126	
		2200	QA40-221010	35525	QA55-221010	35456	132	

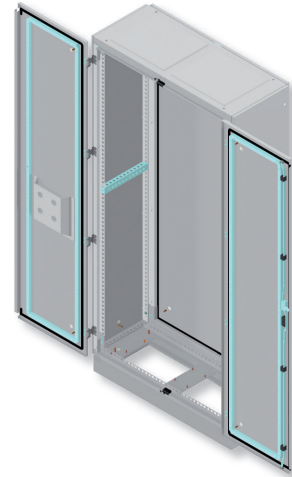


QA SWITCHBOARD CABINETS

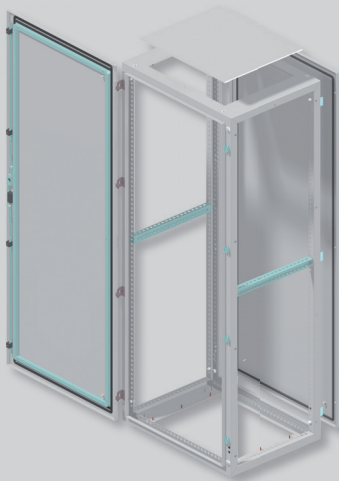
Standard door designs



version with single door  
for 600 and 800 mm cabinet widths



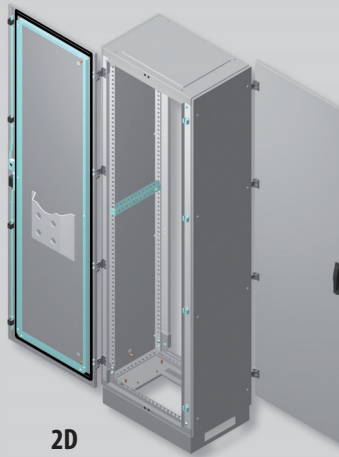
version with double-wing doors  
1000 and 1200 mm cabinet widths



QA switchboard cabinets 1000 mm width with single door

depth	Frame dimensions [mm]		Degree of protection IP40		Degree of protection IP55		Weight [kg]
	width	height	Type	Product code	Type	Product code	
300	1000	1800	QA40-181003-1K	37064	QA55-181003-1K	37100	94
		2000	QA40-201003-1K	37076	QA55-201003-1K	37112	100
		2200	QA40-221003-1K	37088	QA55-221003-1K	37124	105
400	1000	1800	QA40-181004-1K	37065	QA55-181004-1K	37101	98
		2000	QA40-201004-1K	37077	QA55-201004-1K	37113	103
		2200	QA40-221004-1K	37089	QA55-221004-1K	37125	109
500	1000	1800	QA40-181005-1K	37066	QA55-181005-1K	37102	101
		2000	QA40-201005-1K	37078	QA55-201005-1K	37114	107
		2200	QA40-221005-1K	37090	QA55-221005-1K	37126	113
600	1000	1800	QA40-181006-1K	37067	QA55-181006-1K	37103	105
		2000	QA40-201006-1K	37079	QA55-201006-1K	37115	111
		2200	QA40-221006-1K	37091	QA55-221006-1K	37127	116
800	1000	1800	QA40-181008-1K	37068	QA55-181008-1K	37104	112
		2000	QA40-201008-1K	37080	QA55-201008-1K	37116	118
		2200	QA40-221008-1K	37092	QA55-221008-1K	37128	124
1000	1000	1800	QA40-181010-1K	37069	QA55-181010-1K	37105	119
		2000	QA40-201010-1K	37081	QA55-201010-1K	37117	126
		2200	QA40-221010-1K	37093	QA55-221010-1K	37129	132

QA cabinet designs made to order

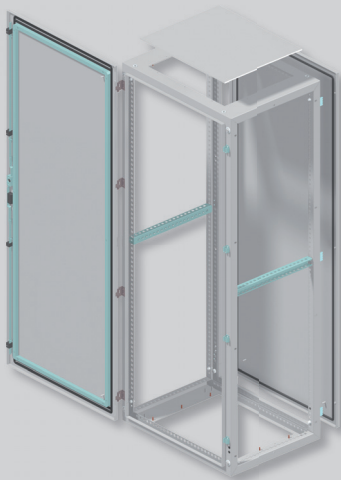


2D  
two-door design

Door both front and rear

depth	Frame dimensions [mm]		Degree of protection IP40		Degree of protection IP55		Weight [kg]
	width	height	Type	Product code	Type	Product code	
600	1000	1800	QA40-180608-2D	35727	QA55-180608-2D	35706	77
		2000	QA40-200608-2D	35734	QA55-200608-2D	35713	83
		2200	QA40-220608-2D	35741	QA55-220608-2D	35720	88
800	1000	1800	QA40-180808-2D	35729	QA55-180808-2D	35708	100
		2000	QA40-200808-2D	35736	QA55-200808-2D	35715	102
		2200	QA40-220808-2D	35743	QA55-220808-2D	35722	108
1000	1000	1800	QA40-181008-2D	35731	QA55-181008-2D	35710	112
		2000	QA40-201008-2D	35738	QA55-201008-2D	35717	118
		2200	QA40-221008-2D	35745	QA55-221008-2D	35724	124
1200	1000	1800	QA40-181208-2D	35733	QA55-181208-2D	35712	129
		2000	QA40-201208-2D	35740	QA55-201208-2D	35719	135
		2200	QA40-221208-2D	35747	QA55-221208-2D	35726	140
600	1000	1800	QA40-180610-2D	35728	QA55-180610-2D	35707	83
		2000	QA40-200610-2D	35735	QA55-200610-2D	35714	87
		2200	QA40-220610-2D	35742	QA55-220610-2D	35721	93
800	1000	1800	QA40-180810-2D	35730	QA55-180810-2D	35709	107
		2000	QA40-200810-2D	35737	QA55-200810-2D	35716	109
		2200	QA40-220810-2D	35744	QA55-220810-2D	35723	114
1000	1000	1800	QA40-181010-2D	35732	QA55-181010-2D	35711	119
		2000	QA40-201010-2D	35739	QA55-201010-2D	35718	126
		2200	QA40-221010-2D	35746	QA55-221010-2D	35725	132

**QA SWITCHBOARD CABINETS**



**Specifications**

Type	QA40	QA55
For circuits up to rated voltages	1000 V a.c. , 1500 V d.c.	
Degree of protection	IP40	IP55
Sealing material	–	expanded polyurethane
Maximum permissible load of frame	600 kg	
Maximum permissible load, door	55 kg	
Stage of protection against external mechanical shocks	IK10	
Colour	grey (RAL 7035)	
Place of use	Internal	
	For outdoor applications we recommend consultation with the producer	
Ambient temperature range	-5 ÷ +40 °C	
Sea level	up to 1000 m	
Standards	EN 62208, EN 60439-1	

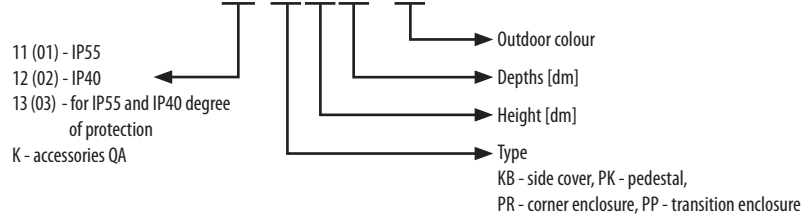
Per the customer's wish, we will provide other colours according to the RAL colour list.

**Type designation QA55-200806-(2D)-(1K)-(WP)-(WG)-(BV)**



\*Note: max. size of door glazing is by 300 mm smaller than the nominal width (height) of the cabinet.

**Accessories PD-Q.-KB2006-(BV)**



**Description of the cabinets design**

**Door**

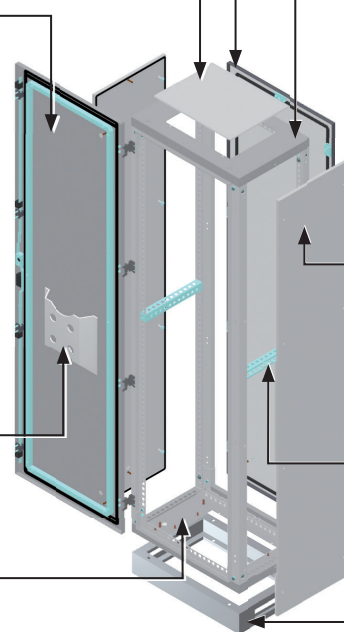
- 1.5 mm steel sheet
- expanded polyurethane sealing for IP55 degree of protection
- bolted perforated reinforcement frame braced in corners substantially increases door sturdiness
- swivel door handle with double-bar 5mm insert
- left, easily modifiable to right
- earthing points for connection of protective conductor
- single door to width 800 mm
- double doors for widths 1000 and 1200 mm
- opening door 180°
- outdoor hinges

**Data pocket**

(accessories ordered separately)

**Bottom** with opening can be covered by sliding covers or one - piece bottom cover (covers are ordered separately)  
- to reach IP55, it is necessary to use the overall bottom cover

Removable top cover  
Removable rear cover



**Frame**

- connected/bolted from 2 mm formed steel sheet
- internal sections have frame holes with 25 mm spacing, openings 12,5x12,5 mm
- removable rear cover
- fixed top cover with removable flange
- ready for fitting with lifting lugs
- earthing points for connection of protective conductor

**Side covers**

- (accessories ordered separately)
- for IP55 degree of protection, equipped with expanded polyurethane
  - earthing points for connection of protective conductor

2 side support rails

**Welded 100 mm pedestal**

(accessories ordered separately)  
side opening can be covered ZAS-S (1 hole = 2 pcs ZAS-S)

# QA SWITCHBOARD CABINETS

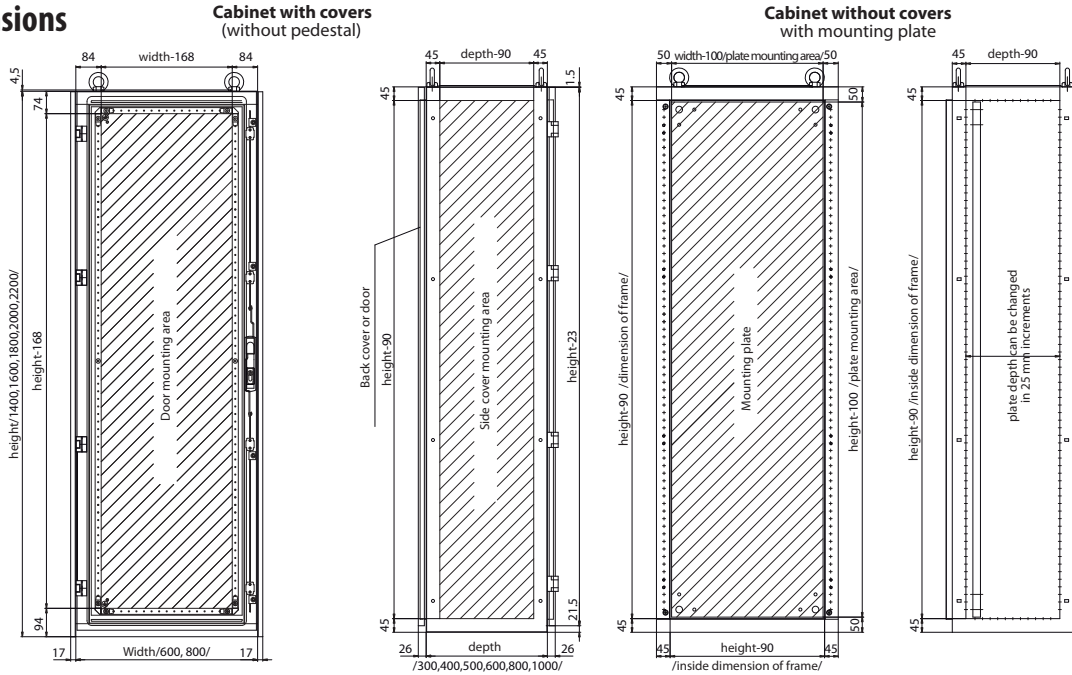
## Heat dissipation

Frame dimensions			Power loss* [W]											
depth [mm]	width [mm]	height [mm]	□		□		□		□		□		□	
			QA55	QA40	QA55	QA40	QA55	QA40	QA55	QA40	QA55	QA40	QA55	QA40
300	600	1800	251	280	219	293	239	252	196	218	213	236	178	196
		2000	277	304	241	268	254	281	218	241	232	254	196	218
		2200	310	340	268	304	281	308	245	272	259	286	218	245
	800	1800	308	331	268	282	295	310	247	270	266	292	212	238
		2000	334	371	290	322	313	344	268	295	290	317	245	268
		2200	371	412	326	362	349	385	299	326	322	358	272	304
	1000	1800	317	349	259	286	303	344	268	331	295	322	241	272
		2000	396	434	335	371	371	412	331	367	349	385	295	326
		2200	470	515	412	443	430	484	394	403	403	448	353	380
	1200	1800	413	461	358	398	394	434	353	394	394	430	322	367
		2000	335	371	290	322	313	344	268	295	290	317	245	268
		2200	467	523	412	461	434	488	398	443	430	474	358	398
400	600	1800	280	308	243	273	258	282	223	248	233	258	198	223
		2000	307	338	268	298	283	313	243	268	258	283	218	243
		2200	344	378	298	338	313	343	273	303	288	318	243	273
	800	1800	338	373	293	323	318	348	273	303	293	323	248	273
		2000	372	413	323	358	348	383	298	328	323	353	273	298
		2200	412	458	363	403	388	428	333	363	358	398	303	338
	1000	1800	353	388	288	318	338	383	298	368	328	358	268	303
		2000	439	483	373	413	413	458	368	408	388	428	328	363
		2200	522	573	458	493	478	538	438	448	448	498	393	423
	1200	1800	458	513	398	443	438	483	393	438	438	478	358	408
		2000	489	548	428	478	448	508	408	458	448	498	383	428
		2200	510	582	458	512	483	542	443	493	478	527	398	443
500	600	1800	312	346	277	313	278	313	252	283	253	283	218	253
		2000	344	378	303	338	308	343	273	303	278	308	238	268
		2200	379	423	338	378	343	383	303	338	308	343	293	323
	800	1800	372	413	328	363	348	383	301	338	313	353	273	303
		2000	407	453	358	398	378	418	328	363	348	383	298	328
		2200	455	503	398	443	418	463	363	403	383	428	328	363
	1000	1800	394	343	328	363	373	418	328	383	353	388	293	328
		2000	478	528	413	458	448	493	383	423	413	458	353	388
		2200	552	608	498	528	513	573	468	463	473	528	413	448
	1200	1800	505	564	438	487	482	531	432	482	482	526	394	449
		2000	523	588	463	518	488	548	448	498	483	533	403	448
		2200	577	647	509	570	437	603	493	548	531	586	443	493
600	600	1800	345	388	313	348	303	348	278	313	278	313	343	278
		2000	378	418	338	373	343	378	298	333	303	339	263	293
		2200	411	463	378	418	383	423	333	368	338	373	298	328
	800	1800	406	453	363	403	378	418	333	373	343	393	293	343
		2000	448	493	399	436	408	453	358	398	373	413	318	353
		2200	500	548	438	488	453	503	393	438	408	453	353	393
	1000	1800	434	478	368	408	408	453	358	398	378	418	318	353
		2000	527	581	454	504	493	542	421	465	454	504	388	427
		2200	585	643	538	563	548	608	498	478	498	558	433	473
	1200	1800	554	621	482	536	530	584	475	530	530	578	433	494
		2000	559	628	498	548	528	588	483	538	508	568	423	468
		2200	638	711	560	627	590	663	542	603	584	645	488	542
800	600	1800	380	428	350	387	331	384	306	346	304	340	369	301
		2000	415	460	372	410	377	416	328	366	333	372	289	322
		2200	458	509	416	460	421	465	366	405	372	410	328	361
	800	1800	445	487	399	443	410	451	370	410	380	430	306	384
		2000	494	542	438	482	449	498	394	438	410	454	349	388
		2200	546	603	482	530	498	553	432	482	449	498	388	432
	1000	1800	476	526	405	449	449	498	394	438	416	460	350	388
		2000	579	639	500	554	542	597	464	512	510	554	427	469
		2200	671	736	603	639	621	693	566	560	572	639	500	542
	1200	1800	611	683	530	590	583	643	523	583	583	637	477	543
		2000	615	691	548	603	581	647	531	592	559	625	465	515
		2200	697	783	616	690	650	730	596	663	643	710	537	596
1000	600	1800	416	468	387	426	359	420	334	379	330	367	395	324
		2000	452	502	406	447	411	454	358	399	363	406	315	351
		2200	500	555	454	502	459	507	399	442	406	447	358	394
	800	1800	485	521	435	483	442	484	407	447	417	467	319	425
		2000	539	591	478	526	490	543	430	478	447	495	382	423
		2200	598	658	526	572	543	603	471	526	490	543	423	471
	1000	1800	519	574	442	490	490	543	430	478	454	502	382	423
		2000	631	697	546	604	591	652	507	559	566	604	466	511
		2200	757	829	668	715	694	778	634	642	646	720	567	611

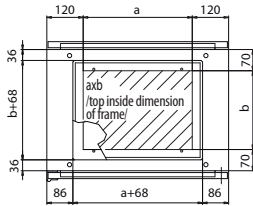
\*) Power loss dissipated by the surface of the cabinet depending on degree of protection and location of the cabinet. Measurement of warming inside the cabinet  $\Delta t = 15$  K at 3/4 cabinet height.

# QA SWITCHBOARD CABINETS

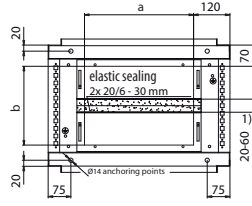
## Dimensions



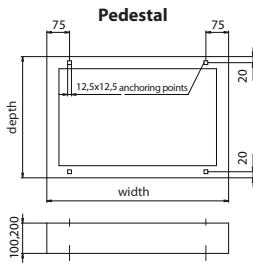
**Top view of cabinet (without side covers, with top cover)**



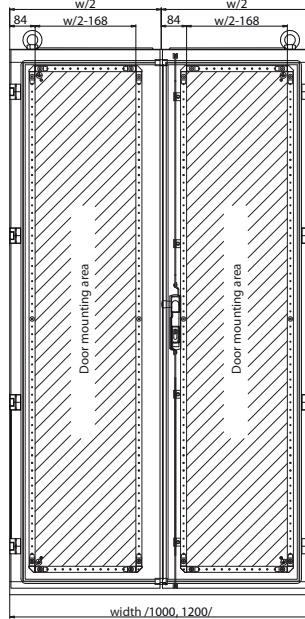
**Cabinet bottom (with bottom sliding flanges)**



1) for cabinet depths 500, 600, 800, 1000 mm, there are 4 sliding flanges

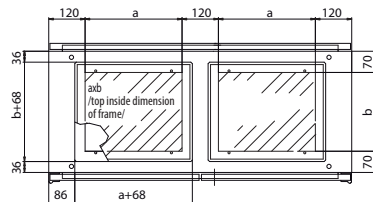


**Cabinet with covers (without pedestal)**

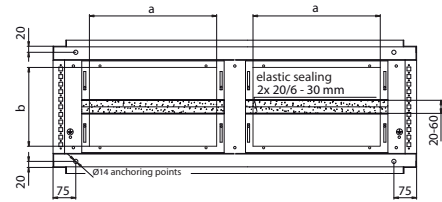


	For cabinet		Opening in bottom, top cover	
	width [mm]	depth [mm]	a [mm]	b [mm]
600		300	360	160
		400	360	260
		500	360	360
		600	360	460
		800	360	660
800		300	560	160
		400	560	260
		500	560	360
		600	560	460
		800	560	660
1000		300	320	160
		400	320	260
		500	320	360
		600	320	460
		800	320	660
1200		300	420	160
		400	420	260
		500	420	360
		600	420	460
		800	420	660

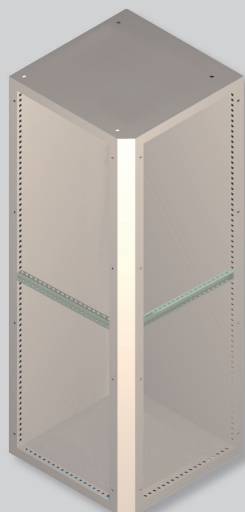
**Top view of cabinet (without side covers, with top cover)**



**Cabinet bottom (with bottom sliding flanges)**



## QA SWITCHBOARD CABINETS



### Accessories for QA switchboard cabinets

#### CORNER ENCLOSURES FOR CABINETS

- For joining QA.. cabinets of height 2000 mm and depth 600 and 800 mm.
- Corner enclosure can be in a structural group without a transition enclosure.
- For IP55 and IP40 degree of protection.
- Fixed top cover, side covers.
- Light grey (RAL 7035) epoxy-polyester powder coating, lightly textured.
- Package contains: frame  
2 side support rails

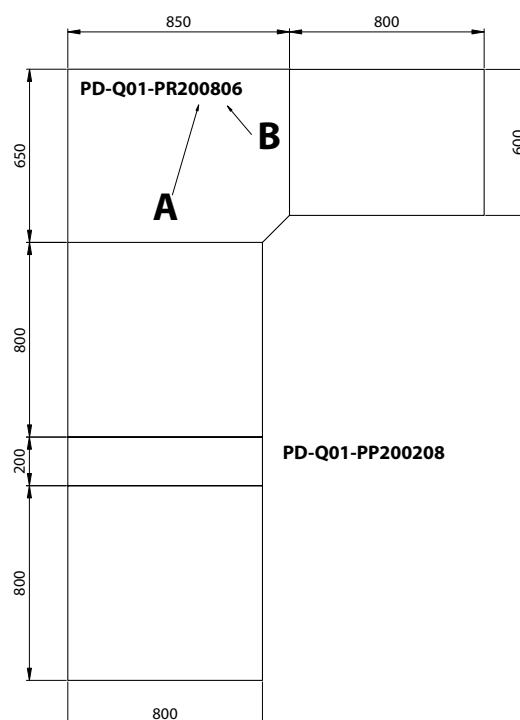
Frame dimensions [mm]			Type	Product code	Weight [kg]	Package [pcs]
height	width	depth				
2000	600	600	<b>PD-Q01-PR200606</b>	20914	92	1
		800	<b>PD-Q01-PR200608</b>	20696	101	1
	800	600	<b>PD-Q01-PR200806</b>	20697	101	1
		800	<b>PD-Q01-PR200808</b>	20698	110	1

#### TRANSITION ENCLOSURES FOR CABINETS

- For joining QA.. cabinets of height 2000 mm and depth 600 and 800 mm.
- For IP55 and IP40 degree of protection.
- Light grey (RAL 7035) epoxy-polyester powder coating, lightly textured.
- Package contains: frame

Frame dimensions [mm]			Type	Product code	Weight [kg]	Package [pcs]
height	width	depth				
2000	200	600	<b>PD-Q01-PP200206</b>	20699	34	1
		800	<b>PD-Q01-PP200208</b>	20700	38	1

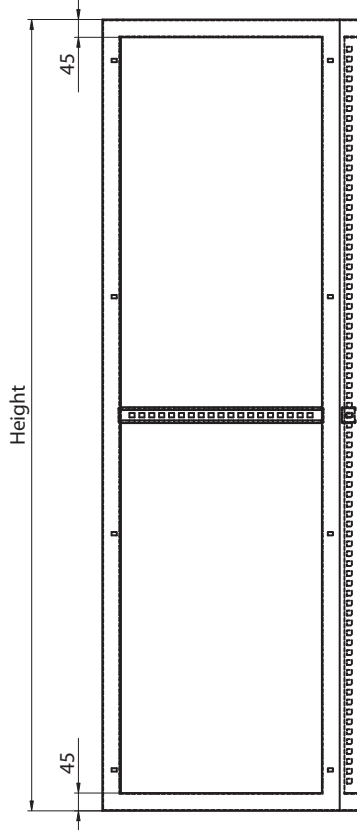
#### Examples of joining into assembled group



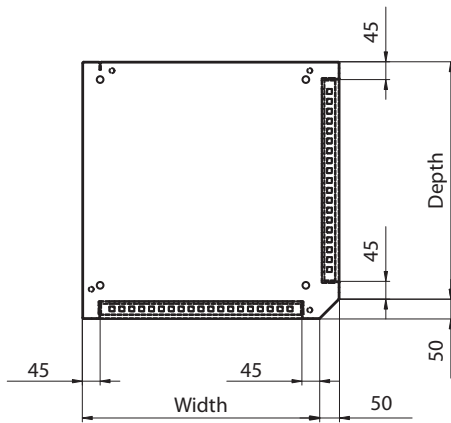
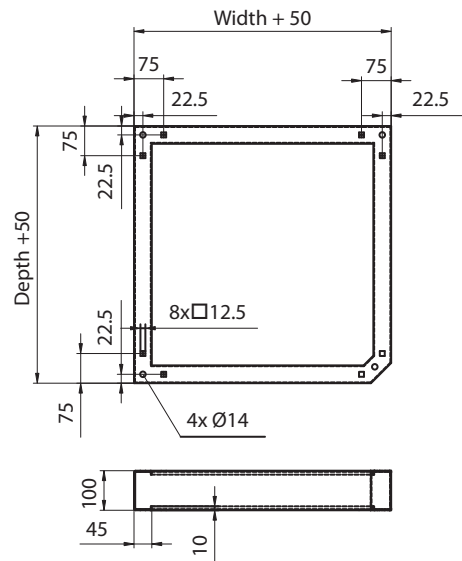
# QA SWITCHBOARD CABINETS

## Dimensions

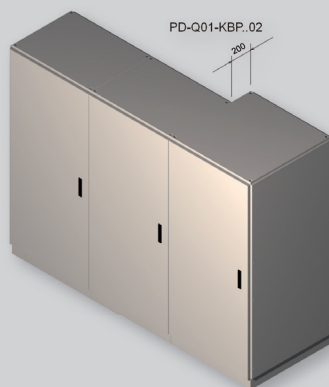
**Corner enclosure  
PD-Q01-PR.....**



**Pedestal PD-Q03PR-PK....**



## QA SWITCHBOARD CABINETS



### Accessories for QA switchboard cabinets

#### SIDE COVERS

- For QA55 and QA40 cabinets.
- 1.5 mm formed steel sheet.
- Fitted with expanded polyurethane sealing for IP55 degree of protection.
- Light grey (RAL 7035) epoxy-polyester powder coating, lightly textured.
- Fasten to frame using 8 M6x20 bolts and M6 cage nuts.
- 1 earthing point.
- Package contains: 2 side covers fastening materials for affixing to frame

For cabinet [mm]		For QA40 - Degree of protection IP40		For QA55 - Degree of protection IP55		Weight [kg]	Package [sets]
height	depth	Type	Product code	Type	Product code		
1800	300	PD-Q12-KB1803	35589	PD-Q11-KB1803	35571	13	1
	400	PD-Q12-KB1804	35590	PD-Q11-KB1804	35572	17	1
	500	PD-Q12-KB1805	35591	PD-Q11-KB1805	35573	21	1
	600	PD-Q12-KB1806	35592	PD-Q11-KB1806	35574	25	1
	800	PD-Q12-KB1808	35593	PD-Q11-KB1808	35575	34	1
	1000	PD-Q12-KB1810	35594	PD-Q11-KB1810	35576	43	1
2000	300	PD-Q12-KB2003	35595	PD-Q11-KB2003	35577	15	1
	400	PD-Q12-KB2004	35596	PD-Q11-KB2004	35578	19	1
	500	PD-Q12-KB2005	35597	PD-Q11-KB2005	35579	23	1
	600	PD-Q12-KB2006	35598	PD-Q11-KB2006	35580	27	1
	800	PD-Q12-KB2008	35599	PD-Q11-KB2008	35581	38	1
	1000	PD-Q12-KB2010	35600	PD-Q11-KB2010	35582	49	1
2200	300	PD-Q12-KB2203	35601	PD-Q11-KB2203	35583	17	1
	400	PD-Q12-KB2204	35602	PD-Q11-KB2204	35584	21	1
	500	PD-Q12-KB2205	35603	PD-Q11-KB2205	35585	25	1
	600	PD-Q12-KB2206	35604	PD-Q11-KB2206	35586	30	1
	800	PD-Q12-KB2208	35605	PD-Q11-KB2208	35587	42	1
	1000	PD-Q12-KB2210	35606	PD-Q11-KB2210	35588	54	1

#### DIVIDING COVERS BETWEEN CABINETS

- For QA55 and QA40 cabinets.
- For dividing enclosure areas in a group.
- Mounting between frames of adjacent enclosures.
- 1.5 mm steel sheet.
- Galvanised finish.
- Package contains: dividing steel sheet sealing coupling elements

For cabinet [mm]		Type	Product code	Weight [kg]	Package [sets]
height	depth				
2000	400	PD-Q03-KBD2004	20702	9	1
	500	PD-Q03-KBD2005	20703	12	1
	600	PD-Q03-KBD2006	20704	15	1
	800	PD-Q03-KBD2008	20705	19	1

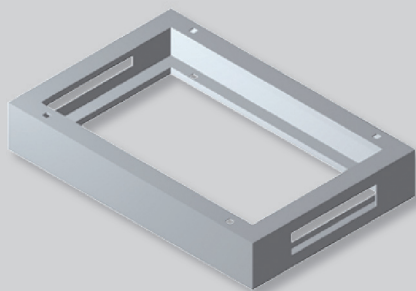
#### COVERS FOR VARIABLE DEPTHS OF CABINETS

- For QA55 and QA40 cabinets.
- For covering side areas in cabinet group with variable.
- Fitted with expanded polyurethane sealing for IP55 degree of protection.
- 1.5 mm formed steel sheet.
- Light grey (RAL 7035) epoxy-polyester powder coating, lightly textured.
- Package contains: cover coupling elements

For cabinets [mm]		Degree of protection IP40		Degree of protection IP55		Weight [kg]	Package [pcs]
height	depths of variable	Type	Product code	Type	Product code		
2000	200	PD-Q12-KBP2002	35750	PD-Q11-KBP2002	35748	6.5	1
2200	200	PD-Q12-KBP2202	35751	PD-Q11-KBP2202	35749	7	1



**QA SWITCHBOARD CABINETS**



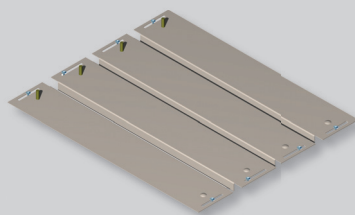
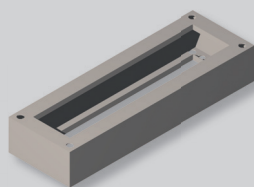
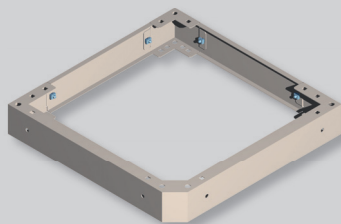
**Accessories for QA switchboard cabinets**

**PEDESTALS**

- For QA55 and QA40 cabinets.
- 2 mm formed steel sheet.
- Light grey (RAL 7035) epoxy-polyester powder coating, lightly textured.
- Fasten to frame using 4 M10x30 bolts.
- 4 holes (Ø 14 mm) for fastening to floor.
- Side hole for additional extension of cables between enclosures.
- Side holes can be covered with ZAS-S blind plates. 2 blind plate per one opening.
- Package contains: pedestal fastening materials for affixing to frame

For cabinet		Type	Product code	Pedestal height [mm]	Weight [kg]	Package [sets]
width [mm]	depth [mm]					
600	300	PD-Q13-PK010603	35607	100	5.8	1
	400	PD-Q13-PK010604	35608	100	6.4	1
	500	PD-Q13-PK010605	35609	100	7.1	1
	600	PD-Q13-PK010606	35610	100	7.7	1
	800	PD-Q13-PK010608	35611	100	8.9	1
	1000	PD-Q13-PK010610	35612	100	10.1	1
800	300	PD-Q13-PK010803	35613	100	7.1	1
	400	PD-Q13-PK010804	35614	100	7.7	1
	500	PD-Q13-PK010805	35615	100	8.4	1
	600	PD-Q13-PK010806	35616	100	9.0	1
	800	PD-Q13-PK010808	35617	100	10.3	1
	1000	PD-Q13-PK010810	35618	100	11.6	1
1000	300	PD-Q13-PK011003	35619	100	8.5	1
	400	PD-Q13-PK011004	35620	100	9.1	1
	500	PD-Q13-PK011005	35621	100	9.7	1
	600	PD-Q13-PK011006	35622	100	10.4	1
	800	PD-Q13-PK011008	35623	100	11.6	1
	1000	PD-Q13-PK011010	35624	100	12.9	1
1200	300	PD-Q13-PK011203	35625	100	9.9	1
	400	PD-Q13-PK011204	35626	100	10.5	1
	500	PD-Q13-PK011205	35627	100	11.1	1
	600	PD-Q13-PK011206	35628	100	11.7	1
	800	PD-Q13-PK011208	35629	100	12.9	1
	600	300	PD-Q13-PK020603	35630	200	8.7
400		PD-Q13-PK020604	35631	200	9.6	1
500		PD-Q13-PK020605	35632	200	10.6	1
600		PD-Q13-PK020606	35633	200	11.6	1
800		PD-Q13-PK020608	35634	200	13.4	1
1000		PD-Q13-PK020610	35635	200	15.2	1
800	300	PD-Q13-PK020803	35636	200	10.7	1
	400	PD-Q13-PK020804	35637	200	11.6	1
	500	PD-Q13-PK020805	35638	200	12.5	1
	600	PD-Q13-PK020806	35639	200	13.5	1
	800	PD-Q13-PK020808	35640	200	15.4	1
	1000	PD-Q13-PK020810	35641	200	17.3	1
1000	300	PD-Q13-PK021003	35642	200	12.8	1
	400	PD-Q13-PK021004	35643	200	13.7	1
	500	PD-Q13-PK021005	35644	200	14.6	1
	600	PD-Q13-PK021006	35645	200	15.5	1
	800	PD-Q13-PK021008	35646	200	17.3	1
	1000	PD-Q13-PK021010	35647	200	19.4	1
1200	300	PD-Q13-PK021203	35648	200	14.9	1
	400	PD-Q13-PK021204	35649	200	15.8	1
	500	PD-Q13-PK021205	35650	200	16.7	1
	600	PD-Q13-PK021206	35651	200	17.6	1
	800	PD-Q13-PK021208	35652	200	19.4	1

## QA SWITCHBOARD CABINETS



### Accessories for QA switchboard cabinets

#### PEDESTAL FOR CORNER ENCLOSURE

- For PD-Q01-PR.. corner enclosure of QA55 and QA40 cabinets.
- 2 mm formed steel sheet.
- Light grey (RAL 7035) epoxy-polyester powder coating, lightly textured.
- Fasten to frame using 4 M10x30 bolts.
- 4 holes (Ø14 mm) for fastening to floor.
- Package contains: pedestal fastening materials for affixing to frame

For cabinet		Type	Product code	Pedestal height [mm]	Weight [kg]	Package [sets]
width [mm]	depth [mm]					
600	600	PD-Q03PR-PK010606	15979	100	7.5	1
	800	PD-Q03PR-PK010608	20714	100	8.5	1
800	600	PD-Q03PR-PK010806	20715	100	8.5	1
	800	PD-Q03PR-PK010808	20716	100	10.5	1

#### PEDESTALS FOR TRANSITION ENCLOSURES

- For PD-Q01-PP.. transition enclosures of QA55 and cabinets QA40.
- 2 mm formed steel sheet.
- Light grey (RAL 7035) epoxy-polyester powder coating, lightly textured.
- Fasten to frame using 4 M10x30 bolts.
- 4 holes (Ø14 mm) for fastening to floor.
- Package contains: pedestal fastening materials for affixing to frame

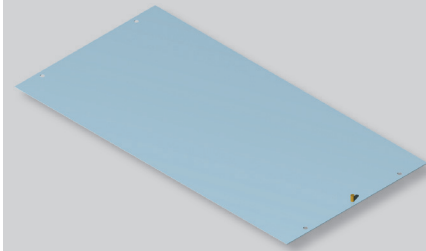
For cabinet		Type	Product code	Pedestal height [mm]	Weight [kg]	Package [sets]
width [mm]	depth [mm]					
200	600	PD-Q03PP-PK010206	15980	100	4.5	1
	800	PD-Q03PP-PK010208	33411	100	5.5	1

#### BOTTOM SLIDING FLANGES

- For QA55 and QA40 cabinets.
- 1.5 mm formed steel sheet.
- Sealing for cable pass-through.
- Galvanised finish.
- Package contains: set of sliding flanges coupling elements

For cabinet		Type	Product code	Number of covers in the set [pcs]	Weight [kg]	Package [sets]
width [mm]	depth [mm]					
600	300	PD-Q13-3KD0603	35752	2	1.0	1
	400	PD-Q13-3KD0604	35753	2	1.4	1
	500	PD-Q13-3KD0605	35754	4	2.2	1
	600	PD-Q13-3KD0606	35755	4	2.7	1
	800	PD-Q13-3KD0608	35756	4	3.9	1
	1000	PD-Q13-3KD0610	35757	4	4.6	1
800	300	PD-Q13-3KD0803	35758	2	1.4	1
	400	PD-Q13-3KD0804	35759	2	2.2	1
	500	PD-Q13-3KD0805	35760	4	3.2	1
	600	PD-Q13-3KD0806	35761	4	3.9	1
	800	PD-Q13-3KD0808	35762	4	5.9	1
	1000	PD-Q13-3KD0810	35763	4	6.9	1
1000	300	PD-Q13-3KD1003	35764	4	1.7	1
	400	PD-Q13-3KD1004	35765	4	2.6	1
	500	PD-Q13-3KD1005	35766	8	3.9	1
	600	PD-Q13-3KD1006	35767	8	4.7	1
	800	PD-Q13-3KD1008	35768	8	7.1	1
	1000	PD-Q13-3KD1010	35769	8	8.4	1
1200	300	PD-Q13-3KD1203	35770	4	2.2	1
	400	PD-Q13-3KD1204	35771	4	3.3	1
	500	PD-Q13-3KD1205	35772	8	4.9	1
	600	PD-Q13-3KD1206	35773	8	6.4	1
	800	PD-Q13-3KD1208	35774	8	9.1	1

## QA SWITCHBOARD CABINETS

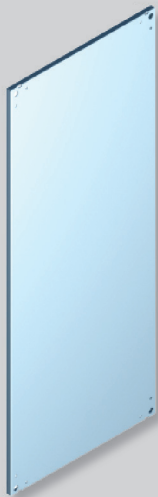


### Accessories for QA switchboard cabinets

#### ONE - PIECE BOTTOM COVERS

- For QA55, QA40 cabinets.
- 1.5 mm formed steel sheet.
- IP55 sealing.
- Galvanised finish.
- Package contains: cover  
sealing  
coupling elements

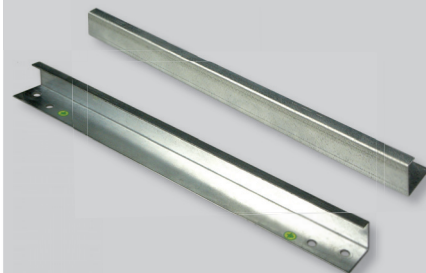
For cabinet		Type	Product code	Weight [kg]	Package [sets]
width [mm]	depth [mm]				
600	300	PD-Q13-1KD0603	35775	0.9	1
	400	PD-Q13-1KD0604	35776	1.3	1
	500	PD-Q13-1KD0605	35777	1.7	1
	600	PD-Q13-1KD0606	35778	2.2	1
	800	PD-Q13-1KD0608	35779	3.1	1
	1000	PD-Q13-1KD0610	35780	4.0	1
800	300	PD-Q13-1KD0803	35781	1.3	1
	400	PD-Q13-1KD0804	35782	1.9	1
	500	PD-Q13-1KD0805	35783	2.6	1
	600	PD-Q13-1KD0806	35784	3.3	1
	800	PD-Q13-1KD0808	35785	4.7	1
	1000	PD-Q13-1KD0810	35786	6.1	1
1000	300	PD-Q13-1KD1003	35787	1.3	1
	400	PD-Q13-1KD1004	35788	2.5	1
	500	PD-Q13-1KD1005	35789	3.4	1
	600	PD-Q13-1KD1006	35790	4.2	1
	800	PD-Q13-1KD1008	35791	5.9	1
	1000	PD-Q13-1KD1010	35792	7.7	1
1200	300	PD-Q13-1KD1203	35793	2.1	1
	400	PD-Q13-1KD1204	35794	3.1	1
	500	PD-Q13-1KD1205	35795	4.2	1
	600	PD-Q13-1KD1206	35796	5.0	1
	800	PD-Q13-1KD1208	35797	7.5	1



#### MOUNTING PLATES

- For QA55, QA40 cabinets.
- 2.5 mm formed steel sheet.
- Galvanised finish.
- Fasten to frame using 4 brackets.
- Package contains: mounting plate  
4 brackets  
coupling elements

For cabinet		Type	Product code	Plate height [mm]	Plate width [mm]	Surface area [m <sup>2</sup> ]	Weight [kg]	Package [pcs]
height [mm]	width [mm]							
1800	600	PD-Q03-MP1706	17499	1700	500	0.85	21.0	1
	800	PD-Q03-MP1708	17500	1700	700	1.19	28.0	1
	1000	PD-Q03-MP1710	17601	1700	900	1.53	35.0	1
	1200	PD-Q03-MP1712	17602	1700	1100	1.87	42.0	1
2000	600	PD-Q03-MP1906	17603	1900	500	0.95	23.5	1
	800	PD-Q03-MP1908	17604	1900	700	1.39	31.5	1
	1000	PD-Q03-MP1910	17605	1900	900	1.71	39.0	1
	1200	PD-Q03-MP1912	17606	1900	1100	2.09	47.0	1
2200	600	PD-Q03-MP2106	17607	2100	500	1.05	26.5	1
	800	PD-Q03-MP2108	17608	2100	700	1.47	35.0	1
	1000	PD-Q03-MP2110	17609	2100	900	1.89	44.0	1
	1200	PD-Q03-MP2112	21132	2100	1100	2.31	53.0	1

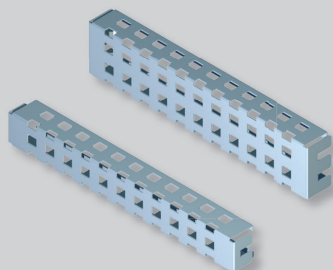
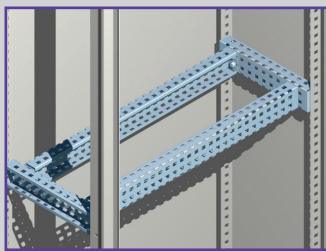
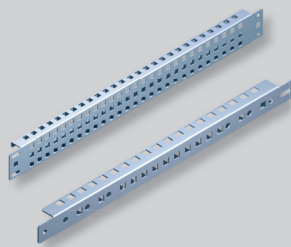
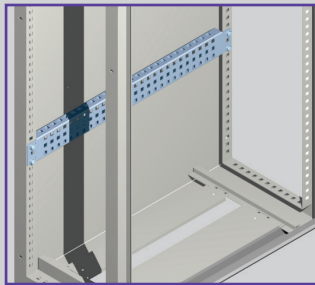


#### RAILS FOR EASY MOUNTING OF MOUNTING PLATE

- Facilitate insertion of fitted mounting panel.
- Placed into cabinet bottom.
- Package contains: 2 rails  
coupling elements

For cabinet	Type	Product code	Weight [kg]	Package [sets]
depth [mm]				
400	PD-Q13-LMP04	35798	1.4	1
500	PD-Q13-LMP05	35799	1.9	1
600	PD-Q13-LMP06	35800	2.2	1
800	PD-Q13-LMP08	35801	3.5	1
1000	PD-Q13-LMP10	35802	4.7	1

## QA SWITCHBOARD CABINETS



### Accessories for QA switchboard cabinets

#### FILLER PLATES BETWEEN MOUNTING PLATES

- For QA55, QA40 cabinets.
- Used for filling space between mounting plates in conjunction with multiple connection cabinets with mounting plates.
- 2.5 mm formed steel sheet.
- Galvanised finish.
- Package contains: filler plate coupling elements

For cabinet height [mm]	Type	Product code	Weight [kg]	Package [pcs]
1800	PD-Q03-MPV17	17610	5.0	1
2000	PD-Q03-MPV19	17611	6.0	1
2200	PD-Q03-MPV21	17612	7.0	1

#### RAILS FOR BACK MOUNTING

- For QA55, QA40 cabinets.
- Fasten at the level of cabinet back perforation.
- 2 mm formed steel sheet, profile C.
- Galvanised finish.
- Perforated for size M8 cage nuts.
- Package contains: 1 rail coupling elements

For cabinet width [mm]	Type	Product code	Rail height [mm]	Weight [kg]	Package [pcs]
600	PD-QK-76LB06	17613	76	1.5	1
800	PD-QK-76LB08	17614	76	2.0	1
1000	PD-QK-76LB10	17615	76	2.5	1
1200	PD-Q03-76LB12	17616	76	3.0	1
600	PD-QK-45LB06	17617	45	1.0	1
800	PD-QK-45LB08	17618	45	1.5	1
1000	PD-QK-45LB10	17619	45	2.0	1
1200	PD-Q03-45LB12	17620	45	2.5	1

#### RAILS FOR SIDE OR FRONT MOUNTING OF COMPONENTS

- For QA55, QA40 cabinets.
- For mechanically fastening heavy devices into cabinets.
- 1.5 mm formed steel sheet.
- Galvanised finish.
- Perforated for size M8 cage nuts.
- Package contains: 1 rail coupling elements

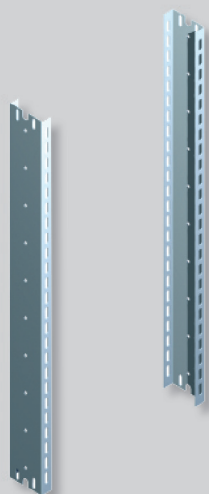
For cabinet		Type	Product code	Rail height [mm]	Weight [kg]	Package [pcs]
width [mm]	depth [mm]					
-	400	PD-Q13-65LBC04	35803	65	0.7	1
-	500	PD-Q13-65LBC05	35804	65	0.9	1
600	600	PD-Q13-65LBC06	35805	65	1.1	1
800	800	PD-Q13-65LBC08	35806	65	1.3	1
1000	1000	PD-Q13-65LBC10	35807	65	1.5	1
1200	-	PD-Q13-65LBC12	35808	65	1.7	1
-	300	PD-Q13-40LBC03	35809	40	0.4	1
-	400	PD-Q13-40LBC04	35810	40	0.6	1
-	500	PD-Q13-40LBC05	35811	40	0.8	1
600	600	PD-Q13-40LBC06	35812	40	1.0	1
800	800	PD-Q13-40LBC08	35813	40	1.2	1
1000	1000	PD-Q13-40LBC10	35814	40	1.4	1

## QA SWITCHBOARD CABINETS

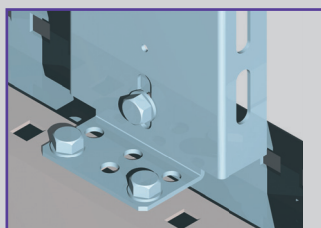
### Accessories for QA switchboard cabinets

#### VERTICAL RAILS

- For QA55, QA40 cabinets.
  - Used as a load-bearing element for attaching device rails.
  - Fasten to cabinet on side support rails or between upper and lower frame perforation using PD-QK-1D, PD-QK-2D brackets.
  - 2 mm formed steel sheet.
  - Height of bend 30 mm.
  - 9x30 mm ovals on both sides for mounting device rails.
  - Holes on front side for anchoring wiring duct.
  - Galvanised finish.
- Package contains:  
1 rail  
coupling elements

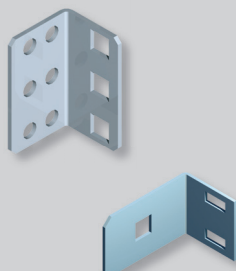


For cabinet height [mm]	Type	Product code	Rail [mm]		Weight [kg]	Package [sets]	
			width	length			
1800	PD-QK-100LV06	17632	100	600	1.5	1	
	PD-QK-100LV10	17633	100	1000	2.4	1	
	PD-QK-100LV12	17634	100	1200	2.9	1	
	PD-QK-100LV14	17635	100	1400	3.4	1	
	PD-QK-100LV16	17636	100	1600	4.4	1	
	PD-QK-100LV17	21136	100	1700	4.8	1	
	PD-QK-100LV18	17637	100	1800	5.2	1	
	PD-QK-100LV19	20736	100	1900	6.0	1	
	PD-QK-100LV21	21137	100	2100	7.0	1	
	2000	PD-QK-50LV10	17638	50	1000	1.7	1
		PD-QK-50LV12	17639	50	1200	2.0	1
PD-QK-50LV16		17640	50	1600	2.7	1	
PD-QK-50LV17		21138	50	1700	2.9	1	
PD-QK-50LV18		17641	50	1800	3.0	1	
PD-QK-50LV19		20737	50	1900	3.5	1	
2200	PD-QK-50LV21	20738	50	2100	4.0	1	



#### VERTICAL RAIL BRACKETS

- For QA55, QA40 cabinets.
  - For fastening vertical rails at the bottom or top.
  - 2.5 mm formed steel sheet.
  - Galvanised finish.
- Package contains:  
2 brackets  
coupling elements



Type	Product code	For rail	Weight [kg]	Package [sets]
PD-QK-1D	17642	PD-QK-100LV..	0.2	1
PD-QK-2D	35815	PD-QK-50LV..	0.2	1

QA SWITCHBOARD CABINETS

Accessories for QA switchboard cabinets

DEVICE RAILS

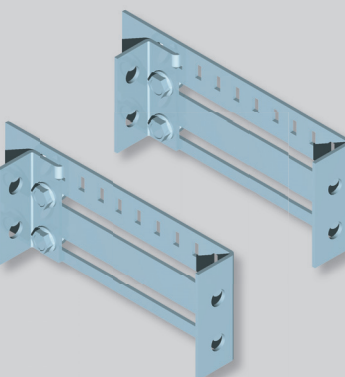
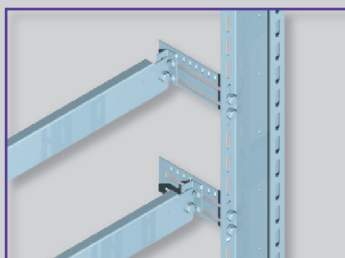
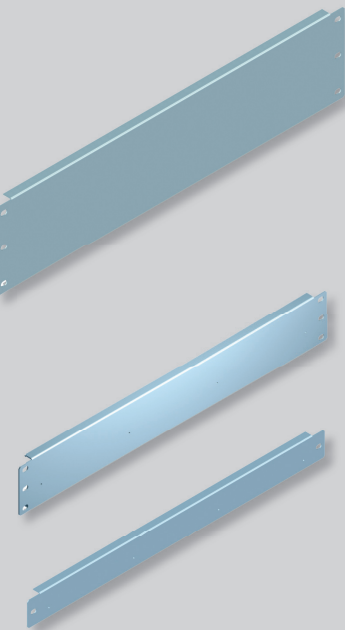
- For QA55, QA40 cabinets.
  - For fastening light and moderately heavy devices on vertical rails.
  - 2 mm steel sheet formed to a channel profile.
  - With 17 mm height of bend.
  - Galvanised finish.
- Package contains: 1 rail coupling elements

For cabinet width [mm]	Type	Product code	Rail height [mm]	Weight [kg]	Package [pcs]
600	PD-QK-40LP06	17643	40	0.6	1
	PD-QK-60LP06	17644	60	0.8	1
	PD-QK-80LP06	17645	80	1.0	1
	PD-QK-100LP06	17646	100	1.2	1
	PD-QK-120LP06	17647	120	1.4	1
	PD-QK-150LP06	17648	150	1.6	1
	PD-QK-160LP06	17649	160	1.8	1
	PD-QK-200LP06	17650	200	2.0	1
800	PD-QK-40LP08	17651	40	0.8	1
	PD-QK-60LP08	17652	60	1.0	1
	PD-QK-80LP08	17653	80	1.2	1
	PD-QK-100LP08	17654	100	1.4	1
	PD-QK-120LP08	17655	120	1.6	1
	PD-QK-150LP08	17656	150	1.8	1
	PD-QK-160LP08	17657	160	2.0	1
	PD-QK-200LP08	17658	200	2.2	1
1000	PD-QK-40LP10	17659	40	1.0	1
	PD-QK-60LP10	17660	60	1.2	1
	PD-QK-80LP10	17661	80	1.4	1
	PD-QK-100LP10	17662	100	1.6	1
	PD-QK-120LP10	17663	120	1.8	1
	PD-QK-150LP10	17664	150	2.0	1
	PD-QK-160LP10	17665	160	2.2	1
	PD-QK-200LP10	17666	200	2.9	1
1200	PD-QK-80LP12	20739	80	1.6	1
	PD-QK-100LP12	20740	100	1.8	1
	PD-QK-160LP12	20741	160	2.4	1
	PD-QK-200LP12	20742	200	2.9	1

SLIDING BRACKETS OF THE DEVICE RAIL

- For QA55, QA40 cabinets.
  - For creating depth adjustable device rack.
  - Enable fastening of PD-QK-...LP.. device rails to PD-QK-...LV... vertical rails or PD-Q03-M.. modular system at the required depth.
  - Option of offsetting in 12.5 mm increments; offset range from 27 to 143 mm.
  - By rotating plate, fully adjustable from 12 to 124 mm.
  - 2.5 mm formed steel sheet.
  - Galvanised finish.
- Package contains: 2 brackets coupling elements

Type	Product code	Weight [kg]	Package [sets]
PD-QK-DP1	20743	0.4	1

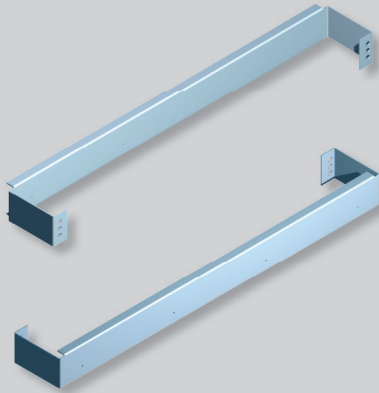


## QA SWITCHBOARD CABINETS

### Accessories for QA switchboard cabinets

#### FRONT AND BACK TERMINAL RAILS

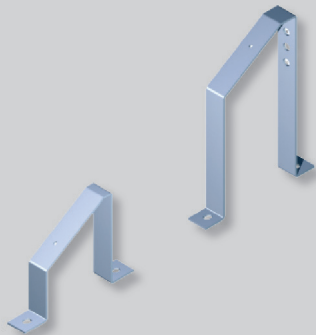
- For QA55, QA40 cabinets.
- For fastening terminal strips or light devices (e.g. LPN miniature circuit breakers) on vertical rails with 100 mm offset to front or back.
- 2 mm steel sheet formed to a channel profile, with 17 mm height of bend.
- On front side 3,2 mm holes  $\varnothing$  with 200 mm spacing for DIN rail mounting.
- Galvanised finish.
- Package contains: 1 rail coupling elements



For cabinet width [mm]	Type	Product code	Rail height [mm]	Rail design	Weight [kg]	Package [pcs]
600	<b>PD-QK-60LSP06</b>	19738	60	Front	1.0	1
800	<b>PD-QK-60LSP08</b>	19739	60	Front	1.3	1
1000	<b>PD-QK-60LSP10</b>	19740	60	Front	1.6	1
600	<b>PD-QK-60LSZ06</b>	19741	60	Back	1.0	1
800	<b>PD-QK-60LSZ08</b>	19742	60	Back	1.3	1
1000	<b>PD-QK-60LSZ10</b>	19743	60	Back	1.6	1

#### TERMINAL BLOCK BRACKETS

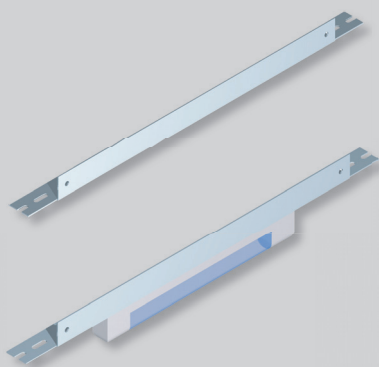
- For QA55, QA40 cabinets.
- For fastening terminal strips at a 30° angle.
- 2 mm steel sheet, width 20 mm.
- Galvanised finish.
- Package contains: 1 bracket



Type	Product code	Bracket height [mm]	Weight [kg]	Package [pcs]
<b>PD-QT-DSM</b>	19744	90	0.20	1
<b>PD-QT-DSV</b>	19745	160	0.35	1

#### RAILS FOR SONAP CABLE HOLDERS

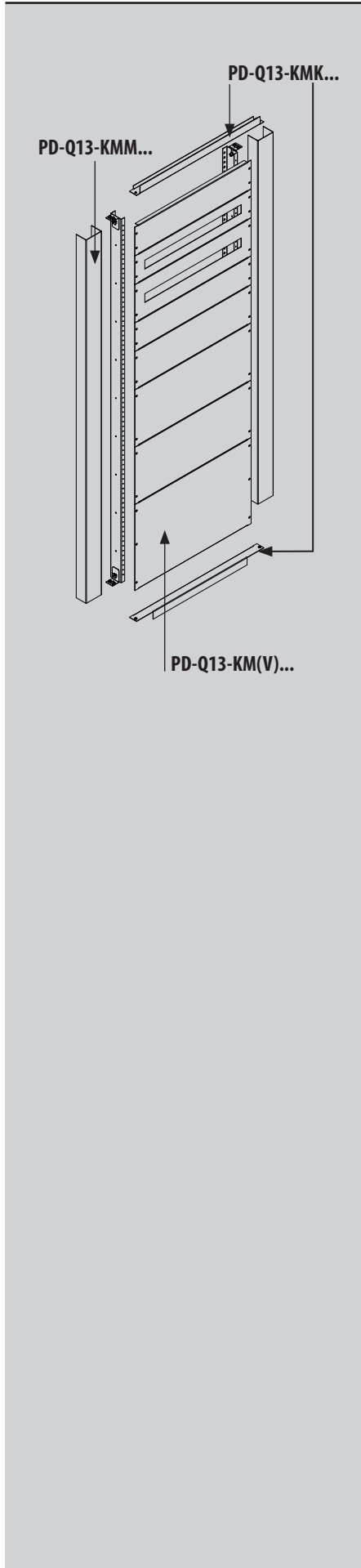
- For QA55, QA40 cabinets.
- For fastening cables using Sonap holders.
- For mounting on vertical rails, cabinet bottom frame holes or top perforation as PD-QK-OSL light bracket.
- 2 mm steel sheet, profile L 40x40 mm.
- Galvanised finish.
- Package contains: 1 rail coupling elements



For cabinet width [mm]	Type	Product code	Weight [kg]	Package [pcs]
600	<b>PD-QK-LKU06</b>	20744	0.7	1
800	<b>PD-QK-LKU08</b>	20745	1.0	1
1000	<b>PD-QK-LKU10</b>	20746	1.3	1
1200	<b>PD-QK-LKU12</b>	20747	1.6	1



QA SWITCHBOARD CABINETS



Accessories for QA switchboard cabinets

MODULAR RAILS

- For QA55, QA40 cabinets.
  - For mounting modular devices.
  - PD-Q13-KM covers are for covering devices from front.
  - Vertical rails are channel formed from 2 mm steel sheet, profile U.
  - Galvanised finish.
- Package contains:  
2 vertical rails  
coupling elements
- „U“ rails not included.

For cabinet height [mm]	Type	Product code	Design	Weight [kg]	Package [sets]
1800	PD-Q13-M17	35816	depth 65 mm	11.2	1
2000	PD-Q13-M19	35817	depth 65 mm	12.2	1
2200	PD-Q13-M21	35818	depth 65 mm	13.1	1
1800	PD-Q13-M17A	35819	for Arion (depth 35 mm)	7.2	1
2000	PD-Q13-M19A	35820	for Arion (depth 35 mm)	7.8	1
2200	PD-Q13-M21A	35821	for Arion (depth 35 mm)	8.4	1

VERTICAL OUTER COVERS FOR MODULAR SYSTEM

- In flush-mounting of the modular system it is necessary to use them to observe IP20.
  - Use on sides of the cabinet or as a filler between the cabinets.
- Package contains:  
1 cover

For cabinet height [mm]	Type	Product code	Cover design	Cut-out with [mm]	Number of 18 mm modules	Weight [kg]	Package [pcs]
1800	PD-Q13-KMM17	36004	vertical outer	--	--	1.17	1
2000	PD-Q13-KMM19	36005	vertical outer	--	--	1.30	1
2200	PD-Q13-KMM21	36006	vertical outer	--	--	1.42	1

COVERS FOR MODULAR SYSTEM

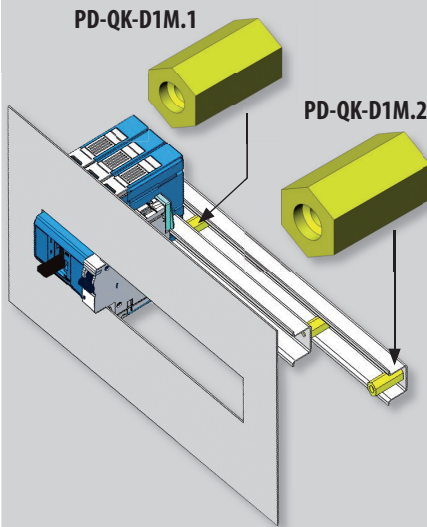
- For QA55, QA40 cabinets.
  - For mounting into the modular system.
  - Plastic with 45 mm cut-out or without cut-out.
  - Total height for covering = (cabinet height - 100 mm).
- Outer covers are for covering the remainder.
  - Package contains:  
1 cover  
coupling elements

For cabinet width [mm]	Type	Product code	Cover height [mm]	Cover design	Cut-out with [mm]	Number of 18 mm modules	Weight [kg]	Package [pcs]
600	PD-Q13-KMV01506	35822	150	cut-out 45 mm	385	21	0.23	1
800	PD-Q13-KMV01508	35823	150	cut-out 45 mm	583	32	0.27	1
1000	PD-Q13-KMV01510	35824	150	cut-out 45 mm	2x390	42	0.34	1
1200	PD-Q13-KMV01512	35825	150	cut-out 45 mm	3x320	51	0.44	1
600	PD-Q13-KM01506	35830	150	without cut-out	--	--	0.25	1
800	PD-Q13-KM01508	35831	150	without cut-out	--	--	0.33	1
1000	PD-Q13-KM01510	35832	150	without cut-out	--	--	0.48	1
1200	PD-Q13-KM01512	35833	150	without cut-out	--	--	0.56	1
600	PD-Q13-KMV0206	35826	200	cut-out 45 mm	385	21	0.30	1
800	PD-Q13-KMV0208	35827	200	cut-out 45 mm	583	32	0.45	1
1000	PD-Q13-KMV0210	35828	200	cut-out 45 mm	2x390	42	0.59	1
1200	PD-Q13-KMV0212	35829	200	cut-out 45 mm	3x320	51	0.74	1
600	PD-Q13-KM02006	35834	200	without cut-out	--	--	0.33	1
800	PD-Q13-KM02008	35835	200	without cut-out	--	--	0.48	1
1000	PD-Q13-KM02010	35836	200	without cut-out	--	--	0.62	1
1200	PD-Q13-KM02012	35837	200	without cut-out	--	--	0.76	1
600	PD-Q13-KM03006	35838	300	without cut-out	--	--	0.46	
800	PD-Q13-KM03008	35839	300	without cut-out	--	--	0.64	1
1000	PD-Q13-KM03010	35840	300	without cut-out	--	--	0.95	1
1200	PD-Q13-KM03012	35841	300	without cut-out	--	--	1.06	1
600	PD-Q13-KM04506	35842	450	without cut-out	--	--	0.92	1
800	PD-Q13-KM04508	35843	450	without cut-out	--	--	1.30	1
1000	PD-Q13-KM04510	35844	450	without cut-out	--	--	1.80	1
1200	PD-Q13-KM04512	35845	450	without cut-out	--	--	2.20	1
600	PD-Q13-KMK06	35846	40	outer	--	--	0.31	outer
800	PD-Q13-KMK08	35847	40	outer	--	--	0.44	outer
1000	PD-Q13-KMK10	35848	40	outer	--	--	0.55	outer
1200	PD-Q13-KMK12	35849	40	outer	--	--	0.70	outer

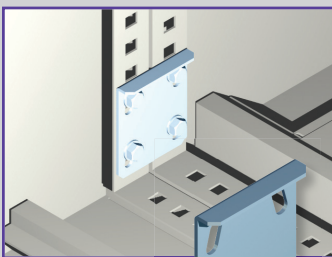


## QA SWITCHBOARD CABINETS

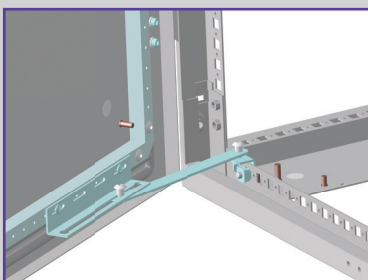
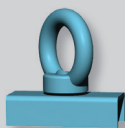
### Accessories for QA switchboard cabinets



PD-Q13-SPC..K



PD-Q03-SPC..



#### SPACERS

- For QA55, QA40 and NP65 cabinets.
- For depth offset of BC circuit breakers and joining of profiles with modular devices.
- Used with 15 mm "U" rail.
- Mounting to modular system.
- Package contains: 10 spacers coupling elements

Use	Type	Product code	Spacer			Weight [kg]	Package [sets]
			design	thread	height [mm]		
Joining BC profile and modular devices, mounting on 15 mm "U" rails	PD-QK-D1M51	33786	internal threading	M5	19	0.23	1
	PD-QK-D1M61	33789	internal threading	M6	19	0.28	1
	PD-QK-D1M81	33791	internal threading	M8	19	0.44	1
Offset of BC circuit breakers from modular system of QA cabinets, mounting on 15 mm DIN rail	PD-QK-D1M52	33787	internal threading	M5	22	0.26	1
	PD-QK-D1M62	33790	internal threading	M6	22	0.31	1
	PD-QK-D1M82	33792	internal threading	M8	22	0.47	1

#### CABINET JOINING KITS

- For QA55, QA40 cabinets.
- For mechanically joining cabinets into groups.
- Galvanised finish.
- Package contains: 6 connectors self-adhering sealing coupling elements

For cabinet height [mm]	Type	Product code	Weight [kg]	Package [sets]
1800	PD-Q03-SPC18	19749	1.35	1
2000	PD-Q03-SPC20	19750	1.35	1
2200	PD-Q03-SPC22	19751	1.35	1
1800	PD-Q13-SPC18K	35850	1.50	1
2000	PD-Q13-SPC20K	35851	1.50	1
2200	PD-Q13-SPC22K	35852	1.50	1

#### LIFTING LUGS

- For QA55, QA40 cabinets.
- Screws with M12 threading.
- 250 kg load capacity per lifting lug.
- Package contains: 4 lifting lugs coupling elements

Type	Product code	Weight [kg]	Package [sets]
PD-Q03-4Z012	19780	1.21	1

#### DOOR CATCH

- For QA55, QA40 cabinets.
- For door opening angle 120°, 160°.
- Package contains: 1 arrestment coupling elements

Type	Product code	Weight [kg]	Package [sets]
PD-Q03-AD120	19781	0.27	1
PD-Q13-AD160	37166	0.27	1

## QA SWITCHBOARD CABINETS

PD-QK-UVD



PD-QK-UVZ



PD-QK-UBB5



### Accessories for QA switchboard cabinets

#### LOCKS

- For QA55, QA40 cabinets.
- Swivel door handle inserts serve for quick replacement with another lock insert for the standard issue double-bar 5 mm insert.
- Package contains: 1 insert  
fastening materials necessary for replacing original lock

Type	Product code	Lock design	Weight [kg]	Package [sets]
PD-QK-UVD	20748	Insert „D”	0.08	1
PD-QK-UVZ	20749	Locking insert	0.08	1
PD-QK-UBD	17454	D key (Czech D)	0.05	1
PD-QK-UBB5	17455	DB5 key (double-bar 5 mm)	0.04	1

#### CAGE NUTS

- For QA55, QA40 cabinets.
- Package contains: 1 nuts

Type	Product code	Nut type	Weight [kg]	Package [pcs]
PD-QK-M6	17432	M6	0.005	1
PD-QK-M8	17433	M8	0.008	1
PD-QK-M10	17434	M10	0.010	1

#### DATA POCKETS

- For QA55, QA40 cabinets.
- Package contains: 1 data pocket

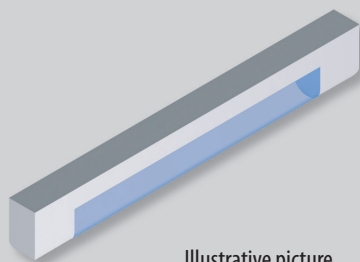
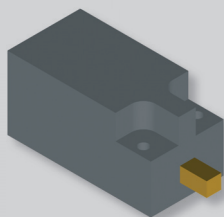
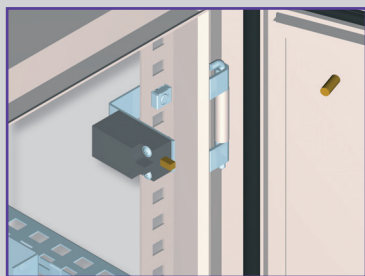
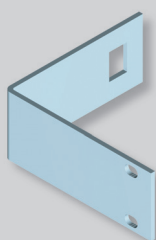
Type	Product code	Design	Weight [kg]	Package [pcs]
PD-QK-DVA4PS	34377	plastic, self-adhering	0.15	1
PD-QK-DVA06	35854	bolted for 600 mm cabinet width	0.15	1
PD-QK-DVA08	35855	bolted for 800 mm cabinet width	0.15	1

#### REPAIR VARNISHES

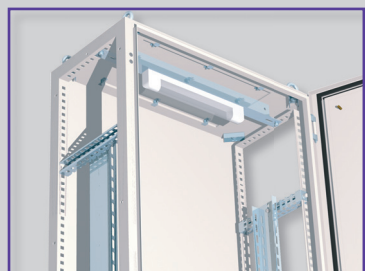
- For QA55, QA40 and NP65 cabinets.
- For small paint corrections or treating edges of additionally created openings.
- Aerosol can.
- Fast drying.
- Colour RAL 7035.
- Contents 400 ml.
- Package contains: 1 aerosol can

Type	Product code	Weight [kg]	Package [sets]
PD-QK-ARAL7035	20407	0.52	1

## QA SWITCHBOARD CABINETS



Illustrative picture



### Accessories for QA switchboard cabinets

#### DOOR SWITCH BRACKETS

- For QA55 and QA40 cabinets.
- For mounting PD-QK-SK11 door switch.
- Galvanised finish.
- Package contains: 1 bracket coupling elements

Type	Product code	Weight [kg]	Package [sets]
PD-Q13-DSK	35853	0.2	1

#### DOOR SWITCHES

- For QA55, QA40 cabinets.
- For mounting to QA55 and QA40 cabinets, it is necessary to use a PD-Q13-DSK door switch bracket.
- 1 make and 1 break contact.
- For lighting, climate control and other circuits.
- $U_n = 230/400 \text{ V AC}$ ,  $I_n = 5 \text{ A}$
- Package contains: 1 door switch coupling elements

Type	Product code	Weight [kg]	Package [sets]
PD-QK-SK11	20751	0.1	1

#### LIGHTS

- For QA55, QA40 cabinets.
- For lighting switchboard cabinet.
- 230 V, 60 W fluorescent tube.
- No stroboscopic effect created in rotating units.
- Contains no hazardous materials.
- PD-QK-LKU... rail for Sonap cable holders is used for fastening at the top.
- Package contains: 1 light coupling elements

Type	Product code	Weight [kg]	Package [sets]
PD-QK-OSL	33324	0.4	1

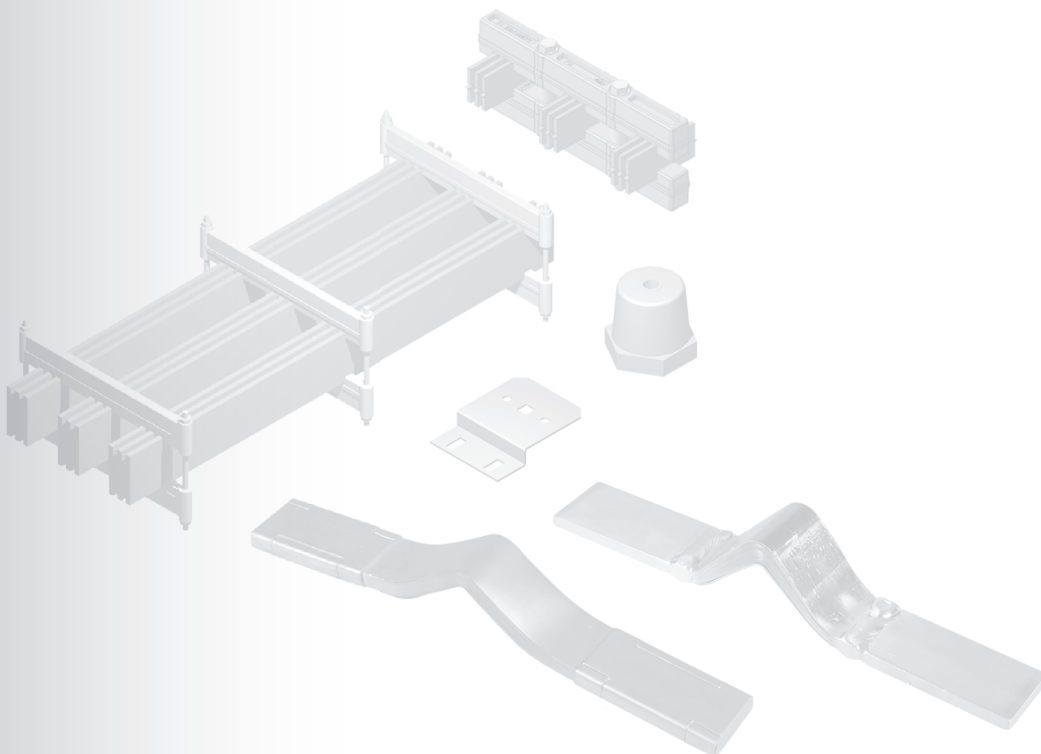
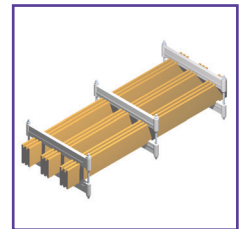
**NOTES**

---

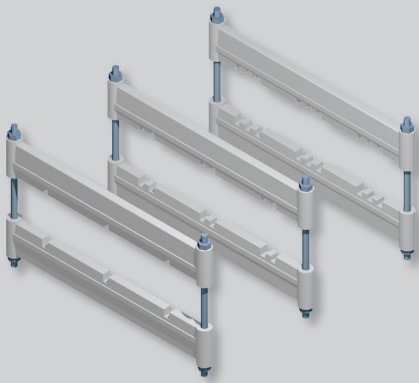
A large grid of dots for taking notes, consisting of 20 columns and 40 rows of small, light gray dots.

DELTA busbar holders .....	E2
DELTA...C busbar holders .....	E4
Rails for fixing DELTA and DELTA...C holders .....	E6
Support insulators .....	E7
Support insulator brackets .....	E8
Flexible connectors .....	E9
Busbar systems holders with spacing 100 and 185 mm .....	E10
Busbar systems holders with spacing 60 mm .....	E12
Busbar system cover SAP .....	E16
Pressing-in nut .....	E17

## BUSBAR SYSTEMS



## DELTA BUSBAR HOLDERS



### Busbar holders

- System is for constructing busbar systems with rated currents up to 3700 A and rated peak short-circuit currents up to 220 kA.
- Support is made from highly sturdy fibre-reinforced thermoplastic polyester.
- Two metal connectors with M10 threading and spacing of 375 mm used to tighten supports onto busbars and anchor assembly into the structure.
- Considering their external dimensions, can be used for

horizontal placement in cabinets with depths 600 mm and larger.

- Package contains:  
2 supports  
2 bolts 230 mm  
coupling elements – nuts

*270 mm bolts are ordered separately.*

Type	Product code	Number of busbars in phase	Code busbar dimensions		Maximum busbar dimensions		Weight [kg]	Package [pcs]
			thickness [mm]	width [mm]	thickness [mm]	width [mm]		
PD-QK-DELTA110	17445	1	10	40	10	120	1.5	1
PD-QK-DELTA210	17446	2	10	40	10	120	1.45	1
PD-QK-DELTA310	17447	3	10	40	10	120	1.4	1
PD-QK-DELTA110/10	35856	1	10	40	10	120	15	10
PD-QK-DELTA210/10	35857	2	10	40	10	120	14.5	10
PD-QK-DELTA310/10	35858	3	10	40	10	120	14	10

### Specifications

Type	PD-QK-DELTA110, PD-QK-DELTA210, PD-QK-DELTA310
Operating voltage	1000 V
Operating temperature	-40 ÷ +130 °C
External breakdown voltage	20 kV
Phase spacing	120 mm
Permissible bending strength	0.6 kN
Permissible tensile strength	20 kN
Critical tensile strength	40 kN
Flammability rating class	UL94 - V0
Colour	RAL7032

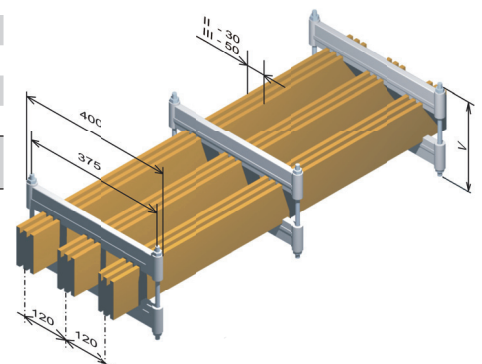
### Bolts for busbar supports Delta

- For joining and fastening Delta busbar supports
- Package contains:  
2 connectors

Type	Product code	Screw bolt thread	Connector length [mm]	Weight [kg]	Package [pcs]
PD-QK-SV270	20159	M10	270	0.16	1

### Mounting dimensions

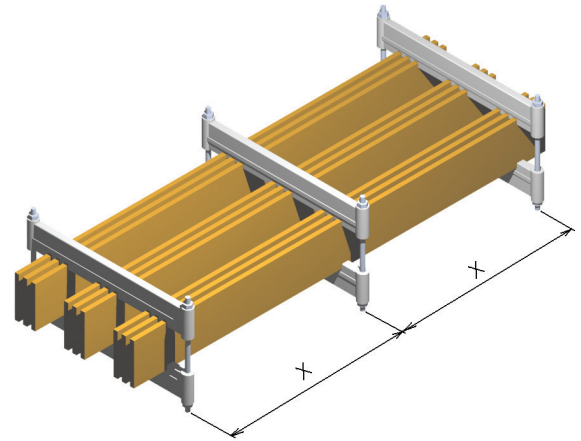
Length / type of bolts	Busbar dimensions		Assembly height
	thickness [mm]	width [mm]	V [mm]
<b>230 mm</b> Part of set PD-QK-DELTA...	10	40	180
	10	50	170
	10	60	180
	10	80	200
	10	100	220
<b>270 mm</b> PD-QK-SV270	10	120	240



## DELTA BUSBAR HOLDERS

### Mounting busbars in brackets

- Nuts are tightened along width of middle bracket
- Nuts are tightened only 1.5 revolutions.



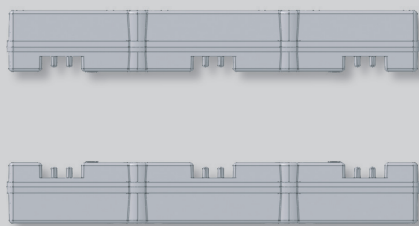
### Dependence of short-circuit resistance on spacing of DELTA busbar supports, without bundling conductors, copper busbars

Busbar dimensions		$I_k''$ [kA]	10	20	30	40	50	60	70	80	90	100	110
		$i_p$ [kA]	17	40	63	84	105	132	154	176	198	220	242
width [mm]	thickness [mm]	number of conductors	X - recommended spacing between DELTA busbar supports [mm]										
40	10	I	1000	800	600	500	400	300	250	230	200		
40	10	II	1000	900	550	400	300	250	230	200	180		
40	10	III	1000	900	600	500	400	300	250	230	200		
50	10	I	1000	900	700	500	400	300	250	230	200	180	150
50	10	II	1000	900	650	500	350	300	250	230	200	180	150
50	10	III	1000	900	700	500	400	300	250	230	200	180	150
60	10	I	1000	900	700	600	400	350	300	250	200	180	150
60	10	II	1000	1000	700	500	400	350	300	250	200	180	150
60	10	III	1000	1000	850	600	500	400	350	250	200	180	150
80	10	I	1000	900	800	600	500	400	300	250	200	180	150
80	10	II	1000	1000	800	600	500	400	300	250	200	180	150
80	10	III	1000	1000	900	700	500	400	350	250	200	180	150
100	10	I	1000	1000	900	750	500	400	350	250	200	180	150
100	10	II	1000	1000	1000	800	500	400	350	250	200	180	150
100	10	III	1000	1000	1000	800	500	400	350	250	200	180	150
120	10	I	1000	1000	1000	800	500	450	350	250	200	180	150
120	10	II	1000	1000	1000	800	500	450	350	300	250	200	150
120	10	III	1000	1000	1000	900	600	500	400	300	250	200	150

### Dependence of short-circuit resistance on spacing of DELTA busbar supports, with bundling of conductors, copper busbars

Busbar dimensions		$I_k''$ [kA]	10	20	30	40	50	60	70	80	90	100	110
		$i_p$ [kA]	17	40	63	84	105	132	154	176	198	220	242
width [mm]	thickness [mm]	number of conductors	X - recommended spacing between DELTA busbar supports [mm]										
40	10	II	1000	1000	700	550	450	350	300	250	200		
40	10	III	1000	1000	900	700	500	400	300	250	200		
50	10	II	1000	1000	800	550	500	400	350	250	200	180	150
50	10	III	1000	1000	900	700	500	450	350	250	200	180	150
60	10	II	1000	1000	900	700	500	450	350	250	200	180	150
60	10	III	1000	1000	1000	800	500	450	350	250	200	180	150
80	10	II	1000	1000	1000	800	500	450	400	300	250	200	150
80	10	III	1000	1000	1000	800	500	450	400	300	250	200	150
100	10	II	1000	1000	1000	1000	800	500	400	300	250	200	150
100	10	III	1000	1000	1000	1000	800	500	400	300	250	200	150
120	10	II	1000	1000	1000	1000	800	500	400	300	250	200	150
120	10	III	1000	1000	1000	1000	800	500	400	300	250	200	150

## DELTA...C BUSBAR HOLDERS



### Busbar holders

- System is for constructing busbar systems with rated currents up to 3700 A and rated peak short-circuit currents up to 220 kA.
- Support is made from highly sturdy fibre-reinforced thermoplastic polyester.
- Mounting set containing two metal connectors with M10 threading and spacers according to busbar size used to tighten supports onto busbars and anchor assembly into the structure.
- 100 mm spacing of connectors for anchoring.
- 272 mm width of rail allows use in horizontal placement in cabinets with depth of 400 mm and greater.
- Package contains: 2 supports

*Mounting set is ordered separately.*

Type	Product code	Number of busbars in phase	Code busbar dimensions		Maximum busbar dimensions		Weight [kg]	Package [pcs]
			thickness [mm]	width [mm]	thickness [mm]	width [mm]		
<b>PD-QK-DELTA110C</b>	20752	1	10	30	10	125	1.1	1
<b>PD-QK-DELTA210C</b>	20753	2	10	30	10	125	1.1	1
<b>PD-QK-DELTA305C</b>	20754	3	5	30	5	125	1.1	1

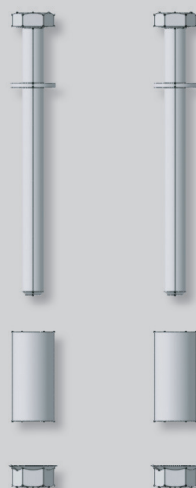
### Specifications

Type	PD-QK-DELTA110C, PD-QK-DELTA210C, PD-QK-DELTA305C
Operating voltage	1200 V
Operating temperature	- 40 ÷ + 130 °C
Rated withstand voltage	12 kV
Phase spacing	100 mm
Weight of rail group	1100 g
Capacity of group	80 kg
Permissible tensile strength	16 kN
Critical tensile strength	22 kN
Flammability rating class	UL94 - V0 kN
Tightening torque of nuts in group	15 N/m
Colour	RAL7032

### Mounting sets

- For joining and fastening DELTA...C busbar supports.
- Package contains: 2 connectors, 2 spacers, 2 coupling elements

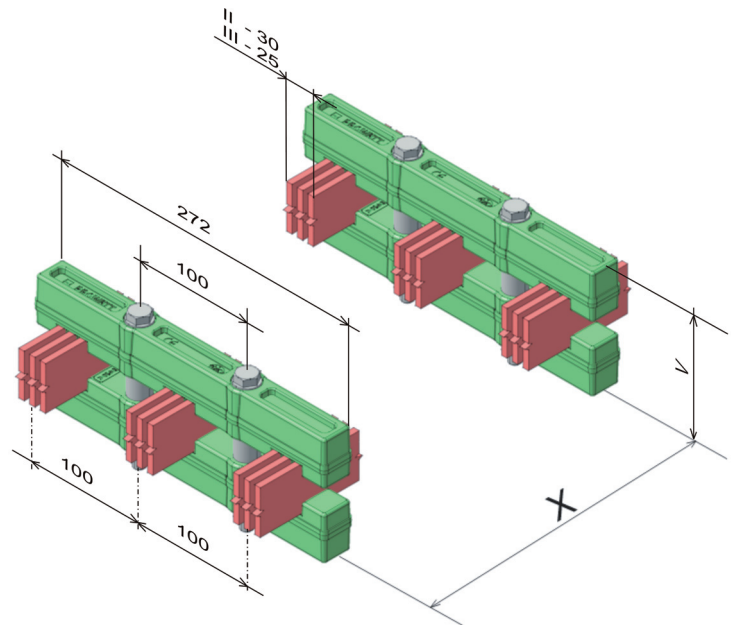
Busbar height [mm]	Type	Product code	Screw bolt thread	Assembly height [mm]	Weight [kg]	Package [pcs]
30	<b>PD-QK-DS30</b>	20755	M10	90	0.3	1
40	<b>PD-QK-DS40</b>	20756	M10	100	0.3	1
50	<b>PD-QK-DS50</b>	20757	M10	110	0.3	1
60	<b>PD-QK-DS60</b>	20758	M10	120	0.3	1
80	<b>PD-QK-DS80</b>	20759	M10	140	0.3	1
100	<b>PD-QK-DS100</b>	20760	M10	160	0.3	1
120	<b>PD-QK-DS120</b>	20761	M10	180	0.3	1





## DELTA...C BUSBAR HOLDERS

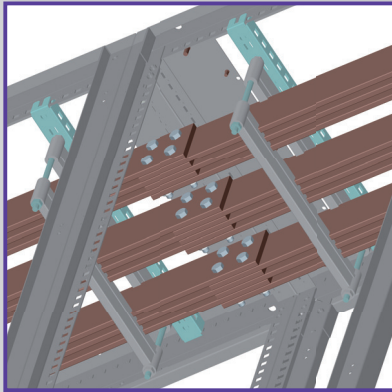
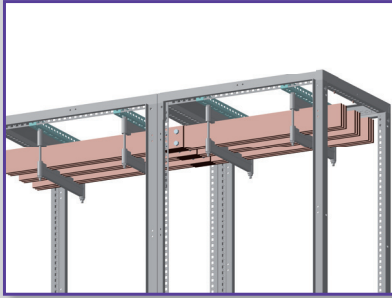
- At the DELTA210C and DELTA305C busbar supports we recommend repeatedly to connect conductors in every phase using screws.
- Reinforcing the system and obtaining the required short-circuit resistance stated in the table is done by bundling conductors.



### Dependence of short-circuit resistance on spacing of DELTA ...C busbar supports For copper busbars

Busbar dimensions		$i_k$ [kA]	10	20	30	40	50	60	70	80	90	100
width [mm]	thickness [mm]	$i_p$ [kA]	17	40	63	84	105	132	154	176	198	220
	number of conductors	X - recommended spacing between DELTA ...C busbar supports [mm]										
30	5	I	700	350	250	200	150	100	100			
30	5	II	1000	500	350	250	200	150	150			
30	5	III	1000	600	400	350	250	200	150	150	150	
40	5	I	800	400	300	225	175	125	125			
40	5	II	1000	550	450	300	200	200	150			
40	5	III	1000	700	500	400	300	200	200	150	150	
50	5	I	900	450	350	275	200	140	125			
50	5	II	1000	600	500	350	250	200	200			
50	5	III	1000	800	600	450	300	250	200	200	150	
60	5	I	1000	500	400	300	200	140	125			
60	5	II	1000	700	550	400	300	250	200			
60	5	III	1000	900	650	500	350	300	250	250	200	
80	5	I	1000	550	450	325	225	140	125			
80	5	II	1000	800	600	450	300	250	200			
80	5	III	1000	1000	700	550	400	300	300	250	200	
100	5	I	1000	650	500	375	225	140	125			
100	5	II	1000	900	650	500	300	250	200			
100	5	III	1000	1000	800	600	450	350	300	250	200	
125	5	I	1000	700	550	400	225	140	125			
125	5	II	1000	1000	700	600	400	300	200			
125	5	III	1000	1000	900	700	500	400	350	250	200	
30	10	I	800	700	600	400	300	225	200	175	175	150
30	10	II	1000	900	700	600	300	250	200	175	175	150
40	10	I	900	800	600	450	350	300	250	200	175	150
40	10	II	1000	900	700	600	350	300	250	200	175	150
50	10	I	1000	900	700	500	400	300	250	200	175	150
50	10	II	1000	900	800	600	400	300	300	200	175	150
60	10	I	1000	900	700	600	400	350	300	200	175	150
60	10	II	1000	1000	900	700	450	350	300	200	175	150
80	10	I	1000	900	800	600	500	350	300	200	175	150
80	10	II	1000	1000	900	800	500	350	300	200	175	150
100	10	I	1000	1000	900	750	500	350	300	200	175	150
100	10	II	1000	1000	1000	900	500	350	300	200	175	150
125	10	I	1000	1000	1000	800	500	350	300	200	175	150
125	10	II	1000	1000	1000	1000	500	350	300	200	175	150

## RAILS FOR FIXING DELTA HOLDERS A DELTA...C



- For QA55, QA40 cabinets.
  - For the holders of main busbars DELTA and DELTA...C up to  $I_n = 3200$  A.
  - For simple installation of the main busbars.
  - Asymmetric perforation of the rail for easy connection of the main busbars.
- Package contains:  
1 rail  
coupling elements

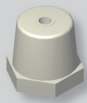
For cabinet depth [mm]	Type	Product code	Rail height [mm]	Weight [kg]	Package [pcs]
400	<b>PD-Q13-45LBD04</b>	37167	45	1.5	1
500	<b>PD-Q13-45LBD05</b>	37168	45	2.0	1
600	<b>PD-Q13-45LBD06</b>	37169	45	1.0	1
800	<b>PD-Q13-45LBD08</b>	37170	45	1.5	1
1000	<b>PD-Q13-45LBD10</b>	37171	45	2.0	1

### Locking washer

- For mounting PD-QK-DELTA...C on DIN EN 60715 rails.
- Package contains:  
10 washers

Type	Product code	Weight [kg]	Package [pcs]
<b>PD-QK-MLBD</b>	38558	0.3	10

## SUPPORT INSULATORS



PD-QK-PW40M..

- For fastening busbars into the switchboard cabinet.
- Busbar dimensions: 32x5 mm minimum  
120x10 mm maximum
- Produced from glass fibre-reinforced thermoset or thermoplastic.
- M8, M10 and M12 threaded spacers.
- Package contains:  
1 support insulator

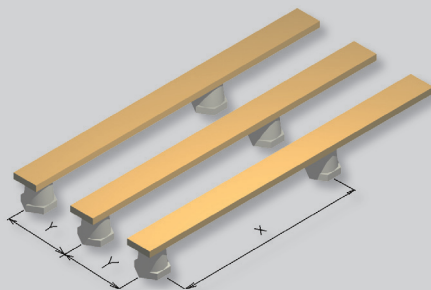
Type	Product code	Threaded insert	Support height [mm]	Weight [kg]	Package [pcs]
PD-QK-PW40M8	17440	M8	40	0.10	1
PD-QK-PW40M10	17441	M10	40	0.10	1
PD-QK-PW40M12	17442	M12	40	0.10	1
PD-QK-PW40M8/100	35859	M8	40	10	100
PD-QK-PW40M10/100	35860	M10	40	10	100
PD-QK-PW40M12/100	35861	M12	40	10	100

### Specifications

Type	PD-QK-PW40..
Operating voltage	1000 V
Operating temperature	-40 ÷ +130 °C
External breakdown voltage	8 kV
Internal breakdown voltage	20 kV
Permissible bending strength	10 kN
Permissible tensile strength	12 kN
Permissible torsion strength	100 N/m
Flammability rating class	UL94 - V0

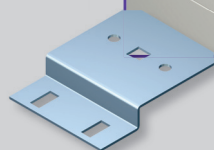
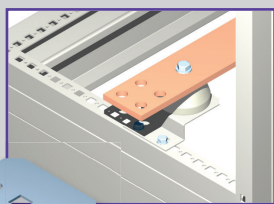
### Dependence of short-circuit resistance on spacing of PD-QK-PW40.. support insulators For copper busbars

Given values valid for busbar systems with one copper busbar flat mounted in each phase.



Busbar spacing Y [mm]	$i_p$ [kA]		Recommended spacing between support insulators X [mm]										
	Busbar dimensions		10	20	30	40	50	60	70	80	90	100	
	width [mm]	thickness [mm]											
60	30	5-10	800	800	700	500							
	40	5-10	800	800	800	650	500						
100	30	5-10	800	800	800	600							
	40	5-10	1000	1000	1000	800	700						
	50	5-10	1000	1000	1000	1000	800	600	550				
	60	5-10	1000	1000	1000	1000	800	700	550	500			
150	80	5-10	1000	1000	1000	1000	800	600	500	480	280	250	
	30	5-10	800	800	800	750							
	40	5-10	1000	1000	1000	800	800						
	50	5-10	1000	1000	1000	1000	800	800	700				
	60	5-10	1000	1000	1000	1000	1000	900	800	700			
	80	5-10	1000	1000	1000	1000	1000	900	800	700	600	500	
185	100	5-10	1000	1000	1000	1000	1000	900	800	700	600	500	
	30	5-10	800	800	800	800							
	40	5-10	1000	1000	1000	1000	900						
	50	5-10	1000	1000	1000	1000	1000	900	800				
	60	5-10	1000	1000	1000	1000	1000	1000	1000	800			
	80	5-10	1000	1000	1000	1000	1000	1000	1000	1000	800	700	600
100	5-10	1000	1000	1000	1000	1000	1000	1000	1000	800	700	600	
120	5-10	1000	1000	1000	1000	1000	1000	1000	1000	800	700	600	

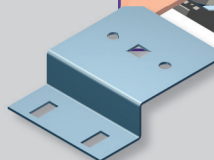
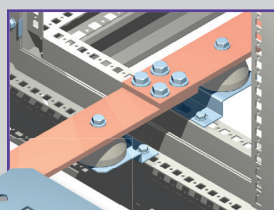
## SUPPORT INSULATOR BRACKETS



- For QA40, QA55 cabinets.
- For mounting PD-QK-PW40M8 support insulators.
- Recess 20 mm.
- 2 mm steel sheet.
- Galvanised finish.
- Support insulator affixed on □12.5 mm hole.
- Bracket affixed to frame on two 9x20 mm holes.

- Package contains:  
1 bracket

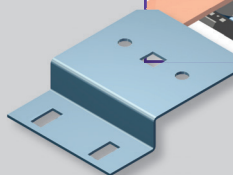
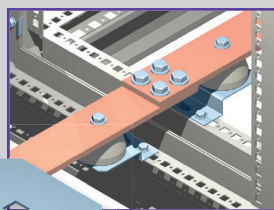
Type	Product code	Recess [mm]	Weight [kg]	Package [pcs]
PD-QK-DIVV1	17437	20	0.3	1



- For QA40, QA55 cabinets.
- For mounting PD-QK-PW40M8 support insulators.
- Recess 30 mm.
- 2 mm steel sheet.
- Galvanised finish.
- Support insulator affixed on □ 12.5 mm hole.
- Bracket affixed to frame on two 9x20 mm holes.

- Package contains:  
1 bracket

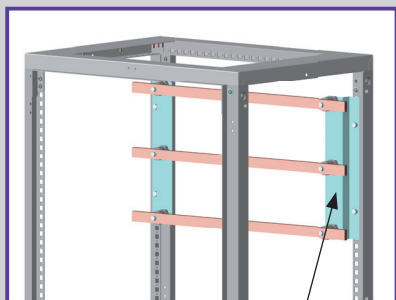
Type	Product code	Recess [mm]	Weight [kg]	Package [pcs]
PD-QK-DIVV2	17438	30	0.3	1



- For QA40, QA55 cabinets.
- For mounting PD-QK-PW40M8 support insulators.
- Recess 25 mm.
- 2 mm steel sheet.
- Galvanised finish.
- Support insulator affixed on □ 12.5 mm hole.
- Bracket affixed to frame on two 9x20 mm holes.

- Package contains:  
1 bracket

Type	Product code	Recess [mm]	Weight [kg]	Package [pcs]
PD-QK-DIVV3	37172	25	0.3	1



PD-Q13-DIM3-185

- For the holder of the busbar system D100/185 or 3x(6x) supporting insulator PD-QK-PW40...
- For busbar system with busbar spacing 185 or 100 mm.

- Package contains:  
1 bracket

Type	Product code	Weight [kg]	Package [pcs]
PD-Q13-DIM3-185	37173	0.16	1

### PE bracket with earthing

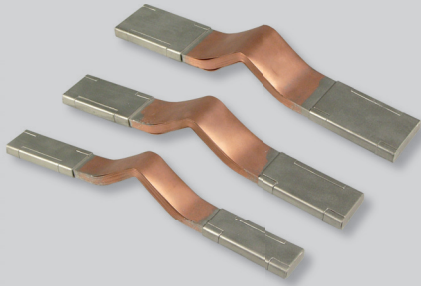
- PE protective conductor holder.

- Package contains:  
2 brackets

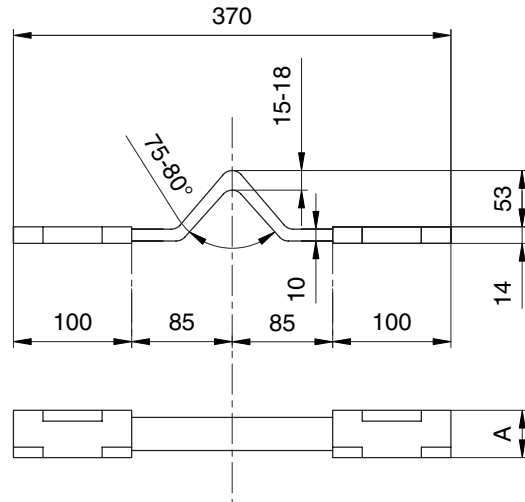
Type	Product code	Weight [kg]	Package [set]
PD-Q13-DIZ1	39581	0.3	1

## FLEXIBLE CONNECTORS

- Supplied without holes (drilled upon mounting).
- For bars wider than 60 mm, 2 connectors are used side-by-side.
- For determination of rated currents of the flexible connectors it is necessary to follow relevant rating and protection regulations.
- Contact surfaces are tin plated.
- Package contains: 1 flexible connector

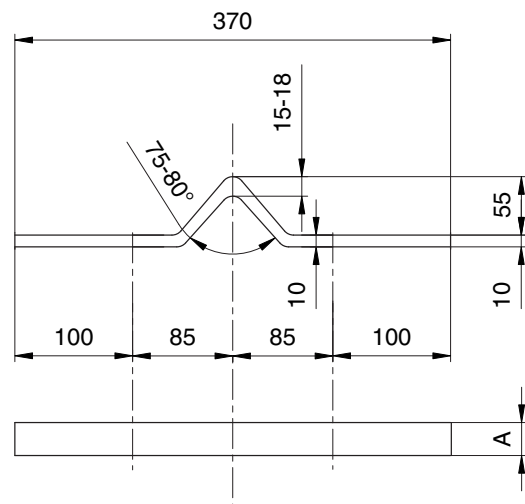


### PS-CU copper elastic connectors



Type	Product code	Min. cross section [mm <sup>2</sup> ]	Width of foot (size A) [mm]	Weight [kg]	Package [pcs]
PS-CU 40/10	7447	360	40	1.5	1
PS-CU 50/10	7448	460	50	2.0	1
PS-CU 60/10	7449	560	60	2.6	1

### PS-AL aluminium elastic connectors



Type	Product code	Min. cross section [mm <sup>2</sup> ]	Width of foot (size A) [mm]	Weight [kg]	Package [pcs]
PS-AL 40/10	7444	400	40	0.5	1
PS-AL 50/10	7445	500	50	0.6	1
PS-AL 60/10	7446	600	60	0.7	1

## BUSBAR SYSTEMS HOLDERS WITH SPACING 100 AND 185 mm



- Busbar system holder D100/185 is intended for busbar fastening in distribution boxes and low-voltage systems. The busbar system holder is made of glass reinforced polyester. The holder design as well as material provide high resistance to dynamic effects of short-circuit current.
- Low structural height and easy mounting.
- For busbar systems with spacing 100 and 185 mm.
- Possibility of protection by a front cover.
- Package contains:  
1 bracket

Type	Product code	U <sub>n</sub> [V]	Busbar spacing	For screws	Depths of thread [mm]	Weight [kg]	Package [pcs]
D100/185	08722	690	100/185	M10	14 mm	0.480	1

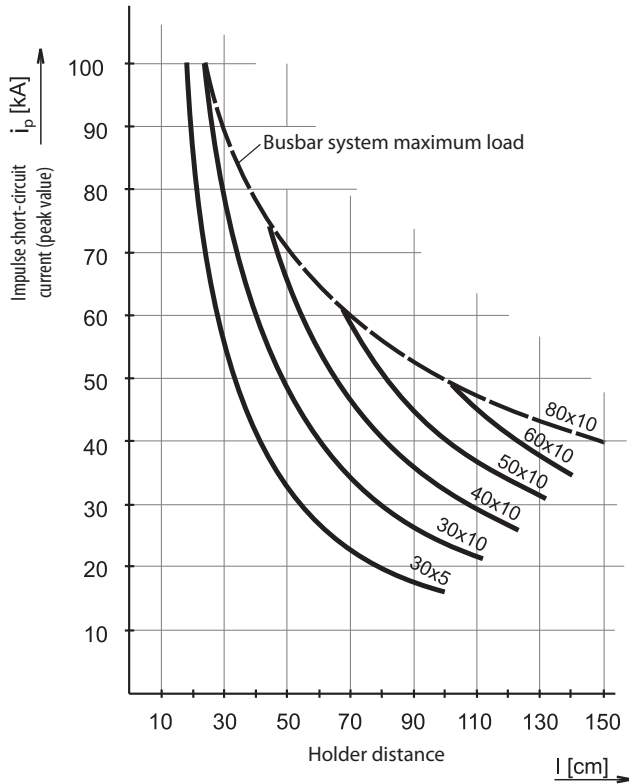
### Accessories

- Package contains:  
1 cover  
coupling elements

Description	Type	Product code	Weight [kg]	Package [pcs]
Front cover	KD-D100/185	08699	0.110	1

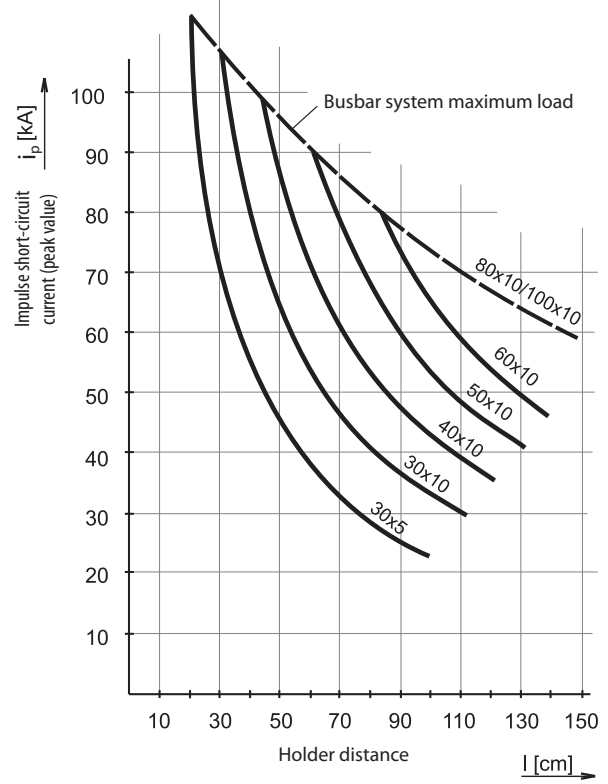
### Dynamic resistance depending on busbar holder distance

Busbar system 100 mm



Parameter: busbar Cu dimensions [mm]  
Busbar arrangement

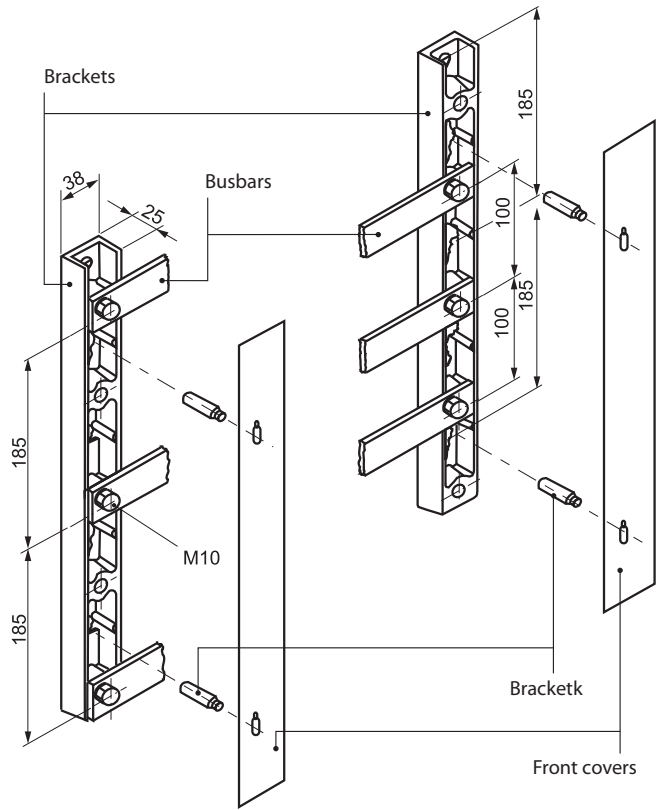
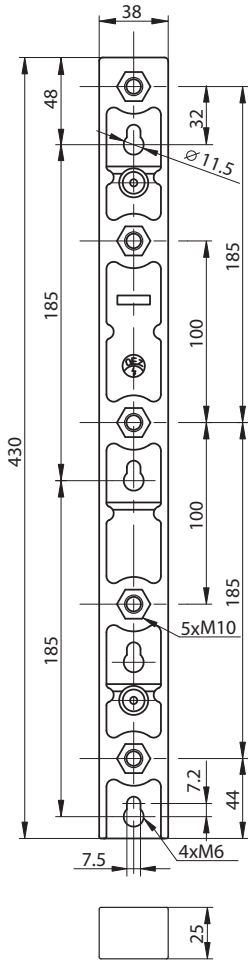
Busbar system 185 mm



Parameter: busbar Cu dimensions [mm]  
Busbar arrangement

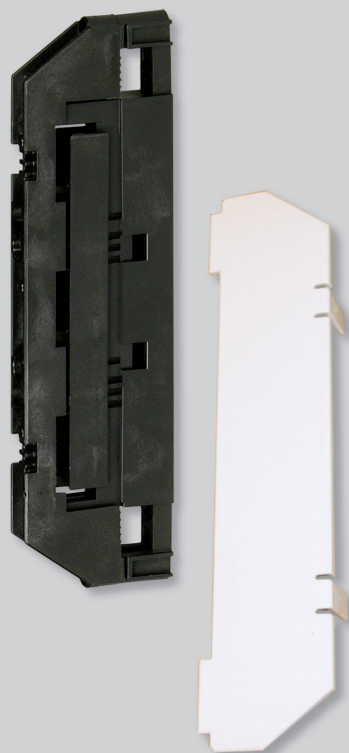
# BUSBAR SYSTEMS HOLDERS WITH SPACING 100 AND 185 mm

## Dimensions





## BUSBAR SYSTEMS HOLDERS WITH SPACING 60 mm



- Busbar systems holders SST-60/49-... are intended for mechanical mounting of 3 or 5 busbars (3L+PE+N) in cable distribution boxes and in LV busbar systems with spacing 60 mm. The busbar system holders are universal, and can be used for busbars:
- Thickness: 5 or 10 mm
- Width: 12, 20, 25 or 30 mm
- Width PE/N: 12 or 20 mm
- Number of busbars: 3 or 3+PE+N
- Package contains: 1 bracket

Type	Product code	Number of busbars	Weight [kg]	Package [pcs]
SST-60/49-3	09030	3L	0.140	1
SST-60/49-5	09032	3L+PE+N	0.160	1

### Accessories

- Package contains: 1 cover

Description	Type	Product code	Weight [kg]	Package [pcs]
<b>Side cover</b> for SST-60/49-3 busbar systems holders	A-SST-60/49-3	09031	0.030	1
<b>Side cover</b> for SST-60/49-5 busbar systems holders	A-SST-60/49-5	10405	0.040	1

### Specifications

#### Short-circuit resistance

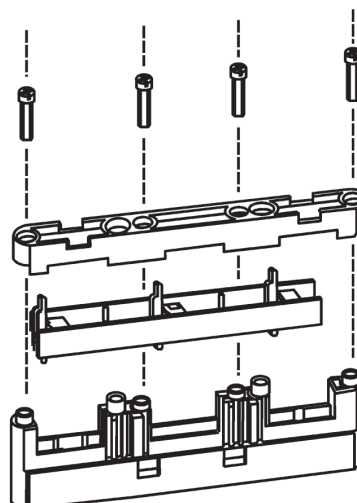
Type	SST-60/49-3								
Busbars	[mm]	30x5		30x10		20x5		20x10	
Holder distance	[mm]	200	500	200	500	200	500	200	500
Impulse current $i_p$	[kA]	58	40	63	40	46	28	50	30
Short-time withstand current $I_{cw}$ (0.1 s)	[kA]	27.6	20	30	20	21.6	13.6	23.8	15

#### Short-circuit resistance

Type	SST-60/49-5									
Busbars	L1, L2, L3	[mm]	30x5		30x10		20x5		20x10	
	PE/N	[mm]	20x5		20x10		20x5		20x10	
Holder distance	[mm]	200	500	200	500	200	500	200	500	
Impulse current $i_p$	[kA]	58	35	63	40	46	28	50	30	
Short-time withstand current $I_{cw}$ (0.1 s)	[kA]	27.6	17.5	30	20	21.9	13.6	23.8	15	

### Dimensions

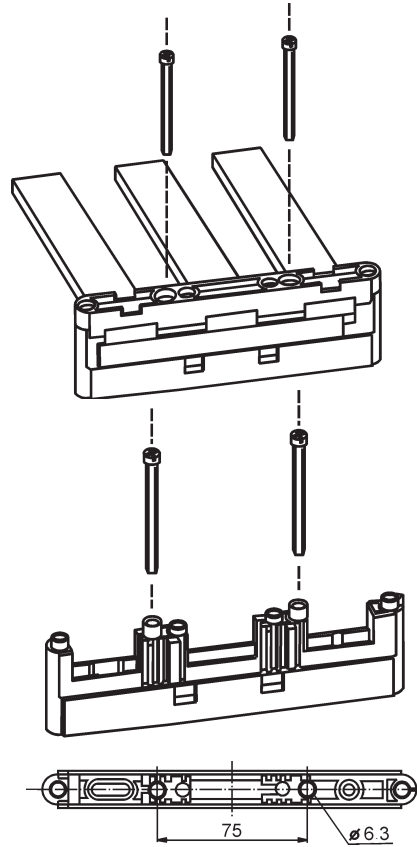
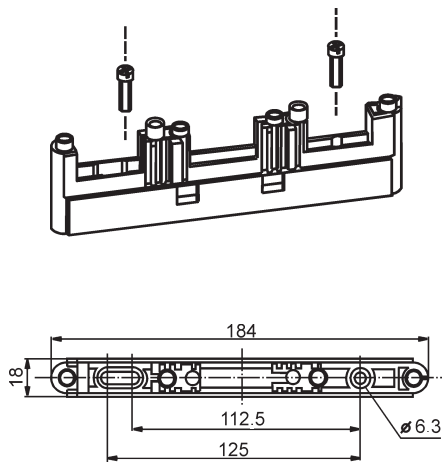
#### SST-60/49-3



# BUSBAR SYSTEMS HOLDERS WITH SPACING 60 mm

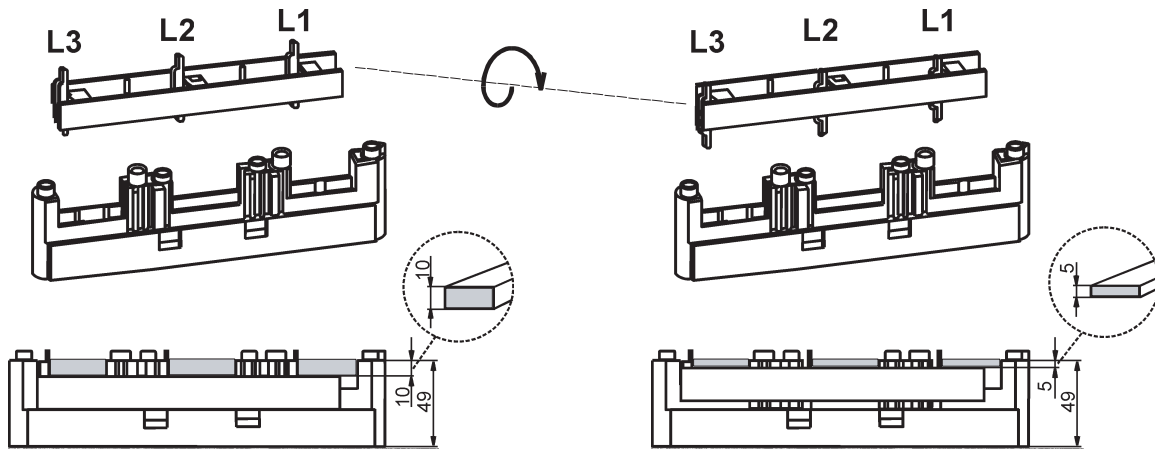
## Dimensions

Methods of mounting SST-60/49-3 in the switchboard with two screws M6

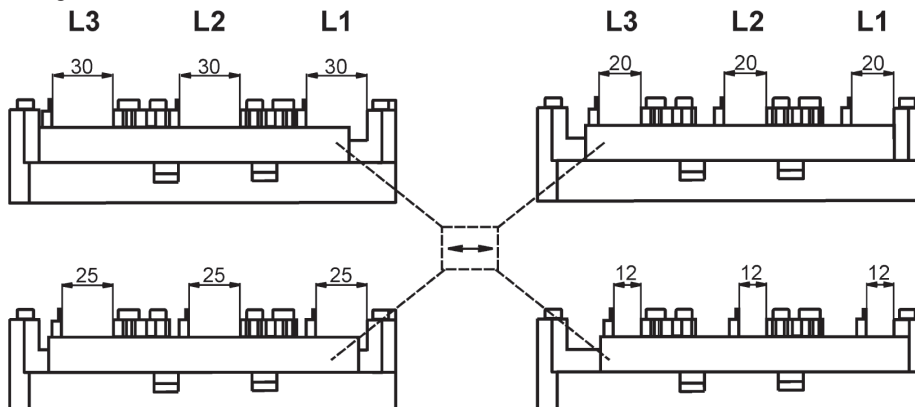


### SST-60/49-3

#### Busbar thickness setting



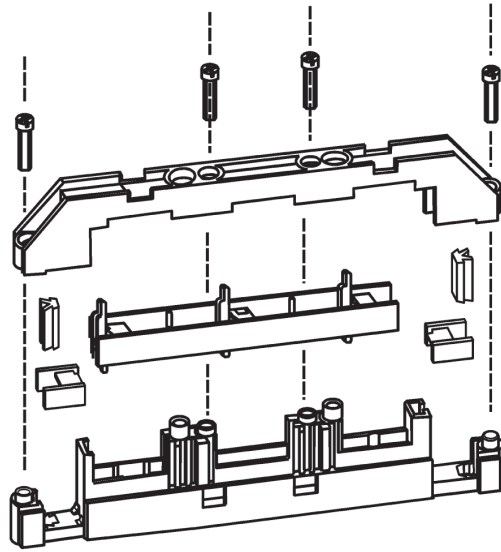
#### Busbar width setting



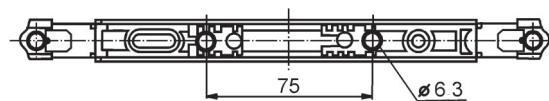
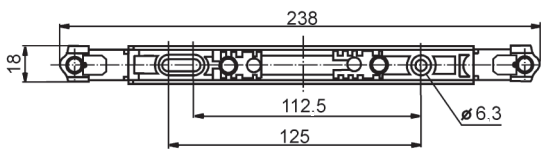
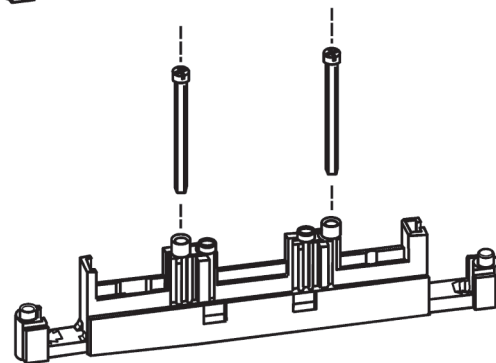
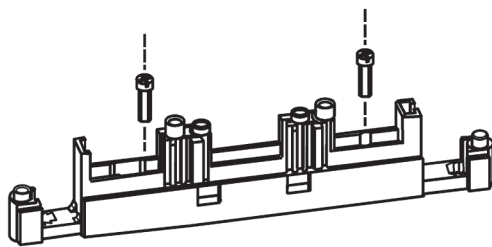
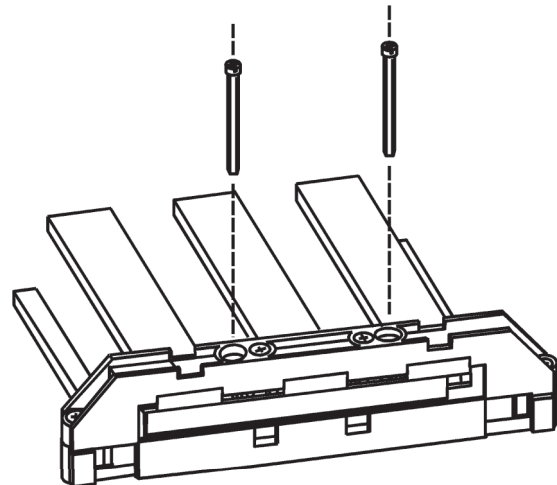
# BUSBAR SYSTEMS HOLDERS WITH SPACING 60 mm

## Dimensions

SST-60/49-5



Methods of mounting SST-60/49-5 in the switchboard with two screws M6

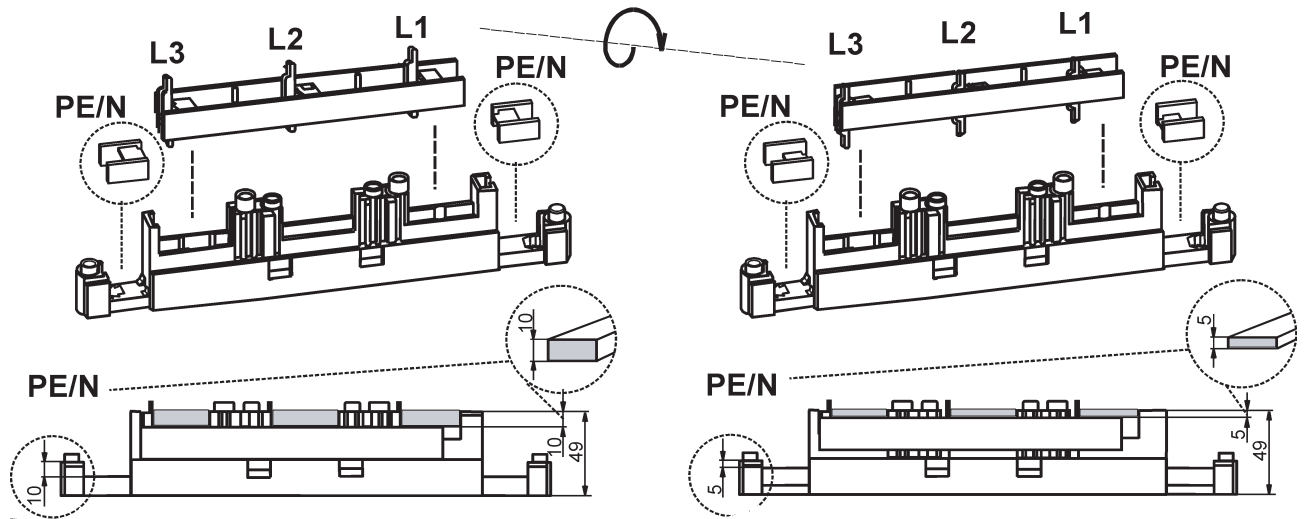


# BUSBAR SYSTEMS HOLDERS WITH SPACING 60 mm

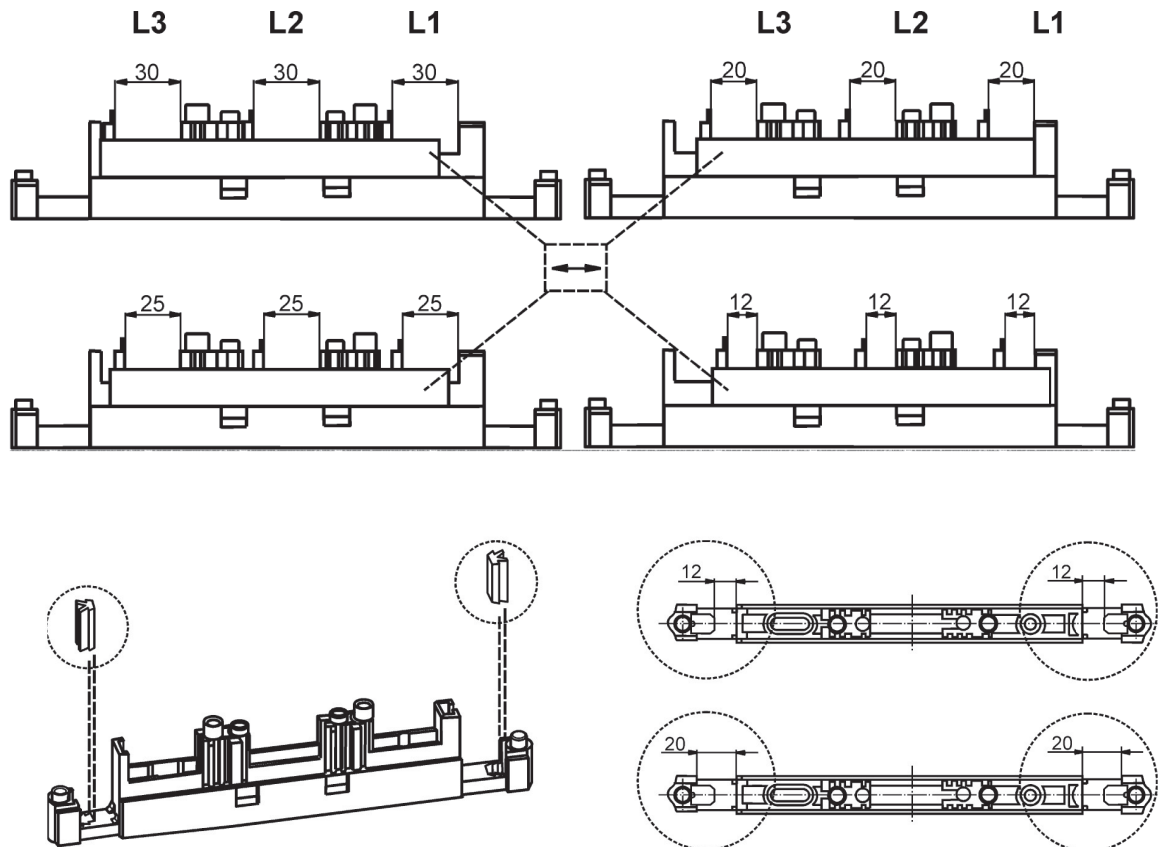
## Dimensions

SST-40/69-5

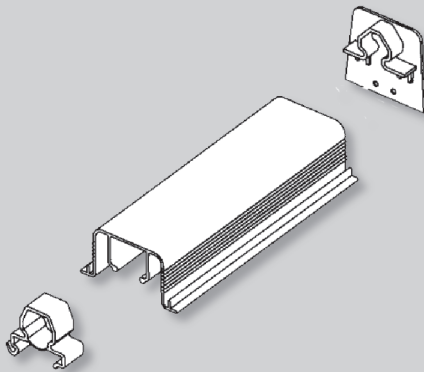
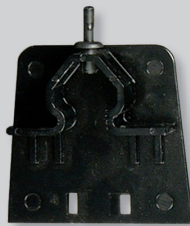
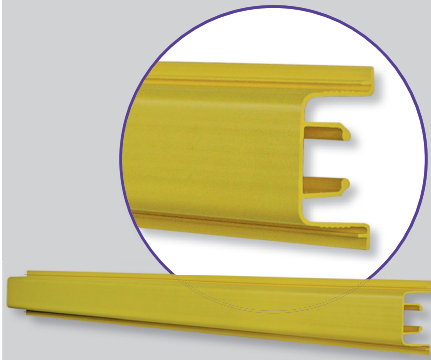
Busbar thickness setting



Busbar width setting



## BUSBAR SYSTEM COVER SAP



- Busbar system cover SAP is universal for all types of flat busbars used in LV distribution systems. It is made from hardly flammable, self-extinguishing hard PVC in yellow colour.
- It meets BGU A3 regulations.
- It is delivered in length 1.2 m.
- Fast and easy mounting.
- Use only in combination with busbar system holders with spacing 100 and 185 mm.
- Package contains: 1 bracket.

Type	Product code	Length [m]	Weight [kg]	Package [pcs]
SAP	00322	1.2	0.820	1

### Accessories

- Package contains: 24 clips

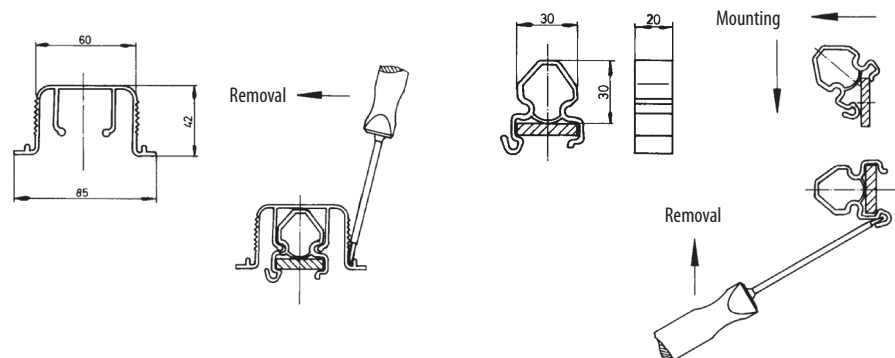
Description	Type	Product code	Weight [kg]	Package [pcs]
<b>Fastening clips</b> made of polyphenyloxide (Noryl)	C30/6	00331	0.008	24
	C30/10	00332	0.008	24
	C40/10	00333	0.010	24
	C50/10	00334	0.010	24
	C50/12	00335	0.015	24
	C60/10	00336	0.020	24

Description	Type	Product code	Weight [kg]	Package [pcs]
<b>Busbar side covers</b> made of self-extinguishing polycarbonate in black colour	SEA	07839	0.018	12

### Specifications

Type	Busbar dimensions
C30/6	30x5
	30x6
C30/10	30x10
C40/10	40x10
C50/10	50x10
C50/12	50x12
C60/10	60x10

### Dimensions



# PRESSING-IN NUT

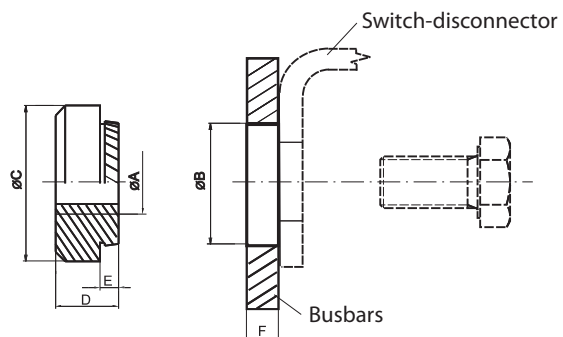


- Pressed-in nuts ZM enable making a thread in busbars. They are intended for making mechanical joint only. Pressing-in can be carried out also by a hand press.
- Package contains: 1 nuts

## Pressing-in nut

Typ	Product code	Thread	Weight [kg]	Torque max. Nm	Package [pcs]	Pressing height
<b>ZM8</b>	11870	M8	0.004	10	1/200	1.9
<b>ZM8-V</b>	35373	M8	0.005	10	1/200	3.9
<b>ZM10</b>	11233	M10	0.006	32	1/200	1.9
<b>ZM10-V</b>	35374	M10	0.080	32	1/200	3.9
<b>ZM12-V</b>	11234	M12	0.010	32	1/200	3.9

## Dimensions



Type	$\varnothing A$	$\varnothing B$	$\varnothing C$	D	E	F min
<b>ZM8</b>	M8	10 <sup>0.1</sup>	14	6.5	1.9	2
<b>ZM8-V</b>	M8	10 <sup>0.1</sup>	14	10.0	3.9	4
<b>ZM10</b>	M10	12.5 <sup>0.1</sup>	16	6.5	1.9	4
<b>ZM10-V</b>	M10	12.5 <sup>0.1</sup>	16	10.0	3.9	4
<b>ZM12-V</b>	M12	15 <sup>0.1</sup>	18	10.0	3.9	4

# NOTES

---

A large grid of dots for taking notes, consisting of approximately 30 columns and 40 rows of small, evenly spaced dots.



## GLOSSARY

Name	Symbol	Interpretation
<b>Rated current</b> EN 61439-1	$I_n$	Rated current is a value of current, stated by the switchboard manufacturer, which can be conducted without temperature rise exceeding stated limits under specified conditions in various parts of the switchboard.
<b>Rated short-time withstand current</b> EN 61439-1	$I_{cw}$	Rated short-time withstand current is a root-means-square value of the short-time current, stated by the switchboard manufacturer, which can be conducted without damage under specified conditions, defined by means of current and time.
<b>Rated dynamic current</b> EN 61439-1	$I_{pk}$	Rated dynamic current is a value of impulse short-circuit current, stated by the switchboard manufacturer, which can be withstood under specified conditions.
<b>Initial maximum asymmetric short-circuit current</b> EN 60909-0	$I_k''$	Initial maximum asymmetric short-circuit current is a value of short-circuit current at the moment of its origin in given place of an electrical circuit, expressed as root-mean-square value of alternating symmetric component of the assumed short-circuit current.
<b>Maximum asymmetric short-circuit current</b> EN 60909-0	$i_p$	Maximum asymmetric short-circuit current is a maximum immediate value of assumed short-circuit current. (It corresponds to the moment of origin of the short circuit, which results in the biggest peak value of the short-circuit current).
<b>“U” rail</b>		“U” rail TH 35-7,5 according to EN 60715, delivered in distribution boards. Formerly called DIN rail of width 35 mm.
<b>Fire resistance EI<sub>1</sub> 20 / EI<sub>2</sub> 30/ EW 60</b> EN 13 501-2		<p>Combination of these identification letters is in case of need used as part of classification. It is completed by time in whole expired minutes, closest to a lower class, after which functional requirements were observed.</p> <p><b>EI</b> - Classification time, after which criteria of integrity and insulation were observed.</p> <p><b>W</b> - optional parameter of radiation behaviour states, whether the criterion of 15 kW/m<sup>2</sup> was observed.</p> <p><b>E</b> - integrity - ability of an element with isolating property to resist fire action from only one side without transfer of the fire onto the unexposed side due to penetration of flame or hot gases which can cause ignition of the unexposed surface or of any material in its vicinity.</p> <p><b>I</b> - isolation - ability of a structural element to resist fire action from only one side without transfer of the fire due to significant transfer of heat from the exposed onto the unexposed side. The transfer shall be limited so that neither the unexposed side nor any material in its vicinity ignites. The element shall also create a heat barrier able to protect persons in its vicinity. Isolation classification is stated by means of indexes 1 and 2.</p> <p><b>W</b> - radiation - ability of a structural element to resist exposition from only one side so that probability of fire transfer due to radiant heat penetration both through the element and from the unexposed surface of the element onto the adjacent materials is reduced. The element shall also protect persons in its vicinity. The element meeting criteria I, I<sub>1</sub>, I<sub>2</sub> is evaluated as meeting the requirement W for the same time. The elements, for which radiation is evaluated, are marked by addition of W to the classification (e.g. EW). For these elements, classification is stated as time (min), after which the maximum radiation measured according to the specification in the test standard does not 15 kW/m<sup>2</sup>.</p>

**NOTES**

---

A large grid of small dots for taking notes, covering most of the page below the 'NOTES' header.



▶ **OEZ s.r.o.**  
Šedivská 339  
561 51 Letohrad  
Czech Republic  
tel.: +420 465 672 111  
+420 465 672 101  
fax: +420 465 672 398  
+420 465 672 151  
e-mail: [oeztrade.cz@oez.com](mailto:oeztrade.cz@oez.com)  
[www.oez.com](http://www.oez.com)



RS1-2012-A

Any changes reserved

