



Product Specifications

True Beam Main Circuit Breaker Panel

Model NEA080AVWB

03 January 2012

Product Description

1. Standard Applications

The Nova NEA080AVWB is an integrated Main Circuit Breaker Disconnect Panel (MDP) specifically designed to meet the requirements of the True Beam accelerator. The low voltage internal controls panel provide a safe, low voltage interface between the imaging equipment, operator's control, and room line voltage. Each MDP is sold with 2 remote Emergency Stop Buttons. The MDP saves time, installation labor, and valuable mounting space by consolidating the main circuit breaker, the feeder over current devices, and controls into one integrated panel. The panel design includes short circuit, overload and emergency shutdown of the system. All power is controlled by ADA approved through the door disconnects or by the remote emergency operator control station.

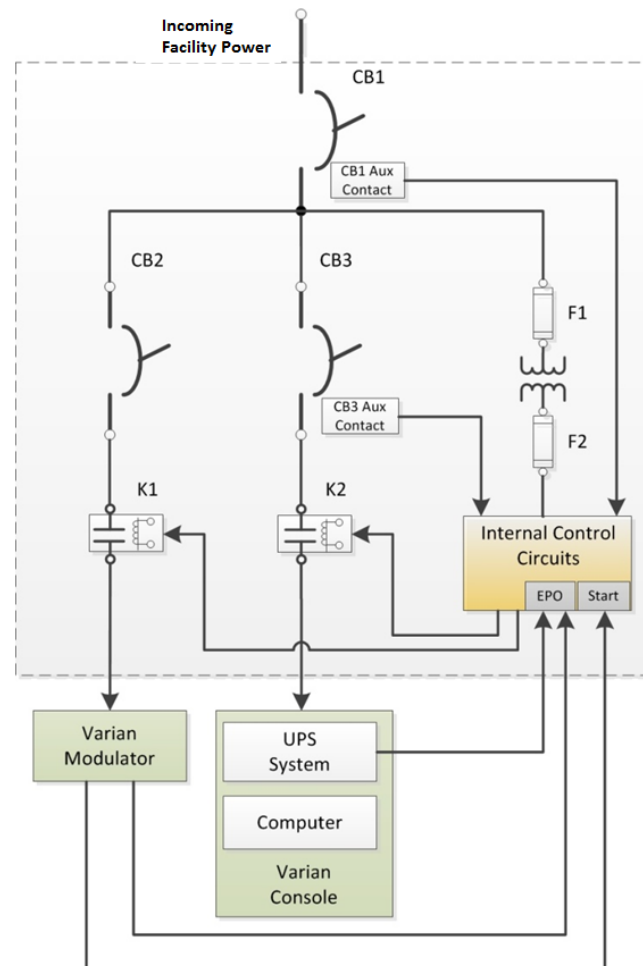


Figure 1 Nova True Beam Main Disconnect Panel One Line

2. System Compatibility

The Nova NEA80AVWB is compatible with the following medical imaging equipment:

Varian True Beam, Trilogy MX, and other related installations

3. Identification

Varian True Beam- The proper panel can be identified in the Varian Designer's Desk Reference Typical Connections for the Clinac Console and Modulator Cabinet. Note 4.2.2 & 4.3

Equivalent to item VWB80A480V

4. Features/ Benefits

Features

- Integrated design provides all of the Main Disconnect Panel's controls into an easy to configure panel
- Utilizes heavy duty Contactor contacts to handle inrush currents.
- UL and cUL listed to conform to NEC.
- Labeled to conform to NFPA99, NFPA-70.
- Provides a fixed junction point for the Varian Console
- Compact size for easy installation
- Short circuit and overload protection
- Short circuit current rated at 25kAIC
- American Disabilities Act (ADA) approved through the door disconnect handle.
- Lock Out/ Tag Out lockable operating handle provides added safety during maintenance and OSHA requirements.
- Thermal protection
- Interlocked ON/OFF hinged door prevents access to the panel while the disconnect is in the ON position.
- Door may be locked closed with customer provided padlock.
- ¼ turn slotted door latch provides additional security.
- Isolated Neutral lugs
- Oversized ground lugs for parity sizing of ground wire
- Compact size for easy installation
- Factory wired to match Varian equipment and tested
- Manufactured in the USA

Benefits

- Designed tested and installed on Varian Installations
- Acceptable low cost alternative to GE
- Manufactured using the highest quality components for high reliability and long life
- Provides protection for sensitive electronic equipment
- Manufactured to a tolerance which exceeds the specifications of Varian equipment.
- Easy to view LED indicator lights for System ON
- Field adjustable overload and instantaneous trip
- Reduces installation time and cost by eliminating delays in obtaining individually enclosed components and by eliminating on site assembly
- Provides a standardized platform for other future modifications or upgrades
- Reduced weight- all components are within a small 159 lb enclosure
- One hand ON/OFF operation. The ADA handle makes turning the imaging equipment on and off during emergencies or power failures easy for technicians and nursing staff.



Figure 2 Nova NEA080AVWB Main Disconnect Panel- Outside

5. Specifications

| | |
|---|--|
| Model | NEA080AVWB |
| Application | Main Disconnect Panel for True Beam accelerator |
| Input Voltage | 200, 208, 240, 380, 400, 415, 480 VAC, 3 Phase (Please specify if other than 480VAC) |
| Control Voltage | Internally derived 24VAC for controls |
| Overload Current Protection | Factory set to 80A, field adjustable 50-100A |
| Short Circuit Current Protection | 25kAIC |
| Console Load | IEC 60309-30A, 250 Vac |
| Linear Accelerator Load | 80 A (480V), 90A (415V), 100A (400V, 380V), 150A (240V), 175A (208V, 200V) |
| Operator Controls | Compatible with EPO and Remote Start |
| Approvals | UL/cUL |

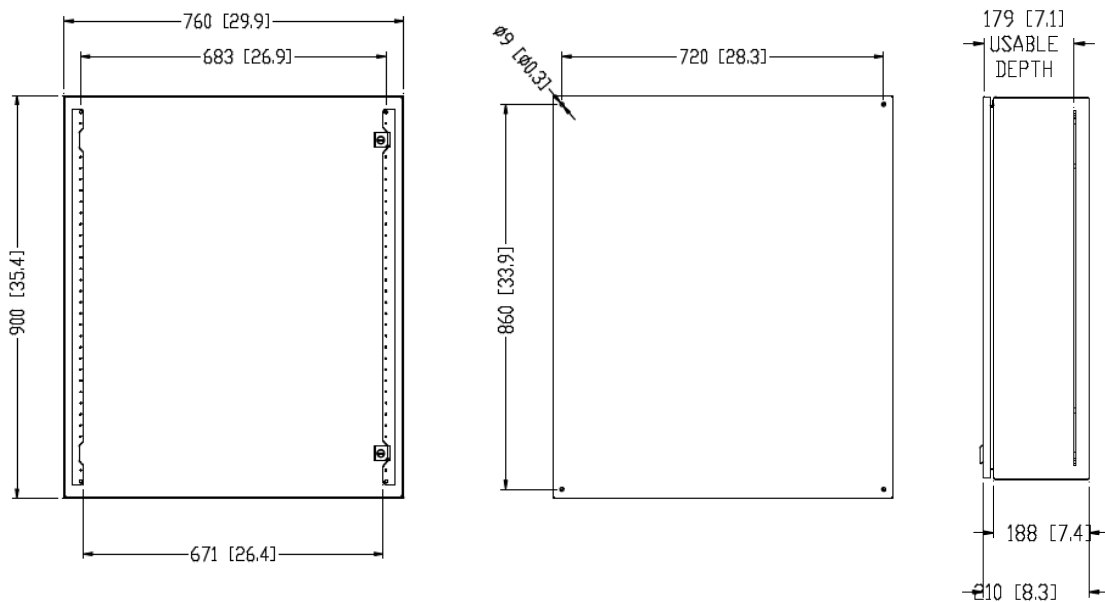


Figure 3 Nova NEAVWB80AVWB MDP- Inside

6. Weights and Dimensions

The controller may be semi flush mounted within a 6" deep wall. This will leave exposed approximately 2.27" extending past the finish drywall surface.

| | |
|----------------------------|--|
| Model | NEA080VWB. |
| Dimensions | Height: 35.4" (914mm) Width: 30" (760mm) Depth: 8.3" (250mm) |
| Weight | 159 lbs. (72.3 kg) |
| Mounting | Rear wall mounting holes (4). Spaced 0.79" (20mm) from enclosure edge. Optional mounting brackets are available |
| Enclosure | 16 Gauge Carbon Steel, all rounded corners 1 gland plate in the enclosure base. |
| Enclosure Sealing | Foamed-in place polyurethane door gasket |
| Finish | Dip coat primed, powder coated in textured RAL 7035 |
| Latching Mechanism | Two ¼ turn latches with double-bit inserts (cam lock). Door is hinged on left side but can be swapped if specified when order is placed. |
| Interior Panel | Zinc-Plated subpanel |
| Protection Category | IP 66 to EN60 529/09:2000, complies with NEMA 4 Enclosure Approvals: UL, CSA, TUV, GL, Lloyds, VDE, Bureau Veritas |



All four sides have removable gland plates for easy mounting of conduit fittings.

Figure 4 Enclosure Dimensions: Outside, Mounting, Depth

7. Warranty

This limited warranty set forth below is given by Nova Automation (“Seller”) with respect to the electrical equipment (“Product”) packaged with this limited warranty. The Product, when delivered to you in new condition in its original packaging, is warranted against defects in materials or workmanship as follows: For a period of one (1) year from the date of original purchase, defective parts or a defective Product returned to a Seller, or its authorized service providers, as applicable, and proven to be defective upon inspection, will be repaired, or exchanged for a new Product, as determined by the Seller, or the authorized service provider.

This limited warranty covers all defects encountered in normal use of the Product, and does not apply in the following cases: Loss of or damage to the Product due to abuse, mishandling, alteration, accident, electrical current fluctuations, failure to follow operating, maintenance or environmental instructions prescribed by Seller, failure to follow Sellers installation instructions, or service performed by someone other than Seller or its authorized service provider.

Nova assumes no responsibility for labor or freight costs incurred in connection with the installation, removal, or replacement of products determined to be defective or any consequential or incidental damages arising from the use of the product. Nova Automations entire liability on any claim of loss or damage resulting from a defective product is limited to the replacement of the product.

WARRANTY IS VOID IF PRODUCT IS NOT USED FOR THE PURPOSE FOR WHICH IT WAS MANUFACTURED.

8. Product Service and Technical Assistance

Nova Automation, LLC
2722 N. Avondale Blvd
Milwaukee WI 53210
PH# 262-309-2950
Website: www.NovaAutomation.net