

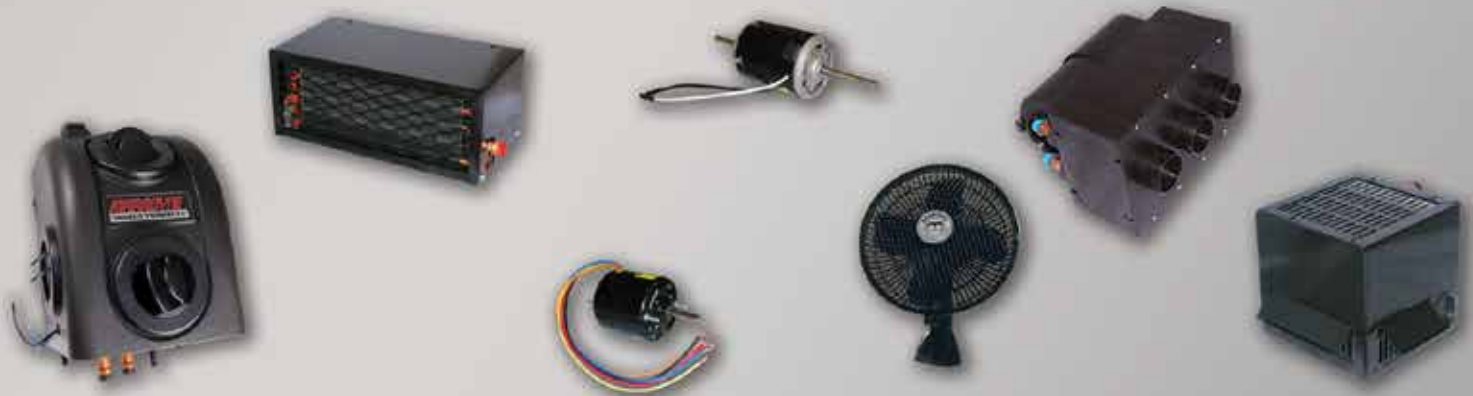
MARADYNE[®]

MOBILE PRODUCTS

**HEATERS • BLOWERS • MOTORS
DASH MOUNT FANS • SERVICE PARTS**



Volume 4



www.maradynemobile.com

WHO WE ARE . . .



MARADYNE® Mobile Products is a brand name owned by DCM Manufacturing, a wholly-owned subsidiary of Dreison International, Inc. DCM Manufacturing manufactures and sells accessories and components serving the off-road equipment, agricultural machinery, heavy-duty truck, automotive, bus, RV, marine and military markets.

DCM manufacturing facilities are located in Cleveland, OH, Grand Prairie, TX, Shenzhen, China, Empalme, Mexico and Izmir, Turkey. DCM also maintains strategic manufacturing alliances throughout China. Each international facility has on site engineering capabilities that are supported by our team of engineers in the United States as well as DCM employees in Asia and Mexico. All of our products are produced to meet USA design specifications, using quality components.



These companies are operated by the Berger family, which has taken an active role in their management for 35 years and has focused on providing quality products and premier service.

Dreison currently employs approximately five hundred people, and annual revenues are approximately seventy five million U.S. dollars. The philosophy to produce and distribute a quality product at a fair price, backed with service is a family tradition that ensures continual growth.

TABLE OF CONTENTS



Who we are	2
Auxiliary Heaters	4 – 12
Universal Heaters for Various:	
<i>Cab Enclosures</i>	
<i>Buses</i>	
<i>Utility Vehicles</i>	
<i>Agricultural</i>	
<i>Construction</i>	
Accessories	13 – 17
Mounting Bracket	
Flex Hose “Y” Connectors	
Water Hose Connectors	
Switch Plates	
Heater Hose Kits	
Resistors	
Defrost & Louver Kits & Parts	
Air Return Grills	
Switch Kits	
Heater Tubes w/Louver	
Portable Air Pump	
Axial Fans	18 – 19
Champion Series	
Pacesetter Series	
Dash Mount Fans	20 – 24
Medium Duty Fans	
Heavy Duty Fans	
New Heavy Duty Fans	
Dash Fan Options	
Centrifugal Blowers.	25 – 28
Part # Index	29
Service Parts	30 – 31

Copyright © 2016. DCM Manufacturing, Inc., Cleveland, OH. All rights reserved.

AUXILIARY HEATERS



SANTA FE FLOOR MOUNT HEATER

Model # 4000-12V
Model # 4000-24V

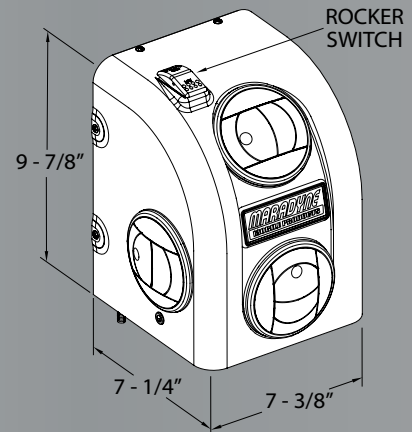


FEATURES

- Built-In Two-Speed Fan Control Switch
- Heavy-Duty, Long-Life Motor
- Compact Design
- Floor Mount
- Adjustable Airflow Louvers
- Mounting Hardware (included)

OPTIONS

- Heater Hose Kit P/N 64006 (not included) See Page 14
- Defrost Kit P/N MFA128 or Louver Kit P/N MFA130 (not included) See Page 15
- Wall Mounting Bracket P/N MFA132 (not included) See Page 13



9⁷/₈" H x 7³/₈" L x 7¹/₄" D

SANTA FE HEATER SPECIFICATIONS

PART #	HEATING BTU/HR	AIR FLOW	POWER REQUIREMENTS	CASE MATERIAL	CORE MATERIAL	FAN MATERIAL	FITTINGS
H-400012	13,200	200 CFM	6.0 Amps @ 12V	Glass-Filled Nylon	Tube & Fin	Aluminum	5/8"
H-400024	13,200	200 CFM	3.0 Amps @ 24V	Glass-Filled Nylon	Tube & Fin	Aluminum	5/8"

Please See Page 13 - 17 for Optional Kits & Louvers

MESA FLOOR MOUNT HEATER

Model # 4102-12V
Model # 4102-24V

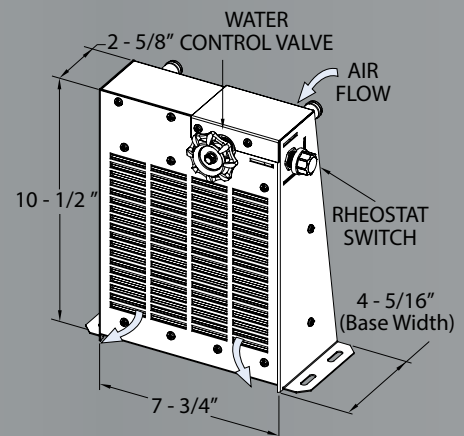


FEATURES

- Rheostat Fan Control
- Compact Design
- In-Line Shut-Off Valve for Temperature Control
- Fan Only Operation (full shut-off)

OPTIONS

- Heater Hose Kit P/N 64006 (not included) See Page 14



10¹/₂" H x 7³/₄" L x 4⁵/₁₆" D

MESA HEATER SPECIFICATIONS

PART #	HEATING BTU/HR	AIR FLOW	POWER REQUIREMENTS	CASE MATERIAL	CORE MATERIAL	FAN MATERIAL	FITTINGS
H-410212	14,000	210 CFM	2.7 Amps @ 12V	22 Gauge Steel	Tube & Fin	Plastic	5/8"
H-410224	14,000	210 CFM	1.4 Amps @ 24V	22 Gauge Steel	Tube & Fin	Plastic	5/8"

Please See Page 14 - 17 for Optional Kits & Louvers

MARADYNE® Mobile Products

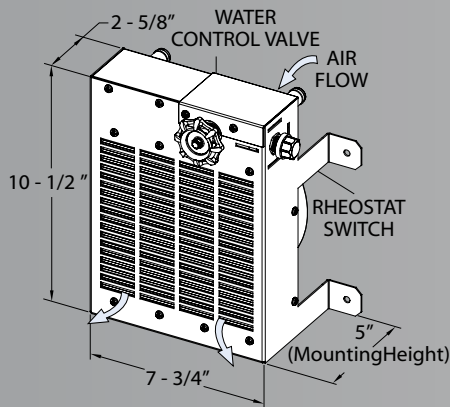
4540 W. 160th Street • Cleveland, OH 44135 • Ph: (216) 265-8006 • Fax: (216) 362-6342 • www.maradyne.com

AUXILIARY HEATERS



MESA WALL MOUNT HEATER

Model # 4103-12V
Model # 4103-24V



10¹/₂" H x 7³/₄" L x 5" D

FEATURES

- Rheostat Fan Control
- Compact Design
- In-Line Shut-Off Valve for Temperature Control
- Fan Only Operation (full shut-off)

OPTIONS

- Heater Hose Kit P/N 64006 (not included) See Page 14



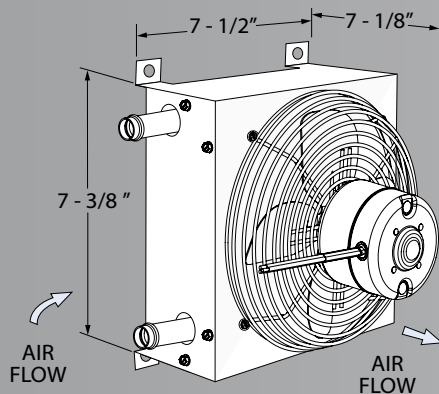
MESA HEATER SPECIFICATIONS

PART #	HEATING BTU/HR	AIR FLOW	POWER REQUIREMENTS	CASE MATERIAL	CORE MATERIAL	FAN MATERIAL	FITTINGS
H-410312	14,000	210 CFM	2.7 Amps @ 12V	22 Gauge Steel	Tube & Fin	Plastic	5/8"
H-410324	14,000	210 CFM	1.4 Amps @ 24V	22 Gauge Steel	Tube & Fin	Plastic	5/8"

Please See Page 14 - 17 for Optional Kits & Louvers

DAYTONA WALL MOUNT HEATER

Model # 6030-12V*
Model # 6030-24V*



7³/₈" H x 7¹/₂" L x 7¹/₈" D

FEATURES

- Three-Speed Motor w/Fan Control Switch
- Rigid Steel Case with Gray Finish
- Heavy-Duty, Long-Life Motor
- Mounting Hardware (included)

OPTIONS

- Heater Hose Kit P/N 64006 (not included) See Page 14



SWITCH
Three Speed Motor

* Replaces Model # 6000-12V & Model # 6000-24V.

DAYTONA HEATER SPECIFICATIONS

PART #	HEATING BTU/HR	AIR FLOW	POWER REQUIREMENTS	CASE MATERIAL	CORE MATERIAL	FAN MATERIAL	FITTINGS
H-603012	15,000	140 CFM	1.5 Amps @ 12V	22 Gauge Steel	Tube & Fin	Plastic	5/8"
H-603024	15,000	140 CFM	0.75 Amps @ 24V	22 Gauge Steel	Tube & Fin	Plastic	5/8"

Please See Page 14 - 17 for Optional Kits & Louvers

MARADYNE® Mobile Products

4540 W. 160th Street • Cleveland, OH 44135 • Ph: (216) 265-8006 • Fax: (216) 362-6342 • www.maradynemobile.com

AUXILIARY HEATERS



TUCSON WALL/FLOOR MOUNT HEATER

Model # 5030-12V
Model # 5030-24V

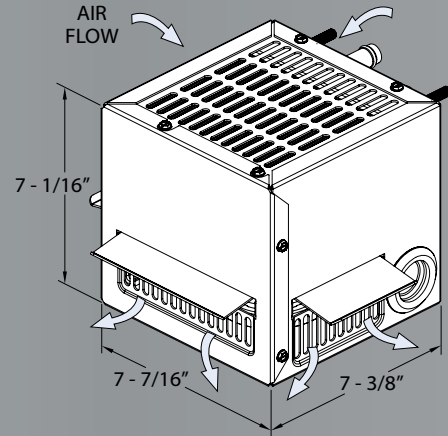


FEATURES

- Three-Speed Motor w/Fan Control Switch
- Heavy-Duty, Long-Life Motor
- Mounting Studs and Water Hose Connections at Rear
- Compact Design
- Directional Airflow Doors
- Mounting Hardware (included)

OPTIONS

- Heater Hose Kit P/N 64006 (not included) See Page 14
- Defrost Kit P/N MFA126 or Louver Kit P/N MFA127 (not included) See Page 15



7¹/₁₆" H x 7⁷/₁₆" L x 7³/₈" D



SWITCH
Three Speed Motor

* Replaces Model # 5000-12V & Model # 5000-24V.

TUCSON HEATER SPECIFICATIONS

PART #	HEATING BTU/HR	AIR FLOW	POWER REQUIREMENTS	CASE MATERIAL	CORE MATERIAL	FAN MATERIAL	FITTINGS
H-503012	12,500	200 CFM	2.9 Amps @ 12V	22 Gauge Steel	Tube & Fin	Aluminum	5/8"
H-503024	12,500	200 CFM	1.5 Amps @ 24V	22 Gauge Steel	Tube & Fin	Aluminum	5/8"

Please See Page 14 - 17 for Optional Kits & Louvers

TUCSON II WALL/FLOOR MOUNT HEATER

Model # 5110-12RV
Model # 5110-24RV

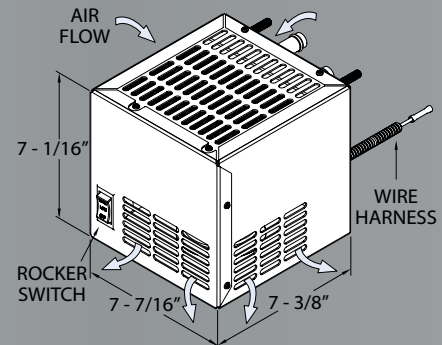


FEATURES

- Two-Speed Motor w/Built-In Fan Control Switch
- Heavy-Duty, Long-Life Motor
- Mounting Studs and Water Hose Connections at Rear
- Compact Design
- Mounting Hardware (included)

OPTIONS

- Heater Hose Kit P/N 64006 (not included) See Page 14



7¹/₁₆" H x 7⁷/₁₆" L x 7³/₈" D

TUCSON II HEATER SPECIFICATIONS

PART #	HEATING BTU/HR	AIR FLOW	POWER REQUIREMENTS	CASE MATERIAL	CORE MATERIAL	FAN MATERIAL	FITTINGS
H-511012	12,500	150 CFM	2.9 Amps @ 12V	22 Gauge Steel	Tube & Fin	Aluminum	5/8"
H-511024	12,500	150 CFM	1.5 Amps @ 24V	22 Gauge Steel	Tube & Fin	Aluminum	5/8"

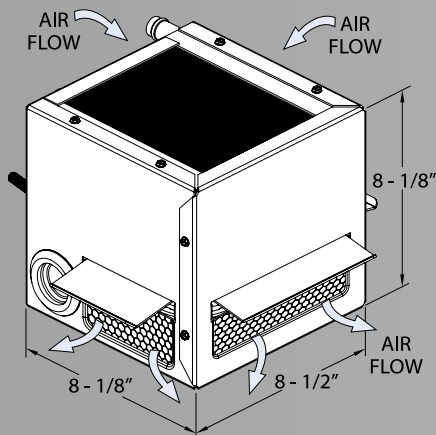
Please See Page 14 - 17 for Optional Kits & Louvers

AUXILIARY HEATERS



PHOENIX WALL/FLOOR MOUNT HEATER

Model # 8030-12V*
Model # 8030-24V*



8¹/₈" H x 8¹/₈" L x 8¹/₂" D

FEATURES

- Three-Speed Motor w/Fan Control Switch
- Heavy-Duty, Long-Life Motor
- Mounting Studs and Water Hose Connections at Rear
- Compact Design
- Directional Airflow Doors
- Mounting Hardware (included)

OPTIONS

- Heater Hose Kit P/N 64006 (not included) See Page 14
- Defrost Kit P/N MFA126 or Louver Kit P/N MFA127 (not Included) See Page 15



SWITCH
Three Speed Motor



* Replaces Model # 8000-12V & Model # 8000-24V.

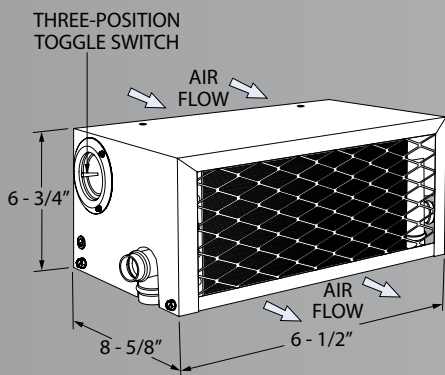
PHOENIX HEATER SPECIFICATIONS

PART #	HEATING BTU/HR	AIR FLOW	POWER REQUIREMENTS	CASE MATERIAL	CORE MATERIAL	FAN MATERIAL	FITTINGS
H-803012	25,000	250 CFM	5.0 Amps @ 12V	20 Gauge Steel	Tube & Fin	Aluminum	5/8"
H-803024	25,000	250 CFM	2.5 Amps @ 24V	20 Gauge Steel	Tube & Fin	Aluminum	5/8"

Please See Page 14 - 17 for Optional Kits & Louvers

ODESSA FLOOR MOUNT HEATER

Model # 9000-12V
Model # 9000-24V
Model # 9000-36V



6³/₄" H x 16¹/₂" L x 8⁵/₈" D

FEATURES

- Built-In Three-Position Toggle Switch
- Choice of Side or Bottom Hose Hook-up
- Twin Fan Blades
- Heavy-Duty, Long-Life Motor
- Mounting Hardware (included)

OPTIONS

- Heater Hose Kit P/N 64006 (not included) See Page 14



ODESSA HEATER SPECIFICATIONS

PART #	HEATING BTU/HR	AIR FLOW	POWER REQUIREMENTS	CASE MATERIAL	CORE MATERIAL	FAN MATERIAL	FITTINGS
H-900012	33,000	205 CFM	8.5 Amps @ 12V	14 Gauge Steel	Tube & Fin	Aluminum	1/2" PT
H-900024	33,000	205 CFM	4.25 Amps @ 24V	14 Gauge Steel	Tube & Fin	Aluminum	1/2" PT
H-900036	33,000	205 CFM	2.75 Amps @ 36V	14 Gauge Steel	Tube & Fin	Aluminum	1/2" PT

Please See Page 14 - 17 for Optional Kits & Louvers

MARADYNE® Mobile Products

4540 W. 160th Street • Cleveland, OH 44135 • Ph: (216) 265-8006 • Fax: (216) 362-6342 • www.maradynemobile.com

AUXILIARY HEATERS



MONTERREY HEATER

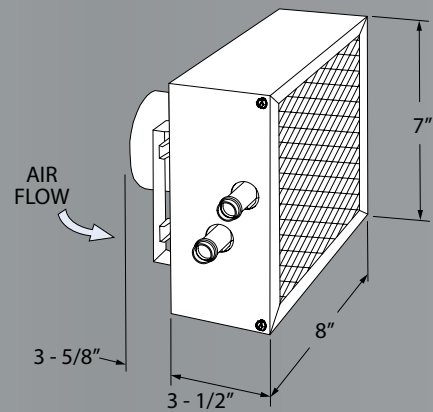
Model # 512H-12V
Model # 512H-24V

FEATURES

- Air Enters from Rear; Warm Air Exits Through Front
- Top and Bottom Weld Nuts with Side Hose Connections
- Stainless Steel Case
- Three-Speed Motor
- Mounting Hardware (included)

OPTIONS

- Heater Hose Kit P/N 64006 (not included) See Page 14
- Switch Kit P/N 5670014 (not included) See Page 16



7" H x 8" L x 7 1/8" D

MONTERREY HEATER SPECIFICATIONS

PART #	HEATING BTU/HR	AIR FLOW	POWER REQUIREMENTS	CASE MATERIAL	CORE MATERIAL	FAN MATERIAL	FITTINGS
H-6670006	15,000	150 CFM	2.9 Amps @ 12V	22 Gauge Stainless Steel	Ribbon Cell	Aluminum	5/8"
H-6670007	15,000	150 CFM	1.5 Amps @ 24V	22 Gauge Stainless Steel	Ribbon Cell	Aluminum	5/8"

Please See Page 14 - 17 for Optional Kits & Louvers

PUEBLO WALL MOUNT HEATER

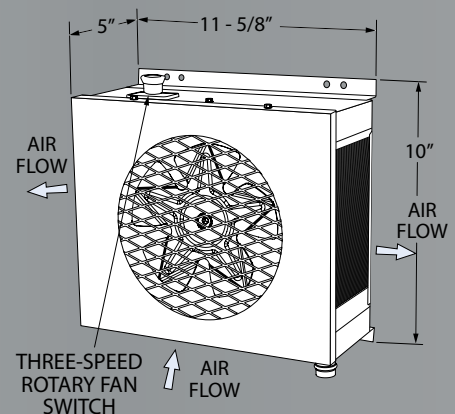
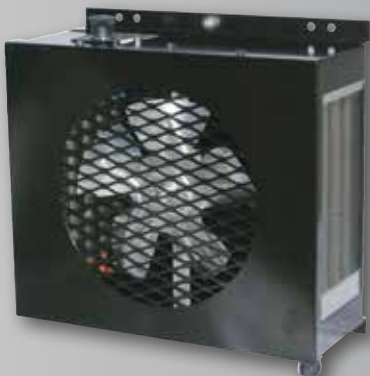
Model # 6500-12V
Model # 6500-24V

FEATURES

- Air Enters from Grill; Warm Air Exits Through Each Side
- Top and Bottom Rear Mounting Flanges with Side Hose Connections
- Three-Speed Motor w/Rotary Fan Switch
- Mounting Hardware (included)

OPTIONS

- Heater Hose Kit P/N 64006 (not included) See Page 14



10" H x 11 5/8" L x 5" D

PUEBLO HEATER SPECIFICATIONS

PART #	HEATING BTU/HR	AIR FLOW	POWER REQUIREMENTS	CASE MATERIAL	CORE MATERIAL	FAN MATERIAL	FITTINGS
H-650012	20,000	170 CFM	5.0 Amps @ 12V	20 Gauge Steel	Tube & Fin	Aluminum	5/8"
H-650024	20,000	170 CFM	2.5 Amps @ 24V	20 Gauge Steel	Tube & Fin	Aluminum	5/8"

Please See Page 14 - 17 for Optional Kits & Louvers

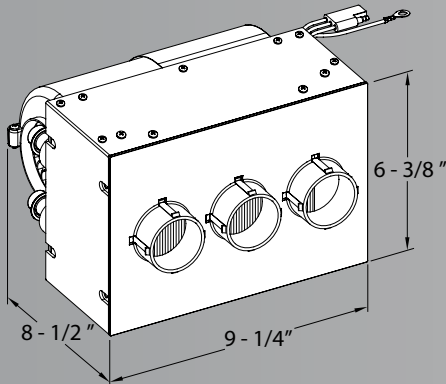
AUXILIARY HEATERS



UNIVERSAL FLOOR/UNDER DASH MOUNT HEATER



9" Metal Stoker™ Heater 3 – 2" Outlets



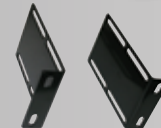
6³/₈" H x 9¹/₄" L x 8¹/₂" D

FEATURES

- Three-Speed Motor
- Heavy Duty Injection Molded Glass-Filled Nylon Case

OPTIONS

- Heater Hose Kit P/N 64006 (not included) See Page 14
- Defrost Kit P/N MFA126 or Louver Kit P/N MFA127 (not Included) See Page 15
- Heater Tube P/N TA8001549 (not Included) See Page 17



MOUNTING BRACKETS
(included)

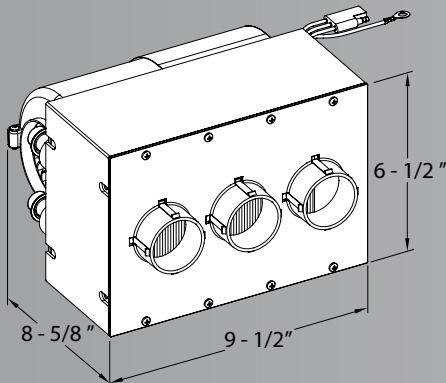
9 IN. METAL STOKER HEATER WITH 3 – 2 IN. OUTLETS SPECIFICATIONS

PART #	HEATING BTU/HR	AIR FLOW	POWER REQUIREMENTS	CASE MATERIAL	CORE MATERIAL	BLOWER MATERIAL	FITTINGS
TA8001279	25,000	150 CFM	9.6 Amps @ 12V	Aluminum	Tube & Fin	Glass-Filled Nylon	5/8"

Please See Page 14 - 17 for Optional Kits & Louvers

UNIVERSAL FLOOR/UNDER DASH MOUNT HEATER

9" Stoker™ Heater 3 – 2" Outlets



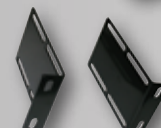
6¹/₂" H x 9¹/₂" L x 8⁵/₈" D

FEATURES

- Three-Speed Motor
- Heavy Duty Injection Molded Glass-Filled Nylon Case

OPTIONS

- Heater Hose Kit P/N 64006 (not included) See Page 14
- Defrost Kit P/N MFA126 or Louver Kit P/N MFA127 (not Included) See Page 15
- Heater Tube P/N TA8001549 (not Included) See Page 17



MOUNTING BRACKETS
(included)

9 IN. STOKER HEATER WITH 2 – 3 IN. OUTLETS SPECIFICATIONS

PART #	HEATING BTU/HR	AIR FLOW	POWER REQUIREMENTS	CASE & BLOWER MATERIAL	CORE MATERIAL	FITTINGS
MM-A1090006	25,000	150 CFM	9.6 Amps @ 12V	Glass-Filled Nylon	Tube & Fin	5/8"

Please See Page 14 - 17 for Optional Kits & Louvers

MARADYNE® Mobile Products

4540 W. 160th Street • Cleveland, OH 44135 • Ph: (216) 265-8006 • Fax: (216) 362-6342 • www.maradynemobile.com

AUXILIARY HEATERS



UNIVERSAL WALL MOUNT HEATER

9" Stoker™ Heater Grille Face w/Flange

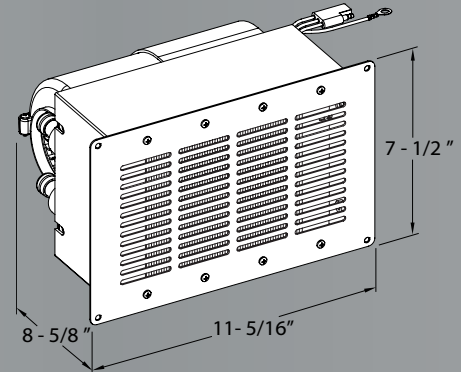


FEATURES

- Three-Speed Motor*
- Heavy Duty Injection Molded Glass-Filled Nylon Case

OPTIONS

- Heater Hose Kit P/N 64006 (not included) See Page 14



7 1/2" H x 11 5/16" L x 8 5/8" D

* Sealed Motor Tested to SAE J1171, Ignition Proof ISO 8846 and ISO 9097 (for Marine use).

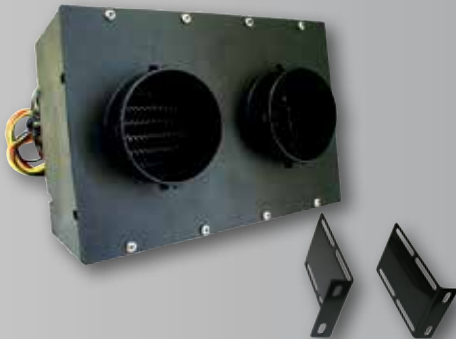
9 IN. STOKER HEATER GRILLE FACE WITH FLANGE SPECIFICATIONS

PART #	HEATING BTU/HR	AIR FLOW	POWER REQUIREMENTS	CASE & BLOWER MATERIAL	CORE MATERIAL	FITTINGS
MM-A1090004	26,000	200 CFM	9.6 Amps @ 12V	Glass-Filled Nylon	Tube & Fin	5/8"
MM-A1090005*	26,000	200 CFM	9.6 Amps @ 12V	Glass-Filled Nylon	Tube & Fin	5/8"
MM-B1090004	26,000	200 CFM	4.8 Amps @ 24V	Glass-Filled Nylon	Tube & Fin	5/8"
MM-B1090005*	26,000	200 CFM	4.8 Amps @ 24V	Glass-Filled Nylon	Tube & Fin	5/8"

Please See Page 14 - 16 for Optional Kits & Louvers

UNIVERSAL FLOOR/UNDER DASH MOUNT HEATER

9" Stoker™ Heater 2 - 3" Outlets



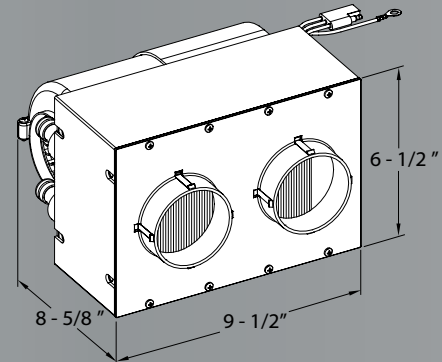
MOUNTING BRACKETS
(included)

FEATURES

- Three-Speed Motor*
- Heavy Duty Injection Molded Glass-Filled Nylon Case

OPTIONS

- Heater Hose Kit P/N 64006 (not included) See Page 14
- Defrost Kit P/N MFA128 or Louver Kit P/N MFA130 (not included) See Page 15
- Heater Tubes P/N TA8000505, P/N TA8000506 or P/N TA8001492 (not included) See Page 17



6 1/2" H x 9 1/2" L x 8 5/8" D

* Sealed Motor Tested to SAE J1171, Ignition Proof ISO 8846 and ISO 9097 (for Marine use).

9 IN. STOKER HEATER WITH 2 - 3 IN. OUTLETS SPECIFICATIONS

PART #	HEATING BTU/HR	AIR FLOW	POWER REQUIREMENTS	CASE & BLOWER MATERIAL	CORE MATERIAL	FITTINGS
MM-A1090001*	26,000	200 CFM	9.6 Amps @ 12V	Glass-Filled Nylon	Tube & Fin	5/8"
MM-A1090002	26,000	200 CFM	9.6 Amps @ 12V	Glass-Filled Nylon	Tube & Fin	5/8"
MM-B1090001*	26,000	200 CFM	4.8 Amps @ 24V	Glass-Filled Nylon	Tube & Fin	5/8"
MM-B1090002	26,000	200 CFM	4.8 Amps @ 24V	Glass-Filled Nylon	Tube & Fin	5/8"

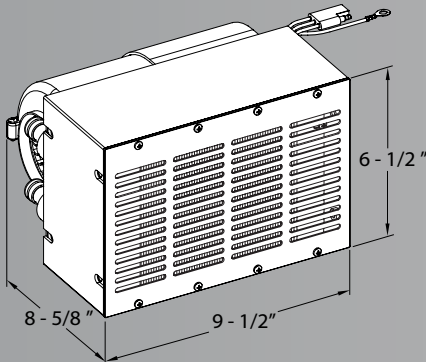
Please See Page 14 - 17 for Optional Kits & Louvers

AUXILIARY HEATERS



UNIVERSAL FLOOR/UNDER DASH MOUNT HEATER

9" Stoker™ Heater Grille Face



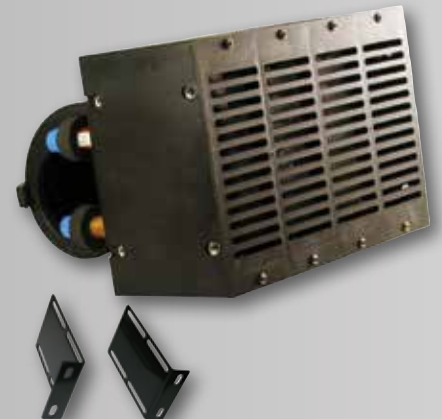
6 1/2" H x 9 1/2" L x 8 5/8" D

FEATURES

- Three-Speed Motor
- Heavy Duty Injection Molded Glass-Filled Nylon Case

OPTIONS

- Heater Hose Kit P/N 64006 (not included) See Page 14



MOUNTING BRACKETS (included)

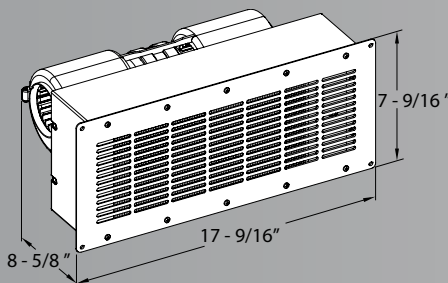
9 IN. STOKER HEATER GRILLE FACE WITH FLANGE SPECIFICATIONS

PART #	HEATING BTU/HR	AIR FLOW	POWER REQUIREMENTS	CASE & BLOWER MATERIAL	CORE MATERIAL	FITTINGS
MM-A1090009	26,000	200 CFM	9.6 Amps @ 12V	Glass-Filled Nylon	Tube & Fin	5/8"

Please See Page 14 - 16 for Optional Kits & Louvers

UNIVERSAL WALL MOUNT HEATER

16" Super Stoker™ Heater Grille Face w/Flange



7 9/16" H x 17 9/16" L x 8 5/8" D

FEATURES

- Three-Speed Motor*
- Heavy Duty Injection Molded Glass-Filled Nylon Case

OPTIONS

- Heater Hose Kit P/N 64006 (not included) See Page 14



* Sealed Motor Tested to SAE J1171, Ignition Proof ISO 8846 and ISO 9097 (for Marine use).

16 IN. STOKER HEATER GRILLE FACE WITH FLANGE SPECIFICATIONS

PART #	HEATING BTU/HR	AIR FLOW	POWER REQUIREMENTS	CASE & BLOWER MATERIAL	CORE MATERIAL	FITTINGS
MM-A1160003*	40,000	300 CFM	11.6 Amps @ 12V	Glass-Filled Nylon	Tube & Fin	5/8"
MM-A1160004	40,000	300 CFM	11.6 Amps @ 12V	Glass-Filled Nylon	Tube & Fin	5/8"
MM-B1160003*	40,000	300 CFM	5.8 Amps @ 24V	Glass-Filled Nylon	Tube & Fin	5/8"
MM-B1160004	40,000	300 CFM	5.8 Amps @ 24V	Glass-Filled Nylon	Tube & Fin	5/8"

Please See Page 14 - 16 for Optional Kits & Louvers

MARADYNE® Mobile Products

4540 W. 160th Street • Cleveland, OH 44135 • Ph: (216) 265-8006 • Fax: (216) 362-6342 • www.maradynemobile.com

AUXILIARY HEATERS



UNIVERSAL FLOOR/UNDER DASH MOUNT HEATER

16" Super Stoker™ Heater 3 – 3" Outlets



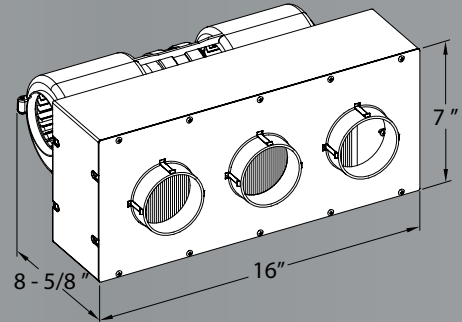
MOUNTING BRACKETS
(included)

FEATURES

- Three-Speed Motor*
- Heavy Duty Injection Molded Glass-Filled Nylon Case

OPTIONS

- Heater Hose Kit P/N 64006 (not included) See Page 14
- Defrost Kit P/N MFA128 or Louver Kit P/N MFA130 (not included) See Page 15
- Heater Tubes P/N TA8000505, P/N TA8000506 or P/N TA8001492 (not included) See Page 17



7" H x 16" L x 8⁵/₈" D

* Sealed Motor Tested to SAE J1171, Ignition Proof ISO 8846 and ISO 9097 (for Marine use).

16 IN. STOKER HEATER WITH 3 – 3 IN. OUTLETS SPECIFICATIONS

PART #	HEATING BTU/HR	AIR FLOW	POWER REQUIREMENTS	CASE & BLOWER MATERIAL	CORE MATERIAL	FITTINGS
MM-A1160001*	40,000	300 CFM	11.6 Amps @ 12V	Glass-Filled Nylon	Tube & Fin	5/8"
MM-A1160005	40,000	300 CFM	11.6 Amps @ 12V	Glass-Filled Nylon	Tube & Fin	5/8"
MM-B1160001*	40,000	300 CFM	5.8 Amps @ 24V	Glass-Filled Nylon	Tube & Fin	5/8"
MM-B1160005	40,000	300 CFM	5.8 Amps @ 24V	Glass-Filled Nylon	Tube & Fin	5/8"

Please See Page 14 - 17 for Optional Kits & Louvers

UNIVERSAL FLOOR/UNDER DASH MOUNT HEATER

16" Super Stoker™ Heater 4 – 3" Outlets



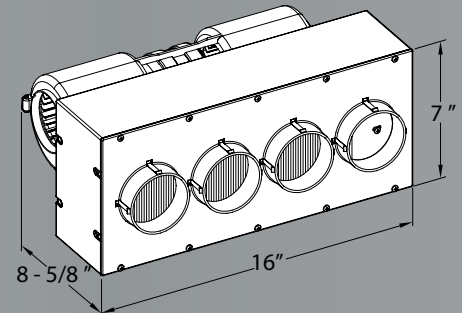
MOUNTING BRACKETS
(included)

FEATURES

- Three-Speed Motor*
- Heavy Duty Injection Molded Glass-Filled Nylon Case

OPTIONS

- Heater Hose Kit P/N 64006 (not included) See Page 14
- Defrost Kit P/N MFA128 or Louver Kit P/N MFA130 (not included) See Page 15
- Heater Tubes P/N TA8000505, P/N TA8000506 or P/N TA8001492 (not included) See Page 17



7" H x 16" L x 8⁵/₈" D

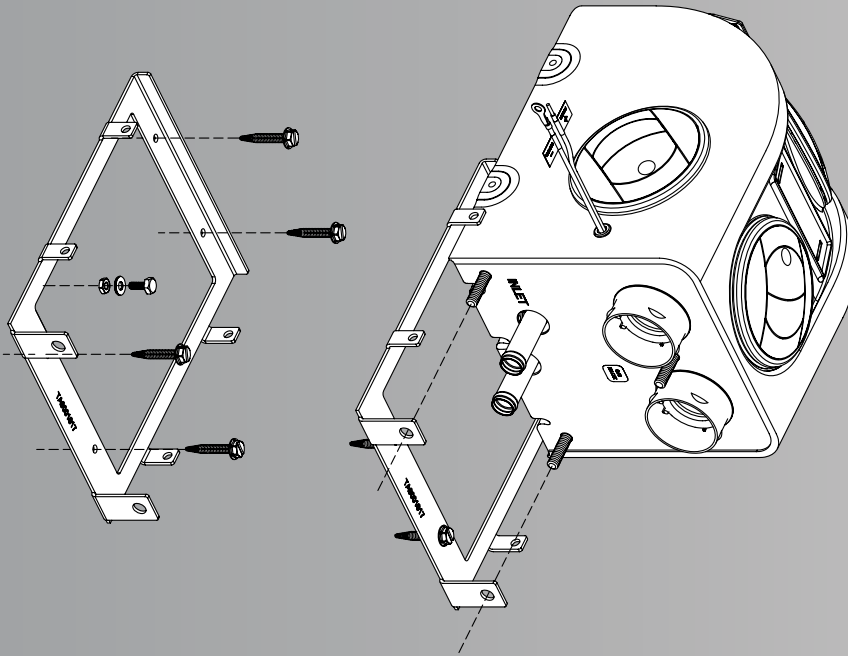
* Sealed Motor Tested to SAE J1171, Ignition Proof ISO 8846 and ISO 9097 (for Marine use).

16 IN. STOKER HEATER WITH 4 – 3 IN. OUTLETS SPECIFICATIONS

PART #	HEATING BTU/HR	AIR FLOW	POWER REQUIREMENTS	CASE & BLOWER MATERIAL	CORE MATERIAL	FITTINGS
MM-A1160002*	40,000	300 CFM	11.6 Amps @ 12V	Glass-Filled Nylon	Tube & Fin	5/8"
MM-A1160006	40,000	300 CFM	11.6 Amps @ 12V	Glass-Filled Nylon	Tube & Fin	5/8"
MM-B1160002*	40,000	300 CFM	5.8 Amps @ 24V	Glass-Filled Nylon	Tube & Fin	5/8"
MM-B1160006	40,000	300 CFM	5.8 Amps @ 24V	Glass-Filled Nylon	Tube & Fin	5/8"

Please See Page 14 - 17 for Optional Kits & Louvers

MOUNTING BRACKET



MFA132

Optional Wall
Mounting Bracket for
Santa Fe Heater

FLEX HOSE "Y" CONNECTORS & WATER HOSE FITTINGS



1663

5/8" & 3/4" Water Hose
"Y" Connector (5" Long)



1906

5/8" & 3/4" Short Water Hose
"Y" Connector (4" Long)



1892

2.5" "Y"
Connector



TA8000448

3" "Y"
Connector



2059

5/8" & 3/4" Water Hose
Splice (3.5" Long)

SWITCH PLATES



1340-1

4" x 1.5"



1660-1

2" x .4"



1705-1

1.5" Diameter



1706-HS

1.5" Diameter

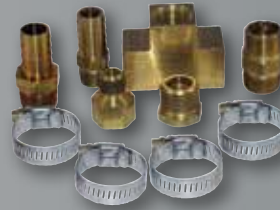
MARADYNE® Mobile Products

4540 W. 160th Street • Cleveland, OH 44135 • Ph: (216) 265-8006 • Fax: (216) 362-6342 • www.maradynemobile.com

HEATER HOSE KITS



TA8000492



TA8000466

TA8000689

Engine Plumbing Kit includes:

TA8000492 (25' - 5/8" Heater Hose) & TA8000466 (1/2" FPT Tee, 3/8" MPT x 5/8" Hose Barb, 1/2" MPT x 3/8" FPT Bushing, 1/2" x 1/2" MPT Union, 1/2" MPT x 5/8" Hose Barb and 4 Hose Clamps).

Part #'s TA8000492 & TA8000466 also sold separately.



H-64006

Heater Plumbing Kit includes:

12.5' - 5/8" Heater Hose, Water Shutoff Valve, 1/2" x 3/8" Bushing, 5/8" Hose Connector and 4 Hose Clamps.

Used to install all heater models listed in this catalog (except Model 9000).



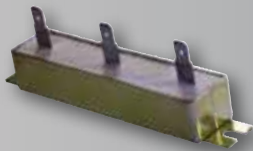
MFA129

Engine Plumbing Kit includes:

10' - 5/8" Heater Hose, 2 - 1/2" MPT x 5/8" Hose Barb, 4 - 1 1/8" Mounting Clamp and 4 Hose Clamps.

(except Model 9000).

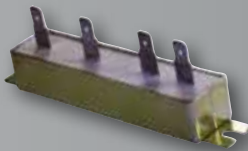
RESISTORS



TA7000037

3.75" - 3 Terminal Resistor

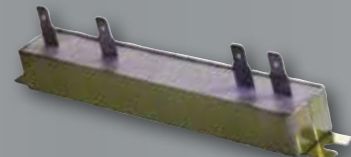
Speed control of Permanent Magnet Motors. Must be mounted on metal surface in well vented area.



TA7000039

3.75" - 4 Terminal Resistor

Speed control of Permanent Magnet Motors. Must be mounted on metal surface in well vented area.



TA7000040

5.5" - 4 Terminal Resistor

Speed control of Permanent Magnet Motors. Must be mounted on metal surface in well vented area.

DEFROST & LOUVER KITS & PARTS



MFA126

Defrost Kit w/2" Flex Duct
For Tucson & Phoenix Series Heaters
& Stoker Series Heaters w/2" Outlets



MFA127

Louver Kit w/2" Flex Duct
For Tucson & Phoenix Series Heaters
& Stoker Series Heaters w/2" Outlets



MFA128

Defrost Kit w/3" Flex Duct
For Stoker Series Heaters w/3" Outlets
& Santa Fe Heaters



MFA130

Louver Kit w/3" Flex Duct
For Stoker Series Heaters w/3" Outlets
& Santa Fe Heaters



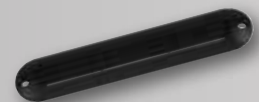
2454-1

7.25" x 1" Defrost Chute
w/2" Hose End



2454

7.25" x 1" Defrost Chute
w/2.5" Hose End



2453

7" x 1.5" Defrost Chute Grill



2063

21.6" x 2" Defrost Chute Deflector



2505

4" Dome Louver w/2.5" Screw in Hose Adapter

AIR RETURN GRILLS



2223

2.75" x 12" Air Return Grill



2241

5" x 6" Air Return Grill

SWITCH KITS (for Three-Speed Motors)



H-5670014

Switch Kit



TA7000078

Switch Kit



H-5670004

Switch Kit (H-5670014)
w/3' Wire Harness



H-5670005

Switch Kit (TA7000078)
w/3' Wire Harness

AXIAL FAN ACCESSORIES



MFA100

Harness w/Adjust. Temp.
Switch & Relay



MFA101

A/C Harness w/Relay



MFA102

Harness w/MFA108
Eng. Temp. Switch & Relay



MFA103

Harness w/MFA109
Eng. Temp. Switch & Relay



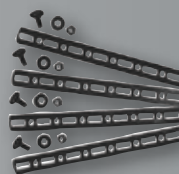
MFA108

185° Temperature Switch



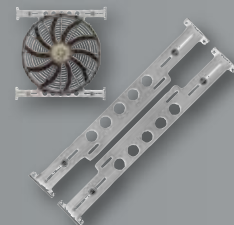
MFA109

195° Temperature Switch



MFA104

Metal Universal Bracket Strips



MFA105

Billet Aluminum
Universal Fan Brackets

STOKER SERIES HEATER TUBES w/LOUVER



TA8000505

Ø4" x 10.45"
Heater Tube w/Grille Face
Hose Extends an Additional 62"



TA8000506

Ø4" x 10.45"
Heater Tube w/Adjustable Louver
Hose Extends an Additional 62"



TA8001492

Ø4" x 10.45"
Heater Tube w/Triple Vane Louver
Hose Extends an Additional 62"



TA8001549

Ø2.79" x 10.25"
Heater Tube w/Triple Vane Louver
Hose Extends an Additional 72"

PORTABLE AIR PUMP

junior
jet
150



MJJ150

junior jet 150

- Designed for vehicle tires used on trucks, SUV's, vans, cars, bikes and inflatables
- Heavy duty, gearless, direct drive motor
- Cigarette lighter adaptor w/9 ft. power cord
- 27 in. high pressure coiled air hose (expands to 12 ft.) with quick release connector
- Built-in air pressure gauge (0 – 150psi)
- Oil-less design, maintenance free
- 75db low noise, air flow 35L/min.
- Working pressure: 150psi/10bar
- Average fill rate on 16" tire 7lbs/min.

INCLUDES

- Plastic Inflatable Nozzles (2)
- Quick Release Coiled Air Hose
- Ball Needle
- Replacement Fuse
- Carry Case

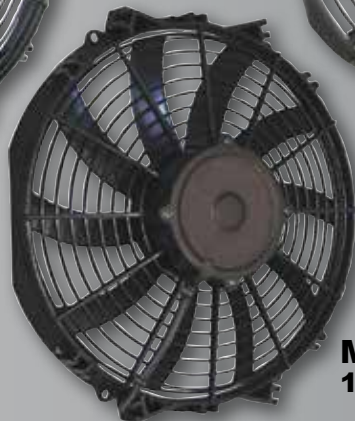
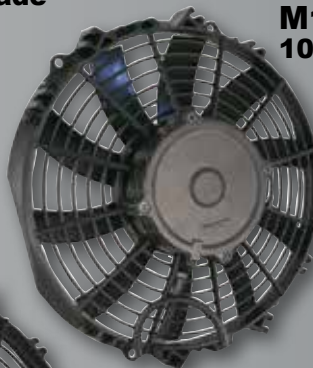
AXIAL FANS



M162K or M166K
16" Reversible S-Blade



M103K
10" Reversible S-Blade



M122K or M123K
12" Reversible S-Blade



M083K
8" Reversible S-Blade

CHAMPION LOW PROFILE SERIES

- Lowest profile high performance reversibles on the market
- Sealed motor tested in accordance with DIN EN 60529, dust and water proof to IP68
- Quiet, reversible S-blade design – works as a puller or pusher fan (ships as a puller)
- All glass-filled nylon construction
- Includes (4) 90° mounting feet (all) and nylon tie kit (all 130 watt motors)
- Includes locking mating pigtail connector and rubber spacers for proper spacing off of heat exchanger
- Recommended wire harnesses* (sold separately)
 - MFA100 (adjustable thermostat)
 - MFA101 (A/C relay)
 - MFA102 (185° temperature switch)
 - MFA103 (195° temperature switch)
- Optional brackets* (sold separately)
 - MFA104 (metal bracket strips)
 - MFA105 (aluminum brackets)

* Please see page 16 for wire harness, replacement parts and bracket descriptions.

CHAMPION LOW PROFILE SERIES SPECIFICATIONS

PART #	BLADE SIZE	MOTOR	DEPTH	CFM AT 0"	AMP DRAW
M166K	16" Reversible S-Blade	160W Heavy Duty	2.87"	1,810	12.3
M162K	16" Reversible S-Blade	225W Heavy Duty	3.19"	2,170	18.0
M146K	14" Reversible S-Blade	160W Heavy Duty	2.87"	1,555	10.1
M142K	14" Reversible S-Blade	225W Heavy Duty	3.19"	2,135	17.2
M123K	12" Reversible S-Blade	130W Heavy Duty	2.48"	1,155	7.7
M122K	12" Reversible S-Blade	225W Heavy Duty	3.19"	1,706	13.3
M113K	11" Reversible S-Blade	130W Heavy Duty	2.48"	1,110	7.4
M103K	10" Reversible S-Blade	130W Heavy Duty	2.48"	950	7.9
M093K	9" Reversible S-Blade	130W Heavy Duty	2.48"	790	7.7
M083K	8" Reversible S-Blade	130W Heavy Duty	2.48"	450	8.1
M073K	7" Reversible S-Blade	130W Heavy Duty	2.48"	375	6.5

AXIAL FANS



MP166K or MP162K
16" S-Blade



12V Universal
White Box
Branded

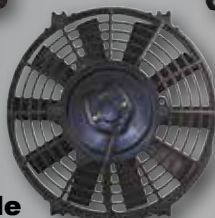
MP119K
11" S-Blade



MP089K
8" Straight Blade



MP099K
9" Straight Blade



MP109K
10" S-Blade



MP136K
13" S-Blade



PACESETTER SERIES (12V & 6V)

- Economical – good for high performance or daily drivers
- Non-vented, heavy and medium duty motors
- Quiet, reversible S-blade and Straight blade design – works as a puller or pusher fan (ships as a puller)
- All glass-filled nylon construction
- Includes four (4) 90° mounting feet, mating pigtail connector and nylon pull through tie kit. Molded in mounting feet as well (except MP099K model)
- Recommended wire harnesses (12V)*
(sold separately)
MFA100 (adjustable thermostat)
MFA101 (A/C relay)
MFA102 (185° temperature switch)
MFA103 (195° temperature switch)
- Recommended wire harnesses*
(sold separately)
MFA100-6 (adjustable thermostat) which can be used with:
MFA108 (185° temperature sensor) & MFA109 (195° temperature sensor)(purchased separately)

* Please see page 16 for wire harness, replacement parts and bracket descriptions.



MP166K-6
16" Straight Blade
(also available in 14" & 12" straight blade)

PACESETTER SERIES SPECIFICATIONS

PART #	BLADE SIZE	MOTOR	DEPTH	CFM AT 0"	AMP DRAW
MP166K	16" Reversible S-Blade	160W Heavy Duty	4.08"	1,661	15.6
MP166K-6	16" Reversible Straight Blade	160W Heavy Duty	3.56"	1,248	15.4
MP162K	16" Reversible S-Blade	225W Heavy Duty	4.42"	1,746	12.9
MP146K-6	14" Reversible Straight Blade	160W Heavy Duty	3.46"	1,029	11.7
MP136K	13" Reversible S-Blade	160W Heavy Duty	3.61"	1,356	9.4
MP126K-6	12" Reversible Straight Blade	160W Heavy Duty	3.46"	910	11.4
MP119K	11" Reversible S-Blade	90W Medium Duty	2.49"	727	7.7
MP109K	10" Reversible S-Blade	90W Medium Duty	2.48"	666	4.5
MP099K	9" Reversible Straight Blade	90W Medium Duty	2.55"	585	6.8
MP089K	8" Reversible Straight Blade	90W Medium Duty	2.37"	391	5.1

DASH MOUNT FANS



1000 Series – Medium Duty Ventilation/Defrost Fans



Part # F-100012

FEATURES

- Drawn Steel Base
- Round Three-Hole Mount
- Adjustable Position Swivel
- Two-Speed
- Medium Duty Motor
- Mounting Hardware & Gasket (included)

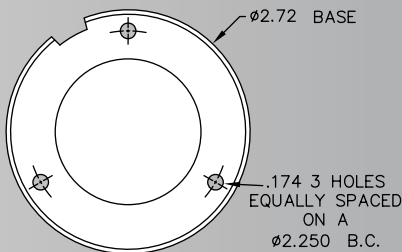
CFM High: 210
CFM Low: 140

OPTIONS

Volts: 12V, 24V, 36V or 48V
Base: Chrome
Guard: Chrome
Blade: Aluminum
Switch: Three-Position Toggle
Box Qty.: 12

Amps High: 1.1
Amps Low: 0.5

No Service Parts Available for this Series



1000 SERIES ONE SPEED – OPTIONS					
12V PART #	24V PART #	36V PART #	BLADE	GUARD	SWITCH
F-100012	F-100024	F-100036*	Aluminum	Chrome	Toggle

* 48V option also available

2000 Series – Heavy Duty Ventilation/Defrost Fans

See NEW 9000 Series



Part # F-200112

FEATURES

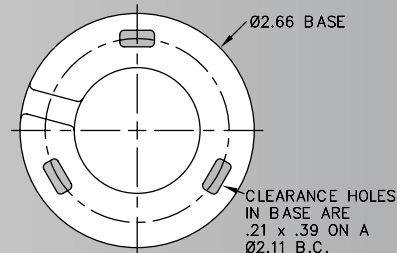
- Heavy Duty Die Cast Base
- Round Three-Hole Mount
- Adjustable Position Swivel
- Two-Speed Wound Field Motor
- Mounting Hardware & Gasket (included)

CFM High: 270
CFM Low: 220

OPTIONS

Volts: 12V or 24V
Base: Black
Guard: Black, Chrome, Plastic or UltraGard®
Blade: Aluminum or Black
Switch: Three-Position Toggle or None
Box Qty.: 6

Amps High: 2.7
Amps Low: 1.6



2000 SERIES – OPTIONS				
12V PART #	12V PART #	BLADE	GUARD	SWITCH
F-200112	F-200124	Aluminum	Chrome	Toggle
F-200112MS	F-200124MS	Aluminum	Chrome	None
F-200412	F-200424	Black	Black	Toggle
F-200412UG	F-200424UG	Black	UltraGard®	Toggle
F-200512	F-200524	Aluminum	Plastic	Toggle

Other options available. Please see page 24 and contact MARADYNE®.

MARADYNE® Mobile Products

4540 W. 160th Street • Cleveland, OH 44135 • Ph: (216) 265-8006 • Fax: (216) 362-6342 • www.maradyne.com

DASH MOUNT FANS



3000 Series – Heavy Duty Ventilation/Defrost Fans

See NEW 8000 Series

FEATURES

- Heavy Duty Die Cast Base
- Square Four-Hole Mount
- Adjustable Position Swivel
- One or Two-Speed Wound Field Motor
- Mounting Hardware & Gasket (included)

CFM High: 270
CFM Low: 220

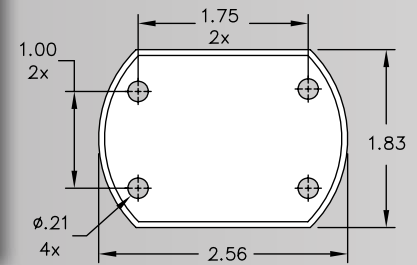
OPTIONS

- Volts:** 12V, 24V, 36V or 48V
- Base:** Black
- Guard:** Black, Chrome, Plastic or UltraGard®
- Blade:** Aluminum or Black
- Switch:** Rheostat, Toggle or None
- Box Qty:** 6

Amps High: 2.7
Amps Low: 1.6



Part # F-300012UG



3000 SERIES ONE SPEED – OPTIONS					
12V PART #	24V PART #	36V PART #	BLADE	GUARD	SWITCH
F-300012	F-300024	F-300036	Aluminum	Chrome	Rheostat
F-300012UG	F-300024UG		Black	UltraGard®	Rheostat
F-310012	F-310024	F-310036	Aluminum	Chrome	None
F-300412	F-300424		Black	Black	Rheostat
3000 SERIES TWO SPEED – OPTIONS					
F-320012	F-320024	F-320036*	Aluminum	Chrome	Toggle
F-4670176	F-4670177	F-4670179*	Black	Black	Toggle
F-4670176UG	F-4670177UG	F-4670179UG*	Black	UltraGard®	Toggle
F-4670176MS	F-4670177MS	F-4670179MS*	Black	Black	Toggle

* 48V option also available

Other options available. Please see page 24 and contact MARADYNE®.

Soft Blade Series – Heavy Duty Ventilation/Defrost Fans

FEATURES

- Heavy Duty Die Cast Base
- Oval Two-Hole Mount
- Adjustable Position Swivel
- Individually Boxed
- One or Two-Speed Permanent Magnet Motor
- Mounting Hardware & Gasket

CFM High: 165

OPTIONS

- Volts:** 12V or 24V
- Base:** Black
- Guard:** Plastic or None
- Blade:** Rubber
- Switch:** Rocker or None
- Box Qty.:** 6

Amps High: 0.7



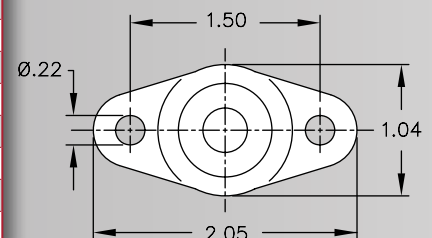
Part # TAS000013



Part # TAS000009

Special Order Only – Minimum Quantities Apply
No Service Parts Available for this Model

SOFT BLADE SERIES – OPTIONS					
12V PART #	24V PART #	BLADE	GUARD	SWITCH	SPEEDS
TAS000009	TBS000009	Rubber	None	Rocker	One
TAS000010	TBS000010	Rubber	None	None	One
TAS000011	TBS000011	Rubber	None	Rocker	Two
TAS000012	TBS000012	Rubber	None	None	Two
TAS000013	TBS000013	Rubber	Plastic	Rocker	One
TAS000014	TBS000014	Rubber	Plastic	None	One
TAS000015	TBS000015	Rubber	Plastic	Rocker	Two
TAS000016	TBS000016	Rubber	Plastic	None	Two



DASH MOUNT FANS



4000 Series – Heavy Duty Ventilation/Defrost Fans

FEATURES

- Heavy Duty Die Cast Base or Stamped Metal
- Square Four-Hole Mount
- Adjustable Tension Swivel
- Two-Speed Wound Field Motor
- Mounting Hardware & Gasket

OPTIONS

- Volts:** 12V or 24V
- Base:** Black or Zinc Plated
- Pivot Plate:** Black or Zinc Plated
- Yoke:** Black or Zinc Plated
- Guard:** Black or Chrome
- Blade:** Aluminum or Black
- Switch:** Three-Position Toggle or None
- Box Qty.:** 6

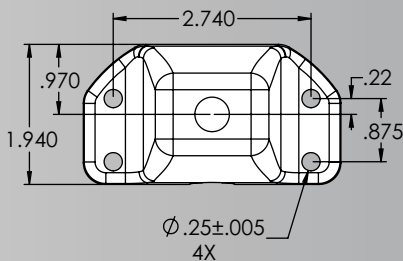


CFM High: 270
CFM Low: 220

Amps High: 2.7
Amps Low: 1.6

ADJUSTABLE TENSION SWIVEL DESIGN

Part # F-400312



4000 SERIES – OPTIONS

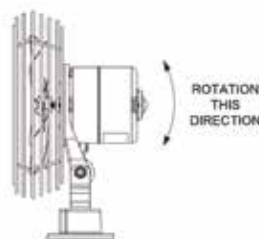
12V PART #	12V PART #	BLADE	GUARD	BASE	SWITCH
F-400312	F-400324	Aluminum	Chrome	Zinc	None
F-404412	F-404424	Black	Black	Black	None
F-404512	F-404524	Aluminum	Black	Black	None
F-420312	F-420324	Aluminum	Chrome	Zinc	Toggle
F-424412	F-424424	Black	Black	Black	Toggle
F-424512	F-424524	Aluminum	Black	Black	Toggle

Other options available. Please see page 24 and contact MARADYNE®.

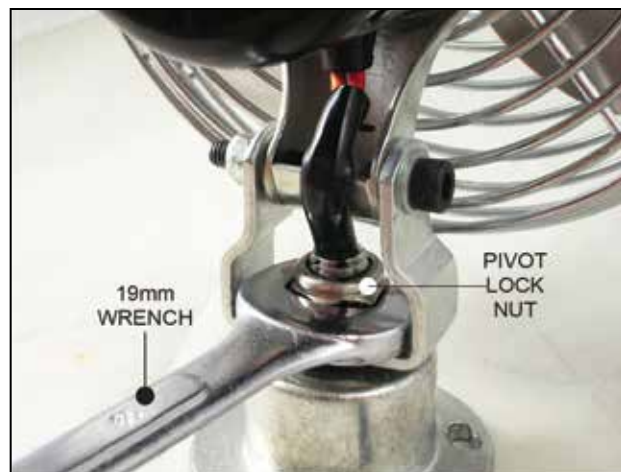
Tension Adjustments For 4000, 8000 & 9000 Series Dash Fans



TO ADJUST U CHANNEL TENSION, LOOSEN OR TIGHTEN THE SOCKET HEAD SCREW AND LOCK NUT USING A 10mm WRENCH AND 5mm ALLEN WRENCH AS SHOWN. DO NOT OVERTIGHTEN TO PREVENT DAMAGING THE NUT.



Side View



TO ADJUST BASE SWIVEL TENSION, LOOSEN OR TIGHTEN THE PIVOT LOCK NUT USING A 19mm WRENCH AS SHOWN. DO NOT OVERTIGHTEN TO PREVENT DAMAGING THE NUT.



Top View

DASH MOUNT FANS



8000 Series – Heavy Duty Ventilation/Defrost Fans

FEATURES

- Heavy Duty Die Cast Base
- Flat Four-Hole Mount
- Adjustable Tension Swivel
- One or Two-Speed Wound Field Motor
- Mounting Hardware & Gasket

OPTIONS

- Volts:** 12V or 24V
- Base:** Black or Zinc Plated
- Pivot Plate:** Black or Zinc Plated
- Yoke:** Black or Zinc Plated
- Guard:** Black or Chrome
- Blade:** Aluminum or Black
- Switch:** Rheostat, Three-Position Toggle or None
- Box Qty.:** 6

CFM High: 270
CFM Low: 220

Amps High: 2.7
Amps Low: 1.6

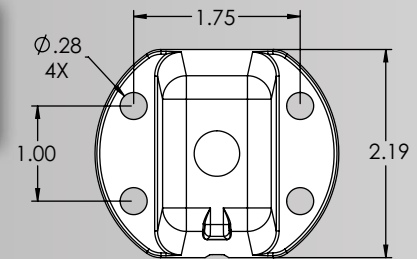


ADJUSTABLE TENSION SWIVEL DESIGN



Part # F-804412

8000 SERIES – OPTIONS				
12V PART #	12V PART #	BLADE	GUARD	SWITCH
F-804412	F-804424	Black	Black	None
F-824412	F-824424	Black	Black	Toggle



Other options available. Please see page 24 and contact MARADYNE®.

9000 Series – Heavy Duty Ventilation/Defrost Fans

FEATURES

- Heavy Duty Die Cast Base
- Round Three-Hole Mount
- Adjustable Position Swivel
- Two-Speed Wound Field Motor
- Mounting Hardware & Gasket (included)

OPTIONS

- Volts:** 12V or 24V
- Base:** Black or Chrome
- Guard:** Black, Chrome, Plastic or UltraGard®
- Blade:** Aluminum or Black
- Switch:** Three-Position Toggle or None
- Box Qty.:** 6

CFM High: 270
CFM Low: 220

Amps High: 2.7
Amps Low: 1.6

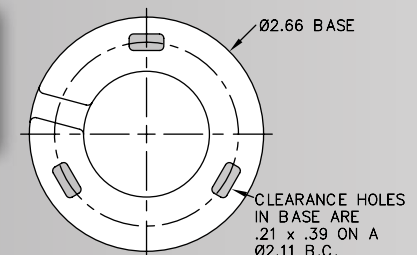


ADJUSTABLE TENSION SWIVEL DESIGN



Part # F-924512

9000 SERIES – OPTIONS				
12V PART #	12V PART #	BLADE	GUARD	SWITCH
F-924512	F-924524	Aluminum	Black	None
F-920612	F-920624	Aluminum	Black	Toggle



Other options available. Please see page 24 and contact MARADYNE®.

MARADYNE® Mobile Products

4540 W. 160th Street • Cleveland, OH 44135 • Ph: (216) 265-8006 • Fax: (216) 362-6342 • www.maradynemobile.com

DASH MOUNT FANS



BASE OPTIONS



4000 SERIES

TA8001117 – Zinc/Zinc/Zinc/None*
Also Available as shown w/Toggle
Switch, or Black Base w/Either Zinc or
Black Pivot Plate & Yoke,
and with or without Toggle Switch



2000 SERIES

M-53011 (Black Only)



8000 SERIES

TA8001124 – Black/Zinc/Zinc/None*
Also Available as shown w/Toggle or
Rheostat Switch or Black Base
w/Black Pivot Plate & Yoke, or Cast Base w/Zinc
Pivot Plate & Yoke and with or without Toggle or
Rheostat Switch



3000 SERIES

M-53010 (Black Only)



9000 SERIES

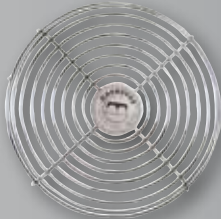
TA8001126 – Black/Zinc/Zinc/None*
Also Available as shown w/Toggle
Switch, or Black Base w/Either Zinc or
Black Pivot Plate & Yoke,
and with or without Toggle Switch

* Base/Pivot Plate/Yoke/Switch Options.

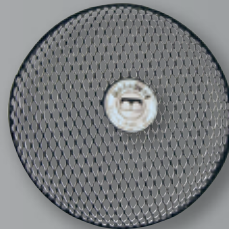
GUARD OPTIONS



M-53098
Black



M-53097
Chrome



TA8000258
UltraGard®
2000 & 3000 Series Only



TA8000881
Plastic w/Aluminum Blade
2000, 3000, 4000, 8000 & 9000 Series Only



TA8000885
Plastic w/Black Blade
2000, 3000, 4000, 8000 & 9000 Series Only

SWITCH OPTIONS



M-53099-G1
Toggle



M-53025
Rheostat

BLADE OPTIONS



M-53030
Aluminum 6.5" CCW



M-53031
Black 6.5" CCW



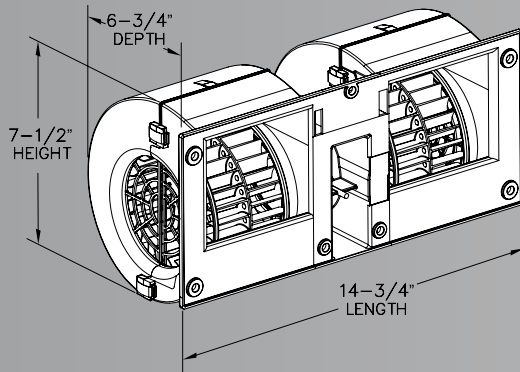
M-53032
Aluminum 6.5" CW

Call for Details.

CENTRIFUGAL BLOWERS



UNIVERSAL BLOWER



7 1/2" H x 14 3/4" L x 6 3/4" D

MAGNUM II



TA0040001

FEATURES

- High Performance Air Movement
- Dual Scroll
- Capable of Pressurizing the Largest of Vehicle Cabs
- Heavy Duty Permanent Magnet Motor

OPTIONS

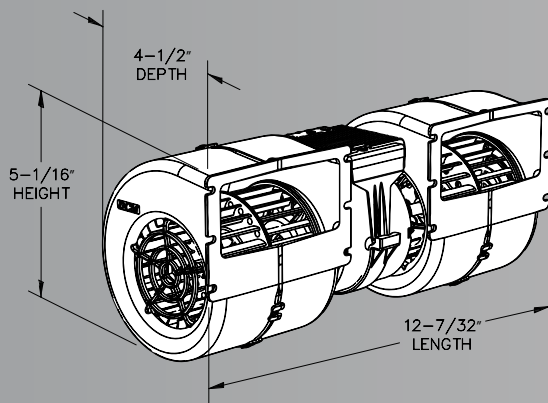
- No Resistor



MAGNUM II SPECIFICATIONS

PART #	AIR FLOW	POWER REQUIREMENTS	CASE MATERIAL	WHEEL MATERIAL
TA0040001	825 CFM	28.1 Amps @ 13.5V	Glass-Filled Nylon	Glass-Filled Nylon

UNIVERSAL BLOWER



5 1/16" H x 12 5/8" L x 4 1/2" D

Model # BH1008



BH1008-1
Motor Mount Resistor

FEATURES

- High Performance Air Movement
- Dual Scroll
- Heavy-Duty Long Life Permanent Magnet Motor

OPTIONS

- No Resistor
- Four-Speed Motor Mount Resistor
- Three-Speed Side Mount Resistor



BH1008-11
Side Mount Resistor

BH1008 SPECIFICATIONS

PART #	AIR FLOW	POWER REQUIREMENTS	CASE MATERIAL	WHEEL MATERIAL	RESISTOR
BH1008-1	400 CFM	13.5 Amps @ 13.5V	Glass-Filled Nylon	Glass-Filled Nylon	4-Speed (Motor Mount)
BH1008-7	400 CFM	13.5 Amps @ 13.5V	Glass-Filled Nylon	Glass-Filled Nylon	None
BH1008-11	400 CFM	13.5 Amps @ 13.5V	Glass-Filled Nylon	Glass-Filled Nylon	3-Speed (Side Mount)
BH1008-14	400 CFM	13.5 Amps @ 13.5V	Glass-Filled Nylon	Glass-Filled Nylon	4-Speed (Motor Mount)*

* Resistor terminal ends face towards the discharge of the blower.

MARADYNE® Mobile Products

4540 W. 160th Street • Cleveland, OH 44135 • Ph: (216) 265-8006 • Fax: (216) 362-6342 • www.maradynemobile.com

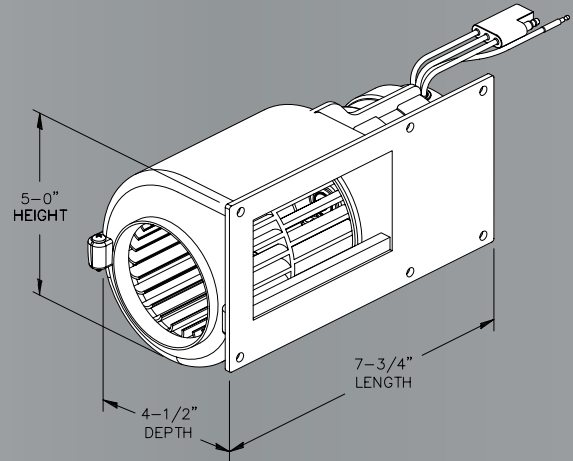
UNIVERSAL BLOWER

**Model # TEC2009
(BH7800)**



FEATURES

- High Performance Air Movement
- Dual Scroll
- Three-Speed, Heavy-Duty Wound Field Motor
- Replacement Blower for 9" Stoker™ Heaters



Used in UTV & Marine Applications.

5" H x 7³/₄" L x 4¹/₂" D

TEC2009 SPECIFICATIONS

PART #	AIR FLOW	POWER REQUIREMENTS	CASE MATERIAL	WHEEL MATERIAL
TA1160004	225 CFM	10.8 Amps @ 13.5V	Glass-Filled Nylon	Glass-Filled Nylon
TB1160003	225 CFM	13.5 Amps @ 27.5V	Glass-Filled Nylon	Glass-Filled Nylon

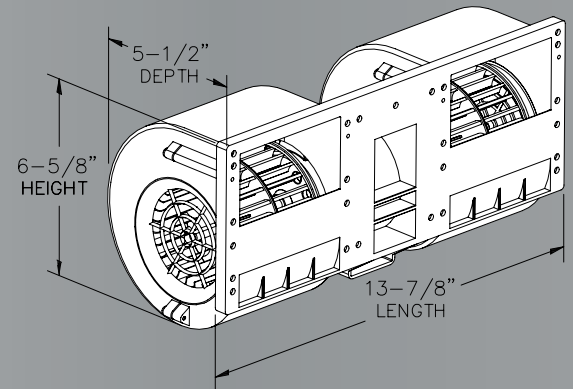
UNIVERSAL BLOWER

**Model # BH1400
(TEC2006)**



FEATURES

- High Performance Air Movement
- Dual Scroll
- Three-Speed, Heavy-Duty Permanent Magneter Motor



Used in Bus, Truck & Emergency Vehicle Applications.

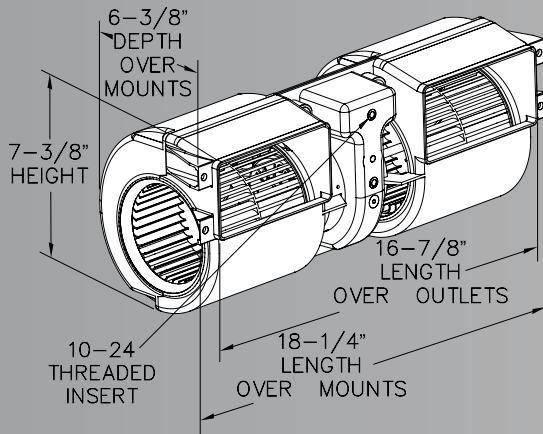
6⁵/₈" H x 13⁷/₈" L x 5¹/₂" D

BH1400 SPECIFICATIONS

PART #	AIR FLOW	POWER REQUIREMENTS	CASE MATERIAL	WHEEL MATERIAL
BH1400-88-01-3	675 CFM	31.5 Amps @ 13.5V	Glass-Filled Nylon	Glass-Filled PP

UNIVERSAL BLOWER

**Model # BH1600
(TEC2007)**



7³/₈" H x 16⁷/₈" L x 6³/₈" D

FEATURES

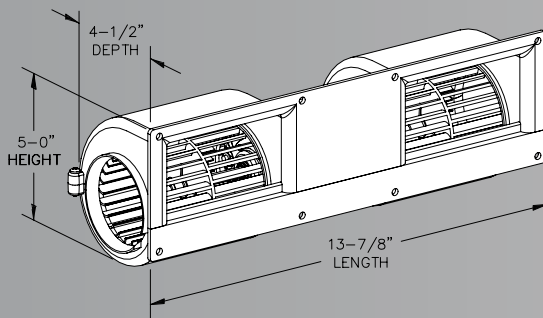
- High Performance Air Movement
- Dual Scroll
- Heavy-Duty Long Life Permanent Magnet Motor
- Supplied with 10-24 Mounting Clips (4) and Insert

TEC2007 SPECIFICATIONS

PART #	AIR FLOW	POWER REQUIREMENTS	CASE MATERIAL	WHEEL MATERIAL	MOTOR
BH1600-50-01	400 CFM	14.5 Amps @ 13.5V	Glass-Filled Nylon	Glass-Filled Nylon	1-Speed, Permanent Magnet

UNIVERSAL BUS EVAPORATOR BLOWER

**Model # TEC2005
(BH1300)**



5" H x 13⁷/₈" L x 4¹/₂" D

FEATURES

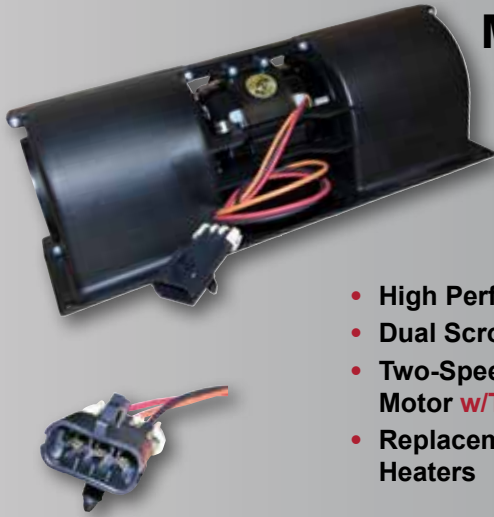
- High Performance Air Movement
- Dual Scroll
- Three-Speed, Heavy-Duty Wound Field Motor
- Replacement Blower for 16" Stoker™ Heaters

Used in Bus, Auto, Van, UTV & Marine Applications.

TEC2005 SPECIFICATIONS

PART #	AIR FLOW	POWER REQUIREMENTS	CASE MATERIAL	WHEEL MATERIAL	MOTOR
TA1000011	380 CFM	12.8Amps @ 13.5V	Glass-Filled Nylon	Glass-Filled Nylon	3-Speed, Wound Field
TB1000007	380 CFM	12.8Amps @ 13.5V	Glass-Filled Nylon	Glass-Filled Nylon	3-Speed, Wound Field

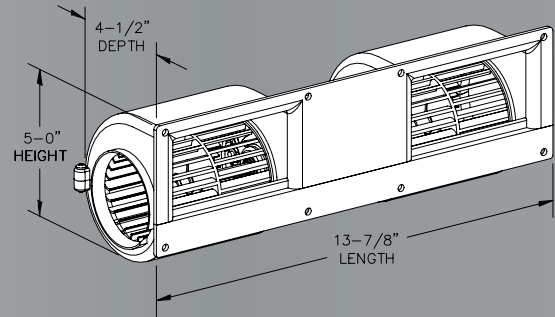
UNIVERSAL BLOWER



**Model # TEC2005
(BH1300)**

FEATURES

- High Performance Air Movement
- Dual Scroll
- Two-Speed, Heavy-Duty Wound Field Motor **w/Thermal Protection**
- Replacement Blower for Navistar Heaters



7³/₈" H x 16⁷/₈" L x 6³/₈" D

TEC2005 SPECIFICATIONS

PART #	AIR FLOW	POWER REQUIREMENTS	CASE MATERIAL	WHEEL MATERIAL	MOTOR
TA1000022	380 CFM	12.8Amps @ 13.5V	Glass-Filled Nylon	Glass-Filled Nylon	2-Speed, WF w/Thermal Protection

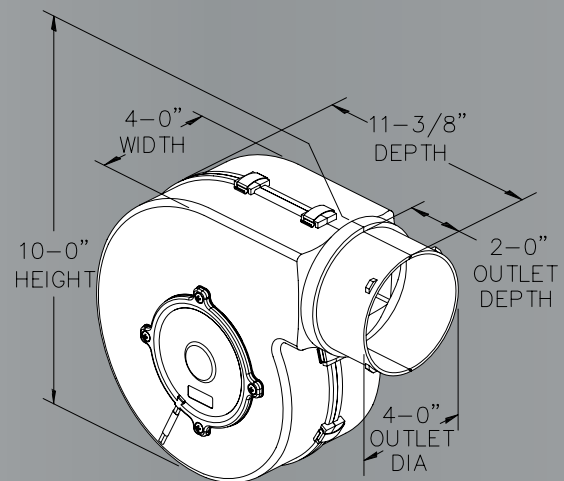
UNIVERSAL BLOWER



**Model # TEC2000
(BH6000)**

FEATURES

- High Performance Air Movement
- Single Scroll
- Heavy-Duty Long Life Permanent Magnet Motor
- Also Available with Square Outlet



10" H x 4 W x 11³/₈" D

TEC2000 SPECIFICATIONS

PART #	AIR FLOW	POWER REQUIREMENTS	CASE MATERIAL	WHEEL MATERIAL	MOTOR
TA0130014	300 CFM	12.8 Amps @ 13.5V	Glass-Filled Nylon	Glass-Filled Nylon	1-Speed, Permanent Magnet

PART # INDEX



PART #	MODEL #/DESCRIPTION	PAGE #	PART #	MODEL #/DESCRIPTION	PAGE #
1340-1	4" x 1.5" Air/Temp Switch Plate	13	M123K	12" 130W Reversible S-Blade Fan	18
1660-1	2" x 4" Air Switch Plate	13	M142K	14" 225W Reversible S-Blade Fan	18
1663	5/8" & 3/4" x 5" "Y" Water Hose Connector	13	M146K	14" 160W Reversible S-Blade Fan	18
1705-1	1.5" Diameter Rear Unit Switch Plate	13	M162K	16" 225W Reversible S-Blade Fan	18
1706-HS	1.5" Diameter Rear Unit Switch Plate	13	M166K	16" 160W Reversible S-Blade Fan	18
1892	2.5" "Y" Connector	13	MFA100	Harness w/Adjustable Temperature Relay	16
1906	5/8" & 3/4" x 4" "Y" Water Hose Connector	13	MFA101	AC Harness w/Relay	16
2059	5/8" & 3/4" x 3.5" "Y" Water Hose Splice	13	MFA102	Harness w/Engine Temperature Relay	16
2063	21.6" x 2" Defrost Chute Deflector	15	MFA103	Harness w/Engine Temperature Relay	16
2223	2.75" x 12" Air Return Grille	16	MFA104	Metal Universal Bracket Strips	16
2241	5" x 6" Air Return Grille	16	MFA105	Billet Aluminum Universal Fan Brackets	16
2453	7" x 1.5" Defrost Chute Grille	15	MFA108	185° Temperature Switch	16
2454	7.25" x 1" Defrost Chute w/2.5" Hose End	15	MFA109	195° Temperature Switch	16
2454-1	7.25" x 1" Defrost Chute w/2" Hose End	15	MFA126	Defrost Kit (Tucson & Phoenix Heaters)	15
2505	4" Dome Louver w/2.5" Hose Adapter	15	MFA127	Louver Kit (Tucson & Phoenix Heaters)	15
BH1008-1	BH1008 - 12V Blower w/4-Speed Resistor	25	MFA128	Defrost Kit (Stoker Heaters)	15
BH1008-7	BH1008 - 12V Blower w/o Resistor	25	MFA129	Engine Plumbing Kit	14
BH1008-11	BH1008 - 12V Blower w/3-Speed Resistor	25	MFA130	Louver Kit (Stoker Heaters)	15
BH1008-14	BH1008 - 12V Blower w/4-Speed Resistor	25	MFA132	Mounting Bracket for Santa Fe Heater	13
BH1400-88-01-3	BH1400 - 12V Blower w/4-Speed Resistor	26	MJJ150	Portable Air Pump	17
BH1600-50-03	BH1600 - 12V Blower w/o Resistor	27	MM-A1090001/MM-B1090001	12V/24V 9" "Stoker" w/Two - 3" Outlets	10
F-100012/F/100024/F-100036	12V/24V/36V 1000 Series Dash Fan	20	MM-A1090002/MM-B1090002	12V/24V 9" "Stoker" w/Two - 3" Outlets	10
F-200112/F-200124	12V/24V 2000 Series Dash Fan	20	MM-A1090004/MM-B1090004	12V/24V 9" "Stoker" w/Grille Face	10
F-200112MS/F-200124MS	12V/24V 2000 Series Dash Fan	20	MM-A1090005/MM-B1090005	12V/24V 9" "Stoker" w/Grille Face	10
F-200412/F-200424	12V/24V 2000 Series Dash Fan	20	MM-A1090006	12V 9" "Stoker" w/Three - 2" Outlets	9
F-200412UG/F-200424UG	12V/24V 2000 Series Dash Fan	20	MM-A1090009	12V 9" "Stoker" w/Grille Face	11
F-200512/F-200524	12V/24V 2000 Series Dash Fan	20	MM-A1160001/MM-B1160001	12V/24V 16" "Stoker" w/Three - 3" Outlets	12
F-300012/F-300024/F-300036	12V/24V/36V 3000 Series Dash Fan (1-Speed)	21	MM-A1160002/MM-B1160002	12V/24V 16" "Stoker" w/Four - 3" Outlets	12
F-300012UG/F-300024UG	12V/24V/36V 3000 Series Dash Fan (2-Speed)	21	MM-A1160003/MM-B1160003	12V/24V 16" "Stoker" w/Grille Face	11
F-300412/F-300424	12V/24V 3000 Series Dash Fan (1-Speed)	21	MM-A1160004/MM-B1160004	12V/24V 16" "Stoker" w/Grille Face	11
F-310012/F-310024/F-310036	12V/24V/36V 3000 Series Dash Fan (1-Speed)	21	MM-A1160005/MM-B1160005	12V/24V 16" "Stoker" w/Three - 3" Outlets	12
F-320012/F-320024/F-320036	12V/24V/36V 3000 Series Dash Fan (2-Speed)	21	MM-A1160006/MM-B1160006	12V/24V 16" "Stoker" w/Four - 3" Outlets	12
F-400312/F-400324	12V/24V 4000 Series Dash Fan	22	MP089K	8" 90W Reversible S-Blade Fan	19
F-404412/F-404424	12V/24V 4000 Series Dash Fan	22	MP099K	9" 90W Reversible S-Blade Fan	19
F-404512/F-404524	12V/24V 4000 Series Dash Fan	22	MP109K	10" 90W Reversible S-Blade Fan	19
F-420312/F-420324	12V/24V 4000 Series Dash Fan	22	MP119K	11" 90W Reversible S-Blade Fan	19
F-424412/F-424424	12V/24V 4000 Series Dash Fan	22	MP126K-6	12" 160W Reversible Straight Blade Fan (6 Volt)	19
F-424512/F-424524	12V/24V 4000 Series Dash Fan	22	MP136K	13" 160W Reversible S-Blade Fan	19
F-4670176/F-4670177/F-4670179	12V/24V/36V 3000 Series Dash Fan (2-Speed)	21	MP146K-6	14" 160W Reversible Straight Blade Fan (6 Volt)	19
F-4670176MS/F-4670177MS/F-4670179MS	12V/24V/36V 3000 Series Dash Fan (2-Speed)	21	MP162K	16" 225W Reversible S-Blade Fan	19
F-4670176UG/F-4670177UG/F-4670179UG	12V/24V/36V 3000 Series Dash Fan (2-Speed)	21	MP166K	16" 160W Reversible S-Blade Fan	19
F-804412/F-804424	12V/24V 8000 Series Dash Fan (2-Speed)	23	MP166K-6	16" 160W Reversible Straight Blade Fan (6 Volt)	19
F-824412/F-824424	12V/24V 8000 Series Dash Fan (2 Speed)	23	TA0040001	Magnum II - 12V Blower w/o Resistor	25
F-920612/ F-920624	12V 9000 Series Dash Fan	23	TA0130014	TEC2000 - 12V Universal Blower	28
F-924512/ F-924524	12V 9000 Series Dash Fan	23	TA1000011/TB000007	TEC2005 - 12V/24V Universal Blower	27
H-400012/H-400024	12V/24V Santa Fe Floor Mount Heater	4	TA1000022	TEC2005 - 12V Universal Blower	28
H-410212/H-410224	12V/24V Mesa Floor Mount Heater	4	TA1160004/TB1160003	TEC2009 - 12V/24V Universal Blower	26
H-410312/H-410324	12V/24V Mesa Wall Mount Heater	5	TA7000037	3.75" - 3 Terminal Resistor	14
H-503012/H-503024	12V/24V Tucson Wall/Floor Mount Heater	6	TA7000039	3.75" - 4 Terminal Resistor	14
H-511012/H-511024	12V/24V Tucson II Wall/Floor Mount Heater	6	TA7000040	5.5" - 4 Terminal Resistor	14
H-5670004	Switch Kit w/Wire Harness (3-Speed Motor)	16	TA7000078	Switch Kit	16
H-5670005	Switch Kit w/Wire Harness (3-Speed Motor)	16	TA8000258	UltraGard® Dash Fan Guard	24
H-5670014	Switch Kit	16	TA8000448	3" "Y" Connector	13
H-603012/H-603024	12V/24V Daytona Wall Mount Heater	5	TA8000466	Heater Plumbing Kit	14
H-64006	KT-12 Heater Plumbing Kit	14	TA8000492	Heater Hose 25'	14
H-650012/H-650024	12V/24V Pueblo Wall Mount Heater	8	TA8000505	Ø4" x 10.45" Heater Tube w/Grille Face	17
H-6670006/H-6670007	12V/24V Monterrey Heater	8	TA8000506	Ø4" x 10.45" Heater Tube w/Adjustable Louver	17
H-803012/H-803024	12V/24V Phoenix Wall/Floor Mount Heater	7	TA8000689	Engine Plumbing Kit	14
H-900012/H-900024/H-900036	12V/24V/36V Monterrey Heater	7	TA8000881	Plastic Dash Fan Guard w/Aluminum Blade	24
M-53010	3000 Series Dash Fan Base (Black Only)	24	TA8000885	Plastic Dash Fan Guard w/Black Blade	24
M-53011	2000 Series Dash Fan Base (Chrome or Black)	24	TA8001117	4000 Series Dash Fan Base	24
M-53025	Rheostat Switch	24	TA8001124	8000 Series Dash Fan Base	24
M-53030	Aluminum 6.5" CCW Blade	24	TA8001126	9000 Series Dash Fan Base (Short Round Base)	24
M-53031	Black 6.5" CCW Blade	24	TA8001279	12V 9" Metal "Stoker" w/Three - 2" Outlets	9
M-53032	Aluminum 6.5" CW Blade	24	TA8001492	Ø4" x 10.45" Heater Tube w/Triple Vane Louver	17
M-53097	Chrome Dash Fan Guard	24	TA8001549	Ø2.79" x 10.25" Heater Tube w/Triple Vane Louver	17
M-53098	Black Dash Fan Guard	24	TAS000009/TBS000009	12V/24V Soft Blade Series Dash Fan	21
M-53099-G1	Toggle Switch	24	TAS000010/TBS000010	12V/24V Soft Blade Series Dash Fan	21
M073K	7" 130W Reversible S-Blade Fan	18	TAS000011/TBS000011	12V/24V Soft Blade Series Dash Fan	21
M083K	8" 130W Reversible S-Blade Fan	18	TAS000012/TBS000012	12V/24V Soft Blade Series Dash Fan	21
M093K	9" 130W Reversible S-Blade Fan	18	TAS000013/TBS000013	12V/24V Soft Blade Series Dash Fan	21
M103K	10" 130W Reversible S-Blade Fan	18	TAS000014/TBS000014	12V/24V Soft Blade Series Dash Fan	21
M113K	11" 130W Reversible S-Blade Fan	18	TAS000015/TBS000015	12V/24V Soft Blade Series Dash Fan	21
M122K	12" 225W Reversible S-Blade Fan	18	TAS000016/TBS000016	12V/24V Soft Blade Series Dash Fan	21

SERVICE PARTS



MOTORS

PART #	DESCRIPTION	WHERE USED
D-001-621	12V Motor, 3 Speed, CCW (621)	H-6670004 / H-6670006
D-001-622	24V Motor, 3 Speed, CCW (622)	H-6670005 / H-6670007
D-001-484A	12V Motor, 1 Speed, CCW-Fan (484A)	H-600012 / H-610012
D-001-484-R	12V Motor, w/Rev Studs-Heater (484A-R/S)	H-500012 / H-5100125
D-001-485C	24V Motor, 1 Speed, CCW-Fan (485C)	H-600024
D-001-485C-R	24V Motor, w/Rev Studs-Heater (485C-R/S)	H-500024
D-001-498A	36V Motor, 1 Speed, CCW-Fan (486A)	H-900036
D-001-498D	12V Motor, 2 Speed, CCW (498D)	Replacement
D-001-631	24V Motor, 2 Speed, CCW (631)	Replacement
D-001-503A	12V Motor, 1 Speed, CCW (503A)	H-650012 / H-800012 / H-900012
D-001-504A	24V Motor, 1 Speed, CCW (504A)	H-650024 / H-800024 / H-900024
D-001-719	12V Motor, 1 Speed, Double Shaft, CCW (719)	Replacement
D-001-720	24V Motor, 1 Speed, Double Shaft, CCW (720)	Replacement
D-001-903	24V Motor, BB Double Shaft, CW (903)	H-6670018
D-001-902	12V Motor, BB Double Shaft, CW (902)	H-6670017
TA1160007	Blower Assembly	
D-001C-561	12V Motor	F-3000 Series / H-511012 / H-511012R / H-900412 / H-900612
D-001C-626-1	24V Motor	F-3000 Series / H-511024 / H-511024R / H-900424 / H-900624
D-001C-561R	12V Motor, 2 Speed, CCW	HC-400012
D-001C-561R-24	24V Motor, 2 Speed, CCW	HC-400024
TA07R2007	6.5 in., 90 Watt, PUSHER fan	HC-410212 / HC-410312
D-001C-685RS	12V Motor, 3 Speed, CCW	H-503012
D-001C-685RS-24	24V Motor, 3 Speed, CCW	H-503024
D-001C-686	12V Motor, 3 Speed, CCW	HC-503012 / H-803012
D-001C-686-24	24V Motor, 3 Speed, CCW	HC-503024 / H-803024
D-001C-686-1	12V Motor, 2 Speed, CCW	HC-511012 / HC-511012R
D-001C-686-1-24	24V Motor, 2 Speed, CCW	HC-511024 / HC-511024R
D-001C-685	12V Motor, 3 Speed, CCW	H-603012
D-001C-685-24	24V Motor, 3 Speed, CCW	H-603024

SWITCHES & KNOBS

PART #	DESCRIPTION	WHERE USED
M-53025	Rheostat Fan Switch	F-3000 Series
M-53057	3 Speed Resistor Switch & Bracket	H-500012 / H-800012
M-53057-HV	3 Speed Resistor Switch & Bracket	H-500024 / H-800024
M-53058	Standard Fan Assembly Kit	F-3000 Series / H-600012
M-53062	Switch Kit	F-3000 Series / H-600012
M-53099-G1	Mini SPDT Fan Switch w/Plate ECN	F-2000 Series / F-3000 Series
M-61377	Water Valve Cable	Replacement
M-61386	DPDT Toggle Switch	H-9000 Series
M-62321-G1	Blower Switch	H-5670014 Switch Kit / H-5670004 Switch Kit w/Wire Harness
M-64088-G1	Knob	Replacement
TA7000112	2 Position Rocker Switch	HC-400012 / HC-400024
H-5670014	KIT-3 SPD Switch	H-503012 / HC-503012 / H-503024 / HC-503024 / H-803012 / H-803024
M-68086A	3 Position Rocker Switch	HC-511012 / HC-511012R / HC-511024 / HC-511024R
M-53062HV	Heater Bag Assembly Less Mounting Nuts 24/36V	H-600024 / H-603012 / H-603024

COILS

PART #	DESCRIPTION	WHERE USED
M-61315	Tube & Fin Coil	H-5000 Series
M-61316	Ribbon Cell Coil	H-6670006 & H-6670007
M-61380	Tube & Fin Coil	H-9000 Series
M-61515	Tube & Fin Coil	H-6030 (H-6000) Series
M-61522	Tube & Fin Coil	H-6500 Series
M-61819-G1	Ribbon Cell Coil	H-6670004 & H-6670005
M-62015	Tube & Fin Coil	H-8030 (H-8000) Series
TA8000518	Tube & Fin Coil	9 in. MM-A Series / MM-B Series
TA8000437	Tube & Fin Coil	16 in. MM-A Series / MM-B Series
TA8000767	Tube & Fin Coil	HC-400012 / HC-400024
TA8000833	Tube & Fin Coil	HC-410212 / HC-410312
TA8000720	Tube & Fin Coil	HC-503012 / HC-503024 / HC-511012 / HC-511012R / HC-511024 / HC-511024R

SERVICE PARTS



FAN GUARDS

PART #	DESCRIPTION	WHERE USED
M-53097	Chrome Fan Guard Assembly	F-2000 Series - F-8000 Series / F-667 Series
M-53098	Black Fan Guard Assembly	F-2000 Series / F-3000 Series / F-7000 Series
M-61530	Fan Guard	H-6030 (H-6000) Series
TA8000258	UltraGard®	F-2000 Series / F-3000 Series
TA8000881	Plastic Fan Guard w/Aluminum Blade	F-2000 Series / F-3000 Series / F-7000 Series
TA8000885	Plastic Fan Guard w/Black Blade	F-2000 Series / F-3000 Series / F-7000 Series

FAN BLADES

PART #	DESCRIPTION	WHERE USED
M-53030	6.5 in. Fan Blade, CCW, 1/4 in. Shaft	F-2000 Series / F-3000 Series / F-667 Series
M-53031	6.5 in. Fan Blade, CCW, 1/4 in. Shaft	F-2000 Series / F-467 Series
M-53032	6.5 in. Fan Blade, PV, CW, 1/4 in. Shaft	H-6500 Series
M-60000-G2	6 in. Fan Blade, CCW, 1/4 in. Shaft	H-6670004 / H-6670006
M-60002-G2	6 in. Fan Blade, CW, 1/4 in. Shaft	Replacement
M-60590-G3	7 in. Fan Blade, CCW, 1/4 in. Shaft	Replacement
M-61319	6 in. Fan Blade, CW, 1/4 in. Shaft	H-5000 Series
M-61320	6.5 in. Fan Blade CW, 1/4 in. T Shaft	H-6030 (H-6000) Series
M-61385	6 in. Fan Blade, CCW, 1/4 in. Shaft	H-9000 Series
M-62020	7 in. Fan Blade, CW, 1/4 in. Shaft	Replacement
M-66260-G1	6 in. Fan Blade, 1/4 in. Shaft	H-6670005 / H-6670007
M-62951-G1	8 in. Fan Blade x .312 in.	Replacement
TA9001515	6.5 in. CW fan blade	HC-503012 / HC-503024 / HC-511012 / HC-511012R / HC-511024 / HC-511024R

FAN BASES

PART #	DESCRIPTION	WHERE USED
M-53011	Round 3 Hole Mounting Fan Base Assembly	F-2000 Series (Black or Chrome)
M-53010	Square 4 Hole Mounting Fan Base Assembly	F-3000 Series (Black Only)
M-53009B / M-53009	Crescent 4 Hole Mounting Fan Base Assembly	F-4000 Series (Black or Chrome)
M-53012B / M-53012	Flat 4 Hole Mounting Fan Base Assembly	F-5000 Series (Black or Zinc Plated)
M-53013	Flat 4 Hole Mounting Fan Base Assembly	F-6000 Series (Zinc Plated Only)
M-53014B / M-53014	Square 4 Hole Mounting Fan Base Assembly	F-7000 Series (Black or Zinc Plated)
M-53017B	Round 4 Hole Mounting Fan Base Assembly	F-8000 Series (Black Only)

MISCELLANEOUS PARTS

PART #	DESCRIPTION	WHERE USED
1490-M	Blower Wheel (700BX)	H-6670017 & H-6670018
2381-A-19	4 in. O.D. 3 in. I.D. Global louver	HC-400012 / HC-400024
M-61287-G2	Gasket	H-6670017 & H-6670018
M-61312	Front Cover 5000 Heater	H-5000 Series
M-61322	Cap Plug Heater	H-5000 / H-8000 Series
M-61381	Cover Assembly	H-9000 Series w/o Studs
M-61382	Casing Assembly	H-9000 Series
M-61580-G1-1	Motor Mtg	Replacement
M-62017	3/8 in. MPT x 5/8 in. HB Water Valve Shut Off	H-64006 Heater Plumbing Kit
M-62018	5/8 in. Water Hose Connector	H-64006 Heater Plumbing Kit
M-62019	1/2 in. x 3/8 in. Bushing	H-64006 Heater Plumbing Kit
M-62022	Hose Clamp	H-6500 Series / H-64006 Heater Plumbing Kit
M-63258-G1	Louver	Replacement
M-63487-G1	Wheel Clip	H-6670017 & H-6670018
M-63654-G1	Louver 4 in. x 4 in.	Replacement
M-64963-G1	12V Resistor, .48 OHMS	Replacement
M-65066-G1	12V Resistor, .4 & .8 OHMS	Replacement
M-65435-G1	24V Resistor, 2.0/3.8 OHM	Replacement
M-65612-G1	Filter Foam	Replacement
M-66406-G1-1	Housing Right	H-6670017 & H-6670018
M-66584-G2	Resistor Mod 24V	H-6670017
M-66614-G1	Louver 4 in. Diameter	Replacement



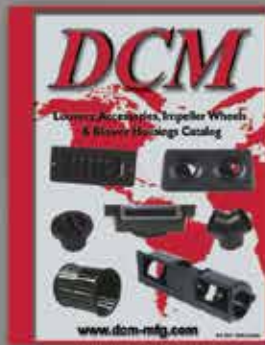
MARADYNE

MOBILE PRODUCTS



HEATERS • BLOWERS • DASH MOUNT FANS • MOTORS • SERVICE PARTS

Our Other Product Line Catalogs



Contact Us For a Copy or More Information



4540 W. 160th Street • Cleveland, OH 44135 • Ph: (216) 265-8006 • Fax: (216) 362-6342

www.maradynemobile.com