



Thru-the-Wall Heating & Cooling Comfort For Multi-Family Construction

Comfort Pack 80% Gas Submittal Data

For Approval

Project:

Purchaser:

Date:

National Comfort Products®

A Division of National Refrigeration & Air Conditioning Products, Inc.

539 Dunksferry Road • Bensalem, PA 19020 • (215) 244-1400 • **1-800-523-7138** • Fax: (215) 639-1674

Gas Heat Models

Plan Designation	Quantity	Model	Description	Page
		CPG41228-U	Comfort Pack R410A 1.0 ton cooling, 28MBH gas input, 208-230/1/60 9.2 EER	4
		CPG41238-U	Comfort Pack R410A 1.0 ton cooling, 38MBH gas input, 208-230/1/60 9.2 EER	4
		CPG41828-U	Comfort Pack R410A 1.5 ton cooling, 28MBH gas input, 208-230/1/60 9.2 EER	4
		CPG41838-U	Comfort Pack R410A 1.5 ton cooling, 38MBH gas input, 208-230/1/60 9.2 EER	4
		CPG41851-U	Comfort Pack R410A 1.5 ton cooling, 51MBH gas input, 208-230/1/60 9.2 EER	4
		CPG41864-U	Comfort Pack R410A 1.5 ton cooling, 64MBH gas input, 208-230/1/60 9.2 EER	4
		CPG42428-U	Comfort Pack R410A 2.0 ton cooling, 28MBH gas input, 208-230/1/60 9.2 EER	4
		CPG42438-U	Comfort Pack R410A 2.0 ton cooling, 38MBH gas input, 208-230/1/60 9.2 EER	4
		CPG42451-U	Comfort Pack R410A 2.0 ton cooling, 51MBH gas input, 208-230/1/60 9.2 EER	4
		CPG42464-U	Comfort Pack R410A 2.0 ton cooling, 64MBH gas input, 208-230/1/60 9.2 EER	4
		CPG43028-U	Comfort Pack R410A 2.5 ton cooling, 28MBH gas input, 208-230/1/60 9.0 EER	4
		CPG43038-U	Comfort Pack R410A 2.5 ton cooling, 38MBH gas input, 208-230/1/60 9.0 EER	4
		CPG43051-U	Comfort Pack R410A 2.5 ton cooling, 51MBH gas input, 208-230/1/60 9.0 EER	4
		CPG43064-U	Comfort Pack R410A 2.5 ton cooling, 64MBH gas input, 208-230/1/60 9.0 EER	4

Options

Plan Designation	Quantity	Part No.	Description	Page
		CPWS	Comfort Pack Wall Sleeve	5
		CPSG-P	Comfort Pack Stamped Grille Painted	6
		CPLG	Comfort Pack Architectural Louver Grille	7
		CPLG-S	Comfort Pack Architectural Louver Grille for Sleeve (Attaches to Wall Sleeve Only)	8
		CPLG-P	Comfort Pack Architectural Louver Grille Painted (Attaches to Units Only)	7
		CPLG-SP	Comfort Pack Architectural Louver Grille Sleeve Painted (Attaches to Wall Sleeve Only)	8
		A	Omit Stamped Grilles	NA
		B	Slotted Filter Door	4
		C	Combination of both A & B	NA
		14208343	LP Kit (38 MBTU)	NA
		14208344	LP Kit (51 MBTU)	NA
		14208345	LP Kit (64 MBTU)	NA

Performance Data - All Units 80% Thermal Efficiency with 409 SS.HX

Models	Nominal Cooling Tons	Cooling BTU	EER	Heating BTU Input	Heating BTU Output	Shipping Weight
CPG41228-U	1	12,000	9.2	28,000	22,400	315
CPG41238-U	1	12,000	9.2	38,000	30400	315
CPG41828-U	1.5	18,000	9.2	28,000	22,400	325
CPG41838-U	1.5	18,000	9.2	38,000	30400	325
CPG41851-U	1.5	18,000	9.2	51,000	40800	325
CPG41864-U	1.5	18,000	9.2	64,000	51200	325
CPG42428-U	2	22,400	9.2	28,000	22,400	350
CPG42438-U	2	22,400	9.2	38,000	30400	350
CPG42451-U	2	22,400	9.2	51,000	40800	350
CPG42464-U	2	22,400	9.2	64,000	51200	350
CPG43028-U	2.5	27,400	9.0	28,000	22,400	360
CPG43038-U	2.5	27,400	9.0	38,000	30400	360
CPG43051-U	2.5	27,400	9.0	51,000	40800	360
CPG43064-U	2.5	27,400	9.0	64,000	51200	360

Electrical Data

All units 208/230/1 AC 60HZ					
Evap. Blower Motor 1/3 HP 3.0 FLA - Cond. Fan Motor 1/4 HP 1.8 FLA 3.6 LRA					
Models	Compressor		Total Amps	Minimum Circuit Amps	Max Overcurrent Protector
	RLA	LRA			
CPG41228-U	5.5	26.0	10.3	12.6	15
CPG41238-U	5.5	26.0	10.3	12.6	15
CPG41828-U	8.3	44.0	13.1	16.1	20
CPG41838-U	8.3	44.0	13.1	16.1	20
CPG41851-U	8.3	44.0	13.1	16.1	20
CPG41864-U	8.3	44.0	13.1	16.1	20
CPG42428-U	10.9	61.6	17.6	19.3	30
CPG42438-U	10.9	61.6	17.6	19.3	30
CPG42451-U	10.9	61.6	17.6	19.3	30
CPG42464-U	10.9	61.6	17.6	19.3	30
CPG43028-U	11.6	74.0	16.4	20.2	30
CPG43038-U	11.6	74.0	16.4	20.2	30
CPG43051-U	11.6	74.0	16.4	20.2	30
CPG43064-U	11.6	74.0	16.4	20.2	30

Comfort Pack Air Flow Data

MODEL	Static Pressure/CFM			
	0.1	0.2	0.3	0.4
CPG412	415-780	325-770	225-760	340-725
CPG418	415-780	325-770	225-760	340-725
CPG424	410-780	320-770	225-740	325-705
CPG430	410-790	320-780	225-740	325-700

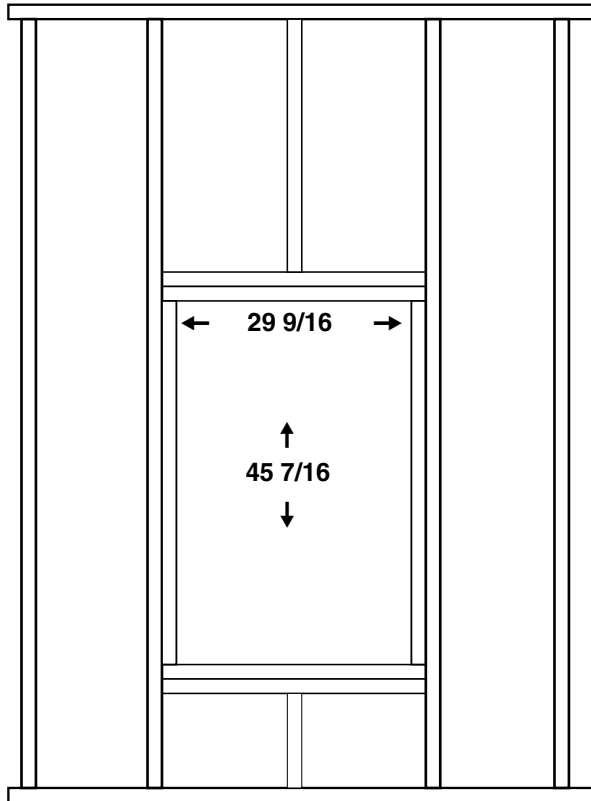
All units are set from the factory based on a .1 static.
Setpoint may be different for heating and cooling.
All specifications are subject to change without notice.

Project:

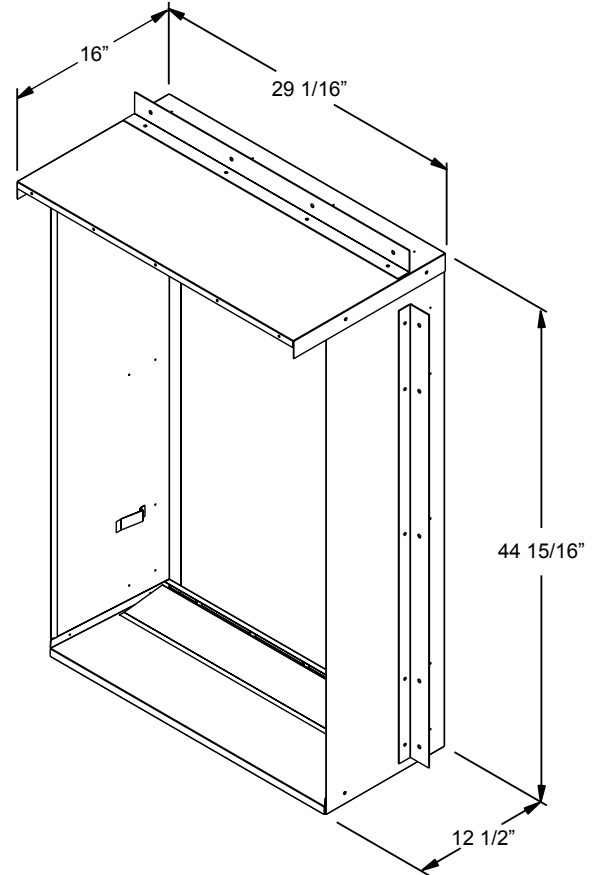
Wall Sleeve

CPWS

Rough In Dimensions

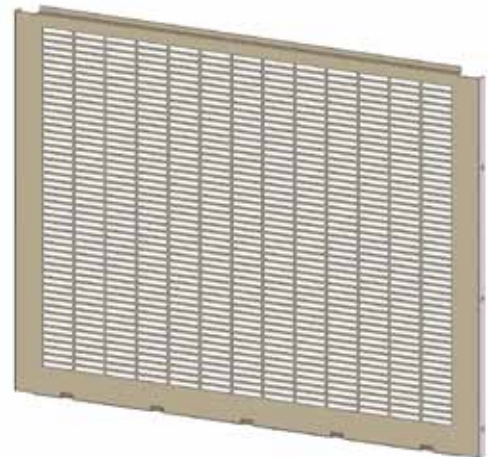
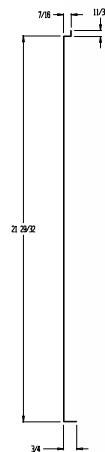
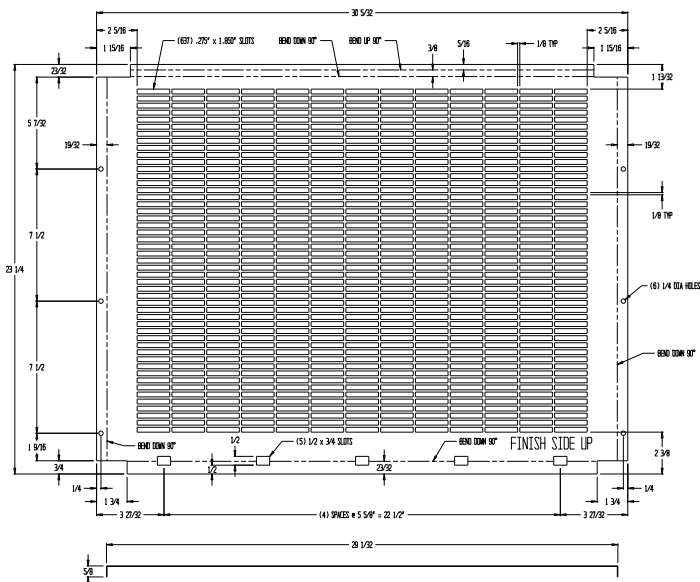
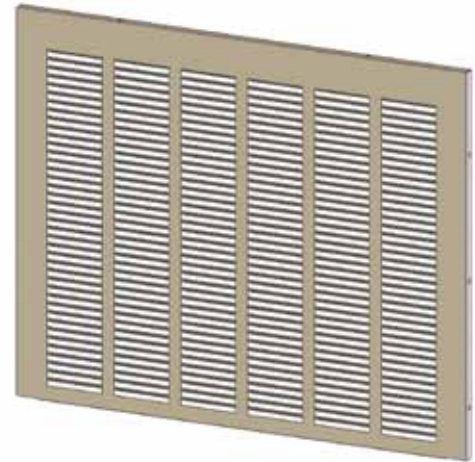
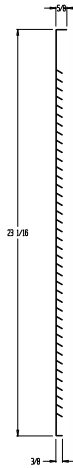
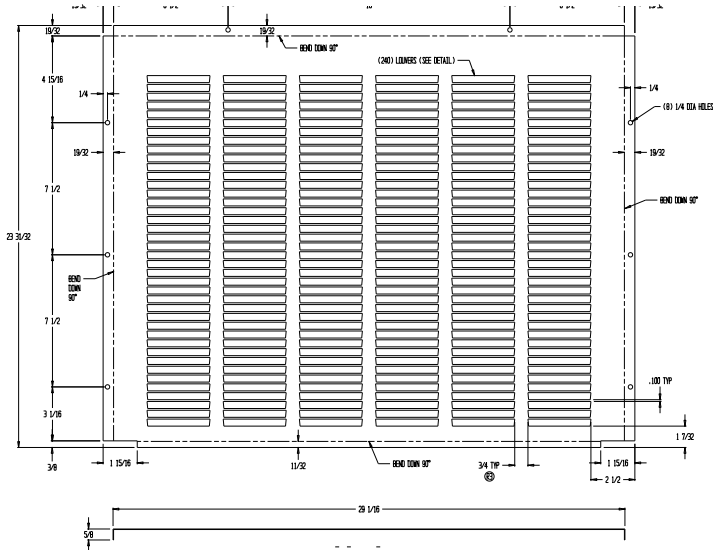


Actual Wall Sleeve Dimensions



Powder Coated Standard Louver (Sleeve Mounted)

CPSG-P



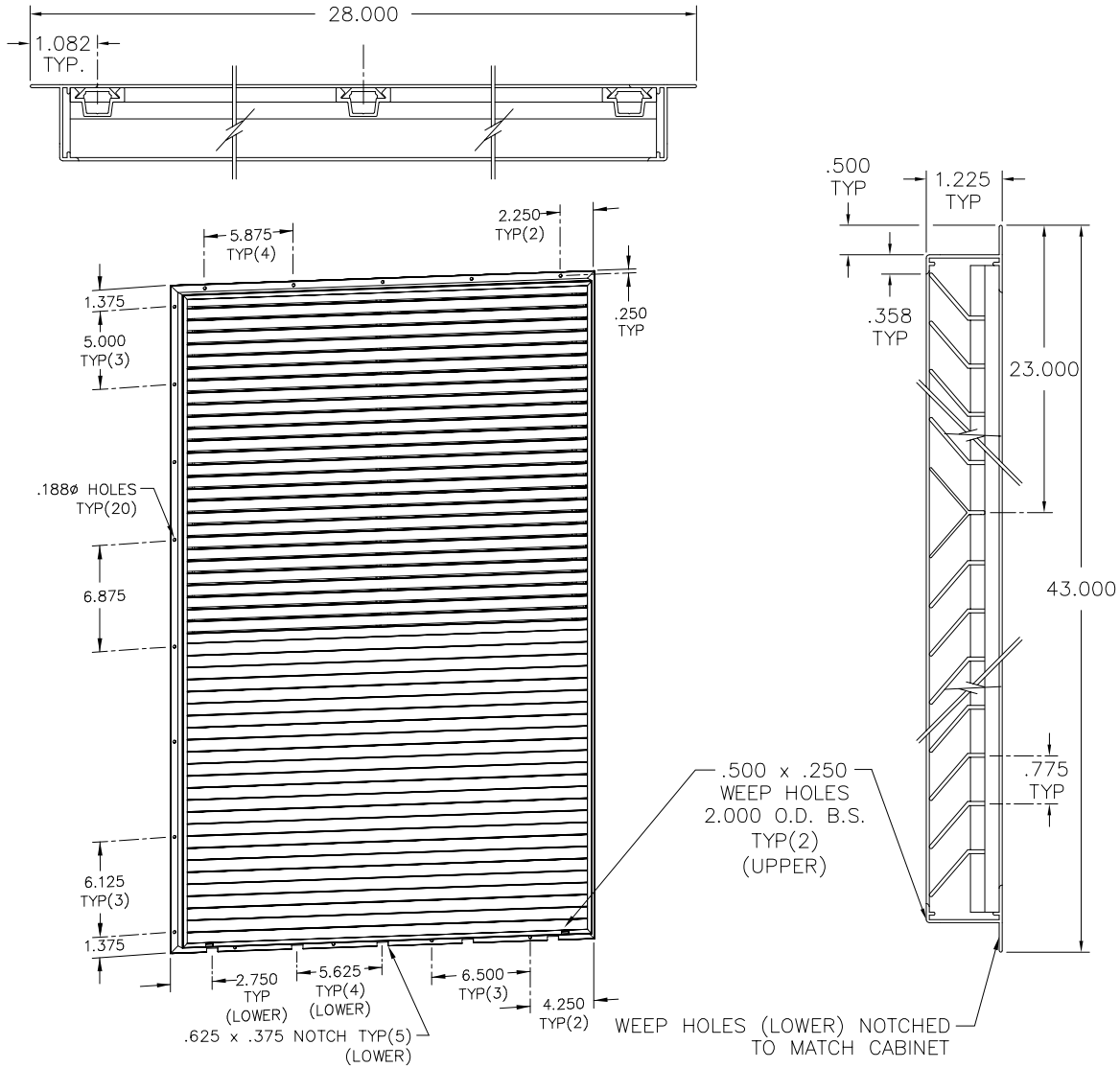
The CPSG-P version is a powder coated galvanized metal. It mounts to the Wall Sleeve and is recommended to be installed during the installation of the CPWS. (See page 5)

Project:

Architectural Louver (Unit Mounted)

CPLG (anodized aluminum finish)

CPLG-P (painted finish)



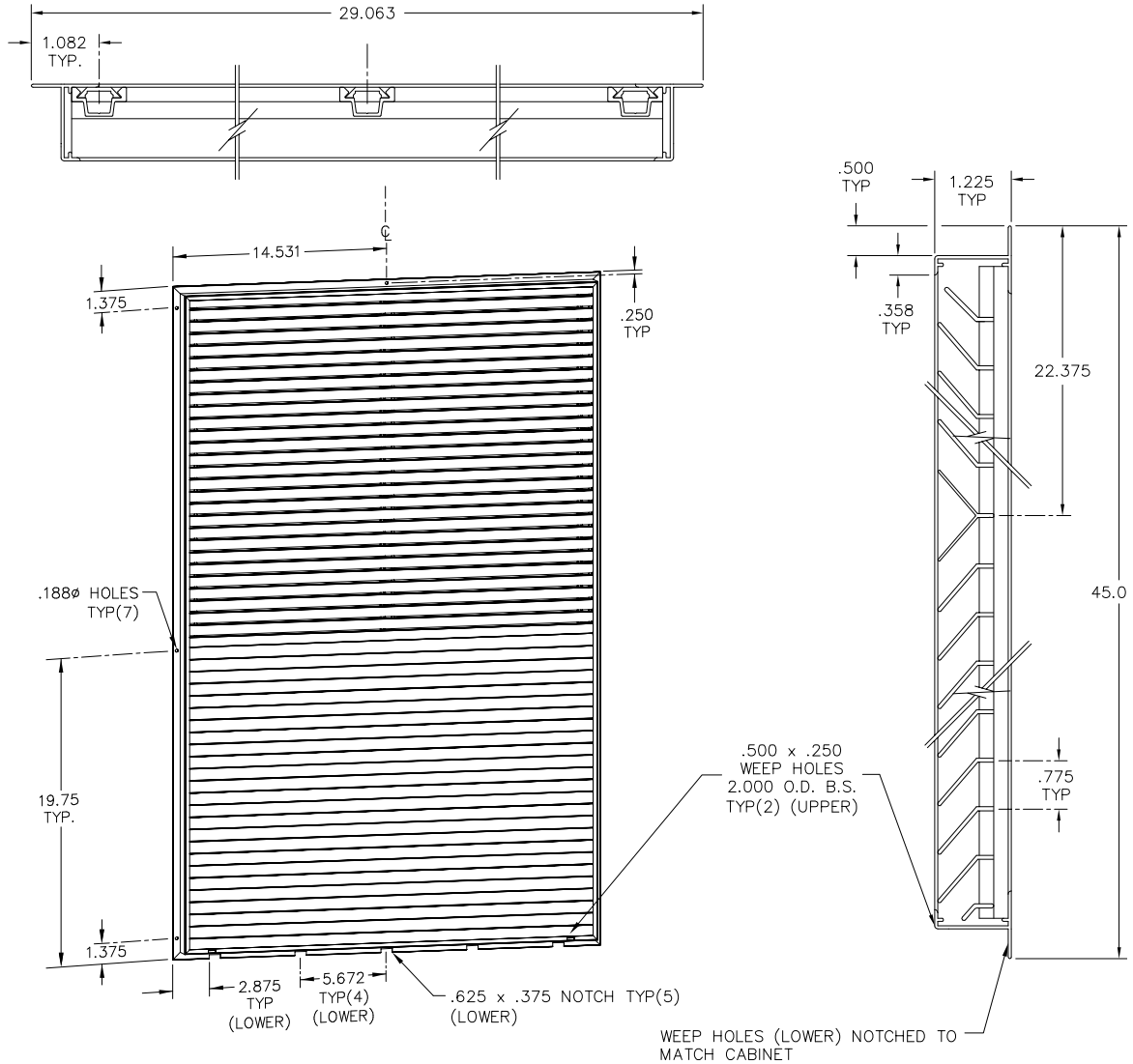
The CPLG & CPLG-P are Architectural Louvers available in anodized aluminum or a painted baked enamel finish. These Louvers are unit mounted.

Project:

Architectural Louver (Sleeve Mounted)

CPLG-S (anodized aluminum finish)

CPLG-SP (painted finish)



The CPLG-S & CPLG-SP are Architectural Louvers available in anodized aluminum or a painted baked enamel finish. These Louvers are sleeve mounted and recommended to be installed during the installation of the CPWS. (See page 5)



HEATING & A/C EQUIPMENT

National Comfort Products

A Division of National Refrigeration and Air Conditioning Products, Inc.

539 Dunksferry Road • Bensalem, PA 19020-5908
(800) 523-7138 • Fax (215) 639-1674

www.NationalComfortProducts.com

