

Washers | Dryers
Dishwashers
Fridges | Freezers
Stoves | Ovens

BOMANN®

Appliances 2014/2015





Contents

WASHERS/DRYERS	Washing Machines.....	4-6
	Heat Pump Dryer	6
	Condensor Dryer	7
	Vented Dryer	7
DISHWASHERS	Standing/Built-in Dishwashers	8-10
	Table Dishwashers	11
FRIDGES/FREEZERS	Fridge/Freezer Combos	12-15 / 32-33
	Double-Door Refrigerators	16
	Refrigerators	17-23
	Freezers	24-27
	Mini Fridges/Mini Freezers	28-29
	Freezer Chests	30-31
STOVES/OVENS	Gas Oven	34
	Electric Stove/Ovens	34
	Electric Stove/Ovens with Glass-Ceramic Stovetop	35
BUILT-IN STOVES/OVENS	Range Hoods	36-40
	Built-in Oven/Stovetop Sets	41-43
	Built-in Ovens	44
	Built-in Stovetops	44-46
BUILT-IN FRIDGES/FREEZERS	Built-in Fridges & Freezers	47-51
BUILT-IN DISHWASHERS	Built-in Dishwashers	52-56
BUILT-IN MICROWAVES	Built-in Microwave Ovens	57
WINE COOLERS	Wine Coolers, Glass door Refrigerators	58-59
EU-SPECIFICATIONS	Household Washing Machines 1061/2010	60
	Household Dryers 392/2012	61
	Household Dishwashers 1059/2010	62-64
	Household Fridges & Freezers 1060/2010	65-72
	Accessories	73



1400 RPM



1400 RPM

4 **Washing Machine WA 5714**

Spin Revolution max. 1400 RPM
6.0 kg Capacity
15 Programs + Additional options
Electronic Program Control
LED-Display

- Variable Spin speeds 400, 600, 800, 1.000, 1.200, max. 1.400, max., Spin-Stop
- Operational Noise Wash / Spin: 59/72 dBA

Features

- Control panel:
 - LED-Display for Remaining time, Delay start, spin speed
 - Start/Pause buttons, Delay Start Option 1-24 hr, Option for Spin speed, Buttons for Additional options, Parental control
 - Program selector with preset temperatures: Cold, 30, 40, 50, 60, 70, 80, 90°C
 - LED-Displays, illuminated: Program cycle sequence, Door lock, Additional options, Spin speed
- Water overflow protection
- Overheating protection
- Balance control
- Automatic load detection
- Foam detection feature
- Stainless Steel Drum with plastic tub 64 L
- 180°/42 cm diameter loading bay
- Lint Filter
- Adjustable feet

Programs

- Whites (hot)/Colors Cold-30-40-50-60-70-80-90°C
- Intensive Cold-30-40-50-60-70-80-90°C

- Synthetics Cold-30-40-50-60°C
- Sportswear Cold-30-40°C
- Quick Cold-30-40°C
- T-Shirts Cold-30-40-50-60°C
- Delicates Cold-30-40°C
- Wool Cold-30-40°C
- ECO (Economy program) Cold-20°C
- Drapes & Curtains Cold-30-40°C
- Jeans Cold-30-40-50-60°C
- Bed Linens Cold-30-40-50-60°C
- Additional Options: Prewash, Soak: Rinse +, Rinse stop

Consumption Data

Estimated Annual consumption¹⁾: 9240 Liter / 174 kWh
 Power consumption in Power-Off mode: 0.09 W
 Power consumption in Power-On mode: 0.65 W

Voltage and Power rating

Mains Voltage: 220-230 V~
 Power: 2200 W

Dimensions and Weight

Dimensions: 85.0 x 59.5 x 54.0 cm (H x W x D)
 Net Weight: 63.0 kg
 Gross Weight: 64.0 kg



Washing Machine WA 5724

Spin Revolution 1400 RPM
7.0 kg Capacity
15 Programs + Additional options
Electronic Program Control
LED-Display
Incl. Supply Hose Security System

- Variable Spin speeds 400, 600, 800, 1.000, 1.200, 1.400 max., Spin-Stop
- Operational Noise Wash / Spin: 61/76 dBA

Features

- Control panel:
 - LED-Display for Remaining time, Delay start, spin speed
 - Start/Pause buttons, Delay Start Option 1-24 hr, Option for Spin speed, Buttons for Additional options, Parental control
 - Program selector with preset temperatures: Cold-30-40-50-60-70-80-90°C
 - LED-Displays, illuminated: Program cycle sequence, Door lock, Additional options, Spin speed
- Water overflow protection
- Overheating protection
- Balance control
- Automatic load detection
- Foam detection feature
- Stainless Steel Drum with plastic tub 64 L
- 180°/42 cm diameter loading bay
- Lint Filter
- Adjustable feet

Programs

- Whites (hot)/Colors Cold-30-40-50-60-70-80-90°C
- Intensive Cold-30-40-50-60-70-80-90°C

- Synthetics Cold-30-40-50-60°C
- Quick Cold-30-40°C
- Delicates Cold-30-40°C
- ECO (Economy program) Cold-20°C
- Jeans Cold-30-40-50-60°C
- Sportswear Cold-30-40°C
- T-Shirts Cold-30-40-50-60°C
- Wool Cold-30-40°C
- Drapes & Curtains Cold-30-40°C
- Bed Linens Cold-30-40-50-60°C
- Additional Options: Prewash, Soak: Rinse +, Rinse stop

Consumption Data

Estimated Annual consumption¹⁾: 9966 Liter / 151 kWh
 Power consumption in Power-Off mode: 0.08 W
 Power consumption in Power-On mode: 0.80 W

Voltage and Power rating

Mains Voltage: 230-240 V~
 Power: 2200 W

Dimensions and Weight

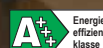
Dimensions: 85.0 x 59.5 x 54.0 cm (H x W x D)
 Net Weight: 67.0 kg
 Gross Weight: 68.0 kg



Art.-Nr. 757 140 EAN 4 004 470 757 149
 Art.-Nr. 757 147 EAN 4 004 470 571 479 Container: 244 Pieces

Art.-Nr. EAN 757 240 4 004 470 572 407 Container: 244 Pieces

¹⁾ In accordance with the specifications of EU Regulation (EU) No. 1061/2010



1400 RPM

Washing Machine WA 5814

5

Spin Revolution max. 1400 RPM
8.0 kg Capacity
15 Programs + Additional options
Electronic Program Control
LED-Display
Incl. Supply Hose Security System

- Variable Spin speeds 400, 600, 800, 1.000, 1.200, 1400 RPM, max., Spin-Stop
- Operational Noise Wash / Spin: 58/74 dBA

Features

- Control panel:
 - LED-Display for Remaining time, Delay start, spin speed
 - Start/Pause buttons, Delay Start Option
 - 1-24 hr, Option for Spin speed, Buttons for Additional options, Parental control
 - Program selector with preset temperatures: Cold, 30, 40, 50, 60, 70, 80, 90°C
 - LED-Displays, illuminated: Program cycle sequence, Door lock, Additional options, Spin speed
- Water overflow protection
- Overheating protection
- Balance control
- Automatic load detection
- Foam detection feature
- Stainless Steel Drum with plastic tub 64 L
- 180°/42 cm diameter loading bay
- Lint Filter
- Adjustable feet

Programs

- Whites (hot)-/Colors Cold-30-40-50-60-70-80-90°C
- Intensive Cold-30-40-50-60-70-80-90°C

- Synthetics Cold-30-40-50-60°C
- Sportswear Cold-30-40°C
- Quick Cold-30-40°C
- T-Shirts Cold-30-40-50-60°C
- Delicates Cold-30-40°C
- Wool Cold-30-40°C
- ECO (Economy program) Cold-20°C
- Drapes & Curtains Cold-30-40°C
- Jeans Cold-30-40-50-60°C
- Bed Linens Cold-30-40-50-60°C
- Additional Options: Prewash, Soak: Rinse +, Rinse stop

Consumption Data

Estimated Annual consumption¹⁾:
 11066 Liter / 188 kWh
 Power consumption in
 Power-Off mode: 0.08 W
 Power consumption in
 Power-On mode: 0.65 W

Voltage and Power rating

Mains Voltage: 230-240 V~
 Power: 2200 W

Dimensions and Weight

Dimensions:
 85.0 x 59.5 x 57.0 cm (H x W x D)
 Net Weight: 70.0 kg
 Gross Weight: 71.0 kg



Art.-Nr. EAN
 758 140 4 004 470 758 146 Container: 183 Pieces

¹⁾ In accordance with the specifications of EU Regulation (EU) No. 1061/2010



1000 RPM



6 **Washing Machine WA 5710**

Heat Pump Dryer WPT 5018

Spin Revolution 1000 RPM
6.0 kg Capacity
8 Programs
Electronic Program Control

7.0 kg Capacity
12 Drying- / 12 Time programs + Additional options
Electronic Program Control
Electronic Moisture Measurement
LED-Display

- Spin 1000 RPM
- Operational Noise Wash / Spin: 60/73 dBA

Features

- Bedienblende:
 - On/Off & Start/Pause buttons
 - Program select
 - Temperature selection 20-40-60-90°C
 - LED-Display
- Water overflow protection
- Overheating protection
- Balance control
- Automatic load detection
- Foam detection feature
- Stainless Steel Drum with plastic tub 64 L
- 180°/30 cm diameter loading bay
- Lint Filter
- Adjustable feet

Programs

- Hot-/Colors/Mix Cold-20-40-60°C
- Intensive Cold-20-40-60°C
- Quick Cold-20-40°C
- Hygiene 90°C
- Delicates Cold-20-40°C
- Wool Cold-20-40°C
- Easy care/Synthetics Cold-20-40-60°C
- Spin

Consumption Data

Estimated Annual consumption¹⁾: 9460 Liter / 179 kWh
 Power consumption in Power-Off mode: 0.08 W
 Power consumption in Power-On mode: 0.42 W

Voltage and Power rating

Mains Voltage: 220-240 V~
 Power: 2100 W

Dimensions and Weight

Dimensions: 84.5 x 59.5 x 53.0 cm (H x W x D)
 Net Weight: 64.0 kg
 Gross Weight: 68.0 kg

Features

- Control panel:
 - LED-Display for Delay start, Remaining time, Lint Filter, Condensed water container
 - Child safety, Error codes
 - LED-Displays for Program cycle sequence, Additional Options
 - Program Selector
 - On/Off & Start/Pause buttons, Delay Start 1-24 hr, Time selector, Additional Options (Crease control, Off/End signal)
- Delay start 1-24 hr
- Child safety lock/Parental Control
- Overheating protection
- Automatic switch-off
- Off/End signal
- Zink Drum, Volume 105 L
- Drum Interior Lighting
- 180° / 37.5 cm diameter loading bay
- Condensation collection in control panel
- Lint Filter
- Adjustable feet
- 69 dBA Operational Noise

Programs

- Cotton: Extra Dry, Normal Dry, Iron Dry
- Easy care/Synthetics: Extra Dry, Normal Dry, Iron Dry
- Silk ■ Wool ■ Mix ■ Sport
- Freshen-up
- Timer Programs: 10, 20, 30, 40, 50, 60, 70, 80, 90, 100, 110, 120 Min.
- Additional Options: Crease control, Off/End signal

Consumption Data

Estimated Annual consumption¹⁾: 278 kWh
 Power consumption in Power-Off mode: 0.01 W
 Power consumption in Power-On mode: 0.4 W

Voltage and Power rating

Mains Voltage: 220-240 V~
 Power: 1050 W
 Fuse: 4.5 A

Dimensions and Weight

Dimensions: 84.5 x 59.5 x 62.2 cm (H x W x D)
 Net Weight: 53.0 kg
 Gross Weight: 57.0 kg



Art.-Nr. EAN
 757 100 4 004 470 757 101

Container: 215 Pieces

Art.-Nr. EAN
 750 180 4 004 470 750 188

Container: 150 Pieces

¹⁾ In accordance with the specifications of EU Regulation (EU) No. 1061/2010



Condensor Dryer WTK 5020

8.0 kg Capacity
12 Drying- / 5 Time programs + Additional options
Electronic Program Control
LED-Display

Features

- Control panel:
 - LED-Display for Delay Startl, Remaining time, Lint Filter, Condensed water container, Child safety lock, Error codes
 - LED-Indicators for program sequence, Additional Options
 - Program Selector
 - On/Off & Start/Pause buttons, Delay start 1-24 hr, Time Selector, Additional Options (Crease control, Gentle Dry)
- Delay Start 1-24 hr
- Child safety lock/Parental Control
- Overheating protection
- Automatic switch-off
- Off/End signal
- Zink Drum, Volume 105 L
- Drum Interior Lighting
- 180° / 37,5 cm diameter loading bay
- Condensation collection in control panel
- Lint Filter
- Adjustable feet
- 69 dBA Operational Noise

Programs

- Hot-/Colors/Mix: Extra Dry, Normal Dry, Light Dry, Iron Dry
- Easy care/Synthetics: Extra Dry, Normal Dry, Light Dry
- Delicates ■ Freshen-up ■ Cold
- Timer Programs: 20 Min., 30 Min., 40 Min., 50 Min., 60 Min.
- Additional Options: Gentle Dry, Crease control

Consumption Data

Estimated Annual consumption¹⁾: 561 kWh
 Power consumption in Power-Off mode: 0.28 W
 Power consumption in Power-On mode: 1.72 W

Voltage and Power rating

Mains Voltage: 220-240 V~
 Power: 2700 W
 Fuse: 12 A

Dimensions and Weight

Dimensions:
 84.5 x 59.5 x 61.5 cm (H x W x D)
 Net Weight: 43.0 kg
 Gross Weight: 47.0 kg



Vented Dryer WT 5019

6.0 kg Capacity
10 Drying- / 1 Time programs + Additional options
Electronic Program Control

Features

- Control panel:
 - LED-Displays for Program, Drying stage, Crease control
 - On/Off & Start/Pause buttons, Program, Drying stage, Crease control
- Automatic Temperature control
- Overheating protection
- Automatic switch-off
- Off/End signal
- Zink Drum
- Drum Volume 97.5 L
- 150° / 31 cm diameter loading bay
- Lint Filter
- Flexible vent hose 50-160 cm
- Rear hose connection (left)
- Adjustable feet
- Operational Noise: 69 dBA

Programs

- Cotton: Extra Dry, Standard Dry, Light Dry
- Easy care/Synthetics: Extra Dry, Standard Dry, Light Dry
- Mix: Extra Dry, Standard Dry, Iron Dry
- 60 Min.-Timer Program
- Additional Option: Crease control

Consumption Data

Estimated Annual consumption¹⁾: 452 kWh
 Power consumption in Power-Off mode: 0.46 W
 Power consumption in Power-On mode: 0.46 W

Voltage and Power rating

Mains Voltage: 220-240 V~
 Power: 2000 W
 Fuse: 9 A

Dimensions and Weight

Dimensions:
 84.0 x 59.5 x 55.0 cm (H x W x D)
 Net Weight: 33.0 kg
 Gross Weight: 38.0 kg



Art.-Nr. EAN
 750 200 4 004 470 750 201

Container: 159 Pieces

Art.-Nr. EAN
 750 190 4 004 470 750 195

Container: 204 Pieces

¹⁾ In accordance with the specifications of EU Regulation (EU) No. 392/2012



8 Dishwasher GSP 847 IX

Dishwasher GSP 848 IX

Self-Standing or Build-under counter, 60 cm
12 Place Settings
Stainless Steel-Control panel with LED-Display
Electronic Program Control
Electronic Supply Hose Security System
Operational Noise: 49 dBA

Features

- LED-Display for:
 - Startverzögerung, Restlaufzeit, 1/2 Beladung, Türverriegelung, Fehlercodes
- LED-Kontrollanzeigen für:
 - Programm, Salz- und Klarspülermangel, Kindersicherung
- Funktionstasten für:
 - Ein/Aus, Start/Pause, Programm, Startverzögerung, 1/2 Beladung
- Startverzögerung 1-24 hr
- Reinigungstemperaturen 40-65°C
- 2 Sprühebenen
- Durchlauferhitzer / verdeckte Heizung
- Wasserenthärtungseinrichtung
- Klarspüler-Dosiereinrichtung
- Überlaufschutz
- Sicherheits-Türverschluss
- Edelstahl-Innenbehälter/-Innentür
- Silbergraue Körbe
- Höhenverstellbarer Oberkorb
- Fold-down Glass and Plate Holders
- Abnehmbare Arbeitsplatte
- Edelstahlfront, housing silver
- Adjustable feet

7 Programs + 1/2 Load

- Intensivspülprogramm
- Normalspülprogramm
- ECO (Sparspülprogramm)
- Expressspülprogramm 60 Min.
- Schnellspülprogramm 40 Min.
- Gläserspülprogramm
- Vorspülen (Einweichen)
- 1/2 Beladung

Consumption Data

Wasser- / Energieverbrauch:
 11.0 Liter / 0.91 kWh
 Estimated Annual consumption¹⁾:
 3080 Liter / 258 kWh
 Power consumption in
 Power-Off mode: 0.45 W
 Power consumption in
 Power-On mode: 0.49 W

Voltage and Power rating

Mains Voltage: 230 V~
 Power: 1930 W

Dimensions and Weight

Dimensions:
 84.5 / 81.5 x 59.8 x 60.0 cm (H x W x D)
 Net Weight: 43.0 kg
 Gross Weight: 49.5 kg

Self-Standing or Build-under counter, 45 cm
9 Place Settings Stainless Steel
-Control panel with LED-Display
Electronic Program Control
Electronic Supply Hose Security System
Operational Noise: 49 dBA

Features

- LED-Display for: Startverzögerung, Restlaufzeit, 1/2 Beladung, Türverriegelung, Fehlercodes
- LED-Kontrollanzeigen für: Programm, Salz- und Klarspülermangel, Kindersicherung
- Funktionstasten für: Ein/Aus, Start/Pause, Programm, Startverzögerung, 1/2 Beladung
- Startverzögerung 1-24 hr
- Reinigungstemperaturen 40-65°C
- 2 Sprühebenen
- Durchlauferhitzer / verdeckte Heizung
- Wasserenthärtungseinrichtung
- Klarspüler-Dosiereinrichtung
- Überlaufschutz
- Sicherheits-Türverschluss
- Edelstahl-Innenbehälter/-Innentür
- Silbergraue Körbe
- Höhenverstellbarer Oberkorb
- Fold-down Glass and Plate Holders
- Besteckkorb
- Abnehmbare Arbeitsplatte
- Stainless Steel face, housing silver
- Adjustable feet

7 Programs + 1/2 Load

- Intensivspülprogramm
- Normalspülprogramm
- ECO (Sparspülprogramm)
- Expressspülprogramm 60 Min.
- Schnellspülprogramm 40 Min.
- Gläserspülprogramm
- Vorspülen (Einweichen)
- 1/2 Beladung

Consumption Data

Wasser- / Energieverbrauch:
 9.0 Liter / 0.69 kWh
 Estimated Annual consumption¹⁾:
 2520 Liter / 197 kWh
 Power consumption in
 Power-Off mode: 0.45 W
 Power consumption in
 Power-On mode: 0.49 W

Voltage and Power rating

Mains Voltage: 230 V~
 Power: 1930 W

Dimensions and Weight

Dimensions:
 84.5 / 81.5 x 44.8 x 60.0 cm (H x W x D)
 Net Weight: 36.0 kg
 Gross Weight: 41.5 kg



Art.-Nr. EAN
 784 700 4 004 470 847 000

Container: 162 Pieces

Art.-Nr. EAN
 784 800 4 004 470 848 007

Container: 248 Pieces

¹⁾ In accordance with the specifications of EU Regulation (EU) No. 1059/2010



Dishwasher GSP 843

Dishwasher GSP 844

Self-Standing or Build-under counter, 60 cm
12 Place Settings
Edelstahl-Control panel with LED-Display
Electronic Program Control
Electronic Supply Hose Security System
Operational Noise: 49 dBA

Features

- LED-Display for: Startverzögerung, Restlaufzeit, 1/2 Beladung, Türverriegelung, Fehlercodes
- LED-Kontrollanzeigen für: Programm, Salz- und Klarspülermangel, Kindersicherung
- Funktionstasten für: Ein/Aus, Start/Pause, Programm, Startverzögerung, 1/2 Beladung
- Startverzögerung 1-24 hr
- Reinigungstemperaturen 40-65°C
- 2 Sprühebene
- Durchlauferhitzer / verdeckte Heizung
- Wasserenthärtungseinrichtung
- Klarspüler-Dosiereinrichtung
- Überlaufschutz
- Sicherheits-Türverschluss
- Edelstahl-Innenbehälter/-Innentür
- Silbergraue Körbe
- Höhenverstellbarer Oberkorb
- Fold-down Glass and Plate Holders
- Besteckkorb
- Abnehmbare Arbeitsplatte
- Adjustable feet

7 Programs + 1/2 Load

- Intensivspülprogramm
- Normalspülprogramm
- ECO (Sparspülprogramm)
- Expressspülprogramm 60 Min.
- Schnellspülprogramm 40 Min.
- Gläserspülprogramm
- Vorspülen (Einweichen)
- 1/2 Beladung

Consumption Data

Wasser- / Energieverbrauch:
 11.0 Liter / 0.91 kWh
 Estimated Annual consumption¹⁾:
 3080 Liter / 258 kWh
 Power consumption in
 Power-Off mode: 0.45 W
 Power consumption in
 Power-On mode: 0.49 W

Voltage and Power rating

Mains Voltage: 230 V~
 Power: 1930 W

Dimensions and Weight

Dimensions:
 84.5 / 81.5 x 59.8 x 60.0 cm (H x W x D)
 Net Weight: 43.0 kg
 Gross Weight: 49.5 kg

Self-Standing or Build-under counter, 45 cm
9 Place Settings
Edelstahl-Control panel with LED-Display
Electronic Program Control
Electronic Supply Hose Security System
Operational Noise: 49 dBA

Features

- LED-Display for: Startverzögerung, Restlaufzeit, 1/2 Beladung, Türverriegelung, Fehlercodes
- LED-Kontrollanzeigen für: Programm, Salz- und Klarspülermangel, Kindersicherung
- Funktionstasten für: Ein/Aus, Start/Pause, Programm, Startverzögerung, 1/2 Beladung
- Startverzögerung 1-24 hr
- Reinigungstemperaturen 40-65°C
- 3 Sprühebene
- Durchlauferhitzer / verdeckte Heizung
- Wasserenthärtungseinrichtung
- Klarspüler-Dosiereinrichtung
- Überlaufschutz
- Sicherheits-Türverschluss
- Edelstahl-Innenbehälter/-Innentür
- Silbergraue Körbe
- Höhenverstellbarer Oberkorb
- Fold-down Glass and Plate Holders
- Besteckkorb
- Abnehmbare Arbeitsplatte
- Adjustable feet

7 Programs + 1/2 Load

- Intensivspülprogramm
- Normalspülprogramm
- ECO (Sparspülprogramm)
- Expressspülprogramm 60 Min.
- Schnellspülprogramm 40 Min.
- Gläserspülprogramm
- Vorspülen (Einweichen)
- 1/2 Beladung

Consumption Data

Wasser- / Energieverbrauch:
 9.0 Liter / 0.69 kWh
 Estimated Annual consumption¹⁾:
 2520 Liter / 197 kWh
 Power consumption in
 Power-Off mode: 0.45 W
 Power consumption in
 Power-On mode: 0.49 W

Voltage and Power rating

Mains Voltage: 230 V~
 Power: 1930 W

Dimensions and Weight

Dimensions:
 84.5 / 81.5 x 44.8 x 60.0 cm (H x W x D)
 Net Weight: 36.0 kg
 Gross Weight: 41.5 kg



Art.-Nr. EAN
 784 300 4 004 470 784 305
 Container: 162 Pieces

Art.-Nr. EAN
 784 400 4 004 470 784 404
 Container: 248 Pieces

¹⁾ In accordance with the specifications of EU Regulation (EU) No. 1059/2010



10 Dishwasher GSP 775.1

Dishwasher GSP 776.1

Self-Standing or Build-under counter, 60 cm
12 Place Settings
Electronic Program Control

Features

- LED-Control Lamps for
 - On/Off, Program selection
 - Delayed Start / Program sequence,
 - Salt- and Rinse Agent Refill
- Delayed Start 3/6/9/12 hrs.
- Cleaning temperature: 40-65°C
- 2 Levels each with sprayer
- Concealed Water Heater
- Water Softener
- Rinse Agent Dosing
- Overflow Prevention
- Security Door Lock
- Stainless Steel Drum & Door Interior
- Silverware Basket
- Height-adjustable upper level
- Fold-down Glass and Plate Holders
- Cutlery Basket
- Removable Countertop
- Adjustable feet
- 54 dBA Operational Noise

6 Programs

- Multi-TAB-Wash Program
- Intensive Wash Program
- Normal Wash Program
- ECO (Energy-saving Program)
- Express Wash Program 60 Min.
- Quick Wash Program 30 Min.

Consumption Data

Water- / Energy usage:
 12 Liter / 1.02 kWhr
 Estimated Annual consumption¹⁾:
 3360 Liter / 290 kWhr

Voltage and Power rating

Mains Voltage: 230 V~
 Power: 1930 W

Dimensions and Weight

Dimensions:
 85.0 / 82.0 x 59.5 x 58.0 cm (H x W x D)
 Net Weight: 40.0 kg
 Gross Weight: 45.0 kg

Self-Standing or Build-under counter, 45 cm
9 Place Settings
Electronic Program Control

Features

- LED-Control Lamps for
 - On/Off, Program selection
 - Delayed Start / Program sequence,
 - Salt- and Rinse Agent Refill
- Delayed Start 3/6/9/12 hrs.
- Cleaning temperature 40-65°C
- 2 Levels each with sprayer
- Concealed Water Heater
- Water Softener
- Rinse Agent Dosing
- Overflow Prevention
- Security Door Lock
- Stainless Steel Drum & Door Interior
- Silverware Basket
- Height-adjustable upper level
- Fold-down Glass and Plate Holders
- Cutlery Basket
- Removable Countertop
- Adjustable feet
- 54 dBA Operational Noise

6 Programs

- Multi-TAB-Wash Program
- Intensive Wash Program
- Normal Wash Program
- ECO (Energy-saving Program)
- Express Wash Program 60 Min.
- Quick Wash Program 30 Min.

Consumption Data

Water- / Energy usage:
 10.5 Liter / 0.77 kWhr
 Estimated Annual consumption¹⁾:
 2940 Liter / 222 kWhr

Voltage and Power rating

Mains Voltage: 230 V~
 Power: 1930 W

Dimensions and Weight

Dimensions:
 85.0 / 82.0 x 44.5 x 58.0 cm (H x W x D)
 Net Weight: 34.0 kg
 Gross Weight: 38.0 kg



Art.-Nr. EAN
 777 500 4 004 470 777 505

Container: 170 Pieces

Art.-Nr. EAN
 777 600 4 004 470 777 604

Container: 256 Pieces

¹⁾ In accordance with the specifications of EU Regulation (EU) No. 1059/2010



Tabletop Dishwasher TSG 707

Tabletop Dishwasher TSG 707

Compact design, Control Panel with LED Display
6 Place Settings
Electronic Program Control
Mechanical Supply Hose Security System

Compact design, Control Panel with LED Display
6 Place Settings
Electronic Program Control
Mechanical Supply Hose Security System

Features

- LED-Display:
 - Program sequence
- LED-Control Lamps for:
 - On/Off
 - Salt- and Rinse Agent Refill
 - Program
- Delayed Start 1-24 hr
- Cleaning temperature 40-70°C
- 1 Spray level
- Concealed Water Heater
- Water Softener
- Rinse Agent Dosing
- Overflow Prevention
- Safety door lock
- Stainless Steel Drum & Door Interior
- Dish rack
- Fold-down Glass and Plate Holders
- Cutlery Basket
- Silverware Basket
- Adjustable feet
- 55 dBA Operational Noise

6 Programs

- Intensive Wash Program
- Normal Wash Program
- ECO (Energy-saving Program)
- Glass Wash Program
- Express Wash Program 60 Min.
- Quick Wash Program 30 Min.

Consumption Data

Water- / Energy usage:
 7.0 Liter / 0.61 kWh
 Estimated Annual consumption¹⁾:
 1960 Liter / 174 kWh
 Power consumption in
 Power-Off mode: 0.3 W
 Power consumption in
 Power-On mode: 0.4 W

Voltage and Power rating

Mains Voltage: 230 V~
 Power: 1280 W

Dimensions and Weight

Dimensions:
 43.8 x 55.0 x 51.15 cm (H x W x D)
 Net Weight: 23.0 kg
 Gross Weight: 27.0 kg

Features

- LED-Display:
 - Program sequence
- LED-Control Lamps for:
 - On/Off
 - Salt- and Rinse Agent Refill
 - Program
- Delayed Start 1-24 hr
- Cleaning temperature 40-70°C
- 1 Spray level
- Concealed Water Heater
- Water Softener
- Rinse Agent Dosing
- Overflow Prevention
- Safety door lock
- Stainless Steel Drum & Door Interior
- Dish rack
- Fold-down Glass and Plate Holders
- Cutlery Basket
- Silverware Basket
- Adjustable feet
- 55 dBA Operational Noise

6 Programs

- Intensive Wash Program
- Normal Wash Program
- ECO (Energy-saving Program)
- Glass Wash Program
- Express Wash Program 60 Min.
- Quick Wash Program 30 Min.

Consumption Data

Water- / Energy usage:
 7.0 Liter / 0.61 kWh
 Estimated Annual consumption¹⁾:
 1960 Liter / 174 kWh
 Power consumption in
 Power-Off mode: 0.3 W
 Power consumption in
 Power-On mode: 0.4 W

Voltage and Power rating

Mains Voltage: 230 V~
 Power: 1280 W

Dimensions and Weight

Dimensions:
 43.8 x 55.0 x 51.15 cm (H x W x D)
 Net Weight: 23.0 kg
 Gross Weight: 27.0 kg



Art.-Nr. EAN
 770 700 4 004 470 770 704

Container: 400 Pieces

Art.-Nr. EAN
 770 770 4 004 470 770 773

Container: 400 Pieces

¹⁾ In accordance with the specifications of EU Regulation (EU) No. 1059/2010



12 Fridge/Freezer Combo KG 186

Fridge/Freezer Combo KG 185

Gross- / Net Volume: 297 / 288 Liter
Net Volume Refrigerator / Freezer: 205 / 83 Liter
Adjustable Thermostat
Coolant/Refrigerant: R600a

General

- Climate Class N/T (+16 bis +43°C)
- Vapor Compression Technology
- Reversible Door
- 2 Adjustable feet (front)
- 2 Castors (rear)
- 43 dBA Operational Noise

Features Refrigerator

- Stepless temperature adjustment
- Temperature Range: 0~8°C
- Automatic Defrost
- LED-Interior lighting
- 3 Height adjustable glass shelves
- Transparent vegetable drawer with Glass cover
- 4 Door Shelves
- Incl. Chrome Bottle rack
- Flaschenhalterung
- 2 Eierablagen (für je 6 Eier)

Features Freezer

- [A+] Rating
- Temperature Range: ≤ -18°C
- Freezing capacity: 4.0 kg / 24 hr
- Lagerzeit bei Störung: max. 15 hr
- Manual Defrost
- 3 Freezer drawers
- Ice cube tray

Consumption Data

Energy usage / 24 hr: 0.597 kWh
 Energy usage / year¹⁾: 217 kWh

Voltage and Power rating

Mains Voltage: 220-240 V~
 Power: 100 W

Dimensions and Weight

Dimensions:
 185.0 x 59.0 x 55.1 cm (H x W x D)
 Net Weight: 62.0 kg
 Gross Weight: 68.0 kg

Auch in den Farben Inox und Bordeaux available => Page 33



Gross- / Net Volume: 235 / 225 Liter
Net Volume Refrigerator / Freezer: 164 / 61 Liter
Adjustable Thermostat
Coolant/Refrigerant: R600a

General

- Climate Class SN/T (+10 bis +43°C)
- Vapor Compression Technology
- Reversible Door
- 2 Adjustable feet (front)
- 2 Castors (rear)
- 40 dBA Operational Noise

Features Refrigerator

- Stepless temperature adjustment
- Temperature Range: 0~8°C
- Automatic Defrost
- LED-Interior lighting
- 2 Height adjustable glass shelves
- Transparent vegetable drawer with Glass cover
- 3 Door Shelves
- Incl. Chrome Bottle rack
- Flaschenhalterung
- 2 Eierablagen (für je 6 Eier)

Features Freezer

- [A+] Rating
- Temperature Range: ≤ -18°C
- Freezing capacity: 2.75 kg / 24 hr
- Lagerzeit bei Störung: max. 16 hr
- Manual Defrost
- 2 Freezer drawers
- Ice cube tray

Consumption Data

Energy usage / 24 hr: 0.522 kWh
 Energy usage / year¹⁾: 190 kWh

Voltage and Power rating

Mains Voltage: 220-240 V~
 Power: 90 W

Dimensions and Weight

Dimensions:
 154.0 x 59.0 x 55.2 cm (H x W x D)
 Net Weight 51.0 kg
 Gross Weight: 56.0 kg

Auch in den Farben Inox und Bordeaux available => Page 33



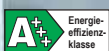
Art.-Nr. EAN
 718 600 4 004 470 186 000

Container: 100 Pieces

Art.-Nr. EAN
 718 500 4 004 470 185 003

Container: 105 Pieces

¹⁾ In accordance with the specifications of EU Regulation (EU) No. 1060/2010



Fridge/Freezer Combo KG 183

13

Gross- / Net Volume: 256 / 241 Liter
Net Volume Refrigerator / Freezer: 176 / 65 Liter
Adjustable Thermostat
Coolant/Refrigerant: R600a

General

- Climate Class N/ST (+16 bis +43°C)
- Vapor Compression Technology
- Reversible Door
- 2 Adjustable feet (front)
- 2 Castors (rear)
- 41 dBA Operational Noise

Features Refrigerator

- Stepless temperature adjustment
- Temperature Range: 0~8°C
- Automatic Defrost
- LED-Interior lighting
- 3 Height adjustable glass shelves
- Transparent vegetable drawer with Glass cover
- 4 Door Shelves
- 2 Eierablagen (für je 6 Eier)

Features Freezer

- Rating
- Temperature Range: ≤ -18°C
- Freezing capacity: 3.0 kg / 24 hr
- Lagerzeit bei Störung: max. 15 hr
- Manual Defrost
- 3 Freezer drawers
- Ice cube tray

Consumption Data

Energy usage / 24 hr: 0,360 kWh
 Energy usage / year¹⁾: 131 kWh

Voltage and Power rating

Mains Voltage: 220-240 V~
 Power: 60 W

Dimensions and Weight

Dimensions:
 180.0 x 55.4 x 56.3 cm (H x W x D)
 Net Weight: 59.0 kg
 Gross Weight: 64.0 kg



Art.-Nr. EAN
718 300 4 004 470 183 009

Art.-Nr. EAN
718 370 4 004 470 183 702

Container: 100 Pieces

¹⁾ In accordance with the specifications of EU Regulation (EU) No. 1060/2010



14 Fridge/Freezer Combo KG 181

Fridge/Freezer Combo KG 180

Gross- / Net Volume: 258 / 249 Liter
Net Volume Refrigerator / Freezer: 179 / 70 Liter
Adjustable Thermostat
Coolant/Refrigerant: R600a

General

- Climate Class N/ST (+16 bis +38°C)
- Vapor Compression Technology
- Reversible Door
- 2 Adjustable feet (front)
- 2 Castors (rear)
- 43 dBA Operational Noise

Features Refrigerator

- Stepless temperature adjustment
- Temperature Range: 0~8°C
- Automatic Defrost
- LED-Interior lighting
- 3 Height adjustable glass shelves
- Transparent vegetable drawer with Glass cover
- 4 Door Shelves
- 2 Egg trays (for 6 eggs each)

Features Freezer

- Rating
- Temperature Range: ≤ -18°C
- Freezing capacity: 3.5 kg / 24 hr
- Lagerzeit bei Störung: max. 15 hr
- Manual Defrost
- 3 Freezer drawers
- Ice cube tray

Consumption Data

Energy usage / 24 hr: 0.528 kWh
 Energy usage / year¹⁾: 192 kWh

Voltage and Power rating

Mains Voltage: 220-240 V~
 Power: 70 W

Dimensions and Weight

Dimensions:
 180.0 x 55.4 x 56.6 cm (H x W x D)
 Net Weight: 55.0 kg
 Gross Weight: 60.0 kg



Art.-Nr. EAN
 718 100 4 004 470 181 005
 Art.-Nr. EAN
 718 170 4 004 470 181 078

Container: 100 Pieces

Gross- / Net Volume: 218 / 209 Liter
Net Volume Refrigerator / Freezer: 139 / 70 Liter
Adjustable Thermostat
Coolant/Refrigerant: R600a

General

- Climate Class N/ST (+16 bis +38°C)
- Vapor Compression Technology
- Reversible Door
- 2 Adjustable feet (front)
- 2 Castors (rear)
- 43 dBA Operational Noise

Features Refrigerator

- Stepless temperature adjustment
- Temperature Range: 0~8°C
- Automatic Defrost
- LED-Interior lighting
- 2 Height adjustable glass shelves
- Transparent vegetable drawer with Glass cover
- 3 Door Shelves
- 2 Eierablagen (für je 6 Eier)

Features Freezer

- Rating
- Temperature Range: ≤ -18°C
- Freezing capacity: 3.5 kg / 24 hr
- Lagerzeit bei Störung: max. 15 hr
- Manual Defrost
- 3 Freezer drawers
- Ice cube tray

Consumption Data

Energy usage / 24 hr: 0.497 kWh
 Energy usage / year¹⁾: 181 kWh

Voltage and Power rating

Mains Voltage: 220-240 V~
 Power: 70 W

Dimensions and Weight

Dimensions:
 159.3 x 55.4 x 56.6 cm (H x W x D)
 Net Weight: 52.0 kg
 Gross Weight: 56.5 kg



Art.-Nr. EAN
 718 000 4 004 470 718 003
 Art.-Nr. EAN
 718 070 4 004 470 718 072

Container: 107 Pieces

¹⁾ In accordance with the specifications of EU Regulation (EU) No. 1060/2010



Fridge/Freezer Combo KG 320

Gross- / Net Volume: 174 / 160 Liter
Net Volume Refrigerator / Freezer: 112 / 48 Liter
Adjustable Thermostat
Coolant/Refrigerant: R600a

General

- Climate Class N/ST (+16 bis +38°C)
- Vapor Compression Technology
- Reversible Door
- Adjustable feet
- 43 dBA Operational Noise

Features Refrigerator

- Stepless temperature adjustment
- Temperature Range: 0~8°C
- Automatic Defrost
- Interior lighting
- 2 Height adjustable glass shelves
- Transparent vegetable drawer with Glass cover
- 3 Door Shelves
- Eierablage

Features Freezer

- Rating
- Temperature Range: ≤ -18°C
- Freezing capacity: 2.5 kg / 24 hr
- Lagerzeit bei Störung: max. 12 hr
- Manual Defrost
- 3 Freezer drawers
- Ice cube tray

Consumption Data

Energy usage / 24 hr: 0.44 kWh
 Energy usage / year¹⁾: 160 kWh

Voltage and Power rating

Mains Voltage: 220-240 V~
 Power: 70 W

Dimensions and Weight

Dimensions:
 143.8 x 49.5 x 56.6 cm (H x W x D)
 Net Weight: 45.0 kg
 Gross Weight: 49.0 kg



Art.-Nr. EAN
 732 000 4 004 470 732 009

Art.-Nr. EAN
 732 070 4 004 470 732 078

Container: 140 Pieces



Fridge/Freezer Combo KG 319

Gross- / Net Volume: 174 / 160 Liter
Net Volume Refrigerator / Freezer: 112 / 48 Liter
Adjustable Thermostat
Coolant/Refrigerant: R600a

General

- Climate Class N/ST (+16 bis +38°C)
- Vapor Compression Technology
- Reversible Door
- Adjustable feet
- 43 dBA Operational Noise

Features Refrigerator

- Stepless temperature adjustment
- Temperature Range: 0~8°C
- Automatic Defrost
- Interior lighting
- 2 Height adjustable glass shelves
- Transparent vegetable drawer with Glass cover
- 3 Door Shelves
- Eierablage

Features Freezer

- Rating
- Temperature Range: ≤ -18°C
- Freezing capacity: 2.5 kg / 24 hr
- Lagerzeit bei Störung: max. 12 hr
- Manual Defrost
- 3 Freezer drawers
- Ice cube tray

Consumption Data

Energy usage / 24 hr: 0.559 kWh
 Energy usage / year¹⁾: 204 kWh

Voltage and Power rating

Mains Voltage: 220-240 V~
 Power: 90 W

Dimensions and Weight

Dimensions:
 143.8 x 49.5 x 56.6 cm (H x W x D)
 Net Weight: 45.0 kg
 Gross Weight: 49.0 kg



Art.-Nr. EAN
 731 900 4 004 470 731 903

Art.-Nr. EAN
 731 970 4 004 470 731 972

Container: 140 Pieces

¹⁾ In accordance with the specifications of EU Regulation (EU) No. 1060/2010



16 **Double Door Refrigerator DT 347**

Double Door Refrigerator DT 247

Gross- / Net Volume: 218 / 215 Liter
Net Volume Refrigerator / Freezer: 170 / 45 Liter
Adjustable Thermostat
Coolant/Refrigerant: R600a

General

- Climate Class N/ST (+16 bis +38°C)
- Vapor Compression Technology
- Reversible Door
- Adjustable feet
- Castors
- 43 dBA Operational Noise

Features Refrigerator

- Stepless temperature adjustment
- Temperature Range: 0~8°C
- Automatic Defrost
- Interior lighting
- 2 Height adjustable glass shelves
- Transparent vegetable drawer with Glass cover
- 3 Door Shelves
- Flaschenhalterung
- Eierablage

Features Freezer

- Rating
- Temperature Range: ≤ -18°C
- Freezing capacity: 2.5 kg / 24 hr
- Lagerzeit bei Störung: max. 12 hr
- Manual Defrost
- Herausnehmbare Gitterablage
- Ice cube tray

Consumption Data

Energy usage / 24 hr: 0.48 kWh
 Energy usage / year¹⁾: 175 kWh

Voltage and Power rating

Mains Voltage: 220-240 V~
 Power: 70 W

Dimensions and Weight

Dimensions:
 144.0 x 55.4 x 55.1 cm (H x W x D)
 Net Weight: 44.0 kg
 Gross Weight: 48.5 kg



Art.-Nr. EAN
734 700 4 004 470 734 706
Art.-Nr. EAN
734 770 4 004 470 734 775

Container: 136 Pieces

Gross- / Net Volume: 218 / 215 Liter
Net Volume Refrigerator / Freezer: 170 / 45 Liter
Adjustable Thermostat
Coolant/Refrigerant: R600a

General

- Climate Class N/ST (+16 bis +38°C)
- Vapor Compression Technology
- Reversible Door
- Adjustable feet
- Castors
- 43 dBA Operational Noise

Features Refrigerator

- Stepless temperature adjustment
- Temperature Range: 0~8°C
- Automatic Defrost
- Interior lighting
- 2 Height adjustable glass shelves
- Transparent vegetable drawer with Glass cover
- 3 Door Shelves
- Flaschenhalterung
- Eierablage

Features Freezer

- Rating
- Temperature Range: ≤ -18°C
- Freezing capacity: 2.5 kg / 24 hr
- Lagerzeit bei Störung: max. 12 hr
- Manual Defrost
- Herausnehmbare Gitterablage
- Ice cube tray

Consumption Data

Energy usage / 24 hr: 0.64 kWh
 Energy usage / year¹⁾: 233 kWh

Voltage and Power rating

Mains Voltage: 220-240 V~
 Power: 90 W

Dimensions and Weight

Dimensions:
 144.0 x 55.4 x 55.1 cm (H x W x D)
 Net Weight: 46.0 kg
 Gross Weight: 51.0 kg



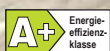
Art.-Nr. EAN
724 700 4 004 470 724 707
Art.-Nr. EAN
724 770 4 004 470 724 776

Container: 136 Pieces

¹⁾ In accordance with the specifications of EU Regulation (EU) No. 1060/2010

Side by Side
with GS 176

Digital Temperature Display



Refrigerator VS 175

Gross- / Net Volume: 355 / 350 Liter

LED-Display

Adjustable Thermostat

Coolant/Refrigerant: R600a

General

- Climate Class N/T (+16 bis +43°C)
- Vapor Compression Technology
- Reversible Door
- Adjustable feet
- Castors
- 43 dBA Operational Noise

Features

- Stepless temperature adjustment
- Temperature Range: 0~10°C
- LED-Display für:
 - Betrieb
 - Temperatureinstellung
 - Schnellkühlen
- Schnellkühlfunktion
- Automatic Defrost
- Interior lighting
- 5 Height adjustable glass shelves
- Flaschenregal
- Transparent vegetable drawer with Glass cover
- 5 Door Shelves
- Eierablage

Consumption Data

Energy usage / 24 hr: 0,394 kWh
 Ennergy usage / year¹⁾: 144 kWh

Voltage and Power rating

Mains Voltage: 220-240 V~
 Power: 90 W

Dimensions and Weight

Dimensions:
 176.3 x 59.6 x 62.3 cm (H x W x D)
 Net Weight: 61.0 kg
 Gross Weight: 67.0 kg



Art.-Nr. EAN
 717 500 4 004 470 717 501

Container: 73 Pieces

¹⁾ In accordance with the specifications of EU Regulation (EU) No. 1060/2010



Refrigerator VS 173.1

Gross- / Net Volume: 305 / 300 Liter
Adjustable Thermostat
Coolant/Refrigerant: R600a

General

- Climate Class N/ST (+16 bis +38°C)
- Vapor Compression Technology
- Reversible Door
- Adjustable feet
- Castors
- 43 dBA Operational Noise

Features

- Stepless temperature adjustment
- Temperature Range: 0~8°C
- Automatic Defrost
- Interior lighting
- 5 Height adjustable glass shelves
- Transparent vegetable drawer with Glass cover
- 5 Door Shelves
- Bottle holder
- Eierablage

Consumption Data

Energy usage / 24 hr: 0.388 kWh
 Energy usage / year¹⁾: 141 kWh

Voltage and Power rating

Mains Voltage: 220-240 V~
 Power: 80 W

Dimensions and Weight

Dimensions: 168.7 x 55.4 x 55.1 cm (H x W x D)
 Net Weight: 51.5 kg
 Gross Weight: 56.5 kg



Art.-Nr. EAN
 717 300 4 004 470 717 303

Container: 106 Pieces

¹⁾ In accordance with the specifications of EU Regulation (EU) No. 1060/2010

Vollraumkühlschrank VS 171.1

Gross- / Net Volume: 255 / 250 Liter
Adjustable Thermostat
Coolant/Refrigerant: R600a

General

- Climate Class N/ST (+16 bis +38°C)
- Vapor Compression Technology
- Reversible Door
- Adjustable feet
- Castors
- 43 dBA Operational Noise

Features

- Stepless temperature adjustment
- Temperature Range: 0~8°C
- Automatic Defrost
- Interior lighting
- 4 Height adjustable glass shelves
- Transparent vegetable drawer with Glass cover
- 4 Door Shelves
- Bottle holder
- Eierablage

Consumption Data

Energy usage / 24 hr: 0.362 kWh
 Energy usage / year¹⁾: 132 kWh

Voltage and Power rating

Mains Voltage: 220-240 V~
 Power: 80 W

Dimensions and Weight

Dimensions: 144.0 x 55.4 x 55.1 cm (H x W x D)
 Net Weight: 45.0 kg
 Gross Weight: 50.0 kg



Art.-Nr. EAN
 717 100 4 004 470 717 105

Container: 136 Pieces



Refrigerator VS 198

Gross- / Net Volume: 132 / 130 Liter
Adjustable Thermostat
Coolant/Refrigerant: R600a

General

- Climate Class N/T (+16 bis +43°C)
- Vapor Compression Technology
- Reversible Door
- Adjustable feet
- 43 dBA Operational Noise

Features

- Stepless temperature adjustment
- Temperature Range: 0~8°C
- Automatic Defrost
- Interior lighting
- 3 Height adjustable glass shelves
- Transparent vegetable drawer with Glass cover
- 3 Door Shelves
- Eierablage

Consumption Data

Energy usage / 24 hr: 0.254 kWh
 Energy usage / year¹⁾: 92 kWh

Voltage and Power rating

Mains Voltage: 220-240 V~
 Power: 70 W

Dimensions and Weight

Dimensions: 84.5 x 54.5 x 5.0 cm (H x W x D)
 Net Weight: 31.0 kg
 Gross Weight: 33.5 kg



Art.-Nr. EAN
 719 800 4 004 470 719 802
 Art.-Nr. EAN
 719 870 4 004 470 719 871

Container: 238 Pieces



Refrigerator VS 108.1

Gross- / Net Volume: 132 / 130 Liter
Adjustable Thermostat
Coolant/Refrigerant: R600a

General

- Climate Class N (+16 bis +32°C)
- Vapor Compression Technology
- Reversible Door
- Adjustable feet
- 43 dBA Operational Noise

Features

- Stepless temperature adjustment
- Temperature Range: 0~8°C
- Automatic Defrost
- Interior lighting
- 3 Height adjustable glass shelves
- Transparent vegetable drawer with Glass cover
- 3 Door Shelves
- Eierablage

Consumption Data

Energy usage / 24 hr: 0.315 kWh
 Energy usage / year¹⁾: 115 kWh

Voltage and Power rating

Mains Voltage: 220-240 V~
 Power: 80 W

Dimensions and Weight

Dimensions: 84.5 x 54.5 x 57.0 cm (H x W x D)
 Net Weight: 31.0 kg
 Gross Weight: 33.5 kg



Art.-Nr. EAN
 710 800 4 004 470 710 809

Container: 238 Pieces

¹⁾ In accordance with the specifications of EU Regulation (EU) No. 1060/2010



Refrigerator VS 194

Vollraumkühlschrank VS 164.1

Gross- / Net Volume: 104 / 102 Liter
Adjustable Thermostat
Coolant/Refrigerant: R600a

Gross- / Net Volume: 104 / 102 Liter
Adjustable Thermostat
Coolant/Refrigerant: R600a

General

- Climate Class N/ST (+16 bis +38°C)
- Vapor Compression Technology
- Reversible Door
- Adjustable feet
- 40 dBA Operational Noise

General

- Climate Class N/ST (+16 bis +38°C)
- Vapor Compression Technology
- Reversible Door
- Adjustable feet
- 43 dBA Operational Noise

Features

- Stepless temperature adjustment
- Temperature Range: 0~8°C
- Automatic Defrost
- Interior lighting
- 2 Height adjustable glass shelves
- Transparent vegetable drawer with Glass cover
- 3 Door Shelves
- Eierablage

Features

- Stepless temperature adjustment
- Temperature Range: 0~8°C
- Automatic Defrost
- Interior lighting
- 2 Height adjustable glass shelves
- Transparent vegetable drawer with Glass cover
- 3 Door Shelves
- Eierablage

Consumption Data

Energy usage / 24 hr: 0,245 kWh
 Energy usage / year¹⁾: 89 kWh

Consumption Data

Energy usage / 24 hr: 0,309 kWh
 Energy usage / year¹⁾: 113 kWh

Voltage and Power rating

Mains Voltage: 220-240 V~
 Power: 70 W

Voltage and Power rating

Mains Voltage: 220-240 V~
 Power: 80 W

Dimensions and Weight

Dimensions: 84.7 x 49.4 x 49.4 cm (H x W x D)
 Net Weight: 24.0 kg
 Gross Weight: 26.0 kg

Dimensions and Weight

Dimensions: 84.7 x 49.4 x 49.4 cm (H x W x D)
 Net Weight: 24.0 kg
 Gross Weight: 26.0 kg



Art.-Nr. EAN
 719 400 4 004 470 719 406

Art.-Nr. EAN
 716 400 4 004 470 716 405

Container: 264 Pieces

Container: 264 Pieces

¹⁾ In accordance with the specifications of EU Regulation (EU) No. 1060/2010



Refrigerator VS 262



Fridge/Freezer KS 261

Gross- / Net Volume: 84 / 82 Liter
Adjustable Thermostat
Coolant/Refrigerant: R600a

General

- Climate Class SN/ST (+10 bis +38°C)
- Vapor Compression Technology
- Reversible Door
- Adjustable feet
- 39 dBA Operational Noise

Features

- Stepless temperature adjustment
- Temperature Range: 0~10°C
- Automatic Defrost
- Interior lighting
- 2 Height adjustable glass shelves
- Transparent vegetable drawer with Glass cover
- 2 Door Shelves

Consumption Data

Energy usage / 24 hr: 0.306 kWh
 Energy usage / year¹⁾: 112 kWh

Voltage and Power rating

Mains Voltage: 220-240 V~
 Power: 70 W

Dimensions and Weight

Dimensions: 84.0 x 47.0 x 45.5 cm (H x W x D)
 Nettogewicht: 22.0 kg
 Gross Weight: 23.5 kg



Art.-Nr. EAN
 726 200 4 004 470 726 206

Container: 345 Pieces

¹⁾ In accordance with the specifications of EU Regulation (EU) No. 1060/2010

Gross- / Net Volume: 84 / 82 Liter
Net Volume Refrigerator / Freezer: 71 / 11 Liter
Adjustable Thermostat
Coolant/Refrigerant: R600a

General

- Climate Class SN/ST (+10 bis +38°C)
- Vapor Compression Technology
- Reversible Door
- Adjustable feet
- 39 dBA Operational Noise

Features Refrigerator

- Stepless temperature adjustment
- Temperature Range: 0~10°C
- Manual Defrost
- Interior lighting
- Height adjustable glass shelf
- Transparent vegetable drawer with Glass cover
- 2 Door Shelves

Features Freezer Compartment

- Manual Defrost
- Ice cube tray

Consumption Data

Energy usage / 24 hr: 0.306 kWh
 Energy usage / year¹⁾: 112 kWh

Voltage and Power rating

Mains Voltage: 220-240 V~
 Power: 70 W

Dimensions and Weight

Dimensions: 84.0 x 47.0 x 45.5 cm (H x W x D)
 Nettogewicht: 22.0 kg
 Gross Weight: 23.5 kg



Art.-Nr. EAN
 726 100 4 004 470 726 107

Art.-Nr. EAN
 726 170 4 004 470 726 176

Container: 345 Pieces



Fridge/Freezer KS 197

Fridge/Freezer KS 107.1

Gross- / Net Volume: 120 / 118 Liter
Net Volume Refrigerator / Freezer: 104 / 14 Liter
Adjustable Thermostat
Coolant/Refrigerant: R600a

General

- Climate Class N/ST (+16 bis +38°C)
- Vapor Compression Technology
- Reversible Door
- Adjustable feet
- 43 dBA Operational Noise

Features Refrigerator

- Stepless temperature adjustment
- Temperature Range: 0~8°C
- Automatic Defrost
- Interior lighting
- 2 Height adjustable glass shelves
- Transparent vegetable drawer with Glass cover
- 3 Door Shelves
- Eierablage

Features Freezer

- Rating
- Temperaturbereich: ≤ -18°C
- Freezing capacity: 2 kg / 24 hr
- Lagerzeit bei Störung: max. 10 h
- Manual Defrost
- Ice cube tray

Consumption Data

Energy usage / 24 hr: 0.377 kWh
 Energy usage / year¹⁾: 137 kWh

Voltage and Power rating

Mains Voltage: 220-240 V~
 Power: 75 W

Dimensions and Weight

Dimensions:
 84.5 x 54.5 x 57.0 cm (H x B x T)
 Net Weight: 32.0 kg
 Gross Weight: 34.5 kg

Gross- / Net Volume: 120 / 118 Liter
Net Volume Refrigerator / Freezer: 104 / 14 Liter
Adjustable Thermostat
Coolant/Refrigerant: R600a

General

- Climate Class N (+16 bis +32°C)
- Vapor Compression Technology
- Reversible Door
- Adjustable feet
- 43 dBA Operational Noise

Features Refrigerator

- Stepless temperature adjustment
- Temperature Range: 0~8°C
- Automatic Defrost
- Interior lighting
- 2 Height adjustable glass shelves
- Transparent vegetable drawer with Glass cover
- 3 Door Shelves
- Eierablage

Features Freezer

- Rating
- Temperaturbereich: ≤ -18°C
- Freezing capacity: 2 kg / 24 hr
- Lagerzeit bei Störung: max. 10 h
- Manual Defrost
- Ice cube tray

Consumption Data

Energy usage / 24 hr: 0.49 kWh
 Energy usage / year¹⁾: 178 kWh

Voltage and Power rating

Mains Voltage: 220-240 V~
 Power: 80 W

Dimensions and Weight

Dimensions:
 84.5 x 54.5 x 57.0 cm (H x W x D)
 Net Weight: 34.0 kg
 Gross Weight: 36.5 kg



Art.-Nr. EAN
 719 700 4 004 470 719 703

Art.-Nr. EAN
 719 770 4 004 470 719 772

Container: 238 Pieces

Art.-Nr. EAN
 710 700 4 004 470 710 700

Container: 238 Pieces

¹⁾ In accordance with the specifications of EU Regulation (EU) No. 1060/2010



Fridge/Freezer KS 193

Gross- / Net Volume: 98 / 96 Liter
Net Volume Refrigerator / Freezer: 86 / 10 Liter
Adjustable Thermostat
Coolant/Refrigerant: R600a

General

- Climate Class N/ST (+16 bis +38°C)
- Vapor Compression Technology
- Reversible Door
- Adjustable feet
- 43 dBA Operational Noise

Features Refrigerator

- Stepless temperature adjustment
- Temperature Range: 0~8°C
- Automatic Defrost
- Interior lighting
- Height adjustable glass shelf
- Transparent vegetable drawer with Glass cover
- 3 Door Shelves
- Eierablage

Features Freezer

- Rating
- Temperaturbereich: ≤ -18°C
- Gefriervermögen: 2 kg / 24 hr
- Lagerzeit bei Störung: max. 10 h
- Manuelle Abtauung
- Ice cube tray

Consumption Data

Energy usage / 24 hr: 0.357 kWh
 Energy usage / year¹⁾: 130 kWh

Voltage and Power rating

Mains Voltage: 220-240 V~
 Power: 75 W

Dimensions and Weight

Dimensions:
 84.7 x 49.4 x 49.4 cm (H x W x D)
 Net Weight: 28.0 kg
 Gross Weight: 30.0 kg



Art.-Nr. EAN
 719 300 4 004 470 719 307

Container: 264 Pieces

¹⁾ In accordance with the specifications of EU Regulation (EU) No. 1060/2010



Fridge/Freezer KS 163.1

Gross- / Net Volume: 98 / 96 Liter
Net Volume Refrigerator / Freezer: 86 / 10 Liter
Adjustable Thermostat
Coolant/Refrigerant: R600a

General

- Climate Class N/ST (+16 bis +38°C)
- Vapor Compression Technology
- Reversible Door
- Adjustable feet
- 43 dBA Operational Noise

Features Refrigerator

- Stepless temperature adjustment
- Temperature Range: 0~8°C
- Automatic Defrost
- Interior lighting
- Height adjustable glass shelf
- Transparent vegetable drawer with Glass cover
- 3 Door Shelves
- Eierablage

Features Freezer

- Rating
- Temperaturbereich: ≤ -18°C
- Gefriervermögen: 2 kg / 24 h
- Lagerzeit bei Störung: max. 10 h
- Manuelle Abtauung
- Ice cube tray

Consumption Data

Energy usage / 24 hr: 0.476 kWh
 Energy usage / year¹⁾: 173 kWh

Voltage and Power rating

Mains Voltage: 220-240 V~
 Power: 90 W

Dimensions and Weight

Dimensions:
 84.7 x 49.4 x 49.4 cm (H x W x D)
 Net Weight: 28.0 kg
 Gross Weight: 300 kg



Art.-Nr. EAN
 716 300 4 004 470 716 306

Container: 264 Pieces



Digital Temperature Display

Side by Side
with VS 175

Freezer GS 176

Gross- / Net Volume: 234 / 230 Liter

LED-Display

Adjustable Thermostat

Coolant/Refrigerant: R600a

General

- Climate Class N/T (+16 bis +43°C)
- Vapor Compression Technology
- Reversible Door
- Adjustable feet
- Castors
- 45 dBA Operational Noise

Features

- Rating
- Stepless temperature adjustment
- Temperature Range: ≤ -18°C
- LED-Display für
 - Betrieb
 - Temperatureinstellung
 - Schnellgefrieren
 - Störung
- Schnellgefrierfunktion
- Freezing capacity: 20 kg / 24 hr
- Lagerzeit bei Störung: max. 10 hr
- Automatic Defrost, No Frost
- 8 Freezer drawers
- Ice cube tray

Consumption Data

- Energy usage / 24 hr: 0.842 kWh
- Energy usage / year¹⁾: 307 kWh

Voltage and Power rating

- Mains Voltage: 220-240 V~
- Power: 105 W

Dimensions and Weight

- Dimensions: 176.3 x 59.6 x 62.3 cm (H x W x D)
- Net Weight: 70,0 kg
- Gross Weight: 76.0 kg

NO FROST ►



Art.-Nr. EAN
717 600 4 004 470 717 600

Container: 73 Pieces

¹⁾ In accordance with the specifications of EU Regulation (EU) No. 1060/2010

NO FROST ▶



Freezer GS 184

Freezer GS 182

25

Gross- / Net Volume: 213 / 176 Liter
3 Kontrollanzeigen
Adjustable Thermostat
Coolant/Refrigerant: R600a

General

- Climate Class N/ST (+16 bis +38°C)
- Vapor Compression Technology
- Reversible Door
- 2 Adjustable feet (front)
- 2 Castors (rear)
- 45 dBA Operational Noise

Features

- [A+] Rating
- Stepless temperature adjustment
- Temperature Range: ≤ -18°C
- Bedienfeld:
 - Regelbarer Thermostat
 - Funktionstaste Schnellgefrieren (Super Freeze)
 - Funktionstaste Alarm
 - Kontrollanzeigen für Betrieb, Super Freeze, Alarm (Störung)
- Akustisches Signal bei Störung (Alarm)
- Freezing capacity: 15 kg / 24 hr
- Lagerzeit bei Störung: max. 10 hr
- Automatic Defrost, No Frost
- 5 Freezer drawers
- 1 Gefrierfachklappe
- Ice cube tray

Consumption Data

Energy usage / 24 hr: 0.733 kWh
 Energy usage / year¹⁾: 267 kWh

Voltage and Power rating

Mains Voltage: 220-240 V~
 Power: 100 W

Dimensions and Weight

Dimensions:
 168.7 x 55.4 x 55.1 cm (H x W x D)
 Tiefe mit geöffneter Tür: 108.0 cm
 Net Weight: 55.0 kg
 Gross Weight: 60.5 kg

Gross- / Net Volume: 180 / 160 Liter
Adjustable Thermostat
Coolant/Refrigerant: R600a

General

- Climate Class N/ST (+16 bis +38°C)
- Vapor Compression Technology
- Reversible Door
- Adjustable feet
- Castors
- 43 dBA Operational Noise

Features

- [A+] Rating
- Stepless temperature adjustment
- Temperature Range: ≤ -18°C
- Freezing capacity: 8 kg / 24 hr
- Lagerzeit bei Störung: max. 12 hr
- Manual Defrost
- 4 Freezer drawers
- 1 Gefrierfachklappe
- Ice cube tray

Consumption Data

Energy usage / 24 hr: 0.625 kWh
 Energy usage / year¹⁾: 228 kWh

Voltage and Power rating

Mains Voltage: 220-240 V~
 Power: 110 W

Dimensions and Weight

Dimensions: 144.0 x 55.4 x 55.1 cm (H x W x D)
 Net Weight: 49.0 kg
 Gross Weight: 54.0 kg



Art.-Nr. EAN
 718 400 4 004 470 718 409

Container: 106 Pieces

Art.-Nr. EAN
 718 200 4 004 470 718 201

Container: 136 Pieces

¹⁾ In accordance with the specifications of EU Regulation (EU) No. 1060/2010



Freezer GS 199

Freezer GS 113.1

Gross- / Net Volume: 88 / 80 Liter
Adjustable Thermostat
Coolant/Refrigerant: R600a

Gross- / Net Volume: 88 / 80 Liter
Adjustable Thermostat
Coolant/Refrigerant: R600a

General

- Climate Class N/T (+16 bis +43°C)
- Vapor Compression Technology
- Reversible Door
- Adjustable feet
- 43 dBA Operational Noise

General

- Climate Class N/ST (+16 bis +38°C)
- Vapor Compression Technology
- Reversible Door
- Adjustable feet
- 43 dBA Operational Noise

Features

- [X] [A+] Rating
- Stepless temperature adjustment
- Temperature Range: ≤ -18°C
- Freezing capacity: 6 kg / 24 hr
- Lagerzeit bei Störung: max. 12 hr
- Manual Defrost
- 4 Freezer drawers
- Ice cube tray

Features

- [X] [A+] Rating
- Stepless temperature adjustment
- Temperature Range: ≤ -18°C
- Freezing capacity: 4.5 kg / 24 hr
- Lagerzeit bei Störung: max. 12 hr
- Manual Defrost
- 4 Freezer drawers
- Ice cube tray

Consumption Data

Energy usage / 24 hr: 0.385 kWh
 Energy usage / year¹⁾: 140 kWh

Consumption Data

Energy usage / 24 hr: 0.502 kWh
 Energy usage / year¹⁾: 183 kWh

Voltage and Power rating

Mains Voltage: 220-240 V~
 Power: 70 W

Voltage and Power rating

Mains Voltage: 220-240 V~
 Power: 90 W

Dimensions and Weight

Dimensions: 84.5 x 54.5 x 57.0 cm (H x W x D)
 Net Weight: 32.0 kg
 Gross Weight: 34.5 kg

Dimensions and Weight

Dimensions: 84.5 x 54.5 x 57.0 cm (H x W x D)
 Net Weight: 37.0 kg
 Gross Weight: 39.5 kg



Art.-Nr. EAN
 719 900 4 004 470 719 901

Art.-Nr. EAN
 711 300 4 004 470 711 301

Art.-Nr. EAN
 719 970 4 004 470 719 970

Container: 238 Pieces

Container: 238 Pieces

¹⁾ In accordance with the specifications of EU Regulation (EU) No. 1060/2010



Freezer GS 195

Gross- / Net Volume: 71 / 65 Liter
Adjustable Thermostat
Coolant/Refrigerant: R600a

General

- Climate Class N/T (+16 bis +43°C)
- Vapor Compression Technology
- Reversible Door
- Adjustable feet
- 43 dBA Operational Noise

Features

- Rating
- Stepless temperature adjustment
- Temperature Range: ≤ -18°C
- Freezing capacity: 3.5 kg / 24 hr
- Lagerzeit bei Störung: max. 12 hr
- Manual Defrost
- 2 Freezer drawers
- 1 Gefrierfachklappe
- Ice cube tray

Consumption Data

Energy usage / 24 hr: 0.366 kWh
 Energy usage / year¹⁾: 133 kWh

Voltage and Power rating

Mains Voltage: 220-240 V~
 Power: 70 W

Dimensions and Weight

Dimensions: 84.7 x 49.4 x 49.4 cm (H x W x D)
 Net Weight: 29.0 kg
 Gross Weight 31.0 kg



Art.-Nr. EAN
 719 500 4 004 470 719 505

Container: 264 Pieces



Freezer GS 165.1

Gross- / Net Volume: 71 / 65 Liter
Adjustable Thermostat
Coolant/Refrigerant: R600a

General

- Climate Class N/ST (+16 bis +38°C)
- Vapor Compression Technology
- Reversible Door
- Adjustable feet
- 43 dBA Operational Noise

Features

- Rating
- Stepless temperature adjustment
- Temperature Range: ≤ -18°C
- Freezing capacity: 3.5 kg / 24 hr
- Lagerzeit bei Störung: max. 12 hr
- Manual Defrost
- 2 Freezer drawers
- 1 Gefrierfachklappe
- Ice cube tray

Consumption Data

Energy usage / 24 hr: 0.479 kWh
 Energy usage / year¹⁾: 174 kWh

Voltage and Power rating

Mains Voltage: 220-240 V~
 Power: 90 W

Dimensions and Weight

Dimensions: 84.7 x 49.4 x 49.4 cm (H x W x D)
 Net Weight: 29.0 kg
 Gross Weight: 31.0 kg



Art.-Nr. EAN
 716 500 4 004 470 716 504

Container: 264 Pieces

¹⁾ In accordance with the specifications of EU Regulation (EU) No. 1060/2010



Mini-Fridge KB 389

Gross- / Net Volume: 43 / 42 Liter
Net Volume Refrigerator / Freezer: 36 / 6 Liter
Adjustable Thermostat
Coolant/Refrigerant: R600a

General

- Climate Class N/T (+16 bis +43°C)
- Vapor Compression Technology
- Reversible Door
- Adjustable feet
- 43 dBA Operational Noise

Features

- Stepless temperature adjustment
- Temperature Range: 0~8°C
- Manual Defrost
- Removable wire shelf
- 6 Liter Freezer compartment
- Ice cube tray

Consumption Data

Energy usage / 24 hr: 0.232 kWh
 Energy usage / year¹⁾: 84 kWh

Voltage and Power rating

Mains Voltage: 220-240 V~
 Power: 70 W

Dimensions and Weight

Dimensions: 51.0 x 43.9 x 47.0 cm (H x W x D)
 Net Weight: 14.0 kg
 Gross Weight: 16.4 kg

Mini-Freezer GB 388

Gross- / Net Volume: 32 / 30 Liter
Adjustable Thermostat
Coolant/Refrigerant: R600a

General

- Climate Class N/T (+16 bis +43°C)
- Vapor Compression Technology
- Reversible Door
- Adjustable feet
- 40 dBA Operational Noise

Features

- Rating
- Stepless temperature adjustment
- Temperature Range: ≤ -18°C
- Freezing capacity: 3 kg / 24 h
- Lagerzeit bei Störung: max. 12 h
- Manual Defrost
- Ice cube tray

Consumption Data

Energy usage / 24 hr: 0.322 kWh
 Energy usage / year¹⁾: 117 kWh

Voltage and Power rating

Mains Voltage: 220-240 V~
 Power: 70 W

Dimensions and Weight

Dimensions: 51.0 x 43.9 x 47.0 cm (H x W x D)
 Net Weight: 16.0 kg
 Gross Weight: 18.4 kg



Art.-Nr. EAN
 738 900 4 004 470 738 902

Art.-Nr. EAN
 738 970 4 004 470 738 971

Container: 569 Pieces

Art.-Nr. EAN
 738 800 4 004 470 738 803

Art.-Nr. EAN
 738 870 4 004 470 738 872

Container: 569 Pieces

¹⁾ In accordance with the specifications of EU Regulation (EU) No. 1060/2010



Mini-Fridge KB 289

Gross- / Net Volume: 43 / 42 Liter
Net Volume Refrigerator / Freezer: 36 / 6 Liter
Adjustable Thermostat
Coolant/Refrigerant: R600a

General

- Climate Class N/ST (+16 bis +38°C)
- Vapor Compression Technology
- Reversible Door
- Adjustable feet
- 43 dBA Operational Noise

Features

- Stepless temperature adjustment
- Temperature Range: 0~8°C
- Manual Defrost
- Removable wire shelf
- 6 Liter Freezer compartment
- Ice cube tray

Consumption Data

Energy usage / 24 hr: 0.293 kWh
 Energy usage / year¹⁾: 107 kWh

Voltage and Power rating

Mains Voltage: 220-240 V~
 Power: 70 W

Dimensions and Weight

Dimensions: 51.0 x 43.9 x 47.0 cm (H x W x D)
 Net Weight: 13.5 kg
 Gross Weight: 15.5 kg



Art.-Nr. EAN
 728 900 4 004 470 728 903

Container: 569 Pieces

¹⁾ In accordance with the specifications of EU Regulation (EU) No. 1060/2010



Mini-Freezer GB 288

Gross- / Net Volume: 32 / 30 Liter
Adjustable Thermostat
Coolant/Refrigerant: R600a

General

- Climate Class N/ST (+16 bis +38°C)
- Vapor Compression Technology
- Reversible Door
- Adjustable feet
- 40 dBA Operational Noise

Features

- [A+] Rating
- Stepless temperature adjustment
- Temperature Range: ≤ -18°C
- Freezing capacity: 3 kg / 24 hr
- Lagerzeit bei Störung: max. 12 hr
- Manual Defrost
- Ice cube tray

Consumption Data

Energy usage / 24 hr: 0.40 kWh
 Energy usage / year¹⁾: 146 kWh

Voltage and Power rating

Mains Voltage: 220-240 V~
 Power: 55 W

Dimensions and Weight

Dimensions: 51.0 x 43.9 x 47.0 cm (H x W x D)
 Net Weight: 16,0 kg
 Gross Weight: 18.0 kg



Art.-Nr. EAN
 728 800 4 004 470 728 804

Container: 569 Pieces



Freezer Chest GT 357

Freezer Chest GT 358

Net Volume: 100 Liter
Power Indicator
Adjustable Thermostat
Coolant/Refrigerant: R600a

Net Volume: 200 Liter
Power Indicator
Adjustable Thermostat
Coolant/Refrigerant: R600a

General

- Climate Class N/T (+16 bis +43°C)
- Vapor Compression Technology
- 42 dBA Operational Noise
- Adjustable feet
- Castors

General

- Climate Class (+16 bis +43°C)
- Vapor Compression Technology
- 45 dBA Operational Noise
- Adjustable feet
- Castors

Features

- [A+] Rating
- Stepless temperature adjustment
- Temperature Range: ≤ -18°C
- Freezing capacity: 5 kg / 24 hr
- Lagerzeit bei Störung: max. 15 hr
- Manual Defrost
- Removable freezer basket (36.5 x 18.0 x 20.0 cm)

Features

- [A+] Rating
- Stepless temperature adjustment
- Temperature Range: ≤ -18°C
- Freezing capacity: 9 kg / 24 hr
- Lagerzeit bei Störung: max. 15 hr
- Manual Defrost
- Removable freezer basket (50.0 x 18.0 x 20.0 cm)

Consumption Data

Energy usage / 24 hr: 0.36 kWh
 Energy usage / year¹⁾: 131 kWh

Consumption Data

Energy usage / 24 hr: 0.47 kWh
 Energy usage / year¹⁾: 172 kWh

Voltage and Power rating

Mains Voltage: 220-240 V~
 Power: 100 W

Voltage and Power rating

Mains Voltage: 220-240 V~
 Power: 115 W

Dimensions and Weight

Dimensions: 85.0 x 65.6 x 55.0 cm (H x W x D)
 Net Weight: 27.0 kg
 Gross Weight: 30.0 kg

Dimensions and Weight

Dimensions: 85.0 x 94.5 x 69.6 cm (H x W x D)
 Net Weight: 39.0 kg
 Gross Weight: 43.0 kg



Art.-Nr. EAN
 735 700 4 004 470 735 703

Art.-Nr. EAN
 735 800 4 004 470 735 802

Container: 204 Pieces

Container: 107 Pieces

¹⁾ In accordance with the specifications of EU Regulation (EU) No. 1060/2010 General



Freezer Chest GT 257.1

Net Volume: 98 Liter
Power Indicator
Adjustable Thermostat
Coolant/Refrigerant: R600a

General

- Climate Class N/ST (+16 bis +38°C)
- Vapor Compression Technology
- 42 dBA Operational Noise

Features

- [A+] Rating
- Stepless temperature adjustment
- Temperature Range: ≤ -18°C
- Freezing capacity: 9.5 kg / 24 hr
- Lagerzeit bei Störung: max. 24 hr
- Manual Defrost
- Removable freezer basket (39.5 x 20.0 x 23.0 cm)

Consumption Data

Energy usage / 24 hr: 0.466 kWh
 Energy usage / year¹⁾: 170 kWh

Voltage and Power rating

Mains Voltage: 220-240 V~
 Power: 75 W

Dimensions and Weight

Dimensions: 83.6 x 56.3 x 52.6 cm (H x W x D)
 Net Weight: 27.0 kg
 Gross Weight: 30.0 kg



Art.-Nr. EAN
 725 700 4 004 470 725 704

Container: 247 Pieces



Freezer Chest GT 258

Net Volume: 205 Liter
Power Indicator
Adjustable Thermostat
Coolant/Refrigerant: R600a

General

- Climate Class SN/T (+10 bis +43°C)
- Vapor Compression Technology
- 42 dBA Operational Noise

Features

- [A+] Rating
- Stepless temperature adjustment
- Temperature Range: ≤ -18°C
- Freezing capacity: 15 kg / 24 hr
- Lagerzeit bei Störung: max. 24 hr
- Manual Defrost
- Removable freezer basket (42.0 x 21.0 x 20.5 cm)

Consumption Data

Energy usage / 24 hr: 0.645 kWh
 Energy usage / year¹⁾: 224 kWh

Voltage and Power rating

Mains Voltage: 220-240 V~
 Power: 85 W

Dimensions and Weight

Dimensions: 82.5 x 94.6 x 57.6 cm (H x W x D)
 Net Weight: 36.0 kg
 Gross Weight: 41.0 kg



Art.-Nr. EAN
 725 800 4 004 470 725 803

Container: 139 Pieces

¹⁾ In accordance with the specifications of EU Regulation (EU) No. 1060/2010



Anthrazit



Beige



Anthrazit



Beige

Fridge/Freezer Combo KG 211

Gross- / Net Volume: 296 / 279 Liter
Net Volume Refrigerator / Freezer: 191 / 88 Liter
Adjustable Thermostat
Coolant/Refrigerant: R600a

General

- Climate Class N/ST (+16 bis +38°C)
- Vapor Compression Technology
- Reversible Door
- Adjustable feet
- Castors
- 40 dBA Operational Noise

Features Refrigerator

- Stepless temperature adjustment
- Temperature Range: 0~10°C
- Automatic Defrost
- LED-Interior lighting
- 3 Height adjustable glass shelves
- 2 transparent vegetable drawers with Glass cover
- 4 Door Shelves
- Inkl. Chrome Bottle rack
- Käse-/Butterfach
- Eierablage

Features Freezer

- Rating
- Temperature Range: ≤ -18°C
- Freezing capacity: 8 kg / 24 hr
- Lagerzeit bei Störung: max. 20 hr
- Manual Defrost
- 3 Freezer drawers
- Ice cube tray

Consumption Data

Energy usage / 24 hr: 0.56 kWh
 Energy usage / year¹⁾: 204 kWh

Voltage and Power rating

Mains Voltage: 230 V~
 Power: 140 W

Dimensions and Weight

Dimensions:
 176.0 x 60.0 x 65.0 cm (H x W x D)
 Net Weight: 64.0 kg
 Gross Weight: 69.5 kg



Art.-Nr. EAN
 721 140 4 004 470 721 140
Art.-Nr. EAN
 721 110 4 004 470 721 119

LKW: 107 Pieces

¹⁾ In accordance with the specifications of EU Regulation (EU) No. 1060/2010

Fridge/Freezer Combo KG 210

Gross- / Net Volume: 244 / 227 Liter
Net Volume Refrigerator / Freezer: 173 / 54 Liter
Adjustable Thermostat
Coolant/Refrigerant: R600a

General

- Climate Class N/ST (+16 bis +38°C)
- Vapor Compression Technology
- Reversible Door
- Adjustable feet
- Castors
- 40 dBA Operational Noise

Features Refrigerator

- Stepless temperature adjustment
- Temperature Range: 0~10°C
- Automatic Defrost
- LED-Interior lighting
- 2 Height adjustable glass shelves
- 2 transparent vegetable drawers with Glass cover
- 3 Door Shelves
- Inkl. Chrome Bottle rack
- Käse-/Butterfach
- Eierablage

Features Freezer

- Rating
- Temperature Range: ≤ -18°C
- Freezing capacity: 6 kg / 24 hr
- Lagerzeit bei Störung: max. 18 hr
- Manual Defrost
- 2 Freezer drawers
- Ice cube tray

Consumption Data

Energy usage / 24 hr: 0.49 kWh
 Energy usage / year¹⁾: 179 kWh

Voltage and Power rating

Mains Voltage: 230 V~
 Power: 140 W

Dimensions and Weight

Dimensions:
 150.0 x 60.0 x 65.0 cm (H x W x D)
 Net Weight: 55.0 kg
 Gross Weight: 59.5 kg



Art.-Nr. EAN
 721 040 4 004 470 721 041
Art.-Nr. EAN
 721 010 4 004 470 721 010

LKW: 108 Pieces



Bordeaux



Inox



Inox



Bordeaux

Fridge/Freezer Combo KG 186

Gross- / Net Volume: 297 / 288 Liter
Net Volume Refrigerator / Freezer: 205 / 83 Liter
Adjustable Thermostat
Coolant/Refrigerant: R600a

General

- Climate Class N/T (+16 bis +43°C)
- Vapor Compression Technology
- Reversible Door
- Adjustable feet
- Castors
- 43 dBA Operational Noise

Features Refrigerator

- Stepless temperature adjustment
- Temperature Range: 0~8°C
- Automatic Defrost
- LED-Interior lighting
- 3 Height adjustable glass shelves
- Transparent vegetable drawer with Glass cover
- 4 Door Shelves
- Inkl. Chrom-Flaschenablage
- Bottle holder
- 2 Eierablagen

Features Freezer

- Rating
- Temperature Range: ≤ -18°C
- Freezing capacity: 4.0 kg / 24 hr
- Lagerzeit bei Störung: max. 15 hr
- Manual Defrost
- 3 Freezer drawers
- Ice cube tray

Consumption Data

Energy usage / 24 hr: 0.597 kWh
 Energy usage / year¹⁾: 217 kWh

Voltage and Power rating

Mains Voltage: 220-240 V~
 Power: 100 W

Dimensions and Weight

Dimensions:
 185.0 x 59.0 x 55.1 cm (H x W x D)
 Net Weight: 62.0 kg
 Gross Weight: 68.0 kg

Also available in white
 => Page 12



Fridge/Freezer Combo KG 185

Gross- / Net Volume: 235 / 225 Liter
Net Volume Refrigerator / Freezer: 164 / 61 Liter
Adjustable Thermostat
Coolant/Refrigerant: R600a

General

- Climate Class SN/T (+10 bis +43°C)
- Vapor Compression Technology
- Reversible Door
- Adjustable feet
- Castors
- 40 dBA Operational Noise

Features Refrigerator

- Stepless temperature adjustment
- Temperature Range: 0~8°C
- Automatic Defrost
- LED-Interior lighting
- 2 Height adjustable glass shelves
- Transparent vegetable drawer with Glass cover
- 3 Door Shelves
- Inkl. Chrom-Flaschenablage
- Bottle holder
- 2 Eierablagen

Features Freezer

- Rating
- Temperature Range: ≤ -18°C
- Freezing capacity: 2.75 kg / 24 hr
- Lagerzeit bei Störung: max. 16 hr
- Manual Defrost
- 2 Freezer drawers
- Ice cube tray

Consumption Data

Energy usage / 24 hr: 0.522 kWh
 Energy usage / year¹⁾: 190 kWh

Voltage and Power rating

Mains Voltage: 220-240 V~
 Power: 90 W

Dimensions and Weight

Dimensions:
 154.0 x 59.0 x 55.2 cm (H x W x D)
 Net Weight: 51.0 kg
 Gross Weight: 56.0 kg

Also available in white
 => Page 12



Art.-Nr. EAN
718 690 4 004 470 186 901
Art.-Nr. EAN
718 650 4 004 470 186 505

Container: 100 Pieces

Art.-Nr. EAN
718 590 4 004 470 185 904
Art.-Nr. EAN
718 550 4 004 470 185 508

Container: 105 Pieces

¹⁾ In accordance with the specifications of EU Regulation (EU) No. 1060/2010



Gas Oven GH 538 E

Electric Oven EH 531 G

50 cm Wide
For Gas G 20-20 mbar
4 Burners / Gas Design
Backofen-Thermostatregler
Electric spark ignition flame failure cut
Geschirrwagen

General

- Brennstellen
 - 1 Kleinbrenner: 900 W
 - 2 Normalbrenner: 1500 W
 - 1 Starkbrenner: 2600 W
- Backofen mit Vollglastür
- Großer Geschirrwagen
- Abnehmbare Geräteabdeckung
- Adjustable feet
- Mit beiliegendem Düsensatz für Umrüstung auf Flüssiggas G 30-50 mbar

Features Oven

- Gas-burning Oven: 2250 W
- Safety pilot
- Getrennt regelbarer Backofen-Thermostat
- Backofen-Beleuchtung
- Large view window
- Ventilation duct at the rear
- Backblech, Grillrost
- Backofen-Nutzinhalt: 54 Liter

Voltage and Power rating

Mains Voltage: 230 V~
 Gas Power: 8750 W
 Electric Power: 15 W
 Absicherung: 10 A

Dimensions and Weight

Dimensions:
 84.0 x 50.0 x 60.0 cm (H x W x D)
 Net Weight: 34.7 kg
 Gross Weight: 37.6 kg

50 cm Wide
4 Hotplates with 7-Segment-Dials
1 Speed Hotplate
Grill

General

- Kochstellen
 - 2 Kochstellen:
 - Ø 145 mm / 1000 W
 - 1 Kochstelle:
 - Ø 180 mm / 1500 W
 - 1 Kochstelle:
 - Ø 180 mm / 2000 W (Blitz)
- Kontrollleuchten
- Backofen mit Vollglastür
- Geschirrfach mit Klappe
- Abnehmbare Geräteabdeckung
- Adjustable feet

Features Oven

- Oberhitze: 800 W
- Unterhitze: 1000 W
- Grill-Heizkörper: 1500 W
- Getrennt regelbarer Backofen-Thermostat
- Backofen-Thermostatbereich 50-280°C
- Backofen-Beleuchtung
- Large view window
- Ventilation duct at the rear
- Wärmeableitblech
- Backblech, Grillrost
- Backofen-Nutzinhalt: 54 Liter

5 Backofen-Funktionen

- Backofen-Beleuchtung
- Oberhitze
- Unterhitze
- Ober-/Unterhitze
- Grill

Consumption Data

Energy usage¹⁾: 0.79 kWh

Voltage and Power rating

Mains Voltage: 400 / 230 V~
 Power: 7300 W
 Absicherung: 3 x 16 A

Dimensions and Weight

Dimensions:
 84.0 x 50.0 x 55.0 cm (H x W x D)
 Net Weight: 35.0 kg
 Gross Weight: 37.7 kg



Art.-Nr. EAN
 753 800 4 004 470 753 806

Container: 212 Pieces

¹⁾ Conventional heating / convection / fan

Art.-Nr. EAN
 753 100 4 004 470 753 103

Container: 244 Pieces



Electric Oven EHC 548



Electric Oven EHC 550

**50 cm Wide
Glass Ceramic Stovetop
4 High-Light Kochzonen
Grill, Umluft**

General

- Kochzonen mit Reglern
 - 2 Singlekochzonen: Ø 140 mm / 1200 W
 - 2 Singlekochzonen: Ø 180 mm / 1800 W
- Restwärmeanzeige
- Kontrollleuchten
- Backofen mit Vollglastür
- Großer Geschirrwagen
- Adjustable feet

Features Backofen

- Oberhitze: 800 W
- Unterhitze: 1000 W
- Grill-Heizkörper: 1500 W
- Getrennt regelbarer Backofen-Thermostat
- Backofen-Thermostatbereich 50-280°C
- Backofen-Beleuchtung
- Large view window
- Wrasenabzug hinten
- Wärmeableitblech
- Backblech, Grillrost
- Backofen-Nutzzinhalt: 54 Liter

7 Backofen-Funktionen

- Backofen-Beleuchtung
- Oberhitze
- Unterhitze
- Ober-/Unterhitze
- Ober-/Unterhitze mit Umluft
- Grill mit Umluft
- Grill

Consumption Data

Energy usage¹⁾: 1): 0.72 / 0.74 kWh

Voltage and Power rating

Mains Voltage: 400 / 230 V~
Power: 7800 W
Absicherung: 3 x 16 A

Dimensions and Weight

Dimensions: 84.0 x 50.0 x 60.0 cm (H x W x D)
Net Weight: 35.8 kg
Gross Weight: 37.7 kg



Art.-Nr. EAN
754 800 4 004 470 754 803

Container: 212 Pieces

¹⁾ Conventional heating / convection / fan

**60 cm Wide
Glass Ceramic Stovetop
4 High-Light Kochzonen
Doppelkreiszone, Bräterzone
Grill, Umluft**

General

- Kochzonen mit Reglern
 - 2 Singlekochzonen: Ø 140 mm / 1200 W
 - 1 Doppelkreiszone: Ø 120/180 mm / 1700 W
 - 1 Bräterzone: Ø 140/250 mm / 1800 W
- Restwärmeanzeige
- Kontrollleuchten
- Backofen mit Vollglastür
- Großer Geschirrwagen
- Adjustable feet

Features Backofen

- Oberhitze: 1000 W
- Unterhitze: 1200 W
- Grill-Heizkörper: 2000 W
- Umluft
- Getrennt regelbarer Backofen-Thermostat
- Backofen-Thermostatbereich 50-280°C
- Backofen-Beleuchtung
- Large view window
- Wrasenabzug hinten
- Wärmeableitblech
- Backblech, Grillrost
- Backofen-Nutzzinhalt: 64 Liter

7 Backofen-Funktionen

- Backofen-Beleuchtung
- Oberhitze
- Unterhitze
- Ober-/Unterhitze
- Ober-/Unterhitze mit Umluft
- Grill mit Umluft
- Grill

Consumption Data

Energy usage¹⁾: 0.77 / 0.79 kWh

Voltage and Power rating

Mains Voltage: 400 / 230 V~
Power: 8100 W
Absicherung: 3 x 16 A

Dimensions and Weight

Dimensions: 84.0 x 60.0 x 60.0 cm (H x W x D)
Net Weight: 40.2 kg
Gross Weight: 42.4 kg



Art.-Nr. EAN
755 000 4 004 470 755 008

Container: 162 Pieces



Kopffreie Vertikal-Haube DU 657 G

Kopffreie Vertikal-Haube DU 658 G

Edelstahl
Mit Glasschirm 90 cm in schwarz
Max. Lüfterleistung 650 m³/h
3 Leistungsstufen

General

- Wand-Esse
- Luftaustritt: Ø 150 mm
- Betriebsgeräusch bei Abluftleistung:
 - Leistungs-Schaltstufe 1: 60 dBA
 - Leistungs-Schaltstufe 2: 65 dBA
 - Leistungs-Schaltstufe 3: 68 dBA
- Umluftbetrieb über zwei zusätzlich nachrüstbare Aktivkohlefilter KF 561, Art.-Nr. 256100

Features

- Max. Lüfterleistung freiblasend:
 - Leistungs-Schaltstufe 1: 490 m³/h
 - Leistungs-Schaltstufe 2: 580 m³/h
 - Leistungs-Schaltstufe 3: 650 m³/h
- 2 x 20 W Halogenlampen, separat schaltbar
- Bedienung über Tastschalter
- 1 Stück 4-lagiger Aluminium-Dunstable
- Teleskopschacht, 2-teilig
- Inkl. Befestigungsmaterial und Anschlussstutzen mit Rückschlagklappen
- Schachthöhe: 70 - 94 cm
- Schachtbreite/-Tiefe: 30.2 / 26.7 cm

Voltage and Power rating

Mains Voltage: 220-240 V~
 Power: 230 W

Dimensions and Weight

Dimensions:
 94.0 x 90.0 x 34.5 cm (H x W x D)
 Net Weight: 14.8 kg
 Gross Weight: 18.4 kg



Art.-Nr. EAN
 765 710 4 004 470 765 717
 Container: 192 Pieces

Edelstahl
Mit Glasschirm 60 cm in schwarz
Max. Lüfterleistung 650 m³/h
3 Leistungsstufen

General

- Wand-Esse
- Luftaustritt: Ø 150 mm
- Betriebsgeräusch bei Abluftleistung:
 - Leistungs-Schaltstufe 1: 60 dBA
 - Leistungs-Schaltstufe 2: 65 dBA
 - Leistungs-Schaltstufe 3: 68 dBA
- Umluftbetrieb über zwei zusätzlich nachrüstbare Aktivkohlefilter KF 561, Art.-Nr. 256100

Features

- Max. Lüfterleistung freiblasend:
 - Leistungs-Schaltstufe 1: 490 m³/h
 - Leistungs-Schaltstufe 2: 580 m³/h
 - Leistungs-Schaltstufe 3: 650 m³/h
- 2 x 20 W Halogenlampen, separat schaltbar
- Bedienung über Tastschalter
- 1 Stück 4-lagiger Aluminium-Dunstable
- Teleskopschacht, 2-teilig
- Inkl. Befestigungsmaterial und Anschlussstutzen mit Rückschlagklappen
- Schachthöhe: 70 - 94 cm
- Schachtbreite/-Tiefe: 30.2 / 26.7 cm

Voltage and Power rating

Mains Voltage: 220-240 V~
 Power: 230 W

Dimensions and Weight

Dimensions:
 94.0 x 60.0 x 34.5 cm (H x W x D)
 Net Weight: 13.6 kg
 Gross Weight: 16.3 kg



Art.-Nr. EAN
 765 810 4 004 470 765 816
 Container: 292 Pieces



Kopffreie Vertikal-Haube DU 659 IX

Edelstahl, 60 cm Wide
Max. Lüfterleistung 650 m³/h
3 Leistungsstufen

General

- Wand-Esse
- Luftaustritt: Ø 150 mm
- Betriebsgeräusch bei Lüfterleistung:
 - Leistungs-Schaltstufe 1: 60 dBA
 - Leistungs-Schaltstufe 2: 65 dBA
 - Leistungs-Schaltstufe 3: 68 dBA
- Umluftbetrieb über zwei zusätzlich nachrüstbare Aktivkohlefilter KF 561, Art.-Nr. 256100

Features

- Max. Lüfterleistung freiblasend:
 - Leistungs-Schaltstufe 1: 490 m³ / h
 - Leistungs-Schaltstufe 2: 580 m³ / h
 - Leistungs-Schaltstufe 3: 650 m³ / h
- 2 x 20 W Halogenlampen, separat schaltbar
- Bedienung über Tastschalter
- 2 x 5-lagige Aluminium-Dunstfilter
- Teleskopschacht, 2-teilig
- Inkl. Befestigungsmaterial und Anschlussstutzen mit Rückschlagklappen
- Schachthöhe: 66 – 87 cm
- Schachtbreite/-Tiefe: 31,2 / 26,8 cm

Voltage and Power rating

Mains Voltage: 220-240 V~
 Power: 230 W

Dimensions and Weight

Dimensions:
 87.0 x 60.0 x 50.0 cm (H x W x D)
 Net Weight: 14.0 kg
 Gross Weight: 17.0 kg



Unterbau-Dunstabzugshaube DU 660 IX

37

Edelstahlfront, 60 cm Wide
Flaches Design
Max. Lüfterleistung 300 m³/h
2 Leistungsstufen

General

- Unterbau-Haube
- Luftaustritt: Ø 120 mm
- Betriebsgeräusch bei Lüfterleistung:
 - Leistungs-Schaltstufe 1: 54 dBA
 - Leistungs-Schaltstufe 2: 62 dBA
- Umluftbetrieb über einen zusätzlich nachrüstbaren Aktivkohlefilter KF 561, Art.-Nr. 256100

Features

- Max. Lüfterleistung freiblasend:
 - Leistungs-Schaltstufe 1: 240 m³ / h
 - Leistungs-Schaltstufe 2: 300 m³ / h
- 2 x 28 W (E14) Halogenlampen, separat schaltbar
- Bedienung über Wippschalter
- 2 x 3-lagige Aluminium-Dunstfilter
- Inkl. Befestigungsmaterial und Anschlussstutzen mit Rückschlagklappen

Voltage and Power rating

Mains Voltage: 220-240 V~
 Power: 156 W

Dimensions and Weight

Dimensions:
 17.6 x 60.0 x 28.0 / 43.0 cm (H x W x D)
 Net Weight: 7.3 kg
 Gross Weight: 8.1 kg



Art.-Nr. EAN
 765 900 4 004 470 765 908

Container: 300 Pieces

Art.-Nr. EAN
 766 000 4 004 470 766 004

Container: 1266 Pieces



Open Vertical Hood DU 617/618 G

Dunstabzugshaube DU 655/654 G

Edelstahl
Mit Glasschirm 90 cm (DU 618 G = 60 cm)
Max. Lüfterleistung 650 m³/h
3 Leistungsstufen
Randabsaug-Technik

Edelstahl
Mit Glasschirm 90 cm (DU 654 G = 60 cm)
Max. Lüfterleistung 500 m³/h
3 Leistungsstufen

General

- Wand-Esse
- Luftaustritt: Ø 150 mm
- Betriebsgeräusch bei Abluftleistung:
 - Leistungs-Schaltstufe 1: 60 dBA
 - Leistungs-Schaltstufe 2: 65 dBA
 - Leistungs-Schaltstufe 3: 68 dBA
- Umluftbetrieb über zwei zusätzlich nachrüstbare Aktivkohlefilter KF 560, Art.-Nr. 256024

Features

- Max. Lüfterleistung freiblasend:
 - Leistungs-Schaltstufe 1: 490 m³ / h
 - Leistungs-Schaltstufe 2: 580 m³ / h
 - Leistungs-Schaltstufe 3: 650 m³ / h
- 2 x 20 W Halogenlampen, separat schaltbar
- Bedienung über Tastschalter
- 1 Stück 5-lagiger Aluminium-Dunstfilter
- Teleskopschacht, 2-teilig
- Inkl. Befestigungsmaterial, Anschlussstutzen mit Rückschlagklappen, flexibler Anschlussschlauch 50 – 200 cm
- Schachthöhe: 55 – 93 cm
- Schachtbreite/-Tiefe: 30,2 / 26,7 cm

Voltage and Power rating

Mains Voltage: 220-240 V~
 Power: 230 W

Dimensions and Weight

Dimensions: 95,0 x 90,0 x 40,5 cm (H x B x T)
 Net Weight: 20,5 kg
 Gross Weight: 25,0 kg



DU 618 G

Maße und Gewichte

Abmessungen: 95,0 x 60,0 x 40,5 cm (H x B x T)
 Net Weight: 16,7 kg
 Gross Weight: 19,0 kg

General

- Wand-Esse
- Luftaustritt: Ø 120 mm
- Betriebsgeräusch bei Lüfterleistung:
 - Leistungs-Schaltstufe 1: 50 dBA
 - Leistungs-Schaltstufe 2: 55 dBA
 - Leistungs-Schaltstufe 3: 58 dBA
- Umluftbetrieb über zwei zusätzlich nachrüstbare Aktivkohlefilter KF 564, Art.-Nr. 256400

Features

- Max. Lüfterleistung freiblasend:
 - Leistungs-Schaltstufe 1: 320 m³ / h
 - Leistungs-Schaltstufe 2: 400 m³ / h
 - Leistungs-Schaltstufe 3: 500 m³ / h
- 2 x 1 W LED, separat schaltbar
- Bedienung über Drucktastenschalter
- 1 Stück 5-lagiger Aluminium-Dunstfilter (spülmaschinengeeignet)
- Teleskopschacht, 2-teilig
- Inkl. Befestigungsmaterial, Anschlussstutzen mit Rückschlagklappen, flexibler Anschlussschlauch 50 – 200 cm
- Schachthöhe: 50 – 98 cm
- Schachtbreite/-Tiefe: 27,0 / 25,0 cm

Voltage and Power rating

Mains Voltage: 220-240 V~
 Power: 122 W

Dimensions and Weight

Dimensions: 101,0 x 90,0 x 49,0 cm (H x W x D)
 Net Weight: 14,5 kg
 Gross Weight: 16,8 kg



DU 654 G

Maße und Gewichte

Abmessungen: 101,0 x 60,0 x 49,0 cm (H x W x D)
 Net Weight: 11,6 kg
 Gross Weight: 13,4 kg



Art.-Nr. EAN (DU 617 G)
 761 700 4 004 470 761 702

Container: 192 Pieces

Art.-Nr. EAN (DU 618 G)
 761 800 4 004 470 761 801

Container: 292 Pieces

Art.-Nr. EAN (DU 655 G)
 765 500 4 004 470 765 502

Container: 402 Pieces

Art.-Nr. EAN (DU 654 G)
 765 400 4 004 470 765 403

Container: 730 Pieces



Range Hood DU 650 G

Kaminhaube DU 613.1 IX

Kaminhaube DU 652 IX

39

Edelstahl
Mit Glasschirm 60 cm
Max. Lüfterleistung 400 m³/h
3 Leistungsstufen

General

- Wand-Esse
- Luftaustritt: Ø 150 mm
- Betriebsgeräusch bei Lüfterleistung:
 - Leistungs-Schaltstufe 1: 49 dBA
 - Leistungs-Schaltstufe 2: 53 dBA
 - Leistungs-Schaltstufe 3: 56 dBA
- Umluftbetrieb über zwei zusätzlich nachrüstbare Aktivkohlefilter KF 563, Art.-Nr. 256300

Features

- Max. Lüfterleistung freiblasend:
 - Leistungs-Schaltstufe 1: 300 m³ / h
 - Leistungs-Schaltstufe 2: 350 m³ / h
 - Leistungs-Schaltstufe 3: 400 m³ / h
- 2 x 20 W Halogenlampen GU 10, separat schaltbar
- Bedienung über Drucktastenschalter
- 1 Stück 5-lagiger Aluminium-Dunstfilter
- Teleskopschacht, 2-teilig
- Inkl. Befestigungsmaterial, Anschlussstutzen mit Rückschlagklappen, flexibler Anschluss Schlauch 50 – 200 cm
- Schachthöhe: 49 – 97 cm
- Schachtbreite/-Tiefe: 25.5 / 26.3 cm

Voltage and Power rating

Mains Voltage: 220-240 V~
 Power: 105 W

Dimensions and Weight

Dimensions: 102.0 x 60.0 x 40.0 cm (H x W x D)
 Net Weight: 9.5 kg
 Gross Weight: 12.5 kg



Edelstahl, 60 cm Wide
Flache Ausführung
Max. Lüfterleistung 500 m³/h
3 Leistungsstufen

General

- Wand-Esse
- Luftaustritt: Ø 150 mm
- Betriebsgeräusch bei Lüfterleistung:
 - Leistungs-Schaltstufe 1: 53 dBA
 - Leistungs-Schaltstufe 2: 55 dBA
 - Leistungs-Schaltstufe 3: 58 dBA
- Umluftbetrieb über zwei zusätzlich nachrüstbare Aktivkohlefilter KF 561, Art.-Nr. 256100

Features

- Max. Lüfterleistung freiblasend:
 - Leistungs-Schaltstufe 1: 400 m³ / h
 - Leistungs-Schaltstufe 2: 450 m³ / h
 - Leistungs-Schaltstufe 3: 500 m³ / h
- 2 x 28 W Lampen E 14, separat schaltbar
- Bedienung über Drucktastenschalter
- 2 Stück 5-lagige Aluminium-Dunstfilter
- Teleskopschacht, 2-teilig
- Inkl. Befestigungsmaterial, Anschlussstutzen mit Rückschlagklappen, flexibler Anschluss Schlauch 50 – 150 cm
- Schachthöhe: 40 – 78 cm
- Schachtbreite/-Tiefe: 30.3 / 27.6 cm

Voltage and Power rating

Mains Voltage: 220-240 V~
 Power: 196 W

Dimensions and Weight

Dimensions: 82.0 x 60.0 x 50.0 cm (H x W x D)
 Net Weight: 12.0 kg
 Gross Weight: 14.0 kg



Edelstahl, 60 cm Wide
Max. Lüfterleistung 400 m³/h
3 Leistungsstufen

General

- Wand-Esse
- Luftaustritt: Ø 150 mm
- Betriebsgeräusch bei Lüfterleistung:
 - Leistungs-Schaltstufe 1: 49 dBA
 - Leistungs-Schaltstufe 2: 53 dBA
 - Leistungs-Schaltstufe 3: 56 dBA
- Umluftbetrieb über zwei zusätzlich nachrüstbare Aktivkohlefilter KF 563, Art.-Nr. 256300

Features

- Max. Lüfterleistung freiblasend:
 - Leistungs-Schaltstufe 1: 300 m³ / h
 - Leistungs-Schaltstufe 2: 350 m³ / h
 - Leistungs-Schaltstufe 3: 400 m³ / h
- 2 x 28 W Lampen E 14, separat schaltbar
- Bedienung über Schiebeschalter
- 2 Stück 5-lagige Aluminium-Dunstfilter
- Teleskopschacht, 2-teilig
- Inkl. Befestigungsmaterial, Anschlussstutzen mit Rückschlagklappen, flexibler Anschluss Schlauch 50 – 150 cm
- Schachthöhe: 40 – 78 cm
- Schachtbreite/-Tiefe: 22.1 / 17.0 cm

Voltage and Power rating

Mains Voltage: 220-240 V~
 Power: 121 W

Dimensions and Weight

Dimensions: 96.0 x 60.0 x 50.0 cm (H x W x D)
 Net Weight: 7.0 kg
 Gross Weight: 9.5 kg



Art.-Nr. EAN
 765 000 4 004 470 765 007

Container: 798 Pieces

Art.-Nr. EAN
 761 310 4 004 470 761 313

Container: 500 Pieces

Art.-Nr. EAN
 765 200 4 004 470 765 205

Container: 720 Pieces



Range Hood DU 653 IXF

Unterbau-Dunstabzugshaube DU 623 IX

Edelstahl, 90 cm Wide
Max. Lüfterleistung 400 m³/h
3 Leistungsstufen

tahVoll-Edelstahl, 60 cm Wide
Max. Lüfterleistung 250 m³/h
3 Leistungsstufen
Aluminum-Fettfilter

General

- Wand-Esse
- Luftaustritt: Ø 150 mm
- Betriebsgeräusch bei Lüfterleistung:
 - Leistungs-Schaltstufe 1: 42 dBA
 - Leistungs-Schaltstufe 2: 49 dBA
 - Leistungs-Schaltstufe 3: 59 dBA
- Umluftbetrieb über zwei zusätzlich nachrüstbare Aktivkohlefilter KF 567, Art.-Nr. 256710

Features

- Max. Lüfterleistung freiblasend:
 - Leistungs-Schaltstufe 1: 200 m³ / h
 - Leistungs-Schaltstufe 2: 270 m³ / h
 - Leistungs-Schaltstufe 3: 400 m³ / h
- 2 x 28 W Lampen E 14, separat schaltbar
- Bedienung über Schiebescalter
- 3 Stück 5-lagige Aluminium-Dunstfilter
- Teleskopschacht, 2-teilig
- Inkl. Befestigungsmaterial, Anschlussstutzen mit Rückschlagklappen
- Schachthöhe: 45.5 – 66.5 cm
- Schachtbreite / -tiefe: 17.6 / 16.2 mm

Voltage and Power rating

Mains Voltage: 220-240 V~
 Power: 176 W

Dimensions and Weight

Dimensions: 88.0, x 90.0 x 45.0 cm (H x W x D)
 Net Weight: 7.8 kg
 Gross Weight: 10.2 kg



DU 656 IX (60 cm Wide)

Dimensions and Weight

Dimensions: 88.0, x 60.0 x 45.0 cm (H x W x D)
 Net Weight: 7.4 kg
 Gross Weight: 9.4 kg



General

- Unterbau-Haube
- Luftaustritt: Ø 120 mm
- Betriebsgeräusch bei Lüfterleistung:
 - Leistungs-Schaltstufe 1: 49 dBA
 - Leistungs-Schaltstufe 2: 55 dBA
 - Leistungs-Schaltstufe 3: 61 dBA
- Umschaltung auf Umluftbetrieb
- Umluftbetrieb über zusätzlich nachrüstbare Aktivkohlefiltermatte KFM 565, Art.-Nr. 256500

Features

- Max. Lüfterleistung freiblasend:
 - Leistungs-Schaltstufe 1: 160 m³ / h
 - Leistungs-Schaltstufe 2: 200 m³ / h
 - Leistungs-Schaltstufe 3: 250 m³ / h
- 1 x 28 W Lampe E 14, separat schaltbar
- Bedienung über Front-Schiebescalter
- 2 Stück 5-lagige Aluminium-Dunstfilter
- Glas-Wrasenschirm, ausklappbar
- Inkl. Befestigungsmaterial, Anschlussstutzen mit Rückschlagklappen

Voltage and Power rating

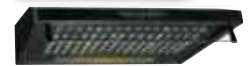
Mains Voltage: 220-240 V~
 Power: 103 W

Dimensions and Weight

Dimensions: 13.5, x 60.0 x 50.0 cm (H x W x D)
 Net Weight: 6.0 kg
 Gross Weight: 7.0 kg



WZFW



4SU



Brai n

DU 622

wie **DU 623 IX**, jedoch mit:

- Vliesfilter
- in 3 Farbausführungen



Art.-Nr. EAN (DU 653 IX)
 765 300 4 004 470 765 304

Art.-Nr. EAN (DU 656 IX)
 765 600 4 004 470 765 601

Art.-Nr. EAN (DU 623 IX)
 762 390 4 004 470 762 396

Art.-Nr. EAN (DU 622)
 762 200 4 004 470 762 204

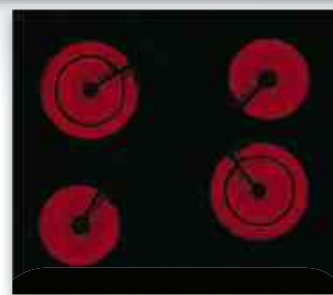
Art.-Nr. EAN (DU 622)
 762 210 4 004 470 762 211

Art.-Nr. EAN (DU 622)
 762 220 4 004 470 762 228

Container: 550 Pieces

Container: 800 Pieces

Container: 1.048 Pieces



Built-in Electric Oven Set EHBE 9601 IX

Built-in Electric EHd-Set EHBC 545 IX

41

**60 cm Wide
Stainless Steel Hotplates**
4 Hotplates mit 7 Takt-Schaltern
1 Blitzkochplatte
Grill

General

- Hotplates mit 7 Takt-Schaltern
 - 2 Kochstellen Ø 155 mm / 1000 W
 - 1 Kochstelle Ø 188 mm / 1500 W
 - 1 Kochstelle Ø 188 mm / 2000 W (Blitz)
- Kontrollleuchten
- Backofen mit Vollglastür
- Aushängbare Gerätetür

Features Oven

- Oberhitze: 900 W
- Unterhitze: 1300 W
- Grill-Heizkörper: 2000 W
- Regelbarer Thermostat 50-250°C
- Großes Sichtfenster
- Backofen mit Umgebungslüfter
- Standardblech, Grillrost
- Backofen-Nutzhalt: 56 Liter

5 Oven Modes

- Backofen-Beleuchtung
- Oberhitze
- Unterhitze
- Ober-/Unterhitze
- Grill

Einbaumaße (Ausschnitte)

Kochfeld: 56.0 x 49.0 cm (W x D)
Backofen: 60.0 x 56.0 x 56.0 cm (H x W x D)

Consumption Data

Energy usage¹⁾: 0.79 kWh

Voltage and Power rating

Mains Voltage: 400 / 230 V~
Power: 7700 W
Absicherung: 3 x 16 A

Dimensions and Weight

Dimensions:
59.5 x 59.5 x 57.5 cm (H x W x D)
Net Weight: 39.0 kg
Gross Weight: 44.0 kg



Art.-Nr. EAN
796 010 4 004 470 796 018

Container: 182 Pieces

¹⁾ Konventionelle Beheizung / Heiß-/Umluft

**60 cm Wide
Glass Ceramic Stovetop**
4 High-Light Cooking Zones
Grill

General

- Cooking Zones mit Reglern
 - 2 Singlekochzonen:
Ø 140 mm / 1200 W
 - 2 Singlekochzonen:
Ø 180 mm / 1700 W
- Restwärmeanzeige
- Kontrollleuchten
- Backofen mit Vollglastür

Features Oven

- Oberhitze: 1000 W
- Unterhitze: 1200 W
- Grill-Heizkörper: 2000 W
- Getrennt regelbarer Backofen-Thermostat
- Backofen-Thermostatbereich 50-240°C
- Backofen-Beleuchtung
- Großes Sichtfenster
- Backofen mit Außenbelüftung
- Wärmeableitblech
- Backblech, Grillrost
- Backofen-Nutzhalt: 64 Liter

5 Oven Modes

- Backofen-Beleuchtung
- Oberhitze
- Unterhitze
- Ober-/Unterhitze
- Grill



Art.-Nr. EAN
754 500 4 004 470 754 506

Container: 213 Pieces



Built-in Electric Oven Set EHBC 546 IX

Built-in Electric Oven Set EHBC 547 IX

**60 cm Wide
Glass Ceramic Stovetop
4 stufenlos regelbare High-Light Cooking Zones
Grill, Umluft**

**60 cm Wide
Glass Ceramic Stovetop
4 stufenlos regelbare High-Light Cooking Zones
Grill, Heißluft**

General

- 4 Cooking Zones mit stufenlosen Reglern
 - 2 Cooking Zones: Ø 165 mm / 1200 W
 - 2 Cooking Zones: Ø 200 mm / 1800 W
- Restwärmeanzeige
- Kontrollleuchten
- Backofen mit Vollglastür
- Aushängbare Backofentür
- 58 dBA Operational Noise

Features Oven

- Oberhitze: 950 W
- Unterhitze: 1100 W
- Grill-Heizkörper: 2000 W
- Umluft
- Regelbarer Thermostat 50-250°C
- Großes Sichtfenster
- Backblech, Grillrost
- Backofen-Nutzinhalt: 70 Liter
- Backraummaße: 33.0 x 47.0 x 43.0 cm (H x W x D)

8 Oven Functions

- Backofen-Beleuchtung
- Auftauen
- Unterhitze
- Ober-/Unterhitze
- Ober-/Unterhitze mit Umluft
- Grill
- Extra-Grill (Grill + Oberhitze)
- Extra-Grill mit Umluft

Einbaumaße (Ausschnitte)

Kochfeld: 56.0 x 49.0 cm (W x D)
Backofen: 60.0 x 60.0 x 57.5 cm (H x W x D)

Consumption Data

Energy usage¹⁾: 0.99 kWh

Voltage and Power rating

Mains Voltage: 380-415 V~ / 220-240 V~
Power: 9000 W
Absicherung: 3 x 16 A

Dimensions and Weight

Dimensions: Backofen: 59.5 x 59.5 x 57.2 cm (H x W x D)
Dimensions: Kochfeld: 5.5 x 59.0 x 52.0 cm (H x W x D)
Net Weight: 35.0 kg
Gross Weight: 40.4 kg

General

- 4 Cooking Zones mit stufenlosen Reglern
 - 2 Cooking Zones: Ø 165 mm / 1200 W
 - 2 Cooking Zones: Ø 200 mm / 1800 W
- Restwärmeanzeige
- Kontrollleuchten
- Backofen mit Vollglastür
- Aushängbare Backofentür
- 58 dBA Operational Noise

Features Oven

- Oberhitze: 950 W
- Unterhitze: 1100 W
- Grill-Heizkörper: 2000 W
- Heißluft
- Regelbarer Thermostat 50-250°C
- Großes Sichtfenster
- Backblech, Grillrost
- Backofen-Nutzinhalt: 70 Liter
- Backraummaße: 33.0 x 47.0 x 43.0 cm (H x W x D)

9 Oven Functions

- Backofen-Beleuchtung
- Auftauen
- Unterhitze
- Ober-/Unterhitze
- Ober-/Unterhitze mit Umluft
- Grill
- Extra-Grill (Grill + Oberhitze)
- Extra-Grill mit Umluft
- Heißluft

Einbaumaße (Ausschnitte)

Kochfeld: 56.0 x 49.0 cm (W x D)
Backofen: 60.0 x 60.0 x 57.5 cm (H x W x D)

Consumption Data

Energy usage¹⁾: 0.89 kWh

Voltage and Power rating

Mains Voltage: 380-415 V~ / 220-240 V~
Power: 9000 W
Absicherung: 3 x 16 A

Dimensions and Weight

Dimensions: Backofen: 59.5 x 59.5 x 57.2 cm (H x W x D)
Dimensions: Kochfeld: 5.5 x 59.0 x 52.0 cm (H x W x D)
Net Weight: 35.0 kg
Gross Weight: 40.4 kg



Art.-Nr. EAN
754 600 4 004 470 754 605

Art.-Nr. EAN
754 700 4 004 470 754 704

Container: 209 Pieces

Container: 209 Pieces

¹⁾ Konventionelle Beheizung / Heiß-/Umluft



Built-in Electric Oven Set EHBC 543 IX

43

60 cm Wide Glass Ceramic Stovetop Electronic Timer Doppelkreis- und Bräterzone Multifunktionsofen, Heißluft

General

- 4 High-Light Cooking Zones with Reglern
 - 2 Single Cooking Zones:
 - Ø 140 mm / 1200 W
 - 1 Cooking Zone:
 - Ø 120/180 mm / 1700 W
 - 1 Bräterzone:
 - Ø 140/250 mm / 1800 W
- Restwärmeanzeige
- Kontrollleuchten
- Backofen mit Vollglastür

Features Backofen

- Oberhitze: 1000 W
- Unterhitze: 1200 W
- Grill-Heizkörper: 2000 W
- Getrennt regelbarer Backofen-Thermostat
- Backofen-Thermostatbereich 50-240°C
- Backofen-Beleuchtung
- Large view window
- Wärmeableitblech
- Backblech, Grillrost, Fettpfanne
- Backofen-Nutzhalt: 64 Liter

10 Backofen-Functions

- Backofen-Beleuchtung
- Oberhitze
- Unterhitze
- Ober-/Unterhitze
- Grill
- Heißluft
- Ober-/Unterhitze mit Umluft
- Grill mit Umluft
- Unterhitze mit Umluft
- Auftauen

Einbaumaße (Ausschnitte)

Kochfeld: 56.0 x 49.0 cm (W x D)
Backofen: 59.0 x 56.0 x 56.5 cm (H x W x D)

Consumption Data

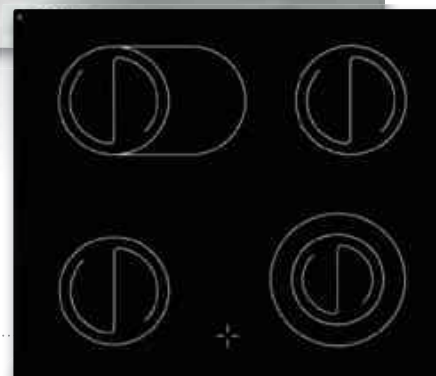
Energy usage¹⁾: 0.79 kWh

Voltage and Power rating

Mains Voltage: 400 / 230 V~
Power: 8100 W
Absicherung: 3 x 16 A

Dimensions and Weight

Dimensions:
59.5 x 59.5 x 61.0 cm (H x W x D)
Net Weight: 42.0 kg
Gross Weight: 46.0 kg



Art.-Nr. EAN
754 309 4 004 470 754 308

Container: 213 Pieces

¹⁾ Conventional Beheizung / Heiß-/Umluft



Teleskopauszug



Built-in Electric Oven EBO 9608 IX

Built-in Induction Stovetop EBK 959

Electronic Timer
Multifunktionsofen mit Heißluft
Versenkbare Bedienknöpfe
1-fach Teleskopauszug

Features

- LED-Display for: Time, Startvorwahl, Restlaufzeit
- Kontrollleuchten
- Oberhitze: 900 W
- Unterhitze: 1300 W
- Grill-Heizkörper: 2000 W
- Ringheizkörper: 2000 W
- Regelbarer Thermostat 50-250°C
- Backofen mit Vollglastür
- Large view window
- Aushängbare Backofentür
- Backofen mit Umgebungslüfter
- Backblech, Grillrost, Fettpfanne
- Backofen-Nutzzinhalte: 56 Liter

8 Backofen-Functions

- Backofen-Beleuchtung
- Oberhitze
- Unterhitze
- Ober-/Unterhitze
- Grill
- Grill mit Umluft
- Heißluft
- Auftauen

Consumption Data

Energy usage¹⁾: 0.95 / 0.79 kWh

Einbaumaße (Ausschnitte)

60.0 x 56.0 x 56.0 cm (H x W x D)

Voltage and Power rating

Mains Voltage: 220-240 V~
 Power: 2200 W
 Absicherung: 10 A

Dimensions and Weight

Dimensions:
 59.5 x 59.5 x 57.5 cm (H x W x D)
 Net Weight: 32.0 kg
 Gross Weight: 36.0 kg

60 cm Wide
Energiesparend durch Induktionstechnik
4 Stovetop Cook[Y] Lones
Digital Display

Features

- 4 Cooking Zones
 - 2 Single Cooking Zones: Ø 160 mm / 1500 W
 - 2 Single Cooking Zones: Ø 180 mm / 2000 W
- Digitale Anzeige der Leistungsstufen
- Restwärmeanzeige für jede Kochzone
- Elektronische Steuerung „Touch Control“
- 9 wählbare Leistungsstufen (0-9)
- Automatische Topferkennung
- Timer function 1-99 Minutes for each Cooking Zone (simultaneously available)
- Kurzzeitwecker
- Automatic switch-off
- Kindersicherung
- Schott-Ceran®- Kochfläche
- Rahmenlose Ausführung
- Inkl. Anschlusskabel

Einbaumaße (Ausschnitte)

Kochfeld: 56.0 x 49.0 cm (W x D)

Voltage and Power rating

Mains Voltage: 220-240 V~ / 400 V 3N~ 50/60 Hz
 Power: 6400-7200 W / 7000 W
 Absicherung: 2 x 16 A

Dimensions and Weight

Dimensions: 6.0 x 59.0 x 52.0 cm (H x W x D)
 Net Weight: 10.0 kg
 Gross Weight: 12.2 kg



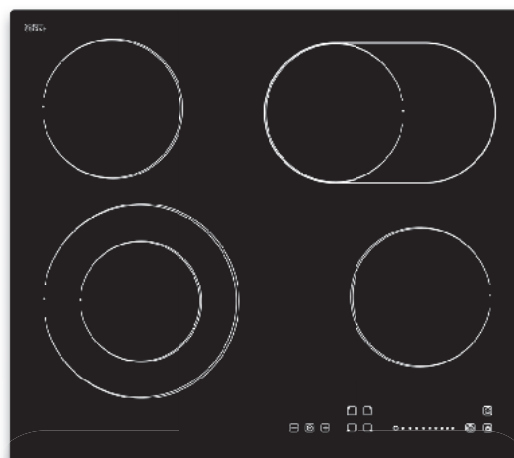
Art.-Nr. EAN
 796 080 4 004 470 796 087

Container: 213 Pieces

¹⁾ Konventionelle Beheizung / Heiß-/Umluft

Art.-Nr. EAN
 795 900 4 004 470 795 905

Container: 1.188 Pieces



Built-in Modular Stovetop EBK 956

Einbau-Kochfeld EBK 957

45

60 cm Wide
Autonomous Glass Ceramic Stovetop
4 Cooking Zones
Digitale Display
"Touch Control" 5a` fcb`BS` W`

Features

- 4 Cooking Zones
 - 2 Singlekochzonen: Ø 165 mm / 1200 W
 - 2 Singlekochzonen: Ø 200 mm / 1800 W
- Digitale Anzeige der Leistungsstufen
- Restwärmeanzeige für jede Kochzone
- Elektronische Steuerung „Touch Control“
- 9 wählbare Leistungsstufen (0-9)
- Timer function 1-99 Minuten for each Cooking Zone (simultaneously available)
- Kurzzeitwecker
- Automatic switch-off
- Kindersicherung
- Schott-Ceran®- Kochfläche
- Rahmenlose Ausführung
- Inkl. Anschlusskabel

Einbaumaße (Ausschnitte)

Kochfeld: 56.0 x 49.0 cm (W x D)

Voltage and Power rating

Mains Voltage: 220-240 V~ / 400 V 3N~ 50/60 Hz

Power: 5500-6600 / 6000 W

Absicherung: 2 x 16 A

Dimensions and Weight

Dimensions: 5.5 x 59.0 x 52.0 cm (H x W x D)

Net Weight: 8.6 kg

Gross Weight: 10.1 kg

60 cm Wide
Autonomous Glass Ceramic Stovetop
Doppelkreis- und Bräterzone
Digitale Display
"Slider Touch" 5a` fcb`BS` W`

Features

- 4 Cooking Zones
 - 2 Singlekochzonen: Ø 165 mm / 1200 W
 - 1 Doppelkreiszone: Ø 140 mm / 1000 W, Ø 220 mm / 2200 W
 - 1 Bräterzone: Ø 165 mm / 1100 W, 270 x 165 mm / 2000 W
- Digitale Anzeige der Leistungsstufen
- Restwärmeanzeige für jede Cooking Zone
- Elektronische Steuerung "Slider Touch"
- 9 wählbare Leistungsstufen (0-9)
- Timer function 1-99 Minuten for each Cooking Zone (simultaneously available)
- Kurzzeitwecker
- Automatic switch-off
- Kindersicherung
- Schott-Ceran®- Kochfläche
- Rahmenlose Ausführung
- Inkl. Anschlusskabel

Einbaumaße (Ausschnitte)

Kochfeld: 56.0 x 49.0 cm (W x D)

Voltage and Power rating

Mains Voltage: 220-240 V~ / 400 V 3N~ 50/60 Hz

Power: 6000-7200 / 6600 W

Absicherung: 2 x 16 A

Dimensions and Weight

Dimensions: 5.5 x 59.0 x 52.0 cm (H x W x D)

Net Weight: 9.0 kg

Gross Weight: 10.5 kg



Art.-Nr. EAN
 795 600 4 004 470 795 608

Container: 1026 Pieces

Art.-Nr. EAN
 795 700 4 004 470 795 707

Container: 1026 Pieces



Built-in Induction Stovetop EBK 965

Einbau-Kochfeld EBK 964

30 cm Wide
Energiesparend durch Induktionstechnik
2 Kochzonen
Digitale Display

Features

- 2 Cooking Zones
 - 1 Singlekochzone: Ø 140 mm / 1500 W
 - 1 Singlekochzone: Ø 180 mm / 2000 W
- Digitale Anzeige der Leistungsstufen
- Restwärmeanzeige für jede Cooking Zone
- Elektronische Steuerung „Touch Control“
- 9 wählbare Leistungsstufen (0-9)
- Automatische Topferkennung
- Timer function 1–99 Minuten
- Kurzzeitwecker
- Automatic switch-off
- Kindersicherung
- Schott-Ceran®- Kochfläche
- Rahmenlose Ausführung
- Inkl. Anschlusskabel

Installation area dimensions

Kochfeld: 26.8 x 50.0 cm (W x D)

Voltage and Power rating

Mains Voltage: 220-240 V~
 Power: 3500 W

Dimensions and Weight

Dimensions: 5.6 x 28.8 x 52.0 cm (H x W x D)
 Net Weight: 5.2 kg
 Gross Weight: 6.7 kg

30 cm Wide
Autonomous Glass Ceramic Stovetop
2 Kochzonen
Digitale Display

Features

- 2 Cooking Zones
 - 1 Singlekochzone: Ø 165 mm / 1200 W
 - 1 Singlekochzone: Ø 200 mm / 1800 W
- Digitale Anzeige der Leistungsstufen
- Restwärmeanzeige für jede Cooking Zone
- Elektronische Steuerung „Touch Control“
- 9 wählbare Leistungsstufen (0-9)
- Timer function 1–99 Minuten
- Kurzzeitwecker
- Automatic switch-off
- Kindersicherung
- Rahmenlose Ausführung
- Inkl. Anschlusskabel

Installation area dimensions

Kochfeld: 26.8 x 50.0 cm (W x D)

Voltage and Power rating

Mains Voltage: 220-240 V~
 Power: 3000 W

Dimensions and Weight

Dimensions: 5.5 x 28.8 x 52.0 cm (H x W x D)
 Net Weight: 4.7 kg
 Gross Weight: 6.2 kg



Art.-Nr. EAN
796 500 4 004 470 965 001
 Container: 1710 Pieces

Art.-Nr. EAN
796 400 4 004 470 964 004
 Container: 1710 Pieces



Built-in 2 Door Fridge/Freezer DTE 326

Niche Height 144 cm
Gross- / Net Volume: 215 / 210 Liter
Net Volume Refrigerator / Freezer: 176 / 34 Liter
Adjustable Thermostat
Coolant/Refrigerant: R600a

General

- Sliding-door design
- Climate Class N/ST (+16 bis +38°C)
- Vapor Compression Technology
- Reversible Door
- 40 dBA Operational Noise

Features Refrigerator

- Stepless temperature adjustment
- Temperature Range: 0~10°C
- Automatic Defrost
- Interior lighting
- 3 Height adjustable glass shelves
- Transparent vegetable drawer with Glass cover
- 3 Door Shelves
- Bottle holder
- Eierablage (6 Eier)

Features Freezer

- Rating
- Temperature Range: ≤ -18°C
- Freezing capacity: 2 kg / 24 hr
- Lagerzeit bei Störung: max. 15 hr
- Manual Defrost
- Ice cube tray

Consumption Data

Energy usage / 24 hr: 0.465 kWh
 Energy usage / year¹⁾: 170 kWh

Voltage and Power rating

Mains Voltage: 220-240 V~
 Power: 80 W

Dimensions and Weight

Dimensions:
 144.1 x 54.0 x 54.3 cm (H x W x D)
 Net Weight: 38.5 kg
 Gross Weight: 42.6 kg



Art.-Nr. EAN
 732 600 4 004 470 732 603

Container: 140 Pieces



Einbau-Doppeltür-Kühlschrank DTE 226

Niche Height 144 cm
Gross- / Net Volume: 215 / 210 Liter
Net Volume Refrigerator / Freezer: 176 / 34 Liter
Adjustable Thermostat
Coolant/Refrigerant: R600a

General

- Sliding-door design
- Climate Class N/ST (+16 bis +38°C)
- Vapor Compression Technology
- Reversible Door
- 40 dBA Operational Noise

Features Refrigerator

- Stepless temperature adjustment
- Temperature Range: 0~10°C
- Automatic Defrost
- Interior lighting
- 3 Height adjustable glass shelves
- Transparent vegetable drawer with Glass cover
- 3 Door Shelves
- Bottle holder
- Egg tray (6 Eggs)

Features Freezer

- Rating
- Temperature Range: ≤ -18°C
- Freezing capacity: 2 kg / 24 hr
- Lagerzeit bei Störung: max. 15 hr
- Manual Defrost
- Ice cube tray

Consumption Data

Energy usage / 24 hr: 0.61 kWh
 Energy usage / year¹⁾: 223 kWh

Voltage and Power rating

Mains Voltage: 220-240 V~
 Power: 80 W

Dimensions and Weight

Dimensions:
 144.1 x 54.0 x 54.3 cm (H x W x D))
 Net Weight: 38.5 kg
 Gross Weight 42.6 kg



Art.-Nr. EAN
 722 600 4 004 470 722 604

Container: 140 Pieces

¹⁾ In accordance with the specifications of EU Regulation (EU) No. 1060/2010



Built-in Modular Fridge/Freezer KSE 230.1 Einbau-Vollraumkühlschrank VSE 231.1

Niche Height 122 cm
Gross- / Net Volume: 203 / 200 Liter
Net Volume Refrigerator / Freezer: 182 / 18 Liter
Adjustable Thermostat
Coolant/Refrigerant: R600a

General

- Sliding-door design
- Climate Class N/ST (+16 bis +38°C)
- Vapor Compression Technology
- Reversible Door
- 43 dBA Operational Noise

Features Refrigerator

- Stepless temperature adjustment
- Temperature Range: 0~8°C
- Automatic Defrost
- Interior lighting
- 3 Height adjustable glass shelves
- 2 transparent vegetable drawers with Glass cover
- 4 Door Shelves
- Bottle holder
- Eierablage

Features Freezer

- Rating
- Temperature Range: ≤ -18°C
- Freezing capacity: 2 kg / 24 hr
- Lagerzeit bei Störung: max. 15 hr
- Manual Defrost
- Ice cube tray

Consumption Data

Energy usage / 24 hr: 0.608 kWh
 Energy usage / year¹⁾: 222 kWh

Voltage and Power rating

Mains Voltage: 220-240 V~
 Power: 80 W

Dimensions and Weight

Dimensions: 122.0 x 54.0 x 54.5 cm (H x W x D)
 Net Weight: 40.0 kg
 Gross Weight: 44.0 kg

Niche Height 122 cm
Gross- / Net Volume: 218 / 215 Liter
Adjustable Thermostat
Coolant/Refrigerant: R600a

General

- Sliding-door design
- Climate Class N/ST (+16 bis +38°C)
- Vapor Compression Technology
- Reversible Door
- 43 dBA Operational Noise

Features

- Stepless temperature adjustment
- Temperature Range: 0~8°C
- Automatic Defrost
- Interior lighting
- 4 Height adjustable glass shelves
- 2 transparent vegetable drawers with Glass cover
- 4 Door Shelves
- Bottle holder
- Eierablage

Consumption Data

Energy usage / 24 hr: 0.375 kWh
 Energy usage / year¹⁾: 136 kWh

Voltage and Power rating

Mains Voltage: 220-240 V~
 Power: 80 W

Dimensions and Weight

Dimensions: 122.0 x 54.0 x 54.5 cm (H x W x D)
 Net Weight: 44.0 kg
 Gross Weight: 50.0 kg



Art.-Nr. EAN
 723 000 4 004 470 723 007

Container: 160 Stück

Art.-Nr. EAN
 723 100 4 004 470 723 106

Container: 160 Stück

¹⁾ In accordance with the specifications of EU Regulation (EU) No. 1060/2010



Built-in Modular Fridge/Freezer KSE 327

Einbau-Kühlschrank KSE 227.1

Niche Height 88 cm
Gross- / Net Volume: 118 / 112 Liter
Net Volume Refrigerator / Freezer: 100 / 12 Liter
Adjustable Thermostat
Coolant/Refrigerant: R600a

General

- Sliding-door design
- Climate Class N/ST (+16 bis +38°C)
- Vapor Compression Technology
- Reversible Door
- 40 dBA Operational Noise

Features

- Stepless temperature adjustment
- Temperature Range: 0~10°C
- Automatic Defrost
- Interior lighting
- Height adjustable glass shelf
- Transparent vegetable drawer with Glass cover
- 3 Door Shelves
- Flaschenhalterung
- Eierablage

Features Freezer

- Rating
- Temperature Range: ≤ -18°C
- Freezing capacity: 2 kg / 24 hr
- Lagerzeit bei Störung: max. 10 hr
- Manual Defrost
- Ice cube tray

Consumption Data

Energy usage / 24 hr: 0.37 kWh
 Energy usage / year¹⁾: 135 kWh

Voltage and Power rating

Mains Voltage: 220-240 V~
 Power: 60 W

Dimensions and Weight

Dimensions:
 87.5 x 54.0 x 54.5 cm (H x W x D)
 Net Weight: 24.0 kg
 Gross Weight: 27.0 kg

Niche Height 88 cm
Gross- / Net Volume: 124 / 123 Liter
Net Volume Refrigerator / Freezer: 106 / 17 Liter
Adjustable Thermostat
Coolant/Refrigerant: R600a

General

- Sliding-door design
- Climate Class N/ST (+16 bis +38°C)
- Vapor Compression Technology
- Reversible Door
- 43 dBA Operational Noise

Features Refrigerator

- Stepless temperature adjustment
- Temperature Range: 0~8°C
- Automatic Defrost
- Interior lighting
- Height adjustable glass shelf
- 2 transparent vegetable drawers with Glass cover
- 2 Door Shelves
- Flaschenhalterung
- Eierablage

Features Freezer

- Rating
- Temperature Range: ≤ -18°C
- Freezing capacity: 2 kg / 24 hr
- Lagerzeit bei Störung: max. 12 hr
- Manual Defrost
- Ice cube tray

Consumption Data

Energy usage / 24 hr: 0.516 kWh
 Energy usage / year¹⁾: 188 kWh

Voltage and Power rating

Mains Voltage: 220-240 V~
 Power: 90 W

Dimensions and Weight

Dimensions:
 87.2 x 54.0 x 54.5 cm (H x W x D)
 Net Weight: 34.5 kg
 Gross Weight: 38.0 kg



Art.-Nr. EAN
 732 700 4 004 470 732 702

Container: 208 Pieces

Art.-Nr. EAN
 722 700 4 004 470 722 703

Container: 218 Pieces

¹⁾ In accordance with the specifications of EU Regulation (EU) No. 1060/2010



Built-in Modular Refrigerator VSE 328

Einbau-Vollraumkühlschrank VSE 228.1

Niche Height 88 cm
Gross- / Net Volume: 127 / 126 Liter
Adjustable Thermostat
Coolant/Refrigerant: R600a

Niche Height 88 cm
Gross- / Net Volume: 140 / 138 Liter
Adjustable Thermostat
Coolant/Refrigerant: R600a

General

- Sliding-door design
- Climate Class N/ST (+16 bis +38°C)
- Vapor Compression Technology
- Reversible Door
- 40 dBA Operational Noise

General

- Sliding-door design
- Climate Class N/ST (+16 bis +38°C)
- Vapor Compression Technology
- Reversible Door
- 43 dBA Operational Noise

Features

- Stepless temperature adjustment
- Temperature Range: 0~10°C
- Automatic Defrost
- Interior lighting
- 2 Height adjustable glass shelves
- Transparent vegetable drawer with Glass cover
- 3 Door Shelves
- Flaschenhalterung
- Eierablage

Features

- Stepless temperature adjustment
- Temperature Range: 0~8°C
- Automatic Defrost
- Interior lighting
- 2 Height adjustable glass shelves
- 2 transparent vegetable drawers with Glass cover
- 2 Door Shelves
- Flaschenhalterung
- Eierablage

Consumption Data

Energy usage / 24 hr: 0,24 kWh
 Energy usage / year¹⁾: 88 kWh

Consumption Data

Energy usage / 24 hr: 0.329 kWh
 Energy usage / year¹⁾: 120 kWh

Voltage and Power rating

Mains Voltage: 220-240 V~
 Power: 65 W

Voltage and Power rating

Mains Voltage: 220-240 V~
 Power: 80 W

Dimensions and Weight

Dimensions:
 87.5 x 54.0 x 54.5 cm (H x W x D)
 Net Weight: 24.0 kg
 Gross Weight: 27.0 kg

Dimensions and Weight

Dimensions:
 87.2 x 54.0 x 54.5 cm (H x W x D)
 Net Weight: 34.0 kg
 Gross Weight: 37.5 kg



Art.-Nr. EAN
 732 800 4 004 470 732 801

Art.-Nr. EAN
 722 800 4 004 470 722 802

Container: 208 Pieces

Container: 218 Pieces

¹⁾ In accordance with the specifications of EU Regulation (EU) No. 1060/2010



Built-in Modular Freezer GSE 335

Niche Height 88 cm
Gross- / Net Volume: 86 / 81 Liter
Adjustable Thermostat
Coolant/Refrigerant: R600a

General

- Climate Class SN/ST (+10 bis +38°C)
- Vapor Compression Technology
- Reversible Door
- 40 dBA Operational Noise

Features

- Rating
- Stepless temperature adjustment
- Temperature Range: ≤ -18°C
- Freezing capacity: 4 kg / 24 hr
- Lagerzeit bei Störung: max. 10 hr
- Manual Defrost
- 4 Freezer Drawers
- Ice cube tray

Consumption Data

Energy usage / 24 hr: 0.37 kWh
 Energy usage / year¹⁾: 136 kWh

Voltage and Power rating

Mains Voltage: 220-240 V~
 Power: 75 W

Dimensions and Weight

Dimensions:
 88.0 x 54.0 x 54.5 cm (H x W x D)
 Net Weight: 32.0 kg
 Gross Weight: 35.0 kg



Art.-Nr. EAN
 733 500 4 004 470 733 501

Container: 208 Pieces

¹⁾ In accordance with the specifications of EU Regulation (EU) No. 1060/2010



Built-in Modular Freezer GSE 235

Niche Height 88 cm
Gross- / Net Volume: 86 / 81 Liter
Adjustable Thermostat
Coolant/Refrigerant: R600a

General

- Climate Class N (+16 bis +32°C)
- Vapor Compression Technology
- Reversible Door
- 40 dBA Operational Noise

Features

- Rating
- Stepless temperature adjustment
- Temperature Range: ≤ -18°C
- Freezing capacity: 4 kg / 24 hr
- Lagerzeit bei Störung: max. 10 hr
- Manual Defrost
- 4 Freezer Drawers
- Ice cube tray

Consumption Data

Energy usage / 24 hr: 0.48 kWh
 Energy usage / year¹⁾: 175 kWh

Voltage and Power rating

Mains Voltage: 220-240 V~
 Power: 75 W

Dimensions and Weight

Dimensions:
 88.0 x 54.0 x 54.0 cm (H x W x D)
 Net Weight: 32.0 kg
 Gross Weight: 35.0 kg



Art.-Nr. EAN
 723 500 4 004 470 723 502

Container: 208 Pieces





Built-in Modular Dishwasher GSPE 870

Einbau-Geschirrspüler GSPE 871

53

Vollintegrierte Ausführung, 60 cm

14 Place Settings

Elektr. Zulaufschlauch-Sicherheitssystem

Separate Besteckschublade

45 dBA Operational Noise

Features

- LED-Display:
 - Programmwahl
 - Option „Alternatives Spülen“; aktivieren Sie je nach Korbbelegung nur den oberen Sprüharm, nur den unteren Sprüharm oder beide Sprüharme
 - Optionen „Extra Trocknen“ und „Express“
 - Startvorwahl / Programmablauf
 - Salz- und Klarspülermangel
 - Türverriegelung
- Startverzögerung 1-24 hr
- Reinigungstemperaturen 40-65°C
- 3 Sprühebene
- Durchlauferhitzer / verdeckte Heizung
- Wasserenthärtungseinrichtung
- Klarspüler-Dosiereinrichtung
- Überlaufschutz
- Sicherheits-Türverschluss
- Edelstahl-Innenbehälter/-Innentür
- Silbergraue Körbe
- Höhenverstellbarer Oberkorb
- Höhenverstellbare Standfüße
- 45 dBA Operational Noise

9 Programs

- Multi-TAB Spülprogramm
- Auto Wash
- Intensivspülprogramm
- Gläserspülprogramm
- Normalspülprogramm
- Einweichen
- ECO (Sparspülprogramm)
- Expressspülprogramm 60 Min.
- Schnellspülprogramm 40 Min.

Consumption Data

Water- / Energy usage:
10.0 Liter / 0.93 kWh
Estimated Annual consumption 1):
2800 Liter / 266 kWh
Leistungsaufnahme
im Aus-Zustand: 0.45 W
Leistungsaufnahme
im unausgeschalteten Zustand: 0.49 W

Voltage and Power rating

Mains Voltage: 230 V~
Power: 1930 W

Dimensions and Weight

Dimensions:
81.5 x 59.8 x 55.0 cm (H x W x D)
Net Weight: 44.0 kg
Gross Weight: 50.0 kg

Vollintegrierte Ausführung, 45 cm

10 Place Settings

Elektr. Zulaufschlauch-Sicherheitssystem

Separate Besteckschublade

45 dBA Operational Noise

Features

- LED-Display:
 - Programmwahl
 - Option „Alternatives Spülen“; aktivieren Sie je nach Korbbelegung nur den oberen Sprüharm, nur den unteren Sprüharm oder beide Sprüharme
 - Optionen „Extra Trocknen“ und „Express“
 - Startvorwahl / Programmablauf
 - Salz- und Klarspülermangel
- Startverzögerung 1-24 hr
- Reinigungstemperaturen 40-65°C
- 3 Sprühebene
- Durchlauferhitzer / verdeckte Heizung
- Wasserenthärtungseinrichtung
- Klarspüler-Dosiereinrichtung
- Überlaufschutz
- Sicherheits-Türverschluss
- Edelstahl-Innenbehälter/-Innentür
- Silbergraue Körbe
- Höhenverstellbarer Oberkorb
- Höhenverstellbare Standfüße
- 45 dBA Operational Noise

9 Programs

- Multi-TAB Spülprogramm
- Auto Wash
- Intensivspülprogramm
- Gläserspülprogramm
- Normalspülprogramm
- Einweichen
- ECO (Sparspülprogramm)
- Expressspülprogramm 60 Min.
- Schnellspülprogramm 40 Min.

Consumption Data

Water- / Energy usage:
8.5 Liter / 0.75 kWh
Estimated Annual consumption 1):
2380 Liter / 211 kWh
Leistungsaufnahme
im Aus-Zustand: 0.45 W
Leistungsaufnahme
im unausgeschalteten Zustand: 0.49 W

Voltage and Power rating

Mains Voltage: 230 V~
Power: 1930 W

Dimensions and Weight

Dimensions:
81.5 x 44.8 x 55.0 cm (H x W x D)
Net Weight: 37. kg
Gross Weight: 42.5 kg



Art.-Nr. EAN
787 000 4 004 470 787 009

Container: 162 Pieces

Art.-Nr. EAN
787 100 4 004 470 787 108

Container: 252 Pieces

¹⁾ In accordance with the specifications of EU Regulation (EU) No. 1059/2010



Built-in Modular Dishwasher GSPE 786

Einbau-Geschirrspüler GSPE 787

Vollintegrierte Ausführung, 60 cm
12 Place Settings
E\Wfcd` [UBdaYcd_ 5a` fda^
Elektr. Zulaufschlauch-Sicherheitssystem
48 dBA Operational Noise

Vollintegrierte Ausführung, 45 cm
9 Place Settings
E\Wfcd` [UBdaYcd_ 5a` fda^
Elektr. Zulaufschlauch-Sicherheitssystem
48 dBA Operational Noise

Features

- LED-Kontrollanzeigen für
 - Ein/Aus
 - Programmwahl, Option Multi-TAB
 - Startvorwahl / Programmablauf
 - Salz- und Klarspülermangel
 - Fehlercodes
 - Option Multi-TAB
- Startverzögerung 3/6/9/12 hr
- Funktionstaste Multi-TAB
- Reinigungstemperaturen 40-65°C
- 2 Sprühebene
- Durchlauferhitzer / verdeckte Heizung
- Wasserenthärtungseinrichtung
- Klarspüler-Dosiereinrichtung
- Überlaufschutz
- Sicherheits-Türverschluss
- Edelstahl-Innenbehälter/-Innentür
- Silbergraue Körbe
- Höhenverstellbarer Oberkorb
- Fold-down Glass and Plate Holders
- Besteckkorb
- Height-adjustable feet

6 Programs

- Intensivspülprogramm
- Normalspülprogramm
- ECO (Sparspülprogramm)
- Gläserspülprogramm
- Expressspülprogramm 60 Min.
- Schnellspülprogramm 30 Min.

Consumption Data

Water- / Energy usage:
 12 Liter / 1.02 kWh
 Estimated Annual consumption¹⁾:
 3360 Liter / 290 kWh
 Leistungsaufnahme
 im Aus-Zustand: 0 W
 Leistungsaufnahme
 im unausgeschalteten Zustand: 0.4 W

Voltage and Power rating

Mains Voltage: 230 V~
 Power: 1930 W

Dimensions and Weight

Dimensions:
 82.0 x 59.5 x 54.0 cm (H x W x D)
 Net Weight: 40.0 kg
 Gross Weight: 45.0 kg

Features

- LED-Kontrollanzeigen für
 - Ein/Aus
 - Programmwahl, Option Multi-TAB
 - Startvorwahl / Programmablauf
 - Salz- und Klarspülermangel
 - Fehlercodes
 - Option Multi-TAB
- Startverzögerung 3/6/9/12 hr
- Funktionstaste Multi-TAB
- Reinigungstemperaturen 40-65°C
- 2 Sprühebene
- Durchlauferhitzer / verdeckte Heizung
- Wasserenthärtungseinrichtung
- Klarspüler-Dosiereinrichtung
- Überlaufschutz
- Sicherheits-Türverschluss
- Edelstahl-Innenbehälter/-Innentür
- Silbergraue Körbe
- Höhenverstellbarer Oberkorb
- Fold-down Glass and Plate Holders
- Besteckkorb
- Height-adjustable feet

6 Programs

- Intensivspülprogramm
- Normalspülprogramm
- ECO (Sparspülprogramm)
- Gläserspülprogramm
- Expressspülprogramm 60 Min.
- Schnellspülprogramm 30 Min.

Consumption Data

Water- / Energy usage:
 10.5 Liter / 0.77 kWh
 Estimated Annual consumption¹⁾:
 2940 Liter / 222 kWh
 Leistungsaufnahme
 im Aus-Zustand: 0 W
 Leistungsaufnahme
 im unausgeschalteten Zustand: 0.4 W

Voltage and Power rating

Mains Voltage: 230 V~
 Power: 1930 W

Dimensions and Weight

Dimensions:
 82.0 x 44.5 x 54.0 cm (H x W x D)
 Net Weight: 34.0 kg
 Gross Weight: 39.0 kg



Art.-Nr. EAN
778 600 4 004 470 778 601

Art.-Nr. EAN
778 700 4 004 470 778 700

Container: 170 Pieces

Container: 256 Pieces

¹⁾ In accordance with the specifications of EU Regulation (EU) No. 1059/2010



Built-in Modular Dishwasher GSPE 877

Built-in Modular Dish GSPE 878

55

Teilintegrierte Ausführung, 60 cm

12 Place Settings

Edelstahl-Bedienblende mit LED-Kontrollleuchten

E⁺Wfcb`UBcbYcS_5a`fcb^

Elektr. Zulaufschlauch-Sicherheitssystem

49 dBA Operational Noise

Features

- LED-Kontrollanzeigen für:
 - Ein/Aus, Programm,
 - Startverzögerung, 1/2 Beladung, Salzmenge
- Funktionstasten für:
 - Ein/Aus, Start/Pause, Programm, Startverzögerung, 1/2 Beladung
- Startverzögerung 3/6/9 hr
- Reinigungstemperaturen 40-65°C
- 2 Sprühebene
- Durchlauferhitzer / verdeckte Heizung
- Wasserenthärtungseinrichtung
- Klarspüler-Dosiereinrichtung
- Überlaufschutz
- Sicherheits-Türverschluss
- Edelstahl-Innenbehälter/-Innentür
- Silbergraue Körbe
- Höhenverstellbarer Oberkorb
- Fold-down Glass and Plate Holders
- Besteckkorb
- Adjustable feet

6 Programs + 1/2 Load

- Intensivspülprogramm
- Expressspülprogramm 60 Min.
- ECO (Sparspülprogramm)
- Gläserspülprogramm
- Normalspülprogramm
- 1/2 Beladung
- Schnellspülprogramm 40 Min.

Consumption Data

Water- / Energy usage:
11.0 Liter / 0.91 kWh
Estimated Annual consumption¹⁾:
3080 Liter / 258 kWh
Leistungsaufnahme
im Aus-Zustand: 0.45 W
Leistungsaufnahme
im unausgeschalteten Zustand: 0.49 W

Voltage and Power rating

Mains Voltage: 230 V~
Power: 1930 W

Dimensions and Weight

Dimensions:
81.5 x 59.8 x 57.0 cm (H x W x D)
Net Weight: 39.5 kg
Gross Weight: 45.5 kg

Teilintegrierte Ausführung, 45 cm

9 Place Settings

Edelstahl-Bedienblende mit LED-Kontrollleuchten

E⁺Wfcb`UBcbYcS_5a`fcb^

Elektr. Zulaufschlauch-Sicherheitssystem

49 dBA Operational Noise

Features

- LED-Kontrollanzeigen für:
 - Ein/Aus, Programm,
 - Startverzögerung, 1/2 Beladung, Salzmenge
- Funktionstasten für:
 - Ein/Aus, Start/Pause, Programm, Startverzögerung, 1/2 Beladung
- Startverzögerung 3/6/9 hr
- Reinigungstemperaturen 40-65°C
- 2 Sprühebene
- Durchlauferhitzer / verdeckte Heizung
- Wasserenthärtungseinrichtung
- Klarspüler-Dosiereinrichtung
- Überlaufschutz
- Sicherheits-Türverschluss
- Edelstahl-Innenbehälter/-Innentür
- Silbergraue Körbe
- Höhenverstellbarer Oberkorb
- Fold-down Glass and Plate Holders
- Besteckkorb
- Adjustable feet

6 Programs + 1/2 Load

- Intensivspülprogramm
- Expressspülprogramm 60 Min.
- ECO (Sparspülprogramm)
- Gläserspülprogramm
- Normalspülprogramm
- 1/2 Beladung
- Schnellspülprogramm 40 Min.

Consumption Data

Water- / Energy usage:
9.0 Liter / 0.69 kWh
Estimated Annual consumption¹⁾:
2380 Liter / 197 kWh
Leistungsaufnahme
im Aus-Zustand: 0.45 W
Leistungsaufnahme
im unausgeschalteten Zustand: 0.49 W

Voltage and Power rating

Mains Voltage: 230 V~
Power: 1930 W

Dimensions and Weight

Dimensions:
81.5 x 44.8 x 57.0 cm (H x W x D)
Net Weight: 33.5 kg
Gross Weight: 38.5 kg



Art.-Nr. EAN
787 700 4 004 470 787 702

Container: 162 Pieces

Art.-Nr. EAN
787 800 4 004 470 787 801

Container: 256 Pieces

¹⁾ In accordance with the specifications of EU Regulation (EU) No. 1059/2010



Built-in Modular Dishwasher GSPE 773.1

Einbau-Geschirrspüler GSPE 774.1

Teilintegrierte Ausführung, 60 cm
12 Place Settings
Edelstahlbedienblende mit LED-Kontrollleuchten
Elektronikblock 5a fcb^

Teilintegrierte Ausführung, 45 cm
9 Place Settings
Edelstahlbedienblende mit LED-Kontrollleuchten
Elektronikblock 5a fcb^

Features

- LED-Kontrollanzeigen für
 - Ein/Aus
 - Programmwahl
 - Startvorwahl / Programmablauf
 - Salz- und Klarspülermangel
- Startverzögerung 3/6/9/12 hr
- Reinigungstemperaturen 40-65°C
- 2 Sprühebene
- Durchlauferhitzer / verdeckte Heizung
- Wasserenthärtungseinrichtung
- Klarspüler-Dosiereinrichtung
- Überlaufschutz
- Sicherheits-Türverschluss
- Edelstahl-Innenbehälter/-Innentür
- Silbergraue Körbe
- Höhenverstellbarer Oberkorb
- Fold-down Glass and Plate Holders
- Besteckkorb
- Height-adjustable feet
- 54 dBA Operational Noise

6 Programs

- Multi-TAB-Spülprogramm
- Intensivspülprogramm
- Normalspülprogramm
- ECO (Sparspülprogramm)
- Expressspülprogramm 60 Min.
- Schnellspülprogramm 30 Min.

Consumption Data

Water- / Energy Usage:
 12 Liter / 1.02 kWh
 Estimated Annual consumption¹⁾:
 3360 Liter / 290 kWh

Voltage and Power rating

Mains Voltage: 230 V~
 Power: 1930 W

Dimensions and Weight

Dimensions:
 82.0 x 59.5 x 54.0 cm (H x W x D)
 Net Weight: 37.0 kg
 Gross Weight: 42.0 kg

Features

- LED-Kontrollanzeigen für
 - Ein/Aus
 - Programmwahl
 - Startvorwahl / Programmablauf
 - Salz- und Klarspülermangel
- Startverzögerung 3/6/9/12 h
- Reinigungstemperaturen 40-65°C
- 2 Sprühebene
- Durchlauferhitzer / verdeckte Heizung
- Wasserenthärtungseinrichtung
- Klarspüler-Dosiereinrichtung
- Überlaufschutz
- Sicherheits-Türverschluss
- Edelstahl-Innenbehälter/-Innentür
- Silbergraue Körbe
- Höhenverstellbarer Oberkorb
- Fold-down Glass and Plate Holders
- Besteckkorb
- Height-adjustable feet
- 54 dBA Operational Noise

6 Programs

- Multi-TAB-Spülprogramm
- Intensivspülprogramm
- Normalspülprogramm
- ECO (Sparspülprogramm)
- Expressspülprogramm 60 Min.
- Schnellspülprogramm 30 Min.

Consumption Data

Water- / Energy usage:
 10.5 Liter / 0.77 kWh
 Estimated Annual consumption¹⁾:
 2940 Liter / 222 kWh

Voltage and Power rating

Mains Voltage: 230 V~
 Power: 1930 W

Dimensions and Weight

Dimensions:
 82.0 x 44.5 x 54.0 cm (H x W x D)
 Net Weight: 32.0 kg
 Gross Weight: 37.0 kg



Art.-Nr. EAN
 777 300 4 004 470 777 307

Art.-Nr. EAN
 777 400 4 004 470 777 406

Container: 170 Pieces

Container: 256 Pieces

¹⁾ In accordance with the specifications of EU Regulation (EU) No. 1059/2010



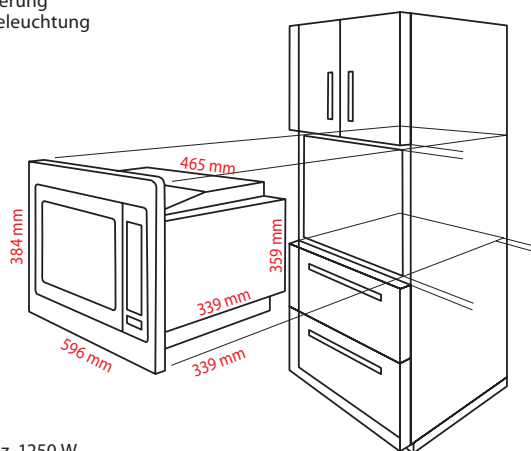
**Einbau-Mikrowelle mit Grill
MWG 2215 EB**



**Einbau-Mikrowelle mit Grill und Heißluft
MWG 2216 H EB**

57

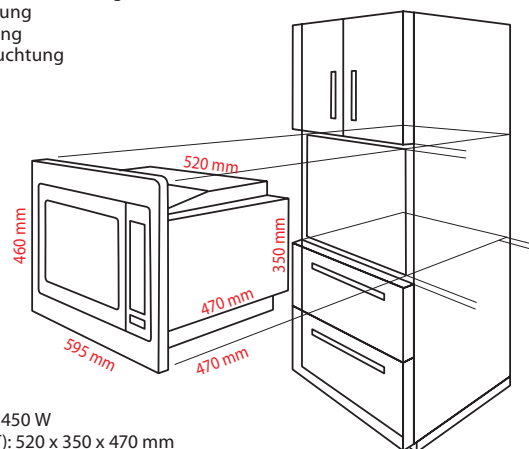
- Einbau-Mikrowelle mit Rahmen
- Edelstahlfront/-innenraum
- 800 Watt Mikrowellenleistung
- 1000 Watt Grilleistung
- 5 Mikrowellen-Leistungsstufen
- 2 Kombi-Leistungsstufen (Grill/Mikrowelle)
- 1 Grillstufe
- 8 Automatikprogramme
- Auftauprogramme (nach Zeit und Gewicht wählbar)
- 20 Liter Garraum
- Drehteller: Ø ca. 24,5 cm, Grillrost: Ø ca. 21 cm
- 95 Minuten-Timer mit Endsignal
- Startverzögerung
- Kindersicherung
- Garraumbeleuchtung



- 230 V, 50 Hz, 1250 W
- Gerät (B x H x T): 465 x 359 x 339 mm
- Gerät mit Rahmen (B x H x T): 596 x 384 x 339 mm
- Gewicht: ca. 14 kg



- Einbau-Mikrowelle mit Rahmen
- Edelstahlfront/-innenraum
- 900 Watt Mikrowellenleistung
- 1100 Watt Grilleistung
- 2500 Watt Heißluft
- 5 Mikrowellen-Leistungsstufen
- 2 Kombi-Leistungsstufen (Grill/Mikrowelle)
- 2 Kombi-Leistungsstufen (Heißluft/Mikrowelle)
- 1 Grillstufe
- 10 Temperatureinstellungen Heißluft (130 °C–220 °C)
- 10 Automatikprogramme
- Auftauprogramm, Schnellstartprogramm
- 25 Liter Garraum
- Drehteller: Ø ca. 31,5 cm, Grillrost: Ø ca. 27,5 cm
- 95 Minuten-Timer mit Endsignal
- Startverzögerung
- Kindersicherung
- Garraumbeleuchtung



- 230 V, 50 Hz, 1450 W
- Gerät (B x H x T): 520 x 350 x 470 mm
- Gerät mit Rahmen (B x H x T): 595 x 460 x 470 mm
- Gewicht: ca. 21 kg



Art.-Nr. EAN
622 151 4 004 470 221 510

Container: 490 Stück

Art.-Nr. EAN
622 161 4 004 470 221 619

Container: 420 Stück



Wine Cooler KSW 344

Bottle Capacity 16 x 0.75 Liter

Net Volume 46 Liter

5a` fca`bS` Wfi [fZ >76Zb[eb`Skf [^g_ [SfW [T`gW
E`Vfca` [UfW_ bVbSfgd/Ala` fca`S` V`eWf [Y
7` h[ca` _ WfZd[VV`k i [fZagf Uaa`S` f

General

- Wine cooling cabinet
- Thermo-electric cooling
- Climate Class N (+16 °C bis +32 °C)
- Quiet 43 dBA, no vibrations
- No Compressor

Features

- Digitale temperature setting and display, illuminated in blue
- Adjustable Temperature Range: +11 °C bis +18 °C, max. 14 °C under Ambient room temperature
- Interior lighting: LED with separate switch
- 3 removable chrome shelves (ca. W 35.0 x D 26.5 cm)
- Double insulated door with integrated door handle
- Housing color: black, Door frame: silver
- Adjustable feet

Consumption Data

Energy usage / 24 hr: 0,36 kWh
Energy usage / year¹⁾: 131 kWh

Voltage and Power rating

Mains Voltage: 230 V~
Power: 70 W

Dimensions and Weight

Dimensions: 52.0 x 42.0 x 48.0 cm (H x W x D)
Net Weight: 13.8 kg
Gross Weight: 16.5 kg



Art.-Nr. EAN
734 400 4 004 470 734 409

Container: 450 Pieces

¹⁾ In accordance with the specifications of EU Regulation (EU) No. 1060/2010

Wine Cooler KSW 345

Bottle Capacity 18 x 0.75 Liter

Net Volume 54 Liter

5a` fca`bS` Wfi [fZ >76Zb[eb`Skf [^g_ [SfW [T`gW
E`Vfca` [UfW_ bVbSfgd/Ala` fca`S` V`eWf [Y
7` h[ca` _ WfZd[VV`k i [fZagf Uaa`S` f

General

- Wine cooling cabinet
- Thermo-electric cooling
- Climate Class N (+16 °C bis +32 °C)
- Quiet 43 dBA, no vibrations
- No Compressor

Features

- Digital temperature setting and display, illuminated in blue
- Adjustable Temperature Range: +11 °C bis +18 °C, max. 14 °C under Ambient room temperature
- Interior lighting: LED with separate switch
- 5 removable chrome shelves (ca. W 27.5 x D 26.5 cm)
- Double insulated door with integrated door handle
- Housing color: black, Door frame: silver
- Adjustable feet

Consumption Data

Energy usage / 24 hr: 0,517 kWh
Energy usage / year¹⁾: 189 kWh

Voltage and Power rating

Mains Voltage: 230 V~
Power: 70 W

Dimensions and Weight

Dimensions: 63.6 x 34.5 x 51.5 cm (H x W x D)
Net Weight: 15.1 kg
Gross Weight: 18.7 kg



Art.-Nr. EAN
734 500 4 004 470 734 508

Container: 433 Pieces



Glass Refrigerator KSG 234

Gross- / Net Volume: 290 / 275 Liter
Adjustable Thermostat
Coolant/Refrigerant: R600a
For commercial usage
Uniform refrigeration through recirculating air

General

- Climate Class 3 (+16 bis +32°C)
- Vapor Compression Technology
- Reversible Doors
- Double glass door with white plastic frame
- 2 Adjustable feet
- 2 Castors
- Integrated handle
- 43 dBA Operational Noise

Features

- Stepless temperature adjustment
- Temperature Range: 0 °C ~ +10 °C
- Automatic Defrost
- LED-Interior lighting
- 5 height-adjustable grid shelves (ca. 52.0 x 36.5 cm)

Capacity

- Up to 126 x 0.5 Liter-Bottles
- Up to 287 x 0.33 Liter-Cans

Consumption Data

Energy usage / 24 hr: 2.05 kWh
 Energy usage / year: 748 kWh

Voltage and Power rating

Mains Voltage: 220-240 V~
 Power: 200 W

Dimensions and Weight

Dimensions: 145.0 x 60.0 x 60.0 cm (H x W x D)
 Net Weight: 55.0 kg
 Gross Weight: 59.0 kg



Art.-Nr. EAN
 723 400 4 004 470 723 403

Container: 112 Pieces

Commission Delegated Regulation (EU) No. 1061/2010

Bomann					
Model		WA 5714	WA 5814	WA 5724	WA 5710
Capacity		6 kg	8 kg	7 kg	6 kg
Energy Efficiency Class ¹⁾		A++	A+++	A+++	A+
Consumption Data					
Yearly Energy Usage ²⁾	kWhr/year	174	188	151	179
Energy consumption standard program					
- Cotton 60°C with full load	kWhr	0.91	0.92	0.763	0.93
- Cotton 60°C with partial load	kWhr	0.85	0.97	0.782	0.81
- Cotton 40°C with partial load	kWhr	0.52	0.53	0.412	0.61
Energy consumption in off-state	W	0.09	0.08	0.08	0.42
Energy consumption in on-state	W	0.65	0.65	0.8	0.42
Yearly Water Consumption ³⁾	l/year	9240	11066	9966	9460
Spin Efficiency Class ⁴⁾		B	B	B	C
Maximum Spin Speed	RPM	1400	1400	1400	1000
Residual Moisture					
- Cotton 60°C with full load	%	51.0	54.0	50.4	61.0
- Cotton 60°C with partial load	%	50.0	53.0	52.5	63.5
- Cotton 40°C with partial load	%	51.0	53.0	50.7	63.0
Standard Programs ⁵⁾					
		Cotton 60°C/40°C	Cotton 60°C/40°C	Cotton 60°C/40°C	Cotton 60°C/40°C
Program Length					
- Cotton 60°C with full load	Min	156	162	159	195
- Cotton 60°C with partial load	Min	155	175	160	195
- Cotton 40°C with partial load	Min	133	140	140	182
On-mode length	Min	-	-	-	-
Airborne acoustical noise, Wash	dB(A) re 1pW	59	58	61	60
Airborne acoustical noise, Spin	dB(A) re 1pW	72	74	76	73
Style		Self-Standing	Self-Standing	Self-Standing	Self-Standing
Dimensions / Weight					
Höhe	cm	85.0	85.0	85.0	84.5
Width	cm	59.5	59.5	59.5	59.5
Depth	cm	54.0	57.0	54.0	53.0
Net Weight	kg	63.0	70.0	67.0	64.0
Voltage and Power rating					
Power rating	W	2200	2200	2200	2100
Voltage / Frequency	V ~ / H	220-230 / 50	220-230 / 50	220-230 / 50	220-240 / 50
Safety Fuse	A	10	10	10	13
Water Pressure	Mpa (bar)	0.05 – 1.0 (0.5 – 10.0)	0.05 – 1.0 (0.5 – 10.0)	0.05 – 1.0 (0.5 – 10.0)	0.02 – 0.8 (0.2 – 8.0)

1) A +++ (most efficient) to D (least efficient).

2) Based on 220 standard washing cycles for 60° C and 40° C cotton program at full and partial filling. Actual energy consumption will depend on the actual usage of the device and the consumption of low-power modes.

3) Based on 220 standard washing cycles for 60° C and 40° C cotton program at full and partial filling. Actual water consumption will depend on the actual usage of the device.

4) G (least efficient) to A (most efficient).

5) Cotton 60° C / 40° C. Upon full and partial loads these are the standard washing programs for evaluating the information on the energy label. These programs are suitable to clean normally soiled laundry with the most efficient use of combined energy and water consumption.

The devices comply with the harmonized European standards and guidelines at the current version at delivery:

- Low Voltage Directive 2006/95 / EC
- Electromagnetic Compatibility 2004/108 / EC
- Eco-design for household washing machines 1015/2010 / EU

Commission Delegated Regulation (EU) No. 392/2012

Bomann				
Model		WTK 5020	WPT 5018	WT 5019
Capacity		8 kg	7 kg	6 kg
Type		Condensing	Condensing	Vented
Energy Efficiency Class¹⁾				
		B	A+	C
Consumption Data				
Avg. Yearly Energy Usage ²⁾	kWhr/year	561	278	452
Automatic Dryer		yes	yes	yes
Power consumption of the standard cotton program				
- with full load	kWhr	4.74	2.34	3.81
- with partial load	kWhr	2.56	1.28	2.05
Power consumption in off-state				
	W	0.28	0.01	0.46
Power consumption while switched on				
	W	1.72	0.4	0.46
Length of time in on-mode				
	Min	10	10	10
Standardprogramm³⁾				
		Cotton Standard	Cotton Standard	Cotton Standard
Standard program length				
- Cotton with full load	Min	140	160	120
- Cotton with partial load	Min	90	92	68
Condensation Efficiency Class⁴⁾				
		B	B	-%
% Condensation efficiency of the Standard Cotton Program				
- with full load	%	80.1	80.1	-
- with partial load	%	80.1	80.1	-
Airborne acoustical noise				
	dB(A) re1pW	69	69	69
Style				
		Self-Standing	Self-Standing	Self-Standing
Dimensions / Weight				
Höhe	cm	84.5	84.5	84.0
Width	cm	59.5	59.5	59.5
Depth	cm	61.5	62.2	55.0
Net Weight	kg	43.0	53.0	33.0
Voltage and Power rating				
Power Rating	W	2700	1050	2000
Voltage / Frequency	V~ / Hz	220-240 / 50	220-240 / 50	220-240 / 50
Safety Fuse	A	12	4.5	9

1) A +++ (most efficient) to D (least efficient).

2) Weighted annual energy consumption based on 160 drying cycles of the standard cotton program at full load and partial load and the energy consumption of the low-power modes. Actual energy consumption per cycle depends on the actual usage of the device.

3) The cotton program "Cotton Standard" at full and partial loads is the standard drying program to which the information on the label and the Data sheet relates. This program is suitable for drying normal wet cotton textiles and in terms of energy consumption for cotton most efficient.

4) A (highest efficiency) to G (least efficient).

The devices comply with the harmonized European standards and guidelines at the current version at delivery:

- Low Voltage Directive 2006/95 / EC
- Electromagnetic Compatibility 2004/108 / EC
- Ecodesign requirements for household washing machines 932/2012 / EU

Commission Delegated Regulation (EU) No. 1059/2010

Bomann						
Model		GSP 847 IX	GSP 848 IX	GSP 843	GSP 844	GSP 775.1
Table Settings		12	9	12	9	12
Energy Efficiency Class¹⁾		A++	A++	A++	A++	A+
Consumption Data						
Yearly Energy Usage ²⁾	kWh/year	258	197	258	197	290
Energy consumption during standard cleaning cycle	kWhr	0.91	0.69	0.91	0.69	1.02
Power consumption in off-state	W	0.45	0.45	0.45	0.45	0.0
Power consumption in off-state	W	0.49	0.49	0.49	0.49	0.4
Annual water consumption ³⁾	l/year	3080	2520	3080	2520	3360
Drying Efficiency Class⁴⁾		A	A	A	A	A
Standard program to which the information relates to the label and the data sheet ⁵⁾		ECO 50°C	ECO 50°C	ECO 50°C	ECO 50°C	ECO 50°C
Standard cleaning cycle length	Min	175	175	175	175	165
On-state length	Min	–	–	–	–	–
Airborne acoustical noise	dB(A) re 1pW	49	49	49	49	54
Style		Self-Standing/Built-in	Self-Standing/Built-in	Self-Standing/Built-in	Self-Standing/Built-in	Self-Standing/Built-in
Dimensions / Weight						
Height	cm	84.5 / 81.5	84.5 / 81.5	84.5 / 81.5	84.5 / 81.5	85.0 / 82.0
Width	cm	59.8	44.8	59.8	44.8	59.5
Depth	cm	60.0	60.0	60.0	60.0	58.0
Net Weight	kg	43.0	36.0	43.0	36.0	40.0
Power Supply / Water Supply						
Power rating	W	1930	1930	1930	1930	1930
Voltage / Frequency	V ~ / Hz	230 / 50	230 / 50	230 / 50	230 / 50	230 / 50
Safety Fuse	A	10	10	10	10	10
Water Pressure	Mpa (bar)	0.04 – 1.0 (0.4 – 10.0)	0.04 – 1.0 (0.4 – 10.0)	0.04 – 1.0 (0.4 – 10.0)	0.04 – 1.0 (0.4 – 10.0)	0.04 – 1.0 (0.4 – 10.0)

1) A +++ (most efficient) to D (lowest efficiency).

2) Based on 280 standard cleaning cycles using cold water and the use of low power consumption modes. Actual energy consumption will depend on the nature of how the appliance is used.

3) Based on 280 standard cleaning cycles. Actual water consumption will depend on how often the device is actually used.

4) A (most efficient) to G (least efficient).

5) This program is suitable for cleaning typically dirty dishes and tableware most efficiently in terms of combined energy and water consumption.

The devices comply with the the latest version of the harmonized European standards and guidelines at delivery:

- Low Voltage Directive 2006/95 / EC
- Electromagnetic Compatibility 2004/108 / EC
- Ecodesign Regulation (EU) No 1016/2010.

Note: The above values have been measured in accordance with standards under specified operating conditions. Results may vary according to quantity and dirtiness of the dishes, water hardness, the amount of detergent, etc.

Commission Delegated Regulation (EU) No. 1059/2010

Bomann						
Model		GSP 776.1	TSG 707	GSPE 877	GSPE 878	GSPE 870Tab
Table Settings		9	6	12	9	14
Energy Efficiency Class¹⁾						
		A+	A+	A++	A++	A++
Consumption Data						
Yearly Energy Usage ²⁾	kWh/year	222	174	258	197	266
Energy consumption during standard cleaning cycle	kWhr	0.77	0.61	0.91	0.69	0.93
Power consumption in off-state	W	0.0	0.49	0.45	0.45	0.45
Power consumption in off-state	W	0.4	0.49	0.49	0.49	0.49
Annual water consumption ³⁾	l/year	2.940	1.960	3.080	2.520	2.800
Drying Efficiency Class⁴⁾						
		A	A	A	A	A
Standard program to which the information relates to the label and the data sheet ⁵⁾						
		ECO 50°C	ECO 50°C	ECO 50°C	ECO 50°C	ECO 50°C
Standard cleaning cycle length	Min	160	170	175	180	175
On-state length	Min	–	–	–	–	–
Airborne acoustical noise	dB(A) re 1pW	54	55	49	49	45
Style		Self-Standing/Built-in	Self-Standing	Built-in	Built-in	Built-in
Dimensions / Weight						
Height	cm	85.0 / 82.0	43.8	81.5	81.5	81.5
Width	cm	44.5	55.0	59.8	44.8	59.8
Depth	cm	58.0	51.15	57.0	57.0	55.0
Net Weight	kg	34.0	23.0	39.5	33.5	44.0
Power Supply / Water Supply						
Power rating	W	1930	1280	1930	1930	1930
Voltage / Frequency	V ~ / Hz	230 / 50	230 / 50	230 / 50	230 / 50	230 / 50
Safety Fuse	A	10	10	10	10	10
Water Pressure	Mpa (bar)	0.04 – 1.0 (0.4 – 10.0)	0.04 – 1.0 (0.4 – 10.0)	0.04 – 1.0 (0.4 – 10.0)	0.04 – 1.0 (0.4 – 10.0)	0.04 – 1.0 (0.4 – 10.0)

1) A +++ (most efficient) to D (lowest efficiency).

2) Based on 280 standard cleaning cycles using cold water and the use of low power consumption modes. Actual energy consumption will depend on the nature of how the appliance is used.

3) Based on 280 standard cleaning cycles. Actual water consumption will depend on how often the device is actually used.

4) A (most efficient) to G (least efficient).

5) This program is suitable for cleaning typically dirty dishes and tableware most efficiently in terms of combined energy and water consumption.

The devices comply with the the latest version of the harmonized European standards and guidelines at delivery:

- Low Voltage Directive 2006/95 / EC
- Electromagnetic Compatibility 2004/108 / EC
- Ecodesign Regulation (EU) No 1016/2010.

Note: The above values have been measured in accordance with standards under specified operating conditions. Results may vary according to quantity and dirtiness of the dishes, water hardness, the amount of detergent, etc.

Commission Delegated Regulation (EU) No. 1059/2010

Bomann						
Model		GSPE 871	GSPE 773.1	GSPE 774.1	GSPE 786	GSPE 787
Table Settings		10	12	9	12	9
Energy Efficiency Class¹⁾		A++	A+	A+	A+	A+
Consumption Data						
Yearly Energy Usage ²⁾	kWh/year	211	290	222	290	222
Energy consumption during standard cleaning cycle	kWhr	0.75	1.02	0.77	1.02	0.77
Power consumption in off-state	W	0.45	0.0	0.0	0.0	0.0
Power consumption in on-state	W	0.49	0.4	0.4	0.4	0.4
Annual water consumption ³⁾	l/year	2.380	3.360	2.940	3.360	2.940
Drying Efficiency Class⁴⁾		A	A	A	A	A
Standard program to which the information relates to the label and the data sheet ⁵⁾		ECO 50°C	ECO 50°C	ECO 50°C	ECO 50°C	ECO 50°C
Standard cleaning cycle length	Min	170	165	160	165	160
On-state length	Min	–	–	–	–	–
Airborne acoustical noise	dB(A) re 1pW	45	54	54	48	48
Style		Built-in	Built-in	Built-in	Built-in	Built-in
Dimensions / Weight						
Height	cm	81.5	82.0	82.0	82.0	82.0
Width	cm	44.8	59.5	44.5	59.5	44.5
Depth	cm	55.0	54.0	54.0	54.0	54.0
Net Weight	kg	37.5	37.0	32.0	40.0	34.0
Power Supply / Water Supply						
Power rating	W	1930	1930	1930	1930	1930
Voltage / Frequency	V ~ / Hz	230 / 50	230 / 50	230 / 50	230 / 50	230 / 50
Safety Fuse	A	10	10	10	10	10
Water Pressure	Mpa (bar)	0.04 – 1.0 (0.4 – 10.0)	0.04 – 1.0 (0.4 – 10.0)	0.04 – 1.0 (0.4 – 10.0)	0.04 – 1.0 (0.4 – 10.0)	0.04 – 1.0 (0.4 – 10.0)

1) A +++ (most efficient) to D (lowest efficiency).

2) Based on 280 standard cleaning cycles using cold water and the use of low power consumption modes. Actual energy consumption will depend on the nature of how the appliance is used.

3) Based on 280 standard cleaning cycles. Actual water consumption will depend on how often the device is actually used.

4) A (most efficient) to G (least efficient).

5) This program is suitable for cleaning typically dirty dishes and tableware most efficiently in terms of combined energy and water consumption.

The devices comply with the the latest version of the harmonized European standards and guidelines at delivery:

- Low Voltage Directive 2006/95 / EC
- Electromagnetic Compatibility 2004/108 / EC
- Ecodesign Regulation (EU) No 1016/2010.

Note: The above values have been measured in accordance with standards under specified operating conditions. Results may vary according to quantity and dirtiness of the dishes, water hardness, the amount of detergent, etc.

Commission Delegated Regulation (EU) No. 1060/2010

Bomann								
Model		KG 183	KG 181	KG 180	KG 320	KG 319	DT 247	DT 347
Category ¹⁾		7	7	7	7	7	7	7
Energy Efficiency Class²⁾		A+++	A++	A++	A++	A+	A+	A++
Consumption Data								
Yearly Energy Usage ³⁾	kWh/year	131	192	181	160	204	233	175
Net Capacity Refrigerator total	l	176	179	139	112	112	170	170
Net Capacity Freezer total	l	65	70	70	48	48	45	45
Star Rating ⁴⁾		4	4	4	4	4	4	4
Frost-free		-	-	-	-	-	-	-
Storage time without power	hr	15	15	15	12	12	12	12
Freezing Capacity	kg/24 hr	3.0	3.5	3.5	2.5	2.5	2.5	2.5
Climate Class⁵⁾								
Climate Class ⁵⁾		N/T	N/ST	N/ST	N/ST	N/ST	N/ST	N/ST
Airborne acoustical noise	dB(A) re 1pW	41	43	43	43	43	43	43
Style		Self-Standing	Self-Standing	Self-Standing	Self-Standing	Self-Standing	Self-Standing	Self-Standing
Dimensions / Weight								
Height	cm	180.0	180.0	159.3	143.8	143.8	144.0	144.0
Width	cm	55.4	55.4	55.4	49.5	49.5	55.4	55.4
Depth	cm	56.3	56.6	56.6	56.6	56.6	55.1	55.1
Net Weight	kg	59.0	55.0	52.0	45.0	45.0	46.0	44.0
Power Supply								
Compressor-Power	W	60	70	70	70	90	90	70
Voltage / Frequency	V~ / Hz	220-240 / 50	220-240 / 50	220-240 / 50	220-240 / 50	220-240 / 50	220-240 / 50	220-240 / 50

1) Household refrigerated appliances categories:
 1 = Refrigerator with one or more storage compartments for fresh food; 2 = Refrigerator with Climate Zone, Climate Compartment Refrigerators and Wine coolers;
 3 = Refrigerators with Chill Zone and Refrigerators with Zero-star Compartments; 4 = Refrigerators with a one-star compartment; 5 = Refrigerators with a two-star compartment;
 6 = Refrigerators with a three-star compartment; 7 = Fridge/Freezers; 8 = Freezers; 9 = Freezer Chests; 10 = Multi-Purpose Refrigerators and other cooling devices.

2) A+++ (highest efficiency) bis G (lowest efficiency).

3) Energy consumption „XYZ“ kWh/year based on standard test results for 24 hours. Actual consumption depends on the use and location of the device.

4) * ___ = Compartment -6°C or colder.
 *** = Frozen storage compartment -18°C or colder.
 (*)*** = Freezers and freezer compartments -18°C or colder and with a minimum freezing capacity.

5) Climate Class SN: This device is designed for operation at an ambient temperature between +10°C und +32°C.
 Climate Class N: This device is designed for operation at an ambient temperature between +16°C und +32°C.
 Climate Class ST: This device is designed for operation at an ambient temperature between +16°C und +38°C.
 Climate Class T: This device is designed for operation at an ambient temperature between +16°C und +43°C.

Commission Delegated Regulation (EU) No. 1060/2010

Bomann								
Model		VS 173.1	VS 171.1	VS 175	VS 198	VS 108.1	VS 194	VS 164.1
Category ¹⁾		1	1	1	1	1	1	1
Energy Efficiency Class ²⁾		A+	A+	A+	A++	A+	A++	A+
Consumption Data								
Yearly Energy Usage ³⁾	kWh/year	141	132	144	92	115	89	113
Net Capacity Refrigerator total	l	300	250	35	130	130	102	102
Net Capacity Freezer total	l	-	-	-	-	-	-	-
Star Rating ⁴⁾		-	-	-	-	-	-	-
Frost-free		-	-	-	-	-	-	-
Storage time without power	hr	-	-	-	-	-	-	-
Freezing Capacity	kg/24 hr	-	-	-	-	-	-	-
Climate Class ⁵⁾		N/ST	N/ST	N/ST/T	N/T	N	N/T	N/ST
Airborne acoustical noise	dB(A) re 1pW	43	43	43	43	43	40	43
Style		Self-Standing	Self-Standing	Self-Standing	Self-Standing	Self-Standing	Self-Standing	Self-Standing
Dimensions / Weight								
Height	cm	168.7	144.0	176.3	84.5	84.5	84.7	84.7
Width	cm	55.4	55.4	59.6	54.5	54.5	49.4	49.4
Depth	cm	55.1	55.1	62.3	57.0	57.0	49.4	49.4
Net Weight	kg	51.5	45.0	61.0	31.0	31.0	24.0	24.0
Power Supply								
Compressor-Power	W	80	80	90	70	80	70	80
Voltage / Frequency	V ~ / Hz	220-240 / 50	220-240 / 50	220-240 / 50	220-240 / 50	220-240 / 50	220-240 / 50	220-240 / 50

1) Household refrigerated appliances categories:

1 = Refrigerator with one or more storage compartments for fresh food; 2 = Refrigerator with Climate Zone, Climate Compartment Refrigerators and Wine coolers; 3 = Refrigerators with Chill Zone and Refrigerators with Zero-star Compartments; 4 = Refrigerators with a one-star compartment; 5 = Refrigerators with a two-star compartment; 6 = Refrigerators with a three-star compartment; 7 = Fridge/Freezers; 8 = Freezers; 9 = Freezer Chests; 10 = Multi-Purpose Refrigerators and other cooling devices.

2) A+++ (highest efficiency) bis G (lowest efficiency).

3) Energy consumption „XYZ“ kWh/year based on standard test results for 24 hours. Actual consumption depends on the use and location of the device.

4) * = Compartment -6°C or colder.

*** = Frozen storage compartment -18°C or colder.

(*)*** = Freezers and freezer compartments -18°C or colder and with a minimum freezing capacity.

5) Climate Class SN: This device is designed for operation at an ambient temperature between +10°C und +32°C.
 Climate Class N: This device is designed for operation at an ambient temperature between +16°C und +32°C.
 Climate Class ST: This device is designed for operation at an ambient temperature between +16°C und +38°C.
 Climate Class T: This device is designed for operation at an ambient temperature between +16°C und +43°C.

Commission Delegated Regulation (EU) No. 1060/2010

Bomann								
Model		VS 262	KS 261	KS 197	KS 107.1	KS 193	KS 163.1	GS 176
Category ¹⁾		1	3	6	6	6	6	8
Energy Efficiency Class ²⁾		A+	A+	A++	A+	A++	A+	A+
Consumption Data								
Yearly Energy Usage ³⁾	kWh/year	112	112	137	171	130	165	292
Net Capacity Refrigerator total	l	82	71	104	104	86	86	–
Net Capacity Freezer total	l	–	11	14	14	10	10	230
Star Rating ⁴⁾		–	–	4	–	4	–	4
Frost-free		–	–	–	–	–	–	–
Storage time without power	hr	–	–	10	12	10	12	10
Freezing Capacity	kg/24 hr	–	–	2.0	2.0	2.0	2.0	20
Climate Class ⁵⁾		SN/ST	SN/ST	N/ST	N	N/ST	N/ST	N/T
Airborne acoustical noise	dB(A) re 1pW	39	39	43	43	43	43	45
Style		Self-Standing	Self-Standing	Self-Standing	Self-Standing	Self-Standing	Self-Standing	Self-Standing
Dimensions / Weight								
Height	cm	84.0	84.0	84.5	84.5	84.7	84.7	176.3
Width	cm	47.0	47.0	54.5	54.5	49.4	49.4	59.6
Depth	cm	45.5	45.5	57.0	57.0	49.4	49.4	62.3
Net Weight	kg	22.0	22.0	32.0	32.0	25.0	25.0	70.0
Power Supply								
Compressor-Power	W	70	70	75	80	75	90	105
Voltage / Frequency	V~ / Hz	220-240 / 50	220-240 / 50	220-240 / 50	220-240 / 50	220-240 / 50	220-240 / 50	220-240 / 50

1) Household refrigerated appliances categories:

1 = Refrigerator with one or more storage compartments for fresh food; 2 = Refrigerator with Climate Zone, Climate Compartment Refrigerators and Wine coolers;
 3 = Refrigerators with Chill Zone and Refrigerators with Zero-star Compartments; 4 = Refrigerators with a one-star compartment; 5 = Refrigerators with a two-star compartment;
 6 = Refrigerators with a three-star compartment; 7 = Fridge/Freezers; 8 = Freezers; 9 = Freezer Chests; 10 = Multi-Purpose Refrigerators and other cooling devices.

2) A+++ (highest efficiency) bis G (lowest efficiency).

3) Energy consumption „XYZ“ kWh/year based on standard test results for 24 hours. Actual consumption depends on the use and location of the device.

4) * _____ = Compartment -6°C or colder.

*** = Frozen storage compartment -18°C or colder.

(*)*** = Freezers and freezer compartments -18°C or colder and with a minimum freezing capacity.

5) Climate Class SN: This device is designed for operation at an ambient temperature between +10°C und +32°C.
 Climate Class N: This device is designed for operation at an ambient temperature between +16°C und +32°C.
 Climate Class ST: This device is designed for operation at an ambient temperature between +16°C und +38°C.
 Climate Class T: This device is designed for operation at an ambient temperature between +16°C und +43°C.

Commission Delegated Regulation (EU) No. 1060/2010

Bomann							
Model		GS 184	GS 182	GS 199	GS 113.1	GS 195	GS 165.1
Category ¹⁾		8	8	8	8	8	8
Energy Efficiency Class ²⁾		A+	A+	A++	A+	A++	A+
Consumption Data							
Yearly Energy Usage ³⁾	kWh/year	267	217	140	175	133	167
Net Capacity Refrigerator total	l	-	-	-	-	-	-
Net Capacity Freezer total	l	176	160	80	80	65	65
Star Rating ⁴⁾		4	-	4	4	4	4
Frost-free		-	-	-	-	-	-
Storage time without power	hr	10	15	12	12	12	12
Freezing Capacity	kg/24 hr	15.0	12.0	6.0	4.5	3.5	3.5
Climate Class ⁵⁾		N/ST	N/ST	N/T	N/ST	N/T	N/ST
Airborne acoustical noise	dB(A) re 1pW	45	43	43	43	43	43
Style		Self-Standing	Self-Standing	Self-Standing	Self-Standing	Self-Standing	Self-Standing
Dimensions / Weight							
Height	cm	168.7	144.0	84.5	84.5	84.7	84.7
Width	cm	55.4	55.4	54.5	54.5	49.4	49.4
Depth	cm	55.1	55.1	57.0	57.0	49.4	49.4
Net Weight	kg	55.0	45.5	32.0	37.0	27.0	27.0
Power Supply							
Compressor-Power	W	100	90	70	90	70	90
Voltage / Frequency	V~ / Hz	220-240 / 50	220-240 / 50	220-240 / 50	220-240 / 50	220-240 / 50	220-240 / 50

1) Household refrigerated appliances categories:

1 = Refrigerator with one or more storage compartments for fresh food; 2 = Refrigerator with Climate Zone, Climate Compartment Refrigerators and Wine coolers;

3 = Refrigerators with Chill Zone and Refrigerators with Zero-star Compartments; 4 = Refrigerators with a one-star compartment; 5 = Refrigerators with a two-star compartment;

6 = Refrigerators with a three-star compartment; 7 = Fridge/Freezers; 8 = Freezers; 9 = Freezer Chests; 10 = Multi-Purpose Refrigerators and other cooling devices.

2) A+++ (highest efficiency) bis G (lowest efficiency).

3) Energy consumption „XYZ“ kWh/year based on standard test results for 24 hours. Actual consumption depends on the use and location of the device.

4) * ___ = Compartment -6°C or colder.

*** = Frozen storage compartment -18°C or colder.

(*)*** = Freezers and freezer compartments -18°C or colder and with a minimum freezing capacity.

5) Climate Class SN: This device is designed for operation at an ambient temperature between +10°C und +32°C.

Climate Class N: This device is designed for operation at an ambient temperature between +16°C und +32°C.

Climate Class ST: This device is designed for operation at an ambient temperature between +16°C und +38°C.

Climate Class T: This device is designed for operation at an ambient temperature between +16°C und +43°C.

Commission Delegated Regulation (EU) No. 1060/2010

Bomann							
Model		KB 389	KB 289	GB 388	GB 288	GT 357	GT 257.1CC
Category ¹⁾		3	3	8	8	9	9
Energy Efficiency Class ²⁾		A++	A+	A++	A+	A++	A+
Consumption Data							
Yearly Energy Usage ³⁾	kWh/year	84	107	117	146	131	170
Net Capacity Refrigerator total	l	36	36	-	-	-	-
Net Capacity Freezer total	l	6	6	30	30	100	98
Star Rating ⁴⁾		-	-	4	4	4	4
Frost-free		-	-	-	-	-	-
Storage time without power	hr	-	-	12	12	15	24
Freezing Capacity	kg/24 hr	-	-	3.0	3.0	5.0	9.5
Climate Class ⁵⁾		N/T	N/ST	N/T	N/ST	N/T	SN/T
Airborne acoustical noise	dB(A) re 1pW	43	43	40	40	42	42
Style		Self-Standing	Self-Standing	Self-Standing	Self-Standing	Self-Standing	Self-Standing
Dimensions / Weight							
Height	cm	51.0	51.0	51.0	51.0	85.0	83.6
Width	cm	43.9	43.9	43.9	43.9	65.5	56.3
Tiefe	cm	47.0	47.0	47.0	47.0	55.0	52.6
Net Weight	kg	14.0	13.5	16.0	16.0	27.0	27.0
Power Supply							
Compressor-Power	W	70	70	70	55	100	75
Voltage / Frequency	V~ / Hz	220-240 / 50	220-240 / 50	220-240 / 50	220-240 / 50	220-240 / 50	220-240 / 50

1) Household refrigerated appliances categories:

1 = Refrigerator with one or more storage compartments for fresh food; 2 = Refrigerator with Climate Zone, Climate Compartment Refrigerators and Wine coolers;
 3 = Refrigerators with Chill Zone and Refrigerators with Zero-star Compartments; 4 = Refrigerators with a one-star compartment; 5 = Refrigerators with a two-star compartment;
 6 = Refrigerators with a three-star compartment; 7 = Fridge/Freezers; 8 = Freezers; 9 = Freezer Chests; 10 = Multi-Purpose Refrigerators and other cooling devices.

2) A+++ (highest efficiency) bis G (lowest efficiency).

3) Energy consumption „XYZ“ kWh/year based on standard test results for 24 hours. Actual consumption depends on the use and location of the device.

4) * ___ = Compartment -6°C or colder.

*** = Frozen storage compartment -18°C or colder.

(*)*** = Freezers and freezer compartments -18°C or colder and with a minimum freezing capacity.

5) Climate Class SN: This device is designed for operation at an ambient temperature between +10°C und +32°C.
 Climate Class N: This device is designed for operation at an ambient temperature between +16°C und +32°C.
 Climate Class ST: This device is designed for operation at an ambient temperature between +16°C und +38°C.
 Climate Class T: This device is designed for operation at an ambient temperature between +16°C und +43°C.

Commission Delegated Regulation (EU) No. 1060/2010

Bomann							
Model		GT 358	GT 258	KG 210	KG 211	KG 185	KG 186
Category ¹⁾		9	9	7	7	7	7
Energy Efficiency Class ²⁾		A++	A+	A++	A++	A++	A++
Consumption Data							
Yearly Energy Usage ³⁾	kWh/year	172	224	179	204	190	217
Net Capacity Refrigerator total	l	-	-	173	191	164	205
Net Capacity Freezer total	l	200	205	54	88	61	86
Star Rating ⁴⁾		4	4	4	4	4	4
Frost-free		-	-	-	-	-	-
Storage time without power	hr	15	24	18	20	16	15
Freezing Capacity	kg/24 hr	9.0	15.0	6.0	8.0	2.75	4.0
Climate Class ⁵⁾		N/T	SN/T	N/ST	N/ST	SN/T	N/T
Airborne acoustical noise	dB(A) re 1pW	45	42	40	40	40	43
Style		Self-Standing	Self-Standing	Self-Standing	Self-Standing	Self-Standing	Self-Standing
Dimensions / Weight							
Height	cm	85.0	82.5	150.0	176.0	154.0	185.0
Width	cm	94.5	94.6	60.0	60.0	59.0	59.0
Depth	cm	69.6	57.6	65.0	65.0	55.2	55.1
Net Weight	kg	39.0	36.0	55.0	64.0	51.0	62.0
Power Supply							
Compressor-Power	W	115	85	140	140	90	70
Voltage / Frequency	V~ / Hz	220-240 / 50	220-240 / 50	220-240 / 50	220-240 / 50	220-240 / 50	220-240 / 50

1) Household refrigerated appliances categories:

1 = Refrigerator with one or more storage compartments for fresh food; 2 = Refrigerator with Climate Zone, Climate Compartment Refrigerators and Wine coolers; 3 = Refrigerators with Chill Zone and Refrigerators with Zero-star Compartments; 4 = Refrigerators with a one-star compartment; 5 = Refrigerators with a two-star compartment; 6 = Refrigerators with a three-star compartment; 7 = Fridge/Freezers; 8 = Freezers; 9 = Freezer Chests; 10 = Multi-Purpose Refrigerators and other cooling devices.

2) A+++ (highest efficiency) bis G (lowest efficiency).

3) Energy consumption „XYZ“ kWh/year based on standard test results for 24 hours. Actual consumption depends on the use and location of the device.

4) * ___ = Compartment -6°C or colder.

*** = Frozen storage compartment -18°C or colder.

(*)*** = Freezers and freezer compartments -18°C or colder and with a minimum freezing capacity.

5) Climate Class SN: This device is designed for operation at an ambient temperature between +10°C und +32°C.
Climate Class N: This device is designed for operation at an ambient temperature between +16°C und +32°C.
Climate Class ST: This device is designed for operation at an ambient temperature between +16°C und +38°C.
Climate Class T: This device is designed for operation at an ambient temperature between +16°C und +43°C.

Commission Delegated Regulation (EU) No. 1060/2010

Bomann							
Model		DTE 326	DTE 226	KSE 230.1	VSE 231.1	KSE 327	KSE 227.1
Category ¹⁾		7	7	6	1	6	6
Energy Efficiency Class ²⁾		A++	A+	A+	A+	A++	A+
Consumption Data							
Yearly Energy Usage ³⁾	kWh/year	170	223	222	136	135	188
Net Capacity Refrigerator total	l	176	176	182	215	100	106
Net Capacity Freezer total	l	34	34	18	–	12	17
Star Rating ⁴⁾		–	–	–	–	4	4
Frost-free		–	–	–	–	–	–
Storage time without power	hr	15	15	15	–	10	12
Freezing Capacity	kg/24 hr	2.0	2.0	2.0	–	2.0	2.0
Climate Class ⁵⁾		N/ST	N/ST	N/ST	N/ST	N/ST	N/ST
Airborne acoustical noise	dB(A) re 1pW	40	40	43	43	40	43
Style		Built-in	Built-in	Built-in	Self-Standing	Built-in	Self-Standing
Dimensions / Weight							
Height	cm	144.1	144.1	122.0	122.0	87.5	87.2
Width	cm	54.0	54.0	54.0	54.0	54.0	54.0
Depth	cm	54.3	54.3	54.5	54.5	54.5	54.5
Net Weight	kg	38.5	38.5	13.5	44.0	24.0	34.5
Power Supply							
Compressor-Power	W	80	80	80	80	60	90
Voltage	V~ / Hz	220-240 / 50	220-240 / 50	220-240 / 50	220-240 / 50	220-240 / 50	220-240 / 50

1) Household refrigerated appliances categories:

1 = Refrigerator with one or more storage compartments for fresh food; 2 = Refrigerator with Climate Zone, Climate Compartment Refrigerators and Wine coolers; 3 = Refrigerators with Chill Zone and Refrigerators with Zero-star Compartments; 4 = Refrigerators with a one-star compartment; 5 = Refrigerators with a two-star compartment; 6 = Refrigerators with a three-star compartment; 7 = Fridge/Freezers; 8 = Freezers; 9 = Freezer Chests; 10 = Multi-Purpose Refrigerators and other cooling devices.

2) A+++ (highest efficiency) bis G (lowest efficiency).

3) Energy consumption „XYZ“ kWh/year based on standard test results for 24 hours. Actual consumption depends on the use and location of the device.

4) * ___ = Compartment -6°C or colder.

*** = Frozen storage compartment -18°C or colder.

(*)*** = Freezers and freezer compartments -18°C or colder and with a minimum freezing capacity.

5) Climate Class SN: This device is designed for operation at an ambient temperature between +10°C und +32°C.
Climate Class N: This device is designed for operation at an ambient temperature between +16°C und +32°C.
Climate Class ST: This device is designed for operation at an ambient temperature between +16°C und +38°C.
Climate Class T: This device is designed for operation at an ambient temperature between +16°C und +43°C.

Commission Delegated Regulation (EU) No. 1060/2010

Bomann							
Model		VSE 328	VSE 228.1	GSE 335	GSE 235	KSW 344	KSW 345
Category ¹⁾		1	1	8	8	2	2
Energy Efficiency Class ²⁾		A++	A+	A++	A+	A	B
Consumption Data							
Yearly Energy Usage ³⁾	kWh/Jahr	88	120	135	175	131	189
Net Capacity Refrigerator total	l	126	138	-	-	46	54
Net Capacity Freezer total	l	-	-	81	81	-	-
Star Rating ⁴⁾		-	-	4	4	-	-
Frost-free		-	-	-	-	-	-
Storage time without power	hr	-	-	10	10	-	-
Freezing Capacity	kg/24 hr	-	-	4.0	4.0	-	-
Climate Class ⁵⁾		N/ST	N/ST	SN/N/ST	N	N	N
Airborne acoustical noise	dB(A) re 1pW	40	43	40	40	43	39
Style		Built-in	Built-in	Built-in	Built-in	Self-Standing	Self-Standing
Dimensions / Weight							
Height	cm	87.5	87.2	88.0	88.0	52.0	63.6
Width	cm	54.0	54.0	54.0	54.9	42.0	34.5
Depth	cm	54.5	54.5	54.0	54.0	48.0	51.5
Net Weight	kg	24.0	34.0	32.0	32.0	13.8	15.1
Power Supply							
Compressor-Power	W	65	80	75	75	70	70
Voltage	V~ / Hz	220-240 / 50	220-240 / 50	220-240 / 50	220-240 / 50	220-240 / 50	220-240 / 50

1) Household refrigerated appliances categories:

1 = Refrigerator with one or more storage compartments for fresh food; 2 = Refrigerator with Climate Zone, Climate Compartment Refrigerators and Wine coolers; 3 = Refrigerators with Chill Zone and Refrigerators with Zero-star Compartments; 4 = Refrigerators with a one-star compartment; 5 = Refrigerators with a two-star compartment; 6 = Refrigerators with a three-star compartment; 7 = Fridge/Freezers; 8 = Freezers; 9 = Freezer Chests; 10 = Multi-Purpose Refrigerators and other cooling devices.

2) A+++ (highest efficiency) bis G (lowest efficiency).

3) Energy consumption „XYZ“ kWh/year based on standard test results for 24 hours. Actual consumption depends on the use and location of the device.

4) * ____ = Compartment -6°C or colder.

*** = Frozen storage compartment -18°C or colder.

(*)*** = Freezers and freezer compartments -18°C or colder and with a minimum freezing capacity.

5) Climate Class SN: This device is designed for operation at an ambient temperature between +10°C und +32°C.

Climate Class N: This device is designed for operation at an ambient temperature between +16°C und +32°C.

Climate Class ST: This device is designed for operation at an ambient temperature between +16°C und +38°C.

Climate Class T: This device is designed for operation at an ambient temperature between +16°C und +43°C.



... for Range Hoods:

Active Carbon Filters:	Qty.	Art.-Nr.:	EAN
KF 560: DU 611, DU 613, DU 614/615, DU 617/618	2 piece	256 024	4 004 470 256 024
KF 561: DU 612, DU 613.1, DU 620/621, DU 657/658, DU 659, DU 660	2 piece	256 100	4 004 470 256 109
KF 563: DU 650 G / DU 652 IX	2 piece	256 300	4 004 470 256 307
KF 564: DU 654 G / DU 655 G	2 piece	256 400	4 004 470 256 406
KF 567: DU 653 IX / DU 656 IX	2 piece	256 710	4 004 470 256 710



Active Carbon Filter Mats

Active Carbon Filter Mats:	Qty.	Art.-Nr.:	EAN
KFM 565: DU 622/623	1 piece	256 500	4 004 470 256 505
KFM 566: DU 662 / DU 663 IX	1 piece	256 600	4 004 470 256 604
KFM 616: DU 616	1 piece	256 030	4 004 470 256 031



Active Carbon Filter Cassette

Active Carbon Filter Cassette:	Qty.	Art.-Nr.:	EAN
KFK 562: DU 624/625	1 piece	256 200	4 004 470 256 208



Stainless Steel Door Panels

... for partially Built-in Dishwashers:

Stainless Steel Door Panels:	Qty.	Art.-Nr.:	EAN
GSPE 648 / GSPE 773 / GSPE 873 (60 cm)	1 piece	8900 648	4 004 470 896 480
GSPE 649 / GSPE 774 / GSPE 874 (45 cm)	1 piece	8900 649	4 004 470 896 497
GSPE 877 (60 cm)	1 piece	8900 877	4 004 470 898 774
GSPE 878 (45 cm)	1 piece	8900 878	4 004 470 898 781



Drain-Hose Safety System

... for Dishwashers and Washing Machines:

	Qty.	Art.-Nr.:	EAN
Drain-Hose Saftey' System	1 piece	8900 400	4 004 470 890 044



Telescopic Extension

... für Built-In Ovens:

Telescopic Ext.:	Qty.	Art.-Nr.:	EAN
EBO 9608 IX	1 Set	8996 080	4 004 470 896 084



BOMANN®

C. Bomann GmbH
Heinrich-Horten-Straße 17
47906 Kempen
Germany

Telefon: +49 2152 8998-0
Telefax: +49 2152 8998-911

mail@bomann.de
www.bomann.de