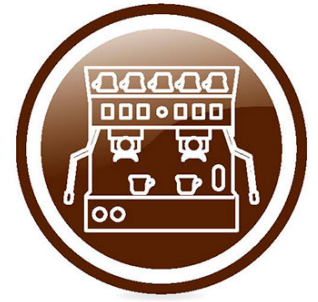




Spare parts for:

Espresso coffee machines



Suitable for:

RANCILIO



This catalogue is automatically generated.
Therefore, the sequence of the items might
not be always shown at best.
Updates will be issued in case of additions
and/or amendments.

Suitable universal spare parts may not be included



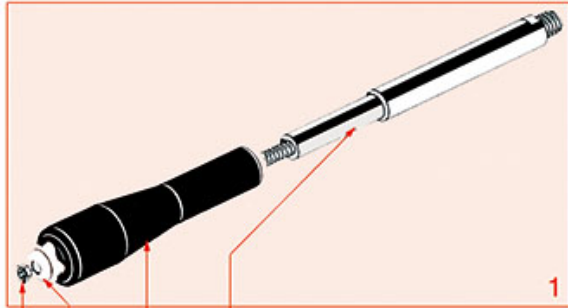


RANCILIO

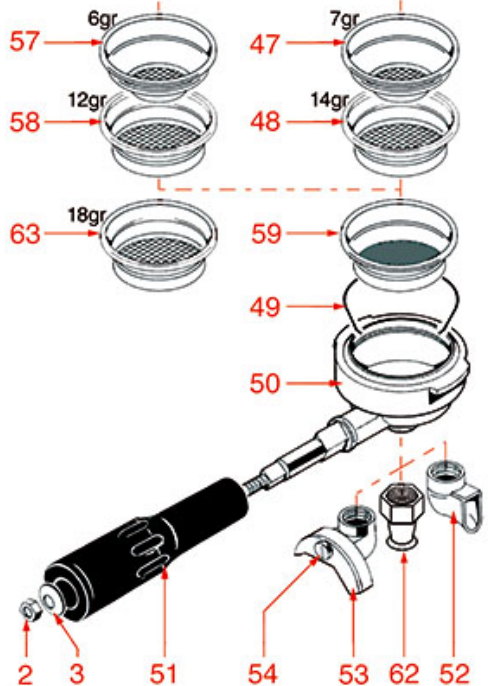
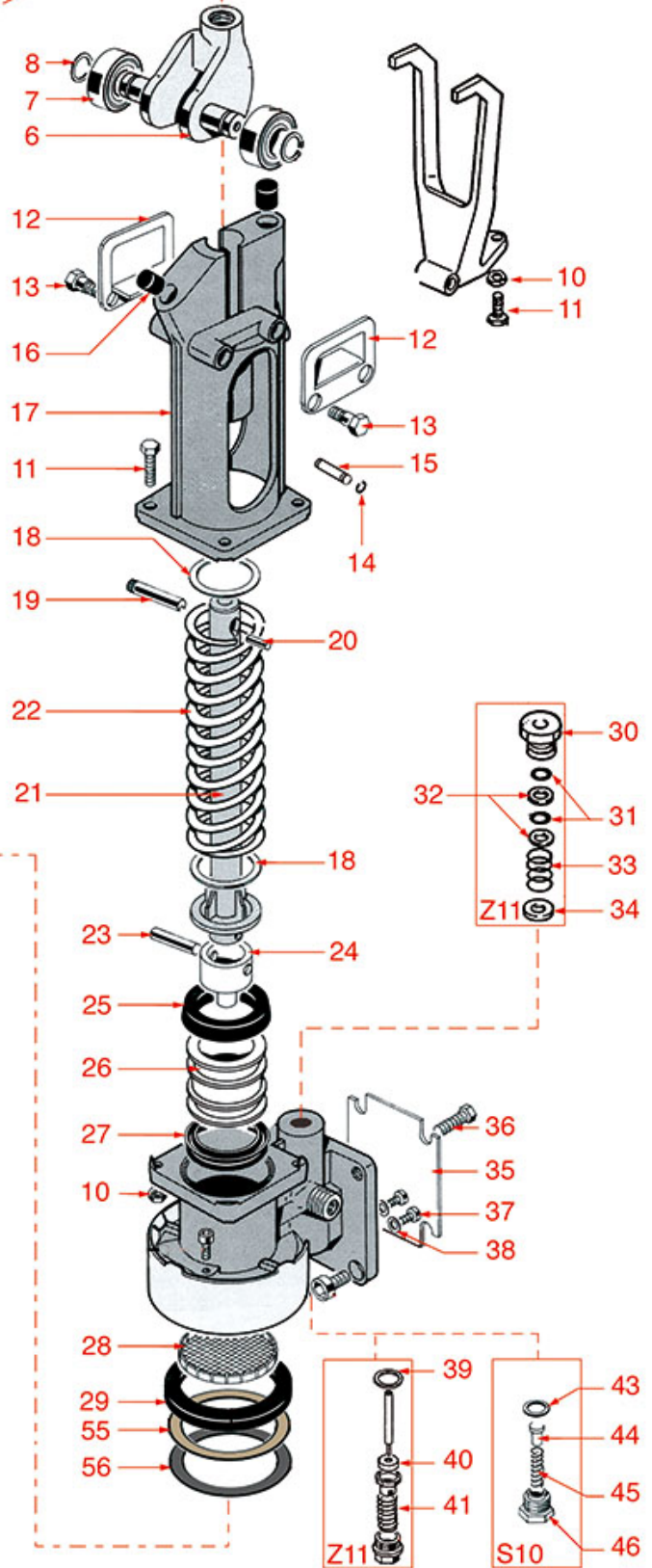


LEVER GROUP Z9-Z11-S10

Z9 - Z11 - S10



2 3 4 5



RA0102

Positions without LF code no.: upon request



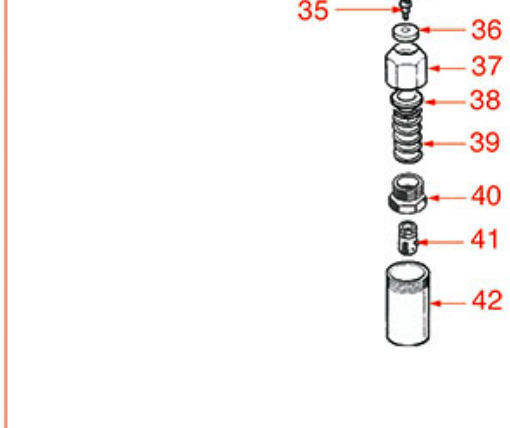
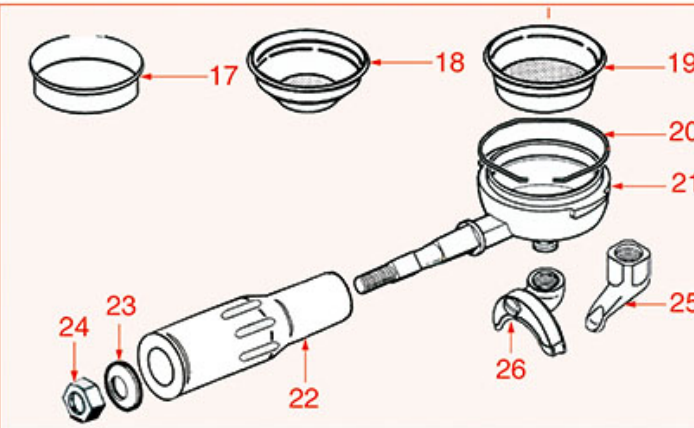
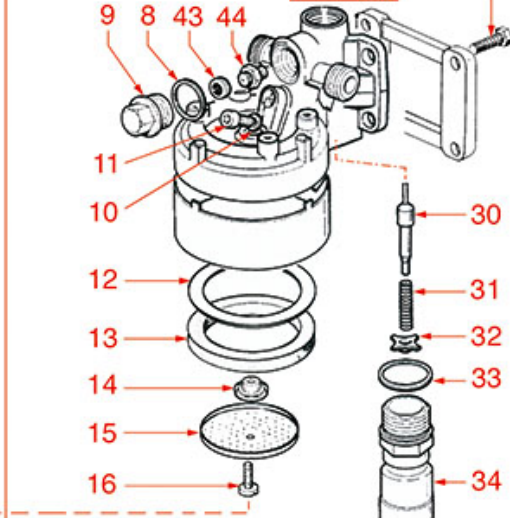
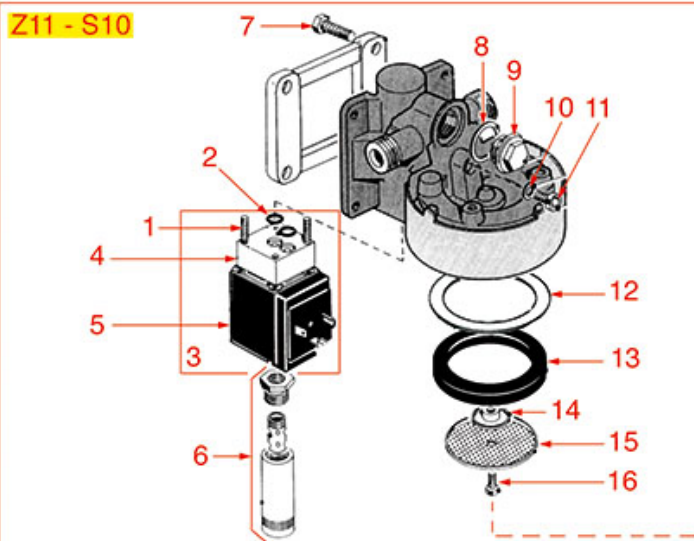
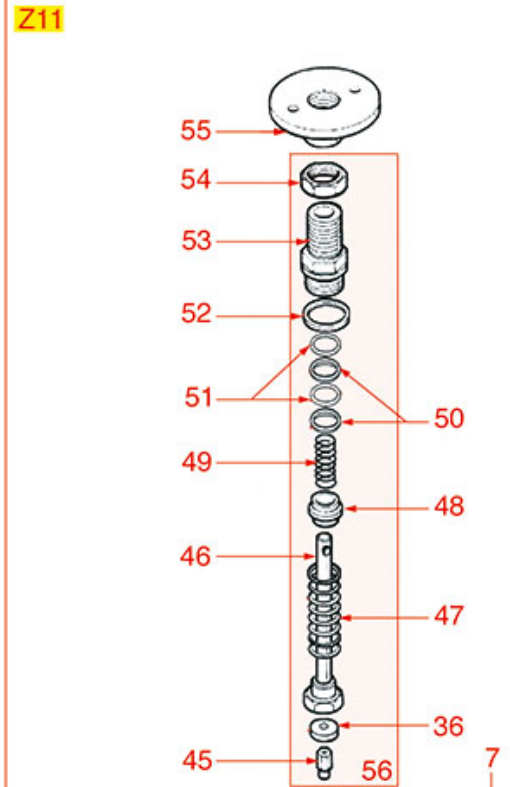
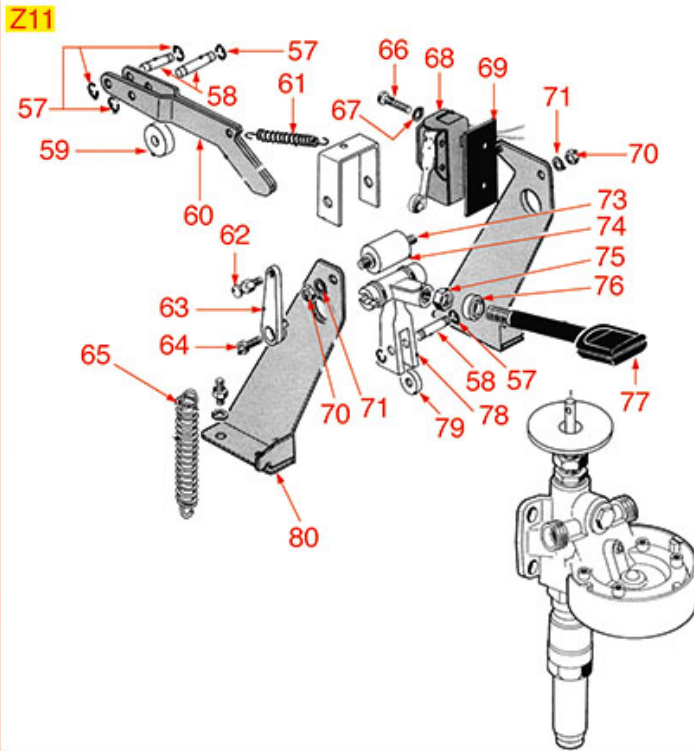
RANCILIO



| Position | LF code no. | Description |
|----------|-------------|---|
| 2 | 1241513 | BLIND HEXAGONAL NUT M8 UNI 5721 |
| 3 | 1186504 | WASHER FLAT M10 |
| 7 | 1063911 | BEARING 6202 ZZ NSK |
| 8 | 1242654 | CIRCLIP E/15 |
| 10 | 1528030 | MID HEXAGONAL NUT M6 |
| 11 | 1184820 | HEXAGON HEAD SCREW M6x25 |
| 14 | 1250023 | RADIAL SEEGER RING \varnothing 5 mm |
| 22 | 1250801 | LEVER GROUP SPRING |
| 25 | 1186817 | LIP SEAL \varnothing 51x38x7.5 mm |
| 27 | 1186816 | LIP SEAL \varnothing 50x38x7.5 mm |
| 28 | 1081003 | SHOWER SCREEN \varnothing 57.5 mm |
| 29 | 1186812 | FILTER HOLDER GASKET \varnothing 72x57x8 mm |
| 31 | 1186612 | O-RING 02025 VITON |
| 36 | 1528026 | CYLINDER HEAD SCREW M8x20 |
| 37 | 1184804 | CYLINDER HEAD SCREW M6x8 |
| 38 | 1186811 | COPPER FLAT GASKET \varnothing 10x6x1 mm |
| 39 | 1186823 | COPPER FLAT GASKET \varnothing 27x21.5x1 mm |
| 40 | 1186822 | VITON FLAT GASKET \varnothing 13x4x4 mm |
| 41 | 1250819 | VALVE SPRING \varnothing 16x30 mm |
| 43 | 1186619 | COPPER FLAT GASKET \varnothing 18x14x1.5 mm |
| 45 | 1523674 | NON-RETURN VALVE SPRING \varnothing 6x28 mm |
| 47 | 1160530 | 1 CUP FILTER 7 gr |
| 48 | 1160529 | FILTER 2-CUP 14 g |
| 49 | 1250101 | FILTER BLOCKING SPRING \varnothing 1,00 mm INOX |
| 50 | 1165046 | FILTER HOLDER RANCILIO |
| 51 | 1241511 | FILTER HOLDER HANDLE |
| 52 | 1022501 | SINGLE SPOUT \varnothing 3/8" |
| 53 | 1022502 | DOUBLE SPOUT \varnothing 3/8" |
| 54 | 1160559 | CHROME PLATED SCREW FOR SPOUT |
| 55 | 1190005 | PAPER SHIM \varnothing 70x57x0.5 mm |
| 56 | 1190003 | RUBBER SHIM \varnothing 70x57x1 mm EPDM |
| 57 | 1160251 | 1 CUP FILTER 6 g |
| 58 | 1160252 | FILTER 2-CUP 12 g |
| 59 | 1160339 | BLIND FILTER |
| 62 | 1022503 | STRAIGHT SINGLE SPOUT \varnothing 3/8" |
| 63 | 1160345 | 2 CUPS FILTER 18 gr |



GROUP Z11-S10





RANCILIO

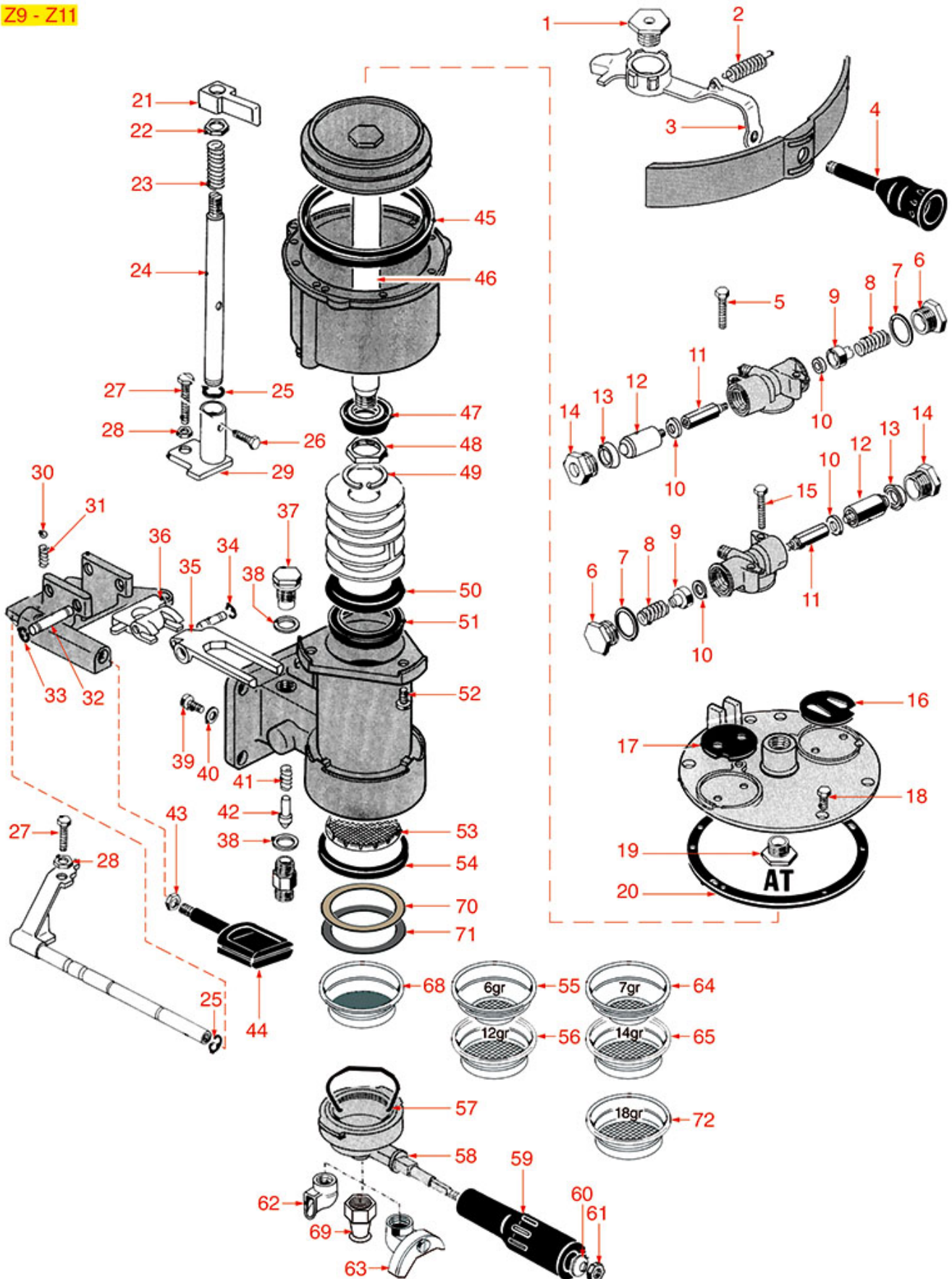


| Position | LF code no. | Description |
|----------|-------------|---|
| 1 | 1184006 | LOW CYLINDER HEAD SCREW M4x12 |
| 2 | 1186611 | O-RING 02025 RED SILICONE |
| 2 | 1186612 | O-RING 02025 VITON |
| 3 | 1120330 | 3-WAY SOLENOID VALVE LUCIFER 240V 50Hz |
| 3 | 1120335 | 3-WAY SOLENOID VALVE PARKER 230V 50/60Hz |
| 4 | 1120334 | 3-WAY MECHANICAL COMPONENT LUCIFER |
| 4 | 1120339 | 3-WAY MECHANICAL COMPONENT PARKER |
| 5 | 1120332 | COIL LUCIFER/PARKER 220/240V 9W 50Hz |
| 5 | 3120032 | COIL PARKER ZB09 9W 220/240V 50/60Hz |
| 6 | 1349037 | DRAIN PIPE |
| 7 | 1528026 | CYLINDER HEAD SCREW M8x20 |
| 8 | 1186810 | FLAT COPPER GASKET \varnothing 24x21x1 mm |
| 10 | 1186811 | COPPER FLAT GASKET \varnothing 10x6x1 mm |
| 11 | 1184804 | CYLINDER HEAD SCREW M6x8 |
| 12 | 1190001 | PAPER SHIM \varnothing 73x59x0.8 mm |
| 13 | 1186812 | FILTER HOLDER GASKET \varnothing 72x57x8 mm |
| 14 | 1349803 | BREW GROUP SPRAY NOZZLE \varnothing 21 mm |
| 15 | 1081036 | SHOWER \varnothing 57.5 mm |
| 15 | 1081536 | SHOWER SCREEN \varnothing 57.5 mm |
| 16 | 1528516 | CYLINDER HEAD SCREW M5x12 |
| 17 | 1160339 | BLIND FILTER |
| 18 | 1160251 | 1 CUP FILTER 6 g |
| 18 | 1160530 | 1 CUP FILTER 7 gr |
| 19 | 1160252 | FILTER 2-CUP 12 g |
| 19 | 1160345 | 2 CUPS FILTER 18 gr |
| 19 | 1160529 | FILTER 2-CUP 14 g |
| 20 | 1250101 | FILTER BLOCKING SPRING \varnothing 1,00 mm INOX |
| 21 | 1165046 | FILTER HOLDER RANCILIO |
| 22 | 1241511 | FILTER HOLDER HANDLE |
| 23 | 1186504 | WASHER FLAT M10 |
| 24 | 1241513 | BLIND HEXAGONAL NUT M8 UNI 5721 |
| 25 | 1022501 | SINGLE SPOUT \varnothing 3/8" |
| 25 | 1022503 | STRAIGHT SINGLE SPOUT \varnothing 3/8" |
| 26 | 1022502 | DOUBLE SPOUT \varnothing 3/8" |
| 31 | 1250818 | DRAIN ROD SPRING \varnothing 7x35 mm |
| 33 | 1186828 | COPPER FLAT GASKET \varnothing 30x26x1 mm |
| 36 | 1186822 | VITON FLAT GASKET \varnothing 13x4x4 mm |
| 39 | 1250819 | VALVE SPRING \varnothing 16x30 mm |
| 43 | 1160801 | WATER FILTER M8x1 |
| 44 | 1501811 | NOZZLE M8x1 HOLE \varnothing 0,5 mm |
| 47 | 1250817 | VALVE SPRING \varnothing 17x39 mm |
| 49 | 1250816 | CAP SPRING \varnothing 12x22 mm |
| 50 | 1186809 | FLAT PTFE GASKET \varnothing 12x9x1 mm |
| 51 | 1186803 | O-RING 02037 EPDM |
| 52 | 1186810 | FLAT COPPER GASKET \varnothing 24x21x1 mm |
| 57 | 1348817 | CIRCLIP RADIAL \varnothing 4 mm |
| 58 | 1184853 | ROLL PIN |
| 61 | 1250810 | LEVER RETURN SPRING \varnothing 10x31/45 mm |
| 65 | 1250812 | SHOCK ABSORBER SPRING \varnothing 13x64 mm |
| 67 | 1348814 | TOOTHED WASHER EXT. M4 |
| 68 | 1240801 | MICROSWITCH 15A 250V |
| 70 | 1528030 | MID HEXAGONAL NUT M6 |
| 75 | 1528621 | HEXAGONAL NUT M8 SHORT M8 |



AUTOMATIC GROUP Z9-Z11

Z9 - Z11



RA0302

Positions without LF code no.: upon request



RANCILIO



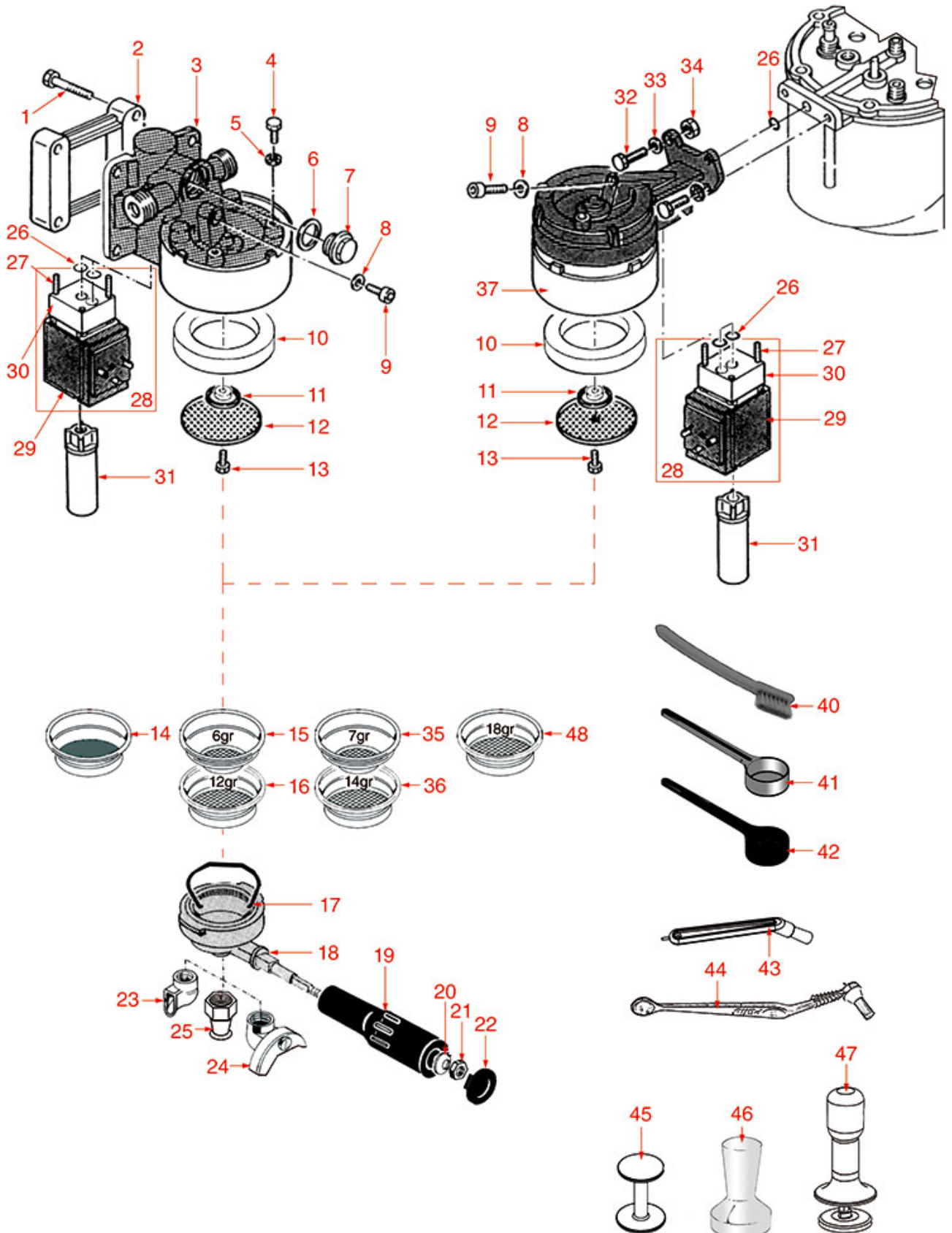
| Position | LF code no. | Description |
|----------|-------------|---|
| 2 | 1250808 | CONTROL LEVER SPRING \varnothing 14x23/40 mm |
| 7 | 1186410 | FLAT EPDM GASKET \varnothing 21x16x2 mm |
| 10 | 1186427 | FLAT EPDM GASKET \varnothing 10x4x2 mm |
| 13 | 1186460 | LIP SEAL \varnothing 19x13x4 mm |
| 16 | 1186825 | COFFEE GROUP GASKET \varnothing 32 mm |
| 17 | 1186826 | COFFEE GROUP GASKET \varnothing 32 mm |
| 20 | 1186827 | COFFEE GROUP GASKET \varnothing 125x105x1 mm |
| 22 | 1528621 | HEXAGONAL NUT M8 SHORT M8 |
| 23 | 1250816 | CAP SPRING \varnothing 12x22 mm |
| 25 | 1348326 | SPRING RING RADIAL \varnothing 7 mm |
| 26 | 1184867 | HEXAGON HEAD SCREW M4x16 |
| 28 | 3528213 | HEXAGONAL NUT MID M5 |
| 33 | 1250023 | RADIAL SEEGER RING \varnothing 5 mm |
| 38 | 1186619 | COPPER FLAT GASKET \varnothing 18x14x1.5 mm |
| 39 | 1184804 | CYLINDER HEAD SCREW M6x8 |
| 40 | 1186811 | COPPER FLAT GASKET \varnothing 10x6x1 mm |
| 41 | 1523674 | NON-RETURN VALVE SPRING \varnothing 6x28 mm |
| 43 | 1528030 | MID HEXAGONAL NUT M6 |
| 45 | 1186831 | LIP SEAL \varnothing 104x88x8 mm |
| 47 | 1186832 | LIP SEAL \varnothing 24x14x5 mm |
| 50 | 1186817 | LIP SEAL \varnothing 51x38x7.5 mm |
| 50 | 1186820 | LIP SEAL \varnothing 55x41x7.5 mm |
| 51 | 1186816 | LIP SEAL \varnothing 50x38x7.5 mm |
| 51 | 1186821 | LIP SEAL \varnothing 54x40x7.5 mm |
| 52 | 1528026 | CYLINDER HEAD SCREW M8x20 |
| 53 | 1081003 | SHOWER SCREEN \varnothing 57.5 mm |
| 54 | 1186812 | FILTER HOLDER GASKET \varnothing 72x57x8 mm |
| 55 | 1160251 | 1 CUP FILTER 6 g |
| 56 | 1160252 | FILTER 2-CUP 12 g |
| 57 | 1250101 | FILTER BLOCKING SPRING \varnothing 1,00 mm INOX |
| 58 | 1165046 | FILTER HOLDER RANCILIO |
| 59 | 1241511 | FILTER HOLDER HANDLE |
| 60 | 1186504 | WASHER FLAT M10 |
| 61 | 1241513 | BLIND HEXAGONAL NUT M8 UNI 5721 |
| 62 | 1022501 | SINGLE SPOUT \varnothing 3/8" |
| 63 | 1022502 | DOUBLE SPOUT \varnothing 3/8" |
| 64 | 1160530 | 1 CUP FILTER 7 gr |
| 65 | 1160529 | FILTER 2-CUP 14 g |
| 68 | 1160339 | BLIND FILTER |
| 69 | 1022503 | STRAIGHT SINGLE SPOUT \varnothing 3/8" |
| 70 | 1190005 | PAPER SHIM \varnothing 70x57x0.5 mm |
| 71 | 1190003 | RUBBER SHIM \varnothing 70x57x1 mm EPDM |
| 72 | 1160345 | 2 CUPS FILTER 18 gr |



GROUP S20

S20 - MIDI - TECNA - SYSTEM

S20 - S24 - S26 - S27





RANCILIO

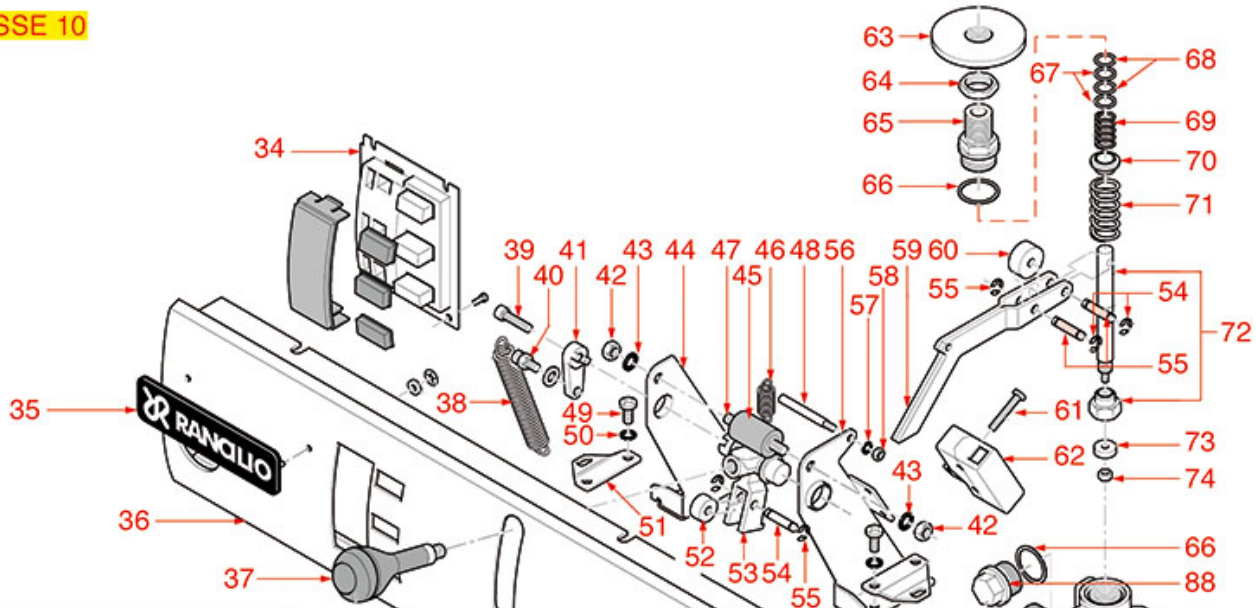


| Position | LF code no. | Description |
|----------|-------------|--|
| 1 | 9528028 | HEXAGON HEAD SCREW M8x30 |
| 4 | 1184012 | CYLINDER HEAD SCREW M5x10 |
| 6 | 1186810 | FLAT COPPER GASKET \varnothing 24x21x1 mm |
| 8 | 1186811 | COPPER FLAT GASKET \varnothing 10x6x1 mm |
| 9 | 1184804 | CYLINDER HEAD SCREW M6x8 |
| 10 | 1186812 | FILTER HOLDER GASKET \varnothing 72x57x8 mm |
| 11 | 1349803 | BREW GROUP SPRAY NOZZLE \varnothing 21 mm |
| 12 | 1081036 | SHOWER \varnothing 57.5 mm |
| 12 | 1081536 | SHOWER SCREEN \varnothing 57.5 mm |
| 13 | 1528516 | CYLINDER HEAD SCREW M5x12 |
| 14 | 1160339 | BLIND FILTER |
| 15 | 1160251 | 1 CUP FILTER 6 g |
| 16 | 1160252 | FILTER 2-CUP 12 g |
| 17 | 1250101 | FILTER BLOCKING SPRING \varnothing 1,00 mm INOX |
| 18 | 1165046 | FILTER HOLDER RANCILIO |
| 19 | 1241511 | FILTER HOLDER HANDLE |
| 20 | 1186504 | WASHER FLAT M10 |
| 21 | 1241513 | BLIND HEXAGONAL NUT M8 UNI 5721 |
| 22 | 1241051 | FILTER HOLDER KNOB CAP |
| 23 | 1022501 | SINGLE SPOUT \varnothing 3/8" |
| 24 | 1022502 | DOUBLE SPOUT \varnothing 3/8" |
| 25 | 1022503 | STRAIGHT SINGLE SPOUT \varnothing 3/8" |
| 26 | 1186611 | O-RING 02025 RED SILICONE |
| 26 | 1186612 | O-RING 02025 VITON |
| 27 | 1455034 | CYLINDER HEAD SCREW M4x10 |
| 28 | 1120330 | 3-WAY SOLENOID VALVE LUCIFER 240V 50Hz |
| 28 | 1120335 | 3-WAY SOLENOID VALVE PARKER 230V 50/60Hz |
| 29 | 1120332 | COIL LUCIFER/PARKER 220/240V 9W 50Hz |
| 29 | 3120032 | COIL PARKER ZB09 9W 220/240V 50/60Hz |
| 30 | 1120334 | 3-WAY MECHANICAL COMPONENT LUCIFER |
| 30 | 1120339 | 3-WAY MECHANICAL COMPONENT PARKER |
| 31 | 1349037 | DRAIN PIPE |
| 32 | 1528026 | CYLINDER HEAD SCREW M8x20 |
| 34 | 1241513 | BLIND HEXAGONAL NUT M8 UNI 5721 |
| 35 | 1160530 | 1 CUP FILTER 7 gr |
| 36 | 1160529 | FILTER 2-CUP 14 g |
| 40 | 1384002 | BRUSH FOR MAINTENANCE |
| 41 | 1069002 | STAINLESS STEEL MEASURING SPOON 20 ml |
| 42 | 1069001 | PLASTIC MEASURING SPOON 20 ml |
| 43 | 1384001 | BRUSH FOR COFFEE SHOWER |
| 44 | 1384003 | BLACK SHOWER CLEANING BRUSH |
| 45 | 1385002 | NYLON COFFEE TAMPER \varnothing 50/57 mm |
| 46 | 1385053 | ANODISED ALUMINUM TAMPER \varnothing 58 mm |
| 47 | 1385600 | DYNAMOMETRIC MANUAL COFFEE TAMPER \varnothing 57mm |
| 47 | 1385602 | TAMPER MANUAL DYNAMOMETRICAL \varnothing 57 mm |
| 48 | 1160345 | 2 CUPS FILTER 18 gr |

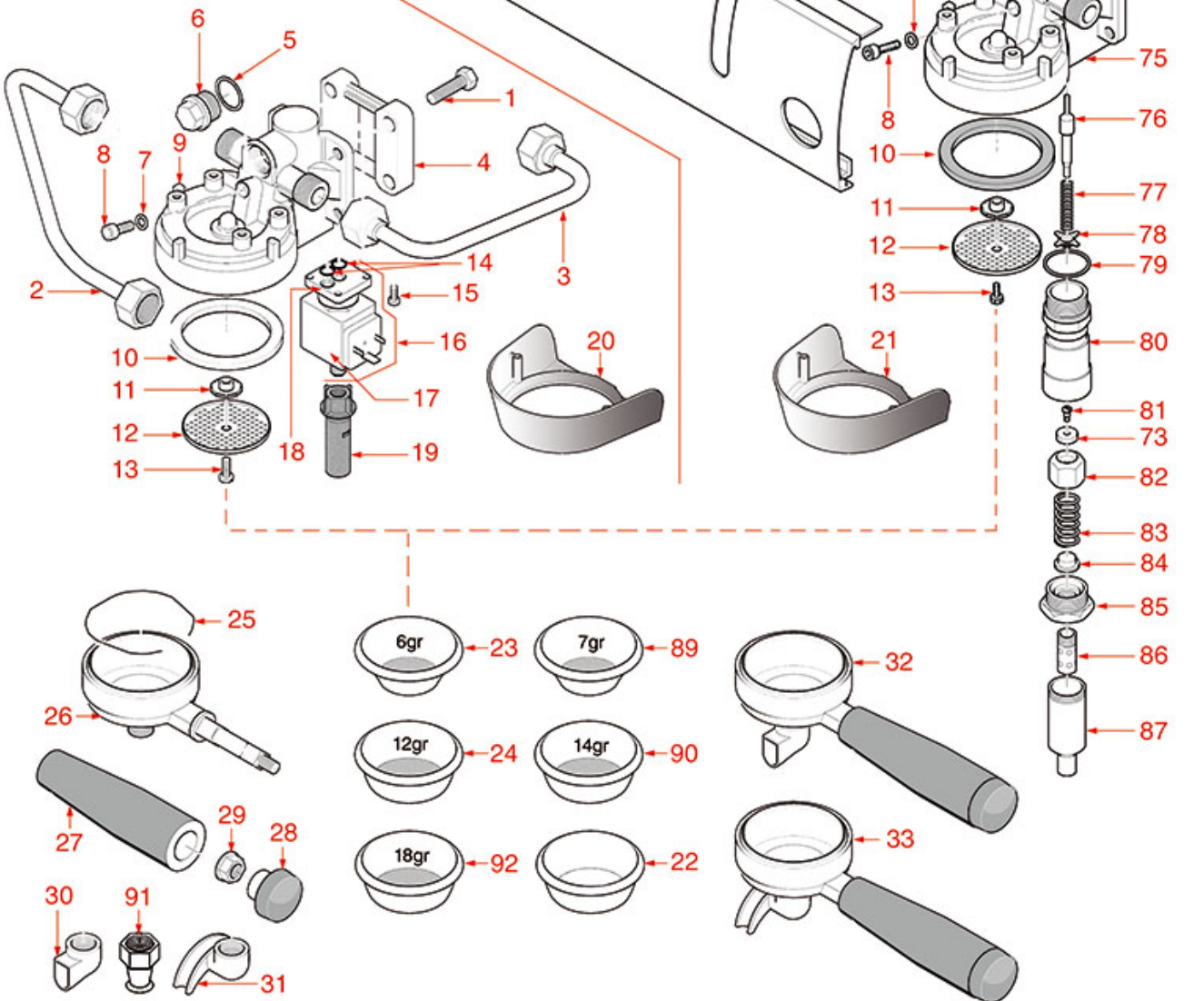


GROUP CLASSE10-MILLENIUM

CLASSE 10



MILLENIUM





RANCILIO

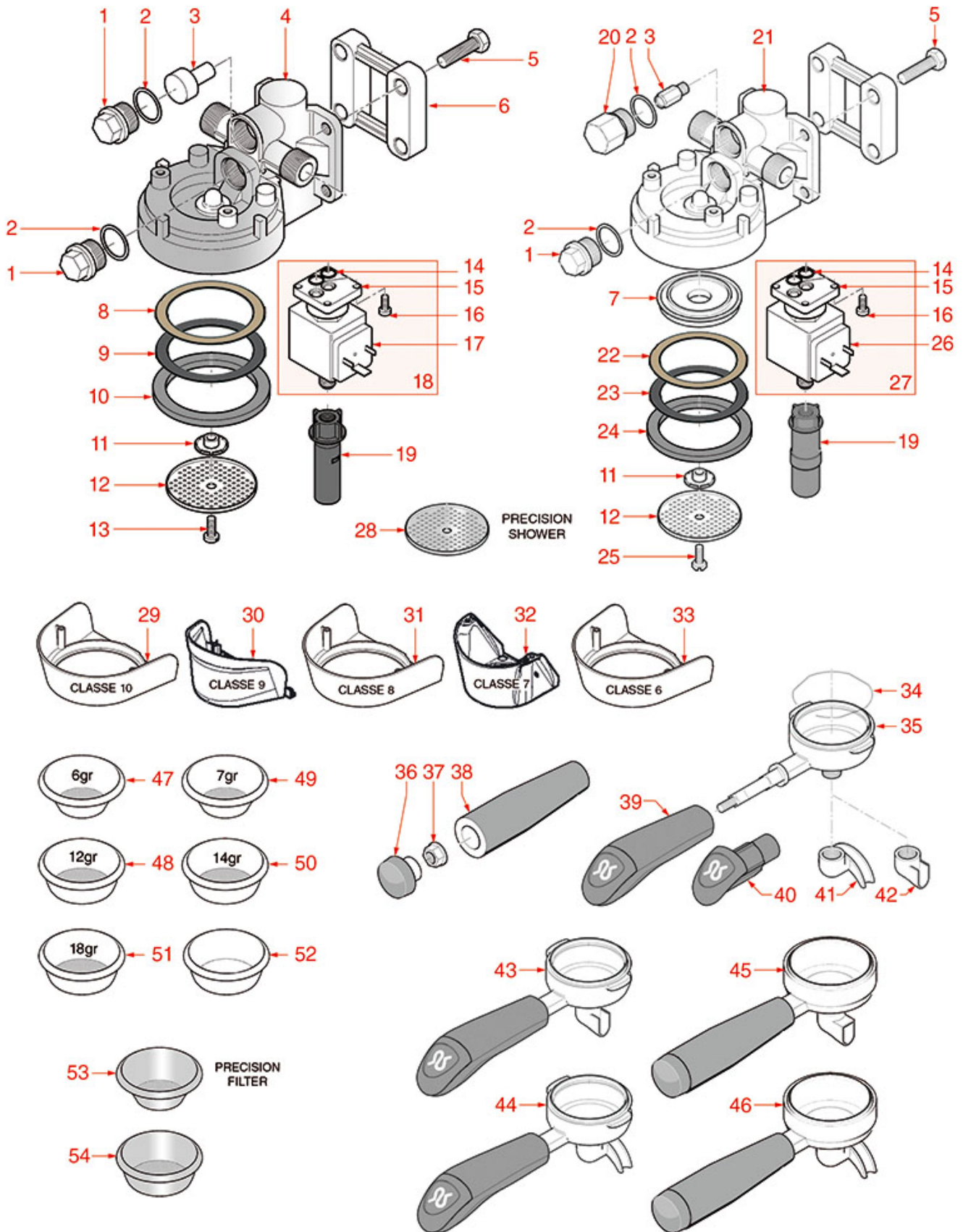


| Position | LF code no. | Description |
|----------|-------------|---|
| 1 | 9528028 | HEXAGON HEAD SCREW M8x30 |
| 5 | 1186810 | FLAT COPPER GASKET \varnothing 24x21x1 mm |
| 7 | 1186811 | COPPER FLAT GASKET \varnothing 10x6x1 mm |
| 8 | 1184804 | CYLINDER HEAD SCREW M6x8 |
| 10 | 1186812 | FILTER HOLDER GASKET \varnothing 72x57x8 mm |
| 11 | 1349803 | BREW GROUP SPRAY NOZZLE \varnothing 21 mm |
| 12 | 1081036 | SHOWER \varnothing 57.5 mm |
| 12 | 1081536 | SHOWER SCREEN \varnothing 57.5 mm |
| 13 | 1528516 | CYLINDER HEAD SCREW M5x12 |
| 14 | 1186611 | O-RING 02025 RED SILICONE |
| 14 | 1186612 | O-RING 02025 VITON |
| 15 | 1455034 | CYLINDER HEAD SCREW M4x10 |
| 16 | 1120330 | 3-WAY SOLENOID VALVE LUCIFER 240V 50Hz |
| 16 | 1120335 | 3-WAY SOLENOID VALVE PARKER 230V 50/60Hz |
| 17 | 1120332 | COIL LUCIFER/PARKER 220/240V 9W 50Hz |
| 17 | 3120032 | COIL PARKER ZB09 9W 220/240V 50/60Hz |
| 18 | 1120334 | 3-WAY MECHANICAL COMPONENT LUCIFER |
| 18 | 1120339 | 3-WAY MECHANICAL COMPONENT PARKER |
| 19 | 1349037 | DRAIN PIPE |
| 21 | 1002003 | GROUP COVERING RING |
| 22 | 1160339 | BLIND FILTER |
| 23 | 1160251 | 1 CUP FILTER 6 g |
| 24 | 1160252 | FILTER 2-CUP 12 g |
| 25 | 1250101 | FILTER BLOCKING SPRING \varnothing 1,00 mm INOX |
| 26 | 1165046 | FILTER HOLDER RANCILIO |
| 27 | 1241047 | FILTER HOLDER KNOB |
| 28 | 1241050 | FILTER HOLDER KNOB CAP |
| 29 | 1186504 | WASHER FLAT M10 |
| 29 | 1241513 | BLIND HEXAGONAL NUT M8 UNI 5721 |
| 30 | 1022501 | SINGLE SPOUT \varnothing 3/8" |
| 31 | 1022502 | DOUBLE SPOUT \varnothing 3/8" |
| 32 | 1160521 | 1 CUP FILTER HOLDER ASSEMBLY RANCILIO |
| 33 | 1160545 | 2 CUPS FILTER HOLDER ASSEMBLY RANCILIO |
| 34 | 1319105 | PUSH-BUTTON PANEL 3 BUTTONS |
| 38 | 1250812 | SHOCK ABSORBER SPRING \varnothing 13x64 mm |
| 39 | 1528023 | COUNTERSUNK FLAT HEAD SCREWS M5x16 |
| 46 | 1250029 | LEVER SPRING \varnothing 10x13/27 mm |
| 54 | 1348817 | CIRCLIP RADIAL \varnothing 4 mm |
| 55 | 1184853 | ROLL PIN |
| 62 | 1240847 | MICROSWITCH 5A 250V |
| 66 | 1186810 | FLAT COPPER GASKET \varnothing 24x21x1 mm |
| 67 | 1186809 | FLAT PTFE GASKET \varnothing 12x9x1 mm |
| 68 | 1186803 | O-RING 02037 EPDM |
| 69 | 1250816 | CAP SPRING \varnothing 12x22 mm |
| 71 | 1250817 | VALVE SPRING \varnothing 17x39 mm |
| 73 | 1186822 | VITON FLAT GASKET \varnothing 13x4x4 mm |
| 77 | 1250818 | DRAIN ROD SPRING \varnothing 7x35 mm |
| 79 | 1186828 | COPPER FLAT GASKET \varnothing 30x26x1 mm |
| 83 | 1250819 | VALVE SPRING \varnothing 16x30 mm |
| 89 | 1160530 | 1 CUP FILTER 7 gr |
| 90 | 1160529 | FILTER 2-CUP 14 g |
| 91 | 1022503 | STRAIGHT SINGLE SPOUT \varnothing 3/8" |
| 92 | 1160345 | 2 CUPS FILTER 18 gr |



GROUP CLASSE10-9-8-7-6-EPOCA

CLASSE10-CLASSE9-CLASSE8-CLASSE7-CLASSE6-EPOCA





RANCILIO

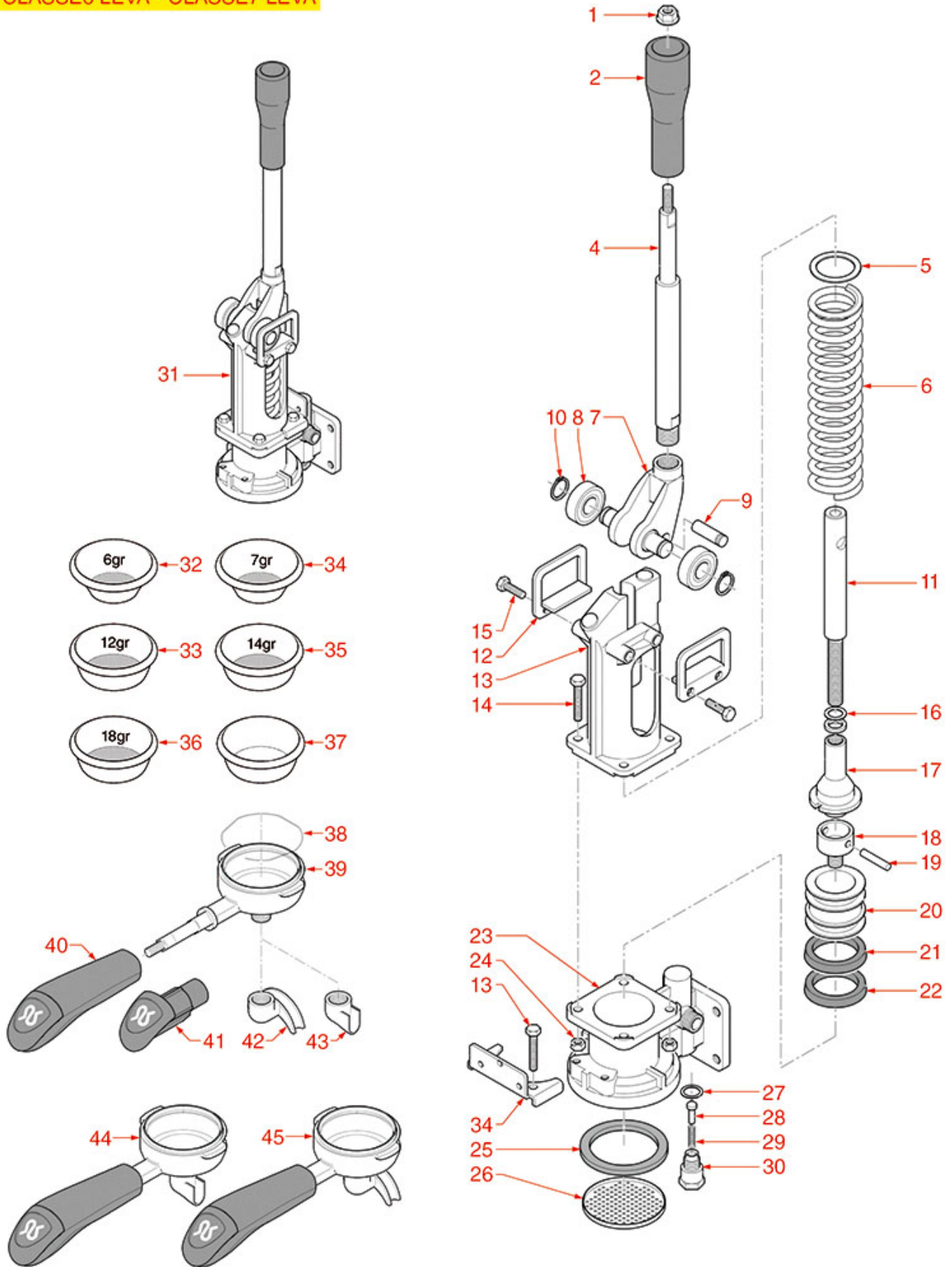


| Position | LF code no. | Description |
|----------|-------------|--|
| 1 | 1439028 | CAP ø 18 mm FOR BREW GROUP |
| 2 | 1186677 | FLAT COPPER GASKET ø 22x18x1.8 mm |
| 3 | 1501811 | NOZZLE M8x1 HOLE ø 0,5 mm |
| 5 | 9528028 | HEXAGON HEAD SCREW M8x30 |
| 7 | 1086014 | SHOWER HOLDER DIFFUSER |
| 8 | 1190005 | PAPER SHIM ø 70x57x0.5 mm |
| 9 | 1190003 | RUBBER SHIM ø 70x57x1 mm EPDM |
| 10 | 1186812 | FILTER HOLDER GASKET ø 72x57x8 mm |
| 11 | 1349803 | BREW GROUP SPRAY NOZZLE ø 21 mm |
| 12 | 1081036 | SHOWER ø 57.5 mm |
| 12 | 1081536 | SHOWER SCREEN ø 57.5 mm |
| 13 | 1528516 | CYLINDER HEAD SCREW M5x12 |
| 14 | 1186611 | O-RING 02025 RED SILICONE |
| 14 | 1186612 | O-RING 02025 VITON |
| 15 | 1120334 | 3-WAY MECHANICAL COMPONENT LUCIFER |
| 15 | 1120339 | 3-WAY MECHANICAL COMPONENT PARKER |
| 16 | 1184006 | LOW CYLINDER HEAD SCREW M4x12 |
| 17 | 1120332 | COIL LUCIFER/PARKER 220/240V 9W 50Hz |
| 17 | 3120032 | COIL PARKER ZB09 9W 220/240V 50/60Hz |
| 18 | 1120330 | 3-WAY SOLENOID VALVE LUCIFER 240V 50Hz |
| 18 | 1120335 | 3-WAY SOLENOID VALVE PARKER 230V 50/60Hz |
| 19 | 1349037 | DRAIN PIPE |
| 22 | 1190001 | PAPER SHIM ø 73x59x0.8 mm |
| 23 | 1190002 | RUBBER SHIM ø 73x59x1 mm EPDM |
| 24 | 1486032 | GASKET FILTER HOLDER ø 74x57.5x8.5 mm |
| 24 | 5048248 | GASKET FOR FILTER HOLD.ø 74x57.5x8.5 mm |
| 25 | 1528012 | CYLINDER HEAD SCREW M5x14 |
| 27 | 1120242 | SOLENOID VALVE SIRAI 3 WAYS 24V 50Hz |
| 28 | 1081402 | PRECISION SHOWER SCREEN COATED ø57 mm |
| 28 | 1460203 | PRECISION SHOWER SCREEN ø 57 mm |
| 28 | 1460208 | PRECISION SHOWER SCREEN ø 57 mm |
| 29 | 1002003 | GROUP COVERING RING |
| 32 | 5059967 | RING GROUP COVER |
| 34 | 1250002 | S/STEEL FILTER LOCKING SPRING ø 1.20 mm |
| 34 | 1250101 | FILTER BLOCKING SPRING ø 1,00 mm INOX |
| 34 | 1250333 | SPRING FILTER BLOCK ø 1.30 mm ST.STEEL |
| 34 | 1250338 | FILTER LOCKING SPRING ø 1.40 mm ST.STEEL |
| 35 | 1165046 | FILTER HOLDER RANCILIO |
| 36 | 1241050 | FILTER HOLDER KNOB CAP |
| 37 | 1241513 | BLIND HEXAGONAL NUT M8 UNI 5721 |
| 38 | 1241047 | FILTER HOLDER KNOB |
| 39 | 1141012 | KNOB FILTER HOLDER |
| 41 | 1022502 | DOUBLE SPOUT ø 3/8" |
| 41 | 1022506 | DOUBLE SPOUT ø 3/8" |
| 42 | 1022032 | SINGLE SPOUT ø 3/8" |
| 42 | 1022501 | SINGLE SPOUT ø 3/8" |
| 45 | 1160521 | 1 CUP FILTER HOLDER ASSEMBLY RANCILIO |
| 46 | 1160545 | 2 CUPS FILTER HOLDER ASSEMBLY RANCILIO |
| 47 | 1160251 | 1 CUP FILTER 6 g |
| 48 | 1160252 | FILTER 2-CUP 12 g |
| 49 | 1160530 | 1 CUP FILTER 7 gr |
| 50 | 1160529 | FILTER 2-CUP 14 g |
| 51 | 1160345 | 2 CUPS FILTER 18 gr |
| 52 | 1160339 | BLIND FILTER |
| 53 | 1460100 | PRECISION FILTER 1 CUP 6/8 g H24.5 |
| 53 | 1460101 | PRECISION FILTER 1 CUP 7/9 g H26.5 |
| 54 | 1460102 | PRECISION FILTER 2 CUPS 12/18 g H24.5 |
| 54 | 1460103 | PRECISION FILTER 2 CUPS 14/20 g H26.5 |
| 54 | 1460104 | PRECISION FILTER 2 CUPS 18/22 g H28,5 |



GROUP CLASSE6-7 LEVA

CLASSE6 LEVA - CLASSE7 LEVA





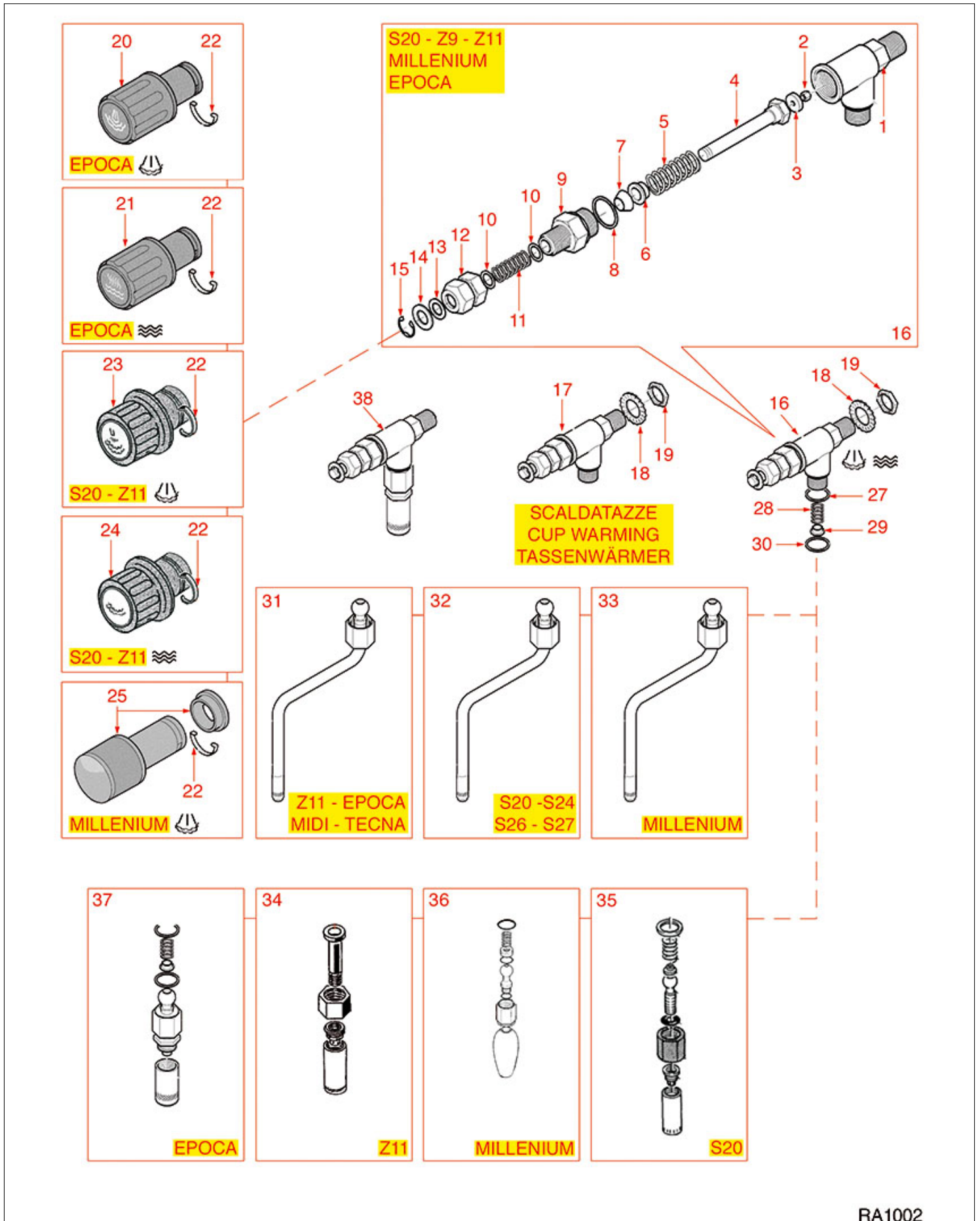
RANCILIO



| Position | LF code no. | Description |
|----------|-------------|--|
| 1 | 1241513 | BLIND HEXAGONAL NUT M8 UNI 5721 |
| 6 | 1250801 | LEVER GROUP SPRING |
| 8 | 1063911 | BEARING 6202 ZZ NSK |
| 10 | 1242654 | CIRCLIP E/15 |
| 14 | 1184820 | HEXAGON HEAD SCREW M6x25 |
| 15 | 3528112 | HEXAGONAL HEAD SCREW M6x16 |
| 21 | 1186817 | LIP SEAL \varnothing 51x38x7.5 mm |
| 22 | 1186816 | LIP SEAL \varnothing 50x38x7.5 mm |
| 24 | 1528030 | MID HEXAGONAL NUT M6 |
| 25 | 1486032 | GASKET FILTER HOLDER \varnothing 74x57.5x8.5 mm |
| 25 | 5048248 | GASKET FOR FILTER HOLD. \varnothing 74x57.5x8.5 mm |
| 26 | 1081003 | SHOWER SCREEN \varnothing 57.5 mm |
| 27 | 1186619 | COPPER FLAT GASKET \varnothing 18x14x1.5 mm |
| 29 | 1523674 | NON-RETURN VALVE SPRING \varnothing 6x28 mm |
| 32 | 1160251 | 1 CUP FILTER 6 g |
| 33 | 1160252 | FILTER 2-CUP 12 g |
| 34 | 1160530 | 1 CUP FILTER 7 gr |
| 35 | 1160529 | FILTER 2-CUP 14 g |
| 36 | 1160345 | 2 CUPS FILTER 18 gr |
| 37 | 1160339 | BLIND FILTER |
| 38 | 1250002 | S/STEEL FILTER LOCKING SPRING \varnothing 1.20 mm |
| 38 | 1250101 | FILTER BLOCKING SPRING \varnothing 1,00 mm INOX |
| 38 | 1250333 | SPRING FILTER BLOCK \varnothing 1.30 mm ST.STEEL |
| 38 | 1250338 | FILTER LOCKING SPRING \varnothing 1.40 mm ST.STEEL |
| 39 | 1165046 | FILTER HOLDER RANCILIO |
| 40 | 1141012 | KNOB FILTER HOLDER |
| 42 | 1022506 | DOUBLE SPOUT \varnothing 3/8" |
| 43 | 1022032 | SINGLE SPOUT \varnothing 3/8" |



WATER-STEAM TAP Z9-Z11-S20-EPOCA





RANCILIO

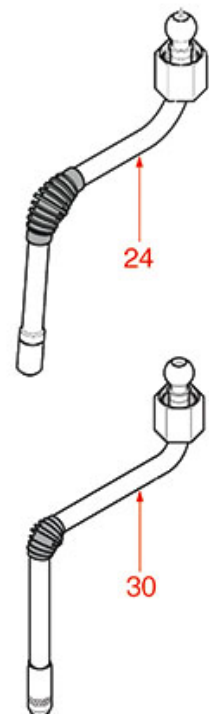
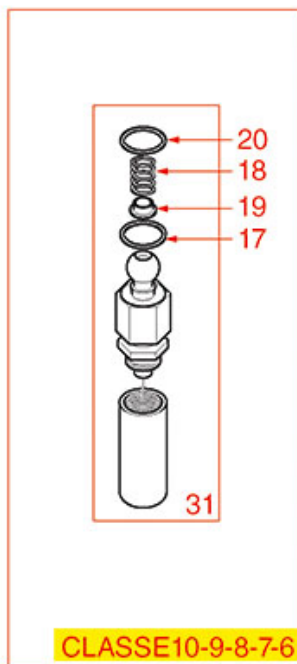
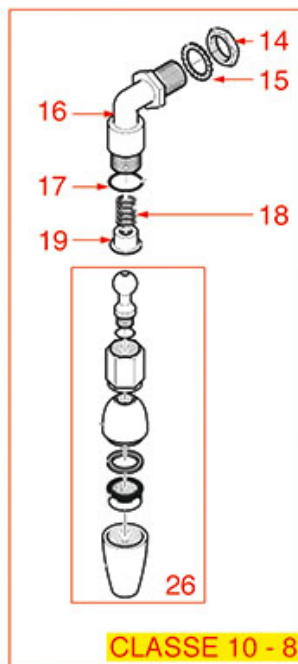
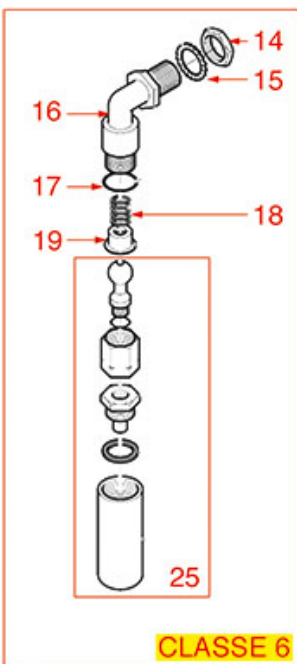
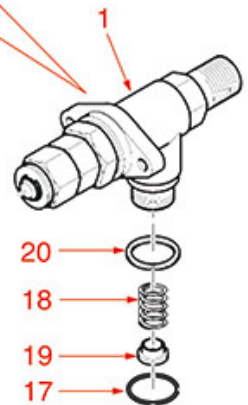
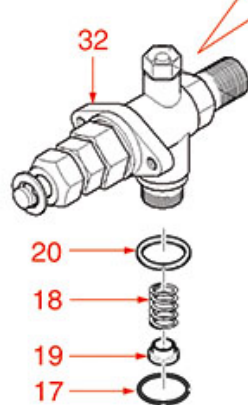
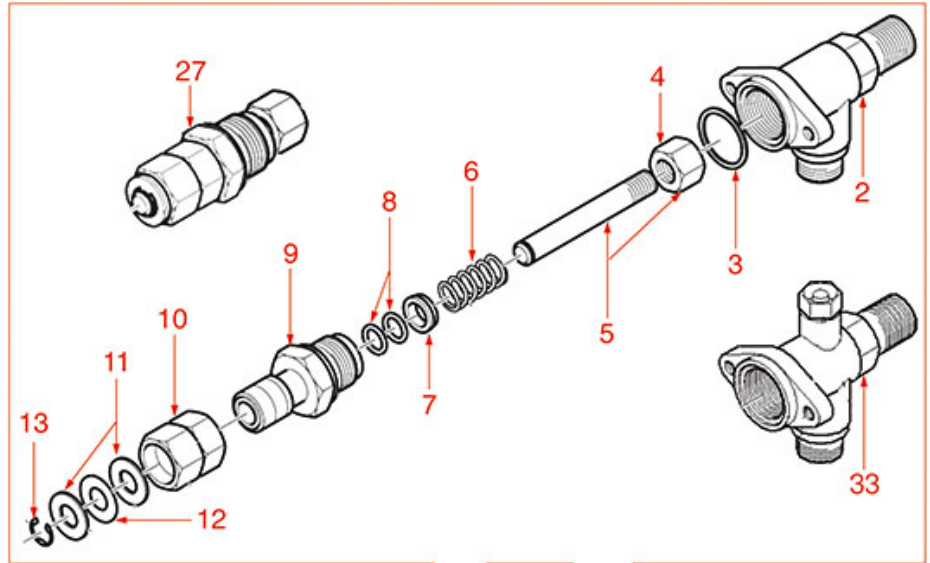
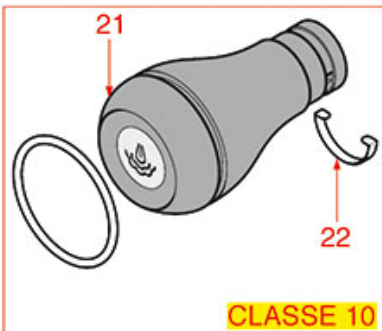


| Position | LF code no. | Description |
|----------|-------------|--|
| 2 | 1528022 | GASKET FASTENING NUT |
| 3 | 1186311 | NBR FLAT GASKET \varnothing 13x4x4 mm |
| 4 | 1324802 | TAP SPINDLE ASSEMBLY |
| 5 | 1250819 | VALVE SPRING \varnothing 16x30 mm |
| 6 | 1250025 | SPRING GUIDE |
| 7 | 1186804 | CONICAL PTFE SEAL \varnothing 14x9x6 mm |
| 8 | 1186810 | FLAT COPPER GASKET \varnothing 24x21x1 mm |
| 9 | 1349038 | TAP PIN |
| 10 | 1186814 | BRASS WASHER \varnothing 13x9x0.5 mm FLAT |
| 11 | 1250816 | CAP SPRING \varnothing 12x22 mm |
| 12 | 1348052 | TAP ADJUSTING BUSHING |
| 13 | 1186443 | PTFE FLAT GASKET \varnothing 18x9x0.5 mm |
| 14 | 1528017 | BRASS WASHER FLAT \varnothing 17x9x1 mm |
| 15 | 1348326 | SPRING RING RADIAL \varnothing 7 mm |
| 16 | 1348805 | STEAM TAP |
| 17 | 1348804 | CUP WARMER WATER TAP |
| 19 | 1449804 | NUT \varnothing 3/8" F H6 SPANNER 21 |
| 20 | 1241046 | WATER/STEAM TAP KNOB |
| 21 | 1241824 | WATER TAP KNOB |
| 22 | 1250820 | STEAM HANDLE SPRING |
| 23 | 1241831 | STEAM TAP KNOB |
| 24 | 1241830 | WATER TAP KNOB |
| 25 | 1241833 | WATER/STEAM TAP KNOB |
| 27 | 1186805 | O-RING 0115 EPDM |
| 28 | 1250151 | SPRING \varnothing 12x15 mm FOR STEAM PIPE |
| 29 | 1186670 | STEAM PIPE ARTICULATION BUSHING \varnothing 12x5mm |
| 30 | 1186201 | GASKET FLAT PTFE \varnothing 21x16.8x2 mm |
| 31 | 1449811 | COMPLETE STEAM PIPE |
| 32 | 1449051 | STEAM PIPE COMPLETE CHROME-PLATED \varnothing 10 m |
| 33 | 1449863 | STEAM PIPE COMPLETE STAINLESS STEEL \varnothing 10 |
| 33 | 1449865 | STAINLESS STEEL STEAM PIPE COMPLETE |
| 35 | 1449052 | COMPLETE WATER PIPE |
| 36 | 1449864 | COMPLETE WATER PIPE |
| 37 | 1449052 | COMPLETE WATER PIPE |



WATER-STEAM TAP CLASSE10-9-8-7-6

CLASSE10-9-8-7-6





RANCILIO

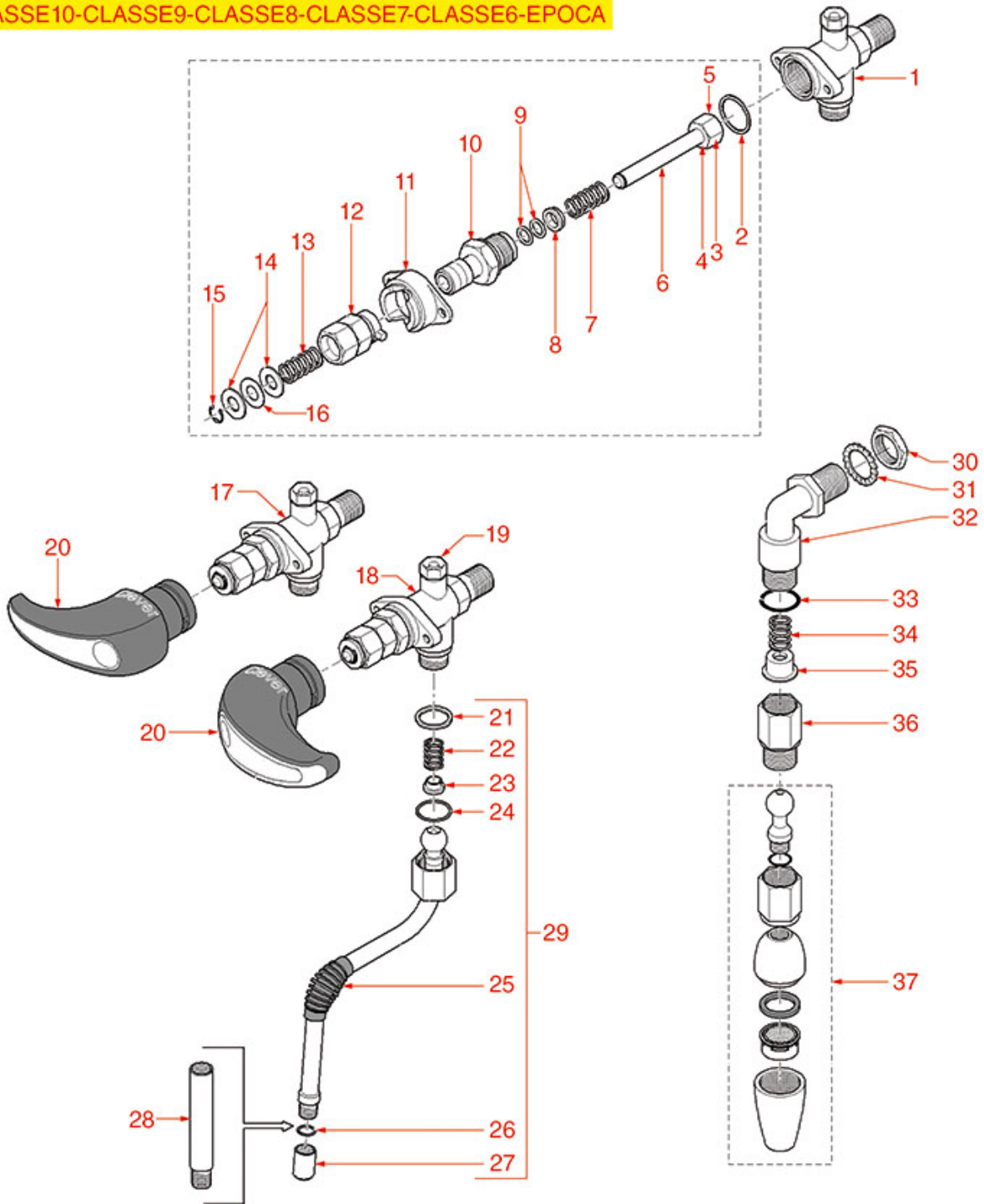


| Position | LF code no. | Description |
|----------|-------------|--|
| 1 | 1348855 | STEAM/WATER TAP |
| 3 | 1186810 | FLAT COPPER GASKET \varnothing 24x21x1 mm |
| 4 | 1528019 | NUT WITH GASKET |
| 5 | 1324078 | TAP ROD |
| 6 | 1250026 | SPRING \varnothing 12x31 mm |
| 7 | 1250027 | SPRING GUIDE |
| 8 | 1186803 | O-RING 02037 EPDM |
| 9 | 1348046 | TAP PIN |
| 10 | 1348045 | TAP BUSHING |
| 11 | 1528020 | WASHER FLAT LARGE M8 |
| 12 | 1186443 | PTFE FLAT GASKET \varnothing 18x9x0.5 mm |
| 13 | 1348326 | SPRING RING RADIAL \varnothing 7 mm |
| 14 | 1449804 | NUT \varnothing 3/8" F H6 SPANNER 21 |
| 17 | 1186805 | O-RING 0115 EPDM |
| 18 | 1250151 | SPRING \varnothing 12x15 mm FOR STEAM PIPE |
| 19 | 1186670 | STEAM PIPE ARTICULATION BUSHING \varnothing 12x5mm |
| 20 | 1186201 | GASKET FLAT PTFE \varnothing 21x16.8x2 mm |
| 21 | 1241048 | STEAM TAP KNOB |
| 22 | 1250820 | STEAM HANDLE SPRING |
| 23 | 1241046 | WATER/STEAM TAP KNOB |
| 24 | 1449811 | COMPLETE STEAM PIPE |
| 24 | 1449865 | STAINLESS STEEL STEAM PIPE COMPLETE |
| 26 | 1449053 | COMPLETE WATER PIPE |
| 27 | 5057551 | PIN FOR TAP |
| 28 | 5062752 | KNOB WATER TAP |
| 29 | 5056833 | KNOB STEAM TAP |
| 30 | 1449863 | STEAM PIPE COMPLETE STAINLESS STEEL \varnothing 10 |



WATER-STEAM TAP CLASSE10-9-8-7-6

CLASSE10-CLASSE9-CLASSE8-CLASSE7-CLASSE6-EPOCA



| | | | | | | | | | | | | | |
|--------------------------|--------------------------|-------------------|------------------|-----|-------------------|------------------|-----|----------------------|------------------|-----|-------------------|------------------|-----|
| <p>0+100°C</p> <p>50</p> | <p>0+100°C</p> <p>51</p> | <p>INOX 18/10</p> | --- | 100 | <p>INOX 18/10</p> | 0,20L 2 cups | 200 | <p>INOX AISI 202</p> | 0,10L 1 cup | 300 | <p>INOX 18/10</p> | 0,25L 2 cups | 400 |
| | | | --- | 101 | | 0,30L 3 cups | 201 | | --- | 301 | | 0,35L 3 cups | 401 |
| | | <p>INOX 18/10</p> | 0,60L 6 cups | 103 | <p>INOX 18/10</p> | 0,45L 4 cups | 202 | <p>INOX AISI 202</p> | 0,35L 3 cups | 302 | <p>INOX 18/10</p> | 0,50L 4 cups | 402 |
| | | | 0,70L 9 cups | 104 | | 0,60L 6 cups | 203 | | 0,60L 6 cups | 303 | | 0,75L 6 cups | 403 |
| | | <p>INOX 18/10</p> | 1,10L 12 cups | 105 | <p>INOX 18/10</p> | 0,70L 9 cups | 204 | <p>INOX AISI 202</p> | 1,00L 10 cups | 304 | <p>INOX 18/10</p> | 1,00L 10 cups | 404 |
| | | | --- | 106 | | 1,10L 12 cups | 205 | | 1,50L 12 cups | 305 | | 1,50L 13 cups | 405 |
| | | | --- | | | --- | 206 | | --- | 306 | | --- | 406 |

RA1202

Positions without LF code no.: upon request



RANCILIO



| Position | LF code no. | Description |
|----------|-------------|--|
| 2 | 1186810 | FLAT COPPER GASKET \varnothing 24x21x1 mm |
| 4 | 1528019 | NUT WITH GASKET |
| 5 | 1186175 | BLIND GASKET \varnothing 13x4 mm |
| 6 | 1324078 | TAP ROD |
| 7 | 1250026 | SPRING \varnothing 12x31 mm |
| 8 | 1250027 | SPRING GUIDE |
| 9 | 1186803 | O-RING 02037 EPDM |
| 11 | 5042535 | LEFT CAM FOR QUICK STEAM TAP |
| 11 | 5042537 | RIGHT CAM FOR QUICK STEAM TAP |
| 12 | 5063099 | BUSHING TAP |
| 14 | 1528020 | WASHER FLAT LARGE M8 |
| 15 | 1348326 | SPRING RING RADIAL \varnothing 7 mm |
| 16 | 1186443 | PTFE FLAT GASKET \varnothing 18x9x0.5 mm |
| 17 | 5033627 | QUICK LEFT STEAM TAP WITH VENTING |
| 18 | 5033628 | QUICK RIGHT STEAM TAP WITH VENTING |
| 20 | 5033626 | STEAM TAP KNOB |
| 21 | 1186201 | GASKET FLAT PTFE \varnothing 21x16.8x2 mm |
| 22 | 1250224 | SPRING \varnothing 12x12 mm |
| 23 | 1186793 | CONICAL PTFE SEAL \varnothing 12x6.5 mm |
| 24 | 1186794 | PTFE FLAT GASKET \varnothing 14.6x12x3 mm |
| 25 | 1186180 | BURN PREVENTING RUBBERPIECE \varnothing 10 mm |
| 29 | 1449863 | STEAM PIPE COMPLETE STAINLESS STEEL \varnothing 10 |
| 30 | 1449804 | NUT \varnothing 3/8" F H6 SPANNER 21 |
| 33 | 1186201 | GASKET FLAT PTFE \varnothing 21x16.8x2 mm |
| 34 | 1250224 | SPRING \varnothing 12x12 mm |
| 35 | 1186793 | CONICAL PTFE SEAL \varnothing 12x6.5 mm |
| 37 | 1449053 | COMPLETE WATER PIPE |
| 50 | 1394553 | ANALOGICAL THERMOMETER \varnothing 25 mm |
| 51 | 1394554 | ANALOG THERMOMETER \varnothing 45 mm |
| 103 | 1024051 | SERVING COFFEE POT PRATIKA 0.60 L |
| 104 | 1024052 | SERVING COFFEE POT PRATIKA 0.70 L |
| 105 | 1024053 | SERVING COFFEE POT PRATIKA 1.10 L |
| 200 | 1024001 | MILK PITCHER PRATIKA 0.20 L |
| 201 | 1024002 | MILK PITCHER PRATIKA 0.30 L |
| 202 | 1024003 | MILK PITCHER PRATIKA 0.45 L |
| 203 | 1024004 | MILK PITCHER PRATIKA 0.60 L |
| 204 | 1024005 | MILK PITCHER PRATIKA 0.70 L |
| 205 | 1024006 | MILK PITCHER PRATIKA 1.10 L |
| 300 | 1224900 | MILK PITCHER 0.10L |
| 302 | 1224901 | MILK JUG 0.35 L |
| 303 | 1224902 | MILK JUG 0.60 L |
| 304 | 1224903 | MILK JUG 1 L |
| 305 | 1224904 | MILK JUG 1.5 L |
| 400 | 1224014 | MILK PITCHER EUROPA WITH SPOUT 0.25 L |
| 401 | 1224015 | MILK PITCHER EUROPA WITH SPOUT 0.35 L |
| 402 | 1224010 | MILK PITCHER EUROPA WITH SPOUT 0.50 L |
| 403 | 1224011 | MILK PITCHER EUROPA WITH SPOUT 0.75 L |
| 404 | 1224012 | MILK PITCHER EUROPA WITH SPOUT 1 L |
| 405 | 1224013 | MILK PITCHER EUROPA WITH SPOUT 1.5 L |

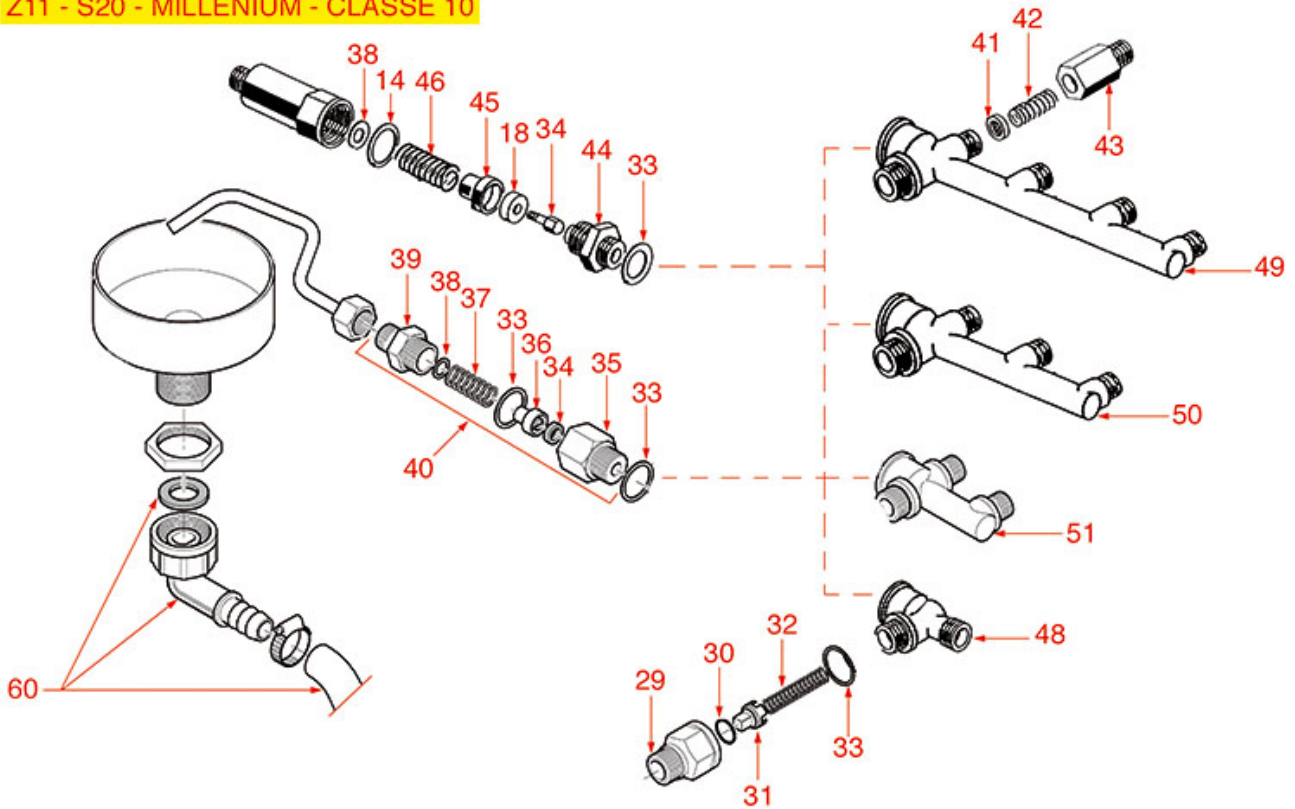


RANCILIO



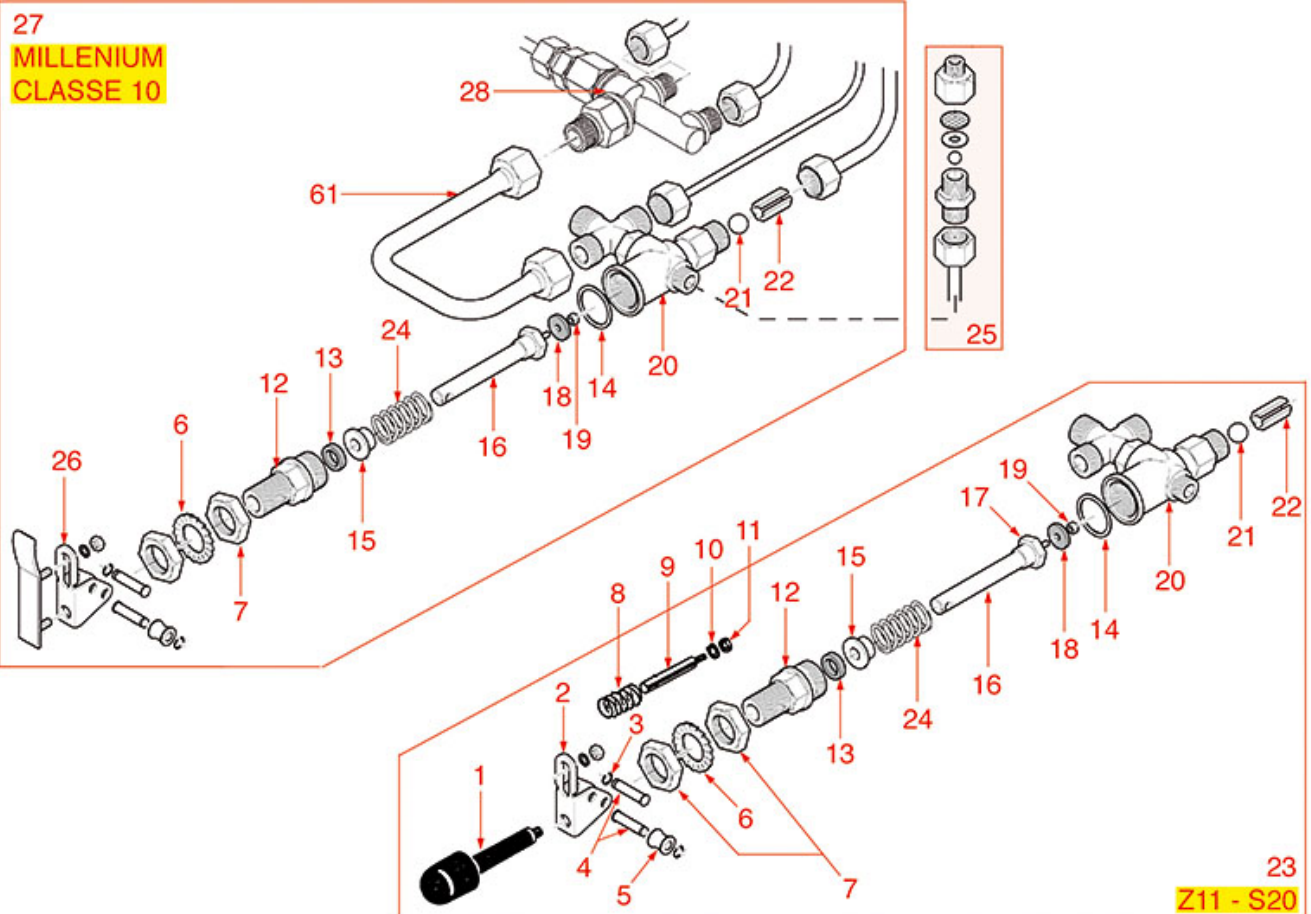
WATER INLET TAP

Z11 - S20 - MILLENIUM - CLASSE 10



27

MILLENIUM
CLASSE 10



Z11 - S20

RA2002

Positions without LF code no.: upon request



RANCILIO



| Position | LF code no. | Description |
|----------|-------------|--|
| 3 | 1348817 | CIRCLIP RADIAL \varnothing 4 mm |
| 8 | 1250816 | CAP SPRING \varnothing 12x22 mm |
| 10 | 1348814 | TOOTHED WASHER EXT. M4 |
| 11 | 1348813 | HEXAGONAL NUT M4 MEDIUM |
| 12 | 1349038 | TAP PIN |
| 13 | 1348826 | LIP SEAL \varnothing 15x9x4.5 mm |
| 14 | 1186810 | FLAT COPPER GASKET \varnothing 24x21x1 mm |
| 18 | 1186311 | NBR FLAT GASKET \varnothing 13x4x4 mm |
| 20 | 1348810 | INLET TAP BODY |
| 21 | 1348812 | SPHERE MADE OF STAINLESS STEEL \varnothing 9.52 mm |
| 22 | 1348811 | SPACER INLET TAP |
| 23 | 1348807 | WATER INLET TAP |
| 24 | 1250819 | VALVE SPRING \varnothing 16x30 mm |
| 25 | 1523802 | COUPLING WITH FILTER \varnothing 1/8"M-1/4"M |
| 27 | 1348807 | WATER INLET TAP |
| 30 | 1186411 | O-RING 02031 EPDM |
| 32 | 1250040 | SPRING \varnothing 8x55 mm |
| 33 | 1186620 | COPPER FLAT GASKET \varnothing 22x17x1.5 mm |
| 34 | 1186454 | FLAT EPDM GASKET \varnothing 11x3.6x2 mm |
| 37 | 1250030 | SPRING \varnothing 12x17 mm |
| 40 | 1523009 | EXPANSION VALVE \varnothing 3/8"M-1/4"M |
| 41 | 1160012 | FILTER \varnothing 11 mm |
| 42 | 1250028 | SPRING \varnothing 10x26 mm |
| 46 | 1250819 | VALVE SPRING \varnothing 16x30 mm |
| 60 | 1449876 | DRAIN PIPE \varnothing 3/4"F 1500 mm |

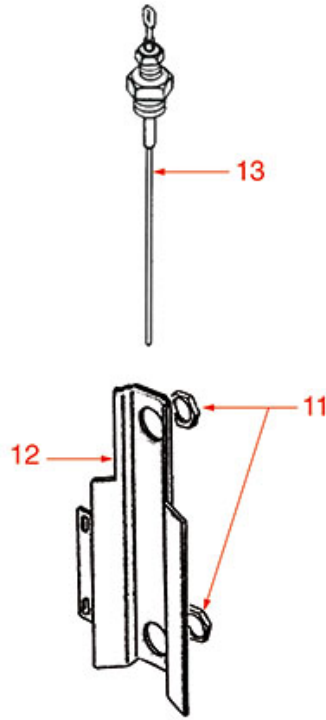
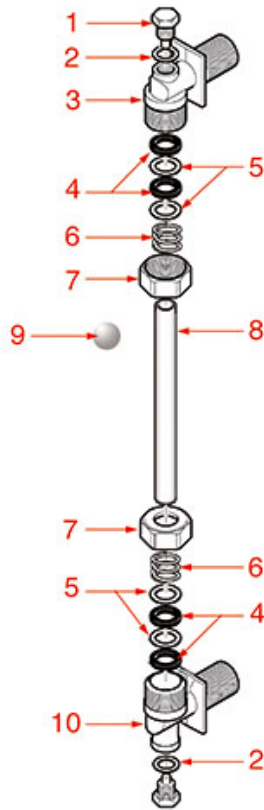


RANCILIO



LEVELS

Z9 - Z11 - S20 - MILLENIUM

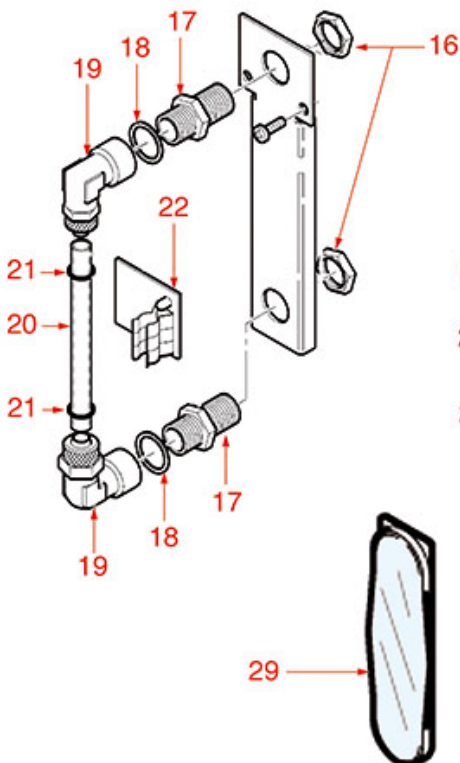


Z11 - S20

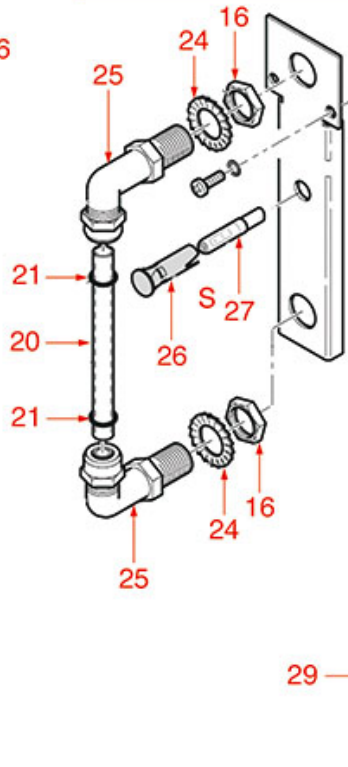


MILLENIUM

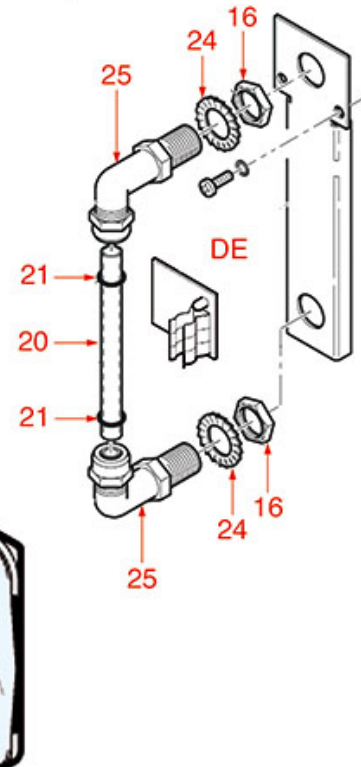
EPOCA - CLASSE 10



CLASSE 8 - CLASSE 6



CLASSE 8 - CLASSE 6



RA2502

Positions without LF code no.: upon request



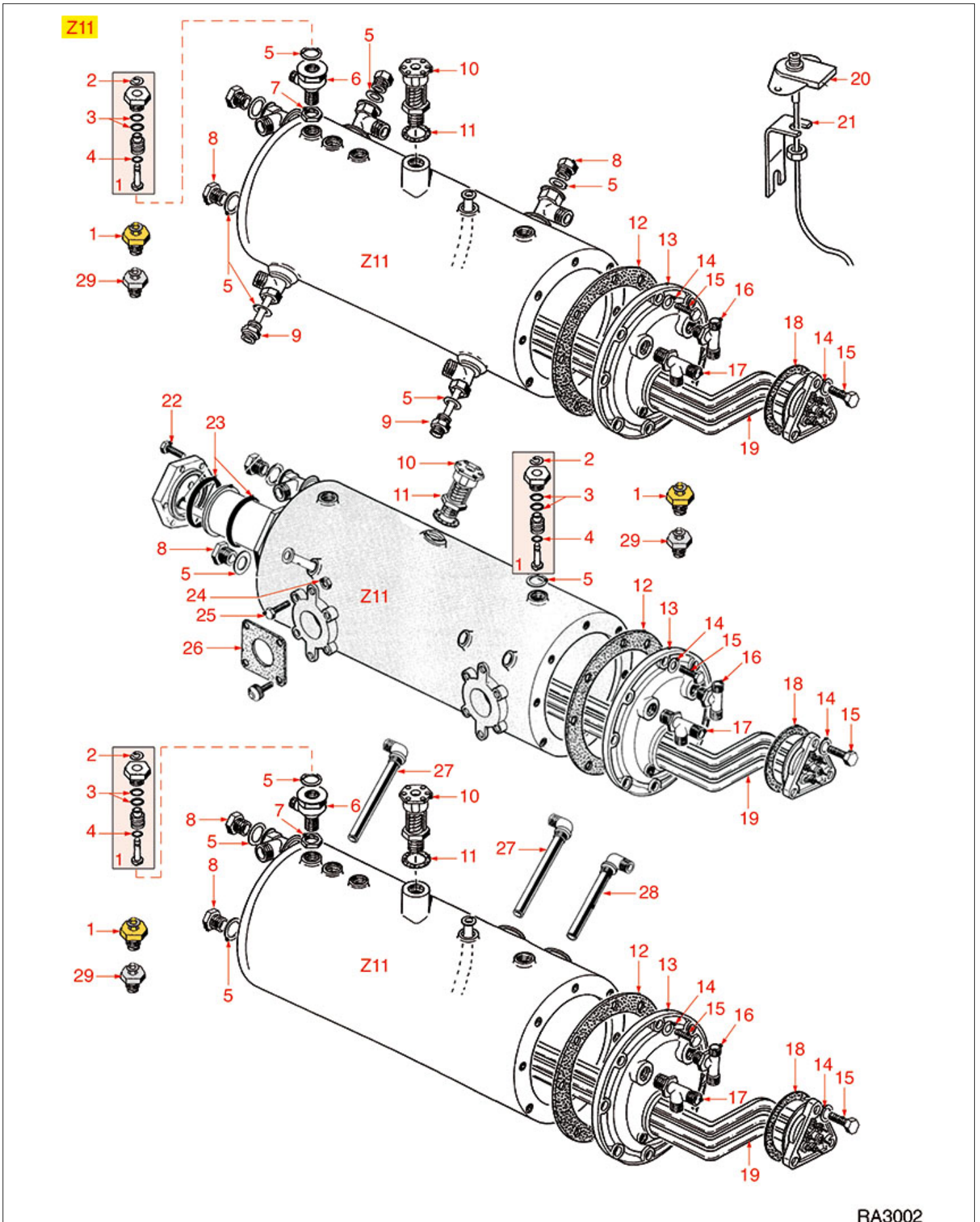
RANCILIO



| Position | LF code no. | Description |
|----------|-------------|---|
| 2 | 1348821 | COPPER FLAT GASKET \varnothing 15x10x1 mm |
| 4 | 1186251 | FLAT EPDM GASKET \varnothing 18x12x3 mm |
| 5 | 1186807 | BRASS WASHER \varnothing 18x13x0.5 mm FLAT |
| 6 | 1250806 | LEVEL SPRING \varnothing 17.2x13 mm |
| 8 | 1520561 | LEVEL GLASS \varnothing 12x140 mm |
| 9 | 1323001 | RED LEVEL BALL \varnothing 5.8 mm |
| 13 | 1341750 | LEVEL PROBE \varnothing 1/4"M-125 mm |
| 13 | 1341802 | LEVEL PROBE \varnothing 1/8"M-115 mm |
| 14 | 1201801 | LEVEL/PRESSURE GAUGE COVER ML |
| 15 | 1201585 | LEVEL PLATE 90x50 mm |
| 16 | 1449804 | NUT \varnothing 3/8"F H6 SPANNER 21 |
| 18 | 1186314 | PTFE FLAT GASKET \varnothing 22x17x2 mm |
| 18 | 1186620 | COPPER FLAT GASKET \varnothing 22x17x1.5 mm |
| 20 | 1449877 | PTFE LEVEL GLASS \varnothing 10x107 mm |
| 21 | 1186803 | O-RING 02037 EPDM |
| 22 | 1390002 | LEVEL CONTROL CIRCUIT BOARD |
| 26 | 3221163 | ORANGE LAMP RECEPTACLE |
| 27 | 3221097 | NEUTRAL INDICATOR LAMP 220V |
| 29 | 1201007 | LEVEL GAUGE PLATE 61x18 mm |



BOILER Z11





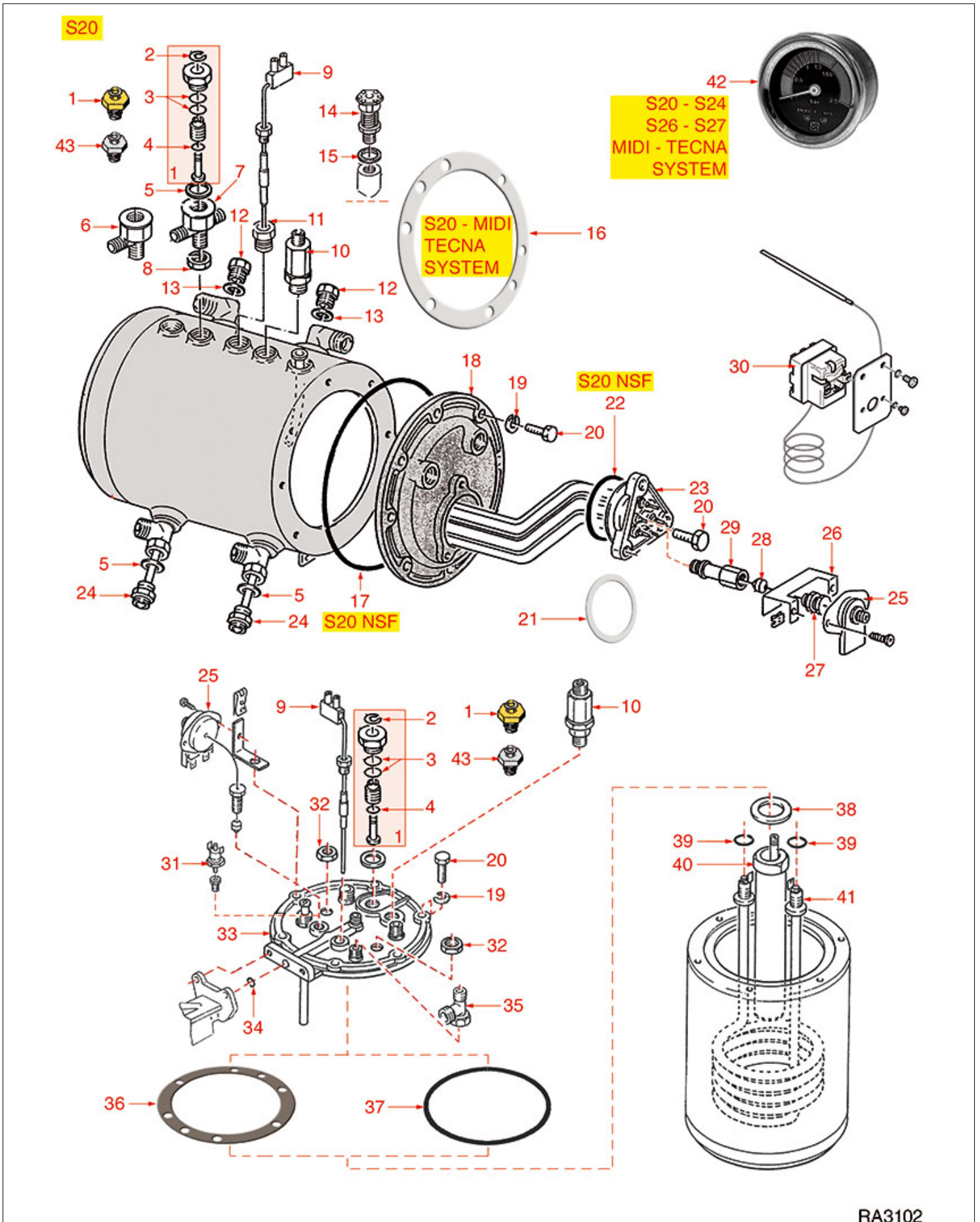
RANCILIO



| Position | LF code no. | Description |
|----------|-------------|--|
| 1 | 1523651 | BOILER VALVE \varnothing 3/8"M |
| 3 | 1186901 | O-RING 02031 - RED SILICON |
| 4 | 1186362 | "O" RING 02021 EPDM |
| 5 | 1186620 | COPPER FLAT GASKET \varnothing 22x17x1.5 mm |
| 7 | 1349351 | NUT \varnothing 3/8"F H5 KEY 24 mm |
| 9 | 1449055 | INJECTION PIPE \varnothing 1/4"M |
| 10 | 1515110 | BOILER VALVE \varnothing 1/2"M 1.8bar CE-PED |
| 11 | 1186823 | COPPER FLAT GASKET \varnothing 27x21.5x1 mm |
| 12 | 1186801 | BOILER GASKET \varnothing 175x123x2 mm |
| 15 | 1528026 | CYLINDER HEAD SCREW M8x20 |
| 18 | 1186455 | PTFE FLAT GASKET \varnothing 65x47x1.5 mm |
| 18 | 3186011 | FLAT CARBO GASKET \varnothing 63x48x2 mm |
| 19 | 1755182 | HEATING ELEMENT 3000W 220/380V |
| 19 | 1755183 | HEATING ELEMENT 6000W 230/380V |
| 19 | 1755777 | HEATING ELEMENT 2700W 110V |
| 19 | 3355454 | HEATING ELEMENT 3900W 220V 6-POLE |
| 19 | 3355455 | HEATING ELEMENT 4500W 220V 6-POLE |
| 20 | 3444230 | TWO-POLE THERMOSTAT 165°C |
| 23 | 1186456 | VITON O RING 06300 |
| 25 | 1184820 | HEXAGON HEAD SCREW M6x25 |
| 29 | 1523051 | BOILER VALVE \varnothing 3/8"M |



BOILER S20





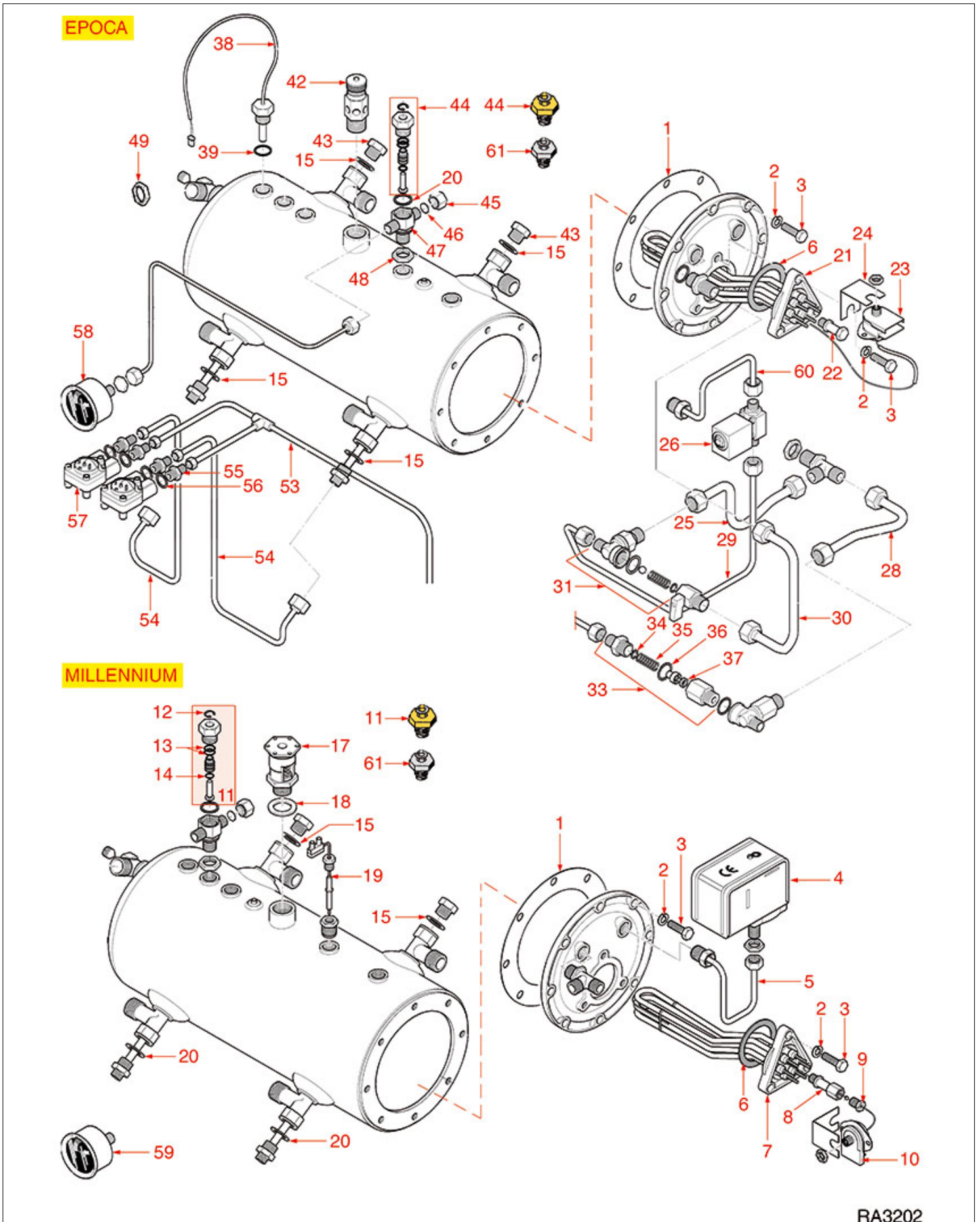
RANCILIO



| Position | LF code no. | Description |
|----------|-------------|---|
| 1 | 1523534 | BOILER VALVE \varnothing 1/4"M |
| 1 | 1523537 | BOILER VALVE \varnothing 1/4"M |
| 1 | 1523651 | BOILER VALVE \varnothing 3/8"M |
| 3 | 1186901 | O-RING 02031 - RED SILICON |
| 4 | 1186362 | "O" RING 02021 EPDM |
| 5 | 1186620 | COPPER FLAT GASKET \varnothing 22x17x1.5 mm |
| 8 | 1349351 | NUT \varnothing 3/8"F H5 KEY 24 mm |
| 9 | 1341802 | LEVEL PROBE \varnothing 1/8"M-115 mm |
| 10 | 1523700 | NON-RETURN VALVE \varnothing 1/8"M-1/8"M |
| 13 | 1186620 | COPPER FLAT GASKET \varnothing 22x17x1.5 mm |
| 14 | 1515110 | BOILER VALVE \varnothing 1/2"M 1.8bar CE-PED |
| 15 | 1186823 | COPPER FLAT GASKET \varnothing 27x21.5x1 mm |
| 16 | 1186801 | BOILER GASKET \varnothing 175x123x2 mm |
| 17 | 1186808 | BOILER GASKET \varnothing 145x135x5 mm |
| 20 | 1528026 | CYLINDER HEAD SCREW M8x20 |
| 21 | 1186455 | PTFE FLAT GASKET \varnothing 65x47x1.5 mm |
| 22 | 1186453 | O-RING M 0500-40 RED SILICONE |
| 23 | 1755182 | HEATING ELEMENT 3000W 220/380V |
| 23 | 1755777 | HEATING ELEMENT 2700W 110V |
| 23 | 3355453 | HEATING ELEMENT 2100W 220V 6 POLI |
| 23 | 3355454 | HEATING ELEMENT 3900W 220V 6-POLE |
| 23 | 3355455 | HEATING ELEMENT 4500W 220V 6-POLE |
| 24 | 1449055 | INJECTION PIPE \varnothing 1/4"M |
| 25 | 3444230 | TWO-POLE THERMOSTAT 165°C |
| 30 | 1444004 | THREE-PHASE THERMOSTAT 187°C |
| 31 | 1443002 | CONTACT THERMOSTAT 165°C M4 |
| 34 | 1186612 | O-RING 02025 VITON |
| 36 | 1186449 | BOILER GASKET \varnothing 130x116x2 mm |
| 37 | 1186806 | SILICONE O-RING 04475 |
| 38 | 1186450 | FLAT GASKET \varnothing 32x26x1 mm |
| 39 | 1186458 | RED SILICONE RING 03050 |
| 41 | 1755801 | HEATING ELEMENT 1700W 230V |
| 42 | 1245900 | BOILER PRESSURE GAUGE \varnothing 52 mm 0÷2.5 bar |
| 43 | 1523051 | BOILER VALVE \varnothing 3/8"M |



BOILER EPOCA-MILLENIUM



Positions without LF code no.: upon request



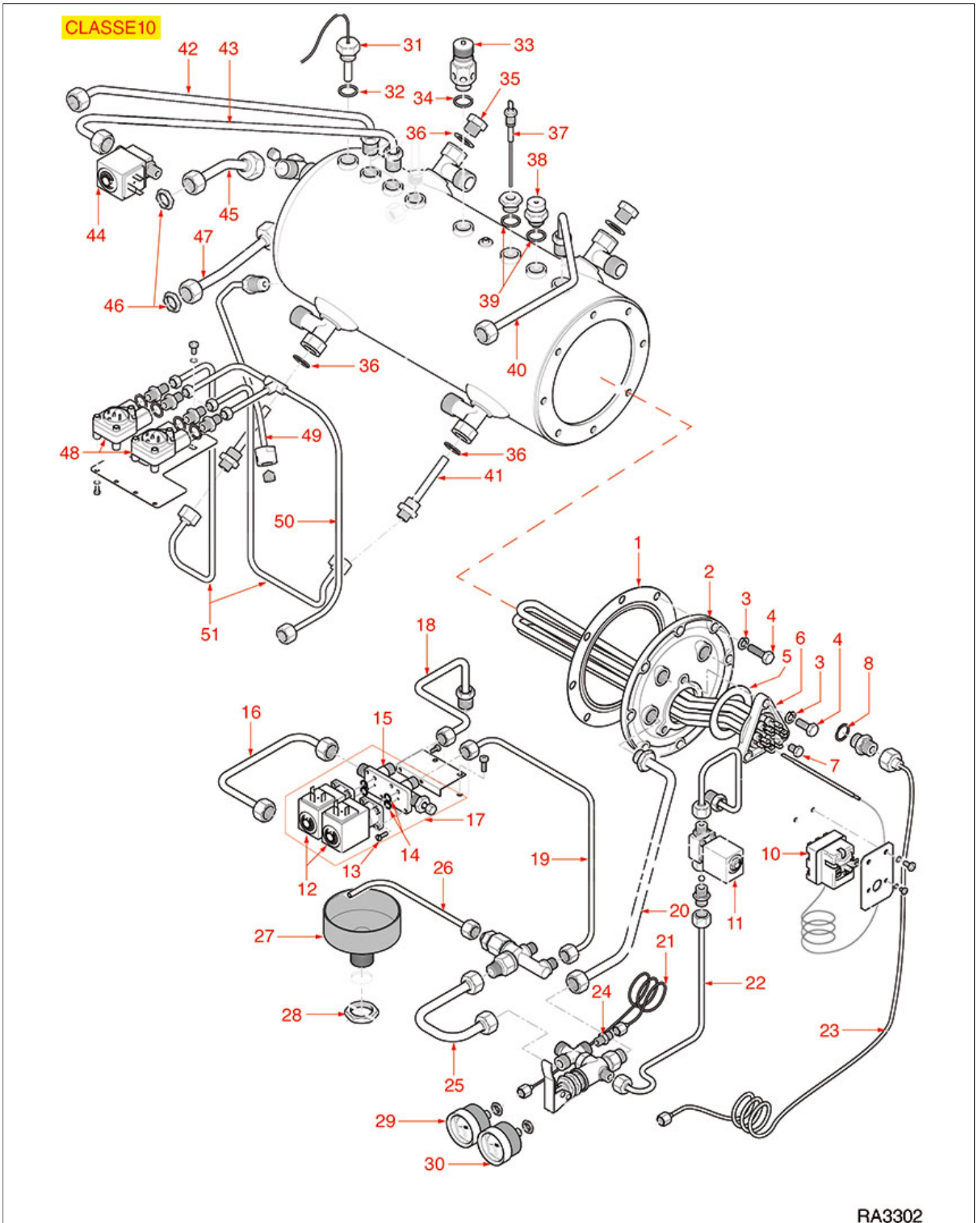
RANCILIO



| Position | LF code no. | Description |
|----------|-------------|---|
| 1 | 1186801 | BOILER GASKET ø 175x123x2 mm |
| 3 | 1528026 | CYLINDER HEAD SCREW M8x20 |
| 4 | 1320531 | PRESSURE SWITCH P302/6 3-POLES 30A |
| 6 | 1186455 | PTFE FLAT GASKET ø 65x47x1.5 mm |
| 7 | 1755182 | HEATING ELEMENT 3000W 220/380V |
| 7 | 1755183 | HEATING ELEMENT 6000W 230/380V |
| 7 | 1755777 | HEATING ELEMENT 2700W 110V |
| 7 | 3355454 | HEATING ELEMENT 3900W 220V 6-POLE |
| 10 | 3444230 | TWO-POLE THERMOSTAT 165°C |
| 11 | 1523651 | BOILER VALVE ø 3/8"M |
| 13 | 1186901 | O-RING 02031 - RED SILICON |
| 14 | 1186362 | "O" RING 02021 EPDM |
| 15 | 1186620 | COPPER FLAT GASKET ø 22x17x1.5 mm |
| 17 | 1515110 | BOILER VALVE ø 1/2"M 1.8bar CE-PED |
| 18 | 1186823 | COPPER FLAT GASKET ø 27x21.5x1 mm |
| 19 | 1341802 | LEVEL PROBE ø 1/8"M-115 mm |
| 20 | 1186620 | COPPER FLAT GASKET ø 22x17x1.5 mm |
| 21 | 1755048 | HEATING ELEMENT 4300W 230/400V |
| 22 | 1755186 | COVER FOR HEATING ELEMENT M 10x1 |
| 23 | 1444005 | BIPOLAR THERMOSTAT 165° |
| 34 | 1186411 | O-RING 02031 EPDM |
| 35 | 1250030 | SPRING ø 12x17 mm |
| 36 | 1186620 | COPPER FLAT GASKET ø 22x17x1.5 mm |
| 37 | 1186454 | FLAT EPDM GASKET ø 11x3.6x2 mm |
| 38 | 1341801 | TEMPERATURE PROBE ø 3/8"M |
| 39 | 1186346 | O-RING 02043 EPDM |
| 42 | 1515110 | BOILER VALVE ø 1/2"M 1.8bar CE-PED |
| 42 | 1523029 | BOILER VALVE ø 3/8"M - 1.6 bar CE/PED |
| 44 | 1523651 | BOILER VALVE ø 3/8"M |
| 48 | 1349351 | NUT ø 3/8"F H5 KEY 24 mm |
| 49 | 1449804 | NUT ø 3/8"F H6 SPANNER 21 |
| 55 | 1349111 | FITTING ø 1/8"M 1/4"M |
| 56 | 1186619 | COPPER FLAT GASKET ø 18x14x1.5 mm |
| 57 | 1455026 | VOLUMETRIC FLOWMETER GICAR |
| 58 | 1245900 | BOILER PRESSURE GAUGE ø 52 mm 0÷2.5 bar |
| 59 | 1245013 | BOILER-PUMP PRESSURE GAUGE ø 63 mm |
| 61 | 1523051 | BOILER VALVE ø 3/8"M |



BOILER CLASSE 10



RA3302

Positions without LF code no.: upon request



RANCILIO

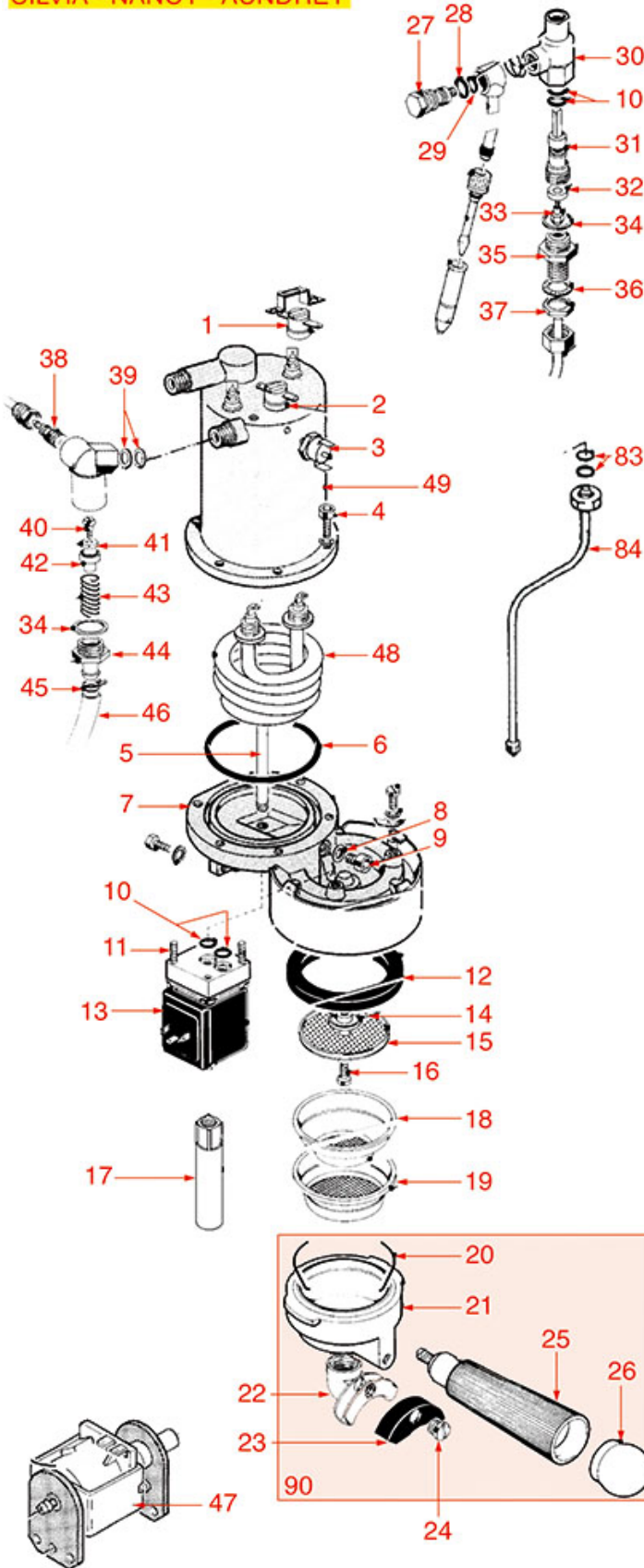


| Position | LF code no. | Description |
|----------|-------------|---|
| 1 | 1186801 | BOILER GASKET \varnothing 175x123x2 mm |
| 4 | 1528026 | CYLINDER HEAD SCREW M8x20 |
| 5 | 1186455 | PTFE FLAT GASKET \varnothing 65x47x1.5 mm |
| 6 | 1755048 | HEATING ELEMENT 4300W 230/400V |
| 6 | 1755049 | HEATING ELEMENT 6000W 230V |
| 6 | 1755182 | HEATING ELEMENT 3000W 220/380V |
| 7 | 1755186 | COVER FOR HEATING ELEMENT M 10x1 |
| 8 | 1186201 | GASKET FLAT PTFE \varnothing 21x16.8x2 mm |
| 10 | 1444004 | THREE-PHASE THERMOSTAT 187°C |
| 12 | 1120352 | 2-WAY SOLENOID VALVE PARKER 230V 50/60Hz |
| 13 | 1184006 | LOW CYLINDER HEAD SCREW M4x12 |
| 14 | 1186611 | O-RING 02025 RED SILICONE |
| 14 | 1186612 | O-RING 02025 VITON |
| 27 | 1527812 | DRAIN TUB NSF |
| 28 | 3523086 | NUT \varnothing 3/4" |
| 29 | 1245012 | PUMP PRESSURE GAUGE \varnothing 41 mm 0+16 bar |
| 30 | 1245014 | BOILER PRESSURE GAUGE \varnothing 40 mm 0+2.5 bar |
| 30 | 1245023 | BOILER PRESSURE GAUGE \varnothing 40 mm 0+2.5 bar |
| 31 | 1341801 | TEMPERATURE PROBE \varnothing 3/8"M |
| 32 | 1186346 | O-RING 02043 EPDM |
| 33 | 1523029 | BOILER VALVE \varnothing 3/8"M - 1.6 bar CE/PED |
| 33 | 1523059 | BOILER VALVE \varnothing 3/8"M - 1.8 bar CE/PED |
| 34 | 1186314 | PTFE FLAT GASKET \varnothing 22x17x2 mm |
| 34 | 1186394 | ASBESTOS FREE FLAT GASKET \varnothing 22x17x2 mm |
| 36 | 1186620 | COPPER FLAT GASKET \varnothing 22x17x1.5 mm |
| 37 | 1341802 | LEVEL PROBE \varnothing 1/8"M-115 mm |
| 39 | 1186620 | COPPER FLAT GASKET \varnothing 22x17x1.5 mm |
| 41 | 1449055 | INJECTION PIPE \varnothing 1/4"M |
| 46 | 1449804 | NUT \varnothing 3/8"F H6 SPANNER 21 |
| 48 | 1455026 | VOLUMETRIC FLOWMETER GICAR |

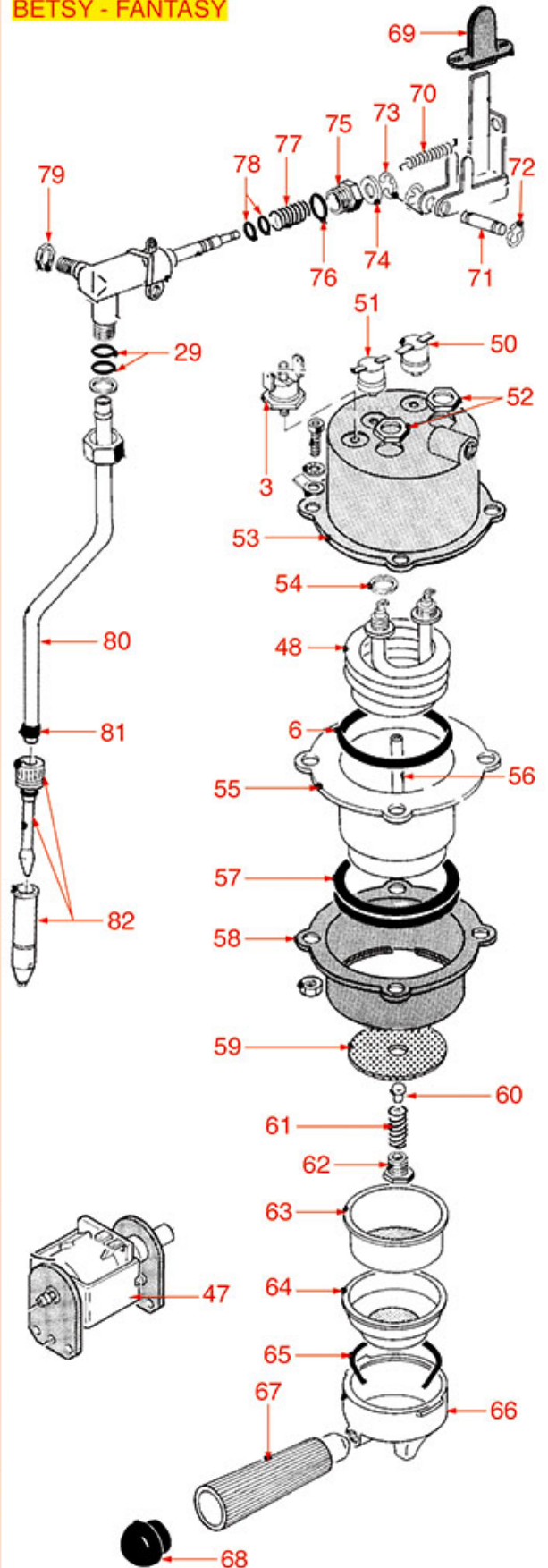


HOUSEHOLD LINE

SILVIA - NANCY - AUNDREY



BETSY - FANTASY



RA4002



RANCILIO



| Position | LF code no. | Description |
|----------|-------------|--|
| 1 | 1443206 | CONTACT THERMOSTAT 100°C |
| 2 | 1444007 | CONTACT THERMOSTAT 140°C 10A 250V |
| 3 | 1443002 | CONTACT THERMOSTAT 165°C M4 |
| 4 | 1528023 | COUNTERSUNK FLAT HEAD SCREWS M5x16 |
| 6 | 1186457 | RED SILICONE O RING 0177 |
| 8 | 1186811 | COPPER FLAT GASKET \varnothing 10x6x1 mm |
| 9 | 1184804 | CYLINDER HEAD SCREW M6x8 |
| 10 | 1186611 | O-RING 02025 RED SILICONE |
| 10 | 1186612 | O-RING 02025 VITON |
| 11 | 1184006 | LOW CYLINDER HEAD SCREW M4x12 |
| 12 | 1186452 | FILTER HOLDER GASKET \varnothing 74x58x8.2 mm |
| 12 | 5012498 | GASKET FILTER HOLDER \varnothing 74x58x8.2 mm |
| 13 | 1120330 | 3-WAY SOLENOID VALVE LUCIFER 240V 50Hz |
| 14 | 1349803 | BREW GROUP SPRAY NOZZLE \varnothing 21 mm |
| 15 | 1081036 | SHOWER \varnothing 57.5 mm |
| 15 | 1081536 | SHOWER SCREEN \varnothing 57.5 mm |
| 16 | 1528516 | CYLINDER HEAD SCREW M5x12 |
| 17 | 1349037 | DRAIN PIPE |
| 18 | 1160251 | 1 CUP FILTER 6 g |
| 19 | 1160252 | FILTER 2-CUP 12 g |
| 28 | 1186803 | O-RING 02037 EPDM |
| 29 | 1186612 | O-RING 02025 VITON |
| 32 | 1186822 | VITON FLAT GASKET \varnothing 13x4x4 mm |
| 34 | 1186620 | COPPER FLAT GASKET \varnothing 22x17x1.5 mm |
| 47 | 1122737 | VIBRATORY PUMP EP5 48W 230V 50Hz |
| 48 | 1755046 | HEATING ELEMENT 1100W 230V |
| 49 | 5031156 | BOILER WITH HEATING ELEMENT 230V 1100W |
| 54 | 3060608 | O-RING O3050 EPDM |
| 76 | 1186346 | O-RING 02043 EPDM |
| 78 | 1186421 | O-RING 02018 EPDM |
| 83 | 1186612 | O-RING 02025 VITON |
| 84 | 1449141 | CHROME-PLATED COMPLETE STEAM PIPE \varnothing 6 mm |
| 90 | 1165030 | 2 CUPS FILTER HOLDER ASSEMBLY RANCILIO |

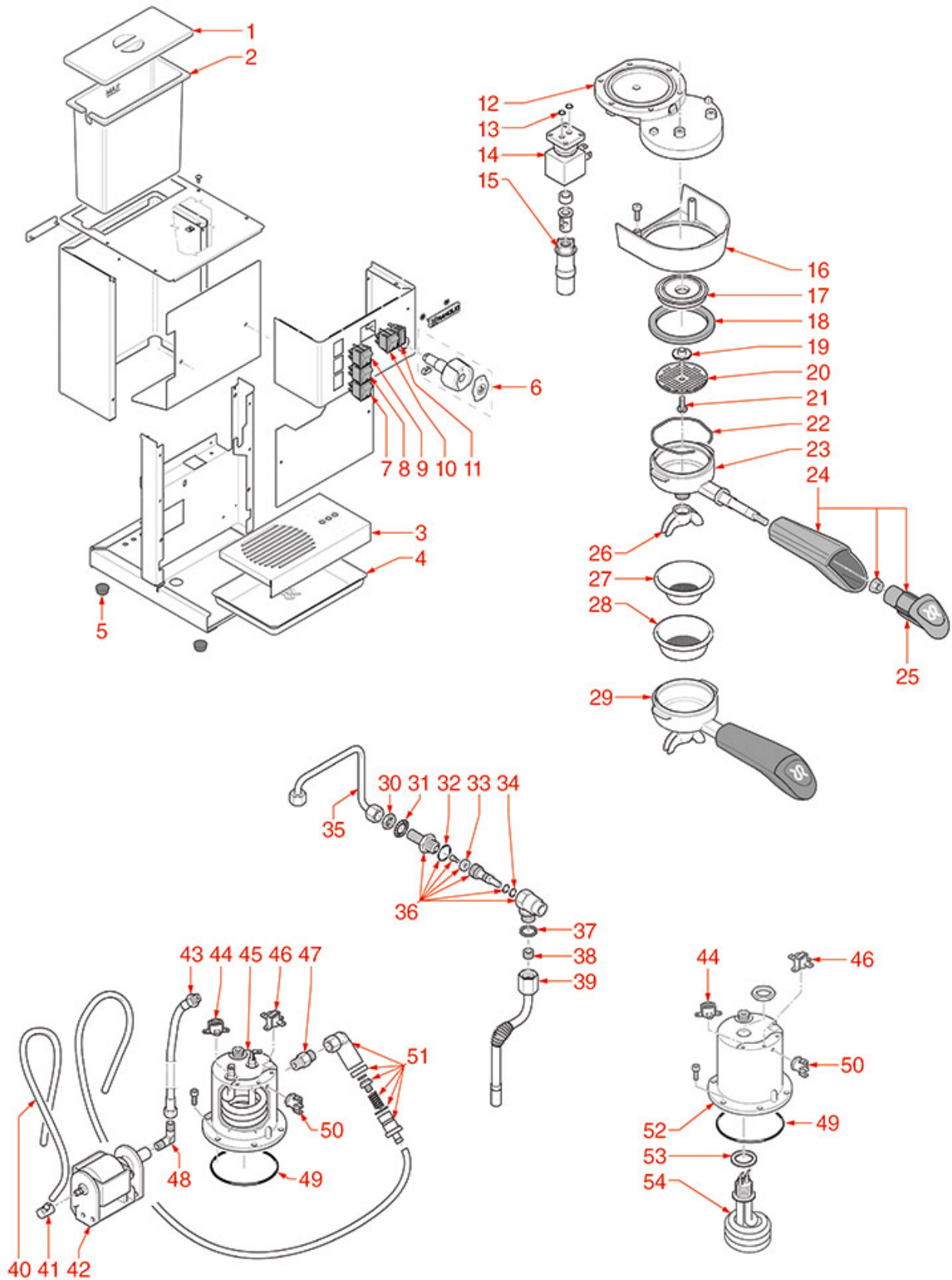


RANCILIO



HOUSEHOLD LINE NEW

SILVIA



RA4102

Positions without LF code no.: upon request



RANCILIO

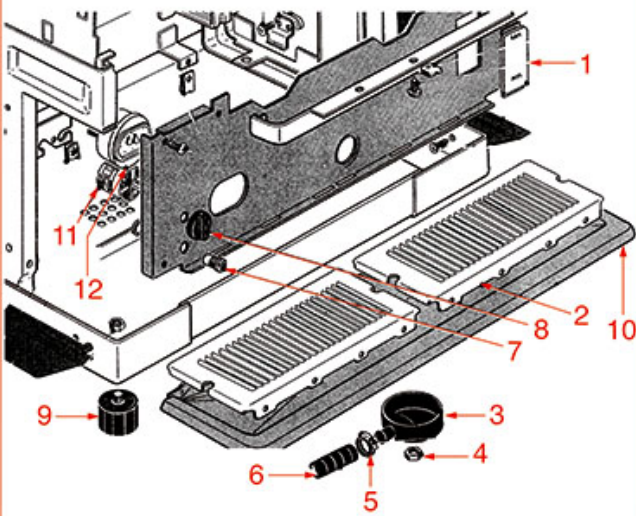


| Position | LF code no. | Description |
|----------|-------------|---|
| 2 | 5023308 | WATER CONTAINER |
| 6 | 5055880 | KNOB STEAM TAP |
| 8 | 1319806 | BLACK BIPOLAR SWITCH 16A 250V |
| 9 | 1319809 | BLACK BIPOLAR SWITCH 16A 250V |
| 10 | 1319862 | BLACK BIPOLAR SWITCH 16A 250V |
| 13 | 1186611 | O-RING 02025 RED SILICONE |
| 13 | 1186612 | O-RING 02025 VITON |
| 15 | 1349037 | DRAIN PIPE |
| 16 | 5057855 | RING GROUP COVER |
| 17 | 1086014 | SHOWER HOLDER DIFFUSER |
| 18 | 1186452 | FILTER HOLDER GASKET \varnothing 74x58x8.2 mm |
| 18 | 5012498 | GASKET FILTER HOLDER \varnothing 74x58x8.2 mm |
| 19 | 1349803 | BREW GROUP SPRAY NOZZLE \varnothing 21 mm |
| 20 | 1081036 | SHOWER \varnothing 57.5 mm |
| 20 | 1081536 | SHOWER SCREEN \varnothing 57.5 mm |
| 21 | 1528012 | CYLINDER HEAD SCREW M5x14 |
| 23 | 1165046 | FILTER HOLDER RANCILIO |
| 24 | 1141012 | KNOB FILTER HOLDER |
| 27 | 1160251 | 1 CUP FILTER 6 g |
| 28 | 1160252 | FILTER 2-CUP 12 g |
| 29 | 1165030 | 2 CUPS FILTER HOLDER ASSEMBLY RANCILIO |
| 32 | 1186620 | COPPER FLAT GASKET \varnothing 22x17x1.5 mm |
| 33 | 1186822 | VITON FLAT GASKET \varnothing 13x4x4 mm |
| 34 | 1186612 | O-RING 02025 VITON |
| 37 | 1186201 | GASKET FLAT PTFE \varnothing 21x16.8x2 mm |
| 38 | 1186793 | CONICAL PTFE SEAL \varnothing 12x6.5 mm |
| 38 | 1250224 | SPRING \varnothing 12x12 mm |
| 42 | 1122737 | VIBRATORY PUMP EP5 48W 230V 50Hz |
| 42 | 2102265 | VIBRATION PUMP EP5 41W 120V 60Hz |
| 45 | 5031156 | BOILER WITH HEATING ELEMENT 230V 1100W |
| 49 | 1186457 | RED SILICONE O RING 0177 |
| 50 | 1443002 | CONTACT THERMOSTAT 165°C M4 |
| 52 | 5031156 | BOILER WITH HEATING ELEMENT 230V 1100W |

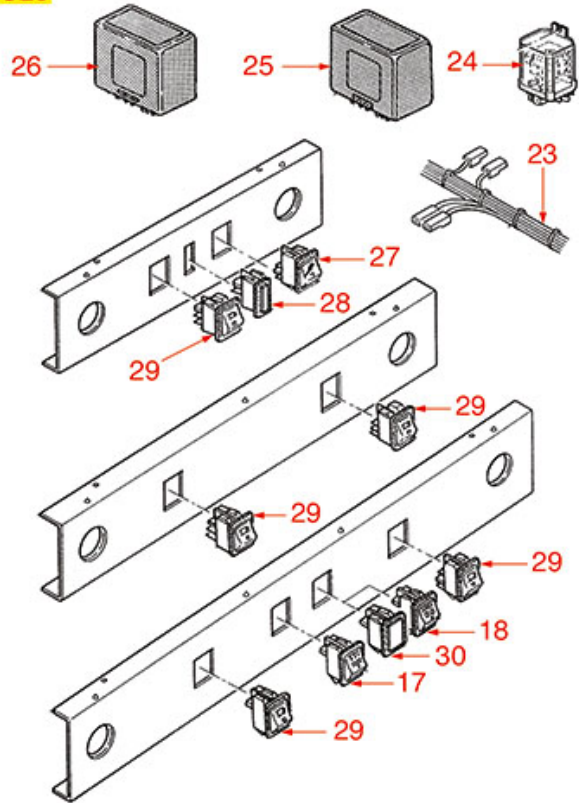


ELECTRICAL PARTS Z11-S20

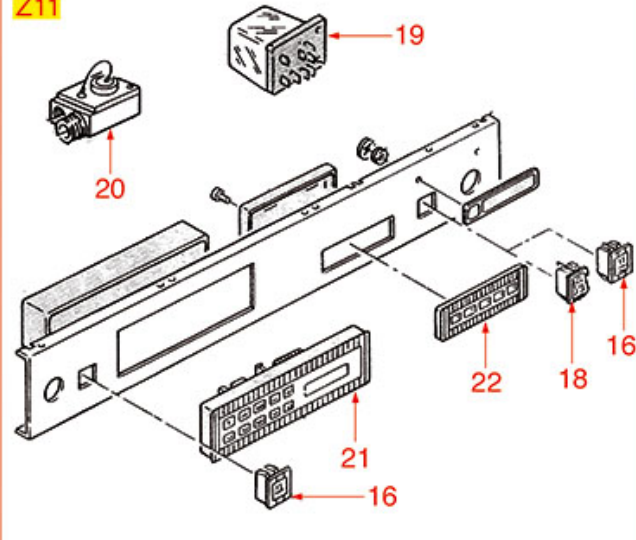
Z11



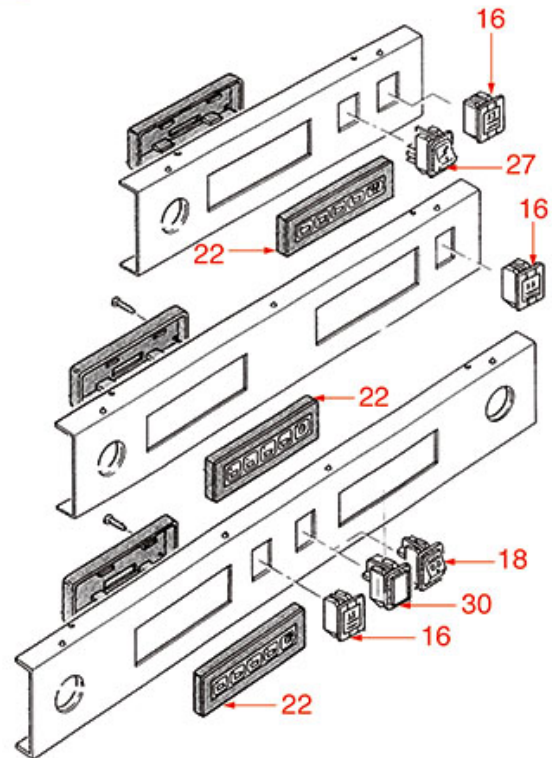
S20



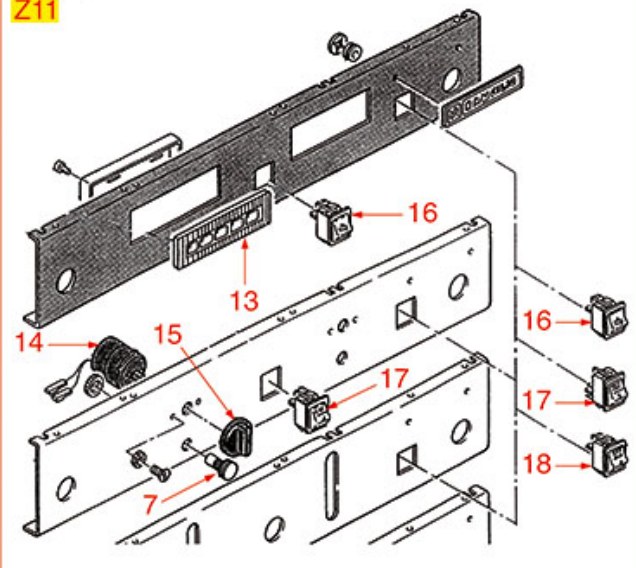
Z11



S20



Z11





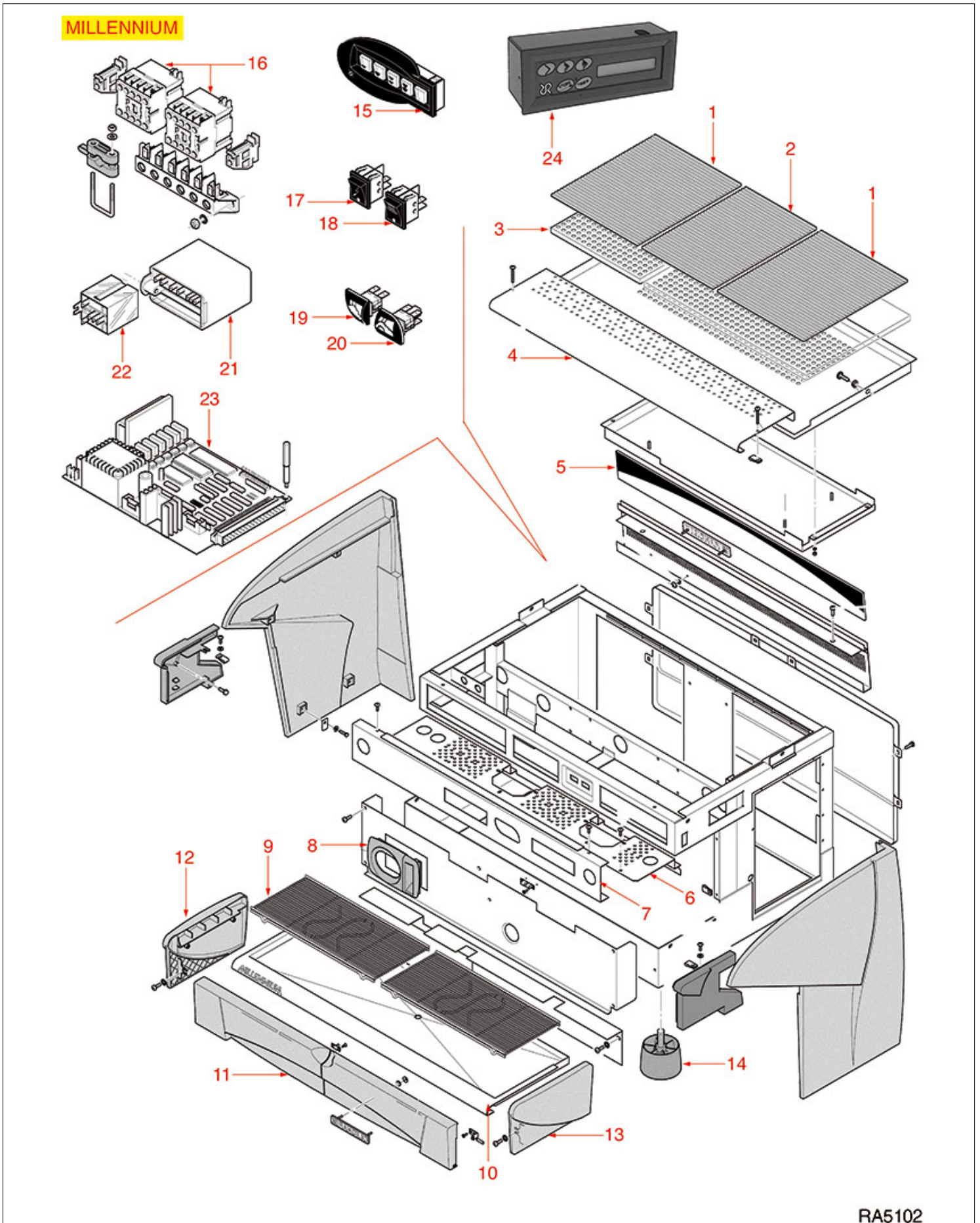
RANCILIO



| Position | LF code no. | Description |
|----------|-------------|---|
| 1 | 1201585 | LEVEL PLATE 90x50 mm |
| 3 | 1527004 | DRAIN TANK |
| 5 | 3449462 | HOSE CLAMP 12-20 |
| 6 | 1449671 | DRAIN PIPE ELISPIR \varnothing 14x20 mm - 5 m |
| 7 | 1221801 | GREEN INDICATOR LAMP 230V |
| 8 | 1241821 | SELECTOR SWITCH KNOB \varnothing 42 mm |
| 9 | 1313501 | FOOT \varnothing 60x45 mm M10 |
| 11 | 1319807 | SELECTOR SWITCH 0-2 POSITIONS 32A 600V |
| 12 | 1245651 | BOILER-PUMP PRESSURE GAUGE \varnothing 63 mm |
| 14 | 1319047 | SELECTOR SWITCH 0-1 POSITIONS 20A 500V |
| 15 | 1241821 | SELECTOR SWITCH KNOB \varnothing 42 mm |
| 17 | 1319806 | BLACK BIPOLAR SWITCH 16A 250V |
| 18 | 1319805 | BLUE BIPOLAR SWITCH 16A 250V |
| 19 | 3351601 | RELAY B1-3 16A 230V 50/60Hz |
| 22 | 1319803 | PUSH-BUTTON PANEL 5 BUTTONS |
| 25 | 1341301 | LEVEL ADJUSTER NRL30/1E-2C/F 230V |
| 26 | 1341631 | DOSER CONTROL BOX 30/1GR/F 230V 50Hz |
| 27 | 1319862 | BLACK BIPOLAR SWITCH 16A 250V |
| 29 | 1319809 | BLACK BIPOLAR SWITCH 16A 250V |



ELECTRICAL PARTS MILLENNIUM



RA5102

Positions without LF code no.: upon request



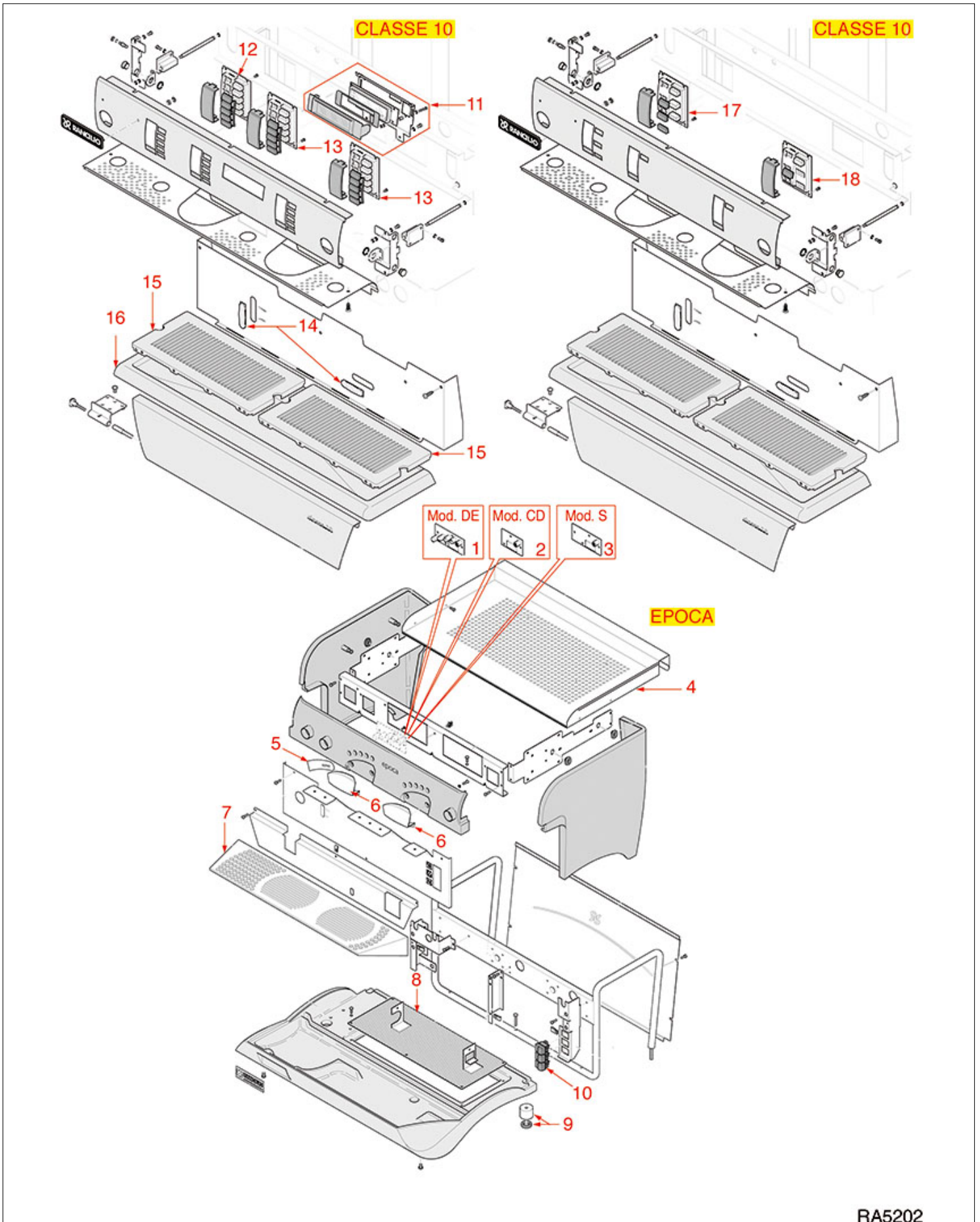
RANCILIO



| Position | LF code no. | Description |
|----------|-------------|-----------------------------------|
| 2 | 1185811 | CUP WARMING GRID |
| 8 | 1201801 | LEVEL/PRESSURE GAUGE COVER ML |
| 14 | 1313803 | FOOT \varnothing 63 mm M10 H=45 |
| 17 | 1319862 | BLACK BIPOLAR SWITCH 16A 250V |
| 18 | 1319806 | BLACK BIPOLAR SWITCH 16A 250V |
| 19 | 1319858 | BIPOLAR PUSH BUTTON 16A 250V |
| 19 | 1319859 | BIPOLAR SWITCH 16A 250V |
| 20 | 1319860 | BIPOLAR SWITCH 16A 250V |



ELECTRICAL PARTS EPOCA-CLASSE10



RA5202

Positions without LF code no.: upon request



RANCILIO



| Position | LF code no. | Description |
|----------|-------------|-------------------------------|
| 1 | 5044894 | PUSH-BUTTON PANEL 5 BUTTONS |
| 3 | 1319115 | PUSH-BUTTON PANEL 1 BUTTON |
| 6 | 5039870 | RING GROUP COVER |
| 9 | 1313802 | FOOT ø 40 mm M8 H=31 |
| 10 | 1319865 | BLACK BIPOLAR SWITCH 16A 250V |
| 12 | 1319114 | PUSH-BUTTON PANEL 5 BUTTONS |
| 13 | 1319113 | PUSH-BUTTON PANEL 5 BUTTONS |
| 14 | 1201007 | LEVEL GAUGE PLATE 61x18 mm |
| 17 | 1319105 | PUSH-BUTTON PANEL 3 BUTTONS |



ROTARY VANE PUMPS ACCESSORIES



| Photo | LF Code | Description |
|-------|---------|---|
| 1 | 1168011 | STAINLESS STEEL CLAMP - FASCETTA INOX |
| 2 | 1160700 | FILTER \varnothing 3/8" Mx 3/8" M - FILTRO \varnothing 3/8" Mx 3/8" M |
| 3 | 1349082 | FILTER \varnothing 3/8" Mx 3/8" M - FILTRO \varnothing 3/8" Mx 3/8" M |
| 4 | 1349268 | FILTER \varnothing 3/8" Mx 3/8" M - FILTRO \varnothing 3/8" Mx 3/8" M |

UNIVERSAL SPOUTS



| Photo | LF Code | Connection (\varnothing) |
|-------|---------|---------------------------------|
| 1 | 1022501 | 3/8 |
| 2 | 1022504 | 3/8 |
| 3 | 1022503 | 3/8 |
| 4 | 5031337 | 3/8 |

UNIVERSAL SPOUTS



| Photo | LF Code | Connection (\varnothing) |
|-------|---------|---------------------------------|
| 1 | 1022502 | 3/8 |
| 2 | 1022521 | 3/8 |
| 3 | 1022523 | 3/8 |
| 4 | 1022522 | 3/8 |
| 5 | 1022551 | 3/8 |

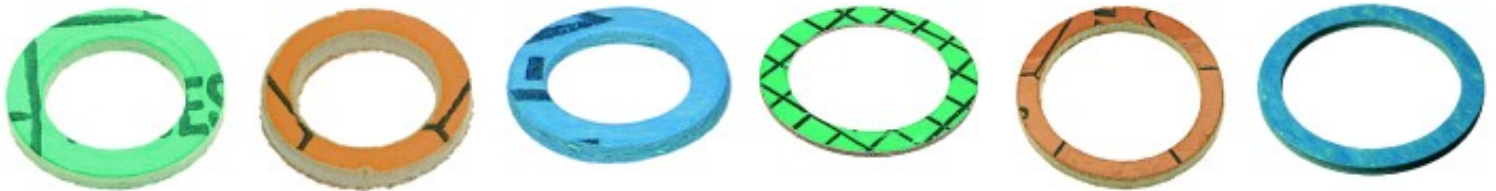
"PRECISION" SHOWER SCREENS RANCILIO



| Photo | LF Code | Dimensions | Membrane | Suitable for | For machine model |
|-------|---------|------------|-------------|--------------|--|
| 1 | 1460203 | ∅ 57.0 mm | 200 µM | RANCILIO | CLASSE10 - CLASSE6 - CLASSE7 - CLASSE8 - CLASSE9 - EPOCA |
| 2 | 1460208 | ∅ 57.0 mm | 35 µM | RANCILIO | CLASSE10 - CLASSE6 - CLASSE7 - CLASSE8 - CLASSE9 - EPOCA |
| 3 | 1081402 | ∅ 57.0 mm | 200 µM PTFE | RANCILIO | CLASSE10 - CLASSE6 - CLASSE7 - CLASSE8 - CLASSE9 - EPOCA |

Docce progettate per ottenere la perfetta estrazione del caffè , acciaio Aisi 316 , certificate alimentare

ASBESTOS FREE FLAT GASKETS



| LF Code | Dimensions | Notes |
|---------|----------------|-------|
| 1186042 | ∅ 9x5x1 mm | --- |
| 3186341 | ∅ 9x6x1 mm | --- |
| 3786349 | ∅ 14x9x2 mm | --- |
| 1186041 | ∅ 14.5x10x2 mm | --- |
| 1186148 | ∅ 15x7x2 mm | --- |
| 3186172 | ∅ 15x9x2 mm | --- |
| 1186112 | ∅ 15x10x1 mm | --- |
| 1186437 | ∅ 16x12x2 mm | --- |
| 1186039 | ∅ 17x13x2 mm | --- |
| 1186784 | ∅ 17.5x13x2 mm | --- |
| 3786543 | ∅ 18x12x1 mm | --- |
| 3786562 | ∅ 18x12x2 mm | --- |
| 3786350 | ∅ 18x12x2 mm | --- |
| 3186237 | ∅ 19x11x2 mm | --- |
| 1186394 | ∅ 22x17x2 mm | --- |
| 1186149 | ∅ 22x18x2 mm | --- |
| 1186368 | ∅ 23.5x20x1 mm | --- |
| 3786351 | ∅ 24x16x2 mm | --- |
| 3186575 | ∅ 25x12x2 mm | --- |
| 1186340 | ∅ 26x20x2 mm | --- |
| 1186183 | ∅ 29x16.5x2 mm | --- |
| 1186136 | ∅ 29x22x2 mm | --- |
| 3186138 | ∅ 30x21x2 mm | --- |
| 1186124 | ∅ 30x24x2 mm | --- |
| 3186005 | ∅ 32x26x3 mm | --- |
| 1186141 | ∅ 34x26.5x2 mm | --- |
| 1186757 | ∅ 36x30x2 mm | --- |
| 3186009 | ∅ 45x33x2 mm | --- |



RANCILIO



| LF Code | Dimensions | Notes |
|---------|----------------|---|
| 1186125 | ∅ 50x38x4 mm | --- |
| 1186156 | ∅ 50x40x2 mm | FOR HEATING ELEMENTS BOOSTED - PER RESISTENZE BOOSTED |
| 1786227 | ∅ 54x40x1.5 mm | --- |
| 3186010 | ∅ 54x42x2 mm | FOR HEATING ELEMENTS ∅ 1"1/4 - PER RESISTENZE ∅ 1"1/4 |
| 3786374 | ∅ 57x45x1.5 mm | --- |
| 3186242 | ∅ 61x46x2 mm | --- |
| 1186636 | ∅ 62x51x2 mm | FOR HEATING ELEMENTS - PER RESISTENZE |
| 3186012 | ∅ 80x60x2 mm | --- |
| 3786471 | ∅ 90x77x2 mm | --- |

AXIAL MOTORS



1

2

| Photo | LF Code | Dimensions | Suitable for | For machine model |
|-------|---------|-------------------|-------------------|-------------------|
| 1 | 1240199 | 60x60x25 mm 24VDC | RANCILIO 10110471 | CLASSE8 |
| 2 | 3240337 | 80x80x38 mm 230V | MARZOCCO L600 | LINEA - FB70 |

BALL VALVES



1

2

3

| Photo | LF Code | Connections | Suitable for | For machine model |
|-------|---------|---------------|----------------------------|---|
| 1 | 3526706 | ∅ 1/8"FF | UNIVERSAL | --- |
| 1 | 3526698 | ∅ 1/4"FF | BEZZERA 7451501 | BZ35 - BZ40 - B2000 - B2013 - B3000 - B4000 - B6000 |
| 1 | 3526698 | ∅ 1/4"FF | SPAZIALE 08103 | S5 COMPACT - S8 COMPACT - S9 COMPACT |
| 1 | 3526702 | ∅ 3/8"FF | UNIVERSAL | --- |
| 1 | 3526703 | ∅ 1/2"FF | UNIVERSAL | --- |
| 1 | 3526707 | ∅ 3/4"FF | UNIVERSAL | --- |
| 2 | 3526697 | ∅ 1/8"MF | SAN MARCO 202241 | NEW 105 - 100 - 105 - 85 - 95 |
| 2 | 3526699 | ∅ 1/4"MF | MANY BRANDS - MOLTI MARCHI | SEVERAL APPLICATIONS - MOLTE APPLICAZIONI |
| 2 | 3526244 | ∅ 1/4"M-1/8"F | SAN MARCO 202244 | 95 - 105 |
| 2 | 3526704 | ∅ 3/8"MF | MARZOCCO L164 | FB70 - FB80 - GB5 - GS3 - LINEA - MISTRAL |
| 2 | 3526704 | ∅ 3/8"MF | NUOVA SIMONELLI 09000016 | APPPIA - AURELIA - PREMIER |
| 2 | 3526704 | ∅ 3/8"MF | VICTORIA ARDUINO 09000016 | ADONIS - ATHENA - ATHENA LEVA |
| 2 | 3526705 | ∅ 1/2"MF | UNIVERSAL | --- |
| 3 | 1525002 | ∅ 1/4"M-1/4"F | ASTORIA/CMA 20227003 | PLUS4YOU |
| 3 | 1525002 | ∅ 1/4"M-1/4"F | WEGA WY20227003 | CONCEPT |

BLIND GASKETS RANCILIO



1

| Photo | LF Code | Dimensions | Material | Suitable for |
|-------|---------|------------|----------|-------------------|
| 1 | 1186175 | ∅ 13x4 mm | EPDM | RANCILIO 36301105 |

BOILER GASKETS RANCILIO



1



2



3

| Photo | LF Code | Dimensions | Material | Suitable for | For machine model |
|-------|---------|--------------------------|----------|-------------------|---|
| 1 | 1186449 | ∅ 130x116x2 mm | PTFE | RANCILIO 36220018 | S20 |
| 2 | 1186808 | ∅ 145x135x5 mm | SILICON | RANCILIO 36404114 | S20NSF |
| 3 | 1186801 | ∅ 175x123x2 mm - 8 HOLES | PTFE | RANCILIO 36930011 | CLASSE10 - EPOCA - MILLENNIUM - S20 - Z11 |

BOILER SAFETY VALVES



1



2

| Photo | LF Code | Technical notes | Suitable for |
|-------|---------|-------------------------|------------------------------|
| 1 | 1515100 | ∅ 3/8" M 1.8 bar CE-PED | ALL BRANDS - TUTTE LE MARCHE |
| 1 | 1515120 | ∅ 3/8" M 1.9 bar CE-PED | ALL BRANDS - TUTTE LE MARCHE |
| 2 | 1515110 | ∅ 1/2" M 1.8 bar CE-PED | ALL BRANDS - TUTTE LE MARCHE |
| 2 | 1523022 | ∅ 1/2" M 1.5 bar CE-PED | SPAZIALE |



RANCILIO



BOILER SAFETY VALVES



| Photo | LF Code | Technical notes | Suitable for |
|-------|---------|--------------------------------|------------------------------------|
| 1 | 1523543 | ∅ M18x1.5 1.8 bar | SAN MARCO OLD - VERSIONI VECCHIE |
| 1 | 1523545 | ∅ M19x1.5 1.8 bar | GAGGIA OLD - VERSIONI VECCHIE |
| 1 | 1523544 | ∅ M22x1.5 1.8 bar | PAVONI OLD - VERSIONI VECCHIE |
| 2 | 1515003 | ∅ 1/4" M 2.1 bar | NUOVA SIMONELLI - VICTORIA ARDUINO |
| 3 | 1523121 | ∅ 3/8" M 1.5 bar CE-PED | ELEKTRA |
| 3 | 1523029 | ∅ 3/8" M 1.6 bar CE-PED | EXPOBAR - PROMAC - RANCILIO |
| 3 | 1523059 | ∅ 3/8" M 1.8 bar CE-PED | ALL BRANDS - TUTTE LE MARCHE |
| 3 | 1515025 | ∅ 3/8" M 1.9 bar CE-PED | CARIMALI - RANCILIO |
| 3 | 1515007 | ∅ 3/8" M 2.0 bar CE-PED | CIMBALI - FAEMA |
| 4 | 1523574 | ∅ 3/8" M 1.1 bar CE-PED | --- |
| 4 | 1523003 | ∅ 3/8" M 1.6 bar CE-PED | BRASILIA - FIAMMA - SAB ITALIA |
| 4 | 1523572 | ∅ 3/8" M 1.8 bar CE-PED | ALL BRANDS - TUTTE LE MARCHE |
| 5 | 1523571 | ∅ 1/4" M 1.8 bar CE-PED | --- |
| 5 | 1515004 | ∅ 1/4" M 2.0 bar CE-PED | CASADIO - CIMBALI - FAEMA |
| 5 | 1515005 | ∅ 3/8" M 1.8 bar CE-PED | SANREMO |
| 6 | 1515006 | ∅ 3/8" M-3/8" M 1.8 bar CE-PED | BFC - ROYAL |
| 6 | 1515017 | ∅ 3/8" M-3/4" M 1.8 bar CE-PED | GAGGIA |

BOILERS RANCILIO



| Photo | LF Code | Watt - Volt | Suitable for | For machine model |
|-------|---------|-------------|--------------|--------------------------|
| 1 | 5031156 | 1100W 230V | RANCILIO | SILVIA - NANCY - AUNDREY |

BOTTOMLESS FILTER HOLDERS



| LF Code | Suitable for | Wings | Adapter filter for pods | Notes |
|---------|-----------------|--------|-------------------------|--------------------------------|
| 1165034 | Astoria / CMA | 6.0 mm | No | --- |
| 1165117 | Astoria / CMA | 6.5 mm | No | Plus 4 you / Concept |
| 1165181 | Bezzera | 5.8 mm | Yes | --- |
| 1165035 | Brasilia | 5.5 mm | Yes | --- |
| 1165038 | Carimali | 6.0 mm | No | --- |
| 1165182 | Cimbali | 5.5 mm | Yes | --- |
| 1165039 | Conti | 8.0 mm | No | --- |
| 1165119 | Dalla Corte | 9.0 mm | No | --- |
| 1165192 | Expobar | 6.2 mm | Yes | --- |
| 1165183 | Faema | 7.2 mm | Yes | --- |
| 1165195 | Fiorenzato cs | 6.4 mm | Yes | --- |
| 1165184 | Futurmat | 7.2 mm | No | --- |
| 1165185 | Gaggia | 6.6 mm | Yes | --- |
| 1165194 | Grimac | 7.0 mm | Yes | --- |
| 1165186 | Marzocco | 6.6 mm | Yes | --- |
| 1165118 | Nuova Simonelli | 7.0 mm | No | Slanted body / Corpo inclinato |
| 5030988 | Pavoni | 5.6 mm | Yes | --- |
| 1165187 | Rancilio | 6.2 mm | Yes | --- |
| 1165185 | Saeco | 6.6 mm | No | --- |
| 1165191 | San Marco | 7.0 mm | Yes | --- |
| 1165193 | Sanremo | 6.4 mm | Yes | --- |
| 5050620 | Spaziale | 6.0 mm | Yes | --- |
| 1165188 | Vibiemme | 6.2 mm | Yes | --- |
| 1165189 | Wega | 6.4 mm | Yes | --- |

BRASS WASHERS



| LF Code | Dimensions | Suitable for | Notes |
|---------|------------------|-------------------|---|
| 1186446 | ∅ 28x17x2 mm | ASTORIA/CMA 25651 | SEVERAL APPLICATIONS - MOLTE APPLICAZIONI |
| 1186035 | --- | ASTORIA/CMA 25652 | FOR LEVEL - PER LIVELLO |
| 1528095 | ∅ 15.4x9x1 mm | ASTORIA/CMA 25653 | FOR INLET TAPS - PER RUBINETTI CARICO |
| 1186376 | ∅ 12x8x1 mm | ASTORIA/CMA 25655 | FOR STEAM/WATER TAPS - PER RUBINETTI VAPORE/ACQUA |
| 1186298 | ∅ 13x6x0.5 mm | CIMBALI | FOR BREW GROUPS - PER GRUPPI EROGAZIONE |
| 1186380 | --- | ELEKTRA 01380035 | FOR LEVEL - PER LIVELLO |
| 1186319 | ∅ 13.9x8.3x1 mm | FAEMA 4051050569 | FOR STEAM/WATER TAPS - PER RUBINETTI VAPORE/ACQUA |
| 1186330 | ∅ 6.8x3.2x0.5 mm | FAEMA 4051136002 | FOR BREW GROUPS - PER GRUPPI EROGAZIONE |
| 1528130 | ∅ 26x16.5x1 mm | FAEMA 4051052071 | FOR STEAM/WATER TAPS - PER RUBINETTI VAPORE/ACQUA |
| 1186330 | ∅ 6.8x3.2x0.5 mm | FUTURMAT 04527503 | FOR BREW GROUPS - PER GRUPPI EROGAZIONE |



RANCILIO



| LF Code | Dimensions | Suitable for | Notes |
|---------|-------------------|-------------------------|---|
| 1186306 | ∅ 10x5x1 mm | FUTURMAT 04715801 | FOR BREW GROUPS - PER GRUPPI EROGAZIONE |
| 1186283 | ∅ 14.5x7x2 mm | FUTURMAT 08165508 | FOR STEAM/WATER TAPS - PER RUBINETTI VAPORE/ACQUA |
| 1528029 | ∅ 12x7x1 mm | GAGGIA S313001 | G105 - G106 |
| 1528025 | ∅ 17x12x1 mm | GAGGIA S313003 | G105 - G106 |
| 1186685 | --- | GRIMAC 1300900066-GR296 | FOR LEVEL - PER LIVELLO |
| 1186732 | ∅ 15x8.4x1 mm | GRIMAC GR354 | FOR STEAM/WATER TAPS - PER RUBINETTI VAPORE/ACQUA |
| 1186681 | --- | GRIMAC GR738 | FOR STEAM/WATER TAPS - PER RUBINETTI VAPORE/ACQUA |
| 1528018 | ∅ 14x6.5x0.5 mm | MARZOCCO I.4.001 | FOR STEAM/WATER TAPS - PER RUBINETTI VAPORE/ACQUA |
| 1528130 | ∅ 26x16.5x1 mm | MARZOCCO L165/2 | FOR BREW GROUPS - PER GRUPPI EROGAZIONE |
| 1186035 | --- | MCE 25652 | FOR LEVEL - PER LIVELLO |
| 1186035 | --- | ORCHESTRALE D25652 | FOR LEVEL - PER LIVELLO |
| 1528029 | ∅ 12x7x1 mm | PAVONI 313001 | EUROPICCOLA - PROFESSIONAL - ROMANTICA - STRADIVARI |
| 1528025 | ∅ 17x12x1 mm | PAVONI 313003 | EUROPICCOLA - PROFESSIONAL - ROMANTICA - STRADIVARI |
| 1528028 | ∅ 14.5x9.5x1.5 mm | PAVONI 313004 | EUROPICCOLA - PROFESSIONAL - STRADIVARI |
| 1186330 | ∅ 6.8x3.2x0.5 mm | PAVONI 401050 | FOR BREW GROUPS - PER GRUPPI EROGAZIONE |
| 1186814 | --- | RANCILIO 23123003 | FOR STEAM/WATER TAPS - PER RUBINETTI VAPORE/ACQUA |
| 1186807 | ∅ 18x13x0.5 mm | RANCILIO 23131005 | FOR LEVEL - PER LIVELLO |
| 1528017 | ∅ 17x9x1 mm | RANCILIO 32239002 | FOR STEAM/WATER TAPS - PER RUBINETTI VAPORE/ACQUA |
| 1186992 | ∅ 15x7x0.8 mm | SAN MARCO 205081 | FOR BREW GROUPS - PER GRUPPI EROGAZIONE |
| 1186462 | ∅ 12x8x2 mm | SAN MARCO 205305 | FOR INLET TAPS - PER RUBINETTI CARICO |
| 1528018 | ∅ 14x6.5x0.5 mm | SCALA C-0270 | FOR STEAM/WATER TAPS - PER RUBINETTI VAPORE/ACQUA |
| 1186732 | ∅ 15x8.4x1 mm | VIBIEMME RACCROGU | FOR STEAM/WATER TAPS - PER RUBINETTI VAPORE/ACQUA |
| 1186330 | ∅ 6.8x3.2x0.5 mm | VIBIEMME RACCROPOGU | FOR STEAM/WATER TAPS - PER RUBINETTI VAPORE/ACQUA |
| 1186306 | ∅ 10x5x1 mm | WEGA W10526 | FOR INLET TAPS - PER RUBINETTI CARICO |
| 1186446 | ∅ 28x17x2 mm | WEGA WY25651 | SEVERAL APPLICATIONS - MOLTE APPLICAZIONI |
| 1186035 | --- | WEGA WY25652 | FOR LEVEL - PER LIVELLO |
| 1528095 | ∅ 15.4x9x1 mm | WEGA WY25653 | FOR INLET TAPS - PER RUBINETTI CARICO |
| 1186376 | ∅ 12x8x1 mm | WEGA WY25655 | FOR STEAM/WATER TAPS - PER RUBINETTI VAPORE/ACQUA |
| 1186330 | ∅ 6.8x3.2x0.5 mm | WEGA WY27421011 | FOR BREW GROUPS - PER GRUPPI EROGAZIONE |

CAPPUCCINATORE MINI



| Photo | LF Code | Suitable for |
|-------|---------|--|
| 1 | 1079001 | BRASILIA - GRIMAC - SAECO |
| 2 | 1079008 | GRIMAC - PAVONI - RDL - SAECO - SPINEL |
| 3 | 1079018 | BFC - BRASILIA - GRIMAC - SAECO |
| 4 | 5500786 | BRASILIA - GRIMAC - SAECO |
| 5 | 1079015 | GRIMAC - PAVONI - RDL - SAECO - SPINEL |

CAPPUCCINATORE STANDARD



| Photo | LF Code | Suitable for |
|-------|---------|---|
| 1 | 1079022 | ASTORIA/CMA - CARIMALI - NUOVA SIMONELLI - WEGA |
| 2 | 1079002 | BRASILIA - BRUGNETTI - CARIMALI - NUOVA SIMONELLI |
| 3 | 1079006 | UNIVERSAL |

CAPS RANCILIO



| Photo | LF Code | Dimensions | Notes | Suitable for | For machine model |
|-------|---------|------------|---|-------------------|--|
| 1 | 1439028 | ø 18 mm | FOR BREW GROUPS - PER GRUPPI EROGAZIONE | RANCILIO 20122653 | CLASSE10 - CLASSE6 - CLASSE7 - CLASSE8 |

CARBO FLAT GASKETS



| LF Code | Dimensions | Suitable for | Notes |
|---------|------------------|-----------------|---|
| 1186517 | ø 31x21x3 mm | --- | --- |
| 1186547 | ø 32x24x1.5 mm | NUOVA SIMONELLI | FOR BREW GROUPS - PER GRUPPI EROGAZIONE |
| 1186627 | ø 41x33x3 mm | --- | FOR HEATING ELEMENTS ø 1" - PER RESISTENZE ø 1" |
| 1786215 | ø 50x40x2 mm | ASTORIA/CMA | FOR HEATING ELEMENTS BOOSTED - PER RESISTENZE BOOSTED |
| 1186633 | ø 53x42x3 mm | --- | FOR HEATING ELEMENTS ø 1"1/4 - PER RESISTENZE ø 1"1/4 |
| 1186942 | ø 55x42x2 mm | ELEKTRA | FOR HEATING ELEMENTS - PER RESISTENZE |
| 1186637 | ø 56x47x3 mm | SAN MARCO | FOR HEATING ELEMENTS - PER RESISTENZE |
| 1186606 | ø 57x43x3 mm | --- | FOR HEATING ELEMENTS MOD FAEMA - PER RESISTENZE MOD FAEMA |
| 1186607 | ø 57.8x50x3 mm | CIMALI | FOR HEATING ELEMENTS - PER RESISTENZE |
| 3186011 | ø 63x48x2 mm | RANCILIO | FOR HEATING ELEMENTS - PER RESISTENZE |
| 1186638 | ø 67x55x3 mm | NUOVA SIMONELLI | FOR HEATING ELEMENTS - PER RESISTENZE |
| 1186548 | ø 73x61.5x1.5 mm | NUOVA SIMONELLI | FOR BREW GROUPS - PER GRUPPI EROGAZIONE |
| 1186320 | ø 87x81x0.5 mm | MARZOCCO | FOR BREW GROUPS - PER GRUPPI EROGAZIONE |



RANCILIO



CASES RANCILIO



| Photo | LF Code | Suitable for | For machine model |
|-------|---------|-------------------|------------------------------|
| 1 | 1002003 | RANCILIO 21300760 | CLASSE10 - CLASSE6 - CLASSE8 |
| 2 | 5059967 | RANCILIO 38123945 | CLASSE7 |
| 4 | 5039870 | RANCILIO 38123870 | EPOCA - EPOCA NEW |
| 3 | 5057855 | RANCILIO 38123549 | SILVIA NEW |

CIRCUIT BOARDS RANCILIO



| Photo | LF Code | Notes | Suitable for | For machine model |
|-------|---------|-----------------|-------------------|--------------------------------------|
| 1 | 1390002 | LEVEL - LIVELLO | RANCILIO 34070171 | CLASSE10 - CLASSE6 - CLASSE8 - EPOCA |

COFFEE FILTERS RANCILIO



| Photo | LF Code | Model | Suitable for | Notes |
|-------|---------|----------------------------|-------------------|-------|
| 1 | 1160251 | 1 CUP - 6 gr | RANCILIO 40100001 | --- |
| 1 | 1160530 | 1 CUP - 7 gr | RANCILIO 40100015 | --- |
| 2 | 1160252 | 2 CUPS - 12 gr | RANCILIO 40100010 | --- |
| 2 | 1160529 | 2 CUPS - 14 gr | RANCILIO 40100020 | --- |
| 2 | 1160345 | 2 CUPS - 18 gr | RANCILIO | --- |
| 3 | 1160339 | BLIND - CIECO | RANCILIO 40100105 | --- |
| 4 | 1160293 | BLIND EPDM - CIECO IN EPDM | RANCILIO 38123057 | --- |
| 5 | 1160503 | POD 1 CUP | RANCILIO | --- |
| 5 | 1160504 | POD 2 CUPS | RANCILIO | --- |



COFFEE GROUPS AND SPARE PARTS RANCILIO



1

| Photo | LF Code | Suitable for | For machine model |
|-------|---------|-------------------|--|
| 1 | 1349037 | RANCILIO 10090002 | CLASSE10 - CLASSE6 - CLASSE7 - CLASSE8 - CLASSE9 - EPOCA |

COFFEE GROUPS SPRINKLERS



1



2



3



4



5



6

| Photo | LF Code | Dimensions | Hole | Suitable for | For machine model |
|-------|---------|---------------|------|----------------------------|---|
| 1 | 1501565 | ø 21 mm M5x1 | --- | FAEMA 4161133848 | COMPACT - DUE - ELITE - ENOVA - EXPRESS - E61 |
| 1 | 1501565 | ø 21 mm M5x1 | --- | FUTURMAT 02476109 | --- |
| 2 | 1510004 | ø 21 mm M5x1 | --- | CASADIO 457342000 | DIECIA - DIECIS - DAFNE |
| 2 | 1510004 | ø 21 mm M5x1 | --- | CIMBALI 457-342-000 | M27 2008 |
| 2 | 1510004 | ø 21 mm M5x1 | --- | FAEMA 457342000 | DUESMART - EMBLEMA - ENOVA - E61 - SMARTRESTY |
| 3 | 1501560 | ø 21 mm M6x1 | --- | VIBIEMME RACCSPGRKO | EVOLUTION - KOMETA - LOLLO - MINIMAX - SILVER |
| 4 | 1501007 | ø 30 mm M10x1 | M5 | MCE 27105000 | START |
| 4 | 1501007 | ø 30 mm M10x1 | M5 | ORCHESTRALE D27105000 | ETNICA - PHONICA |
| 4 | 1501007 | ø 30 mm M10x1 | M5 | WEGA WY27105000 | AIRY - ATLAS - COLOSSEUM - COMBI NOVA - ESPRESSA - START |
| 5 | 1501561 | ø 30 mm M10x1 | --- | BEZZERA 7479941 | GALATEA - GALATEA DOMUS - GIULIA - UNICA |
| 5 | 1501561 | ø 30 mm M10x1 | --- | BFC 0520070 | CLASSICA - DELUX - GALILEO - IMOLA - JUNIOR - LA VITTORIA |
| 5 | 1501561 | ø 30 mm M10x1 | --- | BIANCHI 43051216 | LUCIA - SARA - SOFIA |
| 5 | 1501561 | ø 30 mm M10x1 | --- | BRASILIA 04089.0.00.04 | GRADISCA |
| 5 | 1501561 | ø 30 mm M10x1 | --- | ECM C229901128 | GIOTTO - LAURA - VENEZIANO |
| 5 | 1501561 | ø 30 mm M10x1 | --- | ECM MANUFACTURE C229901128 | CLASSIKA II - ELEKTRONIKA II PROFI - ELEKTRONIKA II PROFI |
| 5 | 1501561 | ø 30 mm M10x1 | --- | EXPOBAR CTAV1-11 | EB61 - OFFICE |
| 5 | 1501561 | ø 30 mm M10x1 | --- | FAEMA | E61 |
| 5 | 1501561 | ø 30 mm M10x1 | --- | FIAMMA RST 5.0.025.0009 | ATLANTIC - MARINA - PRESTIGE |
| 5 | 1501561 | ø 30 mm M10x1 | --- | FIorenzato C.S A2200170 | BRICOLETTA - COLOMBINA - DUCALE - FENICE - LIDO - VOLANTE |
| 5 | 1501561 | ø 30 mm M10x1 | --- | FUTURMAT 02012904 | ARIETE - CUSTOM - F3 - RIMINI |
| 5 | 1501561 | ø 30 mm M10x1 | --- | GAGGIA SPAGNA 02012904 | BELLA - G6 - KB |
| 5 | 1501561 | ø 30 mm M10x1 | --- | GRIMAC 1201300006-GR762 | ECLISSE - MIA - TEN - TWENTY - ZOLA I - ZOLA II |
| 5 | 1501561 | ø 30 mm M10x1 | --- | ITALCREM 02012904 | IT4 |
| 5 | 1501561 | ø 30 mm M10x1 | --- | MAIRALI 02012904 | ARIANNE |
| 5 | 1501561 | ø 30 mm M10x1 | --- | PAVONI | BART |
| 5 | 1501561 | ø 30 mm M10x1 | --- | PROMAC 80230080 | COMPACT - GREEN |
| 5 | 1501561 | ø 30 mm M10x1 | --- | RENEKA AT7479941 | AMICI - ATALANTE |
| 5 | 1501561 | ø 30 mm M10x1 | --- | ROYAL 0520070 | DIADEMA - SYNCHRO |
| 5 | 1501561 | ø 30 mm M10x1 | --- | SAB TM-SPR8F400 | ELLIPSE - E96 - MODERNA |
| 5 | 1501561 | ø 30 mm M10x1 | --- | SANREMO 10052141 | AMALFI - CAPRI - MILANO LX - PISA - TORINO - TREVISO |
| 5 | 1501561 | ø 30 mm M10x1 | --- | SCALA C-0318 | BUTTERFLY - CARMEN - EROICA |
| 5 | 1501561 | ø 30 mm M10x1 | --- | VFA | ELITE - MAGESTIC - SPLENDOR |



RANCILIO



| Photo | LF Code | Dimensions | Hole | Suitable for | For machine model |
|-------|---------|----------------|------|-------------------------|--|
| 5 | 1501561 | ∅ 30 mm M10x1 | --- | VIBIEMME RACCSPGR | CHIMAERA - DOMOBAR - DOSAPLUS - MERCURY - REPLICA |
| 5 | 1501561 | ∅ 30 mm M10x1 | --- | VISACREM 02012904 | BRAVA - V6 |
| 5 | 1501561 | ∅ 30 mm M10x1 | --- | WEGA WY27105 | AIRY - ATLAS - ATLAS10 - NOVA - NOVECEN TO - ORION ECO - P |
| 6 | 1501568 | ∅ 30 mm M10x1 | M5 | PAVONI 314098 | P UNO - P TRE |
| 6 | 1501014 | ∅ 30 mm M9.6x1 | M5 | BRUGNETTI/AURORA 000183 | ALEXIA - C |

COFFEE GROUPS SPRINKLERS



| Photo | LF Code | Dimensions | Hole | Suitable for | For machine model |
|-------|---------|------------|--------|---------------------|--|
| 1 | 1349803 | ∅ 21 mm | ∅ 6 mm | PROMAC 25139001 | CLUB |
| 1 | 1349803 | ∅ 21 mm | ∅ 6 mm | RANCILIO 25139001 | CLASSE10 - CLASSE6 - CLASSE7 - CLASSE8 - CLASSE9 - EPOCA |
| 2 | 1501008 | ∅ 30 mm | ∅ 6 mm | PAVONI 3141537 | BAR - BART - PUB |
| 2 | 1501569 | ∅ 30 mm | ∅ 5 mm | PAVONI 3141287 | BAR - BART - PUB |
| 3 | 1081005 | ∅ 35 mm | M5x1 | CASADIO 457037048 | VENTI |
| 3 | 1081005 | ∅ 35 mm | M5x1 | CIMBALI 457-037-048 | DOMUS - M20 - M21 - M24 - M27 - M28 - M30 - M31 - M39 |
| 3 | 1081005 | ∅ 35 mm | M5x1 | FAEMA 457037048 | E98COMPACT - FAEMART |

CONTACT THERMOSTATS RANCILIO



| Photo | LF Code | Temperature °C | Suitable for | For machine model |
|-------|---------|----------------|-------------------|-------------------------|
| 1 | 1443206 | 100 | RANCILIO 34200056 | AUDREY - NANCY - SILVIA |
| 2 | 1444007 | 140 | RANCILIO 34200055 | AUDREY - NANCY - SILVIA |
| 3 | 1443002 | 165 | RANCILIO 34200058 | BETSY - SILVIA - S20 |

CONTROL BOXES RANCILIO



1

| Photo | LF Code | For machines with no. of groups | Power | Suitable for | For machine model |
|-------|---------|---------------------------------|-------|-------------------|-------------------|
| 1 | 1341631 | 1 | 230V | RANCILIO 34070026 | L7/DE - S10/DE |

CONTROL PLATES RANCILIO



| Photo | LF Code | Notes | Suitable for | For machine model |
|-------|---------|------------|-------------------|-------------------|
| 1 | 5024358 | 745x135 mm | RANCILIO 10700229 | EPOCA |
| 2 | 5039042 | 745x135 mm | RANCILIO 10700230 | EPOCA |

DETERGENTS LF



| Photo | LF Code | Description | Notes |
|-------|---------|------------------------------|---------------|
| 1 | 3092143 | DETERGENT COFFEE CLEAN | 900 g |
| 1 | 3092543 | DETERGENT COFFEE CLEAN | 500 g |
| 2 | 3092350 | DETERGENT COFFEE CLEAN | 60 TABS 2.5 g |
| 3 | 3092351 | DETERGENT COFFEE CLEAN | 15 BAGS 20 g |
| 4 | 3092355 | DETERGENT CAPPUCCINO PERFECT | 1 L |
| 5 | 3092352 | SCALE REMOVER SCALE CLEAN | 1 Kg |
| 6 | 3092353 | SCALE REMOVER SCALE CLEAN | 12 BAGS 25 g |

DRAIN PIPES ELISPIR



| Photo | LF Code | ∅ (mm) | Length (mm) | Sold per meter |
|-------|---------|--------|-------------|----------------|
| 1 | 1449270 | 12x18 | 30 | --- |
| 1 | 1449670 | 12x18 | 5 | --- |
| 1 | 1449271 | 14x20 | 30 | --- |
| 1 | 1449671 | 14x20 | 5 | --- |
| 1 | 1449272 | 16x23 | 30 | --- |
| 1 | 1449672 | 16x23 | 5 | --- |
| 1 | 1449273 | 18x25 | 30 | --- |
| 1 | 1449673 | 18x25 | 5 | --- |
| 1 | 1449274 | 20x27 | 30 | --- |
| 1 | 1449674 | 20x27 | 5 | --- |
| 1 | 1449255 | 25x33 | --- | Yes |
| 1 | 1449256 | 30x38 | --- | Yes |



RANCILIO



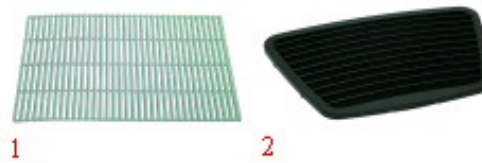
| Photo | LF Code | ø (mm) | Length (mm) | Sold per meter |
|-------|---------|--------|-------------|----------------|
| 1 | 5020932 | 35x44 | --- | Yes |
| 2 | 1449104 | 3/4"M | --- | --- |
| 3 | 1449876 | 3/4"M | 1.5 | --- |

DRAIN TANKS RANCILIO



| Photo | LF Code | Notes | Suitable for | For machine model |
|-------|---------|-------|-------------------|---------------------------------------|
| 1 | 1527812 | --- | RANCILIO 38123513 | CLASSE10 - CLASSE7 - MILLENNIUM - S20 |
| 2 | 1527004 | --- | RANCILIO 38121007 | S20 - Z11 |

DRIP GRIDS RANCILIO



| Photo | LF Code | Dimensions (mm) | Suitable for | For machine model |
|-------|---------|-----------------|-------------------|--|
| 1 | 1185811 | --- | RANCILIO 38123146 | MILLENNIUM |
| 2 | 5049270 | 175x115 | RANCILIO 38123666 | CLASSE10 - CLASSE6 - CLASSE7 - CLASSE8 - CLASSE9 - EPOCA |

EPDM FLAT GASKETS



| LF Code | Dimensions | Suitable for | Notes |
|---------|---------------|---------------------------|---|
| 1186427 | ø 10x4x2 mm | RANCILIO | FOR BREW GROUPS - PER GRUPPI EROGAZIONE |
| 1186758 | ø 10x4.5x4 mm | MARCFI-ANCAS | FOR INLET TAPS - PER RUBINETTI CARICO |
| 1186342 | ø 11x3x4 mm | CIMBALI - FAEMA | FOR STEAM/WATER TAPS - PER RUBINETTI VAPORE/ACQUA |
| 1186454 | ø 11x3.6x2 mm | PROMAC - RANCILIO | FOR INLET TAPS - PER RUBINETTI CARICO |
| 1186423 | ø 11x4x4 mm | BRASILIA | FOR INLET TAPS - PER RUBINETTI CARICO |
| 1186703 | ø 11x7x7 mm | CIMBALI | FOR BREW GROUPS M15- PER GRUPPI EROGAZIONE M15 |
| 1186083 | ø 12x3x4 mm | RENEKA | FOR STEAM/WATER TAPS - PER RUBINETTI VAPORE/ACQUA |
| 1786263 | ø 12.5x8x9 mm | ASTORIA/CMA - WEGA | FOR STEAM/WATER TAPS - PER RUBINETTI VAPORE/ACQUA |
| 1186588 | ø 13x3x4 mm | AZKOYEN | FOR STEAM/WATER TAPS - PER RUBINETTI VAPORE/ACQUA |
| 1186161 | ø 13x4x4 mm | BRASILIA - CONTI - RENEKA | FOR STEAM/WATER TAPS - PER RUBINETTI VAPORE/ACQUA |
| 1186935 | ø 13x4x4 mm | ELEKTRA | FOR STEAM/WATER TAPS - PER RUBINETTI VAPORE/ACQUA |
| 1186935 | ø 13x4x4 mm | GRIMAC | FOR BREW GROUPS - PER GRUPPI EROGAZIONE |
| 1186150 | ø 13x7.4x7 mm | SAN MARCO | FOR INLET TAPS - PER RUBINETTI CARICO |
| 1186111 | ø 14x4x4 mm | BEZZERA | FOR STEAM/WATER TAPS - PER RUBINETTI VAPORE/ACQUA |



| LF Code | Dimensions | Suitable for | Notes |
|---------|------------------|----------------------------|---|
| 1186111 | ∅ 14x4x4 mm | SAN MARCO | FOR BREW GROUPS - PER GRUPPI EROGAZIONE |
| 1186302 | ∅ 14x4x5 mm | CARIMALI | FOR STEAM/WATER TAPS - PER RUBINETTI VAPORE/ACQUA |
| 1186316 | ∅ 15x4x4 mm 60SH | ASTORIA/CMA - WEGA | FOR STEAM/WATER TAPS - PER RUBINETTI VAPORE/ACQUA |
| 1186527 | ∅ 15x4x4 mm 80SH | ASTORIA/CMA - WEGA | FOR STEAM/WATER TAPS - PER RUBINETTI VAPORE/ACQUA |
| 1186515 | ∅ 15x5.5x3.5 mm | SPAZIALE | FOR STEAM/WATER TAPS - PER RUBINETTI VAPORE/ACQUA |
| 1186369 | ∅ 15x5.5x4 mm | FUTURMAT | FOR BREW GROUPS - PER GRUPPI EROGAZIONE |
| 1186369 | ∅ 15x5.5x4 mm | SAN MARCO | FOR STEAM/WATER TAPS - PER RUBINETTI VAPORE/ACQUA |
| 1186985 | ∅ 15x6x6 mm | GAGGIA | FOR STEAM/WATER TAPS - PER RUBINETTI VAPORE/ACQUA |
| 1186985 | ∅ 15x6x6 mm | PAVONI | FOR STEAM/WATER TAPS - PER RUBINETTI VAPORE/ACQUA |
| 1186300 | ∅ 15x7.3x4 mm | CIMBALI | FOR STEAM/WATER TAPS - PER RUBINETTI VAPORE/ACQUA |
| 1186300 | ∅ 15x7.3x4 mm | GRIMAC | FOR STEAM/WATER TAPS - PER RUBINETTI VAPORE/ACQUA |
| 1186057 | ∅ 15.3x7.7x4 mm | BRASILIA | FOR STEAM/WATER TAPS - PER RUBINETTI VAPORE/ACQUA |
| 1186312 | ∅ 15.5x7.5x4 mm | MANY BRANDS - MOLTI MARCHI | SEVERAL APPLICATIONS - MOLTE APPLICAZIONI |
| 1186233 | ∅ 16x4x5 mm | UNIC | FOR STEAM/WATER TAPS - PER RUBINETTI VAPORE/ACQUA |
| 1186282 | ∅ 16.5x6x4 mm | SAN MARCO | FOR BREW GROUPS - PER GRUPPI EROGAZIONE |
| 1186170 | ∅ 18x4x4 mm | CARIMALI | FOR STEAM/WATER TAPS - PER RUBINETTI VAPORE/ACQUA |
| 3449039 | ∅ 18x11x2 mm | --- | FOR INLET HOSES ∅ 1/2" - PER TUBI CARICO ∅ 1/2" |
| 1186102 | ∅ 19x3.5x4 mm | BEZZERA | FOR STEAM/WATER TAPS - PER RUBINETTI VAPORE/ACQUA |
| 1186958 | ∅ 20.5x15x2 mm | CIMBALI | FOR STEAM/WATER TAPS - PER RUBINETTI VAPORE/ACQUA |
| 1186066 | ∅ 21x15x3 mm | BRASILIA | FOR STEAM/WATER TAPS - PER RUBINETTI VAPORE/ACQUA |
| 1186410 | ∅ 21x16x2 mm | RANCILIO | FOR BREW GROUPS - PER GRUPPI EROGAZIONE |
| 1186410 | ∅ 21x16x2 mm | RENEKA | FOR STEAM/WATER TAPS - PER RUBINETTI VAPORE/ACQUA |
| 1786222 | ∅ 22x18x1.5 mm | CIMBALI | FOR BOOSTER PUMPS - PER POMPE VOLUMETRICHE |
| 3449026 | ∅ 24x12x2 mm | --- | FOR INLET HOSES ∅ 3/4" - PER TUBI CARICO ∅ 3/4" |
| 1786231 | ∅ 24x15x3 mm | GAGGIA | FOR INLET TAPS - PER RUBINETTI CARICO |
| 1786231 | ∅ 24x15x3 mm | PAVONI | FOR STEAM/WATER TAPS - PER RUBINETTI VAPORE/ACQUA |
| 1786315 | ∅ 51.3x43x5 mm | ISOMAC | FOR BREW GROUPS - PER GRUPPI EROGAZIONE |

EXPANSION AND NON-RETURN VALVES "UNIVERSAL"



| Photo | LF Code | Dimensions |
|-------|---------|---------------|
| 1 | 1523036 | ∅ 1/8"M-1/8"F |
| 2 | 1523700 | ∅ 1/8"M-1/8"M |
| 3 | 3349281 | ∅ 3/8"F-3/8"F |
| 4 | 3349283 | ∅ 3/4"F-3/4"F |
| 5 | 1523072 | ∅ 3/8"M |



RANCILIO



EXPANSION AND NON-RETURN VALVES RANCILIO



| Photo | LF Code | Dimensions | Suitable for | For machine model |
|-------|---------|---------------|-------------------|-----------------------------------|
| 1 | 1523700 | ∅ 1/8"M-1/8"M | RANCILIO 10060505 | S20 |
| 2 | 1523009 | ∅ 3/8"M-1/4"M | RANCILIO 10060460 | CLASSE10 - MILLENNIUM - S20 - Z11 |

FILTER HOLDER GASKETS RANCILIO



| Photo | LF Code | Dimensions (mm) | Notes | Suitable for | For machine model |
|-------|---------|-----------------|-------------------------------------|-------------------|---|
| 1 | 1186812 | ∅ 72x57x8 | EXT. CUTS - SPACCHI EST. | RANCILIO 36301001 | CLASSE10/9/8/7/6 - EPOCA - MILLENNIUM - S20 - Z11 |
| 1 | 5048248 | ∅ 74x57.5x8.5 | EXT. CUTS - SPACCHI EST. | RANCILIO 36301046 | CLASSE10/9/8/7/6 - EPOCA |
| 1 | 1486032 | ∅ 74x57.5x8.5 | ORIGINAL / EXT. CUTS - SPACCHI EST. | RANCILIO 36301046 | CLASSE10/9/8/7/6 - EPOCA |
| 1 | 1186452 | ∅ 74x58x8.2 | EXT. CUTS - SPACCHI EST. | RANCILIO 36301030 | AUDREY - NANCY - SILVIA |
| 1 | 5012498 | ∅ 74x58x8.2 | ORIGINAL / EXT. CUTS - SPACCHI EST. | RANCILIO 36301030 | AUDREY - NANCY - SILVIA |

FILTER HOLDER KNOBS RANCILIO



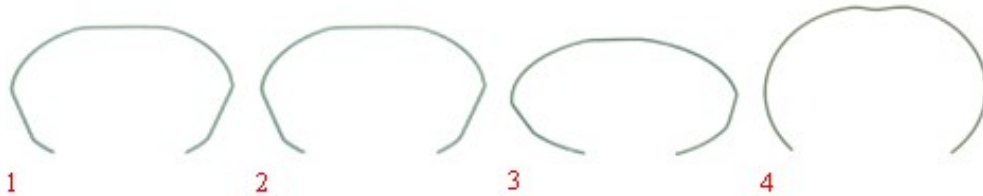
| Photo | LF Code | Connection | Suitable for |
|-------|---------|------------|-------------------|
| 1 | 1141012 | --- | RANCILIO 10705091 |
| 2 | 1241047 | --- | RANCILIO 38123569 |
| 3 | 1241050 | --- | RANCILIO 38123599 |
| 4 | 1241511 | --- | RANCILIO 38121018 |
| 5 | 1241051 | --- | RANCILIO 38121032 |

FILTER HOLDER RANCILIO



| Photo | LF Code | Wings | Knob | Spouts | Filter | Spring | Suitable for | For machine model |
|-------|---------|-------|----------------|--------|--------|--------|-------------------|------------------------------|
| 1 | 1160521 | 6 mm | SCREW - A VITE | 3/8 | NO | YES | RANCILIO 10071110 | ALL MODELS - TUTTI I MODELLI |
| 2 | 1160545 | 6 mm | SCREW - A VITE | 3/8 | NO | YES | RANCILIO 10071120 | ALL MODELS - TUTTI I MODELLI |
| 3 | 1165046 | 6 mm | SCREW - A VITE | 3/8 | NO | NO | RANCILIO 20112011 | ALL MODELS - TUTTI I MODELLI |
| 4 | 1165030 | 6 mm | SCREW - A VITE | 3/8 | NO | YES | RANCILIO 10070108 | SILVIA |

FILTER LOCKING SPRING



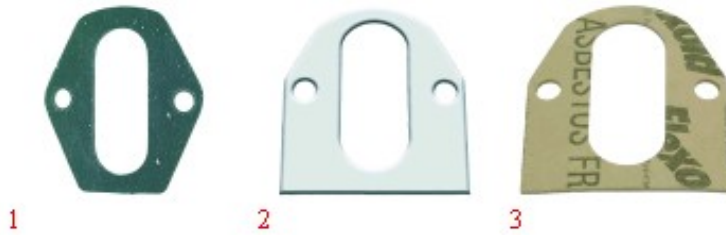
| Photo | LF Code | wire ø (mm) | Suitable for |
|-------|---------|-------------|-----------------------------------|
| 1 | 1250101 | 1.00 | ALL BRANDS - TUTTI I MARCHI |
| 1 | 1250002 | 1.20 | ALL BRANDS - TUTTI I MARCHI |
| 1 | 1250333 | 1.30 | ALL BRANDS - TUTTI I MARCHI |
| 1 | 1250338 | 1.40 | ALL BRANDS - TUTTI I MARCHI |
| 2 | 1250279 | 1.40 | ASTORIA/CMA P4Y - WEGA CONCEPT 52 |
| 3 | 5033397 | 1.00 | PAVONI EUROPICCOLA |
| 4 | 1250018 | 1.00 | ELEKTRA MICROCASA |

GASKETS "OR" RI-R2-R3....RI0..

| Dimensions (mm) T x d | Model (new cross-references) | Model (old cross-references) | LF Code (EPDM) | LF Code (VITON) | LF Code (SILICONE) |
|--------------------------|---------------------------------|---------------------------------|-------------------|--------------------|-----------------------|
| 1.90 x 2.40 | OR R0 | | 1786108 | | |
| 1.90 x 3.40 | OR R2 | | 2104557 | | |
| 1.90 x 4.20 | OR R3 | | 1186996 | 1786316 | |
| 1.90 x 4.90 | OR R4 | | 1786286 | | |
| 1.90 x 5.70 | OR R5 | | 1186854 | 1786310 | 1186610 |
| 1.90 x 7.20 | OR R6 | | 1186556 | 1186791 | |
| 2.70 x 12.10 | OR RI0 | | 1786297 | | |
| 3.60 x 23.00 | OR RI8 | | 1786157 | | |



GASKETS FOR GROUP ADJUSTABLE TO SEVERAL BRANDS



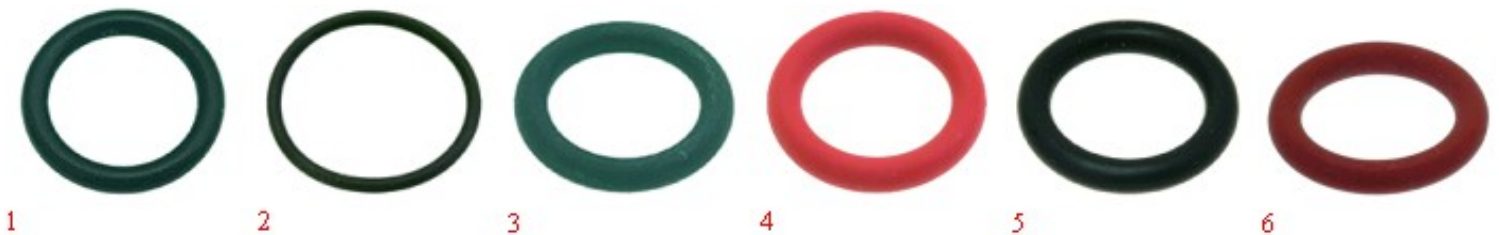
| Photo | LF Code | Features | Suitable for | For machine model |
|-------|---------|--------------------|----------------------------|--|
| 1 | 1186502 | 79x71x2 mm - CARBO | MANY BRANDS - MOLTI MARCHI | FOR MODEL E61 GROUPS - PER GRUPPI TIPO E61 |
| 2 | 1186508 | 77x73x2 mm - PTFE | MANY BRANDS - MOLTI MARCHI | FOR MODEL E61 GROUPS - PER GRUPPI TIPO E61 |
| 3 | 1186384 | 80x70x2 mm - PAPER | MANY BRANDS - MOLTI MARCHI | FOR MODEL E61 GROUPS - PER GRUPPI TIPO E61 |

GASKETS FOR GROUP RANCILIO



| Photo | LF Code | Features | Suitable for | For machine model |
|-------|---------|----------------|-------------------|-------------------|
| 1 | 1186827 | ∅ 125x105x1 mm | RANCILIO 36206008 | Z11 |
| 2 | 1186825 | ∅ 32 mm | RANCILIO 36206004 | Z11 |
| 3 | 1186826 | ∅ 32 mm | RANCILIO 36206003 | Z11 |

GASKETS FOR LEVEL GLASS



| Photo | LF Code | Dimensions (mm) | Suitable for |
|-------|---------|-----------------|---|
| 1 | 1186803 | 12.7x9.2x1.7 | RANCILIO - PROMAC |
| 2 | 1186626 | 14.5x11x1.7 | NUOVA SIMONELLI |
| 3 | 1186318 | 16x10.7x2.6 | GAGGIA - SCALA - FIORENTINO CS - VIBIEMME |
| 4 | 1186236 | 16x10.7x2.6 | QUALITY ESPRESSO - EXPOBAR |
| 5 | 1401001 | 16x11x2.5 | FRACINO |
| 5 | 1186709 | 17x12x2.5 | MARCFI-ANCAS |
| 6 | 1186745 | 17x12x2.5 | MARCFI-ANCAS |



GASKETS ORM



| Model | Notes | LF Code | Suitable for |
|---------|---------------|---------|--------------------------|
| 0060-10 | SILICON RED | 1186550 | ASTORIA/CMA 12300013 |
| 0250-40 | NBR BLACK | 1186772 | ASTORIA/CMA 12300027 |
| 0170-30 | NBR BLACK | 1186773 | ASTORIA/CMA 12336000 |
| 0050-15 | EPDM BLACK | 1786219 | ASTORIA/CMA 12662000 |
| 0040-20 | SILICON RED | 1786257 | BIANCHI 43113416-01 |
| 0140-20 | NBR BLACK | 1186484 | BRASILIA 18514.0.00.02 |
| 0160-20 | EPDM BLACK | 1186165 | BRASILIA 18682.0.00.02 |
| 0059-12 | EPDM BLACK | 5034069 | CARIMALI 87.00169 |
| 0160-20 | EPDM BLACK | 1186165 | CARIMALI 95.05027 |
| 0057-19 | VITON GREEN | 1186966 | CASADIO 402198000 |
| 0057-19 | VITON GREEN | 1186966 | CIMBALI 402-198-000 |
| 0089-27 | VITON GREEN | 1186968 | CIMBALI 402-197-000 |
| 0680-20 | EPDM BLACK | 1186381 | CONTI 173100 |
| 0040-20 | EPDM BLACK | 1186252 | CONTI 403457 |
| 0120-20 | VITON GREEN | 1186157 | CONTI 409631 |
| 0060-10 | EPDM BLACK | 1786071 | CONTI 410838 |
| 0248-18 | SILICON BLACK | 1786269 | DELONGHI 5313214431 |
| 0045-20 | SILICON BLACK | 1786265 | DELONGHI 5313217691 |
| 0038-20 | SILICON BLACK | 1786264 | DELONGHI 5313217701 |
| 0060-20 | SILICON RED | 1186867 | DELONGHI 5332144800 |
| 0350-41 | SILICON RED | 1486015 | DELONGHI 5332149100 |
| 0060-36 | SILICON BLACK | 1486016 | DELONGHI 5332173500 |
| 0060-10 | EPDM BLACK | 1786071 | EXPOBAR 50010090 |
| 0057-19 | VITON GREEN | 1186966 | FAEMA 402198000 |
| 0089-27 | VITON GREEN | 1186968 | FAEMA 402197000 |
| 0780-30 | EPDM BLACK | 1186507 | FAEMA 4701026909 |
| 0040-20 | EPDM BLACK | 1186252 | FAEMA 4701030708 |
| 0060-18 | EPDM BLACK | 1786302 | FIAMMA RST 5.0.002.0122 |
| 0017-20 | EPDM BLACK | 1786295 | FIAMMA RST 5.0.016.0225 |
| 0060-12 | EPDM BLACK | 1186713 | FIAMMA RST 5.0.016.0323 |
| 0058-20 | VITON BLACK | 1786304 | FRACINO FC222SG |
| 0040-20 | EPDM BLACK | 1186252 | FUTURMAT 03070802 |
| 0060-30 | SILICON BLACK | 5008675 | GAGGIA 140324362 |
| 0080-20 | VITON BLACK | 1186687 | GRIMAC 1110800040-GR756 |
| 0050-20 | VITON BLACK | 1186778 | MARZOCCO H.1.005 |
| 0059-12 | EPDM BLACK | 5034069 | NUOVA SIMONELLI 02280036 |
| 0160-20 | EPDM BLACK | 1186165 | NUOVA SIMONELLI 02280037 |
| 0102-25 | PTFE | 1786260 | NUOVA SIMONELLI 02600004 |
| 0080-20 | EPDM BLACK | 1786149 | PAVONI 0ENM02004 |
| 0500-40 | SILICON RED | 1186453 | RANCILIO 36404113 |
| 0072-15 | EPDM BLACK | 1786063 | RENEKA 9001884 |
| 0170-20 | EPDM BLACK | 1786064 | RENEKA 9005075 |
| 0030-15 | EPDM BLACK | 1186855 | SAECO 12000414 |
| 0080-20 | SILICON RED | 1186852 | SAECO 140320459 |
| 0080-20 | TERMOIL BLACK | 1786111 | SAECO 140320461 |
| 0090-20 | SILICON RED | 1186647 | SAECO 140320762 |
| 0060-30 | SILICON BLACK | 5008675 | SAECO 140324362 |



RANCILIO



| Model | Notes | LF Code | Suitable for |
|---------|-------------|---------|------------------------|
| 0060-20 | SILICON RED | 1186867 | SAECO 140324459 |
| 0080-15 | EPDM BLACK | 1186675 | SAECO 140324961 |
| 0040-20 | EPDM BLACK | 1186252 | SAECO 140326661 |
| 0380-40 | SILICON RED | 1186856 | SAECO 140329262 |
| 0320-40 | SILICON RED | 1186862 | SAECO NM01.044 |
| 0050-20 | SILICON RED | 1186648 | SAECO NM01.057 |
| 0080-20 | EPDM BLACK | 1786149 | SAECO NM02.004 |
| 0055-15 | EPDM BLACK | 1786150 | SAECO NM02.017 |
| 0090-25 | EPDM BLACK | 1786074 | SAECO NM02.018 |
| 0040-20 | EPDM BLACK | 1186252 | SPAZIALE 04649 |
| 0160-20 | EPDM BLACK | 1186712 | SPAZIALE 08289 |
| 0060-12 | EPDM BLACK | 1186713 | SPAZIALE 08354 |
| 0060-10 | SILICON RED | 1186550 | SPINEL SR.000.060.042 |
| 0017-20 | EPDM BLACK | 1786295 | VIBIEMME GUARORVALESPE |
| 0060-10 | SILICON RED | 1186550 | WEGA WY12300013 |
| 0250-40 | NBR BLACK | 1186772 | WEGA WY12300027 |

HANDLES RANCILIO



| Photo | LF Code | Notes | Suitable for | For machine model |
|-------|---------|---------------------------------------|-------------------|-------------------|
| 1 | 1241046 | STEAM - VAPORE | RANCILIO 10060175 | EPOCA |
| 2 | 1241824 | WATER - ACQUA | RANCILIO 10060176 | EPOCA |
| 3 | 1241831 | STEAM - VAPORE | RANCILIO 10060152 | S20 - Z11 |
| 4 | 1241830 | WATER - ACQUA | RANCILIO 10060162 | S20 - Z11 |
| 5 | 5030150 | STEAM - VAPORE | RANCILIO 38121037 | SILVIA |
| 6 | 1241821 | FOR SELECTOR SWITCH - PER COMMUTATORE | RANCILIO 38123090 | Z11 |

HEATING ELEMENT GASKETS



| Photo | LF Code | Dimensions | Material | For heating elements |
|-------|---------|----------------|----------|----------------------------------|
| 1 | 3060608 | OR 03050 | EPDM | 1/4" |
| 1 | 3186175 | ∅ 51x41x3.5 mm | EPDM | 1"1/4 |
| 2 | 1186623 | ∅ 53x43x3 mm | PTFE | 1"1/4 |
| 3 | 1186633 | ∅ 53x42x3 mm | CARBO | 1"1/4 |
| 4 | 3186010 | ∅ 54x42x2 mm | ESENTE | 1"1/4 |
| 2 | 1186993 | ∅ 42x33x3 mm | PTFE | 1" |
| 3 | 1186627 | ∅ 41x33x3 mm | CARBO | 1" |
| 2 | 1186179 | ∅ 57x43x3 mm | PTFE | TYPE FAEMA - TIPO FAEMA |
| 3 | 1186606 | ∅ 57x43x3 mm | CARBO | TYPE FAEMA - TIPO FAEMA |
| 2 | 1186608 | ∅ 50x40x2 mm | PTFE | ASTORIA/CMA - GAGGIA - SAN MARCO |
| 3 | 1786215 | ∅ 50x40x2 mm | CARBO | ASTORIA/CMA - GAGGIA - SAN MARCO |
| 4 | 1186156 | ∅ 50x40x2 mm | ESENTE | ASTORIA/CMA - GAGGIA - SAN MARCO |



| Photo | LF Code | Dimensions | Material | For heating elements |
|-------|---------|----------------|----------|---|
| 1 | 1186152 | OR 03287 | EPDM | BEZZERA BZ02 - BZ07 - BZ10 - BZ99 |
| 1 | 3186013 | OR 06187 | EPDM | CASADIO VENTI |
| 3 | 1186607 | ∅ 57.8x50x3 mm | CARBO | CASADIO - CIMBALI |
| 2 | 1186609 | ∅ 58x51x2 mm | PTFE | CIMBALI - CASADIO |
| 2 | 1186155 | ∅ 76x68.4x3 mm | PTFE | CONTI |
| 2 | 1186979 | ∅ 52x40x2 mm | PTFE | EXPOBAR - MARZOCCO - QUICK MILL |
| 1 | 1186641 | OR 0176 | EPDM | GAGGIA G105 - G106 - PAVONI EUROPICCOLA |
| 1 | 1186798 | OR 0146 | VITON | GAGGIA GE ONE - GD ONE |
| 2 | 1186409 | ∅ 68x55x3 mm | PTFE | NUOVA SIMONELLI - VICTORIA ARDUINO |
| 3 | 1186638 | ∅ 67x55x3 mm | CARBO | NUOVA SIMONELLI - VICTORIA ARDUINO |
| 2 | 1186455 | ∅ 65x47x1.5 mm | PTFE | RANCILIO - RANCILIO |
| 3 | 3186011 | ∅ 63x48x2 mm | CARBO | RANCILIO - RANCILIO |
| 1 | 3186290 | OR 04187 | EPDM | RENEKA |
| 3 | 1186637 | ∅ 56x47x3 mm | CARBO | SAN MARCO |
| 2 | 1186516 | ∅ 26x17x2 mm | PTFE | SPAZIALE S1 |
| 1 | 1186705 | OR 03168 | VITON | SPAZIALE S1 |
| 2 | 1186639 | ∅ 62x51x2 mm | PTFE | SPAZIALE |
| 1 | 1186715 | OR 0159 | VITON | SPAZIALE |
| 4 | 1186636 | ∅ 62x51x2 mm | ESENTE | SPAZIALE |
| 1 | 1186241 | OR 04262 | VITON | UNIC |

HEATING ELEMENTS RANCILIO



3060608



1755006

| Photo | LF Code | Watt - Volt | L (mm) | Groups | Suitable for | For machine model |
|-------|---------|-------------|--------|--------|-------------------|--|
| 1 | 1755046 | 1100W 230V | 60 | 1 | RANCILIO 33122014 | SILVIA - NANCY - AUNDREY - BETSY - FANTASY |

HEATING ELEMENTS RANCILIO



3060608

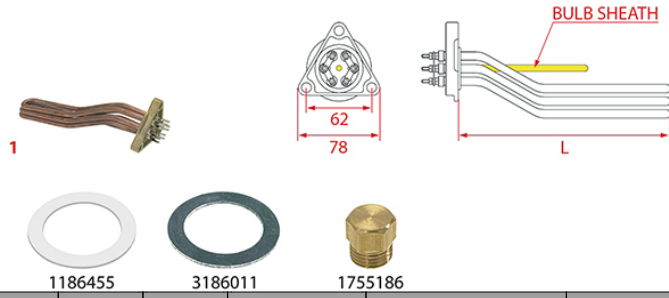
| Photo | LF Code | Watt - Volt | L (mm) | Groups | Suitable for | For machine model |
|-------|---------|-------------|--------|--------|-------------------|-------------------|
| 1 | 1755801 | 1700W 230V | 190 | 1 | RANCILIO 33122017 | S20 - EPOCA |



RANCILIO



HEATING ELEMENTS RANCILIO



| Photo | LF Code | Watt - Volt | L (mm) | Groups | Bulb sheath | Suitable for | For machine model |
|-------|---------|----------------|--------|--------|-------------|-------------------|---|
| 1 | 3355453 | 2100W 220V | 210 | 1 | M10 | RANCILIO 33322022 | S20 |
| 1 | 1755182 | 3000W 220/380V | 230 | 2 | YES | RANCILIO 33323300 | CLASSE10 - CLASSE6 - CLASSE6 LEVA - CLASSE7 - CLASSE8 |
| 1 | 1755777 | 2700W 110V | 235 | 2 | M10 | RANCILIO 33311028 | EPOCA - MILLENNIUM - S20 - Z11 |
| 1 | 3355454 | 3900W 220V | 390 | 3 | M10 | RANCILIO 33322040 | Z11 - S20 - MILLENNIUM |
| 1 | 1755048 | 4300W 230/400V | 375 | 3 | YES | RANCILIO 33323430 | CLASSE10 - CLASSE6 - CLASSE6 LEVA - CLASSE7 - CLASSE8 |
| 1 | 3355455 | 4500W 220V | 390 | 4 | NO | RANCILIO 33322046 | S20 |
| 1 | 1755183 | 6000W 230/380V | 395 | 4 | M10 | RANCILIO 33322065 | MILLENNIUM - Z11 |
| 1 | 1755049 | 6000W 230V | 400 | 4 | YES | RANCILIO 33323600 | CLASSE10 - CLASSE6 - CLASSE6 LEVA - CLASSE8 - CLASSE9 |

IGNITORS FOR BURNERS



| Photo | LF Code | Mounting hole \varnothing (mm) | Suitable for |
|-------|---------|----------------------------------|------------------------------------|
| 1 | 3001005 | 18 | --- |
| 2 | 3001007 | 22 | CMA/ASTORIA - RANCILIO - SAN MARCO |
| 3 | 3001003 | --- | ASTORIA/CMA |
| 4 | 3001028 | --- | ASTORIA/CMA - WEGA |

INDICATOR LIGHTS RANCILIO



| Photo | LF Code | Volt | \varnothing head - \varnothing hole - $^{\circ}\text{C}$ | Suitable for | For machine model |
|-------|---------|------|--|-------------------|--|
| 1 | 1221801 | 230V | \varnothing 15.5 mm - \varnothing 12 mm | RANCILIO 10111015 | S20 - Z11 |
| 2 | 3221097 | 220V | \varnothing 8 mm - 120°C | RANCILIO 34030116 | CLASSE10 - CLASSE6 - CLASSE6LEVA - CLASSE7 - CLASSE7LEVA |
| 3 | 3221163 | --- | \varnothing 15 mm - \varnothing 10 mm | RANCILIO 34030110 | CLASSE10 - CLASSE6 - CLASSE6LEVA - CLASSE7 - CLASSE7LEVA |

KNOBS RANCILIO



| Photo | LF Code | Notes | Suitable for | For machine model |
|-------|---------|----------------------------|-------------------|--|
| 1 | 5056833 | STEAM - VAPORE | RANCILIO 10060183 | CLASSE10 - CLASSE6 - CLASSE7 - CLASSE8 - CLASSE9 - EPOCA |
| 2 | 5062752 | WATER - ACQUA | RANCILIO 10060182 | CLASSE10 - CLASSE6 - CLASSE7 - CLASSE8 - CLASSE9 - EPOCA |
| 3 | 5033626 | STEAM - VAPORE | RANCILIO 10060181 | CLASSE10 - CLASSE6 - CLASSE7 - CLASSE8 - CLASSE9 - EPOCA |
| 4 | 1241048 | STEAM - VAPORE | RANCILIO 10705087 | CLASSE10 |
| 5 | 1241833 | STEAM/WATER - VAPORE/ACQUA | RANCILIO 10060177 | MILLENNIUM |
| 6 | 5055880 | STEAM - VAPORE | RANCILIO 10060186 | SILVIA NEW |

LEVEL GAUGE PLATES RANCILIO



| Photo | LF Code | Dimensions (mm) | Suitable for | For machine model |
|-------|---------|-----------------|-------------------|---|
| 1 | 1201007 | 61x17 | RANCILIO 38123856 | CLASSE10 - CLASSE6 - CLASSE6 LEVA - CLASSE8 - CLASSE9 |
| 2 | 1201585 | 90x50 | RANCILIO 38125007 | S20 - Z11 |

LEVEL GLASS BALLS



| Photo | LF Code | Dimensions (mm) | Suitable for |
|-------|---------|-----------------|------------------------------|
| 1 | 1323006 | ∅ 7 | ALL BRANDS - TUTTE LE MARCHE |
| 2 | 1323001 | ∅ 5.8 | ALL BRANDS - TUTTE LE MARCHE |
| 3 | 1323007 | ∅ 9,5 | ALL BRANDS - TUTTE LE MARCHE |



RANCILIO



LEVEL GLASS GASKETS



| Photo | LF Code | Dimensions (mm) | Suitable for |
|-------|---------|-----------------|--|
| 1 | 1186173 | ∅ 16.5x10x12.5 | MARCFI-ANCAS |
| 1 | 1186221 | ∅ 19x11.5x10 | CARIMALI - CONTI - NUOVA SIMONELLI |
| 2 | 1186270 | ∅ 18x11x4 | CONTI |
| 2 | 1186227 | ∅ 21x11.5x5 | BRUGNETTI/AURORA - FAEMA - FUTURMAT |
| 2 | 1186251 | ∅ 18x12x3 | RANCILIO |
| 2 | 1186360 | ∅ 18x12x2 | CIMBALI |
| 3 | 1401002 | ∅ 14.5x10x7 | BEZZERA |
| 4 | 1186206 | ∅ 16x10x8 | ASTORIA/CMA - BFC - GRIMAC - NUOVA SIMONELLI - ROYAL |
| 5 | 1186375 | ∅ 15x9x8 | ELEKTRA |
| 5 | 1186469 | ∅ 15x9x5 | GAGGIA - PAVONI |
| 6 | 1186498 | ∅ 14.5x11x2 | EXPOBAR |
| 6 | 1186256 | ∅ 31x19x3 | SAN MARCO |
| 6 | 1186266 | ∅ 26x12x7 | UNIC |

LEVEL INDICATORS COMPLETE



| Photo | LF Code | Suitable for |
|-------|---------|--|
| 1 | 1201055 | VIBIEMME ASSLIVUNIF |
| 2 | 5024205 | FUTURMAT 08181604 |
| 3 | 1201010 | PROMAC 10060380 - RANCILIO 10060380 |
| 4 | 1201001 | BRASILIA 21161.8.00.09 - FIAMMA 5.0.000.1020 |
| 5 | 1201100 | NUOVA SIMONELLI 75010001 - VICTORIA ARDUINO 75010001 |
| 6 | 1201501 | MARZOCCO L120C |

LEVEL PROBES RANCILIO



1

| Photo | LF Code | Notes | Suitable for | For machine model |
|-------|---------|----------------|------------------|------------------------------------|
| 1 | 1341802 | ∅ 1/8"M-115 mm | RANCILIO 3420088 | CLASSE10 - EPOCA - MILLENIUM - S20 |

LEVEL REGULATORS RANCILIO



1

| Photo | LF Code | Features | Suitable for | For machine model |
|-------|---------|--------------------|-------------------|--------------------------------------|
| 1 | 1341301 | NRL30/1E-2C/F 230V | RANCILIO 34070029 | CLASSE10 - CLASSE6 - CLASSE8 - EPOCA |

LIP GASKETS RANCILIO



1

2

| Photo | LF Code | Dimensions (mm) | Suitable for | For machine model |
|-------|---------|-----------------|-------------------|-----------------------------------|
| 1 | 1348826 | ∅ 15x9x4.5 | RANCILIO 36101002 | CLASSE10 - MILLENNIUM - S20 - Z11 |
| 1 | 1186460 | ∅ 19x13x4 | RANCILIO 36101003 | Z11 |
| 1 | 1186832 | ∅ 24x14x5 | RANCILIO 36101004 | Z11 |
| 2 | 1186816 | ∅ 50x38x7.5 | RANCILIO 36101005 | CLASSE6 AL - CLASSE7 AL - Z11 |
| 1 | 1186817 | ∅ 51x38x7.5 | RANCILIO 36101006 | CLASSE6 AL - CLASSE7 AL - Z11 |
| 2 | 1186821 | ∅ 54x40x7.5 | RANCILIO 36101007 | Z11 |
| 1 | 1186820 | ∅ 55x41x7.5 | RANCILIO 36101008 | Z11 |
| 2 | 1186831 | ∅ 104x88x8 | RANCILIO 36101012 | Z11 |



RANCILIO



MICROSWITCHES RANCILIO



1

| Photo | LF Code | Volt | Suitable for | For machine model |
|-------|---------|----------|-------------------|-------------------|
| 1 | 1240801 | 15A 250V | RANCILIO 34100001 | CLASSE10 - Z11 |

NBR FLAT GASKETS



1



2

| Photo | LF Code | Dimensions | Suitable for | Notes |
|-------|---------|-------------|----------------------------|---|
| 1 | 1186474 | ∅ 12x7x5 mm | GAGGIA | FOR STEAM/WATER TAPS - PER RUBINETTI VAPORE/ACQUA |
| 1 | 1186474 | ∅ 12x7x5 mm | PAVONI | FOR STEAM/WATER TAPS - PER RUBINETTI VAPORE/ACQUA |
| 2 | 1186311 | ∅ 13x4x4 mm | MANY BRANDS - MOLTI MARCHI | SEVERAL APPLICATIONS - MOLTE APPLICAZIONI |

NOZZLES RANCILIO



1

| Photo | LF Code | Notes | Suitable for | For machine model |
|-------|---------|-----------------|-------------------|--|
| 1 | 1501811 | M8x1 - ∅ 0.5 mm | RANCILIO 10060612 | CLASSE10 - CLASSE9 - CLASSE8 - CLASSE7 - CLASSE6 - EPOCA |



RANCILIO



O-RING GASKETS THICKNESS 2.62 mm

| Dimensions (mm) T x d | Model (new cross-references) | Model (old cross-references) | LF Code (EPDM) | LF Code (VITON) STANDARD | LF Code (SILICONE) RED | LF Code (VITON) MIX COLOR | LF Code (SILICONE) MIX COLOR |
|--------------------------|---------------------------------|---------------------------------|-------------------|--------------------------------|------------------------------|---------------------------------|------------------------------------|
| 2.62 x 6.02 | OR 03024 | | 3786668 | | 1786137 | | |
| 2.62 x 7.59 | OR 03030 | | 1186358 | 1786155 | 1786280 | 1786197 | |
| 2.62 x 9.13 | OR 0109 | OR 0109 | 1186255 | 5029740 | 1186910 | | 3186608 |
| 2.62 x 9.19 | OR 03037 | OR 0111 | 3186340 | 1786202 | | | |
| 2.62 x 9.92 | OR 0112 | OR 0112 | 1186304 | | 1786049 | 1186879 | 1186914 |
| 2.62 x 10.78 | OR 03043 | OR 0113 | 1186318 | | 3786719 | 1186236 | |
| 2.62 x 11.91 | OR 0115 | OR 0115 | 1186805 | 1186709 | 1186745 | | |
| 2.62 x 12.37 | OR 03050 | OR 0116 | 3060608 | 3090132 | 1186458 | | |
| 2.62 x 13.10 | OR 0117 | OR 0117 | 3243086 | | 1186085 | | 1786234 |
| 2.62 x 13.95 | OR 03056 | OR 0118 | 3186860 | | 1186762 | | |
| 2.62 x 15.08 | OR 0119 | OR 0119 | 1186414 | 1186714 | 3523062 | | |
| 2.62 x 15.88 | OR 0121 | OR 0121 | 3186434 | 1186246 | | | |
| 2.62 x 17.13 | OR 03068 | OR 0122 | 3186181 | 1786276 | 1186850 | | |
| 2.62 x 17.86 | OR 0123 | OR 0123 | 3186287 | | 1186000 | | 1199001 |
| 2.62 x 18.72 | OR 03075 | OR 0124 | 1186356 | | 5059295 | | |
| 2.62 x 20.24 | OR 03081 | OR 0127 | 1186327 | 5039864 | 1186026 | | 1186053 |
| 2.62 x 20.63 | OR 0128 | OR 0128 | 3186183 | 1186591 | | 1786300 | |
| 2.62 x 21.89 | OR 03087 | | 1786233 | | 1186796 | | |
| 2.62 x 22.22 | OR 0130 | OR 0130 | 3186253 | | 1186292 | | |
| 2.62 x 23.47 | OR 03093 | | 1186922 | | | | |
| 2.62 x 23.81 | OR 0132 | OR 0132 | 1186438 | | | | |
| 2.62 x 25.07 | OR 03100 | | 1186833 | | | | |
| 2.62 x 26.65 | OR 03106 | | 1186759 | | | 5045475 | 1786243 |
| 2.62 x 28.25 | OR 03112 | | 3186247 | 5037072 | | | 7104228 |
| 2.62 x 29.82 | OR 03118 | | 3186458 | | | | |
| 2.62 x 31.42 | OR 03125 | | 3186244 | | | 1186930 | |
| 2.62 x 32.99 | OR 03131 | | 3186847 | 5029479 | 1186920 | | |
| 2.62 x 34.60 | OR 03137 | | 3243250 | 1186767 | | | |
| 2.62 x 36.14 | OR 03143 | | 5027619 | | | | |
| 2.62 x 39.34 | OR 03156 | | 3786183 | 1186184 | | | |
| 2.62 x 40.95 | OR 03162 | | 3243389 | | | | |
| 2.62 x 42.52 | OR 03168 | | 3160040 | 1186705 | | | |
| 2.62 x 45.69 | OR 03181 | | 1186466 | | | | |
| 2.62 x 47.30 | OR 03187 | | 3160044 | | 1786313 | | |
| 2.62 x 48.89 | OR 03193 | | 1186672 | 5055114 | | | |
| 2.62 x 50.47 | OR 03200 | | 3186245 | 5034849 | | 1186948 | |
| 2.62 x 53.65 | OR 03212 | | 3060038 | | 1186847 | | |
| 2.62 x 58.42 | OR 03231 | | 3186455 | | 1199075 | | |
| 2.62 x 60.00 | OR 03237 | | 3243166 | | | | |
| 2.62 x 61.60 | OR 03243 | | 3122252 | | | | |
| 2.62 x 63.17 | OR 03250 | | 3186315 | | | | |
| 2.62 x 64.77 | OR 03256 | | 1786203 | 1786153 | | | |
| 2.62 x 67.95 | OR 03268 | | 3186248 | | | | |
| 2.62 x 71.12 | OR 03281 | | 1186625 | | 1186405 | | |
| 2.62 x 72.69 | OR 03287 | | 1186152 | | | | |



RANCILIO



| Dimensions (mm) T x d | Model (new cross-references) | Model (old cross-references) | LF Code (EPDM) | LF Code (VITON) STANDARD | LF Code (SILICONE) RED | LF Code (VITON) MIX COLOR | LF Code (SILICONE) MIX COLOR |
|--------------------------|---------------------------------|---------------------------------|-------------------|--------------------------------|------------------------------|---------------------------------|------------------------------------|
| 2.62 x 75.87 | OR 03300 | | 1186237 | 1186779 | | | |
| 2.62 x 78.94 | | | 3786579 | | | | |
| 2.62 x 88.57 | OR 03350 | | 5015751 | | 1786124 | | |
| 2.62 x 94.92 | OR 03375 | | 1186605 | | | | |
| 2.62 x 215.57 | OR 03850 | | 3786202 | | | | |

O-RING GASKETS THICKNESS 3.53 mm

| Dimensions (mm) T x d | Model (new cross-references) | Model (old cross-references) | LF Code (EPDM) | LF Code (VITON) STANDARD | LF Code (SILICONE) RED | LF Code (VITON) MIX COLOR | LF Code (SILICONE) MIX COLOR |
|--------------------------|---------------------------------|---------------------------------|-------------------|--------------------------------|------------------------------|---------------------------------|------------------------------------|
| 3.53 x 9.12 | OR 04036 | | 6456047 | 2102713 | | | |
| 3.53 x 15.47 | OR 04061 | | 1186019 | | 3786053 | | |
| 3.53 x 17.04 | OR 04067 | | 3786519 | | | | |
| 3.53 x 18.64 | OR 04075 | OR 0125 | 1186472 | 1186766 | 3186610 | | |
| 3.53 x 20.22 | OR 04081 | OR 0126 | 1186238 | 2111463 | 1186009 | | |
| 3.53 x 21.82 | OR 04087 | OR 0129 | 1186630 | 4059475 | | | |
| 3.53 x 23.40 | OR 04093 | OR 0131 | 3186143 | 5028161 | 1786050 | | |
| 3.53 x 26.58 | OR 04106 | OR 0135 | 1186231 | | 1786119 | | |
| 3.53 x 28.17 | OR 04112 | OR 0136 | 1186480 | 3786008 | 1786018 | | 1186869 |
| 3.53 x 29.75 | OR 04118 | OR 0137 | 3243142 | 1786167 | 1186874 | 1186790 | 1786199 |
| 3.53 x 31.34 | OR 04125 | OR 0138 | 1186506 | | 1186010 | | |
| 3.53 x 32.93 | OR 04131 | OR 0139 | 1186655 | 3186580 | 1786210 | 1786098 | |
| 3.53 x 34.52 | OR 04137 | OR 0140 | 3061040 | | 1186990 | 1186403 | 1186963 |
| 3.53 x 36.10 | OR 04143 | OR 0141 | 3186338 | | 1786118 | | |
| 3.53 x 37.69 | OR 04150 | OR 0142 | 3186197 | 5034986 | 1186905 | | 1786168 |
| 3.53 x 39.69 | OR 0144 | OR 0144 | 3186606 | | 1786099 | | 1186947 |
| 3.53 x 40.86 | OR 04162 | | 3067198 | 40C6450 | 5039021 | | |
| 3.53 x 41.28 | OR 0146 | OR 0146 | 3186238 | 1186798 | | | |
| 3.53 x 42.86 | OR 0147 | OR 0147 | 3186184 | 1786117 | 1786140 | | |
| 3.53 x 44.04 | OR 04175 | | 3186175 | 1786152 | | | |
| 3.53 x 46.04 | OR 0150 | OR 0150 | 3786181 | | | | |
| 3.53 x 47.22 | OR 04187 | | 3186290 | 1186190 | | | |
| 3.53 x 47.63 | OR 0152 | OR 0152 | 1186087 | | | 1186931 | |
| 3.53 x 49.21 | OR 0153 | OR 0153 | 3786454 | 5005318 | 1786116 | | |
| 3.53 x 50.39 | OR 04200 | | 3186601 | 3786459 | 4006406 | | |
| 3.53 x 50.80 | OR 0155 | OR 0155 | 3316031 | | 1186503 | 1786311 | |
| 3.53 x 53.57 | OR 04212 | | 1186643 | | | 5501390 | |
| 3.53 x 55.56 | OR 0159 | OR 0159 | 3186697 | 1186715 | | | |
| 3.53 x 56.74 | OR 04225 | | 1186799 | | | | |
| 3.53 x 57.15 | OR 0161 | OR 0161 | 1186198 | 1786292 | | | |
| 3.53 x 58.74 | OR 0162 | OR 0162 | 1186199 | 1786287 | | | |
| 3.53 x 59.92 | OR 04237 | | 3316110 | | | | |
| 3.53 x 60.33 | OR 0164 | OR 0164 | 1186230 | 1786011 | | | |
| 3.53 x 63.09 | OR 04250 | | 1186022 | | | | |
| 3.53 x 63.50 | OR 0167 | OR 0167 | 3186454 | | 1786298 | | |
| 3.53 x 65.09 | OR 0168 | OR 0168 | 1186645 | | | | |
| 3.53 x 68.26 | OR 0171 | OR 0171 | 1186763 | | | | |
| 3.53 x 69.44 | OR 04275 | | 5022973 | | 1786209 | | |



RANCILIO



| Dimensions (mm) T x d | Model (new cross-references) | Model (old cross-references) | LF Code | LF Code | LF Code | LF Code | LF Code |
|--------------------------|---------------------------------|---------------------------------|---------|---------------------|-------------------|----------------------|-------------------------|
| | | | (EPDM) | (VITON) STANDARD | (SILICONE) RED | (VITON) MIX COLOR | (SILICONE) MIX COLOR |
| 3.53 x 71.44 | OR 0174 | OR 0174 | 3243160 | | | | |
| 3.53 x 73.03 | OR 0176 | OR 0176 | 1186641 | | 1186858 | 1786254 | |
| 3.53 x 75.80 | OR 04300 | | 1186748 | | 1786110 | | |
| 3.53 x 78.97 | OR 04312 | | 3186271 | 1186698 | 1786268 | | |
| 3.53 x 82.14 | OR 04325 | | 1186693 | | | | |
| 3.53 x 85.32 | OR 04337 | | 1186519 | | | | |
| 3.53 x 88.50 | OR 04350 | | 1186873 | | | | 1786261 |
| 3.53 x 91.67 | OR 04362 | | 3061007 | | | | |
| 3.53 x 94.84 | OR 04375 | | 3061011 | | | | |
| 3.53 x 98.02 | OR 04387 | | 3186137 | | | | |
| 3.53 x 101.20 | OR 04400 | | 3160607 | 5501389 | 1786129 | | |
| 3.53 x 107.50 | OR 04425 | | 3186235 | | | 1786214 | |
| 3.53 x 110.70 | OR 04437 | | 3061016 | | | | |
| 3.53 x 113.90 | OR 04450 | | 3186456 | | | | |
| 3.53 x 120.20 | OR 04475 | | 3186466 | | 1186806 | | |
| 3.53 x 132.90 | OR 04525 | | 1186941 | | | | |
| 3.53 x 136.10 | OR 04537 | | 1186708 | | | | |
| 3.53 x 148.80 | OR 04587 | | 3122552 | | | | |
| 3.53 x 158.30 | OR 04625 | | 3122255 | | | | |
| 3.53 x 164.70 | OR 04650 | | 3122344 | | | | |
| 3.53 x 183.70 | OR 04725 | | 3061037 | | | | |

O-RING GASKETS THICKNESS 5.34 mm

| Dimensions (mm) T x d | Model (new cross-references) | Model (old cross-references) | LF Code | LF Code | LF Code | LF Code | LF Code |
|--------------------------|---------------------------------|---------------------------------|---------|---------------------|-------------------|----------------------|-------------------------|
| | | | (EPDM) | (VITON) STANDARD | (SILICONE) RED | (VITON) MIX COLOR | (SILICONE) MIX COLOR |
| 5.34 x 34.29 | OR 06135 | | 1186220 | | | | |
| 5.34 x 37.47 | OR 06150 | OR 0143 | 3186001 | | | 5018795 | |
| 5.34 x 40.65 | OR 06162 | OR 0145 | 5026454 | 1786272 | | | |
| 5.34 x 43.82 | OR 06175 | OR 0148 | 3186339 | | 5039034 | | |
| 5.34 x 47.00 | OR 06187 | OR 0151 | 3186013 | 5060790 | 3186313 | | |
| 5.34 x 50.16 | OR 06200 | OR 0154 | 3186333 | | 1786275 | | |
| 5.34 x 53.34 | OR 06212 | OR 0157 | 1186673 | 3186241 | 1786273 | | 5023642 |
| 5.34 x 56.52 | OR 06225 | OR 0160 | 3186014 | | | | 3186314 |
| 5.34 x 59.69 | OR 06237 | OR 0163 | 1186932 | | 5038239 | | |
| 5.34 x 62.87 | OR 06250 | OR 0166 | 3186331 | | | | |
| 5.34 x 66.04 | OR 06262 | OR 0169 | 1186505 | | | | |
| 5.34 x 69.22 | OR 06275 | OR 0172 | 3160061 | | | | |
| 5.34 x 72.39 | OR 06287 | OR 0175 | 3786685 | | | | |
| 5.34 x 74.63 | OR 0178 | OR 0178 | 3186015 | | 1786009 | | |
| 5.34 x 75.57 | OR 06300 | OR 0179 | 5039882 | 1186456 | | | |
| 5.34 x 78.74 | OR 06312 | OR 0180 | 3010048 | | | | |
| 5.34 x 79.77 | OR 0181 | OR 0181 | 5006335 | | | | |
| 5.34 x 81.92 | OR 06325 | OR 0182 | 3243088 | | | | |
| 5.34 x 85.09 | OR 06337 | OR 0183 | 3186335 | | 1786246 | | |
| 5.34 x 94.62 | OR 06375 | OR 0187 | 1786002 | | | | |
| 5.34 x 100.00 | OR 0189 | OR 0189 | 1186749 | | | | |
| 5.34 x 110.50 | OR 06437 | OR 0194 | 5010476 | | | | 1186075 |



RANCILIO



| Dimensions (mm) T x d | Model (new cross-references) | Model (old cross-references) | LF Code (EPDM) | LF Code (VITON) STANDARD | LF Code (SILICONE) RED | LF Code (VITON) MIX COLOR | LF Code (SILICONE) MIX COLOR |
|--------------------------|---------------------------------|---------------------------------|-------------------|--------------------------------|------------------------------|---------------------------------|------------------------------------|
| 5.34 x 120.70 | OR 0201 | OR 0201 | 3160615 | | | | |
| 5.34 x 139.70 | OR 0215 | OR 0215 | 5052966 | | | | |

O-RING GASKETS THICKNESS 7.00 mm

| Dimensions (mm) T x d | Model (new cross-references) | Model (old cross-references) | LF Code (EPDM) | LF Code (VITON) STANDARD | LF Code (SILICONE) RED | LF Code (VITON) MIX COLOR | LF Code (SILICONE) MIX COLOR |
|--------------------------|---------------------------------|---------------------------------|-------------------|--------------------------------|------------------------------|---------------------------------|------------------------------------|
| 7.00 x 135.90 | OR 08537 | OR 0212 | 5050109 | | | | |
| 7.00 x 142.20 | OR 08562 | OR 0216 | 2104555 | | | | |
| 7.00 x 155.60 | OR 0223 | OR 0223 | 5006513 | | | | |
| 7.00 x 183.52 | OR 08725 | OR 0234 | 5024838 | | | | |
| 7.00 x 204.67 | OR 08950 | OR 0246 | 5026360 | | 5029810 | | |
| 7.00 x 266.07 | OR 081050 | OR 0250 | 5034088 | | | | |
| 7.00 x 297.80 | OR 081175 | OR 0255 | 5032360 | | | | |

O-RING THICKNESS 1.78 mm

| Dimensions (mm) T x d | Model (new cross-references) | Model (old cross-references) | LF Code (EPDM) | LF Code (VITON) STANDARD | LF Code (SILICONE) RED | LF Code (VITON) MIX COLOR | LF Code (SILICONE) MIX COLOR |
|--------------------------|---------------------------------|---------------------------------|-------------------|--------------------------------|------------------------------|---------------------------------|------------------------------------|
| 1.78 x 1.78 | OR 02007 | | 2111723 | | | | |
| 1.78 x 2.57 | OR 02010 | | 1186163 | 1186746 | | | |
| 1.78 x 2.90 | OR 02012 | OR 0101 | 1186365 | | 1186846 | 1186842 | |
| 1.78 x 3.69 | OR 02015 | OR 0102 | 1186014 | 1186900 | 1786278 | 1786095 | 1186514 |
| 1.78 x 4.48 | OR 02018 | OR 0103 | 1186421 | 1186755 | 1186861 | | |
| 1.78 x 5.28 | OR 02021 | OR 0104 | 1186362 | 1786088 | 1186903 | 1786144 | 5056235 |
| 1.78 x 6.07 | OR 02025 | OR 0105 | 3243139 | 1186612 | 1186611 | 1786143 | 1486013 |
| 1.78 x 6.75 | OR 0106 | OR 0106 | 3243009 | 1186435 | 1186864 | | |
| 1.78 x 7.66 | OR 02031 | OR 0107 | 1186411 | 1186717 | 1186901 | 1786085 | |
| 1.78 x 8.73 | OR 0108 | OR 0108 | 1186422 | 1186707 | 1186902 | | |
| 1.78 x 9.25 | OR 02037 | OR 0110 | 1186803 | 1186088 | 1786087 | 1786267 | |
| 1.78 x 10.82 | OR 02043 | | 1186346 | 1786303 | 5008673 | 1186950 | |
| 1.78 x 11.11 | OR 0114 | OR 0114 | 1186626 | 1186730 | 1186877 | | 1786075 |
| 1.78 x 12.42 | OR 02050 | | 1186352 | | 1186366 | | |
| 1.78 x 14.00 | OR 02056 | | 1186223 | 1786154 | 1786061 | 5037375 | |
| 1.78 x 15.60 | OR 02062 | | 1186424 | 1786232 | 1786159 | 1786208 | |
| 1.78 x 17.17 | OR 02068 | | 3243069 | 1786271 | | 1786165 | |
| 1.78 x 18.77 | OR 02075 | | 3186440 | | | 1186933 | 5008687 |
| 1.78 x 20.35 | OR 02081 | | 3243266 | | | | 1186373 |



| Dimensions (mm) T x d | Model (new cross-references) | Model (old cross-references) | LF Code (EPDM) | LF Code (VITON) STANDARD | LF Code (SILICONE) RED | LF Code (VITON) MIX COLOR | LF Code (SILICONE) MIX COLOR |
|--------------------------|---------------------------------|---------------------------------|-------------------|--------------------------------|------------------------------|---------------------------------|------------------------------------|
| 1.78 x 21.95 | OR 02087 | | 3243382 | 1786277 | | | |
| 1.78 x 23.52 | OR 02093 | | 1186401 | | | | |
| 1.78 x 25.12 | OR 02100 | | 3186169 | | | | |
| 1.78 x 26.70 | OR 02106 | | 3186343 | | 1186863 | | |
| 1.78 x 28.30 | OR 02112 | | 3186754 | 1186631 | | | |
| 1.78 x 29.87 | OR 02118 | | 5010533 | | | | |
| 1.78 x 31.47 | OR 02125 | | 3243191 | 1186919 | 1786139 | | |
| 1.78 x 33.05 | OR 02131 | | 1186003 | | 3186317 | | |
| 1.78 x 34.65 | OR 02137 | | 3243189 | | 5060454 | 1186929 | |
| 1.78 x 47.35 | OR 02187 | | 7102065 | | 3186657 | | |
| 1.78 x 50.52 | OR 02200 | | 1186956 | | | | |
| 1.78 x 60.05 | OR 02237 | | 6456037 | | | | |
| 1.78 x 72.75 | OR 02287 | | 5059891 | | | | |
| 1.78 x 75.92 | OR 02300 | | 1186397 | | | | |
| 1.78 x 82.27 | OR 02325 | | 6456074 | | | | |
| 1.78 x 88.62 | OR 02350 | | 3186232 | | | | |
| 1.78 x 94.97 | OR 02375 | | 3122121 | | | | |
| 1.78 x 120.37 | OR 02475 | | 3122365 | | | | |
| 1.78 x 133.07 | OR 02525 | | 3186239 | | | | |

PINS RANCILIO



| Photo | LF Code | Dimensions | Suitable for | Notes | For machine model |
|-------|---------|------------|-------------------|---|-------------------|
| 1 | 1184853 | --- | RANCILIO 25118004 | FOR BREW GROUPS - PER GRUPPI EROGAZIONE | CLASSE10 - Z11 |
| 2 | 1324078 | --- | RANCILIO 10060002 | FOR STEAM/WATER TAPS - PER RUBINETTI VAPORE/ACQUA | CLASSE10 - EPOCA |
| 3 | 1348046 | --- | RANCILIO 23224002 | FOR STEAM/WATER TAPS - PER RUBINETTI VAPORE/ACQUA | CLASSE10 - EPOCA |
| 4 | 1349038 | --- | RANCILIO 25224001 | FOR STEAM/WATER TAPS - PER RUBINETTI VAPORE/ACQUA | S20 - Z11 |
| 5 | 1324802 | --- | RANCILIO 10706073 | FOR STEAM/WATER TAPS - PER RUBINETTI VAPORE/ACQUA | CLASSE10 - EPOCA |
| 6 | 5057551 | --- | RANCILIO 10706044 | FOR STEAM/WATER TAPS - PER RUBINETTI VAPORE/ACQUA | CLASSE10-9-8-7-6 |

PIPES RANCILIO



| Photo | LF Code | Notes | Suitable for | For machine model |
|-------|---------|----------|-------------------|--|
| 1 | 1449055 | ∅ 1/4" M | RANCILIO 10042172 | CLASSE10 - CLASSE6 - CLASSE7 - CLASSE8 - EPOCA - S20 |



RANCILIO



PLATES RANCILIO



1

| Photo | LF Code | Suitable for | For machine model |
|-------|---------|-------------------|-------------------|
| 1 | 1201801 | RANCILIO 38123563 | MILLENNIUM |

PRECISION COFFEE FILTERS RANCILIO



1

2

3

| Photo | LF Code | Model | Suitable for | Notes |
|-------|---------|---------------------------|--------------|-------|
| 1 | 1460100 | 1 CUP - 6/8 gr - H24.5 | RANCILIO | --- |
| 1 | 1460101 | 1 CUP - 7/9 gr - H26.5 | RANCILIO | --- |
| 2 | 1460102 | 2 CUPS - 12/18 gr - H24.5 | RANCILIO | --- |
| 2 | 1460103 | 2 CUPS - 14/20 gr - H26.5 | RANCILIO | --- |
| 3 | 1460104 | 3 CUPS - 18/22 gr - H28.5 | RANCILIO | --- |

Filtri progettati per ottenere la perfetta estrazione del caffè , acciaio Aisi 316 , certificati alimentare

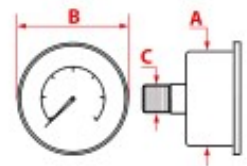
PRESSURE GAUGES RANCILIO



1

2

3



| Photo | LF Code | Scale (bar) | Dimensions A - B - C (mm) | Suitable for | For machine model |
|-------|---------|-------------|---------------------------|-------------------|--|
| 1 | 1245023 | 0÷2.5 | 40 - 44 - 1/8 | RANCILIO | CLASSE10 - CLASSE9 - CLASSE8 - CLASSE7 - CLASSE6 - EPOCA |
| 2 | 1245014 | 0÷2.5 | 40 - 44 - 1/8 | RANCILIO 35002508 | CLASSE10 - CLASSE9 - CLASSE8 - CLASSE7 - CLASSE6 - EPOCA |
| 3 | 1245012 | 0÷16 | 40 - 44 - 1/8 | RANCILIO 35002509 | CLASSE10 - CLASSE9 - CLASSE8 - CLASSE7 - CLASSE6 - EPOCA |



PRESSURE GAUGES RANCILIO



| Photo | LF Code | Scale (bar) | Dimensions A - B - C (mm) | Suitable for | For machine model |
|-------|---------|-------------|---------------------------|-------------------|-------------------|
| 1 | 1245900 | 0÷2.5 | 52 - 57 - 1/4 | RANCILIO 35002504 | S20 |
| 2 | 1245013 | 0÷2.5/0÷16 | 63 - 70 - 1/8 | RANCILIO 35162505 | MILLENNIUM - S20 |
| 3 | 1245651 | 0÷2.5/0÷16 | 63 - 70 - 1/8 | RANCILIO 35062501 | Z11 |

PRESSURE SWITCHES PARKER



| Photo | LF Code | Model | Scale (bar) |
|-------|---------|---------------------------------|-------------|
| 1 | 1320541 | PS325-1C - 3 POLES - 20A - 1/4" | 0.5÷1.4 |

PRESSURE SWITCHES SIRAI



| Photo | LF Code | Model | Scale (bar) |
|-------|---------|--------------------------------|-------------|
| 1 | 1320531 | P302/6 - 3 POLES - 30A - 1/4" | 0.5÷1.4 |
| 2 | 1320533 | P302/6 | --- |
| 3 | 1320800 | P203T01 - 2 POLES - 20A - 1/4" | 0.5÷1.4 |
| 3 | 1320801 | P203T02 - 2 POLES - 20A - 1/4" | 0.9÷1.7 |
| 3 | 1320802 | P303T01 - 3 POLES - 20A - 1/4" | 0.5÷1.4 |
| 3 | 1320803 | P303T02 - 3 POLES - 20A - 1/4" | 0.9÷1.7 |

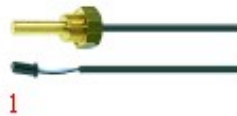


PRESSURE SWITCHES VARIOUS



| Photo | LF Code | Model | Scale (bar) | Suitable for | For machine model |
|-------|---------|--------------|-------------|-------------------|--|
| 1 | 5059572 | XP700 - 1/4" | 1.8 | SANREMO 10602060B | TREVISO LX |
| 2 | 3320500 | --- | 56/25 mm | RANCILIO 34200061 | AUDREY - EPOCA - KATHY - LUCY - S20 |
| 3 | 5031294 | 2T85 | 0-4 | RANCILIO 34200288 | CLASSE10 - CLASSE6 - CLASSE7 - CLASSE8 - CLASSE9 - EPOCA |

PROBES RANCILIO



| Photo | LF Code | Connection | Suitable for | For machine model |
|-------|---------|------------|-------------------|---|
| 1 | 1341801 | ∅ 3/8" M | RANCILIO 34070174 | CLASSE6 - CLASSE8 - EPOCA - S24 - S26 - S27 |

PROTECTIVE RUBBERPIECES



| Photo | LF Code | For pipe ∅ (mm) | Suitable for |
|-------|---------|-----------------|------------------------------------|
| 1 | 1186398 | 8 | NUOVA SIMONELLI |
| 1 | 5030025 | 10 | NUOVA SIMONELLI - SANREMO |
| 2 | 1187501 | 8 | ALL BRANDS - TUTTE LE MARCHE |
| 2 | 1186924 | 10 | CASADIO - CIMBALI - FAEMA - FIAMMA |
| 3 | 1186180 | 10 | ALL BRANDS - TUTTE LE MARCHE |
| 4 | 1549009 | 8 | ASTORIA/CMA - MCE - WEGA |
| 5 | 1549011 | 10 | CIMBALI - FAEMA |



PROTECTIVE RUBBERPIECES



| Photo | LF Code | For pipe \varnothing (mm) | Suitable for |
|-------|---------|-----------------------------|---|
| 1 | 1186339 | 8 | ALL BRANDS - TUTTE LE MARCHE |
| 1 | 1186080 | 10 | ALL BRANDS - TUTTE LE MARCHE |
| 2 | 1549020 | 10 | GAGGIA |
| 3 | 1187001 | 10 | SPAZIALE |
| 4 | 1449172 | 8 | ASTORIA/CMA - ELEKTRA - MARZOCCO - WEGA |
| 5 | 1649001 | 10 | FRACINO |
| 6 | 1649002 | 8 | CARIMALI |

PTFE FLAT GASKETS



| LF Code | Dimensions | Suitable for | Notes |
|---------|--------------------------------|----------------------------------|---|
| 5500622 | \varnothing 6x1.8x2 mm | SAECO | FOR STEAM/WATER TAPS - PER RUBINETTI VAPORE/ACQUA |
| 1186718 | \varnothing 7x5x1 mm | SPAZIALE | FOR HIDRAULIC SYSTEM - PER IMPIANTO IDRAULICO |
| 1186974 | \varnothing 8.5x4.5x1.5 mm | CIMBALI - CASADIO | FOR MANOMETER - PER MANOMETRO |
| 1786291 | \varnothing 9.5x6x2 mm | VIBIEMME | FOR BREW GROUPS - PER GRUPPI EROGAZIONE |
| 1186099 | \varnothing 10x6x1 mm | BEZZERA - BIANCHI - BRASILIA | FOR BREW GROUPS - PER GRUPPI EROGAZIONE |
| 1186099 | \varnothing 10x6x1 mm | PAVONI - RENEKA | FOR BREW GROUPS - PER GRUPPI EROGAZIONE |
| 1186434 | \varnothing 10x7x0.5 mm | FAEMA | FOR BREW GROUPS - PER GRUPPI EROGAZIONE |
| 1186359 | \varnothing 11.4x8x3 mm | CIMBALI | FOR INLET TAPS - PER RUBINETTI CARICO |
| 1186809 | \varnothing 12x9x1 mm | FIAMMA - RANCILIO | FOR BREW GROUPS - PER GRUPPI EROGAZIONE |
| 1186121 | \varnothing 12x10x0.5 mm | FAEMA | FOR STEAM/WATER TAPS - PER RUBINETTI VAPORE/ACQUA |
| 1186065 | \varnothing 12x10x1 mm | BRASILIA - FIORENZATO - VIBIEMME | FOR STEAM/WATER TAPS - PER RUBINETTI VAPORE/ACQUA |
| 1186908 | \varnothing 12x10x2 mm | SAECO | --- |
| 1186581 | \varnothing 13x3x4 mm | AZKOYEN | --- |
| 1186661 | \varnothing 13x15.5x1 mm | BRASILIA | FOR STEAM/WATER TAPS - PER RUBINETTI VAPORE/ACQUA |
| 1186945 | \varnothing 14x10x1.5 mm | CIMBALI | FOR BOOSTER PUMPS - PER POMPE VOLUMETRICHE |
| 1186794 | \varnothing 14.6x12x3 mm | PROMAC | FOR STEAM/WATER TAPS - PER RUBINETTI VAPORE/ACQUA |
| 1186189 | \varnothing 15x11x2 mm | ASTORIA/CMA | FOR BREW GROUPS - PER GRUPPI EROGAZIONE |
| 3186273 | \varnothing 16.5x12.5x1.5 mm | --- | --- |
| 1186240 | \varnothing 17x12x0.5 mm | FAEMA | FOR BREW GROUPS - PER GRUPPI EROGAZIONE |
| 1186468 | \varnothing 17x12x1.5 mm | PAVONI - GAGGIA | --- |
| 1186982 | \varnothing 17x13x2 mm | GRIMAC | FOR BOILER SAFETY VALVES - PER VALVOLA BOILER |
| 1186982 | \varnothing 17x13x2 mm | PAVONI | FOR BREW GROUPS - PER GRUPPI EROGAZIONE |
| 1186982 | \varnothing 17x13x2 mm | VIBIEMME | FOR LEVEL CAPS - PER TAPPO LIVELLO |
| 1186079 | \varnothing 17x13x3 mm | BRASILIA | FOR BREW GROUPS - PER GRUPPI EROGAZIONE |
| 1186119 | \varnothing 17.3x12x2 mm | CONTI | FOR BREW GROUPS - PER GRUPPI EROGAZIONE |
| 1186030 | \varnothing 18x3.5x1 mm | EXPOBAR | FOR BREW GROUPS - PER GRUPPI EROGAZIONE |
| 1186443 | \varnothing 18x9x0.5 mm | RANCILIO - PROMAC | FOR STEAM/WATER TAPS - PER RUBINETTI VAPORE/ACQUA |



RANCILIO



| LF Code | Dimensions | Suitable for | Notes |
|---------|------------------|------------------------------------|---|
| 1186404 | ∅ 18x13x2 mm | MANY BRANDS - MOLTI MARCHI | SEVERAL APPLICATIONS - MOLTE APPLICAZIONI |
| 1786301 | ∅ 18x13.5x2 mm | FIAMMA | --- |
| 1786166 | ∅ 18x14x1.5 mm | CIMBALI - CASADIO | FOR BOILER SAFETY VALVES - PER VALVOLA BOILER |
| 1786040 | ∅ 18.2x13x2.5 mm | EXPOBAR | --- |
| 1786251 | ∅ 19x14.5x2 mm | CARIMALI | FOR BREW GROUPS - PER GRUPPI EROGAZIONE |
| 1786001 | ∅ 20x13x3 mm | --- | --- |
| 1186959 | ∅ 20x15x1 mm | CIMBALI - FAEMA | --- |
| 1186594 | ∅ 20x17x2 mm | BRASILIA | FOR INLET TAPS - PER RUBINETTI CARICO |
| 1186594 | ∅ 20x17x2 mm | ORCHESTRALE | FOR STEAM/WATER TAPS - PER RUBINETTI VAPORE/ACQUA |
| 1186594 | ∅ 20x17x2 mm | SANREMO | FOR BREW GROUPS - PER GRUPPI EROGAZIONE |
| 1186201 | ∅ 21x16.8x2 mm | MANY BRANDS - MOLTI MARCHI | SEVERAL APPLICATIONS - MOLTE APPLICAZIONI |
| 3786036 | ∅ 22x9x1 mm | --- | --- |
| 1186326 | ∅ 22x16x2 mm | MANY BRANDS - MOLTI MARCHI | SEVERAL APPLICATIONS - MOLTE APPLICAZIONI |
| 1186957 | ∅ 22x17x1.5 mm | CIMBALI - CASADIO | FOR STEAM/WATER TAPS - PER RUBINETTI VAPORE/ACQUA |
| 1186314 | ∅ 22x17x2 mm | MANY BRANDS - MOLTI MARCHI | SEVERAL APPLICATIONS - MOLTE APPLICAZIONI |
| 3186609 | ∅ 24x13x1.5 mm | --- | --- |
| 1186323 | ∅ 24x18x2 mm | MANY BRANDS - MOLTI MARCHI | SEVERAL APPLICATIONS - MOLTE APPLICAZIONI |
| 1186731 | ∅ 24x19x2 mm | FIorenzato - MARZOCCO - VIBIEMME | FOR STEAM/WATER TAPS - PER RUBINETTI VAPORE/ACQUA |
| 1786250 | ∅ 24x20x1.5 mm | CARIMALI | FOR BREW GROUPS - PER GRUPPI EROGAZIONE |
| 3186278 | ∅ 25x16.5x0.5 mm | --- | --- |
| 1186969 | ∅ 25x21x1.5 mm | CIMBALI - CASADIO | FOR FILTER - PER FILTRO |
| 1786283 | ∅ 25.5x21x5 mm | VIBIEMME | FOR BREW GROUPS - PER GRUPPI EROGAZIONE |
| 3786502 | ∅ 25.7x21.2x5 mm | EXPOBAR | --- |
| 1186516 | ∅ 26x17x2 mm | SPAZIALE | FOR HEATING ELEMENTS - PER RESISTENZE |
| 1186118 | ∅ 26x19x2 mm | FIorenzato | FOR STEAM/WATER TAPS - PER RUBINETTI VAPORE/ACQUA |
| 1186117 | ∅ 26x21x2 mm | MANY BRANDS - MOLTI MARCHI | SEVERAL APPLICATIONS - MOLTE APPLICAZIONI |
| 1186537 | ∅ 26x22x2 mm | EXPOBAR | FOR BREW GROUPS - PER GRUPPI EROGAZIONE |
| 1186537 | ∅ 26x22x2 mm | PAVONI | FOR BREW GROUPS - PER GRUPPI EROGAZIONE |
| 1186127 | ∅ 27x20x0.5 mm | FAEMA | FOR INLET TAPS - PER RUBINETTI CARICO |
| 1186248 | ∅ 27x20x1 mm | CASADIO | FOR BREW GROUPS - PER GRUPPI EROGAZIONE |
| 1186248 | ∅ 27x20x1 mm | FAEMA | FOR STEAM/WATER TAPS - PER RUBINETTI VAPORE/ACQUA |
| 1186290 | ∅ 27x21x2 mm | SAN MARCO | FOR BREW GROUPS - PER GRUPPI EROGAZIONE |
| 1186281 | ∅ 28x23x2 mm | PAVONI | FOR STEAM/WATER TAPS - PER RUBINETTI VAPORE/ACQUA |
| 1186281 | ∅ 28x23x2 mm | SAN MARCO | FOR BREW GROUPS - PER GRUPPI EROGAZIONE |
| 1186770 | ∅ 33x28x4 mm | ASTORIA/CMA | FOR BREW GROUPS - PER GRUPPI EROGAZIONE |
| 1186361 | ∅ 34x27x2 mm | SAN MARCO | FOR BREW GROUPS - PER GRUPPI EROGAZIONE |
| 3186665 | ∅ 35x21x2 mm | --- | --- |
| 1186328 | ∅ 35x30x2 mm | MANY BRANDS - MOLTI MARCHI | SEVERAL APPLICATIONS - MOLTE APPLICAZIONI |
| 1186307 | ∅ 36x30x2 mm | MANY BRANDS - MOLTI MARCHI | SEVERAL APPLICATIONS - MOLTE APPLICAZIONI |
| 3786512 | ∅ 40x34x3 mm | CONTI | --- |
| 1186993 | ∅ 42x33x3 mm | BEZZERA | FOR HEATING ELEMENTS - PER RESISTENZE |
| 1186243 | ∅ 42x34x0.5 mm | FAEMA | FOR BREW GROUPS - PER GRUPPI EROGAZIONE |
| 1186608 | ∅ 50x40x2 mm | ASTORIA/CMA - SAN MARCO - SPAZIALE | FOR HEATING ELEMENTS - PER RESISTENZE |
| 1186994 | ∅ 50x40x5.5 mm | SAN MARCO | FOR BREW GROUPS - PER GRUPPI EROGAZIONE |
| 1186800 | ∅ 50x44x4 mm | FIorenzato - VIBIEMME | FOR BREW GROUPS - PER GRUPPI EROGAZIONE |
| 1186979 | ∅ 52x40x2 mm | EXPOBAR | FOR HEATING ELEMENTS - PER RESISTENZE |
| 1186979 | ∅ 52x40x2 mm | QUICK MILL | FOR HEATING ELEMENTS - PER RESISTENZE |
| 1186623 | ∅ 53x43x3 mm | MANY BRANDS - MOLTI MARCHI | FOR HEATING ELEMENTS - PER RESISTENZE |
| 3743110 | ∅ 57x41x2 mm | --- | --- |
| 1186179 | ∅ 57x43x3 mm | MANY BRANDS - MOLTI MARCHI | FOR HEATING ELEMENTS - PER RESISTENZE |
| 1186194 | ∅ 58x43x2 mm | ASTORIA/CMA - ORCHESTRALE | FOR HEATING ELEMENTS - PER RESISTENZE |
| 1186609 | ∅ 58x51x2 mm | CIMBALI | FOR HEATING ELEMENTS - PER RESISTENZE |
| 1186639 | ∅ 62x51x2 mm | SPAZIALE | FOR HEATING ELEMENTS - PER RESISTENZE |
| 1186455 | ∅ 65x47x1.5 mm | RANCILIO - PROMAC | FOR HEATING ELEMENTS - PER RESISTENZE |
| 1186409 | ∅ 68x55x3 mm | NUOVA SIMONELLI | FOR HEATING ELEMENTS - PER RESISTENZE |
| 1186188 | ∅ 72x61x2 mm | ASTORIA/CMA | FOR HEAT EXCHANGES - PER SCAMBIATORE |
| 1186297 | ∅ 73x61x3 mm | --- | --- |
| 1186155 | ∅ 76x68.4x3 mm | CONTI | FOR HEATING ELEMENTS - PER RESISTENZE |
| 1786213 | ∅ 85x70x2 mm | --- | --- |

RELAYS RANCILIO



| Photo | LF Code | Features | Suitable for | For machine model |
|-------|---------|-----------------------|-------------------|-------------------|
| 1 | 3351601 | B1-3 16A 230V 50/60Hz | RANCILIO 34200196 | Z11 |

ROTARY VANE PUMPS PROCON



| Photo | LF Code | Flow rate (l/h) | Connections (ø) | Suitable for |
|-------|---------|-----------------|-----------------|------------------------------|
| 1 | 1330012 | 200 | 3/8" NPT | ALL BRANDS - TUTTE LE MARCHE |
| 1 | 1330024 | 100 | 3/8" NPT | PAVONI |
| 1 | 1330019 | 100 | 3/8" NPT | CIMBALI - FAEMA - SPAZIALE |
| 2 | 1330016 | 200 | 3/8" NPT | ALL BRANDS - TUTTE LE MARCHE |
| 3 | 1330033 | 180 | 3/8" | CASADIO - CIMBALI - FAEMA |
| 4 | 1330011 | 200 | 3/8" NPT | FAEMA |
| 5 | 1330017 | 150 | 3/8" | CASADIO - CIMBALI - FAEMA |

ROTARY VANE PUMPS ROTOFLOW



| Photo | LF Code | Flow rate (l/h) | Connections (ø) | Suitable for |
|-------|---------|-----------------|--------------------|------------------------------|
| 1 | 1330021 | 50 | 3/8" | ALL BRANDS - TUTTE LE MARCHE |
| 1 | 1330034 | 70 | 3/8" | ALL BRANDS - TUTTE LE MARCHE |
| 1 | 1330008 | 150 | 3/8" | ALL BRANDS - TUTTE LE MARCHE |
| 1 | 1330026 | 200 | 3/8" | ALL BRANDS - TUTTE LE MARCHE |
| 1 | 1330001 | 100 | 3/8" NPT | ALL BRANDS - TUTTE LE MARCHE |
| 1 | 1330029 | 150 | 3/8" NPT | ALL BRANDS - TUTTE LE MARCHE |
| 1 | 1330002 | 200 | 3/8" NPT | ALL BRANDS - TUTTE LE MARCHE |
| 1 | 1330101 | 100 | 3/8" NPT ECO BRASS | ALL BRANDS - TUTTE LE MARCHE |
| 1 | 1330102 | 200 | 3/8" NPT ECO BRASS | ALL BRANDS - TUTTE LE MARCHE |
| 1 | 1330030 | 200 | 3/8" | RANCILIO 10705960 |
| 2 | 1330025 | 70 | 3/8" | ALL BRANDS - TUTTE LE MARCHE |
| 2 | 1330004 | 100 | 3/8" NPT | ALL BRANDS - TUTTE LE MARCHE |
| 3 | 1330022 | 50 | 3/8" | ALL BRANDS - TUTTE LE MARCHE |



RANCILIO



| Photo | LF Code | Flow rate (l/h) | Connections (ø) | Suitable for |
|-------|---------|-----------------|-----------------|------------------------------|
| 3 | 1330005 | 100 | 3/8" | ALL BRANDS - TUTTE LE MARCHE |
| 3 | 1330122 | 50 | 3/8" ECO BRASS | ALL BRANDS - TUTTE LE MARCHE |
| 4 | 1330031 | 150 | 3/8" | CASADIO - CIMBALI - FAEMA |
| 5 | 1330003 | 200 | 3/8" NPT | FAEMA - GRIMAC |
| 6 | 1330006 | 200 | 3/8" | UNIC |

SEALING CONES RANCILIO



| Photo | LF Code | Dimensions | Material | Suitable for |
|-------|---------|-------------|----------|-------------------|
| 1 | 1186804 | ø 14x9x6 mm | PTFE | RANCILIO 36130001 |
| 2 | 1186793 | ø 12x6.5 mm | PTFE | RANCILIO 36930016 |

SELECTOR SWITCHES RANCILIO



| Photo | LF Code | Positions number | Contact capacity | Suitable for | For machine model |
|-------|---------|------------------|------------------|-------------------|-------------------|
| 1 | 1319807 | 0-2 | 32A 600V | RANCILIO 34030025 | S20 - Z11 |
| 2 | 1319047 | 0-1 | 20A 500V | RANCILIO 34030006 | Z11 |

SHOWER HOLDER SPRAYERS RANCILIO



| Photo | LF Code | Dimensions (external-height-hole) | Suitable for | For machine model |
|-------|---------|-----------------------------------|-------------------|--|
| 1 | 1086014 | ø 58 mm - H 10 mm - ø 16 mm | RANCILIO 20200181 | CLASSE10 - CLASSE6 - CLASSE7 - CLASSE8 - CLASSE9 - EPOCA |

SHOWER SCREENS RANCILIO



| Photo | LF Code | Dimensions | Suitable for | For machine model |
|-------|---------|------------|-------------------|--|
| 1 | 1081003 | ∅ 57.5 mm | RANCILIO 40200030 | CLASSE6 LEVA - CLASSE7 LEVA - S10 - Z9 - Z11 |
| 2 | 1081036 | ∅ 57.5 mm | RANCILIO 40200005 | CLASSE10 - CLASSE6 - CLASSE7 - CLASSE8 - CLASSE9 - EPOCA |
| 3 | 1081536 | ∅ 57.5 mm | RANCILIO 40200005 | CLASSE10 - CLASSE6 - CLASSE7 - CLASSE8 - CLASSE9 - EPOCA |

SOLENOID VALVES AE



| Photo | LF Code | Connections (∅) | Outlet (∅) | Coil type | Suitable for |
|-------|---------|-----------------|------------|--------------------|-----------------------|
| 1 | 1120169 | 1/8 | 7 mm | 13VA 220/240V 50Hz | GRIMAC MG355/1 |
| 1 | 1120169 | 1/8 | 7 mm | 13VA 220/240V 50Hz | LAVAZZA 10079018 |
| 1 | 1120169 | 1/8 | 7 mm | 13VA 220/240V 50Hz | SPINEL SR.000.032.012 |
| 2 | 1120256 | 1/8 | 7 mm | 13VA 220/240V 50Hz | SPINEL SR.000.032.015 |
| 3 | 1120183 | 1/8 | --- | 13VA 220/240V 50Hz | FIAMMA 4.0.002.0041 |

SOLENOID VALVES CEME 2 WAYS



| Photo | LF Code | Connections (∅) | Orifice (∅) | Seal | Model | Coil type | Suitable for |
|-------|---------|-----------------|-------------|-------|-------|-----------------------|--------------------------|
| 1 | 1120230 | 1/4 | 2.5 | VITON | 6712 | B6 17VA 230V 50Hz | --- |
| 1 | 1120231 | 1/4 | 2.8 | VITON | 6712 | B6 17VA 230V 50Hz | --- |
| 2 | 1120232 | 1/4 | 3.0 | VITON | 6612 | B6 17VA 230V 50Hz | --- |
| 3 | 1120236 | 1/8 | 2.0 | VITON | 5220 | B4 13.5VA 230V 50Hz | --- |
| 3 | 1120186 | 1/8 | 2.0 | VITON | 5510 | B4 13.5VA 230V 50Hz | RDL 14210040 |
| 4 | 1120237 | 1/8 | 2.0 | VITON | 5220 | B4 13.5VA 230V 50Hz | --- |
| 4 | 1120238 | 1/8 | 2.0 | VITON | 5220 | B4 14VA 100/120V 60Hz | --- |
| 5 | 1120254 | QUICK - RAPIDI | 2.7 | NBR | 5220 | B4 13.5VA 230V 50Hz | DELONGHI 5213210171 |
| 5 | 1120250 | QUICK - RAPIDI | 2.7 | VITON | 5220 | B4 13.5VA 230V 50Hz | DELONGHI 5213215771 |
| 6 | 1120471 | 1/4 | 3.0 | VITON | 6660 | B6 17VA 230V 50Hz | NUOVA SIMONELLI 04100024 |



SOLENOID VALVES CEME 3-WAYS



| Photo | LF Code | Connections (\varnothing) | Orifice (\varnothing) | Seal | Outlet (\varnothing) | Model | Coil type | Suitable for |
|-------|---------|----------------------------------|------------------------------|-------|-----------------------------|-------|--------------------------|--------------------------|
| 1 | 1120228 | --- | 1.5 | VITON | 1/8 | 6270 | B6 17VA 230V 50Hz | --- |
| 2 | 1120229 | 1/8 | 1.5 | VITON | 1/8 | 6211 | B6 17VA 230V 50Hz | --- |
| 3 | 1120233 | 1/8 | 1.2 | VITON | 7 mm | 5320 | B4 13.5VA 230V 50Hz | --- |
| 3 | 1120174 | 1/8 | 2.0 | VITON | 7 mm | 5315 | B4 13.5VA 230V 50Hz | LAVAZZA 10079018 |
| 3 | 5020858 | 1/8 | 2.0 | VITON | 7 mm | 5320 | B4 17VA 208/240V 50/60Hz | NUOVA SIMONELLI 04100054 |
| 4 | 1120234 | 1/8 | 1.2 | VITON | 7 mm | 5320 | B4 13.5VA 230V 50Hz | --- |
| 4 | 1120235 | 1/8 | 1.2 | VITON | 7 mm | 5320 | B4 14VA 100/120V 60Hz | --- |
| 5 | 1120257 | QUICK - RAPIDI | 2.7 | VITON | 7 mm | 5301 | B4 13.5VA 230V 50Hz | DE'LONGHI 5213214021 |

SOLENOID VALVES LUCIFER 2 WAYS



| Photo | LF Code | Connections (\varnothing) | Orifice (\varnothing) | Seal | Model | Coil type | Suitable for |
|-------|---------|----------------------------------|------------------------------|--------|--------------|-------------------------|------------------------------|
| 1 | 1120331 | --- | 3.5 | RUBINO | 121FS1651A | 9W 220/240V 50/60Hz | ALL BRANDS - TUTTE LE MARCHE |
| 1 | 5501168 | --- | 3.5 | RUBINO | 121FS1651B | 9W 24VCC | RANCILIO 34040027 |
| 2 | 1120192 | --- | 1.5 | RUBINO | 121F4417 | 9W 220/240V 50/60Hz | CASADIO 533898300R |
| 2 | 1120192 | --- | 1.5 | RUBINO | 121F4417 | 9W 220/240V 50/60Hz | FAEMA 533898300R |
| 2 | 1120241 | --- | 1.5 | RUBINO | 121F4417 | 9W 24VAC 50/60Hz | CIMBALI 533-893-300 |
| 3 | 1120460 | 1/8 | 2.5 | VITON | 7121ZBG1LV00 | 9W 220/240V 50/60Hz | ALL BRANDS - TUTTE LE MARCHE |
| 3 | 1120466 | 1/8 | 2.5 | VITON | 7121ZBG1LV00 | 9W 110/115/120V 50/60Hz | CIMBALI |
| 3 | 1120461 | 1/8 | 2.5 | RUBINO | 7121ZBG1LR00 | 9W 220/240V 50/60Hz | ALL BRANDS - TUTTE LE MARCHE |

SOLENOID VALVES LUCIFER 3 WAYS



1

2

| Photo | LF Code | Connections (\varnothing) | Orifice (\varnothing) | Seal | Outlet (\varnothing) | Model | Coil type | Suitable for |
|-------|---------|----------------------------------|------------------------------|--------|-----------------------------|-----------|-------------------------|------------------------------|
| 1 | 1120330 | --- | 2.5 | RUBINO | 1/8 CONIC | E131F4304 | 9W 220/240V 50/60Hz | ALL BRANDS - TUTTE LE MARCHE |
| 1 | 1120102 | --- | 1.5 | RUBINO | 1/8 CONIC | E131F4304 | 9W 110/115/120V 50/60Hz | ALL BRANDS - TUTTE LE MARCHE |
| 1 | 5069161 | --- | 2.5 | RUBINO | 1/8 CONIC | E131F4304 | 9W 24VAC 50/60Hz | ALL BRANDS - TUTTE LE MARCHE |
| 2 | 1120334 | --- | 1.5 | RUBINO | 1/8 CONIC | E131F4304 | --- | ALL BRANDS - TUTTE LE MARCHE |

SOLENOID VALVES M&M



1

2

3

| Photo | LF Code | Connections (\varnothing) | Orifice (\varnothing) | Seal | Outlet (\varnothing) | Model | Coil type | Suitable for |
|-------|---------|----------------------------------|------------------------------|-------|-----------------------------|---------|----------------------------|------------------------|
| 1 | 1120167 | 1/8 | 1.2 | VITON | 6.5 | B397 | 2700 10VA 230/240V 50/60Hz | LAVAZZA 10079018 |
| 1 | 1120167 | 1/8 | 1.2 | VITON | 6.5 | B397 | 2700 10VA 230/240V 50/60Hz | SPINEL SR.000.032.001 |
| 2 | 1120502 | 1/8 | 2.0 | VITON | 1/8 | B397 | 2700 10VA 230/240V 50/60Hz | --- |
| 3 | 1120501 | 1/8 | 2.0 | VITON | --- | B297DVE | 2700 10VA 230/240V 50/60Hz | GRIMAC 1160400045-V190 |
| 3 | 1120501 | 1/8 | 2.0 | VITON | --- | B297DVE | 2700 10VA 230/240V 50/60Hz | SPINEL SR.000.032.000 |

SOLENOID VALVES ODE 2 WAYS



1

2

3

4

| Photo | LF Code | Connections (\varnothing) | Orifice (\varnothing) | Seal | Outlet (\varnothing) | Model | Coil type | Suitable for |
|-------|---------|----------------------------------|------------------------------|--------|-----------------------------|-------|---------------------|------------------------------|
| 1 | 1120805 | --- | 1.5 | RUBINO | 1/8 CONIC | 31A | 8W 220/230V 50/60Hz | ALL BRANDS - TUTTE LE MARCHE |
| 1 | 1120812 | --- | 1.5 | RUBINO | 1/8 CONIC | 31A | 8W 110V 60Hz | ALL BRANDS - TUTTE LE MARCHE |
| 1 | 1120801 | --- | 1.5 | RUBINO | 1/8 | 31A | 8W 220/230V 50/60Hz | LAVAZZA 10063303 |
| 1 | 1120810 | --- | 3.0 | VITON | 1/8 CONIC | 31A | 24VAC 50/60Hz | ALL BRANDS - TUTTE LE MARCHE |
| 2 | 1120809 | --- | 1.5 | RUBINO | 1/8 CONIC | 31A | 8W 220/230V 50/60Hz | ALL BRANDS - TUTTE LE MARCHE |
| 3 | 1120806 | 1/8 | 1.5 | RUBINO | 1/8 CONIC | 31A | 8W 220/230V 50/60Hz | NUOVA SIMONELLI 04100009 |
| 3 | 2102059 | 1/8 | 1.5 | VITON | 1/8 CONIC | 31A | 8W 220/230V 50/60Hz | MARZOCCO L100/E |
| 3 | 1120202 | 1/8 | 1.5 | VITON | 1/8 CONIC | 31A | 8W 24VDC | --- |
| 3 | 1120815 | 1/8 | 3.0 | VITON | 1/8 CONIC | 31A | 8W 110V 60Hz | --- |



RANCILIO



| Photo | LF Code | Connections (\varnothing) | Orifice (\varnothing) | Seal | Outlet (\varnothing) | Model | Coil type | Suitable for |
|-------|---------|----------------------------------|------------------------------|-------|-----------------------------|-------|---------------------|-----------------|
| 4 | 5053805 | 1/8 | 1.2 | VITON | 1/8 | 31J | 5W 230/240V 50/60Hz | BEZZERA 7702316 |

SOLENOID VALVES ODE 2 WAYS



| Photo | LF Code | Connections (\varnothing) | Orifice (\varnothing) | Seal | Outlet (\varnothing) | Model | Coil type | Suitable for |
|-------|---------|----------------------------------|------------------------------|-------|-----------------------------|-------|---------------------|--------------------------|
| 1 | 1120123 | 1/8 | 1.1 | VITON | 6.6 | 31A | 8W 220/230V 50/60Hz | SAECO 9121.138.00A |
| 1 | 1120180 | 1/8 | 1.1 | VITON | 6.6 | 31A | 8W 24VDC | SAECO 9121.138.00P |
| 2 | 1120166 | 1/8 | 1.0 | VITON | 6.6 | 31A | 8W 220/230V 50/60Hz | LAVAZZA 10063970 |
| 3 | 1120121 | 1/8 | 1.2 | VITON | 6.6 | 31J | 5W 230/240V 50/60Hz | NUOVA SIMONELLI 04100046 |
| 4 | 1120136 | 1/8 | 1.2 | VITON | 6.6 | 31J | --- | --- |
| 4 | 1120137 | 1/8 | 2.3 | VITON | 6.6 | 31J | --- | --- |

SOLENOID VALVES ODE2 WAYS



| Photo | LF Code | Connections (\varnothing) | Orifice (\varnothing) | Seal | Model | Coil type | Suitable for |
|-------|---------|----------------------------------|------------------------------|--------|-------|---------------------|----------------------------|
| 1 | 1120802 | --- | 2.0 | RUBINO | 21A | 8W 220/230V 50/60Hz | BIANCHI 25034316 |
| 1 | 1120811 | --- | 2.0 | RUBINO | 21A | 8W 110V | --- |
| 2 | 1120804 | 1/8 | 3.0 | RUBINO | 21A | 8W 220/230V 50/60Hz | --- |
| 2 | 1120808 | 1/8 | 3.0 | VITON | 21A | 8W 220/230V 50/60Hz | DALLA CORTE B-00-0027 |
| 2 | 1120814 | 1/8 | 3.0 | RUBINO | 21A | 8W 110V | --- |
| 2 | 1120813 | 1/8 | 3.0 | VITON | 21A | 8W 110V | --- |
| 2 | 1120164 | 1/4 | 1.1 | VITON | 21A | 8W 220/230V 50/60Hz | --- |
| 2 | 1120816 | 1/4 | 2.0 | VITON | 21A | 8W 110V | --- |
| 2 | 1120134 | 1/4 | 2.5 | VITON | 21A | 8W 220/230V 50/60Hz | --- |
| 2 | 1120803 | 1/4 | 3.0 | VITON | 21A | 8W 220/230V 50/60Hz | --- |
| 2 | 1120215 | 1/4 | 4.5 | VITON | 21A | 8W 24VDC | --- |
| 2 | 5033799 | 1/4 | 5.5 | VITON | 21A | 8W 24VAC 50/60Hz | SPAZIALE 04843 |
| 2 | 1120346 | 1/4 | 5.5 | VITON | 520 | 12W 24VDC | MARZOCCO B.2.020 |
| 3 | 1120040 | 1/4 | 2.2 | VITON | 21T | 8W 220/230V 50/60Hz | NUOVA SIMONELLI 04100003 |
| 3 | 1120807 | 1/4 | 2.8 | VITON | 21T | 8W 220/230V 50/60Hz | --- |
| 4 | 1120039 | 1/4 | 2.5 | VITON | 417 | 8W 220/230V 50/60Hz | CONTI 367910 |
| 5 | 1120248 | 1/4 | 3.0 | EPDM | 21A | 8W 220/230V 50/60Hz | ASTORIA/CMA 18161981 |
| 5 | 1120248 | 1/4 | 3.0 | EPDM | 21A | 8W 220/230V 50/60Hz | WEGA WY18161981 |
| 6 | 1120012 | 1/8 | 2.3 | VITON | 21J | 5W 230V 50/60Hz | ECM MANUFACTURE C199900275 |
| 6 | 1120012 | 1/8 | 2.3 | VITON | 21J | 5W 230V 50/60Hz | NUOVA SIMONELLI 04100042 |
| 6 | 1120012 | 1/8 | 2.3 | VITON | 21J | 5W 230V 50/60Hz | SAN MARCO 108677 |
| 6 | 1120157 | 1/8 | 2.3 | VITON | 21J | 5W 220V 60Hz | CONTI 411476 |

SOLENOID VALVES OLAB 3 WAYS



| Photo | LF Code | Connections (\varnothing) | Orifice (\varnothing) | Seal | Outlet (\varnothing) | Model | Coil type | Suitable for |
|-------|---------|----------------------------------|------------------------------|-------|-----------------------------|---------------|--------------------|------------------------|
| 1 | 1120004 | --- | 1.4 | VITON | 7 mm | 8000/7 | 15VA 220/230V 50Hz | BRASILIA 01984.4.00.08 |
| 1 | 1120004 | --- | 1.4 | VITON | 7 mm | 8000/7 | 15VA 220/230V 50Hz | ISOMAC IS000200 |
| 2 | 1120187 | 1/8 | 1.5 | VITON | 7 mm | 9000/FZ | 9VA 230V 50Hz | RDL 14210010 |
| 2 | 1120107 | 1/8 | 1.5 | VITON | 7 mm | 9000/H | 10W 24VDC | --- |
| 3 | 1120188 | 1/8 | 1.1 | VITON | 7 mm | 9500/HEVT9000 | 9/12VA 230V 50Hz | SAECO 11011462 |
| 4 | 1120366 | --- | 1.4 | VITON | 7 mm | 8000/3 | 15VA 220/230V 50Hz | GAGGIA DMI645/001 |

SOLENOID VALVES PARKER 2 WAYS



| Photo | LF Code | Connections (\varnothing) | Orifice (\varnothing) | Seal | Model | Coil type | Suitable for |
|-------|---------|----------------------------------|------------------------------|--------|--------------|----------------------|------------------------------|
| 1 | 1120352 | --- | 2.5 | VITON | VE125CV2 | 9W 220/230V 50/60Hz | ALL BRANDS - TUTTE LE MARCHE |
| 1 | 1120154 | --- | 2.5 | VITON | VE125CV2 | 9W 110/120V 50/60Hz | ALL BRANDS - TUTTE LE MARCHE |
| 1 | 1120258 | --- | 1.5 | VITON | VE125ASV | 9W 220/230V 50/60Hz | VIBIEMME ELETELE2VBAEV |
| 2 | 1120260 | 1/8 | 1.5 | VITON | VE146V | 9W 220/230V 50/60Hz | VIBIEMME ELETELE2VAU22 |
| 2 | 1120700 | 1/8 | 2.5 | VITON | VE146FV | 9W 220/230V 50/60Hz | ALL BRANDS - TUTTE LE MARCHE |
| 2 | 1120155 | 1/8 | 2.5 | VITON | VE146V | 9W 110/120V 50/60Hz | ALL BRANDS - TUTTE LE MARCHE |
| 2 | 1120261 | 1/8 | 3.0 | VITON | VE146V | 9W 220/230V 50/60Hz | VIBIEMME ELETELE2AU22 |
| 2 | 1120151 | 1/8 | 3.0 | VITON | VE146HV | 9W 110/120V 50/60Hz | ALL BRANDS - TUTTE LE MARCHE |
| 2 | 1120243 | 1/4 | 1.5 | VITON | VE146V | 9W 220/230V 50/60Hz | GAGGIA DMI197/220/5060 |
| 2 | 1120354 | 1/4 | 2.5 | VITON | VE146NV | 9W 220/230V 50/60Hz | ALL BRANDS - TUTTE LE MARCHE |
| 2 | 1120153 | 1/4 | 3.0 | VITON | VE146YV | 9W 110/120V 50/60Hz | ALL BRANDS - TUTTE LE MARCHE |
| 2 | 1120259 | 1/4 | 4.5 | VITON | VE146.3KV | 14W 220/230V 50/60Hz | VIBIEMME ELETELE2A2245 |
| 3 | 1120355 | 1/8 | 2.5 | RUBINO | VE1402IR | 9W 220/230V 50/60Hz | ALL BRANDS - TUTTE LE MARCHE |
| 3 | 5019899 | 1/8 | 2.5 | VITON | 501FG1LVG7 | 9W 220/240V 50/60Hz | SANREMO 10303108 |
| 3 | 5019235 | 1/8 | 2.5 | VITON | 7121Z | 9W 24VAC 50/60Hz | CIMBALI 533-798-400 |
| 3 | 5019235 | 1/8 | 2.5 | VITON | 7121Z | 9W 24VAC 50/60Hz | FAEMA 533798400 |
| 3 | 1120106 | 1/8 | 3.0 | VITON | 7121Z NFS | 16W 24VDC | CIMBALI 533-896-600 |
| 4 | 1120246 | 1/4 | 2.2 | VITON | VE161.4EV | 9W 220/230V 50/60Hz | BIANCHI 25034216 |
| 4 | 1120048 | 1/4 | 2.0 | VITON | VE161.4QVFOV | 9W 220/230V 50Hz | EXPOBAR 60000100 |
| 5 | 1120010 | 1/8 | 1.5 | VITON | 746BVRF6 | 9W 220/230V 50/60Hz | SPAZIALE 00907 |
| 6 | 5019884 | --- | 2.0 | VITON | 175BV | 6W 220/230V 50/60Hz | SANREMO 10303080 |



SOLENOID VALVES PARKER 3 LIQUIPURE



| Photo | LF Code | Connections (\varnothing) | Orifice (\varnothing) | Seal | Outlet (\varnothing) | Model | Coil type | Suitable for |
|-------|---------|----------------------------------|------------------------------|--------|-----------------------------|------------|---------------------|---------------------|
| 1 | 1120750 | --- | 1.5 | RUBINO | 1/8 CONIC | 3019 | 9W 220/240V 50/60Hz | --- |
| 1 | 1120751 | --- | 1.5 | RUBINO | 1/8 CONIC | 3019 | 9W 24VAC 50/60Hz | CIMBALI 533-900-400 |
| 1 | 1120751 | --- | 1.5 | RUBINO | 1/8 CONIC | 3019 | 9W 24VAC 50/60Hz | FAEMA 533900400 |
| 2 | 1120701 | --- | 1.5 | RUBINO | --- | 2019 | 9W 220/240V 50/60Hz | --- |
| 3 | 1120558 | --- | 1.5 | RUBINO | 1/8 CONIC | 3019 | --- | --- |
| 3 | 1120562 | --- | 1.5 | VITON | 1/8 CONIC | 3019 | --- | --- |
| 3 | 1120560 | --- | 2.5 | RUBINO | 1/8 CONIC | 3019 | --- | --- |
| 3 | 1120564 | --- | 2.5 | VITON | 1/8 CONIC | 3019 | --- | --- |
| 4 | 1120550 | --- | 1.5 | RUBINO | --- | 2019 | --- | --- |
| 4 | 1120554 | --- | 1.5 | VITON | --- | 2019 | --- | --- |
| 4 | 1120552 | --- | 2.5 | RUBINO | --- | 2019 | --- | --- |
| 4 | 1120556 | --- | 2.5 | VITON | --- | 2019 | --- | --- |
| 5 | 1120541 | 1/4 | --- | --- | --- | INOX - NSF | --- | --- |
| 5 | 1120540 | 1/8 | --- | --- | --- | INOX - NSF | --- | --- |

SOLENOID VALVES PARKER 3 LIQUIPURE



| Photo | LF Code | Connections (\varnothing) | Orifice (\varnothing) | Seal | Outlet (\varnothing) | Model | Coil type | Suitable for |
|-------|---------|----------------------------------|------------------------------|------|-----------------------------|--------|-------------------------|---------------------|
| 1 | 1120582 | --- | --- | --- | --- | XS03XS | 9W 220/240V 50/60Hz | --- |
| 1 | 1120580 | --- | --- | --- | --- | XS03M | 9W 24VAC 50/60Hz | --- |
| 1 | 1120581 | --- | --- | --- | --- | XS03XS | 9W 110/115/120V 50/60Hz | --- |
| 2 | 1120583 | --- | --- | --- | --- | LAXS6 | 9W 220/240V 50/60Hz | --- |
| 3 | 1786221 | --- | --- | --- | --- | --- | --- | CIMBALI 539-901-000 |
| 4 | 5034989 | --- | --- | --- | --- | M4x8 | --- | --- |



SOLENOID VALVES PARKER 3 WAYS



| Photo | LF Code | Connections (\varnothing) | Orifice (\varnothing) | Seal | Outlet (\varnothing) | Model | Coil type | Suitable for |
|-------|---------|----------------------------------|------------------------------|--------|-----------------------------|---------|---------------------|------------------------------|
| 1 | 1120335 | --- | 1.3 | RUBINO | 1/8 CONIC | VE128IR | 9W 220/230V 50/60Hz | ALL BRANDS - TUTTE LE MARCHE |
| 1 | 1120350 | --- | 1.3 | RUBINO | 1/8 CONIC | VE128IR | 9W 24VAC 50/60Hz | ALL BRANDS - TUTTE LE MARCHE |
| 1 | 1120101 | --- | 1.3 | RUBINO | 1/8 CONIC | VE128IR | 9W 110/120V 50/60Hz | ALL BRANDS - TUTTE LE MARCHE |
| 2 | 1120351 | --- | 1.3 | RUBINO | 1/8 | VE128GR | 9W 220/230V 50/60Hz | BRASILIA - GAGGIA |
| 3 | 1120349 | --- | 1.3 | RUBINO | 1/8 CONIC | VE128IR | 9W 220/230V 50/60Hz | ALL BRANDS - TUTTE LE MARCHE |
| 3 | 1120264 | --- | --- | VITON | 1/8 CONIC | VE128V | 9W 220/230V 50/60Hz | EXPOBAR 60000112 |
| 4 | 1120476 | --- | 1.3 | RUBINO | 1/8 CONIC | VE128IR | 9W 220/230V 50/60Hz | FUTURMAT 07976608 |
| 5 | 1120339 | --- | 1.3 | RUBINO | 1/8 CONIC | VE128IR | --- | ALL BRANDS - TUTTE LE MARCHE |
| 5 | 1120439 | --- | 1.3 | VITON | 1/8 CONIC | PML28IV | --- | ALL BRANDS - TUTTE LE MARCHE |
| 6 | 1120265 | --- | 1.3 | RUBINO | 1/8 | VE128GR | --- | BRASILIA - GAGGIA |

SOLENOID VALVES PARKER 3 WAYS



| Photo | LF Code | Connections (\varnothing) | Orifice (\varnothing) | Seal | Outlet (\varnothing) | Model | Coil type | Suitable for |
|-------|---------|----------------------------------|------------------------------|-------|-----------------------------|-----------|----------------------|------------------------------|
| 1 | 1120321 | 1/8 | 2.0 | VITON | 1/8 CONIC | VE141BV | 9W 220/230V 50/60Hz | ALL BRANDS - TUTTE LE MARCHE |
| 1 | 1120152 | 1/8 | 2.0 | VITON | 1/8 CONIC | VE141BV | 9W 110/120V 50/60Hz | ALL BRANDS - TUTTE LE MARCHE |
| 1 | 5039016 | 1/8 | 3.0 | VITON | 1/8 CONIC | VE141.2YV | 9W 220/230V 50/60Hz | RENEKA 9007411 |
| 1 | 5069160 | 1/4 | 2.5 | VITON | 1/8 CONIC | VE141GV | 9W 24VAC 50/60Hz | ALL BRANDS - TUTTE LE MARCHE |
| 2 | 1120263 | 1/8 | 1.3 | VITON | 1/8 CONIC | 148IV | 9W 220/230V 50/60Hz | BEZZERA 7702311 |
| 3 | 1120088 | 1/8 | 2.0 | VITON | 7 mm | N79.6QV | 6W 220/230V 50/60Hz | ALL BRANDS - TUTTE LE MARCHE |
| 4 | 2102097 | --- | 1.5 | VITON | 1/8 CONIC | VE108BV | 14W 220/230V 50/60Hz | MARZOCCO B.2.004 |



SOLENOID VALVES SIRAI 2 WAYS



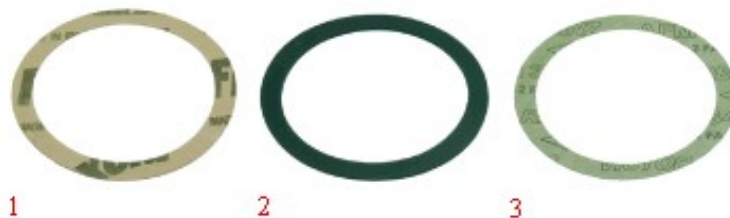
| Photo | LF Code | Connections (\varnothing) | Orifice (\varnothing) | Seal | Model | Coil type | Suitable for |
|-------|---------|----------------------------------|------------------------------|--------|---------|-----------------|--------------------------|
| 1 | 1120309 | 1/4 | 2.3 | RUBINO | L121C01 | 9W 230V 50Hz | SPAZIALE 06478 |
| 1 | 1120310 | 1/4 | 2.5 | VITON | L121V02 | 9W 230V 50Hz | NUOVA SIMONELLI 04100012 |
| 1 | 1120310 | 1/4 | 2.5 | VITON | L121V02 | 9W 230V 50Hz | SPAZIALE 06478 |
| 1 | 1120316 | 1/4 | 3.2 | EPDM | L121D04 | 9W 230V 50Hz | --- |
| 2 | 1120240 | 1/4 | 4.8 | EPDM | L121D14 | 14VA 230V 50Hz | ASTORIA-CMA 18161977 |
| 2 | 1120240 | 1/4 | 4.8 | EPDM | L121D14 | 14VA 230V 50Hz | WEGA WY18161977 |
| 3 | 1120308 | 1/8 | 2.3 | VITON | L120V02 | 9W 230V 50Hz | FUTURMAT 07467400 |
| 4 | 2102747 | 1/8 | 2.4 | VITON | L172V23 | 4W 230V 50/60Hz | QUICK MILL EV08700R |

SOLENOID VALVES SIRAI 3 WAYS



| Photo | LF Code | Connections (\varnothing) | Orifice (\varnothing) | Seal | Outlet (\varnothing) | Model | Coil type | Suitable for |
|-------|---------|----------------------------------|------------------------------|--------|-----------------------------|----------|--------------------|------------------------------|
| 1 | 1120306 | --- | 1.6 | RUBINO | 1/8 CONIC | L334C18C | 9W 230V 50Hz | ALL BRANDS - TUTTE LE MARCHE |
| 1 | 1120242 | --- | 1.6 | RUBINO | 1/8 CONIC | L334C18C | 14VA 24VAC 50/60Hz | ALL BRANDS - TUTTE LE MARCHE |
| 2 | 1120239 | 1/8 | 3.2 | EPDM | 1/8 CONIC | L321D08C | 14VA 230V 50Hz | ASTORIA-CMA 18161976 |
| 2 | 1120239 | 1/8 | 3.2 | EPDM | 1/8 CONIC | L321D08C | 14VA 230V 50Hz | WEGA WY18161976 |

SPACERS



| Photo | LF Code | Dimensions (mm) | Material |
|-------|---------|-------------------------|-------------|
| 1 | 1190101 | \varnothing 64x53x0.7 | PAPER/CARTA |
| 1 | 1190021 | \varnothing 66x58x0.8 | PAPER/CARTA |
| 1 | 1190006 | \varnothing 69x57x0.8 | PAPER/CARTA |
| 1 | 1190005 | \varnothing 70x57x0.5 | PAPER/CARTA |
| 1 | 1190051 | \varnothing 70x57x0.8 | PAPER/CARTA |
| 1 | 1190011 | \varnothing 72x58x0.8 | PAPER/CARTA |
| 1 | 1190001 | \varnothing 73x59x0.8 | PAPER/CARTA |

| Photo | LF Code | Dimensions (mm) | Material |
|-------|---------|-----------------|----------|
| 2 | 1190007 | ∅ 64x53x1.0 | EPDM |
| 2 | 1190003 | ∅ 70x57x1.0 | EPDM |
| 2 | 1190002 | ∅ 73x59x1.0 | EPDM |
| 3 | 1190004 | ∅ 71x58x0.6 | VITON |

SPECIFIC COUPLINGS RANCILIO



1

| Photo | LF Code | Dimensions | Notes | Suitable for | For machine model |
|-------|---------|---------------|--------------------------------------|-------------------|-------------------|
| 1 | 1523802 | ∅ 1/8"M-1/4"M | FOR INLET TAP - PER RUBINETTO CARICO | RANCILIO 10720002 | S20 - Z11 |

SPECIFIC SPOUTS - VARIOUS BRANDS



1



2



3



4



5

| Photo | LF Code | Connection (∅) |
|-------|---------|----------------|
| 1 | 1022032 | 3/8 |
| 2 | 1022059 | 3/8 |
| 3 | 1022505 | 3/8 |
| 4 | 1022550 | 3/8 |
| 5 | 1022099 | 3/8 |

SPECIFIC SPOUTS - VARIOUS BRANDS



1



2



3



4



5



6

| Photo | LF Code | Connection (∅) |
|-------|---------|----------------|
| 1 | 1022102 | 3/8 |
| 2 | 1022506 | 3/8 |
| 3 | 1022524 | 3/8 |
| 4 | 1022531 | 3/8 |
| 5 | 1022532 | M18 |
| 6 | 1022004 | 3/8 |



RANCILIO



SPECIFIC VENT VALVES



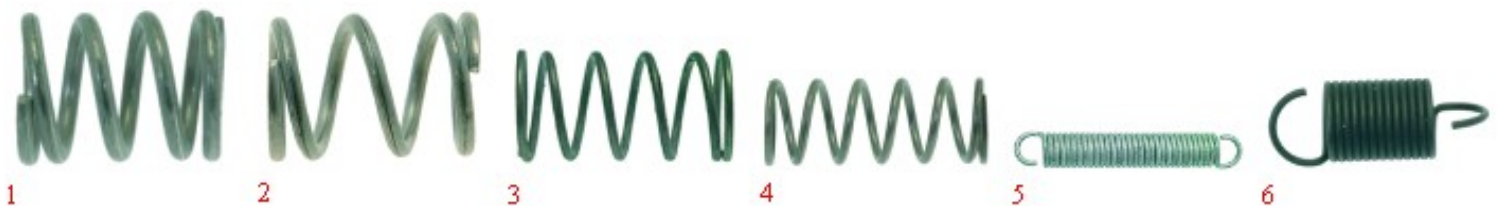
| Photo | LF Code | Technical notes | Suitable for |
|-------|---------|---------------------------|-------------------|
| 1 | 1523651 | ∅ 3/8" M BRASS-OTTONE | PROMAC - RANCILIO |
| 2 | 1515016 | ∅ 1/4" M BRASS-OTTONE | EXPOBAR |
| 3 | 1523004 | ∅ 1/4" M | BRASILIA |
| 4 | 1523047 | ∅ 1/4" M PLASTIC-PLASTICA | FRANKE |
| 5 | 1523051 | ∅ 3/8" M | PROMAC - RANCILIO |
| 6 | 1523073 | ∅ 1/4" M | CIMBALI - FAEMA |

SPRINGS RANCILIO



| Photo | LF Code | Dimensions | Notes | Suitable for | For machine model |
|-------|---------|---------------|---|-------------------|-------------------|
| 1 | 1523674 | ∅ 6x28 mm | FOR BREW GROUPS - PER GRUPPI EROGAZIONE | RANCILIO 39110065 | Z9 - Z11 - S10 |
| 2 | 1250818 | ∅ 7x35 mm | FOR BREW GROUPS - PER GRUPPI EROGAZIONE | RANCILIO 39110071 | CLASSE10 - Z11 |
| 3 | 1250040 | ∅ 8x55 mm | FOR INLET TAPS - PER RUBINETTI CARICO | RANCILIO 39110060 | CLASSE10 - Z11 |
| 4 | 1250029 | ∅ 10x13/27 mm | FOR BREW GROUPS - PER GRUPPI EROGAZIONE | RANCILIO 39220030 | CLASSE10 |
| 5 | 1250028 | ∅ 10x26 mm | FOR INLET TAPS - PER RUBINETTI CARICO | RANCILIO 39110064 | EPOCA - S20 - Z11 |
| 6 | 1250810 | ∅ 10x31/45 mm | FOR BREW GROUPS - PER GRUPPI EROGAZIONE | RANCILIO 39220010 | Z11 |

SPRINGS RANCILIO



| Photo | LF Code | Dimensions | Notes | Suitable for | For machine model |
|-------|---------|---------------|---|-------------------|-------------------|
| 1 | 1250151 | ∅ 12x15 mm | FOR WATER/STEAM PIPES - PER TUBI ACQUA/VAPORE | RANCILIO 39110025 | CLASSE10 - Z11 |
| 2 | 1250030 | ∅ 12x17 mm | FOR INLET TAPS - PER RUBINETTI CARICO | RANCILIO 39110040 | S20 - Z11 |
| 3 | 1250816 | ∅ 12x22 mm | FOR BREW GROUPS - PER GRUPPI EROGAZIONE | RANCILIO 39110030 | CLASSE10 - Z11 |
| 4 | 1250026 | ∅ 12x31 mm | FOR STEAM/WATER TAPS - PER RUBINETTI VAPORE/ACQUA | RANCILIO 39110035 | CLASSE10 - EPOCA |
| 5 | 1250812 | ∅ 13x64 mm | FOR BREW GROUPS - PER GRUPPI EROGAZIONE | RANCILIO 39220025 | CLASSE10 - Z11 |
| 6 | 1250808 | ∅ 14x23/40 mm | FOR BREW GROUPS - PER GRUPPI EROGAZIONE | RANCILIO 39210005 | Z11 |

SPRINGS RANCILIO



| Photo | LF Code | Dimensions | Notes | Suitable for | For machine model |
|-------|---------|--------------|---|-------------------|------------------------|
| 1 | 1250819 | ∅ 16x30 mm | FOR BREW GROUPS - PER GRUPPI EROGAZIONE | RANCILIO 39110010 | CLASSE10 - S20 - Z11 |
| 2 | 1250806 | ∅ 17.2x13 mm | FOR LEVEL - PER LIVELLO | RANCILIO 39110012 | MILLENNIUM - S20 - Z11 |
| 3 | 1250817 | ∅ 17x39 mm | FOR BREW GROUPS - PER GRUPPI EROGAZIONE | RANCILIO 39110072 | CLASSE10 - S20 - Z11 |
| 4 | 1250801 | ∅ 4x168 mm | FOR BREW GROUPS - PER GRUPPI EROGAZIONE | RANCILIO 39120014 | CLASSE6 LEVA |

STEAM-WATER PIPES RANCILIO



| Photo | LF Code | Notes | Suitable for | For machine model |
|-------|---------|-------|-------------------|---|
| 1 | 1449051 | --- | RANCILIO 10706017 | S20 - S24 - S26 - S27 |
| 2 | 1449863 | --- | RANCILIO 10706024 | MILLENNIUM |
| 3 | 1449865 | --- | RANCILIO 10706024 | CLASSE10 - CLASSE6 - CLASSE8 - MILLENNIUM |
| 4 | 1449811 | --- | RANCILIO 10706003 | CLASSE10 - CLASSE6 - CLASSE8 - EPOCA - MIDI - TECNA - Z11 |

STEAM-WATER PIPES RANCILIO



| Photo | LF Code | Notes | Suitable for | For machine model |
|-------|---------|------------------|-------------------|-----------------------|
| 1 | 1449141 | ∅ 6 mm - 180 mm | RANCILIO 10049046 | SILVIA |
| 2 | 1549057 | ∅ 10 mm - 210 mm | RANCILIO 10049063 | SILVIA NEW |
| 3 | 1449053 | --- | RANCILIO 10049014 | CLASSE10 - CLASSE8 |
| 4 | 1449864 | --- | RANCILIO 10706026 | MILLENNIUM |
| 5 | 1449052 | --- | RANCILIO 10706009 | S20 - S24 - S26 - S27 |



RANCILIO



STEAM-WATER TAPS RANCILIO



| Photo | LF Code | Suitable for | For machine model |
|-------|---------|-------------------|---|
| 1 | 1348855 | RANCILIO 10060100 | CLASSE10 - EPOCA - S20 |
| 2 | 5033628 | RANCILIO 10060106 | CLASSE10 - CLASSE9 - CLASSE8 - EPOCA |
| 3 | 5033627 | RANCILIO 10060104 | CLASSE10 - CLASSE9 - CLASSE8 - EPOCA |
| 4 | 1348805 | RANCILIO 10060114 | CLASSE10 - EPOCA - MILLENNIUM - S20 - Z11 |
| 5 | 1348804 | RANCILIO 10060130 | Z11 |

STEAM-WATER TAPS RANCILIO



| Photo | LF Code | Suitable for | For machine model |
|-------|---------|-------------------|--|
| 1 | 5063099 | RANCILIO 10060005 | CLASSE10 - CLASSE9 - CLASSE8 - CLASSE7 - CLASSE6 - EPOCA |
| 2 | 5042537 | RANCILIO 20112603 | CLASSE10 - CLASSE6 - CLASSE6LEVA - CLASSE7 - CLASSE7LEVA |
| 3 | 5042535 | RANCILIO 20112601 | CLASSE10 - CLASSE6 - CLASSE6LEVA - CLASSE7 - CLASSE7LEVA |
| 4 | 1348052 | RANCILIO 26220015 | CLASSE10 - EPOCA - MILLENNIUM - S20 - Z11 |
| 5 | 1348045 | RANCILIO 23220029 | CLASSE10 - EPOCA - S20 |

STEAM-WATER TAPS RANCILIO



| Photo | LF Code | Suitable for | For machine model |
|-------|---------|-------------------|--|
| 1 | 1528019 | RANCILIO 10060001 | CLASSE10 - CLASSE6 - CLASSE6LEVA - CLASSE7 - CLASSE7LEVA |
| 2 | 1250027 | RANCILIO 25132003 | CLASSE10 - CLASSE6 - CLASSE6LEVA - CLASSE7 - CLASSE7LEVA |
| 3 | 1250025 | RANCILIO 23123010 | S20 - Z11 |
| 4 | 1528022 | RANCILIO 23206005 | S20 - Z11 |
| 5 | 1186670 | RANCILIO 25119005 | CLASSE10 - EPOCA - S20 |



SWITCHES RANCILIO



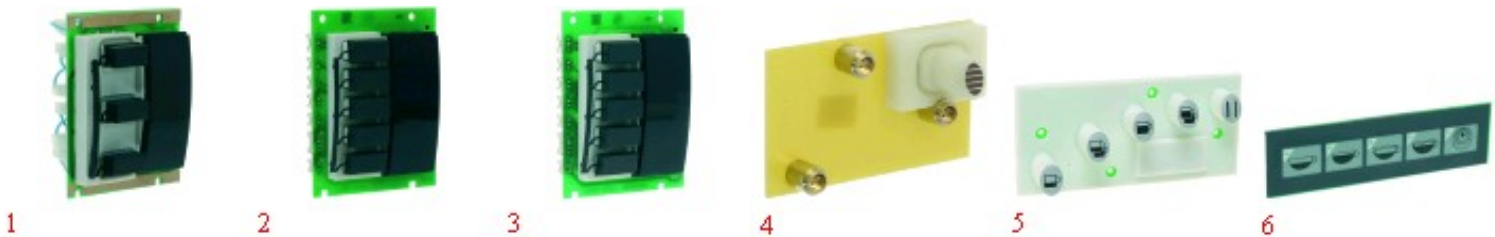
| Photo | LF Code | Notes | Suitable for | For machine model |
|-------|---------|----------------------------------|-------------------|--|
| 1 | 1319809 | SWITCH - INTERRUTTORE / 16A 250V | RANCILIO 34030047 | FANTASY - SILVIA - S20 |
| 2 | 1319862 | SWITCH - INTERRUTTORE / 16A 250V | RANCILIO 34030037 | FANTASY - MILLENNIUM - SILVIA - S20 |
| 3 | 1319806 | SWITCH - INTERRUTTORE / 16A 250V | RANCILIO 34030029 | MILLENNIUM - SILVIA - S20 |
| 4 | 1319805 | SWITCH - INTERRUTTORE / 16A 250V | RANCILIO 34030039 | S20 - Z11 |
| 5 | 1319865 | SWITCH - INTERRUTTORE / 16A 250V | RANCILIO 34030970 | CLASSE10 - CLASSE6 - CLASSE7 - CLASSE9 - EPOCA |
| 5 | 1319902 | SWITCH - INTERRUTTORE / 16A 250V | RANCILIO 34030971 | CLASSE7 |
| 6 | 3319425 | SWITCH - INTERRUTTORE / 16A 250V | RANCILIO 34030069 | EPOCA |

SWITCHES RANCILIO



| Photo | LF Code | Notes | Suitable for | For machine model |
|-------|---------|-----------------------------------|-------------------|-------------------|
| 1 | 1319858 | PUSH BUTTON - PULSANTE / 16A 250V | RANCILIO 10705354 | MILLENNIUM |
| 2 | 1319859 | SWITCH - INTERRUTTORE / 16A 250V | RANCILIO 10705355 | MILLENNIUM |
| 3 | 1319860 | SWITCH - INTERRUTTORE / 16A 250V | RANCILIO 10705356 | MILLENNIUM |

SWITCHES RANCILIO



| Photo | LF Code | Notes | Suitable for | For machine model |
|-------|---------|-------|-------------------|-------------------|
| 1 | 1319105 | --- | RANCILIO 10705364 | CLASSE10 |
| 2 | 1319113 | --- | RANCILIO 10705361 | CLASSE10 |
| 3 | 1319114 | --- | RANCILIO 10705365 | CLASSE10 |
| 4 | 1319115 | --- | RANCILIO 10111036 | EPOCA |
| 5 | 5044894 | --- | RANCILIO 10111031 | EPOCA |
| 6 | 1319803 | --- | RANCILIO 10705226 | S20 - Z11 |



RANCILIO



THERMOSTATS



1

2

| Photo | LF Code | Features | Suitable for | For machine model |
|-------|---------|--------------|-------------------|--------------------------------------|
| 1 | 1444005 | 165°C - 400V | PROMAC 34200093 | CLUB - COMPACT - GREEN |
| 1 | 1444005 | 165°C - 400V | RANCILIO 34200093 | EPOCA - MILLENNIUM |
| 2 | 3444230 | 165°C - 270V | PROMAC 34200092 | CLUB - COMPACT - GREEN |
| 2 | 3444230 | 165°C - 270V | RANCILIO 34200092 | EPOCA - MILLENNIUM - S24 - S26 - S27 |

THERMOSTATS



1

2

3

4

| Photo | LF Code | Features | Suitable for | For machine model |
|-------|---------|----------|------------------------|---|
| 1 | 5024998 | 147°C | PAVONI 436042 | BAR |
| 2 | 3444142 | 150°C | BEZZERA 7434001 | B2000 - ELLISSE |
| 2 | 3444142 | 150°C | FAEMA 3231133006 | E91 - E92 - E97 - E98 - DUE - SMART |
| 1 | 1444509 | 169°C | ASTORIA/CMA 20300015 | PLUS4YOU |
| 1 | 1444509 | 169°C | CARIMALI 95.01594 | ETABETAV2 - E9 ESPRESSO - KIKKO - KIKKO2 - TEMA STYLE |
| 1 | 1444509 | 169°C | CASADIO 531193100 | DODICI |
| 1 | 1444509 | 169°C | CIMBALI 531-193-100 | M20 - M21 - M27 - M28 - M29 - M30 - M31 - M32 - M39 |
| 1 | 1444509 | 169°C | ELEKTRA 02790035 | CLASSIC - MODERN - SIXTIES |
| 1 | 1444509 | 169°C | FAEMA 531193100 | DUE SMART - ELITE - EMBLEMA - ENOVA - E61 - E98 COMPACT |
| 1 | 1444509 | 169°C | FIorenzato CS A1400032 | PIAZZASANMARCO |
| 1 | 1444509 | 169°C | FUTURMAT 07476906 | CUSTOM - E61 - F3 - PALANCA - RIMINI |
| 1 | 1444509 | 169°C | GAGGIA SPAGNA 07476906 | BELLA - G6 - KB - NERA - PALANCA |
| 1 | 1444509 | 169°C | ITALCREM 07476906 | CAPRI - IT4 - PALANCA |
| 1 | 1444509 | 169°C | MAIRALI 07476906 | ARIANNE - GIULIETTA - PALANCA |
| 1 | 1444509 | 169°C | MCE 20300015 | START |
| 1 | 1444509 | 169°C | ORCHESTRALE D20300015 | ETNICA - PHONICA |
| 1 | 1444509 | 169°C | PROMAC 34200095 | GREEN - COMPACT - CLUB |
| 1 | 1444509 | 169°C | SAN MARCO 108463 | 105 - 100 - 85 - 95 - LEVA - 105 NEW |
| 1 | 1444509 | 169°C | SANREMO 10111015 | AMALFI - CAPRI - MILANO LX - PISA - TORINO - VENEZIA |
| 1 | 1444509 | 169°C | SPAZIALE 01477 | NEW - RAPID - SELETRON - SPAZIO - SUPER 3000 - S1 VIVALDI |
| 1 | 1444509 | 169°C | VISACREM 07476906 | BRAVA - NERA - PALANCA - V6 |
| 1 | 1444509 | 169°C | WEGA WY20300015 | CONCEPT |
| 1 | 3444442 | 170°C | GAGGIA 5024007000 | GD - GE - LCD - XD - XE |
| 1 | 3444442 | 170°C | SAECO WGA5001013000 | AROMA |
| 3 | 1444004 | 187°C | CIMBALI 531-191-800 | JUNIOR - M29 - M30 - M32 - M39 - M39GT |
| 3 | 1444004 | 187°C | FAEMA 531191800 | ELITE - EMBLEMA - ENOVA - E61 - E98 COMPACT - SMART |
| 3 | 1444004 | 187°C | PROMAC 34200096 | CLUB - COMPACT - GREEN |
| 3 | 1444004 | 187°C | RANCILIO 34200096 | CLASSE10 - S20 |
| 3 | 1444004 | 187°C | SANREMO 10111012 | AMALFI - CAPRI - MILANO LX - PISA - TORINO - VENEZIA |
| 3 | 1444004 | 187°C | SPAZIALE 08019 | S5 COMPACT |



| Photo | LF Code | Features | Suitable for | For machine model |
|-------|---------|----------|-----------------------|-------------------|
| 4 | 2103907 | 160°C | DALLA CORTE B-00-0023 | DCPRO - EVO2 |

TUBE LEVEL GLASS



| Photo | LF Code | Dimensions (mm) | Suitable for |
|-------|---------|-----------------|--|
| 1 | 1520007 | ∅ 9x132 | GAGGIA S453101 - PAVONI 453101 |
| 1 | 1520005 | ∅ 9x147 | ELEKTRA 00141035 |
| 1 | 1520562 | ∅ 11x108 | QUALITY ESPRESSO 08181703 |
| 1 | 1520541 | ∅ 11x119 | MAIRALI |
| 1 | 1520506 | ∅ 11x170 | ASTORIA/CMA 21300 - MCE 21300 - WEGA WY21300 |
| 1 | 1520576 | ∅ 11x184 | CONTI 4500 |
| 1 | 1520518 | ∅ 12x112 | NUOVA SIMONELLI 09000009 - VICTORIA ARDUINO 09000009 |
| 1 | 1520526 | ∅ 12x117 | CIMBALI 439-034-000 |
| 1 | 1520532 | ∅ 12x130 | CARIMALI 62.00006 - FAEMA 4861117546 |
| 1 | 1520561 | ∅ 12x140 | RANCILIO 41010010 |
| 1 | 1520501 | ∅ 12x175 | BRUGNETTI/AURORA 000319 - FAEMA - QUALITY ESPRESSO |
| 1 | 1520543 | ∅ 13x210 | MARCFI-ANCAS |
| 1 | 1520001 | ∅ 15x115 | SAN MARCO 206910 |
| 2 | 1201061 | ∅ 10x120 | BEZZERA 5430505 |
| 2 | 1201051 | ∅ 10x190 | VICTORIA ARDUINO 40900002 |
| 2 | 1520004 | ∅ 11x55 | GAGGIA LV0536 |
| 2 | 1201053 | ∅ 11x95 | GAGGIA LV0541 |
| 2 | 1201060 | ∅ 11x140 | FRACINO FC181 |
| 2 | 1520580 | ∅ 11x145 | CONTI |
| 2 | 1520006 | ∅ 11x154 | ASTORIA/CMA 21300001 - SCALA C-0260 |
| 2 | 5025546 | ∅ 11x160 | GAGGIA LV0536 |
| 2 | 1520511 | ∅ 11x170 | ASTORIA/CMA 56001 - FIORENZATO A1400008 - WEGA WY56001 |
| 2 | 1520400 | ∅ 12x106 | GAGGIA WGA4001060000 - PAVONI 453110 |
| 2 | 1520556 | ∅ 12x115 | FAEMA - PAVONI 453100 |
| 2 | 1520516 | ∅ 12x135 | BEZZERA 5430504 - CIMBALI - NUOVA SIMONELLI 09000010 |
| 2 | 1520542 | ∅ 13x114 | MARCFI-ANCAS |
| 2 | 1520008 | ∅ 13x125 | MARCFI-ANCAS BL-5131 |
| 2 | 1201024 | ∅ 13x138 | AZKOYEN |
| 2 | 1520579 | ∅ 22x55 | UNIC |
| 2 | 1520566 | ∅ 30x110 | SAN MARCO 104002 |
| 3 | 1201054 | ∅ 11x140 | BIANCHI 05256515 |
| 4 | 1520522 | ∅ 11x135 | BRASILIA 00787.0.00.02 |
| 4 | 1520100 | ∅ 11x140 | GAGGIA LV0524 - GRIMAC GR270 - SANREMO 10402100 |
| 4 | 1520546 | ∅ 11x140 | BFC/ROYAL 4580010 - VIBIEMME MATECVELI140 |
| 5 | 1520571 | ∅ 11x150 | SPAZIALE 00268 |
| 5 | 1520572 | ∅ 11x150 | SPAZIALE 00267 |
| 5 | 1520534 | ∅ 12x106 | FAEMA 4861117546 |
| 5 | 1201058 | ∅ 11x135 | FIAMMA 5.0.000.1017 |
| 6 | 1449877 | ∅ 10x107 | RANCILIO 38228066 - PROMAC 38228066 |



UNIVERSAL CONTACT THERMOSTATS



| Photo | LF Code | Temperature °C |
|-------|---------|----------------|
| 1 | 1443017 | 85 |
| 1 | 1444506 | 90 |
| 1 | 1443010 | 93 |
| 1 | 1444003 | 95 |
| 1 | 1443005 | 98 |
| 1 | 1443011 | 100 |
| 1 | 1443072 | 104 |
| 1 | 1443400 | 107 |
| 1 | 1443071 | 110 |
| 1 | 3443081 | 125 |
| 1 | 1443401 | 135 |
| 1 | 1443004 | 145 |
| 2 | 1443070 | 135 |
| 2 | 1444206 | 145 |
| 2 | 1443002 | 165 |
| 3 | 1443079 | 95 |
| 3 | 3443026 | 110 |
| 3 | 5027936 | 125 |
| 3 | 1443066 | 130 |
| 3 | 1444521 | 155 |
| 3 | 1443034 | 200 |
| 4 | 5027937 | 170 |
| 4 | 1443012 | 180 |
| 5 | 1443055 | 125 |
| 5 | 5035435 | 140 |
| 5 | 1443063 | 143 |
| 6 | 1443030 | --- |

UNIVERSAL FILTER HOLDER KNOBS



| Photo | LF Code | Connection | Suitable for |
|-------|---------|------------|------------------------------|
| 1 | 1241505 | M10 | ALL BRANDS - TUTTE LE MARCHE |
| 1 | 1241504 | M12 | ALL BRANDS - TUTTE LE MARCHE |
| 2 | 1241269 | M10 | ALL BRANDS - TUTTE LE MARCHE |
| 2 | 1241169 | M12 | ALL BRANDS - TUTTE LE MARCHE |
| 3 | 1241502 | M10 | ALL BRANDS - TUTTE LE MARCHE |
| 3 | 1241501 | M12 | ALL BRANDS - TUTTE LE MARCHE |

UNIVERSAL FILTER HOLDER KNOBS



| Photo | LF Code | Connection | Suitable for |
|-------|---------|------------|------------------------------|
| 1 | 5051751 | M10 | ALL BRANDS - TUTTE LE MARCHE |
| 1 | 5051102 | M12 | ALL BRANDS - TUTTE LE MARCHE |
| 2 | 5054506 | M10 | ALL BRANDS - TUTTE LE MARCHE |
| 2 | 5054505 | M12 | ALL BRANDS - TUTTE LE MARCHE |

UNIVERSAL FILTER HOLDER KNOBS



| Photo | LF Code | Connection | Suitable for |
|-------|---------|------------|------------------------------|
| 1 | 1141006 | M10 | ALL BRANDS - TUTTE LE MARCHE |
| 1 | 1141007 | M12 | ALL BRANDS - TUTTE LE MARCHE |
| 2 | 1141004 | M10 | ALL BRANDS - TUTTE LE MARCHE |
| 2 | 1141003 | M12 | ALL BRANDS - TUTTE LE MARCHE |

VARIOUS CAPPUCCINATORE



| Photo | LF Code | Suitable for |
|-------|---------|---|
| 1 | 1079016 | BIANCHI - SAN MARCO |
| 2 | 1079030 | ASTORIA/CMA - MCE - ORCHESTRALE |
| 3 | 1079023 | ASTORIA/CMA - CARIMALI - NUOVA SIMONELLI - WEGA |
| 4 | 1079009 | SAECO |
| 5 | 1079010 | SAECO |
| 6 | 5501292 | PAVONI |



RANCILIO



VENT VALVES



| Photo | LF Code | Technical notes | Suitable for |
|-------|---------|-------------------------|------------------------------|
| 1 | 1523537 | ∅ 1/4" M VITON | ALL BRANDS - TUTTE LE MARCHE |
| 2 | 1523534 | ∅ 1/4" M PTFE AND VITON | ALL BRANDS - TUTTE LE MARCHE |
| 3 | 1523538 | ∅ 1/4" M | ALL BRANDS - TUTTE LE MARCHE |

VIBRATORY PUMPS ULKA



| Photo | LF Code | Model | Watt - Volt | Connections |
|-------|---------|-------|-------------------|---------------------------------------|
| 1 | 1331018 | EP4 | 48W 230V 50Hz | ∅ 1/8" - ∅ 6 mm |
| 1 | 1122738 | EP5 | 48W 24V 50/60Hz | ∅ 1/8" - ∅ 6 mm |
| 1 | 1122737 | EP5 | 48W 230V 50Hz | ∅ 1/8" - ∅ 6 mm |
| 1 | 1331037 | EP8 | 26W 230/240V 50Hz | ∅ 1/8" - ∅ 6 mm |
| 2 | 1122002 | EP5GW | 48W 230V 50Hz | ∅ 1/8" - ∅ 6 mm |
| 2 | 1331026 | EP5GW | 48W 230V 50Hz | countersunk - svasata ∅ 1/8" - ∅ 6 mm |
| 2 | 1331028 | EP8GW | 26W 230V 50Hz | ∅ 1/8" - ∅ 6 mm |
| 3 | 1122746 | EX4 | 48W 230V 50Hz | ∅ 1/8" - ∅ 6 mm |
| 3 | 1122747 | EX4 | 48W 24V 50/60Hz | ∅ 1/8" - ∅ 6 mm |
| 3 | 1122735 | EX5 | 48W 230V 50Hz | ∅ 1/8" - ∅ 6 mm |
| 3 | 1122739 | EX5 | 48W 230V 50Hz | countersunk - svasata ∅ 1/8" - ∅ 6 mm |
| 3 | 1122736 | EX5 | 48W 24V 50/60Hz | ∅ 1/8" - ∅ 6 mm |
| 3 | 1122740 | EX5 | 48W 24V 50/60Hz | countersunk - svasata ∅ 1/8" - ∅ 6 mm |
| 3 | 1331036 | EX7 | 48W 24V 50/60Hz | ∅ 1/8" - ∅ 6 mm |
| 3 | 1120025 | EX7 | 48W 230V 50Hz | countersunk - svasata ∅ 1/8" - ∅ 6 mm |
| 4 | 1331029 | EX4GW | 48W 230V 50/60Hz | ∅ 1/8" - ∅ 6 mm |
| 4 | 1331006 | EX5GW | 48W 230V 50Hz | ∅ 1/8" - ∅ 6 mm |
| 4 | 1331016 | EX7GW | 48W 230V 50Hz | ∅ 1/8" - ∅ 6 mm |
| 5 | 1122601 | EX5 | 41W 120V 60Hz | ∅ 1/8" - ∅ 6 mm |
| 5 | 1122603 | EX5 | 41W 120V 60Hz | countersunk - svasata ∅ 1/8" - ∅ 6 mm |
| 5 | 2101958 | EAX5 | 52W 120V 60Hz | ∅ 1/8" - ∅ 6 mm |
| 6 | 2102265 | EP5 | 41W 120V 60Hz | ∅ 1/8" - ∅ 6 mm |
| 6 | 5062552 | EAP5 | 52W 120V 60Hz | ∅ 1/8" - ∅ 6 mm |
| 6 | 1122748 | EK | 54W 230V 50Hz | ∅ 1/8" - ∅ 6 mm |

VITON FLAT GASKETS



| Photo | LF Code | Dimensions | Suitable for | Notes |
|-------|---------|-----------------|------------------------|---|
| 1 | 1186927 | ø 12x4x4 mm | CASADIO 400274020 | FOR STEAM/WATER TAPS - PER RUBINETTI VAPORE/ACQUA |
| 1 | 1186927 | ø 12x4x4 mm | CIMBALI 400-274-020 | FOR STEAM/WATER TAPS - PER RUBINETTI VAPORE/ACQUA |
| 1 | 1186822 | ø 13x4x4 mm | FAEMA | FOR STEAM/WATER TAPS - PER RUBINETTI VAPORE/ACQUA |
| 1 | 1186822 | ø 13x4x4 mm | RANCILIO 36302002 | FOR BREW GROUPS - PER GRUPPI EROGAZIONE |
| 1 | 1186822 | ø 13x4x4 mm | WEGA WY27421026 | FOR BREW GROUPS - PER GRUPPI EROGAZIONE |
| 1 | 5053833 | ø 13x4x4 mm NSF | FAEMA 402205000 | FOR STEAM/WATER TAPS - PER RUBINETTI VAPORE/ACQUA |
| 2 | 1186756 | ø 15.5x7.5x4 mm | FAEMA | FOR BREW GROUPS - PER GRUPPI EROGAZIONE |
| 2 | 1186756 | ø 15.5x7.5x4 mm | GRIMAC 1110100044-F008 | FOR STEAM/WATER TAPS - PER RUBINETTI VAPORE/ACQUA |
| 2 | 1186756 | ø 15.5x7.5x4 mm | ISOMAC ISRONTM155754 | FOR BREW GROUPS - PER GRUPPI EROGAZIONE |
| 3 | 1186029 | ø 15x5.5x3 mm | EXPOBAR 50030000 | FOR BREW GROUPS - PER GRUPPI EROGAZIONE |
| 4 | 1186983 | ø 15x7x3 mm | GAGGIA WGA4001092000 | FOR INLET TAPS - PER RUBINETTI CARICO |
| 4 | 1186983 | ø 15x7x3 mm | PAVONI 362003 | FOR STEAM/WATER TAPS - PER RUBINETTI VAPORE/ACQUA |
| 4 | 1186983 | ø 15x7x3 mm | SAECO WGA4001092000 | FOR INLET TAPS - PER RUBINETTI CARICO |
| 5 | 1186938 | ø 20.5x15x2 mm | ELEKTRA 00409035 | FOR STEAM/WATER TAPS - PER RUBINETTI VAPORE/ACQUA |

VOLUMETRIC FLOWMETERS GICAR



| Photo | LF Code | Model | Suitable for | For machine model |
|-------|---------|-----------------------------------|---------------------------|--|
| 1 | 1455067 | 9.0.55.02G / ø 1/4"FF / ø 1.15 mm | ASTORIA/CMA 18126 | ARGENTA - BRAVA - DIVINA - DORA - GLORIA - GLORIA R12 |
| 1 | 1455067 | 9.0.55.02G / ø 1/4"FF / ø 1.15 mm | BEZZERA 7431001 | B2000 - B2006 - B2009 COMPACT - B2013 - B3000 - B4000 |
| 1 | 1455067 | 9.0.55.02G / ø 1/4"FF / ø 1.15 mm | BFC 5032012 | CLASSICA - DELUX - GALILEO - GRANDOGE - IMOLA - JUNIOR |
| 1 | 1455067 | 9.0.55.02G / ø 1/4"FF / ø 1.15 mm | BRUGNETTI-AURORA 95.01205 | --- |
| 1 | 1455005 | 9.0.78.02G / ø 1/4"FF / ø 1.15 mm | CONTI 403466V | SK2 |
| 1 | 1455067 | 9.0.55.02G / ø 1/4"FF / ø 1.15 mm | EXPOBAR 60100045 | ELEN - EXPRESSO - G10 - MARKUS - MARKUS SILVER |
| 1 | 1455067 | 9.0.55.02G / ø 1/4"FF / ø 1.15 mm | FIorenzato CS A1500026 | BRICOLETTA - DUCALE - FENICE - LIDO - VENEZIA |
| 1 | 1455067 | 9.0.55.02G / ø 1/4"FF / ø 1.15 mm | FUTURMAT 08307500 | ARIETE - F3 - RIMINI |
| 1 | 1455060 | 9.0.93.02G / ø 1/4"FF / ø 1.15 mm | GAGGIA 11013052 | DECO - GD - GE - XD - XE |
| 1 | 1455067 | 9.0.55.02G / ø 1/4"FF / ø 1.15 mm | GRIMAC 1160900001-GR102 | MIA - NEW CIALDA VAPOR - SELENITE DOUBLE - TWENTY |
| 1 | 1455067 | 9.0.55.02G / ø 1/4"FF / ø 1.15 mm | MCE 18126 | START |
| 1 | 1455067 | 9.0.55.02G / ø 1/4"FF / ø 1.15 mm | NUOVA SIMONELLI 04900027 | APPIA - APPIA COMPACT - AURELIA - AURELIAI - MACDIGIT |
| 1 | 1455067 | 9.0.55.02G / ø 1/4"FF / ø 1.15 mm | ORCHESTRALE D18126 | ETNICA - PHONICA |
| 1 | 1455067 | 9.0.55.02G / ø 1/4"FF / ø 1.15 mm | RENEKA 9008954 | LC - LIFE - PRESTIGE - VIVA |
| 1 | 1455067 | 9.0.55.02G / ø 1/4"FF / ø 1.15 mm | ROYAL 5032012 | DIADEMA - SYNCHRO |
| 1 | 1455060 | 9.0.93.02G / ø 1/4"FF / ø 1.15 mm | SAECO 11013052 | AROMA |
| 1 | 1455067 | 9.0.55.02G / ø 1/4"FF / ø 1.15 mm | SAN MARCO 108192 | NEW 105 - 100 - 105 - 85 - 95 |
| 1 | 1455067 | 9.0.55.02G / ø 1/4"FF / ø 1.15 mm | SANREMO 10112131A | MILANO LX |
| 1 | 1455067 | 9.0.55.02G / ø 1/4"FF / ø 1.15 mm | SCALA C-0215 | BUTTERFLY - CARMEN - EROICA |
| 1 | 1455067 | 9.0.55.02G / ø 1/4"FF / ø 1.15 mm | VIBIEMME ELETCONTVOLOT | CHIMAERA - CUBO - DOMOBARSUPER - DOSAPLUS - EVOLUTION |

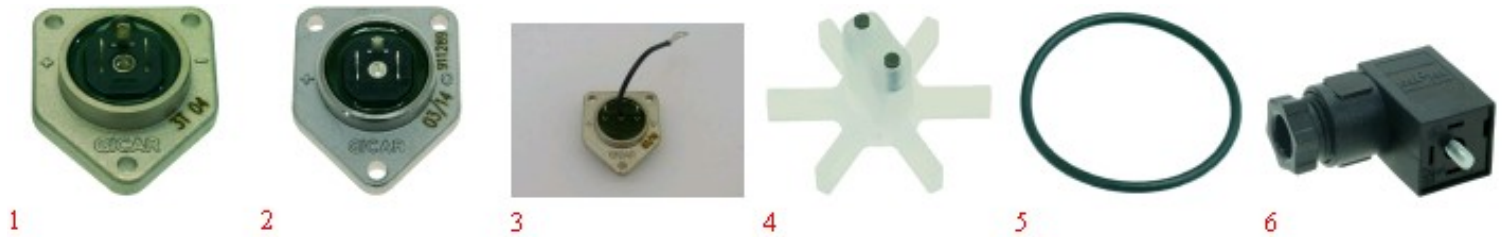


RANCILIO



| Photo | LF Code | Model | Suitable for | For machine model |
|-------|---------|-----------------------------------|---------------------------|--|
| 1 | 1455067 | 9.0.55.02G / ø 1/4"FF / ø 1.15 mm | VICTORIA ARDUINO 04900027 | ADONIS - VENUS CENTURY |
| 1 | 1455067 | 9.0.55.02G / ø 1/4"FF / ø 1.15 mm | WEGA WY18126 | ATLAS - ATLAS 10 - COLOSSEUM - COMBI NOVA - CONCEPT |
| 2 | 1455068 | 9.0.55.50G / ø 1/8"FF / ø 1.15 mm | BRASILIA 16054.2.00.08 | ROMA |
| 2 | 1455068 | 9.0.55.50G / ø 1/8"FF / ø 1.15 mm | CIMBALI 534-391-020 | M20 - M21 JUNIOR - M22 - M27 - M27 START - M28 - M29 |
| 2 | 1455068 | 9.0.55.50G / ø 1/8"FF / ø 1.15 mm | FAEMA 534391020 | E98 COMPACT |
| 2 | 1455068 | 9.0.55.50G / ø 1/8"FF / ø 1.15 mm | FIAMMA RST 5.0.000.1012 | ATLANTIC - MARINA - PRESTIGE |
| 2 | 1455068 | 9.0.55.50G / ø 1/8"FF / ø 1.15 mm | PAVONI 438020 | --- |
| 2 | 1455068 | 9.0.55.50G / ø 1/8"FF / ø 1.15 mm | SANREMO 10112290 | AMALFI - CAPRI - PISA - TORINO - VERONA - ZOE |
| 3 | 1455026 | 9.0.54.05G / ø 1/4"FF / ø 1.15 mm | FRACINO FC92 | BAMBINO |
| 3 | 1455026 | 9.0.54.05G / ø 1/4"FF / ø 1.15 mm | MARZOCCO LAD070 | FB70 - FB80 - GB5 - GS3 - LINEA - MISTRAL |
| 4 | 1455001 | 9.0.69.03G / ø 1/4"FF / ø 1.15 mm | SPAZIALE 02498 | NEW - RAPID - S1 - S2 - S3 - S40 - S5 - S8 |

VOLUMETRIC FLOWMETERS GICAR ACCESSORIES



| Photo | LF Code | Model | Notes |
|-------|---------|------------|--------|
| 1 | 3455333 | 9.0.16.50G | LED |
| 2 | 5052706 | 9.0.15.51G | NO LED |
| 3 | 5037299 | 9.0.15.53G | --- |
| 4 | 1455032 | 6.9.23.05G | --- |
| 5 | 1186631 | --- | --- |
| 6 | 1455033 | 8.6.17.14 | --- |

WASHERS UNI ISO



| LF Code | Dimensions | Suitable for | Notes |
|---------|------------------------|-------------------------|---|
| 3528238 | ø 9x4x0.8 mm UNI 6592 | GAGGIA S401004 | FOR BREW GROUPS - PER GRUPPI EROGAZIONE |
| 3528238 | ø 9x4x0.8 mm UNI 6592 | GRIMAC GR356 | G105 - G106 |
| 3528238 | ø 9x4x0.8 mm UNI 6592 | PAVONI 401004 | EUROPICCOLA - PROFESSIONAL - ROMANTICA - STRADIVARI |
| 1528117 | ø 12x4x1 mm UNI 6593 | GRIMAC 1300900128 | SEVERAL APPLICATIONS - MOLTE APPLICAZIONI |
| 1186192 | ø 10x5x1 mm UNI 6592 | SPAZIALE 00246 | FOR BREW GROUPS - PER GRUPPI EROGAZIONE |
| 1186315 | ø 15x5x1.2 mm UNI 6593 | CIMBALI 590-733-000 | FOR LEVEL - PER LIVELLO |
| 3528010 | ø 12x6x1.6 mm UNI 6592 | FAEMA 4054043102 | FOR BREW GROUPS - PER GRUPPI EROGAZIONE |
| 3528010 | ø 12x6x1.6 mm UNI 6592 | GRIMAC 1110400003-GR723 | FOR BREW GROUPS - PER GRUPPI EROGAZIONE |
| 3528010 | ø 12x6x1.6 mm UNI 6592 | PAVONI 401061 | FOR BREW GROUPS - PER GRUPPI EROGAZIONE |
| 3528010 | ø 12x6x1.6 mm UNI 6592 | SPAZIALE 01746 | FOR BREW GROUPS - PER GRUPPI EROGAZIONE |
| 1528008 | ø 16x8x1.6 mm UNI 6592 | BRASILIA 01290.0.00.03 | FOR BREW GROUPS - PER GRUPPI EROGAZIONE |
| 1528008 | ø 16x8x1.6 mm UNI 6592 | ELEKTRA 01816035 | FOR BREW GROUPS - PER GRUPPI EROGAZIONE |
| 1528008 | ø 16x8x1.6 mm UNI 6592 | GAGGIA WGAUN6592-8Z | FOR BREW GROUPS - PER GRUPPI EROGAZIONE |
| 1528008 | ø 16x8x1.6 mm UNI 6592 | PAVONI 401065 | FOR BREW GROUPS - PER GRUPPI EROGAZIONE |
| 1528008 | ø 16x8x1.6 mm UNI 6592 | SPAZIALE 00416 | FOR BREW GROUPS - PER GRUPPI EROGAZIONE |
| 1528008 | ø 16x8x1.6 mm UNI 6592 | VIBIEMME VITERONGR8MA | FOR BREW GROUPS - PER GRUPPI EROGAZIONE |



| LF Code | Dimensions | Suitable for | Notes |
|---------|-------------------------|---------------------|---|
| 1528008 | ∅ 16x8x1.6 mm UNI 6592 | RENEKA 9001335 | FOR STEAM/WATER TAPS - PER RUBINETTI VAPORE/ACQUA |
| 1528008 | ∅ 16x8x1.6 mm UNI 6592 | VIBIEMME RACCROPIRU | FOR STEAM/WATER TAPS - PER RUBINETTI VAPORE/ACQUA |
| 1528020 | ∅ 18x8x1.3 mm UNI 6593 | PROMAC 32239044 | FOR STEAM/WATER TAPS - PER RUBINETTI VAPORE/ACQUA |
| 1528020 | ∅ 18x8x1.3 mm UNI 6593 | RANCILIO 32239044 | FOR STEAM/WATER TAPS - PER RUBINETTI VAPORE/ACQUA |
| 1186504 | ∅ 20x10.6x2 mm UNI 6592 | FAEMA 4041135933 | FOR BREW GROUPS - PER GRUPPI EROGAZIONE |
| 1186504 | ∅ 20x10.6x2 mm UNI 6592 | PROMAC 39520008 | FOR BREW GROUPS - PER GRUPPI EROGAZIONE |
| 1186504 | ∅ 20x10.6x2 mm UNI 6592 | RANCILIO 39520008 | FOR BREW GROUPS - PER GRUPPI EROGAZIONE |
| 3528211 | ∅ 28x15x2.5 mm UNI 6592 | PAVONI 401075 | FOR STEAM/WATER TAPS - PER RUBINETTI VAPORE/ACQUA |

WASHERS VARIOUS



| LF Code | Dimensions | Suitable for | Notes |
|---------|-----------------|--------------------------|---|
| 1528054 | ∅ 12x5x1 mm | ASTORIA/CMA 23260014 | FOR BREW GROUPS - PER GRUPPI EROGAZIONE |
| 1528059 | ∅ 18x6.5x1.5 mm | BFC 0540030 | FOR STEAM/WATER TAPS - PER RUBINETTI VAPORE/ACQUA |
| 1186036 | ∅ 21.5x6.5x2 mm | BIANCHI 18004971 | FOR STEAM/WATER TAPS - PER RUBINETTI VAPORE/ACQUA |
| 1528059 | ∅ 18x6.5x1.5 mm | CARIMALI 93.00058 | FOR STEAM/WATER TAPS - PER RUBINETTI VAPORE/ACQUA |
| 1186299 | ∅ 22x16x1 mm | CASADIO 590715000 | FOR STEAM/WATER TAPS - PER RUBINETTI VAPORE/ACQUA |
| 1186299 | ∅ 22x16x1 mm | CIMBALI 590-715-000 | FOR STEAM/WATER TAPS - PER RUBINETTI VAPORE/ACQUA |
| 1186036 | ∅ 21.5x6.5x2 mm | EXPOBAR 25012521 | FOR STEAM/WATER TAPS - PER RUBINETTI VAPORE/ACQUA |
| 1186299 | ∅ 22x16x1 mm | FAEMA 590715000 | FOR STEAM/WATER TAPS - PER RUBINETTI VAPORE/ACQUA |
| 1186399 | ∅ 30x17x3 mm | GAGGIA WGAUN6592-17Z | FOR LEVEL - PER LIVELLO |
| 1186299 | ∅ 22x16x1 mm | GRIMAC 1300900055-G207 | FOR STEAM/WATER TAPS - PER RUBINETTI VAPORE/ACQUA |
| 1528059 | ∅ 18x6.5x1.5 mm | MARZOCCO L165/9 | FOR STEAM/WATER TAPS - PER RUBINETTI VAPORE/ACQUA |
| 1186036 | ∅ 21.5x6.5x2 mm | MARZOCCO L165/9B | FOR STEAM/WATER TAPS - PER RUBINETTI VAPORE/ACQUA |
| 1186399 | ∅ 30x17x3 mm | NUOVA SIMONELLI 00200011 | FOR STEAM/WATER TAPS - PER RUBINETTI VAPORE/ACQUA |
| 1186399 | ∅ 30x17x3 mm | SAECO WGAUN6592-17Z | FOR LEVEL - PER LIVELLO |
| 1186142 | ∅ 23x15x0.5 mm | SAN MARCO 205584 | FOR STEAM/WATER TAPS - PER RUBINETTI VAPORE/ACQUA |
| 1528059 | ∅ 18x6.5x1.5 mm | SANREMO 10402040 | FOR STEAM/WATER TAPS - PER RUBINETTI VAPORE/ACQUA |
| 1186416 | ∅ 15x11x2 mm | SPAZIALE 00523 | FOR STEAM/WATER TAPS - PER RUBINETTI VAPORE/ACQUA |
| 1528141 | ∅ 22x6.5x5 mm | VIBIEMME RACCROBLMAEVO | FOR STEAM/WATER TAPS - PER RUBINETTI VAPORE/ACQUA |
| 1528054 | ∅ 12x5x1 mm | WEGA WY23260014 | FOR BREW GROUPS - PER GRUPPI EROGAZIONE |

WATER FILTERS



| Photo | LF Code | Dimensions | Suitable for |
|-------|---------|---------------|---|
| 1 | 1160017 | ∅ 8x1.5 mm | SPAZIALE 02284 |
| 1 | 1160511 | ∅ 9x1.5 mm | CIMBALI 481-361-000 |
| 1 | 1160023 | ∅ 11x2 mm | SAN MARCO 202232 |
| 1 | 1160068 | ∅ 18 mm | CASADIO 490055000 - CIMBALI 490-055-000 |
| 2 | 1160400 | ∅ 11 mm | ASTORIA/CMA 10254 - WEGA WY10254 |
| 3 | 1160501 | ∅ 14x10x12 mm | ASTORIA/CMA 10252 - BEZZERA 5471002 |
| 3 | 1160501 | ∅ 14x10x12 mm | BRASILIA 00086.0.00.04 - PAVONI 330051 |



RANCILIO



| Photo | LF Code | Dimensions | Suitable for |
|-------|---------|------------|-------------------|
| 4 | 1160021 | ∅ 18x20 mm | ELEKTRA 00111035 |
| 5 | 1160801 | M8x1 | RANCILIO 10705003 |
| 6 | 1160012 | ∅ 11 mm | RANCILIO 10706070 |

WATER FILTERS



| Photo | LF Code | Dimensions | Suitable for |
|-------|---------|------------|---|
| 1 | 1160523 | ∅ 5.9 mm | CARIMALI 14.00795 |
| 1 | 1160311 | ∅ 7 mm | BIANCHI 43144416 - FUTURMAT 07362205 |
| 2 | 1160536 | ∅ 7 mm | SPAZIALE 00275 |
| 1 | 1160566 | ∅ 8 mm | ASTORIA/CMA 10251001 - WEGA WY10251001 |
| 1 | 1160566 | ∅ 8 mm | NUOVA SIMONELLI 98004001 |
| 1 | 1160011 | ∅ 9 mm | BRASILIA 09756.0.00.04 - CIMBALI 4771-116-081 |
| 1 | 1160516 | ∅ 11 mm | ASTORIA/CMA 10251002 - FUTURMAT 02435808 |
| 3 | 1160519 | ∅ 14 mm | PAVONI 326202 |
| 4 | 1160346 | ∅ 14 mm | CONTI 327154 |
| 5 | 1160087 | ∅ 15 mm | SANREMO 10052139A |

WATER FILTERS



| Photo | LF Code | Dimensions | Suitable for |
|-------|---------|-------------|---------------------|
| 1 | 1160507 | ∅ 8.5x15 mm | FUTURMAT 08298700 |
| 2 | 1160517 | ∅ 8.5x22 mm | GROUP E61 |
| 3 | 1160074 | ∅ 8.5x25 mm | CIMBALI 533-100-400 |
| 4 | 1160338 | ∅ 8x13 mm | CONTI 403458 |



WATER INLET TAPS RANCILIO



| Photo | LF Code | Notes | Suitable for | For machine model |
|-------|---------|-------|-------------------|-----------------------------|
| 1 | 1348807 | --- | RANCILIO 10060290 | CLASSE10 - MILLENNIUM - S20 |
| 2 | 1348810 | --- | RANCILIO 20121012 | --- |
| 3 | 1348811 | --- | RANCILIO 23208015 | --- |

WATER TANKS AND ACCESSORIES RANCILIO



1

| Photo | LF Code | Suitable for | For machine model |
|-------|---------|-------------------|-------------------|
| 1 | 5023308 | RANCILIO 38123012 | EPOCA - SILVIA |



Suitable for:

RANCILIO



Suitable for:

Gas taps and accessories

3348044 PIPE OLIVE \varnothing 10 mm
for model PEL 20 - 21



RANCILIO 23120010

Heating elements

1755186 COVER FOR HEATING ELEMENT M 10x1



RANCILIO 23210004

RANCILIO 23214024

Pilot burners and accessories

3020081 OLIVE FOR 6 mm \varnothing PIPE



RANCILIO 27350005

Sparking and detection plugs

3001003 ROUND SPARKING PLUG \varnothing 7x44 mm
male faston M4x1 mm
total length 65 mm




















RANCILIO 69000022

The data herewith contained may change without notice and LF SpA cannot be held responsible for possible errors stated or resulting by the use of this document. All rights reserved. No part of this publication may be reproduced without written permission by LF SpA.



Distributing Components, Spare Parts & Accessories in original quality worldwide

-
-  **LF SpA HEADQUARTERS**
via Voltri, 80 - 47522 Cesena (FC) ITALY
Tel. +39 0547 34 11 11 - Fax +39 0547 34 11 10
www.lfcomb724.it - www.lfcomb724.mobi - info@lfcomb.it
Export Dept.: Tel. +39 0547 34 11 50 - Fax: +39 0547 34 11 55
www.lfspareparts724.com - www.lfspareparts724.mobi
export@lfspareparts.com
 -  **OOO LF RUSSIAN FEDERATION**
Ul. Anatoliya Zhivova, 8 - office 1 - 123100 Moscow
Tel. +7 499 259 85 75
Fax +7 495 725 26 53
www.lfspareparts724.ru
www.lfspareparts724.mobi
info@lfspareparts.ru
 -  **EPGC Sas FRANCE**
13, Rue des Forts - 59960 Neuville en Ferrain
Tel. +33 (0)3 20 25 06 21
Fax +33 (0)3 20 25 34 12
www.epgc.com
www.epgc724.mobi
epgc@epgc.com
 -  **LF Repuestos Horeca S.L.U. SPAIN**
Calle Ciudad Real, 10 - 45517 Escalonilla - Toledo
Tel. +34 91 477 91 00
Fax +34 91 477 90 81
www.lfrepuestos-horeca724.es
www.lfrepuestos724.mobi
info@lfrepuestos.es
 -  **LF GmbH GERMANY**
Junkersstrasse, 1 - D-82178 Puchheim - München
Tel. +49 89 89 45 78 66
Fax +49 89 89 45 78 88
www.lfersatzteile724.de
www.lfersatzteile724.mobi
info@lfersatzteile.de
 -  **LF SpA Cesena (IT) Swiss Branch Steinhausen SWITZERLAND**
Sennweidstrasse, 45 - CH-6312 Steinhausen
Tel. +41 (0)41 760 15 80-1
Fax +41 (0)41 760 15 85
www.lfersatzteile724.ch
www.lfersatzteile724.mobi
info@lfersatzteile.ch
 -  **LF China REPUBLIC OF CHINA**
Room 403, No.2, Huadu Mansion, Lane 422, Huanghua Rd.
Minhang Dist. - 201103 Shanghai
Tel. +86 (0)21 33 53 66 31
Fax +86 (0)21 33 53 66 32
www.lfspareparts724.com
www.lfspareparts724.mobi
china@lfspareparts.com
 -  **LF Spare Parts Ltd. UNITED KINGDOM**
A10a Lakeside Business Park, Broadway Lane
South Cerney, Gloucestershire GL7 5XL
Tel. +44 (0)1285 86 16 25
Fax +44 (0)1285 86 39 49
www.lfspareparts724.co.uk
www.lfspareparts724.mobi
info@lfspareparts.co.uk
-
-  **AUSTRALIA AND NEW ZEALAND**
www.lfspareparts724.com
andrea.calvio@lfspareparts.com
 -  **DENMARK**
www.lfspareparts724.dk
michael.lenth@lfspareparts.com
 -  **AUSTRIA**
www.lfspareparts724.at
ludwig.neier@lfersatzteile.at
 -  **SOUTH KOREA**
www.lfspareparts724.com
fabio.doni@lfspareparts.com
 -  **BALKAN COUNTRIES**
www.lfspareparts724.com
matija.ramov@lfspareparts.com
 -  **TURKEY**
www.lfyedekparca724.com
basar.ergun@lfyedekparca.com
 -  **BALTIC COUNTRIES**
www.lfspareparts724.com
inara.silina@lfspareparts.com
 -  **USA AND CANADA**
www.lfspareparts724.us
sauro.dallaglio@lfspareparts.us
howard.truitt@lfspareparts.us
 -  **CENTRAL AND EASTERN EUROPE**
www.lfspareparts724.cz
jiri.kremla@lfspareparts.cz