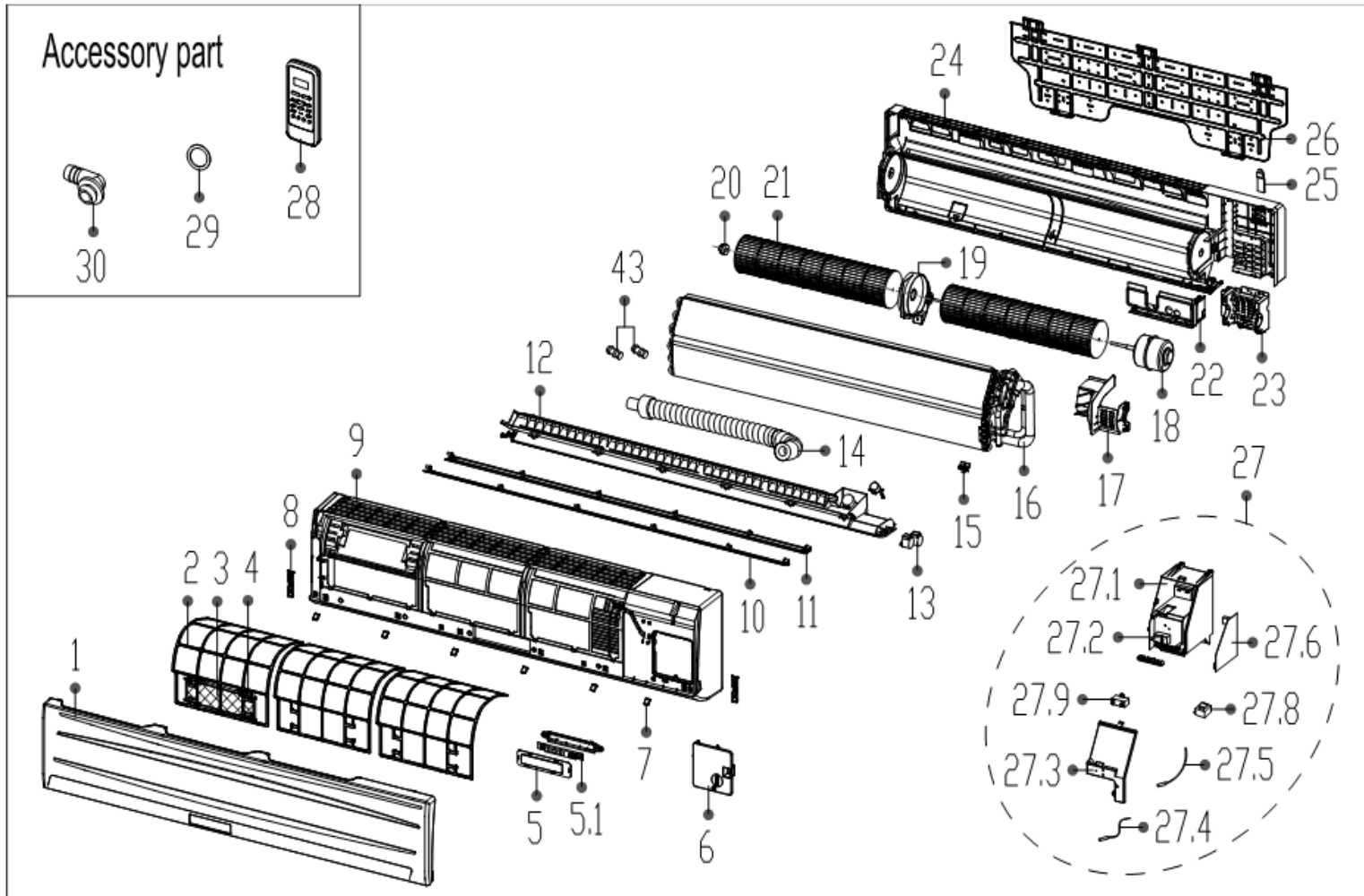


EXPLODED DIAGRAM - PARTS VIEW

Sale Model : KSID032-H214Q-I
Power Supply : 208-230V~ 60Hz 1Phase



This information is to be used by qualified HVAC technicians only and is subject to revision without notice

KSID032-H214Q-I Drawing No. D2ID1404

DATE 14-05

KSID032-H214Q-I - SPARE PARTS LIST

No.		Description	Specifications	Stock No.	Qty.	Price	Remark
1	2011331A0646	Panel assembly			1	\$136.71	
2	201133190183	Air filter			3	\$10.07	
3	201131410703	Air freshening filter			1	\$1.49	
4	201132200713	Bracket of air filter			1	\$0.83	
5	203333190104	Display box assembly			1	\$83.27	
5.1	201319902134	Display board assembly			1	\$81.38	CTTK-116X20-MD4
6	201133190220	Cover of electrical equipment			1	\$10.56	
7	201133190182	Screw cap			6	\$0.33	
8	201132390476	Mandril of Panel			2	\$0.50	
9	201133190195	Panel frame assembly			1	\$127.35	
10	201133190192	Horizontal louver (above)			1	\$24.45	
11	201133190191	Horizontal louver (below)			1	\$23.55	
12	201133190194	Air outlet assembly			1	\$103.22	
13	202400200137	Louver motor			1	\$18.90	MP2835F
13	202400200136	Louver motor			2	\$41.47	MP24GA1GA2
14	201101020038	Drain hose			1	\$6.11	
15	201102000305	Fix clamp of temperature sensor			1	\$0.33	
16	201533190088	Evaporator assembly			1	\$457.07	
17	201133190185	Fan motor cover			1	\$9.90	
18	202400401186	Asynchronous motor			1	\$199.98	YDK65-4B
19	201133190190	Fan holder assembly			1	\$9.08	
20	202733190001	Bearing base			1	\$1.49	
20	202719900606	Bearing base			1	\$2.15	

This information is to be used by qualified HVAC technicians only and is subject to revision without notice

KSID032-H214Q-I Parts List No. P2ID1404

Above prices are subject to S&H charges

DATE 14-05

KSID032-H214Q-I - SPARE PARTS LIST

No.		Description	Specifications	Stock No.	Qty.	Price	Remark
21	201100200308	Cross flow fan			1	\$60.82	GL-118*556-INB
21	201100200309	Cross flow fan			1	\$61.84	GL-118*556-INA
22	201133190187	Front cover of chassis			1	\$13.35	
23	201133190186	Base of fan motor			1	\$11.55	
24	201133190208	Chassis assembly			1	\$179.46	
25	201232800103	Pipe clamp board			2	\$1.49	
26	201233190005	Installation plate			1	\$77.14	
27	2033331A0183	Electronic control box assembly			1	\$192.24	
27.1	201133190200	Electronic control box			1	\$40.47	
27.2	202301450128	Wire joint			1	\$9.41	
27.3	201133190184	Cover of electronic control box			1	\$10.89	
27.4	202301300210	Ambient temperature sensor assembly			1	\$6.11	
27.5	202301300080	Pipe temperature sensor assembly			1	\$7.10	
27.6	201333190175	Indoor main control board assembly			1	\$120.65	
27.8	202300900167	Transformer			1	\$48.58	
27.9	202401100353	Fan motor capacitor			1	\$8.25	
28	2033550B0251	Remote Controller			1	\$29.21	
29	202720090001	Seal ring			1	\$0.33	
30	201101020011	Drain joint			1	\$0.50	
43	201600490406	Quick connecting pipe			1	\$137.70	KSJT-FA16N(YH)
43	201600490133	Quick connecting pipe			1	\$129.36	KSJT-FA09N(YH)

This information is to be used by qualified HVAC technicians only and is subject to revision without notice

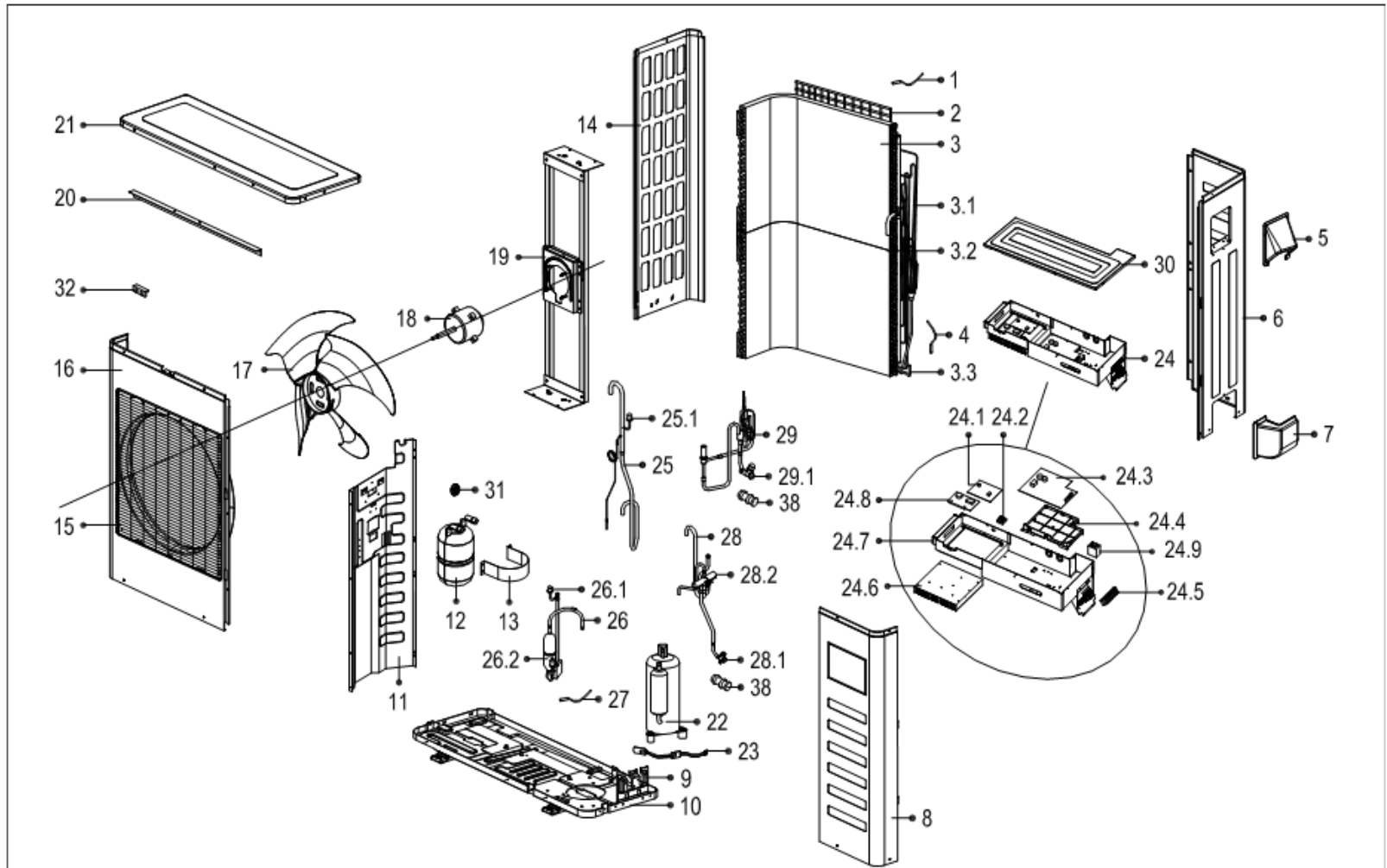
KSID032-H214Q-I Parts List No. P2ID1404

Above prices are subject to S&H charges

DATE 14-05

EXPLODED DIAGRAM - PARTS VIEW

Sales Model : KSID032-H214Q-O
Power Supply : 208-230V~ / 1ph / 60Hz



This information is to be used by qualified HVAC technicians only and is subject to revision without notice

KSID032-H214Q-O Drawing No. D11D1404

DATE 14-05

KSID032-H214Q-O - SPARE PARTS LIST

No.	Part No.	Description	Specifications	Stock No.	Qty.	Price	Remark
1	202301310075	Ambient temperature sensor assembly			1	\$5.94	
2	201248700280	Rear net			1	\$45.14	
3	201538190031	Condenser assembly			1	\$534.87	
3.1	201538190052	Condenser			1	\$478.43	
3.2	201638190314	Input pipe assembly			1	\$91.04	
3.3	201657390055	Output pipe			1	\$8.25	
4	202301300111	Pipe temperature sensor assembly			1	\$8.58	
5	201237390104	Big handle			1	\$9.41	
6	201248700256	Rear right clapboard assembly			1	\$75.60	
7	201148790000	Water collector			1	\$11.55	
8	201248700056	Front right clapboard assembly			1	\$84.28	
9	201248790014	Valve plate			1	\$9.24	
10	201275590093	Chassis assembly			1	\$126.09	
11	201257190130	Partition board assembly			1	\$71.09	
12	201601000074	Gas-liquid separator			1	\$120.96	
13	201245000901	Fix clamp of segregator			1	\$5.12	
14	201248700261	Left supporter			1	\$54.44	
15	201248700055	Air outlet grille			1	\$46.67	
16	201248700257	Front panel			1	\$118.44	
17	201100300145	Axial flow fan			1	\$71.19	ZL-560*169*15-4
18	202400400956	Asynchronous motor			1	\$287.70	YDK180-8GB
19	201275590020	Supporter assembly of fan motor			1	\$78.65	
20	201275590143	Rear net frame			1	\$14.55	
21	201257190096	Top cover assembly			1	\$77.49	
22	201401500220	Compressor			1	\$1,492.58	TNB306FPGMC-L
23	202403101715	Crankcase electric heater			1	\$36.34	
24	203338190097	Electronic control box assembly			1	\$811.49	
24.1	201357290001	Inverter control board assembly			1	\$263.82	
24.2	202300500328	Rectifier bridge			1	\$23.55	

This information is to be used by qualified HVAC technicians only and is subject to revision without notice

KSID032-H214Q-O Parts List No. P1ID1404

Above prices are subject to S&H charges

DATE 14-05

KSID032-H214Q-O - SPARE PARTS LIST

No.	Part No.	Description	Specifications	Stock No.	Qty.	Price	Remark
24.3	201338190047	Outdoor main control board assembly			1	\$241.02	
24.4	201157390005	Support of electronic control plate			1	\$18.00	
24.5	202301400556	Wire joint			1	\$11.10	
24.6	202301901085	Radiator			1	\$123.06	
24.7	201275590179	Electronic installing box assembly			1	\$72.24	
24.8	201319901145	Active PFC Module Subassembly			1	\$276.24	
24.9	202401190046	Fan motor capacitor			1	\$18.75	10uF/450V TUV/ULVDE
25	201675590832	Suction pipe assembly			1	\$124.74	
25.1	202301820021	Pressure switch			1	\$39.75	
26	201675591168	Discharge pipe assembly			1	\$130.23	
26.1	202301820020	Pressure switch			1	\$39.75	
26.2	201601100168	Oil separator			1	\$88.62	
27	202448200000	Discharge temperature controller			1	\$17.10	
28	201675590827	4-ways valve assembly			1	\$246.31	
28.1	201600770802	Gas valve			1	\$57.38	DYF-C01N1
28.2	201600600124	4-ways valve			1	\$202.05	STF-03BN1
29	201638190489	liquid valve assembly			1	\$60.95	
29.1	201600740704	Liquid valve			1	\$34.35	GYF-C26N
30	201257190052	Cover of electronic control box			1	\$25.94	
31	202301000523	PFC Inductor			1	\$156.33	500uH35A(BP)
32	201135110801	Clamp of front net			10	\$0.33	
38	201600490406	Quick connecting pipe			1	\$137.70	KSJT-FA16N(YH)
38	201600490133	Quick connecting pipe			1	\$129.36	KSJT-FA09N(YH)

This information is to be used by qualified HVAC technicians only and is subject to revision without notice

KSID032-H214Q-O Parts List No. P1ID1404

Above prices are subject to S&H charges

DATE 14-05