

BRAKE SHOE DIAGRAMS - 16.25" Diameter

MERITOR T



SS PART #	CORE #	SIZE	FMSI	WEB #	TABLE #	H.W. KIT	REMARKS
XSS1082	1082	16.25 x 3.5	4561B	3222-L-1078	E4692	N/A	Steer Axle Brake



SS PART #	CORE #	SIZE	FMSI	WEB #	TABLE #	H.W. KIT	REMARKS
XSS167	167	16.25 x 3.5	4561	3222-C-159 W-A20K167	N/A	E4692	Steer Axle Brake

BRAKE SHOE DIAGRAMS - 16.5" Diameter

MERITOR P



SS PART #	CORE #	SIZE	FMSI	WEB #	TABLE #	H.W. KIT	REMARKS
XSS2100 (B)	4515T	16.50 x 7.0	4515C	3722-A-163	SSKIT19HD	Standard Forge	N/A
XSS3000 (B)				216101-001			Avail. in Bulk
XSS4100 (B)							
XSS5000 (B)							
XSS6100 (B)							
XSS7000 (B)							

FRUEHAUF P



SS PART #	CORE #	SIZE	FMSI	WEB #	TABLE #	H.W. KIT	REMARKS
XSS2101 (B)	4515F	16.50 x 7.0	4515C	3722-B-184	SSKIT18HD	N/A	N/A
XSS3001 (B)				3222-B-184			
XSS4101 (B)							
XSS5001 (B)							
XSS6101 (B)							
XSS7001 (B)							

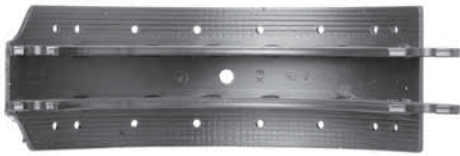
FRUEHAUF 3RD XEM



SS PART #	CORE #	SIZE	FMSI	WEB #	TABLE #	H.W. KIT	REMARKS
XSS2106 (B)	4515NTF	16.50 x 7.0	4515C	ACF3381-1	E4515	SSKIT17HD	Use with standard Camshaft
XSS3006 (B)							Replaces Rockwell Fruehauf
XSS4106 (B)							design & Fruehauf 1st XEM
XSS5006 (B)							Available in Bulk
XSS6106 (B)							
XSS7006 (B)							

BRAKE SHOE DIAGRAMS - 16.5" Diameter

MERITOR Q



SS PART #	CORE #	SIZE	FMSI	WEB #	TABLE #	H.W. KIT	REMARKS
XSS1383	1383	16.50 x 5.0	4524	3222-C-1291 3222-Q-291	3722-Z-78	SSKIT12HD	Steer Axle Brake



SS PART #	CORE #	SIZE	FMSI	WEB #	TABLE #	H.W. KIT	REMARKS
XSS1440	1440	16.50 x 5.0	4524	3222-J-44 3222-U-1347	3722-Z-7	SSKIT12HD	Steer Axle Brake (1383 except return) Spring Hole closer to roller and shoe table



SS PART #	CORE #	SIZE	FMSI	WEB #	TABLE #	H.W. KIT	REMARKS
XSS1381	1381	16.50 x 6.0	4514G	3222-C-129 3222-Q-1291	3722-H-60	SSKIT12HD	Steer Axle Brake



SS PART #	CORE #	SIZE	FMSI	WEB #	TABLE #	H.W. KIT	REMARKS
XSS1348	1348	16.50 x 6.0	4514G	3222-V-1340 3222-U-1347	3722-H-6	SSKIT12HD	Steer Axle Brake (1381 except return) Spring is 3/8" closer to roller and table

BRAKE SHOE DIAGRAMS - 16.5" Diameter

MERITOR Q



SS PART #	CORE #	SIZE	FMSI	WEB #	TABLE #	H.W. KIT	REMARKS
XSS2102 (B)	4515ZT	16.50 x 7.0	4515C	3222-C-1291	3222-Q-1291	SSKIT12HD	Drive or Trailer
XSS3002 (B)				3222-Q-1291			Available in Bulk
XSS4102 (B)							
XSS5002 (B)							
XSS6102 (B)							
XSS7002 (B)							

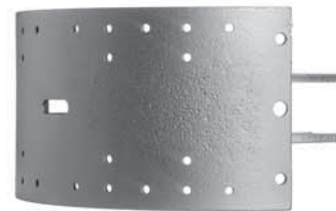
EATON



SS PART #	CORE #	SIZE	FMSI	WEB #	TABLE #	H.W. KIT	REMARKS
XSS4223	4223	16.50 x 5.0	4223A	1000455	804378	SSKIT15HD	Steer Axle Brake



SS PART #	CORE #	SIZE	FMSI	WEB #	TABLE #	H.W. KIT	REMARKS
XSS4317	4317	16.50 x 6.0	4317G	XSS4317	1000455	SSKIT15HD	Steer or Drive



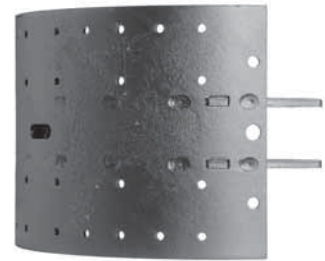
SS PART #	CORE #	SIZE	FMSI	WEB #	TABLE #	H.W. KIT	REMARKS
XSS2104	4311	16.50 x 7.0	4311J	N/A	78558	SSKIT15HD	Drive or Trailer
XSS3004							Available in Bulk
XSS4104							
XSS5004							
XSS6104							
XSS7004							

BRAKE SHOE DIAGRAMS - 16.5" Diameter

EATON



SS PART #	CORE #	SIZE	FMSI	WEB #	TABLE #	H.W. KIT	REMARKS
XSS4311H	4311 (high mount)	16.50 x 7.0	4311J	78557	805460	E3801	Special Order Return Spring E2475 Relocated Spring Pin



SS PART #	CORE #	SIZE	FMSI	WEB #	TABLE #	H.W. KIT	REMARKS
XSS4674	4674	16.50 x 8.62	4674	78557	805682	SSKIT15HD	N/A

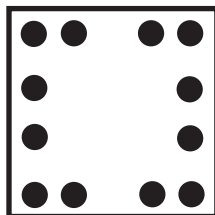
EXTENDED SERVICE - ROCKWELL



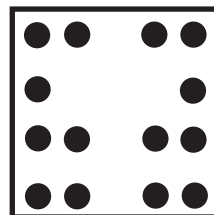
SS PART #	CORE #	SIZE	FMSI	WEB #	TABLE #	H.W. KIT	REMARKS
XES4012K	ES2	16.5 x 7.0	4708	807772	807772	ESKIT2 SSKIT25	Replaces XES4012 without hardware kit

How to Distinguish Standard 4515 Meritor and Fruehauf XEM Shoes from Genuine Eaton ES Replacement Shoes for Meritor and Fruehauf Applications.

Standard 4515 Rivet Hole Pattern
4515 CD Drilling

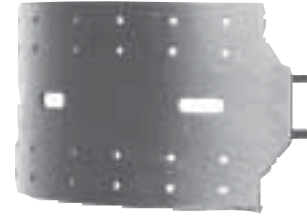


Eaton ES All-Makes Pattern



BRAKE SHOE DIAGRAMS - 16.5" Diameter

EXTENDED SERVICE - FRUEHAUF



SS PART #	CORE #	SIZE	FMSI	WEB #	TABLE #	H.W. KIT	REMARKS
XES4016K	ES6	16.50 x 7.0	4708	N/A	N/A	Includes ESKIT6 E8923 HK4708EF	Replaces XES4016 without hardware kit

EATON ES & ESII



SS PART #	CORE #	SIZE	FMSI	WEB #	TABLE #	H.W. KIT	REMARKS
XES40122K	4719II	16.50 x 5.0	4719	N/A	819705	314147 E10244 SSKIT24	N/A



SS PART #	CORE #	SIZE	FMSI	WEB #	TABLE #	H.W. KIT	REMARKS
XESII4725	4725	16.50 x 6.0	4725	N/A	819706	314146 E10760 HK4719E	N/A



SS PART #	CORE #	SIZE	FMSI	WEB #	TABLE #	H.W. KIT	REMARKS
XES3004K XES4014K XES2104K XES4104K XSS5004K XES6104K XSS7004K	ES4	16.50 x 7.0	4709	N/A	819707	E5481A 5808330 SSKIT23	N/A

BRAKE SHOE DIAGRAMS - 16.5" Diameter

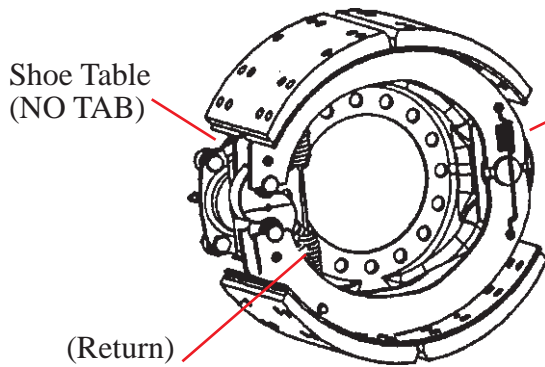
EATON ES & ESII



SS PART #	CORE #	SIZE	FMSI	WEB #	TABLE #	H.W. KIT	REMARKS
XSSESII2104K	ES4II	16.50 x 7.0	4709	819700	819707	314147	N/A
XSSESII3004K						E10244	
XSSESII4104K						SSKIT24	
XSSESII5004K							
XSSESII6104K							
XSSESII7004K							
XESII4014K							

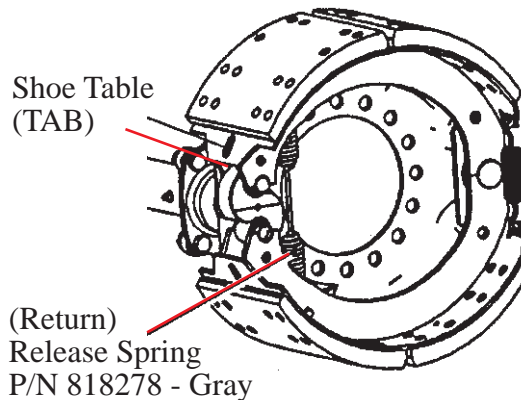


SS PART #	CORE #	SIZE	FMSI	WEB #	TABLE #	H.W. KIT	REMARKS
XESII4726	4726	16.50 x 8.62	4726	N/A	819708	314147	N/A
						E10244	
						SSKIT24	



Retaining Spring
Coil Up Position
P/N 819725 - Orange

Current ES Shoe Design



NOTE:
Shoes can be interchanged providing that the proper hardware kits are used.

Applies to all Eaton ES & ESII **excluding** SS Part # XES40122K

BRAKE SHOE DIAGRAMS - 16.5" Diameter

MERITOR Q PLUS



SS PART #	CORE #	SIZE	FMSI	WEB #	TABLE #	H.W. KIT	REMARKS
XSSQP4720	4720	16.50 x 5.0	4720D	3222-A-2003	N/A	KIT8081	N/A



SS PART #	CORE #	SIZE	FMSI	WEB #	TABLE #	H.W. KIT	REMARKS
XSSQP4715	4715	16.50 x 6.0	4715D	3222-L-2196	A3222-H-2296	KIT8081	N/A



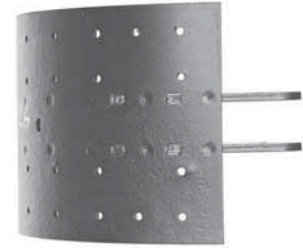
SS PART #	CORE #	SIZE	FMSI	WEB #	TABLE #	H.W. KIT	REMARKS
XSSQP2102K XSSQP3002K XSSQP4102K XSSQP5002K XSSQP6102K XSSQP7002K	4707	16.50 x 7.0	4707	3222-A-2003	3222-B-2004	SSKIT12HD KIT8000HD	Use with Meritor Q-Plus camshaft



SS PART #	CORE #	SIZE	FMSI	WEB #	TABLE #	H.W. KIT	REMARKS
XSSQP4718K	4718	16.50 x 8.0	4718	N/A	3222-A-2003	SSKIT12HD KIT8000HD	N/A

BRAKE SHOE DIAGRAMS - 16.5" Diameter

MERITOR Q PLUS

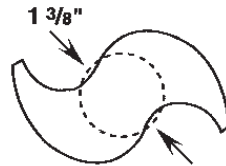


SS PART #	CORE #	SIZE	FMSI	WEB #	TABLE #	H.W. KIT	REMARKS
XSS4711K	4711	16.5 x 8.63	4711	N/A	N/A	SSKIT12HD	N/A

Meritor "Q" Plus

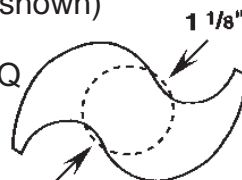
"Standard" S-Cam Head (L.H. shown)

"Standard" brakes use "standard" or "Q Plus" camshafts



"Q Plus" S-Cam Head (R.H. shown)

All "Q Plus" brakes use **ONLY** "Q Plus" camshafts



Meritor "Q Plus" Rivet Pattern

