

EKL2E Series 11.5mm Polyamide Terminal Strip

Wire Entry	6mm ² (14-8 AWG)
Nominal Voltage	450V (UL 300V, F = UL 600V)
UL Amp Rating	50A
PA 6.6 Max Ambient Temp	T 85
PA 6.6 FR Max Ambient Temp	T 110
PA 6.6 Testing Temp EN60998	115°C
PA 6.6 FR Testing Temp EN60998	140°C
Inserts	Galvanized Brass
Screws	Galvanized Steel M3.5
Recommended Torque	7lb-in
Major Approvals	UL, CSA, VDE, OVE, SEMCO

ORDERING INSTRUCTIONS:

Insert Number of Poles from 2-12

With Wire Protectors:

Raised Base with Wire Protector UL 600V:

Flame Retardant PA 6.6 FR UL94V0 Brown:

Without Wire Protectors:

Raised Base without Wire Protector UL 600V:

Flame Retardant PA 6.6 FR UL94V0 Brown w/o WP:

EKL2E/___-ETB

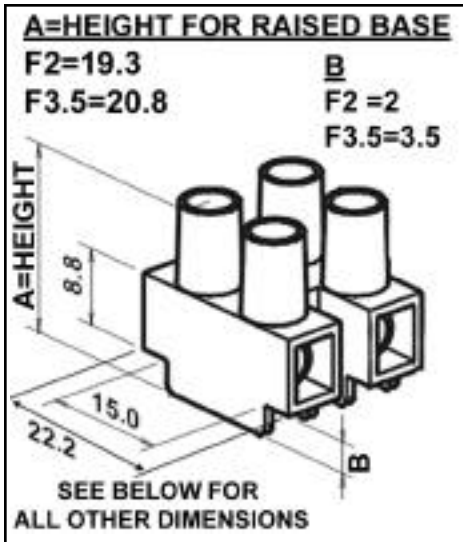
EKL2EF(2 or 3.5)/___-ETB

EKL2E/___FR-ETB

EKL2E/___W-ETB

EKL2EF(2 or 3.5)/___W-ETB

EKL2E/___WFR-ETB



Contact EuroComp for Options:

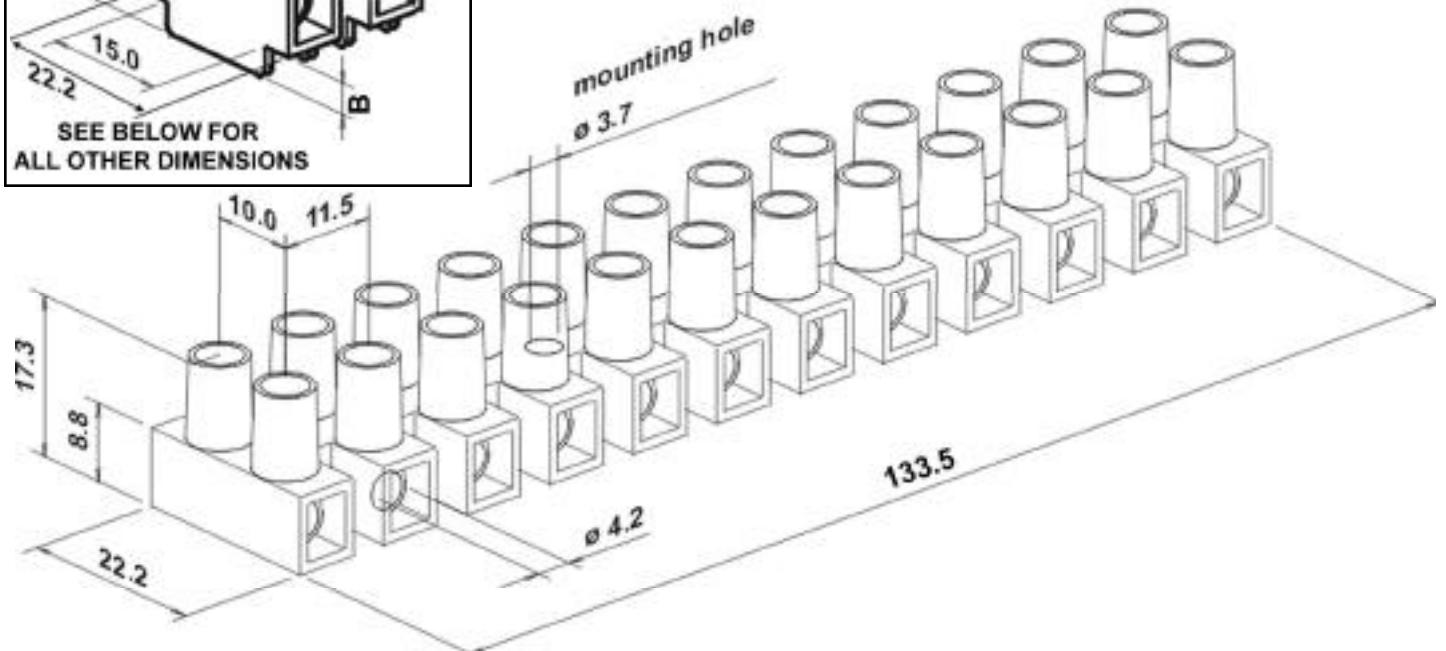
Printing

Marking Plates

Inserts with Center Barrier



Optional
Center
Barrier



EuroComp, Inc.

(800) 846-6777 - Fax (949) 650-2992

www.eurocomp.net - email: sales@eurocomp.net