



**Lotus**

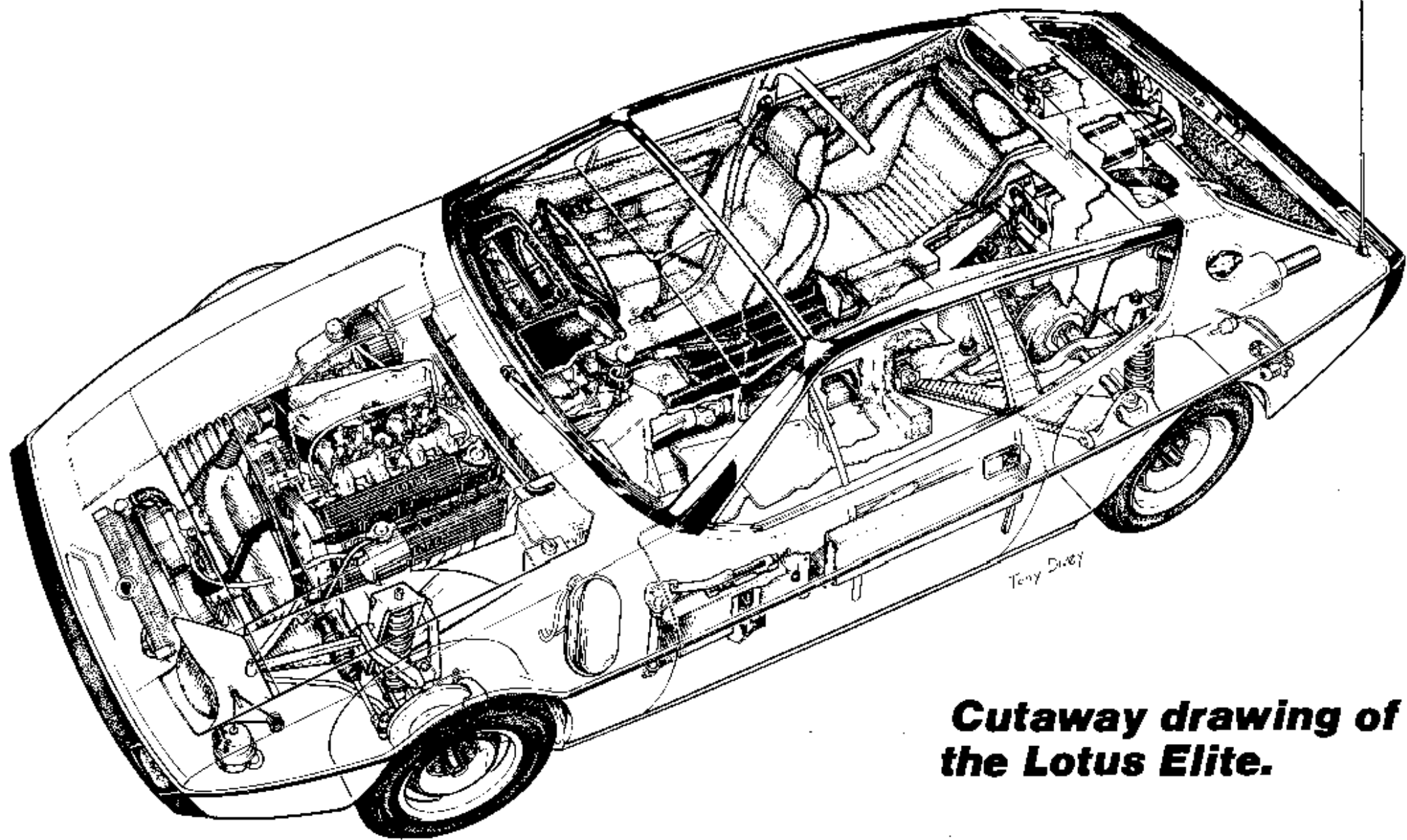
---

**elite + éclat**

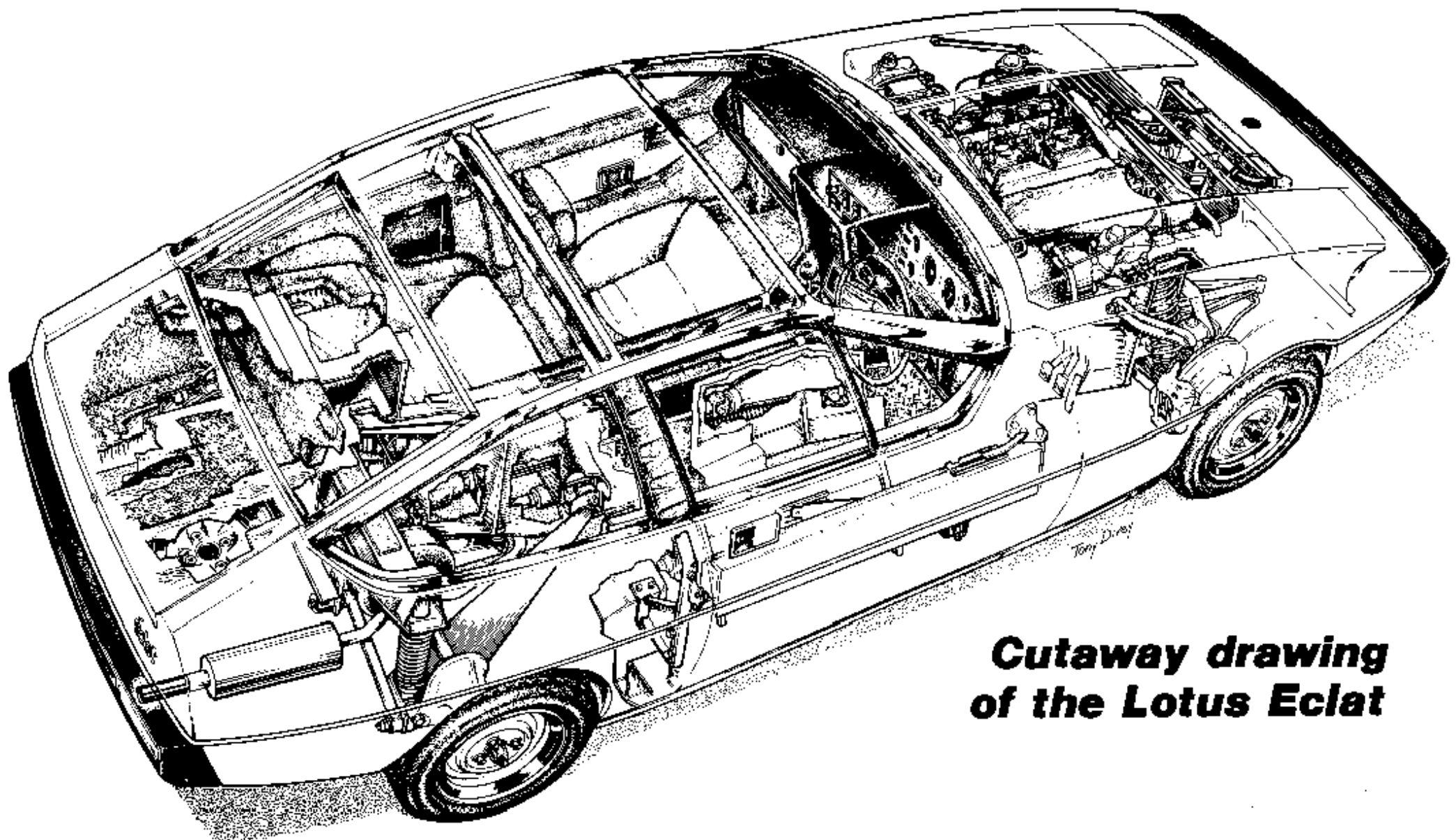
---

# **SERVICE PARTS LIST**

**TUS CARS LIMITED. Norwich, Norfolk, NR14 8EZ.    Telegrams: Lotus Norwich; Telex 97401.**



**Cutaway drawing of  
the Lotus Elite.**



**Cutaway drawing  
of the Lotus Eclat**

## PART NUMBERS

All part numbers commence with the vehicle type number, indicating the type of Lotus model on which the part was first used:

26, 36, 45, 500	First used on Elan
50	First used on Elan +2
46, 54, 65, 74	First used on Europa
75	First used on Elite S1
76	First used on Eclat S1
79	First used on Esprit S1/S2/S2.2
82	First used on Turbo Esprit
83	First used on Elite S2
84	First used on Eclat S2
85	First used on Esprit S3

## STANDARD HARDWARE PART NUMBERS

All standard finish bolts, screws, studs, nuts and washers, carry part numbers comprising of the prefix A075W, B075W etc.,

## ENGINE PART NUMBERS

All engine part numbers commence with the engine type number on which the part was first used:

907	-	2 litre N/A
910	-	2.2 litre turbocharged
911	-	2.2 litre N/A
912	-	2.2 litre N/A

### Vehicle Chassis Number

Up until 1980, the method of identifying a vehicle is by use of the Vehicle Chassis (Unit) Number which is stamped on a plate fixed to the right hand wheel arch in the engine compartment.

This number is coded as follows:-

example 73101234A 73 = YEAR 10 = MONTH 1234 = CHASSIS NUMBER

ELITE A = Domestic B = Federal (before intro of K & L) & Japan C = R.O.W.

K = Federal 49 States & Canada L = California

ECLAT D = Domestic E = Federal (before intro of P & U) & Japan F = R.O.W.

P = Federal 49 States & Canada U = California

### Vehicle Identification Number

From 1980 onwards, the Vehicle Identification Number (VIN) was introduced to comply with requirements laid down by the National Highway Traffic Safety Association (USA) and European Economic Community directives. This number is stamped on a plate fixed to the wheel arch in the engine compartment, and also on a plate visible through the lower edge of the windscreen.

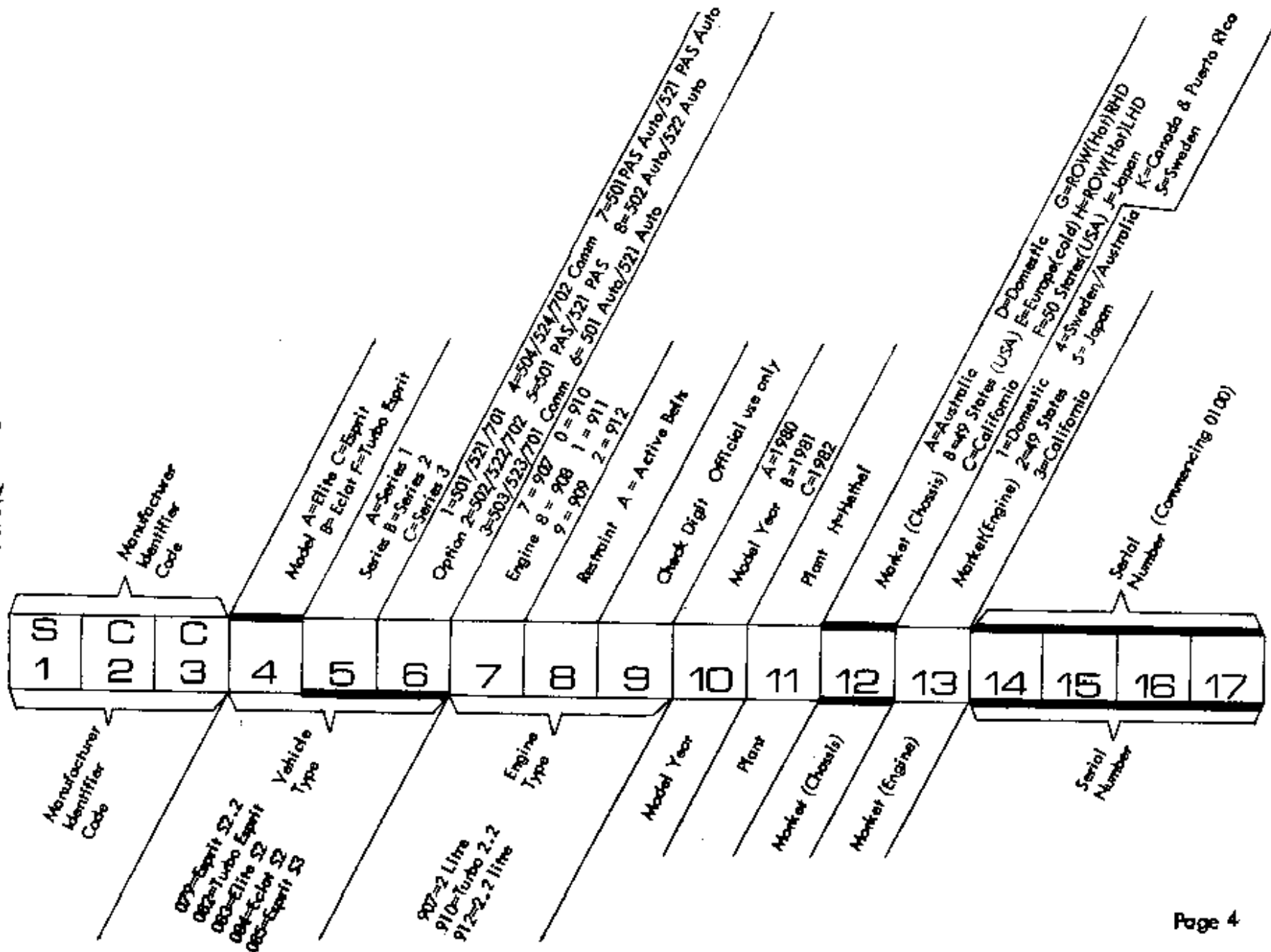
There are two variations of the VIN, one for the USA (and some 1980 Domestic & R.O.W.) and one for UK and Rest of World, the seventeen characters being coded as follows:

FEDERAL

Plus Domestic & ROW up to serial No.

	DOM	ROW
Elite	1718	0236
Eclat	1034	0205
Esprit	0943	0307

DOMESTIC & ROW



NOTES:

1. Federal VIN character 6.

501 = Basic Elite	521 = Basic Eclat	701 = Basic Esprit
502 = Elite with A/C	522 = Eclat with A/C	702 = Esprit with A/C
503 = Elite with A/C & PAS	523 = Eclat with A/C & PAS	701 Comm = Esprit Commemorative
504 = Elite Auto A/C PAS	524 = Eclat Auto A/C PAS	702 Comm = Esprit Commemorative with A/C
  
2. Separate serial number sequences are used for the following groups of chassis market (character 12)  
D  
A, E, G, H, S  
B, C, F, K
  
3. For parts list, workshop manual, and service bulletin purposes, the following VIN characters only will be listed for change point identification.

Federal	-	4, 12, 14 to 17
Dom & ROW	-	5, 6, 12, 14 to 17

Example A typical change point could be listed as follows:

82D1100  
82 A/E/G/H/S 0341  
F B/C/F/K 0265

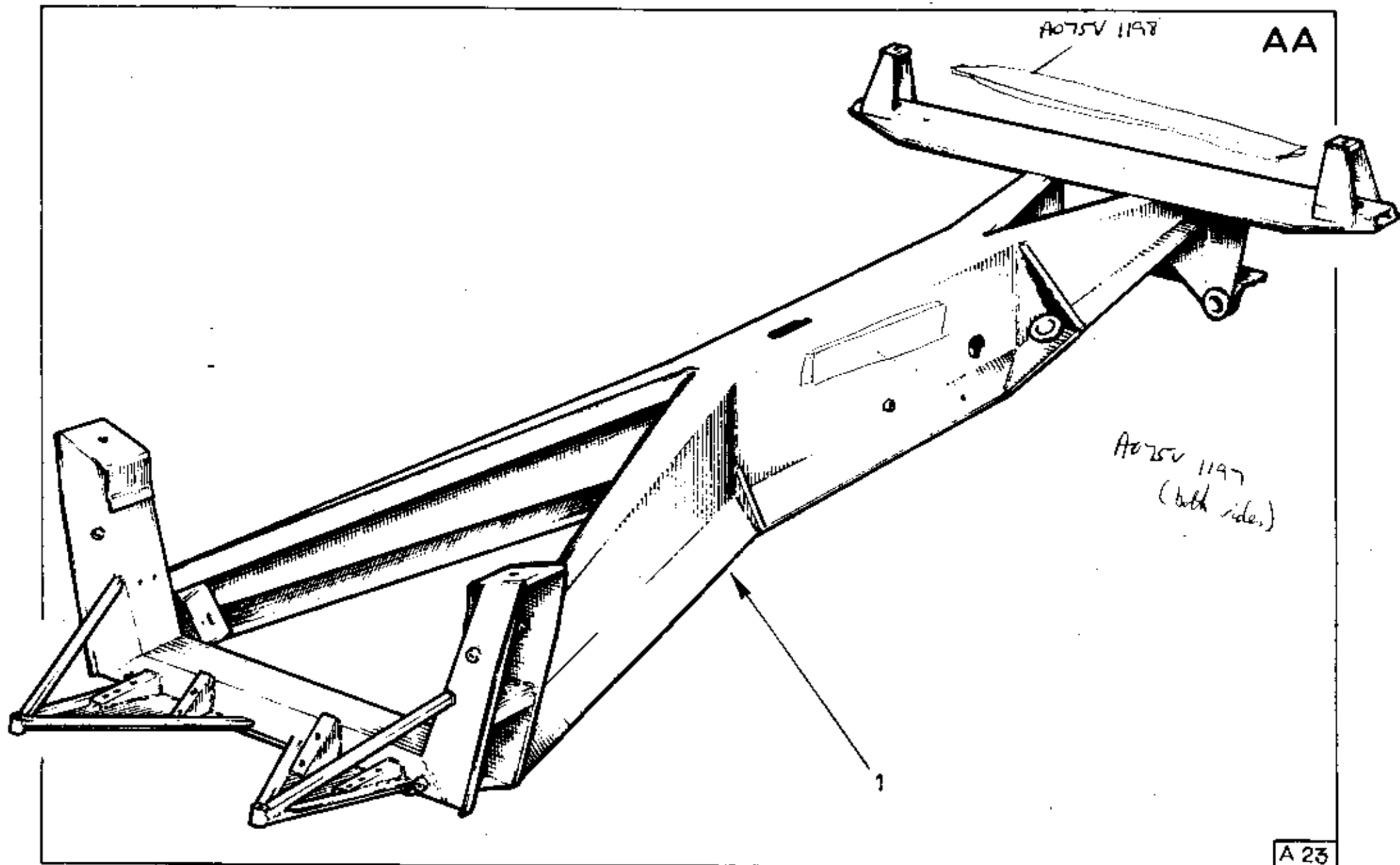
It will be apparent that three numbers are needed to identify the single change point because of the different serial number sequences outlined in Note 2. In this example the First number is Domestic Turbo Esprit 1100  
Second number ROW Turbo Esprit 0341  
Third number Federal Turbo Esprit 0265

# INDEX TO SECTIONS

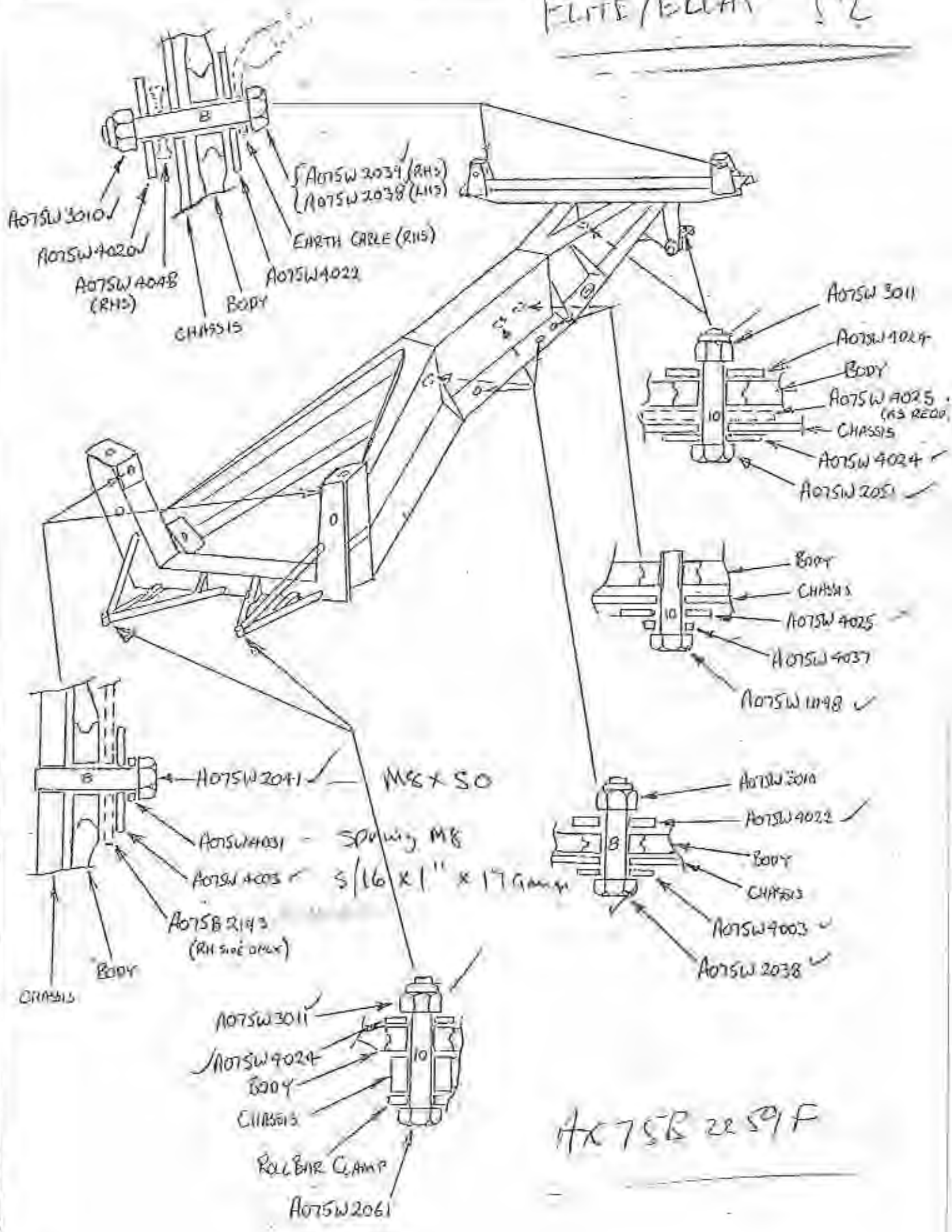
SECTION	TITLE	SUBSECTION	CONTENTS	SECTION	TITLE	SUBSECTION	CONTENTS
A	CHASSIS	AA	Chassis			EG	907 Belt Guards
B	BODY	BA	Bodyshell and Fittings	Yellow Illustrations	}	EH	907 Inlet Manifold
		BB	Replacement Body Sections, front			EJ	907 Ignition, Lucas Alt, Starter Motor
		BC	Replacement Body Sections, rear			EK	907 Chrysler, Motorola Alt, Comp Drive
		BD	Glass			EL	907 Airbox
		BE	Tailgate & Release Mechanism			E75	907 Air Pump, Air Injection System
		BF	Door Beams, Door Window Mechanism			E80	907 Pulse Air System
		BG	Door Handles & Latches				
		BH	Bonnet Fittings and Release Mechanism			EA	912 Block/MBH
		BJ	Headlamp Vacuum System, Motor System			EB	912 Sump, Engine Mountings
		BK	Badges, Decals and Stripes			EC	912 Cylinder Head
		BL	Paint	ED	912 Camshaft Housings, Cams		
C	FRONT SUSPENSION	CA	Front Suspension, Hubs			EE	912 Pistons, Cylinder Liners, Con Rods
D	REAR SUSPENSION	DA	Rear Suspension, Drive Shafts, Hubs	Blue Illustrations	}	EF	912 Crankshaft, Flywheel
						EG	912 Water Pump
						EH	912 Aux. Housing, Lubrication System
						EJ	912 Oil Cooler & Hoses
						EK	912 Timing Belt, Pulleys, Tensioner
						EL	912 'V' Belts, Pulleys
						EM	912 Belt Guards
						EN	912 Inlet Manifold
						EO	912 Airbox
						EP	912 Ignition System
E	ENGINE		There are two complete engine sections One for Elite/Eclat Series One, with 2 litre 907 engines, and one for Elite/ Eclat Series Two with 2.2 litre 912 engines (which includes Esprit 912).			EO	912 Alternator, Starter Motor
		EA	907 Block/MBH, Sump, Engine Mountings			ES	912 Air Conditioning Compressor
		EB	907 Cylinder Head, Cam Housings, Cams			ET	912 Power Steering Pump
		EC	907 Crankshaft, Flywheel Piston/Liner				
		ED	907 Water Pump, All 'V' Belts				
		EE	907 Auxiliary Housing, Oil Pump, Oil Pick Up				
		EF	907 Timing Belt, Pulleys, Tensioner				



SECTION	TITLE	SUBSECTION	CONTENTS	SECTION	TITLE	SUBSECTION	CONTENTS	
F	GEARBOX	FA	Lotus 5, Casings, Speedo Drive, Mounting	P	HEATING/ AIR COND	PA	Heater Unit (Delanaire)	
		FB	Lotus 5, Selector Mechanism, Gear Lever			PB	Air Conditioning System (Delanaire)	
		FC	Lotus 5, Gears & Shafts			PC	Air Conditioning Controls (Delanaire)	
		FD	Auto. Assy, Cooler, Cables, Mounting			PD	Heater Unit (Lotus)	
		FF	4 Speed Assy, Speedo Drive, Mounting			PE	Air Conditioning Unit (Lotus)	
		FG	Getrag 5 Speed, Seats, Speedo Drive			Q	QA	Clutch & Release Mechanism
		FH	Getrag 5 Speed, Gear Linkage, Mounting				Q	CLUTCH
		G	WHEELS/ TYRES			GA	Wheels & Tyres	R
H	STEERING	HA	Steering Column, Rack Assy, P.A.S.	S	EXHAUST	SA	Manifold, Exhaust System	
J	BRAKES	JA	Pedal Box, Throttle & Clutch Cables	T	TOOLS	TA	Tool Kit, Publications	
		JB	Servo, Master Cyl, Pipes, Handbrake			TB	Special Tools, (Engine)	
		JC	Front Calipers, Rear Drums			TC	Special Tools, (Lotus Gearbox)	
K	COOLING	KA	Radiator, Fans, Hoses, Header Tank			V	TRIM	TD
		KB	Engine Oil Cooler, Hoses	VA	Seats, Door Trim, Centre Tunnel			
		L	FUEL SYSTEM	LA	Tank, Pump, Pipes, Filler Neck			VB
LB	Carb, Feed Pipe, Flowlock			VC	Interior Carpets			
LC	Dellorto Carburettors			VD	Sound Insulation			
LD	Stromberg Carburettors			VE	Boot Trim			
M	ELECTRICS	MA	Battery, Looms, Relays, Horns	VF	Seat Belts			
		MB	Lamps					
		MC	Front/Rear Wipers & Washers					
		MD	Instruments, Switches, Warning Lights (THROTTLE CABLE JA)					
		ME	Radio, Speakers, Aerial, Suppression					



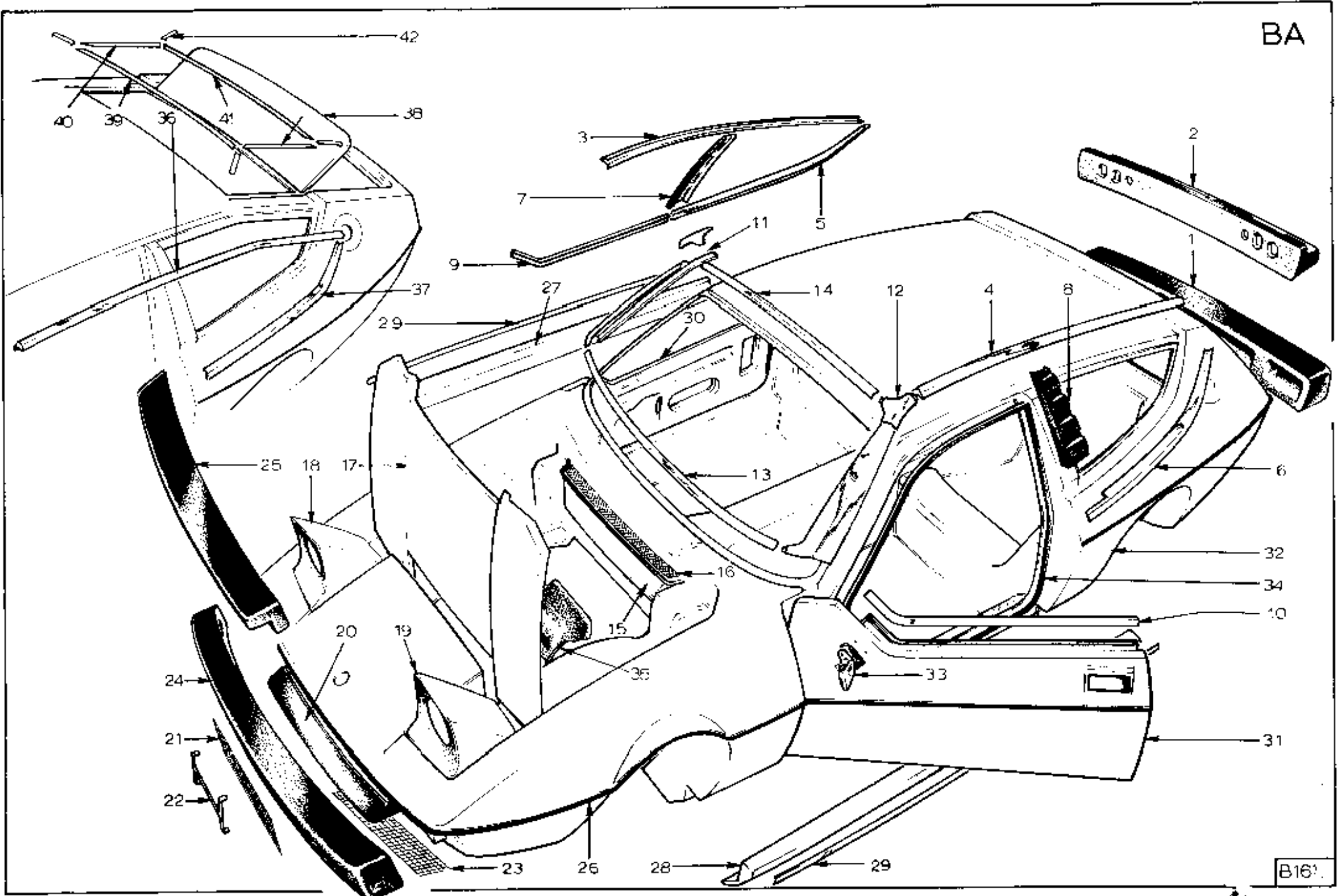
FLITE/ECLAT 52



A075B 2250/F

PLATE Ref. No.	DESCRIPTION	PART NO.	S.1.		S.2.		MANUAL	AUTOMATIC	ALL	DOMESTIC	R.O.W.	FEDERAL	REMARKS
			ELITE	ECLAT	ELITE	ECLAT							
AA1	Chassis Assy.	M075A0726J	*	*			*	*		1	1		Elite: Up to Unit No. 1599A, 1601A, 1602A, 1604A to 1610A, 1612A to 1625A & 0273C, inc.
	Chassis Assy.	N075A0726J	*				*	*		1	1		Unit Nos. 1600A, 1603A, 1611A & 1626A on, & 0238C on, inc.
	Chassis Assy.	F075A0729J	*	*			*	*				1	Elite: Up to Unit No. 0515B, 0102K & 0109L, inc.
	Chassis Assy.	G075A0729J	*				*	*				1	Unit Nos. 0516B, 0103K & 0110L, on, inc.
	Chassis Assy.	P075A0726J			*	*	*	*		1	1		
	Chassis Assy.	H075A0729J			*	*	*	*				1	
	Etch Primer	A075B6097V	*	*			*	*	A/R				
	Actuator	A075B6098V	*	*			*	*	A/R				
	Black Paint	A075A6011V	*	*			*	*	A/R				
	Hardener	A075A6012V	*	*			*	*	A/R				
	Thinners	A075A6013V	*	*			*	*	A/R				
	Underscal, Tectyl 506	A075A6009V	*	*			*	*	A/R				
	Waxoyl	A075V6064F	*	*			*	*	A/R				
													Elite/Eclat AA1.

BA



B16

PLATE Ref. No.	DESCRIPTION	PART NO.	S.1.		S.2.		MANUAL	AUTOMATIC	ALL	DOMESTIC	R.O.W.	FEDERAL	REMARKS
			ELITE	ECLAT	ELITE	ECLAT							
BA 1	Bumper, Rear	C075B2199K	*	*			*	*		1	1		Switzerland & Italy Only.
	Bumper, Rear	A075B2233Z	*	*			*	*			1		
	Bumper, Rear	B083B2324K			*	*	*	*		1	1		
	Edging Strip	A075U6054VL	*	*	*	*	*	*		.9m	.9m		
	Spacer, LH <i>Bumper To Body.</i>	A075B2308K	*	*			*	*		1	1		
	Spacer, RH	A075B2309K	*	*			*	*		1	1		
	Bolt, 6 x 25mm	A075W1031F	*	*			*	*		6	6		
	Penny Washer, 6mm	A075W4017ZJ	*	*			*	*		6	6		
	Spring Washer, 6mm	A075W4035ZL	*	*			*	*		6	6		
	Nyloc Nut	A075W3010ZK	*	*			*	*		2	2		
	Foam Seal, Rear Lamp	B075U0544ZH	*	*			*	*		2	2		
	Rear Light Housing, RH	B083B2346K			*	*	*	*		1	1		
	Rear Light Housing, LH	B083B2347K			*	*	*	*		1	1		
	Gasket, Rear Light Housing/Bumper	A083B2352F			*	*	*	*		2	2		
BA 2	Bumper, Rear, Foam & Plinth	A075U0707WA	*	*			*	*				1	Also Japan.  2 Part Adhesive.
	Skinned Foam, Rear Bumper	A075B2204ZF	*	*			*	*				1	
	Seal, Foam/Plinth	A075U6060ZB	*	*			*	*				1	
	Adhesive, Witco BU180	A075U6061V	*	*			*	*				A/R	
	Adhesive, Witco BY9	A075U6062ZV	*	*			*	*				A/R	

PLATE Ref. No.	DESCRIPTION	PART NO.	S.1.		S.2.		MANUAL	AUTOMATIC	ALL	DOMESTIC	R.O.W.	FEDERAL	REMARKS
			ELITE	ECLAT	ELITE	ECLAT							
	Adaptor, No. Plate	A075U0537Z	*	*			*	*				2	
	Rubber Gasket, Lower Plinth/Body	B075U0538FA	*	*			*	*				1	
	Rubber Gasket, Upper Plinth/Body	A075U0552ZD	*	*			*	*				1	
	Piping	A075U6047ZJ	*	*			*	*				A/R	Baines 344.
	Foam Seal, Rear Lamps	B075U0544Z	*	*			*	*				2	
	Mtg. Bracket, Rear Bumper	A075U0556ZB	*	*			*	*				2	
	Rawlnut, 8mm	A075W6037ZD	*	*			*	*				8	
	Bolt, 8mm x 40	A075W2039ZD	*	*			*	*				8	
	Washer, 8mm	A075W4020ZB	*	*			*	*				8	
	Screw, 10 UNF	A075W5058ZB	*	*			*	*				4	
	Washer 3/16"	A075W4000ZA	*	*			*	*				4	
	Pop Rivet	A075W6068ZG	*	*			*	*				4	
BA 3	Drip Gutter, RH	C075U0140ZA	*		*		*	*				1	
BA 4	Drip Gutter, LH	C075U0141ZF	*		*		*	*				1	
	Drip Gutter, RH	B076U0584ZB		*		*	*	*				1	
BA 36	Drip Gutter, LH	B076U0585ZG		*		*	*	*				1	
	Screw	A075W5037ZG	*	*	*	*	*	*				10	
	Double Sided Tape	A075B6015VH	*	*	*	*	*	*				A/R	

Elite/Eclat  
BA 2.

PLATE Ref. No.	DESCRIPTION	PART NO.	S.1.		S.2.		MANUAL	AUTOMATIC	ALL	DOMESTIC	R.O.W.	FEDERAL	REMARKS
			ELITE	ECLAT	ELITE	ECLAT							
BA 5	Finisher, Qtr. Light, Lower RH	E075U01 38ZK	*		*		*	*	1				
BA 6	Finisher, Qtr. Light, Lower LH	E075U01 39ZD	*		*		*	*	1				
	Finisher, Side, Rear, Lower, RH	A076U0602Z		*		*	*	*	1				
BA 37	Finisher, Side, Rear, Lower, LH	A076U0603Z		*		*	*	*	1				
	Clip	A075W6048DD	*	*	*	*	*	*	12				
	Rivet	A075W6071 ZJ	*	*	*	*	*	*	12				
	Washer	A075W4007 ZC	*	*	*	*	*	*	12				
BA 7	Finisher, 'BC', Post, RH	C075U0144K	*	*	*	*	*	*	1				
BA 8	Finisher, 'BC', Post, LH	C075U0145K	*	*	*	*	*	*	1				
	Rivet	A075W6071 ZJ	*	*	*	*	*	*	4				
	Screw	A075W5015ZG	*	*	*	*	*	*	4				
BA 9	Finisher, Door, Window Level, RH	B075U0142ZG	*	*	*	*	*	*	1				
BA 10	Finisher, Door, Window Level, LH	B075U0143ZA	*	*	*	*	*	*	1				
	Clip	A075W6048DD	*	*	*	*	*	*	10				
	Rivet	A075W6071 ZJ	*	*	*	*	*	*	10				
	Washer	A075W4001 ZF	*	*	*	*	*	*	10				
BA 11	Finisher, 'A' Post, RH	A075U0650ZA	*	*	*	*	*	*	1				
	Finisher, 'A' Post Cap. RH	A075U0652ZL	*	*	*	*	*	*	1				Corner Piece.

Elite/Eclat  
BA 3.





PLATE Ref. No.	DESCRIPTION	PART NO.	S.1.		S.2.		MANUAL	AUTOMATIC	ALL	DOMESTIC	R.O.W.	FEDERAL	REMARKS
			ELITE	ECLAT	ELITE	ECLAT							
BA 16	Grille, Plenum Chamber	B075U0318Z	*	*	*	*	*	*	1				
	Drain Tube, Front	A075U0413ZL	*	*	*	*	*	*	2				
	Heater Intake Water Shield	A075U1147K	*	*	*	*	*	*	1				
	Watershield, Plenum Chamber, LH	B075U1141K	*	*	*	*	*	*	1				
	Watershield, Plenum Chamber, RH	B075U1140K	*	*	*	*	*	*	1				
	Screw, Grille	A075W5028ZF	*	*	*	*	*	*	3				
	Screw, Chambers	A075W5009ZK	*	*	*	*	*	*	10				
BA 17	Bonnet Assy.	B075B0952W	*				*	*	1				
	Bonnet Assy.	A076B2285K		*			*	*	1				
	Bonnet Assy. <i>(Chamber)</i>	<del>A075B231EJ</del>			*	*	*	*	1				
BA 17	Bonnet Grille	B075U0317ZB	*	*	*	*	*	*	1				
BA 18	Pod, Headlamp, RH	A075B2122ZA	*				*	*	1				
	Pod, Headlamp, RH	A076B2284K		*			*	*	1				
	Pod, Headlamp, RH	A083B2344K			*	*	*	*	1				
BA 19	Pod, Headlamp, LH	A075B2123ZF	*		*	*	*	*	1				
	Pod, Headlamp, LH	A076B2283K		*	*	*	*	*	1				
	Pod, Headlamp, LH	A083B2345K			*	*	*	*	1				
	Bobbin, Pod/Body	A075B2205ZL	*	*	*	*	*	*	4				
	Bolt	A075W1082DB	*	*	*	*	*	*	4				

PLATE Ref. No.	DESCRIPTION	PART NO.	S.1.		S.2.		MANUAL	AUTOMATIC	ALL	DOMESTIC	R.O.W.	FEDERAL	REMARKS
			ELITE	ECLAT	ELITE	ECLAT							
BA 20	Spoiler	B075B2202ZL	*	*			*	*	1				
	Jacknuts, 6mm	A075W3034ZJ	*	*			*	*	3				
	Piping, Spoiler	A075B6040V	*	*			*	*	1.5m				
	Spoiler, Front	A083B2330K			*	*	*	*	1				
	Bobbin	A075B2168ZL	*	*			*	*	A/R				
BA 21	Grille, Front Inlet	A075U0466ZA	*	*	*	*	*	*		1	1		
	Grommet	A036B6150Z	*	*	*	*	*	*		2	2		
	Screw	A075W5041ZE	*	*	*	*	*	*		2	2		
	Washer	A075W4000ZA	*	*	*	*	*	*		2	2		
BA 22	Front No. Plate Mounting	A075U0487ZG	*	*	*	*	*	*		1	1		
	Screw	A075W5041ZE	*	*	*	*	*	*		2	2		
	Washer	A075W4000ZA	*	*	*	*	*	*		2	2		
	Lokut Nut	A075W6039ZC	*	*	*	*	*	*		2	2		
	Drive Fastener	A075W6041ZB	*	*	*	*	*	*		2	2		
BA 23	Grille, Front Lower Inlet	A075U0546ZG	*	*	*	*	*	*		1			
	Screw	A075W1028ZG	*	*	*	*	*	*	2				
	Washer, Spring	A075W4035ZL	*	*	*	*	*	*	2				
	Washer	A075W4014ZE	*	*	*	*	*	*	2				
	Screw S/T	A075W5034ZC	*	*	*	*	*	*	2				
	Washer	A075W4000ZA	*	*	*	*	*	*	2				

PLATE Ref. No.	DESCRIPTION	PART NO.	S.1.		S.2.		MANUAL	AUTOMATIC	ALL	DOMESTIC	R, O, W.	FEDERAL	REMARKS	
			ELITE	ECLAT	ELITE	ECLAT								
BA 24	Bumper, Front	C075B2198Z	*	*	*	*	*	*		1	1			
	Rubber Section	A075U6054VL	*	*	*	*	*	*		4.4m	4.4m			
	Bolt, 8mm x 20	A075W1038ZB	*	*	*	*	*	*		6	6			
	Washer, Penny	A075W4021ZG	*	*	*	*	*	*		6	6			
	Mounting Bracket, Upper	A075U0540ZK	*	*	*	*	*	*		2	2			
	Washer, Spring	A075W4036ZE	*	*	*	*	*	*		6	6			
BA 25	Bumper, Front, Assy.	A075U0706WG	*	*			*	*				1	Up to & inc. 1976 Spec.	
	Bumper, Front, Assy.	A075B0979J	*	*			*	*				1	1977 Spec. on.	
	Skinned Foam, Front Bumper	A075B2200Z	*	*			*	*				1	Up to & Inc. 1976 Spec.	
	Skinned Foam, Front Bumper	A075B2301F	*	*			*	*				1	1977 Spec. on.	
	Seal, Skinned Foam/Plinth	A075U6060ZB	*	*			*	*				1		
	Adhesive, Witco BU180	A075U6061V	*	*			*	*				A/R	} 2 Part Adhesive.	
	Adhesive, Witco BY9	A075U6062V	*	*			*	*				A/R		
	Bumper Edging Strip	A075U6054VL	*	*			*	*	.6m					
	Rubber Gasket, Front Bumper/Body	B075U0539FF	*	*			*	*				1	Up to & Inc. 1976 Spec.	
	Rubber Gasket, Front Bumper/Body	A075B2302F	*	*			*	*				1	1977 Spec. on.	
Piping	A075U6047VJ	*	*			*	*				1.3 m	Baines 344.		

Elite/Eclat  
BA 7

PLATE Ref. No.	DESCRIPTION	PART NO.	S.1.		S.2.		MANUAL	AUTOMATIC	ALL	DOMESTIC	R.O.W.	FEDERAL	REMARKS
			ELITE	ECLAT	ELITE	ECLAT							
	Bolt	A075W2039Z D	*	*			*	*				8	
	Washers	A075W4020ZB	*	*			*	*				8	
	Raw nuts	A075W6037ZD	*	*			*	*				8	
	Insert, Licence Plate Ret., Front	A075B2209Z	*	*			*	*				2	
Not illus.	Plinth, Front Bumper	A075B2201 Z	*	*			*	*				1	Up to & inc. 1976 Spec.
	Plinth, Front Bumper	A075B2300J	*	*			*	*				1	1977 Spec. on.
	Foam, Outboard Beam, LH	A075B2219Z	*	*			*	*				1	
	Foam, Outboard Beam, RH	A075B2220Z	*	*			*	*				1	
BA 35	Air Duct	A075B2190ZL	*	*			*	*	1				Centre Cut Out. <i>ACU TYPE WATER PUMP</i>
	Air Duct	C075B2190Z	*	*			*	*	1				Offset Cut Out. <i>S.A.P.C.</i>
	Air Duct	B075B2190Z	*	*			*	*				1	With Air Pump. <i>WATER PUMP</i>
BA 26	Trim Strip, Waistband (Bright Edge)	A075U6035ZB	*				*	*	A/R				Up to units 1599A, 1601A, 1602A, 1604A to 1610A, 1612A to 1625A, 0515B, 0237C, 0102K, 0109L, inc.
	End Caps	D075U0434Z	*				*	*	8				
	Trim Strip, Waistband (Black Section)	B075U6035ZB	*				*	*	A/R				
	Trim Strip, Waistband	B076U6005F	*	*	*	*	*	*	A/R				
													Elite/Eclat BA 8.

PLATE Ref. No.	DESCRIPTION	PART NO.	S.1.		S.2.		MANUAL	AUTOMATIC	ALL	DOMESTIC	R.O.W.	FEDERAL	REMARKS
			ELITE	ECLAT	ELITE	ECLAT							
BA 27	Carrier, Trim Strip, Door	A076U1143F	*	*	*	*	*	*	2				<p>Used with Trim Strip B076U6005F, Replaces Trim Strip, Door B076U6006F on <u>Eclat</u>.</p> <p>Elite. From 1600A, 16003A 1611A, 1626A on, 0516B on, 0238C on, 0103K on &amp; 0110L on, all inc.</p> <p>For ABS Insert.</p> <p>For Trim Strip Waistband B076U6005F</p> <p>End Caps, Trim Waistband.</p> <p>For Elite Stage 2 Body.</p> <p>For Elite S1 Stage 3 Body.</p> <p>For Elite Stage 2 Body.</p> <p>For Elite S1 Stage 3 Body.</p> <p>Elite/Eclat BA 9.</p>
	Pop Rivet	A075W6092Z	*	*	*	*	*	*	20				
	Insert, ABS	A076U1094F		*			*	*	4				
	Adhesive IS.150	A075U6059Z		*			*	*	A/R				
	Adhesive, Rakol-Kleber RT01 Pt. A	A075U6088V	*	*	*	*	*	*	A/R				
	Adhesive, Rakol-Kleber RT01 Pt. B	A075U6089V	*	*	*	*	*	*	A/R				
	Adhesive, Superfast Epoxy	A050V6004VB	*				*	*	A/R				
	Adhesive, Superfast Epoxy	A050V6005VG	*				*	*	A/R				
	Primer	A050B6185VC	*				*	*	A/R				
	Sill, RH	B075U0146ZE	*				*	*	1				
	Sill, RH	AX75B2224Z	*	*			*	*	1				
	Sill, RH	A083B2331K	*		*	*	*	*	1				
	Sill, LH	B075U0147ZK	*				*	*	1				
	Sill, LH	AX75B1243Z	*	*			*	*	1				
Sill, LH	A083B2332K			*	*	*	*	1					

PLATE Ref. No.	DESCRIPTION	PART NO.	S.1.		S.2.		MANUAL	AUTOMATIC	ALL	DOMESTIC	R.O.W.	FEDERAL	REMARKS
			ELITE	ECLAT	ELITE	ECLAT							
BA 29	Spacer	C075U0194ZG	*	*			*	*	2				
	Double Sided Tape	A075B6015VH	*	*			*	*	A/R				
	Trim Strip, Door Sill	A075U0723F	*	*	*	*	*	*	2				Replaces X050B1 274ZA.
	Clip	A075W6116F	*	*	*	*	*	*	20				Replaces A075W6058ZK.
BA 30	Pod Rivet	A075W6069ZK	*	*	*	*	*	*	20				
	Door Shell, RH	A075B2126ZK	*				*	*	1				
	Door Shell, RH	A076B2286K		*			*	*	1				
	Door Shell, RH	B075B 2126K			*	*	*	*	1				
BA 31	Window Channel Blank Plate, RH	A075B2306C	*	*	*	*	*	*	1				ABS
	Door Lock Rods Blank Plate, RH	A075B2305C	*	*	*	*	*	*	1				ABS
	Window Motor Blank Plate, RH	A075B2318K	*	*	*	*	*	*	1				ABS
	Door Shell, LH	A075B2127ZD	*				*	*	1				
	Door Shell, LH	A076B2287K		*			*	*	1				
	Door Shell, LH	B075B2127K			*	*	*	*	1				
	Window Channel Blank Plate, LH	A075B2307C	*	*	*	*	*	*	1				ABS
	Door Lock Rods Blank Plate, LH	A075B2305C	*	*	*	*	*	*	1				ABS
	Window Motor Blank Plate, LH	A075B2317K	*	*	*	*	*	*	1				ABS
	ABS Strip, 1.75mm	A076U1097V			*	*	*	*	A/R				Door Trim Packing.
ABS Strip, 2.75mm	A076U1098V			*	*	*	*	A/R					

PLATE Ref. No.	DESCRIPTION	PART NO.	S.1.		S.2.		MANUAL	AUTOMATIC	ALL	DOMESTIC	R.O.W.	FEDERAL	REMARKS
			ELITE	ECLAT	ELITE	ECLAT							
BA 34	Door Seal	A075U6005ZB	*	*	*	*	*	*	2				
	Lower Door Seal	A075U0646ZC	*	*	*	*	*	*	2				
BA 33	Door Mirrors, Flat	A075U6030ZF	*	*			*	*	2				Cromodora.
	Door Mirrors, Convex	A075U6086F	*	*			*	*		2	2		
	Door Mirrors, Flat	A075U6085F	*	*			*	*				2	Raydot.
	Door Mirror, Electric, RH	A079M6107F	*	*			*	*		1	1		
	Door Mirror, Electric, RH	A079U6052F			*	*	*	*		1	1		
	Door Mirror, Electric, LH	A079M6108F	*	*			*	*		1	1		
	Door Mirror, Electric, LH	A079U6051F			*	*	*	*		1	1		
	Mirror Glass, Convex	A079U6064F	*	*	*	*	*	*		A/R	A/R		
	Bezel	A079U6071F	*	*	*	*	*	*		A/R	A/R		
	Door Mirror, Electric, RH	A079M6109F	*	*			*	*				1	
	Door Mirror, Electric, RH	A079U6054F			*	*	*	*				1	
	Door Mirror, Electric, LH	A079M6110F	*	*			*	*				1	
	Door Mirror, Electric, LH	A079U6053F			*	*	*	*				1	
	Mirror Glass, Flat	A079U6063F	*	*	*	*	*	*				A/R	
	Bezel	A079U6071F	*	*	*	*	*	*				A/R	

Elite/Eclat  
BA 11.



PLATE Ref. No.	DESCRIPTION	PART NO.	S.1.		S.2.		MANUAL	AUTOMATIC	ALL	DOMESTIC	R.O.W.	FEDERAL	REMARKS
			ELITE	ECLAT	ELITE	ECLAT							
BA 38	Boot Lid Assy.	A076B2288K		*			*	*	1				<i>Boot lid removed A084B2357J</i>
	Boot Lid Assy.	A084B2342J				*	*	*	1				
	Boot Lid Seal	B076U6003F		*		*	*	*	1				
	Boot Lid Tension Spring	A076U0591Z		*		*	*	*	1				
	Boot Hinge Assy, RH	B076U0260Z		*		*	*	*	1				
	Boot Hinge Assy, LH	B076U0619Z		*		*	*	*	1				
	Boot Hinge Arm, RH	A076U1082F		*		*	*	*	1				
	Boot Hinge Arm, LH	A076U1083F		*		*	*	*	1				
	Reinforcing Plate	A076U0676Z		*		*	*	*	1				
	Shim, Boot Lid to Hinge Arm	A076U0600Z		*		*	*	*	A/R				
	Screw 8 x 20mm, Hinge/Boot Lid	A075W1038ZB		*		*	*	*	4				
	Washer, Plain	A075W4020ZB		*		*	*	*	4				
	Boot Lock Assy.	A076U6013F		*			*	*	1				
	Boot Lock Assy.	A083U6093F				*	*	*	1				
	Shakeproof Washer $\frac{3}{8}$ I/D	A076W4050F		*		*	*	*	1				
	Latch, Boot Lock	A076U1067F		*		*	*	*	1				
	Lock Plate, Boot Lock	A076U1053F		*		*	*	*	1				
	Spring, Boot Lock Latch	A076U1068F		*		*	*	*	1				
Striker, Boot Lock	A076U1069F		*		*	*	*	1					

PLATE Ref. No.	DESCRIPTION	PART NO.	S.1.		S.2.		MANUAL	AUTOMATIC	ALL	DOMESTIC	R.O.W.	FEDERAL	REMARKS
			ELITE	ECLAT	ELITE	ECLAT							
	Shim, Striker/Boof Lid	A076U0618Z		*		*	*	*	A/R				
	Screw 8 x 20mm	A075W1038ZB		*		*	*	*	2				
	Washer	A075W4020ZB		*		*	*	*	2				
BA 39	Finisher, Backlight, Upper	B076U0609FE		*		*	*	*	1				
BA 40	Finisher, Backlight, LH & RH	B076U0610FK		*		*	*	*	2				
BA 41	Finisher, Backlight, Lower	B076U0612FJ		*		*	*	*	1				
BA 42	Cap, Finisher, Corner Piece	B076U0613Z		*		*	*	*	4				
BA 22	Body, Full, RHD (Stage 1)	A075B1800WH	*			*	*	*	1				Up to 1599A, 1601A, 1602A to 1610A, 1612A to 1625A, inc.
	Body, Full, RHD (Stage 2)	AX75B2234W	*			*	*	*	1				
	Body, Full, RHD (Stage 3)	A075B2327K	*			*	*	*	1				
	Body, Full, RHD (Stage 1, Australia)	A075B2303K	*			*	*	*				1	Up to nos. 2037C inc.
	Body, Full, RHD (Stage 3, Australia)	A075B2329K	*			*	*	*				1	From 0238C inc.
	Body, Full, LHD (Stage 1)	A075B1801W	*			*	*	*			1	1	Up to nos. 5015B, 0237C, 0102K & 0109L, inc.
	Body, Full, LHD (Stage 2)	AX75B2235W	*			*	*	*			1	1	
	Body, Full, LHD (Stage 3)	A075B2328K	*			*	*	*			1	1	From nos. 0516B, 0238C, 0103K & 0110L inc.
	Body, Full, RHD	A076B1800W		*		*	*	*		1			
	Body, Full, RHD (Australia)	A076B2304K		*		*	*	*				1	
	Body, Full, LHD	A076B1801W		*		*	*	*			1	1	

Elite/Eclat  
BA 13.

PLATE Ref. No.	DESCRIPTION	PART NO.	S.1.		S.2.		MANUAL	AUTOMATIC	ALL	DOMESTIC	R.O.W.	FEDERAL	REMARKS
			ELITE	ECLAT	ELITE	ECLAT							
	Body, Full, RHD	A083B2348J			*		*	*		1			
	Body, Full, RHD (Australia)	A083B2353J			*		*	*				1	
	Body, Full, LHD	A083B2349J			*		*	*			1	1	
	Body, Full, RHD	A084B2350J				*	*	*		1			
	Body, Full, RHD (Australia)	A084B2354J				*	*	*				1	
	Body, Full, LHD	A084B2351J				*	*	*			1	1	
	Heat Shield, Body, Upper Engine Bay	A075B2263FA	*	*	*	*	*	*				1	
	Heat Shield, Body, Lower Engine Bay	A075B2269FJ	*	*	*	*	*	*				1	1975 Spec. Onwards.
	Pop Rivets	A075W6071ZJ	*	*	*	*	*	*				8	
	Heat Shield, Rear Seat, RH	A075B2294F	*	*	*	*	*	*				1	
	Heat Shield, Rear Seat, LH	A075B2295F	*	*	*	*	*	*				1	
	Pop Rivets	A075W6090ZE	*	*	*	*	*	*				20	1976 Spec. Onwards.
	Washers	A075W4001ZF	*	*	*	*	*	*				10	
	Silastic	A036E6027VJ	*	*	*	*	*	*				A/R	
	Heat Shield, Engine Mounting	A907E1247F	*	*	*	*	*	*		1			Chassis Mounted, Replaces B907E1041F mounted on engine.

Elite/Eclat  
BA 14.

PLATE Ref. No.	DESCRIPTION	PART NO.	S.1.		S.2.		MANUAL	AUTOMATIC	ALL	DOMESTIC	R.O.W.	FEDERAL	REMARKS
			ELITE	ECLAT	ELITE	ECLAT							
	Vynil Roof, Tan	A075V1346K	*	*	*	*	*	*	A/R				
	Vynil Roof, Black	A075V1550K	*	*	*	*	*	*	A/R				
	Vynil Roof, Blue	A075V1348K	*	*	*	*	*	*	A/R				
	Vynil Roof, Saddle	A075V1347K	*	*	*	*	*	*	A/R				
	3mm Foam Sheet	A079V6010V	*	*	*	*	*	*	A/R				
	Clamp Plate, Rear	A075U1014F	*		*		*	*	1				
	Clamp Plate, Rear	A076U1105F		*		*	*	*	1				
	Clamp Plate, Front, Short	A075U1015F	*	*	*	*	*	*	2				
	Clamp Plate, Front, Long	A075U1016F	*	*	*	*	*	*	3				
	Pop Rivet, Sealed	A075W6071 ZJ	*		*		*	*	22				
	Pop Rivet, Sealed	A075W6071 ZJ		*		*	*	*	13				
	Pop Rivet, Sealed	A076W6190F		*		*	*	*	9				
	Adhesive	A075V6032V	*	*	*	*	*	*	A/R				Dunlop S.1358.
	Silastic, Clear	A075U6044V	*	*	*	*	*	*	A/R				Elite/Eclat BA 15.

CIRCULATION	SUBJECT	ISSUED BY
R. Badcock H. Wilson D. Waring J. Sewter V. Cowie E. Jones L. Allen	<u>Elite Stage 3</u>  <u>Body Shells and Sections</u>	G. A. Howard  Date 12th November 1979  Sheet No. one

Service Stores (6)  
 aff: R. Bowers  
 R. Holmes

From and including Elite unit nos.

1600A  
 1603A  
 1611A  
 1626A and on.

0516B  
 0238C  
 0103K  
 0110L

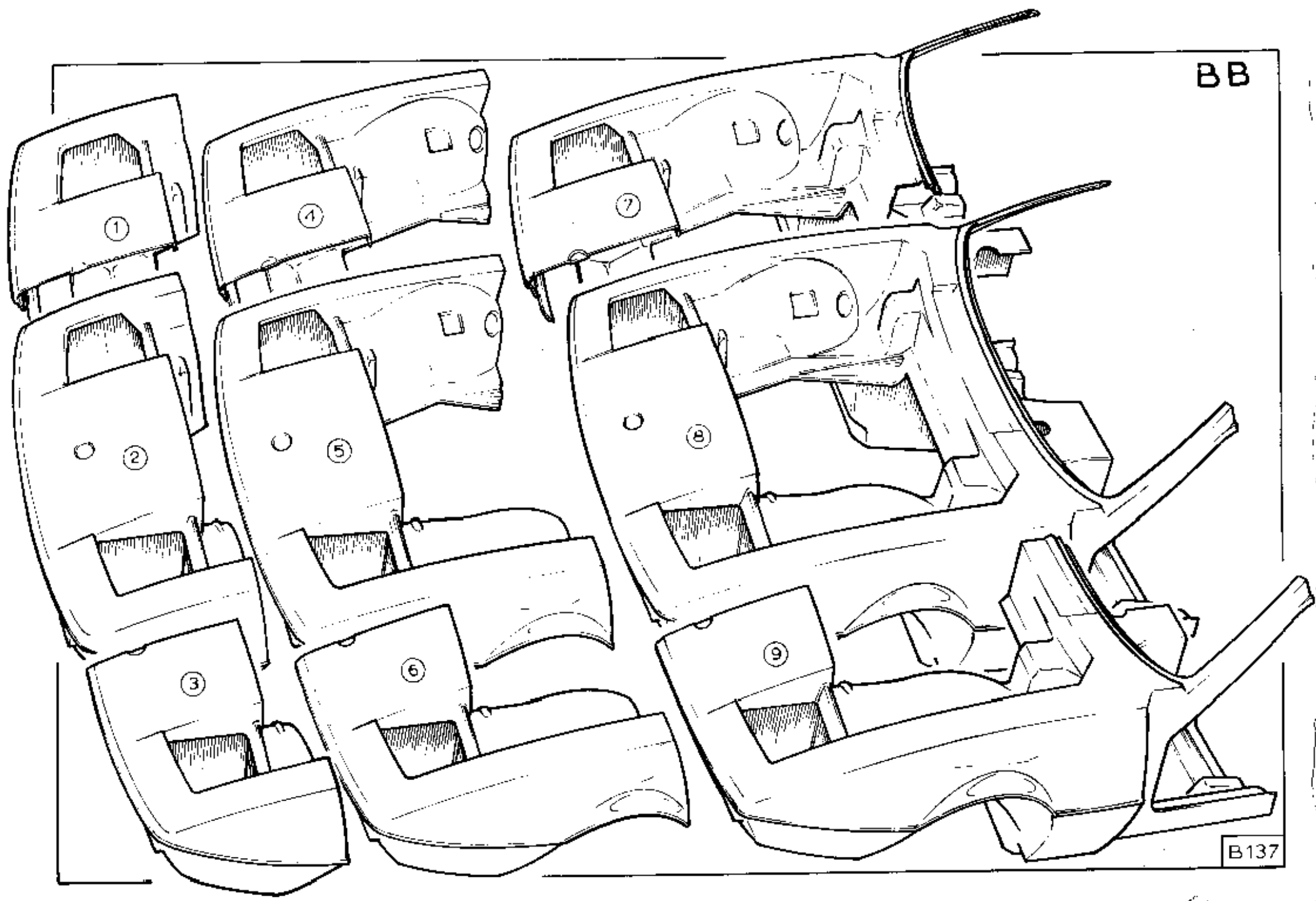
The stage 3 body shell has been used and part nos. applicable are as follows:

Body shell RHD	A075B2327K
Body shell LHD	2328K
Half short nose RH	6180K
Short nose	6182K
Half short nose LH	6181K
Half mid nose RH	6184K
Mid nose	6183K
Half mid nose LH	6185K
Half full nose RH	6186K
Full nose	6188K
Half full nose LH	6187K
Half full rear RH	6189K
Full rear	6190K
Half full rear LH	6191K
Half short rear RH	6192K
Short rear	6194K
Half short rear LH	6193K
Rear bulkhead	6195K
Boot floor	6196K

*G. A. Howard*

G. A. Howard.

BB



B137

PLATE Ref. No.	DESCRIPTION	PART NO.	S.1.		S.2.		MANUAL	AUTOMATIC	ALL	DOMESTIC	R.O.W.	FEDERAL	REMARKS
			ELITE	ECLAT	ELITE	ECLAT							
8B1	Half Short Nose, RH	A075B6045S	*				*	*	1				Elite S1, Stage 1 Bodies up to & inc. T599A, T601A, T602A, T604A to T610A & T612A to T625A, 0515B, 0237C, 0102K & 0109L, inc.  Elite S1, Stage 2 Bodies were interspersed with Stage 1 bodies & are identified by the spare wheel being accessible from <u>inside</u> the luggage compartment.  Elite S1, Stage 3 Bodies Unit Nos. T600A, T611A & T626A on, 0516B on, 0238C on, 0103K on & 0110L on inc
	Half Short Nose, RH	AX75B6100K	*				*	*	1				Stage 1 Body.
	Half Short Nose, RH	A075B6180K	*				*	*	1				Stage 2 Body.
	Half Short Nose, RH	A083B6202K			*	*	*	*		1			Stage 3 Body.
	Half Short Nose, RH	A083B6203K			*	*	*	*			1		
	Half Short Nose, RH	A083B6204K			*	*	*	*				1	
	Half Short Nose, RH	A076B6043K		*					1				
													Elite/Eclat BB 1.

PLATE Ref. No.	DESCRIPTION	PART NO.	S.1.		S.2.		MANUAL	AUTOMATIC	ALL	DOMESTIC	R.O.W.	FEDERAL	REMARKS
			ELITE	ECLAT	ELITE	ECLAT							
BB 2	Short Nose	A075B6046S	*				*	*	1				Stage 1 Body.
	Short Nose	AX75B6101K	*				*	*	1				Stage 2 Body.
	Short Nose	A075B6182K	*				*	*	1				Stage 3 Body.
	Short Nose	A083B6205K			*	*	*	*		1			
	Short Nose	A083B6206K			*	*	*	*			1		
	Short Nose	A083B6207K			*	*	*	*				1	
	Short Nose	A076B6044K		*			*	*	1				
BB 3	Half Short Nose, LH	A075B6047S	*				*	*	1				Stage 1 Body.
	Half Short Nose, LH	AX75B6102K	*				*	*	1				Stage 2 Body.
	Half Short Nose, LH	A075B6181K	*				*	*	1				Stage 3 Body.
	Half Short Nose, LH	A083B6208K			*	*	*	*		1			
	Half Short Nose, LH	A083B6209K			*	*	*	*			1		
	Half Short Nose, LH	A083B6201K			*	*	*	*				1	
	Half Short Nose, LH	A076B6045K		*			*	*	1				

See Page BB1 for  
Explanatory Remarks

Elite/Eclat  
BB 2.



PLATE Ref. No.	DESCRIPTION	PART NO.	S.1.		S.2.		MANUAL	AUTOMATIC	ALL	DOMESTIC	R.O.W.	FEDERAL	REMARKS
			ELITE	ECLAT	ELITE	ECLAT							
BB 4	Half Mid Nose, RH	A075B6048S	*				*	*	1				Stage 1 Body.
	Half Mid Nose, RH	AX75B6103K	*				*	*	1				Stage 2 Body.
	Half Mid Nose, RH	A075B6184K	*				*	*	1				Stage 3 Body.
	Half Mid Nose, RH	A083B6211K			*	*	*	*		1			
	Half Mid Nose, RH	A083B6212K			*	*	*	*			1		
	Half Mid Nose, RH	A083B6213K			*	*	*	*				1	
	Half Mid Nose, RH	A076B6046K		*			*	*	1				
BB 5	Mid Nose	A075B6049S	*				*	*	1				Stage 1 Body.
	Mid Nose	AX75B6104K	*				*	*	1				Stage 2 Body.
	Mid Nose	A075B6183K	*				*	*	1				Stage 3 Body.
	Mid Nose	A083B6214K			*	*	*	*		1			
	Mid Nose	A083B6215K			*	*	*	*			1		
	Mid Nose	A083B6216K			*	*	*	*				1	
	Mid Nose	A076B6047K		*			*	*	1				
													See Page BB 1 for Explanatory Remarks
													Elite/Eclat BB 3.

PLATE Ref. No.	DESCRIPTION	PART NO.	5.1.		5.2.		MANUAL	AUTOMATIC	ALL	DOMESTIC	R.O.W.	FEDERAL	REMARKS
			ELITE	ECLAT	ELITE	ECLAT							
BB 6	Half Mid Nose, LH	A075B6050S	*				*	*	1				Stage 1 Body.
	Half Mid Nose, LH	AX75B6105K	*				*	*	1				Stage 2 Body.
	Half Mid Nose, LH	A075B6185K	*				*	*	1				Stage 3 Body.
	Half Mid Nose, LH	A083B6217K			*	*	*	*		1			
	Half Mid Nose, LH	A083B6218K			*	*	*	*			1		
	Half Mid Nose, LH	A083B6219K			*	*	*	*				1	
BB 7	Half Mid Nose, LH	A076B 6048K		*			*	*	1				
	Half Full Nose, RH	A075B6051S	*				*	*	1				Stage 1 Body.
	Half Full Nose, RH	AX75B6106K	*				*	*	1				Stage 2 Body.
	Half Full Nose, RH	A075B6186K	*				*	*	1				Stage 3 Body.
	Half Full Nose, RH	A083B6220K			*	*	*	*		1			
	Half Full Nose, RH	A083B6221K			*	*	*	*			1		
	Half Full Nose, RH	A083B6222K			*	*	*	*				1	
	Half Full Nose, RH	A076B6049K		*			*	*	1				

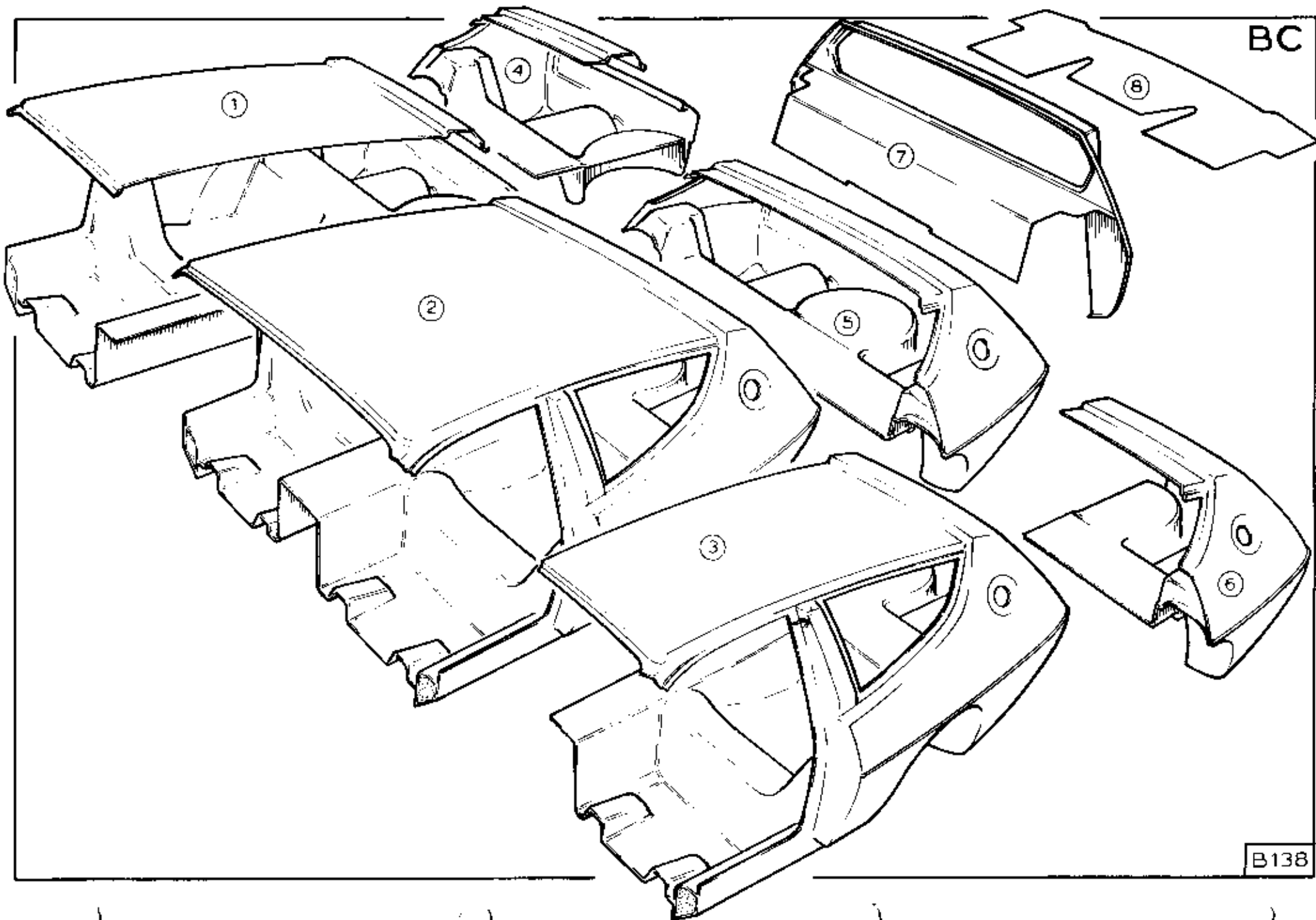
See Page BB 1 for  
Explanatory Remarks

Elite/Eclat  
BB 4.

PLATE Ref. No.	DESCRIPTION	PART NO.	S.1.		S.2.		MANUAL	AUTOMATIC	ALL	DOMESTIC	R.O.W.	FEDERAL	REMARKS	
			ELITE	ECLAT	ELITE	ECLAT								
BB 8	Full Nose	A075B6052S	*				*	*	1				Stage 1 Body.	
	Full Nose	AX75B6108K	*				*	*	1				Stage 2 Body.	
	Full Nose	A075B6188K	*				*	*	1				Stage 3 Body.	
	Full Nose	A083B6223K			*	*	*	*		1				
	Full Nose	A083B6224K			*	*	*	*			1			
	Full Nose	A083B6225K			*	*	*	*				1		
	Full Nose	A076B6050K		*			*	*	1					
	Half Full Nose, LH	A075B6053S		*			*	*	1					Stage 1 Body.
	Half Full Nose, LH	AX75B6107K		*			*	*	1					Stage 2 Body.
	Half Full Nose, LH	A075B6187K		*			*	*	1					Stage 3 Body.
	Half Full Nose, LH	A083B6226K				*	*	*		1				
	Half Full Nose, LH	A083B6227K				*	*	*			1			
	Half Full Nose, LH	A083B6228K				*	*	*				1		
	Half Full Nose, LH	A076B6051K		*			*	*	1					

See Page BB 1 for  
Explanatory Remarks

Elite/Eclat  
BB 5.



B138

PLATE Ref. No.	DESCRIPTION	PART NO.	S.1.		S.2.		MANUAL	AUTOMATIC	ALL	DOMESTIC	R.O.W.	FEDERAL	REMARKS
			ELITE	ECLAT	ELITE	ECLAT							
													<p><u>Elite S1, Stage 1, Bodies</u> up to &amp; inc. unit nos. 1599A, 1601A, 1602A, 1604A to 1610A &amp; 1612A to 1625A, 0515B, 0237C, 0102K &amp; 0109L, inc.</p> <p><u>Elite S1, Stage 2 Bodies</u> were interspersed with Stage 1 bodies &amp; are identified by the spare wheel being accessible from inside the luggage compartment.</p> <p><u>Elite S1, Stage 3 Bodies</u> Unit nos. 1600A &amp; 1626A on, 0516B on, 0238C on 0103K on &amp; 0110L on, inc.</p>
BC 1	Half Full Rear, RH	A075B6054S	*				*	*	1				Stage 1 Body.
	Half Full Rear, RH	AX75B6109K	*				*	*	1				Stage 2 Body.
	Half Full Rear, RH	A075B6189K	*				*	*	1				Stage 3 Body.
	Half Full Rear, RH	A083B6229K			*		*	*		1		1	
	Half Full Rear, RH	A083B6231K			*		*	*				1	
Not illus.	Half Full Rear, RH	A076B6037K		*			*	*	1				
	Half Full Rear, RH	A0846081K				*	*	*		1		1	
	Half Full Rear, RH	A0846083K				*	*	*				1	
01.81													Elite/Eclat BC 1.

PLATE Ref. No.	DESCRIPTION	PART NO.	S.1.		S.2.		MANUAL	AUTOMATIC	ALL	DOMESTIC	R.O.W.	FEDERAL	REMARKS
			ELITE	ECLAT	ELITE	ECLAT							
BC 2	Full Rear	A075B6055S	*				*	*	1				Stage 1 Body.
	Full Rear	AX75B6110K	*				*	*	1				Stage 2 Body.
	Full Rear	A075B6190K	*				*	*	1				Stage 3 Body.
	Full Rear	A083B6232K			*		*	*		1	1		
	Full Rear	A083B6234K			*		*	*				1	
Not illus.	Full Rear	A076B6038K		*			*	*	1				
	Full Rear	A084B6084K				*	*	*		1	1		
	Full Rear	A084B6086K				*	*	*				1	
BC 3	Half Full Rear, LH	A075B6056S	*				*	*	1				Stage 1 Body.
	Half Full Rear, LH	AX75B6111K	*				*	*	1				Stage 2 Body.
	Half Full Rear, LH	A075B6191K	*				*	*	1				Stage 3 Body.
	Half Full Rear, LH	A083B6235K			*		*	*		1	1		
	Half Full Rear, LH	A083B6237K			*		*	*				1	
Not illus.	Half Full Rear, LH	A076B6039K		*			*	*	1				
	Half Full Rear, LH	A084B6087K				*	*	*		1	1		
	Half Full Rear, LH	A084K6089K				*	*	*				1	

See Page BC 1 for  
Explanatory Remarks

Elite/Eclat  
BC 2.

PLATE Ref. No.	DESCRIPTION	PART NO.	S.1.		S.2.		MANUAL	AUTOMATIC	ALL	DOMESTIC	R.O.W.	FEDERAL	REMARKS
			ELITE	ECLAT	ELITE	ECLAT							
BC 4	Half Short Rear, RH	A075B6057S	*				*	*	1				Stage 1 Body.
	Half Short Rear, RH	AX75B6112K	*				*	*	1				Stage 2 Body.
	Half Short Rear, RH	A075B6192K	*				*	*	1				Stage 3 Body.
	Half Short Rear, RH	A083B6238K			*		*	*		1	1		
	Half Short Rear, RH	A083B6240K			*		*	*				1	
Not illus.	Half Short Rear, RH	A076B6040K		*			*	*	1				
	Half Short Rear, RH	A084B6090K				*	*	*		1	1		
	Half Short Rear, RH	A084B6092K				*	*	*				1	
BC 5	Short Rear	A075B6058S	*				*	*	1				Stage 1 Body.
	Short Rear	AX75B6114K	*				*	*	1				Stage 2 Body.
	Short Rear	A075B6194K	*				*	*	1				Stage 3 Body.
	Short Rear	A083B6241K			*		*	*		1	1		
	Short Rear	A083B6243K			*		*	*				1	
Not illus.	Short Rear	A076B6041K		*			*	*	1				
	Short Rear	A084B6093K				*	*	*		1	1		
	Short Rear	A084B6095K				*	*	*				1	

See Page BC 1 for  
Explanatory Remarks

Elite/Eclat  
BC 3.

PLATE Ref. No.	DESCRIPTION	PART NO.	S.1.		S.2.		MANUAL	AUTOMATIC	ALL	DOMESTIC	R.O.W.	FEDERAL	REMARKS
			ELITE	ECLAT	ELITE	ECLAT							
BC 6	Half Short Rear, LH	A075B6059S	*				*	*	†				Stage 1 Body.
	Half Short Rear, LH	AX75B6113K	*				*	*	†				Stage 2 Body.
	Half Short Rear, LH	A075B6193K	*				*	*	†				Stage 3 Body.
	Half Short Rear, LH	A083B6244K			*		*	*		†			
	Half Short Rear, LH	A083B6246K			*		*	*				†	
Not illus.	Half Short Rear, LH	A076B6042K		*			*	*	†				
	Half Short Rear, LH	A084B6096K				*	*	*		†		†	
	Half Short Rear, LH	A084B6098K				*	*	*				†	
BC 7	Rear Bulkhead	A075B6060S	*				*	*	†				Stage 1 Body.
	Rear Bulkhead	AX75B6115K	*				*	*	†				Stage 2 Body.
	Rear Bulkhead	A075B6195K	*				*	*	†				Stage 3 Body.
	Rear Bulkhead	A083B6247K			*		*	*	†				
Not illus.	Rear Bulkhead	A076B6054K		*			*	*	†				Up to unit nos. 0112E, 0115E 0116E, 0106F, & 0145D, inc.
	Rear Bulkhead	A076B2291K		*			*	*	†				From unit nos. 0113E & 0117E on, 0107F & 0146D on, inc.
	Rear Bulkhead	A084B6099K				*	*	*	†				

See Page BC 1 for  
Explanatory Remarks

Elite/Eclat  
BC 4.



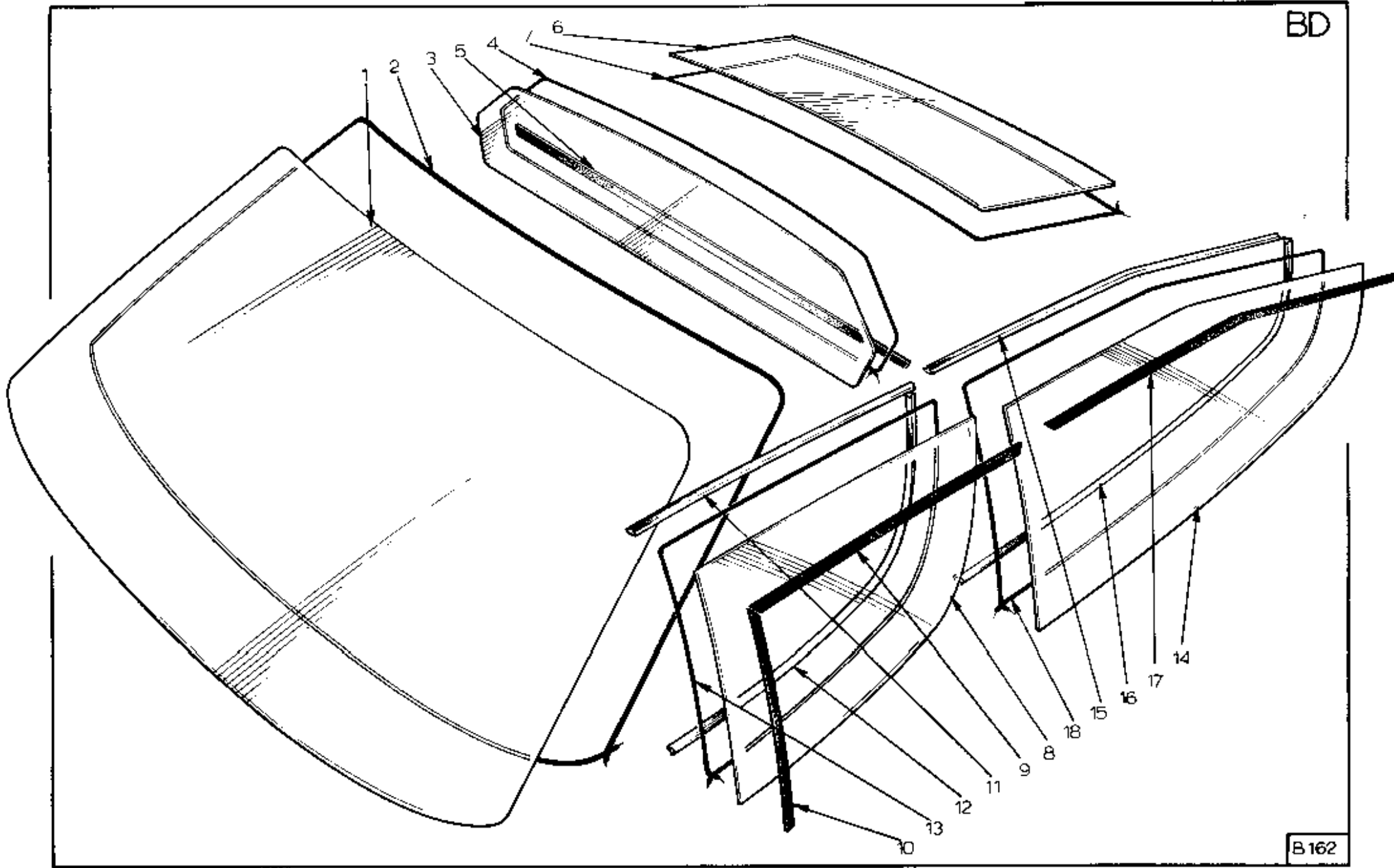
PLATE Ref. No.	DESCRIPTION	PART NO.	S.1.		S.2.		MANUAL	AUTOMATIC	ALL	DOMESTIC	R.O.W.	FEDERAL	REMARKS
			ELITE	ECLAT	ELITE	ECLAT							
BC 8	Boot Floor	A075B6061 S	*				*	*	1				Stage 1 Body.
	Boot Floor	AX75B6197K	*				*	*	1				Stage 2 Body.
	Boot Floor	A075B6196K	*				*	*	1				Stage 3 Body.
	Boot Floor	A083B6248K			*	*	*	*	1				
	Boot Floor	A076B6198K		*			*	*	1				
Not illus.	Roll Over Bar	D075U0125Z	*				*	*	1				Up to unit nos. 1483A, 1485A to 1492A, 0515B, 0215C, 0102K inc. <u>but excluding Stage 2 bodies.</u>
Not illus.	Roll Over Bar	E075U0125F	*				*	*	1				Unit nos. 1484A & 1493A on, 0516B, 0216C, 0103K & 100L on inc.
Not illus.	Roll Over Bar	CX75U0666F	*	*			*	*	1				Stage 2 Elite Bodies.
Not illus.	Roll Over Bar	E075U0125F			*	*	*	*	1				
Not illus.	Spacer, Roll Over Bar	C075U0645ZJ	*				*	*	2				Up to unit nos. 1483A, 1485A to 1492A, 0515B, 0215C & 0102K inc. <u>but excluding Stage 2 bodies.</u>
Not illus.	Spacer, Roll Over Bar	AX75U1009Z	*				*	*	2				Unit nos. 1484A & 1493A on, 0516B, 0216C, 103K & 100L on, inc.
Not illus.	Spacer, Roll Over Bar	AX75U0673Z	*	*			*	*	2				Stage 2 Elite body.
Not illus.	Spacer, Roll Over Bar	AX75U1009Z			*	*	*	*	2				See page BC 1 for Explanatory Remarks
01.81													Elite/Eclat BC 5.

PLATE Ref. No.	DESCRIPTION	PART NO.	S.1.		S.2.		MANUAL	AUTOMATIC	ALL	DOMESTIC	R.O.W.	FEDERAL	REMARKS
			ELITE	ECLAT	ELITE	ECLAT							
Not illus.	Mounting Bracket, Roll Over Bar/Body RH	AX75U1006F	*	*			*	*	1				Stage 2 Elite Body.
	Mounting Bracket, Roll Over Bar/Body LH	AX75U1007F	*	*			*	*	1				Stage 2 Elite Body.

See Page BC 1 for  
Explanatory Remarks

Elite/Eclat  
BC 6.

BD



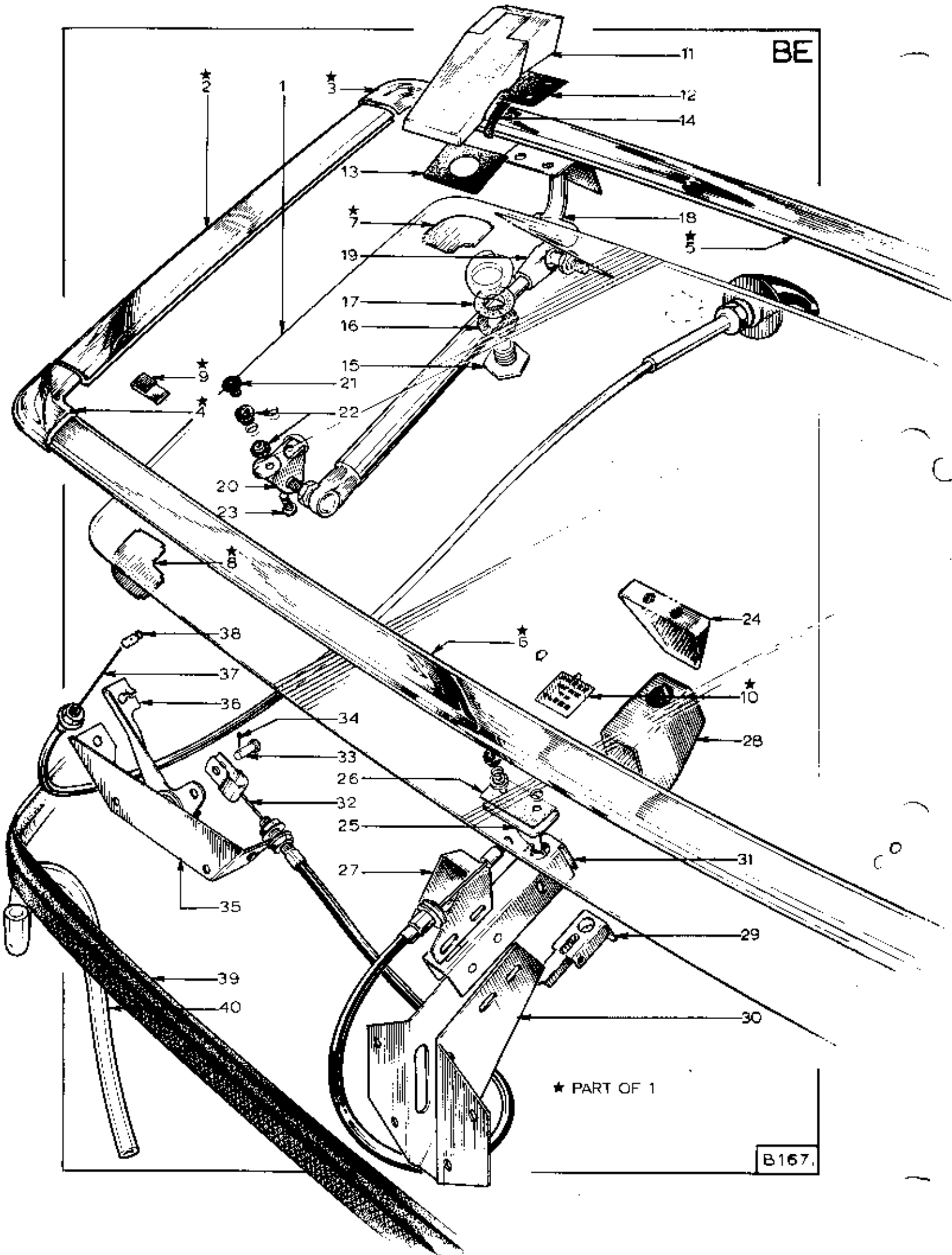
B 162

PLATE Ref. No.	DESCRIPTION	PART NO.	S.1.		S.2.		MANUAL	AUTOMATIC	ALL	DOMESTIC	R.O.W.	FEDERAL	REMARKS
			ELITE	ECLAT	ELITE	ECLAT							
BD 1	Windscreen, Clear	A075U0219ZE	*	*	*	*	*	*	1				
	Windscreen, Tinted <i>B08901330F</i>	A075U0220ZK	*	*	*	*	*	*	1				
BD 2	Solbit, Windscreen	A075B6006ZA	*	*			*	*	1				R/B A075B6158J Betaseal.
	Betaseal Kit	A075B6158J	*	*	*	*	*	*	1				See Bulletin 1978/30.
BD 3	Glass, Interior	A075U0236ZB	*		*		*	*	1				
BD 4	Solbit, Interior Glass	A075B6011ZD	*		*		*	*	1				
BD 5	Trim, Interior Glass	B075U0467ZK	*		*		*	*	1				
BD 6	Backlight, Clear, Heated	B076U0570Z		*		*	*	*	1				
	Backlight, Tinted, Heated	B076U0571Z		*		*	*	*	1				
	Backlight, Clear	A076U0572Z		*		*	*	*	1				
BD 7	Solbit, Backlight	A076B6001Z		*		*	*	*	1				R/B A075B6158J Betaseal.
	Betaseal Kit	A075B6158J		*		*	*	*	1				See Bulletin 1978/30.
BD 8	Glass, Qtr. Lt, Rear, LH, Clear	B075U0225ZK	*		*		*	*	1				
	Glass, Qtr. Lt, Rear, LH, Tinted	A075U0227ZJ	*		*		*	*	1				
BD 9	Finisher, Qtr. Lt, Exterior, Upper, LH	A075U0137ZH	*				*	*	1				Up to & inc. 0833A, 0469D & 0132C.
	Finisher, Qtr. Lt, Exterior, Upper, LH	A075U1108F	*		*		*	*	1				From 0834A, 0470B & 0133C.
BD 10	Finisher, Qtr. Lt, Exterior, BC Post, LH	C075U0134ZD	*	*			*	*	1				Up to & inc. 0833A, 0469B, 0132C, 0204D, 0162E & 0112F
	Finisher, Qtr. Lt, Exterior, BC Post, LH	D075U1107F	*	*	*	*	*	*	1				From nos. 0834A, 0470B, 0133C, 0205D, 0163E & 0113F
01.81													Elite/Eclat BD 1.

PLATE Ref. No.	DESCRIPTION	PART NO.	S.1.		S.2.		MANUAL	AUTOMATIC	ALL	DOMESTIC	R.O.W.	FEDERAL	REMARKS
			ELITE	ECLAT	ELITE	ECLAT							
BD 11	Finisher, Qtr. Lt, Interior, Upper LH	B075U0447ZJ	*		*		*	*	1				
BD 12	Finisher, Qtr. Lt, Interior, Lower LH	B075U0445ZK	*		*		*	*	1				
	Glass, Qtr. Lt, Rear, RH, Clear	A075U0224ZE	*		*		*	*	1				
	Glass, Qtr. Lt, Rear, RH, Tinted	C075U0226ZD	*		*		*	*	1				
	Finisher, Qtr. Lt, Exterior, Upper RH	C075U0137ZH	*				*	*	1				Up to & inc. 0833A, 0469B, 0132C.
	Finisher, Qtr. Lt, Exterior, Upper RH	D075U0137Z	*		*		*	*	1				From 0834A, 0470B & 0133C.
	Finisher, Qtr. Lt, Exterior, BC Post, RH	C075U0135ZJ	*				*	*	1				Up to & inc. 0833A, 0469B, 0132C.
	Finisher, Qtr. Lt, Exterior, BC Post, RH	D075U0135Z	*		*		*	*	1				From 0834A, 0470B & 0133C.
	Finisher, Qtr. Lt, Interior, Upper, RH	B075U0446ZD	*		*		*	*	1				
	Finisher, Qtr. Lt, Interior, Lower, RH	B075U0444ZE	*		*		*	*	1				
BD 13	Solbit, Rear Qtr. Light Glass	B075B6008ZD	*		*		*	*	1				5M.
BD 14	Glass, Side, LH, Clear	A076U0575Z		*		*	*	*	1				
	Glass, Side, LH, Tinted	A076U0573Z		*		*	*	*	1				
BD 15	Finisher, Side, Rear, Upper, Int, LH	A076U1059F		*		*	*	*	1				Black.
BD 16	Finisher, Side, Rear, Lower, Int, RH	A076U1057F		*		*	*	*	1				Black.
BD 17	Finisher, Side, Upper, Exterior, LH	A076U1109F		*		*	*	*	1				ABS.
	Glass, Side, RH, Clear	A076U0576Z		*		*	*	*	1				
	Glass, Side, RH, Tinted	A076U0574Z		*		*	*	*	1				

PLATE Ref. No.	DESCRIPTION	PART NO.	S.1.		S.2.		MANUAL	AUTOMATIC	ALL	DOMESTIC	R.O.W.	FEDERAL	REMARKS
			ELITE	ECLAT	ELITE	ECLAT							
BD 18	Finisher, Side, Rear, Upper, Int, RH	A076U1058F		*		*	*	*	1				Black.
	Finisher, Side, Rear, Lower, Int, RH	A076U1056F		*		*	*	*	1				Black.
	Finisher, Side, Upper, Exterior, RH	B076U0692F		*		*	*	*	1				ABS.
	Solbit, Glass, Side	A076B6000Z		*		*	*	*	2				2.40M.
	Solbit Primer	A075B6012ZJ	*	*	*	*	*	*	10 cc				
	Double Sided Adhesive Tape, 25mm	A075U6070VC	*	*	*	*	*	*	A/R				Fin. Qtr. Lt, Ext. Upper.
	Double Sided Adhesive Tape, 12.7mm	A075U6071VH	*	*	*	*	*	*	A/R				Fin. Qtr. Lt, Ext. BC Post.

BE



★ PART OF 1

B167.

PLATE Ref. No.	DESCRIPTION	PART NO.	S.1.		S.2.		MANUAL	AUTOMATIC	ALL	DOMESTIC	R.O.W.	FEDERAL	REMARKS
			ELITE	ECLAT	ELITE	ECLAT							
BE 1	Tailgate Glass, Plain, c/w Finisher Assy	A075U6063S	*				*	*	1				Finisher Assy.
	Tailgate Glass, Tinted, c/w Finisher Assy	A075U6064SE	*				*	*	1				
	Tailgate Glass, Tinted & Heated, c/w Finisher Assy.	A075U6065SK	*				*	*	1				
	Tailgate Glass, Tinted & Heated, c/w Finisher Assy.	A083U0733 F A083U0733 J			*		*	*	1				
	Finisher Assy.	G075U0702W	*		*		*	*	1				
BE 2	Finisher Strip, LH	A075U0281 ZG	*		*		*	*	1				
	Finisher Strip, RH	A075U0282 ZA	*		*		*	*	1				
BE 3	Corner Cap, Upper, LH	E075U0283 ZL	*		*		*	*	1				
	Corner Cap, Upper, RH	A075U0458 ZE	*		*		*	*	1				
BE 4	Corner Cap, Lower	F075U0284 ZJ	*		*		*	*	2				
BE 5	Finisher Strip, Upper	A075U0287 ZD	*		*		*	*	1				
BE 6	Finisher Strip, Lower	B075U0288 ZB	*		*		*	*	1				
BE 7	Inner Plate, Corner Cap, Upper	F075U0285 ZC	*		*		*	*	2				
BE 8	Inner Plate, Corner Cap, Lower	F075U0286 ZH	*		*		*	*	2				
BE 9	Clips, Trim to Glass	C075U0589 FG	*		*		*	*	12				
BE 10	Label - "Press Here to Close"	A075U0694 FJ	*		*		*	*	1				

Elite/Eclat  
BE 1.



PLATE Ref. No.	DESCRIPTION	PART NO.	S.1.		S.2.		MANUAL	AUTOMATIC	ALL	DOMESTIC	R.O.W.	FEDERAL	REMARKS
			ELITE	ECLAT	ELITE	ECLAT							
	Adhesive, Trim Clip to Glass	A075U6045VK	*		*		*	*	A/R				
	Adhesive, Corner Cap to Finisher :- Resin	A050V6004VB	*		*		*	*	A/R				
	Hardener	A050V6005VG	*		*		*	*	A/R				
BE 11	Hinge Assy, LH	A075U0703W	*				*	*	1				Up to 0528A, 0419B, 0077C, inc.  From 0529A, 0420B, 0078C, inc.
	Hinge Assy, RH	A075U0704W	*				*	*	1				
	Hinge Assy, LH	B075U0703W	*		*		*	*	1				
	Hinge Assy, RH	B075U0704W	*		*		*	*	1				
BE 12	Gasket, Hinge to Body	C075U0369ZF	*		*		*	*	2				
BE 13	Gasket, Hinge to Glass	E075U0370ZH	*		*		*	*	2				
BE 14	"Ladao", Hinge to Finisher	A036B6213VC	*		*		*	*	A/R				
BE 15	Bolt, Hinge to Glass	A075U0542ZJ	*		*		*	*	2				
BE 16	Washer, Hinge to Glass	B075U0543ZG	*		*		*	*	2				
BE 17	Gasket, Hinge to Glass	A075U0545ZB	*		*		*	*	2				Up to 0528A, 0419B, 0077C inc From 0529A, 0420B, 0078C inc.
	Gasket, Hinge to Glass	B075U0545Z	*		*		*	*	2				
BE 18	Mtg. Bracket, Gas Strut, LH	C075U0389ZG	*		*		*	*	1				
	Mtg. Bracket, Gas Strut, RH	C075U0390ZA	*		*		*	*	1				
	Nut, Hinge to Body & Gas Strut	A075W3009ZE	*		*		*	*	8				

Elite/Eclat  
BE 2.

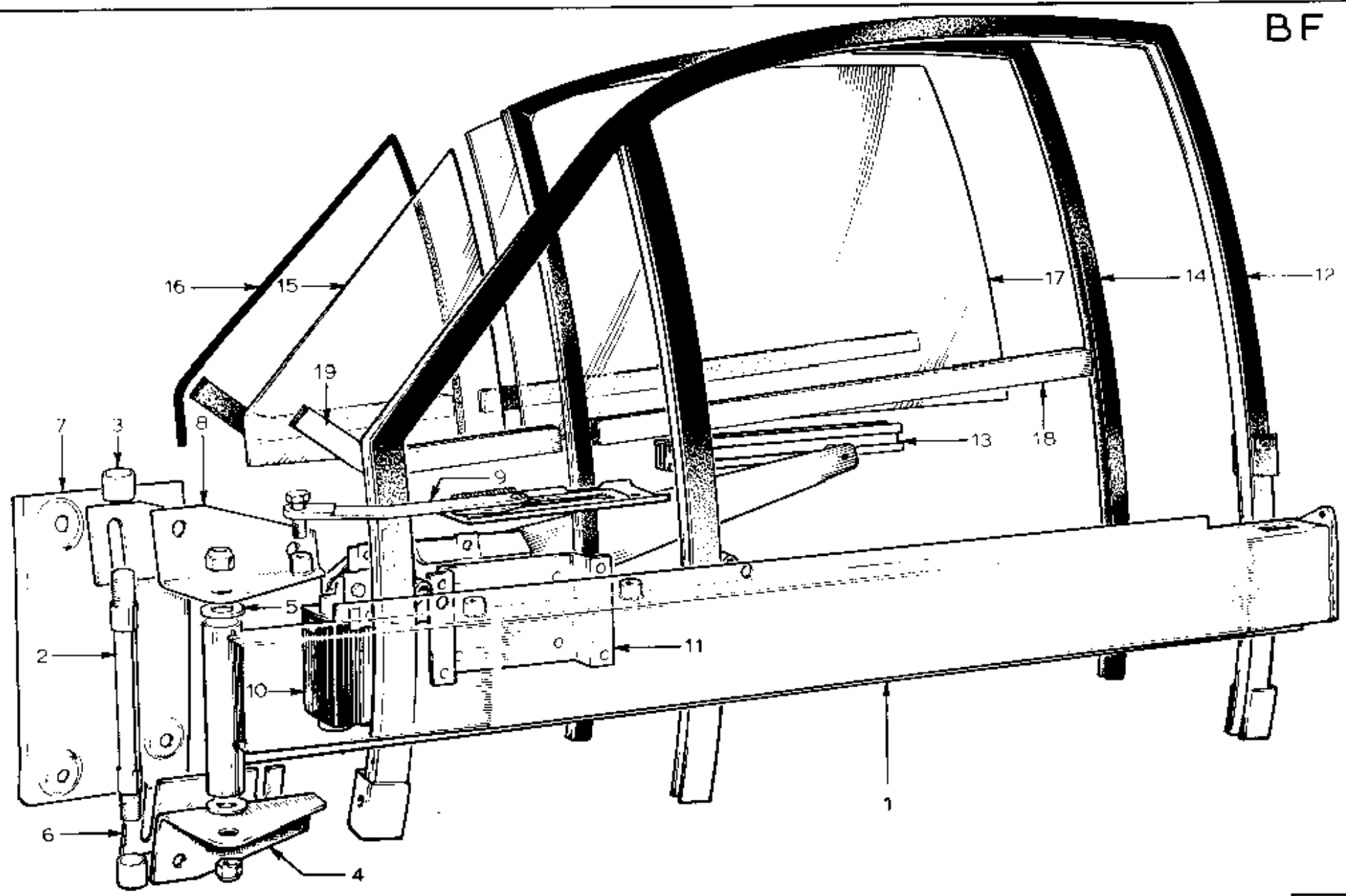
PLATE Ref. No.	DESCRIPTION	PART NO.	S.1.		S.2.		MANUAL	AUTOMATIC	ALL	DOMESTIC	R.O.W.	FEDERAL	REMARKS
			ELITE	ECLAT	ELITE	ECLAT							
BE 19	Gas Strut	A075U0433ZA	*		*		*	*	2				
BE 20	Mtg. Bracket, Gas Strut to Glass	A075U0385ZA	*		*		*	*	2				
	Nut, Strut to Bracket	A075W3010ZK	*		*		*	*	2				
	Washer	A075W4020ZB	*		*		*	*	2				
BE 21	Cap Nut	B075U6026ZA	*		*		*	*	6				2 for Striker Fixing.
BE 22	Shoulder Washer	A075U6027ZB	*		*		*	*	12				4 for Striker Fixing.
BE 23	Bolt, Mounting Bracket to Glass	A075U6028ZG	*		*		*	*	6				2 for Striker Fixing.
BE 24	Cover, Striker, Tailgate Lock	A075U0587ZC	*		*		*	*	1				
BE 25	Striker, Tailgate Lock	C075U0173ZA	*		*		*	*	1				
Not Illus.	Striker, Tailgate Lock	A083U1228F			*		*	*	1				
BE 26	Gasket, Striker Plate to Glass	B075U0395ZL	*		*		*	*	1				
BE 27	Stiffening Bracket, Drain Channel	A075U0443ZG	*		*		*	*	1				
BE 28	Cover, Tailgate Lock	A075U0454ZG	*		*		*	*	1				
BE 29	Lock, Tailgate	A075U0363ZA	*		*		*	*	1				
Not Illus.	Lock, Tailgate, c/w Keys	A083U6093F			*		*	*	1				
Not Illus.	Release Lever	A083U1225K			*		*	*	1				
Not Illus.	Stiffener Bracket	A083U1227K			*		*	*	1				
Not Illus.	Latch Mechanism, Tailgate	A083U6100F			*		*	*					
													Elite/Eclat BE 3.

PLATE Ref. No.	DESCRIPTION	PART NO.	S.1.		S.2.		MANUAL	AUTOMATIC	ALL	DOMESTIC	R.O.W.	FEDERAL	REMARKS
			ELITE	ECLAT	ELITE	ECLAT							
BE 30	Bracket, Tailgate Lock to Body	A075U0172ZC	*				*	*	1				
BE 31	Carrier Bracket, Tailgate Lock	A075U0171ZE	*				*	*	1				
	Support Bracket, Tailgate Lock	A083U1226K			*		*	*	1				
BE 32	Cable, Rear	C075U0184ZA	*				*	*	1				
BE 33	Clevis Pin	A075W6030ZB	*				*	*	2				
BE 34	Split Pin	A075W6005ZJ	*				*	*	2				
BE 35	Bracket, Multiplying Lever, LHD	A075U0582ZL	*				*	*			1	1	
	Bracket, Multiplying Lever, RHD	A075U0583ZE	*				*	*		1			
	Screw, Pozzi	A075W5015Z	*				*	*	2				
	Washer	A075W4000ZA	*				*	*	2				
BE 36	Multiplying Lever, LHD	X050B1875ZD	*				*	*			1	1	
	Multiplying Lever, RHD	X050B1876WH	*				*	*		1			
	Spacer, Pivot	X050B1874ZK	*				*	*	1				
	Washer	A075W4005ZD	*				*	*	1				
	Set Screw	A075W1027ZB	*				*	*	1				
	Washer	A075W4012F	*				*	*	1				
BE 37	Cable, Front	A075U0183ZG	*				*	*	1				
	Grommet	X054J6007ZB	*				*	*	1				

Elite/Eclat  
BE 4.

PLATE Ref. No.	DESCRIPTION	PART NO.	S.1.		S.2.		MANUAL	AUTOMATIC	ALL	DOMESTIC	R.O.W.	FEDERAL	REMARKS
			ELITE	ECLAT	ELITE	ECLAT							
BE 38	Trunnion	A050B6160ZD	*				*	*	1				
BE 39	Seal, Tailgate to Body	B075U6037ZA	*		*		*	*	1				
	Secondary Seal, Tailgate	A075U1024FK	*		*		*	*	A/R				
BE 40	Drain Tube	A075U0424ZL	*		*		*	*	2				
	<i>ADHESIVE DOWEL 5 TEST</i>	<i>A075V0012V</i>											
	<i>CONDENSATE DRAIN</i>	<i>A075U0131V</i>											
	<i>EXPANSION VALVE</i>	<i>A075U0131V</i>											

BF



B118

PLATE Ref. No.	DESCRIPTION	PART NO.	S.1.		S.2.		MANUAL	AUTOMATIC	ALL	DOMESTIC	R.O.W.	FEDERAL	REMARKS
			ELITE	ECLAT	ELITE	ECLAT							
BF 1	Door Beam Assy, LH	A076U0717K	*	*	*	*	*	*		1	1		Rep. E075U0309Z on Elite.
	Door Beam Assy, RH	A076U0718K	*	*	*	*	*	*		1	1		Rep. E075U0310Z on Elite.
	Door Beam Assy, LH	E075U0311WJ	*	*	*	*	*	*				1	Also Australia.
	Door Beam Assy, RH	E075U0312WC	*	*	*	*	*	*				1	Also Australia.
BF 2	Hinge Pin	A075U0279ZH	*	*	*	*	*	*	2				
	Nut	A075W3005ZG	*	*	*	*	*	*	2				
BF 3	Bush, Hinge Pin	A075U0280ZB	*	*	*	*	*	*	4				
BF 4	Hinge Assy, Lower, LH	F075U0239ZD	*	*	*	*	*	*	1				
	Hinge Assy, Lower, RH	F075U0240ZJ	*	*	*	*	*	*	1				
	Bolt	A075W2064ZH	*	*	*	*	*	*	8				
	Nut	A075W3011ZD	*	*	*	*	*	*	8				
	Washers	A075W4027ZD	*	*	*	*	*	*	36				
BF 5	Spacer, 2.00 mm, Door Hinge/Brkt.	B075U0410ZL	*	*	*	*	*	*	12				
	Spacer, 1.00 mm, Door Hinge/Brkt.	B075U0411ZE	*	*	*	*	*	*	4				
	Spacer, 0.25 mm, Door Hinge/Brkt.	B075U0412ZK	*	*	*	*	*	*	4				
BF 6	Shim, Door Hinge, 1.00 mm	A075U0329ZG	*	*	*	*	*	*	4				
	Shim, Door Hinge, 4.00 mm	A075U0403ZE	*	*	*	*	*	*	4				
	Shim, Abrasive, Door Hinge	A075U0407ZC	*	*	*	*	*	*	2				
BF 7	Reinforcement Plate, LH	E075U0195ZJ	*	*	*	*	*	*	1				
	Reinforcement Plate, RH	E075U0196ZC	*	*	*	*	*	*	1				

Hinge Bracket to Body.

Elite/Eclat  
BF 1.

PLATE Ref. No.	DESCRIPTION	PART NO.	S.1.		S.2.		MANUAL	AUTOMATIC	ALL	DOMESTIC	R.O.W.	FEDERAL	REMARKS
			ELITE	ECLAT	ELITE	ECLAT							
BF 8	Door Hinge, Upper Bracket, LH	B075U0463WL	*	*	*	*	*	*	1				
	Door Hinge, Upper Bracket, RH	B075U0464WE	*	*	*	*	*	*	1				
BF 9	Check Strap Assy, LH	A075U0709WL	*	*	*	*	*	*	1				
	Check Strap Assy, RH	A075U0708WF	*	*	*	*	*	*	1				
	Bar, Strap/Hinge	A075U0459ZK	*	*	*	*	*	*	2				
	Bolt, Strap/Door	A075W1027ZB	*	*	*	*	*	*	4				
	Washer	A075W4046ZL	*	*	*	*	*	*	4				
	Spacer	A075U0462ZC	*	*	*	*	*	*	4				
BF 10	Window Motor, LH	A075M6091WG	*	*	*	*	*	*	1				
	Window Motor, RH	A075M6090WB	*	*	*	*	*	*	1				
	Set Screw, 1/2" UNF	A075W1018F	*	*	*	*	*	*	8				
	Washer	A075W4065ZG	*	*	*	*	*	*	8				
BF 11	Bracket, Window Motor	B075U0289ZG	*	*	*	*	*	*	2				
	Bolt	A075W1008ZF	*	*	*	*	*	*	8				
	Washer	A075W4013ZL	*	*	*	*	*	*	8				
	Washer, Shakeproof	A075W4046ZL	*	*	*	*	*	*	8				
BF 12	Window Frame Assy, LH	D075U0701W	*	X	*	*	*	*	1				
	<del>Window Frame Assy, LH</del>	<del>B076U0715ZH</del>		<del>X</del>			*	*	1				

PLATE Ref. No.	DESCRIPTION	PART NO.	S.1.		S.2.		MANUAL	AUTOMATIC	ALL	DOMESTIC	R.O.W.	FEDERAL	REMARKS
			ELITE	ECLAT	ELITE	ECLAT							
	Window Frame Assy, RH	D075U0700W	*	*	*	*	*	*	1				
	Window Frame Assy, RH	B076U0716ZB	*	*	*	*	*	*	1				
	Tube, Frame Assy.	B076U1033K	*	*	*	*	*	*	10				
	Spacer, Door to Frame	A075W4015ZK	*	*	*	*	*	*	A/R				
	Spacer, Beam to Frame	A075U0405Z	*	*	*	*	*	*	2				
	Spacer, Beam to Frame	A076U1035F	*	*	*	*	*	*	2				
	Set Screw, 6 x 40 mm	A075W1034ZD	*	*	*	*	*	*	10				
	Washer, M6	A075W4013ZL	*	*	*	*	*	*	16				
	Washer, Shakeproof	A075W4046ZL	*	*	*	*	*	*	16				
BF 13	Lift Channel	A075U1106F	*	*	*	*	*	*	2				
	Solbit, 10 mm	A075B6121V	*	*	*	*	*	*	2M				
	Solbit Primer	A075B6012ZJ	*	*	*	*	*	*	A/R				
BF 14	Silent Channel	E075U0330Z	*	*	*	*	*	*	2				
BF 15	Qtr. Light Glass, RH, Clear	A075U0232ZD	*	*	*	*	*	*	1				
	Qtr. Light Glass, LH, Clear	A075U0233ZJ	*	*	*	*	*	*	1				
	Qtr. Light Glass, RH, Tinted	A075U0234ZC	*	*	*	*	*	*	1				
	Qtr. Light Glass, LH, Tinted	A075Y0235ZH	*	*	*	*	*	*	1				

Elite/Eclat  
BF 3.



PLATE Ref. No.	DESCRIPTION	PART NO.	S.1.		S.2.		MANUAL	AUTOMATIC	ALL	DOMESTIC	R.O.W.	FEDERAL	REMARKS
			ELITE	ECLAT	ELITE	ECLAT							
BF 16	Solbit, 8mm	A075B6007Z	*	*	*	*	*	*	2				Rear Edge.
	Solbit, 10mm	A075B6006Z	*	*	*	*	*	*	2				Top & Fwd. Edges
	Solbit Primer	A075B6012ZJ	*	*	*	*	*	*	A/R				
BF 17	Door Glass, RH, Clear	A075U0228ZF	*	*	*	*	*	*	1				
	Door Glass, LH, Clear	A075U0229ZL	*	*	*	*	*	*	1				
	Door Glass, RH, Tinted	A075U0230ZE	*	*	*	*	*	*	1				
	Door Glass, LH, Tinted	A075U0231ZK	*	*	*	*	*	*	1				
BF 18	Wipe Seal, Door, 582 mm	A075U0414ZE	*	*	*	*	*	*	4				
BF 19	Wipe Seal, Door, 380 mm	A075U0415ZK	*	*	*	*	*	*	4				
	Clip	A075W6054ZA	*	*	*	*	*	*	A/R				Seal to Finisher.
													<p><i>A075B6006Z</i>  <i>(Rear Edge)</i>  <i>Top &amp; Fwd.</i></p> <p><i>A075U0228ZF</i>  <i>(RH Clear)</i>  <i>10 4 15 Seal</i>  <i>6253</i></p>
01.81													Elite/Eclat BF 4.

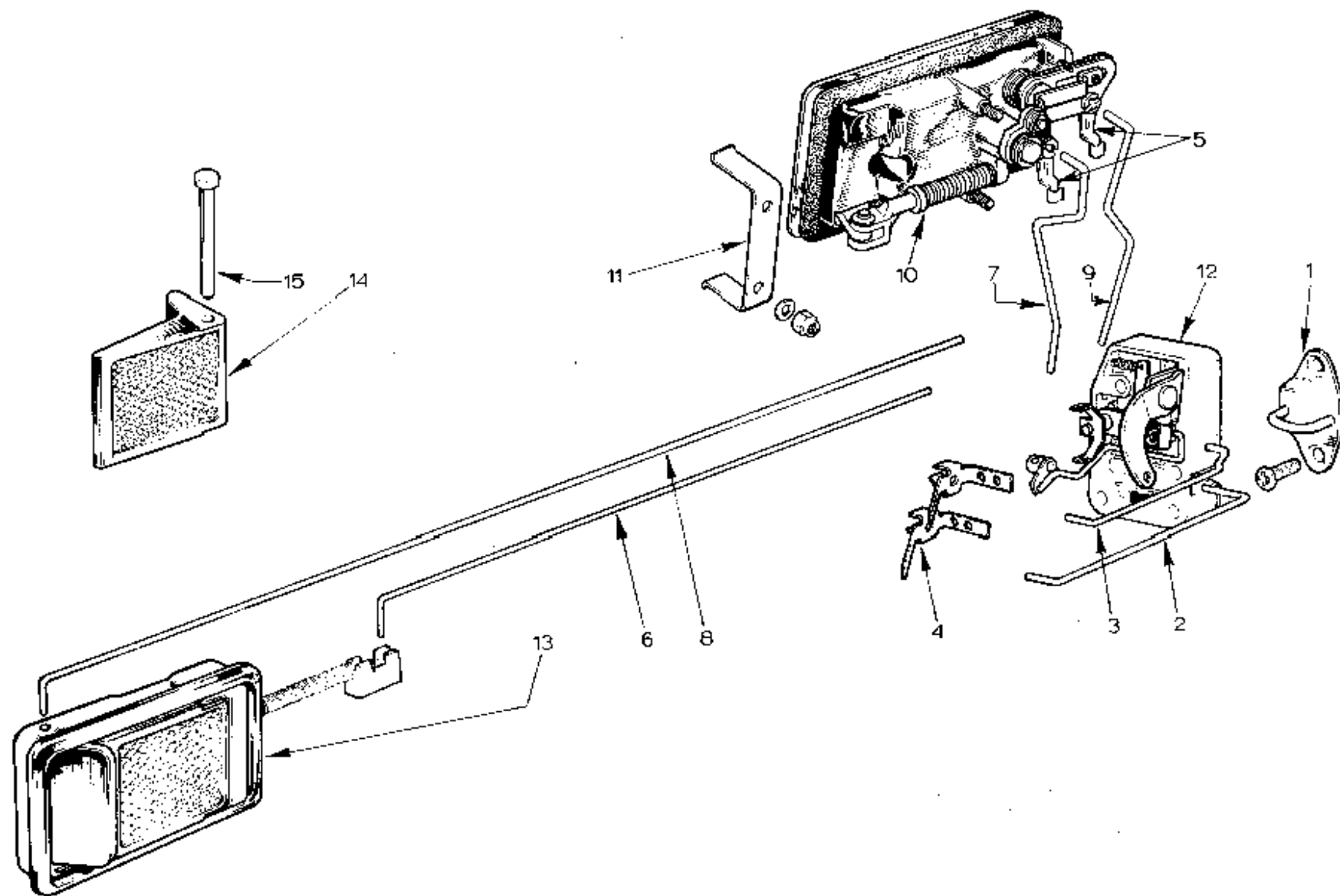


PLATE Ref. No.	DESCRIPTION	PART NO.	S.1.		S.2.		MANUAL	AUTOMATIC	ALL	DOMESTIC	R.O.W.	FEDERAL	REMARKS
			ELITE	ECLAT	ELITE	ECLAT							
	The following part numbers are applicable to unit numbers as indicated in the remarks column.												<p>Up to 1061A &amp; 1063A, 1068A, 1069A, 1071A, 1073A to 1076A, 1078A to 1085A, 1087A, 1089A, 1091A, 1093A, 1094A inc.</p> <p>Up to 0491B, inc.</p> <p>Up to 0189C, inc.</p> <p>Up to 0405D &amp; 0408D, 0415D, 0416D, 0418D, 0419D, 0421D to 0429D inc.</p> <p>Up to 0268E, 0270E to 0276E, 0279E, 0280E, 0282E to 0306E, inc.</p> <p>Up to 0138F &amp; 0140F, 0141F, inc.</p>
BG 1	Striker Plate	A075U6022ZK	*	*			*	*	2				
	Allen Bolt	A075W7003ZG	*	*			*	*	4				
	Shim, Abrasive	A075U0656ZJ	*	*			*	*	2				
	Tapping Plate	A075U0333ZJ	*	*			*	*	2				
BG 2	Rod, Latch to Adjuster Clip	A075U0441ZH	*	*			*	*	2				
BG 3	Rod, Lock to Adjuster Clip	A075U0442ZB	*	*			*	*	2				
BG 4	Adjuster Clip	A075W6064ZA	*	*			*	*	4				
BG 5	Bush & Clip Assy.	A075U6033ZK	*	*									
01.81													Elite/Eclat BG 1.

PLATE Ref. No.	DESCRIPTION	PART NO.	S.1.		S.2.		MANUAL	AUTOMATIC	ALL	DOMESTIC	R.O.W.	FEDERAL	REMARKS
			ELITE	ECLAT	ELITE	ECLAT							
BG 5	Rod, Interior Release to Clip, LH	A075U0437ZK	*	*			*	*	1				Unit nos. are applicable as on Page BG 1.
	Rod, Interior Release to Clip, RH	A075U0438ZD	*	*			*	*	1				
BG 7	Rod, Lock to Exterior Lock	B075U0261ZK	*	*			*	*	2				
BG 8	Rod, Interior Lock to Clip, LH	B075U0439ZB	*	*			*	*	1				
	Rod, Interior Lock to Clip, RH	B075U0440ZG	*	*			*	*	1				
BG 9	Rod, Exterior Release to Latch, LH	B075U0263ZJ	*	*			*	*	1				
	Rod, Exterior Release to Latch, RH	B075U0262ZD	*	*			*	*	1				
BG 10	Door Handle, Exterior, LH	A075U6019ZF	*	*			*	*	1				
	Door Handle, Exterior, RH	A075U6018ZA	*	*			*	*	1				
BG 11	Mounting Bracket	B075U0259ZL	*	*			*	*	2				
	Nut	A075W3000ZD	*	*			*	*	4				
BG 12	Door Lock, LH	A075U6021ZE	*	*			*	*	1				
	Surround	A075U0379ZD	*				*	*	1				
	Door Lock, RH	A075U6020ZL	*	*			*	*	1				
	Surround	A075U0380ZJ	*				*	*	1				
	Allen Screw	A075W7000ZC	*	*			*	*	8				
	Adjuster Clip	B075U0260ZE	*	*			*	*	2				
	Bush, Adjuster Clip	A075W6042ZG	*	*			*	*	2				
BG 13	Door Handle, Interior, LH	A075U1075KK	*	*			*	*	1				
01.81													Elite/Eclat BG 2.

"U" Clip.

Elite/Eclat  
BG 2.

PLATE Ref. No.	DESCRIPTION	PART NO.	S.1.		S.2.		MANUAL	AUTOMATIC	ALL	DOMESTIC	R.O.W.	FEDERAL	REMARKS
			ELITE	ECLAT	ELITE	ECLAT							
BG 14	Door Handle, Interior, RH	A075U1076KD	*	*			*	*	1				Unit nos. are applicable as on page BG 1.
	Bezel, Interior Door Handle	X05486059ZC	*	*			*	*	2				
	Operating Flap, Door Handle	A036B6256ZC	*	*			*	*	2				
	Pivot Pin, Door Handle	A036B6257ZH	*	*			*	*	2				
	Tapping Plate, Door Handle	A075U0461ZJ	*	*			*	*	2				
	Screw	A075W5059ZG	*	*			*	*	6				
	The following part numbers are applicable to unit numbers as indicated in the remarks column.												From 1062A, 1064A, to 1067A, 1070A, 1092A, 1077A, 1086A, 1088A, 1090A, 1092A & 1095A on, inc.
	<u>SCREW - 1/4" x 20</u>												From 0492B on, inc.
													From 0190C on, inc.
													From 0406D, 0407D, 0409D to 0414D, 0417D, 0420D to 0430D on, inc.
BG 1	Striker Plate	A075U6022ZK	*	*	*	*	*	*	2				From 0269E, 0277E, 0278E, 0281E, 0307E, on, inc.
	Allen Bolt	A075W7003ZG	*	*	*	*	*	*	4				From 0139F & 0142 on, inc.
	Shim, Abrasive	A075U0656ZJ	*	*	*	*	*	*	2				
	Tapping Plate	A075U0333ZJ	*	*	*	*	*	*	2				
01.81													Elite/Eclat BG 3.

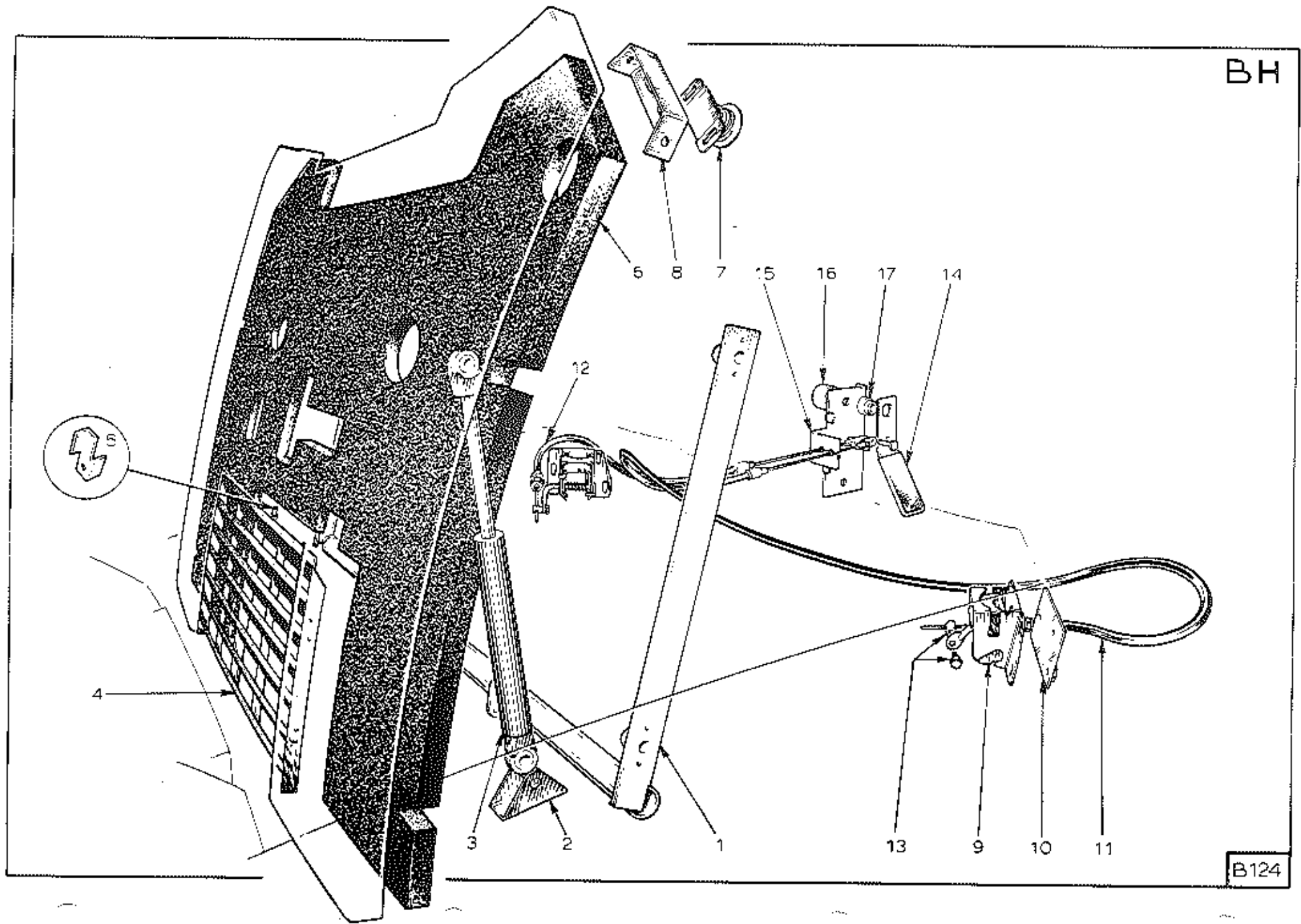
PLATE Ref. No.	DESCRIPTION	PART NO.	S.1.		S.2.		MANUAL	AUTOMATIC	ALL	DOMESTIC	R.O.W.	FEDERAL	REMARKS	
			ELITE	ECLAT	ELITE	ECLAT								
BG 5	Bush and Clip Assy.	A075U6033ZK	*	*	*	*	*	*	2				Unit nos. are applicable as on page BG 3.	
BG 7	Rod, Lock to Exterior Lock	B075U0261ZK	*	*	*	*	*	*	2					
BG 9	Rod, Exterior Release to Latch, LH	A075U1119F	*	*	*	*	*	*	1					
	Rod, Exterior Release to Latch, RH	A075U1120F	*	*	*	*	*	*	1					
Not illus.	Rod, Interior Lock to Lock, LH	A075U1114F	*	*	*	*	*	*	1					
Not illus.	Rod, Interior Lock to Lock, RH	A075U1115F	*	*	*	*	*	*	1					
Not illus.	Rod, Interior Release to Lock, LH	A075U1117F	*	*	*	*	*	*	1					
Not illus.	Rod, Interior Release to Lock, RH	A075U1118F	*	*	*	*	*	*	1					
Not illus.	Clip, Push-on	A075W6022F	*	*	*	*	*	*	2					
BG 10	Door Handle, Exterior, LH	A075U6019ZF	*	*	*	*	*	*	1					Black & Chrome. Black. Black & Chrome. Black.
	Door Handle, Exterior, LH	B075U6019F	*	*	*	*	*	*	1					
	Door Handle, Exterior, RH	A075U6018ZA	*	*	*	*	*	*	1					
	Door Handle, Exterior, RH	B075U6018F	*	*	*	*	*	*	1					
BG 11	Mounting Bracket	B075U0259ZL	*	*	*	*	*	*	2					
	Nut	A075W3000ZD	*	*	*	*	*	*	4					
BG 12	Door Lock, LH	A075U6021ZE	*	*	*	*	*	*	1					
	Surround	A075U0379ZD	*	*	*	*	*	*	1					
	Door Lock, RH	A075U6020ZL	*	*	*	*	*	*	1					

Elite/Eclat  
BG 4.

PLATE Ref. No.	DESCRIPTION	PART NO.	S.1.		S.2.		MANUAL	AUTOMATIC	ALL	DOMESTIC	R.O.W.	FEDERAL	REMARKS
			ELITE	ECLAT	ELITE	ECLAT							
	Surround	A075U0380ZJ	*		*		*	*	1				Unit nos. are applicable as on page BG 3.  "U" Clip.
	Allen Screw	A075W7000ZC	*	*	*	*	*	*	8				
	Adjuster Clip	B075U0260ZE	*	*	*	*	*	*	2				
	Bush, Adjuster Clip	A075W6042ZG	*	*	*	*	*	*	2				
Not illus.	Trunnion, Door Lock Release Lever	A075U1116F	*	*	*	*	*	*	2				
Not illus.	Bracket, Door Lock Linkage	A075U1121F	*	*	*	*	*	*	2				
Not illus.	Clip, Push-on	A075W6022F	*	*	*	*	*	*	2				

Elite/Eclat  
BG 5.

BH



B124



PLATE Ref. No.	DESCRIPTION	PART NO.	S.1.		S.2.		MANUAL	AUTOMATIC	ALL	DOMESTIC	R.O.W.	FEDERAL	REMARKS
			ELITE	ECLAT	ELITE	ECLAT							
BH 1	Cross Brace Frame	D075U1102F	*		*	*	*	*	1				Part of Bonnet Assy.
	Cross Brace Frame	D076U1103F		*	*	*	*	*	1				
	Bobbins, Detachable, 8mm	A075B2205ZL	*	*	*	*	*	*	7				
	Backing Plate, Bobbins	A075B2206ZE	*	*	*	*	*	*	4				
	Pop Rivets	A075W6066ZF	*	*	*	*	*	*	16				
	Set Screws, 8mm	A075W1043ZE	*	*	*	*	*	*	4				
	Set Screws, 10 UNF	A075W1000ZK	*	*	*	*	*	*	4				
	Nyloc Nuts, 10 UNF	A075W3000ZD	*	*	*	*	*	*	4				
	Washers	A075W4000ZA	*	*	*	*	*	*	8				
	BH 2	Bracket, Gas Strut Mounting	D075U0408F	*		*	*	*	*	1			
Spacer, Gas Strut		B075U0499ZE	*		*	*	*	*	2				
BH 3	Gas Strut	A075U6032ZE	*		*	*	*	*	1				
	Tack Nut	A075W3031ZE	*		*	*	*	*	2				
	Set Screw, 6mm	A075W1082Z	*		*	*	*	*	2				
	Set Screw, 8mm	A075W1040ZA	*		*	*	*	*	2				
	Nyloc Nut, 8mm	A075W3010ZK	*		*	*	*	*	2				
	Washer	A075W4020ZB	*		*	*	*	*	8				
	Nyloc Nut, 6mm	A075W3009ZE	*		*	*	*	*	2				
	Washer	A075W4013ZL	*		*	*	*	*	2				

PLATE Ref. No.	DESCRIPTION	PART NO.	S.1.		S.2.		MANUAL	AUTOMATIC	ALL	DOMESTIC	R.O.W.	FEDERAL	REMARKS
			ELITE	ECLAT	ELITE	ECLAT							
Not illus.	Bonnet Lid Stay	B076U1062K		*			*	*	1				
BH 4	Grille, Air Exit	B075U0317F	*	*	*	*	*	*	1				
BH 5	Bracket, Grille Mounting, Front	A075U0624ZC	*	*	*	*	*	*	1				
BH 6	Sound Insulation	A075V0636Z	*	*	*	*	*	*	1				
BH 7	Striker, Bonnet Lock	A075U0632WJ	*	*	*	*	*	*	2				
BH 8	Mounting Bracket, Striker, LH	D075U0275ZL	*	*	*	*	*	*	1				
	Mounting Bracket, Striker, RH	D075U0276ZE	*	*	*	*	*	*	1				
	Screw, Pozi, 8mm	A075W5094ZF	*	*	*	*	*	*	4				
	Washer	A075W4020ZB	*	*	*	*	*	*	4				
	Spring Washer	A075W4048ZK	*	*	*	*	*	*	4				
	Set Screw, 8mm	A075W1036ZC	*	*	*	*	*	*	4				
	Nyloc Nut	A075W3010ZK	*	*	*	*	*	*	4				
	Washer	A075W4020ZB	*	*	*	*	*	*	4				
BH 9	Lock, Bonnet	X050B6032W	*	*	*	*	*	*	2				
BH 10	Plate, Bonnet Lock	A050B1338ZD	*	*	*	*	*	*	2				
	Set Screw	A075W1005ZB	*	*	*	*	*	*	6				
	Gasket, Bonnet Lock	A075U0550ZE	*	*	*	*	*	*	2				
BH 11	Cable, Bonnet Lock, Long	B075U0319ZE	*	*	*	*	*	*	1				
BH 12	Cable, Bonnet Lock, Short	B075U0324ZH	*	*	*	*	*	*	1				
01.81													Elite/Eclat BH 2.

Washer Washer

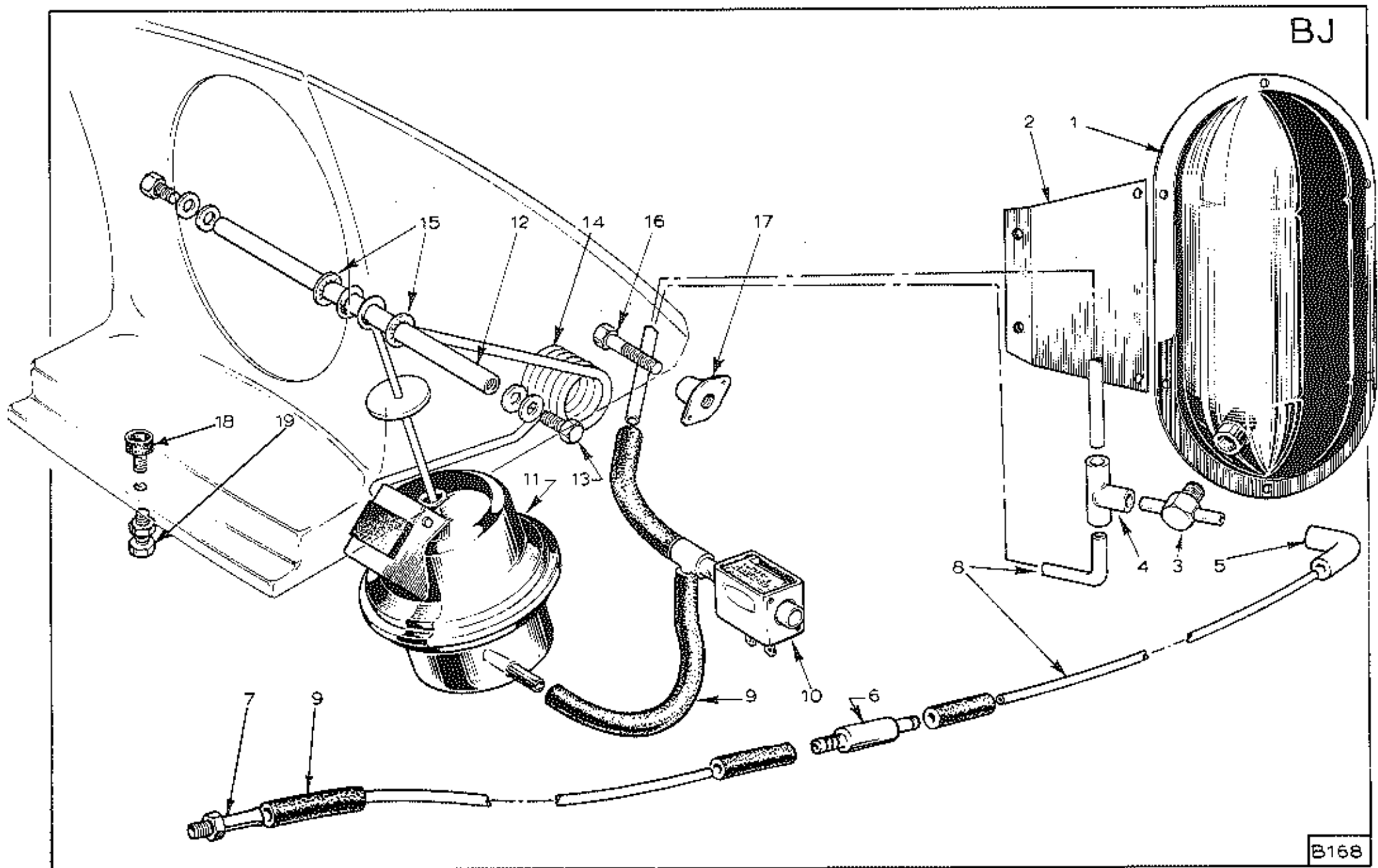
Mtg. Bracket to Bonnet.

Striker to Bracket.

PLATE Ref. No.	DESCRIPTION	PART NO.	S.1.		S.2.		MANUAL	AUTOMATIC	ALL	DOMESTIC	R.O.W.	FEDERAL	REMARKS
			ELITE	ECLAT	ELITE	ECLAT							
BH 13	Trunnion	B050B6160F	*	*	*	*	*	*	2				
	Cable Clip, Long Cable Support	A075W6052ZB	*	*	*	*	*	*	1				
BH 14	Multiplying Lever	D075U0321K	*	*	*	*	*	*	1				
	Grip, Multiplying Lever	A075U1173F	*	*	*	*	*	*	1				
BH 15	Bracket, Multiplying Lever	A075U0320ZF	*	*	*	*	*	*	1				
BH 16	Plain Spacer	A075U0498ZG	*	*	*	*	*	*	2				
BH 17	Shouldered Spacer	A075U0497ZB	*	*	*	*	*	*	1				
	Plain Washer	A075W4016ZD	*	*	*	*	*	*	2				
	Bolt, 6 x 35 mm	A075W2029ZJ	*	*	*	*	*	*	1				
	Plain Washer	A075W4015ZK	*	*	*	*	*	*	1				
	Clevis	A075W6034ZL	*	*	*	*	*	*	1				
	Split Pin	A075W6007ZH	*	*	*	*	*	*	1				
	Bolt, 6 x 25 mm	A075W2027ZK	*	*	*	*	*	*	1				
	Bonnet Earth Lead	A075M0254Z	*	*	*	*	*	*	1				

Elite/Eclat  
BH 3.

BJ

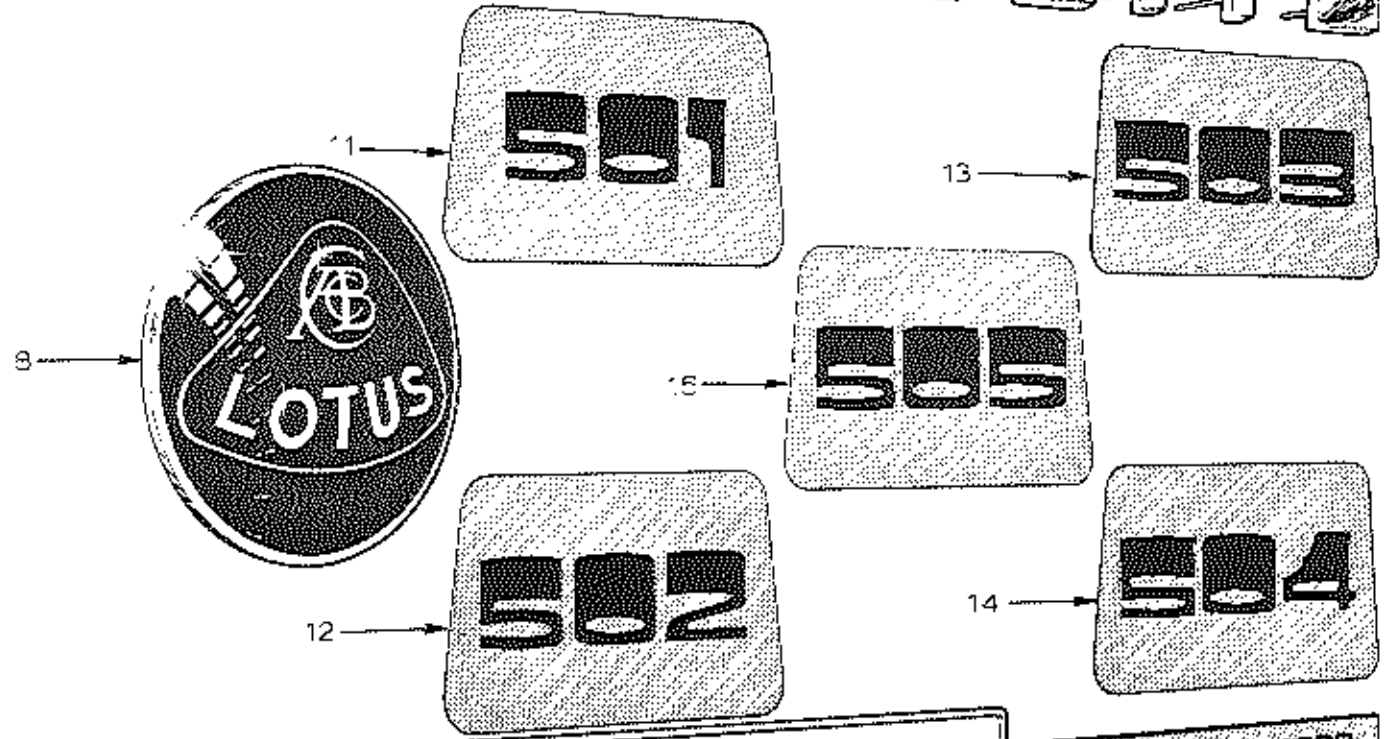
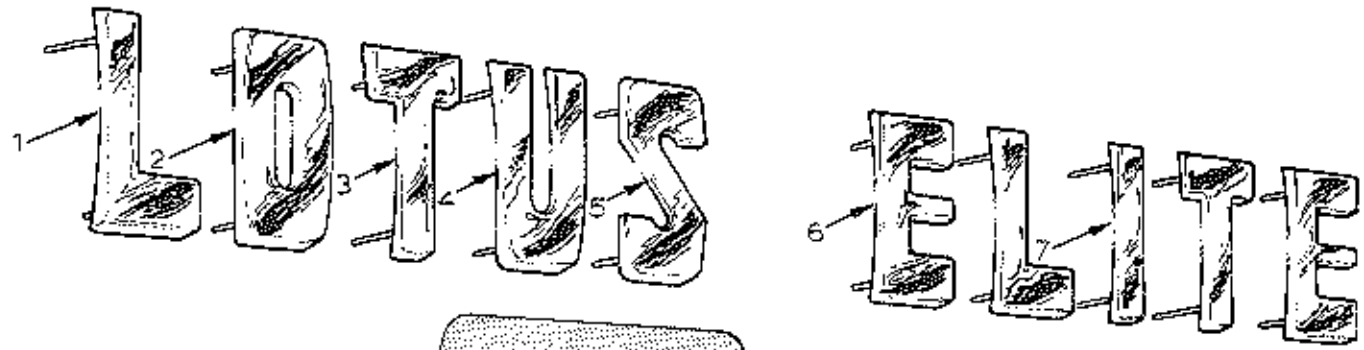


B168

PLATE Ref. No.	DESCRIPTION	PART NO.	S.1.		S.2.		MANUAL	AUTOMATIC	ALL	DOMESTIC	R.O.W.	FEDERAL	REMARKS
			ELITE	ECLAT	ELITE	ECLAT							
	See Section BJA for S2												
BJ 1	Vacuum Tank	A075U0187ZH	*	*			*	*	1				Up to 0745A, 0747A to 0772A 0796A to 0847A, 0853A to 0856A, inc.  Up to 0455B, 0457B to 0466B inc.  Up to 0155C, inc.  Nos. 0746A, 0773A to 0795A 0848A to 0850A & 0857A on, inc.  Nos. 0456B & 0467B on, inc.  Nos. 0116C on, inc.  Nos. 0147D, 0170D & 0173D on.  Nos. 0114E on.  Nos. 0105F on.  Nos. 0100K, 0100P & 0100U on.
BJ 2	Mounting Bracket	A075U0186ZC	*	*			*	*	1				
	Screw	A075W1027ZB	*	*			*	*	2				
	Washer	A075W4046ZL	*	*			*	*	2				
BJ 3	Adaptor Vacuum Tank	A075U0416ZD	*	*			*	*	1				
	Adaptor, Vacuum Tank	A075P0109ZB	*	*			*	*	1				Double Quantities on Air Conditioned Cars.

PLATE Ref. No.	DESCRIPTION	PART NO.	S.1.		S.2.		MANUAL	AUTOMATIC	ALL	DOMESTIC	R.O.W.	FEDERAL	REMARKS
			ELITE	ECLAT	ELITE	ECLAT							
BJ 4	Tee Piece	A036L6017Z	*	*			*	*	1				
BJ 5	Elbow	A036J0135Z	*	*			*	*	1				
BJ 6	Valve, Non-Return	A075U0561ZE	*	*			*	*	1	Double quantities on air conditioned cars			
BJ 7	Union	A026E0367ZJ	*	*			*	*	1				
BJ 8	Tubing	A026B0130ZC	*	*			*	*	A/R				
BJ 9	Connection Tube	<del>A036B6181ZL</del>	*	*			*	*	A/R				
BJ 10	Solenoid Valve	A075M6230F	*	*			*	*	2				Eclat 522, 523, 524.
	Solenoid Valve	A075M6230F		*			*	*	1				520 & 521.
BJ 11	Vacuum Cylinder	A075U0182ZE	*	*			*	*	2				
BJ 12	Actuating Bar	D075U0181ZA	*	*			*	*	2				
BJ 13	Bolt	A075W1026ZH	*	*			*	*	4				
	Washer	A075W4013ZL	*	*			*	*	8				
BJ 14	Spring	X036B0118ZD	*	*			*	*	2				
BJ 15	Retainer Spring	A075W6017ZC	*	*			*	*	4				
BJ 16	Bolt	A075W1082Z	*	*			*	*	4				
	Washer	A075W4013ZL	*	*			*	*	8				
BJ 17	Bobbin, Headlamp Pod Pivot Bolt	A075B2205ZL	*	*			*	*	4				
	Backing Plate	A075B2206ZE	*	*			*	*	4				
BJ 18	Stop Rubber	X046B6113ZG	*	*			*	*	2				
BJ 19	Bolt	X026E6042ZK	*	*			*	*	2				
	Nut	A026E6012Z	*	*			*	*	2				Elite/Eclat BJ 2.

PLATE Ref. No.	DESCRIPTION	PART NO.	S.1.		S.2.		MANUAL	AUTOMATIC	ALL	DOMESTIC	R.O.W.	FEDERAL	REMARKS
			ELITE	ECLAT	ELITE	ECLAT							
	Motor, Headlamp	A079M6047F			*	*	*	*	2				
	Motor Support Bracket	A083U1234K			*	*	*	*	2				
	Rotary Link	C079M4055K			*	*	*	*	2				
	Set Screw, Rotary Link Rod End M6 x 30	A075W3038F			*	*	*	*	2				
	Nut, Nyloc, M6	A075W3009ZE			*	*	*	*	2				
	Rod End	A079U6031F			*	*	*	*	2				
	Locknut, 1/2 UNF, Rod End	A075W3038F			*	*	*	*	2				
	Connecting Link	A083U1245F			*	*	*	*	2				
	Washer, 6mm x 12	A075W4013ZL			*	*	*	*	4				
	Washer, 6mm x 25	A075W4017ZJ			*	*	*	*	2				
	Washer, Nylon	A036B0433ZA			*	*	*	*	2				
	Washer, 3/16" x 1"	A075W4004ZK			*	*	*	*	2				
	Nyloc Nut, M5	A075W3003ZL			*	*	*	*	2				
	Compression Spring	A083U6108F			*	*	*	*	2				
	Grommet, Nylon (Link/Actuating Bar)	A076W6160F			*	*	*	*	2				
	Actuating Bar (Pod)	A083U1243F			*	*	*	*	2				
	Set Screw, Thin Head (Bar/Pod)	A075W1082Z			*	*	*	*	2				
	Washer, 6mm x 12	A075W4013ZL			*	*	*	*	A/R				
	Screw, S/T, No. 6 x 1/2"	A075W6016ZA			*	*	*	*	2				
	Nut, Spire	A075W6014Z			*	*	*	*	2				



Ac 3066341 z





PLATE Ref. No.	DESCRIPTION	PART NO.	S.1.		S.2.		MANUAL	AUTOMATIC	ALL	DOMESTIC	R.O.W.	FEDERAL	REMARKS
			ELITE	ECLAT	ELITE	ECLAT							
BK 1	Letter "L"	X036B0544ZH	*	*	*		*	*	2				1 on Eclat, 1 on S.2.
BK 2	Letter "O"	X036B0545ZB	*	*			*	*	2				1 on Eclat.
BK 3	Letter "T"	X036B0546ZG	*	*	*		*	*	2				1 on Eclat, 1 on S.2.
BK 4	Letter "U"	X036B0547ZA	*	*			*	*	1				
BK 5	Letter "S"	X036B0548ZF	*	*			*	*	1				
BK 6	Letter "E"	A075U0377ZE	*		*		*	*	2				
BK 7	Letter "I"	A075U0378ZK	*	*	*		*	*	1				
	Wing Clips	A075W6056ZL	*	*	*		*	*	A/R				
BK 8	Black "Lotus" Nose Badge	B036B0269F	*	*	*	*	*	*	1				
	Rawinut	B075W6029Z	*	*	*	*	*	*	2				
BK 9	"World Champion" Badge, 1973	A050U0579ZH	*	*			*	*	1				
	"World Champion" Badge, No Dates	A079U4518F	*	*			*	*	1				
	"World Champion" Badge, 1978	A075U1160F	*	*			*	*	1				
Not Illus.	"World Champion" Badge, BC Post	A083U1198F			*	*	*	*	2				
	Wing Clips	A075W6056ZL	*	*	*	*	*	*	A/R				
	Double Sided Tape	A074B6010VF	*	*	*	*	*	*	A/R				
Not Illus.	Badge, "Automatic"	A075U6081F	*	*	*	*	*	*	1				
	Badge, "Automatic"	A083U1197F			*		*	*	1				
	Badge Base (Auto & Elite 2.2)	A036B6342ZF			*		*	*	1				

Elite/Eclat  
BK 1.

PLATE Ref. No.	DESCRIPTION	PART NO.	S.1.		S.2.		MANUAL	AUTOMATIC	ALL	DOMESTIC	R.O.W.	FEDERAL	REMARKS
			ELITE	ECLAT	ELITE	ECLAT							
	Name Badge, "Eclat"	A076U1079F		*			*	*					Black.
	Name Badge, "Eclat"	A076U1129F		*			*	*					White.
	Name Badge, "Eclat"	A076U1156F		*			*	*					Gold.
	Badge, "Sprint"	A076U1123F		*			*	*				1	White.
	Badge, "Sprint"	A076U1124F		*			*	*				1	Black.
	Badge, "Sprint"	A076U1157F		*			*	*				1	Gold.
	Badge, Sprint, "Union Flag"	A076U1125F		*			*	*				1	
	Decal, Front Wing, RH	A076U1130K		*			*	*				1	
	Decal, Front Wing, LH	A076U1131K		*			*	*				1	
	Decal, Door	A076U1132K		*			*	*				2	
	Decal, Rear Wing, Fwd, RH	A076U1134K		*			*	*				1	
	Decal, Rear Wing, Fwd, LH	A076U1133K		*			*	*				1	Sprint only.
	Decal, Rear Wing, Rear, RH	A076U1136K		*			*	*				1	
	Decal, Rear Wing, Rear, LH	A076U1135K		*			*	*				1	
	Decal, Nose	A076U1137K		*			*	*				1	
	Decal, Bonnet	A076U1138K		*			*	*				1	
	Decal Strip - 50mm	A076U6019F		*			*	*				5.2	Bulk.
	Decal Strip - 190mm	A076U6020F		*			*	*				1.8	Bulk.
													Elite/Eclat BK 2.

PLATE Ref. No.	DESCRIPTION	PART NO.	S.1.		S.2.		MANUAL	AUTOMATIC	ALL	DOMESTIC	R.O.W.	FEDERAL	REMARKS
			ELITE	ECLAT	ELITE	ECLAT							
BK 11	Badge, Insert, "501"	B075U0682F	*				*	A/R					
BK 12	Badge, Insert, "502"	B075U0683F	*				*	A/R					
BK 13	Badge, Insert, "503"	B075U0684F	*				*	A/R					
BK 14	Badge, Insert, "504"	B075U0685F	*				*	A/R					
	Badge, Insert, "520"	B076U1084F		*			*	A/R					
	Badge, Insert, "521"	B076U1085F		*			*	A/R					
	Badge, Insert, "522"	B076U1086F		*			*	A/R					
	Badge, Insert, "523"	B076U1087F		*			*	A/R					
	Badge, Insert, "524"	B076U1088F		*			*	A/R					
	Badge, Insert, "S"	X050B0285ZD		*			*				A/R		Sprint Only.
	Badge Base	A036B6188ZB	*	*			*	2					
	Fixing Clips	A075W6056ZL	*	*			*	A/R					
	Twin Pin Stripe, Gold 9mm	A079U6034V	*	*			*	12.5 m					
	Twin Pin Stripe, Black 9mm	A079U6035V	*	*			*	12.5 m					
	Badge, Insert, Elite 2.2	A083U1196F			*		*	1					
	Badge, "52"	X054B1425ZH			*		*	2					
	Badge, Facia, "Elite 2.2"	A083U1207F			*		*	1					
	Badge, Facia, "Eclat 2.2"	A084U1206F				*	*	1					

PLATE Ref. No.	DESCRIPTION	PART NO.	S.1.		S.2.		MANUAL	AUTOMATIC	ALL	DOMESTIC	R.O.W.	FEDERAL	REMARKS
			ELITE	ECLAT	ELITE	ECLAT							
	Decal, "Lotus Eclat 2.2"	A084U1188F				*	*	*	1				Black.
	Decal, "Lotus Eclat 2.2"	A084U1189F				*	*	*	1				White.
	Decal, "Lotus Eclat 2.2"	A084U1190F				*	*	*	1				Gold.
	Decal, Nose, "Eclat 2.2"	A084U1191F				*	*	*	1				Black.
	Decal, Nose, "Eclat 2.2"	A084U1192F				*	*	*	1				White.
	Decal, Nose, "Eclat 2.2"	A084U1193F				*	*	*	1				Gold.
	Decal, Rear Qtr, "Eclat 2.2"	A084U1201F				*	*	*	2				Black.
	Decal, Rear Qtr, "Eclat 2.2"	A084U1202F				*	*	*	2				White.
	Decal, Rear Qtr, "Eclat 2.2"	A084U1203F				*	*	*	2				Gold.
	Decal, "S2"	A079U4539F				*	*	*	2				Black.
	Decal, "S2"	A079U4540F				*	*	*	2				White.
	Decal, "S2"	A079U4564F				*	*	*	2				Gold.
	Side Stripe, 1.90M	A083U6096V			*	*	*	*	2				Black.
	Side Stripe, 1.90M	A083U6097V			*	*	*	*	2				White.
	Side Stripe, 1.90M	A083U6098V			*	*	*	*	2				Gold.
	Pin Stripes	A079U6034V			*	*	*	*	12.5 in				Gold.
	Pin Stripes	A079U6035V			*	*	*	*	12.5 in				Black.

Elite/Eclat  
BK 4.

ALWAYS REFER TO COLOUR CODE ON CHASSIS PLATE. ALL QUERIES TO QUOTE THIS NUMBER.

COLOUR	CODE	BULK PT.NO.	TOUCH UP PT.NO. - 4OZ TINS
British Racing Green	L 01	A036B6315V	-
French Blue	L 02	A036B6316V	A036B6431SG
Wedgewood Blue	L 03	A036B6317V	A036B6432SA
Cirrus White	L 04	A036B6318V	A036B6416SJ
Carnival Red	L 05	B036B6319V	A036B6413SE
Burnt Sand	L 06	A036B6320V	A036B6412SL
Lotus Yellow	L 07	B036B6321V	A036B6418SH
Matt Black	L 08	A036B6312V	-
Royal Blue	L 09	A036B6322V	A036B6422SF
Bahama Yellow	L 10	A036B6323V	A036B6414SK
Regency Red	L 11	B036B6356V	A036B6423SL
Scandinavian Blue (Lagoon) (Met)	L 12	B036B6357V	A036B6419SB
Lime Green, Pistachio	L 13	A036B6349V	A036B6420SG
Colorado Orange	L 14	A036B6350V	A036B6417SC
Black Gloss	L 15	B036B6397V	A036B6424SE
Ford Tawny (Met)	L 16	A036B6399V	A036B6425SK

COLOUR	CODE	BULK PT.NO	TOUCH UP PT.NO - 4OZ TINS
Mid Green (Met)	L 17	A036B6426V	A036B6429SH
Glacier Blue (Met)	L 18	A050B6223V	-
Sable	L 19	B050B6225V	A050B6241SJ
Indigo Blue	L 20	A050B6226V	-
Roman Purple (Met)	L 21	B050B6228V	A036B6430SB
Bitter Green	L 22	A050B6229V	A050B6239SK
Burmese Brown - Sepia	L 23	A050B6230V	-
Firecracker	L 24	A050B6231V	-
Monaco White (Andes)	L 25	B050B6232V	A036B6237SL
Olympic Blue	L 26	A050B6233V	-
Gunmetal (Met)	L 27	B075B6096V	-
Brown	L 28		-
Mint Green (Met)	L 29	A075B6116V	-
Garnet (Met)	L 30	A075B6117V	-
Lemon Yellow	L 31	A075B6141V	-
Oxford Blue	L 32	A075B6170V	-
Signal Orange	L 33		-
Roman Bronze (Met)	L 34	A075B6143V	-
Brazil (Met)	L 35		-

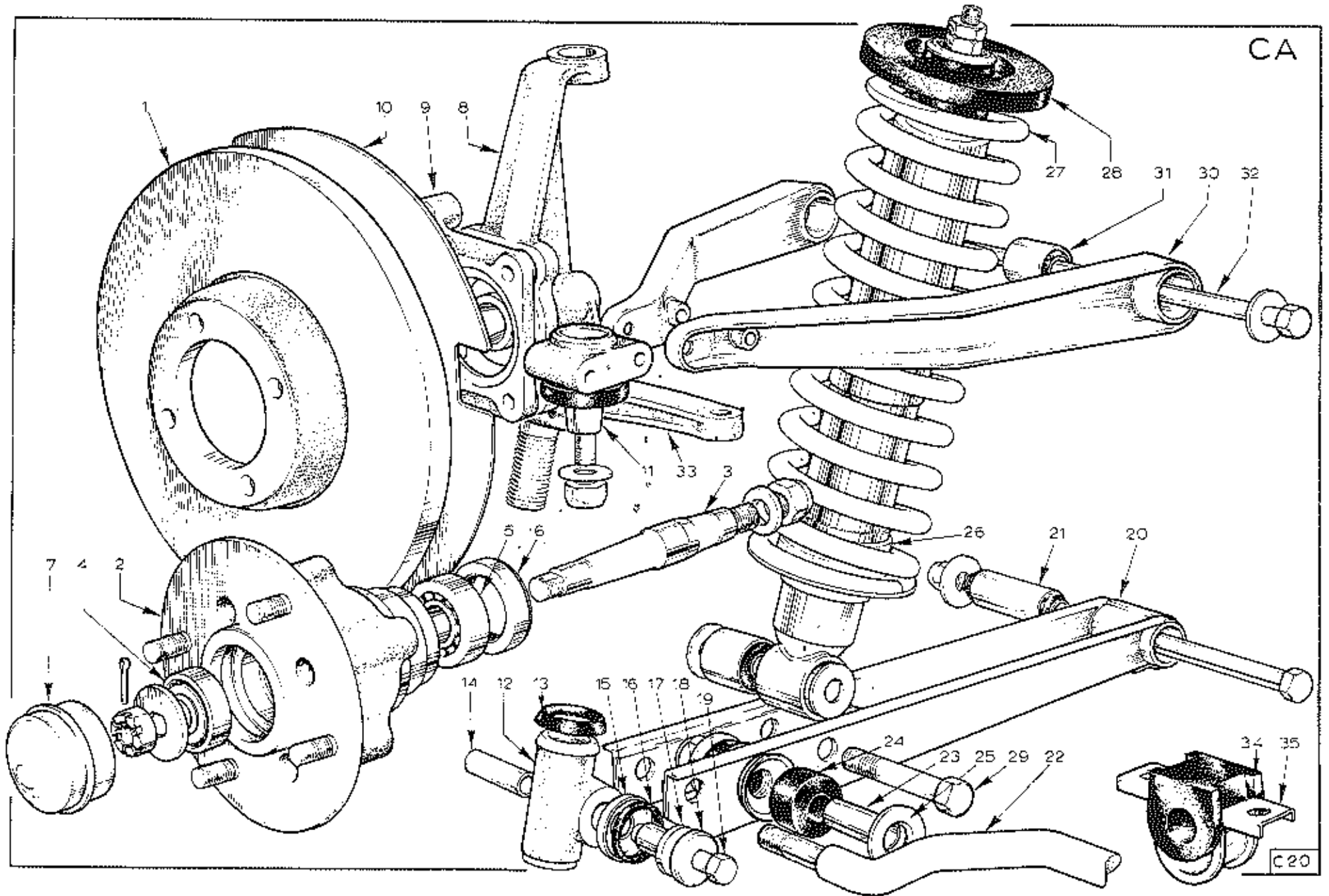
BL. 2

COLOUR	CODE	BULK PT.NO	TOUCH UP PT.NO - 4OZ TINS
Oxford Blue	A01	A076B6060V	
Black	A02	A076B6059V	
Diamond Silver (Met)	A03	A076B6067V	Base Coat Clear
Thinners		A076B6068V	} For Metallic
Clear Coat		A076B6069V	
Hardener		A076B6061V	
Thinner		A076B6002V	

COLOUR	CODE	BULK PT.NO.	TOUCH UP PT.NO. - 4CZ TINS
Satin Black		A07586034V	
Undercoat		X03686136V	
Thinner CTZ 110		X03686140V	
Thinner CTZ 35		X03686141V	
Thinner CTZ 73		X03686142V	
Thinner CTZ 22		X03686143V	
Thinner, Cleaning, SBD 3		X03686144V	
Primer Surfacer CFN 25		X03686139V	
Finnegans Hammerite Black		A07586069V	
Finnegans Hammerite Thinners		A07586147V	



CA



C20

PLATE Ref. No.	DESCRIPTION	PART NO.	S.1.		S.2.		MANUAL	AUTOMATIC	ALL	DOMESTIC	R.O.W.	FEDERAL	REMARKS
			ELITE	ECLAT	ELITE	ECLAT							
CA 1	Disc, Front	A075J0297ZK	*	*	*	*	*	*	2				Eclat S1 with Alloy Wheels. Use with Steel Wheels Only. Disc/Hub Fixing.
	Disc, Front	A050J6098ZF		*		*	*	*	2				
	Bolt	X036J6009ZF	*	*	*	*	*	*	8				
	Washer	X036J6010ZL	*	*	*	*	*	*	8				
CA 2	Front Hub Assy.	A075C0124WC	*	*	*	*	*	*	2				Eclat S1 with Alloy Wheels. Use with Steel Wheels Only. Use with Speedline Wheels.
	Front Hub Assy.	A076C0151JH		*		*	*	*	2				
	Front Hub Assy.	A082C4018F				*	*	*	2				
	Stud, Wheel	<i>7/16 x 20 UNE</i> A075C6003ZF	*	*	*		*	*	8				
	Stud, Wheel	A079D6002F				*	*	*	8				
CA 3	Stub Axle	A036C6040Z	*	*	*	*	*	*	2				
	Nut <i>9/16" UNE (Axle to out. link)</i>	A036C6033ZH	*	*	*	*	*	*	2				
	Washer	A036C6034Z	*	*	*	*	*	*	2				
CA 4	Bearing, Outer	A036C6041Z	*	*	*	*	*	*	2				Hub to Stub Axle.
CA 5	Bearing, Inner	A036C6042Z	*	*	*	*	*	*	2				
	Slotted Nut	A036C6010Z	*	*	*	*	*	*	2				
	Split Pin	A050C6001Z	*	*	*	*	*	*	2				
	Washer "D"	A050C6000Z	*	*	*	*	*	*	2				
CA 6	Oil Seal Assy.	A050C6002Z	*	*	*	*	*	*	2				
	Hub Cap	A075C6004ZL	*	*	*	*	*	*	2				
01.81													Elite/Eclat CA 1.

PLATE Ref. No.	DESCRIPTION	PART NO.	S.1.		S.2.		MANUAL	AUTOMATIC	ALL	DOMESTIC	R.O.W.	FEDERAL	REMARKS	
			ELITE	ECLAT	ELITE	ECLAT								
CA 8	Vertical Link, RH	A036C6044Z	*	*	*	*	*	*	1				Cal. Mtg. Plate/Vert Link.	
	Vertical Link, LH	A036C6043Z	*	*	*	*	*	*	1					
	Plug, Vertical Link	A036C6035Z	*	*	*	*	*	*	2					
	Sealing Ring	X050C6019ZC	*	*	*	*	*	*	2					
CA 9	Caliper Mounting Plate, RH	A075C0138ZH	*	*	*	*	*	*	1				S.1 Eclat with Alloy Wheels	
	Caliper Mounting Plate, LH	A075C0137ZC	*	*	*	*	*	*	1					
	Caliper Mounting Plate, RH	A050C6007Z	*	*	*	*	*	*	1					Use with Steel Wheels Only
	Caliper Mounting Plate, LH	A050C6006Z	*	*	*	*	*	*	1					
CA 10	Dust Shield, RH	A075C0140ZG	*	*	*	*	*	*	1				S.1 Eclat with Alloy Wheels	
	Dust Shield, LH	A075C0139ZB	*	*	*	*	*	*	1					
	Dust Shield, RH	A050C6009Z	*	*	*	*	*	*	1				Use with Steel Wheels Only	
	Dust Shield, LH	A050C6008Z	*	*	*	*	*	*	1					
	Bolt	<i>5/16" x 3/4"</i> A050C6017ZD	*	*	*	*	*	*	4				Cal. Mtg. Plate/Vert Link.	
	Washer 5/16" I.D.	A075W4002ZL	*	*	*	*	*	*	4					
	Bolt	A075W1023F	*	*	*	*	*	*	2					
	Nut, 3/8" UNF, Nyloc	A075W3003ZH	*	*	*	*	*	*	2					
	Bolt	A050C6012Z	*	*	*	*	*	*	2					
	Washer, Spring 3/8" I.D.	A075W4044ZA	*	*	*	*	*	*	2					
													Elite/Eclat CA 2.	

PLATE Ref. No.	DESCRIPTION	PART NO.	S.1.		S.2.		MANUAL	AUTOMATIC	ALL	DOMESTIC	R.O.W.	FEDERAL	REMARKS
			ELITE	ECLAT	ELITE	ECLAT							
CA 11	Upper Ball Joint Assy.	A036C6007Z	*	*	*	*	*	*	2				
	Nut <i>7/16 UNF</i>	A050C6004ZE	*	*	*	*	*	*	2				<i>2/R A075W3055F</i>
	Washer	A050C6005ZK	*	*	*	*	*	*	2				
	Bolt, Inboard, 8 x 100mm	A075W2049ZK	*	*	*	*	*	*	2				
	Nut, Nyloc	A075W3010ZK	*	*	*	*	*	*	4				
	Bolt, Outboard 8 x 60mm	A075W2043ZB	*	*	*	*	*	*	2				
	Washer	A075W4020ZB	*	*	*	*	*	*	4				
CA 12	Lower Trunnion Assy, RH	A036C6025Z	*	*	*	*	*	*	1				
	Lower Trunnion Assy, LH	A036C6026Z	*	*	*	*	*	*	1				
CA 13	Trunnion Seal	A036C6047Z	*	*	*	*	*	*	2				
CA 14	Sleeve	A036C6031ZJ	*	*	*	*	*	*	2				
CA 15	Washer	A036C6029ZK	*	*	*	*	*	*	4				
CA 16	Seal	A036C6030ZD	*	*	*	*	*	*	4				
CA 17	Bush	A036C6002ZG	*	*	*	*	*	*	4				
CA 18	Washer	A036C6032F	*	*	*	*	*	*	4				
CA 19	Bolt	A075W2010ZB	*	*	*	*	*	*	2				
	Nut	A075W3004ZB	*	*	*	*	*	*	2				
	Washer	A075W4005ZD	*	*	*	*	*	*	2				

*Top Ball Joints/Wishbones.*

Elite/Eclat  
CA 3.

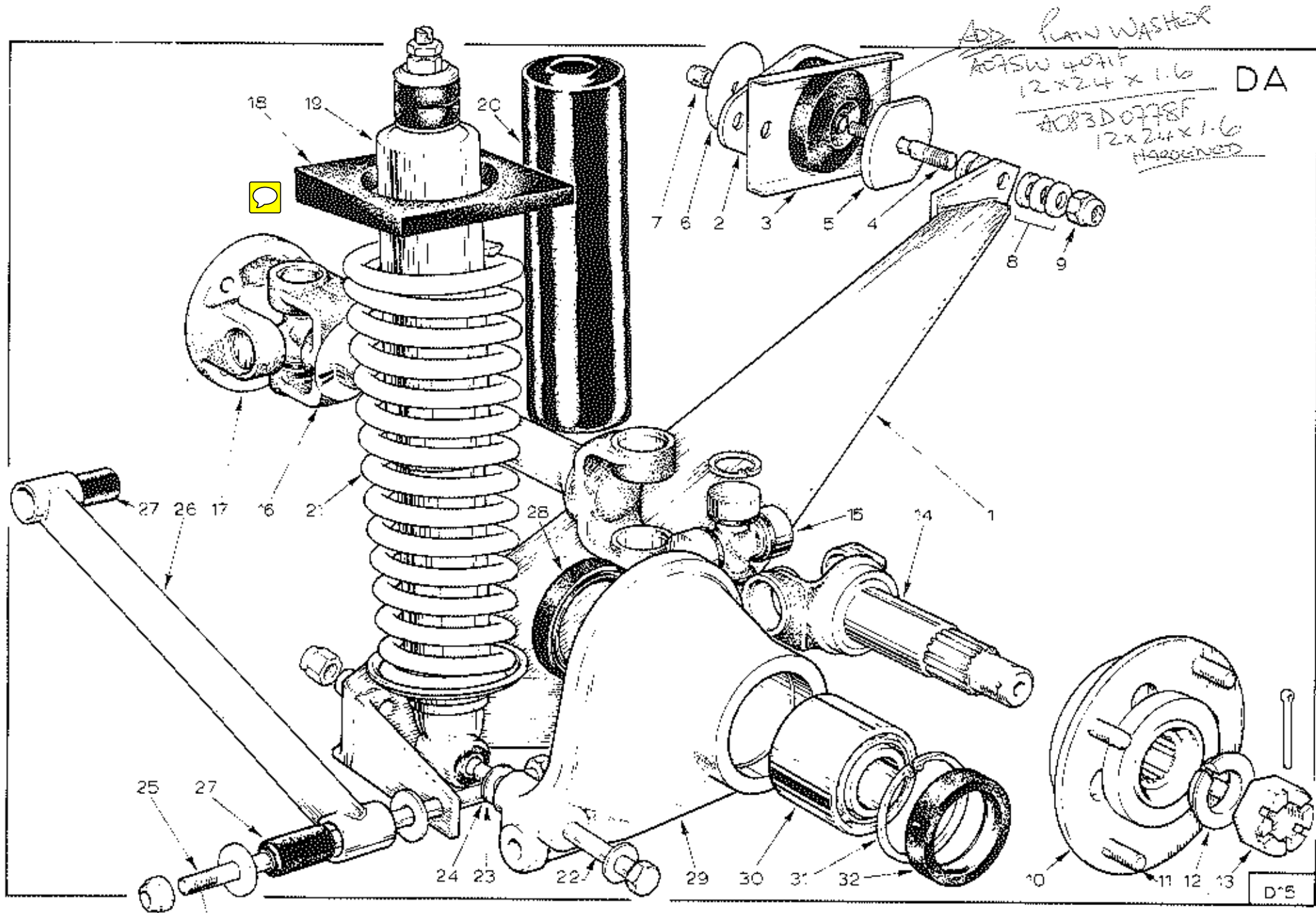
PLATE Ref. No.	DESCRIPTION	PART NO.	S.1.		S.2.		MANUAL	AUTOMATIC	ALL	DOMESTIC	R.O.W.	FEDERAL	REMARKS
			ELITE	ECLAT	ELITE	ECLAT							
CA 20	Lower Link Assy, RH	C075C0134K	*	*	*	*	*	*	1				
	Lower Link Assy, LH	C075C0135K	*	*	*	*	*	*	1				
	Bolt	A075W2015ZE	*	*	*	*	*	*	2				
	Nut	A075W3005ZG	*	*	*	*	*	*	2				
	Washer	A075W4005ZD	*	*	*	*	*	*	2				
CA 21	Bush, Lower Link Pivot	A075C6000ZB	*	*	*	*	*	*	2				
CA 22	Anti-Roll Bar	C075C0116F	*	*	*	*	*	*	1				
CA 23	Distance Tube	A075C0126ZC	*	*	*	*	*	*	2				
CA 24	Anti-Roll Bar Mounting Rubbers	A075C0144ZC	*	*	*	*	*	*	4				
CA 25	Washer	A075C0133ZE	*	*	*	*	*	*	2				
	Nut, Nylac (12 mm)	A075W3012ZJ	*	*	*	*	*	*	2				
CA 26	Damper Assy.	B075C0128WE	*	*	*	*	*	*	2				
	Top Bush	A075C6010F	*	*	*	*	*	*	A/R				
	Bottom Bush	A075C6011F	*	*	*	*	*	*	A/R				
	Rubber Cover	B075D0253ZD	*	*	*	*	*	*	2				
CA 27	Spring, Front, (Yellow)	C075C0127ZE	*	*	*	*	*	*	2				Eclat - 520 & 521 from 0155E, 522, 523 & 524, Dom & ROW
	Spring, Front, Heavy Duty, (White)	A075C0136ZJ	*	*	*	*	*	*	2				Air Cond Cars only. On Eclat Fed use with thick seat B075C0146F.
	Spring, Front (Violet)	A076C0156FF		*			*		2				520 & 521, on Fed with thick seat B075C0146F up to 0154E Elite/Eclat CA 4.

PLATE Ref. No.	DESCRIPTION	PART NO.	S.1.		S.2.		MANUAL	AUTOMATIC	ALL	DOMESTIC	R.O.W.	FEDERAL	REMARKS
			ELITE	ECLAT	ELITE	ECLAT							
	Spring, Front (White) <sup>2-2</sup>	A075C0136ZJ			*	*	*		2				Basic car & basic car with P.A.S. All other variants from above spec. (Some cars were fitted with white spring & thick Ins. as an interim measure). All Elite & Eclat 520 & 521 only. All Fed/ROW Elite & Eclat & Dom. 522, 523 & 524 only. See remarks for A083C0745F.
	Spring, Front (White/Red)	A083C0745F			*	*	*	*	2				
CA 28	Spring Seat, Rubber, Thin = 1/2 (2mm)	B075C0129Z	*	*			*	*		2			
CA 28	Spring Seat, Rubber, Thick = 1 (2mm)	B075C0146F	*	*			*	*	2				
	Spring Seat, Rubber, Thin	B075C0129Z			*	*	*	*		2	2		
	Spring Seat, Rubber, Thick	B075C0146F			*	*	*	*				2	
	Washer	A075W4007ZC	*	*	*	*	*	*	2				
CA 29	Bolt	A075W2013ZF	*	*	*	*	*	*	2				
	Nut, Nyloc	A075W3005ZG	*	*	*	*	*	*	2				
	Washer	A075W4007ZC	*	*	*	*	*	*	6				
CA 30	Wishbone, Upper Halves	C075C0130J	*	*	*	*	*	*	4				
CA 31	Rubber Bush, Wishbone Pivot	X036C6004ZF	*	*	*	*	*	*	4				

Elite/Eclat  
CA 5.

PLATE Ref. No.	DESCRIPTION	PART NO.	S.1.		S.2.		MANUAL	AUTOMATIC	ALL	DOMESTIC	R.O.W.	FEDERAL	REMARKS
			ELITE	ECLAT	ELITE	ECLAT							
CA 32	Stud, Upper Wishbone Pivot	A075C0145FG	*	*	*	*	*	*	2				
	Nut, Nyloc	A075W3005ZG	*	*	*	*	*	*	2				
	Washer, Side	A075C0149DH	*	*	*	*	*	*	8				
CA 33	Steering Arm, RH	C075C0122Z	*	*	*	*	*	*	1				
	Steering Arm, LH	C075C0123Z	*	*	*	*	*	*	1				
CA 34	Rubber Mountings, Anti-Roll Bar	A075C6005ZE	*	*	*	*	*	*	2				
CA 35	Bracket, Rubber Mountings	B075C0120F	*	*	*	*	*	*	2				
	Bolt, 10mm x 80	A075W2061 ZD	*	*	*	*	*	*	2				
	Bolt, 10mm x 30	A075W1049ZB	*	*	*	*	*	*	2				

Elite/Eclat  
CA 6.



STOP  
 265 mm long

D'S



PLATE Ref. No.	DESCRIPTION	PART NO.	S.1.		S.2.		MANUAL	AUTOMATIC	ALL	DOMESTIC	R.O.W.	FEDERAL	REMARKS
			ELITE	ECLAT	ELITE	ECLAT							
DA1	Radius Arm Assembly, RH	B075D0230WJ	*	*	*	*	*	*	1				
	Radius Arm Assembly, LH	B075D0231WC	*	*	*	*	*	*	1				
DA2	Bush, Resilient	X046D6000ZH	*	*	*	*	*	*	2				
DA3	Plate, Reinforcing	A075D0240ZA	*	*	*	*	*	*	2				
	Screw, Bush/Plate Securing	A075W1038ZB	*	*	*	*	*	*	4				
	Lockwasher	A075W4036ZE	*	*	*	*	*	*	4				
	Washer, Plain	A075W4020ZB	*	*	*	*	*	*	4				
DA4	Stud, Special	A075D0232ZE	*	*	*	*	*	*	2				
DA5	Snubber Washer	A075D0233ZK	*	*	*	*	*	*	2				
	Washer, Load Spreading	A083D0778F	*	*	*	*	*	*	2				Between mounting Bush and Snubber Washer
DA6	Washer	A075W4006ZJ	*	*	*	*	*	*	2				
DA7	Nut 7/16"	A075W3004ZB	*	*	*	*	*	*	2				
DA8	Shims, Toe-In	A075D0234ZD	*	*	*	*	*	*	12				
DA9	Nut, 5/8"	A075W3006ZA	*	*	*	*	*	*	2				
DA10	Rear Hub Assembly	A075D0763WG	*	*	*	*	*	*	2				Slinger Ring Dia. 99 mm
	Rear Hub Assembly	B075D0763WL	*	*	*	*	*	*	2				Slinger Ring Dia. 80 mm Eclat S1 only with Lotus Alloy Wheels Elite S2 only with Lotus Alloy Wheels

25 JUN 1982

DA1

PLATE Ref. No.	DESCRIPTION	PART NO.	S.1.		S.2.		MANUAL	AUTOMATIC	ALL	DOMESTIC	R.O.W.	FEDERAL	REMARKS
			ELITE	ECLAT	ELITE	ECLAT							
	Rear Hub Assembly	A076D0268JK		*			*		2				Steel Wheels, Slinger Ring. Dia. 99 mm
	Rear Hub Assembly	B076D0268F		*			*		2				Steel Wheels, Slinger Ring. Dia. 99 mm
	Rear Hub Assembly	A084D0771F			*	*	*	*	2				Speedline Wheels
DA11	Stud, Wheel	A075C6003ZF	*	*	*	*	*	*	8				Steel, or Lotus Alloy Wheels
	Stud, Wheel	A079D6002F			*	*	*	*	8				Speedline Wheels
DA12	Cone, Hub Retention	A075D0256ZD	*	*	*	*	*	*	2				
DA13	Nut, Hub 7/8" UNF x (47.7)	A075D6002ZK	*	*	*	*	*	*	2				
	Split Pin	A075W6010ZA	*	*	*	*	*	*	2				
	Driveshaft Assembly	C075D0762WK	*	*	*	*	*	*	2				Comprises item DA14 to DA17
DA14	Shaft, Outboard Drive	A075D0226ZH	*	*	*	*	*	*	2				
DA15	Universal Joint	A075D6004WH	*	*	*	*	*	*	4				
DA16	Shaft, Intermediate Drive	C075D0237ZE	*	*	*	*	*	*	2				
DA17	Flange, Driveshaft	A075D6005ZC	*	*	*	*	*	*	2				
	Bolt, Flange to Driveshaft	A075D0252ZE	*	*	*	*	*	*	8				
	Washer, Spring	A075W4033ZA	*	*	*	*	*	*	8				
DA18	Insulator, Rear Spring	A075D0227ZB	*	*	*	*	*	*	2				
	Spacer	A075D0266Z	*				*	*			2		Use with Spring A075D0262Z

5 JUN 1982

DA2

PLATE Ref. No.	DESCRIPTION	PART NO.	S.1.		S.2.		MANUAL	AUTOMATIC	ALL	DOMESTIC	R.O.W.	FEDERAL	REMARKS
			ELITE	ECLAT	ELITE	ECLAT							
DA19	Damper Rear	A076D0271F	*	*	*	*	*	*	2				Supercedes A075D0228W  Standard Short/Higher Rate Standard <i>ALSO S.2 ELITE/ECLAT.</i>  $\frac{1}{2}$ " Shorter than A076D0270FD from nos. 0114D, 0101E & 0110F  Softer than, & replaces B076D0270FH in pairs
	Top Bush	A075C6010F	*	*	*	*	*	*	2				
	Bottom Bush	A076D6000F	*	*	*	*	*	*	2				
DA20	Dust Cover, Rear Damper	B075D0253ZD	*	*	*	*	*	*	2				
DA21	Road Spring, Rear (Green/White)	A075D0262Z	*	*	*	*	*	*	2				
	Road Spring, Rear (Red)	D075D0261FE	*	*	*	*	*	*	2				
	Road Spring, Rear (Orange)	A076D0270FD	*	*	*	*	*	*	2	2			
	Road Spring, Rear	B076D0270FH ✓ <i>1.57 x 1.2 7.50 mm</i>	*	*	*	*	*	*	2				
	Road Spring, Rear (Green/Orange)	A076D0272F ✓ <i>7.6 x 1.2 7.50 mm</i>	*	*	*	*	*	*	2				
DA22	Bolt, Rear Damper to Radius Arm	A075W2017ZD	*	*	*	*	*	*	2				
DA23	Shim	A075D0258ZC	*	*	*	*	*	*	A/R				
DA24	Washer, Hardened	A074D6003ZE	*	*	*	*	*	*	2				
	Washer, Plain	A075W4007ZC	*	*	*	*	*	*	2				
	Nut	A075W3005ZG	*	*	*	*	*	*	2				
DA25	Stud, Radius Arm/Hub Carrier/Link	A075D0265FB	*	*	*	*	*	*	2				
	Washer, Plain	A075W4007ZC	*	*	*	*	*	*	2				
	Washer, Side	A075C0149ZC	*	*	*	*	*	*	2				

5 JUN 1982

PLATE Ref. No.	DESCRIPTION	PART NO.	S.1.		S.2.		MANUAL	AUTOMATIC	ALL	DOMESTIC	R.O.W.	FEDERAL	REMARKS
			ELITE	ECLAT	ELITE	ECLAT							
	Nut, Nyloc	A075W3005ZG	*	*	*	*	*	*	4				Up to VIN 83D1743 84D1077 83 A/E/G/H/S 0243 84 A/E/G/H/S 0216  From VIN 83D1744 84D1078 83 A/E/G/H/S 0244 84 A/E/G/H/S 0217
	Locknut	A075W3017ZA	*	*	*	*	*	*	2				
DA26	Lower Link, RH	B075D0236Z <del>6</del> F	*	*	*	*	*	*	1				
	Lower Link, LH	B075D0235Z <del>5</del> F	*	*	*	*	*	*	1				
DA27	Bush, Lower Link	A074D6002ZL	*	*	*	*	*	*	4				
	Stud, Radius Arm/Hub Carrier/Link	A075D0265F			*	*	*	*		2	2		
	Washer, Plain	A075W4007F			*	*	*	*		2	2		
	Washer, Hardened, Snubber	A083D0277F			*	*	*	*		4	4		
	Nut, Nyloc	A075W3005F			*	*	*	*		4	4		
	Locknut	A075W3017F			*	*	*	*		2	2		
	Lower Link, RH (less bushes)	A083D0274K			*	*	*	*		1	1		
	Lower Link, LH (less bushes)	A083D0275K			*	*	*	*		1	1		
	Bush, Lower Link Outer, 1/2"	A082D4084F			*	*	*	*		2	2		
	Bush, Lower Link Inner, 5/8"	A083D0276F			*	*	*	*		2	2		
DA28	Seal, Inner	A075D6008ZG	*	*	*	*	*	*	2				
DA29	Carrier, Rear Hub, RH	E075D0238ZG	*	*			*	*	1				
	Carrier, Rear Hub, RH	F075D0238ZL	*	*	*	*	*	*	1				

JUN 1982

DA4

PLATE Ref. No.	DESCRIPTION	PART NO.	S.1.		S.2.		MANUAL	AUTOMATIC	ALL	DOMESTIC	R.O.W.	FEDERAL	REMARKS
			ELITE	ECLAT	ELITE	ECLAT							
	Carrier, Rear Hub, LH	E075D0239ZA	*	*					1				Use with Hub A075D0763WG or A076D0268JK Slinger Ring 99 mm  Use with Hub B075D0763WL or B076D0268F or A084D0771F Slinger Ring 80 mm
	Carrier, Rear Hub, LH	F075D0239ZE	*	*	*	*	*	*	1				
DA30	Bearing, Rear Wheel	A075D6007ZB	*	*	*	*	*	*	2				
DA31	Circlip, Bearing Retaining	A075D6010ZF	*	*	*	*	*	*	2				
DA32	Seal, Outer	A075D6009ZA	*	*	*	*	*	*	2				

25 JUN 1982

DA5

EA

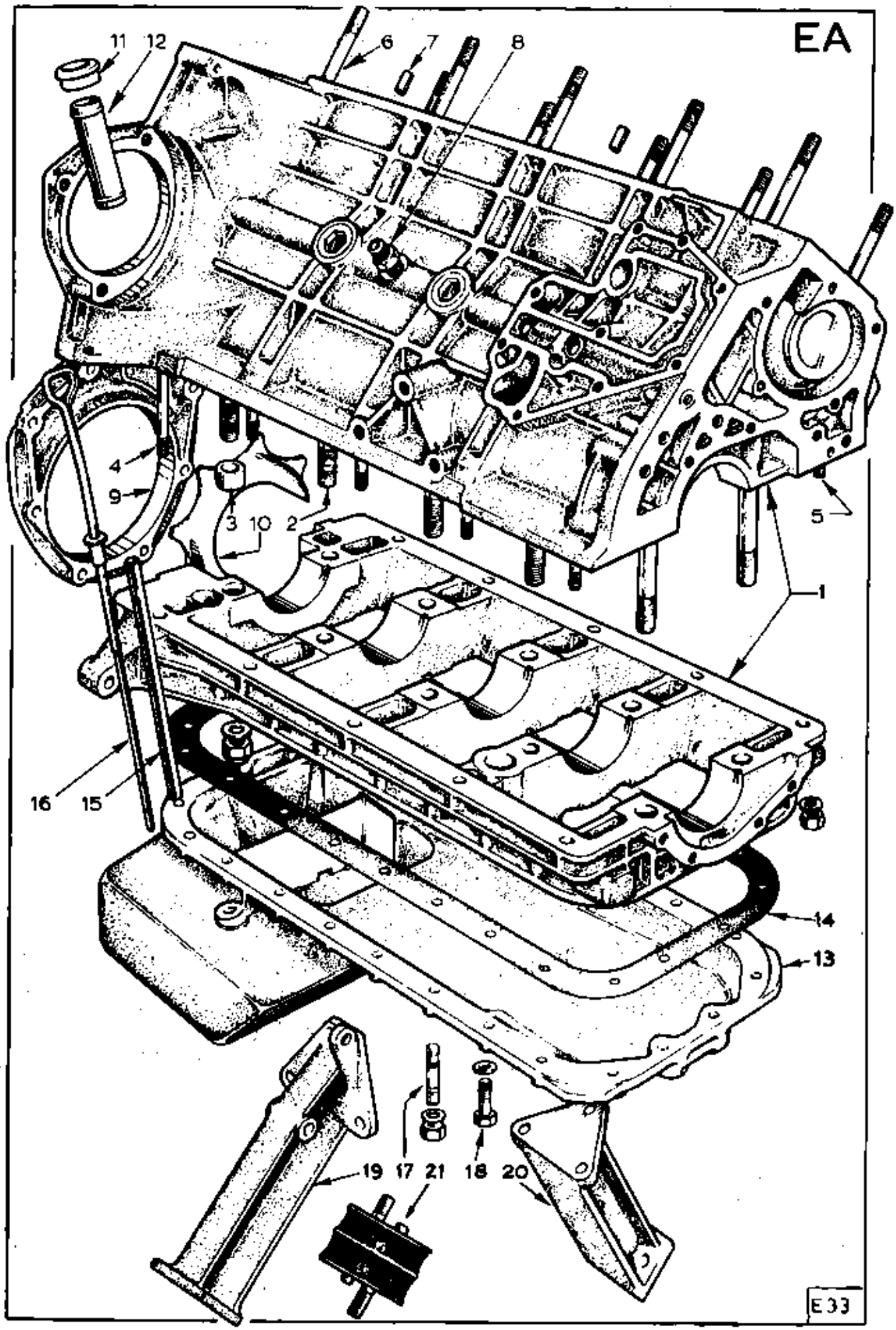


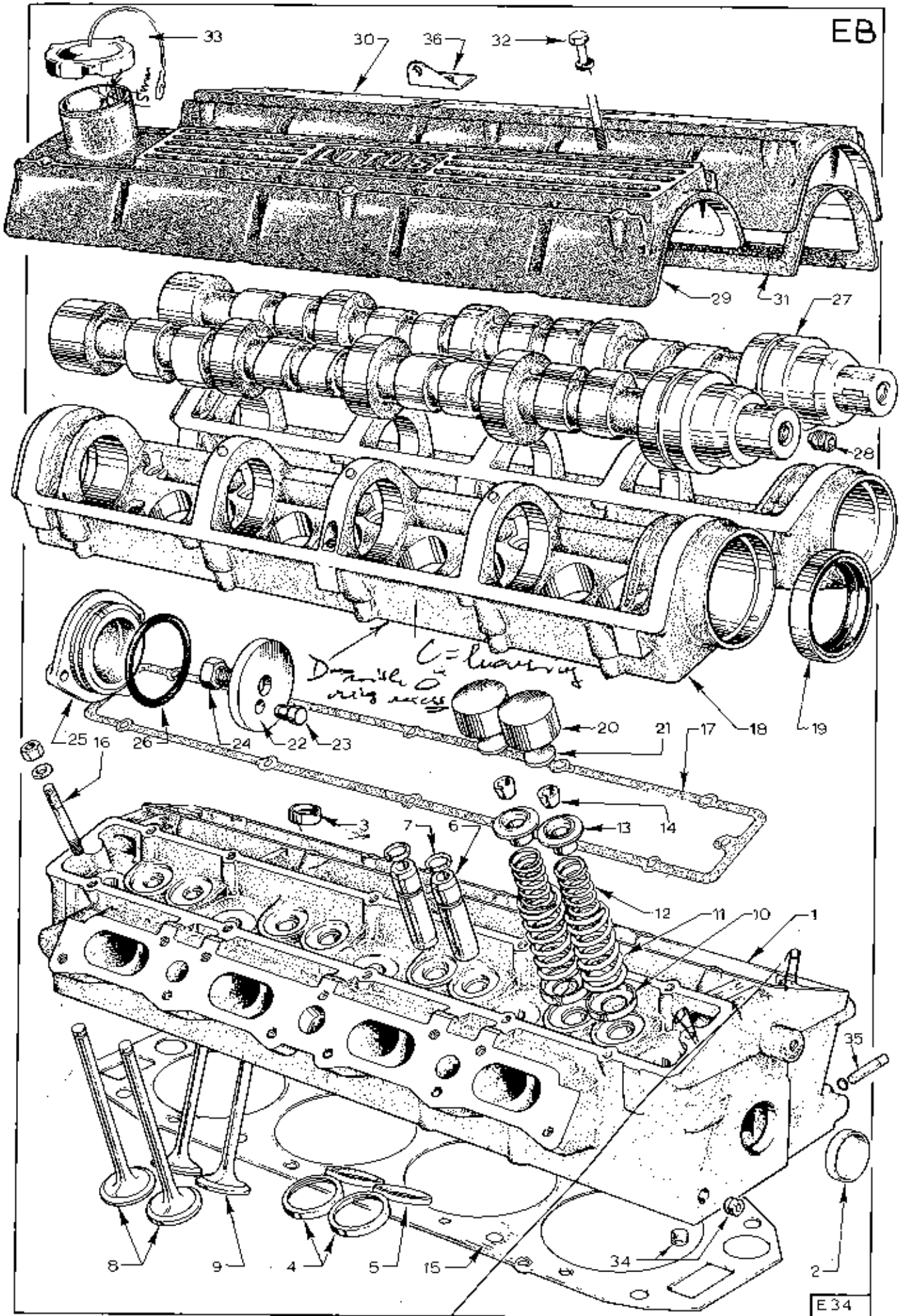
PLATE Ref. No.	DESCRIPTION	PART NO.	ELITE	ECLAT	MANUAL	AUTOMATIC	ALL	DOMESTIC	EUROPEAN	FEDERAL	REMARKS
EA 1	Cylinder Block & Main Bearing Housing Assy	B907E07085	*	*	*	*	1				
EA 2	Stud	A907E0225ZA	*	*	*	*	10				
	Washer, Plain	A907E0031ZF	*	*	*	*	10				
	Nut	A075W3025ZH	*	*	*	*	10				
EA 3	Dowel	A907E0320ZE	*	*	*	*	2				
EA 4	Stud	A907E0491ZD	*	*	*	*	2				Long
EA 5	Stud	A907E0226ZF	*	*	*	*	8				Short
	Washer, Plain	A075W4020ZB	*	*	*	*	10				
	Nut	A075W3021ZK	*	*	*	*	10				
EA 6	Stud	A907E0224ZG	*	*	*	*	10				
Not illus	Socket Plug	A907E0528ZD	*	*	*	*	3				1" NPTF
" "	Socket Plug	A907E6063ZE	*	*	*	*	1				1/2" BSP
EA 7	Spring Dowel	A907E6007ZL	*	*	*	*	2				
EA 8	Union, Oil Press Gauge	A907E0625ZG	*	*	*	*	1				
EA 9	Housing, Rear Seal	A907E0599YC	*	*	*	*	1				
Not illus	Gasket, Housing, Rear Seal	A907E0671ZF	*	*	*	*	1				
" "	Rear Seal	A907E0631ZD	*	*	*	*	1				
" "	Cover, Oil Gallery	A907E0441YC	*	*	*	*	1				
" "	Gasket, Cover to Block	A907E0438ZC	*	*	*	*	1				
	Lower End Gasket Set	B907E0808WE	*	*	*	*	1				

PLATE Ref. No.	DESCRIPTION	PART NO.	ELITE	ECLAT	MANUAL	AUTOMATIC	ALL	DOMESTIC	EUROPEAN	FEDERAL	REMARKS
	Screw, Posi 6mm x 25	AO75W5089Z C	*	*	*	*	8				Housing to Block <u>AO75W 7016F</u> <u>Hexagon</u>
	Washer	AO75W4013Z L	*	*	*	*	8				
EA.10.	Spray Shield	A907E0662Z C	*	*	*	*	1				
EA.12.	Spout, Breather	B907E0626Z E	*	*	*	*	1				
EA.11.	Bush, Breather Spout	A907E0659Z A	*	*	*	*	1				
EA.13.	Oil Sump	A907E0600Y	*	*	*	*	1				A907E 06234
Nat illus	Drain Plug	A036R6014ZL	*	*	*	*	1				Sump
" "	Washer	AO75W4055Z L	*	*	*	*	1				A035W4055Z
EA.14.	Gasket, Sump	A907E0630Z K	*	*	*	*	1				
EA.15.	Tube Dipstick	B907E0633ZG	*	*	*	*	1				
EA.16.	Dipstick	B907E0632ZB	*	*	*	*	1				
EA.17.	Stud	A907E0139Z J	*	*	*	*	10				
EA.18.	Bolt	M6x25 AO75W2027Z K	*	*	*	*	10				Sump to Main Bearing Hsg.
	Bolt	M6x40 AO75W2030Z C	*	*	*	*	4				
	Washer, Plain	AO75W4013ZL	*	*	*	*	24				
	Nut	AO75W3009Z E	*	*	*	*	10				



PLATE Ref. No.	DESCRIPTION	PART NO.	ELITE	ECLAT	MANUAL	AUTOMATIC	ALL	DOMESTIC	EUROPEAN	FEDERAL	REMARKS
	<i>SPACE ENGINE MOUNT L.H. SIDE</i>	<i>B079E402F</i>									
EA.19.	Engine Mount R.H.	A907E0616Z	*	*	*	*	1				
EA.20.	Engine Mount L.H.	A907E0617Z	*	*	*	*		1	1		
	Engine Mount, L.H.	C907E0617Z	*	*	*	*				1	
	Bolt	<i>ALL MARKETS E1.522E</i> A075W2037ZE	*	*	*	*	6				
	Washer, Spring	A075W4036ZE	*	*	*	*	6				
EA.21.	Rubber Mount	A907E6174ZA	*	*	*	*	2				
	Nut	A075W3040ZF	*	*	*	*	2				
	Washer, Plain	A075W4020ZB	*	*	*	*	2				
Not illus	Heat Shield, Rubber Mount	<i>DELGTE NEW REF. E1.522E</i> A907E1041F	*	*	*	*				1	Not 1974 Spec.
	Support	A907E1108FB9	*	*	*	*				1	" " "
<i>A907E1247 F SB 78/28</i>	Washer, Plain	A075W4021ZG	*	*	*	*				1	" " "
	Washer, Spring	A075W4036ZE	*	*	*	*				1	" " "
	Screw	A075W1036ZC	*	*	*	*				1	" " "
Not illus	Hose	B907E0636Z L	*	*	*	*	1				Breather Spout to Air Box
" "	Clip	A907E6180Z	*	*	*	*	1				Hose Securing, Spout End
" "	Clip	A075J6225Z	*	*	*	*	1				" " Airbox End
	Sealing Compound- Socket Plugs	A907E6252V	*	*	*	*	A/R				
	<i>LOWER GARDSET</i>	<i>B907E0808WE</i>									

EB



E34

ROLL PIN A075 W6097

2.07

PLATE Ref. No.	DESCRIPTION	PART NO.	ELITE	ECLAT	MANUAL	AUTOMATIC	ALL	DOMESTIC	EUROPEAN	FEDERAL	REMARKS
EB 1	Cylinder Head, Sub Assy	A907E0703SH	*	*	*	*	1				1974 Fed. Without Air Injection
	Cylinder Head, Sub Assy	C907E0703S	*	*	*	*	1				) Replaces A907E0703S when without
	Pipe, Heater Take-off	A907E0486ZA	*	*	*	*	1				) heater take-off and plug A907E1161F ) fitted in lieu
	Cylinder Head, Sub Assy	B907E0703S	*	*	*	*				1	With Air Injection
	Cylinder Head, Sub Assy	D907E0703S	*	*	*	*				1	) Replaces B907E0703S when without
	Pipe, Heater Take-off	A907E0486ZA	*	*	*	*				1	) heater take-off, and plug A907E1161F ) fitted in lieu
EB 2	Cup Plug	A907E6039ZF	*	*	*	*	2				
EB 3	Cup Plug	A907E6038ZA	*	*	*	*	6				
EB 4	Insert, Valve Seat, Inlet, Standard	B907E0312YJ	*	*	*	*	8				
	Insert, Valve Seat, Inlet, +.001"	C907E0312YB	*	*	*	*	A/R				
	Insert, Valve Seat, Inlet, +.002"	D907E0312Y	*	*	*	*	A/R				
	Insert, Valve Seat, Inlet, +.005"	E907E0312YK	*	*	*	*	A/R				
EB 5	Insert, Valve Seat, Ex. Standard	B907E0313YC	*	*	*	*	8				
	Insert, Valve Seat, Ex. +.001"	C907E0313YG	*	*	*	*	A/R				
	Insert, Valve Seat, Ex. +.002"	D907E0313YL	*	*	*	*	A/R				
	Insert, Valve Seat, Ex. +.005"	E907E0313YD	*	*	*	*	A/R				

PLATE Ref. No.	DESCRIPTION	PART NO.	ELITE	ECLAT	MANUAL	AUTOMATIC	ALL	DOMESTIC	EUROPEAN	FEDERAL	REMARKS
EB.6.	Valve Guide, Standard	B907E0315YB	*	*	*	*	16				
	Valve Guide, + 0.001"	C907E0315YF	*	*	*	*	A/R				
	Valve Guide, + 0.002"	D907E0315YK	*	*	*	*	A/R				
	Valve Guide, + 0.005"	E907E0315YC	*	*	*	*	A/R				
EB.7.	Circlip, Valve Guide	A907E6037Z G	*	*	*	*	16				
EB.8.	Valve, Inlet	B907E0019ZE	*	*	*	*	8				
EB.9.	Valve, Exhaust	A907E0020 ZF	*	*	*	*	8				
EB.10.	Seat, Valve Spring	A907E0316Z G	*	*	*	*	16				
EB.11.	Valve Spring, Outer	A907E0022ZE	*	*	*	*	16				
EB.12.	Valve Spring, Inner	A907E0023ZK	*	*	*	*	16				
EB.13.	Retainer, Valve Spring	B907E0021Z D	*	*	*	*	16				
EB.14.	Catter, Valve Retaining	A907E6040Z L	*	*	*	*	32				
EB.15.	Gasket, Cylinder Head	B907E0026ZG	*	*	*	*	1				
EB.16.	Stud, Cam Housing to Head	B907E0227ZD	*	*	*	*	20				
	Washer, Plain	A075W4020ZB	*	*	*	*	20				
	Nut	A075W3021ZK	*	*	*	*	20				
	Roll Pin, Cam Housing	A075W6097ZG	*	*	*	*	2				
	"O" Ring, Roll Pin	A907E6202ZL	*	*	*	*	2				
	Nut, Head to Block	A075W3025Z H	*	*	*	*	10				
	Washer	A907E0031Z F	*	*	*	*	10				

From Engine number 5543 Inc.  
From Engine number 11276 Inc.

CLEAR (LARGE) A07546044V (RTV 732)  
 PLATE DESCRIPTION  
 Ref. No. PART NO.

BLACK (LARGE)  
(SMALL)

SILASTIC A036E6027V RTV 732  
 SILASTIC A036E6038V RTV 732

ELITE  
 ECLAT  
 MANUAL  
 AUTOMATIC  
 ALL  
 DOMESTIC  
 EUROPEAN  
 FEDERAL

REMARKS

EB.17.	Gasket, Cam Housing	A B907E0203ZE	*	*	*	*	2				Up to Engine number 11275 Inc. From Engine number 11276 Inc. Up to Engine number 11275 Inc. From Engine number 11276 Inc. From Engine number 12301 to 12304 Inc and onwards. " " " " " "
	Gasket Eliminator, Loctite 504	A907E6257VF	*	*	*	*	A/R				
EB.18.	Camshaft Housing <i>without O-ring</i>	B907E0302YC	*	*	*	*	2				
	Camshaft Housing <i>with O-ring</i>	D907E0302YL	*	*	*	*	2				
	Camshaft Housing <i>(with snubber)</i>	R/E+ E907E0302YD	*	*	*	*	2				
	Stud	E907E1027FG	*	*	*	*		2	2		
	Bracket, Belt Snubber	A907E1107FH	*	*	*	*		1	1		
	Eccentric Adjuster	A907E1108FB	*	*	*	*		1	1		
	Washer	A075W4020ZB	*	*	*	*		1	1		
	Nut, Plain M8	A075W3021ZK	*	*	*	*		1	1		
EB.19.	Seal	B 907E6042FL	*	*	*	*	2				
EB.20.	Tappet	XO26E0024ZH	*	*	*	*	16				
EB.21.	Shims, See Sheet EB.4.										
EB.22.	Thrust Washer, 0.173" to 0.175"	A907E0619ZK	*	*	*	*	2			) Alternatives ) ) )	
	Thrust Washer, 0.175" to 0.177"	A907E0620ZD	*	*	*	*	2				
	Thrust Washer, 0.177" to 0.179"	A907E0621ZJ	*	*	*	*	2				
	Thrust Washer, 0.179" to 0.181"	A907E0622ZC	*	*	*	*	2				

# SHIMS

Plate

Ref No.

EB21

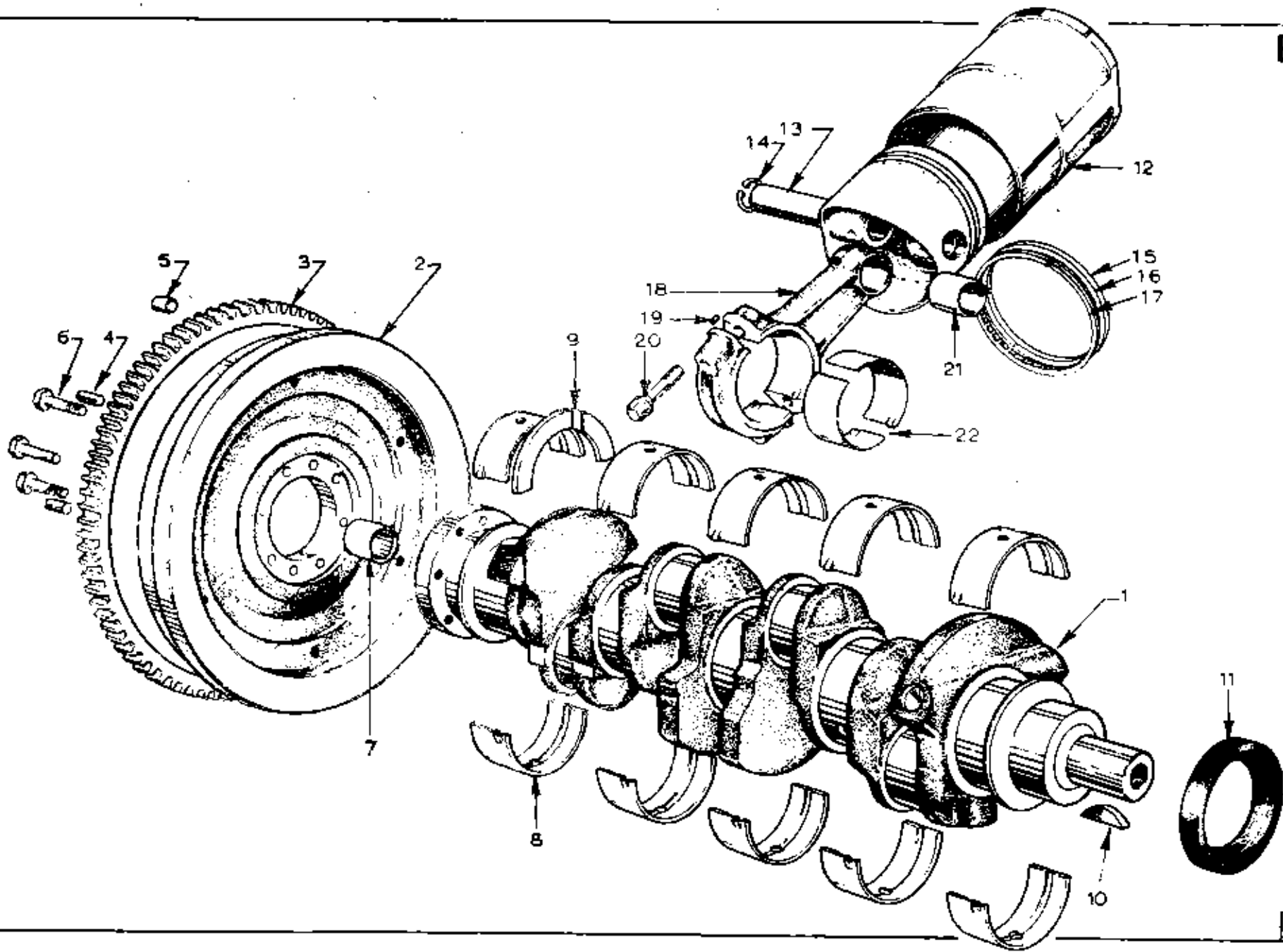
Shim	Part No.	Shim	Part No.	Shim	Part No.	Shim	Part No.	Shim	Part No.
0.060 ins	AO26E6160Z	0.080 ins	AO26E6180Z	0.100 ins	AO26E6200Z	0.120 ins	AO26E6220Z	0.140 ins	AO26E6240Z
0.061 ins	AO26E6161Z	0.081 ins	AO26E6181Z	0.101 ins	AO26E6201Z	0.121 ins	AO26E6221Z	0.141 ins	AO26E6241Z
0.062 ins	AO26E6162Z	0.082 ins	AO26E6182Z	0.102 ins	AO26E6202Z	0.122 ins	AO26E6222Z	0.142 ins	AO26E6242Z
0.063 ins	AO26E6163Z	0.083 ins	AO26E6183Z	0.103 ins	AO26E6203Z	0.123 ins	AO26E6223Z	0.143 ins	AO26E6243Z
0.064 ins	AO26E6164Z	0.084 ins	AO26E6184Z	0.104 ins	AO26E6204Z	0.124 ins	AO26E6224Z	0.144 ins	AO26E6244Z
0.065 ins	AO26E6165Z	0.085 ins	AO26E6185Z	0.105 ins	AO26E6205Z	0.125 ins	AO26E6225Z	0.145 ins	AO26E6245Z
0.066 ins	AO26E6166Z	0.086 ins	AO26E6186Z	0.106 ins	AO26E6206Z	0.126 ins	AO26E6226Z	0.146 ins	AO26E6246Z
0.067 ins	AO26E6167Z	0.087 ins	AO26E6187Z	0.107 ins	AO26E6207Z	0.127 ins	AO26E6227Z	0.147 ins	AO26E6247Z
0.068 ins	AO26E6168Z	0.088 ins	AO26E6188Z	0.108 ins	AO26E6208Z	0.128 ins	AO26E6228Z	0.148 ins	AO26E6248Z
0.069 ins	AO26E6169Z	0.089 ins	AO26E6189Z	0.109 ins	AO26E6209Z	0.129 ins	AO26E6229Z	0.149 ins	AO26E6249Z
0.070 ins	AO26E6170Z	0.090 ins	AO26E6190Z	0.110 ins	AO26E6210Z	0.130 ins	AO26E6230Z	0.150 ins	AO26E6250Z
0.071 ins	AO26E6171Z	0.091 ins	AO26E6191Z	0.111 ins	AO26E6211Z	0.131 ins	AO26E6231Z		
0.072 ins	AO26E6172Z	0.092 ins	AO26E6192Z	0.112 ins	AO26E6212Z	0.132 ins	AO26E6232Z		
0.073 ins	AO26E6173Z	0.093 ins	AO26E6193Z	0.113 ins	AO26E6213Z	0.133 ins	AO26E6233Z		
0.074 ins	AO26E6174Z	0.094 ins	AO26E6194Z	0.114 ins	AO26E6214Z	0.134 ins	AO26E6234Z		
0.075 ins	AO26E6175Z	0.095 ins	AO26E6195Z	0.115 ins	AO26E6215Z	0.135 ins	AO26E6235Z		
0.076 ins	AO26E6176Z	0.096 ins	AO26E6196Z	0.116 ins	AO26E6216Z	0.136 ins	AO26E6236Z		
0.077 ins	AO26E6177Z	0.097 ins	AO26E6197Z	0.117 ins	AO26E6217Z	0.137 ins	AO26E6237Z		
0.078 ins	AO26E6178Z	0.098 ins	AO26E6198Z	0.118 ins	AO26E6218Z	0.138 ins	AO26E6238Z		
0.079 ins	AO26E6179Z	0.099 ins	AO26E6199Z	0.119 ins	AO26E6219Z	0.139 ins	AO26E6239Z		

PLATE Ref. No.	DESCRIPTION	PART NO.	ELITE	ECLAT	MANUAL	AUTOMATIC	ALL	DOMESTIC	EUROPEAN	FEDERAL	REMARKS
EB.23.	Dowel	A907E0476ZF	*	*	*	*	2				
EB.24.	Set Screw	AO75W1046ZJ	*	*	*	*	2				
	Washer, Spring	AO75W4037ZK	*	*	*	*	2				
EB.25.	Rear Cover	A907E0090YL	*	*	*	*	2				
EB.26.	"O" Ring	A907E6027Z A	*	*	*	*	2				
	Screw	AO75W1029Z A	*	*	*	*					
	Washer, Plain	AO75W4013ZL	*	*	*	*	4				
EB.27.	Camshaft, "D" Type	G907E0102G	*	*	*	*		2	2		1 Groove (74 slot)
	Camshaft, "C" Type	F907E0101G	*	*	*	*			2		No Groove (F90 & '75 wide slot)
	Camshaft, "E" Type	J907E0103G	*	*	*	*		2	2		2 Grooves (76 slot on both)
EB.28.	Grubscrew	A907E6069ZB	*	*	*	*	2				
EB.29.	Cam Cover, Inlet	<del>B907E0301YJ</del> C B907E0829A	*	*	*	*	1				
EB.30.	Cam Cover, Exhaust	B907E0301YJ	*	*	*	*	1				
EB.31.	Gasket, Cam Cover	B907E0001ZC	*	*	*	*	2				
EB.32.	Bolt	AO75W2099ZG	*	*	*	*	12				
	Washer, Seloc	AO74E6009ZL	*	*	*	*	12				
EB.33.	Filler Cap	AO26E0415WJ	*	*	*	*	1				
	Gasket, Filler Cap	AO26E0325Z H	*	*	*	*	1				

PLATE Ref. No.	DESCRIPTION	PART NO.	ELITE	ECLAT	MANUAL	AUTOMATIC	ALL	DOMESTIC	EUROPEAN	FEDERAL	REMARKS
EB 34	Plug	A907E6023ZC	*	*	*	*	2				1/8" BSP
EB 35	Stud, Water Inlet Pipe	A907E0657ZB	*		*	*	1				
	"O" Ring	A907E6202ZL	*		*	*	1				
EB 36	Bracket, Throttle Cable	A907E0516ZK	*	*	*	*	1				
	Bracket, Throttle Cable, Automatic	A907E1156F	*	*		*	1				
Not illus	Abutment, Kick down cable	A907E0171K	*	*		*		1	1		
" "	Abutment, Kick down cable	A907E1156F	*	*		*				1	
	For Studs Retaining, Manifold										
	See EH for inlet										
	SA for exhaust.										
	Decoke Gasket Set	B907E0807WL	*	*	*	*		1	1		Dellorto Carbs
	Decoke Gasket Set	C907E0807W	*	*	*	*				1	Zenith Carbs



EC



E119

PLATE Ref. No.	DESCRIPTION	PART NO.	ELITE	ECLAT	MANUAL	AUTOMATIC	ALL	DOMESTIC	EUROPEAN	FEDERAL	REMARKS	
EC 1	Crankshaft	A907E0896J	*	*	*	*	1				Less Spigot Bearing. Rep. C907E6014Z.	
EC 2	Flywheel and Ring Gear Assy.	B907E6019WD	*	*	*	*	1					
EC 3	Ring Gear	A907E6018ZL	*	*	*	*	1					
EC 4	Dowel, Crankshaft	A907E6015ZG	*	*	*	*	2					
EC 5	Dowel, Flywheel	A907E6084ZL	*	*	*	*	3					
Not illus.	Flex. Plate	A907E1073F	*	*		*	1					
Not illus.	Dist. Plate, Engine Side	A907E1126K	*	*		*	1					
Not illus.	Dist. Plate, Gearbox Side	A907E6254FD	*	*		*	1					
Not illus.	Bolts, Flex. Plate/Torque Conv.	A075W1079F	*	*		*	4					
Not illus.	Washer, Spring	A075W4044ZA	*	*		*	4					
EC 6	Bolt, Flywheel & Flex Plate to Crank	A907E6020ZK	*	*	*	*	6					
EC 7	Spigot Bearing	A907E6049ZA	*	*	*	*	1					
	Spigot Bearing	A907E1152F	*	*		*	1					
EC 8	Main Bearing Shell, Standard I/D	A907E0336ZH	*	*	*	*	10					O/D Standard.
	Main Bearing Shell, 0.010" I/D	A907E0538ZK	*	*	*	*	A/R					O/D Standard. <i>BRG. STAMPED</i>
	Main Bearing Shell, 0.020 U/S I/D	A907E0539ZD	*	*	*	*	A/R				O/D Standard. <i>NO. 5690</i>	
	Main Bearing Shell, Standard I/D	A907E0675ZD	*	*	*	*	A/R				O/D + 0.015". <i>BRG STAMPED</i>	
	Main Bearing Shell, 0.010" U/S I/D	B907E0675ZH	*	*	*	*	A/R				O/D + 0.015". <i>5946</i>	
	Main Bearing Shell, 0.020" U/S I/D	C907E0675ZA	*	*	*	*	A/R				O/D + 0.015".	

PLATE Ref. No.	DESCRIPTION	PART NO.	ELITE	ECLAT	MANUAL	AUTOMATIC	ALL	DOMESTIC	EUROPEAN	FEDERAL	REMARKS
EC 9	Thrust Washer, Standard	A907E1000ZB	*	*	*	*	2				
	Thrust Washer, + 0.0025"	A907E1001ZG	*	*	*	*	A/R				
	Thrust Washer, + 0.005"	A907E1002ZA	*	*	*	*	A/R				
	Thrust Washer, + 0.0075"	A907E1003ZF	*	*	*	*	A/R				
	Thrust Washer, + 0.100"	A907E1004ZL	*	*	*	*	A/R				
EC 10	Woodruff Key	A907E6016ZA	*	*	*	*	1				Pulley to Crankshaft.
EC 11	Oil Seal	B907E6010FE	*	*	*	*	1				
EC 12	Piston & Liner Assy.	A907E0777WJ	*	*	*	*		4	4		High Comp. ) Includes Items Low Comp. ) EC13 to EC17.
	Piston & Liner Assy.	A907E0778WC	*	*	*	*				4	
EC 13	Gudgeon Pin	B907E0405Z	*	*	*	*	4				
EC 14	Circlip	A907E6022Z	*	*	*	*	8				
EC 15	Compression Ring, Top	A907E0401YA	*	*	*	*	4				
EC 16	Compression Ring, Second	A907E0402YF	*	*	*	*	4				
EC 17	Oil Control Ring	B907E0404ZB	*	*	*	*	4				Three Parts.
EC 18	Con. Rod Assy.	B907E0714W	*	*	*	*	4				Includes Items EA19 to EA21.
EC 19	Dowel	A907E0339ZA	*	*	*	*	8				
EC 20	Bolt	A907E0344ZD	*	*	*	*	8				
EC 21	Bush	A907E0357ZC	*	*	*	*	4				

Elite/Eclat  
EC 2.

PLATE Ref. No.	DESCRIPTION	PART NO.	ELITE	ECLAT	MANUAL	AUTOMATIC	ALL			REMARKS
							DOMESTIC	EUROPEAN	FEDERAL	
EC 22	Bearing Shell, Standard	A 8907E0342 Z	*	*	*	*	8			<p><i>B.P.G. STAMPED 5255</i></p> <p>Replaces E907E0331 YF.</p> <p>Fitted to Basic Engine Nos. 13042 to 13047, 13049 to 13066, 13068, 13070, 13071, 13076, 13077, 13079 to 13082, 13084, to 13087, 13089, 13091, 13092 to 13096 which have two "V" Belts.</p> <p>Air Cond. Cars, Chrysler 60A. Alt.</p> <p>Air Cond. Cars with Air Injection &amp; Chrysler 60A. Alt.</p> <p>501/521 with PAS.</p> <p>Air Cond. &amp; PAS cars with Chrysler 60A. Alt.</p> <p>Air Cond. Cars with Motorola 55A. Alt. up to Eng. No. 13492.</p> <p>Eng. No. 13493 on.</p>
	Bearing Shell, 0.010" U/S.	A907E0540ZJ	*	*	*	*	A/R			
Not illus.	Bearing Shell, 0.020" U/S	A907E0541ZC	*	*	*	*	A/R			
	"V" Pulley, Single	A907E1191F	*	*	*	*	1			
	"V" Pulley, Double	A907E0695G	*	*	*	*	1			
	"V" Pulley, Double	A907E0574YK	*		*	*	1			
	"V" Pulley, Double (triple 'V' - Dummy Centre 'V').	A907E1150FC	*		*	*			1	
	"V" Pulley, Double	A907E1129F <i>e/s</i>	*	*	*	*	1			
	"V" Pulley, Double	A907E1192F	*	*	*	*	1			
	"V" Pulley, Triple	A907E0661 YG	*		*	*	1			
	"V" Pulley, Triple	C907E0661 Y	*	*	*	*	1			
	"V" Pulley, Triple	A907E1193F	*	*	*	*	1			

PLATE  
Ref. No.

DESCRIPTION

PART NO.

ELITE

ECLAT

MANUAL

AUTOMATIC

ALL

DOMESTIC

EUROPEAN

FEDERAL

REMARKS

Washer, Plain

B907E1106FG

\*

\*

\*

\*

1

Washer, Spring

A075W4038ZD

\*

\*

\*

\*

1

Screw

A075W1020ZL

\*

\*

\*

\*

1

Pulley to Crankshaft.

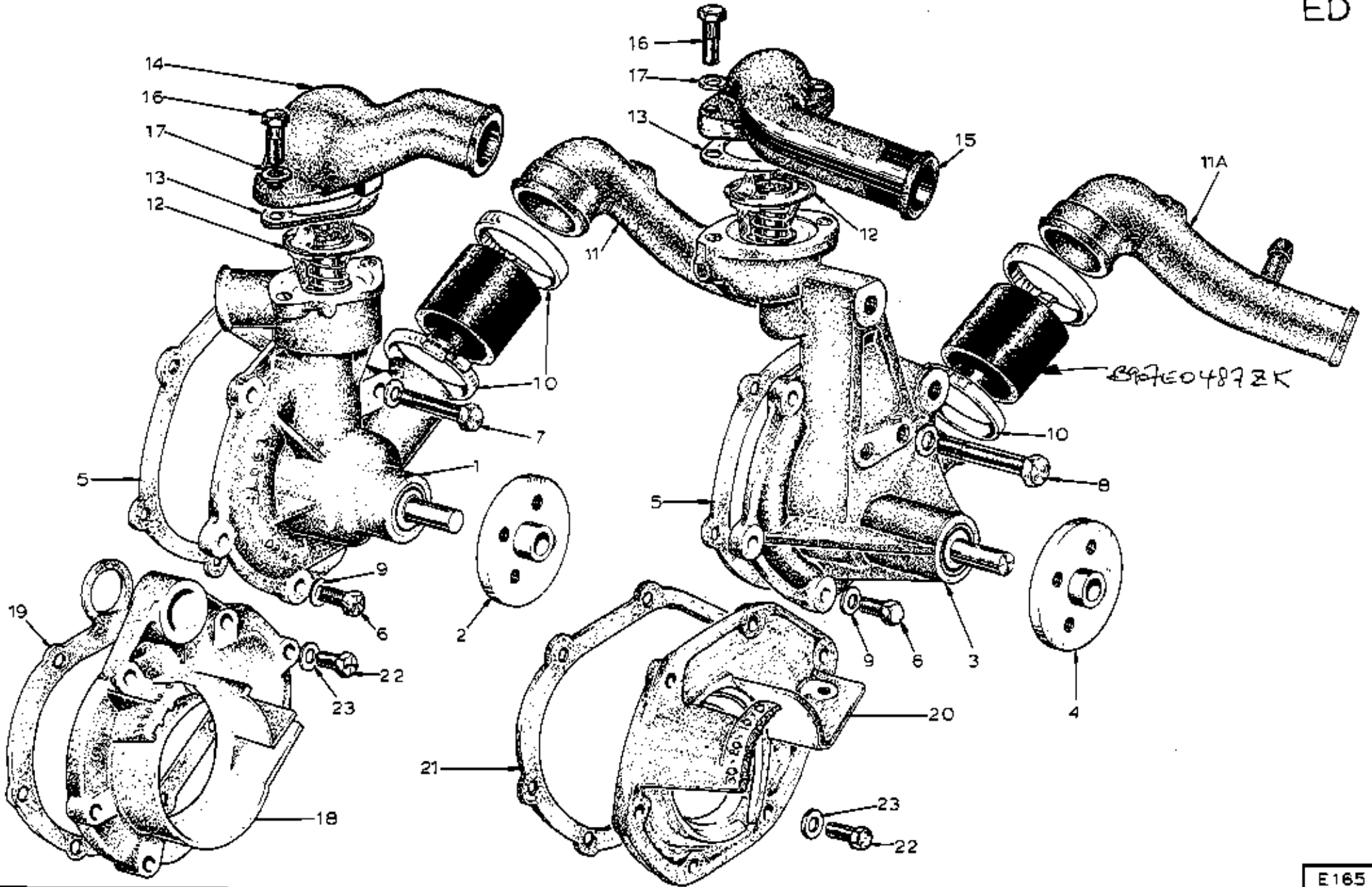


PLATE Ref. No.	DESCRIPTION	PART NO.	ELITE	ECLAT	MANUAL	AUTOMATIC	ALL	DOMESTIC	EUROPEAN	FEDERAL	REMARKS
ED1	Water Pump Assembly (less pulley hub)	D907E0743W	*	*	*	*	1				All cars with single 'V' Crank Pulley All cars with multiple 'V' Crank Pulley
ED3	Water Pump Assembly (less pulley hub)	C907E0878J	*	*	*	*	1				
	Stud, M8 x 640 mm	A907E1154F	*	*	*	*				1	If used to replace D907E0743W (fitted to some early multiple 'V'), also required: Pipe, water outlet A907E1066F, Bolt M6 x 75 mm A075W2036Z. Federal: See note below
	Stud, M8 x 47.5 mm	A907E0520ZH	*	*	*	*				1	
	Stud, M8 x 37.5 mm	A907E1012ZG	*	*	*	*				1	
	Bracket, Air Pump	A907E1115Z	*	*	*	*				1	
	Bolt, M8 x 35 mm	A075W2038ZK	*	*	*	*				1	
	Nut, Nyloc, M8	A075W3010ZK	*	*	*	*				2	
	Washer, Plain	A075W4020ZB	*	*	*	*				4	
ED4	Hub, Pulley	A907E6096ZE	*	*	*	*	1				
	'V' Pulley, Water Pump	A907E6095ZL	*	*	*	*	1				
	Setscrew, Pulley to Hub	A075W1007ZA	*	*	*	*	4				
	Washer, Spring	A075W4035ZL	*	*	*	*	4				
	Washer, Plain	A075W4013ZL	*	*	*	*	4				

25 JUN 1982

ED1

PLATE Ref. No.	DESCRIPTION	PART NO.	ELJTE	ECLAT	MANUAL	AUTOMATIC	ALL	DOMESTIC	EUROPEAN	FEDERAL	REMARKS
	Spacer, 10.2 mm, Hub to Pulley	A907E0573ZJ	*	*	*	*	1				As applicable. Early cars only
	Spacer, 16.0 mm, Hub to Pulley	A907E1125Z	*	*	*	*	1				
	Spacer, 23.0 mm, Hub to Pulley	A907E0670ZA	*	*	*	*	1				
ED5	Gasket, Pump to Block	A907E0246Z	*	*	*	*	1				
ED6	Bolt, M6 x 25	A075W2027ZK	*	*	*	*	4				
ED7	Bolt, M6 x 65	A075W2037ZF	*	*	*	*	1			Use with Pump D907E0743W	
ED8	Bolt, M6 x 75	A075W2036Z	*	*	*	*	1			Use with Pump C907E0878J	
ED9	Washer, Plain	A075W4013ZL	*	*	*	*	5				
ED10	Clip, Hose, Pump Inlet	A079K6019F	*	*	*	*	2				
	Hose, Pump Inlet	B907E0487ZK	*	*	*	*	1				
ED11	Pipe, Pump Inlet	A907E0686Z	*	*	*	*	1			Without Header Tank Con.	
ED11A	Pipe, Pump Inlet	E907E0476Z	*	*	*	*	1			With Header Tank Con.	
ED12	Thermostat, 82 °C	A907E6046ZH	*	*	*	*	1			Temperate climates	
	Thermostat, 74 °C	A075K0121F	*	*	*	*	1			Hot climates	
ED13	Gasket, Outlet Pipe to Pump	A026E6102ZD	*	*	*	*	1				
ED14	Pipe, Water Outlet	C907E0479Y	*	*	*	*	1			Use with Pump D907E0743W	
ED15	Pipe, Water Outlet	A907E1066FK	*	*	*	*	1			Use with Pump C907E0878J	
ED16	Setscrew, Outlet Pipe to Pump	A075W1039ZG	*	*	*	*	2				
ED17	Washer, Plain	A075W4020ZB	*	*	*	*	2				
	Hose, Pump to Inlet Manifold	B907E0279ZL	*	*	*	*		1	1	Use with Pump D907E0743W	
	Hose, Pump to Inlet Manifold	A907E1319F	*	*	*	*		1	1	Use with Pump C907E0878J	

JUN 1982



PLATE Ref. No.	DESCRIPTION	PART NO.	ELITE	ECLAT	MANUAL	AUTOMATI	ALL	DOMESTIC	EUROPEAN	FEDERAL	REMARKS
	Hose, pump to Inlet Manifold	A907E0280ZA	*	*	*	*				1	Use with Pump D907E0743W
	Hose, pump to Inlet Manifold	A907E1065FE	*	*	*	*				1	Use with Pump C907E0878J
ED18	Front Cover	D907E0603Y	*	*	*	*	1				Manual (Eccentric) Belt Tensioner
ED19	Gasket, Front Cover	A907E0245ZB	*	*	*	*	1				Manual (Eccentric) Belt Tensioner
ED20	Front Cover	A907E1230F	*	*	*	*	1				Semi-Automatic Belt Tensioner
ED21	Gasket, Front Cover	A907E0245ZB	*	*	*	*	1				Semi-Automatic Belt Tensioner
ED22	Setscrew, Front Cover Fix	A075W2027ZK	*	*	*	*	7				
ED23	Washer, Plain	A075W4013ZL	*	*	*	*	7				
	'V' Belt Alternator/Water Pump	C907E0529Z	*	*	*	*	1				With single 'V' Crank Pulley
	'V' Belt Alternator/Water Pump	A907E6223ZF	*	*	*	*	1				With multiple 'V' Crank Pulley and Chrysler 60A Alternator
	'V' Belt, Alternator only	A907E6271F	*	*	*	*	1				Lucas 18 ACR Alternator. Not A/C
	'V' Belt, Alternator only	A907E6315F	*	*	*	*	1				Motorola Alternator. Not A/C
	'V' Belt, Alternator only	A907E6199FB	*	*	*	*	1				With A/C and Chrysler 60A Alternator
	'V' Belt, Alternator only	A907E6268Z	*	*	*	*	1				With A/C and Motorola Alternator
	'V' Belt, Water Pump only	A907E6270F	*	*	*	*	1				
	'V' Belt, Water Pump/PAS Pump	A907E6201ZF	*	*	*	*	1				
	'V' Belt, Air Conditioning Compressor	B907E0590F	*	*	*	*	1				
	<u>FOR CRANKSHAFT 'V' PULLEYS SEE SECTION EC</u>										

25 JUN 1982

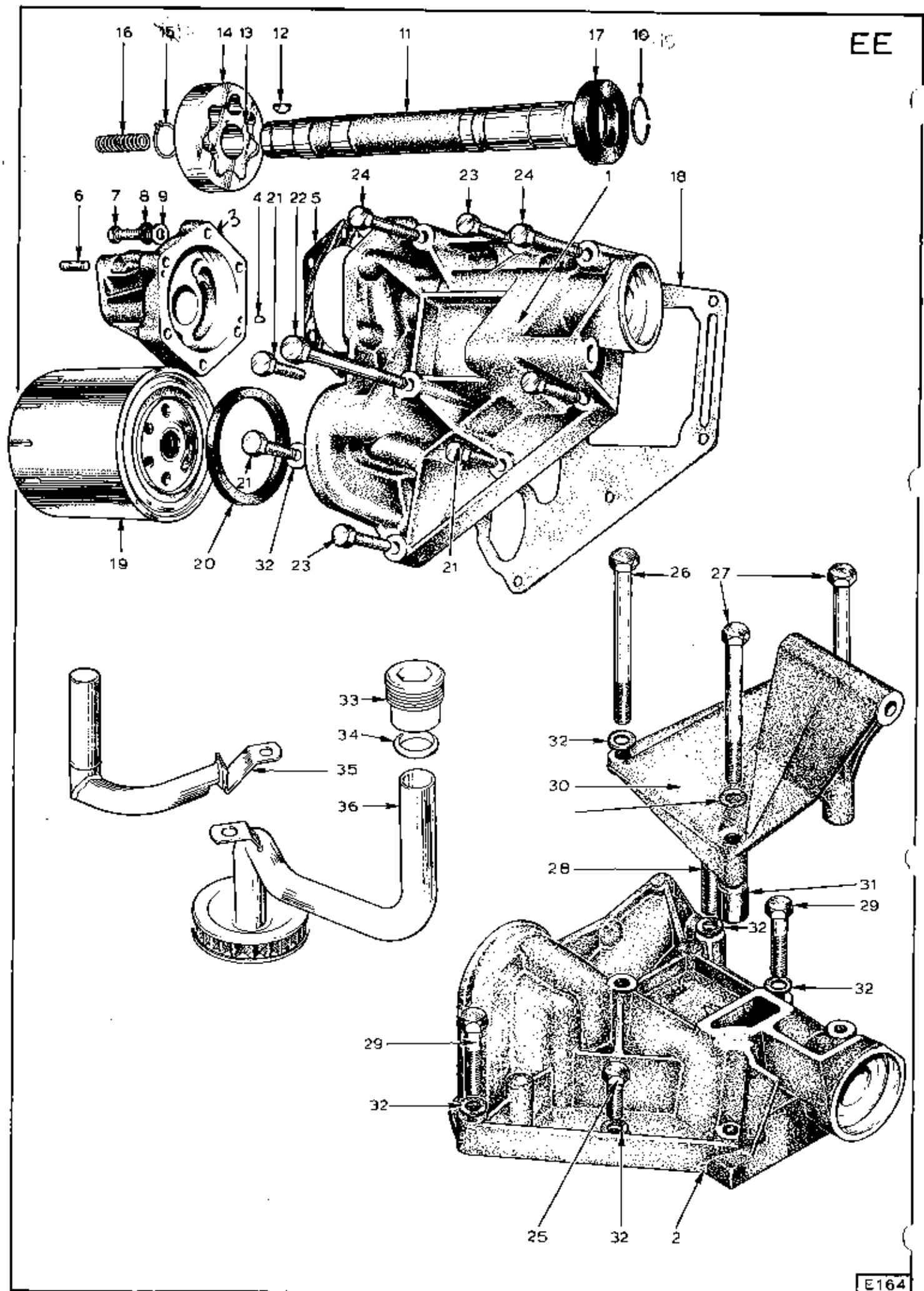


PLATE Ref. No.	DESCRIPTION	PART NO.	ELITE	ECLAT	MANUAL	AUTOMATIC	ALL	DOMESTIC	EUROPEAN	FEDERAL	REMARKS
	Auxiliary Housing & Oil Pump Assembly	<del>F</del> D907E0747WC	*	*	*	*	1				Non Air Cond. Cars.
	Auxiliary Housing & Oil Pump Assembly	<del>A</del> 907E0831WF	*		*	*	1				Air Cond. Cars, Engine Nos. up to 12170, 12191 to 12193 & 12198 to 12461, Inc.
	Auxiliary Housing & Oil Pump Assembly	A907E0859F	*	*	*	*	1				Adaptable Type, replaces previous item. (See Page 2, Bulletin 1978/02 & Amendment). If so used, appropriate alternator bracket is required (Page EE 3). Engine nos. 12171 to 12190, 12195 to 12197 & 12462 on.
EE 1	Auxiliary Housing	E907E0437F	*	*	*	*	1				Non Air Cond. Cars.
Not illus.	Auxiliary Housing	C907E0602HD	*		*	*	1				Air Cond. Cars, Engine nos. up to 12170, 12191 to 12193 & 12198 to 12461, Inc.
EE 2	Auxiliary Housing	A907E1092H	*	*	*	*	1				Adaptable Type, previous remarks apply (A907E0859F). Engine nos. 12171 to 12190, 12195 to 12197 & 12462 on, Inc.
EE 3	Oil Pump Housing <del>ASSY</del>	<del>E</del> D907E0803W	*	*	*	*	1				Includes Relief Valve. <u>E</u> = MODIFIED RELIEF VALVE + IDENTIFICATION GROOVE
EE 4	Dowel	A907E0530ZC	*	*	*	*	2				
EE 5	Gasket, Pump to Housing	A907E0474Z	*	*	*	*	1				
EE 6	Stud, Distributor Clamp	A907E0503ZL	*	*	*	*	1				
EE 7	Bolt, Pump to housing	A075W2028ZD	*	*	*	*	6				
EE 8	Washer, Spring	A075W4035ZL	*	*	*	*	6				

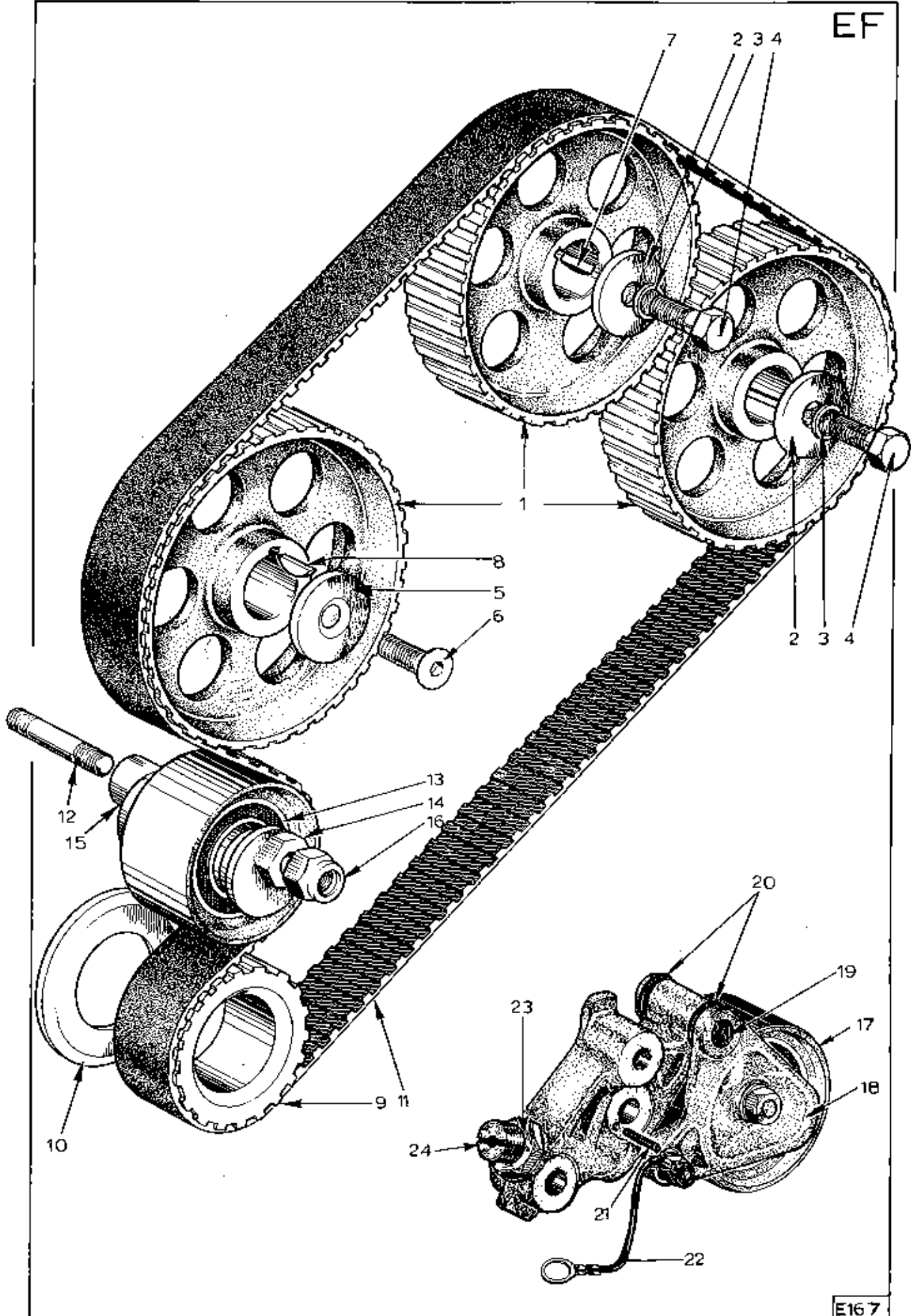
Elite/Eclat  
EE 1.

PLATE Ref. No.	DESCRIPTION	PART NO.	ELITE	ECLAT	MANUAL	AUTOMATIC	ALL	DOMESTIC	EUROPEAN	FEDERAL	REMARKS
EE 9	Washer, Plain	A075W4013ZL	*	*	*	*	6				Comprises Items EE10 to EE13, Inc.  R/B A910E2659S R/B A910E2659S
	Shaft & Rotor Assembly	A907E0785WE	*	*	*	*	1				
EE 10	Circlip	A907E6101ZK	*	*	*	*	1				
EE 11	Jackshaft	B907E0291Z	*	*	*	*	1				
EE 12	Woodruff Key	A907E6001ZC	*	*	*	*	1				
EE 13	Rotor	A907E0472YD	*	*	*	*	1				
EE 14	Annulus	A907E0473YJ	*	*	*	*	1				
EE 15	Circlip	A907E6067ZC	*	*	*	*	1				
EE 16	Spring	A907E0192ZK	*	*	*	*	1				
EE 17	Oil Seal	A907E6064ZK	*	*	*	*	1				
Not Illus.	Adaptor, Oil Filter	A907E0249ZL	*	*	*	*	1				
EE 18	Gasket, Aux. Housing	B907E0442ZE	*	*	*	*	1				
EE 19	Oil Filter (AC-DL6-79650RT)	A907E6000WH	*	*	*	*	1			PC 47 OF CROSSLAND No 959	
EE 20	Sealing Ring, Square Section	A907E6167Z	*	*	*	*	1				
EE 21	Screw, Housing to Block, M8 x 25	A075W1039ZG	*	*	*	*	3			Aux. Hsg. D907E0747WC.	
	Screw, Housing to Block, M8 x 25	A075W1039ZG	*	*	*	*	2			Aux. Hsg. A907E0831WF.	
EE 22	Bolt, Housing to Block, M8 x 90	A075W2048ZE	*	*	*	*	1				
EE 23	Bolt, Housing to Block, M8 x 40	A075W2039ZD	*	*	*	*	3			Aux. Hsg. D907E0747WC.	
	Bolt, Housing to Block, M8 x 40	A075W2039ZD	*	*	*	*	4			Aux. Hsg. A907E0831WF.	
EE 24	Bolt, Housing to Block, M8 x 60	A075W2043ZB	*	*	*	*	2			Elite/Eclat	
7.79											EE 2.

Updated 1st November 2013

PLATE Ref. No.	DESCRIPTION	PART NO.								REMARKS	
			ELITE	ECLAT	MANUAL	AUTOMATIC	ALL	DOMESTIC	EUROPEAN		FEDERAL
EE 25	Screw, Housing to Block, M8 x 25	A075W1039ZG	*	*	*	*	3				<p>Aux. Hsg. &amp; Oil Pump A907E0859F.</p> <p>From engine no. 12171 to 12190, 12195 to 12197 &amp; 12462 on, Inc.</p> <p>To be used when Aux. Hsg. &amp; Oil Pump Assy. is fitted with Chrysler 60 A. Alternator. (Adaptable Type).</p> <p>Used with <u>both</u> Alt. Brackets.</p>
EE 26	Bolt, Housing to Block, M8 x 100	A075W2049ZK	*	*	*	*	1				
EE 27	Bolt, Housing to Block, M8 x 90	A075W2048ZE	*	*	*	*	2				
EE 28	Bolt, Housing to Block, M8 x 60	A075W2043ZB	*	*	*	*	1				
EE 29	Bolt, Housing to Block, M8 x 40	A075W2039ZB	*	*	*	*	2				
EE 30	Alternator Mounting Bracket (Motorola)	A907E1120G	*	*	*	*	1				
Not Illus.	Alternator Mounting Bracket (Chrysler)	A907E1093FG	*	*	*	*	1				
Not Illus.	Pivot Bolt	A907E2020Z	*	*	*	*	1				
Not Illus.	Screwed Sleeve	A907E1095F	*	*	*	*	1				
Not Illus.	Split Sleeve, Alternator Pivot		*	*	*	*	1				
EE 31	Spacer	A907E1094F	*	*	*	*	1				
EE 32	Washer, Plain	A075W4020ZB	*	*	*	*	6				
EE 33	Union	A907E0605ZF	*	*	*	*	1				
EE 34	Olive, Compression	A907E0606ZL	*	*	*	*	1				
EE 35	Vent Pipe	A907E0637ZA	*	*	*	*	1				
EE 36	Pipe, Oil Pick-Up	A907E0624ZB	*	*	*	*	1				
Not Illus.	Jackshaft Snubber, Toothed Belt	A907E1140F	*	*	*	*	1				

EF



E167

PLATE Ref. No.	DESCRIPTION	PART NO.	ELITE	ECLAT	MANUAL	AUTOMATIC	ALL	DOMESTIC	EUROPEAN	FEDERAL	REMARKS
EF 1	Toothed Pulley	H907E0309Y	*	*	*	*	3				100°/110° Valve Timing. Red Dot 110° - Blue Dot 100°. Replacement for <u>all</u> previous pulleys.
	Toothed Pulley	J907E0309Y	*	*	*	*		3	3		102½°/102½° Valve Timing, Yellow Dots
EF 2	Washer, Plain	A907E6026ZG	*	*	*	*	2				
EF 3	Washer, Spring	A075W2037ZK	*	*	*	*	2				
EF 4	Bolt	A075W2051ZJ	*	*	*	*	2				
EF 5	Washer, Special	A907E0576ZB	*	*	*	*	1				
EF 6	Screw	A075W7018ZE	*	*	*	*	1				
EF 7	Woodruff Key, Camshaft Pulley	A907E6025ZB	*	*	*	*	2				
EF 8	Woodruff Key, Jackshaft Pulley	A907E6025ZB	*	*	*	*	1				
EF 9	Toothed Pulley, Crankshaft	D907E0095ZH	*	*	*	*	1				
EF 10	Flange	A907E0096ZA	*	*	*	*	1				
EF 11	Toothed Belt, 133 Teeth	A907E0191ZE	*	*	*	*	1				Except Fed. with Air Injection Pump.
	Toothed Belt, 137 Teeth	B907E1050FL	*	*	*	*	1			1	With Air Injection Pump.
EF 12	Stud, Belt Tensioner (Man & Auto)	B907E0504ZJ	*	*	*	*	1				Except Fed. with Air Injection & Manual Tensioner. Heater cars only.
	Stud, Idler Pulley	A907E1034FD	*	*	*	*				1	With Air Injection & not Aut. Tens.
	Bolt, Auto Tensioner	A075W2058ZL	*	*	*	*	1				2 on Air Cond. Cars.

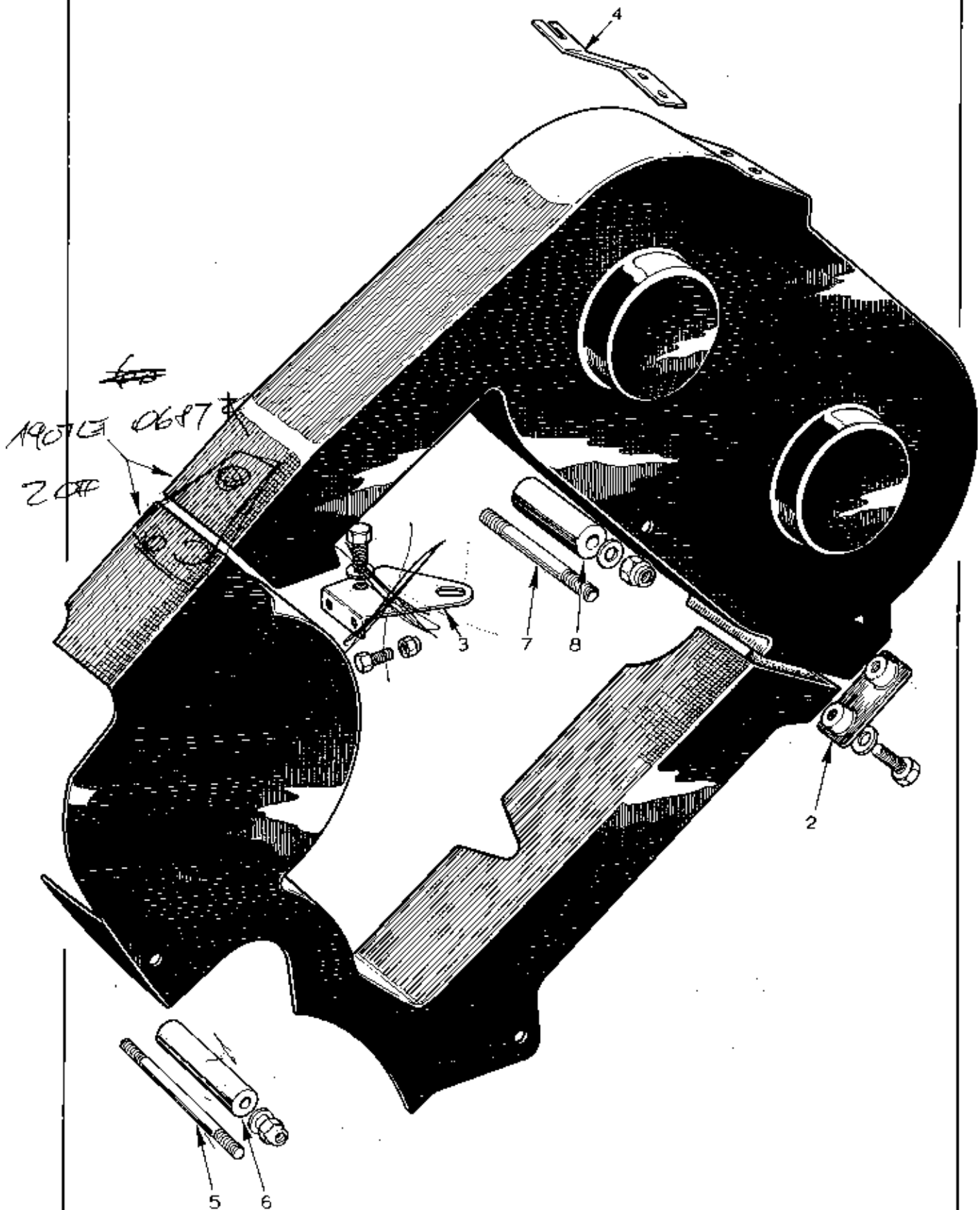
PLATE Ref. No.	DESCRIPTION	PART NO.	ELITE	ECLAT	MANUAL	AUTOMATIC	ALL	DOMESTIC	EUROPEAN	FEDERAL	REMARKS
EF 13	Pulley/Bearing	A907E6249FA	*	*	*	*	1				Except Fed. with Air Injection.
EF 14	Hub, Eccentric	B907E0684FB	*	*	*	*	1				
	Belt Tensioner Assy. (Man)	D907E0758J	*	*	*	*	1				Except Fed. with Air Injection.
EF 15	Eccentric Spindle	A907E0639ZL	*	*	*	*	1				1 With Air Injection.
	Concentric Spindle	A907E1033FK	*	*	*	*					
	Washer Plain	A075W4024ZL	*	*	*	*	2				
EF 16	Nut, 10mm, Shouldered	A907E1127F	*	*	*	*	1				
	Nut, 10mm, Nyloc	A075W3011ZD	*	*	*	*	1				Replaces C907E0855K.
	Automatic Tensioner Assy.	A907E0893K	*	*	*	*	1				
EF 17	Pulley/Bearing	A907E6249FA	*	*	*	*	1				) Use only Shouldered Bushes B907E1163F with these Yokes which replace those with "A" prefix. Use only with "B" prefix Yokes.
EF 18	Yoke, Front	B907E1141F	*	*	*	*	1				
	Yoke, Rear	B907E1142F	*	*	*	*	1				
EF 19	Bush, Shouldered	B907E1163F	*	*	*	*	2				Use only with "B" prefix Yokes.
EF 20	Rubber, Washer	A907E1148F	*	*	*	*	2				4mm - Diameter.
EF 21	Locking Pin	A907E1195F	*	*	*	*	1				
EF 22	Earth Strap	A075M0329F	*	*	*	*	1				

Elite/Eclat  
EF 2.



PLATE Ref. No.	DESCRIPTION	PART NO.								REMARKS	
			ELITE	ECLAT	MANUAL	AUTOMATIC	ALL	DOMESTIC	EUROPEAN		FEDERAL
EF 23	Locknut	A907E1149F	*	*	*	*	1				
EF 24	Spring Seat (Adjuster)	B907E1146F	*	*	*	*	1				
Not Illus.	Piston, Nylatron	A907E1245F	*	*	*	*	1				
Not Illus.	Jackshaft Snubber, Toothed Belt	A907E1140F	*	*	*	*	1				
Not Illus.	Spacer - Snubber/Auto Tens. 6.3mm	A907E1139F	*	*	*	*	2				
Not Illus.	Spacer - Auto Tens/Alt. Strap, 5mm	A907E1137F	*	*	*	*	1				
<i>EARLY FABRICATED A907E1137F.</i>											

EG



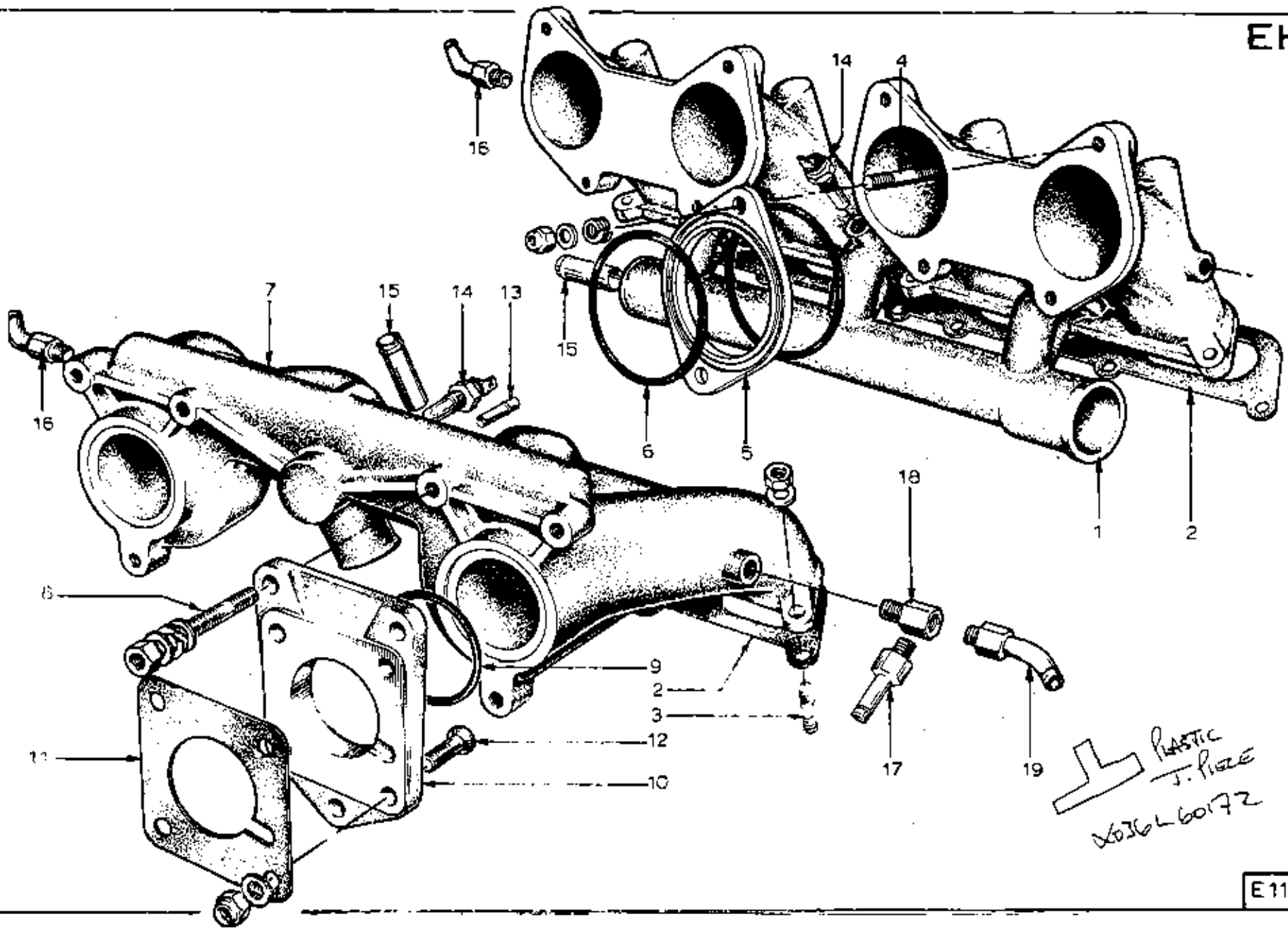
741101

E114

6w boef. 75W 1027  
X12

PLATE Ref. No.	DESCRIPTION	PART NO.	ELITE	ECLAT	MANUAL	AUTOMATI	ALL	DOMESTIC	EUROPEAN	FEDERAL	REMARKS
EG .1.	Belt Guard	A907E0641ZK	*	*	*	*	1				Except Fed. with Air Injection
	Belt Guard	B907E1038K	*	*	*	*				1	Fed With Air Injection
EG .2.	Tie Plate	A907E0687ZJ	*	*	*	*	2				
	Screw	AO75W1027ZB	*	*	*	*	6				Tie Plate to Guard
	Washer Plain	AO75W4013ZL	*	*	*	*	6				" " " "
EG .4.	Bracket	C907E0648ZJ	*	*	*	*	1				Guard to Cam Cover
EG .5.	Stud	A907E0652ZK	*	*	*	*	2				Guard to Block
EG .6.	Spacer	A907E0650ZL	*	*	*	*	2				" " "
	Washer, Plain	AO75W4013ZL	*	*	*	*	2				" " "
	Nut	AO75W3009ZE	*	*	*	*	2				" " "
EG .7.	Stud	A907E0653ZD	*	*	*	*	1				Guard to Head
EG .8.	Spacer	A907E0651ZE	*	*	*	*	1				" " "
	Washer, Plain	AO75W4020ZB	*	*	*	*	1				" " "
	Nut	AO75W3010ZK	*	*	*	*	1				" " "

EH



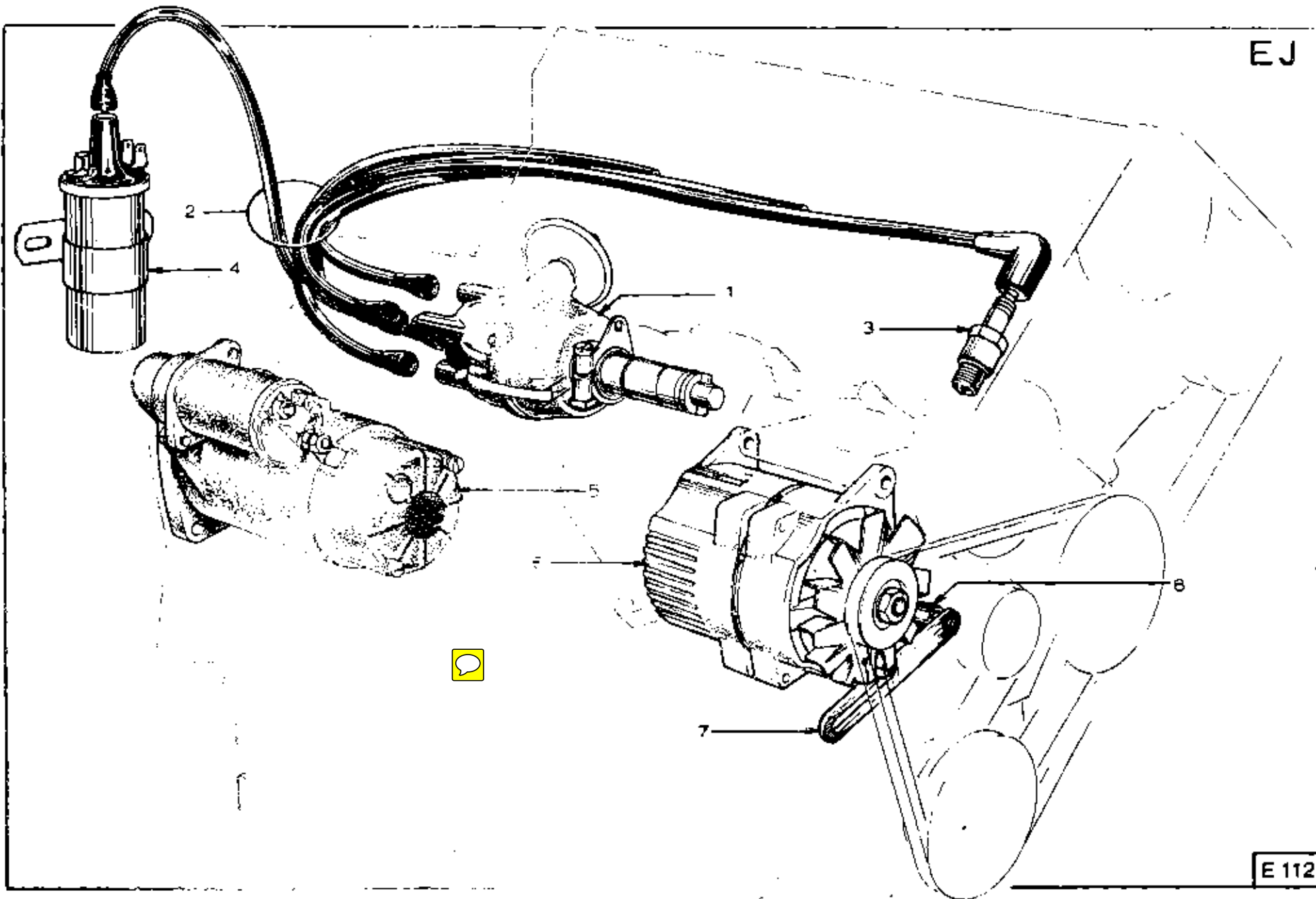
PLASTIC  
J. H. H. E.  
NO 36 L 60172

E116

PLATE Ref. No.	DESCRIPTION	PART NO.	ELITE	ECLAT	MANUAL	AUTOMATIC	ALL	DOMESTIC	EUROPEAN	FEDERAL	REMARKS
EH.1.	Inlet Manifold	<i>with take-off</i> B907E0123YF ✓	*	*	*	*		1	1		<p style="text-align: right;"><i>PLUG</i></p> <p style="text-align: right;"><i>NOTE (16)</i></p> <p>Dellorto Carbs. replaced by <u>A907E1161G</u></p> <p>Replaces B907E0123Y when heater take-off A907E0486 fitted.</p>
	Inlet Manifold	<i>blanked off</i> C907E0123Y	*	*	*	*		1	1		
EH.2.	Gasket	A907E0204ZF	*	*	*	*	1				
EH.3.	Stud, 8 mm x 1.46"	A907E1027FB	*	*	*	*	9				)
	Washer	AO75W4020ZB	*	*	*	*	9				) Manifold to head
	Nut	AO75W3021ZK	*	*	*	*	9				)
	Stud	B907E0130ZA	*	*	*	*		8	8		)
EH.5.	Spacer	A907E0129YK	*	*	*	*		4	4		'74 & '75 Spec Engines
	Spacer	B907E0129Z	*	*	*	*		4	4		'76 Spec Engines
EH.6.	"O" Ring	A907E6027ZA	*	*	*	*		8	8		)
	Rubber spring	<i>A</i> ← BO36E0470Z	*	*	*	*		8	8		)
	Cup washer	CO36E0471Z	*	*	*	*	16	6			) Carbs to Manifold.
	Nut	AO75W3010ZK	*	*	*	*		8	8		)
EH.7.	Inlet Manifold	C907E0250YJ	*	*	*	*				1	Zenith "CD" Carbs
	Inlet Manifold	D907E0250Y	*	*	*	*				1	Used when heater take-off on Cyl head
EH.8.	Stud	A907E0520ZH	*	*	*	*				6	Adaptor Flange to Manifold
EH.9.	"O" Ring	AO26S0086AK	*	*	*	*				2	
EH.10.	Adaptor Flange	BO26S0009AC	*	*	*	*				2	
	Rubber Spring	BO36E0470Z	*	*	*	*				6	)
	Cup Washer	CO36E0471E	*	*	*	*				6	) Flange to Manifold
	Nut	AO75W3010ZK	*	*	*	*				6	)

PLATE Ref. No.	DESCRIPTION	PART NO.	ELITE	ECLAT	MANUAL	AUTOMATIC	ALL	DOMESTIC	EUROPEAN	FEDERAL	REMARKS
EH.11.	Gasket	XO26S0107ZA	*	*	*	*				2	Flange to Carbs
EH.12.	Stud	BO36S0170ZK	*	*	*	*				8	)
	Washer Plain	AO75W4020ZB	*	*	*	*				8	) Carbs to Adaptor Flange
	Nut	AO75W3002ZC	*	*	*	*				8	)
EH.13.	Tube, Vacuum Take-off	A907E0547ZL	*	*	*	*				1	To carb Air Control Valve & Dist.
EH.14.	Temperature Transmitter	AO50M6136WD	*	*	*	*	1				
EH.15.	Tube, Heater Take-off	A907E0486ZA	*	*	*	*	1				
EH.16.	Angled Union, Vacuum	AO74E0367ZK	*	*	*	*	1				
EH.17.	Union, Vacuum	AO26E0367ZJ	*	*	*	*	1				
EH.18.	Adaptor, Two Way	XO36J6068ZD	*	*	*	*	1				Air Conditioned Cars
EH.19.	Union, Vacuum	AO74E0367ZK	*	*	*	*	1				Air Conditioned Cars

EJ



E 112

PLATE Ref. No.	DESCRIPTION	PART NO.	ELITE	ECLAT	MANUAL	AUTOMATIC	ALL	DOMESTIC	EUROPEAN	FEDERAL	REMARKS
EJ 1	Distributor	C907E0809WC	*	*	*	*	1				Type 23D, fed. without air injection replaced by E907E0809F.
	Distributor	F E907E0809F	*	*	*	*		1	1		Type 43D, see Bulletin 1978/17
	Distributor	A907E0855FC	*	*	*	*				1	Type 25D, Fed. with air injection replaced by B907E0855F.
	Distributor	C B907E0855F	*	*	*	*				1	Type 45D, see Bulletin 1978/17.
	Distributor	B A907E0900 J	*	*	*	*				1	'Luminition' Electronic Ign. cars.
	Seal, Distributor/Oil Pump	A907E6251HC	*	*	*	*	1				
Not Illus.	I. R. Sensor/Interruptor Kit	A907E6331F	*	*	*	*				1	'Luminition' Electronic Ign. Cars.
Not Illus.	Ignition Control Unit	A075M0335F	*	*	*	*				1	'Luminition' Electronic Ign. Cars.
Not Illus.	Rotor Arm/Speed Limiter	A907E6205ZD	*	*	*	*	1				
Not Illus.	Contact Set	A907E6206ZJ	*	*	*	*	1				For Types 23D & 25D Distributors
Not Illus.	Condenser	A907E6207ZC	*	*	*	*	1				
Not Illus.	Rotor Arm/Speed Limiter	A907E6330F	*	*	*	*	1				
Not Illus.	Contact Set	A907E6327F	*	*	*	*	1				For Types 43D & 45D Distributors.
Not Illus.	Condenser	A907E6328F	*	*	*	*	1				
Not Illus.	Distributor Cap.	A907E6329F	*	*	*	*	1				IMPROVED B907E6329H (ROYAL BLUE) E1: 634E
Not Illus.	Distributor Extension Lead	A075M0275ZD	*	*	*	*	1				If fitted.
Not Illus.	Nut, Nyloc	A075W3009ZE	*	*	*	*	1				
Not Illus.	Washer, Plain	A075W4013ZL	*	*	*	*	1				Distributor Clamp to Engine.



PLATE Ref. No.	DESCRIPTION	PART NO.	ELITE	ECLAT	MANUAL	AUTOMATIC	ALL	DOMESTIC	EUROPEAN	FEDERAL	REMARKS
EJ 2	Ignition Harness	B907E0740WD	*	*	*	*	1				Up to Engine No. 15682 Inc. From Engine No. 15683 Inc. Replaces N7Y ) ) Up to Engine Replaces N8Y ) No. 15682, Inc. Replaces N9Y ) ) From Engine No. 15683 Inc. ) <u>Must only be used with NGK</u> <u>Ignition Harness, C907E0740F.</u>
	Ignition Harness, N.G.K.	C907E0740F	*	*	*	*	1				
EJ 3	Sparking Plug, NGK BP7ES	A907E6318F	*	*	*	*		4	4		
	Sparking Plug, NGK BP6ES	A907E6317F	*	*	*	*		4	4		
	Sparking Plug, NGK BP5ES	A907E6316F	*	*	*	*				4	
*	Sparking Plug, NGK BPR6ES	B907E6317F	*	*	*	*		4	4		
	Sparking Plug, NGK BPR5ES	B907E6316F	*	*	*	*				4	
EJ 4	H.T. Coil	A075M6117WG	*	*	*	*	1				
	Screw	A075W1010ZE	*	*	*	*	2				
	Washer, Plain	A075W4003ZE	*	*	*	*	4				
EJ 5	Starter Motor (LARGE 3M-100 A-25710A DR E-25691F)	A907E6179WC	*	*	*	*	1				
	Starter Motor (SMALL 5M-90 25278A)	A907E6263FE	*	*	*	*		1			
	Rubber Boot, Starter Solenoid Term	A075M6174F	*	*	*	*	1				
EJ 6	Alternator & Pulley Assy.	A907E6219ZH	*	*	*	*	1				
	Bolt	A075W2050ZD	*	*	*	*	1				
	Washer, Plain	A075W4020ZB	*	*	*	*	4				
Not Illus.	Stud	A907E0403Z	*	*	*	*	1				
EJ 7	Adjusting Strap	A907E0030ZA	*	*	*	*	1				

PLATE Ref. No.	DESCRIPTION	PART NO.	ELITE	ECLAT	MANUAL	AUTOMATIC	ALL	DOMESTIC	EUROPEAN	FEDERAL	REMARKS
EJ 8	Spacer	B907E0259ZK	*	*	*	*	1				) Alternator Adjustment.
	Nut	A075W3011ZD	*	*	*	*	1				
	Screw	A075W1011ZK	*	*	*	*	1				
	Washer, Plain	A075W4020ZB	*	*	*	*	1				
	Washer, Spring	A075W4036ZL	*	*	*	*	1				
	TERMINAL COVER	A907E6220Z									

See Sub-Section EK for Alternator fitted to Air conditioned Cars.

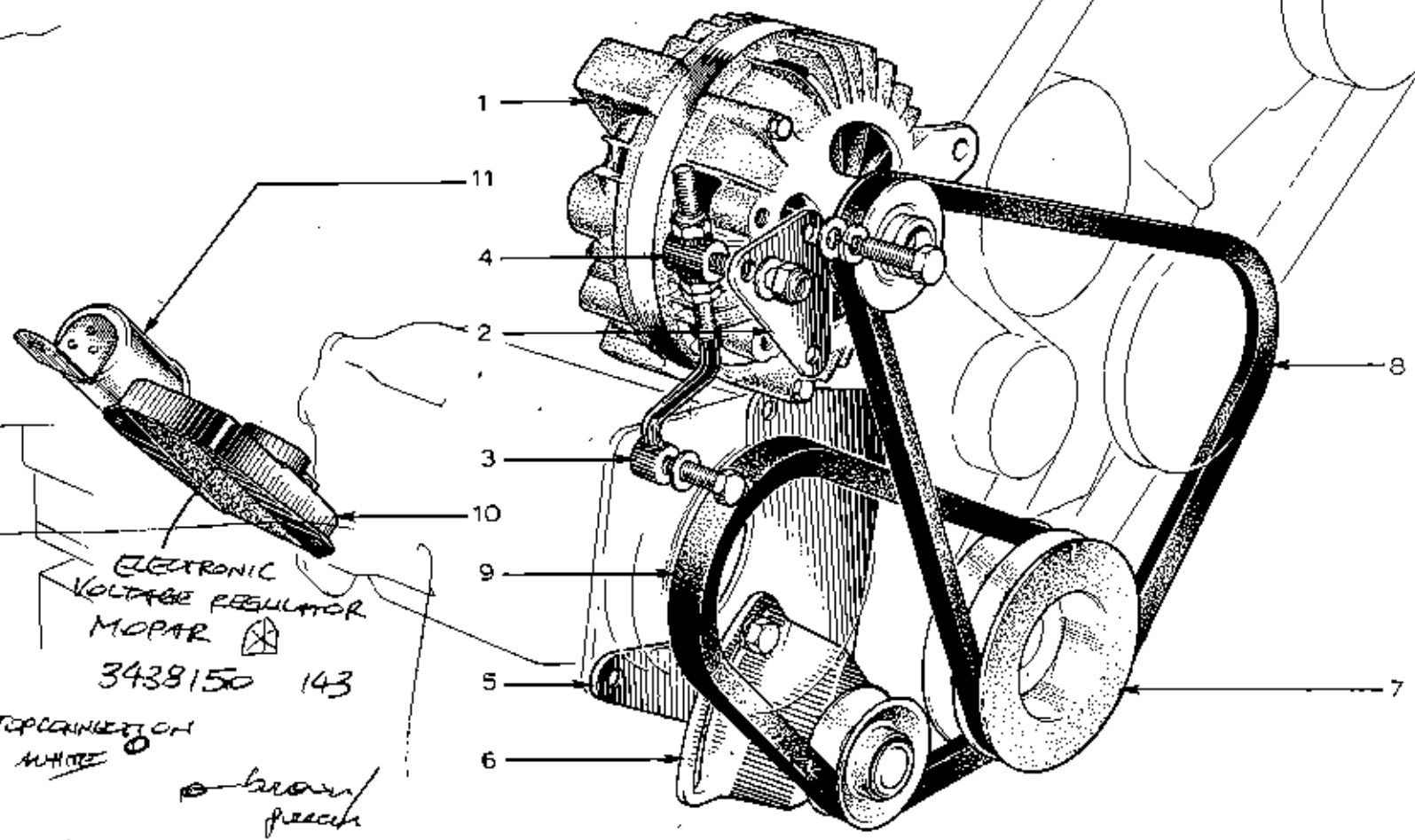
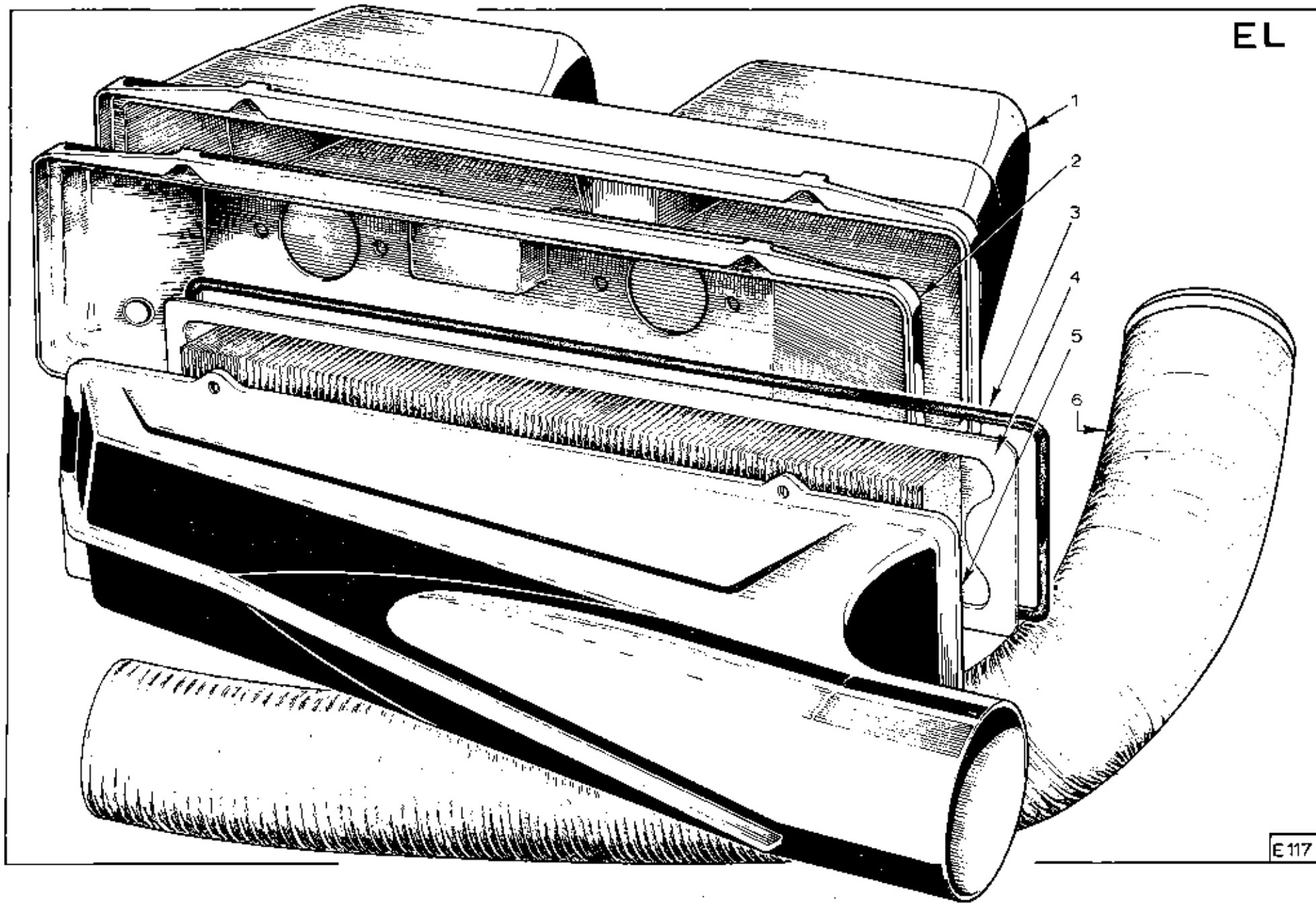


PLATE Ref. No.	DESCRIPTION	PART NO.	ELITE	ECLAT	MANUAL	AUTOMATIC	ALL	DOMESTIC	EUROPEAN	FEDERAL	REMARKS
EK.1.	Alternator and Pulley Assembly Chrysler 60A	A907E6177ZE	*		*	*	1				AIR CONDITIONED CARS ONLY Up to Eng. No. 12170, 12191 to 12193 and 12198 to 12461
	Pulley	A907E0685ZK	*		*	*	1				- ditto -
	Phase Lead	AO75M0639Z	*		*	*	1				- ditto -
Not illus	Alternator & Pulley Assy. Motorola 55A (PAR 2545K)	A907E6267F	*	*	*	*	1				Eng. No. 12171 to 12191, 12195 to 12197 and 12462 on.
" "	Pivot Bush	A907E0615Z	*		*	*	1				Use with Chrysler Alt.
	Bolt	AO75W2009ZH	*		*	*	1				" " " "
	Washer Plain	AO75W4024ZL	*		*	*	3				" " " "
	Nut	AO75W3003ZH	*		*	*	1				" " " "
	Pivot Bolt	AO75W2050ZD	*	*	*	*	1				Use with Motorola Alt.
	Washer Plain	AO75W4020ZB	*	*	*	*	4				" " " "
	Nut	AO75W3003ZH	*	*	*	*	1				" " " "
EK.2.	Adaptor Plate	A907E0613ZB	*		*	*	1				Use with Chrysler Alt.
	Adaptor Plate	B907E0613Z	*		*	*	1				" " " " ) & Auxiliary
	Screw	AO75W1013ZJ	*		*	*	2				" " " " ) housing
	Washer Plain	AO75W4020ZB	*		*	*	2				" " " " ) A907E1092H &
	Washer Spring	AO75W4036ZE	*		*	*	2				" " " " ) A907E0859F

PLATE Ref. No.	DESCRIPTION	PART NO.	ELITE	ECLAT	MANUAL	AUTOMATIC	ALL	DOMESTIC	EUROPEAN	FEDERAL	REMARKS
EK.3.	Alternator Adjuster	A907E0612Z H	*		*	*	1				Use with Chrysler Alt.
	Screw	AO75W1014ZC	*		*	*	1				" " " "
	Washer Plain	AO75W4020Z B	*		*	*	1				" " " "
	Washer Spring	AO75W4036Z E	*		*	*	1				" " " "
EK.4.	Adjuster Stop	A907E0614ZG	*		*	*	1				" " " "
	Washer Plain	AO75W4020Z B	*		*	*	1				" " " "
	Nut	AO75W3010Z K	*		*	*	1				" " " "
	Locknut, Thin	AO75W3024Z C	*		*	*	2				" " " "
	Washer Plain	AO75W4024Z L	*		*	*	2				" " " "
	Nut	AO75W3011Z D	*		*	*	1				" " " "
Not Illus.	Anchor Bracket, Tensioner	A907E1123F	*	*	*	*	1				Use with Motorola Alt.
" "	Adjusting Strap	A907E0030Z A	*	*	*	*	1				" " " "
" "	Spacer	B907E0259Z K	*	*	*	*	1				" " " "
	Nut	AO75W3011Z D	*	*	*	*	1				" " " "
	Screw	AO75W1011Z K	*	*	*	*	1				" " " " )
	Washer Plain	AO75W4020Z B	*	*	*	*	1				" " " " ) Alt Adj.
	Washer Spring	AO75W4036Z E	*	*	*	*	1				" " " " )

PLATE Ref. No.	DESCRIPTION	PART NO.	ELITE	ECLAT	MANUAL	AUTOMATIC	ALL	DOMESTIC	EUROPEAN	FEDERAL	REMARKS
EK.5.	Bracket, Alt Mounting - Chrysler Alt.	A907E1093F	*		*	*	1				)
	Spacer, Alt Bracket, Chrysler Alt	A907E1094F	*		*	*	1				) Use with Auxiliary Housing
	Screwed Sleeve, Chrysler Alt	A907E1095F	*		*	*	1				) Adaptable Type A907E0859F
	Bracket, Alt. Mounting Motorola Alt.	A907E1120G	*	*	*	*	1				)
	Bracket, Compressor	A907E0572Z D	*	*	*	*	1				
	Bolt, M10 x 45	AO75W2053ZH	*	*	*	*	2				
	Washer Spring	AO75W4037Z K	*	*	*	*	2				
	Bolt M8 x 40	AO75W2039Z D	*	*	*	*	1				
	Washer Spring	AO75W4036Z E	*	*	*	*	1				
	EK.6.	Adjuster Pulley Assy	B907E0821WD	*	*	*	*	1			
Screw		AO75W1039Z G	*	*	*	*	1				)
Washer Spring		AO75W4036Z E	*	*	*	*	1				) Adjuster to Bracket
EK.7 to 9 Not Illus	"V" Pulleys & Belts - See ED										
	Spacer, Pulley	A907E0573Z J	*	*	*	*					Water Pump, Air Con. Cars
" "	Spacer, Pulley	A907E0670Z A	*	*	*	*					" " Air Con. & Pas Cars
EK.10.	Regulator	AO75M6059Z B	*	*	*	*	1				Only with Chrysler 60 a.alt
EK.11.	Control Unit	AO75M6088Z D	*	*	*	*	1				Ignition warning light only with Chrysler 60 a.alt.

EL



E117

PLATE Ref. No.	DESCRIPTION	PART NO.	ELITE	ECLAT	MANUAL	AUTOMATIC	ALL	DOMESTIC	EUROPEAN	FEDERAL	REMARKS
EL.1. <del>EL. GISE</del> Not illus	Backplate Assembly " " <del>A907E0917J</del> Flametrapp / Breather Tube	A907E0654Z J	*	*	*	*		1	1		SCREW TYPE R/R LATCH FIXINGS
EL.2. Not illus	Backplate Assembly Backplate Assembly Flametrapp / Breather Tube	<del>B</del> A907E0655Z C907E0655Z B907E0517ZH	*	*	*	*				1 1 1	1975 Spec. with A.R.O. valve
EL.3.	Seal	B907E0588ZL	*	*	*	*	1				
EL.4.	Element, Air Filter <del>(A907E06-7987890)</del>	A907E6182ZH	*	*	*	*	1				
EL.5. <del>EL. GISE</del> EL.6. Not illus	Cover, Air Box Hose, Induction Clip " " 'p' Clip Bolt Washer, Large Washer, Plain Nut GROMMET (BREATHER) FILLER CAP.	<del>A907E0918J</del> A907E0656ZH A907E0836W XO36S6006ZF AO75U0448Z AO75W1058Z AO75W4021ZG AO75W4020ZB AO75W3010ZK XO50B615PZ	*	*	*	*	1 1 1 2 2 2 2 2				SCREW FIXING LATCH FIXINGS Hose to Cover ) ) 'P' Clip to Baffle ) )



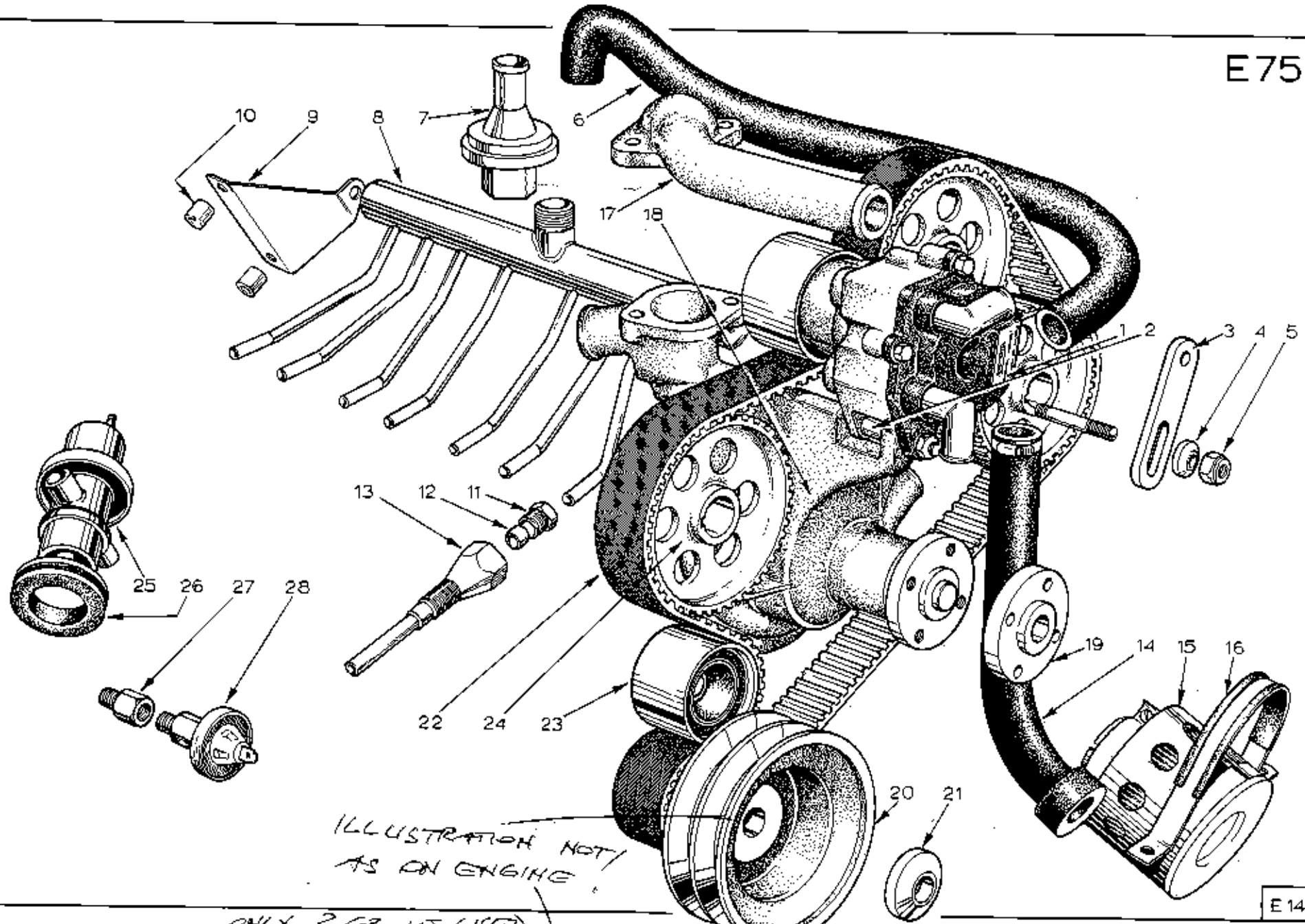


ILLUSTRATION NOT  
AS ON ENGINE

ONLY 3 GROOVE USED  
ON ENGINES  
AT PRESENT.

2 GROOVE PULLEY

PLATE Ref. No.	DESCRIPTION	PART NO.	ELITE	ALL	DOMESTIC	EUROPEAN	FEDERAL 75	REMARKS
Not Illust. E75/1	Cylinder Head Assy	B907E0311Y	*	*			1	<i>B907E0702S</i> <i>sub assy, 75 FED</i> <i>Jensen</i> <i>ELITE</i>
	Air Pump Assy.	C907E6232F	*	*			1	
	Bolt Mtg. Air Pump	A075W2048Z	*	*			1	
E75/2	Spacer	A907E1046F	*	*			1	
	Washer Spring	A075W4036Z	*	*			1	
	Washer	A907E1047F	*	*			1	
E75/3	Strap Air Pump Adjusting	B907E1051F	*	*			1	
E75/4	Washer	A907E0688Z	*	*			1	
	Nut	A075W3010Z	*	*			1	
	Screw	A075W1013Z	*	*			1	
E75/5	Nut	A075W3016Z	*	*			1	
E75/6	Hose Air Output	A907E1151F	*	*			1	
Not Illustrated	Clip Air Output Hose	A075W6210F	*	*			1	Non return valve end Pump end
Not Illustrated	Clip Air Output Hose	A907E6229D	*	*			1	
E75/7	Non return Valve	A907E6237F	*	*			1	
E75/8	Air Rail Assy.	A907E1020F	*	*			1	
E75/9	Mtg. Brkt. Air Rail Rear	B907E1032F	*	*			1	
	" " " " Front	B907E1031F	*	*			1	
	Bolt Mtg. Brkt. to Rail	A075W1029Z	*	*			2	
	Washer Star	A075W4046Z	*	*			2	
	Washer Plain	A075W4015Z	*	*			2	

07/75

E 75/1

PLATE Ref. No.	DESCRIPTION	PART NO.	ELITE	ALL	DOMESTIC	EUROPEAN	FEDERAL 75	REMARKS
								366/365
Not Illus.	Bolt Mtg. Brkt. to Cam Cover	A075W2-100Z	*	*			4	
E75/10	Spacer " " " " "	A907E0696F	*	*			4	
E75/11	Nut Air Rail/Injector	A907E6235F	*	*			8	
E75/12	Olive Air Rail/Injector	A907E6236F	*	*			8	
E75/13	Air Injector <i>A907E1019F 2</i>	<del>B907E1020F</del>	*	*			8	
E75/14	Hose Air Pump Intake	A907E1099F	*	*			1	
	Clip	A075W6212Z	*	*			1	
E75/15	Air Cleaner Assy. Air Pump	A907E6258F	*	*			1	
E75/16	Clamp Air Cleaner	X046M6151Z	*	*			1	
Not Illus.	Pad	A907E1100F	*	*			1	
	Screw	A075W1030Z	*	*			2	
	Washer	A075W4017Z	*	*			2	
	Nut	A075W3009Z	*	*			2	
E75/17	Water Outlet Pipe	A907E1066F	*	*			1	
E75/18	Water Pump Assy.	B907E0851J	*	*			1	<i>→ 907E0851K WITH SPACER (10.2) A907E0573 (393E)</i>
Not Illus.	Hose Manifold to Pump	A907E1065F	*	*			1	
E75/19	Spacer Water Pump Boss	A907E0573Z	*	*			1	Air Cond. Only
Not Illus.	" " " "	A907E0670Z	*	*			1	P. A. S.

07/75

E75/2

PLATE Ref. No.	DESCRIPTION	PART NO.	ELITE	ALL	DOMESTIC	EUROPEAN	FEDERAL 75	REMARKS
E75/20	V. Pulley Std	A907E1150F	*	*			1	2 Groove
Not Illus.	V. Pulley P.A. and or Air Cond.	A907E0661Y	*	*			1	3 Groove <i>3 -&gt; MOTOROLA ONLY</i>
Not Illus.	Bolt "V" Pulley Securing	<del>A075W1020F</del> A907E1020F	*	*			1	
E75/21	Washer Special	B907E1106F	*	*			1	
Not Illus.	Belt "V" Water Pump Drive ✓	A907E6270F	*	*			1	Std
Not Illus.	Belt "V" Alternator Drive	A907E6271F	*	*			1	Std
Not Illus.	Belt "V" Alternator Drive	A907E6199Z	*	*			1	P.A.S. and or Air Cond.
Not Illus.	Belt "V" Water Pump and P.A.S. Drive	A907E6201F	*	*			1	All P.A.S. Cars
Not Illus.	Belt "V" Compressor Drive	A907E0590Z	*	*			1	All Air Cond. Cars
E75/22	Toothed Belt	B907E1050F	*	*			1	137 Teeth
E75/23	Idler Pulley Assy.	A907E6249F	*	*			1	
Not Illus.	Stud	A907E1034F	*	*			1	
	Concentric Hub	A907E1033F	*	*			1	
Not Illus.	Nut	A075W3011Z	*	*			1	
Not Illus.	Washer	A075W4024Z	*	*			1	
E75/24	Toothed Pulley	F907E0309F	*	*			3	
	<i>✓ 6201 - water pump - crank</i> <i>✓ 6268 - motorola alternator for crank</i> <i>✓ 6270 water pump - crank</i> <i>✓ 6271 alternator - crank SOL FED</i>							

E75/3

07/75

PLATE Ref. No.	DESCRIPTION	PART NO.	ELITE		ALL	DOMESTIC	EUROPEAN	FEDERAL 75	REMARKS
E75/25	Valve Assy. Anti Run On.	A075L6024F	*	*				1	
E75/26	Grommet. Valve to Air Box	A075P6021Z	*	*				1	
Not Illus.	Tubing	A075L0150F	*	*				1	
Not Illus.	Elbow	X036J0135Z	*	*				1	
E75/27	Tee Piece	X036J6068Z	*	*				1	Male, Female, Female
Not Illus.	Loom A.R. O.V.	A075M0298F	*	*				1	
E75/28	Pressure Switch	A075M61 <sup>5</sup> 22Z	*	*				1	
Not Illus	Adaptor Vacuum Take Off	A026E0367Z	*	*				1	
" "	Ignition Switch	C075H6008F	*	*				1	
" "	Distributor Assy.	A907E0855F	*	*				1	
" "	Carburettor Assy. Front	C907E0791F	*	*				1	
" "	Carburettor Assy. Rear	C907E0792F	*	*				1	
" "	Air Box Backplate Assy.	C907E0655Z	*	*				1	
" "	Air Induction Tube	C907E1089J	*	*				1	
" "	Clip Air Induction Hose	X036 L6002Z	*	*				1	
" "	Screw. Hose Flange to Nose Beam	AX75W5042Z	*	*				4	
" "	Air Intake Grille Cold	A907E1091F	*	*				1	
" "	Flange Air Induction Hose	A907E1084F	*	*				1	
" "	Fixing. Push on	A075W6023Z	*	*				4	
" "	Heat Shield L.H. Engine Mtg.	B907E1041 F	*	*				1	
" "	Support Brkt. Heat Shield	A907E1108K	*	*				1	

07/75

E75/4

PLATE Ref. No.	DESCRIPTION	PART NO.	ELITE	ALL	DOMESTIC	EUROPEAN	FEDERAL 75	REMARKS
	Engine Mtg. L.H.	C907E0617F	*	*			1	
Not Illus.	Washer	A075W4021Z	*	*			2	
" "	Spring Washer	A075W4036Z	*	*			1	
" "	Screw	A075W1036Z	*	*			1	
" "	Heat Shield Body Upper Engine Bay	A075B2263F	*	*			1	
	" " " Lower Engine Bay	A075B2269F	*	*			1	
Not Illus.	Pop Rivets	A075W6071Z	*	*			8	
" "	Heat Shield Servo	AX75J0312F	*	*			1	
	Grommet	X054J6 007Z	*	*			2	
Not Illus.	Belt Guard Assy.	B907E1038K	*	*			1	
SA10	Front Pipe Assy S.S.	A075S0219F	*	*			1	
SA 11	Catalyst Converter Assy.	A075S0217F	*	*			1	
	Blanking Plug 1/2 B.S.P.	A075S6018F	*	*			1	
SA12	"Y" Piece Catalyst to Tailpipes	B075S0220F	*	*			1	
Not Illus.	Gasket Catalyst to "Y" Piece	A075S6014F	*	*			1	
" "	Bolt	A075W1041Z	*	*			6	
" "	Nut	A075W3035Z	*	*			6	
SA 13	Insulation Chassis	A075S0227F	*	*			1	
SA14	Heat Shield Chassis	A075S0228K	*	*			1	

PLATE Ref. No.	DESCRIPTION	PART NO.	ELITE	ALL	DOMESTIC	EUROPEAN	FEDERAL 75	REMARKS
SA15	Heat Shield Lower	A075S0223K	*	*			1	Californian Cars Only
Not illus.	Filler Neck Assy. R.H.	A075L0148F	*				1	
" "	Filler Neck Assy. L.H.	A075L0147F	*				1	
" "	Label "Lead Free" Filler Caps	A075U 1008F	*	*			2	
" "	Tool Belt Adjusting	T000T0320A	*	*			A/R	
" "	Adaptor and Sample Pipe, Analyser	T000T0321A	*	*			A/R	
" "	Plug	T000T0322A	*	*			A/R	Air Pump Output Hose

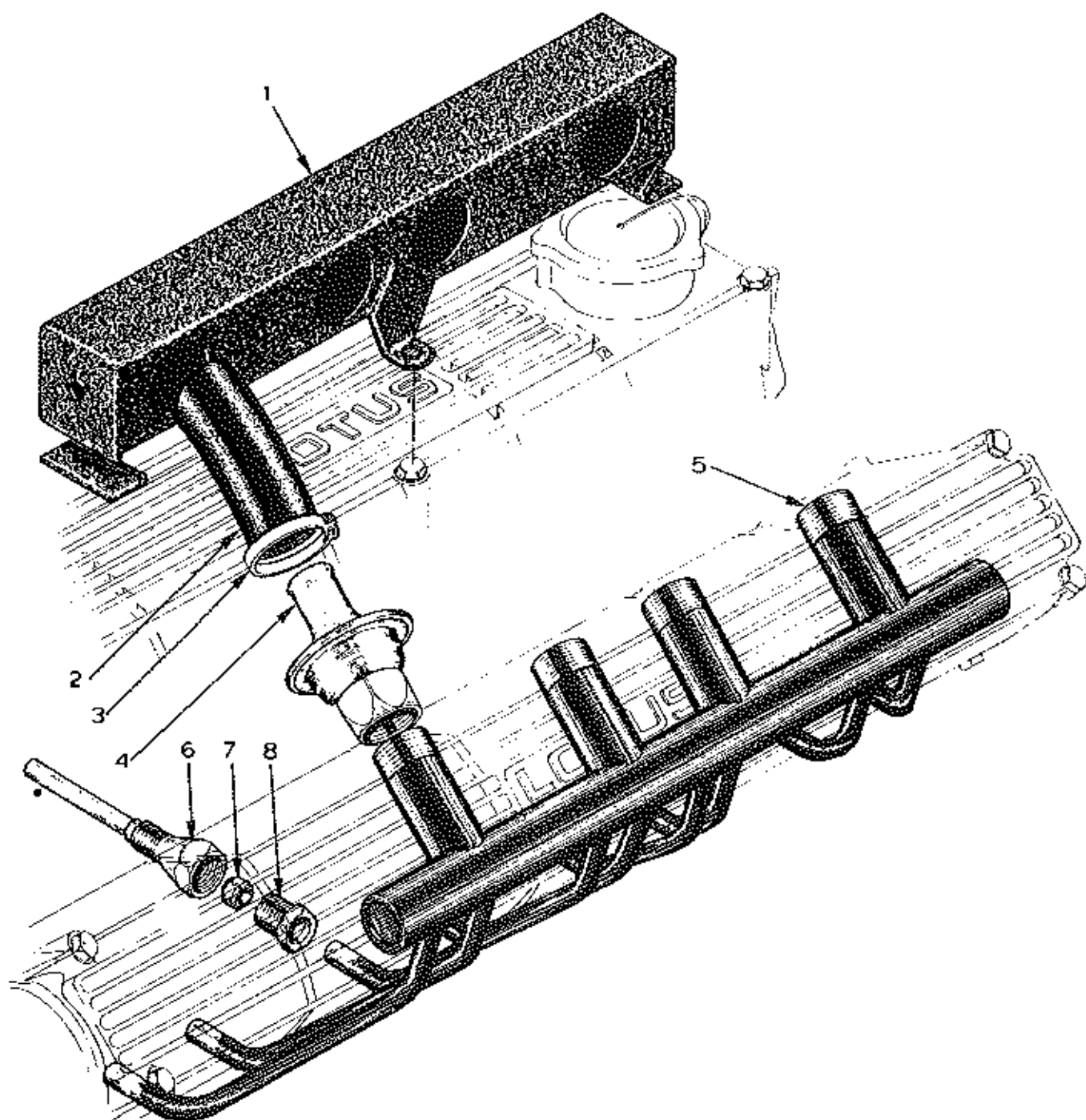




PLATE Ref. No.	DESCRIPTION	PART NO.	ELITE	ECLAT	MANUAL	AUTOMATIC	ALL	DOMESTIC	EUROPEAN	FEDERAL	REMARKS
E80/1	Air Plenum	A907E1265F	*	*	*	*				1	
E80/2	Connecting Sleeve	A907E1280F	*	*	*	*				4	
E80/3	Snapper Clip	A075W6211F	*	*	*	*				4	
E80/4	Pulse Valve	B907E6237F	*	*	*	*				4	
E80/5	Air Rail	A907E1266F	*	*	*	*				1	
E80/6	Air Injector	A907E1019F	*	*	*	*				8	
E80/7	Olive, Air Rail / Injector	A907E6236F	*	*	*	*				8	
E80/8	Nut, Air Rail / Injector	A907E6235F	*	*	*	*				8	

Elite/Eclat  
E80/1.

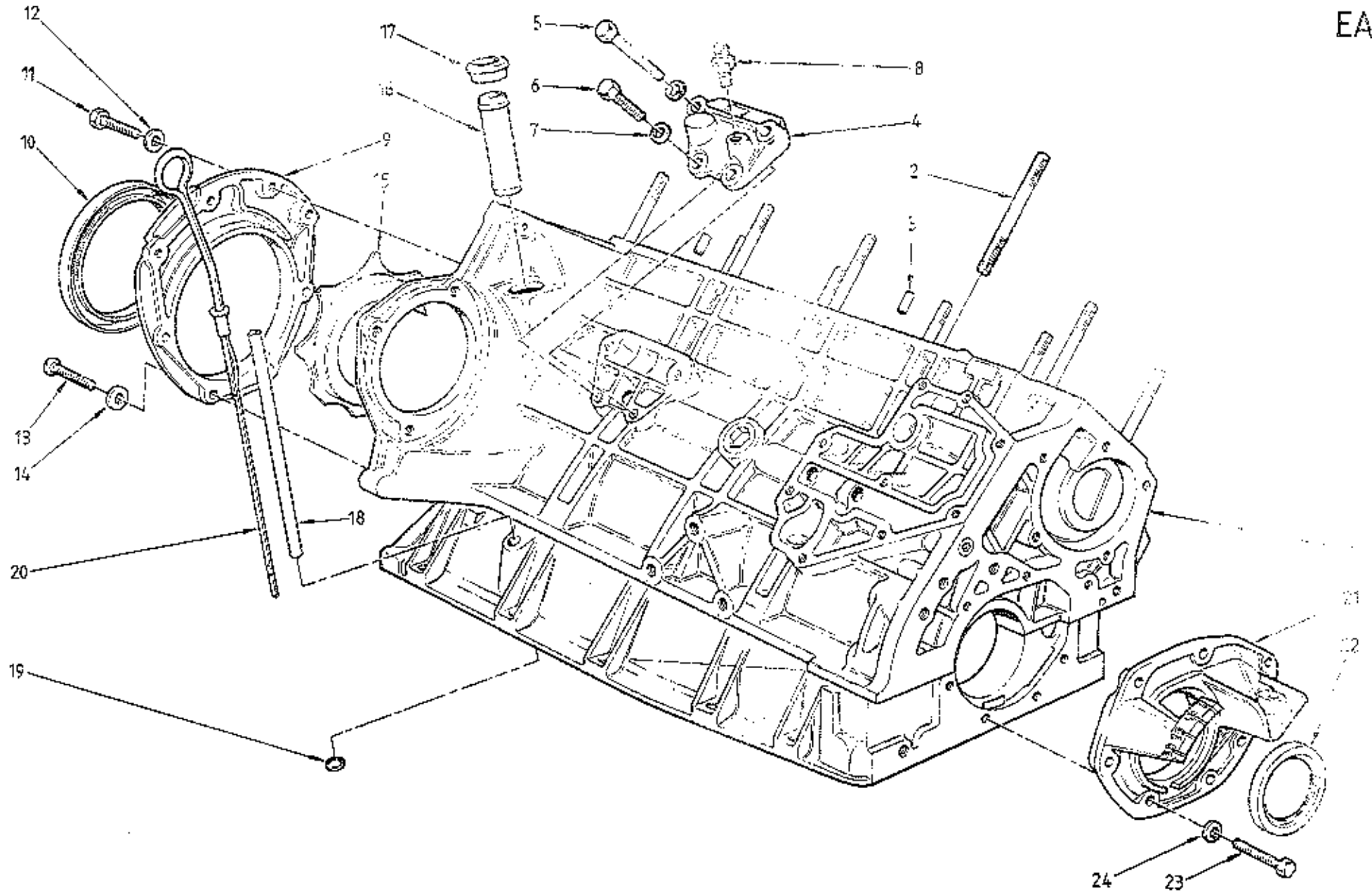


PLATE Ref: No.	DESCRIPTION	PART No	QUANTITY		REMARKS
			ELITE ECLAT 912	ESPRIT 912	
EA1	Cylinder Block and Main Bearing Housing Assembly	A912E0750W	1	1	Includes items listed up to and including A907E6007Z
	Stud, M12	A907E0225Z	10	10	Block to Main Bearing Housing
	Washer, plain	A907E0031Z	10	10	Block to Main Bearing Housing
	Nut, M12	A075W3025Z	10	10	Block to Main Bearing Housing
	Ring Dowel	A911E0320F	3	3	Main Bearing Studs
	Stud, M8	A907E0226Z	10	10	Block to Main Bearing Housing
	Washer, plain	A075W4020Z	10	10	Block to Main Bearing Housing
	Nut, M8	A075W3021Z	10	10	Block to Main Bearing Housing
EA2	Stud, M12	A907E0224Z	10	10	Block to Cylinder Head
	Plug, 1" NPTF	A907E0528Z	1	1	Cylinder Block Oil Gallery
	Plug, 1/2" BSP	A907E6063Z	1	1	Cylinder Block Oil Gallery
EA3	Spiral Pin	A907E6007Z	2	2	Block to Cylinder Head
EA4	Cover, Oil Gallery	B912E1400K	1	1	
	Gasket, Oil Gallery Cover	A907E0438Z	1	1	
	Wellseal, Gallery Cover Gasket		A/R	A/R	
EA5	Bolt, M8 x 35, Oil Gallery Cover	A075W1041Z	2	2	
EA6	Screw, M8 x 20, Oil Gallery Cover	A075W1038Z	2	2	
EA7	Washer, M8, Oil Gallery Cover	A075W4020Z	4	4	

PLATE Ref: No.	DESCRIPTION	PART No	QUANTITY		REMARKS
			ELITE ECLAT 912	ESPRIT 912	
EA8	Union, Oil Pressure Gauge	A907E0625Z	1	1	
EA9	Housing, Rear Seal	A907E0599Z	1	1	
EA10	Seal, Crankshaft Rear	A907E0631Z	1	1	
	Gasket, Rear Housing	A907E0671Z	1	1	
	Wellseal, Rear Housing Gasket		A/R	A/R	
EA11	Setscrew, M6 x 25	A075W5089Z	4	4	Rear Seal Housing to Block
EA12	Washer, Plain, 6 mm	A075W4013Z	4	4	Rear Seal Housing to Block
EA13	Screw, Seal Housing	A075W7016Z	4	4	Rear Seal Housing to MBH
EA14	Washer, Seal Housing	A075W4065Z	4	4	Rear Seal Housing to MBH
EA15	Sprayshield	B 907E0662Z	1	1	
	Dowel, Engine to Bellhousing	A907E6181Z	2	2	
EA16	Spout, Breather	B907E0626Z	1	1	
EA17	Bush, Breather Spout	A907E0659Z	1	1	
EA18	Tube, Dipstick	A912E0633F	1	1	
EA19	'O' Ring, Dipstick Tube	A912E6398F	1	1	
	Avdel Pipesel A121, Tube/Block		A/R	A/R	
EA20	Dipstick, Green Handle	E907E0632Z	1		
	Dipstick, Red Handle	D907E0632Z		1	Series 2.2 models
	Dipstick, Blue Handle	C907E0632Z		1	Series 3 models

25 JUN 1984

912 EA2

PLATE Ref: No.	DESCRIPTION	PART No	QUANTITY		REMARKS
			ELITE ECLAT 912	ESPRIT 912	
EA21	Front Cover	A907E1230F	1	1	
EA22	Seal, Crankshaft Front	B907E6010F	1	1	
	Gasket, Front Cover	A907E0245Z	1	1	
EA23	Screw, M6 x 25 Front Cover	A075W1031Z	7	7	
EA24	Washer, M6 Front Cover	A075W4013Z	7	7	

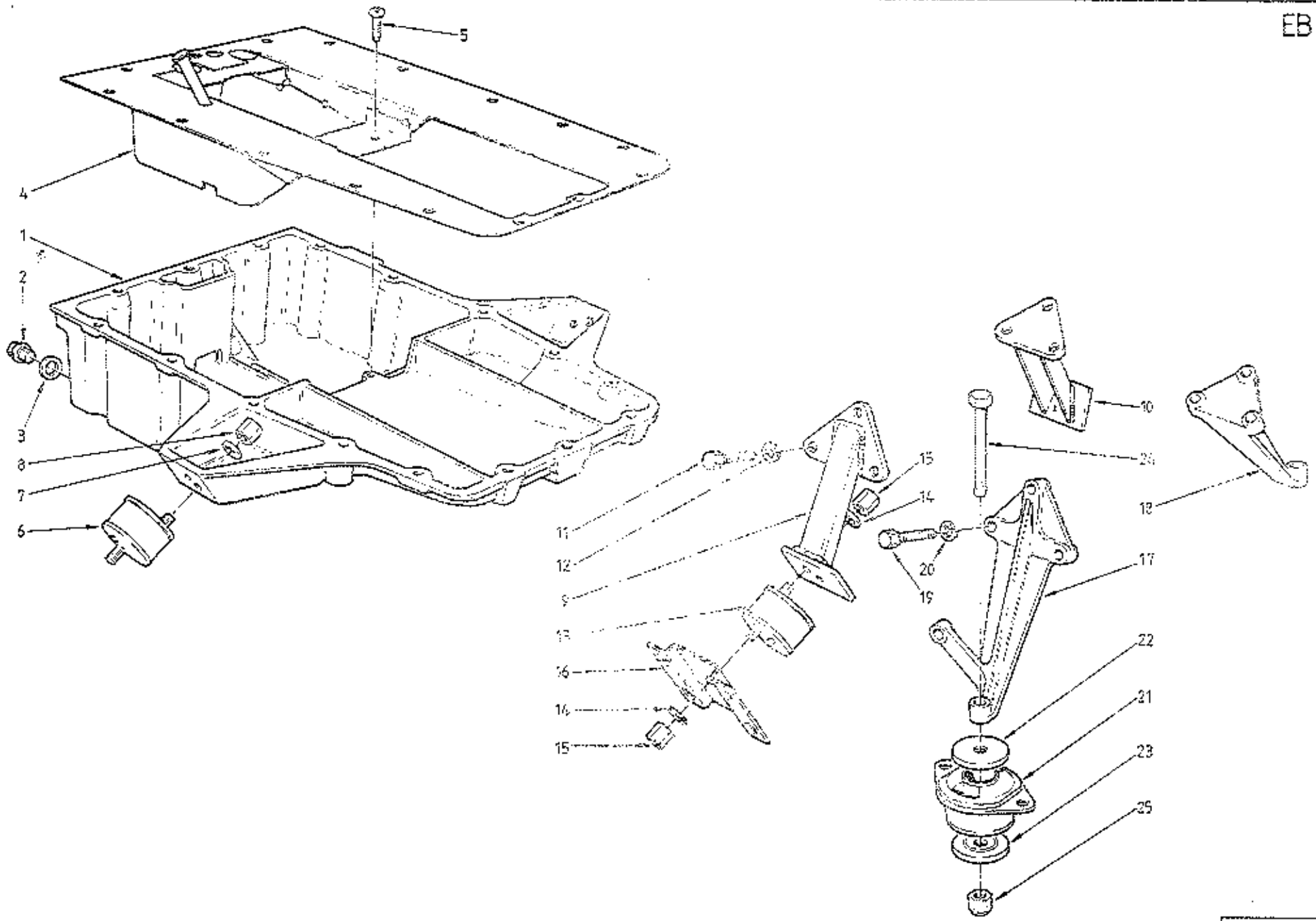


PLATE Ref: No.	DESCRIPTION	PART No	QUANTITY		REMARKS
			ELITE ECLAT 912	ESPRIT 912	
EB1	Oil Sump	A912E0623K	1		
	Oil Sump	B912E0623F		1	
EB2	Plug, Sump Drain	A036R6014Z	1	1	
EB3	Washer, Sump Plug	A075W4057Z	1	1	
EB4	Baffle Assembly, Sump	B912E0929J	1	1	Except Esprit S 2.2
	Baffle Assembly, Sump	A912E0929J		1	Esprit S 2.2 only
	Pemabond APP 322, Baffle/Sump		7cc	7cc	
EB5	Screw, Sump Baffle	A912E6399F	2	2	
	Screw, M8 x 30	A075W1040Z	8	8	Sump to Main Bearing Housing
	Bolt, M8 x 45	A075W2040Z	3	3	Sump to Main Bearing Housing
	Bolt, M8 x 65	A075W2044Z	1	1	Sump to Main Bearing Housing
	Bolt, M8 x 90	A075W2048Z	1	1	Sump to Main Bearing Housing
	Bolt, M8 x 50	A075W2041Z	3	3	Sump to Main Bearing Housing
	Nut, Nylac, M8	A075W3010Z	2	2	Sump to Main Bearing Housing
	Washer, M8	A075W4020Z	18	18	Sump to Main Bearing Housing
EB6	Mounting Rubber, Engine	A907E6174Z	2		
EB7	Washer, M8, Engine Mounting	A075W4020Z	4		
EB8	Nut, 5/16" UNF, Engine Mounting	A075W3065Z	4		
	Heatshield, LH Engine Mounting	A912E1247F	1		

25 JUN 1982

912EB1

PLATE Ref: No.	DESCRIPTION	PART No	QUANTITY		REMARKS
			ELITE ECLAT 912	ESPRIT 912	
EB9	Mounting Bracket, RH, Engine	B079E4020F		1	Series 2.2 model only
EB10	Mounting Bracket, LH, Engine	A079E4059F		1	Series 2.2 model only
EB11	Bolt, Mounting Bracket to Engine	A075W2037Z		6	Series 2.2 model only
EB12	Washer, Spring	A075W4036Z		6	Series 2.2 model only
EB13	Mounting Rubber, Engine	A907E6174Z		2	Series 2.2 model only
EB14	Washer, M8, Engine Mounting	A075W4020Z		4	Series 2.2 model only
EB15	Nut, 5/16" UNF Engine Mounting	A075W3065Z		4	Series 2.2 model only
EB16	Adaptor, RH, Rubber to Chassis	B079E4018K		1	Series 2.2 model only
	Adaptor, LH, Rubber to Chassis	A079E4062F		1	Series 2.2 model only
	Heat Shield Assembly, LH Engine Mounting	A079E4054K		1	Series 2.2 model only
	Heat Shield Bracket	A079E4058C		1	Series 2.2 model only
EB17	Mounting Bracket, RH, Engine	A082E4078K		1	Series 3 model only
EB18	Mounting Bracket, LH, Engine	A082E4079K		1	Series 3 model only
EB19	Bolt, Mounting Bracket to Engine	A079W2039F		6	Series 3 model only
EB20	Washer, Spring	A075W4036Z		6	Series 3 model only
EB21	Mounting Rubber, RH, Blue	A085E6008F		1	Series 3 model only
	Mounting Rubber, LH, Pink	A085E6009F		1	Series 3 model only
EB22	Buffer Washer, upper	A085E6011F		1	Series 3 model only
EB23	Buffer Washer, lower	A085E6010F		1	Series 3 model only

25 JUN 1982

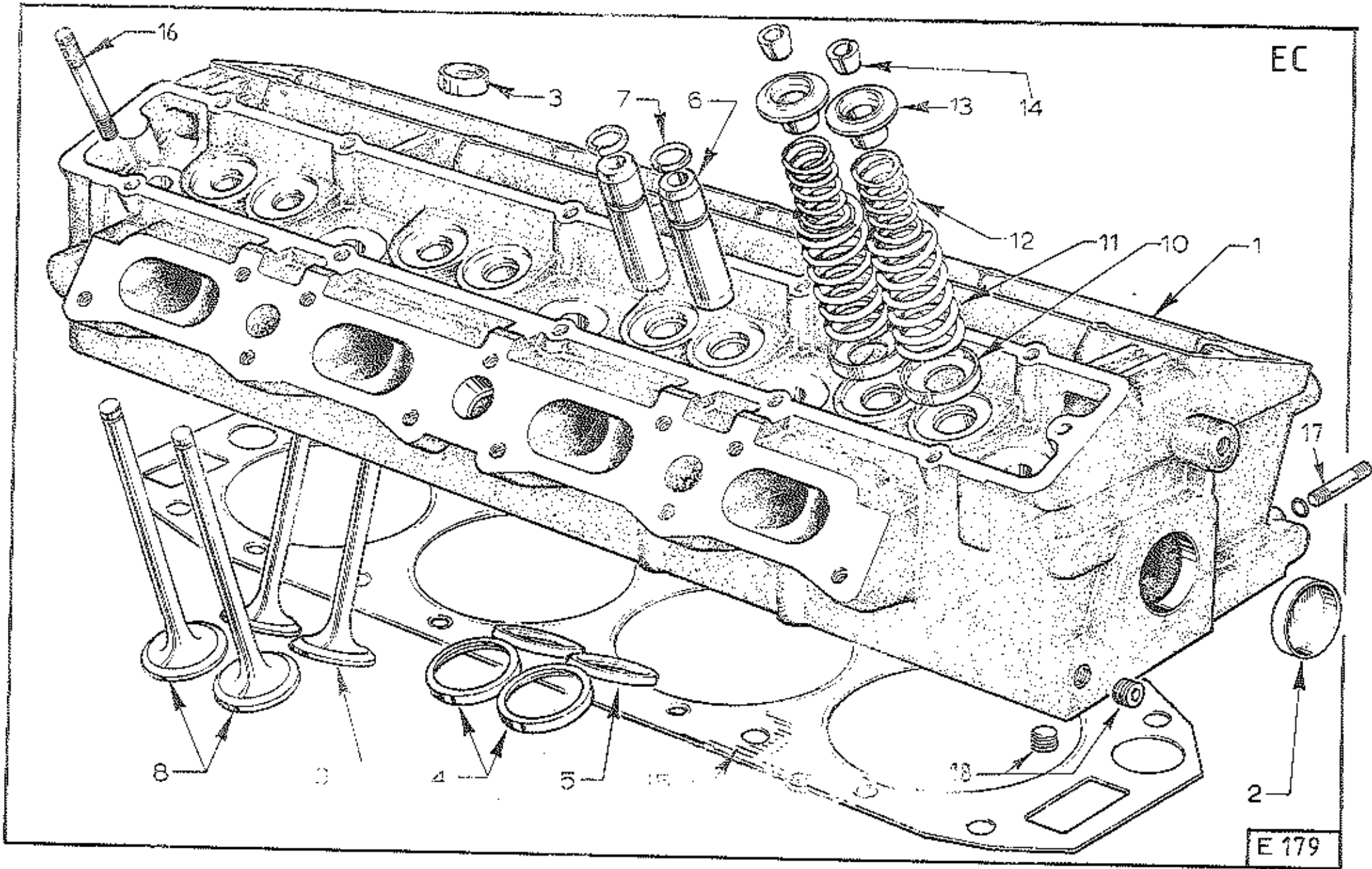


PLATE Ref: No.	DESCRIPTION	PART No	QUANTITY		REMARKS
			ELITE ECLAT 912	ESPRIT 912	
EB24	Bolt M12 x 100, Rubber to Mounting	A079W2072F		2	Series 3 model only
EB25	Nut, Nyloc, M12	A075W3012F		2	Series 3 model only
	Setscrew, M8 x 20 Rubber to Chassis	A075W1038F		4	Series 3 model only
	Washer, Flat, M8	A075W4020F		6	Series 3 model only
	Washer, Spring, M8	A075W4036F		2	Series 3 model only
	Nut, Nyloc, M8	A075W3010F		2	Series 3 model only
	Heatshield, Upper, LH Mounting	C082E4091F		1	Series 3 model only
	Heatshield, Lower, LH Mounting	C082E4092F		1	Series 3 model only
	Setscrew M6 x 20 Shield/Chassis	A075W1030F		4	Series 3 model only
	Washer M6 large	A075W4017F		4	Series 3 model only
	Washer M6	A075W4013F		4	Series 3 model only
	Nut, Nyloc, M6	A075W3009F		4	Series 3 model only

25 JUN 1982

912 EB3

EC



E 179

PLATE Ref: No.	DESCRIPTION	PART No	QUANTITY		REMARKS
			ELITE ECLAT 912	ESPRIT 912	
EC1	Cylinder Head Assembly	A907E0703J	1	1	Includes items listed up to and including A907E6037Z
EC2	Core Plug, front and rear	A907E6039F	2	2	
EC3	Core Plug	A907E6038F	6	6	
EC4	Pipe, Heater Take Off	A907E0486Z	1	1	
	Insert, Valve Seat, Inlet, Std	B907E0312Y	8	8	
	Insert, Valve Seat, Inlet, +0.001"	C907E0312Y	A/R	A/R	
	Insert, Valve Seat, Inlet, +0.002"	D907E0312Y	A/R	A/R	
EC5	Insert, Valve Seat, Inlet, +0.005"	E907E0312Y	A/R	A/R	
	Insert, Valve Seat, Exhaust, Std	B907E0313Y	8	8	
	Insert, Valve Seat, Exhaust, +0.001"	C907E0313Y	A/R	A/R	
	Insert, Valve Seat, Exhaust, +0.002"	D907E0313Y	A/R	A/R	
EC6	Insert, Valve Seat, Exhaust, +0.005"	E907E0313Y	A/R	A/R	
	Valve Guide, Std	B907E0315Y	16	16	
	Valve Guide, +0.001"	C907E0315Y	A/R	A/R	
	Valve Guide, +0.002"	D907E0315Y	A/R	A/R	
EC7	Valve Guide, +0.005"	E907E0315Y	A/R	A/R	
	Circlip, Valve Guide	A907E6037Z	16	16	

25 JUN 1982

PLATE Ref: No.	DESCRIPTION	PART No	QUANTITY		REMARKS
			ELITE ECLAT 912	ESPRIT 912	
EC8	Valve, Inlet	B907E0019Z	8	8	Up to Engine Number 18104
EC9	Valve, Exhaust	A907E0020Z	8	8	Up to Engine Number 18104
EC10	Seat, Valve Spring X	A912E1579F	16	16	Up to Engine Number 18104
EC11	Valve Spring, outer	A907E0022Z	16	16	Up to Engine Number 18104
EC12	Valve Spring, inner	A907E0023Z	16	16	Up to Engine Number 18104
EC13	Retainer, Valve Spring	B907E0021Z	16	16	Up to Engine Number 18104
EC8	Valve, Inlet	A912E0019F	8	8	From Engine Number 18105
EC9	Valve, Exhaust	A912E0020F	8	8	From Engine Number 18105
EC10	Seat, Valve Spring X	A907E0316Z	16	16	From Engine Number 18105
EC11	Valve Spring, outer	A912E0022F	16	16	From Engine Number 18105
EC12	Valve Spring, inner	A912E0023F	16	16	From Engine Number 18105
EC13	Retainer, Valve Spring	A912E0021F	16	16	From Engine Number 18105
EC14	Collet, Valve Retaining	A907E6040Z	32	32	
EC15	Gasket, Cylinder Head	B907E0026Z	A/R	A/R	
	Gasket, Cylinder Head	B911E1291F	A/R	A/R	One extra Lamination
	Gasket, Cylinder Head	B911E1292F	A/R	A/R	Two extra Lamination
	Wellseal, Head Gasket		A/R	A/R	

25 JUN 1982

912 EC2

PLATE Ref: No.	DESCRIPTION	PART No	QUANTITY		REMARKS
			ELITE ECLAT 912	ESPRIT 912	
EC16	Roll Pin, Head to Cam Housing	A075W6097Z	2	2	
	'O' Ring, Roll Pin	A907E6202Z	2	2	
	Stud, M8, Cam Housing to Head	B907E0227Z	20	20	
	Loctite 504, Cam Housing Stud		3cc	3cc	
	Nut, M12, Head to Block	A075W3025Z	10	10	
	Washer, Head to Block	A907E0031Z	10	10	
	Stud, Oil Gallery Drilling	A907E0128K	1	1	
EC17	'O' Ring, Oil Gallery Drilling	A907E6202Z	1	1	
	Stud, Exhaust Manifold to Head	A907E0128K	12	12	
EC18	Stud, Inlet Manifold to Head	A907E1027K	9	9	
	Plug 1/8 BSP	A907E6023Z	2	2	

25 JUN 1982

912 EC3

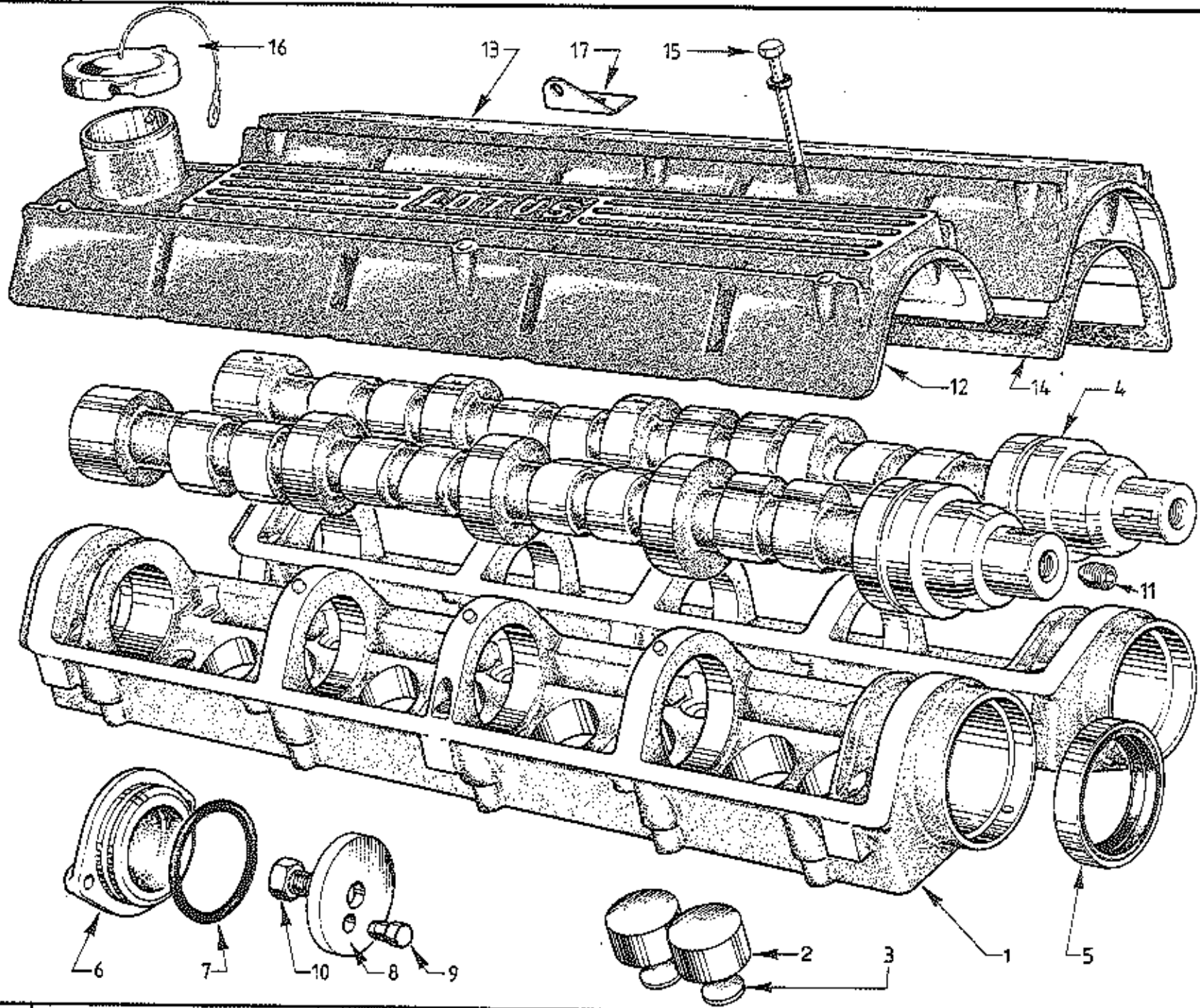


PLATE Ref: No.	DESCRIPTION	PART No	QUANTITY		REMARKS
			ELITE ECLAT 912	ESPRIT 912	
ED1	Camshaft Housing	E907E0302K	2	2	
	Washer, Cam Housing to Head	A075W4020Z	20	20	
	Nut, Cam Housing to Head	A075W3021Z	20	20	
ED2	Tappet	X026E0024Z	16	16	
	Graphogen Grease, Tappet		A/R	A/R	
ED3	Shim, Tappet - See Sheet ED2		16	16	
ED4	Camshaft '107'	A912E0107F	2	2	
	Graphogen Grease, Camshaft		A/R	A/R	
ED5	Oil Seal, Camshaft front	B907E6042F	2	2	
ED6	Cover, rear, Camshaft Housing	A907E0090Z	2	2	
ED7	'O' Ring, Rear Cover	A907E6027Z	2	2	
	Screw, M6, Rear Cover	A075W1029Z	4	4	
	Washer, Rear Cover	A075W4013Z	4	4	
ED8	Thrust Washer, 0.173" - 0.175"	A907E0619Z	A/R	A/R	Camshaft End Float Control
	Thrust Washer, 0.175" - 0.177"	A907E0620Z	A/R	A/R	Camshaft End Float Control
	Thrust Washer, 0.177" - 0.179"	A907E0621Z	A/R	A/R	Camshaft End Float Control
	Thrust Washer, 0.179" - 0.181"	A907E0622Z	A/R	A/R	Camshaft End Float Control
ED9	Dowel, Thrust Washer/Camshaft	A907E0476Z	2	2	
ED10	Setscrew, M10 Thrust Washer/Camshaft	A075W1046Z	2	2	
	Washer, Spring	A075W4037Z	2	2	

25 JUN 1982

912ED1

Tapset Shims

Shim	Part No.	Shim	Part No.	Shim	Part No.	Shim	Part No.	Shim	Part No.
0.060 ins	AO26E6160Z	0.080 ins	AO26E6180Z	0.100 ins	AO26E6200Z	0.120 ins	AO26E6220Z	0.140 ins	AO26E6240Z
0.061 ins	AO26E6161Z	0.081 ins	AO26E6181Z	0.101 ins	AO26E6201Z	0.121 ins	AO26E6221Z	0.141 ins	AO26E6241Z
0.062 ins	AO26E6162Z	0.082 ins	AO26E6182Z	0.102 ins	AO26E6202Z	0.122 ins	AO26E6222Z	0.142 ins	AO26E6242Z
0.063 ins	AO26E6163Z	0.083 ins	AO26E6183Z	0.103 ins	AO26E6203Z	0.123 ins	AO26E6223Z	0.143 ins	AO26E6243Z
0.064 ins	AO26E6164Z	0.084 ins	AO26E6184Z	0.104 ins	AO26E6204Z	0.124 ins	AO26E6224Z	0.144 ins	AO26E6244Z
0.065 ins	AO26E6165Z	0.085 ins	AO26E6185Z	0.105 ins	AO26E6205Z	0.125 ins	AO26E6225Z	0.145 ins	AO26E6245Z
0.066 ins	AO26E6166Z	0.086 ins	AO26E6186Z	0.106 ins	AO26E6206Z	0.126 ins	AO26E6226Z	0.146 ins	AO26E6246Z
0.067 ins	AO26E6167Z	0.087 ins	AO26E6187Z	0.107 ins	AO26E6207Z	0.127 ins	AO26E6227Z	0.147 ins	AO26E6247Z
0.068 ins	AO26E6168Z	0.088 ins	AO26E6188Z	0.108 ins	AO26E6208Z	0.128 ins	AO26E6228Z	0.148 ins	AO26E6248Z
0.069 ins	AO26E6169Z	0.089 ins	AO26E6189Z	0.109 ins	AO26E6209Z	0.129 ins	AO26E6229Z	0.149 ins	AO26E6249Z
0.070 ins	AO26E6170Z	0.090 ins	AO26E6190Z	0.110 ins	AO26E6210Z	0.130 ins	AO26E6230Z	0.150 ins	AO26E6250Z
0.071 ins	AO26E6171Z	0.091 ins	AO26E6191Z	0.111 ins	AO26E6211Z	0.131 ins	AO26E6231Z		
0.072 ins	AO26E6172Z	0.092 ins	AO26E6192Z	0.112 ins	AO26E6212Z	0.132 ins	AO26E6232Z		
0.073 ins	AO26E6173Z	0.093 ins	AO26E6193Z	0.113 ins	AO26E6213Z	0.133 ins	AO26E6233Z		
0.074 ins	AO26E6174Z	0.094 ins	AO26E6194Z	0.114 ins	AO26E6214Z	0.134 ins	AO26E6234Z		
0.075 ins	AO26E6175Z	0.095 ins	AO26E6195Z	0.115 ins	AO26E6215Z	0.135 ins	AO26E6235Z		
0.076 ins	AO26E6176Z	0.096 ins	AO26E6196Z	0.116 ins	AO26E6216Z	0.136 ins	AO26E6236Z		
0.077 ins	AO26E6177Z	0.097 ins	AO26E6197Z	0.117 ins	AO26E6217Z	0.137 ins	AO26E6237Z		
0.078 ins	AO26E6178Z	0.098 ins	AO26E6198Z	0.118 ins	AO26E6218Z	0.138 ins	AO26E6238Z		
0.079 ins	AO26E6179Z	0.099 ins	AO26E6199Z	0.119 ins	AO26E6219Z	0.139 ins	AO26E6239Z		

25 JUN 1982

912 ED2



PLATE Ref: No.	DESCRIPTION	PART No	QUANTITY		REMARKS
			ELITE ECLAT 912	ESPRIT 912	
ED11	Woodruff Key, Shaft to Pulley	A907E6025Z	2	2	
	Grubscrew, Camshaft Front	A907E6069F	2	2	
	Stud, Belt Snubber	A907E1027F	2	2	
	Snubber, Timing Belt	A907E1107F	1	1	
	Eccentric Adjuster, Snubber	A907E1108F	1	1	
	Washer, Snubber Fixing	A075W4020Z	2	2	
	Nut, Snubber Fixing	A075W3021Z	2	2	
ED12	Cam Cover, Inlet	C907E0300Y	1	1	
ED13	Cam Cover, Exhaust	A907E0301Y	1	1	
ED14	Gasket, Cam Cover/Housing	B907E0001Z	2	2	
	Washer, Cam Cover/Housing	A074E6009Z	12	12	
ED15	Screw, Cam Cover/Housing	A075W2099Z	12	12	
ED16	Cap, Oil Filler	A026E0415Z	1	1	
	Gasket, Filler Cap	A026E0325Z	1	1	
ED17	Bracket, Throttle Cable	A907E0516Z	1	1	

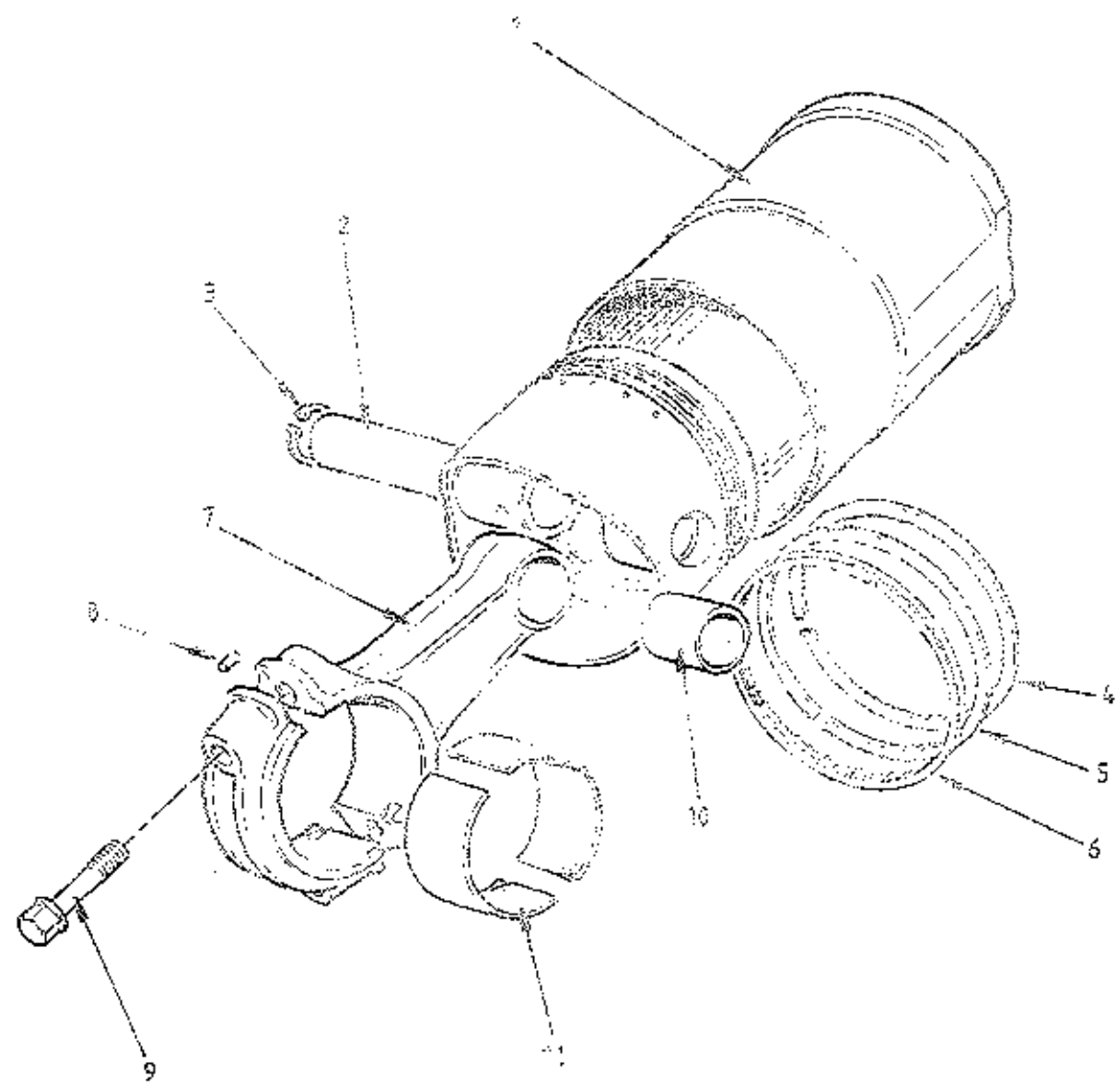


PLATE Ref: No.	DESCRIPTION	PART No	QUANTITY		REMARKS
			ELITE ECLAT 912	ESPRIT 912	
EE1	Piston and Liner Assembly Hylomar, Cylinder Liner/Block	A911E0777F	4 A/R	4 A/R	Includes Items EE2 to EE6 inclusive
EE2	Gudgeon Pin	B907E0405H	4	4	
EE3	Circlip, Gudgeon Pin	A907E6022H	8	8	
EE4	Compression Ring, Top	A911E0401H	4	4	
EE5	Compression Ring, Second	A911E0402H	4	4	
EE6	Oil Control Ring	B907E0404H	4	4	
EE7	Con Rod Assembly	A907E0714F	4	4	Includes Items EE8 to EE10 inclusive
EE8	Dowel, Cap to Rod	A907E0339H	8	8	
EE9	Bolt, Cap to Rod	A907E0344H	8	8	
EE10	Bush, Small End	A907E0357H	4	4	
EE11	Bearing Shell, Std	A907E0342F	8	8	
	Bearing Shell, 0.010" U/S	A907E0540F	8	8	
	Bearing Shell, 0.020" U/S	A907E0541F	8	8	

15 JUN 1982

912 EE1

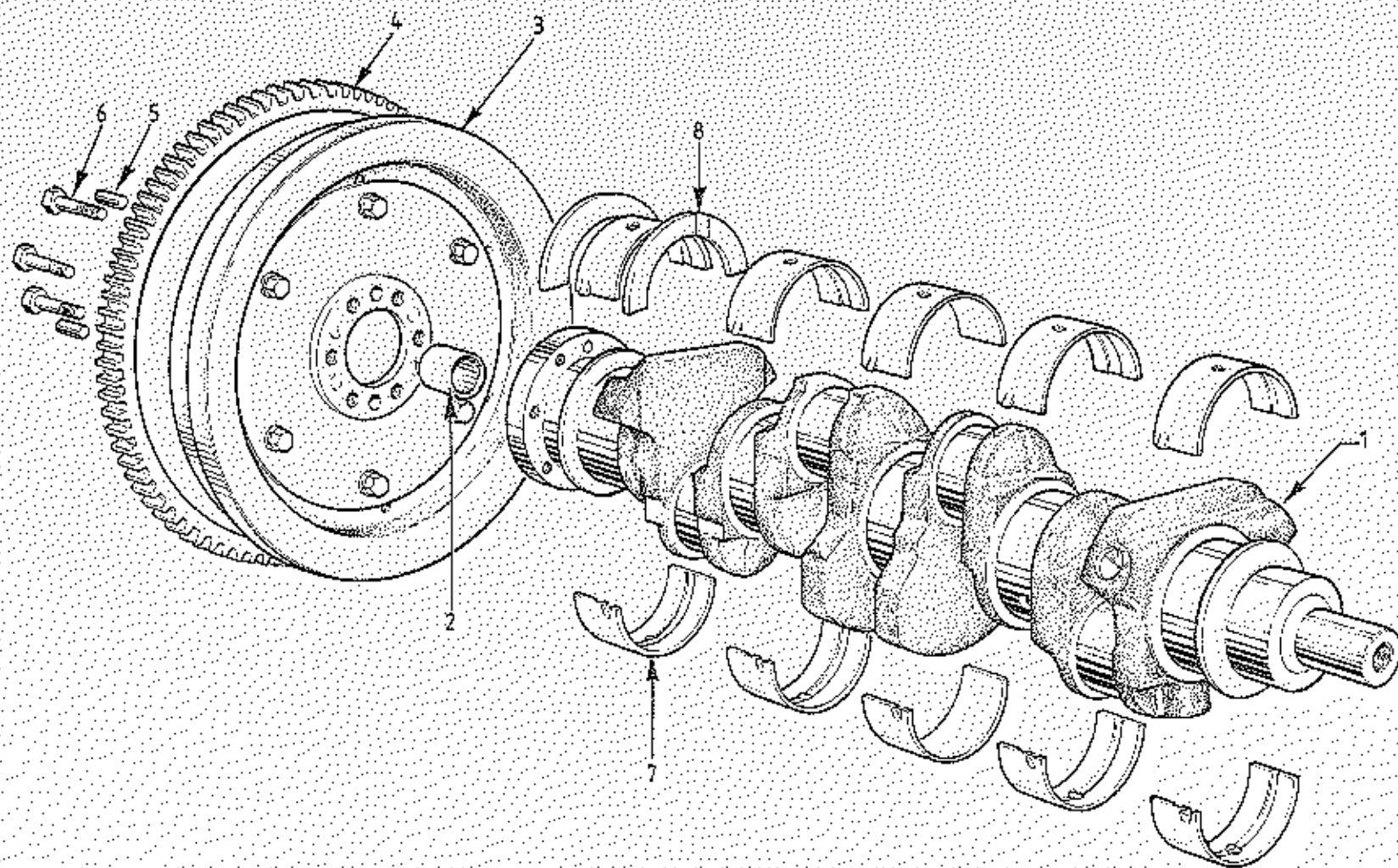


PLATE Ref: No.	DESCRIPTION	PART No	QUANTITY		REMARKS
			ELITE ECLAT 912	ESPRIT 912	
EF1	Crankshaft (including Dowels)	A911E0948J	1		Automatic Transmission Manual Transmission with fixed Flywheel
	Crankshaft (including Dowels)	A912E0966J	1		Manual Transmission with Flexplate Flywheel
	Crankshaft (including Dowels & Spigot Bearing)	A910E0897J		1	Cross Drilled. Fixed Flywheel
	Crankshaft (including Dowels & Spigot Bearing)	A912E0968J		1	Cross Drilled. Flexplate Flywheel
	Dowel, Crank to Flywheel	A907E6015F	2	2	Fixed Flywheel
	Dowel, Crank to Flexplate	A912E1625F	2	2	Flexplate Flywheel
EF2	Spigot bearing, manual	A907E6049F	1		
	Spigot bearing, automatic	A907E1152F	1		
	Spigot bearing	A907E6319F		1	
	Flexplate and Ring Gear	A907E1073F	1		Automatic Transmission
	Distance Plate, Flexplate/Crank	A907E1126K	1		Automatic Transmission
	Distance Plate, Bolts/Flexplate	A907E6254F	1		Automatic Transmission
	Bolt, Flexplate to Crank	A907E6020Z	6		Automatic Transmission
EF3	Flywheel and Ring Gear	B907E6019W	1		Manual Transmission. Fixed Flywheel
	Flywheel and Ring Gear	A907E0699K		1	Manual Transmission. Fixed Flywheel
EF4	Ring Gear	A907E6018H	1	1	Manual Transmission. Fixed Flywheel
EF5	Dowel, Flywheel to Clutch	A907E6084Z	3	3	Manual Transmission. Fixed Flywheel
EF6	Bolt, Flywheel to Crank	A907E6020Z	6	6	Manual Transmission. Fixed Flywheel

PLATE Ref: No.	DESCRIPTION	PART No	QUANTITY		REMARKS
			ELITE ECLAT 912	ESPRIT 912	
EF7	Flexplate Flywheel Assembly	A912E0957J	1	1	Manual Transmission. Flexplate Flywheel
	Ring Gear	A907E6018H	1	1	Manual Transmission. Flexplate Flywheel
	Dowel, Flywheel to Clutch	A907E6084Z	3	3	Manual Transmission. Flexplate Flywheel
	Washer, Flywheel to Crank	A075W4002F	6	6	Manual Transmission. Flexplate Flywheel
	Bolt, Flywheel to Crank	A907E6020Z	6	6	Manual Transmission. Flexplate Flywheel
	Permabond A115				Manual Transmission. Flexplate Flywheel
	Shell, Main Bearing Std I/D Std O/D	A907E0336Z	.05cc	.05cc	Manual Transmission. Flexplate Flywheel
	Shell, Main Bearing Std I/D Std O/D	A907E1170F	8	5	(Groove/Hole) Esprit upper
	Shell, Main Bearing Std I/D Std O/D	A911E1315F	1	5	(Plain) Esprit lower. Elite/Eclat Centre Lower
	Shell, Main Bearing - 0.010" I/D Std O/D	A907E0538Z	1		(Plain/Hole) Elite/Eclat Centre Upper
	Shell, Main Bearing - 0.010" I/D Std O/D	A907E1172F	8	5	(Groove/Hole) Esprit Upper
	Shell, Main Bearing - 0.010" I/D Std O/D	A911E1317F	1	5	(Plain) Esprit Lower. Elite/Eclat Centre lower
	Shell, Main Bearing - 0.020" I/D Std O/D	A907E0539Z	1		(Plain/Hole) Elite/Eclat Centre Upper
	Shell, Main Bearing - 0.020" I/D Std O/D	A907E1173F	8	5	(Groove/Hole) Esprit Upper
Shell, Main Bearing - 0.020" I/D Std O/D	A911E1318F	1	5	(Plain) Esprit Lower. Elite/Eclat Centre Lower	
			1	(Plain/Hole) Elite/Eclat Centre Upper	

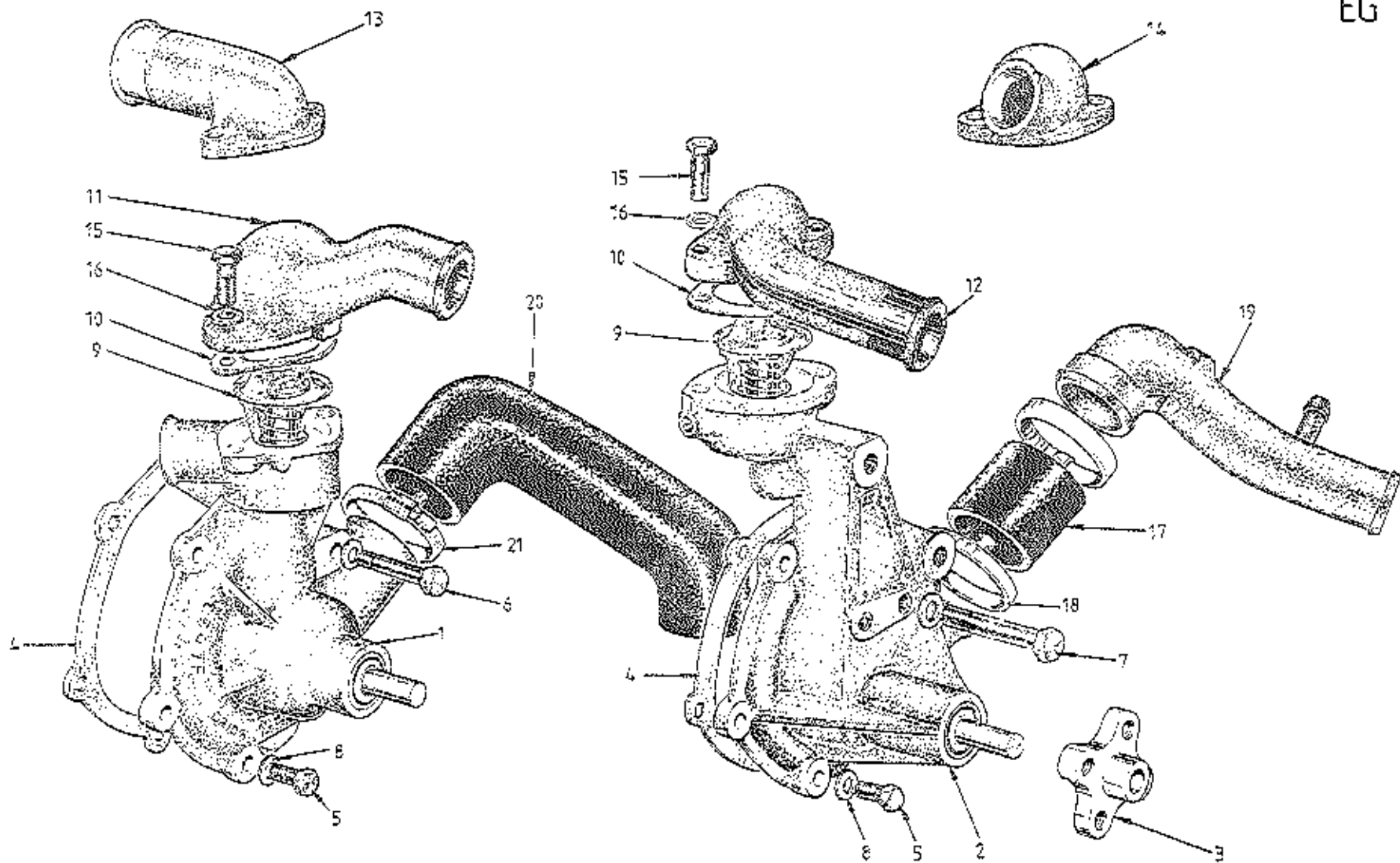
25 JUN 1982

912 EF2

PLATE Ref: No.	DESCRIPTION	PART No	QUANTITY		REMARKS
			ELITE ECLAT 912	ESPRIT 912	
	Shell, Main Bearing. Std I/D +0.015" O/D	A907E0675Z ✓	8	5	(Groove/Hole) Esprit Upper
	Shell, Main Bearing. Std I/D +0.015" O/D	A907E1171F ✗	1	5	(Plain) Esprit Lower. Elite/Eclat Centre Lower
	Shell, Main Bearing. Std I/D +0.015" O/D	A911E1316F ✗	1		(Plain/Hole) Elite/Eclat Centre Upper
	Shell, Main Bearing. -0.010" I/D +0.015" O/D	B907E0675Z	8	5	(Groove/Hole) Esprit Upper
	Shell, Main Bearing. -0.010" I/D +0.015" O/D	B907E1171F	1	5	(Plain) Esprit Lower. Elite/Eclat Centre Lower
	Shell, Main Bearing. -0.010" I/D +0.015" O/D	B911E1316F	1		(Plain/Hole) Elite/Eclat Centre Upper
	Shell, Main Bearing. -0.020" I/D +0.015" O/D	C907E0675Z	8	5	(Groove/Hole) Esprit Upper
	Shell, Main Bearing. -0.020" I/D +0.015" O/D	C907E1171F	1	5	(Plain) Esprit Lower. Elite/Eclat Centre Lower
	Shell, Main Bearing. -0.020" I/D +0.015" O/D	C911E1316F	1		(Plain/Hole) Elite/Eclat Centre Upper
EF8	Thrust Washer, Crank, Std	A907E1000Z	)	A/R	A/R
	Thrust Washer, Crank, +0.0025"	A907E1001Z			
	Thrust Washer, Crank, +0.0050"	A907E1002Z			
	Thrust Washer, Crank, +0.0075"	A907E1003Z			
	Thrust Washer, Crank, +0.0100"	A907E1004Z			

25 JUN 1982

EG



E176



PLATE Ref: No.	DESCRIPTION	PART No	QUANTITY		REMARKS
			ELITE ECLAT 912	ESPRIT 912	
EG1	Water Pump Assembly including hub	A912E0743J	1	1	Except PAS and/or Air Conditioning
EG2	Water Pump Assembly including hub	A912E0878J	1	1	With PAS and/or Air Conditioning
EG3	Hub, Water Pump	A907E6295Z	1	1	
	'V' Pulley, Water Pump	A907E6294F	1	1	
	Setscrew, Pulley to Hub	A075W1036Z	4	4	
	Washer, Spring Pulley to Hub	A075W4020Z	4	4	
	Washer, Plain, Pulley to Hub	A075W4036Z	4	4	
	EG4	Gasket, Water Pump	A907E0246Z	1	1
	Wellseal, Water Pump Gasket		A/R	A/R	
EG5	Bolt, M6 x 25 Pump to Block	A075W2027Z	4	4	
EG6	Bolt, M6 x 65 Pump to Block	A075W2035Z	1	1	Except PAS and/or Air Conditioning
EG7	Bolt, M6 x 75 Pump to Block	A075W2036Z	1	1	With PAS and/or Air Conditioning
EG8	Washer, Plain, M6, Pump to Block	A075W4013Z	5	5	
EG9	Thermostat, 82°C	A907E6046Z	1	1	Temperate Climates
	Thermostat, 74°C	A075K0121F	1	1	For use in High Ambient temperatures only
EG10	Gasket, Water Outlet Elbow	A026E6102Z	1	1	
	Wellseal, Outlet Elbow Gasket		A/R	A/R	
EG11	Water Outlet Elbow	C907E0479Y	1		Except PAS and/or Air Conditioning
EG12	Water Outlet Elbow	A907E1066K	1		With PAS and/or Air Conditioning
EG13	Water Outlet Elbow	A907E0698K		1	Except Air Conditioning
EG14	Water Outlet Elbow	A907E1188K		1	With Air Conditioning

25 JUN 1982

PLATE Ref: No.	DESCRIPTION	PART No	QUANTITY		REMARKS
			ELITE ECLAT 912	ESPRIT 912	
EG15	Screw, M8 x 25 Outlet Elbow	A075W1039Z	2	2	
EG16	Washer M8	A075W4020Z	2	2	
EG17	Hose, Inlet Pipe to Pump	B907E0487Z	1		
EG18	Clip, Hose	A079K6019F	2		
EG19	Pipe, Water Pump Inlet	E907E0478Z	1		
EG20	Hose, Water Pump Inlet	B079K4043F		1	
EG21	Clip, Hose	A079K6019F		1	
	Hose, Pump to Inlet Manifold	A907E1319F	1	1	Except PAS and/or Air Conditioning
	Hose, Pump to Inlet Manifold	B907E0279Z	1	1	With PAS and/or Air Conditioning
	Clip, Hose	A079K6019F	2	2	
	Temperature Transmitter, Gauge	A050M6136W	1	1	

25 JUN 1982

912 EG2

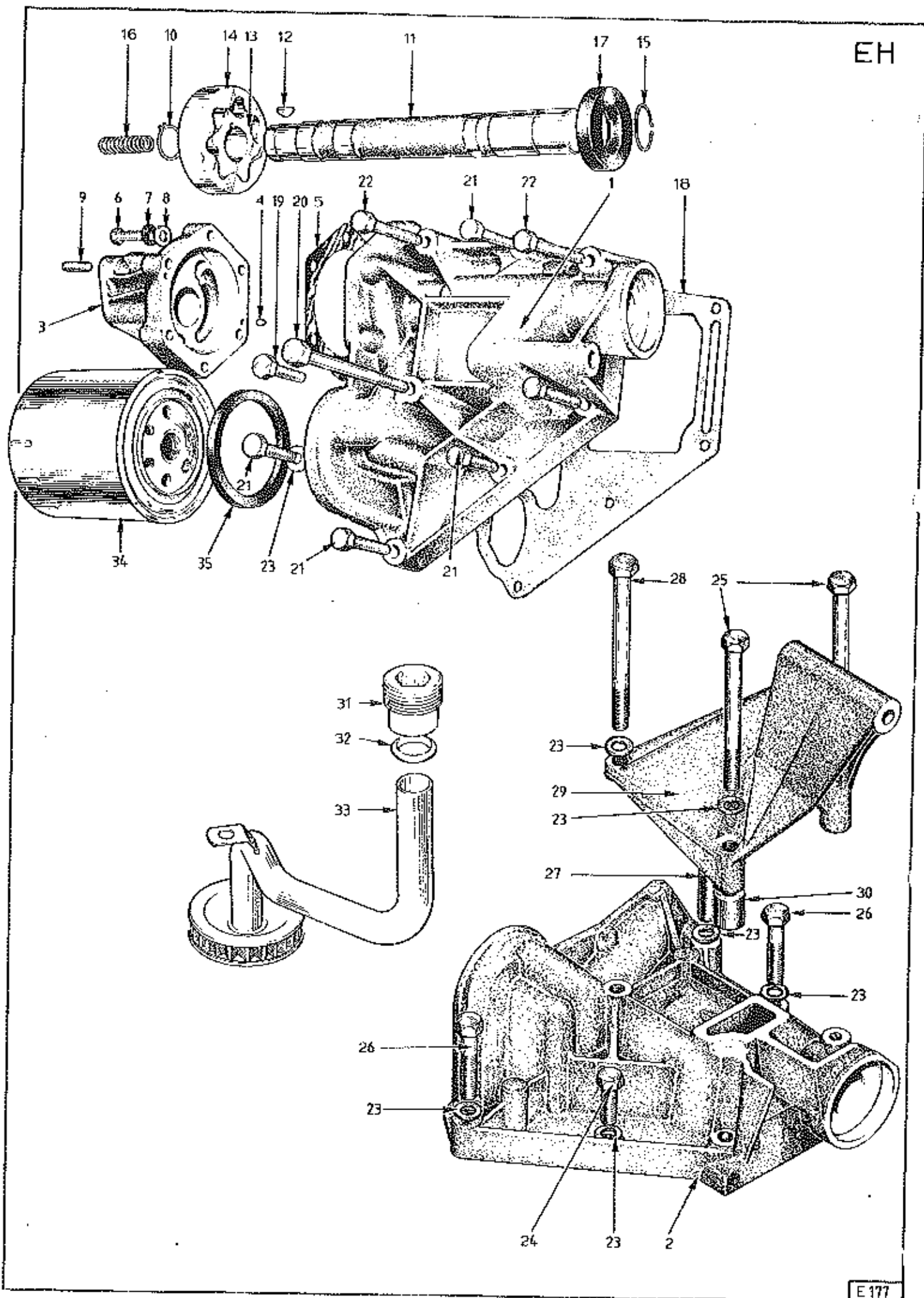


PLATE Ref: No.	DESCRIPTION	PART No	QUANTITY		REMARKS
			ELITE ECLAT 912	ESPRIT 912	
	Auxiliary Housing and Oil Pump Assembly	F907E0747F	1	1	Except Air Conditioning
EH1	Auxiliary Housing	E907E0437H	1	1	Except Air Conditioning
	Auxiliary Housing and Oil Pump Assembly	B907E0859F	1	1	With Air Conditioning
EH2	Auxiliary Housing	A907E1092H	1	1	With Air Conditioning
EH3	Oil Pump Housing Assembly	E907E0803H	1	1	Includes relief Valve Assembly
EH4	Dowel, Pump Housing/Auxiliary Housing	A907E0530H	2	2	
EH5	Gasket, Pump Housing/Auxiliary Housing	A907E0474H	1	1	
EH6	Bolt, Pump Housing/Auxiliary Housing	A075W2028H	6	6	
EH7	Washer, Spring	A075W4035H	6	6	
EH8	Washer, Plain	A075W4013H	6	6	
EH9	Stud, Distributor Clamp	A907E0503H	1	1	
	Shaft and Rotor Assembly	A907E0785F	1	1	Includes EH10 to EH13 inclusive
EH10	Circlip	A907E6101H	1	1	
EH11	Auxiliary Shaft	B907E0291H	1	1	
EH12	Woodruff Key	A907E6001H	1	1	
EH13	Rotor	A907E0472H	1	1	

25 JUN 1982

912 EH1

PLATE Ref: No.	DESCRIPTION	PART No	QUANTITY		REMARKS
			ELITE ECLAT 912	ESPRIT 912	
EH14	Annulus, Oil Pump	A907E0473H	1	1	
EH15	Circlip, Pulley Abutment	A907E6067H	1	1	
EH16	Spring, Distributor Drive	A907E0192H	1	1	
EH17	Oil Seal, Auxiliary Shaft	A907E6064H	1	1	
EH18	Gasket, Auxiliary Housing	B907E0442F	1	1	
EH19	Screw, M8 x 25 Housing to Block	A075W1039Z	3	3	Except Air Conditioning
EH20	Bolt, M8 x 90 Housing to Block	A075W2048Z	1	1	Except Air Conditioning
EH21	Bolt, M8 x 40 Housing to Block	A075W2039Z	2	2	Except Air Conditioning
	Bolt, M8 x 40 Housing to Block	A912E1692K	1	1	Except Air Conditioning
EH22	Bolt, M8 x 60 Housing to Block	A075W2043Z	2	2	Except Air Conditioning
EH23	Washer, Plain	A075W4020Z	8	8	Except Air Conditioning
	Screw, M8 x 25 Housing to Block	A075W1039Z		2	With Air Conditioning
EH24	Screw, M8 x 25 Housing to Block	A075W1039Z	3		With Air Conditioning
EH25	Bolt, M8 x 90 Housing to Block	A075W2048Z	2	2	With Air Conditioning
	Bolt, M8 x 40 Housing to Block	A075W2039Z		3	With Air Conditioning
EH26	Bolt, M8 x 40 Housing to Block	A075W2039Z	2		With Air Conditioning
EH27	Bolt, M8 x 60 Housing to Block	A075W2043Z	1	1	With Air Conditioning
EH28	Bolt, M8 x 100 Housing to Block	A075W2049Z	1	1	With Air Conditioning
EH29	Mounting Bracket, Alternator	A907E1120K	1	1	With Air Conditioning
EH30	Spacer, Mounting Bracket to Housing	A907E1094F	1	1	With Air Conditioning
EH23	Washer, Plain	A075W4020Z	9	9	With Air Conditioning

25 JUN 1982

912 EH2

PLATE Ref: No.	DESCRIPTION	PART No	QUANTITY		REMARKS
			ELITE ECLAT 912	ESPRIT 912	
EH31	Union, Oil Pick Up	A907E0605Z	1	1	
EH32	Olive, Compression	A907E0606Z	1	1	
EH33	Pipe, Oil Pick Up	A907E0624Z	1	1	
	Union Oil Filter	A907E0249H	1	1	
EH34	Oil Filter	A907E6000F	1	1	Includes Sealing Ring A907E6167H
EH35	Sealing Ring, Filter to Adaptor	A907E6167H	1	1	
					For Oil Cooler and Associated Parts see Section EJ

25 JUN 1982

912 EH3

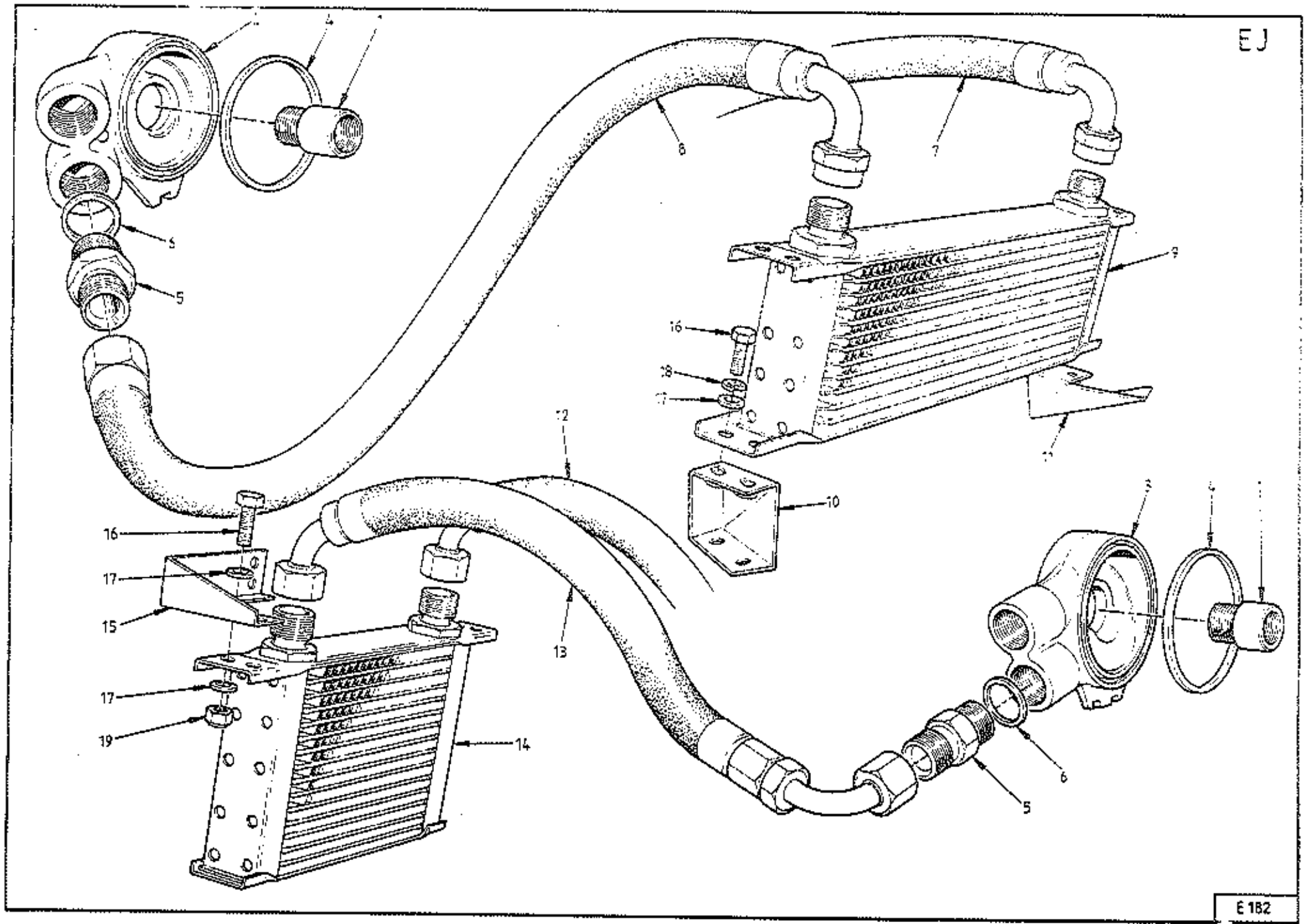


PLATE Ref: No.	DESCRIPTION	PART No	QUANTITY		REMARKS
			ELITE ECLAT 912	ESPRIT 912	
EJ1	Extension, Oil Filter Union	A907E0571F	1	1	
EJ2	Adaptor, Oil Cooler	A907E0579Z	1		
EJ3	Adaptor, Oil Cooler	A907E1248K		1	
EJ4	Sealing Ring, Adaptor to Housing	A907E6167H	1	1	
EJ5	Union, Oil Cooler Pipes	A907E6300F	2	2	
EJ6	Washer, Oil Cooler Union	B907E6301F	2	2	
EJ7	Pipe, Oil Cooler Feed	B907E1222F	1		
EJ8	Pipe, Oil Cooler Return	B907E1223F	1		
EJ9	Oil Cooler	A907E1219F	1		
EJ10	Mounting Bracket, Oil Cooler RH	A907E1220F	1		
EJ11	Mounting Bracket, Oil Cooler LH	A907E1221F	1		
EJ12	Pipe, Oil Cooler Feed	B907E1257F		1	
EJ13	Pipe, Oil Cooler Return	B907E1258F		1	
EJ14	Oil Cooler	A907E6297F		1	
EJ15	Mounting Bracket, Oil Cooler	A085U4812K		2	
EJ16	Setscrew, M6 x 18, Oil Cooler Mounting	A075W1028F	8	8	
EJ17	Washer, Flat, 6 mm	A075W4013F	8	16	
EJ18	Washer, Spring, 6mm	A075W4035F	4		
EJ19	Nut, Nyloc, M6	A075W3009F	4	8	

25 JUN 1992

912 EJI



EK

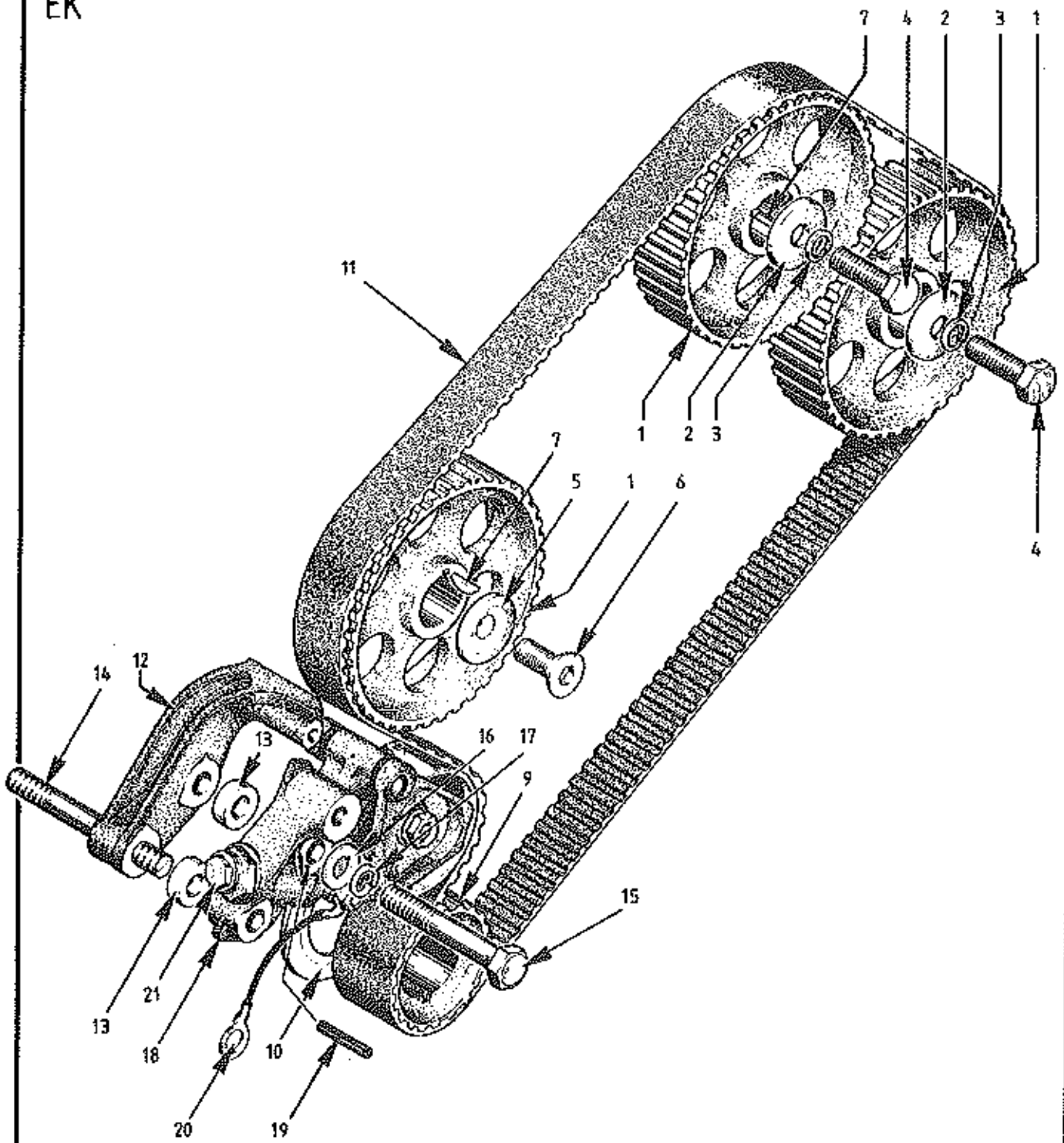


PLATE Ref: No.	DESCRIPTION	PART No	QUANTITY		REMARKS
			ELITE ECLAT 912	ESPRIT 912	
EK1	Toothed Pulley, Camshaft/Jackshaft	A910E0309F	3	3	104°/104° Valve Timing, green dots
EK2	Washer, Pulley to Camshaft	A907E6026Z	2	2	
EK3	Washer, Spring	A075W4037Z	2	2	
EK4	Bolt, M10 x 35, pulley to Cam	A075W2051Z	2	2	
EK5	Washer, Pulley to Jackshaft	A907E0576Z	1	1	
EK6	Screw, Pulley to Jackshaft	A075W7018Z	1	1	
EK7	Woodruff Key, Toothed Pulley	A907E6025Z	3	3	Camshaft and Jackshaft Pullies
EK9	Toothed Pulley, Crankshaft	D907E0095Z	1	1	
	Woodruff Key, C/S Toothed Pulley	A907E6016Z	1	1	
EK10	Flange, Pulley	A907E0096Z	1	1	
EK11	Belt, Cam Timing	A907E0191Z	1	1	133 Teeth
EK12	Snubber, Jackshaft Pulley	B907E1140F	1	1	Except Esprit with Air Conditioning
EK13	Spacer, Snubber to Tensioner	A907E1139F	2	2	Except Air Conditioning
EK14	Stud, Belt Tensioner to Block	B907E0504K	1	1	Except Air Conditioning
	Nut, Nyloc, M10	A075W3011Z	1	1	Except Air Conditioning
	Washer M10	A075W4024Z	1	1	Except Air Conditioning
EK15	Bolt, M10 x 70, Belt Tensioner to Block	A075W2058Z	1/2	1/2	2 used with Air Conditioning
EK16	Washer, Plain, M10	A075W4024Z	1/2	1/2	2 used with Air Conditioning
EK17	Washer, Spring, M10	A075W4037Z	1	1	

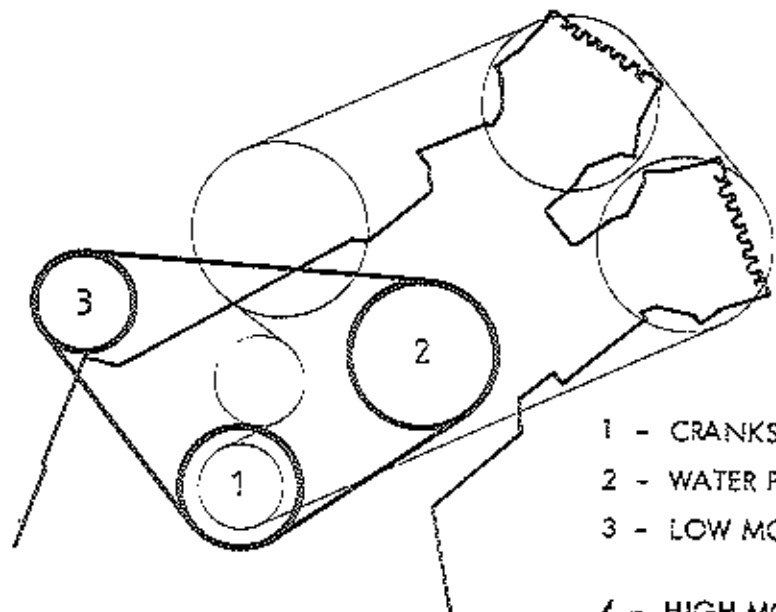
25 JUN 1982

912 EK1

PLATE Ref: No.	DESCRIPTION	PART No	QUANTITY		REMARKS
			ELITE ECLAT 912	ESPRIT 912	
EK18	Tensioner Assembly, Timing Belt	A907E0893K	1	1	Except Esprit with Air Conditioning With Air Conditioning
	Tensioner Assembly, Timing Belt	A907E0913K		1	
	Pulley/Bearing, Tensioner	A907E6249F	1	1	
	Yoke, front	B907E1141F	1	1	
	Yoke, rear	B907E1142F	1	1	
	Bush, Shouldered, Yoke Pivot	B907E1163F	2	2	
	Rubber Washer	A907E1148F	2	2	
	Locking Pin, 4mm	A907E1195F	1	1	
EK19	Earth Strap	A075M0329F	1	1	
EK20	Piston, Nylatron	A907E1245F	1	1	
	Spring, Inner	A907E1165F	1	1	
	Spring, Outer	A907E1164F	1	1	
	Spring Seat, Slotted	B907E1146F	1	1	Except Esprit with Air Conditioning With Air Conditioning
	Spring Seat, Hex Head	A907E1269F		1	
EK21	Locknut, Adjuster	A907E1149F	1	1	

25 JUN 1982

912 EK2



- 1 - CRANKSHAFT
- 2 - WATER PUMP
- 3 - LOW MOUNTED ALTERNATOR  
(NO A/C)
- 4 - HIGH MOUNTED ALTERNATOR  
(WITH A/C)
- 5 - A/C COMPRESSOR
- 6 - POWER STEERING PUMP

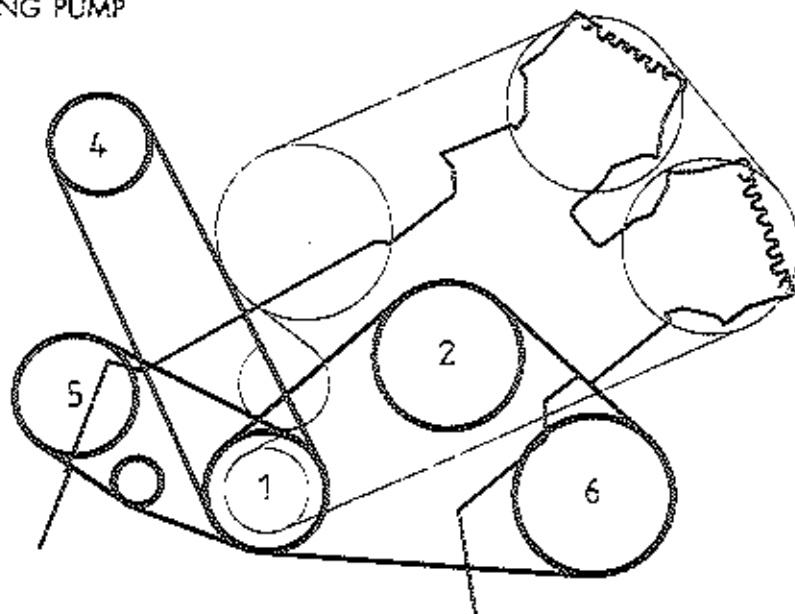
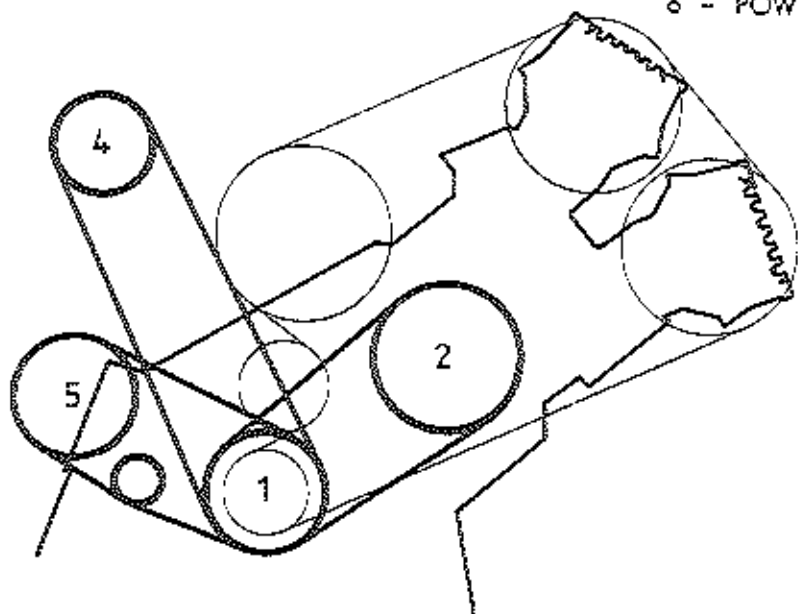
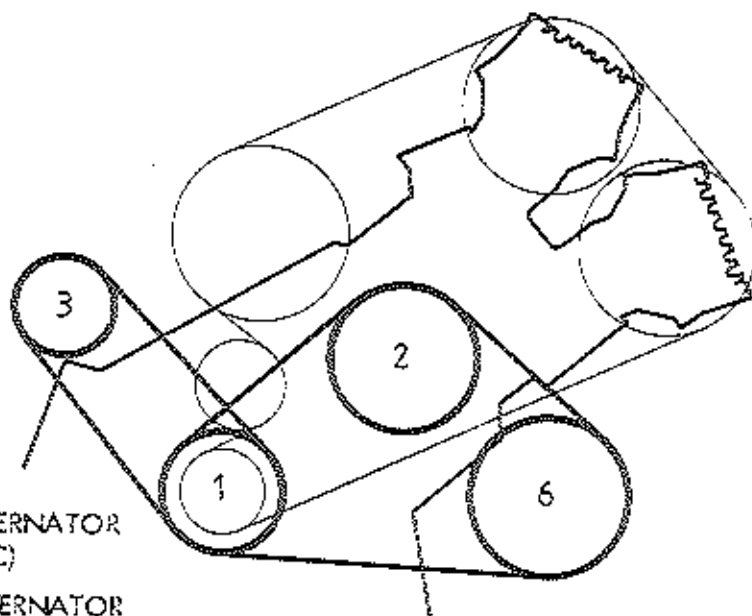
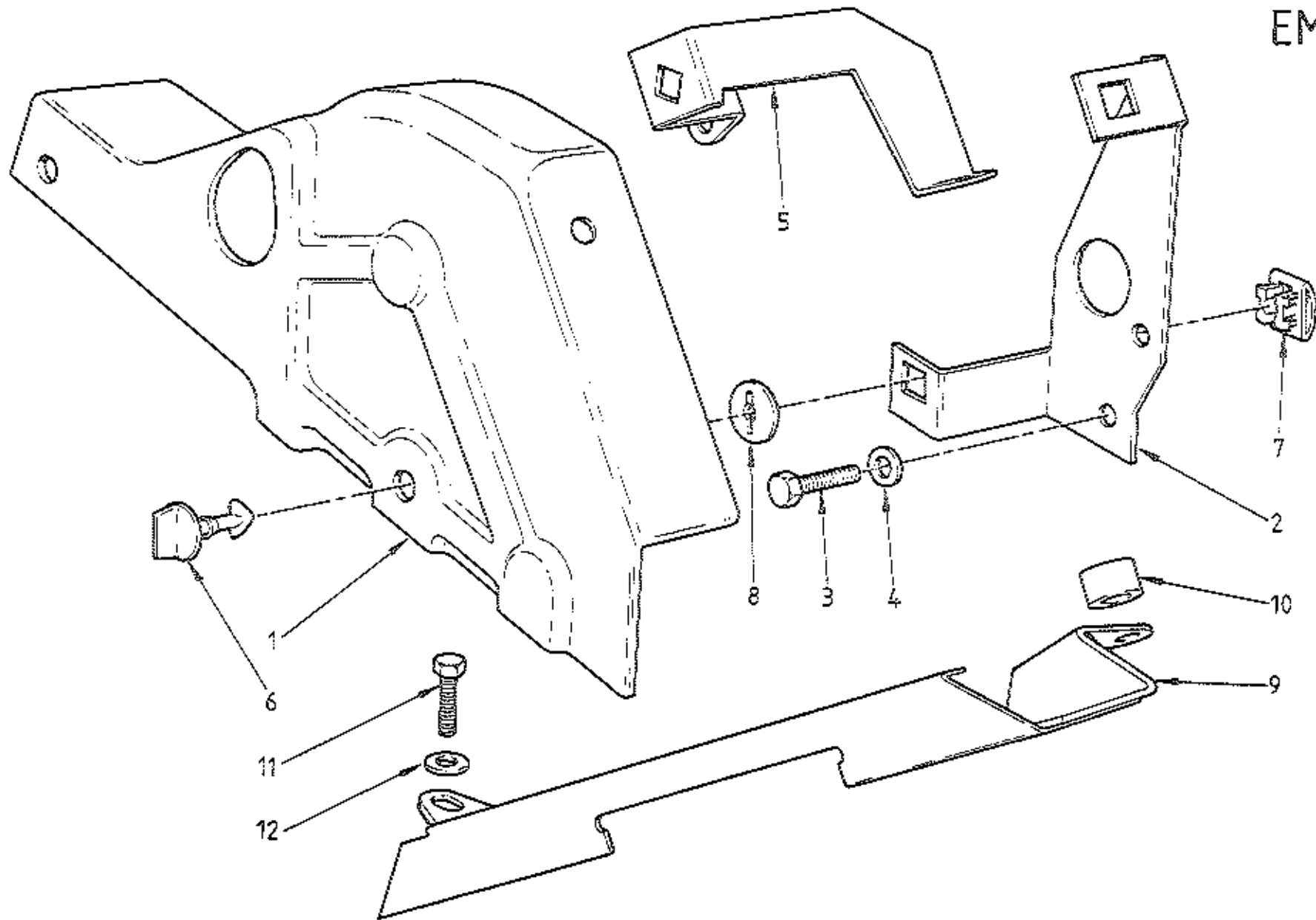


PLATE Ref: No.	DESCRIPTION	PART No	QUANTITY		REMARKS
			ELITE ECLAT 912	ESPRIT 912	
	'V' Pulley, Crankshaft, Single	A907E1191F	1	1	Except PAS or Air Conditioning
	'V' Pulley, Crankshaft, Double	A907E1192F	1		With PAS only
	'V' Pulley, Crankshaft, Triple	A907E1193F	1	1	With Air Conditioning
	Woodruff Key, Pulley to Crank	A907E6016Z	1	1	
	Washer, Special, Pulley to Crank	B907E1106F	1	1	
	Washer, Spring, Pulley to Crank	A075W4038Z	1	1	
	Setscrew ½" UNF x 1½"	A075W1020Z	1	1	
	'V' Belt 1 - 2 (centre 'V')	A907E6296F	1	1	
	'V' Belt 1 - 2 - 3	A907E6201Z	1	1	
	'V' Belt 1 - 2 - 6 (front 'V')	A907E6201Z	1		Power Steering only
	'V' Belt 1 - 2 - 6 (centre 'V')	A907E6201Z	1		Power Steering and Air Conditioning
	'V' Belt 1 - 3 (rear 'V')	A907E6315F	1		
	'V' Belt 1 - 4 (front 'V')	A907E6268F	1		
	'V' Belt 1 - 4 (front 'V')	A907E6332F		1	
	'V' Belt 1 - 5 (rear 'V')	B907E0590F	1		
	'V' Belt 1 - 5 (rear 'V')	A907E6333F		1	

25 JUN 1982

EM



E 187

PLATE Ref: No.	DESCRIPTION	PART No	QUANTITY		REMARKS
			ELITE ECLAT 912	ESPRIT 912	
EM1	Cover, Upper, Timing Belt	A912E0641K	1		Except PAS and/or Air Conditioning
	Cover, Upper, Timing Belt	A911E0641K	1		With PAS only
	Cover, Upper, Timing Belt	B912E0641K	1		With Air Conditioning
EM2	Bracket, Belt Cover to Cam Housing	A912E1375K	1		
EM3	Setscrew, M8 x 20 Bracket to Housing	A075W1038Z	2		
EM4	Washer, M8	A075W4020Z	2		
EM5	Bracket, Belt Cover to Auxiliary Housing	A912E1376K	1		Except Air Conditioning
	Bracket, Belt Cover to Auxiliary Housing	A912E1377K	1		With Air Conditioning
EM6	Turnbuckle, Cover to Bracket	A075W6180F	3		
EM7	Cam, Turnbuckle	A075W6181F	3		
EM8	Washer, Turnbuckle	A075W6182F	3		
EM9	Cover, Lower, Timing Belt	A912E1370K	1		
EM10	Spacer, Belt Cover	A912E1374K	1		
EM11	Screw M6 x 16 Belt Cover	A075W1028Z	1		
EM12	Washer, M6	A075W4013Z	1		

25 JUN 1979

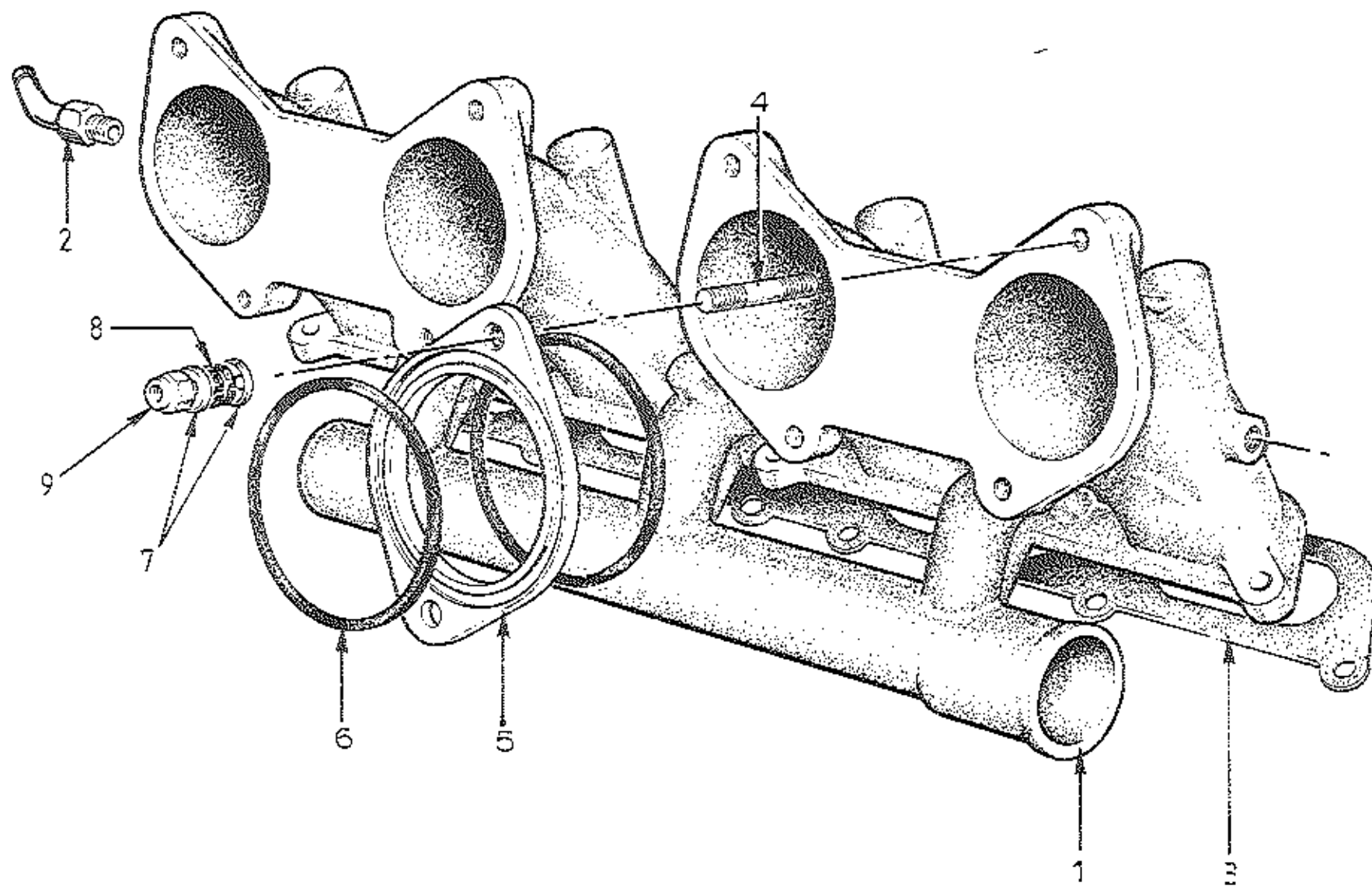
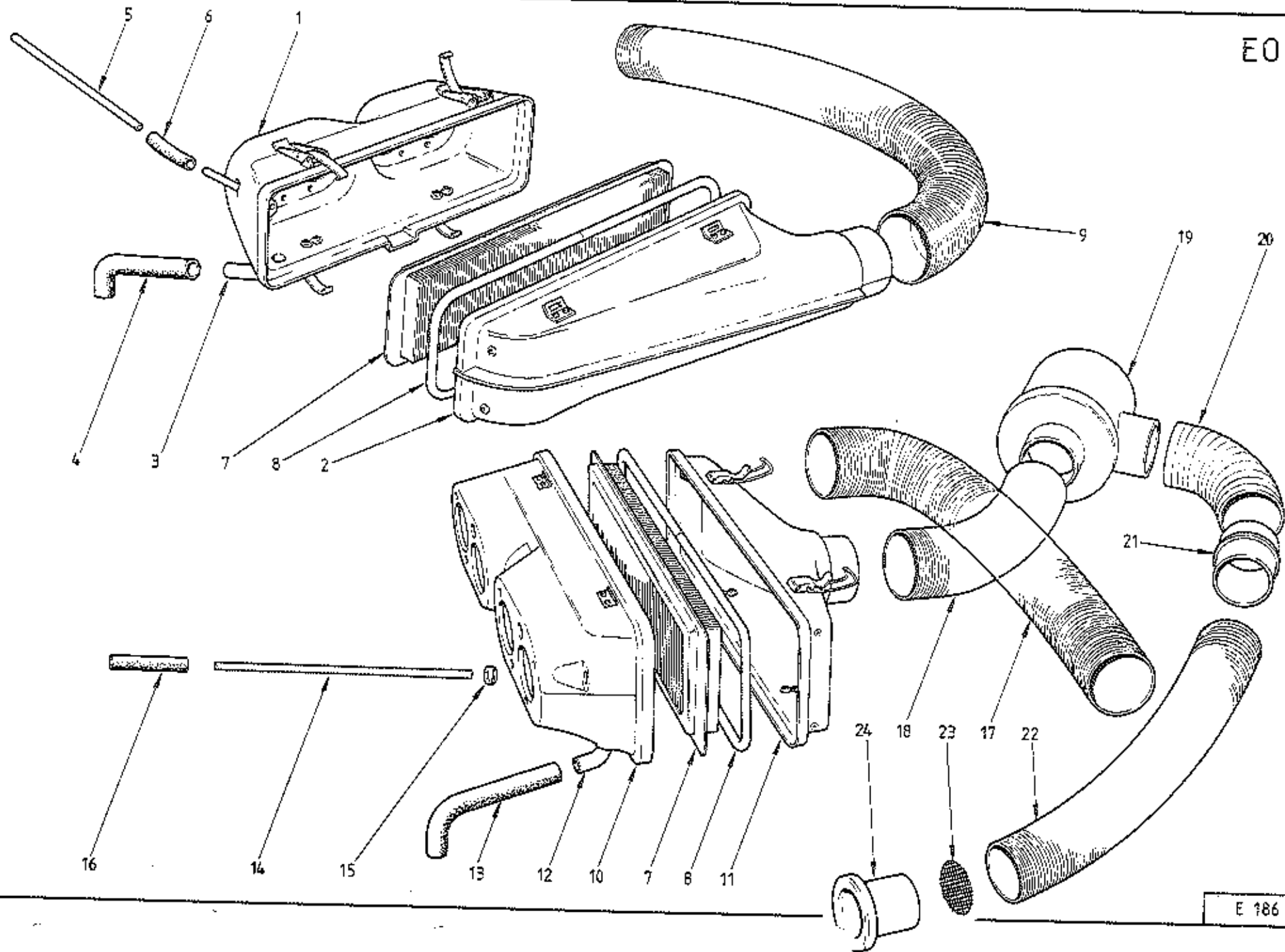




PLATE Ref: No.	DESCRIPTION	PART No	QUANTITY		REMARKS
			ELITE ECLAT 912	ESPRIT 912	
EN1	Inlet Manifold, Dellorto Carbs	C907E0123K	1	1	Heater 1 off, Air Conditioning 2 off
EN2	Union, Vacuum take off	A074E0367Z	1/2	1/2	
EN3	Gasket Manifold to Head	A907E0204Z	1	1	
	Wellseal, Manifold Gasket		A/R	A/R	
	Plug, Inlet Manifold Water Pipe	A907E1161F	1	1	
	Nut M8, Manifold to Head	A075W3021Z	9	9	
	Washer, M8, Manifold to Head	A075W4020Z	9	9	
EN4	Stud, Manifold to Carb	B907E0130K	8	8	
EN5	Spacer, Manifold to Carb	B907E0129Z	4	4	
EN6	'O' Ring, Manifold/Spacer/Carb	A907E6027Z	8	8	
EN7	Cup Washer, Carb to Manifold	C036E0471Z	16	16	
EN8	Rubber Washer, Carb to Manifold	A036E0470Z	8	8	
EN9	Nut, Carb to Manifold	A075W3010Z	8	8	

25 JUN 1982

EO



E 186

PLATE Ref: No.	DESCRIPTION	PART No	QUANTITY		REMARKS
			ELITE ECLAT 912	ESPRIT 912	
EO1	Airbox Backplate Assembly including Latches	A907E0917J	1		
EO2	Airbox Cover Assembly	A907E0916J	1		
	Latch Assembly	A907E6345F	4		
	Striker Plate	A907E6346F	4		
	Screw M3 x 10	A075W5080Z	16		Latch/Striker to Airbox
	Nut, Nyloc, M3	A079W3060Z	16		Latch/Striker to Airbox
	Washer, M3	A075W4001Z	16		Latch/Striker to Airbox
EO3	Flame Trap/Breather Tube	C907E0517F	1		
EO4	Hose, Crankcase Breather	B907E0636Z	1		
	Clip, Hose to Block	A907E6085Z	1		
	Clip, Snapper, Hose to Airbox	A075W6211F	1		
EO5	Pipe, Cam Housing Breather	A907E0682F	1		
EO6	Hose, Cam Housing Breather	A907E6218F	2		
	Clip, 'Snapper', Breather Hose	A075W6205Z	4		
EO7	Air Filter Element	A907E6182F	1		
EO8	Seal, Filter Element	C907E0588F	1		
EO9	Induction Hose, Airbox	B907E0836W	1		
	<i>GASKET AIRBOX TO TRUMPET</i>	<i>A907E6608Z</i>	<i>4</i>		

25 JUN 1982

PLATE Ref: No.	DESCRIPTION	PART No	QUANTITY		REMARKS
			ELITE ECLAT 912	ESPRIT 912	
	Clip, Induction Hose to Airbox	X036S6006Z	1		
	Clip, Hose to Duct	B075U0448Z	1		
	Bolt, M6, Clip to Duct	A075W1029Z	2		
	Washer, M6, Large	A075W4017Z	2		
	Washer, M6, Spring	A075W4035Z	2		
EO10	Airbox Backplate Assembly	A907E0921J		1	
EO11	Airbox Cover Assembly, inc. Latches	A907E0920J		1	
	Latch Assembly	A907E6302F		4	
	Striker Plate	A907E6303F		4	
	Screw, M3 x 10	A075W5080Z		16	
	Nut, Nyloc, M3	A079W3060Z		16	
	Washer, M3	A075W4001F		16	
EO12	Flame Trap/Breather Tube	C907E0517F		1	
EO13	Hose, Crankcase Breather	B907E0636Z		1	
	Clip, Hose to Block	A907E6085Z		1	
	Clip, Snapper, Hose to Airbox	A075W6211F		1	

25 JUN 1982

912 E02

PLATE Ref: No.	DESCRIPTION	PART No	QUANTITY		REMARKS
			ELITE ECLAT 912	ESPRIT 912	
EO14	Pipe, Cam Housing Breather	A907E1264F		1	
EO15	Grommet, Breather Pipe/Airbox	X036L6004Z		1	
EO16	Hose, Cam Housing Breather	A907E6218F		1	
	Clip, 'Snapper' Breather Hose	A075W6205Z		2	
EO7	Air Filter Element	A907E6182F		1	
EO8	Seal, Filter Element	C907E0588F		1	
EO17	Induction Hose, Airbox to Luggage Compartment Vent	B079E4046F		1	Series 2.2 Models
	Clip, Induction Hose	A036S6006Z		2	Series 2.2 Models
EO18	Induction Hose, Airbox to Silencer Box	A085E4097K		1	Series 3 Models
	Clip, Induction Hose	A036S6006Z		2	Series 3 Models
	Seal, Induction Hose/Engine Bay	A085B4372K		1	Series 3 Models
EO19	Silencer Box, Induction System	A085E4098J		1	Series 3 Models
EO20	Ducting, Silencer Box/Connector Sleeve	A085E4096K		1	Series 3 Models
	Clip, Ducting	A036S6006Z		2	Series 3 Models
EO21	Sleeve, Connecting	A085E4099K		1	Series 3 Models
EO22	Trunking, Intake	A079E4046F		1	Series 3 Models
EO23	Mesh, Intake Trunking	A085E4106K		1	Series 3 Models
EO24	Venturi, Intake Trunking	A907E0655K		1	Series 3 Models
	Tie, Trunking to Batt. Cable	A079W6224F		1	Series 3 Models

25 JUN 1982

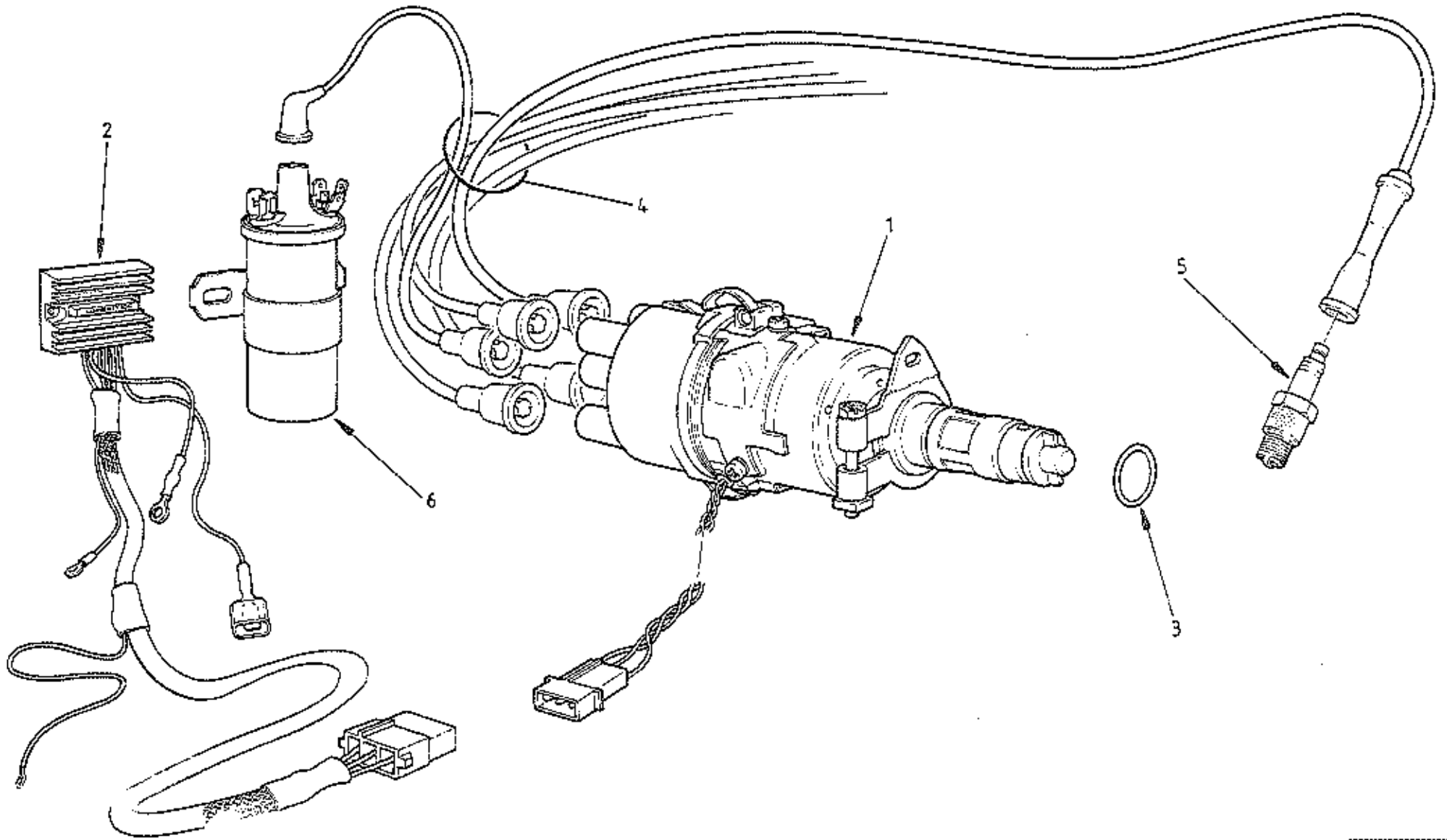


PLATE Ref: No.	DESCRIPTION	PART No	QUANTITY		REMARKS
			ELITE ECLAT 912	ESPRIT 912	
EP1	Distributor Assembly (with Mk 16 Switch)	B907E0901 J	1	1	Superseded by C907E0901 J
	Distributor Assembly (with Mk 17 Switch)	C907E0901 J	1	1	See Remarks below
	Optical Switch/Interrupter Kit (Mk16)	A075M0335F	1	1	Superseded by B907E6331F
	Optical Switch/Interrupter Kit (Mk17)	B907E6331 F	1	1	When replacing Mk 16 Switch with Mk 17 Switch, use with Adaptor A083M6305F if retaining Mk 16 Power Module. Ref Service Bulletin 1981/20
EP2	Power Module (Mk 16)	A075M0335F	1	1	Superseded by B083M0384F
	Power Module (Mk 17)	B083M0384F	1	1	When replacing Mk 16 Power Module (Red or Black Resin Sealing Wires into Unit) with Mk 17 Unit (White plastic Sealing Block), use only in conjunction with Mk 17 Optical Switch.
	Adaptor, Mk 17 Switch/Mk 16 Module	A083M6305F	1	1	When required
	Fibre Washer	A075W4057F	1	1	Where fitted, Chopper Blade height adjustment
EP3	'O' Ring, Distributor Spigot	A907E6251F	1	1	
	Rotor Arm/Rev. Limiter	A907E6330F	1	1	
	Distributor Cap	B907E6329H	1	1	
	Nut, Nyloc, Distributor to Engine	A075W3009Z	1	1	
	Washer, Distributor to Engine	A075W4013Z	1	1	
EP4	Ignition Harness, H.T.	C907E0740F	1	1	
EP5	Spark Plug, NGK BPR 6ES	B907E6317F	4	4	
EP6	Ignition Coil, H.T.	A082M6150F	1	1	

25 JUN 1982

912 EP1

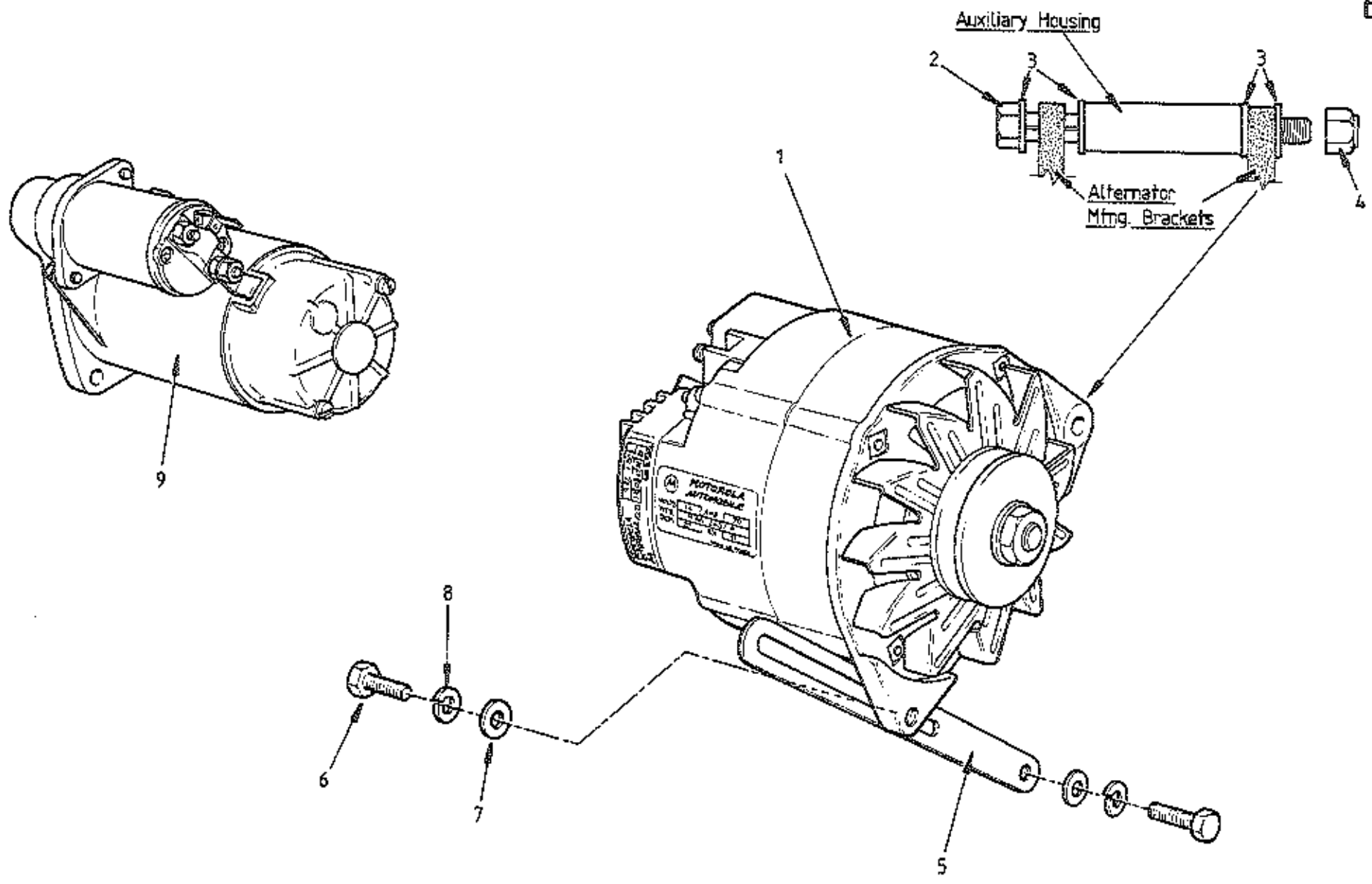




PLATE Ref: No.	DESCRIPTION	PART No	QUANTITY		REMARKS
			ELITE ECLAT 912	ESPRIT 912	
EQ1	Alternator and Pulley Assembly	A907E6320F	1	1	
EQ2	Bolt M8 x 127 Alt. To Aux. Housing	A075W2050Z	1	1	
EQ3	Washer, M8, Alt. to Aux. Housing	A075W4020Z	4	4	
EQ4	Nut, Nyloc, M8	A075W3010Z	1	1	
EQ5	Strap, Alternator Adjusting	A907E1189F	1	1	Except Esprit with Air Conditioning
	Strap, Alternator Adjusting	B907E1238F		1	With Air Conditioning
	Spacer, 5mm, Strap to Engine	A907E1137Z	1	1	
	Stud, Strap to Engine	A907E1194Z	1		With Air Conditioning
	Nut, Nyloc, M10	A075W3011Z	1		With Air Conditioning
	Setscrew, M10 x 25, Strap to Engine	A075W1048Z		1	With Air Conditioning
	Washer, Plain, M10	A075W4024Z	1	1	With Air Conditioning
	Washer, Spring, M10	A075W4037Z	1	1	With Air Conditioning
EQ6	Setscrew, M8 x 20, Strap to Alternator	A075W1038Z	1	1	
EQ7	Washer, Plain, M8	A075W4020Z	1	1	
EQ8	Washer, Spring, M8	A075W4036Z	1	1	
EQ9	Starter Motor	B907E6179W	1	1	
	Rubber Boot, Terminal	A075M6174F	2	2	Alternator & Starter Motor

25 JUN 1962

912 EQ1

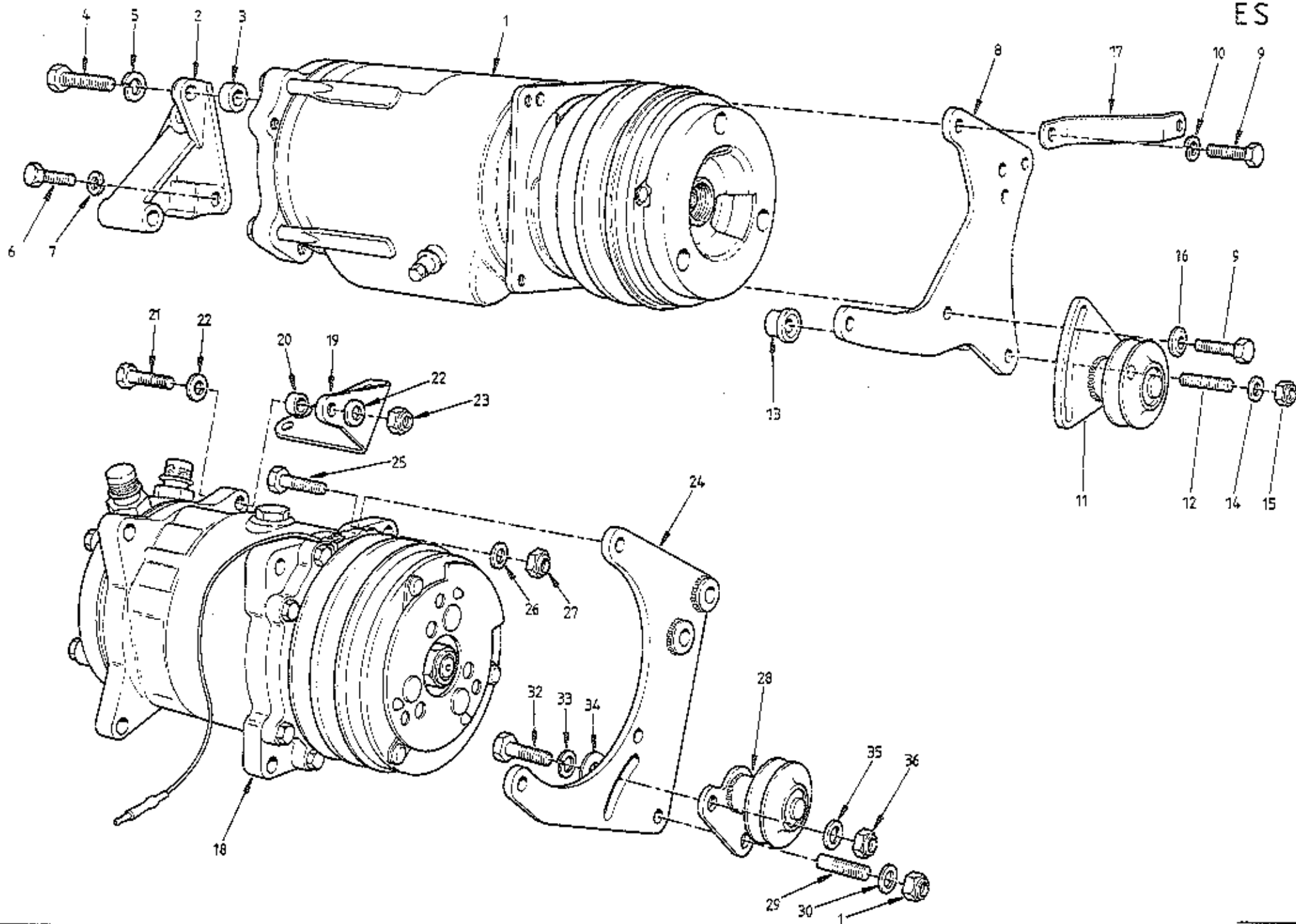


PLATE Ref: No.	DESCRIPTION	PART No	QUANTITY		REMARKS
			ELITE ECLAT 912	ESPRIT 912	
ES1	Compressor, Air Conditioning	A075P6007Z	1		
ES2	Support Bracket, Comp, Rear	B912E1369K	1		
ES3	Spacer, 5mm, Comp to Bracket	A907E1137F	2		
ES4	H.T. Bolt, 3/8" x 1 1/2" Comp to Bracket	A075W2007F	2		
ES5	Washer, Spring, 10mm, Comp to Bracket	A075W4037Z	2		
ES6	Bolt, M8 x 30, Bracket to Block	A075W2037Z	3		
ES7	Washer, Spring, M8, Bracket to Block	A075W4036Z	3		
ES8	Bracket, Comp to Block, Front	B907E0572Z	1		
ES9	Setscrew, 5/16", Comp to Bracket	A075W1014Z	3		
ES10	Washer, Spring, 8mm	A075W4036Z	3		
ES11	Idler Pulley/Bracket Assembly	B907E0899J	1		
ES12	Stud, Pulley Bracket/Comp Bracket/MBH	A907E1197F	1		
ES13	Spacer, Comp Bracket/MBH	A907E1196Z	1		
ES14	Washer, Plain, 8mm	A075W4020Z	1		
ES15	Nut, Nyloc, M8	A075W3010Z	1		
ES16	Washer, Special, Pulley Adj. Bolt	A907E0688Z	1		
ES17	Bracing Strap, Comp, Front Bracket	B907E1132F	1		

25 JUN 1992

PLATE Ref: No.	DESCRIPTION	PART No	QUANTITY		REMARKS
			ELITE ECLAT 912	ESPRIT 912	
ES18	Compressor, Air Conditioning	A079P6010F		1	
ES19	Support Bracket, Comp Rear	A912E1379K		1	
	Spacer, Bracket to Block	A912E1378K		1	
	Bolt, M8 x 40, Bracket to Block	A075W2039Z		2	
	Washer, M8, Bracket to Block	A075W4020Z		2	
ES20	Spacer, Comp to Bracket	A907E1136F		1	
ES21	Bolt, M10 x 40 Comp to Bracket	A075W2052Z		1	
ES22	Washer, M10, Comp to Bracket	A075W4024Z		2	
ES23	Nut, M10, Comp to Bracket	A075W3011Z		1	
ES24	Bracket, Comp to Block, Front	A907E1233K		1	
ES25	Bolt, Comp to Front Bracket	A075W2051Z		3	
ES26	Washer, M10, Comp to Bracket	A075W4024Z		3	
ES27	Nut, Nyloc, M10, Comp to Bracket	A075W3011Z		3	
ES28	Idler Pulley/Bracket Assembly	B907E0898J		1	
ES29	Stud, Pulley Bracket/Comp Bracket/MBH	A907E1197F		1	
ES30	Washer, Plain 8mm	A075W4020Z		1	
ES31	Nut, Nyloc, M8	A075W3010Z		1	

25 JUN 1982

PLATE Ref: No.	DESCRIPTION	PART No	QUANTITY		REMARKS
			ELITE ECLAT 912	ESPRIT 912	
ES32	Bolt, M8, Idler Pulley Adjust	A075W2037Z		1	
ES33	Washer, Spring, 8mm	A075W4036Z		1	
ES34	Washer, Special, Adjust Slot	A075W0688Z		1	
ES35	Washer, Plain, 8mm	A075W4020Z		1	
ES36	Nut, Nyloc, M8	A075W3010Z		1	

25 JUN 1982

ET

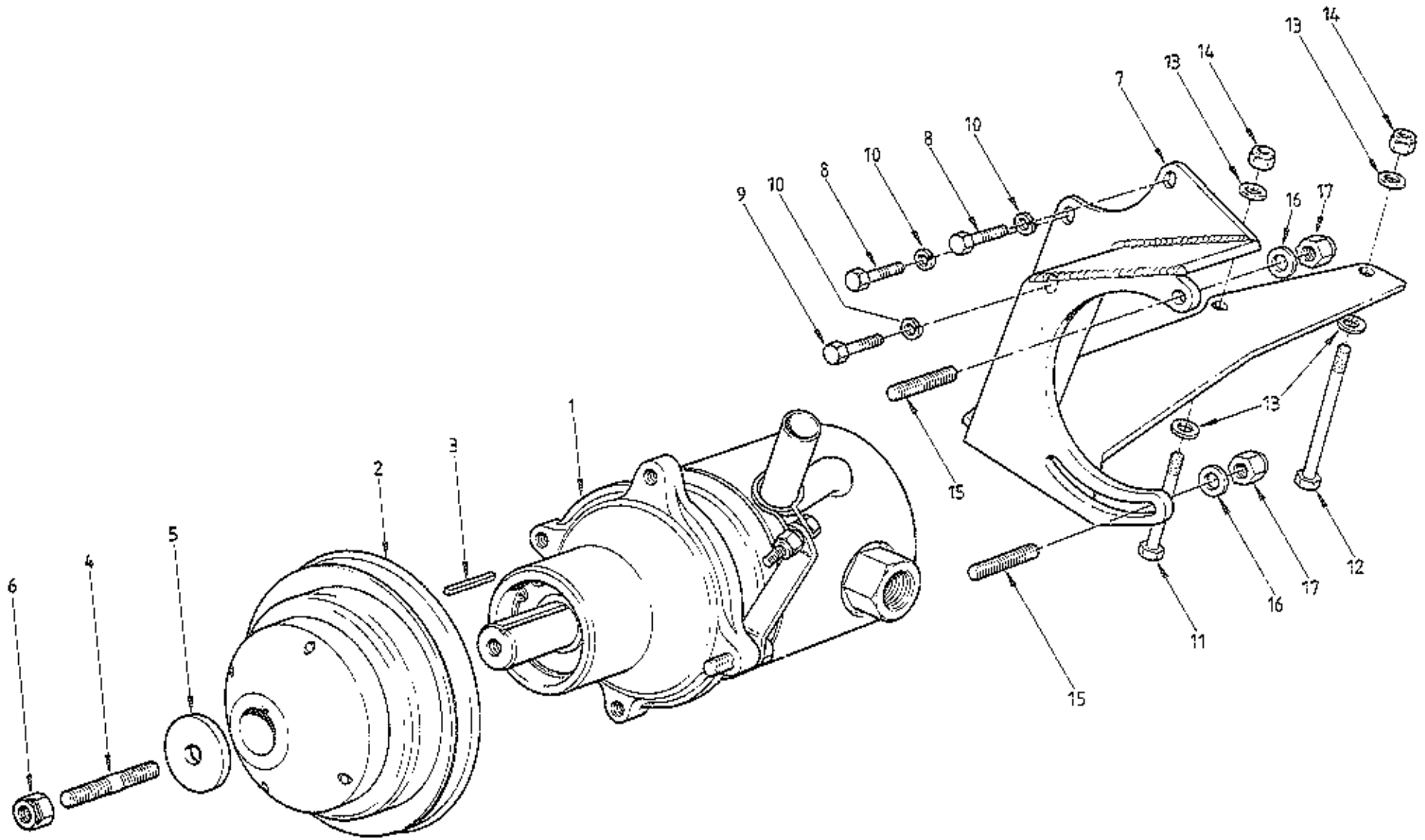
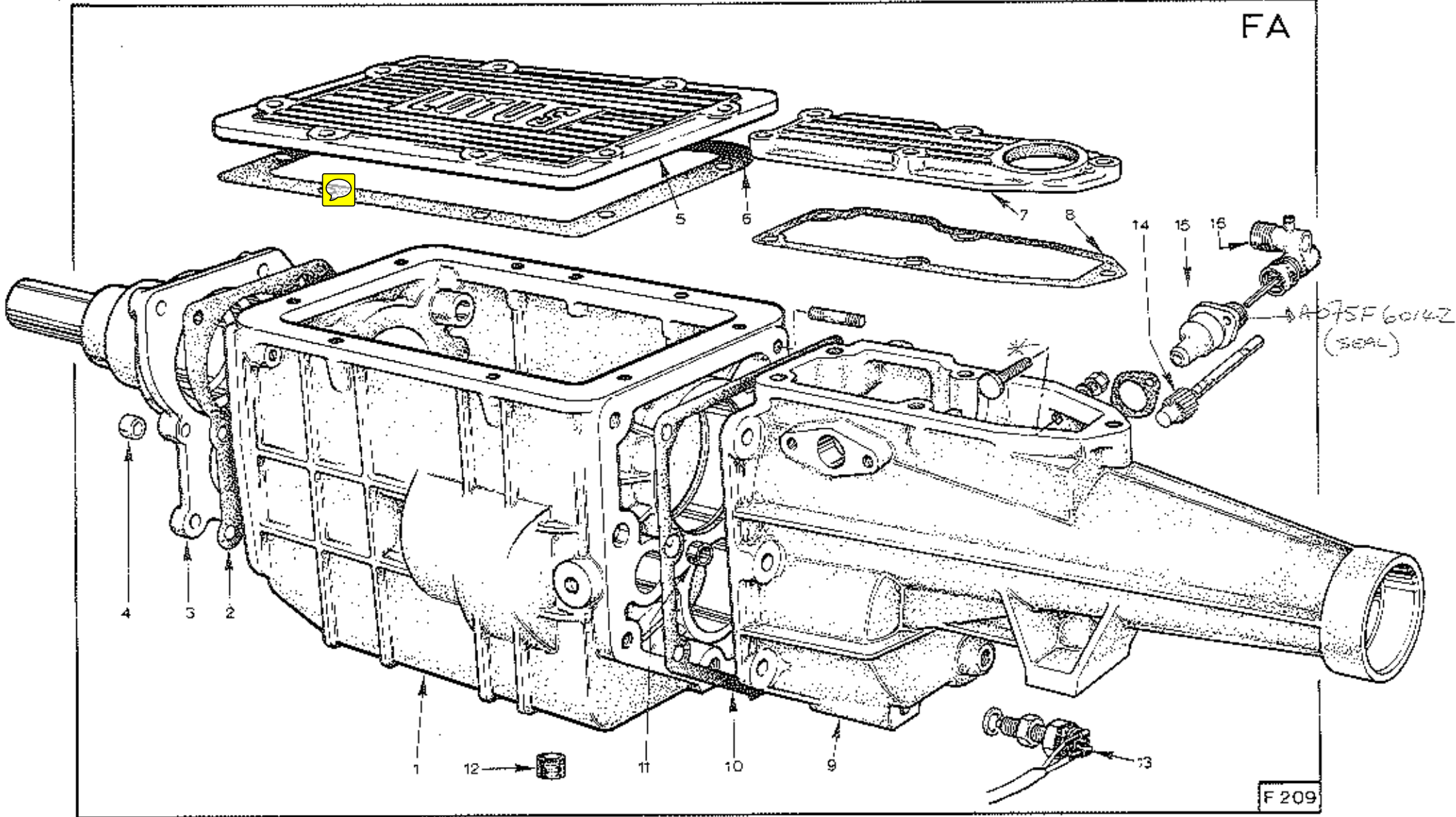


PLATE Ref: No.	DESCRIPTION	PART No	QUANTITY		REMARKS
			ELITE ECLAT 912	ESPRIT 912	
ET1	Power Steering Pump (less Pulley Assy)	A075H0736W	1		
ET2	Pump Pulley Assembly	A907E0887J	1		
ET3	Key, Pulley Assembly to Shaft	A907E1013Z	1		
ET4	Stud, Pulley to Pump Shaft	A907E1027F	1		
	Avdelbond 115 Thread Lock		2cc		
ET5	Washer, Special, Pulley Ret.	A075W4022Z	1		
ET6	Nut, Locking, Pulley Retention	A075W3035Z	1		
ET7	Bracket, Power Steering Pump	A912E0668F	1		
ET8	Bolt, M6, Bracket/Water Pump/Block	A075W2028Z	2		
ET9	Bolt, M6, Bracket to Block	A075W2028Z	1		
ET10	Washer, Spring, M6	A075W4035Z	3		
ET11	Bolt, Sump/MBH/Pump Bracket, M8	A075W2044Z	1		
ET12	Bolt, Sump/MBH/Pump Bracket, M8	A075W2048Z	1		
ET13	Washer, Plain, 8mm	A075W4020Z	4		
ET14	Nut, Nyloc, M8	A075W3010Z	2		
ET15	Stud, M8, Pump to Bracket	A907E1012Z	2		
ET16	Washer, Plain, 8mm	A075W4020Z	2		
ET17	Nut, Nyloc, M8	A075W3010Z	2		

25 JUN 1982

912 ET1

FA




\* A075F0325H - CROSSGATE STOP.

F 209



PLATE Ref. No.	DESCRIPTION	PART NO.	ELITE	ALL	DOMESTIC	EUROPEAN	FEDERAL	REMARKS
	Assembly Gearbox 5 speed	A075F0738W	*	*	1			Optional Elite
FA1	Casing Main	<i>B</i> → A050F0240Z	*	*	1			
FA2	Gasket. Front Cover	A050F0270Z	*	*	1			
FA3	Front Cover Assy. ( <i>incl. seal</i> ) →	C050F0294W	*	*	1			<i>FA1</i> <del>A075F0747</del> <del>IF</del> WITHOUT <del>SEAL</del> FRONT COVER DISC0242! (REF. E1 687) 607
	Seal (See Item FC2)	<del>A050F6076Z</del>	*	*	1			
FA4	Dowel. Main Casing to Bellhousing	A050F0253Z	*	*	2			
FA5	Cover Plate Main Casing	A050F0241Z	*	*	1			
FA6	Gasket. Cover Plate/Main Casing	A050F0271Z	*	*	1			
FA7	Cover Plate. Tailshaft Housing	A075F0228Z	*	*	1			
FA8	Gasket. Cover Plate/Tailshaft Housing	A050F0234Z	*	*	1			
FA9	Housing. Tailshaft	C075F0227Z	*	*	1			
FA10	Gasket. Tailshaft Housing/Main Casing	A050F0272Z	*	*	1			
FA11	Dowel. Tailshaft Housing/Main Casing	A050F0254Z	*	*	2			
FA12	Plug. Oil Filler	A050F6083Z	*	*	2			
FA13	Switch. Reverse Lights	A036M6034Z	*	*	1			
	Washer	A075W4060Z	*	*	1			
	Nut Locking	A075W3015Z	*	*	1			
FA14	Speedo Driven Gear — <i>3.7-3.75</i>	A075F6007Z	*	*	1			<i>(17)</i>
FA15	Housing Spear Gear <i>5.20 in 4.1 label - (R Tail)</i>	<del>A075F6006Z</del> A075F6006Z	*	*	1			
FA16	R/A Adaptor	B075F0231Z	*	*	1			<i>R/B A026F6000</i>
	Gasket R/A Adaptor ( <i>HOUSING</i> )	A075F6016Z	*	*	1			<i>(E1:0627)</i>

PLATE Ref. No.	DESCRIPTION	PART NO.	ELITE		ALL	DOMESTIC	EUROPEAN	FEDERAL	REMARKS
	Gearbox Mtg. Assy. → Mtg. SNURSER  Mount to top side of chassis to give highest position of tailshaft bag.	3A075F6001Z A075F0291Z	* X	* X	1 X				

0375

FA2

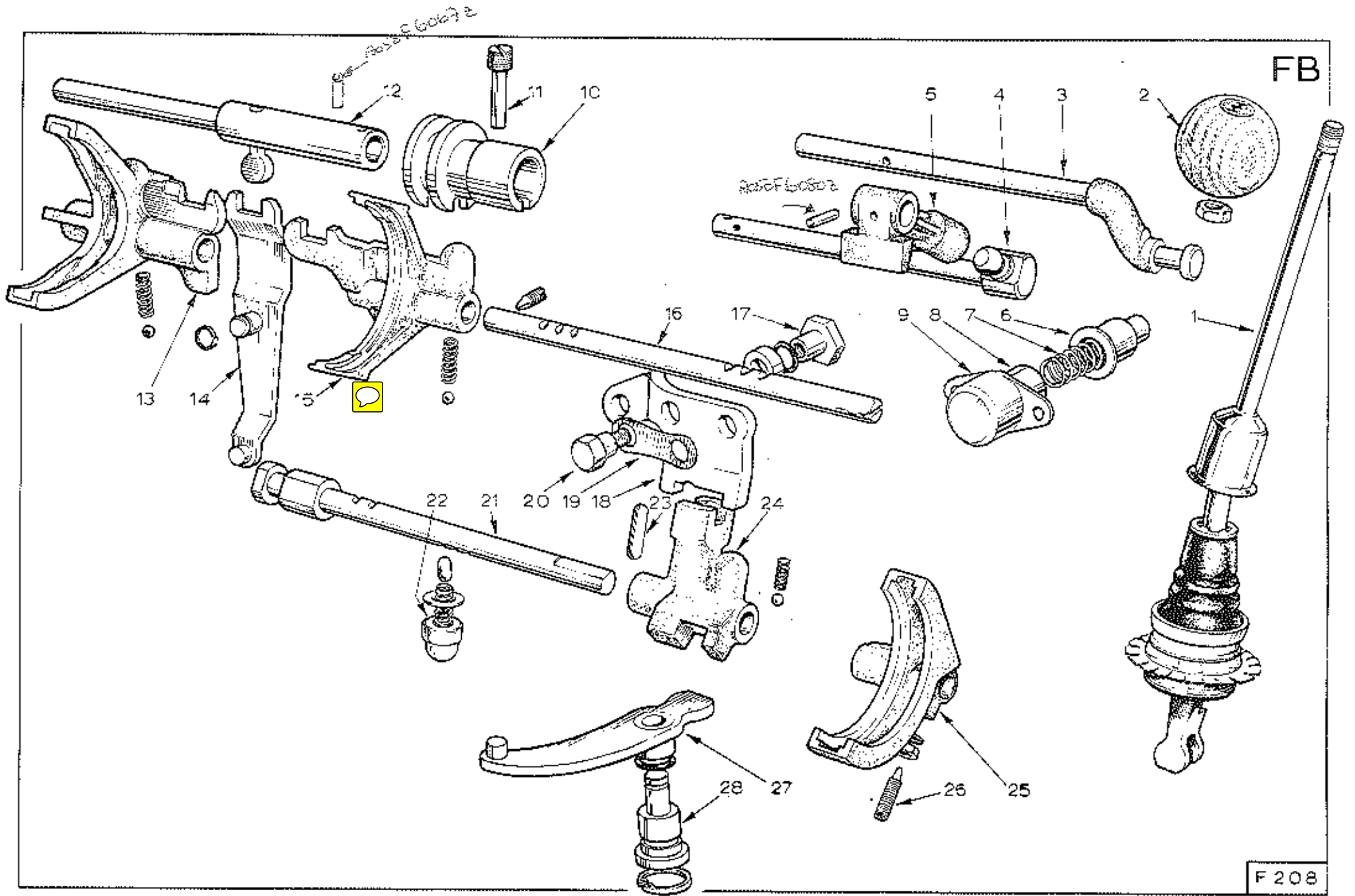
PLATE Ref. No.	DESCRIPTION	PART NO.	ELITE	ECLAT	MANUAL	AUTOMATIC	ALL	DOMESTIC	EUROPEAN	FEDERAL	REMARKS
	Assembly, Gearbox, 5 Speed	A075F0738W	*	*	*		1				
FA 1	Casing, Main	B050F0240H	*	*	*		1				
FA 2	Gasket, Front Cover	A050F0270ZE	*	*	*		1				
FA 3	Front Cover Assy. (inc seal)	A050F0294S A075F0747WL	*	*	*		1				Without Oil Seal.
	Seal Front Cover (See Item FC 2)	A075F6043F	*	*	*		1				Replaces A050F6076Z
FA 4	Dowel, Main Casing to Bell Housing	A050F0253ZH	*	*	*		2				
FA 5	Cover Plate, Main Casing	A050F0241ZC	*	*	*		1				
FA 6	Gasket, Cover Plate/Main Casing	A050F0271ZK	*	*	*		1				
FA 7	Cover Plate, Tailshaft Housing	A075F0228ZC	*	*	*		1				
FA 8	Gasket, Cover Plate/Tailshaft Housing	A050F0234Z	*	*	*		1				
FA 9	Housing, Tailshaft	C075F0227ZF	*	*	*		1				) Up to G. Box nos. A2480, A2482 to A2487 & A2495, Inc.
	Bearing, Tailshaft Housing	A075F6003ZL	*	*	*		1				
	Housing, Tailshaft	D075F0227F	*	*	*		1				) G. Box nos. A2481, A2488 to A2494 & A2496 on, Inc. Bulletin 1978/34 refers.
	Bearing, Tailshaft Housing	A076F6024FB	*	*	*		1				
FA 10	Gasket, Tailshaft Housing/Main Casing	A050F0272ZD	*	*	*		1				
FA 11	Dowel, Tailshaft Housing/Main Casing	A050F0254ZB	*	*	*		2				
FA 12	Plug, Oil Filter	A050F6083ZE	*	*	*		2				

Elite/Eclat  
FA 1.

PLATE Ref. No.	DESCRIPTION	PART NO.	ELITE	ECLAT	MANUAL	AUTOMATIC	ALL			REMARKS
							DOMESTIC	EUROPEAN	FEDERAL	
FA 13	Switch, Reverse Lights	A036M6304ZC	*	*	*					17 Teeth - 3.7 Diff. 18 Teeth, Colour Black - 4.1 Diff.
	Washer,	A075W4060Z	*	*	*					
	Nut, Locking	A075W3015ZB	*	*	*					
FA 14	Speedo Driven Gear	A075F6007ZJ	*	*	*					
	Speedo Driven Gear	A075F6040F	*	*	*					
FA 15	Housing, Speedo Gear	A075F6006ZD	*	*	*					
	Seal, Speedo Drive	A075F6014ZL	*	*	*					
FA 16	Right Angle Adaptor	B075F0231WC	*	*	*	Y				
	Gasket, Right Angle Adaptor/Housing	A075F6016ZK	*	*	*					
	Gearbox Mounting Assy.	B075F6001ZE	*	*	*					
	Mounting Snubber	A075F0291ZK	*	*	*					

Elite/Eclat  
FA 2.

FB



F 208

PLATE Ref. No.	DESCRIPTION	PART NO.	ELITE	ECLAT	MANUAL	AUTOMATIC	ALL	DOMESTIC	EUROPEAN	FEDERAL	REMARKS
FB 1	Gear Lever Assy.	B050F 6094Z	*	*	*		1				Up to G.Box no. A1947, Inc. From G.Box no. A1948 on, Inc.
	Circlip, Rubber Spring/Nylon Ball	A075F6070F	*	*	*		1				
FB 2	Knob, Gear Lever, 5 Speed	A075F0323F	*	*	*		1				
	Locknut	A075F6022F	*	*	*		1				
FB 3	Selector Shaft, Cranked	C075F0229HK	*	*	*		1				
	Selector Shaft, Cranked	D075F0229H	*	*	*		1				
	Damper Bush	A075F6063F	*	*	*		1				
FB 4	Extension Shaft	B050F0255ZG	*	*	*		1				
	Ball Joint	A075F0320HH	*	*	*		1				
	Washer	A075W4020ZB	*	*	*		2				
	Roll-Pin	A050F6080ZA	*	*	*		1				
FB 5	Joint Socket	A075F0326ZL	*	*	*		1				
FB 6	Cross Gate Plunger	A050F6091ZA	*	*	*		1				
FB 7	Spring	A075F0238ZJ	*	*	*		1				
FB 8	Spacer Ring	A050F0284ZJ	*	*	*		1				
FB 9	Spring Housing	A050F6092ZF	*	*	*		1				
FB 10	Spool Interlock	A050F0257ZF	*	*	*		1				
FB 11	Retainer	A050F0258ZL	*	*	*		1				

Elite/Eclat  
FB 1.

PLATE Ref. No.	DESCRIPTION	PART NO.	ELITE	ECLAT	MANUAL	AUTOMATIC	ALL	DOMESTIC	EUROPEAN	FEDERAL	REMARKS
FB 12	Selector Shaft	B050F0296WB	*	*	*		1				
	Rod	A050F0256ZA	*	*	*		1				
	Lug	A050F0305BJ	*	*	*		1				
	Roll Pin	A050F6067ZB	*	*	*		1				
FB 13	Fork, 3rd/4th Selector	B050F0286BD	*	*	*		1				
	Ball, Detent	A050F6087ZC	*	*	*		1				
	Spring, Detent	A050F6086ZJ	*	*	*		1				
FB 14	Lever, Reverse Operating/5th	A050F0244BK	*	*	*		1				
	Circlip	A050F6074ZD	*	*	*		1				
FB 15	Fork, 1st/2nd Selector	B050F0246ZK	*	*	*		1				
	Ball, Detent	A050F6087ZC	*	*	*		1				
	Sizing	A050F6086ZJ	*	*	*		1				
FB 16	Selector Shaft, 1st/2nd, 3rd/4th.	B050F02988E	*	*	*		1				
	Grub Screw	A075W7007ZE	*	*	*		1				
FB 17	Retainer, Interlock Plate	A050F0262ZJ	*	*	*		2				
	"O" Ring Retainer	A050F6082ZL	*	*	*		2				
	Space Retainer	A050F0268ZF	*	*	*		2				
FB 18	Interlock Plate	A050F6051ZK	*	*	*		1				
	Shims	A050F6099ZIH	*	*	*		A/R				

7.79

Elite/Eclat  
FB 2.

PLATE Ref. No.	DESCRIPTION	PART NO.	ELITE	ECLAT	MANUAL	AUTOMATI.	ALL	DOMESTIC	EUROPEAN	FEDERAL	REMARKS
FB 19	Plate Locking	A050F6089ZB	*	*	*		1				
FB 20	Bolt, Interlock Plate Securing	A050F6088ZH	*	*	*		2				
FB 21	Shaft, Selector, 5th/Rev.	A050F6053ZJ	*	*	*		1				
FB 22	Plug, Detent	A050F6057ZG	*	*	*		1				
	Washer	A050F6015ZF	*	*	*		1				
	Spring	A050F6038ZL	*	*	*		1				
	Plunger	A050F6098ZC	*	*	*		1				
	Plunger	A050F6021ZC	*	*	*		1				
FB 23	Reverse Selector Lock	A050F6047ZA	*	*	*		1				
	Spring, Detent	A050F6037ZF	*	*	*		1				
	Ball, Detent	A050F6062ZK	*	*	*		1				
FB 25	Fork, 5th Selector	A050F6004ZF	*	*	*		1				
FB 26	Grub Screw	A050F6068ZG	*	*	*		1				
	Locknut	A050F6064ZJ	*	*	*		1				
	Washer	A050F6065ZC	*	*	*		1				
	Lever, Reverse Operating	B050F6048ZK	*	*	*		1				
FB 28	Pivot Pin	B050F6026ZK	*	*	*		1				
	Circlip	A050F6063ZD	*	*	*		1				
	"O" Ring	A050F6066ZH	*	*	*		1				
	Circlip, Lever Securing	A050F6074ZD	*	*	*		1				

Elite/Eclat  
FB 3.



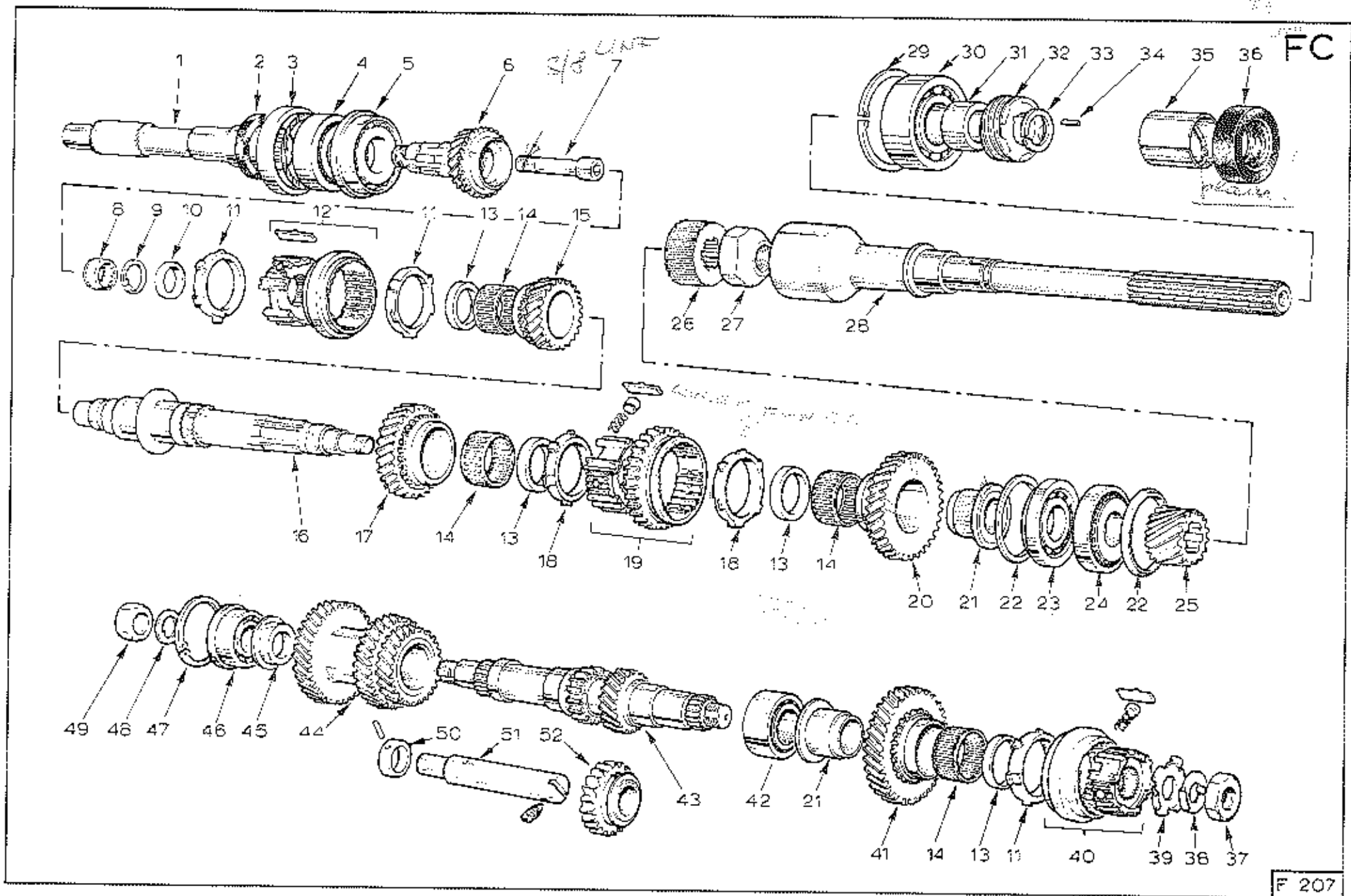


PLATE Ref. No.	DESCRIPTION	PART NO.	ELITE	ECLAT	MANUAL	AUTOMATIC	REMARKS		
							ALL	DOMESTIC	EUROPEAN
	5 SPEED GEAR BOX								
FC 1	Shaft, Input	C050F0247Z	*	*	*		1		
FC 2	Seal, Oil, Front Cover	A075F6043F	*	*	*		1		Replaces A050F6076ZC
FC 3	Bearing Locating Ring	A075FC306ZK	*	*	*		1		Selective
	Shim, 0.20 mm (0.008")	A075F0307AC	*	*	*		A/R		
	Shim, 0.25 mm (0.010")	A075F0307BG	*	*	*		A/R		
	Shim, 0.30 mm (0.012")	A075FC307CL	*	*	*		A/R		
FC 4	Bearing, Ball	A075F6015ZE	*	*	*		1		
FC 5	Bearing, Roller	A050F6070ZF	*	*	*		1		
FC 6	Shaft, 1st Motion, c/w 4th Gear	B050F0283BL	*	*	*		1		
FC 7	Bolt, Allen Head	A075W7001ZH	*	*	*		1		
FC 8	Bearing, Needle Roller	A050F6016ZL	*	*	*		1		
FC 9	Circlip	A050F6018ZK	*	*	*		1		
FC 10	Spacer, Selective 0.093" - 0.094"	A050F6102ZC	*	*	*		A/R	Colour Code - Yellow	
	Spacer, Selective 0.095" - 0.096"	A050F6106ZA	*	*	*		A/R	Colour Code - Plain	
	Spacer, Selective 0.097" - 0.098"	A050F6034Z	*	*	*		A/R	Colour Code - Black	
	Spacer, Selective 0.099" - 0.100"	A050F6105ZG	*	*	*		A/R	Colour Code - Orange	
	Spacer, Selective 0.101" - 0.102"	A050F6104ZB	*	*	*		A/R	Colour Code - Blue	
	Spacer, Selective 0.103" - 0.104"	A050F6103ZH	*	*	*		A/R	Colour Code - Green	

PLATE Ref. No.	DESCRIPTION	PART NO.	ELITE	ECLAT	MANUAL	AUTOMATIC	5 SPEED GEAR BOX			REMARKS
							ALL	DOMESTIC	EUROPEAN	
FC 11	Ring, Baulk	A050F6043ZC	*	*	*					<p>Up to g/box no A1484, A1486 to A1488 and A1491</p> <p>G/boxes A1485, A1489, A1490 and A1492 on. Replaces A075F0744HB when that is not available. See Bulletin 1976/08.</p> <p>Superseded by A075F6068F</p> <p>Up to g/boxes no A1484, A1486 to A1488 and A1491</p> <p>G/boxes A1485, A1489, A1490 and A1492 on. Replaces A050F6040ZK in conjunction with A075F6046F when that is not available. See Bulletin 1976/08.</p> <p>Up to g/boxes A1484, A1486 to A1488 and A1491</p>
FC 12	Assy, 3rd/4th Synchronizer	A075F0744HB	*	*	*					
	Assy, 3rd/4th Synchronizer	A075F0749H	*	*	*					
FC 13	Spacer	A050F6028ZE	*	*	*					
FC 14	Bearing, Needle Roller	A050F6027ZL	*	*	*					
	Bearing, Needle Roller	A075F6068F	*	*	*					
FC 15	Gear, 3rd Speed	A050F6044ZH	*	*	*					
FC 16	Shaft, 3rd Motion	A050F6030ZD	*	*	*					
FC 17	Gear, 2nd Speed	A050F6040ZK	*	*	*					
	Gear, 2nd Speed	A075F6045F	*	*	*					
FC 18	Ring, Baulk, 1st/2nd	A050F6041ZD	*	*	*					
2.78										Elite/Eclat FC. 2

PLATE Ref. No.	DESCRIPTION	PART NO.	ELITE	ECLAT	MANUAL	AUTOMATIC	ALL	DOMESTIC	EUROPEAN	FEDERAL	REMARKS
	<b>5 SPEED GEAR BOX</b>										
	Ring, Baulk, 1st/2nd	A075F6046F	*	*	*		2				G/boxes A1485, A1489, A1490 and A1492 on. Replaces A050F6041ZD in conjunction with A075F6045F or A075F6044F when that is not available. See Bulletin 1976/08.
FC 19	Assy, 1st/2nd Synchronizer	A050F6061ZE	*	*	*		1				Up to g/boxes A1484, A1486 to A1488 and A1491
	Assy, 1st/2nd Synchronizer	A075F6047F	*	*	*		1				G/boxes A1485, A1489, A1490 and A1492 on. Replaces A050F6061ZE when that is not available. See Bulletin 1976/08.
FC 20	Gear 1st Speed	A050F6039ZE	*	*	*		1				Up to g/boxes A1484, A1486 to A1488 and A1491
	Gear 1st Speed <i>new PARTS from Box No A-2174 SB 1978/11</i>	A075F6044F	*	*	*		1				G/boxes A1485, A1489, A1490 and A1492 on. Replaces A050F6039ZE in conjunction with A075F6046F when it is not available. See Bulletin 1976/08.
FC 21	Hub, Bearing, Oversize	A050F6031ZJ	*	*	*		A/R				) Total 2 Hubs for Gearbox
	Hub, Bearing, Standard	A050F6036ZA	*	*	*		A/R				
	Hub, Bearing, Undersize	A050F6096ZD	*	*	*		A/R				
FC 22	Ring, Snap (1.62 - 1.65 mm)	A050F6006ZE	*	*	*		A/R				Colour Code - Orange
	Ring, Snap (1.66 - 1.69 mm)	A050F6007ZK	*	*	*		A/R				Colour Code - Blue
	Ring, Snap (1.70 - 1.73 mm)	A050F6008ZD	*	*	*		A/R				Colour Code - Natural
2.78											Elite/Eclat FC. 3

PLATE ef. No.	DESCRIPTION	PART NO.	ELITE	ECLAT	MANUAL	AUTOMATIC	ALL	DOMESTIC	EUROPEAN	FEDERAL	REMARKS
	5 SPEED GEAR BOX										
FC 23	Ring, Snap (1.74 - 1.76mm)	A050F6009ZJ	*	*	*		A/R				Colour Code - Green
	Bearing, Ball	A050F6073ZK	*	*	*		1				Superseded by A075F6067F
	Bearing, Ball	A075F6067F	*	*	*		1				
FC 24	Bearing, Roller	A050F6072ZE	*	*	*		1				
FC 25	Pinion, Final Drive	A050F0269BC	*	*	*		1				
FC 26	Adaptor, Output Shaft	A050F0249ZK	*	*	*		1				
FC 27	Nut Retaining	A050F0263BF	*	*	*		1				
FC 28	Shaft, Output	A075F0226F	*	*	*		1				
FC 29	Circlip	X036D6006ZC	*	*	*		1				
FC 30	Bearing	A075F6008ZC	*	*	*		1				
FC 31	Spacer, Bearing	A075F0236ZK	*	*	*		1				
FC 32	Drive Gear, Speedo	A075F6002ZF	*	*	*		1				
FC 33	Circlip	A075F6004ZE	*	*	*		1				
FC 34	Key, Speedo Gear	A075F6005ZK	*	*	*		1				
FC 35	Bush	A075F6003ZL	*	*	*		1				
FC 36	Oil Seal - <i>Face Housing</i>	A075F6010ZB	*	*	*		1				
FC 37	Nut, Retaining	A050F6005ZL	*	*	*		1				
FC 38	Washer, Locking	A050F6011ZH	*	*	*		1				
FC 39	Retainer, Synchronizer	A050F6010ZC	*	*	*		1				
2.78.											Elite/Eclat FC. 4

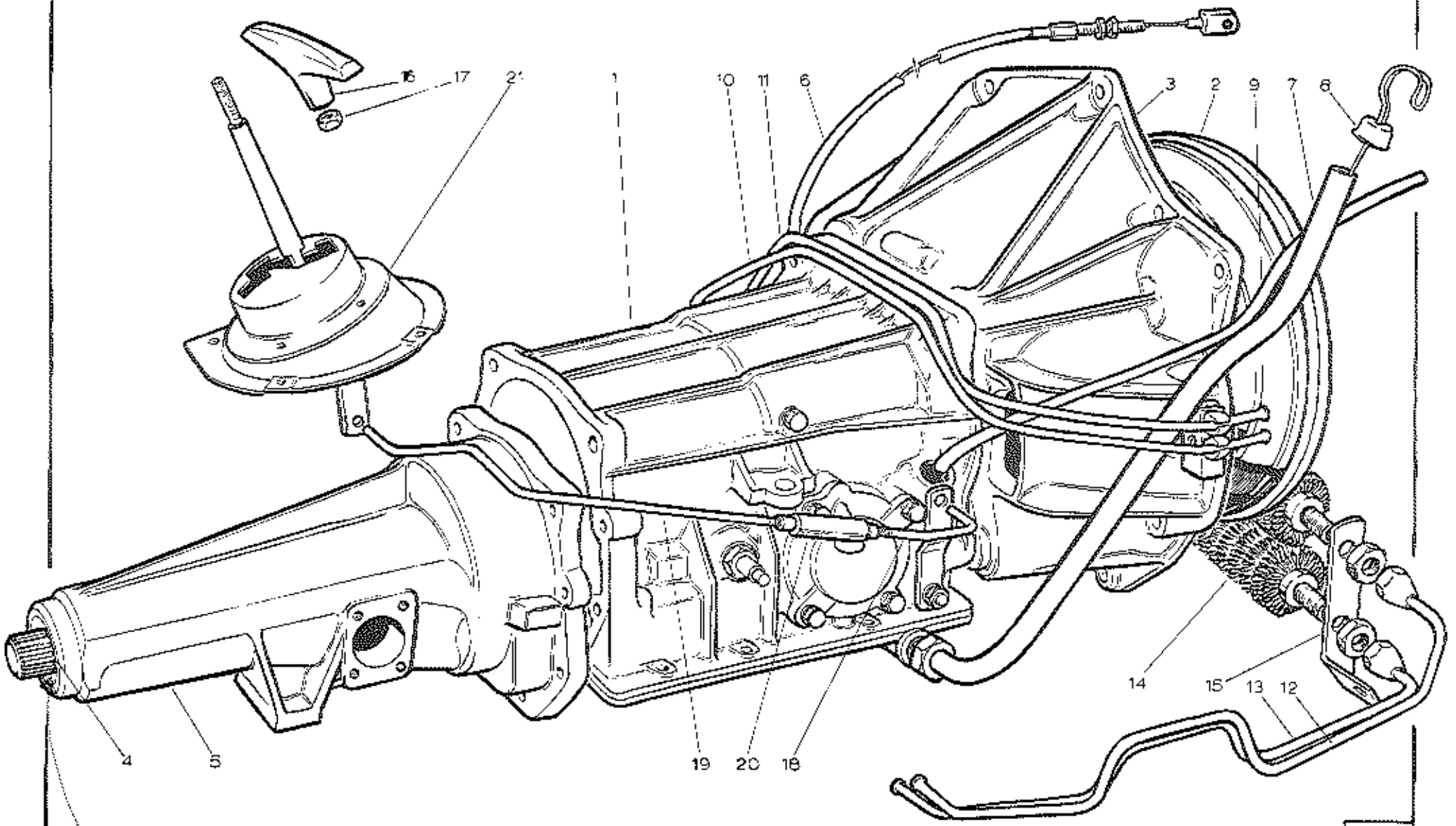
PLATE Ref. No.	DESCRIPTION	PART NO.	ELITE	ECLAT	MANUAL	AUTOMATIC	ALL	DOMESTIC	EUROPEAN	FEDERAL	REMARKS
	5 SPEED GEAR BOX										
FC 40	Assy, 5th Synchronizer	A050F6046ZG	*	*	*		1				Up to g/boxes A1484, A1486 to A1488 and A1491
	Assy, 5th Synchronizer	A075F6061F	*	*	*		1				G/boxes A1485, A1489, A1490 and A1492 on. Replaces A050F6046ZG when that is not available. See Bulletin 1976/08.
FC 41	Gear, 5th Speed	A050F6056ZB	*	*	*		1				
FC 42	Bearing, Layshaft, Rear	A050F6025ZA	*	*	*		1				Up to g/box A2015.
	Bearing, Layshaft, Rear	A075F6064F	*	*	*		1				G/box A2016 on. Replaces A050F6025ZA, with layshaft B050F6019F, when not available. Also services g/boxes up to A2015 with spacer A075F6069F. See Bulletin 1978/01
FC 43	Layshaft	A050F6019ZD	*	*	*		1				Up to g/box A2015
	Layshaft	B050F6019F	*	*	*		1				G/box A2016 on. Replaces A050F6019ZD with bearing A075F6064F when not available. See Bulletin 1978/01.
FC 44	Laygear	A050F6029ZK	*	*	*		1				
FC 45	Spacer, Laygear	A050F6014ZA	*	*	*		1				
FC 46	Bearing, Layshaft, Front	A050F6017ZE	*	*	*		1				
FC 47	Circlip	A050F6024ZG	*	*	*		1				
2.78											Elite/Eclat FC. 5

PLATE Ref. No.	DESCRIPTION	PART NO.	ELITE	ECLAT	MANUAL	AUTOMATIC	ALL	DOMESTIC	EUROPEAN	FEDERAL	REMARKS
	<u>5 SPEED GEAR BOX</u>										
FC 48	Washer, Locking	A050F6023ZB	*	*	*						
FC 49	Nut, Layshaft	A050F6022ZH	*	*	*						
FC 50	Collar, Idler Shaft	A050F6035ZG	*	*	*						
	Pin, Collar Securing	A050F6067ZB	*	*	*						
FC 51	Shaft, Reverse Idler Gear	A050F6050ZE	*	*	*						
	Grub Screw	A075W7007ZE	*	*	*						
FC 52	Gear, Reverse Idler	A050F6060ZD	*	*	*						
	Oil, EP90S	A075F6021V	*	*	*		A/R				

2.78

Elite/Eclat  
FC. 6

FD



F215

OIL SEAL  
A075F 6052f

BORG WARNER Ref:  
04350440029

6960 SIMO 47826



PLATE Ref. No.	DESCRIPTION	PART NO.	ELITE	ECLAT	MANUAL	AUTOMATIC	ALL	DOMESTIC	EUROPEAN	FEDERAL	REMARKS
Not illus	Seal, pump - torque convertor	AO75F6058F	*	*		*	1				
" "	Gasket, pump adaptor and Con. support	AO75F6059F	*	*		*	1				
" "	Sealing ring, front pump	AO75F6060F	*	*		*	1				
" "	Housing, speedo gear	AO75F6006F	*	*		*	1				
" "	Gasket, housing, speedo gear	AO75F6016Z	*	*		*	1				
" "	Driven gear	AO75F6007Z	*	*		*	1				
" "	Driving gear	AO75F6002Z	*	*		*	1				
" "	Seal, speedo drive	AO75F6014Z	*	*		*	1				
" "	Bolts	AO75W1028Z	*	*		*	2				
" "	Spring washers	AO75W4046Z	*	*		*	2				
" "	Key, speedo gear	AO75W6005Z	*	*		*	1				
" "	Grclip	XO36D6006Z	*	*		*	1				
FD.7.	Oil filler pipe and tube nut	AO75F0334F	*	*		*	1				
FD.8.	Dipstick	AO75F0335F	*	*		*	1				
FD.9.	Breather tube	AO75F0336F	*	*		*	1				
Not illus	Heatshield, auto inhibitor switch	BO75F0356F	*	*		*	1				
	Washer plain 3/16"	AO75W4004Z	*	*		*	1				
	Screw M5 x 12	AO75W1021Z	*	*		*	1				
	Edge clip, spire	AO75W6054Z	*	*		*	1				

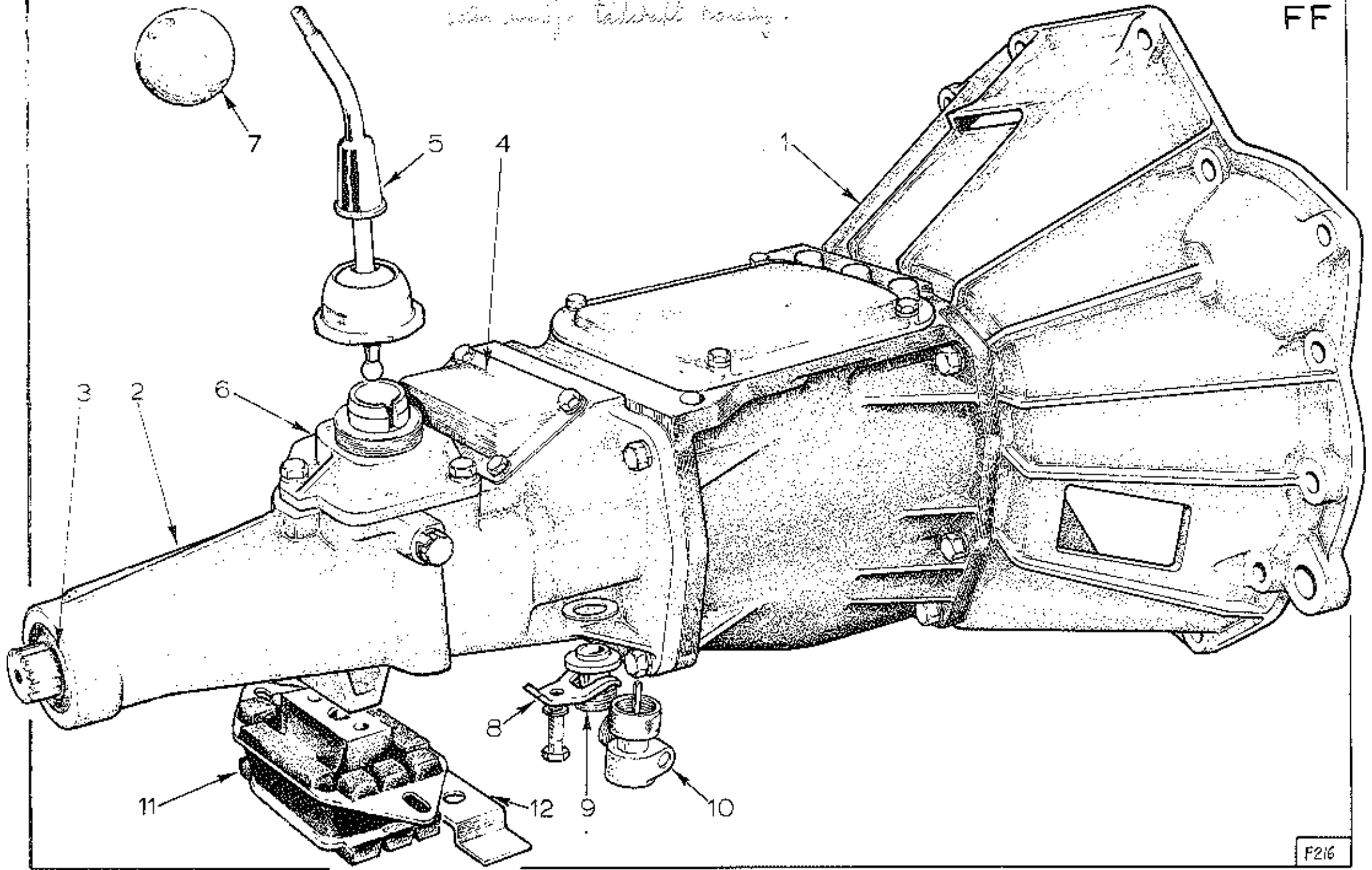
PLATE Ref. No.	DESCRIPTION	PART NO.	ELITE	ECLAT	MANUAL	AUTOMATIC	ALL	DOMESTIC	EUROPEAN	FEDERAL	REMARKS
FD.10	Bundy pipe, return over gear box	AO75F0338F	*	*		*	1				
FD.11.	Bundy pipe, feed over gear box	AO75F0337F	*	*		*	1				
FD.12.	Bundy pipe, feed to oil cooler	AO75F0339F	*	*		*	1				
FD.13.	Bundy pipe, return from oil cooler	AO75F0340F	*	*		*	1				
Not illus	Flexible pipe	AO75F6023F	*	*		*	2				
	Hose clips	AO36S6160Z	*	*		*	4				
	Bracket, pipes to gear box	AO75F0341F	*	*		*	1				
	Pipe clip	AO75F6024F	*	*		*	2				
FD.14.	Oil cooler	AO75F0327F	*	*		*	1				
FD.15.	Mounting bracket RH	AO75F0346F	*	*		*	1				
Not illus	Mounting bracket LH	AO75F0347F	*	*		*	1				
	Nut, bracket/cooler	AO75W3017Z	*	*		*	2				
	Washer	AO75W4038Z	*	*		*	2				
	Screw, 6mm x 20, bracket/cooler	AO75W1030W	*	*		*	1				
	Nut, nyloc, 6 mm	AO75W3009W	*	*		*	1				
	Washer	AO75W4013Z	*	*		*	1				
	Screw, 8 mm x 25, bracket/body	AO75W1039Z	*	*		*	2				
	Washer, 8 mm	AO75W4021Z	*	*		*	2				
	Nut, nyloc	AO75W3010Z	*	*		*	2				

PLATE Ref. No.	DESCRIPTION	PART NO.	ELITE	ECLAT	MANUAL	AUTOMATIC					REMARKS
							ALL	DOMESTIC	EUROPEAN	FEDERAL	
FD.16.	Handle gear lever	AO75F6025F	*	*		*	1				Comprising items FD.18 to FD.20
FD.17.	Locknut	AO75F6035F	*	*		*	1				
	Operating rod assy.	AO75F0344F	*	*		*	1				
Not illus	Rod clip	AO75F6032F	*	*		*	1				
FD.18	Rod end LH thread	AO75F6033F	*	*		*	1				
	Locknut 1/4" UNF	AO75W3038F	*	*		*	1				
FD.19.	Rod end, RH thread	AO75F6039F	*	*		*	1				
FD.20.	Adjuster	AO75F6034F	*	*		*	1				
	Washer locking	AO75W4014Z	*	*		*	1				
	Lever and rod assy	AO75F0345F	*	*		*	1				
	Nyloc nut 1/4" UNF	AO75W3035F	*	*		*	1				
	Washer	AO75W4065Z	*	*		*	1				
	Bolt special	AO75W2093F	*	*		*	1				
	Washer	AO75W4024Z	*	*		*	1				
	Clevis pin	AO75W6034Z	*	*		*	1				
	Spring clip	AO75W6175Z	*	*		*	1				
	Washer	AO75W4000Z	*	*		*	1				
FD.21.	Selector lever assy	AO75F0342F	*	*		*	1				
	Transmission fluid	AO75H6013V	*	*		*	A/R			Capacity 4.40 ltrs.	

Part I. *type F216 is shown in part of some drawings.*

*when using tailshaft bearing.*

FF



F216



PLATE Ref. No.	DESCRIPTION	PART NO.	ELITE	ECLAT	MANUAL	AUTOMATIC	ALL	DOMESTIC	EUROPEAN	FEDERAL	REMARKS
FF.7.	Gear Knob	AO76F0416F		*	*		1				
Not illus	Gear, Speedo, Drive, Driver	AO76F6052F		*	*		1				Worm Gear - 6 Start 20 Teeth Hub
" "	Gear, Speedo, Drive, Driven	AO76F6026F		*	*		1				
" "	Bearing, Driven Gear	AO76F6027F		*	*		1				
" "	"O" Ring, Speedo Drive	AO76F6028F		*	*		1				
" "	Seal	AO76F6029F		*	*		1				
FF.8.	Clamp	AO76F6030F		*	*		1				
	Bolt	AO76F6031F		*	*		1				
	Springwasher	AO76F6032F		*	*		1				
FF.9.	Adaptor	AO76F0419F		*	*		1				
FF.10.	Right Angle Drive	AO26F6000Z		*	*		1				
FF.11.	Gear Box Mounting	BO75F6001Z		*	*		1				
FF.12.	Mounting Snubber	AO75F0291Z		*	*		1				
	Screw M8 x 25	AO75W1039Z		*	*		2				
	Nut, Nyloc, M8	AO75W3010Z		*	*		2				
	Washer, Plain	AO75W4021Z		*	*		2				
	Bolt, M12 x 60	AO75W2070Z		*	*		1				
	Washer, Plain, M12	AO75W4028Z		*	*		1				
	Spring Washer	AO75W4038Z		*	*		1				

PLATE Ref. No.	DESCRIPTION	PART NO.	S.1.		S.2.		MANUAL	AUTOMATIC	ALL	DOMESTIC	R.O.W.	FEDERAL	REMARKS
			ELITE	ECLAT	ELITE	ECLAT							
	Gearbox Assembly, 5-Speed	A083F6000F			*	*	*		1				
	Setscrew, M12 x 45, Gearbox/Clutch Housing	A075W1061Z			*	*	*		4				Replaces Studs & Nuts
	Washer, 12 mm, Gearbox/Clutch Housing	A075W4071Z			*	*	*		4				
	Front Cover Assembly	A083F6087F			*	*	*		1				Includes Guide Tube & Seal
	Oil Seal, Front Cover	A083F6088F			*	*	*		1				
	Gasket, Front Cover	A083F6089F			*	*	*		1				
	Bolt, M8 x 30, Front Cover	A075W2037Z			*	*	*		3				
	Bolt, M8 x 22, Front Cover	A083F6090F			*	*	*		4				
	Washer, Wavy, 8 mm Front Cover	A083F6094F			*	*	*		7				
	Shim, 0.1 mm, Input Shaft Bearing	A083F6095F			*	*	*		A/R				
	Shim, 0.3 mm, Input Shaft Bearing	A083F6096F			*	*	*		A/R				
	Shim, 0.1 mm, Layshaft Front Bearing	A083F6097F			*	*	*		A/R				
	Shim, 0.3 mm, Layshaft Front Bearing	A083F6098F			*	*	*		A/R				
	Bush, Selector Shaft	A083F6115F			*	*	*		2				
	Tailshaft Bush	A083F6116F			*	*	*		1				
	Oil Seal, Tailshaft	A083F6118F			*	*	*		1				
	Speedo Driven Gear (18T)	A083F6120F			*	*	*		1				
	Bush, Speedo Driven Gear	A083F6121F			*	*	*		1				
	'O' Ring, Speedo Driven Gear Bush	A083F6122F			*	*	*		1				
	Oil Seal, Speedo Gear Spindle	A083F6123F			*	*	*		1				

5 JUN 1982

PLATE  
Ref. No.

DESCRIPTION

PART NO.

S.1.

S.2.

ELITE

ECLAT

ELITE

ECLAT

MANUAL

AUTOMATIC

ALL

DOMESTIC

R.O.W.

FEDERAL

REMARKS

Right Angle Drive, Speedo  
(for 4.1 Final Drive)

A083F0393F

\*

\*

\*

Stamped 1.384

Right Angle Drive, Speedo  
(for 3.73 Final Drive)

A083F0392F

\*

\*

\*

Stamped 1.266

Retaining Plate, Speedo Gear Bush

A083F6124F

\*

\*

\*

Screw, M6 x 15, Retaining Plate

A083F6125F

\*

\*

\*

Washer, 6 mm

A083F6126F

\*

\*

\*

Switch, Reverse Light

A083F6127F

\*

\*

\*

Sealing Ring, Reverse Switch

A083F6128F

\*

\*

\*

Valve, Breather

A083F6129F

\*

\*

\*

Plug, Oil Level

A083F6130F

\*

\*

\*

Plug, Oil Drain (magnetic)

A083F6131F

\*

\*

\*

5 JUN 1982

FG2



PLATE  
Ref. No.

DESCRIPTION

PART NO.

S.1.

S.2.

ELITE

ECLAT

ELITE

ECLAT

MANUAL

AUTOMATIC

ALL

DOMESTIC

R.O.W.

FEDERAL

REMARKS

Mounting Rubber, Gearbox	A083F6001F			*	*	*												
Bolt, M10 x 65, Rubber to Gearbox	A075W2056Z			*	*	*												
Nut, Nyloc, M10, R.H. Rubber to Gearbox	A075W3011Z			*	*	*												
Nut, Plain, M10, L.H. Rubber to Gearbox	A075W3023F			*	*	*												
Washer, 10 mm, Gearbox height adjust	A075W4027Z			*	*	*												
Crossmember, Gearbox Mounting	A063F0384J			*	*	*												
Setscrew, M8 x 20, Rubber/Crossmember	A075W1038Z			*	*	*												
Nut, Nyloc, M8, R.H. Rubber/Crossmember	A075W3010Z			*	*	*												
Nut, Plain, M8, L.H. Rubber/Crossmember	A075W3022Z			*	*	*												
Washer, 8 mm, Rubber/Crossmember	A075W4020Z			*	*	*												
Washer, Spring, 8 mm, Rubber Crossmember	A075W4036Z			*	*	*												
Spacer, Crossmember/Chassis	A083F0389K			*	*	*												
Setscrew, M8 x 20, Crossmember/Chassis	A075W1038F			*	*	*												
Washer, 8 mm, Crossmember/Chassis	A075W4020Z			*	*	*												
Heatshield, L.H. Mounting	B083F0390F			*	*	*												
Screw, s/t Heatshield Fix	A075W5014Z			*	*	*												

Stainless. Use Permabond A115

Stainless. Use Permabond A115

5 JUN 1982

FH1

PLATE  
Ref. No.

DESCRIPTION

PART NO.

S.1.

S.2.

ELITE

ECLAT

ELITE

ECLAT

MANUAL

AUTOMATIC

ALL

DOMESTIC

R.O.W.

FEDERAL

REMARKS

Washer, Heatshield Fix  
 Damper, Lower, Tailshaft Housing  
 Bolt, M10 x 100, Damper to Housing  
 Washer, 10 mm  
 Damper, Upper, Tailshaft Housing  
 Setscrew, M8 x 40, Damper/Housing  
 Washer, 8 mm  
 Fulcrum Bracket  
 Bolt, M8 x 55, Fulcrum Bracket/  
 Housing  
 Washer, 8 mm, Fulcrum Bracket/  
 Housing  
 Pivot Plate  
 Rubber Bush, Pivot Plate front  
 Setscrew, M8 x 25, Socket Head  
 Rubber Bush, Pivot Plate rear  
 Nut, M8, Pivot Plate/Rear Bush  
 Washer, 8mm  
 Gear Lever  
 Roller Bearing, Gear Lever Eye

A075W4073Z  
 A083F0379J  
 A075W2062Z  
 A075W4024Z  
 A083F0378J  
 A075W1039Z  
 A075W4020Z  
 B083F0362  
 A075W2042F  
 A075W4020Z  
 B083F0361  
 A083F6085  
 A075W7024Z  
 A083F6086  
 A075W3021Z  
 A075W4020Z  
 C083F0357  
 A083F6228F

\* \* \* \* \*  
 \* \* \* \* \*  
 \* \* \* \* \*  
 \* \* \* \* \*  
 \* \* \* \* \*  
 \* \* \* \* \*  
 \* \* \* \* \*  
 \* \* \* \* \*  
 \* \* \* \* \*  
 \* \* \* \* \*  
 \* \* \* \* \*  
 \* \* \* \* \*  
 \* \* \* \* \*  
 \* \* \* \* \*  
 \* \* \* \* \*  
 \* \* \* \* \*

2  
 1  
 2  
 2  
 1  
 2  
 2  
 1  
 2  
 2  
 1  
 2  
 2  
 1  
 2  
 2

Prior to introduction of  
 'Flexplate Flywheel'  
 Prior to introduction of  
 'Flexplate Flywheel'  
 Prior to introduction of  
 'Flexplate Flywheel'  
 Pivot Plate/Fulcrum Bracket  
 Includes Roller Bearing

25 JUN 1982

FH2

PLATE Ref. No.	DESCRIPTION	PART NO.	S.1.		S.2.		MANUAL	AUTOMATIC	ALL	DOMESTIC	R.O.W.	FEDERAL	REMARKS
			ELITE	ECLAT	ELITE	ECLAT							
	Knob, Gear Lever	A083F0323			*	*	*		1				
	Gaiter, Lower, Gear Lever	A076V1444F			*	*	*		1				
	Ring, Gaiter retaining	A075U0622Z			*	*	*		1				
	Screw, s/t	A075W1035			*	*	*		3				
	Plate, Gear Lever Aperture	B083F0368			*	*	*		1				
	Screw, s/t	A075W5031			*	*	*		4				
	Circlip, Gear Lever to Pivot Plate	A083F6083			*	*	*		1				
	'O' Ring, Gear Lever to Pivot Plate	A083F6084			*	*	*		1				
	Pin, Gear Lever to Yoke	A083F6076			*	*	*		1				
	Spring Clip, Pin retaining	A083F6077			*	*	*		2				
	'O' Ring, Yoke to Gear Lever	A083F6075			*	*	*		2				
	Yoke	A083F6074			*	*	*		1				
	Actuating Rod	A083F0359			*	*	*		1				
	Screw, Actuating Rod to Yoke	A083F6078			*	*	*		1				
	Link, Connecting	A083F6079			*	*	*		1				
	Pad, Felt, Actuating Rod/Main Selector Shaft	A083F6081			*	*	*		1				
	Pin, Connecting, Link/Rod Shaft	A083F6080			*	*	*		2				
	Sleeve, Pin retaining	A083F6082			*	*	*		1				

25 JUN 1982

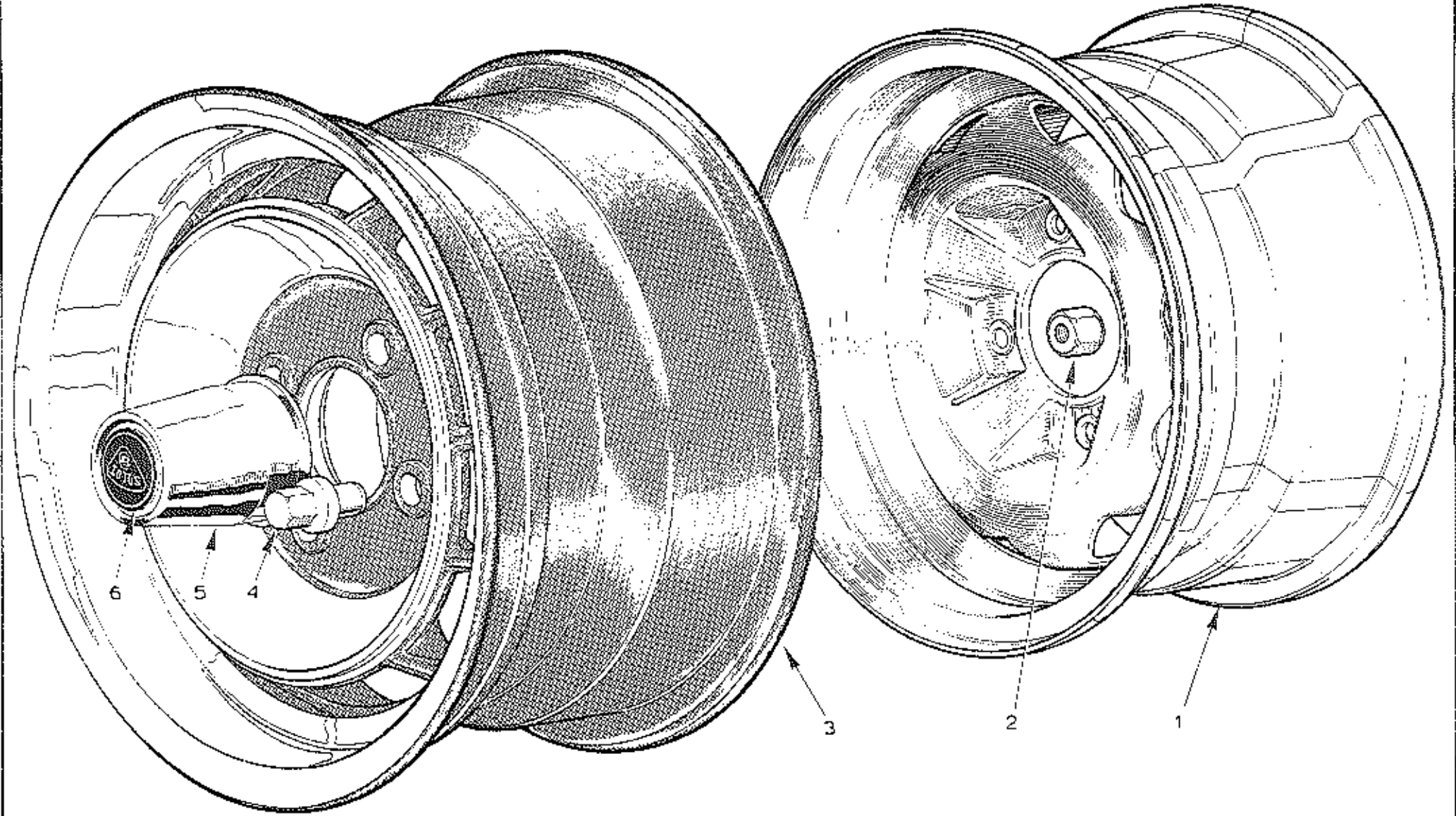


PLATE Ref. No.	DESCRIPTION	PART NO.	S.1.		S.2.		MANUAL	AUTOMATIC	ALL	DOMESTIC	R.O.W.	FEDERAL	REMARKS
			ELITE	ECLAT	ELITE	ECLAT							
GA1	Steel Wheel and Tyre Assembly	C075G0044W		*			*		5				Eclat 520 only
	Steel Wheel	B028G0001Z		*			*		5				Eclat 520 only
	Tyre 185/70 x 13 HR	B074G6002F		*			*		5				Eclat 520 only
	Escutcheon	A076G6002F		*			*		4				Eclat 520 only
GA2	Badge	A065G6007ZE		*			*		4				Eclat 520 only
	Nuts, Steel Wheel	A076G6001F		*			*		16				Eclat 520 only
	Rim Embellisher	X026G0015ZC		*			*		4				Eclat 520 only
GA3	Lotus Alloy Wheel & Tyre Assembly	A083G0060F	*	*	*		*	*	5				Fitted with Goodyear Tyre
	Lotus Alloy Wheel	H075G0041H	*	*	*		*	*	5				
	Tyre, Goodyear NCT 205/60 VR14	A083G0061H	*	*	*		*	*	5				
GA4	Valve, Tyre, Lotus Alloy Wheel	A075G6005F	*	*	*		*	*	5				
	Nut, Wheel, (2 AF Spanner)	A075G0042Z	*	*	*		*	*	16				Lotus Alloy Wheels
	Nut, Wheel, (22 mm AF Spanner)	A075G6006F	*	*	*		*	*	16				Lotus Alloy Wheels
GA5	Escutcheon, Wheel Badge	A075G0043Z	*	*	*		*	*	4				
GA6	Badge, Wheel Centre	B074G6004Z	*	*	*		*	*	4				
	Speedline Wheel & Tyre Assembly	B085G4055F			*	*	*	*	5				Fitted with Goodyear Tyre
	Speedline Alloy Wheel	C084G0056H			*	*	*	*	5				
	Tyre, Goodyear NCT 205/60 VR14	A083G0061H			*	*	*	*	5				
	Valve, Tyre, Speedline Wheel	B085G6024H			*	*	*	*	5				

25 JUN 1982

GA1

PLATE  
Ref. No.

DESCRIPTION

PART NO.

S.1.

S.2.

ELITE

ECLAT

ELITE

ECLAT

MANUAL

AUTOMATIC

ALL

DOMESTIC

R.O.W.

FEDERAL

REMARKS

*Use frame  
a tray*

Nut, Speedline Wheel	A079G6011F			*	*	*	*	16					
Badge, Wheel Centre	A079G4006F					*	*	5					
Spring Ring, Wheel Badge	A079G6012F					*	*	5					
Carrier Assembly, Spare Wheel	B075G0048W	*		*	*	*	*	1					Elite S1 with Stage 1 Body
Frame, Spare Wheel Carrier ( <i>V shaped bar</i> )	B075G0047Z	*		*	*	*	*	1					Elite S1 with Stage 1 Body
Tray, Spare Wheel Carrier	A075G0050Z	*		*	*	*	*	1					Elite S1 with Stage 1 Body
Pop Rivet, Tray to Frame	A075W6092Z	*		*	*	*	*	5					Elite S1 with Stage 1 Body
Washer, Pop Rivet	A075W4001Z	*		*	*	*	*	5					Elite S1 with Stage 1 Body
Washer, 12 mm	A075W4028Z	*		*	*	*	*	2					Elite S1 with Stage 1 Body
Split Pin, Frame Retaining	A075W6009Z	*		*	*	*	*	2					Elite S1 with Stage 1 Body
Hoist Assembly, Spare Wheel	C075G0049J	*		*	*	*	*	1					Elite S1 with Stage 1 Body
Up top, Hoist	A083G0058K	*		*	*	*	*	1					Elite S1 with Stage 1 Body
Jacknut, M5, Hoist Fix	A076W3043F	*		*	*	*	*	2					Elite S1 with Stage 1 Body
Setscrew, M5 x 20 Hoist Fix	A075W5084F	*		*	*	*	*	2					Elite S1 with Stage 1 Body
Seal, Hoist to Floor	A075G6002Z	*		*	*	*	*	1					Elite S1 with Stage 1 Body
Strap, Retaining	A075G0054F			*	*	*	*				1		Germany only
Cable Clamp	A075G6004H			*	*	*	*				2		Germany only
Shackle Pin, Captive	A075G6003H			*	*	*	*				1		Germany only
Clamp Assembly, Spare Wheel	BX75G0053Z	*	*			*	*	1					Elite S1 with Stage 2 Body
Setscrew, M10 x 30	A075W1049ZB	*	*			*	*	1					Elite S1 with Stage 2 Body

25 JUN 1982

GA2

PLATE Ref. No.	DESCRIPTION	PART NO.	S.1.		S.2.		MANUAL	AUTOMATIC	ALL	DOMESTIC	R.O.W.	FEDERAL	REMARKS
			ELITE	ECLAT	ELITE	ECLAT							
	Nut, M10	A075W3023F	*	*			*	*	1				Elite S1 with Stage 2 Body
	Washer, Shakeproof, 10 mm	A075W4049Z	*	*			*	*	1				Elite S1 with Stage 2 Body

25 JUN 1982

GA3

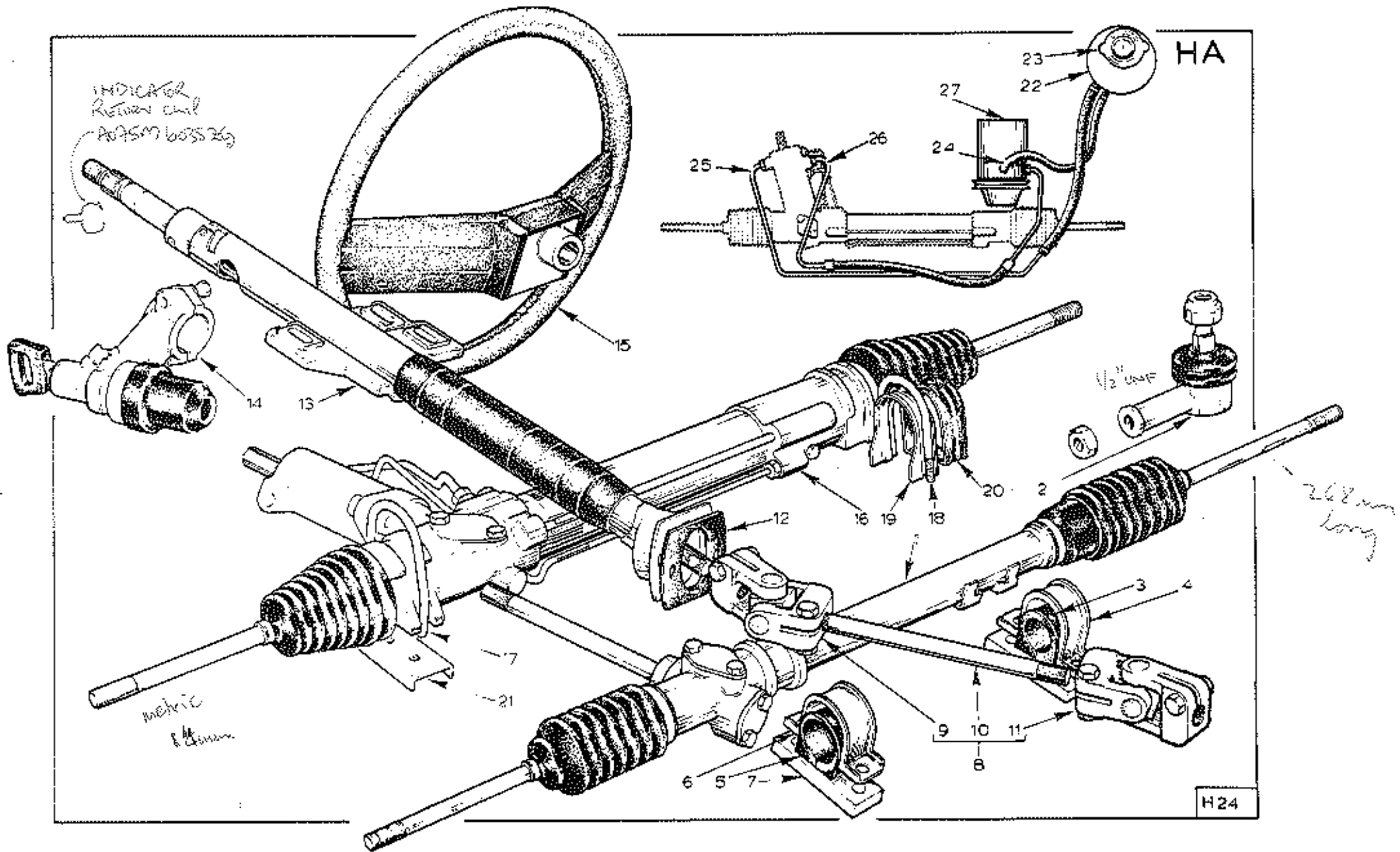




PLATE Ref. No.	DESCRIPTION	PART NO.	S.1.		S.2.		MANUAL	AUTOMATIC	ALL	DOMESTIC	R.O.W.	FEDERAL	REMARKS
			ELITE	ECLAT	ELITE	ECLAT							
HA1	Steering Rack, Manual, LHD	A075H0121WL	*	*	*	*	*	*			1	1	
	Steering Rack, Manual, RHD	A075H0122WE	*	*	*	*	*	*					
HA2	Ball Joint, Rack/Steering Arm, Manual	A075H6001ZH	*	*	*	*	*	*	2				
	Ball Joint, Rack/Steering Arm, PAS	A075H6012ZH	*	*	*	*	*	*	2				
	Locknut $\frac{1}{2}$ " Locknut 1 1/2" Rubber Bush, Non Pinion End	A075W3017ZA A089H0167F A007H4103ZD	*	*	*	*	*	*	2 2 1				Manual Rack P.A.S Rack
HA3													
HA4	Clamp, Rack Mounting, Non Pinion End	A007H4104ZJ	*	*	*	*	*	*	1				
HA5	Rubber Bush, Pinion End	A007H4106ZH	*	*	*	*	*	*	1				
HA6	Clamp, Rack Mounting, Pinion End	A007H4105ZC	*	*	*	*	*	*	1				
HA7	Spacer	A075H0129ZH	*	*	*	*	*	*	2				
	Shim, Spacer to Chassis	A075H0116ZJ	*	*	*	*	*	*	A/R				
	Screw, M8 x 35	A075H1041ZF	*	*	*	*	*	*	4				
	Washer, Spring, 8 mm	A075W4036ZE	*	*	*	*	*	*	4				
HA8	Intermediate Column Assembly, Manual Steering	C075H0117WK	*	*	*	*	*	*	1				
	Intermediate Column Assembly, PAS	D075H0118W	*	*	*	*	*	*	1				
	Pop Rivet, sealed	A076W6099F	*	*	*	*	*	*	7				
	Plug, Pop Rivet	A076W6101F	*	*	*	*	*	*	7				
	Grommet, Water Shield	X026B0371Z	*	*	*	*	*	*	1				

25 JUN 1982

HA1

PLATE Ref. No.	DESCRIPTION	PART NO.	S.1.		S.2.		MANUAL	AUTOMATIC	ALL	DOMESTIC	R.O.W.	FEDERAL	REMARKS	
			ELITE	ECLAT	ELITE	ECLAT								
HA9	Universal Joint, Upper	B075H6010F	*	*	*	*	*	1/2					Also PAS Lower UJ 9/16" x 3/4"	
HA10	Shaft, Manual Steering	A075H0130ZB	*	*	*	*	*	1						
	Shaft, PAS	B075H0141F	*	*	*	*	*	1						
	Water Shield, Column UJ's LHD	A075H0151K	*	*	*	*	*			1	1			
	Water Shield, Column UJ's RHD	A075H0152K	*	*	*	*	*		1					
HA11	Universal Joint, Lower, Manual Steering	C075H6009F	*	*	*	*	*	1						9/16" x 9/16"
	Bolt, Column UJ, M8 x 35	A079H4019F	*	*	*	*	*	3/2						Manual Steering 3, PAS 2
	Bolt, Column UJ, M8 x 40	A075W2039F	*	*	*	*	*	1/2						Manual Steering 1, PAS 2
	Nyloc Nut, M8	A075W3010ZK	*	*	*	*	*	4						
	Washer	A075W4020ZB	*	*	*	*	*	4						
	Bellows, c/w Clips, Pinion End	A075H6021ZJ	*	*	*	*	*	1					Manual Rack	
	Bellows, c/w Clips, Non Pinion End	A075H6022ZC	*	*	*	*	*	1					Manual Rack	
	Bellows	A075H6024F	*	*	*	*	*	2					PAS Rack	
HA12	Gasket, Upper, Column/Body	A075H0125ZK	*	*	*	*	*	1						
HA13	Upper Column Assembly	A075H6007WD	*	*	*	*	*	1						
	Indicator Cancel Clip	A075M6038ZG	*	*	*	*	*	1						
	Screw, 8 mm x 20, Col/Bulkhead	A075W1038ZB	*	*	*	*	*	2						
	Nut	A075W3010ZK	*	*	*	*	*	2						
	Washer, 8 mm I/D, 25 mm O/D	A075W4021ZG	*	*	*	*	*	2						
	Rubber Washer	A036L6019ZD	*	*	*	*	*	2						
	Washer 5/16"	A075W4003Z			*	*		2					HA2	

25 JUN 1982

PLATE Ref. No.	DESCRIPTION	PART NO.	S.1.		S.2.		MANUAL	AUTOMATIC	ALL	DOMESTIC	R.O.W.	FEDERAL	REMARKS
			ELITE	ECLAT	ELITE	ECLAT							
HA14	Screw, Column/Facio	A075W1017ZG	*	*	*	*	*	*	3				
	Washer	A075W4005ZD	*	*	*	*	*	*	3				
	Washer	A075W4052Z	*	*	*	*	*	*	3				
	Nut 7/16"	A075W3004Z			*	*	*	*	1				
	Nut, Special	A075J0322Z			*	*	*	*	2				
	Lock, Steering Column, c/w Ignition Switch	B075H6008ZG	*	*	*	*	*	*			1	1	
HA15	Lock, Steering Column, c/v Ignition Switch	B075H6011ZG	*	*	*	*	*	*		1			
	Steering Wheel, Black Rim	A075H0145F	*	*			*	*	1				
	Steering Wheel, Dark Brown Rim	A075H0146F	*	*			*	*	1				
	Crash Pad, Black Grain	A075H0154F	*	*			*	*	1				
	Bush, Crash-Pad Fixing	A079H6002F	*	*			*	*	8				
	Steering Wheel, Black	A083H0155F			*	*	*	*	1				
	Steering Wheel, Brown	A083H0156F			*	*	*	*	1				
	Crash Pad	A083V2451F			*	*	*	*	1				
	Fixing Strip	A083V2452K			*	*	*	*	1				
	Spire Nut	A075W6106F			*	*	*	*	2				
Screw	A075W5065F			*	*	*	*	2					

HA3

25 JUN 1982

PLATE Ref. No.	DESCRIPTION	PART NO.	S.1.		S.2.		MANUAL	AUTOMATIC	ALL	DOMESTIC	R.O.W.	FEDERAL	REMARKS
			ELITE	ECLAT	ELITE	ECLAT							
	Washer	B075H0147F	*	*	*	*	*	*					
	Nut, Wheel to Column	A075H6003ZG	*	*	*	*	*	*					
	Tab Washer	A075H6019FG	*	*	*	*	*	*					
HA16	Rack Assembly, PAS, RHD	A075H0126WC	*	*	*	*	*	*					
	Rack Assembly, PAS, LHD	A075H0127WH	*	*	*	*	*	*					
	Seci Kit, Rack Assembly, PAS	A075H6023F	*	*	*	*	*	A/R					
HA17	"U" Bolt, Pinion End	A075H6015ZA	*	*	*	*	*	*					
HA18	"U" Bolt, Non-Pinion End	A075H6016ZF	*	*	*	*	*	*					
	Nut, "U" Bolts/Chassis	A075W3011ZD	*	*	*	*	*	*					
	Washer	A075W4024ZL	*	*	*	*	*	*					
HA19	Clamp, "U" Bolt/Insulator	A075H0136ZK	*	*	*	*	*	*					
HA20	Insulator	A075H6017ZL	*	*	*	*	*	*					Power Steering only
HA21	Stiffening Bracket, Chassis	A075H0135ZE	*	*	*	*	*	*					
HA22	Reservoir	A075H6014WF	*	*	*	*	*	*					
	Bracket, Reservoir to Body	B075H0138ZJ	*	*	*	*	*	*					
	Bolt, 6 mm x 45 mm	A075W2037ZE	*	*	*	*	*	*					
	Nut, 6 mm	A075W3009ZE	*	*	*	*	*	*					
	Screw, Bracket/Body	A075W1028ZG	*	*	*	*	*	*					
	Jacknut	A075W3031ZE	*	*	*	*	*	*					
HA23	Cap, Reservoir	A075H6020Z	*	*	*	*	*	*					

25 JUN 1982

HA4

PLATE Ref. No.	DESCRIPTION	PART NO.	S.1.		S.2.		MANUAL	AUTOMATIC	ALL	DOMESTIC	R.O.W.	FEDERAL	REMARKS
			ELITE	ECLAT	ELITE	ECLAT							
HA24	Hose, Low Pressure Feed	B075H0137ZH	*	*	*	*	*	*	1				
HA25	Hose, Low Pressure Return, RHD	A075H0134ZL	*	*	*	*	*	*		1			
	Hose, Low Pressure Return, LHD	A075H0133ZF	*	*	*	*	*	*			1	1	
	"P" Clip, Hose to Body	A075H6018ZE	*	*	*	*	*	*	1				
	"P" Clip, Hose to Body	A075W6001 ZL	*	*	*	*	*	*	1				
	Screw, Self Tapping	A075W5028ZF	*	*	*	*	*	*	1				Power Steering only
HA26	High Pressure Feed Pipe, RHD	A075H0132ZA	*	*	*	*	*	*		1			
	High Pressure Feed Pipe, LHD	A075H0131 ZG	*	*	*	*	*	*			1	1	
	Pump Assembly, Power Steering (less Pulley Assembly)	A075H0736WG	*	*	*	*	*	*	1				
	Bracket, Pump to Engine	B907E0668F	*	*			*	*	1				Up to Engine No. 12170, 12191 to 12193 and 12198 to 12461 inc.
	Bracket, Pump to Engine	C907E0668F	*	*			*	*	1				From Engine No. 12171 to 12190, 12194 to 12197 and 12462 onwards
	Special Nut	A907E1039FG	*	*			*	*	2				
	Stud, Pump to Bracket	A907E1012ZG	*	*			*	*	2				
	Nut	A075W3010ZK	*	*			*	*	2				Power Steering only
	"V" Pulley, Pump	A907E0887J	*	*			*	*	1				
	Key, "V" Pulley to Pump	A907E1013ZA	*	*			*	*	1				

25 JUN 1982

PLATE  
Ref. No.

DESCRIPTION

PART NO.

S.1.

S.2.

ELITE

ECLAT

ELITE

ECLAT

MANUAL

AUTOMATIC

ALL

DOMESTIC

R.O.W.

FEDERAL

REMARKS

Stud, Pulley to Pump Shaft  
Washer, Special, Pulley retaining  
Nut, Locking, Pulley retaining  
Special Stud (Spacer)  
Nut  
Power Steering Fluid

A907E1027F  
A075W4022Z  
A075W3035Z  
A907E1014ZF  
A075W3009ZE  
A075H6013VH

\*  
\*  
\*  
\*  
\*  
\*

\*  
\*  
\*  
\*  
\*  
\*

\*  
\*  
\*  
\*  
\*  
\*

\*  
\*  
\*  
\*  
\*  
\*

1  
1  
1  
1  
1  
A/R

Power Steering only

Texamatic Type "F"

For S2 Power Steering Pump  
& Fixings see Section ET  
of 912 Engine Section.

25 JUN 1982

HA6

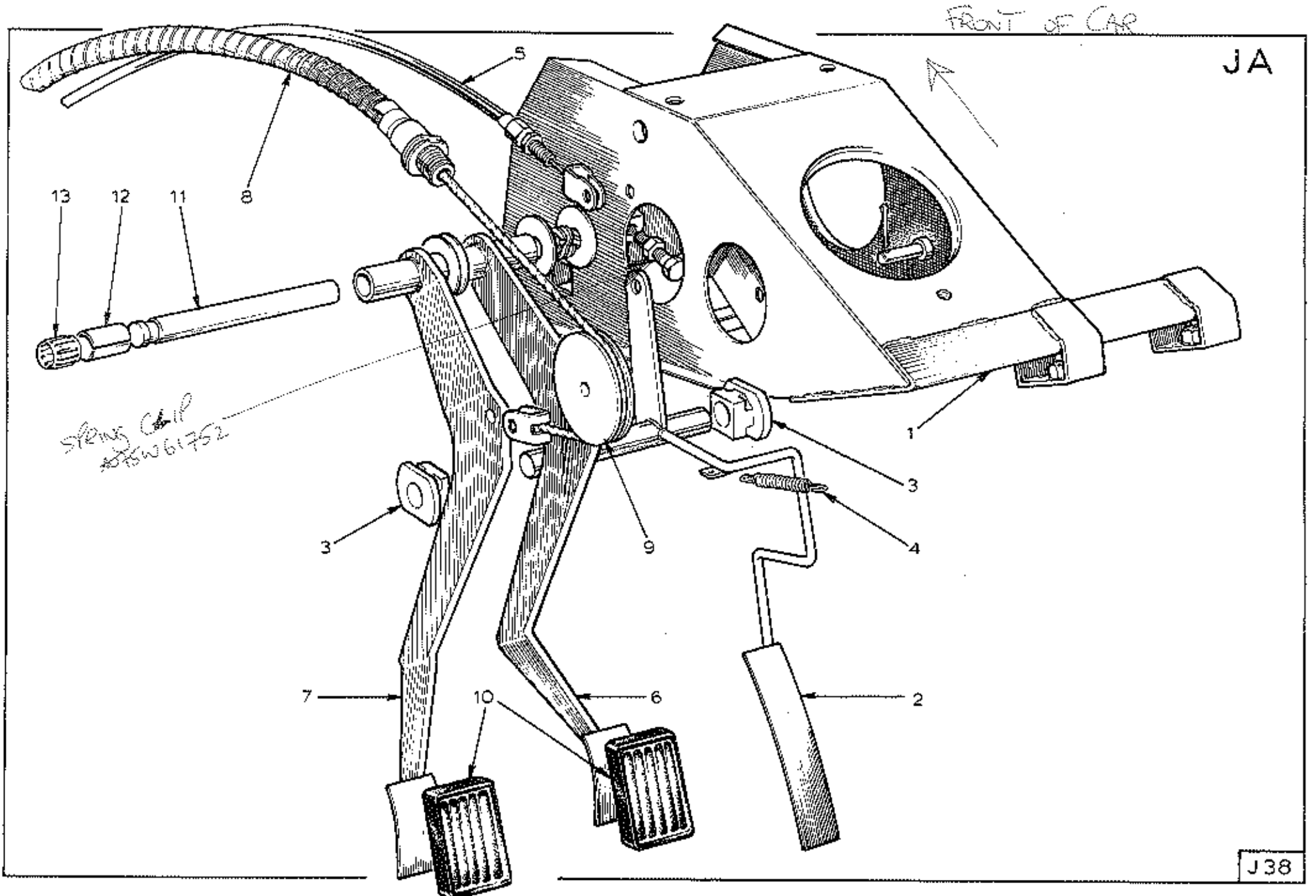


PLATE Ref. No.	DESCRIPTION	PART NO.	S.1.		S.2.		MANUAL	AUTOMATIC	ALL	DOMESTIC	R.O.W.	FEDERAL	REMARKS
			ELITE	ECLAT	ELITE	ECLAT							
	Pedal Box, RHD	F075J0228W	*	*	*	*	*	*	*	1			VIN 83D1739 VIN 84D0214 onwards
	Pedal Box, LHD	H075J0229W	*	*	*	*	*	*	*		1	1	
	Pedal Box, RHD (with release mechanism preload spring)	A083J1352F			*	*	*	*	*		1		
	Pedal Box, LHD	A083J1351F			*	*	*	*	*		1	1	
	Backing Plate, Pedal Box to Body	A075J0294Z	*	*	*	*	*	*	*	1			
	Bolt, M8 x 25, Pedal Box to Body	A075W1039Z	*	*	*	*	*	*	*	2			
	Nut, M8, Pedal Box to Body	A075W3010Z	*	*	*	*	*	*	*	2			
	Throttle Pedal, RHD	D075J0248W	*	*	*	*	*	*	*		1		
	Throttle Pedal, LHD	C075J0249W	*	*	*	*	*	*	*		1	1	
	Setscrew, Upstop and Downstop	A075W2027Z	*	*	*	*	*	*	*	1			
	Nut, Stop Locking	A075W3020Z	*	*	*	*	*	*	*	1			
	Bearing, Pedal Spindle	A075J6005Z	*	*	*	*	*	*	*	2			
	Washer	A075W4005	*	*	*	*	*	*	*	6			
	Return Spring, Throttle Pedal	A075J6028Z	*	*	*	*	*	*	*		1		
	Return Spring, Throttle Pedal	A075J6029Z	*	*	*	*	*	*	*		1	1	
	Clevis Pin, Throttle Pedal to Cable	A075W6030Z	*	*	*	*	*	*	*				
	Split Pin	A075W6005Z	*	*	*	*	*	*	*				

25 JUN 1982

JAI



PLATE Ref. No.	DESCRIPTION	PART NO.	S.1.		S.2.		MANUAL	AUTOMATIC	ALL	DOMESTIC	R.O.W.	FEDERAL	REMARKS
			ELITE	ECLAT	ELITE	ECLAT							
JA5	Throttle Cable Assembly, RHD	D075S0736W	*	*	*	*	*	*		1			Dellorto
	Throttle Cable Assembly, LHD	C075S0735W	*	*	*	*	*	*			1		Dellorto
	Throttle Cable Assembly, RHD	C075S0734W	*	*	*	*	*	*				1	Zenith "CD" Australia
	Throttle Cable Assembly, LHD	C075S0733W	*	*	*	*	*	*				1	Zenith "CD"
	Support, Throttle Cable to Air Duct	X026S0074Z	*	*	*	*	*	*	1				
	Set Screw, 6 mm	A075W1029Z	*	*	*	*	*	*	1				
	Nyloc Nut	A075W3009Z	*	*	*	*	*	*	1				
	Washer	A075W4013Z	*	*	*	*	*	*	1				
	Barrel, Cable to Dellorto Carb	A075J0348F	*	*	*	*	*	*	1				
	Bracket, Throttle Return Spring at Carb	A075J0292Z	*	*	*	*	*	*	1				
JA6	Brake Pedal Assembly, LHD	B075J0241Z	*	*	*	*	*	*			1	1	} Alternatives
	Brake Pedal Assembly, LHD	B075J0277F	*	*	*	*	*	*			1	1	
	Brake Pedal Assembly, RHD	C075J0240Z	*	*	*	*	*	*		1			
	Brake Pedal Assembly, RHD	A075J0278Z	*	*	*	*	*	*		1			
	Clevis Pin, Pedal to Servo Rod	A075W6035Z	*	*	*	*	*	*	1				
JA7	Split Pin, Clevis retaining	A075W6005Z	*	*	*	*	*	*	1				} Alternatives
	Spring Clip, Clevis retaining	A075W6175Z	*	*	*	*	*	*	1				
	Clutch Pedal Assembly, LHD	C075J0243Z	*	*			*	*			1	1	
	Clutch Pedal Assembly, RHD	C075J0242Z	*	*			*	*			1	1	
	Clutch Pedal Assembly, LHD	B083J1350F			*	*	*	*			1	1	
	Clutch Pedal Assembly, RHD	B083J1349F			*	*	*	*		1			

25 JUN 1982

JA2

PLATE Ref. No.	DESCRIPTION	PART NO.	S.1.		S.2.		MANUAL	AUTOMATIC	ALL	DOMESTIC	R.O.W.	FEDERAL	REMARKS
			ELITE	ECLAT	ELITE	ECLAT							
JA8	Spring, Clutch Pedal preload	A083J6087F			*	*	*		1				Where fitted
	Bracket, Spring to Pedal	A083J0299K			*	*	*		1				Where fitted
	Setscrew, M6 x 25, Clutch Downstop	A075W1031F	*	*	*	*	*			1			
	Nut, M6, Downstop	A075W9017F	*	*	*	*	*			1			
	Clutch Cable Assembly, left hand drive	D075Q0051F	*	*	*	*	*				1		
	Clutch Cable Assembly, right hand drive	B075Q0050F	*	*	*	*	*			1			
	Nut Plate, Throttle and Clutch Cables	A076J0319K	*	*	*	*	*		1				
	Pop Rivet, Plate retaining	A075W6094Z	*	*	*	*	*		1				
	Washer, Pop Rivet	A075W4001Z	*	*	*	*	*		1				
	Boot, Clutch Cable	A075Q6001Z	*	*	*	*	*		1				
	Nut, Cable adjusting	A075Q6002Z	*	*	*	*	*		1				
	Washer, Rubber	A075Q6006Z	*	*	*	*	*		1				
	Washer, Cable to Bulkhead Seal	A075Q6007Z	*	*	*	*	*		1				
	Nut, 1/2" UNF	A075W3014Z	*	*	*	*	*		1				
	Clevis, Clutch Cable to Pedal	A075Q6003Z	*	*	*	*	*		1				
	Clevis Pin	A075Q6004Z	*	*	*	*	*		1				
	Spring Clip	A075Q6005Z	*	*	*	*	*		1				
JA9	Pulley, Clutch Cable	A075J6001Z	*	*	*	*	*		1				
	Clevis Pin, Pulley Pivot	A075W6032Z	*	*	*	*	*		1				
	Split Pin, Clevis retaining	A075W6176Z	*	*	*	*	*		1				
JA10 25 JUN 1982	Cover, Pedal Pad	A075J6046Z F	*	*	*	*	*		2				
	Cover, Pedal Pad	A075J6011F	*	*	*	*	*		1				

PLATE Ref. No.	DESCRIPTION	PART NO.	S.1.		S.2.		MANUAL	AUTOMATIC	ALL	DOMESTIC	R.O.W.	FEDERAL	REMARKS
			ELITE	ECLAT	ELITE	ECLAT							
JA11	Spindle, Brake/Clutch Pedals	A075J0247Z	*	*	*	*	*	*	1				
JA12	Bush, Pedals	A075J6003Z	*	*	*	*	*	*	4				2 on Automatic
JA13	Tolerance Ring	A075J6004Z	*	*	*	*	*	*	1				
	Washer	A075W4028Z	*	*	*	*	*	*	4				2 on Automatic
	Thackery Washer	A075W4041Z	*	*	*	*	*	*	1				
	Choke Cable, LHD	B075S0195Z	*	*			*	*			1		Zenith "CD" Carbs
	Choke Cable, RHD	C075S0196F	*	*			*	*			1		Zenith "CD" Carbs
	Choke Cable, LHD	B075S0197F	*	*			*	*			1		Dellorto Carbs
	Choke Cable, RHD	B075S0198Z	*	*			*	*		1			Dellorto Carbs
	Choke Cable, RHD	A083S0276F			*	*	*	*		1			Dellorto Carbs
	Choke Cable, LHD	A083S0275F			*	*	*	*			1		Dellorto Carbs
	Bracket, Return Spring	A075J0292Z	*	*			*	*	1				
	Clevis Pin	A075W6030Z	*	*			*	*	1				
	Split Pin	A075W6005Z	*	*			*	*	1				

5 JUN 1982

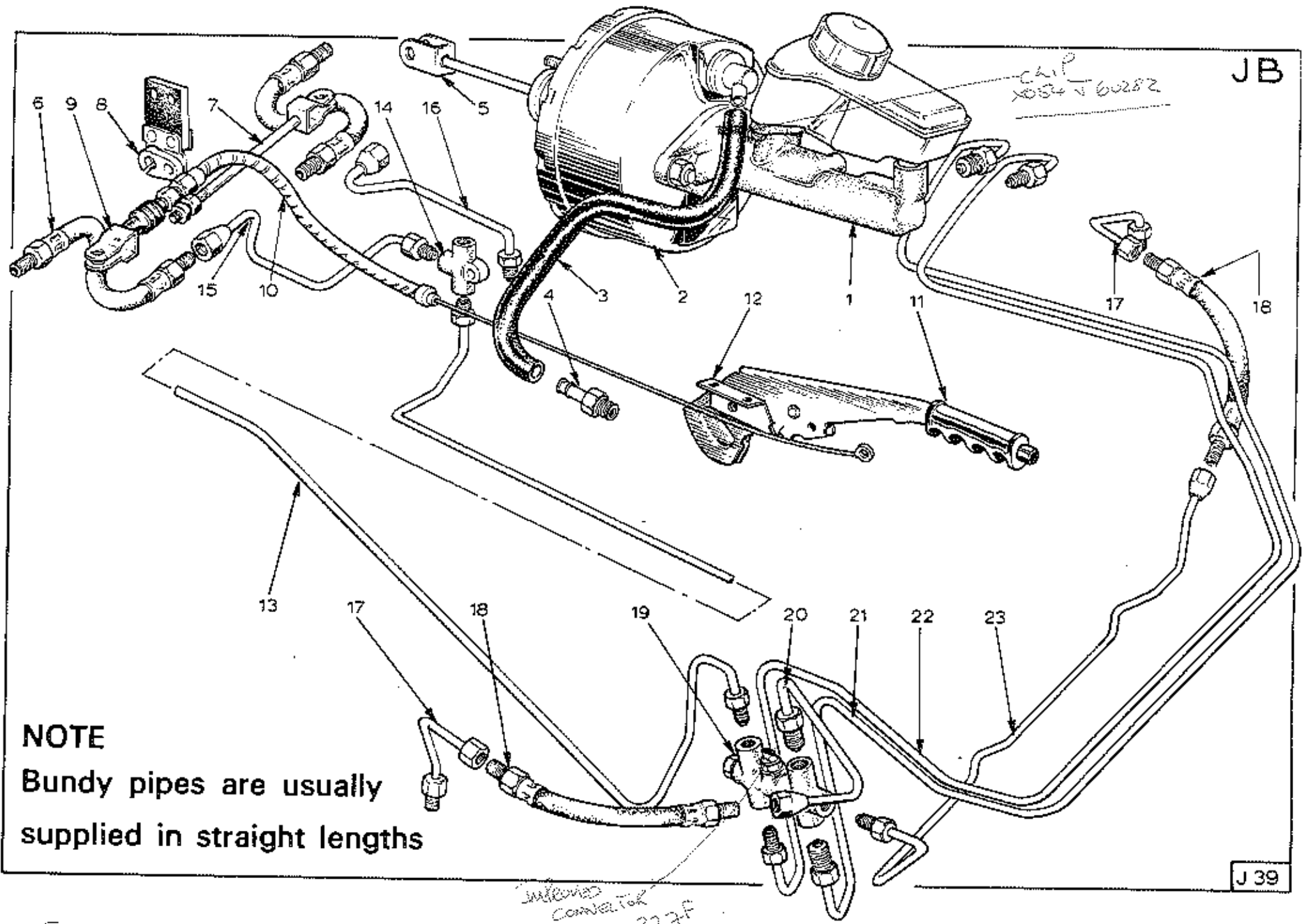




PLATE  
Ref. No.

DESCRIPTION

PART NO.

S.1.

S.2.

ELITE

ECLAT

ELITE

ECLAT

MANUAL

AUTOMATIC

ALL

DOMESTIC

R.O.W.

FEDERAL

REMARKS

JB3

JB4

JB5

JB6

JB7

Jumper Lead, AS/AS Master Cylinder  
RHD

A075M0331F

\*

\*

\*

\*

Jumper Lead, AS/AS Master Cylinder  
LHD

A075M0332F

\*

\*

\*

\*

Servo Heat Shield

AX75J0312F

\*

\*

\*

\*

Grommet

AX75J6007Z

\*

\*

\*

\*

Vacuum Hose, RHD

B075J0276K

\*

\*

\*

\*

Vacuum Hose, LHD

B075J0275K

\*

\*

\*

\*

Vacuum Hose,

BX75J0309K

\*

\*

\*

\*

Clip

X054J6026Z

\*

\*

\*

\*

1

Manifold Adaptor, Vacuum

A074E0367ZJ

\*

\*

\*

\*

1

Hose Clips

X054J6028ZH

\*

\*

\*

\*

1

Clevis, Adjustable, Servo Actuating  
Rod

B075J0293ZE

\*

\*

\*

\*

2

Locknut

A075W3026ZB

\*

\*

\*

\*

1

Hose, Rear, Armoured

C075J6016ZB

\*

\*

\*

\*

2

Locknut

A075J6017ZG

\*

\*

\*

\*

2

Gasket, Washer, Hose/Wheel  
Cylinder

A075J6020F

\*

\*

\*

\*

1

Reaction Rod

A075J0262Z L

\*

\*

\*

\*

1

Nut, Rod to Flex Strap

A075W3021 ZK

\*

\*

\*

\*

2

1975 Spec onwards

33" long

25" long

28" long

One used on single pipe rear  
system

5 JUN 1982

JB2

PLATE Ref. No.	DESCRIPTION	PART NO.	S.1.		S.2.		MANUAL	AUTOMATIC	ALL	DOMESTIC	R.O.W.	FEDERAL	REMARKS
			ELITE	ECLAT	ELITE	ECLAT							
JB8	Washer Plain	A075W4020ZB	*	*	*	*	*	*	2				
	Washer Spring	A075W4032ZG	*	*	*	*	*	*	2				
	Flexible Strap	A075J0767F	*	*	*	*	*	*	1				
	Plate, Flexible Strap	A007J4106ZH	*	*	*	*	*	*	1				
	Set Screw, Strap to Chassis	A075W1030ZL	*	*	*	*	*	*	2				
	Nut	A075W3020ZE	*	*	*	*	*	*	2				
	Washer, Plain	A075W4014ZL	*	*	*	*	*	*	2				
	Washer, Spring	A075W4035ZL	*	*	*	*	*	*	2				
JB9	Clevis, Handbrake Cable to Wheel Cylinder	A007J6017ZB	*	*	*	*	*	*	1				
	Pin, Clevis, Cable/Rod to Wheel Cylinder	A075W6031Z	*	*	*	*	*	*	2				
JB10	Spring Clip, Clevis Retaining	A075W6175F	*	*	*	*	*	*	2				
	Handbrake Cable Assembly	C075J0291WJ	*	*	*	*	*	*	1				
	Pin, Clevis, Lever to Cable	A075J6039ZG	*	*	*	*	*	*	1				
	Spring Clip, Clevis retaining	A075W6175F	*	*	*	*	*	*	1				
JB11	Handbrake Lever Assembly	B075J6008Z	*	*	*	*	*	*	1				
JB12	Mounting Bracket, Lever, RH	B075J0260ZA	*	*	*	*	*	*	1				
	Mounting Bracket, Lever, LH	B075J0259ZL	*	*	*	*	*	*	1				
	Set Screw	A075W1038ZB	*	*	*	*	*	*	4				
	Washer, Plain	A075W4020ZB	*	*	*	*	*	*	4				
	Washer, Spring	A075W4032ZG	*	*	*	*	*	*	4				

*rubber gaiter  
A075V0610E*

25 JUN 1982

JB3





PLATE Ref. No.	DESCRIPTION	PART NO.	S.1.		S.2.		MANUAL	AUTOMATIC	ALL	DOMESTIC	R.O.W.	FEDERAL	REMARKS
			ELITE	ECLAT	ELITE	ECLAT							
Not illus	Bundy Pipe, RH Wheel Cylinder to Remote Bleed	A075J0335F	*	*	*	*	*	*	1				<p>From unit no's 1178A, 502B, 194C, 494D, 350E &amp; 152F inc.</p> <p>Not fitted to 520. Up to unit no's 1177A, 501B, 193C, 493D, 349E &amp; 151F inc.</p> <p>Fitted to 520 only. Up to unit no's 493D, 349E, 151F.</p> <p>Not fitted to 520. From unit no's 1178A 502B, 193C, 494D &amp; 152F.</p> <p>Fitted to 520 only. From unit no. 350E.</p> <p>Up to unit no's 1177A, 501B, 193C, 493D, 349E &amp; 151F, inc.</p>
	Adaptor, Bundy Pipe to Nipple	A075J6040F	*	*	*	*	*	*	1				
JB17	Bundy Pipe, Front Hose to Caliper	A075J0298ZD	*	*			*	*	2				
	Bundy Pipe, Front Hose to Caliper	A075J0220Z		*			*	*	2				
	Bundy Pipe, Front Hose to Caliper	A075J0336F	*	*	*	*	*	*	2				
	Bundy Pipe, Front Hose to Caliper	A075J0332F		*			*	*			2		
	Bracket, Anchor, Hose to Caliper	A075C6008Z	*	*	*	*	*	*	2				
JB18	Front Hose, Armoured	B075J6015F	*	*	*	*	*	*	2				
	Locknut	A075J6017ZG	*	*	*	*	*	*	2				
JB19	Pressure Differential Warning Actuator	A075J6014ZC	*	*			*	*	1				
	Service Kit, PDWA	A075J6075SE	*	*			*	*	A/R				
	Extension Lead	A075M032ZF	*	*			*	*	1				
JB20	Bundy Pipe, 8", PDWA to Front Hose, RH	A075J0268ZH	*	*			*	*	1				

5 JUN 1982

JB5

PLATE Ref. No.	DESCRIPTION	PART NO.	S.1.		S.2.		MANUAL	AUTOMATIC	ALL	DOMESTIC	R.O.W.	FEDERAL	REMARKS
			ELITE	ECLAT	ELITE	ECLAT							
JB21	Bundy Pipe, Master Cylinder/PDWA Front, RHD	A075J0310FH	*	*			*	*					Up to unit no's 1177A, 501B, 193C, 493D, 349E & 151F, inc.
	Bundy Pipe, Master Cylinder/PDWA Front, LHD	A075J0267ZC	*	*			*	*		1	1		
JB22	Bundy Pipe, Master Cylinder/PDWA, Rear, RHD	A075J0311FB	*	*			*	*					Up to unit no's 1177A, 501B, 193C, 493D, 349E & 151F inc.
	Bundy Pipe, Master Cylinder/PDWA, Rear, LHD	A075J0265ZD	*	*			*	*		1	1		
Not illus	Bundy Pipe, Master Cylinder/3 way Conn, RHD	A075J0339F	*	*	*	*	*	*		1			
Not illus	Bundy Pipe, Master Cylinder/3 way Conn, LHD	A075J0344F	*	*	*	*	*	*			1	1	
Not illus	Bundy Pipe, Master Cylinder/in-line Conn, RHD	A075J0340F	*	*	*	*	*	*		1			
Not illus	Bundy Pipe, Master Cylinder/in-line Conn, LHD	A075J0345F	*	*	*	*	*	*			1	1	From unit no's 1178A, 502B, 194C, 494D, 350E & 152F inc.
Not illus	Bundy Pipe, RH Front Hose to 3 way Connector	A075J0342F	*	*	*	*	*	*	1				
Not illus	Bundy Pipe, LH Front Hose to 3 way Connector	A075J0341F	*	*	*	*	*	*	1				
Not illus	In-Line Connector	A079J6020F	*	*	*	*	*	*	1				
Not illus	3 way Connector	A075J6019ZF	*	*	*	*	*	*	1				
JB23	Bundy Pipe 36" PDWA to Front Hose, LH	A075J0269ZB	*	*			*	*	1				Up to unit no's 1177A, 501B, 193C, 493D, 349E & 151F inc

25 JUN 1982

JB6

PLATE Ref. No.	DESCRIPTION	PART NO.	S.1.		S.2.		MANUAL	AUTOMATIC	ALL	DOMESTIC	R.O.W.	FEDERAL	REMARKS
			ELITE	ECLAT	ELITE	ECLAT							
	Clips, Bundy Pipes	A075W6051ZH	*	*	*	*	*	17					
	Broke Fluid, Green	A036J6109VD	*	*	*	*	*	A/R					
	Screw, Bundy Pipe Clips	A075W5011Z	*	*	*	*	*	17					
	Clip, Plastic, Brake Pipe	A075G6027Z	*	*	*	*	*	1					
	Washer, Shakeproof, Bundy/Brackets	A075W4044Z	*	*	*	*	*	12					
	Tag, Brake Pipe at Diff	A075J0347F	*	*	*	*	*	1					
	Sleeve, PVC, Pipe Clips	A036M6418V	*	*	*	*	*	0.25m					

25 JUN 1982

CIRCULATION	SUBJECT	ISSUED BY
✓ Mr J Waupotisch Mr V Cowie Mr P Walpole  ccf: Mr H Wilson ccf: Mr L Palmer		A Howard  Date 1:4:77  Sheet No. One

In future replacement calipers for Elite and Eclat models will be retailed as assemblies complete with pads and are current production items.

A075J6047SH for alloy wheels R/B B075J0765F - 64034-13  
 A075J6048SB for alloy wheels R/B B075J0766F - 114  
 A050J6109WG for steel wheels R/B A075J6023F - 116 c.c.c.  
 A050J6110WA for steel wheels R/B A075J6024F

Please update your records accordingly.

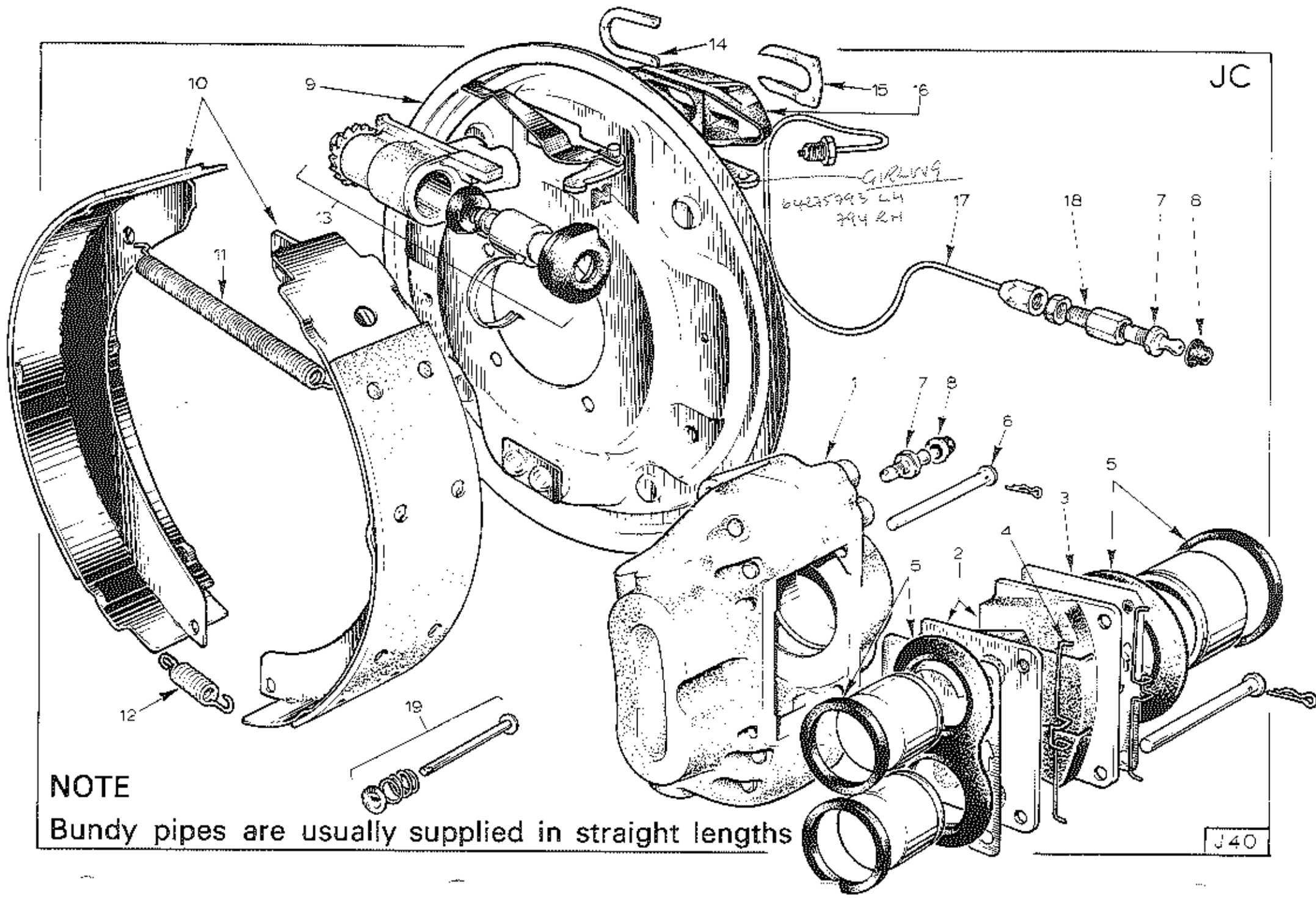
A Howard *A Howard*  
 Service Department

AH/KAJ

~~*[Handwritten signature]*~~

Geoff please amend your master *[Signature]*

OK *[Signature]*



**NOTE**  
Bundy pipes are usually supplied in straight lengths

PLATE Ref. No.	DESCRIPTION	PART NO.	S.1.		S.2.		MANUAL	AUTOMATIC	ALL	DOMESTIC	R.O.W.	FEDERAL	REMARKS
			ELITE	ECLAT	ELITE	ECLAT							
JC1	Caliper Assembly, LH	B075J0765S	*	*	*	*	*	*	1				Use with Alloy Wheels
	Caliper Assembly, RH	B075J0766S	*	*	*	*	*	*	1				Use with Alloy Wheels
	Bolt, Caliper to Mounting <del>A075J0299Z</del>	A075J0299Z	*	*	*	*	*	*	4				Use with Alloy Wheels
	Caliper Assembly, LH	A075J6023F		*			*	*	1				Use with Steel Wheels
	Caliper Assembly, RH	A075J6024F		*			*	*	1				Use with Steel Wheels
	Bolt Caliper to Mounting	A076J6008ZF		*			*	*	1				Use with Steel Wheels
JC2	Pad Set	A075J6076ZE	*	*	*	*	*	*	1				Use with Alloy Wheels replaces A075J6045Z
	Pad Set	A075J6030H		*			*	*	1				Use with Steel Wheels
JC3	Squeal Deterrent Kit	A075J6049SG	*	*	*	*	*	*	2				
JC4	Clips, Anti Rattle	A075J6056SJ	*	*	*	*	*	*	4				Use with Alloy Wheels
JC5	Service Kit	A075J6053ZL	*	*	*	*	*	*	1				Use with Alloy Wheels
	Service Kit	X050J6081ZB		*			*	*	1				Use with Steel Wheels
JC6	Pin, Pad Retaining	A075J6054SK	*	*	*	*	*	*	4				Use with Alloy Wheels
	Pin, Pad Retaining	A036J6032ZL		*			*	*	4				Use with Steel Wheels
	Clip, Pin Retaining	A075J6055SD	*	*	*	*	*	*	4				Use with Alloy Wheels
	Clip, Pin Retaining	X036J6033ZE		*			*	*					Use with Steel Wheels
JC7	Bleed Nipple	A075J6057SH	*	*	*	*	*	3/4					

25 JUN 1982

JC1

PLATE Ref. No.	DESCRIPTION	PART NO.	S.1.		S.2.		MANUAL	AUTOMATIC	ALL	DOMESTIC	R.O.W.	FEDERAL	REMARKS
			ELITE	ECLAT	ELITE	ECLAT							
JC9	Backplate Assembly, LH, inc. Cylinders and Shoes	A075J6041W	*		*		*		1				
	Backplate Assembly, RH, inc. Cylinders and Shoes	A075J6042W	*		*		*		1				
	Backplate Assembly, LH, inc. Cylinders and Shoes <i>with wear</i>	<del>A076J0761F</del> A076J0763F	*	*	*	*	*	*	1				<u>Elite Automatic only</u>
	Backplate Assembly, RH, inc. Cylinders and Shoes <i>with wear</i>	<del>A076J0762F</del> A076J0764F	*	*	*	*	*	*	1				<u>Elite Automatic only</u>
JC10	Shoe Assembly, (Pairs)	A075J6058SH	*	*	*	*	*	*	2				
JC11	Spring, Shoe Return	A075J6059SB	*	*	*	*	*	*	2				Cylinder End
JC12	Spring, Shoe Return	A075J6060SG	*	*	*	*	*	*	2				Abutment End
JC13	Wheel Cylinder Assembly, 0.875"	A075J6061SA	*		*		*		2				
	Wheel Cylinder Assembly, 0.750"	A076J6004SA	*	*	*	*	*	*	2				<u>Elite Automatic only</u>
JC14	Retaining Plate	A075J6063SL	*	*	*	*	*	*	2				
JC15	Spring Plate	A075J6062SF	*	*	*	*	*	*	2				
JC16	Dust Cover	A075J6067SJ	*	*	*	*	*	*	2				
	Adjuster Assembly, Wheel Cylinder LH	A075J6069SH	*	*	*	*	*	*	1				
	Adjuster Assembly, Wheel Cylinder RH	A075J6070SB	*	*	*	*	*	*	1				
	Support Plate	A075J6068SC	*	*	*	*	*	*	2				Between Shoe & H/Brake Lever
JC17	Bundy Pipe, Remote Bleed	A075J0335F	*	*	*	*	*	*	2				
	Locknut	A075W3015ZB	*	*	*	*	*	*	2				

25 JUN 1982

PLATE Ref. No.	DESCRIPTION	PART NO.	S.1.		S.2.		MANUAL	AUTOMATIC	ALL	DOMESTIC	R.O.W.	FEDERAL	REMARKS
			ELITE	ECLAT	ELITE	ECLAT							
JC18	Adaptor, Male/Female	A075J6040ZA	*	*	*	*	*	*	2				
JC19	Steady Rest Assembly	A075J6065SK	*	*	*	*	*	*	2				
	Drum, Rear Brake	E075J0256P	*	*	*	*	*	*	2				
	Service Kit, 0.875" Wheel Cylinder	A075J6066SD	*	*	*	*	*	*	A/R				
	Service Kit, 0.750" Wheel Cylinder	A076J6005SF	*	*	*	*	*	*	A/R				<u>Elite Automatic only</u>

25 JUN 1982



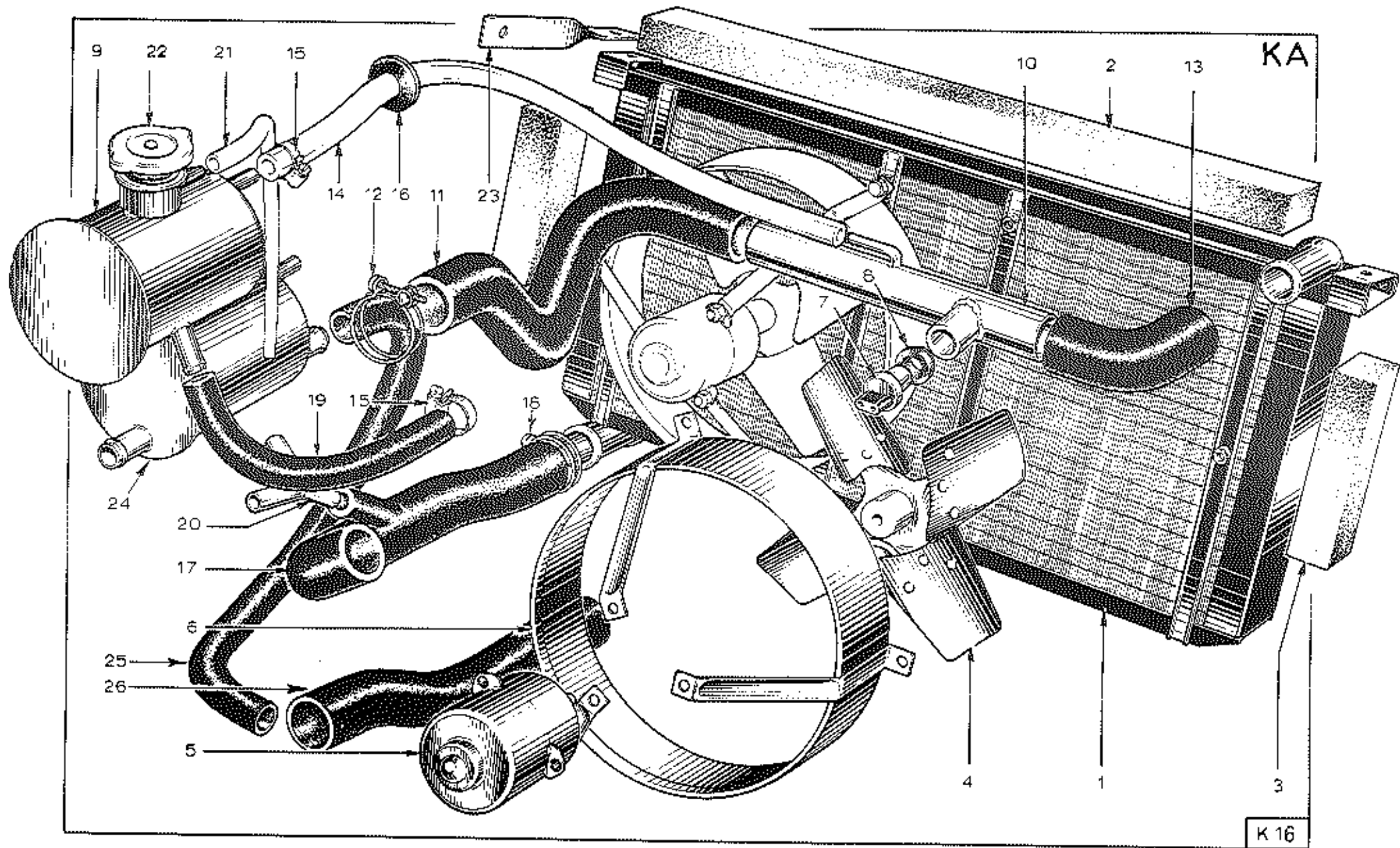


PLATE Ref. No.	DESCRIPTION	PART NO.	S.1.		S.2.		MANUAL	AUTOMATIC	ALL	DOMESTIC	R.O.W.	FEDERAL	REMARKS
			ELITE	ECLAT	ELITE	ECLAT							
KA1	Radiator Assembly (Aluminium) <i>Mass Car Radiator</i>	D075K0105FA	*	*			*	*	1				Cov. Rad. Rep. By E075K0105F
	Radiator Assembly (Copper/Brass)	E075K0105F	*	*	*	*	*	*	1				Marston
	Drain Plug	B075K6011F	*	*	*	*	*	*	1				
KA2 & 3	Foam, Radiator Seal 50 x 50 x 980 mm	A079K4001F	*	*	*	*	*	*	1				
	Screws, Radiator/Body	A075W1046ZJ	*	*	*	*	*	*	2				
	Penny Washers	A075W4025ZE	*	*	*	*	*	*	2				
	Spring Washers	A075W4037ZK	*	*	*	*	*	*	2				
	Screws, Top Support/Radiator	A075W1046ZJ	*	*	*	*	*	*	2				
	Plain Washer	A075W4024ZL	*	*	*	*	*	*	2				
	Spring Washer	A075W4037ZK	*	*	*	*	*	*	2				
KA4	Cooling Fan, 11"	A036K0079ZE	*	*			*	*		1	1	2	<i>See S/B 1983/21 to fit later fan.</i>
KA5	Cooling Fan Motor	A074M6027ZH	*	*			*	*		1	1	2	
KA6	Cooling Fan Motor Mounting Bracket	A075K0109ZA	*	*			*	*		1	1	2	<i>6 with Air Conditioning</i>
	Screws, Motor to Bracket	A075W1028ZG	*	*			*	*		3	3	6	
	Plain Washers	A075W4013ZL	*	*			*	*		3	3	6	
	Nylocs	A075W3009ZE	*	*			*	*		3	3	6	
	Screws, Bracket to Radiator	A075W1026ZH	*	*			*	*		3	3	6	
	Plain Washers	A075W4013ZL	*	*			*	*		3	3	6	
	Spring Washers	A075W4035ZL	*	*			*	*		3	3	6	

25 JUN 1982

KA1

PLATE Ref. No.	DESCRIPTION	PART NO.	S.1.		S.2.		MANUAL	AUTOMATIC	ALL	DOMESTIC	R.O.W.	FEDERAL	REMARKS
			ELITE	ECLAT	ELITE	ECLAT							
KA7	Cooling Fan Motor & Blade Assembly	A082K6025F			*	*	*	*		2	2	2	Domestic Heater only - qty 1
	Mounting Bracket and Cowl, Fan Motor	A075K0123F			*	*	*	*		2	2		Domestic Heater only - qty 1
	Mounting Bracket and Cowl, Fan Motor	A079K4174F			*	*	*	*				2	Also Japan
	Washer, 6 x 12, Motor to Mounting	A075W4013Z			*	*	*	*		6	6	6	Domestic Heater only - qty 3
	Nut, Nylloc, M6, Motor to Mounting	A075W3009Z			*	*	*	*		6	6	6	Domestic Heater only - qty 3
	Washer, 6 x 12, Mounting to Radiator	A075W4013Z			*	*	*	*		6	6	6	Domestic Heater only - qty 3
	Washer, Spring, Mounting to Radiator	A075W4035Z			*	*	*	*		6	6	6	Domestic Heater only - qty 3
	Screw, M6 x 10, Mounting to Radiator	A075W1026Z			*	*	*	*		6	6	6	Domestic Heater only - qty 3
	Extension Lead, Reverse polarity	A082M4193F			*	*	*	*		2	2		Domestic Heater only - qty 1
	Otter Switch, 84G	A036K6026ZH	*	*			*	*	1				Replaced by A079M6137F
	Otter Switch, 80G	A075K6007K	*	*			*	*	1				Replaced by A079M6136F
	Otter Switch Connector	A036M6415K	*	*			*	*	2				
	KA8	Otter Switch Grommet	A036K6027ZB	*	*			*	*	1			
Otter Switch (86/76)		A079M6137F	*	*	*	*	*	*		1	1		Replaced by A079M6200F
Otter Switch (92/82) Green Coded		A079M6200F	*	*	*	*	*	*		1	1		Radiator Fans Switching, Temperate climates, includes Grommet
KA9	Otter Switch (82/72) Blue Coded	A079M6136F	*	*	*	*	*	*		1	1		Radiator Fans Switching, High Ambient temperatures, includes Grommet.
	Grommet, Otter Switch	A079M6181F	*	*	*	*	*	*					
	Clip, Otter Switch retaining	A079M6138F	*	*	*	*	*	*					
	Header Tank	C075K0100ZH	*	*			*	*	1				
	Header Tank	D075K0100FJ	*	*			*	*	1				With Heater return connection
KA24													

25 JUN 1982

PLATE Ref. No.	DESCRIPTION	PART NO.	S.1.		S.2.		MANUAL	AUTOMATIC	ALL	DOMESTIC	R.O.W. FEDERAL	REMARKS
			ELITE	ECLAT	ELITE	ECLAT						
	Header Tank	A083K0122F			*	*	*	*	1			
	Penny Washers	A075W4017ZJ	*	*	*	*	*	*	3			
	Nut, Nyloc	A075W3009ZE	*	*	*	*	*	*	3			
KA10	Water Pipe (280.00mm long)	B075K0102FL	*	*	*	*	*	*	1			
	Water Pipe (185.00mm long)	A075K0120FJ	*	*	*	*	*	*	1			
KA25	Hose, Header Tank to Engine	A075K0119FD	*	*	*	*	*	*	1			
	Clip, Hose, 16 - 25 mm	A079K6018F	*	*	*	*	*	*	2			
KA11	Hose, Engine/Water Pipe	B075K0101Z	*	*	*	*	*	*	1			
	Positioning Strap, Top Hose	A075W6038ZJ	*	*	*	*	*	*	1			
KA12	Clip, Hose, 50 mm	A079K6019F	*	*	*	*	*	*	2			
KA13	Hose, Radiator/Water Pipe	B075K0103Z	*	*	*	*	*	*	1			
	Clip, Hose, 50 mm	A079K6019F	*	*	*	*	*	*	2			
KA14	Hose, Air Bleed	D075K0113ZL	*	*	*	*	*	*	1			
KA15	Clip, Bleed Hose	A036S6160F	*	*	*	*	*	*	2			
KA16	Grommet, Bleed Hose	X036B6131ZG	*	*	*	*	*	*	1			
KA17	Bottom Hose (with Header Tank Conn)	B075K0104ZB	*	*	*	*	*	*	1			
KA18	Hose Clip	A079K6019Z	*	*	*	*	*	*	2			
KA19	Hose, Header Tank/Y Piece	C075K0112ZJ	*	*	*	*	*	*	1			
KA20	Junction Pipe, "Y"	A075K0117ZH	*	*	*	*	*	*	1			
KA21	Overflow Pipe	A075K0114ZD	*	*	*	*	*	*	1			
KA22	Pressure Cap	A075K6004ZF	*	*	*	*	*	*	1			

25 JUN 1982

10 P.S.I.

KA3

PLATE Ref. No.	DESCRIPTION	PART NO.	S.1.		S.2.		MANUAL	AUTOMATIC	ALL	DOMESTIC	R.O.W.	FEDERAL	REMARKS
			ELITE	ECLAT	ELITE	ECLAT							
KA23	Mounting Bracket	A075K0107ZB	*	*	*	*	*	*	1				
KA26	Bottom Hose (Aluminium Radiator)	A075K0118ZB	*	*			*	*	1				
	Bottom Hose (Copper/Brass Radiator)	B075K0118Z	*	*	*	*	*	*	1				25mm shorter than A075K0118ZB
	Clip, Hose, 50 mm	A079K6019Z	*	*	*	*	*	*	2				

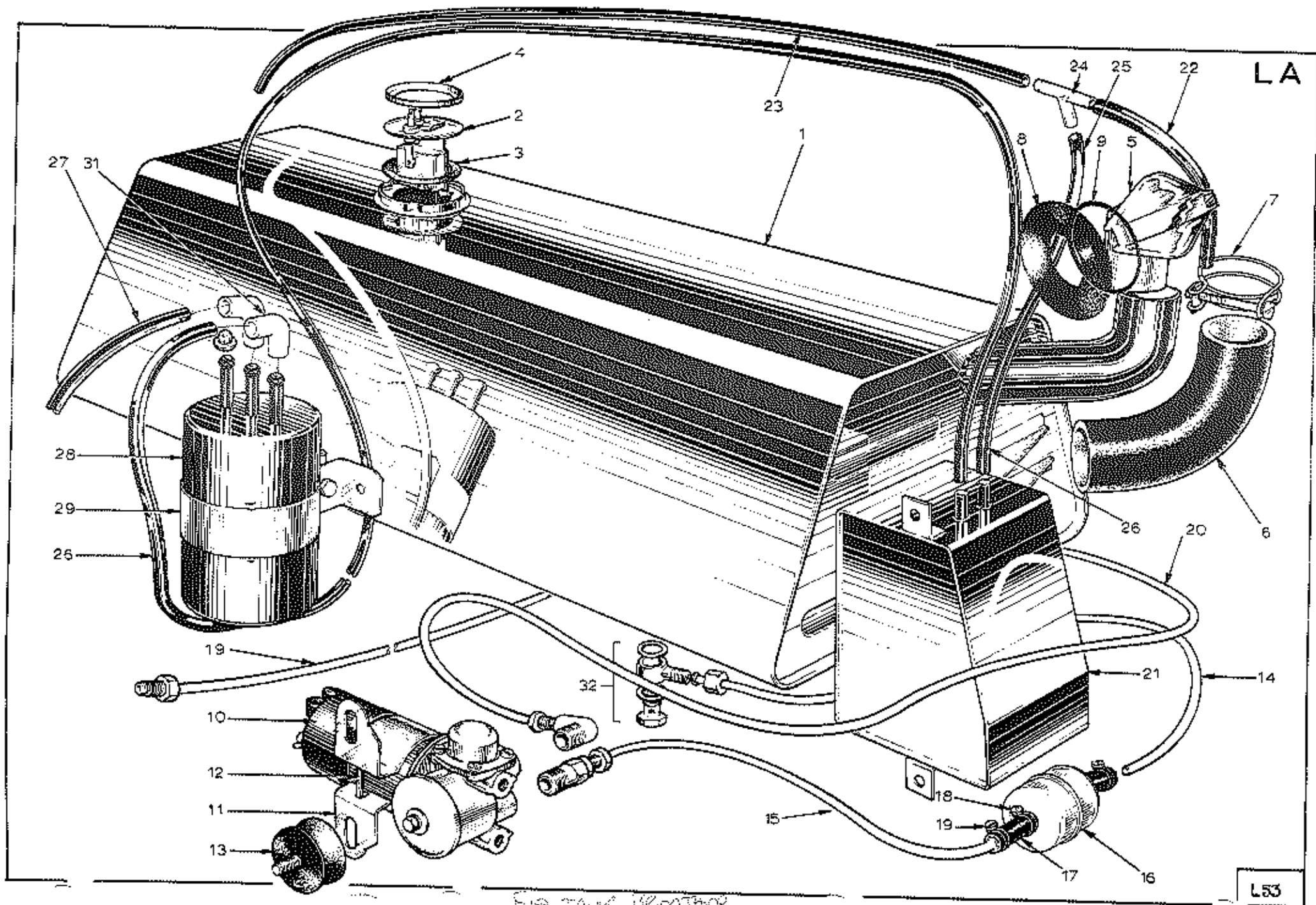
25 JUN 1982

KA4

PLATE Ref. No.	DESCRIPTION	PART NO.	S.1.		S.2.		MANUAL	AUTOMATIC	ALL	DOMESTIC	R.O.W.	FEDERAL	REMARKS
			ELITE	ECLAT	ELITE	ECLAT							
	Oil Cooler	A907E1219F	*	*	*	*	*	*	1				If these parts are fitted to an air conditioned car after manufacture, the following item must also be replaced. Hose, VIR to pump, A075P0208F with Hose, VIR to Pump A075P0235F on Unit Nos 0746A, 0773A to 0795A, 0848A to 0850A & 0859A on, 0456B & 0467B on 0116C on, 0147D, 1070D & 0173D on, 0114E on, 0105F on, all numbers inclusive.
	Bracket, right hand	A907E1220F	*	*	*	*	*	*	1				
	Bracket, left hand	A907E1221F	*	*	*	*	*	*	1				
	Screw, M6 x 16	A075W1028ZG	*	*	*	*	*	*	8				
	Washer, Plain, 6mm	A075W4013ZL	*	*	*	*	*	*	12				
	Nut, Nyloc, M6	A075W3009ZE	*	*	*	*	*	*	4				
	Adaptor, Auxiliary Housing	A907E0579F	*	*	*	*	*	*	1				
	Sealing Ring, Square Section	A907E6167F	*	*	*	*	*	*	1				
	Extension, Threaded, Auxiliary Housing	A907E0571F	*	*	*	*	*	*	1				
	Adaptor, Pipe Assembly	A907E6300F	*	*	*	*	*	*	2				
	Sealing Washer	B907E6301F	*	*	*	*	*	*	2				
	Pipe Assembly, long	B907E1222F	*	*	*	*	*	*	1				
	Pipe Assembly, short	B907E1223F	*	*	*	*	*	*	1				

5 JUN 1982

KBI



FURTHER BREATHOR  
 ON ECHAT  
 B076L 6001F

PLATE Ref. No.	DESCRIPTION	PART NO.	S.1.		S.2.		MANUAL	AUTOMATIC	ALL	DOMESTIC	R.O.W.	FEDERAL	REMARKS
			ELITE	ECLAT	ELITE	ECLAT							
LA1	Fuel Tank	D075L0144F	*		*		*	*	1				Refer to Bulletin 1975/19 on units prior to 401A, 281B & 047C  Up to unit nos. 112E, 115E & 116E, 0106F & 0145D, Inc.  Unit Nos. 113E 114E, & 117E on, 107F on, 146D on, 100P on & 100Q on
	Fuel Tank	C076L0120Z		*			*	*	1				
	Fuel Tank	D076L0158F		*		*	*	*	1				
LA2	Sender Unit Assembly	A075L6001 ZL	*	*	*	*	*	*	1				
LA3	Sealing Washer	A050L6001 Z	*	*	*	*	*	*	1				
LA4	Locking Ring	A075L6019ZB	*	*	*	*	*	*	1				
	Bolts, Tank to Body, 10 x 40 mm	A075W2052ZC	*	*			*	*	2				
	Washer, 10 mm	A075W4025ZE	*	*			*	*	4				
	Nut, Nyloc	A075W3011ZD	*	*			*	*	2				
	Bolt, M8 x 35, Tank to Body	A075W2038Z			*	*	*	*	2				
	Washer, Tank to Body	A075W4022Z			*	*	*	*	4				
	Nut, Nyloc, M8, Tank to Body	A075W3010Z			*	*	*	*	2				
	Fuel Filler Neck, c/w Cap, left hand	B075L0145FD	*		*		*	*	1				Refer to Bulletin 1975/19 on units prior to 401A, 281B & 047C  1975 Spec, on unit nos. with suffix 'B' & 100L on, Inc.
	Fuel Filler Neck, c/w Cap, right hand	B075L0146FJ	*		*		*	*	1				
Fuel Filler Neck, c/w Cap, left hand	B075L0147FK	*		*		*	*			1			
Fuel Filler Neck, c/w Cap, right hand	B075L0148FD	*		*		*	*			1			

25 JUN 1982

LA1



PLATE Ref. No.	DESCRIPTION	PART NO.	S.1.		S.2.		MANUAL	AUTOMATIC	ALL	DOMESTIC	R.O.W.	FEDERAL	REMARKS
			ELITE	ECLAT	ELITE	ECLAT							
	Fuel Filler Neck, c/w Cap, left hand	B075L0145FD	*				*	*					Unit nos. 100K on, Inc.
	Fuel Filler Neck, c/w Cap, right hand	B075L0146FJ	*				*	*					
Not illus	N.R.V. Filler Neck Breather	B076L6001F	*				*	*		1	1		Up to Unit Nos. 0145D & 0106F Inc.
Not illus	Fuel Filler Neck	B076L0151F		*			*	*		1	1		
	Fuel Filler Neck	B076L0151F		*			*	*		1	1		Unit Nos. 0146D & 0107F on, Inc.
	Fuel Filler Neck	D076L0151F		*			*	*		1	1		Use with Cap with Security Chain.
	Fuel Filler Neck	A076L0152F		*			*	*				1	Up to Unit Nos, 0112E, 0115E & 0116E Inc.
	Fuel Filler Neck	B076L0152F		*			*	*				1	Unit Nos. 0113E, 0114E & 0117E on, Inc.
	Fuel Filler Neck	D076L0152F		*			*	*				1	Use with Cap with Security Chain on Unit No. suffix 'E' & 100Q on, Inc.
	Fuel Filler Neck	D076L0151F		*			*	*				1	Unit Nos. 100P on, Inc.
	Fuel Filler Neck, (for lockable cap)	A076L0165F				*	*	*		1	1		
	Fuel Filler Neck, (for lockable cap)	A076L0166F				*	*	*				1	
	Clamp Ring, Filler Neck	A079L4034F				*	*	*	1				
	Gasket, Clamp Ring/Body	A079L4035F				*	*	*	1				
	Screw s/t No.6 x 1/2" Neck/Body	A075W5014F				*	*	*	4				
	Nut, Spire	A075W6013F				*	*	*	4				

5 JUN 1982

PLATE Ref. No.	DESCRIPTION	PART NO.	S.1.		S.2.		MANUAL	AUTOMATIC	ALL	DOMESTIC	R.O.W.	FEDERAL	REMARKS
			ELITE	ECLAT	ELITE	ECLAT							
Not illus.	Filler Cap Assembly	A079L4002J		*			*	*	1				Use with filler neck with Security Chain
	Filler Cap Assembly	A079L4038J		*			*	*	1				
	Filler Cap Assembly, lockable	A076L0167F				*	*	*	1				
	Gasket, Filler Cap	A079L6011F		*		*	*	*	1				
LA6	Hose, Filler to Tank, left hand	B075L0105FB	*			*	*	*	1				Up to Unit Nos. 0400A, 0280B & 0046C, Inc.
	Hose, Filler to Tank, right hand	B075L0106ZF	*			*	*	*	1				
Not illus	Hose, Filler to Tank	A075L0149FJ	*		*		*	*	2				From Unit Nos. 0401A, 0281B & 0047C, Inc.
Not illus	Hose Filler to Tank	C076L0126Z		*		*	*	*	1				Up to Unit Nos. 0112E, 0115E & 0116E, 0106F & 0145D, Inc.
	Hose Filler to Tank	D076L0126Z		*		*	*	*	1				Unit Nos. 0113E, 0114E & 0117E on, 0107F & 0146D on, Inc.
LA7	Hose Clip, Filler Neck Hose	A075L6044F	*	*	*	*	*	*	4/2				Elite 4, Eclat 2
LA8	Grommet, Filler Neck	X046L6001ZH	*	*	*	*	*	*	2/1				Elite 2, Eclat 1
LA9	'O' Ring, Filler Neck	X026S0086ZD	*	*	*	*	*	*	2/1				Elite 2, Eclat 1
	Breather Pipe, Filler Neck to Tank	A084L0177F		*		*	*	*	4/2				Unit Nos. 113E, 114E & 117E on, 107F on, 146D on, 100P on, 100 Q on
	Hose Clip, Breather Pipe	A079K6018F		*		*	*	*	2				
	Banjo Assembly, without integral Filter	A075L6008ZB	*	*	*	*	*	*	1				Including Banjo, Washers, and Union and bolt
	Banjo Assembly, with integral Filter	A084L0181F			*	*	*	*	1				Including Banjo, Washers, and Union and bolt

7 JUN 1982

PLATE Ref. No.	DESCRIPTION	PART NO.	S.1.		S.2.		MANUAL	AUTOMATIC	ALL	DOMESTIC	R.O.W.	FEDERAL	REMARKS
			ELITE	ECLAT	ELITE	ECLAT							
LA14	Crush Washer, Banjo	A075L6022F	*	*	*	*	*	*	2				
	Pipe, Fuel, Tank to Filter (including Filter Union)	E075L0108FG	*	*	*	*	*	*	1				With Filter on Pump Inlet Side
	Filter, Fuel	A075L6004ZD	*	*	*	*	*	*	1				With Filter on Pump Inlet Side
	Pipe, Fuel, Filter to Pump	F075L0108FG	*	*	*	*	*	*	1				With Filter on Pump Inlet Side
	Clip, Pipe to Filter	X026S0133ZK	*	*	*	*	*	*	2				
	Pipe, Fuel, Tank to Pump (c/w right angle Pump Union)	A084L0180F	*	*	*	*	*	*	1				With Filter on Pump Outlet Side
	'P' Clip, Fuel Pipe Fixing	A075W6002F	*	*	*	*	*	*	1				With Filter on Pump Outlet Side
LA17	Hose, Pipe to Filter	A075L6014ZK	*	*	*	*	*	*	2				
LA18	Clip, Hose	A075L6015ZD	*	*	*	*	*	*	2				Early Cars only
LA19	Clip, Hose	X054J6028ZH	*	*	*	*	*	*	2				
	Fuel Pump	C075L6002F	*	*	*	*	*	*	1				
	Tubing, 4 mm, Fuel Pump Vent	A050M6164V	*	*	*	*	*	*	4m				
	Clip, Vent Pipe	A075W6051F	*	*	*	*	*	*	1				
	Union, straight, Pump/Pipe	A079L6007F	*	*	*	*	*	*	1				
	Union, Elbow, Pump/Pipe	F075L0108F	*	*	*	*	*	*	1				
LA11	Clamp, Fuel Pump Mounting	A075L6010ZA	*	*	*	*	*	*	1				
	Insulator Strip, Pump to Clamp	A075L0112ZL	*	*	*	*	*	*	1				
LA12	Bolt, Clamping	A075L6012ZL	*	*	*	*	*	*	1				

5 JUN 1982

LA4

PLATE Ref. No.	DESCRIPTION	PART NO.	S.1.		S.2.		MANUAL	AUTOMATIC	ALL	DOMESTIC	R.O.W.	FEDERAL	REMARKS
			ELITE	ECLAT	ELITE	ECLAT							
LA13	Bobbin, Rubber, Fuel Pump Mounting	X050S0156ZE	*	*	*	*	*	*	2				
	Penny Washer, Bobbin to Body	A075W4003ZE	*	*	*	*	*	*	2				
	Washer, Bobbin to Clamp	A075W4002ZL	*	*	*	*	*	*	2				
	Nut, Nyloc, 5/16" UNF	A075W3002ZC	*	*	*	*	*	*	4				
LA20	Pipe, Fuel, Pump to Flowlock	D075L0113Z	*	*			*	*	1				With Flowlock adjacent to Gearbox
	Pipe, Fuel, Pump to Flowlock	E075L0113Z	*	*	*	*	*	*	1				With Flowlock adjacent to Starter Motor, and Filter on Pump Inlet Side
15	Pipe, Fuel Pump to Filter	G079L0109F			*	*	*	*	1				With Filter on Pump Outlet Side
LA16	Filter, Fuel	A075L6004ZD			*	*	*	*	1				With Filter on Pump Outlet Side
	Pipe, Fuel, Filter to Flowlock	A083L0178F			*	*	*	*	1				With Filter on Pump Outlet Side
	Clip, Pipe to Filter	A075L6018Z			*	*	*	*	2				With Filter on Pump Outlet Side
	'P' Clip, Fuel Pipe Fixing	A075W6004F	*	*	*	*	*	*	5				
	Screw, s/t, Pipe Clip	A075W5011F	*	*	*	*	*	*	5				
	Grommet, Fuel Pipe	X036L6004ZK	*	*	*	*	*	*	6				
	Grommet, Fuel Pipe/Bulkhead	X054J6007ZB	*	*			*	*	1				
	Grommet, Fuel Pipe/Bulkhead	A075L6025F			*	*	*	*	1				
Fuel Valve, Flowlock	B075L0127ZE	*	*			*	*	1				Push on Connections	

5 JUN 1982

LA5

PLATE  
Ref. No.

DESCRIPTION

PART NO.

S.1.

S.2.

ELITE

ECLAT

ELITE

ECLAT

MANUAL

AUTOMATIC

ALL

DOMESTIC

R.O.W.

FEDERAL

REMARKS

LA21

Fuel Valve, Flowlock  
Screw, Flowlock Fixing  
Clip, Pipe to Flowlock  
Evaporative, Loss Tank  
Jack Nuts, 6 mm

A075L6028F  
A075W5014F  
A075L6018Z  
C075L0107ZH  
A075W3031ZE

\* \* \* \* \*  
\* \* \* \* \*  
\* \* \* \* \*  
\* \* \* \* \*  
\* \* \* \* \*

1  
2  
1/2

1  
2

1 Screw on, 1 Push on Conn.

LA22

Pipe, LH Filler to "T" Piece, 90.0mm

A075L0117ZF

\* \* \* \* \*

1

LA23

Pipe, RH Filler to "T" Piece, 1450.0mm

A075L0116ZA

\* \* \* \* \*

1

LA24

"T" Piece

A036L6017ZS

\* \* \* \* \*

1

LA25

Pipe, "T" Piece to E.L.T., 280mm

A075L0115ZG

\* \* \* \* \*

1

"T" Piece (3 x 5mm)

A075L6042F

\* \* \* \* \*

1

Reducing Adaptor (7 to 5mm)

A075L6040F

\* \* \* \* \*

1

Reducing Adaptor (9 to 5mm)

A075L6041F

\* \* \* \* \*

1

"T" Piece (3 x 7mm)

A075L6038F

\* \* \* \* \*

1

LA26

Pipe, E.L.T. to Cannister, 5490.0mm

A075L0114ZB

\* \* \* \* \*

1

Nylon Tube 1/2" o/d

A075L6037V

\* \* \* \* \*

A/R

Tube, P.U.

A075L6035V

\* \* \* \* \*

A/R

Pipe, Evap. Loss

A079L4014F

\* \* \* \* \*

A/R

5 JUN 1982

LA6

PLATE Ref. No.	DESCRIPTION	PART NO.	S.1.		S.2.		MANUAL	AUTOMATIC	ALL	DOMESTIC	R.O.W.	FEDERAL	REMARKS
			ELITE	ECLAT	ELITE	ECLAT							
	Pipe Clips	A075W6003ZK	*	*	*	*	*	*				6	
	Screws No. 6, $\frac{3}{8}$ Pozid	A075W5027ZA	*	*	*	*	*	*				6	
	Plugs, Nylon	A075W6039ZC	*	*	*	*	*	*				6	
	Pipe Clips	A075W6000ZF	*	*	*	*	*	*				1	
	Washers	A075W4001 ZF	*	*	*	*	*	*				6	
LA27	Pipe, Cannister to Carbs	A075L0118ZL	*	*			*	*				1	
LA28	Charcoal Cannister	B075L6005ZJ	*	*	*	*	*	*				1	
LA29	Mounting Bracket	B075L0111FK	*		*	*	*	*				1	
	Mounting Bracket	A076L0157FD		*			*	*				1	
	Screws, 6 x 16mm	A075W1028ZG	*		*	*	*	*				2	
	Screws, 6 x 12mm	A075W1027ZB		*			*	*				2	
	Nuts, Nyloc, 6mm	A075W3009ZE	*		*	*	*	*				2	
	Jacknuts, 6mm	A075W3031 ZE		*			*	*				2	
	Washers	A075W4013ZL	*		*	*	*	*				2	
	Spring Washers	A075W4035ZL		*			*	*				2	
	Penny Washers	A075W4017ZJ	*	*	*	*	*	*				2	
LA30	Plug	X036J6005ZD	*	*	*	*	*	*				1	
LA31	Elbows	X036J0135ZG	*	*			*	*				3	
	Anti-Surge Valve (N.R.V.)	B076L6001 F		*	*	*	*	*		1	1		Elite S2 Qty 2
	Roll-Over Valve	A075L6036F	*	*	*	*	*	*				1	From Unit Nos. 516B, 103K, 100L, 390E, 116P and 103Q Inc.

15 JUN 1982

LA7

PLATE  
Ref. No.

DESCRIPTION

PART NO.

S.1.

S.2.

ELITE

ECLAT

ELITE

ECLAT

MANUAL

AUTOMATIC

ALL

DOMESTIC

R.O.W.

FEDERAL

REMARKS

Setscrew, M6 x 16

A075W1028F

\*

\*

\*

\*

\*

\*

2

Washer, 6mm

A075W4013F

\*

\*

\*

\*

\*

\*

2

Jacknut, M6

A075W3034F

\*

\*

\*

\*

\*

\*

2

Washer

A075W4001Z

\*

\*

\*

\*

\*

\*

4

Tubing, Fuel Tank Breather

A036L0085V

\*

\*

\*

\*

\*

\*

2/3

2/3

Elite 2m Eclat 3m

'P' Clip, Fuel Tank Breather

A075W6000F

\*

\*

\*

\*

\*

\*

2

2

Screw s/t, Fuel Tank Breather

A075W5007F

\*

\*

\*

\*

\*

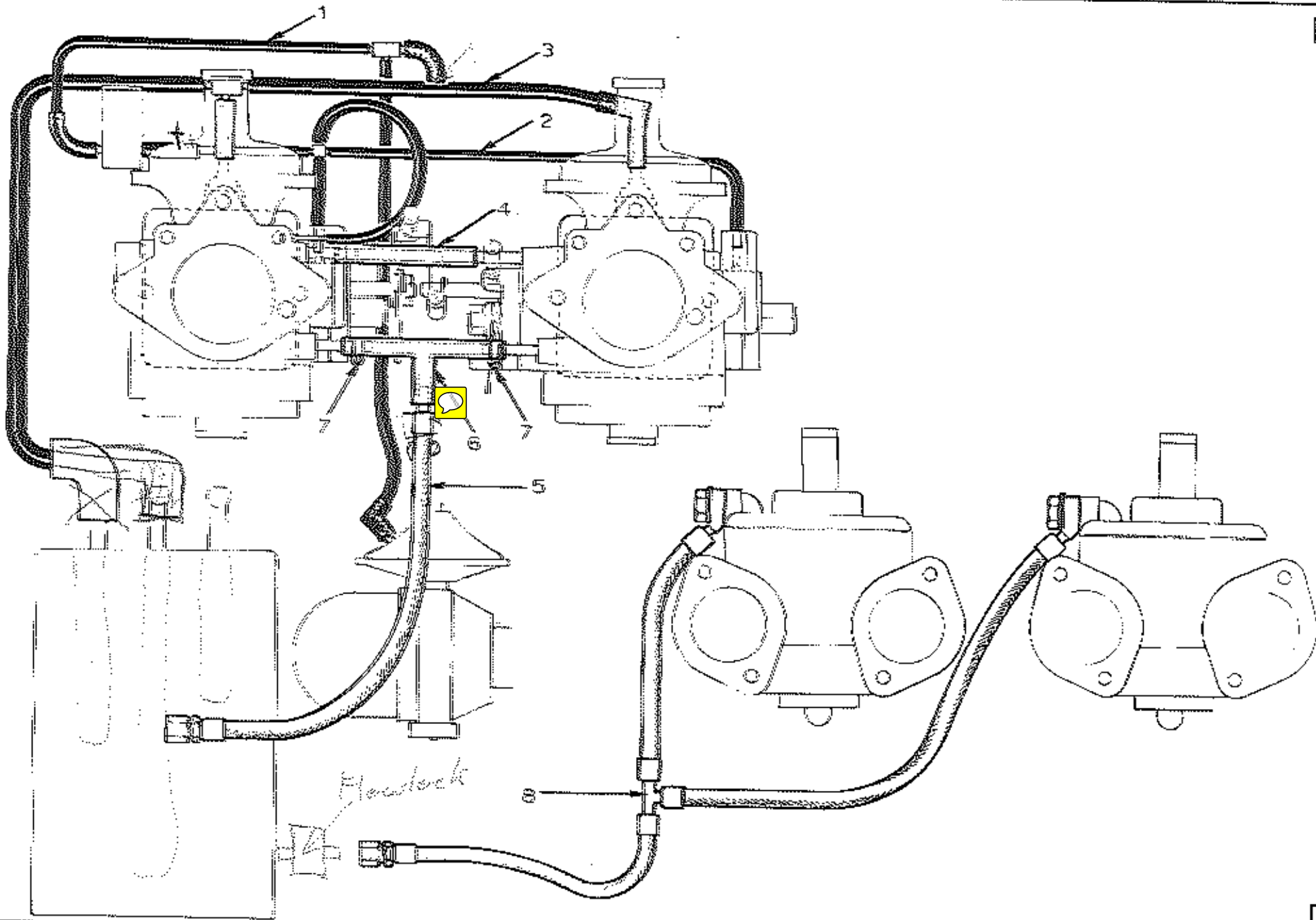
\*

2

2

25 JUN 1982

LA8

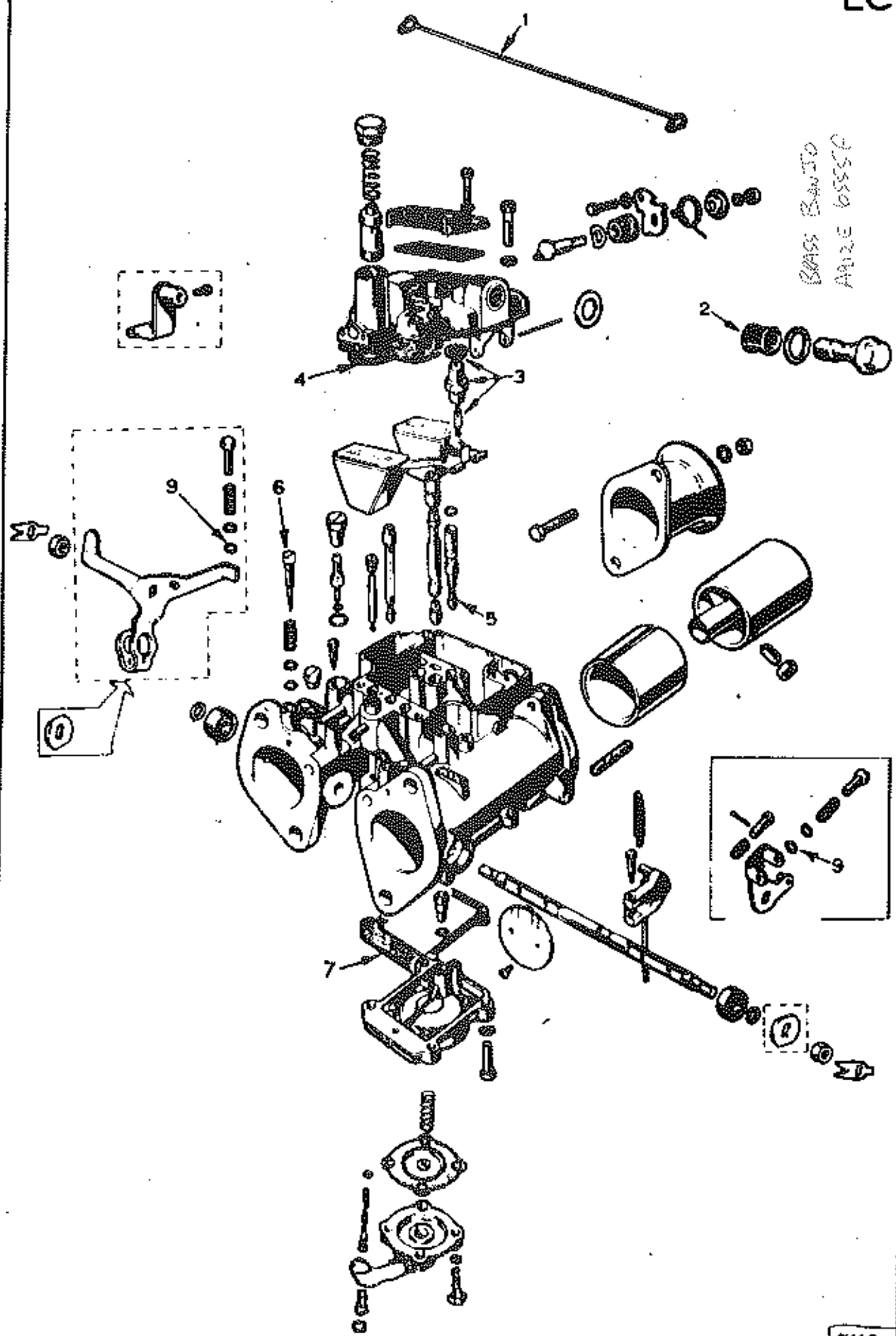






LC

BRASS SAWTOOTH  
APRILE 655576



E119

PLATE Ref. No.	DESCRIPTION	PART NO.	S.1.		S.2.		MANUAL	AUTOMATIC	ALL	DOMESTIC	R.O.W.	FEDERAL	REMARKS
			ELITE	ECLAT	ELITE	ECLAT							
	Carburetter, Dellorto, front	B907E0789W	*				*			1	1		With 'D' Cams (1 groove)
	Carburetter, Dellorto, rear	B907E0790W	*				*			1	1		With 'D' Cams (1 groove)
	Carburetter, Dellorto, front	D907E0789W	*	*			*	*		1	1		With 'C' Cams (no groove)
	Carburetter, Dellorto, rear	D907E0790W	*	*			*	*		1	1		With 'C' Cams (no groove)
	Carburetter, Dellorto, front	F907E0789W	*	*			*	*		1	1		With 'E' Cams (2 grooves)
	Carburetter, Dellorto, rear	F907E0790W	*	*			*	*		1	1		With 'E' Cams (2 grooves)
	Carburetter, Dellorto, front	B912E0789F			*	*	*			1	1		
	Carburetter, Dellorto, rear	B912E0790F			*	*	*			1	1		
	Carburetter, Dellorto, front	A912E0940J			*	*		*		1	1		
	Carburetter, Dellorto, rear	A912E0941J			*	*		*		1	1		
	Lever, Throttle Kickdown	B907E1072K	*	*				*		1	1		
	Lever, Throttle Kickdown	B912E1539F			*	*		*		1	1		
	Spring, Throttle Return	A907E6195	*	*	*	*	*	*		1	1		Throttle Lever to Airbox
	Adaptor, Anti-Tamper Plug	B907E1226F	*	*			*	*		4	4		Where fitted
	Plug, Anti-Tamper	B907E1227F	*	*	*	*	*	*		4	4		
	'P' Clip, Fuel Pipe Fixing	A075W6021Z	*	*	*	*	*	*		1	1		Later S1 Cars only
	Stud, M4 x 25, 'P' Clip	A907E1155F	*	*	*	*	*	*		1	1		
	Nut, M4, 'P' Clip	A075W3019Z	*	*	*	*	*	*		1	1		
	Washer, plain	A075W4000Z	*	*	*	*	*	*		2	2		
	Choke Cable	A075S6022F	*	*			*	*		1	1		Dellorto Carbs
	Grommet, Choke Cable	A075S6023F	*	*			*	*		1	1		Dellorto Carbs LCI
	ADJUSTOR (THROTTLE CABLE)	A075J0348F											(SEE ENTRY)

25 JUN 1982

PLATE  
Ref. No.

DESCRIPTION

PART NO.

S.1.

S.2.

ELITE

ECLAT

ELITE

ECLAT

MANUAL

AUTOMATIC

ALL

DOMESTIC

R.O.W.

FEDERAL

REMARKS

Choke Cable, RHD  
 Choke Cable, LHD  
 Choke Cable, RHD  
 Choke Cable, LHD  
 Abutment, Choke Cable  
 Screw, Cable to Abutment  
 Screw, Drilled, Cable to Lever  
 Washer, Plain, 4mm  
 Trunnion, Cold Start Lever  
 Link, Cold Start Interconnection  
 Screw, Link to Lever  
 Washer, Spring, 4mm  
 Gasket, Float Chamber  
 Screw, Idle Mixture  
 'O' Ring, Idle Mixture Screw  
 Gasket, Pump Body  
 'O' Ring, Small, Pump Jet  
 'O' Ring, Large, Pump Jet  
 'O' Ring, Main Emulsion Tube  
 Gasket, Needle Valve  
 Rubber Ring, Throttle Screw  
 Screw & Nut, Auxiliary Venturi

B075S0196ZA  
 C075S0195Z  
 A083S0276F  
 A083S0275F  
 A036E6064Z  
 A074K6002Z  
 A036E6146Z  
 A036E6145Z  
 A910E6532F  
 A907E6250Z  
 A036E6143Z  
 A036E6045Z  
 A036E6069Z  
 A036E6097Z  
 A036E6096Z  
 A036E6122Z  
 A036E6100Z  
 A036E6101Z  
 A036E6107Z  
 A036E6070Z  
 A036E6096Z  
 A907E6091Z

*	*			*	*		
*	*			*	*		
		*	*	*	*		1
		*	*	*	*	*	1
*	*	*	*	*	*	*	1
*	*	*	*	*	*	*	1
*	*	*	*	*	*	*	1
*	*	*	*	*	*	*	1
*	*	*	*	*	*	*	2
*	*	*	*	*	*	*	1
*	*	*	*	*	*	*	1
*	*	*	*	*	*	*	2
*	*	*	*	*	*	*	2
*	*	*	*	*	*	*	2
*	*	*	*	*	*	*	4
*	*	*	*	*	*	*	4
*	*	*	*	*	*	*	4
*	*	*	*	*	*	*	4
*	*	*	*	*	*	*	4
*	*	*	*	*	*	*	4
*	*	*	*	*	*	*	4
*	*	*	*	*	*	*	2
*	*	*	*	*	*	*	2
*	*	*	*	*	*	*	4
*	*	*	*	*	*	*	4
*	*	*	*	*	*	*	4
*	*	*	*	*	*	*	4
*	*	*	*	*	*	*	2
*	*	*	*	*	*	*	2
*	*	*	*	*	*	*	1
*	*	*	*	*	*	*	1
*	*	*	*	*	*	*	4
*	*	*	*	*	*	*	4

1  
1

Zenith 'CD' Carbs  
 Zenith 'CD' Carbs  
 Dellorto Carbs  
 Dellorto Carbs

25 JUN 1982

LC2

PLATE Ref. No.	DESCRIPTION	PART NO.	S.1.		S.2.		MANUAL	AUTOMATIC	ALL	DOMESTIC	R.O.W.	FEDERAL	REMARKS
			ELITE	ECLAT	ELITE	ECLAT							
	Gasket Kit	A907E6092Z	*	*	*	*	*	*		1	1		Comprising: Float Chamber Gasket Needle Valve Gasket Jet Cover Gasket Pump Jet Gasket Pump Body Gasket
	Inlet Trumpet	A907E6090H	*	*	*	*	*	*		4	4		
	Banjo Bolt, Fuel Inlet	A912E6555	*	*	*	*	*	*		2	2		
	Banjo Washer, Large 1/D	A036E6085Z	*	*	*	*	*	*		2	2		
	Banjo Washer, Small 1/D	A036E6089Z	*	*	*	*	*	*		2	2		
	Choke, 38 mm	A907E6071Z	*				*	*		4	4		With 'D' Cams (1 groove)
	Main Jet, 142	A907E6211Z	*				*	*		4	4		With 'D' Cams (1 groove)
	Main Air Corrector Jet, 110	A907E6214Z	*				*	*		4	4		With 'D' Cams (1 groove)
	Main Emulsion Tube, 7772.5	A907E6189Z	*				*	*		4	4		With 'D' Cams (1 groove)
	Idle Jet, 55L	A907E6275F	*				*	*		4	4		With 'D' Cams (1 groove)
	Idle Jet Holder 7850-1	A907E6187Z	*				*	*		4	4		With 'D' Cams (1 groove)
	Float Assembly, 10g (cranked arms)	A907E6215Z	*				*	*		2	2		Replaced by A911E6444 Set Float Height 14.5 - 15.0 mm
	Float Assembly, 8.5g (straight arms)	A911E6444Z	*				*	*		2	2		Replaces A907E6215Z
	Float Needle Valve, 170	A907E6082Z	*				*	*		2	2		With 'D' Cams (1 groove)
	Pump Jet, 45V	A907E6213Z	*				*	*		4	4		With 'D' Cams (1 groove)
	Starter Jet, 70	A907E6280F	*				*	*		4	4		With 'D' Cams (1 groove)

25 JUN 1982

LCS

PLATE  
Ref. No.

DESCRIPTION

PART NO.

S.1.

S.2.

ELITE

ECLAT

ELITE

ECLAT

MANUAL

AUTOMATIC

ALL

DOMESTIC

R.O.W.

FEDERAL

REMARKS

Starter Emulsion Tube  
Accelerator Pump Diaphragm  
Choke, 35 mm  
Main Jet, 130  
Main Air Corrector Jet 110  
Main Emulsion Tube, 7772 - 5  
Idle Jet, 56L  
Idle Jet Holder, 7850 - 6  
Float Assembly, 10g (cranked arms)

A907E6080Z  
A907E6308F  
A907E6273F  
A907E6104Z  
A907E6214Z  
A907E6189Z  
A907E6274F  
A907E6240Z  
A907E6215Z

*				*	
*				*	
*	*			*	*
*	*			*	*
*	*			*	*
*	*			*	*
*	*			*	*
*	*			*	*
*	*			*	*
*	*			*	*

	4	4
	2	2
	4	4
	4	4
	4	4
	4	4
	4	4
	4	4
	4	4
	2	2

With 'D' Cams (1 groove)  
With 'D' Cams (1 groove)  
With 'C' Cams (no groove)  
With 'C' Cams (no groove)  
With 'C' Cams (no groove)  
With 'C' Cams (no groove)  
With 'C' Cams (no groove)  
With 'C' Cams (no groove)  
With 'C' Cams (no groove)

Float Assembly, 8.5g (straight arms)  
Float Needle Valve, 170  
Pump Jet, 45W  
Starter Jet, 70  
Starter Emulsion Tube  
Accelerator Pump Diaphragm  
Choke, 36 mm  
Main Jet, 160  
Main Air Corrector Jet, 230  
Main Emulsion Tube, 7772 - 8

A911E6444Z  
A907E6082Z  
6 A907E6213Z  
A907E6280F  
A907E6080Z  
A907E6308F  
A907E6276F  
A907E6277F  
A907E6279F  
A907E6278F

*	*			*	*
*	*			*	*
*	*			*	*
*	*			*	*
*	*			*	*
*	*			*	*
*	*			*	*
*	*			*	*
*	*			*	*
*	*			*	*

	2	2
	2	2
	4	4
	4	4
	4	4
	2	2
	4	4
	4	4
	4	4
	4	4

Replaced by A911E6444  
Set float height 14.5 -  
15.0 mm  
Replaces A907E6215Z  
With 'C' Cams (no groove)  
With 'C' Cams (no groove)  
With 'C' Cams (no groove)  
With 'C' Cams (no groove)  
With 'C' Cams (no groove)  
With 'E' Cams (2 grooves)  
With 'E' Cams (2 grooves)  
With 'E' Cams (2 grooves)  
With 'E' Cams (2 grooves)

25 JUN 1982

PLATE Ref. No.	DESCRIPTION	PART NO.	S.1.		S.2.		MANUAL	AUTOMATIC	ALL	DOMESTIC	R.O.W.	FEDERAL	REMARKS
			ELITE	ECLAT	ELITE	ECLAT							
	Idle Jet, 50L	A074E6026Z	*	*			*	*		4	4		With 'E' Cams (2 grooves)
	Idle Jet Holder, 7850 - 7	A907E6269F	*	*			*	*		4	4		With 'E' Cams (2 grooves)
	Float Assembly 10g. (cranked arms)	A907E6215Z	*	*			*	*		2	2		Replaced by A911E6444 Set float height 14.5 - 15 mm.
	Float Assembly 8.5g. (straight arms)	A911E6444	*	*			*	*		2	2		Replaces A907E6215Z
	Float Needle Valve, 170	A907E6082Z	*	*			*	*		2	2		With 'E' Cams (2 grooves)
	Pump Jet, 42/38	A907E6544F	*	*			*	*		4	4		With 'E' Cams (2 grooves)
	Starter Jet, 70	A907E6280F	*	*			*	*		2	2		With 'E' Cams (2 grooves)
	Starter Emulsion Tube	A907E6080Z	*	*			*	*		2	2		With 'E' Cams (2 grooves)
	Accelerator Pump Diaphragm	A907E6308F	*	*			*	*		2	2		With 'E' Cams (2 grooves)
	Choke 37 mm	A911E6365H			*	*	*	*		4	4		
	Auxiliary Venturi	A912E6450H			*	*	*	*		4	4		
	Main Jet, 160	A907E6277H			*	*	*	*		4	4		
	Main Air Corrector Jet, 230	A907E6279H			*	*	*	*		4	4		
	Main Emulsion Tube, 7772 - 8	A907E6278H			*	*	*	*		4	4		
	Idle Jet, 58	A912E6452H			*	*	*	*		4	4		
	Idle Jet, 55	A907E6212F			*	*		*		4	4		
	Idle Jet Holder, 7850 - 9	A912E6447H			*	*	*	*		4	4		
	Float Assembly, 8.5g	A911E6444H			*	*	*	*		2	2		
	Float Needle Valve	A911E6446H			*	*	*	*		2	2		

PLATE  
Ref. No.

DESCRIPTION

PART NO.

S.1.

S.2.

ELITE

ECLAT

ELITE

ECLAT

MANUAL

AUTOMATIC

ALL

DOMESTIC

R.O.W.

FEDERAL

REMARKS

Pump Jet, 50

A912E6448H

Starter Jet, 95

A911E6523H

Starter Emulsion Tube

A907E6188H

*Accelerator Pump Diaphragm*

*A907E6309F*

*	*	*	*	*	*
*	*	*	*	*	*
*	*	*	*	*	*
*	*	*	*	*	*

4

4

2

2

2

2

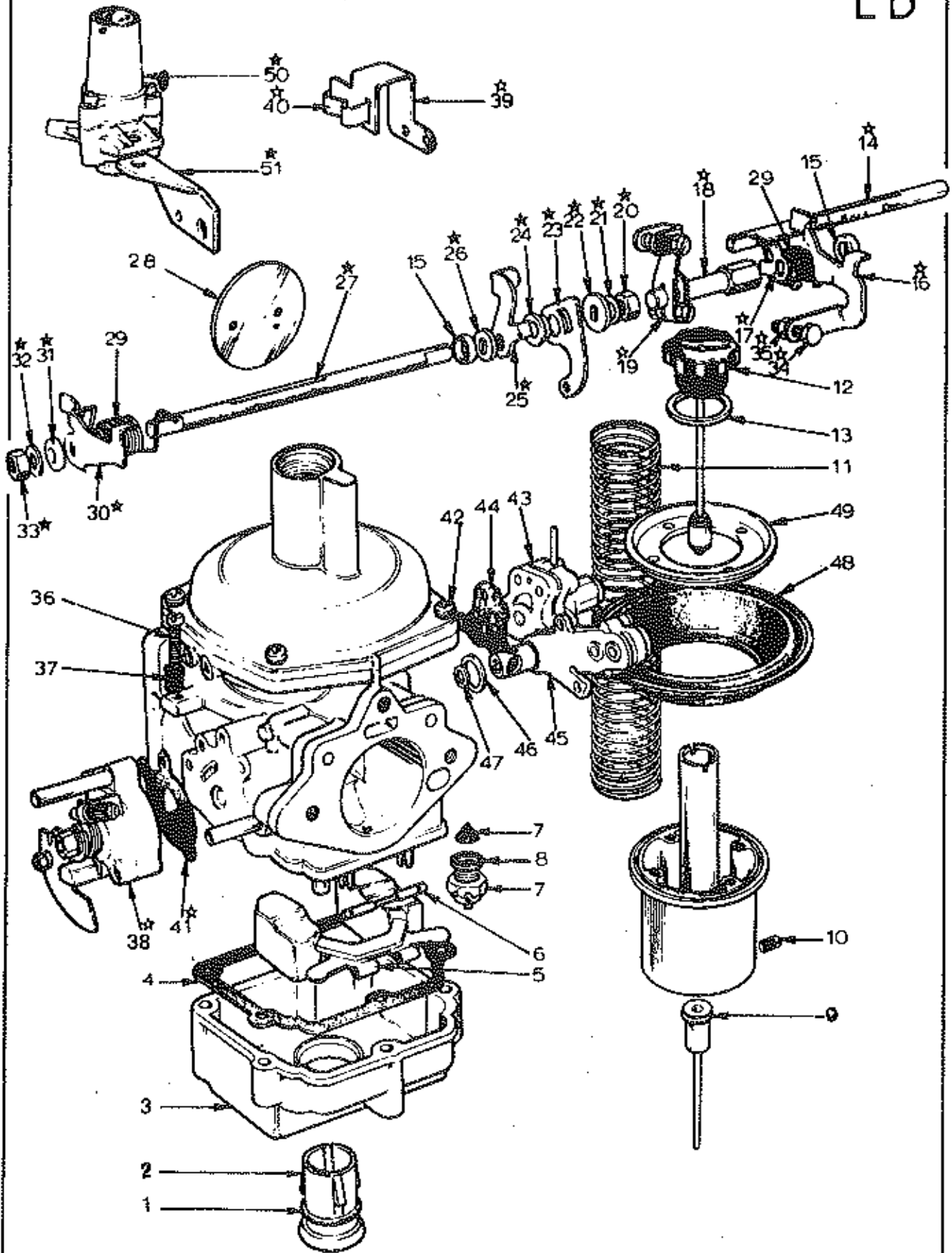
2

2

25 JUN 1952

LC6





☆ FRONT CARBURETTER ONLY  
★ REAR CARBURETTER ONLY

PLATE Ref. No.	DESCRIPTION	PART NO.	S.1.		S.2.		MANUAL	AUTOMATIC	ALL	DOMESTIC	R.O.W.	FEDERAL	REMARKS
			ELITE	ECLAT	ELITE	ECLAT							
	Zenith "CD" Carburetter, Front	B907E0791W	*				*					1	1974 Spec. & Australia/Sweden
	Zenith "CD" Carburetter, Front	C907E0791F	*	*			*	*				1	1975 Spec. Red dot ident.
	Zenith "CD" Carburetter, Rear	B907E0792W	*				*					1	1974 Spec. & Australia/Sweden
	Zenith "CD" Carburetter, Rear	C907E0792W	*	*			*	*				1	1975 Spec. Red dot ident. with ARO valve fitted to Backplate
	Zenith "CD" Carburetter, Rear	D907E0792W	*	*			*	*				1	With ARO valve fitted to Carburetter
	Lever, Kick-Down	A907E1158F	*	*				*				1	
	Throttle Lever	B907E6157D	*	*			*					1	
	Carburetter, Earth Lead	B079M4050F	*	*			*	*				1	
	Lever, Throttle Linkage	A907E1159F	*	*				*				1	
	Extension Shaft, Throttle Spindle	A907E1157F	*	*				*				2	
	"W" Clip, Throttle Spindle Connector	X036S6062Z	*	*				*				1	
	Spring, Throttle Return	A907E6194Z	*	*			*	*				1	Lever to Airbox
LD1	"O" Ring	A036S6090Z	*	*			*	*				2	
LD2	Sealing Plug c/w "O" Ring	A907E6147Z	*	*			*	*				2	
LD3	Float Chamber	A036S6086Z	*	*			*	*				2	R/B B036S6086F
LD4	Float Chamber Gasket	A036S6082Z	*	*			*	*				2	R/B B036S6082F
	Screw & Spring Washer, Fl.Ch.long	A036S6088Z	*	*			*	*				8	R/B A907E6334F 1" long 12 off
	Screw & Spring Washer, Fl.Ch.short	A036S6087Z	*	*			*	*				4	

5 JUN 1982

LD1

PLATE Ref. No.	DESCRIPTION	PART NO.	S.1.		S.2.		MANUAL	AUTOMATIC	ALL	DOMESTIC	R.O.W.	FEDERAL	REMARKS
			ELITE	ECLAT	ELITE	ECLAT							
LD5	Float & Arm Assembly	A907E6141Z	*	*			*	*				2	
LD6	Float Pivot	A036S6085Z	*	*			*	*				2	
LD7	Needle Valve	X036S6165Z	*	*			*	*				2	
LD8	Needle Valve Washer	A036S6083Z	*	*			*	*				2	
LD9	Metering Needle Assembly	A907E6209Z	*	*			*	*				2	
LD10	Retaining Screw, Metering Needle	A907E6146Z	*	*			*	*				2	B.I.D.K.
LD11	Spring, Air Valve Return	A036S6191Z	*	*			*	*				2	
LD12	Damper Assembly	A036S6129Z	*	*			*	*				2	Colour Code - Blue
LD13	Fibre Washer, Damper	A907E6128Z	*	*			*	*				2	
LD14	Throttle Spindle, Front	A907E6143Z	*	*			*	*				2	
LD15	Throttle Spindle Seal	A036S6125Z	*	*			*	*				2	
LD16	Fast Idle Lever	A907E6136Z	*	*			*	*				1	
LD17	Washer, Tab	A036S6142Z	*	*			*	*				1	
LD18	Nut, Extension	A907E6150Z	*	*			*	*				1	
LD19	Fork Lever Assembly, Complete	A907E6148Z	*	*			*	*				1	
LD20	Nut	A036S6045Z	*	*			*	*				1	
LD21	Washer, Shakeproof	A036S6044Z	*	*			*	*				1	
LD22	Washer, Spacing	A036S6152Z	*	*			*	*				1	
LD23	Throttle Lever	A907E6157Z	*	*			*	*				1	
LD24	Bush	A036S6041Z	*	*			*	*				1	

25 JUN 1932

LD2

PLATE Ref. No.	DESCRIPTION	PART NO.	S.1.		S.2.		MANUAL	AUTOMATIC	ALL	DOMESTIC	R.O.W.	FEDERAL	REMARKS
			ELITE	ECLAT	ELITE	ECLAT							
LD25	Pick-up Lever	B907E6156Z	*	*			*	*				1	
LD26	Washer	A036S6153Z	*	*			*	*				1	
LD27	Throttle Spindle, Rear	A907E6154Z	*	*			*	*				1	
LD28	Throttle Butterfly	A036S6037Z	*	*			*	*				2	
LD29	Spring, Throttle Return	A036S6056Z	*	*			*	*				2	
	Throttle Fixing Screws	A036S6035Z	*	*			*	*				4	
LD30	Throttle Stop & Fast Idle Lever	A907E6151Z	*	*			*	*				1	
LD31	Washer	A036S6153Z	*	*			*	*				1	
LD32	Washer, Shakeproof	A036S6044Z	*	*			*	*				1	
LD33	Nut	A036S6045Z	*	*			*	*				1	
LD34	Fast Idle Screw	A036S6058Z	*	*			*	*				1	
LD35	Locknut, Fast Idle Screw	A036S6059Z	*	*			*	*				1	
LD36	Throttle Stop Screw	A036S6051Z	*	*			*	*				1	
LD37	Spring, Throttle Stop Screw	A036S6050Z	*	*			*	*				1	
LD38	Starter Control Screw Assembly	A907E6158Z	*	*			*	*				1	
LD39	Starter Control Bracket c/w Cup	A907E6131Z	*	*			*	*				1	
LD40	Clip, Starter Control Bracket	A036S6052Z	*	*			*	*				1	
	Screw	A036S6054Z	*	*			*	*				1	
LD41	Gasket, Starter Control Assembly	A907E6134Z	*	*			*	*				1	
	Screw, Starter Control Assembly/Body	B036S6074Z	*	*			*	*				2	
	Washer	A036S6149Z	*	*			*	*				2	

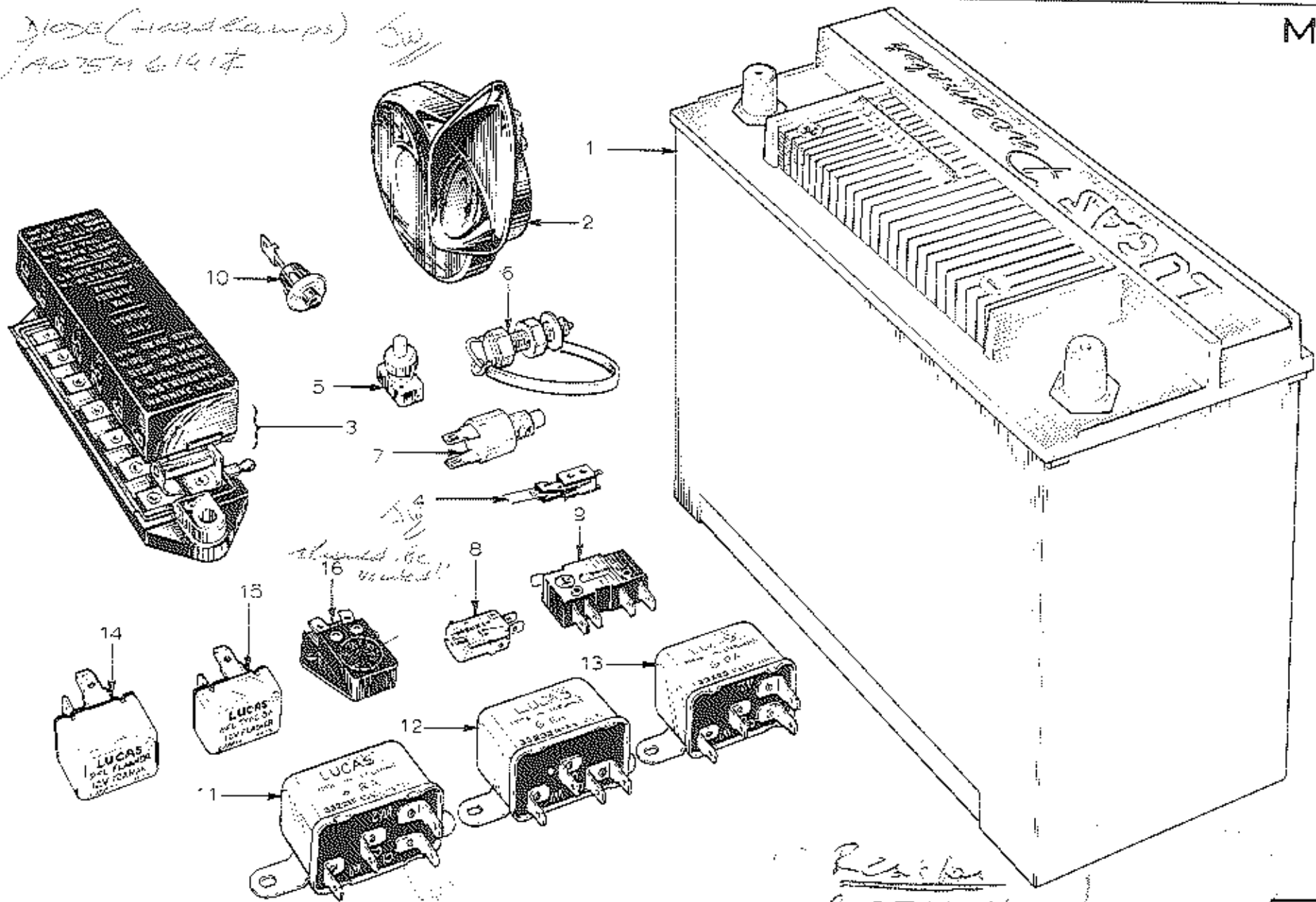
15 JUN 1982

PLATE Ref. No.	DESCRIPTION	PART NO.	S.1.		S.2.		MANUAL	AUTOMATIC	ALL	DOMESTIC	R.O.W.		REMARKS
			ELITE	ECLAT	ELITE	ECLAT					FEDERAL	FEDERAL	
LD42	Screw c/w Spring Washer, Cover/Body	A036S6029Z	*	*			*	*				8	
LD43	By-Pass Valve Assembly	B907E6138Z	*	*			*	*				2	
LD44	By-Pass Valve Gasket	A907E6139Z	*	*			*	*				2	
	Screw c/w Spring Washer, By-Pass/Body	A036S6087Z	*	*			*	*				6	
LD45	Temperature Compensator Assembly	A907E6142Z	*	*			*	*				2	
LD46	Sealing Washer, Large	A036S6123Z	*	*			*	*				2	
LD47	Sealing Washer, Small	A036S6124Z	*	*			*	*				2	
	Screw c/w Washer, Temp. Comp/Body	A036S6023Z	*	*			*	*				6	
LD48	Diaphragm	A907E6140Z	*	*			*	*				2	
LD49	Retaining Washer, Diaphragm	A907E6132Z	*	*			*	*				2	
	Retaining Washer, Seal	A907E6133Z	*	*			*	*				2	
	Screw for Washer	A036S6026Z	*	*			*	*				8	
LD50	Control Valve	A907E0822W	*	*			*	*				1	
LD51	Bracket, Control Valve	B907E0542Z	*	*			*	*				1	
	Screw, Control Valve Bracket	A075W5054F	*	*			*	*				1	
	Spacer	B907E0680F	*	*			*	*				1	

25 JUN 1982

LD4

*3000 (headlamps) 5w  
A075M 6141Z*



*Resistor  
A075M 6155Z*

*5w 50 Ohms*

PLATE Ref. No.	DESCRIPTION	PART NO.	S.1.		S.2.		MANUAL	AUTOMATIC	ALL	DOMESTIC	R.O.W.	FEDERAL	REMARKS
			ELITE	ECLAT	ELITE	ECLAT							
MA1	Battery	A075M6036ZH	*		*	*	*	*	1				
	Battery 44 A/Hr.	A076M6004F		*			*	*		1			
	Battery 55 A/Hr.	A076M6008F		*			*	*			1	1	Replaced by A076M6004F 44A/Hr
	Battery Screw	A075W1040Z	*		*	*	*	*	2				
	Battery Nut	A075W3026Z	*		*	*	*	*	2				
	Battery Washer	A075W4020Z	*		*	*	*	*	2				
	Battery Clamp 44 A/Hr.	A076M0307K		*			*	*		1			
	Battery Clamp 55 A/Hr.	A076M0313K		*			*	*			1	1	See remark above
	Rod, Battery Clamp	A075U0325Z	*		*	*	*	*	2				
	Clamp Tube, Battery Retaining	B075U0326Z	*		*	*	*	*	1				
	Wing Nut, M6	A075W3033Z	*		*	*	*	*	2				
	Battery +VE Lead	A075M0235Z	*		*	*	*	*	1				
	Battery -VE Lead	A075M0236Z	*		*	*	*	*	1				
	Battery +VE Lead, LHD	A076M0311F		*			*	*			1	1	
	Battery -VE Lead, LHD	A076M0305F		*			*	*			1	1	
	Battery +VE Lead, RHD	A076M0304F		*			*	*		1			
	Battery -VE Lead, RHD	A076M0312F		*			*	*		1			
	Bolt, M8 x 40, -VE Lead/Chassis	A075W2039Z			*	*	*	*	1				
	Penny Washer, -VE Lead/Chassis	A075W4022Z			*	*	*	*	1				
	Washer, 8mm, -VE Lead/Chassis	A075W4020Z			*	*	*	*	2				
	Nut, 'P' Type, M8 -VE Lead/Chassis	A075W3010Z			*	*	*	*	1				

JUN 1982

MA1

PLATE Ref. No.	DESCRIPTION	PART NO.	S.1.		S.2.		MANUAL	AUTOMATIC	ALL	DOMESTIC	R.O.W.	FEDERAL	REMARKS
			ELITE	ECLAT	ELITE	ECLAT							
MA2	Engine Earth Strap	A026M0039Z	*	*	*	*	*	*	1				
	Horn, High Note	A075M6062Z	*	*			*	*	1				
	Horn, Low Note	A075M6063Z	*	*			*	*	1				
	Bracket, Horn	A075M6078Z	*	*			*	*	1				
	Setscrew, Horn Bracket	A075W1028Z	*	*			*	*	2				
	Jacknut	A075W3031Z	*	*			*	*	2				
	Horn, High Note	A079M6087F	*	*			*	*	1				Stritone (long trumpet)
	Horn, Low Note	A079M6086F	*	*			*	*	1				Stritone (long trumpet)
	Air Horn Kit	A083M6219F			*	*	*	*	1				
	Bracket, Horns	A083M0358F			*	*	*	*	1				
	Setscrew, M6 x 16 Bracket/Bracket	A075W1028Z			*	*	*	*	2				
	Washer, Flat, Bracket/Bracket	A075W4013Z			*	*	*	*	2				
	Setscrew, M6 x 30 Bracket/Body	A075W1032Z			*	*	*	*	2				
	Penny Washer, Bracket/Body	A075W4016Z			*	*	*	*	2				
	Nut, Nylac, M6	A075W3009Z			*	*	*	*	4				
	Setscrew, M8 x 35, Comp/Body	A075W1041Z			*	*	*	*	2				
	Washer	A075W4003Z			*	*	*	*	4				
	Nut 'P' Type	A075W3010Z			*	*	*	*	2				
'P' Clip, Comp Pipes	A075W6004Z			*	*	*	*	2					
Screw, s/t No. 6 x 1/2"	A075W5016Z			*	*	*	*	2					

25 JUN 1982

MA2



PLATE Ref. No.	DESCRIPTION	PART NO.	S.1.		S.2.		MANUAL	AUTOMATIC	ALL	DOMESTIC	R.O.W.	FEDERAL	REMARKS
			ELITE	ECLAT	ELITE	ECLAT							
MA3	Fuse Box Assembly	A075M6034W	*	*			*	*	1				Comprising the following 5 items.
	Fuse Box Base	A075M6079Z	*	*			*	*	1				
	Fuse Box Lid	C075M0248Z	*	*			*	*	1				
	Fuse, 25 amp	A075M6081Z	*	*			*	*	2				
	Fuse, 16 amp	A075M6082Z	*	*			*	*	1				
	Fuse, 8 amp	A075M6083Z	*	*			*	*	2				
	Fuse Box Set Screw	A075W5039Z	*	*			*	*	2				
	Fuse Box Spire Nut	A075W6011Z	*	*			*	*	2				
	Fuse Box, Front	A083M6272F			*	*	*	*		2	2		
	Gasket, Fuse Box	A033M0394F			*	*	*	*		2	2		
	Setscrew, 10 UNF x 5/8" Fusebox Fix	A075W1001Z			*	*	*	*		4	4		
	Washer 3/16"	A075W4000Z			*	*	*	*		4	4		
	Nut, Nyloc, 10 UNF	A075W3000Z			*	*	*	*		4	4		
	Fuse Box, Rear	A083M6274F			*	*	*	*		1	1		
	Screw s/t No. 8 x 1" Fusebox Fix	A075W5039F			*	*	*	*		2	2		
	Fuse 4 amp	A083M6286F			*	*	*	*		3	3		
	Fuse 5 amp	A083M6287F			*	*	*	*		4	4		
	Fuse 25 amp	A083M6288F			*	*	*	*		3	3		
	Fuse 17 amp	A036M6019F			*	*	*	*		4	4		
	Fuse 10 amp	A083M6302F			*	*	*	*		5	5		

15 JUN 1982

MA3

PLATE Ref. No.	DESCRIPTION	PART NO.	S.1.		S.2.		MANUAL	AUTOMATIC	ALL	DOMESTIC	R.O.W.	FEDERAL	REMARKS
			ELITE	ECLAT	ELITE	ECLAT							
MA4	Micro Switch, Boot Light (leaf type)	A075M6114Z	*				*	*	1				
	Mounting Bracket	A075M0253Z	*				*	*	1				
	Rivet	A075W6065Z	*				*	*	2				
	Micro Switch, Boot Light (plunger type)	X050M6006Z	*				*	*	1				
	Micro Switch, Boot Light	A075M6000Z		*			*	*	1				R/B X050M6006Z
	Micro Switch, Boot Light	X050M6006Z		*			*	*	1				Up to Unit No. 279D, 187E and 117F
	Micro Switch, Boot Light	A083M6240F			*	*	*	*	1				
	Micro Switch, Glovebox Light	A083M6241F			*	*	*	*	1				
MA5	Micro Switch, Bonnet Light	A075M6024Z	*				*	*	1				
MA6	Reverse Light Switch	A036F6304Z	*	*			*	*	1				5 Speed Gearbox
	Reverse Light Switch	A076F6044F		*			*	*	1				4 Speed Gearbox
	Reverse Light Switch	A083F6127F			*	*	*	*	1				
MA7	Brake Light Switch	A036M6154Z	*	*	*	*	*	*	1				
	Spacer Washer	A075W4057Z	*	*	*	*	*	*	1				
MA8	Hand Brake Warning Light Switch	BC75M6084Z	*	*	*	*	*	*		1	1		
	Switch Set Screws	A075W5009Z	*	*	*	*	*	*		2	2	2	
	Switch Set Screws	A075W5029Z	*	*	*	*	*	*		2	2		
MA9	Hand Brake Warning Light Switch	A075M6093Z	*	*			*	*				1	

25 JUN 1982

MA4

PLATE Ref. No.	DESCRIPTION	PART NO.	S.1.		S.2.		MANUAL	AUTOMATIC	ALL	DOMESTIC	R.O.W.	FEDERAL	REMARKS
			ELITE	ECLAT	ELITE	ECLAT							
MA10	Courtesy Light Switch	A075M6044Z	*	*	*	*	*	*	2			4	) Up to Unit Nos:- ) 0727A, 0729A to 0745A, 0747A ) to 0772A, 0796A to 0805A (Heaters) & 0847A (Air Cond) 0853A to 0856A (Air Cond). 0455B, 0457B to 0466B. 0115C. 0145D, 0182D to 0190D 0124E, 0127E 0105F  4 only if fitted with Ormage 'Cartier' radiator Fan Relay  Until replaced by A079M6141F
	Spacer	A075W4057Z	*	*	*	*	*	*	A/R				
	Screw, Switch Fixing	A075W5015Z	*	*	*	*	*	*	2				
	Nut, Spire, No 6	A075W6013Z	*	*	*	*	*	*	2				
MA11	Relay, Int Fan, Ignition <sup>rear screen</sup> 33221 (fan)	A075M6057Z	*	*	*	*	*	*	2	1	1	2	
MA12	Relay, Engine Fan 33232	A075M6041Z	*	*	*	*	*	*	1				
MA13	Relay, Rear Screen Override 33223	A075M6047Z	*	*	*	*	*	*	1				
	Relay, 28RA, Headlamp Elevation, HRS, Radiator Fans	A079M6141F			*	*	*	*	5				
	Relay, Double Pole, Ormage Body Radiator Fans	A083M6218F			*	*	*	*	1				
AV 1047	Fan Failure Module with Air Conditioning <sup>(2 fans)</sup>	A083M6257F			*	*	*	*	1				
AV 1060	Fan Failure Module, Heater only <sup>(one fan)</sup>	A083M6285F			*	*	*	*	1				
	Delay Unit Front Wiper	A079M6126F			*	*	*	*	1				
	Screw, No. 6 x 1/2" Delay Unit Fix	A075W5027F			*	*	*	*	2				
	Washer, Delay Unit Fix	A075W4001F			*	*	*	*	1				
	Delay Unit, Rear Wiper	A083M6234F			*	*	*	*	1				
	Delay Unit, Interior Light	A082M6143F			*	*	*	*	1				

5 JUN 1982

PLATE Ref. No.	DESCRIPTION	PART NO.	S.1.		S.2.		MANUAL	AUTOMATIC	ALL	DOMESTIC	R.O.W.	FEDERAL	REMARKS
			ELITE	ECLAT	ELITE	ECLAT							
	Relay c/o, Override <i>333 62 3</i> <i>5 - terminals</i>	A075M6170F	*	*			*	*	1				Air Cond. Only - <u>Unit Nos:-</u> 0746A, 0773A to 0795A, 0848A to 0850A and 0859A onwards. 0456B and 0467B onwards. 0116C onwards. 0147D, 0170D and 0173D onwards 0114E onwards. 0105F onwards. <u>All Nos Inclusive.</u>
	Relay n/o, Rear Screen & Engine Fan <i>(333 58 B)</i> <i>4 - terminals</i>	A075M6171F	*	*			*	*	2				<u>Unit Nos.</u> 0728A, 0746A, 0773A to 0795A 0797A, 0806A and all heaters onwards 0848A to 0850A and 0859A onwards 0456B and 0467B onwards 0116C onwards 0146D to 0181D, and 0191D onwards. 0125E, 0126E and 0128E onwards 0105F & 0107F onwards <u>All Nos Inclusive</u>

5 JUN 1982

PLATE Ref. No.	DESCRIPTION	PART NO.	S.1.		S.2.		MANUAL	AUTOMATIC	ALL	DOMESTIC	R.O.W.	FEDERAL	REMARKS
			ELITE	ECLAT	ELITE	ECLAT							
	Buzzer, Seat Belt Warning	A076M6005F			*	*	*	*				1	
	Screw, No. 6 x 3/8", Buzzer Fix	A075W5011Z			*	*	*	*				2	
MA14	Hazard Warning Flasher Unit	A007M4124Z	*	*			*	*	1				
MA15	Flasher Unit	X036M6300Z	*	*			*	*	1				
	Flasher Unit	A075M6192F	*	*			*	*				1	Japan only
	Clip	X036M6301Z	*	*			*	*	2				Hazard Warning and Flasher Unit
	Flasher Unit	A083M6303F			*	*	*	*	1				
MA16	Thermal Interrupter	B050M6221Z	*	*			*	*	1				
	Diode, Headlamps	A075M6141Z	*	*			*	*	1				Lucas 83225A replaced by
	Diode, Headlamps	B075M6141Z	*	*			*	*	1				Pektron A75/294
	Rear Loom	C075M0238W	*				*	*	1				
	Fuse Holder	A075M6190F	*				*	*	1				For Rear Wiper Motor
	Rear Loom	B076M0281Z		*			*	*	1				
	Rear Loom	B083M0351F			*		*	*		1	1		
	Rear Loom	B084M0352F				*	*	*		1	1		
	Engine Bay Loom	C075M0233W	*				*	*	1				All Air Cond. Chrysler 60A alt Up to Unit Nos:- 0723A, 0429B, 0432B and 0094C, inclusive.
	Engine Bay Loom	D075M0233W	*	*			*	*	1				All Air Cond. Motorola 55A alt. From Unit Nos:- 0724A, 0430B, 0431B and 0433B inclusive. 0095C

1 JUN 1982

MA7

PLATE  
Ref. No.

DESCRIPTION

PART NO.

S.1.

S.2.

ELITE

ECLAT

ELITE

ECLAT

MANUAL

AUTOMATIC

ALL

DOMESTIC

R.O.W.

FEDERAL

REMARKS

Relay

A075M6170F

\*

\*

\*

\*

1

Jumper Lead

A075M0324F

\*

\*

\*

\*

1

Extension Lead

A075M0325F

\*

\*

\*

\*

1

Engine Bay Loom

E075M0233W

\*

\*

\*

\*

1

Engine Bay Loom

CD75M0237W

\*

\*

\*

\*

1

Engine Bay Loom

E075M0237W

\*

\*

\*

1

Engine Bay Loom

F075M0237W

\*

\*

\*

\*

1

Replaced diode in Headlamp  
Circuit

Air Cond. Unit Nos:- 0746A,  
0773A to 0795A, 0848A to  
0850A and 0895A onwards.  
0456B and 0467B onwards.  
0116C onwards  
0147D, 0170D and 0173D  
onwards  
0113E onwards.  
0105F onwards. All Nos  
Inclusive

) Heater, Up to Unit Nos:-  
) 0727A, 0729A to 0771A, 0798A  
) to 0805A  
0114C  
0145D and 0182D to 0190D  
0124E and 0127E  
0106F All Nos Inclusive

Heater, From Unit Nos:-  
0728A, 0772A to 0797A,  
and 0806A onwards  
0115C onwards.  
0134D, 0146D to 0181D and  
0191D onwards.  
0125E, 0126E and 0128E  
onwards.  
0107F onwards. All Nos  
Inclusive

MA8

5 JUN 1982

PLATE Ref. No.	DESCRIPTION	PART NO.	S.1.		S.2.		MANUAL	AUTOMATIC	ALL	DOMESTIC	R.O.W.	FEDERAL	REMARKS	
			ELITE	ECLAT	ELITE	ECLAT								
	Engine Bay Loom	C083M0348F			*	*	*	*	1					
	Rubber Boot, Start. Solenoid Term.	A075M6174F	*	*			*	*	1					
	Door Loom	A075M0241Z	*	*			*	*	2					
	Door Loom	A083M0353F			*	*	*	*		2	2			
	Otter Switch Connector	A036M6415Z	*	*			*	*	2					
	Facia Loom, (with Smith Seat Belt Control A075M6151Z)	C075M0231W	*				*	*				1	Unit Nos Up to 0455B and 0457B to 0466B	
	Facia Loom (with Paktron Seat Belt Interlock A076M6005)	D075M0231W	*				*	*				1		
	Facia Loom	A075M0232W	*				*	*		1			Unit Nos Up to 0727A, 0729A to 0745A, 0747A to 0771A, 0798A to 0805A (Heaters) 0847A, 0851A to 0858A (Air Cond.).	
	Facia Loom	A075M0243W	*				*	*				1	Unit Nos Up to 0115C	
	Facia Loom	B075M0232W	*				*	*		1			Unit Nos 0728A, 0746A, 0772A to 0797A, 0806A and all Heaters onwards, 0848A to 0850A and 0859A onwards.	
	Facia Loom	E075M0231W	*				*	*				1	1	Unit Nos 0456B and 0467B onwards and 0116C onwards.
	Facia Loom	C076M0293W		*			*	*		1			Heater - Unit Nos. Up to 0133D, 0135D to 0145D and 0182D to 0190D	

5 JUN 1982

PLATE  
Ref. No.

DESCRIPTION

PART NO.

S.1.

S.2.

ELITE

ECLAT

ELITE

ECLAT

MANUAL

AUTOMATIC

ALL

DOMESTIC

R.O.W.

FEDERAL

REMARKS

Facia Loom

B076M0294W

\*

\*

\*

\*

1

Heater or Air Cond : Unit Nos -  
Up to 0113E, Air Cond  
0124E & 0127E Heater  
Up to 0104F Air Cond &  
0106F Heater.

Facia Loom RHD

D076M0293F

\*

\*

\*

\*

1

Unit Nos 0134D, 0146D to  
0181D and 0191D onwards.

Facia Loom LHD

C076M0294F

\*

\*

\*

\*

1

Unit Nos 0125E, 0126E &  
0128E onwards.  
107F onwards

Facia Loom RHD

A083M0350F

\*

\*

\*

\*

1

Facia Loom LHD

A083M0349F

\*

\*

\*

\*

Resistor, Control Illum Lamp

A075M6155Z

\*

\*

\*

\*

\*

\*

5w 50 OHM

Jumper Loom, 4 Speed Gearbox

A076M0303W

\*

\*

\*

\*

\*

Jumper Loom, Auto Gearbox

B075M0302W

\*

\*

\*

\*

\*

\*

Jumper Loom, Auto Gearbox Tunnel

A074M0226Z

\*

\*

\*

\*

\*

\*

Jumper Loom, Heater

A076M0308Z

\*

\*

\*

\*

\*

\*

Unit Nos 0547A to 0727A,  
0729A to 0771A, 0798A to  
0805A inc.  
0075C to 0114C inc.  
Up to 0133D, 0135D to 0145D,  
0182D to 0190D.  
Up to 0124E and 0127E  
Up to 0106F. All Nos  
inclusive.

JUN 1982

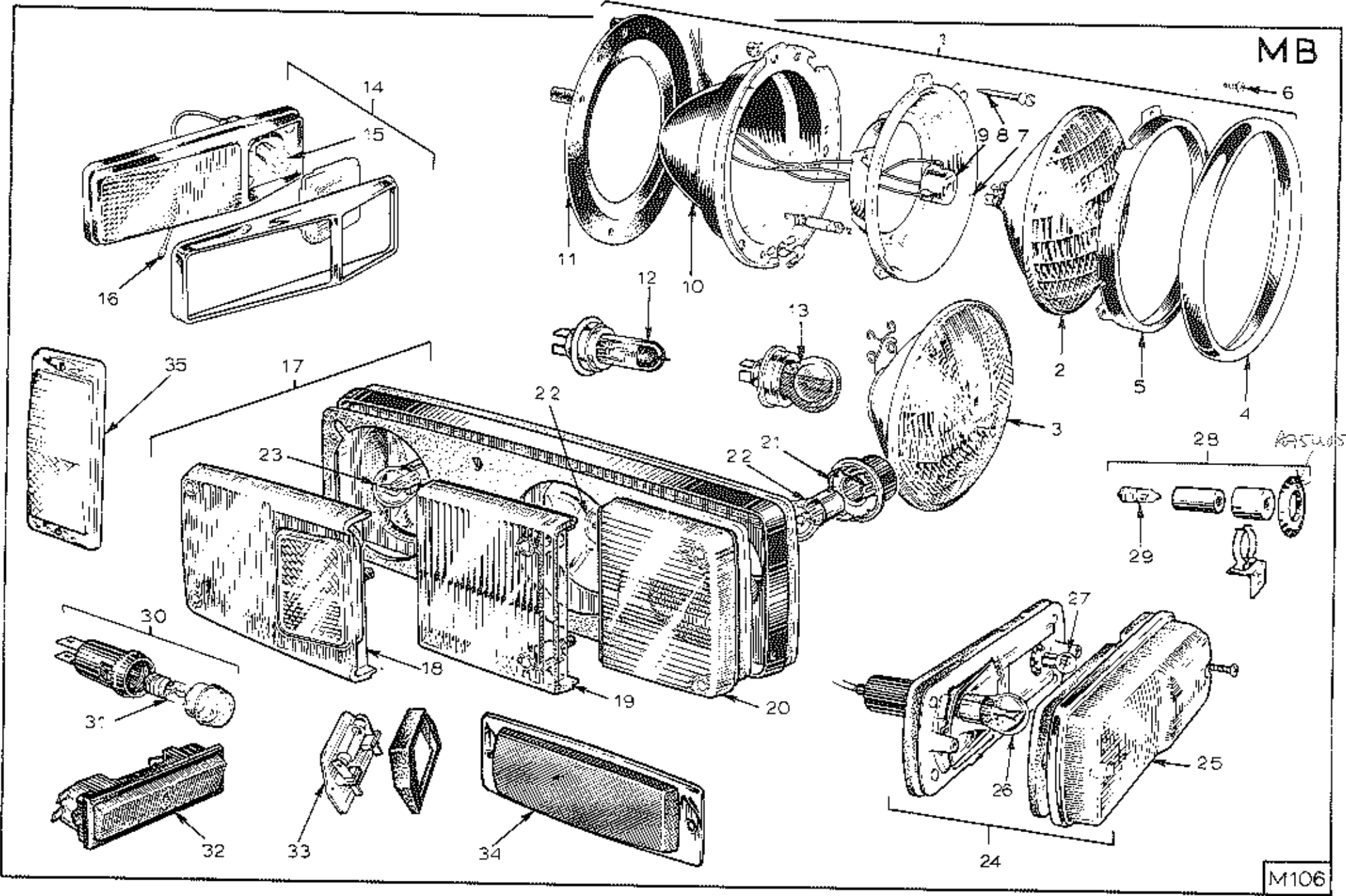
MA10



PLATE Ref. No.	DESCRIPTION	PART NO.	S.1.		S.2.		MANUAL	AUTOMATIC	ALL	DOMESTIC	R.O.W.	FEDERAL	REMARKS
			ELITE	ECLAT	ELITE	ECLAT							
	Diode Link, Compressor Clutch	A083M0386K			*	*	*	*	1				With Air Conditioning
	Diode	A075M6141Z			*	*	*	*	1				With Air Conditioning
	Screw, s/t, Diode Earth	A075W5031F			*	*	*	*	1				With Air Conditioning
	Jumper Loom, Heater (Lotus)	A075M0318F	*	*			*	*	1				Unit Nos. 0728A, 0772A to 0797A & 0806A onwards. 00308 onwards. 0115C onwards. 0146D to 0181D, 0191D onwards. 0125E, 0126E & 0128E onwards. 0107F onwards.
	Inertia Switch	A075M6161F	*	*			*	*				1	1976 Spec. Replace by A079M6133F
	Inertia Switch	A079M6133F	*	*	*	*	*	*				1	
	Jumper Loom, Inertia Switch	A075M0317F	*	*			*	*				1	1976 Spec.
	Flying Lead, Inertia Switch	A036M0142Z	*	*			*	*				1	When Inertia Switch is in Boot
	Flowlock Extension Lead	B075M0288Z	*	*			*	*	1				
	Carburettor Earth Lead	B079M4050F	*	*			*	*	1				
	Electric Door Mirror Control Loom	A079M4095F	*	*			*	*	1				
	Electric Door Mirror Toggle Switch	A079M6111F	*	*			*	*	1				(Mirror adjust)
	Electric Door Mirror Change Over Switch	A079M6112F	*	*			*	*	1				Lever Type R/B A075M0339F
	Bezel, Change-Over Switch	A079U4521F	*	*			*	*	1				
	Electric Door Mirror Change Over Switch	A075M0339F	*	*	*	*	*	*	1				Rocker Type
	Jumper Loom, Interior Lamp	A076M0400F			*	*	*	*	1				"Riviera" only
	Resistor lead Jump Harness. Cooling Fans (anti-kickdowning)	A075M0297F					*	*	1				

JUN 1982

MB



M106

PLATE Ref. No.	DESCRIPTION	PART NO.	S.1.		S.2.		MANUAL	AUTOMATIC	ALL	DOMESTIC	R.O.W.	FEDERAL	REMARKS
			ELITE	ECLAT	ELITE	ECLAT							
	Headlamp Assembly, Sealed Beam 75W/50W	B036M6419W	*	*			*	*		2			Also Japan
	Light Unit, Sealed Beam	A036M6434Z	*	*			*	*		2			Also Japan
	Headlamp Assembly, Halogen BPF	B075M6001W	*	*			*	*		2			R/B C075M6001W
	Headlamp Assembly, H4 Halogen Light Unit	C075M6001W A075M6127Z	*	*			*	*		2 2			
	Bulb, H4 Halogen	A075M6126F	*	*			*	*		2			
	Headlamp Assembly, UEC Bulb Type	A036M6078W	*	*			*	*			2		
	Headlamp Assembly, UEC Bulb Type Light Unit	A036M6079W A036M6185W	*	*			*	*			2 2		France only
	Bulb, Clear, UEC	A036M6360Z	*	*			*	*			2		
	Bulb, Yellow, UEC	A036M6361Z	*	*			*	*			2		France only
	Headlamp Assembly, H4 Halogen Light Unit	A075M6009W A075M6125Z	*	*			*	*			2 2		
	Bulb, H4 Halogen	A075M6126F	*	*			*	*			2		
	Bulb, H4 Halogen, Yellow	A079M6113F	*	*			*	*			2		France only
	Headlamp Assembly, Sealed Beam Light Unit, Sealed Beam	B036M6302W A036M6083W	*	*			*	*				2 2	
	Bezel, Headlamp	X036M6036Z	*	*			*	*	2				
	Rim, Unit Retaining	X036M6037Z	*	*			*	*	2				
	Ring, Focussing	X036M6040	*	*			*	*	2				

25 JUN 1982

MB1

PLATE Ref. No.	DESCRIPTION	PART NO.	S.1.		S.2.		MANUAL	AUTOMATIC	ALL	DOMESTIC	R.O.W.	FEDERAL	REMARKS
			ELITE	ECLAT	ELITE	ECLAT							
	Screw, Trimmer	X036M6039Z	*	*			*	*	4				
	Body, Headlamp Bowl	X036M6041Z	*	*			*	*	2				
	Gasket, Body	X036M6044Z	*	*			*	*	2				
	Screw, s/t	A075W5043Z	*	*			*	*	8				
	Spire Nut	A075W6016Z	*	*			*	*	8				
	Headlamp Assembly, Lucas, Halogen H4	A083M6246F			*	*	*	*		2			
	Light Unit, Lucas	A083M6319F			*	*	*	*		2			
	Bulb, Halogen, H4	A075M6126F			*	*	*	*		2			
	Headlamp Assembly, Lucas, Halogen H4	A083M6247F			*	*	*	*			2		
	Light Unit, Lucas	A083M6320F			*	*	*	*			2		
	Bulb, Halogen H4	A075M6126F			*	*	*	*			2		
	Tailamp Assembly, left hand	A075M6027W	*	*			*	*		1	1		
	Tailamp Assembly, right hand	A075M6026W	*	*			*	*		1	1		
	Tailamp Assembly, left hand	A075M6039W	*	*	*	*	*	*				1	Also Australia
	Tailamp Assembly, right hand	A075M6040W	*	*	*	*	*	*				1	Also Australia
	Washer, Tailamp Fix	A075W4013Z	*	*	*	*	*	*	14				
	Nut, Special, Tailamp Fix	A075M0273Z	*	*	*	*	*	*	14				
	Lens, Stop/Tail	A075M6121Z	*	*			*	*	2				

25 JUN 1982

PLATE  
Ref. No.

DESCRIPTION

PART NO.

S.1.

S.2.

ELITE

ECLAT

ELITE

ECLAT

MANUAL

AUTOMATIC

ALL

DOMESTIC

R.O.W.

FEDERAL

REMARKS

Lens, Flasher

A075M6135Z

\*

\*

\*

\*

2

2

Lens, Flasher

A075M6122Z

\*

\*

\*

\*

2

Lens, Reverse

A075M6123Z

\*

\*

\*

\*

2

Bulb Holder, Reverse & Flasher

A075M6129Z

\*

\*

\*

\*

4

Bulb Holder, Stop/Tail

A075M6128Z

\*

\*

\*

\*

2

Tailamp Assembly, left hand

A075M6215F

\*

\*

\*

\*

1

1

Not Germany

Tailamp Assembly, right hand

A075M6214F

\*

\*

\*

\*

1

1

Not Germany

Bulb, Reverse, Fog, Flasher

A036M6329Z

\*

\*

\*

\*

\*

\*

4/6

S1 Qty 4 S2 Qty 6

Bulb, Stop/Tail

A036M6331Z

\*

\*

\*

\*

\*

\*

2

Earth Lead, Tailight

A079M4061F

\*

\*

\*

\*

2

Side/Flasher Light Assembly, left hand  
(marked 'RH')

A075M6028Z

\*

\*

\*

\*

\*

\*

1

Federal with White/Amber Lens

Side/Flasher Light Assembly, right hand  
(marked 'LH')

A075M6029Z

\*

\*

\*

\*

\*

\*

1

Federal with White/Amber Lens

Lens, Side/Flasher

A075M6119Z

\*

\*

\*

\*

\*

\*

2

Federal with White/Amber Lens

Side/Flasher Light Assembly, left hand

A075M6045Z

\*

\*

\*

\*

1

Up to '76 with all Amber Lens

Side/Flasher Light Assembly, right hand

A075M6046Z

\*

\*

\*

\*

1

Up to '76 with all Amber Lens

Lens, Side/Flasher

A075M6120Z

\*

\*

\*

\*

2

Up to '76 with all Amber Lens

Nut, 2BA, Lamp Fixing

A075W3001Z

\*

\*

\*

\*

\*

\*

8

Washer, Lamp Fixing

A075W4013Z

\*

\*

\*

\*

\*

\*

8

JUN 1982

MB3

PLATE Ref. No.	DESCRIPTION	PART NO.	S.1.		S.2.		MANUAL	AUTOMATIC	ALL	DOMESTIC	R.O.W.	FEDERAL	REMARKS
			ELITE	ECLAT	ELITE	ECLAT							
	Side/Flasher Light Assembly	A079M6032Z	*	*	*	*	*	*				2	'77 on
	Lens, Side/Flasher	A079M6071F	*	*	*	*	*	*				2	'77 on
	Screw, Lamp Fixing	A075W5028Z	*	*	*	*	*	*				4	'77 on
	Bulb, Flasher	A036M6329Z	*	*	*	*	*	*	2				
	Bulb, Side	A036M6330Z	*	*	*	*	*	*	2				
	Side Marker Lamp, Red	X036M6281W	*	*	*	*	*	*	2				
	Side Marker Lamp, Amber	X036M6282W	*	*	*	*	*	*	2				
	Bulb, Side Marker	A036M6330W	*	*	*	*	*	*	4				
	Screw, Front Marker	A075W5028Z	*	*	*	*	*	*	6				
	Nut, 6 UNC, Rear Marker	A075W3052Z	*	*	*	*	*	*	6				
	Washer, Rear Marker	A075W4001Z	*	*	*	*	*	*	6				
	Earth Lead, Side Marker	B075M0242Z	*	*	*	*	*	*	4				
	Interior Light	B075M6043W	*				*	*	2				
	Bulb	A075M6144Z	*				*	*	2				
	Rear Side, Pocket Light	A036M6148W		*			*	*	2				Up to Unit No. 279D, 187E & 117F
	Bulb	A050M6168W		*			*	*	2				Up to Unit No. 279D, 187E & 117F

25 JUN 1982

MB4

PLATE  
Ref. No.

DESCRIPTION

PART NO.

S.1.

S.2.

ELITE

ECLAT

ELITE

ECLAT

MANUAL

AUTOMATIC

ALL

DOMESTIC

R.O.W.

FEDERAL

REMARKS

Rear Side Pocket Light

A076M6011F

\*

\*

2

From Unit Nos. 280D, 188E & 118F Inc.

Interior Light

A083M6291F

\*

\*

\*

\*

2/1

Elite Qty 2 Eclat Qty 1

Bulb, 12V 6W Festoon

A083M6292F

\*

\*

\*

\*

2/1

Elite Qty 2 Eclat Qty 1

Boot Light

A075M6043W

\*

\*

\*

1

Bulb

A075M6144Z

\*

\*

\*

1

Boot Light

A036M6148W

\*

\*

\*

1

Up to Unit Nos. 279D, 187E 117F

Bulb

A050M6168W

\*

\*

\*

1

Up to Unit Nos. 279D, 187E 117F

Boot Light c/w Switch

A075M6136Z

\*

\*

\*

1

From Unit Nos. 280D, 188E & 118F

Boot Light

A083M6291F

\*

\*

\*

1

Bulb, 12V 6W Festoon

A083M6292F

\*

\*

\*

1

Boot Light

A076M6015F

\*

\*

\*

1

Screw s/t No 6, Light Fixing

A075W5027Z

\*

\*

\*

2

Nut, Spire, Light Fixing

A075W6013Z

\*

\*

\*

2

Number Plate Light Assembly

A075M6025Z

\*

\*

\*

\*

\*

\*

2

Gasket, Number Plate Light

A075M0256Z

\*

\*

\*

\*

\*

\*

2

Screw, Light Fix

A075W5016Z

\*

\*

\*

\*

\*

\*

4

Door Ajar Light

A082M6155F

\*

\*

\*

\*

2

Shield, Door Ajar Light

A082M4105F

\*

\*

\*

\*

2

JUN 1981

MB5

PLATE  
Ref. No.

DESCRIPTION

PART NO.

S.1.

S.2.

ELITE

ECLAT

ELITE

ECLAT

MANUAL

AUTOMATIC

ALL

DOMESTIC

R.O.W.

FEDERAL

REMARKS

Screw, Light Fixing

A075W5027Z

\* \*

\* \*

4

Nut, Spire

A079W6024F

\* \*

\* \*

4

Reflector, Door

X036M6092Z

\* \*

\* \*

2

Screw, Reflector Fix

A075W5033Z

\* \*

\* \*

4

Fig 28

Switch Illumination Lamp

A075M6066Z

\* \*

\* \*

1

Resistor, Switch Illumination Lamp

A075M6155Z

\* \*

\* \*

1

Bulb, Switch Illumination Lamp

A075M6111Z

\* \*

\* \*

1

Glove Box Light

A075M6035W

\* \*

\* \*

\* \*

1

Under Bonnet Light

A075M6085Z

\* \*

\* \*

1

Under Bonnet Light c/w Switch

A075M6136Z

\* \*

\* \*

\* \*

1

Screw, s/t, Light Fixing

A075W5033Z

\* \*

\* \*

\* \*

2

Rear Fog Lamp

A075M6235F

\* \*

\* \*

2

Bracket, Rear Fog Lamp, left hand

A075M6237F

\* \*

\* \*

1

Bracket, Rear Fog Lamp, right hand

A075M6238F

\* \*

\* \*

1

Harness, Rear Fog Lamp

A075M0357F

\* \*

\* \*

1

)  
)  
)  
)

Where Fitted

25 JUN 1982

MB6



MC

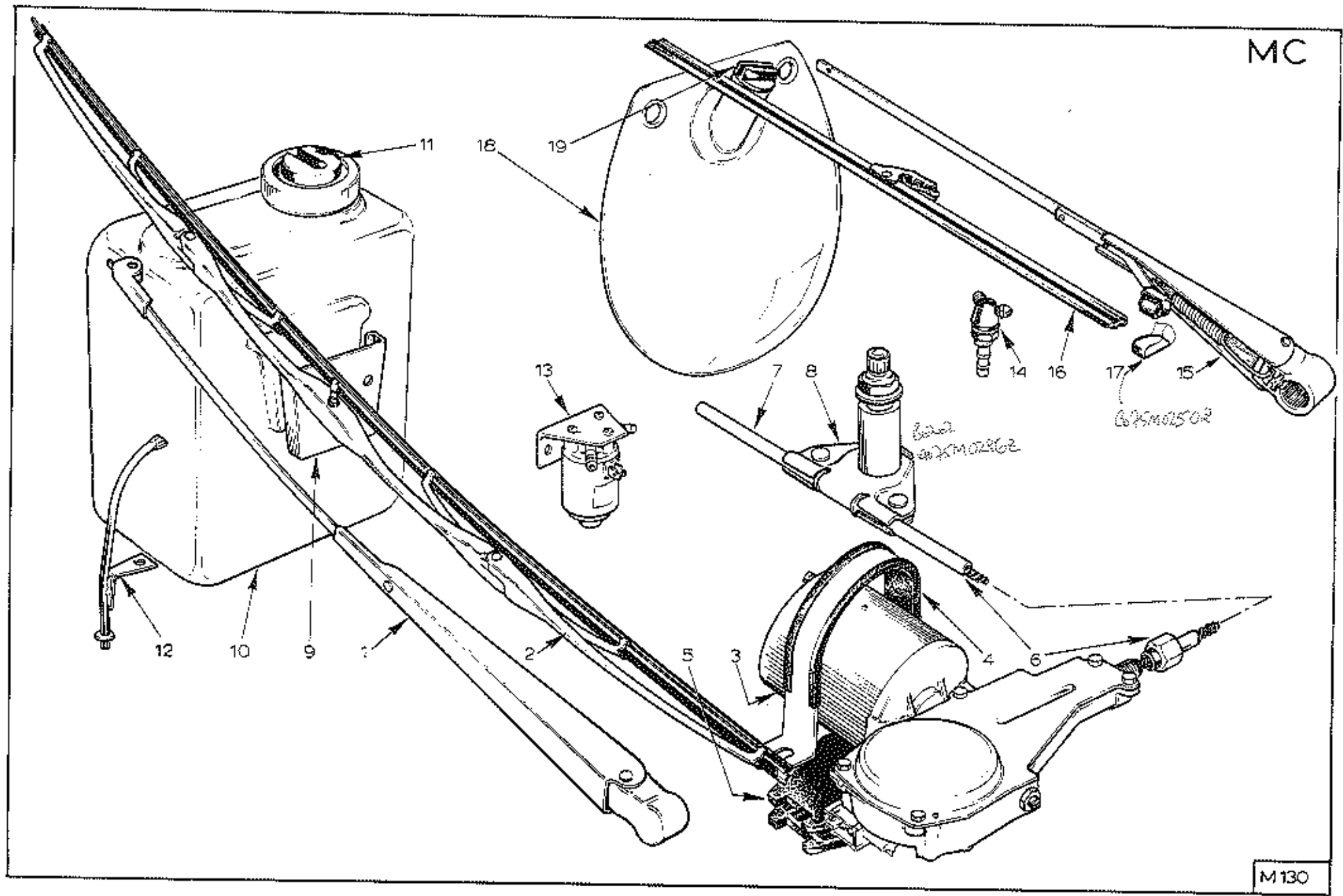


PLATE Ref. No.	DESCRIPTION	PART NO.	S.1.		S.2.		MANUAL	AUTOMATIC	ALL	DOMESTIC	R.O.W.	FEDERAL	REMARKS
			ELITE	ECLAT	ELITE	ECLAT							
	Wiper Arm, front	A075M6019ZL	*				*	*	1				R/B arm A075M6146 + Blade A079M6015
	Wiper Blade, front	A075M6020ZE	*				*	*	1				
MC1	Wiper Arm, front	A075M6146FG	*	*			*	*	1				
MC2	Wiper Blade, front, polished	A075M6147F	*	*			*	*	1				R/B A079M6015F, black
	Wiper Arm, front	A083M6226F			*	*	*	*	1				
	Wiper Blade, front, black	A079M6015F			*	*	*	*	1				
MC3	Wiper Motor, front, c/w Clamp & Pads	A075M6021W	*				*	*	1				R/B B 075M6148F
	Wiper Motor, front, c/w Clamp & Pads	B075M6148F	*	*			*	*	1				Improved angle of wipe
	Wiper Motor, front, c/w Clamp & Pads	B083M6224F			*	*	*	*	1				
MC4	Clamp, Wiper Motor	X046M6151Z	*	*			*	*	1				
MC5	Pad, Motor to Body	X046M6136Z	*	*			*	*	2				
	Setscrew, M6 x 16, Motor fixing	A075W1028Z	*	*	*	*	*	*	2				
	Jacknut, M6, Motor fixing	A075W3031Z	*	*	*	*	*	*	2				
MC6	Bundy Pipe, Motor to Wheelbox	A075M0240Z	*	*	*	*	*	*	1				
	Bundy Pipe, Wheelbox run-out	X026M0012Z	*	*	*	*	*	*	1				
	Wheelbox, Wiper, front	A075M6022ZW	*	*			*	*	1				2 3/4" Spindle length
	Wheelbox, Wiper, front	B076M0309F	*	*			*	*	1				2" Spindle length
	Wheelbox, Wiper, front	B083M6227F			*	*	*	*	1				
	Bracket, Wheelbox Mounting	A076M0310F	*	*	*	*	*	*	2				

5 JUN 1982

MC1

PLATE Ref. No.	DESCRIPTION	PART NO.	S.1.		S.2.		MANUAL	AUTOMATIC	ALL	DOMESTIC	R.O.W.	FEDERAL	REMARKS
			ELITE	ECLAT	ELITE	ECLAT							
	Wiper Arm, rear	A075M0257Z	*				*	*	1				
	Wiper Blade, rear	A075M0258Z	*				*	*	1				
	Ramp, Rear Arm Parking	B075M0250Z	*				*	*	1				
	Wiper Motor, rear c/w Clamp & Pads	B075M6011W	*				*	*	1				
	Clamp, Wiper Motor	X046M6151Z	*				*	*	1				
	Pad, Motor to Body	X046M6136Z	*				*	*	2				
	Setscrew, M6 x 16, Motor fixing	A075W1028Z	*				*	*	2				
	Jacknut, M6, Motor fixing	A075W3031Z	*				*	*	2				
	Bundy Pipe, Rear Motor to Wheelbox	B075M0246Z	*				*	*	1				
	Bundy Pipe, Rear Wheelbox run out	A075M0274Z	*				*	*	1				
	Wheelbox, Rear Wiper	A075M6061Z	*				*	*	1				
	Sealing Ring, Wheelbox Spindle	A075M0333F	*				*	*	1				
	Bezel, rear Wheelbox	A075M0286Z	*				*	*	1				
	Bracket, Wheelbox anti-rotation	A075M0334F	*				*	*	1				
	Wiper Arm, rear	A083M6243F			*		*	*	1				
	Wiper Blade, rear	A083M6244F			*		*	*	1				
	Wiper Motor, rear	A083M0422K			*		*	*	1				
	Bracket, Rear Wiper Motor Mounting	A083M0366K			*		*	*	1				
	Spire Nut, Motor Bracket/Body	A079W6165F			*		*	*	2				
	'J' Clip Retainer, 1/2" UNF	A079W6167F			*		*	*	2				
	Spire Bolt, Motor Bracket/Body	A079W6166F			*		*	*	2				
5 JUN 1982	Screw, Allen, 1/2" UNF, Bracket/Body	A075W7000F			*		*	*	2				

PLATE Ref. No.	DESCRIPTION	PART NO.	S.1.		S.2.		MANUAL	AUTOMATIC	ALL	DOMESTIC	R.O.W.	FEDERAL	REMARKS
			ELITE	ECLAT	ELITE	ECLAT							
	Washer, flat, Motor Bracket/Body	A075W4065F			*		*	*	2				
	Bush, Shouldered, Motor to Bracket	A083M6279F			*		*	*	1				
	Grammet, Rubber, Motor to Bracket	A083M6280F			*		*	*	1				
	Washer, flat, Motor to Bracket	A083M6282F			*		*	*	3				
	Washer, lock, Motor to Bracket	A083M6283F			*		*	*	3				
	Bolt, M6, Motor to Bracket	A083M6281F			*		*	*	3				
	Rotary Link, Rear Wiper Motor	A083M0367F			*		*	*	1				
	Intermediate Link	A083M0362K			*		*	*	1				Motor Link to Swivel Link
	Bush, Nylon, Intermediate Link	A083M6266F			*		*	*	2				
	Washer, Flat, M8, Link Connecting	A075W4020F			*		*	*	2				
	'R' Pin, Link Connecting	A075W6175F			*		*	*	2				
	Swivel Link	A083M0365F			*		*	*	1				
	Wavy Washer, Swivel Link Pivot	A083M6254F			*		*	*	1				
	Coil Spring, Swivel Link Pivot	A083M6264F			*		*	*	1				
	Washer Flat, Swivel Link Pivot	A083M6252F			*		*	*	1				
	Circlip, Swivel Link Pivot	A083M6255F			*		*	*	1				
	Cover, ABS, Rear Wiper Motor	A083U1246K			*		*	*	1				
	Screw s/t No. 4 Cover to Body	A075W5008F			*		*	*	1				
	Spindle/Housing Assembly, Rear Wiper	A083M0361F			*		*	*	1				
	Washer, Steel, Spindle Housing (inner)	A083M6276P			*		*	*	1				
	Washer, Rubber, Spindle Housing (inner)	A083M6277P			*		*	*	1				

5 JUN 1982

MC3

PLATE  
Ref. No.

DESCRIPTION

PART NO.

S.1.

S.2.

ELITE

ECLAT

ELITE

ECLAT

MANUAL

AUTOMATIC

ALL

DOMESTIC

R.O.W.

FEDERAL

REMARKS

Spacer, Spindle Housing thro' Glass  
Stop Plate, Rear Wiper Spindle  
Cover, ABS, Interior, Wiper Spindle  
Nut, Spindle Housing, Interior  
Rubber Seal, Housing/Glass, Interior  
Rubber Seal, Housing/Glass, Exterior  
Escutcheon, Spindle Housing, Exterior  
Spacer, Nut to Escutcheon  
Nut, Spindle Housing, Exterior  
Locknut, M8, Wiper Arm, Retaining

A083U6105F  
A083M0368F  
A083U6103F  
A083M6275F  
A083U6103F  
A083U6102F  
A083U6101F  
A083U6106F  
A083M6275F  
A075W3026F

\* \* \* \* \*  
\* \* \* \* \*  
\* \* \* \* \*  
\* \* \* \* \*  
\* \* \* \* \*  
\* \* \* \* \*  
\* \* \* \* \*  
\* \* \* \* \*  
\* \* \* \* \*  
\* \* \* \* \*  
\* \* \* \* \*  
\* \* \* \* \*  
\* \* \* \* \*  
\* \* \* \* \*  
\* \* \* \* \*  
\* \* \* \* \*  
\* \* \* \* \*  
\* \* \* \* \*  
\* \* \* \* \*

Washer Bottle, Windscreen  
Filler Cap, Washer Bottle  
Pick Up Tube and Non Return Valve  
Washer Pump  
Screw, Pump Fixing  
Washer Pump & Reservoir

A075M6023Z  
A075M6070Z  
A075M6071W  
A075M6149Z  
A075W5034Z  
A083M6221F

2/1  
4/2  
2/1

Elite Stage II Body Qty 2  
Elite Qty 2 Eclat Qty 1  
Elite Qty 4 Eclat Qty 2  
Elite Qty 2 Eclat Qty 1

MC4

5 JUN 1982

PLATE Ref. No.	DESCRIPTION	PART NO.	S.1.		S.2.		MANUAL	AUTOMATIC	ALL	DOMESTIC	R.O.W.	FEDERAL	REMARKS	
			ELITE	ECLAT	ELITE	ECLAT								
	Mounting Bracket, Washer Bottle	A075M6069Z	*	*	*	*	*	*	1				Elite S2 and Elite S1 with Stage II Body - double Qty	
	Screw s/t, Bracket Fix	A075W5034Z	*	*	*	*	*	*	2					
	Bush, Bracket Fix	A075W6039Z	*	*	*	*	*	*	2					
	Insert, Washer Bottle Top	A083M6289F			*	*	*	*	2/1					Elite Qty 2 Eclat Qty 1
	Valve, Anti-Syphon	A083M6290F			*	*	*	*	2/1					Elite Qty 2 Eclat Qty 1
	Hose, 4mm diameter	A050M6164V			*	*	*	*	A/R					
	'T' Piece	A075M6118Z			*	*	*	*	1					
	Washer, Jet, Front	A075M0247Z	*		*	*	*	*	2					
	Washer, Jet, Front	A076M6012F		*			*	*	2					
	Bag, Washer Reservoir, Rear	X036B6160Z	*				*	*	1					Stage 1 Body only
	Cap, Pipe & Non Return Valve	X036B6161Z	*				*	*	1					
	Bag Holder & Battery Clamp	B075U0326Z	*				*	*	1					
	Washer Jet, Rear	A050M6198Z	*		*		*	*	1					

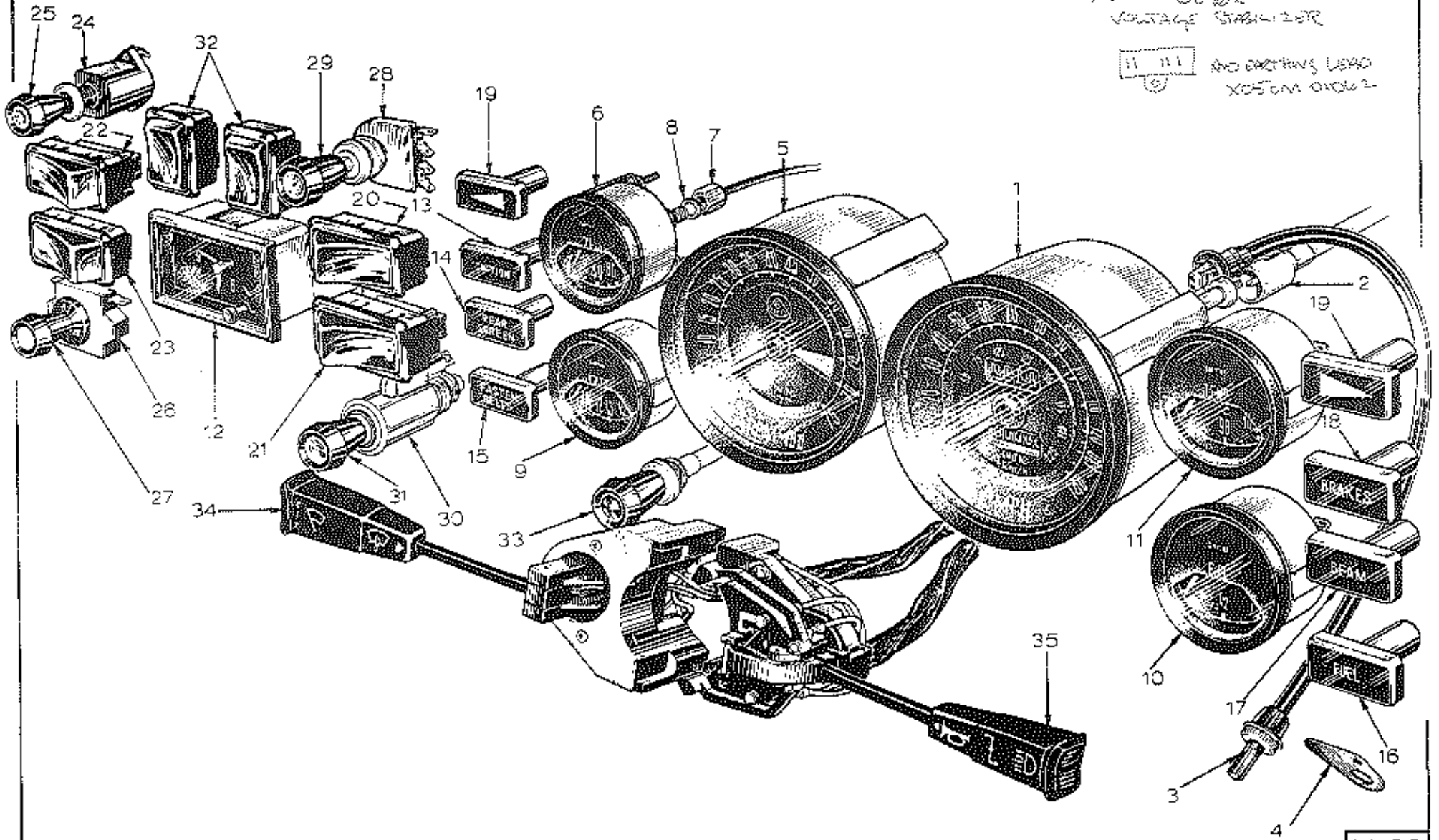
MC5

5 JUN 1982

MD

XO50M 01062  
VOLTAGE STABILIZER

11 111  
NO WAXING LEAD  
XO50M 01062



M109

4 SPEED SPRINT  
(4.1)

SPEEDS 1075/160/52  
2.11

(1000 RPM) (2.5M)

Lotus Pt. No.	SHIFTS Code No.	DIFF.	DRIVEN GEAR (Ratio)	MODEL	REMARKS.
B07SN6001 MPH	SNT/6201/32/960	3.7	5:17	5 speed or AUTOMATIC M50/52	USE UP THESE ON M50's AND 5 speed M52's FIRST (OLD STOCK)
B07SN6002 KPH	SNT/6201/33/5975	3.7	5:17	5 speed or AUTOMATIC M50/52	
B07SN6005 MPH	SNT/6201/34/1060	4.1	5:17	5 speed or AUTOMATIC M50/52	
B07SN6006 KPH.	SNT/6201/35/660	4.1	5:17	5 speed or AUTOMATIC M50/M52	
A07LN6003 KPH	SNT 6201/17/620 OR 265212 - 625	3.7	6:20	4 speed M52	4 speed Box/Must have
		3.7	5:17	5 speed or AUTOMATIC M50/52	FIT ONLY WHEN OLD STOCK USED UP.
		4.1	5:18		
A07LN6004 MPH	SNT 6201/36/1000	3.7	6:20	4 speed M52	4 sp. Box MUST HAVE
		3.7	5:17	5 speed or AUTOMATIC	FIT ONLY WHEN OLD
		4.1	5:18	M50/52	STOCK USED UP.

CONTACT MR. OR STENOGRAPHER

Detail Sheet No: 3 of 4-

LOTUS ENGINEERING ENGINEERING INSTRUCTION NO: 27M



PLATE Ref. No.	DESCRIPTION	PART NO.	S.1.		S.2.		MANUAL	AUTOMATIC	ALL	DOMESTIC	R.O.W.	FEDERAL	REMARKS
			ELITE	ECLAT	ELITE	ECLAT							
MD 1	Speedometer MPH, red needle (960 rev/mile)	B075N 6001 ZG	*	*			5*	*					3.7 Diff. 5/17T Speedo gears
	Speedometer MPH, red needle (1060)	A075N 6015 Z	*	*			5*	*					4.1 Diff. 5/17T Speedo gears
	Speedometer MPH, red needle (1000)	A076N 6004 FG	*	*			5*	*					} 3.7 Diff. 5/17T Speedo gears } 4.1 Diff. 5/18T Speedo gears
	Speedometer MPH, white needle (1000)	A075N 6029 F	*	*			5*	*					
	Speedometer MPH, red needle (1000)	A076N 6004 FG		*			4*						3.7 Diff. 6/20T Speedo gears
	Speedometer MPH, red needle (1060)	A075N 6015 Z		*			4*						4.1 Diff. 6/20T Speedo gears
	Speedometer 85 MPH	A075N 6030 F	*	*			5*	*					3.7 : 17T 4.1 : 18T
	Speedometer KPH, red needle (587.5)	B075N 6002 ZA	*	*			5*	*					3.7 Diff. 5/17T Speedo gears
	Speedometer KPH, red needle (660)	A075N 6016 FB	*	*			5*	*					4.1 Diff. 5/17T Speedo gears
	Speedometer KPH, red needle (620)	A076N 6003 F	*	*			5*	*					} 3.7 : 17T } 4.1 : 18T
	Speedometer KPH, white needle	A075N 6032 F	*	*			5*	*					
	Speedometer KPH, white needle (625)	A079N 6033 F	*	*			5*	*					} 3.7 Diff. 6/20T Speedo gears } 4.1 Diff. 6/20T Speedo gears
	Speedometer KPH, red needle (620)	A076N 6003 F		*			4*						
	Speedometer KPH, red needle (660)	A075N 6016 FB		*			4*						4.1 Diff. 6/20T Speedo gears
	Speedometer 140 MPH	A075N 6029 F			*	*	*	*					White illumination Green illumination Replaced by A079N 6033F White illumination Green illumination
	Speedometer 170 MPH	A082N 6040 F			*	*	*	*					
	Speedometer 220 KPH	A075N 6032 F			*	*	*	*					
	Speedometer 265 KPH	A079N 6033 F			*	*	*	*					
	Speedometer 260 KPH	A082N 6041 F			*	*	*	*					

PLATE Ref. No.	DESCRIPTION	PART NO.	S.1.		S.2.		MANUAL	AUTOMATIC	ALL	DOMESTIC	R.O.W.	FEDERAL	REMARKS
			ELITE	ECLAT	ELITE	ECLAT							
MD1	Speedometer, MPH, Red Needle (960 Revs/Mile)	B075N6001ZG	*	*			5*	*		1		1	3.7 Diff. 5/17T Speedo Gears
	Speedometer, MPH, Red Needle (1060)	A075N6015Z	*	*			5*	*		1		1	4.1 Diff. 5/17T Speedo Gears
	Speedometer, MPH, Red Needle (1000)	A076N6004FG	*	*			5*	*		1		1	3.7 Diff. 5/17T Speedo Gears
	Speedometer, MPH, White Needle (1000)	A075N6029F	*	*			5*	*		1		1	4.1 Diff. 5/18T Speedo Gears
	Speedometer, MPH, Red Needle (1000)	A076N6004FG		*			4*			1		1	3.7 Diff. 6/20T Speedo Gears
	Speedometer, MPH, Red Needle (1060)	A075N6015Z		*			4*			1		1	4.1 Diff. 6/20T Speedo Gears
	Speedometer, 85 MPH	A075N6030F	*	*			5*	*				1	3.7:17T, 4.1:18T
	Speedometer, KPH, Red Needle (587.5)	B075N6002ZA	*	*			5*	*			1		3.7 Diff. 5/17T Speedo Gears
	Speedometer, KPH, Red Needle (660)	A075N6016FB	*	*			5*	*			1		4.1 Diff. 5/17T Speedo Gears
	Speedometer, KPH, Red Needle (620)	A076N6003F	*	*			5*	*			1		R/B A079N6033F } 3.7:17T 4.1:18T
	Speedometer, KPH, White Needle	A075N6032F	*	*			5*	*			1		
	Speedometer, KPH, White Needle (625)	A079N6033F	*	*			5*	*			1		
	Speedometer, KPH, Red Needle, (620)	A076N6003F		*			4*				1		3.7 Diff. 6/20T Speedo Gears
	Speedometer, KPH, Red Needle, (660)	A075N6016FB		*			4*				1		4.1 Diff. 6/20T Speedo Gears
	Speedometer, 140 MPH	A075N6029F			*	*	*	*			1		White Illumination
	Speedometer, 170 MPH	A079N6032F			*	*	*	*			1		White Illumination
	Speedometer, 170 MPH	A082N6040F			*	*	*	*			1		Green Illumination
	Speedometer, 220 KPH	A075N6032F			*	*	*	*				1	Replaced by A079N6033F
	Speedometer, 265 KPH	A079N6033F			*	*	*	*				1	White Illumination
	Speedometer, 260 KPH	A082N6041F			*	*	*	*				1	Green Illumination

PLATE Ref. No.	DESCRIPTION	PART NO.	S.1.		S.2.		MANUAL	AUTOMATIC	ALL	DOMESTIC	R.O.W.	FEDERAL	REMARKS
			ELITE	ECLAT	ELITE	ECLAT							
MD2	Speedo Cable	B075N6009ZG	*	*			*	*	1				
	Speedo Cable	A083N6033F			*	*	*	*	1				
MD3	Trip Reset Cable	X054N6009ZD	*	*			*	*	1				
MD4	Bracket, trip Reset Cable	A054B1463ZL	*	*			*	*	1				Early cars only
MD5	Tachometer, red needle	A075N6003ZF	*	*			*	*	1				
	Tachometer, white needle	A079N6022F	*	*	*	*	*	*	1				White illumination
	Tachometer, white needle	A082N6042F			*	*	*	*	1				Green illumination
	Clamp, Tacho Retaining	B075N0032Z	*	*	*	*	*	*	1				
	Bracket, Speedo/Tacho	A075N0033Z	*	*			*	*	1				
MD6	Oil Pressure Gauge, red needle	A075N6007ZD	*	*			*	*	1				
	Oil Pressure Gauge, white needle	A079N6026F	*	*	*	*	*	*	1				White illumination
	Oil Pressure Gauge, white needle	A082N6046F			*	*	*	*	1				Green illumination
MD7	Pipe, Oil Pressure Gauge	B026N0003ZB	*	*	*	*	*	*	1				
MD8	Washer, Cork, Oil Pipe	A036N6000ZD	*	*	*	*	*	*	1				
MD9	Battery Condition Gauge, red needle	A075N6008ZJ	*	*			*	*	1				
	Battery Condition Gauge, white needle	A079N6025F	*	*	*	*	*	*	1				White illumination
	Battery Condition Gauge, white needle	A082N6045F			*	*	*	*	1				Green illumination
M10	Fuel Gauge, red needle	A076N6005FA	*	*			*	*	1				
	Fuel Gauge, white needle	A079N6024F	*	*	*	*	*	*	1				White illumination
	Fuel Gauge, white needle	A082N6044F			*	*	*	*	1				Green illumination

NOV 1984

MD2

PLATE Ref. No.	DESCRIPTION	PART NO.	S.1.		S.2.		MANUAL	AUTOMATIC	ALL	DOMESTIC	R.O.W.	FEDERAL	REMARKS
			ELITE	ECLAT	ELITE	ECLAT							
MD11	Fuel Gauge, 'unleaded', red needle	A076N6006FF	*	*			*	*				1	
	Fuel Gauge, 'unleaded', white needle	A075N6031F	*	*			*	*				1	White illumination
	Fuel Gauge, 'unleaded', white needle	A082N6048F	*	*			*	*				1	Green illumination
	Water Temperature Gauge, red needle	A075N6006ZK	*	*			*	*					
	Water Temperature Gauge, white needle	A079N6023F	*	*	*	*	*	*					White illumination
	Water Temperature Gauge, white needle	A082N6043F	*	*	*	*	*	*					Green illumination
	Thermal Transmitter, Temperature Gauge	A050M6136F	*	*	*	*	*	*					
	Voltage Stabilizer	A050M6096ZE	*	*			*	*					Up to intro. of 'white needle' instruments
MD12	Voltage Stabilizer	A079N6027F	*	*	*	*	*	*				1	
	Clock, Time	B075N6005Z	*	*			*	*				1	
	Clock, Digital	A083M6217F			*	*	*	*				1	
	Bracket, Clock Mounting	A083U1200K			*	*	*	*				1	
	Nut, 10UNE, Bracket Fix	A075W3013F			*	*	*	*				1	
	Protection Kit, Clock	A083M0395W			*	*	*	*				1	
MD13	Ignition Warning Lamp	A075M6055ZD	*	*			*	*				1	
MD14	Rear Screen Heater Warning Lamp	A075M6008ZL	*	*			*	*				1	
MD15	Fasten Belts Warning Lamp	A074M6013Z	*	*			*	*				1	Not Australia
MD16	Low Fuel Warning Lamp	A075M6053ZE	*	*			*	*				1	
MD17	Main Beam Warning Lamp	A075M6054ZK	*	*			*	*				1	
MD18	Brakes Warning Lamp	A075M6056ZJ	*	*			*	*				1	

SMITHS KENZLE HAS  
APPROXIMATE FOR BUS ABOVE IN ROAD.

Inc. Relay, Dinde, Cap Loom

PLATE Ref. No.	DESCRIPTION	PART NO.	S.1.		S.2.		MANUAL	AUTOMATIC	ALL	DOMESTIC	R.O.W.	FEDERAL	REMARKS
			ELITE	ECLAT	ELITE	ECLAT							
	Parking Brake Warning Lamp	A075M6202F	*	*			*	*					Australia only. Jump loom A075M0337F
	Turn Warning Lamp - Green	A075M6052ZL	*	*			*	*	2				Except Germany
	Turn Warning Lamp - Red	A075M6042Z	*	*			*	*			2		Germany only
	Warning Lamp Assembly, right hand	A082N4004F			*	*	*	*		1	1		
	Warning Lamp Assembly, right hand	A082N4006F			*	*	*	*				1	
	Warning Lamp Assembly, left hand	A082N4005F			*	*	*	*	1				Without 'Hazard' warning
	Warning Lamp Assembly, left hand	A082N4008F			*	*	*	*	1				With 'Hazard' warning and combined Fuel/Choke
	Screw, Warning Lamp Fixing	A075W5015Z			*	*	*	*	4				
MD20	Hazard Warning Switch	A075M6031ZE	*	*			*	*	1				
	Hazard Warning Switch	A075M6213F			*	*	*	*	1				
MD21	Heated Rear Screen Switch	A075M6010ZK	*	*			*	*	1				
	Heated Rear Screen Switch	A075M6212F			*	*	*	*	1				
MD22	Rear Screen Washer Switch	A075M6016ZG	*				*	*	1				
	Rear Screen Washer Switch	A075M6208F			*		*	*		1	1		
MD23	Rear Screen Wiper Switch	A075M6017ZA	*				*	*	1				
	Rear Screen Wiper Switch	A083M6307J			*		*	*		1	1		
MD24	Light Switch C/W Bezel	A050M6219WC	*	*			*	*	1				
MD25	Light Switch Knob	A036B6008Z	*	*			*	*	1				

NOV 1984

MD4

PLATE Ref. No.	DESCRIPTION	PART NO.	S.1.		S.2.		MANUAL	AUTOMATIC	ALL	DOMESTIC	R.O.W.	FEDERAL	REMARKS
			ELITE	ECLAT	ELITE	ECLAT							
MD26	Light Switch	B079M6134			*	*	*	*		1	1		<i>(ELITE WITH HEATER)</i> Replaced by A075M6172F with Knob A075M0320F (Heater) or A075M0319F (ACU). Connect as follows: 1 - orange, 3 - yellow/purple 4 - yellow/brown, 5 - green/yellow  From Unit Nos. 0728A, 0772A to 0797A, 0806A on, 0115C on, Inc.  From Unit Nos. 0746A, 0773A to 0795A, 0848A to 0850A & 0859A on, 0456B & 0467B on, 0456B & 0467B on, 0116 on, 0147D, 0170D & 0173D on, 0114E, 0125E, 0126 & 0128E on, 0105F & 0107F on, All inc
	Light Switch	A079M6170J			*	*	*	*				1	
	Clip, Bulbholder, Light Switch	A079M6135F			*	*	*	*	1				
	Fan Speed Switch, Rotary <i>(DELANAAR)</i>	A075M6033ZD	*				*	*	1				
MD27	Screw, Fan Speed Switch	A075M6067ZJ	*				*	*	1				
	Fan Speed Switch, <i>(Rocker)</i> 2 Speed	A076M6003Z		*			*	*	1				
	Fan Speed Knob & Bezel Assembly	A075M0245WG	*				*	*	1				
	Fan Speed Switch - Heater <i>(CS 209)</i>	A075M6172F	*		*	*	*	*	1				
	Knob Assembly	A075M0320F	*				*	*	1				
	Knob	A082P6023F			*	*	*	*	1				
	Fan Speed Switch - Air Conditioning <i>(CS 206)</i>	A075M6169F	*	*			*	*	1				
	Knob Assembly	A075M0319F	*	*			*	*	1				
	Fan Speed Switch - Air Conditioning	A083M6258F			*	*	*	*	1				
	Knob, Fan Switch	A082P6023F			*	*	*	*	1				

PLATE Ref. No.	DESCRIPTION	PART NO.	S.1.		S.2.		MANUAL	AUTOMATIC	ALL	DOMESTIC	R.O.W.	FEDERAL	REMARKS
			ELITE	ECLAT	ELITE	ECLAT							
	Tubing, Plastic, 4mm I/D, knob Fix	A050M6164V			*	*	*	*	22mm				
	'D' Insert, Knob Fix	A083M6278F			*	*	*	*					
MD28	Panel Light Rheostat C/W Bezel	A075M6032ZK	*	*			*	*					
MD29	Knob, Panel Light Rheostat	A074M0227ZG	*	*			*	*					
	Panel Light Rheostat	A083M6220F			*	*	*	*					
	Knob, Panel Light Rheostat	A083M6259			*	*	*	*					
MD30	Cigar Lighter, Outer	A036M6031ZL	*	*			*	*					
MD31	Cigar Lighter, Inner	A036M6032ZE	*	*			*	*					
	Cigar Lighter, inner and outer	A079M6123F			*	*	*	*					
	Illumination Ring, Cigar Lighter	A079M6124F			*	*	*	*					
MD32	Window Switches	A075M6058ZH	*	*			*	*	2				
	Window Switch	B079M6068F			*	*	*	*		2	2		
	Clip, Switch Fixing	A079U4567F			*	*	*	*	2				
MD34	Wipe - Wash Switch, LHS of Column Symbols	A075M6073F	*	*			*	*		1	1		Male Pins in Female Conn. Block
	Wipe - Wash Switch, LHS of Column Symbols	B075M6073ZF	*	*	*	*	*	*		1	1		Female Pins in Male Conn. Block
	Wipe - Wash Switch, LHS of Column Script	A075M6050Z	*	*			*	*				1	Male Pins in Female Conn. Block
	Wipe - Wash Switch, RHS of Column Script	B075M6050Z	*	*			*	*				1	Male Pins in Female Conn. Block
	Wipe - Wash Switch, RHS of Column Script	C075M6050Z	*	*	*	*	*	*				1	Female Pins in Male Conn. Block

NOV 1984

MD6

PLATE Ref. No.	DESCRIPTION	PART NO.	S.1.		S.2.		MANUAL	AUTOMATIC	ALL	DOMESTIC	R.O.W.	FEDERAL	REMARKS
			ELITE	ECLAT	ELITE	ECLAT							
MD35	Dip, Horn, Indicator Switch. RHS of Column - Symbols	C075M6072Z	*	*	*	*	*	*		1	1		Male Pins in Female Conn. Block
	Dip, Horn, Indicator Switch. RHS of Column - Script	C075M6049Z	*	*			*	*				1	Male Pins in Female Conn. Block
	Dip, Horn, Indicator Switch. LHS of Column - Script	D075M6049Z	*	*	*	*	*	*				1	Male Pins in Female Conn. Block
	Clamp, Switch to Steering Column	B075M6051Z	*	*	*	*	*	*					
	Spacer, Switch to Column	B079M4017F	*	*	*	*	*	*	1				
	Screw, Wipe Switch/Clamp	A075M6074ZL	*	*	*	*	*	*	2				
	Screw, Dip Switch/Clamp	A075M6075ZE	*	*	*	*	*	*	2				
	Striker, Indicator cancelling	A075M6038Z	*	*	*	*	*	*	1				
	Mirror Changeover Switch	A079M6112F	*	*			*	*	2				'Lever' Type
	Mirror Changeover Switch	A075M0339F	*	*	*	*	*	*	2				'Rocker' Type
	Rear Fog Light Switch	A075M6236F	*	*			*	*	1				Where fitted
	Rear Fog Light Switch	A075M6206J			*	*	*	*		1	1		
	Rear Interior Light Switch. Script	A075M6210F		*		*	*	*	1				
	Rear Interior Light Switch. Symbol	A084M6018J				*	*	*		1	1		
	Headlight Wash Switch	A075M6207J				*	*	*				1	
	Light Source, Fibre Optics	B079M6099F			*	*	*	*	1				
	Bulb, Light Source	A075M6216F			*	*	*	*	1				

NOV 1984



PLATE  
Ref. No.

DESCRIPTION

PART NO.

S.1.

S.2.

ELITE

ECLAT

ELITE

ECLAT

MANUAL

AUTOMATIC

ALL

DOMESTIC

R.O.W.

FEDERAL

REMARKS

Light Guide, Fibre Optic  
Clip, Light Guide

B079M6098F  
A079M6100F

\*

\*

\*

\*

5/4

\*

\*

\*

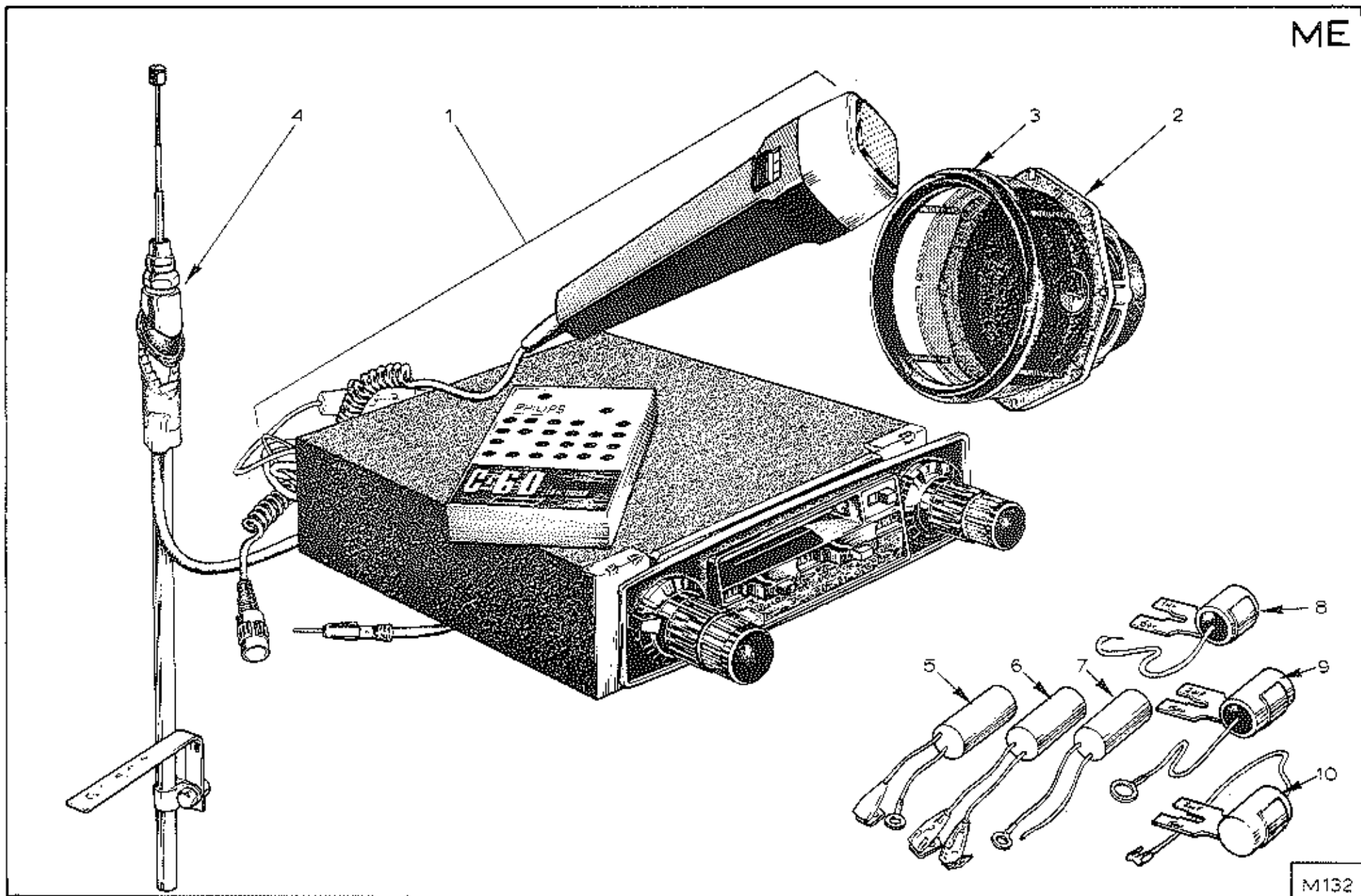
\*

5/4

Elite qty 5, Eclat qty 4  
Elite qty 5, Eclat qty 4

NOV 1984

MD8



REQ	NEED	ADD	PART NUMBER	SUUFF	DESCRIPTION	DR	MARKETS			Car Qty	Unit Cost	Car Cost	Line Stage	REMARKS	
							D	R	F					Incl.	Service Req
	X	E	A076M6014	F	ELECTRIC AERIAL (MERLIN-NASSXLE)		✓	✓	✓	1	14-700	14-700	35-21	ECLAT	SII
	E	D	A084M6017	F			✓	✓	✓	1	✓	✓	35-21		
	E		A083M6253	F	ELECTRIC AERIAL (MERLIN-NABIO NDSE/EL)		✓	✓	✓	1	17-379	17-379	35-21	ELITE	SII
	E	X	A082M6149	F	ELECTRIC AERIAL (MERLIN-NABIO NDSE/ES)		-	-	-	1	17-379	17-379	37-27	ESPRIT	SIII
	E	X	A082M6149	F	ELECTRIC AERIAL (MERLIN-NABIO NDSE/ES)		✓	-	-	1	17-379	17-379	37-27	TURBO	
		A	* ALL ESPRIT'S WITH MERLIN AERIALS												
		D													
		A	NOTE! LINES 2, 3, 4												
		D	CLARIFICATION OF MANUFACTURER'S												
		A	PART NO. ONLY												
		D													
		A	A083M6321F		← RELAY (ELECTRIC AERIAL) (ELITE) ← TURBO (A082M6149)										
		D			A083M6233 ✓										
		A	A076M6048		← RELAY (FOR AERIAL A076M6014) ECLAT										
		D													
		A													
		D													

PLATE Ref. No.	DESCRIPTION	PART NO.	ELITE	ECLAT	ALL	DOMESTIC	EUROPEAN	FEDERAL	REMARKS
ME 1	AM/FM Stereo Radio & Cass. Play/Rec.	A075M6002Z	*			1			Optional. Domestic. Not on 520
	AM/FM Stereo Radio & Cass. Play/Rec.	A075M6115Z	*				1		Japan, Holland, Belgium, Luxembourg.
	AM/FM Stereo Radio & Cass. Play/Rec.	A075M6116Z	*				1		Germany, Switzerland, Italy, France.
	AM/FM Stereo Radio & Cass. Player	A075M6158Z	*	*		1			Optional, Domestic.
	AM/FM Stereo Radio & Cass. Player	A075M6159Z	*	*			1		Japan, Holland, Belgium, Luxembourg, Canada
	AM/FM Stereo Radio & Cass. Player	A075M6160Z	*	*			1		Germany, Switzerland, Italy, France.
ME 2	Speaker Kit Assy. <i>(E. 2337) A075M6104W</i>	A075M6104W	*	*	2				Not on 520.
ME 3	Grille, Speaker	A075M6106Z	*	*	2				" " "
	Nut	A075M6107Z	*	X	8				" " "
	Bolt	A075M6108Z	*	*	8				" " "
	Washer	A075M6109Z	*	*	8				" " "
	Speaker <i>(E. 2337) A075M6104W</i>	A075M6104W	*	*	2				" " "
ME 4	Aerial	A075M6003Z	*	*	1				" " "
	Extenson Lead, Aerial	A075M6005Z	*	*	1				" " "
	Foil, Underbonnet Screen 6m x 22"	A065M6008V	*	*	1				
	Suppression Kit	A075M0259W	*	*	1				
ME 5	Capacitor, Voltage Stabilizer	A075M6100Z	*	*					
ME 6	Capacitor, Clock	A075M6101Z	*	*					
	<i>ELITE ELUST BEER KIT A075M6193F</i>	<i>A076M6010W</i>		X					<i>160/210802</i>
	<i>ELECTRIC AERIAL</i>	<i>A075M6162W</i>		X					<i>Bosch - AUTOSET ME. 1.</i>
	<i>PHILIPS RN 454</i>	<i>A075M6175F</i>							<i>ELITE BEER BEEL. (SIRENT)</i>

11/75 (163M)

PLATE Ref. No.	DESCRIPTION	PART NO.	ELITE	ECLAT	ALL	DOMESTIC	EUROPEAN	FEDERAL	REMARKS
ME 7	Capacitor, Rear Wiper Motor	A075M6099Z	*		3				
ME 7	Capacitor, Front Wiper Motor	A075M6099Z	*	*	1				
ME 8	Capacitor, Fuel Pump	A075M6097Z	*	*	1				
ME 9	Capacitor, Alternator	A075M6095Z	*	*	1				
ME 10	Capacitor, Coil	A075M6096Z	*	*	1				
	<i>RADIO MOTOROLA LT 551</i>	<i>A075M6177F</i>							<i>3075M6177F</i> <i>R/B</i> <i>LT558</i> <i>(E 257M)</i> <i>S21 / S211</i>

11/75

ME. 2.

PLATE Ref. No.	DESCRIPTION	PART NO.	S.1.		S.2.		MANUAL	AUTOMATIC	ALL	DOMESTIC	R.O.W.	FEDERAL	REMARKS
			ELITE	ECLAT	ELITE	ECLAT							
ME1	Radio/Player (Pioneer KP 9300)	A075M6204F	*	*			*	*	1				
	Radio (Motorola LT 558)	B075M6177F	*	*			*	*	1				
ME2	Speaker & Grille Assembly	B075M6196F	*	*			*	*	2				
	Bass Speaker	A079M6120F			*	*	*	*	1				
	Spacer, Bass Speaker	A079M4089K			*	*	*	*	1				
	Tweeter	A079M6119F			*	*	*	*	2				
	Grille, Black, Tweeter	A082M4104F			*	*	*	*	2				
	Bezel, Tweeter	A079M4080K			*	*	*	*	2				
	Rear Speaker & Grille	A083M6245F			*	*	*	*	2				
	Crossover Unit	A079M6121F			*	*	*	*	1				
	Cover, Crossover Unit	A079M4098F			*	*	*	*	1				
ME4	Aerial, Manual	A075M6003Z	*				*	*	1				
	Aerial, Manual	A076M6001F		*			*	*	1				
	Aerial, Electric	A076M6010F	*				*	*	1				
	Aerial, Electric	A076M6014F		*		*	*	*	1				
	Relay, Electric Aerial	A076M6048F		*		*	*	*	1				
	Aerial, Electric	A083M6233F			*		*	*	1				
	Relay, Electric Aerial	A083M6321F			*		*	*	1				
	Earth Lead, Aerial	A075M0255Z	*	*			*	*	1				
	Extension Lead, Aerial	A075M6005Z	*	*	*	*	*	*	1				

NOV 1984

ME1

PLATE Ref. No.	DESCRIPTION	PART NO.	S.1.		S.2.		MANUAL	AUTOMATIC	ALL	DOMESTIC	R.O.W.	FEDERAL	REMARKS
			ELITE	ECLAT	ELITE	ECLAT							
	+ ve Lead, Electric Aerial	A076M0794F		*			*	*					
	+ ve Lead, Electric Aerial RHD	A075M0795F	*				*	*		-			
	+ ve Lead, Electric Aerial LHD	A075M0796F	*				*	*					
	- ve Lead, Electric Aerial	A075M0797F	*	*			*	*					
	Trigger Lead, Electric Aerial	A075M0798F	*	*			*	*					
	Radio/Player (Nat. Pan. 663)	A083M6222F			*	*	*	*					
	Radio/Player (Nat. Pan. 583)	A084M6035F			*	*	*	*					
	Foil, Underbonnet Screen	A065M6008V	*	*	*	*	*	*					
	Bond, Bonnet to Engine	B075M0254Z	*	*	*	*	*	*					
	Suppression Kit	A075M0259W	*	*			*	*					
ME5	Capacitor, Voltage Stabilizer	A075M6100Z	*	*	*	*	*	*					
ME6	Capacitor, Clock	A075M6101Z	*	*			*	*					
ME7	Capacitor, Rear Wiper Motor	A075M6099Z	*	*	*	*	*	*					
	Capacitor, Front Wiper Motor	A075M6099Z	*	*			*	*					
ME8	Capacitor, Fuel Pump	A075M6097Z	*	*	*	*	*	*					
ME9	Capacitor, Alternator	A075M6095Z	*	*			*	*					
ME10	Capacitor, Coil	A075M6096Z	*	*	*	*	*	*					

NOV 1984

ME2

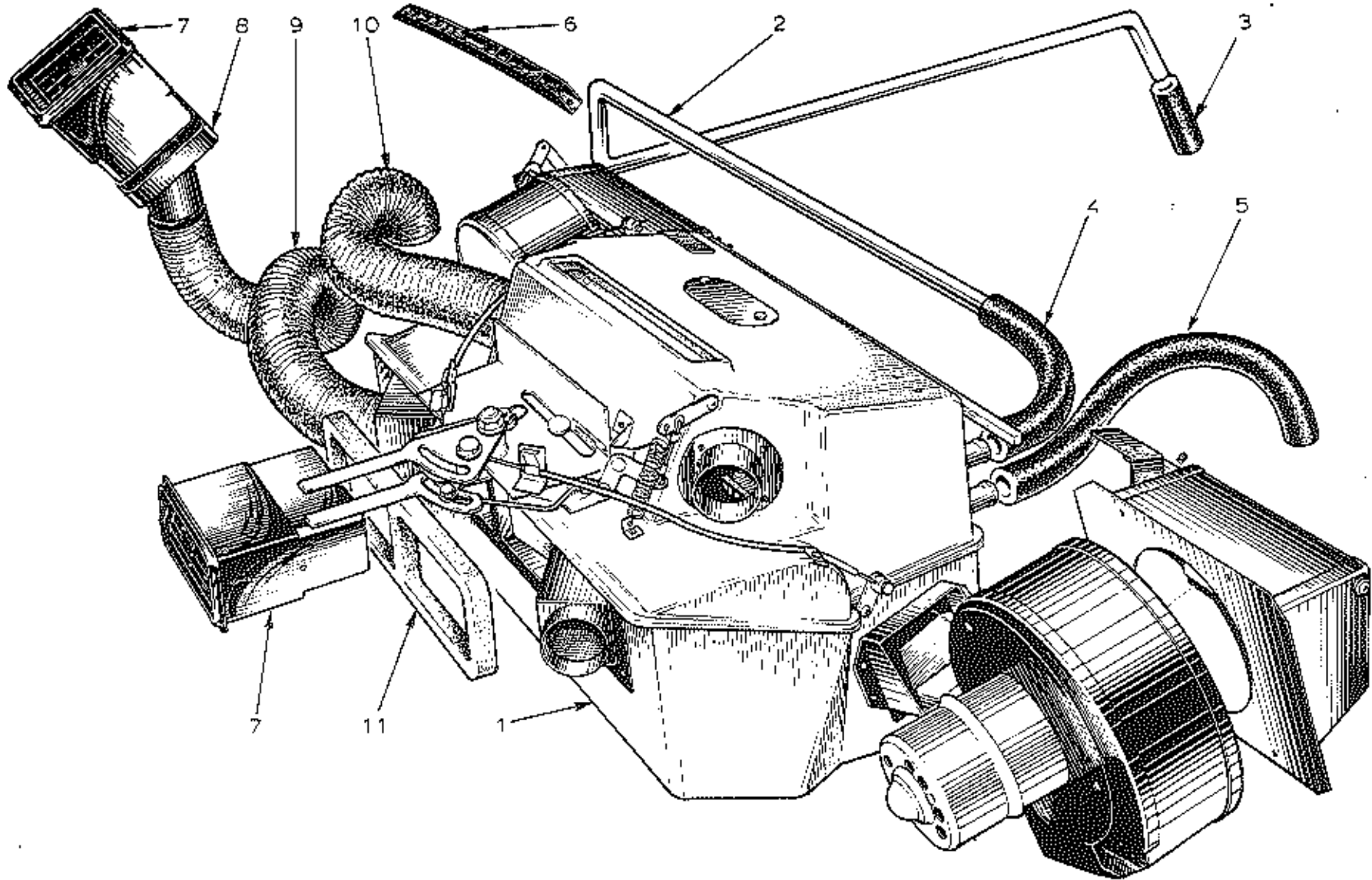




PLATE Ref. No.	DESCRIPTION	PART NO.	S.1.		S.2.		MANUAL	AUTOMATIC	ALL	DOMESTIC	R.O.W.	FEDERAL	REMARKS
			ELITE	ECLAT	ELITE	ECLAT							
PA1	Heater Unit Assembly (Defanoire)	A075P0709W	*				*	*	1				Up to unit nos 547A and 074C inc  Replaces motor assy A075P60355 & A075P6036S. See Bulletin 1977/04 up to unit nos 546A & 074C inc.
	Heater Unit	C075P0080Z	*				*	*	1				
	Motor	A075P6089F	*				*	*	2				
	Fan, RH (CCW)	A075P6090F	*				*	*	1				
	Fan, LH (CW)	A075P6091F	*				*	*	1				
	Adaptor Bracket	A075P6092F	*				*	*	1				
	Sleeve	A075P6093F	*				*	*	3				
	Rubber Mount	A075P6094F	*				*	*	3				
	Spacer - 5mm thick, 12.5 O/D, 5.0 I/D	A075P6095F	*				*	*	3				
	Not Illus	Heater Assembly (No outer F.L.V's)	A076P0711W	*	*			*	*	1			
" "	Heater Control Cable (Temp)	A076P0125F	*	*			*	*	1			From unit nos 548A & 075C. Up to unit nos 727A, 729A to 771A, 798A to 805A, 075C to 114C. Up to 133D, 135D to 145D, 182D to 190D. Up to 124E & 127E. Up to 106F inc.	
" "	Heater Control Cable (Direction)	A076P0124F	*	*			*	*	1				
" "	Heater Control Lever Assembly	X050P0049Z	*	*			*	*	1				
" "	Heater Control Knobs	X050B6078Z	*	*			*	*	2				
" "	Screws, Heater Knobs	X050B6043Z	*	*			*	*	2				
" "	Control Cable Trunnions	X050B6044Z	*	*			*	*	2				
" "	Adaptor, Centre Face Level Vents	B076P0132F	*	*			*	*	2				
" "	Space Heater Control Lever	A076P0127F	*	*			*	*	2				
" "	Space Heater Control Lever	A076P0128F	*	*			*	*	2				
" "	Screw, Heater Control, 10 UNF x 1/8"	A076W1064F	*	*			*	*	2				
" "	Nuts, 10 UNF	A075W3013F	*	*			*	*	2				

NOV 1984

PA1

PLATE Ref. No.	DESCRIPTION	PART NO.	S.1.		S.2.		MANUAL	AUTOMATIC	ALL	DOMESTIC	R.O.W.	FEDERAL	REMARKS
			ELITE	ECLAT	ELITE	ECLAT							
Not Illus	Screws, Heater Mounting	A075W1040Z	*	*			*	*	4				From unit nos 548A & 075C. Up to unit nos 727A, 729A to 771A, 798A to 805A, 114C. Up to 133D, 135D to 145D, 182D to 190D. Up to 124E & 127E up to 106F inc.
" "	Washers, 8mm	A075W4012Z	*	*			*	*	4				
" "	Spring Washers, 8mm	A075W4036Z	*	*			*	*	4				
PA2	Heater Pipe Outlet	A075P0101Z	*	*			*	*	1				Up to unit nos 727A, 729A to 771A, 798A to 805A, 075C to 114C, up to 133D, 135D to 145D, 182D to 190D. Up to 124E, up to 106F, inc.
PA3	Hose Outlet	A075P0082Z	*	*			*	*	1				
PA4	Hose Outlet	A075P0102Z	*				*	*	1				Up to unit nos 547A & 074C.
PA5	Hose, Heater to Engine (Zenith Carbs)	A075P0081Z	*				*	*	1				
	Hose, Heater to Engine (Zenith Carbs)	A075P0119F	*	*			*	*	1				Up to unit nos 547A & 074C.
	Hose, Heater to Engine (Dellorto Carbs)	A075P0108Z	*				*	*	1				
	Hose, Heater to Engine (Dellorto Carbs)	A075P0110Z	*	*			*	*	1				From unit nos 548A & 075C.
	Hose, Heater to Water Pipe	A075K0119F	*	*			*	*	1				
	Clips	X036L6016Z	*	*			*	*	6				Up to unit nos 547A & 074C. From unit nos 548A & 075C. Up to unit nos 727A, 729A to 771A, 798A to 805A, 114C. Up to 133D, 135D to 145D, 182D to 190D. Up to 124E & 127E, up to 106F inc.
	Pipe Support Clips	A075W6002Z	*	*			*	*	5				
	Nylon Plugs	A075W6039Z	*	*			*	*	5				
	Screws	A075W5027Z	*	*			*	*	5				
	Washers	A075W4001Z	*	*			*	*	5				

10V 1984

PLATE Ref. No.	DESCRIPTION	PART NO.	S.1.		S.2.		MANUAL	AUTOMATIC	ALL	DOMESTIC	R.O.W.	FEDERAL	REMARKS
			ELITE	ECLAT	ELITE	ECLAT							
PA6	Vent, Demist	A075P0099Z	*	*			*	*	2				
	Screws	A075W5027Z	*	*			*	*	4				
PA7	Vent Face Level	A075P6018Z	*	*			*	*	4				Cars with heater A076P0711W have two central vents only.
PA8	Adaptor, Face Level Vent. LH	A075P0113Z	*				*	*	1				Up to unit nos 547A & 074c inc
	Adaptor, Face Level Vent. RH	A075P0114Z	*				*	*	1				
	Pop Rivet	A075W6067Z	*				*	*	4				
	Extension, Face Level Vent, Centre	A076P0123K	*	*			*	*	2				
PA9	Air Hose to Face Level Vents	B075P0086Z	*	*			*	*	2				
PA10	Air Hose to Footwell	A075P0085Z	*	*			*	*	2				
	Pipe Clips, Air Hoses	A075P6017Z	*	*			*	*	6				
PA11	Pad Sealing, Centre Face Level Vents	A075P0233F	*				*	*					Up to unit nos 547A & 074C
	Seal Heater Pipes	A075P0105Z	*				*	*					

NOV 1984

Leyland  
D 33050 (A36)

valve  
D 33050  
A36

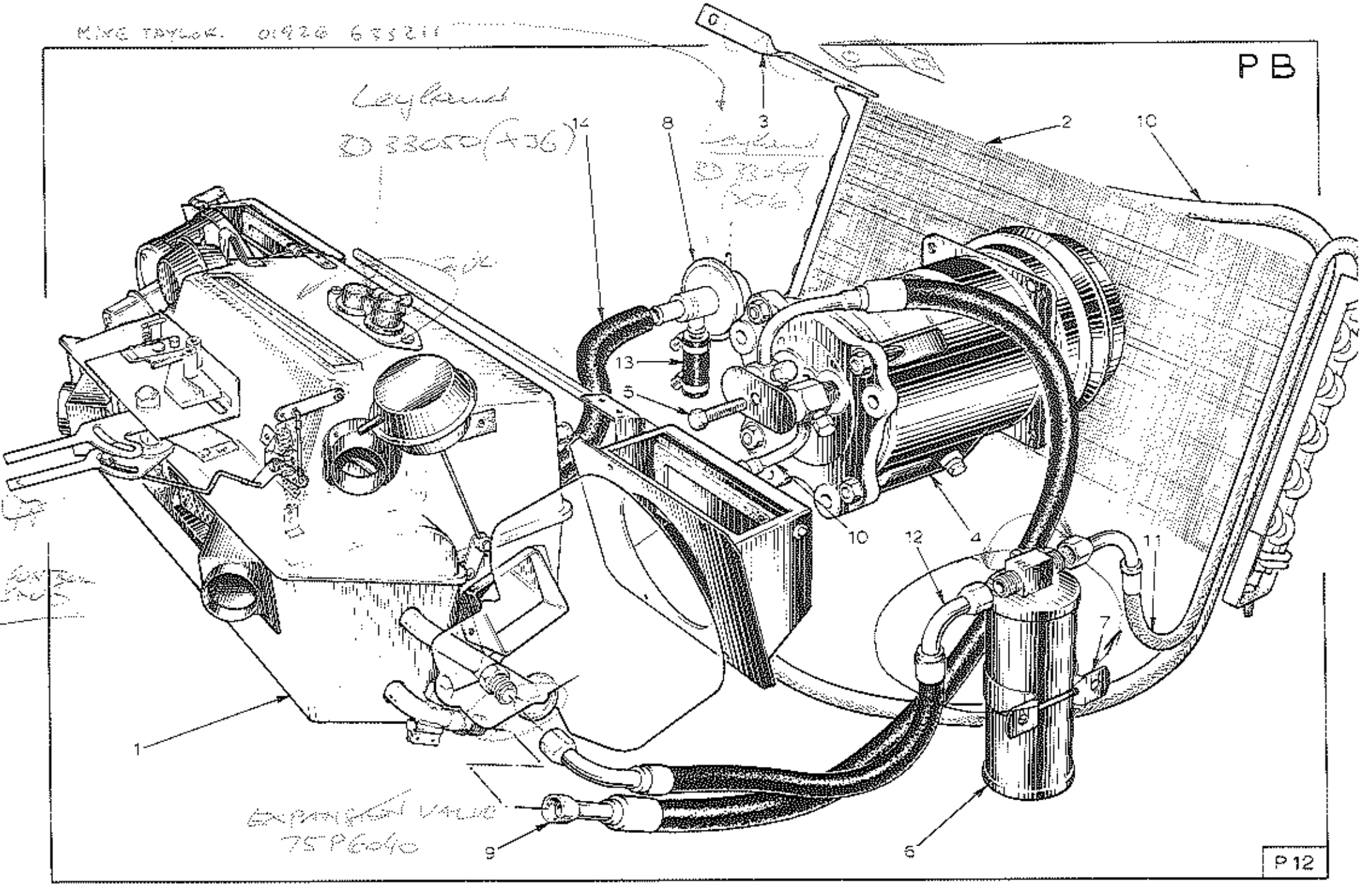


PLATE Ref. No.	DESCRIPTION	PART NO.	S.1.		S.2.		MANUAL	AUTOMATIC	ALL	DOMESTIC	R.O.W.	FEDERAL	REMARKS
			ELITE	ECLAT	ELITE	ECLAT							
PB1	Air Conditioning Unit (Delanaire)	C075P0087Z	*	*			*	*					Up to unit 0745A, 0747A to 0772A, 0796A, 0853A to 0856A. Up to 0455B to 0466B. Up to 0155C. Up to 0146D. 0148D to 0169D, 171D. Up to 0104F. All nos inc.
	Bolts H/E to Body 8 x 25mm	A075W1039Z	*	*			*	*					
	Penny Washers	A075W4021Z	*	*			*	*					
	Spring Washers	A075W4036Z	*	*			*	*					
	Bolts H/E to Body 6x 25mm	A075W2027Z	*	*			*	*					
	Washer	A075W4013Z	*	*			*	*					
	Spring Washer	A075W4035Z	*	*			*	*					
	Water Drain	A075P0104Z	*	*			*	*					
	Seal, Heater Pipe	A075P0105Z	*	*			*	*					
	Ladac, Black	X036B6236V	*	*			*	*					
	Hose, Water Drain	A075U6043Z	*	*			*	*					
	Clip, Water Drain 2"	X054P6004Z	*	*			*	*					
	Silastic	A036E6027V	*	*			*	*					
PB2	Condenser Assembly	A075P0088Z	*	*			*	*					
PB3	Condenser Mounting	A075P0098Z	*	*			*	*					
	Bolts	A075W2027Z	*	*			*	*					
	Nylacs	A075W3009Z	*	*			*	*					
	Penny Washer, Bottom Mounting	A075W4021Z	*	*			*	*					

PLATE Ref. No.	DESCRIPTION	PART NO.	S.1.		S.2.		MANUAL	AUTOMATIC	ALL	DOMESTIC	R.O.W.	FEDERAL	REMARKS
			ELITE	ECLAT	ELITE	ECLAT							
	Nyloc Nut	A075W3010Z	*	*			*	*					
PB4	Compressor (Pump)	A075P6007Z	*	*			*	*					
PB5	Bolt A/C Hose-Comp. 3/8" x 1 1/2 unf	A075W2004Z	*	*			*	*					
PB6	Receiver Drier	A075P6008Z	*	*			*	*					
PB7	Receiver Drier Mounting	A075P0089Z	*	*			*	*					
	Receiver Drier with Sight Glass	A075P0710Z	*	*			*	*					
	Bolts Mounting/Body 8 x 25mm	A075W1039Z	*	*			*	*					
	Nyloc Nuts	A075W3010Z	*	*			*	*					
	Penny Washers	A075W4021Z	*	*			*	*					
	Freon 12	A075P6016Z	*	*			*	*					
PB8	Water Valve	A075P6013Z	*	*			*	*					
PB9 -	Hose, Evap./Compressor	D075P0090Z	*	*			*	*					
PB10	Hose, Compressor/Cond.	A075P0091Z	*	*			*	*					
PB11	Hose, Cond./Receiver	A075P0092Z	*	*			*	*					
PB12 ~	Hose, Receiver/Unit	C075P0093Z	*	*			*	*					
	Outlet Water Pipe	A075P0101Z	*	*			*	*					
PB13	Hose, Block to Water Valve	A075P6014Z	*	*			*	*					Zenith CD
	Hose, Block to Water Valve	A075P6014Z	*	*			*	*					Dellorto
PB14 ~	Hose, Water Valve to Unit	A075P6015Z	*	*			*	*					Zenith CD
	Hose, Water Valve to Unit	B075P0107Z	*	*			*	*					Dellorto
	Outlet Hose Short	A075P0082Z	*	*			*	*					
	Outlet Hose Long	A075P0102Z	*	*			*	*					

*Delco Air (AG) MODEL #11131095 (OAT)*

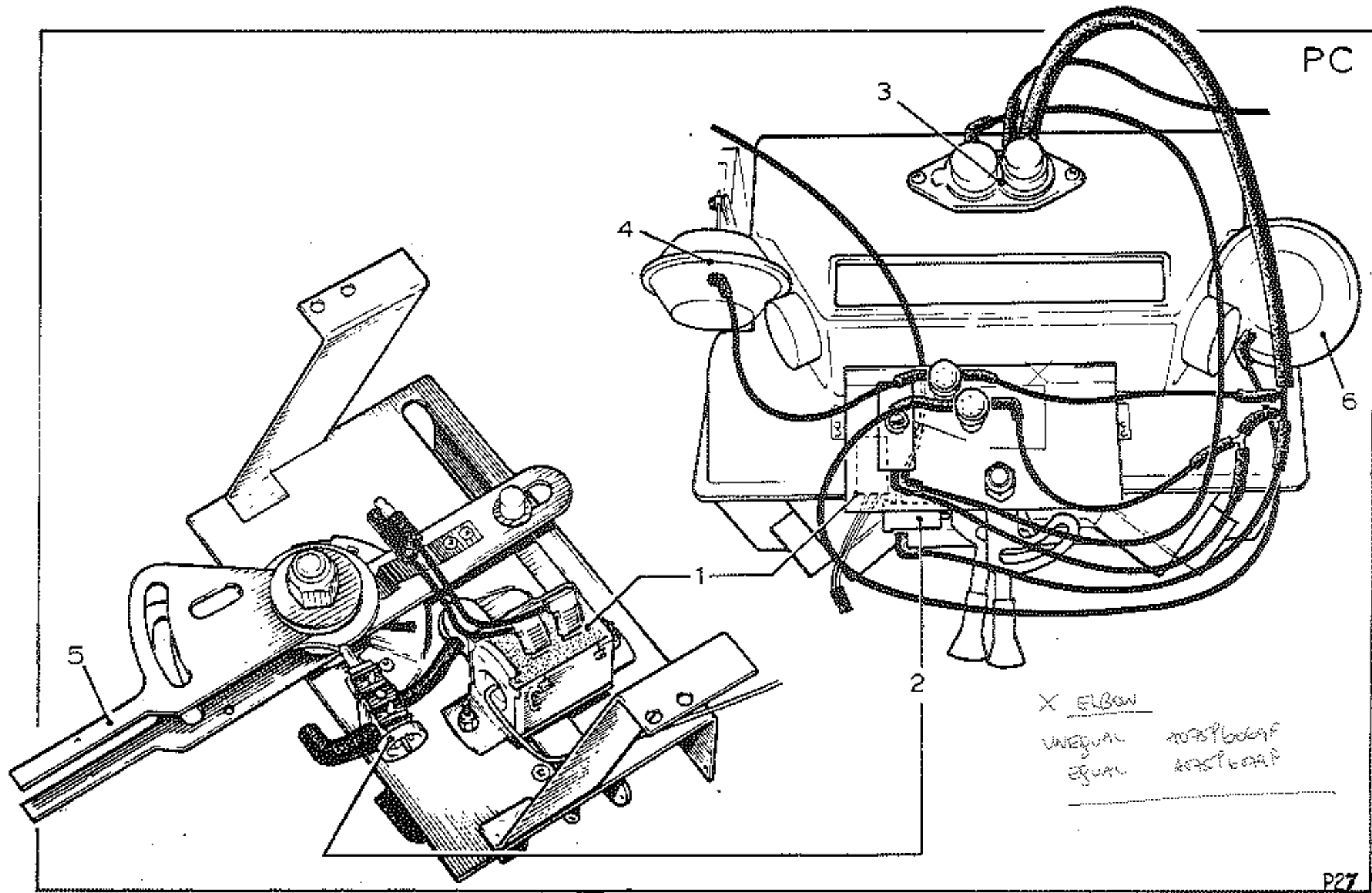
*Dole Valve → Leguano x 1/2" 3D 33049*

10V 1984

*(Handwritten note)*

PLATE Ref. No.	DESCRIPTION	PART NO.	S.1.		S.2.		MANUAL	AUTOMATIC	ALL	DOMESTIC	R.O.W.	FEDERAL	REMARKS
			ELITE	ECLAT	ELITE	ECLAT							
	Hose Clips	X036L6016Z	*	*			*	*					
	Knob, Control Lever	A075P0120F	*	*			*	*					
	Screw, 6BA x 3/16" Pozl.	A075W5069F	*	*			*	*					
	Face Level Vent	A075P6018Z	*	*			*	*					
	Adaptor, Face Level Vent	A075P0100Z	*	*			*	*					
	Pop Rivet (Adaptor to Vent)	A075W6067Z	*	*			*	*					
	Demist Outlet Vent	A075P0099Z	*	*			*	*					
	Duct to F.L.V.	A075P0086Z	*	*			*	*					
	Duct to Footwell Vent	A075P0085Z	*	*			*	*					
	Pipe Clips (Ducts)	A075P6017Z	*	*			*	*					
	Screw (Demist. Vent)	A075W5027Z	*	*			*	*					
	Nylon Plugs	A075W6039Z	*	*			*	*					
Not Illus.	Assembly Centre Outlet	A075P0136J	*	*			*	*					From Units Nos. 530A, 0330B, 0073C
Not Illus	Centre Outlet	A075P0134K	*	*			*	*					From Unit Nos. 530A, 0330B, 0073C
Not Illus	Tube Centre Outlet	A075P0135K	*	*			*	*					From Unit Nos. 530A, 0330B, 0073C.
	NON DRIP TAP	A075P6086F					AR	AR					

NOV 1984



X ELBOW  
UNEQUAL 207576009F  
EQUAL 407576009F



PLATE Ref. No.	DESCRIPTION	PART NO.	S.1.		S.2.		MANUAL	AUTOMATIC	ALL	DOMESTIC	R.O.W.	FEDERAL	REMARKS
			ELITE	ECLAT	ELITE	ECLAT							
													Up to Unit 0745A, 0747A to 0772A, 0796A to 0847A, 0853A, to 0856A, 0455B, to 0466B, 115C. Up to 0146D, 0148D to 0169D, 0171D, 0172D. Up to 0104F. All nos inc.
PC1	Thermostat	A075P6034SH	*	*			*	*	1				Ranco Switch
PC2	Vacuum Switch	A075P6045SH	*	*			*	*	1				On/Off Valve
PC3	Heat Sensing Unit	A075P6046SB	*	*			*	*	1				Vacuum Regulator <sup>LEXLAND</sup> <sub>35 53050</sub>
PC4	Vacuum Actuator	A075P6039SL	*	*			*	*	1				Angled Link
PC6	Vacuum Actuator	A075P6088F	*	*			*	*	1				Straight Link
PC5	Assembly Control Lever Panel	A075P6075F	*	*			*	*	1				
	Assembly Vacuum Hoses	A075P6076F	*	*			*	*	1				
	Motor	A075P6089F	*	*			*	*	2				
	Fan, RH (CCW)	A075P6090F	*	*			*	*	1				
	Fan, LH (CW)	A075P6091F	*	*			*	*	1				Replaces motor assembly A075P6035S and A075P6036S. See Bulletin 1977/04.
	Adaptor Bracket	A075P6092F	*	*			*	*	1				
	Sleeve	A075P6093F	*	*			*	*	3				
	Rubber Mount	A075P6094F	*	*			*	*	3				
	Spacer - 5mm thick, 12.5 O/D, 5.0 I/D	A075P6095F	*	*			*	*	3				
	Elbow Connector, Vacuum	A075P6069F	*	*									Unequal bore
	Elbow Connector, Vacuum	A075P6079F	*	*									Equal bore

NOV 1984

PC1

PLATE Ref. No.	DESCRIPTION	PART NO.	S.1.		S.2.		MANUAL	AUTOMATIC	ALL	DOMESTIC	R.O.W.	FEDERAL	REMARKS
			ELITE	ECLAT	ELITE	ECLAT							
	Gasket, Motor Mounting	A075P6033C	*	*			*	*					
	Seal, Transition Duct	A075P6038F	*	*			*	*					
	Expansion Valve	A075P6040SE	*	*			*	*					
	Gasket, Ballast Resistor	A075P6043SJ	*	*			*	*					
	Ballast Resistor	A075P6044SC	*	*			*	*					
	Heater Matrix	A075P6029SE	*	*			*	*					
	Evaporator Matrix	A075P6074F	*	*			*	*					

0V 1984

PLATE  
Ref. No.

DESCRIPTION

PART NO.

S.1.

S.2.

MANUAL

AUTOMATIC

ALL

DOMESTIC

R.O.W.

FEDERAL

REMARKS

Heater Assembly (inc. Slide Controls and Water Valve)

A075P0712J

\*

\*

\*

\*

1

Unit Nos 0728A to 0797A and 0806A on, 0115C on, 0134D, 0146D to 0181D and 0191D on, 0125E, 0126E and 0128E on, 0107F on. All inc.

Heater Assembly (inc. Rotary Controls and Water Valve)

A083P0715

\*

\*

\*

\*

1

Heater/Air Conditioning Assembly (inc. Slide Controls and Water Valve)

A075P0713J

\*

\*

\*

\*

1

Unit Nos. 0746A, 0773A to 0795A. 0848A to 0850A and 0859A on. 0456B and 0467B on. 0116C on, 0147D, 0170D and 0173D on. 0114E on. 0105F on. All nos inc.

Heater/Air Conditioning Assembly. (inc. Rotary Controls and Water Valve)

A083P0716

\*

\*

\*

\*

1

Setscrew, M6 x 16, Unit to Body

A075W1028

\*

\*

\*

\*

\*

\*

2

Washer, Shakeproof, Unit to Body

A075W4046

\*

\*

\*

\*

\*

\*

2

Washer, Large O/D, Unit to Body

A075W4017

\*

\*

\*

\*

\*

\*

2

Nut, Nyloc, M8, Unit to Body

A075W3010

\*

\*

\*

\*

\*

\*

2

Washer, 8mm, Unit to Body

A075W4021

\*

\*

\*

\*

\*

\*

2

Foam Rubber Strip, Case Sealing

A036B6213

\*

\*

\*

\*

\*

\*

A/R

Edge Clip, Case Securing

A075W6060

\*

\*

\*

\*

\*

\*

7

Heater Matrix

A075P6055F

\*

\*

\*

\*

\*

\*

1

Foam Seal, Heater Matrix

A075P0194K

\*

\*

\*

\*

\*

\*

1

Evaporator

A075P0201

\*

\*

\*

\*

\*

\*

1

With Air Conditioning

PD1

PLATE Ref. No.	DESCRIPTION	PART NO.	S.1.		S.2.		MANUAL	AUTOMATIC	ALL	DOMESTIC	R.O.W.	FEDERAL	REMARKS
			ELITE	ECLAT	ELITE	ECLAT							
	Foam, Open Mesh	A075P0206	*	*	*	*	*	*	1				With Air Conditioning  Ac Delus 9970172 " " 9970168
	Non-Drip Tape, Evaporator Connections	A075P6086	*	*	*	*	*	A/R					
	Blower Motor and Fan, Right Hand	A075P6056F	*	*	*	*	*	*	1				
	Blower Motor and Fan, Left Hand	A075P6058F	*	*	*	*	*	*	1				
	Retaining Ring, Blower Motor, Right Hand	A075P0155	*	*	*	*	*	*	1				
	Retaining Ring, Blower Motor, Left Hand	A075P0156	*	*	*	*	*	*	1				
	Vacuum Actuator, Flaps	B075P6059	*	*	*	*	*	*	2				
	Bracket, Vacuum Actuator, Face Level Flap	B075P0170	*	*	*	*	*	*	1				
	Bracket, Vacuum Actuator, Fresh Air Flap	B075P0169	*	*	*	*	*	*	1				
	Pop Rivet	A075W6090	*	*	*	*	*	*	8				
	Washer, Pop Rivet	A075W4001	*	*	*	*	*	*	4				
	Rod, Extension, Face Level Actuator	A075P0234	*	*	*	*	*	*	1				
	Locking Tab	A079P4149	*	*	*	*	*	*	1				
	Flap, Face Level	A075P0157	*	*	*	*	*	*	1				
	Foam 1/2", Flap Sealing	A075P6071	*	*	*	*	*	A/R					
	Pivot, Face Level Flap	A075P0162	*	*	*	*	*	*	2				
	Clip, Flap Pivot	A075W6173	*	*	*	*	*	*	2				
	Lever, Face Level Flap	A075P0177	*	*	*	*	*	*	1				
	Grub Screw, 10 UNF	A075W7023	*	*	*	*	*	*	1				
	Clip, Flap Linkage	A075U6033	*	*	*	*	*	*	1				

NOV 1984

PLATE Ref. No.	DESCRIPTION	PART NO.	S.1.		S.2.		MANUAL	AUTOMATIC	ALL	DOMESTIC	R.O.W.	FEDERAL	REMARKS
			ELITE	ECLAT	ELITE	ECLAT							
	Flap, Fresh Air, Right Hand	A075P0184	*	*	*	*	*	*	1				
	Flap, Fresh Air, Left Hand	A075P0185	*	*	*	*	*	*	1				
	Foam, 1/4", Flap Sealing	A075P6071	*	*	*	*	*	*	A/R				
	Sleeve, Flap Spindles	A075P0167	*	*	*	*	*	*	1				
	Grubscrew, Sleeve/Spindles	A075W7023	*	*	*	*	*	*	2				
	Lever, Fresh Air Flaps	C075P0168	*	*	*	*	*	*	1				
	Grubscrew, Lever/Spindle	A075W7023	*	*	*	*	*	*	1				
	Pivot Bush, Inner	A075P6063	*	*	*	*	*	*	3				
	Pivot Bush, Outer	A075P6064	*	*	*	*	*	*	3				
	Push-on Fixing, Fresh Air Flaps	A075W6174	*	*	*	*	*	*	2				
	Clevis Pin, Vacuum Actuator to Flap Lever	A075W6144	*	*	*	*	*	*	1				
	Split Pin	A075W6005	*	*	*	*	*	*	1				
	Flap, Defrost	A075P0160	*	*	*	*	*	*	1				
	Foam 1/2", Flap Sealing	A075P6071	*	*	*	*	*	*	A/R				
	Pivot Bush, Defrost Flap	A075P0162	*	*	*	*	*	*	2				
	Clip, Push-On	A075W6173	*	*	*	*	*	*	2				
	Lever, Defrost Flap Spindle	A075P0174	*	*	*	*	*	*	1				
	Grub Screw, Defrost Flap Lever	A075W7023	*	*	*	*	*	*	1				
	Spring, Defrost Flap Lever	B075P0176	*	*	*	*	*	*	1				Heater Only
	Spring, Vacuum Switch Cam	B075P0176	*	*	*	*	*	*	1				Air Conditioning
	Cam, Vacuum Switch Operating	A075P0173	*	*	*	*	*	*	1				

PLATE  
Ref. No.

DESCRIPTION

PART NO.

S.1.

S.2.

ELITE

ECLAT

ELITE

ECLAT

MANUAL

AUTOMATIC

ALL

DOMESTIC

R.O.W.

FEDERAL

REMARKS

Trunnion, Cable to Camshaft

A075W6121

\*

\*

\*

\*

\*

\*

1

Linkage Clips (Air Conditioning Defrost Flap)

A075U6033

\*

\*

\*

\*

\*

\*

4

Vacuum Switch

A075P6062

\*

\*

\*

\*

\*

\*

2

Control Cable, Distribution

A075P0228F

\*

\*

\*

\*

\*

\*

1

Control Cable, Distribution

A075P0226F

\*

\*

\*

\*

\*

\*

1

Control Cable, Temperature (Water Valve)

A075P0222F

\*

\*

\*

\*

\*

\*

1

Clip, Cable Abutment

A075W6117

\*

\*

\*

\*

\*

\*

2

Rotary Control, Temperature

B083P0246

\*

\*

\*

\*

1

Rotary Control, Distribution

B083P0247

\*

\*

\*

\*

1

Knob, Temperature/Distributor Controls

A082P6023F

\*

\*

\*

\*

2

Micro Switch, Rotary Temperature Control

A075M6084F

\*

\*

\*

\*

\*

\*

1

Bracket, Micro-Switch to Control

A075M0340

\*

\*

\*

\*

1

Screw, No. 4 x 5/8", Switch/Bracket

A075W5009

\*

\*

\*

\*

2

Washer, Switch/Bracket

A075W4001

\*

\*

\*

\*

2

Screw, 4BA, Bracket/Control

A075W5048

\*

\*

\*

\*

2

Nut, 4BA, Bracket/Control

A079W3057

\*

\*

\*

\*

2

Water Valve

A075P6060F

\*

\*

\*

\*

\*

\*

1

Flexible Hose 1 1/2" Diameter, Footwell

A075P6066V

\*

\*

\*

\*

\*

\*

A/R

Flexible Hose, 2" Diameter, F.L.V.

A079P4005

\*

\*

\*

\*

\*

\*

A/R

Face Level Vents

A075P6018

\*

\*

\*

\*

\*

\*

4

Clip, Centre Vents Retaining

B075P0115

\*

\*

\*

\*

\*

\*

2

NOV 1984

PD4

Series One - Heater only  
With Air Conditioning

With Air Conditioning

PLATE Ref. No.	DESCRIPTION	PART NO.	S.1.		S.2.		MANUAL	AUTOMATIC	ALL	DOMESTIC	R.O.W.	FEDERAL	REMARKS
			ELITE	ECLAT	ELITE	ECLAT							
	Clip, Outer Vents Retaining	B075P0112	*	*	*	*	*	*	2				
	Adaptor, F.L.V. to Hose, Left Hand	A075P0113	*	*	*	*	*	*	1				
	Adaptor, F.L.V. to Hose, Right Hand	A075P0114	*	*	*	*	*	*	1				
	Demist Vent	A075P0099	*	*	*	*	*	*	2				
	Blanking Plate, Demist	A075U0489	*	*	*	*	*	*	1				
	Rubber Vacuum Hose, 7.3mm	A075L6043	*	*	*	*	*	*	A/R				
	P.V.C. Vacuum Hose	A075U6080	*	*	*	*	*	*	A/R				
	Nylon Vacuum Tubing	A026B0130	*	*	*	*	*	*	A/R				
	Connection Tube	A036B6181 ZL	*	*	*	*	*	*	A/R				
	Nylon Vacuum Pipe 1/8"	A075P6068	*	*	*	*	*	*	A/R				
	Non- Return Valve Assembly	B089P0714	*	*	*	*	*	*	1				
	Edge Clip, Valve to Body	A079W6184			*	*	*	*	1				
	Vacuum Reservoir	A075U0187ZH	*	*	*	*	*	*	1				Until intro of small tank during 1982
	Mounting Bracket, Vacuum Reservoir	A075U0186ZC	*	*	*	*	*	*	1				
	Adaptor, Pipes to Vacuum Reservoir	A075U0416ZD	*	*	*	*	*	*	1				2 x 5/16" Take-offs
	Adaptor, Pipes to Vacuum Reservoir	A075P0109ZB	*	*	*	*	*	*	1				3/16" / 5/16" Take-offs
	'T' Piece, 5/16"	A036L6017Z	*	*	*	*	*	*	1				
	Elbow, 5/16"	A036J0135Z	*	*	*	*	*	*	1				
	Vacuum Reservoir	A079P6014F			*	*	*	*	1				Intro during 1982
	Bracket, Vacuum Reservoir Fixing	A079P4090K			*	*	*	*	3				
	Pop Rivet, Bracket Fixing	B075W6095F			*	*	*	*	3				

PLATE  
Ref. No.

DESCRIPTION

PART NO.

S.1.

S.2.

ELITE

ECLAT

ELITE

ECLAT

MANUAL

AUTOMATIC

ALL

DOMESTIC

R.O.W.

FEDERAL

REMARKS

Pad, Anti-Rattle	A083P0249K			*	*													
'T' Piece, unequal bore, Vacuum Tank	A079P6019F					*	*											
'T' Piece, equal bore,	A075P6081F	*	*	*	*	*	*											
Sleeve, Unequal bore	A075P6080F	*	*	*	*	*	*											
Elbow, unequal bore	A075P6069F	*	*	*	*	*	*											
Elbow, equal bore	A075P6079F	*	*	*	*	*	*			8								
Condenser	A075P0088F	*	*	*	*	*	*			1								
Mounting Bracket, Condenser	A075P0098F	*	*	*	*	*	*			2								
V.I.R. Unit	A075P6057F	*	*	*	*	*	*			1								
Bracket, V.I.R. Unit Mounting	B075P0212F	*	*	*	*	*	*			1								
Compressor	A075P6007Z	*	*	*	*	*	*			1								
Hose, Fridge, Compressor/Condenser	A075P0091F	*	*	*	*	*	*			1								
Hose, Fridge, Condenser/V.I.R. <i>small</i> $\phi$	A075P0209F	*	*	*	*	*	*			1								
Hose, Fridge, V.I.R./Evaporator <i>med</i> $\phi$	A075P0210F	*	*	*	*	*	*			1								
Hose, Fridge, Evaporator/V.I.R. <i>large</i> $\phi$	A075P0207F	*	*	*	*	*	*			1								
Hose, Fridge, Evaporator/V.I.R.	A075P0211F	*	*	*	*	*	*			1								
Hose, Fridge, V.I.R./Compressor	A075P0235F	*	*	*	*	*	*			1								
'O' Ring, $\frac{1}{4}$ " Fridge Hose	A075P6082F	*	*	*	*	*	*			1								
'O' Ring $\frac{3}{8}$ " Fridge Hose	A075P6083F	*	*	*	*	*	*			1								
'O' Ring, $\frac{1}{2}$ " Fridge Hose	A075P6084F	*	*	*	*	*	*			1								
'O' Ring, $\frac{3}{4}$ " Fridge Hose	A075P6085F	*	*	*	*	*	*			2								

For Mounting Brackets, See  
EK (907) or ES (912)

NOV 1984

PD6



PLATE Ref. No.	DESCRIPTION	PART NO.	S.1.		S.2.		MANUAL	AUTOMATIC	ALL	DOMESTIC	R.O.W.	FEDERAL	REMARKS
			ELITE	ECLAT	ELITE	ECLAT							
	Hose, Heater, Engine to Connector Sleeve	A075K0119F	*	*	*	*	*	*					
	Connector Sleeve, Heater Hose	B075K0111	*	*	*	*	*	*					
	Hose, Heater, Connector Sleeve to Matrix	A075P0231F	*	*	*	*	*	*					
	Hose, Heater, Matrix to Water Valve	A075P0189	*	*	*	*	*	*					
	Hose, Heater, Valve to Connector Sleeve	A075K0119Z	*	*	*	*	*	*					
	Connector Sleeve, Heater Hose	B075K0111	*	*	*	*	*	*					
	Hose, Heater, Connector Sleeve to Water Pump	A079P4056F	*	*	*	*	*	*					
	Clip, Heater Hose to Engine	B907E6229F	*	*	*	*	*	*					
	Hose, 5/8" PVC, ACU Drain	A075U6083	*	*	*	*	*	*	500	mm			
	Hose Clip, 16-25mm, Heater Hose	A079K6018F	*	*	*	*	*	*	9				
	Grommet, Hoses/Body	A075P6021	*	*	*	*	*	*	3				

NOV 1984

QA

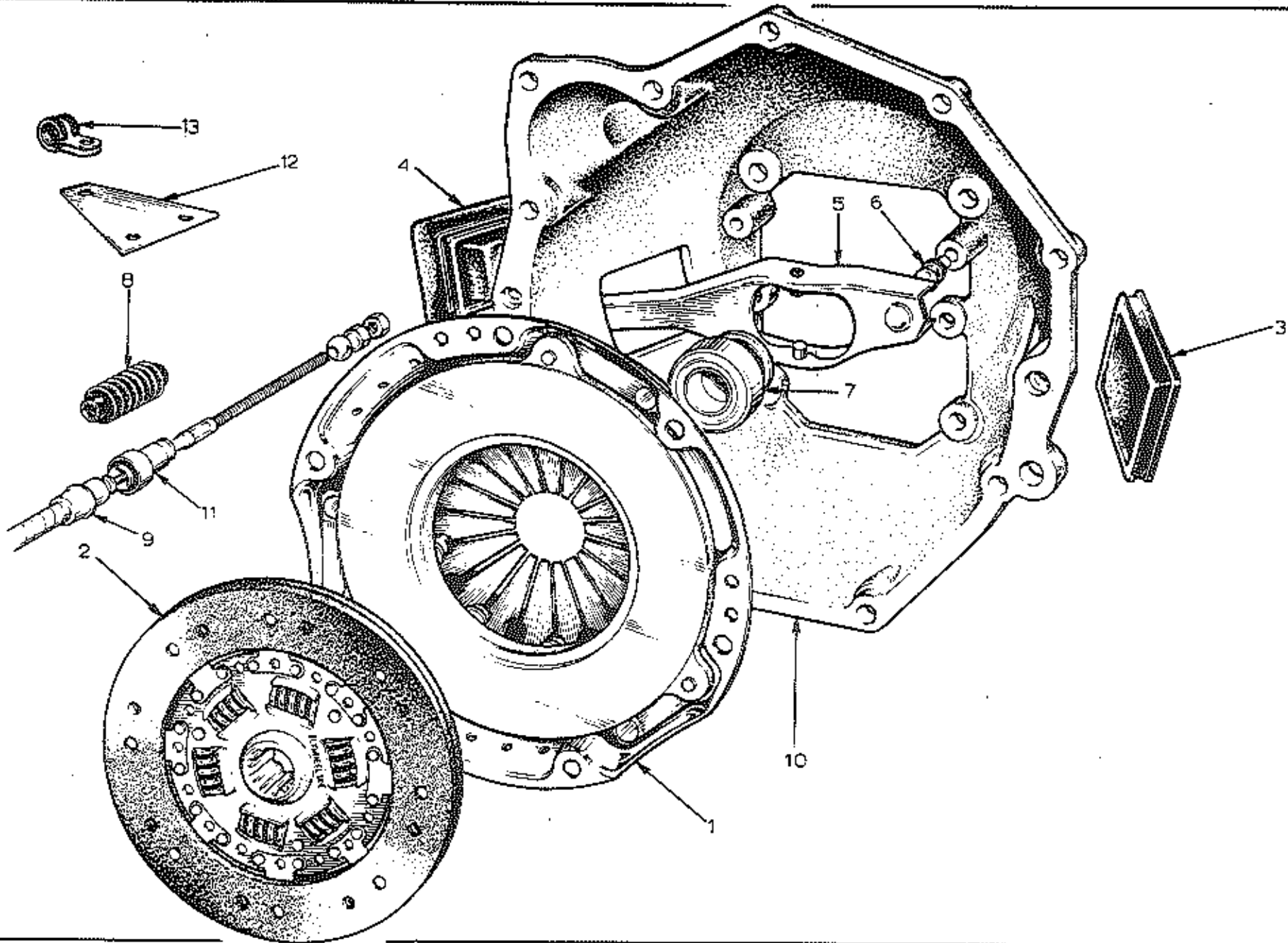


PLATE Ref. No.	DESCRIPTION	PART NO.	S.1.		S.2.		MANUAL	AUTOMATIC	ALL	DOMESTIC	R.O.W.	FEDERAL	REMARKS
			ELITE	ECLAT	ELITE	ECLAT							
QA1	Cover Assembly	A907Q0119ZF	*	*			*		1				
	Cover Assembly <i>UNC</i>	A081Q0119F			*	*	*		1				
	Setscrew, 5/16" x 3/2" Cover/Flywheel	A075W1012ZD	*	*	*	*	*		6				
	Washer, Spring	A075W4036ZL	*	*	*	*	*		6				
QA2	Friction Plate	A907Q0118 <del>ZF</del>	*	*	*		*		1				5-Speed Gearbox
	Friction Plate	A076Q6000F		*			*		1				4-Speed Gearbox
	Friction Plate	B083Q0118F			*	*	*		1				
QA3	Grommet, Blanking	A075Q6011ZG	*	*			*		1				
QA4	Grommet, Clutch Fork	A075Q6012ZA	*	*			*		1				
	Grommet, Clutch Fork	A083Q6015			*	*	*		1				
QA5	Release Fork	A075Q6009ZH	*	*			*		1				
	Release Fork	B081Q4001F			*	*	*		1				
QA6	Pivot Ball, Release Fork	A075Q6010ZB	*	*	*	*	*		1				
QA7	Release Bearing/Hub Assembly	A075Q6008ZC	*	*			*		1				5-Speed Gearbox
	Release Bearing	A076Q6001F		*			*		1				4-Speed Gearbox
	Hub, Release Bearing	A076Q0080FC		*			*		1				Use with A076Q6001F
	Release Bearing	A081Q6000F			*	*	*		1				
QA8	Boot, Clutch Cable	A075Q6001ZA	*	*	*	*	*		1				
QA9	Cable Assembly, Clutch Release, RHD	B075Q0050WC	*	*	*	*	*			1			
	Cable Assembly, Clutch Release, LHD	D075Q0051WA	*	*	*	*	*				1		
	Adjuster Nut, Clutch Cable	A075Q6002ZF	*	*	*	*	*		1				
	<i>LOCK NUT</i> Cable Strap	<i>A075W3011Z</i> A075W6038ZJ	*	*	*	*	*		1				

NOV 1984

QA1

PLATE Ref. No.	DESCRIPTION	PART NO.	S.1.		S.2.		MANUAL	AUTOMATIC	ALL	DOMESTIC	R.O.W.	FEDERAL	REMARKS
			ELITE	ECLAT	ELITE	ECLAT							
QA10	Clutch Housing	A075F0232ZE	*	*			*		1				5-Speed Gearbox 4-Speed GearBox
	Clutch Housing	A076F0414K		*			*		1				
	Clutch Housing	A083F0232F			*	*	*		1				
QA11	Insulator Bush, Cable Abutment	A075Q0049ZF	*	*	*	*	*		1				
QA12	Bracket, Cable Steady	A075Q0054FF	*	*			*		1				
	Bracket, Cable Steady	A082Q0054			*	*	*		1				
QA13	'P' Clip, Cable to Sump	A075Q6013ZF	*	*			*		1				
	Bolt, M10 x 35, Clutch Housing to Engine	A075W2051ZJ	*	*	*	*	*		3				
	Bolt, M10 x 40, Clutch Housing to Engine	A075W2052Z			*	*	*		2				
	Bolt, M10 x 45, Clutch Housing to Engine	A075W2053ZH	*	*	*	*	*		2				
	Bolt, M10 x 50, Clutch Housing to Engine	A075W2054ZB	*	*	*	*	*		2				
	Bolt, M10 x 60, Clutch Housing to Engine	A075W2055Z			*	*	*		2				
	Bolt, M10 x 65, Clutch Housing to Engine	A075W2056ZA	*	*			*		3				
	Bolt, M10 x 90, Clutch Housing to Engine	A075W2060ZK	*	*			*		2				
	Nut Nylac, M10, Clutch Housing to Engine	A075W3011ZD	*	*	*	*	*		5/2				S1 Qty 5 - S2 Qty 2
	Washer, Plain, 10mm, Clutch Housing to Engine	A075W4024Z	*	*	*	*	*		17/11				S1 Qty 17 - S2 Qty 11

NOV 1984

QA2

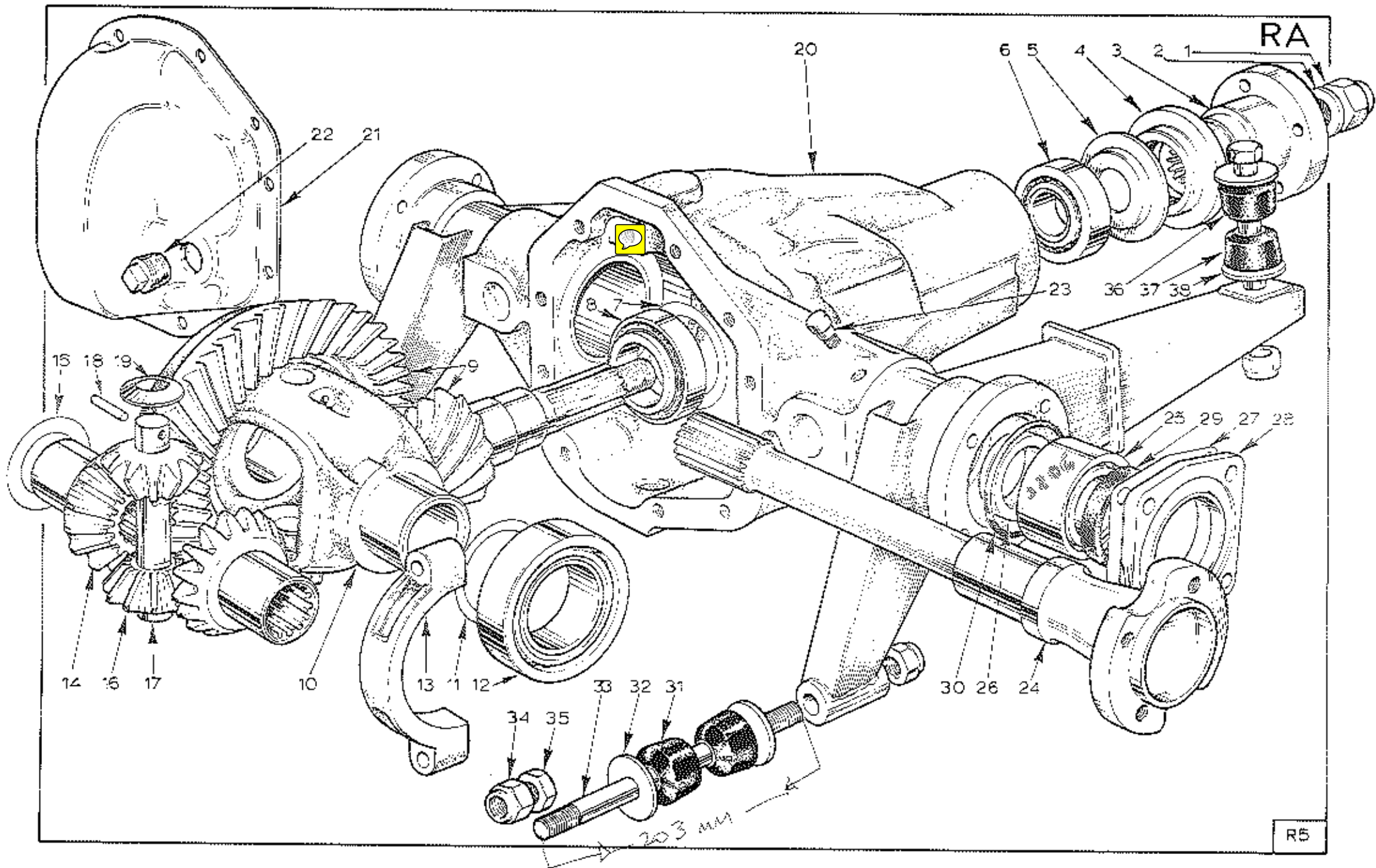


PLATE Ref. No.	DESCRIPTION	PART NO.	ELITE	ECLAT	ALL	DOMESTIC	EUROPEAN	FEDERAL	REMARKS
Not illus. ✓	Differential 4.1	C075R0712F	*			1	1		<p style="text-align: center;">(46)</p> <p>FLANGE MET. 4.1 A075R6006ZF  MET 3.7 A075R6006ZF</p> <p>Chicago Rawhide PolyAcrylic  D) 30 / D) 46</p>
" "	Nose Piece Assembly 4.1	A075R0713H	*			1	1		
✓	Differential 3.7	A075R6007Z	*	*	1				
	Nose Piece Assembly 3.7	A075R0706H	*	*	1				
RA1	Locknut, Pinion	A075R6004Z	*	*	1				
RA2	Washer	A075R6005Z	*	*	1				
RA3	Flange	A075R6006Z	*	*	1				
RA4	Seal	A075R6048H	*	*	1				
RA5	Oil Slinger	A075R6008Z	*	*	1				
RA6	Bearing, Pinion, Front	A075R6009Z	*	*	1				
	Shim, Front Bearing 0.003"	A075R6041Z	*	*	A/R				
	Shim " " 0.005"	A075R6042Z	*	*	A/R				
	Shim " " 0.010"	A075R6043Z	*	*	A/R				
	Shim " " 0.030"	A075R6044Z	*	*	A/R				
Not illus.	Spacer, Pinion Bearings	A075R6010Z	*	*	1				
RA7	Shim, Rear Bearing 0.003"	A075R6011Z	*	*	A/R				
	Shim " " 0.005"	A075R6012Z	*	*	A/R				
	Shim " " 0.010"	A075R6013Z	*	*	A/R				
RA8	Bearing, Pinion, Rear	A075R6014Z	*	*	1				
RA9	Crown Wheel & Pinion 3.7/1	A075R6015Z	*	*	1				

PLATE Ref. No.	DESCRIPTION	PART NO.	ELITE	ECLAT	ALL	DOMESTIC	EUROPEAN	FEDERAL	REMARKS
	Bolt, Crown Wheel	A075R6016Z	*	*	1				
RA10	Hub, Crown Wheel	A075R6017Z	*	*	1				
RA11	Shim, 0.003"	A075R6019Z	*	*	A/R				
	Shim, 0.005"	A075R6020Z	*	*	A/R				
	Shim, 0.010"	A075R6021Z	*	*	A/R				
	Shim, 0.030"	A075R6022Z	*	*	A/R				
RA12	Bearing	A075R6018Z	*	*	2				
RA13	Clamp	A075R6023Z	*	*	2				
	Bolt, Clamp Securing	A075R6024Z	*	*	4				
RA14	Sun Wheel	A075R6025Z	*	*	2				
RA15	Shim	A075R6026Z	*	*	A/R				
RA16	Planet Wheel	A075R6027Z	*	*	2				
RA17	Planet Shaft	A075R6028Z	*	*	1				
RA18	Pin	A075R6029Z	*	*	2				
RA19	Thrust Washer	A075R6040Z	*	*	2				
RA20	Main Casing	A075R6031Z	*	*	1				
RA21	Rear Casing	A075R6032Z	*	*	1				<i>{ 8 075R 6032 Z when PRV fitted        { A 075R 6051 F Adms. bracket only, allow        a PRV.</i>
	Bolt, Rear Casing Securing	A075R6033Z	*	*	10				
	Washer	A075R6034Z	*	*	10				
RA22	Plug, Filler/Drain	A075R6035Z	*	*	2				

PLATE Ref. No.	DESCRIPTION	PART NO.	ELITE	ECLAT	ALL	DOMESTIC	EUROPEAN	FEDERAL	REMARKS
	Gasket	A075R6036Z	*	*	1				
RA 23	Air Pressure Relief Valve	A075R6038Z	*	*	1				
RA 24	Inboard Drive Shaft	F075R0056Z	*	*	2				
X RA 25	Bearing	C075R6001Z	*	*	2				
X RA 26	Retaining Collar	B075R0057Z	*	*	2				
RA 27	Shim 0.005"	A075R0078Z	*	*	A/R				
	Shim 0.010"	A075R0079Z	*	*	A/R				
RA 28	Retaining Plate	<del>C075R0058Z</del>	*	*	2				
	Screws	A075W1080Z	*	*	8				
	Washer	A075W4036Z	*	*	8				
X RA 29	Oil Seal	A075R6003Z	*	*	2				<p>WAS NEVER INTRODUCED</p> <p>Bo - improved EI: 62R</p> <p>Co - EI: 57R</p>
X RA 30	"O" Ring	A075R6002Z	*	*	2				
RA 31	Mounting Rubber, Rear	B075R0075Z	*	*	4				
RA 32	Snubber Washer	A075R0076Z	*	*	4				
RA 33	Stud	<del>B075R0080Z</del>	*	*	2				
RA 34	Nyloc Nut	A075W3005Z	*	*	4				<p>D - plus spacers 2EI EI</p> <p>42R</p> <p>A075R0088/10 42R</p> <p>10 - 0094 A/R</p>
RA 35	Lock Nut	A075W3036Z	*	*	2				
RA 36	Mounting Rubber, Upper Front	B075R0074Z	*	*	2				

RA. 3  
3/4/5/6/7/8/9



PLATE Ref. No.	DESCRIPTION	PART NO.	ELITE	ECLAT	ALL	DOMESTIC	EUROPEAN	FEDERAL	REMARKS
RA 37	Mounting Rubber, Lower Front	B075R0075Z	*	*	2				
RA 38	Snubber Washers	A075R0077Z	*	*	4				
	Bolt	A075W2014Z	*	*	2				
	Washer	A075W4009Z	*	*	2				
	Nyloc Nut	A075W3005Z	*	*	2				
	Oil, Differential	A075T6006V	*	*	A/R				
	Propeller Shaft	C076R0085F		*	1				4 speed gear box.
EU 302	Propeller Shaft	A075R0050Z	*	*	1				5 speed gear box. HARDY-SPILLER 1140 SERIES
	Bolt	A075W2003Z	*	*	4				OVERALL LENGTH 1163mm JOINT
	Nyloc Nut	A075W3002Z	*	*	4				UJ X036R60132K
		<del>A075R0008F</del>							
									5 speed box + AUTOMATIC
									LENGTH FACE TO END SLINLY
									COMPRESSED 1154 ± 2.5
									JOINT MOVEMENT 29 MIN AT ZERO
									27 MAX AT 90.
EU 1, 642	PHASED HOOKS JOINT PROP SHAFT	A083R0125	* *	* *					MANUAL 2.2
		A083R0135	* *	* *					2.0 MANUAL RA. 4
									2.0 AND 2.2, AUTOMATIC

(balanced 4. x 52. @ 6000 RPM 4058G)

EU 49R R/B

330 330/1  
 332 332/1  
 333 333/1  
 336 336/1  
 337 337/1

PHASED HOOKS JOINT PROP SHAFT

2/76

Reduce diff drive 30-40 and 60-70 under load

PLATE Ref. No.	DESCRIPTION	PART NO.	S.1.		S.2.		MANUAL	AUTOMATIC	ALL	DOMESTIC	R.O.W.	FEDERAL	REMARKS
			ELITE	ECLAT	ELITE	ECLAT							
	Final Drive Assy. 4.1:1 (for 1/2" rear mounting studs)	C075R0712J	*	*	*	*	*	*	1				} Up to 83D 1743, 83A/E/G/H/S 0243 84D 1077 84A/E/G/H/S 0216 inclusive From 83D1744, 83A/E/G/H/S 0244 84D 1078, 84A/E/G/H/S 0217 inclusive
	Final Drive Assy. 3.73:1 (for 1/2" rear mounting studs)	D075R0705J	*	*	*	*	*	*	1				
	Final Drive Assy. 4.1:1 (for 'stepped' 5/8" mounting studs)	D075R0712J			*	*	*	*	1				
	Final Drive Assy. 3.73:1 (for 'stepped' 5/8" mounting studs)	E075R0705J			*	*	*	*	1				
	Oil Seal, Pinion 72/33mm	A075R6048HH	*	*			*	*	1				
	Oil Seal, Pinion 80/46mm	A075R6052F	*	*	*	*	*	*	1				
	Flange, Pinion (3.73:1)	A075R6006Z	*	*			*	*	1				With 72/33mm Seal
	Flange, Pinion (3.73:1)	A075R6055F	*	*	*	*	*	*	1				With 80/46mm Seal
	Flange, Pinion (4.1:1)	A075R6054F	*	*	*	*	*	*	1				With 80/46mm Seal
	Cover, Final Drive Rear	B075R6032Z	*	*	*	*	*	*	1				With Breather Assy.
	Gasket, Rear Cover	A075R6036Z	*	*	*	*	*	*	1				
	Breather Assy.	A075R6051F	*	*	*	*	*	*	1				In Rear Cover
	Air Pressure Relief Valve	A075R6038Z	*	*			*	*	1				On Axle Tube
RA24	Inboard Drive Shaft	F075R0056Z	*	*	*	*	*	*	2				
RA25	Bearing, Inboard Drive Shaft	C075R6001Z	*	*	*	*	*	*	2				

RA1

PLATE Ref. No.	DESCRIPTION	PART NO.	S.1.		S.2.		MANUAL	AUTOMATIC	ALL	DOMESTIC	R.O.W.	FEDERAL	REMARKS
			ELITE	ECLAT	ELITE	ECLAT							
RA26	Retaining Collar	B075R0057Z	*	*	*	*	*	*					
RA27	Shim 0.005"	C075R0078Z	*	*	*	*	*	*	2				
	Shim 0.010"	C075R0079Z	*	*	*	*	*	*	A/R				
RA28	Retaining Plate	D075R0058Z	*	*	*	*	*	*	A/R				
	Setcrew, M8 x 25, Plate Fixing	A075W1080Z	*	*	*	*	*	*	2				
	Washer, 8mm " "	A075W4020Z	*	*	*	*	*	*	8				
RA29	Oil Seal, Output Shaft	B075R6003Z	*	*	*	*	*	*	8				
RA30	'O' Ring, Retaining Plate	A075R6002Z	*	*	*	*	*	*	2				
RA31	Mounting Rubber, Rear	A075R0095F	*	*	*	*	*	*	2				
RA32	Snubber Washer	A075R0076Z	*	*	*	*	*	*	4				
RA33	Stud 1/2", Diff./Link/Chassis	E075R0080Z	*	*	*	*	*	*	4				
	Stud, Stepped, 1/2"/5/8"	B083R0108F	*	*	*	*	*	*	2				
	Diff./Link/Chassis								2				
RA34	Nut, 1/2" UNF Nyloc	A075W3005Z	*	*	*	*	*	*	4/2				
RA35	Locknut, 1/2" UNF	A075W3036Z	*	*	*	*	*	*	2				Qty. 2 With 'Stepped' Studs
	Nut, 5/8" UNF, Nyloc	A075W3006F			*	*	*	*	2				With 1/2" Studs
	Locknut, 5/8" UNF	A075W3066F			*	*	*	*	2				With 'Stepped' Diff. Studs
					*	*	*	*	2				" " " " "

RA2

PLATE Ref. No.	DESCRIPTION	PART NO.	S.1.		S.2.		MANUAL	AUTOMATIC	ALL	DOMESTIC	R.O.W.	FEDERAL	REMARKS
			ELITE	ECLAT	ELITE	ECLAT							
	Spacer, Diff./Lower Link, 3mm	A075R0088F	*	*	*	*	*	*	A/R				With 1/2" Diff. Stud
	" " " " " 4mm	A075R0089F	*	*	*	*	*	*	A/R				" " " "
	" " " " " 5mm	A075R0090F	*	*	*	*	*	*	A/R				" " " "
	" " " " " 6mm	A075R0091F	*	*	*	*	*	*	A/R				" " " "
	" " " " " 7mm	A075R0092F	*	*	*	*	*	*	A/R				" " " "
	" " " " " 8mm	A075R0093F	*	*	*	*	*	*	A/R				" " " "
	" " " " " 9mm	A075R0094F	*	*	*	*	*	*	A/R				" " " "
	Spacer, Diff./Lower Link, 3mm	B083R0099F			*	*	*	*	A/R				With Stepped Studs
	" " " " " 4mm	B083R0100F			*	*	*	*	A/R				" " " "
	" " " " " 5mm	B083R0101F			*	*	*	*	A/R				" " " "
	" " " " " 6mm	B083R0102F			*	*	*	*	A/R				" " " "
	" " " " " 7mm	B083R0103F			*	*	*	*	A/R				" " " "
	" " " " " 8mm	B083R0104F			*	*	*	*	A/R				" " " "
	" " " " " 9mm	B083R0105F			*	*	*	*	A/R				" " " "
	Snubber Washer, Spacer/Lower Link	B083R0109F			*	*	*	*	2				" " " "
	Reinforcing Channel, Diff. Studs Rear	A075R0096F	*	*	*	*	*	*	1				
	Washer Nut to Channel	A075W4007Z	*	*	*	*	*	*	2				
RA36	Mounting Rubber, Upper Front	A075R0096F	*	*	*	*	*	*	2				
RA37	Mounting Rubber, Lower Front	A075R0095F	*	*	*	*	*	*	2				

PLATE Ref. No.	DESCRIPTION	PART NO.	S.1.		S.2.		MANUAL	AUTOMATIC	ALL	DOMESTIC	R.O.W.	FEDERAL	REMARKS
			ELITE	ECLAT	ELITE	ECLAT							
RA38	Snubber Washer, Front Mountings	A075R0077Z	*	*	*	*	*	*	4				4-Speed R/B A075R0098F 5-Speed & Auto  <i>(S) 1140 Series n/j</i>
	Bolt, Diff. Front Mounting	A075W2014Z	*	*	*	*	*	*	2				
	Washer " " "	A075W4009Z	*	*	*	*	*	*	2				
	Nyloc Nut, " "	A075W3005Z	*	*	*	*	*	*	2				
	Propeller Shaft	C076R0085F		*			*		1				
	" " " (Hookes Joints x 2)	G075R0050Z	*	*			*	*	1				
	" " " (Rear C.V. Joint)	A075R0098F	*	*			*	*	1				
	" " " (Rear C.V. Joint)	A083R0098F			*	*	*	*	1				
	" " " (Rear C.V. Joint)	A075R0098F			*	*	*	*	1				
	" " " (Phased Hookes)	A083R0112S			*	*	*	*	1				
	" " " (Phased Hookes)	A083R0113S			*	*	*	*	1				
	Bolt, Propshaft to Diff.	A075W2003Z	*	*	*	*	*	*	4				
	Nut, " " "	A075W3002Z	*	*	*	*	*	*	4				

NOV 1984

RA4

SA

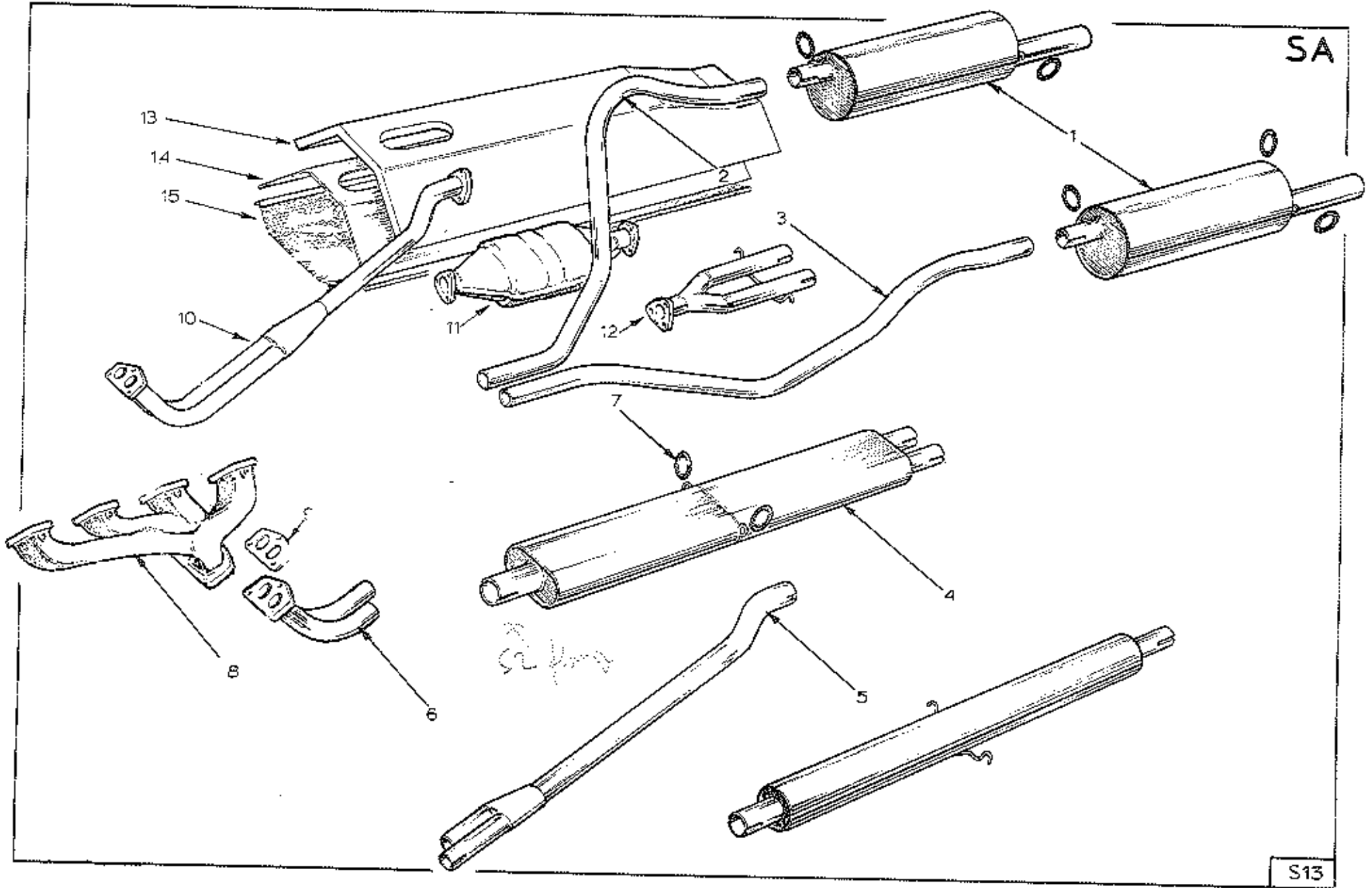


PLATE Ref. No.	DESCRIPTION	PART NO.	S.1.		S.2.		MANUAL	AUTOMATIC	ALL	DOMESTIC	R.O.W.	FEDERAL	REMARKS
			ELITE	ECLAT	ELITE	ECLAT							
SA1	Silencer, Rear	C075S0204Z	*	*			*	*	2				
	Silencer, Rear	A076S0245F		*			*	*		1	1		Eclat 520 Only (Not 'Sprint')
SA2	Silencer, Rear	A083S0746F			*	*	*	*		2	2		
	Rear Pipe, RH	B075S0202Z -	*	*			*	*	1				
SA3	Rear Pipe, RH	A083S0744F			*	*	*	*		1	1		
	Rear Pipe, LH	B075S0201Z -	*	*			*	*	1				
SA4	Rear Pipe, LH	A083S0743F			*	*	*	*		1	1		
	Rear Pipe	A076S0242F		*			*	*		1	1		Eclat 520 Only (Not 'Sprint')
SA5 & 6	Primary Silencer	C075S0210Z	*	*			*	*		1	1		
	Primary Silencer	A083S0745F			*	*	*	*		1	1		
SA7	Primary Silencer	A076S0241F		*			*	*		1	1		Eclat 520 Only (Not 'Sprint')
	Primary Silencer	A075S0258F	*	*			*	*					Australia Only
SA10	Front Pipe Assembly	A075S0248F	*	*			*	*		1	1		Also 1974 Spec. Federal
	Front Pipe Assembly	A075S0250F	*	*			*	*		1	1		
SA10	Front Pipe Assembly	A083S0742F -			*	*	*	*		1	1		
	Front Pipe Assembly	A083S0748F			*	*	*	*		1	1		
SA7	Front Pipe Assembly	A075S0219F	*	*			*	*				1	
	Front Pipe Assembly	A075S0251F	*	*			*	*				1	
SA7	Suspension Ring	A075S6002Z	*	*			*	*	6				4 On Eclat 520 (Not 'Sprint')
	Suspension Ring	A075S6002Z			*	*	*	*		4	4		Rear Silencer, Rear
SA7	Suspension Rubber	A083S6029			*	*	*	*		2	2		Rear Silencer, Front
	Suspension Rubber	A083S6026			*	*	*	*		2	2		Primary Silencer

PLATE Ref. No.	DESCRIPTION	PART NO.	S.1.		S.2.		MANUAL	AUTOMATIC	ALL	DOMESTIC	R.O.W.	FEDERAL	REMARKS
			ELITE	ECLAT	ELITE	ECLAT							
SA8	Pipe Clamps 1 5/8"	A075S6003Z	*	*			*	*	4				Eclat 520 Only (Not 'Sprint')
	Pipe Clamps Ex. 2 1/8"	A075S6005Z	*	*			*	*	1				
	Pipe Clamp Ex. 1 7/8"	A075S6000Z		*			*	*	2				
	Pipe Clamp, Intermed./Down Pipes 1 3/4"	A075S6006Z	*	*			*	*	2				
	Locknuts, "P" Clamp	A075W3026Z	*	*			*	*	6				
	Exhaust Manifold	A907E0601Y	*	*	*	*	*	*	1				
	Stud, Manifold to Downpipe	B907E0635Z	*	*	*	*	*	*	3				
	Nut, S/S	A075W3022Z	*	*	*	*	*	*	3				
	Washer	A075W4020Z	*	*	*	*	*	*	3				
	Anti-Seize Paste	A907E6272V	*	*	*	*	*	*	A/R				
	Fire Gum	A075S6004V	*	*	*	*	*	*					
SA9	Gasket, Manifold/Head	A907E0004Z	*	*	*	*	*	*	4				
	Gasket, Manifold/Down Pipe	B907E0638Z	*	*	*	*	*	*	1				
	Stud, Manifold/Head	A907E0128Z	*	*	*	*	*	*	12				
SA11	Nut	A075W3035Z	*	*	*	*	*	*	12				
	Washer	A075W4020Z	*	*	*	*	*	*	12			Copperised	
	Catalyst Converter Assembly	A075S0217F	*	*			*	*	12				
	Catalyst Converter Assembly	A075S0252F	*	*			*	*			1	Replaces A075S0217F	
	Blanking Plug 1/2 BSP (Taper)	A075S6019F	*	*			*	*			1	Brass	

10V 1984

SA2



PLATE Ref. No.	DESCRIPTION	PART NO.	S.1.		S.2.		MANUAL	AUTOMATIC	ALL	DOMESTIC	R.O.W.	FEDERAL	REMARKS
			ELITE	ECLAT	ELITE	ECLAT							
SA12	"Y" Piece, Catalyst to Tail Pipes	B075S0220F	*	*			*	*				1	
	Gasket, Catalyst to "Y" Piece	A075S6014F	*	*			*	*				1	
	Bolt	A075W1041Z	*	*			*	*				6	
	Nut	A075W3035Z	*	*			*	*				6	
SA13	Insulation, Chassis	A075S0227F	*	*			*	*				1	
SA14	Heat Shield, Chassis	A075S0228K	*	*			*	*				1	
SA15	Heat Shield, Lower	A075S0223K	*	*			*	*				1	Japanese and Californian Cars Only
	Screw	A075W1032Z	*	*			*	*				6	
	Nut	A075W3009Z	*	*			*	*				6	
	Washer	A075W4014Z	*	*			*	*				6	
	Pipe Clamp, 2.0"	A075S6009F	*	*			*	*				1	
Not illus.	Insulation Set, Front Pipe Assy.	A075S0234F	*	*								1	1976 Spec. Onwards
	Insulation, Front Upper	A075S0222F	*	*								1	
	Insulation, Front Lower	A075S0231F	*	*								1	
	Insulation, Rear Upper	A075S0224F	*	*								1	
	Insulation, Rear Lower	A075S0232F	*	*								1	
Not illus.	Casing for Insulation Set	A075S0233F	*	*								1	
	Casing, Front Upper	A075S0225F	*	*								1	
	Casing Front Lower	A075S0229F	*	*								1	
	Casing, Rear Upper	A075S0226F	*	*								1	
	Casing, Rear Lower	A075S0230F	*	*								1	

PLATE Ref. No.	DESCRIPTION	PART NO.	ELITE	ECLAT	ALL	DOMESTIC	EUROPEAN	FEDERAL	REMARKS
Not illus.	Insulation Set, Front Pipe Assy.	A075S0234F	*	*				1	1976 Spec. Onwards
	Insulation, Front Upper	A075S0222F	*	*				1	
	Insulation, Front Lower	A075S0231F	*	*				1	
	Insulation, Rear Upper	A075S0224F	*	*				1	
	Insulation, Rear Lower	A075S0232F	*	*				1	
Not illus.	Casing for Insulation Set	A075S0233F	*	*				1	
	Casing, Front Upper	A075S0225F	*	*				1	
	Casing, Front Lower	A075S0229F	*	*				1	
	Casing, Rear Upper	A075S0226F	*	*				1	
	Casing, Rear Lower	A075S0230F	*	*				1	
Not illus.	Clip, Worm Drive, 58-75 mm.	A075S6015F	*	*				2	
Not illus.	Clip, Worm Drive, 77-95 mm.	A075S6016F	*	*				1	
Not illus.	Clip, Worm Drive, 87-112 mm.	A075S6017F	*	*				1	
	<i>SILENCER</i> HOOK - <del>EX</del> MTS (REAR OR BODY)	<del>A075S0207F</del>						4	<i>NOT ELITE OR S2 BODIES</i>
	PLAIN - LOCK NUT	<del>A075W3026F</del>						4	

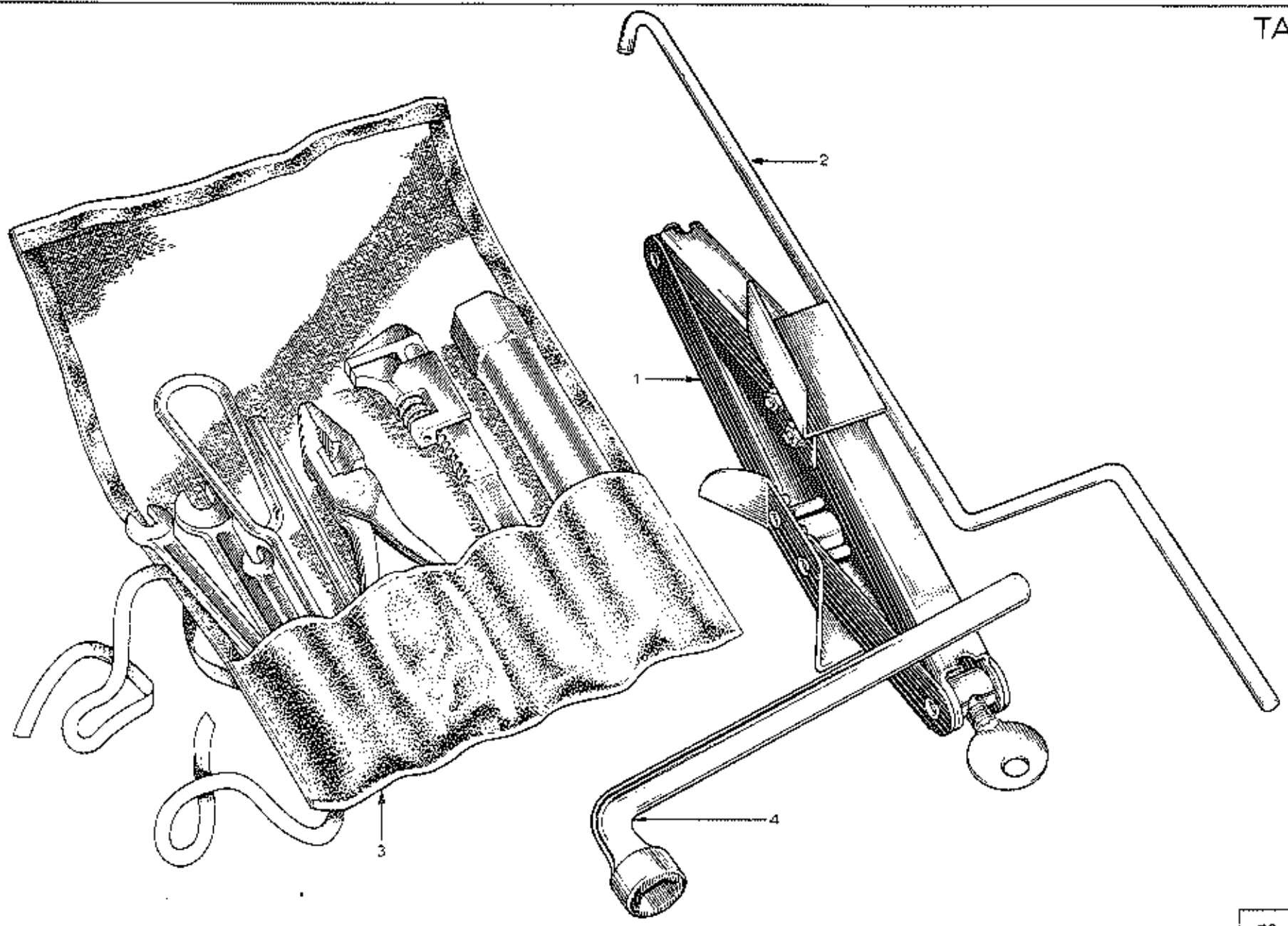


PLATE Ref. No.	DESCRIPTION	PART NO.	S.1.		S.2.		MANUAL	AUTOMATIC	ALL	DOMESTIC	R.O.W.	FEDERAL	REMARKS
			ELITE	ECLAT	ELITE	ECLAT							
TA1	Jack	B065T0347Z	*	*	*	*	*	*	1				
TA2	Handle, Jack	B075T0350Z	*	*	*	*	*	*	1				
TA3	Tool Kit	A075T0001Z	*	*	*	*	*	*	1				Replaced by B075T0728J
Not illus	Tool Kit Assembly	B075T0728J	*	*	*	*	*	*	1				
TA4	Wheel Brace	A065G6007Z	*	*	*	*	*	*	1				Not Required With Tool Kit B075T0728J
	<p><u>Owners handbook</u></p> <p>A075T0324Z Elite S1 obsolete</p> <p>A076T0324Z Eclat S1</p> <p>A083T0324Z Elite S2</p> <p>A084T0324Z Eclat S2</p>												

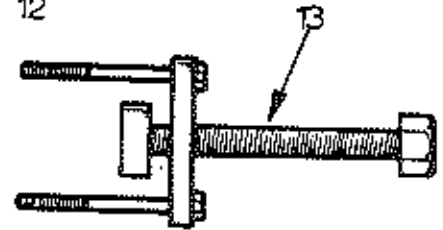
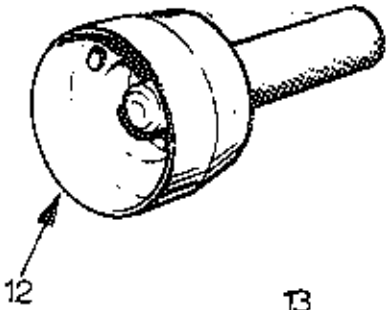
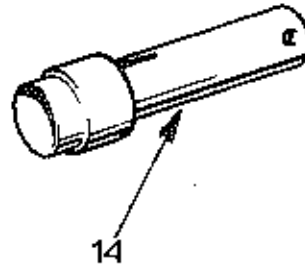
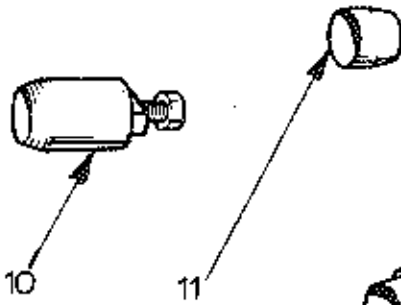
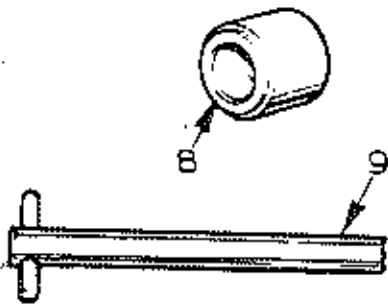
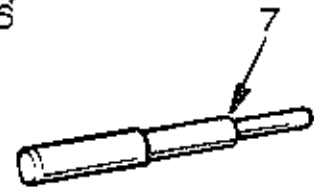
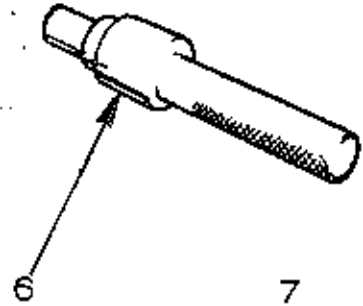
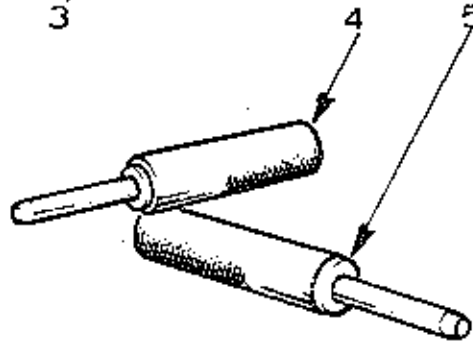
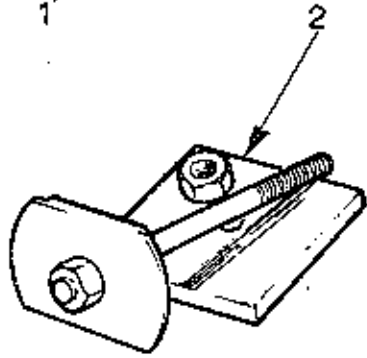
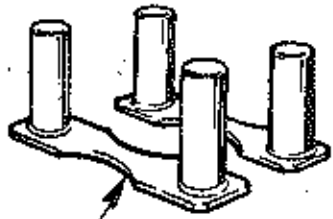


PLATE Ref. No.	DESCRIPTION	PART NO.	ELITE	ECLAT	ALL	DOMESTIC	EUROPEAN	FEDERAL	REMARKS
	Engine Special Tool Kit Assy.	T000L0002A	*	*	A/R				
TB.1	Cylinder Liner Clamps	T000T0002A	*	*	A/R				2 off per kit.
TB.2	Cylinder Liner Extractor	T000T0012A	*	*	A/R				1 off per kit
TB.3	Cylinder Liner Nip Gauge	T000G0003A	*	*	A/R				1 off per kit
TB.4	Drift, Inlet Valve Seat	T000T0093A	*	*	A/R				1 off per kit
TB.5	Drift, Exhaust Valve Seat	T000T0094A	*	*	A/R				1 off per kit
TB.6	Insertor, Spigot Bearing	T000T0242A	*	*	A/R				1 off per kit
TB.7	Drift, Valve Guide	T000T0004A	*	*	A/R				1 off per kit
TB.8	Insertor, Camshaft Oil Seal	T000T0010A	*	*	A/R				1 off per kit
TB.9	Spanner, Oil Pick-up Pipe Union	T000T0083A	*	*	A/R				1 off per kit
TB.10	Extractor, Camshaft Oil Seal	T000T0011A	*	*	A/R				1 off per kit
TB.11	Sleeve, Camshaft Oil Seal	T000T0072A	*	*	A/R				1 off per kit
TB.12	Pilot, Rear Oil Seal Crankshaft	T000T0084A	*	*	A/R				1 off per kit
TB.13	Puller, Crankshaft Pulley	T000T0170A	*	*	A/R				1 off per kit
TB.14	Pilot, Front Cover	T000T0009A	*	*	A/R				1 off per kit
	Clips, Tool Retention, Set of, C/W Fixings.	T000L0005A	*	*	A/R				
	Shadow Sheet, Self Adhesive	T000T0271A	*	*	A/R				
	Tool Board	T000T0270A	*	*	A/R				
Not illus.	Tool, Belt Adjusting.	T000T0320A	*	*				A/R	Fed. Air Pump Driven by Toothed Belt
" "	Adaptor & Sample Pipe, Analyser	T000T0321A	*	*				A/R	75 Fed. On.
" "	Plug	T000T0322A	*	*				A/R	Air Pump Outlet Hose.

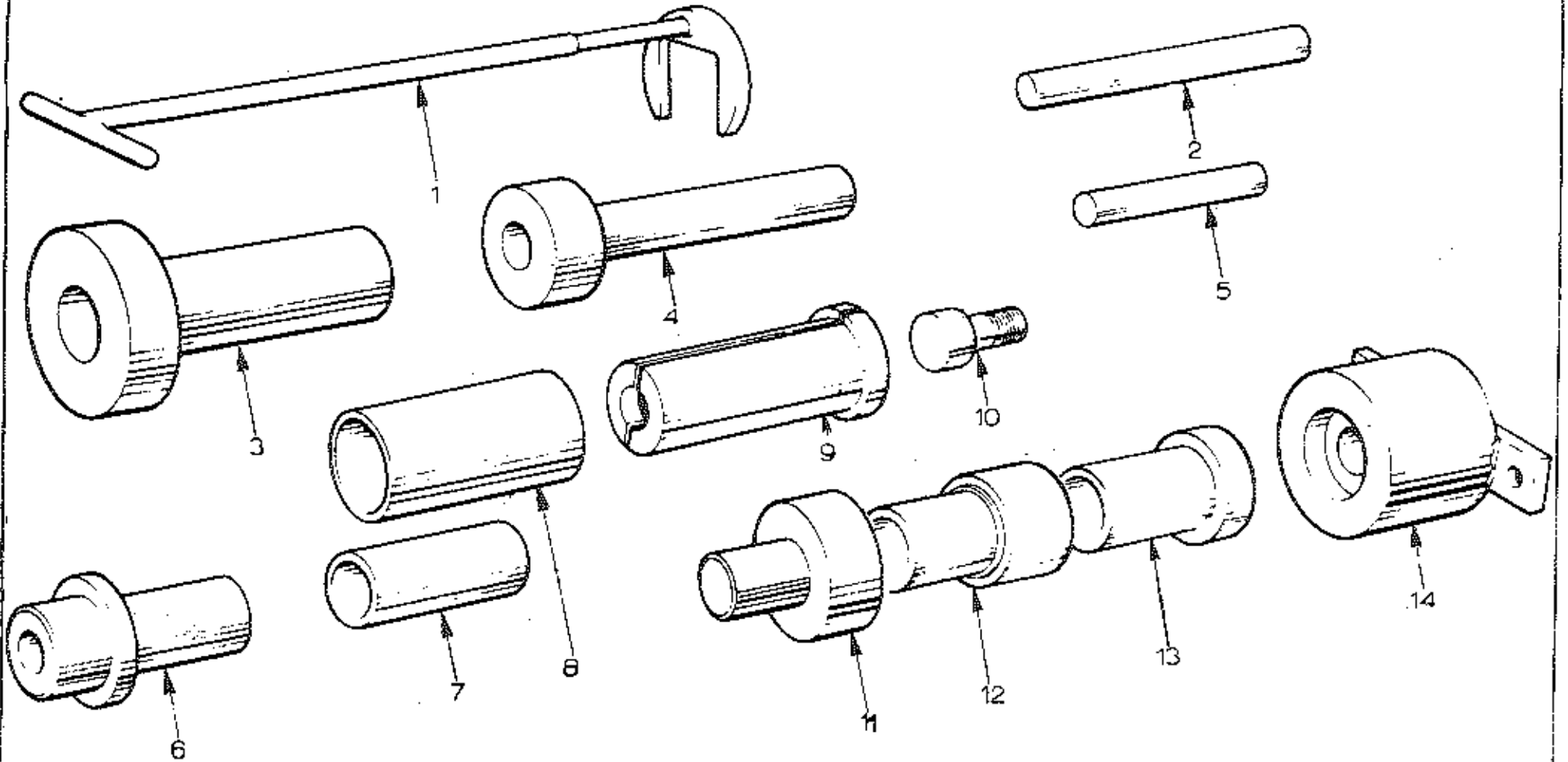


PLATE Ref. No.	DESCRIPTION	PART NUMBER	QUANTITY		REMARKS
			PER KIT		
	Lotus 5-Speed Gearbox Special Tool Kit Assy.	T000L0003A			
TC1	Spanner Gearlever Cup	T000T0032A	1		
TC2	Dummy Selector Shaft	T000T0029A	1		
TC3	Insertor. 3rd Motion Shaft and Layshaft Rear Bearing	T000T0025A	1		
TC4	Drift Layshaft Front Bearing	T000T0019A	1		
TC5	Dummy Selector Shaft	T000T0014A	2		
TC6	Dummy Bearing Layshaft Front	T000T0028A	1		
TC7	Sleeve 3rd Motion Shaft	T000T0033A	1		
TC8	Sleeve 1st Motion Shaft	T000T0060A	1		
TC9	Collet 1st Motion Shaft	T000T0059A	2		
TC10	Adaptor 1st Motion Shaft	T000T0061A	1		
TC11	Insertor Front Cover Oil Seal	T000T0024A	1		
TC12	Insertor Output Shaft Bearing	T000T0074A	1		
TC13	Insertor Output Shaft Oil Seal	T000T0075A	1		
TC14	Dummy 1st Motion Shaft Assy.	T000T0031A	1		
TC15	Bolt, 1st Motion Shaft Removal	T000T0080A	1		
	Clips. Tool Retention. Set Off. c/w Fixings	T000L0004A	1		
	Shadow Sheet Self Adhesive	T000T0272A			
	Tool Board	T000T0270A			
	<i>BOLT / 1st MOTION SHAFT / REMOVAL</i>	<i>T000T0080A</i>			



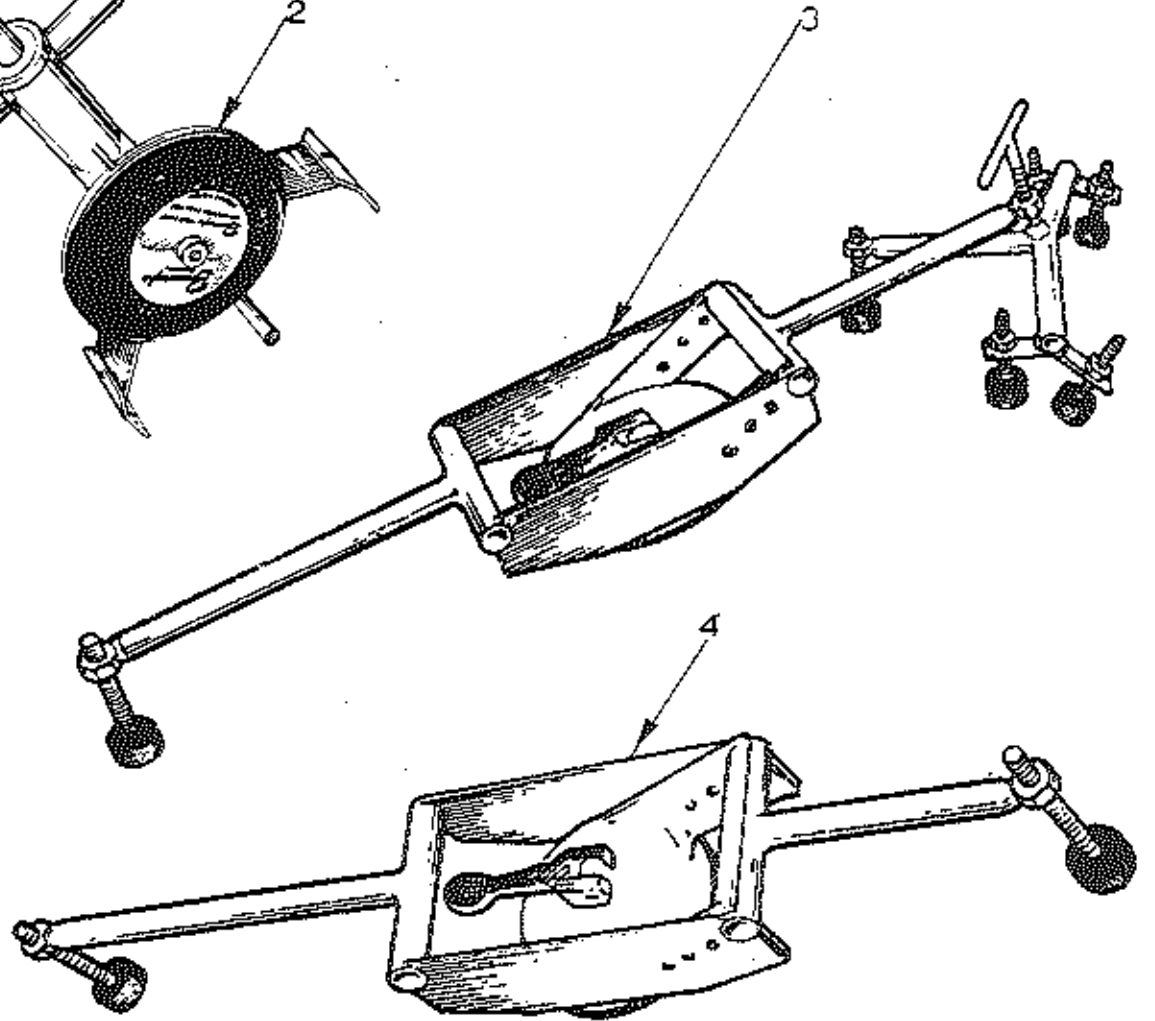
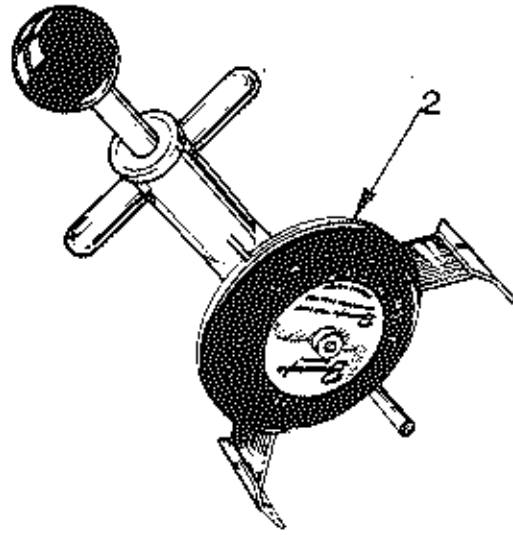
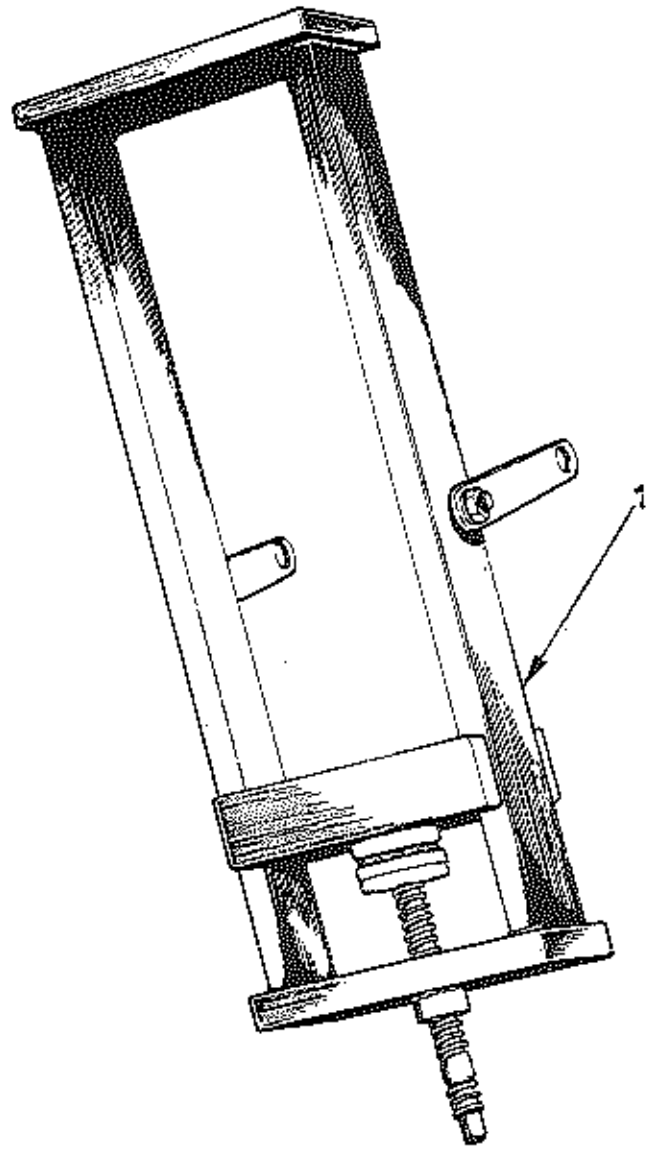


PLATE Ref No	DESCRIPTION	PART NO	QUANTITY			REMARKS
			ALL	DOMESTIC	EUROPEAN	
TD1	Compressor. Front Spring	T000T0258A	A/R			
TD2	Borroughs Gauge	T000T0290A	A/R			
TD3	Clamp. Cap. "A" Post	T000T0286A	A/R			
TD4	Clamp. "A" Post	T000T0285A	A/R			

PLATE Ref. No.	SERIES 2 MODEL TRIM PARTS DESCRIPTION	PART NO.	S.1.		S.2.		MANUAL	AUTOMATIC	ALL	DOMESTIC	R.O.W.	FEDERAL	REMARKS
			ELITE	ECLAT	ELITE	ECLAT							
	If a trim part number for a Series 2 model is not listed below, refer to the Series 1 part description and quote vehicle chassis number												
	Ashtray Assembly (With Leather)	A089V3883J			*	*	*	*		2	2		( State or Supply Sample of ( Colour and Chassis No.
	Ashtray Assembly (With Cloth)	B089V3883J			*	*	*	*		2	2		
	Door Insert Panel (Wood)	A083V2427F			*	*	*	*		2	2		
	Seat Latch Release Knob	A083V2422F			*	*	*	*		2	2		
	Seat Runner, RH	A083V6034F			*	*	*	*		2	2		
	Seat Runner, LH	A083V6035F			*	*	*	*		2	2		
	Coat Hanger	A083V2454F			*	*	*	*		2	2		
	Tool Box & Battery Cover	A083V2471F			*		*	*		1	1		
	Retaining Clip, Battery Cover	A083V2472F			*		*	*		1	1		
	Seat Belt, Front, RH	A083V2446F			*	*	*	*		1	1		
	Seat Belt, Front, LH	A083V2447F			*	*	*	*		1	1		
	Hinge Axle Assy. Sun Visor, RH	A084V6010F			*	*	*	*		1	1		
	Hinge Axle Assy. Sun Visor, LH	A084V6011F			*	*	*	*		1	1		
	Clip, Sun Visor Support	A084V6009F			*	*	*	*		2	2		
	Control Escutcheon, Heater	B083P0238F			*	*	*	*		1	1		
	Control Escutcheon, A/C	B083P0237F			*	*	*	*		1	1		
	Centre Switch Panel	A083U1199F			*	*	*	*		1	1		

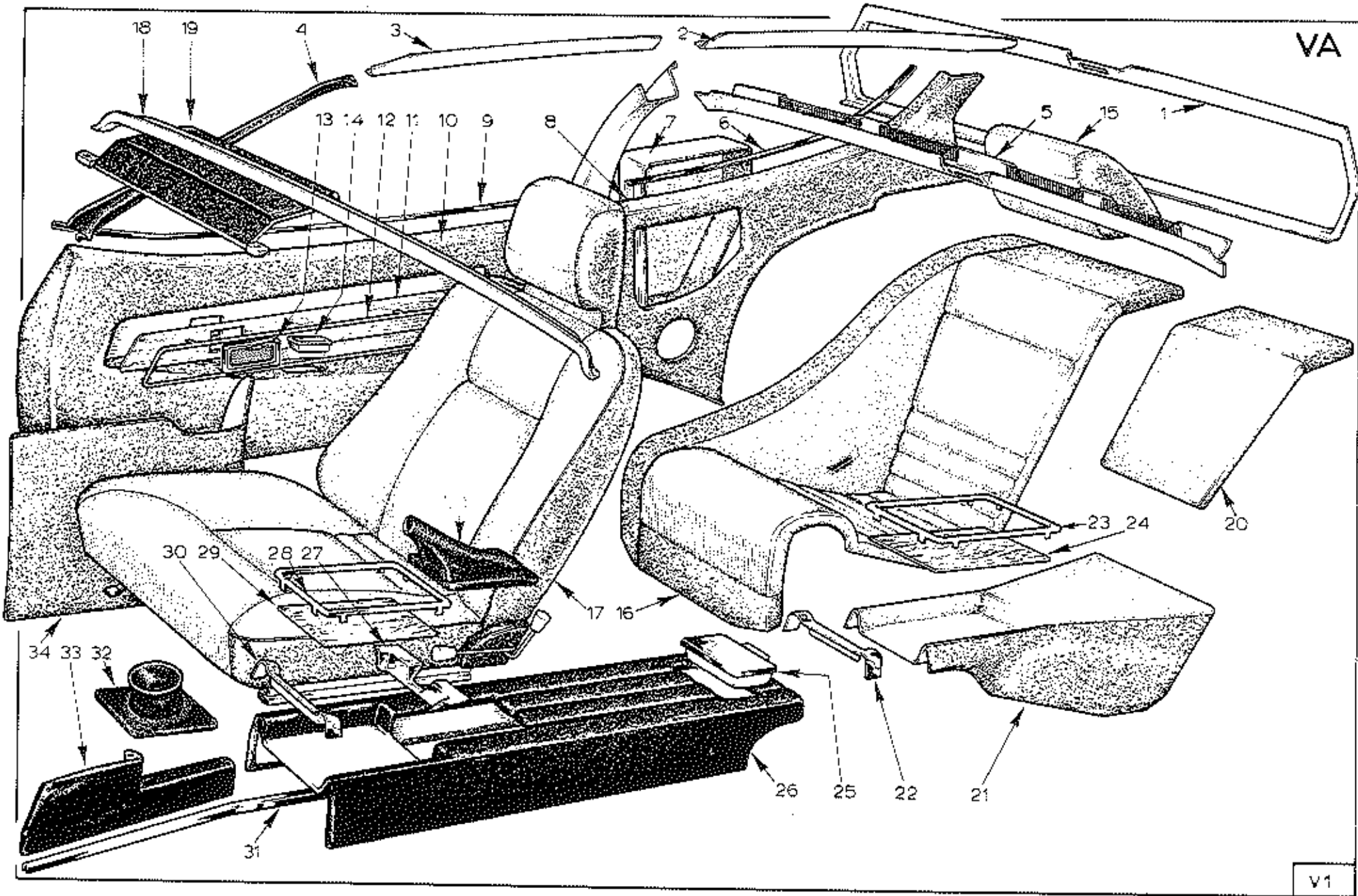


PLATE Ref. No.	DESCRIPTION	PART NO.	ELITE	ECLAT	MANUAL	AUTOMATIC	ALL	DOMESTIC	EUROPEAN	FEDERAL	REMARKS
VA 1	Rear Window Surround	A075V0226Z	*		*	*	1				
	Screw	A075W5037ZG	*		*	*	3				
	Lokut Nut	A075W6039ZC	*		*	*	3				
	Pop Rivet	A075W6067ZL	*		*	*	2				
	Roll Pin	A075W6074Z	*		*	*	2				
VA 2	Rear Contrail Assy. RH	A075V0244ZG	*		*	*	1				
	Rear Contrail Assy. RH	A076V1318J		*	*	*	1				
	Rear Contrail Assy. LH	A075V0243ZB	*		*	*	1				
	Rear Contrail Assy. LH	A076V1317J		*	*	*	1				
	Clip	A075W6062ZH	*	*	*	*	8				
	Snapsac	A075W6077ZF	*	*	*	*	8				
	Mountings, Rear Contrail	A075V1113ZG	*		*	*	4				
	Mountings, Rear Contrail, Front	A076V1260F		*	*	*	2				
	Mountings, Rear Contrail, Rear	A076V1259F		*	*	*	2				
	VA 3	Front Contrail Assy. RH	A075V0284ZJ	*	*	*	*	1			
Front Contrail Assy. LH		A075V0283ZD	*	*	*	*	1				
Clip		A075W6062ZH	*	*	*	*	4				
Snapsac		A075W6077ZF	*	*	*	*	4				
Mountings, Front Contrail		A075V1123ZB	*	*	*	*	4				

Elite/Eclat  
VA 1.

PLATE Ref. No.	DESCRIPTION	PART NO.	ELITE	ECLAT	MANUAL	AUTOMATIC	ALL	DOMESTIC	EUROPEAN	FEDERAL	REMARKS
VA 4	"A" Post Trim	A075V0279Z	*	*	*	*	2				
VA 5	Cover, Roll-Over Bar	A075V0248ZE	*	*	*	*	1				
	Spring Clip	A075W6080Z	*	*	*	*	2				
	Pop Rivet	A075W6067ZL	*	*	*	*	2				
VA 6	Contour Strip, Rear, RH	A075U0444ZE	*		*	*	1				
	Contour Strip, Rear, LH	A075U0445ZK	*		*	*	1				
	Contour Strip, Lower, Rear, RH	A076U1056F		*	*	*	1				
	Contour Strip, Upper, Rear, RH	A076U1058F		*	*	*	1				
	Contour Strip, Lower, Rear, LH	A076U1057F		*	*	*	1				
	Contour Strip, Upper, Rear, LH	A076U1059F		*	*	*	1				
	Edge Clip	A075W6054ZA	*	*	*	*	A/R				
VA 7	Rear Quarter Pocket, RH	A075V0234Z	*		*	*	1				
	Rear Quarter Pocket, RH	A076V1488F		*	*	*	1				With Radio.
	Rear Quarter Pocket, RH	A076V1490F		*	*	*	1				Without Radio.
	Rear Quarter Pocket, LH	A075V0235Z	*		*	*	1				
	Rear Quarter Pocket, LH	A076V1489F		*	*	*	1				With Radio.
	Rear Quarter Pocket, LH	A076V1491F		*	*	*	1				Without Radio.

PLATE Ref. No.	DESCRIPTION	PART NO.	ELITE	ECLAT	MANUAL	AUTOMATIC	ALL	DOMESTIC	EUROPEAN	FEDERAL	REMARKS	
VA 8	Screw	A075W5043ZD	*	*	*	*	2					
	Washer	A075W4000ZA	*	*	*	*	2					
	Lokut Nut	A075W6039ZC	*	*	*	*	2					
	Blanking Panel, Rear Qtr. Panel Pocket	A076V1482F		*	*	*	2					
	Pop Rivet	A075W6094Z		*	*	*	18					
	Washer	A075W4001ZF		*	*	*	18					
	Rear Quarter Panel Assy. RH	A075V0228ZD	*		*	*	1					
	Rear Quarter Panel Assy. RH	A076V1316J		*	*	*	1					
	Rear Quarter Panel Assy. LH	A075V0229ZJ	*		*	*	1					
	Rear Quarter Panel Assy. LH	A076V1315J		*	*	*	1					
	Roll Pin	A075W6074Z	*	*	*	*	2					
	VA 9	Finisher, Door Trim Panel, Top, LH	B075V0671ZJ	*		*	*	1				
		Finisher, Door Trim Panel, Top, RH	B075V0672ZC	*		*	*	1				
		Finisher, Door Trim Panel, Top, LH	A076V1442F		*	*	*	1				Black.
Finisher, Door Trim Panel, Top, RH		A076V1443F		*	*	*	1				Black.	
Edge Clip		A075W6048DD	*	*	*	*	A/R					
Edge Clip		A075W6055ZF	*	*	*	*	A/R				Finisher to Trim Panel.	

Elite/Eclat  
VA 3.

PLATE Ref. No.	DESCRIPTION	PART NO.	ELITE	ECLAT	MANUAL	AUTOMATIC	ALL	DOMESTIC	EUROPEAN	FEDERAL	REMARKS
			*	*	*	*					
VA 10	Door Trim Panel Assy, RH	A075V0260ZK	*		*	*	1				Use with Finishers C075U0337FH and C075U0338FB.
	Door Trim Panel Assy, RH	A076V1432K		*	*	*	1				
	Door Trim Panel Assy, LH	A075V0259ZE	*		*	*	1				
	Door Trim Panel Assy, LH	A076V1431K		*	*	*	1				
	Pad, Courtesy Switch	A075V1081ZK	*	*	*	*		2	2	4	
	Pop Rivet	A075W6068Z	*	*	*	*	10				
VA 11	Finisher, Panel, Door, LH	C075U0337FH	*	*	*	*	1				
	Finisher, Panel, Door, RH	C075U0338FB	*	*	*	*	1				
VA 12	Trim Strip, Door Panel, LH	A075U0339ZB	*	*	*	*	1				
	Trim Strip, Door Panel, RH	A075U0340ZG	*	*	*	*	1				
VA 13	Ashtray, Door Panel	A036B6170WK	*	*	*	*	2				
VA 14	Door Pull	B075U0436ZJ	*	*	*	*	2				
	Support, Door Pull	C075V0270ZB	*	*	*	*	2				
	Washer	A075W4000ZA	*	*	*	*	2				
	Nut	A075W3000ZD	*	*	*	*	2				
	Headrest, Rear Seat	A075V0214WK	*		*	*	2				
VA 15	Bolt	A075W2002ZF	*		*	*	4				



PLATE Ref. No.	DESCRIPTION	PART NO.	ELITE	ECLAT	MANUAL	AUTOMATIC	ALL	DOMESTIC	EUROPEAN	FEDERAL	REMARKS
VA 16	Headrest, Rear Seat	A075V1651J		*	*	*	2				Not Australia.  Up to Unit Nos. 145D, 118E, 120E to 125E and 105F, Inc.  From Unit Nos. 146D, 119E, 126E and 106F on, Inc.  For use with Headrests.  Up to Unit Nos. 145D, 118E, 120E to 125E and 105F, Inc.  From Unit Nos. 146D, 119E, 126E and 106F on, Inc.  For use with Headrests.
	Bolt	A075W2001ZA		*	*	*	4				
	Seat Assy, Rear, LH	A075V0201WL	*		*	*	1				
	Seat Assy, Rear, LH	A076V1313J		*	*	*	1				
	Seat Assy, Rear, LH	A076V1557J			*	*	1				
	Seat Assy, Rear, LH	A076V2025J			*	*	1				
	Seat Assy, Rear, RH	A075V0200WF	*		*	*	1				
	Seat Assy, Rear, RH	A076V1314J			*	*	1				
	Seat Assy, Rear, RH	A076V1558J			*	*	1				
	Seat Assy, Rear, RH	A076V2026J			*	*	1				
	Hedlock Fastener	A075W6082ZJ	*	*	*	*	8				
	Pop Rivet	A075W6067ZL	*	*	*	*	16				
	Screw	A075W5043ZD	*	*	*	*	4				
	Washer	A075W4000ZA	*	*	*	*	4				
	Lokut Nut	A075W6039ZC	*	*	*	*	4				
	Bracket, Rear Seat	A075V1124ZG	*	*	*	*	2				
	Pop Rivet	A075W6071ZJ	*	*	*	*	4				
Washer	A075W4001ZF	*	*	*	*	4					

PLATE Ref. No.	DESCRIPTION	PART NO.								REMARKS	
			ELITE	ECLAT	MANUAL	AUTOMATIC	ALL	DOMESTIC	EUROPEAN		FEDERAL
VA 17	Seat Assy, Front, LH	C075V0293ZG	*		*	*	1				
	Seat Assy, Front, LH	A076V1457J		*	*	*	1				
	Seat Assy, Front, RH	C075V0294ZA	*		*	*	1				
	Seat Assy, Front, RH	A076V1458J		*	*	*	1				
	Bolt	A075W1041ZF	*	*	*	*	8				
	Washer	A075W4036ZE	*	*	*	*	8				
	Knob, Seat Adjuster	A075V0623ZG	*	*	*	*	4				
	Seat Runner, Locking, RH Seat	A075V6008WC	*	*	*	*	1				
	Seat Runner, Plain, RH Seat	A075V6009WH	*	*	*	*	1				
	Seat Runner, Locking, LH Seat	A075V6045WA	*	*	*	*	1				
	Seat Runner, Plain, LH Seat	A075V6046WF	*	*	*	*	1				
	VA 18	Header Rail Assy.	A075V0289ZA	*	*	*	*	1			
	VA 19	Sun Visor Assy.	A075V0291ZL	*		*	*	2			Not Australia. Australia Only.
		Sun Visor Assy.	A075V1562K	*		*	*	2			
	Sun Visor Assy, LH	A076V1511K		*	*	*	1				
	Sun Visor Assy, RH	A076V1510K		*	*	*	1				
	Cover, Sun Visor Pivot	A076V2349K		*	*	*	4				
	Bracket, Sun Visor Mounting	A075V0684ZD	*		*	*	4				
	Bracket, Sun Visor Mounting	A076V1505F		*	*	*	4				

10.79

Elite/Eclat  
VA 6.

PLATE Ref. No.	DESCRIPTION	PART NO.	ELITE	ECLAT	MANUAL	AUTOMATIC	ALL	DOMESTIC	EUROPEAN	FEDERAL	REMARKS
<i>interior</i>	Clip, Sun Visor Mounting	A075V0685ZJ	*	*	*	*	4				
	Tolerance Ring	A075V6004F		*	*	*	4				
<i>holder in up form (on cant rail)</i>	Clip, Sun Visor	A075V1086Z	*	*	*	*	2				<i>is with electrical contact A 24V 600V (A074V2444)</i>
	Screw	A075W5043ZD	*		*	*	4				
	Locknut	A075W6039ZC	*		*	*	4				
	Screw 10 UNF x 1/2", Pozid	A075W5059ZG		*	*	*	4				
	Jacknut, 10 UNF	A075W3032ZK		*	*	*	4				
VA 20	Centre Panel, Rear Seat, Assy.	A075V02215G	*		*	*	1				
	Centre Panel, Rear Seat, Assy.	A076V1319J		*	*	*	1				Up to Unit Nos. 145D, 118E, 120E to 125E and 105F, Inc.
	Centre Panel, Rear Seat, Assy.	A076V1559J		*	*	*	1				From Unit Nos. 146D, 119E, 126E and 106F on, Inc.
	Hedlock Fasteners	A075W6082ZJ	*	*	*	*	6				
	Pop Rivets	A075W6069ZK	*	*	*	*	12				
	Tunnel Assy.	A076V1451K		*	*	*	1				
VA 21	Tunnel Capping, Rear	A075V0253ZH	*		*	*	1				
VA 22	Finisher, Rear Tunnel Top	C075U0334Z	*		*	*	1				
VA 23	Finisher, Tray, Rear Tunnel Top	A075U0335ZD	*		*	*	1				
VA 24	Base Plate, Tray, Rear Tunnel Top	A075U0336ZJ	*		*	*	1				

Elite/Eclat  
VA 7.

PLATE Ref. No.	DESCRIPTION	PART NO.	ELITE	ECLAT	MANUAL	AUTOMATIC	ALL	DOMESTIC	EUROPEAN	FEDERAL	REMARKS
VA 25	Ashtray, Rear Tunnel	A075U0360Z	*		*	*	1				
	Ashtray, Rear Tunnel	A075U6036F		*	*	*	2				
VA 26	Tunnel Capping, Front	D075V0273F	*		*	*	1				
VA 27	Finisher, Tunnel Top to H/Brake Gaiter	C075U0343Z	*		*	*	1				
VA 28	Finisher, Tunnel Top Tray	A075U0341 ZA	*	*	*	*	1				
VA 29	Base Plate, Tunnel Top Tray	A075U0342ZF	*	*	*	*	1				
VA 30	Finisher, Tunnel to Console	A075U0397ZK	*	*	*	*	1				
VA 31	Finisher, Tunnel Side, LH	A075U0345ZK	*		*	*	1				
	Finisher, Tunnel Side, RH	A075U0346ZD	*		*	*	1				
VA 32	Gaiter, Upper, Gear Lever	B075V1055ZE	*	*	*	*	1				5 Speed Gearbox
	Gaiter, Upper, Gear Lever	A076V1486V		*	*	*	1				4 Speed Gearbox
	Gaiter, Lower, Gear Lever	B075U6039DL	*	*	*	*	1				5 Speed Gearbox
	Gaiter, Lower, Gear Lever	A076V1444F		*	*	*	1				4 Speed Gearbox
	Retainer - Gaiter to Lever	A076U6014F		*	*	*	1				4 Speed Gearbox
	Plate, Upper Gaiter	D075U0401 ZG	*	*	*	*	1				
	Clip, Plate / Gaiter	B075U6034DH	*	*	*	*	1				
	Trim, Gear Lever Gaiter, Top	A075U0398ZL	*		*	*	1				
	Trim, Gear Lever Gaiter, Top	A076U0398F		*	*	*	1				
	Captive Nut	A075W6016ZJ	*	*	*	*	4				
	Screw	A075W5032Z	*	*	*	*	4				

PLATE Ref. No.	DESCRIPTION	PART NO.	ELITE	ECLAT	MANUAL	AUTOMATIC	ALL	DOMESTIC	EUROPEAN	FEDERAL	REMARKS
Not Illus.	Trim Panel	A075V1503F	*	*		*	1				With Gear Markings.
Not Illus.	Trim Cover	A075V6044F	*	*		*	1				
Not Illus.	Brush, Gear Lever / Trim Cover	A075F0351F	*	*		*	2				
	Screw, Pozzi, No. 8 x 3/8"	A075W5032Z	*	*		*	4				
	Spire Nut, No. 8	A075W6016ZJ	*	*		*	4				
	Foam Seal	A075V1540F	*	*		*	1				
VA 33	Heater Valance, RH	A076V1466K		*	*	*	1				
	Heater Valance, LH	A076V1467K		*	*	*	1				
	Heater Valance, RH	A075V0692Z	*	*	*	*	1				
	Heater Valance, LH	A075V0693ZE	*	*	*	*	1				
	Heater Valance, RH	B075V0692Z	*	*	*	*	1				
	Heater Valance, LH	B075V0693Z	*	*	*	*	1				
VA 34	Lower "A" Post Trim Assy, RH	A075V0318ZE	*	*	*	*	1				
	Lower "A" Post Trim Assy, LH	A075V0319Z	*	*	*	*	1				
	Lower "A" Post Trim Assy, LH	A075V1099Z	*	*	*	*	1		1	1	
	Lower "A" Post Trim Assy, RH	AX75V1210K		*	*	*	1				
	Lower "A" Post Trim Assy, LH	AX75V1211Z		*	*	*	1				
	Lower "A" Post Trim Assy, LH	AX75V1247Z		*	*	*	1		1	1	
	Screw	A075W5037ZG	*	*	*	*	4				

Elite/Eclat  
VA 9.

PLATE  
Ref. No.

DESCRIPTION

PART NO.

ELITE

ECLAT

MANUAL

AUTOMATIC

ALL

DOMESTIC

EUROPEAN

FEDERAL

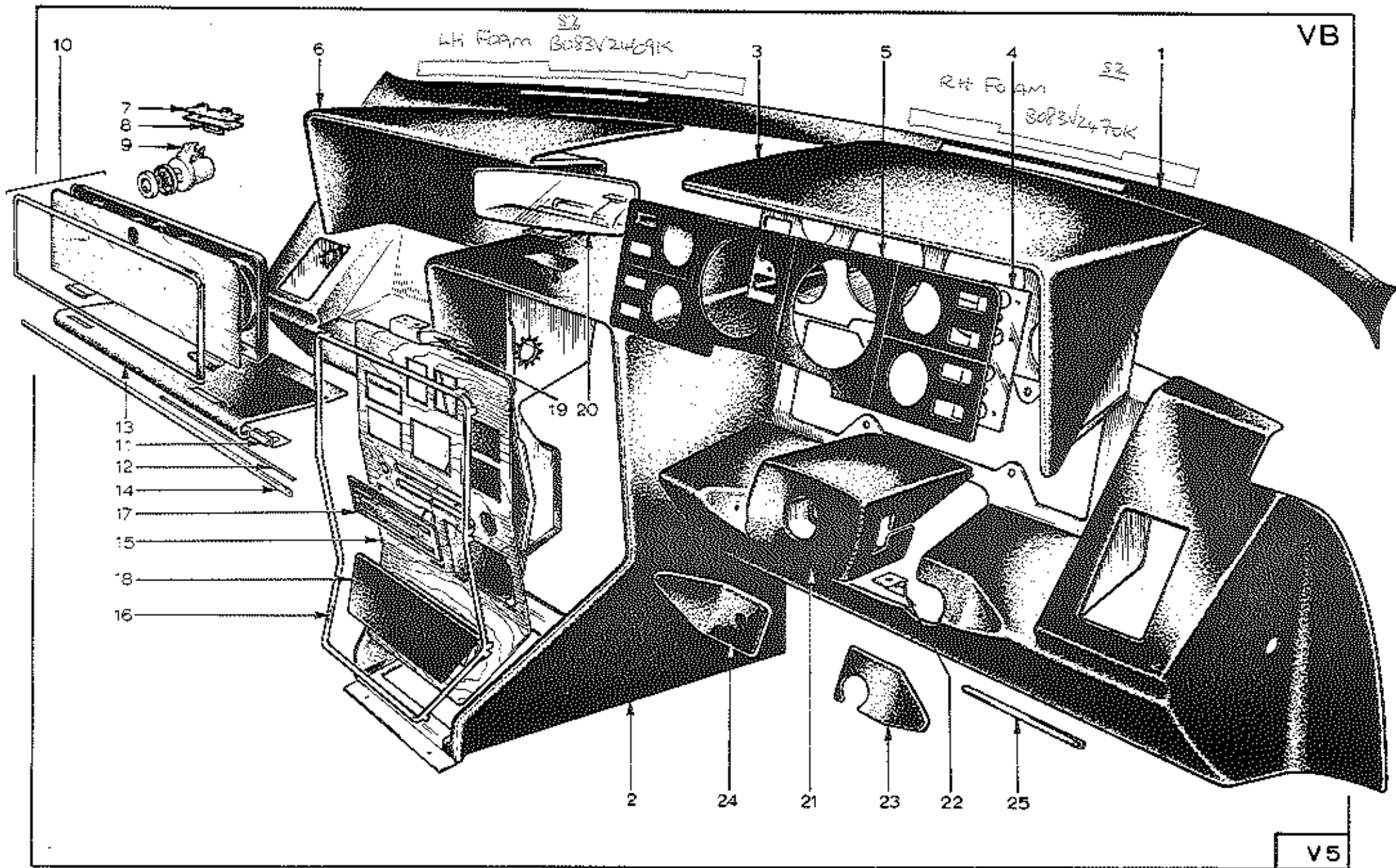
REMARKS

VA 35

Not Illus.

Snapsec	A075W6077ZF	*	*	*	*	4			
Lokut Nut	A075W6039ZC	*	*	*	*	4			
Clip	A075W6062ZC	*	*	*	*	4			
Screw, 1/2"	A075W5034ZC	*	*	*	*	7			
Spire Nut	A075W6011ZF	*	*	*	*	7			
Handbrake Gaiter Assy	B075V0277Z	*	*	*	*	1			
Plate, Handbrake Gaiter, Upper	C075V0608K	*	*	*	*	1			
Plate, Handbrake Gaiter, Lower	C075V0607K	*	*	*	*	1			
Headlining - Front	A075V0288ZG	*	*	*	*	1			
Headlining - Rear	A075V1272K	*		*	*	1			
Headlining - Rear	B076V1306K		*	*	*	1			
Adhesive - Headlining	A075V6032V	*	*	*	*	A/R			

Dunlop S1358.



VB

V5

PLATE Ref. No.	DESCRIPTION	PART NO.	ELITE	ECLAT	MANUAL	AUTOMATIC	ALL	DOMESTIC	EUROPEAN	FEDERAL	REMARKS
VB.1.	Trim, Demist Outlets	AO75U1083Z	*	*	*	*	1				
VB.2.	Facia, Main Panel, RHD	AO75V0344Z	*	*	*	*	1				With outboard face level vents
	Facia, Main Panel, RHD	AO76V1476K	*	*	*	*	1				Without outboard face level vents
	Facia, Main Panel, LHD	AO75V0625S	*	*	*	*	1				With outboard face level vents
	Facia, Main Panel, LHD	AO76V1477K	*	*	*	*	1				Without outboard face level vents
	Screws, S/T	AO75W5015Z	*	*	*	*	4				
VB.3.	Cowl, Instruments, RHD	AO75V0342S	*	*	*	*		1			
	Cowl, Instruments, LHD	AO75V0341S	*	*	*	*			1	1	
	Eccentric Bobbin	AO75U0480Z	*	*	*	*	1				
	Lokut Nut	AO75W6039Z	*	*	*	*	1				
	Screw, S/T	AO75W5044Z	*	*	*	*	1				
VB.4.	Warning Light Mounting Brkt.	AO75U0485Z	*	*	*	*	2				
	Lokut Nut	AO75W6039Z	*	*	*	*	4				
	Screw, S/T	AO75W5037Z	*	*	*	*	4				
VB.5.	Mask Instrument Panel, RHD	AO75U0484Z	*	*	*	*		1			
	Mask, Instrument Panel, LHD	AO75U0483Z	*	*	*	*			1	1	
	Lokut Nut	AO75W6039Z	*	*	*	*	4				
	Screw, S/T	AO75W5037Z	*	*	*	*	4				
	FOAM - SCREEN LAMING S 2 L.H.	BO83V2496K									
	FOAM - SCREEN LAMING S 2 R.H.	BO83V2470K									



PLATE Ref. No.	DESCRIPTION	PART NO.	ELITE	ECLAT	MANUAL	AUTOMATIC	ALL	DOMESTIC	EUROPEAN	FEDERAL	REMARKS
VB.6.	Hedlock Fasteners	AO75W6081Z	*	*	*	*	10				Black
	Hedlock Fasteners	AO75W6083Z	*	*	*	*	2				
	Pop Rivets	AO75W6067Z	*	*	*	*	24				
	Cowl, Cubby Box, RHD	AO75V0343S	*	*	*	*		1			
	Cowl, Cubby Box, LHD	AO75V0340S	*	*	*	*			1		
	Eccentric Bobbin	AO75U0488Z	*	*	*	*	1				
	Lokut Nut	AO75W6039Z	*	*	*	*	1				
	Screw, S/T	AO75W5044Z	*	*	*	*	1				
	Tapping Plate	AO75U0388Z	*	*	*	*	1				
	Striker	BO75U0362Z	*	*	*	*	1				
	Screw, S/T	AO75W5013Z	*	*	*	*	2				
VB.9.	Spire Nut	AO75W6014Z	*	*	*	*	2				
	Lock, c/w 2 Keys and Bezel	AO75U0705W	*	*	*	*	1				
	Bezel	AO75U0409Z	*	*	*	*	1				
VB.10.	Door Assy, Cubby Box	AO75U0643S	*	*	*	*	1				
	Finisher	AO75U0665Z	*	*	*	*	1				
VB.11.	Adhesive Strip	AO5086181V	*	*	*	*	1				
	Hinge, Cubby Box	AO75U0469Z	*	*	*	*	2				
	Hinge Spacer	AO75U0468Z	*	*	*	*	2				
8/76											

PLATE Ref. No.	DESCRIPTION	PART NO.	ELITE	ECLAT	MANUAL	AUTOMATIC	ALL	DOMESTIC	EUROPEAN	FEDERAL	REMARKS
VB.12.	Hinge Pin	AO75U0391Z	*	*	*	*	1				
	Riv Nut	AO75W3029Z	*	*	*	*	2				
	Screw	AO75W5059Z	*	*	*	*	2				
	Screw	AO75W5051Z	*	*	*	*	2				
	Spire Nut	AO75W6013Z	*	*	*	*	2				
VB.13.	Floor, Cubby Box	BO75U0384S	*	*	*	*	1				
	Trim Clips	AO75W6054Z	*	*	*	*	3				
VB.15.	Switch Panel	* AO75U0471Z	*	*	*	*	1				<u>Air Cond. and Heater with Outer Face Level Vent s</u> <u>Unit Nos.</u> <u>Up to 0745A, 0747A to 0772A.</u> <u>0796A to 0847A, 0853A to 0856A.</u> <u>Up to 0455B, 0457B to 0466B</u> <u>Up to 0115C</u>
	* USE AO75U1043Z CUT OFF STUOS ON LINE.										

PLATE  
Ref. No.

DESCRIPTION

PART NO.

ELITE

ECLAT

MANUAL

AUTOMATIC

\*ALL

DOMESTIC

EUROPEAN

FEDERAL

REMARKS

Switch Panel

AO75U1073Z

\*

\*

\*

Heater without outer face level-vents

Unit Nos. 0547A to 0747A, 0729A

to 0771A, 0798A to 0805A.

0075C to 0114C.

Air cond. & heater

Unit Nos. 0728A, 0746A, 0722A

to 0795A, 0797A, 0806A and all

heaters onwards. 0848A to 0850A &

0859A on (Air Cond.).

04568 & 0467B on.

0116C on.

Air Cond

Unit Nos. 0113E & 0104F

Air Cond.

Unit Nos. 0147D on

0114E on

0105F on

Heaters

Unit Nos. All

Switch Panel

AO76U1077C

\*

\*

\*

1

Switch Panel

AO76U1101Z

\*

\*

\*

1

Switch Panel

AO76U1078Z

\*

\*

\*

1

Switch Panel

AO83U1199F

\*  
S2

\*  
S2

8/76

VB.4.

PLATE Ref. No.	DESCRIPTION	PART NO.					ALL	DOMESTIC	EUROPEAN	FEDERAL	REMARKS
			ELITE	ECLAT	MANUAL	AUTOMATIC					
VB.16.	Trim Switch Panel	6075U0352Z	*	*	*	*	1				<u>Unit Nos:-</u> <u>Heaters</u> :- Up to 0546A, 0330B & 0074C <u>Air Cond:-</u> Up to 0745A, 0747A to 0772A, 0796A to 0847A, 0853A to 0856A. Up to 0455B, 0457B to 0466B. Up to 0115C <u>Eclat</u> 0113E & 0104F only <u>Heaters</u> <u>Unit Nos:-</u> 0547A to 0727A, 0729A to 0771A, 0798A to 0805A 0075C to 0114C <u>Up to</u> 0133D, 0135D to 0145D, 0182D to 0190D <u>Up to</u> 0124E & 0127E <u>Up to</u> 0106F
	Clip	A075W6054Z	*	*	*	*	3				
	Nyloc	A075W3000Z	*	*	*	*	2				
VB.17.	Heater Control Escutcheon	A075W0432Z	*	*	*	*	1				
	Heater Control Escutcheon	A076U1065F	*	*	*	*					

PLATE  
Ref. No.

DESCRIPTION

PART NO.

ELITE

ECLAT

MANUAL

AUTOMATIC

ALL

DOMESTIC

EUROPEAN

FEDERAL

REMARKS

Heater Control Escutcheon

A075P0197F

\*

\*

\*

\*

-

Heater  
Unit Nos. 0728A, 0772A to 0797A  
0806A on,  
03308 on  
0115C on 0134D  
0146D to 0181D & 0191D on  
0125E, 0126E & 0128E on  
0107F on :- All Nos Inclusive

Heater Control Escutcheon

A075P0213Z

\*

\*

\*

\*

-

Air Cond.  
Unit Nos :- 0746A, 0773 to 0795A  
0848A to 0850A & 0859A on  
04568 & 04678 on  
0116C on  
0147D, 0170D & 0173D on  
0114E on  
0105E on All Nos Inclusive

Control Escutcheon  
" "

A083P 0237  
A083P 0238

\*\*  
\*\*

\*\*  
\*\*

S2  
S2

With A/C  
Heater

PLATE Ref. No.	DESCRIPTION	PART NO.					ALL	DOMESTIC	EUROPEAN	FEDERAL	REMARKS
			ELITE	ECLAT	MANUAL	AUTOMATIC					
	Seal	A075U0580Z	*	*	*	*	1				
VB.18	Radio Blanking Plate	A075U0644S	*	*	*	*	1				
	Penny Washers	A075W4004Z	*	*	*	*	2				
	Nylocs	A075W3000Z	*	*	*	*	2				
VB.19	Interior Mirror Support Bracket	A075U0621Z	*	*	*	*	1				
	Nylocs	A075W3000Z	*	*	*	*	2				
VB.20	Interior Mirror Assy.	A075U0435Z	*		*	*	1				
	Head	A075U6046Z	*		*	*	A/R				Base - B075U0480Z
	Interior Mirror	X050B1564Z		*	*	*	1				
	Spire Nuts	A075W6016Z	*	*	*	*	2				
	Screw S/T	A075W5016Z	*	*	*	*	2				
VB.21	Switch Shroud	A075V1003S	*	*	*	*	1				
VB.22	Bracket	A075V1006Z	*	*	*	*	1				
	Spire Nut	A075W6014Z	*	*	*	*	1				
	Screw, S/T	A075W5015Z	*	*	*	*	1				
VB.23	Trim, Ign. Lock, RHD	A075V1104S	*	*	*	*		1			
	Trim, Ign. Lock, LHD	A075V1105S	*	*	*	*			1	1	

PLATE Ref. No.	DESCRIPTION	PART NO.	ELITE	ECLAT	MANUAL	AUTOMATIC	ALL	DOMESTIC	EUROPEAN	FEDERAL	REMARKS
VB.24	Trim, Choke Control, RHD	A075V1106S	*		*	*		1			
	Trim, Choke Control, LHD	A075V1107S	*		*	*			1	1	
	Clip	A075W6056Z	*		*	*	4				
VB.25	Finisher, Driver Facie	B075U0354Z	*	*	*	*	1				
	Clip	A075W6054Z	*	*	*	*	2				

VC

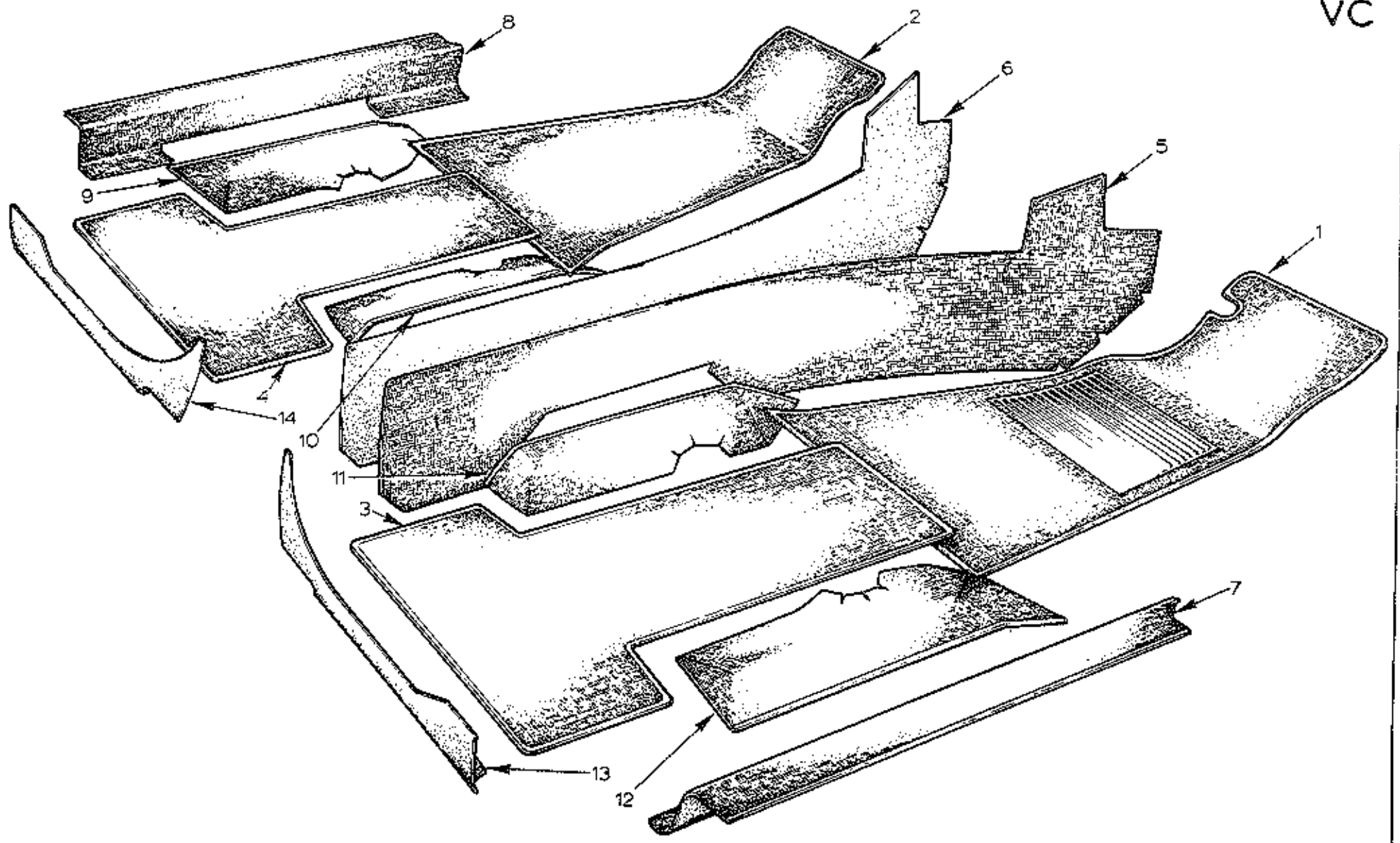
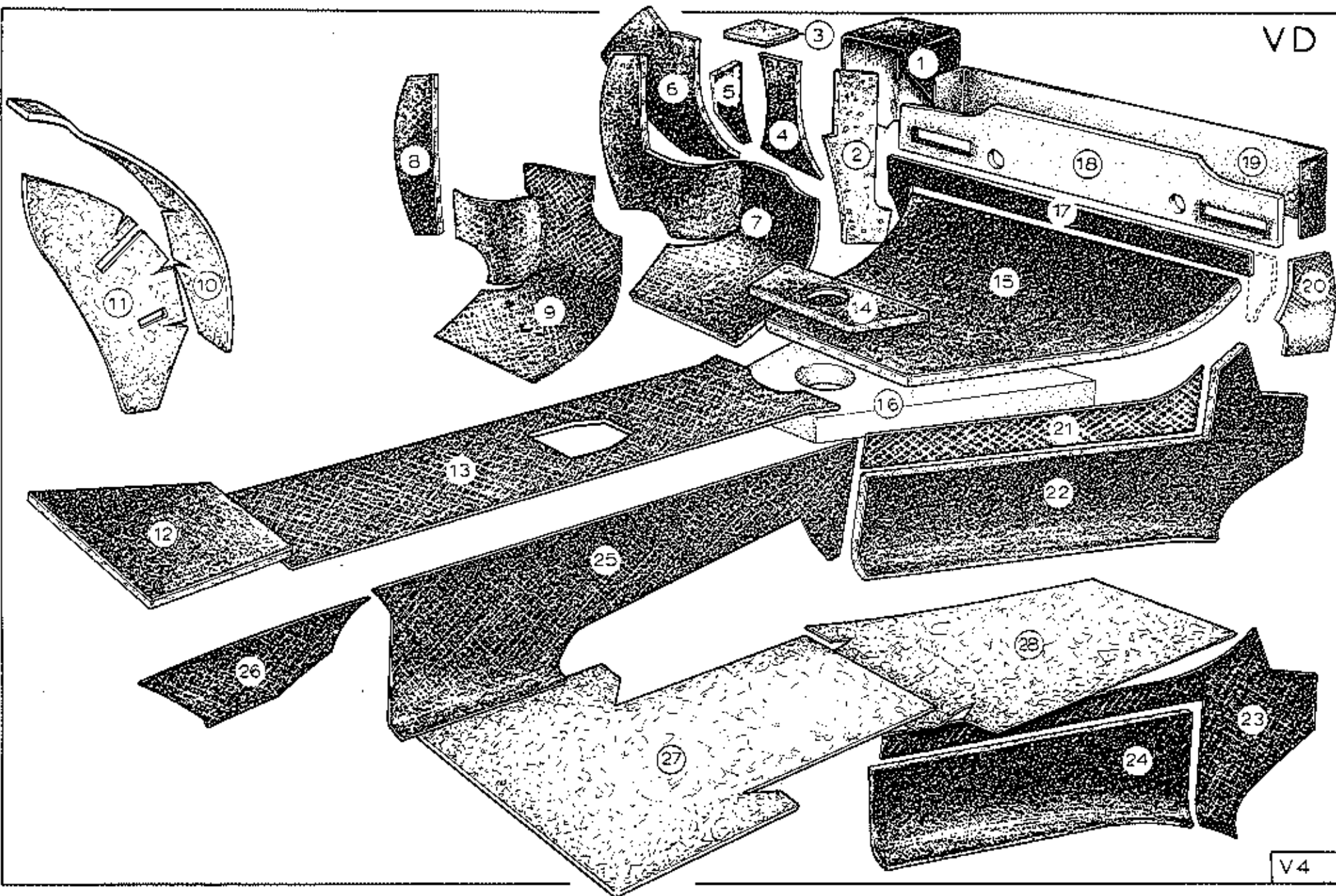




PLATE Ref. No.	DESCRIPTION	PART NO.	ELITE	ECLAT	ALL	DOMESTIC	EUROPEAN	FEDERAL	REMARKS
VC.1	Carpet, RH, Front Floor, RHD	A075V6028S	*			1			<u>Carpet Foot Mat Fringes</u> B075W 6053F } carpet A075W 6061Z } fringes <hr/> A075W 6059Z Floor Buttons
	Carpet, RH, Front Floor, RHD	A076V1528K		*		1			
	Carpet, RH, Front Floor, LHD	A075V0326Z	*				1	1	
	Carpet, RH, Front Floor, LHD	A076V1530K		*			1	1	
VC.2	Carpet, LH, Front Floor, LHD	A075V6029S	*				1	1	
	Carpet, LH, Front Floor, LHD	A076V1529K		*			1	1	
	Carpet, LH, Front Floor, RHD	A075V0329Z	*			1			
	Carpet, LH, Front Floor, RHD	A076V1527K		*		1			
VC.3	Carpet, Rear, RH	A075V0334Z	*	*	1				
VC.4	Carpet, Rear, LH	A075V0335Z	*	*	1				
VC.5	Carpet, Tunnel Side, R.H.	A075V0630Z	*		1				
	Carpet, Tunnel Side, RH	A076V1532K		*	1				
VC.6	Carpet, Tunnel Side, LH	A075V0631Z	*		1				
	Carpet, Tunnel Side, LH.	A076V1531K		*	1				
VC.7	Carpet, Door Sill, RH	A075V0330Z	*		1				
	Carpet, Door Sill, RH	A076V1534K		*	1				
VC.8	Carpet, Door Sill, LH	A075V0331Z	*		1				
	Carpet, Door Sill, LH	A076V1533K		*	1				

PLATE Ref. No.	DESCRIPTION	PART NO.	ELITE	ECLAT	ALL	DOMESTIC	EUROPEAN	FEDERAL	REMARKS
VC.9	Carpet, Seat Mounting, LH, Outboard	A075V1193Z	*		1				
	Carpet, Seat Mounting, LH, Outboard	A076V1535K		*	1				
VC.10	Carpet, Seat Mounting, LH, Inboard	A075V1194Z	*		1				
	Carpet, Seat Mounting, LH, Inboard	A076V1537K		*	1				
VC.11	Carpet, Seat Mounting, RH, Inboard	A075V1195Z	*		1				
	Carpet, Seat Mounting, RH, Inboard	A076V1538K		*	1				
VC.12	Carpet, Seat Mounting, RH, Outboard	A075V1196Z	*		1				
	Carpet, Seat Mounting, RH, Outboard	A076V1536K		*	1				
VC.13	Carpet, Rear Beam Kickplate, RH	A075V1132Z	*		1				
VC.14	Carpet, Rear Beam Kickplate, LH	A075V1133Z	*		1				
	Carpet, Rear Parcel Shelf	A076V1320K		*	1				
	Adhesive	A036B6204V	*	*	A/R				
	Twin Clip	A075W6063Z	*	*	8				
	Screw	A075W5037Z	*	*	8				

VD



V4

PLATE Ref. No.	DESCRIPTION	PART NO.	ELITE	ECLAT	ALL	DOMESTIC	EUROPEAN	FEDERAL	REMARKS
	Soundproofing								
VD.1	Cover, Pedal Box, Underbonnet	A075V1158Z	*	*	-				Hessian Backed Rubber
VD.2	Pedal Box Side, Inboard, Passenger, RHD	A075V0650Z	*			1			Foam Backed Rubber
	Pedal Box Side, Inboard, Passenger, LHD	A075V0651Z	*				1	1	" " "
VD.3	Top Face, Passenger Pedal Box	A075V1119Z	*		1				" " "
VD.4	Back Face, Passenger Pedal Box, RHD	A075V1172Z	*			1			" " "
	Back Face, Passenger Pedal Box, LHD	A075V1173Z	*				1	1	" " "
VD.5	Side, Outboard Passenger Pedal Box, RHD	A075V0640Z	*			1			" " "
	Side, Outboard Passenger Pedal Box, LHD	A075V0641Z	*				1	1	" " "
VD.6	Bulkhead, Outboard, Passenger	A075V1166Z	*						" " "
	Bulkhead, Outboard, Driver	A075V1167Z	*						" " "
VD.7	Footwell, Front Passenger, RHD	A075V1168Z	*			1			" " "
	Footwell, Front Passenger, LHD	A075V1169Z	*				1		" " "
VD.8	Front Wheelarch Bulkhead, Driver, RHD	A075V1162Z	*	*		1			" " "
	Front Wheelarch Bulkhead, Driver, LHD	A075V1163Z	*	*			1	1	" " "
VD.9	Footwell, Front, Driver, RHD	A075V1164Z	*			1			Hessian Backed Rubber
	Footwell, Front, Driver, LHD	A075V1165Z	*				1	1	" " "

PLATE  
Ref. No.

DESCRIPTION

PART NO.

ELITE

ECLAY

ALL

DOMESTIC

EUROPEAN

FEDERAL

REMARKS

Sound Barrier Mat, Front B/head, RH, LHD

A076V1518F

" " " "

LH, RHD

A076V1492F

" " " "

RH, LHD

A076V1519F

" " " "

LH, RHD

A076V1493F

" " " "

RH, LHD

A076V1520F

" " " "

LH, RHD

A076V1494F

" " " "

RH, LHD

A076V1521F

" " " "

LH, RHD

A076V1495F

" " " "

RH, LHD

A076V1522F

" " " "

LH, RHD

A076V1496F

" " " "

RH, LHD

A076V1523F

" " " "

LH, RHD

A076V1497F

" " " "

RH, LHD

A076V1524F

" " " "

LH, RHD

A076V1498F

" " " "

LH, LHD

A076V1525F

" " " "

RH, RHD

A076V1499F

" " " "

LH, LHD

A076V1526F

" " " "

RH, RHD

A076V1500F

" " " "

Foam Backed Rubber

" " "

" " "

" " "

" " "

" " "

" " "

" " "

" " "

" " "

" " "

" " "

" " "

" " "

" " "

" " "

" " "

" " "

" " "

" " "

" " "

" " "

" " "

" " "

PLATE Ref. No.	DESCRIPTION	PART NO.	ELITE	ECLAT	ALL	DOMESTIC	EUROPEAN	FEDERAL	REMARKS
VD.10	Rear Wheel Arch, Top, RH	A075V1063Z	*	*	1				Felt
	Rear Wheel Arch, Top, LH	A075V1064Z	*	*	1				"
VD.11	Rear Wheel Arch, Side, RH	A075V1061Z	*	*	1				"
	Rear Wheel Arch, Side, LH	A075V1061Z	*	*	1				"
VD.12	Tunnel Top, Rear	A075V0638Z	*	*	1				Foam Backed Rubber
VD.13	Tunnel Top, Centre	A075V0655Z	*	*	1				Hessian Backed Rubber
(VD.14 (VD.15	Tunnel Top, Front & Gear Lever Surround	A075V1178Z	*	*	1				Foam Backed Rubber, one piece cut to fit.
	Tunnel Top Front	A076V1448F	*	*	1				Heater only, unit Nos.548A & 76C on and all Eclats
VD.16	Foam, Gearbox/Tunnel Underside	A075V0635Z	*	*	1				Foam
VD.17	Bulkhead	A075V0654Z	*	*	1				Foam Backed Rubber, Remove Surplus
	Bulkhead	A076V1428F	*	*	2				" " " " "
VD.18	Upper Bulkhead	A075V1153Z	*	*	1				Foam, Under seal Edges of Rectangles
VD.19	Plenum Chamber	B 075V1069Z	*	*	1				Prior to Units 440A, 297B, 61C. Hessian backed.
	Plenum Chamber	A075V1427F	*	*	1				Elites from 440A, 297B, 61C inc.. Hessian backed.
	Plenum Chamber	A076V1447F	*	*	1				Heater only, unit Nos.548A & 76C on and all Eclats

PLATE Ref. No.	DESCRIPTION	PART NO.	ELITE	ECLAT	ALL	DOMESTIC	EUROPEAN	FEDERAL	REMARKS
VD.20	Pedal Box Side, Inboard, Passenger, RHD	A075V1170Z	*			1			Foam Backed Rubber
	Pedal Box Side, Inboard, Passenger, LHD	A075V1171Z	*				1	1	" " "
VD.21	Front, R.H. Tunnel Side, Upper, LHD	A075V1122Z	*	*			1	1	Hessian Backed Rubber
	Front, L.H. Tunnel Side, Upper, RHD	A075V1121Z	*	*	1				" " "
VD.22	Front RH, Tunnel Side, Lower, LHD	A075V1174Z	*				1	1	Foam Backed Rubber
	Front LH, Tunnel Side, Lower, RHD	A075V1175Z	*		1				" " "
VD.23	Front, RH, Tunnel Side, Upper, RHD	A075V1177Z	*	*		1			Hessian Backed Rubber
VD.24	Front RH, Tunnel Side, Lower, RHD	A075V1176Z	*	*		1			Foam Backed Rubber
VD.25	Tunnel Side, R.H.	B075V1034Z	*	*	1				Hessian Backed Rubber
	Tunnel Side, L.H.	B075V1035Z	*	*	1				" " "
VD.26	Rear Tunnel Side, RH	A075V0646Z	*	*	1				" " "
	Rear Tunnel Side, LH	A075V0647Z	*	*	1				" " "
VD.27	Felt, Rear Floor, RH	A075V1042Z	*	*	1				Felt
	Felt, Rear Floor, LH	A075V1043Z	*	*	1				"
VD.28	Felt, Front Floor, RH	A075V1046Z	*		1				"
	Felt, Front Floor, LH	A075V1047Z	*		1				"

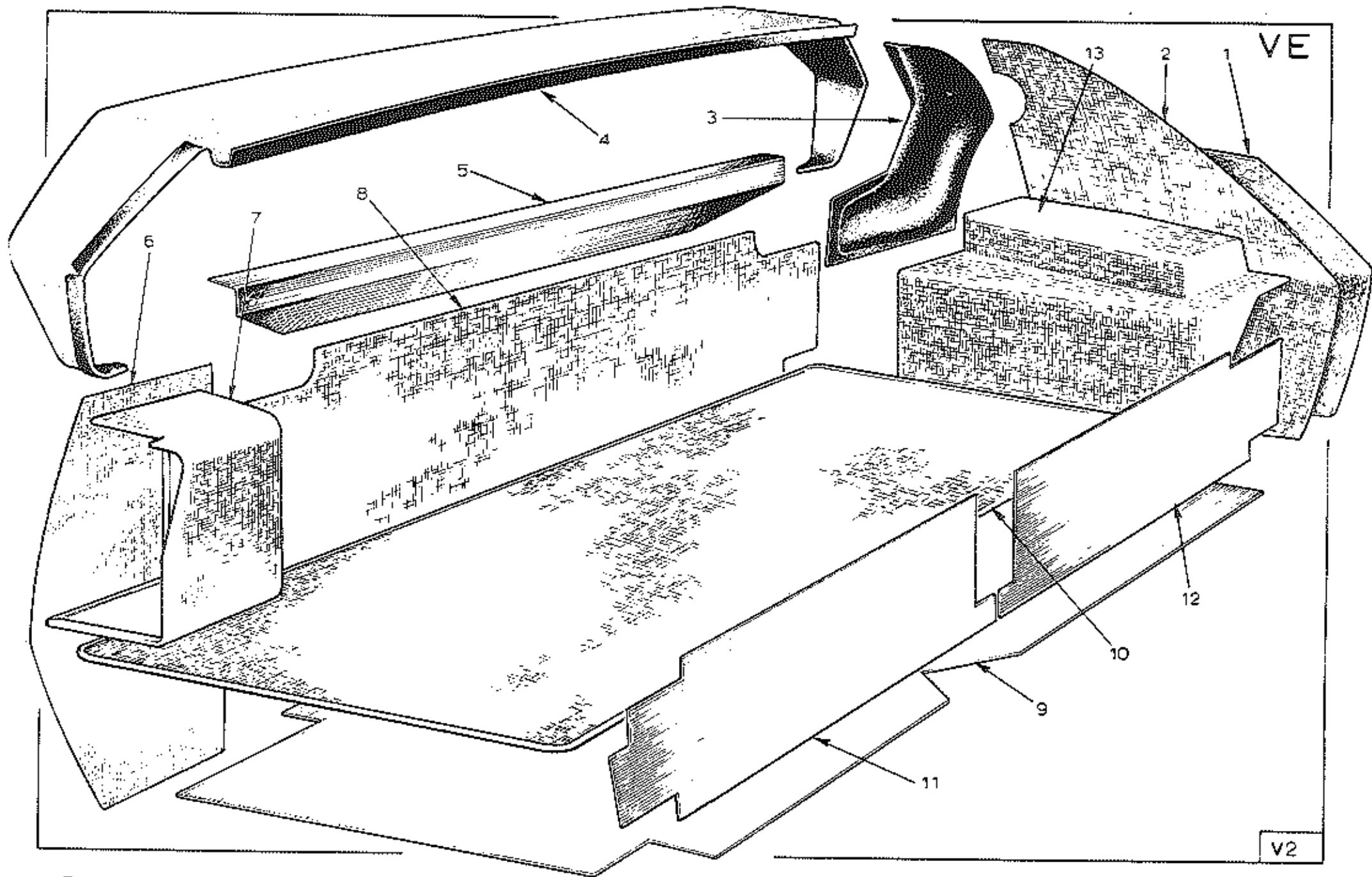


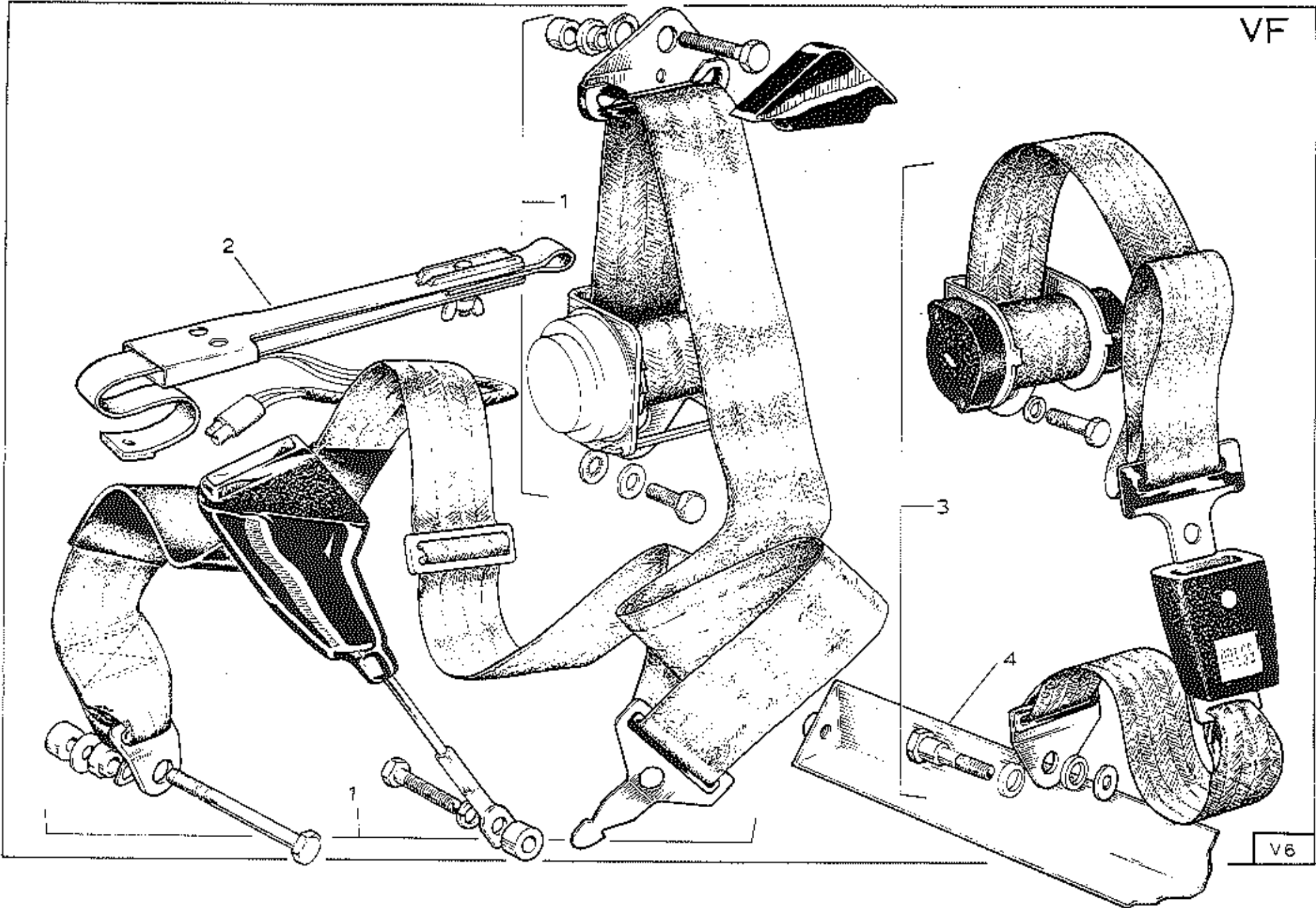


PLATE Ref. No.	DESCRIPTION	PART NO.	BLITE	ECLAT	ALL	DOMESTIC	EUROPEAN	FEDERAL	REMARKS
VE.1	Felt, Boot Side	A075V1051Z	*	*	2				
VE.2	Carpet, Bootside, RH	A075V1018Z	*	*	1				
	Carpet, Bootside, R.H.	A076V1328K	*	*	1				
	Carpet, Bootside, LH	A075V1019Z	*	*	1				
	Carpet, Bootside, LH	A076V1327K	*	*	1				
VE.3	Cover, Fuel Filler Neck, RH	A075V1026Z	*	*	1				
	Cover, Fuel Filler Neck, LH	A075V1027Z	*	*	1				
	Cover, Fuel Filler Neck	A076V1322K	*	*	1				
VE.4	Ambla Trim, Rear Bulkhead	A075V <sup>1509K</sup> <del>0226Z</del>	*	*	1				
VE.5	Capping Strip, Fuel Tank	A075U0468Z	*	*	1				
	Screw	A075W5037Z	*	*	4				
	Hedlock Fastener	A075W6083Z	*	*	4				
	Pop Rivet	A075W6067Z	*	*	8				
VE.6	Carpet, Wheel arch, LH	A075V1017Z	*	*	1				
	Carpet, Wheel arch, LH	A076V1325K	*	*	1				
	Carpet, Wheel arch, RH	A075V1016Z	*	*	1				
	Carpet, Wheel arch, RH	A076V1326K	*	*	1				
	Carpet, Boot, Rear	A076V1324K	*	*	1				

PLATE Ref. No.	DESCRIPTION	PART NO.	ELITE	ECLAT	ALL	DOMESTIC	EUROPEAN	FEDERAL	REMARKS
VE.7	Cover, Evap.Loss Tank	B075V1023Z	*	*				1	Also Filler Covers " " "
	Pod, Cover, Evap.Loss Tank	A075V1078Z	*	*				2	
	Screw	A075W5037Z	*	*	6				
	Lokut Nut	A075W6039Z	*	*	6				
VE.8	Front Panel, Boot	A075V1053Z	*		1				
	Cover, Fuel Tank	B076V1261F		*	1				
	Carpet, Front Panel, Boot	A075V1014Z	*		1				
	Carpet, Cover, Fuel Tank	A076V1262F		*	1				
VE.9	Floor Board, Boot	B075V1020Z	*		1				
	Floor Board, Boot	A076V1449F		*	1				
VE.10	Carpet, Boot Floor	B075V1015Z	*		1				
	Carpet, Boot Floor	A076V1323K		*	1				
	Ring, Dot	A075W6053Z	*	*	2				
	Socket, Dot	A075W6061Z	*	*	2				
	Carpet Fixing	A075W6059Z	*	*	2				
VE.11	Cover, Rear Light, LH	B075V1025Z	*		1				
	Cover, Rear Light, RH	B075V1024Z	*		1				
	Cover, Rear Lights	A076V1290F		*	2				

PLATE Ref. No.	DESCRIPTION	PART NO.	ELITE	ECLAT	ALL	DOMESTIC	EUROPEAN	FEDERAL	REMARKS
VE.13	Screw Tool Box and Battery Cover Assy. Adhesive Retainer, Battery Cover Hook, Retainer, Battery Cover Pop Rivet Retaining Strap, Toolkit Foam Pad, Tool Kit	A075W5037Z A075V6027S A036B6204V A075U6066F A075U1001F A075W6091F A075T0367F A075T0368F	* * * * * *	*     * *	6 1 A/R 1 1 1 1 1				

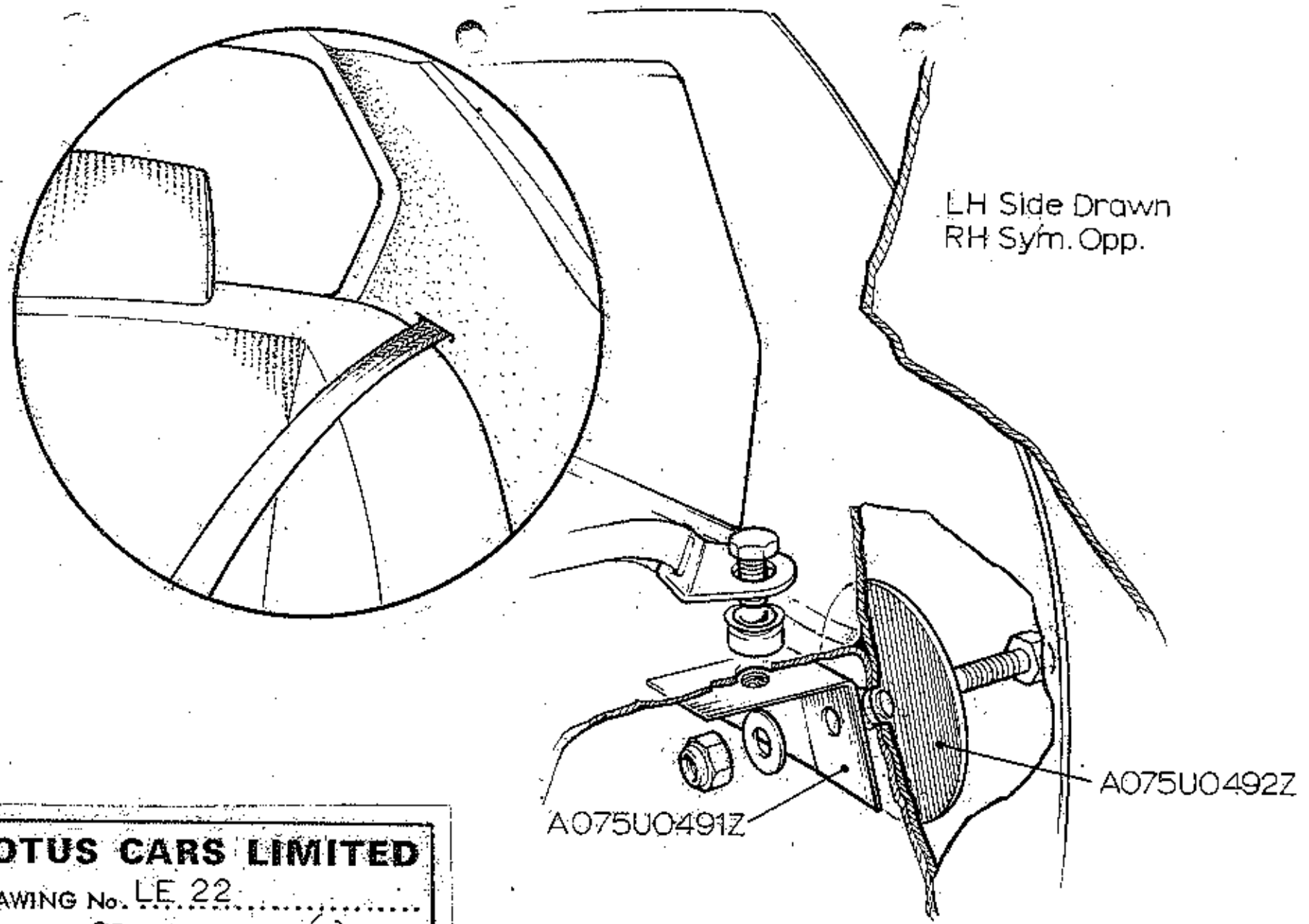
VF



V6

PLATE Ref. No.	DESCRIPTION <i>FINISHER (SEAT BELT SLIP IN TRIM)</i>	PART NO. <i>A075V0812Z</i>	ELITE	ECLAT	ALL	DOMESTIC	EUROPEAN	FEDERAL	REMARKS
VF.1	Seat Belt Assy, Front	A075V0176W	*					2	<i>FOR CARGO SEAT BELTS REFER TO EI: 309V REPLACING EXISTING BELTS</i>
	Seat Belt Assy, Front, Driver	A075V1085W	*			1			
	Seat Belt Assy, Front, Driver	A075V1084W	*			1			
	Seat Belt Assy, Front, Driver	A076V1482F	*	*				1	
	Seat Belt Assy, Front, Driver	A076V1484F	*	*		1	1		
	Seat Belt Assy, Front, Passenger	A075V0178W	*				1		
	Seat Belt Assy, Front, Passenger	A075V0177W	*			1			
	Seat Belt Assy, Front, Passenger	A076V1483F	*	*				1	
	Seat Belt Assy, Front, Passenger	A076V1485F	*	*		1	1		
VF.2	Seat Sensor	A075M6086Z	*					2	Prior to Unit No.03308
	Seat Belt Warning Control	A075M6153F	*	*				1	From Unit No.03308
VF.3	Seat Belt, Rear	A075V0611W	*	*				2	Not 520
	Seat Belt, Rear	A075V1191W	*	*			2		Not 520
	Seat Belt, Rear	A075V1190W	*	*		2			Not 520
VF.4	Reinforcing Plate, Rear Seat Belts	A075U0418Z	*	*	2				Not 520
	<i>U</i> Mounting, Upper Rear Seat Belts	A075U0419Z	*	*	2				Not 520
<i>NOT ILL</i>	<i>WASHER U - LARGE O/D</i>	A075U0491Z	*	*	2				Not 520
		A075U0492Z	*	X	2				SCREEN A075W1017Z NUT A075W3004Z WASHER A075W4005Z
Not.illus.	Cover, Seat Belt Buckle.	A075V1091Z	*	*	2				
VF4	REINFORCING PLATE FITTED TO ALL UPPER MTG. ALL; EXCEPT DOMESTICS		X	X					EI 118U

Rear



LH Side Drawn  
RH Sym. Opp.

A075U0491Z

A075U0492Z

**LOTUS CARS LIMITED**  
DRAWING No. LE 22  
DATE 23-11-73  
SIGNATURE:- ENGINEER *[Signature]*  
ENGINEERING DIRECTOR



# Lotus Service Bulletin

Class	III
Number	1980/09
Type	Elite/Eclat S2
Date	Dom/ROW 8.5.80

Lotus Cars Limited Norwich, Norfolk, NR14 8EZ. Telephone: Wymondham (085 360) 3471. Telegrams: Lotus Norwich. Telex: 87401.

Circulation List	Service Manager		Foreman				
------------------	-----------------	--	---------	--	--	--	--

**TITLE** Introduction of the Series 2 Elite and Eclat.

**REASON** To advise part number differences from the Series 1.

**ACTION** When ordering parts for the Series 2 Elite and Eclat, use the part numbers listed in this bulletin, if the part required is not listed refer to the number in the current Elite and Eclat parts list.

This bulletin consists of 12 pages.

ITEM	ELITE PART NO.	ECLAT PART NO.	NO OFF
<u>Chassis</u>			
Chassis Assy.	P075A0726J	P075A0726J	
<u>Body</u>			
Body Shell Assy, RHD	A083B2348J	A084B2350J	
Body Shell Assy, LHD	A083B2349J	A084B2351J	
Body Section, Half Short Nose, RH, RHD	A083B6202K	A083B6202K	
" " Half Short Nose, RH, LHD	A083B6203K	A083B6203K	
" " Short Nose, RHD	A083B6205K	A083B6205K	
" " Short Nose, LHD	A083B6206K	A083B6206K	
" " Half Short Nose, LH, RHD	A083B6208K	A083B6208K	
" " Half Short Nose, LH, LHD	A083B6209K	A083B6209K	
" " Half Mid Nose, RH, RHD	A083B6211K	A083B6211K	
" " Half Mid Nose, RH, LHD	A083B6212K	A083B6212K	
" " Mid Nose, RHD	A083B6214K	A083B6214K	
" " Mid Nose, LHD	A083B6215K	A083B6215K	
" " Half Mid Nose, LH, RHD	A083B6217K	A083B6217K	
" " Half Mid Nose, LH, LHD	A083B6218K	A083B6218K	
" " Half Full Nose, RH, RHD	A083B6220K	A083B6220K	
" " Half Full Nose, RH, LHD	A083B6221K	A083B6221K	
" " Full Nose, RHD	A083B6223K	A083B6223K	
" " Full Nose, LHD	A083B6224K	A083B6224K	
" " Half Full Nose, LH, RHD	A083B6226K	A083B6226K	
" " Half Full Nose, LH, LHD	A083B6227K	A083B6227K	
Body Section, Half Full Rear, RH, RHD & LHD	A083B6229K	A084B6081K	
" " Full Rear, RHD & LHD	A083B6232K	A084B6084K	
" " Half Full Rear, LH, RHD & LHD	A083B6235K	A084B6087K	
" " Half Short Rear RH, RHD & LHD	A083B6238K	A084B6090K	
" " Short Rear, RHD & LHD	A083B6241K	A084B6093K	
" " Half Short Rear, LH, RHD & LHD	A083B6244K	A084B6096K	
" " Rear Bulkhead, RHD & LHD	A083B6247K	A084B6099K	
" " Boat Floor	A083B6248K	A083B6248K	



ITEM	ELITE PART NO.	ECLAT PART NO.	NO OFF
<u>Body (Cont'd)</u>			
Headlamp Pod, LH	A083B2345K	(to be advised)	1
Headlamp Pod, RH	A083B2344K	(to be advised)	1
Boot Lid	-	A084B2342J	1
Spoiler, Front	A083B2330K	A083B2330K	1
Sill, Outer, RH	A083B2331K	A083B2331K	1
Sill, Outer, LH	A083B2332K	A083B2332K	1
Bumper, Rear	A083B2324K	A083B2324K	1
Rear Light Housing, RH	A083B2346K	A083B2346K	1
Rear Light Housing, LH	A083B2347K	A083B2347K	1
<u>Front Suspension</u>			
Hub Assy. (for use with Speedline Wheels)	-	A082C4018F	2
Stud, Wheel (for use on hub A082C4018F)	-	A079D6002F	8
<u>Rear Suspension</u>			
Hub Assy (for use with Speedline Wheels)	-	A083D0771F	2
Stud, Wheel (for use on hub A083D0771F)	-	A079D6002F	8
<u>Wheels and Tyres</u>			
Wheel & Tyre Assy (Speedline)	-	<sup>4</sup> A083G0057F	5
Wheel (Speedline) IDENTIF. <sup>4</sup> BE 19 CAR IN MODEL.	-	<sup>4</sup> A083G0056F	5
Spring Ring (for use with A083G0056F)	-	A079G6012F	5
Wheel Nuts (for use with A083G0056F)	-	A079G6011F	16
Wheel Badge (for use with A083G0056F)	-	A079G4006F	5
<u>Steering</u>			
Steering Wheel, Black	A083H0155F	A083H0155F	
Steering Wheel, Brown	A083H0156F	A083H0156F	
Crash Pod	A083V2451F	A083V2451F	1
Fixing Strip	A083V2452F	A083V2452F	1

ITEM	ELITE PART NO.	ECLAT PART NO.	NO OFF
<u>Cooling System</u>			
Otter Switch, 84°	A079M6137F	A079M6137F	
Otter Switch, 80°	A079M6136F	A079M6136F	
Clip Otter Switch	A079M6138F	A079M6138F	1
Header Tank	A083K0122F	A083K0122F	1
<u>Fuel System</u>			
Filler Cap Assy, Lockable	-	A076L0167F	1
Shutter and Filler Cap Lock	-	A076L6003F	1
Filler Neck	-	A076L0165F	1
Clamp Ring, Filler Neck	-	A079L4034F	1
Gasket, Clamp Ring	-	A079L4035F	1
<u>Electrical</u>			
Battery	A075M6036ZH	A075M6036ZH	1
Loom, Facia, RHD	A083M0349F	A083M0349F	
Loom, Facia, LHD	(to be advised)	(to be advised)	
Loom, Eng. Bay, RHD	A083M0348F	A083M0348F	1
Loom, Rear	A083M0351F	(to be advised)	
Loom, Door	A083M0353F	A083M0353F	1
Fuse Box, Front	A083M6272F	A083M6272F	1
Fuse Box, Front	A083M6273F	A083M6273F	1
Fuse Box, Rear	A083M6274F	A083M6274F	1
Flasher Unit	A083M6239F	A083M6239F	1
Air Horn Kit	A083M6219F	A083M6219F	1
Air Horn Bracket	A083M0358F	A083M0358F	1
Switch, Lights	A079M6134F	A079M6134F	1
Clip, Bulbholder, Light Switch	A079M6135F	A079M6135F	1
Switch, Window	B079M6068F	B079M6068F	2
Switch, Rear Fog	A075M6206F	A075M6206F	1
Switch, Rear Wash	A075M6208F	-	1
Switch, Interior Light, Rear	-	A075M6210F	1
Switch, Fan Speed, A/C	A075M6169F	A075M6169F	1
Knob, Switch, Fan Speed, A/C	A082P6023F	A082P6023F	1

(A083M6258)  
CS207/C/R/U/3

CS  
206

ITEM	ELITE PART NO.	ECLAT PART NO.	NO OFF
<u>Electrical (Cont'd)</u>			
Switch, Fan Speed, Heater (CS209) ✓	A075M6172F	A075M6172F	1
Knob, Switch, Fan Speed, Heater	A083M0347F	A083M0347F	1
Switch, Stop Light	A036M6154WL	A036M6154WL	1
Microswitch, Hand Brake	A075M6084ZK	A075M6084ZK	1
Switch, Courtesy Light	A075M6044ZD	A075M6044ZD	3
Switch, Hazard	A075M6213F	A075M6213F	1
Switch, Rear Defrost	A075M6212F	A075M6212F	1
Switch, Rear Wipe	A075M6209F	A075M6209F	1
Microswitch, Boot Light	A083M6240F	A083M6240F	1
Switch, Glove Box Light	A083M6241F	A083M6241F	1
Intermittent Wipe Control, Front	A079M6216F <sup>G126F</sup>	A079M6216F <sup>G126F</sup>	1
Rheostat, Inst Light	A083M6220F	A083M6220F	1
Knob, Rheostat	A083M6259F	A083M6259F	1
Fibre Optic Light Source	A083M6223F	A083M6223F	1
Bulb, Fibre Optic	A075M6216F	A075M6216F	1
Clip, Fibre Optic	A079M6100F	A079M6100F	1
Delay, Interior Light	A083M6143F <sup>2</sup>	A083M6143F <sup>2</sup>	1
Clock, Digital	A083M6217F	A083M6217F	1
Fan Failure Module ACU / R.O.W. (AV1047)	A083M6257F	A083M6257F	1
<del>AV1000) (NEED ONLY 10M -</del>	<del>A083M6235F</del>		
Relay 28RA (H/Lamp elevation, heat. Rear screen)	A079M6141F	A079M6141F	4
Relay (Rad. cooling fans)	A083M6218F	A083M6218F	1
Light, Interior	B075M6043F	B075M6043F	3/1
Light, Boot	-	A082M6155F	1
Cigar Lighter	A079M6123F	A079M6123F	1
Fixing Ring, Cigar Lighter	A079M6124F	A079M6124F	1
Coil 23C12 —	A082M6150F	A082M6150F	1
Wiper Delay Unit, Rear	A083M6234F	-	1
Headlamp Assy, RHD (Not Germany)	A083M6246F	A083M6246F	2
Headlamp Assy, LHD	A083M6247F	A083M6247F	2
Headlamp Motor	A079M6047F	A079M6047F	2
Tail Lamp Assy, RH	A075M6214F	A075M6214F	1
Tail Lamp Assy, LH	A075M6215F	A075M6215F	1
Light, Door Open, Red C/W Gasket	A082M6155F	A082M6155F	2
Shield, Door Light	A082M4105F	A082M4105F	2

ITEM	ELITE PART NO.	ECLAT PART NO.	NO OFF
<u>Electrical (Cont'd)</u>			
Wiper Motor, Front, C/W Clamps and Pads <i>EXISTING B75M6194F</i>	<del>A083M6224F</del> <i>NOTICED P/C / P1</i>	<del>A083M6224F</del>	1
Wheel Box, Front (Short Spindle)	A083M6227F	A083M6227F	1
Wiper Arm, Front, 17", Black	A083M6226F	A083M6226F	1
Wiper Blade, Black	A079M6015F	A079M6015F	1
Wipe Motor, Rear	A083M6242F	-	1
Wiper Arm, Rear	A083M6243F	-	1
Wiper Blade, Rear	A083M6244F	-	1
Washer Pump and Reservoir	A083M6221F	A083M6221F	2/1
Radio/Cassette Unit (Panasonic)	A083M6222F	A083M6222F	1
Bass Speaker <i>NEVER FITTED (E1411M)</i>	<del>A079M6120F</del>	<del>A079M6120F</del>	1
Tweeter Speaker (DOORS)	A079M6119F	A079M6119F	2
Grille Black, Tweeter	A082M4104F	A082M4104F	2
Rear Speaker, C/W Grille <i>NEVER FITTED (21-4111)</i>	<del>A083M6245F</del>	<del>A083M6245F</del>	2
<i>REAR SPEAKER → A075M6196F</i>			
Crossover Unit	A079M6121F	A079M6121F	1
Door Mirror and Gasket, RH	A079U6052F	A079U6052F	1
Door Mirror and Gasket, LH	A079U6051F	A079U6051F	1
<u>Instruments</u>			
Speedometer, MPH	A075N6030F	A075N6030F	1
Speedometer, KPH	A075N6032F	A075N6032F	1
Cable, Speedometer	A083N6033F	A083N6033F	1
Gearbox, Rt. Angled, Red, 1.384:1 (4.1 diff) <i>2</i>	<del>A083F0393F</del> <del>A075F6072F</del>	A075F6072F	1
Gearbox, Rt. Angled, Red, 1.266:1 (3.7 diff) <i>2</i>	<del>A083F0392F</del> <del>A075F6073F</del>	A075F6073F	1
Tachometer	A079N6022F	A079N6022F	1
Oil Pressure Gauge	A079N6026F	A079N6026F	1
Cork Washer	A036N6000ZD	A036N6000ZD	1
Oil Pipe	B026N0003ZB	B026N0003ZB	1
Temperature Gauge	A079N6023F	A079N6023F	1
Fuel Gauge	A079N6024F	A079N6024F	1
Voltmeter	A079N6025F	A079N6025F	1
Voltage Stabiliser	A079N6027F	A079N6027F	1
Warning Light Assy, RH	A082N4004F	A082N4004F	1
Warning Light Assy, LH	A082N4005F	A082N4005F	1

ITEM	ELITE PART NO.	ECLAT PART NO.	NO OFF
<u>Headlamp Operating Mech.</u>			
Motor Headlamp	A079M6047F	A079M6047F	2
Rotary Link	C079M4055K	C079M4055K	2
Set Screw, Rotary Link Rod End, M6 x 30	A075W3038F	A075W3038F	2
Nut, Nyloc, M6	A075W3009ZE	A075W3009ZE	2
Rod End	A079U6031F	A079U6031F	2
Locknut $\frac{1}{2}$ UNF, Rod End	A075W3038F	A075W3038F	2
Connecting Link	A083U1245F	A083U1245F	2
Washer 6mm x 12	A075W4013ZL	A075W4013ZL	4
Washer 6mm x 25	A075W4017ZJ	A075W4017ZJ	2
Washer Nylon	A083U1244F	A083U1244F	2
Washer, $\frac{3}{16}$ " x 1"	A075W4004ZK	A075W4004ZK	2
Nyloc Nut, M5	A075W3008ZL	A075W3008ZL	2
Compression Spring	A083U6108F	A083U6108F	2
Grommet, Nylon (Link/Actuating Bar)	A076W6160F	A076W6160W	2
Actuating Bar (Pod)	A083U1243F	A083U1243F	2
Set Screw, Thin Head (Bar/Pod)	A075W1082Z	A075W1082Z	4
Washer 6mm x 12	A075W4013ZL	A075W4013ZL	A/R
Screw S/T, No. 6 x $\frac{1}{2}$ " Pan	A075W5016ZA	A075W5016ZA	2
Nut, Spire, No. 6	A075W6014Z	A075W6014Z	2
<u>Rear Wipe Drive</u>			
Wiper Motor	A083M6242F	-	1
Mounting Bracket, Wiper Motor	A083M0366F	-	1
Bush, 10mm x 20 long	A083M6262F	-	1
Bush, 10mm x 10 long	A083M6263F	-	1
Motor Link	A083M0363F	-	1
Pin	A083M6267F	-	1
Link, Intermediate	A083M0362F	-	1
Bush, Link, Intermediate	A083M6266F	-	2
Main Drive Arm	A083M0365F	-	1
Pin, Main Drive Link	A083M0364F	-	1
Pin, Main Drive Link	A083M6267F	-	1
Spindle	A083M6249F	-	1

ITEM	ELITE PART NO.	ECLAT PART NO.	NO OFF
<u>Rear Wipe Drive (Cont'd)</u>			
Thrust Washer	A083M6254F	-	1
Circlip, M10	A083M6255F	-	1
Spring	A083M6264F	-	1
Washer, Flat S/S	A083M6252F	-	1
Spindle Housing, Assy.	A083M0361F	-	1
Ramp Plate	A083M0360F	-	1
Wavy Washer	A083M6254F	-	1
Spindle Housing	A083M6250F	-	1
'O' Ring, M10	A083M6253F	-	1
Washer, Flat S/S	A083M6252F	-	1
Circlip, M10	A083M6255F	-	1
Spindle, M10	A083M6249F	-	1
Washer, Flat 8mm	A075W4020ZB	-	2
Cover, Spindle Housing (ABS)	A083U1247K	-	1
Cover, Motor Assy, (ABS)	A083U1246K	-	1
Escutcheon Plate	A083U6101F	-	1
Outer Seal	A083U6102F	-	1
Inner Seal	A083U6103F	-	1
Washer	A083U6104F	-	1
Wheelbox Spacer	A083U6105F	-	1
Spacer	A083U6106F	-	1
Washer	A083U6107F	-	1
Wiper Arm	A083M6243F	-	1
Wiper Blade	A083M6244F	-	1
Nut, M8, Arm/Spindle	A075W3021 ZK	-	4
<u>Radio</u>			
Radio Cassette Unit (Panasonic)	A083M6222F	A083M6222F	1
Bass Speaker	A079M6120F	A079M6120F	1
Spacer, Bass Speaker	A079M4089K	A079M4089K	1
Tweeter	A079M6119F	A079M6119F	2
Grille, Black, Tweeter	A082M4104F	A082M4104F	2

ITEM	ELITE PART NO.	ECLAT PART NO.	NO OFF
<u>Radio (Cont'd)</u>			
Bezel, Tweeter	A079M4080K	A079M4080K	2
Rear Speaker C/W Grille	A083M6245F	A083M6245F	2
Crossover Unit	A079M6121F	A079M6121F	1
Cover, Crossover Unit	A079M4098F	A079M4098F	1
Aerial, Electric	A083M6233F	A084M6017F	1
 <u>Heating/Air Cond.</u>			
Rotary Control Kit, Heater/Acu.	A082P4165F	A082P4165F	2
Knob, Control	A082P6023F	A082P6023F	2
Micro Switch (Acu only)	A075M6084F	A075M6084F	2
Bracket, Micro Switch	A075M0340F	A075M0340F	2
Control Lever	A075P0224F	A075P0224F	1
Trunnion	A074K6001 ZC	A074K6001 ZC	2
 <u>Exhaust</u>			
Down Pipe	A083S0742F	A083S0742F	1
Primary Silencer	A083S0745F	A083S0745F	1
Pipe, Over-Axle, LH	A083S0743F	A083S0743F	1
Pipe, Over-Axle, RH	A083S0744F	A083S0744F	1
Silencer, Rear	A083S0746F	A083S0746F	1
<del>Ring Suspension, Pipe, Over-Axle &amp; Prim. Silencer</del>	<del>A083S6026F</del>	<del>A083S6026F</del>	<del>1</del>
<del>Ring Suspension, Silencer, Rear</del>	<del>A075S6002ZB</del>	<del>A075S6002ZB</del>	<del>4</del>
Choke Cable	A083S0276F	A083S0276F	1
Choke Cable & Knob, RHD	A083S0275F	A083S0275F	1

AUTOMATIC →



~~RUBBER~~  
~~RUBBER SUSPENSION - REAR SILENCER (FRONT MTR)~~  
 (REAR MTR)

A083S0746F RH  
 A083S6026F LH  
 A083S6026F  
 A075S6002ZB

2  
 2  
 4

ITEM	ELITE PART NO.	ECLAT PART NO.	NO OFF
<u>Tailgate and Boot</u>			
Tailgate Glass (Tinted & Heated) c/w Finisher, Assy.	A083U6113J	-	1
Lock Assy. C/W Keys	A083U6093F	A083U6093F	1
Release Lever	A083U1225K	-	1
Latch Mechanism, Tailgate	A083U6100F	-	1
Stiffener Bracket	A083U1227K	-	1
Support Bracket, Tailgate Lock	A083U1226F	-	1
Striker, Tailgate Lock	A083U1228F	-	1
Hinge Arm, Boot Lid, RH	-	A084U1252F	1
Hinge Arm, Boot Lid, LH	-	A084U1253F	1
Striker, Boot Catch	-	A084U6023F	1
Locknut, Boot Catch	-	A084U6024F	1
Attachment, Boot Catch	-	A084U6025F	1
Escutcheon, Boot Catch	-	A084U6026F	1
Release Latch	-	A084U1232F	1
Mounting Bracket, Boot Latch	-	A084U1229F	1
Cover, Boot Lock Mech. (ABS)	-	A084U1254K	1
<u>Badges and Decals</u>			
Badge, Pillar, "World Champion"	A083U1198F	A083U1198F	2
Badge, Insert, "Elite 2.2"	A083U1196F	-	1
Badge, Insert, "Automatic"	A083U1197F	-	1
Badge, Facia, "Eclat 2.2"	-	A084U1206F	1
Badge, Facia, "Elite 2.2"	A083U1207F	-	1
Side Stripe, Black, 1.90m	A083U1210F	-	2
Side Stripe, Gold, 1.90m	A083U1212F	-	2
Decal, "Lotus Eclat 2.2", Black	-	A084U1188F	1
Decal, "Lotus Eclat 2.2", Gold	-	A084U1190F	1
Decal, Nose, "Eclat 2.2", Black	-	A084U1191F	1
Decal, Nose, "Eclat 2.2", Gold	-	A084U1193F	1
Decal, Rear $\frac{1}{2}$ , "Eclat 2.2", Black	-	A084U1201F	2
Decal, Rear $\frac{1}{2}$ , "Eclat 2.2", Gold	-	A084U1203F	2



ITEM	ELITE PART NO.	ECLAT PART NO.	NO OFF
<u>Soft Trim</u> Refer to description in parts list & quote chassis no.			
<u>Miscellaneous</u>			
Ashtray Casing	A083V2428F	A083V2428F	2
Ashtray Bowl	A083V2429F	A083V2429F	2
Ashtray Bowl Frame	A083V2430F	A083V2430F	2
Ashtray Interior Back/Plate	A083V2431 F	A083V2431 F	2
Ashtray Foam Insert	A083V2432F	A083V2432F	2
Door Insert Panel, (Wood)	A083V2427F	A083V2427F	2
Seat Latch Release Knob	A083V2422F	A083V2422F	2
Seat Runner, RH	A083V6034F	A083V6034F	2
Seat Runner, LH	A083V6035F	A083V6035F	2
Coat Hanger	A083V2454F	A083V2454F	2
Tool Box and Battery Cover	A083V2471 F	-	1
Retaining Clip, Battery Cover	A083V2472F	-	1
<u>Seat Belts</u>			
Seat Belt, Front, RH	A083V2446F	A083V2446F	1
Seat Belt, Front, LH	A083V2447F	A083V2447F	1
Buckle Cover, Seat Belt	A075V1091 ZE	A075V1091 ZE	2
Seat Belt Rear (Dom)	A075W1190WF	A075V1190WF	2
Seat Belt Rear (ROW)	A075V1191WL	A075V1191WL	2
<u>Automatic Gearbox (Type 65/065C)</u>			
Automatic Gearbox Assy.	A083F0745F	A083F0745F	1
Torque Converter	A083F0328F	A083F0328F	1
Valve Bodies Assy.	A083F6093F	A083F6093F	1
<u>Manual Gearbox (Getrag 5 Speed)</u>			
5 Speed Gearbox (Getrag)	A083F0369F	A083F0369F	1
Bell Housing	A083F0232F	A083F0232F	1
Gear Knob	A083F0323F	A083F0323F	1
Gear Lever Sub-Assy.	A083F0357F	A083F0357F	1
Lower Foam Gaiter	A083F0367F	A083F0367F	1
RIGHT ANGLE SPEED DRIVE 4:1	A083F0393F	(1.389:1)	
u ————— 3.7	A083F0392F	(1.266:1)	

ET  
143F

ITEM	ELITE PART NO.	ECLAT PART NO.	NO OFF
<u>Clutch</u>			
Friction Plate	A083Q0118F	A083Q0118F	1
Pressure Plate	A081Q0119F	A081Q0119F	1
Grammet, Clutch Lever	A083Q6015F	A083Q6015F	1
Clutch Cable Bracket	A083Q0054F	A083Q0054F	1
<u>Final Drive</u>			
Prop. Shaft (CV Joint)	A083R0098F	A083R0098F	1
<p>MANUAL GEARING OVERALL LENGTH CV JOINT COMPRESSED 1209mm ±2.5</p>			1
<p>PRO SHAFT AUTOMATIC AS 2 LITRE WITH CV-JOINT OVERALL LENGTH WITH CV JOINT COMPRESSED 1154mm ±2.5</p>	<p><del>A075R0098F</del></p>	<p><del>A075R0098F</del></p>	1
<p>M50/M52 2.2</p>			
<p>A081Q600F 3ry. release</p>			
<p>B081Q400F arm/lever clutch release</p>			
<p>2.2 ESPRIT / S ESPRIT CLUTCH RELEASE (RG ASSY) HIS DIFFERENT ADAPTOR A079Q0059F CHANGE IN ASSY NO. REQUIRED</p>			
<p>ASSY. A079Q4014</p>			



# Lotus Service Bulletin

<b>Class</b>	III
<b>Number</b>	1980/10
<b>Type</b>	Elite/Eclat/Esprit ROW & Dom.
<b>Date</b>	12.5.80

Lotus Cars Limited Norwich, Norfolk, NR14 BEZ. Telephone: Wymondham (095 380) 2477 Telegrams: Lotus Norwich. Telex: 87401.

Circulation List	Service Manager		Foreman				
------------------	-----------------	--	---------	--	--	--	--

**TITLE** Introduction of the 2.2 Litre Series 912 engine (ROW and Dom).

**REASON** To advise the part number differences from the Series 907 engine.

**ACTION** When ordering parts for the Elite/Eclat and Esprit 2.2 engine, use the part numbers listed in this bulletin, if the part required is not listed, the relevant 907 series number is to be used in the current Elite/Eclat and Esprit parts lists.

This bulletin consists of 13 pages of part numbers.

		501 521	502 522	503 523	504 524	701	702			
A912E0708K	Cyl. block & main brg. hsg. assy.	1	1	1	1	1	1			
A907E0225ZA	Stud, main brg. M12	10	10	10	10	10	10			
A907E0031ZF	Washer, plain, M12	10	10	10	10	10	10			
A075W3025ZH	Nut, M12	10	10	10	10	10	10			
A911E0320F	Ring dowel, studs, main brg.	3	3	3	3	3	3			
A907E0226ZF	Stud main brg. hsg, M8	10	10	10	10	10	10			
A075W4020ZB	Washer, M8	10	10	10	10	10	10			
A075W3021ZK	Nut, M8	10	10	10	10	10	10			
A907E0224ZG	Stud, cyl. head, M12	10	10	10	10	10	10			
A075W3025ZH	Nut, M12, Cyl. head	10	10	10	10	10	10			
A907E0031ZF	Washer, plain, M12, cyl. head	10	10	10	10	10	10			
A907E0528ZD	Plug, 1" NPTF	2	2	2	2	2	2			
A907E6063ZE	Plug, 1/2" BSP	1	1	1	1	1	1			
A907E6007ZL	Pin, spirol	2	2	2	2	2	2			
E907E0441K	Cover, oil gallery	1	1	1	1	1	1			
A907E0438ZC	Gasket, cover, oil gallery	1	1	1	1	1	1			
A907E0625ZG	Union, oil press.	1	1	1	1	1	1			
A075W1041ZF	Screw, M8 x 35, cover to block	2	2	2	2	2	2			

		501 521	502 522	503 523	504 524	701	702			
A075W1038ZB	Screw, M8 x 20, cover to block	2	2	2	2	2	2			
A075W4020ZB	Washer, M8	4	4	4	4	4	4			
A907E0599YC	Housing, rear seal	1	1	1	1	1	1			
A907E0631ZD	Seal, crankshaft, rear	1	1	1	1	1	1			
A907E0671ZF	Gasket, rear seal housing	1	1	1	1	1	1			
A075W7016F	Screw M6, hex. socket	4	4	4	4	4	4			
A075W4065ZG	Washer	4	4	4	4	4	4			
A075W1031F	Screw, M6 x 25	4	4	4	4	4	4			
A075W4013ZL	Washer, M6	4	4	4	4	4	4			
A907E0662ZE	Spray Shield	1	1	1	1	1	1			
A907E0659ZA	Bush, breather spout	1	1	1	1	1	1			
B907E0626ZE	Spout breather	1	1	1	1	1	1			
A912E0623F	Sump	1	1	1	1	1	1			
B912E0623F	Sump	-	-	-	-	1	1			
A036R6014ZL	Plug, sump drain	1	1	1	1	1	1			
A075W4055Z	Washer, sump drain	1	1	1	1	1	1			
A912E0929J	Baffle assy. sump	1	1	1	1	1	1			
A912E6399F	Screw, sump baffle	2	2	2	2	2	2			

		501 521	502 522	503 523	504 524	701	702			
A075W4013ZL	Washer	2	2	2	2	2	2			
A912E6421V	Perma Bond APP 322 (sump/MBP joint) (no gasket)	A/R	A/R	A/R	A/R	A/R	A/R			
A075W1040ZA	Set screw M8 x 30 )	8	8	8	8	8	8			
A075W2040ZJ	Bolt, M8 x 45 )	3	3	3	3	3	3			
A075W2044ZG	Bolt, M8 x 65 )	1	1	1	1	1	1			
A075W2048ZE	Bolt, M8 x 90 ) Sump to MBP	1	1	1	1	1	1			
A075W2041ZC	Bolt, M8 x 50 )	3	3	3	3	3	3			
A075W3010ZK	Nut M8, Nyloc )	2	2	2	2	2	2			
A075W4020ZB	Washer, Plain, M8 )	18	18	18	18	18	18			
A912E6398F	'O' Ring, Dipstick Tube	1	1	1	1	1	1			
A912E0633F	Tube, Dipstick	1	1	1	1	1	1			
E907E0632F	Dipstick	1	1	1	1	1	1			
A907E6174ZA	Mounting Rubber	2	2	2	2	2	2			
B079E4020F	Eng. Mounting Assy, RH	-	-	-	-	1	1			
B079E4018K	Adaptor, Eng. Mtg. RH	-	-	-	-	1	1			
A079E4059F	Eng. Mounting Assy, LH	-	-	-	-	1	1			
A079E4062F	Adaptor, Eng. Mtg. LH	-	-	-	-	1	1			
A912E1247F	Heat Shield Eng. Mtg. Assy.	1	1	1	1	-	-			

		501 521	502 522	503 523	504 524	701	702			
A079E4054K	Heat Shield, Eng. Mtg. Assy.	-	-	-	-	1	1			
A079E4055K	Heat Shield, Eng. Mtg.	-	-	-	-	1	1			
A079E4058C	Bracket, Heat Shield	-	-	-	-	1	1			
A907E1230F	Front Cover	1	1	1	1	1	1			
B907E6010F	Seal, Crankshaft, Front	1	1	1	1	1	1			
A907E0245ZB	Gasket, Front Cover	1	1	1	1	1	1			
A075W2027ZK	Bolt, M6 x 25	7	7	7	7	7	7			
A075W4013ZL	Washer, Plain, M6	7	7	7	7	7	7			
B907E0636ZL	Hose, Breather	1	1	1	1	1	1			
A907E6085ZE	Clip, Jubilee	1	1	1	1	1	1			
A075W6211F	Clip, Snapper	1	1	1	1	1	1			
A907E6252V	Avdel, Pipe Seal	A/R	A/R	A/R	A/R	A/R	A/R			
A075W3040ZF	Nut, 5/16 UNF (mounting rubber)	4	4	4	4	4	4			
A075W4020ZB	Washer, M8	4	4	4	4	4	4			

		501 521	502 522	503 523	504 524	701	702			
A911E0948J	Crankshaft (less spigot bearing)	1	1	1	1	-	-			
A910E0897J	Crankshaft cross-drilled	-	-	-	-	1	1			
A907E0336ZH	Shell, Main Bearing, Standard I/D, Standard O/D (groove/hole)	8	8	8	8	5	5			
A907E1170F	Shell, Main Bearing, Standard I/D, Standard O/D (plain)	1	1	1	1	5	5			
A911E1315F	Shell, Main Bearing, Standard I/D, Standard O/D (plain/hole)	1	1	1	1	-	-			
A907E0538ZK	Shell, Main Bearing, 0.010" U/S I/D, Standard O/D	8	8	8	8	5	5	(groove/hole)		
A907E1172F	Shell, Main Bearing, 0.010" U/S I/D, Standard O/D (plain)	1	1	1	1	5	5			
A911E1317F	Shell, Main Bearing, 0.010" U/S I/D, Standard O/D	1	1	1	1	-	-	(plain/hole)		
A907E0539ZD	Shell, Main Bearing, 0.020" U/S I/D, Standard O/D	8	8	8	8	5	5	(groove/hole)		
A907E1173F	Shell, Main Bearing, 0.020" U/S I/D, Standard O/D (plain)	1	1	1	1	5	5			
A911E1318F	Shell, Main Bearing, 0.020" U/S I/D, Standard O/D	1	1	1	1	-	-	(Plain/hole)		
A907E0675ZD	Shell, Main Bearing, Standard I/D, +0.015" O/D (groove/hole)	8	8	8	8	5	5			
A907E1171F	Shell, Main Bearing, Standard I/D, +0.015" O/D (plain)	1	1	1	1	5	5			
A911E1316F	Shell, Main Bearing, Standard I/D, +0.015" O/D (plain/hole)	1	1	1	1	-	-			
B907E0675ZH	Shell, Main Bearing, 0.010" U/S I/D, +0.015" O/D	8	8	8	8	5	5	(groove/hole)		
B907E1171F	Shell, Main Bearing, 0.010" U/S I/D, +0.015" O/D (plain)	1	1	1	1	5	5			
B911E1316F	Shell, Main Bearing, 0.010" U/S I/D, +0.015" O/D	1	1	1	1	-	-	(plain/hole)		
C907E0675ZA	Shell, Main Bearing, 0.020" U/S I/D, +0.015" O/D	8	8	8	8	5	5	(groove/hole)		



		501 521	502 522	503 523	504 524	701	702			
C907E1171F	Shell, Main Bearing, 0.020" U/S I/D, +0.015" O/D (plain)	1	1	1	1	5	5			
C911E1316F	Shell, Main Bearing, 0.020" U/S I/D, +0.015" O/D (plain/hole)	1	1	1	1	-	-			
A907E0714Z	Con Rod Assy.	4	4	4	4	4	4			
A911E0777F	Piston & Liner Assy.	4	4	4	4	4	4			
A911E0401H	Compression Ring, Top	4	4	4	4	4	4			
A911E0402H	Compression Ring, Second	4	4	4	4	4	4			
A907E0404ZB	Oil Control Ring	4	4	4	4	4	4			
A907E0342ZE	Big End Shell, Standard	8	8	8	8	8	8			
A907E0540ZJ	Big End Shell, 0.010" U/S	A/R	A/R	A/R	A/R	A/R	A/R			
A907E0541ZC	Big End Shell, 0.020" U/S	A/R	A/R	A/R	A/R	A/R	A/R			
A907E1191F	"V" Pulley, Single	1	-	-	-	1	-			
A907E1192F	"V" Pulley, Double	1 PAS	-	-	-	-	-			
A907E1193F	"V" Pulley, Triple	-	1	1	1	-	1			
B907E1106FG	Washer, Crankshaft Pulley	1	1	1	1	1	1			
A075W4038ZD	Washer, Spring, C/S Pulley	1	1	1	1	1	1			
A075W1020ZL	Screw, 1/2 UNF x 1 1/2", C/S Pulley	1	1	1	1	1	1			

		501 521	502 522	503 523	504 524	701	702			
B907E0019ZE	Valve, Inlet up to Eng. No. 18104	8	8	8	8	8	8			
A912E0019F	Valve, Inlet, from Eng. No. 18105	8	8	8	8	8	8			
A907E0020ZF	Valve, Exhaust up to Eng. No. 18104	8	8	8	8	8	8			
A912E0020F	Valve, Exhaust, from Eng. No. 18105	8	8	8	8	8	8			
A912E1579F	Seat, Valve Spring, up to Eng. no. 18104	16	16	16	16	16	16			
A907E0316ZG	Seat, Valve Spring, from Eng. No. 18105	16	16	16	16	16	16			
A907E0022ZE	Valve Spring, Outer, up to Eng. No. 18104	16	16	16	16	16	16			
A912E0022F	Valve Spring, Outer, from Eng. No. 18105	16	16	16	16	16	16			
A907E0023ZK	Valve Spring, Inner, up to Eng. No. 18104	16	16	16	16	16	16			
A912E0023F	Valve Spring, Inner, from Eng. No. 18105	16	16	16	16	16	16			
B907E0021ZD	Retainer, Valve Spring, up to Eng. No. 18104	16	16	16	16	16	16			
A912E0021F	Retainer, Valve Spring, from Eng. No. 18105	16	16	16	16	16	16			
A907E6040ZL	Cotter, Valve Retaining	32	32	32	32	32	32			
B907E0026ZG	Gasket, Cyl. Head, Standard	A/R	A/R	A/R	A/R	A/R	A/R			
B911E1291F	Gasket, Cyl. Head, (one extra lamination)	A/R	A/R	A/R	A/R	A/R	A/R			
B911E1292F	Gasket, Cyl. Head (two extra laminations)	A/R	A/R	A/R	A/R	A/R	A/R			
A075W6097ZG	Roll Pin (Head/Cam Housing)	2	2	2	2	2	2			
A907E6202ZL	'O' Ring, Roll Pin	2	2	2	2	2	2			

} Alternatives

		501 521	502 522	503 523	504 524	701	702		
E907E0302YD	Camshaft Housing	2	2	2	2	2	2		
C907E0300YH	Cam Cover, Inlet	1	1	1	1	11	1		
B907E0301YJ	Cam Cover, Exhaust	1	1	1	1	1	1		
B907E0001ZC	Gasket, Cam Cover	2	2	2	2	2	2		
B907E0227ZD	Stud, Cam Hsg, to Head	20	20	20	20	20	20		
A075W4020ZB	Washer, Plain M8	20	20	20	20	20	20		
A075W3021ZK	Nut, M8	20	20	20	20	20	20		
A075W2099ZC	Bolt, Cover to Housing	12	12	12	12	12	12		
A074E6099ZL	Washer, Seloc	12	12	12	12	12	12		
A911E1328K	Housing, Camshaft, Ex.	1	1	1	1	1	1		
A911E1329K	Housing, Camshaft, In.	1	1	1	1	1	1		
A911E0829F	Cam Cover, Inlet, Assy.	1	1	1	1	1	1		
A911E0301F	Cam Cover, Exhaust	1	1	1	1	1	1		
A911E0001Z	Gasket, Cam Cover	2	2	2	2	2	2		
A911E1311F	Bolt, M8, Cam Hsg. to Head	16	16	16	16	16	16		
A911E0227Z	Stud, M8, Cam Hsg. to Head	4	4	4	4	4	4		
A075W4020ZB	Washer, Plain, M8	4	4	4	4	4	4		
A075W3021ZK	Nut, M8	4	4	4	4	4	4		

		501 521	502 522	503 523	504 524	701	702			
A911E6343F	Plug, M20	10	10	10	10	10	10			
A911E6344F	Washer, M20	10	10	10	10	10	10			
A912E6406F	Washer, Seloc	From Eng. No. to be advised.		6	6	6	6			
A911E1333F	Screw	6	6	6	6	6	6			
A912E0063F	Stud	6	6	6	6	6	6			
A026E0415WJ	Cap, Oil Filler	1	1	1	1	1	1			
A026E0325ZH	Gasket, Filler Cap	1	1	1	1	1	1			
A907E6257VF	Gasket Eliminator, Loctite 504	A/R	A/R	A/R	A/R	A/R	A/R			
A036E6038VJ	Silastic RTV	A/R	A/R	A/R	A/R	A/R	A/R			
A912E0107F	Camshaft, 107	2	2	2	2	2	2			
A910E0309F	Toothed Pulley, Cam Timing (light green dots)	3	3	3	3	3	3			

		501 521	502 522	503 523	504 524	701	702			
A912E0743J	Water Pump Assy.	1	-	-	-	1	-			
A912E0878J	Water Pump Assy.	-	1	1	1	-	1			
A907E6295F	Hub, Pulley	1	1	1	1	1	1			
A907E6294F	'V' Pulley	1	1	1	1	1	1			
A075W4020ZB	Washer, M8	4	4	4	4	4	4			
A075W4036ZE	Washer, Spring, M8	4	4	4	4	4	4			
A075W1036ZC	Screw, M8	4	4	4	4	4	4			
A907E0246Z	Gasket, Water Pump	1	1	1	1	1	1			
A907E6201ZF*	'V' Belt, Water Pump/Alt. (Water Pump/Pas 501/521 Pas)	1	-	1	1	1	-			
A907E6333F	'V' Belt, Acu.	-	-	-	-	-	1			
A907E6332F	'V' Belt, Alt.	-	-	-	-	-	1			
B907E0590F*	'V' Belt, Acu	-	1	1	1	-	-			
A907E6268Z*	'V' Belt Alt.	-	1	1	1	-	-			
A907E6315F*	'V' Belt, Alt. (501/521 Pas)	1	-	-	-	-	-			
B907E6296F	'V' Belt, Water Pump	-	1	-	-	-	1			

		501 521	502 522	503 523	504 524	701	702			
A912E0070J	Cover, Belt Timing, Assy.	1	1	1	1	-	-			
A912E0071K	Cover, Belt, LWR	1	1	1	1	-	-			
A912E0072K	Bracket, Cover Belt LWR	1	1	1	1	-	-			
A912E0073K	Bracket, Cover Belt LWR	1	1	1	1	-	-			
A912E0074K	Spacer, Belt Cover LWR	1	1	1	1	-	-			
A075W1028ZG	Screw, M6 x 16	1	1	1	1	-	-			
A075W4013ZL	Washer M6	1	1	1	1	-	-			
A912E0641K	Cover Belt Upper	1	-	-	-	-	-			
B912E0641K	Cover Belt Upper	-	1	1	1	-	-			
A912E0075K	Bracket, Belt Cover, Upper	1	1	1	1	-	-			
A912E0076K	Bracket, Belt Cover, Upper	1	-	-	-	-	-			
A912E0077K	Bracket, Belt Cover, Upper	-	1	1	1	-	-			
A075W6180F	Turnbuckle, Stud	3	3	3	3	-	-			
A075W6181F	Turnbuckle, Cam	3	3	3	3	-	-			
A075W6182F	Turnbuckle, Washer	3	3	3	3	-	-			
A075W1038ZB	Screw, M8 x 20	2	2	2	2	-	-			
A075W4020ZB	Washer, M8	2	2	2	2	-	-			

		501 521	502 522	503 523	504 524	701	702			
A912E0789F	Delorto Carburettor, Front	1	1	1	1	1	1			
A912E0790F	Delorto Carburettor, Rear	1	1	1	1	1	1			
A907E0917J	Airbox Backplate Assy.	1	1	1	1	1	1			
A907E0916J	Airbox Cover Assy.	1	1	1	1	1	1			
A082M6150F	Ignition Coil	1	1	1	1	1	1			

ACU PUMP MOUNTINGS

A912E0069F	Bracket, Acu Pump, Rear	-	1	1	1	-	-			
A075W2037ZE	Bolt	-	3	3	3	-	-			
A075W4036ZE	Washer, Spring	-	3	3	3	-	-			
A075W2008ZC	Bolt	-	1	1	1	-	-			
A075W4037ZK	Washer, Spring	-	1	1	1	-	-			

		501 521	502 522	503 523	504 524	701	702			
A081Q0119F	Pressure Plate	-	-	-	-	1	1			
A079Q0060F	Friction Plate	-	-	-	-	1	1			
B079Q6009K	Release Fork	-	-	-	-	1	1			
<sup>81</sup> A081Q0119F	Pressure Plate	1	1	1	-	-	-			
A083Q0118F	Friction Plate	1	1	1	-	-	-			
A081Q0119F	CLUTCH RELEASE	1	1	1	1					
A081Q0119F	REARING CLUTCH RELEASE	1	1	1	1					
A079Q0059F	ADAPTOR FOR CLUTCH RELEASE BEARING'S IS DIFFERENT FROM S2 ESPRIT. (S2G) ANY NO MUST BE CHANGED					1	1	ALSO		S3 ESPRIT