

To turn pages go to the bottom of page and left click with the mouse on the arrow or use the left and right arrow keys on the keyboard.



Air Conditioners

Catalog Contents

Kysor Air Conditioners	1
KA-300 Air Conditioner.....	1
KA-400 Air Conditioner.....	2
KA-500 Air Conditioner.....	3
KA-550 Air Conditioner.....	4
KA-700 Air Conditioner.....	5
KA-7100 Air Conditioner.....	7
KA-7300 Air Conditioner.....	8
HD-1000 Heavy Duty A/C.....	9
Aftermarket Sys. Requirements	10
System Matrix	11
SEA/Bergstrom A/C	12
B-001 Vertical grande.....	12
B-002 Vertical medio.....	13
B-003 Vertical piccolo.....	14
B-004 Zni.....	15
Index	16

Air Conditioners

Rooftop Mount

KA-300 Air Conditioner



Features

- Heavy Duty Steel Construction
- Lighted Integrated Headliner Control Panel
- Variable Speed Blower Switch
- Adjustable Thermostat Switch
- Various Louver Configurations
- Durable Double Wheel Plastic Blower
- Integrated Receiver Drier & Single Fan Condenser
- High & Low Pressure Switch
- Refrigerant Inlet - 1/2" (#8) Tube Inverted Male O-Ring Fitting (3/4-16 UNF Thread)
- Refrigerant Outlet - 5/8" (#10) Tube Inverted Male O-Ring (7/8-14 UNF Thread)
- Available in 12 or 24 voltages

How To Order:

	Kysor No.	System Power Requirements
KA-300 A/C	3380001	12 Volts D.C.
KA-300 A/C	3380002	24 Volts D.C.

Technical Specifications:

	English	Metric
Performance: 90°F (32.2°C) DB @ 70% RH	18,900 BTU/h	5.5 kW
Air Flow:	245 SCFM	416 SCM/H
Max. Power Required:	26 Amps @ 13.8 Volts D.C. 13 Amps @ 27.6 Volts D.C.	
Weight:	74 lbs	33.6 kg

Applications

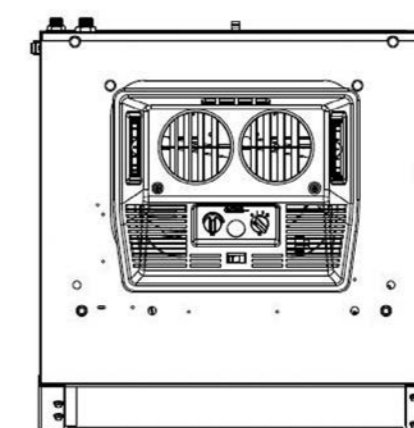
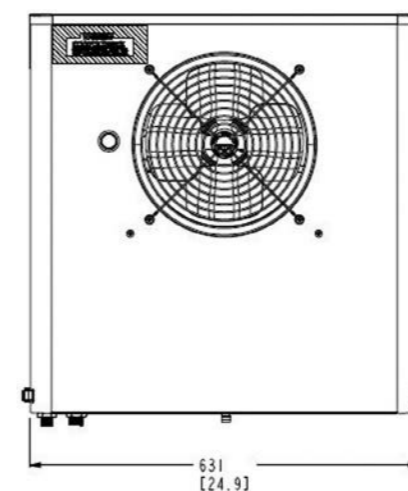
- Over the Road Vehicles
- Industrial Vehicles
- Light Duty Off-Highway Equipment

R-134a Hose Kits

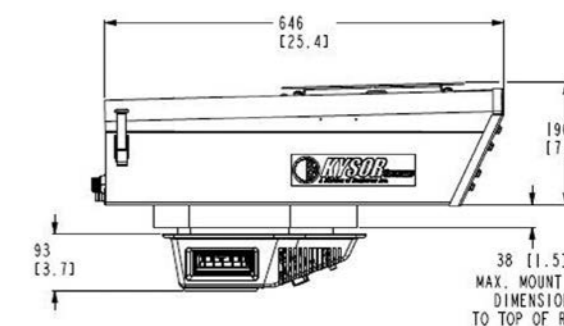
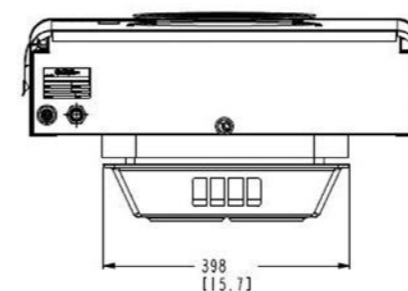
18 ft	3475004
24 ft	3475005

Crimper Kit 2610005 required

**For Systems without access ports on compressor



BOTTOM AUXILIARY VIEW



Air Conditioners

KA-400 Air Conditioner & KK-400 HVAC



Features

- Heavy Duty Steel Construction
- Low Profile Headliner Mount A/C
- Durable Double Wheel Plastic Blower
- 3-Speed Blower Switch
- Adjustable Thermostat Control
- Easy Access Washable Recirculating Air Filter
- Optional Fresh Air Filter Package
- (5) Directional Shut-Off Louvers
- Available in 12 or 24 voltages

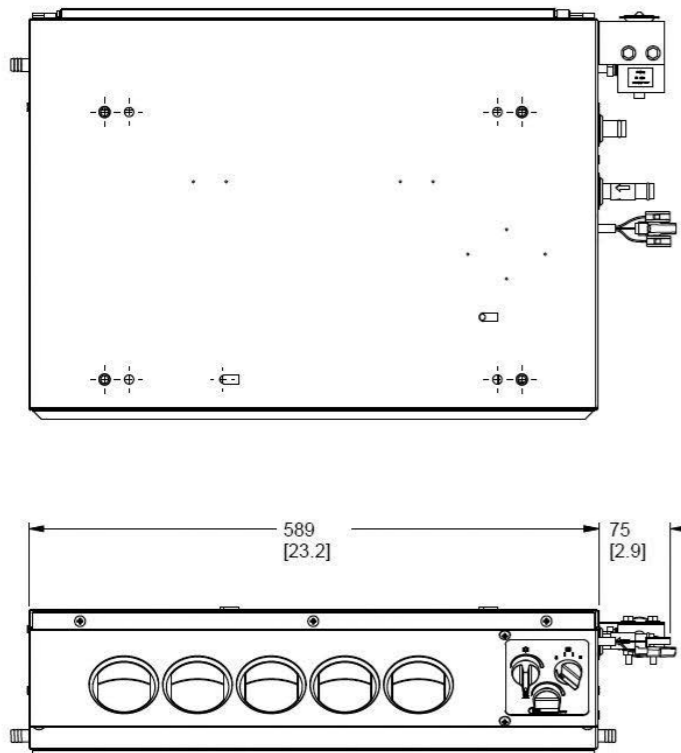
Applications

- Over the Road Vehicles
- Industrial Vehicles
- Light Duty Off-Highway Equipment

How To Order:		
	Kysor No.	System Power Requirements
KA-400 Slimline A/C	3380022	12 Volts D.C.
KA-400 Slimline A/C	3380023	24 Volts D.C.
Universal Installation Kit	3475068	

Technical Specifications:				
	Cooling 90°F (32.2°C) DB @ 70% RH		Heating SAE J638 @ 18.2 LPM (4.8 GPM)	
	English	Metric	English	Metric
Performance:	21,700 BTU/h	6.4 kW	26,000 BTU/h	7.6 kW
Air Flow:	250 SCFM	425 SCMh	250 SCFM	425 SCMh
Max. Power Required:	10 Amps @ 13.8 Volts D.C. 5 Amps @ 27.6 Volts D.C.		10 Amps @ 13.8 Volts D.C. 5 Amps @ 27.6 Volts D.C.	
Weight w/o Filter:	Air Conditioner Heater/AC HVAC		26 lbs 30 lbs	11.8 kg 13.6 kg

More Information on page 6



Air Conditioners

KA-500 Air Conditioner

Headliner Mount



Features

- Heavy Duty Steel Construction
- Low Profile Headliner Mount A/C
- Light Weight Durable High Impact Plastic Cover with (6) Directional Louvers
- 3-Speed Blower Switch
- Adjustable Thermostat Control
- Easy Access Washable Recirculating Air Filter
- Easy Access Refrigerant Hose Connections for Improved Serviceability
- Optional Fresh Air Filter Package
- Available in 12 or 24 voltages

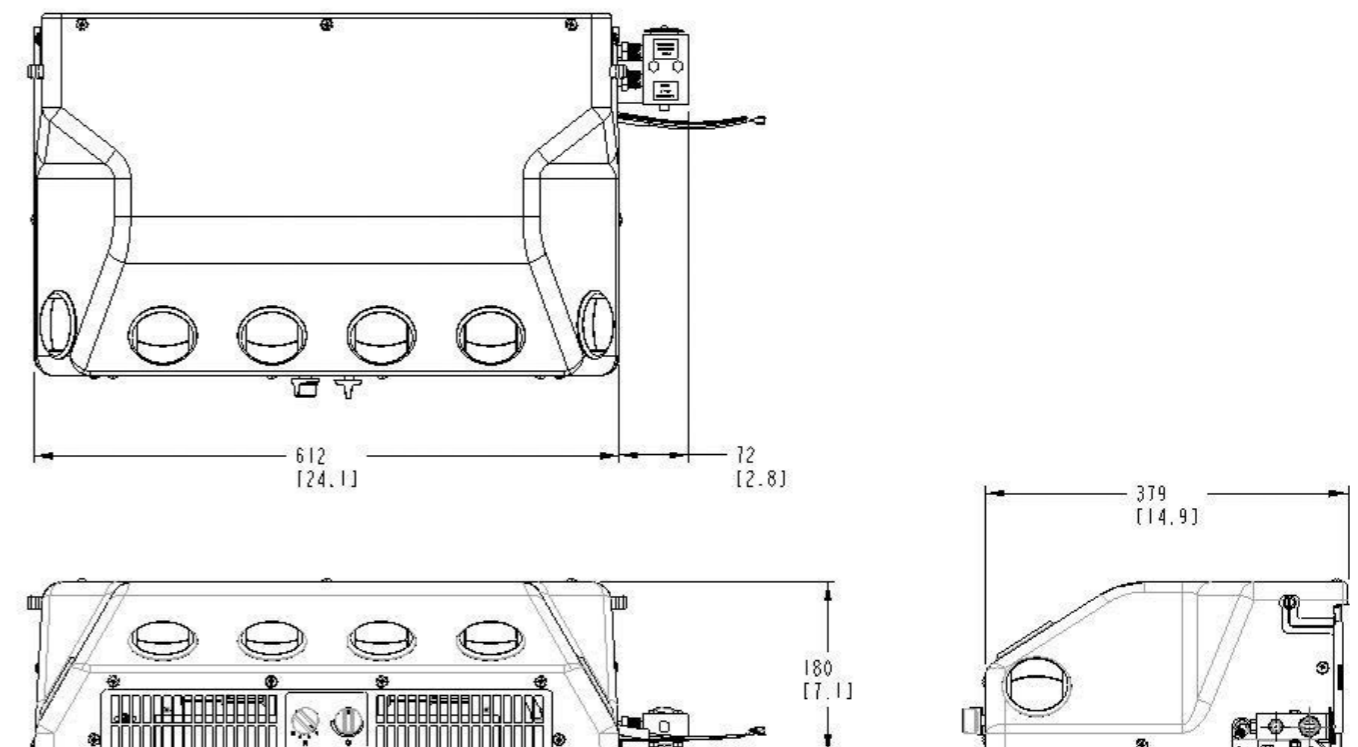
Applications

- Over the Road Vehicles
- Industrial Vehicles
- Heavy Duty Off-Highway Equipment

How To Order:		
	Kysor No.	System Power Requirements
KA-500 Hardhat A/C	3380026	12 Volts D.C.
KA-500 Hardhat A/C	3380027	24 Volts D.C.
Recirculation Air Filter	3175011	
Universal Installation Kit	3475067	

Technical Specifications:		
	English	Metric
Performance: 90°F (32.2°C) DB @ 70% RH	29,400 BTU/h	8.6 kW
Air Flow:	305 SCFM	518 SCMh
Max. Power Required:	13.3 Amps @ 13.8 Volts D.C. 7.2 Amps @ 27.6 Volts D.C.	
Weight:	35 lbs	15.9 kg

More Information on page 6



Air Conditioners

KA-550 Air Conditioner & KK-550 HVAC



Features

- Heavy Duty Steel Construction
- Small Profile Wall Mount A/C
- Durable Double Wheel Plastic Blower
- 3-Speed Blower Switch
- Adjustable Thermostat & Water Valve Control
- Adjustable Fresh Air/Recirc. Air Door
- Easy Access Recirculating Air Filter
- Easy Access Refrigerant Hose Connections for Improved Serviceability
- (3) 3" Directional Top Louvers
- (2) 3" Directional Front Louvers
- Available in 12 or 24 voltages

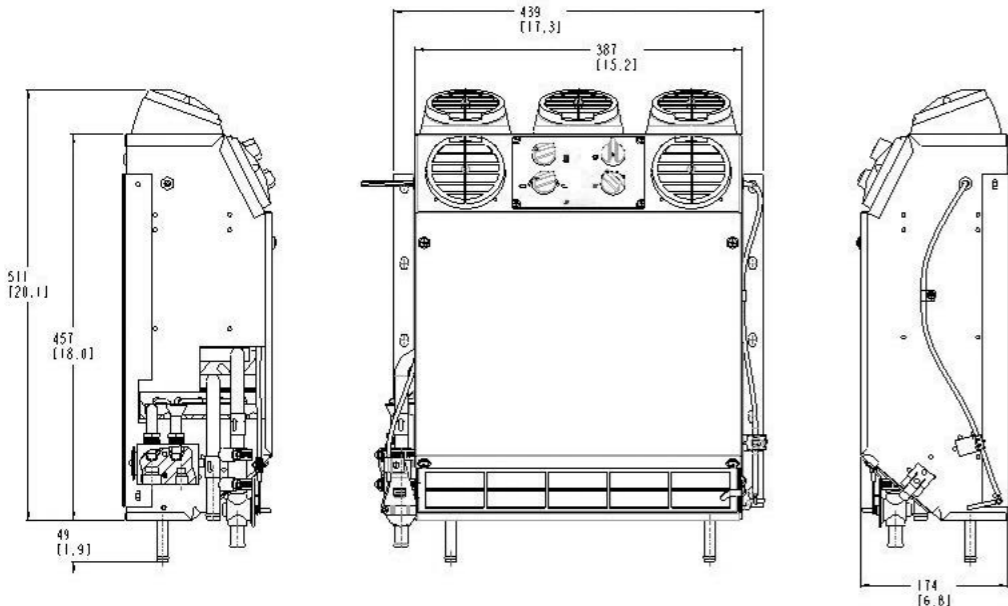
Applications

- Over the Road Vehicles
- Industrial Vehicles
- Light Duty Off-Highway Equipment
- Agricultural Equipment

How To Order:		
	Kysor No.	System Power Requirements
KA-550 Slimline A/C	3380011	12 Volts D.C.
KA-550 Slimline A/C	3380012	24 Volts D.C.
Fresh Air Filter Kit (21 lbs)	3475053	
Universal Installation Kit	3475069	

Technical Specifications:				
	Cooling 90°F (32.2°C) DB @ 70% RH		Heating SAE J638 @ 18.2 LPM (4.8 GPM)	
	English	Metric	English	Metric
Performance:	19,600 BTU/h	5.7 kW	32,500 BTU/h	9.8 kW
Air Flow:	275 SCFM	467 SCMh	275 SCFM	467 SCMh
Max. Power Required:	12 Amps @ 13.8 Volts D.C. 7 Amps @ 27.6 Volts D.C.		12 Amps @ 13.8 Volts D.C. 7 Amps @ 27.6 Volts D.C.	
Weight:	Air Conditioner Heater/AC HVAC		34 lbs 37 lbs	15.4 kg 16.8 kg

More Information on page 6



KA-700 Air Conditioner



Features

- Heavy Duty Steel Construction
- Complete Mount A/C
- 3-Speed Blower Switch
- Adjustable Thermostat Control
- Durable Double Wheel Plastic Blower
- (4) 3" Adjustable Front/Side Louvers
- Available in 12 or 24 voltages

Applications

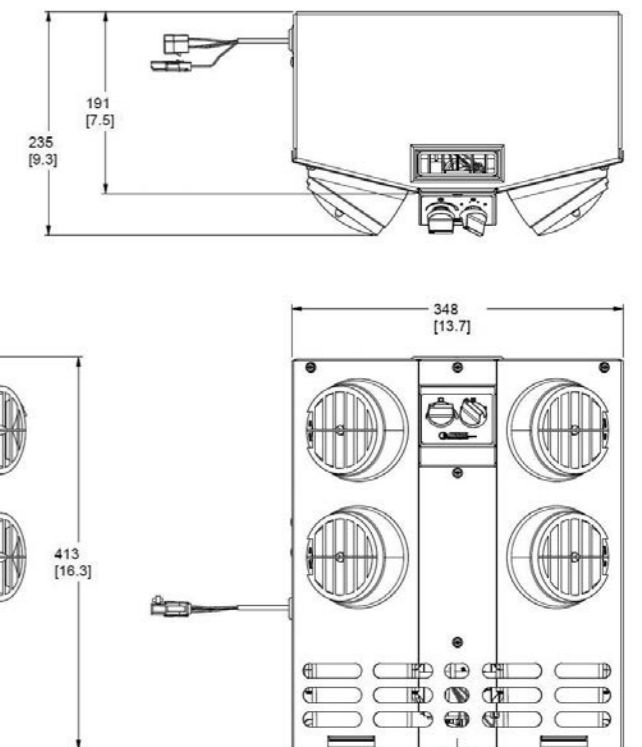
- Over the Road Vehicles
- Industrial Vehicles
- Light Duty Off-Highway Equipment
- Agricultural Equipment

How To Order:		
	Kysor No.	System Power Requirements
KA-700 Sidekick A/C	3380003	12 Volts D.C.
KA-700 Sidekick A/C	3380004	24 Volts D.C.
Filter Option (Old Style)	3175005	
Installation Kits:		Notes
Universal Unit (New Style)	3475067*	Crimper Kit 2610005
Universal Condenser	1599100	Radiator Mount

*Kit includes hose, fittings, drier, unit mounting brackets, & electrical components

Technical Specifications:		
	English	Metric
Performance:	24,500 BTU/h	7.2 kW
90°F (32.2°C) DB @ 70% RH		
Air Flow:	285 SCFM	484 SCMh
Max. Power Required:	14 Amps @ 13.8 Volts D.C. 7 Amps @ 27.6 Volts D.C.	
Weight:	29 lbs	13.2 kg

More Information on page 6



Air Conditioners

KA-400 Air Conditioner Additional Information Suggested Headliner System

Compressor Options		R-12	R-134a	Condenser Options R-134a/R12		Notes
C.C.I./RTA 210L*		N/A	1402002	12 Volts	3375039	KC-500
Seltec/Zexel w/Variable Groove Clutch	12 Volts	1403007	1403106	24 Volts	3375040	KC-500
	24 Volts	N/A	1403111			

*Clutch determined by engine application

KA-500 Air Conditioner Additional Information Suggested Hardhat System

Compressor Options		R-12	R-134a	Condenser Options R-134a/R12		Notes
C.C.I./RTA 210L*		N/A	1402002	12 Volts	3375030	KC-110
Seltec/Zexel w/Variable Groove Clutch	12 Volts	1403007	1403106	24 Volts	3375032	KC-110
	24 Volts	N/A	1403111	12 Volts	3375044	Super Air
				24 Volts	3375045	Super Air
				12 Volts	3375042	KC-1000
				24 Volts	3375043	KC-1000

*Clutch determined by engine application

KA-550 Air Conditioner Additional Information Suggested Slimline System

Compressor Options		R-12	R-134a	Condenser Options R-134a/R12		Notes
C.C.I./RTA 210L*		N/A	1402002	12 Volts	3375039	KC-500/ KC-90
Seltec/Zexel w/Variable Groove Clutch	12 Volts	1403007	1403106	24 Volts	3375040	KC-500/ KC-90
	24 Volts	N/A	1403111			

*Clutch determined by engine application

KA-700 Air Conditioner Additional Information

Radiator Mount				
Fitting Type -8 in -6 Out	Height (Inches)	Width (Inches)	Depth (Inches)	Part No.
Tube O Ring	9.4	32.8	2.0	1575011
	15.7	23.8		1575001
	13.6	29.8	0.75	1575002
	11.5	35.8		1575003
	14.75	27	0.89	1518001
	15.2	29.8	0.75	1599005
	18.1	20	1.09	1575005

Air Conditioners

Headliner Mount

KA-7100 Air Conditioner



Features

- Heavy Duty Steel Base Construction
- High Performance Headliner Mount A/C
- Light Weight Plastic Cover
- Durable Plastic Cover
- Adjustable Thermostat Control
- 3-Speed Double Blower Package
- (2) Dual Opening Large Capacity Shut-Off Louvers
- (2) Directional Louvers
- Easy Access Washable Recirculating Air Filter

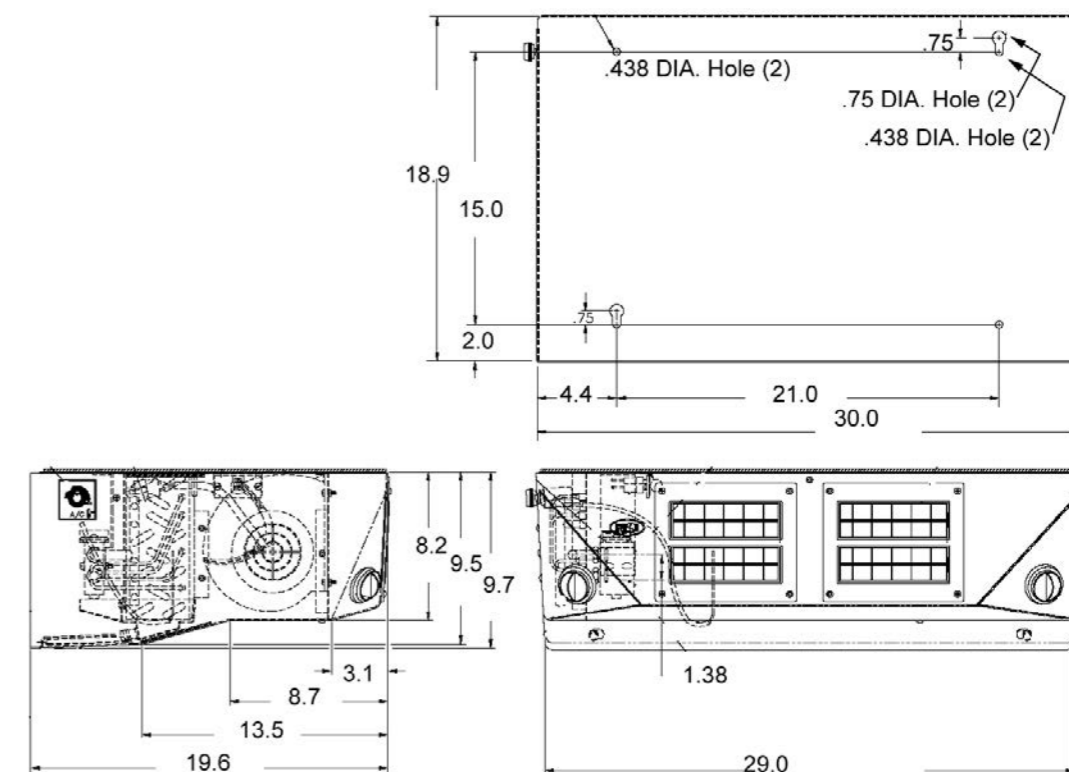
Applications

- Over the Road Vehicles
- Industrial Vehicles

How To Order:		
	Kysor No.	System Power Requirements
KA-7100 A/C	3375020	12 Volts D.C.
Wiring Kit	3475060	
Universal Hose Kit	3475087	

Technical Specifications:		
	English	Metric
Performance: 90°F (32.2°C) DB @ 70% RH	49,500 BTU/h	14.5 kW
Air Flow:	550 SCFM	935 SCMh
Max. Power Required:	16.2 Amps @	13.8 Volts D.C.
Weight:	35 lbs	15.9 kg

Suggested Compressor	
Seltec	1403138
Suggested Condenser	
Super Air	3375044



Air Conditioners

KA-7300 Air Conditioner



Features

- Heavy Duty Steel Construction
- Maximum Performance Headliner Mount A/C
- Adjustable Thermostat Control
- (2) 3-Speed Double Blowers
- (4) Dual Opening Large Capacity Shut-Off Louvers
- Easy Access Washable Recirculating Air Filter

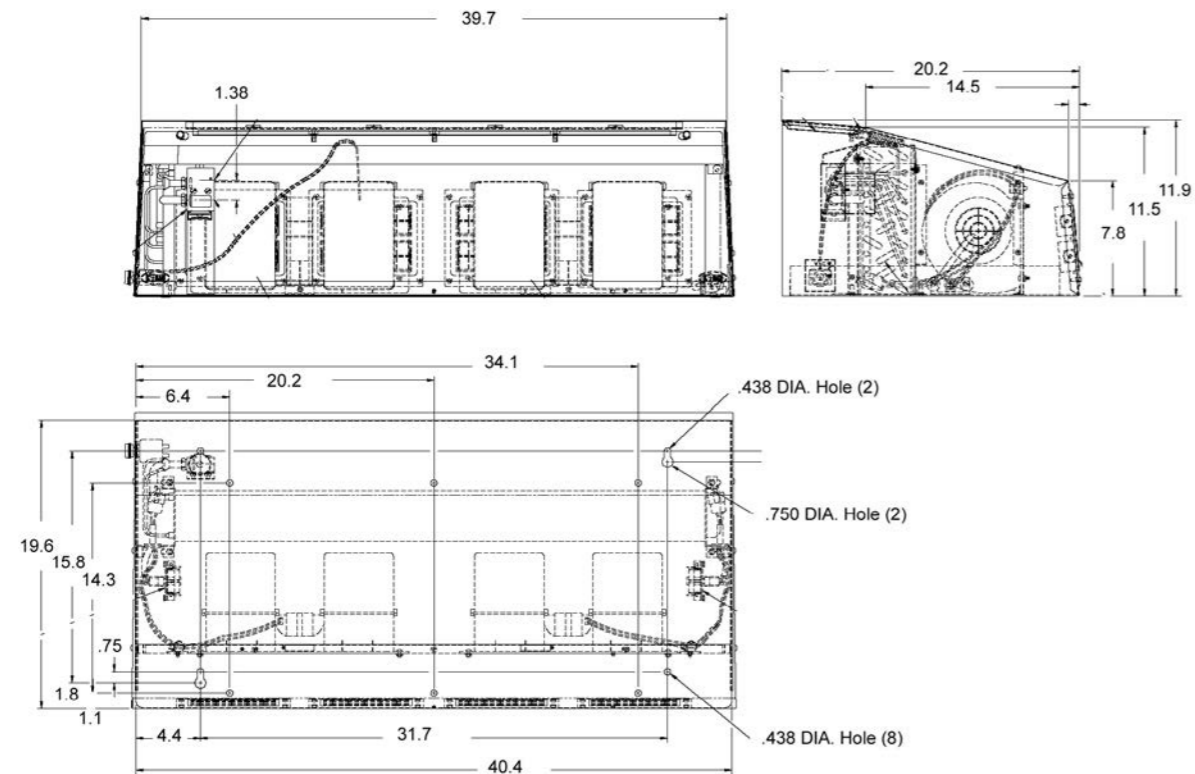
Applications

- Over the Road Vehicles
- Industrial Vehicles

How To Order:		
	Kysor No.	System Power Requirements
KA-7300 A/C	3375021	12 Volts D.C.
Wiring Kit (12 Volts D.C.)	3475064	
Universal Hose Kit	3475087	

Technical Specifications:		
	English	Metric
Performance: 90°F (32.2°C) DB @ 70% RH	75,600 BTU/h	22.1 kW
Air Flow:	940 SCFM	1,597 SCMh
Max. Power Required:	30 Amps @ 13.8 Volts D.C. 15 Amps @ 27.6 Volts D.C.	
Weight:	68 lbs	30.8 kg

Suggested Compressor		
Seltec	1403138	1403131
Suggested Condenser		
Super Air "Plus"	3375046 (12V)	



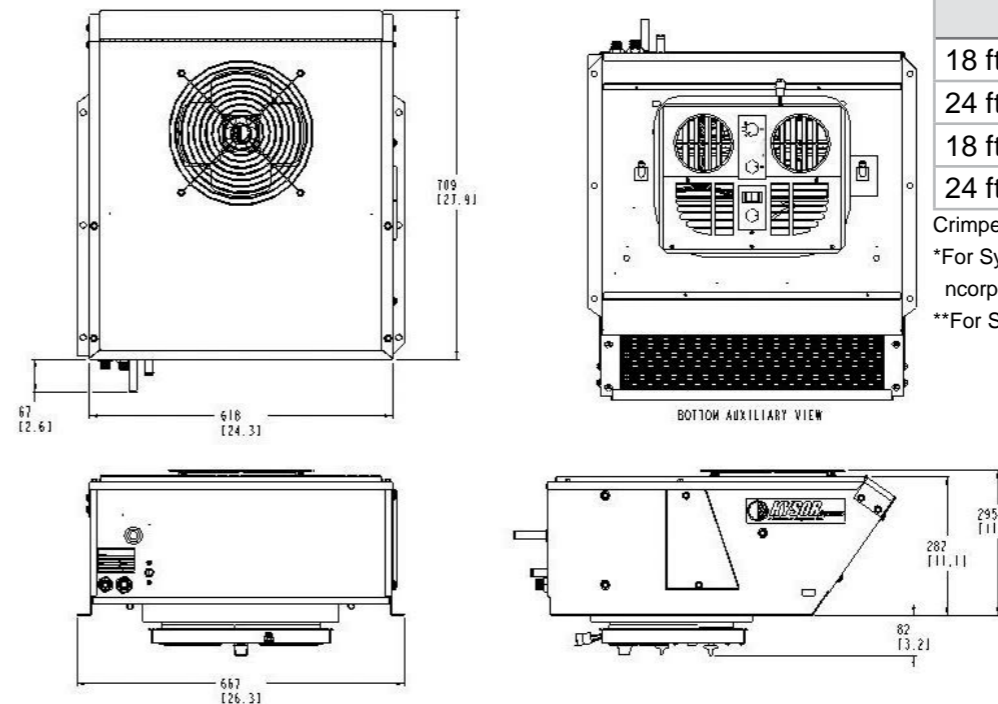
Headliner Mount

HD-1000 Heavy Duty AC & HVAC



How To Order:		
	Kysor No.	System Power Requirements
HD-1000 A/C	3380007	12 Volts D.C.
HD-1000 A/C	3380008	24 Volts D.C.
Fresh Air Filter Option		Application
Side Mount	3475056	Unit with Side Mounting Plate
Filter for Side Mount Kit	3199008	
Recirculation Filter Kit	3175006	All

Technical Specifications:				
	Cooling 90°F (32.2°C) DB @ 70% RH		Heating SAE J638 @ 18.2 LPM (4.8 GPM)	
	English	Metric	English	Metric
Performance:	25,900 BTU/h	7.6 kW	34,000 BTU/h	10.0 kW
Air Flow:	HVAC Blower Condenser Fan		315 SCFM 750 SCFM	535 SCMh 1,275 SCMh
Max. Power Required:	32 Amps @ 13.8 Volts D.C. 16 Amps @ 27.6 Volts D.C.		32 Amps @ 13.8 Volts D.C. 16 Amps @ 27.6 Volts D.C.	
Weight:	Air Conditioner Heater/AC HVAC		85 lbs 88 lbs	38.6 kg 40 kg



R-134a Hose Kits	
18 ft	3475002*
24 ft	3475003*
18 ft	3475004**
24 ft	3475005**

Crimper Kit 2610005 required
 *For Systems with service valves, which incorporate R-134a access ports, on compressor.
 **For Systems without access ports on compressor.

Air Conditioners

Rooftop Mount

Features

- Heavy Duty Steel Construction
- Durable Double Wheel Plastic Blower
- Lighted Integrated Headliner Control Panel
- On-Off Switch
- Variable Speed Blower Switch
- Adjustable Thermostat & Water Valve Controls
- Integrated Receiver Drier & Single Fan Condenser
- High & Low Pressure Switch
- Fresh Air Filter Option
- Refrigerant Inlet-1/2" (#8) Tube Inverted Male O-Ring Fitting (3/4-16 UNF Thread)
- Refrigerant Outlet-5/8" (#10) Tube Inverted Male O-Ring Fitting (7/8-14 UNF Thread)
- Available in 12 or 24 Voltages

Applications

- Industrial Vehicles
- Heavy Duty Off-Highway Equipment
- Mining Vehicles

Aftermarket System Requirements

Aftermarket System Requirements Checklist

Unit	Compressor	Compressor Mounting Kit	Radiator Mounted Condenser or Remote Mounted Electric Fan Condenser	Condenser Installation Kit (Required for Radiator Mount Condenser Only)	Install Kit (Heaters Electrical Wiring Kit)	Hose Kit	Receiver Drier	Optional Controls	Notes
Air Conditioners and HVACs									
KA-300	•	•				•			
KA-400	•	•	•	•	•	In Install Kit	In Install Kit		1, 4
KA-500	•	•	•	•	•	In Install Kit	In Install Kit		1, 4
KA-550	•	•	•	•	•	In Install Kit	In Install Kit		1, 2, 4
KA-700	•	•	•	•	•	In Install Kit	In Install Kit		1
KA-7100	•	•	•	•	•		In Install Kit		1
KA-7300	•	•	•	•	•		In Install Kit		1
HD-1000	•	•							2, 4

• Indicates additional components required to complete installation.

NOTES:

- Some remote mount electric fan condensers include receiver drier.
- Heater hose is required.
- Hydraulic pump & control kits are available for some applications.
- Optional fresh air filter kit is available.
- Optional mounting kit, motor guard & control switch kit is available.
- Optional bunk control available for auxiliary use only.
- Optional control switch kit is available.

Aftermarket System Requirements Checklist

Fan Manufacturer	Fan Type	Operating Medium	Method of Control	Fan Override Kit (R-12)	Fan Override Kit (R-134a)
Various	Air Operated (On-Off)	Air disengaged/spring engaged or air engaged/spring disengaged	Thermo pneumatic temperature switch senses engine coolant & controls air flow to fan clutch	3499002	
Various	Electro-Magnetic (On-Off)	Electro-Magnetic	Thermo electric temperature switch senses engine coolant & controls electro-magnetic fan clutch.	3499003	

NOTES:

- Minimum fan speed should handle condensing requirements. System must be protected with Kysor high-&-low pressure safety switches to disengage clutch in case of malfunction or warranty is void.
- All Kysor air conditioning system with radiator-mounted condenser must be equipped with the high-&-low pressure switches specified or warranty is void. (For all Override Applications)
- The fan or shutter override control kit used must be Kysor approved or warranty is void. (For all Override Applications)

System Matrix

KYSOR SYSTEMS SERVICE COMPONENTS

MODEL	DESC.	VOLTAGE	KYSOR NUMBER	PART NUMBER	MOTORS			FAN BLADE OR WHEEL	BLOWER	AXIAL FAN	RESISTOR	FAN SWITCH	EXPANSION VALVE	
					HEATER	AIR COND.	CONDENSER							
KA-300	AIR CONDITIONER	12	3375005	B938130			1075009	BW: 1199035	N/A		N/A		1875001	
		24	3375006	B938131			1075016	BW: 1199030	N/A		N/A		1875004	
		12	3380001	1000258578		1099004		1075049	BW: 1199031	1099097		2075006		1875004
		24	3380002	1000258579				1075050	FAN: 1275003	1075048		2075008		
KA-400	AIR CONDITIONER	12	3375087	B938120									1875001	
		24	3375088	B938123									1875004	
		12	3380022	1000281467		1075023						2099016		1875001
		24	3380023	1000281468								2075004		1875004
KA-500	AIR CONDITIONER	12	3375057	B938134									1875001	
		24	3375058	B938135			1099049						1899004	
		12	3380026	1000298166			1075014						1899004	
		24	3380027	1000298167			N/A						1899004	
KA-550	AIR CONDITIONER	12	3380011	1000258352									1875004	
		24	3380012	1000258354									1875004	
KA-700	AIR CONDITIONER	12	3375007	B938145			1075051	BW: 1199036	N/A				1875001	
		24	3375008	B938144			1075011						1875004	
		12	3380003	1000258384									1875004	
		24	3380004	1000258385									1875004	
KA-7100	AIR COND.	12	3375020	B938148			1075018					1875002		
KA-7300	AIR COND.	12	3375021	B938150			1075018					1875002		
HD-1000	AIR CONDITIONER	12	3375047	B938127			1099049	1075009					1899010	
		24	3375048	B938128			1075014	1075016	BW: 1199035	N/A			1899010	
		12	3380007	1000258580					FAN: 1275003	1099097			1875004	
		24	3380008	1000258581			N/A			1075049			1875004	

MODEL	THERMOSTAT	HEATER COIL	EVAP. COIL	CONDENSER COIL	DRIER	HIGH PRESS. SWITCH	LOW PRESS. SWITCH	RELAY	WATER VALVE	RECIRC. FILTER	FRESH AIR FILTER	MISCELLANEOUS SERVICE PARTS	
KA-300	2399004		1675006	1575009	1999215	2275005	2275002						
KA-400	2375001		1675015							3475017			
KA-500	2375001		1675005							3475011	3175002		
			1675026							3175011			
KA-550			1675019							3175012			
KA-700	2399004		1675001										
KA-7100	2375001		1675020							3475019			
KA-7300	2375001		1675021							3475020			
HD-1000	2399004		1675017	1575008	1999214	2275005	2275002					2175007 2175008 2199020	LIGHT BULB (12V) LIGHT BULB (24) TIPPETTE SWITCH
						2275009	2275010						

SEA/Bergstrom Air Conditioners

B-001 Vertical grande



Backwall/Sidewall Mount

Features

- Available in 12 or 24 Voltages



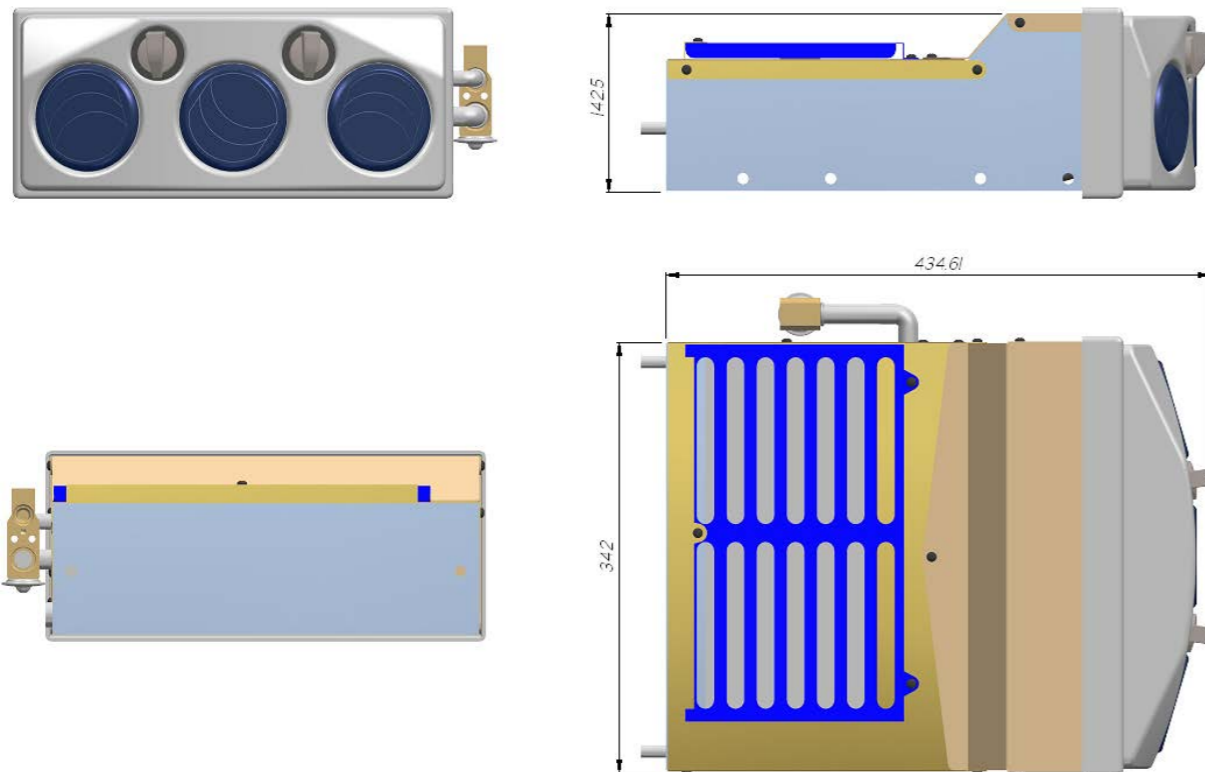
How To Order:		
	Kysor No.	System Power Requirements
Vertical grande A/C	A0FF14ES	12 Volts D.C.
Vertical grande A/C	A0FF15ES	24 Volts D.C.

Variants	
Kysor No.	Description
N04400038/1	Conveyor with three Air Louvers

Technical Specifications:		
	English	Metric
Performance:	28,321 BTU/h	8.3 kW
Air Flow:	400 SCFM	680 SCMh
Max. Power Required:	15.2 Amps @ 12 Volts D.C. 8.5 Amps @ 24 Volts D.C.	
Weight:	19.8 lbs	9.0 kg

Applications

- Agricultural Equipment
- Earth Moving Equipment
- Special Vehicles



SEA/Bergstrom Air Conditioners

B-002 Vertical medio



Floor Mount

Features

- Available in 12 or 24 Voltages



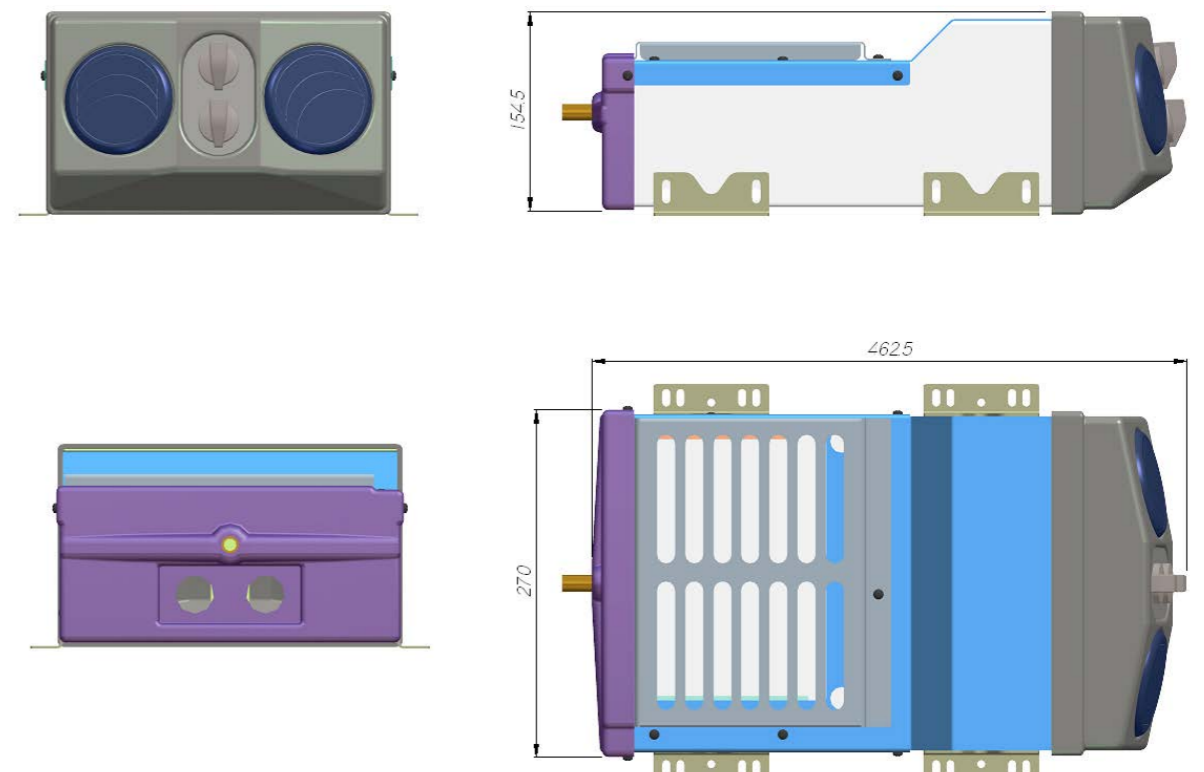
How To Order:		
	Kysor No.	System Power Requirements
Vertical medio A/C	A0FF60ES	12 Volts D.C.
Vertical medio A/C	A0FF61ES	24 Volts D.C.

Variants	
Kysor No.	Description
N04400015	Conveyor with two holes for D0204004 & one for D0204001

Technical Specifications:		
	English	Metric
Performance:	24,226 BTU/h	7.1 kW
Air Flow:	265 SCFM	450 SCMh
Max. Power Required:	8 Amps @ 12 Volts D.C. 5 Amps @ 24 Volts D.C.	
Weight:	19.4 lbs	8.8 kg

Applications

- Agricultural Equipment
- Earth Moving Equipment
- Special Vehicles



SEA/Bergstrom Air Conditioners

B-003 Vertical piccolo



Backwall/Sidewall Mount

Features

- Available in 12 or 24 Voltages



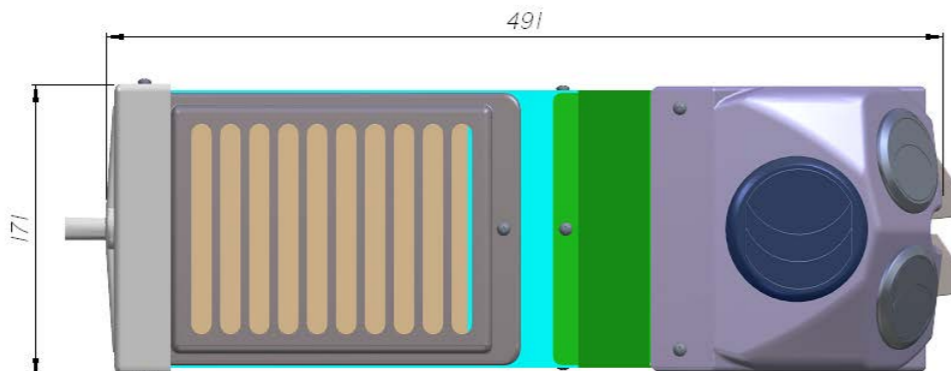
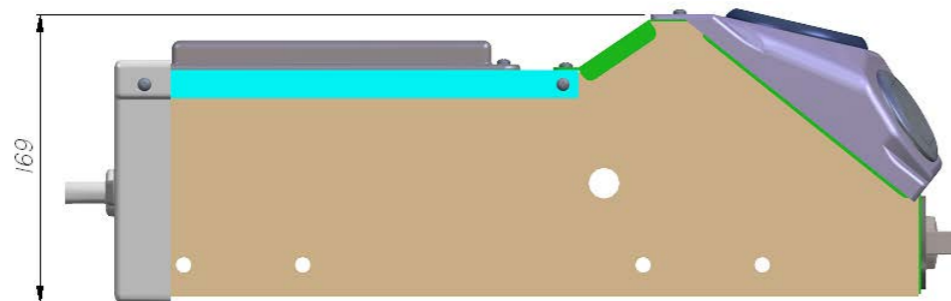
How To Order:		
	Kysor No.	System Power Requirements
Vertical piccolo A/C	A0FF16ES	12 Volts D.C.
Vertical piccolo A/C	A0FF17ES	24 Volts D.C.

Variants	
Kysor No.	Description
N04400015	Conveyor with two holes for D0204004 & one for D0204001

Technical Specifications:		
	English	Metric
Performance:	18,767 BTU/h	5.5 kW
Air Flow:	224 SCFM	380 SCMh
Max. Power Required:	12 Amps @ 12 Volts D.C. 8 Amps @ 24 Volts D.C.	
Weight:	15.9 lbs	7.2 kg

Applications

- Agricultural Equipment
- Earth Moving Equipment
- Special Vehicles



SEA/Bergstrom Air Conditioners

B-004 Zni



Backwall/Sidewall Mount

Features

- Available in 12 or 24 Voltages



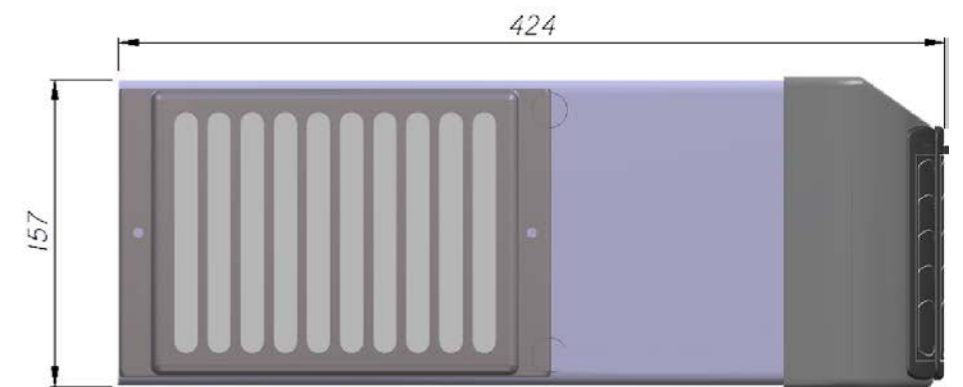
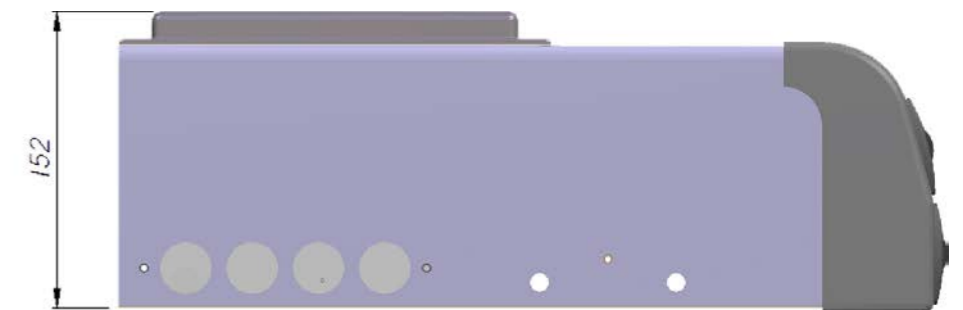
How To Order:		
	Kysor No.	System Power Requirements
Zni A/C	A0FF100ES	12 Volts D.C.
Zni A/C	A0FF101ES	24 Volts D.C.

Variants	
Kysor No.	Description
N04400015	Conveyor with two holes for D0204004 & one for D0204001

Technical Specifications:		
	English	Metric
Air Flow:	100 SCFM	170 SCMh
Max. Power Required:	4 Amps @ 12 Volts D.C. 2.5 Amps @ 24 Volts D.C.	

Applications

- Agricultural Equipment
- Earth Moving Equipment
- Special Vehicles



Index

1402002.....	6	3475004.....	1, 9
1403007.....	6	3475005.....	1, 9
1403106.....	6	3475053.....	4
1403111.....	6	3475056.....	9
1403131.....	8	3475060.....	7
1403138.....	7, 8	3475064.....	8
1518001.....	6	3475067.....	3, 5
1575001.....	6	3475068.....	2
1575002.....	6	3475069.....	4
1575003.....	6	3475087.....	7, 8
1575005.....	6	3499002.....	10
1575011.....	6	3499003.....	10
1599005.....	6	A0FF14ES.....	12
1599100.....	5	A0FF15ES.....	12
2610005.....	1, 5, 9	A0FF16ES.....	14
3175005.....	5	A0FF17ES.....	14
3175006.....	9	A0FF60ES.....	13
3175011.....	3	A0FF61ES.....	13
3199008.....	9	A0FF100ES.....	15
3375020.....	7	A0FF101ES.....	15
3375021.....	8	D0204001.....	13, 14, 15
3375030.....	6	D0204004.....	13, 14, 15
3375032.....	6	N04400015.....	13, 14, 15
3375039.....	6	N04400038/1.....	12
3375040.....	6		
3375042.....	6		
3375043.....	6		
3375044.....	6, 7		
3375045.....	6		
3375046.....	8		
3380001.....	1		
3380002.....	1		
3380003.....	5		
3380004.....	5		
3380007.....	9		
3380008.....	9		
3380011.....	4		
3380012.....	4		
3380022.....	2		
3380023.....	2		
3380026.....	3		
3380027.....	3		
3475002.....	9		
3475003.....	9		

