

Skyline SP

Schematics and Parts



SKYLINE-SP4

Drawn By: MTB

CAD By: MTB

NC Code: n/a

MOTOR CIRCUIT 460V/60hz 400V/50hz

Txxx

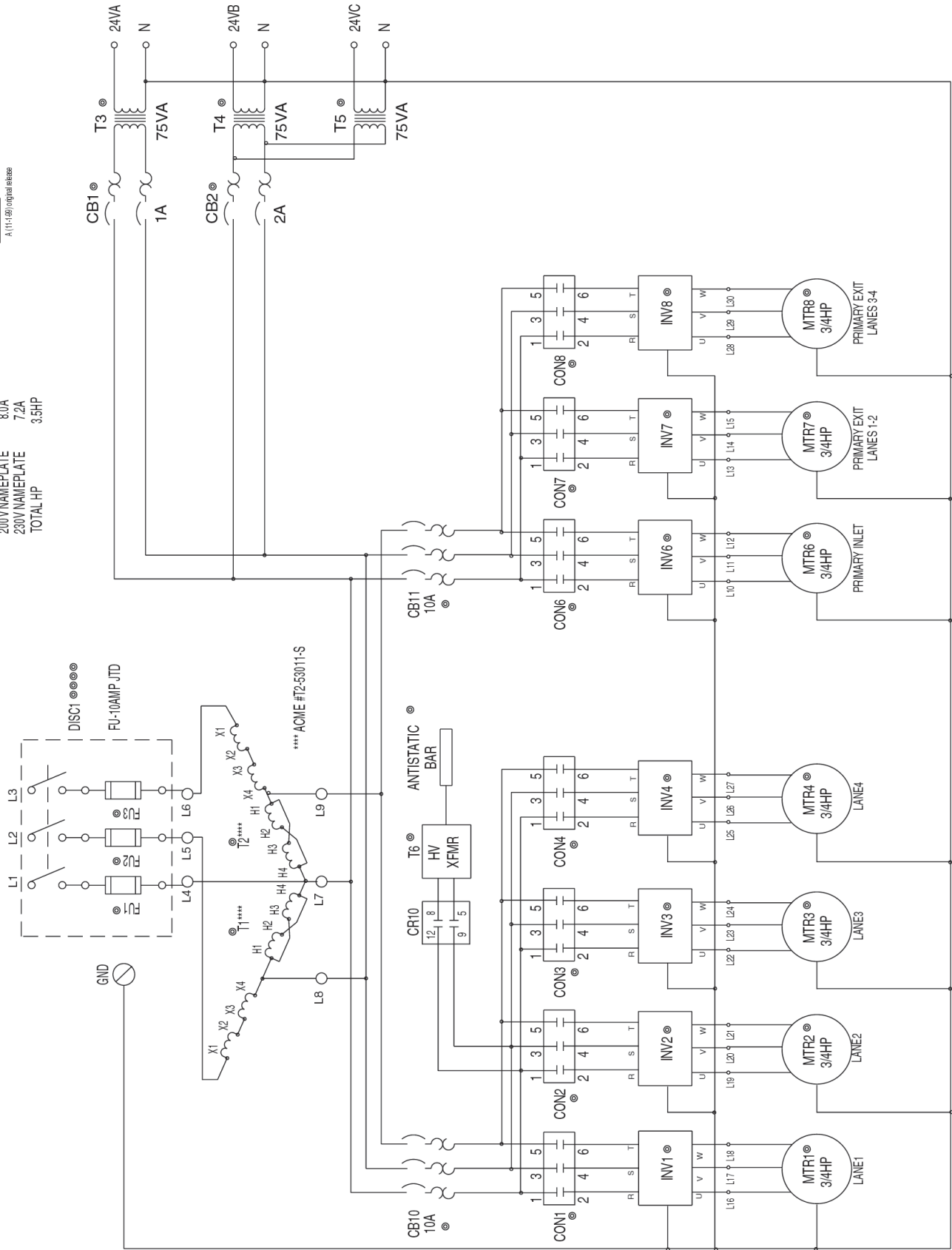
Approved By: xxx

Scale: -

Date: 10-28-99

REVISIONS
A (11-1-99) original release

MAIN FUSE 10A
200V NAMEPLATE 8.0A
230V NAMEPLATE 7.2A
TOTAL HP 3.5HP



Skyline SP

Parts for Schematic 6220383a

| <i>Reference</i> | <i>Part No.</i> | <i>Description</i> |
|------------------|-----------------|--|
| ASTAT | 1418-500-01 | STATIC BAR |
| CB1 | 1410-110 | CIRCUIT BREAKER 1 A 1 POLE |
| CB10 | 1410-391 | CIRCUIT BREAKER 10 A 3 POLE |
| CB11 | 1410-391 | CIRCUIT BREAKER 10 A 3 POLE |
| CB2 | 1410-120 | CIRCUIT BREAKER 2 A 1 POLE |
| CON1 | 1404-450 | CONTACTOR 9 AMP 24 VAC 50/60 HZ |
| CON2 | 1404-450 | CONTACTOR 9 AMP 24 VAC 50/60 HZ |
| CON3 | 1404-450 | CONTACTOR 9 AMP 24 VAC 50/60 HZ |
| CON4 | 1404-450 | CONTACTOR 9 AMP 24 VAC 50/60 HZ |
| CON6 | 1404-450 | CONTACTOR 9 AMP 24 VAC 50/60 HZ |
| CON7 | 1404-450 | CONTACTOR 9 AMP 24 VAC 50/60 HZ |
| CON8 | 1404-450 | CONTACTOR 9 AMP 24 VAC 50/60 HZ |
| DISC1 | 1402-650 | SWITCH DISCONNECT ASSY TYPE J |
| DISC1 | 1402-653 | KIT FUSE COVER 30 AMP |
| DISC1 | 1402-651 | HANDLE OPERATING |
| DISC1 | 1402-652 | KIT OPERATING SHAFT |
| FU1 | 1407-710 | FUSE 10 A TYPE J |
| FU2 | 1407-710 | FUSE 10 A TYPE J |
| FU3 | 1407-710 | FUSE 10 A TYPE J |
| INV1 | 1615-165 | INVERTER 1 HP AC 230 V TYPE E500 |
| INV2 | 1615-165 | INVERTER 1 HP AC 230 V TYPE E500 |
| INV3 | 1615-165 | INVERTER 1 HP AC 230 V TYPE E500 |
| INV4 | 1615-165 | INVERTER 1 HP AC 230 V TYPE E500 |
| INV6 | 1615-165 | INVERTER 1 HP AC 230 V TYPE E500 |
| INV7 | 1615-165 | INVERTER 1 HP AC 230 V TYPE E500 |
| INV8 | 1615-165 | INVERTER 1 HP AC 230 V TYPE E500 |
| MTR1 | 2801-500 | MOTOR 3/4 HP 3/60/230/460 1725RMP FR 56C |
| MTR2 | 2801-500 | MOTOR 3/4 HP 3/60/230/460 1725RMP FR 56C |
| MTR3 | 2801-500 | MOTOR 3/4 HP 3/60/230/460 1725RMP FR 56C |
| MTR4 | 2801-500 | MOTOR 3/4 HP 3/60/230/460 1725RMP FR 56C |
| MTR6 | 2801-500 | MOTOR 3/4 HP 3/60/230/460 1725RMP FR 56C |
| MTR7 | 2801-500 | MOTOR 3/4 HP 3/60/230/460 1725RMP FR 56C |
| MTR8 | 2801-500 | MOTOR 3/4 HP 3/60/230/460 1725RMP FR 56C |
| T1 | 1412-950 | TRANSFORMER 1.5 KVA 240 * 480 120 * 240 |
| T2 | 1412-950 | TRANSFORMER 1.5 KVA 240 * 480 120 * 240 |
| T3 | 1412-125 | TRANSFORMER CL-2 |
| T4 | 1412-125 | TRANSFORMER CL-2 |
| T5 | 1412-125 | TRANSFORMER CL-2 |
| T6 | 1418-525-01 | POWER SUPPLY 230 V |



SKYLINE-SP4

Drawn By: MTB

CAD By: MTB

NC Code: n/a

MOTOR CIRCUIT 200-230V/50hz/60hz

Txxx

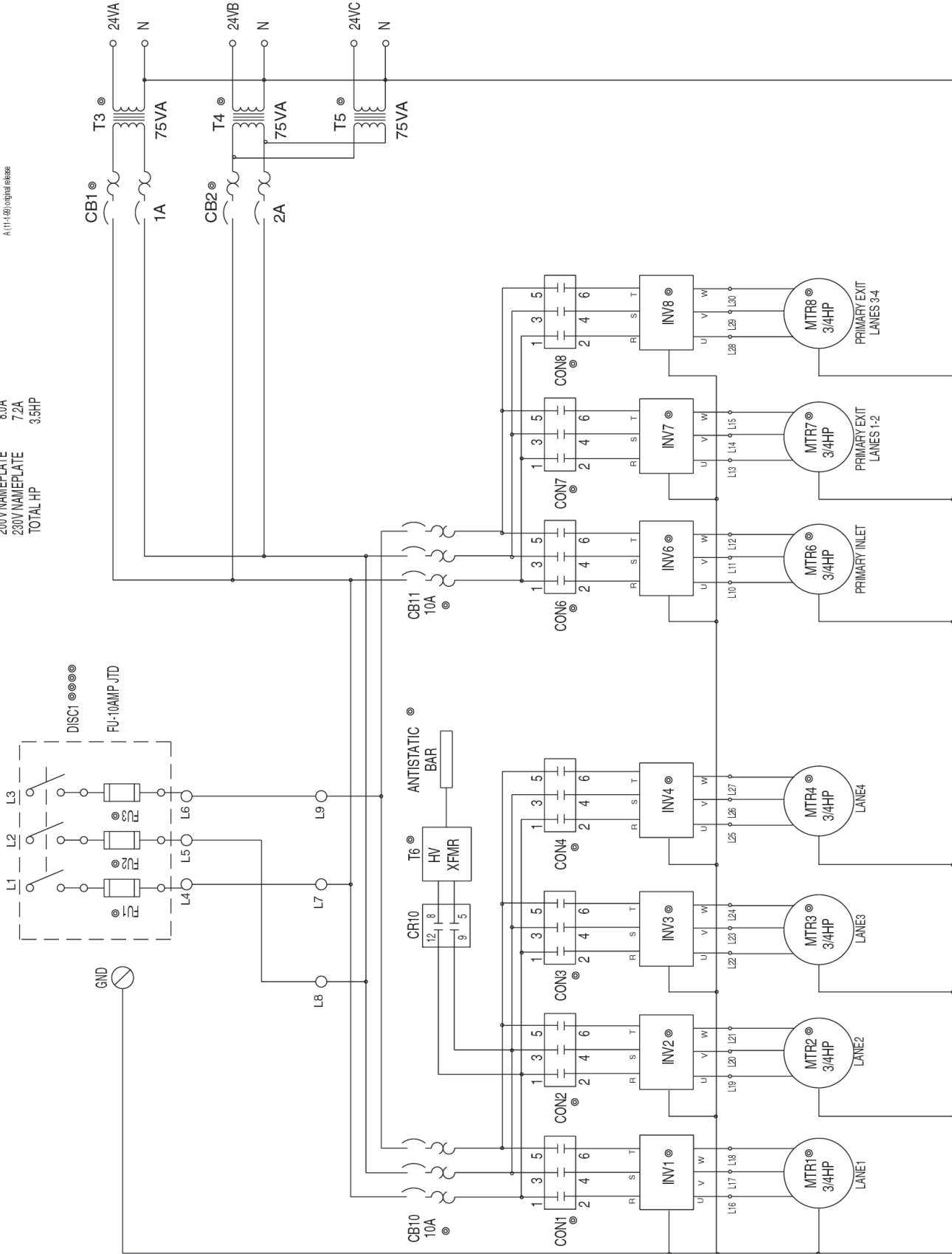
Approved By: xxx

Scale: -

Date: 10-28-99

REVISIONS
A (11-1-99) original release

MAIN FUSE 10A
200V NAMEPLATE 8.0A
230V NAMEPLATE 7.2A
TOTAL HP 3.5HP



Skyline SP

Parts for Schematic 6220384a

| <i>Reference</i> | <i>Part No.</i> | <i>Description</i> |
|------------------|-----------------|--|
| ASTAT | 1418-500-01 | STATIC BAR |
| CB1 | 1410-110 | CIRCUIT BREAKER 1 A 1 POLE |
| CB10 | 1410-391 | CIRCUIT BREAKER 10 A 3 POLE |
| CB11 | 1410-391 | CIRCUIT BREAKER 10 A 3 POLE |
| CB2 | 1410-120 | CIRCUIT BREAKER 2 A 1 POLE |
| CON1 | 1404-450 | CONTACTOR 9 AMP 24 VAC 50/60 HZ |
| CON2 | 1404-450 | CONTACTOR 9 AMP 24 VAC 50/60 HZ |
| CON3 | 1404-450 | CONTACTOR 9 AMP 24 VAC 50/60 HZ |
| CON4 | 1404-450 | CONTACTOR 9 AMP 24 VAC 50/60 HZ |
| CON6 | 1404-450 | CONTACTOR 9 AMP 24 VAC 50/60 HZ |
| CON7 | 1404-450 | CONTACTOR 9 AMP 24 VAC 50/60 HZ |
| CON8 | 1404-450 | CONTACTOR 9 AMP 24 VAC 50/60 HZ |
| DISC1 | 1402-650 | SWITCH DISCONNECT ASSY TYPE J |
| DISC1 | 1402-653 | KIT FUSE COVER 30 AMP |
| DISC1 | 1402-651 | HANDLE OPERATING |
| DISC1 | 1402-652 | KIT OPERATING SHAFT |
| FU1 | 1407-710 | FUSE 10 A TYPE J |
| FU2 | 1407-710 | FUSE 10 A TYPE J |
| FU3 | 1407-710 | FUSE 10 A TYPE J |
| INV1 | 1615-165 | INVERTER 1 HP AC 230 V TYPE E500 |
| INV2 | 1615-165 | INVERTER 1 HP AC 230 V TYPE E500 |
| INV3 | 1615-165 | INVERTER 1 HP AC 230 V TYPE E500 |
| INV4 | 1615-165 | INVERTER 1 HP AC 230 V TYPE E500 |
| INV6 | 1615-165 | INVERTER 1 HP AC 230 V TYPE E500 |
| INV7 | 1615-165 | INVERTER 1 HP AC 230 V TYPE E500 |
| INV8 | 1615-165 | INVERTER 1 HP AC 230 V TYPE E500 |
| MTR1 | 2801-500 | MOTOR 3/4 HP 3/60/230/460 1725RMP FR 56C |
| MTR2 | 2801-500 | MOTOR 3/4 HP 3/60/230/460 1725RMP FR 56C |
| MTR3 | 2801-500 | MOTOR 3/4 HP 3/60/230/460 1725RMP FR 56C |
| MTR4 | 2801-500 | MOTOR 3/4 HP 3/60/230/460 1725RMP FR 56C |
| MTR6 | 2801-500 | MOTOR 3/4 HP 3/60/230/460 1725RMP FR 56C |
| MTR7 | 2801-500 | MOTOR 3/4 HP 3/60/230/460 1725RMP FR 56C |
| MTR8 | 2801-500 | MOTOR 3/4 HP 3/60/230/460 1725RMP FR 56C |
| T3 | 1412-125 | TRANSFORMER CL-2 |
| T4 | 1412-125 | TRANSFORMER CL-2 |
| T5 | 1412-125 | TRANSFORMER CL-2 |
| T6 | 1418-525-01 | POWER SUPPLY 230 V |



SKYLINE-SP12

Drawn By: MTB

CAD By: MTB

NC Code: n/a

MOTOR CIRCUIT 460V/60hz 400V/50hz

Txxx

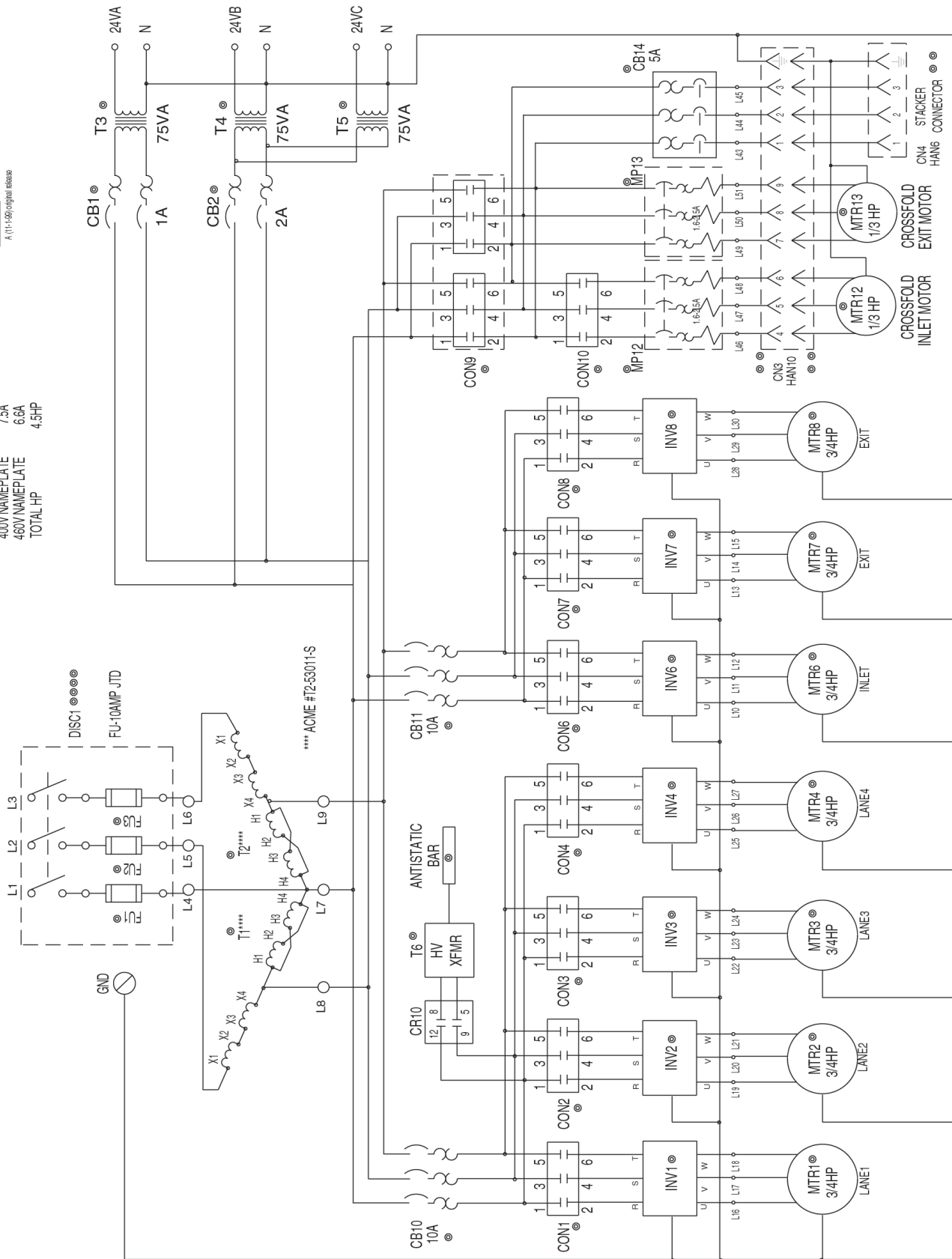
Approved By: xxx

Scale: -

Date: 10-28-99

REVISIONS
A (11-15-99) original release

MAIN FUSE 10A
400V NAMEPLATE 7.5A
460V NAMEPLATE 6.6A
TOTAL HP 4.5HP



Skyline SP

Parts for Schematic 6220385a

| <i>Reference</i> | <i>Part No.</i> | <i>Description</i> |
|------------------|-----------------|--|
| ASTAT | 1418-500-01 | STATIC BAR |
| CB1 | 1410-110 | CIRCUIT BREAKER 1 A 1 POLE |
| CB10 | 1410-391 | CIRCUIT BREAKER 10 A 3 POLE |
| CB11 | 1410-391 | CIRCUIT BREAKER 10 A 3 POLE |
| CB14 | 1410-350 | CIRCUIT BREAKER 5 AMP 3 POLE |
| CB2 | 1410-120 | CIRCUIT BREAKER 2 A 1 POLE |
| CN3F | 1422-320 | INSERT FEMALE 10 PIN |
| CN3FH | 1422-330 | HOUSING SURFACE MOUNT |
| CN3M | 1422-310 | INSERT MALE 10 PIN |
| CN3MH | 1422-340 | HOOD SIDE ENTRY 1/2" NPT |
| CN4F | 1422-220 | INSERT FEMALE 6 PIN |
| CN4FH | 1422-230 | HOUSING SURFACE MOUNTED |
| CON1 | 1404-450 | CONTACTOR 9 AMP 24 VAC 50/60 HZ |
| CON10 | 1404-450 | CONTACTOR 9 AMP 24 VAC 50/60 HZ |
| CON2 | 1404-450 | CONTACTOR 9 AMP 24 VAC 50/60 HZ |
| CON3 | 1404-450 | CONTACTOR 9 AMP 24 VAC 50/60 HZ |
| CON4 | 1404-450 | CONTACTOR 9 AMP 24 VAC 50/60 HZ |
| CON6 | 1404-450 | CONTACTOR 9 AMP 24 VAC 50/60 HZ |
| CON7 | 1404-450 | CONTACTOR 9 AMP 24 VAC 50/60 HZ |
| CON8 | 1404-450 | CONTACTOR 9 AMP 24 VAC 50/60 HZ |
| CON9 | 1401-600 | CONTACTOR REVERSING 9AMP 24VAC |
| DISC1 | 1402-650 | SWITCH DISCONNECT ASSY TYPE J |
| DISC1 | 1402-653 | KIT FUSE COVER 30 AMP |
| DISC1 | 1402-651 | HANDLE OPERATING |
| DISC1 | 1402-652 | KIT OPERATING SHAFT |
| FU1 | 1407-710 | FUSE 10 A TYPE J |
| FU2 | 1407-710 | FUSE 10 A TYPE J |
| FU3 | 1407-710 | FUSE 10 A TYPE J |
| INV1 | 1615-165 | INVERTER 1 HP AC 230 V TYPE E500 |
| INV2 | 1615-165 | INVERTER 1 HP AC 230 V TYPE E500 |
| INV3 | 1615-165 | INVERTER 1 HP AC 230 V TYPE E500 |
| INV4 | 1615-165 | INVERTER 1 HP AC 230 V TYPE E500 |
| INV6 | 1615-165 | INVERTER 1 HP AC 230 V TYPE E500 |
| INV7 | 1615-165 | INVERTER 1 HP AC 230 V TYPE E500 |
| INV8 | 1615-165 | INVERTER 1 HP AC 230 V TYPE E500 |
| MP12 | 1405-255 | MOTOR PROTECTOR 1.6-2.5 AMP |
| MP13 | 1405-255 | MOTOR PROTECTOR 1.6-2.5 AMP |
| MTR1 | 2801-500 | MOTOR 3/4 HP 3/60/230/460 1725RMP FR 56C |
| MTR12 | 2809-800 | GEARMOTOR 1/3 HP 155 RPM OUTPT |
| MTR13 | 2809-800 | GEARMOTOR 1/3 HP 155 RPM OUTPT |
| MTR2 | 2801-500 | MOTOR 3/4 HP 3/60/230/460 1725RMP FR 56C |
| MTR3 | 2801-500 | MOTOR 3/4 HP 3/60/230/460 1725RMP FR 56C |
| MTR4 | 2801-500 | MOTOR 3/4 HP 3/60/230/460 1725RMP FR 56C |
| MTR6 | 2801-500 | MOTOR 3/4 HP 3/60/230/460 1725RMP FR 56C |
| MTR7 | 2801-500 | MOTOR 3/4 HP 3/60/230/460 1725RMP FR 56C |
| MTR8 | 2801-500 | MOTOR 3/4 HP 3/60/230/460 1725RMP FR 56C |
| T1 | 1412-950 | TRANSFORMER 1.5 KVA 240 * 480 120 * 240 |
| T2 | 1412-950 | TRANSFORMER 1.5 KVA 240 * 480 120 * 240 |
| T3 | 1412-125 | TRANSFORMER CL-2 |
| T4 | 1412-125 | TRANSFORMER CL-2 |
| T5 | 1412-125 | TRANSFORMER CL-2 |
| T6 | 1418-525-01 | POWER SUPPLY 230 V |

CHICAGO DRYER COMPANY



6220386 - A

SKYLINE-SP12

Drawn By: MTB

CAD By: MTB

NC Code: n/a

MOTOR CIRCUIT 200-240V/50hz/60hz

Txxx

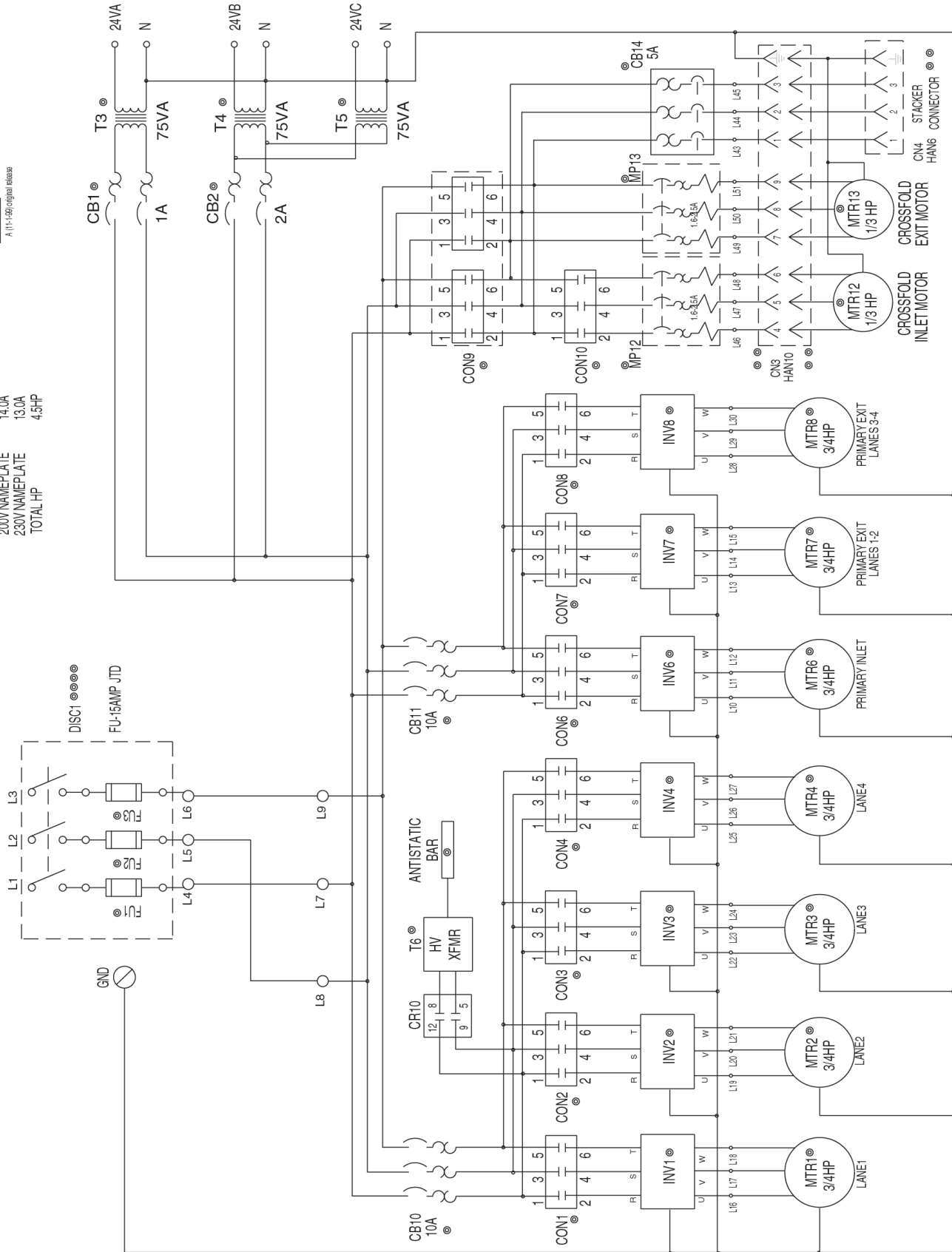
Approved By: xxx

Scale: -

Date: 10-28-99

REVISIONS
A (11-1-99) original release

MAIN FUSE 15A
200V NAMEPLATE 14.0A
230V NAMEPLATE 13.0A
TOTAL HP 4.5HP



Skyline SP

Parts for Schematic 6220386a

| <i>Reference</i> | <i>Part No.</i> | <i>Description</i> |
|------------------|-----------------|--|
| ASTAT | 1418-500-01 | STATIC BAR |
| CB1 | 1410-110 | CIRCUIT BREAKER 1 A 1 POLE |
| CB10 | 1410-391 | CIRCUIT BREAKER 10 A 3 POLE |
| CB11 | 1410-391 | CIRCUIT BREAKER 10 A 3 POLE |
| CB14 | 1410-350 | CIRCUIT BREAKER 5 AMP 3 POLE |
| CB2 | 1410-120 | CIRCUIT BREAKER 2 A 1 POLE |
| CN3F | 1422-320 | INSERT FEMALE 10 PIN |
| CN3FH | 1422-330 | HOUSING SURFACE MOUNT |
| CN3M | 1422-310 | INSERT MALE 10 PIN |
| CN3MH | 1422-340 | HOOD SIDE ENTRY 1/2" NPT |
| CN4F | 1422-220 | INSERT FEMALE 6 PIN |
| CN4FH | 1422-230 | HOUSING SURFACE MOUNTED |
| CON1 | 1404-450 | CONTACTOR 9 AMP 24 VAC 50/60 HZ |
| CON10 | 1404-450 | CONTACTOR 9 AMP 24 VAC 50/60 HZ |
| CON2 | 1404-450 | CONTACTOR 9 AMP 24 VAC 50/60 HZ |
| CON3 | 1404-450 | CONTACTOR 9 AMP 24 VAC 50/60 HZ |
| CON4 | 1404-450 | CONTACTOR 9 AMP 24 VAC 50/60 HZ |
| CON6 | 1404-450 | CONTACTOR 9 AMP 24 VAC 50/60 HZ |
| CON7 | 1404-450 | CONTACTOR 9 AMP 24 VAC 50/60 HZ |
| CON8 | 1404-450 | CONTACTOR 9 AMP 24 VAC 50/60 HZ |
| CON9 | 1401-600 | CONTACTOR REVERSING 9AMP 24VAC |
| DISC1 | 1402-650 | SWITCH DISCONNECT ASSY TYPE J |
| DISC1 | 1402-653 | KIT FUSE COVER 30 AMP |
| DISC1 | 1402-651 | HANDLE OPERATING |
| DISC1 | 1402-652 | KIT OPERATING SHAFT |
| FU1 | 1407-715 | FUSE 15 A TYPE J |
| FU2 | 1407-715 | FUSE 15 A TYPE J |
| FU3 | 1407-715 | FUSE 15 A TYPE J |
| INV1 | 1615-165 | INVERTER 1 HP AC 230 V TYPE E500 |
| INV2 | 1615-165 | INVERTER 1 HP AC 230 V TYPE E500 |
| INV3 | 1615-165 | INVERTER 1 HP AC 230 V TYPE E500 |
| INV4 | 1615-165 | INVERTER 1 HP AC 230 V TYPE E500 |
| INV6 | 1615-165 | INVERTER 1 HP AC 230 V TYPE E500 |
| INV7 | 1615-165 | INVERTER 1 HP AC 230 V TYPE E500 |
| INV8 | 1615-165 | INVERTER 1 HP AC 230 V TYPE E500 |
| MP12 | 1405-255 | MOTOR PROTECTOR 1.6-2.5 AMP |
| MP13 | 1405-255 | MOTOR PROTECTOR 1.6-2.5 AMP |
| MTR1 | 2801-500 | MOTOR 3/4 HP 3/60/230/460 1725RMP FR 56C |
| MTR12 | 2809-800 | GEARMOTOR 1/3 HP 155 RPM OUTPT |
| MTR13 | 2809-800 | GEARMOTOR 1/3 HP 155 RPM OUTPT |
| MTR2 | 2801-500 | MOTOR 3/4 HP 3/60/230/460 1725RMP FR 56C |
| MTR3 | 2801-500 | MOTOR 3/4 HP 3/60/230/460 1725RMP FR 56C |
| MTR4 | 2801-500 | MOTOR 3/4 HP 3/60/230/460 1725RMP FR 56C |
| MTR6 | 2801-500 | MOTOR 3/4 HP 3/60/230/460 1725RMP FR 56C |
| MTR7 | 2801-500 | MOTOR 3/4 HP 3/60/230/460 1725RMP FR 56C |
| MTR8 | 2801-500 | MOTOR 3/4 HP 3/60/230/460 1725RMP FR 56C |
| T3 | 1412-125 | TRANSFORMER CL-2 |
| T4 | 1412-125 | TRANSFORMER CL-2 |
| T5 | 1412-125 | TRANSFORMER CL-2 |
| T6 | 1418-525-01 | POWER SUPPLY 230 V |

CHICAGO DRYER COMPANY



6230043 - A

SKYLINE-SP

Drawn By: MTB

CAD By: MTB

NC Code: n/a

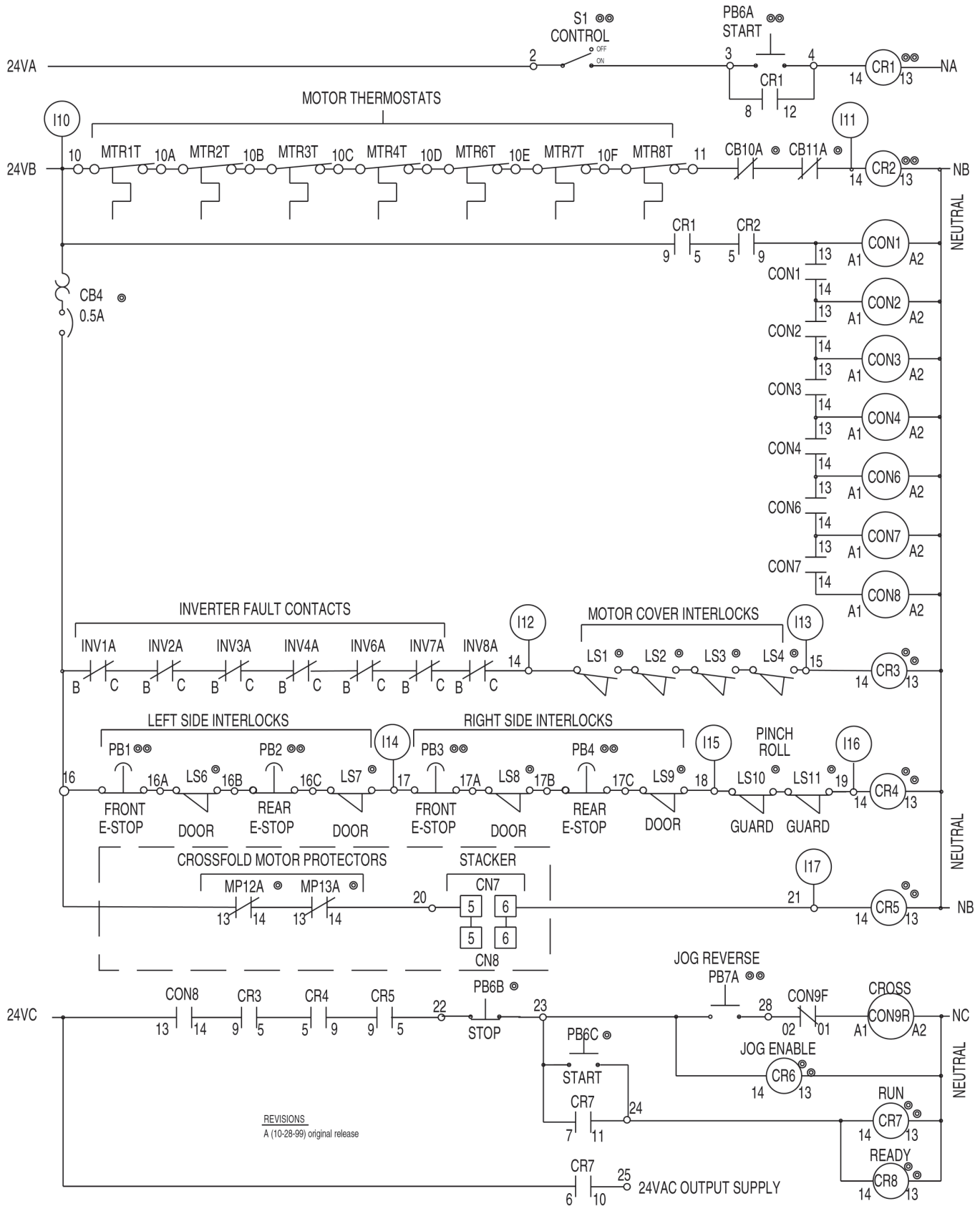
24VAC INTERLOCK CIRCUIT

Txxx

Approved By: xxx

Scale: -

Date: 10-28-99



Skyline SP

Parts for Schematic 6230043a

| <i>Reference</i> | <i>Part No.</i> | <i>Description</i> |
|------------------|-----------------|---------------------------------|
| CB10A | 1410-600 | AUX CONTACT |
| CB11A | 1410-600 | AUX CONTACT |
| CB4 | 1410-105 | CIRCUIT BREAKER 0.5 A 1 POLE |
| CR1 | 1401-502 | RELAY 24 VAC 2 POLE |
| CR1B | 1401-503 | SOCKET FOR 2 POLE RELAY |
| CR2 | 1401-509 | RELAY 24 VAC 1 POLE |
| CR2B | 1401-506 | SOCKET FOR 1 POLE RELAY |
| CR3 | 1401-509 | RELAY 24 VAC 1 POLE |
| CR3B | 1401-506 | SOCKET FOR 1 POLE RELAY |
| CR4 | 1401-509 | RELAY 24 VAC 1 POLE |
| CR4B | 1401-506 | SOCKET FOR 1 POLE RELAY |
| CR5 | 1401-509 | RELAY 24 VAC 1 POLE |
| CR5B | 1401-506 | SOCKET FOR 1 POLE RELAY |
| CR6 | 1401-509 | RELAY 24 VAC 1 POLE |
| CR6B | 1401-506 | SOCKET FOR 1 POLE RELAY |
| CR7 | 1401-515 | RELAY 24 VAC 4 POLE |
| CR7B | 1401-516 | SOCKET FOR 4 POLE |
| CR8 | 1401-509 | RELAY 24 VAC 1 POLE |
| CR8B | 1401-506 | SOCKET FOR 1 POLE RELAY |
| LS1 | 1413-525 | LIMIT SWITCH ADJ LEVER |
| LS10 | 1413-500 | SWITCH INTERLOCK |
| LS11 | 1413-500 | SWITCH INTERLOCK |
| LS2 | 1413-525 | LIMIT SWITCH ADJ LEVER |
| LS3 | 1413-525 | LIMIT SWITCH ADJ LEVER |
| LS4 | 1413-525 | LIMIT SWITCH ADJ LEVER |
| LS6 | 1413-500 | SWITCH INTERLOCK |
| LS7 | 1413-500 | SWITCH INTERLOCK |
| LS8 | 1413-500 | SWITCH INTERLOCK |
| LS9 | 1413-500 | SWITCH INTERLOCK |
| MP12A | 1414-680 | AUX CONTACT FOR MOTOR PROTECTOR |
| MP13A | 1414-680 | AUX CONTACT FOR MOTOR PROTECTOR |
| PB1 | 1411-550 | BUTTON STOP TURN RELEASE 1 N/C |
| PB1A | 1418-075 | PLATE YELLOW |
| PB2 | 1411-550 | BUTTON STOP TURN RELEASE 1 N/C |
| PB2A | 1418-075 | PLATE YELLOW |
| PB3 | 1411-550 | BUTTON STOP TURN RELEASE 1 N/C |
| PB3A | 1418-075 | PLATE YELLOW |
| PB4 | 1411-550 | BUTTON STOP TURN RELEASE 1 N/C |
| PB4A | 1418-075 | PLATE YELLOW |
| PB6 | 1414-560 | START/STOP GREEN/RED BUTTON |
| PB6A | 1414-495 | MOUNTING BASE W/1NO CONTACT |
| PB6B | 1414-260 | CONTACT BLOCK N/O |
| PB6C | 1414-265 | CONTACT BLOCK 1 N/C |
| PB7 | 1414-490-01 | PUSHBUTTON YELLOW 22 MM |
| PB7A | 1414-260-01 | CONTACT BLOCK 1 N/O |
| S1 | 1414-365-01 | SELECTOR SWITCH 2 POS RED ^ |
| S1C | 1414-260-01 | CONTACT BLOCK 1 N/O |



SP4
CONTROL INPUTS

Txxx

Drawn By: MTB

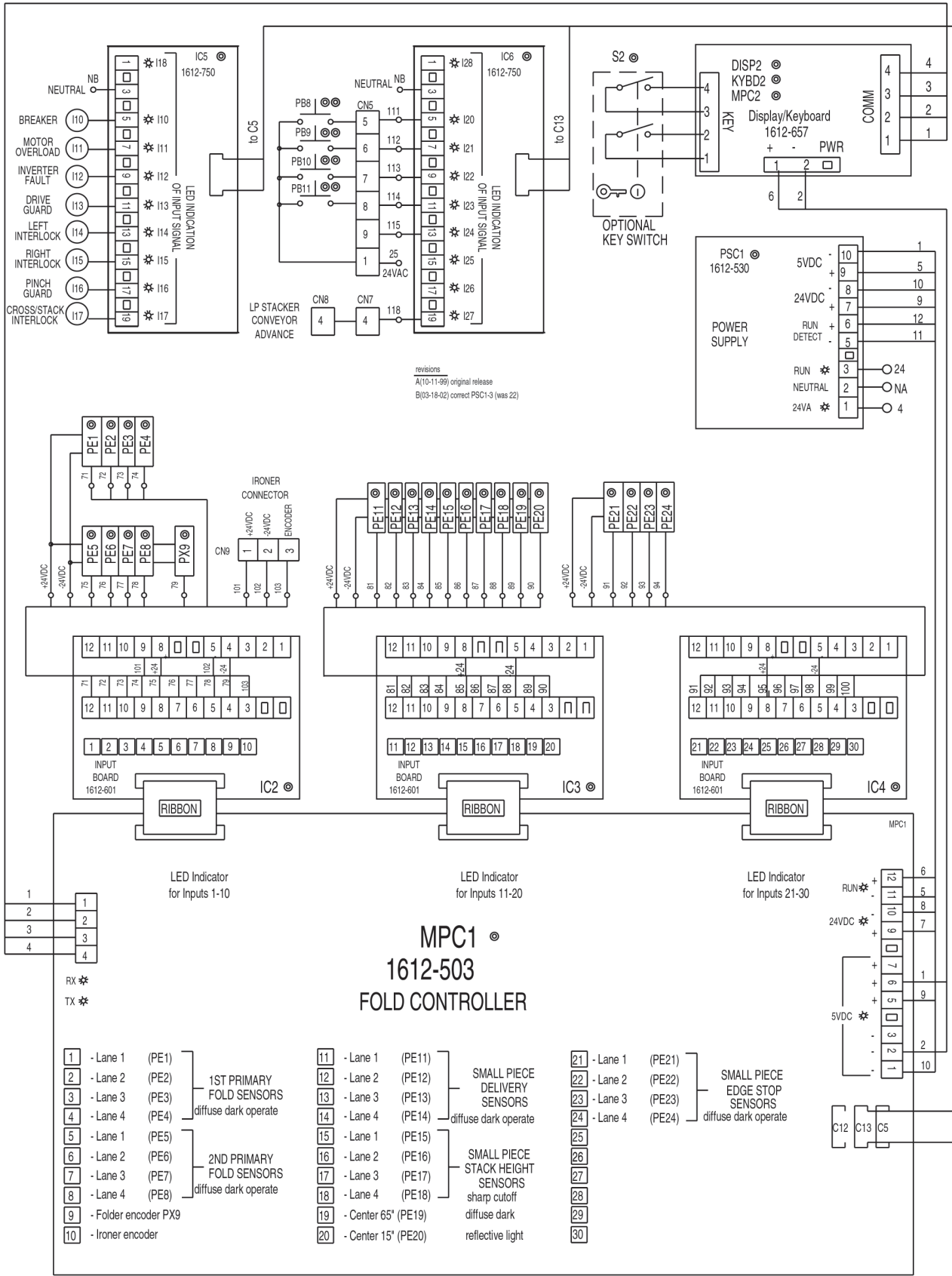
CAD By: MTB

NC Code: n/a

Approved By: xxx

Scale: -

Date: 03-18-02



Skyline SP

Parts for Schematic 6270083b

| <i>Reference</i> | <i>Part No.</i> | <i>Description</i> |
|------------------|-----------------|---------------------------------------|
| DISP2 | 2605-100 | VACUUM FLUORESCENT DISPLAY |
| IC2 | 1612-601 | INPUT BOARD 10-OC 24 VDC^ |
| IC3 | 1612-601 | INPUT BOARD 10-OC 24 VDC^ |
| IC4 | 1612-601 | INPUT BOARD 10-OC 24 VDC^ |
| IC5 | 1612-750 | INPUT BOARD 9 24VAC^ |
| IC6 | 1612-750 | INPUT BOARD 9 24VAC^ |
| KYBD2 | 1611-020 | PANEL |
| MPC1 | 1612-503 | MACHINE CONTROLLER BOARD^ |
| MPC2 | 1612-657 | CHI PANEL CONTROLLER^ |
| PB10 | 1414-810 | PUSHBUTTON MUSHROOM 22 MM YELLOW |
| PB10C | 1414-495 | MOUNTING BASE W/1NO CONTACT |
| PB11 | 1414-810 | PUSHBUTTON MUSHROOM 22 MM YELLOW |
| PB11C | 1414-495 | MOUNTING BASE W/1NO CONTACT |
| PB8 | 1414-810 | PUSHBUTTON MUSHROOM 22 MM YELLOW |
| PB8C | 1414-495 | MOUNTING BASE W/1NO CONTACT |
| PB9 | 1414-810 | PUSHBUTTON MUSHROOM 22 MM YELLOW |
| PB9C | 1414-495 | MOUNTING BASE W/1NO CONTACT |
| PE1 | 1607-975 | PHOTOSENSOR DARK OPERATE ^ |
| PE11 | 1607-275 | PHOTOSENSOR DARK OPERATE W/CONNECTOR |
| PE12 | 1607-275 | PHOTOSENSOR DARK OPERATE W/CONNECTOR |
| PE13 | 1607-275 | PHOTOSENSOR DARK OPERATE W/CONNECTOR |
| PE14 | 1607-275 | PHOTOSENSOR DARK OPERATE W/CONNECTOR |
| PE15 | 1607-230 | SHARP CUTOFF SENSOR 1" W/CONNECTOR |
| PE16 | 1607-230 | SHARP CUTOFF SENSOR 1" W/CONNECTOR |
| PE17 | 1607-230 | SHARP CUTOFF SENSOR 1" W/CONNECTOR |
| PE18 | 1607-230 | SHARP CUTOFF SENSOR 1" W/CONNECTOR |
| PE19 | 1607-975 | PHOTOSENSOR DARK OPERATE ^ |
| PE2 | 1607-975 | PHOTOSENSOR DARK OPERATE ^ |
| PE20 | 1607-210 | PHOTOSENSOR RETROREFLECTIVE W/CONNECT |
| PE21 | 1607-275 | PHOTOSENSOR DARK OPERATE W/CONNECTOR |
| PE22 | 1607-275 | PHOTOSENSOR DARK OPERATE W/CONNECTOR |
| PE23 | 1607-275 | PHOTOSENSOR DARK OPERATE W/CONNECTOR |
| PE24 | 1607-275 | PHOTOSENSOR DARK OPERATE W/CONNECTOR |
| PE3 | 1607-975 | PHOTOSENSOR DARK OPERATE ^ |
| PE4 | 1607-975 | PHOTOSENSOR DARK OPERATE ^ |
| PE5 | 1607-975 | PHOTOSENSOR DARK OPERATE ^ |
| PE6 | 1607-975 | PHOTOSENSOR DARK OPERATE ^ |
| PE7 | 1607-975 | PHOTOSENSOR DARK OPERATE ^ |
| PE8 | 1607-975 | PHOTOSENSOR DARK OPERATE ^ |
| PSC1 | 1612-530 | POWER SUPPLY 5VDC/24 VDC^ |
| PX9 | 1608-000 | MACHINE SPEED SENSOR 8 MM ASSY |
| S2 | 1716-710 | KEYSWITCH DPDT |

Skyline SP

Parts for Schematic 6270198a

| <i>Reference</i> | <i>Part No.</i> | <i>Description</i> |
|------------------|-----------------|-------------------------------------|
| AH1 | 1417-550 | ALARM AUDIBLE |
| CR10 | 1401-502 | RELAY 24 VAC 2 POLE |
| CR10B | 1401-503 | SOCKET FOR 2 POLE RELAY |
| CR33 | 1401-502 | RELAY 24 VAC 2 POLE |
| CR33B | 1401-503 | SOCKET FOR 2 POLE RELAY |
| CR34 | 1401-502 | RELAY 24 VAC 2 POLE |
| CR34B | 1401-503 | SOCKET FOR 2 POLE RELAY |
| CR35 | 1401-502 | RELAY 24 VAC 2 POLE |
| CR35B | 1401-503 | SOCKET FOR 2 POLE RELAY |
| CTR1 | 2601-150 | COUNTER MINATURE ELECTRONIC 6 DIGIT |
| CTR2 | 2601-150 | COUNTER MINATURE ELECTRONIC 6 DIGIT |
| CTR3 | 2601-150 | COUNTER MINATURE ELECTRONIC 6 DIGIT |
| CTR4 | 2601-150 | COUNTER MINATURE ELECTRONIC 6 DIGIT |
| IC7 | 1612-606 | INPUT BOARD SKYLINE SP^ |
| LT3 | 1416-580 | INDICATOR LIGHT YELLOW 24 V |
| OC1 | 1612-556 | OUTPUT BOARD^ |
| OC2 | 1612-556 | OUTPUT BOARD^ |
| OC3 | 1612-556 | OUTPUT BOARD^ |
| OC4 | 1612-556 | OUTPUT BOARD^ |
| OC6 | 1612-552 | OUTPUT BOARD 4-24 VAC OC OC^ |
| OC7 | 1612-410 | SPEED CONTROL BOARD MASTER/SLAVE^ |
| PB7B | 1414-260-01 | CONTACT BLOCK 1 N/O |
| PE31 | 1607-220 | SHARP CUTOFF SENSOR 8" W/CONNECTOR |
| PE32 | 1607-220 | SHARP CUTOFF SENSOR 8" W/CONNECTOR |
| PE33 | 1607-220 | SHARP CUTOFF SENSOR 8" W/CONNECTOR |
| PE34 | 1607-220 | SHARP CUTOFF SENSOR 8" W/CONNECTOR |
| PSC2 | 1612-530 | POWER SUPPLY 5VDC/24 VDC^ |
| S3 | 1402-050 | SWITCH TOGGLE ON/OFF |



SP12

Drawn By: MTB

CAD By: MTB

NC Code: n/a

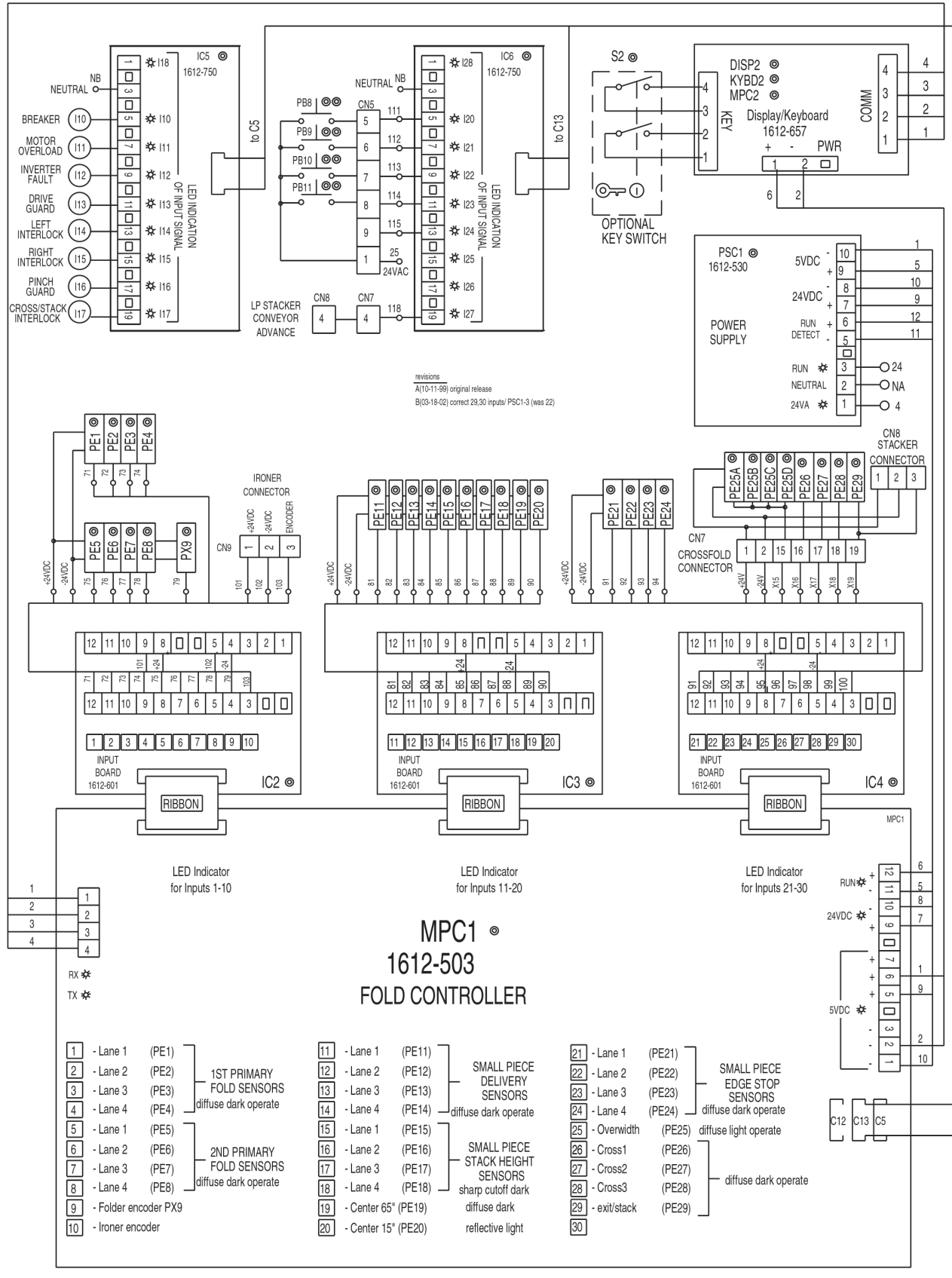
CONTROL INPUTS

Txxx

Approved By: xxx

Scale: -

Date: 03-18-02



revisions
A(10-11-99) original release
B(03-18-02) correct 29,30 inputs/ PSC1-3 (was 22)

Skyline SP

Parts for Schematic 6270087b

| <i>Reference</i> | <i>Part No.</i> | <i>Description</i> |
|------------------|-----------------|---------------------------------------|
| DISP2 | 2605-100 | VACUUM FLUORESCENT DISPLAY |
| IC2 | 1612-601 | INPUT BOARD 10-OC 24 VDC^ |
| IC3 | 1612-601 | INPUT BOARD 10-OC 24 VDC^ |
| IC4 | 1612-601 | INPUT BOARD 10-OC 24 VDC^ |
| IC5 | 1612-750 | INPUT BOARD 9 24VAC^ |
| IC6 | 1612-750 | INPUT BOARD 9 24VAC^ |
| KYBD2 | 1611-020 | PANEL |
| MPC1 | 1612-503 | MACHINE CONTROLLER BOARD^ |
| MPC2 | 1612-657 | CHI PANEL CONTROLLER^ |
| PB10 | 1414-810 | PUSHBUTTON MUSHROOM 22 MM YELLOW |
| PB10C | 1414-495 | MOUNTING BASE W/1NO CONTACT |
| PB11 | 1414-810 | PUSHBUTTON MUSHROOM 22 MM YELLOW |
| PB11C | 1414-495 | MOUNTING BASE W/1NO CONTACT |
| PB8 | 1414-810 | PUSHBUTTON MUSHROOM 22 MM YELLOW |
| PB8C | 1414-495 | MOUNTING BASE W/1NO CONTACT |
| PB9 | 1414-810 | PUSHBUTTON MUSHROOM 22 MM YELLOW |
| PB9C | 1414-495 | MOUNTING BASE W/1NO CONTACT |
| PE1 | 1607-975 | PHOTOSENSOR DARK OPERATE ^ |
| PE11 | 1607-275 | PHOTOSENSOR DARK OPERATE W/CONNECTOR |
| PE12 | 1607-275 | PHOTOSENSOR DARK OPERATE W/CONNECTOR |
| PE13 | 1607-275 | PHOTOSENSOR DARK OPERATE W/CONNECTOR |
| PE14 | 1607-275 | PHOTOSENSOR DARK OPERATE W/CONNECTOR |
| PE15 | 1607-230 | SHARP CUTOFF SENSOR 1" W/CONNECTOR |
| PE16 | 1607-230 | SHARP CUTOFF SENSOR 1" W/CONNECTOR |
| PE17 | 1607-230 | SHARP CUTOFF SENSOR 1" W/CONNECTOR |
| PE18 | 1607-230 | SHARP CUTOFF SENSOR 1" W/CONNECTOR |
| PE19 | 1607-975 | PHOTOSENSOR DARK OPERATE ^ |
| PE2 | 1607-975 | PHOTOSENSOR DARK OPERATE ^ |
| PE20 | 1607-210 | PHOTOSENSOR RETROREFLECTIVE W/CONNECT |
| PE21 | 1607-275 | PHOTOSENSOR DARK OPERATE W/CONNECTOR |
| PE22 | 1607-275 | PHOTOSENSOR DARK OPERATE W/CONNECTOR |
| PE23 | 1607-275 | PHOTOSENSOR DARK OPERATE W/CONNECTOR |
| PE24 | 1607-275 | PHOTOSENSOR DARK OPERATE W/CONNECTOR |
| PE25A | 1607-225 | PHOTOSENSOR LIGHT OPERATE W/CONNECTOR |
| PE25B | 1607-225 | PHOTOSENSOR LIGHT OPERATE W/CONNECTOR |
| PE25C | 1607-225 | PHOTOSENSOR LIGHT OPERATE W/CONNECTOR |
| PE25D | 1607-225 | PHOTOSENSOR LIGHT OPERATE W/CONNECTOR |
| PE26 | 1607-275 | PHOTOSENSOR DARK OPERATE W/CONNECTOR |
| PE27 | 1607-275 | PHOTOSENSOR DARK OPERATE W/CONNECTOR |
| PE28 | 1607-275 | PHOTOSENSOR DARK OPERATE W/CONNECTOR |
| PE29 | 1607-275 | PHOTOSENSOR DARK OPERATE W/CONNECTOR |
| PE3 | 1607-975 | PHOTOSENSOR DARK OPERATE ^ |
| PE4 | 1607-975 | PHOTOSENSOR DARK OPERATE ^ |
| PE5 | 1607-975 | PHOTOSENSOR DARK OPERATE ^ |
| PE6 | 1607-975 | PHOTOSENSOR DARK OPERATE ^ |
| PE7 | 1607-975 | PHOTOSENSOR DARK OPERATE ^ |
| PE8 | 1607-975 | PHOTOSENSOR DARK OPERATE ^ |
| PSC1 | 1612-530 | POWER SUPPLY 5VDC/24 VDC^ |
| PX9 | 1608-000 | MACHINE SPEED SENSOR 8 MM ASSY |
| S2 | 1716-710 | KEYSWITCH DPDT |



SP12

CONTROL OUTPUTS

Txxx

Drawn By: MTB

CAD By: MTB

NC Code: n/a

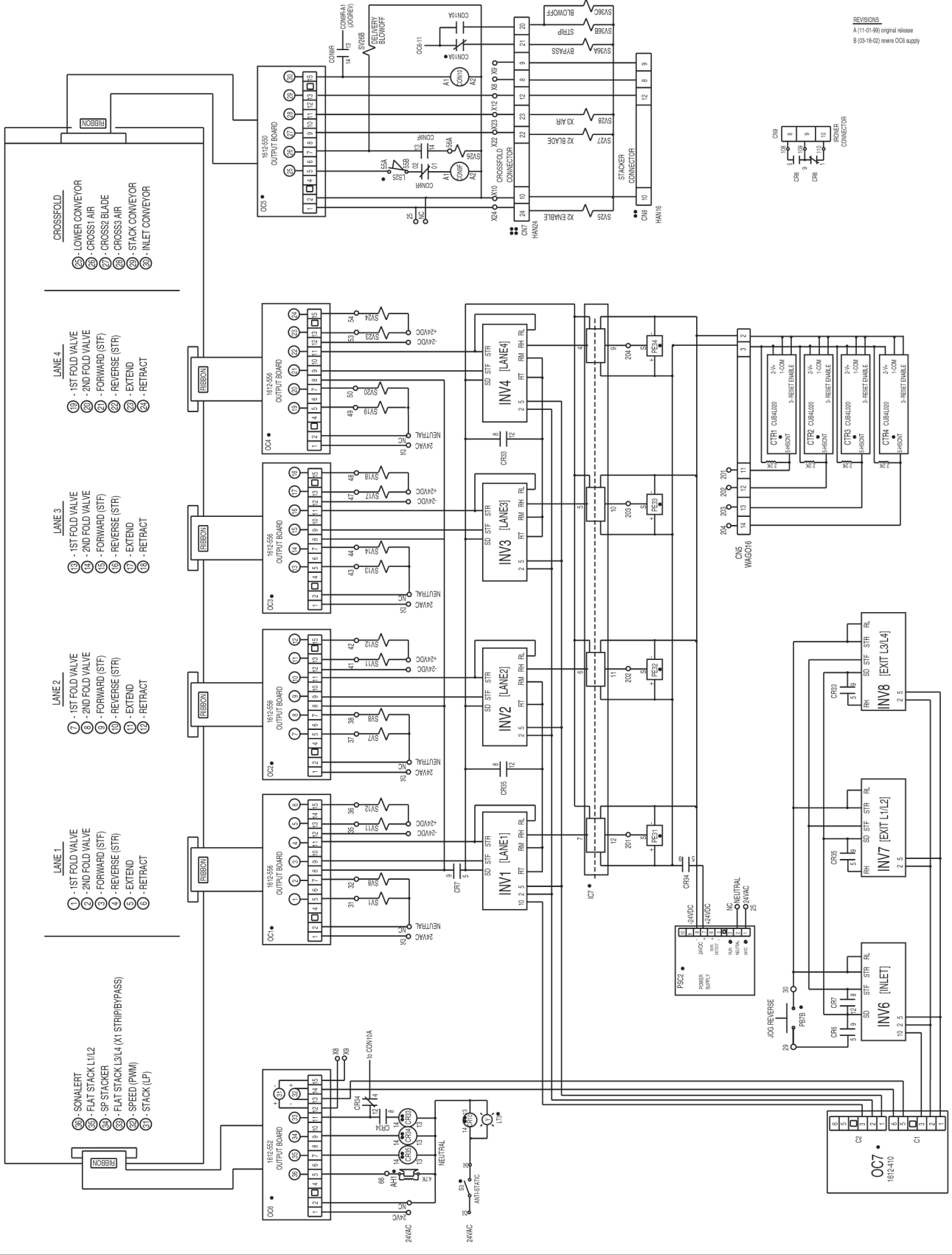
Approved By: xxx

Scale: -

Date: 03-18-02

REVISIONS
 A (11-01-99) original release
 B (03-18-02) rewire OCS supply

1612-503 FOLD CONTROLLER CIRCUIT BOARD



- CROSSFOLD**
- ⑤ - LOWER CONVEYOR
 - ⑥ - CROSS1 AIR
 - ⑦ - CROSS2 BLADE
 - ⑧ - CROSS3 AIR
 - ⑨ - STACK CONVEYOR
 - ⑩ - INLET CONVEYOR

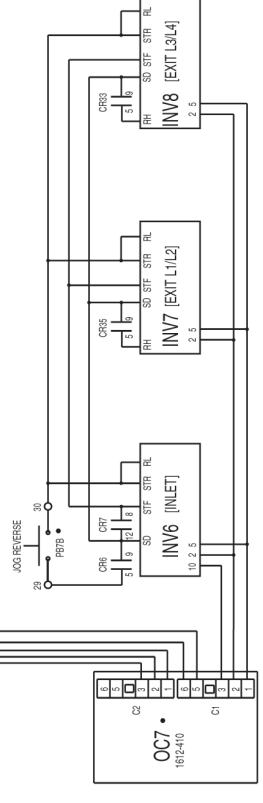
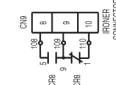
- LANE 4**
- ⑬ - 1ST FOLD VALVE
 - ⑭ - 2ND FOLD VALVE
 - ⑮ - FORWARD (STF)
 - ⑯ - REVERSE (STR)
 - ⑰ - EXTEND
 - ⑱ - RETRACT

- LANE 3**
- ⑫ - 1ST FOLD VALVE
 - ⑬ - 2ND FOLD VALVE
 - ⑭ - FORWARD (STF)
 - ⑮ - REVERSE (STR)
 - ⑯ - EXTEND
 - ⑰ - RETRACT

- LANE 2**
- ⑦ - 1ST FOLD VALVE
 - ⑧ - 2ND FOLD VALVE
 - ⑨ - FORWARD (STF)
 - ⑩ - REVERSE (STR)
 - ⑪ - EXTEND
 - ⑫ - RETRACT

- LANE 1**
- ① - 1ST FOLD VALVE
 - ② - 2ND FOLD VALVE
 - ③ - FORWARD (STF)
 - ④ - REVERSE (STR)
 - ⑤ - EXTEND
 - ⑥ - RETRACT

- ⑳ - SOLALERT
- ㉑ - FLAT STACK L1/L2
- ㉒ - SP STACKER
- ㉓ - FLAT STACK L3/L4 (X1 STRIP/BYPASS)
- ㉔ - SPEED (PWM)
- ㉕ - STACK (LP)



Skyline SP

Parts for Schematic 6270197b

| <i>Reference</i> | <i>Part No.</i> | <i>Description</i> |
|------------------|-----------------|---------------------------------------|
| AH1 | 1417-550 | ALARM AUDIBLE |
| CN7F | 1422-520 | INSERT FEMALE 24 PIN |
| CN7FH | 1422-530 | HOUSING SURFACE MOUNT |
| CN7M | 1422-510 | INSERT MALE 24 PIN |
| CN7MH | 1422-540 | HOOD SIDE ENTRY 1" NPT |
| CN8F | 1422-420 | INSERT FEMALE 16 PIN |
| CN8FH | 1422-430 | HOUSING SURFACE MOUNT |
| CON9A | 1414-650 | AUX CONTACT 1 N/O 1 N/C FOR CONTACTOR |
| CR10 | 1401-502 | RELAY 24 VAC 2 POLE |
| CR10B | 1401-503 | SOCKET FOR 2 POLE RELAY |
| CR33 | 1401-502 | RELAY 24 VAC 2 POLE |
| CR33B | 1401-503 | SOCKET FOR 2 POLE RELAY |
| CR34 | 1401-502 | RELAY 24 VAC 2 POLE |
| CR34B | 1401-503 | SOCKET FOR 2 POLE RELAY |
| CR35 | 1401-502 | RELAY 24 VAC 2 POLE |
| CR35B | 1401-503 | SOCKET FOR 2 POLE RELAY |
| CTR1 | 2601-150 | COUNTER MINATURE ELECTRONIC 6 DIGIT |
| CTR2 | 2601-150 | COUNTER MINATURE ELECTRONIC 6 DIGIT |
| CTR3 | 2601-150 | COUNTER MINATURE ELECTRONIC 6 DIGIT |
| CTR4 | 2601-150 | COUNTER MINATURE ELECTRONIC 6 DIGIT |
| IC7 | 1612-606 | INPUT BOARD SKYLINE SP^ |
| LS25 | 1413-500 | SWITCH INTERLOCK |
| LT3 | 1416-580 | INDICATOR LIGHT YELLOW 24 V |
| OC1 | 1612-556 | OUTPUT BOARD^ |
| OC2 | 1612-556 | OUTPUT BOARD^ |
| OC3 | 1612-556 | OUTPUT BOARD^ |
| OC4 | 1612-556 | OUTPUT BOARD^ |
| OC5 | 1612-550 | OUTPUT BOARD 6-24 VAC^ |
| OC6 | 1612-552 | OUTPUT BOARD 4-24 VAC OC OC^ |
| OC7 | 1612-410 | SPEED CONTROL BOARD MASTER/SLAVE^ |
| PB7B | 1414-260-01 | CONTACT BLOCK 1 N/O |
| PE31 | 1607-220 | SHARP CUTOFF SENSOR 8" W/CONNECTOR |
| PE32 | 1607-220 | SHARP CUTOFF SENSOR 8" W/CONNECTOR |
| PE33 | 1607-220 | SHARP CUTOFF SENSOR 8" W/CONNECTOR |
| PE34 | 1607-220 | SHARP CUTOFF SENSOR 8" W/CONNECTOR |
| PSC2 | 1612-530 | POWER SUPPLY 5VDC/24 VDC^ |
| S3 | 1402-050 | SWITCH TOGGLE ON/OFF |



SP4
CONTROL OUTPUTS

Txxx

Drawn By: MTB
Approved By: xxx

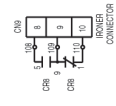
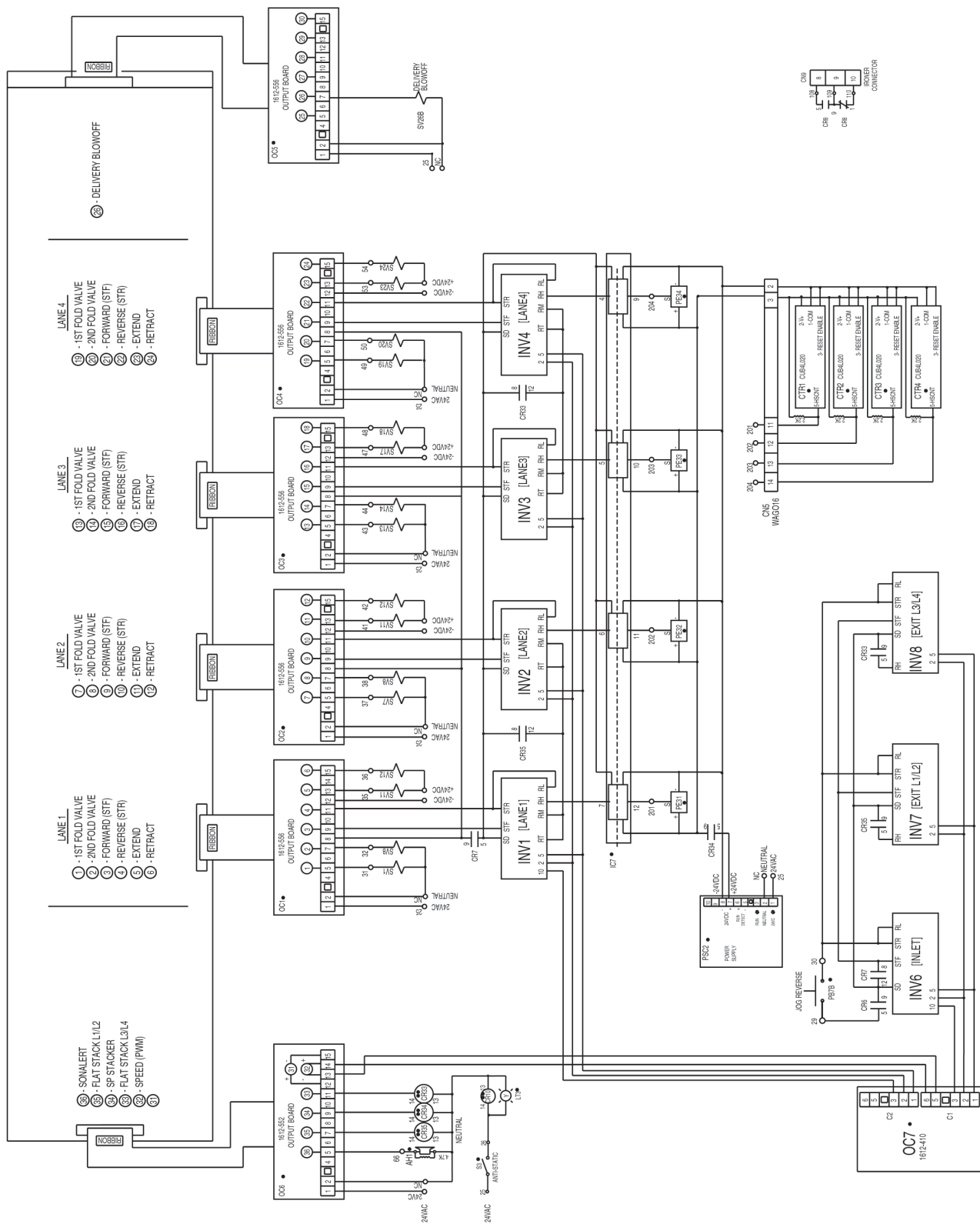
CAD By: MTB
Scale: -

NC Code: n/a
Date: 03-18-02

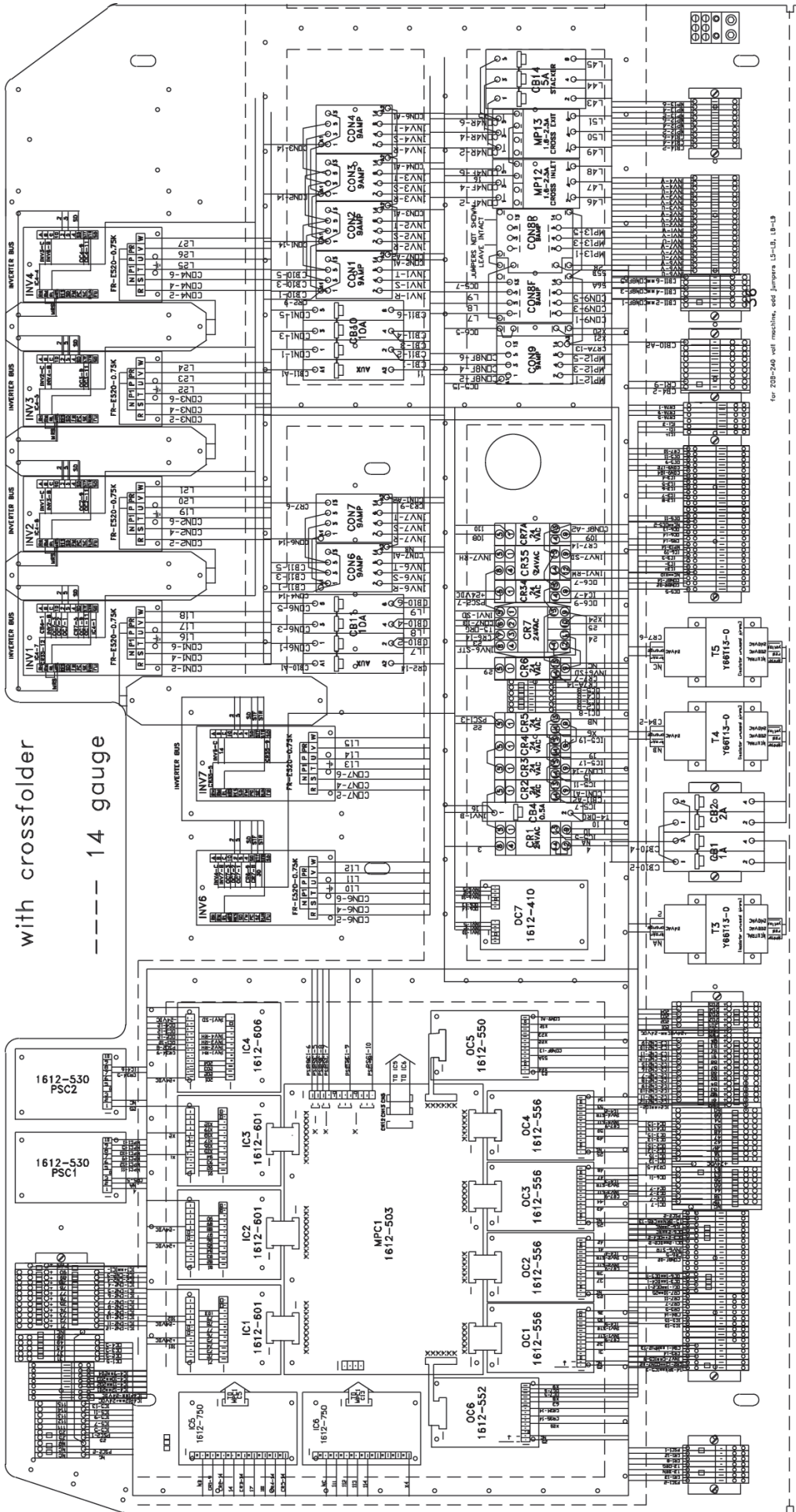
REVISIONS
A (03-18-02) original release

FOLD CONTROLLER CIRCUIT BOARD

1612-503



Main Electrical Panel



with crossfolder
 ----- 14 gauge

for 200-240 volt machine, add jumpers L5-L8, L9-L13