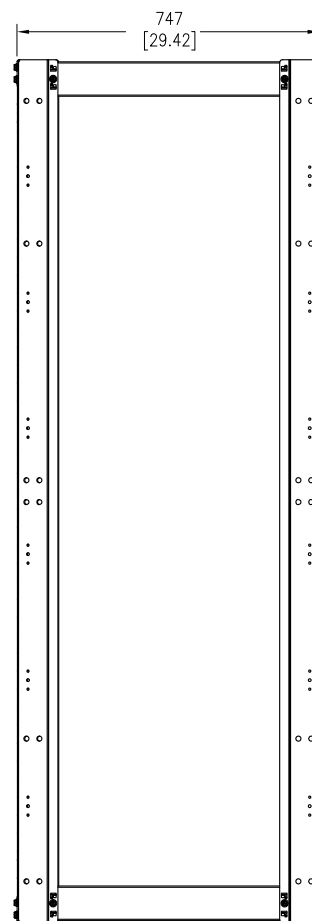
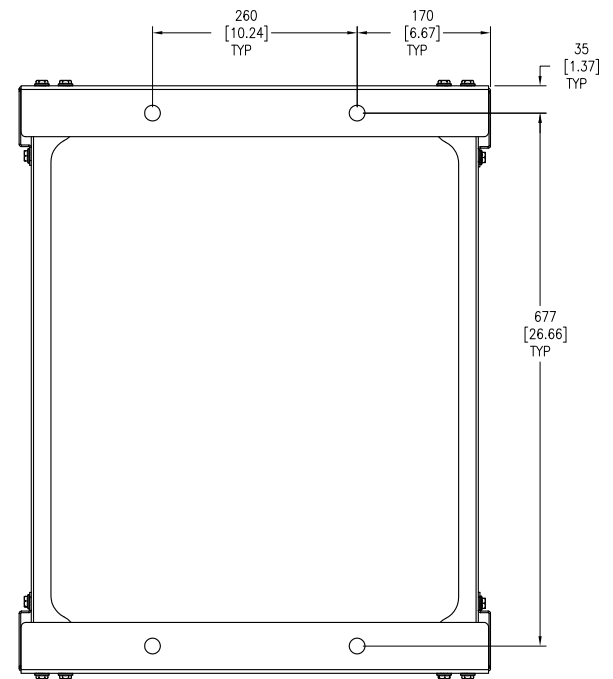


MOUNTING DETAILS

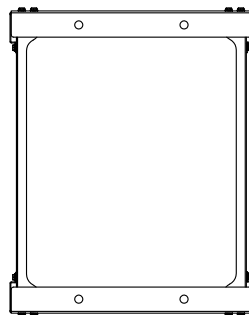
FRONT VIEW



LEFT SIDE VIEW



BOTTOM VIEW
(ENLARGED)



TOP VIEW

NOTES:

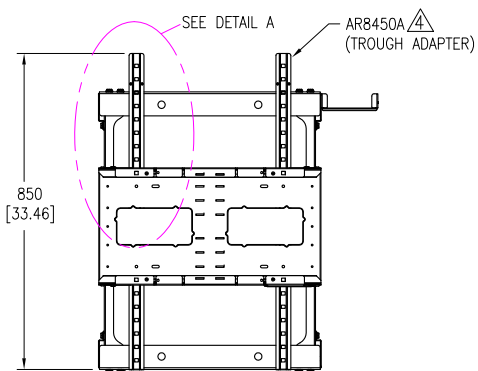
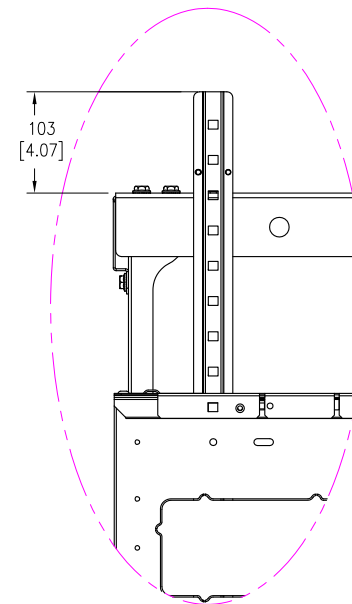
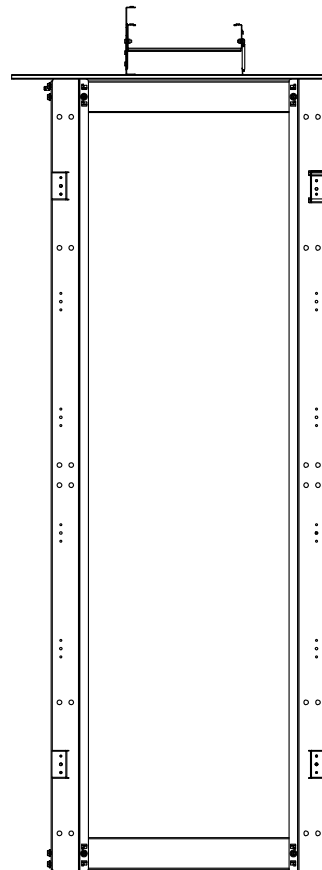
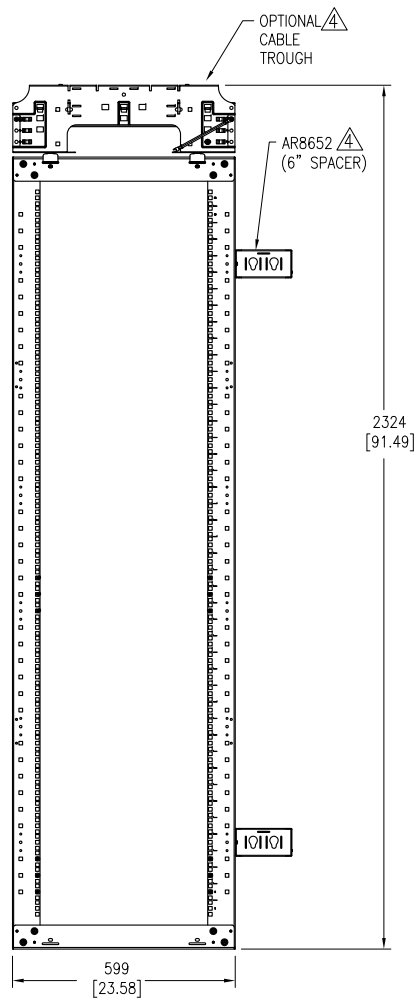
1. INSTALLATION SHALL COMPLY WITH ALL APPLICABLE NATIONAL, STATE AND LOCAL CODES.
2. SEE PRODUCT DOCUMENTATION FOR FURTHER INFORMATION.
3. UNLESS OTHERWISE SPECIFIED, ALL DIMENSIONS ARE IN MILLIMETERS[INCHES].
4. WEIGHT OF THE UNIT IS 40.32 KG [88.90 LBS]

THIS DRAWING AND SPECIFICATIONS HEREIN ARE THE PROPERTY OF AMERICAN POWER CONVERSION AND SHALL NOT BE COPIED, REPRODUCED OR USED IN WHOLE OR IN PART, AS THE BASIS FOR THE MANUFACTURE OR SALE OF ITEMS WITHOUT WRITTEN PERMISSION FROM APC. THIS DRAWING IS BASED UPON LATEST AVAILABLE INFORMATION AND IS SUBJECT TO CHANGE WITHOUT NOTICE.



TITLE:
NETSHELTER
4 POST OPEN FRAME RACK
44U SQUARE
GENERAL VIEWS

DWG NO:	AR203A		REV.	0
DRAWN BY:	B ZAHN	06-JUN-09	FIRST	ANGLE
ENGINEER:	S RAMSAROOP	06-JUN-09	APPROVED	BY: SHERMAN, E SWAN, C LARSEN, S WONG
PROJECT: STD SUBMITTAL DRAWINGS	SHEET 1 OF 4	APPROVED	06-JUN-09	PROJECTION



NOTES:

1. INSTALLATION SHALL COMPLY WITH ALL APPLICABLE NATIONAL, STATE AND LOCAL CODES.
2. SEE PRODUCT DOCUMENTATION FOR FURTHER INFORMATION.
3. UNLESS OTHERWISE SPECIFIED, ALL DIMENSIONS ARE IN MILLIMETERS[INCHES].
- Δ4. ITEM IS OPTIONAL AND IS SOLD SEPARATELY.

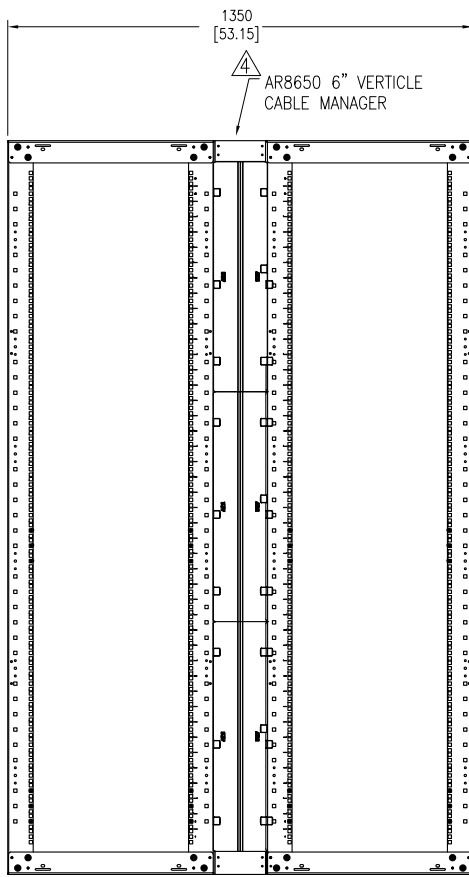
THIS DRAWING AND SPECIFICATIONS HEREIN ARE THE PROPERTY OF AMERICAN POWER CONVERSION AND SHALL NOT BE COPIED, REPRODUCED OR USED IN WHOLE OR IN PART, AS THE BASIS FOR THE MANUFACTURE OR SALE OF ITEMS WITHOUT WRITTEN PERMISSION FROM APC. THIS DRAWING IS BASED UPON LATEST AVAILABLE INFORMATION AND IS SUBJECT TO CHANGE WITHOUT NOTICE.



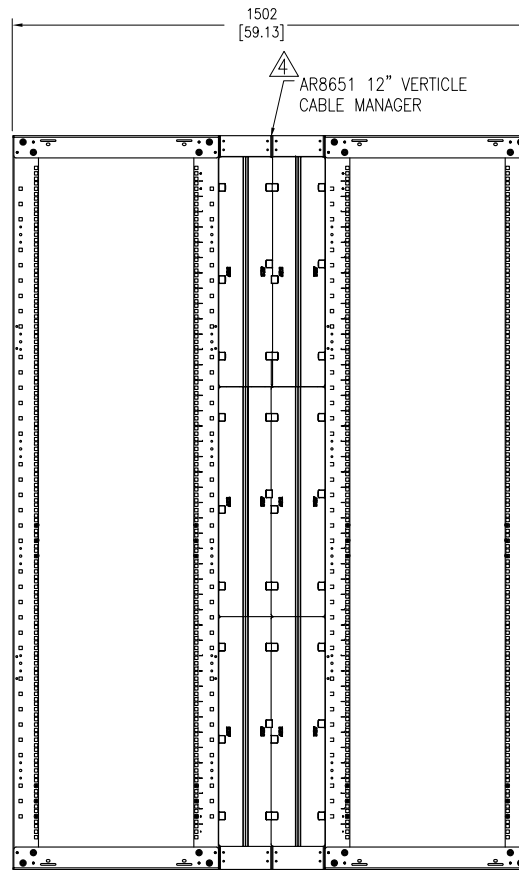
TITLE:
NETSHELTER
4 POST OPEN FRAME RACK
44U SQUARE
VIEWS WITH TROUGH, TROUGH ADAPTER & 6" SPACER

PROJECT: STD SUBMITTAL DRAWINGS SHEET 2 OF 4

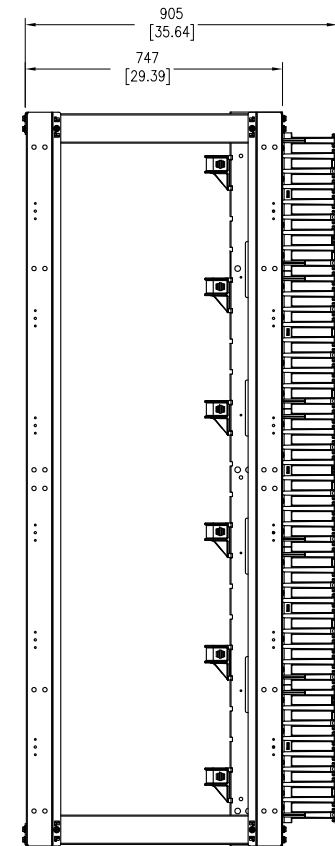
DWG NO:	AR203A		REV.	0
DRAWN BY:	B ZAHN	06-JUN-09	FIRST	ANGLE
ENGINEER:	S RAMSAROOP	06-JUN-09	APPROVED	BY:8 SHERMAN, E SILVA, C LARSEN, S WERT
APPROVED	BY:8 SHERMAN, E SILVA, C LARSEN, S WERT	06-JUN-09	PROJECT	



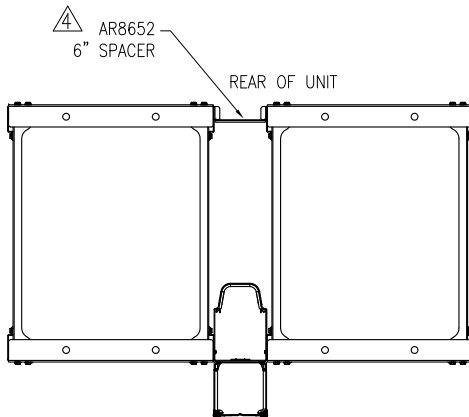
FRONT VIEW



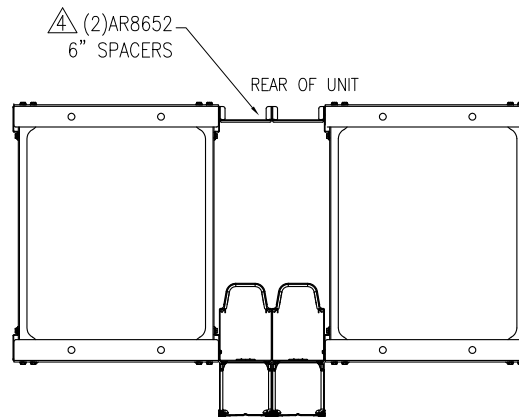
FRONT VIEW



LEFT SIDE VIEW



TOP VIEW



TOP VIEW

NOTES:

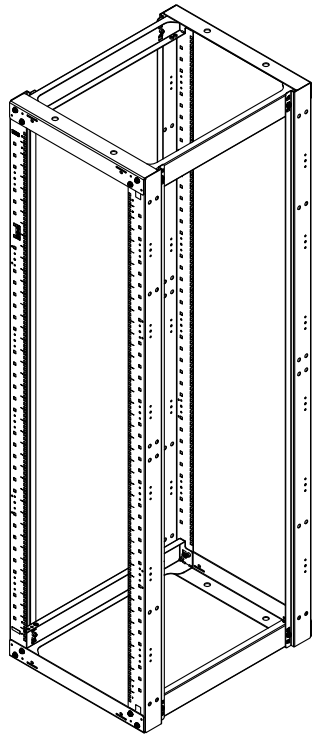
1. INSTALLATION SHALL COMPLY WITH ALL APPLICABLE NATIONAL, STATE AND LOCAL CODES.
2. SEE PRODUCT DOCUMENTATION FOR FURTHER INFORMATION.
3. UNLESS OTHERWISE SPECIFIED, ALL DIMENSIONS ARE IN MILLIMETERS[INCHES].
4. ITEM IS OPTIONAL AND IS SOLD SEPARATELY.
5. WEIGHT OF THE UNIT WITH AR8650 IS 91.55 KG [201.41 LBS]
WEIGHT OF THE UNIT WITH AR8651 IS 102.12 KG [224.66 LBS]

THIS DRAWING AND SPECIFICATIONS HEREIN ARE THE PROPERTY OF AMERICAN POWER CONVERSION AND SHALL NOT BE COPIED, REPRODUCED OR USED IN WHOLE OR IN PART, AS THE BASIS FOR THE MANUFACTURE OR SALE OF ITEMS WITHOUT WRITTEN PERMISSION FROM APC. THIS DRAWING IS BASED UPON LATEST AVAILABLE INFORMATION AND IS SUBJECT TO CHANGE WITHOUT NOTICE.

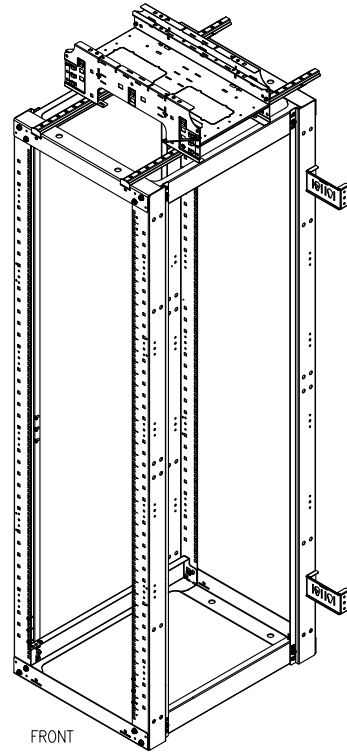


TITLE:
NETSHELTER
4 POST OPEN FRAME RACK
44U SQUARE
2 RACKS MECHANICAL BAYED WITH CABLE MANAGEMENT
PROJECT: STD SUBMITTAL DRAWINGS SHEET 3 OF 4

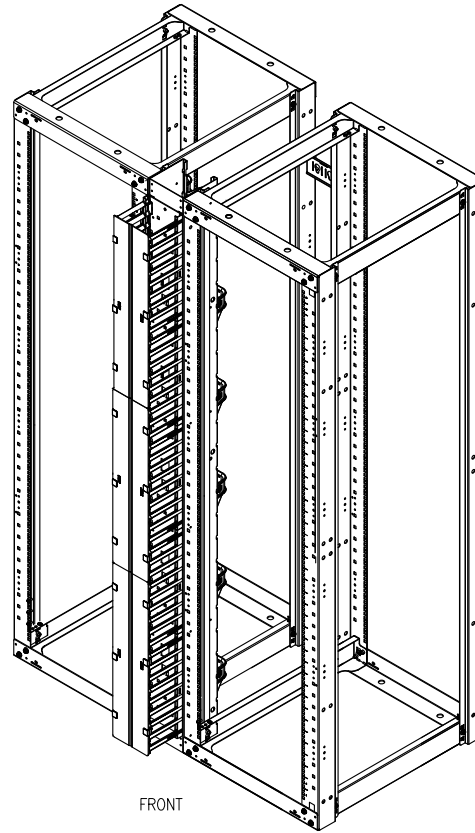
DWG NO:	AR203A	REV.	0
DRAWN BY:	B ZAHN	06-JUN-09	FIRST ANGLE PROJECTION
ENGINEER:	S RAMSAROO	06-JUN-09	
APPROVED:	BY: SHERMAN, E. SIVA, C. LARSEN, S. WERT	06-JUN-09	



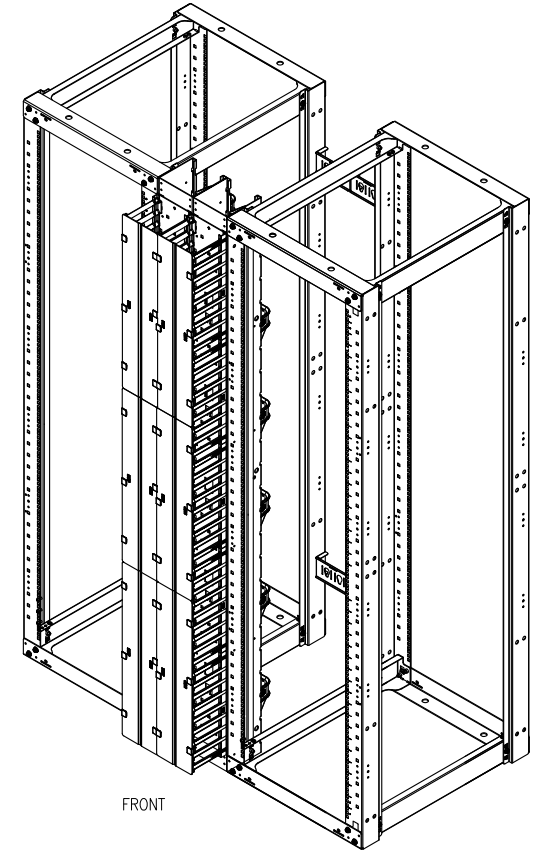
ISOMETRIC VIEW



ISOMETRIC VIEW
(WITH TROUGH ADAPTER AR8450A & 6" SPACER AR8652)



ISOMETRIC VIEW
(WITH 6" VERTICLE CABLE MANAGER AR8650 & 6" SPACER AR8652)



ISOMETRIC VIEW
(WITH 12" VERTICLE CABLE MANAGER AR8651 & (2) 6" SPACERS AR8652)

NOTES:

1. INSTALLATION SHALL COMPLY WITH ALL APPLICABLE NATIONAL, STATE AND LOCAL CODES.
2. SEE PRODUCT DOCUMENTATION FOR FURTHER INFORMATION.
3. TROUGH, TROUGH ADAPTER, CABLE MANAGER, AND SPACERS SHOWN FOR ILLUSTRATION ONLY. ALL ARE OPTIONAL AND ARE SOLD SEPERATELY.

THIS DRAWING AND SPECIFICATIONS HEREIN ARE THE PROPERTY OF AMERICAN POWER CONVERSION AND SHALL NOT BE COPIED, REPRODUCED OR USED IN WHOLE OR IN PART, AS THE BASIS FOR THE MANUFACTURE OR SALE OF ITEMS WITHOUT WRITTEN PERMISSION FROM APC. THIS DRAWING IS BASED UPON LATEST AVAILABLE INFORMATION AND IS SUBJECT TO CHANGE WITHOUT NOTICE.



TITLE:
NETSHELTER
4 POST OPEN FRAM RACK
44U SQUARE
ISOMETRIC VIEWS

PROJECT: STD SUBMITTAL DRAWINGS SHEET 4 OF 4

DWG NO:	AR203A	REV:	0
DRAWN BY:	B ZAHN	06-JUN-09	FIRST ANGLE PROJECTION
ENGINEER:	S RAMSAROOP	06-JUN-09	
APPROVED BY:	BY: SHERMAN, E SQUA, C LARSEN, S WERT	06-JUN-09	