

Trailer best sellers

Axle spare parts

Chassis

Add-on parts

Vehicle connections

Body parts

Lighting

Load-securing

**EURO
PART** 
... more than parts

EWOS *Version 2.0*

EUROPART Workshop Online System



You can now find and order your vehicle parts for all commercial vehicles, buses, vans, passenger cars, trailers and bodies even quicker and easier.

Your advantages:

- Quick parts search, unambiguous vehicle assignment
- Complete workshop requirements available online
- Immediate online ordering, 24 hours a day
- Installation and repair instructions
- Technical data at a glance
- Interface to customer systems



EUROPART Shelving System (ESR)



Your advantages:

- Time-saving ordering by the use of a barcode scanner
- Practical modular system to customer requirements
- Storing of utility goods and consumables
- 24 hour ordering facility using EWOS

NEW!
ESR barcode scanner



Act now and save time!

You can receive the ESR barcode scanner free of charge from your EUROPART sales consultant!

EUROPART® – a powerful brand

Alongside well-known manufacturer's brands, EUROPART also offers a strong assortment of its own-brand products with more than 5000 items from the various EUROPART ranges.

Top quality at a fair price.

Your advantages:

- Competitively priced alternatives to the OE standard item
- 100% availability at 190 locations in 28 countries
- Increase your competitiveness
- Safety in every respect



Workshop Requirements for the Commercial Vehicles Trade



EUROPART

– Your complete workshop outfitter!

Order your free copy of our catalogue!

www.europart.net

**EURO
PART** 
...more than parts

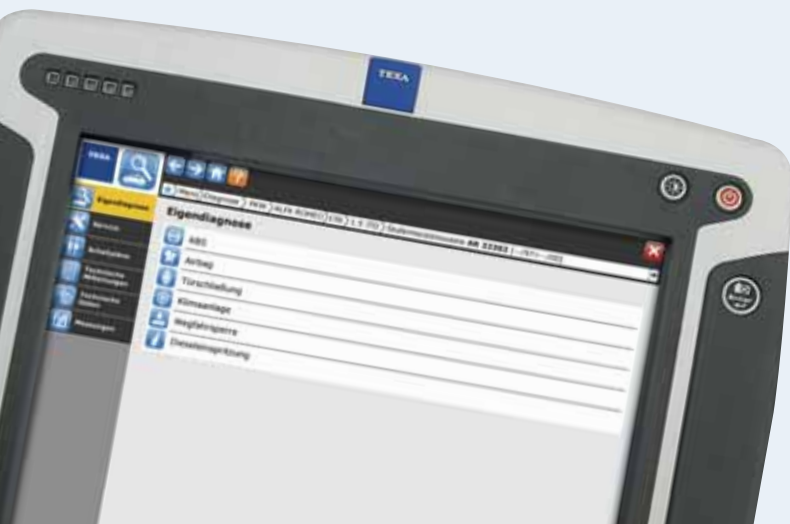
Commercial vehicle diagnosis? Best go straight to EUROPART!



We keep vehicles on the move:

Across-brand diagnostic equipment for tractor units, trailers, semi-trailers, agricultural vehicles, vans, cars and buses

- Test and Diagnosis Technology
- Brakes/Axle Service
- Engines/Gearboxes
- Air suspension
and much more



More information from:

www.europart.net

Meet your objectives with the right technology!



The AXONE product line
Hand-held diagnostic unit for all vehicle categories



OBD Log and OBD MATRIX
Modern wireless exhaust gas measurement on petrol and diesel engines



TEXA IDC4 universal software for control of all TEXA workshop equipment



KONFORT
Air conditioning service units for R134a and R1234yf



AUTOPOWER exhaust gas measuring equipment
Modern wireless exhaust gas measurement on petrol and diesel engines



UNIPROBE
Measurement module with 4-channel oscilloscope, multimeter, CAN-BUS readings, etc.



NAVIGATOR TXT
Diagnostic interface for PC



The EUROPART partner for diagnosis in the workshop

Fly your banners. The workshop concept from EUROPART!



Become part of a country-wide specialist network.

Your advantages:

- Workshop network in Germany and Europe
- Effective marketing concepts!
- Technical information and Hotline
- Modern diagnostic equipment and assured parts supply
- ISO certification possible if required
- Mobility program
- No system charges for low sales volume

Become a partner now!

info@trailer-station.net

info@truck-station.net

info@transporter-station.de

Axle spare parts

1

Chassis

2

Add-on parts

3

Vehicle connections

4

Body parts

5

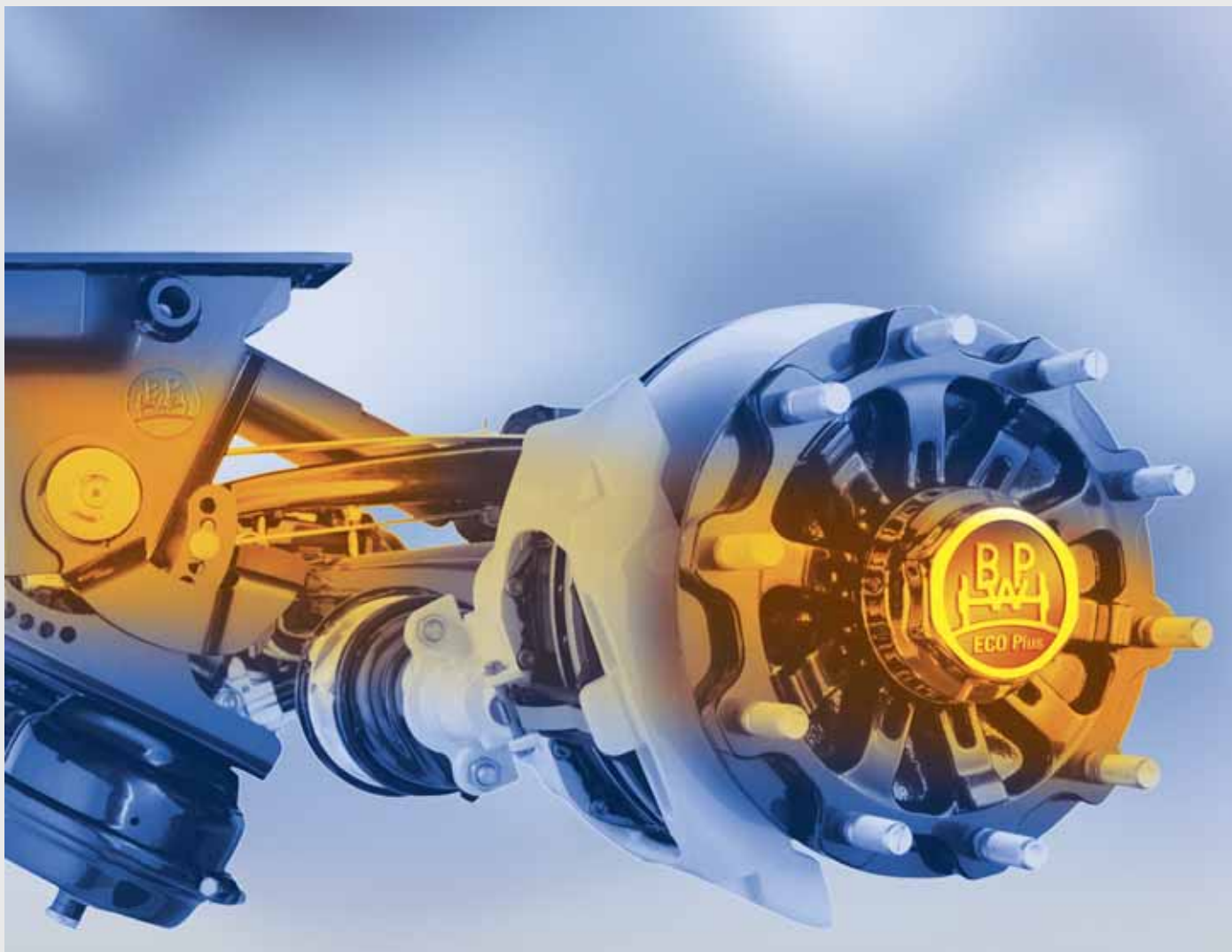
Lighting

6

Load-securing

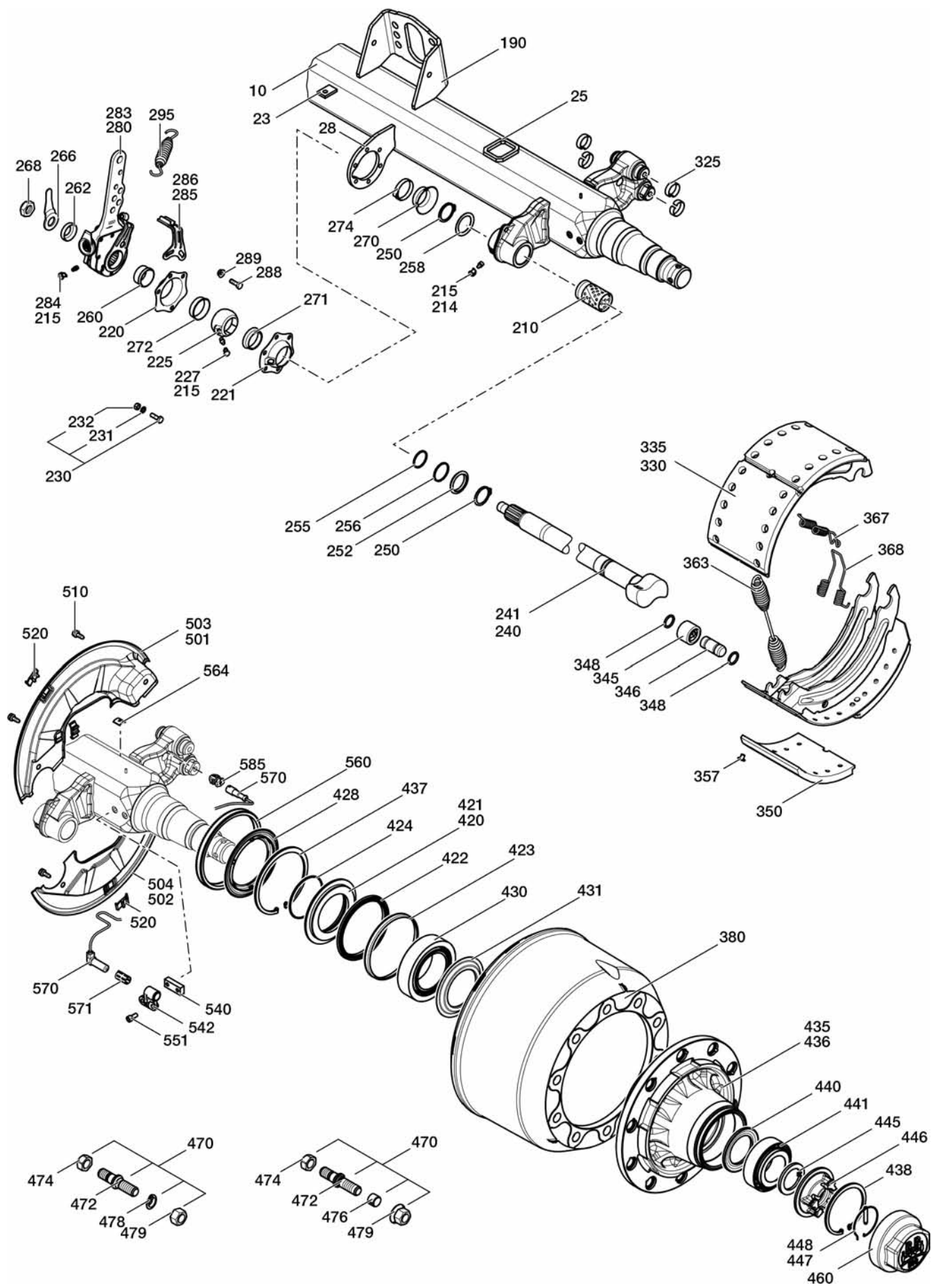
7

Axle spare parts



BPW	4-55	SAF	56-77
HSF 9010 ECO	4-6	B9-22K01	56, 57
HSF 9010 ECO MAXX	8-10	BI9-22K01	58, 59
HSF 9010-15 ECO Plus	12-14	BI9-22W	60, 61
HSF 9010-15 ECO Plus 2	16-18	INTRADISC-IO	62, 63
NHZF 9010-15 ECO MAXX	20-22	INTRADISC-IU	64
SHBF 9010-15 ECO Plus	24, 25	MODUL-M	66, 67
SHBF 9010-15 ECO Plus disc brake SB 4309	26, 27	MODUL-O	68, 69
SHSF 9010 ECO Plus	28, 29	MODUL-U	70, 71
SHSF 9010 ECO Plus disc brake SB 4345	30-33	S9-4218	72, 73
SHSF 9010 ECO Plus 2	34, 35	SKRB9022K	74, 75
SHSF 9010 ECO Plus 2 disc brake SB 4309	36, 37	SKRB9022K01	76, 77
SKHBF 9010-15 ECO Plus 2	38, 39	Meritor	78-159
SKHBF 9010-15 ECO Plus 2 disc brake SB 3745	40, 41	LC hub	78, 79
Repair kits	42-54	LM hub	80, 81
Brake calipers	55	LM DX195 hub	82, 83
		LM ELSA2 hub	84, 85

LM ELSA 195 hub	86, 87	GH7 12010 4220 rigid axle 12 t drum brake 420 x 200 - SO/SAO/ZO	170, 171
LM/LC ABS	88	GK assembly FB 80	172, 173
LM/LC brake camshaft/bearings from 01.04.2001	90, 91	GKH2 10510 3020 rigid axle 10,5 t drum brake 300 x 200 - ZO	174, 175
LM/LC brake camshaft/bearings up to 31.03.2001	92, 93	GKH1 12010 3020 rigid axle 10,5 t drum brake 300 x 200 - ZO	176-178
LM/LC DX195 brake caliper	94	GNKH2 12010 3020 steered trailing axle 12 t drum brake 300 x 200 - ZO	180, 181
LM/LC DX195 diaphragm cylinder	95	LK 16-1310 spring assembly	182, 183
LM/LC ELSA2 brake caliper	96	LK 16-1400 spring assembly	184, 185
LM/LC ELSA2 diaphragm cylinder	97	SV2 06706 3015 rigid axle 6,7 t drum brake 305 x 150 - SO/ZO	186-188
LM/LC ELSA 195 brake caliper	98		
LM/LC ELSA 195 diaphragm cylinder	99		
LM/LC drum brake	100, 101		
TA ELSA2 hub	102, 103		
TA hub	104, 105		
TA/TC ABS	106		
TA/TC brake	107		
TA/TC brake camshaft/bearings from 01.04.2001	108, 109		
TA/TC brake camshaft/bearings up to 31.03.2001	110, 111		
TA/TC D Duco brake caliper	112		
TA/TC D Duco diaphragm cylinder	113		
TA/TC D Duco hub, brake disc, ABS	114, 115		
TA/TC ELSA2 brake caliper	116		
TA/TC ELSA2 diaphragm cylinder	117		
TC hub	118, 119		
TE ABS	120, 121		
TE brake camshaft from 01.04.2001	122, 123		
TE brake camshaft up to 31.03.2001	124, 125		
TE hub	126, 127		
TE drum brake	128, 129		
TM DX195 brake caliper	130		
TM DX195 diaphragm cylinder	131		
TM DX195 hub, brake disc, ABS	132, 133		
TM ELSA195 brake caliper	134		
TM ELSA195 diaphragm cylinder	135		
TM ELSA195 hub, brake disc, ABS	136, 137		
TM ABS	138, 139		
TM brake camshaft/bearings up to 31.03.2001	140-145		
TM brake camshaft/bearings from 01.04.2001	146, 147		
TM hub, drum	148-153		
TM drum brake	154-156		
Brake camshaft overview	158, 159		
		Mercedes-Benz	190-207
		Wheel bearing - type TE5/8 and TE4/8 (9 t/press-in depth 120)	190
		Wheel bearing - type TZ5/8 and TZ4/8 (9 t/press-in depth 0)	191
		DCA - brake caliper type SN7/22,5"	192
		DCA - brake caliper type SN6/19,5"	193
		Wheel bearing - type TE5/2, TE4/2 (9 t/press-in depth 120), TL5/1 and TL4/1	194
		Wheel bearing - type TZ5/4 and TZ4/2 (9 t/press-in depth 0)	195
		Wheel bearing - type TZ5/2 and TZ3/2 twin tyres (10,5 t/press-in depth 0)	196
		DLS - brake caliper type SN7/22,5"	197
		DLS - brake caliper type SN6/19,5"	198
		DLS - brake caliper type SN7/22,5"	199
		Wheel bearing - type NR 5 with single tyres (9 t/press-in depth 120)	200
		Wheel bearing - type TE4 and TE5 with single tyres (9 t/press-in depth 120)	201
		Wheel bearing - type TZ5 with single tyres (9 t/press-in depth 0) and compact bearing	202
		Wheel bearing - type TZ5/TZ3 and type TE5/TE3, twin/single tyres	203
		NR 5 - air spring system HDB	204
		NR 5 - brake caliper type SB6/SN6/19,5"	205
		NR 5 - brake caliper type SB7/SN7/22,5"	206
		Axle equipment	208-213
Gigant	160-189		
DH7 05506 3334 rigid axle 5,5 t disc brake Ø 335 - SO/ZO	160, 161		
DOKH1 09010 4345 rigid axle 9 t disc brake Ø 430 - SO/SAO	162, 163		
DOKH2 09010 3745/4345 rigid axle 9 t disc brake Ø 377/430 - SO/SAO	164, 165		
GH4 05506 3010 rigid axle 5,5 t drum brake 300 x 100 - SO/ZO	166, 167		
GH7 05506 3010 rigid axle 5,5 t drum brake 300 x 100 - SO	168, 169		



HSF 9010 ECO

Illustration	Description	Dimensions mm	Order number
23	Attachment plate for air spring valve		6032 814 203
25	Centering frame for spring pads	72.5 x 60 x 8	6032 954 621
25	Centering ring, please note changed axle spring seat contour (spring seat for centering frame fig. 25)	∅ 50 / 70 x 8	6033 103 428
28	Support bearing plate for brake camshaft bearing		6032 855 571
190	Base plate for brake chamber installation		6031 823 578
	Repair kit for brake camshaft bearing (fig. 210, 214, 220, 221, 225, 227, 230, 245, 271, 272, 289, parts for 1 axle side)		6098 010 609
210	Bearing bush	∅ 42/46 x 72.6	6031 124 434
214	Lubricating nipple, Form A	M10 x 1	6026 802 035
215	Protective cap for grease nipple		6023 505 200
220	Bearing bracket for ball socket, for brake camshaft	∅ 50/6 x 10	6032 290 219
221	Bearing bracket for ball socket, for brake camshaft	∅ 50/4 x 10	6032 290 218
225	Ball bush for brake camshaft	∅ 42/60 x 38	6031 131 404
227	Lubricating nipple, Form A	M8 x 1	6026 802 145
230	Attachment screw for brake camshaft bearing (fig. 231, 232)	M8 x 25	6058 650 002
231	Spring washer, Form B	∅ 8	6025 403 089
232	Hexagon nut	M8	6025 202 128
240	Brake camshaft, left (S)	Length 734 (615.5)	6090 970 529
241	Brake camshaft, right (Z)	Length 734 (615.5)	6090 970 530
	Repair kit for brake camshaft (fig. 250-262, 268, 270, 274, parts for 1 axle side)		6098 010 043
250	Circlip for brake camshaft bearing, Form A	∅ 42 x 2.5	6025 676 010
252	Ring for guide sleeve	∅ 42/55 x 7	6033 101 224
255	O-ring, black	∅ 37 x 2.6	6025 677 374
256	O-ring, green	∅ 40 x 2.5	6025 679 230
258	Shaft sealing ring for brake camshaft	∅ 42/56 x 2	6031 204 202
260	Circlip (not contained in repair set 6098 010 609)	∅ 37/41 x 2	6025 616 059
260	Bearing bush for brake camshaft	∅ 37.4/45 x 21.3	6031 130 306
262	Washer	∅ 22.5/42 x 10.5	6332 011 161
266	Actuating lever for braking force compensators	Length 85	6031 901 407
268	Hexagon nut for slack adjuster attachment	M22 x 1.5/Height 15/Spanner size 32	6032 601 408
270	Shaft sealing ring for brake camshaft	∅ 41/47 x 25	6031 204 314
271	Shaft sealing ring for brake camshaft	∅ 42 x 15	6031 204 209
271	Shaft sealing ring for brake camshaft (not contained in repair set 6098 010 609)	∅ 41 x 20	6031 204 312
272	Shaft sealing ring for brake camshaft	∅ 45/49 x 13.5	6031 204 208
272	Shaft sealing ring for brake camshaft (not contained in repair set 6098 010 609)	∅ 34/40 x 26	6031 204 310
274	Security clamp for brake camshaft bearing	∅ 49 x 9	6033 503 002
	Slack adjuster set, ECO Master (fig. 262, 266, 280, 285, 288, 289)		6055 748 287
280	Slack adjuster, ECO Master (Fig. 215, 283, 284)		6051 748 263
283	Cap for slack adjuster reset action		6032 119 015
284	Lubricating nipple, Form A	S8 x 1	6026 850 010
285	Mould plate for brake slack adjuster	Angle 24°	6031 652 519
288	Bolt	M8 x 25	6025 025 308
289	Hexagon nut for profiled sheet	M8	6025 273 328
295	Reset spring	∅ 26 x 2.8/Length 148	6053 972 603
325	Hook circlip for drum brake with divided roller	∅ 30/33 x 10	6031 880 202
	Repair kit for drum brake SN 42 with tension spring and hooked circlip (C-clamp), (fig. 325, 363, 367, 368)		6098 010 679
	Repair kit for drum brake SN 4218 With brake shoes (Fig. 327, 330)		6098 010 739
330	Brake shoe with brake lining (Fig. 335, 350, 357)		6050 914 632
335	Brake shoe without brake lining (fig. 345-348)		6050 914 636

Continued on the next page ...

... continued from the previous page

Illustration	Description	Dimensions mm	Order number
	Repair kit for brake shoe roller (fig. 345-348)		6098 010 291
345	Brake shoe sleeve for drum brake with divided roller	∅ 26/45 x 33.5	6053 314 402
346	Brake shoe pin for drum brake with divided roller	∅ 26 x 58.5	6030 847 524
348	Ring for guide sleeve	∅ 24/31 x 3.5	6033 107 015
350	Brake lining set for drum brake (for 1 axle)	180 x 18.00 x 420	6098 010 741
357	Brake pad rivet, Form B	∅ 8 x 15	6025 805 803
363	Reset spring for drum brake, with divided roller	∅ 34.5 x 5.5 x 274	6053 975 803
367	Reset spring (hook) for drum brake with divided roller	∅ 15.4 x 3.6 x 36/84	6033 973 306
368	Reset spring (eye) for drum brake with divided roller	∅ 19 x 3.6 x 36/83	6033 973 307
380	Brake drum	∅ 420 x 180/Height 226	6031 096 713
	Repair kit for taper roller bearing, with impact ring and capsule (fig. 420, 423, 428-431, 437, 438, 440, 441, 445-448, 460, components for 1 axle side, for trailer)		6098 010 233
	Repair kit for taper roller bearing (fig. 420, 423, 428, 430, 431, 440, 441, 445, components for 1 axle side)		6098 010 272
420	Impact ring set (Fig. 421, 422, 424)		6053 700 767
421	Impact ring	∅ 86/115/139 x 22	6033 700 760
422	Shaft sealing ring for wheel hub	∅ 115/136.7 x 10.5	6025 664 570
423	Wheel hub sealing ring	∅ 131/140 x 12.5	6025 683 620
424	O-ring	∅ 90 x 3	6025 677 904
428	Wheel hub sealing ring	∅ 103/147x 15	6025 681 980
430	Tapered roller bearing, inside		6026 410 240
431	Cover plate	∅ 84/129 x 8.5	6030 109 333
	Wheel hub completely assembled with ABS pulse wheel (fig. 420-448, 460, 560, with hub fig. 435)		6098 010 603
435	Wheel hub (fig. 436)	10 x ∅ 22/M125 x 2	6032 723 087
436	Cylinder full length parallel grooved dowel pin	∅ 6 x 19.5	6026 010 356
437	Circlip for wheel hub shaft seal	∅ 140 x 4	6025 606 409
438	Circlip for axle nut	∅ 112 x 4	6025 606 129
440	Impact ring	∅ 53/98 x 10	6033 702 516
441	Tapered roller bearing, outside		6026 410 250
445	Washer	∅ 43/61 x 5.8	6033 207 313
446	Axle nut	M42 x 2/∅ 110/ Spanner size 65	6032 664 602
447	Bolt	∅ 8 x 45	6030 847 117
448	Hook circlip	∅ 54 x 2	6031 880 306
460	Wheel-hub cap, ECO Plus	M125 x 2/ Spanner size 110	6032 122 425
472	Wheel bolt	M22 x 1.5/ M22 x 2/100/46/49	6032 962 315
474	Wheel nut	M22 x 2/ Spanner size 32	6032 600 406
	Cover set, SN 4218, 120, 16° (fig. 501-504, 510, 520)		6990 000 093
510	Bolt for cover plate	M10 x 15	6025 071 220
520	Plug for cover plate		6033 790 023
542	Bracket for sensor, right	Length 37.5/Height 14	6031 890 758
543	Bracket for sensor, left	Length 37.5/Height 14	6031 890 759
551	Bolt for sensor bracket	M8 x 20	6025 071 230
560	Sensor ring, ABS drum brakes, SN 4218, 420 x 180 mm	∅ 152/170 x 15 (Number of teeth 100)	6033 100 815
564	Fastening clamp		6023 507 320
570	ABS sensor drum brake	32.8 x 232 x 400	6023 317 050
571	Clamping sleeve for ABS	∅ 16.6/18.4 x 33	0687 605 104
585	Bracket for sensor connector		6031 891 390

GEHEN

Achsen mit wartungsfreier Lagertechnik, hoher Laufleistung, einfachem Service.

WIR

Luftfedern mit perfektem Fahrkomfort, wartungsarmer Technik, in leichter Bauweise.

DEN

Leichte, extrem robuste und einfach zu montierende Bremsen.

WIRTSCHAFTLICHEN

Elektronik für optimierte Bremsleistung mit servicefreundlichen Zusatzfunktionen.

WEG

Das ganze Fahrwerk – ideal aufeinander abgestimmt.

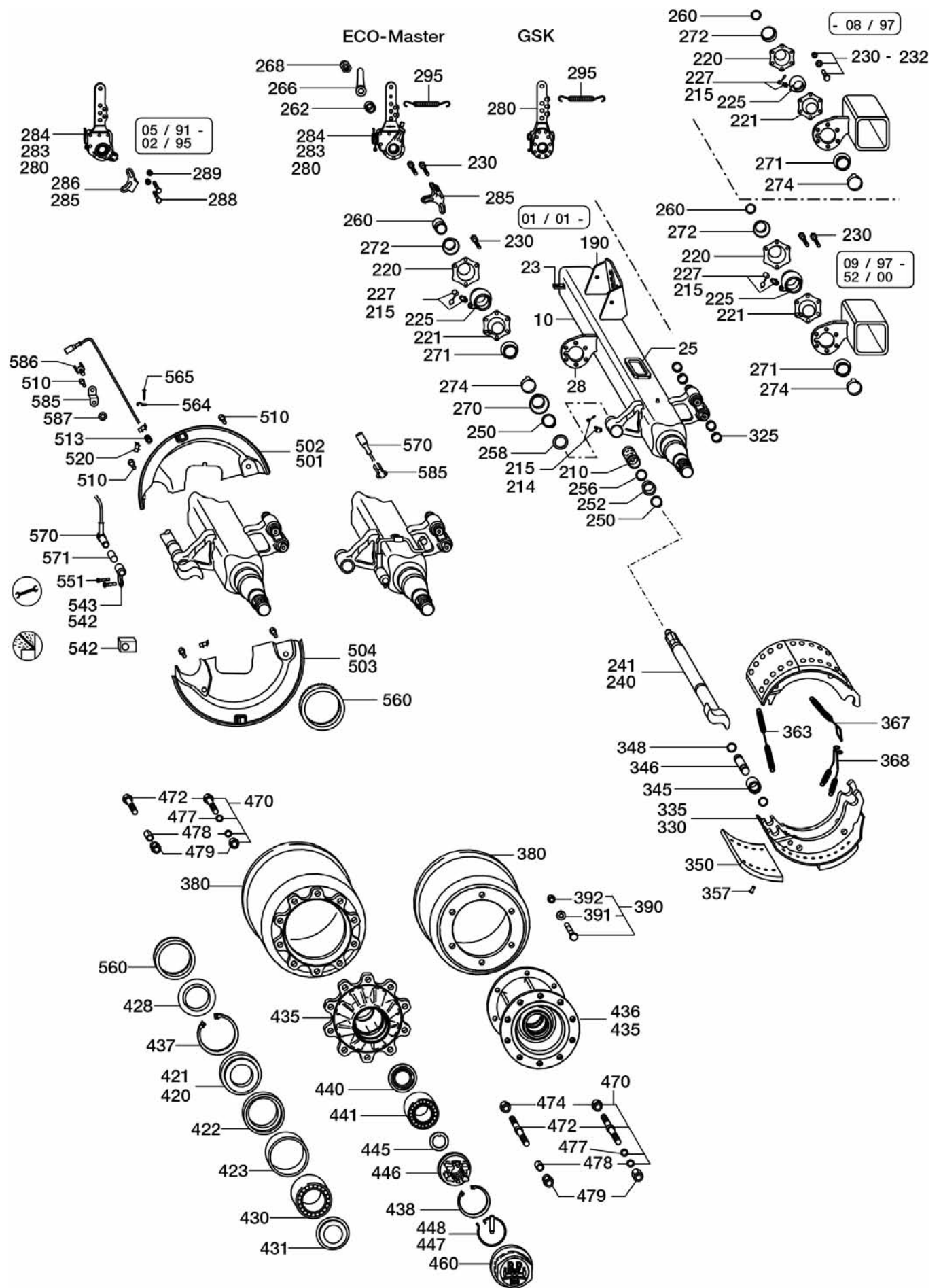
BPW. The economical way.



Wir bieten Ihnen das ganze Trailerfahrwerk aus einer Hand. Das bringt Ihnen viele Vorteile: Sie haben mit uns nur einen Ansprechpartner, der Ihnen alle Fragen zum gesamten System beantwortet. Von der Achse über Bremsen und Federung bis zur elektronischen Bremsensteuerung. Alle Komponenten sind aufeinander abgestimmt – denn, was aus einem Haus kommt, harmoniert auch perfekt. Dadurch sparen Sie Zeit und unterm Strich sogar bares Geld. www.bpw.de



BPW · THE QUALITY FACTOR



HSF 9010 ECO MAXX

Illustration	Description	Dimensions mm	Order number
23	Attachment plate for air spring valve		6032 814 203
25	Centering frame for spring pads	72.5 x 60 x 8	6032 954 621
28	Support bearing plate for brake camshaft bearing		6032 855 571
190	Base plate for brake chamber installation		6031 823 578
	Repair kit for brake camshaft bearing (fig. 210, 214, 220, 221, 225, 227, 230, 245, 271, 272, 289, parts for 1 axle side)		6098 010 609
210	Bearing bush	∅ 42/46 x 72.6	6031 124 434
214	Lubricating nipple, Form A	M10 x 1	6026 802 035
215	Protective cap for grease nipple		6023 505 200
220	Bearing bracket for ball socket, for brake camshaft	∅ 50/6 x 10	6032 290 219
221	Bearing bracket for ball socket, for brake camshaft	∅ 50/4 x 10	6032 290 218
225	Ball bush for brake camshaft	∅ 42/60 x 38	6031 131 404
227	Lubricating nipple, Form A	M8 x 1	6026 802 145
230	Attachment screw for brake camshaft bearing (fig. 231, 232)	M8 x 25	6058 650 002
231	Spring washer, Form B	∅ 8	6025 403 089
232	Hexagon nut	M8	6025 202 128
240	Brake camshaft, left (S)	Length 734 (615.5)	6090 970 529
241	Brake camshaft, right (Z)	Length 734 (615.5)	6090 970 530
	Repair kit for brake camshaft (fig. 250-262, 268, 270, 274, parts for 1 axle side)		6098 010 043
250	Circlip for brake camshaft bearing, Form A	42 x 2.5	6025 676 010
252	Ring for guide sleeve	∅ 42/55 x 7	6033 101 224
255	O-ring, black	∅ 37 x 2.6	6025 677 374
256	O-ring, green	∅ 40 x 2.5	6025 679 230
258	Shaft sealing ring for brake camshaft	∅ 42/56 x 2	6031 204 202
260	Circlip (not contained in repair set 6098 010 609)	∅ 37/41 x 2	6025 616 059
260	Bearing bush for brake camshaft	∅ 37.4/45 x 21.3	6031 130 306
262	Washer	∅ 22.5/42 x 10.5	6332 011 161
266	Actuating lever for braking force compensators	Length 85	6031 901 407
268	Hexagon nut for slack adjuster attachment	M22 x 1.5/Height 15/ Spanner size 32	6032 601 408
270	Shaft sealing ring for brake camshaft	∅ 41/47 x 25	6031 204 314
271	Shaft sealing ring for brake camshaft	∅ 42 x 15	6031 204 209
271	Shaft sealing ring for brake camshaft (not contained in repair set 6098 010 609)	∅ 41 x 20	6031 204 312
272	Shaft sealing ring for brake camshaft	∅ 45/49 x 13.5	6031 204 208
272	Shaft sealing ring for brake camshaft (not contained in repair set 6098 010 609)	∅ 34/40 x 26	6031 204 310
274	Security clamp for brake camshaft bearing	∅ 49 x 9	6033 503 002
	Slack adjuster set, ECO Master (fig. 262, 266, 280, 285, 288, 289)		6055 748 287
280	Slack adjuster, ECO Master (Fig. 215, 283, 284)		6051 748 263
283	Cap for slack adjuster reset action		6032 119 015
284	Lubricating nipple, Form A	S8 x 1	6026 850 010
285	Mould plate for brake slack adjuster	Angle 24°	6031 652 519
288	Bolt	M8 x 25	6025 025 308
289	Hexagon nut for profiled sheet	M8	6025 273 328
295	Reset spring for brake slack adjuster	∅ 26 x 2.8/Length 148	6053 972 603
325	Hook circlip for drum brake with divided roller	∅ 30/33 x 10	6031 880 202
	Repair kit for drum brake SN 42 with tension spring and hooked circlip (C-clamp), (fig. 325, 363, 367, 368)		6098 010 679
	Repair kit for drum brake SN 4218 With brake shoes (Fig. 327, 330)		6098 010 739
330	Brake shoe with brake lining (Fig. 335, 350, 357)		6050 914 632
335	Brake shoe without brake lining (fig. 345-348)		6050 914 636

Continued on the next page ...

... continued from the previous page

Illustration	Description	Dimensions mm	Order number
	Repair kit for brake shoe roller (fig. 345-348)		6098 010 291
345	Brake shoe sleeve for drum brake with divided roller	∅ 26/45 x 33.5	6053 314 402
346	Brake shoe pin for drum brake with divided roller	∅ 26 x 58.5	6030 847 524
348	Ring for guide sleeve	∅ 24/31 x 3.5	6033 107 015
350	Brake lining set for drum brake (for 1 axle)	180 x 18.00 x 420	6098 010 741
357	Brake pad rivet, Form B	∅ 8 x 15	6025 805 803
363	Reset spring for drum brake, with divided roller	∅ 34.5 x 274 x 5.5	6053 975 803
367	Reset spring (hook) for drum brake with divided roller	∅ 15.4 x 3.6 x 36/84	6033 973 306
368	Reset spring (eye) for drum brake with divided roller	∅ 19 x 3.6 x 36/83	6033 973 307
380	Brake drum	∅ 420 x 180/Height 226	6031 096 719
	Repair kit for taper roller bearing, with impact ring and capsule (fig. 420, 423, 428-431, 437, 438, 440, 441, 445-448, 460, components for 1 axle side, for trailer)		6098 010 233
	Repair kit for taper roller bearing (fig. 420, 423, 428, 430, 431, 440, 441, 445, components for 1 axle side)		6098 010 272
420	Impact ring set (Fig. 421, 422, 424)		6053 700 767
421	Impact ring	∅ 86/115/139 x 22	6033 700 760
422	Shaft sealing ring for wheel hub	∅ 115/136.7 x 10.5	6025 664 570
423	Wheel hub sealing ring	∅ 131/140 x 12.5	6025 683 620
424	O-ring	∅ 90 x 3	6025 677 904
428	Wheel hub sealing ring	∅ 103/147x 15	6025 681 980
430	Tapered roller bearing, inside		6026 410 240
431	Cover plate	∅ 84/129 x 8.5	6030 109 333
	Wheel hub completely assembled with ABS pulse wheel (fig. 420-448, 460, 560, with hub fig. 435)		6098 010 605
435	Wheel hub	10 x ∅ 22/M125 x 2	6032 723 097
437	Circlip for wheel hub shaft seal	∅ 140 x 4	6025 606 409
438	Circlip for axle nut	∅ 112 x 4	6025 606 129
440	Impact ring	∅ 53/98 x 10	6033 702 516
441	Tapered roller bearing, outside		6026 410 250
445	Washer	∅ 43/61 x 5.8	6033 207 313
446	Axle nut	M42 x 2/∅ 110/ Spanner size 65	6032 664 602
447	Bolt	∅ 8 x 45	6030 847 117
448	Hook circlip	∅ 54 x 2	6031 880 306
460	Wheel-hub cap, ECO Plus	M125 x 2/ Spanner size 110	6032 122 425
472	Wheel bolt	M22 x 1.5/89/54	6032 963 314
	Cover set, SN 4218, 120, 16° (fig. 501-504, 510, 520)		6990 000 093
510	Bolt for cover plate	M10 x 15	6025 071 220
520	Plug		6033 790 023
542	Bracket for sensor, right	Length 37.5/Height 14	6031 890 758
543	Bracket for sensor, left	Length 37.5/Height 14	6031 890 759
551	Bolt for sensor bracket	M8 x 20	6025 071 230
560	Sensor ring, ABS drum brakes, SN 4218, 420 x 180 mm	∅ 152/170 x 15 (Number of teeth 100)	6033 100 815
564	Fastening clamp		6023 507 320
570	ABS sensor drum brake	32.8 x 232 x 400	6023 317 050
571	Clamping sleeve for ABS	∅ 18.4/18.4 x 33	0687 605 104
585	Bracket for sensor connector		6031 891 390

No cure without a diagnosis! The TEXA trailer package

Ask for your
free demonstration!

It doesn't matter whether it's a WABCO, Knorr or Haldex system, all the diagnosis work which is important for the workshop is possible to a large extent using TEXA trailer diagnosis.

- Read and delete fault codes
- Drive actuators
- Make settings and perform programming such as:
 - changing a modulator
 - putting a modulator into operation
 - brake matching
 - mirroring modulator data
 - rewriting modulator data
 - storing modulator data
 - and much more



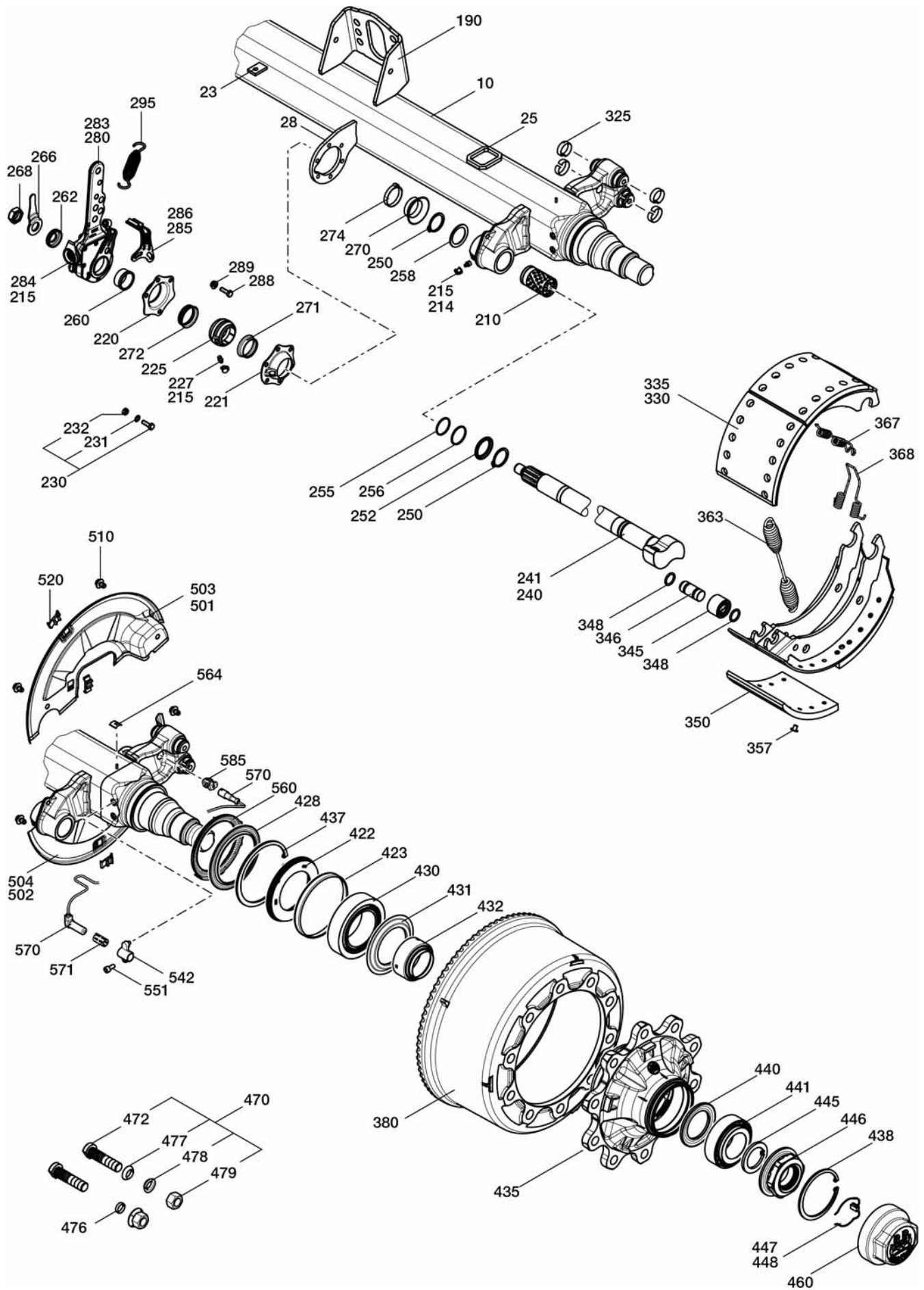
In addition, TEXA offers the most comprehensive tractor unit and bus diagnosis on the market, all from a single source and all written in the leading software IDC4. A call centre and a consistent training concept round off the package.

EUROPART is your partner on-site, we are pleased to offer you advice and an optimum service: once the fault is located, you will receive the right replacement part at the right time.

More information from:

www.europart.net

**EURO
PART**
... more than parts



HSF 9010-15 ECO Plus

Illustration	Description	Dimensions mm	Order number
23	Attachment plate for air spring valve		6032 814 203
25	Centering frame for spring pads	72.5 x 60 x 8	6032 954 621
28	Support bearing plate for brake camshaft bearing		6032 855 571
190	Base plate for brake chamber installation		6031 823 578
	Repair kit for brake camshaft bearing (fig. 210, 214, 220, 221, 225, 227, 230, 245, 271, 272, 289, parts for 1 axle side)		6098 010 609
210	Bearing bush	∅ 42/46 x 72.6	6031 124 434
214	Lubricating nipple, Form A	M10 x 1	6026 802 035
215	Protective cap for grease nipple		6023 505 200
220	Bearing bracket for ball socket, for brake camshaft	∅ 50/6 x 10	6032 290 219
221	Bearing bracket for ball socket, for brake camshaft	∅ 50/4 x 10	6032 290 218
225	Ball bush for brake camshaft	∅ 42/60 x 38	6031 131 404
227	Lubricating nipple, Form A	M8 x 1	6026 802 145
230	Attachment screw for brake camshaft bearing (fig. 231, 232)	M8 x 25	6058 650 002
231	Spring washer, Form B	∅ 8	6025 403 089
232	Hexagon nut	M8	6025 202 128
240	Brake camshaft, left (S)	A	6090 970 529
241	Brake camshaft, right (Z)	A	6090 970 530
	Repair kit for brake camshaft (fig. 250-262, 268, 270, 274, parts for 1 axle side)		6098 010 043
250	Circlip for brake camshaft bearing, Form A	∅ 42 x 2.5	6025 676 010
252	Ring, for guide sleeve	∅ 42/55 x 7	6033 101 224
255	O-ring, black	∅ 37 x 2.6	6025 677 374
256	O-ring, green	∅ 40 x 2.5	6025 679 230
258	Shaft sealing ring for brake camshaft	∅ 42/56 x 2	6031 204 202
260	Bearing bush for brake camshaft	∅ 37.4/45 x 21.3	6031 130 306
262	Washer	∅ 22.5/42 x 10.5	6332 011 161
266	Actuating lever for braking force compensators	Length 85	6031 901 407
268	Hexagon nut for slack adjuster attachment	M22 x 1.5/Height 15/ Spanner size 32	6032 601 408
270	Shaft sealing ring for brake camshaft	∅ 41/47 x 25	6031 204 314
271	Shaft sealing ring for brake camshaft	∅ 42 x 15	6031 204 209
272	Shaft sealing ring for brake camshaft	∅ 45/49 x 13.5	6031 204 208
274	Security clamp for brake camshaft bearing	∅ 49 x 9	6033 503 002
	Slack adjuster set, ECO Master (fig. 262, 266, 280, 285, 288, 289)		6055 748 287
280	Slack adjuster, ECO Master (Fig. 215, 283, 284)		6051 748 263
283	Cap for slack adjuster reset action		6032 119 015
284	Lubricating nipple, Form A	S8 x 1	6026 850 010
285	Mould plate for brake slack adjuster	24°	6031 652 519
288	Bolt	M8 x 25	6025 025 308
289	Hexagon nut for profiled sheet	M8	6025 273 328

Continued on the next page ...

... continued from the previous page

Illustration	Description	Dimensions mm	Order number
295	Reset spring for brake slack adjuster	∅ 26 x 2.8/Length 148	6053 972 603
325	Hook circlip for drum brake with divided roller	∅ 30/33 x 10	6031 880 202
	Repair kit for drum brake SN 42 with tension spring and hooked circlip (C-clamp), (fig. 325, 363, 367, 368)		6098 010 679
	Repair kit for drum brake SN 4218 With brake shoes, (Fig. 327, 330)		6098 010 739
330	Brake shoe with brake lining (Fig. 335, 350, 357)		6050 914 632
335	Brake shoe without brake lining (fig. 345-348)		6050 914 636
	Repair kit for brake shoe roller (fig. 345-348)		6098 010 291
345	Brake shoe sleeve for drum brake with divided roller	∅ 26/45 x 33.5	6053 314 402
346	Brake shoe pin for drum brake with divided roller	∅ 26 x 58.5	6030 847 524
348	Ring for guide sleeve	∅ 24/31 x 3.5	6033 107 015
350	Brake lining set for drum brake (for 1 axle)	180 x 18.00	6098 010 741
357	Brake pad rivet, Form B	∅ 8 x 15	6025 805 803
363	Reset spring	∅ 34.5 x 274 x 5.5	6053 975 803
367	Reset spring (hook), for drum brake with divided roller	∅ 15.4 x 3.6 x 36/84	6033 973 306
368	Reset spring (eye) for drum brake with divided roller	∅ 19 x 3.6 x 36/83	6033 973 307
380	Brake drum	∅ 420 x 180/Height 226	6031 096 719
	Wheel bearing set (fig. 422, 430, 431, 432, 440, 441, 445 ECO Seal)		6098 010 626
422	Shaft sealing ring, Radnabe ECO Seal ab 10/2004	∅ 117.5/158 x 17.5	6025 664 740
423	Ring for guide sleeve (on hubs with end digits 0/1 : DO NOT REMOVE THE RING)	∅ 151/157.6 x 20	6025 683 800
428	Shaft sealing ring for wheel hub (not with ECO Seal)	∅ 122/160 x 8.5	6031 204 815
430	Tapered roller bearing 33118		6026 410 230
431	Cover plate	∅ 94/149 x 8.5	6030 109 334
432	Shaft sealing ring for brake camshaft	∅ 67/95 x 49.5	6031 204 515
	Wheel hub (fig. 422-448, 460, 560 ECO Seal)	M136 x 2,5	6098 010 607
435	Wheel hub	10 x ∅ 22/M136 x 2,5	6032 724 310
437	Circlip for wheel hub shaft seal	∅ 158 x 4	6025 606 589
438	Circlip, ECO Plus	∅ 122 x 4	6025 606 229
440	Impact ring	∅ 71/108 x 8	6033 702 624
441	Tapered roller bearing 33213		6026 410 220
445	Washer	∅ 53/76 x 5.8	6033 206 401
446	Axle nut	M52 x 2/ Spanner size 95	6052 664 706
447	Safety wedge for wheel hub nut		6032 770 007
448	Hook circlip	∅ 62 x 1.8	6031 880 410
460	Wheel-hub cap, ECO Plus	M136 x 2.5/ Spanner size 110	6032 122 531
472	Wheel bolt	M22 x 1.5/89/54	6032 963 314
	Cover set, SN 4218, 120, 16° (fig. 501-504, 510, 520)		6990 000 093
510	Bolt for cover plate	M10 x 15	6025 071 220
520	Plug for cover plate		6033 790 023
542	Bracket for sensor	Length 19.5	6031 891 461
551	Bolt for sensor bracket	M8 x 20	6025 071 230
560	Sensor ring, ABS for drum brake, SN 3620, 360 x 200 mm	∅ 125/156 x 8.5 (Number of teeth 100)	6033 100 851
564	Fastening clamp		6023 507 320
570	ABS sensor drum brake	32.8 x 232 x 400	6023 317 050
571	Clamping sleeve for ABS	∅ 16.6/18.4 x 33	0687 605 104
585	Bracket for sensor connector		6031 891 390

Hot stuff!

Induction heaters: Where heat helps and flames are a problem

Induction heaters prevent too much time and effort being spent freeing jammed nuts and driving out bolts which have been pressed home. Good reasons and worthwhile advantages for motor vehicle professionals!



Alesco



Applications:

- Free nuts and bolts - also from the head instead of from the nut!
- Efficiently prevents slipping and sheared off bolt heads.
- Also separates rusted-together and jammed connections such as exhausts.
- Efficient release of materials glued to metal, such as glass, rubber, plastic, adhesive labels - underbody protection as well!

The highlight:

- The heat develops in the metal - very gentle with the structure!

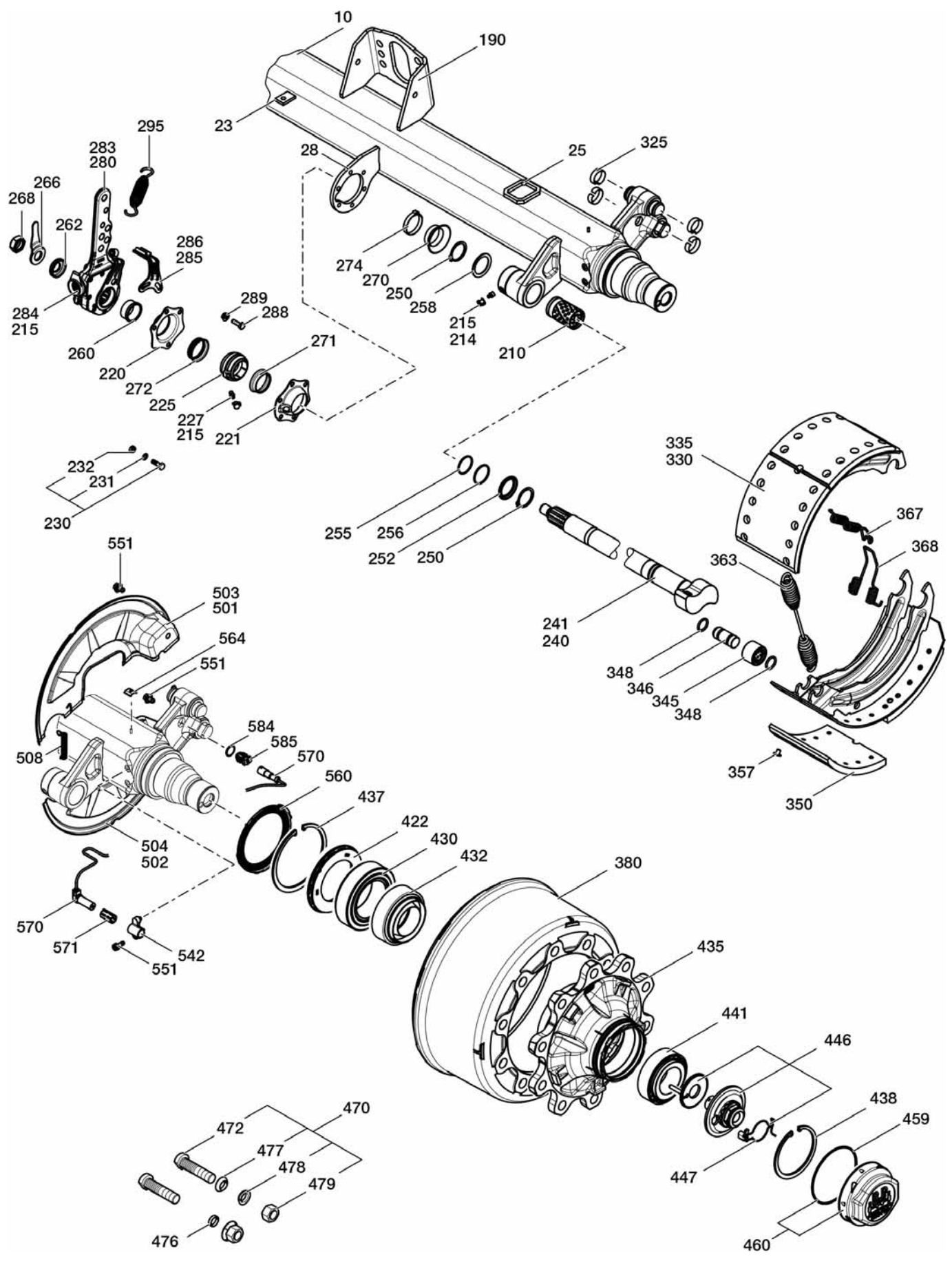


For more information please contact:

www.europart.net

VauQuadrat

**EURO
PART**
... more than parts



HSF 9010-15 ECO Plus 2

Illustration	Description	Dimensions mm	Order number
23	Attachment plate for air spring valve		6032 814 203
25	Centering frame for spring pads	72.5 x 60 x 8	6032 954 621
28	Support bearing plate for brake camshaft bearing		6032 855 571
190	Base plate for brake chamber installation		6031 823 578
	Repair kit for brake camshaft bearing (fig. 210, 214, 220, 221, 225, 227, 230, 245, 271, 272, 289, parts for 1 axle side)		6098 010 609
210	Bearing bush	∅ 42/46 x 72.6	6031 124 434
214	Lubricating nipple, Form A	M10 x 1	6026 802 035
215	Protective cap for grease nipple		6023 505 200
220	Bearing bracket for ball socket, for brake camshaft	∅ 50/6 x 10	6032 290 219
221	Bearing bracket for ball socket, for brake camshaft	∅ 50/4 x 10	6032 290 218
225	Ball bush for brake camshaft	∅ 42/60 x 38	6031 131 404
227	Lubricating nipple, Form A	M8 x 1	6026 802 145
230	Attachment screw for brake camshaft bearing (fig. 231, 232)	M8 x 25	6058 650 002
231	Spring washer, Form B	∅ 8	6025 403 089
232	Hexagon nut	M8	6025 202 128
240	Brake camshaft, left (S)	A	6090 970 529
241	Brake camshaft, right (Z)	A	6090 970 530
	Repair kit for brake camshaft (fig. 250-262, 268, 270, 274, parts for 1 axle side)		6098 010 043
250	Circlip for brake camshaft bearing, Form A	∅ 42 x 2.5	6025 676 010
252	Ring for guide sleeve	∅ 42/55 x 7	6033 101 224
255	O-ring, black	∅ 37 x 2.6	6025 677 374
256	O-ring, green	∅ 40 x 2.5	6025 679 230
258	Shaft sealing ring for brake camshaft	∅ 42/56 x 2	6031 204 202
260	Bearing bush for brake camshaft	∅ 37.4/45 x 21.3	6031 130 306
262	Washer	∅ 22.5/42 x 10.5	6332 011 161
266	Actuating lever for braking force compensators	Length 85	6031 901 407
268	Hexagon nut	M22 x 1.5/Height 15/ Spanner size 32	6032 601 408
270	Shaft sealing ring for brake camshaft	∅ 41/47 x 25	6031 204 314
271	Shaft sealing ring for brake camshaft	∅ 42 x 15	6031 204 209
272	Shaft sealing ring for brake camshaft	∅ 45/49 x 13.5	6031 204 208
274	Security clamp for brake camshaft bearing	∅ 49 x 9	6033 503 002
	Slack adjuster set, ECO Master (fig. 262, 266, 280, 285, 288, 289)		6055 748 287
280	Slack adjuster, ECO Master (Fig. 215, 283, 284)		6051 748 263
283	Cap for slack adjuster reset action		6032 119 015
284	Lubricating nipple, Form A	S8 x 1	6026 850 010
285	Mould plate for brake slack adjuster	24°	6031 652 519
288	Bolt	M8 x 25	6025 025 308
289	Hexagon nut	M8	6025 273 328
295	Reset spring	∅ 26 x 2.8/Length 148	6053 972 603
325	Hook circlip for drum brake with divided roller	∅ 30/33 x 10	6031 880 202
	Repair kit for drum brake SN 42 with tension spring and hooked circlip (C-clamp), (fig. 325, 363, 367, 368)		6098 010 679
	Repair kit for drum brake SN 4218 With brake shoes, (Fig. 327, 330)		6098 010 739
330	Brake shoe with brake lining (Fig. 335, 350, 357)		6050 914 632
335	Brake shoe without brake lining (fig. 345-348)		6050 914 636
	Repair kit for brake shoe roller (fig. 345-348)		6098 010 291
345	Brake shoe sleeve for drum brake with divided roller	∅ 26/45 x 33.5	6053 314 402
346	Brake shoe pin for drum brake with divided roller	∅ 26 x 58.5	6030 847 524

Continued on the next page ...

... continued from the previous page

Illustration	Description	Dimensions mm	Order number
348	Ring for guide sleeve	Ø 24/31 x 3.5	6033 107 015
350	Brake lining set for drum brake (for 1 axle)	180 x 18.00 x 420	6098 010 741
357	Brake pad rivet, Form B	Ø 8 x 15	6025 805 803
363	Reset spring for drum brake, with divided roller	Ø 34.5 x 274 x 5.5	6053 975 803
367	Reset spring (hook) for drum brake with divided roller	Ø 15.4 x 3.6 x 36/84	6033 973 306
368	Reset spring (eye) for drum brake with divided roller	Ø 19 x 3.6 x 36/83	6033 973 307
380	Brake drum	Ø 420 x 180/ Height 226	6031 096 719
	Repair kit (fig. 422, 430, 432, 437-460, components for 1 axle side)		6098 010 733
	Repair kit (fig. 422, 430, 437, 438, 441, 459)		6098 010 734
422	Shaft sealing ring, Radnabe ECO Seal ab 10/2004	Ø 117.5/158 x 17.5	6025 664 740
430	Tapered roller bearing 33118		6026 410 230
432	Sealing ring for wheel hub bearing	Ø 101/130 x 50	6031 204 708
	Wheel hub (fig. 422-460, 560)		6098 010 735
435	Wheel hub	10 x Ø 22/Ø 137	6032 724 329
437	Circlip for wheel hub shaft seal	Ø 158 x 4	6025 606 589
438	Circlip, ECO Plus	Ø 122 x 4	6025 606 229
441	Tapered roller bearing 33213		6026 410 220
446	Repair kit, axle bolt with toothed washer	M32 x 2/ Spanner size 46	6090 013 703
447	Hook circlip		6051 880 310
459	O-ring for wheel hub cap	Ø 128 x 3	6025 678 650
460	Wheel-hub cap with O-ring (incl. fig. 459)		6052 122 578
472	Wheel bolt	M22 x 1.5/89/54	6032 963 314
	Cover set, SN 4218, 120, 16° (fig. 501-504, 508)		6099 000 112
542	Bracket for sensor	Length 19.5	6031 891 461
551	Bolt for sensor bracket	M8 x 20	6025 071 230
560	Sensor ring, ABS for drum brake, SN 3620, 360 x 200 mm	Ø 125/156 x 8.5 (Number of teeth 100)	6033 100 851
564	Fastening clamp		6023 507 320
570	ABS sensor drum brake	32.8 x 232 x 400	6023 317 050
571	Clamping sleeve for ABS	Ø 16.6/18.4 x 33	0687 605 104
585	Bracket for sensor connector (incl. fig. 584, O-ring)		6051 891 559

“V^{top} drivers: Roll up!”

EUROPART is already there.



We are “all fired up” and support this initiative:

1. We want to help to improve the social standing of the driver.
2. We want to stimulate the knowledge and sense of responsibility of the driver.
3. We want to optimise understanding of the needs of the driver in all levels of society.
4. We want to join in helping to make road traffic safer and more harmonious for all those involved.

Reason – Understanding – Example:
The trademarks of the V^{top} drivers.

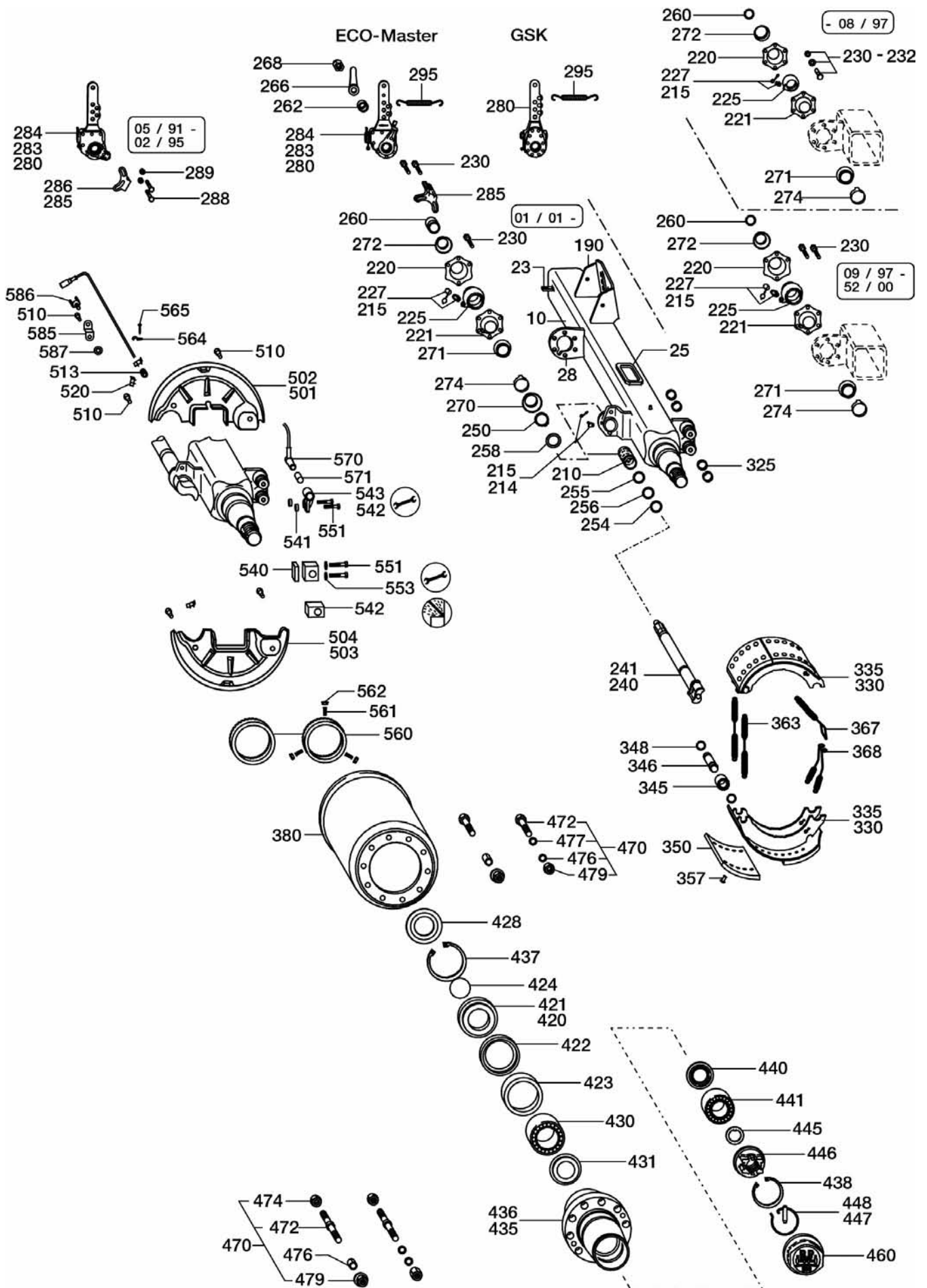
An initiative of the long-distance truck driver magazine FERNFAHRER and the lighting specialist Hella.

More information from:

www.europart.net

www.v-top.de

**EURO
PART** 
... more than parts



NHZF 9010-15 ECO MAXX

Illustration	Description	Dimensions mm	Order number
23	Attachment plate for air spring valve		6032 814 203
25	Centering frame for spring pads	72.5 x 60 x 8	6032 954 621
28	Support bearing plate for brake camshaft bearing		6032 855 416
190	Base plate for brake cylinder installation		6031 823 580
	Repair kit for brake camshaft bearing (fig. 210, 214, 220, 221, 225, 227, 230, 245, 271, 272, 289, parts for 1 axle side)		6098 010 609
210	Bearing bush	∅ 42/46 x 72.6	6031 124 434
214	Lubricating nipple, Form A	M10 x 1	6026 802 035
215	Protective cap for grease nipple		6023 505 200
220	Bearing bracket for ball socket, for brake camshaft	∅ 50/6 x 10	6032 290 219
221	Bearing bracket for ball socket, for brake camshaft	∅ 50/4 x 10	6032 290 218
225	Ball bush for brake camshaft	∅ 42/60 x 38	6031 131 404
227	Lubricating nipple, Form A	M8 x 1	6026 802 145
230	Attachment screw for brake camshaft bearing (fig. 231, 232)	M8 x 25	6058 650 002
231	Spring washer, Form B	∅ 8	6025 403 089
232	Hexagon nut	M8	6025 202 128
240	Brake camshaft, left (S)	Length 740 (615.5)	6050 976 017
241	Brake camshaft, right (Z)	Length 740 (615.5)	6050 976 018
	Repair kit for brake camshaft (fig. 250-262, 268, 270, 274, parts for 1 axle side)		6098 010 043
250	Circlip for brake camshaft bearing, Form A	∅ 42 x 2.5	6025 676 010
254	Ring for guide sleeve	∅ 42/46 x 4	6033 108 102
255	O-ring, black	∅ 37 x 2.6	6025 677 374
256	O-ring, green	∅ 40 x 2.5	6025 679 230
258	Shaft sealing ring for brake camshaft	∅ 42/56 x 2	6031 204 202
260	Circlip (not contained in repair set 6098 010 609)	∅ 37/41 x 2	6025 616 059
260	Bearing bush for brake camshaft	∅ 37.4/45 x 21.3	6031 130 306
262	Washer	∅ 22.5/42 x 10.5	6332 011 161
266	Actuating lever for braking force compensators	Length 85	6031 901 407
268	Hexagon nut for slack adjuster attachment	M22 x 1.5/Height 15/ Spanner size 32	6032 601 408
270	Shaft sealing ring for brake camshaft	∅ 41/47 x 25	6031 204 314
271	Shaft sealing ring for brake camshaft	∅ 42 x 15	6031 204 209
271	Shaft sealing ring for brake camshaft (not contained in repair set 6098 010 609)	∅ 41 x 20	6031 204 312
272	Shaft sealing ring for brake camshaft	∅ 45/49 x 13.5	6031 204 208
272	Shaft sealing ring for brake camshaft (not contained in repair set 6098 010 609)	∅ 34/40 x 26	6031 204 310
274	Security clamp for brake camshaft bearing	∅ 49 x 9	6033 503 002
	Slack adjuster set, ECO Master (fig. 262, 266, 280, 285, 288, 289)		6055 748 287
280	Slack adjuster, ECO Master (Fig. 215, 283, 284)		6051 748 263
283	Cap for slack adjuster reset action		6032 119 015
284	Lubricating nipple, Form A	S8 x 1	6026 850 010
285	Mould plate for brake slack adjuster	24°	6031 652 519
288	Bolt	M8 x 25	6025 025 308
289	Hexagon nut for profiled sheet	M8	6025 273 328
295	Reset spring for brake slack adjuster	∅ 26 x 2.8/Length 148	6053 972 603
325	Hook circlip for drum brake with divided roller	∅ 30/33 x 10	6031 880 202
	Repair kit drum brake SN 3020 with tension spring and hooked circlip (C-clamp), (fig. 325, 363, 367, 368)		6098 010 680
	Repair kit for drum brake SN 3020 With brake shoes, (Fig. 329, 330)		6098 012 420
	Repair kit drum brake SN 3015/3020 without brake shoes, (fig. 315, 325, 363, 364, 367, 368)		6098 010 247

Continued on the next page ...

... continued from the previous page

Illustration	Description	Dimensions mm	Order number
330	Brake shoe with brake lining (Fig. 335, 350, 357)	300 x 200	6050 911 477
335	Brake shoe without brake lining, with roller, (fig. 345-348)	300 x 200	6050 911 480
	Repair kit for brake shoe roller (fig. 345-348)		6098 010 291
345	Brake shoe sleeve for drum brake with divided roller	∅ 26/45 x 33.5	6053 314 402
346	Brake shoe pin for drum brake with divided roller	∅ 26 x 58.5	6030 847 524
348	Ring for guide sleeve	∅ 24/31 x 3.5	6033 107 015
350	Brake pad	200 x 18.00 x 300	6030 921 445
357	Brake pad rivet, Form B	∅ 8 x 15	6025 805 803
363	Reset spring	∅ 20 x 3.6 x 180	6053 973 417
367	Reset spring (with hook)	∅ 15.4 x 3.6	6033 973 308
368	Reset spring (with eye)	∅ 15.4 x 3.6	6033 973 309
380	Brake drum	∅ 300 x 200/ Height 260	6031 094 606
	Repair kit for taper roller bearing, with impact ring and capsule (fig. 420, 423, 428-431, 437, 438, 440, 441, 445-448, 460, components for 1 axle side, for trailer)		6098 010 233
	Repair kit for taper roller bearing (fig. 420, 423, 428, 430, 431, 440, 441, 445, components for 1 axle side)		6098 010 272
420	Impact ring set (Fig. 421, 422, 424)		6053 700 767
421	Impact ring	∅ 86/115/139 x 22	6033 700 760
422	Shaft sealing ring for wheel hub	∅ 115/136.7 x 10.5	6025 664 570
423	Wheel hub sealing ring	∅ 131/140 x 12.5	6025 683 620
424	O-ring	∅ 90 x 3	6025 677 904
428	Wheel hub sealing ring	∅ 103/147x 15	6025 681 980
430	Tapered roller bearing, inside		6026 410 240
431	Cover plate	∅ 84/129 x 8.5	6030 109 333
434	Wheel hub completely assembled with ABS pulse wheel (fig. 420-448, 460, 560)		6098 010 654
435	Wheel hub completely assembled with ABS pulse wheel	10 x ∅ 20/M125 x 2	6032 722 748
437	Circlip for wheel hub shaft seal	∅ 140 x 4	6025 606 409
438	Circlip for axle nut	∅ 112 x 4	6025 606 129
440	Impact ring	∅ 53/98 x 10	6033 702 516
441	Tapered roller bearing, outside		6026 410 250
445	Washer	∅ 43/61 x 5.8	6033 207 313
446	Axle nut	M42 x 2/∅ 110/ Spanner size 65	6032 664 602
447	Bolt	∅ 8 x 45	6030 847 117
448	Hook circlip	∅ 54 x 2	6031 880 306
460	Wheel-hub cap, ECO Plus	M125 x 2/ Spanner size 110	6032 122 425
472	Wheel bolt	M22 x 1.5/97/52	6032 963 312
	Cover set, SN 3020, 120, 0° (fig. 501-504, 510, 520)		6900 000 109
510	Bolt for cover plate	M10 x 15	6025 071 220
513	Shaft sealing ring for brake camshaft	∅ 10/13 x 7	6025 681 780
520	Plug for cover plate		6033 790 023
540	Adapter plate for ABS sensor bracket		6031 891 177
542	Bracket for sensor	Height 12.5	6031 890 787
550	Thread-cutting screw for ABS bracket	M8 x 22	6033 410 005
551	Socket head bolt for ABS sensor bracket	M6 x 16	6025 015 008
553	Split washer, Form A	∅ 6	6025 601 069
560	Sensor ring, ABS	∅ 152/170 x 15 (Number of teeth 80)	6033 100 818
564	Fastening clamp		6023 507 320
570	ABS sensor drum brake	∅ 32.8/232 x 400	6023 317 050
571	Clamping sleeve for ABS	∅ 16.6/18.4 x 33	0687 605 104
585	Bracket for sensor		6031 890 772
586	Bracket for sensor connector		6021 421 110
587	Serrated lock washer	∅ 10.5	6025 414 119

Heavy loads easily lifted

This is how it's done: lifting of trailers and commercial vehicles

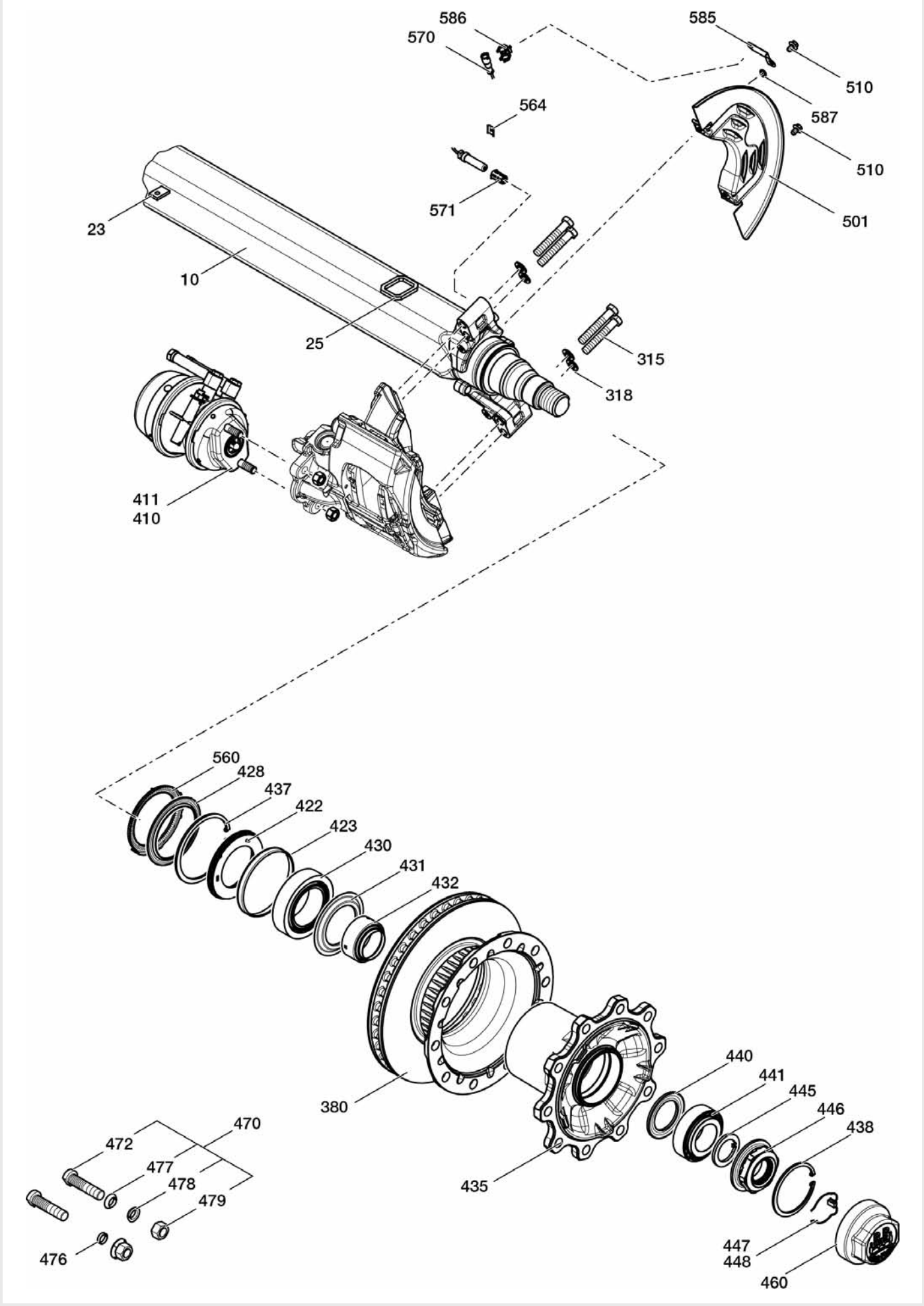


Mobile and fast! With our modern lifting technology, you will master the trailer in no time at all during repairs and maintenance.

More information from:

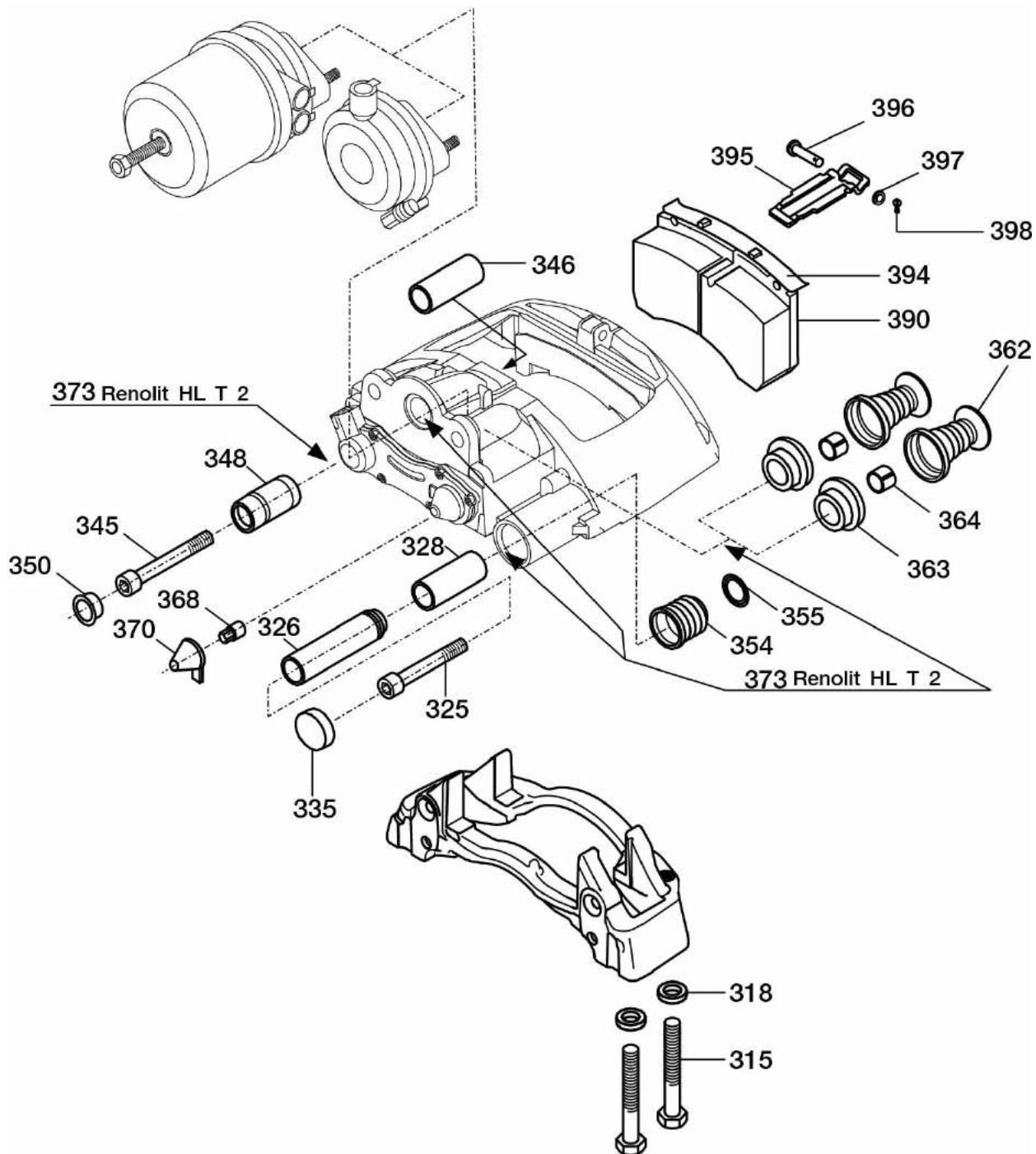
www.europart.net

**EURO
PART**
... more than parts



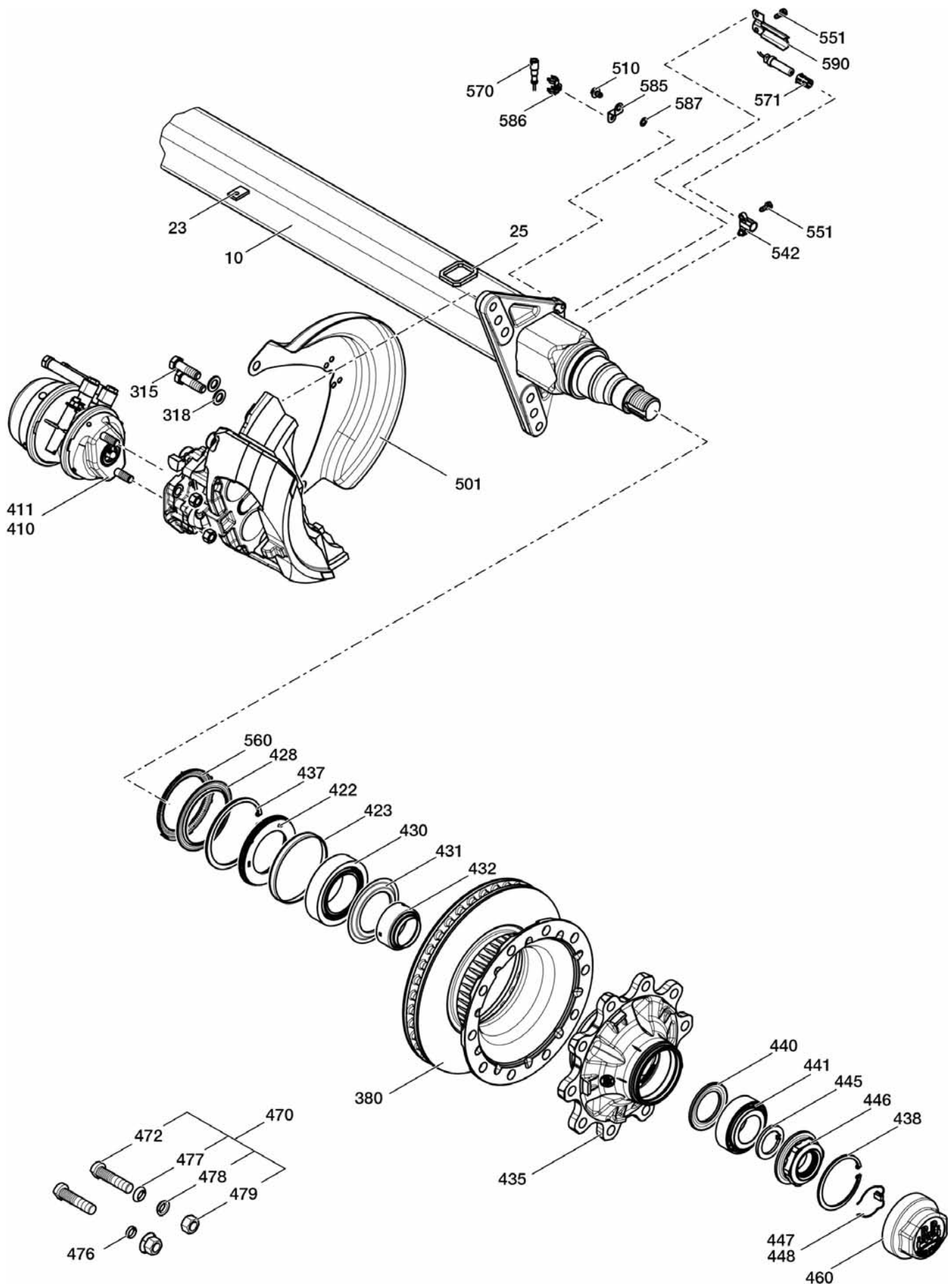
SHBF 9010-15 ECO Plus

Illustration	Description	Dimensions mm	Order number
25	Centering frame for spring pads	72.5 x 60 x 8	6032 954 621
315	Bolt	M16 x 1.5 x 97 - 12.9/ Spanner size 24	6033 401 226
318	Washer	A 17	6254 011 608
380	Brake disc	SB 4309/4345, Hole pattern 10 x 23	6030 883 505
	Wheel bearing set ECO Plus, 9 t (fig. 422, 430, 431, 432, 440, 441, 445 ECO Seal)		6098 010 626
422	Shaft sealing ring, Radnabe ECO Seal ab 10/2004	Ø 117.5/158 x 17.5	6025 664 740
423	Ring (on hubs with end digits 0/1 : DO NOT REMOVE THE RING)	Ø 151/157.6 x 20	6025 683 800
428	Shaft sealing ring, not with ECO Seal	Ø 122/160 x 8.5	6031 204 815
430	Tapered roller bearing 33118		6026 410 230
431	Cover plate	Ø 94/149 x 8.5	6030 109 334
432	Shaft sealing ring	Ø 67/95 x 49.5	6031 204 515
434	Wheel hub (fig. 422, 430-448, 460, 560 ECO Seal)	with hub 6032 724 314	6098 010 658
435	Wheel hub	M136 x 2,5/10 x Ø 22	6032 724 314
437	Circlip, 8-9 t ECO Plus/ECO Seal, 10-12 t ECO Seal	Ø 158 x 4	6025 606 589
438	Circlip	Ø 122 x 4	6025 606 229
440	Impact ring	Ø 71/108 x 8	6033 702 624
441	Tapered roller bearing 33213		6026 410 220
445	Washer	Ø 53/76 x 5.8	6033 206 401
446	Axle nut	M52 x 2 x 2/ Spanner size 95	6052 664 706
447	Safety wedge		6032 770 007
448	Hook circlip	Ø 62 x 1.8	6031 880 410
460	Wheel-hub cap	M136 x 2.5/ Spanner size 110	6032 122 531
472	Wheel bolt	M22 x 1.5/80/45	6032 963 311
	Cover set SB 4309 (fig. 501, 510)		6098 010 641
501	Cover plate		6030 109 177
510	Bolt	M10 x 15	6025 071 220
560	Sensor ring, ABS	Ø 125/156 x 8.5 (Number of teeth 100)	6033 100 851
564	Fastening clamp		6023 507 320
570	ABS sensor	Length 350	6023 317 070
571	Clamping sleeve for ABS	Ø 16.6/18.4 x 33	0687 605 104
585	Bracket for sensor		6031 890 772
586	Bracket for sensor connector		6021 421 110
587	Serrated lock washer	A 10.5	6025 414 119



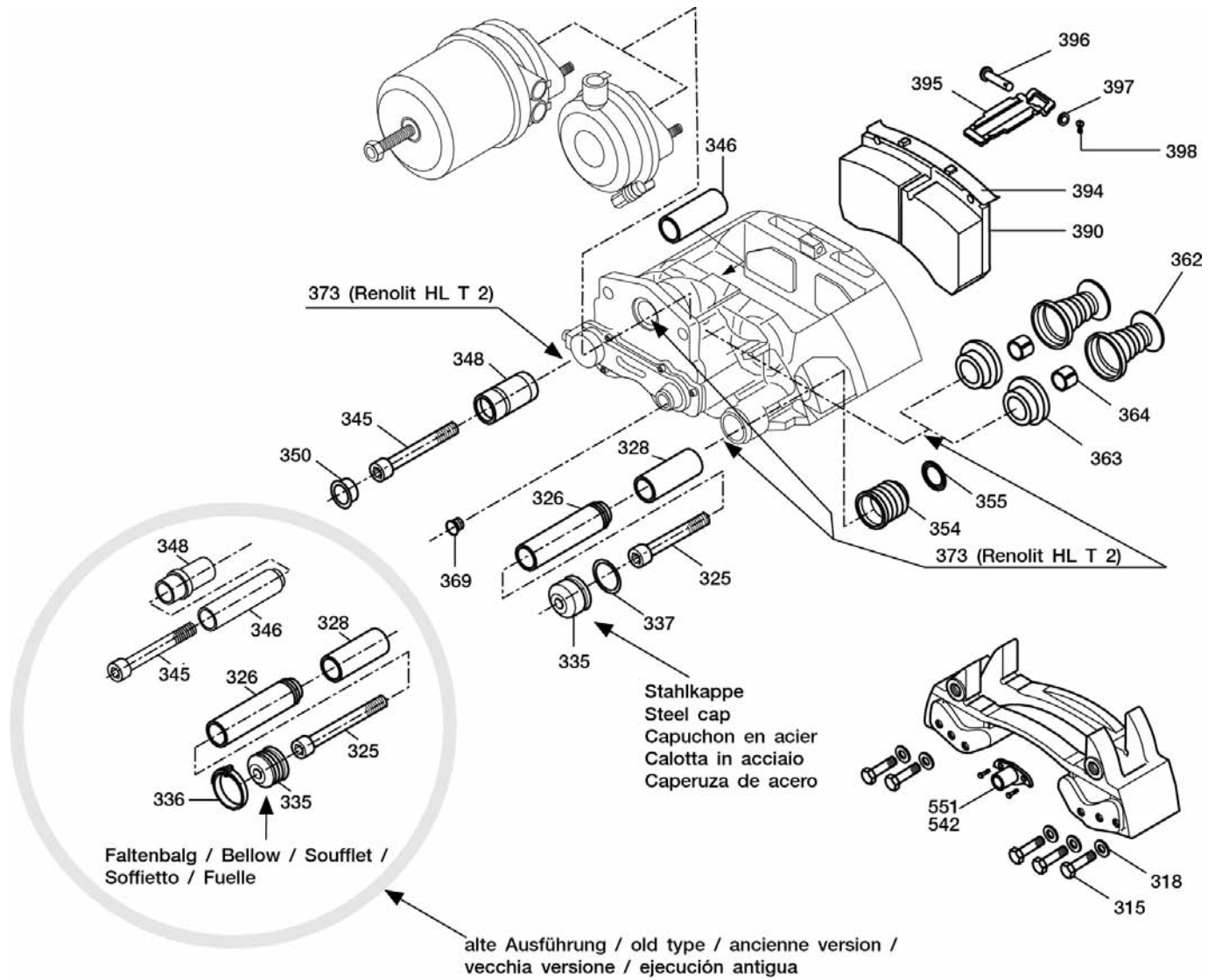
SHBF 9010-15 ECO Plus disc brake SB 4309

Illustration	Description	Dimensions mm	Order number
	Guide sealing set (Fig. 325-328, 335, 345-352, 354, 355, 373)		5034 343 812
325	Socket head bolt	M16 x 1.5 x 86 - 10.9	6025 015 721
326	Bushing	∅ 17/26/36 x 116	6020 316 970
328	Guide socket	∅ 36/40 x 82	6020 315 360
335	Cover for brake caliper guide		6020 601 190
345	Socket head bolt	M16 x 1.5 x 80	6025 015 731
346	Bushing	∅ 17/32 x 80	6020 314 060
348	Guide sleeve		6021 410 210
350	Cap for securing brake caliper		6021 827 070
354	Bellows	∅ 33/50 x 38	6021 011 240
355	Ring	∅ 36.6/50 x 5.4	6025 683 740
	Pressure pad set (Fig. 362-364, 373)		3400 110 013
362	Pressure pad with bellows		6020 608 150
363	Seal for brake caliper guide		6020 611 050
364	Bushing	∅ 16/18 x 10	6020 315 560
368	Adjuster cap set		3411 000 290
370	Cap	∅ 35	6021 827 090
373	Assembly grease HLT2, 5 g Tube		6021 040 400
	Brake pad set, Fig. 368-370, 390, 394, 396-398 (Fig. 368, 370 for disc brake with adjustment adapter)		6098 010 644
396	Bolt	∅ 10 x 48/52	6025 829 223
398	Fuse		6023 301 310



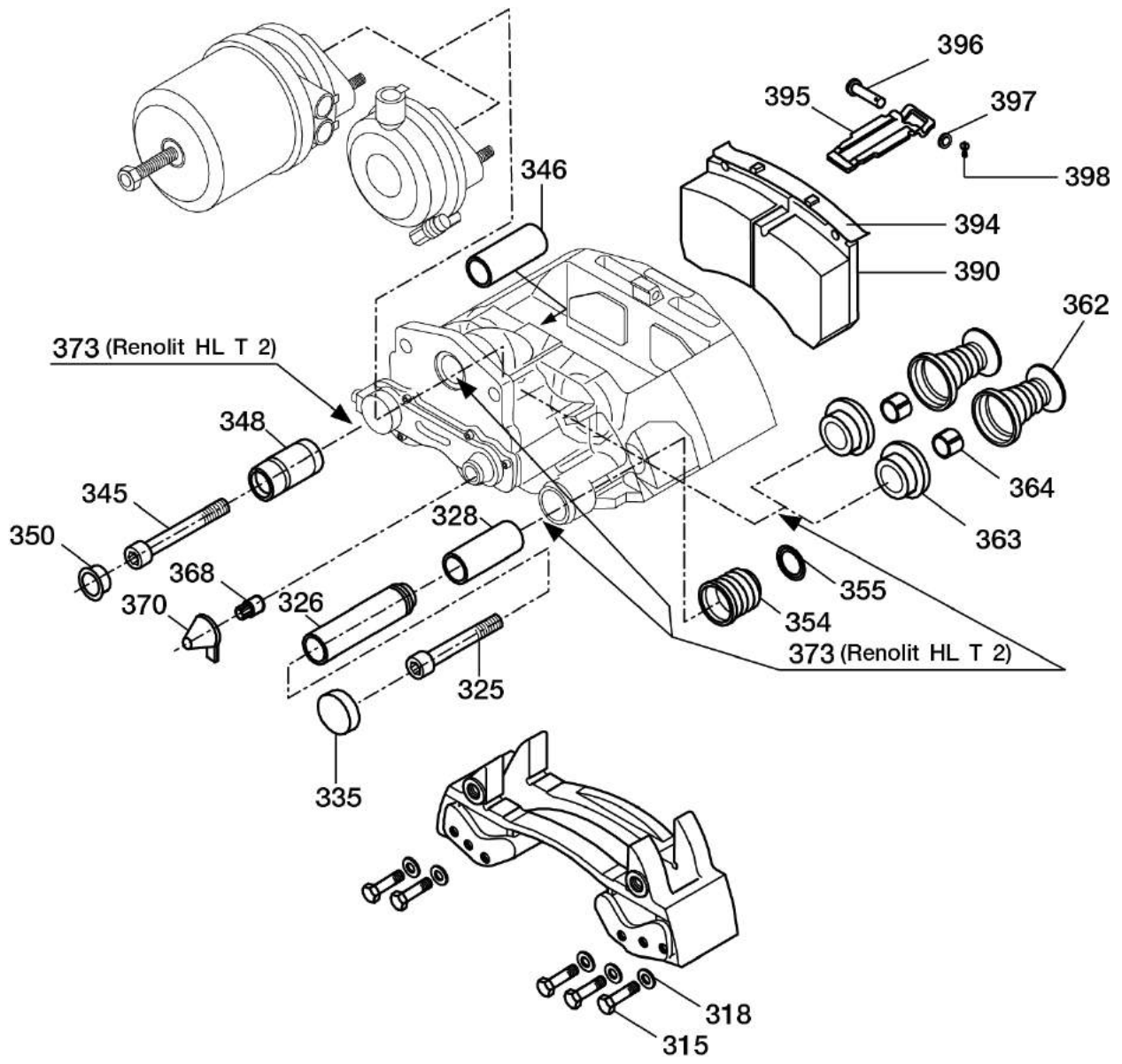
SHSF 9010 ECO Plus

Illustration	Description	Dimensions mm	Order number
25	Centering frame for spring pads	72.5 x 60 x 8	6032 954 621
315	Bolt	M18 x 1.5 x 60 - 12.9	6025 030 032
318	Washer, Form A	Ø 19	6254 011 904
380	Brake disc	SB 4309/4345, Hole pattern 10 x 23	6030 883 505
	Wheel bearing set ECO Plus 9 t (fig. 422, 430, 431, 432, 440, 441, 445 ECO Seal)		6098 010 626
422	Shaft sealing ring, Radnabe ECO Seal ab 10/2004	Ø 117.5/158 x 17.5	6025 664 740
423	Ring (on hubs with end digits 0/1 : DO NOT REMOVE THE RING)	Ø 151/157.6 x 20	6025 683 800
428	Shaft sealing ring, not with ECO Seal	Ø 122/160 x 8.5	6031 204 815
430	Tapered roller bearing 33118		6026 410 230
431	Cover plate	Ø 94/149 x 8.5	6030 109 334
432	Shaft sealing ring	Ø 67/95 x 49.5	6031 204 515
	Wheel hub (fig. 422-448, 460, 560 ECO Seal)		6098 010 607
435	Wheel hub	M136 x 2,5/10 x Ø 22	6032 724 310
437	Circlip, 8-9 t ECO Plus/ECO Seal, 10-12 t ECO Seal	Ø 158 x 4	6025 606 589
438	Circlip	Ø 122 x 4	6025 606 229
440	Impact ring	Ø 71/108 x 8	6033 702 624
441	Tapered roller bearing 33213		6026 410 220
445	Washer	Ø 53/76 x 5.8	6033 206 401
446	Axle nut	M52 x 2 x 2/ Spanner size 95	6052 664 706
447	Safety wedge		6032 770 007
448	Hook circlip	Ø 62 x 1.8	6031 880 410
460	Wheel-hub cap	M136 x 2.5/ Spanner size 110	6032 122 531
472	Wheel bolt	M22 x 1.5/89/54	6032 963 314
510	Bolt	M10 x 15	6025 071 220
551	Bolt	M8 x 20	6025 071 230
542	Bracket	Length 19.5	6031 891 461
560	Sensor ring, ABS	Ø 125/156 x 8.5 (Number of teeth 100)	6033 100 851
570	ABS sensor	Length 350	6023 317 070
571	Clamping sleeve for ABS	Ø 16.6/18.4 x 33	0687 605 104
585	Bracket for sensor		6031 890 772
586	Bracket for sensor connector		6021 421 110
587	Serrated lock washer	A 10.5	6025 414 119
590	Heat conducting plate		6031 652 464



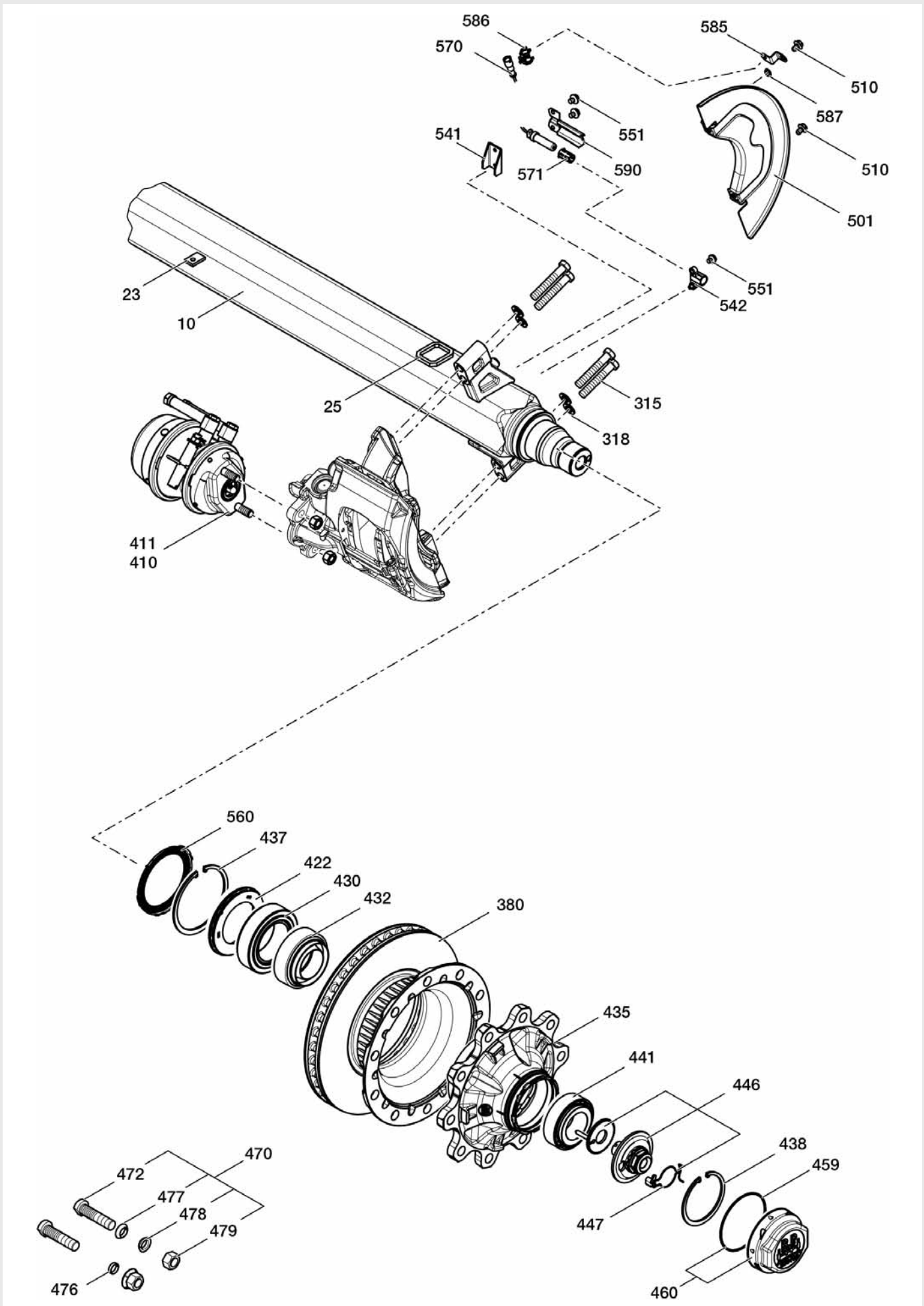
SHSF 9010 ECO Plus disc brake SB 4345

Illustration	Description	Dimensions mm	Order number
323	Repair kit for guide sleeve		3450 414 405
325	Socket head bolt	M16 x 1.5 x 86 - 10.9	6025 015 721
326	Bushing	∅ 17/26/36 x 116	6020 316 970
328	Guide socket	∅ 36/40 x 82	6020 315 360
335	Bellows	∅ 14.5/52 x 38	6021 011 250
335	Cap	∅ 52 x 28	6021 827 060
336	Hose clip	∅ 53 x 7	6023 502 380
337	O-ring	∅ 47 x 3	6025 677 980
345	Socket head bolt	M16 x 1.5 x 80	6025 015 731
346	Bushing	∅ 17/32 x 80	6020 314 060
346	Bushing	∅ 17/26/34 x 80	6020 315 340
348	Guide sleeve	∅ 36/40 x 48	3450 414 345
350	Cap for securing brake caliper		6021 827 070
	Repair kit for guide sleeves of the monoblock brake application unit (Fig. 335, 337, 354, 355, 369)		6098 010 611
354	Bellows	∅ 33/50 x 38	6021 011 240
355	Ring	∅ 36.6/50 x 5.4	6025 683 740
362-364, 373	Pressure pad set		6098 010 263
362	Pressure pad with bellows		6020 608 140
363	Seal		6020 611 060
364	Bushing	∅ 16/18 x 10	6020 315 560
369	Cover cap		6021 827 040
373	Assembly grease HLT2, 5 g Tube		6021 040 400
	Brake pad set for 1 axle (Fig. 368-370, 390, 394, 396-398, Fig. 368, 370 for disc brake with adjustment adapter)		6098 010 645
393	Brake pad hold-down kit for one axle (fig. 395-398)		6098 010 266
395	Brake pad retaining clamp		6020 305 210
396	Bolt	∅ 10 x 48/52	6025 829 223
398	Fuse		6023 301 310



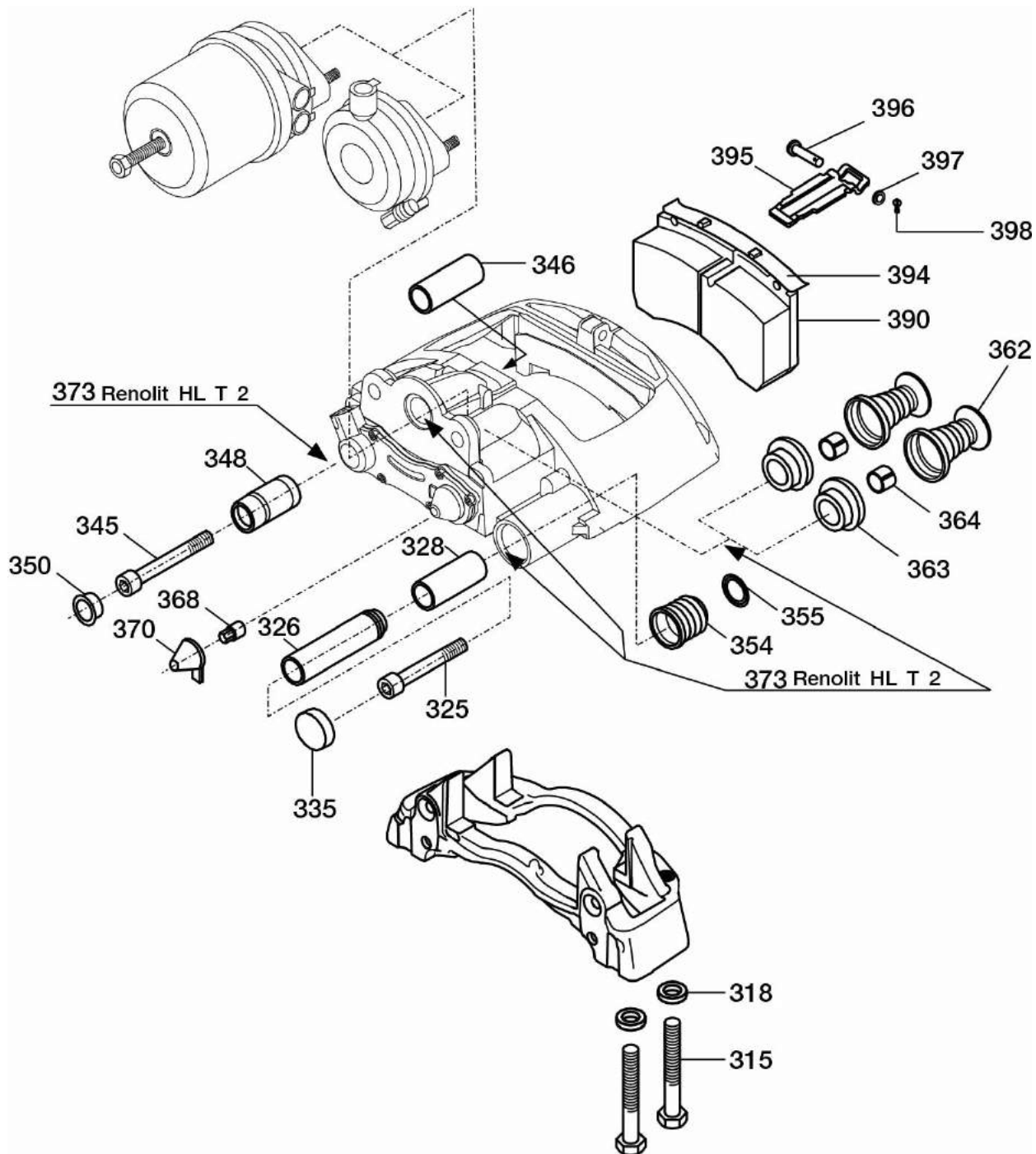
SHSF 9010 ECO Plus disc brake SB 4345

Illustration	Description	Dimensions mm	Order number
	Guide sealing set (Fig. 325-328, 335, 345-352, 354, 355, 373)		5034 343 812
325	Socket head bolt	M16 x 1.5 x 86 - 10.9	6025 015 721
326	Bushing	Ø 17/26/36 x 116	6020 316 970
328	Guide socket	Ø 36/40 x 82	6020 315 360
335	Cover for brake caliper guide		6020 601 190
345	Socket head bolt	M16 x 1.5 x 80	6025 015 731
346	Bushing	Ø 17/32 x 80	6020 314 060
348	Guide sleeve		6021 410 210
350	Cap for securing brake caliper		6021 827 070
354	Bellows	Ø 33/50 x 38	6021 011 240
355	Ring	Ø 36.6/50 x 5.4	6025 683 740
	Pressure pad set (Fig. 362-364, 373)		3400 110 013
362	Pressure pad with bellows		6020 608 150
363	Seal		6020 611 050
364	Bushing	Ø 16/18 x 10	6020 315 560
368	Adjuster cap set		3411 000 290
370	Cap	Ø 38	6021 827 080
373	Assembly grease HLT2, 5 g Tube		6021 040 400
	Brake pad set for 1 axle (Fig. 368-370, 390, 394, 396-398, Fig. 368, 370 for disc brake with adjustment adapter)		6098 010 645
393	Brake pad hold-down kit for one axle (fig. 395-398)		6098 010 266
395	Brake pad retaining clamp		6020 305 210
396	Bolt	Ø 10 x 48/52	6025 829 223
398	Fuse		6023 301 310



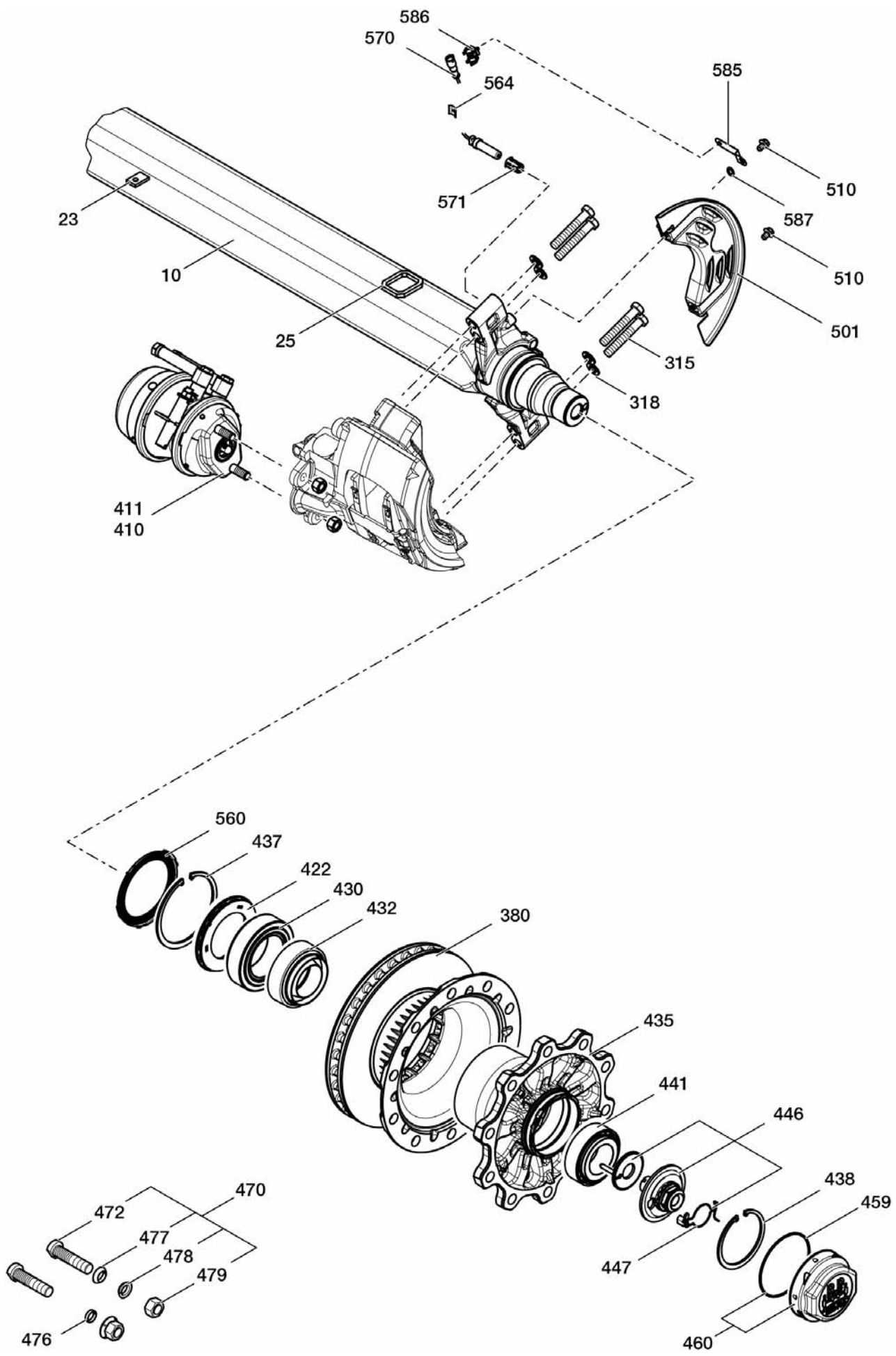
SHSF 9010 ECO Plus 2

Illustration	Description	Dimensions mm	Order number
25	Centering frame for spring pads	72.5 x 60 x 8	6032 954 621
315	Bolt	M16 x 1.5 x 97 - 12.9/ Spanner size 24	6033 401 226
318	Washer	A 17	6254 011 608
380	Brake disc, SB 4309/4345	Hole pattern 10 x 23	6030 883 505
422	Shaft sealing ring, Radnabe ECO Seal ab 10/2004	Ø 117.5/158 x 17.5	6025 664 740
430	Tapered roller bearing 33118		6026 410 230
432	Shaft sealing ring	Ø 67/95 x 49.5	6031 204 515
	Wheel hub (fig. 422-460, 560)		6098 010 735
435	Wheel hub	Ø 137	6032 724 329
437	Circlip, 8-9 t ECO Plus/ECO Seal, 10-12 t ECO Seal	Ø 158 x 4	6025 606 589
438	Circlip	Ø 122 x 4	6025 606 229
441	Tapered roller bearing 33213		6026 410 220
446	Repair kit axle bolt with toothed washer (incl. fig. 447)	M32 x 2/ Spanner size 46	6090 013 703
447	Hook circlip, complete with retaining wedge		6051 880 310
459	O-ring	Ø 128 x 3	6025 678 650
460	Wheel-hub cap (incl. fig. 459)		6052 122 578
472	Wheel bolt	M22 x 1.5/80/45	6032 963 311
510	Bolt	M10 x 15	6025 071 220
551	Bolt	M8 x 20	6025 071 230
542	Bracket	Length 19.5	6031 891 461
560	Sensor ring, ABS	Ø 125/156 x 8.5 (Number of teeth 100)	6033 100 851
570	ABS sensor	Length 350	6023 317 070
571	Clamping sleeve for ABS	Ø 16.6/18.4 x 33	0687 605 104
585	Bracket for sensor		6031 890 772
586	Bracket for sensor connector		6021 421 110
587	Serrated lock washer, Form A	Ø 10.5	6025 414 119
590	Heat conducting plate		6031 652 464



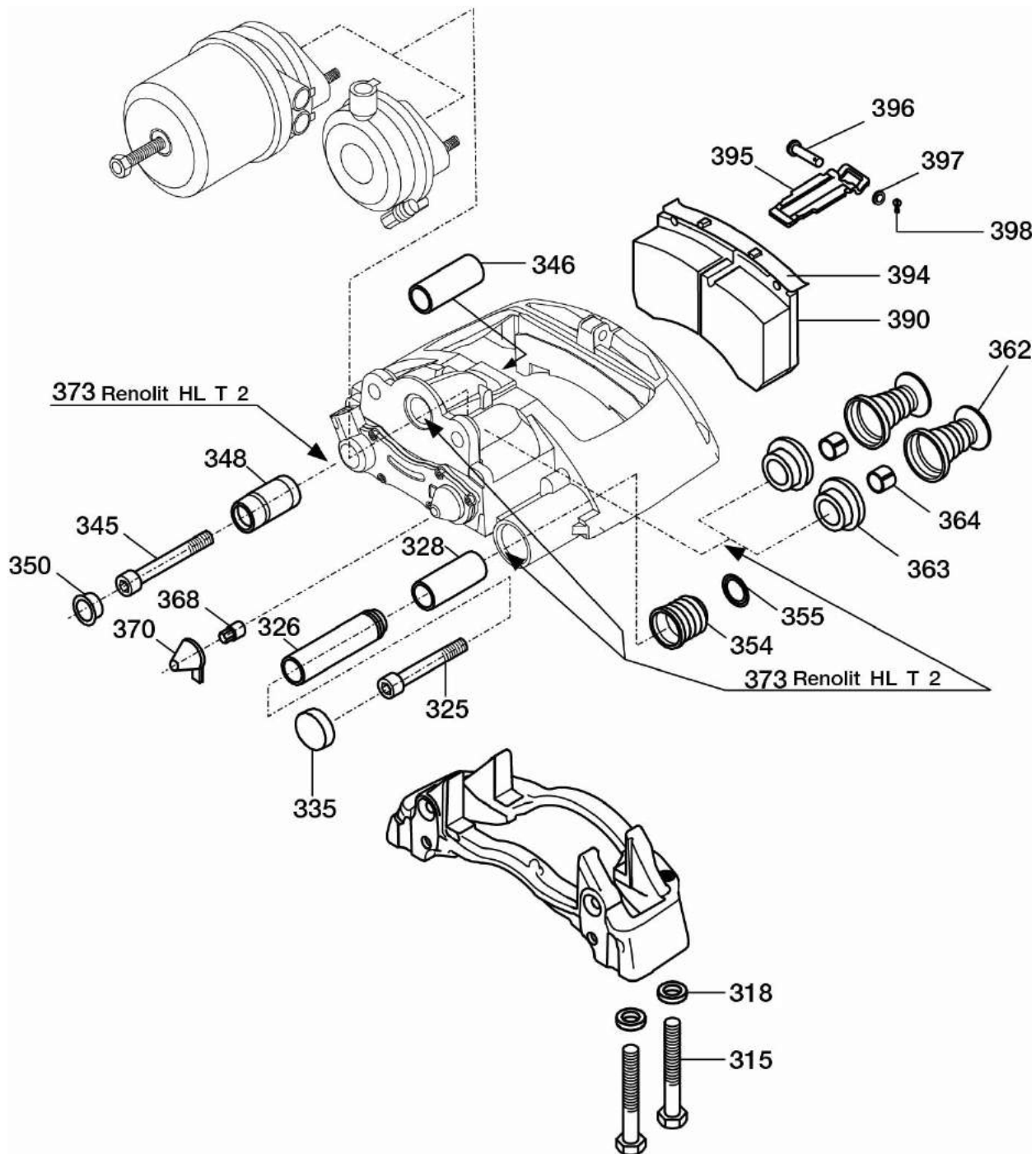
SHSF 9010 ECO Plus 2 disc brake SB 4309

Illustration	Description	Dimensions mm	Order number
	Guide sealing set (Fig. 325-328, 335, 345-352, 354, 355, 373)		5034 343 812
325	Socket head bolt	M16 x 1.5 x 86 - 10.9	6025 015 721
326	Bushing	Ø 17/26/36 x 116	6020 316 970
328	Guide socket	Ø 36/40 x 82	6020 315 360
335	Cover for brake caliper guide		6020 601 190
345	Socket head bolt	M16 x 1.5 x 80	6025 015 731
346	Bushing	Ø 17/32 x 80	6020 314 060
348	Guide sleeve		6021 410 210
350	Cap for securing brake caliper		6021 827 070
354	Bellows	Ø 33/50 x 38	6021 011 240
355	Ring	Ø 36.6/50 x 5.4	6025 683 740
	Pressure pad set ()		3400 110 013
362	Pressure pad with bellows		6020 608 150
363	Seal		6020 611 050
364	Bushing	Ø 16/18 x 10	6020 315 560
368	Adjuster cap set		3411 000 290
370	Cap	Ø 35	6021 827 090
373	Assembly grease HLT2, 5 g Tube		6021 040 400
	Brake pad set (Fig. 368-370, 390, 394, 396-398 (Fig. 368, 370 for disc brake with adjustment adapter)		6098 010 644
396	Bolt	Ø 10 x 48/52	6025 829 223
398	Fuse		6023 301 310



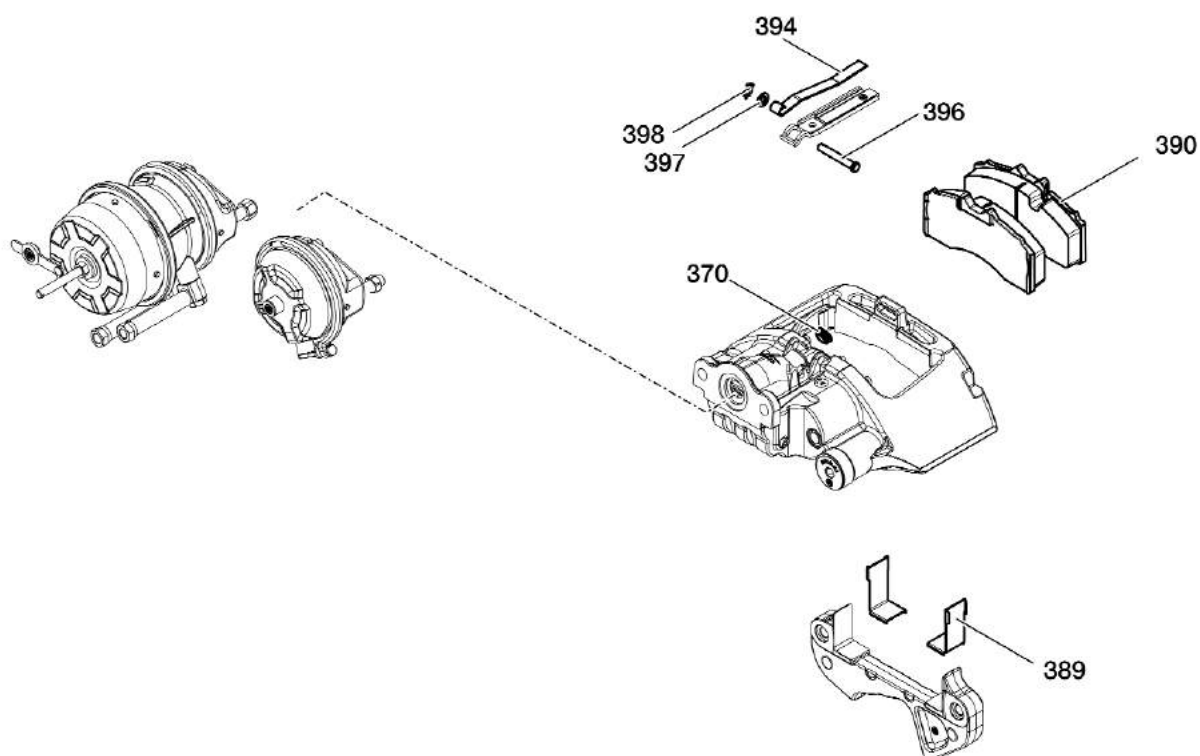
SKHBF 9010-15 ECO Plus 2

Illustration	Description	Dimensions mm	Order number
25	Centering frame for spring pads	72.5 x 60 x 8	6032 954 621
315	Bolt	M16 x 1.5 x 97 - 12.9/ Spanner size 24	6033 401 226
318	Washer, Form A	Ø 17	6254 011 608
380	Brake disc	SB 3745, Hole pattern 335 x 10	6030 883 410
422	Shaft sealing ring, Radnabe ECO Seal ab 10/2004	Ø 117.5/158 x 17.5	6025 664 740
430	Tapered roller bearing 33118		6026 410 230
432	Sealing ring	Ø 101/130 x 50	6031 204 708
435	Wheel hub	10 x 22/137	6032 724 328
437	Circlip, 8-9 t ECO Plus/ECO Seal, 10-12 t ECO Seal	Ø 158 x 4	6025 606 589
438	Circlip	Ø 122 x 4	6025 606 229
441	Tapered roller bearing 33213		6026 410 220
446	Repair kit (incl. fig. 447)	M32 x 2/ Spanner size 46	6090 013 703
447	Hook circlip, complete with retaining wedge		6051 880 310
459	O-ring	Ø 128 x 3	6025 678 650
460	Wheel-hub cap (incl. fig. 459)		6052 122 578
472	Wheel bolt	M22 x 1.5/80/45	6032 963 311
500	Cover plate, retrofit set SB 3745		6098 010 730
510	Bolt	M10 x 15	6025 071 220
560	Sensor ring, ABS	Ø 125/156 x 8.5 (Number of teeth 100)	6033 100 851
564	Fastening clamp		6023 507 320
570	ABS sensor	Length 350	6023 317 070
571	Clamping sleeve for ABS	Ø 16.6/18.4 x 33	0687 605 104
585	Bracket for sensor		6031 890 772
586	Bracket for sensor connector		6021 421 110
587	Serrated lock washer, Form A	Ø 10.5	6025 414 119



SKHBF 9010-15 ECO Plus 2 disc brake SB 3745

Illustration	Description	Dimensions mm	Order number
	Guide sealing set (Fig. 325-328, 335, 345-352, 354, 355, 373)		5034 343 812
325	Socket head bolt	M16 x 1.5 x 86 - 10.9	6025 015 721
326	Bushing	∅ 17/26/36 x 116	6020 316 970
328	Guide socket	∅ 36/40 x 82	6020 315 360
335	Cover for brake caliper guide		6020 601 190
345	Socket head bolt	M16 x 1.5 x 80	6025 015 731
346	Bushing	∅ 17/32 x 80	6020 314 060
348	Guide sleeve		6021 410 210
350	Cap for securing brake caliper		6021 827 070
354	Bellows	∅ 33/50 x 38	6021 011 240
355	Ring	∅ 36.6/50 x 5.4	6025 683 740
	Pressure pad set (Fig. 362-364, 373)		3400 110 013
362	Pressure pad with bellows		6020 608 150
363	Seal		6020 611 050
364	Bushing	∅ 16/18 x 10	6020 315 560
368	Adjuster cap set		3411 000 290
370	Cap	∅ 35	6021 827 090
373	Assembly grease HLT2, 5 g Tube		6021 040 400
	Brake pad set (Fig. 368-370, 390, 394, 396-398, Fig. 368, 370 for disc brake with adjustment adapter)		6098 010 643
396	Bolt	∅ 10 x 48/52	6025 829 223
398	Fuse		6023 301 310



Brake pad set

repair set for one axle

Brake system TSB 3709
Quality BPW 8200

Scope of supply

2 plugs \varnothing 24 x 9, 4 wear plates, 4 Textar brake pads, 2 tension springs, 2 bolts \varnothing 8/10/14 x 64,5/75, 2 washers \varnothing 10,5, 2 clips

Order number	Comparative number
6098 010 755	BPW 09.801.07.55.0

Brake pad set

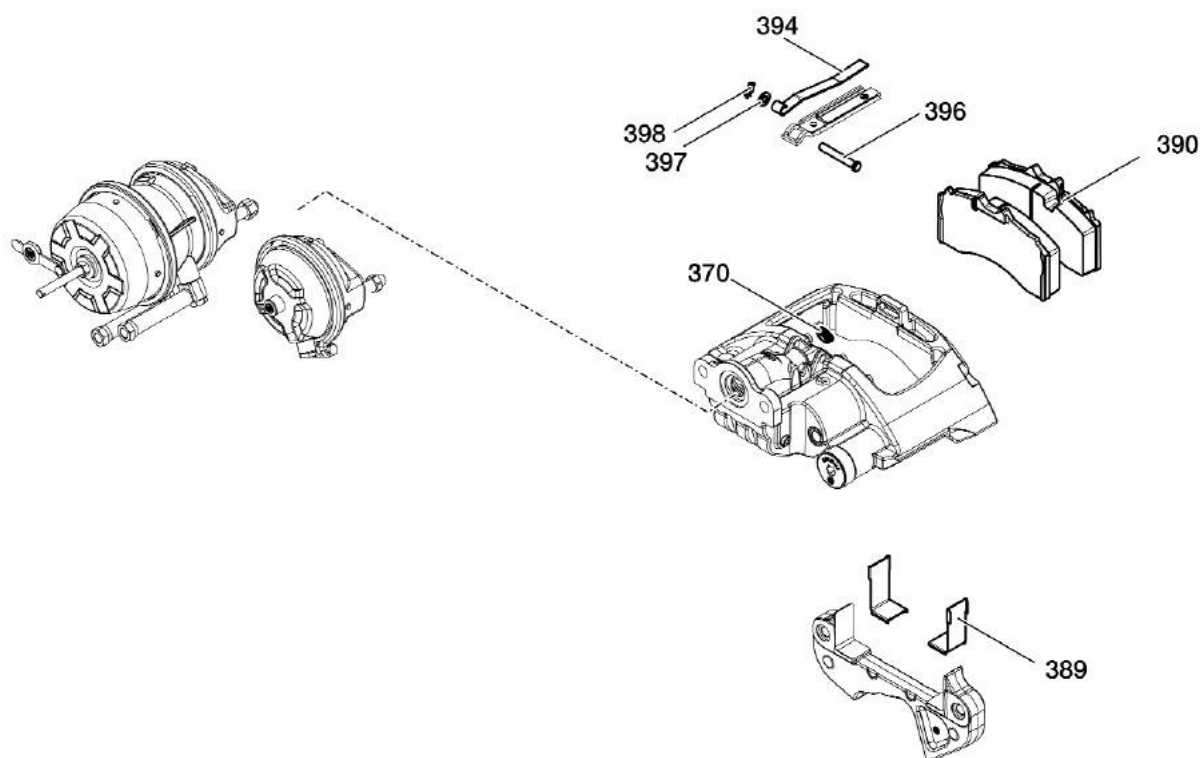
repair set for one axle

Brake system TSB 3709
Quality BPW 8101

Scope of supply

2 plugs \varnothing 24 x 9, 4 wear plates, 4 Jurid brake pads, 2 tension springs, 2 bolts \varnothing 8/10/14 x 64,5/75, 2 washers \varnothing 10,5, 2 clips

Order number	Comparative number
6098 010 756	BPW 09.801.07.56.1



Brake pad set

repair set for one axle

Brake system TSB 4309
Quality BPW 8200

Scope of supply

2 plugs \varnothing 24 x 9, 4 wear plates, 4 Textar brake pads, 2 tension springs, 2 bolts \varnothing 8/10/14 x 64,5/75, 2 washers \varnothing 10,5, 2 clips

Order number	Comparative number
6098 010 757	BPW 09.801.07.57.0

Brake pad set

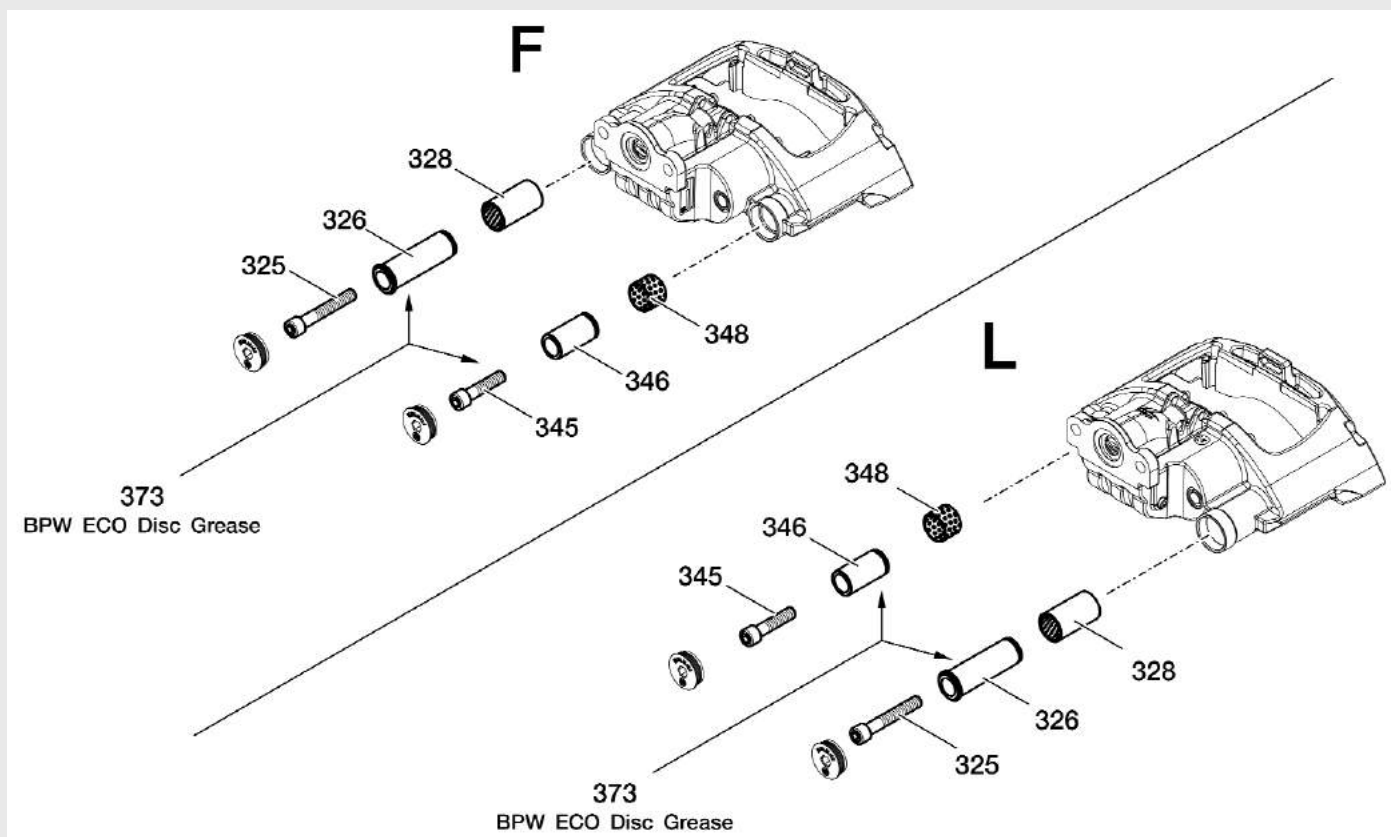
repair set for one axle

Brake system TSB 4309
Quality BPW 8101

Scope of supply

2 plugs \varnothing 24 x 9, 4 wear plates, 4 Jurid brake pads, 2 tension springs, 2 bolts \varnothing 8/10/14 x 64,5/75, 2 washers \varnothing 10,5, 2 clips

Order number	Comparative number
6098 010 758	BPW 09.801.07.58.1



Repair kit

for brake caliper bearing shaft

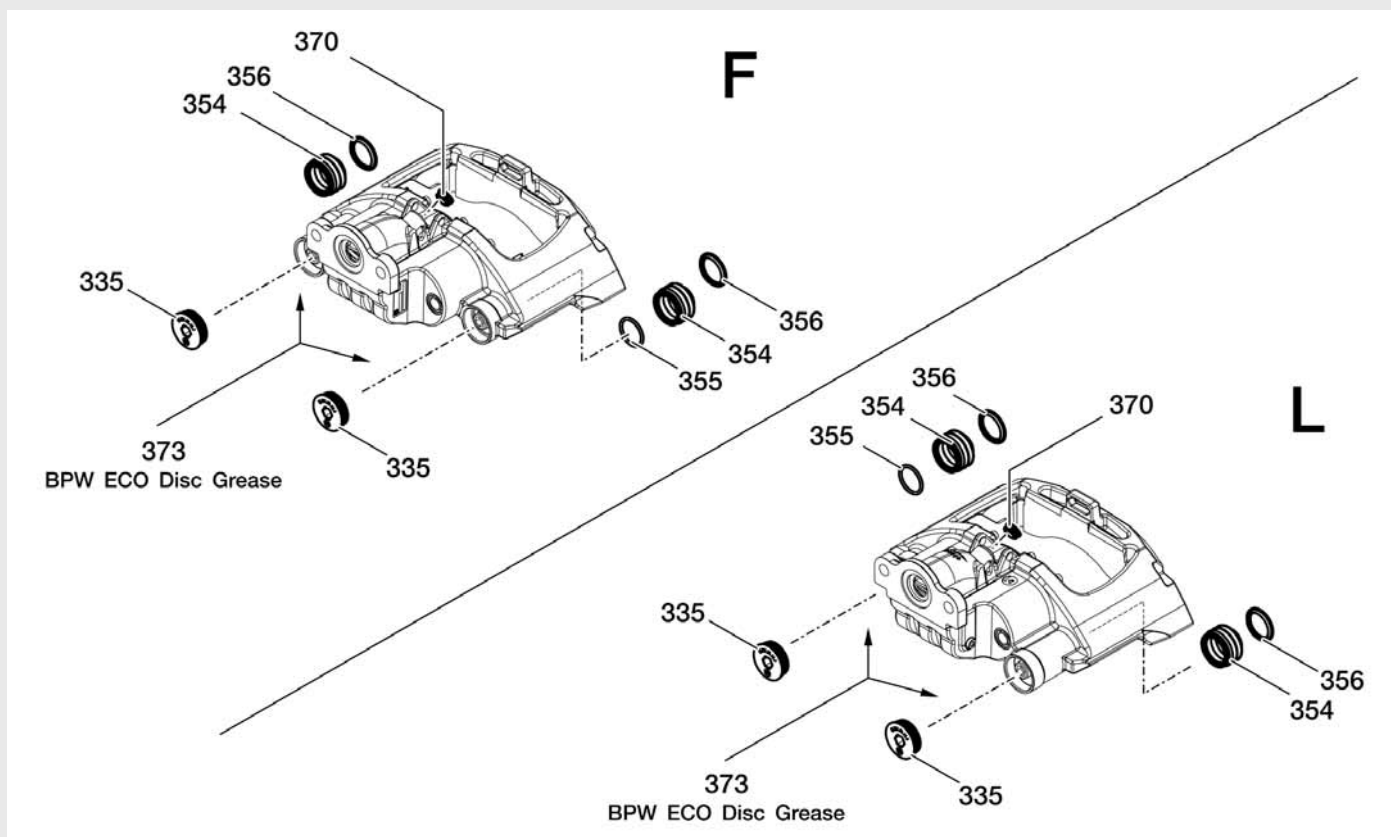
Brake system TSB 3709/4309/4312

Scope of supply

1 cylinder bolt M16 x 1,5 x 100-10,9, 1 bearing shaft, long, Ø 17/26/37 x 123, 1 guide bush, 1 cylinder bolt M16 x 1,5 x 70-10,9, 1 bearing shaft, short, Ø 17/26/36 x 70

Order number
6098 010 761

Comparative number
BPW 09.801.07.61.0



Repair kit

for brake caliper sealing bearing shaft

Brake system TSB 3709/4309/4312

Scope of supply

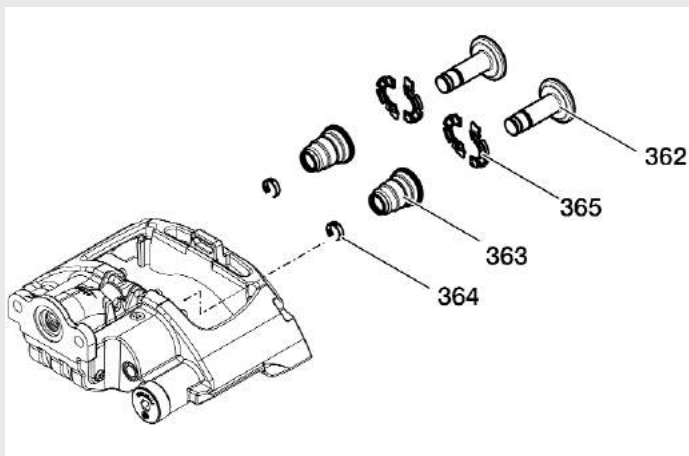
2 screw plugs M49 x 1,5, 2 bellows \varnothing 52 x 34, 1 O-ring \varnothing 36 x 3,5, 2 rings \varnothing 48/38 x 5, 1 plug \varnothing 24 x 9, 1 guide bush \varnothing 37/ \varnothing 41 x 30, 25 g grease

Order number

6098 010 762

Comparative number

BPW 09.801.07.62.0



Repair kit

for brake caliper thrust piece

Brake system TSB 3709/4309/4312

Scope of supply

1 thrust piece, 1 bellows \varnothing 55/26 x 17,
1 retaining clamp \varnothing 25 x 7, 1 coarse dirt seal \varnothing 56 x 5

Order number	Comparative number
6098 010 763	BPW 09.801.07.63.0

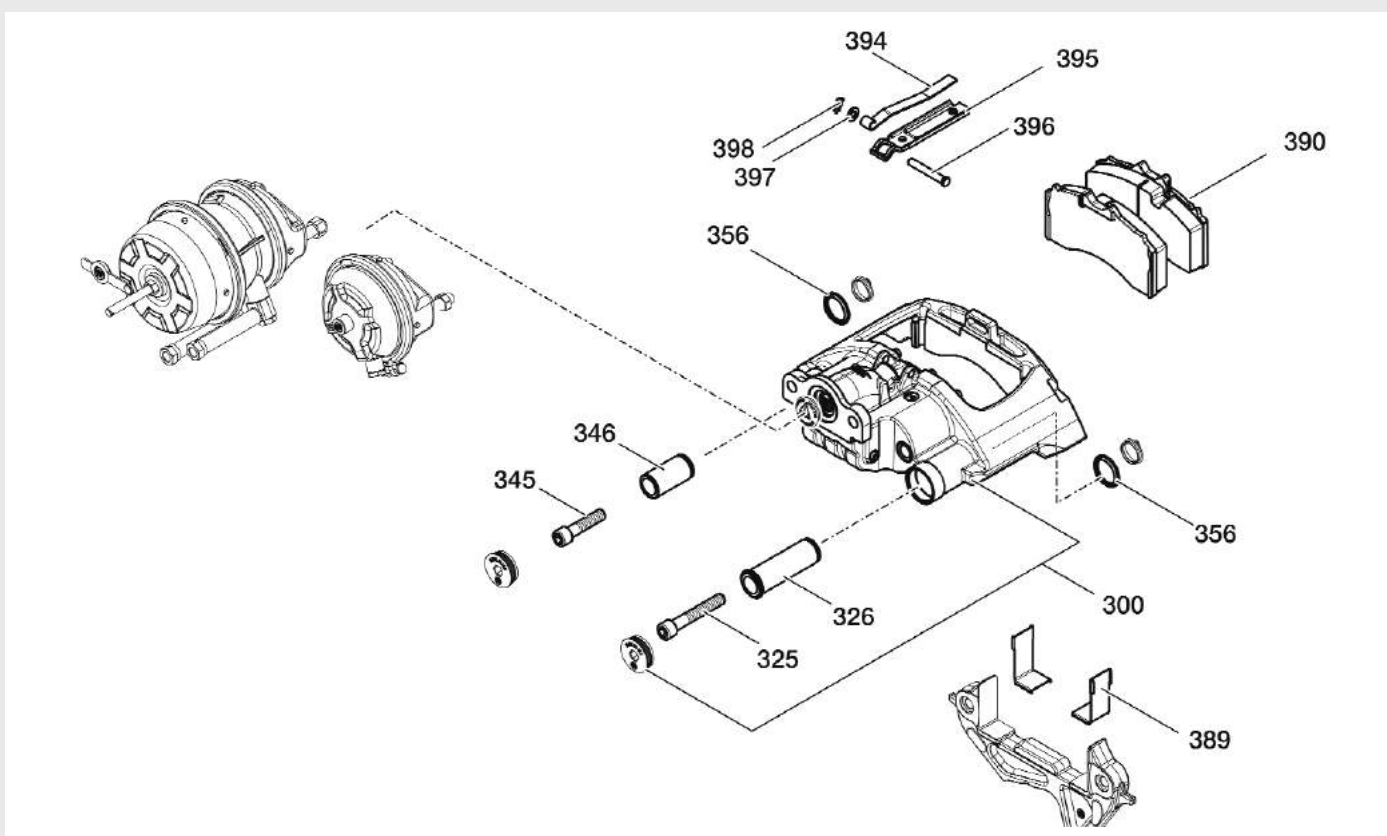
Wear sensor set

Brake system TSB 3709/4309/4312

Scope of supply

wear sensor, retaining clip, retaining bracket

Order number	Comparative number
6058 015 049	BPW 05.80.50.49.0



Repair kit

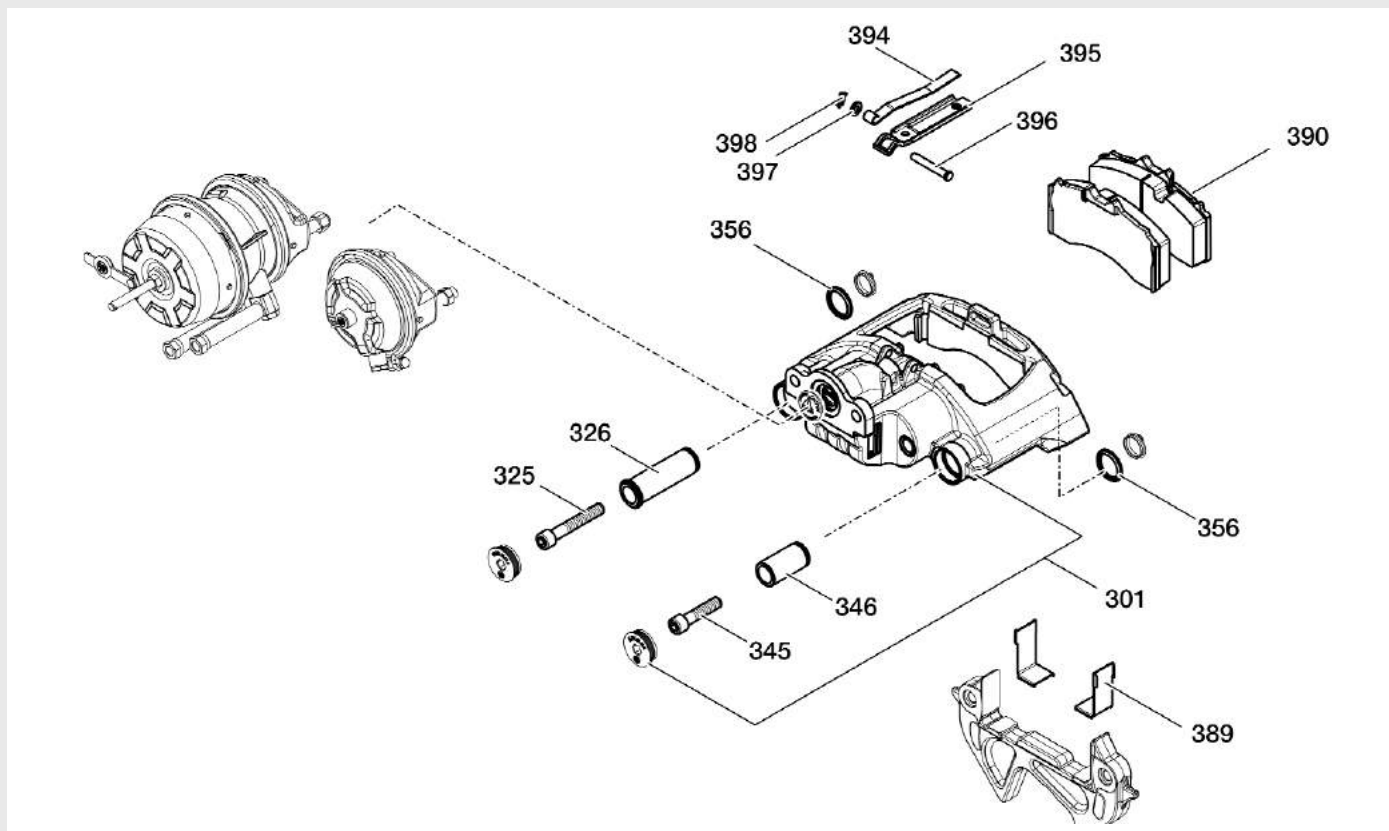
for brake calipers

Brake system TSB 4309
Quality BPW 8200
Version complete

Scope of supply

1 brake caliper, 1 cylinder bolt M16 x 1,5 x 100-10.9, 1 bearing shaft \varnothing 17/26/37 x 123, 1 cylinder bolt M16 x 1,5 x 70-10.9,
1 bearing shaft \varnothing 17/26/36 x 70, 2 rings \varnothing 38/48 x 5, 2 wear plates, 2 Textar brake pads, 1 tension spring, 1 lining retaining clamp,
1 bolt \varnothing 8/10/14 x 75, 1 washer 10,5, 1 clip

Order number	Comparative number
6093 627 201	BPW 09.362.72.01.0



Repair kit

for brake calipers

Brake system TSB 4309
 Quality BPW 8200
 Version complete

Scope of supply

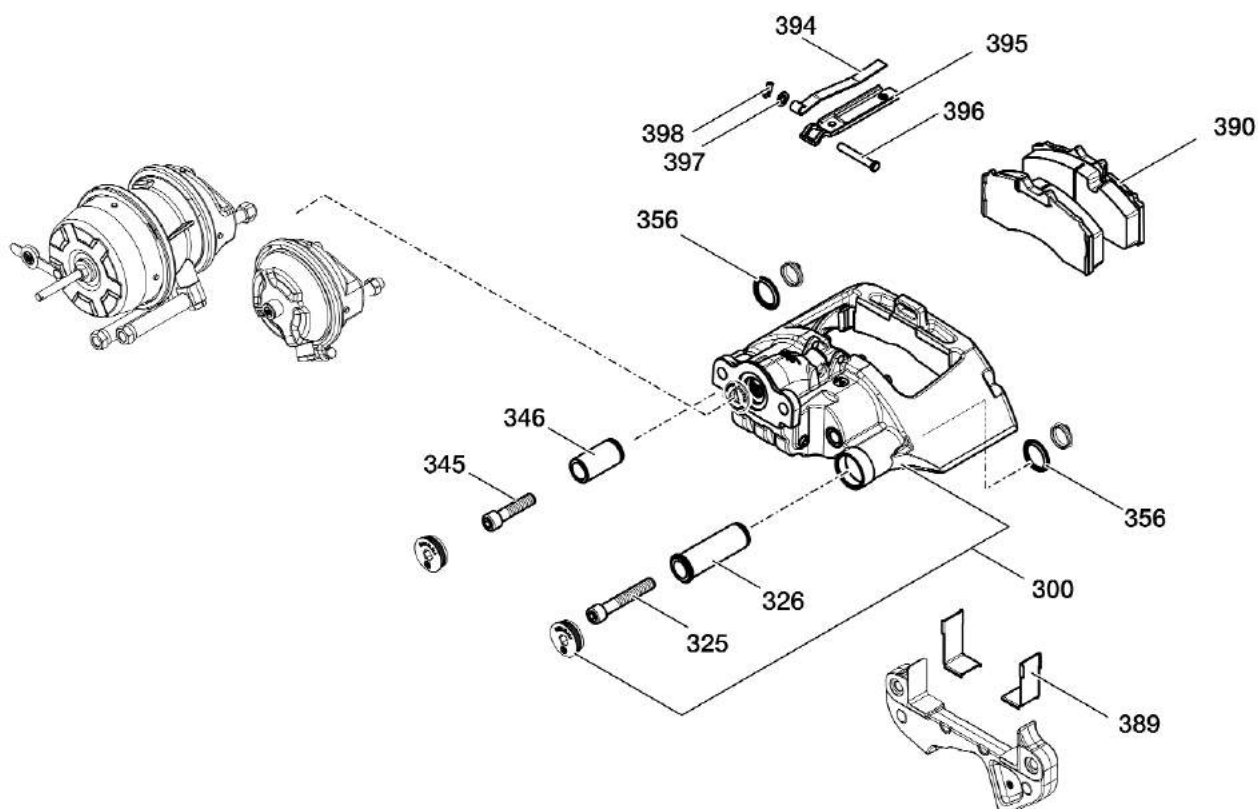
1 brake caliper, 1 cylinder bolt M16 x 1,5 x 100-10.9, 1 bearing shaft \varnothing 17/26/37 x 123, 1 cylinder bolt M16 x 1,5 x 70-10.9, 1 bearing shaft \varnothing 17/26/36 x 70, 2 rings \varnothing 38/48 x 5, 2 wear plates, 2 Textar brake pads, 1 tension spring, 1 lining retaining clamp, 1 bolt \varnothing 8/10/14 x 75, 1 washer 10,5, 1 clip

Order number

6093 627 202

Comparative number

BPW 09.362.72.02.0



Repair kit

for brake calipers

Brake system TSB 3709
Quality BPW 8200

Scope of supply

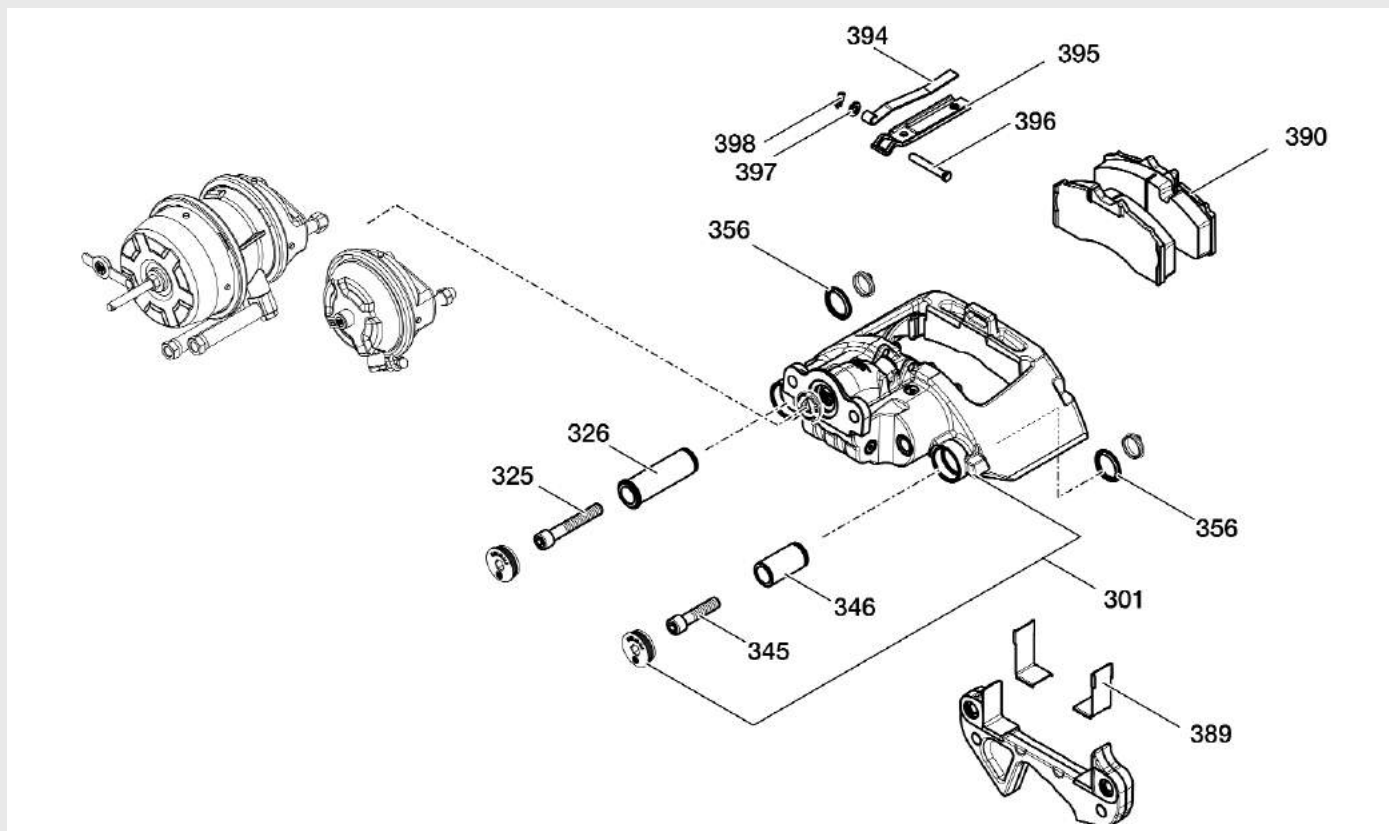
1 brake caliper, 1 cylinder bolt M16 x 1,5 x 100-10.9, 1 bearing shaft \varnothing 17/26/37 x 123, 1 cylinder bolt M16 x 1,5 x 70-10.9, 1 bearing shaft \varnothing 17/26/36 x 70, 2 rings \varnothing 38/48 x 5, 2 wear plates, 2 Textar brake pads, 1 tension spring, 1 lining retaining clamp, 1 bolt \varnothing 8/10/14 x 75, 1 washer 10,5, 1 clip

Order number

6093 627 203

Comparative number

BPW 09.362.72.03.0



Repair kit

for brake calipers

Brake system TSB 3709
 Quality BPW 8200
 Version complete

Scope of supply

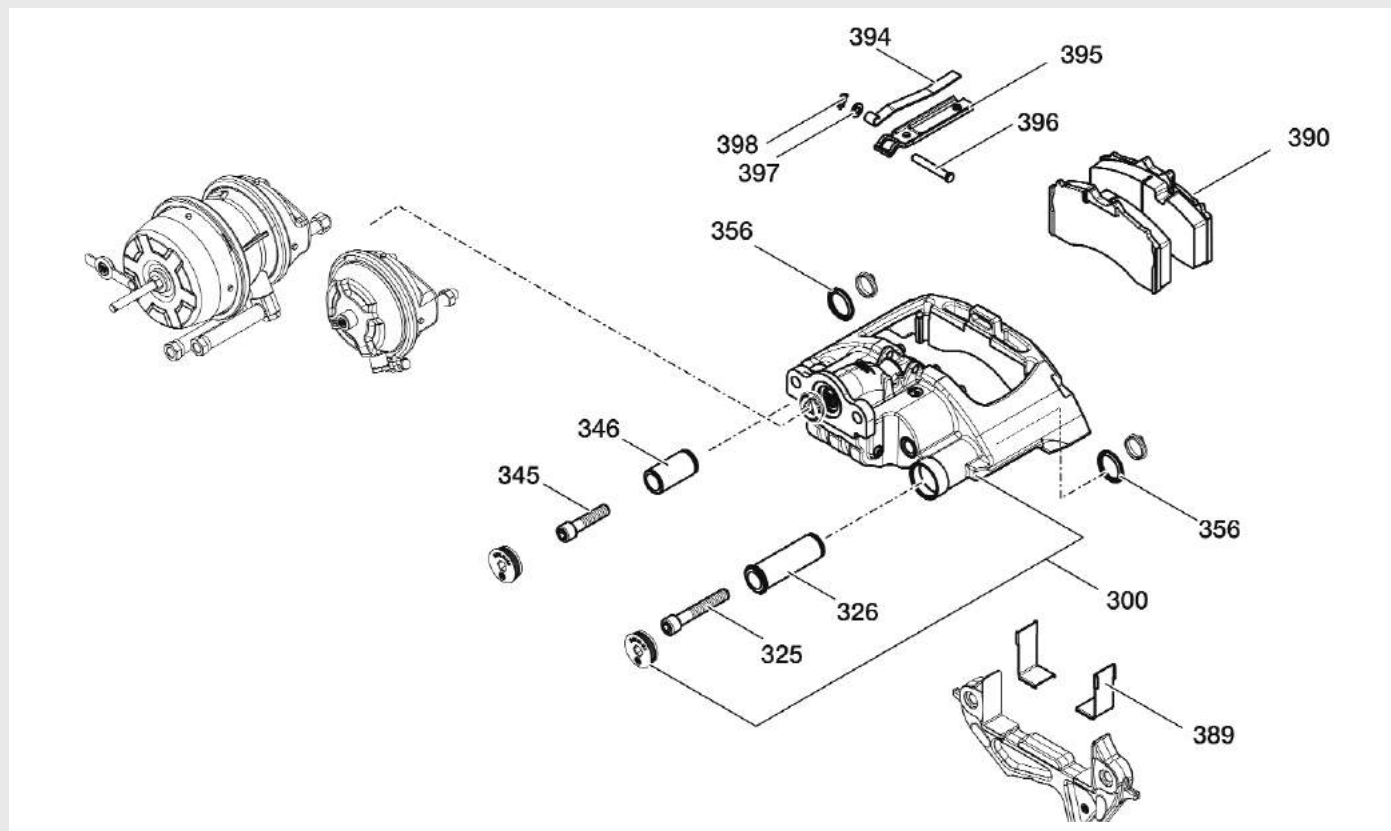
1 brake caliper, 1 cylinder bolt M16 x 1,5 x 100-10.9, 1 bearing shaft \varnothing 17/26/37 x 123, 1 cylinder bolt M16 x 1,5 x 70-10.9, 1 bearing shaft \varnothing 17/26/36 x 70, 2 rings \varnothing 38/48 x 5, 2 wear plates, 2 Textar brake pads, 1 tension spring, 1 lining retaining clamp, 1 bolt \varnothing 8/10/14 x 75, 1 washer 10,5, 1 clip

Order number

6093 627 204

Comparative number

BPW 09.362.72.04.0



Repair kit

for brake calipers

Brake system TSB 4309
 Quality BPW 8101
 Version complete

Scope of supply

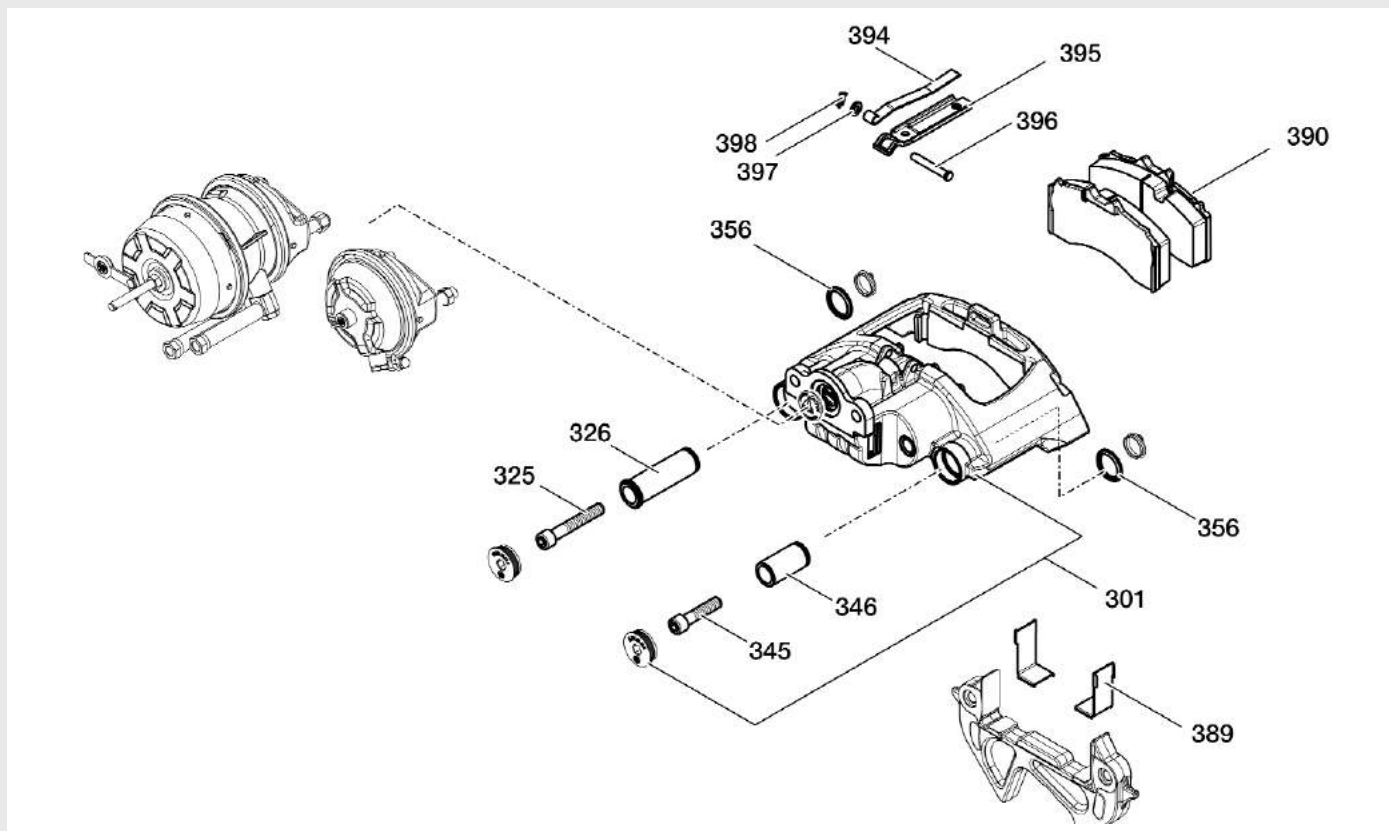
1 brake caliper, 1 cylinder bolt M16 x 1,5 x 100-10.9, 1 bearing shaft \varnothing 17/26/37 x 123, 1 cylinder bolt M16 x 1,5 x 70-10.9, 1 bearing shaft \varnothing 17/26/36 x 70, 2 rings \varnothing 38/48 x 5, 2 wear plates, 2 Jurid brake pads, 1 tension spring, 1 lining retaining clamp, 1 bolt \varnothing 8/10/14 x 75, 1 washer 10,5, 1 clip

Order number

6093 627 211

Comparative number

BPW 09.362.72.01.1



Repair kit

for brake calipers

Brake system TSB 4309
 Quality BPW 8101
 Version complete

Scope of supply

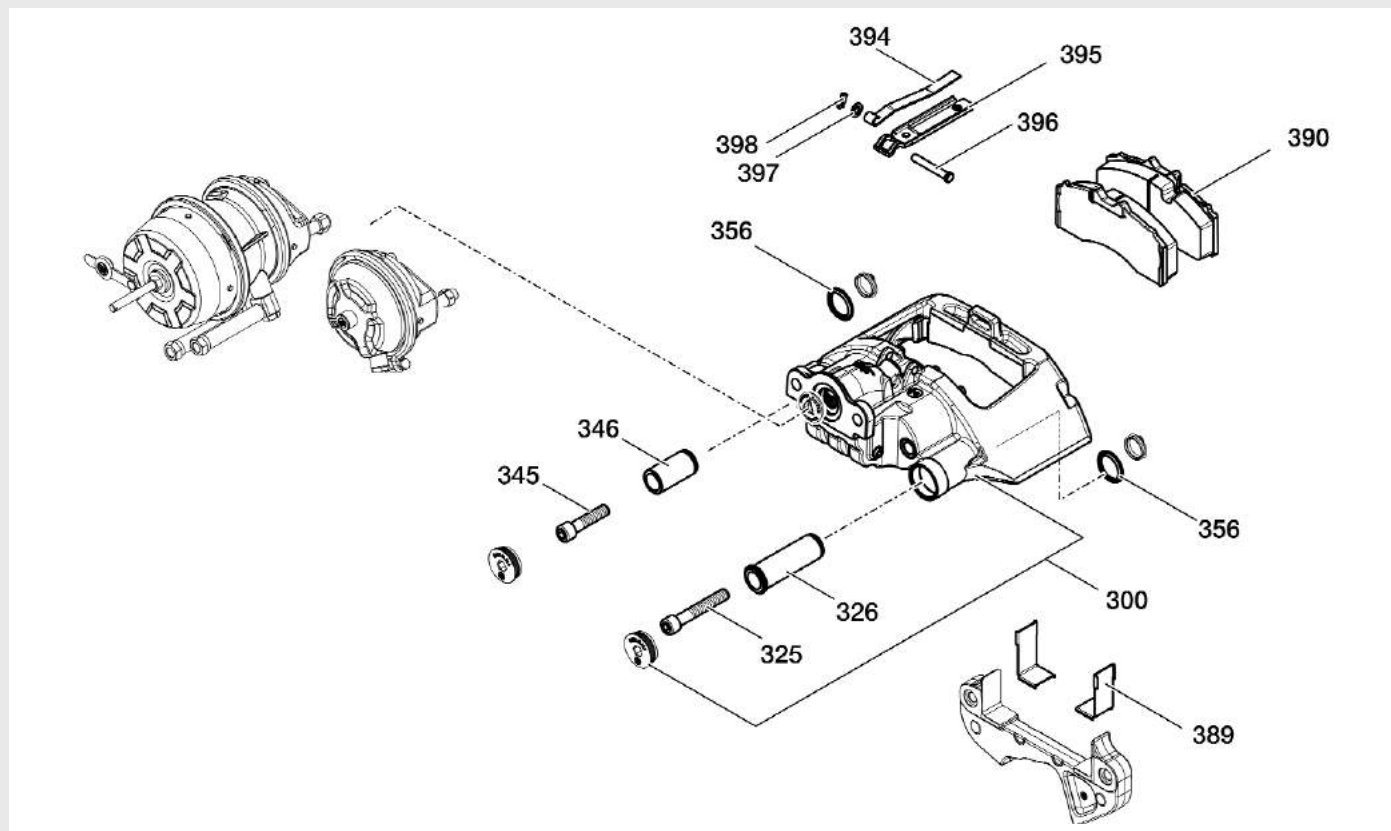
1 brake caliper, 1 cylinder bolt M16 x 1,5 x 100-10.9, 1 bearing shaft \varnothing 17/26/37 x 123, 1 cylinder bolt M16 x 1,5 x 70-10.9, 1 bearing shaft \varnothing 17/26/36 x 70, 2 rings \varnothing 38/48 x 5, 2 wear plates, 2 Jurid brake pads, 1 tension spring, 1 lining retaining clamp, 1 bolt \varnothing 8/10/14 x 75, 1 washer 10,5, 1 clip

Order number

6093 627 221

Comparative number

BPW 09.362.72.02.1



Repair kit

for brake calipers

Brake system TSB 3709
 Quality BPW 8101
 Version complete

Scope of supply

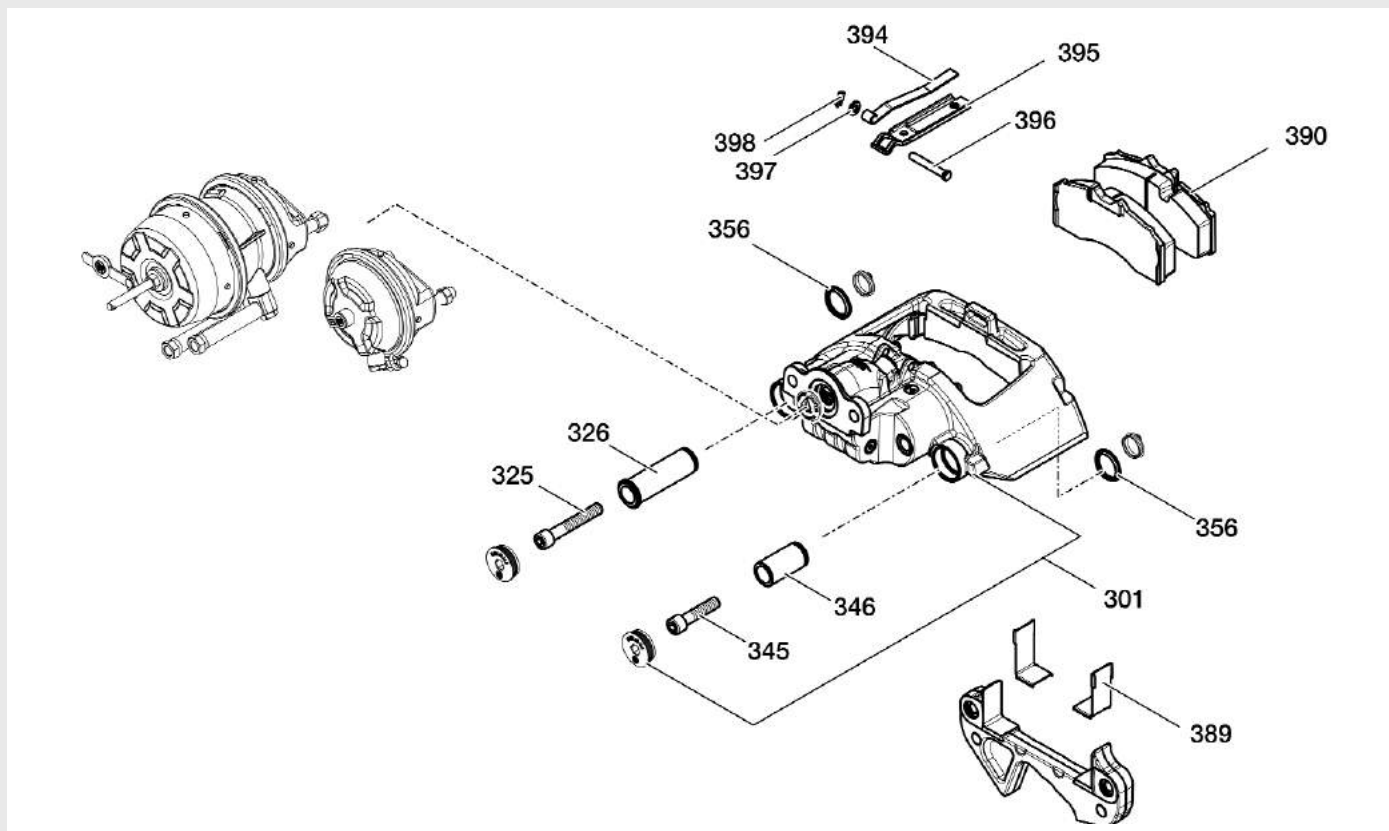
1 brake caliper, 1 cylinder bolt M16 x 1,5 x 100-10.9, 1 bearing shaft \varnothing 17/26/37 x 123, 1 cylinder bolt M16 x 1,5 x 70-10.9, 1 bearing shaft \varnothing 17/26/36 x 70, 2 rings \varnothing 38/48 x 5, 2 wear plates, 2 Jurid brake pads, 1 tension spring, 1 lining retaining clamp, 1 bolt \varnothing 8/10/14 x 75, 1 washer 10,5, 1 clip

Order number

6093 627 231

Comparative number

BPW 09.362.72.03.1



Repair kit

for brake calipers

Brake system TSB 3709
 Quality BPW 8101
 Version complete

Scope of supply

1 brake caliper, 1 cylinder bolt M16 x 1,5 x 100-10.9, 1 bearing shaft \varnothing 17/26/37 x 123, 1 cylinder bolt M16 x 1,5 x 70-10.9, 1 bearing shaft \varnothing 17/26/36 x 70, 2 rings \varnothing 38/48 x 5, 2 wear plates, 2 Jurid brake pads, 1 tension spring, 1 lining retaining clamp, 1 bolt \varnothing 8/10/14 x 75, 1 washer 10,5, 1 clip

Order number

6093 627 241

Comparative number

BPW 09.362.72.04.1



Tool case

ECO Disc

the special tools ensure safe and easy execution of all recommended service work on the BPW ECO Disc (TSB 3709/TSB 4309/TSB 4312)

Scope of supply

threaded spindle, ball bearing, sleeve, floating and fixed bearing extractor, floating bearing installer, nut, counterhold, fixed bearing installer, bellows installer (plastic), TORX® key reset, two-hole key for coarse dirt seal, adapter for back-off screw, adapter for plastic cap, 1 each of adapter for floating bearing torque key and plastic cap, ring for installing wheel studs

Version	Order number	Comparative number
16-piece	6990 000 963	BPW 99.00.000.9.63

Schomäcker Federn

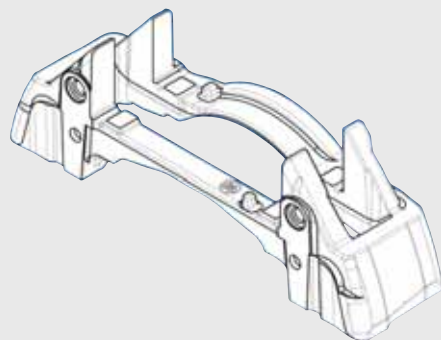
für alle Nutzfahrzeuge





SB 3745 Axial

Description	Comparative number	Order number
Brake caliper	BPW 05.362.70.36.1	6053 627 036
Alternative	Knorr K003780	3450 414 743
Brake caliper	BPW 05.362.70.37.1	6053 627 037
Alternative	Knorr K003779	3450 414 742



SB 3745 Tangential

Description	Comparative number	Order number
Brake caliper	BPW 05.362.70.60.5	6053 627 060
Alternative	Knorr K003779	3450 414 742
Brake anchor plate	BPW 03.303.88.55.0	6033 038 855
Brake caliper	BPW 05.362.70.61.5	6053 627 061
Alternative	Knorr K003780	3450 414 743
Brake anchor plate	BPW 03.303.88.55.0	6033 038 855
Brake caliper with wear sensor	BPW 05.362.70.66.0	
Alternative	Knorr K003779	3450 414 742
Brake caliper with wear sensor	BPW 05.362.70.67.0	
Alternative	Knorr K003780	3450 414 743

SB 4345 Axial

Description	Comparative number	Order number
Brake caliper	BPW 05.362.70.38.2	
Alternative	Knorr K003783	3450 414 746
Brake caliper	BPW 05.362.70.39.2	
Alternative	Knorr K003784	3450 414 747
Brake caliper	BPW 05.362.70.42.3	
Alternative	Knorr K003784	3450 414 747
Brake caliper	BPW 05.362.70.43.3	
Alternative	Knorr K003783	3450 414 746

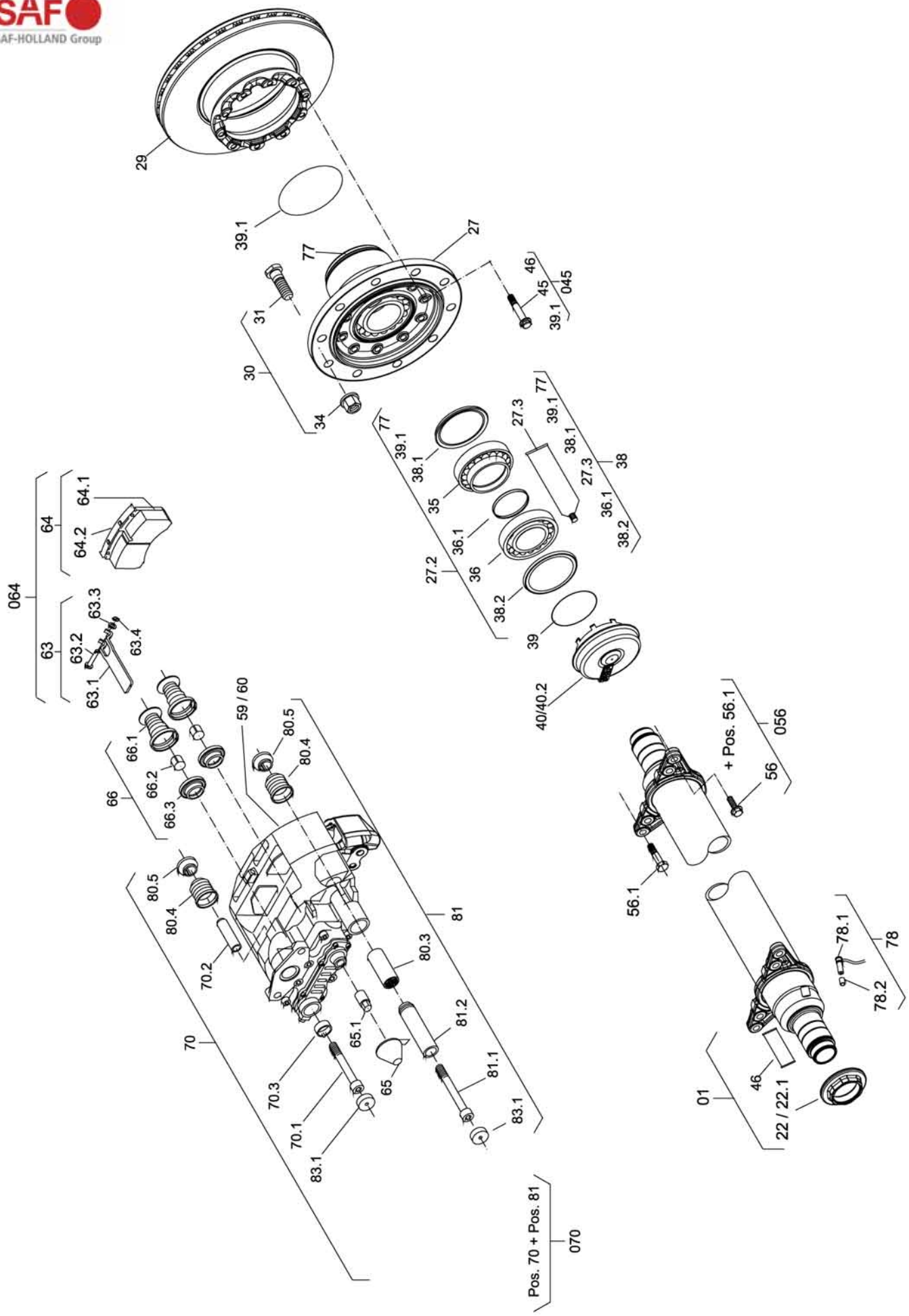
SB 4345 Tangential

Description	Comparative number	Order number
Brake anchor plate	BPW 03.303.88.57.0	6033 038 857

SB 4309 Tangential

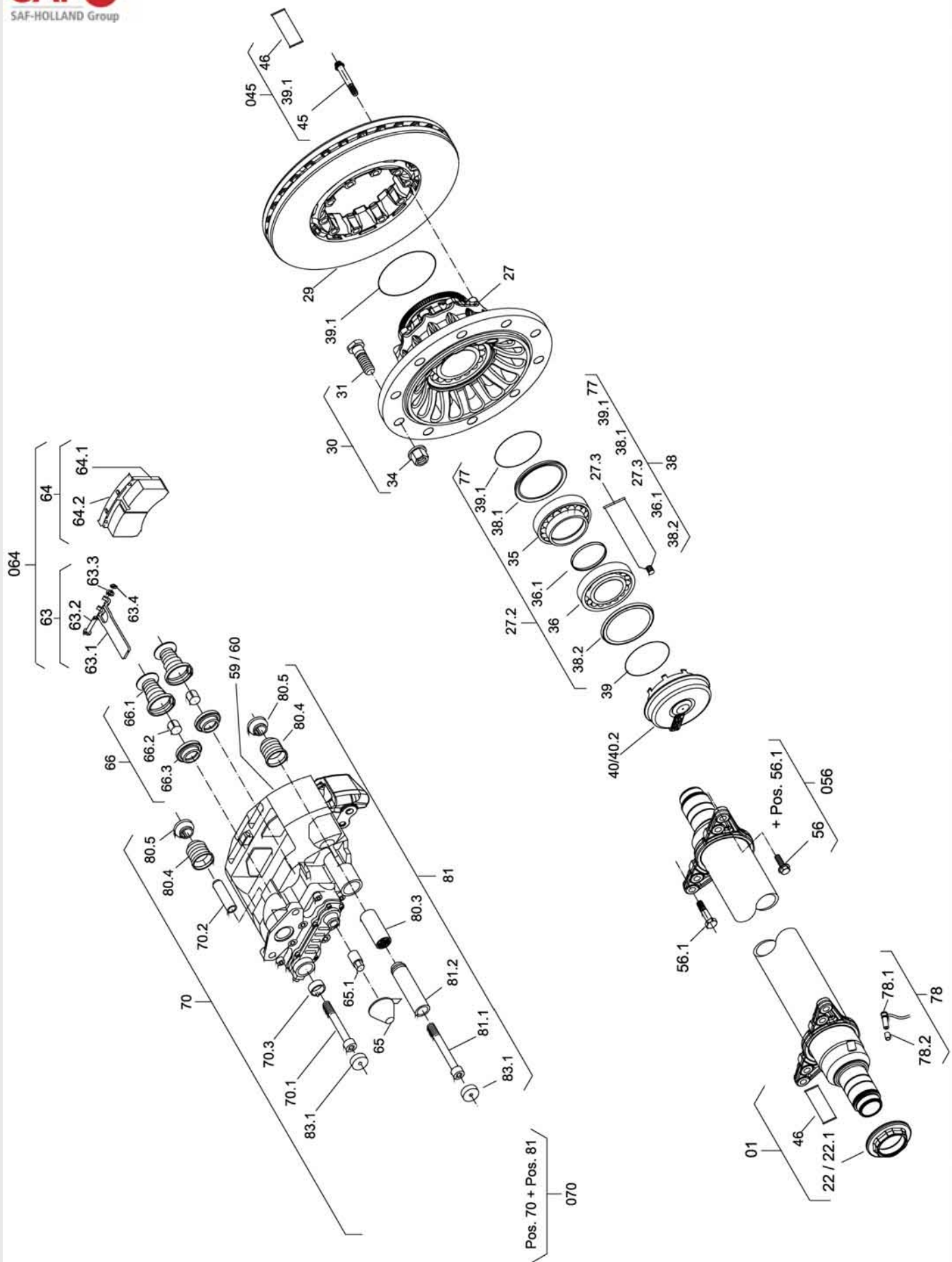
Description	Comparative number	Order number
Brake caliper	BPW 05.362.70.62.1	6053 627 062
Alternative	Knorr K012634	3450 414 791
Brake anchor plate	BPW 03.303.88.56.0	6033 038 856
Brake caliper	BPW 05.362.70.63.1	6053 627 063
Alternative	Knorr K012633	3450 414 790
Brake anchor plate	BPW 03.303.88.56.0	6033 038 856

Alternative comprises only the brake application unit (without brake carrier/linings)



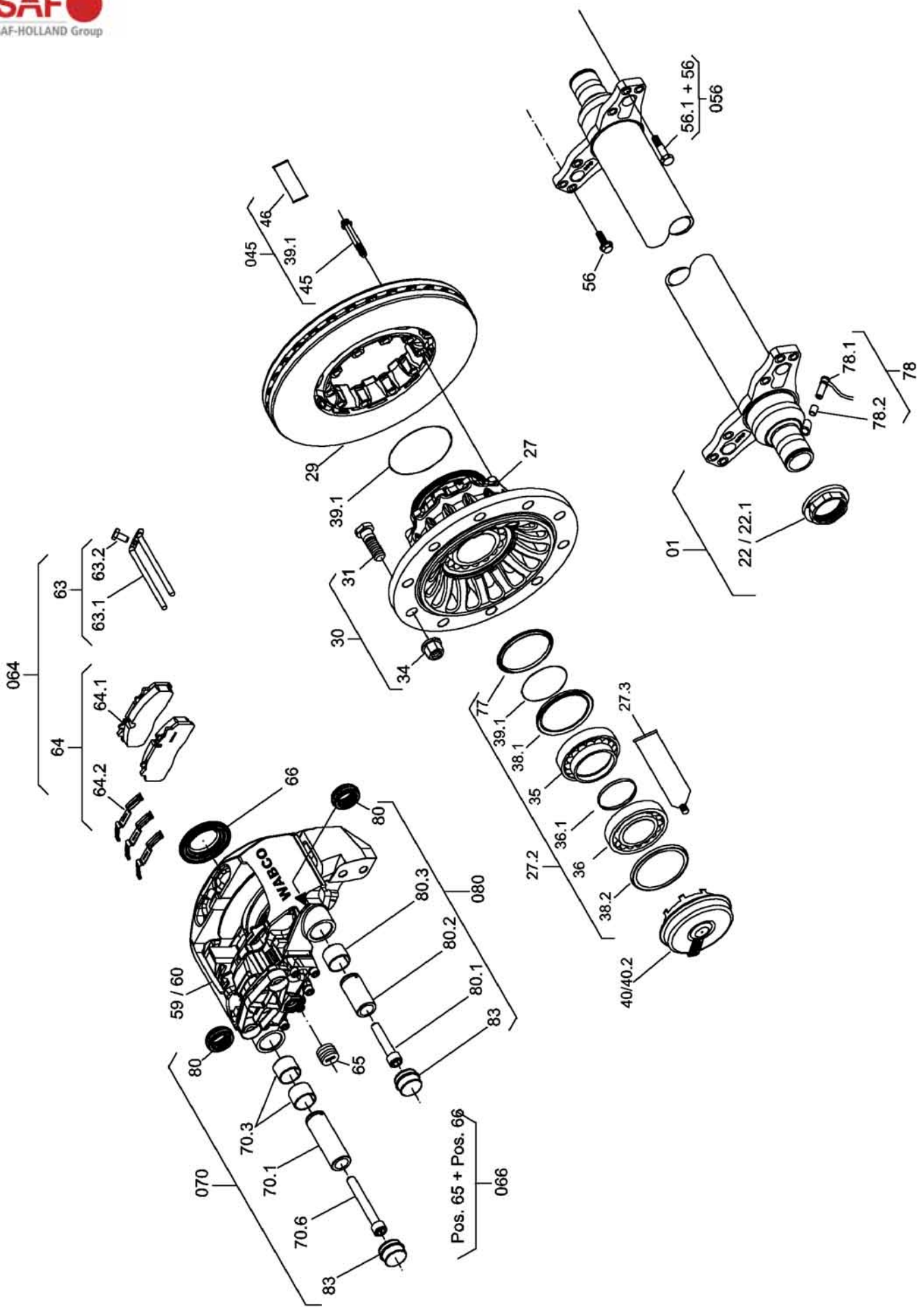
B9-22K01

Illustration	Description	Dimensions mm	Order number
22	Axle nut, right	M75 x 1.5/ Spanner size 85	5010 110 086
22.1	Axle nut, left	M75 x 1.5/ Spanner size 85	5010 110 085
27	Wheel hub with wheel bearings and seals		5033 073 056
27.2	Repair kit, Wheel hub unit		5034 343 020
29	Brake disc	Ø 430	5040 790 017
30	Wheel bolt set with wheel nut (Fig. 31, 34)	M22 x 1.5 x 66	5013 031 118
30	Wheel bolt set with wheel nut (fig. 31, 34)	M22 x 1.5 x 78	5033 021 157
31	Wheel bolt, aluminium	M22 x 1.5 x 76	5013 031 120
34	Wheel nut	M22 x 1.5/ Spanner size 32	5042 473 012
38	Repair kit, For wheel bearing grease change		5034 343 024
39.1	O-ring		5043 150 075
40	Wheel-hub cap with O-ring SKRB Integral		5043 040 102
40.2	Wheel-hub cap For hub odometer SKRB Integral		5043 040 103
045	Accessories set Brake disc ZI/SI/B		5034 343 663
45	Double hexagon bolt	M14 x 1.5 x 65	5043 751 009
46	Grease, 5 g		5053 870 015
056	Attachment screw set, Brake caliper B/Z/S-Serie		5034 343 660
56	Double hexagon bolt	M18 x 1.5	5043 751 006
56.1	Close-tolerance bolt	M18 x 1.5 x 55	5043 751 008
59	Brake caliper, right, With disc brake pad set		5030 800 060
60	Brake caliper, left, With disc brake pad set		5030 800 059
064	Brake pad set, WVA no. 29158, (Fig. 63, 64.1, 64.2, 65, 65.1)	201,8 x 108 x 30.00	5030 570 085
65	Repair kit Adjuster cap SN 6,7/SK 7 (Fig. 65.1)		5034 343 816
66	Repair kit pressure pad Knorr SN/SK (Fig. 66.1, 66.2, 66.3)		5034 343 814
070	Guide sealing set SK 7 (Fig. 65, 70, 81)		5034 343 815
78	Speed sensor set with grease and clamp sleeve (fig. 78.1, 78.2)	Cable length 400	0210 329 212
78	Speed sensor set with grease and clamp sleeve (fig. 78.1, 78.2)	Cable length 1000	0210 329 222
78.1	Speed sensor S plus	Cable length 400	5040 291 002
78.1	Rod sensor (Intra-family) with plug	Cable length 1000	5040 291 064
78.2	Clamping bushing		0687 598 154
83.1	Steel cap SK7 (fixed bearing)		5034 343 817



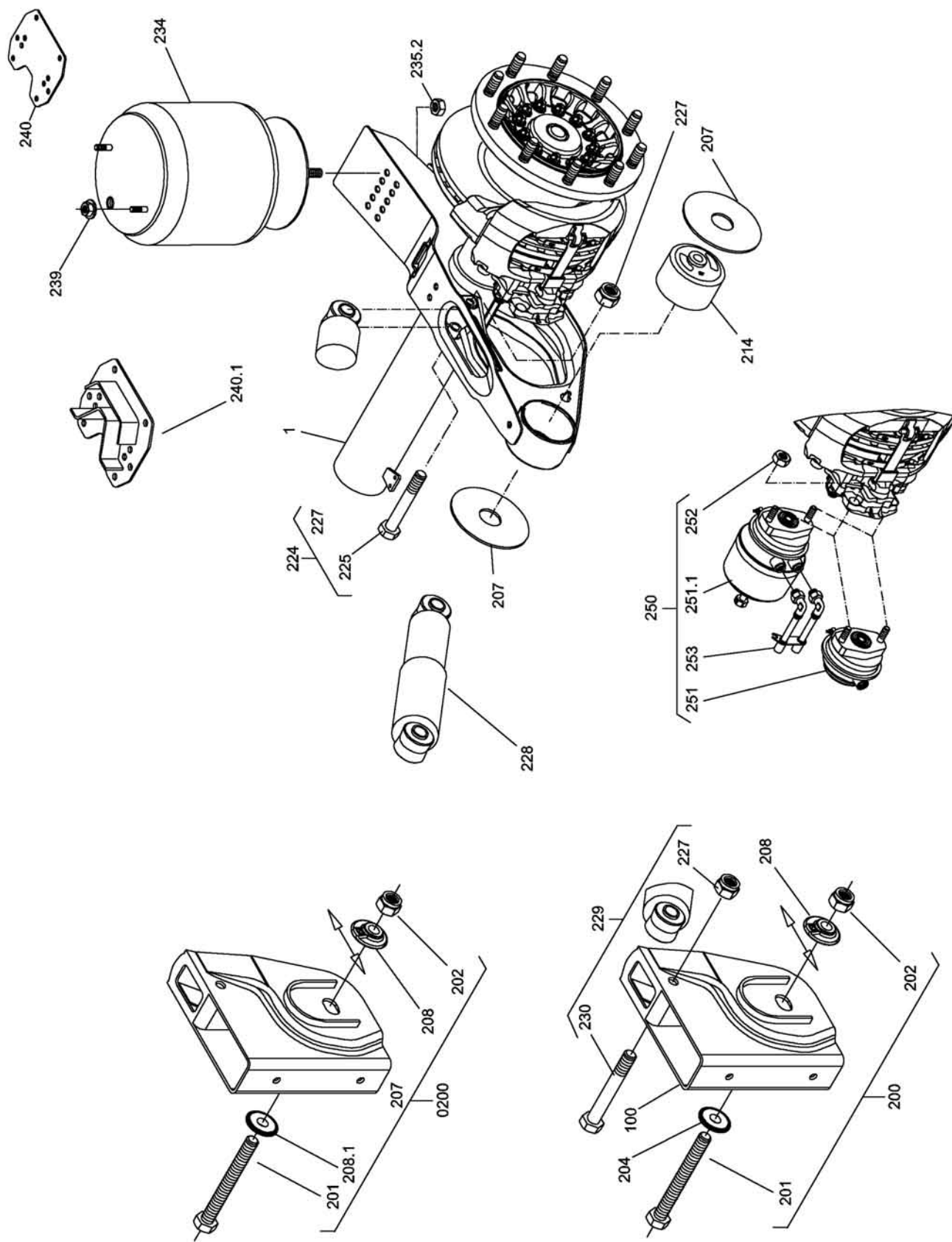
B19-22K01

Illustration	Description	Dimensions mm	Order number
22	Axle nut, right	M75 x 1.5/ Spanner size 85	5010 110 086
22.1	Axle nut, left	M75 x 1.5/ Spanner size 85	5010 110 085
27	Wheel hub Integral		5033 073 045
27.2	Repair kit Wheel hub unit		5034 343 020
29	Brake disc Integral	Ø 430	5040 790 013
30	Wheel bolt set (Fig. 31, 34)	M22 x 1.5 x 66	5013 031 118
30	Wheel bolt set (fig. 31, 34)	M22 x 1.5 x 78	5033 021 157
31	Wheel bolt, aluminium	M22 x 1.5 x 76	5013 031 120
34	Wheel nut	M22 x 1.5 x 27/ Spanner size 32	5042 473 012
38	Repair kit, For wheel bearing grease change		5034 343 024
39.1	O-ring		5043 150 075
40	Wheel-hub cap with O-ring SKRB Integral		5043 040 102
40.2	Wheel-hub cap For hub odometer SKRB Integral		5043 040 103
045	Repair kit Built-in disc RB/BI		5034 343 662
45	Double hexagon bolt	M12 x 1.5 x 75	5043 751 005
46	Grease, 5 g		5053 870 015
056	Attachment screw set Brake caliper B/Z/S-Serie		5034 343 660
56	Double hexagon bolt	M18 x 1.5	5043 751 006
56.1	Close-tolerance bolt	M18 x 1.5 x 55	5043 751 008
59	Brake caliper, right, With disc brake pad set		5030 800 060
60	Brake caliper, left, With disc brake pad set		5030 800 059
064	Brake pad set (Fig. 63, 64.1, 64.2, 65, 65.1)	201,8 x 108 x 30.00	5030 570 085
65	Repair kit Adjuster cap SN 6,7/SK 7 (Fig. 65.1)		5034 343 816
66	Repair kit pressure pad Knorr SN/SK (Fig. 66.1, 66.2, 66.3)		5034 343 814
070	Guide sealing set SK 7 (Fig. 65, 70, 81)		5034 343 815
78	Speed sensor set with grease and clamp sleeve (fig. 78.1, 78.2)	Cable length 1000	0210 329 222
78.1	Rod sensor (Intra-family) with plug	Cable length 1000	5040 291 064
78.2	Clamping bushing		0687 598 154
83.1	Steel cap SK7 (fixed bearing)		5034 343 817



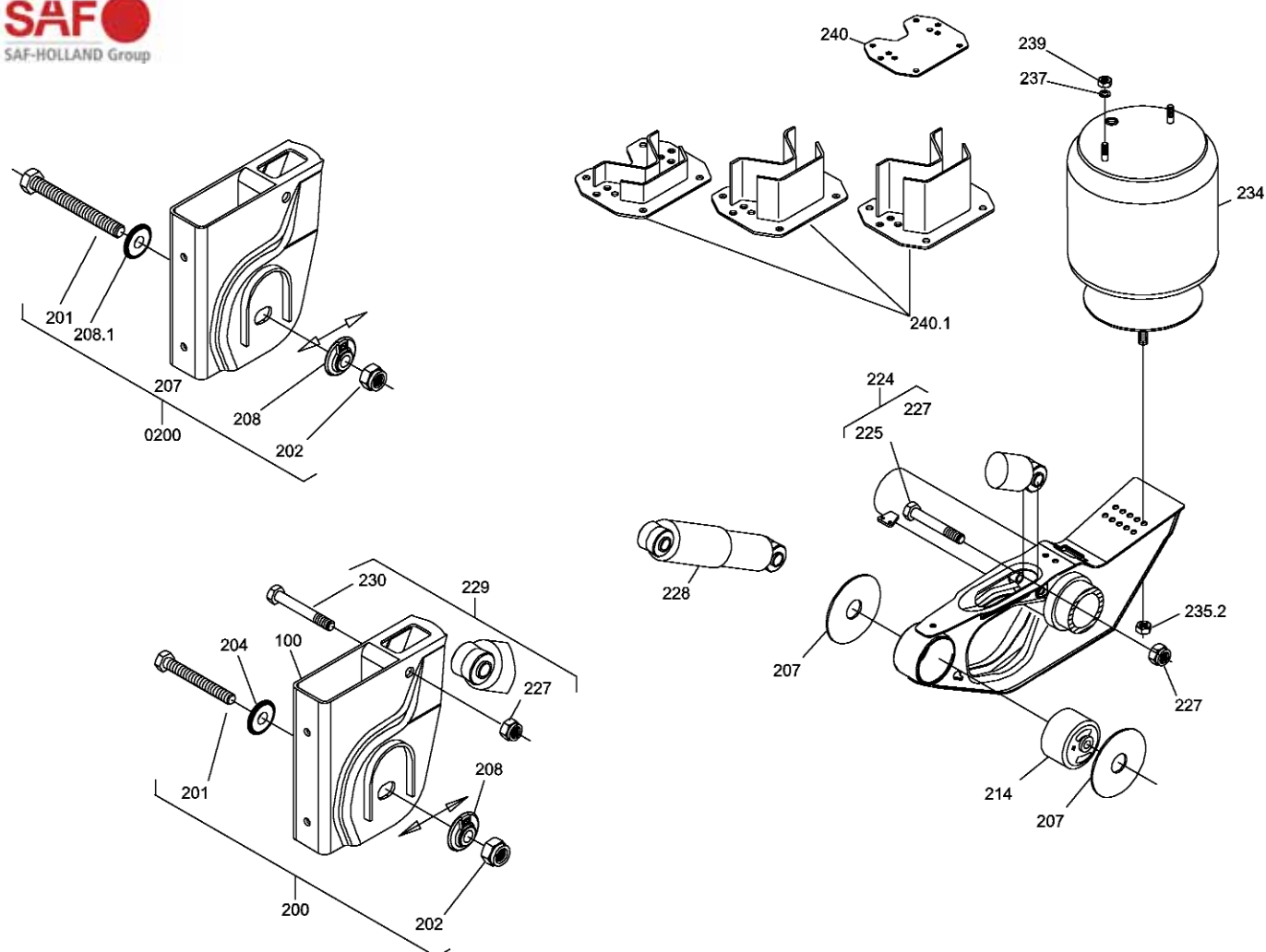
BI9-22W

Illustration	Description	Dimensions mm	Order number
22	Axle nut, right	M75 x 1.5/ Spanner size 85	5010 110 086
22.1	Axle nut, left	M75 x 1.5/ Spanner size 85	5010 110 085
27	Wheel hub Integral		5033 073 045
27.2	Repair kit Wheel hub unit		5034 343 020
29	Brake disc Integral	Ø 430	5040 790 013
27	Wheel bolt set (Fig. 31, 34)	M22 x 1.5 x 66	5013 031 118
30	Wheel bolt set (fig. 31, 34)	M22 x 1.5 x 78	5033 021 157
31	Wheel bolt, aluminium	M22 x 1.5 x 76	5013 031 120
34	Wheel nut	M22 x 1.5 x 27/ Spanner size 32	5042 473 012
39.1	O-ring		5043 150 075
40	Wheel-hub cap with O-ring SKRB Integral		5043 040 102
40.2	Wheel-hub cap For hub odometer SKRB Integral		5043 040 103
045	Repair kit Built-in disc RB/BI		5034 343 662
45	Double hexagon bolt	M12 x 1.5 x 75	5043 751 005
46	Grease, 5 g		5053 870 015
056	Attachment screw set Brake caliper B/Z/S-Serie		5034 343 660
56	Double hexagon bolt	M18 x 1.5	5043 751 006
56.1	Close-tolerance bolt	M18 x 1.5 x 55	5043 751 008
59	Brake caliper, left, Wabco PAN 22-1		5030 800 067
60	Brake caliper, right, Wabco PAN 22-1		5030 800 068
064	Brake pad set (Fig. 63, 64.1, 64.2, 65)	210,4 x 109,5 x 31.00	5030 570 084
066	Gasket set SK RB (Fig. 65, 65.2, 66)		5034 343 829
070	Guide sealing set SK RB (Fig. 70.1-70.6, 080)		5343 438 271
78	Speed sensor set with grease and clamp sleeve (fig. 78.1, 78.2)	Cable length 1000	0210 329 222
78	Speed sensor set with grease and clamp sleeve (fig. 78.1, 78.2)	Cable length 400	0210 329 212
78.1	Speed sensor S plus	Cable length 400	5040 291 002
78.1	Rod sensor SBW 1937 (Intra-family) with plug	Cable length 1000	5040 291 064
78.2	Clamping bushing		0687 598 154



INTRADISC-IO

Illustration	Description	Dimensions mm	Order number
200	Bolt (fig. 201, 202)	M30 x 200	5033 411 048
0200	Repair kit spring bearing IO/IU		5034 343 661
201	Bolt	M30 x 200	5043 431 048
202	Counternut	M30	5042 474 022
204	Pressure disc for air spring assembly		5011 012 001
207	Stop disc		5043 315 029
208	Eccentric washer	∅ 102 x 20	5011 230 001
214	Bearing bush 3 D		5041 773 028
224	Bolt (fig. 225-227)	M20 x 1.5 x 150	5033 412 802
225	Attachment screw	M20 x 1.5 x 150	5043 432 802
226	Washer	32 x 21 x 3	5043 311 503
227	Counternut	M20 x 1.5	5042 474 044
228	Shock absorber	Length 280-410	5023 760 070
228	Shock absorber	Length 317-484	5023 760 071
228	Shock absorber	Length 341-432	5023 760 072
229	Bolt (fig. 227, 230)	M20 x 1.5 x 120	5033 412 803
230	Collar bolt	M20 x 1.5 x 120	5043 432 803
233	Mounting plate for air spring assembly	∅ 260	5010 430 351
234	Air spring	∅ 290 x 351	5032 290 033
235.2	Counternut	M16	5042 474 007
236	Thread-cutting screw	K100 x 40	5043 432 037
237	Split washer A12		5041 410 003
239	Hexagon nut	M12	5043 420 005
240	Air spring plate, steel		5010 430 261
240	Air spring plate, aluminium		5010 430 262
240.1	Air spring support	50	5022 370 081
240.1	Air spring support	100	5022 370 080



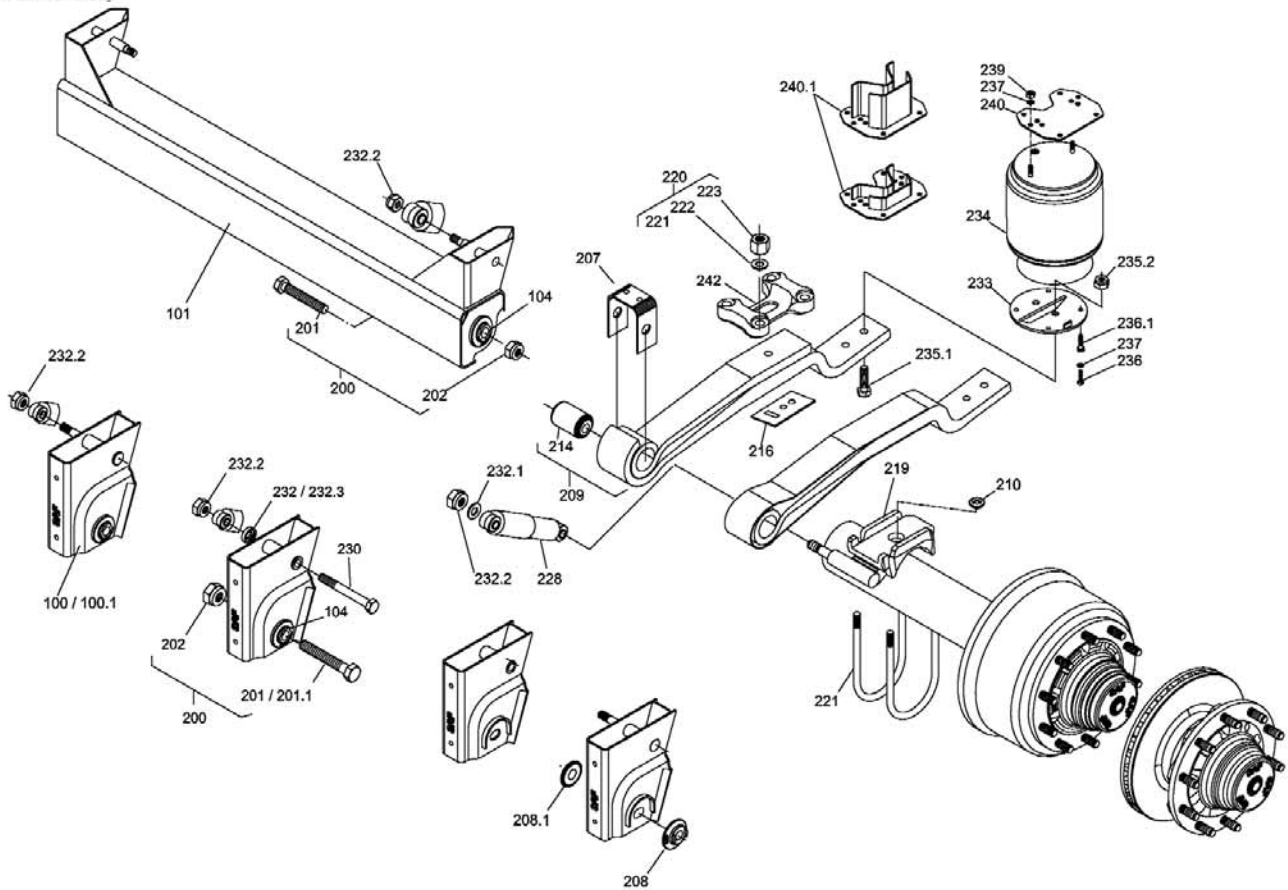
INTRADISC-IU

Illustration	Description	Dimensions mm	Order number
200	Bolt (fig. 201, 202)	M30 x 200	5033 411 048
0200	Repair kit spring bearing IO/IU		5034 343 661
201	Bolt	M30 x 200	5043 431 048
202	Counternut	M30	5042 474 022
204	Pressure disc		5011 012 001
207	Stop disc		5043 315 029
208	Eccentric washer	∅ 102 x 20	5011 230 001
214	rubber-Bearing bush 3 D		5041 773 028
224	Bolt (fig. 225-227)	M20 x 1.5 x 150	5033 412 802
225	Attachment screw	M20 x 1.5 x 150	5043 432 802
227	Counternut	M20 x 1.5	5042 474 044
228	Shock absorber		5023 760 073
229	Bolt (fig. 227, 230)	M20 x 1.5 x 120	5033 412 803
230	Collar bolt	M20 x 1.5 x 120	5043 432 803
233	Attachment plate for air spring assembly SAF 2918V/2923V/2926V		5020 430 306
234	Air spring bellows SAF 2926 V		5032 290 030
235.1	Bolt	M16 x 40	5043 310 368
236	Attachment screw	M12 x 30	5043 435 001
237	Split washer A12		5041 410 003
239	Counternut	M12	5042 474 047

MEHR ALS DIE SUMME ALLER TEILE ...

Komponenten · Originalteile · Zubehör





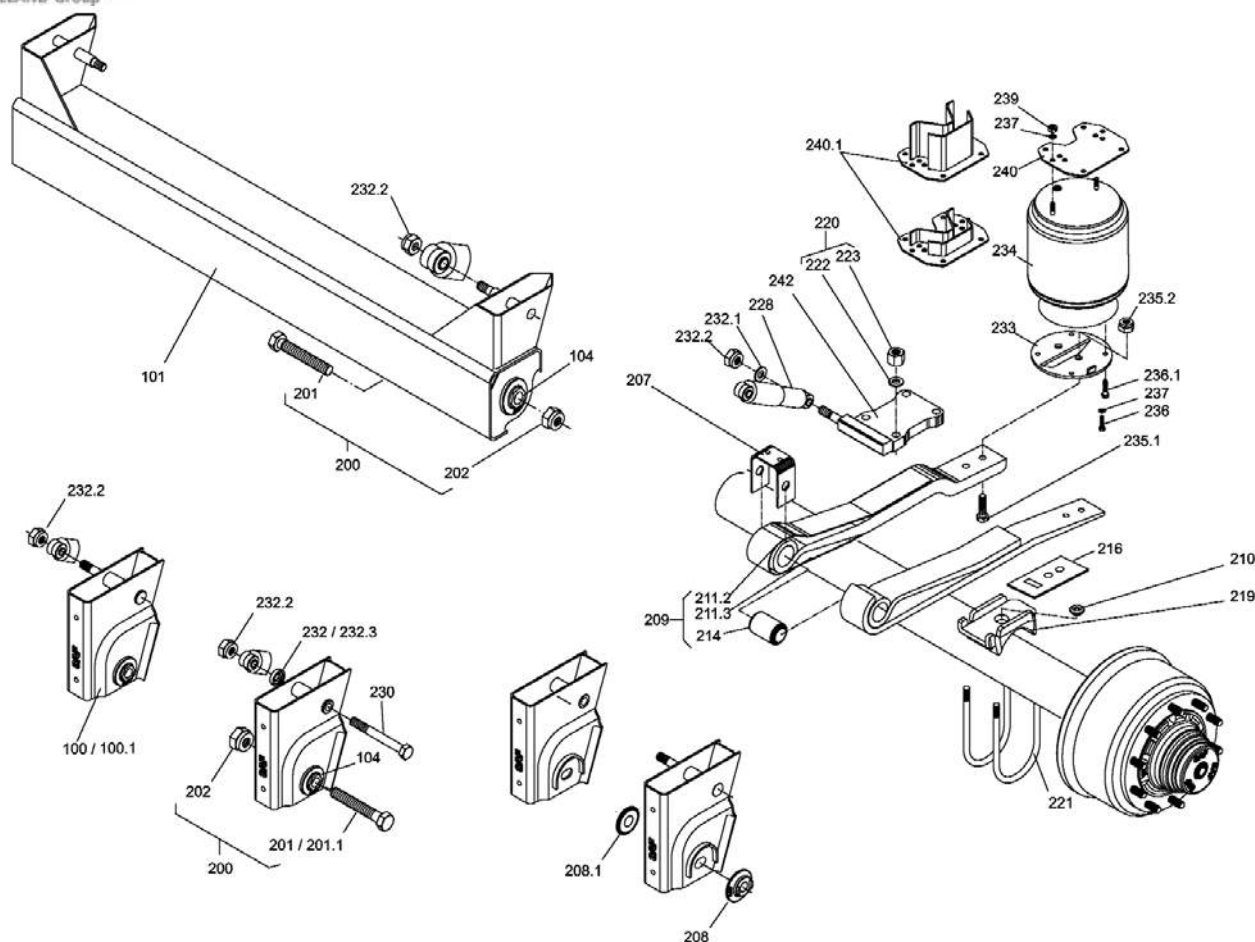
MODULE-M

Illustration	Description	Dimensions mm	Order number
104	Weld-in hub		5012 512 003
200	Bolt (fig. 201, 202)	M30 x 200	5033 411 048
200	Repair kit spring bearing suitable for air spring series M/O/U, rigid		5034 343 644
201	Bolt	M30 x 200	5043 431 048
201.1	Bolt	M30 x 240	5043 431 053
202	Counternut	M30	5042 474 022
207	U profile		5044 052 071
208	Eccentric washer	∅ 102 x 20	5011 230 001
208.1	Pressure disc		5011 012 001
209	Parabolic leaf spring (fig. 214)	Length 892	5031 551 027
209	Parabolic leaf spring (fig. 214)	Length 892	5031 551 035
209	Pitman spring (fig. 211, 214)	Length 517/425	5031 551 036
210	Thrust block		5042 082 001
214	HD-Rubber bearing bush	∅ 68/30 x 104	5041 773 010
216	Safety plate		5013 450 007
220	Spring clamp kit (fig. 221-223)	M22 x 1.5 x 285.5/∅ 146	5034 010 064
220	Spring clamp kit (fig. 221-223)	M22 x 1.5 x 321.5/∅ 146	5034 010 065
220	Spring clamp kit (fig. 221-223)	M22 x 1.5 x 307/∅ 133	5034 010 069
220	Spring clamp kit (fig. 221-223)	M22 x 1.5 x 307/∅ 127	5034 010 071
220	Spring clamp kit (fig. 221-223)	M22 x 1.5 x 304/∅ 127	5034 010 072
221	Spring hoop	M22 x 1.5 x 285.5/∅ 146	5014 020 064
221	Spring hoop	M22 x 1.5 x 321.5/∅ 146	5014 020 065
221	Spring hoop	M22 x 1.5 x 307/∅ 133	5014 020 069
221	Spring hoop	M22 x 1.5 x 267/∅ 127	5140 200 710
221	Spring hoop	M22 x 1.5 x 304/∅ 127	5014 020 072

Continued on the next page ...

... continued from the previous page

Illustration	Description	Dimensions mm	Order number
222	Washer		5013 310 204
223	Hexagon nut	M22 x 1.5 x 25	5043 420 047
228	Shock absorber	Length 325-495	5023 760 026
228	Shock absorber	Length 315-475	5023 760 030
228	Shock absorber	Length 350-540	5023 760 031
230	Bolt	M24 x 2 x 250	5434 320 348
230	Bolt, aluminium	M24 x 2 x 300	5043 432 046
232	Spacer washer		5010 970 011
232.1	Washer	∅ 44/24 x 4	5013 310 098
232.2	Counternut	M24 x 2	5042 474 040
233	Attachment plate	∅ 240 x 8, Offset 0	5010 430 291
233	Attachment plate	∅ 240 x 8, Offset 30	5010 430 292
233	Attachment plate, left	∅ 240 x 10, Offset 55	5010 430 327
233	Attachment plate, right	∅ 240 x 10, Offset 55	5010 430 328
233	Attachment plate, left	∅ 240 x 15, Offset 70	5020 430 289
233	Attachment plate, right	∅ 240 x 15, Offset 70	5020 430 290
233	Attachment plate, left	∅ 260 x 10, Offset 55	5020 430 315
233	Attachment plate, right	∅ 260 x 10, Offset 55	5020 430 316
234	Air spring 2918 V		5032 290 027
234	Air spring bellows 2618 V		5032 290 029
234	Air spring bellows SAF 2926 V		5032 290 030
234	Air spring bellows 2923 V		5032 290 031
235.1	Bolt	M20 x 70	5043 310 148
235.1	Countersunk screw	M20 x 80	5043 435 008
235.2	Counternut	M20	5042 474 012
236	Bolt	M12 x 30	5043 431 008
236.1	Thread-cutting screw	K100 x 40	5043 432 037
237	Split washer A12		5041 410 003
239	Hexagon nut	M12	5043 420 005
240	Air spring plate, steel		5010 430 261
240	Air spring plate, aluminium		5010 430 262
240.1	Air spring support	40	5022 370 070
240.1	Air spring support	50	5022 370 081
240.1	Air spring support	70	5022 370 071
240.1	Air spring support	100	5022 370 080
240.1	Air spring support	130	5022 370 072
240.1	Air spring support	160	5022 370 073
240.1	Air spring support	210	5022 370 074
242	Clamping plate suitable for ∅ 127/133 mm		5013 500 088
242	Clamping plate suitable for ∅ 146 mm		5013 500 086



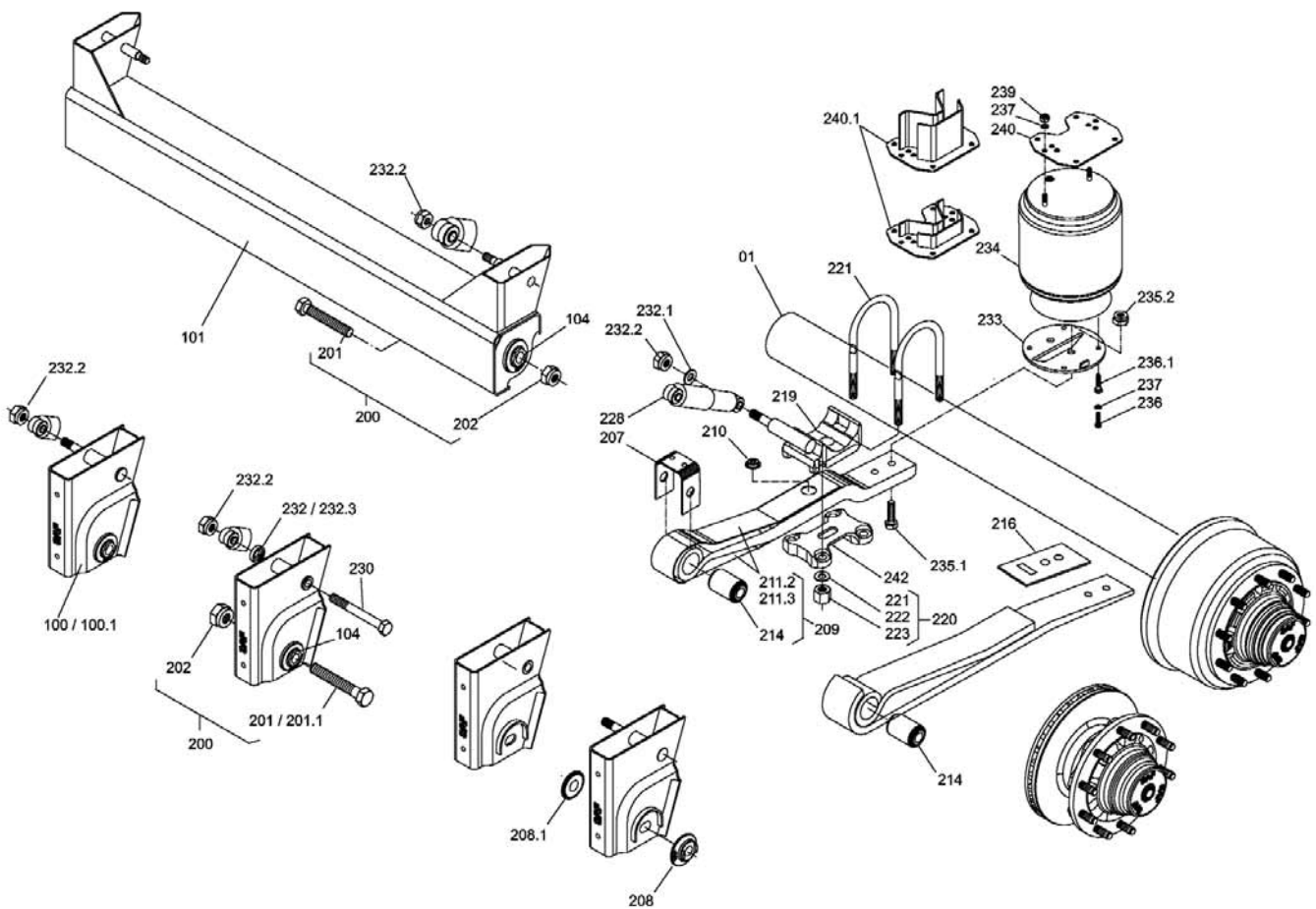
MODULE-O

Illustration	Description	Dimensions mm	Order number
104	Weld-in hub		5012 512 003
200	Bolt (fig. 201, 202)	M30 x 200	5033 411 048
201	Bolt	M30 x 200	5043 431 048
201.1	Bolt	M30 x 240	5043 431 053
202	Counternut	M30	5042 474 022
207	U profile		5044 052 071
208	Eccentric washer	∅ 102 x 20	5011 230 001
208.1	Pressure disc		5011 012 001
209	Parabolic leaf spring (fig. 214)	Length 805, 43/43	5031 551 042
209	Parabolic leaf spring (fig. 211.1, 214)	Length 835, 48	5031 551 028
209	Parabolic leaf spring (fig. 214)	Length 875, 38/38	5031 551 046
209	Parabolic leaf spring (fig. 214)	Length 875, 38/38	5031 551 049
209	Parabolic leaf spring (fig. 214)	Length 875, 43/43	5031 551 050
209	Parabolic leaf spring (fig. 211.2, 214)	Length 875, 48	5031 551 044
209	Parabolic leaf spring (fig. 214)	Length 885, 38/38	5031 551 025
210	Thrust block		5042 082 001
211.2	Catch plate		5013 451 009
211.3	Catch plate		5013 451 004
214	HD-Rubber bearing bush	∅ 68/30 x 104	5041 773 010
216	Safety plate		5013 450 007
220	Spring clamp kit (fig. 221-223)	M22 x 1.5 x 285.5/∅ 146	5034 010 064
220	Spring clamp kit (fig. 221-223)	M22 x 1.5 x 321.5/∅ 146	5034 010 065
220	Spring clamp kit (fig. 221-223)	M22 x 1.5 x 307/∅ 133	5034 010 069
220	Spring clamp kit (fig. 221-223)	M22 x 1.5 x 267/∅ 127	5034 010 071
220	Spring clamp kit (fig. 221-223)	M22 x 1.5 x 304/∅ 127	5034 010 072

Continued on the next page ...

... continued from the previous page

Illustration	Description	Dimensions mm	Order number
221	Spring hoop	M22 x 1.5 x 285.5/∅ 146	5014 020 064
221	Spring hoop	M22 x 1.5 x 321.5/∅ 146	5014 020 065
221	Spring hoop	M22 x 1.5 x 307/∅ 133	5014 020 069
221	Spring hoop	M22 x 1.5 x 267/∅ 127	5140 200 710
221	Spring hoop	M22 x 1.5 x 304/∅ 127	5014 020 072
222	Washer		5013 310 204
223	Hexagon nut	M22 x 1.5 x 25	5043 420 047
228	Shock absorber	L 350-540/55/∅ 24	5023 760 031
230	Bolt	M24 x 2 x 250	5434 320 348
230	Bolt	M24 x 2 x 300	5043 432 046
232	Spacer washer		5010 970 011
232.1	Washer	∅ 44/24 x 4	5013 310 098
232.2	Counternut	M24 x 2	5042 474 040
233	Attachment plate	∅ 240 x 8, Offset 0	5010 430 291
233	Attachment plate	∅ 240 x 8, Offset 30	5010 430 292
233	Attachment plate, left	∅ 240 x 10, Offset 55	5010 430 327
233	Attachment plate, right	∅ 240 x 10, Offset 55	5010 430 328
233	Attachment plate, left	∅ 240 x 15, Offset 70	5020 430 289
233	Attachment plate, right	∅ 240 x 15, Offset 70	5020 430 290
233	Attachment plate, left	∅ 260 x 10, Offset 55	5020 430 315
233	Attachment plate, right	∅ 260 x 10, Offset 55	5020 430 316
234	Air spring 2918 V		5032 290 027
234	Air spring bellows 2618 V		5032 290 029
234	Air spring bellows SAF 2926 V		5032 290 030
234	Air spring bellows 2923 V		5032 290 031
235.1	Bolt	M20 x 70	5043 310 148
235.1	Countersunk screw	M20 x 80	5043 435 008
235.2	Counternut	M20	5042 474 012
236	Bolt	M12 x 30	5043 431 008
236.1	Thread-cutting screw	K100 x 40	5043 432 037
237	Split washer A12		5041 410 003
239	Hexagon nut	M12	5043 420 005
240	Air spring plate, steel		5010 430 261
240	Air spring plate, aluminium		5010 430 262
240.1	Air spring support	40	5022 370 070
240.1	Air spring support	50	5022 370 081
240.1	Air spring support	70	5022 370 071
240.1	Air spring support	100	5022 370 080
240.1	Air spring support	130	5022 370 072
240.1	Air spring support	160	5022 370 073
240.1	Air spring support	210	5022 370 074
242	Clamping plate suitable for ∅ 127/133 mm		5013 500 088
242	Clamping plate suitable for ∅ 146 mm		5013 500 086



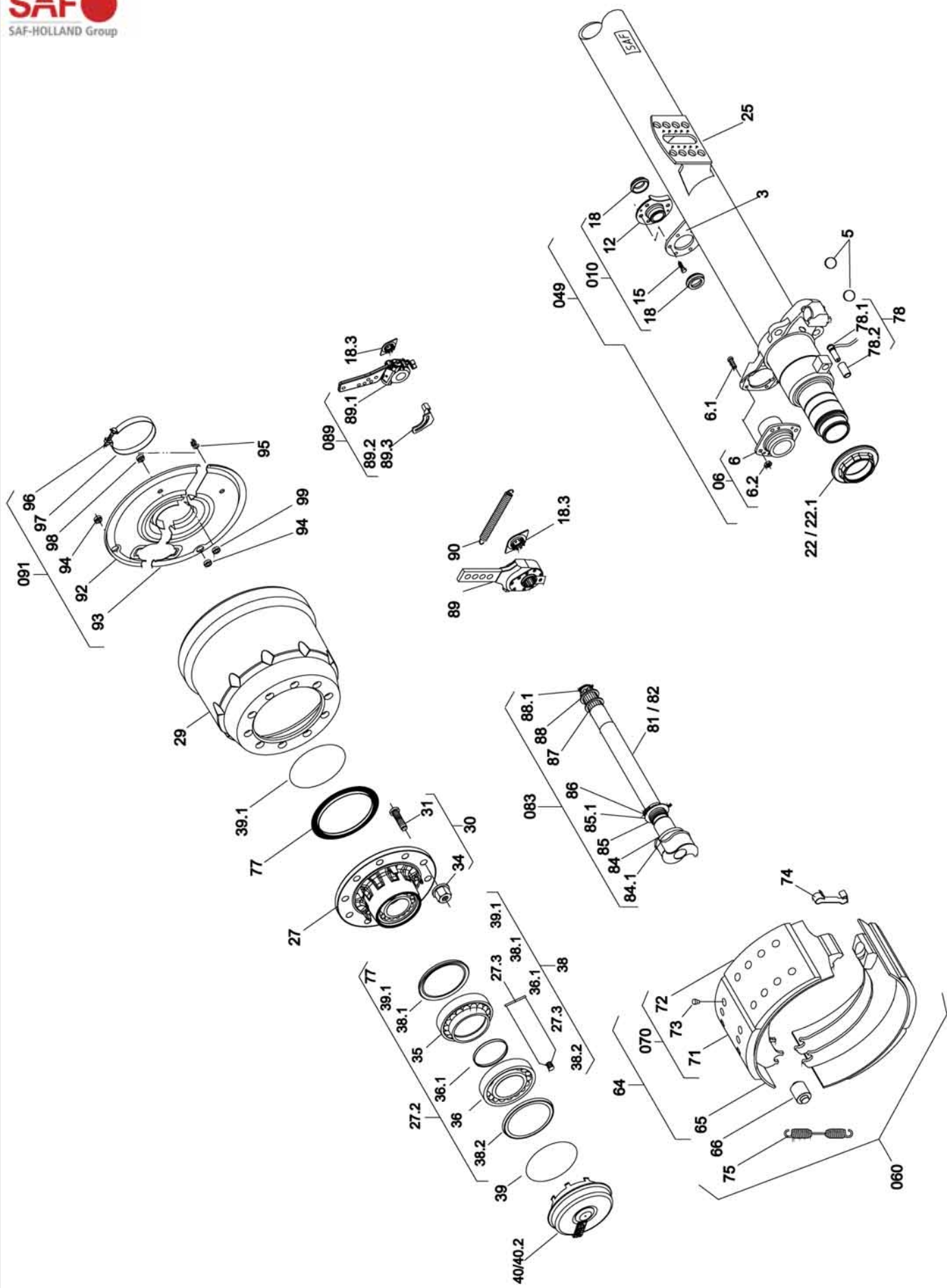
MODULE-U

Illustration	Description	Dimensions mm	Order number
104	Weld-in hub		5012 512 003
200	Bolt (fig. 201, 202)	M30 x 200	5033 411 048
201	Bolt	M30 x 200	5043 431 048
201.1	Bolt	M30 x 240	5043 431 053
202	Counternut	M30	5042 474 022
207	U profile		5044 052 071
208	Eccentric washer	∅ 102 x 20	5011 230 001
208.1	Pressure disc		5011 012 001
209	Parabolic leaf spring (fig. 211.3, 214)	Length 835, 48	5031 551 029
209	Parabolic leaf spring (fig. 211.2, 214)	Length 875, 48	5031 551 044
209	Parabolic leaf spring (fig. 214)	Length 875, 38/38	5031 551 046
209	Parabolic leaf spring (fig. 214)	Length 925, 43/43	5031 551 048
210	Thrust block		5042 082 001
211.2	Catch plate		5013 451 009
211.3	Catch plate		5013 451 003
214	HD-Rubber bearing bush	∅ 68/30 x 104	5041 773 010
216	Safety plate		5013 450 007
220	Spring clamp kit (fig. 221-223)	M22 x 1.5 x 285.5/∅ 146	5034 010 064
220	Spring clamp kit (fig. 221-223)	M22 x 1.5 x 321.5/∅ 146	5034 010 065
220	Spring clamp kit (fig. 221-223)	M22 x 1.5 x 307/∅ 133	5034 010 069
220	Spring clamp kit (fig. 221-223)	M22 x 1.5 x 267/∅ 127	5034 010 071
220	Spring clamp kit (fig. 221-223)	M22 x 1.5 x 304/∅ 127	5034 010 072

Continued on the next page ...

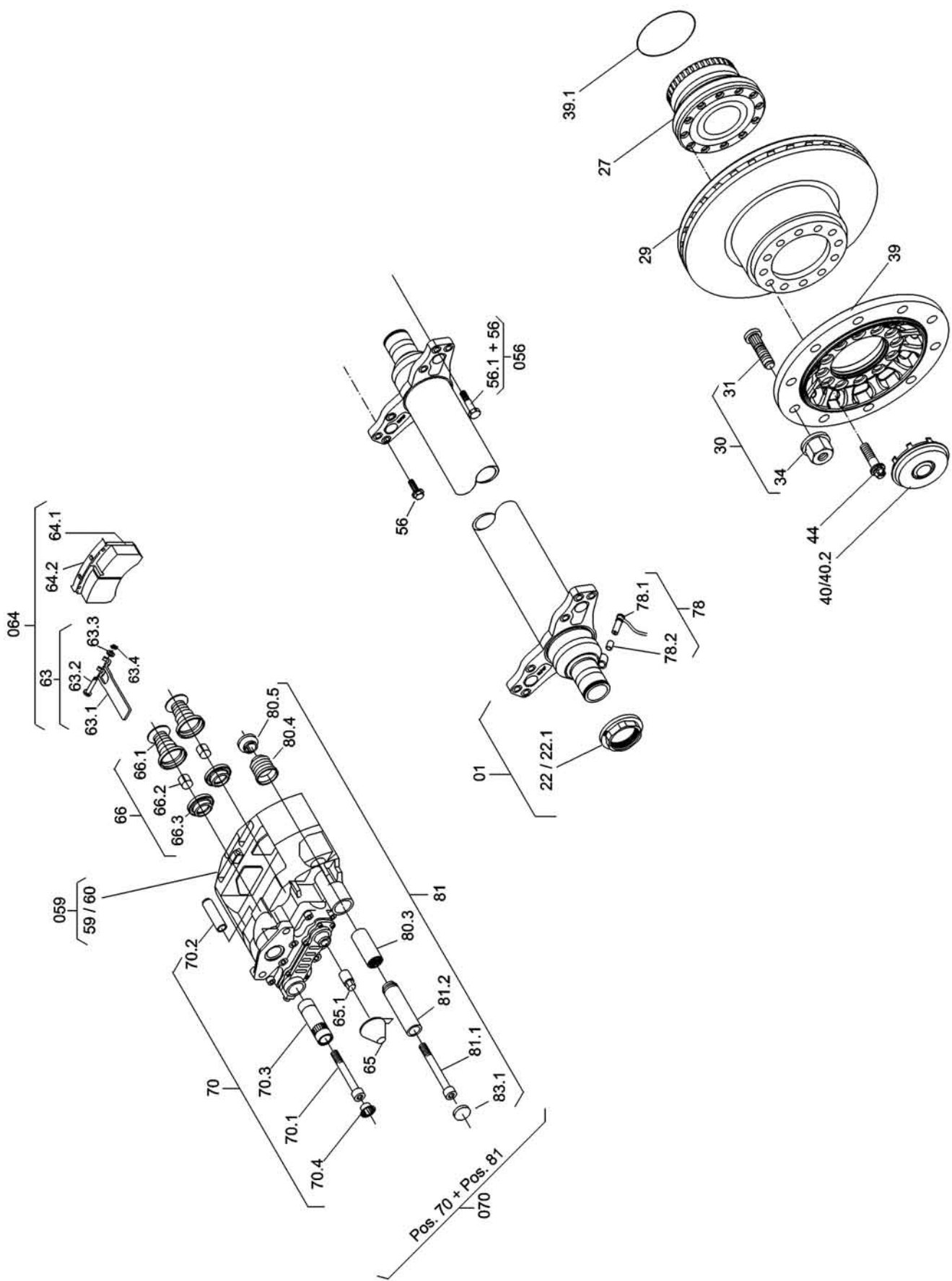
... continued from the previous page

Illustration	Description	Dimensions mm	Order number
221	Spring hoop	M22 x 1.5 x 285.5/∅ 146	5014 020 064
221	Spring hoop	M22 x 1.5 x 321.5/∅ 146	5014 020 065
221	Spring hoop	M22 x 1.5 x 307/∅ 133	5014 020 069
221	Spring hoop	M22 x 1.5 x 267/∅ 127	5140 200 710
221	Spring hoop	M22 x 1.5 x 304/∅ 127	5014 020 072
222	Washer		5013 310 204
223	Hexagon nut	M22 x 1.5 x 25	5043 420 047
228	Shock absorber	Length 292-432	5023 760 027
228	Shock absorber	Length 315-475	5023 760 030
228	Shock absorber	Length 350-540	5023 760 031
228	Shock absorber	Length 696-426	5023 760 023
230	Bolt	M24 x 2 x 250	5434 320 348
230	Bolt	M24 x 2 x 300	5043 432 046
230	Bolt	M24 x 2 x 225	5043 432 053
232	Spacer washer		5010 970 011
232.1	Washer	∅ 44/24 x 4	5013 310 098
232.2	Counternut	M24 x 2	5042 474 040
233	Attachment plate	∅ 240 x 8, Offset 0	5010 430 291
233	Attachment plate	∅ 240 x 8, Offset 30	5010 430 292
233	Attachment plate, left	∅ 240 x 10, Offset 55	5010 430 327
233	Attachment plate, right	∅ 240 x 10, Offset 55	5010 430 328
233	Attachment plate, left	∅ 240 x 15, Offset 30	5010 430 307
233	Attachment plate, right	∅ 240 x 15, Offset 30	5010 430 308
233	Attachment plate, left	∅ 240 x 15, Offset 70	5020 430 289
233	Attachment plate, right	∅ 240 x 15, Offset 70	5020 430 290
233	Attachment plate, left	∅ 260 x 10, Offset 55	5020 430 315
233	Attachment plate, right	∅ 260 x 10, Offset 55	5020 430 316
234	Air spring 2918 V		5032 290 027
234	Air spring bellows 2618 V		5032 290 029
234	Air spring bellows SAF 2926 V		5032 290 030
234	Air spring bellows 2923 V		5032 290 031
235.1	Bolt	M20 x 70	5043 310 148
235.1	Countersunk screw	M20 x 80	5043 435 008
235.2	Counternut	M20	5042 474 012
236	Bolt	M12 x 30	5043 431 008
236.1	Thread-cutting screw	K100 x 40	5043 432 037
237	Split washer A12		5041 410 003
239	Hexagon nut	M12	5043 420 005
240	Air spring plate, steel		5010 430 261
240	Air spring plate, aluminium		5010 430 262
240.1	Air spring support	40	5022 370 070
240.1	Air spring support	50	5022 370 081
240.1	Air spring support	70	5022 370 071
240.1	Air spring support	100	5022 370 080
240.1	Air spring support	130	5022 370 072
240.1	Air spring support	160	5022 370 073
240.1	Air spring support	210	5022 370 074
242	Clamping plate suitable for ∅ 127/133 mm		5013 500 088
242	Clamping plate suitable for ∅ 146 mm		5013 500 086



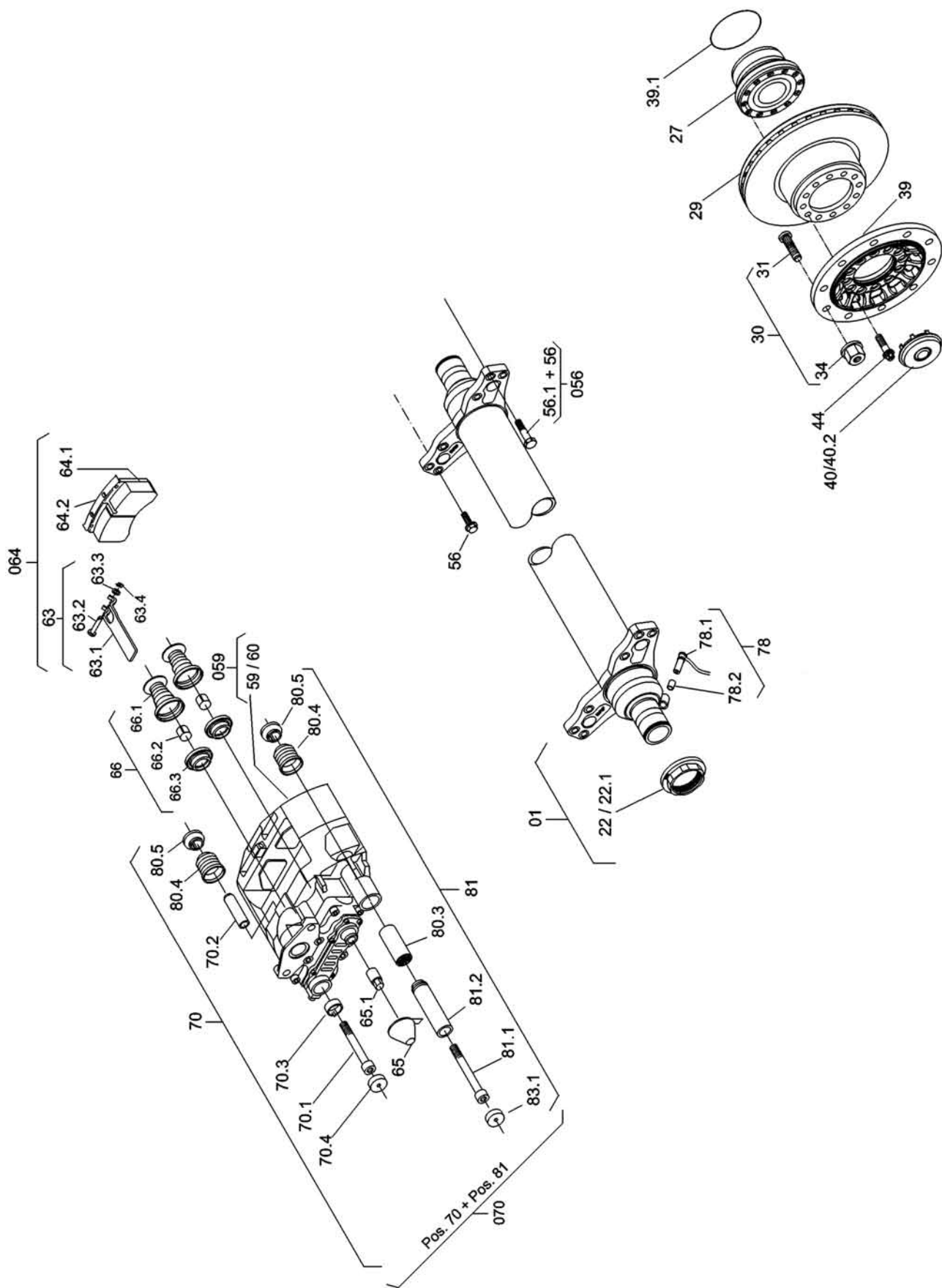
S9-4218

Illustration	Description	Dimensions mm	Order number
5	Brake shoe ball	∅ 40	5041 991 002
06	Brake cam bearing		5032 680 048
6.1	Attachment screw	M8 x 25	5040 517 001
6.2	Counternut	M8	5042 474 015
010	Brake cam bearing		5032 680 047
12	Brake cam bearing		5032 680 045
15	Bolt		5043 432 912
18	Shaft sealing ring		5041 310 008
18.3	Wear indicator		5041 870 010
22	Axle nut, right	M75 x 1.5/Spanner size 85	5010 110 086
22.1	Axle nut, left	M75 x 1.5/Spanner size 85	5010 110 085
25	Base plate		5011 711 253
27	Wheel hub, complete		5033 073 043
27.2	Repair kit wheel hub unit		5034 343 019
27.3	Roller bearing grease		5043 870 011
29	Brake drum	420 x 180	5010 640 260
30	Wheel bolt set (MZ with fig. 31, 34, bush 1 095 1040 00 not included)		5033 021 078
31	Wheel bolt	M22 x 1.5 x 83	5013 031 074
34	Wheel nut	M22 x 1.5 x 27/ Spanner size 32	5042 473 012
38	Repair kit, for wheel bearing grease change		5034 343 025
39.1	O-ring		5043 150 075
40	Wheel-hub cap with O-ring SKRB Integral		5043 040 102
40.2	Wheel-hub cap For hub odometer SKRB Integral		5043 040 103
049	Repair kit cam bearing		5034 343 652
060	Repair kit brake shoes	SNK 420 x 180	5034 343 653
64	Brake shoe with brake lining (Fig. 65, 71-73)		5030 550 120
65	Brake shoe without brake lining (fig. 66)		5030 540 120
66	Brake cam roller		5012 650 019
070	Brake lining set (Fig. 71-73)	SNK 420 x 180	5030 573 960
73	Rivet set		5032 670 007
74	Spring clip		5011 510 008
75	Tension spring	∅ 32.8 x 232	5014 470 058
77	Sensor ring, ABS 90		5040 291 070
78	Speed sensor set (fig. 78.1, 78.2)		0210 329 212
78.1	Speed sensor		5040 291 002
78.2	Clamping bushing		0687 598 154
083	Brake camshaft		5033 170 016
84	O-ring	∅ 45 x 4	5043 150 062
84.1	Spacer ring		5010 940 039
85	Sealing ring	∅ 45/60 x 7	5043 730 037
85.1	Cup spring	∅ 43/63 x 1.75	5041 331 011
86	Spring clip		5041 510 010
87	Washer	∅ 51/38.8 x 1.5	5013 310 015
88	Washer	∅ 51/28.1 x 1.5	5013 310 176
88.1	Spring clip		5041 510 011
89	Slack adjuster, manual		5021 750 037
89.1	Slack adjuster, automatic		5041 750 314
89.2	Stop angle, left		5040 180 063
89.3	Stop angle, right		5040 180 064
90	Tension spring		5014 470 037
091	Cover plate kit (fig. 92-94, 96-99)		5030 050 173
94	Sealing cap	∅ 31.75 x 9.52	5043 372 008
95	Cable holder		5041 890 044
97	Clamping collar		5041 942 023
98	Sealing cap		5043 372 027
99	Rubber bearing bush ABV	∅ 18 x 8	5041 773 018



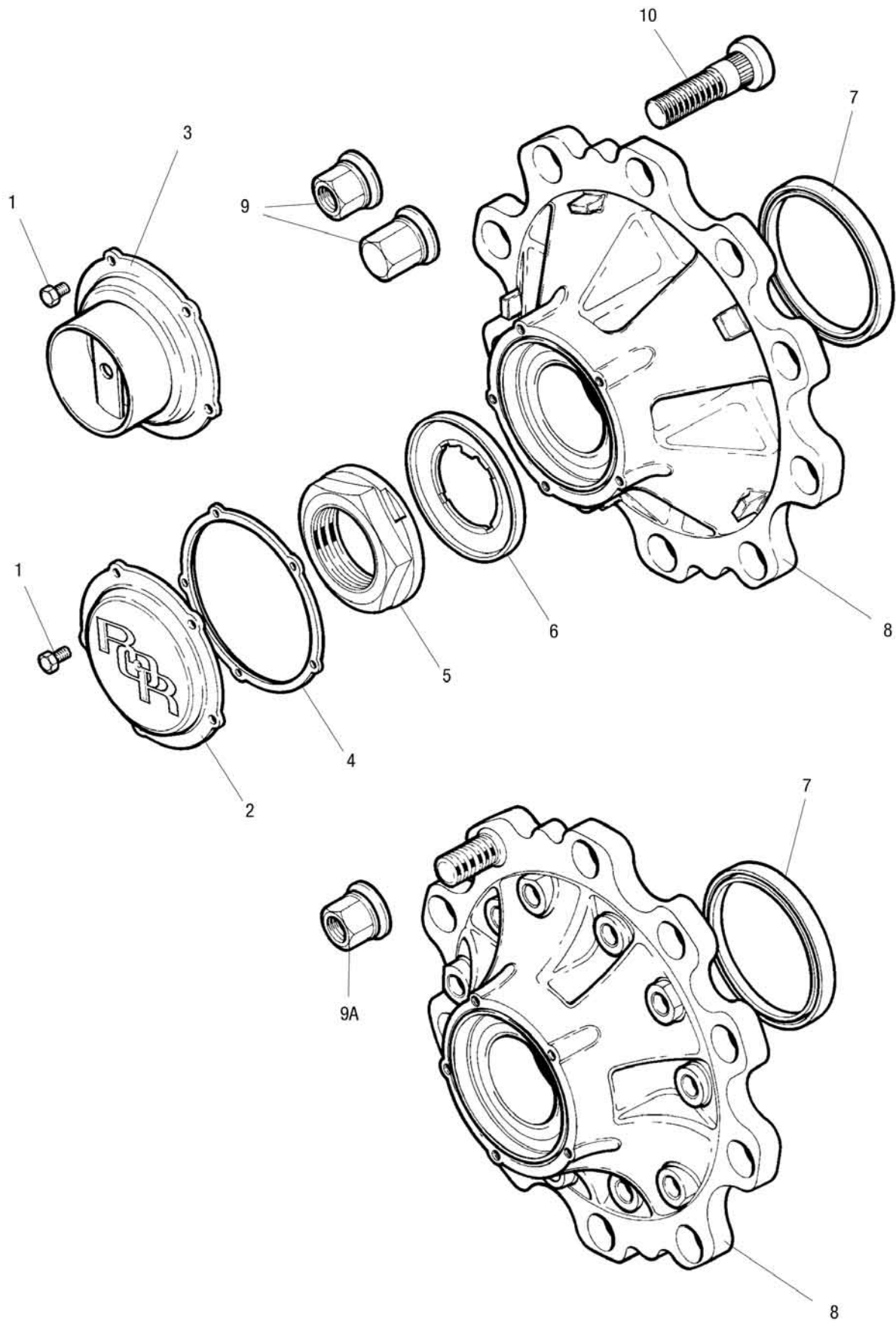
SKRB9022K

Illustration	Description	Dimensions mm	Order number
22	Axle nut, right	M72 x 1.5/Spanner size 85	5010 110 080
22.1	Axle nut, left	M72 x 1.5/Spanner size 85	5010 110 081
27	Repair kit for hub unit (Fig. 39.1, 44)		5034 343 650
29	Brake disc	Ø 430	5407 900 050
30	Wheel bolt set with wheel nut (Fig. 31, 34)	M22 x 1.5 x 66	5013 031 118
30	Wheel bolt set for aluminium wheels with middle centering	M22 x 1.5	5033 021 157
31	Wheel bolt, aluminium	M22 x 1.5 x 76	5013 031 120
34	Wheel nut	M22 x 1.5 x 27/ Spanner size 32	5042 473 012
39	Wheel flange SKRB 9019/9022		5011 462 001
39	Turbo-Wheel flange SKRB 9019/9022, only in combination with brake disc from (.01)		5011 462 004
39.1	O-ring		5043 150 075
40	Wheel-hub cap		5043 040 093
40.2	Wheel-hub cap for hub odometer		5043 040 098
44	TORX® bolt E24	M18 x 1.5 x 65	5043 432 801
056	Attachment screw set Brake caliper		5034 343 656
56	Attachment screw with collar	M16 x 1.5 x 55	5043 432 914
56.1	Close-tolerance bolt for disc brake	M16 x 1.5	5043 751 004
059	Brake caliper, right, Schmitz version		5030 800 010
059	Brake caliper, right		5030 800 030
60	Brake caliper, left, Schmitz version		5030 800 011
60	Brake caliper, left		5030 800 031
63	Brake pad hold-down kit for Knorr brake (fig. 63.1-63.4)		3400 001 290
064	Brake pad set (Fig. 63, 64.1, 64.2)		5030 570 077
65	Repair kit Adjuster cap SN 6,7/SK 7 (Fig. 65.1)		5034 343 816
66	Repair kit pressure pad Knorr SN/SK (Fig. 66.1, 66.2, 66.3)		5034 343 814
070	Guide sealing set Knorr SN 7 (Fig. 70, 81)		5034 343 812
070	Guide sealing set SK 7, SN 7 (Fig. 65, 70, 81)		5034 343 815
78	Speed sensor set (fig. 78.1, 78.2)	Cable length 400	0210 329 212
78	Speed sensor set (fig. 78.1, 78.2)	Cable length 1000	0210 329 222
78.1	Speed sensor	Cable length 400	5040 291 002
78.1	Rod sensor (Intra-family) with plug	Cable length 1000	5040 291 064
78.2	Clamping bushing		0687 598 154



SKRB9022K01

Illustration	Description	Dimensions mm	Order number
22	Axle nut, right	M72 x 1.5/Spanner size 85	5010 110 080
22.1	Axle nut, left	M72 x 1.5/Spanner size 85	5010 110 081
27	Repair kit for hub unit (Fig. 39.1, 44)		5034 343 650
29	Brake disc	Ø 430	5407 900 050
30	Wheel bolt set with wheel nut (Fig. 31, 34)	M22 x 1.5 x 66	5013 031 118
30	Wheel bolt set for aluminium wheels with middle centering	M22 x 1.5	5033 021 157
31	Wheel bolt, aluminium	M22 x 1.5 x 76	5013 031 120
34	Wheel nut	M22 x 1.5/Spanner size 32	5042 473 012
39	Turbo-Wheel flange SKRB 9019/9022, only in combination with brake disc from (.01)		5011 462 004
39.1	O-ring		5043 150 075
40	Wheel-hub cap		5043 040 093
40.2	Wheel-hub cap for hub odometer		5043 040 098
44	TORX® bolt E24	M18 x 1.5 x 65	5043 432 801
056	Attachment screw set Brake caliper		5034 343 656
56	Attachment screw with collar	M16 x 1.5 x 55	5043 432 914
56.1	Close-tolerance bolt for disc brake	M16 x 1.5	5043 751 004
059	Brake caliper, right, SK7		5030 800 054
60	Brake caliper, left, SK7		5030 800 055
064	Brake pad set , WVA no. 29158	201,8 x 108 x 30.00	5030 570 085
65	Repair kit Adjuster cap SN 6,7/SK 7 (Fig. 65.1)		5034 343 816
66	Repair kit pressure pad Knorr SN/SK (Fig. 66.1, 66.2, 66.3)		5034 343 814
070	Guide sealing set SK 7 (Fig. 65, 70, 81)		5034 343 815
78	Speed sensor set (fig. 78.1, 78.2)	Cable length 400	0210 329 212
78	Speed sensor set (fig. 78.1, 78.2)	Cable length 1000	0210 329 222
78.1	Speed sensor	Cable length 400	5040 291 002
78.1	Rod sensor (Intra-family) with plug	Cable length 1000	5040 291 064
78.2	Clamping bushing		0687 598 154
83.1	Steel cap SK7 (fixed bearing)		5034 343 817



LC hub

Illustration	Description	Dimensions mm	Order number
1	Bolt	M8 x 16	7600 000 334
2	Wheel-hub cap		7300 000 335
3	Wheel-hub cap for hub odometer		7600 000 336
4	Flat seal for wheel hub cover		7600 000 337
5	Axle nut, axle end		7621 225 405
6	Caulk washer assembly		7621 225 514
7	Oil seal for wheel hub		7600 000 474
8	Wheel hub for drum brake		7614 225 290
8A	Wheel hub for disc brake		7614 225 494
9	Wheel nut for drum brake, standard open	M22 x 1.5/ Spanner size 32	7670 000 120
9	Wheel nut for drum brake, end closed	M22 x 1.5/ Spanner size 32	7621 226 484
9A	Wheel nut set for drum and disc brake	M22 x 1.5	7621 226 396
10	Wheel bolt for aluminium wheel		7600 000 956
10	Wheel bolt set for steel and aluminium wheel		7621 226 340



Phoenix Luftfedern – *die* starke Marke im Ersatzmarkt.

- o Qualität, die überzeugt
- o Leistung, die sich rechnet
- o Seit mehr als 50 Jahren

www.phoenix-airsprings.com

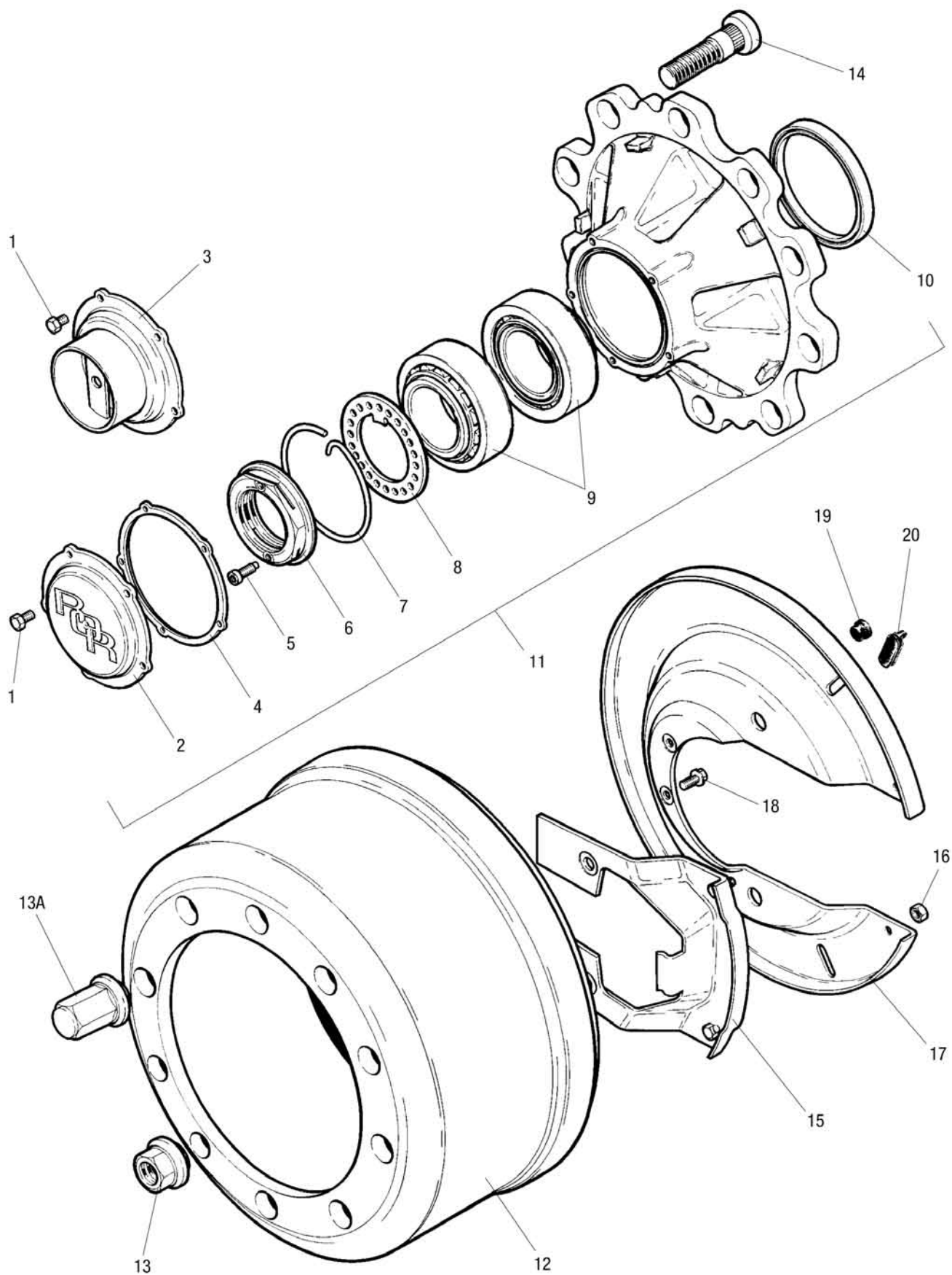
ContiTech Luftfedersysteme GmbH
 Philipsbornstraße 1
 D-30165 Hannover
 airsprings_replacement@as.contitech.de

Division ContiTech of Continental AG

Continental
 CONTITECH

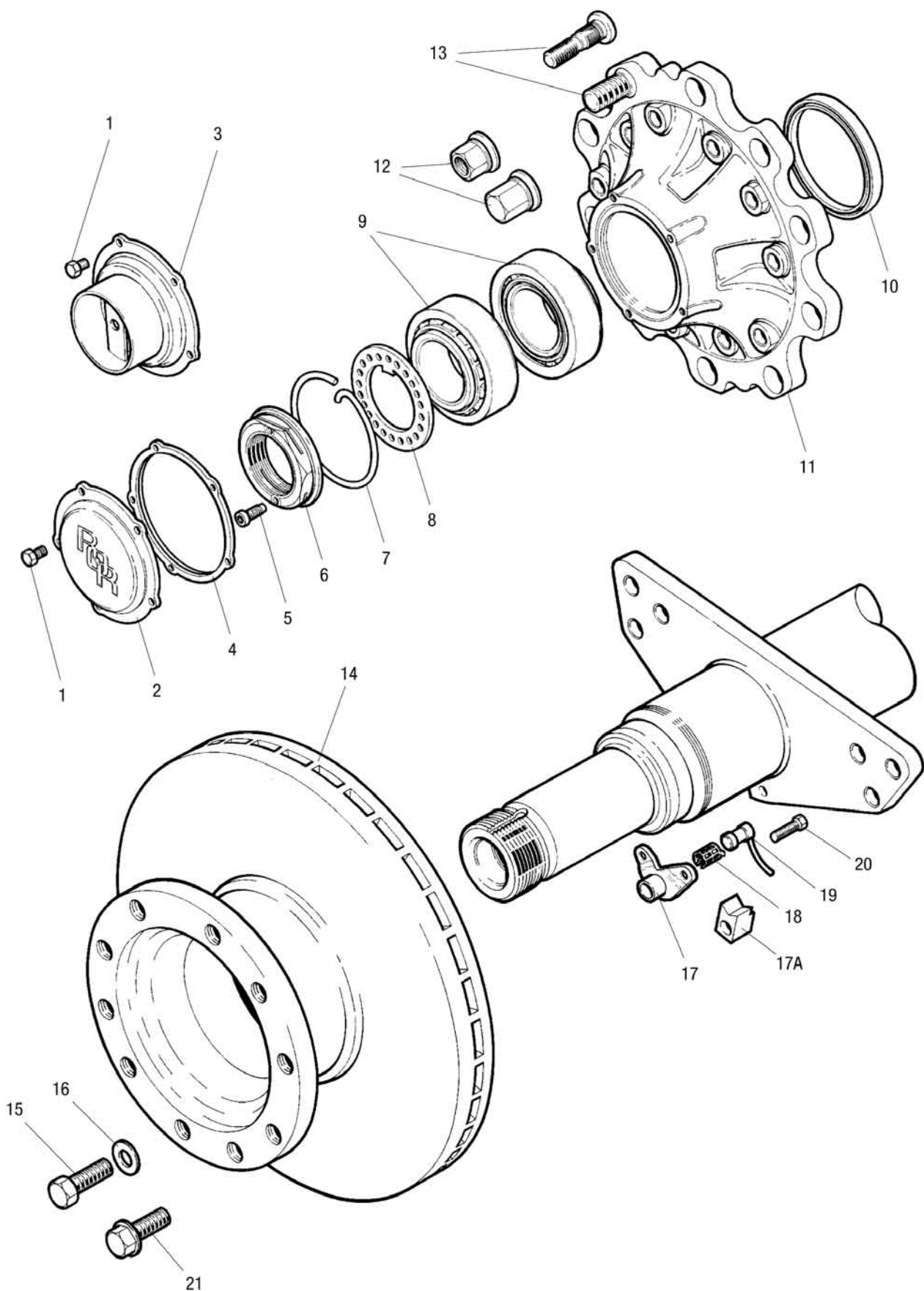
PHOENIX
 Air Springs





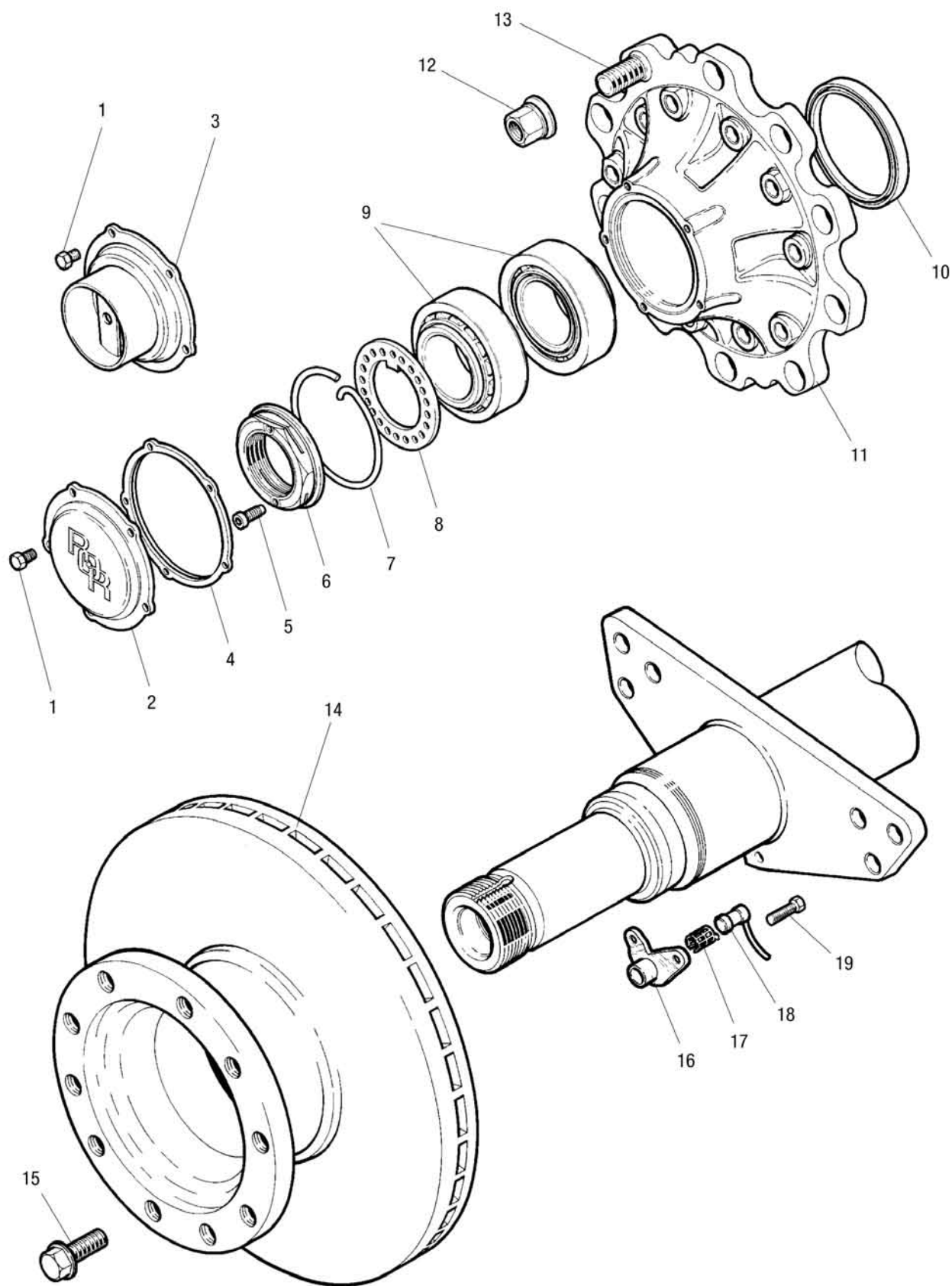
LM hub

Illustration	Description	Dimensions mm	Order number
1	Bolt	M8 x 16	7600 000 334
2	Wheel-hub cap		7300 000 335
3	Wheel-hub cap for hub odometer		7600 000 336
4	Flat seal for wheel hub cover		7600 000 337
5	Safety screw for axle nut	M8 x 1.25	7600 000 338
6	Axle nut	M82 x 2	7600 000 339
7	Circlip		7600 000 340
8	Hole disc for axle nut locking device		7600 000 341
9	Wheel bearing		7600 015 218
10	Oil seal for wheel hub		7600 000 474
11	Wheel hub		7600 001 236
12	Brake drum	419 x 238 x 10 x 24/ Brake path 192	7600 000 600
13	Wheel nut set for drum and disc brake	M22 x 1.5/ Spanner size 32	7621 226 396
14	Wheel bolt for aluminium wheel	M22 x 1.5 x 80	7600 000 956
14	Wheel bolt for aluminium wheel	M22 x 1.5 x 95	7600 000 963
14	Wheel bolt steel/aluminium, coated		7600 001 142
15	Dust plate, small		7600 001 145
15	Dust plate 04/2001-		7615 225 842
16	Hexagon nut	M8	7600 000 343
17	Dust plate, large		7600 001 150
18	Bolt for cover plate		7609 546 002
19	Plug for cover plate		7600 000 025
20	Stopper for inspection hole		7600 000 958
21	Roller bearing grease for wheel hub, 400 g Cartridge		7600 003 008
22	Optimoly paste, 100 g Tube		7699 538 009



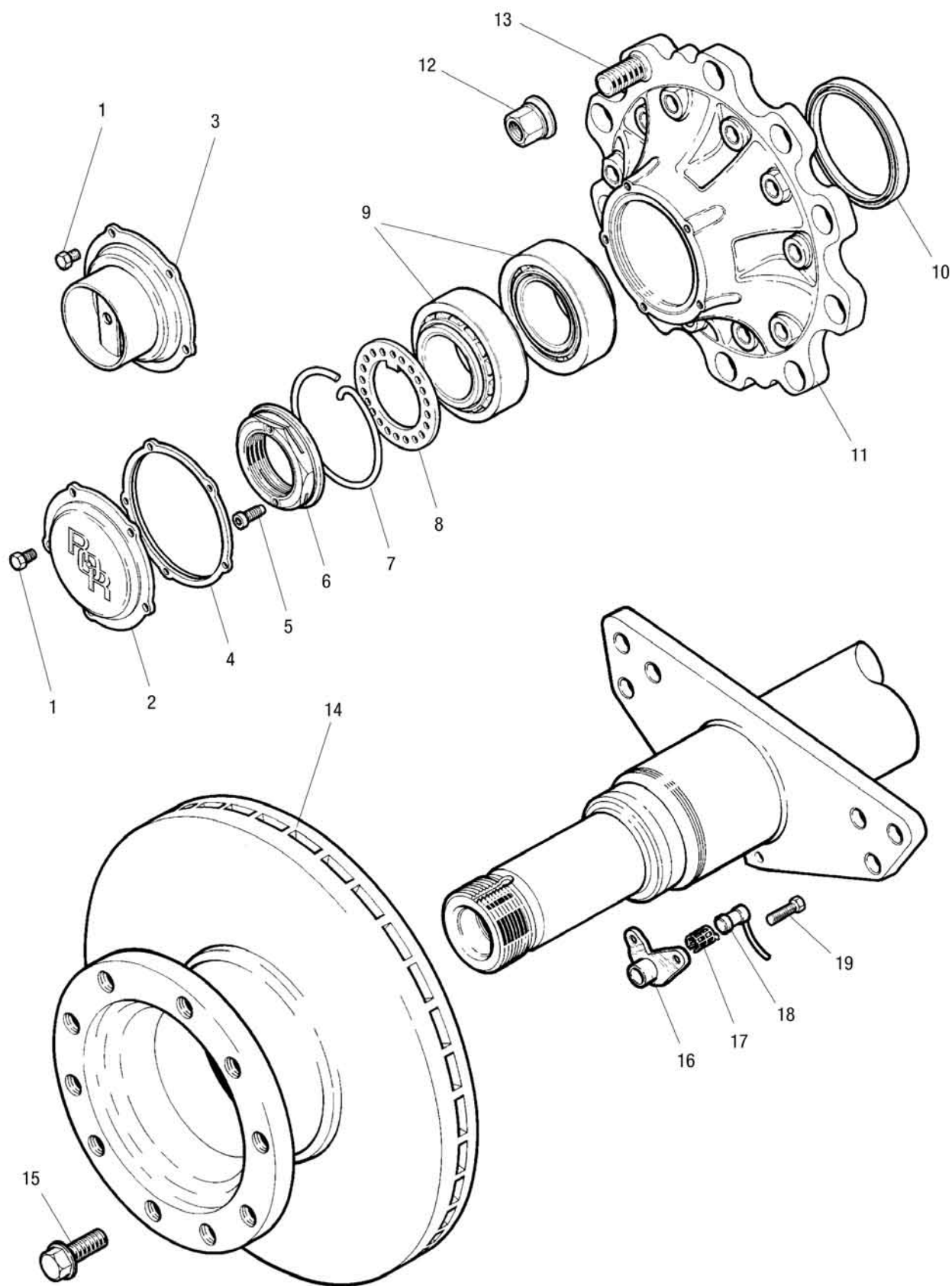
LM DX195 hub

Illustration	Description	Dimensions mm	Order number
1	Bolt	M8 x 16	7600 000 334
2	Wheel-hub cap		7300 000 335
3	Wheel-hub cap for hub odometer		7600 000 336
4	Flat seal for wheel hub cover		7600 000 337
5	Safety screw for axle nut	M8 x 1.25	7600 000 338
6	Axle nut	M82 x 2	7600 000 339
7	Circlip		7600 000 340
8	Hole disc for axle nut locking device		7600 000 341
9	Wheel bearing		7600 015 218
10	Oil seal for wheel hub		7600 000 474
11	Wheel-hub cap		7600 000 470
12	Wheel nut, standard open	Spanner size 32	7670 000 120
12	Wheel nut set	M22 x 1.5/ Spanner size 32	7621 226 396
12	Wheel nut, end closed	Spanner size 32	7621 226 484
13	Wheel bolt set for steel and aluminium wheel		7621 226 340
13	Wheel bolt		7600 000 956
14	Brake disc, internally ventilated	378 x 45 x 150	2076 378 001
15	Attachment screw	M16 x 65	7621 225 100
16	Washer for securing wheel hub		7621 224 978
17	Sensor bracket 06/2000-		7621 226 429
17A	Sensor bracket, rectangular		7600 001 058
18	Clamping sleeve for ABS rotational speed sensor		7600 000 877
19	Speed sensor		7600 000 615
20	Attachment screw for sensor bracket		7600 001 210



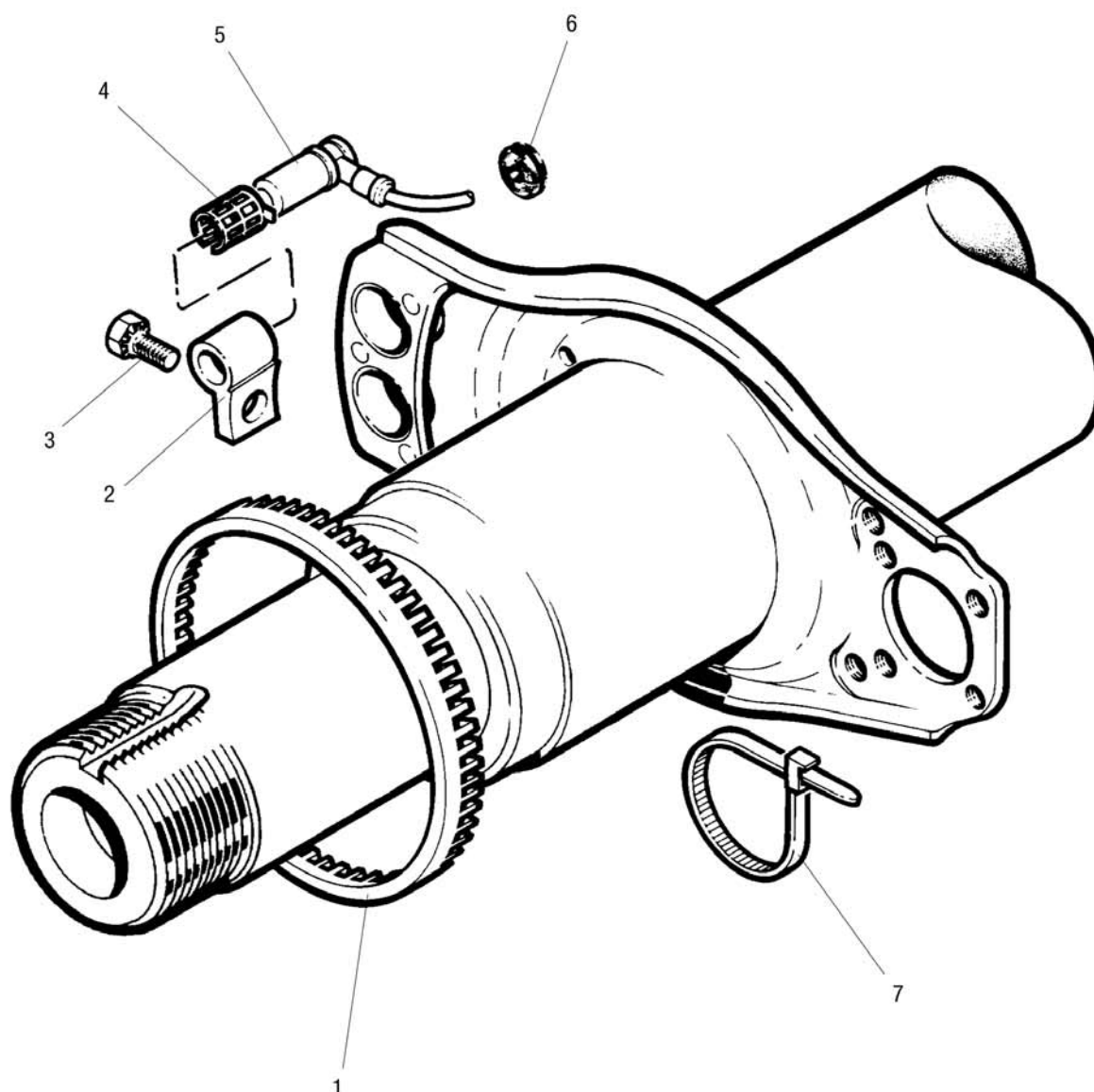
LM ELSA2 hub

Illustration	Description	Dimensions mm	Order number
1	Bolt	M8 x 16	7600 000 334
2	Wheel-hub cap		7300 000 335
3	Wheel-hub cap for hub odometer		7600 000 336
4	Flat seal for wheel hub cover		7600 000 337
5	Safety screw for axle nut	M8 x 1.25	7600 000 338
6	Axle nut	M82 x 2	7600 000 339
7	Circlip		7600 000 340
8	Hole disc for axle nut locking device		7600 000 341
9	Wheel bearing		7600 015 218
10	Oil seal for wheel hub		7600 000 474
11	Wheel-hub cap		7600 000 470
12	Wheel nut set	M22 x 1.5/ Spanner size 32	7621 226 396
13	Wheel bolt set		7621 226 340
13	Wheel bolt		7600 000 956
14	Brake disc		7668 323 825
15	Attachment screw	M16 x 65	7621 225 100
16	Sensor bracket		7600 001 160
17	Clamping sleeve for ABS rotational speed sensor		7600 000 877
18	Speed sensor		7600 000 615
19	Attachment screw for sensor bracket		7600 001 210



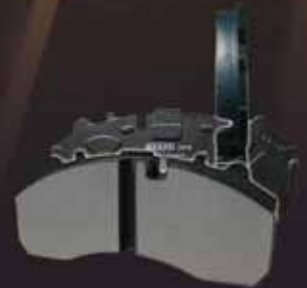
LM ELSA195 hub

Illustration	Description	Dimensions mm	Order number
1	Bolt	M8 x 16	7600 000 334
2	Wheel-hub cap		7300 000 335
3	Wheel-hub cap for hub odometer		7600 000 336
4	Flat seal for wheel hub cover		7600 000 337
5	Safety screw for axle nut	M8 x 1.25	7600 000 338
6	Axle nut	M82 x 2	7600 000 339
7	Circlip		7600 000 340
8	Hole disc for axle nut locking device		7600 000 341
9	Wheel bearing		7600 015 218
10	Oil seal for wheel hub		7600 000 474
11	Wheel-hub cap		7600 000 470
12	Wheel nut set	M22 x 1.5/ Spanner size 32	7621 226 396
13	Wheel bolt set		7621 226 340
13	Wheel bolt		7600 000 956
14	Brake disc, internally ventilated	378 x 45 x 150	2076 378 001
15	Bolt for securing brake caliper	M18 x 50	7602 122 743
16	Sensor bracket		7600 001 161
17	Clamping sleeve for ABS rotational speed sensor		7600 000 877
18	Speed sensor		7600 000 615
19	Attachment screw for sensor bracket		7600 001 210



LM/LC ABS

Illustration	Description	Order number
1	Sensor ring, ABS, Number of teeth 100	7600 001 049
2	Sensor bracket	7600 001 050
3	Attachment screw for sensor bracket	7600 001 209
4	Clamping sleeve for ABS rotational speed sensor	7600 000 877
5	Speed sensor	7600 000 615
6	Dust protection cap	7600 000 616
7	Cable connector	7600 000 969
-	Brake grease for sensor socket	7699 226 786



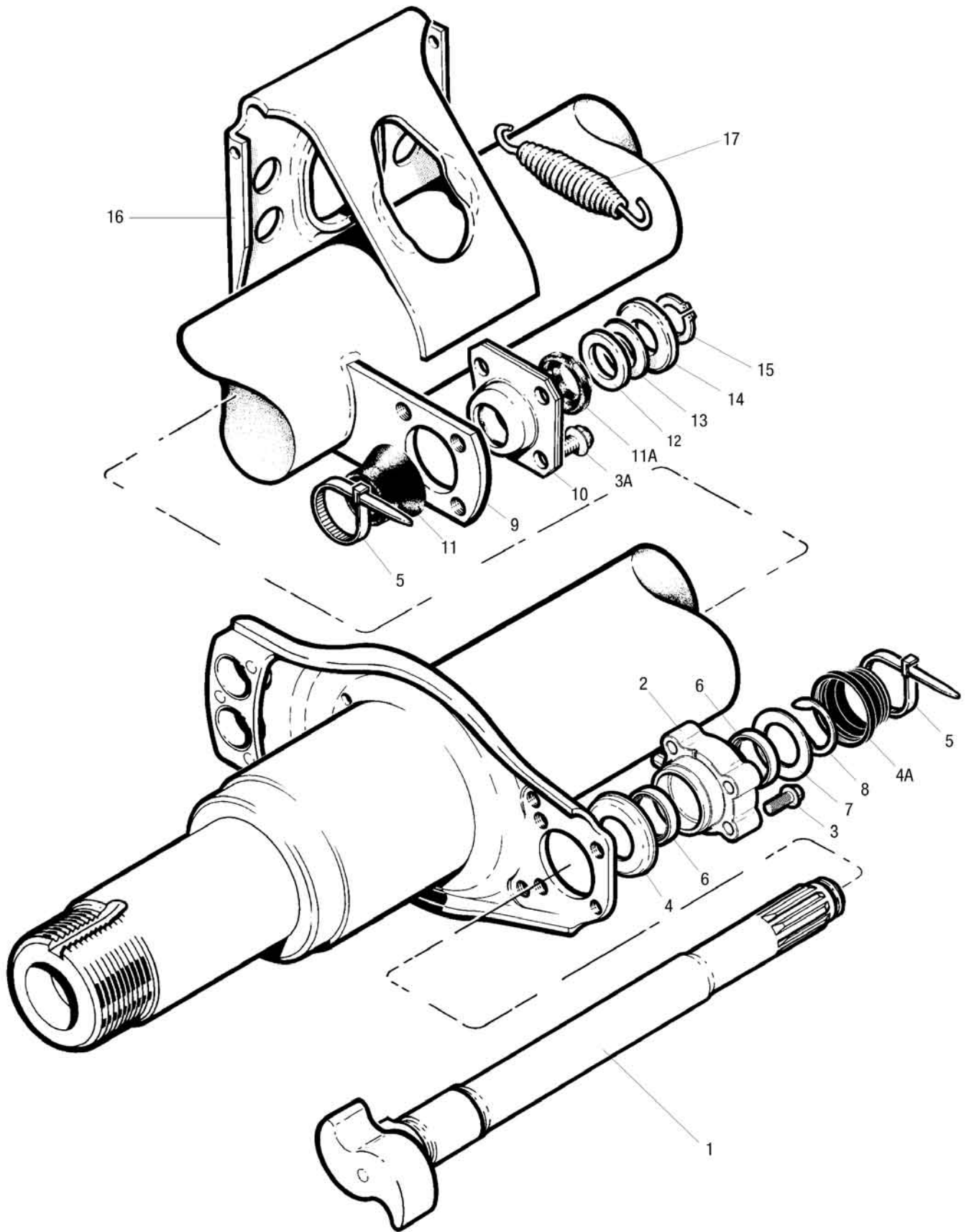
Wir halten Ihnen den Rücken frei!

BERAL Markenbremsbeläge für Anhänger und Auflieger

Bremsbeläge von BERAL sind speziell auf die Anforderungen der unterschiedlichsten Bremsen- und Fahrzeugkombinationen ausgelegt. Egal ob Ihr Anhänger bzw. Auflieger mit Scheiben oder Trommeln ausgerüstet ist: BERAL-Bremsbeläge bieten eine erhöhte Sicherheit und eine bessere Bremsleistung und – wichtiges Kriterium für Flottenbetreiber – aufgrund der hervorragenden Qualität, niedrige Wartungs- und Ausfallkosten.

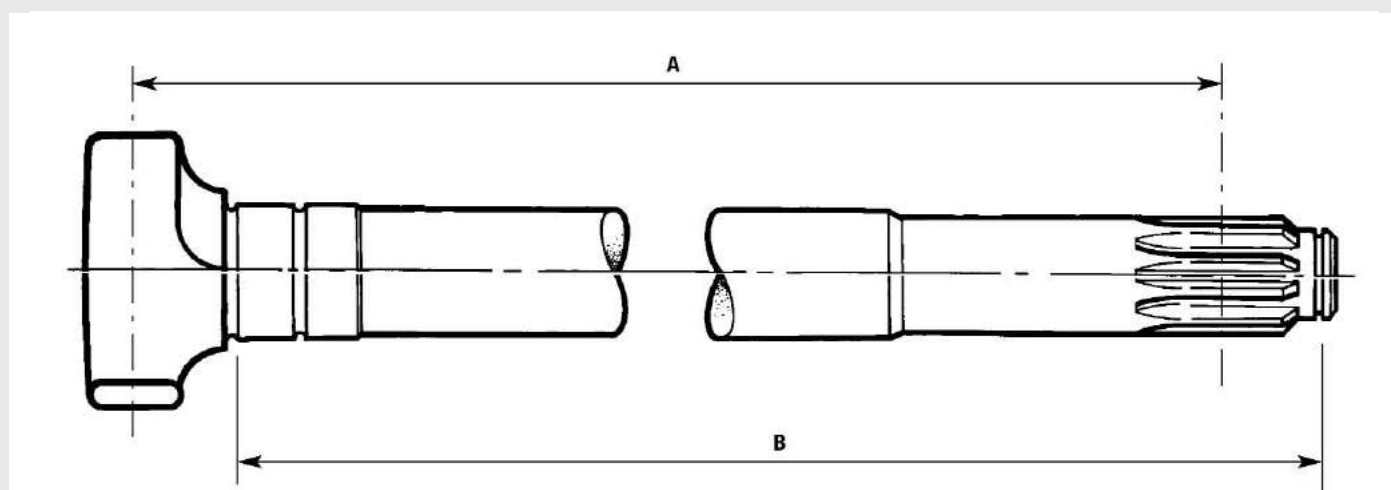
- OE-spezifisches Reibmaterial auch für den Ersatzteilmarkt
- Anwendungsspezifische Materialsorten
- Kennzeichnung und Verschleißanzeiger
- Zubehörteile
- Keine störenden Bremsgeräusche
- Beständige Bremsleistung im kalten und warmen Zustand
- Trommel-Kompatibilität
- Kompromisslose Qualität für lange Lebensdauer





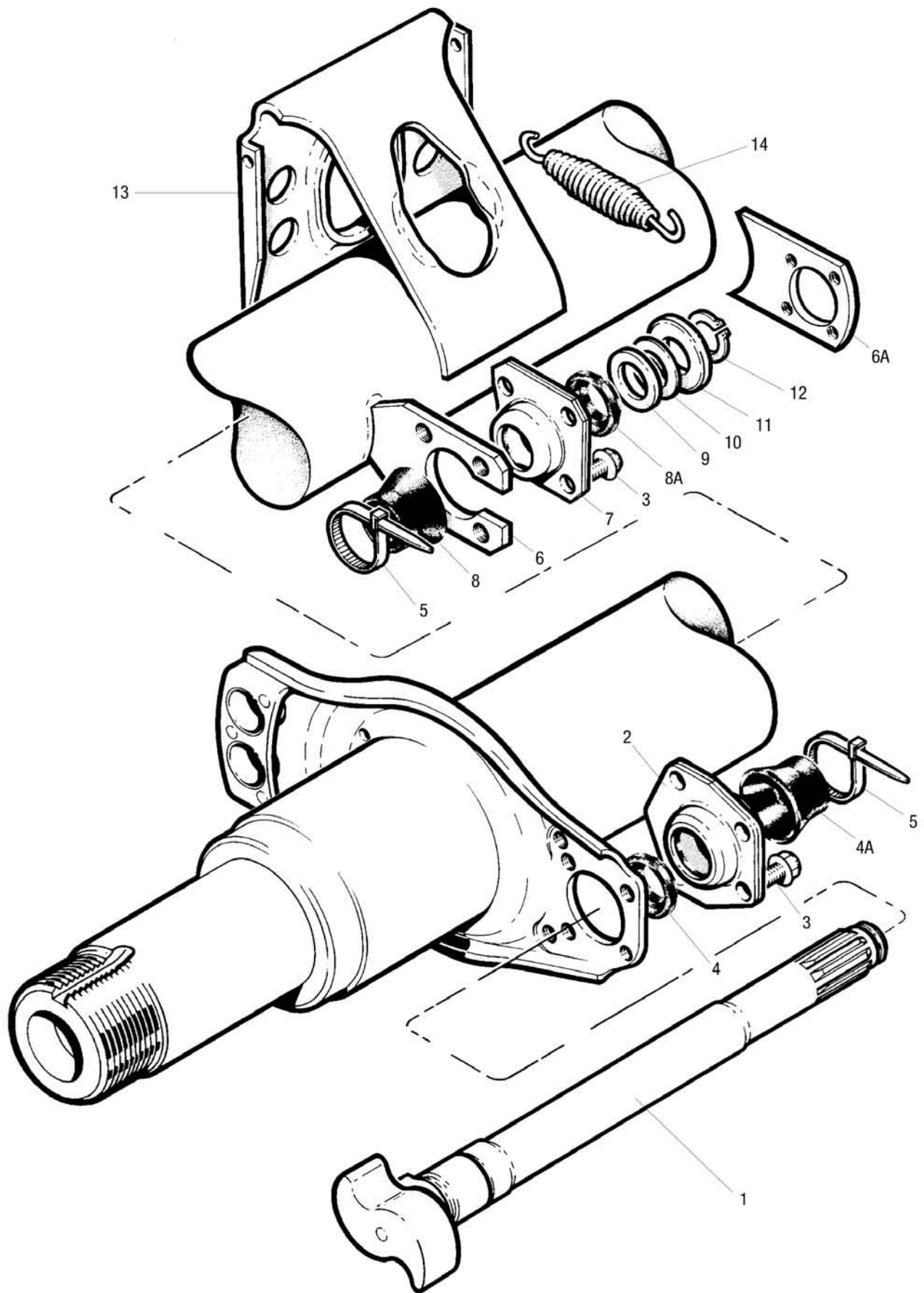
LM/LC brake camshaft/bearings from 01/04/2001

Illustration	Description	Dimensions mm	Order number
3	Bolt, cam side		7609 546 002
5	Cable connector		7600 000 969
9	Brake camshaft holder		7600 000 752
10	Bearing bush, spline groove side		7600 000 402
11	Dust protection cap, inner, keyway side	60 x 36.5	7600 000 796
11A	Dust protection cap, outer, keyway side	52 x 36.5	7600 000 807
12	Spacer	∅ 50.5 x ∅ 39.5 x 0.75	7600 000 719
13	Spacer	∅ 50.5 x ∅ 39.5 x 2	7600 000 721
14	Safety plate		7600 000 953
15	Circlip	∅ 30 x 1.5	7600 001 005
17	Brake cylinder console		7600 000 965
17	Reset spring		7600 000 860
-	Brake grease, 25 g		7699 226 786
-	Grease, 400 g		7600 001 206



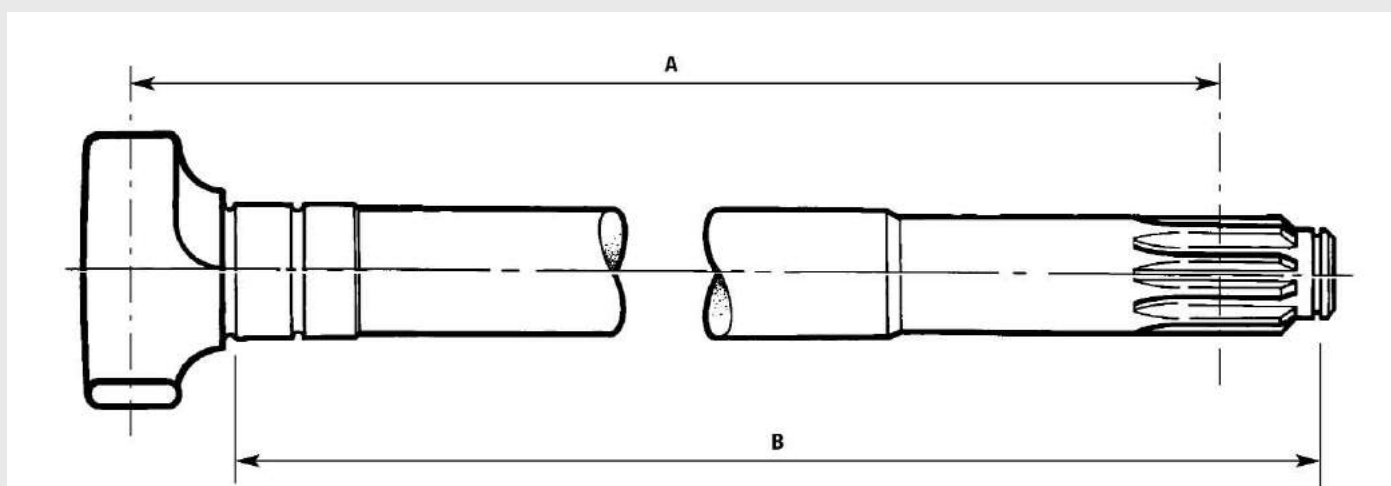
Brake camshaft

Dimensions mm	Dimensions mm	Order number	Order number
A	B	right	left
412,2	416,7	7600 001 148	7600 001 149
521	525,5	7621 227 084	7621 227 085
583	587,5	7621 227 080	7621 227 081
605,5	610	7600 001 146	7600 001 147
622,5	627	7600 001 144	7603 233 818
632,5	637	7621 227 074	7621 227 075
188,5	193	0761 225 020	7601 225 021



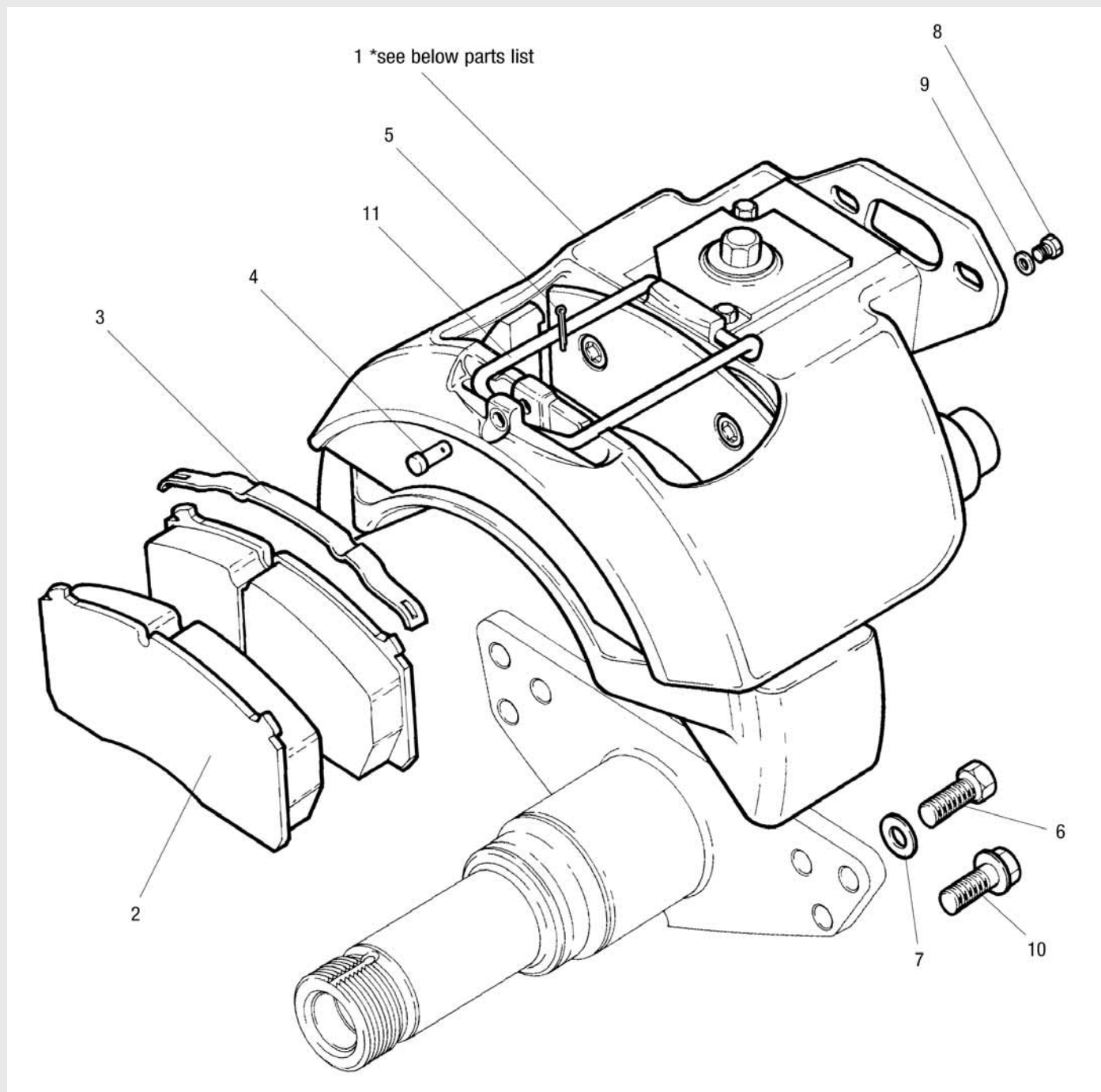
LM/LC brake camshaft/bearings up to 31/03/2001

Illustration	Description	Dimensions mm	Order number
2	Bearing shell for brake camshaft bearing	420 x 180/220	7600 000 675
3	Bolt for cover plate, cam side		7609 546 002
4	Dust protection cap, inner, cam side		7600 003 006
4A	Dust protection cap, outer, cam side		7600 003 007
5	Cable connector		7600 000 969
6	Brake camshaft holder		7600 000 752
7	Bearing bush, spline groove side		7600 000 402
8	Dust protection cap, inner, keyway side	60 x 36.5	7600 000 796
8A	Dust protection cap, outer, keyway side	52 x 36.5	7600 000 807
9	Spacer	∅ 50.5 x ∅ 39.5 x 0.75	7600 000 719
10	Spacer	∅ 50.5 x ∅ 39.5 x 2	7600 000 721
11	Safety plate for brake camshaft bearing		7600 000 953
12	Circlip	∅ 30 x 1.5	7600 001 005
13	Brake cylinder console		7600 000 965
14	Reset spring		7600 000 860
-	Brake grease, 25 g		7699 226 786
-	Grease, 400 g		7600 001 206



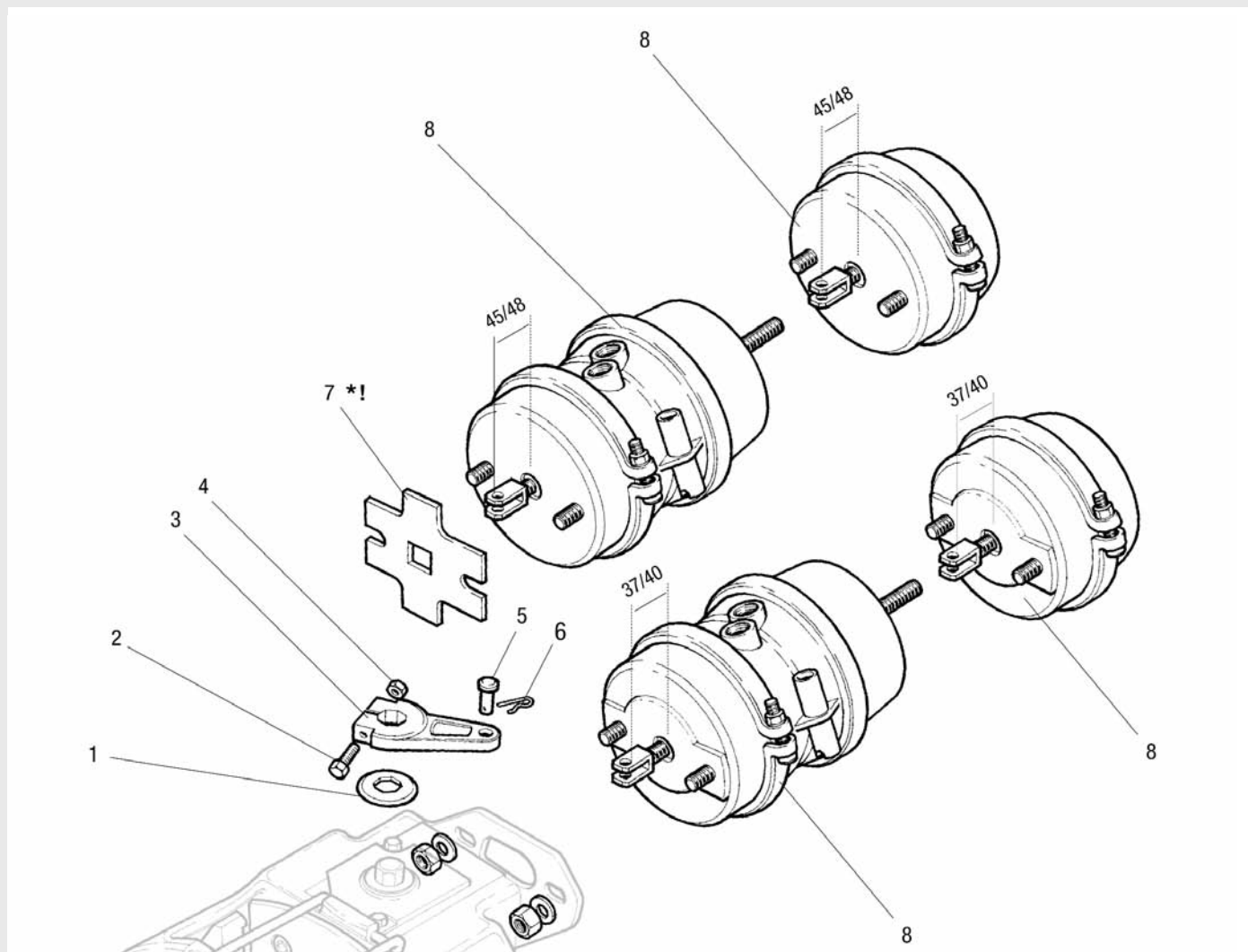
Brake camshaft

Dimensions mm	Dimensions mm	Order number	Order number
A	B	left	right
229,9	232,4	7600 001 138	7600 001 139
253,5	258	7600 001 136	7600 001 137
412,2	416,7	7600 001 132	7600 001 133
475,7	480,2	7600 001 130	7600 001 131
521	525,5	7600 000 353	7600 000 352
544,5	549	7621 224 853	7621 224 854
564	568,5	7600 001 134	7600 001 135
583	587,5	7600 000 351	7600 000 350
605,5	610	7600 001 128	7600 001 129
622,5	627	7600 001 126	7600 001 127
632,5	637	7600 001 124	7600 001 125
658,8	663,3	7600 001 140	7600 001 141



LM/LC DX195 brake caliper

Illustration	Description	Dimensions mm	Order number
1a	Brake caliper, left		7600 000 064
1b	Brake caliper, right		7600 000 065
2	Brake lining set		7600 000 050
6	Attachment screw	M16 x 45	7621 224 908
7	Washer		7621 224 978
10	Bolt 07/2001- (Illustration 6, 7)	M16 x 45	7621 227 146
11	Brake pad retaining clamp		1509 015 578

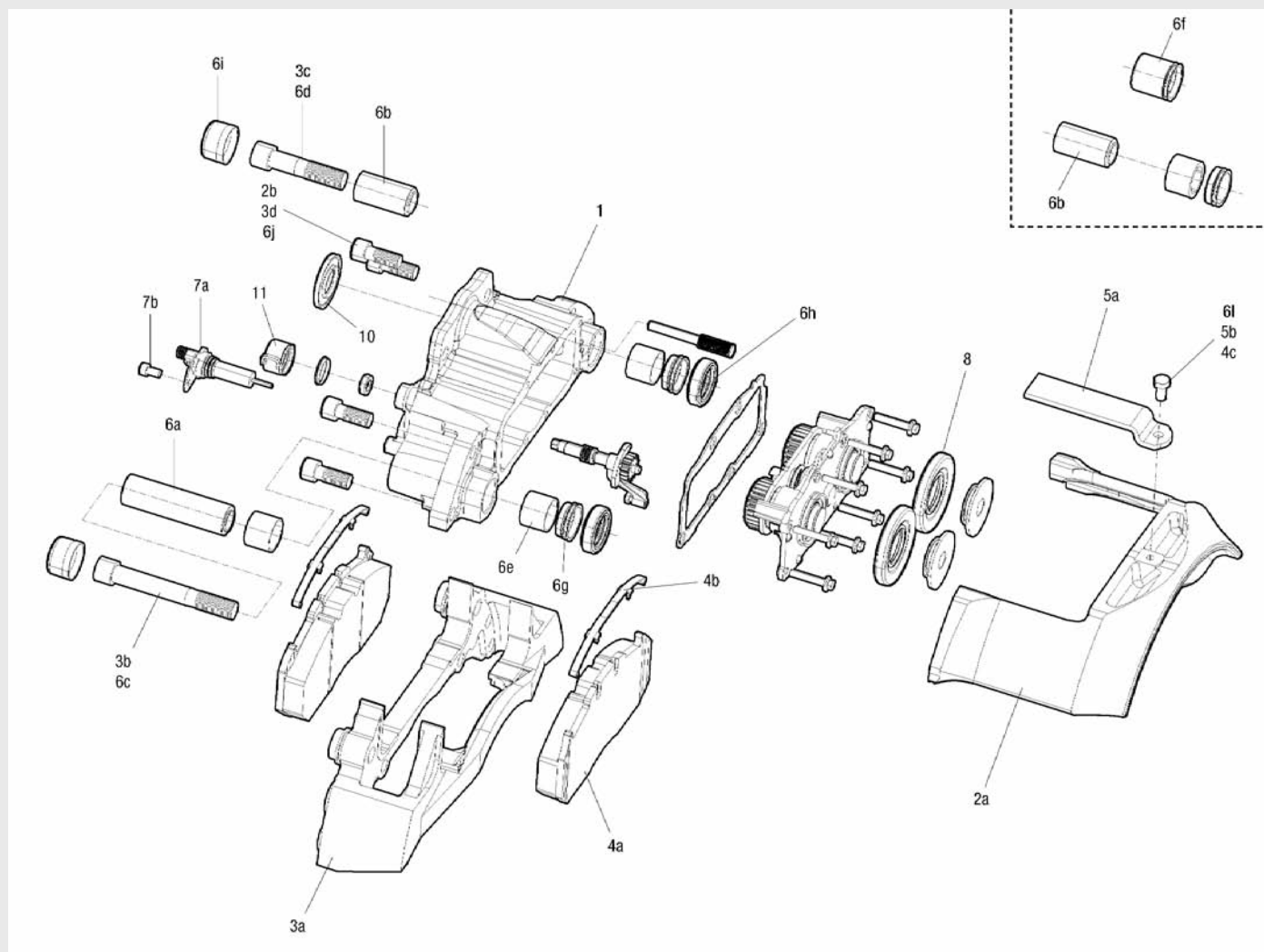


LM/LC DX195 diaphragm cylinder

Illustration	Description	Dimensions mm	Order number
1	Protective cap		7621 225 226
2	Clamping screw for brake chamber lever	M8 x 60	7600 001 249
3	Brake lever for brake calipers	Lever length 80	7600 000 074
3	Brake lever for brake calipers	Lever length 90	7600 000 075
4	Hexagon nut	M8	7600 001 269
5	Cotter bolt		7621 224 985
6	Security clamp for brake lever		7621 224 996

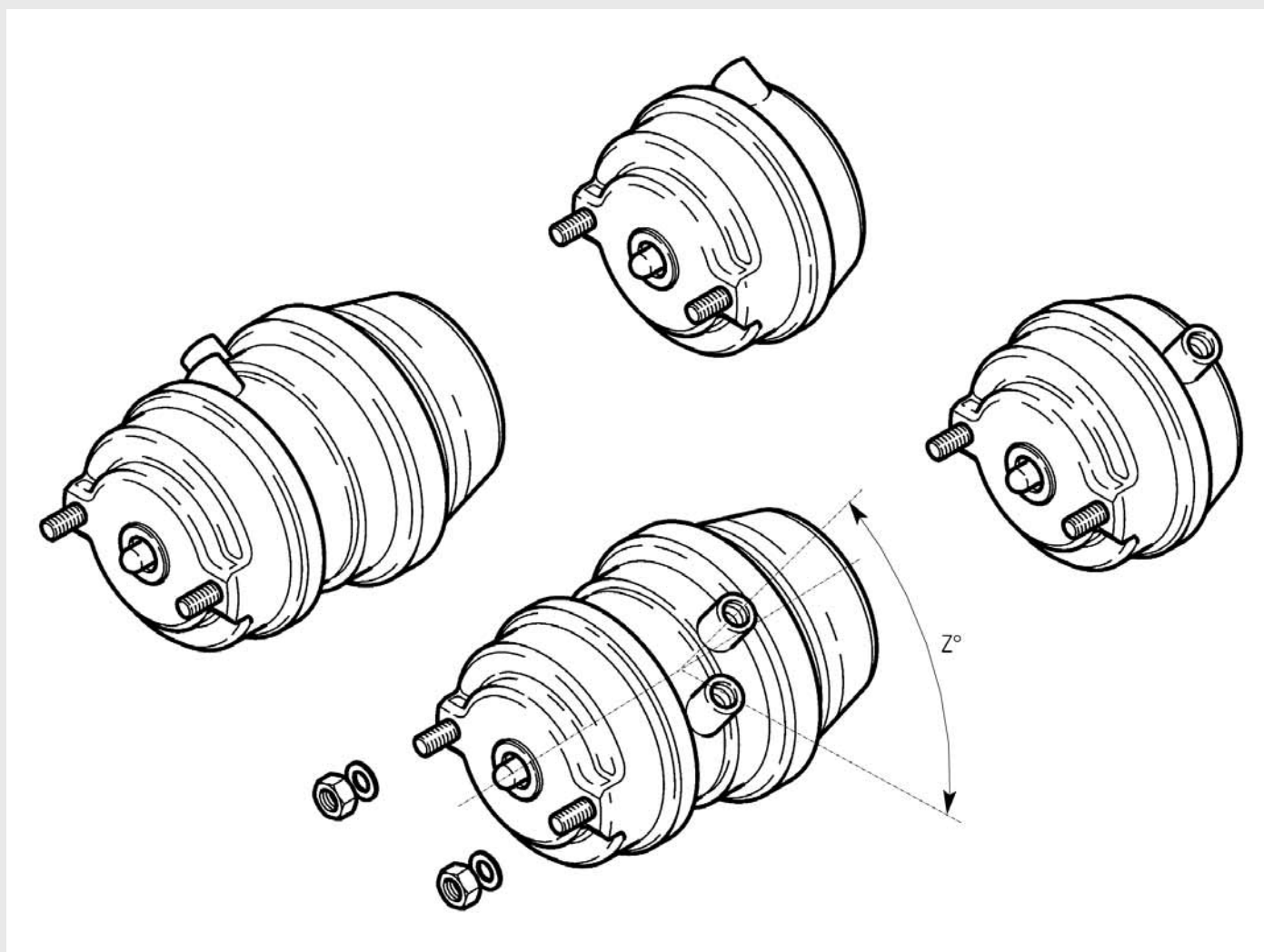
Illustration	Description	Order number	
		Installation length 45/48 mm	Installation length 37/40 mm
7*	Spacer washer for brake camshaft bearing	7621 224 995	-
8	Membrane brake cylinder Type 24/24	7600 000 073	7600 000 073
8	Membrane brake cylinder Type 22/24	7600 000 066	7600 000 066
8	Membrane brake cylinder Type 20/24	7600 000 067	7600 000 067
8	Combination brake cylinder Type 18/24	7600 000 068	7600 000 068
8	Membrane brake cylinder Type 24	7600 000 069	7600 000 069
8	Membrane brake cylinder Type 22	7600 000 070	7600 000 070
8	Membrane brake cylinder Type 20	7600 000 071	7600 000 071
8	Combination brake cylinder Type 18	7600 000 072	7600 001 163

*The distance washer **MUST** be used **WITHOUT EXCEPTION** on brake cylinders in the released state with pushrod installation lengths of 45/58 mm (measured between the contact surface of the chamber and the middle of the clevis pin). On newer brake cylinders with a pushrod length of 37/40 mm and a shaped front part of the housing, the distance washer must **NEVER** be installed.



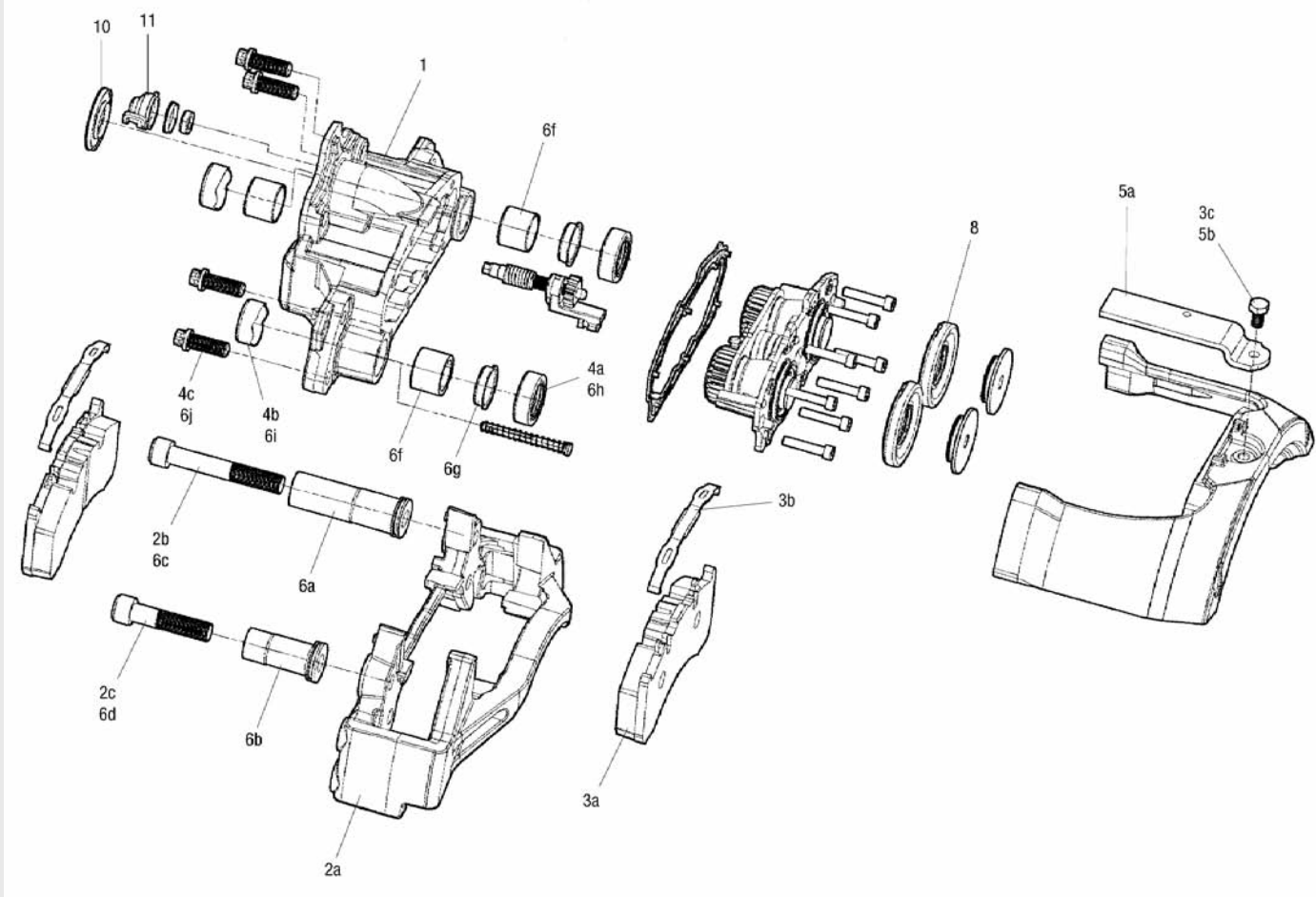
LM/LC ELSA2 brake caliper

Illustration	Description	Dimensions mm	Order number
1	Brake caliper, right, without lining		1509 015 566
1	Brake caliper, left, without lining		1509 015 567
3a-3d	Brake anchor plate		1509 015 568
4a-4c	Brake pad set	118,3 x 28.20	1509 010 832
4a-4c	Brake pad hold-down kit		1509 015 415
6a-6j	Repair kit (with grease)		1509 015 410
8	Brake seal set (with grease)		1509 015 405
10	Sealing ring		1509 015 539
11	Dust sleeve		1509 015 538



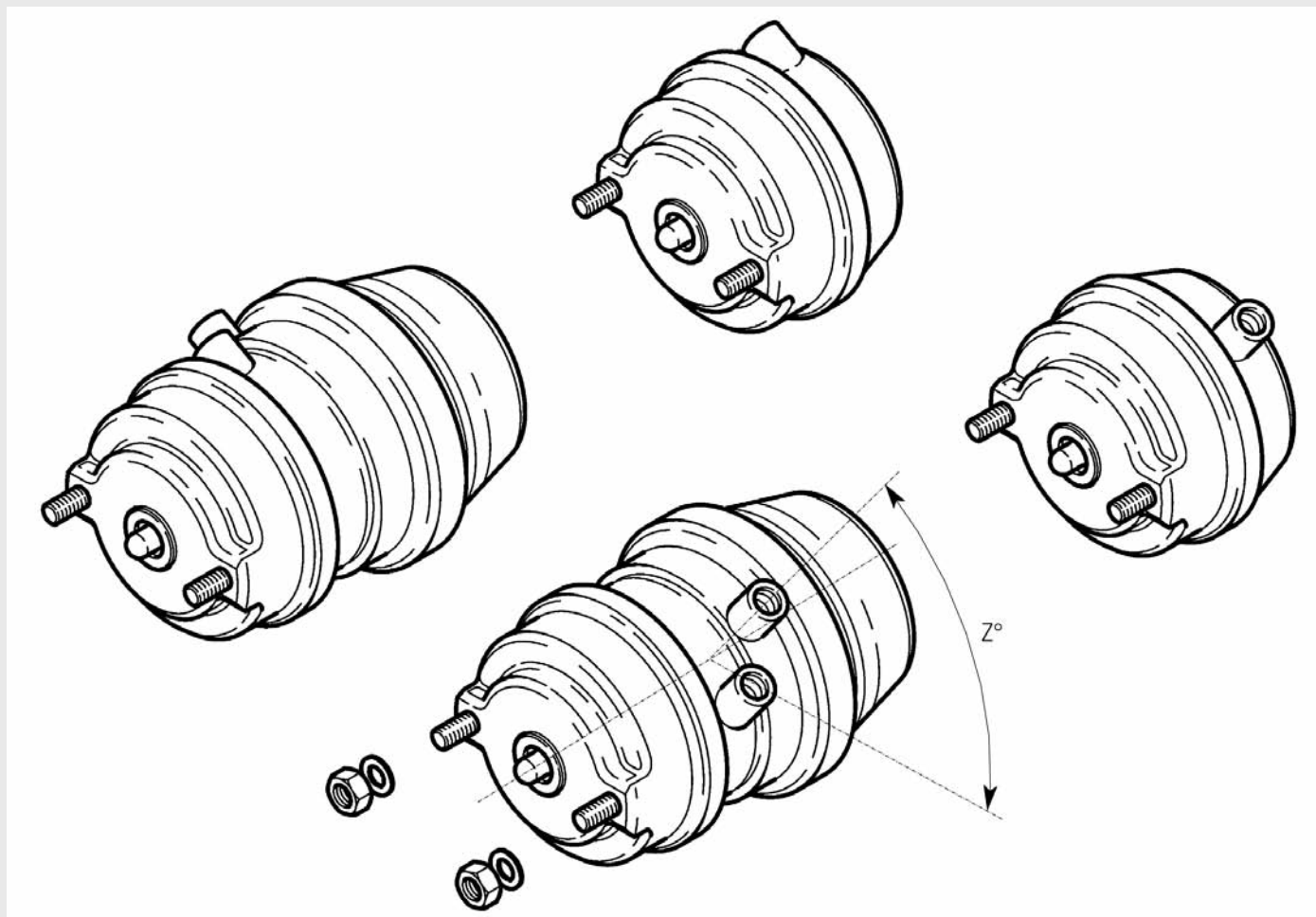
LM/LC ELSA2 diaphragm cylinder

Description	Type	Order number	
		port alignment 45°	port alignment 135°
Membrane brake cylinder	14	7601 227 562	7601 227 563
Membrane brake cylinder	16	7600 001 184	7600 001 185
Membrane brake cylinder	18	7600 001 190	7600 001 191
Membrane brake cylinder	20	7601 228 284	7601 228 285
Membrane brake cylinder	27	7600 001 188	7600 001 189
Combination brake cylinder	14/24	2127 008 635	2127 008 636
Combination brake cylinder	16/24	7605 233 867	7601 227 569
Combination brake cylinder	18/24	7641 227 570	7604 123 182
Combination brake cylinder	20/24	7601 227 572	7601 227 573
Combination brake cylinder	22/24	7600 001 187	7960 001 396
Combination brake cylinder	24/24	7600 001 192	7600 001 193
Combination brake cylinder	27/30	7600 001 194	7600 001 195



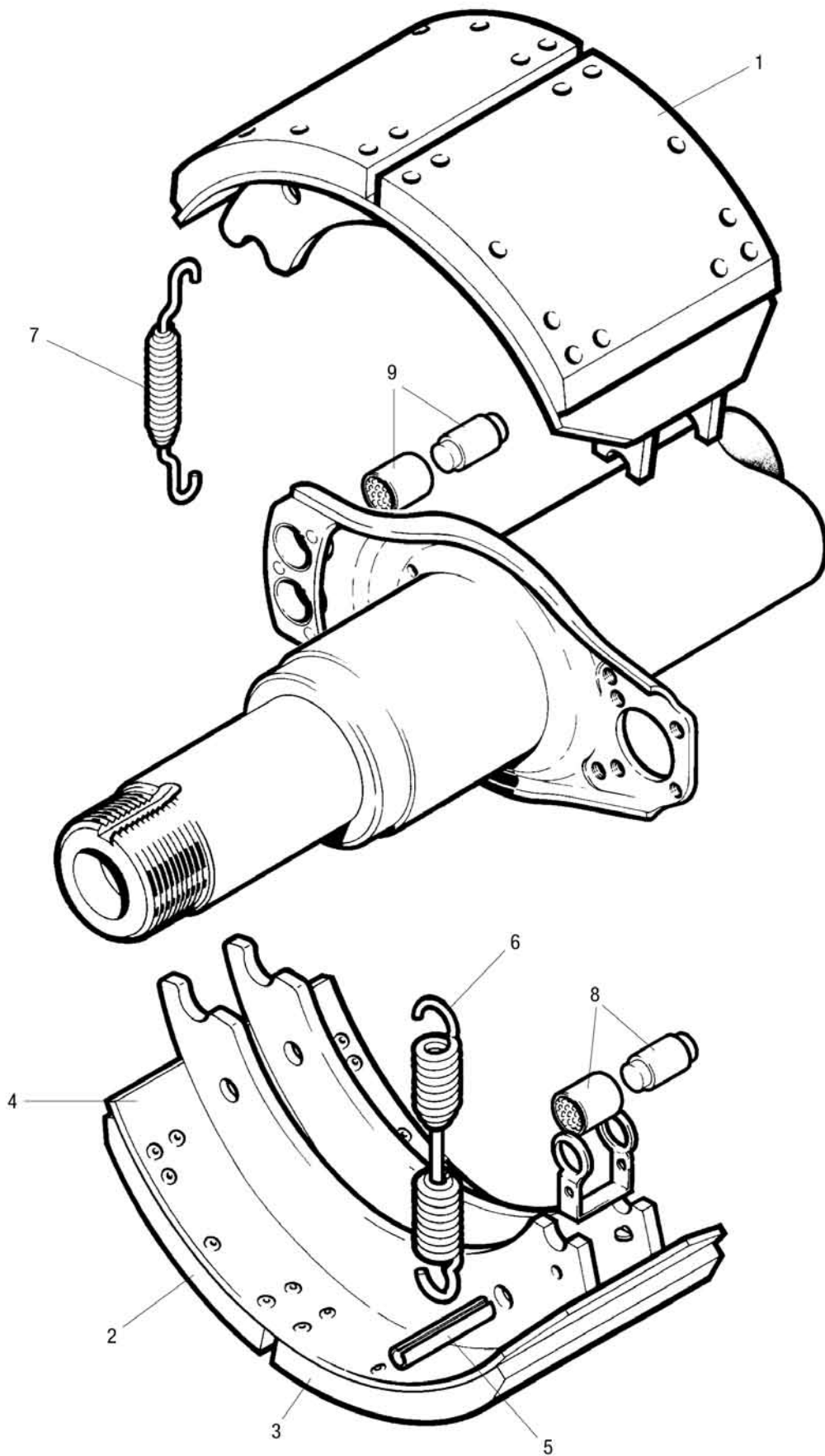
LM/LC ELSA195 brake caliper

Illustration	Description	Dimensions mm	Order number
1	Brake caliper, right, without lining		1509 015 495
1	Brake caliper, left, without lining		1509 015 500
2a-2c	Brake anchor plate		1509 015 510
3a-3c	Brake pad set	104 x 30.00	1509 015 505
4a-4c	Gasket set (with grease) for brake caliper guide		1509 015 515
5a-5b	Brake pad hold-down kit		1509 015 415
6a-6j	Repair kit (with grease)		1509 015 520
8	Brake seal set (with grease)		1509 015 405
9	Wear contact		7602 162 000
10	Sealing ring		1509 015 539
11	Dust sleeve		1509 015 538
12	Bolt for securing brake caliper	M18 x 50	7602 122 743



LM/LC ELSA195 diaphragm cylinder

Description	Type	Order number	
		port alignment 45°	port alignment 135°
Membrane brake cylinder	14	7600 001 165	7600 001 166
Membrane brake cylinder	16	7600 001 169	7600 001 170
Membrane brake cylinder	18	7600 001 175	7600 001 176
Membrane brake cylinder	20	7604 122 680	7600 001 177
Membrane brake cylinder	22	7600 001 196	7600 001 197
Membrane brake cylinder	24	7600 001 199	7600 001 200
Membrane brake cylinder	27	7601 226 822	7600 001 180
Combination brake cylinder	14/16	7600 001 167	7600 001 168
Combination brake cylinder	14/24	7604 122 679	7604 122 677
Combination brake cylinder	16/16	7600 001 171	7600 001 172
Combination brake cylinder	16/24	7600 001 173	7600 001 174
Combination brake cylinder	18/24	7600 000 068	7600 000 072
Combination brake cylinder	20/24	7604 122 681	7604 122 682
Combination brake cylinder	22/24	2127 005 489	7601 227 562
Combination brake cylinder	24/24	7601 229 271	7601 229 272
Combination brake cylinder	24/30	7600 001 178	7600 001 179
Combination brake cylinder	27/30	7600 001 181	7604 122 683
Combination brake cylinder	30/30	7600 001 182	7600 001 183



LM/LC drum brake

Illustration	Description	Dimensions mm	Order number
1	Brake shoe with brake lining	420 x 180	7600 000 344
2, 3	Brake lining set (4+4)		7600 003 048
4	Brake shoe without brake lining		7600 000 546
5	Spring dowel sleeve DIN 1481		7600 000 572
6	Reset spring		7600 000 262
7	Retaining spring		7600 000 490
8	Brake cam roller assembly, 1 roller, 1 holder		7600 003 005
9	Anchor roll set, 1 roller, 1 holder		7600 003 004
10 (8, 9)	Brake grease for sensor socket, 25 g		7699 226 786
11 (8, 9)	Grease for brake camshaft, 400 g		7600 001 206

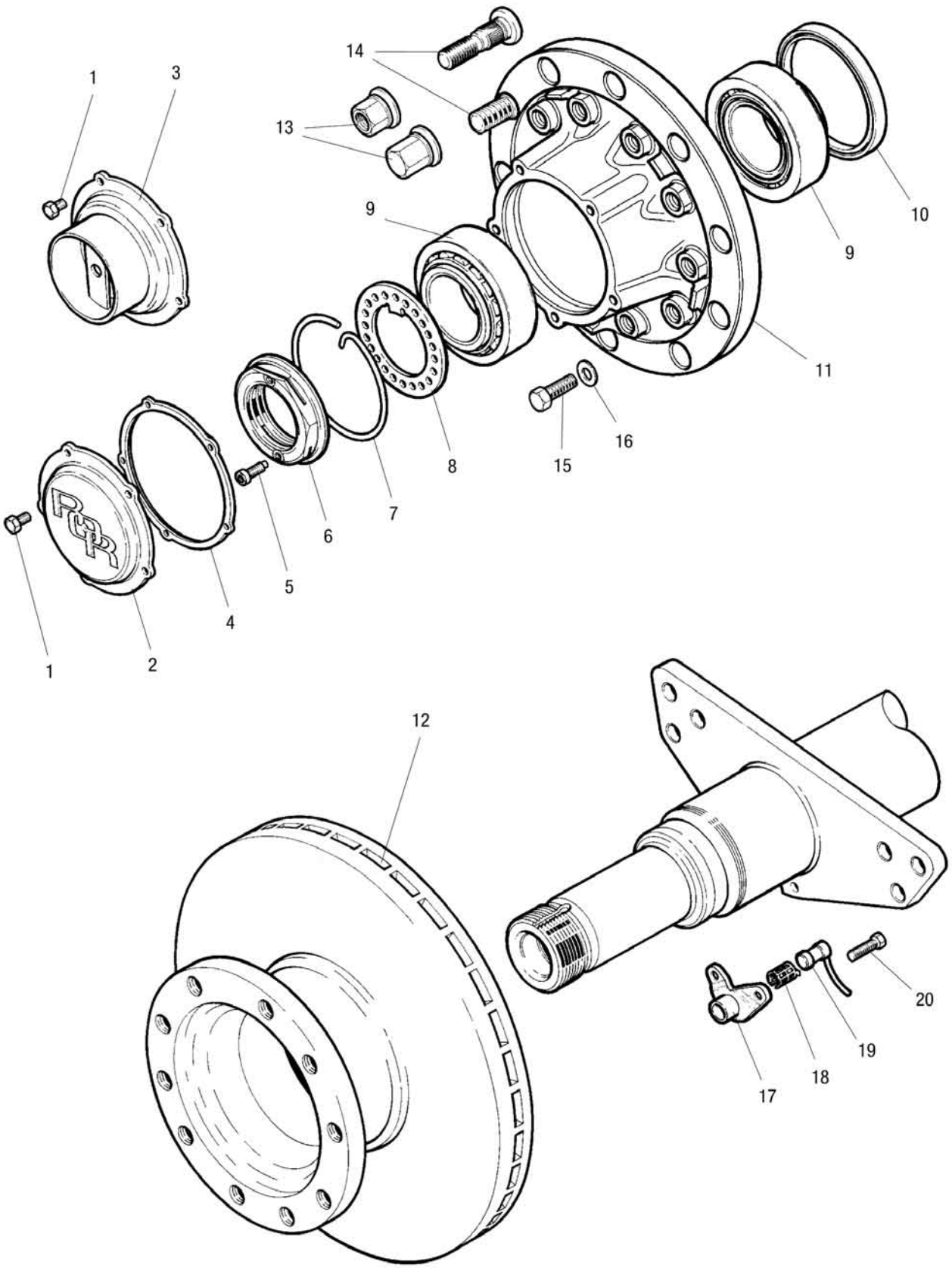
Large pack – small price

Large, value-for-money packs for
all fastening technology items

Suitable for the EUROPART Shelving System
(ESS)!

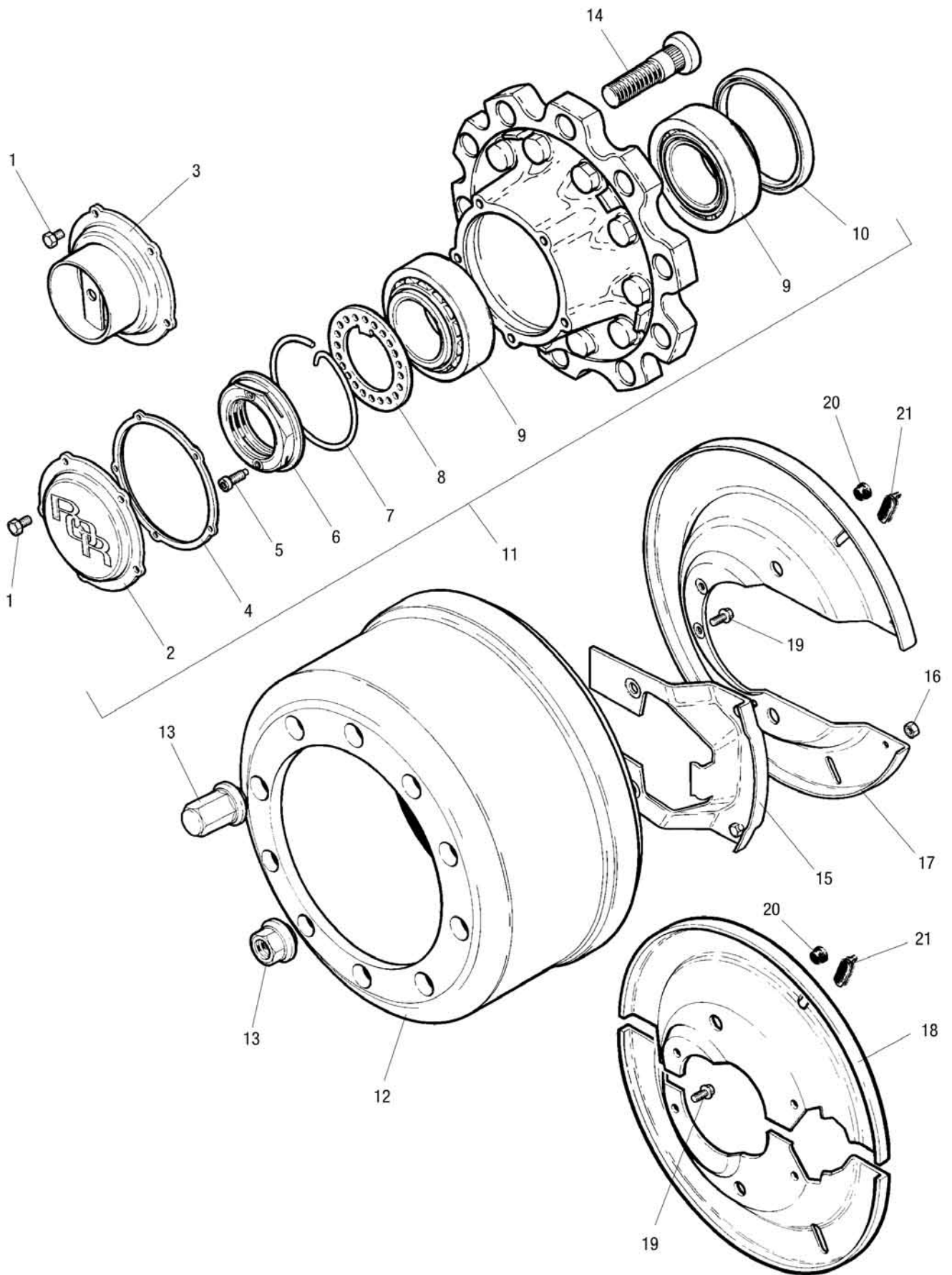
Check your requirements and order a large
pack – it's worth it!





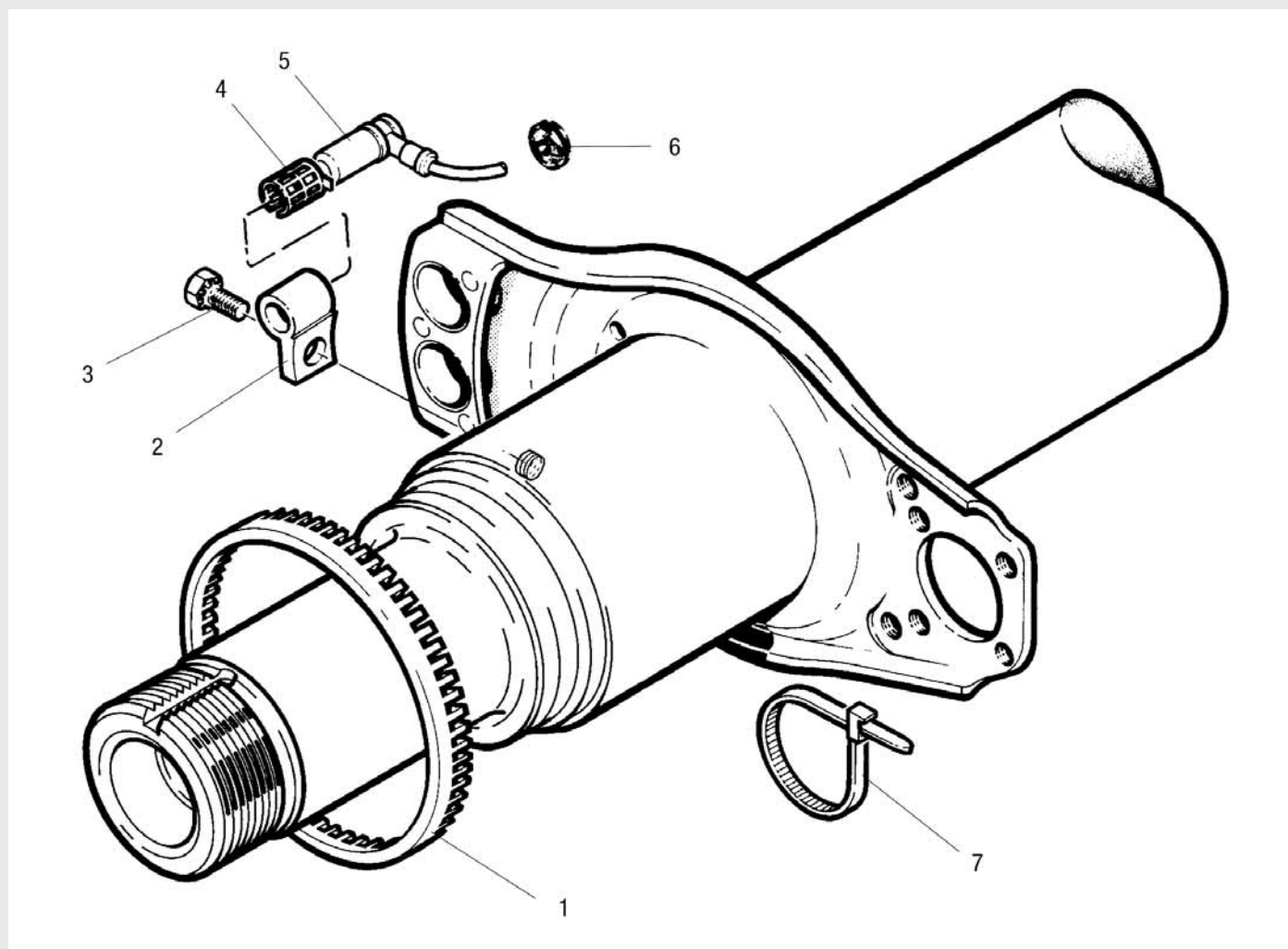
TA ELSA2 hub

Illustration	Description	Dimensions mm	Order number
1	Bolt	M8 x 16	7600 000 334
2	Wheel-hub cap		7621 226 038
3	Wheel-hub cap for hub odometer		7621 226 118
4	Flat seal for wheel hub cover		7621 226 119
5	Safety screw	M8 x 1.25 x 20	7600 000 338
6	Axle nut		7621 226 003
7	Clamp		7621 226 117
8	Hole disc		7621 226 090
9	Tapered roller bearing		7600 000 399
10	Oil seal		7600 000 474
11	Wheel hub, only for single wheel		7614 226 492
12	Brake disc, Number of holes 10	434 x 250	7668 323 825
13	Wheel nut set, standard open, for steel and aluminium wheel	M22 x 1.5/ Spanner size 32	7621 226 396
14	Wheel bolt set for steel and aluminium wheel		7621 226 340
14	Wheel bolt set for aluminium single wheel		7621 226 478
15	Attachment screw	M16 x 65	7621 225 100
16	Washer		7621 224 978
17	Sensor bracket		7600 001 160
18	Clamping sleeve	Length 32	7600 000 877
19	Speed sensor		7600 000 615
20	Attachment screw		7600 001 210



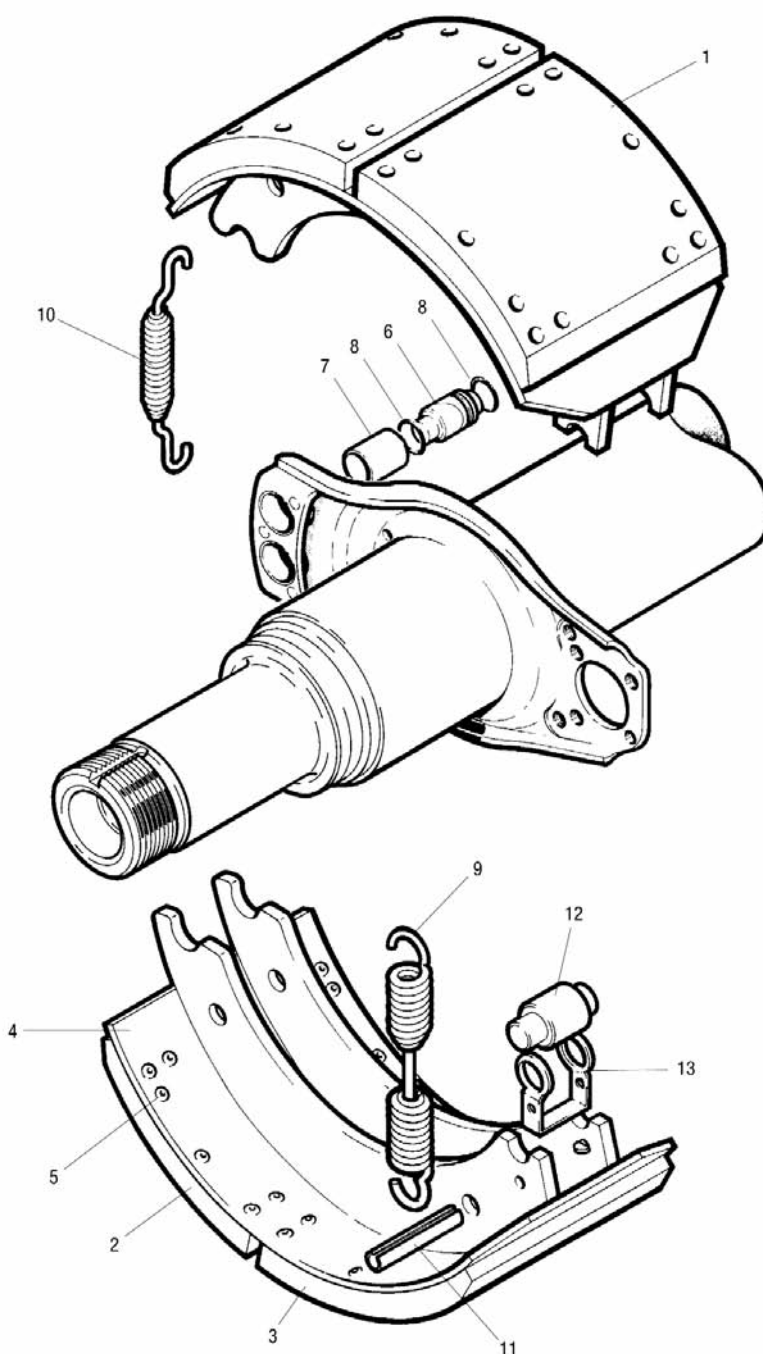
TA hub

Illustration	Description	Dimensions mm	Order number
1	Bolt	M8 x 16	7600 000 334
2	Wheel-hub cap		7621 226 038
3	Wheel-hub cap for hub odometer		7621 226 118
4	Flat seal for wheel hub cover		7621 226 119
5	Safety screw	M8 x 1.25 x 20	7600 000 338
6	Axle nut		7621 226 003
7	Clamp		7621 226 117
8	Hole disc		7621 226 090
9	Tapered roller bearing		7600 000 399
10	Oil seal		7600 000 474
11	Wheel hub for twin and single wheel		7614 226 120
12	Brake drum, Number of holes 10	Brake dimension Q 420 x 180	7600 000 118
12	Brake drum, Number of holes 10	Brake dimension Q 420 x 220	7600 000 421
13	Wheel nut set, standard open, for steel and aluminium wheel	M22 x 1.5/ Spanner size 32	7621 226 396
14	Wheel bolt, steel single wheel	M22 x 1.5/Length 96	7600 000 119
14	Wheel bolt, steel twin wheel and aluminium single wheel	M22 x 1.5/Length 98	7600 000 418
14	Wheel bolt set, aluminium wheel and twin wheel	M22 x 1.5	7600 003 025
15	Dust plate, small	Brake dimension Q 420 x 180	7600 001 145
15	Dust plate 04/2001-	Brake dimension Q 420 x 180	7615 225 842
16	Hexagon nut	M8 x 420 x 180	7600 000 343
17	Dust plate, large	Brake dimension Q 420 x 180	7600 001 150
18	Dust plate set	Brake dimension Z 420 x 220	7600 001 032
19	Bolt		7609 546 002
20	Plug		7600 000 025
21	Stopper		7600 000 958
22	Roller bearing grease, 400 g Cartridge		7600 003 008
23	Optimoly paste, 100 g Tube		7699 538 009



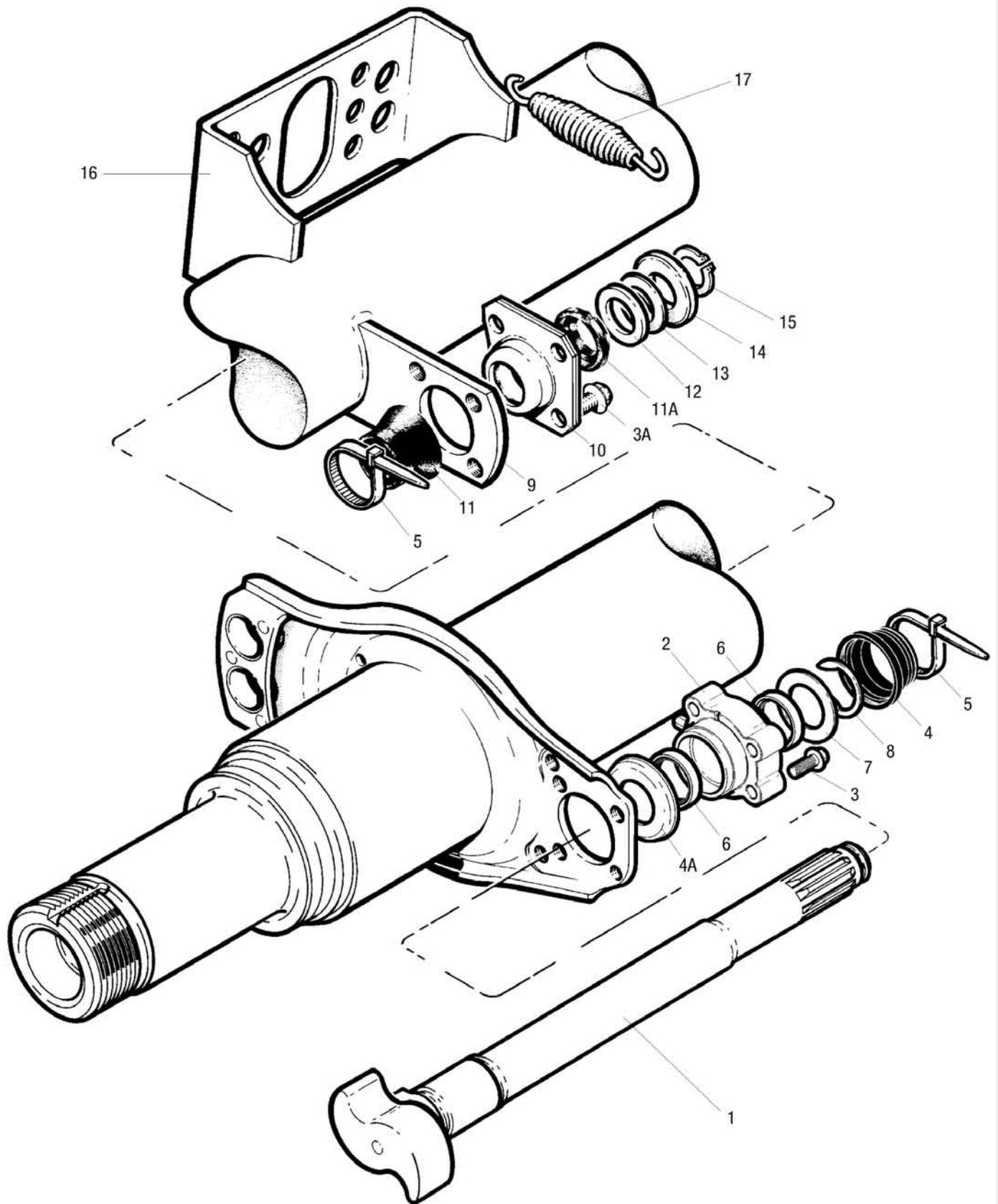
TA/TC ABS

Illustration	Description	Order number
1	Sensor ring, ABS, Number of teeth 100	7600 001 049
2	Sensor bracket	7600 001 050
3	Attachment screw	7600 001 209
4	Clamping sleeve	7600 000 877
5	Speed sensor	7600 000 615
6	Dust protection cap	7600 000 616
7	Cable connector	7600 000 969
-	Brake grease, 25 g	7699 226 786



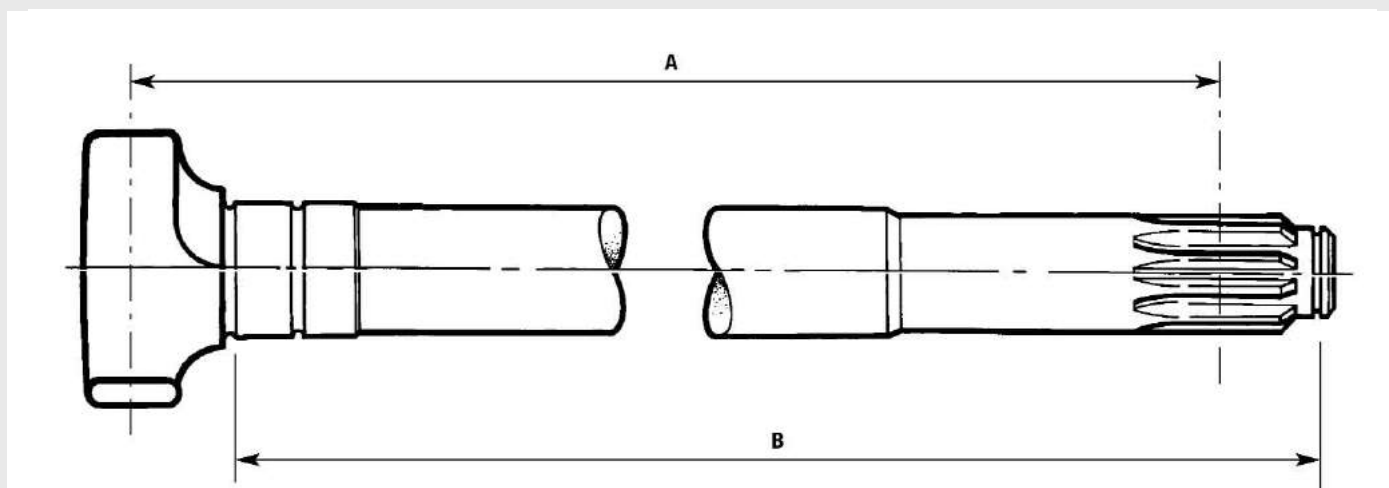
TA/TC brake

Illustration	Description	Order number	Order number
		Q 420 x 180 mm	Z 420 x 220 mm
1	Brake shoe with lining	7600 000 547	7600 000 549
2/3	Brake lining set	7600 003 049	7600 003 051
4	Brake shoe without lining	7600 000 666	7600 000 550
5	Brake pad rivet	7600 000 441	7600 000 441
6	Brake shoe pin	7600 000 507	7600 000 507
7	Bearing bush	7600 000 966	7600 000 966
8	O-ring	7600 000 957	7600 000 957
9	Reset spring	7600 000 262	7600 000 262
10	Retaining spring	7600 000 490	7600 000 490
11	Spring dowel sleeve	7600 000 572	7600 000 572
12	Brake cam roller	7600 000 112	7600 000 112
13	Safety hoop	7600 000 491	7600 000 491



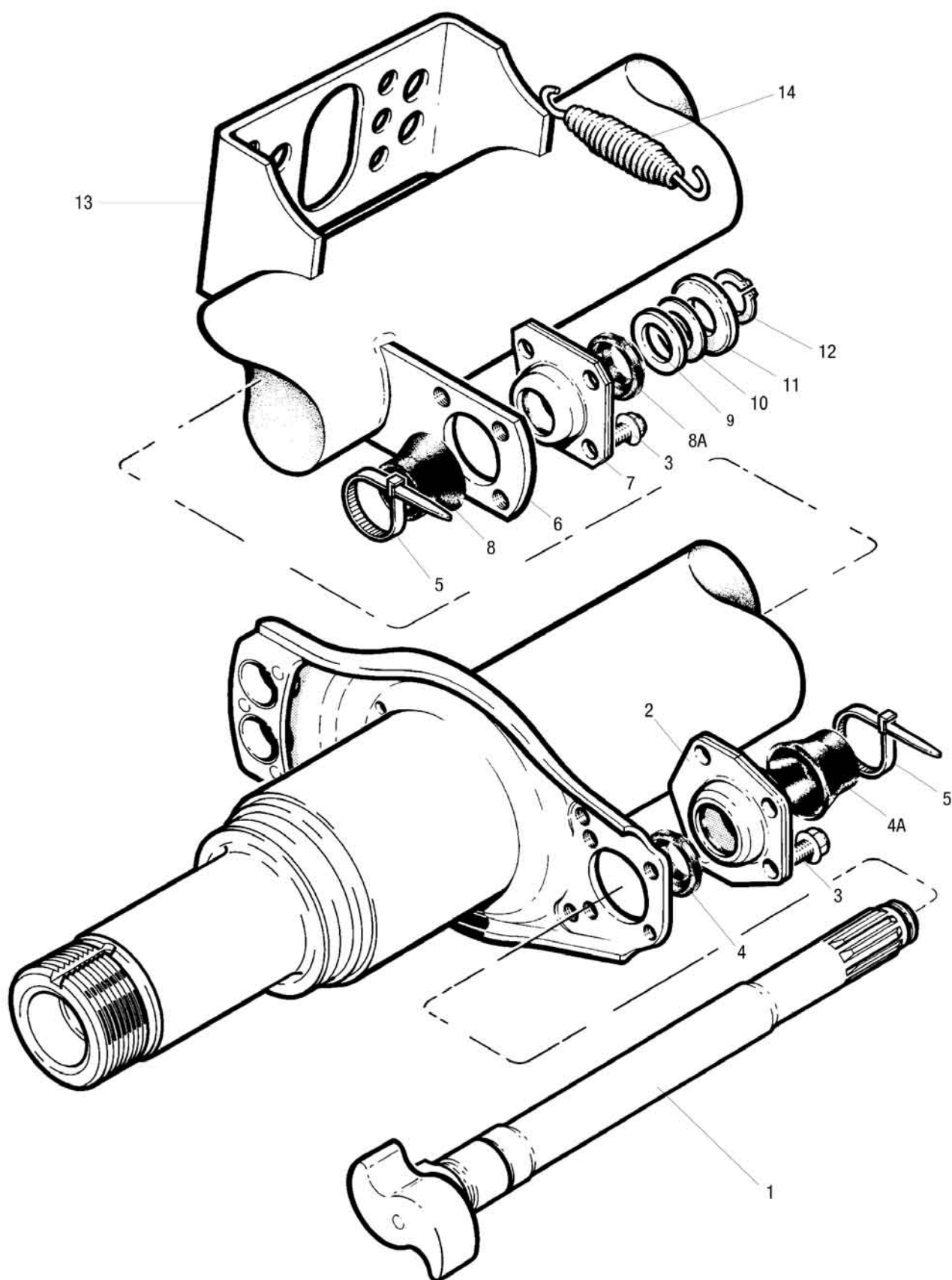
TA/TC brake camshaft/bearings from 01/04/2001

Illustration	Description	Dimensions mm	Order number
3a	Bolt, cam side		7609 546 002
5	Cable connector		7600 000 969
9	Brake camshaft holder		7600 000 752
10	Bearing bush, spline groove side		7600 000 402
11	Dust protection cap, inner, keyway side	60 x 36.5	7600 000 796
11a	Dust protection cap, outer, keyway side	52 x 36.5	7600 000 807
12	Spacer	∅ 50.5 x ∅ 39.5 x 0.75	7600 000 719
13	Spacer	∅ 50.5 x ∅ 39.5 x 2	7600 000 721
14	Safety plate		7600 000 953
15	Circlip	∅ 30 x 1.5	7600 001 005
16	Bracket		7600 000 781
17	Reset spring	25 x 148 x 2.8	7600 000 860
-	Brake grease, 25 g		7699 226 786
-	Grease, 400 g		7600 001 206



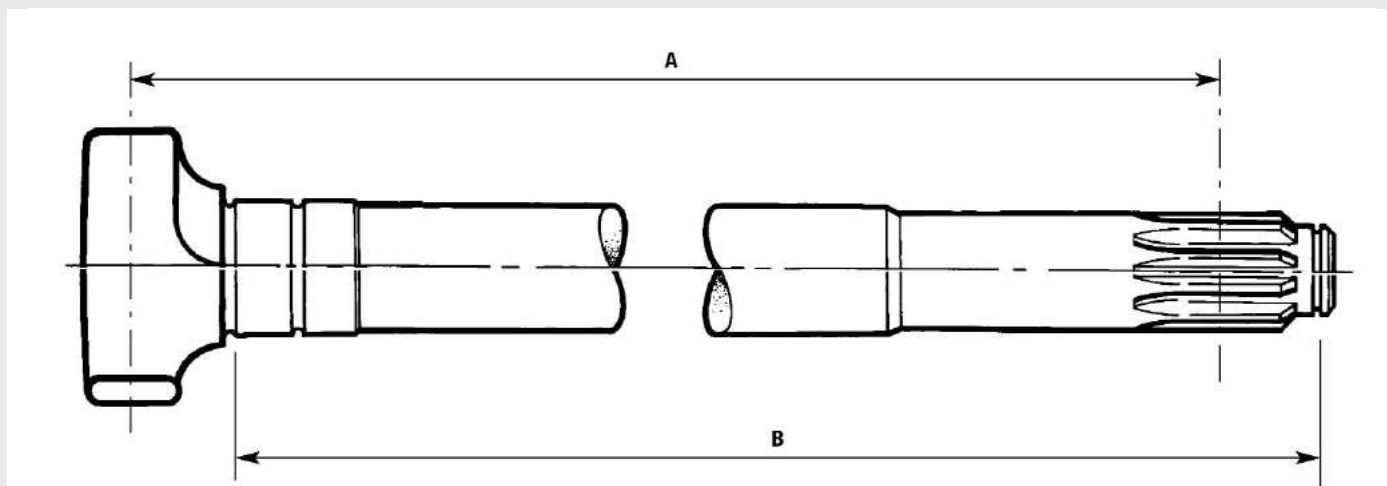
Brake camshaft

Dimensions mm	Dimensions mm	Order number	Order number
A	B	right	left
229,9	232,4	7600 001 158	7600 001 159
412,2	416,7	7600 001 156	7600 001 157
521	525,5	7621 227 109	7621 227 110
583	587,5	7621 227 107	7621 227 108
605,5	610	7600 001 154	7600 001 155
622,5	627	7600 001 152	7600 001 153
632,5	637	7603 233 821	7600 001 151



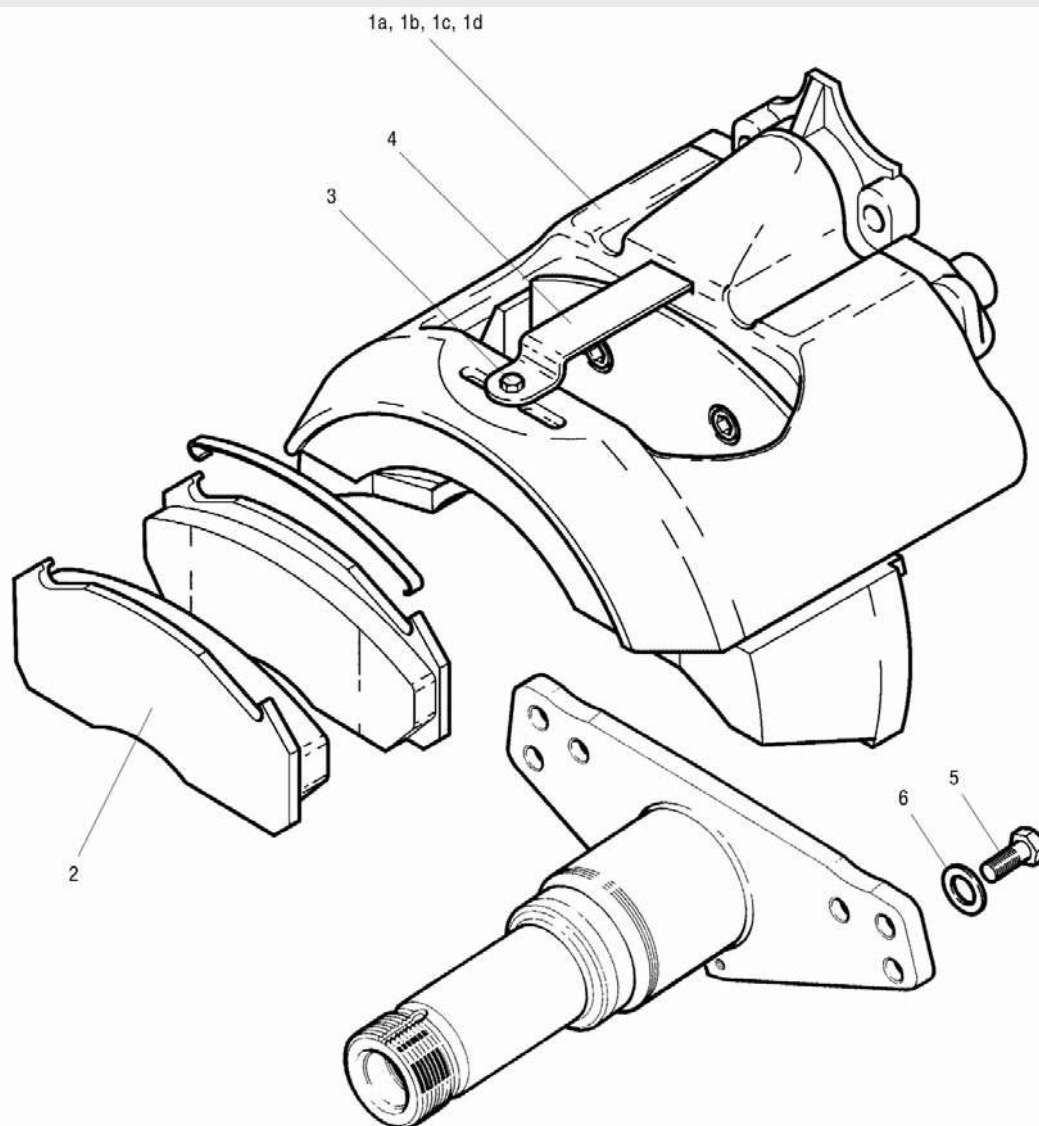
TA/TC brake camshaft/bearings up to 31/03/2001

Illustration	Description	Dimensions mm	Order number
2	Bearing shell	420 x 180/220	7600 000 675
3	Bolt, cam side		7609 546 002
4	Dust protection cap, inner, cam side		7600 003 006
4a	Dust protection cap, outer, cam side		7600 003 007
5	Cable connector		7600 000 969
6	Brake camshaft holder for camshaft (axles built from 9/99)		7600 000 752
7	Bearing bush, spline groove side		7600 000 402
8	Dust protection cap, inner, keyway side	60 x 36.5	7600 000 796
8a	Dust protection cap, outer, keyway side	52 x 36.5	7600 000 807
9	Spacer	∅ 50.5 x ∅ 39.5 x 0.75	7600 000 719
10	Spacer	∅ 50.5 x ∅ 39.5 x 2	7600 000 721
11	Safety plate		7600 000 953
12	Circlip	∅ 30 x 1.5	7600 001 005
13	Bracket		7600 000 781
14	Reset spring	25 x 148 x 2.8	7600 000 860
-	Brake grease, 25 g		7699 226 786
-	Grease, 400 g		7600 001 206



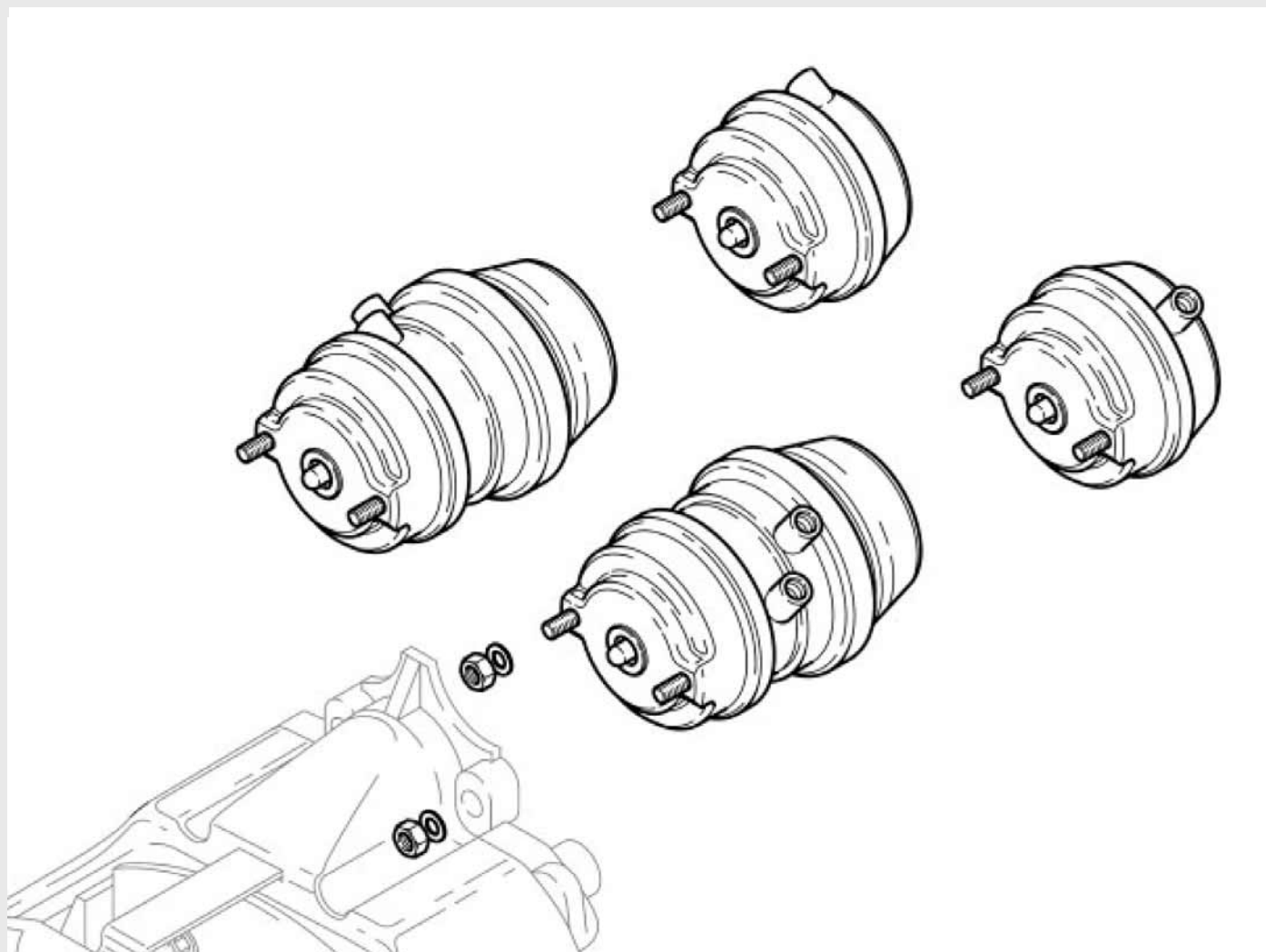
Brake camshaft

Dimensions mm	Dimensions mm	Order number	Order number
A	B	right	left
229,9	232,4	7621 223 154	7621 223 155
253,5	258	7603 233 305	7600 001 119
412,2	416,7	7600 001 039	7600 001 040
476,18	480,2	7600 001 037	7600 001 038
521,48	525,5	7600 000 970	7600 000 971
544,5	549	7621 222 700	7621 222 701
564,48	568,5	7621 222 386	7621 222 387
583	587,5	7600 000 977	7600 000 978
605,98	610	7600 001 047	7600 001 048
622,98	627	7600 001 041	7600 001 042
632,98	637	7600 001 045	7600 001 046



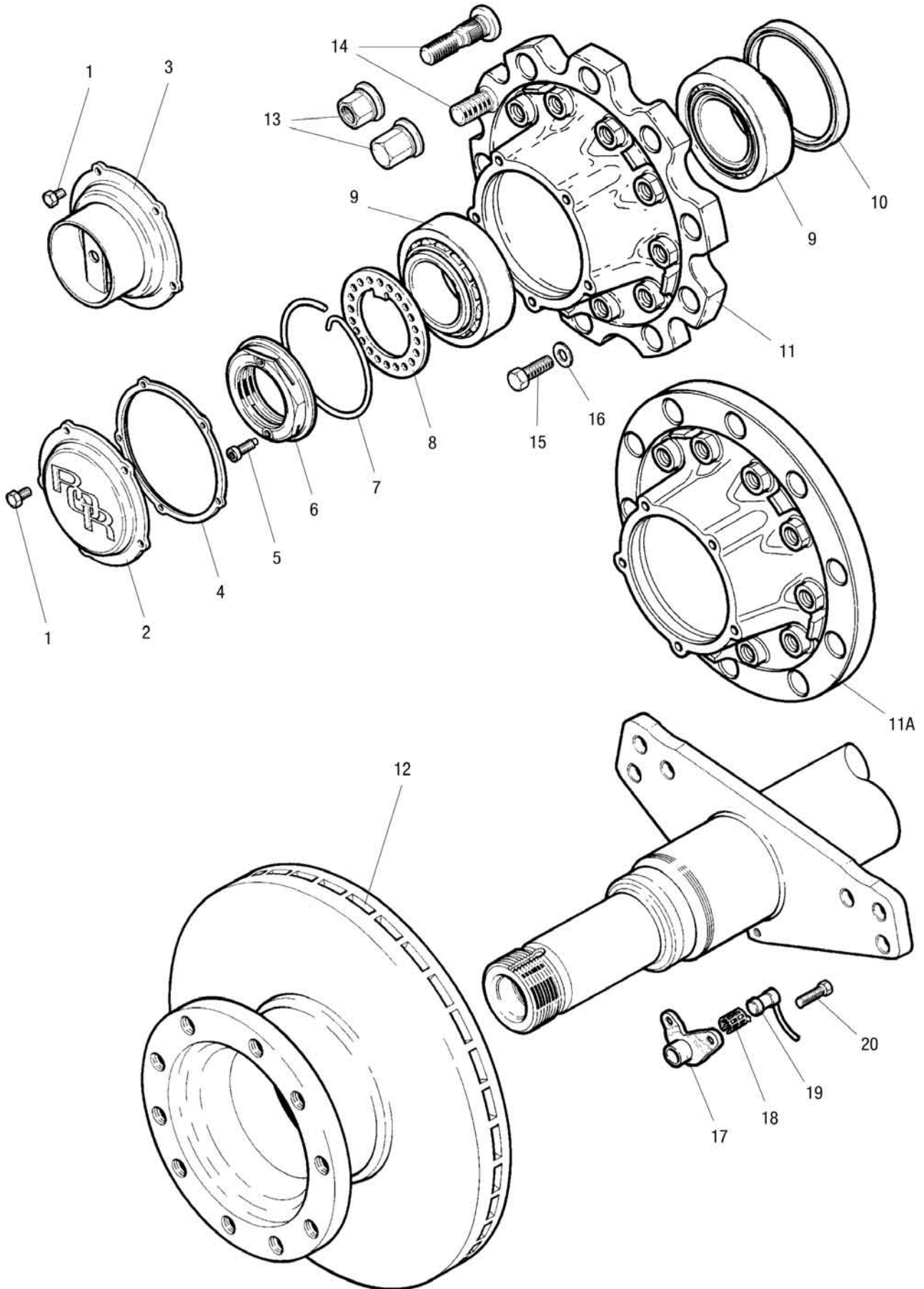
TA/TC D Duco brake caliper

Illustration	Description	Dimensions mm	Order number
1a	Brake caliper D Duco (service exchange), LRG536	Hole- \varnothing 20	1509 010 951
1b	Brake caliper D Duco (service exchange), LRG537	Hole- \varnothing 20	1509 010 952
1c	Brake caliper D Duco (service exchange), LRG578	Hole- \varnothing 18	1509 005 411
1d	Brake caliper D Duco (service exchange), LRG579	Hole- \varnothing 18	7600 005 411
2	Brake pad set, with accessories and retaining springs	250 x 110 x 30.00	1509 015 355
3	Fixed point bolt kit		7668 130 034
4	Wear contact set		7600 001 264
5	Attachment bolt	M20 x 50	7621 226 651
5	Bolt	M18 x 50	7602 122 743
6	Washer		7600 001 143
	Repair kit for dust gaiters		7600 001 299
	Repair kit for pressure pad		7600 001 238
	Dust sleeve for pushrod		7608 324 854
	Dust sleeve for brake calipers		1509 015 538
	Repair kit for guide sleeves		7600 001 134
	Guide pin set for brake calipers		7600 111 600



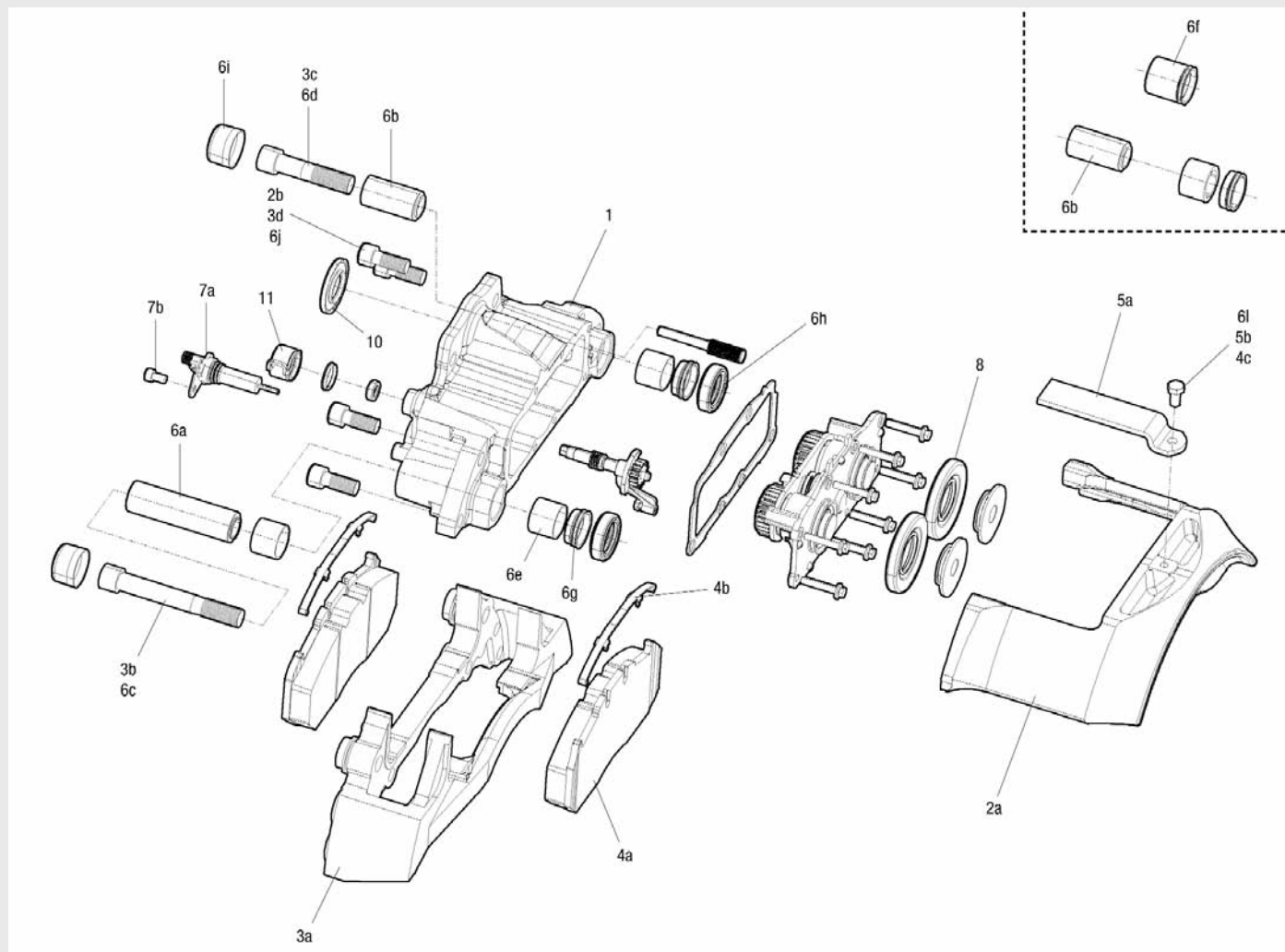
TA/TC D Duco diaphragm cylinder

Description	Type	Order number	
		port alignment 45°	port alignment 135°
Membrane brake cylinder	14	7600 001 165	7600 001 166
Membrane brake cylinder	16	7600 001 169	7600 001 170
Membrane brake cylinder	18	7600 001 175	7600 001 176
Membrane brake cylinder	20	7604 122 680	7600 001 177
Membrane brake cylinder	22	7600 001 196	7600 001 197
Membrane brake cylinder	24	7600 001 199	7600 001 200
Membrane brake cylinder	27	7601 226 822	7600 001 180
Combination brake cylinder	14/16	7600 001 167	7600 001 168
Combination brake cylinder	14/24	7604 122 679	7604 122 677
Combination brake cylinder	16/16	7600 001 171	7600 001 172
Combination brake cylinder	16/24	7600 001 173	7600 001 174
Combination brake cylinder	18/24	7600 000 068	7600 000 072
Combination brake cylinder	20/24	7604 122 681	7604 122 682
Combination brake cylinder	22/24	2127 005 489	7601 227 562
Combination brake cylinder	24/24	7601 229 271	7601 229 272
Combination brake cylinder	24/30	7600 001 178	7600 001 179
Combination brake cylinder	27/30	7600 001 181	7604 122 683
Combination brake cylinder	30/30	7600 001 182	7600 001 183



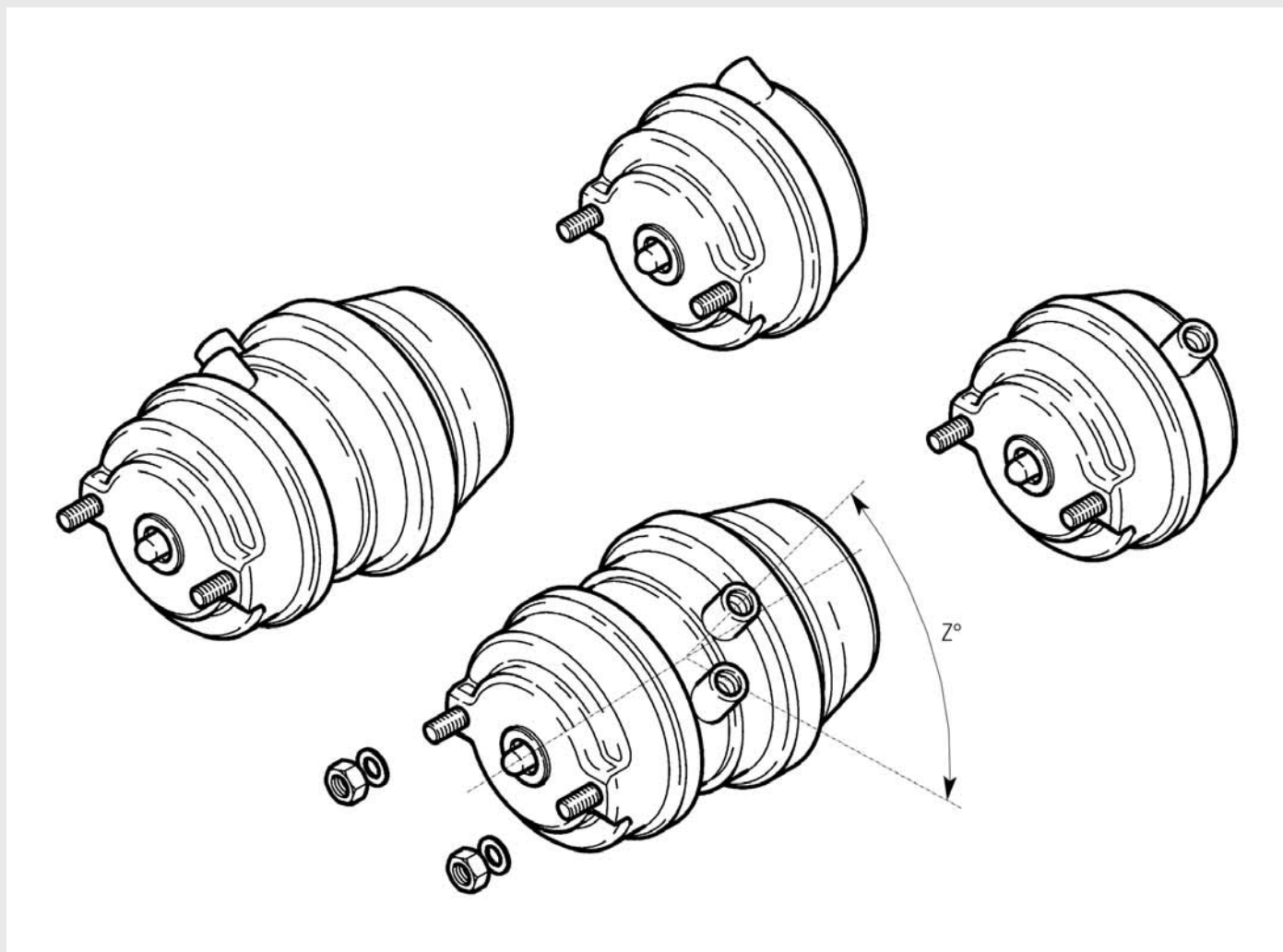
TA/TC D Duco hub, brake disc, ABS

Illustration	Description	Dimensions mm	Order number
1	Bolt	M8 x 16	7600 000 334
2	Wheel-hub cap		7621 226 038
3	Wheel-hub cap for hub odometer		7621 226 118
4	Flat seal		7621 226 119
5	Safety screw	M8 x 1.25 x 20	7600 000 338
6	Axle nut		7621 226 003
7	Clamp		7621 226 117
8	Hole disc		7621 226 090
9	Tapered roller bearing		7600 000 399
10	Oil seal		7600 000 474
11	Wheel hub, only for twin wheel		7614 226 121
11a	Wheel hub, only for single wheel		7614 226 492
12	Brake disc	10 x 250	7668 323 825
13	Wheel nut set for drum and disc brake	M22 x 1.5/ Spanner size 32	7621 226 396
14	Wheel bolt set for steel and aluminium wheel		7621 226 340
14	Wheel bolt set for aluminium single wheel		7621 226 478
14	Wheel bolt set		7621 226 479
15	Attachment screw	M16 x 65	7621 225 100
16	Washer		7621 224 978
17	Sensor bracket		7600 001 160
18	Clamping sleeve	18.8 x 32	7600 000 877
19	Speed sensor		7600 000 615
20	Attachment screw for sensor bracket		7600 001 210



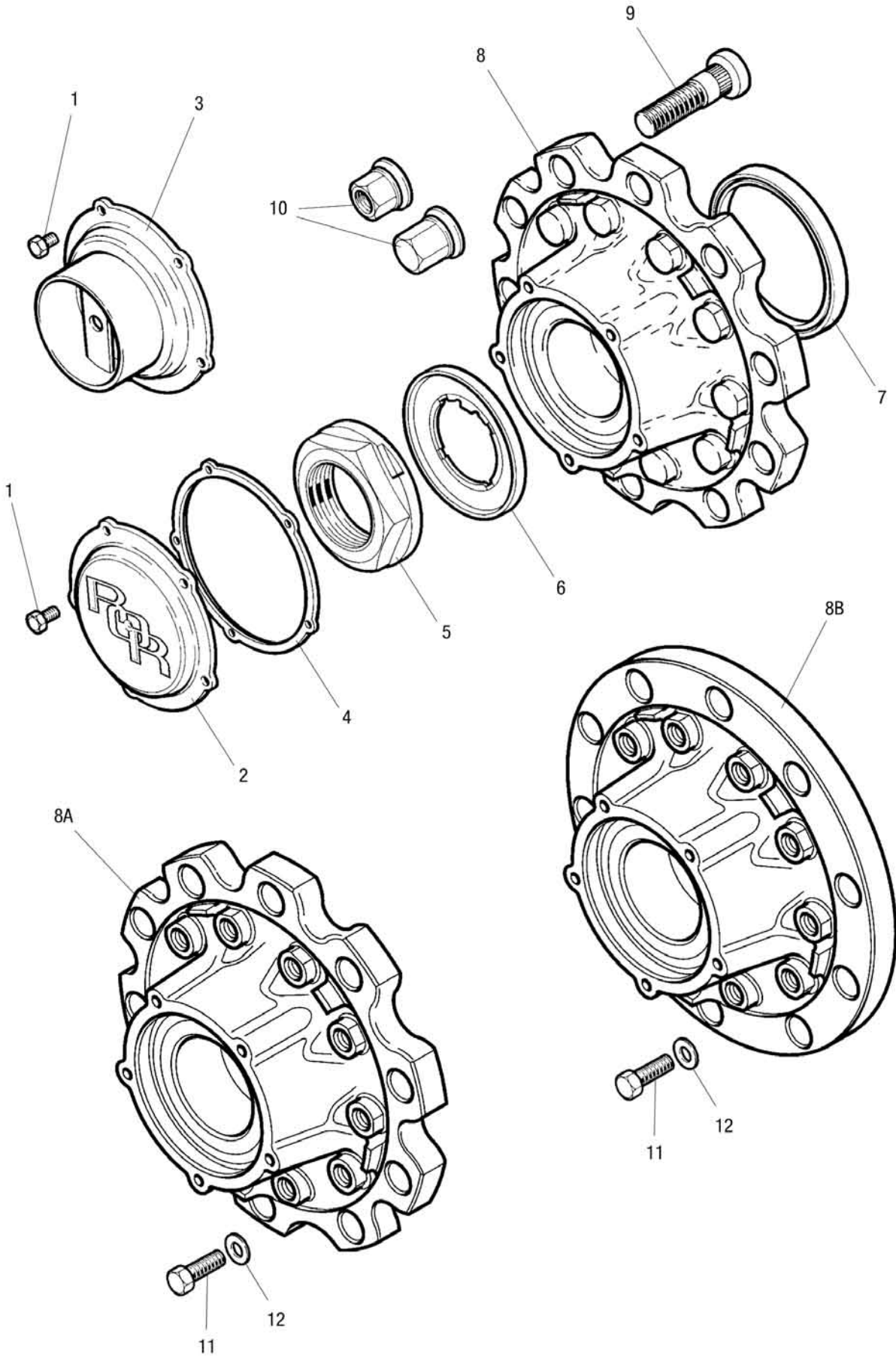
TA/TC ELSA2 brake caliper

Illustration	Description	Dimensions mm	Order number
1	Brake caliper, right, without lining		1509 015 566
1	Brake caliper, left, without lining		1509 015 567
3a-3d	Brake anchor plate		1509 015 568
4a-4c	Brake pad set	249,5 x 118,3 x 28.20	1509 010 832
5a-5b	Brake pad hold-down kit		1509 015 415
6a-6j	Repair kit (with grease)		1509 015 410
8	Brake seal set (with grease)		1509 015 405
10	Sealing ring		1509 015 539
11	Dust sleeve		1509 015 538
	Bolt	M18 x 50	7602 122 743



TA/TC ELSA2 diaphragm cylinder

Description	Type	Order number	
		port alignment 45°	port alignment 135°
Membrane brake cylinder	14	7601 227 562	7601 227 563
Membrane brake cylinder	16	7600 001 184	7600 001 185
Membrane brake cylinder	18	7600 001 190	7600 001 191
Membrane brake cylinder	20	7601 228 284	7601 228 285
Membrane brake cylinder	27	7600 001 188	7600 001 189
Combination brake cylinder	14/24	2127 008 635	2127 008 636
Combination brake cylinder	16/24	7605 233 867	7601 227 569
Combination brake cylinder	18/24	7641 227 570	7604 123 182
Combination brake cylinder	20/24	7601 227 572	7601 227 573
Combination brake cylinder	22/24	7600 001 187	7960 001 396
Combination brake cylinder	24/24	7600 001 192	7600 001 193
Combination brake cylinder	27/30	7600 001 194	7600 001 195



TC hub

Illustration	Description	Dimensions mm	Order number
1	Bolt	M8 x 16	7600 000 334
2	Wheel-hub cap		7621 226 038
3	Wheel-hub cap		7621 226 118
4	Flat seal		7621 226 119
5	Axle nut		7621 226 032
6	Caulk washer		7621 226 088
7	Oil seal		7600 000 474
8	Wheel hub, twin and single wheel		7614 226 122
8a	Wheel hub, only twin wheel		7614 226 123
8b	Wheel hub, only single wheel		7614 226 493
9	Wheel nut set, standard open, for steel and aluminium wheel	M22 x 1.5	7621 226 396
10	Wheel bolt set		7621 226 340
10	Wheel bolt set		7621 226 478
10	Wheel bolt set		7621 226 479
11	Attachment screw	M16 x 65	7621 225 100
12	Washer		7621 224 978

EUROPART engine, hydraulic and gearbox oils

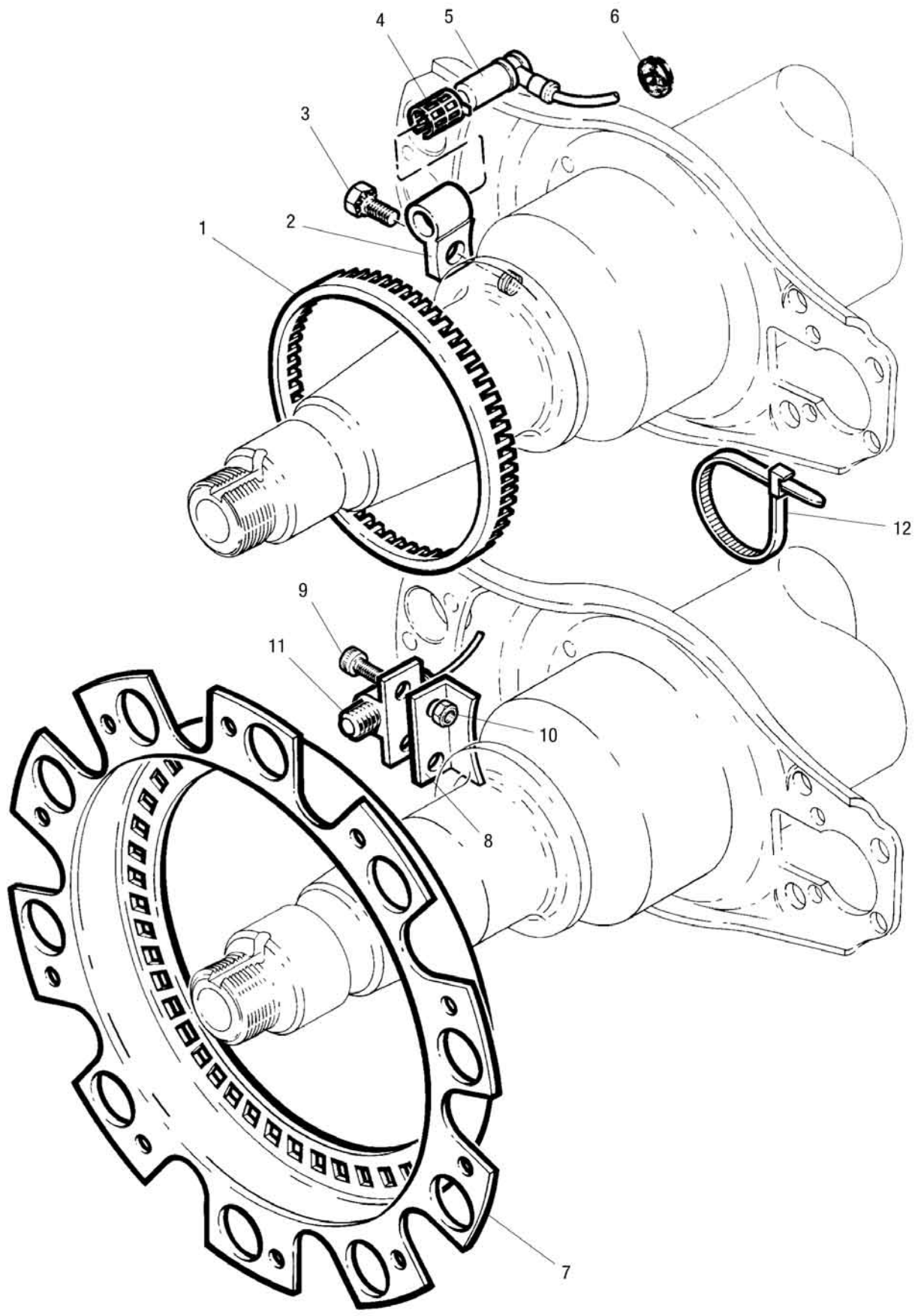
From us you can obtain high quality engine, hydraulic and gearbox oils with all the necessary approvals at competitive prices.

We'd be pleased to advise you!

More information from:

www.europart.net





TE ABS

Illustration	Description	Order number
1	Sensor ring, ABS for ABS, Number of teeth 100	7600 000 968
2	Sensor bracket	7600 000 986
3	Attachment screw for brake disc	7600 001 009
4	Clamping sleeve for ABS rotational speed sensor	7600 000 877
5	Speed sensor	7600 000 615
6	Dust protection cap for drum brake, ABS with 60 teeth	7600 000 599
6	Dust protection cap for drum brake, ABS with 100 teeth	7600 000 616
7	Sensor ring, ABS, Number of teeth 60	7600 000 848
8	Sensor bracket	7600 001 117
9	Attachment screw for sensor bracket	7600 000 850
10	Hexagon nut for sensor bracket	7600 000 851
11	Speed sensor	7600 000 849
12	Cable connector	7600 000 969

Heavy loads easily lifted

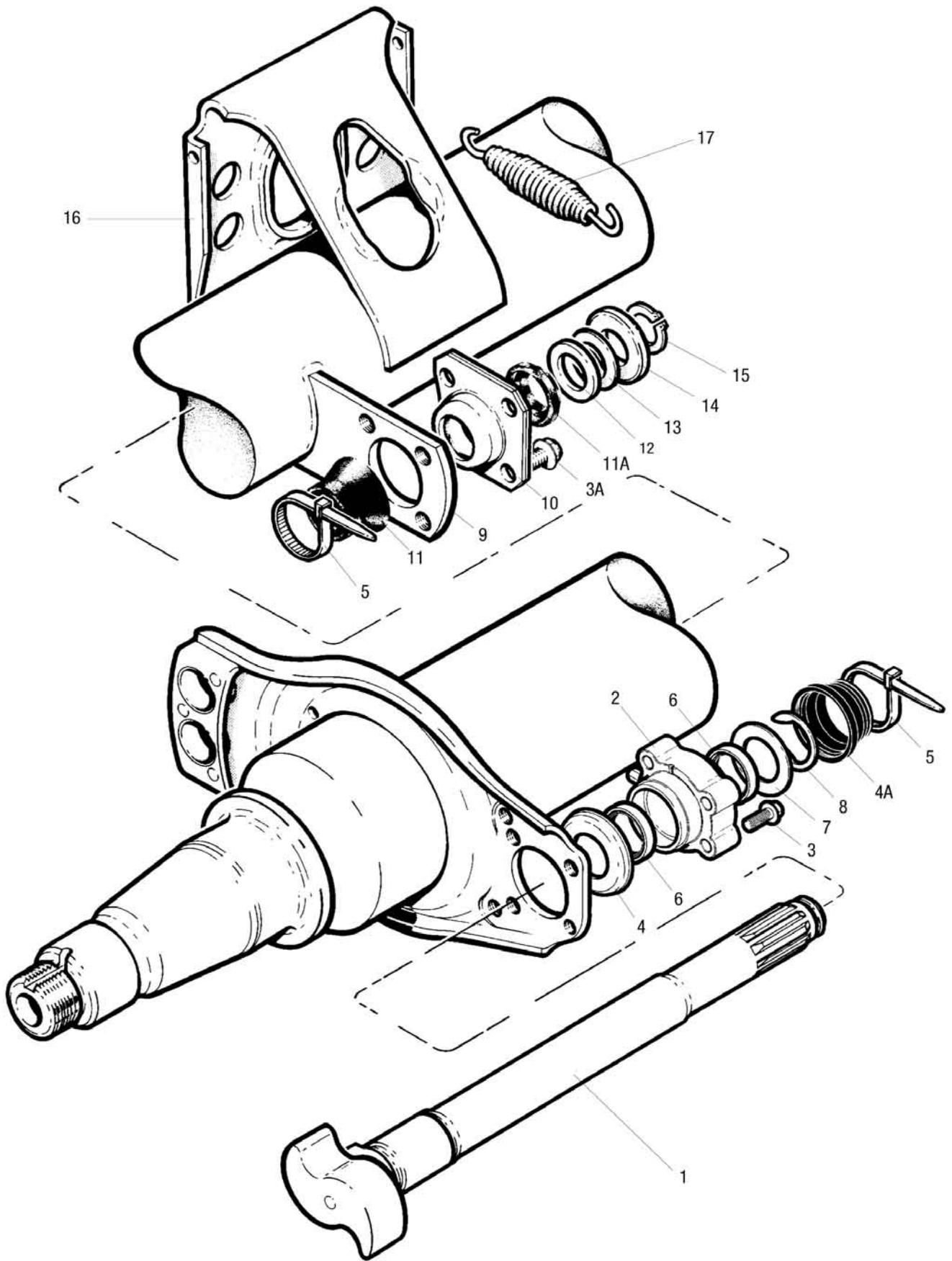
This is how it's done: lifting of trailers and commercial vehicles

Mobile and fast! With our modern lifting technology, you will master the trailer in no time at all during repairs and maintenance.

More information from:

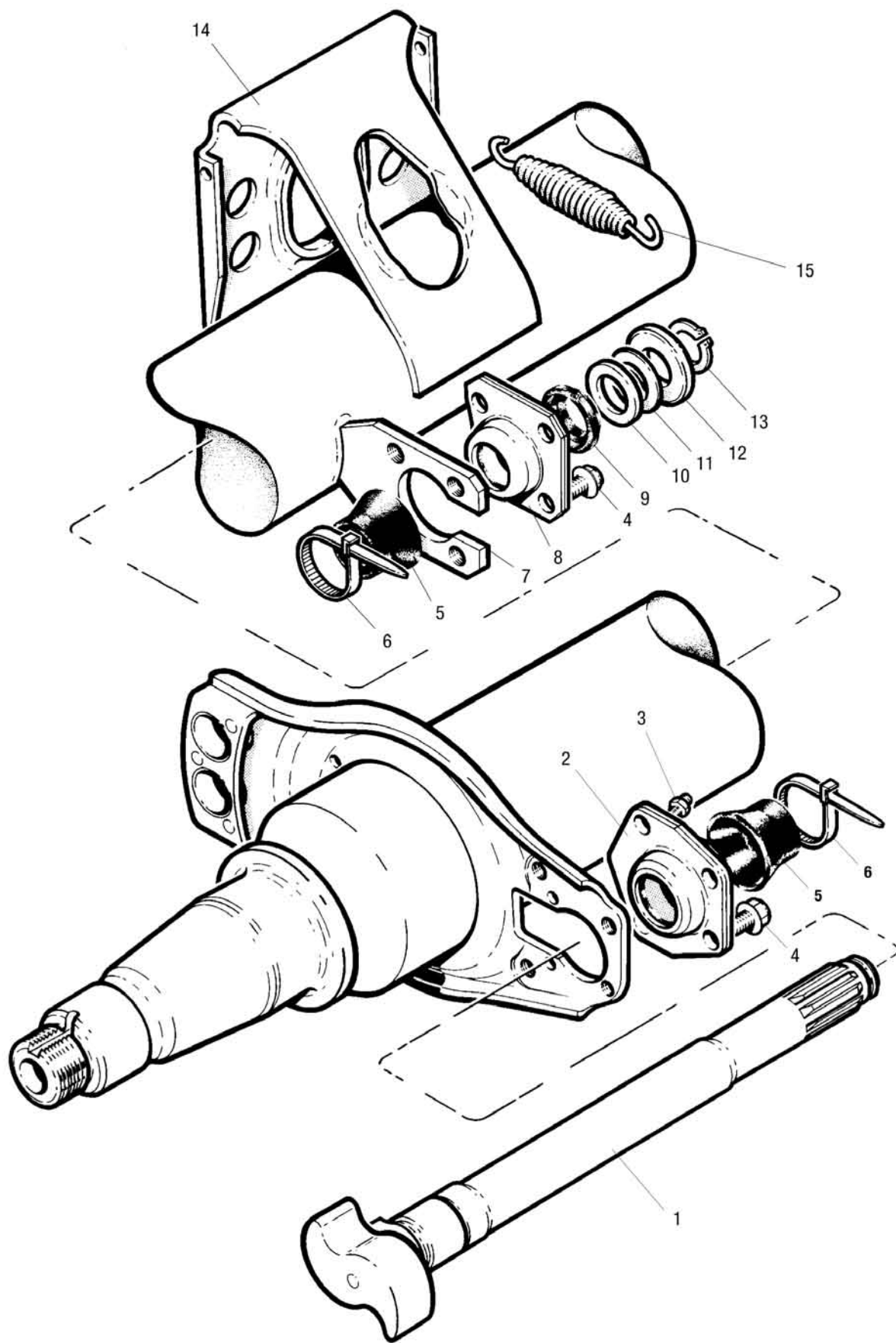
www.europart.net





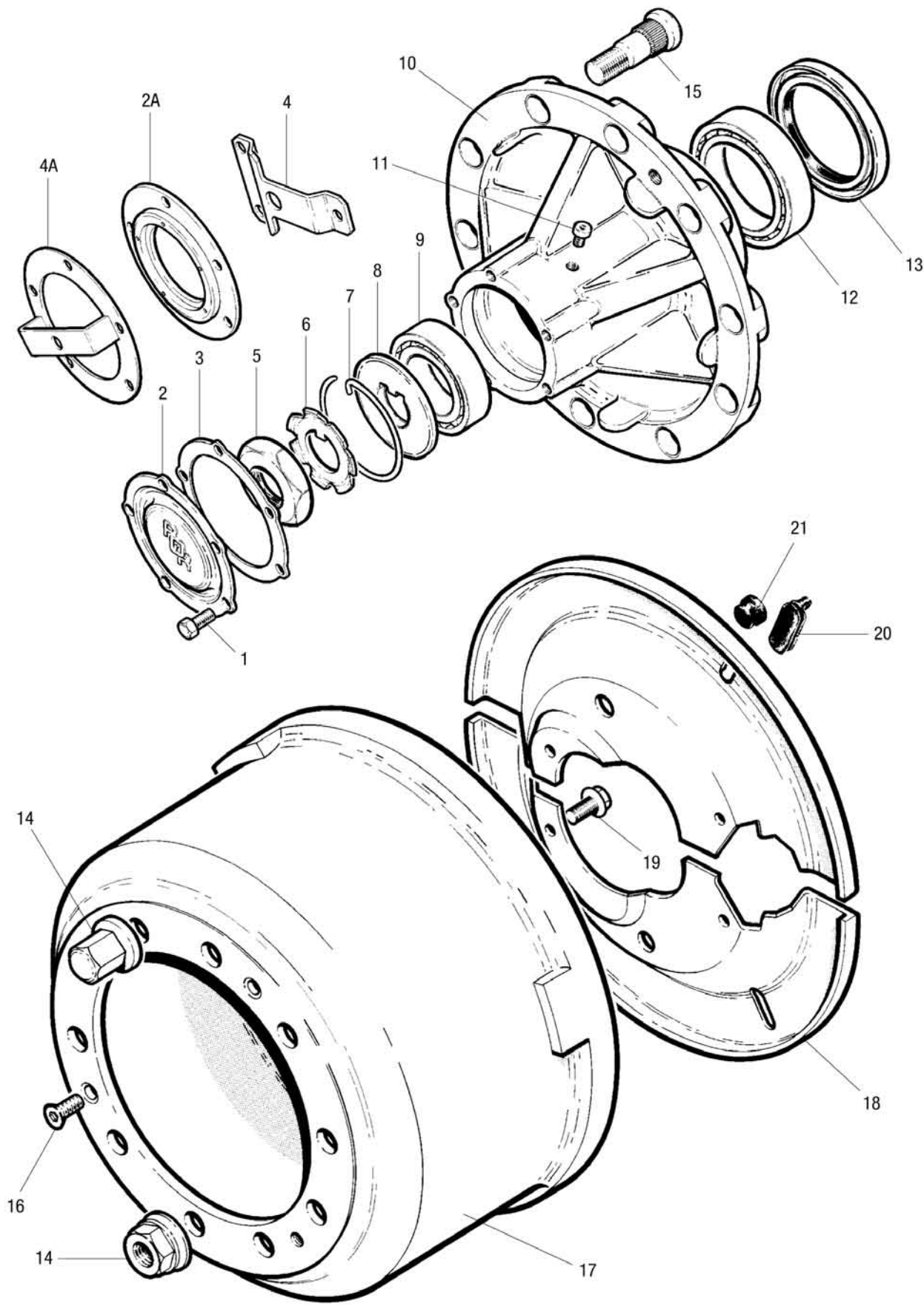
TE brake camshaft from 01/04/2001

Illustration	Description	Dimensions mm	Order number
1	Brake camshaft, right	(B) 525,5	7621 227 109
1	Brake camshaft, left	(B) 525,5	7621 227 110
1	Brake camshaft, right	(B) 587,5	7621 227 107
1	Brake camshaft, left	(B) 587,5	7621 227 108
3	Bolt for cover plate, cam side		7609 546 002
5	Cable connector		7600 000 969
9	Brake camshaft holder		7600 000 752
10	Bearing bush, spline groove side		7600 000 402
11	Dust protection cap for drum brake, inner, keyway side	60 x 36.5	7600 000 796
11A	Dust protection cap for drum brake, outer, keyway side	52 x 36.5	7600 000 807
12	Spacer	∅ 50.5 x ∅ 39.5 x 0.75	7600 000 719
13	Spacer	∅ 50.5 x ∅ 39.5 x 2	7600 000 721
14	Safety plate for brake camshaft bearing		7600 000 953
15	Circlip	∅ 30 x 1.5	7600 001 005
16	Brake cylinder console		7600 000 965
17	Reset spring		7600 000 860
-	Brake grease, 25 g		7699 226 786
-	Grease, 400 g		7600 001 206



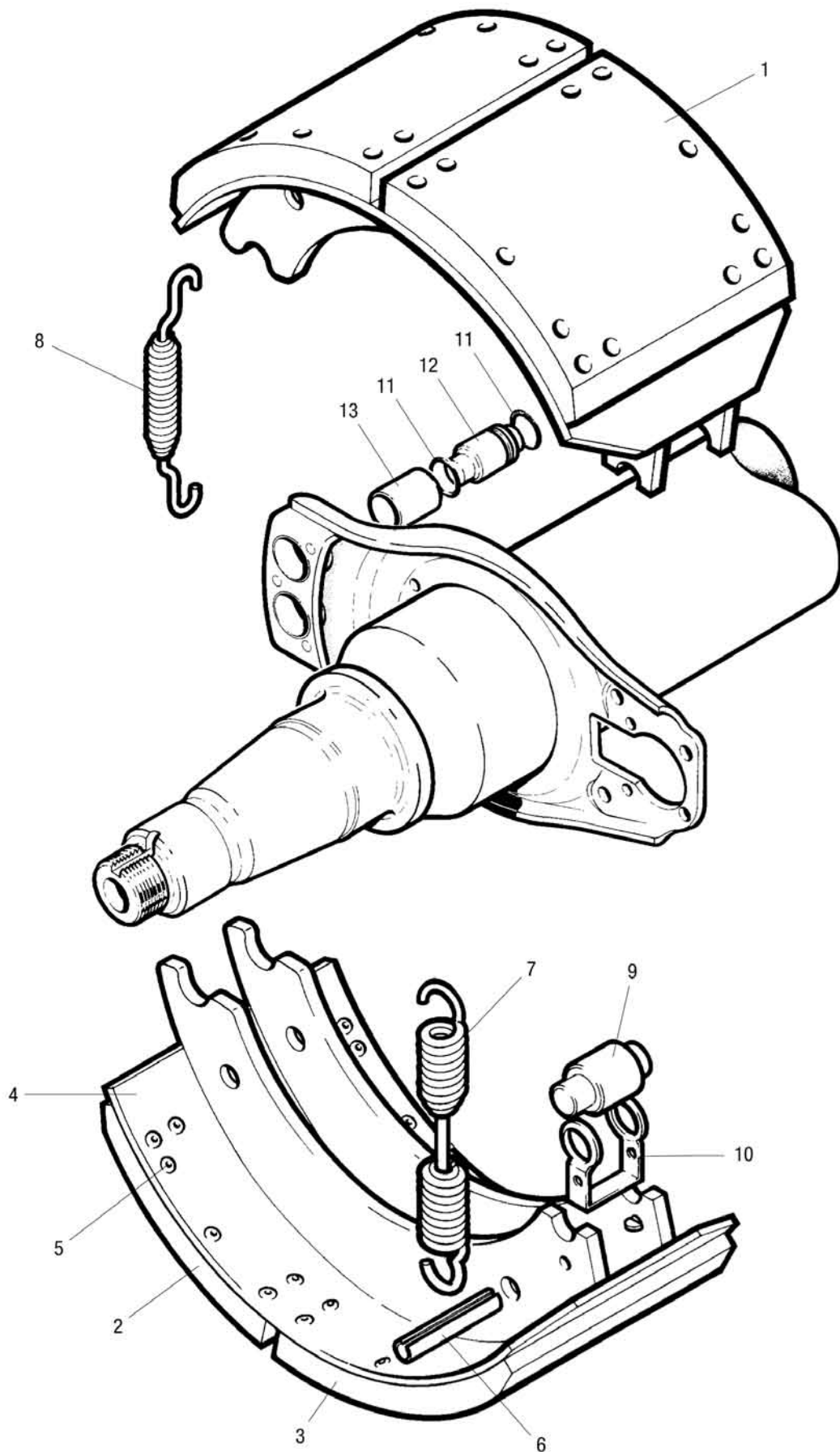
TE brake camshaft up to 31/03/2001

Illustration	Description	Dimensions mm	Order number
1	Brake camshaft, right	(B) 525,5	7600 000 970
1	Brake camshaft, left	(B) 525,5	7600 000 971
1	Brake camshaft, right	(B) 587,5	7600 000 977
1	Brake camshaft, left	(B) 587,5	7600 000 978
2	Bearing shell for brake camshaft bearing	420 x 180/220	7600 000 675
3	Lubricating nipple		7600 000 995
3	Lubricating nipple, 04/1997-		7600 001 123
4	Bolt for cover plate, cam side		7609 546 002
5	Dust protection cap for drum brake, inner, keyway side	60 x 36.5	7600 000 796
6	Cable connector		7600 000 969
7	Brake camshaft holder		7600 000 752
8	Bearing bush, spline groove side		7600 000 402
9	Dust protection cap for drum brake, outer, keyway side	52 x 36.5	7600 000 807
10	Spacer	∅ 50.5 x ∅ 39.5 x 0.75	7600 000 719
11	Spacer	∅ 50.5 x ∅ 39.5 x 2	7600 000 721
12	Safety plate for brake camshaft bearing		7600 000 953
13	Circlip	∅ 30 x 1.5	7600 001 005
14	Brake cylinder console		7600 000 965
15	Reset spring		7600 000 860
-	Brake grease, 25 g		7699 226 786
-	Grease, 400 g		7600 001 206



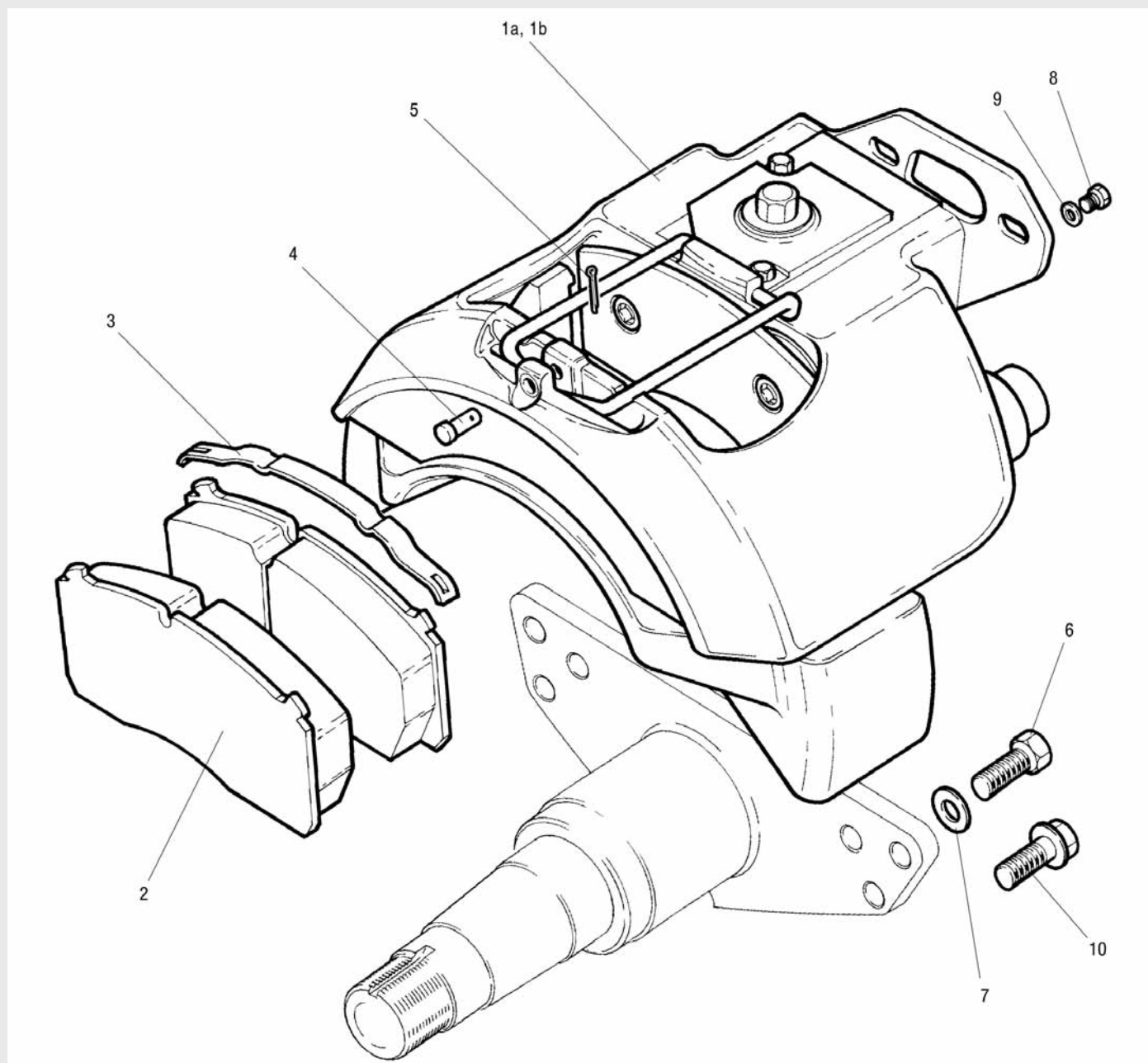
TE hub

Illustration	Description	Dimensions mm	Order number
1	Bolt for wheel hub cap	M8 x 16	7600 000 477
2	Dust cap		7600 000 960
2	Dust cap, Number of holes 5		7600 000 967
3	O-ring suitable for dust cap		7600 000 614
4	Stroke odometer attachment for greasing		7621 222 610
5	Axle nut	M36 x 2 x 12.3/ Spanner size 55	7600 000 961
6	Lock washer with lug	70 x 36.50 x 1.5	7600 000 607
7	Circlip		7621 223 127
8	Fastening washer		7600 000 959
9	Wheel bearing, outside		7600 000 999
10	Wheel hub, 10 stud		7600 000 954
12	Wheel bearing, inside		7600 000 998
13	Shaft sealing ring for wheel hub		7600 000 606
14	Wheel nut set, standard open, for steel and aluminium wheel	M22 x 1.5	7621 226 396
14	Wheel nut, end closed	Spanner size 32	7621 226 484
15	Wheel bolt	M22 x 1.5 x 80	7600 000 956
15	Wheel bolt	M22 x 1.5 x 95	7600 000 963
16	Attachment screw for brake disc		7600 001 009
17	Brake drum	419 x 238 x 192	7600 000 600
18	Dust plate set		7621 220 647
19	Bolt for cover plate, cam side		7609 546 002
20	Stopper for inspection hole		7600 000 958
21	Plug for cover plate		7600 000 025



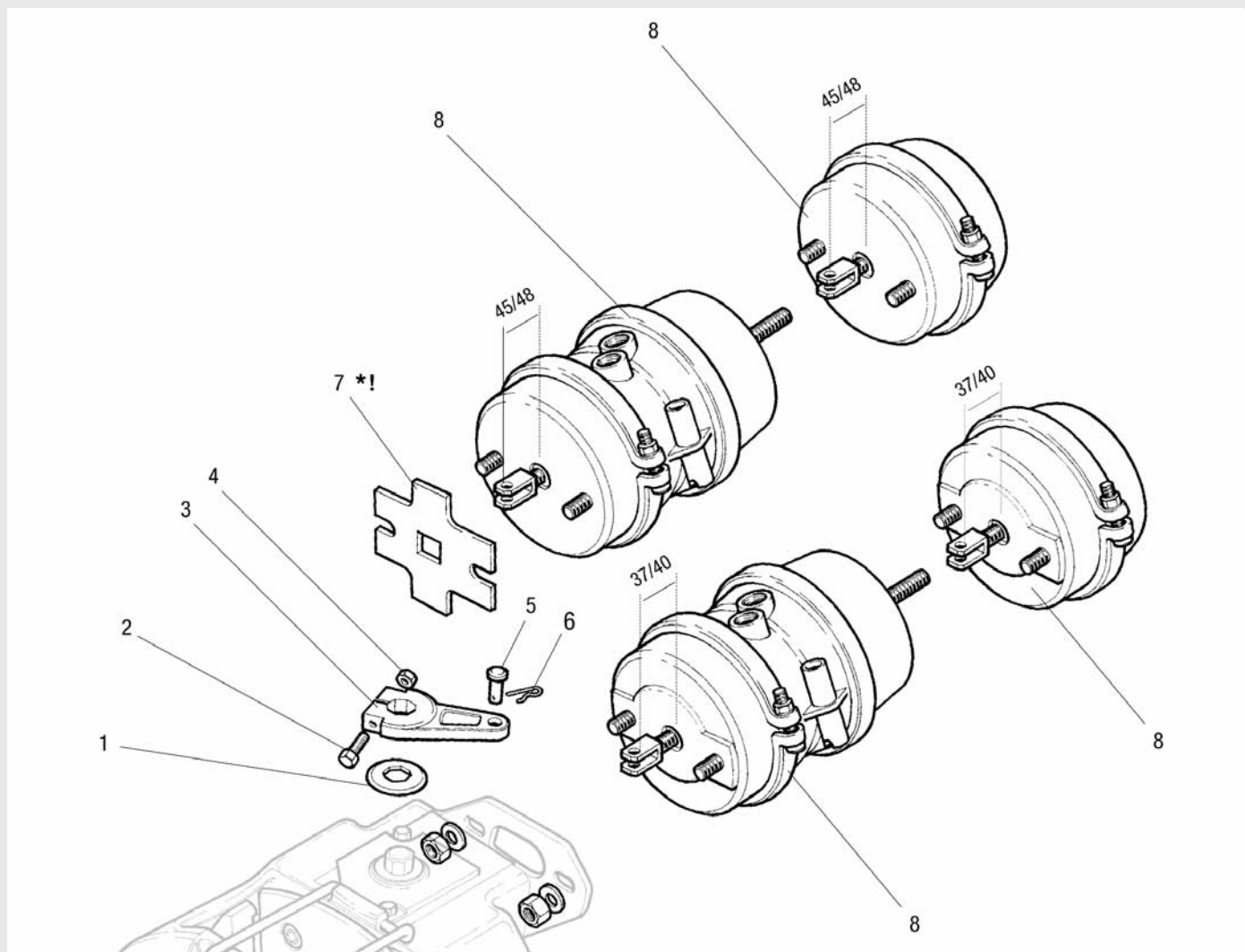
TE drum brake

Illustration	Description	Dimensions mm	Order number
1	Brake shoe with lining	420 x 180	7600 000 547
2-3	Brake lining set, anchor side	420 x 180	7600 003 049
4	Brake shoe without lining	420 x 180	7600 000 666
5	Brake pad rivet, brass		7600 000 441
6	Spring dowel sleeve, DIN 1481	12.7 x 63	7600 000 572
7	Reset spring	30 x 203 x 5	7600 000 262
8	Retaining spring for brake shoe		7600 000 490
9	Brake cam roller	32 x 57	7600 000 112
10	Safety hoop for brake shoe pins		7600 000 491
11	O-ring for brake shoe pins		7600 000 957
12	Brake shoe pin		7600 000 507



TM DX195 brake caliper

Illustration	Description	Dimensions mm	Order number
1a	Brake caliper, left		7600 000 064
1b	Brake caliper, right		7600 000 065
2	Brake lining set		7600 000 050
6	Attachment screw	M16 x 45	7621 224 908
7	Washer		7621 224 978
10	Bolt 07/2001- (Illustration 6, 7)	M16 x 45	7621 227 146
	Brake pad retaining clamp		1509 015 578

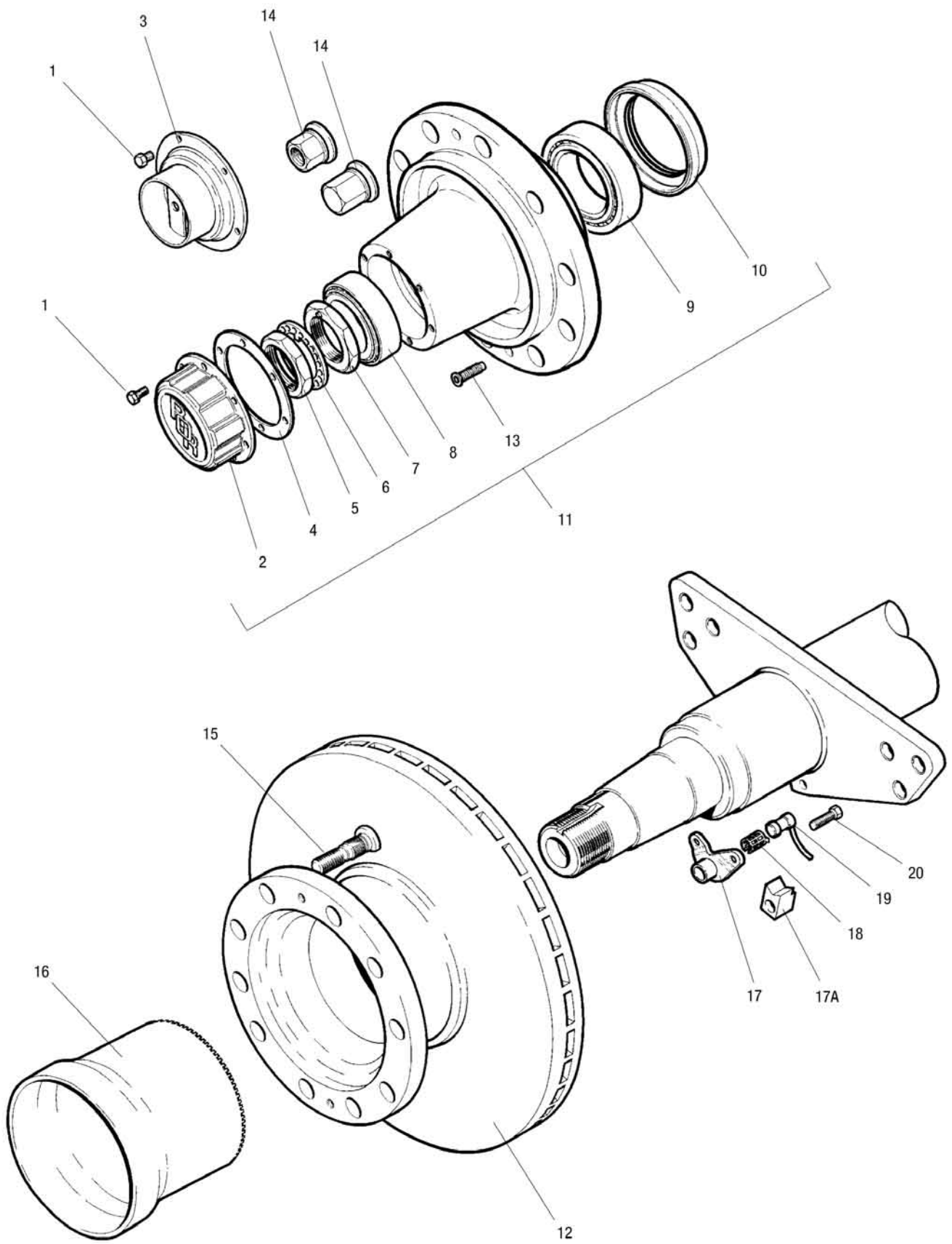


TM DX195 diaphragm cylinder

Illustration	Description	Dimensions mm	Order number
1	Protective cap		7621 225 226
2	Clamping screw for brake chamber lever	M8 x 60	7600 001 249
3	Brake lever for brake calipers	Lever length 80	7600 000 074
3	Brake lever for brake calipers	Lever length 90	7600 000 075
4	Hexagon nut	M8	7600 001 269
5	Cotter bolt		7621 224 985
6	Security clamp for brake lever		7621 224 996

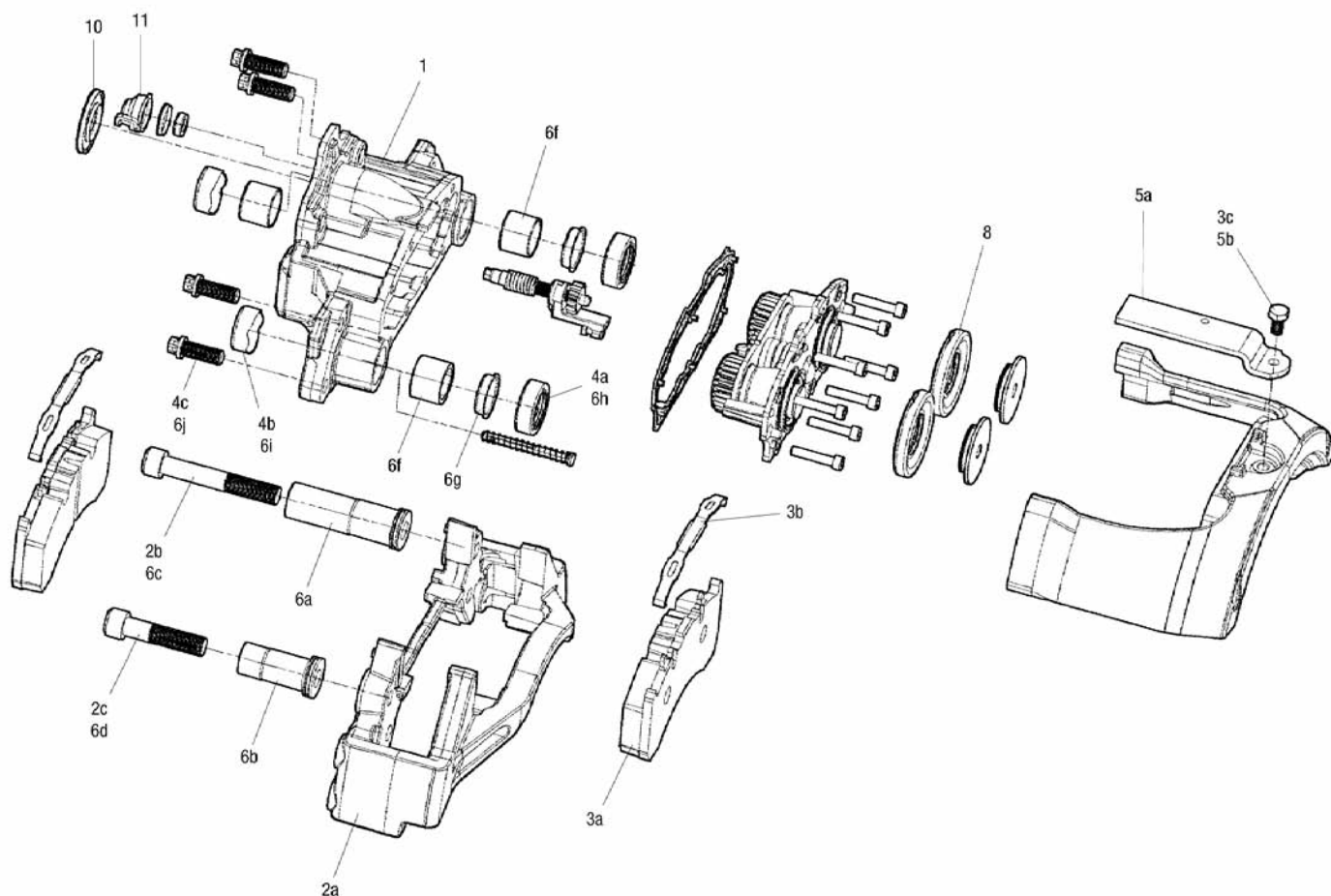
Illustration	Description	Order number	
		Installation length 45/48 mm	Installation length 37/40 mm
7*	Spacer washer for brake camshaft bearing	7621 224 995	-
8	Membrane brake cylinder Type 24/24	7600 000 073	7600 000 073
8	Membrane brake cylinder Type 22/24	7600 000 066	7600 000 066
8	Membrane brake cylinder Type 20/24	7600 000 067	7600 000 067
8	Combination brake cylinder Type 18/24	7600 000 068	7600 000 068
8	Membrane brake cylinder Type 24	7600 000 069	7600 000 069
8	Membrane brake cylinder Type 22	7600 000 070	7600 000 070
8	Membrane brake cylinder Type 20	7600 000 071	7600 000 071
8	Combination brake cylinder Type 18	7600 000 072	7600 001 163

*The distance washer **MUST** be used **WITHOUT EXCEPTION** on brake cylinders in the released state with pushrod installation lengths of 45/58 mm (measured between the contact surface of the chamber and the middle of the clevis pin). On newer brake cylinders with a pushrod length of 37/40 mm and a shaped front part of the housing, the distance washer must **NEVER** be installed.



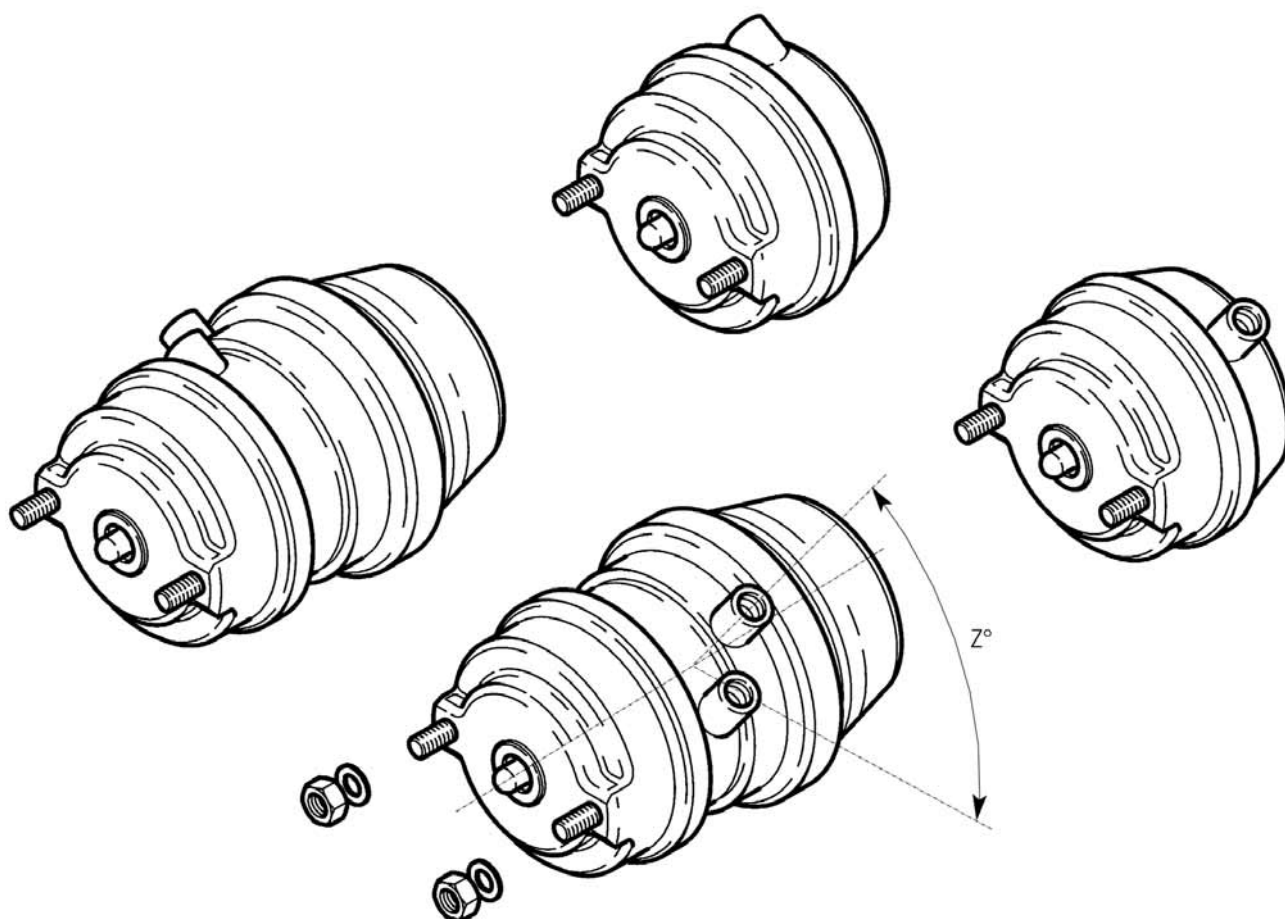
TM DX195 hub, brake disc, ABS

Illustration	Description	Dimensions mm	Order number
1	Bolt	M8 x 16	7600 000 477
2	Hub cover, 6-hole		7600 000 300
3	Hub cover		7603 231 373
4	Flat seal		7600 000 420
5	Axle nut	M65 x 1.5 x 10	7600 000 241
6	Hole disc	98 x 66 x 5.5	7600 000 542
7	Setting nut		7600 000 475
8	Wheel bearing	120 x 65 x 41	7600 000 400
9	Tapered roller bearing, inside		7600 000 399
10	Oil seal		7600 000 474
11	Wheel hub		7614 224 262
12	Brake disc	378 x 225 x 45 x 8	7600 002 010
13	Attachment screw		7600 001 009
14	Wheel nut set, standard open, for steel and aluminium wheel	Spanner size 32	7621 226 396
14	Wheel nut, end closed	Spanner size 32	7621 226 484
15	Wheel bolt, steel wheel		7603 233 556
15	Wheel bolt, aluminium/steel double wheel		7601 224 957
16	Sensor ring, ABS		7621 224 458
17	Sensor bracket 06/2000-		7621 226 429
17a	Sensor bracket, rectangular		7600 001 058
18	Clamping sleeve	18.8 x 32	7600 000 877
19	Speed sensor		7600 000 615
20	Attachment screw		7600 001 210



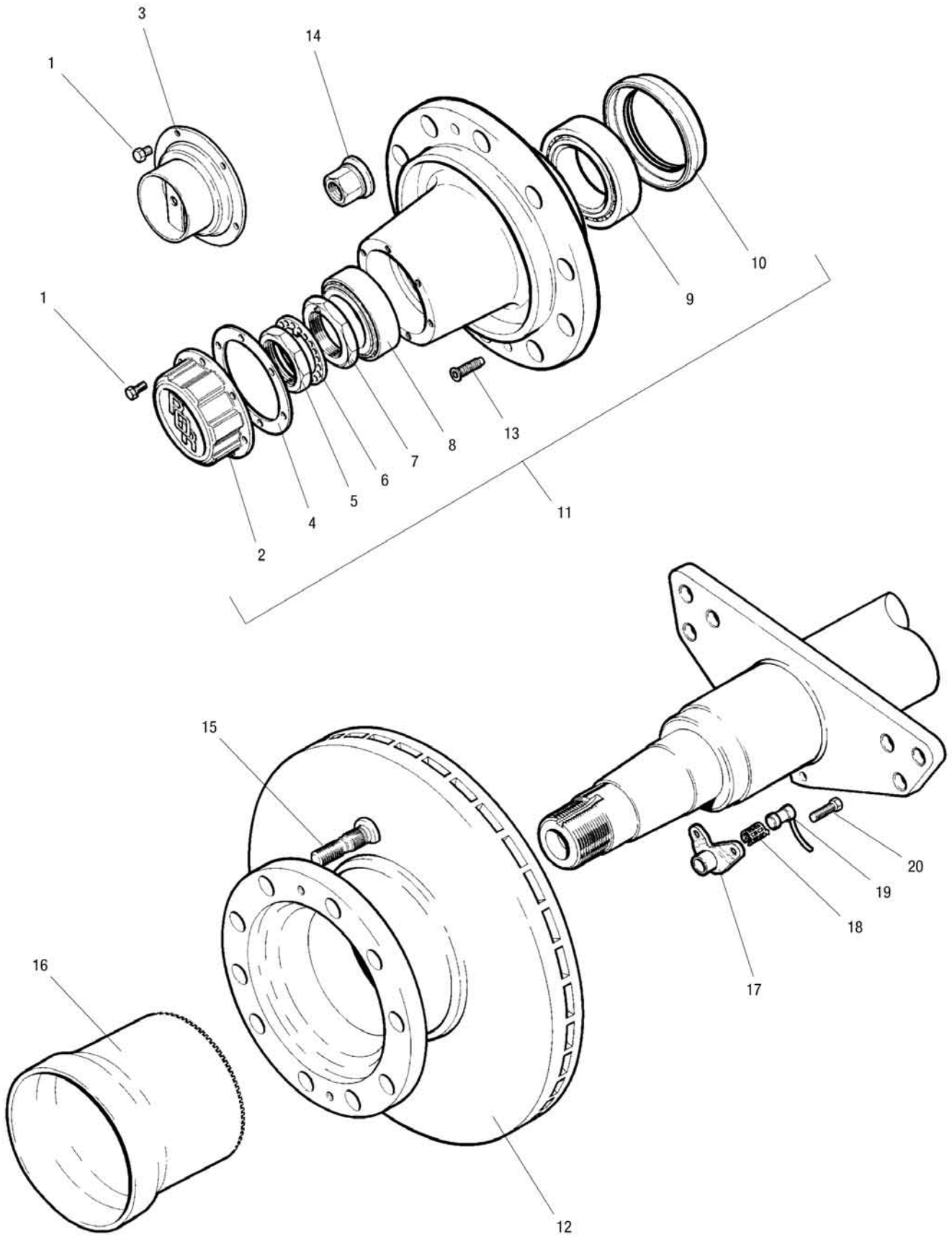
TM ELSA195 brake caliper

Illustration	Description	Dimensions mm	Order number
1	Brake caliper, right, without lining		1509 015 495
1	Brake caliper, left, without lining		1509 015 500
2a-2c	Brake anchor plate		1509 015 510
3a-3c	Brake pad set	104 x 30.00	1509 015 505
4a-4c	Gasket set (with grease) for brake caliper guide		1509 015 515
5a-5b	Brake pad hold-down kit		1509 015 415
6a-6j	Repair kit (with grease)		1509 015 520
8	Brake seal set (with grease)		1509 015 405
9	Wear contact set		7600 001 264
10	Sealing ring		1509 015 539
11	Dust sleeve		1509 015 538
12	Bolt for securing brake caliper	M18 x 50	7602 122 743



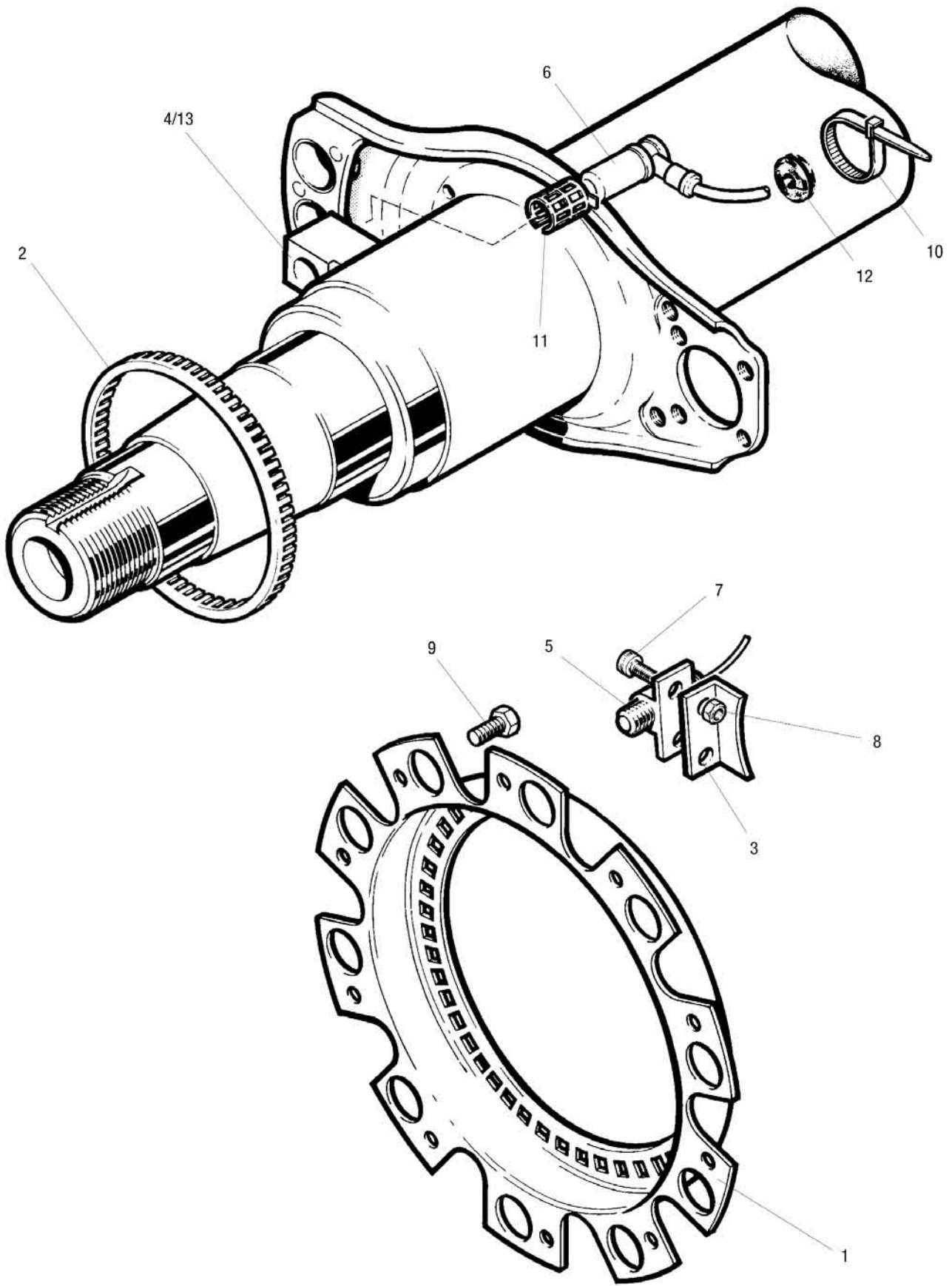
TM ELSA195 diaphragm cylinder

Description	Type	Order number	
		port alignment 45°	port alignment 135°
Membrane brake cylinder	14	7600 001 165	7600 001 166
Membrane brake cylinder	16	7600 001 169	7600 001 170
Membrane brake cylinder	18	7600 001 175	7600 001 176
Membrane brake cylinder	20	7604 122 680	7600 001 177
Membrane brake cylinder	22	7600 001 196	7600 001 197
Membrane brake cylinder	24	7600 001 199	7600 001 200
Membrane brake cylinder	27	7601 226 822	7600 001 180
Combination brake cylinder	14/16	7600 001 167	7600 001 168
Combination brake cylinder	14/24	7604 122 679	7604 122 677
Combination brake cylinder	16/16	7600 001 171	7600 001 172
Combination brake cylinder	16/24	7600 001 173	7600 001 174
Combination brake cylinder	18/24	7600 000 068	7600 000 072
Combination brake cylinder	20/24	7604 122 681	7604 122 682
Combination brake cylinder	22/24	2127 005 489	7601 227 562
Combination brake cylinder	24/24	7601 229 271	7601 229 272
Combination brake cylinder	24/30	7600 001 178	7600 001 179
Combination brake cylinder	27/30	7600 001 181	7604 122 683
Combination brake cylinder	30/30	7600 001 182	7600 001 183



TM ELSA195 hub, brake disc, ABS

Illustration	Description	Dimensions mm	Order number
1	Bolt	M8 x 16	7600 000 334
2	Hub cover, 6-hole		7600 000 300
3	Hub cover		7603 231 373
4	Flat seal		7600 000 420
5	Axle nut	M65 x 1.5 x 10	7600 000 241
6	Hole disc	98 x 66 x 5.5	7600 000 542
7	Setting nut		7600 000 475
8	Wheel bearing, outside	120 x 65 x 41	7600 000 400
9	Tapered roller bearing, inside		7600 000 399
10	Oil seal		7600 000 474
11	Wheel hub		7614 224 262
12	Brake disc	378 x 225 x 45 x 8	7600 002 010
13	Attachment screw		7600 001 009
14	Wheel nut set		7621 226 396
15	Wheel bolt		7601 224 957
16	Sensor ring, ABS		7621 224 458
17	Sensor bracket		7600 001 162
18	Clamping sleeve	18.8 x 32	7600 000 877
19	Speed sensor		7600 000 615
20	Attachment screw		7600 001 210



TM ABS

Illustration	Description	Order number	Order number	Order number	Order number
		AC	B	Q	Z
		310 x 190 mm	310 x 190 mm	420 x 180 mm	420 x 180 mm
1	Sensor ring, ABS	-	-	7600 000 848	7600 000 848
2	Sensor ring, ABS	7600 001 056	7600 001 056	7600 001 049	7600 001 049
3	Sensor bracket	7600 001 111	7600 001 111	7600 000 598	7600 000 598
4	Sensor bracket	7600 001 058	7600 001 058	7600 001 058	7600 001 058
5	Speed sensor	7600 000 849	7600 000 849	7600 000 849	7600 000 849
6	Speed sensor	7600 000 615	7600 000 615	7600 000 615	7600 000 615
7	Attachment screw	7600 000 850	7600 000 850	7600 000 850	7600 000 850
8	Hexagon nut	7600 000 851	7600 000 851	7600 000 851	7600 000 851
10	Cable connector	7600 000 969	7600 000 969	7600 000 969	7600 000 969
11	Clamping sleeve	7600 000 877	7600 000 877	7600 000 877	7600 000 877
12	Dust protection cap	7600 000 599	7600 000 599	7600 000 599	7600 000 599
13	Sensor bracket	7601 223 090	7601 223 090	7601 223 090	7601 223 090

Perfection in welding

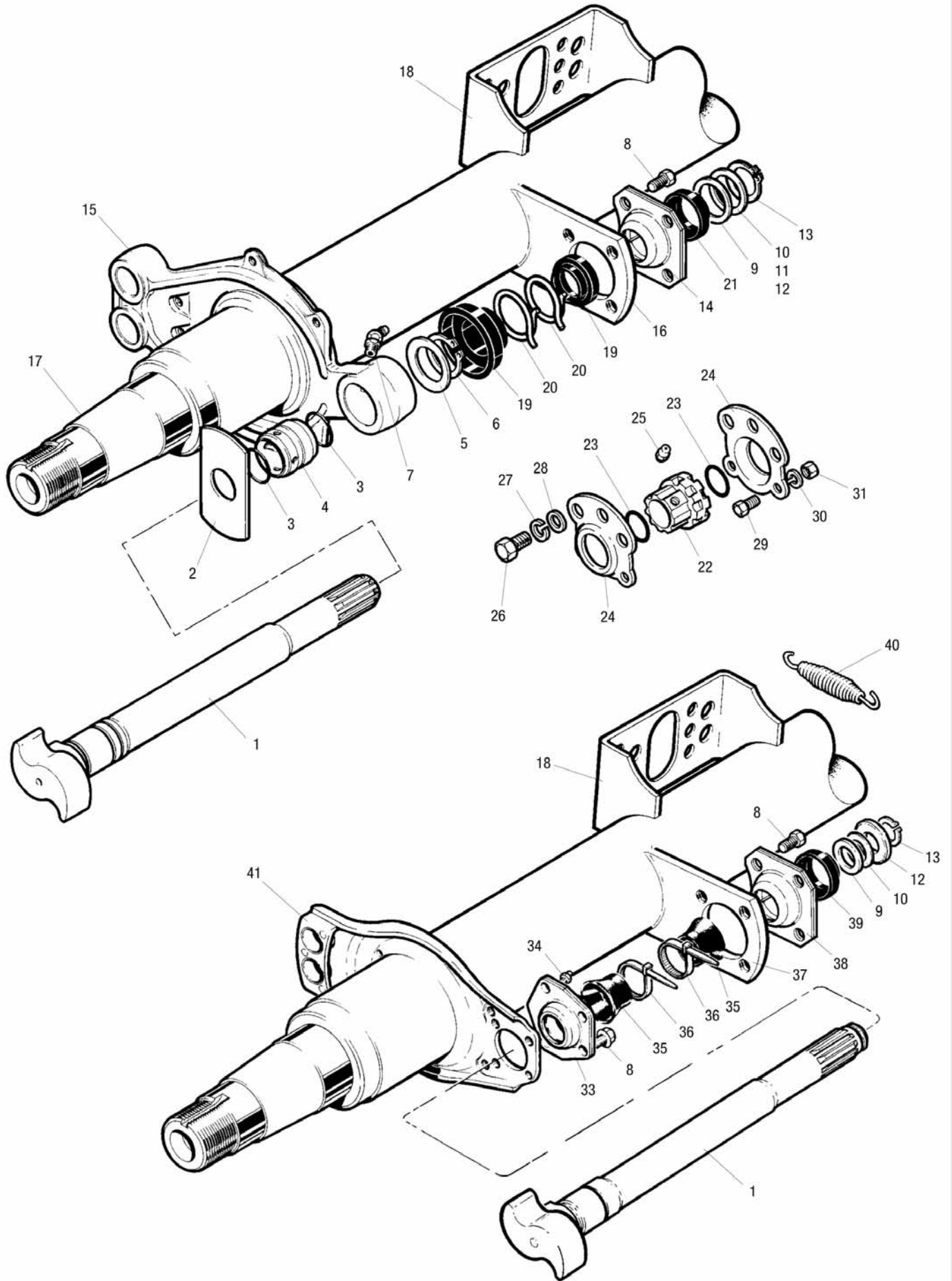
The most modern welding technology
for body construction

With Migatronic, EUROPART has the perfect partner for these requirements. Let us give you advice, without any obligation! We would also like to visit you with our mobile welding unit!

More information from:

www.europart.net





TM brake camshaft/bearings up to 31/03/2001

Illustration	Description	Dimensions mm	Order number
			AC
			310 x 190 mm
2	Spacing plate		7600 000 785
3	O-ring -03/2001	Ø 38 x 2.5	7600 000 566
4	Bearing bush		7600 000 535
5	Spacer washer -05/1974	Ø 60 x Ø 42 x 1.3	7600 000 786
6	Circlip 05/1974-31.03.2001	Ø 42	7600 001 000
7	Lubricating nipple		7600 000 994
8	Bolt, cam side		7609 546 002
9	Spacer washer -05/1974	Ø 60 x Ø 38.2 x 1.75	7600 000 017
10	Spacer	Ø 50.5 x Ø 39.5 x 2	7600 000 721
11	Spacer	Ø 50.5 x Ø 39.5 x 0.75	7600 000 719
12	Safety plate		7600 000 953
13	Circlip	Ø 30 x 1.5	7600 001 005
13	Circlip 05/1974-31.03.2001	Ø 37 x 1.7	7600 000 471
14	Bearing bush, spline groove side		7600 000 402
16/37	Brake camshaft holder		7600 001 105
18	Bracket for brake cylinder		7600 001 107
19	Dust protection cap, inner, keyway side	60 x 36.5	7600 000 796
20	Cable connector		7600 000 969
21	Dust protection cap, outer, keyway side	52 x 36.5	7600 000 807
22	Plastic bush 05/1974-		7600 000 019
23	O-ring -03/2001	Ø 38 x 3.5	7600 000 020
24	Housing -03/2001		7600 000 018
25	Lubricating nipple		7600 000 994
33	on request		
34	on request		
34	on request		
35	on request		
36	on request		
38	on request		
39	on request		
40	on request		
42	Slack adjuster		7600 000 573

TM brake camshaft/bearings up to 31/03/2001

Illustration	Description	Dimensions mm	Order number
			B
			350 x 200 mm
2	Spacing plate		7600 000 785
3	O-ring -03/2001	∅ 38 x 2.5	7600 000 566
4	Bearing bush		7600 000 535
5	Spacer washer -05/1974	∅ 60 x ∅ 42 x 1.3	7600 000 786
6	Circlip 05/1974-31.03.2001	∅ 42	7600 001 000
7	Lubricating nipple		7600 001 204
8	Bolt, cam side		7609 546 002
9	Spacer washer -05/1974	∅ 60 x ∅ 38.2 x 1.75	7600 000 017
10	Spacer	∅ 50.5 x ∅ 39.5 x 2	7600 000 721
11	Spacer	∅ 50.5 x ∅ 39.5 x 0.75	7600 000 719
12	Safety plate		7600 000 953
13	Circlip	∅ 30 x 1.5	7600 001 005
13	Circlip 05/1974-31.03.2001	∅ 37 x 1.7	7600 000 471
14	Bearing bush, spline groove side		7600 000 402
16/37	Brake camshaft holder		7600 001 112
18	Bracket for brake cylinder		7600 000 781
19	Dust protection cap, inner, keyway side	60 x 36.5	7600 000 796
20	Cable connector		7600 000 969
21	Dust protection cap, outer, keyway side	52 x 36.5	7600 000 807
22	Plastic bush 05/1974-		7600 000 019
23	on request		
24	on request		
25	on request		
33	on request		
34	on request		
34	on request		
35	on request		
36	on request		
38	on request		
39	on request		
40	on request		
42	Slack adjuster		7600 000 573

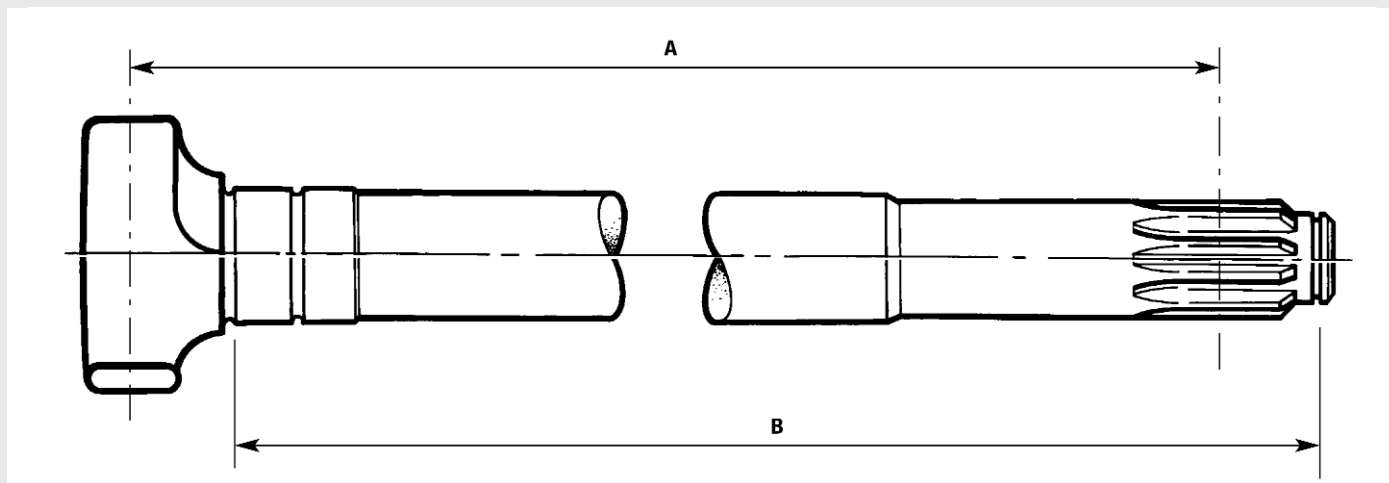
TM brake camshaft/bearings up to 31/03/2001

Illustration	Description	Dimensions mm	Order number
			Q 420 x 180 mm
2	Spacing plate		7600 000 785
3	O-ring -03/2001	Ø 38 x 2.5	7600 000 566
4	Bearing bush		7600 000 535
5	Spacer washer -05/1974	Ø 60 x Ø 42 x 1.3	7600 000 786
6	Circlip 05/1974-31.03.2001	Ø 42	7600 001 000
7	Lubricating nipple		7600 001 204
8	Bolt, cam side		7609 546 002
9	Spacer washer -05/1974	Ø 60 x Ø 38.2 x 1.75	7600 000 017
10	Spacer	Ø 50.5 x Ø 39.5 x 2	7600 000 721
11	Spacer	Ø 50.5 x Ø 39.5 x 0.75	7600 000 719
12	Safety plate		7600 000 953
13	Circlip	Ø 30 x 1.5	7600 001 005
13	Circlip 05/1974-31.03.2001	Ø 37 x 1.7	7600 000 471
14	Bearing bush, spline groove side		7600 000 402
16/37	Brake camshaft holder		7600 000 752
18	Bracket for brake cylinder		7600 000 781
19	Dust protection cap, inner, keyway side	60 x 36.5	7600 000 796
20	Cable connector		7600 000 969
21	Dust protection cap, outer, keyway side	52 x 36.5	7600 000 807
22	on request		
23	O-ring -03/2001	Ø 38 x 3.5	7600 000 020
24	Housing -03/2001		7600 000 018
25	Lubricating nipple		7600 000 994
33	Bearing shell		7600 000 675
34	Lubricating nipple		7600 000 995
34	Lubricating nipple, 04/1997-		7600 001 123
35	Dust protection cap, inner, keyway side	60 x 36.5	7600 000 796
36	Cable connector		7600 000 969
38	Bearing bush, spline groove side		7600 000 402
39	Dust protection cap, outer, keyway side	52 x 36.5	7600 000 807
40	Reset spring		7600 000 860
42	Slack adjuster		7600 000 573

TM brake camshaft/bearings up to 31/03/2001

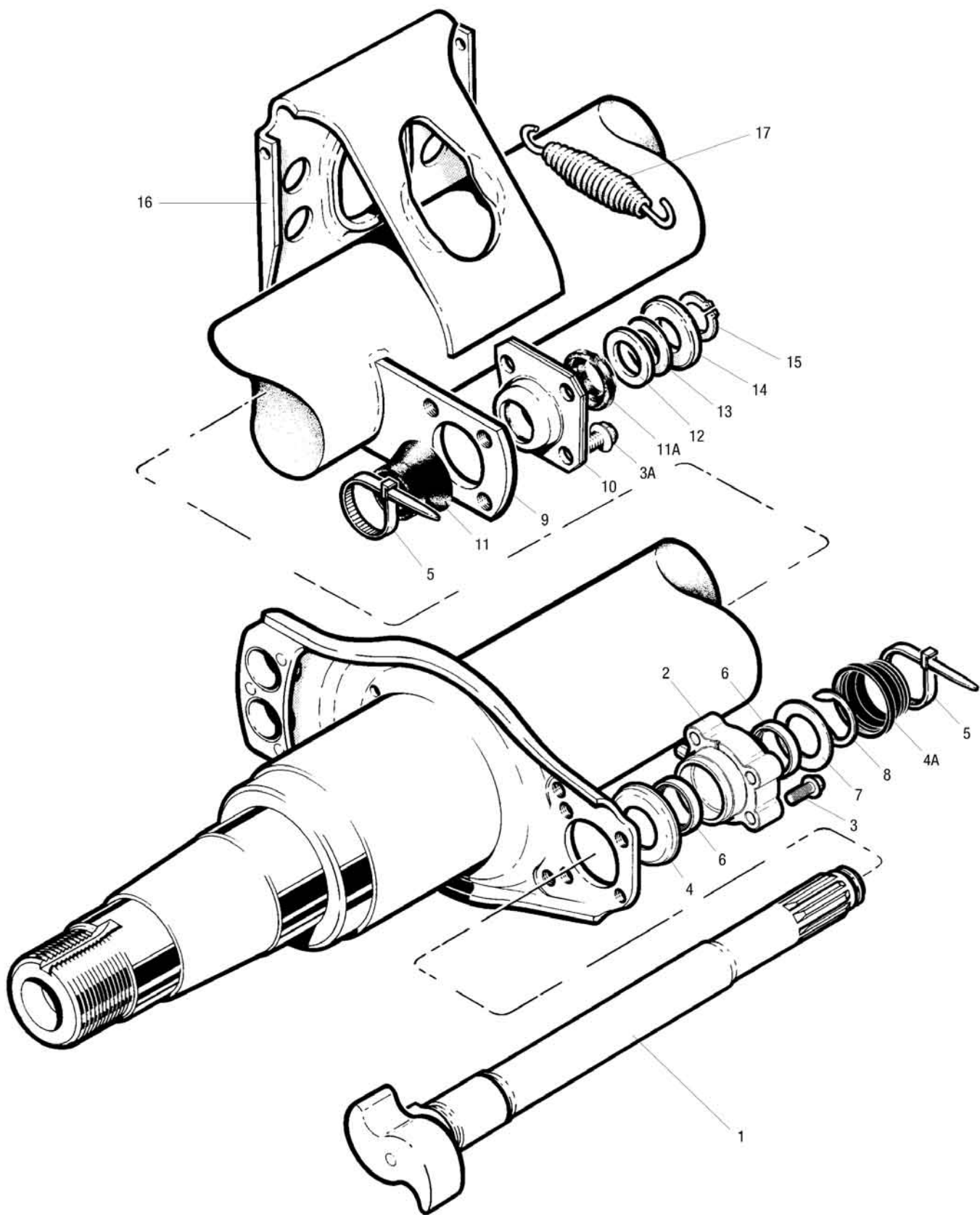
Illustration	Description	Dimensions mm	Order number
			Z
			420 x 220 mm
2	Spacing plate		7600 000 785
3	O-ring -03/2001	∅ 38 x 2.5	7600 000 566
4	Bearing bush		7600 000 535
5	Spacer washer -05/1974	∅ 60 x ∅ 42 x 1.3	7600 000 786
6	Circlip 05/1974-31.03.2001	∅ 42	7600 001 000
7	Lubricating nipple		7600 001 204
8	Bolt, cam side		7609 546 002
9	Spacer washer -05/1974	∅ 60 x ∅ 38.2 x 1.75	7600 000 017
10	Spacer	∅ 50.5 x ∅ 39.5 x 2	7600 000 721
11	Spacer	∅ 50.5 x ∅ 39.5 x 0.75	7600 000 719
12	Safety plate		7600 000 953
13	Circlip	∅ 30 x 1.5	7600 001 005
13	Circlip 05/1974-31.03.2001	∅ 37 x 1.7	7600 000 471
14	Bearing bush, spline groove side		7600 000 402
16/37	Brake camshaft holder		7600 000 752
18	Bracket for brake cylinder		7600 000 781
19	Dust protection cap, inner, keyway side	60 x 36.5	7600 000 796
20	Cable connector		7600 000 969
21	Dust protection cap, outer, keyway side	52 x 36.5	7600 000 807
22	Plastic bush 05/1974-		7600 000 019
23	O-ring -03/2001	∅ 38 x 3.5	7600 000 020
24	Housing -03/2001		7600 000 018
25	Lubricating nipple		7600 000 994
33	Bearing shell		7600 000 675
34	Lubricating nipple		7600 000 995
34	Lubricating nipple, 04/1997-		7600 001 123
35	Dust protection cap, inner, keyway side	60 x 36.5	7600 000 796
36	Cable connector		7600 000 969
38	Bearing bush, spline groove side		7600 000 402
39	Dust protection cap, outer, keyway side	52 x 36.5	7600 000 807
40	Reset spring		7600 000 860
42	Slack adjuster		7600 000 573

Illustration	Description	Dimensions mm	Order number
			33000
			420 x 220 mm
2	Spacing plate		7600 000 785
3	O-ring -03/2001	∅ 38 x 2.5	7600 000 566
4	Bearing bush		7600 000 535
5	Spacer washer -05/1974	∅ 60 x ∅ 42 x 1.3	7600 000 786
6	Circlip 05/1974-31.03.2001	∅ 42	7600 001 000
7	Lubricating nipple		7600 001 204
8	Bolt, cam side		7609 546 002
9	Spacer washer -05/1974	∅ 60 x ∅ 38.2 x 1.75	7600 000 017
10	Spacer	∅ 50.5 x ∅ 39.5 x 2	7600 000 721
11	Spacer	∅ 50.5 x ∅ 39.5 x 0.75	7600 000 719
12	Safety plate		7600 000 953
13	Circlip	∅ 30 x 1.5	7600 001 005
13	Circlip 05/1974-31.03.2001	∅ 37 x 1.7	7600 000 471
14	Bearing bush, spline groove side		7600 000 402
19	Dust protection cap, inner, keyway side	60 x 36.5	7600 000 796
20	Cable connector		7600 000 969
21	Dust protection cap, outer, keyway side	52 x 36.5	7600 000 807
42	Slack adjuster		7600 000 573



Brake camshaft

Dimensions mm	Dimensions mm	Order number	Order number
A	B	left	right
229,9	232,4	7600 001 138	7600 001 139
253,5	258	7600 001 136	7600 001 137
412,2	416,7	7600 001 132	7600 001 133
475,7	480,2	7600 001 130	7600 001 131
521	525,5	7600 000 353	7600 000 352
544,5	549	7621 224 853	7621 224 854
564	568,5	7600 001 134	7600 001 135
583	587,5	7600 000 351	7600 000 350
605,5	610	7600 001 128	7600 001 129
622,5	627	7600 001 126	7600 001 127
632,5	637	7600 001 124	7600 001 125
658,8	663,3	7600 001 140	7600 001 141



TM brake camshaft/bearings from 01/04/2001

Illustration	Description	Dimensions mm	Order number
3	Bolt, cam side		7609 546 002
5	Cable connector		7600 000 969
9	Brake camshaft holder		7600 000 752
10	Bearing bush, spline groove side		7600 000 402
11	Dust protection cap, inner, keyway side	60 x 36.5	7600 000 796
11A	Dust protection cap, outer, keyway side	52 x 36.5	7600 000 807
12	Spacer	∅ 50.5 x ∅ 39.5 x 0.75	7600 000 719
13	Spacer	∅ 50.5 x ∅ 39.5 x 2	7600 000 721
14	Safety plate		7600 000 953
15	Circlip	∅ 30 x 1.5	7600 001 005
16	Bracket		7600 000 781
17	Reset spring	25 x 148 x 2.8	7600 000 860
18	Brake grease, 25 g		7699 226 786
18	Grease, 400 g		7600 001 206

Specialists in application

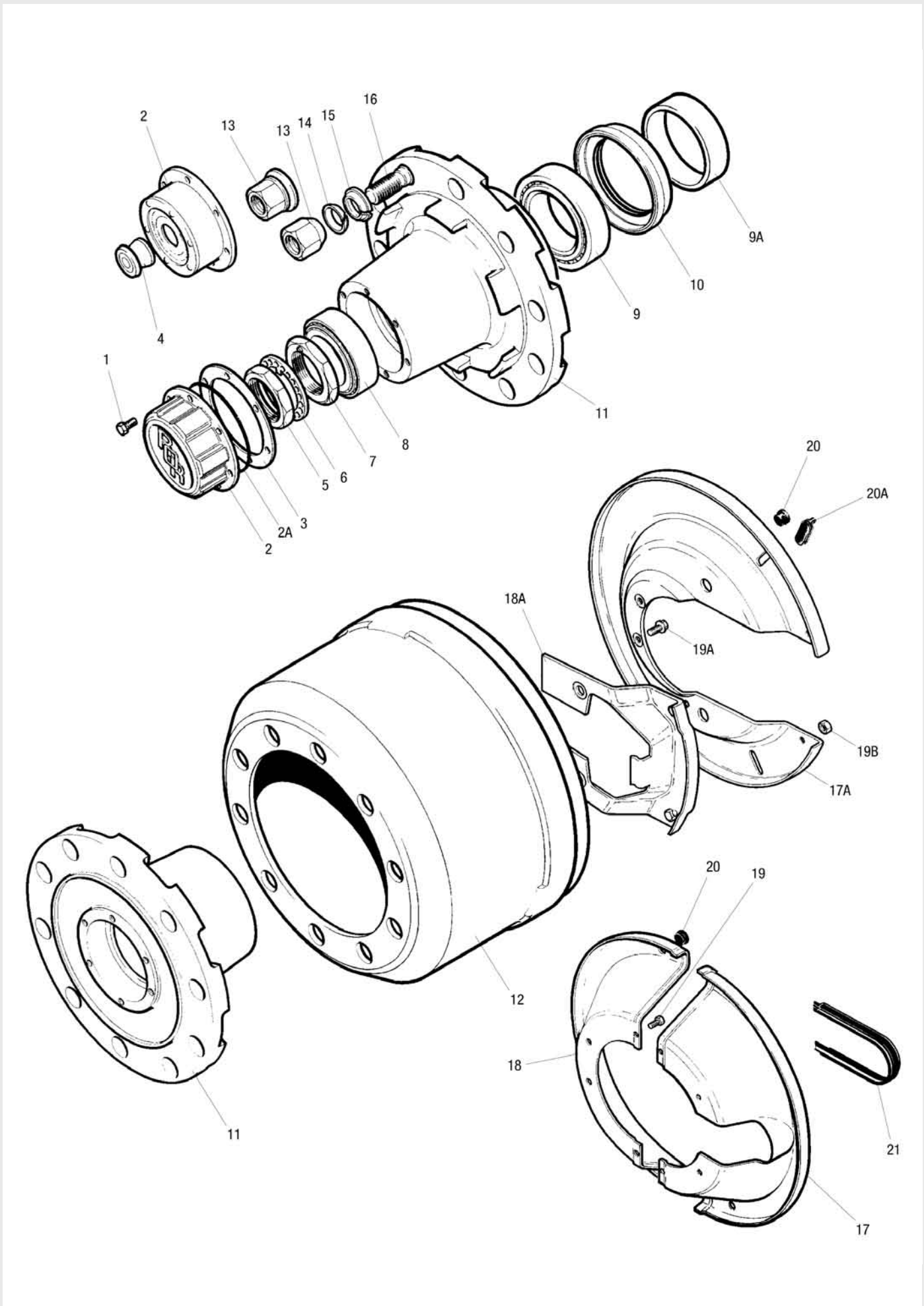
Always the special tool to suit your trailer

When you use the right tool, you can carry out any tricky repair or installation quickly and accurately. EUROPART will help you with the suitable special tool for a professional installation!

More information from:

www.europart.net





TM hub, drum

Illustration	Description	Dimensions mm	Order number
			AC
			310 x 190 mm
1	Bolt		7600 000 477
2	Hub cover for greasing		7600 000 300
2	Hub cover for oil lubrication		7600 000 476
2	Hub cover for greasing (Hubodometer)		7603 231 373
2	Hub cover for oil lubrication (hub odometer)		7600 001 109
3	Flat seal for greasing		7670 000 533
3	Flat seal for oil lubrication		7600 000 420
4	Plug		7670 000 531
5	Axle nut		7600 000 241
6	Hole disc		7600 000 542
7	Setting nut		7600 000 475
8	Wheel bearing, outside		7600 000 400
9	Tapered roller bearing, inside		7600 000 399
10	Oil seal		7600 000 474
11	Wheel hub, Number of holes 8		7601 020 750
11	Wheel hub, Number of holes 8, studs, hub-centred		7600 003 024
11	Wheel hub, Number of holes 10, studs, hub-centred		7600 000 123
12	Brake drum, Number of holes 8		7600 001 256
12	Brake drum, Number of holes 10		7600 000 434
13	Wheel nut, right, BSF		7600 000 736
13	Wheel nut, left, BSF		7600 000 737
13	Wheel nut set, standard open, for steel and aluminium wheel	M22 x 1.5	7621 226 396
13	Wheel nut, stud centered	M22 x 1.5	7600 000 092
14	Centering ring, outside, stud centered		7600 000 093
15	Centering ring, inside, BSF		7600 000 780
15	Centering ring, inside, stud centered		7600 000 209
16	Wheel bolt, right, BSF		7600 001 101
16	Wheel bolt, left, BSF		7600 001 102
16	Wheel bolt, steel twin wheel and aluminium single wheel	M22 x 1.5	7600 000 418
16	Wheel bolt, right, single wheel, BSF		7600 001 103
16	Wheel bolt, left, single wheel, BSF		7600 001 104
16	Wheel bolt, steel single wheel	M22 x 1.5	7600 000 119
16	Wheel bolt set, aluminium wheel and twin wheel	M22 x 1.5	7600 003 025
17/18	Dust cover		7600 000 493
19	Bolt		7600 064 511
20	Plug		7600 000 025

BSF = British Standard Fine thread

TM hub, drum

Illustration	Description	Dimensions mm	Order number
			AC
			310 x 190 mm
1	Bolt		7600 000 477
2	Hub cover for greasing		7600 000 300
2	Hub cover for oil lubrication		7600 000 476
2	Hub cover for greasing (Hubodometer)		7603 231 373
2	Hub cover for oil lubrication (hub odometer)		7600 001 109
3	Flat seal for greasing		7670 000 533
3	Flat seal for oil lubrication		7600 000 420
4	Plug		7670 000 531
5	Axle nut		7600 000 241
6	Hole disc		7600 000 542
7	Setting nut		7600 000 475
8	Wheel bearing, outside		7600 000 400
9	Tapered roller bearing, inside		7600 000 399
10	Oil seal		7600 000 474
11	Wheel hub, Number of holes 8		7601 020 750
11	Wheel hub, Number of holes 8, studs, hub-centred		7600 003 024
11	Wheel hub, Number of holes 10, studs, hub-centred		7600 000 123
12	Brake drum, Number of holes 8		7600 003 020
12	Brake drum, Number of holes 10		7600 000 576
13	Wheel nut set, standard open, for steel and aluminium wheel	M22 x 1.5	7621 226 396
16	Wheel bolt, steel twin wheel and aluminium single wheel	M22 x 1.5	7600 000 418
16	Wheel bolt, steel single wheel	M22 x 1.5	7600 000 119
16	Wheel bolt set, aluminium wheel and twin wheel	M22 x 1.5	7600 003 025
17/18	Cover plate kit		7621 209 756
19	Bolt		7600 064 511
20	Plug		7600 000 025
21	Dust sleeve		7600 001 115

TM hub, drum

Illustration	Description	Dimensions mm	Order number
			Q
			420 x 180 mm
1/19	Bolt		7600 000 477
2	Hub cover for greasing		7600 000 300
2	Hub cover for oil lubrication		7600 000 476
2	Hub cover for greasing (Hubodometer)		7603 231 373
2	Hub cover for oil lubrication (hub odometer)		7600 001 109
2	Wheel-hub cap for aluminium wheel hub		7603 233 422
2A	O-ring for aluminium wheel hub		7603 233 423
3	Flat seal for greasing		7670 000 533
3	Flat seal for oil lubrication		7600 000 420
4	Plug		7670 000 531
5	Axle nut		7600 000 241
6	Hole disc		7600 000 542
7	Setting nut		7600 000 475
8	Wheel bearing, outside		7600 000 400
9	Tapered roller bearing, inside		7600 000 399
10	Oil seal		7600 000 474
11	Wheel hub, Number of holes 8, studs, hub-centred		7600 003 024
11	Wheel hub, Number of holes 10, studs, hub-centred		7600 000 321
11	Wheel hub, Number of holes 10, studs, hub-centred (stepped)		7600 210 885
11	Wheel hub for aluminium twin wheel , Number of holes 10, studs, hub-centred		7600 001 259
12	Brake drum, Number of holes 10		7600 000 118
12	Brake drum (QE-Achse), Number of holes 10		7600 000 600
13	Wheel nut, right, BSF		7600 000 736
13	Wheel nut, left, BSF		7600 000 737
13	Wheel nut set, standard open, for steel and aluminium wheel	M22 x 1.5	7621 226 396
13	Wheel nut, stud centered	M22 x 1.5	7600 000 092
14	Centering ring, outside, stud centered		7600 000 093
15	Centering ring, inside, BSF		7600 000 780
15	Centering ring, inside, stud centered		7600 000 209
16	Wheel bolt, right, BSF		7600 000 479
16	Wheel bolt, left, BSF		7600 000 478
16	Wheel bolt, steel twin wheel and aluminium single wheel	M22 x 1.5	7600 000 418
16	Wheel bolt, right, single wheel, BSF		7600 001 103
16	Wheel bolt, left, single wheel, BSF		7600 001 104
16	Wheel bolt, steel single wheel	M22 x 1.5	7600 000 119
16	Wheel bolt set, aluminium wheel and twin wheel	M22 x 1.5	7600 003 025
16	Wheel bolt set, aluminium wheel hub and twin wheel	M22 x 1.5	7600 001 120
17	Dust plate set, cast brake carrier		7600 000 002
17	Dust plate set 07/1991-, Pressed brake carrier		7621 220 647
17A	Dust plate 08/1997-, large		7600 001 150
18A	Dust plate 08/1997-, small		7600 001 145
18A	Dust plate 04/2001-, small		7615 225 842
19A	Bolt 06/1991-		7609 546 002
19B	Hexagon nut 08/1997-		7600 000 343
20	Plug		7600 000 025
20A	Stopper 06/1991-		7600 000 958
21	Seal		7600 001 016

BSF = British Standard Fine thread

TM hub, drum

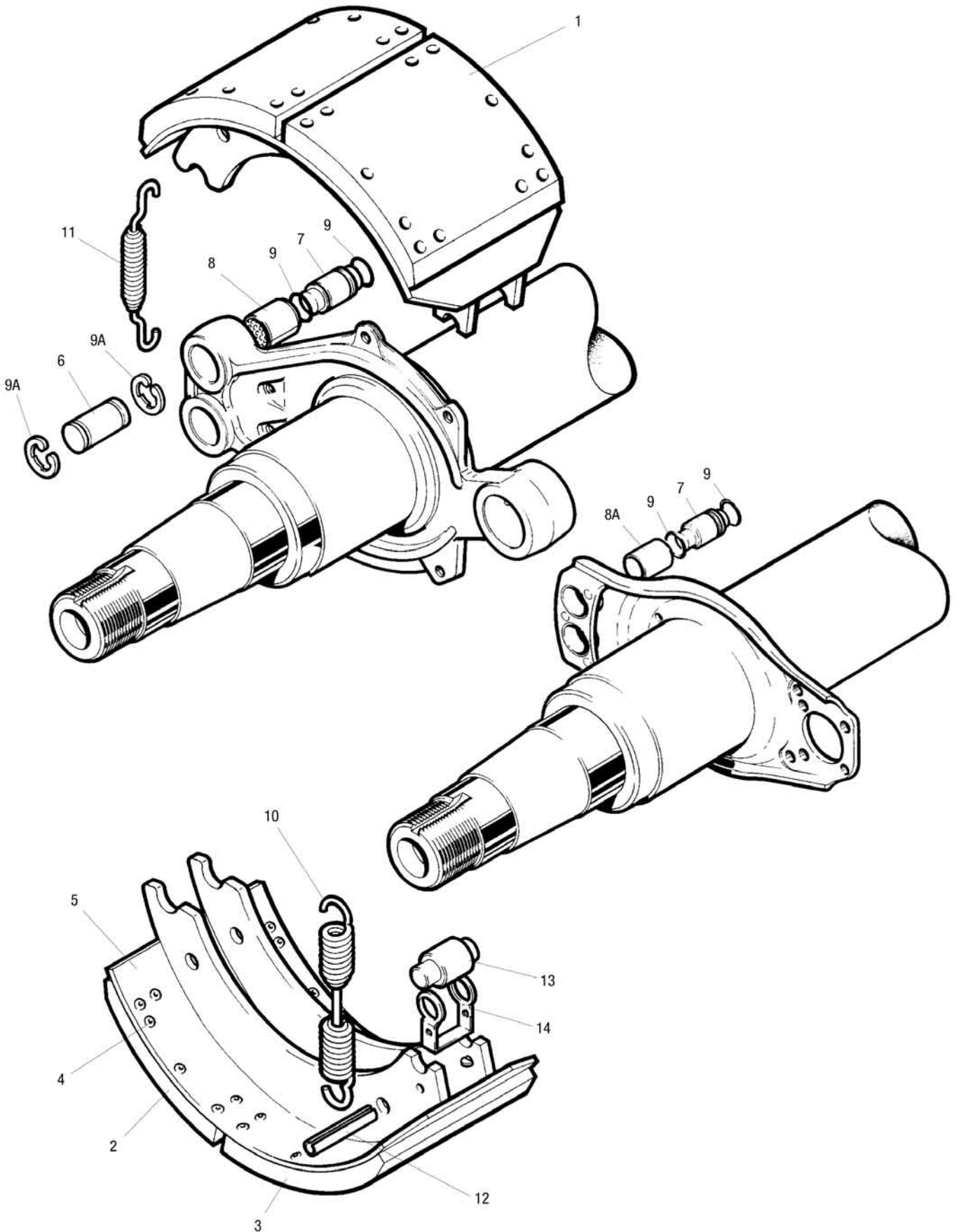
Illustration	Description	Dimensions mm	Order number
			Z
			420 x 220 mm
1/19	Bolt		7600 000 477
2	Hub cover for greasing		7600 000 300
2	Hub cover for oil lubrication		7600 000 476
2	Hub cover for greasing (Hubodometer)		7603 231 373
2	Hub cover for oil lubrication (hub odometer)		7600 001 109
2	Wheel-hub cap for aluminium wheel hub		7603 233 422
2A	O-ring for aluminium wheel hub		7603 233 423
3	Flat seal for greasing		7670 000 533
3	Flat seal for oil lubrication		7600 000 420
4	Plug		7670 000 531
5	Axle nut		7600 000 241
6	Hole disc		7600 000 542
7	Setting nut		7600 000 475
8	Wheel bearing, outside		7600 000 400
9	Tapered roller bearing, inside		7600 000 399
10	Oil seal		7600 000 474
11	Wheel hub, Number of holes 10, studs, hub-centred		7600 000 321
11	Wheel hub for aluminium twin wheel , Number of holes 10, studs, hub-centred		7600 001 259
12	Brake drum, Number of holes 10		7600 000 421
13	Wheel nut, right, BSF		7600 000 736
13	Wheel nut, left, BSF		7600 000 737
13	Wheel nut set, standard open, for steel and aluminium wheel	M22 x 1.5	7621 226 396
13	Wheel nut, stud centered	M22 x 1.5	7600 000 092
14	Centering ring, outside, stud centered		7600 000 093
15	Centering ring, inside, BSF		7600 000 780
15	Centering ring, inside, stud centered		7600 000 209
16	Wheel bolt, right, BSF		7600 000 479
16	Wheel bolt, left, BSF		7600 000 478
16	Wheel bolt, steel twin wheel and aluminium single wheel	M22 x 1.5	7600 000 418
16	Wheel bolt, right, single wheel, BSF		7600 001 103
16	Wheel bolt, left, single wheel, BSF		7600 001 104
16	Wheel bolt, steel single wheel	M22 x 1.5	7600 000 119
16	Wheel bolt set, aluminium wheel and twin wheel	M22 x 1.5	7600 003 025
16	Wheel bolt set, aluminium wheel hub and twin wheel	M22 x 1.5	7600 001 120
17/18	Dust plate set, cast brake carrier		7600 000 292
17/18	Dust plate set		7600 001 032
19A	Bolt 06/1991-		7609 546 002
20	Plug		7600 000 025
20A	Stopper 06/1991-		7600 000 958
21	Seal		7600 001 016

BSF = British Standard Fine thread

TM hub, drum

Illustration	Description	Dimensions mm	Order number
			33000
			420 x 220 mm
1/19	Bolt		7600 000 477
2	Hub cover for greasing		7602 120 558
3	Flat seal for greasing		7602 101 489
5	Axle nut		7602 101 499
6	Hole disc		7621 014 992
7	Setting nut		7602 101 498
8	Wheel bearing, outside		7600 015 216
9	Wheel bearing, inside		7600 015 217
9A	Spacer ring		7603 231 484
10	Shaft sealing ring		7699 042 026
11	Wheel hub, Number of holes 10		7602 120 102
11	Wheel hub, Number of holes 10, studs, hub-centred		7602 120 574
12	Brake drum, Number of holes 10		7600 000 421
13	Wheel nut, right, BSF		7600 000 736
13	Wheel nut, left, BSF		7600 000 737
13	Wheel nut set, standard open, for steel and aluminium wheel	M22 x 1.5	7621 226 396
13	Wheel nut, stud centered	M22 x 1.5	7600 000 092
14	Centering ring, outside, stud centered		7600 000 093
15	Centering ring, inside, BSF		7600 000 780
15	Centering ring, inside, stud centered		7600 000 209
16	Wheel bolt, right, BSF		7600 000 479
16	Wheel bolt, left, BSF		7600 000 478
16	Wheel bolt, steel twin wheel and aluminium single wheel	M22 x 1.5	7600 000 418
17/18	Dust plate set, cast brake carrier		7600 000 292
20	Plug		7600 000 025
21	Seal		7600 001 016

BSF = British Standard Fine thread



TM drum brake

Illustration	Description	Dimensions mm	Order number
			AC
			310 x 190 mm
1/5	brake shoe series III, with lining		7600 000 013
2/3	Brake lining set, (4+4) with rivets		7600 003 045
4	Brake pad rivet		7600 000 441
5	brake shoe series III, without lining		7600 000 548
6	Brake shoe sleeve series II		7600 000 333
7	Brake shoe pin		7600 000 507
8	Bearing bush		7600 000 186
9	O-ring		7600 000 957
9/A	Circlip		7600 000 411
10	Reset spring		7600 000 024
11	Retaining spring series III		7600 000 490
12	Spring dowel sleeve	12.7 x 63	7600 000 572
13	Brake cam roller	∅ 32	7600 000 112
14	Safety hoop		7600 000 491

Illustration	Description	Dimensions mm	Order number
			B
			350 x 200 mm
1	brake shoe series III, with lining		7600 000 574
2/3	Brake lining set, (4+4) with rivets		7600 003 046
4	Brake pad rivet		7600 000 441
5	brake shoe series III, without lining		7600 000 670
7	Brake shoe pin		7600 000 507
8	Bearing bush		7600 000 186
9	O-ring		7600 000 957
10	Reset spring		7600 000 262
11	Retaining spring		7600 000 490
12	Spring dowel sleeve	12.7 x 63	7600 000 572
13	Brake cam roller	∅ 32	7600 000 112
14	Safety hoop		7600 000 491

Illustration	Description	Dimensions mm	Order number
			Q
			420 x 180 mm
1	brake shoes series II, with lining		7600 001 254
2	Brake shoe		7600 000 547
2/3	Brake lining set		7600 003 049
4	Brake pad rivet		7600 000 441
5	brake shoe series III, without lining		7600 000 666
6	Brake shoe sleeve series II		7600 000 333
7	Brake shoe pin		7600 000 507
8	Bearing bush		7600 000 186
8A	Bearing bush		7600 000 966
9	O-ring		7600 000 957
9/A	Circlip		7600 000 411
10	Reset spring		7600 000 262
11	Retaining spring		7600 000 490
12	Spring dowel sleeve	12.7 x 63	7600 000 572
13	Brake cam roller	∅ 32	7600 000 112
14	Safety hoop		7600 000 491

TM drum brake

Illustration	Description	Dimensions mm	Order number
			Z
			420 x 220 mm
1	brake shoe series II, with lining		7600 001 221
1	Brake shoe set		7600 000 549
2/3	Brake lining set, (4+4)		7600 003 051
4	Brake pad rivet		7600 000 441
5	brake shoe series III, without lining		7600 000 550
5	Brake shoe		7600 001 252
6	Brake shoe sleeve series II		7600 000 333
7	Brake shoe pin		7600 000 507
8	Bearing bush		7600 000 186
8A	Bearing bush		7600 000 966
9	O-ring		7600 000 957
9/A	Circlip		7600 000 411
10	Reset spring		7600 000 262
11	Retaining spring		7600 000 490
12	Spring dowel sleeve	12.7 x 63	7600 000 572
13	Brake cam roller	∅ 32	7600 000 112
14	Safety hoop		7600 000 491

Illustration	Description	Dimensions mm	Order number
			33000
			420 x 220 mm
1	brake shoe series II, with lining		7600 001 221
1	Brake shoe set		7600 000 549
2/3	Brake lining set, (4+4)		7600 003 051
4	Brake pad rivet		7600 000 441
5	brake shoe series III, without lining		7600 000 550
5	Brake shoe		7600 001 252
6	Brake shoe sleeve series II		7600 000 333
7	Brake shoe pin		7600 000 507
8	Bearing bush		7600 000 186
9	O-ring		7600 000 957
9/A	Circlip		7600 000 411
10	Reset spring		7600 000 262
11	Retaining spring		7600 000 490
12	Spring dowel sleeve		7600 000 572
13	Brake cam roller	12.7 x 63	7600 000 112
14	Safety hoop	∅ 32	7600 000 491

Readers' choice "Best Brand" 2012:
**Your choice of winner in category
"Truck/Bus Parts Distributor"**



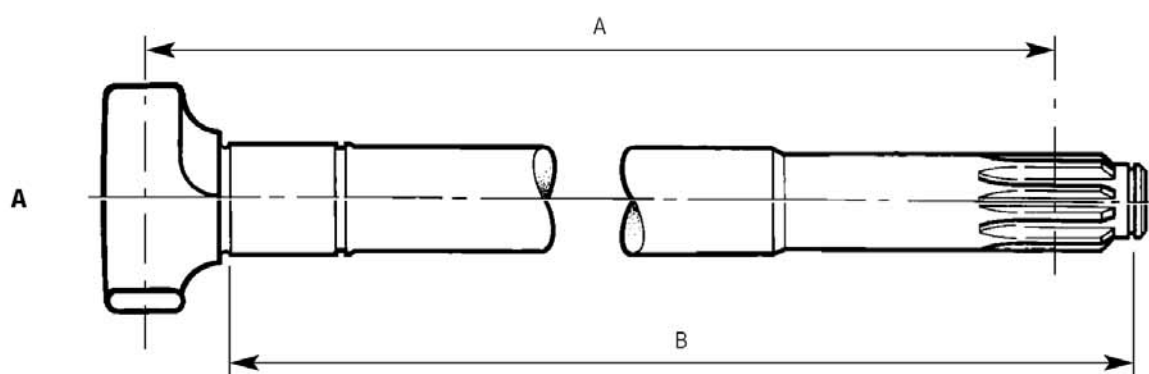
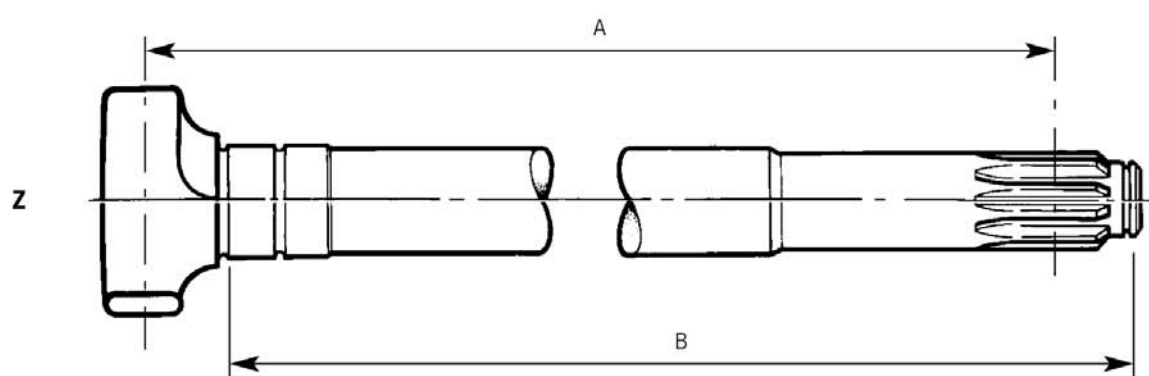
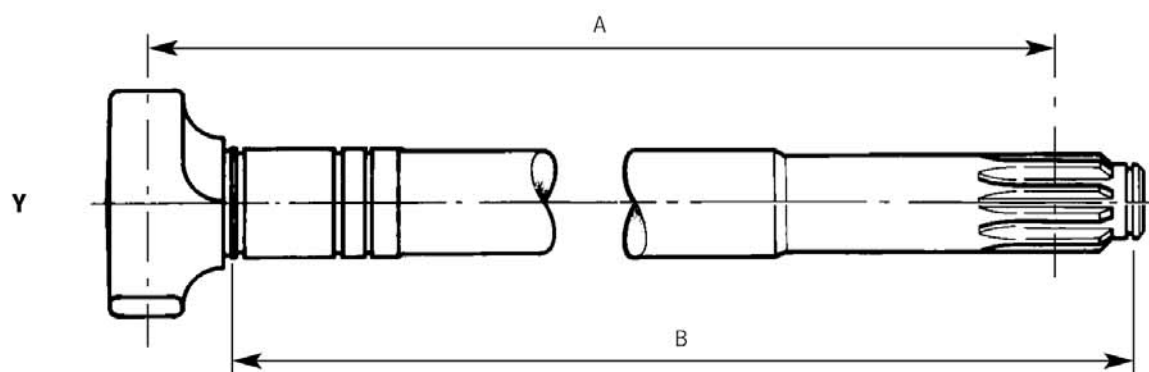
A big "Thank you" from us!

You voted for us. Commercial vehicle professionals from workshop, haulage and shipping businesses have chosen EUROPART – as best parts distributor.

Thanks for your faith in us.

We will continue to do our best for you.



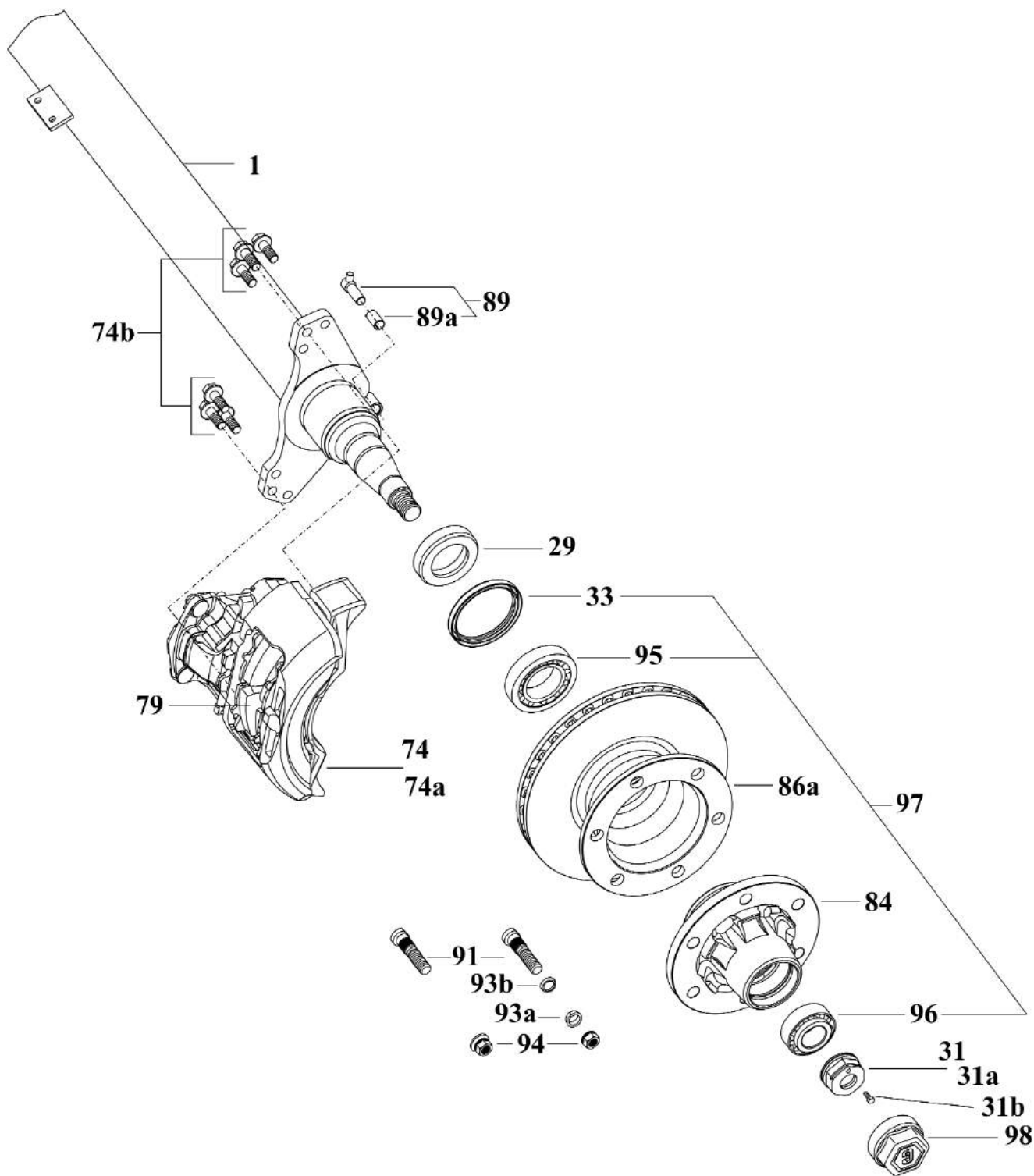


Brake camshaft overview

Brake size	Dimensions mm		Order number Type Y right	Order number Type Y left
	A	B		
420	188,98	193	7600 001 090	7600 001 091
420	209,48	213,5	7603 232 041	7604 232 041
420	253,98	258	7603 232 037	7603 232 030
420	412,68	416,7	7603 232 038	7604 232 037
420	476,18	480,2	7600 000 937	7600 000 938
420	521,48	525,5	7600 000 003	7600 000 004
420	544,5	549	7621 222 700	7621 222 701
420	564,48	568,5	7603 232 040	7604 232 039
420	583,48	587,5	7600 003 002	7600 003 003
420	605,98	610	7601 219 309	7601 219 310
420	622,98	627	7600 000 939	7600 000 940
420	632,98	637	7600 003 009	7600 003 010
350	188,98	193	7601 219 315	7603 232 042
350	412,68	416,7	7605 232 042	7603 232 053
350	521,48	525,5	7600 000 941	7600 000 942
350	570,98	575	7600 002 150	7600 002 160
350	605,98	610	7600 003 016	7600 003 017
350	687,98	692	7604 232 043	7603 232 044
310	169,98	174	7600 003 018	7600 003 019
310	188,98	193	7603 232 084	7603 232 085
310	412,68	416,7	7600 000 950	7600 000 951
310	521,48	525,5	7600 000 945	7600 000 946
310	570,98	575	7600 000 500	7600 000 501
310	605,98	610	7600 000 947	7600 000 948
310	632,98	637	7601 219 345	7601 219 346
310	687,98	692	7603 232 045	7604 232 045

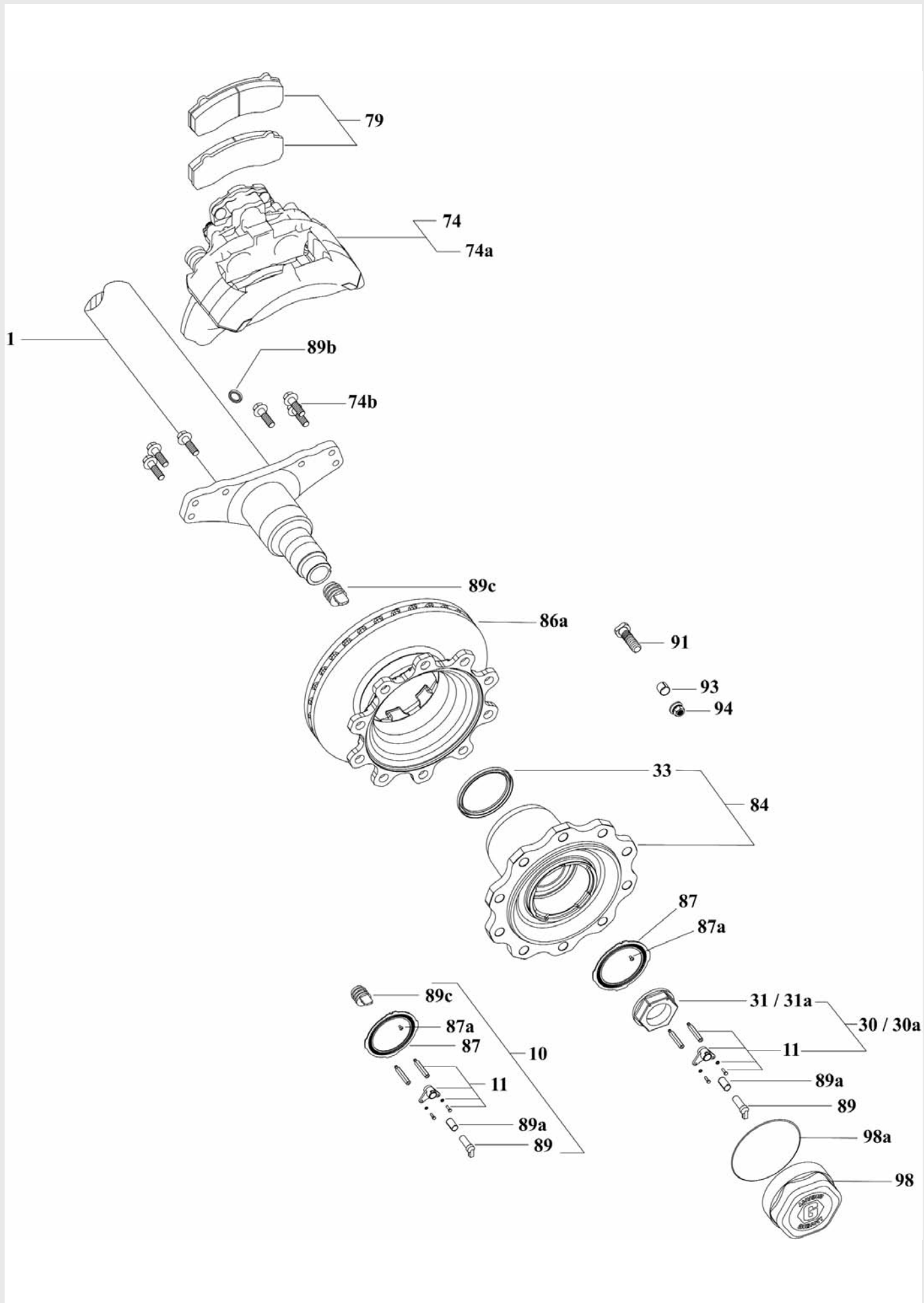
Brake size	Dimensions mm		Order number Type Z right	Order number Type Z left
	A	B		
420	229,9	232,4	7621 223 154	7621 223 155
420	253,5	258	7603 233 305	7600 001 119
420	412,2	416,7	7600 001 039	7600 001 040
420	476,18	480,2	7600 001 037	7600 001 038
420	521,48	525,5	7600 000 970	7600 000 971
420	564,48	568,5	7621 222 386	7621 222 387
420	583,48	587,5	7600 000 977	7600 000 978
420	605,98	610	7600 001 047	7600 001 048
420	622,98	627	7600 001 041	7600 001 042
420	632,98	637	7600 001 045	7600 001 046

Brake size	Dimensions mm		Order number Type A right	Order number Type A left
	A	B		
420	229,9	232,4	7600 001 158	7600 001 159
420	412,2	416,7	7600 001 156	7600 001 157
420	521	525,5	7621 227 109	7621 227 110
420	583	587,5	7621 227 107	7621 227 108
420	605,5	610	7600 001 154	7600 001 155
420	622,5	627	7600 001 152	7600 001 153
420	632,5	637	7603 233 821	7600 001 151



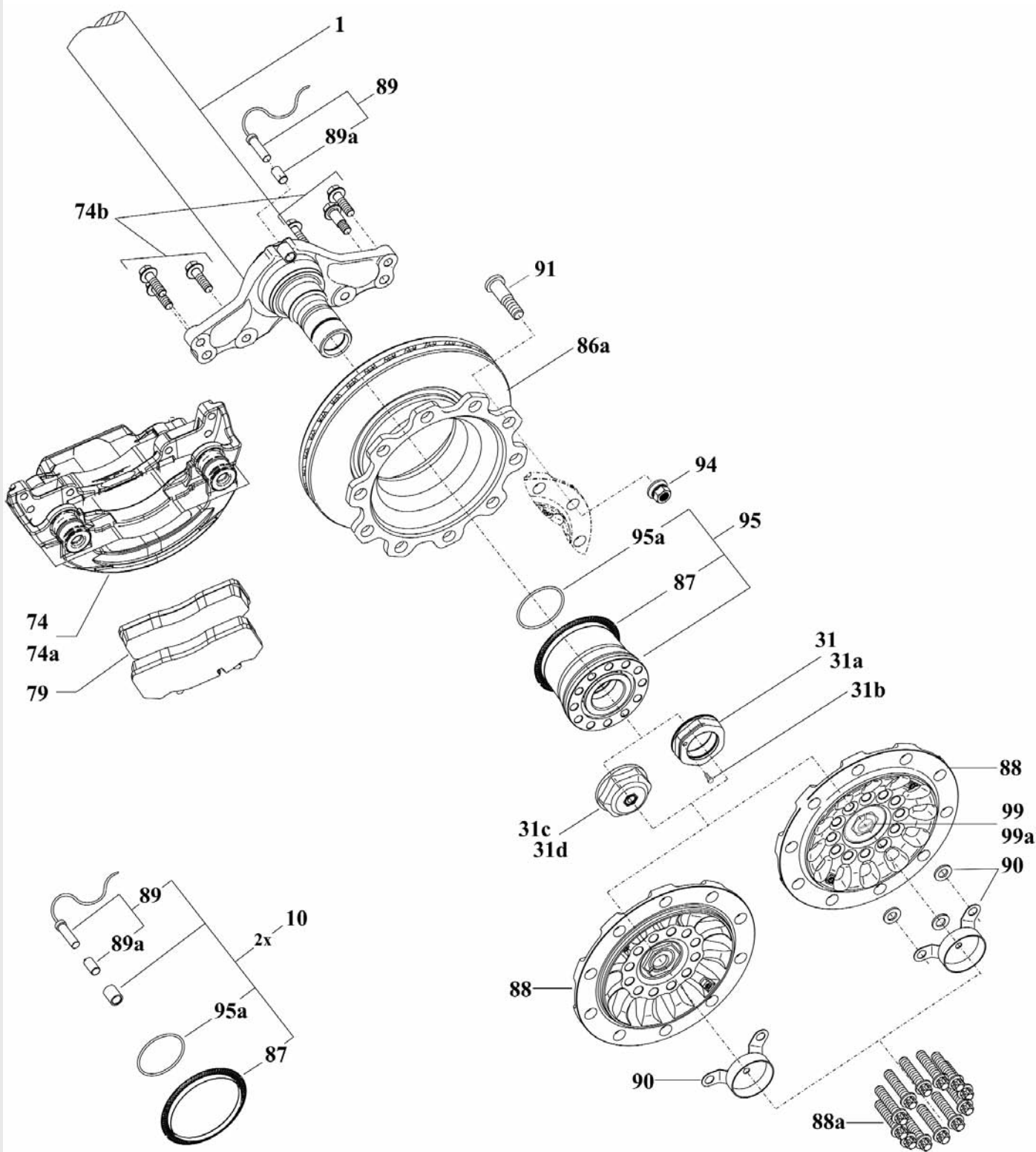
DH7 05506 3334 rigid axle 5,5 t disc brake Ø 335 - SO/ZO

Illustration	Description	Dimensions mm	Order number
1	on request		
29	Impact ring	Ø 63 x 100/Height 24	5209 228 044
31	Axle nut, right	M30 x 2/ Spanner size 55	5203 000 087
31a	Axle nut, left	M30 x 2/ Spanner size 55	5203 000 088
31b	Bolt	M6 x 16	5203 000 015
33	Shaft sealing ring	Ø 100 x 120/ Thickness 12	5202 002 104
74	on request		
74a	on request		
74b	on request		
79	on request		
84	Wheel hub, completely assembled	160.8/6 x 20/ Hole circle Ø 205	5209 328 080
86a	Brake disc, internally ventilated, with ABS pulse wheel	Ø 335/6 x 21/ Hole circle Ø 205	5209 267 038
86a	Brake disc, Internally ventilated	Ø 335/6 x 21/ Hole circle Ø 205	5209 267 037
89	on request		
89a	Clamping sleeve for ABS		0687 605 104
91	Wheel bolt	M18 x 1.5/Length 79	5209 226 052
	for middle centering type S, Z		
94	Wheel nut	M18 x 1.5/ Spanner size 27	5207 204 022
	for stud centering type SF, ZF		
94	Wheel nut	M18 x 1.5/ Spanner size 24	5202 214 003
	single tyres SF, double tyres ZF		
93a	Split washer, DIN 74361, Form C	Ø 18.5	5202 804 103
	twin tyres ZF		
93b	Centering ring	Ø 18	5202 804 113
95	Tapered roller bearing 322 12	Ø 60 x 110/ Height 29.75	5201 050 048
96	on request		
97	Repair kit wheel bearing, complete for 1 hub, with seal		5209 317 111
98	Wheel-hub cap	M84 x 2/ Spanner size 70	5209 237 043



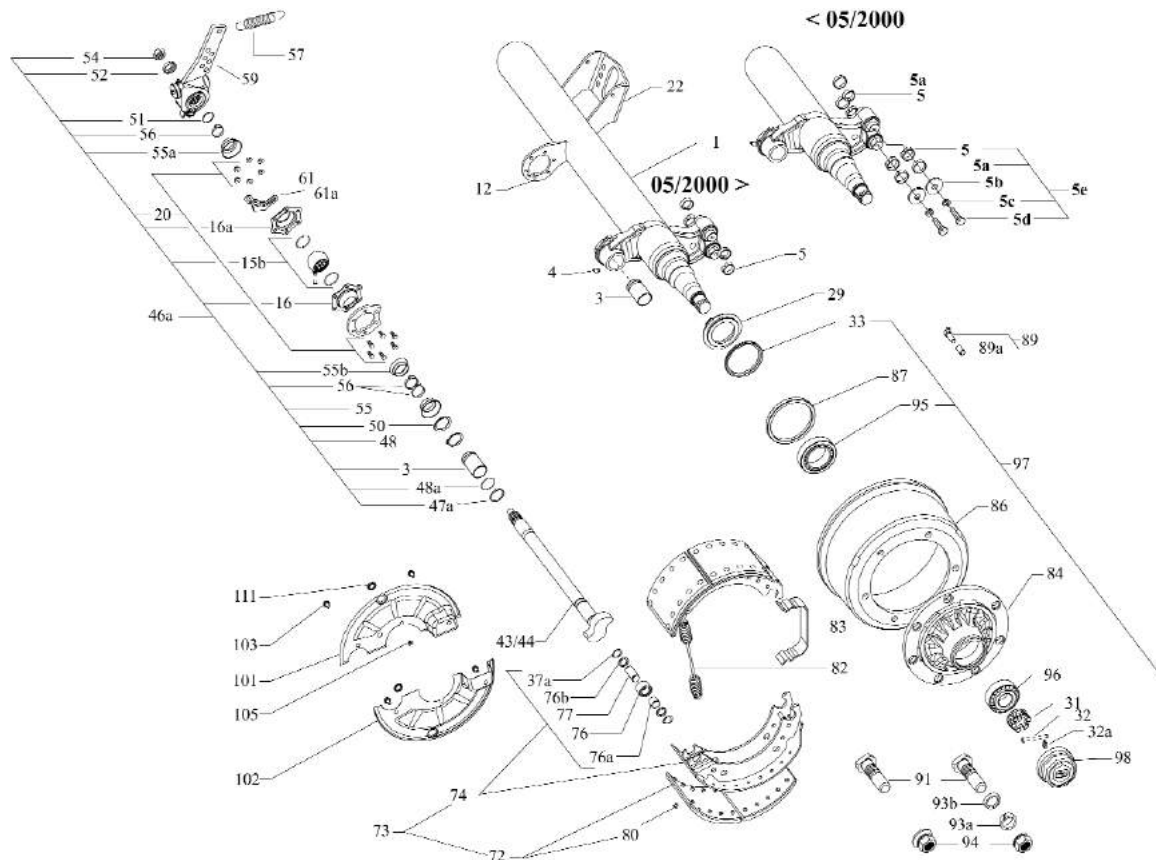
DOKH1 09010 4345 rigid axle 9 t disc brake Ø 430 - SO/SAO

Illustration	Description	Dimensions mm	Order number
1	on request		
10	on request		
11	on request		
30	on request		
30a	on request		
- 12/2004 and for axles without ABS			
31	Axle nut, right	M68 x 1.5/ Spanner size 95	5209 400 472
31a	Axle nut, left	M68 x 1.5/ Spanner size 95	5209 400 473
up to 05/2004 (from 05/2004 included in fig. 84)			
33	Shaft sealing ring	Ø 125 x 150/ Thickness 12	5202 002 116
Knorr 4345K disc brake			
74	on request		
74a	on request		
79	Brake pad set	248 x 108 x 30.00	5209 317 202
Haldex 4345H disc brake			
74	Brake caliper DB22 module X, without lining, Number of holes 6		5209 285 107
79	on request		
Wabco 4345W disc brake			
74	Brake caliper PAN22-1, without lining, left		5203 000 056
74a	Brake caliper PAN22-1, without lining, right		5203 000 057
79	Brake pad set PAN 22-1	247,3 x 107,75 x 30.00	5203 000 059
for KTL coated axles			
74b	Screw set for securing brake caliper, for one brake		5209 317 794
84	Wheel hub, with bearings and seals	10 x 23/ Hole circle Ø 335	5203 000 044
86a	Brake disc 4345	Ø 430/10 x 23/ Hole circle Ø 335	5201 037 814
87	Sensor ring, ABS for ABS, Number of teeth 100		5209 264 047
87a	Attachment screw for pulse wheel, ULS	M5 x 10	5201 605 010
89	on request		
89a	Clamping sleeve for ABS		0687 605 104
89b	Stopper	Ø 22 x 4.4/Height 23	5209 237 017
89c	Stopper		5209 404 038
91	on request		
for middle centering type S, SM			
94	Wheel nut	M22 x 1.5/ Spanner size 32	5208 606 072
94	Wheel nut	M22 x 1.5/ Spanner size 33	5203 000 034
93	Centring sleeve	Ø 21.5 x 24.5/Height 6	5200 088 405
for stud centering type SF			
94	Wheel nut	M22 x 1.5/ Spanner size 32	5208 804 510
93	Split washer	Ø 22.5	5208 804 515
98	Wheel-hub cap	M170 x 2/ Spanner size 160	5209 237 085
98a	O-ring	Ø 160/Thickness 3	5202 500 160



DOKH2 09010 3745/4345 rigid axle 9 t disc brake Ø 377/430 - SO/SAO

Illustration	Description	Dimensions mm	Order number
1	on request		
10	ABS kit, ABS sensor, O-ring (92 x 4) and pulse wheel (90 teeth)		5203 000 092
31	on request		
31a	on request		
31b	Bolt, DIN 933	M6 x 16	5203 000 015
31c	on request		
31d	on request		
74b	Screw set, for one brake		5209 317 794
	Haldex 3745H disc brake		
74	Brake caliper DB19 module X, without lining		5203 000 053
79	Brake pad set DB19 module X	210,7 x 92,5 x 30.00	5203 000 058
	Haldex 4345H disc brake		
74	Brake caliper DB 22 module X LT, without lining		5200 085 256
79	Brake pad set DB 22 module X LT		5209 291 072
	Wabco 3745W disc brake		
74	Brake caliper PAN 19-1+, without lining, left		5203 000 054
74a	Brake caliper PAN 19-1+, without lining, right		5203 000 055
79	Brake pad set PAN 19-1/19-1+		5209 291 056
	Wabco 4345W disc brake		
74	Brake caliper PAN22-1, without lining, left		5203 000 056
74a	Brake caliper PAN22-1, without lining, right		5203 000 057
79	Brake pad set PAN 22-1	247,3 x 107,75 x 30.00	5203 000 059
86a	Brake disc 3745	Ø 377	5203 000 040
86a	Brake disc 4345	Ø 430	5209 267 086
87	Sensor ring, ABS for ABS, Number of teeth 90		5209 264 057
88	Wheel hub flange, 22.5"		5209 281 032
88a	Screw set TORX® E 24	M18 x 1.5/Length 80	5209 317 791
89	Speed sensor (incl. fig. 89a)	Length 400	5202 001 580
89a	Clamping sleeve for ABS		0687 605 104
90	on request		
91	Wheel bolt	M22 x 1.5/Length 95	5209 713 579
94	Wheel nut	M22 x 1.5/ Spanner size 32	5208 606 072
94	Wheel nut	M22 x 1.5/ Spanner size 33	5203 000 034
95	Wheel bearing hub unit (incl. fig. 87 and 95a)		5209 400 546
95a	O-ring		5202 501 029
99	Company sign GIGANT		5209 400 543
99a	Company sign GIGANT SMB		5203 000 089
	Separating agent, 100 g		2004 290 082



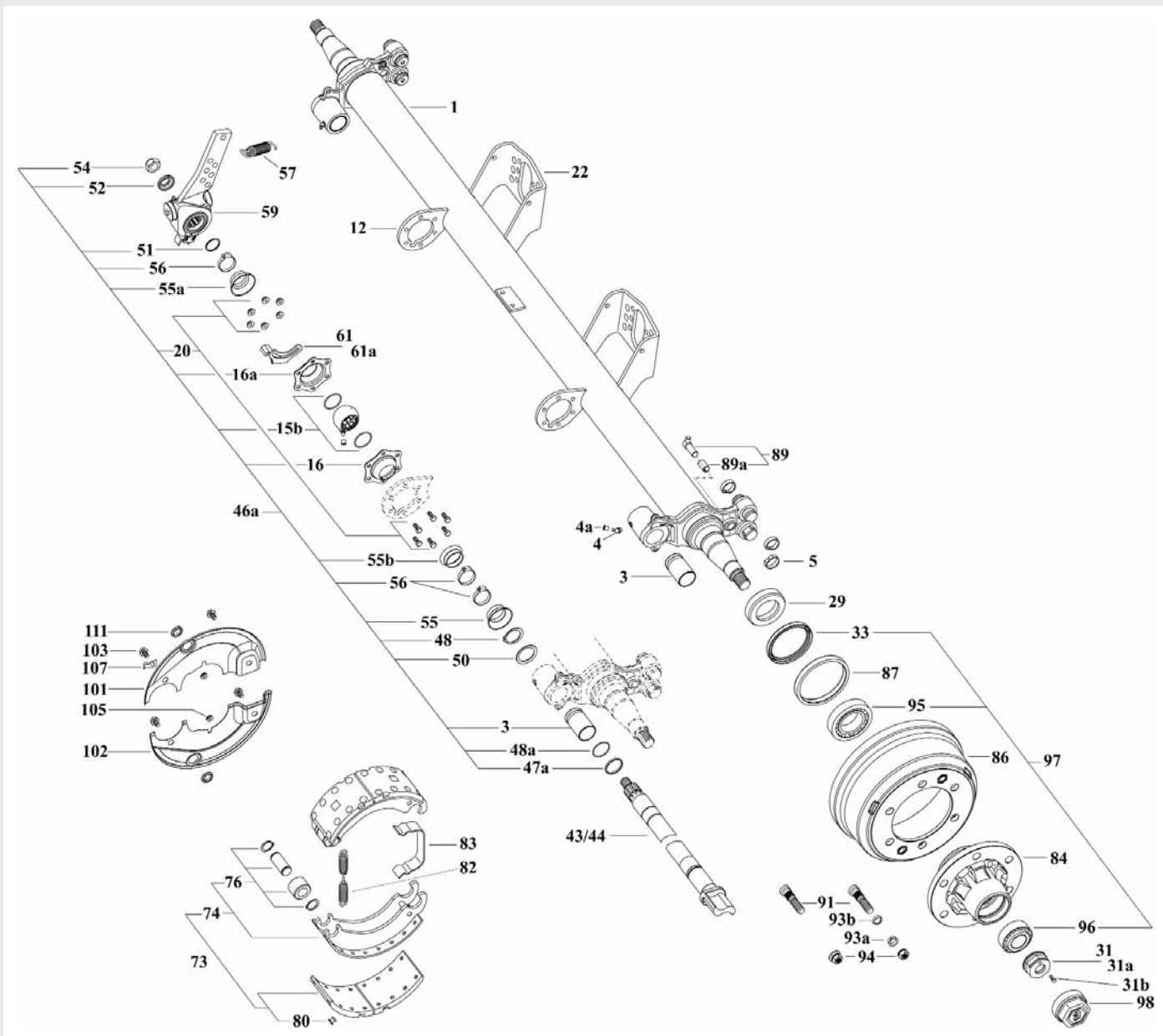
GH4 05506 3010 rigid axle 5,5 t drum brake 300 x 100 - SO/ZO

Illustration	Description	Dimensions mm	Order number
1	on request		
3	Bushing	Ø 42 x 46/Length 72.6	5209 404 037
4	Lubricating nipple, DIN 71412 H2, 45°	M10	5202 411 008
5	Fixed point ring	Ø 31.5 x 35.5/Width 9.7	5209 215 011
5a	Intermediate ring	Ø 33 x 38/Thickness 8	5203 000 042
5b	Washer	Ø 11 x 36/Thickness 2	5203 000 031
5c	Washer	Ø 10	5208 804 470
5d	Attachment screw	M10 x 20	5208 804 465
5e	Repair kit for brake shoe pins with fixed point spring		5209 317 226
12	Camshaft carrier	Ø 101.6	5203 000 079
15b	Repair kit Brake cam bearing		5209 404 023
16	Bearing bracket, with bore and lubrication		6143 301 328
16a	Bearing bracket		6143 301 327
20	Attachment screw set for brake camshaft bearing	M8 x 20/25	5203 000 063
22	Cylinder carrier	Ø 101.6	5203 000 078
29	Impact ring	Ø 63 x 100/Spanner size 24	5209 228 044
31	Axle nut	M30 x 2/Spanner size 46	5209 400 224
32	Security pin	Ø 6/51 x 48	5209 294 008
32a	W clip	Ø 2/Length 6	5209 400 476
33	Shaft sealing ring	Ø 100 x 120/Thickness 12	5202 002 104
43/44	on request		
46a	on request		
47a	Plastic bush	Ø 42 x 46/Thickness 4	5203 000 075
48	Circlip	Ø 42	6136 787 121
48a	O-ring	Ø 40/Thickness 2.5	6136 780 341
50	Sealing ring	Ø 42 x 57/Thickness 2	5203 000 076
51	Circlip	Ø 35	5203 000 085

Continued on the next page ...

... continued from the previous page

Illustration	Description	Dimensions mm	Order number
52	Washer for automatic slack adjuster	∅ 22.5 x 42/Thickness 11	5203 000 074
52	Washer for manual slack adjuster	∅ 22.5 x 42/Thickness 6	5203 000 077
54	Counternut, DIN 980	M22 x 1.5	5200 012 202
55	Dust sleeve for brake camshaft	∅ 41/Height 25	6142 317 412
55a	Shaft sealing ring for brake camshaft	∅ 40/Height 26	6031 204 310
55b	Shaft sealing ring for brake camshaft	∅ 41/Height 20	6031 204 312
56	Security clamp for brake camshaft bearing		5200 000 021
57	Tension spring for brake slack adjuster	∅ 3,5 x 28.5/Length 150	5207 203 067
59	Slack adjuster, manual, straight	Hole size 120/150/180/220/250	5209 319 019
59	Slack adjuster, automatic, straight	Hole size 105/120/135/150/165/180/250	5209 319 300
61	Fixed point plate for automatic slack adjuster		5209 404 042
61a	Fixed point plate for automatic slack adjuster		5209 404 043
72	Brake lining set 3010 +0, normal dimension	300 x 100	5209 317 168
72	Brake lining set 3010 +1, 1. oversize	300 x 100	5209 317 169
73	Brake shoe set 3010, incl. fig. 72, 82 and 83		5209 317 839
74	Brake shoe set 3010, without lining	300 x 100	5209 322 039
-04/2004			
76	Brake cam roller	∅ 26 x 45/Length 33.5	5209 290 004
77	Bolt for brake cam roller	∅ 26/Length 61	5209 226 076
before 04/2004			
76	Brake cam roller set, incl. fig. 76, 76b and 78	∅ 29 x 45/Length 33.5	5200 088 431
76a	Bearing bush	∅ 26 x 29/Length 25	5209 228 024
76b	Washer	∅ 26 x 34/Thickness 4	5209 369 020
77	Bolt	∅ 26/Length 61	6141 958 635
37a	Circlip	∅ 26	9902 102 026
80	Brake pad rivet	∅ 8/Length 15	5202 950 001
82	Brake shoe spring	∅ 20 x 3,6/Length 180	5209 361 014
before 05/2000			
83	Fixed point spring		5209 361 021
84	Wheel hub, completely assembled	160.8/6 x 20/Hole circle ∅ 205	5209 328 080
86	Brake drum 3010	300 x 100/Height 144	5209 380 041
87	Sensor ring, ABS for ABS, Number of teeth 80	∅ 126 x 142/Height 15	5209 264 020
89	on request		
89a	Clamping sleeve		0687 605 104
91	Wheel bolt	M18 x 1.5/Length 79	5209 226 052
for middle centering type S, Z			
94	Wheel nut	M18 x 1.5/Spanner size 27	5207 204 022
for stud centering type SF, ZF			
94	Wheel nut	M18 x 1.5/Spanner size 24	5202 214 003
single tyres SF, double tyres ZF			
93a	Split washer	∅ 18.5	6025 615 189
twin tyres ZF			
93a	Split washer	∅ 18.5	6025 615 189
93b	Centering ring	∅ 18	5202 804 113
95	Tapered roller bearing 322 12		5201 050 048
96	on request		
97	Repair kit wheel bearing, complete for 1 hub, incl. fig. 33, 84, 86, 87, 95 and 96		5209 317 111
98	Wheel-hub cap	M84 x 2/Spanner size 70	5209 237 043
101	Cover plate, top		5209 384 220
102	Cover plate, bottom		5209 384 219
103	Attachment screw	M10 x 16	5203 000 021
105	Cable grommet		5208 710 177
111	Stopper	∅ 25.4	5200 000 017



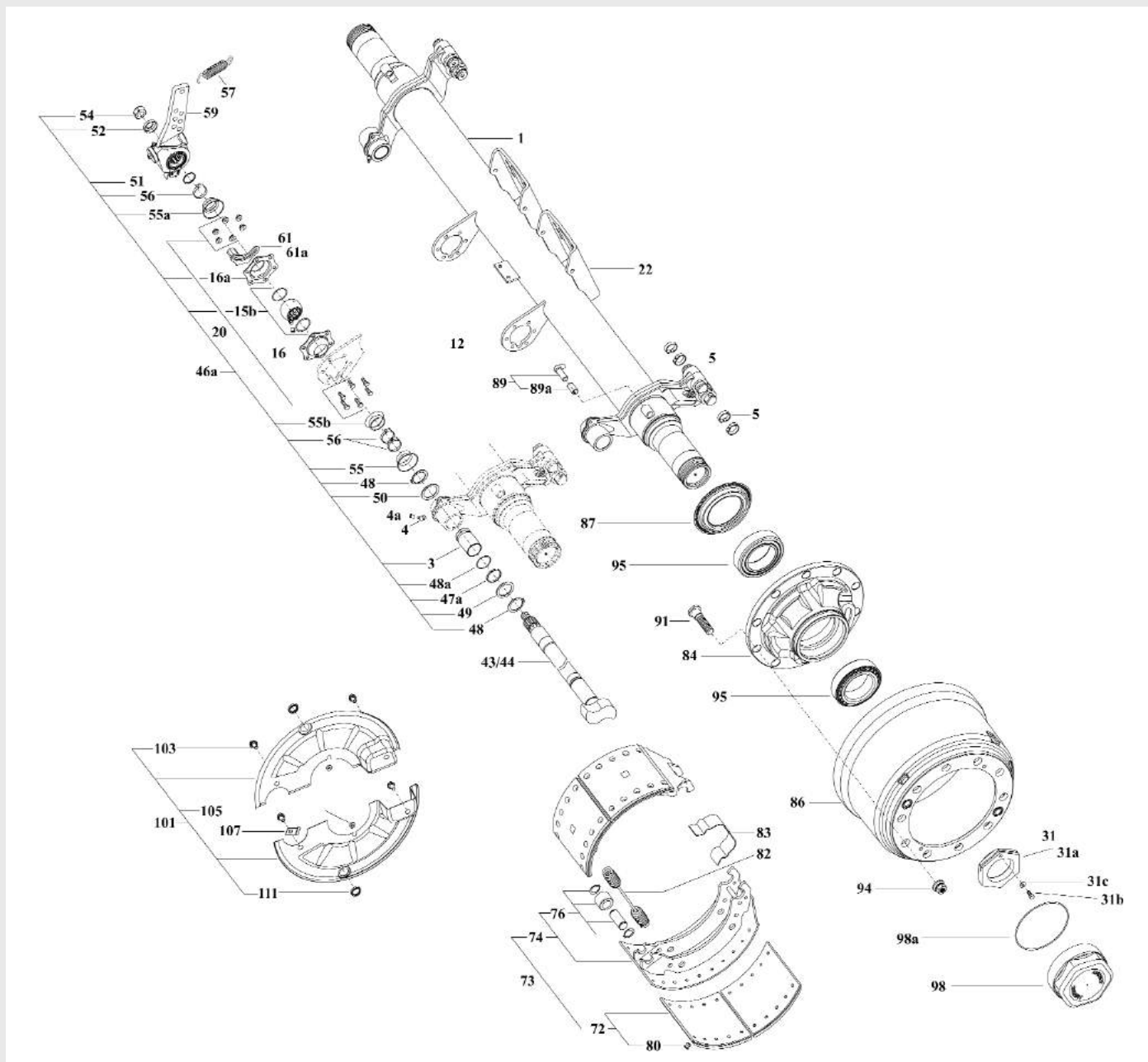
GH7 05506 3010 rigid axle 5,5 t drum brake 300 x 100 - SO

Illustration	Description	Dimensions mm	Order number
1	on request		
3	Bushing	Ø 42 x 46/Length 72.6	5209 404 037
4	Lubricating nipple, DIN 71412 H2, 45°	M10	5202 411 008
4a	Protective cap		5203 000 037
5	Fixed point ring	Ø 31.5 x 35.5/Width 9.7	5209 215 011
12	Camshaft carrier	Ø 101.6	5203 000 079
15b	Repair kit Brake cam bearing	Ø 42 x 62/Length 38	5209 404 023
16	Bearing bracket, with bore and lubrication		6143 301 328
16a	Bearing bracket		6143 301 327
20	Attachment screw set for brake camshaft bearing	M8 x 20/25	5203 000 063
22	Cylinder carrier	Ø 101.6	5203 000 078
29	Impact ring	Ø 63 x 100/Height 24	5209 228 044
31	Axle nut, right	M30 x 2/Spanner size 55	5203 000 087
31a	Axle nut, left	M30 x 2/Spanner size 55	5203 000 088
31b	Bolt, DIN 933	M6 x 16	5203 000 015
33	Shaft sealing ring	Ø 100 x 120/Thickness 12	5202 002 104

Continued on the next page ...

... continued from the previous page

Illustration	Description	Dimensions mm	Order number
43/44	on request		
46a	on request		
47a	Plastic bush	∅ 42 x 46/Thickness 4	5203 000 075
48	Circlip	∅ 42	6136 787 121
48a	O-ring	∅ 40/Thickness 2.5	6136 780 341
50	Sealing ring	∅ 42 x 57/Thickness 2	5203 000 076
51	Circlip	∅ 35	5203 000 085
52	Washer for automatic slack adjuster	∅ 22.5 x 42/Thickness 11	5203 000 074
54	Counternut, DIN 980	M22 x 1.5	5200 012 202
55	Dust sleeve for brake camshaft	∅ 41/Height 25	6142 317 412
55a	Shaft sealing ring for brake camshaft	∅ 40/Height 26	6031 204 310
55b	Shaft sealing ring for brake camshaft	∅ 41/Height 20	6031 204 312
56	Security clamp		5200 000 021
57	Tension spring for brake slack adjuster	∅ 28.5 x 3,5/Length 150	5207 203 067
59	Slack adjuster, automatic, straight	Hole size 105/120/135/150/165/180/250	5209 319 300
61	Fixed point plate for automatic slack adjuster, right		5209 404 042
61a	Fixed point plate for automatic slack adjuster, left		5209 404 043
72	Brake lining set 3010 +0, normal dimension	300 x 100	5209 317 168
72	Brake lining set 3010 +1, 1. oversize	300 x 100	5209 317 169
73	Brake shoe set 3010 (incl. fig. 72, 82 and 83)		5209 317 839
74	Brake shoe set 3010, without lining	300 x 100	5209 322 039
76	Camshaft roller set, with pin and roller		5203 000 064
80	Brake pad rivet	∅ 8/Length 15	5202 950 001
82	Brake shoe spring	∅ 20 x 3,6/Length 180	5209 361 014
83	Fixed point spring		5209 361 021
84	Wheel hub, completely assembled	160.8/6 x 20/Hole circle ∅ 205	5209 328 080
86	Brake drum 3010	300 x 100/Height 144	5209 380 041
87	Sensor ring, ABS for ABS, Number of teeth 80	∅ 126 x 142/Height 15	5209 264 020
89	on request		
89a	Clamping sleeve for ABS		0687 605 104
91	Wheel bolt	M18 x 1.5/Length 79	5209 226 052
	for middle centering type S, Z		
94	Wheel nut	M18 x 1.5/Spanner size 27	5207 204 022
	for stud centering type SF, ZF		
94	Wheel nut	M18 x 1.5/Spanner size 24	5202 214 003
	single tyres SF, double tyres ZF		
93a	Split washer	∅ 18.5	6025 615 189
	twin tyres ZF		
93b	Centering ring	∅ 18	5202 804 113
95	Tapered roller bearing 322 12	∅ 60 x 110/Height 29.75	5201 050 048
96	on request		
97	Repair kit wheel bearing, complete for 1 hub, with seal		5209 317 111
98	Wheel-hub cap	M84 x 2/Spanner size 70	5209 237 043
101	Cover plate, top		5209 384 220
102	Cover plate, bottom		5209 384 219
103	Attachment screw	M10 x 16	5203 000 021
105	Cable grommet		5208 710 177
107	Clamping tape		5209 110 002
111	Stopper	∅ 25.4	5200 000 017



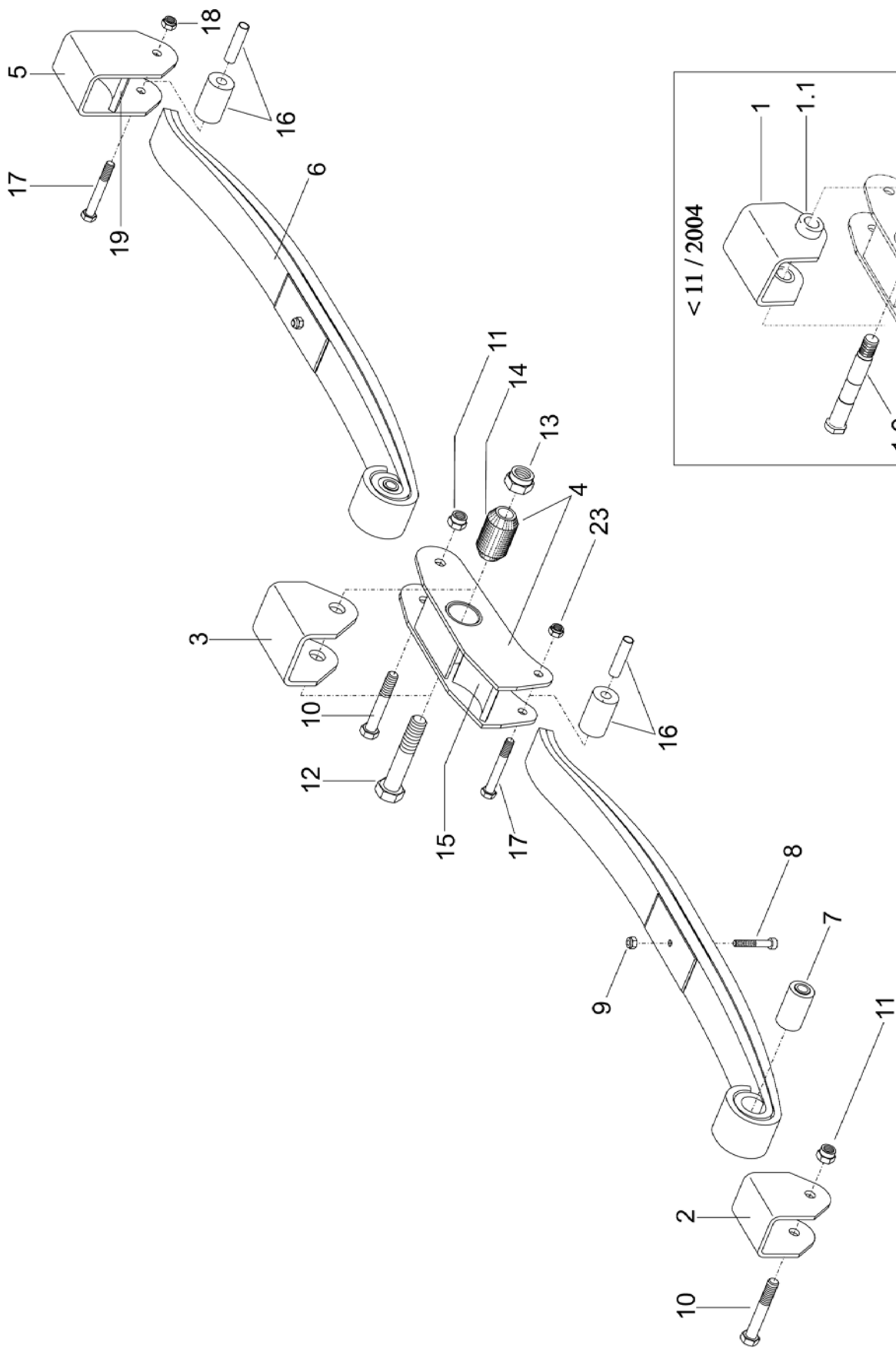
GH7 12010 4220 rigid axle 12 t drum brake 420 x 200 - SO/SAO/ZO

Illustration	Description	Dimensions mm	Order number
1	on request		
3	Bushing	Ø 42 x 46/Length 72.6	5209 404 037
4	Lubricating nipple, DIN 71412 H2, 45°	M10	5202 411 008
4a	Protective cap for grease nipple		5203 000 037
5	Fixed point ring for brake shoe	Ø 31.5 x 35.5/Width 9.7	5209 215 011
12	on request		
15b	Repair kit Brake cam bearing		5209 404 023
16	Bearing bracket with bore and lubrication		6143 301 328
16a	Bearing bracket		6143 301 327
20	Attachment screw set for brake camshaft bearing	M8 x 20/25	5203 000 063
22	on request		
31	on request		
31a	on request		
31b	Bolt	M8 x 20	5203 000 016
31c	Washer	Ø 8 x 14/Thickness 1.8	5202 803 008

Continued on the next page ...

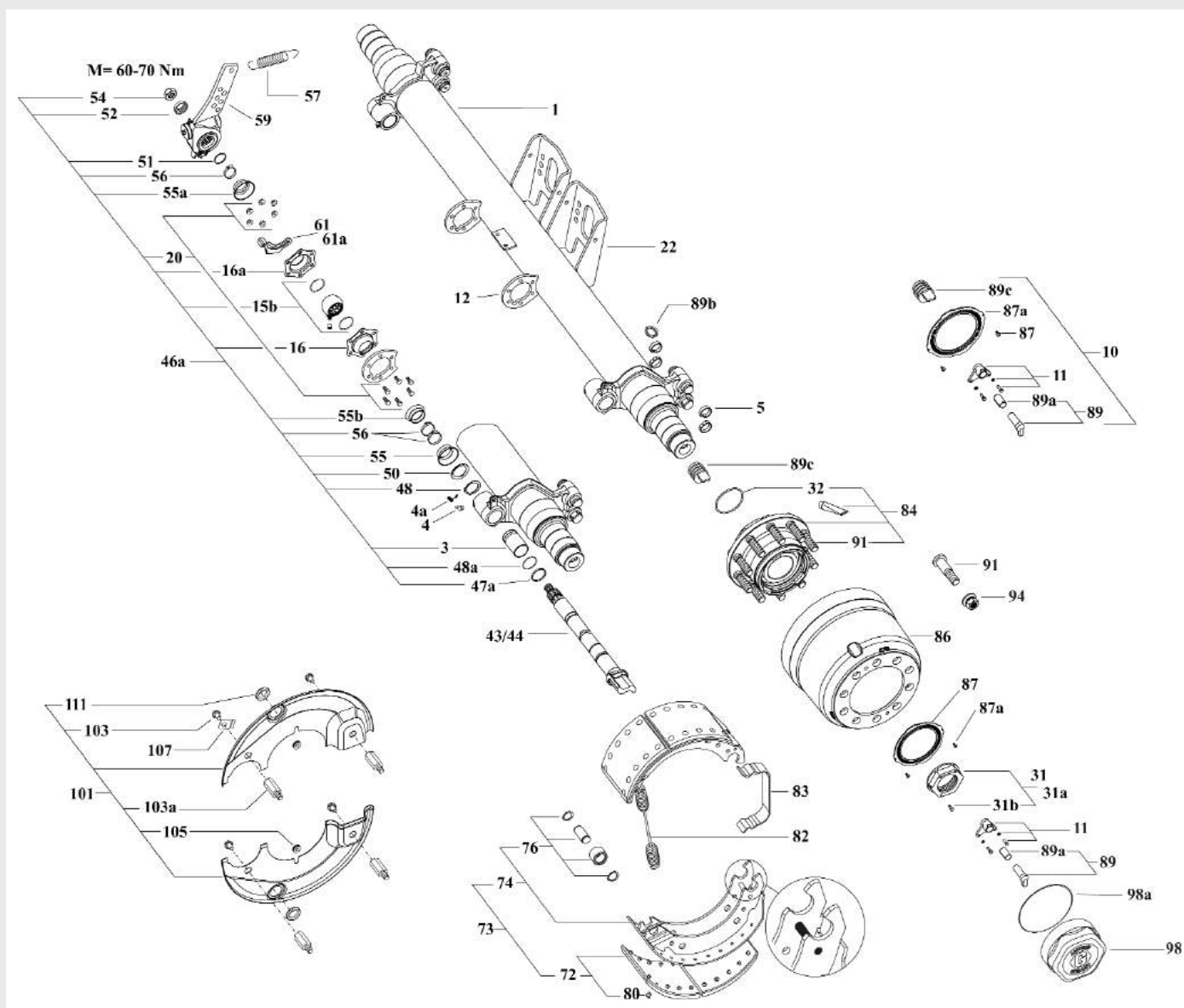
... continued from the previous page

Illustration	Description	Dimensions mm	Order number
43/44	on request		
46a	on request		
47a	Plastic bush	Ø 42 x 46/Thickness 4	5203 000 075
48	Circlip, DIN 471	Ø 42	6136 787 121
48a	O-ring	Ø 40/Thickness 2.5	6136 780 341
49	on request		
50	Sealing ring	Ø 42 x 57/Thickness 2	5203 000 076
51	Circlip, DIN 471	Ø 35	5203 000 085
52	Washer for automatic slack adjuster	Ø 22.5 x 42/Thickness 11	5203 000 074
52	Washer for manual slack adjuster	Ø 22.5 x 42/Thickness 6	5203 000 077
54	Counternut, DIN 980	M22 x 1.5	5200 012 202
55	Dust sleeve for brake camshaft	Ø 41/Height 25	6142 317 412
55a	Shaft sealing ring for brake camshaft	Ø 40/Height 26	6031 204 310
55b	Shaft sealing ring for brake camshaft	Ø 41/Height 20	6031 204 312
56	Security clamp		5200 000 021
57	Tension spring for brake slack adjuster	Ø 3,5 x 28.5/Length 150	5207 203 067
59	Slack adjuster, manual	Hole size 120/150/180/220/250	5209 319 019
59	Slack adjuster, automatic	Hole size 105/120/135/150/165/180/250	5209 319 300
61	Fixed point plate for automatic slack adjuster, right		5209 404 042
61a	Fixed point plate for automatic slack adjuster, left		5209 404 043
72	on request		
73	on request		
74	on request		
76	Camshaft roller set with pin and roller		5203 000 064
80	Brake pad rivet	Ø 8/Length 15	5202 950 001
82	Brake shoe spring	Ø 34/Length 268	5209 361 005
83	Fixed point spring		5209 361 008
84	on request		
86	Brake drum 4220	420 x 200/Height 271	5209 380 016
87	on request		
89	on request		
89a	Clamping sleeve for ABS		0687 605 104
91	Wheel bolt	M22 x 1.5/Length 95	5209 713 579
94	Wheel nut for middle centering type S, SM	M22 x 1.5/ Spanner size 32	5208 606 072
94	Wheel nut for middle centering type S, SM	M22 x 1.5/ Spanner size 33	5203 000 034
95	Tapered roller bearing	Ø 90 x 147/Height 32.5	9180 031 680
98	Wheel-hub cap	M170 x 2/ Spanner size 160	5209 237 085
98a	O-ring	Ø 160/Thickness 3	5202 500 160
101	on request		
103	Attachment screw	M10/Length 16	5203 000 021
105	Cable grommet		5208 710 177
107	Clamping tape		5209 110 002
111	Stopper	Ø 25.4	5200 000 017



GK assembly FB 80

Illustration	Description	Dimensions mm	Order number
	Main suspension GK 80-W complete		5200 161 165
	before 11/2004		
1	on request		
1.1	Bushing for main suspension without groove		5200 049 030
1.2	Spring pin	Length 162/M27 x 1.5/ Spanner size 32	5200 320 162
1.3	Counternut, DIN 980	M27 x 1.5	5200 012 702
2	on request		
3	on request		
4	on request		
5	on request		
6	on request		
7	Silent bearing for axle strut		5200 196 012
8	on request		
9	Counternut, DIN 985	M12	5200 105 001
10	on request		
11	Counternut, DIN 980	M20	5200 105 002
12	on request		
13	on request		
14	Silent bearing for cradle bearing		5200 196 002
15	on request		
16	Rubber pulley, spacer bushing with bolt and nut		5200 198 032
17	on request		
19	on request		
23	Counternut, DIN 980	M16 x 120	5200 011 602



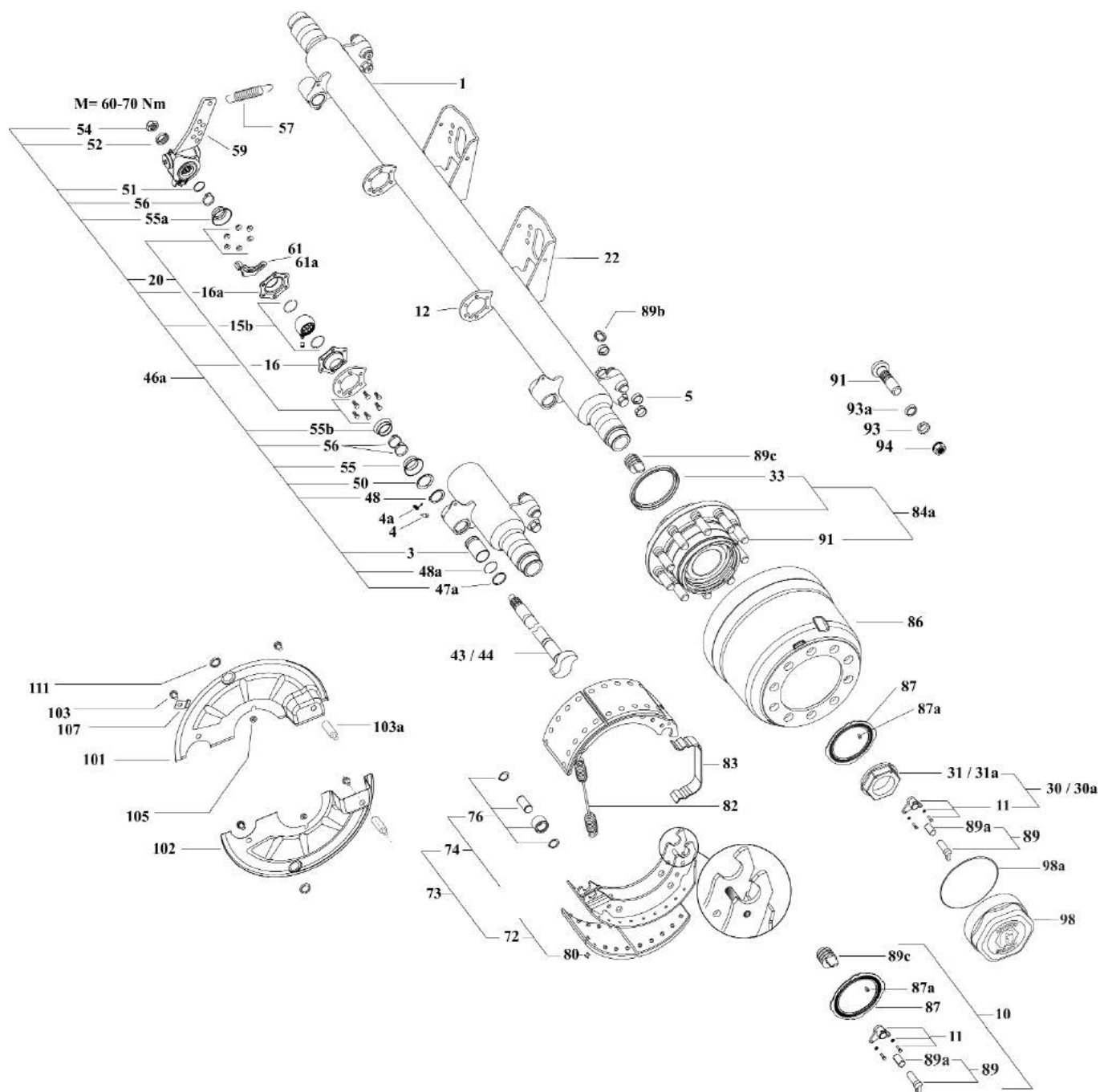
GKH2 10510 3020 rigid axle 10,5 t drum brake 300 x 200 - ZO

Illustration	Description	Dimensions mm	Order number
1	on request		
3	Bushing	∅ 42 x 46/Width 72.6	6142 235 541
4	Lubricating nipple, DIN 71412 H2, 45°	M10	5202 411 008
4a	Protective cap		5203 000 037
5	Fixed point ring	∅ 31.5 x 35.5/Width 9.7	5209 215 011
10	ABS kit 80D-K82 (incl. fig. 11, 87, 87a, 89, 89c)		5203 000 067
11	Sensor bracket kit for ABS rod sensor, with bolts and washers		5209 317 752
12	Camshaft carrier		5203 000 081
15b	Repair kit for brake camshaft, incl. ball socket with seal		6142 242 514
16	Bearing bracket, with bore and lubrication		6143 301 328
20	Attachment screw set for brake camshaft bearing	M8 x 20/25	5203 000 063
22	Cylinder carrier		5203 000 080
31	Axle nut with screw, right	M68 x 1.5/Spanner size 95	5209 400 535
31a	Axle nut with screw, left	M68 x 1.5/Spanner size 95	5203 000 069
31b	Bolt, DIN 933	M6 x 16	5203 000 015
32	O-ring	∅ 84/Thickness 4	5203 000 027

Continued on the next page ...

... continued from the previous page

Illustration	Description	Dimensions mm	Order number
43/44	on request		
46a	on request		
47a	Plastic bush	∅ 42 x 46/Thickness 4	5203 000 075
48	Circlip	∅ 42	6136 787 121
48a	O-ring	∅ 40/Thickness 2.5	6136 780 341
50	on request		
51	on request		
52	Washer for automatic slack adjuster	∅ 22.5 x 42/Thickness 11	5203 000 074
54	Counternut, DIN 980	M22 x 1.5	5200 000 018
55	Dust sleeve for brake camshaft	∅ 41/Height 25	6142 317 412
55a	Shaft sealing ring for brake camshaft	∅ 40/Height 26	6031 204 310
55b	Shaft sealing ring for brake camshaft	∅ 41/Height 20	6031 204 312
56	Security clamp		5200 000 021
57	Tension spring for brake slack adjuster	∅ 28.5 x 3,5/Length 150	5207 203 067
59	Slack adjuster, automatic, straight	Hole size 105/120/135/150/165/180/250	5209 319 300
61	Fixed point plate for automatic slack adjuster, right		5209 404 042
61a	Fixed point plate for automatic slack adjuster, left		5209 404 043
72	Brake lining set 3020 +0, normal dimension	300 x 200	5209 317 084
72	Brake lining set 3020 +1, 1. oversize	300 x 200	5209 317 085
73	Brake shoe set 3020 (incl. fig. 72, 74, 82, 83)	300 x 200	5209 317 840
74	Brake shoe set 3020, without lining	300 x 200	5209 322 049
76	Camshaft roller set, with pin and roller		5203 000 064
80	Brake pad rivet	∅ 8/Length 15	5202 950 001
82	Brake shoe spring	∅ 28 x 5/Length 177	5209 361 022
83	Fixed point spring		5209 361 021
84	Wheel hub complete, with wheel studs (fig. 91) and O-rings (fig. 32 and 98a)		5203 000 068
86	Brake drum 3020	300 x 200/Height 260	5201 049 114
87	Sensor ring, ABS ABS, for drum brake, Number of teeth 80		5209 264 049
87a	Attachment screw, ULS	M5 x 10	5201 605 010
89	on request		
89a	Clamping sleeve for ABS		0687 605 104
89b	Stopper	∅ 22 x 4.4/Height 23	5209 237 017
89c	on request		
94	Wheel nut	M22 x 1.5/Spanner size 32	5208 606 072
94	Wheel nut	M22 x 1.5/Spanner size 33	5203 000 034
98	Wheel-hub cap	M170 x 2/Spanner size 160	5209 237 085
98a	O-ring	∅ 160/Thickness 3	5202 500 160
101	Cover plate kit suitable for GK 3020, for one side		5203 000 066
103	Attachment screw	M10 x 16	5203 000 021
103a	Intermediate piece	Length 36/M10	5209 271 046
105	Cable grommet		5208 710 177
107	Clamping tape		5209 110 002
111	Stopper	∅ 25.4	5200 000 017



GKH1 12010 3020 rigid axle 10,5 t drum brake 300 x 200 - ZO

Illustration	Description	Dimensions mm	Order number
1	on request		
3	Bushing	∅ 42 x 46/Width 72.6	6142 235 541
4	Lubricating nipple, DIN 71412 H2, 45°	M8	5202 411 002
4a	Protective cap		5203 000 037
5	Fixed point ring	∅ 31.5 x 35.5/Width 9.7	5209 215 011
10	ABS kit (incl. fig. 11, 87, 87a, 89, 89c)		5203 000 067
11	Sensor bracket kit for ABS rod sensor, with bolts and washers		5209 317 752
12	Camshaft carrier		5203 000 081
15b	Repair kit for brake camshaft, incl. ball socket with seal		6142 242 514
16	Bearing bracket with bore and lubrication		6143 301 328
20	Attachment screw set for brake camshaft bearing	M8 x 20/25	5203 000 063
22	Cylinder carrier		5203 000 080
to 12/2004 with ABS			
30	Axle nut kit with sensor bracket, right	M68 x 1.5/Spanner size 95	5209 317 754
30a	Axle nut kit with sensor bracket, left	M68 x 1.5/Spanner size 95	5209 317 755
- 12/2004 and for axles without ABS			
31	Axle nut, right	M68 x 1.5/Spanner size 95	5209 400 472
31a	Axle nut, left	M68 x 1.5/Spanner size 95	5209 400 473
up to 12/2003 (from 12/2003 included in fig. 84a)			
33	Shaft sealing ring	∅ 125 x 150/Thickness 12	5202 002 116
43/44	on request		
46a	on request		
47a	Plastic bush	∅ 42 x 46/Thickness 4	5203 000 075
48	Circlip	∅ 42	6136 787 121
48a	O-ring	∅ 40/Thickness 2.5	6136 780 341
50	on request		
51	on request		
52	Washer for automatic slack adjuster	∅ 22.5 x 42/Thickness 11	5203 000 074
52	Washer for manual slack adjuster	∅ 22.5 x 42/Thickness 6	5203 000 077
54	Counternut, DIN 980	M22 x 1.5	5200 000 018
55	Dust sleeve for brake camshaft	∅ 41/Height 25	6142 317 412
55a	Shaft sealing ring for brake camshaft	∅ 40/Height 26	6031 204 310
55b	Shaft sealing ring for brake camshaft	∅ 41/Height 20	6031 204 312
56	Security clamp		5200 000 021
57	Tension spring for brake slack adjuster	∅ 28.5 x 3,5/Length 150	5207 203 067
59	Slack adjuster, manual, straight	Hole size 120/150/180/220/250	5209 319 019
59	Slack adjuster, automatic, straight	Hole size 105/120/135/150/165/180/250	5209 319 300
61	Fixed point plate for automatic slack adjuster, right		5209 404 042
61a	Fixed point plate for automatic slack adjuster, left		5209 404 043
72	Brake lining set 3020 +0, normal dimension	300 x 200	5209 317 084
72	Brake lining set 3020 +1, 1. oversize	300 x 200	5209 317 085
73	Brake shoe set 3020 (incl. fig. 72, 74, 82, 83)	300 x 200	5209 317 840
74	Brake shoe set 3020, without lining	300 x 200	5209 322 049

Continued on the next page ...

... continued from the previous page

Illustration	Description	Dimensions mm	Order number
76	Camshaft roller set with pin and roller		5203 000 064
80	Brake pad rivet	∅ 8/Length 15	5202 950 001
82	Brake shoe spring	∅ 28 x 5/Length 177	5209 361 022
83	Fixed point spring		5209 361 021
84a	on request		
86	Brake drum 3020	300 x 200/Height 260	5201 049 114
87	Sensor ring, ABS ABS, for drum brake, Number of teeth 80		5209 264 049
87a	Attachment screw ULS	M5 x 10	5201 605 010
89	on request		
89a	Clamping sleeve for ABS		0687 605 104
89b	Stopper	∅ 22 x 4.4/Height 23	5209 237 017
89c	on request		
91	Wheel bolt	M22 x 1.5/Length 100	5208 804 505
for middle centering type S, SM			
94	Wheel nut	M22 x 1.5/Spanner size 32	5208 606 072
94	Wheel nut	M22 x 1.5/Spanner size 33	5203 000 034
93	Split washer	∅ 21.5 x 24.5/Height 18	5209 268 001
for stud centering type SF			
94	Wheel nut	M22 x 1.5/Spanner size 32	5208 804 510
93	Split washer	∅ 22.5	5208 804 515
93a	Centering ring	∅ 22.5	5208 804 520
98	Wheel-hub cap	M170 x 2/Spanner size 160	5209 237 085
98a	O-ring	∅ 160/Thickness 3	5202 500 160
101	Cover plate, top		5209 384 403
102	Cover plate, bottom		5209 384 404
103	Attachment screw	M10 x 16	5203 000 021
103a	Intermediate piece	Length 36/M10	5209 271 046
105	Cable grommet		5208 710 177
107	Clamping tape		5209 110 002
111	Stopper	∅ 25.4	5200 000 017

Perfection in welding

The most modern welding technology for
body construction



In recent years, the requirements for welding equipment in body construction have changed a great deal.

In today's modern vehicles, high-strength steels and aluminium are to be found in the most varied combinations. The safety concepts of the vehicle manufacturers for the crash behaviour of the vehicle make high demands on the welded joints.

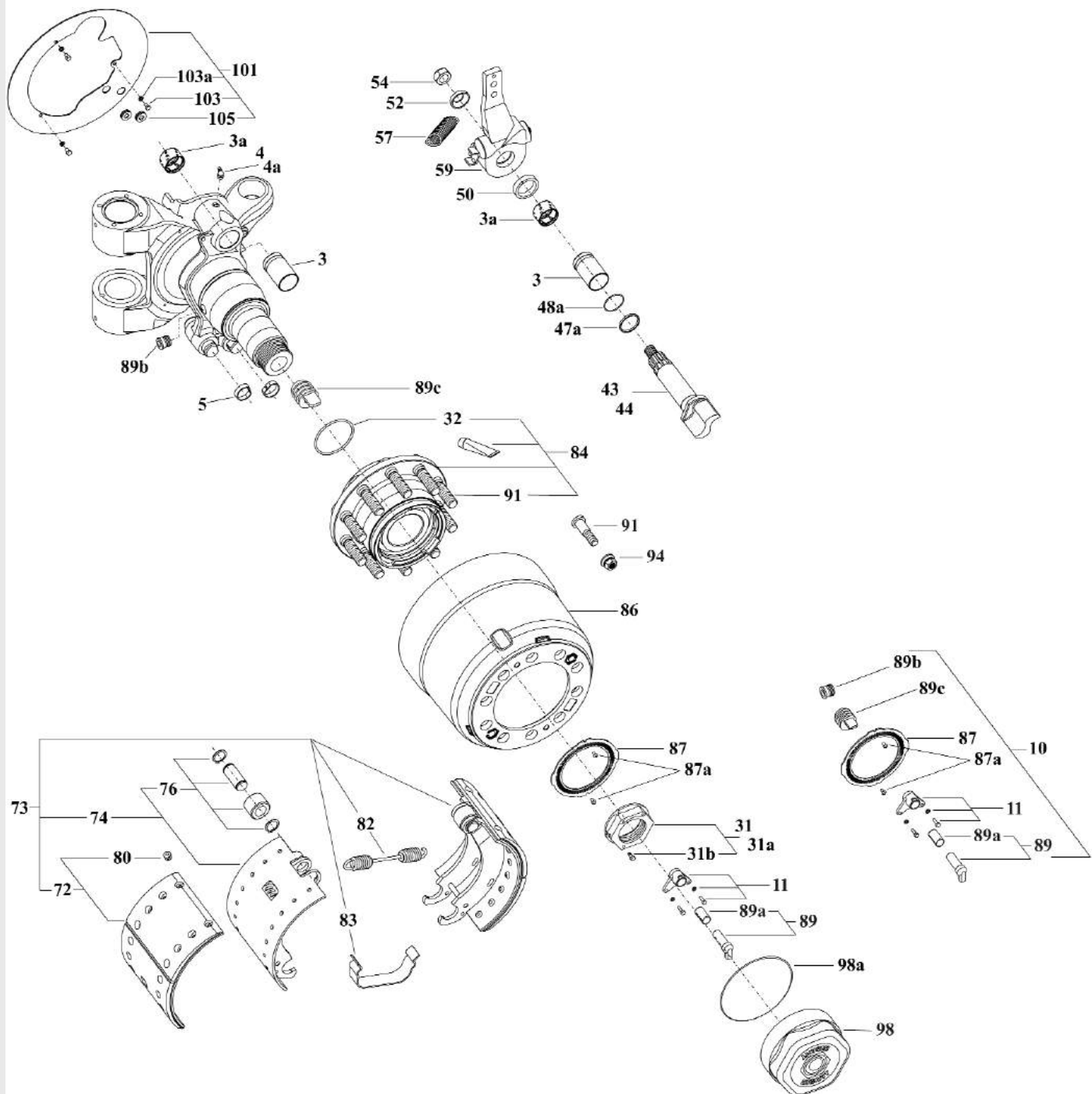
With Migatronic, EUROPART has the perfect partner for these requirements. Let us advise you, without any obligation! We would also like to visit you with our mobile welding unit!

More information from:

www.europart.net

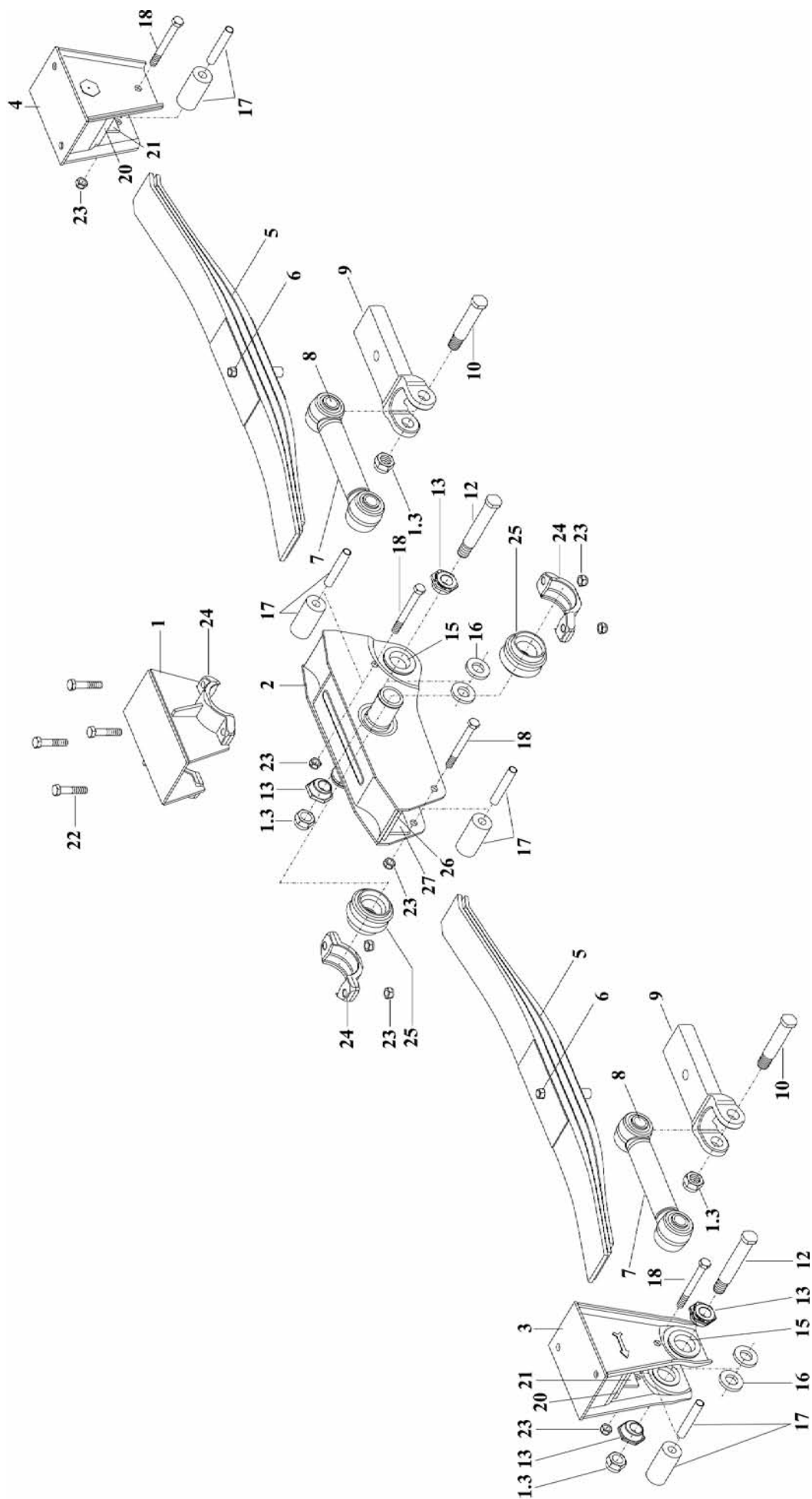
MIGATRONIC

**EURO
PART**
... more than parts



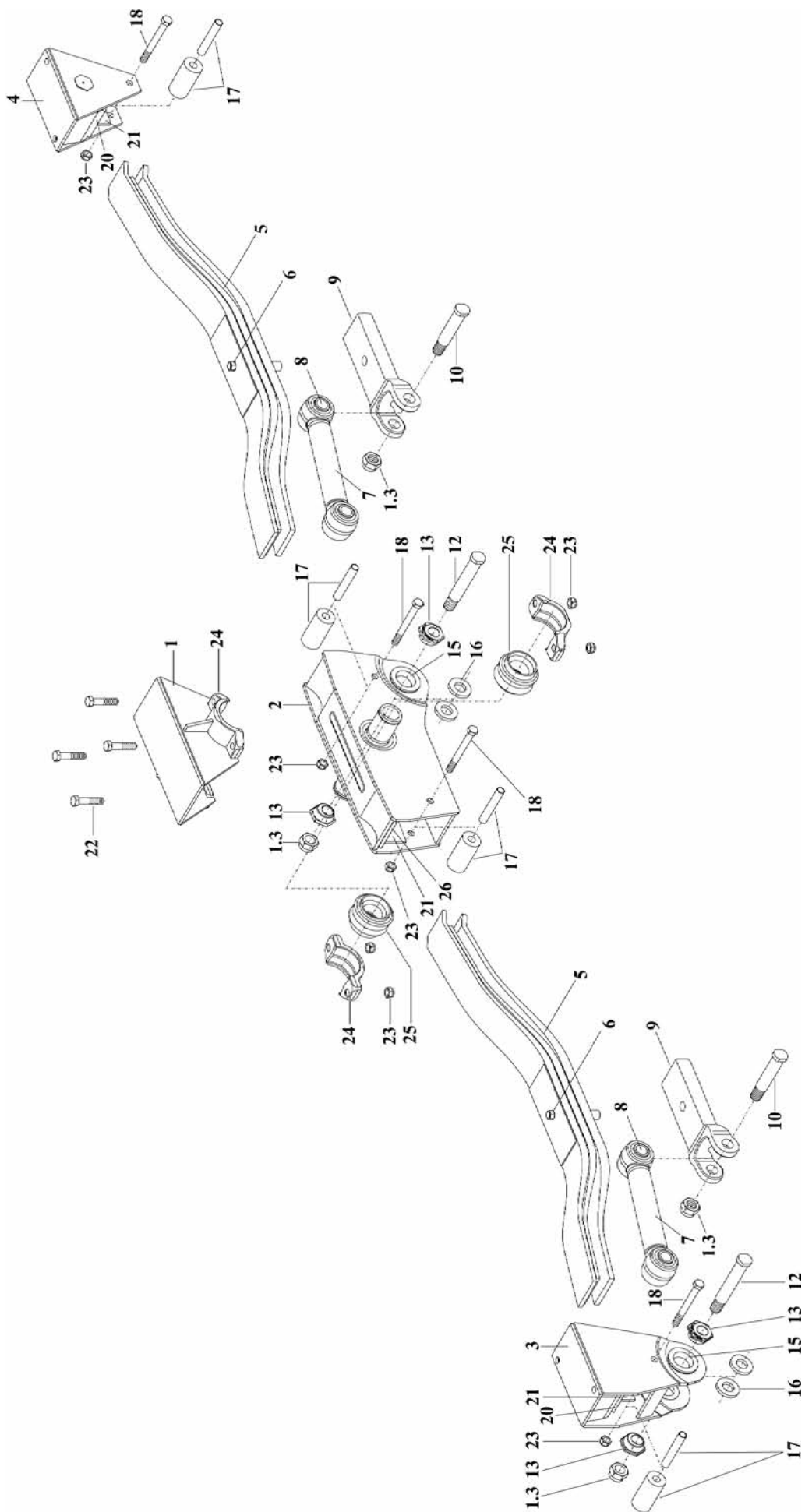
GNKH2 12010 3020 steered trailing axle 12 t drum brake 300 x 200 - ZO

Illustration	Description	Dimensions mm	Order number
1	on request		
3	Bushing	∅ 42 x 46/Width 72.6	6142 235 541
3a	on request		
4	Lubricating nipple, DIN 71412 H2, 45°	M10	5202 411 008
4a	Protective cap		5203 000 037
5c	Fixed point ring	∅ 31.5 x 35.5/Width 9.7	5209 215 011
5c	Washer	∅ 10	5208 804 470
10	ABS kit (incl. fig. 11, 87, 87a, 89, 89c)		5203 000 067
11	Sensor bracket kit for ABS rod sensor, with bolts and washers		5209 317 752
31	Axle nut with screw, right	M68 x 1.5/Spanner size 95	5209 400 535
31a	Axle nut with screw, left	M68 x 1.5/Spanner size 95	5203 000 069
31b	Bolt, DIN 933	M6 x 16	5203 000 015
32	O-ring	∅ 84/Thickness 4	5203 000 027
43/44	on request		
47a	Plastic bush	∅ 42 x 46/Thickness 4	5203 000 075
48a	O-ring	∅ 40/Thickness 2.5	6136 780 341
50	on request		
52	Washer for automatic slack adjuster	∅ 22.5 x 42/Thickness 11	5203 000 074
54	Counternut, DIN 980	M22 x 1.5	5200 012 202
57	Tension spring for linkages	∅ 25.8 x 2.8/Length 148	5203 000 073
59	on request		
72	Brake lining set 3020 +0, normal dimension	300 x 200	5209 317 084
72	Brake lining set 3020 +1, 1. oversize	300 x 200	5209 317 085
73	Brake shoe set 3020 (incl. fig. 72, 74, 82, 83)	300 x 200	5209 317 840
74	Brake shoe set 3020, without lining	300 x 200	5209 322 049
76	Camshaft roller set with pin and roller		5203 000 064
80	Brake pad rivet	∅ 8/Length 15	5202 950 001
82	Brake shoe spring	∅ 28 x 5/Length 177	5209 361 022
83	Fixed point spring		5209 361 021
84	Wheel hub complete, with wheel studs (fig. 91) and O-rings (fig. 32 and 98a)		5203 000 068
86	Brake drum 3020	300 x 200/Height 260	5201 049 114
87	Sensor ring, ABS ABS, for drum brake, Number of teeth 80		5209 264 049
87a	Attachment screw ULS	M5 x 10	5201 605 010
89	on request		
89a	Clamping sleeve for ABS		0687 605 104
89b	Stopper	∅ 22 x 4.4/Height 23	5209 237 017
89c	on request		
91	Wheel bolt	M22 x 1.5/Length 95	5209 713 579
94	Wheel nut	M22 x 1.5/Spanner size 32	5208 606 072
94	Wheel nut	M22 x 1.5/Spanner size 33	5203 000 034
98	Wheel-hub cap	M170 x 2/Spanner size 160	5209 237 085
98a	O-ring	∅ 160/Thickness 3	5202 500 160
101	on request		
103	on request		
103a	Washer, DIN 125	∅ 6	5203 000 033
105	Cable grommet		5203 000 070



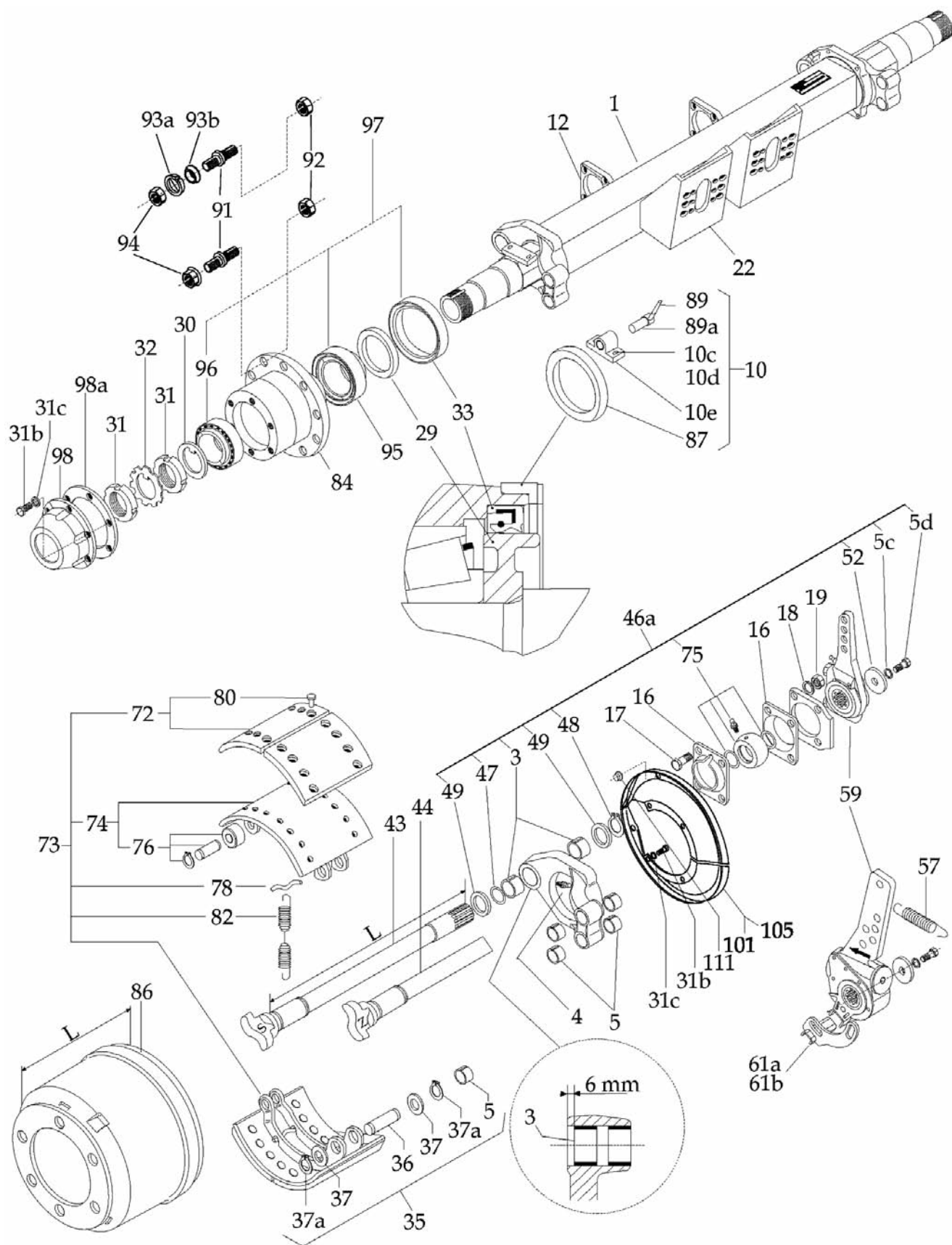
LK 16-1310 spring assembly

Illustration	Description	Dimensions mm	Order number
1	Main suspension LK 1310		5200 120 020
1.3	Counternut, DIN 980	M27 x 1.5	5200 012 702
2	Balancing cradle LK 1310		5200 460 020
3	on request		
4	on request		
5	on request		
6	on request		
7	Axle strut with silent bush	Length 303 mm	5200 520 303
8	Silent block LK 16/22		5200 199 041
9	Control plate for 100 mm spring		5200 481 001
10	Control pin	Length 118/M27 x 1.5/ Spanner size 32	5200 320 118
12	on request		
13	Eccentric bush for air spring support		5201 490 170
15	Bushing, conical		5200 489 035
16	Distance plate	Thickness 8	5200 479 018
17	Spacer bushing kit for sliding shoes, with rubber roller FB 100, bolt and nut		5200 089 317
18	Attachment screw, DIN 931	M16 x 150	5200 011 615
20	Gliding plate	155 x 100/Thickness 8	5200 130 034
21	Retaining plate	65 x 65/Thickness 7	5200 360 012
22	Attachment screw, DIN 931	M16 x 750	5200 011 675
23	Counternut, DIN 980	M16 x 120	5200 011 602
24	Bearing shell for balancing cradle		5200 140 000
25	Rubber bearing bush for balancing cradle		5200 199 012
26	Gliding plate	120 x 100/Thickness 8	5200 130 033
27	Retaining plate	65 x 65/Thickness 8	5200 360 115



LK 16-1400 spring assembly

Illustration	Description	Dimensions mm	Order number
	Main suspension LK 1400, complete		5200 161 070
1	on request		
1.3	Counternut, DIN 980	M27 x 1.5	5200 012 702
2	Balancing cradle LK 1400		5200 460 001
3	on request		
4	on request		
5	on request		
6	on request		
7	Axle strut LK 1400, with silent bush	Length 353 mm	5200 520 353
8	Silent block LK 16/22		5200 199 041
9	Control plate for 100 mm spring		5200 481 001
10	Control pin	Length 118/M27 x 1.5/ Spanner size 32	5200 320 118
12	on request		
13	Eccentric bush for air spring support		5201 490 170
15	Bushing, conical		5200 489 035
16	Distance plate	Thickness 8	5200 479 018
17	Spacer bushing kit, with rubber roller FB 100, bolt and nut		5200 089 317
18	Attachment screw, DIN 931	M16 x 150	5200 011 615
20	Gliding plate	155 x 100/Thickness 8	5200 130 034
21	Retaining plate	65 x 65/Thickness 7	5200 360 012
22	Attachment screw, DIN 931	M16 x 750	5200 011 675
23	Counternut, DIN 980	M16 x 120	5200 011 602
24	Bearing shell for balancing cradle		5200 140 000
25	Rubber bearing bush for balancing cradle		5200 199 012
26	Gliding plate	120 x 100/Thickness 8	5200 130 033



SV2 06706 3015 rigid axle 6,7 t drum brake 305 x 150 - SO/ZO

Illustration	Description	Dimensions mm	Order number
1	on request		
3	Bearing bush	∅ 37 x 40/Length 25	5208 804 400
4	Lubricating nipple, DIN 71412 H2, 45°	M8	5202 411 002
5	Bearing bush	∅ 27 x 30/Length 20	9902 001 001
5c	Washer	∅ 10	5208 804 470
5d	Attachment screw	M10 x 20	5208 804 465
10	on request		
10c	Attachment screw	M5 x 12	5201 305 012
10d	Washer	∅ 5	5202 804 027
10e	Sensor bracket, 2-hole		5208 902 031
12	Camshaft carrier, suitable for square tube axle with 80 mm wide		5203 000 036
12	Camshaft carrier, suitable for square tube axle with 90 mm wide		5203 000 035
16	Bearing bracket		5208 406 053
17	Attachment screw, DIN 931	M12 x 35	5208 804 410
18	Washer	∅ 12	5208 804 415
19	Hexagon nut	M12	5208 804 420
22	Base plate for brake cylinder bracket		5203 000 090
29	Impact ring	∅ 70 x 120/Thickness 20	5208 610 225
30	Washer	∅ 60 x 80/Thickness 3	5206 503 024
31	Axle nut	M60 x 2	5206 405 028
31b	Attachment screw	M8 x 16	5201 308 016
31c	Washer	∅ 8 x 14/Thickness 1.8	5202 803 008
32	Lock washer	∅ 60.8/Thickness 1.5	5202 304 060
33	Shaft sealing ring	∅ 120 x 140/Thickness 13	5202 002 106
35	Repair kit for fixed point, 15"		5208 910 060
36	Brake shoe pin		9908 709 045
37	Washer	∅ 27.5 x 40/Thickness 2	9906 707 005
37a	Circlip, DIN 471	∅ 26	9902 102 026
43	Brake camshaft S	497	5202 600 497
43	Brake camshaft S	594	5202 600 594
43	Brake camshaft S	657	7980 000 386
44	Brake camshaft Z	497	5202 601 497
44	Brake camshaft Z	594	5202 601 594
44	Brake camshaft Z	657	7980 000 387
46a	Repair kit for brake camshaft bearing, 15"/20"		5208 804 435
47	O-ring	∅ 34.59/Thickness 2.62	5202 501 024
48	Circlip, DIN 471	∅ 37	5208 804 440
49	Washer	∅ 39 x 58/Thickness 1.5	5208 804 450
52	Washer	∅ 11 x 38/Thickness 4	5208 804 460
57	Tension spring for brake slack adjuster	∅ 28.5 x 3,5/Length 150	5207 203 067
59	Slack adjuster, manual, straight	120/150/175/200	5208 711 482
59	Slack adjuster, automatic, 130° offset	105/127/140/153/178/250	3400 079 149
61a	Stop angle, left, 130°		5209 344 022
61b	Stop angle, right, 130°		5209 344 023

Continued on the next page ...

... continued from the previous page

Illustration	Description	Dimensions mm	Order number
72	Brake lining set 3015 +1, 1. oversize	305 x 150	5209 012 402
72	Brake lining set 3015 +0	305 x 150	5209 012 302
73	Brake shoe set 3015, with lining (Fig. 72, 74, 78, 82)	300 x 150	5209 317 845
74	Brake shoe set 3015, without lining	305 x 150	5209 101 137
75	Repair kit for ball socket, with seal and lubrication nipple	∅ 42	5208 804 445
76	Camshaft roller set, with pin and roller		5208 910 070
78	Spring traverse		5208 804 405
80	Brake pad rivet	∅ 8/Length 15	5202 950 001
82	Brake shoe spring	∅ 28 x 5/Length 177	5209 361 022
84	Wheel hub Type 857	6 x 18/Hole circle ∅ 205	5208 804 388
86	Brake drum 3015	305 x 105/Height 206	5206 801 073
87	Sensor ring, ABS for ABS, Number of teeth 80		5208 706 038
89	on request		
89a	Clamping sleeve for ABS		0687 605 104
91	Wheel bolt, long	M18 x 1.5/Length 96	5209 226 016
91	Wheel bolt, short	M18 x 1.5/Length 86	5209 226 035
92	Counternut	M20 x 1.5/Spanner size 32	5202 208 018
	for middle centering type S, Z		
94	Wheel nut	M18 x 1.5/Spanner size 27	5207 204 022
	for stud centering type SF, ZF		
94	Wheel nut	M18 x 1.5/Spanner size 24	5202 214 003
	single tyres SF, double tyres ZF		
93a	Split washer, DIN 74361, Form C	∅ 18.5	5202 804 103
	twin tyres ZF		
93b	Centering ring	∅ 18	5202 804 113
95	Tapered roller bearing 322 14, outside	∅ 70 x 125/Height 33.25	5203 000 094
96	Tapered roller bearing, 322 12	∅ 60 x 110/Height 29.75	8001 322 122
97	Repair kit wheel bearing, complete for 1 hub with seal		5209 317 112
98	Wheel-hub cap, 5-hole		5208 804 007
98a	Flat seal for pin centering		5208 804 008
101	Cover plate 3012/3015		5207 005 026
105	Cable grommet		5208 710 177
111	Stopper	∅ 16	5208 411 080

Revolution in lashing down loads

New at EUROPART:

DoTension is the ratchet strap for lashing down

TIP

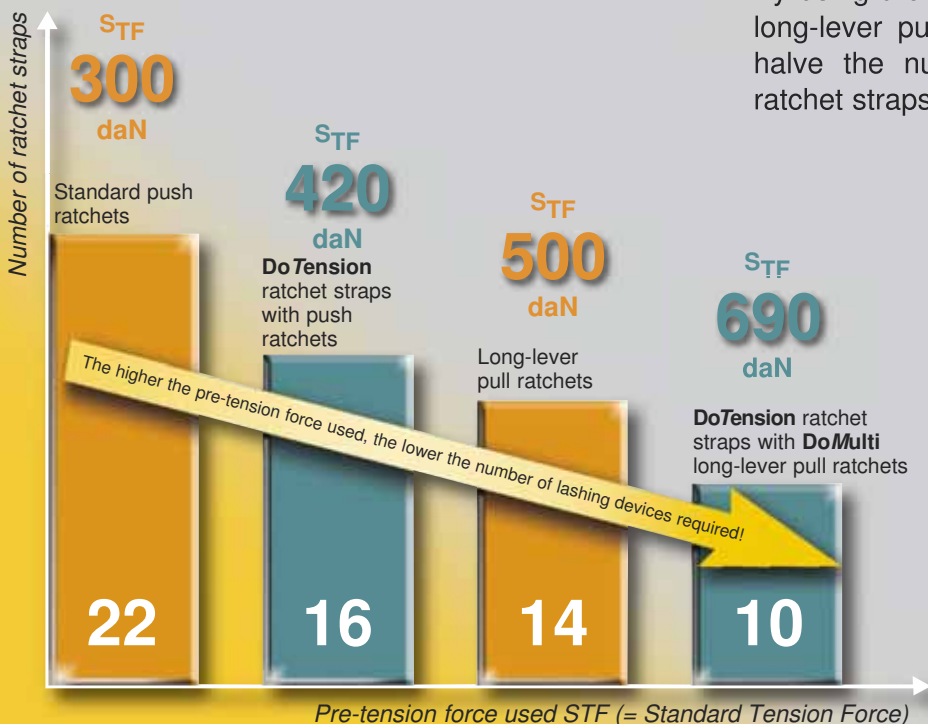
Dolezych has developed a new ratchet strap specifically for lashing down.

With **DoTension**, you can achieve up to 390 daN (= Decanewton) more pre-tension force, which corresponds to a 130% increase in comparison with standard ratchet straps. The higher pre-tension force of the **DoTension** strap means you don't need as many ratchet straps. This allows you to secure loads correctly while saving time and money.

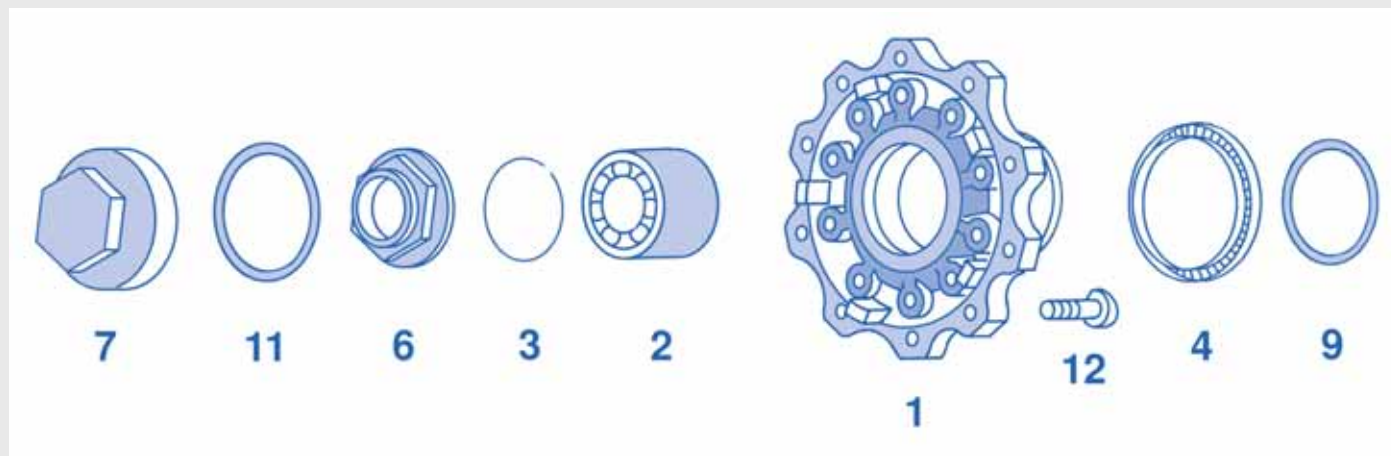
Calculation example for securing loads with/without **DoMulti/DoTension**

To secure a load with a net weight of 6 t by lashing it down using standard ratchet straps, with a coefficient of friction of $\mu = 0.3$ and a lashing angle of $\alpha = 90^\circ$, you will need 22 ratchet straps.

By using the **DoTension** ratchet strap with **DoMulti** long-lever pull ratchet instead, you can more n halve the number of ratchet straps required ratchet straps).

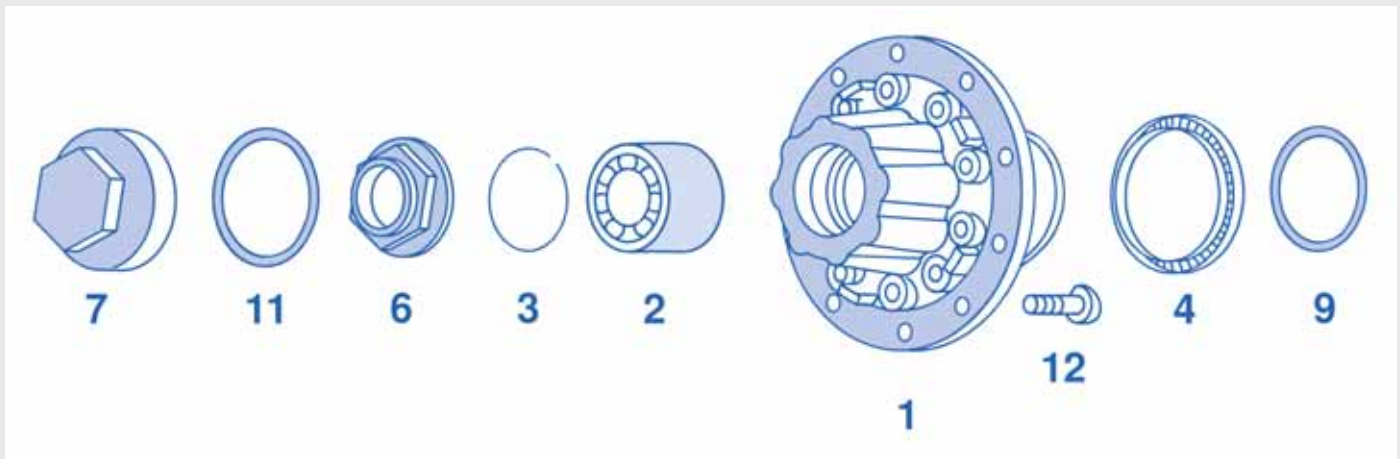


EURO PART
... more than parts



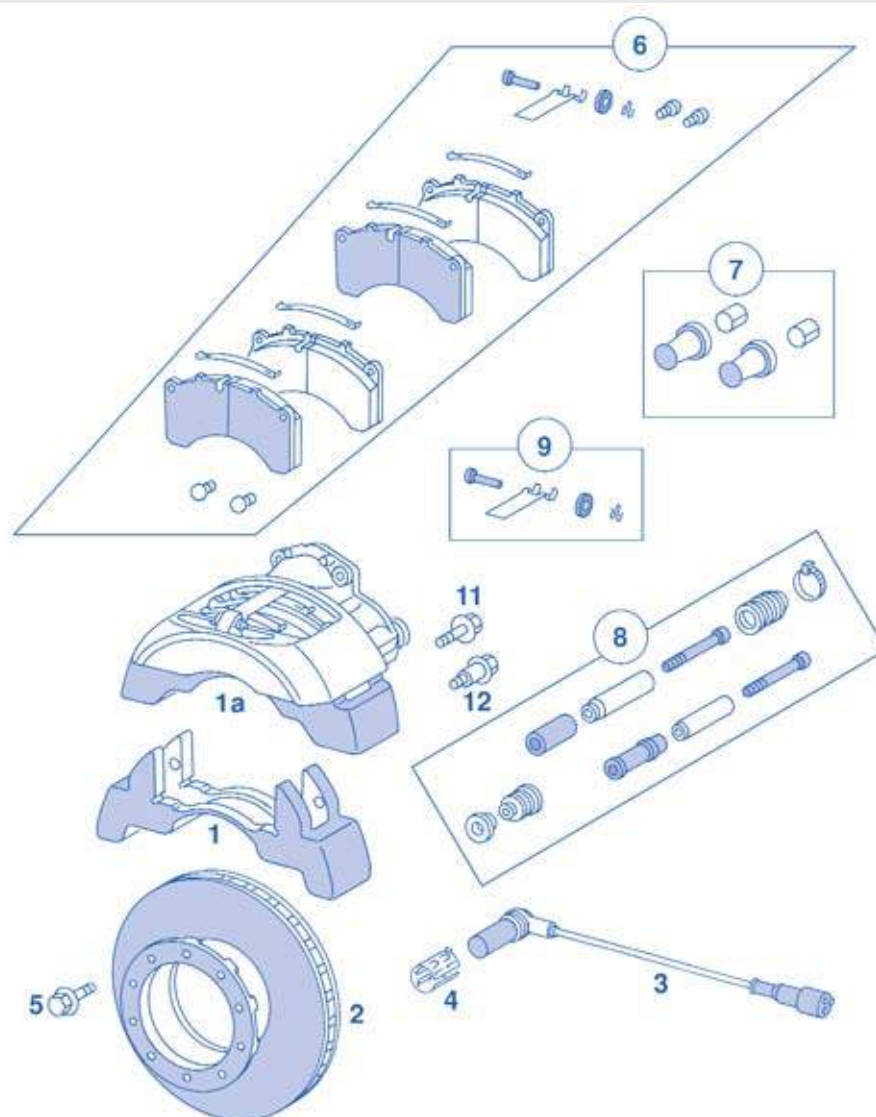
Wheel bearing - type TE5/8 and TE4/8 (9 t/press-in depth 120)

Illustration	Description	Dimensions mm	Order number
1	Wheel hub (incl. fig. 2, 3, 9)		9463 500 535
4	Sensor ring, ABS, Number of teeth 90		9463 340 515
5	Axle nut, with left-hand thread (left side of vehicle)	M80 x 1.5	9469 900 150
6	Axle nut, with right-hand thread (right side of the vehicle)	M80 x 1.5	9469 900 050
7	Wheel-hub cap		9466 356 002
9	Shaft sealing ring, Axle number H240 235 -		9469 970 045
11	Sealing ring, NBR (Perbunan)		9469 978 848
12	Wheel bolt	M22 x 1.5 x 80	2213 003 100
	Wheel nut	M22 x 1.5	1303 221 551



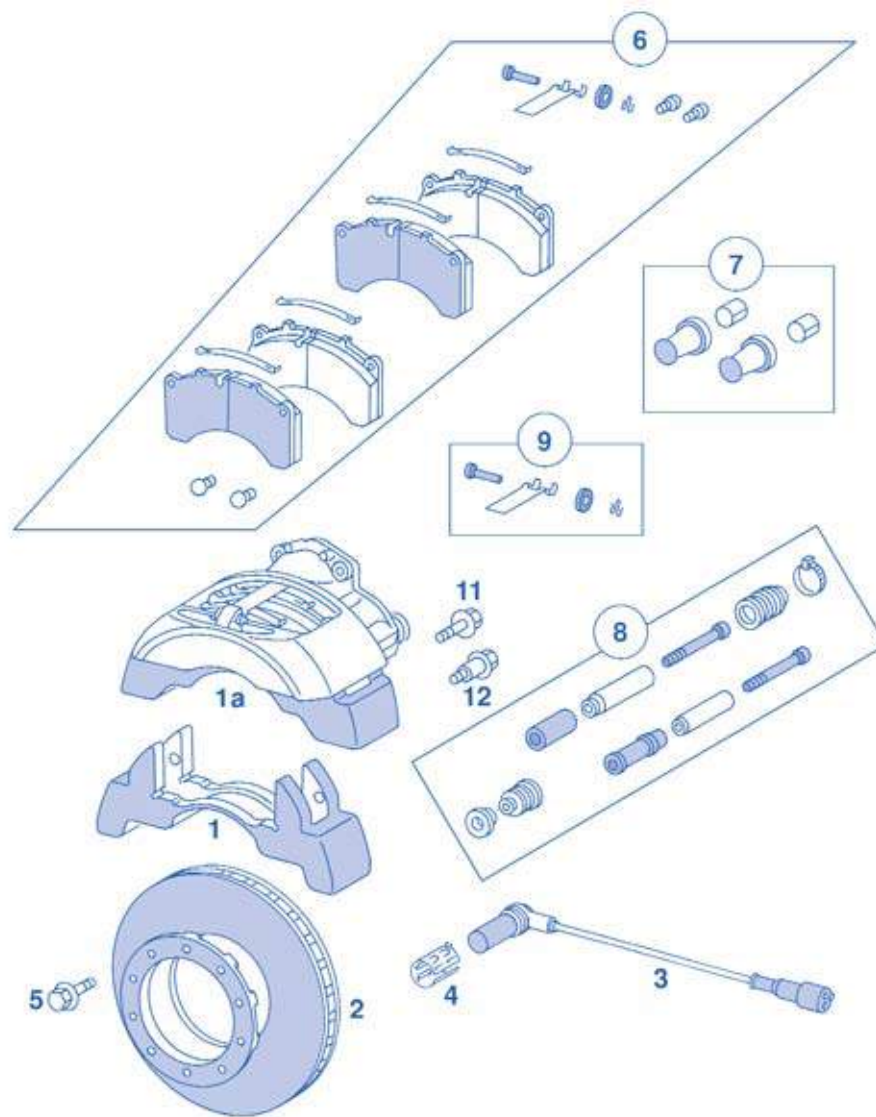
Wheel bearing - type TZ5/8 and TZ4/8 (9 t/press-in depth 0)

Illustration	Description	Dimensions mm	Order number
1	Wheel hub (incl. fig. 2, 3, 9, 11)		9463 500 935
4	Sensor ring, ABS, Number of teeth 90		9463 340 515
5	Axle nut, with left-hand thread (left side of vehicle)	M80 x 1.5	9469 900 150
6	Axle nut, with right-hand thread (right side of the vehicle)	M80 x 1.5	9469 900 050
7	Wheel-hub cap		9466 356 002
9	Shaft sealing ring, Axle number H240 235 -		9469 970 045
11	Sealing ring, NBR (Perbunan)		9469 978 848
12	Wheel bolt	M22 x 1.5 x 80	2213 003 100
	Wheel nut	M22 x 1.5	1303 221 551



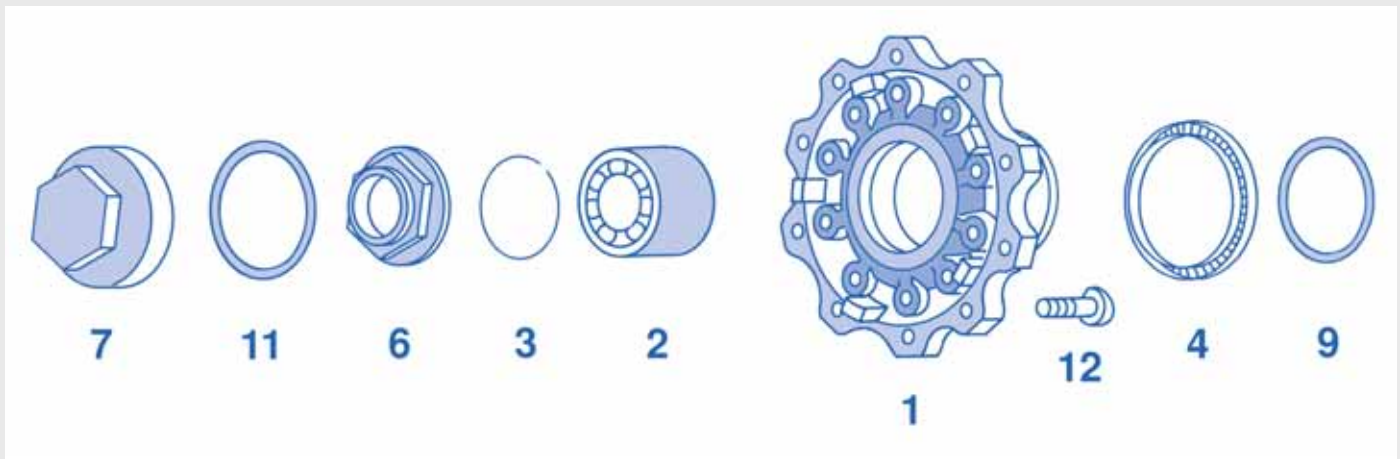
DCA - brake caliper type SN7/22,5"

Illustration	Description	Dimensions mm	Order number
1	Brake anchor plate		9464 212 506
1a	Brake Caliper, left		9464 202 583
1a	Brake Caliper, right		9464 202 683
2	Brake disc		9464 230 013
3	Speed sensor		9465 423 118
4	Clamping sleeve		0687 605 104
5	Bolt TE5	M14 x 1.5 x 75	9469 905 904
6	Brake pad set (for 1 axle)		3419 180 220
7	Pressure pad, with bellows		9464 202 382
8	Guide sealing set		9464 203 482
9	Brake pad hold-down kit		3400 001 290
11	Bolt	M16 x 1.5 x 60	9460 005 536
12	Clamping screw		9460 066 216
	Wear contact set		3400 093 700



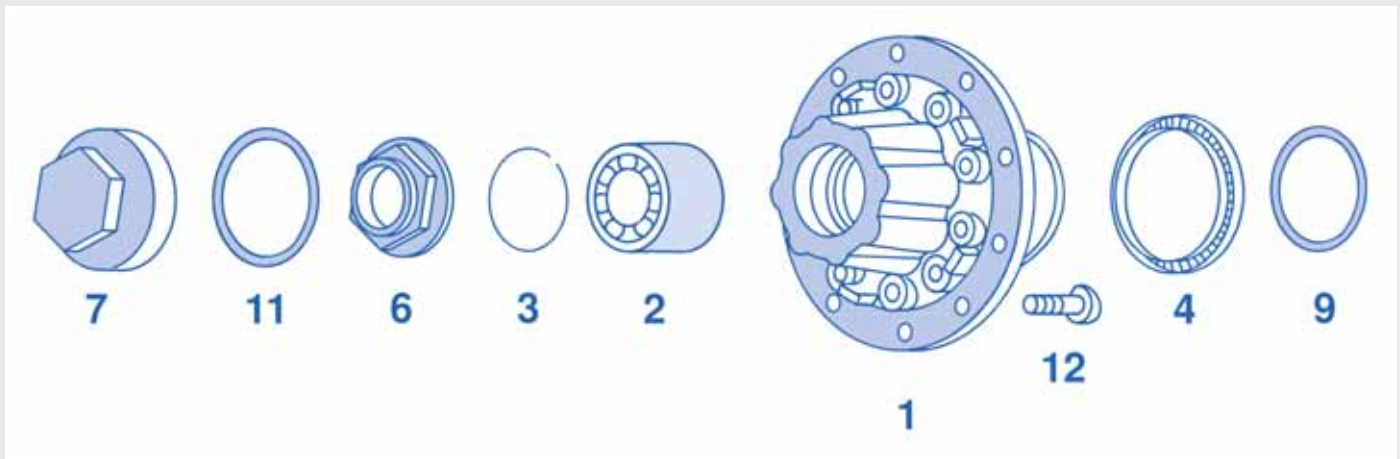
DCA - brake caliper type SN6/19,5"

Illustration	Description	Dimensions mm	Order number
1	Brake anchor plate		9464 212 006
1a	Brake Caliper		3400 047 087
1a	Brake Caliper		3400 047 086
2	Brake disc		9466 754 210
3	Speed sensor		9465 423 118
4	Clamping sleeve		0687 605 104
5	Bolt TE 4	M14 x 1.5 x 70	9465 014 009
6	Brake pad set (for 1 axle)		2129 095 002
7	Pressure pad, with bellows		9464 202 382
8	Guide sealing set		9464 204 682
9	Brake pad hold-down kit		9464 202 582
11	Bolt	M16 x 1.5 x 60	9460 005 536
12	Clamping screw		9460 066 216
	Wear contact set		3400 093 700



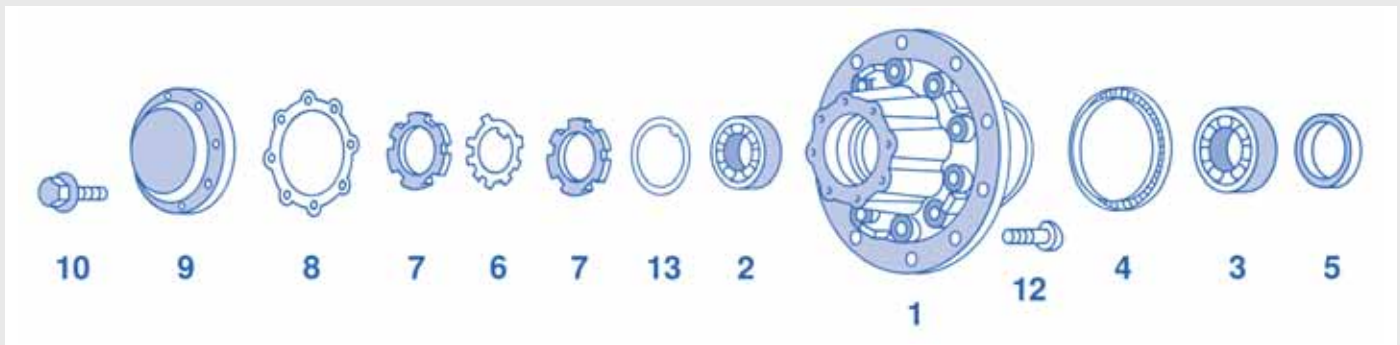
Wheel bearing - type TE5/2, TE4/2 (9 t/press-in depth 120), TL5/1 and TL4/1

Illustration	Description	Dimensions mm	Order number
1	Wheel hub (incl. fig. 2, 3, 9)		9463 500 535
4	Sensor ring, ABS, Number of teeth 90		9463 340 515
5	Axle nut, with left-hand thread (left side of vehicle)	M80 x 1.5	9469 900 150
6	Axle nut, with right-hand thread (right side of the vehicle)	M80 x 1.5	9469 900 050
7	Wheel-hub cap		9466 356 002
9	Shaft sealing ring, Axle number H240 235 -		9469 970 045
11	Sealing ring, NBR (Perbunan)		9469 978 848
12	Wheel bolt	M22 x 1.5 x 80	2213 003 100
	Wheel nut	M22 x 1.5	1303 221 551



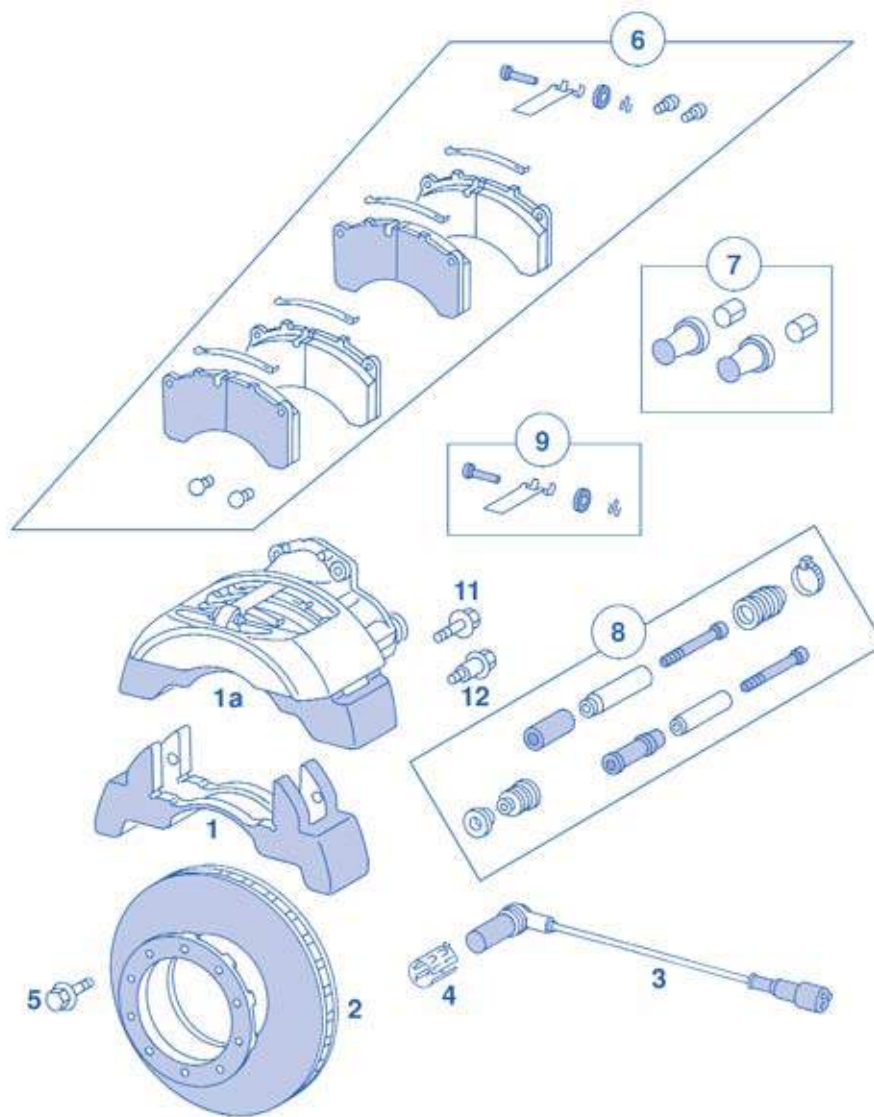
Wheel bearing - type TZ5/4 and TZ4/2 (9 t/press-in depth 0)

Illustration	Description	Dimensions mm	Order number
1	Wheel hub (incl. fig. 2, 3, 9, 11)		9463 500 935
4	Sensor ring, ABS, Number of teeth 90		9463 340 515
5	Axle nut, with left-hand thread (left side of vehicle)	M80 x 1.5	9469 900 150
6	Axle nut, with right-hand thread (right side of the vehicle)	M80 x 1.5	9469 900 050
7	Wheel-hub cap		9466 356 002
9	Shaft sealing ring, Axle number H240 235 -		9469 970 045
11	Sealing ring, NBR (Perbunan)		9469 978 848
12	Wheel bolt	M22 x 1.5 x 80	2213 003 100
	Wheel nut	M22 x 1.5	1303 221 551



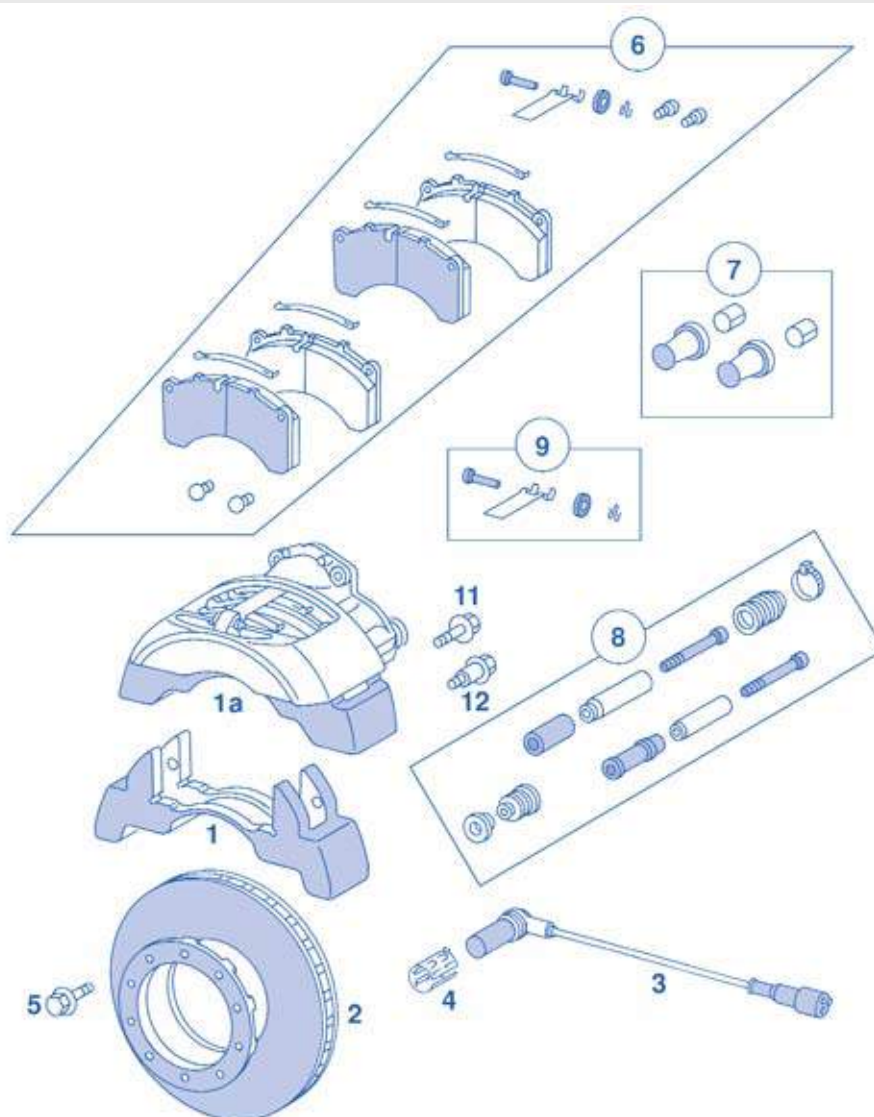
Wheel bearing - type TZ5/2 and TZ3/2 twin tyres (10,5 t/press-in depth 0)

Illustration	Description	Dimensions mm	Order number
1	Wheel hub TZ5/2		9463 561 301
1	Wheel hub TZ3/2		9463 560 301
2	Tapered roller bearing	Ø 130	8001 232 600
3	Tapered roller bearing	Ø 150	8001 330 200
4	Sensor ring, ABS TZ5/2, Number of teeth 100		9460 156 969
4	Sensor ring, ABS TZ3/2, Number of teeth 80		9464 633 401
5	Shaft sealing ring TZ5/2	Ø 150	8002 534 595
5	Shaft sealing ring TZ3/2	Ø 150	9460 245 939
6	Safety plate		9467 635 600
7	Groove nut		9463 560 026
8	Seal	Ø 175	8022 504 487
9	Wheel-hub cap		9460 117 287
10	Bolt	M8 x 16	6170 440 295
12	Wheel bolt	M22 x 1.5 x 80	2213 003 100
12	Wheel bolt	M22 x 1.5 x 110	2213 002 700
13	Spacer		9463 560 252
	Pressure ring	Ø 120 x 100 x 21	9460 066 232
	Wheel nut	M22 x 1.5	1303 221 551



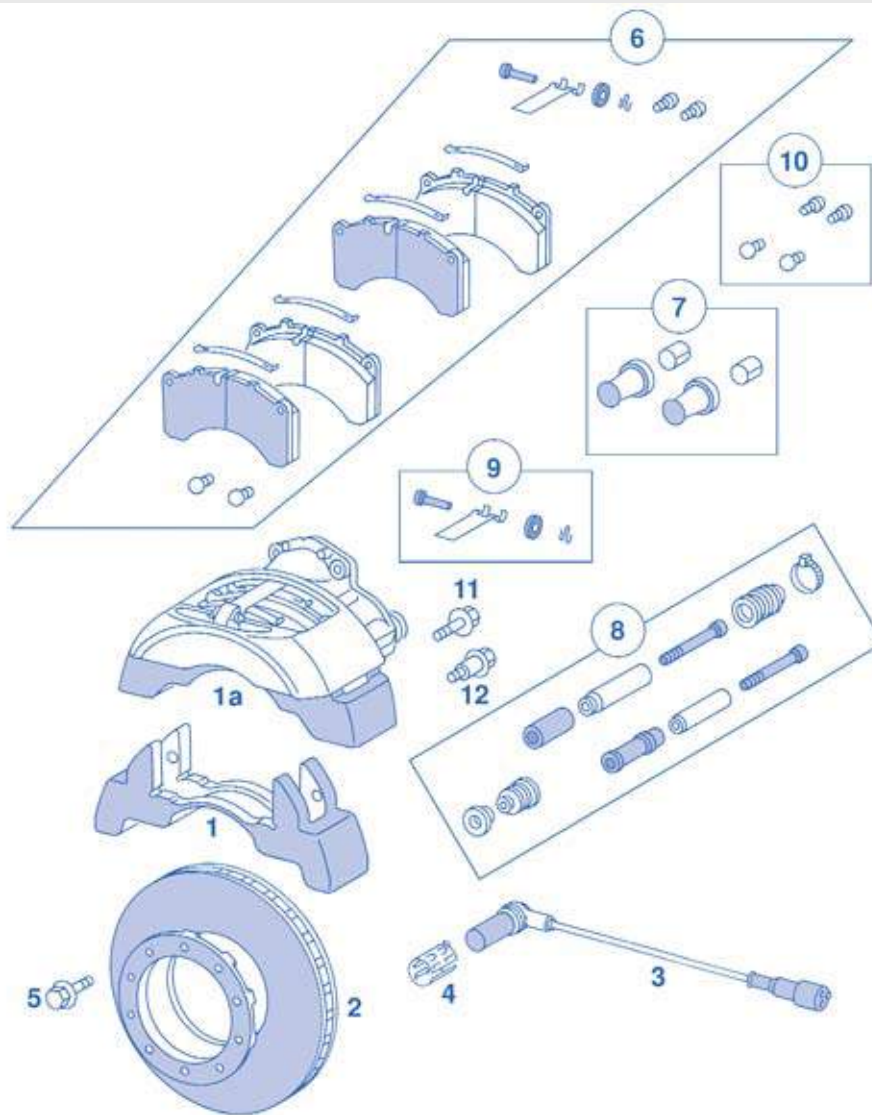
DLS - brake caliper type SN7/22,5"

Illustration	Description	Dimensions mm	Order number
1	Brake anchor plate		9464 212 506
1a	Brake Caliper, left		9464 202 583
1a	Brake Caliper, right		9464 202 683
2	Brake disc		9464 230 013
3	Speed sensor		9465 423 118
4	Clamping sleeve		0687 605 104
5	Bolt TE5	M14 x 1.5 x 75	9469 905 904
6	Brake pad set (with accessories)		2190 873 005
7	Pressure pad, with bellows		9464 202 382
8	Guide sealing set		9464 203 482
9	Brake pad hold-down kit		3400 001 290
11	Bolt	M16 x 1.5 x 60	9460 005 536
12	Clamping screw		9460 066 216
	Wear contact set		3400 093 700



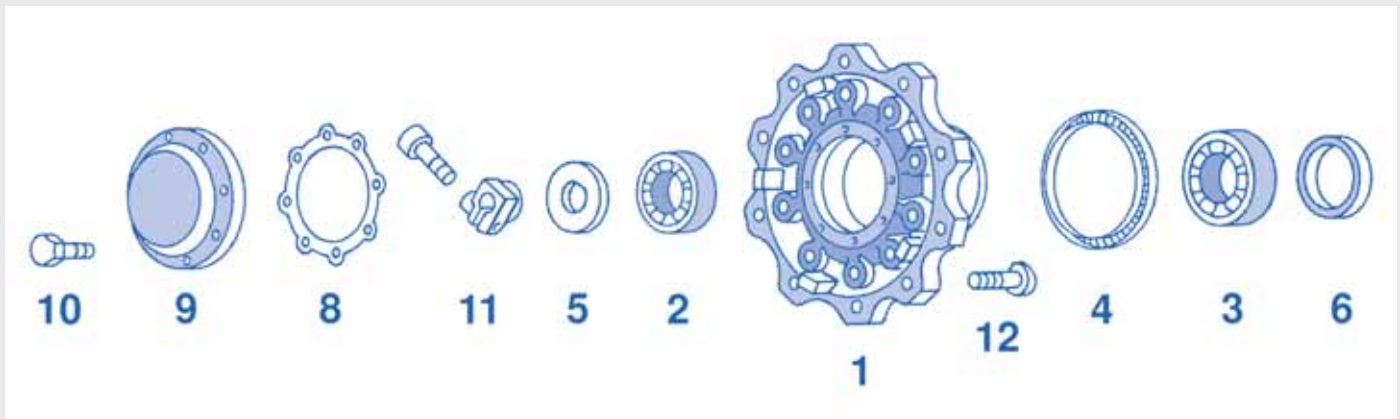
DLS - brake caliper type SN6/19,5"

Illustration	Description	Dimensions mm	Order number
1	Brake anchor plate		9464 212 006
1a	Brake Caliper		3400 047 087
1a	Brake Caliper		3400 047 086
2	Brake disc TE4/TL4	M14 x 10 x 1,5	9466 754 210
2	Brake disc TE5/TZ3	8 x M14 x 1,5	3410 306 770
3	Speed sensor		9465 423 118
4	Clamping sleeve		0687 605 104
5	Bolt TE4	M14 x 1.5 x 70	9460 005 292
5	TORX® hexagon bolt TZ3	M14 x 1.5 x 55	1593 101 528
6	Brake pad set (for 1 axle)		2129 095 002
7	Pressure pad, with bellows		9464 202 382
8	Guide sealing set		9464 204 682
9	Brake pad hold-down kit		9464 202 582
11	Bolt	M16 x 1.5 x 60	9460 005 536
12	Clamping screw		9460 066 216
	Wear contact set		3400 093 700



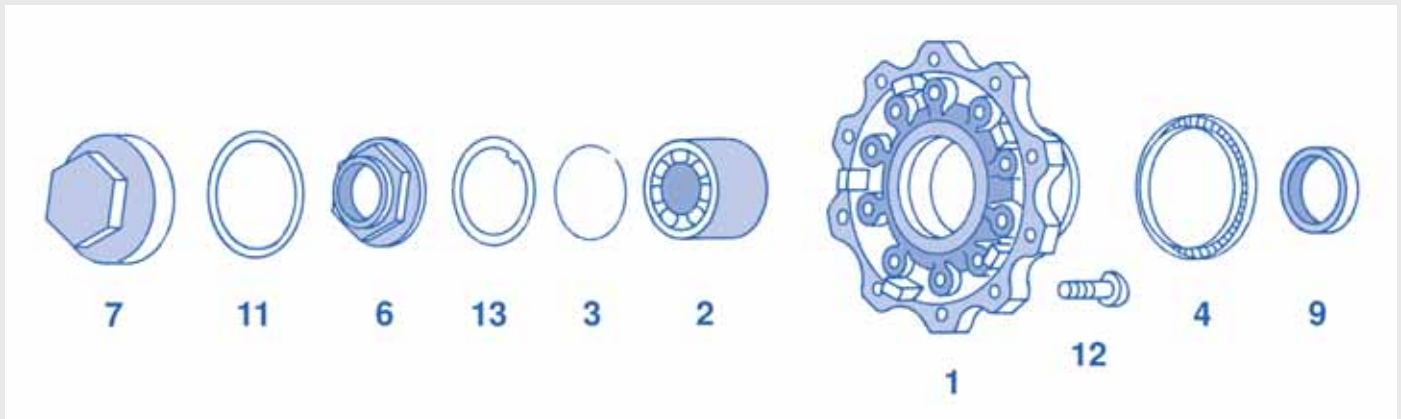
DLS - brake caliper type SN7/22,5"

Illustration	Description	Dimensions mm	Order number
1	Brake anchor plate		9464 213 906
1a	Brake Caliper, left		9464 209 183
1a	Brake Caliper, right		9464 209 283
2	Brake disc		9464 230 013
3	Speed sensor		9465 423 118
4	Clamping sleeve		0687 605 104
5	Bolt TE5	M14 x 1.5 x 75	9469 905 904
6	Brake pad set (with accessories)		2129 158 502
7	Pressure pad, with bellows		9464 204 982
8	Guide sealing set		9464 205 082
9	Brake pad hold-down kit		9464 202 582
10	Adjuster cap set		9464 213 248
11	Bolt	M16 x 1.5 x 60	9460 005 536
12	Clamping screw		9460 066 216
	Wear contact set		3400 093 700



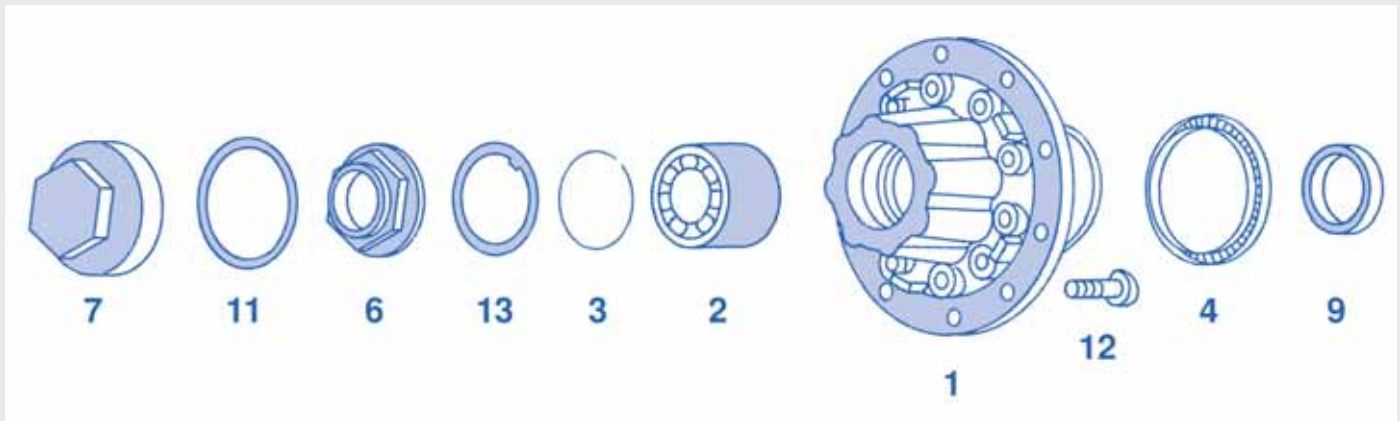
Wheel bearing - type NR 5 with single tyres (9 t/press-in depth 120)

Illustration	Description	Dimensions mm	Order number
1	Wheel hub		9460 066 200
2	Tapered roller bearing	Ø 120	8001 323 112
3	Tapered roller bearing	Ø 150	8001 332 172
4	Sensor ring, ABS, Number of teeth 100		9460 066 202
5	Pressure disc		9460 066 208
6	Shaft sealing ring		9469 974 847
8	Axle nut, complete		9460 066 214
8	Seal	Ø 175	8022 504 487
9	Wheel-hub cap		9460 117 287
10	Bolt	M8 x 16	6170 440 295
12	Wheel bolt	M22 x 1.5 x 80	2213 003 100
12	Wheel bolt	M22 x 1.5 x 68	2213 000 105
	Pressure ring	Ø 120 x 85 x 18	9460 066 206
	Wheel nut	M22 x 1.5	1303 221 551
	Wheel nut, dacrotized	M22 x 1.5	1303 221 552



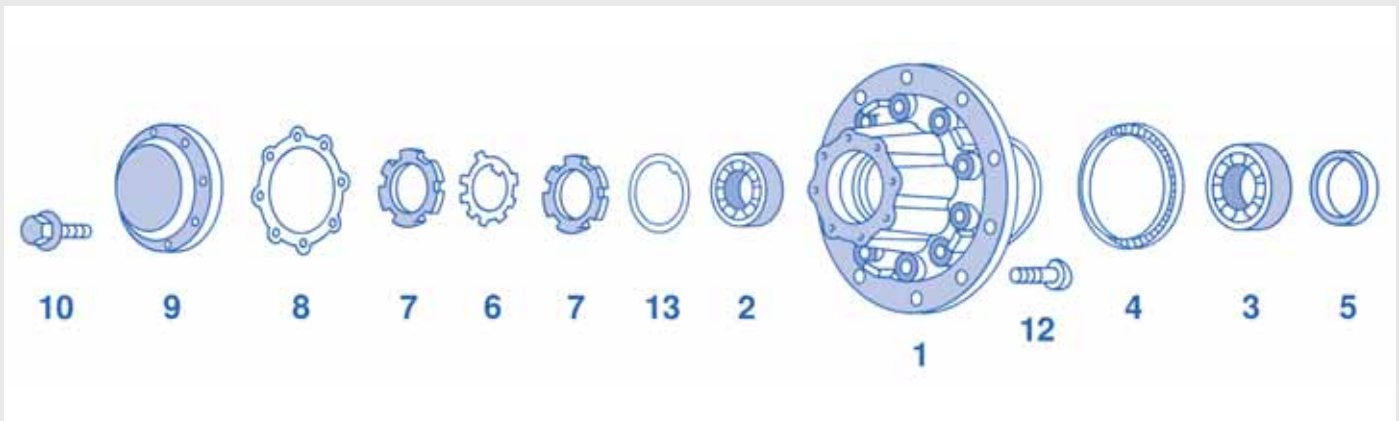
Wheel bearing - type TE4 and TE5 with single tyres (9 t/press-in depth 120)

Illustration	Description	Dimensions mm	Order number
1	Wheel hub (incl. fig. 2, 3, 9)		9463 500 535
3	Circlip		9469 940 035
4	Sensor ring, ABS TE4/TL4, Number of teeth 90		9463 340 515
4	Sensor ring, ABS TE5/TL5, Number of teeth 100		3563 831 138
6	Axle nut, with right-hand thread (right side of the vehicle)	M80 x 1.5	9469 900 050
7	Wheel-hub cap		9466 356 002
9	Shaft sealing ring		9469 970 045
11	Sealing ring, NBR (Perbunan)		9469 978 848
12	Wheel bolt	M22 x 1.5 x 80	2213 003 100
12	Wheel bolt	M22 x 1.5 x 68	2213 000 105
13	Spacer, with right-/right-hand thread, to 22.07.2004		9463 560 252



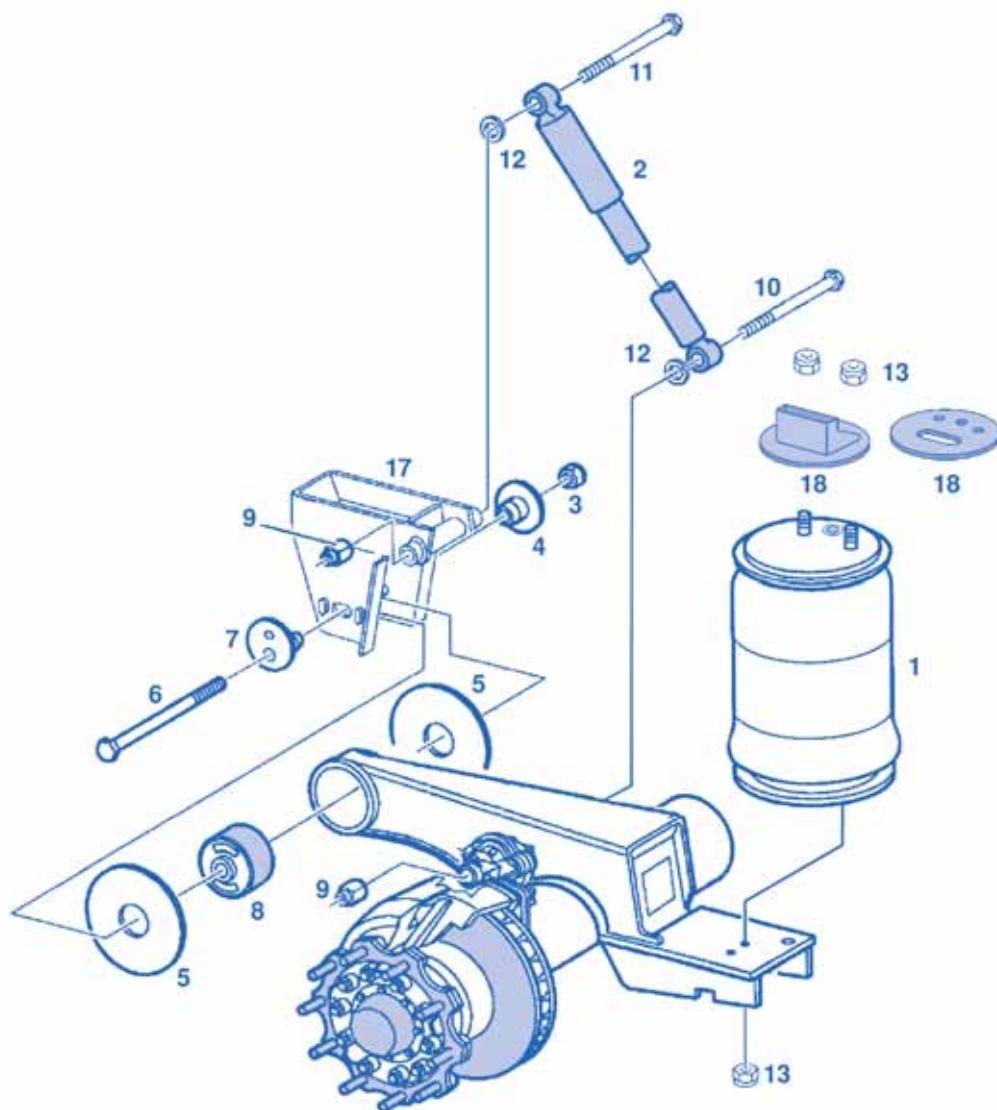
Wheel bearing - type TZ5 with single tyres (9 t/press-in depth 0) and compact bearing

Illustration	Description	Dimensions mm	Order number
1	Wheel hub (incl. fig. 2, 3, 9, 11)		9463 500 935
3	Circlip		9469 940 035
4	Sensor ring, ABS, Number of teeth 90		9463 340 515
6	Axle nut, with right-hand thread (right side of the vehicle), Axle number - H 218 994	M80 x 1.5	9469 900 050
7	Wheel-hub cap		9466 356 002
9	Shaft sealing ring		9469 970 045
11	Sealing ring, NBR (Perbunan)		9469 978 848
12	Wheel bolt	M22 x 1.5 x 80	2213 003 100
13	Spacer, with right-/right-hand thread, to 22.07.2004, Axle number - H 218 994		9463 560 252



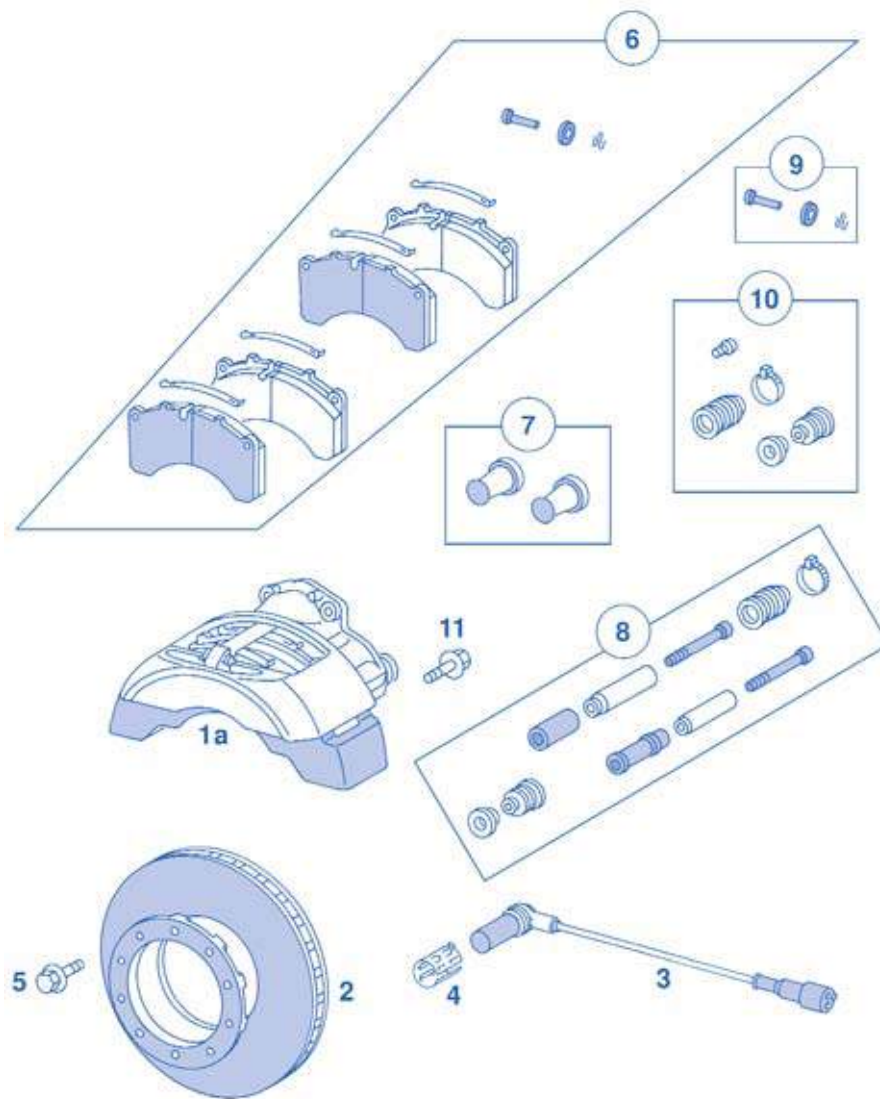
Wheel bearing - type TZ5/TZ3 and type TE5/TE3, twin/single tyres

Illustration	Description	Dimensions mm	Order number
1	Wheel hub TZ5/2, for 10-hole wheel connection		9463 561 301
1	Wheel hub TZ3/2, for 8-hole wheel connection		9463 560 301
2	Tapered roller bearing	∅ 130	8001 232 600
3	Tapered roller bearing	∅ 150	8001 330 200
4	Sensor ring, ABS TZ5/2, Number of teeth 100		9460 156 969
4	Sensor ring, ABS TZ3/2, Number of teeth 80		9464 633 401
5	Shaft sealing ring, for 10-hole wheel connection	∅ 150	8002 534 595
5	Shaft sealing ring, for wheel hub	∅ 150	9460 245 939
6	Safety plate		9467 635 600
7	Groove nut		9463 560 026
8	Seal	∅ 175	8022 504 487
9	Wheel-hub cap		9460 117 287
10	Bolt	M8 x 16	6170 440 295
12	Wheel bolt	M22 x 1.5 x 80	2213 003 100
12	Wheel bolt	M22 x 1.5 x 110	2213 002 700
13	Spacer, with right-/right-hand thread, to 22.07.2004, Axle number - H 218 994		9463 560 252
	Pressure ring	∅ 120 x 100 x 21	9460 066 232
	Wheel nut	M22 x 1.5	1303 221 551



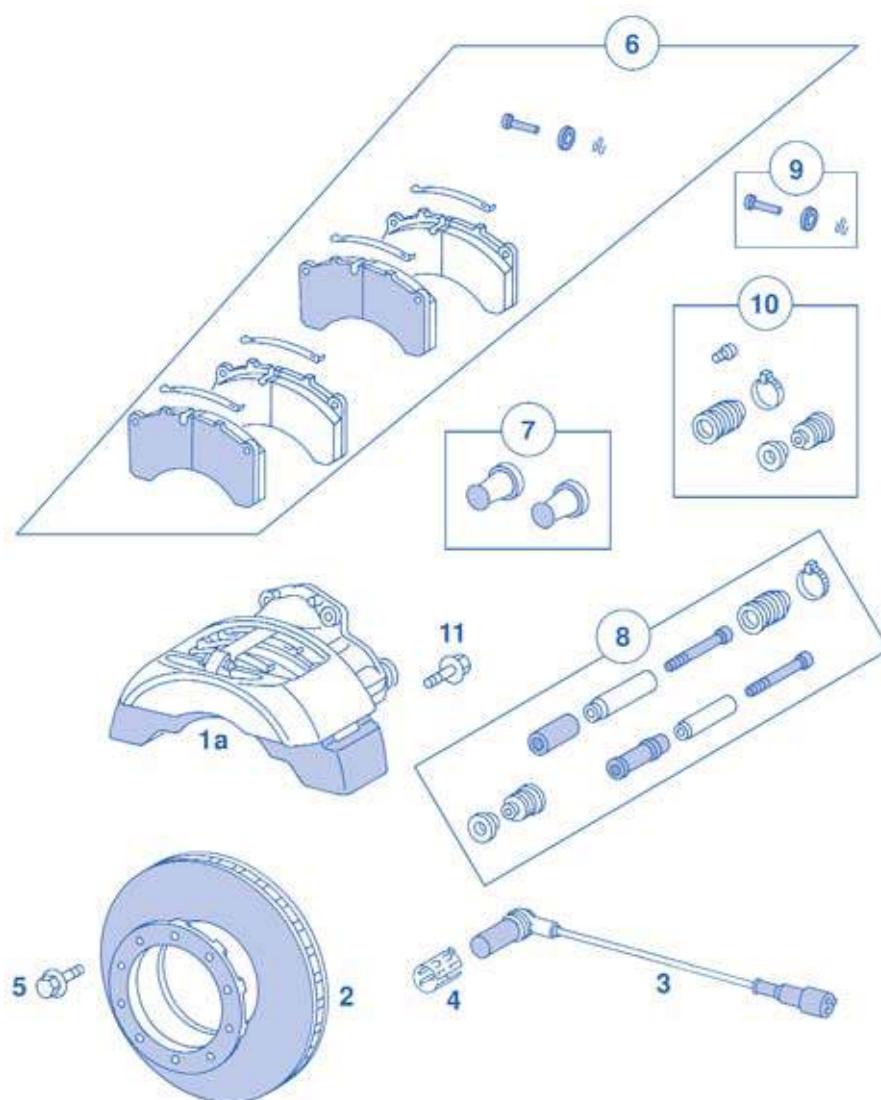
NR 5 - air spring system HDB

Illustration	Description	Dimensions mm	Order number
1	Air spring bellows		9463 281 201
2	Shock absorber, eye/eye		9463 260 100
3	Wheel nut	M22 x 1.5	1303 221 551
4	Eccentric washer, inside		4051 000 001
5	Plastic washer, Axle number - H155 656		9463 280 076
5	Plastic washer, Axle number H155 657 -		9466 328 067
6	Bolt	M22 x 1.5 x 185	9469 901 301
7	Eccentric washer, outside		4051 000 000
8	Silent bush, 3D bush spring assembly		9463 900 150
9	Hexagon nut	M20 x 1.5	9460 005 901
10	Bolt, bottom	M20 x 1.5 x 130	9465 020 020
11	Bolt, top	M20 x 1.5 x 220	9460 023 580
12	Washer	∅ 20 x 50	9469 900 740
13	Hexagon nut	M12	9469 900 251



NR 5 - brake caliper type SB6/SN6/19,5"

Illustration	Description	Dimensions mm	Order number
1a	Brake Caliper		3400 047 087
1a	Brake Caliper		3400 047 086
2	Brake disc, Number of holes 10	M14 x 10 x 1,5	9466 754 210
2	Brake disc, Number of holes 8	8 x M14 x 1,5	3410 306 770
3	Speed sensor		9465 423 118
4	Clamping sleeve		0687 605 104
5	Bolt TE 4, Number of holes 10	M14 x 1.5 x 70	9465 014 009
5	TORX® hexagon bolt TZ3, Number of holes 8	M14 x 1.5 x 55	1593 101 528
6	Brake pad set (for 1 axle)		2129 094 300
7	Pressure pad set		3400 110 013
8	Guide sealing set		9464 203 482
9	Brake pad hold-down kit		9464 202 582
10	Guide sealing set		3432 809 062
11	Bolt	M16 x 1.5 x 60	9461 050 160
	Close-tolerance bolt (only for 10 hole wheel connection)		1593 101 526
	Sensor bracket for BVA/ABS		9463 281 940
	Wear contact set		3400 093 700



NR 5 - brake caliper type SB7/SN7/22,5"

Illustration	Description	Dimensions mm	Order number
1a	Brake Caliper, left		9464 202 583
1a	Brake Caliper, right		9464 202 683
2	Brake disc		3403 460 000
3	Speed sensor		9465 423 118
4	Clamping sleeve		0687 605 104
5	Bolt TE5	M14 x 1.5 x 75	9469 905 904
6	Brake pad set (with accessories)		2120 290 610
7	Pressure pad set		3400 110 013
8	Guide sealing set		9464 203 482
9	Brake pad hold-down kit		9464 202 582
10	Guide sealing set		3432 809 062
11	Bolt	M16 x 1.5 x 60	9461 050 160
	Clamping screw		9460 066 216
	Sensor bracket for BVA/ABS		9463 281 940
	Wear contact set		3400 093 700


EUROPART Show Truck

On the road – our parts under continuous testing!*



The film of the EUROPART parts installation!



 Follow us now on Facebook:
www.facebook.com/Europartshowtruck

We offer more –
A strong brand on the move.

Alongside brands from the well-known manufacturers, EUROPART also offers a comprehensive own-brand program with more than 5,000 items from the various EUROPART ranges. **Top quality at a fair price.**

The EUROPART Show Truck is driving with EUROPART brand parts installed: With DEKRA support, we will regularly keep you informed of the performance of our own-brand parts and would thus like to show our customers the case which speaks for us in terms of quality, safety and economy.

Come along with us during our continuous test and look forward to seeing the results.

* The conversion of the vehicle was conducted by the DEKRA Automobil GmbH branch in Cologne on February 6th 2012. In the near future, together with DEKRA, we will regularly test the condition and quality of our parts.

**EURO
PART** 
... more than parts



Stroke odometer

for journey monitoring, mounting directly on the axle cap or impact protected installation in special axle cap

Application range

for all types of commercial vehicle

Tyre size	Scope mm	Order number
7.50-20, 255.70-22,5, 285.60-22,5, 455.40-22,5, 305.60-22,5, 315.60-22,5, 435.50-19,5	2860	3001 003 868
11.00-20, 14.80-20, 365.80-20, 12.00-22,5, 315.80-22,5, 365.70-22,5, 365.80-22,5	3310	3001 328 000
385.65-22,5/15.00-22,5/18.00-19,5	3260	3001 502 250

Accessories

Wheel-hub cap

Order number
3002 020 000



Air spring bellows

Form conical

Application range

for BPW axle assembly

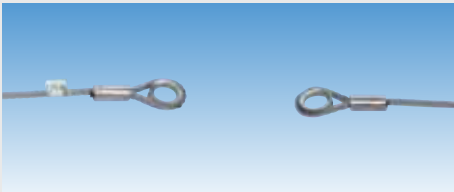
Illustration similar

Height mm	Outer Ø mm	Weight kg	Version	Order number
423	248	4.7	without piston, with cover	6054 294 091
523	248	5	without piston, with cover	6054 294 003
420	300	6.5	with cover	6054 294 101
520	300	6.8	without piston, with cover	6054 294 001



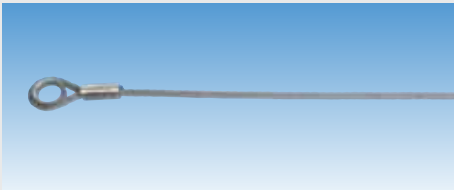
Air spring bellows

Order number	Comparative number
7770 410 087	Schmitz FAG041-0087



Safety cable

Length mm	Order number	Comparative number
730	6164 382 526	BPW 05.327.14.150
940	6164 382 515	BPW 05.327.14.040
1010	6164 382 516	BPW 05.327.14.050
1060	6164 382 517	BPW 05.327.14.060
1160	6164 382 513	BPW 05.327.14.020
1120	6164 382 514	BPW 05.327.14.030
1220	6164 382 512	BPW 05.327.14.010
1270	6164 382 510	BPW 05.327.14.090
1330	6164 382 519	BPW 05.327.14.080
1380	6164 382 525	BPW 05.327.14.140
1415	6164 382 521	BPW 05.327.14.100
1455	6164 382 518	BPW 05.327.14.070
1500	6164 382 522	BPW 05.327.14.110
1550	6164 382 523	BPW 05.327.14.120



Safety cable

Length 1300 mm

Order number	Comparative number
7778 171 340	Schmitz 817134



Dust sleeve

for brake camshaft

Height 25 mm
Diameter 41 mm

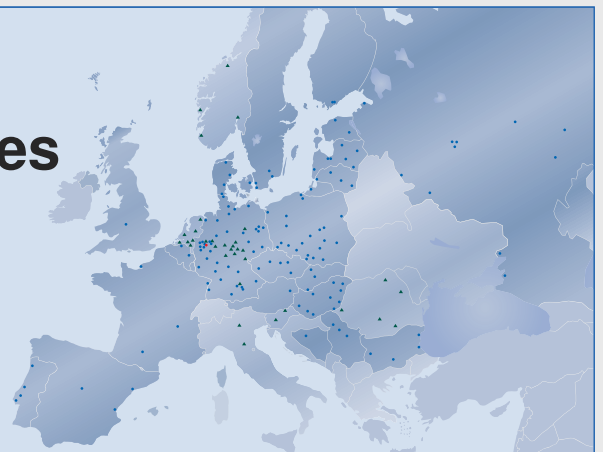
Order number	Comparative number
6142 317 412	BPW 03.120.63.01.0

Illustration similar

**Our network –
190 locations in 28 countries**

**EUROPART – the international
partner for the workshop**

www.europart.net





Axle plate

Order number

7770 107 710

Comparative number

Schmitz 010771



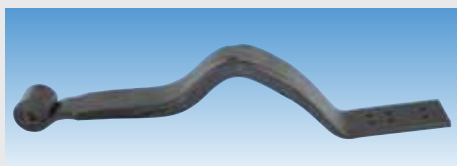
U-bolt plate

Order number

7770 164 960

Comparative number

Schmitz 1015044



Pitman spring

Order number

7770 165 010

Comparative number

Schmitz 016501



Axle lift

Installation sideleft/right

Order number

7771 006 352

Comparative number

Schmitz 1006352


**EURO
PART**

Shock absorber

Version	twin-tube system
Installation location	rear axle
Length	295-420 mm
Fastening	eye/eye

10 tonnes static useful load
Order number
9200 186 760

Illustration similar



Shock absorber

Order number
7771 008 054
Comparative number

Schmitz 1093977



Shock absorber

Version	oil pressure, twin-tube system
Fastening	eye/eye

Order number
7770 170 900
Comparative number

Schmitz 017090



Wheel nut protective cap

Order number
7770 163 430
Comparative number

Schmitz 016343



Parking brake

Version	with turn-down crank and cable eye (15 mm diameter)
Length	740 mm
Thread	25 x 5 mm
Radius	200 mm
Colour	black
Weight	2.97 kg

Order number
9081 312 690

Accessories

Parking brake lever

with spring and pin

Order number
9081 312 700



Parking brake

Version	with turn-down crank and cable roller (60 mm diameter)
Length	405/510 mm
Thread	25 x 5 mm
Radius	200 mm
Colour	black
Weight	3.34 kg

Order number
9081 313 400

Accessories

Parking brake lever

with spring and pin

Order number
9081 312 700



Parking brake

Version	with slewing crank, rope pulley (80 mm diameter), single-start trapezoidal thread (26 x 5 mm), forged spindle nut C 45
Length	440 mm
Stroke	200 mm
Gradient	5 mm
Crank radius	300 mm
Weight	5.05 kg

Order number
9081 315 510

EUROPART engine, hydraulic and gearbox oils

Whether it's fully synthetic, part synthetic or universal multigrade gearbox oils for manual gearboxes, hypoid axles or automatic gearboxes: From us you can obtain high-quality engine, hydraulic and gearbox oils with all the necessary approvals at competitive prices.

We'd be pleased to advise you!



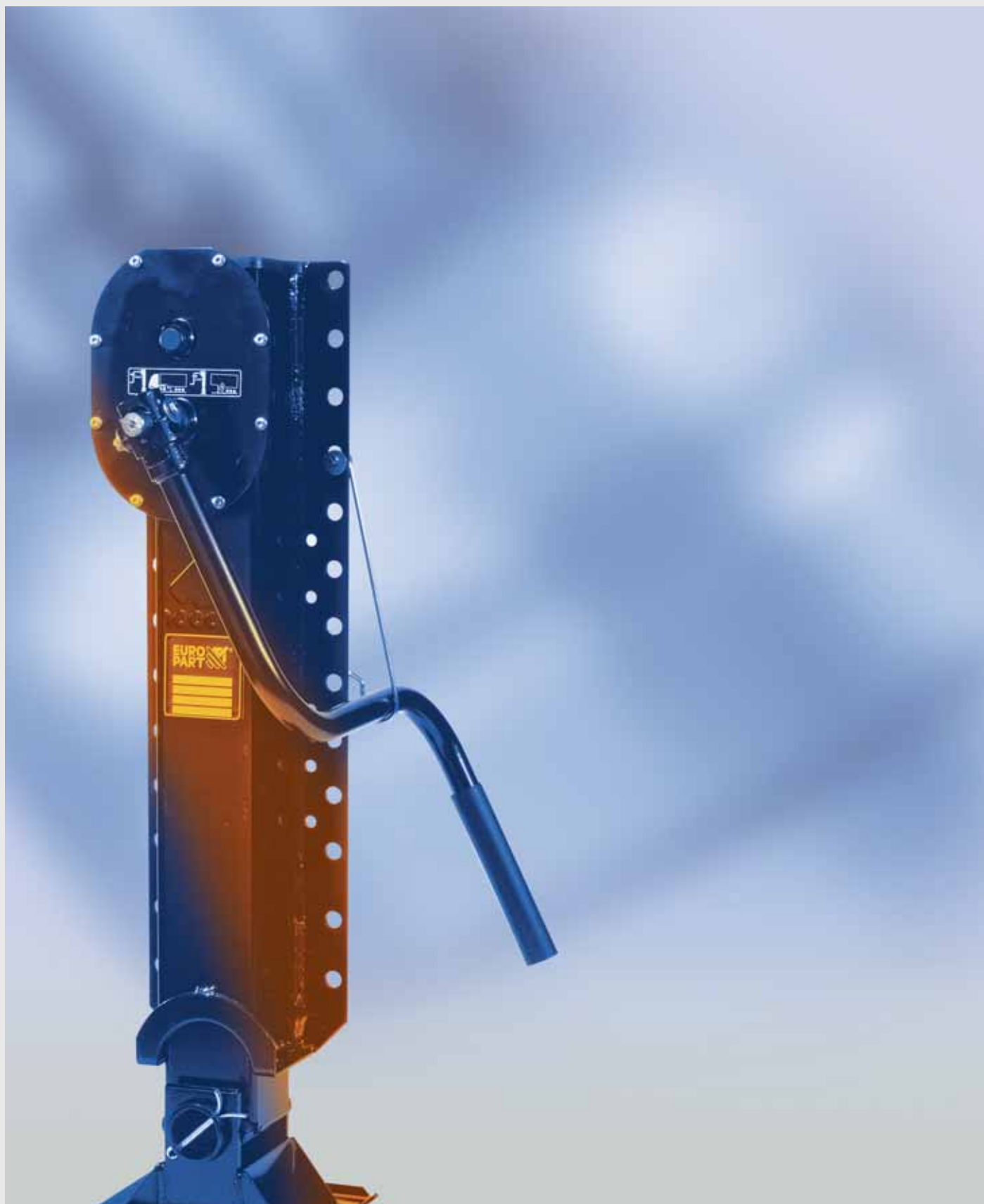
More information from:

www.europart.net

**EURO
PART** 
... more than parts

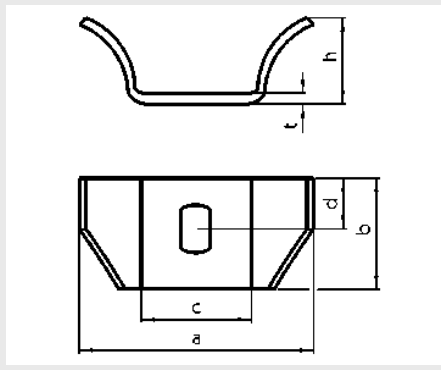
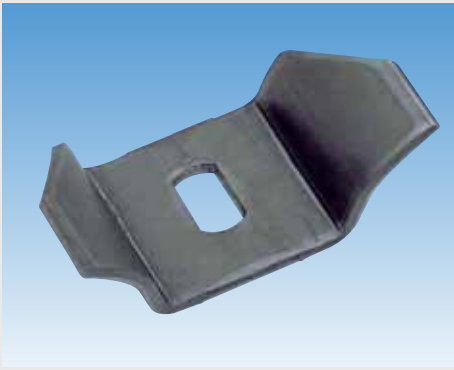
Chassis

2



Chassis mounting	216
Sprags/holders	217-219
Supporting winches	220-233
Spare wheel holders	234-236
Underrun protection.	237-243

2

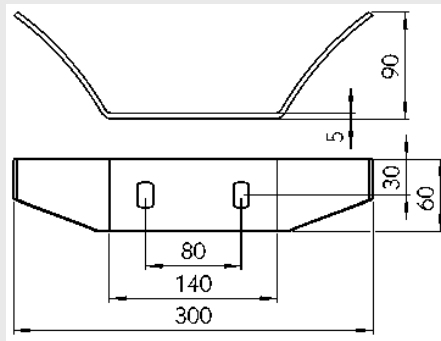
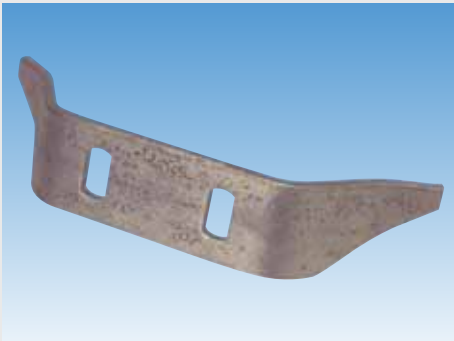


Weld-on bracket

Surface untreated

Application range
for subframe fixing

Size	a mm	b mm	c mm	d mm	h mm	t mm	Hole size mm	Order number
1	106	50	50	27	40	5	21,5 x 13	9081 411 020
2	155	60	70	29	69	6	25 x 17	9081 411 030
3	155	60	70	29	73	8	25 x 17	9081 412 000



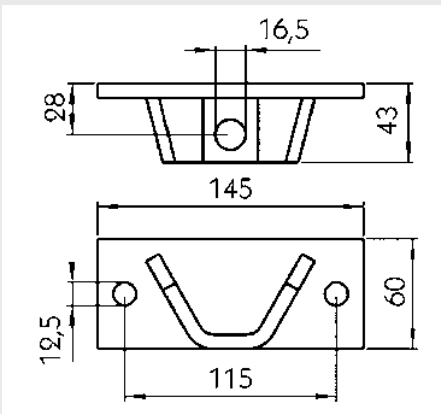
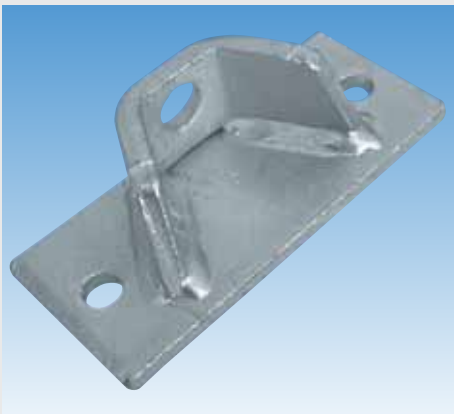
Weld-on bracket

with 2 slotted holes

Width 300 mm
Height 90 mm
Hole size 30 x 15 mm
Surface untreated

Order number

9081 413 140



Mounting console

with 2 holes

Type 650 L
Length 145 mm
Width 60 mm
Height 43 mm
Surface galvanised

Application range
for subframe fixing

Order number

9081 413 910



Chock

with integrated handle

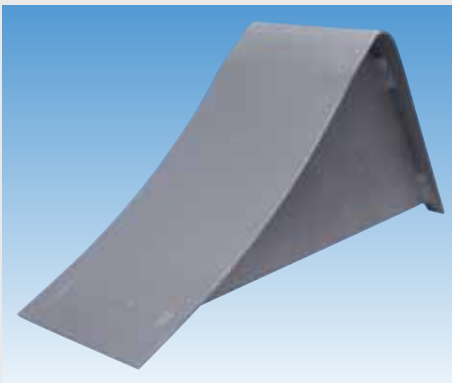
Standard DIN 76051
Form G

Version	Length mm	Width mm	Height mm	Surface	Order number
G 36, with hole	320	120	150	primed	9081 413 980
G 36, with hole	320	120	150	galvanised	9081 414 010
G 46, without hole	380	160	190	primed	9081 413 990
G 46, without hole	380	160	190	galvanised	9081 414 020
G 53, without hole	470	200	230	primed	9081 414 000
G 53, without hole	470	200	230	galvanised	9081 414 031

Accessories

Sprag bracket

Version	Clearance mm	Surface	Order number
G 36, with new wire spring	125	primed	9081 414 040
G 36, with new wire spring	125	galvanised	9081 414 070
G 46	165	primed	9081 414 050
G 46	165	galvanised	9081 414 080
G 53, with new wire spring	205	primed	9081 414 060
G 53, with new wire spring	205	galvanised	9081 414 090



Chock

with protruding bowed handle

Standard similar to DIN 76051
Form D

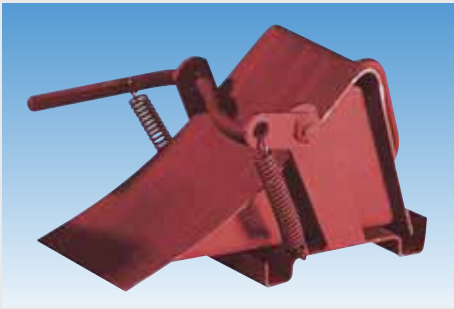
Version	Length mm	Width mm	Height mm	Overall weight, perm. kg	Order number
D 250	250	110	140	2500-6000	9081 411 070
D 280	280	150	170	6000-9000	9081 411 080
D 340	340	170	200	9000-15000	9081 411 090
D 400	400	190	230	über 15000	9081 411 100

Accessories

Sprag bracket

Surface primed

Version	suitable for	Clearance mm	Order number
H 250	D 250 stop block	115	9081 411 110
H 280	D 280 stop block	155	9081 411 120
H 340	D 340 stop block	175	9081 411 130
H 400	D 400 stop block	195	9081 411 140



Chock

with protruding bowed handle

Standard	similar to DIN 76051
Form	D
Surface	primed

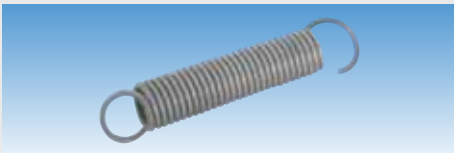
Version	Length mm	Width mm	Height mm	Order number
size 360	320	120	150	9081 414 100
Gr. 460	380	160	190	9081 414 110
Gr. 530	470	200	230	9081 414 120

Accessories

Sprag bracket

Surface	primed
---------	--------

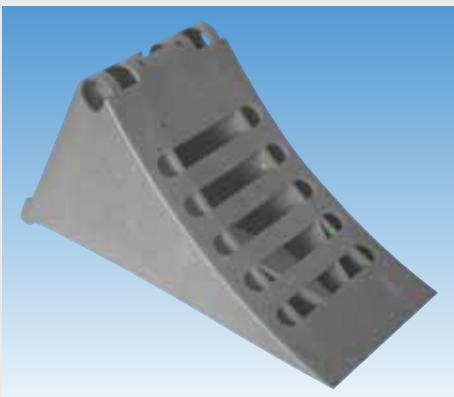
Version	suitable for	Clearance mm	Order number
H 360	stop block Gr. 360	125	9081 414 130
H 460	stop block Gr. 460	165	9081 414 140
H 530	stop block Gr. 530	205	9081 414 150



Tension spring

for stop block bracket H 340/H 400/H 530

Order number	9081 414 820
--------------	--------------



Chock

Version	G 46
Standard	DIN 76051
Form	G
Length	385 mm
Width	160 mm
Height	198 mm
Colour	yellow
Material	plastic

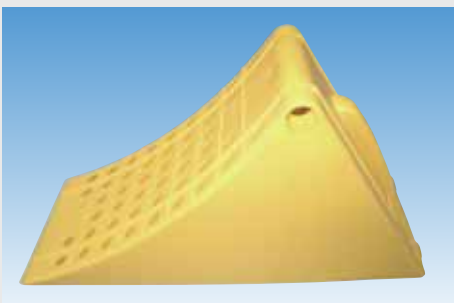
Order number	9080 141 701
--------------	--------------

Accessories

Sprag bracket

suitable for a maximum of 2 plastic stop blocks

Order number	9081 417 170
--------------	--------------



Chock

Version	G 53
Standard	DIN 76051
Form	G
Length	475 mm
Width	200 mm
Height	227 mm
Colour	yellow
Material	plastic

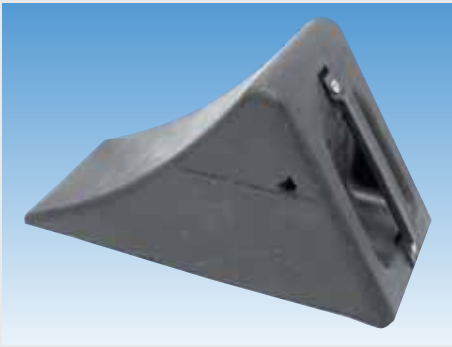
Order number	9370 653 000
--------------	--------------

Accessories

Sprag bracket

suitable for a maximum of 2 plastic stop blocks

Order number	9081 417 170
--------------	--------------



Chock

Version	G 46
Standard	similar to DIN 76051
Form	G
Length	350 mm
Width	160 mm
Height	190 mm
Colour	black
Material	rubber

Order number
9081 414 730

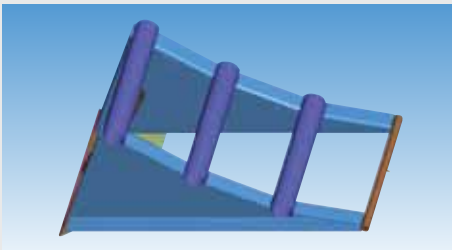
Accessories

Sprag bracket

Clearance	165 mm
-----------	--------

Surface

primed	9081 414 050
galvanised	9081 414 080



Chock

with integrated handle

Version	G 53
Standard	DIN 76051
Form	G
Length	471 mm
Width	196 mm
Height	226 mm
Material	sheet steel
Surface	hot-galvanised

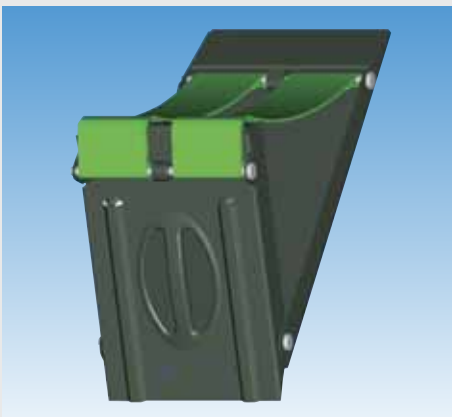
Order number
9372 753 500

Accessories

Sprag bracket

Clearance	205 mm
Surface	galvanised

Order number
9081 415 600



Chock

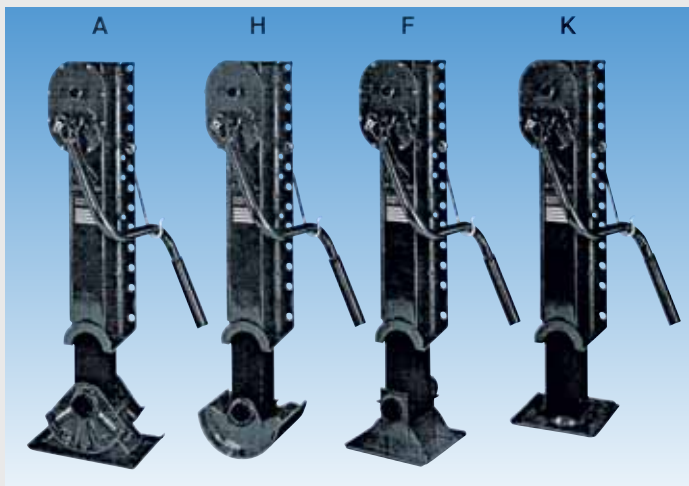
with integrated handle

Version	G 53, folding
Standard	DIN 76051
Form	G
Length	470 mm
Width	200 mm
Height	230 mm
Colour	black
Material	sheet steel
Surface	powder-coated

Scope of supply

with 2 green coloured polyester straps

Order number
9080 753 705

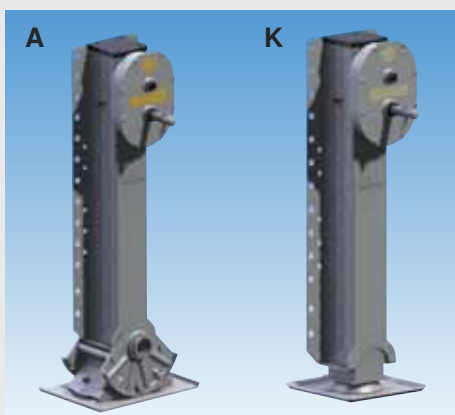


Landing legs

Load capacity	24 t
Drawbar load	50 t
Low L	1 mm
Overdrive	20 mm

Base shape	Type	Version	Overall height mm	Stroke mm	Order number
A	S2000Plus/LA930	with gear, without crank	930	510	3033 200 401
A	S2000Plus/LA930	without gear	930	510	3033 200 402
A	S2000Plus/LA880	with gear, without crank	880	460	3033 200 421
A	S2000Plus/LA880	without gear	880	460	3033 200 422
H	S2000Plus/LH930	with gear, without crank	930	510	3032 200 101
H	S2000Plus/LH930	without gear	930	510	3032 200 103
H	S2000Plus/LH880	with gear, without crank	880	460	3032 200 121
H	S2000Plus/LH880	without gear	880	460	3032 200 122
F	S2000Plus/LF910	with gear, without crank	910	510	3033 200 301
F	S2000Plus/LF910	without gear	910	510	3033 200 302
K	S2000Plus/LK900	with gear, without crank	900	550	3032 200 191
K	S2000Plus/LK900	without gear	900	550	3032 200 192
K	S2000Plus/LK850	with gear, without crank	850	550	3032 200 201
K	S2000Plus/LK850	without gear	850	550	3032 200 203
K	S2000Plus/LK650	with gear	650	340	3032 200 181
K	S2000Plus/LK650	without gear	650	340	3032 200 182

A = compensating base, H = semi-rounded, F = flexible supporting base, K = ball-shaped base

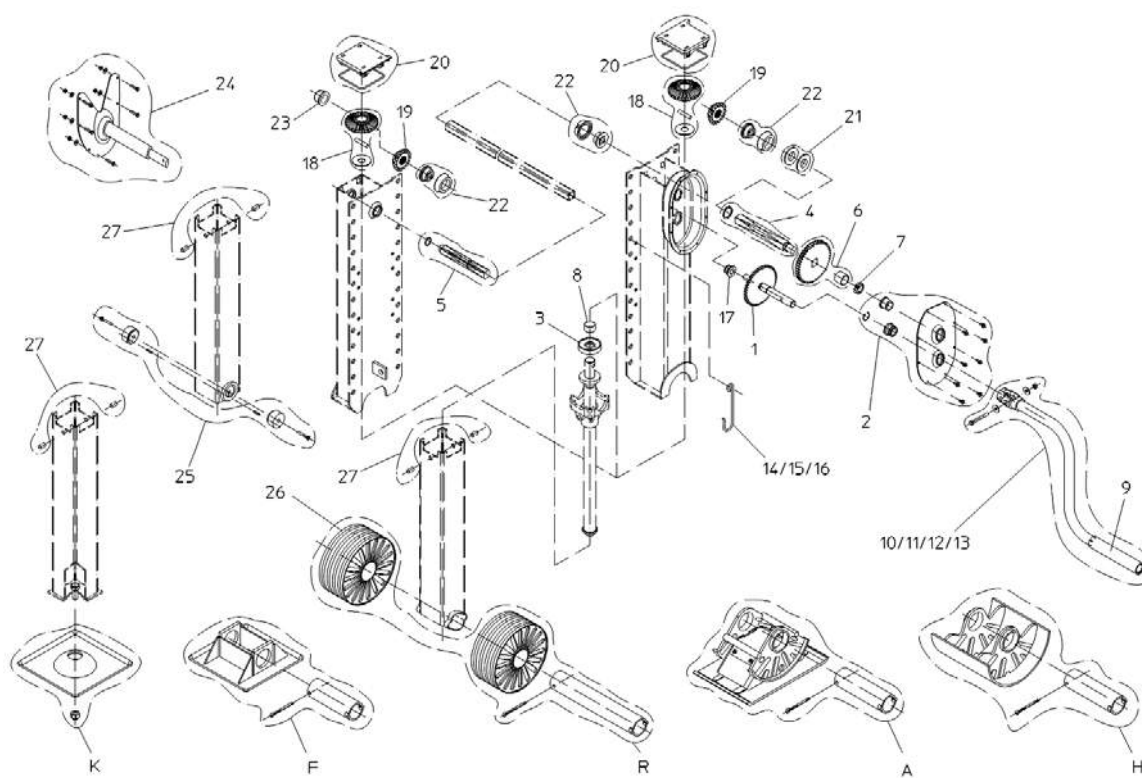


Landing legs

Load capacity	24 t
Drawbar load	50 t
Low L	1 mm
Overdrive	20 mm

Base shape	Type	Version	Overall height mm	Stroke mm	Order number
A	S2000Plus/LA830	with gear unit	830	400	9622 110 510
A	S2000Plus/LA830	without gear unit	830	400	9622 110 690
A	S2000Plus/LA780	with gear unit	780	360	9622 110 720
A	S2000Plus/LA780	without gear unit	780	360	9622 110 730
K	S2000Plus/LK800	with gear	800	460	9622 114 320
K	S2000Plus/LK800	without gear unit	800	460	9622 114 330
K	S2000Plus/LK750	with gear unit	750	410	9622 114 340
K	S2000Plus/LK750	without gear unit	750	410	9622 114 350

A = compensating base, K=ball-shaped base



Haacon S2000 Plus spare parts

Illustration	Description	Length mm	Order number
1	Crank drive		9621 244 540
2	Housing cover		9622 096 010
3	Thrust bearing		9620 000 017
4	Drive shaft, with gear unit		9622 096 020
5	Drive shaft, without gear unit		9622 096 030
6	Toothed wheel, large		9622 096 040
7	Toothed wheel, small		9621 244 550
8	Spindle bearing		9621 003 350
9	Crank sleeve		9620 100 525
10	Crank	285	9620 000 012
11	Crank	350	9622 061 360
12	Crank	445	9620 201 538
13	Crank	535	9620 000 008
14	Crank holder suitable for crank length 285 mm		9622 010 030
15	Crank holder suitable for Crank length 350 mm		9621 182 070
16	Crank holder suitable for crank length 535 mm		9620 000 137
17	Bushing		9620 100 320
18	Bevel gear, large		9622 096 090
19	Bevel gear, small		9621 229 040
20	Protective cap		9622 096 100
21	Spacer washer, 2-piece		9622 096 110
22	Spindle bearing, complete		9622 096 120
23	Spindle bearing		9621 003 240
24	on request		
25	Bracket		9622 096 150
26	Roller		9620 000 007
27	Bolt		9622 096 160
K	Supporting base		9620 000 015
F	Supporting base		9622 096 140
R	Supporting base		9620 202 195
A	Supporting base		9622 027 830
H	Supporting base		9620 113 420
	Connection shaft	1470	9622 042 250



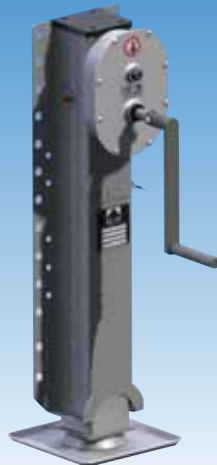
Landing legs

for Megatrailer

Load capacity	24 t
Drawbar load	50 t
Low L	1 mm
Overdrive	20 mm
Base shape	A

Type	Version	Overall height mm	Stroke mm	Order number
S2000Plus/MA730	with gear unit	730	350	9622 110 760
S2000Plus/MA730	without gear unit	730	350	9622 110 770
S2000Plus/MA780	with gear unit	780	400	9620 211 074
S2000Plus/MA780	without gear unit	780	400	9620 211 075

A = compensating base



Landing legs

for centre axle trailer

Type	S/VK mG 850
Version	with gearbox
Load, perm.	12000 kg
Stroke	550 mm
Overall height	850 mm

Order number
9622 114 440



Landing legs

especially for rear support of silo vehicles

Type	S/VK mG 750
Version	with gear
Overall height	750 mm
Stroke	410 mm
Low L	1 mm
Overdrive	20 mm
ball foot inclinable by 15° on all sides	
permitted load/unit 12 t (dynamic), 25 t (static test load)	

Order number
9622 116 310



Landing legs

for centre axle trailer

Type	S/DS615
Version	pivotable
Load, perm.	2000 kg
Stroke	300 mm
Overall height	600 mm

Order number
9620 000 147



Landing legs

for height adjustment to the towing bar

Type	8712.2
Version	with crank locking
Load, perm.	2000 kg
Stroke	200 mm
Overall height	515 mm

Order number
9622 056 420



Landing legs

for centre axle trailer

Type	S/DK900
Version	with counterplate
Load, perm.	2000 kg
Stroke	510 mm
Overall height	900 mm

Order number
9620 000 080

2



Landing legs

for centre axle trailer

Type	S/DK870
Version	with counterplate
Load, perm.	10000 kg
Stroke	510 mm
Overall height	870 mm

Order number
9620 000 013



Landing legs

tested according to BGV D8

because of its low weight and built-on rubber tyred chassis it can easily be rolled to any location, safety is ensured by the large stable base plate

Type	1094.8
Top load	8 t
Claw load	7 t
Stroke	480 mm
Overall height	1200 mm

Application range

for lifting and supporting trucks, bodies, containers etc.

Order number
9620 000 004

Accessories

Rubber coating

non-slip

Order number
9620 000 010



Stabilising jack set

module B

Version	without foot and accessories
Fastening	double plate

Type	Installation height mm	Stroke mm	Order number
B0103000000	900	560	3013 103 000
B0203000000	850	520	3013 203 000
B0303000000	800	470	3013 303 000
B0403000000	750	430	3013 400 285
B0503000000	700	400	3013 503 000
B0603000000	650	350	3013 603 000



Landing legs

module B

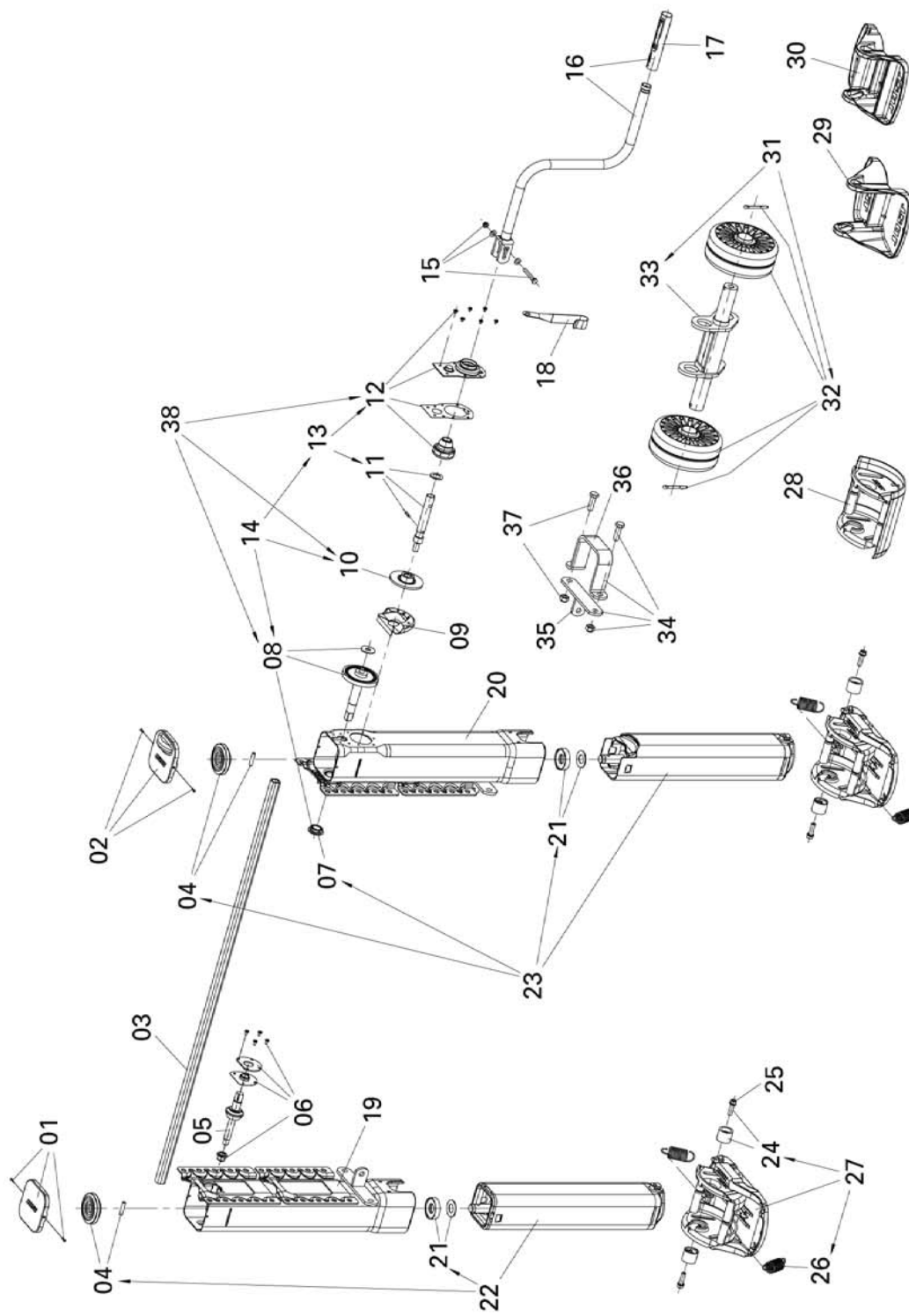
Version without foot and crank
Fastening double plate

Type	Installation side	Installation height mm	Stroke mm	Order number
B01030000	right	900	560	3013 103 001
B01030000	left	900	560	3013 103 002
B02030000	left	850	520	3013 203 002
B02030000	right	850	520	3013 203 001
B03030000	left	800	470	3013 303 002
B03030000	right	800	470	3013 303 001
B04030000	left	750	430	3013 400 287
B04030000	right	750	430	3013 400 286
B05030000	left	700	400	3013 503 002
B05030000	right	700	400	3013 503 001
B06030000	left	650	350	3013 603 002
B06030000	right	650	350	3013 603 001

Accessories

Description	Base shape	Order number
Supporting base*	01, S-design	3001 002 600
Supporting base*	02, A-design	3001 002 601
Supporting base*	03, R-design	3001 002 602
Supporting base*	04, T-design	3001 002 603
Supporting base	05, L-design	3001 002 604
Supporting base	06, TC-design	3001 002 598
Repair kit for landing gear foot	-	3001 043 301
Toothed wheel	-	3001 001 600

*If there is a replacement need for landing gear/module series which were manufactured before April 2010, please include an order for 1 x repair kit (pin and bush) 3001 043 301



Jost module B spare parts

Illustration	Description	Length mm	Order number
1	Cover with bolts, left		3001 046 100
2	Cover with bolts, right		3001 046 300
3	Connection shaft	1340	3001 002 801
3	Connection shaft	1450	3001 002 802
3	Connection shaft	1470	3001 002 803
3	Connection shaft	1500	3001 002 804
4	Bevel gear with pin		3001 008 473
5	Drive shaft for bevel gear		3001 001 500
6	Module bearing		3000 146 200
7	Bearing		3001 008 120
8	Drive shaft with bearings		3001 100 553
9	Grease tub		3001 002 000
10	Toothed wheel		3001 100 540
11	Crank shaft		3001 046 500
12	Bearing bracket		3001 058 800
13	Crank shaft		3001 100 552
14	Gear		3001 100 556
15	on request		
16	Stabilising jack crank	350	3001 002 605
16	Stabilising jack crank	415	3001 002 606
16	Stabilising jack crank	450	3001 002 607
16	Stabilising jack crank	480	3001 002 608
17	Crank sleeve		3001 042 700
18	Crank mounting suitable for 350 mm crank		3001 040 200
18	Crank mounting suitable for 415-480 mm crank		3001 040 201
19	on request		
20	on request		
21	Axial bearing with disc		3001 100 555
22	on request		
23	on request		
24	Fastening set for supporting leg		3001 043 300
25	Attachment screw for supporting leg		3001 046 700
26	Spring		3001 012 900
27	Supporting base 01, S-design		3001 002 600
28	Supporting base 02, A-design		3001 002 601
29	Supporting base 04, T-design		3001 002 603
30	Supporting base 06, TC-design		3001 002 598
31	Supporting base 03, R-design		3001 002 602
32	Supporting base with rollers and split pins		7772 712 070
33	Bracket for rollers		7772 712 080
34	on request		
35	Strut angle, loose		3001 002 811
36	Clamping device for screw-on angle		3001 002 812
37	Thread		3001 008 307
38	Gearbox kit		3001 059 200

Sicherheit und Effizienz

Sattelkupplung mit Sensoric und Fernbedienung



Anhängekupplung



Kugellenkränze



LubeTronic



Innovationen für den modernen Fuhrpark

Sensoric-Lösungen automatisieren manuelle Arbeitsgänge bei Sattelkupplungen und machen so den Arbeitsalltag sicherer und komfortabler. **Flashtronic** überprüft den Verschlusszustand mit einem Sensor. Eine blinkende Leuchtdiode am Zuggriff zeigt an, dass der Verschluss geschlossen und gesichert.

Bei der **Sensorkupplung** wird der Verschlusszustand und die korrekte Aufsattelhöhe optisch und akustisch im Fahrerhaus angezeigt.

Das **Sensor-Kupplungs-System SKS** bietet zusätzlich auch eine Fernbedienung. Beim Absattelvorgang muss die Sattelkupplung nicht mehr von Hand geöffnet werden – das wird ganz bequem vom Fahrerhaus aus per Fernbedienung pneumatisch erledigt.

LubeTronic-Lösungen sorgen für die sichere Schmierung von Sattel- und Anhängerkupplungen sowie von Hubeinrichtungen

LubeTronic 5Point ist eine in die Sattelkupplung integrierte Schmieranlage für Sattelkupplungen ohne Gleitscheiben. Die konstant abgegebene Menge Fett sorgt für zuverlässige Schmierung der Sattelkupplungsplatte und des Verschlusshekens.

Wartungsarme Sattelkupplungen müssen dank der Gleitscheiben nicht auf der Kupplungsplatte sondern nur noch am Verschlussheken geschmiert werden. Durch den Einsatz von **LubeTronic 1Point** in Kombination mit einem speziell beschichteten Verschlussheken ist auch dieser Arbeitsgang nicht mehr nötig.



MODUL



Königszapfen



Zuggabel

Containertechnik



Achsaufhängung



Vertrauen Sie dem Marktführer!

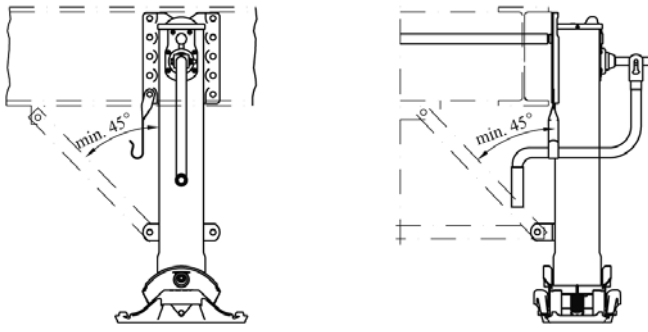
JOST ist der weltweit führende Hersteller von fahrzeugverbindenden Systemen, Modulen und Komponenten für Truck und Trailer.

Mit marktgerechten Produkten, einem umfassenden Programm, weltweiter Präsenz und überzeugenden Innovationen leisten wir einen wichtigen Beitrag für mehr Erfolg im Fuhrpark.

Verlassen Sie sich darauf:

- Vielseitiges Programm für jede Anwendung
- Innovative Produkte entwickelt in enger Abstimmung mit dem Markt
- Qualität, auf die Sie sich verlassen können

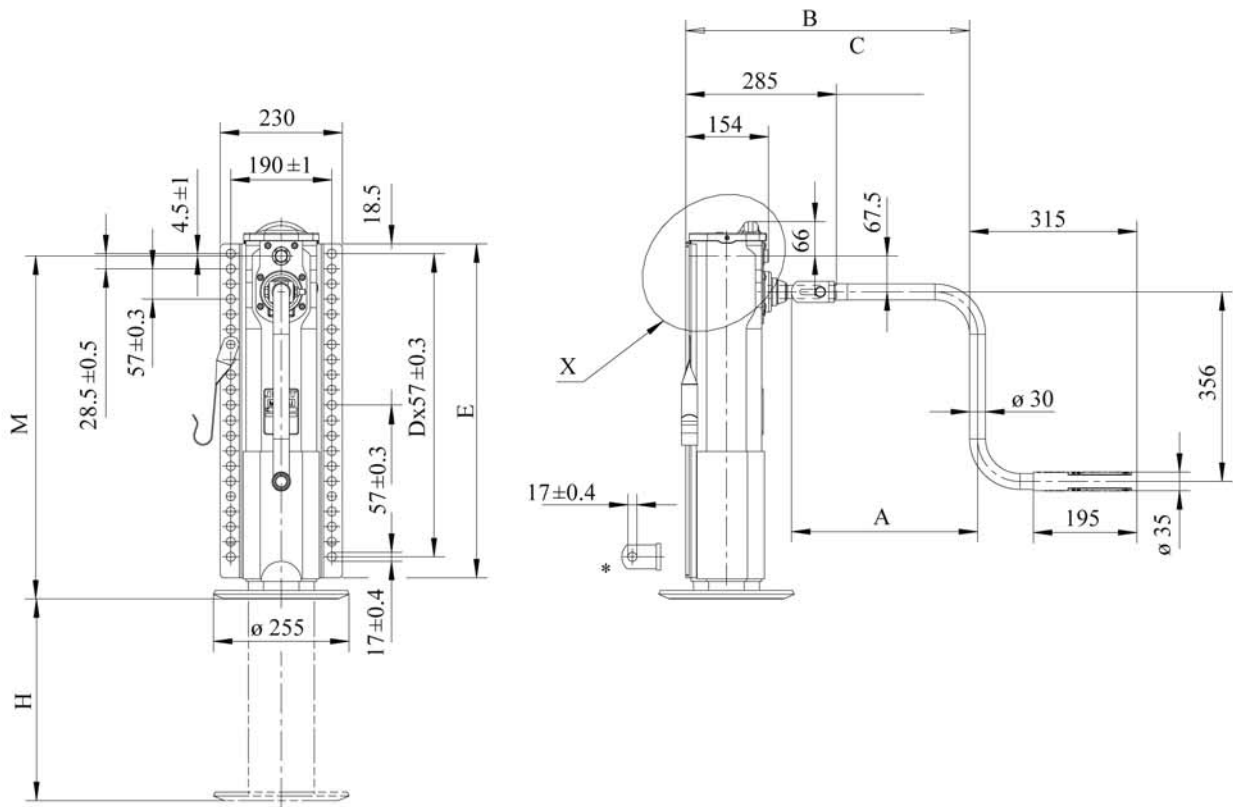




Attachment plate for exchange systems

Application range
for tandem trailer

Order number
3001 002 816



Landing legs

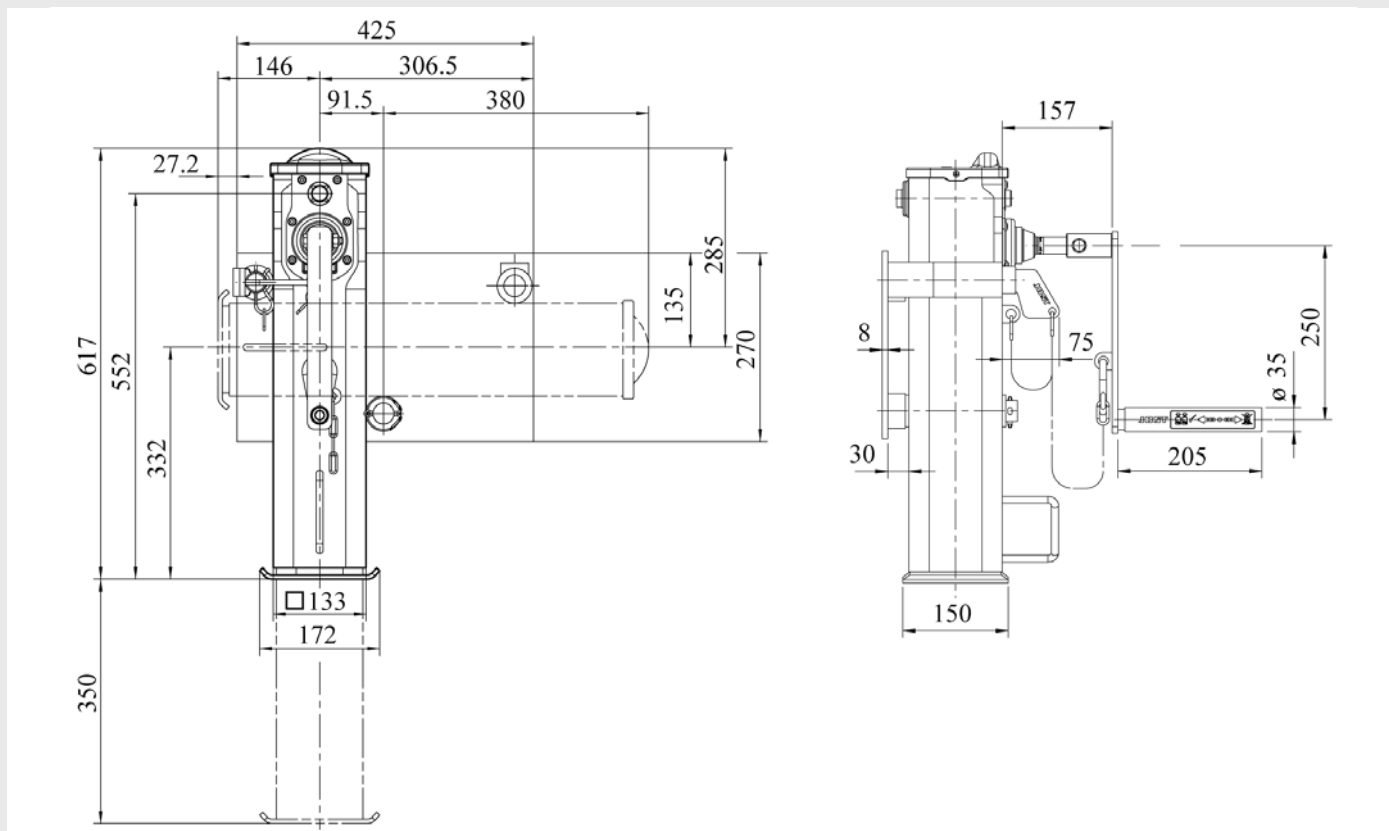
module CS

- Low L 0.9 mm
- Overdrive 15 mm
- Base shape T, rigid
- Fastening continuous bolt-on plate
- Version without crank

Application range

for rear support of silo semi-trailers

Type	Installation height mm	Stroke mm	Order number
CS 1094700R	550	280	3013 010 947
CS 1064700R	650	380	3013 106 470



Landing legs

module CD

single thread with gearbox, swivel joint and rigid plate

Type CD 1090700R

Installation height 550 mm

Stroke 350 mm

Low L 0.9 mm

Overdrive 15 mm

Base shape T, rigid

Fastening screw-on plate pivot bearing

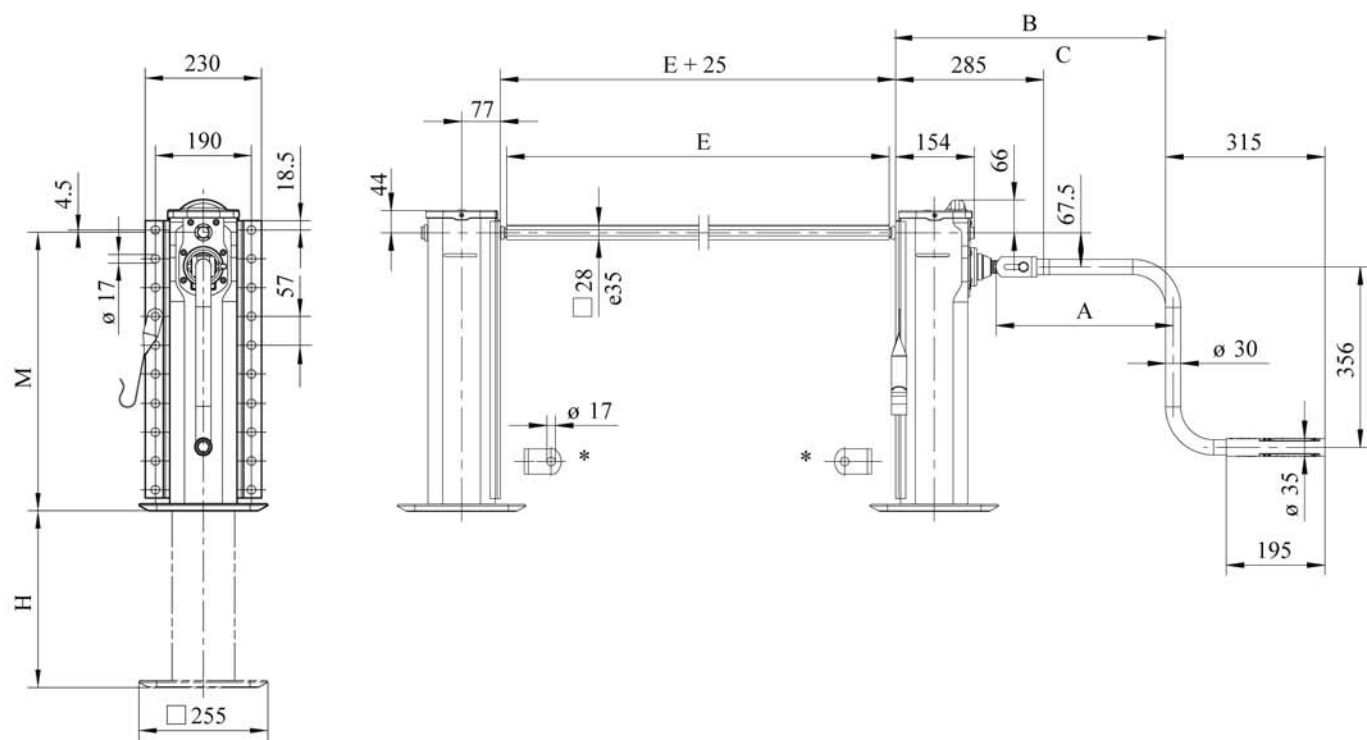
Version without crank

Application range

for centre axle trailer

Order number

3013 090 700

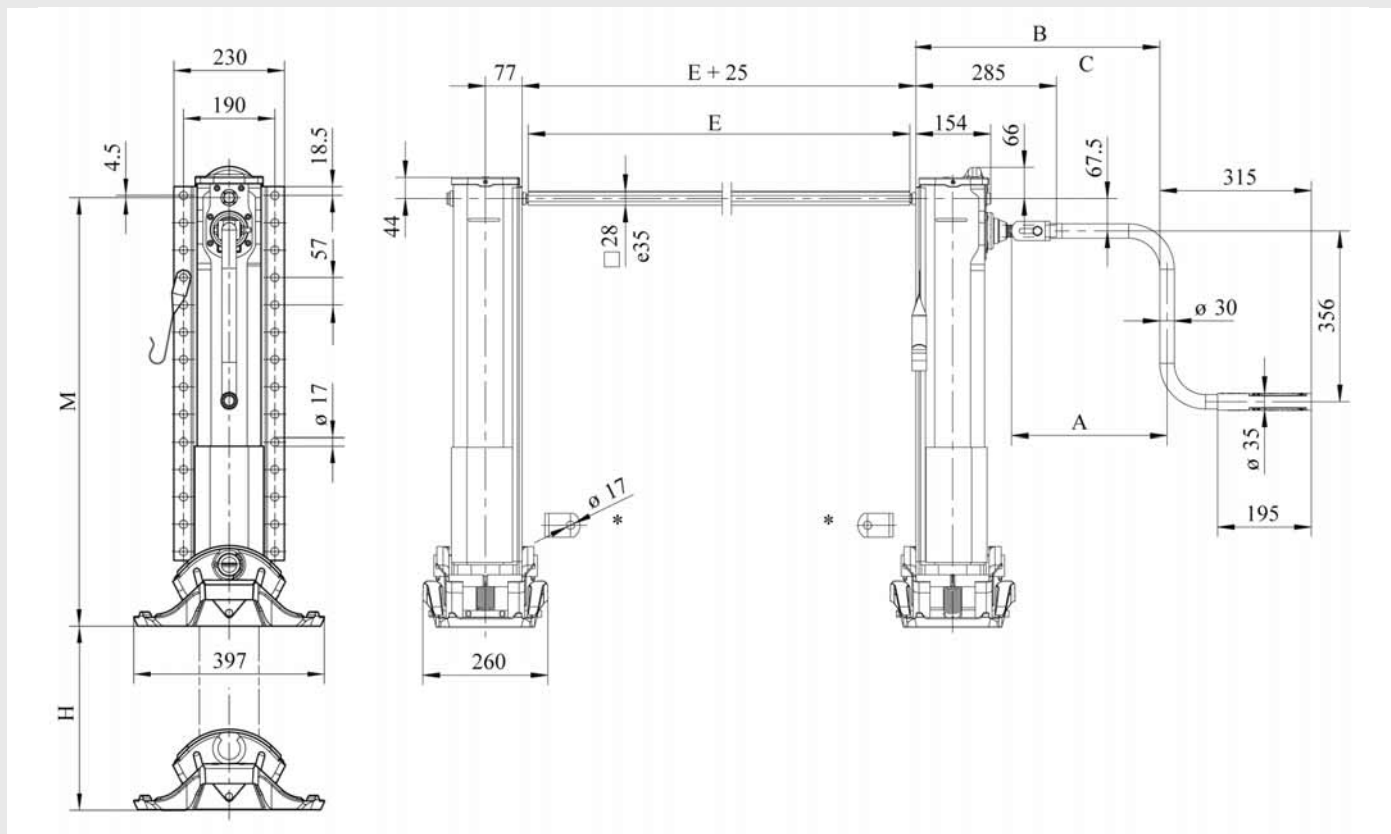


Stabilising jack set

module CC

Type	CC109470000
Installation height	550 mm
Stroke	350 mm
Load capacity	24 t
Drawbar load	50 t
Low L	0.9 mm
Overdrive	15 mm
Base shape	T, rigid
Fastening	through bolt-on plate
Version	without crank and connecting shaft

Order number
3013 109 470



Stabilising jack set

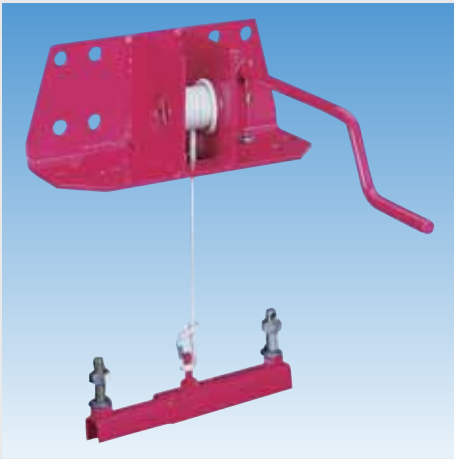
module CH, heavy duty

Type	CH125440000
Installation height	890 mm
Stroke	520 mm
Load capacity	24 t
Drawbar load	66 t
Low L	0.9 mm
Overdrive	15 mm
Base shape	T
Fastening	continuous bolt-on plate
Version	without crank and connecting shaft

Order number
3013 012 544

We are keeping further series and sizes ready for you. Contact us!

2



Spare wheel holder

with integrated worm gear winch

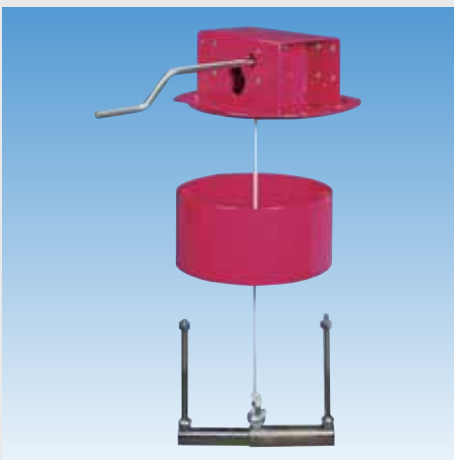
suitable for Wheels with 10-hole rims with offset and 335 mm pitch circle diameter
Surface powder-coated

Scope of supply

with cable

Completely assembled

Version	Order number
Set with adjustable clamping arm	9624 000 014
Set with rigid clamping arm	9622 057 800



Spare wheel holder

with integrated worm gear winch

for mounting outside frame, inside frame and overhead, rigid or adjustable clamping arms

Surface powder-coated

Application range

suitable for all types of rim

Scope of supply

without cable and clamping arm

Order number
9620 000 036

Accessories

Description	Order number
Clamping arm, fixed, suitable for 10-hole rim with offset	9620 000 038
Clamping arm, adjustable, suitable for rims with offset	9620 000 037
Clamping arm, adjustable, suitable for rim with offset, for 170 mm intermediate ring	9620 000 056
Intermediate ring, suitable for wheels with 10-hole rims	9620 000 057



Spare wheel winch

sturdy, easy to turn winch for handling truck spare tyres by one person, versatile installation, self-locking, splash water protected worm gear unit, for operation with steel or plastic cable

Version	Order number
with fixed crank handle	9620 000 044
with folding crank handle	9620 000 043
with removable crank	9620 200 229



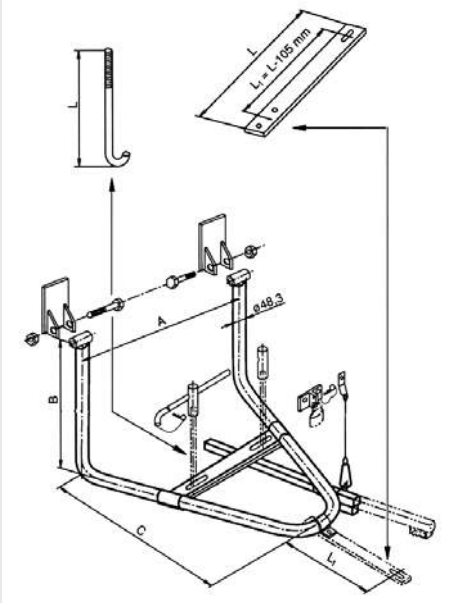
Spare wheel holder

all components galvanised, bearing and U-supports untreated

Scope of supply

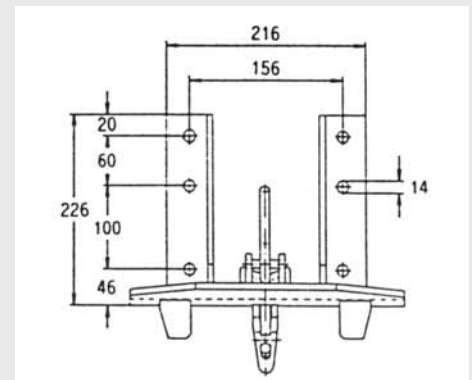
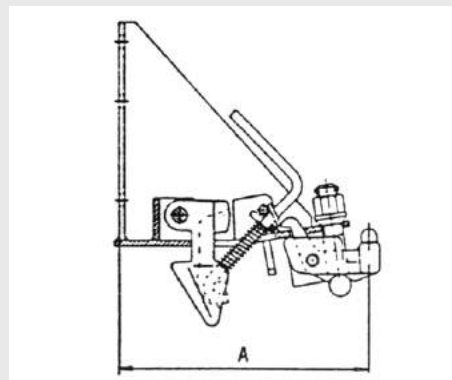
mounting set with rim security

Wheel Ø	a mm	b mm	c mm	d mm	Order number
700-750	660	330	560	42.4 x 3.2	9081 611 500
765-850	705	330	675	42.4 x 3.2	9081 611 510
855-930	730	330	760	42.4 x 3.2	9081 611 520
940-1020	860	430	790	48.3 x 3.6	9081 611 530
1020-1090	900	430	845	48.3 x 3.6	9081 611 540
1020-1090	900	590	845	48.3 x 3.6	9081 611 550
1080-1150	900	430	920	48.3 x 3.6	9081 611 560
1080-1150	900	590	920	48.3 x 3.6	9081 611 570



Accessories

Description	Length mm	Order number
Clip bolt, hot-galvanised	340	9081 611 610
Clip bolt, hot-galvanised	415	9081 611 620
Tongue, hot-galvanised	515	9081 611 630
Tongue, hot-galvanised	640	9081 611 640
Transverse bar		9081 051 612
Pipe nut, galvanised, M14 x 1.5	95	9081 612 610
Pipe nut, galvanised, M14 x 1.5	225	9081 612 290

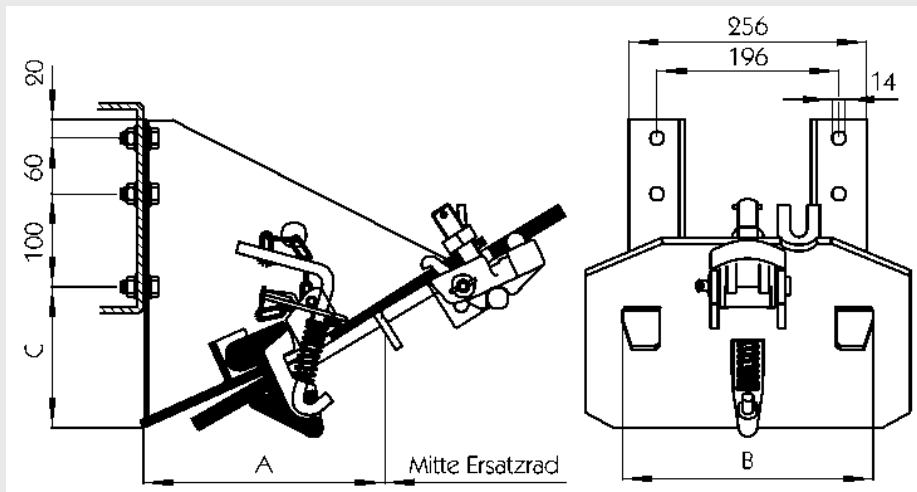
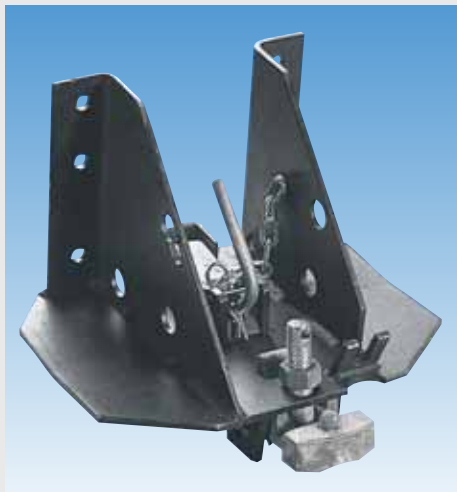


Spare wheel holder

Version ERH 6/245
 Connection 6/202/245
 Tyre size max. 8,25-20"
 Installation depth 260 mm
only for rims with offset

Order number
 9080 541 000

2



Spare wheel holder

Version	ERH 10/335
Hole circle	335 mm
Rim thickness	max. 16 mm
a	~ 188 mm
b	270 mm
c	43 mm

only for rims with offset

Order number
9081 611 290



Spare wheel holder

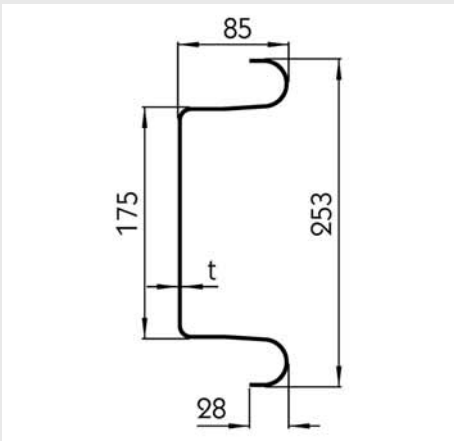
Version	Order number	Comparative number
for 1 spare wheel	7772 833 680	Schmitz 283368
for 2 spare wheels	7772 832 650	Schmitz 283265



Underride protector

Material	steel
Surface	galvanised
Length	2300 mm
Width	85 mm
Height	253 mm

This underrun protection profile is part of an underrun protection device which does not conform to the current directive 70/221/EEC. From 11.03.2010, the underrun protection device must not be mounted on commercial vehicles which are being registered for the first time.



Type	Thickness mm	Note	Order number
2325	2.5	Only up to 10 t permitted total weight	9085 611 330
2330	3.0	-	9085 611 630

Accessories

Description	Order number
Cover cap, PUR black	9085 611 570
Cover cap, steel	9085 611 660



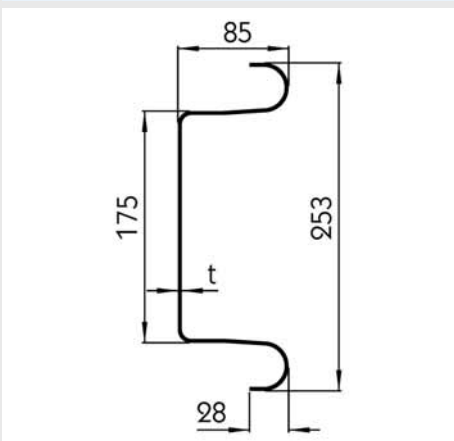
Underride protector

Material	steel
Surface	galvanised
Width	85 mm
Height	253 mm

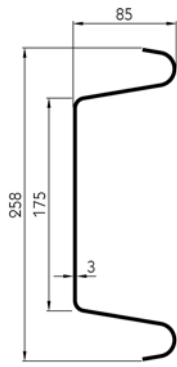
Scope of supply

with 2 PUR cover caps

This underrun protection profile is part of an underrun protection device which does not conform to the current directive 70/221/EEC. From 11.03.2010, the underrun protection device must not be mounted on commercial vehicles which are being registered for the first time.



Type	Length mm	Thickness mm	Note	Order number
2125 G	2100	2.5	Only up to 10 t permitted total weight	9085 611 320
2330 G	2300	3.0	-	9085 611 650



Underride protector

Material	steel
Surface	powder painted
Colour	white
Version	pre-drilled
Type	2430
Length	2400 mm
Width	85 mm
Height	258 mm
Thickness	3.0 mm

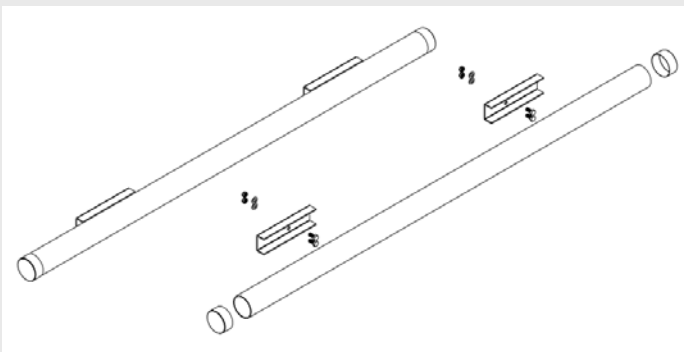
This underrun protection profile is part of an underrun protection device which does not conform to the current directive 70/221/EEC. From 11.03.2010, the underrun protection device must not be mounted on commercial vehicles which are being registered for the first time.

Order number

9085 693 570

Accessories

Description	Order number
Cover cap, PUR black	9085 611 570
Cover cap, steel	9085 611 660



Underride protector

Material	steel
Surface	primed
Type	2340
Diameter	101.6 mm
Length	2300 mm

Scope of supply

mounting brackets, cover caps with integral side reflectors, hardware kit (4 each of hexagon bolt M14 x 30, spring washer A-14, hexagon nut M14)

Together with the U-profile bracket (EUROPART No. 9085 613 580), this underrun protection meets the requirements of the current directive 70/221/EEC.

Order number

9080 002 013

Service parts

Cover cap

Version	with side reflector
Installation side	left/right
Material	plastic
Form	round
Colour	black

Order number

9080 002 018

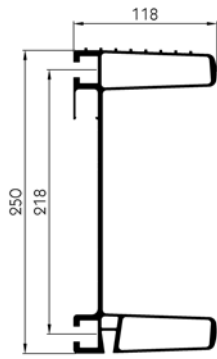
Accessories

Bracket

Type	2011
Installation side	left/right

Order number

9085 613 580



Underride protector

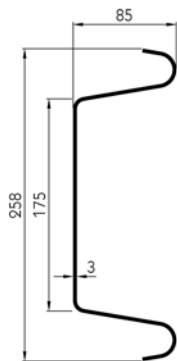
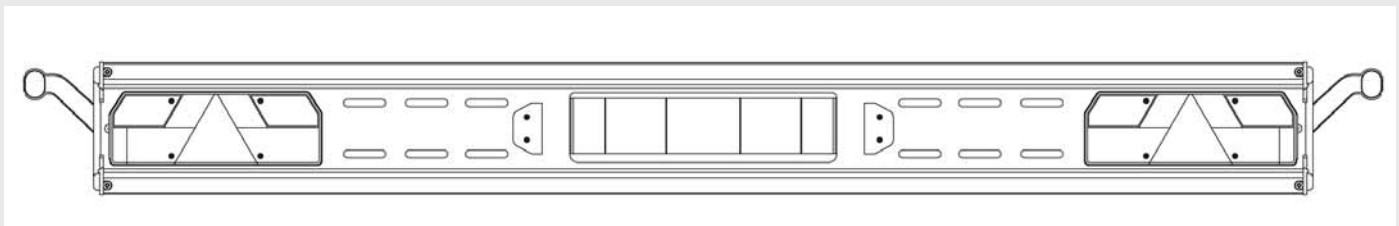
Material	aluminium
Surface	anodised
Length	2400 mm
Width	118 mm
Height	250 mm

When combined with the U-profile bracket (EUROPART No. 9085 630 470) or a DIN 1026-U 120-S235JRG2 U-profile, this underrun protection meets the current directive 70/221/EEC.

Version	Order number
not pre-bored, unworked	9085 630 400
pre-drilled, fully worked	9085 630 480

Accessories

Description	Note	Order number
Cover cap, PVC black		9085 630 440
Attachment screw M12, square		9085 630 410
Bracket, DIN 1026-U 120, 500 mm		9085 630 470
Reinforcing panel	the reinforcement is required with a chassis frame minimum spacing up to 1250 mm	9085 630 420
Sign, 90 x 18 mm	the type plate is an obligatory requirement as part of the approval certificate for the underrun protection	9085 630 430



Underride protector

with Europoint rear light

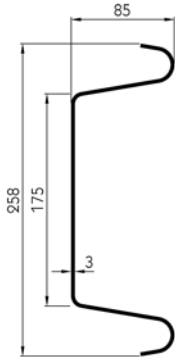
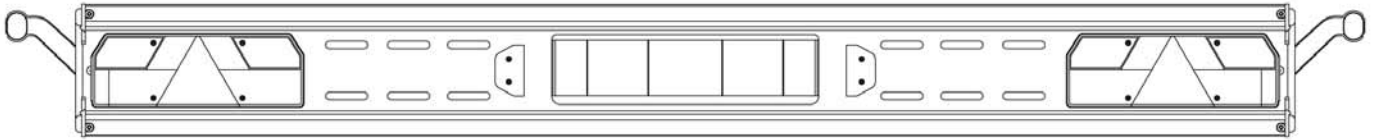
Version	ADR capable
Material	steel
Surface	powder-coated
Colour	white
Colour code	RAL 9010
Type	2430
Length	2400 mm
Width	85 mm
Height	258 mm
Thickness	3 mm

Scope of supply

underrun protection with black steel cover caps and 15 mm mounting slots for side member spacing of 780-1400 mm, quick-fit number plate fixing for number plate length 520 mm, light equipment consisting of 24 V Europoint rear lights with triangular reflector, Regpoint number plate lights and Superpoint II clearance lights, distributor with ASS3 connection (LP20) to main cable on 1500 mm of cable

This underrun protection profile is part of an underrun protection device which does not conform to the current directive 70/221/EEC. From 11.03.2010, the underrun protection device must not be mounted on commercial vehicles which are being registered for the first time.

	Order number
	9085 614 550



Underride protector

with Europoint rear light

Version	ADR capable
Material	steel
Colour	white
Colour code	RAL 9010
Type	2010S
Length	2400 mm
Width	85 mm
Height	258 mm
Thickness	3 mm

Scope of supply

underrun protection with black steel cover caps similar to RAL 9005, quick-fit number plate fixing, for number plate length 520 mm, number plate holder in black, 24 V light equipment consisting of Europoint rear lights with triangular reflector, Regpoint number plate lights and Superpoint II clearance lights, distributor with ASS3 connection (LP 20) to main cable on 1500 mm of cable

When combined with the U-profile bracket (EUROPART No. 9085 630 470) or a DIN 1026-U 120-S235JRG2 U-profile, this underrun protection meets the current directive 70/221/EEC.

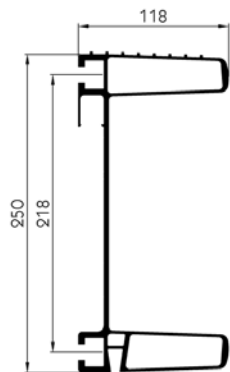
Order number
9085 634 550

Accessories

Bracket

Standard	DIN 1026-U 120
Installation side	left/right
Length	500 mm

Order number
9085 630 470



Underride protector

with Europoint II lighting

Version	ADR capable
Material	aluminium
Surface	anodised
Length	2400 mm
Width	118 mm
Height	250 mm

Scope of supply

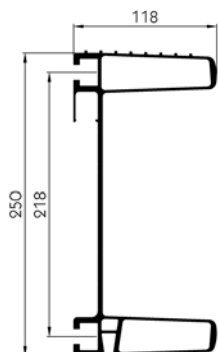
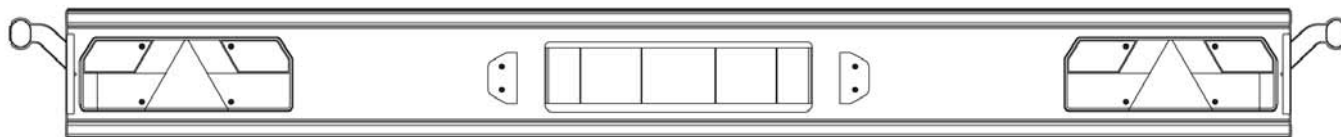
underrun protection with black plastic cover caps, quick-fit number plate fixing for number plate length 520 mm, light equipment consisting of Europoint II 24 V rear lights with triangular reflector, Regpoint number plate lights and Superpoint II clearance lights, distributor with ASS3 connection (LP 20) to main cable on 1500 mm of cable

When combined with the U-profile bracket (EUROPART No. 9085 630 470) or a DIN 1026-U 120-S235JRG2 U-profile, this underrun protection meets the current directive 70/221/EEC.

Order number
9085 630 610

Accessories

Description	Note	Order number
Bracket, DIN 1026-U 120, 500 mm		9085 630 470
Reinforcing panel	the reinforcement is required with a chassis frame minimum spacing up to 1250 mm	9085 630 420



Underride protector

with Europoint lighting

Version	ADR capable
Material	aluminium
Surface	anodised
Length	2400 mm
Width	118 mm
Height	250 mm

Scope of supply

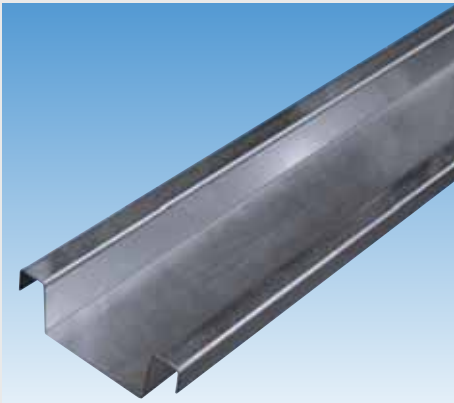
underrun protection with black plastic cover caps, quick-fit number plate fixing, for number plate length 520 mm, number plate holder in black, light equipment consisting of Europoint 24 V rear lights with triangular reflector, Regpoint number plate lights and Superpoint II clearance lights, distributor with ASS3 connection (LP 20) to main cable on 1500 mm of cable

When combined with the U-profile bracket (EUROPART No. 9085 630 470) or a DIN 1026-U 120-S235JRG2 U-profile, this underrun protection meets the current directive 70/221/EEC.

Order number
9085 630 600

Accessories

Description	Note	Order number
Bracket, DIN 1026-U 120, 500 mm		9085 630 470
Reinforcing panel	the reinforcement is required with a chassis frame minimum spacing up to 1250 mm	9085 630 420



Underride protector

lighting carrier

only up to 8 t permitted total weight, without TÜV certificate

Material	steel
Surface	galvanised
Length	2400 mm
Height	245 mm
Depth	75 mm

This underrun protection profile is part of an underrun protection device which does not conform to the current directive 70/221/EEC. From 11.03.2010, the underrun protection device must not be mounted on commercial vehicles which are being registered for the first time.

Order number
9085 025 080



Accessories

Cover cap

Version	with side reflector
Installation side	left/right
Material	plastic
Colour	black

Order number
9085 025 160

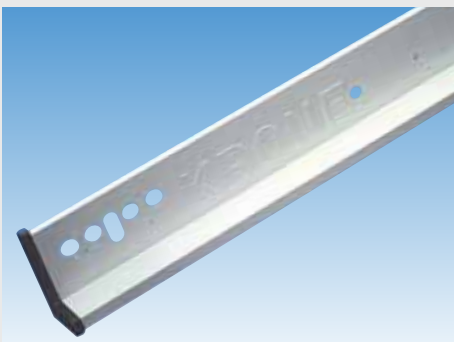


Underride protector

from square tube

Material	steel
Version	screw attachment
Cross-section	100 x 200 mm
Length	2360 mm

Order number	Comparative number
7770 490 470	Schmitz 049047



Lighting carrier

with embossed printing KRONE

Material	steel
Colour	white

Order number
4245 334 474

Accessories

Description

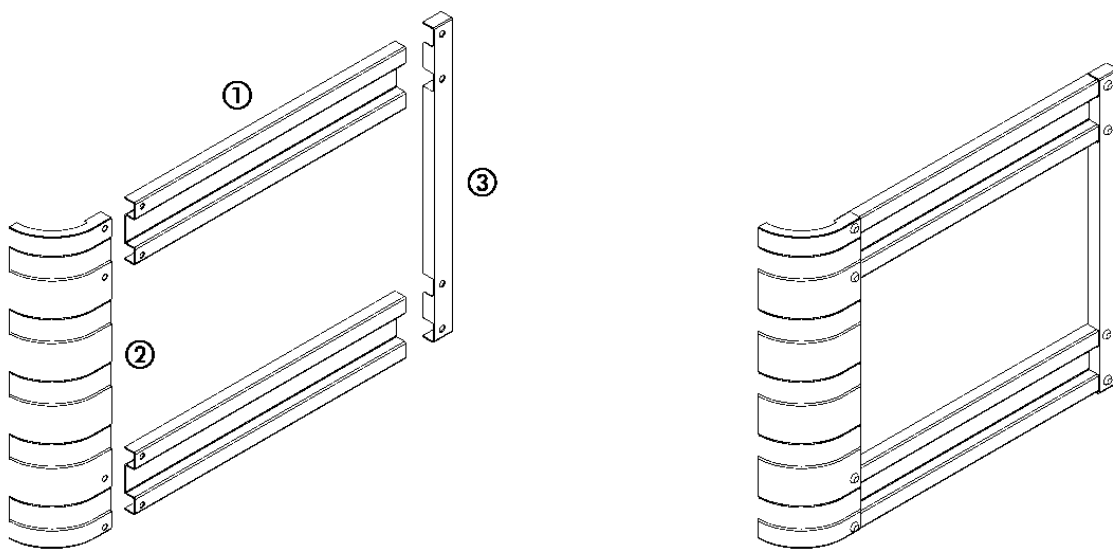
Description	Order number
Cover cap, right	4240 597 759
Cover cap, left	4240 597 760

Add-on parts

3



Side collision protection.	246-252
Wings.	253-270
Rear apron/mudflaps	271, 272
Storage/tool boxes	273-283
Access equipment	284
Fire extinguisher boxes.	285
Compressed air components and accessories	286-293
General add-on components	294



Longitudinal profile

for side collision protection

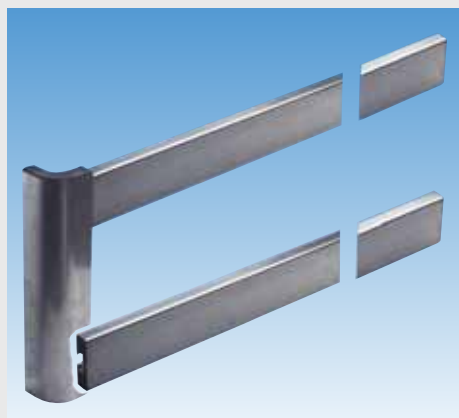
Width 20 mm
 Height 100 mm
 Material steel
 Surface galvanised

Length mm	Illustration	Order number
2000	1	9080 003 934
2500	1	9080 003 935
3000	1	9080 003 936
3500	1	9080 003 937

Accessories

Cover cap

Installation location	Height mm	Illustration	Order number
front	100	2	9080 003 941
front	400	2	9080 003 944
front	500	2	9080 003 945
rear	100	3	9080 003 946
rear	400	3	9080 003 948
rear	500	3	9080 003 949



Longitudinal profile set

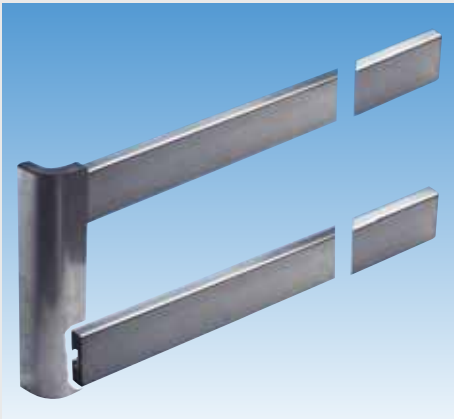
for side collision protection

Width 3500 mm
 Height 500 mm
 Material aluminium

Scope of supply

4 longitudinal profiles, 4 rear end caps, 2 front end profiles, 8 clamping plates for mounting

Order number
 9080 003 968



Longitudinal profile

for side collision protection

Width	30 mm
Height	100 mm
Material	aluminium

Length mm	Order number
2000	9085 911 620
2500	9085 911 513
3000	9085 911 514
3500	9085 911 515
3900	9085 911 516
4000	9085 911 517
6000 (sold by the meter)	9085 911 510

Accessories

Description	Height mm	Order number
End profile front, aluminium	100	9085 911 521
End profile front, aluminium	500	9085 911 522
End profile front, aluminium, anodised	500	9085 911 523
End profile front, aluminium	(sold by the meter)	9085 911 520
Cover cap front, plastic	-	9085 612 270
Cover cap rear, plastic	-	9085 612 260
Clamping piece, aluminium	-	9085 910 860



Longitudinal profile

for side collision protection

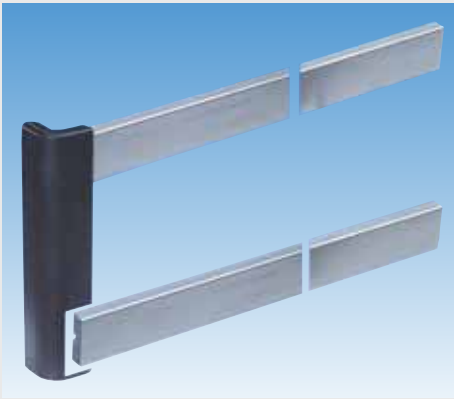
Width	40 mm
Height	110 mm
Material	aluminium
Surface	anodised

Length mm	Order number
6300	9080 001 830
6800	9080 001 840

Accessories

Description	Height mm	Order number
End profile front, aluminium	5650 (sold by the meter)	9080 001 710
Cover cap front left, rubber	-	9080 001 711
Cover cap front right, rubber	-	9080 001 712
Cover cap rear, plastic	-	9080 001 812
Clamping piece, aluminium	-	9080 001 890
Retaining plate, aluminium	-	9080 001 850

3



Longitudinal profile

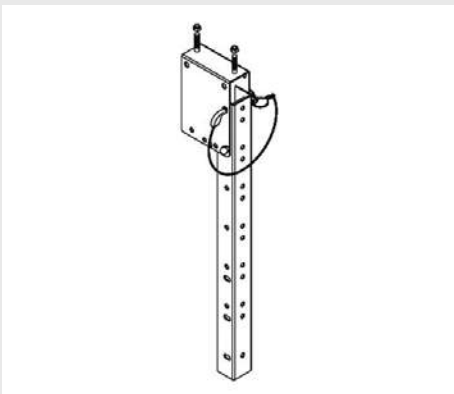
for side collision protection

Width	30 mm
Height	100 mm
Material	aluminium
Surface	anodised

Length mm	Order number
4500	2570 004 500
5600	2570 005 600
6800	2570 006 800

Accessories

Description	Height mm	Order number
End profile front, plastic	500	2510 000 000
End profile set, aluminium (2 end profiles, 4 right-hand end caps, 1 set of fixings)	500	2590 000 008
Cover cap front left, PE		7633 810 101
Cover cap front right, PE		7633 810 001
Attachment kit (16 carriage bolts M8 x 25, 16 lock nuts M8, 8 hexagon bolts M8 x 12, 24 washers 8,4 x 17x 1,6, 4 fixing plates)		2520 000 012



Bracket

for side collision protection

with this bracket, the pre-assembled U-profile brackets on which the longitudinal profiles are bolted can be folded upwards by approx. 90°, 120°, 135° and 150°

Version	complete
Overall length	757 mm
Surface	galvanised

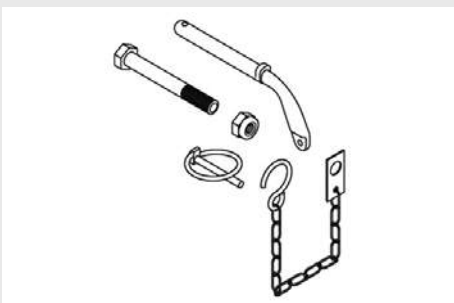
Application range

the system is bolted under the vehicle floor or at/under a body crossmember

Scope of supply

1 swivel adapter, 1 U-profile bracket 700 mm, 1 coupling pin 9 x 80, 1 linchpin 4,5 mm, 1 hexagon bolt DIN 931, M10 x 80, 2 hexagon bolts DIN 931, M12 x 45, 1 hexagon bolt DIN 985, M12-8, 1 PVC-coated cable DIN 3055-2,0, 500 mm long

Order number
9080 561 386



Accessories

Attachment kit

Scope of supply

4 linchpins 4,5 mm, 4 coupling pins 9 x 80, 8 security chains with screw-on plate and S-hook (approx. 200 mm long), 4 hexagon bolts DIN 931, M10 x 80, 4 hexagon nuts DIN 985, M10-8

Order number
9085 612 310



Retaining tube

for side collision protection

Version	with flange
Length	710 mm
Diameter	40 mm
Crank	90 mm
Material	steel
Surface	galvanised

Order number
9085 611 860

Accessories

Counterwasher

Version	4-hole
Diameter	110 mm

Order number
9085 612 330



Retaining tube

for side collision protection

Version	without flange
Length	680 mm
Diameter	40 mm
Crank	90 mm
Material	steel
Surface	galvanised

Further fasteners/adapters can be slid onto the support tube from both sides, which is why the tube can also be installed when turned through 180°.

Order number
9085 612 410



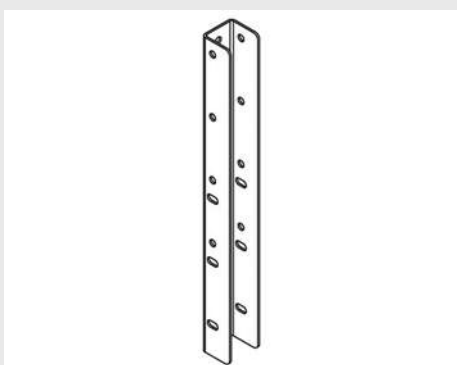
Clamping collar

for side collision protection

to accept the support tube/U-profile

Height	235 mm
Material	steel
Surface	galvanised

Order number
9085 611 871



Bracket

U-profile, for side collision protection

Material	steel
Surface	galvanised

Height mm	Order number
500	9085 611 830
700	9085 611 820
800	9085 611 810
1000	9085 611 800



Bearing part

for side collision protection, detachable

for suspension of the boards of the side collision protection

Height	100 mm
Material	steel
Surface	galvanised

Height mm	No. of longitudinal profiles	Order number
100	1	9085 612 240
300	1-2	9080 003 930
500	2	9080 003 931
700	3	9080 003 928



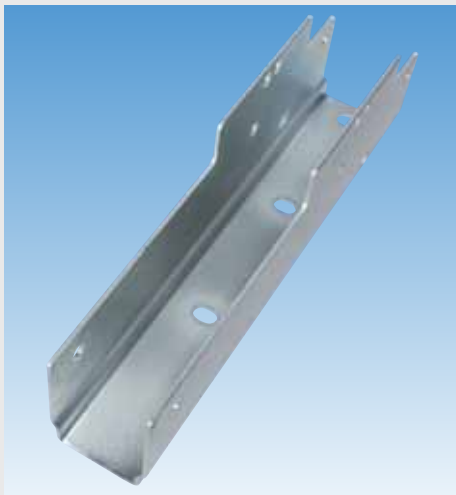
Attachment kit

for side collision protection

for securing the bracket

Material	steel
Surface	galvanised

Scope of supply	Order number
1 each of: eyebolt M10 x 40, washer M10, clevis pin and 3,2 x 20 split pin, spring washer M10, star knob M10	9080 003 927
4 each of: eyebolts M10 x 40, washers M10, clevis pins and 3,2 x 20 split pins, spring washers M10, star knobs M10	9080 003 926



Swivel adapter

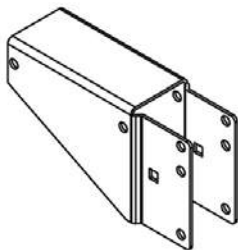
with folding lock, for side collision protection

Type	3901
Width	63 mm
Height	335 mm
Material	steel
Surface	galvanised

Scope of supply

folding lock: star knob to DIN 6335, with M10 internal thread, round head screw DIN 603, M10 x 80, spring washer DIN 137-A10

Order number
9085 612 280



Swivel adapter

for side collision protection

Type	4000
Width	56 mm
Material	steel
Surface	galvanised

Order number
9085 612 840



Swivel adapter

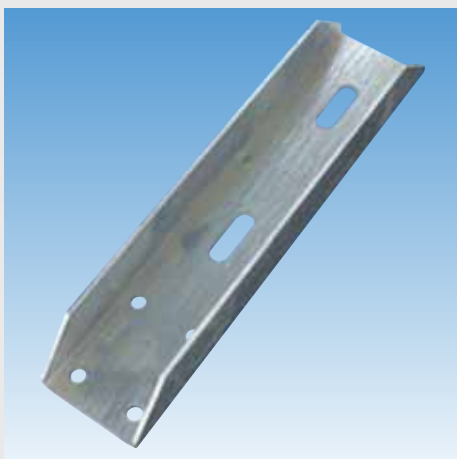
with folding lock, for side collision protection

Type	3902
Width	63 mm
Height	140 mm
Material	steel
Surface	galvanised

Scope of supply

folding lock: star knob to DIN 6335, with M10 internal thread, round head screw DIN 603, M10 x 80, spring washer DIN 137-A10

Order number
9085 612 850

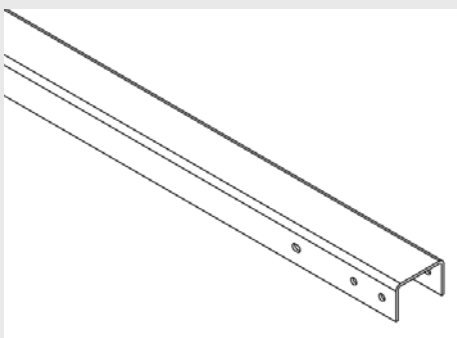


Carrier

U-profile, for side collision protection

Length	390 mm
Material	steel
Surface	galvanised

Order number
9085 612 380



Carrier

U-profile, for side collision protection

Length	2300 mm
Material	steel
Surface	galvanised

Order number
9085 612 420



Clamping system

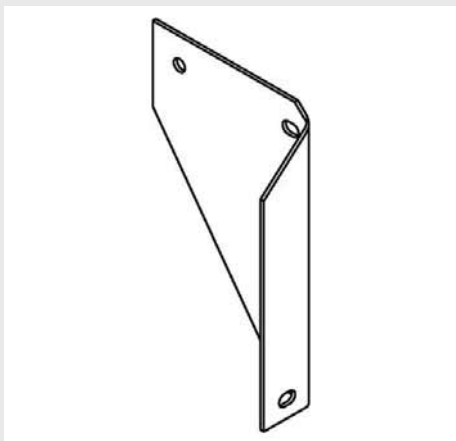
for U-beam on side collision protection

Material	steel
Surface	galvanised

Scope of supply

1 clamping plate (lower part), 1 clamping plate (upper part), 1 safety plate, 2 hexagon bolts DIN 931, M16 x 110, 2 hexagon nuts DIN 985, M16

Order number
9085 613 760



Angle brackets

for side collision protection

when directly mounting on a crossmember, can be welded in place as an alternative to bolting, using a continuous bead length of at least 4 x 25 mm

Material steel
Surface galvanised

Installation side	Scope of supply	Order number
left	without mounting components	9085 611 780
right	without mounting components	9085 611 790
left	with mounting components	9080 003 910
right	with mounting components	9080 013 910

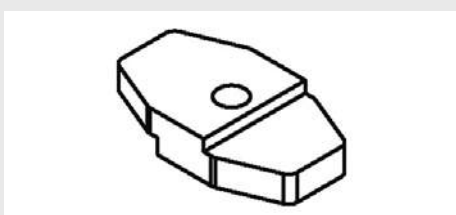


Screw-on bracket

for side collision protection

Length 200 mm
Height 60/90 mm
Material steel
Surface galvanised

Order number
9080 003 911

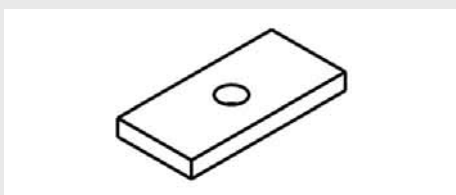


Clamping cheek

for side collision protection

Version 2-sided, 5-8/8-12 mm
Material steel
Surface galvanised

Order number
9085 612 390



Reinforcing panel

for side collision protection

Length 94 mm
Width 45 mm
Height 10 mm
Material steel
Surface galvanised

Order number
9085 612 430

**Wing****short**

Version with side reflector
Material plastic

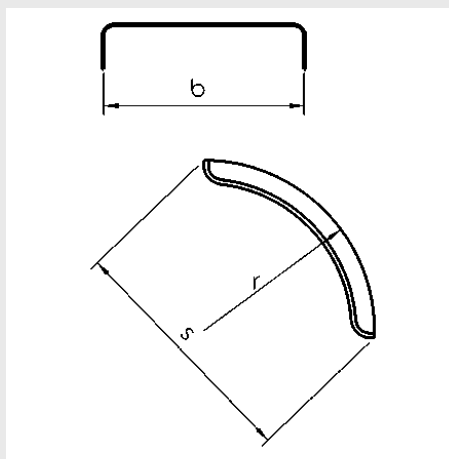
Width mm	Length mm	Radius mm	Installation side	Order number
400	700	670	left	9091 840 070
400	700	670	right	9091 840 071
550	1020	600	left	9091 755 101
550	1020	600	right	9091 755 100
600	700	670	-	9091 860 070
610	1135	660	left	9091 765 110
610	1135	660	right	9091 765 111
650	800	700	-	9091 835 000
690	700	670	-	9091 869 070

**Wing****short**

Version Parlok, White Line
Material plastic

Width mm	Length mm	Radius mm	Clamping width mm	Order number
405	700	-	-	9090 840 638
405	1100	635	-	9090 840 631
430	650	650	630	9370 843 683
430	700	-	-	9090 843 685
450	700	650	650	9085 070 005
500	650	500	600	9090 855 501
600	650	580	610	9370 005 075
600	700	670	-	9090 860 584
650	700	-	-	9090 865 634

3



Wing

short

Material plastic

Type	Width (b) mm	Length mm	Radius (r) mm	Clamping width (s) mm	Order number
L-PE 27.580.06	270	600	660	580	9083 751 140
L-PE 35.685.07	350	720	650	685	9090 435 071
L-PE 35.980.11	350	1100	650	970	9083 750 860
L-PE 40.670.07	400	700	670	670	9093 750 330
L-PE 40.795.09	400	840	670	795	9090 440 091
L-PE 40.1025.12	400	1140	700	1025	9090 008 347
L-PE 45.650.07	450	700	670	670	9090 445 071
L-PE 45.950.11	450	1060	650	950	9083 750 570
L-PE 55.670.07	550	700	650	650	9090 008 352
H-PE 55.740.08	550	810	500	740	9083 750 580
L-PE 60.600.06	600	620	640	600	9083 750 240
L-PE 65.615.06	650	640	640	615	9090 365 061
L6510K	650	950	650	870	9083 751 410
L6706K	670	640	640	615	9083 750 260



Wing

short

Version with integral brackets

Material plastic

* with reflector
** with rain flaps

Type	Width mm	Length mm	Radius mm	Clamping width mm	Order number
L-PE 27.580.06-IKK	270	600	660	580	9090 008 333
L-PE 35.685.07-IKK	350	720	650	685	9092 135 070
L-PE 40.670.07-IKK	400	700	670	670	9091 021 407
L-PE 40.670.07-IKK MS*	400	700	670	670	9083 751 640
L-PE 40.670.07-IKK SL**	400	700	670	670	9094 067 000
L-PE 40.795.09-IKK	400	840	670	795	9083 751 650
L-PE 40.1025.12-IKK	400	1140	700	1025	9083 751 660
L-PE 45.670.07-IKK	450	700	670	670	8000 003 552
L-PE 45.670.07-IKK SL**	450	700	670	670	9090 008 349
L-PE 55.740.08-IKK	550	810	500	740	9083 751 680
L-PE 60.600.06-IKK	600	620	640	600	9090 216 006
L-PE 65.670.07-IKK	650	700	670	670	9083 751 700
L-PE 65.670.07-IKK SL**	650	700	670	670	9090 165 071



Wing

short

Version	with welded-on brackets
Material	plastic

Type	Width mm	Length mm	Radius mm	Clamping width mm	Order number
L-PE 45.950.11-KK	450	1060	650	950	9094 595 011
L-PE 50.660.07-KK	500	700	560	660	9090 150 070
L-PE 55.670.07-KK	550	700	650	650	9090 008 353
L-PE 60.810.09-KK	600	915	550	810	9090 008 360
L-PE 65.810.09-KK	650	920	550	810	9083 751 710
L-PE 67.615.06-KK	670	640	640	615	9083 751 750



Wing

short

Material	rubber
----------	--------

Width mm	Length mm	Radius mm	Order number
400	700	660	9090 121 640
460	590	550	9090 121 670
680	600	660	9090 121 650

**Wing****semi-circle**

Material plastic

Type	Width mm	Length mm	Height mm	Radius mm	Clamping width mm	Order number
H-PE 30.1120.17	300	1710	540	560	1120	9090 330 170
H-PE 35.1340.22	350	2150	710	670	1340	9093 750 110
H-PE 40.900.15	400	1470	480	450	900	9083 751 110
H-PE 40.1160.20	400	1940	640	580	1160	9083 750 170
H-PE 40.1280.20	400	2010	640	640	1280	9090 970 250
H-PE 40.1340.21	400	2100	670	670	1340	9083 751 120
H4023K	400	2270	730	720	1440	9083 750 490
H-PE 45.900.15	450	1500	490	450	900	9090 451 510
-	450	1900	580	650	1300	9085 190 007
-	450	2100	680	650	1300	9085 210 007
H-PE 48.1020.17	480	1650	535	510	1020	9083 750 180
-	500	1600	500	500	1000	9080 170 007
H-PE 51.1020.17	510	1680	550	510	1020	9083 751 360
H-PE 53.1130.17	530	1680	520	565	1130	9090 353 170
H-PE 53.1130.17	530	1950	625	610	1220	9083 750 190
H-PE 55.1000.17	550	1640	540	500	1000	9083 750 510
H-PE 56.1280.20	560	1940	605	640	1280	9083 750 200
-	580	1700	-	-	-	9090 058 170
H-PE 60.1100.18	600	1800	600	550	1100	9083 750 520
-	600	1850	595	580	1160	9080 190 007
H-PE 61.1320.21	610	2070	660	660	1320	9090 361 210
H-PE 62.1130.17	620	1680	520	565	1130	9083 750 710
H-PE 65.1100.18	650	1800	600	550	1100	9083 750 530
H-PE 65.1300.19	650	1900	570	650	1300	9090 365 190
H-PE 65.1300.21	650	2070	650	650	1300	9090 365 210
H-PE 67.1380.21	670	2070	650	690	1380	9083 750 230
H-PE 70.1100.18	700	1830	600	550	1100	9083 522 320
H-PE 70.1340.21	700	2105	630	670	1340	9090 070 210

**Wing****semi-circle**

Version with side reflectors

Material plastic

Width mm	Length mm	Radius mm	Installation side	Order number
360	2273	660	-	9091 736 230
440	2273	660	-	9091 744 230
480	1670	500	-	9091 748 170
550	1700	600	left	9091 755 170
550	1700	600	right	9091 755 171
610	2273	660	-	9091 761 230
650	2273	660	-	9091 765 230
680	2273	660	-	9091 768 230

**Wing****semi-circle**

Version Parlok, White Line
Material plastic

Width mm	Length mm	Height mm	Radius mm	Clamping width mm	Order number
405	1900	595	635	1270	9370 840 635
430	1900	580	650	1300	9090 843 681
430	2175	720	650	1300	9090 843 680
450	1300	410	420	840	9090 845 420
500	1600	500	500	1000	9370 850 500
500	1700	550	500	1000	9090 850 503
550	1700	550	500	1000	9090 023 171
550	1700	530	550	1100	9090 855 551
595	1700	530	550	1100	9370 859 550
600	1850	595	580	1160	9370 860 581
600	2050	695	580	1160	9090 860 580
610	2280	-	-	-	9090 861 640
630	1650	495	580	1150	9370 863 580
650	1900	590	630	1260	9090 865 631
650	2175	730	630	1260	9090 865 629
670	2090	660	670	1340	9370 867 670
680	1900	-	630	1260	9370 868 631
680	2175	730	630	1260	9090 868 630

**Wing****semi-circle**

Version IKK, with integral brackets
Material plastic

Type	Width mm	Length mm	Height mm	Radius mm	Order number
H-PE 40.1160.20-IKK	400	1940	640	580	9090 008 263
H-PE 40.1280.20-IKK	400	2010	640	640	9090 970 254
H-PE 40.1300.21-IKK	400	2100	680	650	9083 751 470
H-PE 41.1280.20-IKK	410	2000	640	635	9090 124 121
H-PE 45.1300.19-IKK	450	1900	650	580	9083 751 490
H-PE 45.1300.21-IKK	450	2100	650	680	9083 751 500
H-PE 45.1280.20-IKK	450	2010	640	640	9090 008 275
H-PE 48.1060.17-IKK	480	1650	640	530	9090 008 281
H-PE 51.1060.17-IKK	510	1650	520	530	9083 751 510
H-PE 55.1060.17-IKK	550	1650	520	530	9090 125 517
H-PE 60.1140.18-IKK	600	1750	550	570	9090 126 018
H-PE 65.1300.21-IKK	650	2100	680	650	9083 751 590
H-PE 67.1380.21-IKK	670	2100	655	690	9090 126 721
H-PE 61.1300.21-IKK	610	2100	680	650	9083 751 560
H-PE 65.1140.18-IKK	650	1750	550	570	8000 000 266
H-PE 65.1300.19-IKK	650	1900	580	650	9083 751 800



Wing

semi-circle

Version KK, with welded-on brackets
 Material plastic

Type	Width mm	Length mm	Height mm	Radius mm	Clamping width mm	Order number
H-PE 30.1120.17-KK	300	1700	540	560	1120	9090 008 257
H-PE 35.1340.22-KK	350	2150	710	670	1340	9090 008 259
H-PE 40.1440.23-KK	400	2260	730	720	1440	9083 751 480
H-PE 56.1280.20-KK	560	1930	600	640	1280	9090 008 290
H-PE 62.1130.17-KK	620	1680	520	565	1130	9090 008 294
H-PE 70.1100.18-KK	700	1830	600	550	1100	9090 008 300
H-PE 70.1260.20-KK	700	1980	630	630	1260	9090 270 200



Wing

semi-circle

Width 410 mm
 Radius 640 mm
 Material plastic

Order number 7770 020 085
 Comparative number Schmitz END002-0085



Kotflügel aus Kunststoff und Gummi



Luftfederbälge



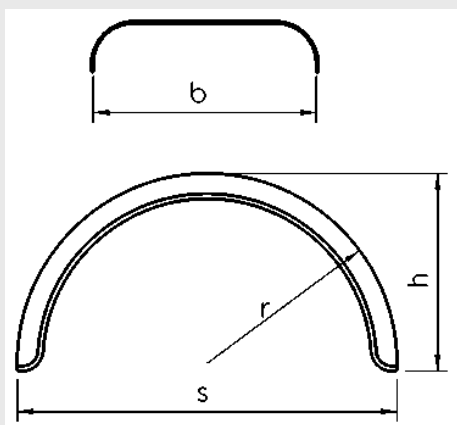


Wing

semi-circle

Material rubber (Dunloflex)

Width mm	Length mm	Radius mm	Clamping width mm	Order number
230	1415	450	900	9090 122 160
240	1300	400	800	9090 123 480
250	1760	550	1100	9090 100 100
280	1360	435	870	9090 120 130
290	1920	610	1220	9090 100 280
330	1890	610	1220	9090 100 040
380	2180	670	1340	9090 100 260
420	1610	480	960	9090 121 690
420	2190	660	1320	9090 121 580
450	2290	735	1470	9090 114 180
480	1910	610	1220	9090 100 560
500	1670	550	1000	9090 123 440
520	1500	480	960	9090 122 760
520	1825	550	1100	9090 121 730
530	2150	600	1200	9090 100 590
550	1860	560	1120	9090 123 450
550	2120	660	1320	9090 100 780
610	2070	660	1320	9090 121 840
630	1960	560	1120	9090 127 290
660	2070	660	1320	9090 127 660
670	2260	660	1320	9090 120 200
680	2070	660	1320	9090 120 350
690	2320	660	1320	9090 123 150
700	2120	660	1320	9090 120 100



Wing

semi-circle

Version Istoflex
Material rubber/PP/PE mixture

Type	Width (b) mm	Length mm	Height (h) mm	Radius (r) mm	Clamping width (s) mm	Order number
H4021	400	2000	655	610	1220	9083 730 190
H4222	420	2260	750	650	1300	9083 730 200
H4521	450	2000	655	610	1220	9083 730 220
H4819	480	1870	615	480	1120	9083 730 240
H5117	510	1670	550	500	1000	9083 730 270

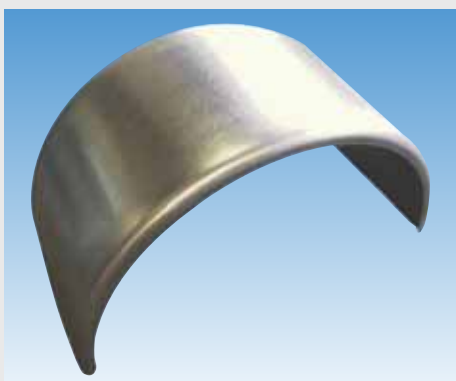
3

**Wing****semi-circle**

Type	GH 6521/115
Width	650 mm
Length	2110 mm
Height	670 mm
Radius	670 mm
Clamping width	1340 mm
Material	sheet steel
Surface	galvanised

with replaceable rubber edge

Order number
9090 965 213

**Wing****semi-circle**

Width	650 mm
Length	2200 mm
Height	730 mm
Radius	650 mm
Clamping width	1300 mm
Material	sheet steel
Surface	galvanised

Order number
9090 365 220

**Wing****with flat centre section**

Material plastic

* with integral side reflector

Type	Width mm	Length mm	Height mm	Central piece mm	Clamping width mm	Order number
H-PE 45.860.14 E	450	1400	425	400	860	9090 008 269
H-PE 45.1000.17 EMS*	450	1680	520	520	980	9083 751 260
H-PE 45.1000.17	450	1680	520	520	980	9090 008 272
HM 5117 K	510	-	560	510	1000	9083 750 270
H-PE 55.1105.19 E	550	1870	550	650	1150	9083 750 550

**Wing****with flat centre section**

Version Flat Top/Parlock
Material plastic

Width mm	Length mm	Height mm	Radius mm	Clamping width mm	Order number
615	2120	-	-	1260	9090 020 230
650	2310	700	570	1290	9090 020 232



Wing set

Width	650 mm
Length	2200 mm
Radius	630 mm
Clamping width	1260 mm
Material	plastic
Installation side	left/right

with splash guard

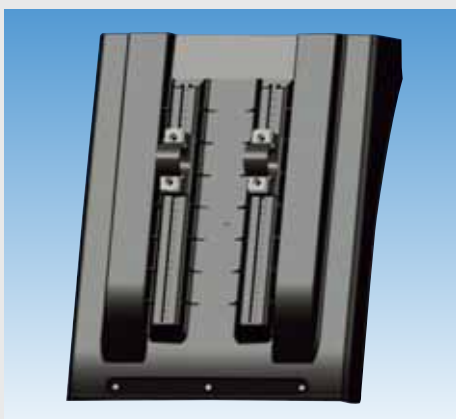
Version	Order number
3-piece	9090 060 095



Wing set

Width	650 mm
Length	1900 mm
Radius	630 mm
Clamping width	1260 mm
Material	plastic
Installation side	left/right

Version	Order number
6-piece	9090 020 095



Wing

Vario, long

Width	490 mm
Length	608 mm
Material	plastic

Order number
9090 049 060



Wing apron

short

Width	450 mm
Height	640 mm
Depth	130 mm
Material	plastic

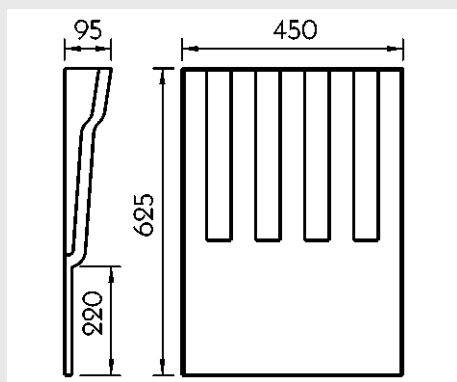
Order number
9090 970 420



Wing

Material plastic

Illustration	Width mm	Length mm	Order number	Comparative number
1	425	636	7772 900 965	Schmitz 290965
2	440	640	7772 915 800	Schmitz 291580
3	450	640	7772 915 380	Schmitz 1071854
4	450	730	7772 915 330	Schmitz 1071855
5	-	-	7772 915 970	Schmitz 291597

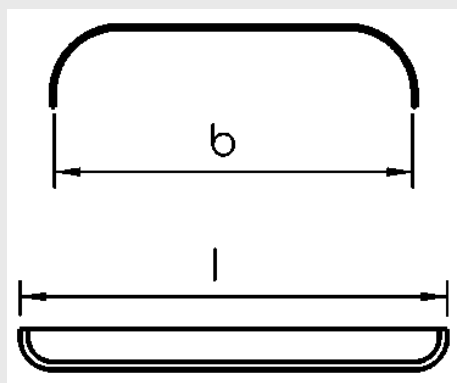


Wing

with integrated dirt trap

Type Spat
 Width 450 mm
 Length 625 mm
 Material plastic

Order number
 9370 005 085

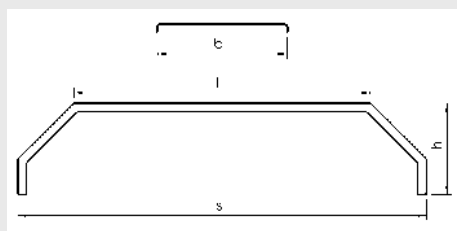


Wing

with straight centre section

Material plastic

Width (b) mm	Length (l) mm	Order number
400	930	9090 409 400
450	900	9090 045 900

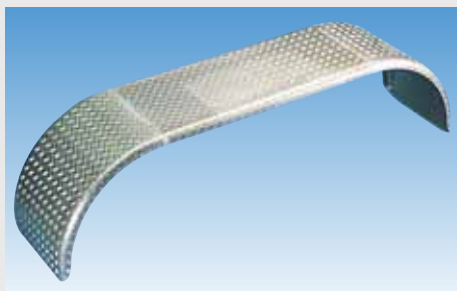


Wing

double axle wing

Type 273.60
 Width (b) 600 mm
 Length (l) 1900 mm
 Height (h) 650 mm
 Clamping width (s) 2730 mm
 Material aluminium, chequer plate structure

Order number
 9090 353 015

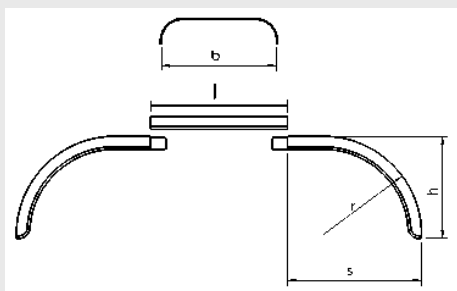


Wing

double axle wing with flat centre section

Width	650 mm
Length	3600 mm
Radius	650 mm
Clamping width	2700 mm
Material	aluminium, chequer plate

Order number
9091 865 360

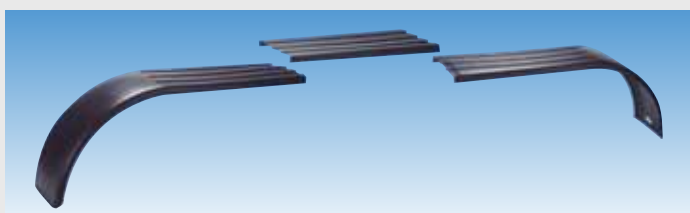


Wing

double and triple axle wings

Material plastic

Type	Version	Width (b) mm	Length (l) mm	Height (h) mm	Radius (r) mm	Clamping width (s) mm	Order number
DM-PE 4515	flat centre section	450	1480	-	-	-	9090 345 150
DE-PE 4519	end piece	450	1800	770	670	1370	9090 451 910
DM-PE 6515	central piece	650	1500	-	-	-	9090 651 510
DE-PE 6519	end piece	650	1840	770	670	1370	9090 651 910



Wing

double axle wing

Material plastic

Description	Width mm	Length mm	Height mm	Radius mm	Clamping width mm	Order number
central piece	430	1000	-	-	-	9370 890 002
end piece	430	2120	700	650	1700	9370 890 001
central piece	650	1000	-	-	-	9370 890 000
end piece	650	2120	700	650	1700	9370 890 004

Accessories

Connection set

Scope of supply

- 7 clasp nuts M6 zn
- 7 bolts DIN 7985, M6 x 16, black
- 12 washers M6, black

Version	Order number
for wing width 440 mm	9370 890 003
for wing width 650 mm	9370 890 005

3



Wing

double axle wing

Material rubber

Width mm	Length mm	Height mm	Radius mm	Clamping width mm	Order number
400	3530	740	660	2720	9090 121 590
450	2585	760	660	2110	9090 121 600
620	3680	765	735	2680	9090 120 120
670	3450	765	685	2520	9090 120 160



Wing

semi-circle, double axle wing/triple axle wing

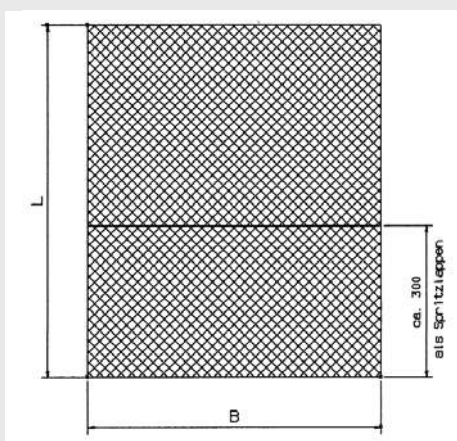
Version 3-part, welded
Material sheet steel
Surface galvanised

triple axle wing

Type	Width mm	Length mm	Height mm	Radius mm	Clamping width mm	Wheelbase mm	Order number
D4052	400	5200	780	700	4240	2840	9083 521 950

double axle wing

Type	Width mm	Length mm	Height mm	Radius mm	Clamping width mm	Wheelbase mm	Order number
DK 65.2700.36 gs	650	3600	730	650	2700	1400	9083 522 130



Spray protection mat

for suppression of overspray

Length 700 mm
Colour black

meets EEC directive 91/226

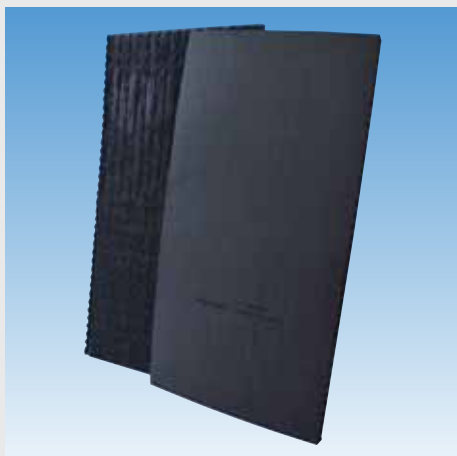
suitable for	B mm	Order number
wing width 400-440 mm	380	9090 008 392
wing width 450-490 mm	430	9090 008 393
wing width 500-540 mm	480	9090 008 394
wing width 550-590 mm	530	9090 008 395
wing width 600-640 mm	580	9090 008 396
wing width 630-670 mm	610	9087 061 070
wing width 670-700 mm	650	9090 008 397

Accessories

Fastening set

for bolting into place

Order number
9090 970 478



Spray protection mat

for suppression of overspray

Colour black

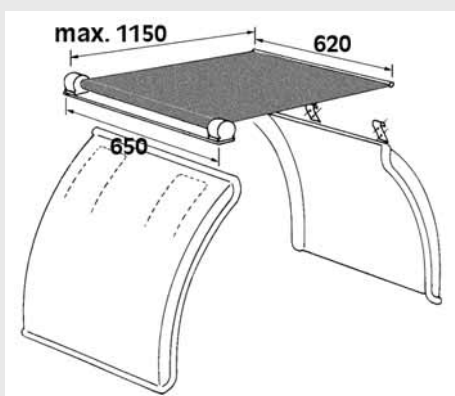
Width mm	Length mm	Order number
390	765	9080 050 248
440	1000	9080 050 249
540	760	9080 030 495
590	900	9080 050 250
640	1050	9080 990 966
690	1100	9080 050 251

Accessories

Fastening bracket

with screws

Order number
9080 970 809



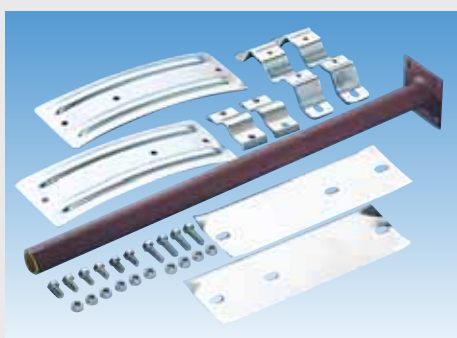
Wing blind

for 3-part combinations

Scope of supply

with 2 counterholds and aluminium fixing rail

Order number
9083 810 840



Wing bracket

for metal, rubber and plastic wings with a radius of 600-700 mm

Scope of supply

complete brackets (325 x 130 mm), 700 mm long support tube with screw-on plate, clamps and bolts

Pipe Ø mm	Order number
40	9090 007 100
50	9090 007 000



Wing bracket

Pipe diameter 40 mm

Scope of supply

complete brackets (325 x 130 mm), 700 mm long support tube with screw-on plate and clamps

Order number
9090 006 000

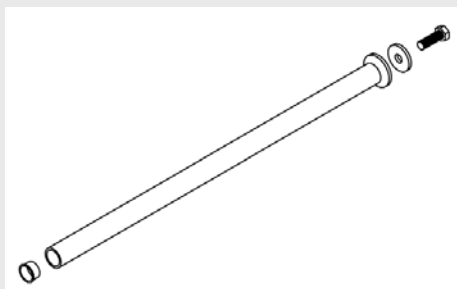


Support tube

for wing bracket

Length 700 mm

Version	Pipe Ø mm	Order number
without plate	40	9090 001 001
with plate to bolt on	40	9090 001 000
with plate to bolt on	51	9090 001 100



Support tube

for wing bracket

Version straight
 Length 826 mm
 Diameter 40 mm
 Surface galvanised

Scope of supply

mounting set and plastic end cap

Order number
9083 811 130



Support tube

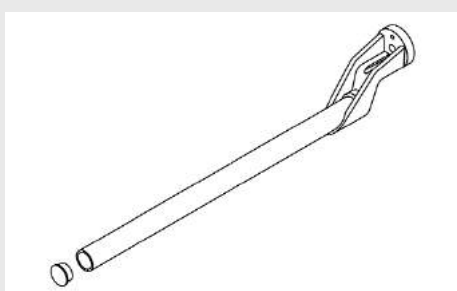
for wing bracket

Version offset
 Length 700 mm
 Diameter 40 mm
 Surface galvanised

Scope of supply

with counterplate, bolt and cover cap

Order number
9090 010 090

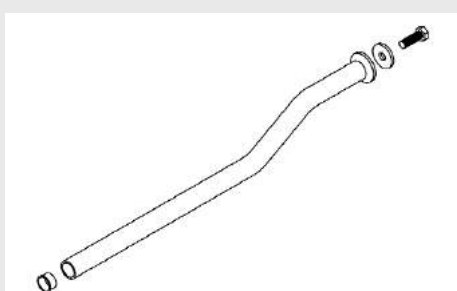


Support tube

for wing bracket

Version with flange
 Length 830 mm
 Diameter 42 mm

Order number
9083 813 240



Support tube

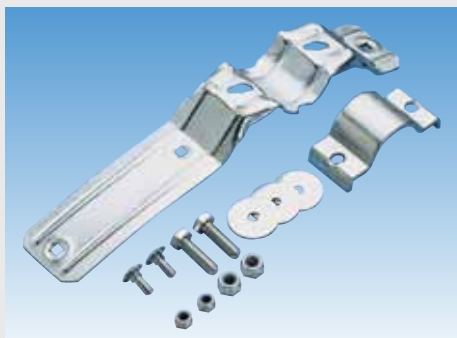
for wing bracket

Version offset
 Length 826 mm
 Diameter 40 mm

Scope of supply

mounting set and plastic end cap

Surface	Order number
galvanised	9083 811 150
primed	9083 812 540



Wing bracket

Length 340 mm
 Radius 600-700 mm

Pipe Ø mm	Order number
40	9090 004 200
50	9090 004 100

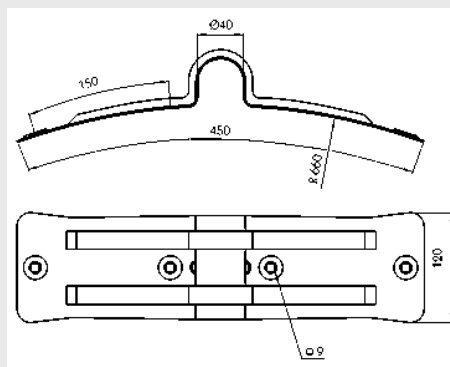


Mounting console

without support tube

Version complete

Order number
9090 002 000



Console

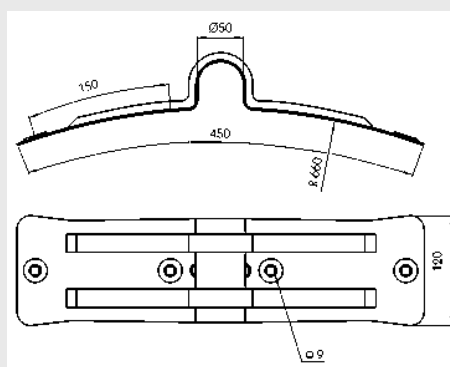
for wing bracket type 400

Length 450 mm
 Width 115 mm
 Radius 660 mm
 Pipe diameter 40 mm

Order number
9083 810 760

Accessories

Description	Version	Order number
Striker plate, single	-	9083 810 700
Bracket, complete galvanised	2 M10 nuts, fixing lug	9083 810 770



Console

for wing bracket type 500

Length 450 mm
 Width 115 mm
 Radius 660 mm
 Pipe diameter 50 mm

Order number
9083 811 220

Accessories

Description	Version	Order number
Striker plate, single	-	9083 810 700
Bracket, complete galvanised	2 M10 nuts, fixing strap	9083 811 240



Wing bracket

suitable for	support tube 40-42,5 mm
Type	KS-R 500
Length	232 mm
Width	40 mm
Thickness	5 mm
Distance between holes	203 mm
Surface	galvanised

Order number
9083 812 830



Console

for wing bracket

Type	KS-R500
Pipe diameter	40-42,5 mm
Wing radius	500 mm
Surface	galvanised

Scope of supply
with clamp

Order number
9083 812 820



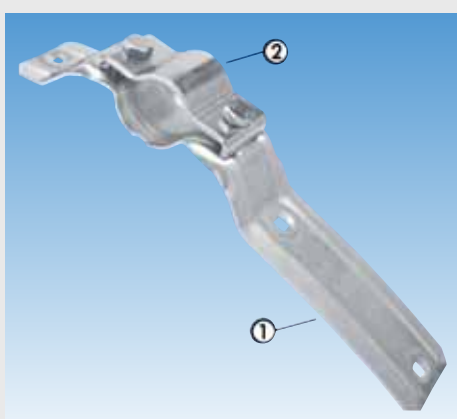
Console

for wing bracket

Type	KS-R650
Pipe diameter	40-42,5 mm
Surface	galvanised

Scope of supply
with upper part and clamp

Order number
9083 812 850



Console

Wing bracket

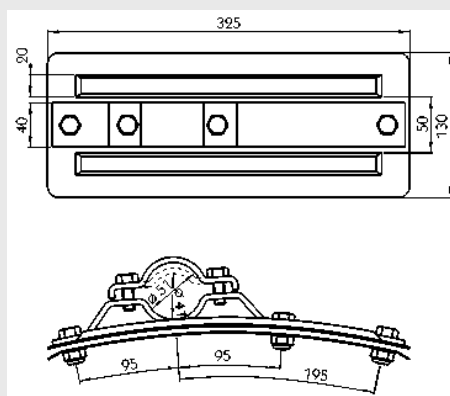
suitable for	tube outer diameters 40,0/42,4 and 50/51 mm, wing radiuses from 600-700 mm
Version	long
Length	340 mm
Surface	galvanised

Description	Illustration	Order number
Console	1	9083 811 050
Upper clamp, Pipe diameter 40 mm	2	9083 810 820
Upper clamp, Pipe diameter 50 mm	2	9083 810 810



Mounting console for wing bracket

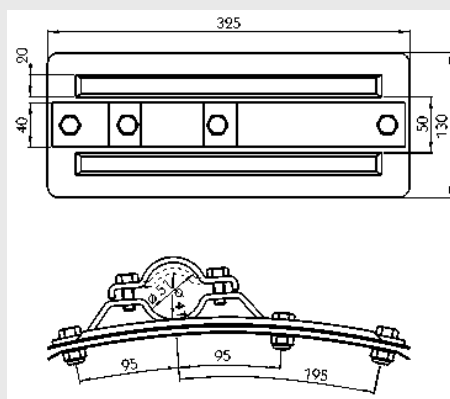
Order number
9084 065 220



Wing bracket

for 40 mm support tube

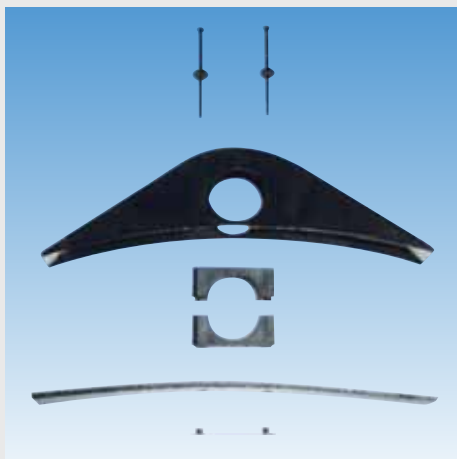
Description	Version	Order number
Striker plate	Type A, with turned edges, galvanised, 100 x 330 mm	9083 810 780
Ribbed circular blank (bracket)	660 mm radius, type A, 130 x 325 mm, galvanised	9083 810 790
Double bracket	with thread, galvanised	9083 810 800
Upper clamp	galvanised	9083 810 820



Wing bracket

for 50 mm support tube

Description	Version	Order number
Striker plate	Type A, with turned edges, galvanised, 100 x 330 mm	9083 810 780
Ribbed circular blank (bracket)	660 mm radius, type A, 130 x 325 mm, galvanised	9083 810 790
Double bracket	with thread, galvanised	9083 810 800
Upper clamp	galvanised	9083 810 810



Wing bracket set

Material plastic

Scope of supply

1 upper part, 1 lower part, 2 gripper clamps, fixings

Pipe Ø mm	Order number
40	9090 406 600
50	9090 506 600



Wing bracket

VR

Version steplessly adjustable
 Length 340 mm
 Adjustment range 150 mm
 Wing radius 500-700 mm
 Surface galvanised
 consisting of upper and lower part

Type	Pipe Ø mm	Order number
VR 40	40	9092 900 049
VR 42.4	42,4	9092 900 050



Clamping collar

suitable for IKK wing (integral brackets)

Ø mm	Order number
42	9090 844 210
52	9098 452 100



Clamping collar

suitable for KK wing (welded-on brackets)

Ø mm	Order number
42	9090 844 200
52	9098 452 000



Rear apron

for underbody protection

with EUROPART logo and traffic symbols

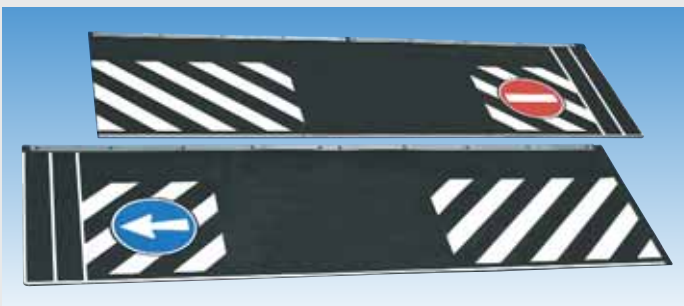
Version	2-part
Width	2400 mm
Height	380 mm
Hardness	85° Shore

Scope of supply

complete with fastening material

Order number

9193 190 001



Rear apron

for underbody protection

neutral, with traffic symbols

Version	2-piece
Width	2400 mm
Height	380 mm
Material	PVC

Scope of supply

complete with fastening material

Order number

9193 190 000



Rear apron

for underbody protection

neutral, with traffic symbols

with a bead for pulling into the fastening rail intended for it

Version	1-piece
Width	2400 mm
Height	380 mm
Material	PVC

Scope of supply

complete with fastening material and fastening rail

Order number

9193 190 006



Mud flap

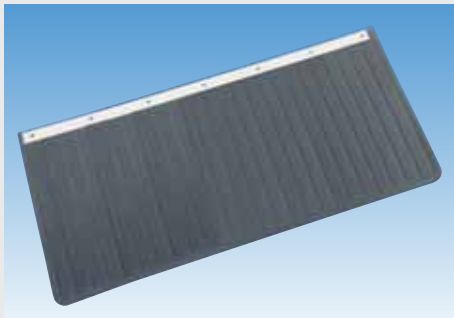
with reinforced edges and vertical ribbing

Version with EUROPART logo

Scope of supply

with attachment material

Width mm	Height mm	Distance between holes mm	Number of holes	Order number
260	260	100	2	9080 026 261
300	300	110	3	9080 030 301
350	300	100	4	9080 035 301
400	300	110	4	9080 040 301
400	400	110	4	9080 040 401
450	300	100	5	9080 045 301
450	400	100	5	9080 045 401
500	300	100	5	9080 050 301
500	400	110	5	9080 050 401
550	300	100	6	9080 055 301
550	400	100	6	9080 055 401
600	300	110	7	9080 060 301
600	400	110	7	9080 060 401
550	500	110	7	9080 065 301
650	300	100	7	9080 065 401



Mud flap

Version neutral

Scope of supply

with fixings

Width mm	Height mm	Order number
230	200	9083 811 940
260	260	9083 810 090
300	300	9083 810 100
350	300	9083 810 110
400	300	9083 810 120
400	400	9083 810 130
450	400	9083 810 160
500	300	9083 810 170
500	400	9083 810 180
550	300	9083 810 190
550	400	9083 810 200
600	300	9083 810 220
600	400	9083 810 230
600	500	9083 810 240
650	300	9083 810 250
650	400	9083 810 260
700	300	2300 019 570



Document roll

Version	stone impact resistant
Length	300 mm
Colour	grey
Material	PVC

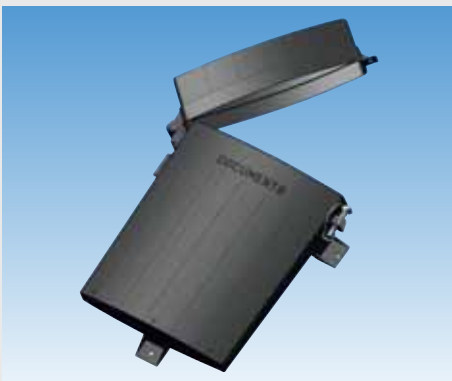
Application range

for tractor units, trailers and semi-trailers

Ø mm	Order number
50	9080 503 000
75	9080 753 000
110	9081 103 000

Accessories

Description	Application	Order number
Cover	for 50 mm diameter	9194 735 303
Cover	for 75 mm diameter	9194 735 290
Cover	for 110 mm diameter	9194 735 306
Clamping collar	for 50 mm diameter	9194 735 304
Clamping collar	for 75 mm diameter	9194 735 283
Clamping collar	for 110 mm diameter	9194 735 301
Mounting stand	-	9014 735 295



Document box

Width	270 mm
Height	360 mm
Depth	76 mm
Fastening	3 holes for 5 mm dia. bolts
Material	plastic

Order number
9090 970 492



Toolbox

suitable for every vehicle type

sturdy shape thanks to all-round steel profiles and PUR-coated base with ribbed surface, waterproof thanks to rubber seals in the lid, three-point lock with stainless steel pushing rods, actuated through handle with built-in lock, made of heat-resistant, high-strength, scratch and tear-proof polyurethane

Temperature resistance	-40 to +80 °C
Material	polyurethane

Scope of supply

Toolbox incl. 2 keys, 4 mounting brackets for attachment under the vehicle floor and fastening material

Type	Version	Width mm	Height mm	Depth mm	Order number
101	hinge at the bottom	440	398	480	9081 200 011
102	hinge at the bottom	588	445	480	9080 240 911
103	hinge at the bottom	749	429	450	9081 200 030
104	hinge at the bottom	753	429	550	9081 200 040
105	hinge at the bottom	1040	486	480	9081 200 050
106	hinge at the bottom	755	290	450	9081 200 060
107	hinge at the side	676	664	525	9081 200 190

3



Toolbox

WZK-PE 1

Version	with rotary catch fastener
Width	400 mm
Height	250 mm
Depth	440 mm
Material	polyethylene

Order number
9090 008 430

Accessories

Description	Order number
Retaining clamp	9090 008 234
Rotary striker pin	9081 414 330
Spanner	9081 414 340



Toolbox

WZK-PE 7

Version	with rotary catch fastener
Width	800 mm
Height	360 mm
Depth	460 mm
Material	polyethylene

Order number
9090 008 442

Accessories

Description	Order number
Retaining clamp	9080 700 000
Rotary striker pin	9081 414 330
Spanner	9081 414 340



Toolbox

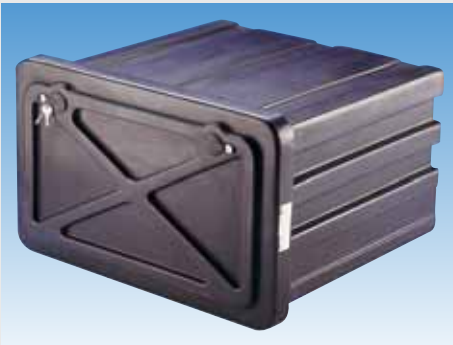
WK-PE 3

Width	650 mm
Height	360 mm
Depth	610 mm
Material	polyethylene

Order number
9080 001 400

Accessories

Description	Order number
Retaining clamp	9080 200 000
Cylinder lock	9080 001 412
Lock cover	9080 001 413



Toolbox

WK-PE 4

Width	650 mm
Height	490 mm
Depth	510 mm
Material	polyethylene

Order number
9080 001 410

Accessories

Description

Retaining clamp set	9080 400 000
Cylinder lock	9080 001 412
Lock cover	9080 001 413

3



Toolbox

WZK-XL HB

Version	offset, with closing lever, installed on mounting
Width	660 mm
Height	500 mm
Depth	665 mm
Material	polyethylene

Order number
9080 200 015



Toolbox

KVR

Version	with hoop closure, installed on mounting
Width	620 mm
Height	360 mm
Depth	610 mm
Material	polyethylene

Order number
9080 665 112



Toolbox

with turnbuckles

Version	with mounting
Material	sheet steel
Surface	galvanised

Size	Width mm	Height mm	Depth mm	Order number
1	400	180	420	9081 411 660
2	400	180	620	9081 411 650
3	600	300	600	9081 411 640
4	600	400	500	9081 411 690
6	600	400	600	9081 412 340

3



Toolbox

with drop loop

Version	with mounting
Size	5
Width	600 mm
Height	450 mm
Depth	500 mm
Material	sheet steel
Surface	galvanised

Order number

9081 412 280



Toolbox

Colour	black
Material	GFK

Size	Width mm	Height mm	Depth mm	Order number
1	520	420	520	9082 191 000
2	670	520	600	9082 192 000
3-short	660	660	500	9080 001 199
3	660	660	600	9080 001 493
4	1160	510	555	9082 194 000
5	420	520	520	9082 195 000
6	520	670	600	9082 196 000
7	670	520	450	9082 197 000
8	520	670	450	9082 198 000

Accessories

Description	Order number
Retaining clamp set	9082 210 010
Closing cylinder	9080 000 439
Swivelling lever handle	9082 211 200



Toolbox

700 SL 4

Version	with tray for stowing 8 lashing straps
Width	700 mm
Height	500 mm
Depth	450 mm
Material	polyethylene

Scope of supply

without contents

Order number

9370 880 566



Toolbox

V 5040

Version	with 2 T-latch turn fasteners
Width	600 mm
Height	400 mm
Depth	500 mm
Material	polyethylene

Order number
6150 000 012

Accessories

Retaining clamp set

Order number
9081 440 960



Toolbox

Version	with rotary catch fastener
Width	500 mm
Height	350 mm
Depth	400 mm
Material	polyethylene

Order number
9081 440 650

Accessories

Retaining clamp set

Order number
9081 440 970



Toolbox

Version	with T-rotary catch and cylinder lock
Width	1000 mm
Height	500 mm
Depth	500 mm
Material	polyethylene

Order number
9081 440 580

Accessories

Retaining clamp set

Order number
9081 440 960



Toolbox

WK-HP 40

Version	with snap fastener
Width	620 mm
Height	475 mm
Depth	510 mm
Material	polyethylene

Order number
9080 625 100

Accessories

Retaining clamp set

Order number
9080 400 000

3

**Toolbox****WK-HP 60**

Version	with snap fastener
Width	620 mm
Height	600 mm
Depth	610 mm
Material	polyethylene

Order number
9080 626 000

Accessories**Retaining clamp**

Order number
9080 600 000

**Toolbox****WK-HP 70**

Version	with snap fastener
Width	800 mm
Height	360 mm
Depth	460 mm
Material	polyethylene

Order number
9080 804 600

Accessories**Retaining clamp**

Order number
9080 700 000

**Toolbox****WK-HP 80**

Version	with snap fastener
Width	950 mm
Height	500 mm
Depth	500 mm
Material	polyethylene

Order number
9080 105 000

Accessories**Retaining clamp**

Order number
9080 800 000

**Toolbox****WK-FS 20**

Width	600 mm
Height	420 mm
Depth	390 mm
Material	polyethylene

Order number
9080 624 410

Accessories**Retaining clamp**

Order number
9080 200 000



Toolbox

WK-FS 30

Width	600 mm
Height	420 mm
Depth	580 mm
Material	polyethylene

Order number
9080 626 110

Accessories

Retaining clamp

Order number
9080 200 000



Toolbox

WK-FS 50

Version	offset, with snap fastener
Width	605 mm
Height	475 mm
Depth	620 mm
Material	polyethylene

Order number
9080 656 500

Accessories

Retaining clamp set

Order number
9080 650 000



Toolbox

WZK-XDK HB

Version	with rotary catch fastener, installed on mounting
Width	660 mm
Height	500 mm
Depth	665 mm
Material	polyethylene

Order number
9086 650 075



Toolbox

550

Version	with 2 handle closures
Width	550 mm
Height	400 mm
Depth	450 mm
Material	Polyethylene

Scope of supply

with bracket

Order number
9370 855 550



Toolbox

610

Version	with plastic snap fastener
Width	630 mm
Height	410 mm
Depth	450 mm
Material	polyethylene

Order number
9370 880 550



Toolbox

800/4, Eurobox

Version	with 2 toggle fastenings, bracket mounted
Width	820 mm
Height	480 mm
Depth	550 mm
Material	Polyethylene

Order number
9370 880 570



Toolbox

602

Version	with 2 toggle fastenings, bracket mounted
Width	690 mm
Height	540 mm
Depth	650 mm
Material	polyethylene

Order number
9370 880 560



Toolbox

Width	526 mm
Height	445 mm
Depth	655 mm
Material	polyethylene

Order number
7772 915 790
Comparative number

 Schmitz 1064355



Toolbox

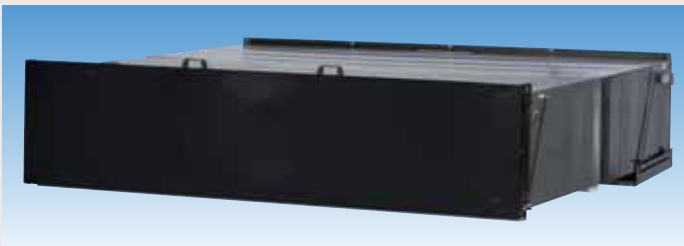
Version	with T-rotary catch
Width	500 mm
Height	250 mm
Depth	250 mm
Material	polyethylene

Order number
9081 416 160

Accessories

Retaining clamp set

Order number
9081 440 960



Pallet storage box

Length	2490 mm
Material	steel sheet, galvanised
Surface	EPD coated

Scope of supply

supplied in 2 parts, with clamping jaws

Type	Version	Width mm	Height mm	Order number
PK08EP	for 8 pallets	1351	550	9082 008 001
PK16EP	for 16 pallets	2081	550	9082 016 001
PK24EPK	for 24 pallets	2081	700	9082 024 002
PK24EP	for 24 pallets	2751	550	9082 024 001
PK30EPK	for 30 pallets	2581	700	9082 030 001
PK30EP	for 30 pallets	2751	650	9082 030 002
PK32EP	for 32 pallets	3291	550	9080 032 001
PK36EP	for 36 pallets	2790	760	9082 036 001



**Special storage boxes with many different dimensions
and also possible to your own specification!**

More information from:

www.europart.net

3



Discus lock

for locking storage compartments and toolboxes

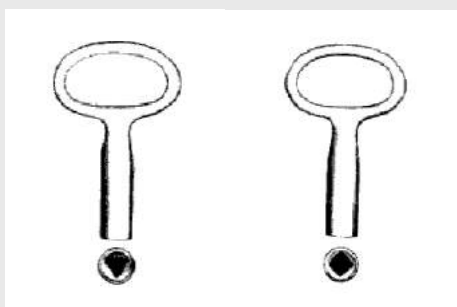
Order number
9084 510 890



Square key

for square hole lock

Square mm	Dimensions mm	Order number
5-8,5	130 x 70	9802 212 800
5-9	155 x 70	9802 212 900



External wrench

Surface zinc plated, chrome plated

Version	Spanner size mm	Order number
triangle	8	9802 120 080
square	7	9802 120 090
square	8	9802 120 100



Double bit key

Version with 5 mm spine
Surface zinc plated, chrome plated

Order number
9802 602 017

Water tank

Version	with bracket
Capacity	25 l
Length	460 mm
Height	350 mm

Order number
9081 440 560

**Water tank**

Capacity	30 l
Colour	natural
Material	PVC

Scope of supply

with filler neck and drain tap

Order number
9081 440 980

Accessories**Bracket**

Surface	galvanised
---------	------------

Order number
9081 440 990

**Water tank**

Capacity	32 l
Colour	natural
Material	PVC

Scope of supply

with filler neck and drain tap

Order number
9081 441 000

Accessories**Bracket**

Surface	galvanised
---------	------------

Order number
9081 441 010

**Fuel tank****diesel tank**

Version	without tightening straps
Capacity	240 l
Material	plastic

Application range

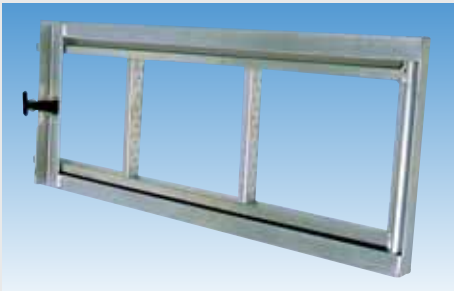
for refrigerated vehicles

Scope of supply

fuel level indicator, supply and return, vent and lockable tank cap

Order number
9661 050 140

3

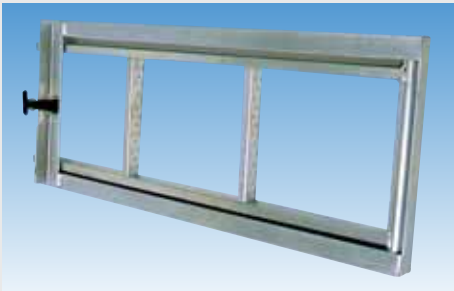


Stepladder

Version 3-stage, extendable
 Length 752 mm
 Material steel
 Surface galvanised

Application range
 for mounting on the vehicle frame

Order number
 9081 316 060



Stepladder

Version 3-stage, extendable
 Length 950 mm
 Material steel
 Surface galvanised

Application range
 for mounting on the vehicle frame

Order number
 9081 315 720



Stepladder

Version 2-stage, extendable
 Weight 6.12 kg
 Material steel
 Surface EPD coated

Order number
 9081 315 010



Stepladder

Overall length 895 mm
 Overall width 425 mm
 Step length 880 mm
 Step width 300 mm
 Distance between steps 280 mm
 Material steel
 Surface galvanised

Application range
 for mounting under the vehicle frame

Order number
 9080 001 000



Fire extinguisher box

for 6 kg and 9 kg filling weight

especially suitable for commercial vehicles, all-round elastomer seal, a retaining strap, can be released quickly, different attachment possibilities, door is fastened by two plastic fasteners, reinforced upper and lower part allows mounting with door opening to the left or right, black case, red door

Material	Polypropylene copolymer, recyclable, impact-proof and UV-stable
suitable for	Fire extinguisher diameter 200 mm
Height	674 mm
Width	313 mm
Depth	255 mm

Type	Weight	Order number
Rimbox 152, without window	3.3 kg	9080 240 910
Rimbox 155, with window	3 kg	9080 240 912

Accessories

Retaining strap

Order number
9080 001 550



Fire extinguisher box

for 6 kg and 9 kg filling weight

Height	660 mm
Width	280 mm
Depth	205 mm
Colour	fire red
Material	GFK

Order number
9192 190 000



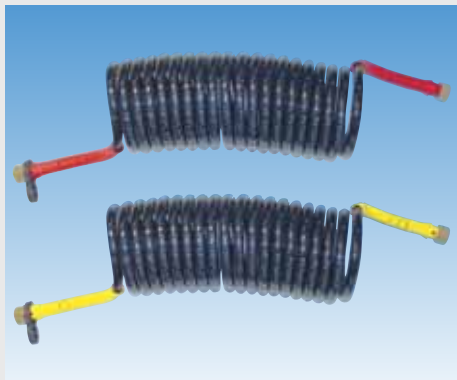
Fire extinguisher box

for 6 kg and 9 kg filling weight

Height	720 mm
Width	320 mm
Depth	340 mm
Colour	red

Order number
9080 220 562

3



Air suzie

Connection M18 x 1,5/M18 x 1,5

Respective double muffers can be ordered separately as accessories.

Version	Length mm	Order number
Plastic kink protection, red	4000	9195 210 010
Plastic kink protection, yellow	4000	9195 210 020
Plastic kink protection, black	4000	9195 210 030
with kink protection, red	6000	9190 602 006
with kink protection, yellow	6000	9190 602 007



Conversion kit

Duo-Matic

complete with all parts for conversion of 2-line trailer brakes

Thread M16 x 15

Application range

for rigid trucks with trailer

Description	Version	Order number
Conversion kit	-	0248 029 202
Fast-action coupling	rigid truck part	0248 020 090
Mounting console	-	0248 021 004
Fast-action coupling	trailer part	0248 040 120



Fast-action coupling

for DuoMatic

Connection thread M16 x 15

Application range

for tractor units with semi-trailer

Order number
0248 030 050



Coupling head

cannot be mixed up

Application range

for trailers and semi-trailers

Colour	Connection thread	Order number
yellow	M16 x 1.5	3700 000 004
yellow	M22 x 1.5	3700 000 001
red	M16 x 1.5	3700 000 003
red	M22 x 1.5	3700 000 002

Accessories

Extension handle

Thread	Order number
M16 x 1.5	3700 300 117
M22 x 1.5	3700 300 119



Dummy coupling

Length 85.5 mm
 Width 65 mm
 Height 57.5 mm

Order number
 0244 020 000



Plastic pipe

Standard DIN 74324
 Length 25 m
 Colour black

Application range
 for compressed air systems

Outer Ø mm	Wall thickness mm	Order number
4	1	9194 310 020
5	1	9176 720 160
6	1	0492 519 176
8	1	0492 519 166
9	1.5	9176 720 130
10	1	0492 519 156
10	1.5	9176 720 080
11	1.5	9194 270 000
12	1.5	0492 519 146
14	2	9176 720 140
15	1.5	0492 519 136
16	2	9010 060 444
18	2	0492 519 126



Plug-in sleeve for plastic pipe

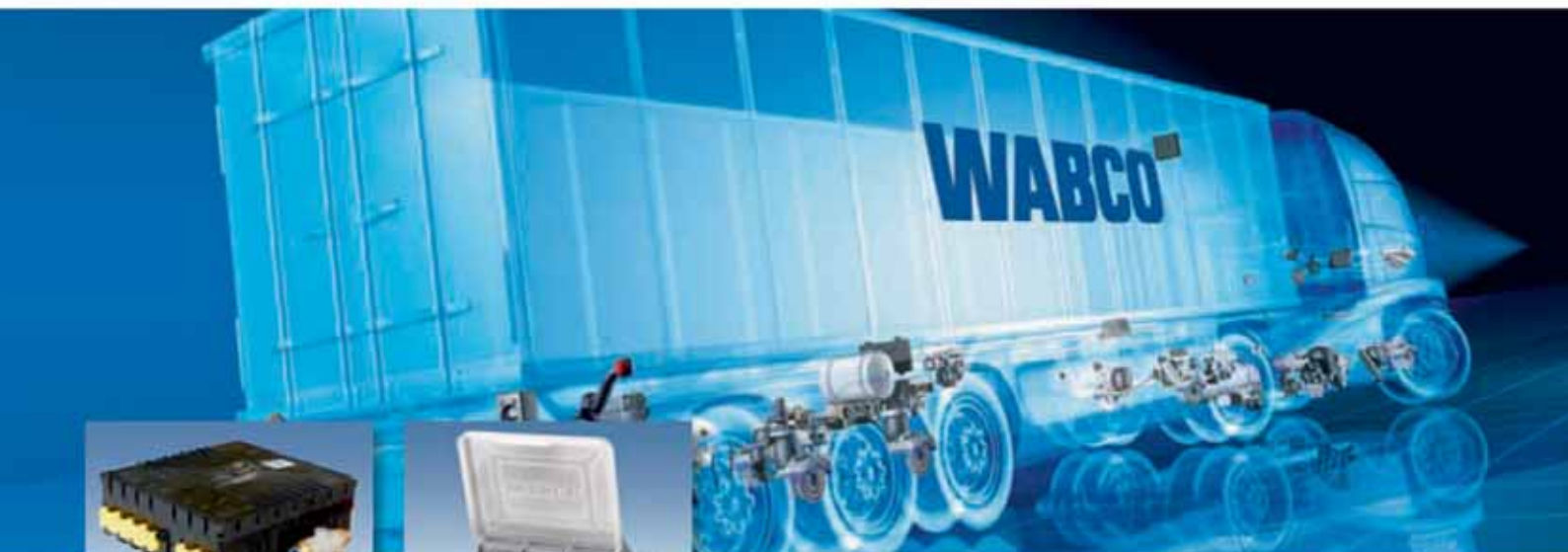
suitable for	Order number
plastic pipe with inside diameter 4 mm	0510 402 104
plastic pipe with inside diameter 6 mm	0510 402 204
plastic pipe with inside diameter 8 mm	0510 402 304
plastic pipe with inside diameter 9 mm	0510 402 404
plastic pipe with inside diameter 12 mm	0510 402 504
plastic pipe with inside diameter 14 mm	0510 402 604



www.wabco-auto.com

WABCO

**DIE WELT MIT WABCO TRAILER SYSTEMEN.
THE WORLD WITH WABCO TRAILER SYSTEMS.**



Trailer EBS E Modulator



SmartBoard

© 2008 WABCO All rights reserved. 07.2008

www.wabco-auto.com

WABCO

3

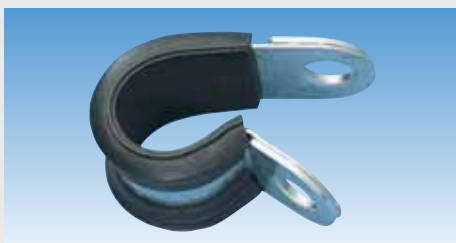


Pipe cutter for plastic pipe

Order number
9172 090 100

Service parts Spare blade

Order number
9172 090 270



Pipe clip RSGU 1, with rubber profile

high-grade fastening material for secure, vibration-damping suspension of pipelines, cables, hoses etc., made of hot-galvanised steel, rubber profile made of chloroprene

Width 15/18.5 mm

Bore hole 6,4 mm

Pipe Ø mm	Order number
6	2300 011 534
8	9100 736 710
10	9100 736 720
12	9100 736 730
15	9100 736 740
18	9100 736 750
20	9173 101 220
22	9173 101 320
25	9173 101 520
28	2300 011 602
30	9100 736 780



Brake hose

DIN 74310

Operating pressure 10 bar

Inner Ø mm	Wall thickness mm	Order number
11	3.5	1748 769 466
13	6	1748 760 006



Hose clip for brake hose according to DIN 74310

suitable for	Width mm	Ø mm	Order number
brake hose 11 x 3,5 mm	12	18	0515 104 202
brake hose 13 x 6 mm	15	25	0515 104 102



Test connection

with protective cap

Inner thread	Order number
M12 x 1.5	0307 031 160
M14 x 1.5	0307 031 060
M18 x 1.5	0307 031 070
M22 x 1.5	0307 031 080



Test connection

with protective cap

Outer thread	Order number
M16 x 1.5	0307 031 030
M22 x 1.5	0307 031 000



Hose nipple

for brake hose

Version	with thread
Length	60 mm

Nozzel-Ø mm	Spanner size mm	Thread	Order number
13	22	M16 x 1.5	0511 204 144
11	22	M16 x 1.5	0511 216 414
11	27	M22 x 1.5	0511 216 404
13	27	M22 x 1.5	0511 201 704



Accessories

Description	for thread	Material	Order number
Pressure ring	M16 x 1,5	Brass	0510 301 704
O-ring	M16/M18 x 1,5	NBR	0527 702 504
Pressure ring	M22 x 1,5	Brass	0510 300 404
O-ring	M22 x 1,5	NBR	0520 804 004



Compressed air tank

to EN 286-2, aluminium

for the operation of compressed air systems in vehicles and trailers, approx. 60 % lighter than a steel tank, connections on the face, corrosion-resistant and maintenance-free

Connection 1 + 2
Thread M22 x 1.5

Volume l	Length mm	Ø mm	Operating pressure bar	Order number
10	375	206	12,5	1742 102 060
15	535	206	12,5	1742 152 060
20	415	276	12,5	1742 202 760
20	500	246	max. 12.5	1740 200 024
30	720	246	max. 12.5	1742 302 460
30	599	276	12,5	1742 302 760
40	945	246	12,5	1742 402 460
40	770	276	max. 12.5	1742 402 760
40	630	310	10	1742 403 100
60	1390	246	12,5	1742 602 460
60	1116	276	12,5	1742 602 760
60	907	310	max. 10	1742 603 100
60	590	396	10	1742 603 960
80	761	396	10	1742 803 960
100	930	396	10	1742 100 396
120	1094	396	15	1742 120 396



Compressed air tank

EN 286-2, steel

Connection 3 x M22 x 1.5

Volume l	Length mm	Ø mm	Operating pressure bar	Order number
5	341	154	10	3620 001 545
10	368	206	max. 15.5	3620 020 610
15	527	206	15.5	3620 020 615
20	691	206	15.5	3620 020 620
20	493	246	max. 15.5	3620 024 620
20	414	276	max. 15.5	3620 027 620
25	599	246	15.5	3620 024 625
30	709	246	15.5	3620 024 630
30	583	276	max. 15.5	3620 027 630
37	862	246	15.5	3620 024 637
40	758	276	15.5	3620 027 640
40	927	246	15.5	3620 024 640
40	618	310	15.5	3620 031 040
60	1108	276	15.5	3620 027 660
60	893	310	12.5	3620 031 060
60	580	396	12.5	3620 039 660
60	1365	246	15.5	3620 024 660
80	750	396	12.5	3620 039 680
100	915	396	15.5	3620 396 100
120	1055	396	15.5	3620 396 120



Compressed air tank

Volume	80 l
Length	1153 mm
Diameter	310 mm

Order number	Comparative number
7770 512 020	Schmitz 051202



Air reservoir tensing strap with bracket

Ø mm	Order number
206	1740 012 060
246	1740 022 460
276	1740 032 760
310	1740 043 100
396	1740 053 960

Accessories

Tensing strap base

Length	1000 mm
Material	rubber

Order number
9085 413 340



Dehumidification valve

Version	mechanical, with ring
Connection	M22 x 1,5
Operating pressure	20 bar
Spanner size	27

Order number
1740 060 020



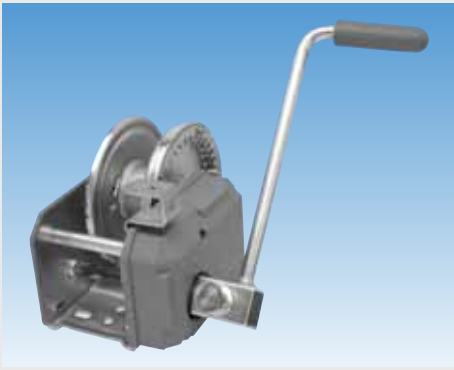
Trailer brake valve

as replacement

Thread	M16 x 1.5. M22 x 1.5
Operating pressure	10 bar

Version	Order number	Comparative number
adjustable with lead	0630 025 317	Wabco 971 002 531 7
combined with release valve and lead	0630 025 337	Wabco 971 002 533 7

3



Rope winch

with removable crank

Type	950 A
Weight	8.53 kg
Material	steel
Surface	galvanised

pulling force 1st cable layer 9500 N, pulling force highest cable layer 3500 N
 dimensions without hand crank: approx. 255 mm long, 210 mm wide, 200 mm high

Application range

for 7 mm steel cable or strap up to max. 40 mm wide, max. cable length 25 m

Order number

9080 090 010



Vehicle type plate

Dimensions	148 x 38 mm
Material	etched zinc sheet

Order number

9085 510 600



Handle holder

with metal fastener

for securing brooms, shovels etc.

Gripping length	37 mm
Overall width	110 mm
Rear width	25 mm
Material	steel

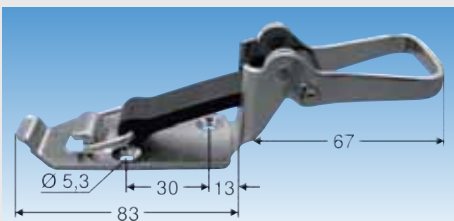
Surface

bright	galvanised
--------	------------

Order number

9802 581 000

9802 581 001



Handle holder

with rubber strap

for securing brooms, shovels etc.

Overall width	150 mm
Material	steel
Surface	galvanised

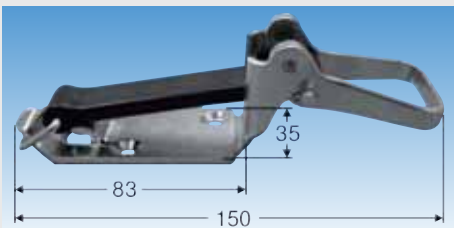
Tightening strap length mm

77.5	60
------	----

Order number

9802 581 100

9802 581 200



Workshop Requirements for the Commercial Vehicles Trade



EUROPART
– Your complete workshop outfitter!

Order your free copy of our catalogue!

www.europart.net

**EURO
PART** 
...more than parts

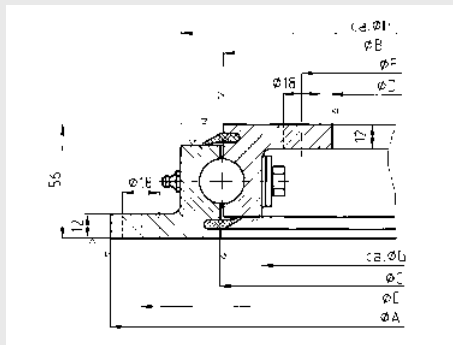
Vehicle connections

4



Steering turnplates	298-300
Drawbars	301-304
Drawbar components	305-316
Drawbar shoes/spring shoes	317, 318
Trailer kingpins	319-322



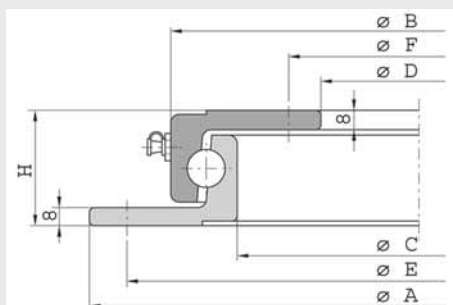


Ball pivot bearing

primed

Version	low maintenance, undrilled, hardened tracks
Flange thickness	12 mm
Height	56 mm

Type	A mm	B mm	E mm	F mm	Axial load, max. kN	Order number
KDL 900-1 W	520	409	490	332	40	3033 800 610
KDL 900-2 W	650	539	620	462	80	3033 800 621
KDL 900-3 W	750	639	720	562	120	3033 900 300
KDL 900-4 W	850	739	820	662	150	3033 800 800
KDL 900-5 W	950	839	920	762	180	3001 000 467
KDL 900-6 W	1050	939	1020	862	210	3033 800 931
KDL 900-7 W	1200	1089	1170	1012	250	3001 009 007

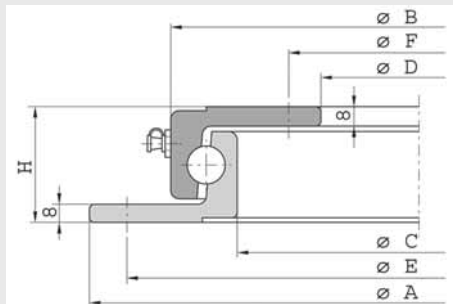


Ball steering turnplate

primed

Version	standard, undrilled
Flange thickness	8 mm
Height	52 mm

Type	A mm	B mm	E mm	F mm	Axial load, max. kN	Order number
KLK 500 N	500	437	475	340	18	3030 500 130
KLK 650 N	650	587	625	490	25	3030 650 130
KLK 750 N	750	687	725	590	30	3030 750 130
KLK 850 N	850	787	825	690	35	3030 850 130
KLK 950 N	950	887	925	790	40	3030 950 130
KLK 1050 N	1050	987	1025	890	45	3030 105 130

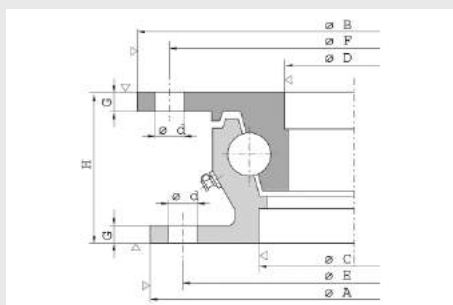


Ball steering turnplate

primed

Version	standard, undrilled
Flange thickness	8 mm
Height	45 mm

Type	A mm	B mm	E mm	F mm	Axial load, max. kN	Order number
KLK 400 L	400	342	375	260	7.5	3030 400 110
KLK 500 L	500	442	475	360	9	3030 500 110
KLK 650 L	650	592	625	510	15	3030 650 110
KLK 750 L	750	692	725	610	18	3030 750 110
KLK 850 L	850	792	825	710	25	3030 850 110
KLK 950 L	950	892	925	810	30	3001 000 414
KLK 1050 L	1050	992	1025	910	35	3030 105 110

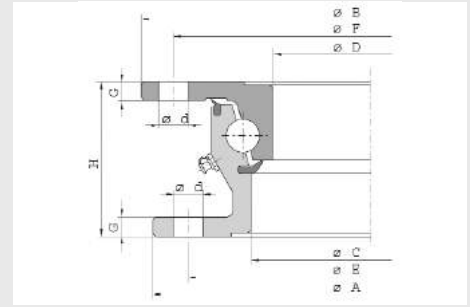
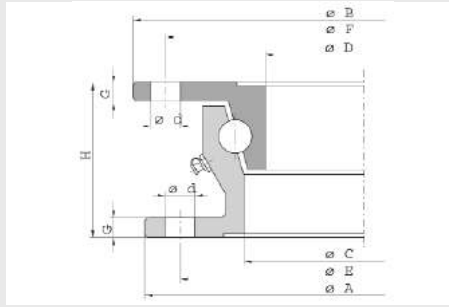


Ball steering turnplate

primed

Flange thickness	10 mm
Height	90 mm

Type	Version	A mm	B mm	E mm	F mm	Axial load, max. kN	Order number
KLK SO 1000-24	standard, undrilled	987	1000	952	966	120	3030 987 190
KLK SO 1100-24	standard, drilled	1095	1108	1060	1074	160	3030 111 780



Ball steering turnplate

primed

Flange thickness 9 mm
Height 80 mm

Type	Version	A mm	B mm	E mm	F mm	D mm	Axial load, max. kN	Order number
KLK HE 4	standard, undrilled	685	700	657	671	-	30	3030 004 000
KLK HE 5	standard, drilled	880	895	852	866	16	50	3030 005 000
KLK HE 6	standard, drilled	1090	1105	1060	1074	18	65	3030 006 000

Flange thickness 10 mm
Height 90 mm

Type	Version	A mm	B mm	E mm	F mm	D mm	Axial load, max. kN	Order number
KLK HE 12	standard, drilled	1100	1108	1060	1074	18	80	3030 012 000
KLK HE 12 W	low maintenance, drilled	1100	1108	1060	1074	18	80	3030 012 100
KLK HE 18	standard, drilled	1100	1108	1060	1074	18	100	3030 018 000
KLK HE 13000100	standard, undrilled	1100	1108	1060	1074	-	100	3030 018 001
KLK HE 18 W	low maintenance, drilled	1100	1108	1060	1074	18	100	3030 018 100
KLK HE 1000-22	standard, undrilled	1000	1008	960	974	-	100	3030 100 770
KLK HE 1000-22 W	low maintenance, undrilled	1000	1008	960	974	-	100	3030 100 780
KLK HE 1100-22	standard, drilled	1000	1108	1060	1074	-	120	3030 110 770
KLK HE 1100-22 W	low maintenance, drilled	1000	1108	1060	1074	18	120	3030 110 780
KLK HE 21000100	standard, undrilled	1000	1108	1060	1074	18	120	3030 111 770
KLK HE 1200-22	standard, drilled	1200	1208	1160	1174	18	130	3030 120 770
KLK HE 22000100	standard, undrilled	1200	1208	1160	1174	-	130	3030 120 775
KLK HE 1200-22 W	low maintenance, drilled	1200	1208	1160	1174	18	130	3030 120 780
KLK HE 1300-22	standard, drilled (Kögel hole pattern)	1300	1308	1260	1274	-	140	3030 130 022
KLK HE 1300-22 W	low maintenance, undrilled	1300	1308	1260	1274	-	140	3030 130 780
KLK HE 1300-22 W	low maintenance, drilled	1300	1308	1260	1274	-	140	3030 130 790

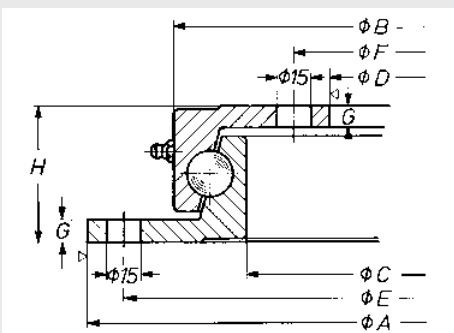


Ball steering turnplate

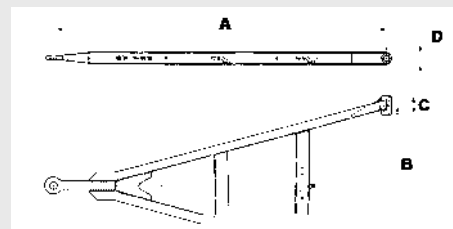
primed

Type KLK 1100 ND
Version standard, drilled
Axial load, max. 70 kN

A 1102 mm
B 1027 mm
E 1070 mm
F 920 mm
D 15 mm
G 10 mm
H 60 mm



Order number
3030 110 000



Forked draw-bar

TBZ 18/GNZ 18, Standard version

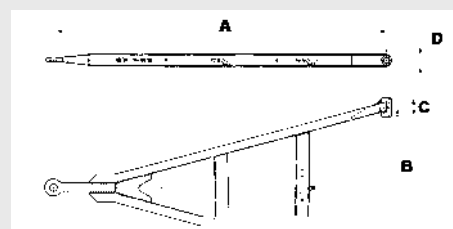
made of standard U-section, with EC approval, drawbar eye to DIN 74054 A

Bearing bush brass/plastic

Towed load 18 t

Diameter of trailer coupling ring 40 mm

A mm	B mm	C mm	D mm	Order number
2100	1200	70	26	4922 101 212
2300	1200	80	28	4922 301 223



Forked draw-bar

TBZ 27/GNZ 27, Standard version

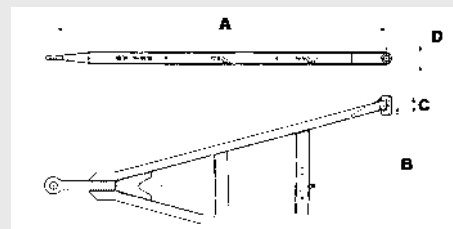
made of standard U-section, with EC approval, drawbar eye to DIN 74054 A

Bearing bush Silent

Towed load 27 t

Diameter of trailer coupling ring 40 mm

A mm	B mm	C mm	D mm	Order number
1800	1200	100	30	4822 301 364
1900	1300	100	30	4822 301 404
2000	1300	100	30	4832 001 344
2100	980	100	30	4832 109 844
2100	1200	100	30	4822 301 394
2100	1300	100	30	4832 101 344
2200	1200	100	30	4832 201 244
2200	1300	100	30	4822 201 444
2300	1200	100	30	4832 301 244
2300	1300	100	30	4832 301 344
2400	1100	100	30	4822 301 384
2400	1300	100	30	4832 401 344
2500	1200	100	30	4922 501 444
2500	1300	100	30	4832 501 344
2600	1200	100	30	4932 601 344
2600	1300	100	30	4832 502 344
2800	1100	100	30	4832 801 144



Forked draw-bar

TBZ 27/GNZ 27, Standard version

made of standard U-section, with EC approval, drawbar eye to DIN 74054 A

Towed load 27 t

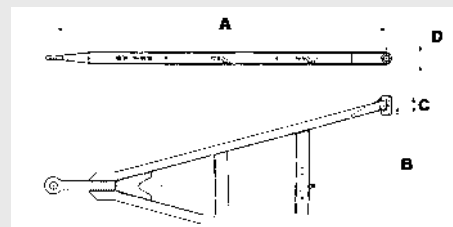
Diameter of trailer coupling ring 40 mm

Bearing bush plastic

A mm	B mm	C mm	D mm	Order number
1800	1100	80	28	4921 801 133
2100	980	80	28	4922 109 833
2100	1100	70	26	4922 101 113
2100	1100	80	28	4922 101 142
2200	1100	100	30	4922 201 154
2300	1100	80	28	4922 301 133
2300	1300	80	28	4922 301 333
2400	1300	80	28	4922 401 333
2600	1300	100	30	4922 601 354

Bearing bush brass/plastic

A mm	B mm	C mm	D mm	Order number
1800	980	100	30	4931 809 844
1800	1000	80	30	4931 801 024
1800	1000	100	30	4931 801 044
1800	1100	100	30	4931 801 144
1800	1200	100	30	4931 801 244
1800	1300	100	30	4931 801 344
1900	1200	100	30	4931 901 244
1900	980	100	30	4931 909 844
1900	1300	100	30	4931 901 344
2000	1200	100	30	4931 701 284
2000	1300	100	30	4932 001 344
2100	980	100	30	4932 109 844
2100	1000	80	30	4932 101 024
2100	1100	80	26	4922 101 132
2100	1000	100	30	4932 101 044
2100	1100	100	30	4932 101 144
2100	1200	80	28	4931 701 294
2100	1200	100	30	4932 101 244
2100	1300	80	28	4932 101 323
2100	1300	100	30	4932 101 344
2200	1100	80	26	4922 201 132
2200	1200	100	30	4932 201 244
2200	1300	100	30	4932 201 344
2300	600	100	30	4923 601 044
2300	1000	80	30	4932 301 024
2300	1100	100	30	4932 301 144
2300	1200	80	28	4922 301 134
2300	1200	100	30	4932 301 244
2300	1300	100	30	4932 301 344
2300	980	100	30	4932 309 844
2400	980	100	30	4932 409 844
2400	1100	100	30	4932 401 144
2400	1200	100	30	4932 401 244
2400	1300	100	30	4932 401 344
2500	980	100	30	4932 509 844
2500	1100	100	30	4932 501 144
2500	1200	100	30	4932 501 244
2500	1300	100	30	4932 501 344
2600	1200	100	30	4932 601 244
2700	1100	100	30	4932 701 144
2700	1300	100	30	4932 701 344
2800	980	100	30	4932 809 844
2800	1200	100	30	4922 801 244



Forked draw-bar

TBZ 32, Standard version

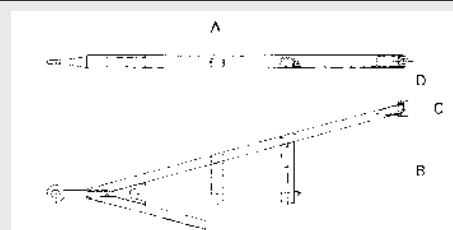
made of standard U-section, with EC approval, drawbar eye to DIN 74054 A

Bearing bush brass/plastic

Towed load 32 t

Diameter of trailer coupling ring 40 mm

A mm	B mm	C mm	D mm	Order number
1800	980	100	30	4971 809 844
2100	980	100	30	4942 109 844



Forked draw-bar

SL 27, lightweight construction

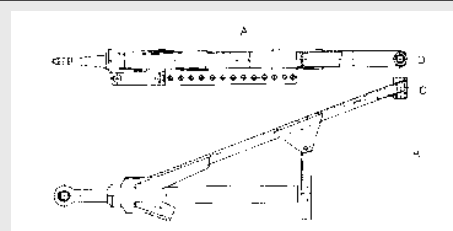
made of lightweight U-profile, with EC approval, drawbar eye to DIN 74054 A

Bearing bush brass/plastic

Towed load 27 t

Diameter of trailer coupling ring 40 mm

A mm	B mm	C mm	D mm	Order number
2100	1000	80	30	4952 101 024
2100	1300	80	30	4952 101 324
2200	1000	80	30	4952 201 024
2300	1000	80	30	4952 301 024
2400	1000	80	30	4932 401 024
2800	1300	100	30	4932 801 344



Forked draw-bar

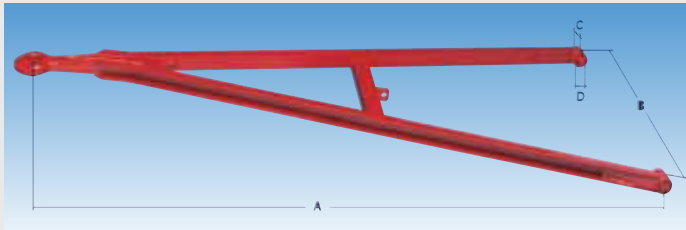
PZL 27/GZL 27, adjustable length

with EC approval or individual certification, drawbar eye to DIN 74054 A

Towed load 27 t

Diameter of trailer coupling ring 40 mm

A mm	B mm	C mm	D mm	Bearing bush	Order number
1700-2300	1300	100	30	brass/plastic	4980 010 044
1500-2100	1300	100	30	brass/plastic	4981 501 344
1800-2400	1200	100	30	brass/plastic	4981 801 244
1800-2400	1300	100	30	brass/plastic	4981 801 344
1900-2500	1300	100	30	brass/plastic	4981 901 344
2100-2700	1300	100	30	brass/plastic	4982 101 344
2000-2600	1300	100	30	Silent	4991 801 310



Forked draw-bar

ZGS 27/GNZ 27 S, with inclined drawbar eye

with EC approval, drawbar eye to DIN 74054 A

Bearing bush	brass/plastic
Towed load	27 t
Diameter of trailer coupling ring	40 mm
Angle of tilt	4°
A	2600 mm
B	1100 mm
C	100 mm
D	30 mm

Order number
4932 601 145



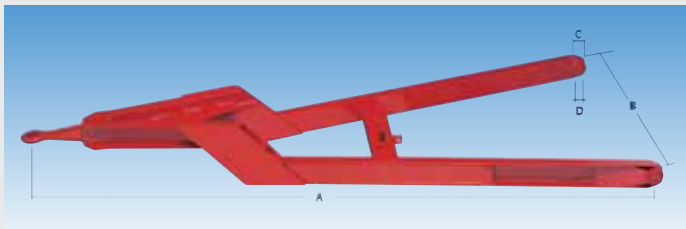
Forked draw-bar

PZM 26/GZY 27, in Y shape, centre tube design

with fixed centre tube, with EC approval, drawbar eye to DIN 74054 A

Towed load	26/27 t
Diameter of trailer coupling ring	40 mm

A mm	B mm	C mm	D mm	Bearing bush	Order number
2300	1200	100	30	Silent	4832 401 244
2300	1300	100	30	brass/plastic	4842 301 344



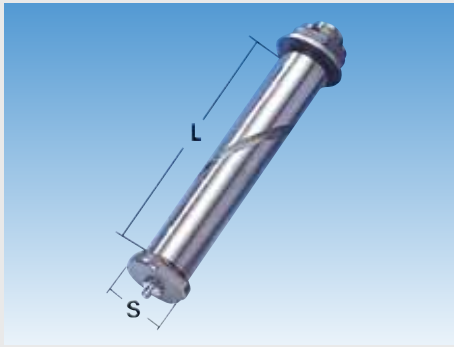
Forked draw-bar

GZA 40, cranked design

with individual certification, drawbar eye to DIN 74054 A

Bearing bush	brass/plastic
Towed load	40 t
Diameter of trailer coupling ring	40 mm
Crank	250 mm
A	1800 mm
B	980 mm
C	100 mm
D	30 mm

Order number
4901 809 844



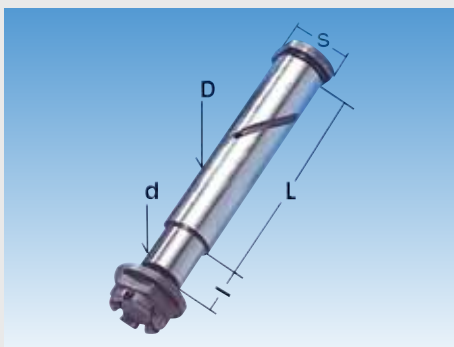
Spring pin

with smooth shaft

Scope of supply

with grease nipple, washer and castle nut

L mm	d mm	s mm	Thread	Order number
125	25	27	M20 x 1.5	1540 002 100
130	28	30	M22 x 1.5	1540 003 300
160	28	30	M22 x 1.5	1540 003 600
130	30	32	M24 x 1.5	1540 004 000
150	30	32	M24 x 1.5	1540 004 200
160	30	32	M24 x 1.5	1540 004 300
170	30	32	M24 x 1.5	1540 004 400
180	30	32	M24 x 1.5	1540 004 500
160	35	37	M30 x 1.5	1540 004 800



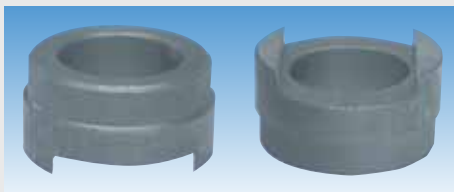
Spring pin

with stepped shaft

Scope of supply

with grease nipple, washer and castle nut

Type	d mm	l mm	D mm	L mm	Thread	Order number
E1	20	14.5	24	77,5	M16 x 1.5	1554 000 100
E3	22	19.5	26	92,5	M20 x 1.5	1554 000 300
E5	24	24.5	28	107,5	M22 x 1.5	1554 000 400
E5 extended	24	24.5	28	127,5	M22 x 1.5	1554 000 500
E11	26	29	30	131,5	M24 x 1.5	1554 000 600
E11 extended	26	29	30	151,5	M24 x 1.5	1554 000 700
E12	30	28.5	35	131,5	M24 x 1.5	1554 000 800



Welded bush

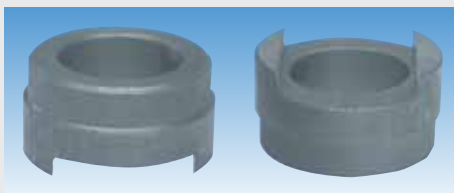
with groove

External diameter	73.6 mm
Bore hole	30 mm
Length	23 mm
Material	Steel

Application range

for BPW trailer axle aggregates HSFALU, HSFALO, HSFALM, SHSFALM

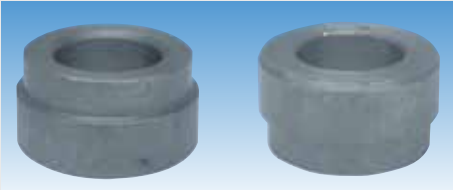
Order number	6031 132 301
--------------	--------------



Welded bush

with groove

Type	Outer Ø mm	Bore hole mm	Length mm	Nominal measure mm	Groove width mm	Order number
E3	42	26	25	38	28.5	9081 810 500
E5/E8	48	28	30	44	31	1500 006 030
E11	50	30	34	44	33	1500 008 030



Welded bush without groove

Type	Outer Ø mm	Bore hole mm	Length mm	Nominal measure mm	Order number
E2	38	20	16	36	9081 810 470
E3	38	22	21	38	9081 810 490
E5	48	24	26	44	9081 810 510
-	50	28	30	44	1500 013 030
E11	50	30	34	44	1500 009 030

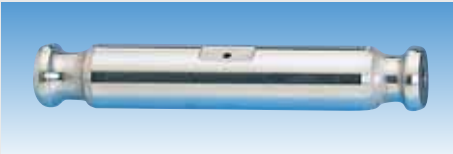
4



Welded bush for drawbar pins

Inner diameter 30 mm

Version	Order number
with groove	9280 013 700
without groove	9280 001 100



Draw-bar bolt

suitable for Kässbohrer trailers

Version with circumferential groove
Diameter 30 mm

Length mm	Order number
173	9280 002 900
184	9280 000 700

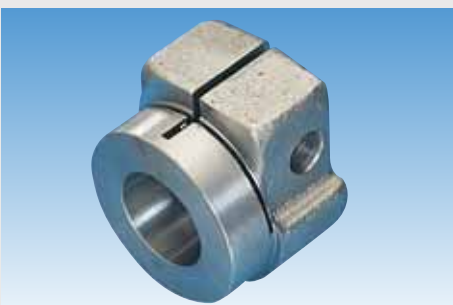


Draw-bar bolt

suitable for Kässbohrer trailers

Length 192 mm
Diameter 30 mm

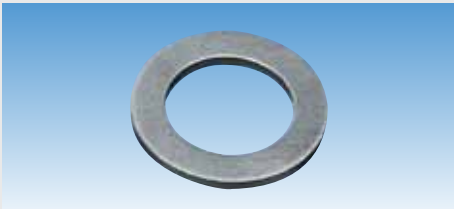
Order number
9280 013 900



Clamping piece for drawbar pins

Version right
Dimensions 30 x 55 x 48 mm

Order number
9280 001 610



Shim washer

Material steel

Inner Ø mm	Outer Ø mm	Thickness mm	Order number
26	45	0.25	1310 021 010
26	45	1	9080 000 110
26	45	2	9080 000 140
28	50	0.25	9080 000 900
28	50	0.5	9080 000 910
28	50	1	9080 000 130
28	50	2	9080 000 160
30	56	0.25	9080 000 930
30	56	0.5	9080 000 760
30	56	1	9080 000 150
30	56	2	9080 000 180



Spring bushing

for drawbar bearing

Material brass

Inner Ø mm	Outer Ø mm	Length mm	Order number
26	32	70	1226 327 000
28	34	80	1228 348 000
28	35	80	1228 358 000
30	35	80	1230 358 000
30	35	100	1230 351 000
30	36	100	1230 361 000
30	37	100	1230 371 000



Plastic bush

for drawbar bearing

Inner diameter 30 mm
 External diameter 36 mm
 Length 48 mm

Order number
 4903 048 300



Silent bush

for low-maintenance drawbar bearing

Inner diameter 30 mm
 External diameter 60 mm

Length mm	Order number
80	3705 937 009
102	6131 427 171



Silent bush

Inner diameter 30 mm
 External diameter 68 mm
 Length 102 mm

Order number
 7881 392 641

**Ihr Partner
für Qualitätsfedern.**





Unser Antrieb: Immer und überall gut ankommen.

Die Blattfedern von Kraemer & Freund verbinden langjährige Expertise und neueste technologische Erkenntnisse mit höchsten Qualitätsstandards.

Als Teil der BILSTEIN-Gruppe und damit des ThyssenKrupp Unternehmensverbunds bieten wir Ihnen

- **innovative Federn** in Erstausrüster-Qualität
- **ein Blattfedern-Sortiment** mit ca. 2.000 verschiedenen Federtypen als Komplettfeder und die dazugehörigen Einzellagen
- **passende Produkte für alle gängigen Typen sowie die neuesten Fahrzeuggenerationen**

Besuchen Sie uns unter www.kraemer-und-freund.de





Trailer coupling ring

with flange

Version	screw-on, shape B
Flange	6-hole
Diameter of trailer coupling ring	40 mm
D-value	130 kN
Drawbar load	2000 kg
Standard	DIN 11026

Application range

for agriculture and forestry

Order number

3360 572 330

Comparative number

57233



Trailer coupling ring

Type	440
Version	screw-on
Flange	6-hole
Diameter of trailer coupling ring	40 mm
D-value	120/95 kN
Hole pattern	100 x 110 mm
Fastening	M16

Application range

for multi-axle trailers and centre axle trailers

Order number

3210 990 548



Trailer coupling ring

with flange

Version	screw-on, shape D
Flange	8-hole
Diameter of trailer coupling ring	40 mm
Length	250 mm
D-value	125 kN
Drawbar load	1000 kg
Standard	DIN 74053

Order number

4900 000 045

Comparative number

57243



Trailer coupling ring

with flange

Version	screw-on, shape C/D
Flange	8-hole
Diameter of trailer coupling ring	50 mm
Length	250 mm
D-value	190 kN
Drawbar load	1000 kg
Standard	DIN 74053

Order number

4900 000 050

Comparative number

57244



Trailer coupling ring

with flange

Version	screw-on, shape C/D
Flange	8-hole
Diameter of trailer coupling ring	50 mm
Length	275 mm
D-value	250 kN
Drawbar load	3000/1000 kg
Standard	DIN 74053

Application range

for heavy rigid drawbar trailer

Order number

3360 572 840

Comparative number

57284

4

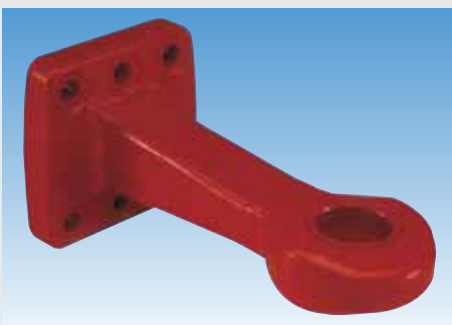


Illustration similar

Trailer coupling ring

with flange

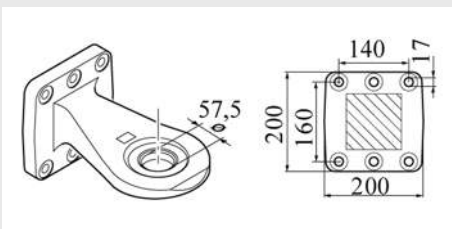
Version	screw-on
Flange	8-hole
Diameter of trailer coupling ring	50 mm
D-value	200 kN
Shank dimension	110 x 110 mm
Drawbar load	1000 kg

Order number

2900 200 434

Comparative number

OC 51 F8E



Trailer coupling ring

with flange

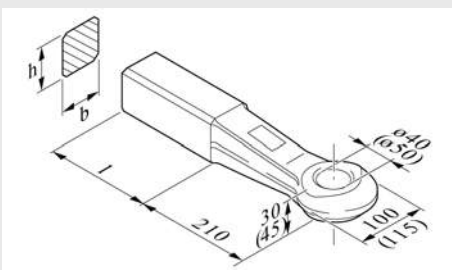
Version	screw-on, shape C/D
Flange	6-hole
Diameter of trailer coupling ring	57,5 mm
D-value	300 kN

Order number

3360 573 700

Comparative number

57370

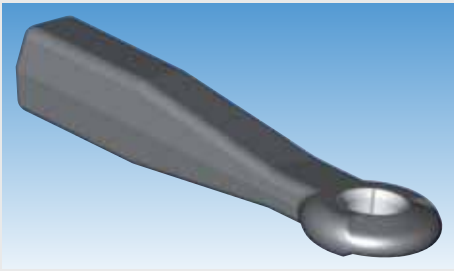


Trailer coupling ring

with shaft

Version	weld-in, shape A
Standard	DIN 74054
Diameter of trailer coupling ring	40 mm

D-value kN	Shank dimension mm	Welding range mm	Drawbar load kg	Towed load t	Order number	Comparative number
18	40 x 40	110	180	1,8	3360 572 600	57260
25	50 x 40	110	250	2,5	3360 572 620	57262
70	50 x 50	110	500	5	3360 572 640	57264
125	65 x 55	125	900	8	3360 572 680	57268
125	65 x 60	125	1000	9,5	3360 572 700	57270



Trailer coupling ring

with shaft

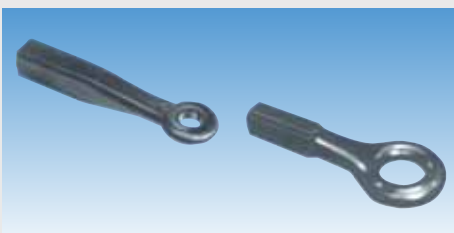
Version	weld-in, shape A
Diameter of trailer coupling ring	50 mm
Length	380 mm
D-value	190 kN
Shank dimension	65 x 60 mm
Welding range	170 mm
Drawbar load	1000 kg
Towed load	12 t
Standard	DIN 74053

Order number

3360 572 720

Comparative number

57272



Trailer coupling ring

Version	weld-in, shape A
Diameter of trailer coupling ring	50 mm
D-value	120 kN
Shank dimension	60 x 70 mm
Drawbar load	1000 kg
Towed load	12 t

Order number

3207 990 812



Trailer coupling ring

for heavy duty

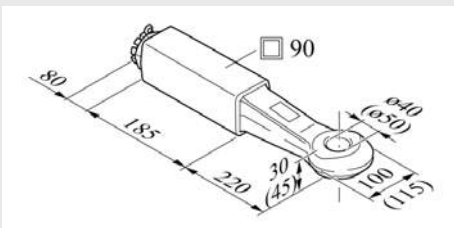
Version	weld-in, shape A
Diameter of trailer coupling ring	50 mm
Length	385 mm
D-value	314 kN
Shank dimension	80 x 75 mm
Welding range	190 mm

Order number

3360 570 050

Comparative number

57005



Trailer coupling ring

with end thread and weld-in support

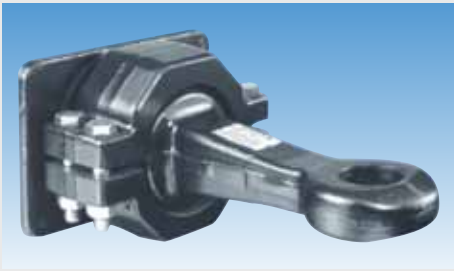
Version	screw-in, shape B
Diameter of trailer coupling ring	50 mm
Length	405 mm
D-value	120 kN
Shank dimension	90 x 90 mm
Welding range	185 mm
Drawbar load	1000 kg
Towed load	9,5 t
Standard	DIN 74053

Order number

3360 573 210

Comparative number

57321



Pulling tool

Version	weld-on
Diameter of trailer coupling ring	50 mm
D-value	260 kN
DC value	135 kN

Type	Welding range mm	Order number
480	165 x 165	3209 994 939
480/1	240 x 165	3201 999 158

Service parts

Trailer coupling ring

Diameter of trailer coupling ring 50 mm

Order number
3210 995 280

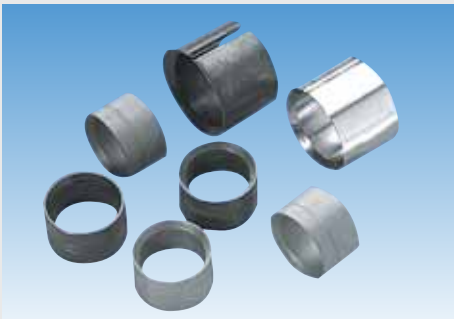
4



Bolt-on plate

for drawbar eye

Length mm	Width mm	Thickness mm	Hole pattern mm	Order number
162	162	30	100 x 110 x 110	4900 000 055
200	185	30	100 x 110 x 110	3360 703 050
270	240	30	100 x 110 x 110	3360 703 060
200	190	40	130 x 130 x 130	3360 703 070



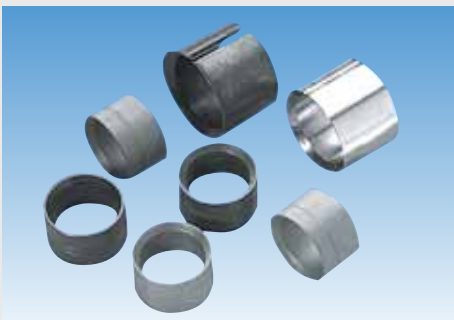
Trailer coupling ring bushing

Material	steel
Inner diameter	40 mm

Application range

for repairing trailer coupling according to DIN 74054

Outer Ø mm	Version	Form	Order number
48	without ring	-	4906 000 400
48.5	1 ring	-	4906 000 401
49	2 rings	-	4906 000 402
49.5	3 rings	-	4906 000 403
50	4 rings	-	4906 000 404
-	slotted	A, B	3360 530 510



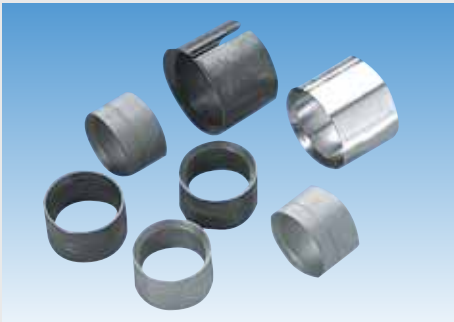
Trailer coupling ring bushing

Material	steel
Inner diameter	40 mm
Version	closed
Form	A, B

Application range

for repairing drawbar eyes according to DIN 11029

Order number
3360 533 480



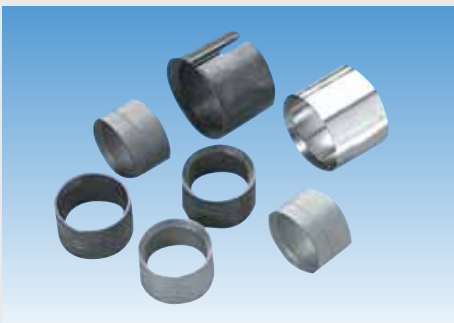
Trailer coupling ring bushing

Inner diameter 50 mm
Material steel

Application range

for repairing drawbar eyes according to DIN 74053

Outer Ø mm	Version	Form	Order number
60	slotted	A, B	3360 530 040
60	closed	A, B, D	3360 533 761
60	closed design	D	3360 533 760
60.5	1 ring	-	3360 533 620
61	2 rings	-	3360 533 630



Trailer coupling ring bushing

Inner diameter 50 mm
Material steel

Application range

for repairing drawbar eyes according to DIN 74053

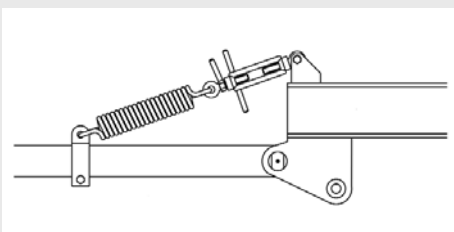
Outer Ø mm	Order number
60.3	3261 026 933
60.6	3261 099 658
60.9	3261 026 976
61.2	3261 026 992



Trailer coupling ring bushing

Inner diameter 57.5 mm
Material steel

Order number
3008 053 556



Tensioning device

for height adjustment system

Version with eyes and weld-on plate

Order number
9084 330 360



Vertical adjustment device

for drawbar, type approved

Type	Version	Length mm	Order number
GH 230-001	B	630-880	4908 000 002
GH 231-001	C	680-930	4908 000 003
GH 232-001	D	840-1090	4908 000 004
SK 3767-001	G	415-570	4908 000 005
SKA 4072-001	H	680-930	4908 000 007



Vertical adjustment device

GHE, for forked draw-bar

Version acting on tension

Scope of supply

with turnbuckle, weld-on bracket and type plate

Order number
4908 000 008



Vertical adjustment device

Klemmfix

when required, the holding force can be changed by turning the piston rod

Type	Version	Length mm	suitable for	Order number
72/D	acting on pressure	875	-	4909 030 000
72/D	acting on pressure	980	PAL short coupling system	4902 000 830
72/Z	acting on tension	875	-	4909 040 000



Compression spring pack

for Klemmfix 72

used only as height-maintaining device to support the Klemmfix 72 height adjustment system

Order number
4900 000 300



Drawbar mounting

UNP 80

Version with hook

Interior width 45 mm

Order number
9081 312 390



Drawbar fixture

for tension spring

suitable for all drawbars of UNP and ULP

Bore hole 12,5 mm

Version	Order number
with hook	9081 312 400
with eye	9081 312 410

Accessories

Description	Length mm	Outer Ø mm	Thickness mm	Order number
lower counterplate	-	-	-	9081 312 420
Tension spring	310/250	50	8	9081 312 430
Tension spring	360/300	50	9	9081 312 440
Tension spring	310/250	50	10	9081 312 450
Tension spring	365/300	50	10	9081 312 460
Tension spring	420/350	50	10	9081 312 470



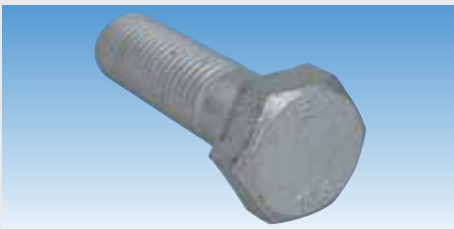
Screw-on stops for drawbar attachment

Version	Width mm	Order number
for UNP 65	65	9084 330 340
for UNP 80	80	9084 330 330



Bellows suitable for drawbar LPS 26

Order number
4902 000 170



Screw set for drawbar eyes

Version	Thread	suitable for	Order number
with 8 bolts class 10.9	M16 x 55	RO 57243/57244	3360 709 500
with 6 bolts class 10.9	M16 x 55	RO 57233/57349/57350	3360 709 510
-	-	RO 57284	3360 709 650



Assembly mandrel for trailer coupling ring bushing

Inner Ø mm	Order number
40	3360 571 110
50	3360 572 280



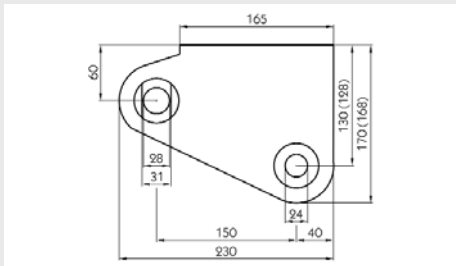
Test gauge suitable for coupling pins and drawbar eyes 40/50 mm

Order number
3262 372 274



Roll-in tool

suitable for	Order number
drawbar eyes 40 mm	3360 570 590
drawbar eyes 50 mm	3360 570 880



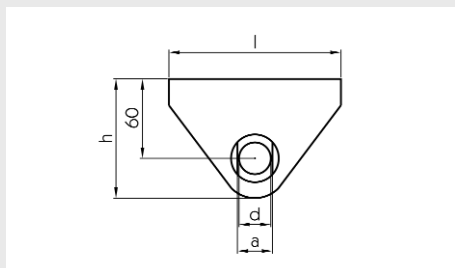
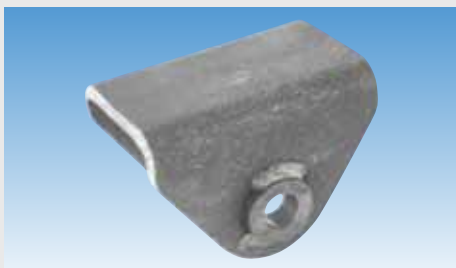
Spring seat

with bushes for standard spring bolt
suitable for spring width 100 mm
Overall height 130 mm

Application range

for single or tandem axles with 6-11 t individual axle load

Version	Order number
left	9081 810 970
right	9081 810 980



Spring seat

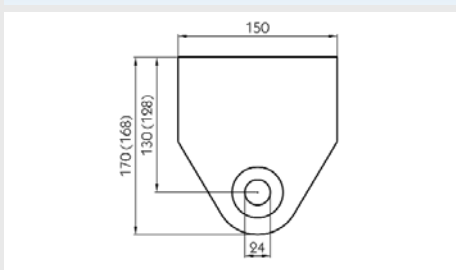
with bushes for standard spring bolt

Installation location front

Application range

for vehicles of 25 km/h top speed

Type	suitable for	l mm	h mm	Material thickness mm	d mm	a mm	Order number
E2	spring width 60 mm	130	90	8	24/20	26.5	9081 810 090
E3	spring width 70 mm	150	90	10	26/22	28.5	9081 810 100
E 5/8	spring width 80 mm	150	100	10	28/24	30.5	9081 810 110
E 11	spring width 100 mm	150	100	12	30/36	32.5	9081 810 120



Spring seat

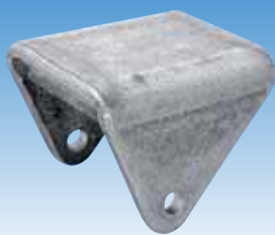
front

with bushes for standard spring bolt
suitable for spring width 100 mm
Overall height 130 mm

Application range

for single or tandem axles with 6-11 t individual axle load

Order number
9081 811 000



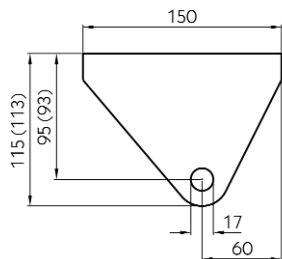
Spring seat

with welded-in spring sliding plate
 suitable for spring width 100 mm
 Overall height 130 mm

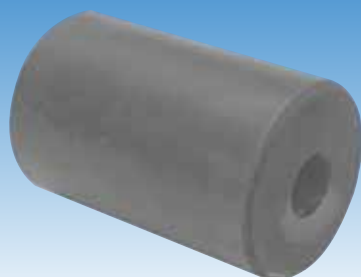
Application range

for single or tandem axles with 6-11 t individual axle load

Order number
9081 811 030



4



Rubber pulley

Bore hole 17 mm

Application range

for use in spring sliding shoes

Ø mm	Length mm	suitable for	Order number
40	100	parabolic spring sliding shoe	9081 810 820
60	80	-	9081 810 330
60	100	-	9081 810 340



Trailer kingpin

KZ 0912-01

Version	single
Size	2"
D-value	108 kN

Order number
3031 912 610

Accessories

Description	Version	Order number
Wheel bolt	for kingpins	3032 912 630
Split washer	C 14, galvanised	3032 912 640
Flat collar nut	B 14	3032 912 650



Trailer kingpin

Pin secured in adapter plate by 8 flat collar bolts, for skid plates with an opening of 235 mm diameter, the adapter flange has an external diameter of 260 mm and requires an installation height of 34 mm, the weld bead thickness must be 7 mm

Version	can be changed from below
Size	2"
D-value	162 kN

Type	Trailer board thickness mm	Order number
KZ 1008	8	9084 712 080
KZ 1010	10	3031 101 000
KZ 1012	12	3031 101 200

Service parts

Description	Version	suitable for	Order number
Trailer kingpin	single	KZ 1008-1012	3031 012 610
Adapter plate	for 8 mm semi-trailer plate	KZ 1008	3001 004 541
Adapter plate	for 10 mm semi-trailer plate	KZ 1010, KZ 1410	3031 010 860
Adapter plate	for 12 mm semi-trailer plate	KZ 1012	3032 012 620
Screw	-	KZ 1008-1012, KZ 1410-1412	3032 012 630
Screw set	with 8 bolts	KZ 1008-1012, KZ 1410-1412	3001 008 145



Trailer kingpin

KZ 2816

Version	can be changed from below
Size	2"
D-value	152 kN
Trailer board thickness	16 mm

Order number
3001 004 560

Service parts

Description	Version	suitable for	Order number
Trailer kingpin	single	KZ 2816	3001 001 634
Safety screw	M16 x 45	KZ 1416, KZ 2816	3001 001 649



Trailer kingpin

Version can be changed from below
 Size 2"
 D-value 162,4 kN

Type	Trailer board thickness mm	Order number
KZ 108	12	3110 021 452
KZ 119	10	3112 011 190

Service parts

Description	Version	Order number
Trailer kingpin	single	3112 011 090
Bolt	for kingpins	3110 123 200



Trailer kingpin

Version can be changed from below
 Size 2"

Type	D-value kN	Trailer board thickness mm	Order number
KZ 046, 173, 174	125	8, 10, 12	3112 010 420
KZ 600, 601, 602, 630	162,4	6, 8, 10, 12	3112 020 200
KZ 604	162,4	16	3112 020 220



Trailer kingpin

KZ 1112

Version complete
 Size 2"
 D-value 152 kN
 Trailer board thickness 12 mm

Scope of supply

with adapter flange, washer, castle nut and split pin

Order number
3031 112 000

Service parts

Trailer kingpin

Scope of supply

with washer, castle nut and split pin

Order number
3031 112 650



Trailer kingpin

KZ 1712-01

Version	single
Size	3 1/2"
D-value	152 kN

Order number
3031 171 210

Accessories

Description	Version	Order number
Wheel bolt	for kingpins	3032 912 630
Split washer	C 14, galvanised	3032 912 640
Flat collar nut	B 14	3032 912 650



Trailer kingpin

KZ 1410

Version	can be changed from below
Size	3 1/2"
D-value	162 kN
Trailer board thickness	10 mm

Order number
3031 141 000

Service parts

Description	Version	suitable for	Order number
Trailer kingpin	single	KZ 1410, KZ 1412	3031 141 201
Adapter plate	for 10 mm semi-trailer plate	KZ 1010, KZ 1410	3031 010 860
Screw	-	KZ 1008-1012, KZ 1410-1412	3032 012 630
Screw set	with 8 bolts	KZ 1008-1012, KZ 1410-1412	3001 008 145



Trailer kingpin

KZ 1516

Version	can be changed from below
Size	3 1/2"
D-value	170 kN
Trailer board thickness	16 mm

Order number
3031 151 600

Service parts

Description	Version	suitable for	Order number
Trailer kingpin	single	KZ 1516	3031 151 610
Adapter plate	for 16 mm semi-trailer plate	KZ 1016, KZ 1516	3031 101 602
Screw	M20 x 50	KZ 1016, KZ 1516	3032 016 650



Trailer kingpin

KZ 1016

Version	can be changed from below
Size	3 1/2"
D-value	320 kN
Trailer board thickness	16 mm

Order number

3001 004 543

Service parts

Description	Version	suitable for	Order number
Trailer kingpin	single	KZ 1016	3031 016 610
Adapter plate	for 16 mm semi-trailer plate	KZ 1016, KZ 1516	3031 101 602
Screw	M20 x 50	KZ 1016, KZ 1516	3032 016 650



Test gauge

J 808 B, for kingpins and trailer coupling/drawbar eye

dimension options: external dimension 36.5/49/71 mm, internal dimension 41.5 mm

Order number

3031 808 000

Application specialists

Always the special tool to suit your trailer



When you use the right tool, you can carry out any tricky repair or installation quickly and accurately. EUROPART will help you with the suitable special tool for a professional installation!

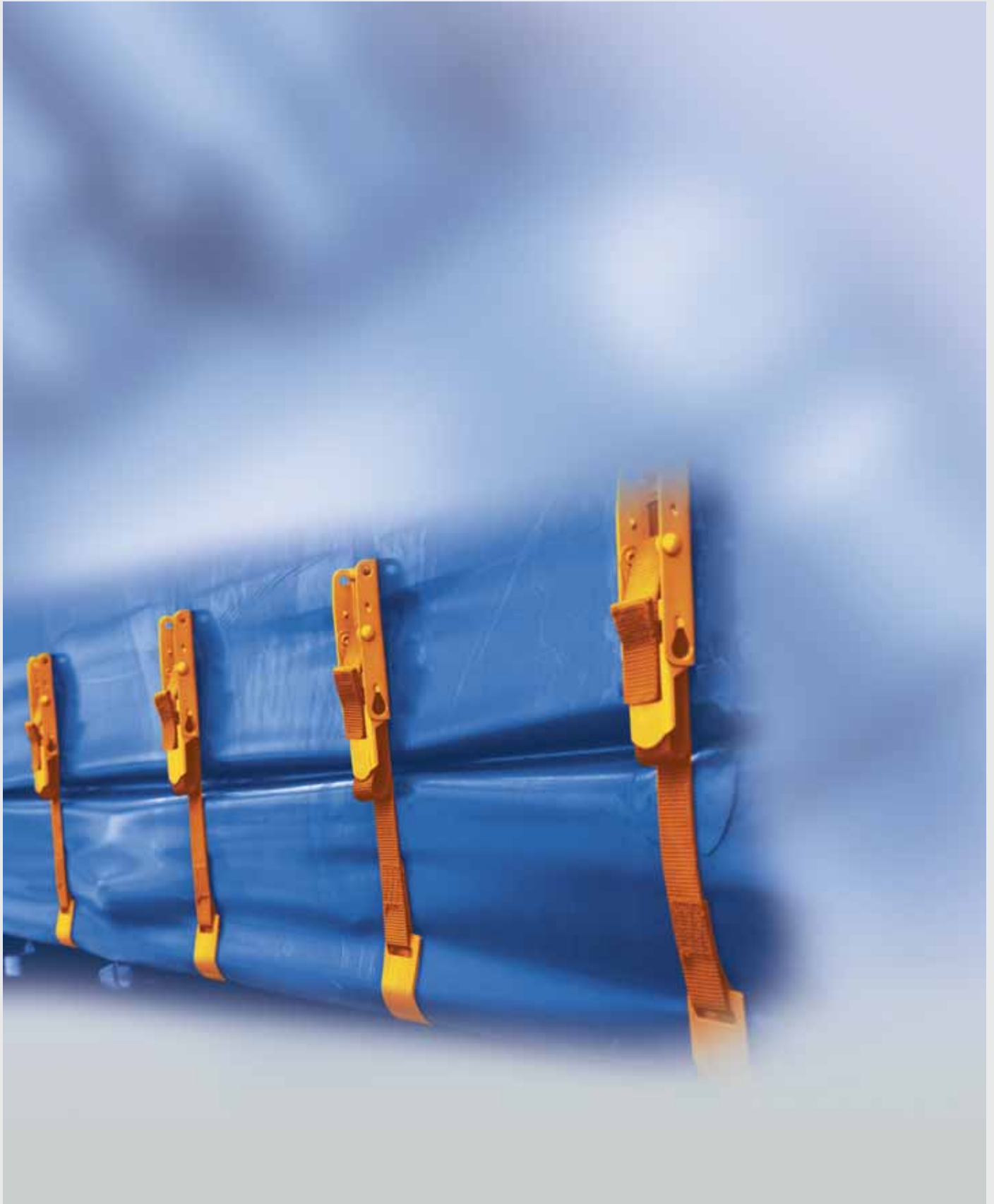
More information from:

www.europart.net

**EURO
PART**
... more than parts

Body parts

5



Tarpaulin components	326-360
Roof bow components.	361-365
Siding covers.	366-381
Folding, sliding, plug-in stanchions and accessories	382-395
Vehicle construction profiles.	396
Drop side profiles	397-400
Drop side hinges	401-406
Drop side fastenings	408-421
Steel drop side components	422-424
Tail lift components	425-427
Coated plywood boards	428
Box truck hinges.	429
Box truck fasteners	430-432
Box truck seals	433-435
Box truck accessories.	436
Gas springs	437-439
Hinges	440-442
Door catches	443-447
Impact buffers and protective profiles	448-452
Edge protection profile	453
Tipping body components.	454-459
Tipping body fasteners	460-463
Support legs for swap bodies	464-470
Swing arms and components.	471, 472
Anti-theft protection	473-475
Container locking.	476-486
GGVS/ADR protective equipment.	487
Warning panels	488-504



Round eyelet

DIN 7332

Height mm	Inner Ø mm	Material	Surface	Order number
6	10	steel	galvanised	9630 000 600
7.8	12	steel	galvanised	9630 001 155
8.4	14	steel	galvanised	9630 001 290
8.8	16	steel	galvanised	9630 011 601
9.1	18	steel	galvanised	9630 000 610
9.4	20	steel	galvanised	9630 001 300
11.3	25	steel	galvanised	9639 000 001
13	40	steel	galvanised	9630 000 210
13	40	Nirosta		9630 001 180
13.1	36	steel	galvanised	9630 000 620
13.1	36	brass	nickel-plated	9630 000 595

Accessories

Washer

Height 1.5 mm
Colour transparent

Outer Ø mm	Inner Ø mm	Order number
48.6	25	9630 001 000
56.3	36	9639 000 003
65	40	9630 000 460

5



Round eyelet

DIN 7332

Material brass

Height mm	Inner Ø mm	Order number
8.4	14	9630 000 605
11.3	25	9630 000 615
13	40	9630 000 625

Accessories

Washer

Height 1.5 mm
Colour transparent

Outer Ø mm	Inner Ø mm	Order number
48.6	25	9630 001 000
65	40	9630 000 460



Oval eyelet

Length 42 mm
Width 22 mm
Height 13 mm
Material steel
Surface galvanised

Order number
9630 000 220

Accessories

Description	Order number
Washer	9630 000 650
Strips	9630 001 070



Oval eyelet

Material brass

Length mm	Width mm	Height mm	Order number
17	11	8	9630 000 630
42	22	13	9630 000 450



Oval eyelet

Length 22.5 mm
 Width 13.5 mm
 Height 9 mm
 Material brass
 Surface nickel-plated

Order number
 9081 022 212

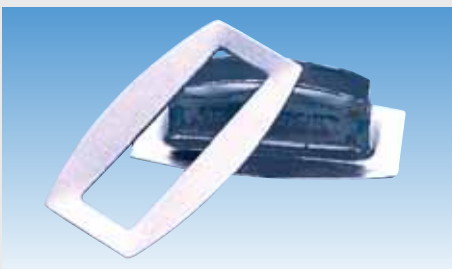
5



Slot loop

Length 40 mm
 Width 10 mm
 Height 10.3 mm
 Form oval
 Surface galvanised

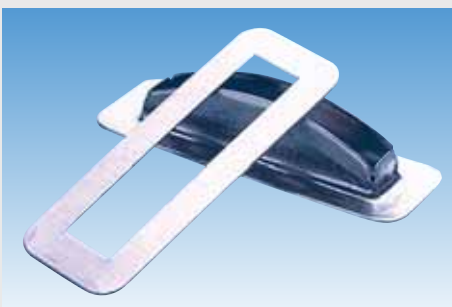
Order number
 9630 000 635



Slot loop

Version wide
 Width 8 mm
 Form rectangular
 Surface galvanised

Length mm	Height mm	Order number
27	10.7	9630 001 185
38	10.3	9630 000 645



Slot loop

Version narrow
 Length 38 mm
 Width 8 mm
 Height 10.3 mm
 Form rectangular
 Surface galvanised

Order number
 9630 001 295



Hoop cramp

for round eye 36/40 mm and oval eye 42 x 22 mm

Overall length 71 mm
 Width 20 mm
 Distance between holes 51 mm

Interior height mm	Interior width mm	Surface	Order number
21	21	galvanised	9630 000 655
25	21	galvanised	9630 000 660
30	21	galvanised	9081 314 460
30	21	Nirosta	9630 000 035
38	21	galvanised	9630 000 320
45	21	galvanised	9639 000 005
55	21	galvanised	9630 000 665
30	26	galvanised	9639 000 007

5



Hoop cramp

for round eye 36/40 mm and oval eye 42 x 22 mm

Overall length 60 mm
 Interior width 20 mm
 Width 15 mm
 Distance between holes 45 mm
 Surface galvanised

Interior height mm	Order number
24	9081 313 310
20	9081 313 320



Hoop cramp

for round eye 36/40 mm and oval eye 42 x 22 mm

Version with 4 rivet holes
 Overall length 65 mm
 Width 40 mm
 Interior width 20 mm
 Distance between holes 51 mm
 Surface galvanised

Interior height mm	Order number
25	9630 000 670
30	9630 000 290
38	9630 000 675



Hoop cramp

for 36/40 mm round eye and 42 x 22 mm oval eye

Version with square plate
 Overall length 40 mm
 Width 40 mm
 Interior width 20 mm
 Interior height 30 mm
 Distance between holes 26 mm
 Surface galvanised

Order number
9630 000 340



Hoop cramp

for round eye 36/40 mm and oval eye 42 x 22 mm

Version	foldable
Overall length	72 mm
Width	22 mm
Interior width	20 mm
Distance between holes	51 mm
Surface	galvanised

complies with customs regulations

Interior height mm	Order number
25	9630 000 685
37	9630 000 010
45	9630 000 020
55	9630 000 690



Hoop cramp

for round eye 36/40 mm and oval eye 42 x 22 mm

Version	foldable, with welded-on counterplate
Overall length	45 mm
Width	21 mm
Interior width	20 mm
Distance between holes	28 mm
Surface	galvanised

complies with customs regulations

Interior height mm	Order number
25	9081 315 030
37	9630 000 695
45	9630 000 440
55	9081 315 060



Hoop cramp

for round eye 36/40 mm and oval eye 42 x 22 mm

Version	foldable
Overall length	45 mm
Width	20 mm
Interior width	20 mm
Distance between holes	28 mm
Surface	galvanised

does not comply with customs regulations

Interior height mm	Order number
25	9630 000 520
37	9081 313 780
45	9081 313 300
55	9081 314 430



Hoop cramp

for round eye 40 mm and oval eye 42 x 22 mm

Overall length	76 mm
Width	25 mm
Interior width	28 mm
Interior height	30 mm
Distance between holes	55 mm
Surface	galvanised

Order number
9630 001 156

5



Hoop cramp

for round eye 25 mm

Overall length	53 mm
Width	40 mm
Interior width	24 mm
Interior height	36 mm
Distance between holes	40 mm
Surface	galvanised

Order number
9630 001 135



Flat cramp

for oval eye 42 x 22 mm

Overall length	78 mm
Hoop width	28 mm
Height	18 mm
Distance between holes	57 mm
Surface	hot-galvanised

Order number
9630 000 070



Belt cramp

for slotted eye 27 x 8 mm and 27 x 7 mm

Width	15 mm
Interior width	16 mm
Distance between holes	34 mm
Surface	galvanised

Height mm	Order number
11	9630 000 060
15	9630 000 055
17	9630 000 056



Belt cramp

for slotted eye 38 x 8 mm

Version	medium size
Width	15 mm
Interior width	22 mm
Distance between holes	46 mm
Surface	galvanised

Height mm	Order number
11	9630 001 175
15	9630 001 170



Belt cramp

for slotted eye 38 x 8 mm and 40 mm

Width	15 mm
Interior width	26 mm
Distance between holes	51 mm
Surface	galvanised

Height mm	Order number
16	9630 000 040
20	9630 000 061
25	9630 000 050
30	9630 000 092
35	9630 000 093



Belt cramp

complies with customs regulations

Version	foldable
Overall length	72 mm
Width	20 mm
Interior width	20 mm
Height	25 mm
Distance between holes	51 mm
Surface	galvanised

Order number
9630 001 201



Screw closure

for oval eye 42 x 22 mm

Version	with Nirosa spring
Length	66 mm
Width	15 mm
Height	17 mm
Distance between holes	51 mm
Surface	galvanised

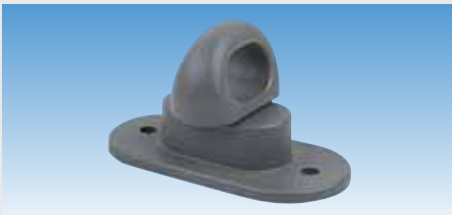
Order number
9630 000 080



Screw closure

for oval eye 42 x 22 mm

Version	foldable, with Nirosta spring
Length	66 mm
Width	15 mm
Height	21 mm
Distance between holes	51 mm
Surface	galvanised

Order number
9630 000 081


Screw closure

for oval eye 42 x 22 mm

Length	70 mm
Width	34 mm
Height	13 mm
Distance between holes	53 mm
Colour	grey
Material	polyamide

Order number
9630 000 705


Screw closure

for oval eye 22.5 x 12,5 mm

Length	41 mm
Width	12.5 mm
Height	11 mm
Distance between holes	30,5 mm
Material	brass

Order number
9630 001 220


Screw closure

for oval eye 22.5 x 12,5 mm

Length	45 mm
Width	14 mm
Height	11 mm
Distance between holes	32 mm
Colour	white
Material	plastic

Order number
9630 001 025

Illustration similar



Screw closure

for oval eye 17 x 11 mm

Length	35 mm
Width	13 mm
Height	8 mm
Distance between holes	23,5 mm
Material	brass
Surface	nickel-plated

Order number
9630 001 335



Screw closure

for oval eye 17 x 11 mm

Length	35 mm
Width	13 mm
Distance between holes	23,5 mm
Material	brass

Height mm	Order number
8	9630 000 710
11	9639 000 009



Tarpaulin hook

for skid fastener

Version	reinforced, with rounded-off edges
Length	66 mm
Width	20 mm
Distance between holes	20 mm
Material	plastic

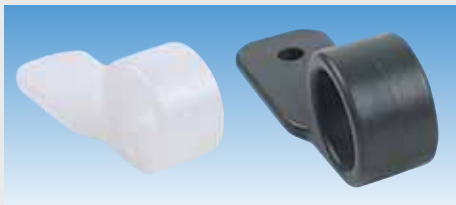
Colour	Order number
white	9630 001 190
grey	9630 000 250

Accessories

Rivet base

Width	16 mm
Colour	white
Material	plastic

Height mm	Distance between holes mm	Order number
10	51	9630 001 205
12	20	9630 000 755



Tarpaulin hook

Version	closed shape
Length	62 mm
Width	20 mm
Distance between holes	20 mm
Material	plastic

Colour	Order number
white	9630 001 101
silver	9630 001 111



Tarpaulin hook

Version	Length mm	Width mm	Surface	Order number
small	50	40	hot-galvanised	9630 000 090
large	55	45	hot-galvanised	9081 311 260
large, without holes	55	45	untreated	9630 001 060



Tarpaulin hook

Version	punched
Length	50 mm
Width	39 mm
Surface	galvanised

Order number
9630 000 730



Tarpaulin hook

Overall length	39 mm
Width	47 mm
Surface	galvanised

Order number
9639 000 011



Tarpaulin hook

Length	50 mm
Surface	hot-galvanised

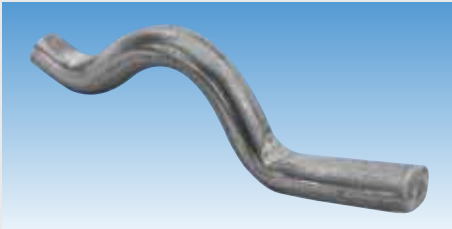
Order number
9630 001 065



Tarpaulin hook

Length 45 mm
 Height 45 mm
 Colour grey
 Material plastic

Order number
 9630 000 530



Tarpaulin hook

Version for welding on
 Overall length 82 mm
 Diameter 8 mm
 Surface bright

Order number
 9081 413 450



Flat hook

Distance between holes 20 mm

Length mm	Width mm	Thickness mm	Surface	Order number
55	13	3	galvanised	9634 032 001
68	15	2.5	galvanised	9630 000 420
68	15	2.5	hot-galvanised	9630 000 725
74	15	2	galvanised	9639 000 013



Bracing hook

Length 65 mm
 Width 20.5 mm
 Distance between holes 45 mm
 Surface galvanised

Order number
 9634 114 501

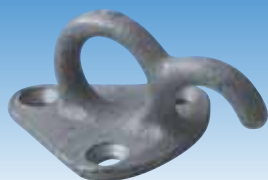


Ring hook

Length 49 mm
 Width 45 mm
 Diameter 18 mm
 Material plastic

Order number
 9630 000 300





Ring hook

Length	50 mm
Width	45 mm
Diameter	18 mm
Surface	hot-galvanised

Order number
9630 000 310



S-hook

Surface galvanised

Length mm	Ø mm	Thickness mm	Order number
30	9	3	9630 462 300
40	11	3.8	9630 000 330
45	15	4.2	9630 000 470
60	18	5.7	9630 000 480



Spring hook

Length	46 mm
Hoop width	25 mm
Diameter	12 mm
Surface	galvanised

Order number
9630 000 745



Rivet base

Width	16 mm
Colour	white
Material	plastic

Height mm	Distance between holes mm	Order number
10	51	9630 001 205
12	20	9630 000 755



Rivet base

Material PE

Version	Ø mm	Distance between holes mm	Colour	Order number
1-hole	17.5	-	transparent	9630 000 760
2-hole	-	20	transparent	9630 000 765
2-hole	-	25	grey	9630 000 775
2-hole	-	34	transparent	9630 000 780
2-hole	-	51	transparent	9630 000 785



Rivet base

Version	1-hole
Diameter	18 mm
Colour	beige
Material	belt material

Order number
9630 505 014



Hollow rivet

The material to be riveted should be 3-5 mm thinner than the length of the hollow rivet.

Version	Length mm	Outer Ø mm	Material	Surface	Order number
Calott	10	10	steel	galvanised	9630 000 790
Calott	12	13	steel	galvanised	9630 000 795
double Calott	10	10	steel	galvanised	9639 000 023
double Calott	12	13	steel	galvanised	9639 000 027
double Calott	10	10	brass	-	9630 000 002
double Calott	10	10	brass	nickel-plated	9639 000 025

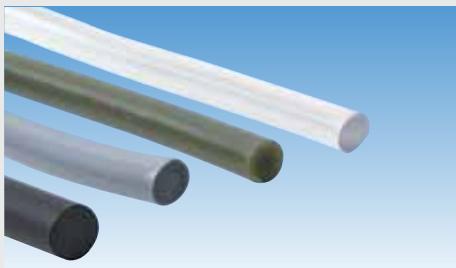


Hollow rivet

Length	14 mm
External diameter	13 mm
Material	steel
Surface	galvanised

The material to be riveted should be 3-5 mm thinner than the length of the hollow rivet.

Version	Order number
Calott	9630 000 800
double Calott	9632 021 850



Tarpaulin rope

cadmium-free

Length m	Ø mm	Material	Colour	Order number
100	8	plastic	transparent	9081 311 130
100	8	plastic	transparent	9630 000 510
100	10	plastic	transparent	9081 311 140
100	8	plastic	silver	9630 000 120
100	8.2	plastic	silver	9630 001 225
100	8	sisal	transparent	9081 314 370
250	8	sisal	transparent	9630 001 195
500	8	sisal	transparent	9630 001 375

Accessories

Twist clamp

Ø mm	Order number
8	9630 000 885
10	9630 000 075



Rope end lock

Surface galvanised

Version	Length mm	Ø mm	Order number
without simplex hook	57	6	9630 001 045
without simplex hook	70	8	9630 000 845
without simplex hook	70	10	9630 001 310
with simplex hook	90	6	9630 000 855
with simplex hook	120	8	9630 000 130
with simplex hook	120	9	9630 001 235
with simplex hook	120	10	9630 000 860



Simplex hook

Standard DIN 5287
Surface galvanised

Length mm	Ø mm	Order number
40	9	9639 000 017
55	10	9630 000 735



Customs rope

with steel wire TIR

Length m	Ø mm	Order number
250	6	9630 000 161
100	8	9630 000 160
250	8	8000 000 237
500	8	9639 000 043



Customs rope

TIR

ready assembled

Length m	Ø mm	Order number
21	6	9630 001 320
34	6	9630 001 325
36	6	9630 000 560
22.2	8	9198 880 000
24.2	8	9198 880 001
33.2	8	9630 000 550
34.2	8	9630 083 400
36	8	9630 000 570



Rope end lock

Surface galvanised

complies with customs regulations

Length mm	Ø mm	Order number
58	6	9630 000 865
70	8	9081 314 390

Accessories

Description	Material	Ø mm	Order number
Oval pipe rivet	brass	6	9630 000 830
Oval pipe rivet	brass	8	9630 000 835
Pointed rivet	aluminium		9081 314 410



Tool set

for cable end

Ø mm	Order number
6	9630 000 102
8	9630 000 100

Service parts

Description	Ø mm	Order number
Bracket for tip	8	9639 000 057
Bordering die	8	9639 000 059
Stamp rack	8	9630 001 245
Tip	for 6 and 8 mm	9630 000 410



Customs tape

TIR

Length	50 m
Thickness	3 mm
Customs number	III B2-Z 1209 - 4/73

Width mm	Material	Order number
24	PVC with fabric reinforcement	9630 000 170
20	PVC with fabric reinforcement	9630 000 171
24	belt material	9630 000 930



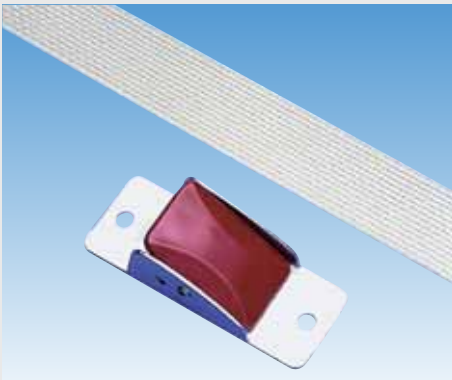
Customs sealing strip

TIR

Length	2500 mm
--------	---------

Width mm	Colour	Order number
7	silver	9630 010 000
7	blue	9630 020 000
7	red	9630 030 000
9	silver	9630 050 000
9	red	9630 060 000
9	blue	9630 070 000

5



Clamp lock

for customs seal 24 x 3 mm

Length	74 mm
Width	25 mm

Order number
9633 602 400



Full rivet

for customs fittings

Diameter	5 mm
Head diameter	9 mm
Material	aluminium
Standard	DIN 674

Length mm	Order number
10	9630 000 805
12	9630 000 810
35	9630 001 240

Accessories

Rivet washer

Diameter	15 mm
Thickness	1 mm

Order number
9630 000 110



Expander rope

Length 100 m

cadmium-free

Colour	Ø mm	Order number
grey	8	9630 000 015
green	8	9630 000 875
black	8	9631 200 870
white	10	9630 000 360

Accessories

Description	Ø mm	Order number
Plastic wedge	6/8	9630 000 880
Twist clamp	8	9630 000 885
Twist clamp	10	9630 000 075
Rope clamp	8	9636 220 801



Spiral hook

for stretch cord

Version plastic coated

Colour black

Length mm	Hoop width mm	Ø mm	Order number
74	13	8	9630 000 750
75	16	10	9630 551 000



Spring hook

for stretch cord

Length 72 mm

Hoop width 12 mm

Diameter 8 mm

Colour black

Material plastic

Order number
9630 000 091



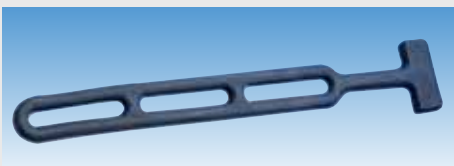
Round button

for stretch cord 6 and 8 mm

Diameter 26 mm

Material plastic

Order number
9630 001 113



Rubber slings

Length 280 mm

Width 40 mm

Diameter 8 mm

Order number
9630 000 500



Rubber slings

Width	40 mm
Diameter	10 mm

Length mm	Order number
180	9630 000 941
250	9630 000 945



Clamping ring

Diameter	8 mm
Material	rubber

Length mm	Order number
200	9630 000 380
250	9630 000 390
400	9630 000 350



Tightening strap

Length	10 m
Width	32 mm
Diameter	10 mm
Colour	black
Material	rubber

Order number
9630 000 948



Buckle belt

with welded roller buckle

Width	20 mm
Distance between holes	22 mm
Colour	beige
Material	plastic

Length mm	Order number
250	9630 000 890
350	9630 000 181
500	9630 000 895
600	9630 000 182



Buckle cap

with welded roller buckle

Version	with base
Length	85 mm
Distance between holes	20 mm
Colour	beige
Material	plastic

Width mm	Order number
20	9630 000 200
25	9630 000 190



Buckle cap

with welded roller buckle

Version	without base
Length	85 mm
Width	25 mm
Distance between holes	25 mm
Colour	beige
Material	plastic

Order number
9630 703 254

5



Strips

Width	20 mm
Distance between holes	20 mm
Colour	beige
Material	plastic

Length mm	Order number
150	9639 000 045
170	9639 000 047
190	9630 000 905



Roll-up belt

Width	20 mm
Colour	beige

Length mm	Distance between holes mm	Order number
300	25	9630 000 915
400	20	9630 000 910
500	25	9630 000 149



Roll-up cap

with anti-chafing base

Length	85 mm
Colour	beige

Width mm	Distance between holes mm	Order number
20	20	9630 000 920
25	20	9630 000 924
25	25	9630 000 925



Belt rivet

DIN 674

Material aluminium

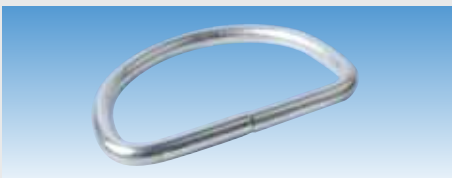
Length mm	Head Ø mm	Thread	Order number
8	11	4 x 8	9639 000 063
10.5	9	4 x 12	9630 000 825
20	11	4 x 20	9639 000 033



Round ring

Version welded
 Diameter 40 mm
 Thickness 4 mm
 Surface galvanised

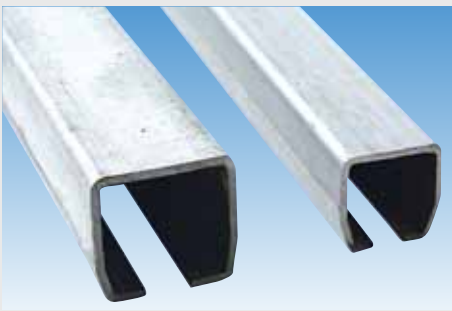
Order number
 9630 000 950



Half-round ring

Version welded
 Width 25 mm
 Thickness 4.5 mm
 Surface galvanised

Order number
 9639 000 049

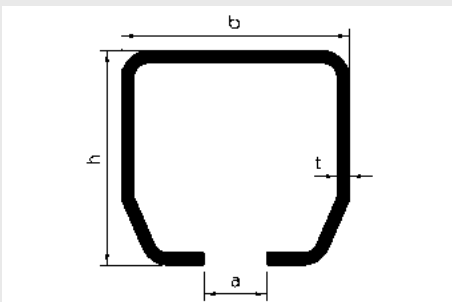


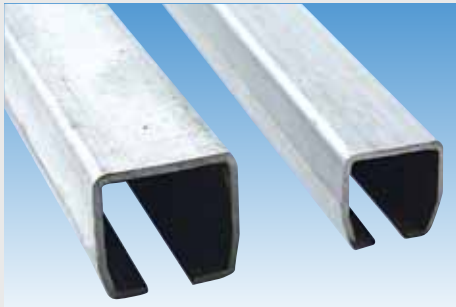
Runner

for side curtain, Profile 45

Length 6000 mm
 a 8 mm
 b 25 mm
 h 24 mm
 t 1,4 mm
 Load capacity 45 kg
 Colour silver
 Surface Sendzimir galvanised

Order number
 9630 001 280



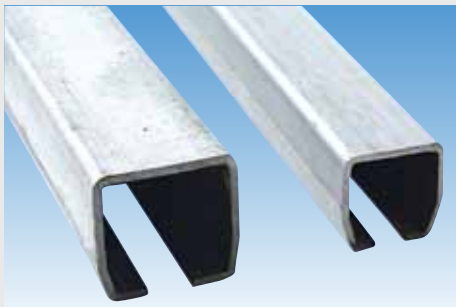
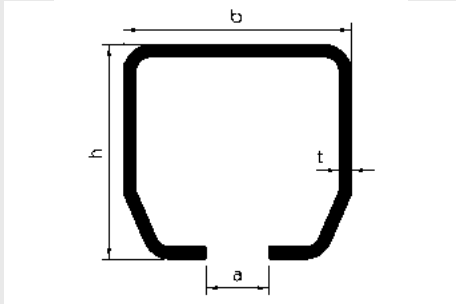


Runner

for side curtain, Profile 100

Length	6000 mm
Width	30 mm
Height	28 mm
Load capacity	80 kg

Version	a mm	b mm	h mm	t mm	Order number
Sendzimir galvanised, silver	8.7	30	28	1,7	9631 105 100
galvanised	8	30	28	1,75	9081 215 920

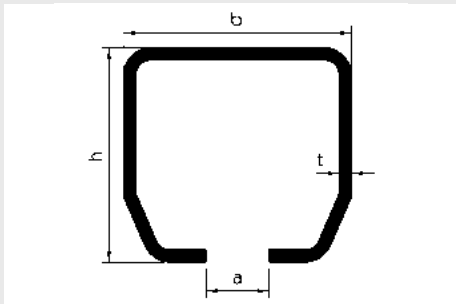


Runner

for side curtain, Profile 300

Length	6000 mm
a	11 mm
b	40 mm
h	35 mm
t	2,75 mm
Surface	galvanised

Order number
9081 215 930



Curtain roller

suitable for	Length mm	Width mm	Roll Ø mm	Order number
Profil 45	43	19	20	9630 000 955
Profil 100	49	22	23	9630 001 250



Curtain roller

Length 72 mm

suitable for	Width mm	Roll Ø mm	Order number
Profil 45	19	20	9630 001 255
Profil 100	21	22	9630 001 260



Double roller

Version with ball bearing F = 200N
 Surface galvanised

suitable for	Length mm	Width mm	Roll Ø mm	Order number
Profil 45	40	19	20	9630 001 265
Profil 100	72	21	22	9630 001 270



Carriage

for Profil 100

Version with thread and swinging joint
 Load capacity 45 kg
 Surface galvanised

Order number
 9081 211 520



Curtain roller

for Profil 300

Version with ball bearing F = 50N
 Length 58 mm
 Width 28 mm
 Roller diameter 27 mm

Order number
 9631 033 042



Curtain roller

for Profil 300

Length 190 mm
 Width 28 mm
 Roller diameter 28 mm
 Surface galvanised

Order number
 9630 001 272



Double roller

for Profil 300

Length 160 mm
 Width 80 mm
 Roller diameter 28 mm
 Surface galvanised

Order number
 9630 133 001



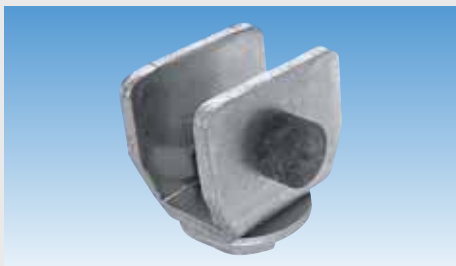
Roller

for Profil 300

Version	very strong
Length	116 mm
Width	26 mm
Roller diameter	28 mm
Surface	galvanised

Order number
9631 103 001

5

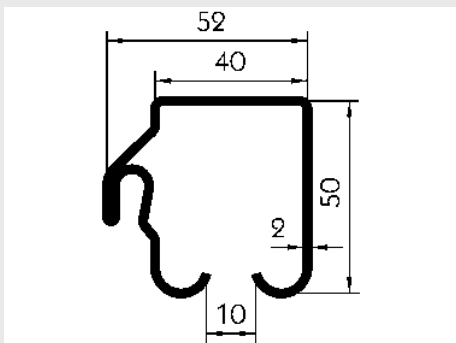


Rail stopper

for Profil 300

Surface	galvanised
---------	------------

Order number
9081 211 440



Steel profile

Type 52

Version	with adapter for rubber seal
Length	7000 mm
Height	50 mm
Surface	galvanised

Order number
9630 000 505



Curtain roller

for steel profile 52

Version	with ball bearing
Length	130 mm
Width	32 mm
Roller diameter	36 mm
Distance between holes	28 mm
Surface	galvanised

Order number
9630 354 001



Curtain roller for steel profile 52

Version	with type G slide bearing
Length	120 mm
Width	35 mm
Roller diameter	37 mm
Distance between holes	29 mm
Surface	galvanised

Order number
9630 000 146



Curtain roller for standard profile

Version	with ball bearing
Length	125 mm
Width	40 mm
Roller diameter	37 mm
Thickness	5 mm
Distance between holes	28 mm
Surface	galvanised

Order number
9630 001 370



Curtain roller for small profile

Length	120 mm
Width	30 mm
Roller diameter	31 mm
Distance between holes	28 mm
Surface	galvanised

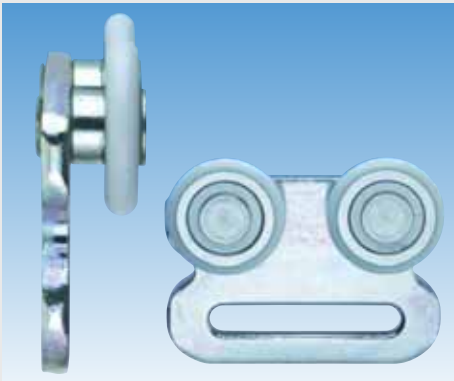
Order number
9630 001 274



Curtain roller for aluminium profile

Version	with type C ball bearing
Length	120 mm
Width	28 mm
Roller diameter	34 mm
Distance between holes	28 mm
Surface	galvanised

Order number
9630 000 999



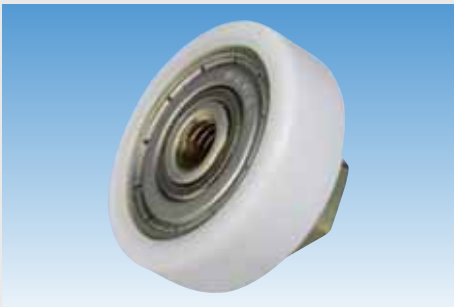
Double roller

Type 162

Version	one-sided, with ball bearing
Length	60 mm
Width	18 mm
Roller diameter	32 mm
Thickness	5 mm
Surface	galvanised

Order number
9081 344 201

5



Roller

Order number	7771 026 011	Comparative number	Schmitz 1026011
--------------	--------------	--------------------	-----------------

Accessories

Binding head bolt

Length	25 mm
Thread	M6

Order number	7771 018 913	Comparative number	Schmitz 1018913
--------------	--------------	--------------------	-----------------

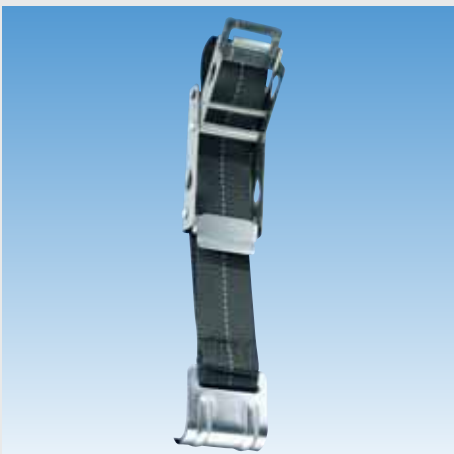


Direct spread

Type 2000

Version	with screw adjustment
Length	160 mm
Width	60 mm
Height	20 mm
Distance between holes	28 mm

Order number
9631 004 820



Tipper safety clamp

with brake, belt and Nirosta flat hook

Length	132 mm
Width	62 mm
Height	20 mm
Material	Nirosta

Dekra tested

Order number
9630 155 120



Tipper safety clamp

Length	132 mm
Width	62 mm
Height	20 mm
Distance between holes	28 mm
Material	Nirosta

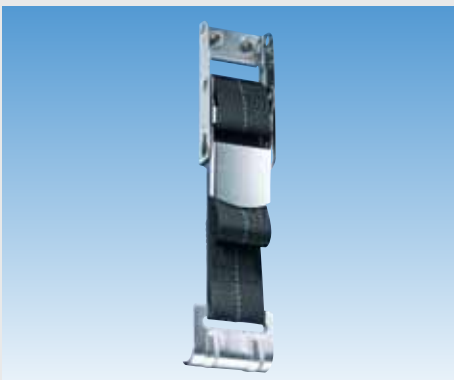
Version	Order number
with belt and Nirosta flat hook	9630 001 341
with belt and galvanised wire hook	9630 001 340



Tipper fastening

Length	132 mm
Width	62 mm
Height	20 mm
Distance between holes	28 mm
Material	Nirosta

Order number	9630 054 820
--------------	--------------



Over dead centre tensioner with belt and zinc-nickel flat hook

Length	152 mm
Width	57 mm
Height	24 mm
Material	Nirosta

Order number	9631 134 908
--------------	--------------



Over dead centre tensioner with belt and wire hook

Length	155 mm
Width	65 mm
Height	25 mm
Distance between holes	28 mm
Material	Nirosta

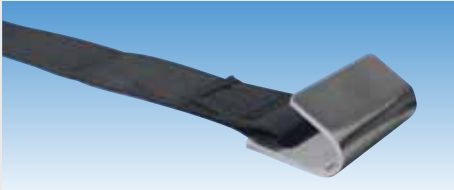
Order number	9633 113 482
--------------	--------------



Over dead centre tensioner with belt and Nirosta flat hook

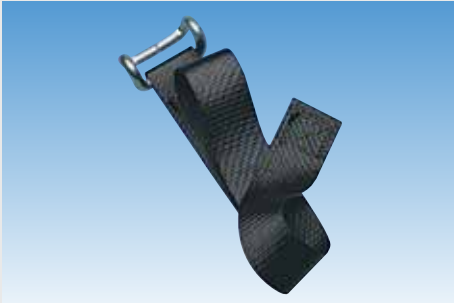
Length	175 mm
Width	45 mm
Height	25 mm
Distance between holes	28 mm
Material	Nirosta

Order number	9630 135 020
--------------	--------------



Spare belt with flat hook

Length mm	Material	Order number
650	Nirosta	9690 226 543
650	zinc-nickel	9630 216 508
850	galvanised	9603 123 480

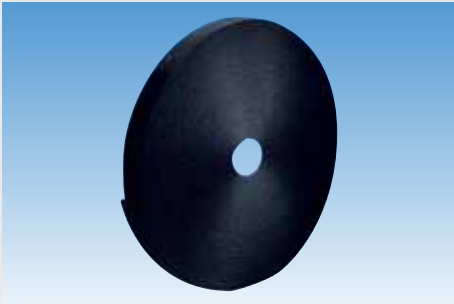


Spare belt with wire hook

Surface galvanised

Length mm	Order number
650	9633 120 654
850	9631 204 800

5



Strap

Dimensions 48 x 3 mm
Colour black
Material polyester

Order number
9630 000 502



Counterplate

Length 45 mm
Width 20 mm
Thickness 2 mm
Distance between holes 28 mm
Material Nirosta

Order number
9630 252 820

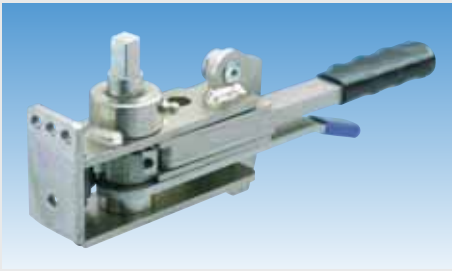


Counterplate

Length 45 mm
Width 20 mm
Thickness 2 mm
Distance between holes 28 mm
Thread M6 x 14
Material Nirosta

Scope of supply
with 2 bolts and 2 nuts

Order number
9630 000 145

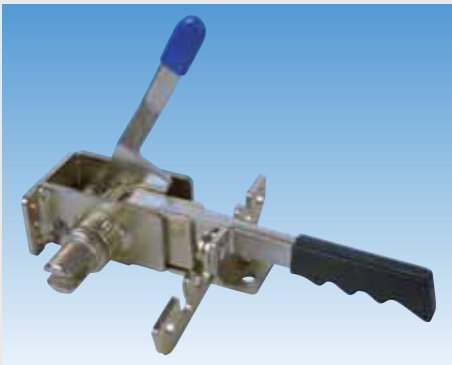


Tarpaulin clamp ratchet

Type R44

Version	with square adapter 12 x 12 mm
Length	160 mm
Width	40 mm
Height	70 mm

Installation location	Order number
front left, rear right	9630 114 401
front right, rear left	9630 124 401

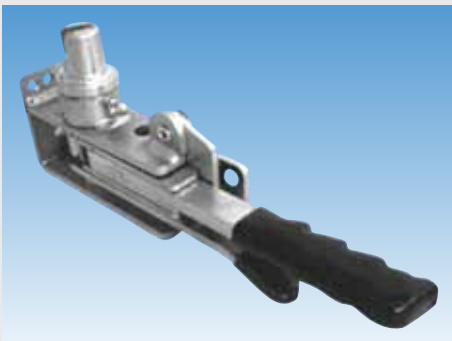


Tarpaulin clamp ratchet

Type R45

Version	with slotted adapter
Length	160 mm
Width	50 mm
Height	70 mm

Installation location	Order number
front left, rear right	9631 134 810
front right, rear left	9631 134 820



Tarpaulin clamp ratchet

Version	with slotted adapter
Installation location	rear
Length	160 mm
Width	40 mm
Height	70 mm

Installation side	Order number
left	9840 905 493
right	9840 905 593

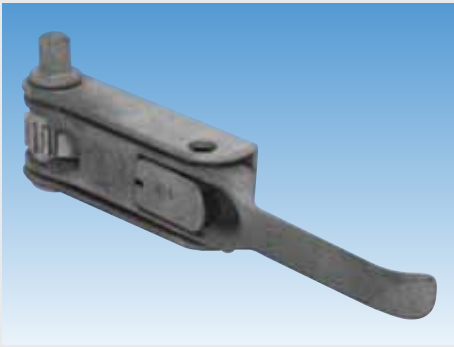


Tarpaulin clamp ratchet

Tender

Version	with slotted adapter
Installation location	rear
Length	133 mm
Width	37 mm
Height	50 mm
Surface	galvanised

Installation side	Order number
left	9089 051 110
right	9089 051 120



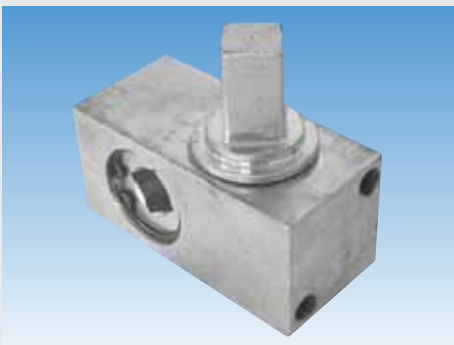
Tarpaulin clamp ratchet

Tender

Version	with square adapter 12 x 12 mm
Installation location	rear
Length	133 mm
Width	36 mm
Height	50 mm
Surface	galvanised

Installation side	Order number
left	9089 051 010
right	9089 051 020

5



Clamping gear for hand crank

Version	with square adapter 12 x 12 mm
Height	30 mm
Width	30 mm
Depth	63 mm
Square	10 mm
Surface	galvanised

Order number
9089 000 050



Clamping gear for hand crank

Version	with slotted adapter
Height	50 mm
Width	50 mm
Depth	78 mm
Square	14 mm
Surface	primed

Order number
9089 048 930



Clamping gear for hand crank

Version	with slotted adapter
Height	38 mm
Width	38 mm
Depth	73 mm
Square	14 mm
Surface	galvanised

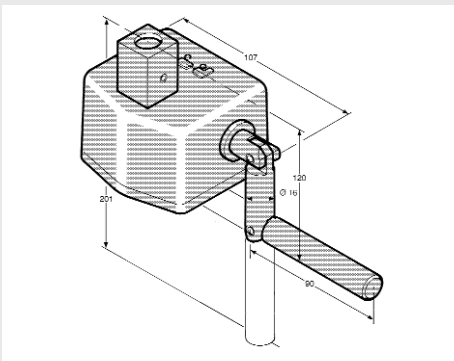
Order number
9080 900 006



Crank for tightening gear unit

Square 14 mm
Surface galvanised

Order number
9840 909 693



Clamping gear with crank

Installation location rear
Material cast iron
Surface chromated

Installation side	Order number
left	8000 004 926
right	8000 004 932



Clamping gear with crank

Version with square drive
Installation location rear left/right
Surface galvanised

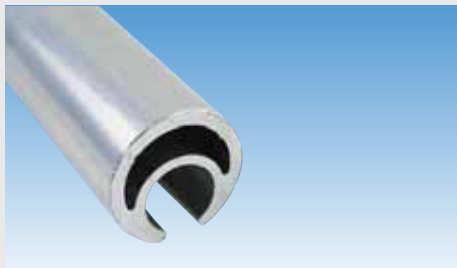
Order number
9840 005 196



Clamping gear with crank

Version with square adapter
Installation location rear

Installation side	Order number	Comparative number
left	7774 200 930	Schmitz 420093
right	7774 200 920	Schmitz 420092

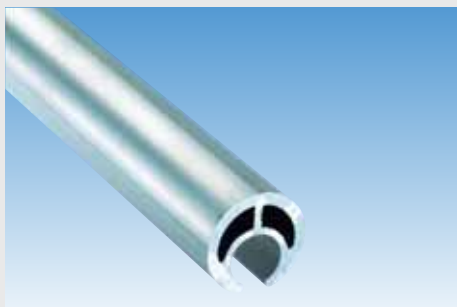


Round profile

for 13 mm tent welt

Length	2700 mm
Diameter	27 mm
Material	aluminium

Order number
9631 227 300



Round profile

for 13 mm tent welt

Length	3000 mm
Diameter	27 mm
Material	aluminium

Order number
9631 123 030



Adapter

for small tarpaulin draw-in tube

Version	with slot
Installation location	bottom
Length	60 mm
Diameter	27 mm
Material	Nirosta

Order number
9631 083 520



Adapter

for small tarpaulin draw-in tube

Version	with inner square 12 x 12 mm
Installation location	bottom
Length	60 mm
Diameter	27 mm
Material	Nirosta

Order number
9630 083 220



Adapter

for small tarpaulin draw-in tube

Version	with inner square 12 x 12 mm
Installation location	bottom
Length	60 mm
Diameter	27 mm
Material	brass

Order number
9630 083 211

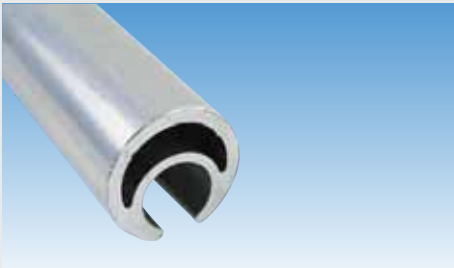


Adapter

for small tarpaulin draw-in tube

Installation location	top
Length	60 mm
Diameter	27 mm
Material	brass

Order number
9630 082 711



Round profile

for 13 mm tent welt

Length	3300 mm
Diameter	27 mm
Material	aluminium

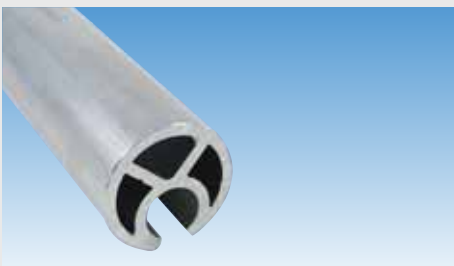
Order number
9630 123 330

Accessories

Adapter

Diameter	27 mm
Material	brass

Installation location	Version	Order number
top	-	9089 003 110
bottom	with inner square 13 x 13 mm	9080 900 321



Round profile

for 13 mm tent welt

Length	3300 mm
Diameter	34 mm
Material	aluminium

Order number
9630 000 141



Adapter

for aluminium tarpaulin draw-in tube

Version	with inner square
Installation location	bottom
Length	55 mm
Diameter	34 mm
Material	Nirosta

Order number
9631 043 320



Adapter

for aluminium tarpaulin draw-in tube

Version	with inner square
Installation location	bottom
Length	55 mm
Diameter	34 mm
Material	brass

Order number

9633 104 341

5



Adapter

for aluminium tarpaulin draw-in tube

Version	with slot
Installation location	bottom
Length	60 mm
Diameter	34 mm
Material	brass

Order number

9630 000 143



Adapter

for aluminium tarpaulin draw-in tube

Version	with slot
Installation location	top
Length	60 mm
Diameter	34 mm
Material	brass

Order number

9630 000 142



Adapter

for aluminium tarpaulin draw-in tube

Version	with tip
Installation location	top
Length	120 mm
Diameter	34 mm
Material	brass

Order number

9631 043 611



Round profile

Length mm	Order number	Comparative number
2815	7777 125 430	Schmitz 712543
3115	7777 108 140	Schmitz 710814



Adapter for tarpaulin draw-in tube

Order number
7776 428 110

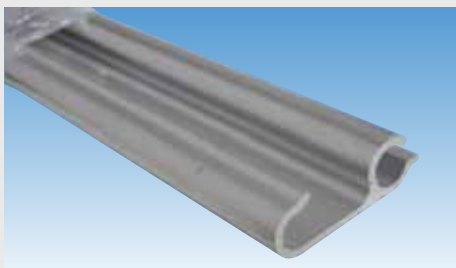
Comparative number
Schmitz 642811



Adapter for tarpaulin draw-in tube

Order number
7776 453 400

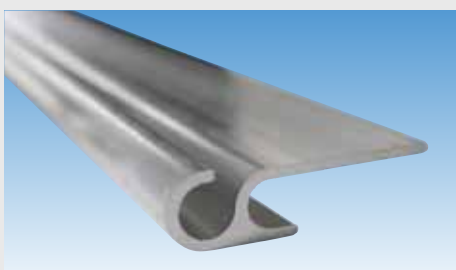
Comparative number
Schmitz 1074432



Hook profile

Type AE
Length 3300 mm
Width 19 mm
Height 61 mm
Material aluminium

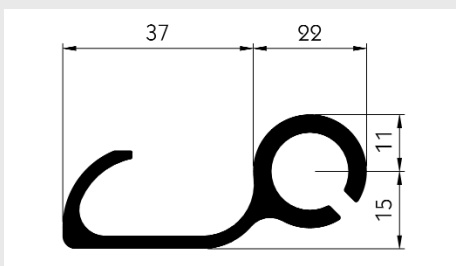
Order number
9630 013 330



Hook profile

Type BE
Width 20 mm
Height 70 mm
Material aluminium

Length mm	Order number
3000	9631 033 030
3300	9630 033 330



Hook profile

Length 3300 mm
Material aluminium

Order number
9840 901 293



Tarpauling repair set

Scope of supply

3 of 30 x 20 cm, 4 of 30 x 10 cm, 3 of 20 x 20 cm, 4 of 20 x 10 cm, 7 of 20 x 5 cm, 6 of 10 x 10 cm

Colour code	Colour	Order number
RAL 9005	black	9082 550 147
RAL 9006	silver	9082 550 148
RAL 7038	light grey	9082 550 149
RAL 5010	dark blue	9082 550 150
RAL 3002	red	9082 550 152
RAL 2011	orange	9082 550 154
RAL 6026	dark green	9082 550 155
RAL 1021	yellow	9082 550 157
RAL 9010	white	9082 550 176

5



Fabric tape

for repairing tarpaulins

highly tear-resistant PVC tape, coated with a very special adhesive for permanent use

Version	waterproof and water-repellent
Container	Roll
Length	5 m
Width	50 mm
Material	PVC fabric, approx. 600 g/m ²

Colour	Colour code	Order number
blue	RAL 5010	9082 550 138
white	RAL 9010	9082 550 139
green	RAL 6026	9082 550 140
light grey	RAL 7038	9082 550 141
yellow	RAL 1021	9082 550 142
red	RAL 3002	9082 550 143
orange	RAL 2011	9082 550 144
black	RAL 9005	9082 550 145
silver	RAL 9006	9082 550 146



Hot-air gun

HG 2310 LCD

electronically regulated hot-air gun with digital temperature and speed display, stepless regulation of air flow, cold stage, stepless and digital temperature display through LC display, with 4 pre-set programs, changeable, double overheating protection, soft handle, sturdy housing for hand-held and stationary operation

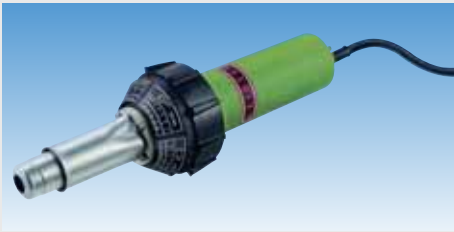
Technical data

Voltage	230 V
Power consumption	2300 W
Air capacity	150-500 l/min
Temperature stage 1:	50 °C, Stage 2: 50-650 °C

Order number
9500 154 122

Accessories

Description	Order number
Wide slot nozzle, Width 40 mm, attachable to 14 mm restrictor	9500 154 108
Reducing nozzle, Ø 14 mm	9500 154 109
Slotted nozzle, Width 20 mm, attachable to 9 mm restrictor	2300 042 700
Reducing nozzle, Ø 9 mm	2300 042 694



**FRANZ
MIEDERHOFF** ONE

Hand welder

without nozzle

Voltage	230 V
Power	1600 W

Order number

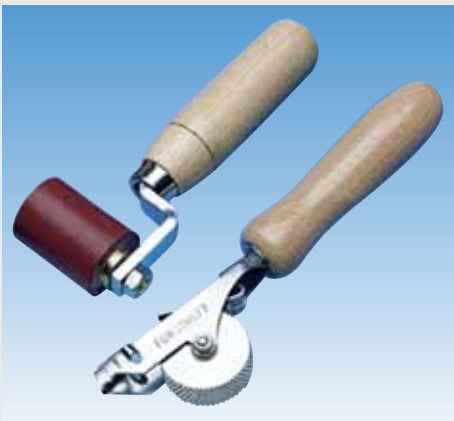
9630 130 000



Wide slot nozzle

for hand welder

Length mm	Order number
20	9630 001 149
40	9630 001 150



Pressure roller

with wooden grip

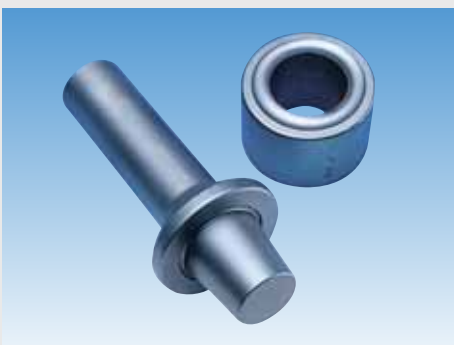
Application range
for processing tarpaulins

Version	Width mm	Order number
with ball bearing, single-arm	45	9630 001 140
suitable for customs seal 9 mm	-	9630 000 105



PVC adhesive

Contents	Container	Order number
250 ml	Can	9631 204 900



**FRANZ
MIEDERHOFF** ONE

Drive-in die

round

Ø mm	Order number
10	9630 001 158
12	9630 001 160
14	9630 001 075
16	9635 001 160
20	9630 001 305
25	9630 000 095
36	9639 000 051
40	9630 000 240



Mooting chisel

round

Ø mm	Order number
5	9630 001 350
6	9630 001 355
8	9630 001 360
10	9630 001 365
12	9630 001 165
14	9630 001 348
16	9630 001 346
36	9639 000 053
40	9630 001 110

5



Drive-in die

oval

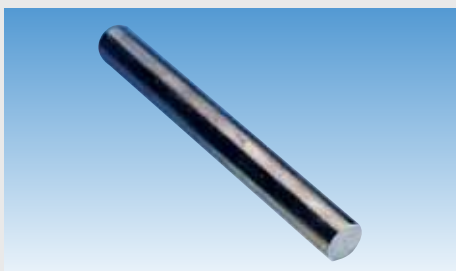
Length mm	Width mm	Order number
42	22	9630 000 260
22.5	13.5	9630 052 200



Mooting chisel

oval

Length mm	Width mm	Order number
22.5	13	9630 062 200
40	10	9639 000 055
42	22	9630 000 270



Rivet header

for hollow rivets

Diameter 5 mm

Order number
9630 000 540



Box spanner socket

Length 165 mm

Surface galvanised

Order number
9630 000 965



Plug-in board

Version planed and rounded
Material wood

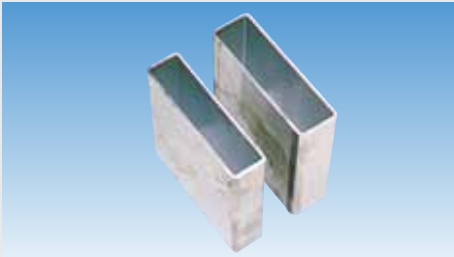
Length mm	Height mm	Thickness mm	Order number
2500	111	25.5	9199 970 010
3265	95	24	9199 970 040
3600	111	25.5	9199 970 000
3600	96	28	9199 970 020



Plug-in board

Version rounded
Height 111 mm
Thickness 25.5 mm
Material wood

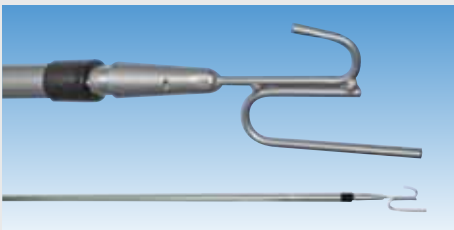
Length mm	Order number
3900	9199 970 005
4220	9199 970 096
4800	9199 970 097



Plug-in board

Material aluminium

suitable for	Length mm	Height mm	Order number
drop side profile 25 mm	2500	100	9086 210 451
drop side profile 25 mm	7500	100	9086 210 450
drop side profile 30 mm	8000	100	9086 110 410
drop side profile 30 mm	8000	120	9086 110 260

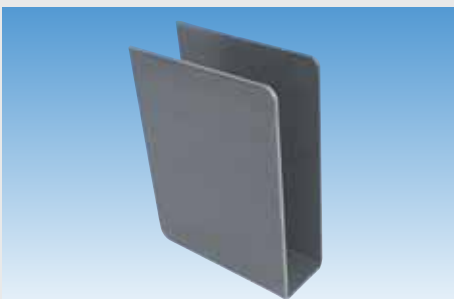


Pull rod

for fitting drop-in slats

Version adjustable (1,45-2,25 m)

Order number
9080 251 180

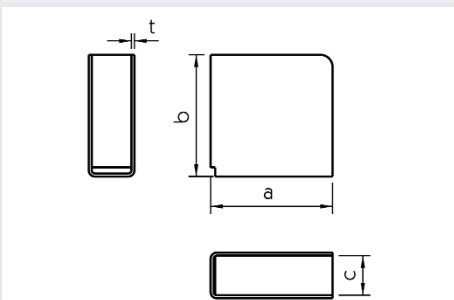


Slip-in bag

for slat board

Version single, open
Surface untreated

a mm	b mm	c mm	t mm	Order number
80	80	25	2,5	9081 312 250
110	80	25	2,5	9081 312 240
80	110	28	2,5	9081 312 220
120	110	28	2,5	9081 312 230



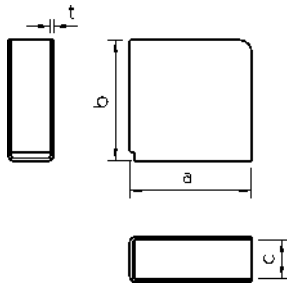


Slip-in bag

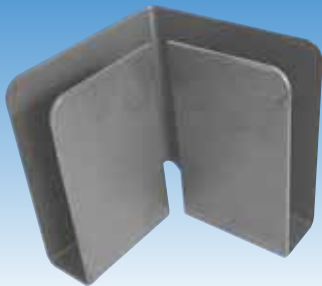
for slat board

Version single, rear closed
Surface untreated

a mm	b mm	c mm	t mm	Order number
50	110	25	2,5	9081 312 310
50	110	28	2,5	9081 312 300
80	110	25	2,5	9081 312 280
80	110	28	2,5	9081 312 260
100	100	30	2,5	9081 313 370
120	110	30	2,5	9081 312 270



5

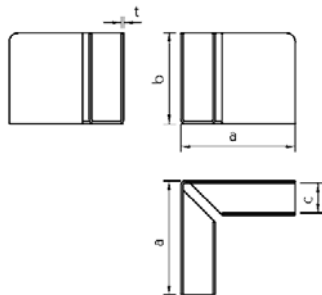


Slip-in bag

for slat board

Version double, over corner
Surface untreated
a 100 mm
b 110 mm
c 28 mm
t 2,5 mm

Order number
9081 312 350



Slip-in bag

for CS middle stanchion Variomaster 901, code XL

Height 120 mm
Depth 60 mm
Surface EPD coated

Order number
9089 012 000

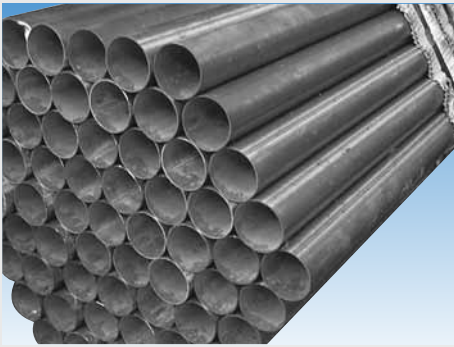


Lath store

for CS middle stanchion Variomaster 901, code XL

Height 463 mm
Depth 60 mm
Surface EPD coated

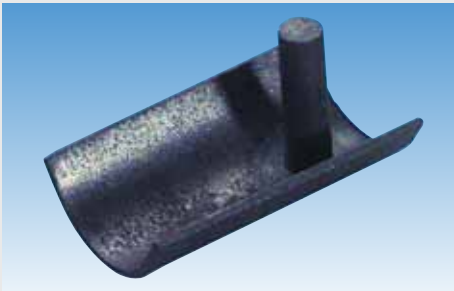
Order number
9089 011 000



Tarpaulin tube

Surface galvanized

Rod length mm	Ø mm	Order number
6200	35 x 1.5	9082 333 140
6300	50 x 1.5	9085 610 010
7300	50 x 1.5	9085 610 011
6300	60 x 1.2	9085 610 020
7300	60 x 1.2	9085 610 021



Tarpauling tube bracket

Version single
Surface untreated

suitable for	Dimensions mm	Order number
tarpaulin tube diameter 50 mm	25 x 100	9081 313 090
tarpaulin tube diameter 60 mm	30 x 125	9081 312 020

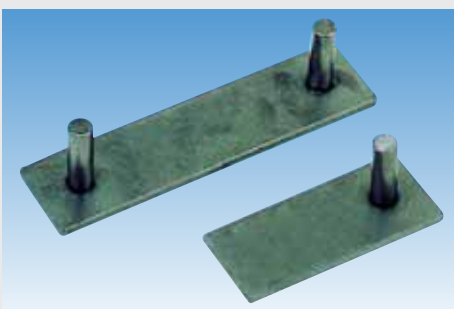
5



Tarpauling tube bracket

Version single
Overall length 120 mm
Width 50 mm
Height 53 mm
Surface untreated

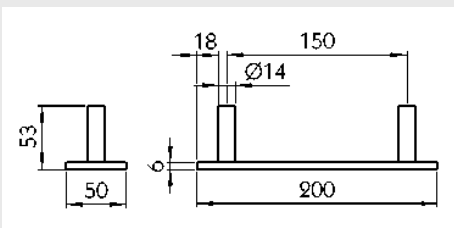
Order number
9081 312 040

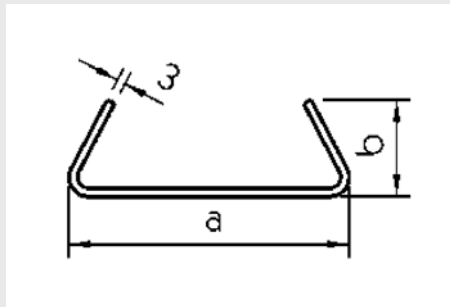
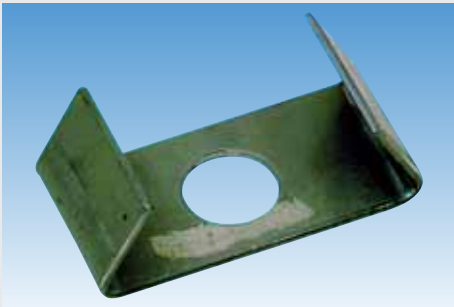


Tarpauling tube bracket

Version double
Overall length 200 mm
Width 50 mm
Height 53 mm
Surface untreated

Order number
9081 312 060





Tarpauling tube bracket

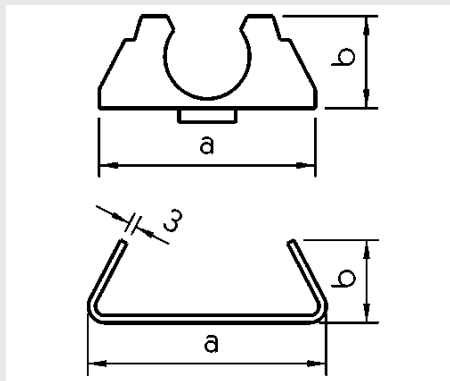
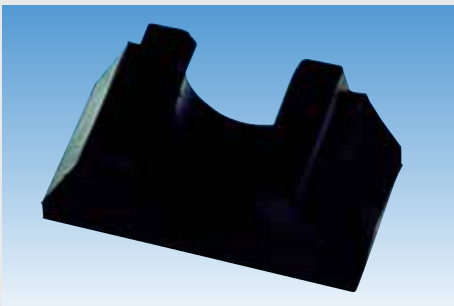
Width 50 mm

Application range

for welding the rubber bracket into place

suitable for	Dimension a mm	Dimension b mm	Order number
tarpaulin tube with rubber bracket, outside diameter 35 mm	100	35	9081 315 210
tarpaulin tube with rubber bracket, outside diameter 50 mm	125	46	9081 315 230

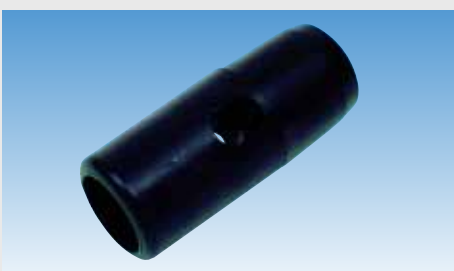
5



Rubber support

Width 50 mm

suitable for	Dimension a mm	Dimension b mm	Order number
tarpaulin tube with rubber bracket, outside diameter 35 mm	92	38	9081 315 200
tarpaulin tube with rubber bracket, outside diameter 50 mm	119	52	9081 315 220



End plug

Version with 16 x 24 mm slot
 Length 116 mm
 Material plastic

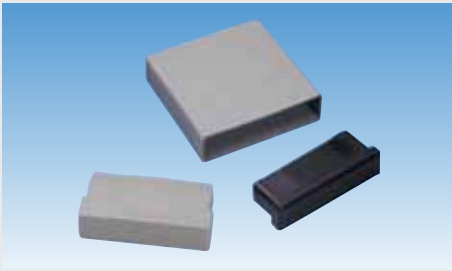
suitable for	Order number
tarpaulin tube 50 x 1,5 mm	9081 312 740
tarpaulin tube 60 x 1,2 mm	9081 312 750



End plug

Version with 16 x 24 mm slot
 Length 69 mm
 Material plastic

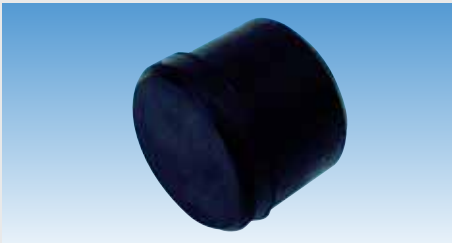
suitable for	Order number
tarpaulin tube 50 x 1,5 mm	9081 313 520
tarpaulin tube 60 x 1,2 mm	9081 313 530



End plug

for aluminium drop-in slat profile

Version	Width mm	Height mm	Material	Order number
to put on	25	100	plastic	9081 313 820
to put in	28	104	plastic	9081 313 830
to put in	30	120	PUR	9081 315 360



End plug

for tarpaulin tube 50 x 1,5 mm

Version	short
Material	PUR

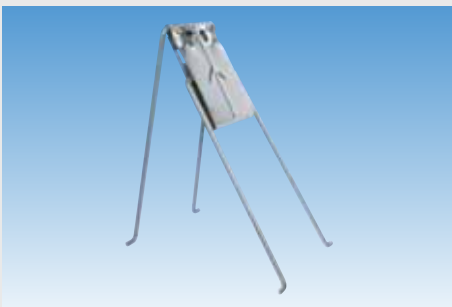
Order number
9081 315 350



Distributor block

Length	40 mm
Width	40 mm
Height	75 mm
Material	aluminium

Order number
7770 549 970

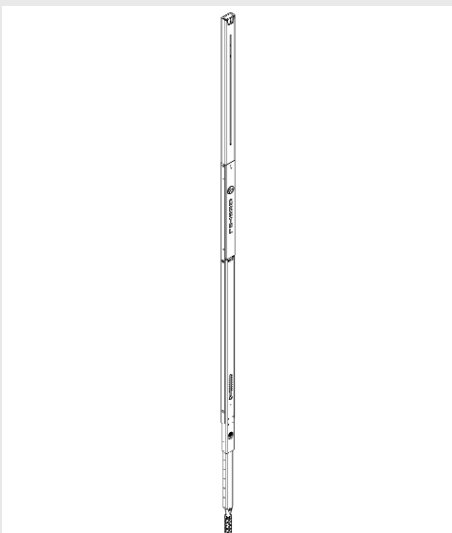


Scissor clamp

complete

Order number
7773 348 520

Comparative number
Schmitz 334852



Lifting roof system

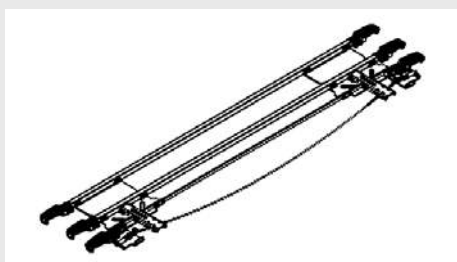
Liftmaster 770

mechanical lift system which which the canopy top can be steplessly raised by up to 400 mm using a toggle lever mechanism, driving operation with a canopy top raised by 120 mm is permitted by the lift locking

Length	2750 mm
Width	60 mm
Depth	30 mm
Lift force	250 kg
Weight	17.5 kg
Surface	EPD coated

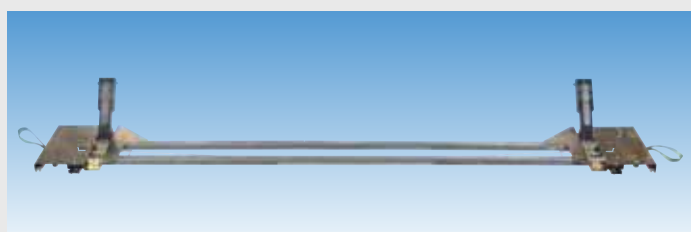
Order number
9088 100 780

Parts for EDSCHA UltraLine sliding cover

**Siding rear trolley****UltraLine I**

Width 2550 mm

Order number
9840 529 000

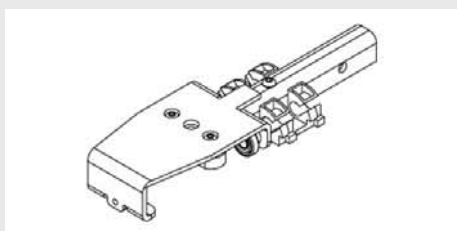
**Siding rear trolley****UltraLine II**

Version	complete
Width	2550 mm

Order number
9840 061 880

Accessories

Description	Scope of supply	Order number
Roller cart	-	9845 102 001
Joint	-	9840 052 890
Ramp set, front	2 ramps with suitable rivets	9840 064 970
Ramp set, rear	2 ramps with suitable rivets	9840 064 980
Locking set for sliding rear trolley	-	9840 065 010
Repair kit for joint adapter	plastic joint, joint adapter, joint adapter kit with suitable bolt	9840 064 990
Repair kit for automatic positioning	-	9840 000 245
Repair kit for gas spring	-	9840 000 244

**Roller cart****UltraLine**

Version	with ball bearings
Material	steel
Surface	galvanised

Order number
9840 061 260

Accessories

Description	Scope of supply	Order number
Roof bow	-	9840 053 280
Joint adapter for roller carriage	-	9840 061 160
Repair kit for roller carriage	2 x UltraLine joint, 1 x UltraLine II roller carriage, 1 x plastic washer \varnothing 18 x 1 mm, 1 x large headed blind rivet 5,0 x 12 mm, 1 x hexagon bolt DIN 933 M8 x 40, 1 x hexagon nut DIN 985 M8	9840 062 180

Threaded fittings, hydraulics and related equipment



NEW!

**The new catalogue
is here!**

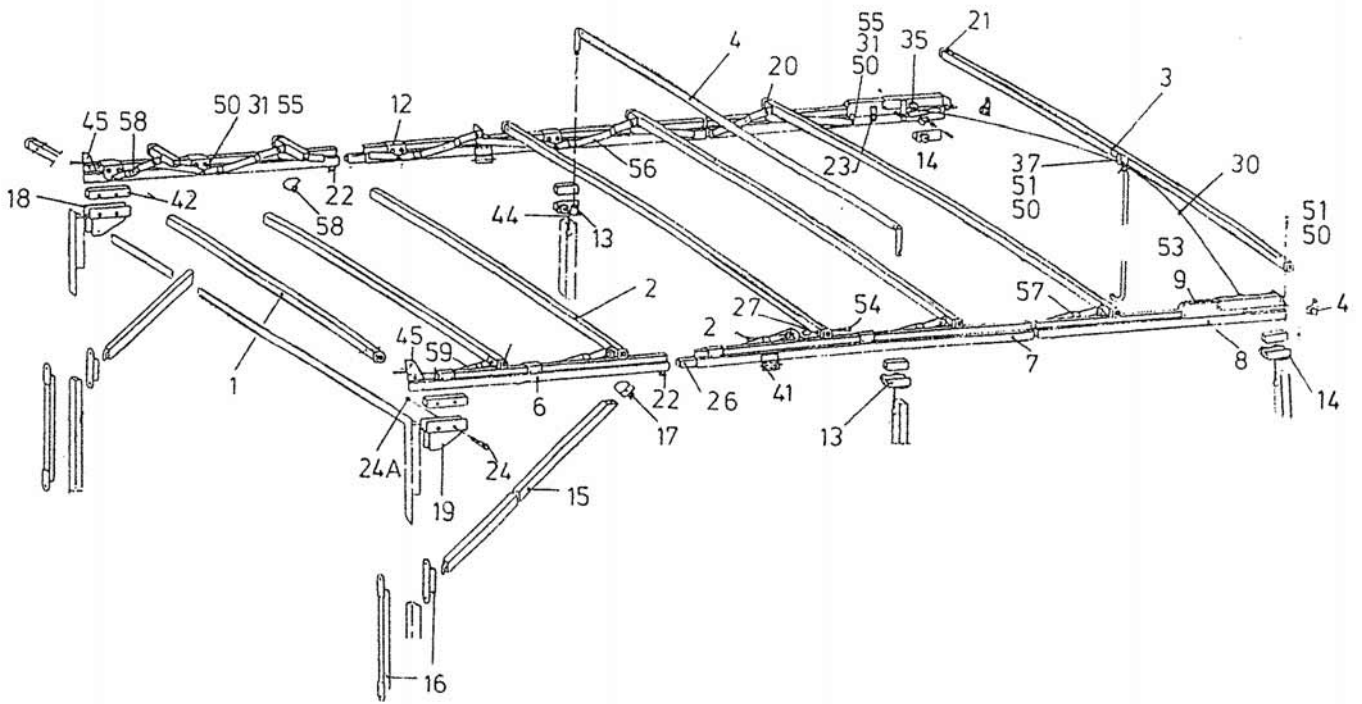
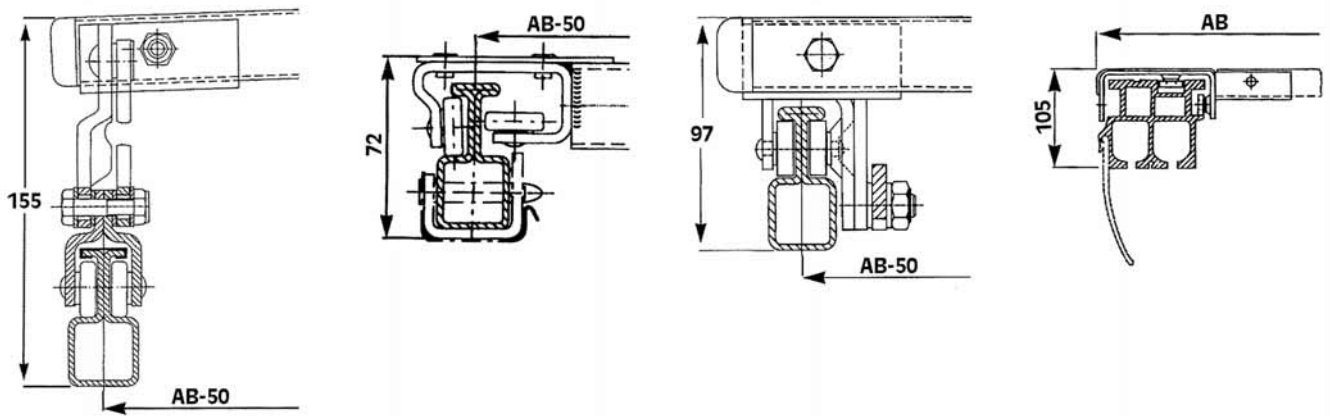
Current items –
Special offers!

This catalogue is only available in German.

More information from:

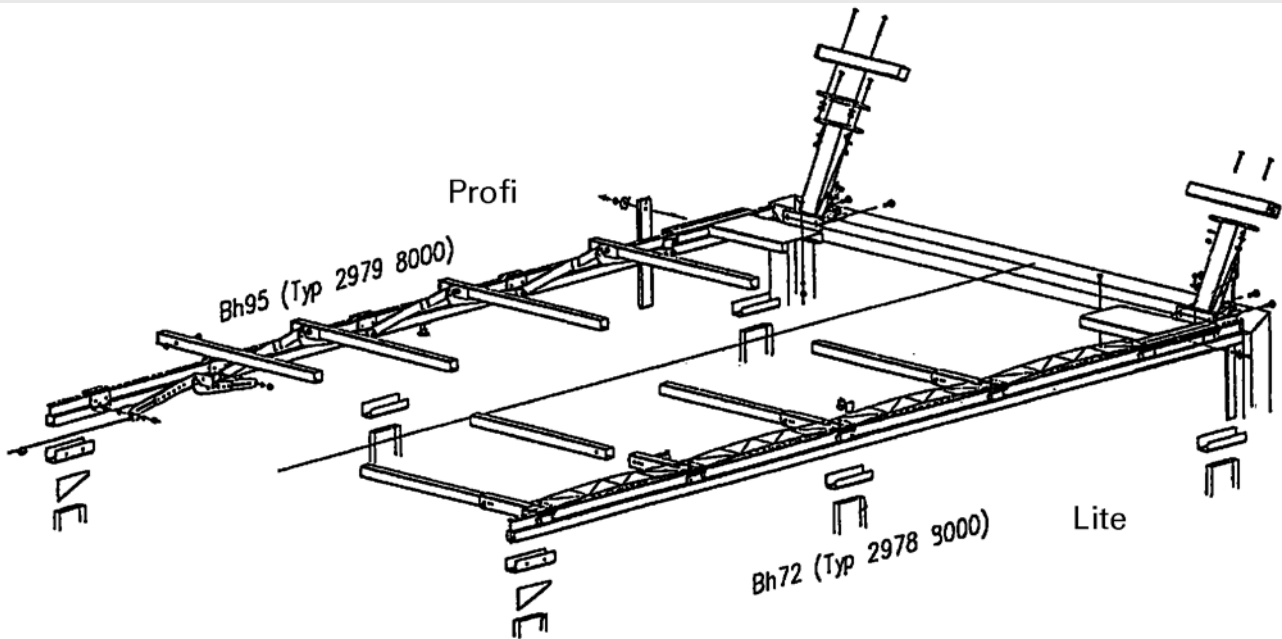
www.europart.net

**EURO
PART** 
... more than parts



Parts for EDSCHA PROFI 95 sliding cover

Illustration	Description	Version	Length mm	Order number
1	Central roof-stick brace	for centre board and headboard		9840 000 243
3	End hoop		2520	9840 000 193
4	Crossbar		2500	9840 000 021
9	End rail piece	left		9840 000 204
9	End rail piece	right		9840 000 205
12	Roller cart			9840 001 004
13	Supporting connection	left, locking device at side		9840 000 212
13	Supporting connection	right, locking device at side		9840 000 213
15	Brace		1052	9840 000 068
15	Brace		1560	9840 000 063
16	Brace bearing	short		9840 000 004
16	Brace bearing	vertically adjustable		9840 000 051
17	Brace lock	left		9840 000 007
17	Brace lock	right		9840 000 008
18	on request			
19	Corner plate			9840 000 003
20	End of roof stick	plugs for tarpaulin bows		9840 000 022
21	Plug	for end bow		9840 000 023
22	Rail lock	with bracket		9840 000 038
24	Bolt	M10	50	7719 311 050
25	Bolt	M8	20	6601 008 020
26	Coupling bolt	for blanks		9840 000 006
30	Drag rope	for end running section	2400	9840 000 176
31	Washer	A 10.5		9840 000 223
33	Ball bearing			9840 000 024
34	Gas spring	500 N		9840 000 180
34	Gas spring	700 N		9840 000 133
35	Locking bolt	for end running section		9840 000 156
36	Bushing		18	9840 000 181
37	Trailer coupling ring	screw attachment for end bow		9840 000 227
40	Reception tube	supporting leg connection, left		9840 000 230
40	Reception tube	supporting leg connection, right		9840 000 231
43	End rail stopper	for end running rails		9840 000 188
44	Safety chain	for crossbars with ring and perforated plate		9840 000 058
44	Safety chain	for locking device from below		9840 000 190
50	Hexagon nut	self-locking		6604 008 000
51	Carriage bolt	with square collar and nyloc nut	50	6618 008 050
53	Pull rod	for cover operation		9840 000 057
54	Carriage bolt	M8	42	9840 000 061
55	Washer	DIN 125, 8.4 x 16.5		9840 000 224
56	Joint	for PROFI joints, left	568	9840 001 012
57	Joint	for PROFI joints, right	568	9840 001 013
58	Compensation joint	for PROFI joints, left	328	9840 001 014
58	Compensation joint	for PROFI joints, left	458	9840 001 016
59	Compensation joint	for PROFI joints, right	328	9840 001 015
59	Compensation joint	for PROFI joints, right	458	9840 001 017

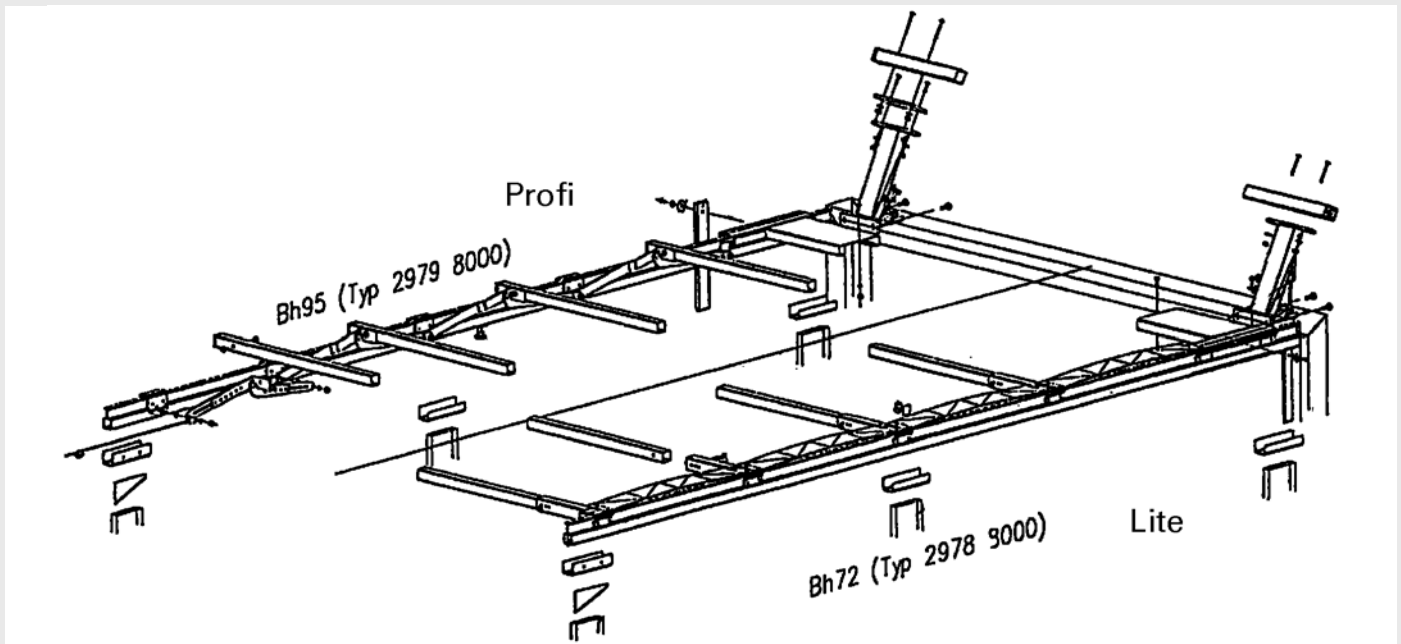


General accessories for EDSCHA sliding cover

Description	Version	Order number
Safety chain	for crossbars with ring and perforated plate	9840 000 058
Marking bolt	for tarpaulin bow and support connection	9840 000 121
Pipe fold plug	for pull rod, for end running section	9840 752 780
Crossbar	one end loose for welding into place	9840 016 291
Ring nut	M8	9840 698 200
Brace		9840 000 068
Brace bearing	vertically adjustable	9840 000 051
Brace lock	left	9840 000 007
Brace lock	right	9840 000 008
Central support connection	for LITE and PROFI joints, left	9840 031 230
Central support connection	for LITE and PROFI joints, right	9840 031 240
Square tube	for stanchion/slider	9840 000 122
Rope pulley	fixed	9840 027 050
Rope pulley	rotatable	9840 000 072
Bolt	M8	6602 008 045

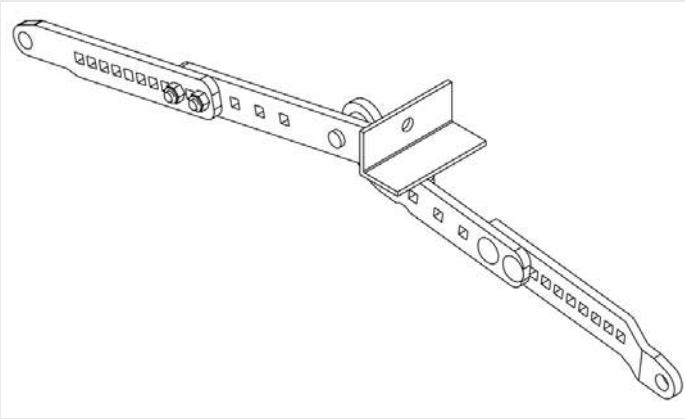
Stanchion connections and accessories for EDSCHA sliding cover

Description	Version	Order number
Supporting connection	standard	9840 030 640
Corner plate		9840 000 003
Bolt	M10	7719 311 050



Running rails and accessories for EDSCHA sliding cover

Description	Version	Length mm	Order number
Retaining plate	for LITE joints		9840 034 120
Blind rivet	for securing tarpaulins		9840 305 430
End wall bow	for PROFI joints, left		9840 031 130
End wall bow	for PROFI joints, right		9840 031 140
End wall bow	for LITE joints, left		9840 030 950
End wall bow	for LITE joints, right		9840 030 960
Bolt	M8	20	6601 008 020
End rail stopper	for end running rails		9840 000 188
Stop	for end running section as stop and locking device		9840 000 185
End hoop lock	for PROFI joints, interlocking, left		9840 020 930
End hoop lock	for PROFI joints, interlocking, right		9840 020 940
Runner	for repair	7000	9840 000 029
Coupling bolt	for blanks		9840 000 006
Rail lock	with bracket		9840 000 038
End hoop		2550	9080 035 360



Joints and accessories for EDSCHA sliding cover

Description	Version	Length mm	Order number
Joint	for PROFI joints, left	568	9840 001 012
Joint	for PROFI joints, right	568	9840 001 013
Compensation joint	left	328	9840 001 014
Compensation joint	right	328	9840 001 015
Compensation joint	left	458	9840 001 016
Compensation joint	right	458	9840 001 017
Joint	for PROFI joints, left, adjustable	320-480	9840 031 210
Joint	for PROFI joints, right, adjustable	320-480	9840 031 220
Hexagon nut	self-locking		6604 008 000
Washer	DIN 125, 8.4 x 16.5		9840 000 224
Compensation joint	for LITE joints, long tarpaulins	570	9840 034 210
Plastic joint	for LITE joints, short tarpaulins	650	9840 034 110
Plastic joint	for LITE joints, can be shortened	380	9840 035 130

Accessories

Description	Order number
Fastening washer for tarpaulin	9840 633 950
Blind rivet for securing tarpaulins	9840 305 430

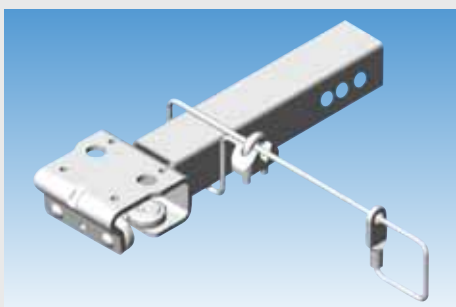


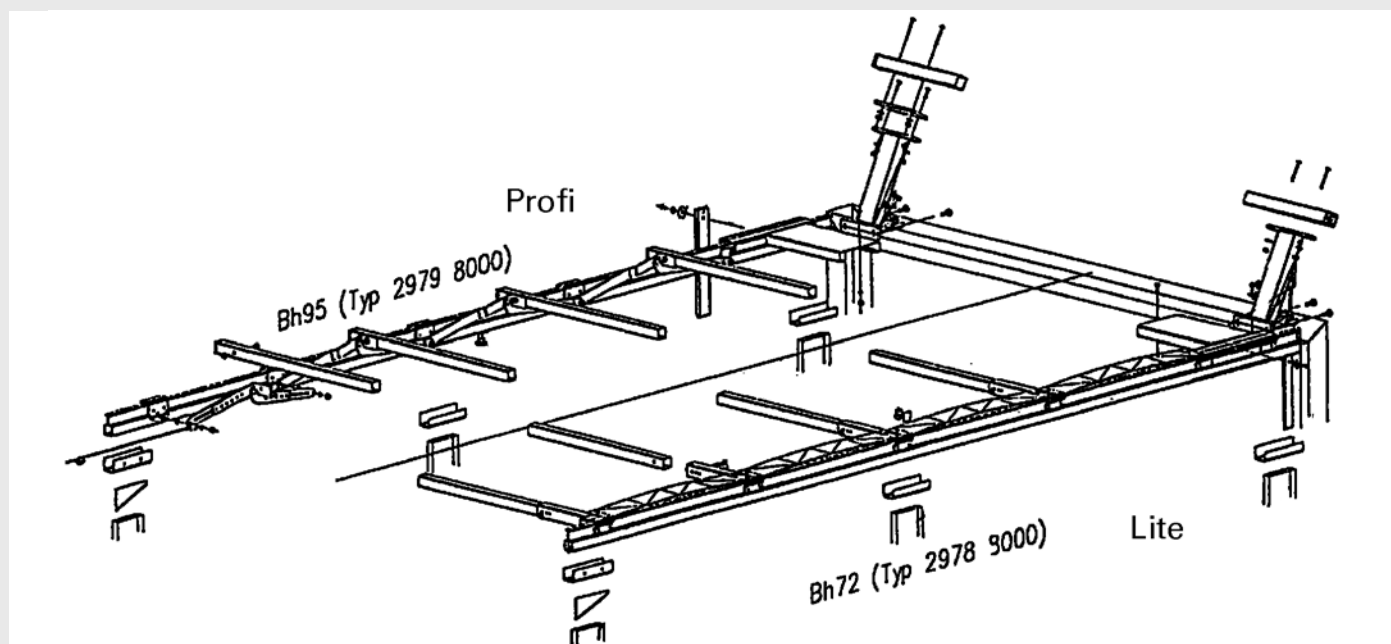
Roller carriage and accessories for EDSCHA sliding cover

Type	Model series	Order number
BH 95	PROFI	9840 001 004
LITE 72	LITE	9840 030 130

Accessories

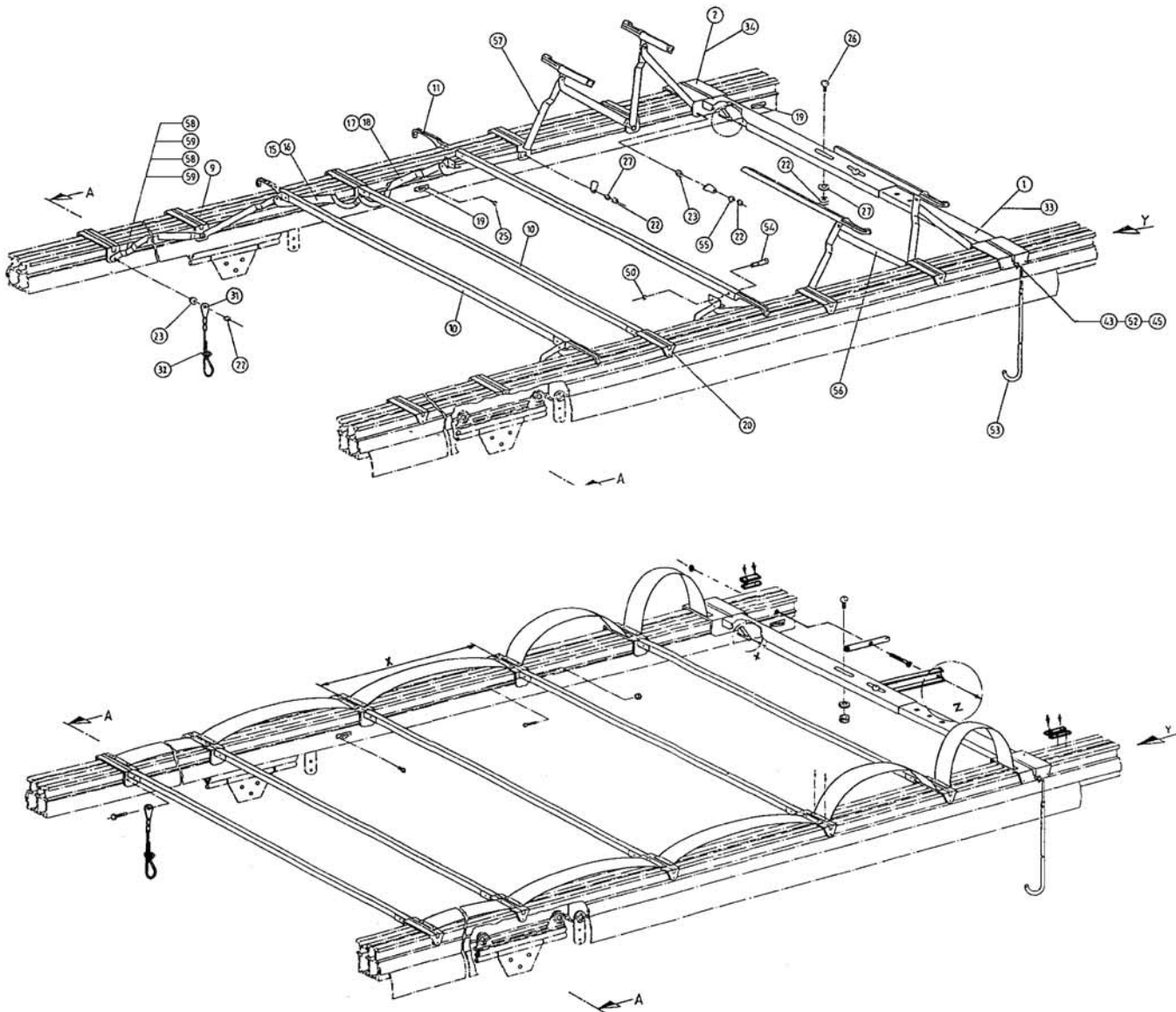
Description	Order number
Safety rope for headboard connection	9840 054 310
Wire cable clip for rope connections	6619 005 000





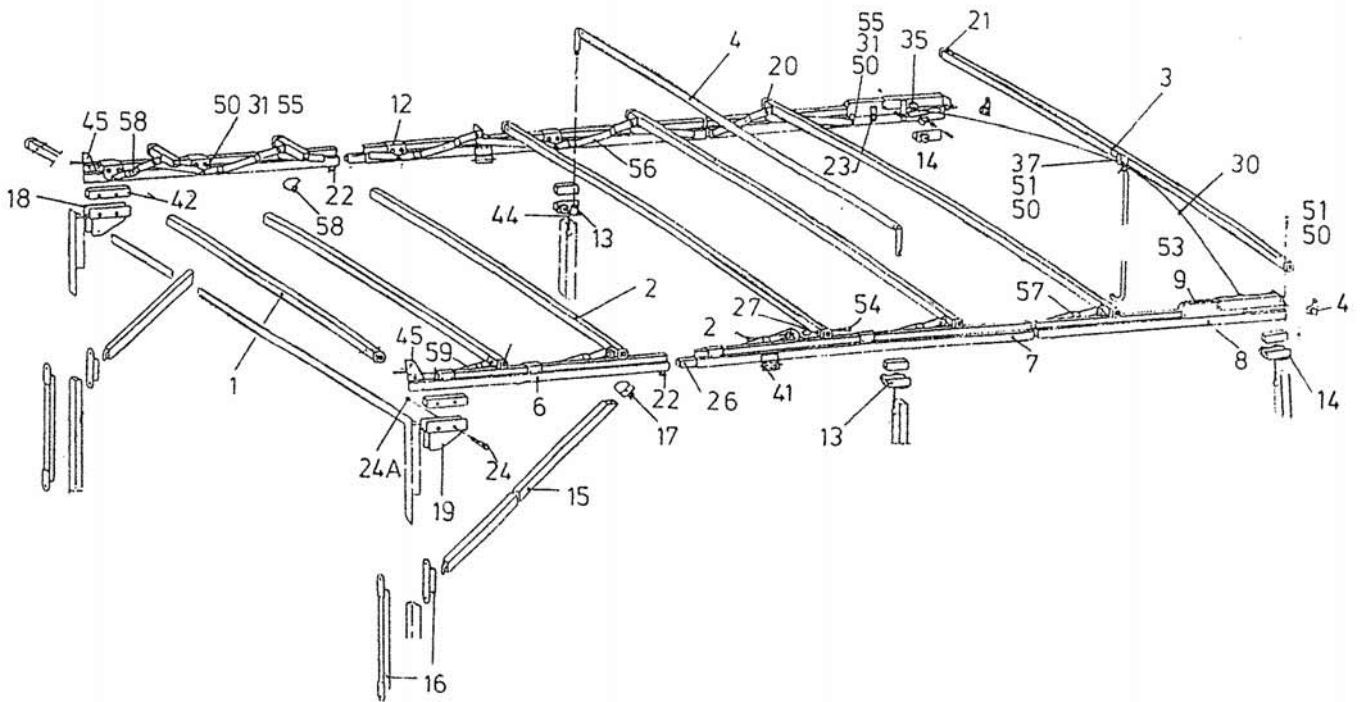
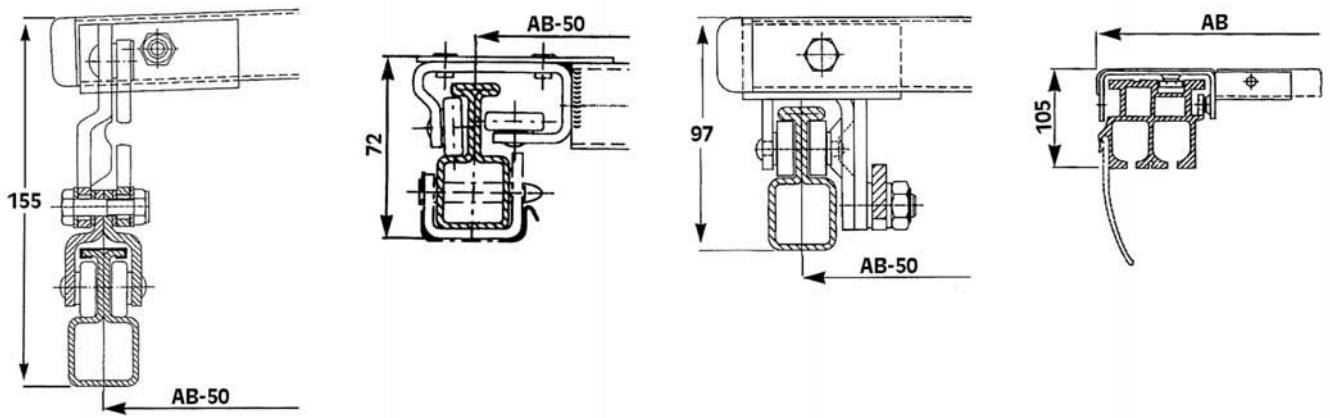
End running section and accessories for EDSCHA sliding cover

Description	Version	Length mm	Order number
Half of end rail piece	for PROFIL joints, left		9840 031 290
Half of end rail piece	for PROFIL joints, right		9840 031 301
Half of end rail piece	for LITE joints, left		9840 030 110
Half of end rail piece	for LITE joints, right		9840 030 120
Locking	for end running section		9840 031 660
Pull rod	extendable		9840 000 057
Ball bearing	for end running section		9840 854 671
Push-on automatic	complete, with gas spring, left/right		9840 027 300
Bolt	M10	25	6601 010 025
Split washer	M10 (3/8")		6606 010 000
Gas spring	700 N		9840 000 133
Gas spring	500 N		9840 000 180
End hoop			9080 035 360
Carriage bolt	with square collar and nyloc nut	60	6618 008 060
Hexagon nut	self-locking		6604 008 000
Washer	DIN 125, 8.4 x 16.5		9840 000 224
Plug	for end bow		9840 000 023



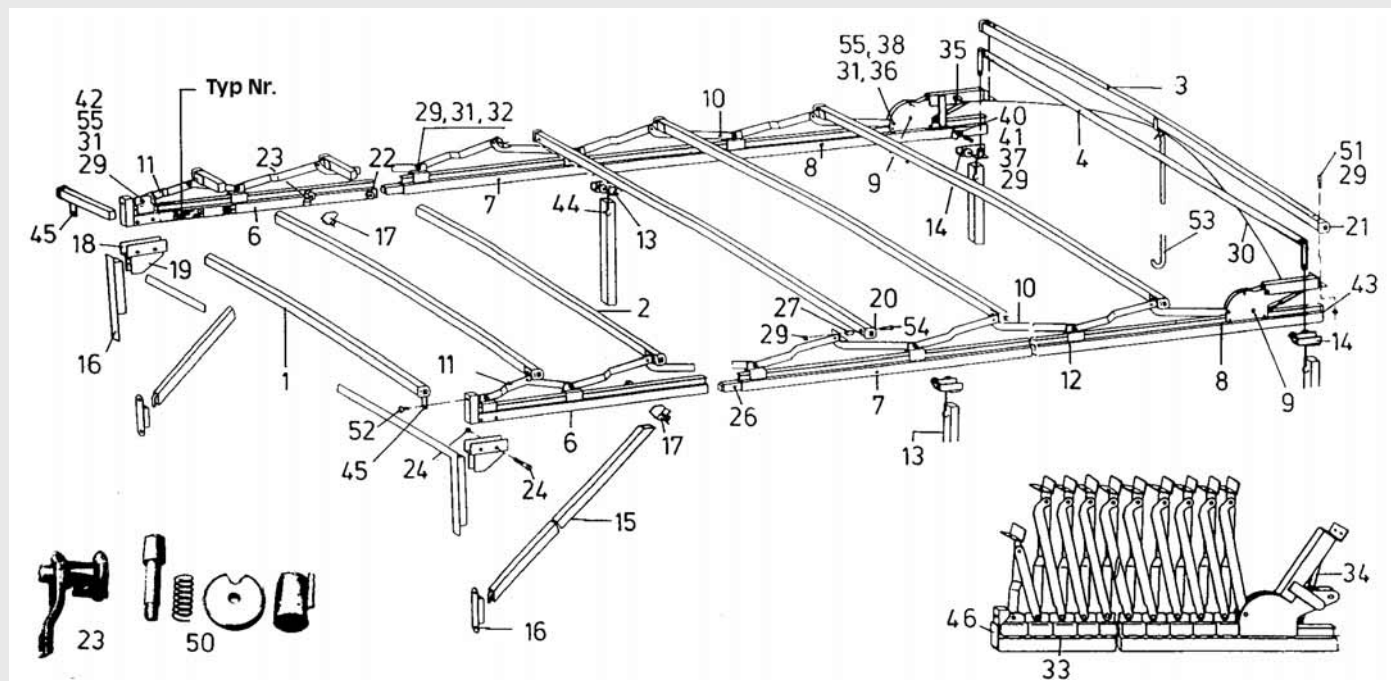
Parts for EDSCHA sliding cover type 2980.8000 and type 2980.9000

Illustration	Description	Version	Length mm	Order number
	End rail piece	left, long, for curtainsider		9840 318 300
	End rail piece	right, short, for curtainsider		9840 318 400
1	Half of end rail piece	left		8000 000 428
2	Half of end rail piece	right		9840 032 200
2	Push-on automatic	complete, with gas spring, left/right, 700 N		9840 027 300
4	Plastic joint	for LITE joints, short tarpaulins		9840 034 110
8	Plastic joint	for LITE joints, can be shortened		9840 035 130
9	Roller cart	for PROFI joints, with 5 rollers		9840 000 162
9	Roller cart	for LITE joints		9840 001 007
10	Central roof-stick brace	for PROFI 100 and LITE joints		9840 027 310
11	Tarpaulin holder	for aluminium profile		8000 000 423
15	Joint	left, forward crossbar vehicle		9840 026 530
16	Joint	right, forward crossbar vehicle		9840 026 540
17	Joint	left, after crossbar vehicle		9840 026 510
18	Joint	right, after crossbar vehicle		9840 026 520
20	Crossbar trolley	for PROFI joints		9840 001 006
24	Wire cable clip	for rope connections		6619 006 500
25	Cover lock	complete right/left and with cable		9840 028 190
32	Safety rope	for headboard connection		9840 054 310
32	Wire cable clip	for rope connections		6619 005 000
33	Fastening washer	for tarpaulin		9840 633 950
34	Blind rivet	for securing tarpaulins	5	9840 305 430
39	Ring nut	DIN 58		9840 698 200
40	Ball bearing	M8		9840 854 671
45	Split washer	M10 (3/8")		6606 010 000
46	Ball bearing	with bolt rivet		9840 850 470
47	Locking wedge			9840 027 320
48	Bolt	M6	10	7719 330 610
49	Latch plate	complete set (2 pieces)		9840 028 490
50	Hexagon nut	M8		6604 008 000
52	Carriage bolt	M10	25	7716 031 025
53	Pull rod	for cover operation, extendable		9840 000 057
54	Carriage bolt	M8	42	9840 000 061
55	Washer	DIN 125, 8.4 x 16.5		9840 000 224
56	Joint	for PROFI joints, left	568	9840 001 012
57	Joint	for PROFI joints	568	9840 001 013
58	Compensation joint	for PROFI joints, left	328	9840 001 014
58	Compensation joint	for PROFI joints, left	458	9840 001 016
59	Compensation joint	for PROFI joints, right	328	9840 001 015
59	Compensation joint	for PROFI joints, right	458	9840 001 017
	Retaining plate	for LITE joints		9840 034 120
	Guide piece	for end running section		9840 000 300



Parts for EDSCHA sliding cover type 2979.1000

Illustration	Description	Version	Length mm	Order number
1+2	Central roof-stick brace	for centre board and headboard		9840 000 191
3	End hoop		2520	9840 000 193
4	Crossbar		2500	9840 000 021
9	End rail piece	left		9840 000 204
9	End rail piece	right		9840 000 205
12	Roller cart			9840 001 004
13	Supporting connection	left, locking device at side		9840 000 212
13	Supporting connection	right, locking device at side		9840 000 213
15	Brace		1052	9840 000 068
15	Brace		1560	9840 000 063
16	Brace bearing	short		9840 000 004
16	Brace bearing	vertically adjustable		9840 000 051
17	Brace lock	left		9840 000 007
17	Brace lock	right		9840 000 008
18	on request			
19	Corner plate			9840 000 003
20	End of roof stick	plugs for tarpaulin bows		9840 000 022
21	Plug			9840 000 023
22	Rail lock	with bracket		9840 000 038
24	Bolt	M10	50	7719 311 050
25	Bolt	M8	20	6601 008 020
26	Coupling bolt			9840 000 006
27	on request			
30	Drag rope	for end running section	2400	9840 000 176
31	Washer			9840 000 223
33	Ball bearing			9840 000 024
34	Gas spring	500 N		9840 000 180
34	Gas spring	700 N		9840 000 133
35	Locking bolt			9840 000 156
36	Bushing		18	9840 000 181
37	Trailer coupling ring	screw attachment for end bow		9840 000 227
38	Bolt	M8	55	7719 310 855
40	Reception tube	supporting leg connection, left		9840 000 230
40	Reception tube	supporting leg connection, right		9840 000 231
43	End rail stopper			9840 000 188
44	Safety chain	for crossbars with ring and perforated plate		9840 000 058
44	Safety chain	for locking device from below		9840 000 190
45	End wall bow	left, with bracket		9840 000 237
45	End wall bow	right, with bracket		9840 000 238
50	Hexagon nut	slim shape		6604 008 000
51	Carriage bolt	M8	50	6618 008 050
53	Pull rod	for cover operation		9840 000 057
54	Carriage bolt	M8	42	9840 000 061
55	Washer	DIN 125, 8.4 x 16.5		9840 000 224
56	on request			
57	on request			
59	Compensation joint	right	458	9840 000 209
58	Compensation joint	left	328	9840 000 210
59	Compensation joint	right	328	9840 000 211



Parts for EDSCHA sliding cover type 2978.1000

Illustration	Description	Version	Length mm	Roof pitch mm	Order number
1	End wall bow		2520	0	9840 000 055
1	End wall bow		2520	50	9840 000 056
2	Central roof-stick brace		2520	0	9840 000 053
2	Central roof-stick brace		2520	50	9840 000 054
2	Central roof-stick brace		2550	50	9840 025 011
3	End hoop	for sliding cover with gas spring	2520	0	9840 000 145
3	End hoop	electronics, for sliding cover with gas spring	2520	50	9840 000 163
3	End hoop		2550		9840 275 310
4	Crossbar		2500		9840 000 021
6	Extension	left	1890		9840 000 112
6	Extension	right	1890		9840 000 240
7	Runner	for repair	7000		9840 000 029
9	End rail piece	left		0	9840 000 120
9	End rail piece	right		0	9840 000 155
10	Joint	left	570	0	9840 000 047
10	Joint	right	570	0	9840 000 046
11	Compensation joint	left	460	0	9840 000 045
11	Compensation joint	right	460	0	9840 000 044
11	Compensation joint	left	460	50	9840 000 075
11	Compensation joint	left	330	0	9840 000 107
11	Compensation joint	right	330	0	9840 000 105
11	Compensation joint	left	330	50	9840 000 108
11	Compensation joint	right	330	50	9840 000 106
12	Roller cart	without ball bearing			9840 000 025
13+14	Supporting connection	left			9840 000 013
13+14	Supporting connection	right			9840 000 014
15	Brace		1052		9840 000 068
16	Brace bearing	short			9840 000 004
16	Brace bearing	vertically adjustable			9840 000 051
17	Brace lock	left			9840 000 007
17	Brace lock	right			9840 000 008

Illustration	Description	Version	Length mm	Roof pitch mm	Order number
18	on request				
19	Corner plate				9840 000 003
20	End of roof stick	plugs for tarpaulin bows			9840 000 022
21	Plug for end bow				9840 000 023
22	Rail lock	with bracket			9840 000 038
23	Trolley brake				9840 000 009
24	Bolt with shaft	M10	50		7719 311 050
26	Coupling bolt	for blanks			9840 000 006
30	Drag rope	for end running section	2400		9840 000 176
31	Flange sleeve				9840 000 095
32	Bolt	M8	8		9840 000 179
33	Ball bearing				9840 000 024
34	Gas spring	500 N			9840 000 180
34	Gas spring	700 N			9840 000 133
35	Locking bolt for end running section				9840 000 156
38	Bolt	M8	45		6602 008 045
40	Stop				9840 000 185
41	Bolt	M8	25		6601 008 025
42	Bolt	M8	30		6601 008 030
43	End rail stopper				9840 000 188
44	Safety chain				9840 000 058
45	End wall strap	left			9840 000 076
45	End wall strap	right			9840 000 077
50	Bolt				9840 000 125
50	Compression spring				9840 000 130
50	Gripping disc				9840 000 135
50	Housing				9840 000 140
51	Carriage bolt with square collar and nyloc nut	M8	50		6618 008 050
52	Carriage bolt with square collar and hexagon nut	M10	25		7716 031 025
53	Pull rod	extendable, for cover operation			9840 000 057
54	Carriage bolt	M8	42		9840 000 061
55	Washer	DIN 125, 8.4 x 16.5			9840 000 224



Tarpaulin roller

Version straight

Order number

9840 830 060



Tarpaulin roller

Version offset

Order number

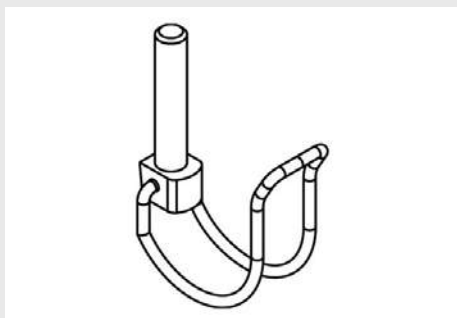
9840 313 600



Tarpaulin roller

for tarpaulin roller chamber of EDSCHA roof strap 05180

Order number
9085 186 000

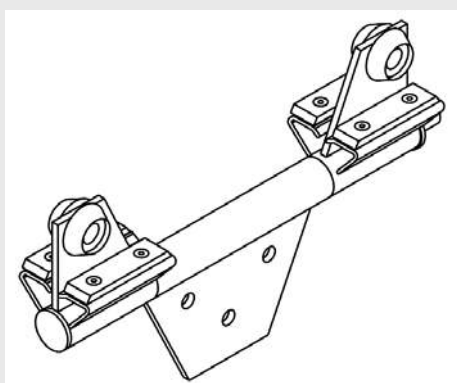


Pipe fold plug

for pull rod

Diameter	6 mm
Material	steel
Surface	galvanised

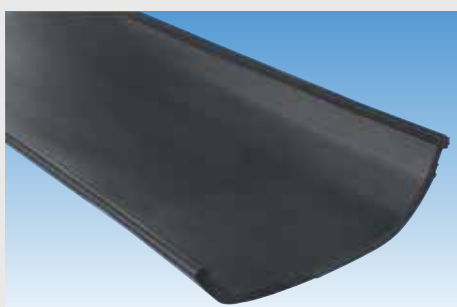
Order number
9840 830 190



Platform lorry

Version	rotatable
---------	-----------

Order number
9840 000 065



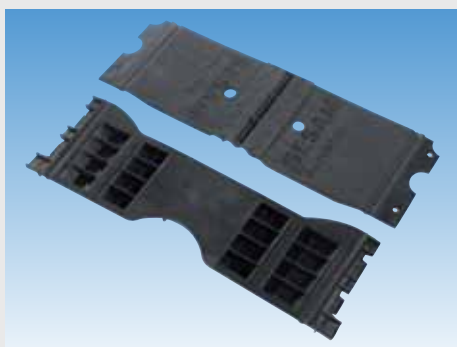
Sealing lip

for roof belts 80797, 10050 and 33569

Material	PVC
----------	-----

Length m	Colour	Order number
16	grey	9080 828 216
16	black	9080 828 316
28	black	9840 085 493

Parts for SESAM sliding cover Flat-, High-, Mega- and Mixliner

**Joint**

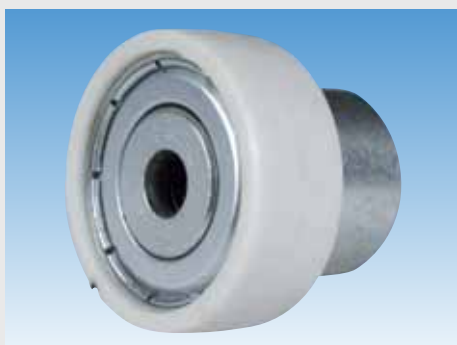
Material plastic

Version	Length mm	Order number
push-in	389	9080 245 786
push-in	492	9080 245 787
push-in	589	9080 235 788
push-in	689	9080 650 210
rivet system	392	9080 245 781
rivet system	492	9080 235 783
rivet system	592	9080 235 785

**Double ball bearing
with hexagon connection**

Thread M8

Order number
9080 245 872

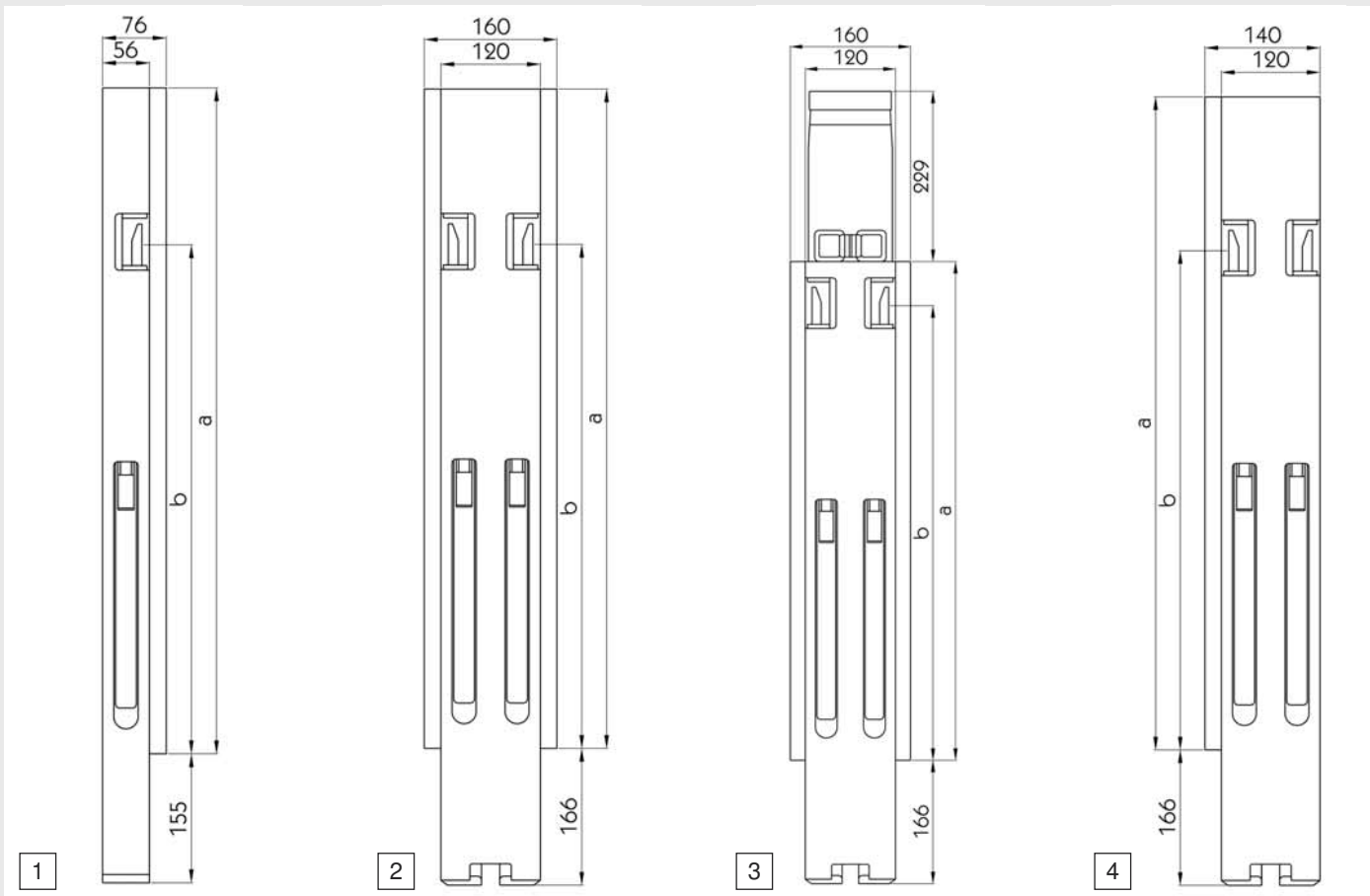
**Ball bearing**

Diameter 16 mm
 Thread M6
 Surface plastic coated

Length mm	Order number
10	9085 000 032
17	9080 245 871

Further items available on request

5



Kinnegrip stanchion K IV

for 600 mm drop side height

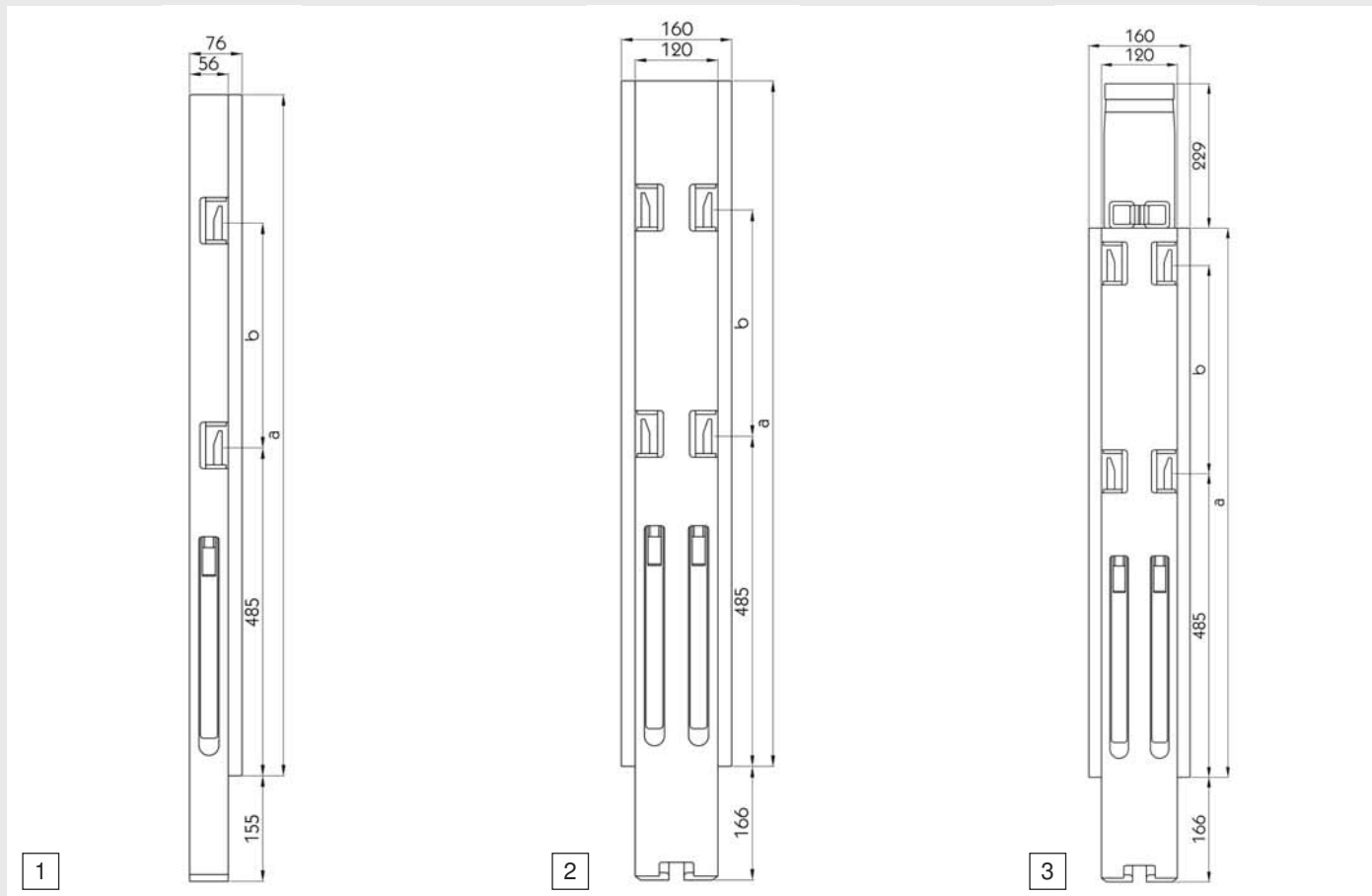
Material steel, EPD coated
Dimension b 485 mm

Illustration	Description	Dimension a mm	Version	Order number
2	Middle stake	600	without adapter for Kinnetop	9081 210 700
3	Middle stake	541	with adapter for Kinnetop	9081 210 690

for 800 mm drop side height

Material steel, EPD coated
Dimension a 800 mm
Dimension b 615 mm

Illustration	Description	Installation side	Version	Order number
1	Front stanchion	left	-	9081 210 790
1	Front stanchion	right	-	9081 210 800
2	Middle stake	-	without adapter for Kinnetop	9081 210 780
3	Middle stake	-	with adapter for Kinnetop	9081 210 770
3	Middle stake	-	TIR, with adapter for Kinnetop, 671 x 615 mm	9081 210 980
4	Rear stanchion	left	with rear wall fastener	9081 210 830
4	Rear stanchion	right	with rear wall fastener	9081 210 840



Kinnegrip stanchion K IV

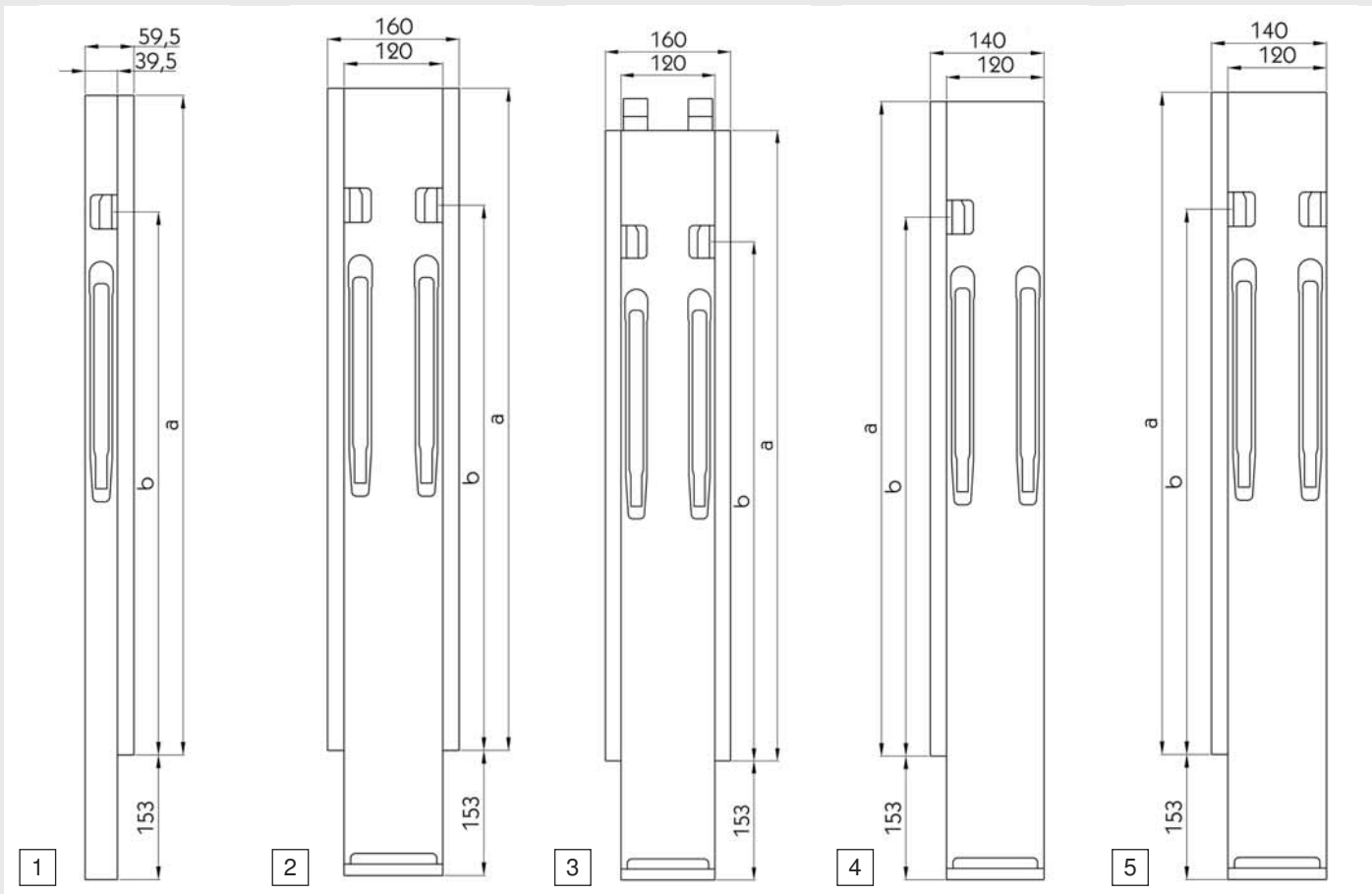
for 1000 mm drop side height

Material steel, EPD coated

Dimension a 1000 mm

Dimension b 330 mm

Illustration	Description	Installation side	Version	Order number
1	Front stanchion	left	-	9081 210 870
1	Front stanchion	right	-	9081 210 880
2	Middle stake	-	without adapter for Kinnetop	9081 210 860
3	Middle stake	-	with adapter for Kinnetop	9081 210 850
3	Middle stake	-	with adapter for Kinnetop	9081 212 750



Kinnegrip stanchion K 20

for 400 mm drop side height

Material steel
 Dimension a 410 mm
 Dimension b 367 mm

Illustration	Description	Installation side	Version	Order number
1	Front stanchion	left	-	9081 212 460
1	Front stanchion	right	-	9081 212 470
2	Middle stake	-	without adapter for Kinnetop	9081 212 500
5	Rear stanchion	left	with rear wall fastener	9081 212 560
5	Rear stanchion	right	with rear wall fastener	9081 212 570

for 500 mm drop side height

Material steel
 Dimension a 510 mm
 Dimension b 367 mm

Illustration	Description	Installation side	Version	Order number
1	Front stanchion	left	-	9081 212 580
1	Front stanchion	right	-	9081 212 590
2	Middle stake	-	without adapter for Kinnetop	9081 212 620
3	Middle stake	-	with adapter for Kinnetop	9081 212 630
5	Rear stanchion	left	with rear wall fastener	9081 212 680
5	Rear stanchion	right	with rear wall fastener	9081 212 690

Continued on the next page ...

... continued from the previous page

for 600 mm drop side height

Material steel
Dimension a 610 mm
Dimension b 467 mm

Illustration	Description	Installation side	Version	Order number
1	Front stanchion	left	-	9081 212 700
1	Front stanchion	right	-	9081 212 710
2	Middle stake	-	without adapter for Kinnetop	9081 212 740
3	Middle stake	-	with adapter for Kinnetop	9081 212 750
4	Rear stanchion	left	without rear wall fastener	9081 212 780
4	Rear stanchion	right	without rear wall fastener	9081 212 790
5	Rear stanchion	left	with rear wall fastener	9081 212 800
5	Rear stanchion	right	with rear wall fastener	9081 212 810

for 800 mm drop side height

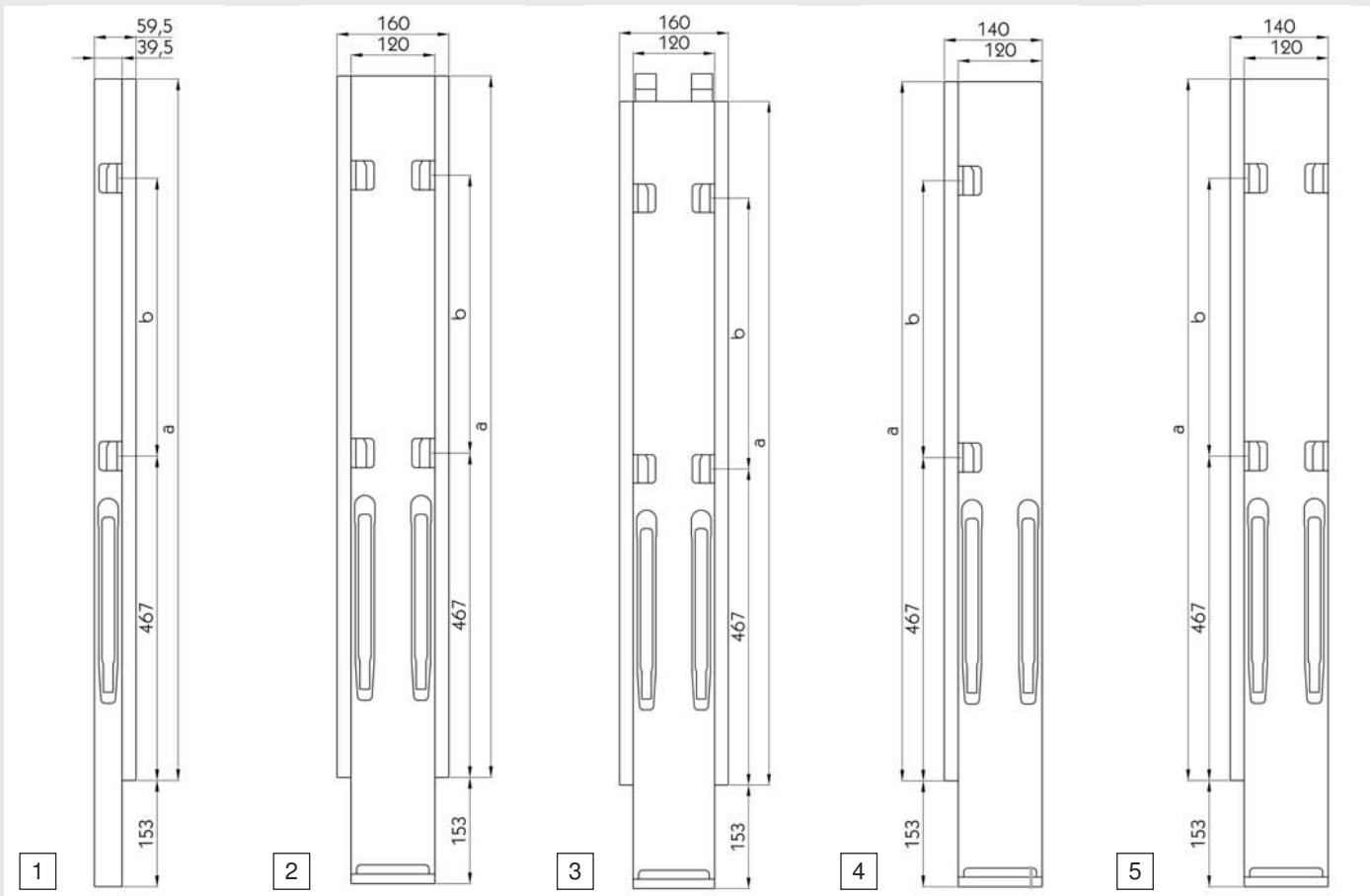
Material steel
Dimension a 810 mm
Dimension b 667 mm

Illustration	Description	Installation side	Version	Order number
1	Front stanchion	left	TIR	9081 212 820
1	Front stanchion	right	TIR	9081 212 830
2	Middle stake	-	TIR, without adapter for Kinnetop	9081 212 860
3	Middle stake	-	TIR, with adapter for Kinnetop	9081 212 870
3	Middle stake, aluminium	-	TIR, with adapter for Kinnetop	9081 212 890
4	Rear stanchion	left	TIR, without rear wall fastener	9081 212 900
5	Rear stanchion	left	TIR, with rear wall fastener	9081 212 920
5	Rear stanchion	right	TIR, with rear wall fastener	9081 212 930

Accessories

Description	Version	Order number
Stake sleeve	untreated, for welding on	9081 213 460
Counterholder	untreated	9081 213 470
Stake sleeve	untreated, spacing plate stainless steel, remaining parts galvanised	9081 214 070
Counterholder	with flange	9080 012 174
Cover cap	for corner stanchion, front	9080 032 164
Kinnetop stand	800-1200 mm stanchion	9080 012 160
Bolt	10 x 40 mm	9081 213 450
Coupling box	untreated	9081 214 090
T-piece	untreated	9081 214 100

5



Kinnegrip stanchion K 20

for 800 mm drop side height

Material steel
 Dimension a 810 mm
 Dimension b 200 mm

Illustration	Description	Installation side	Version	Order number
1	Front stanchion	left	-	9080 208 301
1	Front stanchion	right	-	9080 208 401
2	Middle stake with double fastener	-	without adapter for Kinnetop	9081 212 980
3	Middle stake with double fastener	-	with adapter for Kinnetop	9081 212 990
4	Rear stanchion with double fastener	left	without rear wall fastener	9080 208 701
4	Rear stanchion with double fastener	right	without rear wall fastener	9080 208 801
5	Rear stanchion with double fastener	left	with rear wall fastener	9081 213 040
5	Rear stanchion with double fastener	right	with rear wall fastener	9081 213 050

for 1000 mm drop side height

Material steel
 Dimension a 1010 mm
 Dimension b 400 mm

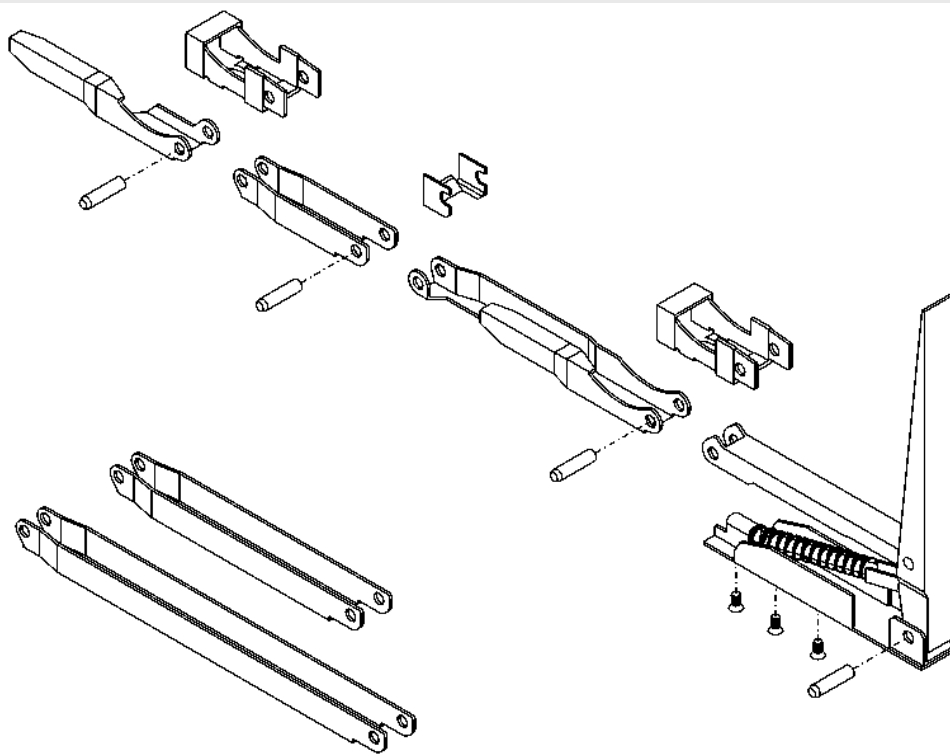
Illustration	Description	Installation side	Version	Order number
1	Front stanchion	left	-	9080 210 301
1	Front stanchion	right	-	9081 213 070
2	Middle stake with double fastener	-	without adapter for Kinnetop	9081 213 100
3	Middle stake with double fastener	-	with adapter for Kinnetop	9080 210 231
5	Rear stanchion with double fastener	left	with rear wall fastener	9081 213 160
5	Rear stanchion with double fastener	right	with rear wall fastener	9081 213 170

Continued on the next page ...

... continued from the previous page

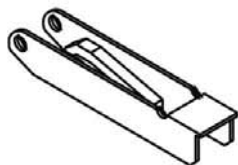
Accessories

Description	Version	Order number
Stake sleeve	untreated, for welding on	9081 213 460
Counterholder	untreated	9081 213 470
Stake sleeve	untreated, spacing plate stainless steel, remaining parts galvanised	9081 214 070
Counterholder	with flange	9080 012 174
Cover cap	for corner stanchion, front	9080 032 164
Kinnetop stand	800-1200 mm stanchion	9080 012 160
Bolt	10 x 40 mm	9081 213 450
Coupling box	untreated	9081 214 090
T-piece	untreated	9081 214 100



Service parts, K 20 middle stanchions rear and corner stanchions front and rear

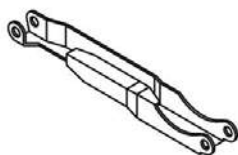
Description	Version	Dimensions mm	Order number
Repair kit hand lever	3 TORX® bolts M5 x 10 (similar to DIN 7991), 2 linkage pins diameter 8 x 32 mm, for front corner stanchions		9081 214 190
Repair kit hand lever	3 TORX® bolts M5 x 10 (similar to DIN 7991), 2 linkage pins diameter 8 x 32 mm, for middle rear and corner rear stanchions		9081 213 660
Guide, large			9080 042 117
Guide, small			9081 214 320
Bolt		∅ 8 x 32	9080 042 139
Intermediate joint		100	9081 214 330
Intermediate joint		200	3359 000 190
Drop side bolt, left			9080 421 110
Drop side bolt, right			9080 421 090



Pocket wedge

for K 20 middle rear and corner rear stanchion

Order number
9081 214 340

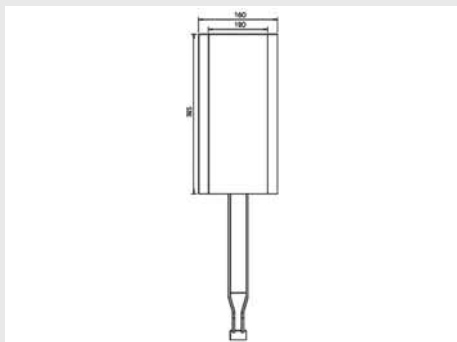


Drop side bolt

for K 20 middle stanchion rear and corner stanchion front and rear

suitable for drop side height 1200 mm

Installation side	Order number
left	9081 214 370
right	9081 214 200



Kinnetop stand

Surface untreated

suitable for	Length mm	Order number
500 mm stanchion	297	9080 012 158
600 mm stanchion	347	9080 012 159
800-1200 mm stanchion	447	9080 012 160



Kinnetop profile

for rear wall

Surface untreated

Order number
9081 211 490

5

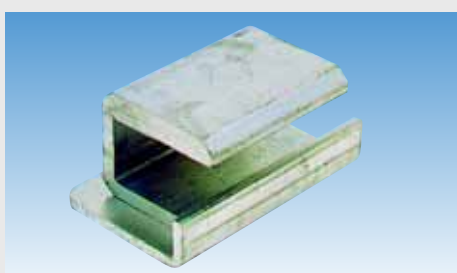


Counterholder

for stanchion K IV

Version without flange

Surface	Order number
untreated	9081 211 470
galvanised, with bolt-on kit	9081 211 480



Counterholder

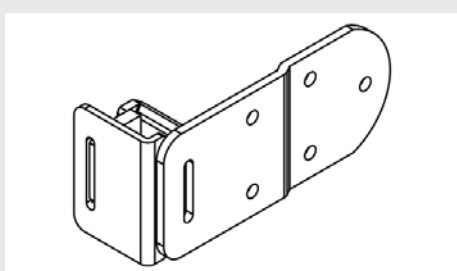
for stanchion K IV

Version without flange

Material aluminium

Surface untreated

Order number
9081 211 060



Counterholder

for stanchion K IV

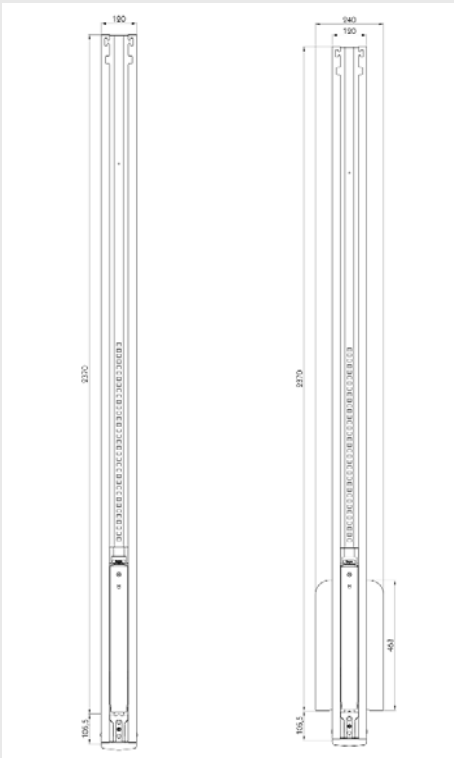
Version with flange

Material steel

Surface galvanised

Order number
9081 211 080

5



Middle stake

for curtainsider

Length 2370 mm
Surface EPD coated

Type	Width mm	Order number
Variomaster 901, Code XL	120	9089 010 000
Variomaster 901, Code XL, with slat storage	240/120	9089 010 010

Accessories

Stanchion bracket

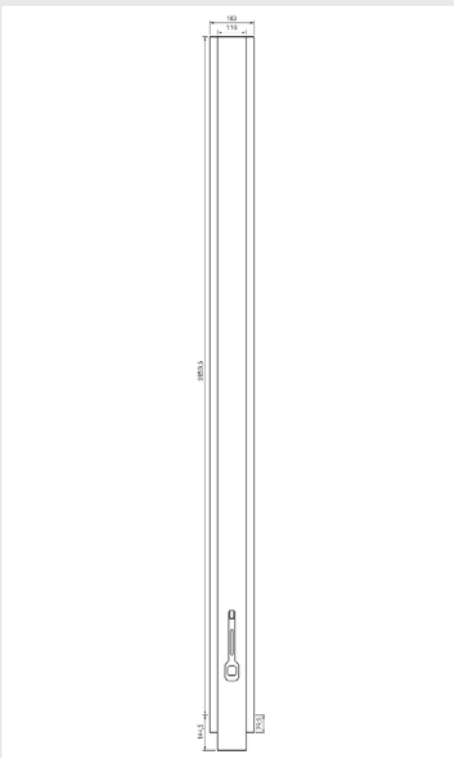
Order number
9089 101 000



Middle stake

lower part for sliding stanchion

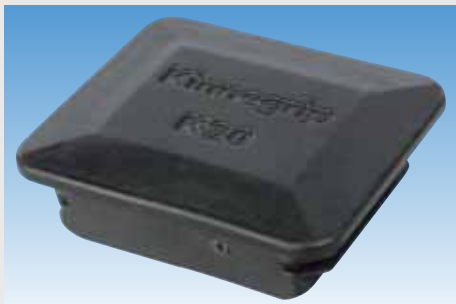
Order number
7773 229 600



Middle stake

Length 2995 mm
Width 183 mm

Order number
9089 083 910



Cover cap

for middle rear and corner rear stanchions

Material plastic

Order number

9081 214 080



Folding stake

Hestral

in accordance with the legal regulations

Material steel, EPD coated

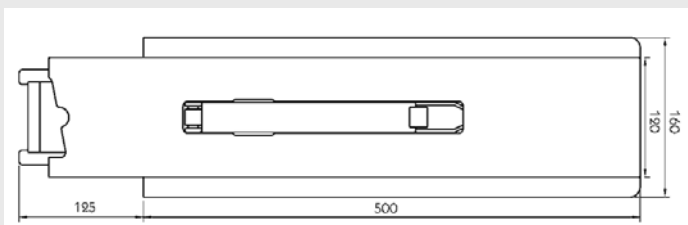
Scope of supply

with adapter for centering piece

Type	Nominal measure mm	Order number
701.6	665	9081 214 400
701.8	865	9081 214 450

Accessories

Description	Type	Surface	Order number
Centring piece	6001 V/19	untreated	9081 214 030
Centring piece	6001 VT/19	untreated	9081 214 040
Stake sleeve	6001 V/20	untreated	9081 214 050
Stake sleeve	6002 V/20	EPD coated	9089 009 200



Folding stake

Hestral

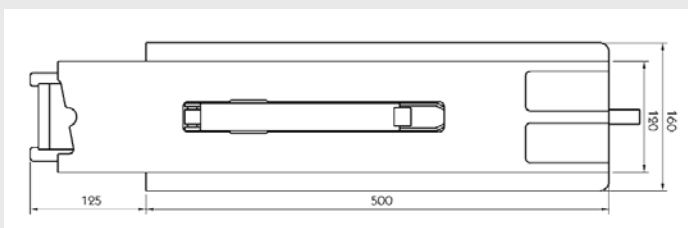
Type 6002 V/5

Nominal measure 500 mm

Material steel, EPD coated

Order number

9088 033 400



Folding and sliding stanchion

Hestral

with adapter for centering piece

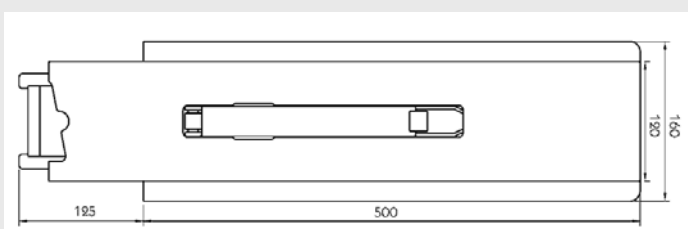
Type 6002 V/5S-KTL

Nominal measure 500 mm

Material steel, EPD coated

Order number

9088 033 500



Folding and sliding stanchion

Hestral

with adapter for centering piece

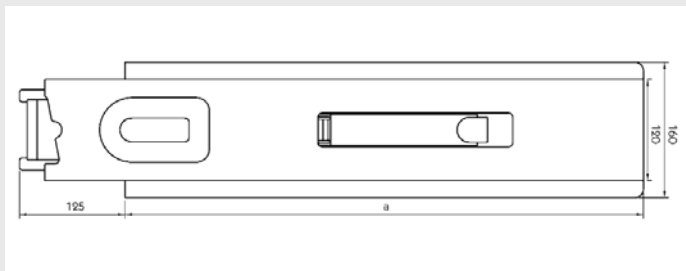
Type 6002 V/5S-KTL

Nominal measure 500 mm

Material steel, EPD coated

Order number

9081 214 590



Folding stake

Hestal

Material steel, EPD coated

Type	Nominal measure (a) mm	Order number
701.11	815	9088 038 300
701.13	1015	9088 038 500

5



Retaining plate with rollers

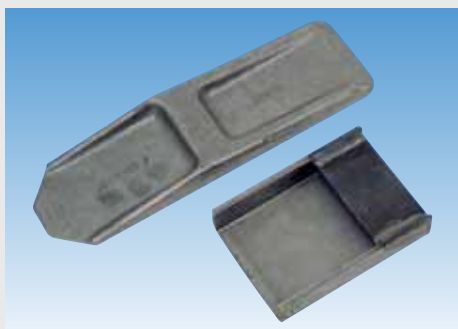
Order number
7773 757 770



Closing eye for stanchion fastener

Version with locknut
Surface untreated

Order number
9081 023 980



Stanchion cotter pin

502-1

Version forged
Length 297 mm
Width 88 mm
Height 30 mm
Surface untreated

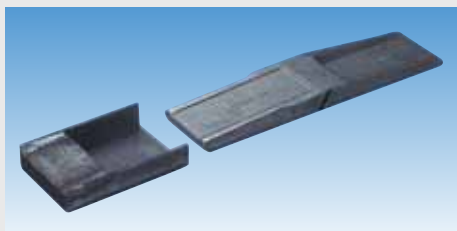
Order number
9081 210 050

Accessories

Stake sleeve

Type 502-3
Version outside frame fastening
Length 141 mm
Width 100 mm
Height 35 mm
Surface untreated

Order number
9081 210 060



Stanchion cotter pin

500-1

Version	forged
Length	320 mm
Width	87 mm
Height	25 mm
Surface	untreated

Order number

9081 210 300

Accessories

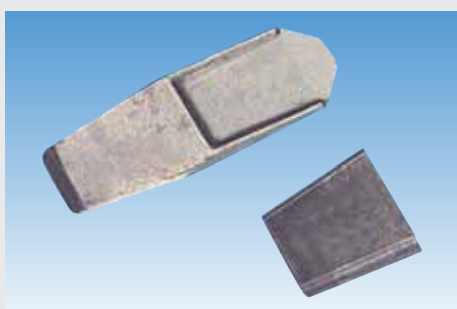
Stake sleeve

Type	500-2
Version	outside frame fastening
Length	140 mm
Width	98 mm
Height	30 mm
Surface	untreated

Order number

9081 210 310

5



Stanchion cotter pin

602-1

Version	drop-forged
Length	258 mm
Width	87 mm
Height	25 mm
Surface	untreated

Order number

9081 212 440

Accessories

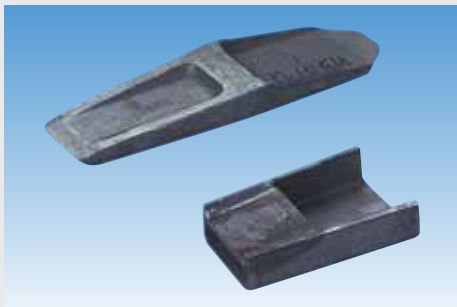
Stake sleeve

Type	602-2
Version	outside frame fastening
Length	100 mm
Width	95 mm
Height	26 mm
Surface	untreated

Order number

9081 212 450

5



Stanchion cotter pin

600-1

Version	drop-forged
Length	297 mm
Width	88 mm
Height	30 mm
Surface	untreated

Order number

9081 210 540

Accessories

Stake sleeve

Type	600-2
Version	outside frame fastening
Length	141 mm
Width	100 mm
Height	35 mm
Surface	untreated

Order number

9081 210 550



Floating pin

for Kinnegrip stanchion K VI

fastening area eccentric

Overall length	145 mm
Diameter	25 mm
Surface	galvanised

Order number

9081 211 830



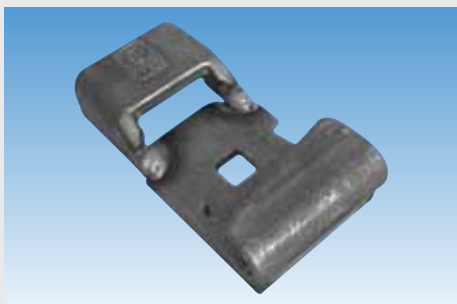
Stake sleeve

for Kinnegrip stanchion K IV

Version	for welding on
Surface	untreated

Order number

9081 211 050



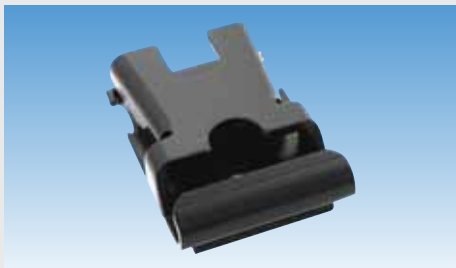
Stake sleeve

for folding stanchion and sliding stanchion

Type	6001 VT/20
Surface	untreated

Order number

9081 214 060



Stake sleeve

for curtainsider stanchion

Surface EPD coated

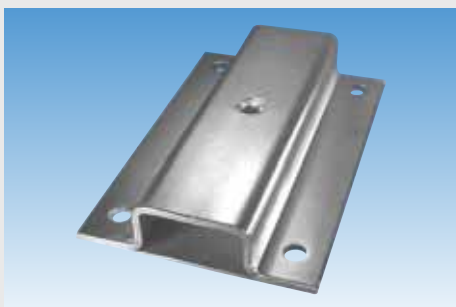
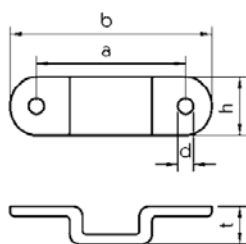
Order number
9089 002 910



Stanchion bracket

Version drop-forged
Surface galvanised

Nominal size mm	a mm	b mm	d mm	h mm	t mm	Order number
10 x 30	84	112	8	38	17	9081 314 880
10 x 35	84	112	8	38	17	9086 091 035
10 x 40	78	110	8	40	17	9081 312 100
13 x 40	104	145	11	43	20	9081 314 910
20 x 40	104	141	11	41	27	9081 314 920
22 x 43	102	144	11	40	29	9081 314 930



Stanchion bracket

pressed sheet steel, with welded-on back plate, suitable for 20 x 40 mm stanchions (13 x 40 mm in area of the nut)

Version with welded-in M10 nut
Nominal size 20 x 40 mm
Surface galvanised

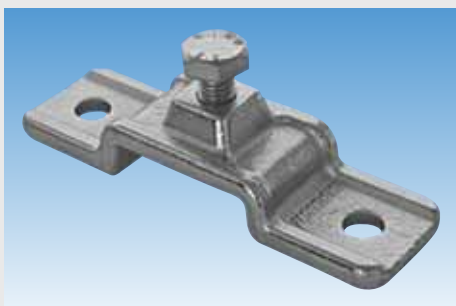
Order number
9081 314 950

Accessories

Bolt

DIN 933-8.8
Version threaded to head
Thread M10 x 30
Material Steel, galvanised

Order number
7719 331 030



Stanchion bracket

for 10 x 40 mm stanchion

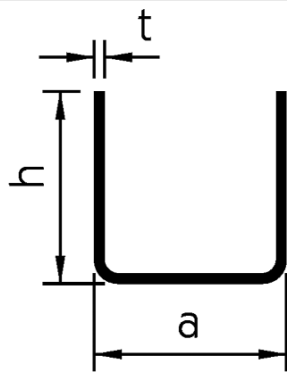
Version drop-forged
Width 122 mm
Height 35 mm
Depth 17 mm
Distance between holes 92 mm
Hole diameter 11 mm
Surface galvanised

Scope of supply

with M10 x 25 adjusting bolt

Order number
9081 317 100





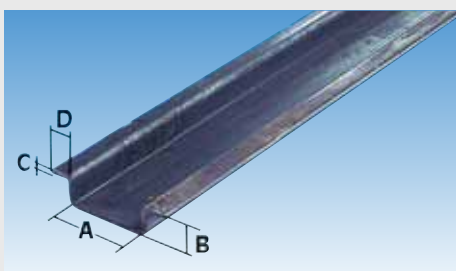
Profile edging

suitable for drop side edging

Length	6000 mm
Material	St02Z (DX51D)
Surface	galvanised
a	28 mm
h	28 mm
t	1,5 mm

Order number
9085 610 600

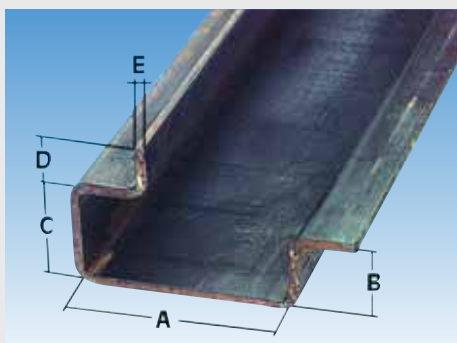
5



Middle stanchion profile

Length	5000 mm
Surface	untreated
A	100 mm
B	31 mm
C	5 mm
D	30 mm

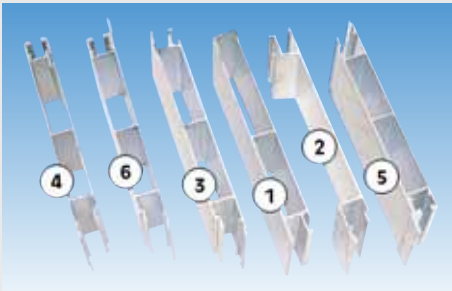
Order number
9085 610 360



Corner stanchion profile

Length	5000 mm
Surface	untreated

A mm	B mm	C mm	D mm	E mm	Order number
80	28	50	20	5	9085 610 380
100	31	50	20	5	9085 610 390



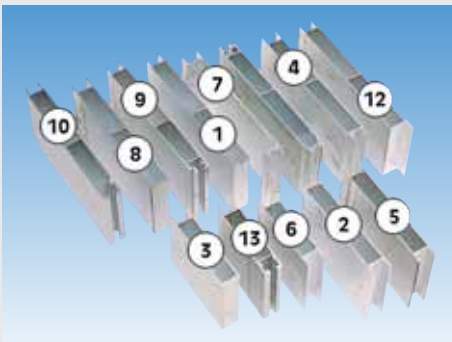
Drop side profile

Snap-Lok system

Width 25 mm
 Overall height 200 mm
 Material aluminium

sold by the meter

Description	Illustration	Order number
End profile, top	1	9086 210 330
Tarpaulin eye profile	2	9086 210 350
Intermediate profile	3	9086 210 390
End profile, bottom	4	9086 211 180
End profile, bottom	5	9086 210 410
End profile, bottom	6	9086 210 420



Further items available on request

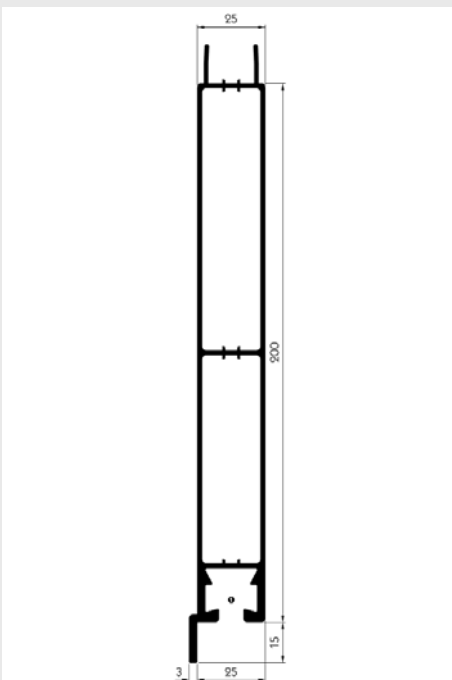
Drop side profile

plug-in system

Width 25 mm
 Material aluminium

sold by the meter

Description	Overall height mm	Illustration	Order number
End profile, top	200	1	9086 210 610
End profile, top	150	2	9086 211 310
End profile, top	120	3	9086 211 320
End profile, top	100	-	9086 210 620
Intermediate profile	200	4	9086 210 650
Intermediate profile	150	5	9086 211 330
Intermediate profile	100	6	9086 210 630
Tarpaulin eye profile	200	7	9086 210 660
End profile, bottom	200	8	9086 210 680
End profile, bottom	200	9	9086 211 340
End profile, bottom	200	10	9086 211 350
End profile, bottom	200	12	9086 211 200
End profile, bottom	100	13	9086 210 830



Drop side profile

plug-in system, with lug

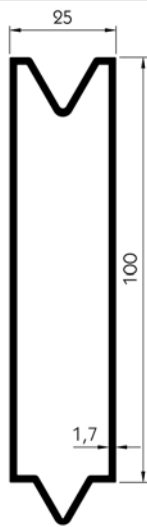
Length 7600 mm
 Width 25 mm
 Overall height 200 mm
 Material aluminium

Application range

chamber for seal and skirting protection

sold by the meter

Order number
9086 211 500



Aluminium profile

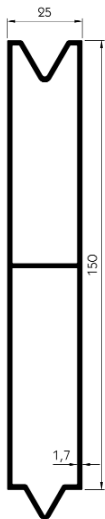
Overall height 100 mm
Width 25 mm

Application range

lug for insertion in the groove of the combined skirting protection, groove to place onto the lug of the skirting protection or further attachment panel lugs

Length mm	Order number
sold by the meter	9086 212 820
3250	9086 212 821

5



Aluminium profile

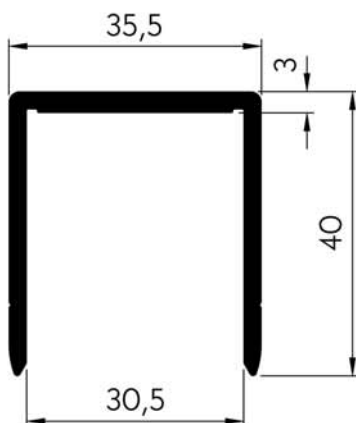
Overall height 150 mm
Width 25 mm

Application range

lug for insertion in the groove of the combined skirting protection, groove to place onto the lug of the skirting protection or further attachment panel lugs

sold by the meter

Order number
9086 212 230

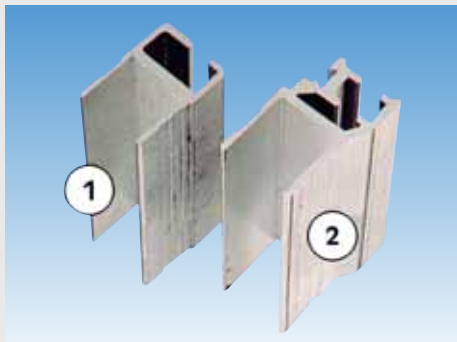


Drop side profile

Version edgings 30 mm
Overall height 40 mm
Thickness 3 mm
Material aluminium

sold by the meter

Order number
9086 110 120

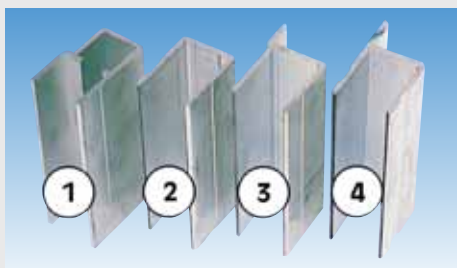


Profile edging

for drop side profile 25 mm

Material aluminium

Length mm	Overall height mm	Illustration	Order number
sold by the meter	43	1	9086 211 360
800	43	1	9086 211 368
800	56	2	9086 211 810
sold by the meter	56	2	9086 211 811



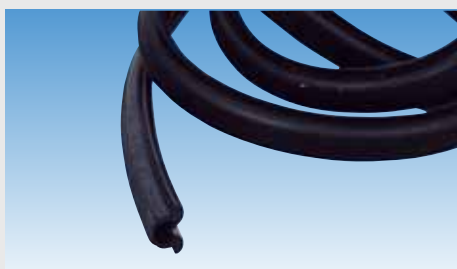
Profile edging

for drop side profile 25 mm

Material aluminium

sold by the meter

Overall height mm	Illustration	Order number
50	1	9086 210 560
55	3	9086 210 080
42	2	9086 210 440
60	4	9086 210 430



Seal

rubber profile

sold by the meter

Order number
9081 116 640

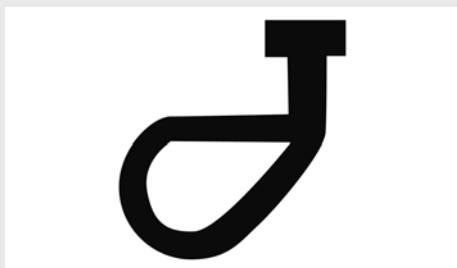


Seal

for drop side profile

sold by the meter

Order number
9081 213 480



Rubber seal

for lower end profile

sold by the meter

Order number
9081 116 720



Rubber seal

for aluminium profile

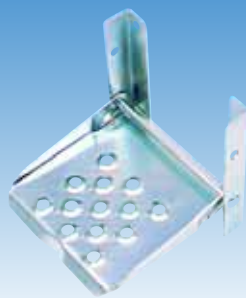
sold by the meter

Application range

for trailer doors

Order number
9081 118 640





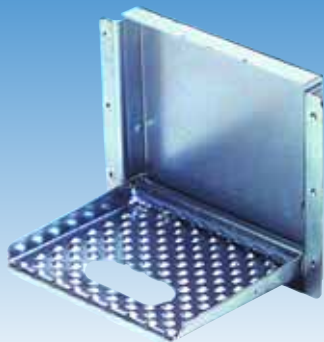
Step-up

pressed from sheet steel, slotted, with welded-on mounting angles, for fastening

Width	160 mm
Depth	150 mm
Material	steel
Surface	galvanised

Order number

9081 313 730



Step-up

studded tread surface, ready to install

Width	160 mm
Depth	150 mm
Material	steel
Surface	galvanised

Application range

for installation in aluminium drop side profiles 25/30 mm

Order number

9081 315 190



Step-up

Width	160 mm
Depth	150 mm
Material	steel
Surface	galvanised

Application range

for screw attachment, e.g. on drop side

Order number

9081 315 180



Drop side hinge

Surface galvanised

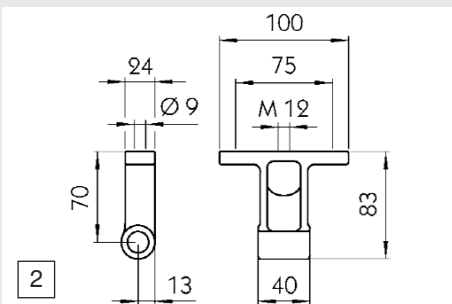
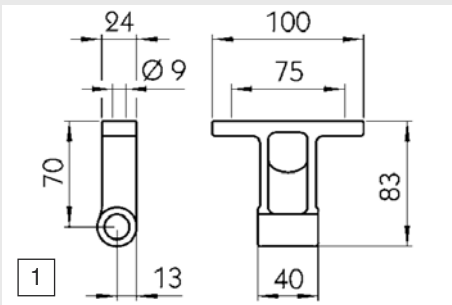
Illustration	Version	Order number
1	-	9081 116 010
2	for tie rod M12	9081 116 020

Accessories

Threaded plate

Thread M8

Version	Order number
with 12 mm hole for tie rod	9081 117 510
without hole for tie rod	9081 117 520

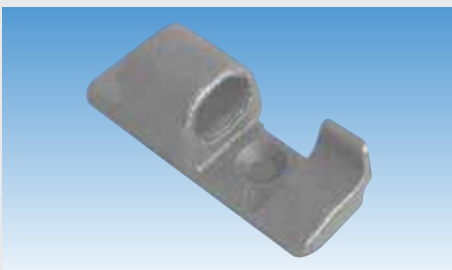


Drop side hinge

Type 6552 N

Surface galvanised

Version	Order number
-	9081 117 320
for tie rod M12	9081 117 330

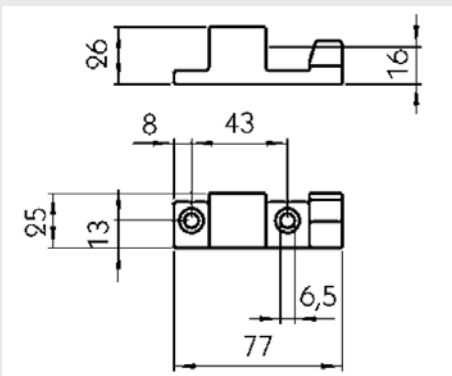


Drop side hinge

Type 65700

Surface galvanised

Order number
9081 118 140





Drop side hinge

Type	6572
Version	for screw attachment
Surface	galvanised

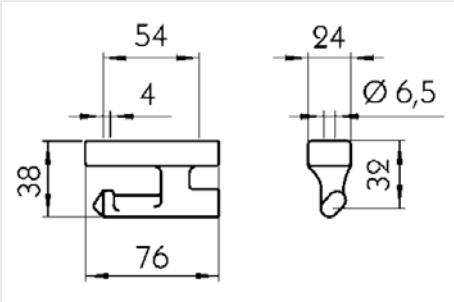
Order number
9081 118 170

Accessories

Threaded plate

Thread	M6
--------	----

Order number
9081 118 190



5



Drop side hinge

Type	6573
Surface	galvanised

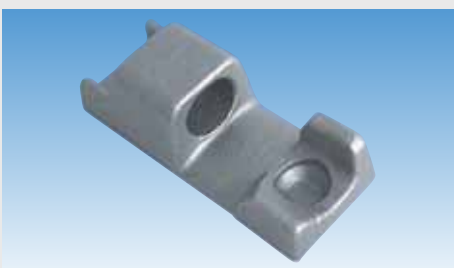
Order number
9081 118 180



Drop side hinge

Type	TIR
Version	with locking pin for M12 tie rod
Weight	0.29 kg
Surface	galvanised

Order number
9081 115 310



Drop side hinge

Length	100 mm
Width	40 mm

Type	Surface	Order number
6540 N	untreated	9081 117 460
65400 N	galvanised	9081 117 470

Accessories

Threaded plate

Length	130 mm
Thread	M8
Surface	galvanised

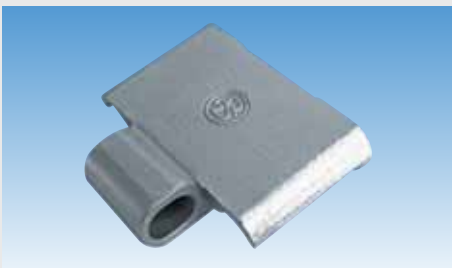
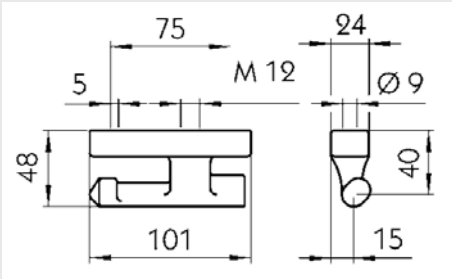
Depth mm	Order number
6	9081 117 520
7	9081 117 510



Drop side hinge

Type	6541 N
Length	101 mm
Width	48 mm
Weight	0.32 kg
Surface	galvanised

Order number
9081 117 490



Drop side hinge

Type	6561 N
Surface	galvanised

Version	Order number
-	9081 117 580
for tie rod M12	9081 117 590

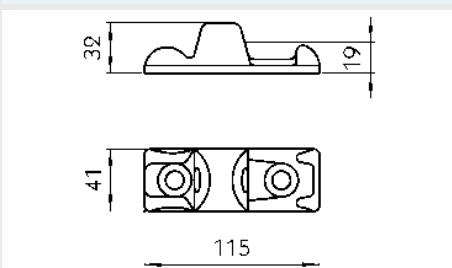
Accessories

Description	Length mm	Depth mm	Surface	Order number
Hinge lower part, Type 6550 N, left	-	-	untreated	9081 117 300
Hinge lower part, Type 6550 N, right	-	-	untreated	9081 117 310
Threaded plate, with 13 mm middle hole	100	7	galvanised	9081 117 610
Threaded plate	130	6	galvanised	9081 117 520
Threaded plate	130	7	galvanised	9081 117 510



Drop side hinge

Type	Version	Surface	Order number
6540	for welding or screwing into place	untreated	9081 115 420
6541	with 2 holes 9 mm	galvanised	9081 115 430





Weld-on stud for drop side hinge

Surface untreated

Version	Order number
25/30 with tongue	9081 116 880
25/30	9081 115 190

Accessories

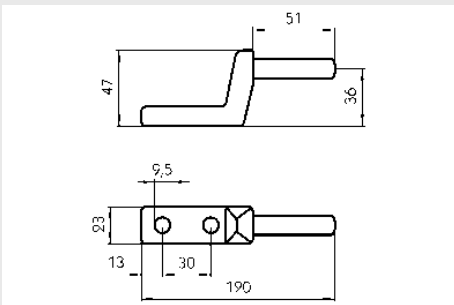
Description	Order number
Floating bearing	9081 115 200
Hinge bearing Upper part	9081 115 280



Drop side hinge for aluminium side frame profile

light hinge for 25 mm drop sides, for screwing on using M8 x 20 machine screws

Version	Order number
hinge upper part, galvanised	9081 116 960
hinge lower part, aluminium	9081 116 971



Tie rod bolt with hexagon head

Standard similar to DIN 601
Thread M12
Surface galvanised

Length mm	Order number
615	9081 110 200
815	9081 110 240
1015	9081 110 280



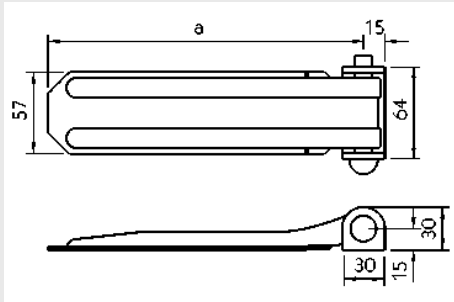
Tipper hinge

Length 428 mm
Weight 0.9 kg
Surface galvanised

Scope of supply

hinge support and accessories

Order number
9081 115 630



Flap hinge

Version pressed, light
Surface galvanised

Scope of supply

hinge support, pin and split pin

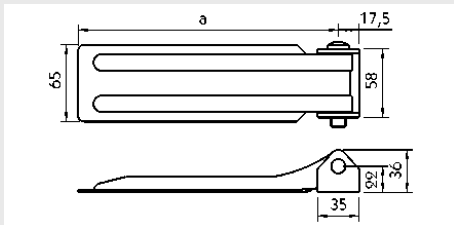
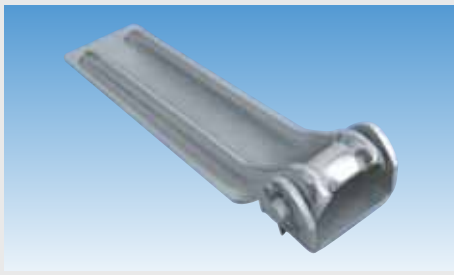
Length mm	Weight kg	Order number
220	0.48	9081 117 900
270	0.56	9081 115 470
320	0.57	9081 115 480
370	0.7	9081 115 490
420	0.79	9081 115 500
520	0.96	9081 115 520

Accessories

Hinge support

for screw attachment

Order number
9081 117 920



Flap hinge

Version pressed, light
Surface galvanised

Scope of supply

hinge support, pin and split pin

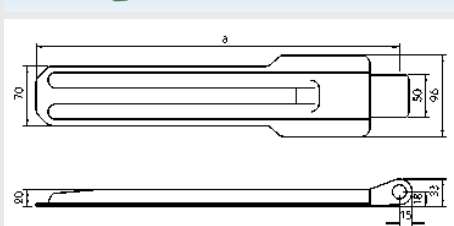
Length mm	Weight kg	Order number
270	0.55	9081 117 940
320	0.62	9081 117 950
420	0.75	9081 117 970
520	0.88	9081 117 990

Accessories

Hinge support

for screw attachment

Order number
9081 118 090



Flap hinge

Length 430 mm
Weight 1.7 kg
Surface galvanised

Order number
9081 116 190

Accessories

Description

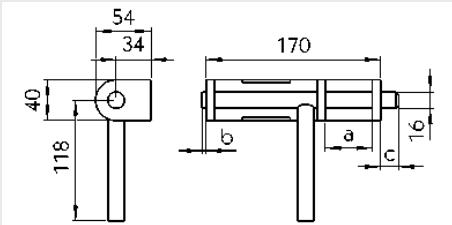
Description	Order number
Bearing lobe	9081 116 330
Cotter bolt	9081 116 350



Sliding support for tipping hinge

Type	361/45
Bolt diameter	16 mm
Opening width	47 mm
Weight	1.23 kg
Surface	untreated

Order number
9081 113 940



5



Security chain

suitable for Box clasp

S-hook with 3.8 mm thickness, screw-on platelet galvanised

Overall length mm	Order number
270	9081 018 900
320	9081 016 060



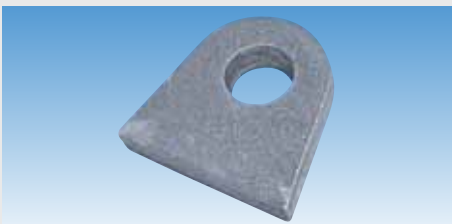
Safety strap

suitable for Box clasp

S-hook with 3.8 mm thickness, screw-on platelet galvanised

Length	270 mm
Diameter	3 mm

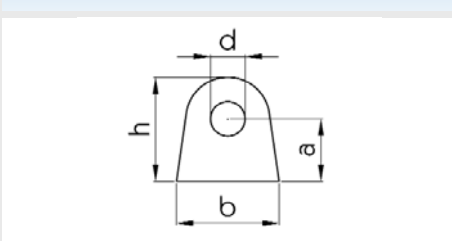
Order number
9081 010 370



Support band eye

Surface untreated

Dimension h	Dimension b	Dimension t	Dimension a	Dimension d	Weight kg	Order number
41	46	8	25	12.5	0.08	9081 113 860
43	49	11	22	16.5	0.12	9081 113 820
50	49	10	30	16.5	0.13	9081 113 840



Threaded rail

those forces which occur at the drop side hinges are optimally introduced into the drop side by counter diagonals at the threaded rails and in the lowest chamber of the aluminium profile

Material	aluminium
Surface	untreated

Order number
9081 116 690

» our parts in any truck

ORIGINAL



Auch in der FIA European Truck Racing Championship erprobt und demonstriert PE die Leistungsfähigkeit seiner Produkte unter Extrembedingungen. Entsprechend dem Reglement kommen nur PE-Serienprodukte zum Einsatz.

Was perfekt ist fürs Rennen, ist auch sicher für die Straße. Getreu diesem Motto werden PE-Produkte überall auf der Welt in jeder Art von Nutzfahrzeugen verwendet:

» our parts in any truck.

www.pe.de



Recessed locking handle

Type	681 S
Version	with push-button safety mechanism against self-opening
Length	268 mm
Width	120 mm
Installation depth	22 mm
Surface	galvanised

Please make a separate order for a basic fastener without engagement hook or T-piece !

Order number

9081 027 450

Accessories

Description

Cylinder lock, Type 6915, with 2 keys

Order number

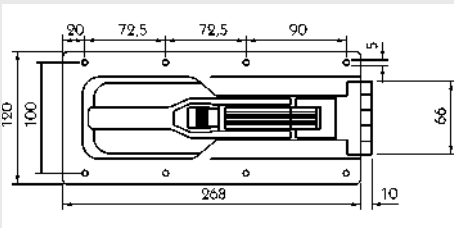
9081 021 670

Service parts

Push-button lock

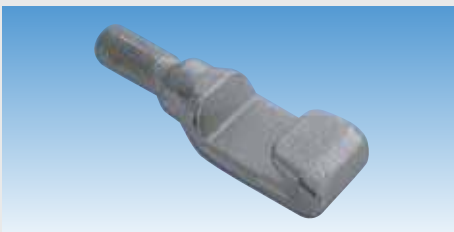
Order number

9086 011 400



5

Accessories for recessed locking handle 681 S



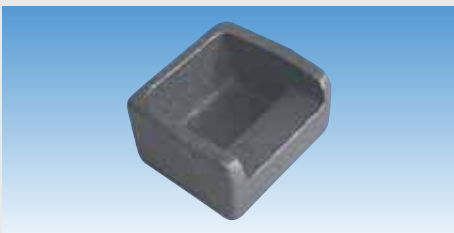
Engagement hook

for toggle fastener 681 S

Type	681
Length	99 mm
Width	25 mm
Surface	galvanised

Order number

9081 011 950



Closing gasket

for engagement hook 681

for letting into a middle or corner stanchion

Type	H 206 N
Length	50 mm
Width	45 mm
Thickness	30 mm
Surface	untreated

Order number

9081 024 080



Closing gasket

for engagement hook 681 N

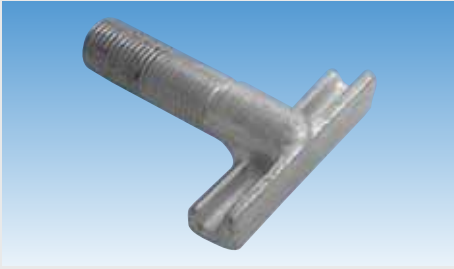
for letting into a middle or corner stanchion

Type	6811 N
Length	55 mm
Width	54 mm
Thickness	30 mm
Surface	untreated

Order number

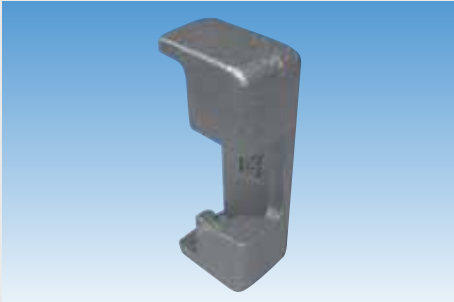
9081 021 630

Accessories for recessed locking handle 681 S

**T-piece****for toggle fastener 681 S/1**

Length 63 mm
Surface galvanised

Order number
9081 026 300

**Closing gasket****for toggle fastener 681 S/1**

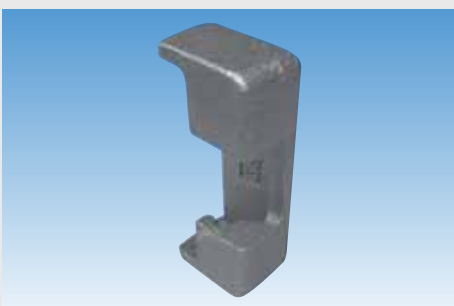
Type 6817
Length 74 mm
Width 36 mm
Surface untreated

Order number
9081 024 610

**T-piece****for toggle fastener 681 SL**

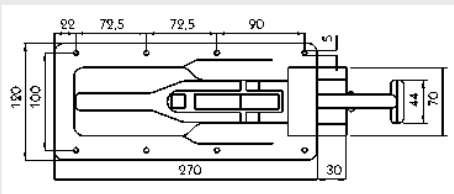
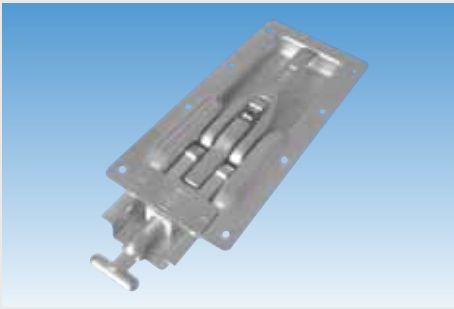
Length 98 mm
Surface galvanised

Order number
9086 025 300

**Closing gasket****for toggle fastener 681 SL**

Type 6818
Length 74 mm
Width 30 mm
Thickness 24 mm
Surface untreated

Order number
9081 025 130



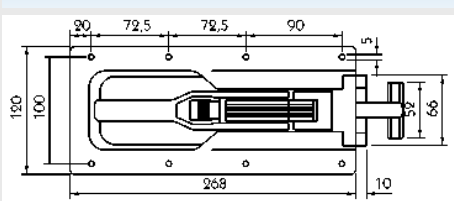
Recessed locking handle

for platform bodies

Type	206 N-LF
Version	with load pressure safety mechanism
Length	270 mm
Width	120 mm
Installation depth	22 mm
Surface	galvanised

Order number
9081 025 410

5



Recessed locking handle

for platform bodies

Type	681 SL
Version	with load pressure safety mechanism
Length	268 mm
Width	120 mm
Installation depth	22 mm
Surface	galvanised

Order number
9081 025 120



Recessed locking handle

for light to medium-heavy platform bodies

Version	adjustable
Length	250 mm
Width	95 mm
Installation depth	24 mm
Surface	galvanised

Type	Order number
686	9081 016 430
686 LN (30 mm lengthened)	9081 017 050

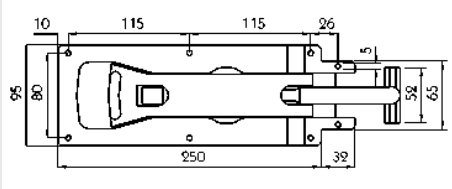
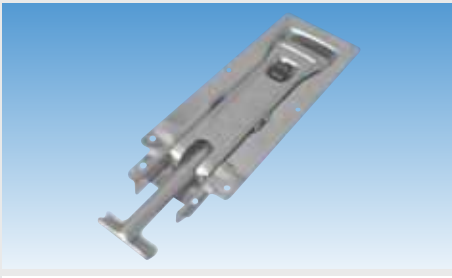


Recessed locking handle

for platform bodies

Type	3300
Version	with forced liftout
Installation depth	22 mm
Material	aluminium

Order number
9081 021 360

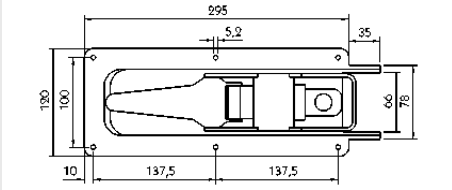


Recessed locking handle

for platform bodies

Type	686 S
Version	with load pressure safety mechanism
Length	250 mm
Width	95 mm
Installation depth	22 mm
Surface	galvanised

Order number
9081 025 140

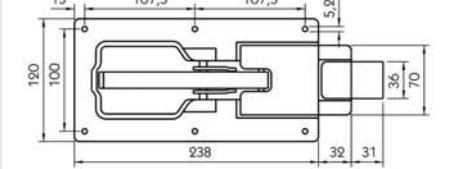


Recessed locking handle

for platform bodies

Version	with safety mechanism against self-opening
Length	295 mm
Width	120 mm
Surface	galvanised

Order number
9081 015 690

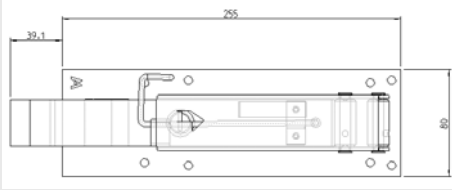


Flat locking bolt

for heavy platform and folding wall bodies

Type	682
Version	with safety mechanism against self-opening
Length	238 mm
Width	120 mm
Installation depth	22 mm
Surface	galvanised

Order number
9081 011 980



Flat locking bolt

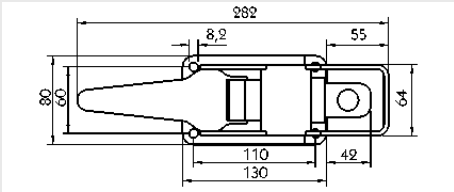
suitable for Schmitz

Version	welded
Material	steel
Surface	galvanised

Installation side

left	7773 215 470
right	7773 215 460

Order number
7773 215 470
7773 215 460



Toggle fastener

for platform bodies

Type	604
Version	with safety mechanism against self-opening
Length	282 mm
Width	80 mm
Surface	galvanised

Order number
9081 015 670

Accessories Counterholder

Order number
9081 015 680

5



Box lock

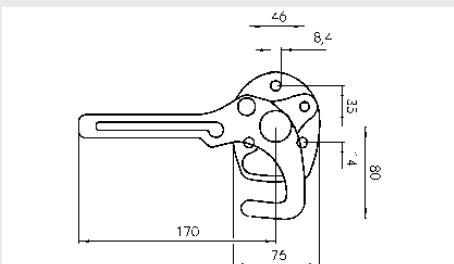
with bowed handle

Type	256 B
Surface	galvanised

Size	Installation side	Lever length mm	Width mm	Order number
0	left	116	60	9081 016 190
0	right	116	60	9081 016 200
1	left	130	70	9081 015 050
1	right	130	70	9081 015 060
2	left	173	80	9081 015 070
2	right	173	80	9081 015 080
3	left	205	90	9081 015 090
3	right	205	90	9081 015 100

Accessories Counterholder

Size	Order number
0	9081 016 210
1	9081 015 110
2	9081 015 120
3	9081 015 130



Angled lever fastener

a built-in safety mechanism prevents self-opening

Type	6121 N
Size	1
Lever length	170 mm
Surface	galvanised

Application range

for mounting on bodies of all kinds

Installation side	Order number
left	9081 019 970
right	9081 019 980

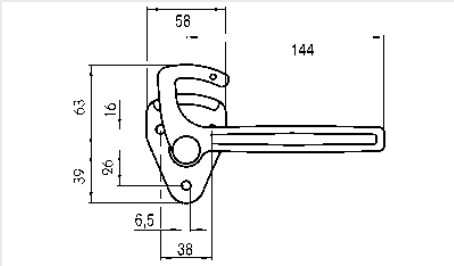


Angled lever fastener

Type 6121 N
 Size 0
 Lever length 144 mm
 Surface galvanised

Application range

for mounting on bodies of all kinds



Installation side	Order number
left	9081 020 440
right	9081 020 450

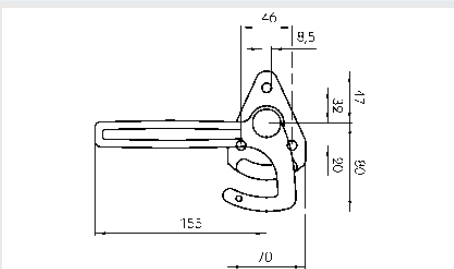


Angled lever fastener

Size 1
 Lever length 155 mm
 Surface galvanised

Application range

for mounting on bodies of all kinds



Installation side	Order number
left	9081 024 040
right	9081 024 050



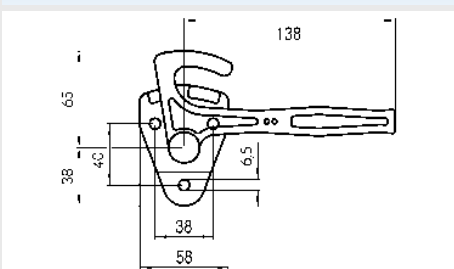
Angled lever fastener

a fastener spring prevents self-opening

Type 3990
 Size 0
 Lever length 138 mm
 Surface galvanised

Application range

for mounting on bodies of all kinds



Installation side	Order number
left	9081 024 810
right	9081 024 820

5



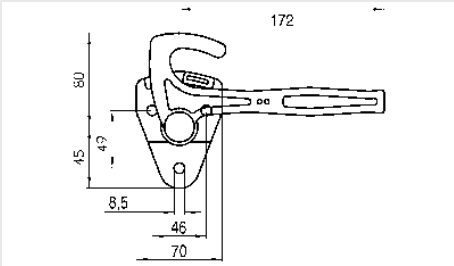
Angled lever fastener

a fastener spring prevents self-opening

Type	3991
Size	1
Lever length	172 mm
Surface	galvanised

Application range

for mounting on bodies of all kinds



Installation side	Order number
left	9081 024 830
right	9081 024 840

Accessories

Fastener spring

Installation side	Order number
left	9080 612 101
right	9080 612 102



Counterholder

for angled lever fastener

fastener for mounting on bodies with middle and corner stanchions, spring-loaded ball safety mechanism for locking the hand lever

Type	3525
Surface	galvanised

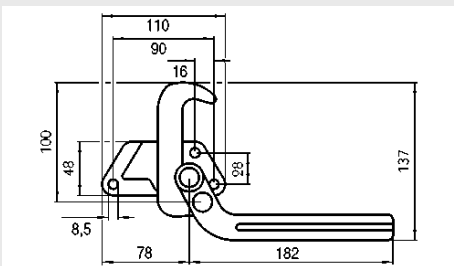
Size	Order number
0	9081 023 150
1	9081 023 160



Lever toggle fastener

hook remains locked in the open position, adjustable at the retaining cam, one-handed operation when opening and closing

Type	3210
Lever length	182 mm
Surface	galvanised



Installation side	Order number
left	9081 019 500
right	9081 019 510

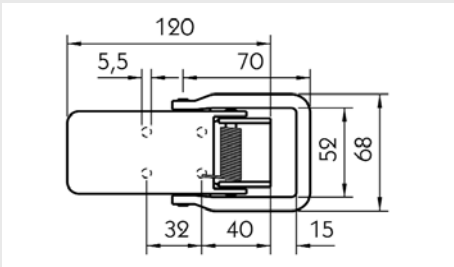


Counterholder

for lever toggle fastener 3210

Type	3210
Installation side	left/right
Length	51 mm
Width	24 mm
Height	29 mm
Surface	galvanised

Order number
9081 019 520



Toggle fastener

with lug for padlock

Length	120 mm
Width	52 mm
Lever length	70 mm
Mounting height	25 mm
Surface	galvanised

Order number

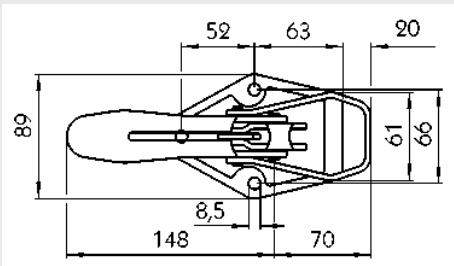
9080 714 820

Accessories

Counterholder

Order number

9080 710 620



Toggle fastener

with automatic safety hook

Type	AH 27
Installation side	left/right
Length	115 mm
Width	89 mm
Lever length	148 mm
Mounting height	40 mm

Surface

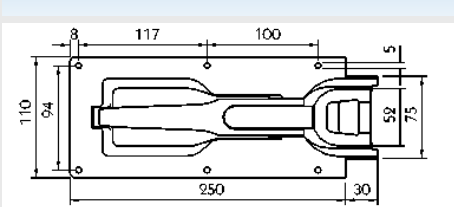
untreated

galvanised

Order number

9081 011 210

9081 021 120



Toggle fastener

with short engagement eye

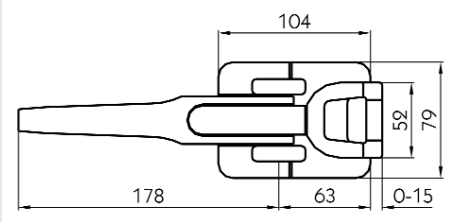
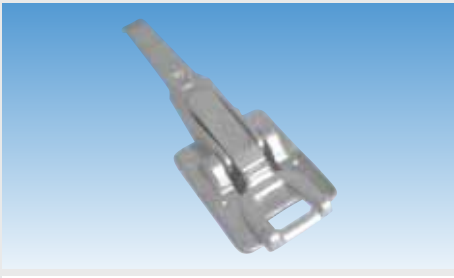
Type	PWP
Length	250 mm
Width	110 mm
Installation depth	22 mm
Surface	galvanised

Application range

for mounting on platform bodies

Order number

9081 021 170



Toggle fastener

with short engagement eye

Type	PWP
Installation side	left/right
Length	104 mm
Width	79 mm
Lever length	178 mm
Mounting height	28 mm
Surface	galvanised

Application range

for mounting on platform bodies

Order number

9081 016 240

5



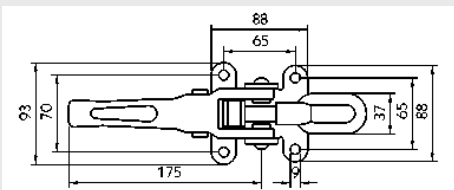
Counterholder

for PWP toggle fastener

Version	straight
Length	106 mm
Width	63 mm
Height	30 mm
Surface	hot-galvanised

Order number

9081 016 270



Toggle fastener

for screw attachment

Type	6043
Overall length	250-285 mm
Width	88 mm
Lever length	175 mm
Mounting height	34 mm
Surface	galvanised

Application range

for mounting on light platform bodies

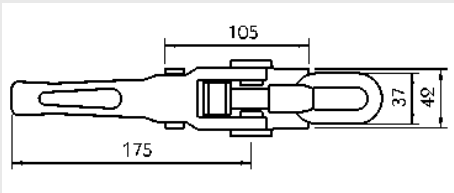
Version

without safety mechanism	
with safety mechanism	

Order number

9081 017 020

9081 023 191



Toggle fastener

for welding on

Type	6043 S
Overall length	250-285 mm
Width	42 mm
Lever length	175 mm
Mounting height	34 mm
Surface	untreated

Application range

for mounting on light platform bodies

Version

without safety mechanism	Order number	9081 010 980
with safety mechanism	Order number	9081 023 201

Accessories

Retaining cam

_____	Order number	9081 020 320
-------	--------------	--------------

5



Counterholder

for toggle fasteners 6043 and 6043 S

Type	6044
Version	for screw attachment
Overall length	159 mm
Fastening	3 holes with 8,7 mm diameter
Surface	galvanised

_____	Order number	9081 017 040
-------	--------------	--------------

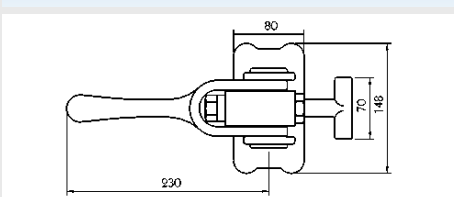


Clamp screw

for toggle fasteners 6043 and 6043 S

Version	with cage nut
Surface	galvanised

_____	Order number	9082 012 050
-------	--------------	--------------



Toggle fastener

Type	PWP no. 7
Overall length	310 mm
Width	148 mm
Lever length	230 mm
Mounting height	54 mm
Tensile strength	5 t
Surface	untreated

Application range

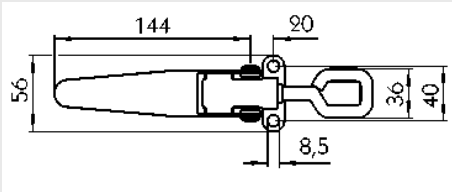
for closing and holding down

_____	Order number	9081 012 070
-------	--------------	--------------

Accessories

Companion piece

_____	Order number	9081 012 080
-------	--------------	--------------



Toggle fastener

for screw attachment

Overall length	210-235 mm
Width	56 mm
Lever length	119 mm
Surface	galvanised

Application range

suitable for light to medium-weight trucks, car trailers, light platform bodies, tool chests, transportation containers, agricultural vehicles or for securing tarpaulins on vehicles

Order number
9081 016 880

5



Toggle fastener

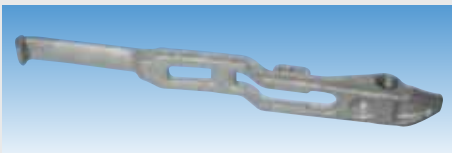
for screw attachment

Version	adjustable
Surface	galvanised

Application range

for mounting on car trailers and light platform bodies

Order number
9081 016 900



Fastener

Installation location	bottom
-----------------------	--------

Order number	7778 308 780	Comparative number	Schmitz 830878
---------------------	---------------------	---------------------------	----------------



Counterholder

for fastener

Installation location	bottom
-----------------------	--------

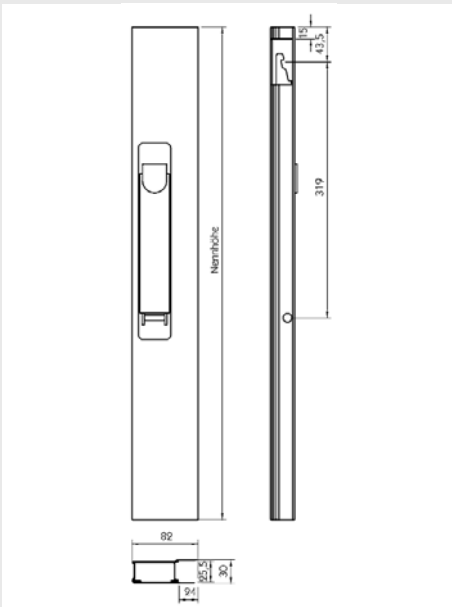
Installation side	Order number	Comparative number
left	7778 306 360	Schmitz 830636
right	7778 306 370	Schmitz 830637



Counterholder

Installation location	bottom
Installation side	left/right

Order number	7778 308 810	Comparative number	Schmitz 830881
---------------------	---------------------	---------------------------	----------------



Long-travel bolt latch

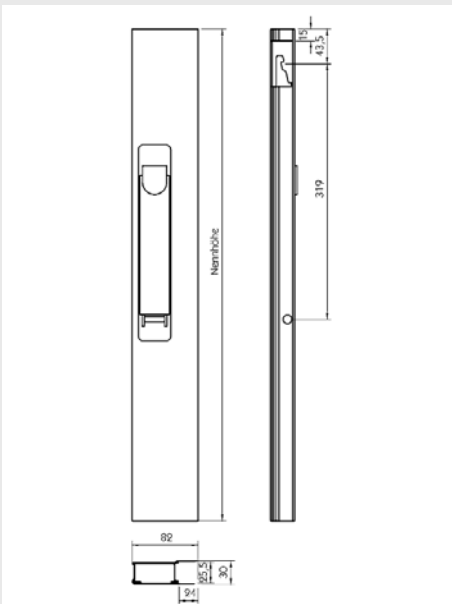
710

with identification printing inside, additional safety mechanism against unintentional opening and automatic adjustment, edging untreated, fastener mechanism galvanised

Version profile edging with flat side outwards

shortening to nominal length of 415 mm possible

Installation side	Nominal height mm	Order number
left	615	9080 629 015
right	615	9080 629 016
left	1015	9086 290 190
right	1015	9086 290 200



Long-travel bolt latch

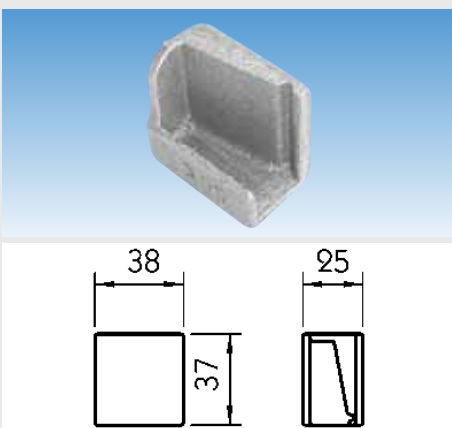
712

with identification printing inside, additional safety mechanism against unintentional opening and automatic adjustment, edging untreated, fastener mechanism galvanised

Version profile edging with flat side inwards

shortening to nominal length of 415 mm possible

Installation side	Nominal height mm	Order number
left	615	9082 080 000
right	615	9082 079 900
left	1015	9082 081 200
right	1015	9086 290 100



Counterholder

for long-travel bolt latches 710 and 712

Version for welding on

Installation location top

Surface untreated

Installation side	Order number
left	9087 114 700
right	9087 114 500



Hanging fastener

Type	H 10 G/H 11
Version	control part
Surface	galvanised

Order number
9081 026 840



Hanging fastener

for lateral drop side, left

Type	H 11/055 S/L
Version	complete

Order number
9081 021 830

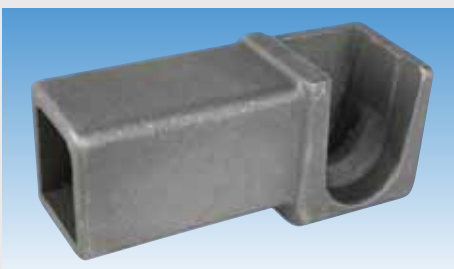


Closing bolt

for hanging fastener

Type	H 11
Surface	untreated/galvanised

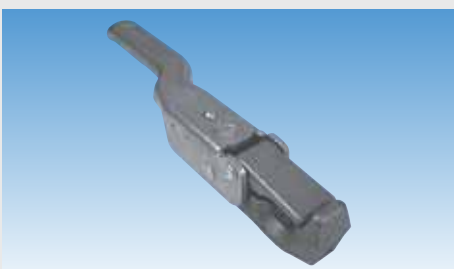
Installation location	Installation side	Order number
at the side	left/right	9081 022 040
rear	left	9081 022 050
rear	right	9081 022 060



Floating bearing

Type	H 11
Length	145 mm
Surface	untreated

Installation side	Order number
left	9081 021 990
right	9081 022 000



Hanging fastener

Type	664 N
Version	offset
Installation side	right
Length	275 mm
Surface	galvanised

Order number
9081 029 540



Rocker stud

for hanging fastener 664 N

Type	6640 N
Overall length	130 mm
Diameter	18 mm
Shank diameter	29 mm
Surface	untreated

Order number
9081 019 560



Socket pin

with tongue

Useful length	65 mm
Diameter	12 mm
Surface	untreated

Order number
9081 410 240



Socket pin

with tongue

Useful length	80 mm
Diameter	12 mm
Surface	untreated

Order number
9081 410 190



Socket pin

with chain and ring

Useful length	70 mm
Chain length	200 mm
Diameter	10 mm
Surface	untreated

Order number
9081 012 300

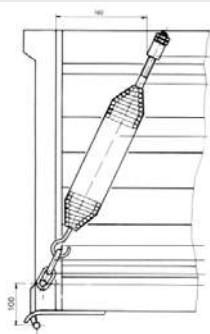


Socket pin

with chain and 80 mm snap hook

Chain length	220 mm
Surface	untreated

Ø mm	Useful length mm	Order number
16	70	9081 410 270
20	85	9081 410 290
24	100	9081 410 300



Closing spring

for drop side

both sides tapering, rolled-in M12 X 100 bolt with nut on one side, rolled-in S-hook on the other side (outside diameter 58 mm, thickness 8 mm, length 340 mm)

Version complete

Weight 3.36 kg

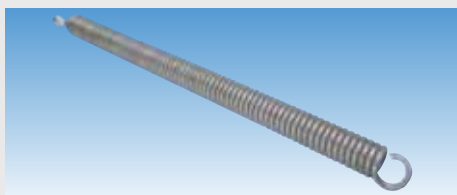
Scope of supply

1 coil spring, 1 support bush with weld-on base, 1 round link, 1 oval link, 1 weld-on pin with groove

Order number

9081 315 390

5



Tension spring

coil spring

Surface galvanised

Version	Length mm	Outer Ø mm	Thickness mm	Order number
German eyelet on one side, tapering on the other side, with rolled-in M12 x 70 mm steel bolt, with nut	650	40	8	9081 315 400
German eyelet both sides	1225	45	9	9081 315 410



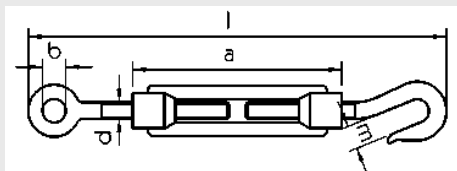
Turnbuckle

DIN 1480

Form A

Version with hook and eye

Surface galvanised



d	a mm	m mm	b mm	l mm	Order number
M6	110	8,5	9	172-252	9081 314 570
M8	110	10	10	182-257	9081 314 580
M10	125	13,5	14	213-298	9081 314 590



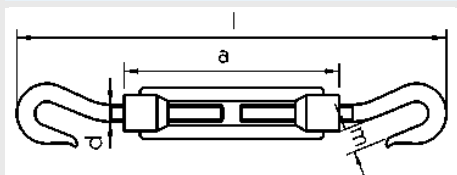
Turnbuckle

DIN 1480

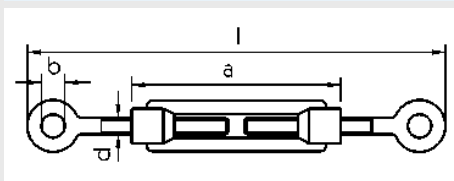
Form B

Version with 2 hooks

Surface galvanised



d	a mm	m mm	l mm	Order number
M10	125	13,5	315	9081 314 730
M12	125	15,5	330	9081 314 740
M20	200	20,5	530	9081 314 760

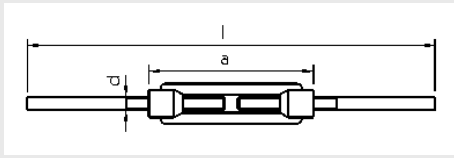


Turnbuckle

DIN 1480

Form C
Version with 2 eyes
Surface galvanised

d	a mm	b mm	l mm	Order number
M8	110	10	179-254	9081 314 650
M10	125	14	210-295	9081 314 660
M20	200	24	335-465	9081 314 690
M24	255	27	420-590	9081 314 700



Turnbuckle

DIN 1480

Form D
Version with 2 welding ends
Surface galvanised

d	a mm	l mm	Order number
M8	110	240-315	9081 314 510
M10	125	300-385	9081 314 520
M20	200	440-570	9081 314 550
M24	255	520-690	9081 314 560



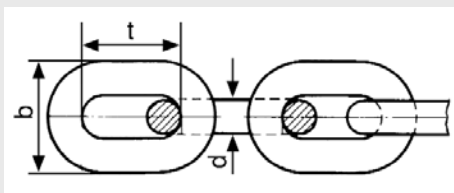
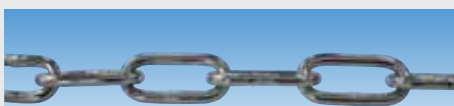
Tensioning chain

DIN 691

chain according to DIN 763, tensioning lever shape A, eye screw shape C

Application range
for tensioning drop sides

Version	Nominal length mm	Thickness mm	Order number
chain part bare, with tensioning lever	2300	6	9081 510 770
chain part galvanised, with tensioning lever	2300	6	9081 510 771
chain part bare, with (counter-)eye	2300	6	9081 510 780
chain part galvanised, with (counter-)eye	2300	6	9081 510 781
chain part bare, with tensioning lever	2500	8	9081 510 790
chain part galvanised, with tensioning lever	2500	8	9081 510 791
chain part bare, with (counter-)eye	2500	8	9081 510 800
chain part galvanised, with (counter-)eye	2500	8	9081 510 801



Link chain

DIN 5685

Form C, straight
Length 30 m
Surface galvanised

b mm	d mm	t mm	Breaking strength N	Order number
8	2	22	1250	9081 511 981
12	3	26	2800	9081 512 001
16	4	32	5000	9081 512 021
20	5	35	7750	9081 512 041
24	6	42	11500	9081 512 061
32	8	52	20000	9081 512 091
40	10	65	31000	9081 512 111



Eye bolt

with ring

Standard	DIN 691 C
Inner diameter	50 mm
Ring thickness	10 mm
Thread	M10 x 55
Surface	galvanised

Order number

9081 313 800



Chain emergency link

for the rapid connection and repair of chains

Surface galvanised

Thickness mm	Order number
4	9081 511 760
5	9081 511 780
6	9081 511 800
8	9081 511 830
10	9081 511 850



Chain emergency link

with thread

Nominal measure	10 mm
Surface	galvanised

Order number

9080 000 430



Tailboard lock

Type	H 115 SDZ
Version	customs-secure
Surface	galvanised

Installation side	Order number
left	9081 024 000
right	9081 024 010



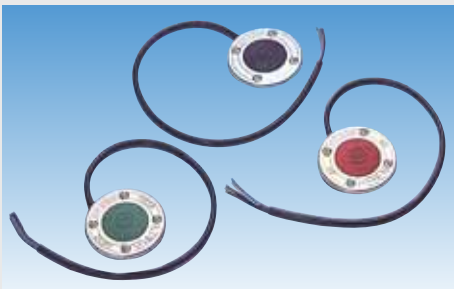
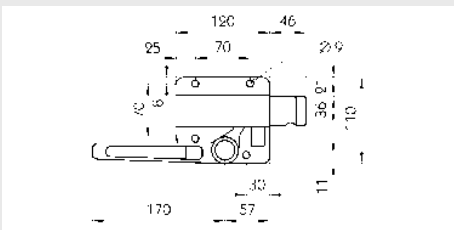
Flat locking bolt

for tail lift

extremely flat design for middle and corner stanchions, can be installed in frame profile, customs lock, horizontal handle concealed below tarpaulin in closed position, the spring-loaded ball lock retains the lever in both end positions, plastic bearing in lever pivot

Type	680
Lever length	170 mm
Surface	galvanised

Installation side	Order number
left	9081 011 860
right	9081 011 870



Foot-operated switch

Diameter 80 mm

Application range

for manual operation of tail lift

Scope of supply

with 500 mm connection cable

Version	Colour	Order number
raise carrier plate	red	9461 374 003
lower carrier plate	black	9461 374 103
neutral carrier plate	green	9461 374 203



Hazard warning light

HULA Blitz Set

Application range

for loading tailgate

Scope of supply

2 lamps, cabling, relays, mounting materials, bulbs and installation instructions

Voltage V	Order number
12	9500 008 000
24	9500 008 100



LED hazard warning light

Installation location	rear
Installation side	left/right
Width	115 mm
Height	16 mm
Voltage	24 V
Fastening	2 x M6
Distance between holes	87 mm
Colour	yellow
Protection class	IP5K9K

Application range

for mounting to the back of hoisting platforms

Scope of supply

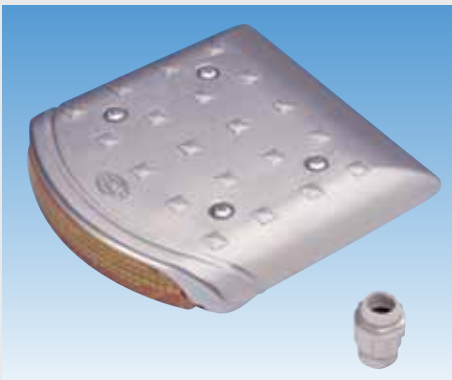
with attachment screws

approved for vehicles in accordance with GGVS/ADR

Order number

0008 260 001

5



Indicator light

Installation location	rear
Installation side	left/right
Width	115 mm
Height	20 mm
Socket	W5W
Voltage	12/24 V
Connection	PG 9 screw fitting
Fastening	holes 4 x 5,4 mm
Distance between holes	87 mm
Colour	yellow
Material	casing of die-cast zinc

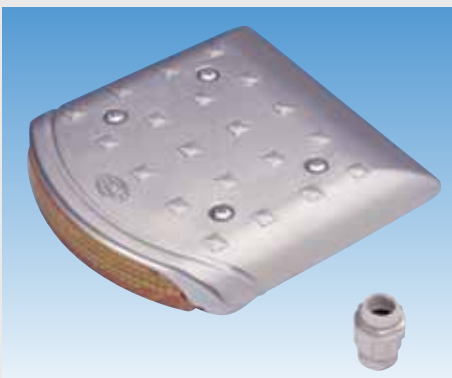
Application range

for mounting on tail lifts (category 2a)

approved for vehicles in accordance with GGVS/ADR

Order number

0007 135 001



Indicator

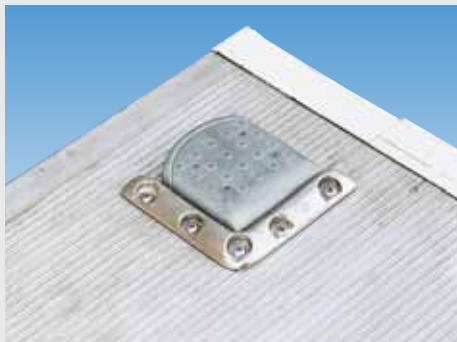
Installation location	rear
Number of poles	4
Voltage	24 V

Application range

for mounting on tail lifts

Order number

0003 787 021



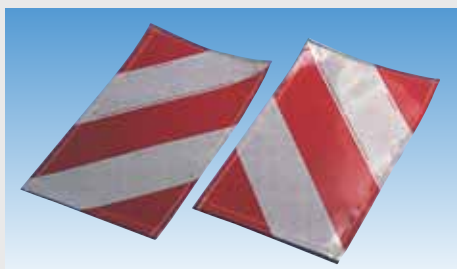
Protection bar set for hazard warning lamp

Material aluminium

Scope of supply

2 protection angles each with 5 holes at 6 mm and fixing rivets

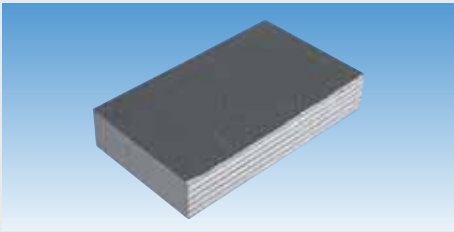
Order number
9199 970 060



Warning markings for hoisting platform

Width 250 mm
Height 400 mm
Colour red/white
Material flexible high-reflex fabric

Version	Order number
left, with bracket	9651 700 021
right, with bracket	9651 700 031
left, without bracket	9651 700 001
right, without bracket	9651 700 002



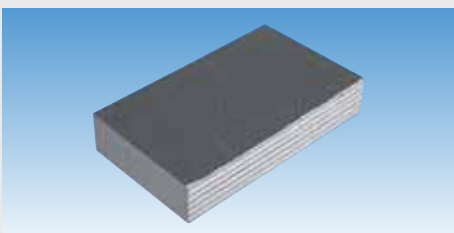
Coated plywood board

Finnish birch, Width 1250 mm

Version glued, BFU 100
Length 2500 mm

Thickness mm	Order number
9	9080 000 272
12	9080 000 273
15	9080 000 274
18	9080 000 275
21	9080 000 276
24	9080 000 277
27	9080 000 278
30	9080 000 279

5

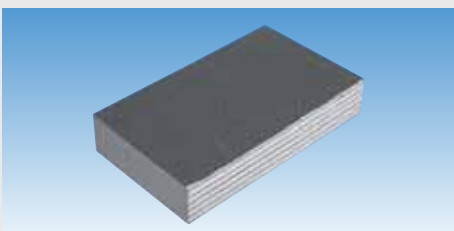


Coated plywood board

Finnish birch, Width 1500 mm

Version glued, BFU 100
Length 2500 mm

Thickness mm	Order number
9	9080 000 283
12	9080 000 284
15	9080 000 285
18	9080 000 286
21	9080 000 287
24	9080 000 288
27	9080 000 222
30	9080 000 289



Coated plywood board

Asian wood, Width 1250 mm

Version glued
Length 2500 mm

Thickness mm	Order number
9	9080 000 223
12	9080 000 225
15	9080 000 271
18	9080 000 226
21	9080 000 280
24	9080 000 281
27	9080 000 282
30	9080 000 290



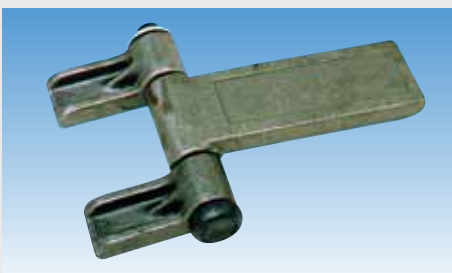
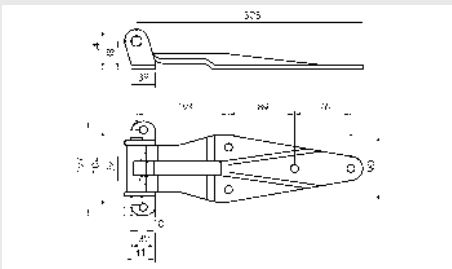
Container door hinge

Version complete
Surface galvanised

Scope of supply

screw-on support and hinge pins
similar to Bloxwich BCP 10045

Order number
9081 115 960



Container door hinge for swap body system

extremely strong

Type 928

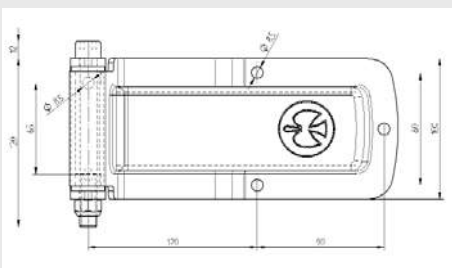
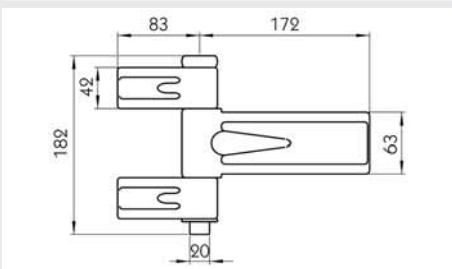
Scope of supply

2 short and 1 long hinge link, 1 hinge pin, 1 washer, 1 split pin
split pin galvanised, remaining parts untreated

Version

3-piece

Order number
9080 111 894

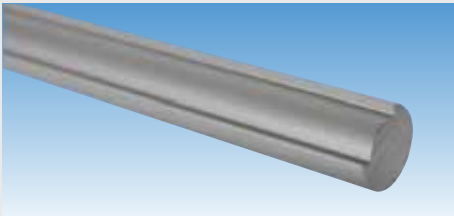


Hinge blade

Type 895.10

if a customs seal is required, the cylinder bolt as well as each of the securing screws on the hinge blade and on the hinge support must be secured with a spot weld on the bolt and screw heads

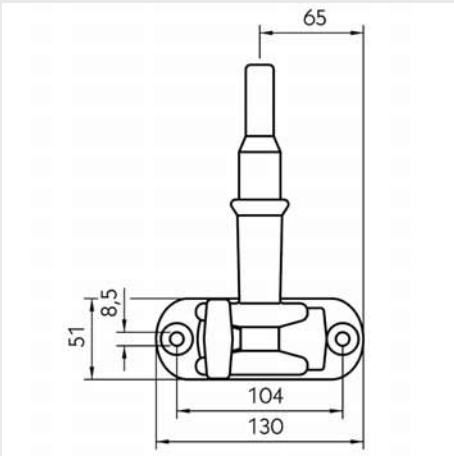
Order number
9081 061 000



Guide shaft

Length 970 mm

Order number
7773 740 140



Container fastener

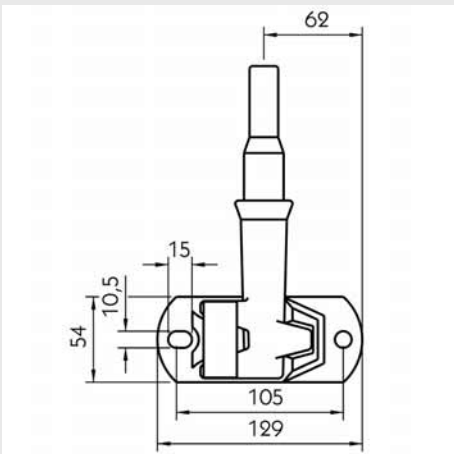
Version 3/4"
Surface galvanised

Scope of supply

2 clamping spigots, 2 counterholds, 2 rod brackets with base, 2 rod guides with base, 1 hand lever, 1 bracket, 1 complete locking device

similar to Bloxwich C 300

Order number
9080 101 412



Container fastener

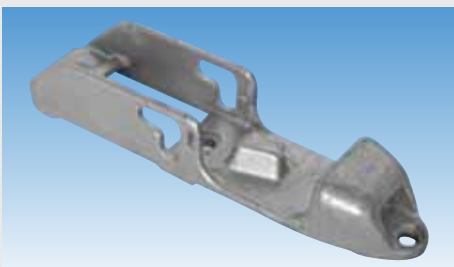
Version 3/4"
Surface galvanised

Scope of supply

2 clamping spigots, 2 counterholds, 2 rod brackets with base, 2 rod guides with base, 1 hand lever, 1 bracket, 1 complete locking device

similar to Bloxwich B 2000

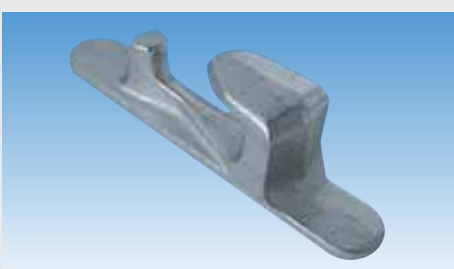
Order number
9081 026 780



Locking

for Boxer espagnolette

Order number
9083 119 066



Counterholder

for espagnolette

Surface galvanised

Order number
9081 020 560



Cylinder lock

for espagnolette 6900 N

Type 6916

Scope of supply

2 keys

Order number

9081 024 710



Cylinder lock

for espagnolette 790.1

Type 6912

Order number

9081 020 030



Hatch lock

especially for sales vehicles

Type 3113

Surface galvanised

Order number

9081 024 210



Door fastener

with cylinder lock

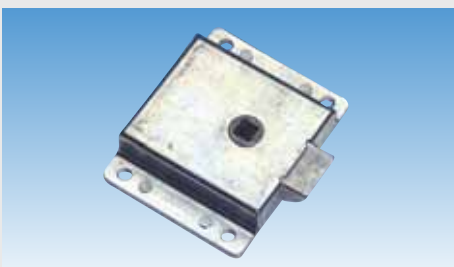
Width 140 mm

Height 102 mm

Material Nirosta

Order number

9080 710 350



Lock

with latch

Installation side

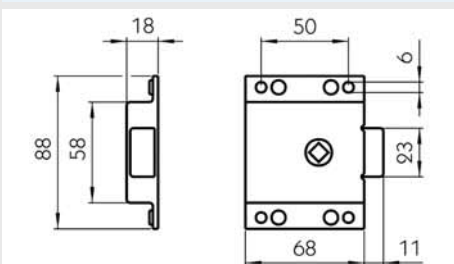
Order number

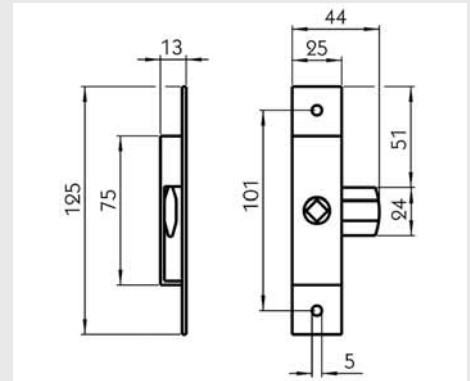
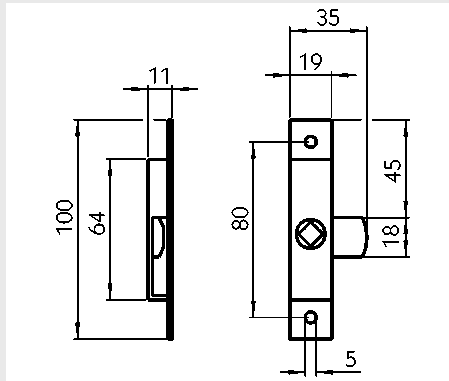
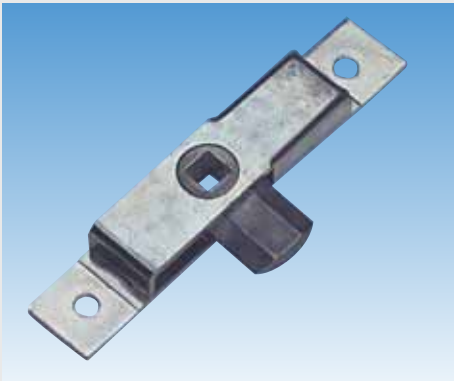
left

9802 218 300

right

9802 218 310





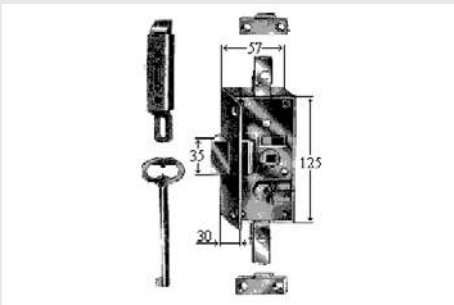
Tongue lock

for installation in door closures

Version screw attachment
 Installation side left/right
 Surface galvanised

5

Dimensions mm	Arbour size mm	Square	Order number
100 x 19	9,5	7"	9802 214 700
125 x 25	13	8"	9802 214 900



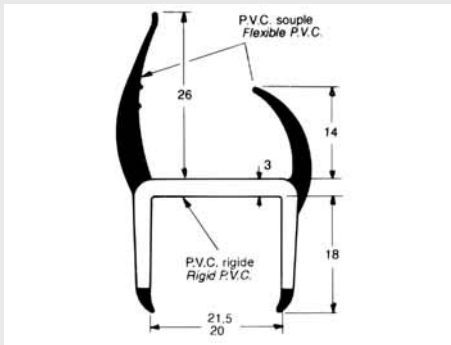
Operating rod lock

Version without fittings
 Installation side right
 Material steel
 Surface galvanised

Scope of supply

1 key, 2 loops, 2 rods at 625 mm, 2 end latches

Order number
 9460 000 021

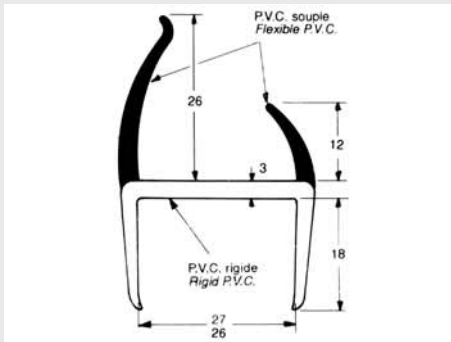


PVC seal

for doors and hatches

Version with 2 lips
 Length 5000 mm
 Clamping range 21,5 mm
 Colour grey/black

Order number
 9080 009 915

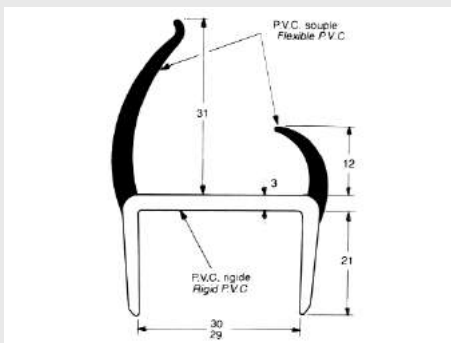


PVC seal

for doors and hatches

Version with 2 lips
 Length 5000 mm
 Clamping range 27 mm
 Colour grey/black

Order number
 9080 009 920

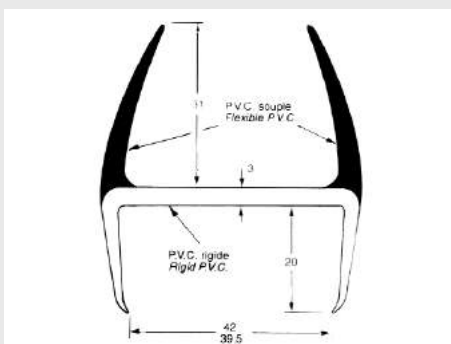


PVC seal

for doors and hatches

Version with 2 lips
 Length 5000 mm
 Clamping range 30 mm
 Colour grey/black

Order number
 9080 009 925

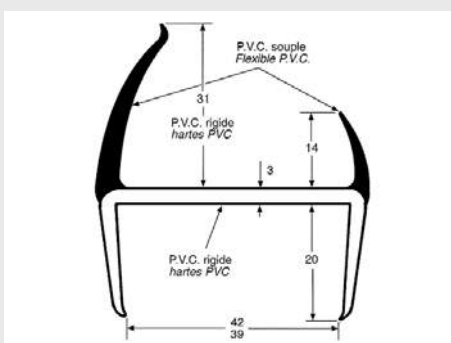


PVC seal

for doors and hatches

Version with 2 lips
 Length 5000 mm
 Clamping range 42 mm
 Colour grey/black

Order number
 9080 009 930



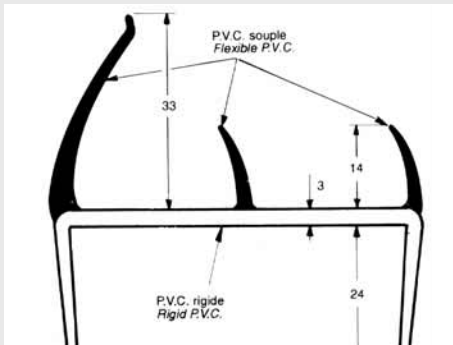
PVC seal

for doors and hatches

Version with 2 lips
 Length 5000 mm
 Clamping range 42 mm
 Colour grey/black

Order number
 9080 009 935

5

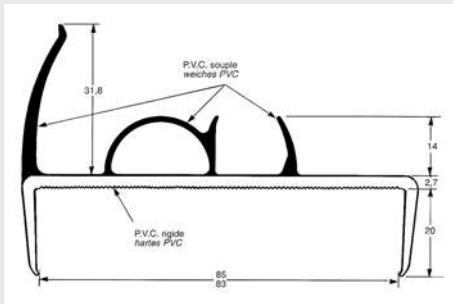


PVC seal

for doors and hatches

Version with 3 lips
 Length 5000 mm
 Clamping range 55 mm
 Colour grey/black

Order number
 9080 009 940

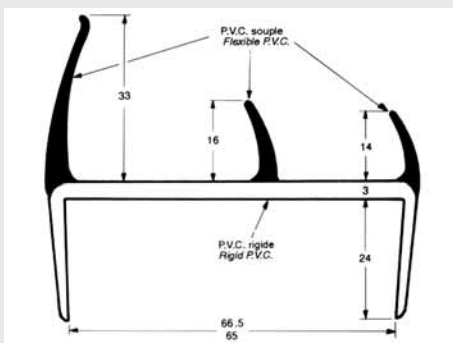


PVC seal

for doors and hatches

Version with 2 lips and 2 air chamber
 Length 5000 mm
 Clamping range 85 mm
 Colour grey/black

Order number
 9080 009 945

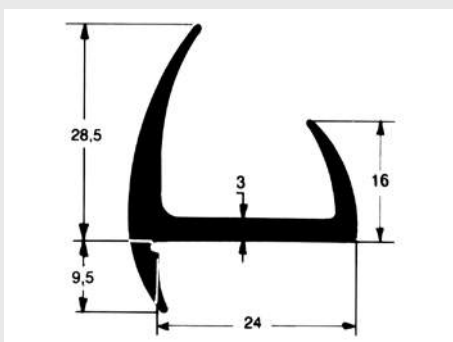


PVC seal

for doors and hatches

Version with 3 lips
 Length 5000 mm
 Clamping range 65 mm
 Colour grey/black

Order number
 9080 009 950

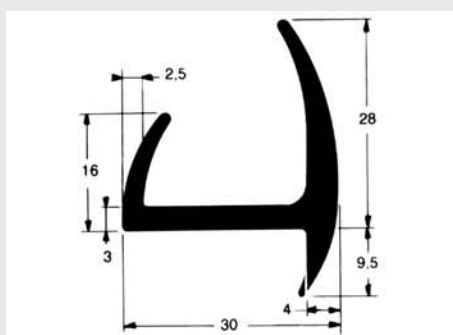


PVC seal

for doors and hatches

Version with 2 lips
 Length 2500 mm
 Clamping range 24 mm
 Colour black

Order number
 9080 009 955

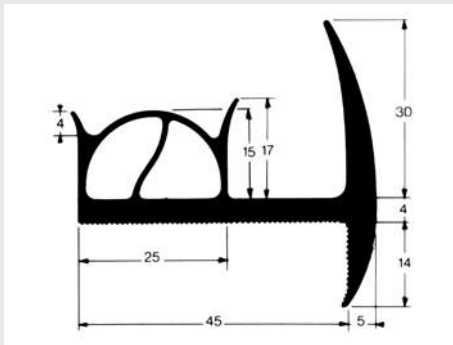


PVC seal

for doors and hatches

Version with 2 lips
 Length 2600 mm
 Clamping range 26 mm
 Colour grey

Order number
 9080 009 960

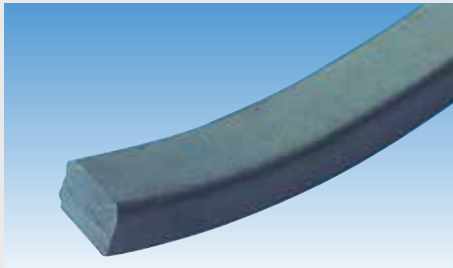


PVC seal

for doors and hatches

Version with 2 lips and 2 air chambers
 Length 4000 mm
 Clamping range 45 mm
 Colour grey

Order number
 9080 009 965



Foam rubber

Colour antracite

sold by the meter

Version	Dimensions mm	Order number
half-round profile with edge radius 3 mm	13 x 20	9802 803 700
box section	4 x 20	9802 802 000
box section	10 x 25	9081 118 100

5



Rubber seal

for double pivot hinge

for all-around edging, side (outside), top and bottom

sold by the meter

Order number
 9082 195 010



Outside handle

for tongue locks and hatch locks

Version for 8 mm square holes
 Weight 0.33 kg
 Surface chromated

Scope of supply

with integral cylinder lock and 2 keys

Order number

9081 024 260



Handle

Length 188 mm
 Colour black
 Material polyurethane integral foam on galvanised sheet steel core

Order number

9081 315 110



Spring locking pin

Length 43 mm
 Diameter of bush 20 mm
 Pin diameter 10 mm

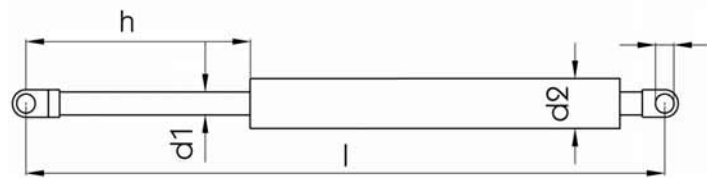
Scope of supply

with ring eye

Order number

9802 834 600

5



Gas spring

for hatch operation

cylinder and piston rod ends in the form of eyes and chrome-plated piston rod

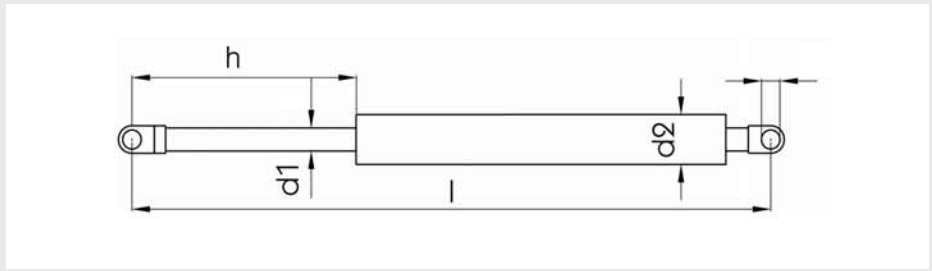
Version with welded-on eyes

Hole diameter 8 mm

Spring force N	h mm	l mm	d ₁ mm	d ₂ mm	Order number
250	150	450	10	22	9081 411 700
500	150	445	10	22	9081 411 710
750	150	450	10	22	9081 411 720
1000	150	445	10	22	9081 411 730
1250	150	395	14	28	9081 411 740
250	200	500	10	22	9081 411 750
500	200	505	10	22	9081 411 760
750	200	505	10	22	9081 411 770
1000	200	500	10	22	9081 411 780
1500	200	500	14	18	9081 411 790
1750	200	495	14	28	9081 411 800
250	250	650	10	22	9081 411 810
500	250	652	10	22	9081 411 820
750	250	650	10	22	9081 411 830
1000	250	650	10	22	9081 411 840
1000	300	750	14	28	9081 411 860
1250	300	750	14	28	9081 411 870

Accessories

Description	Version	Order number
Angled bracket	support pin with bolt-on plate	9081 412 010
Base shoe	with bolt-on plate	9081 412 020
Base shoe	small, with pivot	9086 051 600
Base shoe	large, with pivot	9086 051 620



Gas spring

ST-2

Version with screwed-on eyes

Spring force N	h mm	l mm	d ₁ mm	d ₂ mm	Order number
250	100	300.5	10	22	9086 039 900
500	100	300.5	10	22	9086 039 921
500	150	444.5	10	22	9086 040 020
250	200	504.5	10	22	9086 040 100
750	200	504.5	10	22	9086 040 140
500	250	651.5	10	22	9086 040 220
1000	250	651.5	10	22	9086 040 260
500	300	750.5	10	22	9086 040 320
750	300	750.5	10	22	9086 040 340
1000	300	749.5	14	28	9086 040 360
1500	300	749.5	14	28	9086 040 390
1500	400	896.5	14	28	9086 041 050

5



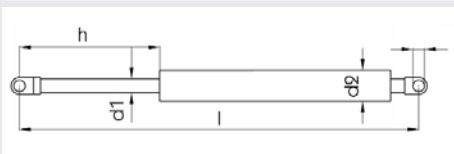
Gas spring

ST-1

Version with welded-on eyes

Spring force 500 N

h mm	l mm	d ₁ mm	d ₂ mm	Order number
200	485	10	22	9086 050 450
250	585	10	22	9086 050 650
300	685	10	22	9086 050 850

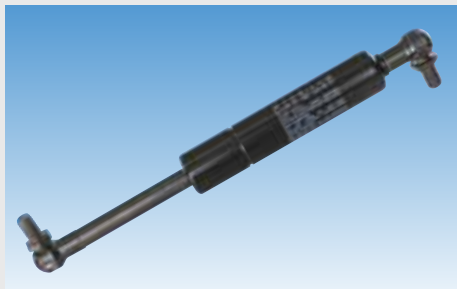


Gas spring

for EDSCHA sliding cover

suitable for LITE 100, PROFI 100

Spring force N	Order number
500	9840 000 180
700	9840 000 133



Gas spring

Order number

7773 348 630

Comparative number

Schmitz 1071691



Angled bracket

for gas spring

Version support pin with bolt-on plate

Material steel

Surface galvanised

Order number

9081 412 010

5



Hinge rod

Length 1138 mm

Order number
7773 741 120



Removal van hinge

Width 59 mm
Height 60 mm
Material Nirosta

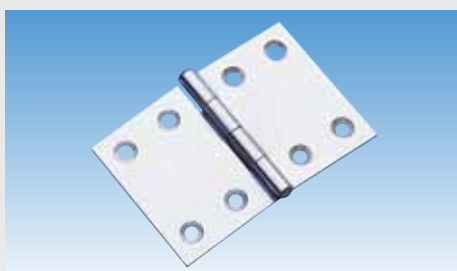
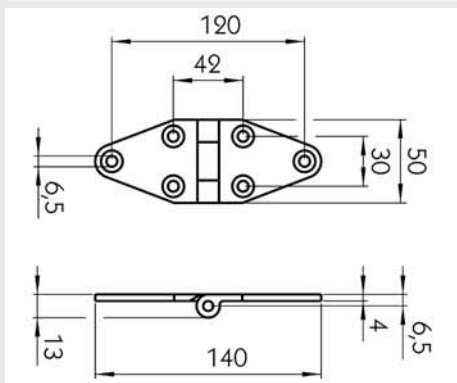
Order number
9080 711 920



Removal van hinge

Material profiled steel
Surface galvanised

Version	Order number
with holes for screw attachment	9081 117 180
with holes for screw attachment, one side shortened	9081 117 200
with holes for screw attachment, both side shortened	9081 117 220



Hinge

Length 50 mm
Width 75 mm
Thickness 2 mm
Hole diameter 4.5 mm
Material steel
Surface galvanised

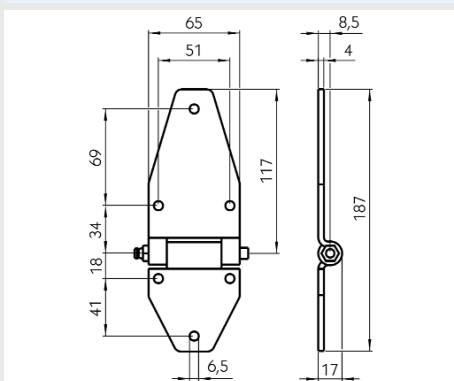
Order number
9802 105 040



Removal van hinge

Version	with hinge pin and lubrication nipple
Length	70/116 mm
Width	65 mm
Surface	galvanised

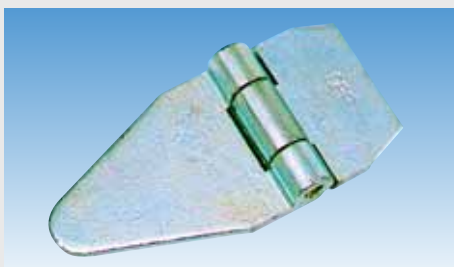
Order number
9081 117 240



Removal van hinge

Surface galvanised

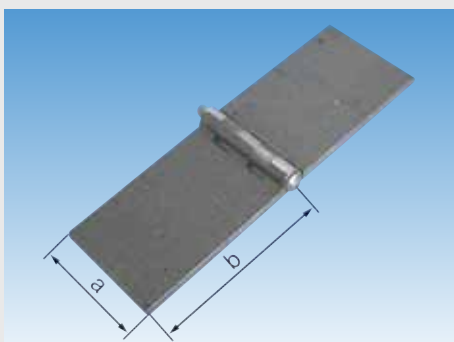
Version	Order number
normal	9081 117 190
shortened on both sides	9081 117 230
without holes, shortened on one side	9081 117 210



Door hinge

Version	straight
Opening angle	ca. 260°
Surface	untreated

a mm	b mm	Thickness mm	Order number
30	60	3	9081 112 630
40	60	3	9081 112 640
40	60	5	9081 112 650
40	80	5	9081 112 660
50	80	5	9081 112 670
50	100	5	9081 112 680
60	80	6	9081 112 690
60	120	6	9081 112 700
70	120	6	9081 112 710
80	120	6	9081 112 720



Door hinge

Weight	0.91 kg
Material	malleable iron
Surface	galvanised

Order number
9081 115 900





Door hinge

PWP

Version	double hinge
Nominal height	800 mm
Weight	3.12 kg
Material	aluminium
Surface	untreated

Application range

for aluminium profile 25 mm, sandwich boards, tailgates or similar

Installation side	Order number
left	9081 120 920
right	9081 121 020

5



Hinge bearing

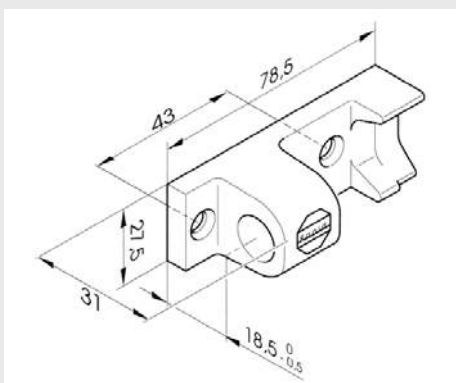
Order number	Comparative number
7772 340 180	Schmitz 234018



Hinge bearing

Type	B38
Surface	galvanised

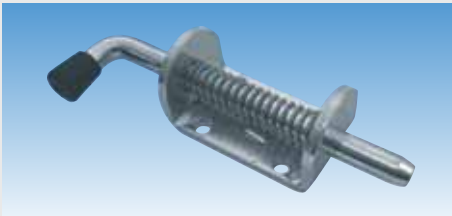
Order number
9080 007 321



Hinge bearing

Type	H 871 - KL
Surface	galvanised

Order number
9080 011 360



Spring locking bolt

with bolt-on plate

Length 156 mm
Material Nirosta

Order number
9080 710 640



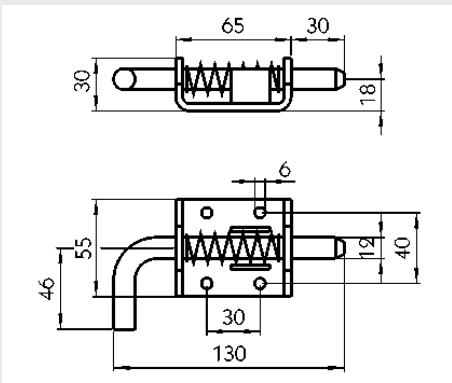
Spring locking bolt

with bolt-on plate

when open the locking bolt projects about 4 mm out of the housing

Length 130 mm
Surface galvanised

Order number
9081 025 080



Spring locking bolt

with weld-on plate

Length 310 mm
Diameter 28 mm
Weight 1.35 kg
Surface primed

Installation side	Order number
left	9081 016 380
right	9081 016 390



Spring locking bolt

with latching

Application range
for weld attachment

Type	Bolt-Ø mm	Stroke mm	Order number
S 814 N	8	14	9081 023 300
S 1010 N	10	10	9081 023 310
S 1014 N	10	14	9802 834 000
S 1214 N	12	14	9081 023 330
S 1514 N	15	14	9081 023 340





Spring locking bolt

with latching

outer casing with M20 x 1,5 thread
 Type SG 1014
 Length 72 mm
 Surface galvanised

Scope of supply

2 lock nuts DIN 936

Order number
 9081 027 170



Spring locking bolt

without latching

Stroke 10 mm
 Surface untreated

Type	Bolt-Ø mm	Order number
F 810 N	8	9081 023 360
F 1010 N	10	9081 023 370
F 1210 N	12	9081 023 380

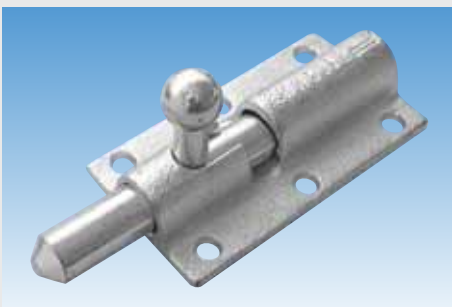
5



Spring locking bolt

Surface galvanised

Type	Length mm	Order number
1333	159	9081 024 240
1334	174	9081 024 250



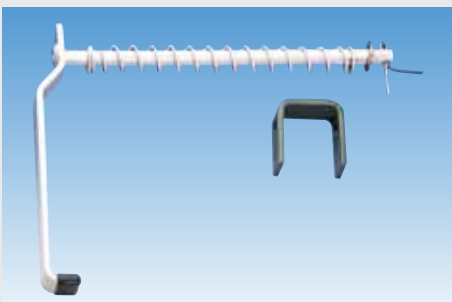
Spring locking bolt

740

when open, the locking bolt projects about 15 mm out of the housing

Version for screw attachment
 Installation side left/right
 Surface galvanised

Order number
 9081 019 870

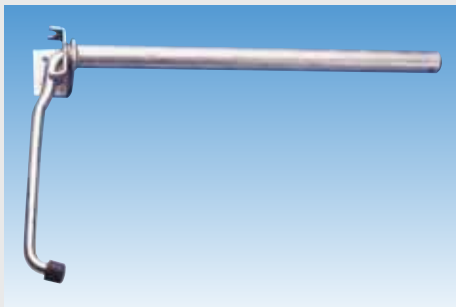


Door catch

for KRONE platform

Version with metal lug

Order number
 4245 332 609



Door catch

Surface galvanized

Application	Length mm	Order number
for platform	258	7773 923 620
for box trucks	300	7773 923 630



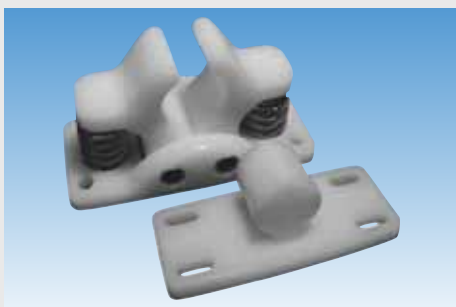
Door catch

Order number

7774 912 430

Comparative number

Schmitz 491243



Door catch

Material plastic

Order number

9080 631 800



Door catch

Version complete

Material Nirosta

Dimensions mm

103

123

Order number

9080 020 382

9080 714 580



Door catch

door stop arm 370 mm long and 320 mm extendable

Version can be pulled out and folded, with compression spring

Surface galvanized

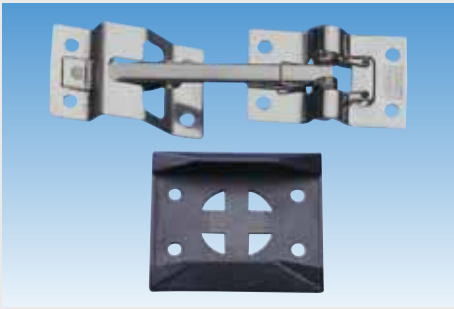
Application range

especially suitable for box trucks with rear double doors and side doors

Order number

9081 315 170





Door catch

for box trucks

Type 335 A
Material Nirosta

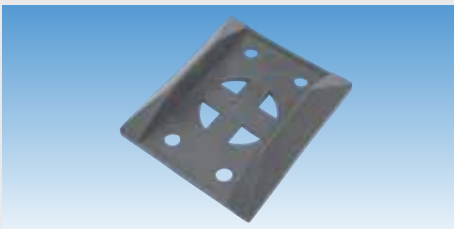
Order number
9081 315 660



Door catch bracket

Type 337 A
Length 67 mm
Width 40 mm
Material Nirosta

Order number
9081 315 670

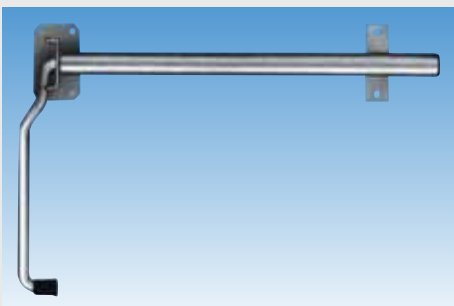


Base

for door stop

Type 339 A
Length 70 mm
Width 60 mm
Material plastic

Order number
9081 315 680



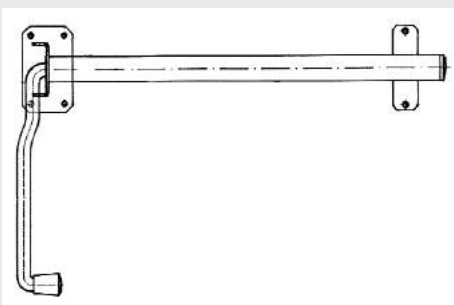
Door catch

door stop arm 330 mm (range) extendable, rotatable, mounted in tube

Surface galvanised

rubber buffer in door stop arm replaceable

Order number
9086 319 070

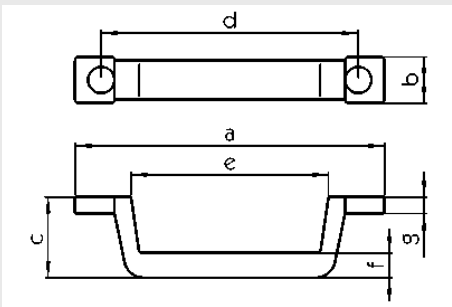


Door catch

Version with protective rubber plugs
Installation side left/right
Stroke 260 mm
Material steel
Surface galvanised

Order number
9370 660 010

5



Handle

universal use

made of polyurethane integral foam, with foamed-in metal core, largely insensitive towards petrol, oils, alkalis and acids

Version weather- and corrosion-proof
Surface smooth

a mm	b mm	c mm	d mm	Order number
188	30	50	155	9085 882 420
280	30	55	255	9086 335 010

5



Hood bracket

universal use

Version with hookup and bracket
Material rubber

Order number
9081 013 960



Hood bracket

Length 125 mm
Colour black
Material rubber

Order number
9081 018 150



Hood bracket

Version with hookup and bracket
Length 55 mm

Order number
2300 008 650



Door buffer

for door stop

Material rubber

Height mm	Ø mm	Order number
25	30	9081 018 250
25	40	9081 018 270
34	30	9081 018 260
35	40	9081 018 280
50	40	9081 018 300



Impact buffer

Version rubber aggregate vulcanised onto metal plate

Application range

especially suitable as bump stop for drop sides, ideal as ramp protection

Height mm	Ø mm	Threaded bolt	Order number
35	30/38	M10 x 27	9080 000 252
50	30/43	M10 x 25	9080 000 253
52	38/50	M10 x 20	9080 000 258



Impact buffer

Length 200 mm
Width 150 mm
Height 80 mm
Fastening 4 holes
Material rubber

Application range

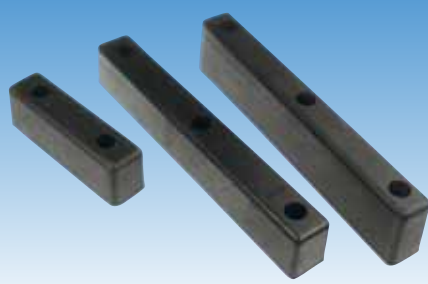
for example as ramp collision protection for bodies

Order number
9086 013 900



Impact buffer

Dimensions mm	Order number
165 x 125 x 60	7777 509 600
180 x 125 x 70	7777 507 560



Impact buffer

Material rubber

Application range

especially suitable as bump stop for drop sides, ideal as ramp protection

Length mm	Width mm	Height mm	Fastening	Order number
200	52	80	2 holes	9086 013 320
300	52	80	3 holes	9086 014 000
315	35	60	2 holes	9081 016 370
360	100	105	2 holes	9083 950 303
400	52	80	3 holes	9080 000 251
400	55	100	3 holes	9086 013 540
400	52	60	3 holes	9081 013 910
530	60	35	4 holes	9086 013 700

Illustration similar



Illustration similar

Impact buffer

Material PUR

Application range

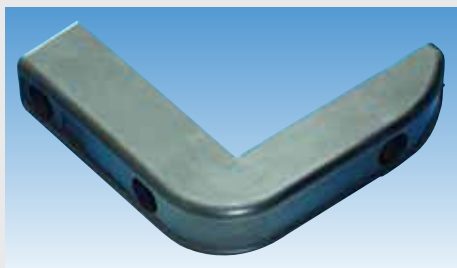
especially suitable as bump stop for drop sides, ideal as ramp protection

Length mm	Width mm	Height mm	Fastening	Order number
165	95	80	2 holes	9086 013 850
200	52	60	-	9081 013 920
250	80	100	2 holes	9086 013 370
300	65	80	3 holes	9086 014 400
530	80	100	3 holes	9086 013 770
940	50	55	5 holes	9086 013 950



Impact buffer

Length mm	Width mm	Height mm	Order number	Comparative number
165	125	60	7773 767 840	Schmitz 376784
165	125	75	7771 013 552	Schmitz 1013552
250	105	133	7777 509 290	Schmitz 750929
375.5	65	68	7777 510 250	Schmitz 1013554
390	65	60	7777 509 630	Schmitz 750963



Impact buffer

Length 195/205 mm
 Width 40/50 mm
 Height 48 mm
 Fastening 3 holes

Application range

especially suitable as bump stop for drop sides, ideal as ramp protection

Order number
9086 013 610



Impact buffer

contact surface curved along length

Width 40 mm
 Length 125 mm
 Height 45 mm
 Material rubber

Application range

for example for platform bodies

Order number
9086 013 100

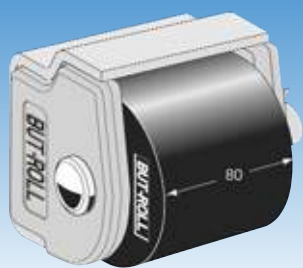


Impact buffer profile

Length 310 mm

Order number	Comparative number
7777 510 850	Schmitz 751085





Impact buffer

with 1 roller

Length	136 mm
Width	116 mm
Roller diameter	100 mm
Roll width	80 mm
Fastening	horizontal
Material	steel base, hot-galvanised

Order number
9083 950 249

Accessories

Rubber pulley

Order number
9080 502 500

5



Impact buffer

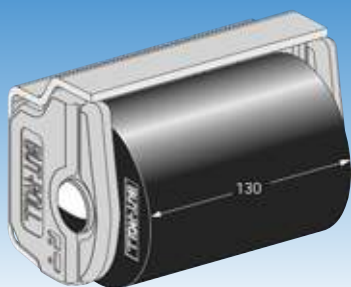
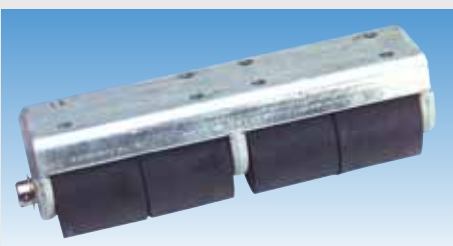
roller spring-supported, steel parts galvanised

Width	116 mm
Roll width	80 mm
Roller diameter	100 mm

Version	Length mm	Order number
with 2 rollers	216	9080 502 501
with 4 rollers	395	9080 502 511

Accessories

Description	suitable for	Order number
Impact buffer centre line	Impact buffer with 2 rollers	9080 502 503
Impact buffer centre line	Impact buffer with 4 rollers	8000 005 687
Rubber pulley	-	9080 502 500



Impact buffer

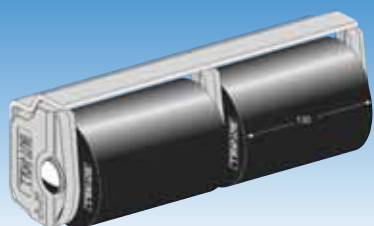
Width	121.5 mm
Roll width	130 mm
Roller diameter	100 mm
Fastening	horizontal
Material	steel base, hot-galvanised

Version	Length mm	Order number
with 1 roller	171	9083 950 255
with 2 rollers	320.5	9083 950 256

Accessories

Rubber pulley

Order number
9080 950 255





Impact buffer

with 1 roller

roller spring supported

Width	123 mm
Height	93 mm
Surface	steel parts galvanised

Order number
9085 102 769



Impact buffer

with 2 rollers

spring-supported roller, side-by-side in robust steel housing, M12 bolt holes, rolling compensation for movements

Width	223 mm
Height	90 mm
Fastening	horizontal
Surface	galvanised

Order number
9081 027 540



Impact buffer

with 2 rollers

Order number	7775 089 270
---------------------	---------------------

Comparative number	Schmitz 508927
---------------------------	----------------



Impact buffer

with 2 rollers

Width	121 mm
Length	234 mm
Roll width	80 mm
Roller diameter	100 mm
Fastening	vertical

Order number
9083 950 253

Accessories

Rubber pulley

Order number
9080 502 500





Impact buffer

with 3 rollers

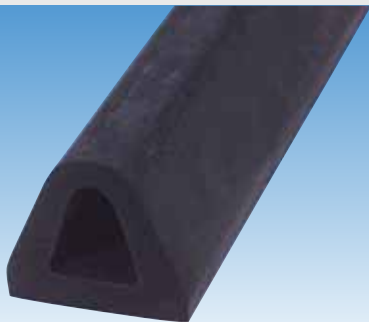
narrow vertical buffer, spring-supported rollers, steel parts galvanised

Width	80 mm
Length	343.5 mm
Roll width	65 mm
Roller diameter	100 mm

Order number

9083 950 259

5



Impact buffer profile

with hollow chamber in delta shape

Rod length	2600 mm
Material	rubber

Application range

impact and skirting protection for all kinds of vehicle construction

Width mm	Height mm	Order number
52	60	9086 014 850
82	74	9086 014 900
101	91	9081 024 170



Impact buffer profile

suitable for	carriage bolts with square to DIN 603-M8
Version	with groove
Rod length	3000 mm
Width	38/25 mm
Height	40 mm

Order number

9083 351 026



Impact buffer profile

Rod length	3000 mm
Material	PVC

Width mm	Height mm	Order number
35	37	9081 019 960
38	40	9081 019 050



Impact strip

Length	1065 mm
Width	25 mm
Height	55 mm

Application range

for example for box trucks

Order number

7777 500 840

Comparative number

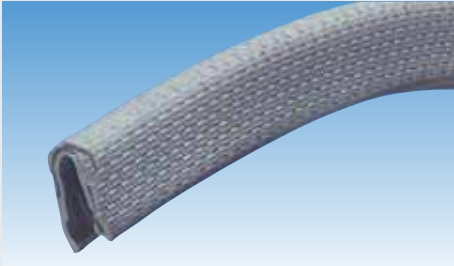
Schmitz 751661



Edge protection

Version	flexible, with embedded steel framework band
Colour	black
Material	PVC

Clamping range mm	Order number
1	9080 109 160
1-2	9804 610 028



Edge protection profile

Width	10.5 mm
Height	14 mm
Clamping range	1-4 mm

Colour	Order number
grey	9802 109 240
black	9802 109 330

5



Edge protection

for trailer doors

Version	with sealing profile
---------	----------------------

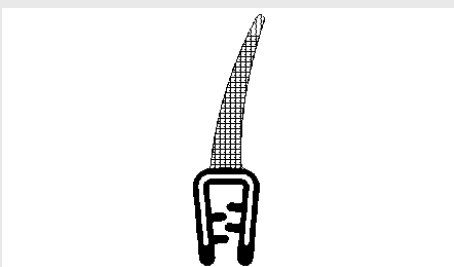
Order number
9080 111 861



Edge protection profile

Version	with seal
Width	10.2 mm
Height	20.5 mm
Colour	black

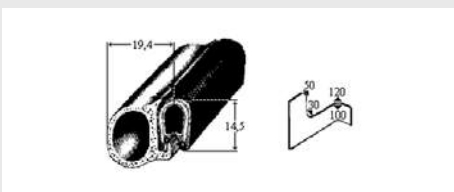
Order number
9081 117 010



Edge protection profile

Version	with 22,3 mm sealing lip
Height	33 mm
Clamping range	1-3 mm
Colour	black

Order number
9081 117 080



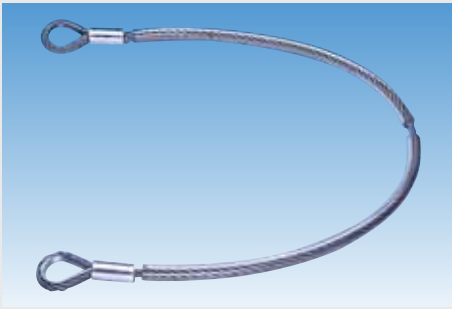
PVC seal

foam rubber seal glued with edge protection profile

Width	19.4 mm
Height	14.5 mm
Clamping range	1-4 mm
Colour	black

sold by the meter

Order number
9080 010 937

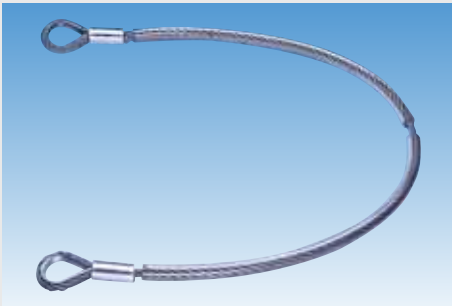


Dumper rope

with fibre core to DIN 3060 and an A 9 cable eye stiffener to DIN 6899 at both ends

Version	galvanised round strand cable
Length	1100 mm
Diameter	10 mm

Order number
9081 511 550



Dumper rope

DIN 6899, galvanised

cable eye stiffener A 12 at both ends

Minimum breaking force	ca. 13730 N
Diameter	13 mm
Application	for 26 mm pin diameter

Nominal length mm	Order number
800	9081 511 590
900	9081 511 630
1000	9081 511 270
1050	9081 511 660
1100	9081 511 280
1150	9081 511 290
1200	9081 511 670
1250	9081 511 300
1300	9081 511 680
1350	9081 511 310
1400	9081 511 690

cable eye stiffener A 15 at both ends

Minimum breaking force	ca. 21960 N
Diameter	16 mm
Application	for 32 mm pin diameter

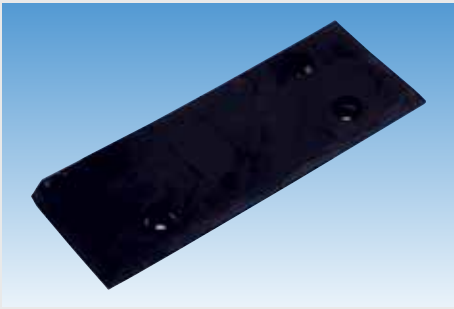
Nominal length mm	Order number
870	9081 511 320
950	9081 511 710
1000	9081 511 330
1100	9081 511 340
1200	9081 511 350
1350	9081 511 360
1300	9081 511 720
1400	9081 511 730

round strand cable 6 x 37 with fibre core, with A 18 cable eye stiffener at both ends

Nominal length	1250 mm
Minimum breaking force	ca. 34800 N
Diameter	20 mm
Application	for 40 mm pin diameter

Order number
9081 511 390

5



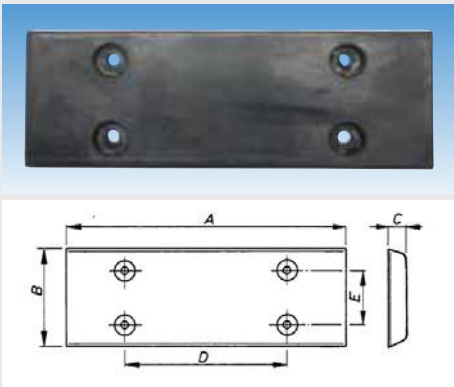
Rubber coating

for tipping bodies

Hardness 80° Shore

Width mm	Length mm	Thickness mm	Order number
60	200	15	9081 410 710
70	255	15	9081 410 720
90*	255	15	9081 410 740
90	245	21	9081 410 750
105	260	15	9081 410 760

*2-hole version, central



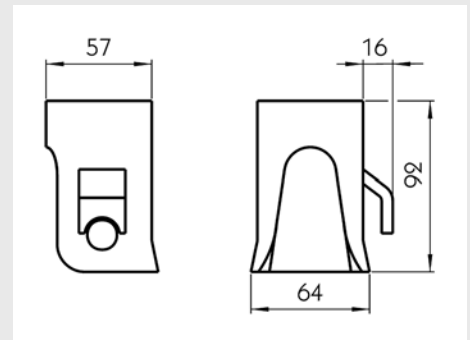
Tipper support

Version iron reinforced, for screw attachment

Number of holes 4

A mm	B mm	C mm	D mm	E mm	Hole-Ø mm	Order number
260	90	10	150	50	7	9082 075 710
260	90	20	150	50	9	9082 075 720

5



Rocking ball bearing

Type 1001, without noise damping

can be used on light tipping bodies on trucks, trailers and agricultural vehicles up to 8 t gross vehicle weight, tipping angle up to 50° maximum

Bore hole diameter 16/16 mm
Surface untreated

Description

Weld-on ball with round spigot, Type 1002

Rocking ball bearing, left

Rocking ball bearing, right

Order number

9081 413 340

9081 413 350

9081 413 360

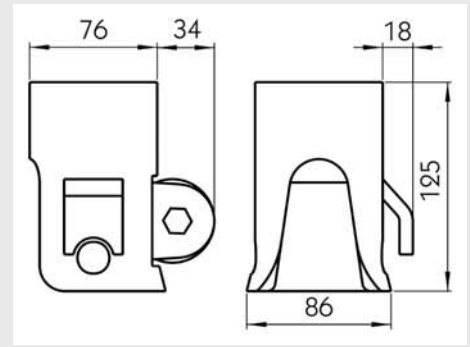
Accessories

Socket pin

Dimensions 16/16 x 70 mm

Order number

9081 413 370



Rocking ball bearing

Type 2001, with noise damping

can be used on all tipping bodies on trucks, trailers and semi-trailers up to 12 t gross vehicle weight, tipping angle up to 50° maximum

Surface untreated

Description	Bore hole Ø mm	Order number
Weld-on ball with round spigot, Type 2002	-	9081 412 550
Weld-on ball with square spigot, Type 2002	-	9081 412 560
Rocking ball bearing	19/19	9081 412 590
Rocking ball bearing	20/18	9081 412 600

Accessories

Description	Dimensions mm	Order number
Socket pin, Type 2004	19/19 x 85	9081 412 610
Socket pin, Type 2004	20/18 x 65/85	9081 412 620
Durethan cup with attaching bolt	-	9081 412 630

5



Rocking ball bearing

Type 3001, with noise damping

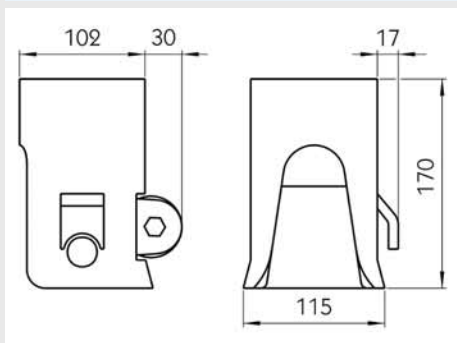
can be used on all rear tipping bodies on trucks, trailers and semi-trailers up to 24 t gross vehicle weight, tipping angle up to 50° maximum

Surface untreated

Description	Bore hole Ø mm	Order number
Weld-on ball, Type 3002	-	9081 412 650
Rocking ball bearing	24/24	9081 412 670
Rocking ball bearing	25/22	9081 412 680

Accessories

Description	Dimensions mm	Order number
Socket pin, Type 3004	24/24 x 120	9081 412 690
Socket pin, Type 3004	25/22 x 85/120	9081 412 700
Durethan cup with attaching bolt	-	9081 412 710
Vulkollan roll	50/42/18	9081 412 720
Eccentric bolt	-	9081 412 730





Rocking ball bearing

Type 4001, with noise damping

can be used on all rear tipping bodies on trucks, trailers and semi-trailers up to 40 t gross vehicle weight, tipping angle up to 50° maximum

Surface untreated

Description	Bore hole Ø mm	Order number
Weld-on ball with round spigot, Type 4002	-	9081 412 740
Rocking ball bearing	30/30	9081 412 760
Rocking ball bearing	32/28	9081 412 770

Accessories

Description	Dimensions mm	Order number
Socket pin, Type 4004	30/30 x 140	9081 412 780
Socket pin, Type 4004	32/28 x 108/140	9081 412 790
Durethan cup with attaching bolt	-	9081 412 800
Vulkollan roll	60/42/18	9081 413 710



Pivot bearing

Type 5001

can be used on all rear tipping bodies on trucks, trailers and semi-trailers up to 24 t gross vehicle weight, tipping angle up to 50° maximum

Version untreated, top

Description	Order number
Pivot bearing	9081 412 830
Weld-on ball, Type 3002	9081 412 650



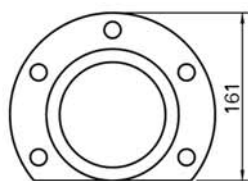
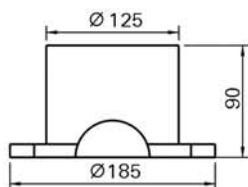
Pivot bearing

Type 6001

can be used on all rear tipping bodies on trucks, trailers and semi-trailers up to 40 t gross vehicle weight, tipping angle up to 50° maximum

Version untreated, top

Description	Order number
Pivot bearing	9081 412 850
Weld-on ball with round spigot, Type 4002	9081 412 740





1

Tip arm bearing

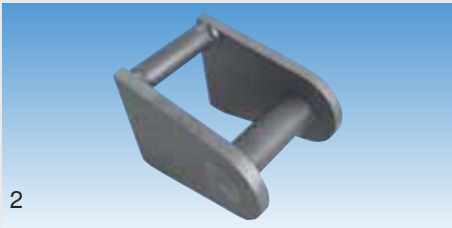
with noise damping

Type 8001
Surface untreated

Application range

can be used on all tipping bodies on trucks, trailers and semi-trailers up to 28 t gross vehicle weight, tipping angle up to 50° maximum

Description	Bore hole Ø mm	Illustration	Order number
Tip arm bearing	24/24	1	9081 413 870
Tip arm bearing	25/22	1	9081 413 880
Cantilever fork, Type 8002	-	2	9081 413 890



2

5



Tip arm bearing

Surface untreated

Size	Order number
1	9081 410 370
2	9081 410 380



1

2

3

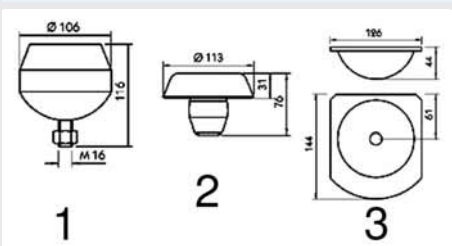
Polyp arresters

for all tipping variants

when the Polyp arresters are installed, flexible support of the dumping-body is produced, which at the same time serves as holding-down device, 2-4 arresters are required depending on the size of the vehicle

Surface untreated

Description	Illustration	Order number
Rubber bearing	1	9081 410 470
Journal shell	2	9081 410 480
Bearing shell	3	9081 410 490



1

2

3



Socket pin

with chain and ring

Surface untreated
Diameter 10 mm
Chain length 200 mm
Useful length 70 mm

Order number
9081 012 300



Socket pin

with tongue

Surface	untreated
Diameter	12 mm
Useful length	80 mm

Order number
9081 410 190



Socket pin

Dimensions	12 x 100 mm
Surface	untreated

Order number
9081 410 210

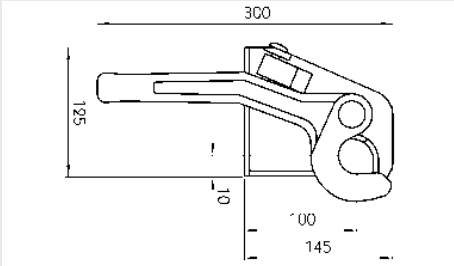


Socket pin

with chain and 80 mm snap hook

Chain length	220 mm
--------------	--------

Ø mm	Useful length mm	Chain length mm	Order number
16	70	220	9081 410 270
20	85	220	9081 410 290
24	100	220	9081 410 300



Hanging fastener

side part

Type H 114 ST
Surface untreated

Application range

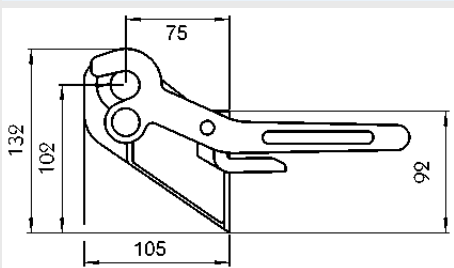
for tipping vehicles with more than 4,5 t payload

Installation side	Order number
left	9081 013 210
right	9081 013 220

Accessories

Rocker stud

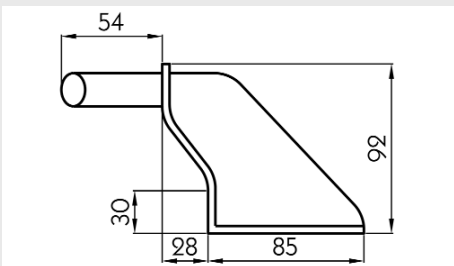
Installation side	Order number
left	9081 013 230
right	9081 013 240



Hanging fastener

Type H 114/4,5
Surface untreated

Installation side	Order number
left	9081 015 400
right	9081 015 410



Rocker stud

for hanging fastener H 114/4,5

Type H 114/4,5
Surface untreated

Installation side	Order number
left	9081 015 420
right	9081 015 430



Bearing

with closing hook

Type	H 119 E
Diameter	20 mm
Surface	untreated

Order number
9081 013 560



Closing hook

Type	H 120 A
Weight	0.38 kg
Surface	untreated

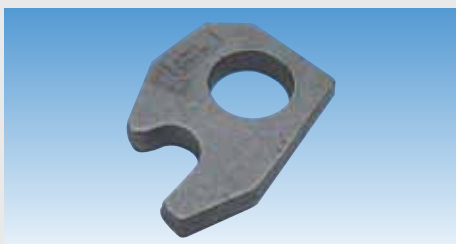
Ø mm	Order number
25	9081 013 640
30	9081 015 280



Closing hook

Type	H 119 M-Alu-K 30
Diameter	25 mm
Weight	0.2 kg
Surface	untreated

Version	Order number
left	9081 018 500
right	9081 018 501



Bearing

Type	H 120 A
Surface	untreated

Ø mm	Order number
25	9081 013 630
30	9081 015 270



Over dead centre tensioner

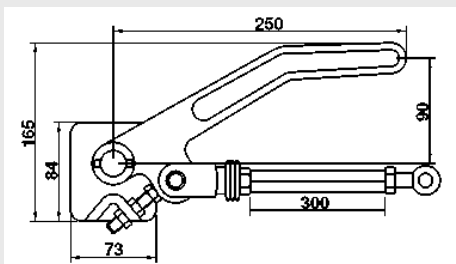
for central locking

Type	H 519
Surface	untreated
Weight	2.38 kg

Application range

for mounting under the floor

Version	Order number
left	9081 015 520
right	9081 015 530





Over dead centre tensioner

for central locking

Type H 519
Surface untreated

Application range
for mounting on the body

Version	Shaft dia. mm	Weight kg	Order number
left	25	2.55	9081 024 750
right	25	2.55	9081 024 760
left	30	2.51	9081 024 770
right	30	2.51	9081 024 780
left	35	2.49	9081 024 790
right	35	2.49	9081 024 800

5



Hanging fastener

without safety mechanism

Type 603
Lever length 175 mm
Surface galvanised

Installation side	Order number
left	9081 023 260
right	9081 023 270



Retaining cam

for hanging fastener

Type 6030
Surface galvanised

Installation side	Order number
left	9081 023 280
right	9081 023 290



Rocker stud

Type 6641 N
Surface galvanised

Installation side	Order number
left	9081 024 020
right	9081 024 030

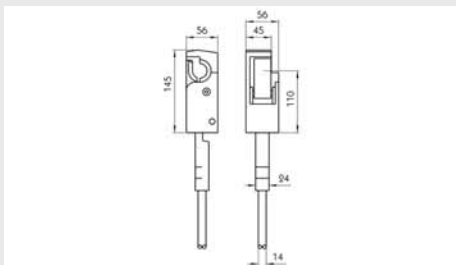


Rocker stud

for hanging fastener H 11

Type 6620 N
Length 184 mm
Width 41 mm
Diameter 50 mm
Surface untreated

Installation side	Order number
left	9081 021 250
right	9081 021 260



Hanging fastener

for tipping body fastener, 600-800 mm drop side

Type 662 N
Surface untreated

Application range

for all tipping bodies with drop sides

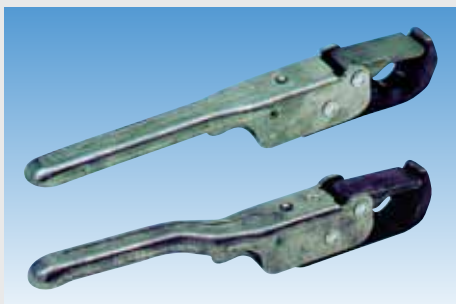
short version

Version	Order number
left	9081 022 580
right	9081 022 590

Accessories

Hand lever

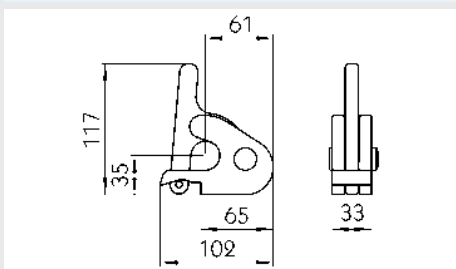
	Order number
	9081 022 620



Tipper fastening

Type 664 N
Surface untreated

Version	Order number
straight	9081 019 530
offset, left	9081 019 550
offset, right	9081 019 540



Floating bearing

Type H 121
Installation side left/right
Surface untreated

Application range

for tipping bodies with middle and corner stanchions

	Order number
	9081 013 880



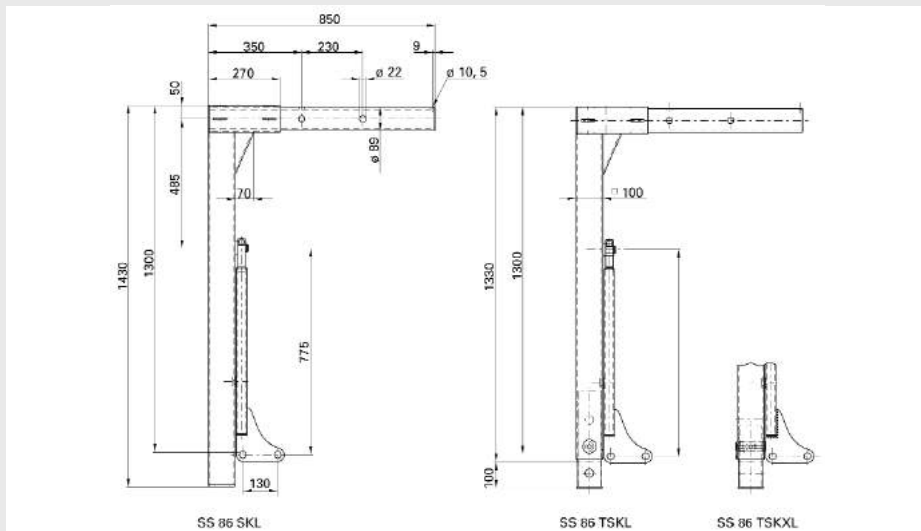
Rocker stud

for bearing shell H 120 B

Type H 121
Surface untreated

	Order number
	9081 013 730

5



Support leg

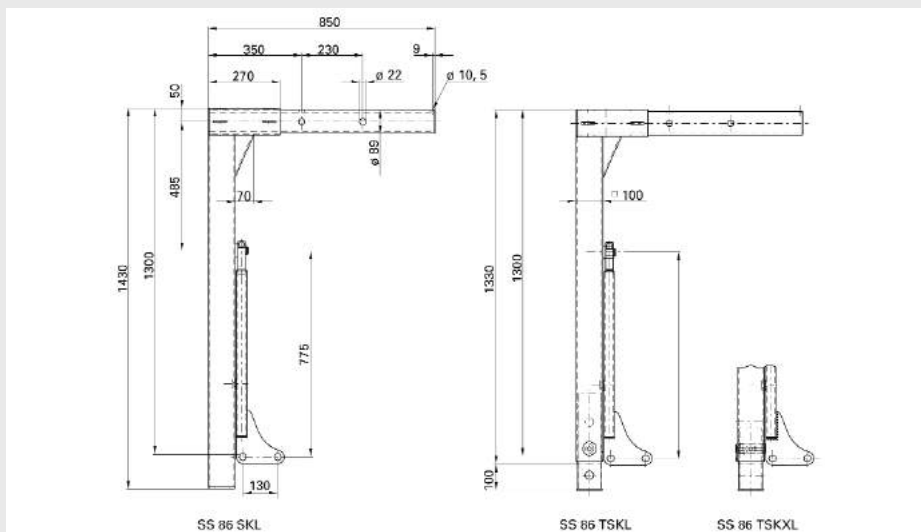
Standard DIN EN 284

Form A1

Application range

for swap containers up to a maximum permitted container total weight of 18000 kg, German State Railways certificate 629

Type	Version	Order number
SS 86 SKL	rigid, with hole for suspension hook	9370 701 120
SS 86 SKBL	rigid, with safety stay/stay brake and hole for suspension hook	9370 701 320



Support leg

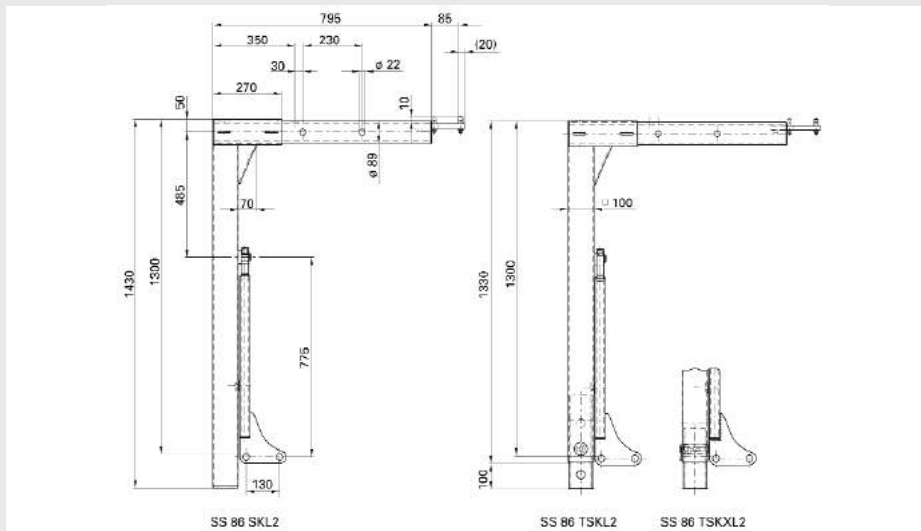
Standard DIN EN 284

Form A1

Application range

for swap containers up to a maximum permitted container total weight of 18000 kg, German State Railways certificate 629

Type	Version	Order number
SS 86 TSKL	telescopic, with safety stay and hole for suspension hook	3001 002 334
SS 86 TSKBL	telescopic, with standard stay and hole for suspension hook	9375 020 000
SS 86 TSKXBL	telescopic, with captive telescopic part, safety stay/stay brake and hole for suspension hook	3001 003 288



Support leg

SS 86 SKL2

Version rigid, with 30 mm hole for suspension hook and sliding unhooking security device

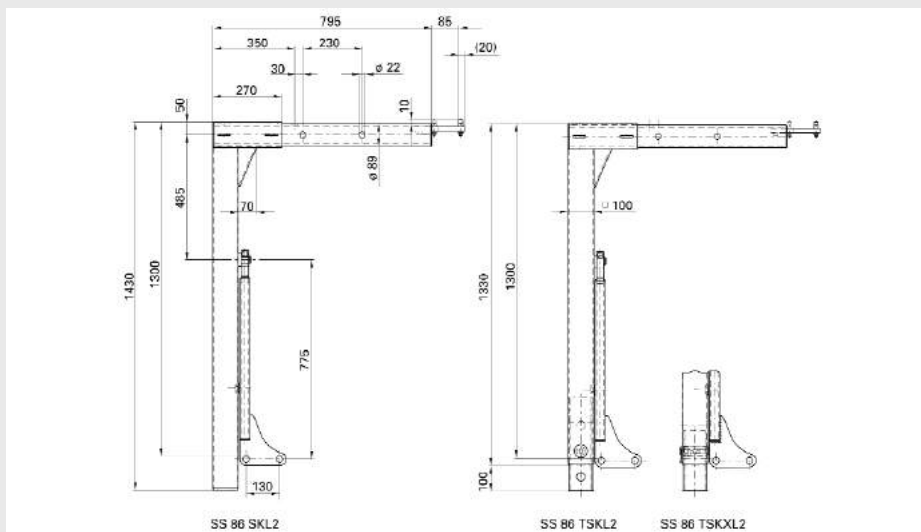
Standard DIN EN 284

Form A2

Application range

for swap containers up to a maximum permitted container total weight of 18000 kg, German State Railways certificate 629

Order number
3001 002 265



Support leg

SS 86 TSKL2

Version telescopic, with standard stay, hole for suspension hook and movable unhook-safety device

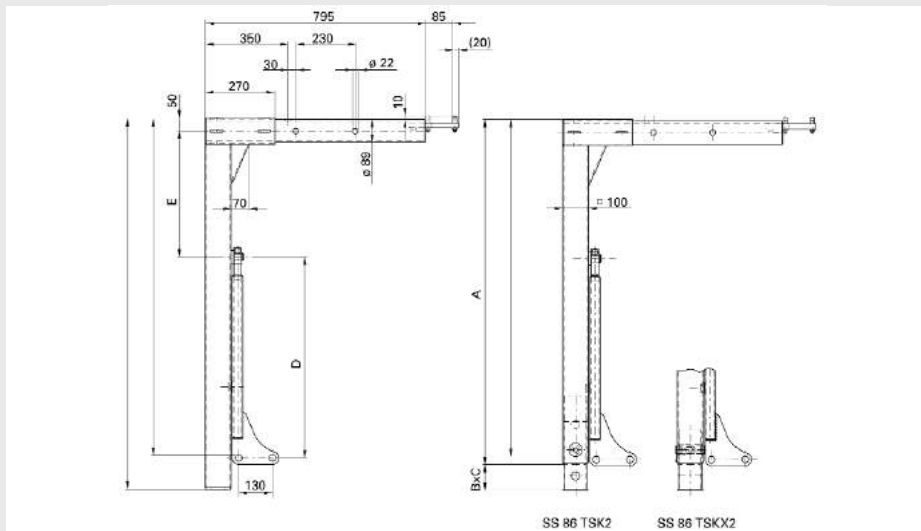
Standard DIN EN 284

Form A2

Application range

for swap containers up to a maximum permitted container total weight of 18000 kg, German State Railways certificate 629

Order number
3001 002 360



5

Support leg

SS 86 TSK2049

Version	telescopic, with standard strut
Standard	similar to DIN EN 284
Form	A2
A	1080 mm
B x C	100 mm
D	775 mm
E	485 mm

Application range

for volume containers up to a maximum permitted container total weight of 18000 kg

Order number
9370 005 225



Support leg

SS 86 TSK013

Version	telescopic, with standard strut
Form	A1

Application range

for semi-trailers up to a maximum permitted container total weight of 18000 kg

Order number
9374 008 100



Supporting leg strut

for swap body system

suitable for	Version	Order number
SS 86 TSKBL/TSKXBL	complete, with brake	9370 701 711
SS 86 SKL/TSKL/TSKXL	complete, with button	9370 600 115



Supporting bearing

for support legs

with left/right identification in the type information

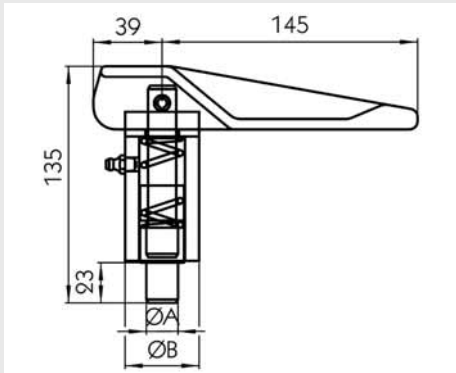
Version with spring catch at 75 mm

Type	Installation width	suitable for	Order number
TS 93 SNL	left	RS 7090, SS 86, RS 1025	9370 000 815
TS 93 SNR	right	RS 7090, SS 86, RS 1025	3001 002 423
TS 7350 L	left	RS 7080, RS 7100	3001 002 389
TS 7350 R	right	RS 7080, RS 7100	3001 002 392



Support leg fastener

Type	A mm	B mm	L mm	Order number
FS 97	16	42	133	9373 216 000
FS 97	18	42	133	9370 500 018
FS 97	20	42	133	9373 220 000
FS 97	20	42	298	3001 002 611
FS 97	20	42	463	3001 003 633
FS 97	25	42	133	9370 500 025
FS 97	30	42	133	9373 230 000
FS 97	30	42	133	9085 110 650
FS 98	32	50	133	9373 332 000
FS 98	35	50	133	9085 110 930



Service parts

Description	suitable for	Order number
Spring twist lock	9373 220 000	9373 220 020
Spring twist lock	9370 500 018	9370 501 018
Spring twist lock	3001 003 633	9370 297 001
Spring twist lock	9370 500 025	3001 002 580
Handle, galvanised	-	9373 001 008
Spring, galvanised	-	9370 501 000
Collet	-	9370 501 002



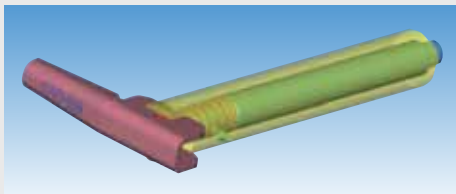
Support leg fastener

suitable for SS 86 TSKXL/TSKXBL type A1,
SS 86 TSKXL2/TSKXBL2 type A2

Order number
9370 738 514



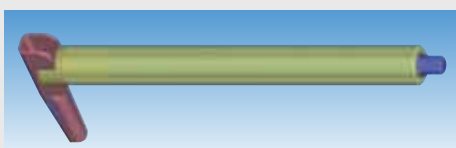
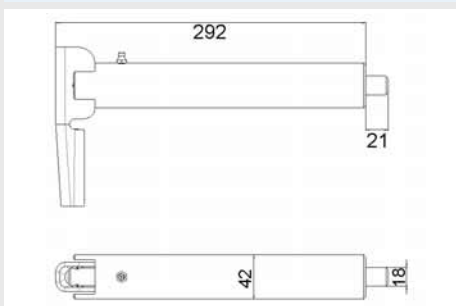
5



Support leg fastener

Length 255 mm
Bolt diameter 18 mm

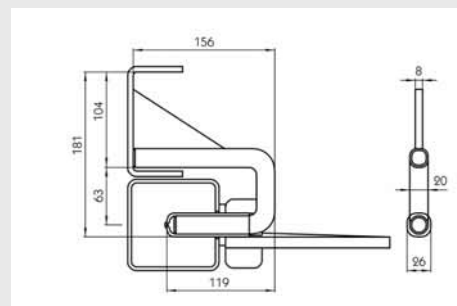
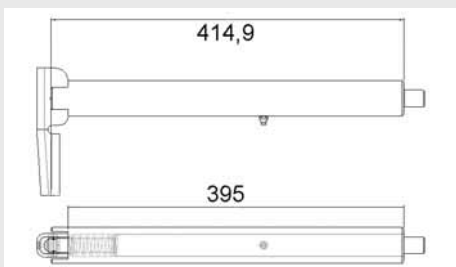
Order number
9377 518 180



Support leg fastener

Length 395 mm
Bolt diameter 20 mm

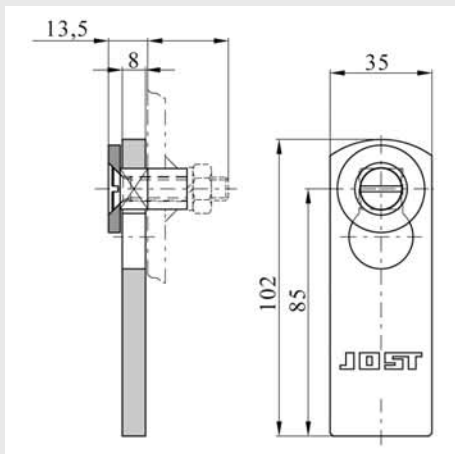
Order number
9377 275 043



Suspension hook and Support bearing

for welding to the swap container frame, accepts support legs in the rest position, with the suspension hook a hole with $d = 30$ mm is necessary for this in the support leg

Type	Description	Version	Order number
-	Suspension hook	with 26 mm diameter	9370 350 000
SL 555	Support bearing	foldable	9370 350 120
SL 550	Support bearing	foldable	3001 002 386



Secondary security

for support legs in the rest position

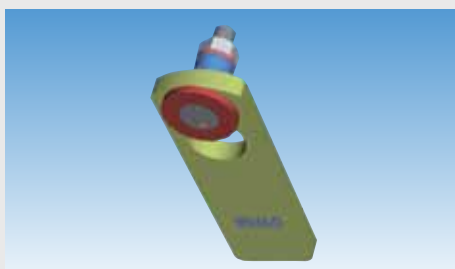
Type	Version	Order number
ZS 86 SF	for welding in	9373 035 000
ZS 7008	with guide, with threaded connection	3001 002 435
ZS 7009	with guide, without threaded connection	3001 024 886

Service parts

Latch

Type	ZS 7009
Surface	galvanised

Order number	3001 003 528
--------------	--------------

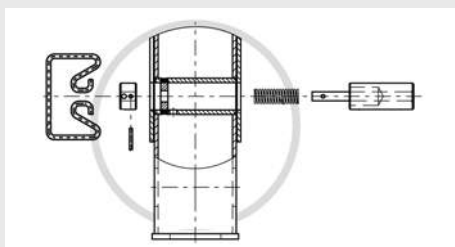


Drop guard

for support leg

Material	steel
Surface	galvanised

Version	Length mm	Width mm	Order number
complete with sleeve, washer, bolt and nut	100	30/35	9370 580 000
complete, with plate	-	-	9370 590 000



Spare parts set

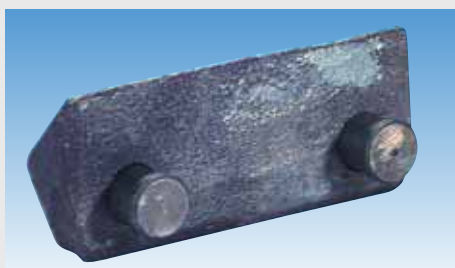
for X-support

suitable for SS 86, design A1 and A2

Scope of supply

1 x spring holder, 1 x support bolt head, 1 x support bolt complete, 1 x compression spring, 11 x spring pins

Order number	9370 000 043
--------------	--------------



Counterbearing

for support leg stay

used as adapter for the support leg stay

Material	steel
----------	-------

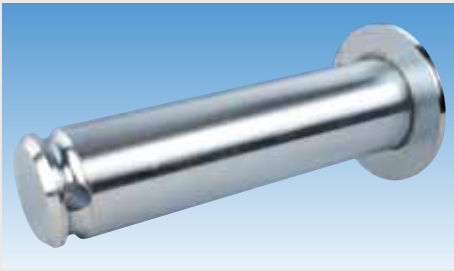
Type	Order number
GS 102	3001 002 375
GS 103	3001 002 376



Strut bolt

suitable for RS 7080 SK/SKB/TSK/TSKB, RS 7090 SK/SKB/TSK/TSKB, RS 7100 SVS/SVB/TSVS/TSVB

Order number	9373 104 002
--------------	--------------



Socket pin

suitable for SS 86 TSKL/TSKBL type A1,
SS 86 TSKL2/TSKBL2 type A2

Order number
9373 027 002



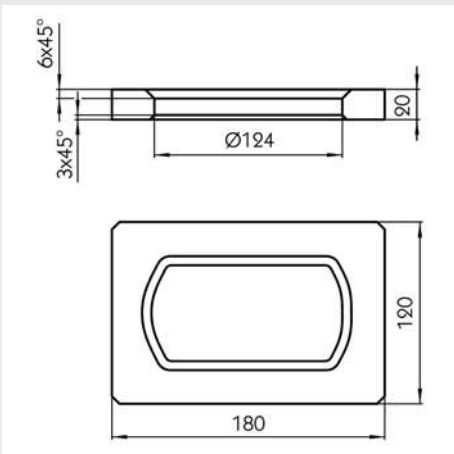
Circlip

for struts

suitable for all types SS 86, RS 7080, RS 7090, RS 7100
Surface zinc plated

Order number
9373 003 008

5



Attachment plate

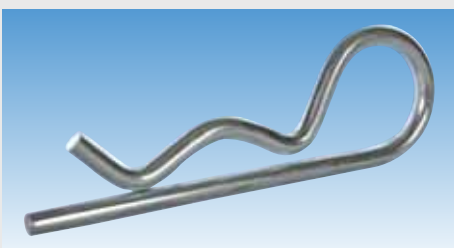
for swap systems

Type CC 320
Standard EN 284
Width 180 mm
Height 20 mm
Depth 120 mm
Weight 2.2 kg
Material cast steel

Application range

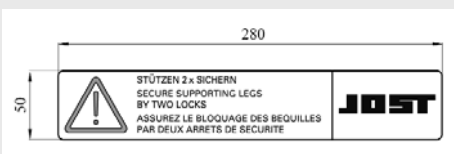
special constructions of swap bodies and containers

Order number
3001 002 454



Locking pin

Order number
9373 027 003



Information board

Secure supporting legs by 2 locks, according to EN 284

Standard EN 284 specifies the application of instruction plates at the place intended for them on class C swap bodies

Version self-adhesive film, two-colour (yellow/black) on white background

Order number
3001 002 488

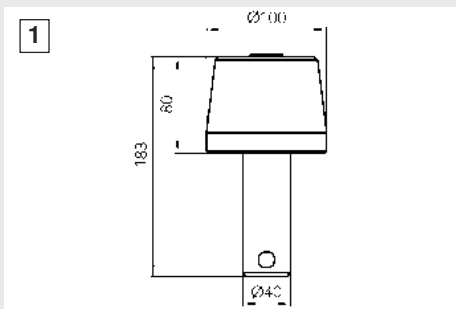


Guide roller

suitable for swap body system

Version	replaceable roller
Standard	DIN 70013
Diameter	160 mm
Material	plastic

Order number
9085 111 251

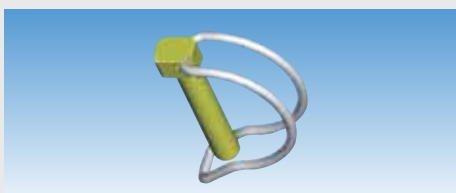
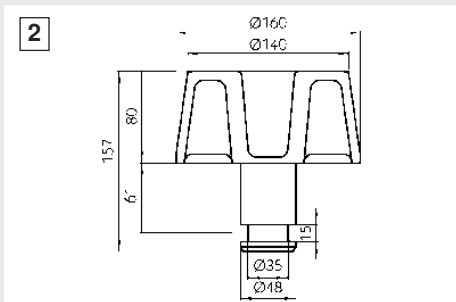


Guide roller

suitable for swap body system

Material steel

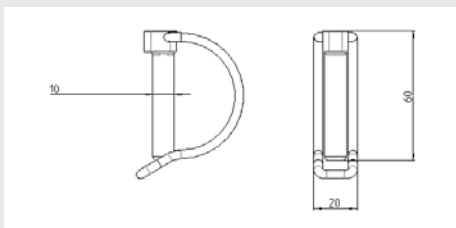
Type	Version	Illustration	Order number
ER 100-85	small guide roller	1	3001 002 054
ER 160 GOR	without guide edge	2	9370 380 000



Locking pin

for guide roller

Dimensions mm	Order number
10.5 x 70	9370 005 233
12 x 55	9370 008 008



Guide roller bearing

for swap body system

Type	LER 160
Version	with snap pin
Shank diameter	48 mm

Order number
9370 382 002



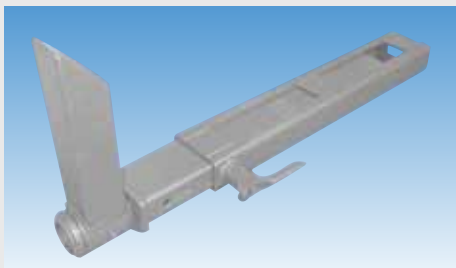
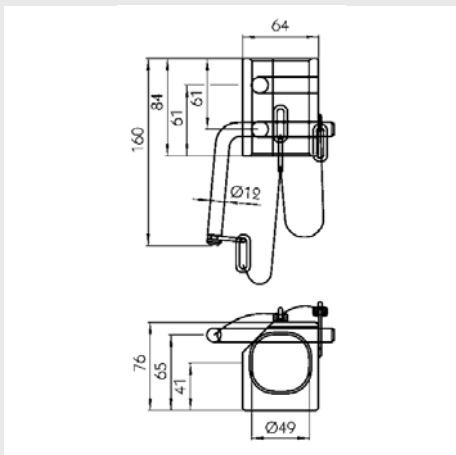
5



Guide roller bearing for swap body system

Type LER 161 G
Version with locking bolt
Shank diameter 48 mm

Order number
9370 381 000



Normal stop for swap body system

for lifting frame, extendable for different sizes of swap container, can be turned towards 2 sides, locks automatically at 90° angle
suitable for C 715, C 745, C 782
Surface primed

Order number
9085 114 130



Anti-theft protection

Jost, for 2" trailer kingpins

Type DS 2000
suitable for Semi-trailers

Order number
3031 200 000



Anti-theft protection

for 2" trailer kingpins

is put over the kingpin and locked, solid steel housing powder coated with signal colour, integral, certificated ABLOY® lock cylinder, ANTI-drill drilling out protection, keyed alike and master-key possible

suitable for semi-trailer/chassis
External diameter 215 x 110 mm
Inner diameter 75 mm
Thickness 5 mm

Scope of supply

key card and 3 ABLOY® PROTEC keys

Order number
9080 010 067



Anti-theft protection

for semi-trailer

Type ANDIS 1100
Weight 4 kg

Order number
9080 004 986



Anti-theft protection

for trailers

Type TSR drawbar
suitable for eyes 38-50 mm

Order number
9080 004 973

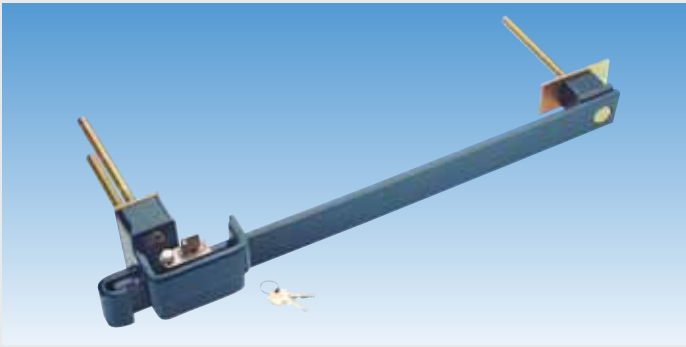


Anti-theft protection

for swap bodies

Type TSR-W45
Version drilling-out protected
Length 450 mm
Width 115 mm
Height 70 mm
Weight 6 kg

Order number
9080 004 979



Door lock

Type CC-Bolt II, permanently installed

Permanent installation on storage/special containers and truck doors, locking bar covers the keyhole, bolt made of hardened steel, permanently installed, provides protection from crowbars, sledgehammers or other tools, tested according to European guideline, with 3 keys.

Weight 10 kg

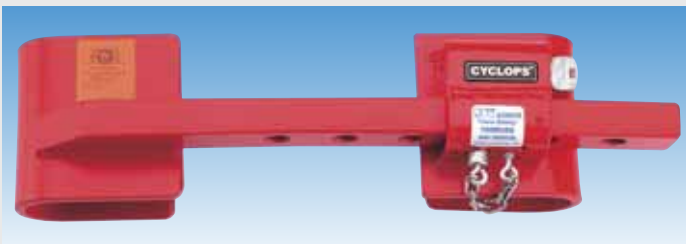
Order number
9080 004 998



Steel locking bar for door bars

Type TSR basis
Version complete with lock
Distance between rods 200-450 mm

Order number
9080 005 000

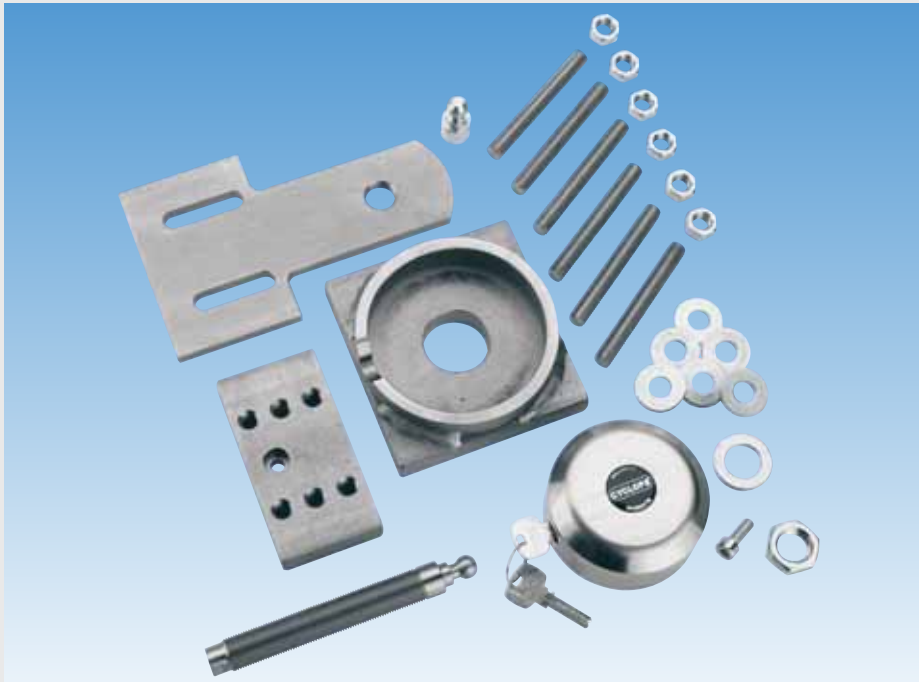


Steel locking bar for door bars

Type TSR-4/24
Distance between rods 200-450 mm

VdS certified

Order number
9080 005 001



5

Fastener body

for doors

Version screw attachment
 Material stainless steel

VdS certified

Order number
 9080 004 997



Shackle lock

TSR-MTL

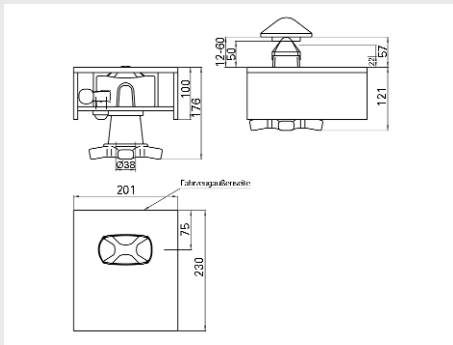
shackle can be completely removed, keyed-alike and master-key possible, very high security class, protective cap over the key hole

Version hardened, drilling-out protected
 Length 100.7 mm
 Width 73 mm
 Height 25 mm
 Diameter 13 mm
 Material steel

Scope of supply

3 keys and key card

Order number
 9080 004 977



Container locking catch

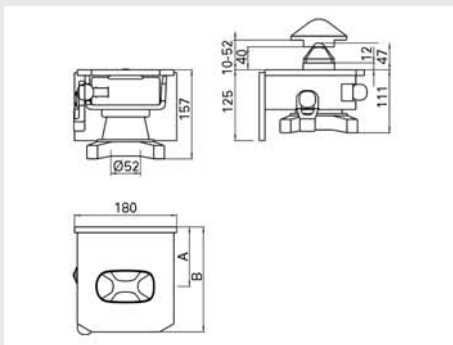
R 316 VAP

(ISO) can be clamped and lowered, sheet steel housing with retaining ring, dimensions in position ready to accept

Application range

for platform, recommended container total weight max. 30500 kg

Order number
3001 001 824



Container locking catch

R 404 VAK

(ISO) can be clamped and lowered, sheet steel housing with retaining ring, dimensions in position ready to accept

Version with back plate

Surface galvanised

A 105 mm

B 185 mm

Application range

for swap vehicles/trailers, recommended container total weight max. 25400 kg

Order number
9371 113 000



Container locking catch

R 405 VAK

(ISO) can be clamped and lowered, sheet steel housing with retaining ring, dimensions in position ready to accept

Version with back plate

Housing 180 x 185 x 125 mm

Depth gauge 105 mm

Pin diameter 52 mm

Application range

for swap vehicles/trailers, recommended container total weight max. 25400 kg

Order number
9370 099 162



Container locking catch

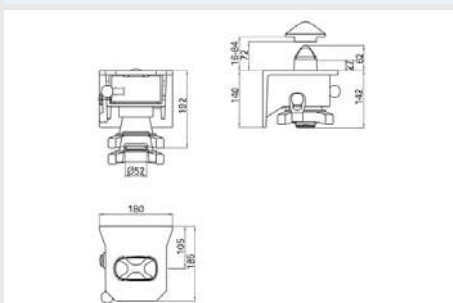
VA 01 SK

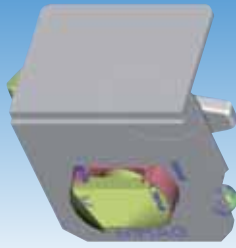
(ISO) clamp and lowerable, cast housing with retaining ring

Application range

for container chassis, recommended container total weight max. 34000 kg

Order number
9370 099 102





Container locking catch

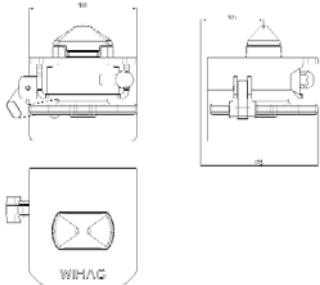
115

can be fully lowered, housing made of steel, welded, with forged clamping bolts 52 mm
Version with back plate

Application range

for container chassis and swap vehicles

Order number
9370 099 115



5

Container locking catch

R 406 VAK

(ISO) can be clamped and lowered, sheet steel housing with retaining ring, dimensions in position ready to accept

Version with back plate

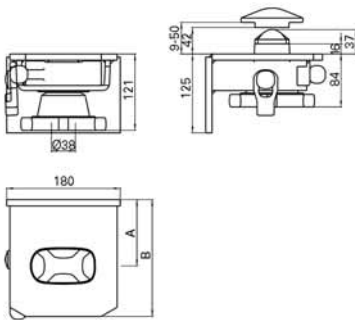
Surface galvanised

Application range

for swap vehicles/trailers, recommended container total weight max. 25400 kg

only corner fittings to ISO 1161 can be tensioned

Order number
9371 317 000



Container locking catch

FD 02 SK-RV

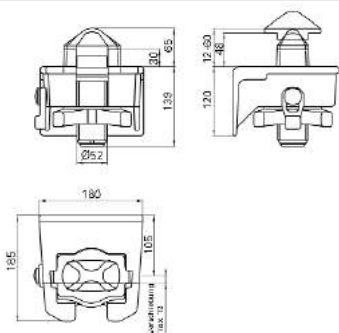
(ISO) clamp and not lowerable, cast housing with retaining ring

Surface galvanised

Application range

for container chassis, recommended container total weight max. 34000 kg

Order number
3001 001 807



Container locking catch

F 02 SK-R

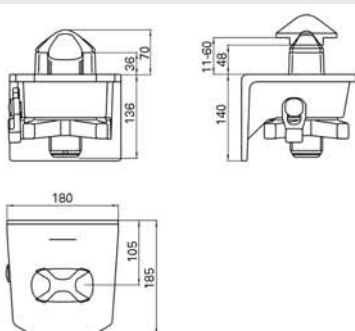
(ISO) clamp and not lowerable, cast housing with retaining ring

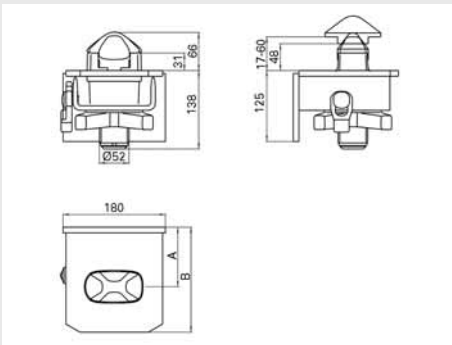
Surface untreated

Application range

for container chassis, recommended container total weight max. 34000 kg

Order number
3001 001 788





Container locking catch

R 402 F-R

(ISO) clampable and not lowerable, cast housing with retaining ring

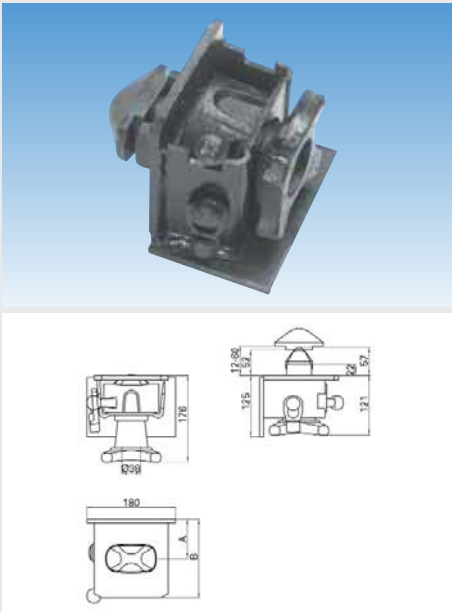
Version with back plate

Application range

for container chassis, recommended container total weight max. 34000 kg

Order number

3001 001 838



Container locking catch

(ISO) clampable and not lowerable, cast housing with retaining ring, dimensions in position ready to accept

Application range

for container chassis in middle position, swap vehicles/trailers, recommended container total weight max. 25400 kg

Type	Version	A mm	B mm	Order number
R 416 VAK	with back plate	80	160	9370 099 118
R 316 VA	without back plate	72	152	9371 198 000

5



Container locking catch

F 10 SK-RV

(not ISO) clamp and not lowerable, cast housing with retaining ring

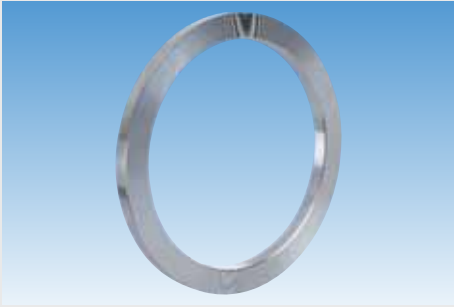
Application range

for swap vehicles, recommended container total weight max. 10000 kg

can only be used in combination with attachment CW 7012, because the dimensions of the pivot pin do not conform to the ISO dimensions

Order number

3001 001 790



Spacer ring

for container locking

suitable for R 401 VAK, R 301 VA, R 405 VAN, R 305 VAN, VA 01 SK
 Surface galvanised

Order number
9371 000 188

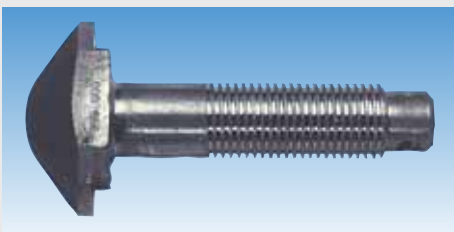


Pivot

for container locking

with thread limiting using ring
 Head length 98 mm
 Head width 54 mm
 Surface galvanised

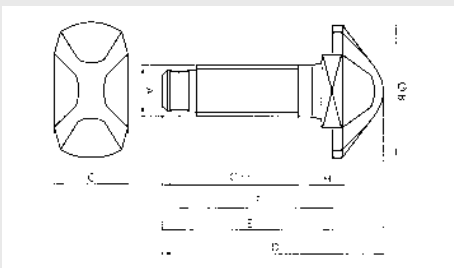
suitable for	Overall length mm	Shank length mm	Thread	Thread length mm	Order number
R 406 VAK, R 306 VA, R 407 VAK, QT 160-6, QT 166-80 V/RV	121	100	TR38 x 4	77	9370 162 101
F 17 SKA-70 V	125	90	TR38 x 4	74	9371 000 193
R 414 F, R 314 F, R 434 F, R 334 F, R 316 VA/VAP, R 416 VAK, R 336 VA, R 436 VAK, R 1018, FB 88-14 V, QT HV 200, SR 514 FQ, SR 516 VAQ, VA 36 SK, VA 16 SNK	155	120	TR38 x 4	90	9371 000 137
F14 SK-R	185	156	TR38 x 4	85	9371 000 250
R 405 VAK, R 305 VA/VAP, QT 200 V/RV, QT 160-80 V/RV	123	102	TR52 x 5	79	9371 000 276
R 404 VAK	153	118	TR52 x 5	90	9371 000 189
FD 02 SK-RV, F 02 SK-R, R 402 F-R, R 302 F-R, R 401 VAK, R 301 VA, VA 01 SK, SR 502 FQ, SR 501 VAQ	204	169	TR52 x 5	111	9371 000 213



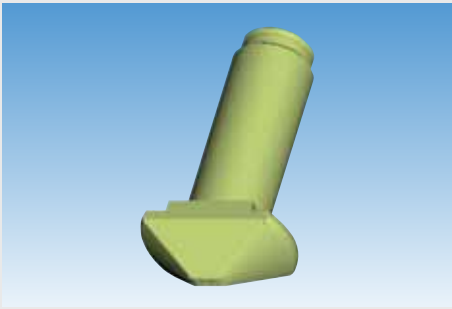
Pivot

for container locking

with thread limiting using knob
 Surface galvanised



suitable for	A mm	B mm	C mm	D mm	E mm	F mm	G mm	H mm	Order number
F14 SK-KN	TR38 x 4	98	54	205	170	158	100	8	9371 000 138
F02 SK-KN, FD 02 SK-KN	TR52 x 5	98	54	225	190	173	167	12	9371 000 051



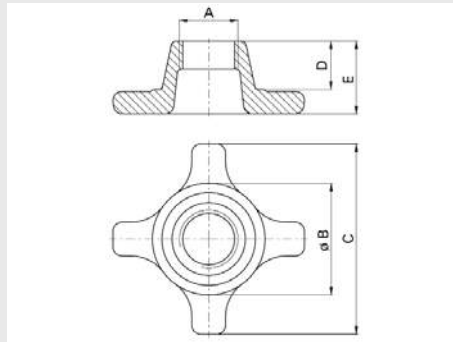
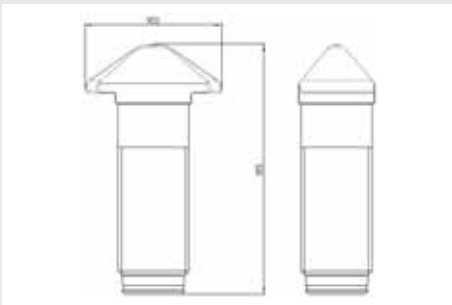
Clamping bolt

for container locking

suitable for	type 101/102/300
Thread	TR52 x 5
Overall length	185 mm
Shank length	149 mm
Material	forged steel

Order number

9370 102 101



Chuck

for container locking

Surface galvanised

suitable for	A mm	B mm	C mm	D mm	E mm	Order number
F 14 SK, F 10 SK-RV	TR38 x 4	84	140		25	9371 000 077
F 17 SKA-70 V, R 411 VAK, R 407 VAK, VA 11 SK	TR38 x 4	84	130	40	65	9371 000 208
R 414 F, R 314 F, R 434 F, R 334 F, R 316 VA/VAP, R 416 VAK, R 336 VA, R 436 VAK, R 1018, FB 88-14 V, QT HV 200, VA 36 SK	TR38 x 4	84	140	57	82	9371 000 127
R 406 VAK, R 306 VA, FB 89 -06 VAV, QT 160-6, QT 166-80 V/RV	TR38 x 4	100	170	43	65	3001 002 064
R 312 VA-RC, R 313 F - RC	TR52 x 5	84	140	57	82	3001 000 323
FD 02 SK-RV, F 02 SK-R, R 402 F-R, R 302 F-R	TR52 x 5	100	170		29	9371 000 088
R 405 VAK, R 305 VA/VAP, QT 200 V/RV, QT 160-80 V/RV	TR52 x 5	100	170	43	65	3001 003 849
VA 01 SK, R 401 VAK, R 301 VA	TR52 x 5	100	170	46	75	9371 000 072



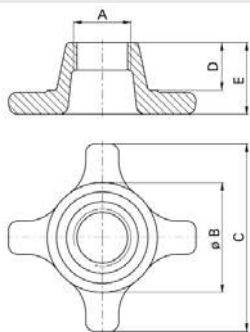
Chuck

for container locking Type 162

Thread	TR38 x 4
Surface	galvanised
B	82 mm
C	134 mm
D	46 mm
E	56 mm

Order number

9370 162 105



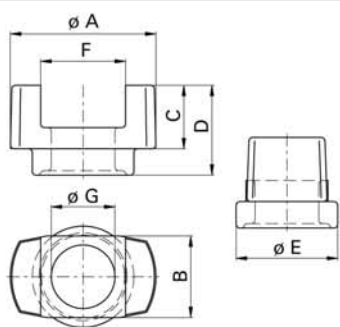
Guide socket

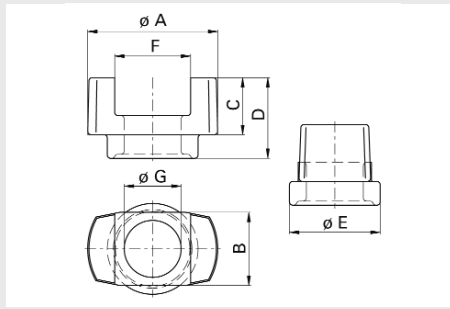
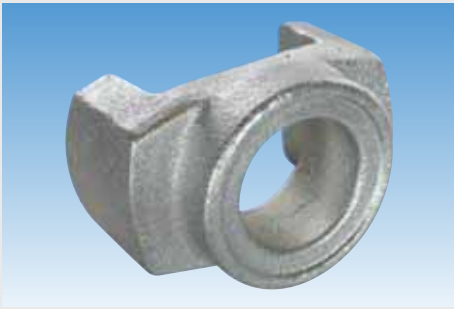
for container locking Type 162

Surface	galvanised
A	96 mm
B	48 mm
C	28 mm
D	40 mm
E	67 mm

Order number

9370 162 110



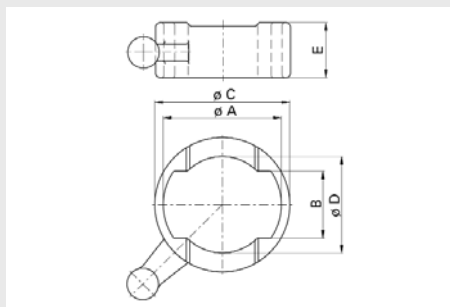


Guide socket

for container locking

Surface galvanised

suitable for	A mm	B mm	C mm	D mm	E mm	F mm	G mm	Order number
R 414 VAK, R 416 VAK, R 316 VA/VAP, R 436 VAK, R 336 VA, R 1018, QT HV 200, SR 516 VAQ, VA 16 SNK, VA 36 SK	98	56	42	60	67	57	40	9371 000 178
R 406 VAK, R 306 VA, R 407 VAK, QT 160-6, QT 166-80 V/RV	100	57	29	39	84	57	40	3001 002 059
VA 01 SK, R 401 VAK, R 301 VA, SR 501 VAQ	100	57	42	83	84	57	53	9371 000 161
R 405 VAK/VAN, R 305 VA/VAN/VAP, QT 200 V/RV, QT 160-80 V/RV	100	57	29	39	84	57	53	3001 002 134
R 404 VAK	100	57	28	49	84	57	53	9371 000 109
FD 02 SK-RV								9371 000 217
R 312 VA-RC	100	65	39	57	76	57	53	9370 000 322



Grooved bush

for container locking

suitable for	A mm	B mm	C mm	D mm	E mm	Order number
R 411 VAK, VA 11 SK	81	43	98	71	39	9371 000 126
162	100	50	113	70	43	9370 162 115
R 414 VAK, R 416 VAK, R 316 VA/VAP, R 436 VAK, R 336 VA, R 1018, QT HV 200, SR 516 VAQ, VA 16 SNK, VA 36 SK	100	58	112	69	58	9371 000 177
R 404 VAK	105	60	120	86	49	9371 000 108
VA 01 SK, R 401 VAK, R 301 VA, SR 501 VAQ	105	60	120	86	65	9371 000 160
R 305 VA/VAP, R 306 VA, R 405 VAK, R 406 VAK, R 407 VAK, FB 89-06 VAV, QT 200 V/RV, QT 166-80 V/RV, QT 160-80 V/RV, QT 160-6	105	60	120	86	39	3001 003 848
R 305 VA/VAP, R 306 VA, R 405 VAK, R 406 VAK, R 407 VAK, FB 89-06 VAV, QT 200 V/RV, QT 166-80 V/RV, QT 160-80 V/RV, QT 160-6	105	60	120	86	39	9371 000 274

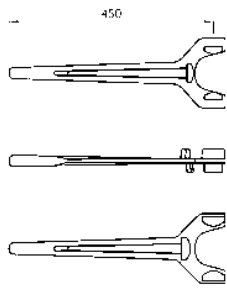


Circlip

for swap body system

Surface zinc plated

Pivot- ϕ mm	Inner ϕ mm	Order number
52	41.5	9371 000 187
38	26	9371 000 190

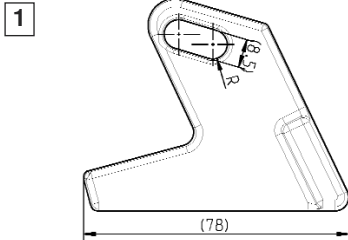


Operating key

for container locking/taper nut

Type	universal
Length	450 mm
Weight	2.7 kg

Order number
9371 259 000

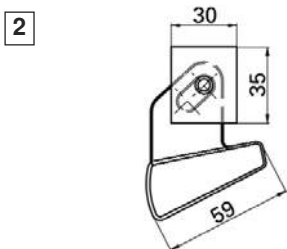


Drop guard

for container locking

secure the clamping nuts on locking devices and crossmembers against unintentional release

Version	Illustration	Order number
long front latch	1	9371 396 000
short front latch	2	3001 002 110



Drop guard

for container locking

secure the clamping nuts on locking devices and crossmembers against unintentional release

Application range

for all locking devices except F 10 SK, R 411 VAK, R 316 VAP and R 305 VAP

Version	Order number
can be welded, complete	3001 023 387
screw-type, complete	3001 024 308

Service parts

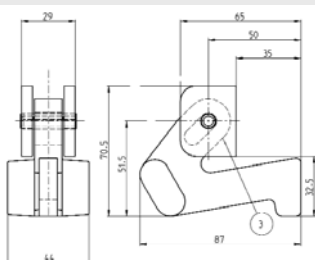
Description	Version	Order number
Latch	galvanised	9371 159 001
Twist lock	for FB 55	9371 159 002

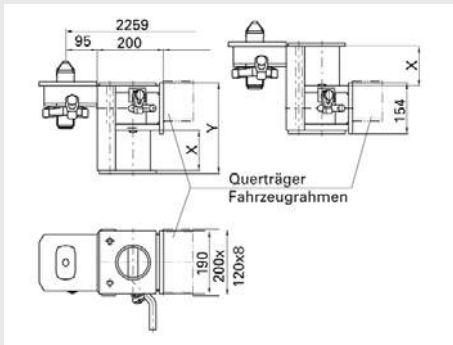
Drop guard

for cross-beams

Type	170
Version	long, weld-on piece steel
Material	cast GGG

Order number
9370 104 170





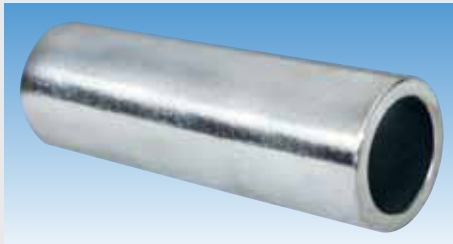
Vertical adjustment

can be combined with all container locking

Application range

for container chassis, recommended container total weight max. 34000 kg, for swap bodies up to max. 18000 kg

Type	Installation side	Order number
HVC 120 L	left	3001 023 389
HVC 120 R	right	3001 023 890



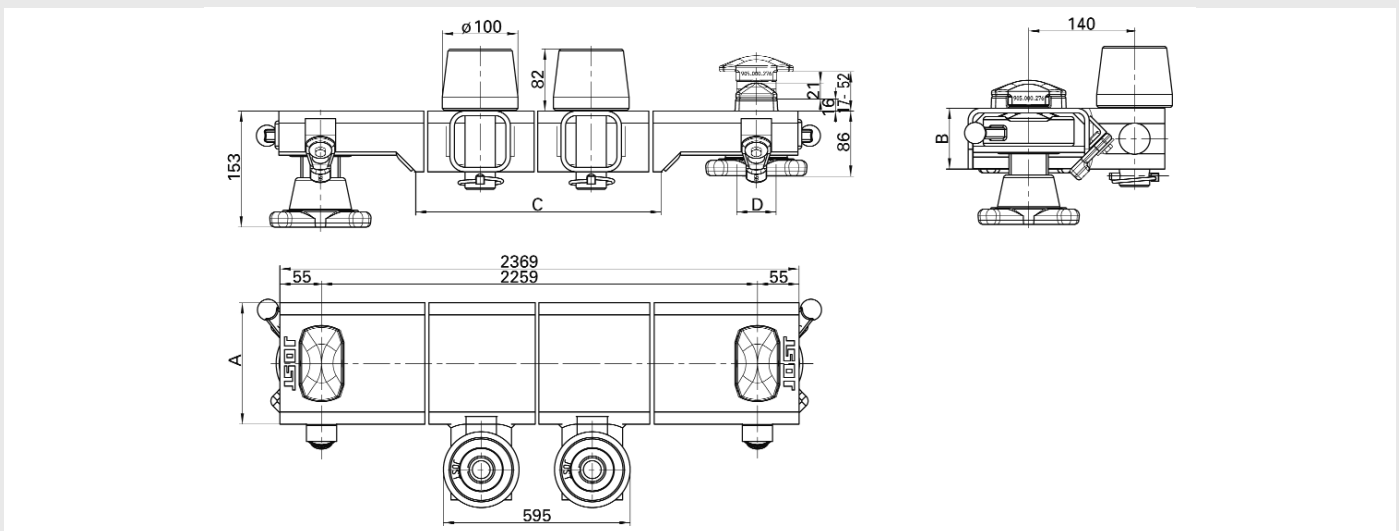
Knob

for container locking

suitable for F 02 SK-KN, FD 02 SK-KN, R 402 F-KN, R 302 F-KN
 Length 110 mm
 Diameter 19 mm

Order number
 3001 002 005

5



Cross member

QT 200 RV

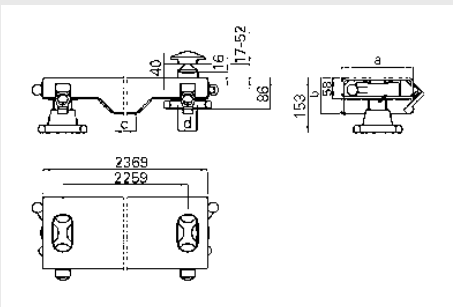
with welded-on guide roller

Version closed, both sides flattened and lowerable locking
 Surface primed
 A 200 mm
 B 100 mm
 C 1970 mm
 D 52 mm
 Length 2369 mm
 Distance between holes 2259 mm
 Weight 94 kg

Application range

for swap vehicles, recommended container total weight max. 32000 kg

Order number
 3001 200 001



Cross member

QT 200 V

Version	closed, both sides flattened and lowerable locking
Surface	primed
a	200 mm
b	100 mm
c	1970 mm
d	52 mm
Length	2369 mm
Distance between holes	2259 mm
Weight	82 kg

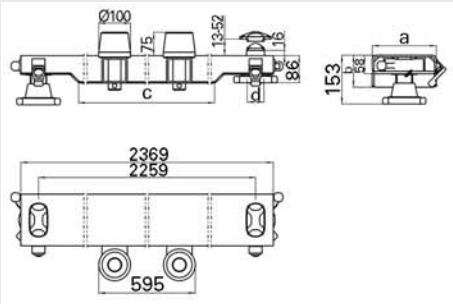
Application range

for swap vehicles and container chassis, recommended container total weight max. 25000 kg

Order number

3001 001 900

5



Cross member

QT 160-80 RV

with welded-on guide roller

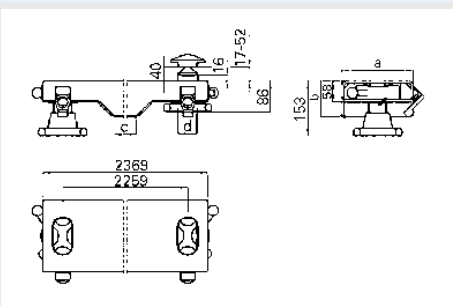
Version	closed, both sides flattened and lowerable locking
Length	2369 mm
Distance between holes	2259 mm
Weight	78 kg
Surface	primed
a	160 mm
b	80 mm
c	2000 mm
d	52 mm

Application range

for swap vehicles, recommended container total weight max. 18000 kg

Order number

3001 160 001



Cross member

QT 160-80 V

Version	closed, both sides flattened and lowerable locking
Length	2369 mm
Distance between holes	2259 mm
Weight	66.5 kg
Surface	primed
a	160 mm
b	80 mm
c	2000 mm
d	52 mm

Application range

for swap vehicles and container chassis, recommended container total weight max. 18000 kg

Order number

3001 001 895



Case for hazardous goods

approved according to hazardous goods transport regulations

Type 71 SN EP
Dimensions 385 x 290 x 95 mm

Scope of supply

airtight protective goggles, eye rinsing bottle with sterile filling, gloves, PVC-jersey lined, acid-resistant apron, FFP 1 dust mask

Order number

9194 319 000



Case for hazardous goods

approved according to hazardous goods transport regulations

Type 71 SN
Dimensions 385 x 290 x 95 mm

Scope of supply

airtight protective goggles, eye rinsing bottle with germ-free filling, gloves, PVC-jersey lined

Order number

9194 320 000



Case for hazardous goods

approved according to hazardous goods transport regulations

Type 72 SN
Dimensions 420 x 330 x 165 mm

Scope of supply

airtight protective goggles, eye rinsing bottle with germ-free filling, gloves, PVC-jersey lined, light protective clothing, over-boots made of rubber

Order number

9194 320 001



Case for hazardous goods

approved according to hazardous goods transport regulations

Type 73 SN -VM
Dimensions 420 x 330 x 165 mm

Scope of supply

Panorama full mask, combination filter DIN 3183, A2 B2 E2 K2, eye rinsing bottle with sterile contents, gloves PVC stockinette lined, light protective clothing, over-boots made of rubber

Order number

9194 320 002



Case for hazardous goods

approved according to hazardous goods transport regulations

Type 74 SN-VM
Dimensions 420 x 330 x 165 mm

Scope of supply

Panorama full mask, combination filter DIN 3183, A2 B2 E2 K2, eye rinsing bottle with germ-free filling, gloves PVC-jersey lined, protective suit with hood, over-boots made of rubber, first-aid equipment in accordance with DIN 13 164, rescue blanket, without bracket

Order number

9194 320 003



Warning panel

retro-reflecting
 Width 400 mm
 Height 300 mm
 Colour orange
 Material Sheet steel

according to GGVSEB/ADR

Version	Order number
rigid, with holder and edge protection	9650 205 100
rigid, with edge protection	9650 205 135



Warning panel

retro-reflecting type I
 Version rigid, with edge protection
 Width 400 mm
 Height 300 mm
 Colour orange
 Material sheet steel

according to GGVSEB/ADR

Order number
9650 205 770



Warning panel

retro-reflecting type 1
 Version folding, with edge protection and fastening elements
 Width 400 mm
 Height 300 mm
 Colour orange
 Material Sheet steel

in accordance with GGVSEB/ADR

Order number
9650 006 001



Warning panel

retro-reflecting type I
 Version folding, with edge protection and fastening elements
 Width 400 mm
 Height 300 mm
 Colour orange
 Material sheet steel

Scope of supply

with pouch

according to GGVSEB/ADR

Order number
9650 100 008



Warning panel

retro-reflecting type I

Version folds horizontally, with edge protection and fastening elements
 Width 400 mm
 Height 300 mm
 Colour orange
 Material sheet steel

according to GGVSEB/ADR

Order number
9650 205 112



Number panel

retro-reflecting type I

Version foldable, with edge protection, without spaces
 Width 400 mm
 Height 300 mm
 Colour orange/black
 Material sheet steel

according to GGVSEB/ADR

Order number
9650 205 450



Number panel

retro-reflecting type I

Width 400 mm
 Height 300 mm
 Colour orange/black
 Material sheet steel

according to GGVSEB/ADR

Version

rigid, with edge protection, without spaces

rigid, with edge protection, without spaces, with digit set

Order number
9651 000 190
9650 205 400



Numeral set

25 digits and X

retro-reflecting type I

Version with edge protection
 Width 70 mm
 Height 117 mm
 Colour orange/black
 Material sheet steel

Scope of supply

with pouch

according to GGVSEB/ADR

Order number
9650 205 410



Single substance warning panel

retro-reflecting type I
 Version rigid, with edge protection
 Width 400 mm
 Height 300 mm
 Colour orange/black
 Material sheet steel

according to GGVSEB/ADR

Hazard number	Order number
30/1202	9650 205 200
23/1965	9650 231 965



Bi-fuel warning panel

retro-reflecting type I
 Version rigid, with changeable strip
 Width 400 mm
 Height 300 mm
 Colour orange/black
 Material sheet steel

according to GGVSEB/ADR

Order number
9650 205 300



Two substances rotating panel

retro-reflecting type I
 Version rigid, with edge protection
 Hazard number 30/1202, 33/1203
 Width 400 mm
 Height 300 mm
 Colour orange/black
 Material sheet steel

according to GGVSEB/ADR

Order number
9650 205 340



Cover

for hazardous goods warning panels according to GGVSEB/ADR

fire-tested according to DIN, remains fire-resistant for 15 minutes

Width 410 mm
 Height 308 mm
 Material sheet steel
 Surface coated

Order number
9650 205 921

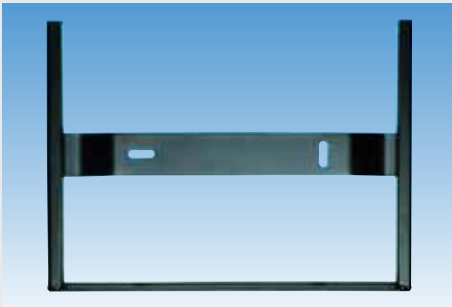


Bracket set

for hazardous goods warning panels according to GGVSEB/ADR

Material flat steel

Order number
9650 205 900



Clip-on frame

for hazardous goods warning panels according to GGVSEB/ADR

Width	400 mm
Height	300 mm
Material	sheet steel

Order number
9650 205 750

Bag

for accompanying documents

Length	255 mm
Width	195 mm

Order number
9650 205 930

5



Drain cover

plastic cover, fabric reinforced

Scope of supply

with bag

in accordance with ADR

Dimensions mm	Order number
1000 x 1000	9650 005 001
2000 x 3000	9650 000 501



Hazardous goods slip

Explosives

Class 1

according to GGVSEB/ADR

Material	Length mm	Width mm	Order number
plastic	250	250	9650 000 320
plastic	300	300	9652 060 100
aluminium	300	300	9652 060 000
self-adhesive film	100	100	9650 000 640
self-adhesive film	250	250	9650 300 040
self-adhesive film	300	300	9563 003 001



Hazardous goods slip

Explosives division 1.4

Length 250 mm

Width 250 mm

according to GGVSEB/ADR

Material	Order number
plastic	9650 000 330
self-adhesive film	9650 000 342



Hazardous goods slip

Explosives division 1.5

Length 250 mm

Width 250 mm

Material plastic

according to GGVSEB/ADR

Order number

9650 000 331



Hazardous goods slip

Explosives division 1.6

Length 250 mm

Width 250 mm

Material plastic

according to GGVSEB/ADR

Order number

9650 000 332



Hazardous goods slip

Combustible, flammable liquids/gases

Class 2.1

according to GGVSEB/ADR

Material	Length mm	Width mm	Order number
plastic	250	250	9650 000 334
plastic	300	300	9650 632 000
self-adhesive film	100	100	9650 000 650
self-adhesive film	300	300	9659 000 050



Hazardous goods slip

Non-flammable non-toxic gas

Class 2.2

according to GGVSEB/ADR

Material	Length mm	Width mm	Order number
plastic	250	250	9650 000 335
self-adhesive film	300	300	9650 000 510



Hazardous goods slip

Combustible, flammable liquids

Class 3

according to GGVSEB/ADR

Material	Length mm	Width mm	Order number
plastic	250	250	9650 000 345
plastic	300	300	9652 060 200
aluminium	300	300	9650 602 000
magnetic film	300	300	9651 000 340
self-adhesive film	100	100	9652 060 201
self-adhesive film	250	250	9650 000 340
self-adhesive film	300	300	9650 206 020



Hazardous goods slip

Combustible, flammable substances

Class 4.1

according to GGVSEB/ADR

Material	Length mm	Width mm	Order number
plastic	250	250	9650 000 350
plastic	300	300	9652 060 300
aluminium	300	300	9650 603 000
magnetic film	300	300	9652 060 333
self-adhesive film	100	100	9652 060 301
self-adhesive film	250	250	9652 060 321
self-adhesive film	300	300	9650 206 030



Hazardous goods slip

Liable to spontaneous combustion

Class 4.2

according to GGVSEB/ADR

Material	Length mm	Width mm	Order number
plastic	250	250	9650 000 360
plastic	300	300	9652 060 400
aluminium	300	300	9650 604 000
magnetic film	300	300	9650 000 625
self-adhesive film	100	100	9652 060 401
self-adhesive film	250	250	9650 300 045
self-adhesive film	300	300	9650 206 040



Hazardous goods slip

Emits flammable gases in contact with water

Class 4.3

according to GGVSEB/ADR

Material	Length mm	Width mm	Order number
plastic	250	250	9650 000 370
plastic	300	300	9652 060 500
aluminium	300	300	9650 206 050
magnetic film	300	300	9651 000 341
self-adhesive film	100	100	9652 060 501
self-adhesive film	250	250	9650 300 046
self-adhesive film	300	300	9651 206 050



Hazardous goods slip

Oxidising agents

Class 5.1

according to GGVSEB/ADR

Material	Length mm	Width mm	Order number
plastic	300	300	9652 060 600
aluminium	300	300	9650 000 052
self-adhesive film	100	100	9650 000 630
self-adhesive film	250	250	9650 000 341
self-adhesive film	300	300	9650 000 513



Hazardous goods slip

Toxic

Class 6.1

according to GGVSEB/ADR

Material	Length mm	Width mm	Order number
plastic	250	250	9650 000 390
plastic	300	300	9652 061 100
aluminium	300	300	9650 607 000
magnetic film	300	300	9650 061 010
self-adhesive film	100	100	9652 060 701
self-adhesive film	250	250	9650 300 048
self-adhesive film	300	300	9650 206 070



Hazardous goods slip

Infectious substances

Class 6.2

according to GGVSEB/ADR

Material	Length mm	Width mm	Order number
aluminium	300	300	9650 602 010
magnetic film	300	300	9650 000 620
self-adhesive film	100	100	9650 000 635
self-adhesive film	250	250	9650 300 057
self-adhesive film	300	300	9650 206 190



Hazardous goods slip

Radioactive material in category I containers, white

Class 7A

Material plastic

according to GGVSEB/ADR

Length mm	Width mm	Order number
250	250	9650 000 410
300	300	9652 061 000



Hazardous goods slip

Radioactive material in category II containers, yellow

Class 7B

Length 250 mm

Width 250 mm

Material plastic

according to GGVSEB/ADR

Order number
9650 000 420



Hazardous goods slip

Radioactive material in category III containers, yellow

Class 7C
 Length 250 mm
 Width 250 mm
 Material plastic

according to GGVSEB/ADR

Order number

9650 000 430



Hazardous goods slip

Radioactive material

Class 7D

according to GGVSEB/ADR

Material	Length mm	Width mm	Order number
plastic	250	250	9650 000 440
magnetic film	300	300	9650 061 011



Hazardous goods slip

Corrosive substances

Class 8

according to GGVSEB/ADR

Material	Length mm	Width mm	Order number
plastic	250	250	9650 000 450
plastic	300	300	9652 061 732
aluminium	300	300	9650 609 000
magnetic film	300	300	9652 061 733
self-adhesive film	100	100	9652 061 701
self-adhesive film	250	250	9650 300 054
self-adhesive film	300	300	9650 206 090



Hazardous goods slip

Miscellaneous dangerous substances and items

Class 9

according to GGVSEB/ADR

Material	Length mm	Width mm	Order number
plastic	250	250	9650 000 460
plastic	300	300	9650 640 000
aluminium	300	300	9650 206 182
magnetic film	300	300	9650 000 910
self-adhesive film	100	100	9652 061 801
self-adhesive film	250	250	9652 060 022
self-adhesive film	300	300	9650 206 180



Hazardous goods slip

Environmentally hazardous substances

Class 9 UG

in accordance with GGVSEB/ADR

Material	Length mm	Width mm	Order number
Sheet steel	250	250	9651 000 300
Sheet steel	300	300	9651 000 333
plastic	250	250	9651 000 320
plastic	300	300	9650 003 509
magnetic film	250	250	9650 100 031
Magnetic foil	300	300	9651 000 342
self-adhesive film	250	250	1269 000 409
Self-adhesive film	300	300	9590 000 509

5



Clip-on frame

for hazard labels according to GGVSEB/ADR

Material Sheet steel

Dimensions mm	Order number
250 x 250	9650 206 525
300 x 300	9650 206 520



Warning panel

Wide load

retro-reflecting type I

Width 423 mm

Height 423 mm

Colour white/red

Version	Material	Order number
with edge protection	sheet steel	9650 204 521
-	magnetic film	9652 700 710
-	self-adhesive film	9650 204 522



Warning panel

Wide load

retro-reflecting type I

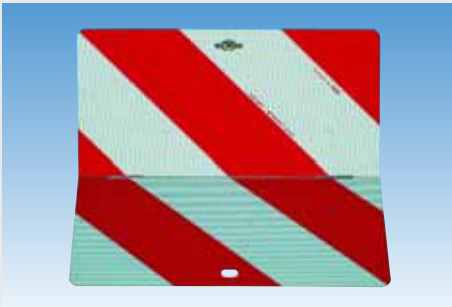
Width 846 mm

Height 141 mm

Colour white/red

Material self-adhesive film

Type	Order number
indicating left	9650 204 600
indicating right	9650 204 601



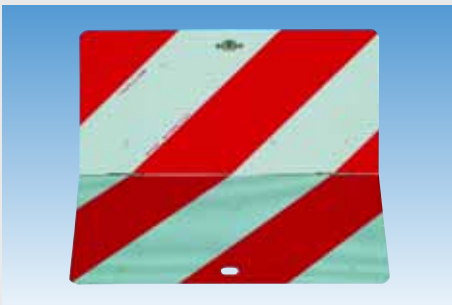
Warning panel

Wide load

retro-reflecting type I

Version folding, with edge protection
 Colour white/red
 Material sheet steel

Dimensions mm	Type	Order number
423 x 423	indicating left	9650 204 512
423 x 423	indicating right	9650 204 511
282 x 564	indicating left	9650 204 550
282 x 564	indicating right	9650 204 551



Parking warning sign

retro-reflective type II, fluorescent

Form A
 Width 423 mm
 Height 423 mm
 Colour white/red
 Material sheet steel

Version	Type	Order number
folding, with edge protection	indicating left	9650 204 510
folding, with edge protection	indicating right	9651 204 510
folding, without edge protection	indicating left	9650 010 700
folding, without edge protection	indicating right	9650 010 710



Parking warning sign

retro-reflective type II, fluorescent

Form A
 Width 423 mm
 Height 423 mm
 Colour white/red
 Material sheet steel

Version	Order number
rigid, with edge protection	9650 204 500
rigid, without edge protection	9650 010 690



Parking warning sign

retro-reflective type III, fluorescent

Version folding, without edge protection
 Form B
 Width 285 mm
 Height 285 mm
 Colour white/red
 Material sheet steel

Type	Order number
indicating left	9650 016 140
indicating right	9651 600 150

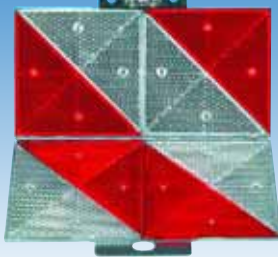


Parking warning sign

retro-reflective type III, fluorescent

Version	rigid, without edge protection
Form	A
Width	285 mm
Height	285 mm
Colour	white/red
Material	sheet steel

Type	Order number
indicating left	9651 600 100
indicating right	9651 600 110



Parking warning sign

Prism reflectors

1.5 mm sheet, beaded at the sides, stainless steel side hinge, 8 reflectors for strong reflection

Version	foldable
Width	285 mm
Height	285 mm
Colour	white/red
Material	Aluminium

Type	Order number
pointing right	9650 000 200
left-pointing	9650 000 210



Screw closure

for folding warning panels

Material	brass
Surface	nickel-plated

Order number
9650 204 515



Warning panel

Elbe tunnel panel

non-reflective

Version	foldable, without edge protection, with fastening elements
Width	400 mm
Height	400 mm
Colour	black/white
Material	sheet steel

in accordance with the Hamburg city regulations for transport of hazardous substances at night

Order number
9534 200 001



Warning panel

TIR

non-reflective

Width 400 mm

Height 250 mm

Colour blue/white

Version	Material	Order number
rigid, with edge protection	Sheet steel	9650 203 400
rigid, without edge protection	plastic	8000 000 585
-	self-adhesive film	9652 034 001



Warning panel

TIR

non-reflective

Width 400 mm

Height 250 mm

Colour blue/white

Material Sheet steel

Version	Order number
folding, with edge protection and fastening elements	9650 203 410
folding, without edge protection	9650 210 004



Warning panel

Waste

retro-reflecting type I

Width 400 mm

Height 300 mm

Colour white

Material sheet steel

Version	Order number
rigid, with edge protection	9650 205 050
rigid, without edge protection	9650 205 051



Warning panel

Waste

retro-reflecting type 1

Version folding, with fastening elements and edge protection

Width 400 mm

Height 300 mm

Colour white

Material Sheet steel

Order number
9650 205 060



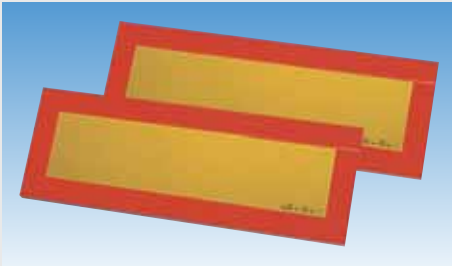
Warning panel

Waste

retro-reflecting type I

Version	rigid, with holder and edge protection
Width	400 mm
Height	300 mm
Colour	white
Material	sheet steel

Order number
9652 050 500



Marking board set

retro-reflective type II, fluorescent

Standard	ECE 70
Width	565 mm
Height	195 mm
Colour	amber/red
Material	aluminium

Application range

for trailers and semi-trailers

Version

bevelled	9650 000 490
smooth	9651 300 182

Order number



Marking board

retro-reflective type II, fluorescent

Standard	ECE 70
Colour	amber/red

Application range

for trailers and semi-trailers

Version	Dimensions mm	Material	Order number
smooth	195 x 565	aluminium	9650 575 572
smooth	195 x 1130	sheet steel	9651 300 050
-	195 x 565	self-adhesive film	9651 061 000



Marking board

retro-reflective type III, fluorescent

Version	smooth
Standard	ECE 70.01
Width	565 mm
Height	195 mm
Colour	amber/red
Material	aluminium

Application range

for trailers and semi-trailers

Order number
9651 300 185



Speed sign

non-reflective

Diameter 200 mm

Colour white/black

Version	Material	Order number
6 km/h	self-adhesive film	9652 060 035
20 km/h	self-adhesive film	9652 020 020
25 km/h	self-adhesive film	9652 020 025
30 km/h	self-adhesive film	2300 001 582
40 km/h	self-adhesive film	9652 020 040
50 km/h	self-adhesive film	9652 020 050
60 km/h	self-adhesive film	9652 020 060
62 km/h	self-adhesive film	9650 202 620
80 km/h	self-adhesive film	9652 020 080
100 km/h	self-adhesive film	9652 020 100
6 km/h	plastic	2300 001 570
20 km/h	plastic	2300 001 572
25 km/h	plastic	2300 001 574
40 km/h	plastic	2300 001 576
60 km/h	plastic	9650 010 060
80 km/h	plastic	9652 020 180
90 km/h	plastic	9652 020 185



Speed sign

non-reflective

Diameter 200 mm

Colour white/red/black

Material self-adhesive film

Version	Order number
60 km/h	9650 007 280
70 km/h	9650 000 525
80 km/h	9652 020 081
90 km/h	9650 000 728
100 km/h	9652 020 101



Speed sign

retro-reflecting type I

Diameter 200 mm

Colour white/red/black

Material self-adhesive film

Version	Order number
70 km/h	9659 000 157
80 km/h	9650 000 530
100 km/h	9650 000 540



Information board

Caution! Trailer swings out

Width 800 mm
 Height 200 mm
 Colour white/red/black

Material

sheet steel
 self-adhesive film

Order number

9650 206 600
 9650 206 601



Information board

Caution! Vehicle swings out

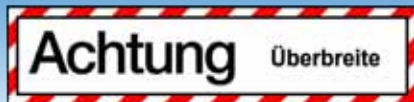
Width 800 mm
 Height 200 mm
 Colour white/red/black

Material

sheet steel
 self-adhesive film

Order number

9650 206 620
 9659 000 270



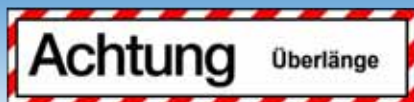
Information board

Caution! Wide load

Width 800 mm
 Height 200 mm
 Colour white/red/black
 Material sheet steel

Order number

9659 000 271



Information board

Caution! Long vehicle

Width 800 mm
 Height 200 mm
 Colour white/red/black
 Material sheet steel

Order number

9659 000 273



Information board

Construction vehicle

Width 650 mm
 Height 200 mm
 Colour white/red/black

Material

plastic
 self-adhesive film

Order number

9650 000 735
 9659 000 280



Bitte 2 m Rangierabstand halten

Information board

Please leave 2 metres manouvering space

Width 500 mm
 Height 50 mm
 Colour white/black
 Material self-adhesive film

Order number
 9659 000 320



CONVOI
EXCEPTIONNEL

Information board

Convoi Exceptionnel Special Convoy

retro-reflective type II
 Version France
 Width 1200 mm
 Height 400 mm
 Colour yellow/black
 Material sheet steel

Order number
 9659 000 902



Warning flag

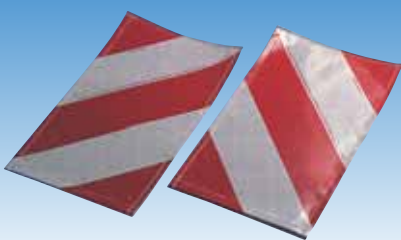
Load swings out

retro-reflective type II
 Width 425 mm
 Height 465 mm
 Colour white/red
 Material PVC

Scope of supply

with fixing rail

Order number
 9651 800 360



Warning markings

for hoisting platform

Width 250 mm
 Height 400 mm
 Colour red/white
 Material flexible high-reflex fabric

Version	Type	Order number
left, with bracket		9651 700 021
right, with bracket		9651 700 031
without bracket	left	9651 700 001
without bracket	right	9651 700 002

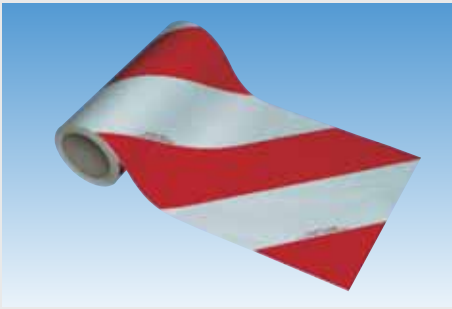


Replacement holder

for warning markings on tail lifts

Material aluminium

Order number
 9650 047 120



Warning markings

retro-reflective type II
 Length 9000 mm
 Colour red/white
 Material self-adhesive film

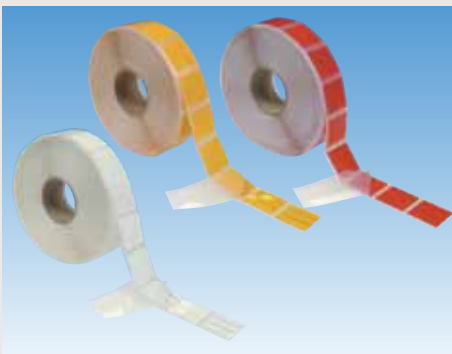
Width mm	Type	Order number
282	indicating left	9650 007 366
282	indicating right	9650 017 366
141	indicating left	9659 110 045
141	indicating right	9659 110 025



Traffic cone

retro-reflective type II
 Version with cone foot, stackable
 Height 500 mm
 Colour white/red
 Material PVC

Order number
 9197 200 150



Reflective tape

for marking contours

Special tape for the conspicuous marking of vehicle bodywork (flatbed), to increase the passive safety on parked vehicles, type III retro-reflective

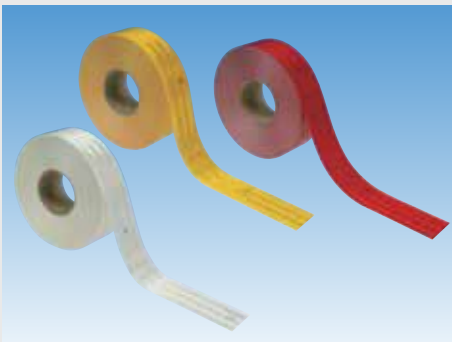
Standard ECE 104, ECE 48
 Container Roll
 Length 50 m
 Width 51 mm

Application range

Flat bed trucks

For new flatbeds which are not older than 3 months

Colour	Order number
white	9657 200 600
yellow	9657 200 610
red	9657 200 640



Reflective tape

for marking contours

Special tape for the conspicuous marking of vehicle bodywork (van body/fixed body), to increase the passive safety on parked vehicles, type III retro-reflective.

Standard ECE 104, ECE 48
 Container Roll
 Width 55 mm

Application range

box truck/fixed body

Length m	Colour	Order number
50	white	9657 200 620
50	yellow	9657 200 630
50	red	9657 200 650
12.5	white	9657 200 622
12.5	yellow	9657 200 632
12.5	red	9657 200 652

Protect – Identify – Warn

Available from **EUROPART**:
warning panels in all designs



Did you know?

Every overhanging load must be identified with the appropriate warning panel.



1. Parking warning panels

The red & white parking warning panels in styles A and B respectively are compulsory outside built-up areas for parked vehicles above 3.5 t and all trailers. They are attached to the side of the vehicle or train which faces the traffic, up to a maximum height of 100 cm, so that they clearly close off the outline of the vehicle or load.

The reflectors and the number plate must not be covered by the parking warning panel.

2. ADR warning panels

The “orange-coloured identification” refers to the transportation of hazardous goods and to any dangers.

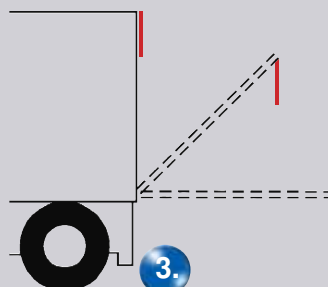
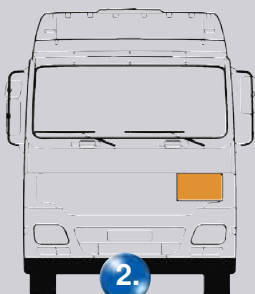
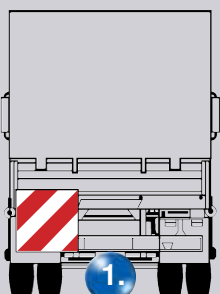
The ADR warning panels must be clearly visible front and rear, attached at a right angle to the longitudinal axis of the transport vehicle.

You can obtain neutral and numeric warning panels from EUROPART of course.

3. Tail lift warning markings

A tail lift must be visible from all sides, both when it is in the driving position and also when loading and unloading heavy goods.

Reflective warning markings for tail lifts consist of two flags, one each pointing left and right, as well as an aluminium interchangeable holder which is permanently secured to the tail lift.



**EURO
PART**
... more than parts

Lighting

6



Hella EasyConn lighting and cabling system.	508-524
Aspöck lighting and cabling system	525-543
Running lights	544-550
Side marker lights	551-558
Rear lights	559-586
Clearance lights.	587-592
Number plate lights	593-600
Position lights	601, 602
Reversing lights	603-606
Rear fog lights	607-610
Reflectors.	611-616
Additional stop lights	617
Worklights	618-626
Rotating beacons.	627-633
Interior lights	634-639
Adapters/cables and accessories	640-644
Bulbs	645-652



LED position light

Version	with reflector
Installation side	left/right
Width	130 mm
Height	32 mm
Voltage	24 V
Distance between holes	116 mm
Type	surface-mounting, horizontal/vertical
Colour	white

approved for vehicles in accordance with GGVS/ADR

Cable length Connection		Order number
mm		
300	2-pole EasyConn contact housing with cable	0008 645 321
1300	2-pole EasyConn contact housing with cable	0008 645 331
3000	2-pole EasyConn contact housing with cable	0008 645 341
300	quick-link with clamping piece and cable	0008 645 631
5000	Quick-link with clamping piece and cable	0008 645 641

6



LED position light

Installation side	left/right
Width	79 mm
Height	25.9 mm
Voltage	10-33 V
Type	surface-mounting
Colour	white

approved for vehicles in accordance with GGVS/ADR

Cable length mm		Order number
500		0959 590 401
5000		0959 590 411



LED position light

Installation side	left/right
Width	60 mm
Height	38 mm
Depth	32 mm
Voltage	10-33 V
Type	surface-mounting
Colour	white

approved for vehicles in accordance with GGVS/ADR

Cable length mm		Order number
500		0959 570 401
5000		0959 570 411



LED position light

simply press in, on vehicles with wall thicknesses from 3-10 mm

Installation side	left/right
Diameter	35 mm
Depth	39,5 mm
Voltage	24 V
Connection	2-pole EasyConn central connector
Type	flush-mounting
Colour	white

approved for vehicles in accordance with GGVS/ADR

Order number
0340 825 001



LED side marker light

Version	with reflector
Installation side	left/right
Width	130 mm
Height	32 mm
Voltage	24 V
Distance between holes	116 mm
Type	surface-mounting, horizontal/vertical
Colour	yellow

approved for vehicles in accordance with GGVS/ADR

Cable length mm	Connection	Order number
300	2-pole EasyConn contact housing with cable	0008 645 301
1300	2-pole EasyConn contact housing with cable	0008 645 311
2000	2-pole EasyConn contact housing with cable	9260 001 061
300	quick-link with clamping piece and cable	0008 645 611
1300	quick-link with clamping piece and cable	0008 645 621



LED rear light

EasyConn I with tail light in LED

Version	with indicator, brake, rear fog, tail, and reversing light, triangular reflector
Width	370 mm
Height	130 mm
Depth	85 mm
Socket	P21W/R10W/LED
Voltage	24 V
Connection	7-pole (ECon)
Fastening	2 x M8 threaded studs
Pin spacing	152 mm
Type	surface-mounted, horizontal
Colour	red/white/amber

approved for vehicles in accordance with GGVS/ADR

Installation side	Order number
left	9260 001 350
right	9260 001 351

Service parts

Lens

Installation side	Order number
left	0340 829 031
right	0340 829 021

6



LED rear light

EasyConn I with tail light and rubber arm lamp in LED

Version	with indicator, brake, rear fog, tail and reversing lights, triangular reflector, rubber arm lamp with position, side marking and clearance lights
Width	370 mm
Height	130 mm
Depth	85 mm
Socket	P21W/R10W/LED
Voltage	24 V
Connection	7-pole (ECon)
Fastening	2 x M8 threaded studs
Pin spacing	152 mm
Type	surface-mounted, horizontal
Colour	red/white/amber

approved for vehicles in accordance with GGVS/ADR

Installation side	Order number
left	0340 934 111
right	0340 934 101

Service parts

Description	Installation side	Order number
Lens	left	0340 829 031
Lens	right	0340 829 021
LED clearance light	left	0340 418 071
LED clearance light	right	0340 418 061



LED rear light

EasyConn II with tail light in LED

Version	with indicator, brake, rear fog, tail, and reversing light, triangular reflector
Width	370 mm
Height	130 mm
Depth	88 mm
Socket	P21W/PY21W/LED
Voltage	24 V
Connection	7-pole (ECon)
Fastening	2 x M8 threaded studs
Pin spacing	152 mm
Type	surface-mounted, horizontal
Colour	red/white/amber

approved for vehicles in accordance with GGVS/ADR

Installation side	Order number
left	0340 942 011
right	0340 942 001

Service parts

Lens

Installation side	Order number
left	9280 002 171
right	9280 002 172



LED rear light

EasyConn II with taillight and rubber arm lamp in LED

Version	with indicator, brake, rear fog, tail and reversing lights, triangular reflector, rubber arm lamp with position, side marking and clearance lights
Width	370 mm
Height	130 mm
Depth	88 mm
Socket	P21W/PY21W/LED/T4W
Voltage	24 V
Connection	7-pin (ECon)
Fastening	2 x M8 threaded studs
Pin spacing	152 mm
Type	Surface-mounting, horizontal
Colour	red/white/amber

approved for vehicles in accordance with GGVS/ADR

Installation side	Order number
left	0340 940 111
right	0340 940 101

Service parts

Description	Installation side	Order number
Lens	left	9280 002 171
Lens	right	9280 002 172
LED clearance light	left	0340 418 071
LED clearance light	right	0340 418 061



LED rear light

EasyConn II with taillight in LED and rubber arm lamp

Version	with indicator, brake, rear fog, tail and reversing lights, triangular reflector, rubber arm lamp with position, side marking and clearance lights
Width	370 mm
Height	130 mm
Depth	88 mm
Socket	P21W/PY21W/LED/T4W
Voltage	24 V
Connection	7-pin (ECon)
Fastening	2 x M8 threaded studs
Pin spacing	152 mm
Type	Surface-mounting, horizontal
Colour	red/white/amber

approved for vehicles in accordance with GGVS/ADR

Installation side	Order number
left	0340 942 111
right	0340 942 101

Service parts

Lens

Installation side	Order number
left	9280 002 171
right	9280 002 172

6



Rear light

EasyConn I with vertical optics and double bulb mounting in tail light

Width	440 mm
Height	148 mm
Depth	82 mm
Cable length	500 mm
Socket	BA15s P21W/BA15s R5W/SV8,5 C5W
Voltage	24 V
Connection	7-pole EasyConn contact housing with cable
Fastening	2 x M8 threaded studs
Pin spacing	152 mm
Type	surface-mounted, horizontal
Colour	red/white/amber

approved for vehicles in accordance with GGVS/ADR

Installation side	Version	Order number
left	with indicator, brake, rear fog, tail, side marker and reversing light, triangular reflector	0340 450 451
right	with indicator, brake, rear fog, tail, side marker and reversing light, triangular reflector	0340 450 441

Service parts

Lens

Description	Order number
for rear light	0340 208 001
for side marker light with reflector	0146 838 001

Gute Trailer sind Markenware.

Die passende Beleuchtung auch.



Hella unterstützt die
Kraftfahrer-Initiative V^{top}

Sie fahren lange im Schatten der Trucks: Die Trailer. Waren Anhänger, nicht Motor des Geschehens. Dann wurden Nutzlast und Stauraum immer wichtiger – kostenentscheidend. Denn mit dem Trailer wird das Geld verdient. Der Truck ist „nur“ Zugmittel zum Zweck. Das weckte die Kreativität der Trailerhersteller. Sie schufen maßgeschneiderte Lösungen für mehr Effizienz bei der Raumnutzung, beim Be- und Entladen, beim Kilometerfressen. Und sie

bauten mehr Sicherheit in den Trailer und an den Trailer. Beispielsweise Heckleuchten, Positionsluchten, Umriss- und Seitenmarkierungsleuchten von Hella. Und zukunftssichere Komplettlösungen wie Hella EasyConn. Denn gute Trailer sind Markenware. Da müssen Trailer und Beleuchtung qualitativ auf Augenhöhe sein. Stimmt, sagen Fahrer und Chefs. Stimmt, sagt die Werkstatt ihres Vertrauens.



**Ideen für das
Auto der Zukunft**



Rear light

EasyConn I with horizontal optics and double bulb mounting in tail light

Version	with indicator, brake, rear fog, tail, side marker and reversing light, triangular reflector
Width	440 mm
Height	148 mm
Depth	82 mm
Cable length	500 mm
Socket	BA15s P21W/BA15s R5W/SV8,5 C5W
Voltage	24 V
Connection	7-pole EasyConn contact housing with cable
Fastening	2 x M8 threaded studs
Pin spacing	152 mm
Type	surface-mounted, horizontal
Colour	red/white/amber

approved for vehicles in accordance with GGVS/ADR

Installation side	Order number
left	0340 450 511
right	0340 450 501

Service parts

Lens

Description	Order number
for rear light	8840 250 112
for side marker light with reflector	0146 838 001

6



LED clearance light

Width	177.5 mm
Height	163.8 mm
Depth	35 mm
Cable length	500 mm
Voltage	24 V
Distance between holes	78 mm
Type	surface-mounting, standing upright
Colour	red/white/amber

approved for vehicles in accordance with GGVS/ADR

Installation side	Connection	Order number
left	2-pole EasyConn socket housing with cable	0340 418 031
right	2-pole EasyConn socket housing with cable	0340 418 021
left	quick-link with clamping piece and cable	0340 418 131
right	quick-link with clamping piece and cable	0340 418 121



LED clearance light

Width	181.6 mm
Height	104.5 mm
Depth	35 mm
Cable length	500 mm
Voltage	24 V
Distance between holes	78 mm
Type	surface-mounting, standing horizontal
Colour	red/white/amber

Installation side	Connection	Order number
left	2-pole EasyConn socket housing with cable	9260 001 195
right	2-pole EasyConn socket housing with cable	9260 001 194
left	quick-link with clamping piece and cable	0340 448 031
right	quick-link with clamping piece and cable	0340 448 021



LED clearance light

Installation side	left/right
Width	132.5 mm
Height	101.6 mm
Depth	35 mm
Cable length	500 mm
Voltage	24 V
Distance between holes	78 mm
Type	surface-mounting, at the side
Colour	red/white/amber

approved for vehicles in accordance with GGVS/ADR

Connection	Order number
2-pole EasyConn socket housing with cable	0340 447 021
quick-link with clamping piece and cable	0340 447 001



Clearance light

Width	177.5 mm
Height	163.8 mm
Depth	35 mm
Cable length	500 mm
Voltage	24 V
Distance between holes	78 mm
Type	surface-mounting, standing upright
Colour	red/white/amber

approved for vehicles in accordance with GGVS/ADR

Installation side	Connection	Order number
left	2-pole EasyConn socket housing with cable	0340 827 011
right	2-pole EasyConn socket housing with cable	0340 827 001
left	quick-link with clamping piece and cable	0340 827 131
right	quick-link with clamping piece and cable	0340 827 121

Service parts

Order number
0303 581 001



Clearance light

Installation side	left/right
Width	132.5 mm
Height	101.6 mm
Depth	35 mm
Cable length	500 mm
Voltage	24 V
Distance between holes	78 mm
Type	surface-mounting, at the side
Colour	red/white/amber

Connection	Order number
2-pole EasyConn socket housing with cable	0302 240 051
quick-link with clamping piece and cable	0302 240 031



Clearance light

Width	181.6 mm
Height	104.5 mm
Depth	35 mm
Cable length	500 mm
Voltage	24 V
Distance between holes	78 mm
Type	surface-mounting, standing horizontal
Colour	red/white/amber

approved for vehicles in accordance with GGVS/ADR

Installation side	Connection	Order number
left	2-pole EasyConn socket housing with cable	0302 241 071
right	2-pole EasyConn socket housing with cable	0302 241 081
left	quick-link with clamping piece and cable	0302 241 091
right	quick-link with clamping piece and cable	0302 241 101



LED numberplate lamp

Installation side	left/right
Width	66.2 mm
Height	93 mm
Depth	63 mm
Cable length	500 mm
Voltage	24 V
Distance between holes	72 mm
Type	surface-mounting
Colour	white

approved for vehicles in accordance with GGVS/ADR

Connection	Order number
2-wire cable with 2-pole EasyConn socket housing	9260 001 167
2 core cable with Quick-Link	9260 001 156



Numberplate lamp

Installation side	left/right
Width	105 mm
Depth	55,5 mm
Cable length	500 mm
Socket	SV8,5 C5W
Voltage	24 V
Connection	2-pole EasyConn socket housing with cable
Pin spacing	45 mm
Type	surface-mounting
Colour	white

approved for vehicles in accordance with GGVS/ADR

Order number
0340 828 001

Service parts

Clamping piece for Quick-Link cabling

Order number
0998 602 002

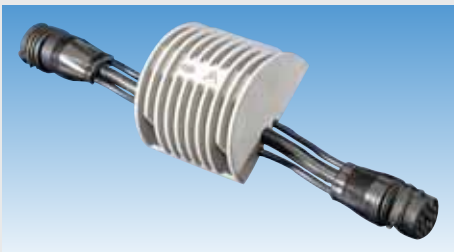


LED position light

Version	with reflector
Installation side	left/right
Width	130 mm
Height	32 mm
Voltage	24 V
Distance between holes	116 mm
Type	surface-mounting, horizontal/vertical
Colour	red

approved for vehicles in accordance with GGVS/ADR

Cable length mm	Connection	Order number
5000	2-pole EasyConn contact housing with cable	9260 001 095
300	quick-link with clamping piece and cable	0008 645 651
5000	quick-link with clamping piece and cable	0008 645 661



LED control unit

for direction indicators

own power supply not necessary

Version	with EMV approval
Voltage	24 V
Connection	15-pole EasyConn contact housing and socket housing with cable
Protection class	IP6K9K

approved for vehicles in accordance with GGVS/ADR

Order number
0009 552 001



Front adapter cable

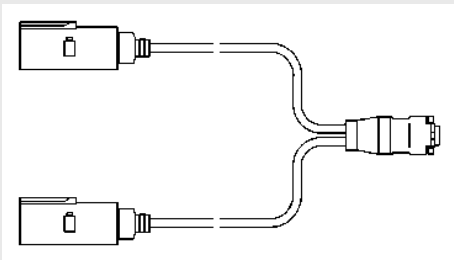
EasyConn for semi-trailer

2 x 7-wire from 15-pole EasyConn contact housing to socket 7-N DIN/ISO 1185 (line 3 x 2,5 mm²/4 x 1,5 mm²) and socket 7-S DIN/ISO 3731 (line 7 x 1,5 mm²)

suitable for main supply lines of the series 8KA 340 815-..., 8KA 340 816-... and 8KA 340 817-...

approved for vehicles in accordance with GGVS/ADR

Length mm	Order number
600	0340 818 011
1700	0340 818 001
6000	0340 818 031



Front adapter cable

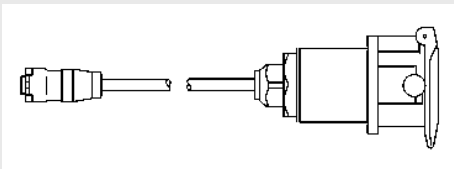
EasyConn for trailers

2 x 7-wire from 15-pole EasyConn contact housing to connector 7-N DIN/ISO 1185 (line 3 x 2,5 mm²/4 x 1,5 mm²) and connector 7-S DIN/ISO 3731 (line 7 x 1,5 mm²)

suitable for main supply lines of the series 8KA 340 815-..., 8KA 340 816-... and 8KA 340 817-...

approved for vehicles in accordance with GGVS/ADR

Length mm	Order number
3500	0340 841 001
6000	0340 841 021



Front adapter cable

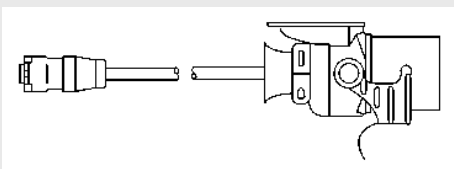
EasyConn for semi-trailer

15-wire (12 x 1,0 mm²/3 x 2,5 mm²) from 15-pole EasyConn contact housing to 15-pole socket DIN/ISO 12098

suitable for main supply lines of the series 8KA 340 815-..., 8KA 340 816-... and 8KA 340 817-...

approved for vehicles in accordance with GGVS/ADR

Length mm	Order number
600	0340 842 001
1700	0340 842 011



Front adapter cable

EasyConn for trailers

15-wire (12 x 1,0 mm²/3 x 2,5 mm²) from 15-pole EasyConn contact housing to 15-pole connector DIN/ISO 12098

suitable for main supply lines of the series 8KA 340 815-..., 8KA 340 816-... and 8KA 340 817-...

approved for vehicles in accordance with GGVS/ADR

Length mm	Order number
3500	0340 843 001
4500	0340 843 011
6000	0340 843 021



Main supply line

EasyConn 15-wire

12 x 1,0 mm²/3 x 2,5 mm² with two 15-pole EasyConn socket housings, fully assembled and moulded, without additional outgoing lines

approved for vehicles in accordance with GGVS/ADR

Length mm	Order number
10000	0340 815 011
12000	0340 815 021
15500	0340 815 001



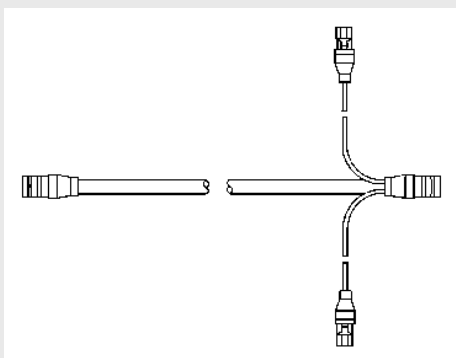
Main supply line

EasyConn 10-wire

8 x 1,0 mm²/2 x 2,5 mm² with two 15-pole EasyConn socket housings, fully assembled and moulded, without additional outgoing lines

approved for vehicles in accordance with GGVS/ADR

Length mm	Order number
9000	0340 816 001
12000	0340 816 011



Main supply line

EasyConn 15-wire with additional outgoing lines

12 x 1,0 mm²/3 x 2,5 mm² with two 15-pole EasyConn socket housings, fully assembled and moulded, with two 300 mm long outgoing lines each with a 2-pole EasyConn socket housing (1 x brown for right-hand tail light, 1 x black for left-hand tail light)

Length 15500 mm

approved for vehicles in accordance with GGVS/ADR

Order number
0340 817 011



Rear adapter line

EasyConn

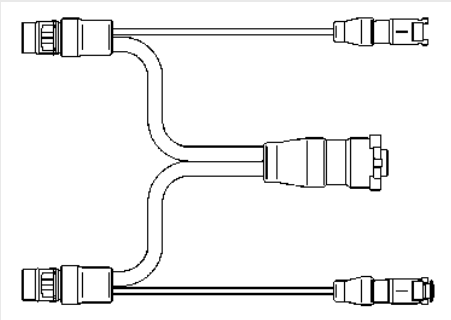
with 15-pole EasyConn contact housing, outgoing to two 7-wire lines (each 1300 mm long), with 7-pole EasyConn socket housing (for rear lights) as well as with three per side 2-pole EasyConn contact housings (e.g. for number plate lights, rubber arm lights and side marker light chains), connected through three lines (2 x 0,5 mm²) each side, with a cable length of 500 mm between the individual contact housings

suitable for main supply lines of the series 8KA 340 815-..., 8KA 340 816-... and 8KA 340 817-...

approved for vehicles in accordance with GGVS/ADR

Order number
0340 819 001





Rear adapter line

EasyConn

with 15-pole EasyConn contact housing outgoing to two 7-wire lines (each 3000 mm long) with 7-pole EasyConn socket housing (for rear lights), as well as one per side of 2-pole EasyConn contact housing (e.g. for side marker light chains), one of which is sealed closed with a sealing cap, connected by a 3000 mm long flat cable (2 x 1,5 mm²) each side (e.g. for clearance lights with Quick-Link cabling)

suitable for main supply lines of the series 8KA 340 815-..., 8KA 340 816-... and 8KA 340 817-...

approved for vehicles in accordance with GGVS/ADR

Order number

0340 819 041



Flat cable

EasyConn for side marker and position lights

supply line (2 x 1,5 mm²), for connection of side marker lights with reflectors and position lights by Quick-Link cabling or cutting and crimping techniques, with 2-pole EasyConn socket housing and shrink-fit end caps

approved for vehicles in accordance with GGVS/ADR

Length mm

Order number

6000 0340 822 071

10000 0340 822 081

13500 0340 822 051

15000 0340 822 061

19000 0340 822 091

21000 0340 822 001



Helical cable

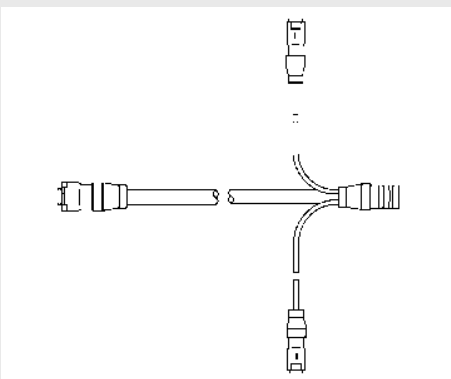
EasyConn

adapter cable, 8-wire (7 x 1 mm²/1 x 2,5 mm²), with 3000 mm long spiral cable, with 15-pole EasyConn contact housing and 15-pole EasyConn socket housing, fully assembled and moulded, can be used as adapter cable between the main supply cable and the rear or front adapter cable

approved for vehicles in accordance with GGVS/ADR

Order number

0340 845 001



Intermediate adapter line

EasyConn

adapter line 15-wire (12 x 1,0 mm²/3 x 2,5 mm²), 500 mm long, with 15-pole EasyConn contact housing and 15-pole socket housing with two outgoing lines (each 300 mm long) on the side of the 15-pole EasyConn socket housing, each with a 2-pole EasyConn contact housing (1 x red for brake light and 1 x purple for reversing light)

approved for vehicles in accordance with GGVS/ADR

Order number

0340 846 001



Y-adapter line

EasyConn

2-wire (2 x 0,5 mm²), with 2-pole EasyConn contact housing and two 150 mm long outgoing lines, with one 2-pole EasyConn contact housing and one 2-pole EasyConn socket housing

approved for vehicles in accordance with GGVS/ADR

Order number

0340 859 001



Y-adapter line

EasyConn

2-wire (2 x 0,5 mm²), with 2-pole EasyConn contact housing and two 150 mm long outgoing lines each with a 2-pole EasyConn socket housing

approved for vehicles in accordance with GGVS/ADR

Order number

0340 859 011



Connector set

for customer-specific cabling requirements

for connection to the EasyConn system

approved for vehicles in accordance with GGVS/ADR

Version

Version	Order number
2-pole line FLRY (2 x 1 mm ²)	0340 009 001
7-pole line FLRY (6 x 1 mm ² /1 x 1,5 mm ²)	0340 412 002
15-pole line FLRY (12 x 1,0 mm ² /3 x 2,5 mm ²)	0340 059 001



Combination distributor

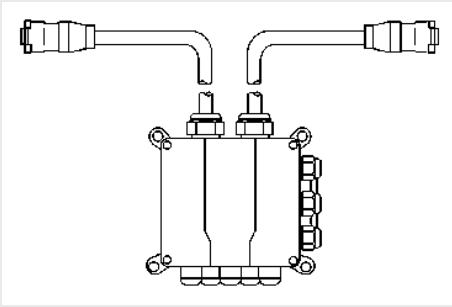
EasyConn

with integral number plate lighting to accept the number plate, with one 15-pole, five 7-pole and six 2-pole EasyConn connections for all lighting technology functions, with separate fused lighting circuit

approved for vehicles in accordance with GGVS/ADR

Order number

0340 060 251



Distributor box

EasyConn

with ten M16 and two M25 cable screw attachments as well as two 15-wire lines (12 x 1,0 mm²/3 x 2,5 mm²) each 500 mm long, with one 15-pole EasyConn contact housing and one 15-pole socket housing, fully assembled on patch panel

approved for vehicles in accordance with GGVS/ADR

Order number

0340 847 001



Distributor box

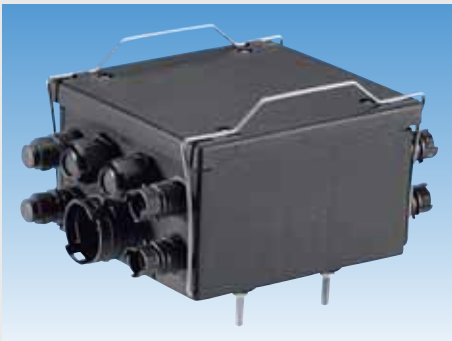
EasyConn

with one 15-pole EasyConn connection for the main supply, one 7-pole EasyConn connection for special functions, three 2-pole EasyConn connections e.g. for side marker lights, clearance lights or special function, as well as cable screw attachments (6 x M12, 2 x M16, 2 x M20), fully wired via pin block

approved for vehicles in accordance with GGVS/ADR

Order number

0340 867 001



Distributor box

EasyConn

with one 15-pole EasyConn connection for the main supply, two 7-pole EasyConn connections for rear lights, eight 2-pole EasyConn connections e.g. for side marker lights, clearance lights or special functions, as well as four M20 cable screw attachments, fully wired via pin block

approved for vehicles in accordance with GGVS/ADR

Order number

0340 867 011



Front distributor

EasyConn for semi-trailer

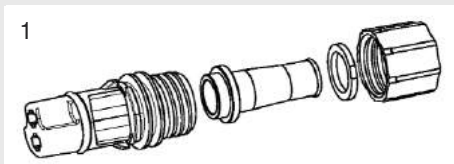
distributor box for front connection, for direct connection to the EasyConn system, with three combined sockets (1 x DIN/ISO 12098, 1 x 7-N DIN/ISO 1185 and 1 x 7-S DIN/ISO 3731), one 15-pole EasyConn connection for the main supply, as well as two closed M16 cable screw attachments.

approved for vehicles in accordance with GGVS/ADR

Order number

0340 898 001

6

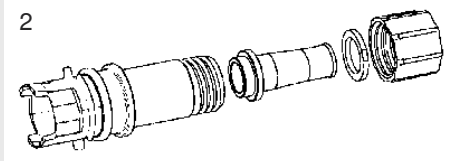


Service set

for customer-specific cabling requirements

approved for vehicles in accordance with GGVS/ADR

Illustration	Version	Ø mm	Order number
1	2-pole EasyConn socket housing	≈ 19.5	0340 879 001
2	2-pole EasyConn contact housing	≈ 24.5	0340 882 001

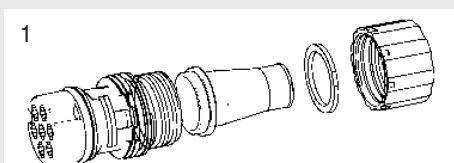


Service set

for customer-specific cabling requirements

approved for vehicles in accordance with GGVS/ADR

Illustration	Version	Ø mm	Order number
1	7-pole EasyConn socket housing	≈ 28	0340 880 001
2	7-pole EasyConn contact housing	≈ 33	0340 883 001

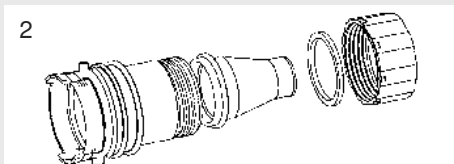
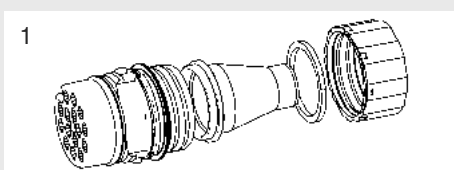


Service set

for customer-specific cabling requirements

approved for vehicles in accordance with GGVS/ADR

Illustration	Version	Ø mm	Order number
1	15-pole EasyConn socket housing	≈ 39	0340 881 001
2	15-pole EasyConn contact housing	≈ 44	0340 884 001



Security set

for the additional securing of EasyConn plug connections under a high tensile load

Scope of supply

sliding ring and union nut

approved for vehicles in accordance with GGVS/ADR

suitable for	Order number
2-pole EasyConn contact housing	0340 876 007
7-pole EasyConn contact housing	0340 877 007
15-pole EasyConn contact housing	0340 878 007





Cap set

for sealing and closing of unneeded EasyConn contact housings

Scope of supply

with O-ring

approved for vehicles in accordance with GGVS/ADR

suitable for	Order number
for 2-pole EasyConn contact housing	0340 870 007
for 7-pole EasyConn contact housing	0340 871 007
for 15-pole EasyConn contact housing	0340 872 007



Sealing cap

for 2-pole EasyConn socket housing

for sealing and closing of unneeded EasyConn socket housings

approved for vehicles in accordance with GGVS/ADR

	Order number
	0340 812 007



LED position light

Flatpoint I

Installation location	front
Installation side	left/right
Width	96 mm
Height	31 mm
Voltage	24 V
Fastening	2 holes, 5 mm
Distance between holes	70 mm
Connection	cable with Aspöck P+R connector
Type	flush-mounting
Colour	white

approved for vehicles in accordance with GGVS/ADR

Version	Cable length mm	Order number
with reflector and protective casing	500	9085 516 570
with reflector and rubber base	1500	8831 660 409



LED position light

Flatpoint I

Version	with reflector and 90° mounting bracket
Installation location	front
Installation side	left/right
Width	96 mm
Height	58 mm
Depth	76 mm
Voltage	24 V
Fastening	2 holes, 5 mm
Distance between holes	70 mm
Connection	cable with Aspöck P+R connector
Cable length	500 mm
Type	surface-mounting
Colour	white

approved for vehicles in accordance with GGVS/ADR

Order number
8831 661 407



LED position light

Flatpoint I

Installation location	front
Installation side	left/right
Width	95 mm
Height	31 mm
Voltage	24 V
Power	1.3 W
Connection	with rubber grommet 90°
Type	surface-mounting
Colour	white

approved for vehicles in accordance with GGVS/ADR

Version	Order number
with protective casing and angle bracket 90°	8821 660 000
with installation casing	8821 660 100

Service parts

Lens

Installation side	left/right
-------------------	------------

Order number
8821 660 001



PROPLAST
FAHRZEUGBELEUCHTUNG

LED position light

Flatpoint II

Version	with reflector
Installation location	front
Installation side	left/right
Width	102 mm
Height	46 mm
Depth	17 mm
Voltage	24 V
Fastening	2 holes, 9 mm
Distance between holes	85 mm
Connection	cable with Aspöck P+R connector
Cable length	500 mm
Type	flush-mounting
Colour	white

approved for vehicles in accordance with GGVS/ADR

Order number

8831 690 401

6



LED position light

Unipoint I

Version	with reflector
Installation location	front, top
Installation side	left/right
Width	119 mm
Height	44 mm
Depth	18 mm
Voltage	24 V
Fastening	2 holes, 5 mm
Distance between holes	70 mm
Connection	cable with Aspöck P+R connector
Cable length	1500 mm
Type	surface-mounting
Colour	white

approved for vehicles in accordance with GGVS/ADR

Order number

8831 770 404



LED position light

Posipoint II

Installation location	front
Installation side	left/right
Width	81.4 mm
Height	24.3 mm
Depth	20,5 mm
Voltage	12/24 V
Fastening	2 holes
Distance between holes	57,5 mm
Connection	cable with Aspöck P+R connector
Cable length	3500 mm
Type	surface-mounting
Colour	white

approved for vehicles in accordance with GGVS/ADR

Order number

9060 055 230



LED side marker light

Flatpoint I

Installation side	left/right
Width	100 mm
Height	34 mm
Depth	76 mm
Voltage	24 V
Connection	bayonet connection
Colour	yellow

Version	Type	Order number
with protective casing	flush-mounting	8840 203 408
with 90° mounting bracket	surface-mounting	8840 203 407



LED side marker light

Flatpoint I

Version	with reflector, protective casing and cable
Installation side	left/right
Width	106 mm
Height	34 mm
Depth	76 mm
Voltage	24 V
Connection	cable with Aspöck P+R connector
Type	flush-mounting
Colour	yellow

Cable length mm	Order number
500	8831 221 411
1500	8840 203 412



LED side marker light

Flatpoint I

Version	with reflector and 90° mounting bracket
Installation side	left/right
Width	95 mm
Height	55 mm
Depth	74,3 mm
Voltage	24 V
Connection	cable with Aspöck P+R connector
Type	surface-mounting
Colour	yellow

Cable length mm	Order number
500	8831 221 401
1500	8840 203 410

Service parts

Lens

Order number
9085 515 330



LED side marker light

Flatpoint II

Version	with reflector
Installation side	left/right
Width	102 mm
Height	46 mm
Depth	17 mm
Voltage	24 V
Connection	cable with Aspöck P+R connector
Type	surface-mounting
Colour	yellow

approved for vehicles in accordance with GGVS/ADR

Cable length mm	Order number
500	9060 023 400
1500	9060 230 400



LED side marker light

Flatpoint II

Installation side	left/right
Width	102 mm
Height	46 mm
Voltage	24 V
Fastening	2 holes, 9 mm
Distance between holes	85 mm
Connection	cable with Aspöck P+R connector
Cable length	500 mm
Type	surface-mounting
Colour	yellow

approved for vehicles in accordance with GGVS/ADR

Version	Order number
with reflector and angle bracket 90° towards rear	9060 236 000
with reflector and angle bracket 90° towards front	9060 236 410



LED side marker light

Unipoint I

Version	with reflector
Installation side	left/right
Width	119 mm
Height	44 mm
Depth	18 mm
Voltage	24 V
Connection	cable with Aspöck P+R connector
Type	flush-mounting
Colour	yellow

Cable length mm	Order number
500	8831 210 401
1000	8831 200 402



LED side marker light

Unipoint I

Version	with reflector and angle bracket 90° towards rear
Installation side	left/right
Width	119 mm
Height	44 mm
Depth	18 mm
Voltage	24 V
Cable length	500 mm
Connection	cable with Aspöck P+R connector
Type	surface-mounting
Colour	yellow

Order number
8831 206 401



LED rear light

ECOLED

Version	with indicator, stop, tail, rear fog, reverse, side marker light, triangular reflector
Width	350 mm
Height	130 mm
Depth	71 mm
Voltage	24 V
Connection	compact connector ASS2
Type	surface-mounting
Colour	red/white
Protection class	IP69K

approved for vehicles in accordance with GGVS/ADR

Installation side	Order number
left	4500 290 211
right	4500 290 212

Accessories

LED control unit

for matching the electrical properties of the LED lights to the requirements of the tractor unit

Model	LCG-ASS2
Connection	compact connector ASS2
Voltage	24 V
Cable length	0.5 m

Application range

for monitoring the brake light, direction indicator and tail light functions

one LED control unit is needed for each side of the vehicle

Order number
8840 246 603



LED rear light

ECOLED, with rubber arm

Version	with indicator, stop, tail, rear fog, reverse, clearance light, triangular reflector
Width	473.2 mm
Height	131.8 mm
Depth	71 mm
Voltage	24 V
Connection	connector system ASS2, 1 x 7-pole, 2 x 2-pole
Type	surface-mounting
Colour	red/white
Protection class	IP69K

approved for vehicles in accordance with GGVS/ADR

Installation side	Order number
left	4500 290 311
right	4500 290 312

Accessories

LED control unit

for matching the electrical properties of the LED lights to the requirements of the tractor unit

Model	LCG-ASS2
Connection	compact connector ASS2
Voltage	24 V
Cable length	0.5 m

Application range

for monitoring the brake light, direction indicator and tail light functions

one LED control unit is needed for each side of the vehicle

Order number
8840 246 603



LED rear light

ECOLED, Kögel, with rubber arm

Version	with indicator, stop, tail, rear fog, reverse, clearance light, triangular reflector
Width	473.2 mm
Height	131.8 mm
Depth	71 mm
Voltage	24 V
Connection	connector system ASS2, 1 x 7-pole, 2 x 2-pole
Type	surface-mounting
Colour	red/white/amber
Protection class	IP69K

approved for vehicles in accordance with GGVS/ADR

Installation side	Order number
left	4500 290 511
right	4500 290 512

Accessories

LED control unit

for matching the electrical properties of the LED lights to the requirements of the tractor unit

Model	LCG-ASS2
Connection	compact connector ASS2
Voltage	24 V
Cable length	0.5 m

Application range

for monitoring the brake light, direction indicator and tail light functions

one LED control unit is needed for each side of the vehicle

	Order number
	8840 246 603



Rear light

Ecopoint II

Version	with indicator, stop, tail, rear fog, reverse, side marker light, triangular reflector
Width	350 mm
Height	135 mm
Depth	85 mm
Voltage	24 V
Connection	compact connector ASS2
Type	surface-mounting
Colour	red/white

Scope of supply

with 24 V bulbs

approved for vehicles in accordance with GGVS/ADR

Installation side	Order number
left	4500 290 001
right	4500 290 002

Service parts

Lens

Version	with triangular reflector
---------	---------------------------

Installation side	Order number
left	4500 290 111
right	4500 290 112

6



Rear light

Ecopoint II, with rubber arm

Version	with indicator, stop, tail, rear fog, reverse, clearance light, triangular reflector
Width	471.20 mm
Height	135 mm
Depth	85 mm
Voltage	24 V
Connection	connector ASS2, 7-pole
Type	surface-mounting
Colour	red/white

Scope of supply

with 24 V bulbs

approved for vehicles in accordance with GGVS/ADR

Installation side	Order number
left	4500 290 011
right	4500 290 012

Service parts

Lens

Version	with triangular reflector
---------	---------------------------

Installation side	Order number
left	4500 290 111
right	4500 290 112



Rear light

Ecopoint II, with rubber arm

Version	with indicator, stop, tail, rear fog, reverse, clearance light, triangular reflector
Width	471.20 mm
Height	135 mm
Depth	85 mm
Voltage	24 V
Connection	connector system ASS2, 1 x 7-pole, 2 x 2-pole
Type	surface-mounting
Colour	red/white/amber

approved for vehicles in accordance with GGVS/ADR

Installation side	Order number
left	4500 290 411
right	4500 290 412

Service parts

Lens

Version	with triangular reflector
---------	---------------------------

Installation side	Order number
left	4500 290 121
right	4500 290 122

6



Rear light

Europoint II

Version	with indicator, brake, rear, rear fog, reversing, clearance, side marker light, with triangular reflector
Width	420 mm
Height	148 mm
Depth	85 mm
Voltage	24 V
Connection	7-pin connecting plug
Type	surface mounted
Colour	red/white

Scope of supply

with bulbs

approved for vehicles in accordance with GGVS/ADR

Installation side	Order number
left	8825 600 050
right	8825 640 050

Service parts

Lens

Installation side	left/right
-------------------	------------

Order number
8818 856 000



Rear light

Ecopoint

Width	343 mm
Height	139 mm
Depth	79 mm
Voltage	24 V
Connection	compact connector ASS1
Fastening	2 x M8
Pin spacing	152 mm
Type	surface-mounted, horizontal
Colour	red/white/amber

Scope of supply

with 24 V bulbs

approved for vehicles in accordance with GGVS/ADR

Installation side	Version	Order number
left	with indicator, brake, tail, rear fog and reversing light, triangular reflector	8840 246 211
right	with indicator, brake, tail, rear fog and reversing light, triangular reflector	8840 246 212
left	with indicator, brake, tail, rear fog, reversing and number plate light, triangular reflector	8840 246 213
right	with indicator, brake, tail, rear fog, reversing and number plate light, triangular reflector	8840 246 214
left	with indicator, stop, tail, rear fog, reversing, side marker, number plate and clearance light, red/white/yellow clearance arm, triangular reflector	8840 246 313
right	with indicator, stop, tail, rear fog, reversing, side marker, number plate and clearance light, red/white/yellow clearance arm, triangular reflector	8840 246 314

Service parts

Lens

Installation side left/right

Order number

8840 246 112

Accessories

LED insert

Version with brake and rear light

Installation side	Order number
left	8840 246 500
right	8840 246 501



Rear light

Ecopoint

Width	343 mm
Height	139 mm
Depth	79 mm
Voltage	24 V
Connection	compact connector ASS1
Fastening	2 x M8
Type	surface-mounting
Colour	red/white/amber

approved for vehicles in accordance with GGVS/ADR

Installation side	Version	Order number
left	with indicator, brake, tail, rear fog and reversing light, reflector	8840 241 211
left	with indicator, brake, tail, rear fog, reversing and number plate light, reflector	8840 241 213
left	with indicator, stop, tail, rear fog, reversing, side marker and clearance light, red/white/yellow clearance arm, triangular reflector	8840 246 311
right	with indicator, brake, tail, rear fog and reversing light, reflector	8840 241 212
right	with indicator, stop, tail, rear fog, reversing, side marker and clearance light, red/white/yellow clearance arm, triangular reflector	8840 246 312

Service parts

Lens

Installation side	left/right
-------------------	------------

Order number
8840 241 112

6



Rear light

Europoint

Width	420 mm
Height	149 mm
Depth	77 mm
Voltage	24 V
Connection	compact connector ASS1
Fastening	2 x M8
Pin spacing	152 mm
Type	surface-mounted, horizontal
Colour	red/white/amber

approved for vehicles in accordance with GGVS/ADR

Installation side	Version	Order number
left	with indicator, stop, tail, rear fog, reversing, side marker and clearance light, triangular reflector	9500 005 232
right	with indicator, stop, tail, rear fog, reversing, side marker and clearance light, triangular reflector	9500 005 236
left	with indicator, stop, tail, rear fog, reversing, side marker, clearance and number plate light, triangular reflector	9500 005 234

Service parts

Installation side	left/right
-------------------	------------

Description	Order number
Lens for rear light	9500 005 238
Lens filter for Europoint direction indicator	8890 082 000



PROPLAST
FAHRZEUGBELEUCHTUNG

Clearance light

Flexipoint

Version	lens clear to the front, red to the rear
Installation location	at the side
Installation side	left/right
Width	42 mm
Height	116 mm
Depth	43 mm
Socket	BA 15s/R5W
Voltage	12/24 V
Fastening	2 x M6
Colour	clear-glass/red

Scope of supply

with flexible swinging bracket

approved for vehicles in accordance with GGVS/ADR

Order number

2300 021 000

6



LED clearance light

Superpoint III

Installation location	rear
Installation side	left/right
Width	47 mm
Height	98.6 mm
Depth	64 mm
Voltage	24 V
Fastening	2 holes
Distance between holes	77 mm
Connection	cable with Aspöck P+R connector
Cable length	1500 mm
Type	surface-mounting
Colour	red/white/amber

approved for vehicles in accordance with GGVS/ADR

Order number

9063 364 007



PROPLAST
FAHRZEUGBELEUCHTUNG

LED clearance light

Superpoint III

Version	with flexible mounting arm
Installation location	rear
Installation side	left/right
Width	47 mm
Height	100 mm
Depth	118,8 mm
Voltage	12/24 V
Fastening	2 holes
Distance between holes	78 mm
Connection	cable with Aspöck P+R connector
Cable length	1750 mm
Type	surface-mounting
Colour	red/white/amber

approved for vehicles in accordance with GGVS/ADR

Order number
8840 013 304



LED clearance light

Superpoint III

Installation location	rear
Width	47 mm
Height	104 mm
Depth	173 mm
Voltage	24 V
Fastening	2 holes, 6 mm
Distance between holes	78,4 mm
Connection	cable with Aspöck P+R connector
Cable length	1250 mm
Type	surface-mounting
Colour	red/white/amber

approved for vehicles in accordance with GGVS/ADR

Installation side	Order number
left	9065 521 460
right	9065 521 470



Clearance light

Superpoint I

Version	with 90° mounting arm
Installation location	at the side
Width	180 mm
Height	157 mm
Depth	47 mm
Socket	BA 9s/T4W
Voltage	24 V

approved for vehicles in accordance with GGVS/ADR

Installation side	Connection	Cable length m	Colour	Order number
left	cable with Aspöck P+R connector	1.25	red/white	8840 203 424
right	cable with Aspöck P+R connector	1.25	red/white	8840 203 423
left	cable with Aspöck P+R connector	1.25	black/white	8840 203 426
right	cable with Aspöck P+R connector	1.25	black/white	8840 203 425
left	cable with Aspöck P+R connector	1.75	black/white	8840 203 430
right	cable with Aspöck P+R connector	1.75	black/white	8840 203 429
left	cable with Aspöck P+R connector	1.75	red/white	8840 203 428
right	cable with Aspöck P+R connector	1.75	red/white	8840 203 427
left	cable with ASS1 connector (2-pole)	2	red/white	9085 513 260
right	cable with ASS1 connector (2-pole)	2	red/white	9085 513 280

6



Clearance light

Superpoint II

flexible mounting arm

Socket	BA 9s/T4W
Voltage	24 V
Connection	cable with Aspöck P+R connector
Colour	red/white/amber

approved for vehicles in accordance with GGVS/ADR

Illustration	Installation side	Version	Width mm	Height mm	Cable length mm	Order number
1	left	with side marker light	169	169	1250	8831 340 401
1	right	with side marker light	169	169	1250	9067 551 710
2	left/right	with side marker light, short version	128	100	1500	8831 370 408
3	left/right	with side marker light, lens unit made of unbreakable PVC	120	65	1250	8831 360 801

Service parts

Lens

Installation side	left/right
Colour	red/white/amber

Order number
8818 813 600



Numberplate lamp

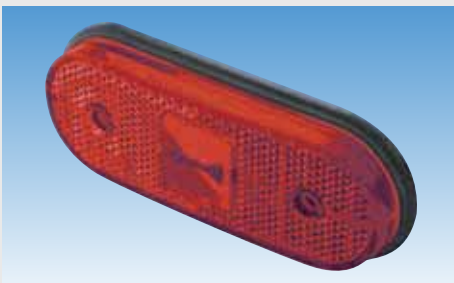
Regpoint

Installation side	left/right
Width	100 mm
Height	60 mm
Depth	11,5 mm
Socket	SV 8,5/C5W
Voltage	24 V
Power	5 W
Fastening	2 x M4
Connection	cable with Aspöck P+R connector
Cable length	1500 mm
Type	surface-mounting
Colour	white

approved for vehicles in accordance with GGVS/ADR

Order number

8840 203 432



LED position light

Unipoint I

Version	with reflector
Installation location	rear, top
Installation side	left/right
Width	119 mm
Height	44 mm
Depth	19 mm
Voltage	24 V
Fastening	2 holes, 5 mm
Distance between holes	70 mm
Connection	cable with Aspöck P+R connector
Cable length	3500 mm
Type	surface-mounting
Colour	red

approved for vehicles in accordance with GGVS/ADR

Order number

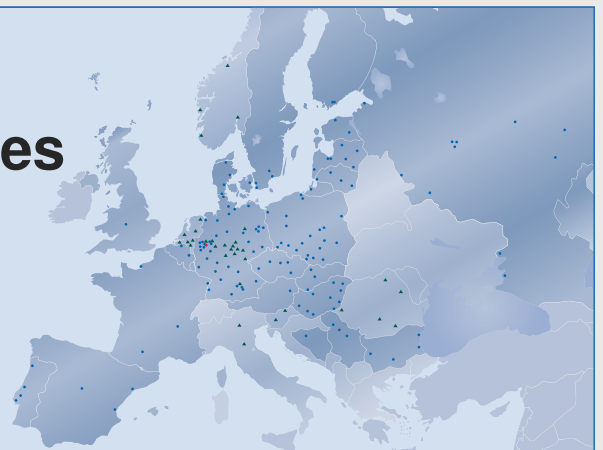
8831 780 406

6

**Our network –
190 locations in 28 countries**

**EUROPART – the international
partner for the workshop**

www.europart.net





LED position light

Posipoint II

Installation location	rear
Installation side	left/right
Width	81.5 mm
Height	24.5 mm
Depth	21 mm
Voltage	12/24 V
Fastening	2 holes
Distance between holes	57,5 mm
Connection	cable with Aspöck P+R connector
Cable length	500 mm
Type	surface mounting/flush mounting
Colour	red

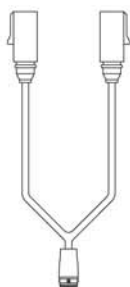
approved for vehicles in accordance with GGVS/ADR

Order number
8831 720 400

Service parts

Housing

Order number
9065 520 030



Plug

for trailers

Connection	from 15-pole to 2 x 7-pole
Voltage	24 V
Cable length	3000 mm
Standard	ISO 1185/3731

approved for vehicles in accordance with GGVS/ADR

Order number
8850 050 001



Connection cable

for ASS2 connector system

Connection	7-pole ASS2
Cable length	3000 mm

Order number
8868 242 500
8868 242 601



Adapter plug

ASS3

needed for installation of underside protection with the new ASS3 cabling on vehicles with the older ASS1 cabling

Connection	from ASS3 connector to ASS1 socket
Voltage	24 V
Cable length	300 mm

approved for vehicles in accordance with GGVS/ADR

Order number
9065 520 650



Connection cable

for Aspöck P+R system

adapter for Aspöck P+R system on one end, free cable on the other end

Connection Aspöck P+R connector, 2-pole

Voltage 24 V

Cable length mm	Order number
500	8868 500 000
1500	8868 500 003



Flat cable

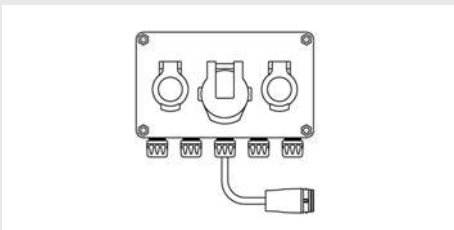
for Aspöck P+R connector

Version PU

Cable length 40 m

approved for vehicles in accordance with ADR

Order number
8840 203 433



Front distributor

ready-cabled multi-function housing with 1 each of ISO 1185, 3731 and 12098 sockets, 5 connections, 600 mm long cable and 17-pole ASS III connection

Length 247 mm

Width 175 mm

Height 120 mm

Material plastic

approved for vehicles in accordance with GGVS/ADR

Order number
8812 755 214



Distribution box

8 PG threads with coloured sealing plugs for the most varied cable diameters, on the housing the clamping ranges are given in mm and the associated colours are shown, coding of the individual contact bridges in numbers and colours according to DIN/ISO 72570, contact placement inside and outside with 6,3 mm flat plug connections, the free inputs on the housing cover act as reserve inputs for the end consumers

Version	low cover
Length	180 mm
Width	160 mm
Height	68 mm
Connection	contacts with male spade connection
Material	plastic

approved for vehicles in accordance with GGVS/ADR

Order number
9085 513 500

Service parts

Description	Version	Order number
Sealing plugs, blue	for 10 mm cable diameter	9060 551 399
Sealing plugs, brown	for 2 x 6 mm cable diameter	9060 551 397
Sealing plugs, red	for 12 mm cable diameter	9060 551 400
Sealing plugs, black	for 6 mm cable diameter	9085 513 960
Sealing plugs, white	for 8 mm cable diameter	9060 551 398
Union nut, black	Diameter 13 mm	9065 516 820

6



Distribution box

14 PG threads with coloured sealing plugs for the most varied cable diameters, on the housing the clamping ranges are given in mm and the associated colours are shown, coding of the individual contact bridges in numbers and colours according to DIN/ISO 72570, contact placement inside and outside with 6,3 mm flat plug connections, the free inputs on the housing cover act as reserve inputs for the end consumers

Version	high cover
Length	180 mm
Width	160 mm
Height	82 mm
Connection	contacts with male spade connection
Material	plastic

approved for vehicles in accordance with GGVS/ADR

Order number
8850 052 000

Service parts

Description	Version	Order number
Sealing plugs, blue	for 10 mm cable diameter	9060 551 399
Sealing plugs, brown	for 2 x 6 mm cable diameter	9060 551 397
Sealing plugs, red	for 12 mm cable diameter	9060 551 400
Sealing plugs, black	for 6 mm cable diameter	9085 513 960
Sealing plugs, white	for 8 mm cable diameter	9060 551 398
Union nut, black	Diameter 13 mm	9065 516 820



Accessories set

for ASS1 connector system

Connection 2-pole

Colour	Order number
yellow	9067 551 390
green	9067 551 391



Accessories set

for ASS1 connector system

Connection 7-pole

Scope of supply

with cap nut, contact socket and grommet 90°

Colour	Order number
yellow	6229 628 890
green	6229 628 900

Accessories set

for ASS2 connector system

Connection 2-pole

Colour	Order number
yellow	8815 626 341
green	8815 626 351

Accessories set

for ASS2 connector system

Connection 7-pole

Colour	Order number
yellow	9060 552 238
green	9060 552 237



Circlip pliers

for Aspöck P+R connector

the use of these pliers during installation of the P+R system is compulsory, the clamping of the pliers is preset and must not be altered

Order number
8840 203 405



LED position light

ultrasonically welded, watertight light unit, with contact pin 2,8 mm

Installation location	front
Installation side	left/right
Voltage	24 V
Power	0.8 W
Type	surface-mounting
Colour	white

approved for vehicles in accordance with GGVS/ADR

Version	Width mm	Height mm	Connection	Order number
-	95.7	30.7	elbow connection with PG thread	8840 203 364
-	95.7	30.7	straight, with PG thread	8840 203 366
angle bracket 90°	95.7	30.7	elbow connection with PG thread	8840 203 368
mounting case 33 mm	99.5	34.5	elbow connection with PG thread	8840 203 374

Service parts

Lens

Installation side left/right

Order number

8840 203 372

6



LED position light

SMD98

Version	with reflector, cable with click-in connection for flat cable
Installation location	front
Installation side	left/right
Width	110 mm
Height	50 mm
Depth	18 mm
Voltage	24 V
Connection	AMP JPT
Cable length	500 mm
Type	surface-mounting
Colour	white

approved for vehicles in accordance with GGVS/ADR

Order number

6210 105 000



Position light

FE94

Version	with reflector
Installation location	front
Installation side	left/right
Width	110 mm
Height	55 mm
Depth	34 mm
Socket	BA 9s/T4W
Voltage	12/24 V
Connection	PG thread
Type	surface-mounting
Colour	white

approved for vehicles in accordance with GGVS/ADR

Order number

8000 003 291



Position light

Version	with reflector
Installation location	front
Installation side	left/right
Width	86 mm
Height	38.4 mm
Depth	22,1 mm
Socket	SV 8,5/C5W
Voltage	12/24 V
Fastening	2 holes
Type	surface-mounting
Colour	white

Order number

8840 202 304

Service parts

Lens

Installation side	left/right
-------------------	------------

Order number

8840 202 310



Position light

Colour	white
--------	-------

Order number

7770 620 260

Comparative number

Schmitz 062026



PROPLAST
FAHRZEUGBELEUCHTUNG

Position light

with rubber seal between lens and casing

Version	with reflector, angle bracket 90° towards outside
Installation location	front
Installation side	left/right
Width	110 mm
Height	55 mm
Depth	34 mm
Socket	BA 9s/T4W
Voltage	12/24 V
Connection	PG thread
Type	surface-mounting
Colour	white

approved for vehicles in accordance with GGVS/ADR

Order number

8840 203 086

Service parts

Lens

with reflector

Installation side left/right

Order number

4500 202 113



HELLA

Position light

Version	with reflector
Installation location	front
Installation side	left/right
Width	124 mm
Height	61.5 mm
Depth	43 mm
Socket	BA 15s/R5W
Voltage	12/24 V
Connection	cable duct
Fastening	optional 10 holes, diameter 5,5 mm
Type	surface mounted, vertical/horizontal
Colour	transparent

Scope of supply

with grommet

approved for vehicles in accordance with GGVS/ADR if the diagonal hole separation of 98 mm is used

Order number

0004 361 011

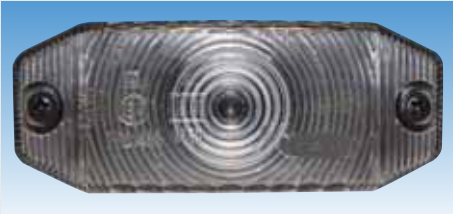
Service parts

Lens

Installation side left/right

Order number

0114 401 031



PROPLAST
FAHRZEUGBELEUCHTUNG

Position light

with rubber seal between lens and casing

Installation location	front
Installation side	left/right
Width	102 mm
Height	42 mm
Depth	28 mm
Socket	SV 8,5/C5W
Voltage	12/24 V
Fastening	2 holes
Type	surface-mounting
Colour	white

Order number

8840 202 322

Service parts

Lens

Installation side	left/right
-------------------	------------

Order number

4000 138 100

6



HELLA

Position light

base plate of white plastic

Version	with reflector
Installation location	front
Installation side	left/right
Width	62 mm
Height	62 mm
Depth	46 mm
Socket	SV 8,5/C5W
Voltage	12/24 V
Fastening	2 x M5
Distance between holes	30 mm
Type	surface mounted, vertical/horizontal
Colour	transparent

Order number

0003 057 011

Service parts

Lens

Installation side	left/right
-------------------	------------

Order number

0117 334 001



Position light

base plate made of black plastic

Installation location	front
Installation side	left/right
Width	84 mm
Height	84 mm
Depth	51 mm
Socket	SV 8,5/C5W
Voltage	12/24 V
Plug type	male spade connector
Fastening	2 x M4
Distance between holes	45 mm
Type	surface mounted, vertical/horizontal
Colour	transparent

Scope of supply

with plastic washer

Order number

0003 014 071

Service parts

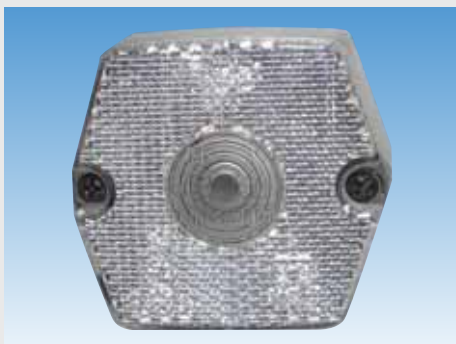
Lens

Installation side left/right

Order number

0110 542 001

6



Position light

Installation location	front
Installation side	left/right
Width	72 mm
Height	67 mm
Socket	SV 8,5/C5W
Voltage	12/24 V
Distance between holes	36 mm
Type	surface-mounting
Colour	white

Version	Depth mm	Fastening	Order number
-	41	2 holes, diameter 5,5 mm	8840 202 332
with reflector	47	2 holes, diameter 5 mm	8840 202 336



Position light

Installation location	front
Installation side	left/right
Diameter	80 mm
Depth	41 mm
Socket	SV 8,5/C5W
Voltage	12/24 V
Fastening	2 x M5
Distance between holes	45 mm
Type	surface-mounting
Colour	transparent

Order number
0001 259 631

Service parts

Lens

Installation side	left/right
-------------------	------------

Order number
0109 208 011



Position light

Installation location	front
Installation side	left/right
Diameter	75 mm
Depth	46 mm
Socket	SV 8,5/C5W
Voltage	12/24 V
Fastening	2 holes
Distance between holes	45 mm
Type	surface-mounting
Colour	white

Order number
8840 184 003



Position light

casing made of black plastic	
Installation location	front
Installation side	left/right
Diameter	71 mm
Depth	63 mm
Socket	BA 15s/R5W
Voltage	12/24 V
Fastening	1 x M10
Type	surface-mounting
Colour	transparent

Scope of supply

with M10 hollow bolt for mounting and cable duct

Order number

0001 648 161

Service parts

Lens

Installation side	left/right
-------------------	------------

Order number

0108 435 001

6



Position light

M50

Installation location	front
Installation side	left/right
Depth	90,5 mm
Diameter	46 mm
Voltage	12/24 V
Colour	white

bulb with 2 contacts is required

Order number

9199 800 000



Position light

Colour	white
--------	-------

Order number

7770 616 060

Comparative number

Schmitz 061606



Position light

Installation location	front
Installation side	left/right
Height	74.5 mm
Depth	100 mm
Diameter	65 mm
Socket	BA 15s/R5W
Voltage	12/24 V
Colour	white

Order number

6211 800 100



LED side marker light

Order number
7770 070 064

Comparative number
Schmitz ELO007-0064



LED side marker light

Installation sideleft/right
Width 95.7 mm
Height 30.7 mm
Depth 41 mm
Voltage 24 V
Colour yellow

approved for vehicles in accordance with GGVS/ADR

Connection

elbow connection with PG thread
T-piece with PG thread

Order number
8840 157 001
8840 157 011

Service parts

Lens

Order number
8840 157 101



LED side marker light

Version with 90° mounting bracket
Width 95.7 mm
Height 30.7 mm
Voltage 24 V
Colour yellow

Connection

90° elbow connection with PG thread
T-piece with PG thread
straight connection with PG thread

Order number
8840 157 021
8840 157 031
8840 157 051

Service parts

Lens

Order number
8840 157 101



LED side marker light

Width	110 mm
Height	38 mm
Voltage	24 V
Power	0.55 W
Connection	with Aspöck P+R connector
Colour	yellow

Version	Cable length mm	Order number
with reflector and cable	500	8840 203 415
with reflector, 55 mm angle bracket and cable	500	8840 203 417
with reflector, 55 mm angle bracket and cable	1500	8840 203 418
with reflector, 77 mm angle bracket and cable	1500	8840 203 414



LED side marker light

Version	with reflector and moulded-in cable with click-in connection for flat cable
Width	110 mm
Height	50 mm
Depth	18 mm
Voltage	24 V
Type	surface mounting/flush mounting
Colour	yellow

approved for vehicles in accordance with GGVS/ADR

Cable length mm	Order number
500	6210 104 930
1500	6210 104 960



LED side marker light

Version	with reflector, straight bracket and moulded-in cable with click-in connection for flat cable
Installation side	left/right
Width	110 mm
Height	98 mm
Depth	18 mm
Voltage	24 V
Type	surface mounting/flush mounting
Colour	yellow

approved for vehicles in accordance with GGVS/ADR

Version	Cable length mm	Order number
with reflector, straight bracket and moulded-in cable with click-in connection for flat cable	500	6210 104 950
with reflector, straight bracket and moulded-in cable with click-in connection for flat cable	1500	6210 104 980
with reflector, 90° bracket towards rear and moulded-in cable with click-in connection for flat cable	500	6210 104 940
with reflector, 90° bracket towards rear and moulded-in cable with click-in connection for flat cable	1500	6210 104 970



LED side marker light

Installation side	left/right
Width	111.3 mm
Height	51.3 mm
Depth	22/66,5 mm
Voltage	12/24 V
Power	1.3 W
Type	surface mounted, vertical/horizontal
Colour	yellow

Version	Order number
with reflector and clip angle 90° transverse towards front	0340 001 001
with reflector and bracket 90° towards rear	0340 001 011

Service parts

Connection set

Order number
0340 220 011



LED side marker light

Installation side	left/right
Width	111.3 mm
Height	51.3 mm
Depth	22 mm
Type	surface mounted, horizontal
Colour	yellow

approved for vehicles in accordance with GGVS/ADR

Version	Voltage V	Power W	Cable length mm	Order number
with reflector and cable	12	0.7	500	0963 639 001
with reflector, cable and bracket	12	0.7	500	0963 639 061
with reflector and cable	24	1.3	500	0963 639 011
with reflector, cable and bracket	24	1.3	500	0963 639 071
with reflector, cable with system connector and bracket	24	1.3	4500	0963 639 031
with reflector and cable with system connector	24	1.3	4500	0963 639 051
with reflector and cable	24	1.3	2000/500	0963 639 101
with reflector, cable and bracket	24	1.3	2000/500	0963 639 111
with reflector and cable with system connector	24	1.3	4000/500	0963 639 041
with reflector, cable with system connector and bracket	24	1.3	4000/500	0963 639 021
with reflector and cable with 6,3 mm flat connector	24	1.3	5500/500	0963 639 081
with reflector, cable with 6,3 mm flat connector and bracket	24	1.3	5500/500	0963 639 091



LED side marker light

Installation side	left/right
Width	150 mm
Height	45 mm
Depth	21 mm
Voltage	24 V
Power	1.4 W
Cable length	500 mm
Type	surface-mounted, horizontal
Colour	yellow

approved for vehicles in accordance with GGVS/ADR

Version	Order number
with reflector and cable	0007 943 011
with reflector, cable and bracket	0007 943 021



Side marker light

Version	with reflector
Installation side	left/right
Width	120 mm
Height	58 mm
Depth	32 mm
Socket	SV 8,5/C5W
Voltage	24 V
Fastening	4 holes, diameter 5,5 mm
Type	surface mounted, vertical/horizontal
Colour	yellow

Order number
0002 727 001

Service parts

Lens

Order number
0114 401 001



Side marker light

Version	with reflector
Installation side	left/right
Width	126 mm
Height	38 mm
Socket	2,1 x 9,5d/W3W
Voltage	24 V
Type	Flush mounted, vertical/horizontal
Colour	yellow

approved for vehicles in accordance with GGVS/ADR

Order number
0962 964 011



PROPLAST
FAHRZEUGBELEUCHTUNG

Side marker light

Version	with reflector
Installation side	left/right
Width	86 mm
Height	38.4 mm
Depth	22,1 mm
Socket	SV 8,5/C5W
Voltage	12/24 V
Colour	yellow

approved for vehicles in accordance with GGVS/ADR

Order number

4001 290 001

Service parts

Lens

Order number

4001 290 101



PROPLAST
FAHRZEUGBELEUCHTUNG

Side marker light

Installation side	left/right
Width	86 mm
Height	38.4 mm
Depth	22,1 mm
Socket	SV 8,5/C5W
Voltage	12/24 V
Colour	yellow

Version

with reflector and flexible hanging bracket 90° towards front

with reflector and flexible hanging bracket 90° towards rear

Order number

4001 290 031

4001 290 021

Service parts

Lens

Order number

4001 290 101



PROPLAST
FAHRZEUGBELEUCHTUNG

Side marker light

Installation side	left/right
Width	110 mm
Height	55 mm
Depth	34 mm
Socket	BA 9s/T4W
Voltage	12/24 V
Connection	PG thread
Colour	yellow

Version	Order number
with reflector and flexible hanging bracket	8840 202 258
with reflector and flexible hanging bracket 90° towards rear	4001 250 011

Service parts

Lens

	Order number
	8840 123 101

6



PROPLAST
FAHRZEUGBELEUCHTUNG

Side marker light

Installation side	left/right
Width	86 mm
Height	38.4 mm
Depth	22,1 mm
Socket	SV 8,5/C5W
Voltage	12/24 V
Colour	yellow

	Order number
	8840 138 001

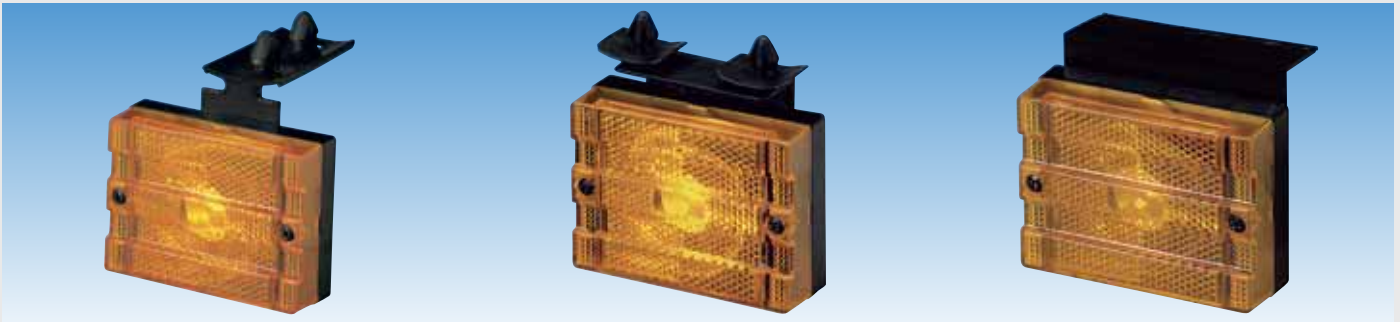


Side marker light

P200

Version	with straight bulb holder and rubber grommet
Installation side	left/right
Width	100 mm
Height	44 mm
Depth	6 mm
Socket	W3W
Voltage	24 V
Colour	yellow

	Order number
	9500 023 910



Side marker light

Installation side	left/right
Width	92 mm
Height	66 mm
Depth	30,4 mm
Socket	SV8,5/C5W
Voltage	24 V
Type	Surface mounted, horizontal
Colour	yellow

Version	Order number
with reflector and clip angle 90° lengthwise rear	9280 332 789
with reflector and clip angle 90° crosswise in front	8319 223 180
with reflector and bracket 90° towards rear	0340 000 041

Service parts

Lens	Order number
	8319 220 080



Side marker light

Installation side	left/right
Width	95 mm
Height	30 mm
Socket	BA 9s/T4W
Voltage	12/24 V
Connection	bayonet coupling with angled grommet
Colour	yellow

Scope of supply

with bulb

Version	Order number
with reflector	8840 128 001
with reflector and protective casing	9500 960 100
with reflector and protective casing with mounting bracket	9500 960 000
with reflector and fixing bracket	2640 128 041

Service parts

Lens	Order number
	9500 004 954



Side marker light

Version	with reflector, protective hood, bracket 90° towards front
Installation side	left/right
Width	95 mm
Height	30 mm
Depth	61 mm
Socket	BA 9s/T4W
Voltage	24 V
Connection	with cable and Aspöck P+R connector
Colour	yellow

Cable length mm	Order number
500	8840 203 419
1500	8840 203 420



Side marker light

Version	with reflector
Installation side	left/right
Width	116 mm
Height	73 mm
Depth	38 mm
Socket	T4W
Voltage	12/24 V
Type	surface-mounting
Colour	yellow

approved for vehicles in accordance with GGVS/ADR

Order number
0003 748 161

Service parts

Lens

Order number
0147 910 001



Repair kit

for ERS side marker light

Cable length 3500/4000 mm

Version	Order number
ERS direct mounting with 2 x 3 lights	9500 004 976
ERS direct mounting with 2 x 4 lights	8890 128 008
ERS direct mounting with 2 x 5 lights	9500 004 966

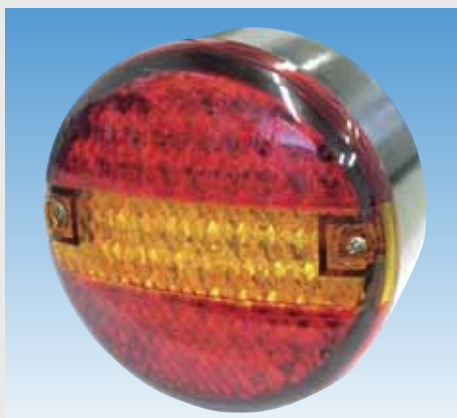


LED rear light

Version	with indicator, brake and tail light
Installation side	left/right
Diameter	140 mm
Depth	84,4 mm
Voltage	9-32 V
Pin spacing	45 mm
Type	surface-mounting
Colour	red/yellow

approved for vehicles in accordance with GGVS/ADR

Order number
9260 001 461



LED rear light

Version	with indicator, brake and tail light
Installation side	left/right
Diameter	140 mm
Depth	80 mm
Voltage	24 V
Connection	cable feedthrough
Fastening	2 x M6
Pin spacing	45 mm
Type	surface-mounted, horizontal
Colour	red/yellow

Order number
8840 202 401



LED rear light

Version	with indicator, brake, tail and reversing light, triangular reflector
Width	403.2 mm
Height	145 mm
Depth	51 mm
Voltage	24 V
Connection	cable with 5-pole connector
Fastening	2 x M6
Pin spacing	152 mm
Type	surface-mounting
Colour	red/white

approved for vehicles in accordance with GGVS/ADR

Installation side	Cable length mm	Order number
left	1500	9260 001 579
right	2500	9260 001 581



Rear light

Version	with indicator, brake and tail light
Installation side	left/right
Diameter	140 mm
Depth	80 mm
Socket	BA 15s/P21W/R5W
Voltage	12/24 V
Connection	cable duct rubber grommet
Fastening	2 x M6
Pin spacing	45 mm
Type	surface-mounting, horizontal
Colour	red/yellow

approved for vehicles in accordance with GGVS/ADR

Scope of supply	Order number
with bulb holder	0001 685 211
bulb holder with vibration insulator	0001 685 231

Service parts

Lens

Installation side	left/right	
		Order number
		0113 324 001

6



Rear light

Version	with indicator, stop, tail and number plate light
Installation side	left/right
Diameter	140 mm
Depth	80 mm
Socket	BA 15s/P21W/R5W
Voltage	12/24 V
Connection	cable duct
Fastening	2 x M6
Pin spacing	45 mm
Type	surface-mounting, horizontal
Colour	red/white/amber

Order number
8040 202 003

Service parts

Lens

Installation side	left/right	
		Order number
		4300 294 506



Rear light

Installation side	left/right
Diameter	140 mm
Depth	90 mm
Socket	BA 15s/P21W/R5W
Voltage	12/24 V
Connection	cable duct
Fastening	2 x M6
Pin spacing	45 mm
Type	surface-mounting, horizontal
Colour	red/yellow

Scope of supply

bulb holder with vibration insulator

Version	Order number
with indicator, brake and tail light	0001 686 101
with indicator, stop, tail and number plate light	0001 686 142

Service parts

Lens

Installation side	left/right	Order number
		0102 240 031

6



Rear light

Version	with indicator, stop, tail and number plate light
Installation side	left/right
Width	121 mm
Height	121 mm
Depth	56 mm
Socket	BA 15s/P21W/R10W
Voltage	12/24 V
Fastening	2 x M6
Pin spacing	45 mm
Type	surface-mounting, horizontal
Colour	red/white/amber

Scope of supply

with bulb holder

Order number
0002 578 311

Service parts

Lens

Installation side	left/right	Order number
		0112 758 021



Rear light

Width	95 mm
Height	85 mm
Depth	54 mm
Socket	BA 15s/P21W/R10W
Voltage	12/24 V
Connection	cable duct rubber grommet
Fastening	2 x M5 holes
Distance between holes	45 mm
Type	surface mounted, vertical/horizontal
Colour	red/white/amber

Installation side	Version	Order number
left	with indicator, brake and tail light	0003 182 051
right	with indicator, brake and tail light	0003 182 061
left	with indicator, stop, tail and number plate light	0003 182 011
right	with indicator, stop, tail and number plate light	0003 182 021

Service parts

Lens

Installation side left/right

Version	Order number
with number plate light	0118 613 001
without number plate light	0118 614 011



Rear light

Installation side	left/right
Width	108.5 mm
Height	107.5 mm
Depth	52 mm
Socket	BA 15s/P21W/R10W
Voltage	12/24 V
Connection	cable duct
Fastening	2 x M6
Pin spacing	45 mm
Type	surface-mounting

Version	Pin spacing mm	Colour	Order number
with indicator, stop, tail and number plate light	45	red/white/amber	8840 202 666
with indicator, brake and tail light	55	red/yellow	8840 202 670

Service parts

Lens

Installation side left/right

Order number
8840 202 668



Rear light

Version	with indicator, brake and tail light
Installation side	left/right
Width	260 mm
Height	157 mm
Depth	75 mm
Installation depth	45 mm
Socket	BA 15s/P21W/R10W
Voltage	12/24 V
Connection	cable duct
Fastening	for surface-mounting: 2 x M8, for flush-mounting: 4 holes for the fixing bolts
Type	surface-mounting/flush-mounting, vertical/horizontal
Colour	red/yellow

approved for vehicles in accordance with GGVS/ADR

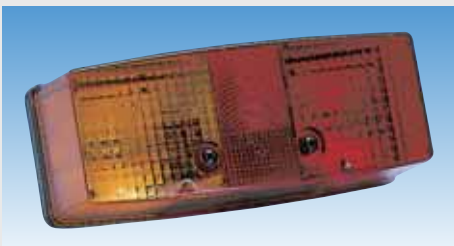
Order number
0004 431 011

Service parts

Lens

Installation side	left/right
-------------------	------------

Description	Colour	Order number
for brake/tail light	red	0119 544 101
for indicators	yellow	0119 544 021



Rear light

Version	with indicator, brake and tail light
Width	158 mm
Height	64 mm
Depth	51 mm
Socket	BA 15s/P21W/R10W
Voltage	12/24 V
Connection	cable duct rubber grommet
Fastening	2 x B3,9 x 16
Pin spacing	98 mm
Type	surface-mounting, horizontal
Colour	red/yellow

Scope of supply

without seal and bulb

Installation side	Order number
left	0003 184 031
right	0003 184 041

Service parts

Lens

Installation side	Order number
left	0118 700 001
right	0118 701 001



Rear light

Version	with indicator, brake and tail light
Width	170 mm
Height	75 mm
Depth	62 mm
Socket	BA 15s/P21W/R10W
Voltage	12/24 V
Connection	cable duct
Fastening	2 holes, diameter 5,5 mm
Distance between holes	70 mm
Type	surface-mounting, horizontal
Colour	red/yellow

Scope of supply

with seal

Installation side	Order number
left	0002 582 011
right	0002 582 021

Service parts

Lens

Installation side	Order number
left	0112 743 001
right	0112 741 001

6



Rear light

Width	282 mm
Height	105 mm
Depth	76 mm
Socket	BA 15s/P21W/R10W
Voltage	12/24 V
Connection	cable duct
Fastening	2 x M8
Pin spacing	152 mm
Type	surface-mounting, horizontal
Colour	red/yellow

Scope of supply

bulb holder with vibration insulator, seal

approved for vehicles in accordance with GGVS/ADR

Installation side	Version	Order number
left	with indicator, brake and tail light	0001 699 511
right	with indicator, brake and tail light	0001 699 061
left	with indicator, stop, tail and number plate light	0001 699 071

Service parts

Lens

Installation side left, right

Order number
0109 139 001



PROPLAST
FAHRZEUGBELEUCHTUNG

Rear light

Width	282 mm
Height	105 mm
Depth	76 mm
Socket	BA 15s/P21W/R10W
Voltage	12/24 V
Connection	cable duct
Fastening	2 x M8
Pin spacing	152 mm
Type	surface-mounting, horizontal

Installation side	Version	Colour	Order number
left/right	with indicator, brake and tail light	red/yellow	8840 202 442
left	with indicator, stop, tail and number plate light	red/white/amber	8840 202 444

Service parts

Lens

Installation side left/right

Order number
8840 202 448

6



HELLA

Rear light

Version	with indicator, stop, tail and number plate light
Width	330 mm
Height	95 mm
Depth	78 mm
Socket	BA 15s/P21W/R5W
Voltage	12/24 V
Connection	cable duct rubber grommet
Fastening	2 x M6
Pin spacing	45 mm
Type	surface-mounting, horizontal
Colour	red/white/amber

Scope of supply

with bulb holder

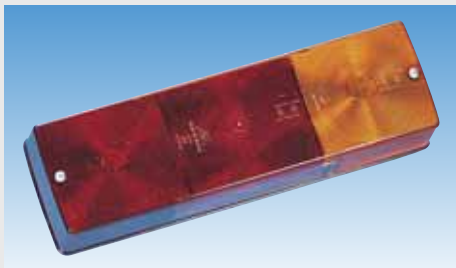
Installation side	Order number
left	0001 688 151
right	0001 688 161

Service parts

Lens

Installation side left/right

Order number
0092 435 011



Rear light

Version	with indicator, stop, tail and number plate light
Installation side	left/right
Width	350 mm
Height	110 mm
Depth	87,5 mm
Socket	BA 15s/P21W/R10W
Voltage	12/24 V
Connection	PG11 thread
Fastening	2 x M8
Pin spacing	152 mm
Type	surface mounted, vertical/horizontal
Colour	red/white/amber

Scope of supply

double bulb mounting in tail light area

number plate light can optionally be used through interchangeable lamp lens element

Order number

8821 088 001

6



Rear light

Width	344 mm
Height	147 mm
Depth	72 mm
Socket	BA 15s/P21W/R10W
Voltage	12/24 V
Connection	cable duct
Fastening	2 x M8
Pin spacing	152 mm
Type	surface-mounting/flush-mounting, horizontal
Colour	red/white/amber

Scope of supply

with seal

approved for vehicles in accordance with GGVS/ADR

Installation side	Version	Order number
left	with indicator, brake and tail light	0003 167 011
right	with indicator, brake and tail light	0003 167 021
left	with indicator, stop, tail and number plate light	0003 167 031
right	with indicator, stop, tail and number plate light	0003 167 041

Service parts

Lens

Installation side left/right

Order number

0147 747 001



PROPLAST
FAHRZEUGBELEUCHTUNG

Rear light

Width	189.5 mm
Height	97 mm
Depth	57 mm
Socket	BA 15s/P21W/R10W
Voltage	12/24 V
Connection	cable duct rubber grommet
Type	surface-mounting
Colour	red/white/amber

Installation side	Version	Order number
left	with indicator, brake, tail, rear fog lights, with number plate light at the side, reflector	8840 202 544
right	with indicator, brake, tail, reversing lights, with number plate light at the side, reflector	8840 202 546

Service parts

Lens

Installation side	Order number
left	8840 202 550
right	8840 202 552



Rear light

Version	with indicator, brake, tail and reversing light, reflector
Width	210 mm
Height	108 mm
Depth	66 mm
Socket	BA 15s/P21W/R5W
Voltage	12/24 V
Connection	cable duct
Fastening	4 holes, diameter 6 mm
Distance between holes	72/152 mm
Type	surface-mounting, horizontal
Colour	red/white/amber

approved for trailers if an EC partial operating permit for lighting exists

Installation side	Order number
left	0006 040 111
right	0006 040 121

Service parts

Lens

Installation side	Order number
left	0136 825 001
right	0136 825 011



Rear light

Width	246 mm
Height	108 mm
Depth	66 mm
Socket	BAY 15d/P21/5W, BA 15s/P21W/R10W
Voltage	12 V
Fastening	2 x M6
Pin spacing	152 mm
Type	surface mounted, vertical/horizontal
Colour	red/white/amber

by changing the number plate window for the supplied red cover plate, can also be used as tail, stop, indicator and rear fog light

Installation side	Version	Order number
left	with indicator, stop, tail, rear fog and number plate light	0007 547 011
right	with indicator, stop, tail and number plate light	0007 547 041
right	with indicator, stop, tail, rear fog and number plate light	0007 547 027

Service parts

Lens

Installation side	left/right
-------------------	------------

Order number	0147 096 001
--------------	--------------



Rear light

Width	425 mm
Height	110 mm
Depth	82 mm
Socket	BA15s/P21W/R10W
Voltage	12/24 V
Connection	Cable grommet
Fastening	2 x M8
Pin spacing	152 mm
Type	surface-mounting

Installation side	Version	Order number
left	with indicator, brake, tail and rear fog light, reflector	4300 218 011
right	with indicator, brake, tail and reversing light, reflector	4300 218 012
left	with indicator, brake, tail, rear fog and number plate light, reflector	8840 218 013
right	with indicator, brake, tail and rear fog light, reflector	8840 218 014
left	with indicator, brake, tail and reversing light, reflector	8840 218 015
right	with indicator, brake, tail, rear fog and number plate light, reflector	8840 218 016

Service parts

Lens

Installation side	left/right
-------------------	------------

Version	Order number
with rear fog light	4300 218 111
with reversing light	4300 218 112



Rear light

Width	343 mm
Height	133 mm
Depth	75 mm
Socket	BA 15s/P21W/R10W
Voltage	12/24 V
Connection	cable duct
Fastening	2 x M8
Pin spacing	152 mm
Colour	red/white/amber

approved for vehicles in accordance with GGVS/ADR

Installation side	Version	Type	Order number
left	with indicator, brake, tail, rear fog, reversing and number plate light	Surface mounted, horizontal	0003 567 311
left	with indicator, brake, tail, rear fog and reversing light	Surface mounted, vertical/horizontal	0003 567 331
right	with indicator, brake, tail, rear fog and reversing light	Surface mounted, vertical/horizontal	0003 567 321

Service parts

Lens

Installation side left/right

Order number
0122 772 001

6



Rear light

Width	343 mm
Height	133 mm
Depth	75 mm
Socket	BA 15s/P21W/R10W
Voltage	12/24 V
Connection	cable duct
Fastening	2 x M8
Pin spacing	152 mm
Colour	red/white/amber

Scope of supply

double bulb mounting in tail light area

approved for vehicles in accordance with GGVS/ADR

Installation side	Version	Type	Order number
left	with indicator, brake, tail, rear fog, reversing and number plate light	surface-mounting, horizontal	0003 567 691
left	with indicator, stop, tail, rear fog and reversing light	surface mounted, vertical/horizontal	0003 567 651
right	with indicator, stop, tail, rear fog and reversing light	surface mounted, vertical/horizontal	0003 567 661

Service parts

Lens

Installation side left/right

Order number
0122 772 001



Rear light

Version	with indicator, brake, tail, rear fog and reversing light, reflector
Width	343 mm
Height	133 mm
Depth	75 mm
Socket	BA 15s/P21W/R10W
Voltage	12/24 V
Connection	cable duct
Fastening	2 x M8
Pin spacing	152 mm
Type	surface mounted, vertical/horizontal
Colour	red/white/amber

approved for vehicles in accordance with GGVS/ADR and for trailers if an EC partial operating permit for lighting exists

Installation side	Order number
left	0003 567 111
right	0003 567 121

Service parts

Lens

Installation side	left/right
-------------------	------------

Order number
0122 689 021



Rear light

Width	343 mm
Height	133 mm
Depth	75 mm
Socket	BA 15s/P21W/R10W
Voltage	12/24 V
Connection	bayonet
Fastening	2 x M8
Pin spacing	152 mm
Type	surface-mounting
Colour	red/white/amber

Installation side	Version	Order number
left	with indicator, brake, tail, rear fog, reversing and number plate light, reflector	8840 202 458
right	with indicator, brake, tail, rear fog and reversing light, reflector	8840 202 456

Service parts

Lens

Installation side	left/right
-------------------	------------

Order number
8840 204 113



PROPLAST
FAHRZEUGBELEUCHTUNG

Rear light

Width	343 mm
Height	133 mm
Depth	75 mm
Socket	BA 15s/P21W/R10W
Voltage	12/24 V
Connection	cable duct
Fastening	2 x M8
Pin spacing	152 mm
Type	surface-mounting
Colour	red/white/amber

Installation side	Version	Order number
left	with indicator, brake, tail, rear fog, reversing and number plate light, reflector	8840 202 454
right	with indicator, brake, tail, rear fog and reversing light, reflector	8840 202 452

Service parts

Lens

Installation side	left/right
-------------------	------------

Order number	8840 204 112
--------------	--------------

6



HELLA

Rear light

Rear Logic

Version	with indicator, stop, rear fog, reversing and tail light, triangular reflector and auxiliary lens
Width	425 mm
Height	143 mm
Socket	BAY 15d/P21/5W, BA 15s/P21W
Voltage	24 V
Connection	cable grommet rubber bush
Fastening	2 x M8
Pin spacing	152 mm
Type	surface-mounted, horizontal
Colour	red/white/amber

Scope of supply

with vibration insulation

approved for vehicles in accordance with GGVS/ADR

Installation side	Order number
left	0007 907 037
right	0007 907 047

Service parts

Lens

Installation side	Order number
left	0150 965 001
right	0150 966 001



PROPLAST
FAHRZEUGBELEUCHTUNG

Rear light

Version	with indicator, brake, tail, rear fog, reversing and number plate light, reflector
Installation side	left
Width	464 mm
Height	130 mm
Depth	83 mm
Socket	BA 15s/P21W/R5W
Voltage	12/24 V
Connection	cable duct
Fastening	2 x M8
Pin spacing	152 mm
Type	surface-mounting
Colour	red/white/amber

approved for vehicles in accordance with GGVS/ADR

Order number

8840 202 482

Service parts

Lens

Installation side	left/right
-------------------	------------

Order number

9501 006 431



PROPLAST
FAHRZEUGBELEUCHTUNG

Rear light

Installation side	left/right
Width	414 mm
Height	130 mm
Depth	83 mm
Socket	BA 15s/P21W/R5W
Voltage	12/24 V
Fastening	2 x M8
Pin spacing	152 mm
Type	surface-mounting
Colour	red/white/amber

approved for vehicles in accordance with GGVS/ADR

Version	Connection	Order number
with indicator, stop, tail, rear fog, reversing and number plate light, with cover	cable duct	8840 202 486
with indicator, brake, tail, rear fog, reversing and number plate light	bayonet	8840 202 490

Service parts

Lens

Installation side	left/right
-------------------	------------

Version	Order number
without reflector	6210 400 000
with reflector	8840 202 488



PROPLAST
FAHRZEUGBELEUCHTUNG

Rear light

Version	with indicator, brake, tail, rear fog, reversing and side marker light
Installation side	left/right
Width	439 mm
Height	130 mm
Depth	93,5 mm
Socket	BA 15s/P21W/R10W, SV 8,5/C5W
Voltage	24 V
Plug type	6-pole
Fastening	2 x M8
Pin spacing	152 mm
Type	surface-mounted, horizontal
Colour	red/white/amber

approved for vehicles in accordance with GGVS/ADR

Connection	Order number
Starlite connector	8840 202 522
cable with Starlite connector, Cable length 1.44 m	8840 202 524
PG screw fitting	8840 202 526

Service parts

Lens

Installation side	left/right
-------------------	------------

	Order number
	9500 004 838



Rear light

Version	with indicator, stop, tail, rear fog, reversing, clearance, number plate and side marker light, reflector
Width	525 mm
Height	139 mm
Depth	84,5 mm
Socket	BA 15s/P21W/R10W
Voltage	24 V
Plug type	8-pole
Connection	cable with round connector
Cable length	1.2 m
Fastening	2 x M8
Pin spacing	200 mm
Type	surface-mounted, horizontal
Colour	red/white/amber

Scope of supply

bulb holder with vibration insulation and pre-fitted 24 V bulbs

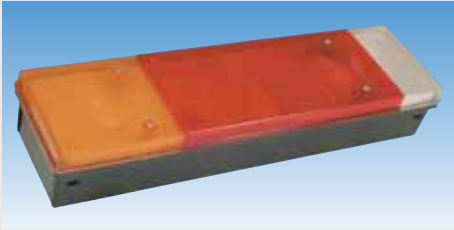
approved for vehicles in accordance with GGVS/ADR and for trailers if an EC type approval for the lighting exists

Installation side	Order number
left	0007 500 091
right	0007 500 201

Service parts

Lens

Description	Installation side	Order number
for rear light	left	0134 296 001
for rear light	right	0134 296 011
for side marker light with reflector	left/right	0146 838 001
for licence plate light	left/right	0134 301 001



Rear light

LC6

Installation side	left/right
Width	464 mm
Height	130 mm
Depth	83 mm
Socket	BA 15s/P21W/R5W
Voltage	24 V
Connection	PG screw fitting
Fastening	2 x M8
Pin spacing	152 mm
Type	surface-mounting
Colour	red/white/amber

approved for vehicles in accordance with GGVS/ADR

Version	Order number
with indicator, brake, tail, rear fog, reversing and number plate light, reflector	6211 666 000
with indicator, stop, tail, rear fog and reversing light	9501 006 368

Service parts

Lens

Installation side	left/right
-------------------	------------

Version	Order number
without reflector	6210 660 000
with reflector	6210 665 000



Rear light

Width	464 mm
Height	130 mm
Depth	83 mm
Socket	BA 15s/P21W/R5W
Voltage	12/24 V
Connection	cable duct
Fastening	2 x M8
Pin spacing	152 mm
Type	surface-mounting, horizontal
Colour	red/white/amber

approved for vehicles in accordance with GGVS/ADR

Installation side	Version	Order number
left/right	with indicator, brake, tail, rear fog, reversing and clearance light, reflector	8840 202 468
left/right	with indicator, stop, tail, rear fog, reversing, clearance and side marker light, reflector	6211 685 100
left	with indicator, stop, tail, rear fog, reversing, clearance, side marker and number plate light, reflector	6211 685 200

Service parts

Lens

Installation side	left/right
-------------------	------------

Order number
8840 207 112



Rear light

Width	525 mm
Height	139 mm
Depth	84,5 mm
Socket	BA 15s/P21W/R10W
Voltage	24 V
Connection	side central connector with sealing sleeves
Plug type	7-pin
Fastening	2 x M8
Pin spacing	200 mm
Type	Attachment, horizontal
Colour	red/white/amber

approved for vehicles in accordance with GGVS/ADR and for trailers if an EC type approval for the lighting exists

Scope of supply

with bulbs

Installation side	Version	Order number
left	with indicator, stop, tail, rear fog, reversing, clearance, side marker and licence plate light, reflector	0007 500 411
right	with indicator, stop, tail, rear fog, reversing, clearance and side marker light, reflector	0007 500 421

Service parts

Lens

Description	Installation side	Order number
for rear light	left	0134 296 001
for rear light	right	0134 296 011
for side marker light with reflector	left/right	0146 838 001
for licence plate light	left/right	0134 301 001



Rear light

Width	525 mm
Height	139 mm
Depth	84,5 mm
Socket	BA 15s/P21W/R10W
Voltage	24 V
Connection	cable with round connector
Cable length	1.2 m
Fastening	2 x M8
Pin spacing	200 mm
Type	surface-mounting
Colour	red/white/amber

approved for vehicles in accordance with GGVS/ADR

Installation side	Version	Order number
left	with indicator, stop, tail, rear fog, reversing, clearance, side marker and number plate light, reflector	8840 203 108
right	with indicator, stop, tail, rear fog, reversing, clearance and side marker light, reflector	8840 203 106

Service parts

Lens

Installation side	Order number
left	9260 000 105
right	9260 000 106



PROPLAST
FAHRZEUGBELEUCHTUNG

Rear light

Width	468 mm
Height	134 mm
Depth	82 mm
Socket	BA 15s/P21W/R5W
Connection	PG screw fitting
Voltage	24 V
Fastening	2 x M8
Pin spacing	152 mm
Type	surface-mounted, horizontal
Colour	red/white/amber

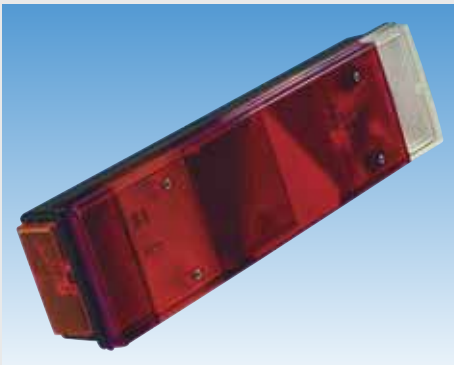
approved for vehicles in accordance with GGVS/ADR

Installation side	Version	Order number
left	with indicator, stop, tail, rear fog, reversing, clearance and side marker light, triangular reflector	8840 240 011
right	with indicator, stop, tail, rear fog, reversing, clearance and side marker light, triangular reflector	8840 240 012
left	with indicator, stop, tail, rear fog, reversing, clearance, side marker and number plate light, triangular reflector	8840 240 013

Service parts

Lens

Description	Installation side	Order number
for rear light	left	8840 240 111
for rear light	right	8840 240 112
for side marker light	left/right	8850 062 001



VIGNAL
FAHRZEUGBELEUCHTUNG

Rear light

LC7T

Width	464 mm
Height	130 mm
Depth	83 mm
Socket	BA 15s/P21W/R5W
Voltage	24 V
Connection	cable grommet
Fastening	2 x M8, bolt spacing 152/160 mm
Type	surface-mounting, horizontal/vertical
Colour	red/white/amber

approved for vehicles in accordance with GGVS/ADR

Installation side	Version	Order number
left	with indicator, stop, tail, rear fog, reversing, clearance and side marker light, triangular reflector	8840 237 611
right	with indicator, stop, tail, rear fog, reversing, clearance and side marker light, triangular reflector	8840 237 612
left	with indicator, stop, tail, rear fog, reversing, clearance, side marker and number plate light, triangular reflector	8840 237 613

Service parts

Lens

Installation side	Order number
left	8840 237 111
right	8840 237 112



Rear light

LC7

Width	464 mm
Height	130 mm
Depth	83 mm
Socket	BA 15s/P21W/R5W
Voltage	24 V
Connection	PG screw fitting
Fastening	2 x M8
Pin spacing	152 mm
Type	surface-mounted, horizontal
Colour	red/white/amber

***approved for vehicles in accordance with GGVS/ADR**

Installation side	Version	Order number
left	with indicator, stop, tail, rear fog, reversing, clearance, side marker and number plate light, reflector	6211 682 200
right	with indicator, stop, tail, rear fog, reversing, clearance and side marker light, reflector	6211 682 600
left/right	with indicator, brake, tail, rear fog, reversing, clearance and side marker light, with side reflector	6211 682 700
left	with indicator, stop, tail, rear fog, reversing, clearance and number plate light, reflector	9582 830 362

Service parts

Lens

Installation side left/right

Version	Order number
without reflector	6210 670 000
with reflector	6210 675 000



Rear light

Version	with indicator, stop, tail, rear fog, reversing and side marker light, triangular reflector
Width	440 mm
Height	148 mm
Depth	82 mm
Socket	SV 8,5/C5W, BA 15s/P21W/R10W/R5W
Voltage	24 V
Connection	cable with connector
Cable length	1.7 m
Plug type	6-pole, rectangular
Fastening	2 x M8
Pin spacing	152 mm
Type	surface-mounted, horizontal
Colour	red/white/amber

Scope of supply

with vibration insulation, 24 V heavy duty bulbs, double bulb mounting in tail light area
approved for vehicles in accordance with GGVS/ADR

Installation side	Order number
left	8840 250 011
right	8840 250 012

Service parts

Lens

Installation side left/right

Description	Order number
for rear light	8840 250 112
for side marker light with reflector	0146 838 001



PROPLAST
FAHRZEUGBELEUCHTUNG

Rear light

Version	with indicator, stop, tail, rear fog, reversing and side marker light, triangular reflector
Width	440 mm
Height	148 mm
Depth	82 mm
Socket	BA 15s/P21W/R5W, SV 8,5/C5W
Voltage	24 V
Connection	cable with Starlite connector
Cable length	1.8 m
Fastening	2 x M8
Pin spacing	152 mm
Type	surface mounted, horizontal
Colour	red/white/amber

Scope of supply

double bulb mounting in tail light area

approved for vehicles in accordance with GGVS/ADR

Installation side	Order number
left	8840 242 011
right	8840 242 012

Service parts

Lens

Installation side	left/right
-------------------	------------

	Order number
	8840 242 112



Rear light

Ecopoint

Width	343 mm
Height	139 mm
Depth	79 mm
Voltage	24 V
Connection	PG screw fitting
Fastening	2 x M8
Pin spacing	152 mm
Type	surface-mounting
Colour	red/white/amber

Installation side	Version	Order number
left	with indicator, stop, tail, rear fog and reversing light	8840 241 011
right	with indicator, stop, tail, rear fog and reversing light	8840 241 012
right	with indicator, brake, tail, rear fog, reversing and number plate light	8840 241 013

Service parts

Lens

Installation side	left/right
-------------------	------------

	Order number
	8840 241 112



Rear light

LC5 VibrActiv®

Width	350 mm
Height	130 mm
Depth	83 mm
Socket	BA 15s/P21W/R10W
Voltage	24 V
Fastening	2 x M8
Pin spacing	152 mm
Type	surface-mounting
Colour	red/white/amber

approved for vehicles in accordance with GGVS/ADR

Installation side		Version	Connection	Order number
left/right		with indicator, stop, tail, rear fog and reversing light	PG screw fitting	6211 521 300
left		with indicator, brake, tail, rear fog, reversing and number plate light, reflector	PG screw fitting	6211 521 400
left/right		with indicator, brake, tail, rear fog and reversing light, reflector	PG screw fitting	6211 521 500
left-hand side		with indicator, brake, tail, rear fog, reversing and number plate light, reflector	AMP 1.5	6211 521 700
left/right		with indicator, brake, tail, rear fog and reversing light, reflector	AMP 1.5	6211 521 800

Service parts

Lens

Installation side left/right

Version	Order number
without reflector	6210 520 000
with reflector	6210 525 000



Rear light

LC8T VibrActiv®

Width	400 mm
Height	160 mm
Depth	88,5 mm
Socket	BA 15s/P21W/R5W
Voltage	24 V
Connection	AMP 1.5
Fastening	2 x M10
Pin spacing	152 mm
Type	surface mounted, horizontal
Colour	red/white/amber

approved for vehicles in accordance with GGVS/ADR

Installation side	Version	Order number
left	with indicator, stop, tail, rear fog, reversing, clearance and side marker light, triangular reflector	6211 560 400
right	with indicator, stop, tail, rear fog, reversing, clearance and side marker light, triangular reflector	6211 560 500
left	with indicator, stop, tail, rear fog, reversing, clearance, side marker and number plate light, triangular reflector	6211 560 600

Service parts

Lens

Installation side	Order number
left	6210 567 000
right	6210 567 100



Rear light

Europoint

Width	420 mm
Height	149 mm
Depth	77 mm
Voltage	24 V
Connection	PG screw fitting
Fastening	2 x M8
Pin spacing	152 mm
Type	surface-mounted, horizontal
Colour	red/white/amber

approved for vehicles in accordance with GGVS/ADR

Installation side	Version	Order number
left	with indicator, stop, tail, rear fog, reversing, side marker and clearance light, triangular reflector	6229 629 510
right	with indicator, stop, tail, rear fog, reversing, side marker and clearance light, triangular reflector	6229 629 520
left	with indicator, stop, tail, rear fog, reversing, side marker, clearance and number plate light, triangular reflector	8840 203 116

Service parts

Installation side left/right

Description	Order number
Lens for rear light	9500 005 238
Lens filter for Europoint direction indicator	8890 082 000



Rear light

Europoint

Width	420 mm
Height	149 mm
Depth	77 mm
Voltage	24 V
Connection	cable feedthrough with cable
Cable length	3 m
Fastening	2 x M8
Pin spacing	152 mm
Type	surface-mounted, horizontal
Colour	red/white/amber

Scope of supply

with 24 V bulbs

Installation side	Version	Order number
left	with indicator, stop, tail, rear fog, reversing, side marker light and clearance light, triangular reflector	6229 628 550
right	with indicator, stop, tail, rear fog, reversing, side marker light and clearance light, triangular reflector	6229 628 560
left	with indicator, stop, tail, rear fog, reversing, side marker, clearance and number plate light, triangular reflector	8840 226 313

Service parts

Installation side left/right

Description	Order number
Lens for rear light	9500 005 238
Lens filter for Europoint direction indicator	8890 082 000



Rear light

Installation side	left/right
Diameter	80 mm
Depth	41 mm
Socket	SV 8,5/C5W
Voltage	12/24 V
Connection	cable duct
Fastening	2 x M5
Pin spacing	45 mm
Type	surface-mounting
Colour	red

Version	Order number
with tail light	0001 259 751
with tail light and number plate light	0001 259 761

Service parts

Lens

Installation side left/right

Order number
0135 266 001



Rear light

Version	with tail light
Installation side	left/right
Width	62 mm
Height	62 mm
Depth	40 mm
Socket	SV 8,5/C5W
Voltage	12/24 V
Connection	cable duct
Fastening	2 x M5
Distance between holes	30 mm
Type	surface mounted, vertical/horizontal
Colour	red

Order number
0003 057 021

Service parts

Lens

Installation side	left/right
-------------------	------------

Order number
0117 330 011



Rear light

Version	with tail light and reflector
Installation side	left/right
Width	62 mm
Height	62 mm
Depth	46 mm
Socket	SV 8,5/C5W
Voltage	12/24 V
Connection	cable duct
Fastening	2 x M5
Distance between holes	30 mm
Type	surface mounted, vertical/horizontal
Colour	red

Order number
0003 057 031



Rear light

Version	with tail light and reflector
Installation side	left/right
Width	115 mm
Height	45 mm
Depth	27 mm
Socket	BA 9s/T4W
Voltage	12/24 V
Connection	cable duct
Fastening	2 x 4,2 x 32 x 18 mm
Pin spacing	95 mm
Type	surface mounted, vertical/horizontal
Colour	red

Scope of supply

with black rubber base

Order number

0003 748 011



Rear light

base plate with black edge, if a PG thread is used, base plate 0128 032 017 must also be used

Version	with tail light and reflector
Installation side	left/right
Width	124 mm
Height	61.5 mm
Depth	43 mm
Socket	BA 15s/R5W
Voltage	12/24 V
Connection	cable duct rubber grommet
Fastening	optional 10 holes, diameter 5,5 mm
Type	surface mounted, vertical/horizontal
Colour	red

approved for vehicles in accordance with GGVS/ADR if the diagonally arranged hole separation of 98 mm is used

Order number

0004 361 021

Service parts

Lens

Installation side	left/right
-------------------	------------

Order number

0114 401 041



Rear light

Version	with tail light
Installation side	left/right
Width	110 mm
Height	40 mm
Depth	25 mm
Socket	W2,1x9,5 d/W5W
Connection	cable grommet
Fastening	2 holes, diameter 5 mm
Distance between holes	45 mm
Angle of tilt	10°
Type	surface mounted, vertical/horizontal
Colour	red

approved for vehicles in accordance with GGVS/ADR

Order number

0006 717 001

Service parts

Lens

Installation side	left/right
-------------------	------------

Order number

0141 135 001



Clearance light

FE81

Version	with rubber base
Installation location	at the side
Installation side	left/right
Width	107 mm
Height	47 mm
Depth	41 mm
Socket	BA 9s/T4W
Fastening	2 holes
Colour	clear-glass/red

Order number
6211 810 000



Clearance light

Version	lens clear to the front, red to the rear
Installation location	rear, overhead, on the side
Installation side	left/right
Width	42 mm
Height	92 mm
Depth	37 mm
Socket	BA 9s/TW4
Voltage	12/24 V
Fastening	4 holes, diameter 4,2 mm
Distance between holes	68 mm
Type	surface-mounting
Colour	clear-glass/red

Scope of supply

with lamp carrier

approved for vehicles in accordance with GGVS/ADR

Order number
0005 020 001

Service parts

Lens

Installation side	left/right
-------------------	------------

Order number
0132 215 001



Clearance light

Version	lens black to the front, red to the rear
Installation location	at the side
Installation side	left/right
Width	42 mm
Height	92 mm
Depth	37 mm
Socket	BA 9s/T4W
Voltage	12/24 V
Fastening	2 x M3,5
Type	surface-mounting
Colour	black/red

Scope of supply

with bulb holder

approved for vehicles in accordance with GGVS/ADR

Order number

0005 020 041

Service parts

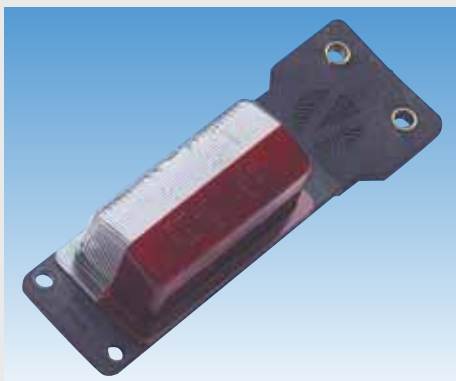
Lens

Installation side	left/right
Colour	black/red

Order number

0132 215 011

6



Clearance light

FE88

Version	lens clear to the front, red to the rear
Installation location	at the side
Installation side	left/right
Socket	SV 8,5/C5W
Fastening	2 holes each with a diameter of 5 and 5,2 mm
Colour	clear-glass/red

Scope of supply

with flexible swinging bracket

Order number

6211 881 100



Clearance light

Installation location	rear, on the side
Installation side	left/right
Width	42 mm
Height	120 mm
Depth	37 mm
Socket	BA 9s/T4W
Voltage	12/24 V
Fastening	2 x M6
Type	surface-mounting

Scope of supply

with rubber hanger, fixing bracket and grommet

approved for vehicles in accordance with GGVS/ADR

Version	Order number
lens clear to the front, red to the rear	0005 020 021
lens black to the front, red to the rear	0005 020 111

Service parts

Lens

Installation side	left/right
-------------------	------------

Colour	Order number
clear-glass/red	0132 215 001
black/red	0132 215 011



Clearance light

Version	straight, short
Installation location	at the side
Installation side	left/right
Width	98 mm
Height	85 mm
Depth	86 mm
Socket	BA 15s/R5W
Voltage	12/24 V
Fastening	2 holes, diameter 5,3 mm
Type	surface mounted
Colour	white/red

approved for vehicles in accordance with GGVS/ADR

Order number
0955 031 001

Service parts

Lens

Colour	Order number
red	0950 315 001
white	0950 315 031



Clearance light

Version	with position and tail light
Installation location	top
Installation side	left/right
Width	63 mm
Height	72 mm
Depth	70 mm
Socket	SV 8,5/C5W
Voltage	12/24 V
Fastening	1 x M10
Type	surface-mounting
Colour	clear-glass/red

Scope of supply

with bulb holder

Order number

0001 633 211

Service parts

Lens

Installation side	left/right
-------------------	------------

Colour **Order number**

transparent **0132 403 001**

red **0132 404 001**

6



LED clearance light

Width	177.5 mm
Height	163.8 mm
Cable length	300 m
Voltage	24 V
Connection	female spade connector (6,3 x 0,8) with cable
Distance between holes	78 mm
Type	surface-mounting, upright
Colour	red/white/amber

approved for vehicles in accordance with GGVS/ADR

Installation side **Order number**

left **0340 418 091**

right **0340 418 081**



Clearance light

Version	housing with straight arm
Installation location	at the side
Installation side	left/right
Width	159.5 mm
Height	192 mm
Socket	BA 15s/R5W
Voltage	12/24 V
Fastening	2 holes, diameter 5,3 mm
Type	surface mounted
Colour	white/red

approved for vehicles in accordance with GGVS/ADR

Order number

0955 232 001

Service parts

Lens

Colour	Order number
red	0950 315 001
white	0950 315 031



Clearance light

Version	with bent rubber arm
Installation location	at the side
Installation side	left/right
Width	160 mm
Height	185 mm
Socket	BA 15s/R5W
Voltage	12/24 V
Fastening	2 holes, diameter 5,3 mm
Type	surface mounted
Colour	white/red

approved for vehicles in accordance with GGVS/ADR

Order number

0950 071 031

Service parts

Lens

Colour	Order number
red	0950 315 001
white	0950 315 031



Clearance light

casing made of black rubber with reinforced base plate

Installation location at the side
 Installation side left/right
 Socket BA 15s
 Voltage 24 V
 Colour red/transparent

Scope of supply
 with 30 cm connection cable

Version	Width mm	Height mm	Order number
short version, can be turned through 360°	93	100	9196 451 000
inclined version	143	190	9196 440 000
angled version	160	185	9196 430 000

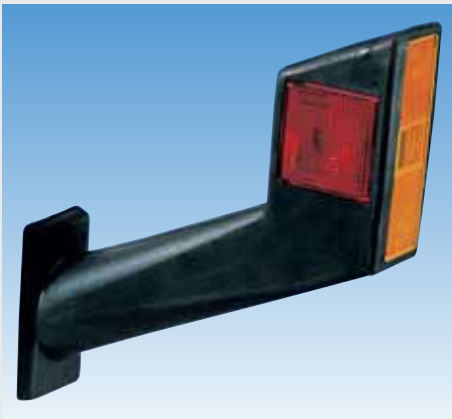


Clearance light

Rear-Logic

Width 42 mm
 Height 109.3 mm
 Depth 56,2 mm
 Voltage 12/24 V
 Type surface-mounting
 Colour white/red/amber

Installation side	Order number
left	0007 841 011
right	0007 841 021



Clearance light

Version with side marker light and reflector
 Installation location at the side
 Installation side left/right
 Width 185 mm
 Height 187 mm
 Depth 45 mm
 Socket BA 15s/R5W
 Voltage 12/24 V
 Fastening 4 holes, diameter 5,3 mm
 Type surface mounted
 Colour white/red/amber

approved for vehicles in accordance with GGVS/ADR

Order number
0955 260 001

Service parts

Lens

Colour	Order number
white	0964 289 001
red	0964 290 001
yellow	0964 292 001



Numberplate lamp

Installation side	left/right
Width	115 mm
Height	55.5 mm
Depth	50 mm
Socket	SV8,5/C5W
Voltage	12/24 V
Fastening	2 holes, diameter 5,4 mm
Distance between holes	45 mm
Type	surface-mounting
Colour	transparent
Housing colour	black

Application range

above the number plate 340 x 240 mm (1 lamp) and 520 x 120 mm (2 lamps) or to the left and right of the number plate 340 x 240 mm and 520 x 120 mm

Scope of supply

with grommet

approved for vehicles in accordance with GGVS/ADR

Order number
0007 929 001

6



Numberplate lamp

Installation side	left/right
Width	100 mm
Height	58.2 mm
Depth	53,5 mm
Socket	R10W
Voltage	12/24 V
Cable length	410 mm
Fastening	2 x M6
Type	surface-mounting
Colour	clear
Housing colour	black

Application range

for connection to flat cable

approved for vehicles in accordance with GGVS/ADR

Order number
6210 010 502



Numberplate lamp

Installation side	left/right
Width	100 mm
Height	60 mm
Socket	SV8,5/C5W
Voltage	12/24 V
Connection	PG thread
Fastening	2 x M6
Pin spacing	72 mm
Type	surface-mounting
Colour	clear
Housing colour	black

Order number
8840 165 004

6



Numberplate lamp

Lamp holder with vibration damping

Installation side	left/right
Width	102 mm
Height	55 mm
Depth	56,5 mm
Socket	BA15s/R10W
Voltage	12/24 V
Fastening	2 holes, diameter 4,5 mm
Distance between holes	72 mm
Type	surface-mounting
Colour	clear
Housing colour	black

Application range

above the number plate 340 x 240 mm (1 lamp) and 520 x 120 mm (1 or 2 lamps)

approved for vehicles in accordance with GGVS/ADR

Order number
0998 523 001



Numberplate lamp

with distance socket

Installation side	left/right
Width	105 mm
Height	55 mm
Depth	63 mm
Socket	SV8,5/C5W
Voltage	12 V
Power	5 W
Fastening	2 x M4
Distance between holes	72 mm
Type	surface-mounting
Colour	clear
Housing colour	black

Application range

above the number plate 340 x 240 mm and 520 x 120 mm

Order number

0001 386 281

Service parts

Housing with lens

Order number

0101 230 001



Numberplate lamp

Installation side	left/right
Width	105 mm
Height	55 mm
Depth	40 mm
Socket	SV8,5/C5W
Voltage	12 V
Fastening	2 x M4
Distance between holes	72 mm
Type	surface-mounting
Colour	clear
Housing colour	black

Application range

above the number plate 340 x 240 mm and 520 x 120 mm

Scope of supply

with lamp carrier

Order number

0001 386 231

Service parts

Housing with lens

Order number

0101 230 001



Numberplate lamp

with black rubber base and vibration insulator

Installation side	left/right
Width	109.5 mm
Height	62 mm
Depth	58 mm
Socket	BA15s/R10W
Voltage	12/24 V
Power	10 W
Fastening	2 holes, 4,5 mm dia.
Distance between holes	72 mm
Type	surface-mounting
Colour	clear
Housing colour	black

Application range

for number plates 520 x 120 mm or 340 x 240 mm

Order number
0003 389 217

Service parts

Housing with lens and screw

Order number
0121 587 071

6



Numberplate lamp

Installation side	left/right
Width	102 mm
Height	55 mm
Depth	56,5 mm
Socket	BA15s/R10W
Voltage	12/24 V
Fastening	2 holes, diameter 4,5 mm
Type	surface-mounting
Colour	transparent
Housing colour	grey

Application range

above the number plate 340 x 240 mm (1 lamp) and 520 x 120 mm (1 or 2 lamps) or to the left and right of the number plate 340 x 240 mm and 520 x 120 mm

Scope of supply

with bulb holder

approved for vehicles in accordance with GGVS/ADR

Distance between holes mm	Order number
45	0003 389 011
72	0003 389 001



Numberplate lamp

Installation side	left/right
Width	102 mm
Height	55 mm
Depth	56,5 mm
Socket	BA15s/R10W
Voltage	12/24 V
Fastening	2 holes, diameter 4,5 mm
Distance between holes	72 mm
Type	surface-mounting
Colour	clear

Application range

for number plates 520 x 120 mm or 340 x 240 mm

Scope of supply

with lamp carrier

approved for vehicles in accordance with GGVS/ADR

Order number

0003 389 061

Service parts

Housing with lens and screw

Order number

0121 587 031

6



LED numberplate lamp

Version	with LED tail light
Installation side	left/right
Width	123 mm
Height	52 mm
Voltage	24 V
Cable length	0.5 m
Fastening	4 holes
Distance between holes	45 mm
Type	surface-mounting
Colour	clear-glass/red
Housing colour	grey

approved for vehicles in accordance with GGVS/ADR

Order number

4540 027 504



Numberplate lamp

Version	with tail light
Installation side	left/right
Width	100 mm
Height	60 mm
Socket	SV8,5/C5W
Voltage	12/24 V
Fastening	2 x M6
Pin spacing	72 mm
Type	surface-mounting
Colour	clear-glass/red
Housing colour	black

approved for vehicles in accordance with GGVS/ADR

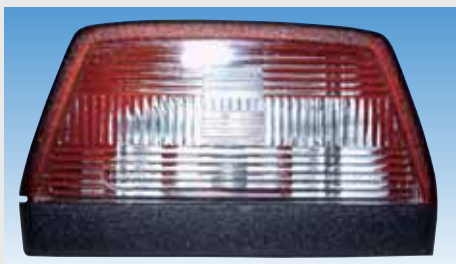
Order number
8840 182 004

Service parts

Lens

Order number
8840 182 104

6



Numberplate lamp

Version	with tail light
Installation side	left/right
Width	100 mm
Height	54 mm
Socket	BA15s/R5W
Voltage	12/24 V
Fastening	2 holes
Distance between holes	72 mm
Type	surface-mounting
Colour	clear-glass/red
Housing colour	black

Order number
8840 205 006

Service parts

Lens

Order number
8840 205 106



Numberplate lamp

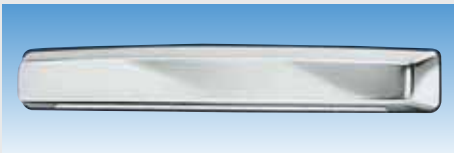
Installation side	left/right
Width	80 mm
Height	28 mm
Depth	31 mm
Socket	SV8,5/C5W
Voltage	12/24 V
Power	5 W
Fastening	
Distance between holes	45 mm
Type	surface-mounting
Colour	clear
Housing colour	black

Scope of supply

with bulb holder, without bulb

Order number

0001 389 101



Numberplate lamp

Installation side	left/right
Width	260 mm
Height	45 mm
Depth	39 mm
Socket	SV8,5/C5W
Voltage	12 V
Fastening	2 holes, diameter 4,5 mm
Distance between holes	212 mm
Type	surface-mounting
Colour	clear
Housing colour	silver

Application range

above the number plate 340 x 240 mm and 520 x 120 mm

Order number

0001 610 001



Numberplate lamp

Installation side	left/right
Width	87 mm
Height	67 mm
Diameter	53.5 mm
Socket	BA15s/R5W
Voltage	12/24 V
Fastening	2 x M6
Distance between holes	45 mm
Type	surface-mounting/flush-mounting
Colour	clear
Housing colour	olive green

waterproof to 0,6 bar

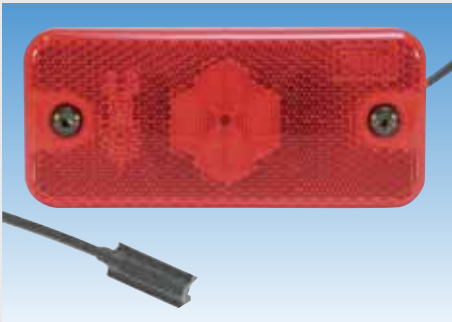
Scope of supply

with bulb holder

approved for vehicles in accordance with GGVS/ADR

Order number

0001 324 041



LED position light

SMD98

Version	with reflector, cable with click-in connection for flat cable
Installation side	left/right
Width	110 mm
Height	50 mm
Depth	18 mm
Voltage	24 V
Connection	AMP JPT
Cable length	3500 mm
Type	surface-mounting
Colour	red

approved for vehicles in accordance with GGVS/ADR

Order number

6210 104 990

Service parts

Bracket

Order number

6210 001 716

6



Position light

FE94

Installation side	left/right
Width	110 mm
Height	55 mm
Depth	34 mm
Socket	BA 9s/T4W
Voltage	12/24 V
Connection	cable duct
Colour	red

approved for vehicles in accordance with GGVS/ADR

Version

without reflector	Order number	6211 943 100
with reflector	Order number	8840 203 070

Service parts

Description

Bracket, straight	Order number	6210 015 861
Bracket, 90°	Order number	6210 015 860
Lens with reflector	Order number	3900 094 056



Position light

Colour red

Order number

7770 620 270

Comparative number

Schmitz 062027



PROPLAST
FAHRZEUGBELEUCHTUNG

Position light

with rubber seal between lens and casing

Installation location	rear
Installation side	left/right
Width	102 mm
Height	42 mm
Depth	28 mm
Socket	SV 8,5/C5W
Voltage	12/24 V
Colour	red

can also be used as tail light

Order number

8840 138 002

Service parts

Lens

Installation side	left/right
-------------------	------------

Order number

8840 202 326

6



PROPLAST
FAHRZEUGBELEUCHTUNG

Position light

sturdy plastic casing

Version	export version
Installation side	left/right
Width	141 mm
Height	84 mm
Depth	70 mm
Socket	BA 15s/P21W
Voltage	12/24 V
Colour	yellow

Order number

8820 056 011



LED reversing light

Diameter	140 mm
Depth	90 mm
Voltage	24 V
Fastening	2 x M6
Pin spacing	45 mm
Type	surface-mounted, horizontal
Colour	transparent
Housing colour	black
Material	plastic

Order number

8840 149 403



Reversing light

Diameter	140 mm
Depth	92 mm
Socket	P21W
Voltage	12/24 V
Fastening	2 x M6
Pin spacing	45 mm
Type	surface-mounting, horizontal
Colour	transparent
Housing colour	black
Material	plastic

approved for vehicles in accordance with GGVS/ADR

Order number

0001 423 001

Service parts

Lens

Order number

0106 588 001



Reversing light

ECO 21

with plain lens and approved special illumination as reversing lamp (00AR)

Version	with 500 mm connection cable and 24 V bulb
Width	97 mm
Height	97 mm
Depth	121 mm
Socket	P21W
Voltage	24 V
Fastening	swivel base with M10 mounting bolt
Type	surface-mounting
Colour	clear
Housing colour	black
Material	housing made of plastic

Order number

9260 001 088



H3 reversing light

Ultra Beam

with crystal clear lens - half of which without optics, with approved special illumination as reversing lamp (00AR)

Width	112 mm
Height	102/126.5 mm
Depth	97 mm
Voltage	24 V
Fastening	with M10 mounting bolt and vibration damper
Type	surface-mounting
Colour	clear
Housing colour	black
Material	housing made of plastic

Order number
9260 001 163



H3 reversing light

Ultra Beam with FF® technology

with transparent lens

Width	112 mm
Height	102/132 mm
Depth	97 mm
Voltage	24 V
Fastening	with M10 mounting bolt and vibration damper
Colour	clear
Housing colour	black

Order number
0997 506 391



Reversing light

Width	84 mm
Height	84 mm
Depth	51 mm
Socket	P21W
Voltage	12/24 V
Fastening	2 x M4
Distance between holes	45 mm
Type	surface-mounting, horizontal
Colour	transparent
Housing colour	black
Material	plastic

Order number
0003 014 091

Service parts

Lens

Order number
0110 544 001



Reversing light

Width	97 mm
Height	97 mm
Depth	57 mm
Socket	P21W
Voltage	12/24 V
Fastening	2 self-tapping screws 4,8 x 19
Type	surface-mounting
Colour	transparent
Housing colour	black
Material	plastic

Order number
0003 315 041



Reversing light

Width	140 mm
Height	125 mm
Depth	91,5 mm
Socket	P21W
Voltage	12/24 V
Connection	PE thread
Colour	transparent
Housing colour	black
Material	plastic

Order number
9501 005 853



Reversing light

Width	98 mm
Height	78 mm
Depth	85 mm
Socket	P21W
Voltage	12/24 V
Fastening	Bracket with M8 retaining bolt
Type	surface-mounting
Colour	transparent
Housing colour	chrome
Material	metal

Scope of supply

with seal and plastic washer

Order number
0003 030 171



Reversing light

Width	124 mm
Height	74 mm
Depth	66 mm
Socket	P21W
Voltage	12/24 V
Fastening	bracket with M8 retaining bolt
Type	surface-mounting
Colour	transparent
Housing colour	black
Material	plastic

Order number
0002 985 261



Reversing light

Version	with frame and protective grille
Width	153 mm
Height	95 mm
Depth	81 mm
Socket	P21W
Voltage	12 V
Fastening	ball foot with M10 hollow screw
Type	surface mounted, suspended/upright
Colour	transparent
Housing colour	black
Surface	chrome-plated

Order number
0004 542 001



Reversing light

Length	151 mm
Width	87 mm
Height	71 mm
Socket	P21W
Voltage	12/24 V
Fastening	foot mounting
Type	surface mounting/flush mounting
Colour	transparent
Housing colour	bronze green (RAL 6031)
Material	metal

waterproof to 0,6 bar

Scope of supply

with seal

approved for vehicles in accordance with GGVS/ADR

Order number
0002 481 037



LED rear fog lamp

Installation side	left/right
Diameter	140 mm
Depth	90 mm
Voltage	24 V
Fastening	2 x M6
Pin spacing	45 mm
Type	surface-mounted, horizontal
Colour	red
Housing colour	black
Material	plastic

Order number
8840 149 402



Rear fog lamp

Installation side	left/right
Diameter	140 mm
Depth	92 mm
Socket	P21W
Voltage	12/24 V
Fastening	2 x M6
Pin spacing	45 mm
Type	surface-mounting, horizontal
Colour	red
Housing colour	black
Material	plastic

approved for vehicles in accordance with GGVS/ADR

Order number
0001 423 011



Rear fog lamp

ground cabled, with plug connection	
Installation side	left/right
Diameter	140 mm
Depth	90 mm
Socket	BA 15s/P21W
Voltage	12/24 V
Fastening	2 x M6
Distance between holes	45 mm
Type	surface-mounting
Colour	red
Housing colour	black
Material	plastic

Order number
8823 033 001



PROPLAST
FAHRZEUGBELEUCHTUNG

Rear fog lamp

ground cabled, with plug connection

Installation side	left/right
Width	140 mm
Height	125 mm
Depth	91,5 mm
Socket	BA 15s/P21W
Voltage	12/24 V
Colour	red
Material	plastic

Order number
9501 005 895



Rear fog lamp

Installation side	left/right
Width	97 mm
Height	97 mm
Depth	57 mm
Socket	BA 15s/P21W
Voltage	12/24 V
Fastening	2 x 4.8 x 19
Distance between holes	45 mm
Type	surface-mounting
Colour	red
Housing colour	black
Material	plastic

Order number
0003 315 011

Service parts

Lens

Order number
0119 977 001



Rear fog lamp

Installation side	left/right
Width	117 mm
Height	139 mm
Depth	63 mm
Socket	BA 15s/P21W
Voltage	12/24 V
Fastening	2 x M6
Distance between holes	45 mm
Type	Surface mounting/flush mounting
Colour	red
Housing colour	black
Material	plastic

approved for vehicles in accordance with GGVS/ADR

Order number
0003 236 001

Service parts

Lens

Order number
0119 544 001

6



Rear fog lamp

Installation side	left/right
Width	124 mm
Height	74 mm
Depth	66 mm
Socket	BA 15s/P21W
Voltage	24 V
Fastening	bracket with M8 retaining bolt
Type	surface mounted, vertical/horizontal
Colour	red
Housing colour	black
Material	plastic

Scope of supply

with seal and plastic pane

Order number
0002 985 001



Rear fog lamp

Installation side	left/right
Width	98 mm
Height	78 mm
Depth	65 mm
Socket	BA 15s/P21W
Voltage	12/24 V
Fastening	bracket with M8 retaining bolt
Type	surface mounted, vertical/horizontal
Colour	red
Housing colour	chrome

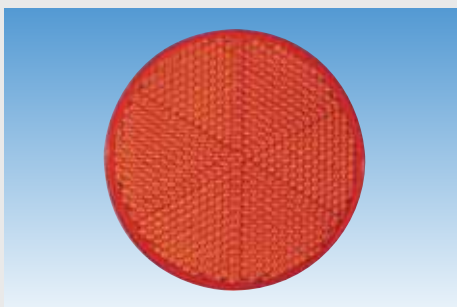
Order number

0003 030 151



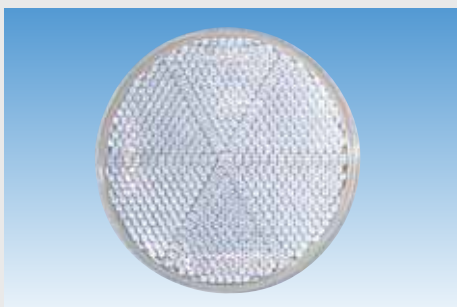
Round reflector

Version	with self-adhesive film	
Colour	yellow	
Ø mm		Order number
60		8840 202 002
80		8840 202 062



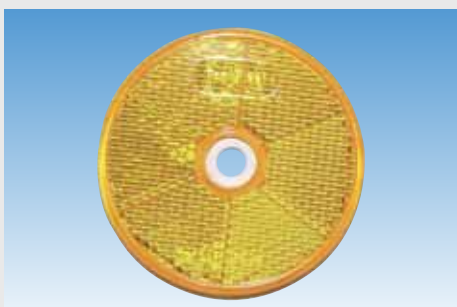
Round reflector

Version	with self-adhesive film	
Colour	red	
Ø mm		Order number
60		8840 202 004
80		8840 202 064



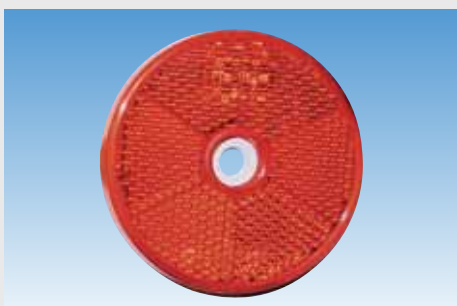
Round reflector

Version	with self-adhesive film	
Colour	white	
Ø mm		Order number
60		8840 202 006
80		8840 202 066



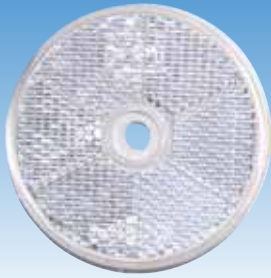
Round reflector

Colour	yellow	
Version	Ø mm	Order number
mounting hole 6 mm	60	8840 202 028
mounting hole 6 mm	80	9641 497 270
with self-adhesive film and 6 mm mounting hole	80	8840 202 050



Round reflector

Colour	red	
Version	Ø mm	Order number
mounting hole 6 mm	60	8840 202 030
with self-adhesive film and 6 mm mounting hole	60	8840 202 034
mounting hole 6 mm	80	2001 100 002
with self-adhesive film and 6 mm mounting hole	80	8840 202 052



Round reflector

Colour white

Version	Ø mm	Order number
with 6 mm mounting hole	60	8840 202 032
with self-adhesive film and 6 mm mounting hole	60	8840 202 036
with self-adhesive film and 6 mm mounting hole	80	8840 202 054



Round reflector

Version with plastic holder
 Colour yellow
 Diameter 90 mm

Scope of supply
 with M5 bolt and nut

Order number
 8840 202 068



Round reflector

Version with plastic holder and 6 mm mounting hole
 Colour red
 Diameter 90 mm

Order number
 8840 202 058



Round reflector

Version with plastic holder
 Colour white
 Diameter 90 mm

Scope of supply
 with M5 bolt and nut

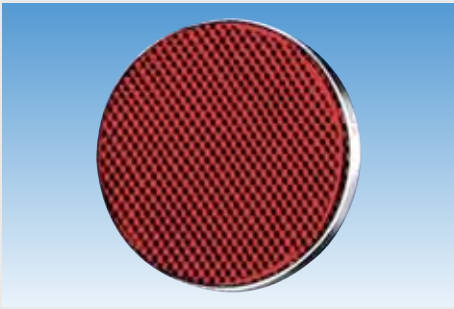
Order number
 8840 202 070



Round reflector

Colour red

Version	Ø mm	Scope of supply	Order number
with plastic holder	65/50	1 x stud M5	9084 201 050
with plastic holder, PVC protective ring and central mounting	95	mounting bolt M5 x 15	9085 510 440



Round reflector

Version with central mounting
 Colour red
 Fastening mounting bolt M5 x 15

Ø mm	Order number
85	0002 016 111
95	0002 016 121



Round reflector

with rubber protective ring

Version with metal base plate
 Colour red
 Diameter 70 mm
 Fastening mounting bolt M5 x 15 mm

Order number
0002 015 031



Round reflector

Version on steel band
 Colour red
 Diameter 98/80 mm

Scope of supply

2 x mounting bolts M5 with steel band 400 mm

Order number
9085 510 480



Rectangular reflector

Version with self-adhesive film
 Colour yellow

Length mm	Width mm	Order number
56	39	8840 202 076
70	31.5	0004 412 001
94	44	8840 203 052
94	44	9645 216 271
105	55	8840 202 018

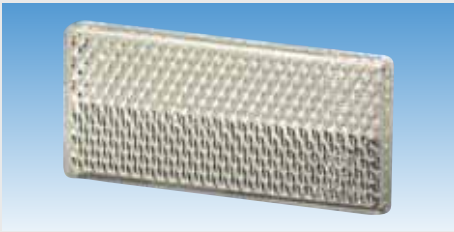


Rectangular reflector

Version with self-adhesive film
 Colour red

Length mm	Width mm	Order number
70	31.5	0004 412 021
94	44	8840 202 014





Rectangular reflector

Version with self-adhesive film
 Colour white

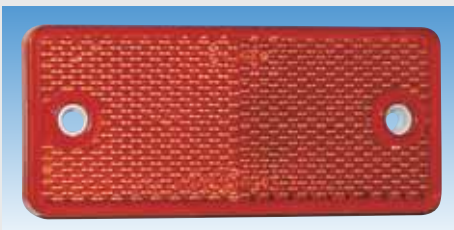
Length mm	Width mm	Order number
70	31.5	0004 412 011
94	44	8840 202 016



Rectangular reflector

Colour yellow

Version	Length mm	Width mm	Order number
with adhesive film, with 2 mounting holes 4,2 mm	90	40	8840 203 056
with 2 rear mounting holes 4,3 mm	94	44	0003 326 071
with 2 mounting holes 4,3 mm	94	44	0003 326 011
with 2 mounting holes 6,5 mm	115	75	0002 009 011



Rectangular reflector

Colour red

Version	Length mm	Width mm	Order number
with 2 mounting holes 4,2 mm	90	40	8840 202 124
with adhesive film, with 2 mounting holes 4,2 mm	90	40	8840 202 044
with 2 mounting holes 4,3 mm	94	44	0003 326 001
with 2 mounting holes 6,5 mm	115	75	0002 009 021



Rectangular reflector

Colour white

Version	Length mm	Width mm	Order number
with 2 mounting holes 4,2 mm	90	40	8840 202 126
with self-adhesive film and 2 mounting holes 4,2 mm	90	40	8840 202 046
with self-adhesive film	94	44	9645 216 171



Rectangular reflector

with adhesive film

Colour yellow
 Length 122 mm
 Width 32.5 mm

Order number
 8840 202 072



Rectangular reflector

Version with self-adhesive film

Colour red
 Length 122 mm
 Width 32.5 mm

Order number
 8840 202 074



Triangular reflector

Version with rubber protective frame

Colour red
 Height 147 mm
 Side length 167 mm
 Distance between holes 70 mm

Order number
 0002 010 011



Triangular reflector

with white backplate

Fastening 2 mounting holes 5,2 mm
 Colour red
 Side length 138,3 mm
 Distance between holes 70 mm

Order number
 8840 202 024



Triangular reflector

Colour red
Distance between holes 70 mm

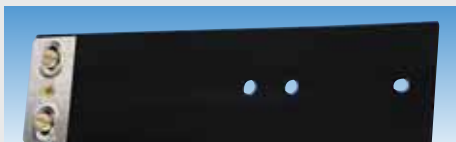
Version	Side length mm	Order number
with plastic base plate and 2 mounting holes 5,2 mm	138,3	8840 203 054
with plastic base plate and 2 mounting holes	150	9084 200 140
with plastic base plate and 2 mounting holes	152	9084 200 120



Triangular reflector

Colour red
Distance between holes 70 mm

Version	Side length mm	Order number
divided into 4, with sturdy plastic casing	65	9084 200 010
divided into 4, with sturdy plastic casing and rubber frame	65	9085 510 360
divided into 4, with sturdy plastic casing, M5 bolts and nuts	181	2300 011 470



Suspended bracket

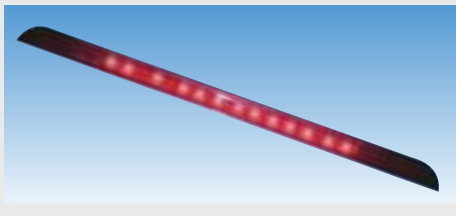
for reflectors

Version steel strapping with PVC coating
Width 51 mm
Distance between holes 25-36 mm
Fastening 3 holes, diameter 6,5 mm

Scope of supply

2 attaching bolts M5 x 20

Length mm	Order number
200	0002 240 001
250	0002 240 011
300	0002 240 021
400	0002 240 031



LED additional stop light

Stoplight

Version	pre-assembled and wired
Width	410 mm
Height	22 mm
Depth	56 mm
Voltage	24 V
Cable length	2000 mm
Colour	red

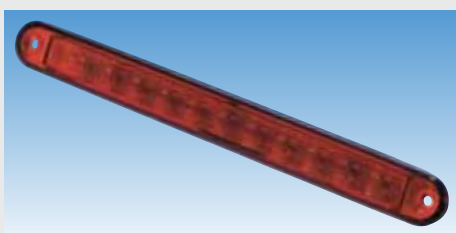
Application range

truck and trailer

approved for vehicles in accordance with GGVS/ADR

Order number

8840 203 306



LED additional stop light

Width	258.5 mm
Height	26.2 mm
Depth	28 mm
Voltage	24 V
Type	flush-mounting
Colour	red

Lens colour

red	0959 071 737
transparent	0959 071 237



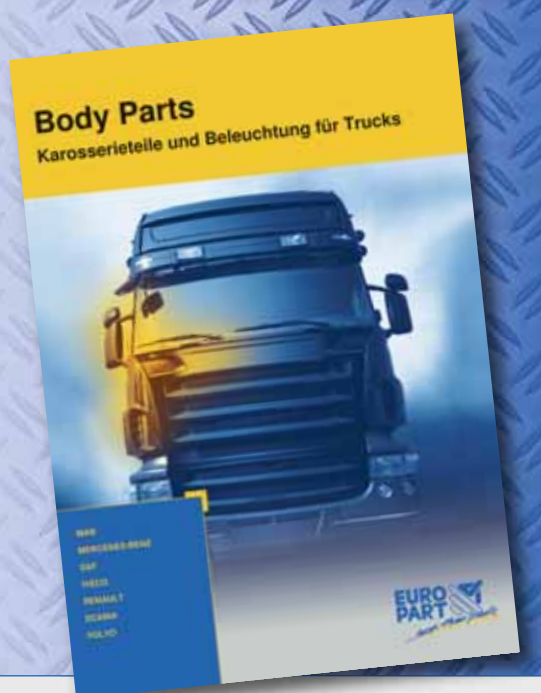
Body Parts

You'll find many more body parts in the EUROPART products catalogue with the same name: Body Parts!

- MAN
- MERCEDES-BENZ
- DAF
- IVECO
- RENAULT
- SCANIA
- VOLVO

This catalogue is only available in German.

Order your free copy of our catalogue now!





LED working floodlight

Modul 70

4-fold reflector made of high-gloss vapour-coated plastic with plain glass lens for near-field illumination

Version	with 4 LEDs
Diameter	83 mm
Height	110.4 mm
Depth	73,8 mm
Light aperture	77 mm
Voltage	12/24 V
Form	round
Colour	clear
Housing colour	black
Material	casing of aluminium

Scope of supply

with swivel base, cable and M10 mounting bolt

Type	Order number
surface-mounting, upright	9266 176 721
surface-mounting, suspended	9260 001 520

6



LED working floodlight

Mega Beam

4-fold reflector with plain glass lens for near-field illumination

Version	with 4 LEDs
Diameter	120 mm
Height	145 mm
Depth	84 mm
Light aperture	83 x 92 mm
Voltage	12/24 V
Type	surface-mounting, upright
Colour	clear
Housing colour	black/blue
Material	casing of aluminium

Scope of supply

with swivel base, cable and M10 mounting bolt

Order number
9266 136 191



PROPLAST
FAHRZEUGBELEUCHTUNG

LED working floodlight

Pro-Work

high light intensity through free-form mirror design, optics for large-area, intensive near-field illumination, immune to strong vibrations

Version with 6 LEDs
Width 137 mm
Height 107 mm
Depth 80 mm
Voltage 12/24 V
Cable length 1750 mm
Protection class IP67

Scope of supply

with U fixing bracket and cable

approved for vehicles in accordance with GGVS/ADR

Order number
8840 460 003



HELLA

H3 worklight

Module 70 with FF® technology for near-field illumination

Version Halogen
Diameter 83 mm
Height 111 mm
Depth 75,3 mm
Light aperture 77 mm
Voltage 12/24 V
Form round
Colour clear
Housing colour black
Material plastic

Scope of supply

with swivel base and M10 mounting bolt

Type	Order number
Attachment, upright	0996 176 001
surface-mounting	0996 176 111



H3 worklight

Oval 100

optics for extensive ground illumination

Version	FF®-technology, with protruding edge
Width	160 mm
Height	128 mm
Depth	78 mm
Light aperture	130 x 75 mm
Angle of tilt	4-10°
Voltage	24 V
Connection	AMP
Type	surface-mounting
Colour	clear
Housing colour	black
Material	housing and glass retaining frame made of glass-fibre reinforced plastic

Order number

9260 001 274

6



H3 worklight

Diameter	182 mm
Height	232 mm
Depth	105 mm
Voltage	12/24 V
Type	surface-mounting
Form	round
Colour	clear
Housing colour	black
Housing	plastic
Version	Order number
with glass lens for large-area, far-reaching illumination, casing with hand grip and switch, U bracket mounting	8810 092 051
with glass lens for large-area, far-reaching illumination, casing with grille, hand grip and switch, U bracket mounting	8840 202 728



H3 worklight

optics for large-area and far-reaching illumination, reflector bonded together with lens and lens retaining rim, rim and housing coated

Version	with splash water protected switch and hand grip
Diameter	205 mm
Height	260 mm
Light aperture	180 mm
Range	40 m
Angle of tilt	10°
Voltage	12/24 V
Plug type	round connector
Cable length	2500 mm
Type	surface-mounting/flush-mounting, tube support
Form	round
Colour	clear
Housing colour	black
Material	housing made of steel

Scope of supply

with fixing clamp for mounting on standard spigot (24,2/30 mm)

Order number

0002 340 011

6



H3 worklight

Matador

honeycomb lens for near-field illumination

Version	with projecting rim, splash water protected switch, safety guard and hand grip, can be turned to all sides
Diameter	168 mm
Height	263 mm
Light aperture	140 mm
Range	20 m
Angle of tilt	20-30°
Voltage	12/24 V
Type	surface-mounting, bracket
Form	round
Colour	clear
Housing colour	black
Material	housing and safety guard made of glass-fibre reinforced plastic

Scope of supply

with mounting bracket for four-point mounting

with mounting bracket for four-point fixing, without bulb

Order number

0003 470 031

0003 470 051



H3 worklight

Torero 5760

Diameter	152 mm	Fastening	universal bracket M10
Height	239 mm	Type	surface mounted, suspended/upright
Light aperture	120 mm	Form	round
Range	40 m	Colour	clear
Angle of tilt	15-20°	Housing colour	black
Voltage	12/24 V		

Illustration	Description	Version	Order number
1	prismatic optics for far-reaching illumination	with projecting rim	0005 760 221
2	prismatic optics for far-reaching illumination	with projecting rim and hand grip, approved for vehicles in accordance with GGVS	0005 760 031
3	prismatic optics for far-reaching illumination	with projecting rim, hand grip, safety guard, switch and longer angle bracket	0005 760 021
4	honeycomb lens for near-field illumination	with projecting rim, hand grip, switch and longer angle bracket	0005 760 041



LED working floodlight

Power Beam 1000

6-fold plastic reflector with plain glass lens for near-field illumination

Version	with 6 LEDs and integral 2-pole German plug connection
Width	112 mm
Height	129 mm
Depth	62 mm
Light aperture	100 x 80 mm
Voltage	12/24 V
Type	surface-mounting
Colour	clear
Housing colour	black/blue
Material	casing of aluminium

Scope of supply

with swivel base and M10 mounting bolt

Order number
0996 188 001



LED working floodlight

Power Beam 2000

16-way reflector made of plastic with plain glass for close-range illumination, connection cable with polarity protection

Version	with 16 LEDs (2200 lm)
Width	115 mm
Height	145 mm
Depth	110 mm
Light aperture	83 x 83 mm
Voltage	9-33 V
Type	Attachment, upright
Colour	clear
Housing colour	black/blue
Material	Casing of aluminium

Scope of supply

with swivel base, cable and M10 mounting bolt

Order number

0996 189 001



H3 worklight

Ultra-Beam Standard

Optics for extremely extensive and uniform ground illumination

Version	with protruding edge
Width	112 mm
Height	127 mm
Depth	97 mm
Light aperture	83 x 83 mm
Range	30 m
Angle of tilt	15-20°
Voltage	12/24 V
Connection	AMP
Type	surface-mounting
Colour	clear
Housing colour	black
Material	plastic

approved for vehicles in accordance with GGVS/ADR

Order number

0007 506 001



Accessories

Bracket

Description

for mounting on frame or bodywork

for mounting on tubes with a diameter of 15-28 mm

Order number

0990 298 001

0990 263 111



H3 worklight

Ultra-Beam Heavy Duty

Optics for extremely extensive and uniform ground illumination

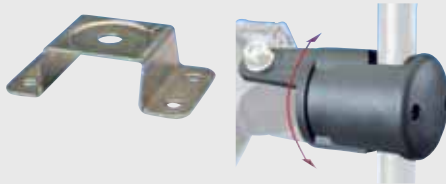
Width	112 mm
Height	152 mm
Depth	97 mm
Light aperture	83 x 83 mm
Range	30 m
Angle of tilt	15-20°
Voltage	12/24 V
Type	Attachment, suspended/upright, clamp
Colour	clear
Housing colour	black
Material	plastic

Scope of supply

with mounting bracket and vibration damper for four-point mounting

approved for vehicles in accordance with GGVS/ADR

Connection	Version	Order number
AMP	FF®-technology, with protruding edge and non-patterned lens	0007 506 011
	FF®-technology, with prominent edge, pattern-free half to lens and textured reflector	9260 001 105
	FF®-technology, with protruding edge and non-patterned lens	0007 506 091



Accessories

Bracket

Description	Order number
for mounting on frame or bodywork	0990 298 001
for mounting on tubes with a diameter of 15-28 mm	0990 263 111



H3 worklight

Picador 6876

Optics for ground illumination

Version	with protruding edge
Width	154 mm
Height	94 mm
Depth	77 mm
Light aperture	125 x 75 mm
Range	25 m
Angle of tilt	20-25°
Voltage	12/24 V
Type	surface-mounting
Form	rectangular
Colour	clear
Housing colour	black
Material	Casing made of plastic

Scope of supply

with M10 mounting bolt

Order number
0006 876 001



H3 worklight

Master 5060

Version	with prominent edge
Width	153 mm
Height	118 mm
Depth	92 mm
Light aperture	135 x 75 mm
Voltage	12/24 V
Type	surface-mounting
Colour	clear
Housing colour	black
Material	casing of glass-fibre reinforced plastic

Scope of supply

with M10 mounting bolt

Description	Angle of tilt	Order number
Optics for far-reaching lighting	15-20°	0005 060 001
Optics for close-range illumination	20-25°	0005 060 041



H3 worklight

Double-Beam

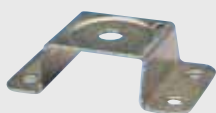
Width	158 mm
Height	162 mm
Depth	127 mm
Cable length	250 mm
Light aperture	136 x 88 mm
Voltage	12/24 V
Type	Attachment, suspended/upright
Form	rectangular
Colour	clear
Housing colour	black/blue
Material	plastic

Scope of supply

with mounting bracket for four-point mounting

approved for vehicles in accordance with GGVS/ADR

Description	Range m	Angle of tilt	Order number
Optics for extensive ground illumination	45	20-45°	0006 991 041
optics for wide, intensive near-field illumination	25	25-35°	0006 991 091



Accessories

Bracket

Order number	0990 298 001
--------------	--------------



H3 worklight

Double-Beam, with double reflector

optics for wide, intensive near-field illumination

Version FF®-technology, with projecting rim, hand grip, grommet and 250 mm long silicone connection cable

Width	158 mm
Height	210 mm
Depth	127 mm
Light aperture	136 x 88 mm
Voltage	12/24 V
Type	surface-mounting, suspended/upright, bracket
Form	rectangular
Colour	clear
Housing colour	black
Material	casing made of glass-fibre reinforced plastic

Scope of supply

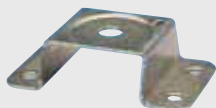
with mounting bracket for four-point mounting

approved for vehicles in accordance with GGVS

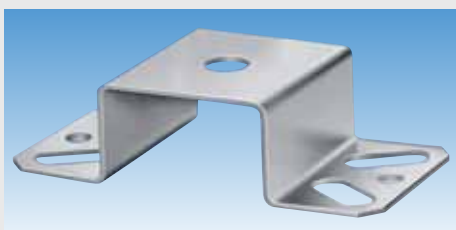
Range m	Angle of tilt	Order number
25	25-35°	0006 991 021
45	20-45°	0006 991 031

Accessories

Bracket



Order number
0990 298 001



Fastening bracket

for four-point fixing of worklight and surface-mounting headlight

Scope of supply

with M10 mounting bolt

Order number
0130 261 001



Pull switch

for worklight

Order number
0708 919 001

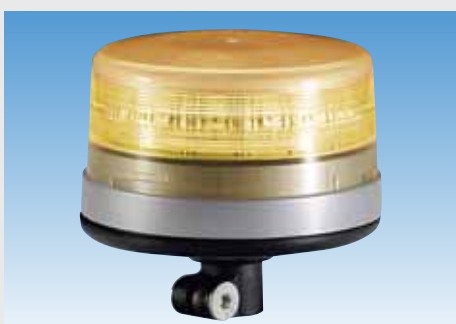


LED rotating beacon

K-LED FO F

Diameter	149.5 mm
Height	88 mm
Voltage	12/24 V
Temperature range	-40 to +60 °C
Fastening	Fixed mounting
Type	Attachment
Colour	yellow

Order number
0010 311 001



LED rotating beacon

K-LED FO FL

Diameter	148 mm
Height	132 mm
Voltage	12/24 V
Temperature range	-40 to +60 °C
Fastening	Flexible tube bracket
Type	Attachment
Colour	yellow

Order number
0010 311 011



Xenon rotating beacon

KLX Junior Plus F

Diameter	147 mm
Height	190.5 mm
Light aperture	95 mm
Voltage	24 V
Fastening	fixed mounting
Type	surface-mounting
Colour	yellow
Housing colour	yellow

Order number
0009 051 011



H1 rotating beacon

KL 7000 F

Diameter	155 mm
Height	194 mm
Light aperture	84 mm
Voltage	24 V
Fastening	Fixed mounting
Type	surface-mounting
Colour	yellow
Housing colour	yellow

Scope of supply
with bulb

Order number
0008 061 111

Service parts

Lens

Order number
0862 141 001

6



H1 rotating beacon

KL 7000 FL

Diameter	155 mm
Height	240 mm
Light aperture	84 mm
Voltage	24 V
Fastening	flexible tube bracket
Type	surface-mounting
Colour	yellow
Housing colour	yellow

Scope of supply
with bulb

Order number
0008 063 111

Service parts

Lens

Order number
0862 141 001



H1 rotating beacon

KL 7000 R

Diameter	135 mm
Height	221 mm
Light aperture	84 mm
Voltage	24 V
Fastening	tube bracket
Type	surface-mounting
Colour	yellow
Housing colour	yellow

Scope of supply

with bulb

Order number
0004 957 111

Service parts

Lens

Order number
0862 141 001

6



H1 rotating beacon

Junior F

Diameter	137 mm
Height	172.5 mm
Light aperture	103 mm
Voltage	24 V
Fastening	Fixed mounting
Type	surface-mounting
Colour	yellow
Housing colour	yellow

Scope of supply

with bulb

Order number
8000 003 307

Service parts

Lens

Order number
0860 627 001



H1 rotating beacon

Junior M

Version	with spiral cable
Diameter	136 mm
Height	172.5 mm
Light aperture	103 mm
Voltage	24 V
Plug type	2-pole
Fastening	Magnetic base
Type	surface-mounting
Colour	yellow
Housing colour	yellow

Scope of supply

with bulb

Order number

0007 552 011

Service parts

Lens

Order number

0860 627 001

6



H1 rotating beacon

Rotafix F

Diameter	130 mm
Height	174 mm
Light aperture	76,5 mm
Voltage	24 V
Fastening	Fixed mounting
Type	surface-mounting
Colour	yellow
Housing colour	black
Material	plastic

Scope of supply

with bulb

Order number

0007 337 011

Service parts

Lens

Order number

0859 020 001



H1 rotating beacon

Rotafix M

Version	with spiral cable
Diameter	130 mm
Height	174 mm
Light aperture	76,5 mm
Voltage	24 V
Plug type	2-pole
Fastening	Magnetic base
Type	surface-mounting
Colour	yellow
Housing colour	black
Material	plastic

Scope of supply

Order number

0007 337 031

Service parts

Lens

Order number

0859 020 001

6



H1 rotating beacon

Rotaflex FL

Diameter	135 mm
Height	222 mm
Light aperture	76,5 mm
Voltage	24 V
Fastening	flexible tube bracket
Type	surface-mounting
Colour	yellow
Housing colour	black

Scope of supply

with bulb

Order number

0006 846 011

Service parts

Lens

Order number

0859 020 001



PROPLAST
FAHRZEUGBELEUCHTUNG

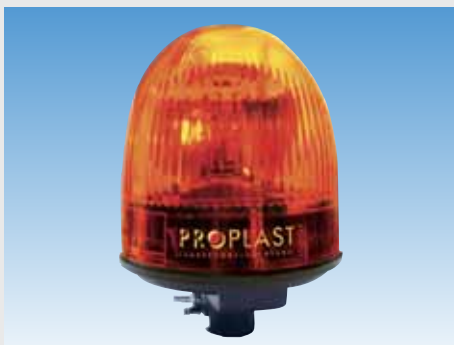
H1 rotating beacon

Pro-Euroline

Diameter	143 mm
Height	163 mm
Voltage	12/24 V
Fastening	fixed mounting with 3 studs
Type	surface-mounting
Colour	yellow
Housing colour	black

Order number

8840 202 848



PROPLAST
FAHRZEUGBELEUCHTUNG

H1 rotating beacon

Pro-Euroline

Diameter	129 mm
Height	177 mm
Voltage	12/24 V
Fastening	tube support
Type	surface-mounting
Colour	yellow
Housing colour	black

Order number

9851 500 580



PROPLAST
FAHRZEUGBELEUCHTUNG

H1 rotating beacon

Pro-Euroline

Diameter	135 mm
Height	230 mm
Voltage	12/24 V
Fastening	flexible tube support
Type	surface-mounting
Colour	yellow
Housing colour	black

Order number

8840 202 856



PROPLAST
FAHRZEUGBELEUCHTUNG

H1 rotating beacon

Pro-Euroline

Version	with spiral cable
Diameter	133 mm
Height	177 mm
Voltage	12/24 V
Plug type	2-pole
Fastening	magnetic base
Type	surface-mounting
Colour	yellow
Housing colour	black

Order number

8840 202 858



LED interior light

adjustable spot, 20° to all sides

Version	white Luxeon Power LED
Length	110 mm
Width	70.2 mm
Depth	42,2 mm
Voltage	12/24 V
Power consumption	2,5 W
Cable length	200 mm
Fastening	screw fitting or with spring clip
Type	flush-mounting
Colour	transparent
Housing colour	black/white

Order number

0343 700 051

6



LED interior light

with cool white light

Version	4 white LEDs
Diameter	180 mm
Depth	23,5 mm
Voltage	12/24 V
Power consumption	6 W
Temperature range	-40 to +60 °C
Cable length	310 mm
Fastening	4 holes, diameter 4 mm
Protection class	IP6K9K
Type	flush-mounting
Colour	transparent
Housing colour	silver

Order number

0343 227 001



Interior light

Version	with economy circuit
Diameter	184 mm
Depth	37 mm
Socket	R10W/T4W
Voltage	12/24 V
Fastening	4 x M4
Type	flush-mounting
Colour	transparent
Housing colour	white

bulb choice 2 x 10 W full power or 1 x 4 W and 1 x 5 W respectively for economy circuit

Order number

0005 590 001



Interior light

Version	with switch
Diameter	145 mm
Depth	32 mm
Socket	K10W, K18W
Voltage	12/24 V
Fastening	3 x M4
Type	surface-mounting
Colour	transparent
Housing colour	transparent

switched on by turning the light switch

Order number

0003 232 001



Interior light

Version	without switch
Diameter	160 mm
Depth	50 mm
Socket	R10W/R5W
Voltage	12/24 V
Fastening	4 x M4
Type	surface-mounting
Colour	transparent
Housing colour	chrome

Order number

0001 335 011



Interior light

Diameter	184.8 mm
Depth	39 mm
Socket	BA 15s/P21W
Voltage	12/24 V
Type	surface-mounting
Colour	transparent
Housing colour	white

Order number

8840 202 354



Interior light

Version	without switch
Length	217 mm
Width	99 mm
Depth	39 mm
Socket	R10W
Voltage	12/24 V
Fastening	4 holes, diameter 3,2 mm
Type	surface-mounting
Colour	milky white

Order number
0001 331 011



Interior light

Version	with switch
Length	231 mm
Width	109 mm
Depth	40 mm
Socket	BA 15s/21W
Voltage	12/24 V
Pin spacing	75 mm
Type	surface-mounting
Colour	white

Order number
8840 202 352



Interior light

Version	with switch
Length	205 mm
Width	70 mm
Depth	35 mm
Socket	K10W
Voltage	12/24 V
Fastening	2 holes, diameter 6 mm
Type	surface-mounting
Colour	transparent

Order number
0003 354 001



LED interior light

Version	10 white LEDs
Length	258.5 mm
Width	26.2 mm
Depth	28 mm
Power consumption	2 W
Fastening	2 screws
Type	flush-mounting
Colour	transparent

Scope of supply

screws, screw caps, seal and cable connector

Voltage V	Order number
12	0959 073 001
24	0959 073 201



LED interior light

wide illumination in the near field

Version	10 white LEDs
Length	280 mm
Width	25.6 mm
Depth	10 mm
Temperature range	-40 to +60 °C
Cable length	1000 mm
Fastening	2 screws
Protection class	IP69
Type	surface-mounting
Colour	transparent
Housing colour	grey

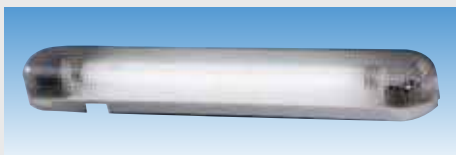
Voltage V	Power consumption W	Order number
12	1,8	0343 606 007
24	3,6	0343 606 017



Interior light

Version	with switch
Length	165 mm
Width	35 mm
Depth	25 mm
Socket	C5W
Voltage	12/24 V
Fastening	2 holes, diameter 5 mm
Type	surface-mounting
Colour	milky white

Order number
0001 330 001



Interior light

Version	partial suppression (interference suppression class N), without switch
Length	390 mm
Width	64 mm
Depth	40 mm
Socket	TL
Voltage	24 V
Power consumption	800 mA(2)
Type	surface-mounting
Colour	transparent
Housing colour	white

Scope of supply

with fluorescent lamp, 8 W

Order number

0340 111 001

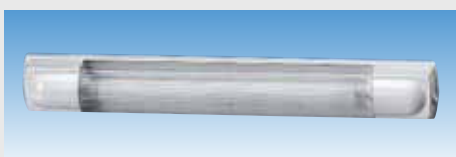
Service parts

Fluorescent lamp

Order number

0002 296 111

6



Interior light

transistor ceiling light

Version	fully interference suppressed, with switch
Length	440 mm
Width	59 mm
Depth	35 mm
Socket	TL
Fastening	2 holes, diameter 5 mm
Type	surface-mounting
Colour	transparent

Scope of supply

with compact fluorescent lamp, 8 W

Voltage V

12	Order number
	0007 372 001
24	Order number
	0007 372 011

Service parts

Fluorescent lamp

Order number

0002 296 111



Interior light

transistor ceiling light

with built-in, electronically operated voltage converter, electronics protected against polarity reversal

Version	partial suppression (interference suppression class N), with switch
Length	390 mm
Width	60 mm
Depth	40 mm
Socket	TL
Voltage	24 V
Fastening	2 holes, diameter 3,5 mm
Type	surface-mounting
Colour	transparent

Scope of supply

with fluorescent lamp, 8 W

Order number

0004 531 011

Service parts

Fluorescent lamp

Order number

0002 296 101



Socket

with threaded connections, cable protection grommet for 9,5-12,5 mm diameter cable

Version	7-pole
Voltage	24 V
Standard	ISO 1185/N
Material	metal
Plug type	PG thread

Order number

0003 833 001



Socket

with threaded connections, cable protection grommet for 9,5-12,5 mm diameter cable

Version	7-pole
Voltage	24 V
Standard	ISO 1185/N
Material	plastic
Plug type	PG thread

Order number

0008 085 001



Socket

with threaded connections

Version	7-pole
Voltage	24 V
Standard	ISO 3731/S

Material

metal
plastic

Order number

9500 000 800

0008 085 011



Plug

with threaded connections, internal seal for 9,2-11,5 mm diameter cable, strain relief

Version	7-pole
Voltage	24 V
Standard	ISO 1185/N
Material	metal
Plug type	PG thread

Order number

0003 831 001



Plug

with threaded connections, cable protection grommet for 8-12 mm diameter cable, strain relief

Version	7-pole
Voltage	24 V
Standard	ISO 1185/N
Material	plastic
Plug type	PG thread

Order number
0008 084 001



Plug

with threaded connections

Version	7-pole
Voltage	24 V
Standard	ISO 3731/S

Material

metal
plastic

Order number
9500 000 700
0008 084 011

6



Socket

with threaded connections, internal seals for 12-18 mm diameter cable

Version	15-pole
Voltage	24 V
Standard	ISO 12098
Material	plastic
Plug type	PG thread

approved for vehicles in accordance with GGVS/ADR

Order number
0007 242 011



Plug

with threaded connections, for 12-18 mm diameter cable, mechanical strain relief

Version	15-pole
Voltage	24 V
Standard	ISO 12098
Material	plastic
Plug type	PG thread

approved for vehicles in accordance with GGVS/ADR

Order number
0007 241 021



ABS/EBS socket

with threaded connections, internal seals for 12-16 mm diameter cable, cover

Version 5/7-pole
 Voltage 24 V
 Standard ISO 7638-1
 Material plastic
 Plug type PG thread

approved for vehicles in accordance with GGVS/ADR

Order number
 0007 645 031



ABS/EBS plug

with threaded connections, for 12-16 mm diameter cable, mechanical strain relief

Version 5/7-pole
 Voltage 24 V
 Standard ISO 7638-1
 Material plastic
 Plug type PG thread

approved for vehicles in accordance with GGVS/ADR

Order number
 0007 644 051

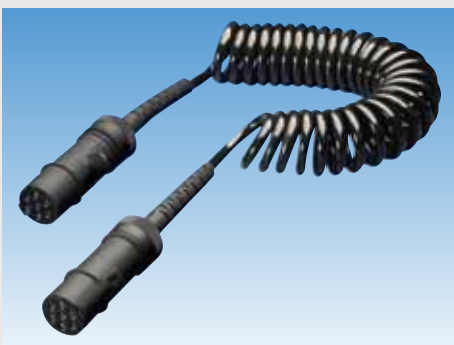


Helical cable

with aluminium alloy plug

Number of poles 7
 Voltage 24 V
 Cross-section 6 x 1.0/1 x 1.5 mm²
 Standard ISO 1185/N
 Material metal

Working length mm	Number of turns/∅ mm	Order number
3500	18/98	9195 190 000
4000	40/35	9199 370 005
5000	37/55	9199 370 002



Helical cable

with 2 screwed-on plastic connectors and kink-protection grommets

Number of poles 7
 Voltage 24 V
 Working length 4000 mm
 Cross-section 6 x 1.0/1 x 1.5 mm²
 Standard ISO 1185/N
 Material polyurethane

Order number
 0004 797 041



Helical cable

with aluminium alloy plug, cannot be connected with contacts reversed

Version	7 pole
Voltage	24 V
Working length	4000 mm
Cross-section	6 x 1/1 x 2 mm ²
Number of turns/∅	40/35 mm
Standard	ISO 3731/S

Order number
9195 191 010



Helical cable

one-piece connectors

Version	7 pole
Voltage	24 V
Working length	4000 mm
Cross-section	6 x 1/1 x 2 mm ²
Standard	ISO 3731/S

Number of turns/∅ mm	Material	Order number
40/35	PU	9500 018 108
20/90	Hytrel	9500 018 107



Helical cable

with 2 installed plastic connectors and blue kink-protection grommets

Number of poles	15
Voltage	24 V
Working length	4000 mm
Cross-section	12 x 1.5/3 x 2.5 mm ²
Standard	ISO 12098
Material	Hytrel

Order number
0007 648 041



Adapter cable

from the 15-pole socket (ISO 12098) on the tractor vehicle to two 7-pole sockets (ISO 1185, ISO 3731) on the trailer

Version	15-pole plastic connector, 7-pole metal connector
Voltage	24 V
Working length	4000 mm
Material	polyurethane

Order number
0005 952 041



ABS helical cable

with 2 installed ABS connectors and kink-protection grommets

Number of poles	5
Voltage	24 V
Working length	4500 mm
Cross-section	3 x 1.5/2 x 4.0 mm ²
Standard	ISO 7638-1
Material	Hytrel

Order number

9199 349 000



EBS helical cable

with 2 installed EBS connectors and kink-protection grommets

Number of poles	7
Voltage	24 V
Working length	4000 mm
Cross-section	5 x 1.5/2 x 4.0 mm ²
Standard	ISO 7638-1
Material	Hytrel

Order number

0007 648 021



PROPLAST
FAHRZEUGBELEUCHTUNG

LED insert

for Europoint II multi-chamber lamp

Version with rear light

Installation side left/right

Voltage 24 V

approved for vehicles in accordance with GGVS/ADR

Order number

8812 156 000



PROPLAST
FAHRZEUGBELEUCHTUNG

LED insert

for Europoint II multi-chamber lamp

Version with indicator

Installation side left/right

Voltage 24 V

approved for vehicles in accordance with GGVS/ADR

Order number

4500 202 053



PROPLAST
FAHRZEUGBELEUCHTUNG

LED insert

for Europoint II multi-chamber lamp

Version with brake lamp

Installation side left/right

Voltage 24 V

approved for vehicles in accordance with GGVS/ADR

Order number

4500 202 054



PROPLAST
FAHRZEUGBELEUCHTUNG

LED insert

for Europoint II multi-chamber lamp

Version with rear fog light

Installation side left/right

Voltage 24 V

approved for vehicles in accordance with GGVS/ADR

Order number

4540 255 400



PROPLAST
FAHRZEUGBELEUCHTUNG

LED insert

for Europoint II multi-chamber lamp

Version with reversing light
Installation side left/right
Voltage 24 V

approved for vehicles in accordance with GGVS/ADR

Order number
4540 255 900



PROPLAST
FAHRZEUGBELEUCHTUNG

LED insert

for Ecopoint multi-chamber lamp

Version with indicator
Voltage 24 V

approved for vehicles in accordance with GGVS/ADR

Installation side	Order number
left	8840 246 600
right	8840 246 601



PROPLAST
FAHRZEUGBELEUCHTUNG

LED insert

for Ecopoint multi-chamber lamp

Version with reversing light
Voltage 24 V

approved for vehicles in accordance with GGVS/ADR

Installation side	Order number
left	4500 202 058
right	4500 202 059



PROPLAST
FAHRZEUGBELEUCHTUNG

LED insert

for Ecopoint multi-chamber lamp

Version with brake and rear light
Voltage 24 V

approved for vehicles in accordance with GGVS/ADR

Installation side	Order number
left	8840 246 500
right	8840 246 501



PROPLAST
FAHRZEUGBELEUCHTUNG

LED insert

for Ecopoint multi-chamber lamp

Version with rear fog light
Voltage 24 V

approved for vehicles in accordance with GGVS/ADR

Installation side	Order number
left	4500 202 056
right	4500 202 057



LED insert

for Multipoint multi-chamber lamp

Version with parking light and brake light
Installation side left/right
Voltage 24 V

Order number
9061 275 524



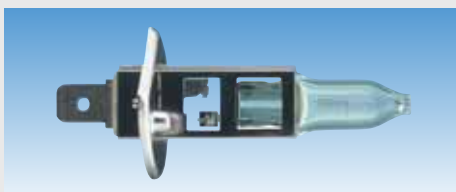
PROPLAST
FAHRZEUGBELEUCHTUNG

LED module

Glowpoint

Socket BA 15s
Voltage 24-28 V
Diameter 30 mm
Length 52 mm
suitable for Proplast lamps

Order number
8840 199 002



**EURO
PART**

H1 halogen headlamp bulb

Vision Plus: up to 50 % more light on the road, 10-20 m further visibility

Socket P14,5s
Voltage 24 V
Power 70 W

Application range

for high beam/low beam and fog light

Order number
8900 040 100



H2 halogen headlamp bulb

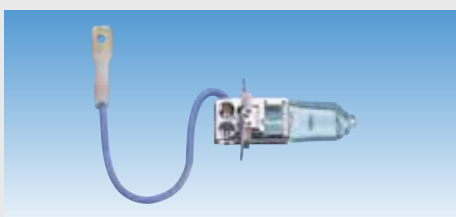
Socket	X 511
Voltage	24 V
Power	70 W

Application range

for low beam/high beam/fog light and worklight

Order number

0002 857 241



H3 halogen headlamp bulb

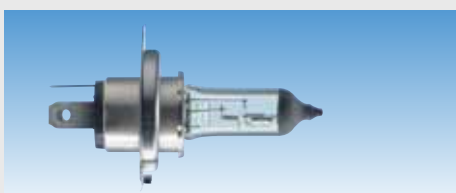
Voltage	24 V
Power	70 W
Socket	PK22s

Application range

for low beam/high beam/fog light and worklight

Order number

8900 009 000



H4 halogen headlamp bulb

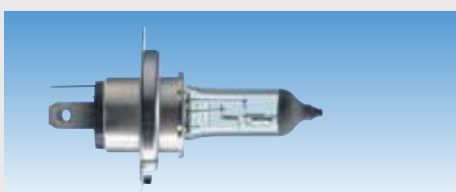
Version	Heavy Duty, Vision Plus: up to 50 % more light on the road, 10-20 m further visibility
Voltage	24 V
Power	75/70 W
Socket	P43t

Application range

for high beam/low beam and fog light

Order number

8900 008 000



H4 halogen headlamp bulb

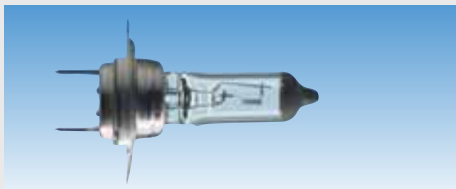
Voltage	24 V
Power	75/70 W
Socket	P43t

Application range

for low beam/high beam/fog light

Order number

8900 006 000



H7 halogen headlamp bulb

Voltage	24 V
Power	70 W
Socket	PX26d

Application range

for low beam/high beam/fog light and worklight

Order number

8900 001 030



Bulb

Socket	BA15s
Voltage	24 V
Power	21 W

Drop-shaped

Application range

for indicator, brake, rear fog, reversing lights

Version

Heavy Duty

Order number

8900 010 000

-

8900 003 000



Bulb

Drop-shaped

Socket	BAY15d
Voltage	24 V
Power	21/5 W

Application range

for brake/tail light

Order number

8900 013 000



Bulb

Socket	BA 20 s
Voltage	24 V
Power	35 W

Application range

for worklight, reversing light and rear fog light

Order number

0002 083 251



Bulb

Socket BX 22d
 Voltage 24 V
 Power 25 W

Application range
 for emergency lighting

Order number
 9589 901 017



Bulb

Spherical

Version Heavy Duty
 Socket BA15s
 Voltage 24 V

Application range
 for tail/licence plate/position and interior light

Power W	Order number
5	8900 011 000
10	8900 012 000

6



Bulb

spherical

Socket BA15s
 Voltage 24 V

Application range
 for tail/licence plate/position and interior light

Power W	Order number
5	8900 001 000
10	8900 002 000



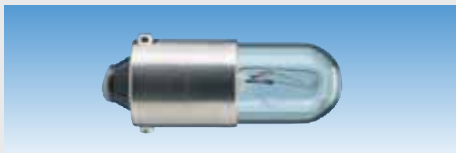
Bulb

spherical

Version double pole
 Socket BA 15 d
 Voltage 24 V
 Power 5 W

Application range
 for tail light and number plate light

Order number
 9501 007 185



Bulb

display bulb

Socket BA9s
Voltage 24 V

Application range

for clearance light and interior light

Power W	Version	Order number
2	-	8900 016 000
4	-	8900 004 000
4	Heavy Duty	8900 030 080



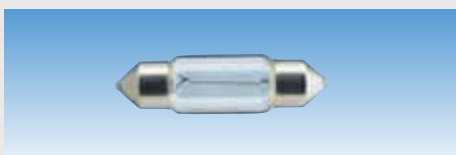
Bulb

Socket BA 7 s
Voltage 24 V
Power 3 W

Application range

for interior light

Order number
3610 003 899



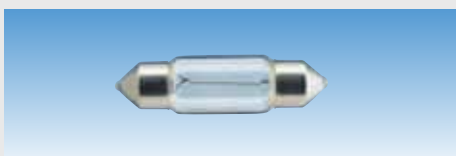
Bulb

Socket SV 8,5
Voltage 24 V

Application range

for tail/number plate/position and interior light

Power W	Ø mm	Length mm	Order number
5	11	35	8900 005 000
5	11.5	36	0002 092 241
10	11	41	8900 040 060
18	10.5	41	0002 091 241



Bulb

Socket SV 6
Diameter 8 mm
Length 28 mm
Voltage 24 V
Power 3 W

Application range

for tail, licence plate, position and interior light

Order number
0002 094 241





Spare bulbs box

Scope of supply

1 x H4 bulb 75/70 W, P 43 t
 1 x display bulb 4 W, BA 9 s
 1 x spherical bulb 21 W, BA 15 s
 1 x spherical bulb 10 W, BA 15 s
 1 x tubular bulb 5 W, SV 8.5-8
 1 x spherical bulb 21/5 W, BAY 15 d
 1 x flat fuses each: 10, 15, 30 amps

Version

9-piece

Order number

8900 001 020



Spare bulbs box

Scope of supply

2 x H4 bulb 75/70 W, P 43 t
 2 x display bulb 4 W, BA 9 s
 2 x spherical bulb 21 W, BA 15 s
 2 x spherical bulb 10 W, BA 15 s
 2 x tubular bulb 5 W, SV 8.5-8
 2 x spherical bulb 21/5 W, BAY 15 d
 2 x flat fuses each: 10, 15, 30 amps

Version

18-piece

Order number

0002 525 941



Spare bulbs box

Scope of supply

2 x H7 bulb 70 W PX 26
 2 x spherical bulb 10 W BA 15 s
 6 x spherical bulb 21 W BA 15 s
 2 x display bulb 4 W BA 9 s
 2 x tubular bulb 10 W SV 8.5-8
 2 x flat fuses each: 10, 15, 20, 30 amps

Version

22-piece

Order number

8900 000 051

No cure without a diagnosis!

The TEXA trailer package

Ask for your
free demonstration!

It doesn't matter whether it's a WABCO, Knorr or Haldex system, all the diagnosis work which is important for the workshop is possible to a large extent using TEXA trailer diagnosis.

- Read and delete fault codes
- Drive actuators
- Make settings and perform programming such as:
 - changing a modulator
 - putting a modulator into operation
 - brake matching
 - mirroring modulator data
 - rewriting modulator data
 - storing modulator data
 - and much more



In addition, TEXA offers the most comprehensive tractor unit and bus diagnosis on the market, all from a single source and all written in the leading software IDC4. A call centre and a consistent training concept round off the package.

EUROPART is your partner on-site, we are pleased to offer you advice and an optimum service: once the fault is located, you will receive the right replacement part at the right time.

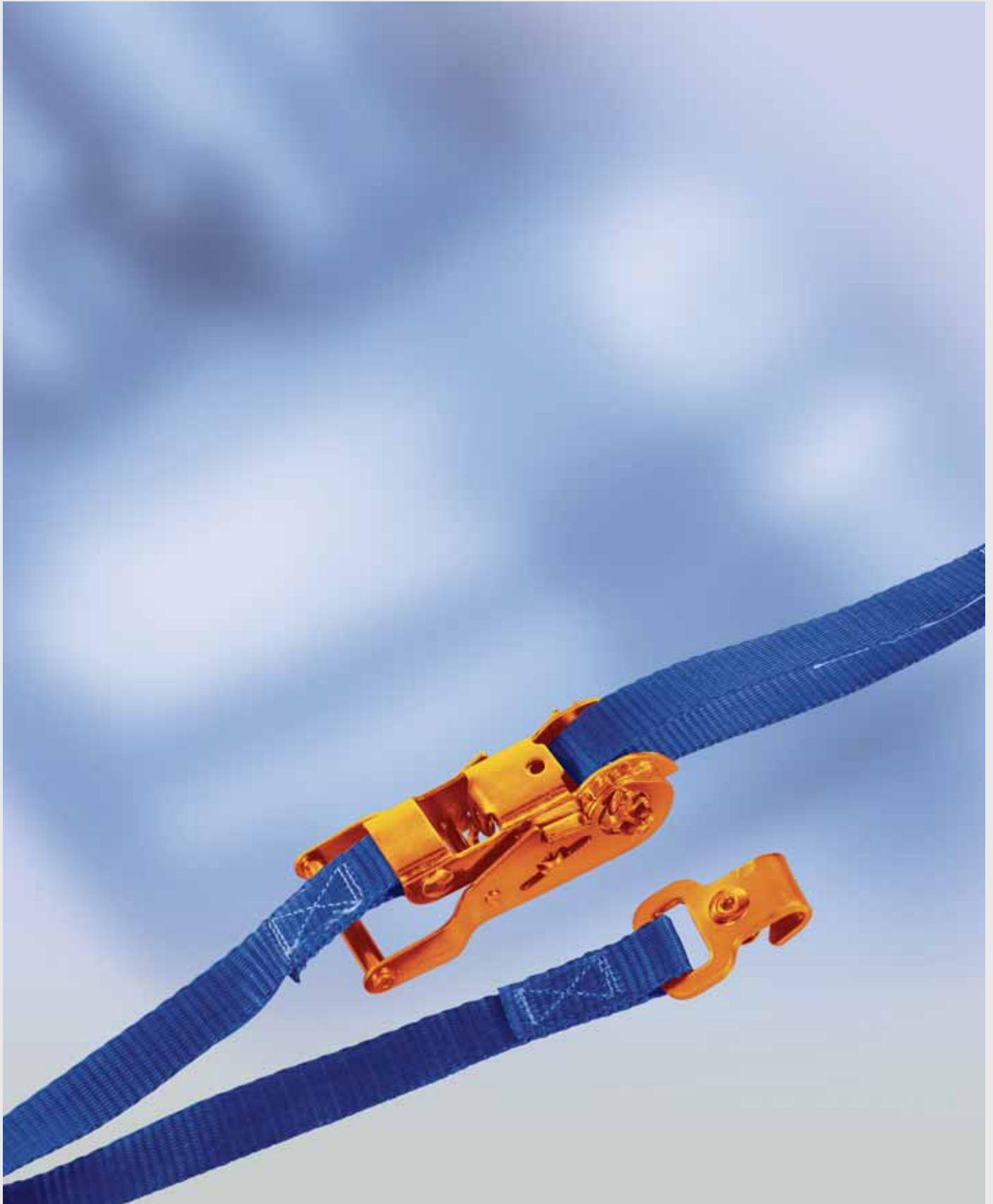
More information from:

www.europart.net

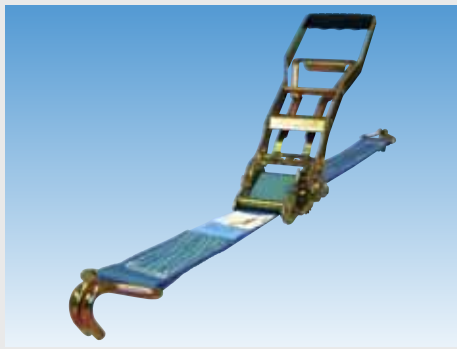
**EURO
PART**
... more than parts

Load-securing

7



Lashing straps	656-664
Lashing chains	665, 666
Lashing rings, hollows, eyes	667-670
Load inner security	671-678
Edge protection	679, 680
Non-slip mats	681
Covering nets	682
Ropes	683-685



Ratchet strap

DoTension, permitted in accordance with EN 12195-2

Width 50 mm
Material Polyester (PES)

permissible tensile force 1500 daN stretched, 3000 daN in the strapping

Length mm	Version	Pre-tension force daN	Order number
8000	with push ratchet and 2 profile hooks	420	9695 035 340
10000	with push ratchet and 2 profile hooks	420	9695 035 341
8000	with DoMulti long-lever pull ratchet and 2 profile hooks	690	9695 135 340
10000	with DoMulti long-lever pull ratchet and 2 profile hooks	690	9695 135 341

Revolution in lashing down loads

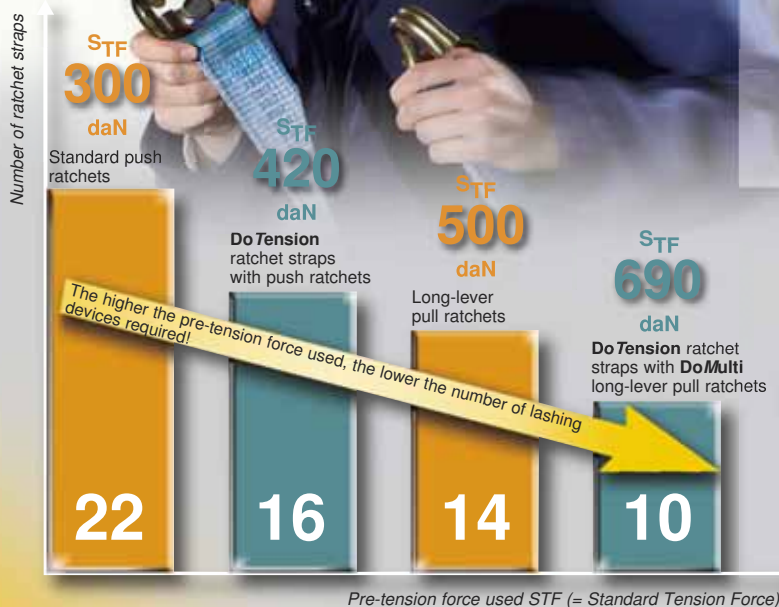
New at EUROPART: **DoTension** is the ratchet strap for lashing down

With **DoTension**, you can achieve up to 390 daN (= Decanewton) more pre-tension force, which corresponds to a 130% increase in comparison with standard ratchet straps. The higher pre-tension force of the **DoTension** strap means you don't need as many ratchet straps. This allows you to secure loads correctly while saving time and money.

Calculation example for securing loads with/without DoMulti/DoTension

To secure a load with a net weight of 6 t by lashing it down using standard ratchet straps, with a coefficient of friction of $\mu = 0.3$ and a lashing angle of $\alpha = 90^\circ$, you will need 22 ratchet straps.

By using the **DoTension** ratchet strap with **DoMulti** long-lever pull ratchet instead, you can more than halve the number of ratchet straps required (10 ratchet straps).



Dolezych has developed a new ratchet strap specifically for lashing down.



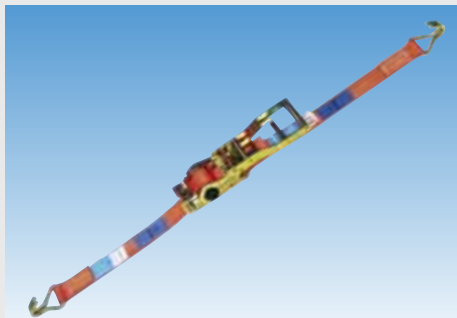


Illustration similar

Ratchet strap

approved according to EN 12195-2

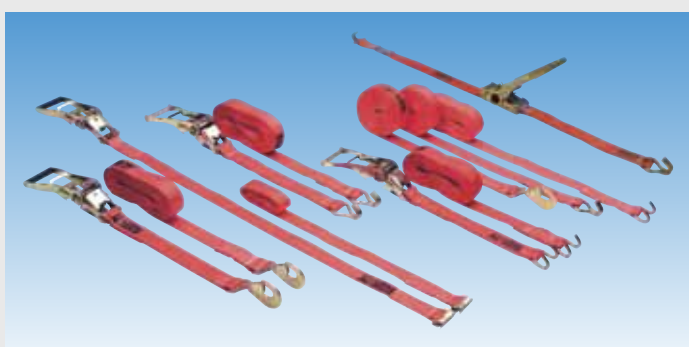
Version	with 2 profiled hooks
Width	75 mm
Colour	orange
Material	polyester (PES)

Scope of supply

2-piece

permissible tensile force 5000 daN stretched, 10000 daN in the strapping

Length mm	Order number
4000	6926 750 034
8000	9690 750 034



Ratchet strap

permitted in accordance with EN 12195-2, with EUROPART logo

Width	50 mm
Material	Polyester (PES)
Colour	red

Scope of supply

2-piece

permissible tensile force 2500 daN stretched, 5000 daN in the strapping

Version	Length mm	Order number
with 2 claw-type hooks and ratchet	8000	9690 000 027
with 2 snap-link hooks and ratchet	8000	9690 000 028
with 2 profiled hooks and ratchet	8000	9690 000 030
with triangle hooks and long-lever ratchet, Pre-tension force 450 daN	8000	9690 515 034
with 2 profiled hooks and ratchet	10000	9194 510 000
with triangle hooks and long-lever ratchet, Pre-tension force 450 daN	10000	9690 515 035
with 2 profiled hooks and ratchet	12000	9690 000 184

Accessories

Description	Order number
Loose end with profiled hook	9690 900 002
Loose end with snap-link hook and ratchet	9690 900 003
Loose end with claw hook and ratchet	9690 900 004
Lashing strap ratchet with fixed end and profiled hook for standard lashing strap	9690 000 181





Illustration similar

Ratchet strap

approved according to EN 12195-2

Width 50 mm
Material polyester (PES)

Version	Length mm	Scope of supply	Order number
with profiled hook	3000	2-piece	9692 650 503
with profiled hook	6000	2-piece	9690 505 034
with profiled hook	8000	2-piece	9536 505 034
with long lever tensioning ratchet and 2 profiled hooks, pre-load force 450 daN	8000	2-piece	9690 515 078
with 2 profiled hooks with safety device	8000	2-piece	9690 505 334
with ratchet, without hook	8000	1-piece	9690 505 003
with 2 U-profile hooks	10000	2-piece	9194 510 010
with claw hook	12000	-	9690 000 183
with long lever ratchet and profiled hook	12000	2-piece	9690 555 034

7



Ratchet strap

approved according to EN 12195-2

Version with 2 profiled hooks and 1 free-running hook
Length 2000 mm
Width 50 mm
Material polyester (PES)

Application range

for car transportation

permitted tensile force: 3000 daN in the strapping, fixed end: 0,2 m, loose end: 1,8 m

Order number

9690 501 533



Ratchet strap

approved according to EN 12195-2

Version with 2 profiled hooks and 1 free-running hook
Length 2600 mm
Width 35 mm
Material polyester (PES)

Application range

for car transportation

permitted tensile force: 3000 daN, tensile force direct tension: 1500 daN, fixed end: 0,15 m, loose end: 2,45 m

Order number

9690 351 533



Ratchet strap

approved according to EN 12195-2

Version with 2 profiled hooks, with ratchet and 0.50 m PVC-ARS at the loose end
 Length 2000 mm
 Width 35 mm
 Colour blue
 Material Polyester (PES)

Application range

for car transportation

Scope of supply

2-piece

permitted tensile force 1500 daN stretched, 3000 daN in the strapping.

Order number
9690 000 045



Ratchet strap

approved according to EN 12195-2

Type TexGrip®
 Length 3600 mm
 Width 45 mm
 Load capacity 2000 daN
 Weight 1.63 kg

Application range

especially for securing on drop sides

Order number
9690 790 140



Ratchet strap

approved according to EN 12195-2

Version with ratchet, without hook
 Width 35 mm
 Colour green
 Material Polyester (PES)

Scope of supply

1-piece

permitted tensile force 1000 daN stretched, 2000 daN in the strapping.

Length mm	Order number
3000	9690 352 001
5000	9690 352 000
6000	9690 000 128
8000	9534 878 134



Ratchet strap

approved according to EN 12195-2

Version with 2 snap-link hooks
 Length 6000 mm
 Width 35 mm

Scope of supply

2-piece

permitted tensile force, direct tension: 1000 daN, tensile force in the strapping: 2000 daN, fixed end: 0,3 m, loose end: 5,7 m

Order number
9690 352 035





Ratchet strap

approved according to EN 12195-2

Version with 2 profiled hooks
 Width 35 mm
 Colour green
 Material polyester (PES)

Scope of supply

2-piece

permissible tensile force 1000 daN stretched, 2000 daN in the strapping

Length mm	Order number
4000	9690 352 056
6000	9692 000 600



Ratchet strap

approved according to EN 12195-2

Version with 2 profiled hooks
 Length 5000 mm
 Width 25 mm
 Load capacity 1500 daN
 Weight 0.92 kg

Order number

9690 790 360

7

Ratchet strap

approved according to EN 12195-2

Version with 50 mm ratchet and fixing rail fittings with lug type 1824
 Length 5000 mm
 Load capacity 1500 daN

Application range

for lashing rails, round hole with lug

Order number

9695 016 781



Illustration similar



Ratchet strap

approved according to EN 12195-2

Version with fixing rail fittings 1826
 Length 3500 mm
 Width 50 mm
 Colour red
 Material Polyester (PES)

Scope of supply

2-piece

Permissible tensile force 750 daN stretched, 1500 daN in the strapping.

Order number

9690 000 042



Ratchet strap

approved according to EN 12195-2

Width 50 mm
Material polyester (PES)

Scope of supply

2-piece

Illustration similar

Version	Length mm	Load capacity daN	Description	Order number
with fixing rail fittings 1826	3600	1200	permitted tensile force, direct tension: 600 daN, tensile force in the strapping: 1200 daN, fixed end: 1,2 m, loose end: 2,4 m	9690 079 016
with fixing rail fittings 1826	4200	1500	permitted tensile force, direct tension: 750 daN, tensile force in the strapping: 1500 daN, fixed end: 0,5 m, loose end: 3,7 m	9690 000 313
with fixing rail fittings 1826	4500	1500	permitted tensile force, direct tension: 750 daN, tensile force in the strapping: 1500 daN, fixed end: 0,5 m, loose end: 4 m	9690 000 024
with universal fixing rail fittings 1826	4800	1500	permitted tensile force, direct tension: 750 daN, tensile force in the strapping: 1500 daN, fixed end: 1,2 m, loose end: 3,6 m	9698 264 812
with fixing rail fittings	5000	1500	permitted tensile force, direct tension: 750 daN, tensile force in the strapping: 1500 daN, fixed end: 1,2 m, loose end: 3,8 m	9690 511 534

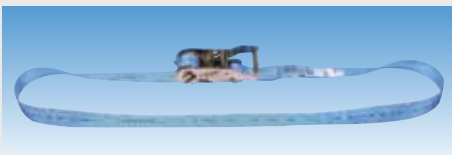
Accessories

Belt closure

Order number

9696 151 826

7



Ratchet strap

approved according to EN 12195-2

Version with ratchet, without hook
Width 25 mm
Colour blue
Material Polyester (PES)

Scope of supply

1-piece

permitted tensile force 500 daN stretched, 1000 daN in the strapping.

Length mm	Order number
6000	9696 251 000
3500	9692 511 340



Ratchet strap

approved according to EN 12195-2

Version for rod rails
Length 5000 mm
Width 25 mm
Load capacity 800 daN

Scope of supply

2-piece

Order number

9694 500 050

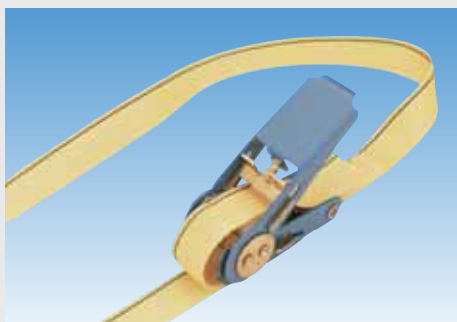


Ratchet strap

approved according to EN 12195-2

Version with 2 profiled hooks
 Width 25 mm
 Load capacity 750 daN

Length mm	Order number
4000	9690 250 735
6000	9690 250 734



Ratchet strap

approved according to EN 12195-2

Version with mini-ratchet
 Width 25 mm
 Colour red
 Material polyester (PES)

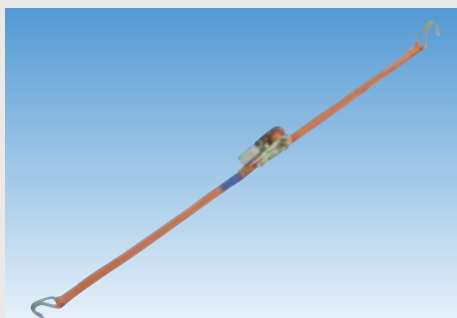
Scope of supply

1-piece, without hook

permitted tensile force 750 daN in the strapping

Length mm	Order number
4000	9534 878 120
6000	9534 878 121

7



Ratchet strap

approved according to EN 12195-2

Version with 2 profiled hooks
 Length 4000 mm
 Width 25 mm
 Load capacity 700 daN

Order number
9190 610 024



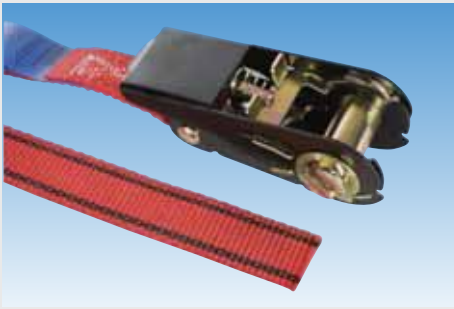
Ratchet strap

approved according to EN 12195-2

Version with clamping lock, light version
 Length 3000 mm
 Width 25 mm
 Material polyester

permitted tensile force 500 daN in the strapping

Order number
9534 878 100



Ratchet strap

approved according to EN 12195-2

Version	with ratchet, light version
Length	4500 mm
Width	25 mm
Material	polyester

permitted tensile force 500 daN in the strapping

Order number

9690 000 026



Lashing strap ratchet

Version	suitable for	Order number
for 2-t lashing strap	belt width 35 mm	9690 000 324
for 3-t lashing strap	belt width 50 mm	9690 000 325
for 5-t lashing strap	belt width 50 mm	1901 008 189

Lashing strap webbing

sold by the meter

Width mm	Colour	Order number
50	red	9690 745 062
35	green	9690 000 322



Releasing reel

for 50 mm strap

Order number

9696 000 078



Preload measuring device

approved according to EN 12195-2

suitable for 50 mm strap
 Type DoMess 3
 Material Stainless steel

Scope of supply

incl. case

Order number

9690 000 314



Safety lashing winch

Type 2622
 Useful load 2 t
 Weight 6.1 kg

Scope of supply

without gear unit

Order number

9620 200 254

Accessories

Clip-on gear

Order number

9620 000 049

7



Load securing disc

Trucker's Disc

quickly and easily determine the correct number of straps, suitable for various loads, vehicle floors, lashing angles and lashing means

Application range

for lashing down and diagonal straps

Order number

9690 699 999

Help in practice for all occasions!



Lashing chain

in accordance with VDI 2701, DIN EN 12195-3

Standard version in robust construction, with unscrewing protection and shortening claw with safeguard

Version with 2 snap-link hooks

Application range

particularly suitable for heavy duty

Tensile strength t	Length mm	Link thickness mm	Order number
4	3500	8	9698 121 953
4	6000	8	6929 850 801
6,3	3500	10	9691 012 195
6,3	4000	10	9698 121 954
6,3	6000	10	9692 985 101
10	3500	13	9691 312 195
10	6000	13	9692 985 130



Lashing chain

PowerLash L-150

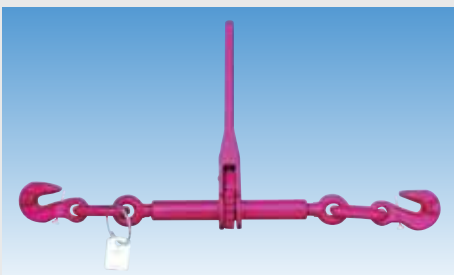
ratchet load tensioner with separate tensing chain

Standard DIN-EN 12195-3

Tensile strength 6300 daN

Chain strength 10-8 mm

Length mm	Order number
2500	9690 531 000
3500	9690 531 001



Ratchet load tensioner

L-140

Standard DIN-EN 12195-3

Chain strength 10-8 mm

Tensile strength 6300 daN

Version	Order number
with screwing-out prevention device and 2 parallel hooks with safety device	9690 801 432
2 eyes, without hook	9690 801 442



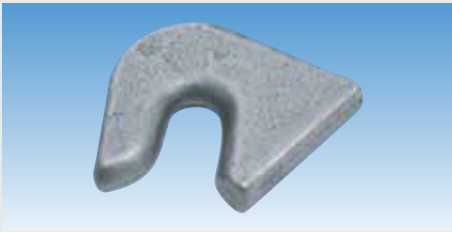
Coupling

Standard DIN EN 1677

Nominal size 10-8 mm

Load capacity 3,15 t

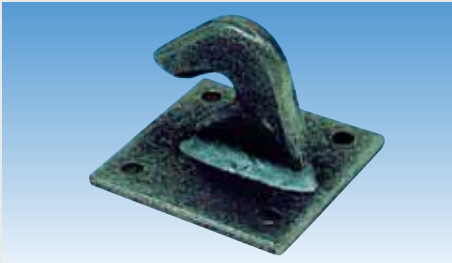
Order number
9699 051 010



Chain hook for counterhold

Surface untreated

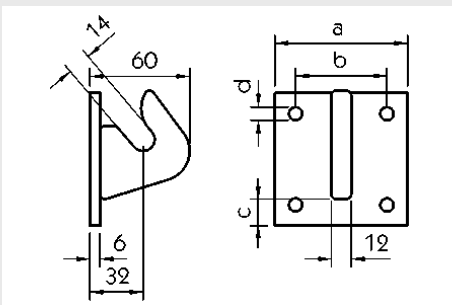
Order number
9081 310 040



Chain hook

Version welded onto square steel plate
Size 2
a 80 x 80 mm
b 55 mm
c 12 mm
d 8 mm
Surface untreated

Order number
9081 310 050



7

Reference and product guide for practical work

The load professional catalogue –
around 100 pages about:

- Legal basics
- Load securing methods
- Load unit formation
- Practical examples for securing loads

... and much more besides!

Request your free catalogue copy!





Lashing ring

for floor frame profile

Height	110 mm
Width	80 mm
Load capacity	800 daN
Surface	galvanised

Scope of supply

without anchor plate, with 2 hexagon nuts DIN 985, M12-8

Order number
9081 316 630

Accessories

Lashing point

Order number
9081 316 640



Lashing ring

for floor frame profile

Height	89 mm
Width	122 mm
Load capacity	2000 daN
Surface	galvanised

Order number
9081 318 240



Lashing ring

for floor frame profile

Height	105 mm
Width	66 mm
Load capacity	2500 daN
Surface	primed

Order number
9082 060 007



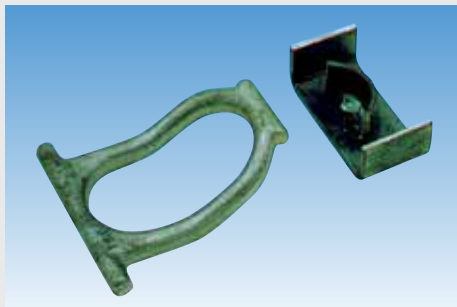
Lashing ring

Load capacity	2000 daN
Surface	galvanised

Description

Lashing ring	9081 316 600
Lashing ring holder	9081 316 590

Please order all parts separately!



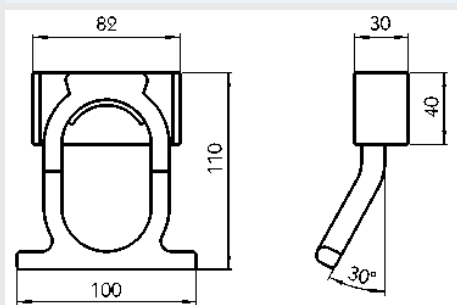
Lashing ring

Load capacity 2000 daN
Surface untreated

Description

Description	Order number
Lashing ring	9081 315 610
Weld-in pocket	9081 316 980

Please order all parts separately!



Lashing ring

with weld-on lug

Class 8
Length 99 mm
Width 80 mm
Load capacity 3,15 t

Order number
9081 341 210



Lashing ring

with weld-on lug, quality grade 8, with BG approval

Load capacity t

Load capacity t	Order number
3,15	9690 513 000
5	9690 515 000
8	9690 518 000



Lashing ring

for roll on/roll off ships

eye galvanised, weld-on part untreated

Standard EN 29367-2
Width 132 mm
Height 139 mm
Load capacity, max. 20 t
Material forged steel

Order number
9081 317 090



Lash tray

Length	104 mm
Width	70 mm
Depth	12 mm
Load capacity	350 daN
Surface	galvanised, passivated

Order number
9690 071 100

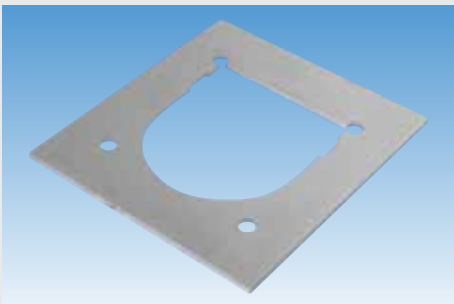


Lash tray

with plate

Length	105 mm
Width	105 mm
Depth	23 mm
Load capacity	800 daN
Distance between holes	85 mm
Surface	galvanised

Order number
9081 315 621



Reinforcing panel

for lash trays

Dimensions	133 x 143 x 3 mm
Surface	galvanised

Order number
9081 317 940



Lash tray

with doubled floor plate

Length	120 mm
Width	125 mm
Depth	23 mm
Load capacity	1000 daN
Distance between holes	105 mm
Surface	galvanised

Order number
9081 335 620



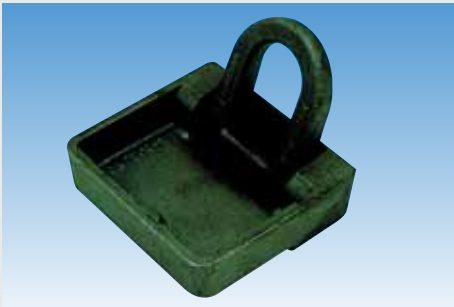
Lash tray

Load capacity	2000 daN
Surface	galvanised

Description

Description	Order number
Lash tray	9081 315 590
Lashing ring	9081 316 570
Lashing point	9081 316 580

Please order all parts separately!



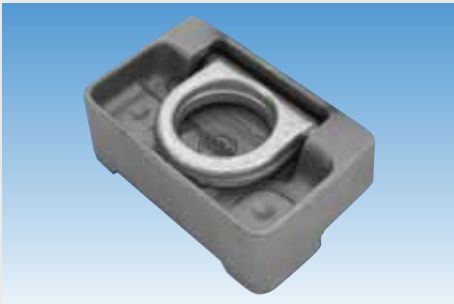
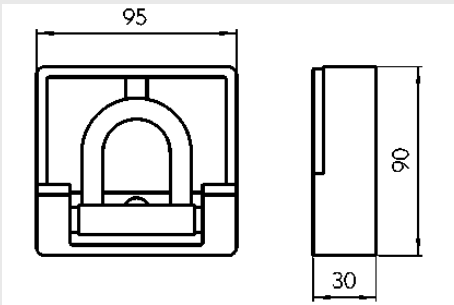
Lash tray

with ring

Length	90 mm
Width	95 mm
Depth	30 mm
Load capacity	2500 daN
Surface	untreated

Order number

9081 315 600

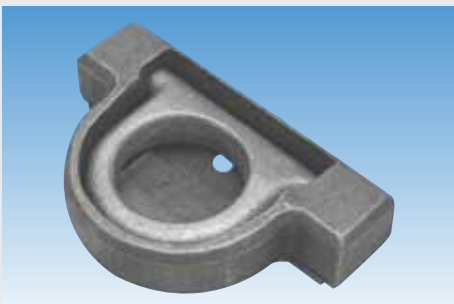


Lash tray

Length	74 mm
Width	110 mm
Depth	40 mm
Load capacity	2500 daN
Surface	untreated

Order number

9082 060 030



Lash tray

Length	72 mm
Width	116 mm
Depth	24 mm
Load capacity	2500 daN
Surface	untreated

Order number

9082 060 045



Intermediate panel lock

ClipBoard, PAT1000-1

Length range 2400-2520 mm
 Locking force 1000 daN
 Weight 6.5 kg
 Material Aluminium

Application range
 for board panel 18-35 mm

Order number
 9695 110 201



Intermediate panel lock

PAT1000-2, 2-piece

Length range 2290-2520 mm
 Locking force 1000 daN
 Weight 7.2 kg
 Material aluminium

Application range
 for drop side 18-35 mm

Order number
 9695 110 221

7



FAKTOR 4
 – für Ihre Ladungssicherung.
 Schnelligkeit, Vielseitigkeit,
 Komfort und Sicherheit!

KIM

Die Intelligente mit Power – variable Sperrstangen.



PAT

Einmalig mit Patent – Spannretter mit System.



SAM

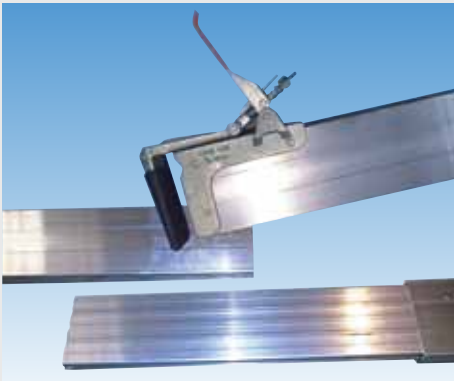
Bewährt mit großem Verstellbereich – Laderaumtrennung auf den Millimeter genau.



KAT

Flexibel einsetzbar – Sperr- und Ladebalken für optimale Sicherung.





Intermediate panel lock

to secure loads

Version	completely assembled
Length range	2400-2700 mm
Surface	blue anodized

Scope of supply

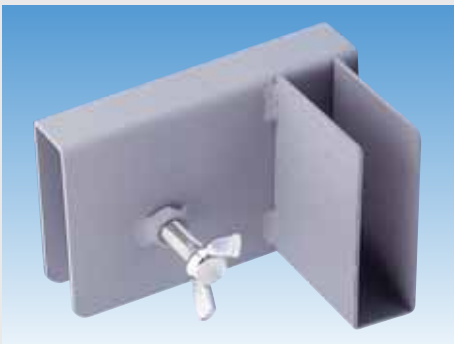
with extendable aluminium plate and 2 locks

Order number
9690 000 034

Accessories

End piece for partition wall fastening

Order number
9081 021 442



Clamping bag

for slat boards up to 28 mm thick

Application range

for load securing on platform vehicles

Scope of supply

with wing screw

Installation side

left	Order number
	9080 000 098
right	Order number
	9080 000 097

7



Telescopic tube

Length range mm	Pipe Ø mm	Order number
2260-2630	38	9690 000 033
1900-2270	42	9690 000 096
2100-2470	42	9690 000 089
2350-2720	42	9690 000 090

Accessories

Housing

Version complete with gear rack

Pipe Ø mm	Order number
38	9690 000 227
42	9690 002 208



Clamping bar

Version	Ratchet
Length range	2100-2700 mm
Pipe diameter	38 mm

Order number
8000 000 480

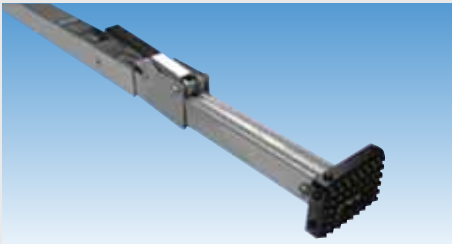


Clamping bar

SAM Profi

Length range	2100-2600 mm
Pipe diameter	52 mm
Load capacity	140 daN
Weight	4.5 kg
Material	Aluminium

Order number
9695 105 101

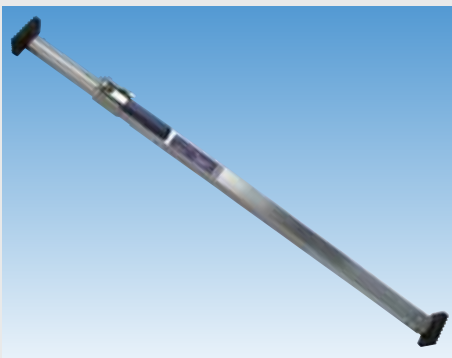


Clamping bar

SmartBar

Length range	1220-2740 mm
Weight	6 kg

Order number
9081 318 130



Clamping bar

Version	with non-slip rubber feet
Length range	1430-3200 mm
Material	steel
Surface	galvanised

Order number
9696 180 015



Ratch

KIM 55 Profi

Version	round, with integrated measuring tape
Length range	2200-2800 mm
Load capacity	350-500 daN
Weight	4.6 kg
Material	Aluminium

Hole-Ø mm	Rod Ø mm	Order number
20	8	9690 710 321
25	10	9690 710 323



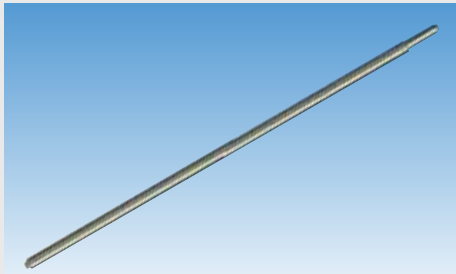


Ratch

KIM 55

Version	round
Length range	2440-2510 mm
Load capacity	450 daN
Weight	3.9 kg
Material	Aluminium

Hole-Ø mm	Rod Ø mm	Order number
20	8	9690 710 331
25	10	9690 710 332



Telescopic tube

locking barrier

Version	standard
Material	steel
Surface	galvanised

Type	Length range mm	Peg-Ø mm	Order number
1813	2000-2100	19	9690 001 209
1818-EL	2460-2560	19	9690 001 214
1813	2000-2100	24	9690 000 209
1818-EL	2460-2560	24	9690 000 214

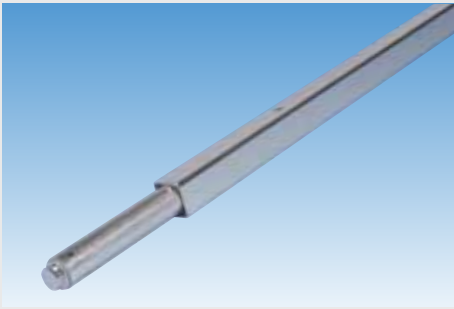


Telescopic tube

locking barrier

Version	round, adjustable
---------	-------------------

Type	Inside dimension mm	Peg-Ø mm	Material	Surface	Order number
1811	2000-2400	19	steel	galvanised	9690 001 220
-	2190-2650	24	steel	galvanised	9690 000 220
1811-EL	2360-2760	24	steel	galvanised	9081 351 210
1808-AL	2250-2650	24	aluminium	-	9690 000 221

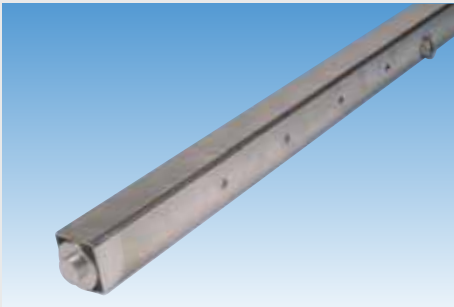


Telescopic tube

locking barrier

Type	1812
Version	rectangular, adjustable
Inside dimension	2250-2650 mm
Pipe diameter	40 x 40 mm
Material	steel
Surface	galvanised

Peg-Ø mm	Order number
19	8000 000 463
24	8000 000 462

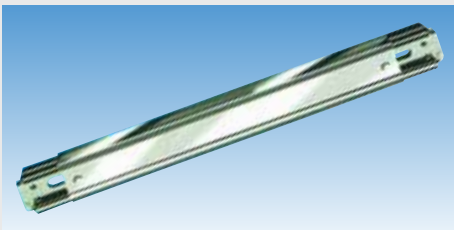


Telescopic tube

locking barrier

Type	1812-HD
Version	rectangular, adjustable
Inside dimension	2250-2650 mm
Pipe diameter	50 x 50 mm
Pin diameter	24 mm
Material	steel
Surface	galvanised

Order number
8000 000 464



Load beam

for anchoring rails

Length range	2310-2530 mm
Pipe diameter	83 x 66 mm
Material	aluminium

Order number
9690 000 215

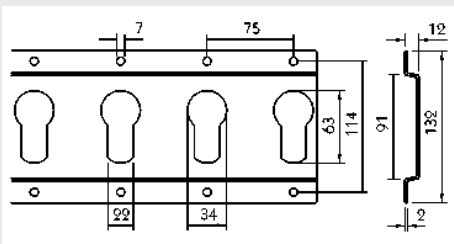


Rod lashing rail

Scope of supply

incl. end pieces

Length mm	Order number
3000	9695 110 343
6000	9695 110 346



Lashing rail

keyhole anchoring rail

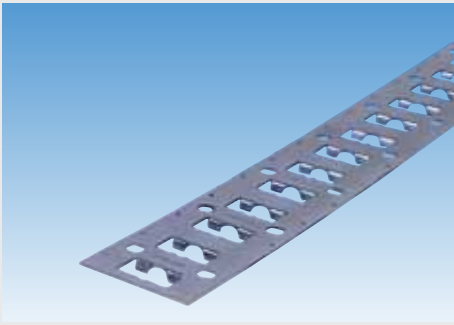
Type	1803
Length	3000 mm
Width	132 mm
Thickness	2 mm
Surface	galvanised
Version	horizontal wall mounting

Application range

for medium weight goods, clothes rails, locking beams, beam hangers

Order number
8000 000 452





Lashing rail

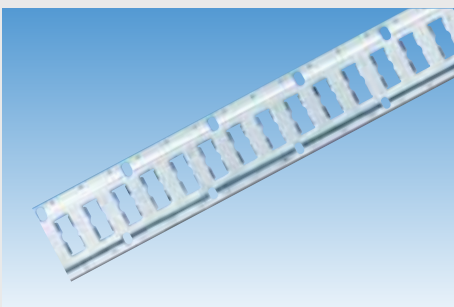
combination fixing rail

Type	3009 FL
Length	3048 mm
Width	131 mm
Height	10 mm
Thickness	2.5 mm
Material	steel
Surface	galvanised
Version	flat

Application range

for medium weight and heavy weight goods, telescopic tubes, loading beams, beam hangers

Order number
8000 000 487



Lashing rail

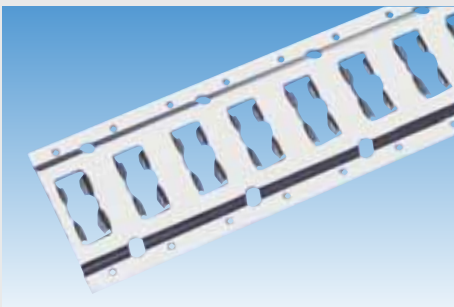
combination fixing rail

Type	3009 AL
Length	3050 mm
Width	131 mm
Height	12 mm
Thickness	3 mm
Material	aluminium
Surface	untreated

Application range

for medium weight goods, clothes rails, locking beams, beam hangers

Order number
9690 000 206



Lashing rail

Combination fixing rail

Type	3009
Length	3050 mm
Width	131 mm
Height	12 mm
Material	steel
Surface	galvanised

Application range

For medium weight goods

Thickness mm	Order number
3	9690 000 202
2.5	9690 000 203



Combination lashing rail

Length	3000 mm
Height	12 mm
Thickness	2.5 mm
Hole diameter	20 mm
Material	steel
Surface	galvanised

Order number
9690 071 004



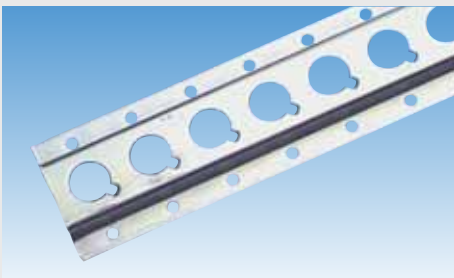
Round hole lashing rail

Type	1805
Length	2993 mm
Material	steel
Surface	galvanised

Application range

for light weight goods, telescopic tubes, clothes rails and lashing straps

Height mm	Thickness mm	Hole-Ø mm	Order number
12	1.8	20	9690 001 203
12	1.8	25	9690 001 202
15	2	20	9690 001 205



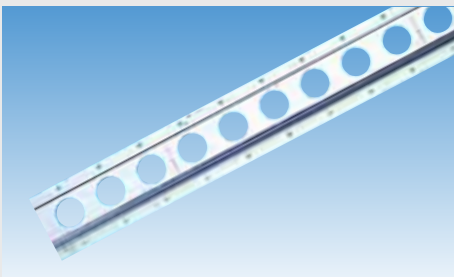
Round hole lashing rail

Type	1806
Length	2993 mm
Height	13.5 mm
Thickness	2.5 mm
Hole diameter	25 mm
Material	steel
Surface	galvanised

Application range

for medium weight goods, telescopic tubes, clothes rails and lashing straps

Order number
9690 002 202



Round hole lashing rail

Length	2993 mm
Height	15 mm
Thickness	2 mm
Hole diameter	25 mm

Order number
9690 001 204



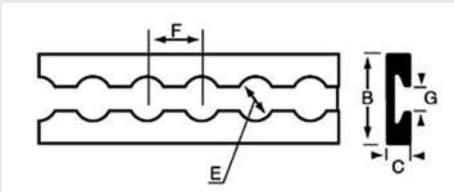
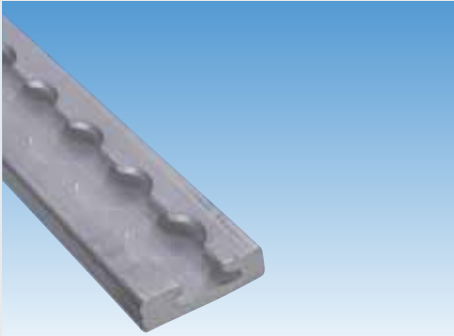
Lashing rail

combination fixing rail

Type	3009
Length	3050 mm
Width	131 mm
Thickness	2.5 mm
Material	stainless steel

Order number
9690 000 207





Lashing rail

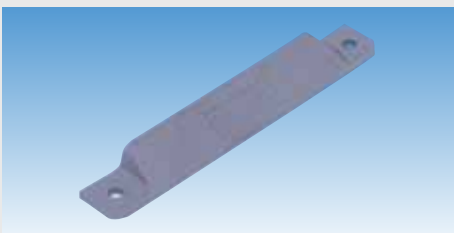
Airline

Type	5002
Length	3000 mm
B	34 mm
C	9,5 mm
E	20 mm
F	25,4 mm
G	11 mm
Material	aluminium

Application range

for medium weight and heavy goods, straps

Order number
9690 071 226



End piece - anchoring rails

suitable for	Anchoring rails type 3008/3009
Length	131 mm
Distance between holes	115 mm
Material	PVC

Order number
8000 000 483



Lashing eye

suitable for	Airline
Height	67 mm
Inner diameter	44 mm
Load capacity	400 daN
Material	steel
Surface	galvanised, yellow passivated

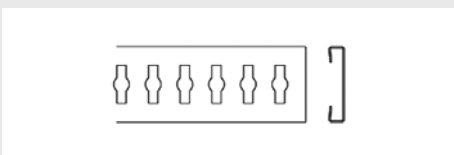
Order number
9690 711 380



Lashing eye

suitable for	Airline
Version	Single stud fitting
Height	62 mm
Inner diameter	29.5 mm
Thickness	5 mm
Load capacity	300 daN
Material	steel
Surface	galvanised

Order number
9650 711 050



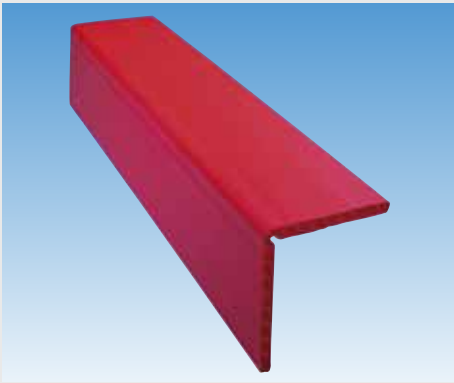
Combination stay/side slat

Dimensions	120 x 25 x 3500 mm
Surface	galvanised

Application range

in the place of the original drop-in slats for securing the load

Order number
9081 318 510



Edge protection rail

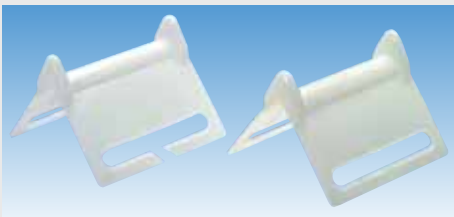
Dimensions 190 x 190 x 19 mm
 Colour red
 Material polypropylene

Application range

for boxes, pallet cages, stone slabs etc.

special lengths on request

Length mm	Order number
800	9690 600 370
1200	9690 600 372
6000	9690 003 007

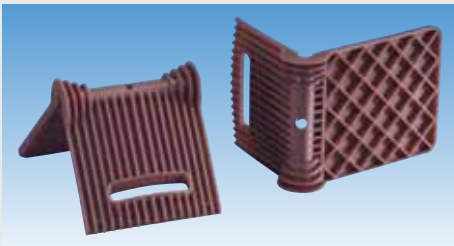


Edge protection

Dimensions 90 x 130 mm
 Band width 50 mm
 Colour white
 Material polyethylene

Version

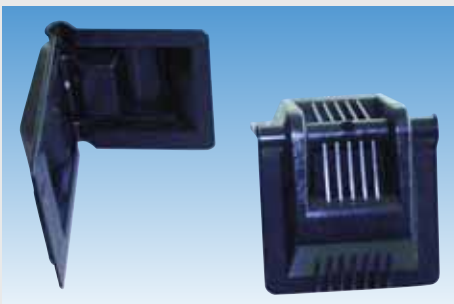
Version	Order number
without slot	9690 000 039
with slot	9690 000 229



Edge protection

Version break-resistant
 Dimensions 205 x 165 mm
 Colour red
 Material polypropylene

Order number
1001 731 000



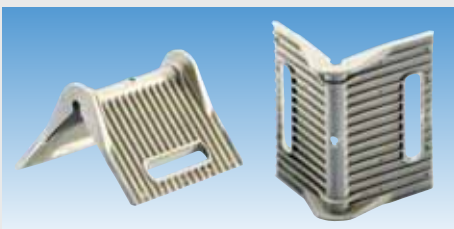
Edge protection

Band width 50 mm
 Colour black

Application range

for transporting paper rolls

Order number
9696 000 062



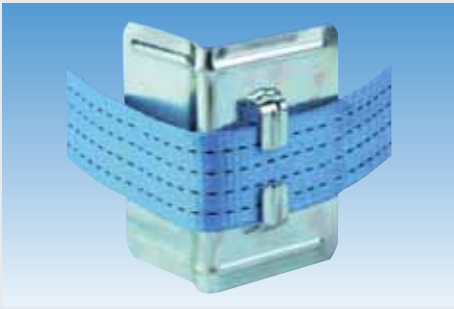
Edge protection

Version break-resistant, highly impactproof
 suitable for Belt width up to 60 mm
 Band width 127 x 90 mm
 Colour grey
 Material polypropylene
 Temperature resistance -20 to +140 °C

Application range

especially for sensitive goods

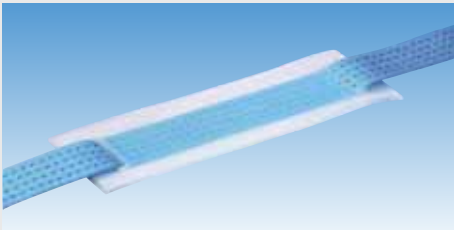
Order number
2801 890 000



Edge protection

suitable for belt width 50 mm
Material steel

Order number
9690 000 025



Edge protection

suitable for belt width 50 mm
Dimensions 300 x 50 mm

Order number
9696 000 018

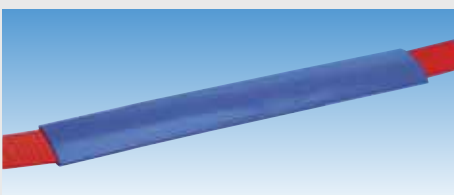


Protective hose

suitable for belt width 50 mm
Colour yellow
Material polyester

sold by the meter

Order number
9690 000 711



Protective hose

Colour blue
Material PVC-ARS

sold by the meter

suitable for	Order number
belt width 35 mm	9695 000 050
belt width 50 mm	9690 000 710

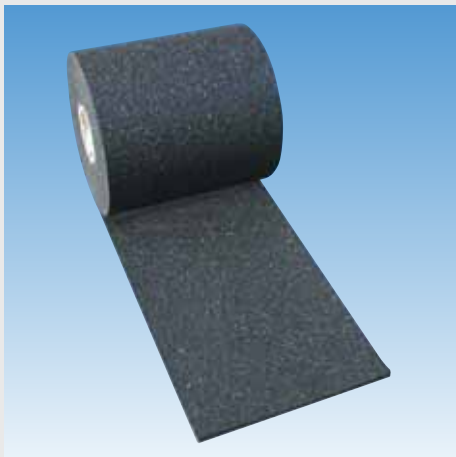


Protective hose

suitable for belt width 50 mm
Colour red
Material PU-ARS

sold by the meter

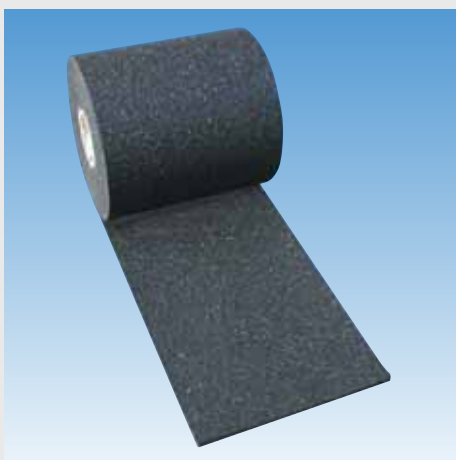
Order number
9695 002 065



Non-slip mat

Version	Standard
Width	250 mm
Thickness	8 mm
Friction coefficient	0.4 μ
Colour	black

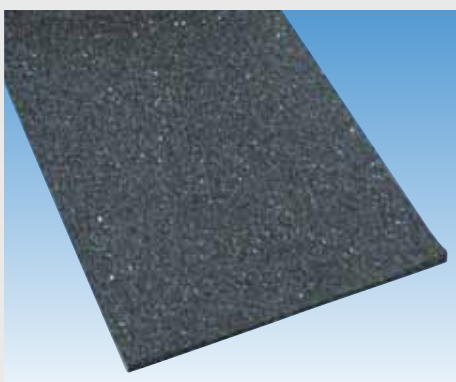
Length	Order number
5000 mm	9690 000 300
10000 mm	9690 000 245



Non-slip mat

Version	high-strength
Length	5000 mm
Width	250 mm
Thickness	8 mm
Friction coefficient	0.7 μ
Colour	black

Order number
9690 000 240



Non-slip mat

Friction coefficient	0.6 μ
Colour	black

Length mm	Width mm	Thickness mm	Order number
200	100	8	9696 101 113
300	200	10	9536 101 109
600	200	10	9696 101 176



Container cover net

Thread diameter	3 mm
Material	polypropylene

Version	Length mm	Width mm	Mesh width mm	Colour	Order number
knotless	2200	1500	35	green	9690 711 712
knotless	2700	1500	35	green	9690 711 713
knotless	3000	2000	35	green	9690 711 723
knotless	3000	3500	45	green	9690 033 530
knotless	3500	2000	45	green	9690 063 020
knotless	5000	3500	45	green	9690 100 000
knotless	6000	3500	45	green	9690 200 000
knotless	7000	3500	45	green	9690 300 000
knotless	8000	3500	45	green	9690 400 000
knotless	10000	3500	45	green	9690 500 000
knotted	4000	2500	45	black	9690 060 124
knotted	5000	3500	45	black	9690 000 001
knotted	6000	3500	45	black	9690 000 002
knotted	7000	3500	45	black	9690 000 003
knotted	8000	3500	45	black	9690 000 004

7

Load-securing device for reinforcing steel mesh

With the DoUniFlex securing system

- no structural modifications to the vehicle
- simple securing by simply pulling tight
- specially developed steel cable system
- developed with TUL-LOG
- certified by TÜV North
- recommended by ISB e.V.
(Institute for Concrete Reinforcement)

We'll be happy to help.





Wire cable

Version	6 x 7, with spring insert
Length	50 m
Rope diameter	1,5 mm
Surface	galvanised

Order number
9080 006 715



Wire cable

Standard	DIN 3055
Version	6 x 7, with fibre core
Length	30 m
Surface	galvanised

Cable dia. mm	Order number
3	9081 510 811
4	9081 510 820
5	9081 510 830



Wire cable

made of galvanised patent cast steel wires

Standard	DIN 3055
Version	6 x 19, with fibre core
Length	30 m
Surface	galvanised

Cable dia. mm	Order number
6	9081 510 840
8	9081 510 850
10	9081 510 860



Wire cable

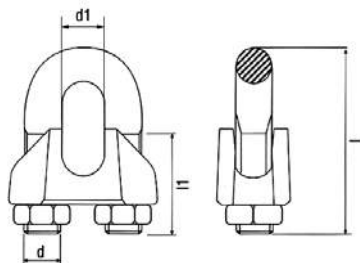
Standard	DIN 3055
Version	round strand cable, 6 x 19, with fibre core
Length	30 m
Rope diameter	12 mm
Material	Steel
Surface	galvanised

Order number
9081 510 870



Wire cable clip

Standard	741 DIN
Material	Steel
Surface	galvanised



Nominal size	d	d ₁ mm	l mm	l ₁ mm	PU	Order number
3	M4	3	20	12	100	6619 003 000
5	M5	5	24	13	100	6619 005 000
6.5	M5	6.5	28	15	100	6619 006 500
8	M6	8	34	19	100	6619 008 000
9.5	M8	10	42	22	100	6619 010 000
11	M8	11	44	22	50	6619 011 000
13	M10	13	55	30	20	6619 013 000
14	M10	14	57	30	20	6619 014 000
16	M12	16	63	33	10	6619 016 000
19	M12	19	75	38	10	6619 019 000
22	M14	22	85	44	10	6619 022 000
26	M14	26	95	45	10	6619 026 000



Wire cable eye stiffener

Standard	6899 DIN
Version	passivated transparent
Material	steel
Surface	galvanised

Dimensions mm	PU	Order number
4	50	6642 004 000
5	50	6642 005 000
6	50	6642 006 000
8	25	6642 008 000
9	25	6642 009 000
10	10	6642 010 000
12	10	6642 012 000
13	10	6642 013 000
16	10	6642 016 000
18	10	6642 018 000



Rope pulley

Thickness	21 mm
Surface	untreated

Ø mm	Bore hole mm	Order number
70	8,5	9081 511 420
80	10	9081 511 150

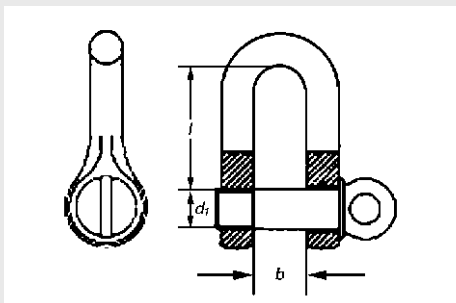


Shackle

Standard	82101 DIN
Material	Steel
Surface	galvanised

All loading information is non-binding!

Nominal size	Load kN	d	b mm	l mm	PU	Order number
0.1	1	0.1	7	15.5	20	6647 005 000
0.16	1.6	0.16	81	18	20	6647 006 000
0.25	2.5	0.25	11	24	20	6647 008 000
0.4	4	0.4	14	30	20	6647 010 000
0.6	6.3	0.6	17	36	10	6647 012 000
1	10	1	21	49	10	6647 016 000
1.6	16	1.6	27	61	10	6647 020 000
2	20	2	30	67	5	6647 022 000
2.5	25	2.5	33	73	5	6647 024 000



Spring hook

Fire brigade hook

Form	C
Material	steel
Surface	zinc plated

All loading information is non-binding!

Nominal size	Load kg	PU	Order number
50 x 5	100	50	6641 005 000
60 x 6	120	50	6641 006 000
70 x 7	180	20	6641 007 000
80 x 8	230	20	6641 008 000
100 x 10	350	20	6641 010 000
120 x 11	450	5	6641 011 000
140 x 12	380	5	6641 012 000



Simplex hook

Standard	DIN 5287
Surface	nickel-plated

Dimensions mm	Weight kg	Order number
9 x 50 x 6.5	0.007	9081 314 310
10 x 60 x 7.5	0.012	9081 314 320

A

ABS helical cable	644
ABS/EBS plug.....	642
ABS/EBS socket	642
Accessories for recessed locking handle 681 S	408, 409
Accessories set	543
Adapter	354-357
Adapter cable.....	643
Adapter plug.....	540
Air reservoir tensioning strap.....	293
Air spring bellows	208
Air suzie	286
Aluminium profile	398
Angle brackets.....	252
Angled bracket	439
Angled lever fastener	412-414
Anti-theft protection.....	473
Assembly mandrel	316
Attachment	476
Attachment kit	250
Attachment plate.....	230, 470
Axle lift	210
Axle plate.....	210

B

Bag	491
Ball bearing	381
Ball pivot bearing	298
Ball steering turnplate.....	298-300
Base	446
Bearing	461
Bearing part.....	250
Bellows	316
Belt cramp	330, 331
Belt rivet	343
Bi-fuel warning panel.....	490
Bolt-on plate	313
Box lock.....	412
Box spanner socket.....	360
Bracing hook.....	335
Bracket	248, 249
Bracket set	490
Brake hose.....	290
Buckle belt.....	341
Buckle cap	341, 342
Bulb	649-651

C

Cap set.....	524
Carriage.....	345
Carrier	251
Case for hazardous goods	487
Chain emergency link	424
Chain hook.....	666
Chock.....	217-219
Chuck.....	481, 482
Circlip.....	470, 483
Circlip pliers.....	543
Clamp lock.....	339
Clamp screw.....	417
Clamping bar.....	672, 673
Clamping bolt.....	481
Clamping cheek.....	252
Clamping collar.....	249, 270
Clamping gear	352, 353
Clamping piece.....	306
Clamping ring.....	341
Clamping system.....	251
Clearance light	515, 516, 536, 538, 587-592
Clip-on frame.....	491, 496
Closing bolt.....	420
Closing eye	392
Closing gasket.....	408, 409
Closing hook.....	461
Closing spring	422
Coated plywood board.....	428
Combination distributor	521
Combination lashing rail.....	676
Combination stay/side slat	678
Compressed air tank.....	292, 293
Compression spring pack	315
Connection cable	540, 541
Connector set.....	521
Console.....	267, 268
Container cover net	682
Container door hinge	429
Container fastener	430
Container locking catch.....	477-479
Conversion kit	286
Corner stanchion profile.....	396
Counterbearing.....	469
Counterholder.....	389, 414, 416-419, 430
Counterplate.....	350

Coupling	665
Coupling head.....	286
Cover	490
Cover cap	391
Crank.....	353
Cross member	485, 486
Curtain roller.....	344-347
Customs rope.....	338
Customs sealing strip.....	339
Customs tape	339
Cylinder lock.....	431
D	
Dehumidification valve.....	293
Direct spread.....	348
Discus lock	282
Distribution box.....	542
Distributor block.....	365
Distributor box	522
Document box.....	273
Document roll.....	273
Door buffer.....	448
Door catch	444-446
Door catch bracket.....	446
Door fastener	431
Door hinge	441, 442
Door lock.....	474
Double ball bearing	381
Double bit key	282
Double roller.....	345, 348
Drain cover	491
Draw-bar bolt.....	306
Drawbar fixture	315
Drawbar mounting	315
Drive-in die	359, 360
Drop guard.....	469, 484
Drop side bolt.....	388
Drop side hinge	401-404
Drop side profile	397, 398
Dummy coupling	287
Dumper rope	454
Dust sleeve	209
E	
EBS helical cable.....	644
Edge protection	453, 679, 680
Edge protection profile	453
Edge protection rail	679

End piece - anchoring rails.....	678
End plug	364, 365
End running section and accessories for EDSCHA sliding cover	373
Engagement hook.....	408
Expander rope	340
External wrench.....	282
Eye bolt.....	424
F	
Fabric tape.....	358
Fast-action coupling	286
Fastener	418
Fastener body	475
Fastening bracket.....	626
Fire extinguisher box	285
Flap hinge	405
Flat cable.....	520, 541
Flat cramp.....	330
Flat hook.....	335
Flat locking bolt	411, 425
Floating bearing	420, 463
Floating pin.....	394
Foam rubber.....	435
Folding and sliding stanchion	391
Folding stake.....	391, 392
Foot-operated switch.....	425
Forked draw-bar	301-304
Front adapter cable	518
Front distributor.....	522, 541
Fuel tank.....	283
Full rivet.....	339
G	
Gas spring.....	437-439
General accessories for EDSCHA sliding cover	370
Grooved bush.....	483
Guide roller	471
Guide roller bearing.....	471, 472
Guide shaft.....	430
Guide socket	482, 483
H	
H1 halogen headlamp bulb	647
H1 rotating beacon.....	628-633
H2 halogen headlamp bulb	648
H3 reversing light.....	604
H3 worklight.....	619-626
H7 halogen headlamp bulb	648, 649
Haacon S2000 Plus spare parts.....	221

Half-round ring	343
Hand welder	359
Handle.....	436, 447
Handle holder.....	294
Hanging fastener.....	420, 460, 462, 463
Hatch lock.....	431
Hazard warning light	425
Hazardous goods slip.....	491-496
Helical cable.....	520, 642, 643
Hinge.....	440
Hinge bearing.....	442
Hinge blade	429
Hinge rod.....	440
Hollow rivet.....	337
Hood bracket.....	447
Hook profile	357
Hoop cramp.....	328-330
Hose clip.....	290
Hose nipple.....	291
Hot-air gun	358
I	
Impact buffer.....	448-452
Impact buffer profile.....	449, 452
Impact strip.....	452
Indicator	426
Indicator light	426
Information board	470, 502, 503
Interior light.....	634-639
Intermediate adapter line.....	520
Intermediate panel lock.....	671, 672
J	
Joint.....	381
Joints and accessories for EDSCHA sliding cover.....	372
Jost module B spare parts.....	227
K	
Kinnegrip stanchion K 20	384, 386
Kinnegrip stanchion K IV.....	382, 383
Kinnetop profile	389
Kinnetop stand.....	389
Knob	485
L	
Landing legs.....	220, 222-225, 230, 231
Lash tray.....	669, 670
Lashing chain.....	665
Lashing eye	678
Lashing rail	675-678

Lashing ring.....	667, 668
Lashing strap ratchet.....	663
Lashing strap webbing.....	663
Lath store.....	362
LED additional stop light.....	617
LED clearance light.....	514, 515, 536, 537, 590
LED control unit.....	517
LED hazard warning light.....	426
LED insert.....	645-647
LED interior light.....	634, 637
LED module.....	647
LED numberplate lamp.....	516, 597
LED position light.....	508, 509, 517, 525, 526, 539, 540, 544, 601
LED rear fog lamp.....	607
LED rear light.....	510-512, 529-531, 559
LED reversing light.....	603
LED rotating beacon.....	627
LED side marker light.....	509, 527-529, 551-554
LED working floodlight.....	618, 619, 622, 623
Lever toggle fastener.....	414
Lifting roof system.....	365
Lighting carrier.....	243
Link chain.....	423
Load beam.....	675
Load securing disc.....	664
Lock.....	431
Locking.....	430
Locking pin.....	470, 471
Longitudinal profile.....	246-248
Longitudinal profile set.....	246
Long-travel bolt latch.....	419
M	
Main supply line.....	519
Marking board.....	500
Marking board set.....	500
Middle stake.....	390
Middle stanchion profile.....	396
Mootise chisel.....	360
Mounting console.....	216, 267, 269
Mud flap.....	272
N	
Non-slip mat.....	681
Normal stop.....	472
Number panel.....	489
Numberplate lamp.....	517, 539, 593-600
Numeral set.....	489

O

Operating key.....	484
Operating rod lock	432
Outside handle.....	436
Oval eyelet	326, 327
Over dead centre tensioner	349, 461, 462

P

Pallet storage box	281
Parking brake.....	212
Parking warning sign	497, 498
Parts for EDSCHA PROFI 95 sliding cover	369
Parts for EDSCHA sliding cover type 2978.1000	378
Parts for EDSCHA sliding cover type 2979.1000	377
Parts for EDSCHA sliding cover type 2980.8000 and type 2980.9000.....	375
Parts for EDSCHA UltraLine sliding cover.....	366
Parts for SESAM sliding cover Flat-, High-, Mega- and Mixliner	381
Pipe clip.....	290
Pipe cutter.....	290
Pipe fold plug	380
Pitman spring.....	210
Pivot.....	480
Pivot bearing	457
Plastic bush	307
Plastic pipe	287
Platform lorry	380
Plug	540, 640, 641
Plug-in board	361
Plug-in sleeve	287
Pocket wedge	388
Polyp arresters.....	458
Position light.....	545-550, 601, 602
Preload measuring device	664
Pressure roller	359
Profile edging.....	396, 399
Protection bar set.....	427
Protective hose.....	680
Pull rod.....	361
Pull switch.....	626
Pulling tool	313
PVC adhesive	359
PVC seal	433-435, 453

R

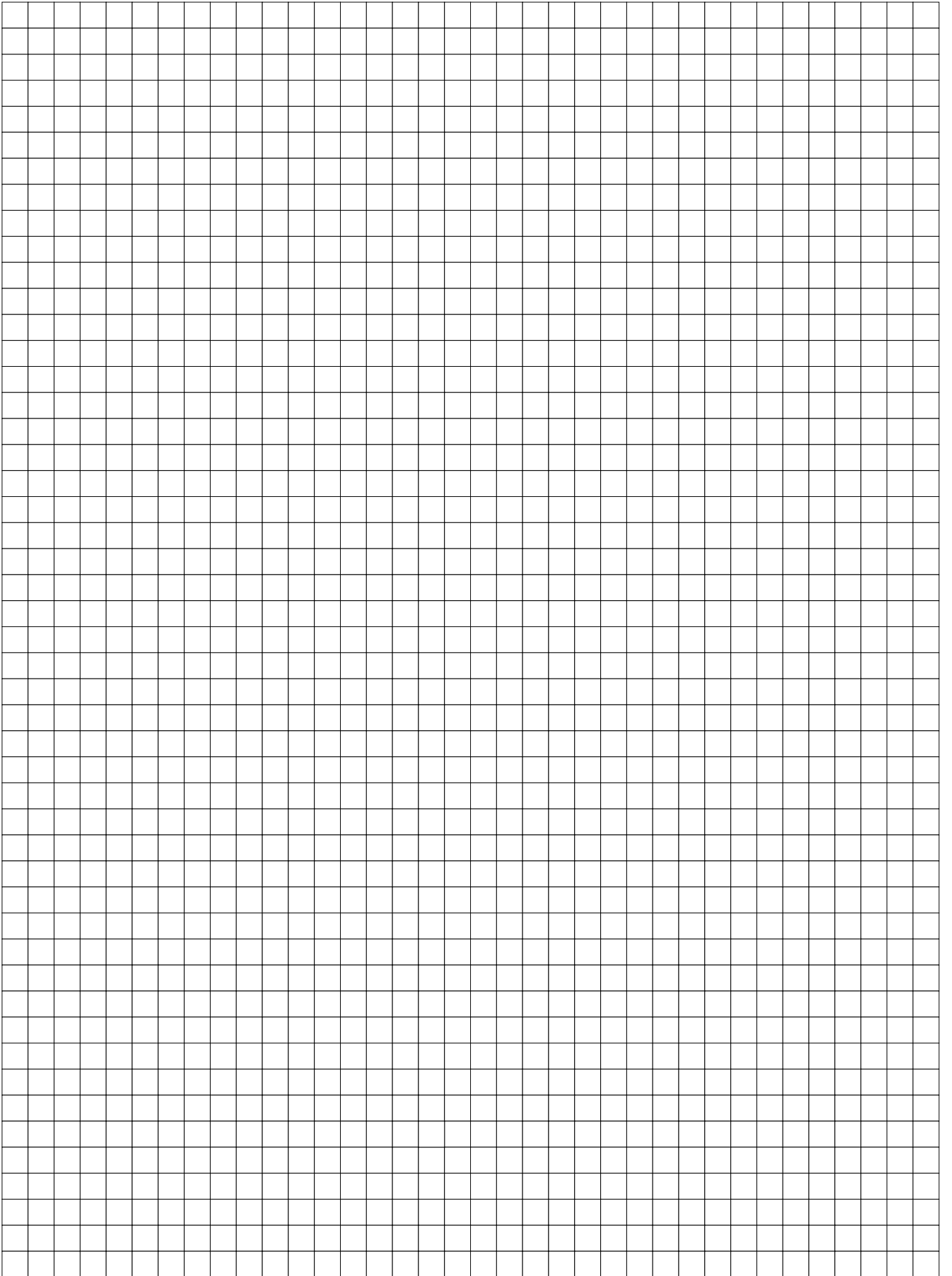
Rail stopper	346
Ratch.....	673, 674
Ratchet load tensioner.....	665
Ratchet strap.....	656-663

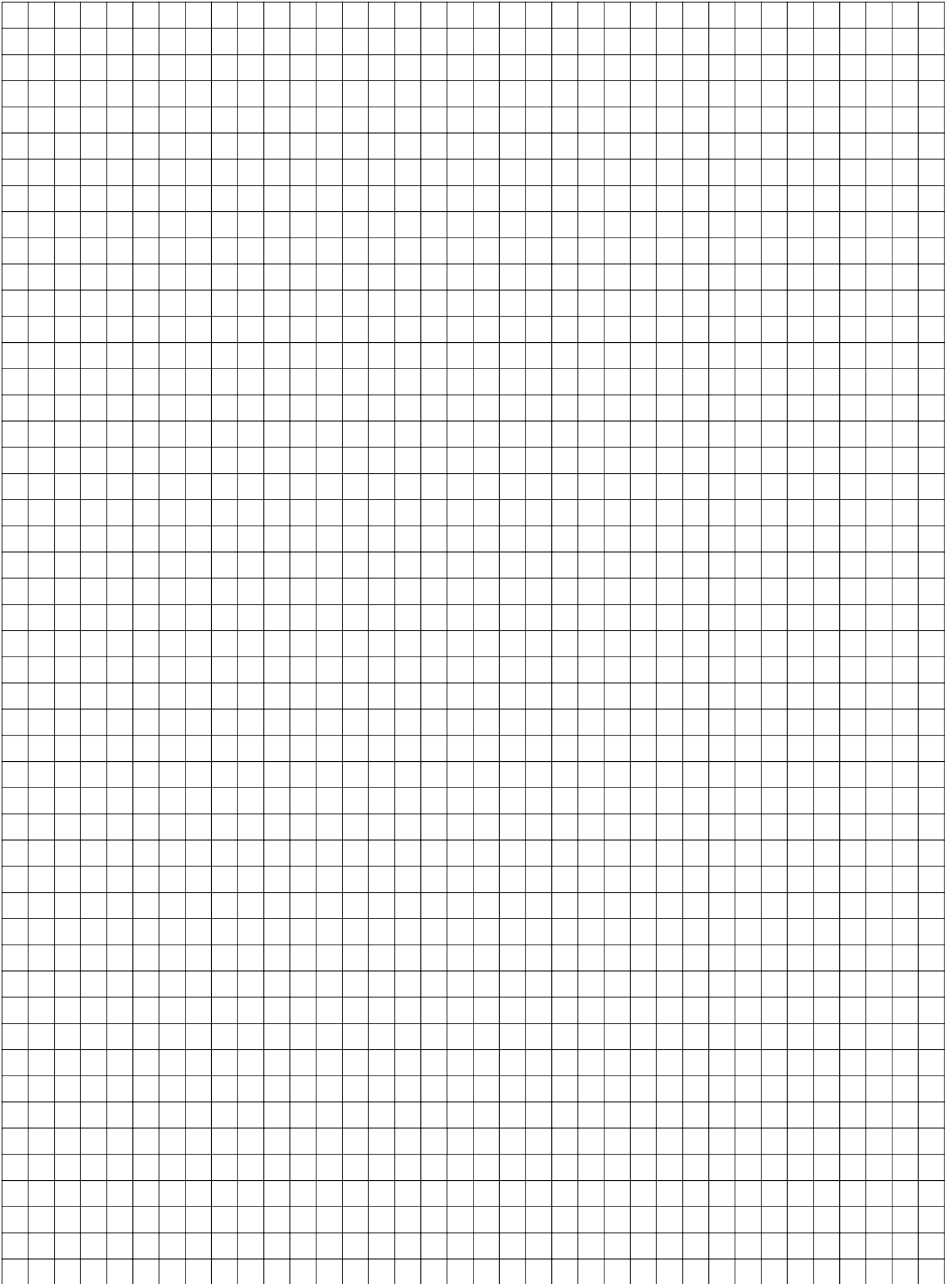
Rear adapter line.....	519, 520
Rear apron.....	271
Rear fog lamp.....	607-610
Rear light.....	512, 514, 532-535, 560-586
Recessed locking handle.....	408, 410, 411
Rectangular reflector.....	613-615
Reflective tape.....	504
Reinforcing panel.....	252, 669
Releasing reel.....	663
Removal van hinge.....	440, 441
Repair kit.....	558
Replacement holder.....	503
Retaining cam.....	462
Retaining plate.....	392
Retaining tube.....	249
Reversing light.....	603-606
Ring hook.....	335, 336
Rivet base.....	336
Rivet header.....	360
Rocker stud.....	421, 460, 462, 463
Rocking ball bearing.....	455-457
Rod lashing rail.....	675
Roller.....	346, 348
Roller carriage and accessories for EDSCHA sliding cover.....	372
Roller cart.....	366
Roll-in tool.....	316
Roll-up belt.....	342
Roll-up cap.....	342
Rope end lock.....	337, 338
Rope pulley.....	684
Rope winch.....	294
Round button.....	340
Round eyelet.....	326
Round hole lashing rail.....	677
Round profile.....	354-356
Round reflector.....	611-613
Round ring.....	343
Rubber coating.....	455
Rubber pulley.....	318
Rubber seal.....	399, 435
Rubber slings.....	340, 341
Rubber support.....	364
Runner.....	343, 344
Running rails and accessories for EDSCHA sliding cover.....	371
S	
Safety cable.....	209

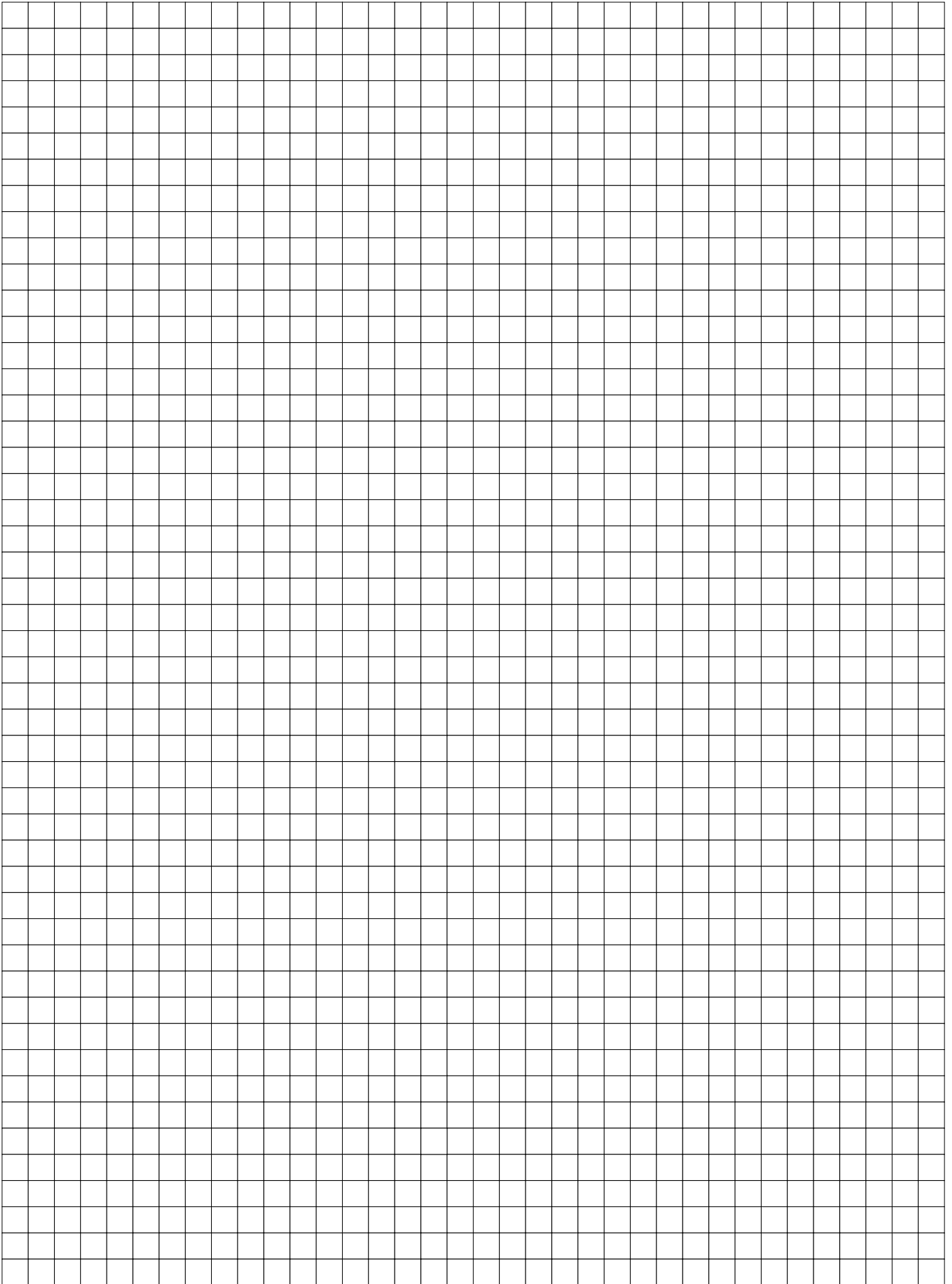
Safety lashing winch	664
Safety strap	406
Scissor clamp.....	365
Screw closure	331-333, 498
Screw set	316
Screw-on bracket.....	252
Screw-on stops	316
Seal.....	399
Sealing cap.....	524
Sealing lip	380
Secondary security	469
Security chain	406
Security set.....	523
Service parts, K 20 middle stanchions rear and corner stanchions front and rear	388
Service set	523
Shackle.....	685
Shackle lock.....	475
Shock absorber	211
Shim washer.....	307
S-hook.....	336
Side marker light.....	554-558
Siding rear trolley.....	366
Silent bush	307
Simplex hook.....	338, 685
Single substance warning panel	490
Sliding support.....	406
Slip-in bag	361, 362
Slot loop	327
Socket.....	640, 641
Socket pin.....	421, 458, 459, 470
Spacer ring	480
Spare belt.....	350
Spare bulbs box.....	652
Spare parts set	469
Spare wheel holder.....	234-236
Spare wheel winch	234
Speed sign.....	501
Spiral hook.....	340
Spray protection mat.....	264, 265
Spring bushing.....	307
Spring hook.....	336, 340, 685
Spring locking bolt.....	443, 444
Spring locking pin	436
Spring pin.....	305
Spring seat	317, 318
Square key.....	282

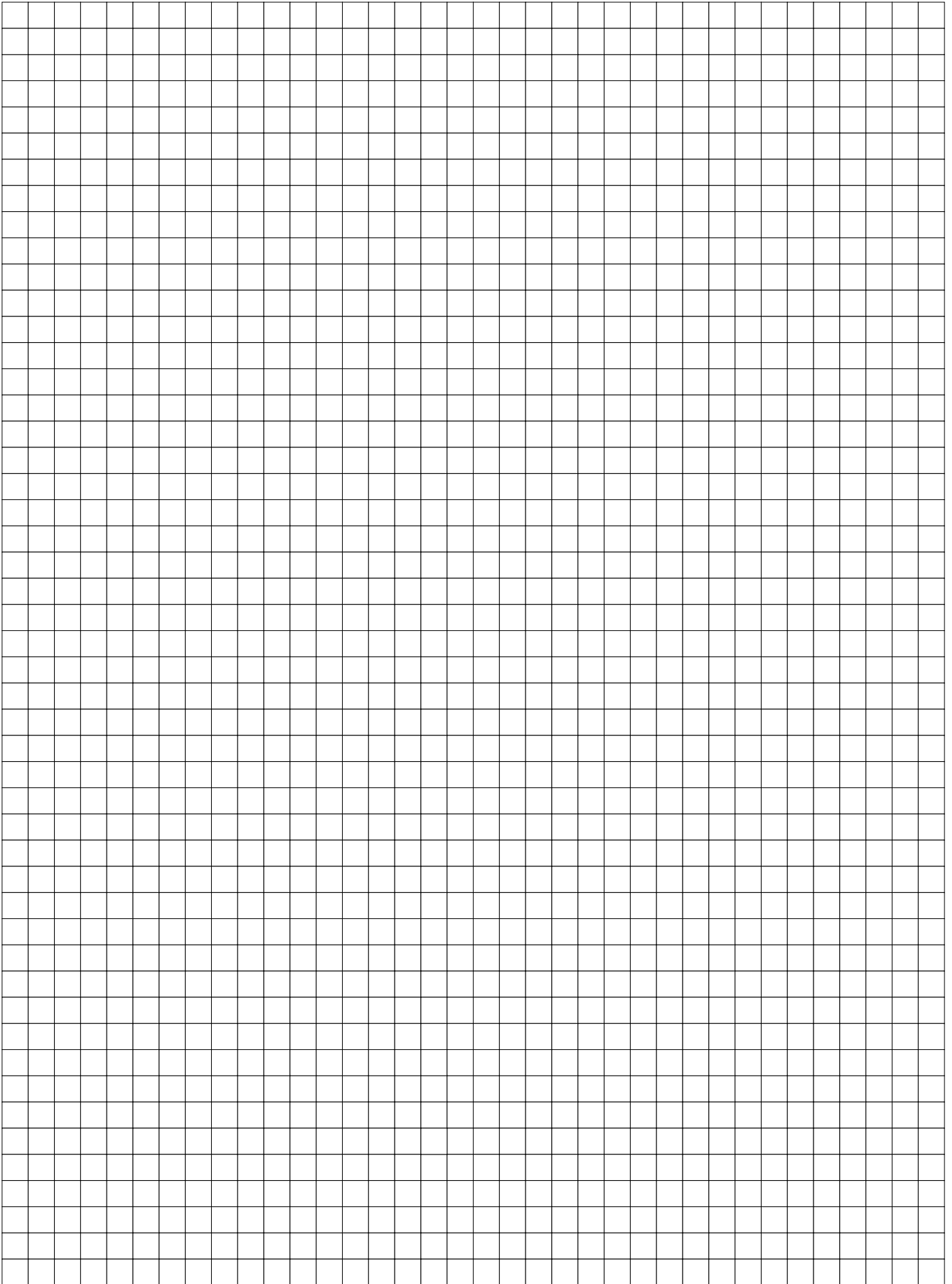
Stabilising jack set.....	224, 232, 233
Stake sleeve.....	394, 395
Stanchion bracket.....	395
Stanchion connections and accessories for EDSCHA sliding cover.....	370
Stanchion cotter pin.....	392-394
Steel locking bar.....	474
Steel profile.....	346
Stepladder.....	284
Step-up.....	400
Strap.....	350
Strips.....	342
Stroke odometer.....	208
Strut bolt.....	469
Support band eye.....	406
Support leg.....	464-466
Support leg fastener.....	467, 468
Support tube.....	266
Supporting bearing.....	467
Supporting leg strut.....	466
Suspended bracket.....	616
Suspension hook and Support bearing.....	468
Swivel adapter.....	250, 251
T	
Tailboard lock.....	425
Tarpaulin clamp ratchet.....	351, 352
Tarpaulin hook.....	333-335
Tarpaulin roller.....	379, 380
Tarpaulin rope.....	337
Tarpaulin tube.....	363
Tarpauling repair set.....	358
Tarpauling tube bracket.....	363, 364
Telescopic tube.....	372, 374, 675
Tension spring.....	218, 422
Tensioning chain.....	423
Tensioning device.....	314
Test connection.....	291
Test gauge.....	316, 322
Threaded rail.....	406
Tie rod bolt.....	404
Tightening strap.....	341
Tip arm bearing.....	458
Tipper fastening.....	349, 463
Tipper hinge.....	404
Tipper safety clamp.....	348, 349
Tipper support.....	455
Toggle fastener.....	412, 415-418

Tongue lock.....	432
Tool set.....	338
Toolbox.....	273-281
T-piece.....	409
Traffic cone.....	504
Trailer brake valve.....	293
Trailer coupling ring.....	310-312
Trailer coupling ring bushing.....	313, 314
Trailer kingpin.....	319-322
Triangular reflector.....	615, 616
Turnbuckle.....	422, 423
Two substances rotating panel.....	490
U	
U-bolt plate.....	210
Underride protector.....	237-243
V	
Vehicle type plate.....	294
Vertical adjustment.....	485
Vertical adjustment device.....	314, 315
W	
Warning flag.....	503
Warning markings.....	427, 503, 504
Warning panel.....	488, 489, 496-500
Water tank.....	283
Welded bush.....	305, 306
Weld-on bracket.....	216
Wheel nut protective cap.....	211
Weld-on stud.....	404
Wide slot nozzle.....	359
Wing.....	253-264
Wing apron.....	261
Wing blind.....	265
Wing bracket.....	265, 267-270
Wing bracket set.....	270
Wing set.....	261
Wire cable.....	683
Wire cable clip.....	684
Wire cable eye stiffener.....	684
X	
Xenon rotating beacon.....	627
Y	
Y-adapter line.....	521









EUROPART ranges for vehicle workshops and industry:



Vehicle parts



Truck parts



Trailer spare parts



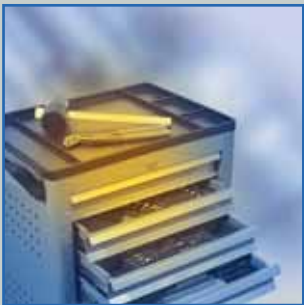
Light commercial
spare parts



Bus spare parts



Passenger car parts



Workshop requirements



Fastening systems



Workshop utilities



Fluid technology:
hydraulics and
pneumatics



Operational safety
and environmental
protection



Chemical-technical
products



Tools



Drive technology