



Cisco UCS C220 M5 Server Installation and Service Guide

First Published: 2017-03-30

Last Modified: 2017-06-29

Americas Headquarters

Cisco Systems, Inc.
170 West Tasman Drive
San Jose, CA 95134-1706
USA
<http://www.cisco.com>
Tel: 408 526-4000
800 553-NETS (6387)
Fax: 408 527-0883

THE SPECIFICATIONS AND INFORMATION REGARDING THE PRODUCTS IN THIS MANUAL ARE SUBJECT TO CHANGE WITHOUT NOTICE. ALL STATEMENTS, INFORMATION, AND RECOMMENDATIONS IN THIS MANUAL ARE BELIEVED TO BE ACCURATE BUT ARE PRESENTED WITHOUT WARRANTY OF ANY KIND, EXPRESS OR IMPLIED. USERS MUST TAKE FULL RESPONSIBILITY FOR THEIR APPLICATION OF ANY PRODUCTS.

THE SOFTWARE LICENSE AND LIMITED WARRANTY FOR THE ACCOMPANYING PRODUCT ARE SET FORTH IN THE INFORMATION PACKET THAT SHIPPED WITH THE PRODUCT AND ARE INCORPORATED HEREIN BY THIS REFERENCE. IF YOU ARE UNABLE TO LOCATE THE SOFTWARE LICENSE OR LIMITED WARRANTY, CONTACT YOUR CISCO REPRESENTATIVE FOR A COPY.

The following information is for FCC compliance of Class A devices: This equipment has been tested and found to comply with the limits for a Class A digital device, pursuant to part 15 of the FCC rules. These limits are designed to provide reasonable protection against harmful interference when the equipment is operated in a commercial environment. This equipment generates, uses, and can radiate radio-frequency energy and, if not installed and used in accordance with the instruction manual, may cause harmful interference to radio communications. Operation of this equipment in a residential area is likely to cause harmful interference, in which case users will be required to correct the interference at their own expense.

The following information is for FCC compliance of Class B devices: This equipment has been tested and found to comply with the limits for a Class B digital device, pursuant to part 15 of the FCC rules. These limits are designed to provide reasonable protection against harmful interference in a residential installation. This equipment generates, uses and can radiate radio frequency energy and, if not installed and used in accordance with the instructions, may cause harmful interference to radio communications. However, there is no guarantee that interference will not occur in a particular installation. If the equipment causes interference to radio or television reception, which can be determined by turning the equipment off and on, users are encouraged to try to correct the interference by using one or more of the following measures:

- Reorient or relocate the receiving antenna.
- Increase the separation between the equipment and receiver.
- Connect the equipment into an outlet on a circuit different from that to which the receiver is connected.
- Consult the dealer or an experienced radio/TV technician for help.

Modifications to this product not authorized by Cisco could void the FCC approval and negate your authority to operate the product

The Cisco implementation of TCP header compression is an adaptation of a program developed by the University of California, Berkeley (UCB) as part of UCB's public domain version of the UNIX operating system. All rights reserved. Copyright © 1981, Regents of the University of California.

NOTWITHSTANDING ANY OTHER WARRANTY HEREIN, ALL DOCUMENT FILES AND SOFTWARE OF THESE SUPPLIERS ARE PROVIDED "AS IS" WITH ALL FAULTS. CISCO AND THE ABOVE-NAMED SUPPLIERS DISCLAIM ALL WARRANTIES, EXPRESSED OR IMPLIED, INCLUDING, WITHOUT LIMITATION, THOSE OF MERCHANTABILITY, FITNESS FOR A PARTICULAR PURPOSE AND NONINFRINGEMENT OR ARISING FROM A COURSE OF DEALING, USAGE, OR TRADE PRACTICE.

IN NO EVENT SHALL CISCO OR ITS SUPPLIERS BE LIABLE FOR ANY INDIRECT, SPECIAL, CONSEQUENTIAL, OR INCIDENTAL DAMAGES, INCLUDING, WITHOUT LIMITATION, LOST PROFITS OR LOSS OR DAMAGE TO DATA ARISING OUT OF THE USE OR INABILITY TO USE THIS MANUAL, EVEN IF CISCO OR ITS SUPPLIERS HAVE BEEN ADVISED OF THE POSSIBILITY OF SUCH DAMAGES.

Any Internet Protocol (IP) addresses and phone numbers used in this document are not intended to be actual addresses and phone numbers. Any examples, command display output, network topology diagrams, and other figures included in the document are shown for illustrative purposes only. Any use of actual IP addresses or phone numbers in illustrative content is unintentional and coincidental.

Cisco and the Cisco logo are trademarks or registered trademarks of Cisco and/or its affiliates in the U.S. and other countries. To view a list of Cisco trademarks, go to this URL: <http://www.cisco.com/go/trademarks>. Third-party trademarks mentioned are the property of their respective owners. The use of the word partner does not imply a partnership relationship between Cisco and any other company. (1110R)

© 2017 Cisco Systems, Inc. All rights reserved.



Overview

- [Overview, page 1](#)
- [External Features, page 1](#)
- [Serviceable Component Locations, page 5](#)
- [Summary of Server Features, page 6](#)

Overview

The server is orderable in three different versions, each with a different front panel/drive-backplane configuration.

- Cisco UCS C220 M5 (UCSC-220-M5SX)—Small form-factor (SFF) drives, with 10-drive backplane. Supports up to 10 2.5-inch SAS/SATA drives. Drive bays 1 and 2 support NVMe SSDs.
- Cisco UCS C220 M5 (UCSC-220-M5SN)—SFF drives, with 10-drive backplane. Supports up to 10 2.5-inch NVMe-only SSDs.
- Cisco UCS C220 M5 (UCSC-220-M5L)—Large form-factor (LFF) drives, with four-drive backplane. Supports up to four 3.5-inch SAS/SATA drives. Drive bays 1 and 2 support NVMe SSDs. A size-converter drive sled is required to hold 2.5-inch SSDs.

External Features

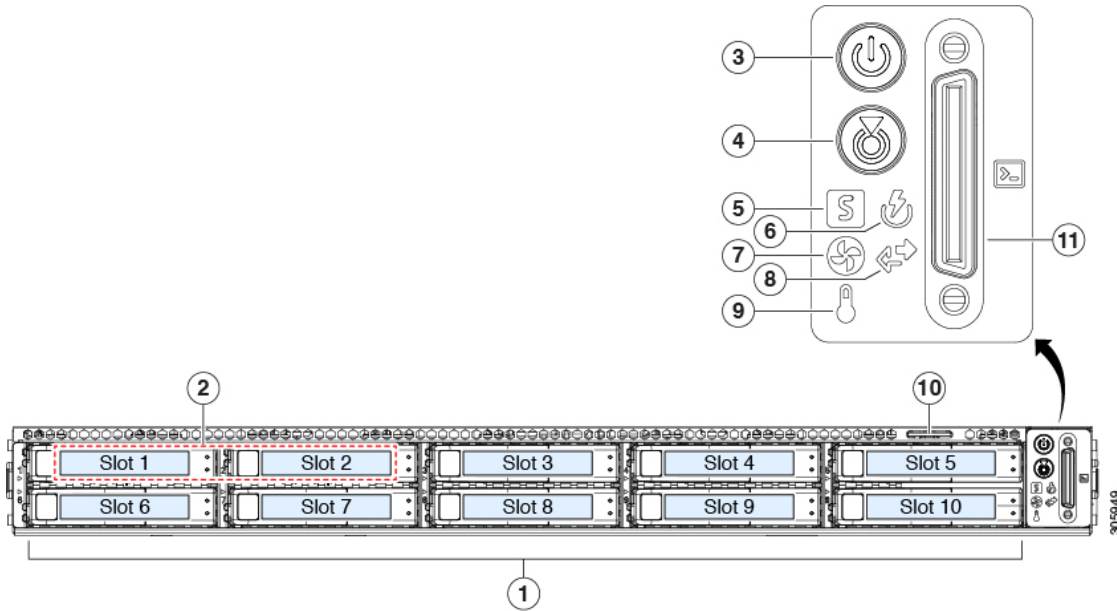
This topic shows the external features of the server versions.

Cisco UCS C220 M5 Server (SFF Drives) Front Panel Features

The following figure shows the front panel features of the small form-factor drive versions of the server.

For definitions of LED states, see [Front-Panel LEDs](#), on page 26.

Figure 1: Cisco UCS C220 M5 Server (SFF Drives) Front Panel



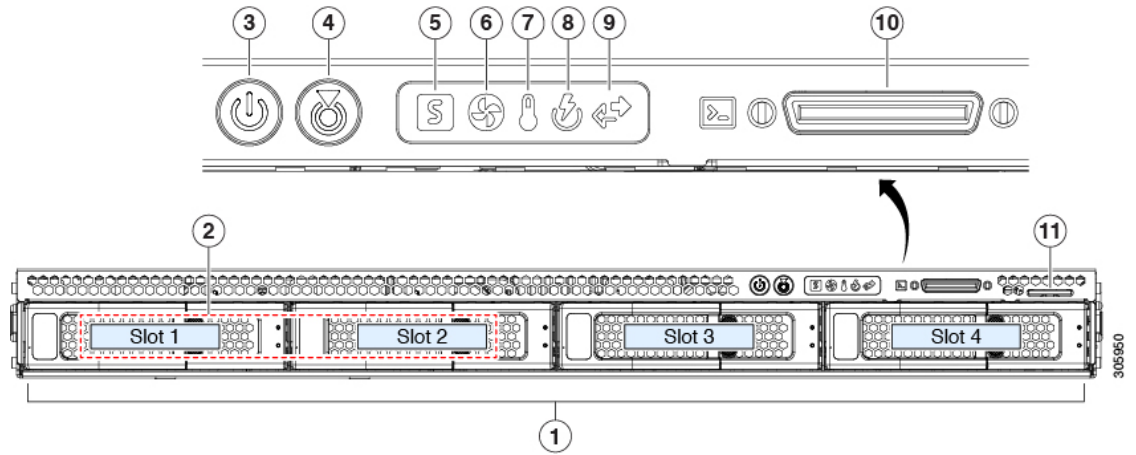
1	Drive bays 1 – 10 support SAS/SATA hard disk drives (HDDs) and solid state drives (SSDs)	7	Fan status LED
2	<ul style="list-style-type: none"> • UCSC-220-M5SX: Drive bays 1 and 2 support NVMe PCIe SSDs. • UCSC-220-M5SN: Drive bays 1 – 10 support <i>only</i> NVMe PCIe SSDs. 	8	Network link activity LED
3	Power button/power status LED	9	Temperature status LED
4	Unit identification button/LED	10	Pull-out asset tag
5	System status LED	11	KVM connector (used with KVM cable that provides one DB-15 VGA, one DB-9 serial, and two USB connectors)
6	Power supply status LED	-	

Cisco UCS C220 M5 Server (LFF Drives) Front Panel Features

The following figure shows the front panel features of the large form-factor drive version of the server.

For definitions of LED states, see [Front-Panel LEDs](#), on page 26.

Figure 2: Cisco UCS C220 M5 Server (LFF Drives) Front Panel



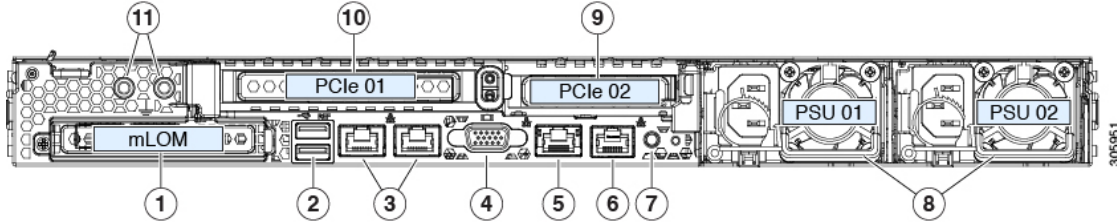
1	Drive bays 1 – 4 support SAS/SATA HDDs and SSDs	7	Temperature status LED
2	Drive bays 1 and 2 support NVMe PCIe SSDs. A size-converter drive sled is required to hold 2.5-inch SSDs.	8	Power supply status LED
3	Power button/power status LED	9	Network link activity LED
4	Unit identification button/LED	10	KVM connector (used with KVM cable that provides one DB-15 VGA, one DB-9 serial, and two USB connectors)
5	System health LED	11	Pull-out asset tag
6	Fan status LED	-	

Cisco UCS C220 M5 Server Rear Panel Features

The rear panel features are the same for all versions of the server.

For definitions of LED states, see [Rear-Panel LEDs](#), on page 29.

Figure 3: Cisco UCS C220 M5 Server Rear Panel

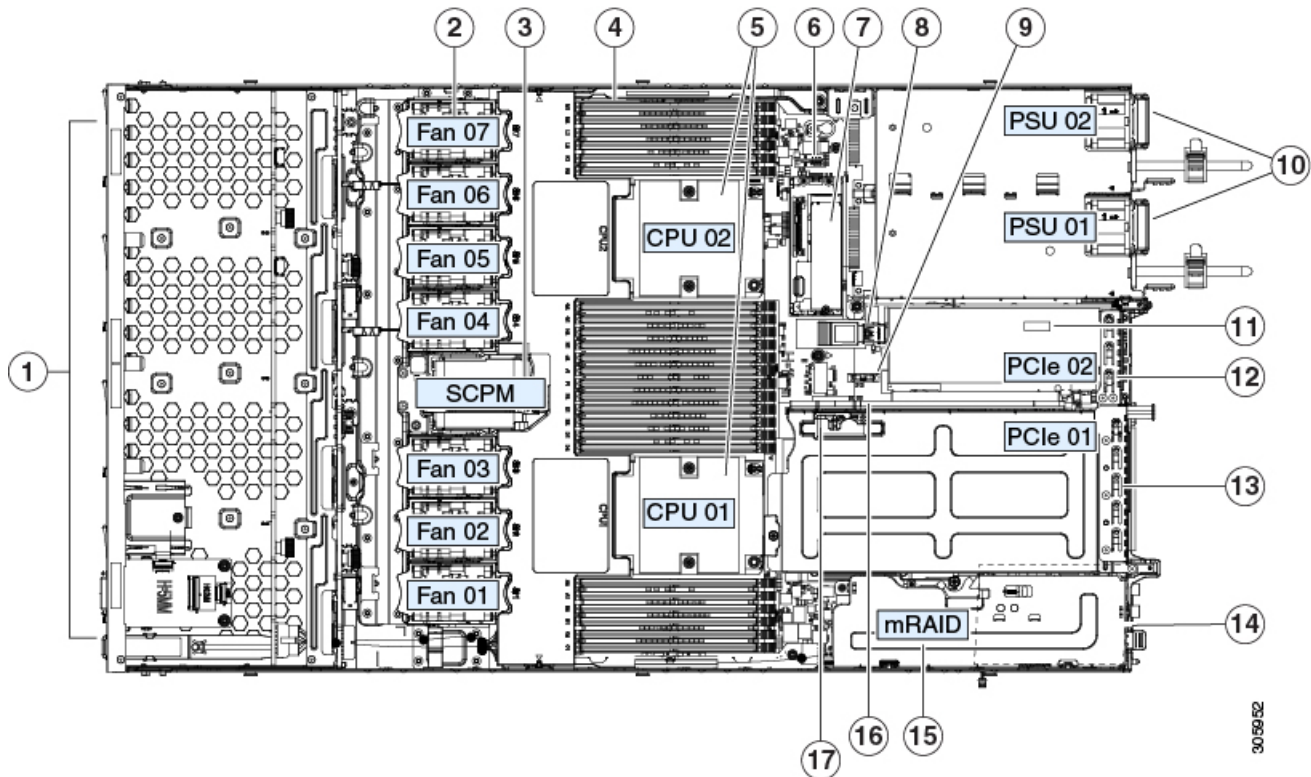


1	Modular LAN-on-motherboard (mLOM) card bay (x16 PCIe lane)	7	Rear unit identification button/LED
2	USB 3.0 ports (two)	8	Power supplies (two, redundant as 1+1)
3	Dual 10-Gb Ethernet ports (LAN1 and LAN2)	9	PCIe riser 2/slot 2 (x16 lane) Includes PCIe cable connectors for front-loading NVMe SSDs (x8 lane)
4	VGA video port (DB-15 connector)	10	PCIe riser 1/slot 1 (x16 lane)
5	1-Gb Ethernet dedicated management port	11	Threaded holes for dual-hole grounding lug
6	Serial port (RJ-45 connector)	-	

Serviceable Component Locations

This topic shows the locations of the field-replaceable components and service-related items. The view in the following figure shows the server with the top cover removed.

Figure 4: Cisco UCS C220 M5 Server, Serviceable Component Locations



<p>1</p>	<p>Front-loading drive bays 1–10 support SAS/SATA drives.</p> <ul style="list-style-type: none"> • UCSC-220-M5SX: Drive bays 1 and 2 support NVMe PCIe SSDs. • UCSC-220-M5SN: Drive bays 1 – 10 support <i>only</i> NVMe PCIe SSDs. • UCSC-220-M5L: Drive bays 1 and 2 support NVMe PCIe SSDs. 	<p>10</p>	<p>Power supplies (hot-swappable when redundant as 1+1)</p>
<p>2</p>	<p>Cooling fan modules (seven, hot-swappable)</p>	<p>11</p>	<p>Trusted platform module (TPM) socket on motherboard (not visible in this view)</p>

3	Supercap unit mounting bracket (RAID backup)	12	PCIe riser 2/slot 2 (half-height, x16 lane) Includes PCIe cable connectors for front-loading NVMe SSDs (x8 lane)
4	DIMM sockets on motherboard (12 per CPU)	13	PCIe riser 1/slot 1 (full-height, x16 lane) Includes socket for Micro-SD card
5	CPUs and heatsinks (up to two)	14	Modular LOM (mLOM) card bay on chassis floor (x16 PCIe lane), not visible in this view
6	Mini storage module socket Supports either an SD card module with two SD card slots; or an M.2 module with two NVMe or SATA M.2 SSD slots.	15	Modular RAID (mRAID) riser, can optionally be a riser that supports either: <ul style="list-style-type: none"> • Hardware RAID controller card • Interposer card for embedded SATA RAID
7	Chassis intrusion switch (optional)	16	PCIe cable connectors for front-loading NVMe SSDs on PCIe riser 2
8	Internal USB 3.0 port on motherboard	17	Micro-SD card socket on PCIe riser 1
9	RTC battery, vertical socket	-	

The Technical Specifications Sheets for all versions of this server, which include supported component part numbers, are at [Cisco UCS Servers Technical Specifications Sheets](#) (scroll down to *Technical Specifications*).

Summary of Server Features

The following table lists a summary of server features.

Feature	Description
Chassis	One rack-unit (1RU) chassis
Central Processor	Up to two CPUs from the Intel Xeon Processor Scalable Family. This includes CPUs from the following series: <ul style="list-style-type: none"> • Intel Xeon Bronze 3XXX Processors • Intel Xeon Silver 4XXX Processors • Intel Xeon Gold 5XXX Processors • Intel Xeon Gold 6XXX Processors • Intel Xeon Platinum 8XXX Processors
Memory	24 DDR4 DIMM sockets on the motherboard (12 each CPU)

Feature	Description
Multi-bit error protection	Multi-bit error protection is supported
Baseboard management	BMC, running Cisco Integrated Management Controller (Cisco IMC) firmware. Depending on your Cisco IMC settings, Cisco IMC can be accessed through the 1-Gb dedicated management port, the 10-Gb Ethernet LAN ports, or a Cisco virtual interface card.
Network and management I/O	Rear panel: <ul style="list-style-type: none"> • One 1-Gb Ethernet dedicated management port (RJ-45 connector) • Two 10-Gb BASE-T Ethernet LAN ports (RJ-45 connectors) • One RS-232 serial port (RJ-45 connector) • One VGA video connector port (DB-15 connector) • Two USB 3.0 ports Front panel: <ul style="list-style-type: none"> • One front-panel keyboard/video/mouse (KVM) connector that is used with the KVM cable, which provides two USB 2.0, one VGA, and one DB-9 serial connector.
Modular LOM	One dedicated socket (x16 PCIe lane) that can be used to add an mLOM card for additional rear-panel connectivity.
WoL	The two 10-Gb BASE-T Ethernet LAN ports support the wake-on-LAN (WoL) standard.
Power	Two power supplies, redundant as 1+1: <ul style="list-style-type: none"> • AC power supplies 770 W AC each • AC power supplies 1050 W AC each • AC power supplies 1600 W AC each • DC power supplies 1050 W DC each Do not mix power supply types or wattages in the server.
ACPI	The advanced configuration and power interface (ACPI) 4.0 standard is supported.
Cooling	Seven hot-swappable fan modules for front-to-rear cooling.
PCIe I/O	Two horizontal PCIe expansion slots on a PCIe riser assembly. See PCIe Slot Specifications , on page 73 for specifications of the slots.
InfiniBand	The PCIe bus slots in this server support the InfiniBand architecture.

Feature	Description
Storage, front-panel	<p>The server is orderable in three different versions, each with a different front panel/drive-backplane configuration.</p> <ul style="list-style-type: none"> • Cisco UCS C220 M5 (UCSC-220-M5SX)—Small form-factor (SFF) drives, with 10-drive backplane. Supports up to 10 2.5-inch SAS/SATA drives. Drive bays 1 and 2 support NVMe SSDs. • Cisco UCS C220 M5 (UCSC-220-M5SN)—SFF drives, with 10-drive backplane. Supports up to 10 2.5-inch NVMe-only SSDs in drive bays 1-10. This server version supports only NVMe drives. It does not support SAS or SATA drives. • Cisco UCS C220 M5 (UCSC-220-M5L)—Large form-factor (LFF) drives, with four-drive backplane. Supports up to four 3.5-inch SAS/SATA drives. Drive bays 1 and 2 support NVMe SSDs. A size-converter drive sled is required to hold 2.5-inch SSDs. <p>SAS/SATA drives are hot-swappable. NVMe SSDs are hot-pluggable, meaning that they must be shut down in the operating system before hot-removal.</p>
Storage, internal	<p>The server has these internal storage options:</p> <ul style="list-style-type: none"> • One USB port on the motherboard. • Mini-storage module socket, optionally with either: <ul style="list-style-type: none"> ◦ SD card module. Supports up to two SD cards. ◦ M.2 SSD module. Supports either two SATA M.2 SSDs or two NVMe M.2 SSDs. • One micro-SD card socket on PCIe riser 1.
Storage management	<p>The server has a dedicated internal mRAID riser that supports one of the following storage-controller options:</p> <ul style="list-style-type: none"> • A PCIe-style Cisco modular RAID controller card (SAS/SATA). • A PCIe-style interposer card for the server's embedded SATA RAID controller. <p>For a detailed list of storage controller options, see Supported Storage Controllers and Cables, on page 109.</p>
RAID backup	<p>The server has a mounting bracket near the cooling fans for the supercap unit that is used with the Cisco modular RAID controller card.</p>
Integrated video	<p>Integrated VGA video.</p>



Installing the Server

- [Preparing for Installation](#), page 9
- [Installing the Server in a Rack](#), page 12
- [Initial Server Setup](#), page 17
- [NIC Mode and NIC Redundancy Settings](#), page 21
- [Updating the BIOS and Cisco IMC Firmware](#), page 22
- [Accessing the System BIOS](#), page 23
- [Smart Access Serial](#), page 23
- [Smart Access USB](#), page 24

Preparing for Installation

This section contains the following topics:

Installation Warnings and Guidelines



Note

Before you install, operate, or service a server, review the [Regulatory Compliance and Safety Information for Cisco UCS C-Series Servers](#) for important safety information.

**Warning****IMPORTANT SAFETY INSTRUCTIONS**

This warning symbol means danger. You are in a situation that could cause bodily injury. Before you work on any equipment, be aware of the hazards involved with electrical circuitry and be familiar with standard practices for preventing accidents. Use the statement number provided at the end of each warning to locate its translation in the translated safety warnings that accompanied this device.

Statement 1071

**Warning**

To prevent the system from overheating, do not operate it in an area that exceeds the maximum recommended ambient temperature of: 35° C (95° F).

Statement 1047

**Warning**

The plug-socket combination must be accessible at all times, because it serves as the main disconnecting device.

Statement 1019

**Warning**

This product relies on the building's installation for short-circuit (overcurrent) protection. Ensure that the protective device is rated not greater than: 250 V, 15 A.

Statement 1005

**Warning**

Installation of the equipment must comply with local and national electrical codes.

Statement 1074

**Warning**

This unit is intended for installation in restricted access areas. A restricted access area can be accessed only through the use of a special tool, lock, and key, or other means of security.

Statement 1017

**Caution**

To ensure proper airflow it is necessary to rack the servers using rail kits. Physically placing the units on top of one another or "stacking" without the use of the rail kits blocks the air vents on top of the servers, which could result in overheating, higher fan speeds, and higher power consumption. We recommend that you mount your servers on rail kits when you are installing them into the rack because these rails provide the minimal spacing required between the servers. No additional spacing between the servers is required when you mount the units using rail kits.

**Caution**

Avoid uninterruptible power supply (UPS) types that use ferroresonant technology. These UPS types can become unstable with systems such as the Cisco UCS, which can have substantial current draw fluctuations from fluctuating data traffic patterns.

When you are installing a server, use the following guidelines:

- Plan your site configuration and prepare the site before installing the server. See the [Cisco UCS Site Preparation Guide](#) for the recommended site planning tasks.
- Ensure that there is adequate space around the server to allow for accessing the server and for adequate airflow. The airflow in this server is from front to back.
- Ensure that the air-conditioning meets the thermal requirements listed in the [Environmental Specifications, on page 102](#).
- Ensure that the cabinet or rack meets the requirements listed in the [Rack Requirements, on page 11](#).
- Ensure that the site power meets the power requirements listed in the [Power Specifications, on page 102](#). If available, you can use an uninterruptible power supply (UPS) to protect against power failures.

Rack Requirements

The rack must be of the following type:

- A standard 19-in. (48.3-cm) wide, four-post EIA rack, with mounting posts that conform to English universal hole spacing, per section 1 of ANSI/EIA-310-D-1992.
- The rack-post holes can be square 0.38-inch (9.6 mm), round 0.28-inch (7.1 mm), #12-24 UNC, or #10-32 UNC when you use the Cisco-supplied slide rails.
- The minimum vertical rack space per server must be one rack unit (RU), equal to 1.75 in. (44.45 mm).

Supported Cisco Slide Rail Kits

The server supports the following rail kit options:

- Cisco part UCSC-RAILB-M4= (ball-bearing slide rail kit)
- Cisco part UCSC-RAILF-M4= (friction slide rail kit)
- Cisco part UCSC-CMAF-M4= (cable management arm)

Rack Installation Tools Required

The slide rails sold by Cisco Systems for this server do not require tools for installation.

Slide Rail and Cable Management Arm Dimensions

The slide rails for this server have an adjustment range of 24 to 36 inches (610 to 914 mm).

The optional cable management arm (CMA) adds additional length requirements:

- The additional distance from the rear of the server to the rear of the CMA is 5.4 inches (137.4 mm).
- The total length of the server including the CMA is 35.2 inches (894 mm).

Installing the Server in a Rack



Warning

To prevent bodily injury when mounting or servicing this unit in a rack, you must take special precautions to ensure that the system remains stable. The following guidelines are provided to ensure your safety:

This unit should be mounted at the bottom of the rack if it is the only unit in the rack.

When mounting this unit in a partially filled rack, load the rack from the bottom to the top with the heaviest component at the bottom of the rack.

If the rack is provided with stabilizing devices, install the stabilizers before mounting or servicing the unit in the rack.

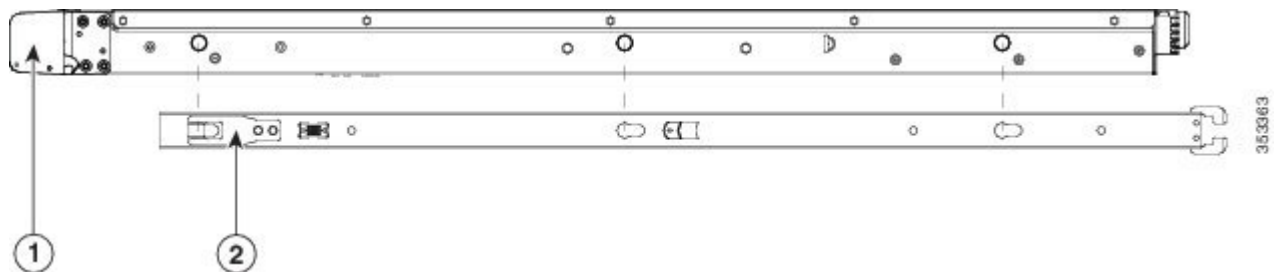
Statement 1006

Step 1

Attach the inner rails to the sides of the server:

- Align an inner rail with one side of the server so that the three keyed slots in the rail align with the three pegs on the side of the server.
- Set the keyed slots over the pegs, and then slide the rail toward the front to lock it in place on the pegs. The front slot has a metal clip that locks over the front peg.
- Install the second inner rail to the opposite side of the server.

Figure 5: Attaching the Inner Rail to the Side of the Server



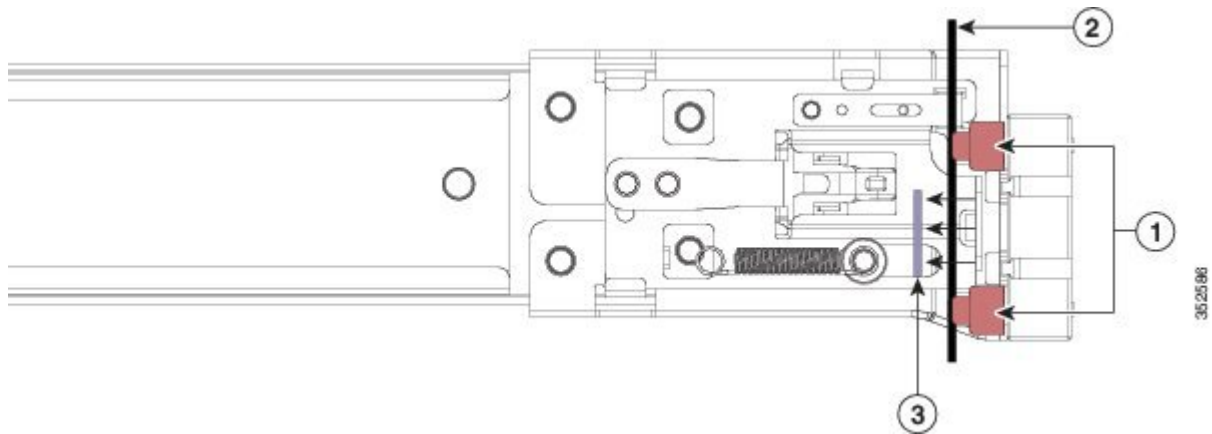
1	Front of server	2	Locking clip on front of inner rail
---	-----------------	---	-------------------------------------

Step 2

Open the front securing plate on both slide-rail assemblies. The front end of the slide-rail assembly has a spring-loaded securing plate that must be open before you can insert the mounting pegs into the rack-post holes.

On the *outside* of the assembly, push the green-arrow button toward the rear to open the securing plate.

Figure 6: Front Securing Mechanism, Inside of Front End



1	Front mounting pegs	3	Securing plate shown pulled back to the open position
2	Rack post between mounting pegs and opened securing plate	-	

Step 3 Install the outer slide rails into the rack:

- a) Align one slide-rail assembly front end with the front rack-post holes that you want to use. The slide rail front-end wraps around the outside of the rack post and the mounting pegs enter the rack-post holes from the outside-front.

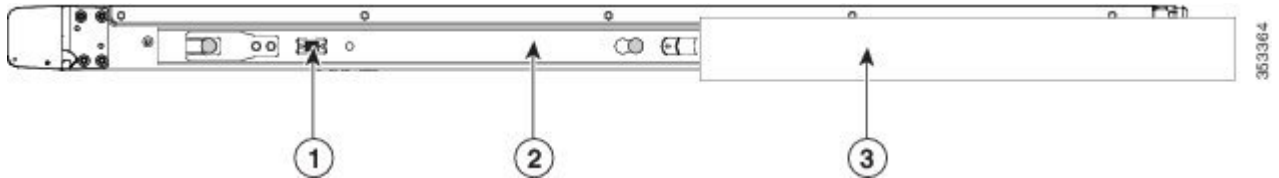
Note The rack post must be between the mounting pegs and the *open* securing plate.
- b) Push the mounting pegs into the rack-post holes from the outside-front.
- c) Press the securing plate release button, marked PUSH. The spring-loaded securing plate closes to lock the pegs in place.
- d) Adjust the slide-rail length, and then push the rear mounting pegs into the corresponding rear rack-post holes. The slide rail must be level front-to-rear. The rear mounting pegs enter the rear rack-post holes from the *inside* of the rack post.
- e) Attach the second slide-rail assembly to the opposite side of the rack. Ensure that the two slide-rail assemblies are at the same height and are level front-to-back.
- f) Pull the inner slide rails on each assembly out toward the rack front until they hit the internal stops and lock in place.

Step 4 Insert the server into the slide rails:

- Caution** This server can weigh up to 60 pounds (27 kilograms) when fully loaded with components. We recommend that you use a minimum of two people or a mechanical lift when lifting the server. Attempting this procedure alone could result in personal injury or equipment damage.
- a) Align the rear ends of the inner rails that are attached to the server sides with the front ends of the empty slide rails on the rack.
 - b) Push the inner rails into the slide rails on the rack until they stop at the internal stops.

- c) Slide the inner-rail release clip toward the rear on both inner rails, and then continue pushing the server into the rack until its front slam-latches engage with the rack posts.

Figure 7: Inner-Rail Release Clip



1	Inner-rail release clip	3	Outer slide rail attached to rack post
2	Inner rail attached to server and inserted into outer slide rail	-	

Step 5

(Optional) Secure the server in the rack more permanently by using the two screws that are provided with the slide rails. Perform this step if you plan to move the rack with servers installed.

With the server fully pushed into the slide rails, open a hinged slam latch lever on the front of the server and insert a screw through the hole that is under the lever. The screw threads into the static part of the rail on the rack post and prevents the server from being pulled out. Repeat for the opposite slam latch.

Installing the Cable Management Arm (Optional)

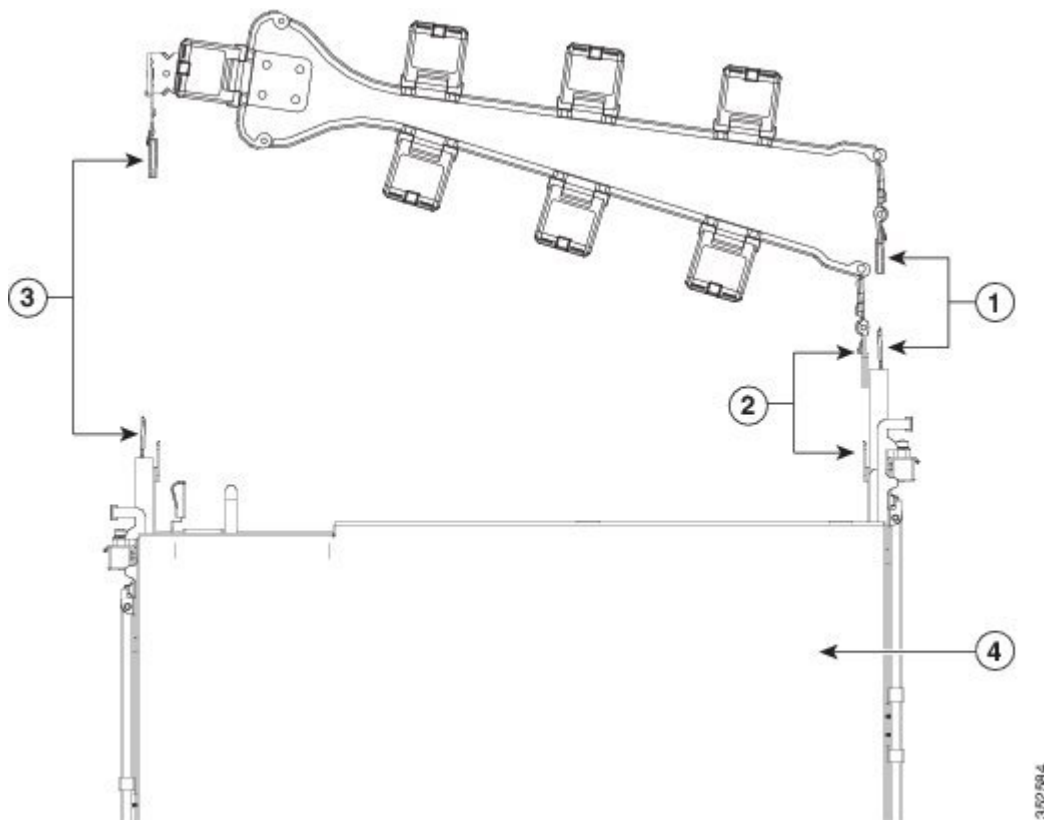


Note The cable management arm (CMA) is reversible left-to-right. To reverse the CMA, see [Reversing the Cable Management Arm \(Optional\)](#), on page 16 before installation.

Step 1

With the server pushed fully into the rack, slide the CMA tab of the CMA arm that is farthest from the server onto the end of the stationary slide rail that is attached to the rack post. Slide the tab over the end of the rail until it clicks and locks.

Figure 8: Attaching the CMA to the Rear Ends of the Slide Rails



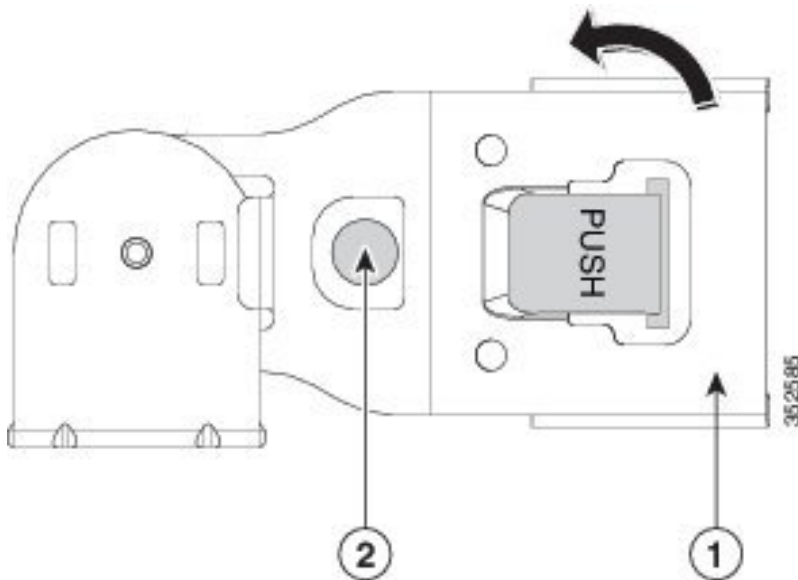
1	CMA tab on arm farthest from server attaches to end of stationary outer slide rail.	3	CMA tab on width-adjustment slider attaches to end of stationary outer slide rail.
2	CMA tab on arm closest to the server attaches to end of inner slide rail attached to server.	4	Rear of server

- Step 2** Slide the CMA tab that is closest to the server over the end of the inner rail that is attached to the server. Slide the tab over the end of the rail until it clicks and locks.
- Step 3** Pull out the width-adjustment slider that is at the opposite end of the CMA assembly until it matches the width of your rack.
- Step 4** Slide the CMA tab that is at the end of the width-adjustment slider onto the end of the stationary slide rail that is attached to the rack post. Slide the tab over the end of the rail until it clicks and locks.
- Step 5** Open the hinged flap at the top of each plastic cable guide and route your cables through the cable guides as desired.

Reversing the Cable Management Arm (Optional)

- Step 1** Rotate the entire CMA assembly 180 degrees, left-to-right. The plastic cable guides must remain pointing upward.
- Step 2** Flip the tabs at the ends of the CMA arms so that they point toward the rear of the server.
- Step 3** Pivot the tab that is at the end of the width-adjustment slider. Depress and hold the metal button on the outside of the tab and pivot the tab 180 degrees so that it points toward the rear of the server.

Figure 9: Reversing the CMA



1	CMA tab on end of width-adjustment slider	2	Metal button on outside of tab
---	---	---	--------------------------------

Initial Server Setup

**Note**

This section describes how to power on the server, assign an IP address, and connect to server management when using the server in standalone mode. To use the server in Cisco UCS Manager integration, specific cabling and settings are required. See [Installation For Cisco UCS Manager Integration](#), on page 129.

Server Default Settings

The server is shipped with these default settings:

- The NIC mode is *Shared LOM EXT*.

Shared LOM EXT mode enables the 10-Gb Ethernet ports *and* the ports on any installed Cisco virtual interface card (VIC) to access the Cisco Integrated Management Interface (Cisco IMC). If you want to use the 10/100/1000 dedicated management ports to access Cisco IMC, you can connect to the server and change the NIC mode as described in [Setting Up the System With the Cisco IMC Configuration Utility](#), on page 19.

- The NIC redundancy is *Active-Active*. All Ethernet ports are utilized simultaneously.
- DHCP is enabled.
- IPv4 is enabled.

Connection Methods

There are two methods for connecting to the system for initial setup:

- Local setup—Use this procedure if you want to connect a keyboard and monitor directly to the system for setup. This procedure can use a KVM cable (Cisco PID N20-BKVM) or the ports on the rear of the server.
- Remote setup—Use this procedure if you want to perform setup through your dedicated management LAN.

**Note**

To configure the system remotely, you must have a DHCP server on the same network as the system. Your DHCP server must be preconfigured with the range of MAC addresses for this server node. The MAC address is printed on a label that is on the pull-out asset tag on the front panel. This server node has a range of six MAC addresses assigned to the Cisco IMC. The MAC address printed on the label is the beginning of the range of six contiguous MAC addresses.

This section contains the following topics:

Connecting to the Server Locally For Setup

This procedure requires the following equipment:

- VGA monitor
- USB keyboard
- Either the supported Cisco KVM cable (Cisco PID N20-BKVM); or a USB cable and VGA DB-15 cable

-
- Step 1** Attach a power cord to each power supply in your server, and then attach each power cord to a grounded power outlet. Wait for approximately two minutes to let the server boot to standby power during the first bootup. You can verify system power status by looking at the system Power Status LED on the front panel. The system is in standby power mode when the LED is amber.
- Step 2** Connect a USB keyboard and VGA monitor to the server using one of the following methods:
- Connect an optional KVM cable (Cisco PID N20-BKVM) to the KVM connector on the front panel. Connect your USB keyboard and VGA monitor to the KVM cable.
 - Connect a USB keyboard and VGA monitor to the corresponding connectors on the rear panel.
- Step 3** Open the Cisco IMC Configuration Utility:
- Press and hold the front panel power button for four seconds to boot the server.
 - During bootup, press **F8** when prompted to open the Cisco IMC Configuration Utility.
- Step 4** Continue with [Setting Up the System With the Cisco IMC Configuration Utility](#), on page 19.
-

Connecting to the Server Remotely For Setup

This procedure requires the following equipment:

- One RJ-45 Ethernet cable that is connected to your management LAN.

Before You Begin



Note

To configure the system remotely, you must have a DHCP server on the same network as the system. Your DHCP server must be preconfigured with the range of MAC addresses for this server node. The MAC address is printed on a label that is on the pull-out asset tag on the front panel. This server node has a range of six MAC addresses assigned to the Cisco IMC. The MAC address printed on the label is the beginning of the range of six contiguous MAC addresses.

-
- Step 1** Attach a power cord to each power supply in your server, and then attach each power cord to a grounded power outlet. Wait for approximately two minutes to let the server boot to standby power during the first bootup. You can verify system power status by looking at the system Power Status LED on the front panel. The system is in standby power mode when the LED is amber.

- Step 2** Plug your management Ethernet cable into the dedicated management port on the rear panel.
- Step 3** Allow your preconfigured DHCP server to assign an IP address to the server node.
- Step 4** Use the assigned IP address to access and log in to the Cisco IMC for the server node. Consult with your DHCP server administrator to determine the IP address.
- Note** The default user name for the server is *admin*. The default password is *password*.
- Step 5** From the Cisco IMC Server Summary page, click **Launch KVM Console**. A separate KVM console window opens.
- Step 6** From the Cisco IMC Summary page, click **Power Cycle Server**. The system reboots.
- Step 7** Select the KVM console window.
- Note** The KVM console window must be the active window for the following keyboard actions to work.
- Step 8** When prompted, press **F8** to enter the Cisco IMC Configuration Utility. This utility opens in the KVM console window.
- Step 9** Continue with [Setting Up the System With the Cisco IMC Configuration Utility](#), on page 19.
-

Setting Up the System With the Cisco IMC Configuration Utility

Before You Begin

The following procedure is performed after you connect to the system and open the Cisco IMC Configuration Utility.

- Step 1** Set the NIC mode to choose which ports to use to access Cisco IMC for server management:
- *Shared LOM EXT* (default)—This is the shared LOM extended mode, the factory-default setting. With this mode, the Shared LOM and Cisco Card interfaces are both enabled. You must select the default *Active-Active* NIC redundancy setting in the following step.

In this NIC mode, DHCP replies are returned to both the shared LOM ports and the Cisco card ports. If the system determines that the Cisco card connection is not getting its IP address from a Cisco UCS Manager system because the server is in standalone mode, further DHCP requests from the Cisco card are disabled. Use the Cisco Card NIC mode if you want to connect to Cisco IMC through a Cisco card in standalone mode.
 - *Shared LOM*—The 10-Gb Ethernet ports are used to access Cisco IMC. You must select either the *Active-Active* or *Active-standby* NIC redundancy setting in the following step.
 - *Dedicated*—The dedicated management port is used to access Cisco IMC. You must select the *None* NIC redundancy setting in the following step.
 - *Cisco Card*—The ports on an installed Cisco UCS Virtual Interface Card (VIC) are used to access the Cisco IMC. You must select either the *Active-Active* or *Active-standby* NIC redundancy setting in the following step.

See also the required VIC Slot setting below.
 - *VIC Slot*—Only if you use the Cisco Card NIC mode, you must select this setting to match where your VIC is installed. The choices are Riser1, Riser2, or Flex-LOM (the mLOM slot).
 - If you select Riser1, you must install the VIC in slot 1.

- If you select Riser2, you must install the VIC in slot 2.
- If you select Flex-LOM, you must install an mLOM-style VIC in the mLOM slot.

- Step 2** Set the NIC redundancy to your preference. This server has three possible NIC redundancy settings:
- *None*—The Ethernet ports operate independently and do not fail over if there is a problem. This setting can be used only with the Dedicated NIC mode.
 - *Active-standby*—If an active Ethernet port fails, traffic fails over to a standby port. Shared LOM and Cisco Card modes can each use either Active-standby or Active-active settings.
 - *Active-active* (default)—All Ethernet ports are utilized simultaneously. The Shared LOM EXT mode must use only this NIC redundancy setting. Shared LOM and Cisco Card modes can each use either Active-standby or Active-active settings.
- Step 3** Choose whether to enable DHCP for dynamic network settings, or to enter static network settings.
- Note** Before you enable DHCP, you must preconfigure your DHCP server with the range of MAC addresses for this server. The MAC address is printed on a label on the rear of the server. This server has a range of six MAC addresses assigned to Cisco IMC. The MAC address printed on the label is the beginning of the range of six contiguous MAC addresses.
- The *static* IPv4 and IPv6 settings include the following:
- The Cisco IMC IP address.
For IPv6, valid values are 1 - 127.
 - The gateway.
For IPv6, if you do not know the gateway, you can set it as none by entering :: (two colons).
 - The preferred DNS server address.
For IPv6, you can set this as none by entering :: (two colons).
- Step 4** (Optional) Make VLAN settings.
- Step 5** Press **F1** to go to the second settings window, then continue with the next step. From the second window, you can press **F2** to switch back to the first window.
- Step 6** (Optional) Set a hostname for the server.
- Step 7** (Optional) Enable dynamic DNS and set a dynamic DNS (DDNS) domain.
- Step 8** (Optional) If you check the Factory Default check box, the server reverts to the factory defaults.
- Step 9** (Optional) Set a default user password.
- Note** The factory default username for the server is *admin*. The default password is *password*.
- Step 10** (Optional) Enable auto-negotiation of port settings or set the port speed and duplex mode manually.
- Note** Auto-negotiation is applicable only when you use the Dedicated NIC mode. Auto-negotiation sets the port speed and duplex mode automatically based on the switch port to which the server is connected. If you disable auto-negotiation, you must set the port speed and duplex mode manually.

- Step 11** (Optional) Reset port profiles and the port name.
- Step 12** Press **F5** to refresh the settings that you made. You might have to wait about 45 seconds until the new settings appear and the message, “Network settings configured” is displayed before you reboot the server in the next step.
- Step 13** Press **F10** to save your settings and reboot the server.
- Note** If you chose to enable DHCP, the dynamically assigned IP and MAC addresses are displayed on the console screen during bootup.

What to Do Next

Use a browser and the IP address of the Cisco IMC to connect to the Cisco IMC management interface. The IP address is based upon the settings that you made (either a static address or the address assigned by your DHCP server).



Note The factory default username for the server is *admin*. The default password is *password*.

To manage the server, see the *Cisco UCS C-Series Rack-Mount Server Configuration Guide* or the *Cisco UCS C-Series Rack-Mount Server CLI Configuration Guide* for instructions on using those interfaces for your Cisco IMC release. The links to the configuration guides are in the [Cisco UCS C-Series Documentation Roadmap](#).

NIC Mode and NIC Redundancy Settings

Table 1: Valid NIC Redundancy Settings For Each NIC Mode

NIC Mode	Valid NIC Redundancy Settings
Shared LOM EXT	Active-active
Dedicated	None
Shared LOM	Active-active Active-standby
Cisco Card	Active-active Active-standby

This server has the following NIC mode settings that you can choose from:

- *Shared LOM EXT* (default)—This is the shared LOM extended mode, the factory-default setting. With this mode, the Shared LOM and Cisco Card interfaces are both enabled. You must select the default *Active-Active* NIC redundancy setting in the following step.

In this NIC mode, DHCP replies are returned to both the shared LOM ports and the Cisco card ports. If the system determines that the Cisco card connection is not getting its IP address from a Cisco UCS Manager system because the server is in standalone mode, further DHCP requests from the Cisco card

are disabled. Use the Cisco Card NIC mode if you want to connect to Cisco IMC through a Cisco card in standalone mode.

- *Shared LOM*—The 10-Gb Ethernet ports are used to access Cisco IMC. You must select either the *Active-Active* or *Active-standby* NIC redundancy setting in the following step.
- *Dedicated*—The dedicated management port is used to access Cisco IMC. You must select the *None* NIC redundancy setting in the following step.
- *Cisco Card*—The ports on an installed Cisco UCS Virtual Interface Card (VIC) are used to access the Cisco IMC. You must select either the *Active-Active* or *Active-standby* NIC redundancy setting in the following step.

See also the required VIC Slot setting below.

- *VIC Slot*—Only if you use the Cisco Card NIC mode, you must select this setting to match where your VIC is installed. The choices are Riser1, Riser2, or Flex-LOM (the mLOM slot).
 - If you select Riser1, you must install the VIC in slot 1.
 - If you select Riser2, you must install the VIC in slot 2.
 - If you select Flex-LOM, you must install an mLOM-style VIC in the mLOM slot.

This server has the following NIC redundancy settings that you can choose from:

- *None*—The Ethernet ports operate independently and do not fail over if there is a problem. This setting can be used only with the Dedicated NIC mode.
- *Active-standby*—If an active Ethernet port fails, traffic fails over to a standby port. Shared LOM and Cisco Card modes can each use either Active-standby or Active-active settings.
- *Active-active* (default)—All Ethernet ports are utilized simultaneously. The Shared LOM EXT mode must use only this NIC redundancy setting. Shared LOM and Cisco Card modes can each use either Active-standby or Active-active settings.

Updating the BIOS and Cisco IMC Firmware



Caution

When you upgrade the BIOS firmware, you must also upgrade the Cisco IMC firmware to the same version or the server does not boot. Do not power off the server until the BIOS and Cisco IMC firmware are matching or the server does not boot.

Cisco provides the *Cisco Host Upgrade Utility* to assist with simultaneously upgrading the BIOS, Cisco IMC, and other firmware to compatible levels.

The server uses firmware obtained from and certified by Cisco. Cisco provides release notes with each firmware image. There are several possible methods for updating the firmware:

- **Recommended method for firmware update:** Use the Cisco Host Upgrade Utility to simultaneously upgrade the Cisco IMC, BIOS, and component firmware to compatible levels.

See the *Cisco Host Upgrade Utility Quick Reference Guide* for your firmware release at the documentation roadmap link below.

- You can upgrade the Cisco IMC and BIOS firmware by using the Cisco IMC GUI interface. See the *Cisco UCS C-Series Rack-Mount Server Configuration Guide*.
- You can upgrade the Cisco IMC and BIOS firmware by using the Cisco IMC CLI interface. See the *Cisco UCS C-Series Rack-Mount Server CLI Configuration Guide*.

For links to the documents listed above, see the [Cisco UCS C-Series Documentation Roadmap](#).

Accessing the System BIOS

-
- Step 1** Enter the BIOS Setup Utility by pressing the **F2** key when prompted during bootup.
- Note** The version and build of the current BIOS are displayed on the Main page of the utility.
- Step 2** Use the arrow keys to select the BIOS menu page.
- Step 3** Highlight the field to be modified by using the arrow keys.
- Step 4** Press **Enter** to select the field that you want to change, and then modify the value in the field.
- Step 5** Press the right arrow key until the Exit menu screen is displayed.
- Step 6** Follow the instructions on the Exit menu screen to save your changes and exit the setup utility (or press **F10**). You can exit without saving changes by pressing **Esc**.
-

Smart Access Serial

This server supports the Smart Access Serial feature. This feature allows you to switch between host serial and Cisco IMC CLI.

- This feature has the following requirements:
 - A serial cable connection, which can use either the RJ-45 serial connector on the server rear panel, or a DB-9 connection when using the KVM cable (Cisco PID N20-BKVM) on the front-panel KVM console connector.
 - Console redirection must be enabled in the server BIOS.
 - Terminal type must be set to VT100+ or VTUFT8.
 - Serial-over-LAN (SOL) must be disabled (SOL is disabled by default).
- To switch from host serial to Cisco IMC CLI, press **Esc+9**.
You must enter your Cisco IMC credentials to authenticate the connection.
- To switch from Cisco IMC CLI to host serial, press **Esc+8**.



Note You cannot switch to Cisco IMC CLI if the serial-over-LAN (SOL) feature is enabled.

- After a session is created, it is shown in the CLI or web GUI by the name `serial`.

Smart Access USB

This server supports the Smart Access USB feature. The board management controller (BMC) in this server can accept a USB mass storage device and access the data on it. This feature allows you to use the front-panel USB device as a medium to transfer data between the BMC and the user without need for network connectivity. This can be useful, for example, when remote BMC interfaces are not yet available, or are not accessible due to network misconfiguration.

- This feature has the following requirements:
 - The KVM cable (Cisco PID N20-BKVM) connected to the front panel KVM console connector.
 - A USB storage device connected to one of the USB 2.0 connectors on the KVM cable. The USB device must draw less than 500 mA to avoid disconnect by the current-protection circuit.



Note Any mouse or keyboard that is connected to the KVM cable is disconnected when you enable Smart Access USB.

- You can use USB 3.0-based devices, but they will operate at USB 2.0 speed.
 - We recommend that the USB device have only one partition.
 - The file system formats supported are: FAT16, FAT32, exFAT, MSDOS, EXT2, EXT3, and EXT4. NTFS is not supported.
- The front-panel KVM connector has been designed to switch the USB port between Host OS and BMC.
 - Smart Access USB can be enabled or disabled using any of the BMC user interfaces. For example, you can use the Cisco IMC Configuration Utility that is accessed by pressing **F8** when prompted during bootup.
 - Enabled: the front-panel USB device is connected to the BMC.
 - Disabled: the front-panel USB device is connected to the host.
 - In a case where no management network is available to connect remotely to Cisco IMC, a Device Firmware Update (DFU) shell over serial cable can be used to generate and download technical support files to the USB device that is attached to front panel USB port.



Maintaining the Server

- [Monitoring and Management Tools](#), page 25
- [Status LEDs and Buttons](#), page 26
- [Preparing For Component Installation](#), page 32
- [Removing and Replacing Components](#), page 36
- [Service Headers and Jumpers](#), page 92

Monitoring and Management Tools

Several software tools are available for managing and monitoring the server.

Cisco Integrated Management Controller (Cisco IMC)

You can monitor the standalone server inventory, health, and system event logs by using the built-in Cisco Integrated Management Controller (Cisco IMC) GUI or CLI interfaces. See the [Cisco IMC configuration guides](#) for your firmware release.

Cisco UCS Server Configuration Utility

Cisco has also developed the Cisco UCS Server Configuration Utility, which can aid and simplify the following tasks:

- Monitoring server inventory and health
- Diagnosing common server problems with diagnostic tools and logs
- Setting the BIOS boot order
- Configuring some RAID configurations
- Installing operating systems

You can download the ISO image from Cisco.com. See the [Cisco UCS Server Configuration Utility user guides](#) for instructions.

Status LEDs and Buttons

This section contains information for interpreting front, rear, and internal LED states.

Front-Panel LEDs

Figure 10: Front Panel LEDs

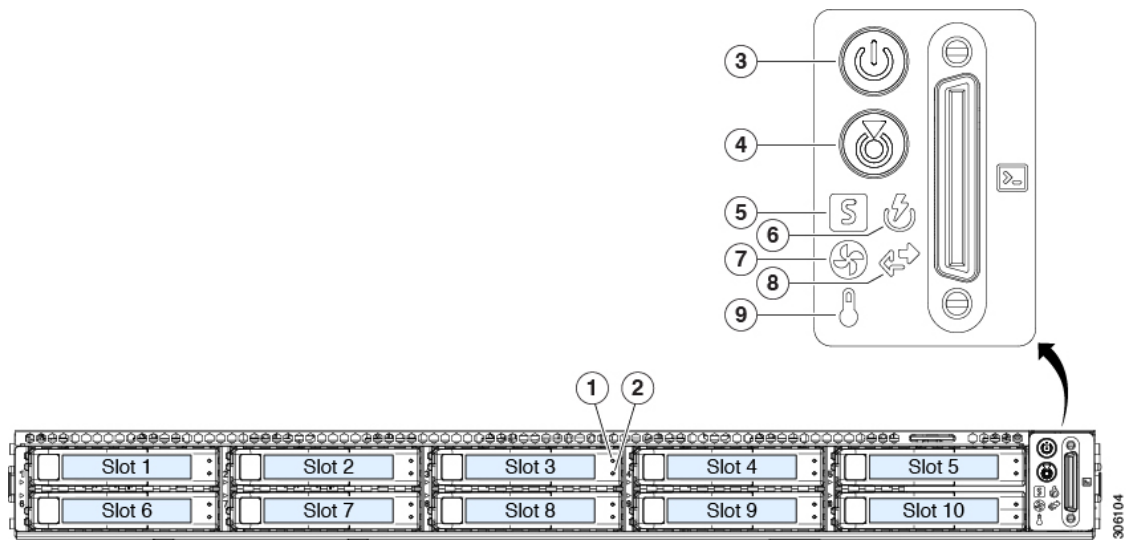


Table 2: Front Panel LEDs, Definition of States

	LED Name	States
1 SAS	SAS/SATA drive fault Note NVMe solid state drive (SSD) drive tray LEDs have different behavior than SAS/SATA drive trays.	<ul style="list-style-type: none"> • Off—The hard drive is operating properly. • Amber—Drive fault detected. • Amber, blinking—The device is rebuilding. • Amber, blinking with one-second interval—Drive locate function activated in the software.
2 SAS	SAS/SATA drive activity LED	<ul style="list-style-type: none"> • Off—There is no hard drive in the hard drive tray (no access, no fault). • Green—The hard drive is ready. • Green, blinking—The hard drive is reading or writing data.

1 NVMe	NVMe SSD drive fault Note NVMe solid state drive (SSD) drive tray LEDs have different behavior than SAS/SATA drive trays.	<ul style="list-style-type: none"> • Off—The drive is not in use and can be safely removed. • Green—The drive is in use and functioning properly. • Green, blinking—the driver is initializing following insertion or the driver is unloading following an eject command. • Amber—The drive has failed. • Amber, blinking—A drive Locate command has been issued in the software.
2 NVMe	NVMe SSD activity	<ul style="list-style-type: none"> • Off—No drive activity. • Green, blinking—There is drive activity.
3	Power button/LED	<ul style="list-style-type: none"> • Off—There is no AC power to the server. • Amber—The server is in standby power mode. Power is supplied only to the Cisco IMC and some motherboard functions. • Green—The server is in main power mode. Power is supplied to all server components.
4	Unit identification	<ul style="list-style-type: none"> • Off—The unit identification function is not in use. • Blue, blinking—The unit identification function is activated.

5	System health	<ul style="list-style-type: none"> • Green—The server is running in normal operating condition. • Green, blinking—The server is performing system initialization and memory check. • Amber, steady—The server is in a degraded operational state (minor fault). For example: <ul style="list-style-type: none"> ◦ Power supply redundancy is lost. ◦ CPUs are mismatched. ◦ At least one CPU is faulty. ◦ At least one DIMM is faulty. ◦ At least one drive in a RAID configuration failed. • Amber, 2 blinks—There is a major fault with the system board. • Amber, 3 blinks—There is a major fault with the memory DIMMs. • Amber, 4 blinks—There is a major fault with the CPUs.
6	Power supply status	<ul style="list-style-type: none"> • Green—All power supplies are operating normally. • Amber, steady—One or more power supplies are in a degraded operational state. • Amber, blinking—One or more power supplies are in a critical fault state.
7	Fan status	<ul style="list-style-type: none"> • Green—All fan modules are operating properly. • Amber, steady—One or more fan modules breached the critical threshold. • Amber, blinking—One or more fan modules breached the non-recoverable threshold.
8	Network link activity	<ul style="list-style-type: none"> • Off—The Ethernet LOM port link is idle. • Green—One or more Ethernet LOM ports are link-active, but there is no activity. • Green, blinking—One or more Ethernet LOM ports are link-active, with activity.

9	Temperature status	<ul style="list-style-type: none"> • Green—The server is operating at normal temperature. • Amber, steady—One or more temperature sensors breached the critical threshold. • Amber, blinking—One or more temperature sensors breached the non-recoverable threshold.
---	--------------------	---

Rear-Panel LEDs

Figure 11: Rear Panel LEDs

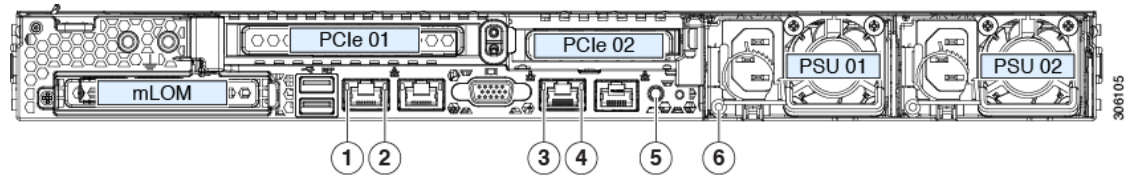


Table 3: Rear Panel LEDs, Definition of States

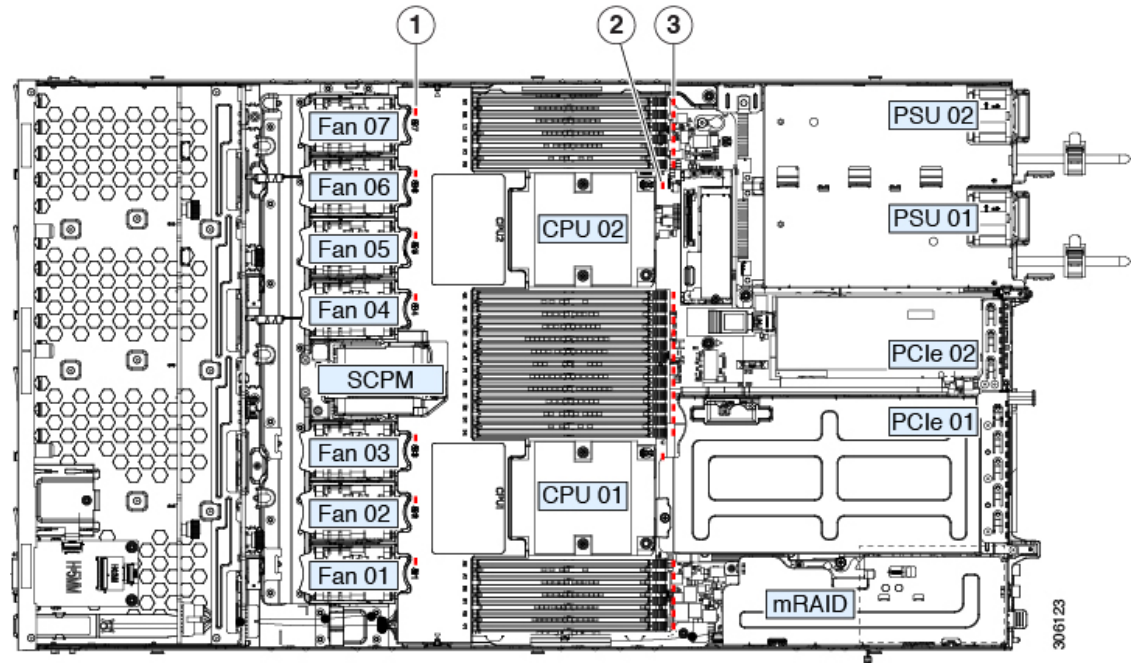
	LED Name	States
1	10-Gb Ethernet link speed (on both LAN1 and LAN2)	<ul style="list-style-type: none"> • Off—Link speed is 100 Mbps. • Amber—Link speed is 1 Gbps. • Green—Link speed is 10 Gbps.
2	10-Gb Ethernet link status (on both LAN1 and LAN2)	<ul style="list-style-type: none"> • Off—No link is present. • Green—Link is active. • Green, blinking—Traffic is present on the active link.
3	1-Gb Ethernet dedicated management link speed	<ul style="list-style-type: none"> • Off—Link speed is 10 Mbps. • Amber—Link speed is 100 Mbps. • Green—Link speed is 1 Gbps.
4	1-Gb Ethernet dedicated management link status	<ul style="list-style-type: none"> • Off—No link is present. • Green—Link is active. • Green, blinking—Traffic is present on the active link.

5	Rear unit identification	<ul style="list-style-type: none"> • Off—The unit identification function is not in use. • Blue, blinking—The unit identification function is activated.
6	Power supply status (one LED each power supply unit)	<p>AC power supplies:</p> <ul style="list-style-type: none"> • Off—No AC input (12 V main power off, 12 V standby power off). • Green, blinking—12 V main power off; 12 V standby power on. • Green, solid—12 V main power on; 12 V standby power on. • Amber, blinking—Warning threshold detected but 12 V main power on. • Amber, solid—Critical error detected; 12 V main power off (for example, over-current, over-voltage, or over-temperature failure). <p>DC power supplies:</p> <ul style="list-style-type: none"> • Off—No DC input (12 V main power off, 12 V standby power off). • Green, blinking—12 V main power off; 12 V standby power on. • Green, solid—12 V main power on; 12 V standby power on. • Amber, blinking—Warning threshold detected but 12 V main power on. • Amber, solid—Critical error detected; 12 V main power off (for example, over-current, over-voltage, or over-temperature failure).

Internal Diagnostic LEDs

The server has internal fault LEDs for CPUs, DIMMs, and fan modules.

Figure 12: Internal Diagnostic LED Locations



<p>1</p>	<p>Fan module fault LEDs (one behind each fan connector on the motherboard)</p> <ul style="list-style-type: none"> • Amber—Fan has a fault or is not fully seated. • Green—Fan is OK. 	<p>3</p>	<p>DIMM fault LEDs (one behind each DIMM socket on the motherboard)</p> <p>These LEDs operate only when the server is in standby power mode.</p> <ul style="list-style-type: none"> • Amber—DIMM has a fault. • Off—DIMM is OK.
<p>2</p>	<p>CPU fault LEDs (one behind each CPU socket on the motherboard).</p> <p>These LEDs operate only when the server is in standby power mode.</p> <ul style="list-style-type: none"> • Amber—CPU has a fault. • Off—CPU is OK. 	<p>-</p>	

Preparing For Component Installation

This section includes information and tasks that help prepare the server for component installation.

Required Equipment For Service Procedures

The following tools and equipment are used to perform the procedures in this chapter:

- T-30 Torx driver (supplied with replacement CPUs for heatsink removal)
- #1 flat-head screwdriver (supplied with replacement CPUs for heatsink removal)
- #1 Phillips-head screwdriver (for M.2 SSD and intrusion switch replacement)
- Electrostatic discharge (ESD) strap or other grounding equipment such as a grounded mat

Shutting Down and Removing Power From the Server

The server can run in either of two power modes:

- Main power mode—Power is supplied to all server components and any operating system on your drives can run.
- Standby power mode—Power is supplied only to the service processor and certain components. It is safe for the operating system and data to remove power cords from the server in this mode.



Caution

After a server is shut down to standby power, electric current is still present in the server. To completely remove power as directed in some service procedures, you must disconnect all power cords from all power supplies in the server.

You can shut down the server by using the front-panel power button or the software management interfaces.

Shutting Down Using the Power Button

Step 1 Check the color of the Power button/LED:

- Amber—The server is already in standby mode and you can safely remove power.
- Green—The server is in main power mode and must be shut down before you can safely remove power.

Step 2 Invoke either a graceful shutdown or a hard shutdown:

Caution To avoid data loss or damage to your operating system, you should always invoke a graceful shutdown of the operating system.

- Graceful shutdown—Press and release the **Power** button. The operating system performs a graceful shutdown and the server goes to standby mode, which is indicated by an amber Power button/LED.

- Emergency shutdown—Press and hold the **Power** button for 4 seconds to force the main power off and immediately enter standby mode.

Step 3 If a service procedure instructs you to completely remove power from the server, disconnect all power cords from the power supplies in the server.

Shutting Down Using The Cisco IMC GUI

You must log in with user or admin privileges to perform this task.

Step 1 In the Navigation pane, click the **Server** tab.

Step 2 On the Server tab, click **Summary**.

Step 3 In the Actions area, click **Power Off Server**.

Step 4 Click **OK**.

The operating system performs a graceful shutdown and the server goes to standby mode, which is indicated by an amber Power button/LED.

Step 5 If a service procedure instructs you to completely remove power from the server, disconnect all power cords from the power supplies in the server.

Shutting Down Using The Cisco IMC CLI

You must log in with user or admin privileges to perform this task.

Step 1 At the server prompt, enter:

Example:

```
server# scope chassis
```

Step 2 At the chassis prompt, enter:

Example:

```
server/chassis# power shutdown
```

The operating system performs a graceful shutdown and the server goes to standby mode, which is indicated by an amber Power button/LED.

Step 3 If a service procedure instructs you to completely remove power from the server, disconnect all power cords from the power supplies in the server.

Shutting Down Using The Cisco UCS Manager Equipment Tab

You must log in with user or admin privileges to perform this task.

-
- Step 1** In the Navigation pane, click **Equipment**.
 - Step 2** Expand **Equipment > Rack Mounts > Servers**.
 - Step 3** Choose the server that you want to shut down.
 - Step 4** In the Work pane, click the **General** tab.
 - Step 5** In the Actions area, click **Shutdown Server**.
 - Step 6** If a confirmation dialog displays, click **Yes**.
The operating system performs a graceful shutdown and the server goes to standby mode, which is indicated by an amber Power button/LED.
 - Step 7** If a service procedure instructs you to completely remove power from the server, disconnect all power cords from the power supplies in the server.
-

Shutting Down Using The Cisco UCS Manager Service Profile

You must log in with user or admin privileges to perform this task.

-
- Step 1** In the Navigation pane, click **Servers**.
 - Step 2** Expand **Servers > Service Profiles**.
 - Step 3** Expand the node for the organization that contains the service profile of the server that you are shutting down.
 - Step 4** Choose the service profile of the server that you are shutting down.
 - Step 5** In the **Work** pane, click the **General** tab.
 - Step 6** In the **Actions** area, click **Shutdown Server**.
 - Step 7** If a confirmation dialog displays, click **Yes**.
The operating system performs a graceful shutdown and the server goes to standby mode, which is indicated by an amber Power button/LED.
 - Step 8** If a service procedure instructs you to completely remove power from the server, disconnect all power cords from the power supplies in the server.
-

Removing the Server Top Cover

-
- Step 1** Remove the top cover:

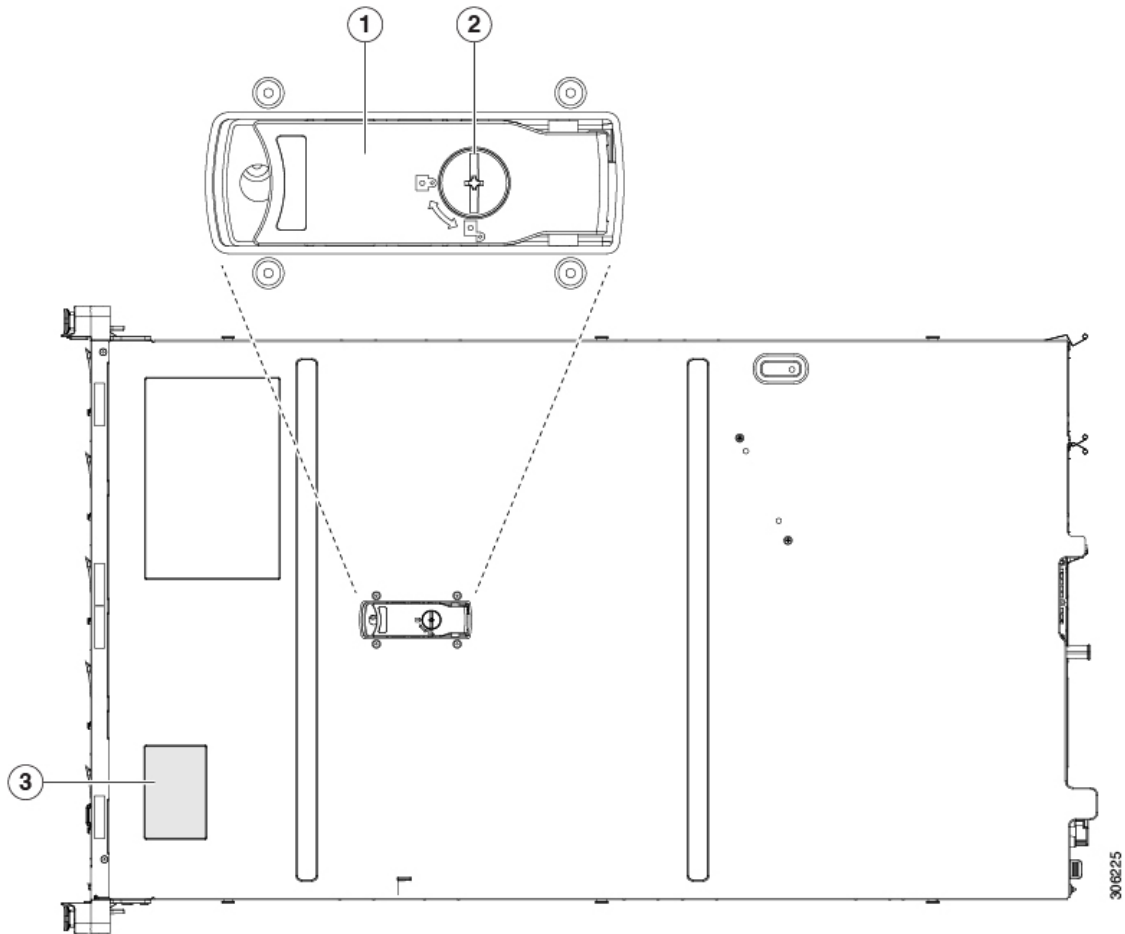
- a) If the cover latch is locked, use a screwdriver to turn the lock 90-degrees counterclockwise to unlock it.
- b) Lift on the end of the latch that has the green finger grip. The cover is pushed back to the open position as you lift the latch.
- c) Lift the top cover straight up from the server and set it aside.

Step 2

Replace the top cover:

- a) With the latch in the fully open position, place the cover on top of the server about one-half inch (1.27 cm) behind the lip of the front cover panel. The opening in the latch should fit over the peg that sticks up from the fan tray.
- b) Press the cover latch down to the closed position. The cover is pushed forward to the closed position as you push down the latch.
- c) If desired, lock the latch by using a screwdriver to turn the lock 90-degrees clockwise.

Figure 13: Removing the Top Cover



1	Top cover	2	Locking cover latch
		3	Serial number label location

Serial Number Location

The serial number for the server is printed on a label on the top of the server, near the front. See [Removing the Server Top Cover](#), on page 34.

Hot Swap vs Hot Plug

Some components can be removed and replaced without shutting down and removing power from the server. This type of replacement has two varieties: hot-swap and hot-plug.

- Hot-swap replacement—You do not have to shut down the component in the software or operating system. This applies to the following components:
 - SAS/SATA hard drives
 - SAS/SATA solid state drives
 - Cooling fan modules
 - Power supplies (when redundant as 1+1)
- Hot-plug replacement—You must take the component offline before removing it for the following component:
 - NVMe PCIe solid state drives

Removing and Replacing Components

**Warning**

Blank faceplates and cover panels serve three important functions: they prevent exposure to hazardous voltages and currents inside the chassis; they contain electromagnetic interference (EMI) that might disrupt other equipment; and they direct the flow of cooling air through the chassis. Do not operate the system unless all cards, faceplates, front covers, and rear covers are in place.

Statement 1029

**Caution**

When handling server components, handle them only by carrier edges and use an electrostatic discharge (ESD) wrist-strap or other grounding device to avoid damage.

**Tip**

You can press the unit identification button on the front panel or rear panel to turn on a flashing, blue unit identification LED on both the front and rear panels of the server. This button allows you to locate the specific server that you are servicing when you go to the opposite side of the rack. You can also activate these LEDs remotely by using the Cisco IMC interface.

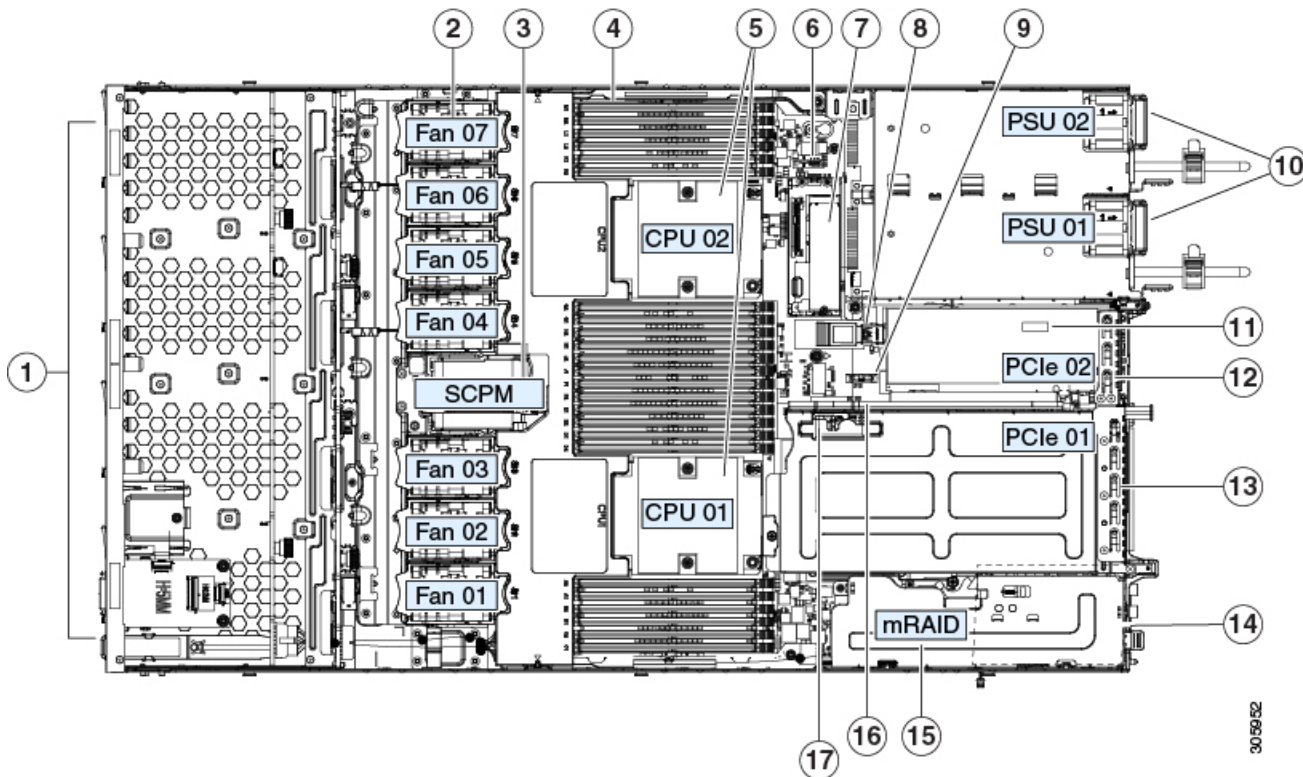
This section describes how to install and replace server components.

- [Serviceable Component Locations](#), on page 5
- [Replacing SAS/SATA Hard Drives or Solid State Drives](#), on page 39
- [Replacing a Front-Loading NVMe SSD](#), on page 43
- [Replacing HHHL Form-Factor NVMe Solid State Drives](#), on page 47
- [Replacing Fan Modules](#), on page 49
- [Replacing Memory DIMMs](#), on page 50
- [Replacing CPUs and Heatsinks](#), on page 53
- [Replacing a Mini-Storage Module](#), on page 60
- [Replacing a Micro SD Card](#), on page 64
- [Replacing a USB Drive](#), on page 65
- [Replacing the RTC Battery](#), on page 67
- [Replacing Power Supplies](#), on page 68
- [Replacing a PCIe Card](#), on page 73
- [Replacing an mLOM Card](#), on page 77
- [Replacing an mRAID Riser \(Riser 3\)](#), on page 79
- [Replacing SAS/SATA Hard Drives or Solid State Drives](#), on page 39
- [Replacing the Supercap \(RAID Backup\)](#), on page 83
- [Replacing a SATA Interposer Card](#), on page 85
- [Replacing a Chassis Intrusion Switch](#), on page 87
- [Installing a Trusted Platform Module \(TPM\)](#), on page 89

Serviceable Component Locations

This topic shows the locations of the field-replaceable components and service-related items. The view in the following figure shows the server with the top cover removed.

Figure 14: Cisco UCS C220 M5 Server, Serviceable Component Locations



<p>1</p>	<p>Front-loading drive bays 1–10 support SAS/SATA drives.</p> <ul style="list-style-type: none"> • UCSC-220-M5SX: Drive bays 1 and 2 support NVMe PCIe SSDs. • UCSC-220-M5SN: Drive bays 1 – 10 support <i>only</i> NVMe PCIe SSDs. • UCSC-220-M5L: Drive bays 1 and 2 support NVMe PCIe SSDs. 	<p>10</p>	<p>Power supplies (hot-swappable when redundant as 1+1)</p>
<p>2</p>	<p>Cooling fan modules (seven, hot-swappable)</p>	<p>11</p>	<p>Trusted platform module (TPM) socket on motherboard (not visible in this view)</p>

3	Supercap unit mounting bracket (RAID backup)	12	PCIe riser 2/slot 2 (half-height, x16 lane) Includes PCIe cable connectors for front-loading NVMe SSDs (x8 lane)
4	DIMM sockets on motherboard (12 per CPU)	13	PCIe riser 1/slot 1 (full-height, x16 lane) Includes socket for Micro-SD card
5	CPUs and heatsinks (up to two)	14	Modular LOM (mLOM) card bay on chassis floor (x16 PCIe lane), not visible in this view
6	Mini storage module socket Supports either an SD card module with two SD card slots; or an M.2 module with two NVMe or SATA M.2 SSD slots.	15	Modular RAID (mRAID) riser, can optionally be a riser that supports either: <ul style="list-style-type: none"> • Hardware RAID controller card • Interposer card for embedded SATA RAID
7	Chassis intrusion switch (optional)	16	PCIe cable connectors for front-loading NVMe SSDs on PCIe riser 2
8	Internal USB 3.0 port on motherboard	17	Micro-SD card socket on PCIe riser 1
9	RTC battery, vertical socket	-	

The Technical Specifications Sheets for all versions of this server, which include supported component part numbers, are at [Cisco UCS Servers Technical Specifications Sheets](#) (scroll down to *Technical Specifications*).

Replacing SAS/SATA Hard Drives or Solid State Drives



Note

You do not have to shut down the server or drive to replace SAS/SATA hard drives or SSDs because they are hot-swappable. To replace an NVMe PCIe SSD drive, which must be shut down before removal, see [Replacing a Front-Loading NVMe SSD](#), on page 43.

SAS/SATA Drive Population Guidelines

The server is orderable in three different versions, each with a different front panel/drive-backplane configuration.

- Cisco UCS C220 M5 (UCSC-220-M5SX)—Small form-factor (SFF) drives, with 10-drive backplane. Supports up to 10 2.5-inch SAS/SATA drives. Drive bays 1 and 2 support NVMe SSDs.
- Cisco UCS C220 M5 (UCSC-220-M5SN)—SFF drives, with 10-drive backplane. Supports up to 10 2.5-inch NVMe-only SSDs.

- Cisco UCS C220 M5 (UCSC-220-M5L)—Large form-factor (LFF) drives, with four-drive backplane. Supports up to four 3.5-inch SAS/SATA drives. Drive bays 1 and 2 support NVMe SSDs. A size-converter drive sled is required to hold 2.5-inch SSDs.

Drive bay numbering is shown in the following figures.

Figure 15: Small Form-Factor Drive Versions, Drive Bay Numbering

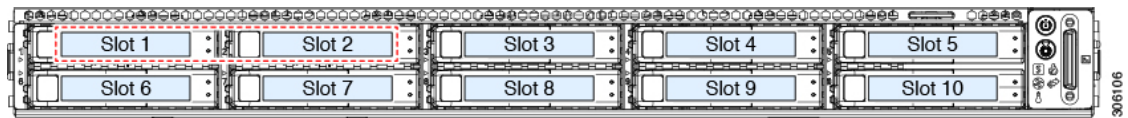
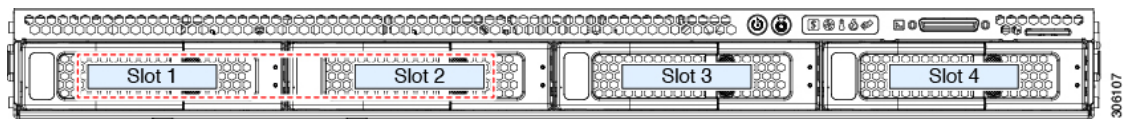


Figure 16: Large Form-Factor Drive Version, Drive Bay Numbering



Observe these drive population guidelines for optimum performance:

- When populating drives, add drives to the lowest-numbered bays first.



Note

For diagrams of which drive bays are controlled by particular controller cables on the backplane, see [Storage Controller and Backplane Connectors](#), on page 114. For example, in a SFF 10-drive server, drive bays 5 and 10 cannot be controlled by embedded SATA RAID.

- Keep an empty drive blanking tray in any unused bays to ensure proper airflow.
- You can mix SAS/SATA hard drives and SAS/SATA SSDs in the same server. However, you cannot configure a logical volume (virtual drive) that contains a mix of hard drives and SSDs. That is, when you create a logical volume, it must contain all SAS/SATA hard drives or all SAS/SATA SSDs.

4K Sector Format SAS/SATA Drives Considerations

- You must boot 4K sector format drives in UEFI mode, not legacy mode. See [Setting Up UEFI Mode Booting in the BIOS Setup Utility](#), on page 41 or [Setting Up UEFI Mode Booting in the Cisco IMC GUI](#), on page 41.
- Do not configure 4K sector format and 512-byte sector format drives as part of the same RAID volume.
- Operating system support on 4K sector drives is as follows: Windows: Win2012 and Win2012R2; Linux: RHEL 6.5, 6.6, 6.7, 7.0, 7.2; SLES 11 SP3, and SLES 12. ESXi/Vmware is not supported.

Setting Up UEFI Mode Booting in the BIOS Setup Utility

- Step 1** Enter the BIOS setup utility by pressing the **F2** key when prompted during bootup.
- Step 2** Go to the **Boot Options** tab.
- Step 3** Set **UEFI Boot Options** to **Enabled**.
- Step 4** Under **Boot Option Priorities**, set your OS installation media (such as a virtual DVD) as your **Boot Option #1**.
- Step 5** Go to the **Advanced** tab.
- Step 6** Select **LOM** and **PCIe Slot Configuration**.
- Step 7** Set the **PCIe Slot ID: HBA Option ROM** to **UEFI Only**.
- Step 8** Press **F10** to save changes and exit the BIOS setup utility. Allow the server to reboot.
- Step 9** After the OS installs, verify the installation:
- Enter the BIOS setup utility by pressing the **F2** key when prompted during bootup.
 - Go to the **Boot Options** tab.
 - Under **Boot Option Priorities**, verify that the OS you installed is listed as your **Boot Option #1**.
-

Setting Up UEFI Mode Booting in the Cisco IMC GUI

- Step 1** Use a web browser and the IP address of the server to log into the Cisco IMC GUI management interface.
- Step 2** Navigate to **Server > BIOS**.
- Step 3** Under **Actions**, click **Configure BIOS**.
- Step 4** In the **Configure BIOS Parameters** dialog, select the **Advanced** tab.
- Step 5** Go to the **LOM** and **PCIe Slot Configuration** section.
- Step 6** Set the **PCIe Slot: HBA Option ROM** to **UEFI Only**.
- Step 7** Click **Save Changes**. The dialog closes.
- Step 8** Under **BIOS Properties**, set **Configured Boot Order** to **UEFI**.
- Step 9** Under **Actions**, click **Configure Boot Order**.
- Step 10** In the **Configure Boot Order** dialog, click **Add Local HDD**.
- Step 11** In the **Add Local HDD** dialog, enter the information for the 4K sector format drive and make it first in the boot order.
- Step 12** Save changes and reboot the server. The changes you made will be visible after the system reboots.
-

Replacing a SAS/SATA Drive

- Step 1** Remove the drive that you are replacing or remove a blank drive tray from the bay:
- Press the release button on the face of the drive tray.

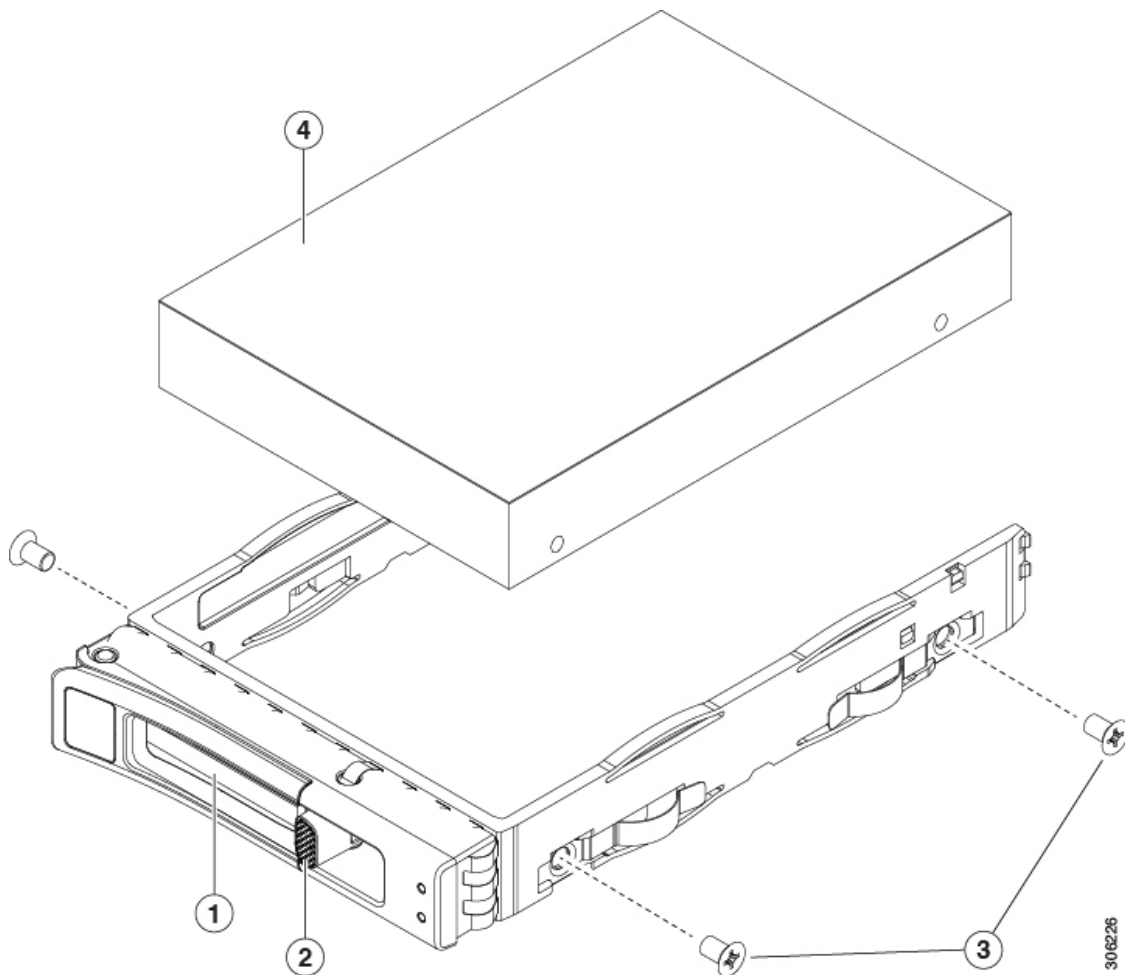
- b) Grasp and open the ejector lever and then pull the drive tray out of the slot.
- c) If you are replacing an existing drive, remove the four drive-tray screws that secure the drive to the tray and then lift the drive out of the tray.

Step 2

Install a new drive:

- a) Place a new drive in the empty drive tray and install the four drive-tray screws.
- b) With the ejector lever on the drive tray open, insert the drive tray into the empty drive bay.
- c) Push the tray into the slot until it touches the backplane, and then close the ejector lever to lock the drive in place.

Figure 17: Replacing a Drive in a Drive Tray



1	Ejector lever	3	Drive tray screws (two on each side)
2	Release button	4	Drive removed from drive tray

Replacing a Front-Loading NVMe SSD

This section is for replacing 2.5-inch or 3.5-inch form-factor NVMe solid-state drives (SSDs) in front-panel drive bays. To replace HHHL form-factor NVMe SSDs in the PCIe slots, see [Replacing HHHL Form-Factor NVMe Solid State Drives](#), on page 47.

Front-Loading NVMe SSD Population Guidelines

The front drive bay support for 2.5- or 3.5-inch NVMe SSDs differs by server PID:

- UCSC-220-M5SX—Small form-factor (SFF) drives, with 10-drive backplane. Drive bays 1 and 2 support 2.5-inch NVMe SSDs.
- UCSC-220-M5SN—SFF drives, with 10-drive backplane. Drive bay 1 - 10 support 2.5-inch NVMe-only SSDs.
- UCSC-220-M5L—Large form-factor (LFF) drives, with four-drive backplane. Drive bays 1 and 2 support 2.5-inch and 3.5-inch NVMe SSDs. If you use 2.5-inch NVMe SSDs, a size-converter drive tray (UCS-LFF-SFF-SLED2) is required for this version of the server.

Front-Loading NVMe SSD Requirements and Restrictions

Observe these requirements:

- The server must have two CPUs. PCIe riser 2 is not available in a single-CPU system. PCIe riser 2 has connectors for the cable that connects to the front-panel drive backplane.
- PCIe cable CBL-NVME-C220FF. This is the cable that carries the PCIe signal from the front-panel drive backplane to PCIe riser 2. This cable is for all versions of this server.
- Hot-plug support must be enabled in the system BIOS. If you ordered the system with NVMe drives, hot-plug support is enabled at the factory.
- The NVMe-optimized, SFF 10-drive version, UCSC-C220-M5SN, supports NVMe drives only. This version of the server comes with an NVMe-switch card factory-installed in the internal mRAID riser for support of NVMe drives in slots 3 - 10. The NVMe switch card is not orderable separately.

Observe these restrictions:

- NVMe SFF 2.5- and 3.5-inch SSDs support booting only in UEFI mode. Legacy boot is not supported. For instructions on setting up UEFI boot, see [Setting Up UEFI Mode Booting in the BIOS Setup Utility](#), on page 41 or [Setting Up UEFI Mode Booting in the Cisco IMC GUI](#), on page 41.
- You cannot control NVMe PCIe SSDs with a SAS RAID controller because NVMe SSDs interface with the server via the PCIe bus.
- You can combine NVMe 2.5- or 3.5-inch SSDs and HHHL form-factor SSDs in the same system, but the same partner brand must be used. For example, two *Intel* NVMe SFF 2.5-inch SSDs and two *HGST* HHHL form-factor SSDs is an invalid configuration. A valid configuration is two *HGST* NVMe SFF 2.5-inch SSDs and two *HGST* HHHL form-factor SSDs.

- UEFI boot is supported in all supported operating systems. Hot-insertion and hot-removal are supported in all supported operating systems except VMWare ESXi.

Enabling Hot-Plug Support in the System BIOS

Hot-plug (OS-informed hot-insertion and hot-removal) is disabled in the system BIOS by default.

- If the system was ordered with NVMe PCIe SSDs, the setting was enabled at the factory. No action is required.
- If you are adding NVMe PCIe SSDs after-factory, you must enable hot-plug support in the BIOS. See the following procedures.

Enabling Hot-Plug Support Using the BIOS Setup Utility

-
- Step 1** Enter the BIOS setup utility by pressing the **F2** key when prompted during bootup.
 - Step 2** Navigate to **Advanced > PCI Subsystem Settings > NVMe SSD Hot-Plug Support**.
 - Step 3** Set the value to **Enabled**.
 - Step 4** Save your changes and exit the utility.
-

Enabling Hot-Plug Support Using the Cisco IMC GUI

-
- Step 1** Use a browser to log in to the Cisco IMC GUI for the server.
 - Step 2** Navigate to **Compute > BIOS > Advanced > PCI Configuration**.
 - Step 3** Set NVMe SSD Hot-Plug Support to **Enabled**.
 - Step 4** Save your changes.
-

Replacing a Front-Loading NVMe SSD

This topic describes how to replace 2.5- or 3.5-inch form-factor NVMe SSDs in the front-panel drive bays.



Note

OS-surprise removal is not supported. OS-informed hot-insertion and hot-removal are supported on all supported operating systems except VMware ESXi.



Note OS-informed hot-insertion and hot-removal must be enabled in the system BIOS. See [Enabling Hot-Plug Support in the System BIOS, on page 44](#).

Step 1

Remove an existing front-loading NVMe SSD:

- a) Shut down the NVMe SSD to initiate an OS-informed removal. Use your operating system interface to shut down the drive, and then observe the drive-tray LED:
 - Green—The drive is in use and functioning properly. Do not remove.
 - Green, blinking—the driver is unloading following a shutdown command. Do not remove.
 - Off—The drive is not in use and can be safely removed.
- b) Press the release button on the face of the drive tray.
- c) Grasp and open the ejector lever and then pull the drive tray out of the slot.
- d) Remove the four drive tray screws that secure the SSD to the tray and then lift the SSD out of the tray.

Note If this is the first time that front-loading NVMe SSDs are being installed in the server, you must install PCIe cable CBL-NVME-C220FF before installing the drive. See [Installing a PCIe Cable For Front-Loading NVMe SSDs, on page 46](#).

Step 2

Install a new front-loading NVMe SSD:

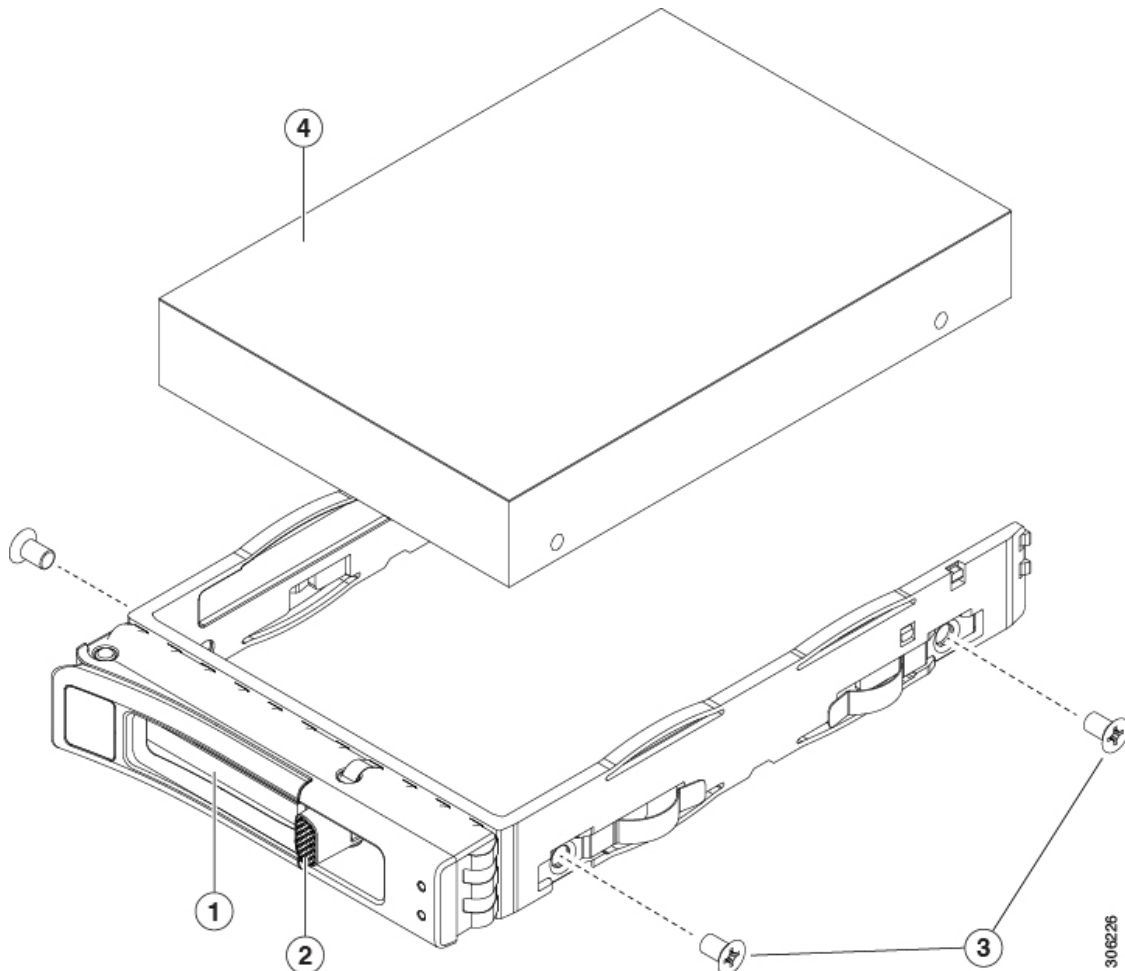
- a) Place a new SSD in the empty drive tray and install the four drive-tray screws.
- b) With the ejector lever on the drive tray open, insert the drive tray into the empty drive bay.
- c) Push the tray into the slot until it touches the backplane, and then close the ejector lever to lock the drive in place.

Step 3

Observe the drive-tray LED and wait until it returns to solid green before accessing the drive:

- Off—The drive is not in use.
- Green, blinking—the driver is initializing following hot-plug insertion.
- Green—The drive is in use and functioning properly.

Figure 18: Replacing a Drive in a Drive Tray



1	Ejector lever	3	Drive tray screws (two on each side)
2	Release button	4	Drive removed from drive tray

Installing a PCIe Cable For Front-Loading NVMe SSDs

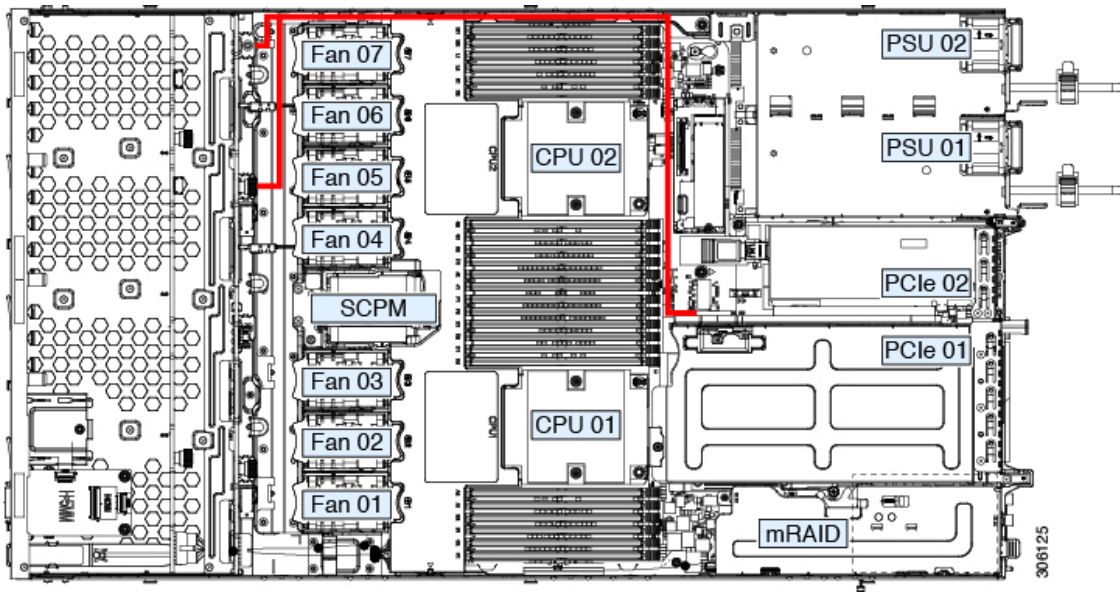
The front-loading NVMe SSDs interface with the server via the PCIe bus. Cable CBL-NVME-C220FF connects the front-panel drive backplane to the PCIe riser 2 board on the PCIe riser assembly.

- If the server was ordered with 2.5- or 3.5-inch form-factor NVMe SSDs, this cable was preinstalled at the factory. No action is required.

- If you are adding 2.5- or 3.5-inch form-factor NVMe SSDs for the first time, you must order and install the cable as described in the following procedure.

- Step 1** Connect the two connectors on one end of the cable to the PCIE-A1 and PCIE-A2 connectors on the drive backplane.
- Step 2** Route the cables through the chassis cable guides to the rear of the server as shown below.
- Step 3** Connect the single connector on the other end of the cable to the PCIE-FRONT connector on PCIe riser 2.

Figure 19: PCIe Cabling to Drive Backplane



Replacing HHHL Form-Factor NVMe Solid State Drives

This section is for replacing half-height, half-length (HHHL) form-factor NVMe SSDs in the PCIe slots. To replace 2.5- or 3.5-inch NVMe SSDs in the front-panel drive bays, see [Replacing a Front-Loading NVMe SSD](#), on page 43.

HHHL SSD Population Guidelines

Observe the following population guidelines when installing HHHL form-factor NVMe SSDs:

- Two-CPU systems—You can populate up to 2 HHHL form-factor SSDs, using PCIe slots 1 – 2.
- One-CPU systems—In a single-CPU system, PCIe riser 2/slot 2 is not available. Therefore, the maximum number of HHHL form-factor SSDs you can populate is 1, in PCIe slot 1.

HHHL Form-Factor NVMe SSD Requirements and Restrictions

Observe these requirements:

- All versions of the server support HHHL form-factor NVMe SSDs.

Observe these restrictions:

- You cannot boot from an HHHL form-factor NVMe SSD.
- You cannot control HHHL NVMe SSDs with a SAS RAID controller because NVMe SSDs interface with the server via the PCIe bus.
- You can combine NVMe SFF 2.5- or 3.5-inch SSDs and HHHL form-factor SSDs in the same system, but the same partner brand must be used. For example, two *Intel* NVMe SFF 2.5-inch SSDs and two *HGST* HHHL form-factor SSDs is an invalid configuration. A valid configuration is two HGST NVMe SFF 2.5-inch SSDs and two HGST HHHL form-factor SSDs.

Replacing an HHHL Form-Factor NVMe SSD



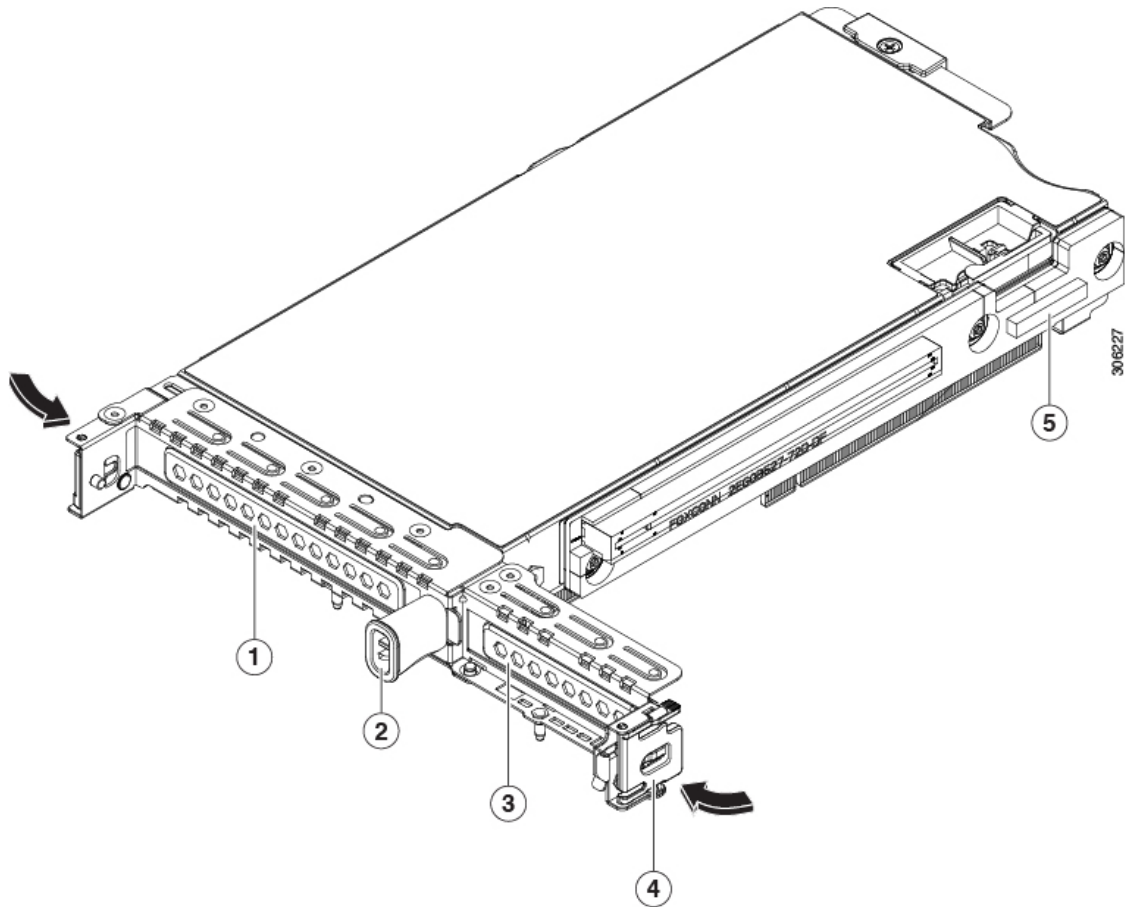
Note In a single-CPU server, PCIe riser 2 (PCIe slot 2) is not available.

- Step 1** Remove an existing HHHL form-factor NVMe SSD (or a blank filler panel) from the PCIe riser:
- Shut down and remove power from the server as described in [Shutting Down and Removing Power From the Server, on page 32](#).
 - Slide the server out the front of the rack far enough so that you can remove the top cover. You might have to detach cables from the rear panel to provide clearance.

Caution If you cannot safely view and access the component, remove the server from the rack.
 - Remove the top cover from the server as described in [Removing the Server Top Cover, on page 34](#).
 - Use two hands to grasp the external riser handle and the blue area at the front of the riser.
 - Open the hinged, plastic card retainer that secures the rear-panel tab of the card.
 - Pull evenly on both ends of the HHHL form-factor NVMe SSD to remove it from the socket on the PCIe riser. If the riser has no SSD, remove the blanking panel from the rear opening of the riser.
- Step 2** Install a new HHHL form-factor NVMe SSD:
- Open the hinged, plastic card retainer.
 - Align the new SSD with the empty socket on the PCIe riser.
 - Push down evenly on both ends of the card until it is fully seated in the socket.
 - Ensure that the SSD's rear panel tab sits flat against the riser rear-panel opening and then close the hinged card retainer over the card's rear-panel tab.
 - Position the PCIe riser over its two sockets on the motherboard and over the chassis alignment channels.
 - Carefully push down on both ends of the PCIe riser to fully engage its two connectors with the two sockets on the motherboard.
 - Replace the top cover to the server.

h) Replace the server in the rack, replace cables, and then fully power on the server by pressing the Power button.

Figure 20: PCIe Riser Assembly



1	PCIe slot 1 rear-panel opening	4	Hinged card retainer (one each slot)
2	External riser handle	5	PCIe connector for cable that supports front-panel NVMe SSDs
3	PCIe slot 2 rear-panel opening		

Replacing Fan Modules

The seven fan modules in the server are numbered as shown in [Figure 4: Cisco UCS C220 M5 Server, Serviceable Component Locations](#), on page 5.

**Tip**

Each fan module has a fault LED next to the fan connector on the motherboard. This LED lights green when the fan is correctly seated and is operating OK. The LED lights amber when the fan has a fault or is not correctly seated.

**Caution**

You do not have to shut down or remove power from the server to replace fan modules because they are hot-swappable. However, to maintain proper cooling, do not operate the server for more than one minute with any fan module removed.

Step 1

Remove an existing fan module:

- a) Slide the server out the front of the rack far enough so that you can remove the top cover. You might have to detach cables from the rear panel to provide clearance.

Caution If you cannot safely view and access the component, remove the server from the rack.

- b) Remove the top cover from the server as described in [Removing the Server Top Cover, on page 34](#).
- c) Grasp the fan module at its front and rear finger-grips. Lift straight up to disengage its connector from the motherboard.

Step 2

Install a new fan module:

- a) Set the new fan module in place. The arrow printed on the top of the fan module should point toward the rear of the server.
- b) Press down gently on the fan module to fully engage it with the connector on the motherboard.
- c) Replace the top cover to the server.
- d) Replace the server in the rack, replace cables, and then fully power on the server by pressing the Power button.

Replacing Memory DIMMs

**Caution**

DIMMs and their sockets are fragile and must be handled with care to avoid damage during installation.

**Caution**

Cisco does not support third-party DIMMs. Using non-Cisco DIMMs in the server might result in system problems or damage to the motherboard.

**Note**

To ensure the best server performance, it is important that you are familiar with memory performance guidelines and population rules before you install or replace DIMMs.

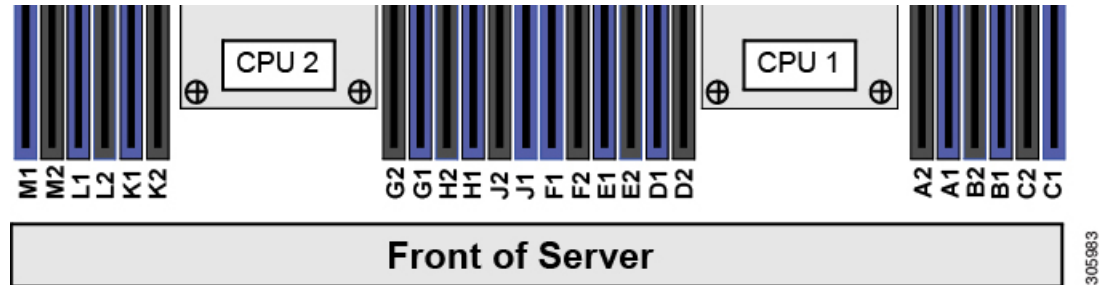
DIMM Population Rules and Memory Performance Guidelines

This topic describes the rules and guidelines for maximum memory performance.

DIMM Slot Numbering

The following figure shows the numbering of the DIMM slots on the motherboard.

Figure 21: DIMM Slot Numbering



DIMM Population Rules

Observe the following guidelines when installing or replacing DIMMs for maximum performance:

- Each CPU supports six memory channels.
 - CPU 1 supports channels A, B, C, D, E, F.
 - CPU 2 supports channels G, H, J, K, L, M.
- Each channel has two DIMM sockets (for example, channel A = slots A1, A2).
 - A channel can operate with one or two DIMMs installed.
 - If a channel has only one DIMM, populate slot 1 first (the blue slot).
- When both CPUs are installed, populate the DIMM sockets of each CPU identically.
 - Fill blue #1 slots in the channels first: A1, G1, B1, H1, C1, J1, D1, K1, E1, L1, F1, M1
 - Fill black #2 slots in the channels second: A2, G2, B2, H2, C2, J2, D2, K2, E2, L2, F2, M2
- Any DIMM installed in a DIMM socket for which the CPU is absent is not recognized. In a single-CPU configuration, populate the channels for CPU1 only (A, B, C, D, E, F).
- Memory mirroring reduces the amount of memory available by 50 percent because only one of the two populated channels provides data. When memory mirroring is enabled, you must install DIMMs in even numbers of channels.
- The NVIDIA Tesla P-Series GPU can support more than 1 TB of memory in the server. All other NVIDIA GPUs (K-Series, M-Series) can support only 1 TB or less of memory in the server.
- Observe the DIMM mixing rules shown in the following table.

Table 4: DIMM Mixing Rules

DIMM Parameter	DIMMs in the Same Channel	DIMMs in the Same Bank
----------------	---------------------------	------------------------

DIMM Capacity For example, 8GB, 16GB, 32GB, 64GB, 128GB	You can mix different capacity DIMMs in the same channel (for example, A1, A2).	You cannot mix DIMM capacities in a bank (for example A1, B1). Pairs of DIMMs must be identical (same PID and revision).
DIMM speed For example, 2666 GHz	You can mix speeds, but DIMMs will run at the speed of the slowest DIMMs/CPUs installed in the channel.	You cannot mix DIMM speeds in a bank (for example A1, B1). Pairs of DIMMs must be identical (same PID and revision).
DIMM type RDIMMs or LRDIMMs	You cannot mix DIMM types in a channel.	You cannot mix DIMM types in a bank.

Memory Mirroring

The Intel E5-2600 CPUs within the server support memory mirroring only when an even number of channels are populated with DIMMs. If one or three channels are populated with DIMMs, memory mirroring is automatically disabled.

Memory mirroring reduces the amount of memory available by 50 percent because only one of the two populated channels provides data. The second, duplicate channel provides redundancy.

Lockstep Channel Mode

When you enable lockstep channel mode, each memory access is a 128-bit data access that spans four channels.

Lockstep channel mode requires that all six memory channels on a CPU must be populated identically with regard to size and organization. DIMM socket populations within a channel (for example, A1, A2) do not have to be identical but the same DIMM slot location across all four channels must be populated the same.

For example, DIMMs in sockets A1, B1, C1, and D1 must be identical. DIMMs in sockets A2, B2, C2, and D2 must be identical. However, the A1-B1-C1-D1 DIMMs do not have to be identical with the A2-B2-C2-D2 DIMMs.

Replacing DIMMs

Identifying a Faulty DIMM

Each DIMM socket has a corresponding DIMM fault LED, directly in front of the DIMM socket. See [Internal Diagnostic LEDs, on page 31](#) for the locations of these LEDs. When the server is in standby power mode, these LEDs light amber to indicate a faulty DIMM.

Step 1

Remove an existing DIMM:

- a) Shut down and remove power from the server as described in [Shutting Down and Removing Power From the Server, on page 32](#).

- b) Slide the server out the front of the rack far enough so that you can remove the top cover. You might have to detach cables from the rear panel to provide clearance.

Caution If you cannot safely view and access the component, remove the server from the rack.

- c) Remove the top cover from the server as described in [Removing the Server Top Cover](#), on page 34.
- d) Remove the air baffle that covers the front ends of the DIMM slots to provide clearance.
- e) Locate the DIMM that you are removing, and then open the ejector levers at each end of its DIMM slot.

Step 2

Install a new DIMM:

Note Before installing DIMMs, see the memory population rules for this server: [DIMM Population Rules and Memory Performance Guidelines](#), on page 50.

- a) Align the new DIMM with the empty slot on the motherboard. Use the alignment feature in the DIMM slot to correctly orient the DIMM.
 - b) Push down evenly on the top corners of the DIMM until it is fully seated and the ejector levers on both ends lock into place.
 - c) Replace the top cover to the server.
 - d) Replace the server in the rack, replace cables, and then fully power on the server by pressing the Power button.
-

Replacing CPUs and Heatsinks

This section contains CPU configuration rules and the procedure for replacing CPUs and heatsinks:

CPU Configuration Rules

This server has two CPU sockets on the motherboard. Each CPU supports six DIM channels (12 DIMM slots). See [DIMM Slot Numbering](#), on page 51.

- The server can operate with one CPU or two identical CPUs installed.
- The minimum configuration is that the server must have at least CPU 1 installed. Install CPU 1 first, and then CPU 2.
- The following restrictions apply when using a single-CPU configuration:
 - The maximum number of DIMMs is 12 (only CPU 1 channels A, B, C, D, E, F).
 - PCIe riser 2 (slot 2) is unavailable.
 - Front-loading NVME drives are unavailable (they require PCIe riser 2).

Tools Required For CPU Replacement

You need the following tools and equipment for this procedure:

- T-30 Torx driver—Supplied with replacement CPU.
- #1 flat-head screwdriver—Supplied with replacement CPU.
- CPU assembly tool—Supplied with replacement CPU. Orderable separately as Cisco PID UCS-CPUAT=.

- Heatsink cleaning kit—Supplied with replacement CPU. Orderable separately as Cisco PID UCSX-HSCK=.
- Thermal interface material (TIM)—Syringe supplied with replacement CPU. Use only if you are reusing your existing heatsink (new heatsinks have a pre-applied pad of TIM). Orderable separately as Cisco PID UCS-CPU-TIM=.

See also [Additional CPU-Related Parts to Order with RMA Replacement Motherboards](#), on page 60.

Replacing a CPU and Heatsink

**Caution**

CPUs and their sockets are fragile and must be handled with extreme care to avoid damaging pins. The CPUs must be installed with heatsinks and thermal interface material to ensure cooling. Failure to install a CPU correctly might result in damage to the server.

Step 1

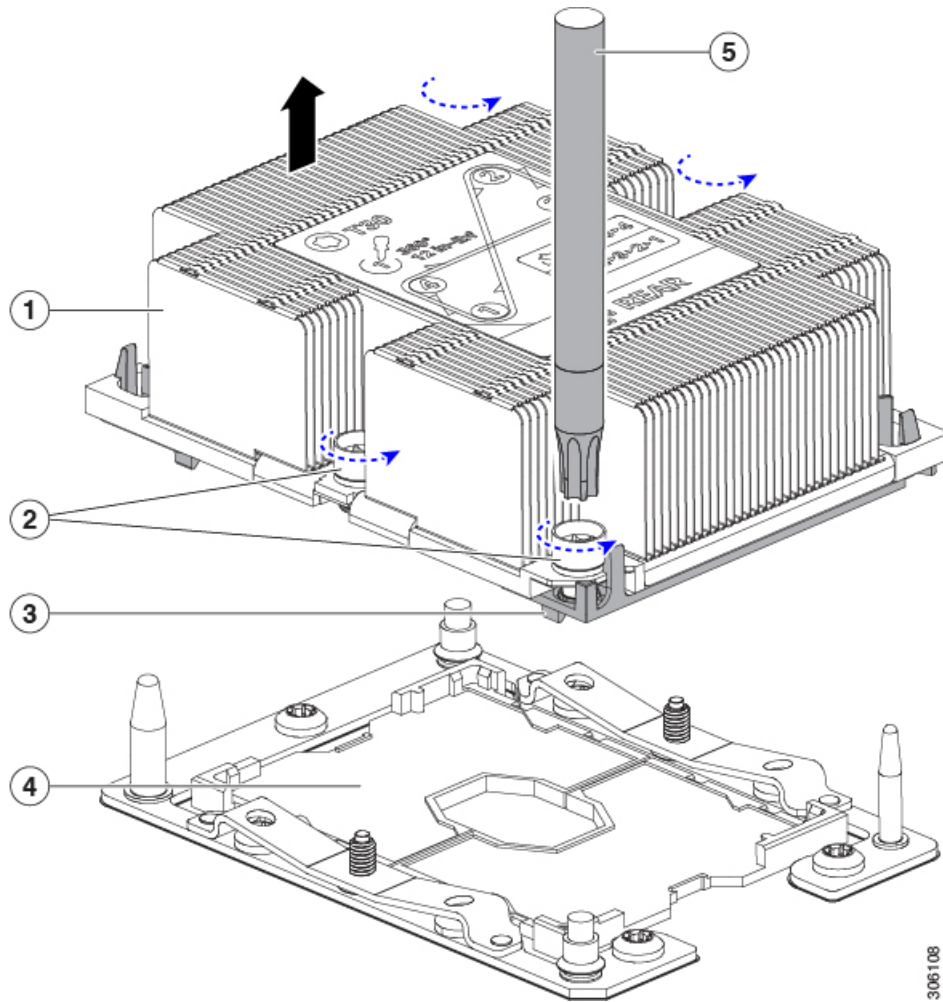
Remove the existing CPU/heatsink assembly from the server:

- a) Shut down and remove power from the server as described in [Shutting Down and Removing Power From the Server](#), on page 32.
- b) Slide the server out the front of the rack far enough so that you can remove the top cover. You might have to detach cables from the rear panel to provide clearance.
Caution If you cannot safely view and access the component, remove the server from the rack.
- c) Remove the top cover from the server as described in [Removing the Server Top Cover](#), on page 34.
- d) Use the T-30 Torx driver that is supplied with the replacement CPU to loosen the four captive nuts that secure the assembly to the motherboard standoffs.

Note Alternate loosening the heatsink nuts evenly so that the heatsink remains level as it is raised. Loosen the heatsink nuts in the order shown on the heatsink label: 4, 3, 2, 1.

- e) Lift straight up on the CPU/heatsink assembly and set it heatsink-down on an antistatic surface.

Figure 22: Removing the CPU/Heatsink Assembly



1	Heatsink	4	CPU socket on motherboard
2	Heatsink captive nuts (two on each side)	5	T-30 Torx driver
3	CPU carrier (below heatsink in this view)	-	

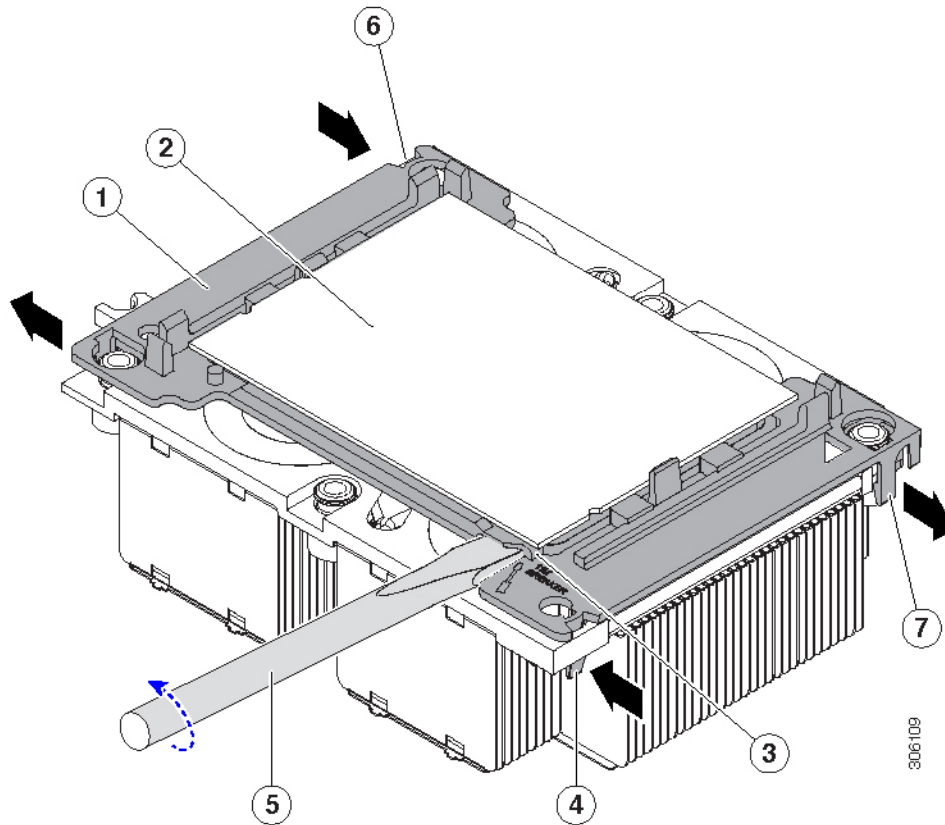
Step 2

Separate the heatsink from the CPU assembly (the CPU assembly includes the CPU and the CPU carrier):

- a) Place the heatsink with CPU assembly so that it is oriented upside-down as shown below.

Note the thermal-interface material (TIM) breaker location. TIM BREAKER is stamped on the CPU carrier next to a small slot.

Figure 23: Separating the CPU Assembly From the Heatsink



1	CPU carrier	4	CPU-carrier inner-latch nearest to the TIM breaker slot
2	CPU	5	#1 flat-head screwdriver inserted into TIM breaker slot
3	TIM BREAKER slot in CPU carrier	-	

- b) Pinch inward on the CPU-carrier inner-latch that is nearest the TIM breaker slot and then push up to disengage the clip from its slot in the heatsink corner.
- c) Insert the blade of a #1 flat-head screwdriver into the slot marked TIM BREAKER.
 - Caution** In the following step, do not pry on the CPU surface. Use gentle rotation to lift on the plastic surface of the CPU carrier at the TIM breaker slot. Use caution to avoid damaging the heatsink surface.
- d) Gently rotate the screwdriver to lift up on the CPU until the TIM on the heatsink separates from the CPU.
 - Note** Do not allow the screwdriver tip to touch or damage the green CPU substrate.

- e) Pinch the CPU-carrier inner-latch at the corner opposite the TIM breaker and push up to disengage the clip from its slot in the heatsink corner.
- f) On the remaining two corners of the CPU carrier, gently pry outward on the outer-latches and then lift the CPU-assembly from the heatsink.

Note Handle the CPU-assembly by the plastic carrier only. Do not touch the CPU surface. Do not separate the CPU from the carrier.

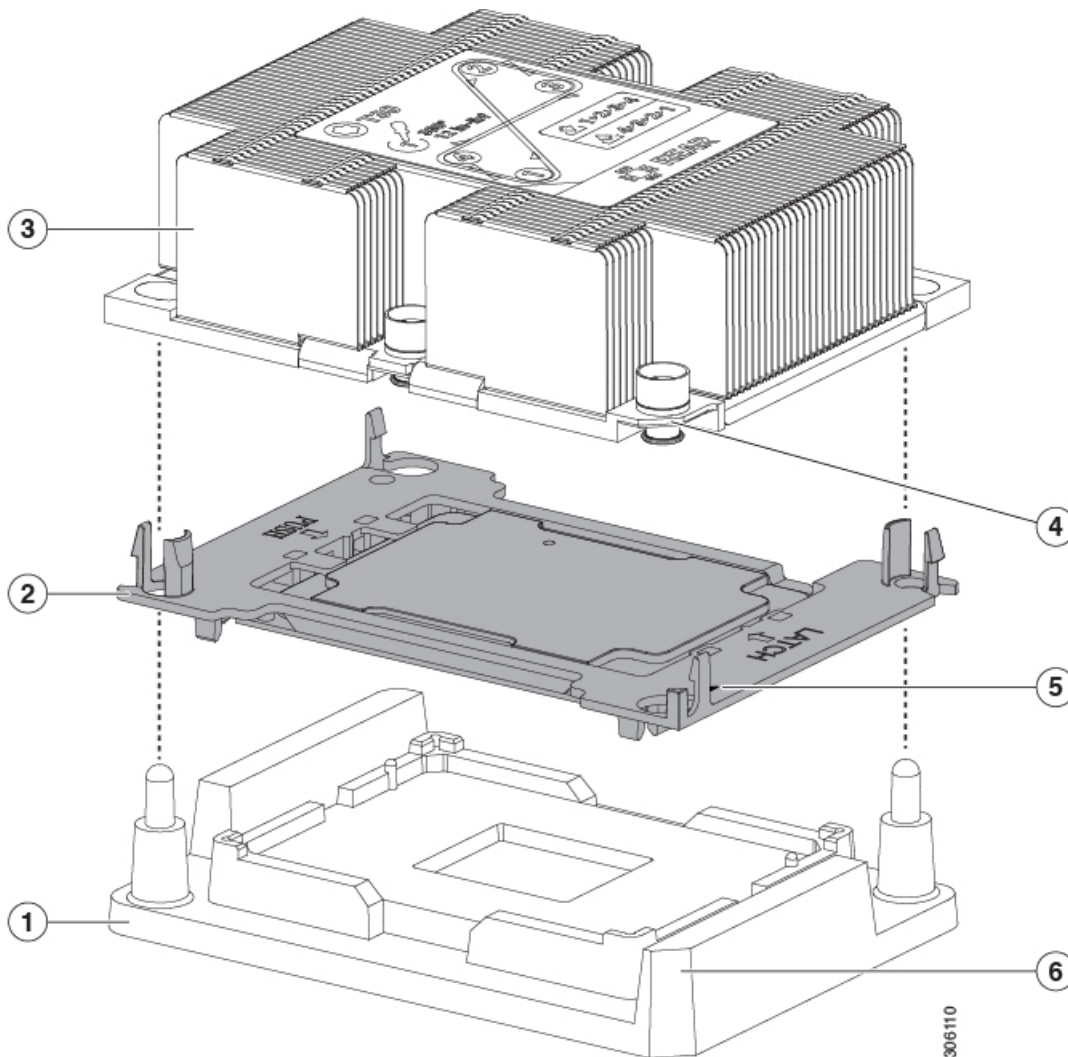
Step 3

The new CPU assembly is shipped on a CPU assembly tool. Take the new CPU assembly and CPU assembly tool out of the carton.

If the CPU assembly and CPU assembly tool become separated, note the alignment features shown below for correct orientation. The pin 1 triangle on the CPU carrier must be aligned with the angled corner on the CPU assembly tool.

Caution CPUs and their sockets are fragile and must be handled with extreme care to avoid damaging pins.

Figure 24: CPU Assembly Tool, CPU Assembly, and Heatsink Alignment Features



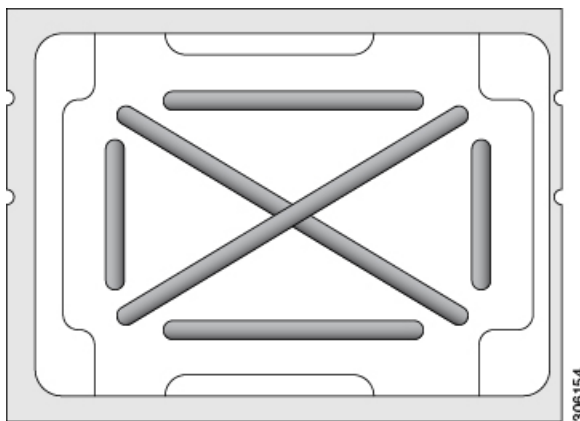
1	CPU assembly tool	4	Angled corner on heatsink (pin 1 alignment feature)
2	CPU assembly (CPU in plastic carrier)	5	Triangle cut into carrier (pin 1 alignment feature)
3	Heatsink	6	Angled corner on CPU assembly tool (pin 1 alignment feature)

Step 4 Apply new TIM to the heatsink:

Note The heatsink must have new TIM on the heatsink-to-CPU surface to ensure proper cooling and performance.

- If you are installing a new heatsink, it is shipped with a pre-applied pad of TIM. Go to step 5.
 - If you are reusing a heatsink, you must remove the old TIM from the heatsink and then apply new TIM to the CPU surface from the supplied syringe. Continue with step a below.
- a) Apply the cleaning solution that is included with the heatsink cleaning kit (UCSX-HSCK=) to the old TIM on the heatsink and let it soak for a least 15 seconds.
 - b) Wipe all of the TIM off the heatsink using the soft cloth that is included with the heatsink cleaning kit. Be careful to avoid scratching the heatsink surface.
 - c) Using the syringe of TIM provided with the new CPU (UCS-CPU-TIM=), apply 4 cubic centimeters of thermal interface material to the top of the CPU. Use the pattern shown below to ensure even coverage.

Figure 25: Thermal Interface Material Application Pattern



Caution Use only the correct heatsink for your CPUs to ensure proper cooling. There are two different heatsinks: UCSC-HS-C220M5= for standard-performance CPUs 150 W and less; UCSC-HS2-C220M5= for high-performance CPUs above 150 W. Note the wattage described on the heatsink label.

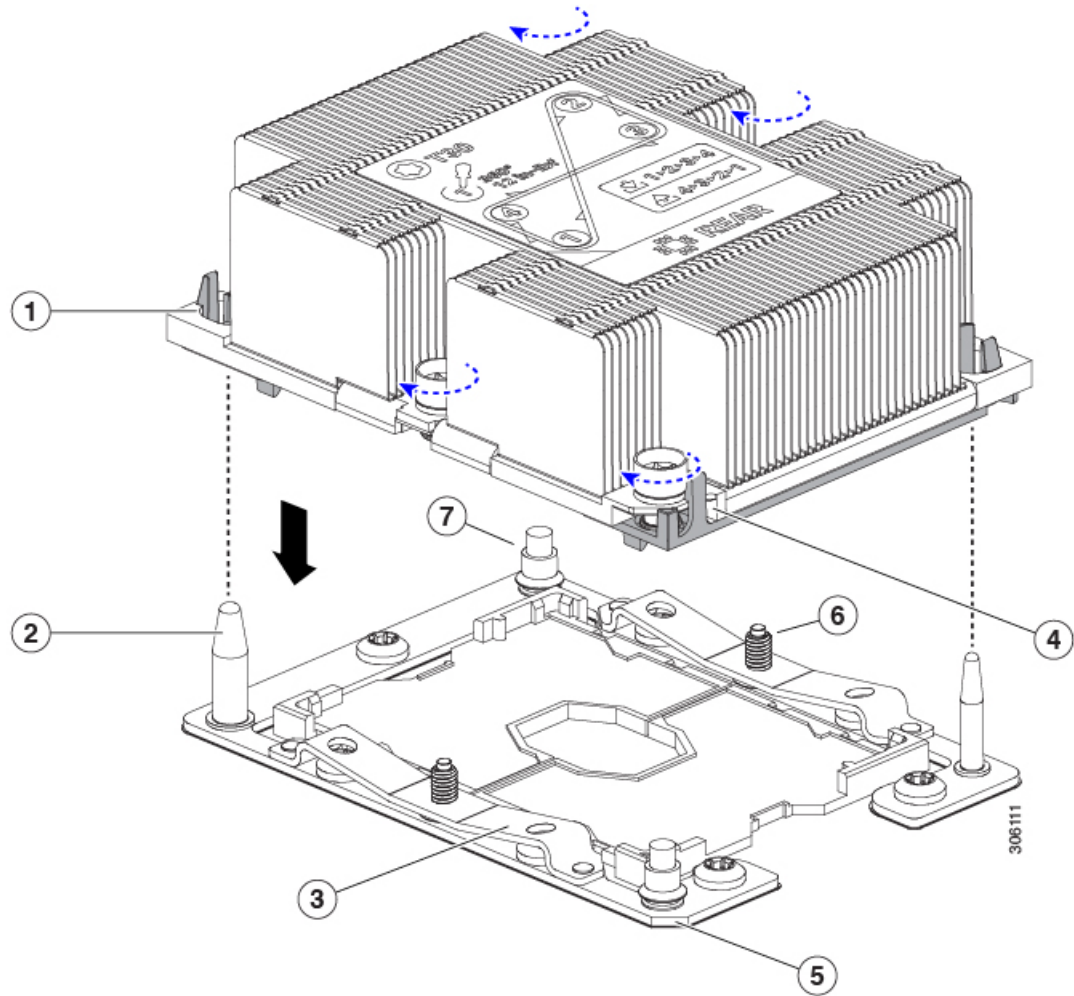
Step 5 With the CPU assembly on the CPU assembly tool, set the heatsink onto the CPU assembly. Note the pin 1 alignment features for correct orientation. Push down gently until you hear the corner clips of the CPU carrier click onto the heatsink corners.

Caution In the following step, use extreme care to avoid touching or damaging the CPU contacts or the CPU socket pins.

Step 6 Install the CPU/heatsink assembly to the server:

- a) Lift the heatsink with attached CPU assembly from the CPU assembly tool.
- b) Align the CPU with heatsink over the CPU socket on the motherboard, as shown below. Note the alignment features. The pin 1 angled corner on the heatsink must align with the pin 1 angled corner on the CPU socket. The CPU-socket posts must align with the guide-holes in the assembly.

Figure 26: Installing the Heatsink/CPU Assembly to the CPU Socket



1	Guide hole in assembly (two)	4	Angled corner on heatsink (pin 1 alignment feature)
2	CPU socket alignment post (two)	5	Angled corner on socket (pin 1 alignment feature)
3	CPU socket leaf spring	-	

- c) Set the heatsink with CPU assembly down onto the CPU socket.

- d) Use the T-30 Torx driver that is supplied with the replacement CPU to tighten the four captive nuts that secure the heatsink to the motherboard standoffs.
- Caution** Alternate tightening the heatsink nuts evenly so that the heatsink remains level while it is lowered. Tighten the heatsink nuts in the order shown on the heatsink label: 1, 2, 3, 4. The captive nuts must be fully tightened so that the leaf springs on the CPU socket lie flat.
- e) Replace the top cover to the server.
- f) Replace the server in the rack, replace cables, and then fully power on the server by pressing the Power button.

Additional CPU-Related Parts to Order with RMA Replacement Motherboards

When a return material authorization (RMA) of the motherboard or CPU is done on a Cisco UCS C-Series server, additional parts might not be included with the CPU or motherboard spare bill of materials (BOM). The TAC engineer might need to add the additional parts to the RMA to help ensure a successful replacement.

- Scenario 1—You are reusing the existing heatsinks:
 - Heat sink cleaning kit (UCSX-HSCK=)
 - Thermal interface material (TIM) kit for M5 servers (UCS-CPU-TIM=)
- Scenario 2—You are replacing the existing heatsinks:



Caution Use only the correct heatsink for your CPUs to ensure proper cooling. There are two different heatsinks: UCSC-HS-C220M5= for CPUs 150 W and less; UCSC-HS2-C220M5= for CPUs above 150 W.

- Heat sink: UCSC-HS-C220M5= for CPUs 150 W and less; UCSC-HS2-C220M5= for CPUs above 150 W
- Heat sink cleaning kit (UCSX-HSCK=)
- Scenario 3—You have a damaged CPU carrier
 - CPU carrier (UCS-M5-CPU-CAR=)

A CPU heat sink cleaning kit is good for up to four CPU and heat sink cleanings. The cleaning kit contains two bottles of solution, one to clean the CPU and heat sink of old TIM and the other to prepare the surface of the heat sink.

New heat sink spares come with a pre-applied pad of TIM. It is important to clean any old TIM off of the CPU surface prior to installing the heat sinks. Therefore, even when you are ordering new heat sinks, you must order the heat sink cleaning kit.

Replacing a Mini-Storage Module

The mini-storage module plugs into a motherboard socket to provide additional internal storage. The module is available in two different versions:

- SD card carrier—provides two SD card sockets.
- M.2 SSD Carrier—provides two M.2 form-factor SSD sockets. These M.2 SSDs can be either two SATA SSDs or two NVMe SSDs (no mixing).

Replacing a Mini-Storage Module Carrier

This topic describes how to remove and replace a mini-storage module carrier. The carrier has one media socket on its top and one socket on its underside. Use the following procedure for any type of mini-storage module carrier (SD card or M.2 SSD).

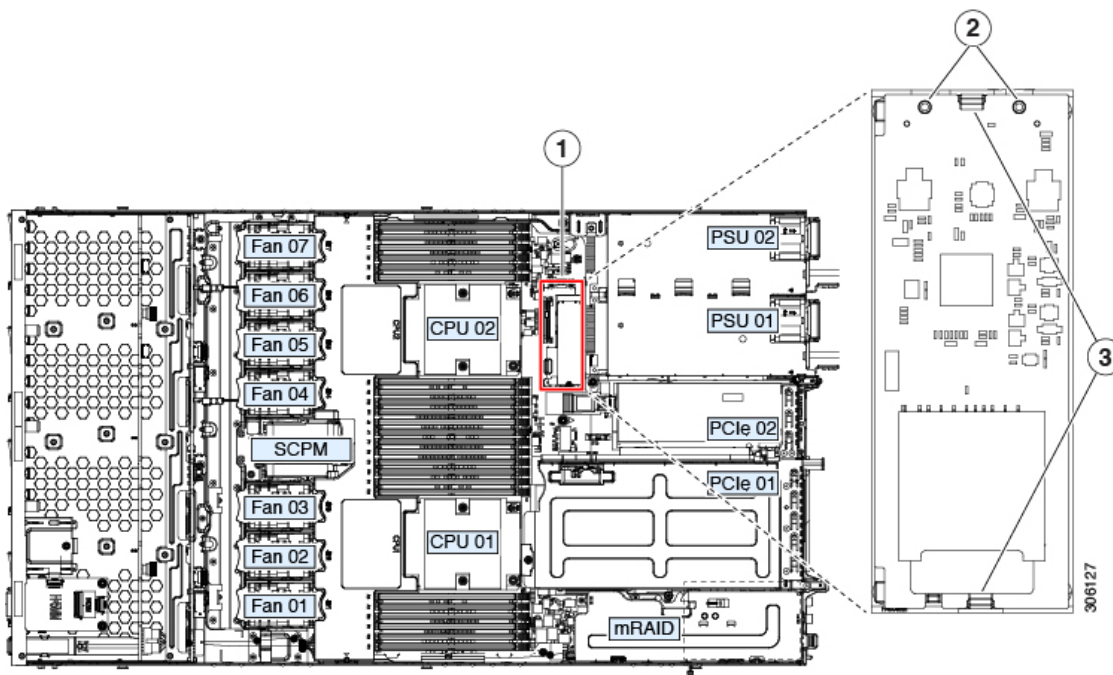
-
- Step 1** Shut down and remove power from the server as described in [Shutting Down and Removing Power From the Server, on page 32](#).
- Step 2** Slide the server out the front of the rack far enough so that you can remove the top cover. You might have to detach cables from the rear panel to provide clearance.
- Caution** If you cannot safely view and access the component, remove the server from the rack.
- Step 3** Remove the top cover from the server as described in [Removing the Server Top Cover, on page 34](#).
- Step 4** Remove a carrier from its socket:
- a) Locate the mini-storage module carrier in its socket just in front of power supply 1.
 - b) At each end of the carrier, push outward on the clip that secures the carrier.
 - c) Lift both ends of the carrier to disengage it from the socket on the motherboard.
 - d) Set the carrier on an anti-static surface.
- Step 5** Install a carrier to its socket:
- a) Position the carrier over socket, with the carrier's connector facing down and at the same end as the motherboard socket. Two alignment pegs must match with two holes on the carrier.
 - b) Gently push down the socket end of the carrier so that the two pegs go through the two holes on the carrier.

c) Push down on the carrier so that the securing clips click over it at both ends.

Step 6 Replace the top cover to the server.

Step 7 Replace the server in the rack, replace cables, and then fully power on the server by pressing the Power button.

Figure 27: Mini-Storage Module Carrier



Location of socket on motherboard	3	Securing clips
Alignment pegs	-	

Replacing an SD Card in a Mini-Storage Carrier For SD

This topic describes how to remove and replace an SD card in a mini-storage carrier for SD (PID UCS-MSTOR-SD). The carrier has one SD card slot on its top and one slot on its underside.

Population Rules For Mini-Storage SD Cards

- You can use one or two SD cards in the carrier.
- Dual SD cards can be configured in a RAID 1 array through the Cisco IMC interface.

- SD slot 1 is on the top side of the carrier; SD slot 2 is on the underside of the carrier (the same side as the carrier's motherboard connector).

-
- Step 1** Power off the server and then remove the mini-storage module carrier from the server as described in [Replacing a Mini-Storage Module Carrier](#), on page 61.
- Step 2** Remove an SD card:
- a) Push on the top of the SD card, and then release it to allow it to spring out from the socket.
 - b) Grasp and remove the SD card from the socket.
- Step 3** Install a new SD card:
- a) Insert the new SD card into the socket with its label side facing up.
 - b) Press on the top of the SD card until it clicks in the socket and stays in place.
- Step 4** Install the mini-storage module carrier back into the server and then power it on as described in [Replacing a Mini-Storage Module Carrier](#), on page 61.
-

Replacing an M.2 SSD in a Mini-Storage Carrier For M.2

This topic describes how to remove and replace an M.2 SATA or M.2 NVMe SSD in a mini-storage carrier for M.2 (UCS-MSTOR-M2). The carrier has one M.2 SSD socket on its top and one socket on its underside.

Population Rules For Mini-Storage M.2 SSDs

- Both M.2 SSDs must be either SATA or NVMe; do not mix types in the carrier.
 - You can use one or two M.2 SSDs in the carrier.
 - M.2 socket 1 is on the top side of the carrier; M.2 socket 2 is on the underside of the carrier (the same side as the carrier's motherboard connector).
 - Dual SATA M.2 SSDs can be configured in a RAID 1 array with the BIOS Setup Utility's built in embedded SATA RAID utility. See [Embedded SATA RAID Controller](#), on page 117.
- If M.2 NVMe SSDs are installed in the M.2 module, the embedded SATA controller is automatically disabled.

-
- Step 1** Power off the server and then remove the mini-storage module carrier from the server as described in [Replacing a Mini-Storage Module Carrier](#), on page 61.
- Step 2** Remove an M.2 SSD:
- a) Use a #1 Phillips-head screwdriver to remove the single screw that secures the M.2 SSD to the carrier.
 - b) Remove the M.2 SSD from its socket on the carrier.
- Step 3** Install a new M.2 SSD:
- a) Angle the M.2 SSD downward and insert the connector-end into the socket on the carrier. The M.2 SSD's label must face up.
 - b) Press the M.2 SSD flat against the carrier.

- c) Install the single screw that secures the end of the M.2 SSD to the carrier.

Step 4 Install the mini-storage module carrier back into the server and then power it on as described in [Replacing a Mini-Storage Module Carrier](#), on page 61.

Replacing a Micro SD Card

There is one socket for a Micro SD card on the top of PCIe riser 1.



Caution To avoid data loss, we do not recommend that you hot-swap the Micro SD card while it is operating, as indicated by its activity LED turning amber. The activity LED turns amber when the Micro SD card is updating or deleting.

Step 1 Remove an existing Micro SD card:

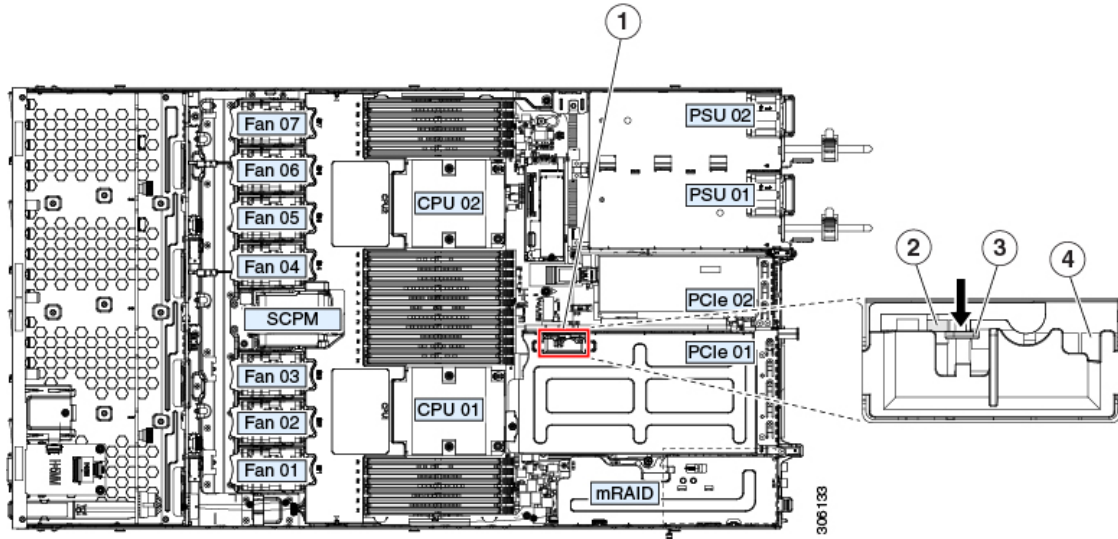
- a) Shut down and remove power from the server as described in [Shutting Down and Removing Power From the Server](#), on page 32.
- b) Slide the server out the front of the rack far enough so that you can remove the top cover. You might have to detach cables from the rear panel to provide clearance.
 - Caution** If you cannot safely view and access the component, remove the server from the rack.
- c) Remove the top cover from the server as described in [Removing the Server Top Cover](#), on page 34.
- d) Locate the Micro SD card. The socket is on the top of PCIe riser 1, under a flexible plastic cover.
- e) Use your fingertip to push open the retainer on the socket cover far enough to provide access to the Micro SD card, then push down and release the Micro SD card to make it spring up.
- f) Grasp the Micro SD card and lift it from the socket.

Step 2 Install a new Micro SD card:

- a) While holding the retainer on the plastic cover open with your fingertip, align the new Micro SD card with the socket.
- b) Gently push down on the card until it clicks and locks in place in the socket.
- c) Replace the top cover to the server.

d) Replace the server in the rack, replace cables, and then fully power on the server by pressing the Power button.

Figure 28: Internal Micro SD Card Socket



1	Location of Micro SD card socket on the top of PCIe riser 1	3	Plastic retainer (push aside to access socket)
2	Micro SD card socket under plastic retainer	4	Micro SD activity LED

Replacing an Internal USB Drive

This section includes procedures for installing a USB drive and for enabling or disabling the internal USB port.

Replacing a USB Drive



Caution

We do not recommend that you hot-swap the internal USB drive while the server is powered on because of the potential for data loss.

Step 1 Remove an existing internal USB drive:

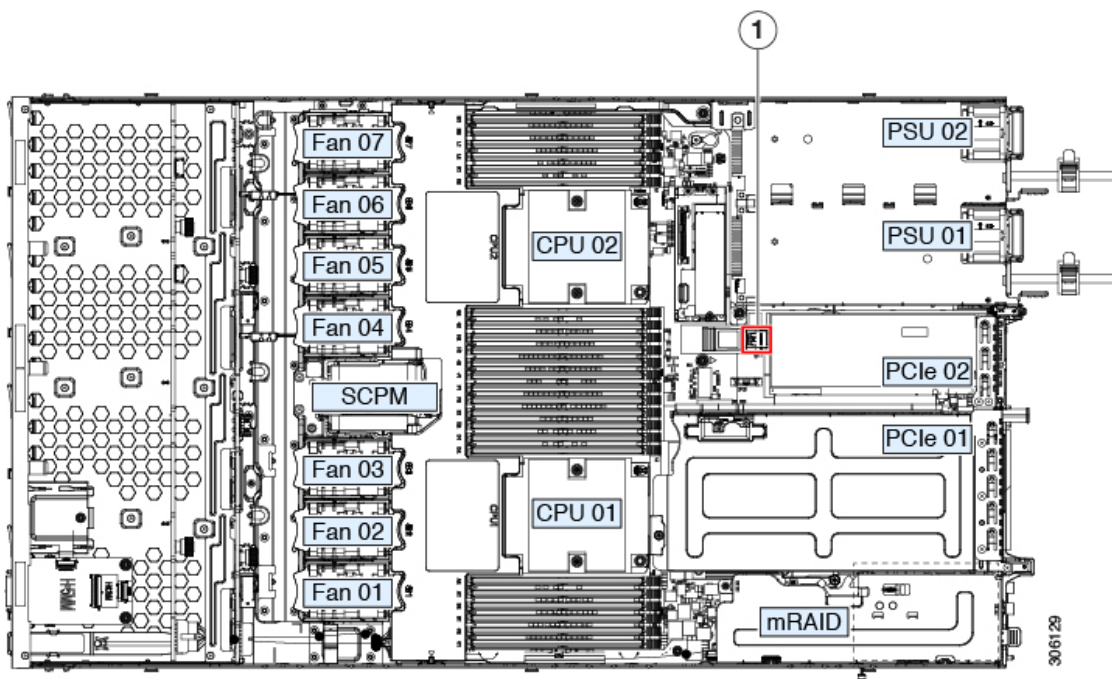
- a) Shut down and remove power from the server as described in [Shutting Down and Removing Power From the Server](#), on page 32.
- b) Slide the server out the front of the rack far enough so that you can remove the top cover. You might have to detach cables from the rear panel to provide clearance.
 - Caution** If you cannot safely view and access the component, remove the server from the rack.
- c) Remove the top cover from the server as described in [Removing the Server Top Cover](#), on page 34.
- d) Locate the USB socket on the motherboard, directly in front of PCIe riser 2.
- e) Grasp the USB drive and pull it horizontally to free it from the socket.

Step 2

Install a new internal USB drive:

- a) Align the USB drive with the socket.
- b) Push the USB drive horizontally to fully engage it with the socket.
- c) Replace the top cover to the server.
- d) Replace the server in the rack, replace cables, and then fully power on the server by pressing the Power button.

Figure 29: Location of Internal USB Port



Location of horizontal USB socket on motherboard	-	
--	---	--

-

Enabling or Disabling the Internal USB Port

The factory default is that all USB ports on the server are enabled. However, the internal USB port can be enabled or disabled in the server BIOS.

-
- Step 1** Enter the BIOS Setup Utility by pressing the **F2** key when prompted during bootup.
- Step 2** Navigate to the **Advanced** tab.
- Step 3** On the Advanced tab, select **USB Configuration**.
- Step 4** On the USB Configuration page, select **USB Ports Configuration**.
- Step 5** Scroll to **USB Port: Internal**, press **Enter**, and then choose either **Enabled** or **Disabled** from the dialog box.
- Step 6** Press **F10** to save and exit the utility.
-

Replacing the RTC Battery



Warning

There is danger of explosion if the battery is replaced incorrectly. Replace the battery only with the same or equivalent type recommended by the manufacturer. Dispose of used batteries according to the manufacturer's instructions.

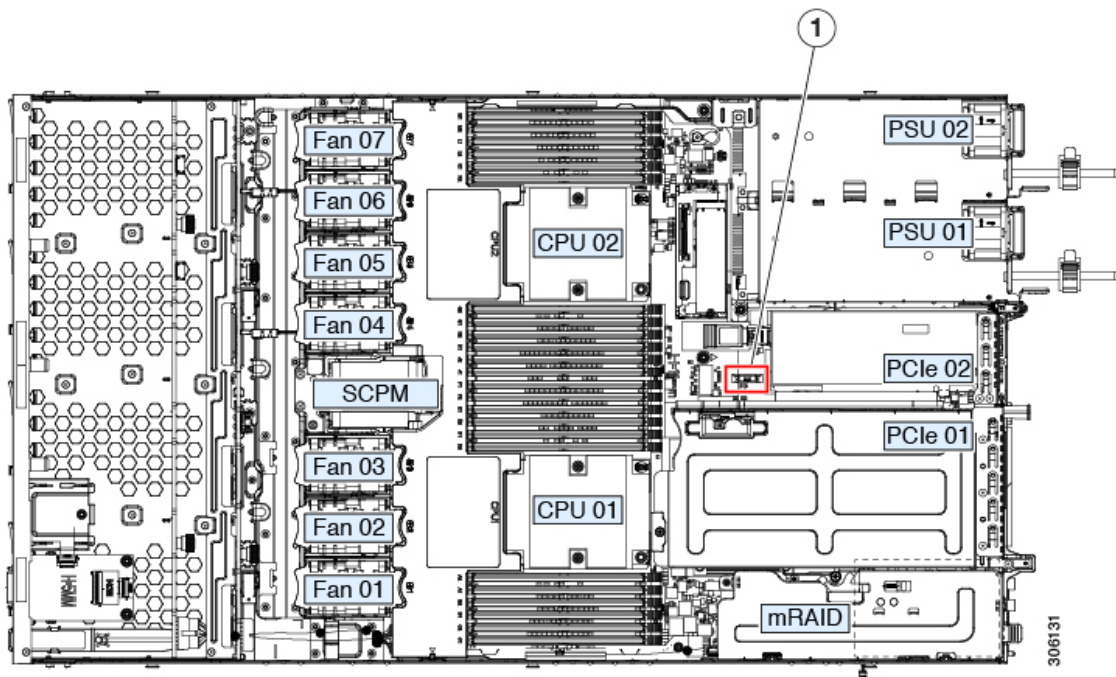
[Statement 1015]

The real-time clock (RTC) battery retains system settings when the server is disconnected from power. The battery type is CR2032. Cisco supports the industry-standard CR2032 battery, which can be ordered from Cisco (PID N20-MBLIBATT) or purchased from most electronic stores.

-
- Step 1** Remove the RTC battery:
- Shut down and remove power from the server as described in [Shutting Down and Removing Power From the Server, on page 32](#).
 - Slide the server out the front of the rack far enough so that you can remove the top cover. You might have to detach cables from the rear panel to provide clearance.
Caution If you cannot safely view and access the component, remove the server from the rack.
 - Remove the top cover from the server as described in [Removing the Server Top Cover, on page 34](#).
 - Locate the RTC battery. The vertical socket is directly in front of PCIe riser 2.
 - Remove the battery from the socket on the motherboard. Gently pry the securing clip on one side open to provide clearance, then lift straight up on the battery.
- Step 2** Install a new RTC battery:
- Insert the battery into its holder and press down until it clicks in place under the clip.
Note The flat, positive side of the battery marked "3V+" should face left as you face the server front.
 - Replace the top cover to the server.

c) Replace the server in the rack, replace cables, and then fully power on the server by pressing the Power button.

Figure 30: RTC Battery Location on Motherboard



1	RTC battery in vertical socket	-	
---	--------------------------------	---	--

Replacing Power Supplies

The server can have one or two power supplies. When two power supplies are installed they are redundant as 1+1.

- See also [Power Specifications](#), on page 102 for more information about the power supplies.
- See also [Rear-Panel LEDs](#), on page 29 for information about the power supply LEDs.

This section includes procedures for replacing AC and DC power supply units.

- [Replacing AC Power Supplies](#), on page 69
- [Replacing DC Power Supplies](#), on page 70
- [Installing DC Power Supplies \(First Time Installation\)](#), on page 71
- [Grounding for DC Power Supplies](#), on page 73

Replacing AC Power Supplies



Note If you have ordered a server with power supply redundancy (two power supplies), you do not have to power off the server to replace a power supply because they are redundant as 1+1.



Note Do not mix power supply types or wattages in the server. Both power supplies must be identical.

Step 1

Remove the power supply that you are replacing or a blank panel from an empty bay:

a) Perform one of the following actions:

- If your server has only one power supply, shut down and remove power from the server as described in [Shutting Down and Removing Power From the Server](#), on page 32.
- If your server has two power supplies, you do not have to shut down the server.

b) Remove the power cord from the power supply that you are replacing.

c) Grasp the power supply handle while pinching the release lever toward the handle.

d) Pull the power supply out of the bay.

Step 2

Install a new power supply:

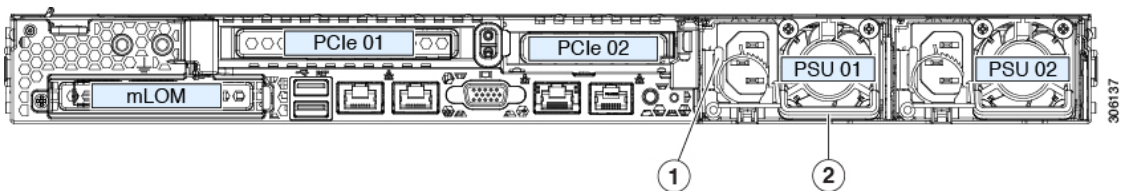
a) Grasp the power supply handle and insert the new power supply into the empty bay.

b) Push the power supply into the bay until the release lever locks.

c) Connect the power cord to the new power supply.

d) Only if you shut down the server, press the Power button to boot the server to main power mode.

Figure 31: Replacing AC Power Supplies



1	Power supply release lever	2	Power supply handle
---	----------------------------	---	---------------------

Replacing DC Power Supplies



Note This procedure is for replacing DC power supplies in a server that already has DC power supplies installed. If you are installing DC power supplies to the server for the first time, see [Installing DC Power Supplies \(First Time Installation\)](#), on page 71.



Warning A readily accessible two-poled disconnect device must be incorporated in the fixed wiring.
Statement 1022



Warning This product requires short-circuit (overcurrent) protection, to be provided as part of the building installation. Install only in accordance with national and local wiring regulations.
Statement 1045



Warning Installation of the equipment must comply with local and national electrical codes.
Statement 1074



Note If you are replacing DC power supplies in a server with power supply redundancy (two power supplies), you do not have to power off the server to replace a power supply because they are redundant as 1+1.



Note Do not mix power supply types or wattages in the server. Both power supplies must be identical.

Step 1

Remove the DC power supply that you are replacing or a blank panel from an empty bay:

- a) Perform one of the following actions:
 - If you are replacing a power supply in a server that has only one DC power supply, shut down and remove power from the server as described in [Shutting Down and Removing Power From the Server](#), on page 32.
 - If you are replacing a power supply in a server that has two DC power supplies, you do not have to shut down the server.
- b) Remove the power cord from the power supply that you are replacing. Lift the connector securing clip slightly and then pull the connector from the socket on the power supply.
- c) Grasp the power supply handle while pinching the release lever toward the handle.
- d) Pull the power supply out of the bay.

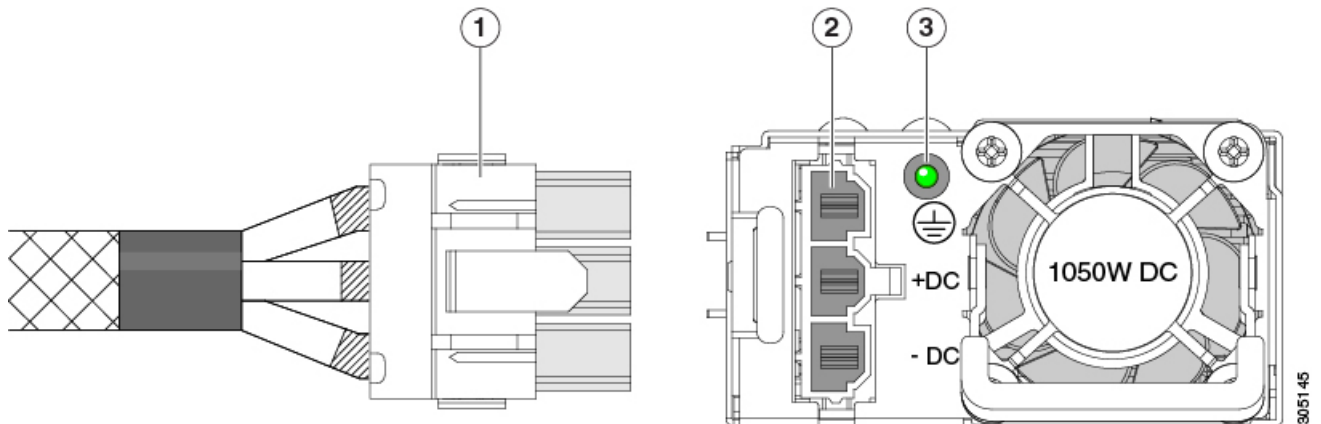
Step 2

Install a new DC power supply:

- a) Grasp the power supply handle and insert the new power supply into the empty bay.

- b) Push the power supply into the bay until the release lever locks.
- c) Connect the power cord to the new power supply. Press the connector into the socket until the securing clip clicks into place.
- d) Only if you shut down the server, press the Power button to boot the server to main power mode.

Figure 32: Replacing DC Power Supplies



1	Keyed cable connector (CAB-48DC-40A-8AWG)	3	PSU status LED
2	Keyed DC input socket	-	

Installing DC Power Supplies (First Time Installation)



Note This procedure is for installing DC power supplies to the server for the first time. If you are replacing DC power supplies in a server that already has DC power supplies installed, see [Replacing DC Power Supplies, on page 70](#).



Warning A readily accessible two-poled disconnect device must be incorporated in the fixed wiring.
Statement 1022



Warning This product requires short-circuit (overcurrent) protection, to be provided as part of the building installation. Install only in accordance with national and local wiring regulations.
Statement 1045



Warning Installation of the equipment must comply with local and national electrical codes.

Statement 1074



Note Do not mix power supply types or wattages in the server. Both power supplies must be identical.



Caution As instructed in the first step of this wiring procedure, turn off the DC power source from your facility's circuit breaker to avoid electric shock hazard.

Step 1 Turn off the DC power source from your facility's circuit breaker to avoid electric shock hazard.

Note The required DC input cable is Cisco part CAB-48DC-40A-8AWG. This 3-meter cable has a 3-pin connector on one end that is keyed to the DC input socket on the power supply. The other end of the cable has no connector so that you can wire it to your facility's DC power.

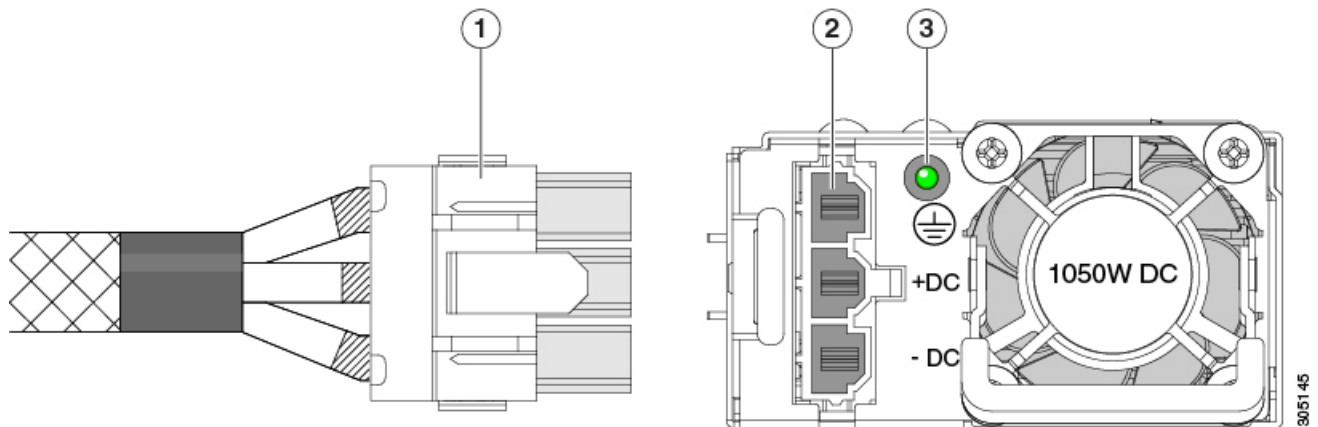
Step 2 Wire the non-terminated end of the cable to your facility's DC power input source.

Step 3 Connect the terminated end of the cable to the socket on the power supply. The connector is keyed so that the wires align for correct polarity and ground.

Step 4 Return DC power from your facility's circuit breaker.

Step 5 Press the Power button to boot the server to main power mode.

Figure 33: Replacing DC Power Supplies



1	Keyed cable connector (CAB-48DC-40A-8AWG)	3	PSU status LED
2	Keyed DC input socket	-	

Step 6 See Installation Grounding, page 3-66 for information about additional chassis grounding.

Grounding for DC Power Supplies

AC power supplies have internal grounding and so no additional grounding is required when the supported AC power cords are used.

When using a DC power supply, additional grounding of the server chassis to the earth ground of the rack is available. Two screw holes for use with your dual-hole grounding lug and grounding wire are supplied on the chassis rear panel.



Note

The grounding points on the chassis are sized for M5 screws. You must provide your own screws, grounding lug, and grounding wire. The grounding lug must be dual-hole lug that fits M5 screws. The grounding cable that you provide must be 14 AWG (2 mm), minimum 60° C wire, or as permitted by the local code.

Replacing a PCIe Card



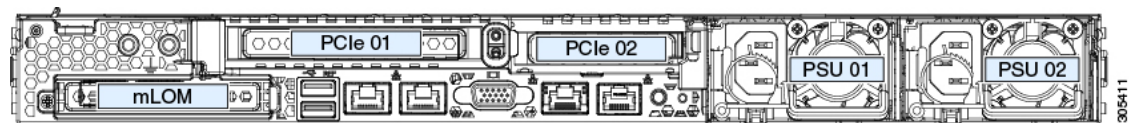
Note

Cisco supports all PCIe cards qualified and sold by Cisco. PCIe cards not qualified or sold by Cisco are the responsibility of the customer. Although Cisco will always stand behind and support the C-Series rack-mount servers, customers using standard, off-the-shelf, third-party cards must go to the third-party card vendor for support if any issue with that particular card occurs.

PCIe Slot Specifications

The server contains two PCIe slots on one riser assembly for horizontal installation of PCIe cards. Both slots support the NCSI protocol and 12V standby power.

Figure 34: Rear Panel, Showing PCIe Slot Numbering



The following tables describe the specifications for the slots.

Table 5: PCIe Riser 1/Slot 1

Slot Number	Electrical Lane Width	Connector Length	Maximum Card Length	Card Height (Rear Panel Opening)	NCSI Support
1	Gen-3 x16	x24 connector	¾ length	Full-height	Yes
Micro SD card slot	One socket for Micro SD card				

Table 6: PCIe Riser 2/Slot 2

Slot Number	Electrical Lane Width	Connector Length	Maximum Card Length	Card Height (Rear Panel Opening)	NCSI Support
2	Gen-3 x16	x24 connector	½ length	½ height	Yes
PCIe cable connector for front-panel NVMe SSDs	Gen-3 x8	Other end of cable connects to front drive backplane to support front-panel NVMe SSDs.			



Note Riser 2/Slot 2 is not available in single-CPU configurations.

Replacing a PCIe Card



Note If you are installing a Cisco UCS Virtual Interface Card, there are prerequisite considerations. See [Cisco Virtual Interface Card \(VIC\) Considerations](#), on page 76.



Note RAID controller cards install into a separate mRAID riser. See [Replacing a SAS Storage Controller Card \(RAID or HBA\)](#), on page 81.

Step 1

Remove an existing PCIe card (or a blank filler panel) from the PCIe riser:

- a) Shut down and remove power from the server as described in [Shutting Down and Removing Power From the Server](#), on page 32.
- b) Slide the server out the front of the rack far enough so that you can remove the top cover. You might have to detach cables from the rear panel to provide clearance.

Caution If you cannot safely view and access the component, remove the server from the rack.
- c) Remove the top cover from the server as described in [Removing the Server Top Cover](#), on page 34.
- d) Remove any cables from the ports of the PCIe card that you are replacing.
- e) Use two hands to grasp the external riser handle and the blue area at the front of the riser.
- f) Lift straight up to disengage the riser's connectors from the two sockets on the motherboard. Set the riser upside-down on an antistatic surface.
- g) Open the hinged plastic retainer that secures the rear-panel tab of the card.
- h) Pull evenly on both ends of the PCIe card to remove it from the socket on the PCIe riser. If the riser has no card, remove the blanking panel from the rear opening of the riser.

Step 2

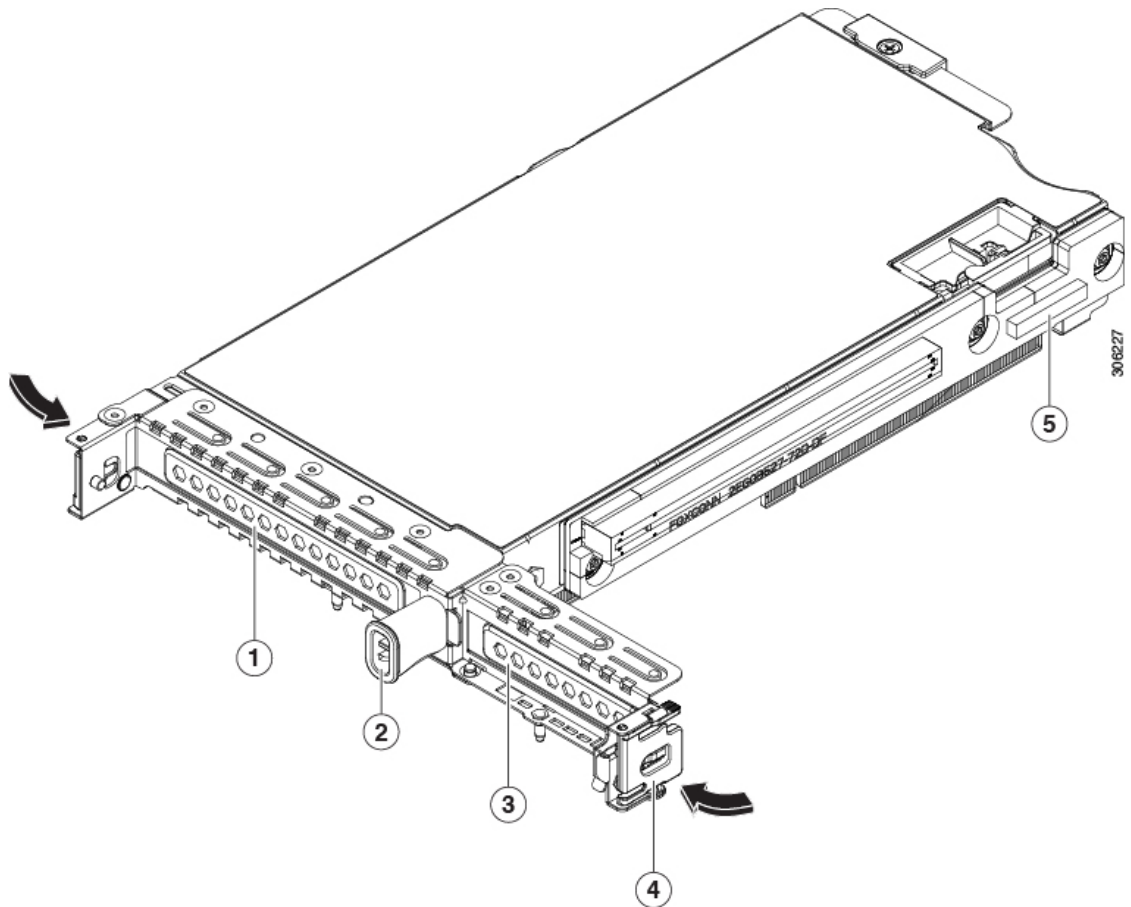
Install a new PCIe card:

- a) With the hinged tab retainer open, align the new PCIe card with the empty socket on the PCIe riser.

PCIe riser 1/slot 1 has a long-card guide at the front end of the riser. Use the slot in the long-card guide to help support a full-length card.

- b) Push down evenly on both ends of the card until it is fully seated in the socket.
- c) Ensure that the card's rear panel tab sits flat against the riser rear-panel opening and then close the hinged tab retainer over the card's rear-panel tab.

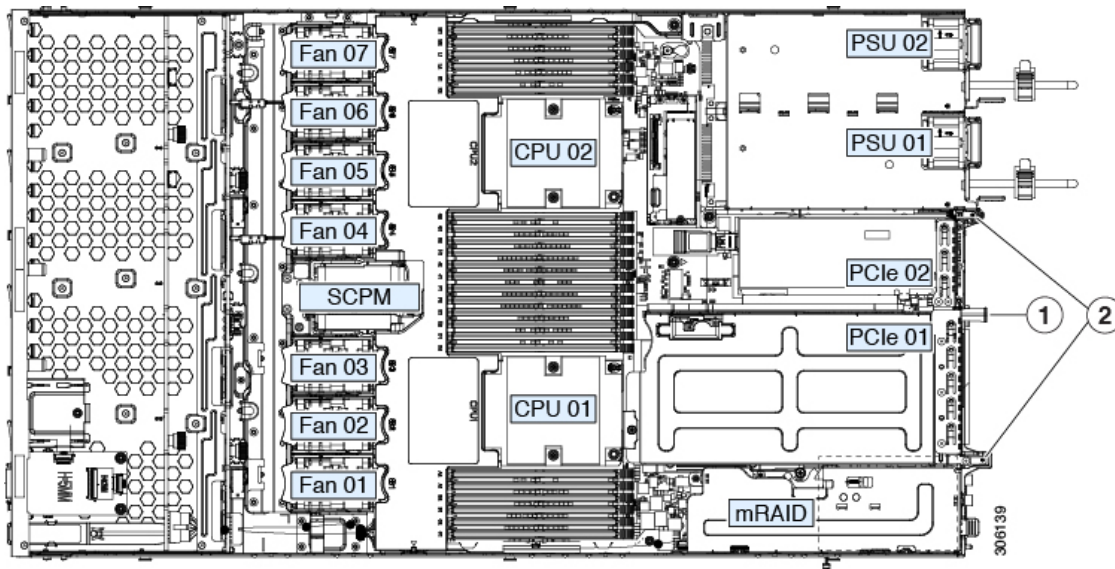
Figure 35: PCIe Riser Assembly



1	PCIe slot 1 rear-panel opening	4	Hinged card retainer (one each slot)
2	External riser handle	5	PCIe connector for cable that supports front-panel NVMe SSDs
3	PCIe slot 2 rear-panel opening		

- d) Position the PCIe riser over its two sockets on the motherboard and over the two chassis alignment channels.

Figure 36: PCIe Riser Alignment Features



1	Blue riser handle	2	Riser alignment features in chassis
----------	-------------------	----------	-------------------------------------

- e) Carefully push down on both ends of the PCIe riser to fully engage its two connectors with the two sockets on the motherboard.
- f) Replace the top cover to the server.
- g) Replace the server in the rack, replace cables, and then fully power on the server by pressing the Power button.

Cisco Virtual Interface Card (VIC) Considerations

This section describes VIC card support and special considerations for this server.



Note

If you use the *Cisco Card* NIC mode, you must also make a *VIC Slot* setting that matches where your VIC is installed. The options are Riser1, Riser2, and Flex-LOM. See [NIC Mode and NIC Redundancy Settings, on page 21](#) for more information about NIC modes.

If you want to use the Cisco UCS VIC card for Cisco UCS Manager integration, see also the [Cisco UCS C-Series Server Integration with Cisco UCS Manager Guides](#) for details about supported configurations, cabling, and other requirements.

Table 7: VIC Support and Considerations in This Server

VIC	How Many Supported in Server	Slots That Support VICs	Primary Slot For Cisco UCS Manager Integration	Primary Slot For <i>Cisco Card</i> NIC Mode	Minimum Cisco IMC Firmware	Minimum VIC Firmware
Cisco UCS VIC 1385 UCSC-PCIE-C40Q-03	2 PCIe	PCIe 1 PCIe 2	PCIe 1	PCIe 1	3.1(1)	4.0(4b)
Cisco UCS VIC 1455 UCSC-PCIE-25Q-04	2 PCIe	PCIe 1 PCIe 2	PCIe 1	PCIe 1	3.1(1)	TBD
Cisco UCS VIC 1455T UCSC-PCIE-TBD	2 PCIe	PCIe 1 PCIe 2	PCIe 1	PCIe 1	3.1(1)	TBD
Cisco UCS VIC 1485 UCSC-PCIE-C100-04	2 PCIe	PCIe 1 PCIe 2	PCIe 1	PCIe 1	3.1(1)	TBD
Cisco UCS VIC 1387 UCSC-MLOM-C40Q-03	1 mLOM	mLOM	mLOM	mLOM	3.1(1)	4.1(1d)
Cisco UCS VIC 1457 UCSC-MLOM-C25Q-04	1 mLOM	mLOM	mLOM	mLOM	3.1(1)	TBD
Cisco UCS VIC 1457T UCSC-MLOM-TBD	1 mLOM	mLOM	mLOM	mLOM	3.1(1)	TBD
Cisco UCS VIC 1487 UCSC-MLOM-100-04	1 mLOM	mLOM	mLOM	mLOM	3.1(1)	TBD

Replacing an mLOM Card

The server supports a modular LOM (mLOM) card to provide additional rear-panel connectivity. The horizontal mLOM socket is on the motherboard, under the mRAID riser.

The mLOM socket provides a Gen-3 x16 PCIe lane. The socket remains powered when the server is in 12 V standby power mode and it supports the network communications services interface (NCSI) protocol.



Note If your mLOM card is a Cisco UCS Virtual Interface Card (VIC), see [Table 7: VIC Support and Considerations in This Server, on page 77](#) for more information and support details.

Step 1 Remove any existing mLOM card (or a blanking panel):

- a) Shut down and remove power from the server as described in [Shutting Down and Removing Power From the Server, on page 32](#).
- b) Slide the server out the front of the rack far enough so that you can remove the top cover. You might have to detach cables from the rear panel to provide clearance.

Caution If you cannot safely view and access the component, remove the server from the rack.

- c) Remove the top cover from the server as described in [Removing the Server Top Cover, on page 34](#).
- d) Remove the mRAID riser to provide access to the mLOM socket below the riser.
To remove the mRAID riser, use both hands to grasp the external blue handle on the rear and the blue finger-grip on the front. Lift straight up.

You do not have to disconnect cables from any RAID card or interposer card that is installed in the riser. Carefully move the riser aside only far enough to provide clearance.

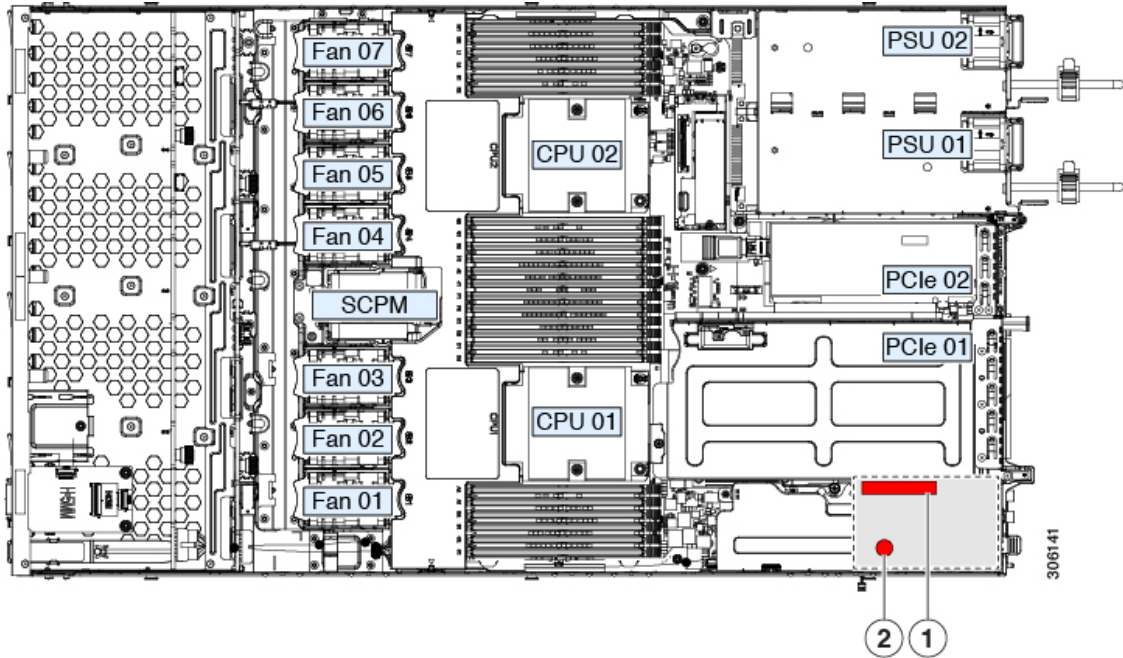
- e) Loosen the single captive thumbscrew that secures the mLOM card to the threaded standoff on the chassis floor.
- f) Slide the mLOM card horizontally to free it from the socket, then lift it out of the server.

Step 2 Install a new mLOM card:

- a) Set the mLOM card on the chassis floor so that its connector is aligned with the motherboard socket.
- b) Push the card horizontally to fully engage the card's edge connector with the socket.
- c) Tighten the captive thumbscrew to secure the card to the standoff on the chassis floor.
- d) Return the mRAID riser to its socket.
Carefully align the riser's edge connector with the motherboard socket at the same time you align the two channels on the riser with the two pegs on the inner chassis wall. Press down evenly on both ends of the riser to fully engage its connector with the motherboard socket.
- e) Replace the top cover to the server.

f) Replace the server in the rack, replace cables, and then fully power on the server by pressing the Power button.

Figure 37: Location of the mLOM Card Socket Below the mRAID Riser



1	Position of horizontal mLOM card socket	2	Position of mLOM card thumbscrew
---	---	---	----------------------------------

Replacing an mRAID Riser (Riser 3)

The server has a dedicated internal riser that is used for either a Cisco modular storage controller card (RAID or HBA) or the SATA interposer card for embedded software RAID. This riser plugs into a dedicated motherboard socket and provides a horizontal socket for the installed card.

This riser can be ordered as the following options:

- UCSC-XRAIDR-220M5—Replacement unit for this mRAID riser.
- UCSC-MRAID1GB-KIT—Kit for first-time addition of this riser (includes RAID controller, supercap, and supercap cable).

See also [Replacing a SAS Storage Controller Card \(RAID or HBA\)](#), on page 81.

See also [Replacing the Supercap \(RAID Backup\)](#), on page 83.

- UCSC-SATA-KIT-M5—Kit for first-time addition of this riser (includes SATA interposer for embedded software RAID and SATA cables).

See also [Replacing a SATA Interposer Card](#), on page 85.

- The NVMe-optimized, SFF 10-drive version, UCSC-220-M5SN, supports NVMe drives only and so does not use SAS or SATA RAID. This version of the server comes with an NVMe-switch card factory-installed in the internal mRAID riser to support NVMe drives in front-loading bays 3 - 10. The NVMe switch card is not orderable separately.

Step 1

Prepare the server for component installation:

- a) Shut down and remove power from the server as described in [Shutting Down and Removing Power From the Server](#), on page 32.
- b) Slide the server out the front of the rack far enough so that you can remove the top cover. You might have to detach cables from the rear panel to provide clearance.
Caution If you cannot safely view and access the component, remove the server from the rack.
- c) Remove the top cover from the server as described in [Removing the Server Top Cover](#), on page 34.

Step 2

Remove the existing mRAID riser:

- a) Using both hands, grasp the external blue handle on the rear of the riser and the blue finger-grip on the front end of the riser.
- b) Lift the riser straight up to disengage it from the motherboard socket.
- c) Set the riser upside down on an antistatic surface.
- d) If the existing riser has a card in it, disconnect cables from the card.
- e) Remove any card from the riser. Open the blue ejector lever that is on the edge of the card and then pull the card straight out from its socket on the riser.

Step 3

Install a new mRAID riser:

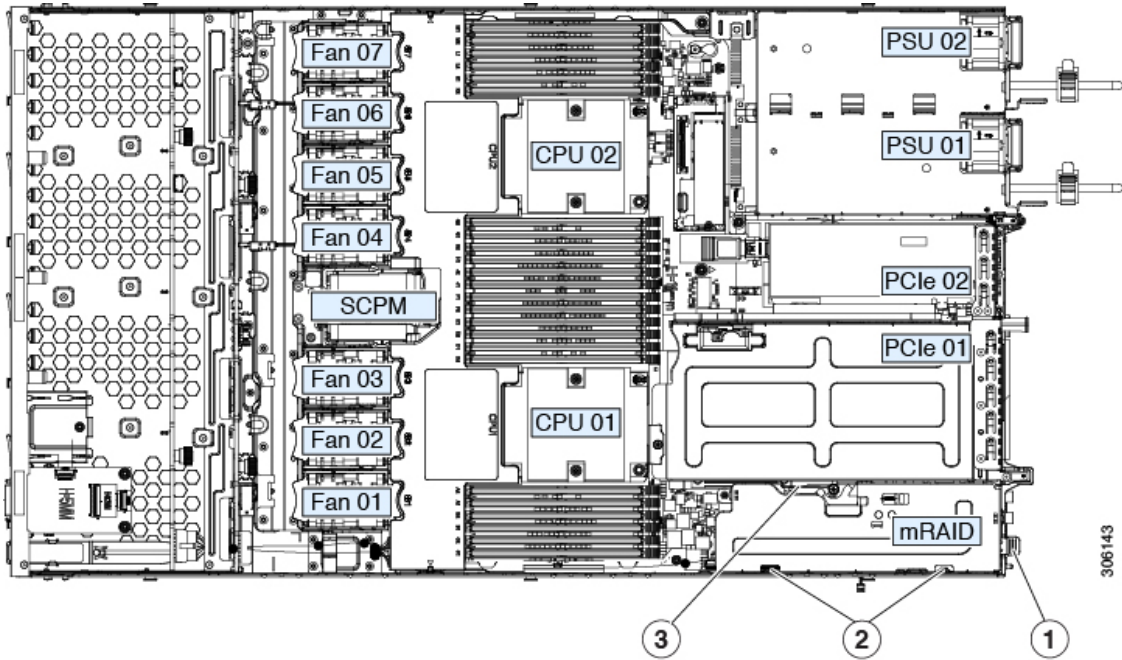
- a) Install your card into the new riser. Close the ejector lever on the card to lock it into the riser.
- b) Connect cables to the installed card.
See [Storage Controller and Backplane Connectors](#), on page 114 for cabling instructions for controller cards and interposer cards.
- c) Align the riser with the socket on the motherboard. At the same time, align the two slots on the back side of the bracket with the two pegs on the inner chassis wall.

- d) Push down gently to engage the riser with the motherboard socket. The metal riser bracket must also engage the two pegs that secure it to the chassis wall.

Step 4 Replace the top cover to the server.

Step 5 Replace the server in the rack, replace cables, and then fully power on the server by pressing the Power button.

Figure 38: mRAID Riser (Internal Riser 3) Location



1	External blue handle	3	Blue ejector lever
2	Two pegs on inner chassis wall	-	

Replacing a SAS Storage Controller Card (RAID or HBA)

For hardware-based storage control, the server can use a Cisco modular SAS RAID controller or SAS HBA that plugs into a horizontal socket on a dedicated mRAID riser (internal riser 3).



Note You cannot use a hardware RAID controller card and the embedded software RAID controller to control front-panel drives at the same time. See [Embedded SATA RAID Controller](#), on page 117 for details.

Storage Controller Card Firmware Compatibility

Firmware on the storage controller (RAID or HBA) must be verified for compatibility with the current Cisco IMC and BIOS versions that are installed on the server. If not compatible, upgrade or downgrade the storage controller firmware using the Host Upgrade Utility (HUU) for your firmware release to bring it to a compatible level.

See the HUU guide for your Cisco IMC release for instructions on downloading and using the utility to bring server components to compatible levels: [HUU Guides](#).

Replacing a SAS Storage Controller Card (RAID or HBA)

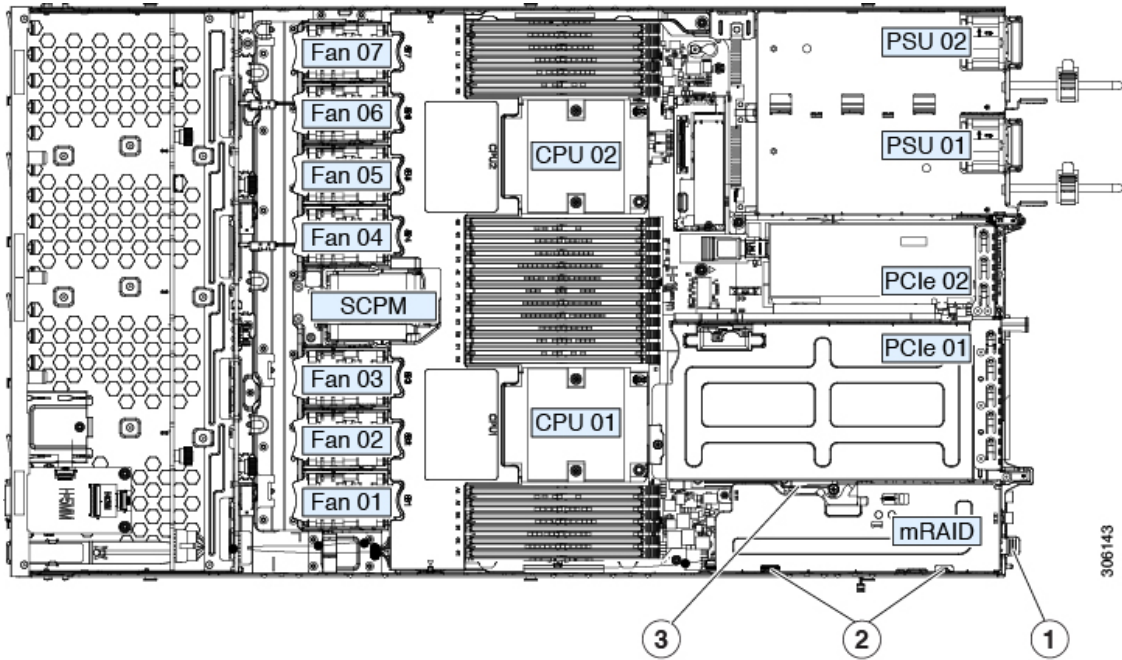
-
- Step 1** Prepare the server for component installation:
- Shut down and remove power from the server as described in [Shutting Down and Removing Power From the Server, on page 32](#).
 - Slide the server out the front of the rack far enough so that you can remove the top cover. You might have to detach cables from the rear panel to provide clearance.
Caution If you cannot safely view and access the component, remove the server from the rack.
 - Remove the top cover from the server as described in [Removing the Server Top Cover, on page 34](#).
- Step 2** Remove the mRAID riser (riser 3) from the server:
- Using both hands, grasp the external blue handle on the rear of the riser and the blue finger-grip on the front end of the riser.
 - Lift the riser straight up to disengage it from the motherboard socket.
 - Set the riser upside down on an antistatic surface.
- Step 3** Remove any existing card from the riser:
- Disconnect cables from the existing card.
 - Open the ejector lever on the back side of the card to eject it from the socket on the riser.
 - Pull the card from the riser and set it aside.
- Step 4** Install a new storage controller card to the riser:
- With the riser upside down, set the card on the riser.
 - Push on both corners of the card to seat its connector in the riser socket.
 - Close the ejector lever on the card to lock it into the riser.
- Step 5** Return the riser to the server:
- Align the connector on the riser with the socket on the motherboard. At the same time, align the two slots on the back side of the bracket with the two pegs on the inner chassis wall.

- b) Push down gently to engage the riser connector with the motherboard socket. The metal riser bracket must also engage the two pegs that secure it to the chassis wall.

Step 6 Replace the top cover to the server.

Step 7 Replace the server in the rack, replace cables, and then fully power on the server by pressing the Power button.

Figure 39: mRAID Riser (Internal Riser 3) Location



1	External blue handle	3	Blue ejector lever
2	Two pegs on inner chassis wall	-	

Replacing the Supercap (RAID Backup)

This server supports installation of one supercap unit. The unit mounts to a bracket that is in the middle of the row of cooling fan modules.

The supercap provides approximately three years of backup for the disk write-back cache DRAM in the case of a sudden power loss by offloading the cache to the NAND flash.

**Warning**

There is danger of explosion if the battery is replaced incorrectly. Replace the battery only with the same or equivalent type recommended by the manufacturer. Dispose of used batteries according to the manufacturer's instructions.

Statement 1015

Step 1

Prepare the server for component installation:

- a) Shut down and remove power from the server as described in [Shutting Down and Removing Power From the Server, on page 32](#).
- b) Slide the server out the front of the rack far enough so that you can remove the top cover. You might have to detach cables from the rear panel to provide clearance.
Caution If you cannot safely view and access the component, remove the server from the rack.
- c) Remove the top cover from the server as described in [Removing the Server Top Cover, on page 34](#).

Step 2

Remove an existing supercap:

- a) Disconnect the supercap cable from the existing supercap.
- b) Push aside the securing tab to open the hinged latch that secures the supercap to its bracket on the removable air baffle.
- c) Lift the supercap free of the bracket and set it aside.

Step 3

Install a new supercap:

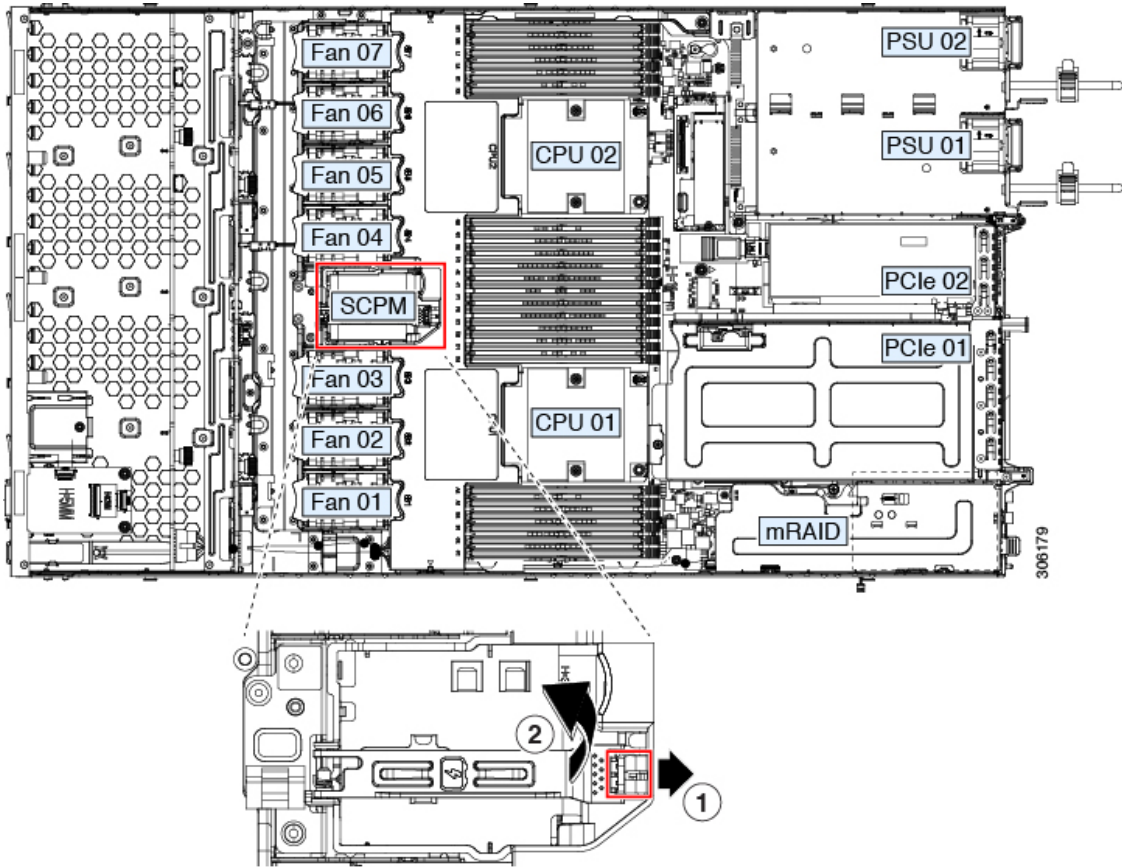
- a) Set the new supercap into the mounting bracket.
- b) Close the hinged plastic clip over the supercap. Push down until the securing tab clicks.

c) Connect the supercap cable from the RAID controller card to the connector on the new supercap cable.

Step 4 Replace the top cover to the server.

Step 5 Replace the server in the rack, replace cables, and then fully power on the server by pressing the Power button.

Figure 40: Replacing Supercap



1	Securing tab	2	Hinged latch
---	--------------	---	--------------

Replacing a SATA Interposer Card

For software-based storage control that uses the server's embedded SATA controller, the server requires a SATA interposer card that plugs into a horizontal socket on a dedicated mRAID riser (internal riser 3).



Note You cannot use a hardware RAID controller card and the embedded software RAID controller at the same time. See [Embedded SATA RAID Controller](#), on page 117 for details about RAID support.

-
- Step 1** Prepare the server for component installation:
- Shut down and remove power from the server as described in [Shutting Down and Removing Power From the Server](#), on page 32.
 - Slide the server out the front of the rack far enough so that you can remove the top cover. You might have to detach cables from the rear panel to provide clearance.
Caution If you cannot safely view and access the component, remove the server from the rack.
 - Remove the top cover from the server as described in [Removing the Server Top Cover](#), on page 34.
- Step 2** Remove the mRAID riser (riser 3) from the server:
- With one finger under the front end of the riser and one finger under the rear tab on the riser, lift the riser straight up to disengage it from the motherboard socket.
 - Set the riser upside down on an antistatic surface.
- Step 3** Remove any existing card from the riser:
- Loosen the single thumbscrew that secures the card to the riser.
 - Depress the ejector lever on the back side of the card to eject it from the socket on the riser.
 - Pull the card from the riser and set it aside.
- Step 4** Install a new card to the riser:
- With the riser upside down, set the card on the riser. Align the right end of the card with the alignment channel on the riser; align the connector on the card edge with the socket on the riser.
 - Push on both corners of the card to seat its connector in the riser socket.
 - Tighten the single thumbscrew that secures the card to the riser bracket.
- Step 5** Return the riser to the server:
- Align the connector on the riser with the socket on the motherboard. At the same time, align the two slots on the back side of the bracket with the two pegs on the inner chassis wall.

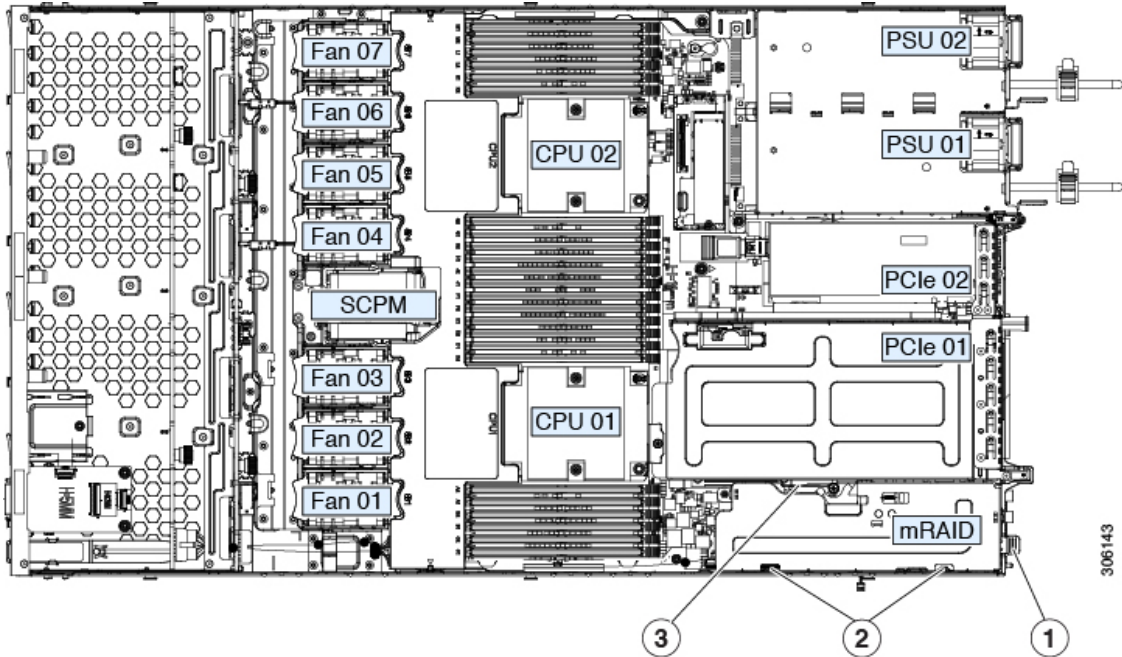
- b) Push down gently to engage the riser connector with the motherboard socket. The metal riser bracket must also engage the two pegs that secure it to the chassis wall.

Step 6 Reconnect the cables to their connectors on the storage controller card.

Step 7 Replace the top cover to the server.

Step 8 Replace the server in the rack, replace cables, and then fully power on the server by pressing the Power button.

Figure 41: mRAID Riser (Internal Riser 3) Location



1	External blue handle	3	Blue ejector lever
2	Two pegs on inner chassis wall	-	

Replacing a Chassis Intrusion Switch

The chassis intrusion switch is an optional security feature that logs an event in the system event log (SEL) whenever the cover is removed from the chassis.

Step 1 Prepare the server for component installation:

- a) Shut down and remove power from the server as described in [Shutting Down and Removing Power From the Server](#), on page 32.
- b) Slide the server out the front of the rack far enough so that you can remove the top cover. You might have to detach cables from the rear panel to provide clearance.

Caution If you cannot safely view and access the component, remove the server from the rack.
- c) Remove the top cover from the server as described in [Removing the Server Top Cover](#), on page 34.

Step 2

Remove an existing intrusion switch:

- a) Disconnect the intrusion switch cable from the socket on the motherboard.
- b) Use a #1 Phillips-head screwdriver to loosen and remove the single screw that holds the switch mechanism to the chassis wall.
- c) Slide the switch mechanism straight up to disengage it from the clips on the chassis.

Step 3

Install a new intrusion switch:

- a) Slide the switch mechanism down into the clips on the chassis wall so that the screwhole lines up.
- b) Use a #1 Phillips-head screwdriver to install the single screw that secures the switch mechanism to the chassis wall.
- c) Connect the switch cable to the socket on the motherboard.

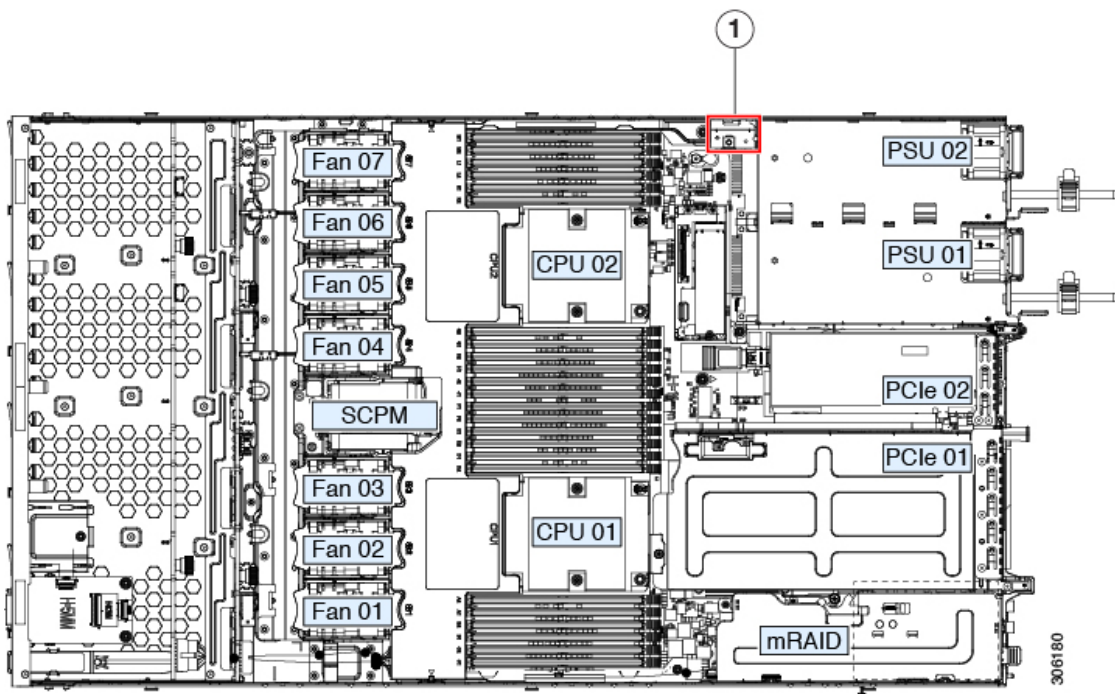
Step 4

Replace the cover to the server.

Step 5

Replace the server in the rack, replace cables, and then fully power on the server by pressing the Power button.

Figure 42: Replacing a Chassis Intrusion Switch



1	Intrusion switch location	-	
---	---------------------------	---	--

Installing a Trusted Platform Module (TPM)

The trusted platform module (TPM) is a small circuit board that plugs into a motherboard socket and is then permanently secured with a one-way screw. The socket location is on the motherboard below PCIe riser 2.

TPM Considerations

- This server supports either TPM version 1.2 or TPM version 2.0.
- Field replacement of a TPM is not supported; you can install a TPM after-factory only if the server does not already have a TPM installed.
- If there is an existing TPM 1.2 installed in the server, you cannot upgrade to TPM 2.0. If there is no existing TPM in the server, you can install TPM 2.0.
- If the TPM 2.0 becomes unresponsive, reboot the server.

Installing and Enabling a TPM



Note Field replacement of a TPM is not supported; you can install a TPM after-factory only if the server does not already have a TPM installed.

This topic contains the following procedures, which must be followed in this order when installing and enabling a TPM:

- 1 Installing the TPM Hardware
- 2 Enabling the TPM in the BIOS
- 3 Enabling the Intel TXT Feature in the BIOS

Installing TPM Hardware



Note For security purposes, the TPM is installed with a one-way screw. It cannot be removed with a standard screwdriver.

Step 1

Prepare the server for component installation:

- a) Shut down and remove power from the server as described in [Shutting Down and Removing Power From the Server, on page 32](#).
- b) Slide the server out the front of the rack far enough so that you can remove the top cover. You might have to detach cables from the rear panel to provide clearance.

Caution If you cannot safely view and access the component, remove the server from the rack.

c) Remove the top cover from the server as described in [Removing the Server Top Cover](#), on page 34.

Step 2

Check if there is a card installed in PCIe riser 2:

- If no card is installed in PCIe riser 2, you can access the TPM socket. Go to the next step.
- If a card is installed in PCIe riser 2, remove the PCIe riser assembly from the chassis to provide clearance before continuing with the next step. See [Replacing a PCIe Card](#), on page 74 for instructions on removing the PCIe riser.

Step 3

Install a TPM:

- a) Locate the TPM socket on the motherboard, as shown below.
- b) Align the connector that is on the bottom of the TPM circuit board with the motherboard TPM socket. Align the screw hole on the TPM board with the screw hole that is adjacent to the TPM socket.
- c) Push down evenly on the TPM to seat it in the motherboard socket.
- d) Install the single one-way screw that secures the TPM to the motherboard.
- e) If you removed the PCIe riser assembly to provide clearance, return it to the server now.

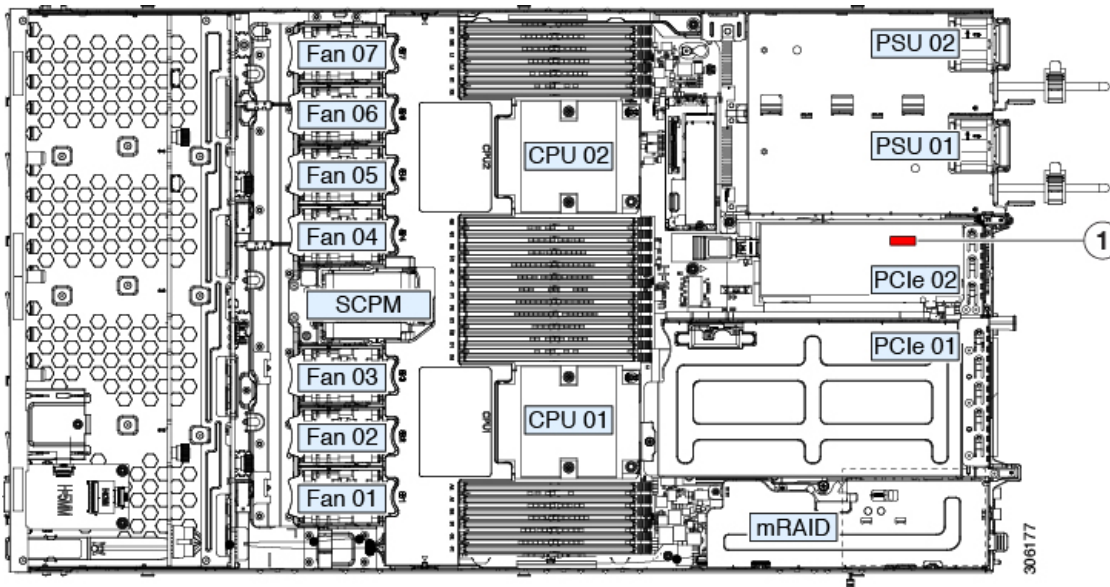
Step 4

Replace the cover to the server.

Step 5

Replace the server in the rack, replace cables, and then fully power on the server by pressing the Power button.

Figure 43: Location of the TPM Socket



1	TPM socket location on motherboard below any card in PCIe riser 2	-	
---	---	---	--

Step 6

Continue with [Enabling the TPM in the BIOS](#), on page 91.

Enabling the TPM in the BIOS

After hardware installation, you must enable TPM support in the BIOS.

Step 1

Enable TPM Support:

- a) Watch during bootup for the F2 prompt, and then press **F2** to enter BIOS setup.
- b) Log in to the BIOS Setup Utility with your BIOS Administrator password.
- c) On the BIOS Setup Utility window, choose the **Advanced** tab.
- d) Choose **Trusted Computing** to open the TPM Security Device Configuration window.
- e) Change TPM SUPPORT to **Enabled**.
- f) Press **F10** to save your settings and reboot the server.

Step 2

Verify that TPM support is now enabled:

- a) Watch during bootup for the F2 prompt, and then press **F2** to enter BIOS setup.
- b) Log into the BIOS Setup utility with your BIOS Administrator password.
- c) Choose the **Advanced** tab.
- d) Choose **Trusted Computing** to open the TPM Security Device Configuration window.
- e) Verify that TPM SUPPORT and TPM State are Enabled.

Step 3

Continue with [Enabling the Intel TXT Feature in the BIOS, on page 91](#).

Enabling the Intel TXT Feature in the BIOS

Intel Trusted Execution Technology (TXT) provides greater protection for information that is used and stored on the business server. A key aspect of that protection is the provision of an isolated execution environment and associated sections of memory where operations can be conducted on sensitive data, invisibly to the rest of the system. Intel TXT provides for a sealed portion of storage where sensitive data such as encryption keys can be kept, helping to shield them from being compromised during an attack by malicious code.

Step 1

Reboot the server and watch for the prompt to press F2.

Step 2

When prompted, press **F2** to enter the BIOS Setup utility.

Step 3

Verify that the prerequisite BIOS values are enabled:

- a) Choose the **Advanced** tab.
- b) Choose **Intel TXT(LT-SX) Configuration** to open the Intel TXT(LT-SX) Hardware Support window.
- c) Verify that the following items are listed as Enabled:
 - VT-d Support (default is Enabled)
 - VT Support (default is Enabled)
 - TPM Support

- TPM State

d) Do one of the following:

- If VT-d Support and VT Support are already enabled, skip to step 4.
- If VT-d Support and VT Support are not enabled, continue with the next steps to enable them.

e) Press **Escape** to return to the BIOS Setup utility **Advanced** tab.

f) On the Advanced tab, choose **Processor Configuration** to open the Processor Configuration window.

g) Set Intel (R) VT and Intel (R) VT-d to **Enabled**.

Step 4 Enable the Intel Trusted Execution Technology (TXT) feature:

a) Return to the Intel TXT(LT-SX) Hardware Support window if you are not already there.

b) Set TXT Support to **Enabled**.

Step 5 Press **F10** to save your changes and exit the BIOS Setup utility.

Service Headers and Jumpers

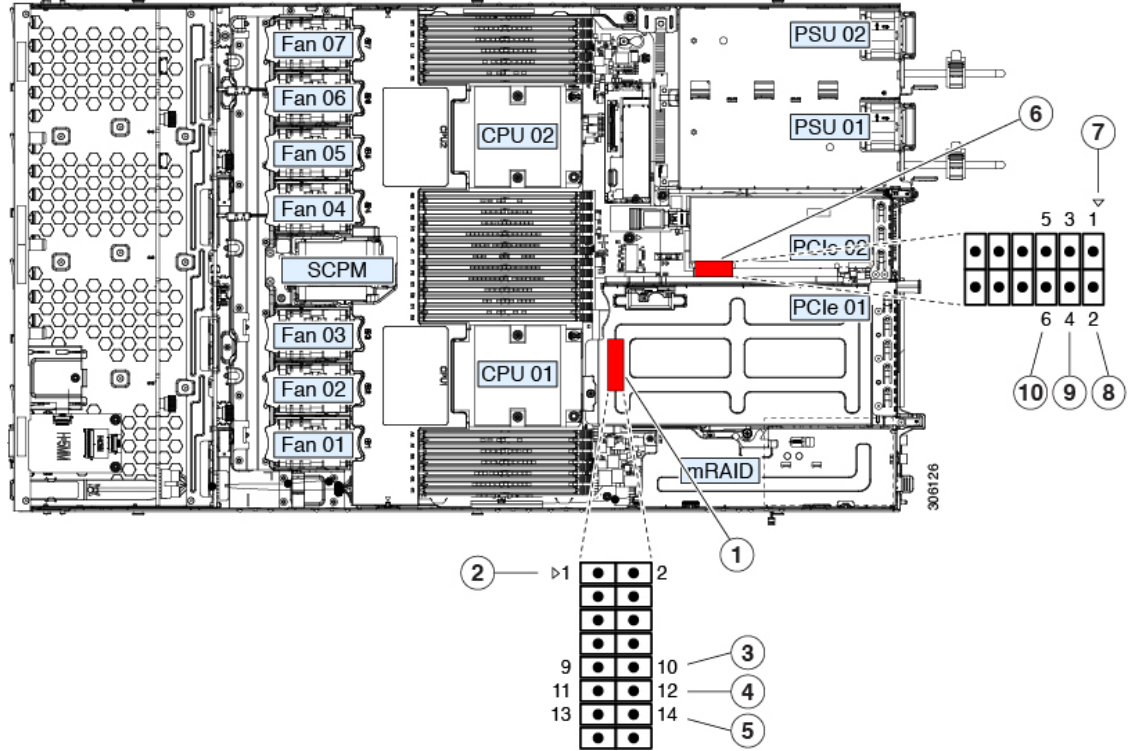
This server includes two blocks of headers (J38, J39) that you can jumper for certain service and debug functions.

This section contains the following topics:

- [Using the Clear CMOS Header \(J38, Pins 9 - 10\), on page 93](#)
- [Using the BIOS Recovery Header \(J38, Pins 11 - 12\), on page 94](#)
- [Using the Clear Password Header \(J38, Pins 13 - 14\), on page 96](#)
- [Using the Boot Alternate Cisco IMC Image Header \(J39, Pins 1 - 2\), on page 97](#)
- [Using the Reset Cisco IMC Password to Default Header \(J39, Pins 3 - 4\), on page 98](#)

- Using the Reset Cisco IMC to Defaults Header (J39, Pins 5 - 6), on page 98

Figure 44: Location of Service Header Blocks J38 and J39



1	Location of header block J38	6	Location of header block J39
2	J38 pin 1 arrow printed on motherboard	7	J39 pin 1 arrow printed on motherboard
3	Clear CMOS: J38 pins 9 - 10	8	Boot Cisco IMC from alternate image: J39 pins 1 - 2
4	Recover BIOS: J38 pins 11 - 12	9	Reset Cisco IMC password to default: J39 pins 3 - 4
5	Clear password: J38 pins 13 - 14	10	Reset Cisco IMC to defaults: J39 pins 5 - 6

Using the Clear CMOS Header (J38, Pins 9 - 10)

You can use this header to clear the server's CMOS settings in the case of a system hang. For example, if the server hangs because of incorrect settings and does not boot, use this jumper to invalidate the settings and reboot with defaults.



Caution Clearing the CMOS removes any customized settings and might result in data loss. Make a note of any necessary customized settings in the BIOS before you use this clear CMOS procedure.

-
- Step 1** Shut down and remove power from the server as described in [Shutting Down and Removing Power From the Server, on page 32](#). Disconnect power cords from all power supplies.
- Step 2** Slide the server out the front of the rack far enough so that you can remove the top cover. You might have to detach cables from the rear panel to provide clearance.
- Caution** If you cannot safely view and access the component, remove the server from the rack.
- Step 3** Remove the top cover from the server as described in [Removing the Server Top Cover, on page 34](#).
- Step 4** Locate header block J38 and pins 9-10, as shown in [Service Headers and Jumpers, on page 92](#).
- Step 5** Install a two-pin jumper across pins 9 and 10.
- Step 6** Reinstall the top cover and reconnect AC power cords to the server. The server powers up to standby power mode, indicated when the Power LED on the front panel is amber.
- Step 7** Return the server to main power mode by pressing the Power button on the front panel. The server is in main power mode when the Power LED is green.
- Note** You must allow the entire server to reboot to main power mode to complete the reset. The state of the jumper cannot be determined without the host CPU running.
- Step 8** Press the Power button to shut down the server to standby power mode, and then remove AC power cords from the server to remove all power.
- Step 9** Remove the top cover from the server.
- Step 10** Remove the jumper that you installed.
- Note** If you do not remove the jumper, the CMOS settings are reset to the defaults every time you power-cycle the server.
- Step 11** Replace the top cover, replace the server in the rack, replace power cords and any other cables, and then power on the server by pressing the Power button.
-

Using the BIOS Recovery Header (J38, Pins 11 - 12)

Depending on which stage the BIOS becomes corrupted, you might see different behavior.

- If the BIOS BootBlock is corrupted, you might see the system get stuck on the following message:

```
Initializing and configuring memory/hardware
```

- If it is a non-BootBlock corruption, a message similar to the following is displayed:

```
****BIOS FLASH IMAGE CORRUPTED****
Flash a valid BIOS capsule file using Cisco IMC WebGUI or CLI interface.
IF Cisco IMC INTERFACE IS NOT AVAILABLE, FOLLOW THE STEPS MENTIONED BELOW.
1. Connect the USB stick with recovery.cap file in root folder.
2. Reset the host.
IF THESE STEPS DO NOT RECOVER THE BIOS
1. Power off the system.
2. Mount recovery jumper.
3. Connect the USB stick with recovery.cap file in root folder.
4. Power on the system.
Wait for a few seconds if already plugged in the USB stick.
REFER TO SYSTEM MANUAL FOR ANY ISSUES.
```




Note As indicated by the message shown above, there are two procedures for recovering the BIOS. Try procedure 1 first. If that procedure does not recover the BIOS, use procedure 2.

Procedure 1: Reboot With recovery.cap File

-
- Step 1** Download the BIOS update package and extract it to a temporary location.
- Step 2** Copy the contents of the extracted recovery folder to the root directory of a USB drive. The recovery folder contains the recovery.cap file that is required in this procedure.
- Note** The recovery.cap file must be in the root directory of the USB drive. Do not rename this file. The USB drive must be formatted with either the FAT16 or FAT32 file system.
- Step 3** Insert the USB drive into a USB port on the server.
- Step 4** Reboot the server.
- Step 5** Return the server to main power mode by pressing the Power button on the front panel. The server boots with the updated BIOS boot block. When the BIOS detects a valid recovery.cap file on the USB drive, it displays this message:
- ```
Found a valid recovery file...Transferring to Cisco IMC
System would flash the BIOS image now...
System would restart with recovered image after a few seconds...
```
- Step 6** Wait for server to complete the BIOS update, and then remove the USB drive from the server.
- Note** During the BIOS update, Cisco IMC shuts down the server and the screen goes blank for about 10 minutes. Do not unplug the power cords during this update. Cisco IMC powers on the server after the update is complete.
- 

## Procedure 2: Use BIOS Recovery Header and recovery.cap File

- 
- Step 1** Download the BIOS update package and extract it to a temporary location.
- Step 2** Copy the contents of the extracted recovery folder to the root directory of a USB drive. The recovery folder contains the recovery.cap file that is required in this procedure.
- Note** The recovery.cap file must be in the root directory of the USB drive. Do not rename this file. The USB drive must be formatted with either the FAT16 or FAT32 file system.
- Step 3** Shut down and remove power from the server as described in [Shutting Down and Removing Power From the Server, on page 32](#). Disconnect power cords from all power supplies.
- Step 4** Slide the server out the front of the rack far enough so that you can remove the top cover. You might have to detach cables from the rear panel to provide clearance.
- Caution** If you cannot safely view and access the component, remove the server from the rack.

- Step 5** Remove the top cover from the server as described in [Removing the Server Top Cover](#), on page 34.
- Step 6** Locate header block J38 and pins 11-12, as shown in [Service Headers and Jumpers](#), on page 92.
- Step 7** Install a two-pin jumper across pins 11 and 12.
- Step 8** Reconnect AC power cords to the server. The server powers up to standby power mode.
- Step 9** Insert the USB thumb drive that you prepared in Step 2 into a USB port on the server.
- Step 10** Return the server to main power mode by pressing the Power button on the front panel. The server boots with the updated BIOS boot block. When the BIOS detects a valid recovery.cap file on the USB drive, it displays this message:
- ```
Found a valid recovery file...Transferring to Cisco IMC
System would flash the BIOS image now...
System would restart with recovered image after a few seconds...
```
- Step 11** Wait for server to complete the BIOS update, and then remove the USB drive from the server.
- Note** During the BIOS update, Cisco IMC shuts down the server and the screen goes blank for about 10 minutes. Do not unplug the power cords during this update. Cisco IMC powers on the server after the update is complete.
- Step 12** After the server has fully booted, power off the server again and disconnect all power cords.
- Step 13** Remove the jumper that you installed.
- Note** If you do not remove the jumper, after recovery completion you see the prompt, "Please remove the recovery jumper."
- Step 14** Replace the top cover, replace the server in the rack, replace power cords and any other cables, and then power on the server by pressing the Power button.
-

Using the Clear Password Header (J38, Pins 13 - 14)

You can use this header to clear the administrator password.

- Step 1** Shut down and remove power from the server as described in [Shutting Down and Removing Power From the Server](#), on page 32. Disconnect power cords from all power supplies.
- Step 2** Slide the server out the front of the rack far enough so that you can remove the top cover. You might have to detach cables from the rear panel to provide clearance.
- Caution** If you cannot safely view and access the component, remove the server from the rack.
- Step 3** Remove the top cover from the server as described in [Removing the Server Top Cover](#), on page 34.
- Step 4** Locate header block J38 and pins 13-14, as shown in [Service Headers and Jumpers](#), on page 92.
- Step 5** Install a two-pin jumper across pins 13 and 14.
- Step 6** Reinstall the top cover and reconnect AC power cords to the server. The server powers up to standby power mode, indicated when the Power LED on the front panel is amber.
- Step 7** Return the server to main power mode by pressing the Power button on the front panel. The server is in main power mode when the Power LED is green.
- Note** You must allow the entire server to reboot to main power mode to complete the reset. The state of the jumper cannot be determined without the host CPU running.

- Step 8** Press the Power button to shut down the server to standby power mode, and then remove AC power cords from the server to remove all power.
- Step 9** Remove the top cover from the server.
- Step 10** Remove the jumper that you installed.
Note If you do not remove the jumper, the password is cleared every time you power-cycle the server.
- Step 11** Replace the top cover, replace the server in the rack, replace power cords and any other cables, and then power on the server by pressing the Power button.
-

Using the Boot Alternate Cisco IMC Image Header (J39, Pins 1 - 2)

You can use this Cisco IMC debug header to force the system to boot from an alternate Cisco IMC image.

-
- Step 1** Shut down and remove power from the server as described in [Shutting Down and Removing Power From the Server, on page 32](#). Disconnect power cords from all power supplies.
- Step 2** Slide the server out the front of the rack far enough so that you can remove the top cover. You might have to detach cables from the rear panel to provide clearance.
Caution If you cannot safely view and access the component, remove the server from the rack.
- Step 3** Remove the top cover from the server as described in [Removing the Server Top Cover, on page 34](#).
- Step 4** Locate header block J39, pins 1-2, as shown in [Service Headers and Jumpers, on page 92](#).
- Step 5** Install a two-pin jumper across J39 pins 1 and 2.
- Step 6** Reinstall the top cover and reconnect AC power cords to the server. The server powers up to standby power mode, indicated when the Power LED on the front panel is amber.
- Step 7** Return the server to main power mode by pressing the Power button on the front panel. The server is in main power mode when the Power LED is green.
Note When you next log in to Cisco IMC, you see a message similar to the following:
- ```
'Boot from alternate image' debug functionality is enabled.
CIMC will boot from alternate image on next reboot or input power
cycle.
```
- Note** If you do not remove the jumper, the server will boot from an alternate Cisco IMC image every time that you power cycle the server or reboot Cisco IMC.
- Step 8** To remove the jumper, press the Power button to shut down the server to standby power mode, and then remove AC power cords from the server to remove all power.
- Step 9** Remove the top cover from the server.
- Step 10** Remove the jumper that you installed.
- Step 11** Replace the top cover, replace the server in the rack, replace power cords and any other cables, and then power on the server by pressing the Power button.
-

## Using the Reset Cisco IMC Password to Default Header (J39, Pins 3 - 4)

You can use this Cisco IMC debug header to force the Cisco IMC password back to the default.

- 
- Step 1** Shut down and remove power from the server as described in [Shutting Down and Removing Power From the Server, on page 32](#). Disconnect power cords from all power supplies.
- Step 2** Slide the server out the front of the rack far enough so that you can remove the top cover. You might have to detach cables from the rear panel to provide clearance.
- Caution** If you cannot safely view and access the component, remove the server from the rack.
- Step 3** Remove the top cover from the server as described in [Removing the Server Top Cover, on page 34](#).
- Step 4** Locate header block J39, pins 3-4, as shown in [Service Headers and Jumpers, on page 92](#).
- Step 5** Install a two-pin jumper across J39 pins 3 and 4.
- Step 6** Reinstall the top cover and reconnect AC power cords to the server. The server powers up to standby power mode, indicated when the Power LED on the front panel is amber.
- Step 7** Return the server to main power mode by pressing the Power button on the front panel. The server is in main power mode when the Power LED is green.
- Note** When you next log in to Cisco IMC, you see a message similar to the following:
- ```
'Reset to default CIMC password' debug functionality is enabled.
```
- On input power cycle, CIMC password will be reset to defaults.
- Note** If you do not remove the jumper, the server will reset the Cisco IMC password to the default every time that you power cycle the server. The jumper has no effect if you reboot Cisco IMC.
- Step 8** To remove the jumper, press the Power button to shut down the server to standby power mode, and then remove AC power cords from the server to remove all power.
- Step 9** Remove the top cover from the server.
- Step 10** Remove the jumper that you installed.
- Step 11** Replace the top cover, replace the server in the rack, replace power cords and any other cables, and then power on the server by pressing the Power button.
-

Using the Reset Cisco IMC to Defaults Header (J39, Pins 5 - 6)

You can use this Cisco IMC debug header to force the Cisco IMC settings back to the defaults.

-
- Step 1** Shut down and remove power from the server as described in [Shutting Down and Removing Power From the Server, on page 32](#). Disconnect power cords from all power supplies.
- Step 2** Slide the server out the front of the rack far enough so that you can remove the top cover. You might have to detach cables from the rear panel to provide clearance.
- Caution** If you cannot safely view and access the component, remove the server from the rack.

- Step 3** Remove the top cover from the server as described in [Removing the Server Top Cover](#), on page 34.
- Step 4** Locate header block J39, pins 5-6, as shown in [Service Headers and Jumpers](#), on page 92.
- Step 5** Install a two-pin jumper across J39 pins 5 and 6.
- Step 6** Reinstall the top cover and reconnect AC power cords to the server. The server powers up to standby power mode, indicated when the Power LED on the front panel is amber.
- Step 7** Return the server to main power mode by pressing the Power button on the front panel. The server is in main power mode when the Power LED is green.
- Note** When you next log in to Cisco IMC, you see a message similar to the following:
- ```
'CIMC reset to factory defaults' debug functionality is enabled.
```
- On input power cycle, CIMC will be reset to factory defaults.
- Note** If you do not remove the jumper, the server will reset the Cisco IMC to the default settings every time that you power cycle the server. The jumper has no effect if you reboot Cisco IMC.
- Step 8** To remove the jumper, press the Power button to shut down the server to standby power mode, and then remove AC power cords from the server to remove all power.
- Step 9** Remove the top cover from the server.
- Step 10** Remove the jumper that you installed.
- Step 11** Replace the top cover, replace the server in the rack, replace power cords and any other cables, and then power on the server by pressing the Power button.
-





# Server Specifications

- [Server Specifications, page 101](#)

## Server Specifications

This appendix lists the physical, environmental, and power specifications for the server.

- [Physical Specifications, on page 101](#)
- [Environmental Specifications, on page 102](#)
- [Power Specifications, on page 102](#)

## Physical Specifications

The following table lists the physical specifications for the server versions.

**Table 8: Physical Specifications**

| Description                           | Specification                                                                  |
|---------------------------------------|--------------------------------------------------------------------------------|
| Height                                | 1.7 in. (43.2 mm)                                                              |
| Width                                 | 16.9 in. (429.0 mm)                                                            |
| Depth (length)                        | Server only: 29.5 in. (740.3 mm)<br>Server with slide rail: 31.0 in (787.4 mm) |
| Maximum weight (fully loaded chassis) | SFF 10-drive: 50.0 lb. (22.7 Kg)<br>LFF 4-drive: 59.8 lb. (27.1 Kg)            |

## Environmental Specifications

The following table lists the environmental requirements and specifications for the server.

**Table 9: Physical Specifications**

| Description                                                                                   | Specification                                                                                                     |
|-----------------------------------------------------------------------------------------------|-------------------------------------------------------------------------------------------------------------------|
| Temperature, Operating                                                                        | 41 to 95°F (5 to 35°C)<br>Derate the maximum temperature by 1°C per every 305 meters of altitude above sea level. |
| Temperature, non-operating<br>(when the server is stored or transported)                      | -40 to 149°F (-40 to 65°C)                                                                                        |
| Humidity (RH), operating                                                                      | 10 to 90%                                                                                                         |
| Humidity (RH), non-operating<br>(when the server is stored or transported)                    | 5 to 93%                                                                                                          |
| Altitude, operating                                                                           | 0 to 10,000 feet                                                                                                  |
| Altitude, non-operating<br>(when the server is stored or transported)                         | 0 to 40,000 feet                                                                                                  |
| Sound power level<br>Measure A-weighted per ISO7779 LwAd (Bels)<br>Operation at 73°F (23°C)   | 5.5                                                                                                               |
| Sound pressure level<br>Measure A-weighted per ISO7779 LpAm (dBA)<br>Operation at 73°F (23°C) | 40                                                                                                                |

## Power Specifications



**Note**

Do not mix power supply types or wattages in the server. Both power supplies must be identical.

You can get more specific power information for your exact server configuration by using the Cisco UCS Power Calculator:

<http://ucspowercalc.cisco.com>

The power specifications for the supported power supply options are listed in the following sections.



## 770 W AC Power Supply

This section lists the specifications for each 770 W AC power supply (Cisco part number UCSC-PSU1-770W).

**Table 10: 770 W AC Specifications**

| Description                  | Specification                                                               |
|------------------------------|-----------------------------------------------------------------------------|
| AC Input Voltage             | Nominal range: 100–120 VAC, 200–240 VAC<br>(Range: 90–132 VAC, 180–264 VAC) |
| AC Input Frequency           | Nominal range: 50 to 60Hz<br>(Range: 47–63 Hz)                              |
| Maximum AC Input current     | 9.5 A at 100 VAC<br>4.5 A at 208 VAC                                        |
| Maximum input volt-amperes   | 950 VA at 100 VAC                                                           |
| Maximum inrush current       | 15 A (sub-cycle duration)                                                   |
| Maximum hold-up time         | 12 ms at 770 W                                                              |
| Maximum output power per PSU | 770 W                                                                       |
| Power supply output voltage  | 12 VDC                                                                      |
| Power supply standby voltage | 12 VDC                                                                      |
| Efficiency rating            | Climate Savers Platinum Efficiency (80Plus Platinum certified)              |
| Form factor                  | RSP2                                                                        |
| Input connector              | IEC320 C14                                                                  |

## 1050 W AC Power Supply

This section lists the specifications for each 1050 W AC power supply (Cisco part number UCSC-PSU1-1050W).

**Table 11: 1050 W AC Specifications**

| Description      | Specification                                                               |
|------------------|-----------------------------------------------------------------------------|
| AC Input Voltage | Nominal range: 100–120 VAC, 200–240 VAC<br>(Range: 90–132 VAC, 180–264 VAC) |

|                              |                                                                |
|------------------------------|----------------------------------------------------------------|
| AC Input Frequency           | Nominal range: 50 to 60Hz<br>(Range: 47–63 Hz)                 |
| Maximum AC Input current     | 12.5 A at 100 VAC<br>6.0 A at 208 VAC                          |
| Maximum input volt-amperes   | 1250 VA at 100 VAC                                             |
| Maximum inrush current       | 15 A (sub-cycle duration)                                      |
| Maximum hold-up time         | 12 ms at 1050 W                                                |
| Maximum output power per PSU | 800 W at 100–120 VAC<br>1050 W at 200–240 VAC                  |
| Power supply output voltage  | 12 VDC                                                         |
| Power supply standby voltage | 12 VDC                                                         |
| Efficiency rating            | Climate Savers Platinum Efficiency (80Plus Platinum certified) |
| Form factor                  | RSP2                                                           |
| Input connector              | IEC320 C14                                                     |

## 1600 W AC Power Supply

This section lists the specifications for each 1600 W AC power supply (Cisco part number UCSC-PSU1-1600W).

**Table 12: 1600 W AC Specifications**

| Description                | Specification                                      |
|----------------------------|----------------------------------------------------|
| AC Input Voltage           | Nominal range: 200–240 VAC<br>(Range: 180–264 VAC) |
| AC Input Frequency         | Nominal range: 50 to 60Hz<br>(Range: 47–63 Hz)     |
| Maximum AC Input current   | 9.5 A at 200 VAC                                   |
| Maximum input volt-amperes | 1250 VA at 200 VAC                                 |
| Maximum inrush current     | 30 A at 35° C                                      |

|                              |                                                                |
|------------------------------|----------------------------------------------------------------|
| Maximum hold-up time         | 80 ms at 1600 W                                                |
| Maximum output power per PSU | 1600 W at 200–240 VAC                                          |
| Power supply output voltage  | 12 VDC                                                         |
| Power supply standby voltage | 12 VDC                                                         |
| Efficiency rating            | Climate Savers Platinum Efficiency (80Plus Platinum certified) |
| Form factor                  | RSP2                                                           |
| Input connector              | IEC320 C14                                                     |

## 1050 W DC Power Supply

This section lists the specifications for each 1050 W DC power supply (Cisco part number UCSC-PSUV2-1050DC).

**Table 13: 1050 W DC Specifications**

| Description                  | Specification                                               |
|------------------------------|-------------------------------------------------------------|
| DC Input Voltage             | Nominal range: -48 to -60 VDC<br>(Range: -40 to -72 VDC)    |
| Maximum DC input current     | 32 A at -40 VDC                                             |
| Maximum input wattage        | 1234 W                                                      |
| Maximum inrush current       | 35 A (sub-cycle duration)                                   |
| Maximum hold-up time         | 5 ms at 100% load (1050 W main and 36 W standby)            |
| Maximum output power per PSU | 1050 W on 12 VDC main power<br>36 W on 12 VDC standby power |
| Power supply output voltage  | 12 VDC                                                      |
| Power supply standby voltage | 12 VDC                                                      |
| Efficiency rating            | ≥ 92% at 50% load                                           |
| Form factor                  | RSP2                                                        |
| Input connector              | Fixed 3-wire block                                          |

## Power Cord Specifications

Each power supply in the server has a power cord. Standard power cords or jumper power cords are available for connection to the server. The shorter jumper power cords, for use in racks, are available as an optional alternative to the standard power cords.



**Note** Only the approved power cords or jumper power cords listed below are supported.

**Table 14: Supported Power Cords**

| Description                                                                                               | Length (Feet) | Length (Meters) |
|-----------------------------------------------------------------------------------------------------------|---------------|-----------------|
| CAB-48DC-40A-8AWG<br>DC power cord, -48 VDC, 40 A, 8 AWG<br>Three-socket Mini-Fit connector to three-wire | 11.7          | 3.5             |
| CAB-C13-C14-AC<br>AC power cord, 10 A; C13 to C14, recessed receptacle                                    | 9.8           | 3.0             |
| CAB-250V-10A-AR<br>AC power cord, 250 V, 10 A<br>Argentina                                                | 8.2           | 2.5             |
| CAB-C13-C14-2M-JP<br>AC Power Cord, C13 to C14<br>Japan PSE Mark                                          | 6.6           | 2.0             |
| CAB-9K10A-EU<br>AC Power Cord, 250 V, 10 A; CEE 7/7 Plug<br>Europe                                        | 8.2           | 2.5             |
| CAB-250V-10A-IS<br>AC Power Cord, 250 V, 10 A<br>Israel                                                   | 8.2           | 2.5             |
| CAB-250V-10A-CN<br>AC power cord, 250 V, 10 A<br>PR China                                                 | 8.2           | 2.5             |

|                                                                                          |     |      |
|------------------------------------------------------------------------------------------|-----|------|
| CAB-C13-CBN<br>AC cabinet jumper power cord, 250, 10 A,<br>C13 to C14                    | 2.2 | 0.68 |
| CAB-C13-C14-2M<br>AC cabinet jumper power cord, 250 V, 10<br>A,<br>C13 to C14            | 6.6 | 2.0  |
| CAB-9K10A-AU<br>AC power cord, 250 V, 10 A, 3112 plug,<br>Australia                      | 8.2 | 2.5  |
| CAB-N5K6A-NA<br>AC power cord, 200/240 V, 6 A,<br>North America                          | 8.2 | 2.5  |
| CAB-250V-10A-ID<br>AC power Cord, 250 V, 10 A,<br>India                                  | 8.2 | 2.5  |
| CAB-9K10A-SW<br>AC power cord, 250 V, 10 A, MP232 plug<br>Switzerland                    | 8.2 | 2.5  |
| CAB-250V-10A-BR<br>AC power Cord, 250 V, 10 A<br>Brazil                                  | 8.2 | 2.5  |
| CAB-9K10A-UK<br>AC power cord, 250 V, 10 A (13 A fuse),<br>BS1363 plug<br>United Kingdom | 8.2 | 2.5  |
| CAB-9K12A-NA<br>AC power cord, 125 V, 13 A, NEMA 5-15<br>plug<br>North America           | 8.2 | 2.5  |
| CAB-AC-L620-C13<br>AC power cord, NEMA L6-20 to C13<br>connectors                        | 6.6 | 2.0  |

|                                                                                         |     |     |
|-----------------------------------------------------------------------------------------|-----|-----|
| CAB-9K10A-IT<br>AC power cord, 250 V, 10 A, CEI<br>23-16/VII plug<br>Italy              | 8.2 | 2.5 |
| R2XX-DMYMPWRCORD<br>No power cord; PID option for ordering<br>server with no power cord | NA  | NA  |



## Storage Controller Considerations

---

This appendix provides storage controller (RAID and HBA) information.

- [Supported Storage Controllers and Cables, page 109](#)
- [Storage Controller Card Firmware Compatibility, page 111](#)
- [RAID Backup \(Supercap\), page 111](#)
- [Write-Cache Policy for Cisco 12G SAS Modular RAID Controller, page 112](#)
- [Mixing Drive Types in RAID Groups, page 112](#)
- [RAID Controller Migration, page 113](#)
- [Cisco UCS SAS 9400-8e HBA Considerations, page 113](#)
- [Storage Controller and Backplane Connectors, page 114](#)
- [Embedded SATA RAID Controller, page 117](#)
- [For More RAID Utility Information, page 127](#)

## Supported Storage Controllers and Cables

This server supports a single, PCIe-style, SAS RAID or HBA controller that plugs into a dedicated internal riser. Alternatively, the server has a software-based SATA RAID controller embedded in the system.



**Note**

Do not mix controller types in the server. Do not use the embedded SATA controller and a hardware-based RAID controller card at the same time. This combination is not supported and could result in data loss.

---



**Note**

NVMe PCIe SSDs cannot be controlled by a SAS/SATA RAID controller.

---

This server supports the RAID and HBA controller options and cable requirements shown in the following table.

**Note**

The NVMe-optimized, SFF 10-drive version, UCSC-220-M5SN, supports NVMe drives only and so does not use SAS or SATA RAID. This version of the server comes with an NVMe-switch card factory-installed in the internal mRAID riser. The NVMe switch card is not orderable separately.

| Controller                                                                               | Server Version/Maximum Drives Controlled                                                                                                                                                                                                                                 | RAID Levels            | Optional Supercap Backup? | Required Cables                                                                          |
|------------------------------------------------------------------------------------------|--------------------------------------------------------------------------------------------------------------------------------------------------------------------------------------------------------------------------------------------------------------------------|------------------------|---------------------------|------------------------------------------------------------------------------------------|
| Embedded RAID (PCH SATA)                                                                 | <p>This controller is supported only in these server versions:</p> <ul style="list-style-type: none"> <li>• SFF 10-drives (-C220M5SX):<br/>8 front-loading SATA drives (drive bays 1 - 8)</li> <li>• LFF 4-drives (-C220M5L):<br/>4 front-loading SATA drives</li> </ul> | 0, 1, 10               | No                        | Use SAS/SATA cable included with chassis to connect interposer board to drive backplane. |
| Cisco 12G Modular RAID Controller<br>UCSC-MRAID12G                                       | <p>This controller is supported only in this server version:</p> <ul style="list-style-type: none"> <li>• LFF 4-drives (-C220M5L):<br/>4 front-loading SAS/SATA drives</li> </ul>                                                                                        | 0, 1, 5, 6, 10, 50, 60 | Yes                       | Use SAS/SATA cable included with chassis to connect controller to drive backplane.       |
| Cisco 12G Modular RAID Controller with 2-GB cache<br>UCSC-RAID-M5<br>Includes 2-GB cache | <p>This controller is supported only in these server versions:</p> <ul style="list-style-type: none"> <li>• SFF 10-drives (-C220M5SX):<br/>10 front-loading SAS/SATA drives</li> <li>• LFF 4-drives (-C220M5L):<br/>4 front-loading SAS/SATA drives</li> </ul>           | 0, 1, 5, 6, 10, 50, 60 | Yes                       | Use SAS/SATA cable included with chassis to connect controller to drive backplane.       |



|                                                                                                                                    |                                                                                                                                                                                                                                                                |          |    |                                                                                                                                                                                                                                                                                                                               |
|------------------------------------------------------------------------------------------------------------------------------------|----------------------------------------------------------------------------------------------------------------------------------------------------------------------------------------------------------------------------------------------------------------|----------|----|-------------------------------------------------------------------------------------------------------------------------------------------------------------------------------------------------------------------------------------------------------------------------------------------------------------------------------|
| Cisco 12G Modular SAS HBA<br>UCSC-SAS-M5                                                                                           | This controller is supported only in these server versions:<br><br><ul style="list-style-type: none"> <li>• SFF 10-drives (-C220M5SX):<br/>10 front-loading SAS/SATA drives</li> <li>• LFF 4-drives (-C220M5L):<br/>4 front-loading SAS/SATA drives</li> </ul> | Non-RAID | No | Use SAS/SATA cable included with chassis to connect controller to drive backplane.                                                                                                                                                                                                                                            |
| Cisco 12G 9400-8e 12G SAS HBA For External JBOD<br><br>See <a href="#">Cisco UCS SAS 9400-8e HBA Considerations, on page 113</a> . | All server versions:<br>8 external SAS/SATA ports, controlling up to 1024 external drives                                                                                                                                                                      | Non-RAID | No | Cisco does not sell cables for external drive attachment.<br><br>Use cables with Mini-SAS HD connectors to connect to the HBA and the appropriate connector on the other end to attach to your storage device.<br><br><b>Note:</b> This HBA does not support optical cables for connection to external storage (copper only). |

## Storage Controller Card Firmware Compatibility

Firmware on the storage controller (RAID or HBA) must be verified for compatibility with the current Cisco IMC and BIOS versions that are installed on the server. If not compatible, upgrade or downgrade the storage controller firmware using the Host Upgrade Utility (HUU) for your firmware release to bring it to a compatible level.

See the HUU guide for your Cisco IMC release for instructions on downloading and using the utility to bring server components to compatible levels: [HUU Guides](#).

## RAID Backup (Supercap)

This server supports installation of one supercap unit. The unit mounts to a bracket in-line with the fan modules.

The optional SCPM provides approximately three years of backup for the disk write-back cache DRAM in the case of a sudden power loss by offloading the cache to the NAND flash.

For supercap unit replacement instructions, see [Replacing the Supercap \(RAID Backup\), on page 83](#).

## Write-Cache Policy for Cisco 12G SAS Modular RAID Controller

For this server and other Cisco Generation M5 servers, the default write-cache policy for the Cisco Modular RAID controller is *Write Through* (irrespective of the presence of a charged supercap or “good BBU”). This utilizes the optimal performance characteristics of the controller.

The write policy can be set to *Write Back*, if preferred. You can set the write policy using the following methods:

- For standalone servers, use the Cisco IMC interface to set Virtual Drive Properties > Write Policy. See the “Managing Storage Adapters” section in your Cisco IMC Configuration Guide.

[Cisco IMC GUI and CLI Configuration Guides](#)

- For Cisco UCS-integrated servers, use the Cisco UCS Manager interface to set the write-cache policy as part of virtual drive configuration in your storage profile.

[Cisco UCS Manager Configuration Guides](#)

- Use the LSI Option ROM Configuration Utility.

## Mixing Drive Types in RAID Groups

The following table lists the technical capabilities for mixing hard disk drive (HDD) and solid state drive (SSD) types in a RAID group. However, see the recommendations that follow for the best performance.

**Table 15: Mixing Drive Types**

| Mix of Drive Types in RAID Group | Allowed? |
|----------------------------------|----------|
| SAS HDD + SATA HDD               | Yes      |
| SAS SSD + SATA SSD               | Yes      |
| HDD + SSD                        | No       |

### Drive Type Mixing Best Practices

For the best performance follow these guidelines:

- Use either all SAS or all SATA drives in a RAID group.
- Use the same capacity for each drive in the RAID group.
- Never mix HDDs and SSDs in the same RAID group.

## RAID Controller Migration

This server supports SAS/SATA hardware RAID (controller card) and embedded software SATA RAID. You cannot use hardware RAID and software RAID at the same time. See the table below for which data migrations are allowed and a summary of migration steps.

| Starting RAID Controller                                         | Migrate to Hardware RAID Allowed?                                                                                                                                                                                                                                                                                           | Migrate to Software RAID Allowed?                                                                                            |
|------------------------------------------------------------------|-----------------------------------------------------------------------------------------------------------------------------------------------------------------------------------------------------------------------------------------------------------------------------------------------------------------------------|------------------------------------------------------------------------------------------------------------------------------|
| None (no drives).<br>Embedded RAID is disabled in the BIOS.      | Allowed<br><b>1</b> Install RAID card.<br><b>2</b> Install SAS cables.                                                                                                                                                                                                                                                      | Allowed<br><b>1</b> Install SATA interposer card.<br><b>2</b> Install SATA cables.<br><b>3</b> Enable embedded RAID in BIOS. |
| Embedded software RAID.<br>Embedded RAID is enabled in the BIOS. | <b>Caution</b> Data migration from software RAID to hardware RAID is <i>not</i> supported and could result in data loss.<br>Allowed only before there is data on the drives; data migration is not supported.<br><b>1</b> Disable embedded RAID in the BIOS.<br><b>2</b> Install RAID card.<br><b>3</b> Install SAS cables. | -                                                                                                                            |
| Hardware RAID.<br>Embedded RAID is disabled in the BIOS.         | -                                                                                                                                                                                                                                                                                                                           | Not allowed.                                                                                                                 |

## Cisco UCS SAS 9400-8e HBA Considerations

This section lists special consideration when using the Cisco UCS SAS 9400-8e HBA for connecting external storage. This HBA installs to PCIe slot 1 or 2 so that its ports are accessible externally.

### Optical Cables Not Supported for 9400-8e HBA

The 9300-8e HBA does not support optical cables for connection to external storage (copper only).

### Bad Drive and Predictive Failure Behavior for 9400-8e HBA

The bad drive and predictive failure behavior for the Cisco UCS SAS 9400-e HBA cards is different than that for MegaRAID-based cards. The list below compares behavior for these HBA cards and MegaRAID-based cards.

- Bad/invalid/OMB drive handling:
  - MegaRAID: The bad drive is marked BAD in the GUI/CLI interfaces and the fault LED on the drive is solid amber.
  - 9400-8e HBA: The bad drive is not shown in the GUI/CLI and there is no LED indication.
- Drive predictive behavior:
  - MegaRAID: If the drive is part of a RAID volume with a spare, the software performs an auto-copy backup and then marks the drive failed/BAD with the fault LED on the drive solid amber.
  - 9400-8e HBA: There is no error handling and there is no LED indication. The operating system must handle the fault.

### Setting the Preferred Boot Device For 9400-8e HBA

Currently, the boot device order for these HBAs does not map to a physical slot as seen in the Boot Option dialog of the server's BIOS Setup Utility. This makes it difficult to differentiate between multiple devices.

Use the following procedure to select the preferred boot device in the Broadcom BIOS CU SAS Topology screen. When you select the preferred boot device in the BIOS CU SAS Topology screen, it is displayed at the top of the list in the server BIOS Setup Utility Boot Option dialog, making it easy to identify.

- 1 In the Broadcom SAS BIOS CU, navigate to the SAS Topology screen.
- 2 Press **Alt+B** to select or deselect a device as the preferred boot device. On this screen, you can identify the device by slot number.
- 3 Press **Alt+A** to select or deselect a device as the alternate boot device. On this screen, you can identify the device by slot number. The alternate boot device is used if the preferred boot device is not detected.
- 4 Return to the BIOS CU SAS Topology screen.  
The Device Info column shows which devices you selected with the designators **Boot** and **Alt**.
- 5 In the server's BIOS Setup Utility, open the **Boot Option** dialog.  
The preferred device that you selected in the LSI BIOS CU is listed at the top of the list.
- 6 Select the device at the top of the list as your boot option.

## Storage Controller and Backplane Connectors

This section describes cabling connections for the storage controllers and the backplane. The SAS/SATA cables are factory-installed and are used for all supported internal controllers in both the SFF 10-drive (UCSC-220-M5SX) and LFF 4-drive (UCSC-220-M5L) versions of the server.

This section also contains diagrams that show the cable-to-drive mapping.

**Note**

---

The SFF 10-drive version UCSC-220-M5SN supports NVMe drives only, and so does not use SAS or SATA RAID. This version of the server comes with an NVMe-switch card factory-installed in the internal mRAID riser. The NVMe switch card is not orderable separately.

---

**Embedded RAID**

This SW RAID option can control up to 8 SATA drives in the SFF 10-drive version and up to 4 SATA drives in the LFF 4-drive version.

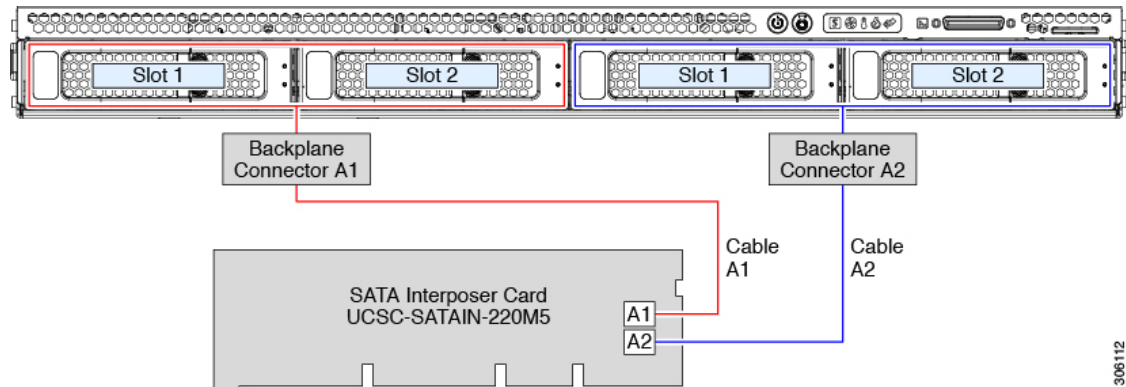
This embedded RAID option requires that you have a SATA interposer card installed in internal mRAID riser 3. Use the SAS/SATA cables that came with the server.

- 1 Connect SAS/SATA cable A1 from the A1 interposer connector to the A1 backplane connector.
- 2 Connect SAS/SATA cable A2 from the A2 interposer connector to the A2 backplane connector.

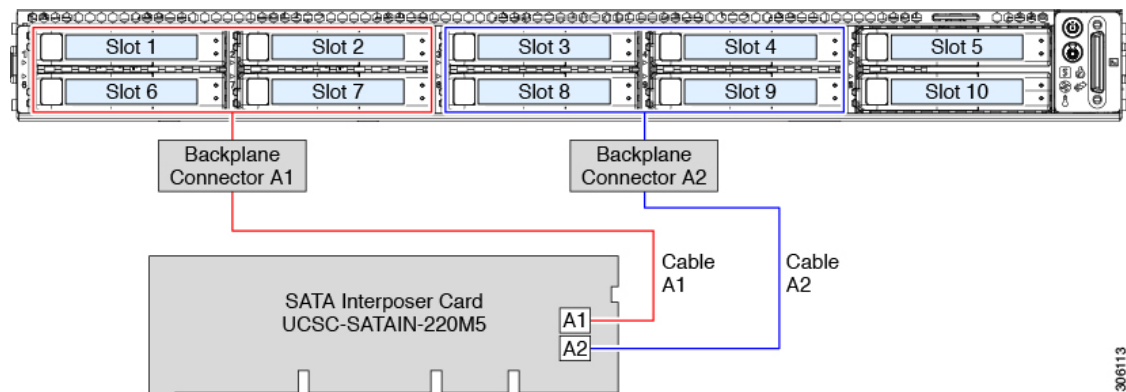
**Note**

See the following figures that illustrate cable connections and which drives are controlled by each cable. In the SFF 10-drive version, drives 5 and 10 cannot be controlled by the embedded SATA RAID controller.

**Figure 45: Embedded RAID Interposer Cable-to-Drive Backplane Mapping, LFF 4-Drive Version**



**Figure 46: Embedded RAID Interposer Cable-to-Drive Backplane Mapping, SFF 10-Drive Version**



### Cisco 12G Modular SAS RAID Controller or HBA

This HW RAID option can control up to 10 SAS/SATA drives in the SFF 10-drive version and up to 4 SAS/SATA drives in the LFF 4-drive version.

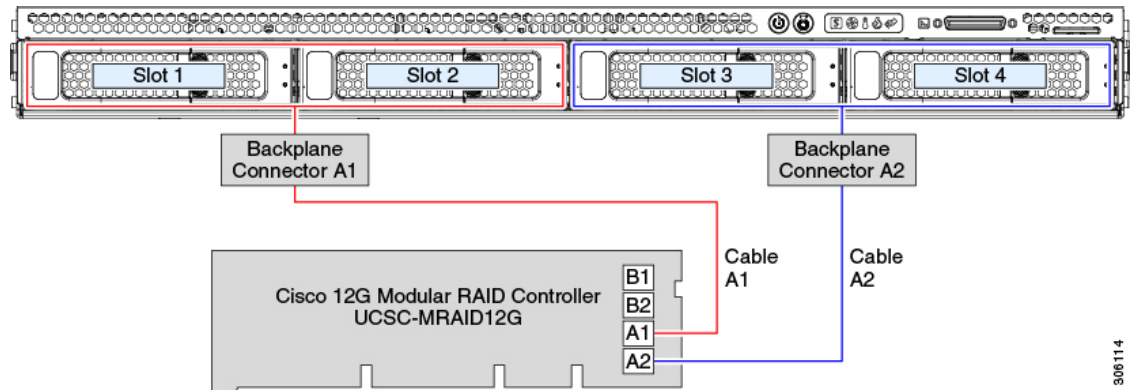
This option requires that you have a SAS RAID or HBA card installed in internal mRAID riser 3. Use the SAS/SATA cables that came with the server.

- 1 Connect SAS/SATA cable A1 from the A1 card connector to the A1 backplane connector.
- 2 Connect SAS/SATA cable A2 from the A2 card connector to the A2 backplane connector.
- 3 For SFF-10-drive servers only: Connect SAS/SATA cable B2 from the B2 card connector to the B2 backplane connector.

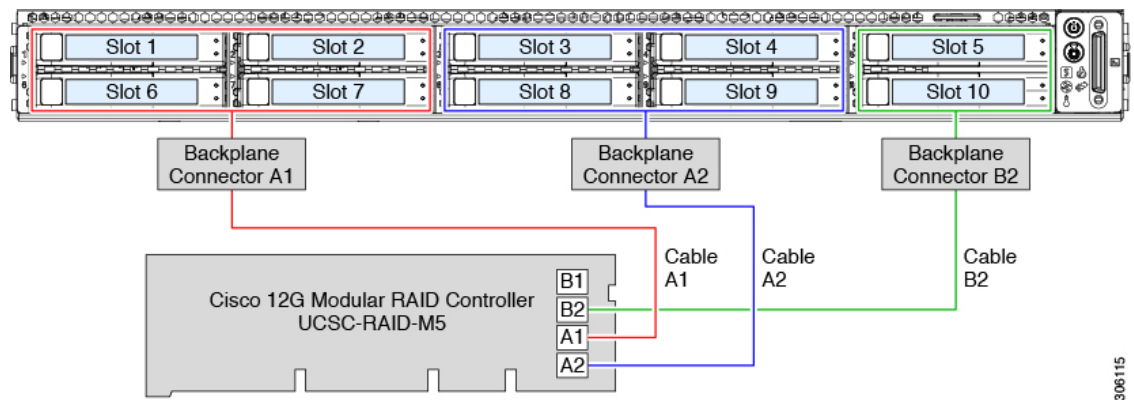
**Note**

See the following figures that illustrate cable connections and which drives are controlled by each cable.

**Figure 47: Hardware RAID Card Cable-to-Drive Backplane Mapping, LFF 4-Drive Version**



**Figure 48: Hardware RAID Card Cable-to-Drive Backplane Mapping, SFF 10-Drive Version**



## Embedded SATA RAID Controller

This server includes an embedded MegaRAID controller that supports RAID levels 0, 1, and 10. The primary controller can control up to eight front-loading SATA-only drives. The secondary controller can control two internal M.2 SATA drives.

**Note**

VMware ESX/ESXi or any other virtualized environments are not supported for use with the embedded MegaRAID controller. Hypervisors such as Hyper-V, Xen, or KVM are also not supported for use with the embedded MegaRAID controller.

## Embedded SATA RAID Requirements

The embedded SATA RAID controller requires the following items:

- Interposer card UCSC-SATAIN-220M5. This must be installed in internal mRAID riser 3.
- The SAS/SATA cables that are preinstalled in the chassis.
- Primary controller: SATA drives only (up to eight, in front drive bays 1–8).
- Secondary controller: M.2 mini-storage module with two SATA M.2 SSDs.
- The embedded SATA RAID controllers must be enabled in the server BIOS. If you ordered the server with embedded SATA RAID, it is enabled at the factory.
- (Optional) LSI MegaSR drivers for Windows or Linux.
- The software RAID controller requires UEFI boot mode; Legacy boot mode is not supported.
- If you use an embedded RAID controller with Linux, both the pSATA and the sSATA controller must be set to `LSI SW RAID` mode.

## Embedded SATA RAID Controller Considerations

Note the following considerations:

- The default setting for this embedded controller hub is SATA RAID 0, 1, and 10 support for up to eight front-loading SATA drives, and up to two internal M.2 SATA drives. The hub is divided into two SATA controllers that have different functions. See [Embedded SATA RAID: Two SATA Controllers](#), on page 119.
- When you order the server with this embedded controller, the controller is enabled in the BIOS. Instructions for enabling the controller are included for the case in which a server is reset. See [Enabling SATA Mode For the Embedded Controllers](#), on page 119.
- You cannot downgrade from using a hardware RAID controller card to using the software RAID embedded controller (see [RAID Controller Migration](#), on page 113).



---

**Caution**

Data migration from software RAID (embedded RAID) to hardware RAID (a controller card) is not supported and could result in data loss. Migrations from software RAID to hardware RAID are supported only before there is data on the drives, or when there are no drives in the server.

---

- The required drivers for this controller are already installed and ready to use with the LSI SWRAID Configuration Utility. However, if you will use this controller with Windows or Linux, you must download and install additional drivers for those operating systems. See [Installing LSI MegaSR Drivers For Windows and Linux](#), on page 120.



## Embedded SATA RAID: Two SATA Controllers

The embedded RAID platform controller hub (PCH) is split into two controllers: primary SATA (pSATA) and secondary SATA (sSATA). These two controllers are seen as separate RAID controllers in the Cisco IMC interface and are configurable separately.

- SFF 10-drives server UCSC-220-M5SX:
  - The pSATA controller controls up to eight front SATA drives (drive bays 1–8).
  - The sSATA controller controls two internal SATA M.2 drives, when they are present in the M.2 mini-storage module option.  
  
If the M.2 mini-storage module is not present, or if M.2 NVMe drives are installed in the mini-storage module, the sSATA controller is automatically disabled.
- LFF 4-drives server UCSC-220-M5L:
  - The pSATA controller controls front-loading SATA drives in bays 1–4.
  - The sSATA controller controls two internal SATA M.2 drives, when they are present in the M.2 mini-storage module option.  
  
If the M.2 mini-storage module is not present, or if M.2 NVMe drives are installed in the mini-storage module, the sSATA controller is automatically disabled.
- Each controller is listed separately in the BIOS. You can enable or disable the controllers in the BIOS. See [Enabling SATA Mode For the Embedded Controllers](#) , on page 119.

## Enabling SATA Mode For the Embedded Controllers

This procedure uses the server's BIOS Setup Utility.

---

**Step 1** Boot the server and press **F2** when prompted to enter the BIOS Setup utility.

**Step 2** Set the SATA mode:

- a) Choose the **Advanced** tab, and then choose **LOM and PCIe Slots Configuration**.
- b) For the primary pSATA controller, select **pSATA** and then choose one of the options from the dialog:
  - LSI SW RAID—Enable the embedded pSATA RAID controller.  
**Note** This menu option does not appear when the server is set to boot in Legacy mode (UEFI mode is required). To change the boot mode, use the BIOS setting for **Boot Options > Boot Mode**.
  - Disabled—Disable the embedded pSATA RAID controller.
- c) For the secondary sSATA controller, select **M.2** and then choose one of the options from the dialog:
  - LSI SW RAID—Enable the embedded sSATA RAID controller for control of internal SATA M.2 drives.  
**Note** This menu option does not appear when the server is set to boot in Legacy mode (UEFI mode is required). To change the boot mode, use the BIOS setting for **Boot Options > Boot Mode**.

- Note** This menu option does not appear when the server has no M.2 mini storage module, or when no SATA M.2 drive is installed in the mini-storage module.
- AHCI—Enable control of the internal SATA M.2 drives by AHCI through your OS rather than the embedded RAID controller.
  - Disabled—Disable the embedded sSATA RAID controller.

**Step 3** Press **F10** to save your changes and exit the utility.

---

## Accessing the Software RAID Configuration Utility

To configure RAID settings for the embedded SATA RAID controllers, use the utility that is built into the BIOS. Each controller is controlled by its own instance of the utility.

---

**Step 1** Boot the server and press **F2** when prompted to enter the BIOS Setup utility.

**Step 2** Choose the **Advanced** tab.

**Step 3** Select the instance of the utility that is for the controller that you want to manage (primary or secondary):

- For the pSATA controller, select **LSI Software RAID Configuration Utility (SATA)**.
  - For the sSATA controller, select **LSI Software RAID Configuration Utility (sSATA)**.
- 

## Installing LSI MegaSR Drivers For Windows and Linux



**Note** The required drivers for this controller are already installed and ready to use. However, if you will use this controller with Windows or Linux, you must download and install additional drivers for those operating systems.

---

This section explains how to install the LSI MegaSR drivers for the following supported operating systems:

- Microsoft Windows Server
- Red Hat Enterprise Linux (RHEL)
- SUSE Linux Enterprise Server (SLES)

For the specific supported OS versions, see the [Hardware and Software Compatibility Matrix](#) for your server release.

## Downloading the MegaSR Drivers

The MegaSR drivers are included in the C-Series driver ISO for your server and OS.

- 
- Step 1** Find the drivers ISO file download for your server online and download it to a temporary location on your workstation:
- See the following URL: <http://www.cisco.com/cisco/software/navigator.html>.
  - Click **Servers - Unified Computing** in the middle column.
  - Click **UCS C-Series Rack-Mount Standalone Server Software** in the right-hand column.
  - Click your model of server in the right-hand column.
  - Click **Unified Computing System (UCS) Drivers**.
  - Click the release number that you are downloading.
  - Click **Download** to download the drivers' ISO file.
  - Verify the information on the next page, and then click **Proceed With Download**.
- Step 2** Continue through the subsequent screens to accept the license agreement and then browse to a location where you want to save the driver ISO file.
- 

## Microsoft Windows Server Drivers

### Installing Microsoft Windows Server Drivers

The Windows Server operating system automatically adds the driver to the registry and copies the driver to the appropriate directory.

#### Before You Begin

Before you install this driver on an embedded controller, you must configure a RAID drive group on the embedded controller for the drives where you will install the OS (pSATA and/or sSATA).

To access the configuration utility, open the BIOS Setup Utility, go to the **Advanced** tab, and then choose the utility instance for the embedded controller:

- For pSATA, select **LSI Software RAID Configuration Utility (SATA)**
- For sSATA, select **LSI Software RAID Configuration Utility (sSATA)**

- 
- Step 1** Download the Cisco UCS C-Series drivers' ISO, as described in [Downloading the MegaSR Drivers](#), on page 121.
- Step 2** Prepare the drivers on a USB thumb drive:
- Burn the ISO image to a disk.
  - Browse the contents of the drivers folders to the location of the embedded MegaRAID drivers:  
/<OS>/Storage/Intel/C600/
  - Expand the Zip file, which contains the folder with the MegaSR driver files.

d) Copy the expanded folder to a USB thumb drive.

**Step 3** Start the Windows driver installation using one of the following methods:

- To install from local media, connect an external USB DVD drive to the server and then insert the first Windows installation disk into the drive. Skip to Step 6.
- To install from remote ISO, log in to the server's Cisco IMC interface and continue with the next step.

**Step 4** Launch a Virtual KVM console window and click the **Virtual Media** tab.

- a) Click **Add Image** and browse to select your remote Windows installation ISO file.
- b) Check the check box in the **Mapped** column for the media that you just added, and then wait for mapping to complete.

**Step 5** Power cycle the server.

**Step 6** Press **F6** when you see the F6 prompt during bootup. The Boot Menu window opens.

**Step 7** On the Boot Manager window, choose the physical disk or virtual DVD and press **Enter**. The Windows installation begins when the image is booted.

**Step 8** Press **Enter** when you see the prompt, "Press any key to boot from CD."

**Step 9** Observe the Windows installation process and respond to prompts in the wizard as required for your preferences and company standards.

**Step 10** When Windows prompts you with "Where do you want to install Windows," install the drivers for embedded MegaRAID:

- a) Click **Load Driver**. You are prompted by a Load Driver dialog box to select the driver to be installed.
  - b) Connect the USB thumb drive that you prepared in Step 3 to the target server.
  - c) On the Windows Load Driver dialog, click **Browse**.
  - d) Use the dialog box to browse to the location of the drivers folder on the USB thumb drive, and then click **OK**. Windows loads the drivers from the folder and when finished, the driver is listed under the prompt, "Select the driver to be installed."
  - e) Click **Next** to install the drivers.
- 

## Updating Microsoft Windows Server Drivers

---

**Step 1** Click **Start**, point to **Settings**, and then click **Control Panel**.

**Step 2** Double-click **System**, click the **Hardware** tab, and then click **Device Manager**. Device Manager starts.

**Step 3** In Device Manager, double-click **SCSI and RAID Controllers**, right-click the device for which you are installing the driver, and then click **Properties**.

**Step 4** On the Driver tab, click **Update Driver** to open the Update Device Driver wizard, and then follow the wizard instructions to update the driver.

---

## Linux Drivers

### Downloading the Driver IMG or ISO File

See [Downloading the MegaSR Drivers, on page 121](#) for instructions on downloading the drivers. The Linux driver is included in the form of `dud-[driver version].img` (or `.iso`), which is the boot image for the embedded MegaRAID stack.


**Note**

The LSI MegaSR drivers that Cisco provides for RHEL and SLES are for the original GA versions of those distributions. The drivers do not support updates to those OS kernels.

### Preparing Physical Thumb Drive for Linux

This topic describes how to prepare physical Linux thumb drive from the driver image files.

This procedure requires a CD or DVD drive that you can use to burn the ISO image to disk; and a USB thumb drive.

Alternatively, you can mount the `dud.img` file as a virtual floppy disk, as described in the installation procedures.

For RHEL and SLES, you can use a driver disk utility to create disk images from image files.

- 
- Step 1** Download the Cisco UCS C-Series drivers ISO, as described in [Downloading the MegaSR Drivers, on page 121](#) and save it to your Linux system.
- Step 2** Extract the `dud.img` file:
- Burn the ISO image to a disc.
  - Browse the contents of the drivers folders to the location of the embedded MegaRAID drivers:  
/`<OS>`/`Storage/Intel/C600/`
  - Expand the Zip file, which contains the folder with the driver files.
- Step 3** Copy the driver update disk image `dud-[driver version].img` (or `.iso`) to your Linux system.
- Step 4** Insert a blank USB thumb drive into a port on your Linux system.
- Step 5** Create a directory and mount the DUD image to that directory:

**Example:**

```
mkdir <destination_folder>
mount -o loop <driver_image> <destination_folder>
```

- Step 6** Copy the contents in the directory to your USB thumb drive.
- 

### Installing the Red Hat Enterprise Linux Driver

For the specific supported OS versions, see the [Hardware and Software Compatibility Matrix](#) for your server release.

This topic describes the fresh installation of the RHEL device driver on systems that have the embedded MegaRAID stack.



**Note** If you use an embedded RAID controller with Linux, both the pSATA and the sSATA controller must be set to `LSI SW RAID` mode.

### Before You Begin

Before you install this driver on an embedded controller, you must configure a RAID drive group on the embedded controller that controls the drives where you will install the OS (pSATA and/or sSATA).

To access the configuration utility, open the BIOS Setup Utility, go to the **Advanced** tab, and then choose the utility instance for the embedded controller:

- For pSATA, select **LSI Software RAID Configuration Utility (SATA)**
- For sSATA, select **LSI Software RAID Configuration Utility (sSATA)**

- 
- Step 1** Prepare the `dud.img` (or `.iso`) file using one of the following methods:
- To install from physical drive, use the procedure in [Preparing Physical Thumb Drive for Linux](#), on page 123, then continue with step 4.
  - To install from *virtual* disk, download the Cisco UCS C-Series drivers' ISO, as described in [Downloading the MegaSR Drivers](#), on page 121, then continue with the next step.
- Step 2** Extract the `dud.img` (or `.iso`) file:
- a) Burn the ISO image to a disk.
  - b) Browse the contents of the drivers folders to the location of the embedded MegaRAID drivers:  
`/<OS>/Storage/Intel/C600/`
  - c) Copy the `dud-<driver version>.img` (or `.iso`) file to a temporary location on your workstation.
- Step 3** Start the Linux driver installation using one of the following methods:
- To install from local media, connect an external USB DVD drive to the server and then insert the first RHEL installation disk into the drive. Then continue with Step 6.
  - To install from remote ISO, log in to the server's Cisco IMC interface. Then continue with the next step.
- Step 4** Launch a Virtual KVM console window and click the **Virtual Media** tab.
- a) Click **Add Image** and browse to select your remote RHEL installation ISO file.
  - b) Click **Add Image** again and browse to select your `dud.img` file.
  - c) Check the check boxes in the **Mapped** column for the media that you just added, then wait for mapping to complete.
- Step 5** Power-cycle the target server.
- Step 6** Press **F6** when you see the F6 prompt during bootup. The Boot Menu window opens.
- Step 7** On the Boot Manager window, select the physical disk or virtual disk and press **Enter**. The RHEL installation begins when the image is booted.
- Step 8** Enter one of the following blacklist commands at the boot prompt:

- For RHEL 6.x (32- and 64-bit), enter:

```
linux dd blacklist=iscsi blacklist=ahci nodmraid noprobe=<atadrive number>
```

**Note** The noprobe values depend on the number of drives. For example, to install RHEL 6.x on a RAID 5 configuration with three drives, enter:

```
Linux dd blacklist=iscsi blacklist=ahci nodmraid noprobe=ata1 noprobe=ata2
```

- For RHEL 7.x (32- and 64-bit), enter:

```
linux dd modprobe.blacklist=ahci nodmraid
```

**Step 9** Press **Enter**.  
The prompt asks whether you have a driver disk.

**Step 10** Use the arrow key to choose **Yes**, and then press **Enter**.

**Step 11** Choose **fd0** to indicate that you have a disk with the driver on it.

**Step 12** Do one of the following actions:

- If you prepared the `dud.img` (or `.iso`) file on a physical thumb drive, insert the thumb drive to the target server and then press **Enter**.
- If you mapped the `dud.img` (or `.iso`) file as a virtual disk, choose the location of the virtual disk.

The installer locates and loads the driver for your device. The following message appears:

```
Loading megasr driver...
```

**Step 13** Follow the RHEL installation procedure to complete the installation.

**Step 14** Reboot the target server.

## Installing the SUSE Linux Enterprise Server Driver

For the specific supported OS versions, see the [Hardware and Software Compatibility Matrix](#) for your server release.

This topic describes the fresh installation of the SLES driver on systems that have the embedded MegaRAID stack.



**Note** If you use an embedded RAID controller with Linux, both the pSATA and the sSATA controller must be set to `LSI SW RAID` mode.

### Before You Begin

Before you install this driver on an embedded controller, you must configure a RAID drive group on the embedded controller that controls the drives where you will install the OS (pSATA and/or sSATA).

To access the configuration utility, open the BIOS Setup Utility, go to the **Advanced** tab, and then choose the utility instance for the embedded controller:

- For pSATA, select **LSI Software RAID Configuration Utility (SATA)**

- For sSATA, select **LSI Software RAID Configuration Utility (sSATA)**

- 
- Step 1** Prepare the `dud.img` file using one of the following methods:
- To install from physical disk, use the procedure in [Preparing Physical Thumb Drive for Linux](#), on page 123, then continue with step 4.
  - To install from *virtual* disk, download the Cisco UCS C-Series drivers' ISO, as described in [Downloading the MegaSR Drivers](#), on page 121, then continue with the next step.
- Step 2** Extract the `dud.img` file:
- Burn the ISO image to a disk.
  - Browse the contents of the drivers folders to the location of the embedded MegaRAID drivers:  
/`<OS>`/Storage/Intel/C600/
  - Copy the `dud-<driver version>.img` file to a temporary location on your workstation.
- Step 3** Start the Linux driver installation using one of the following methods:
- To install from local media, connect an external USB DVD drive to the server and then insert the first SLES installation disk into the drive. Then continue with Step 6.
  - To install from remote ISO, log in to the server's Cisco IMC interface. Then continue with the next step.
- Step 4** Launch a Virtual KVM console window and click the **Virtual Media** tab.
- Click **Add Image** and browse to select your remote RHEL installation ISO file.
  - Click **Add Image** again and browse to select your `dud.img` file.
  - Check the check boxes in the **Mapped** column for the media that you just added, then wait for mapping to complete.
- Step 5** Power-cycle the target server.
- Step 6** Press **F6** when you see the F6 prompt during bootup. The Boot Menu window opens.
- Step 7** On the Boot Manager window, select the physical disk or virtual disk and press **Enter**. The SLES installation begins when the image is booted.
- Step 8** When the first SLES screen appears, choose **Installation**.
- Step 9** Enter the following command in the **Boot Options** field:
- For SLES 12.x, enter:  
`brokenmodules=ahci`
- Step 10** Press **F6** for the driver and choose **Yes**.
- Step 11** Do one of the following actions:
- If you prepared the `dud.img` file on a physical thumb drive, insert the thumb drive to the target server and then press **Enter**.
  - If you mapped the `dud.img` file as a virtual disk, choose the location of the virtual disk.

Yes appears under the F6 Driver heading.



- Step 12** Press **Enter** to choose Installation.
- Step 13** Press **OK**.  
The following message is displayed: `LSI Soft RAID Driver Updates added.`
- Step 14** At the menu, choose the driver update medium and press the **Back** button.
- Step 15** Follow the SLES installation wizard to complete the installation.
- Step 16** Reboot the target server.
- 

## For More RAID Utility Information

The Broadcom utilities have help documentation for more information about using the utilities.

- For basic information about RAID and for using the utilities for the RAID controller cards that are supported in Cisco servers, see the [Cisco UCS Servers RAID Guide](#).
- For hardware SAS MegaRAID—[Avago Technologies/LSI 12 Gb/s MegaRAID SAS Software User's Guide, Rev. F](#)
- For embedded software MegaRAID—TBD for BIOS SWR HII





## Installation For Cisco UCS Manager Integration

---

- [Installation For Cisco UCS Manager Integration, page 129](#)

### Installation For Cisco UCS Manager Integration

The Cisco UCS Manager integration instructions are in the integration guides found here:

[Cisco UCS C-Series Server Integration with UCS Manager Configuration Guides](#)

Refer to the guide that is for the version of Cisco UCS Manager that you are using.

Also refer to the release notes for Cisco UCS Manager software and C-Series Cisco IMC software for any special considerations regarding integration in your release.

- [Cisco UCS Manager Release Notes](#)
- [Cisco C-Series Software Release Notes](#)

