

# SONY



## SRG-300SE

Full HD PTZ Remote Camera

IPELA Exmor

View-DR



**IP E L A Exmor View-DR**

# SRG-300SE Delivering New Value in a Remote Camera

**Full HD  
1080**

**30x  
Optical  
Zoom**

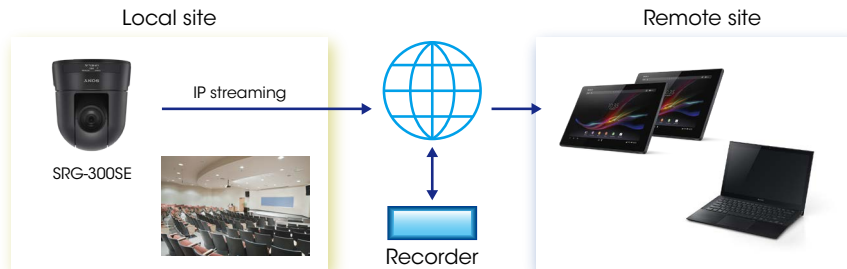


- IP H.264 full HD 1080/60p video and AAC audio streaming
- Simultaneous transmission of 3G-SDI and H.264 full HDvideo
- Two-way audio input interfaces
- Web-viewing function for remote camera control

## IP H.264 Full HD 1080/60p Video and AAC Audio Streaming

The SRG-300SE supports an IP network interface to transmit H.264 full HD video and AAC audio streaming.\* This is useful, for example, in a remote learning application – streaming content from the camera can be shared remotely with multiple audience members over an IP network, both in real time and as on-demand content.

\* No audio is supported with 3G-SDI baseband.

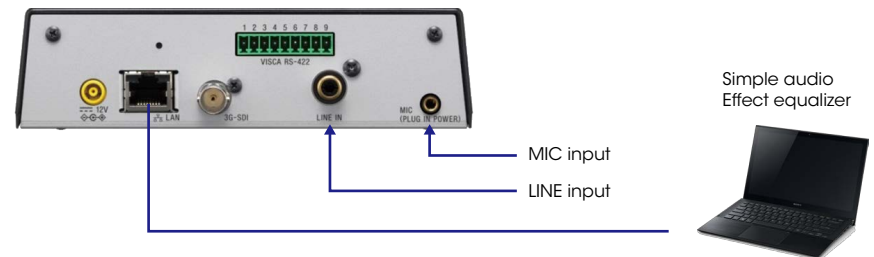


## Two-way audio input interfaces

The SRG-300SE is equipped with two-way audio input interfaces: an external LINE input and a MIC input.\*<sup>1</sup> The LINE input allows users to connect an audio mixer for a mid-to-large sized classroom. The MIC input allows users to connect an optional microphone\*<sup>2</sup> for a smaller classroom. In addition, users can connect a simple external audio effect equalizer over the IP network – this achieves clearer speaker output by effectively cutting specific audio ranges.

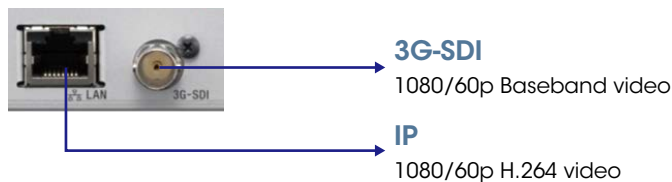
\*<sup>1</sup> The LINE and MIC are selectable.

\*<sup>2</sup> Sony PCS-A1 and SCA-M30 microphones are recommended.



## Simultaneous Transmission of 3G-SDI and IP H.264 Full HD Video

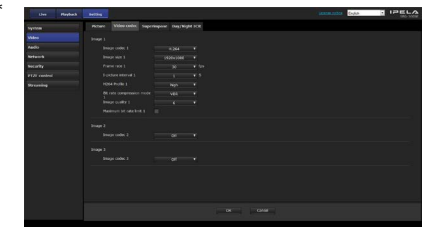
The two-way output interfaces can be used simultaneously, and serve different purposes:



## Web-viewing Function for Remote Camera Control

Up to 20 clients can view streaming video.\* The web-viewing function allows users to intuitively control the SRG-300SE camera via the IP network.

\* Up to 10 clients can receive video and audio combined streaming.



## Other Features and Benefits

### 30x High Power Zoom

The SRG-300SE provides up to a 30x optical zoom and 12x digital zoom. Therefore, this camera can capture a wide viewing range, and is ideal for large meeting rooms and auditoriums.



Wide-end

30x Optical Zoom



Tele-end

\* Simulated images

### View-DR & XDNR™ Technology

**Exmor View-DR**

View-DR technology optimizes the brightness of each pixel to highlight shadows, while subduing areas of the image that are too bright, allowing operation in less-than-ideal lighting conditions.

XDNR technology reduces noise and provides clear images of both moving and still objects under low light conditions.



Without View-DR function



With View-DR function



XDNR image

Simulated images

### Up to 256 camera preset positions\*

Users can preset up to 256 camera positions using a plug-in free viewer and ActiveX viewer.

\* Position number from 17th to 256th are stored PTZF only.

## Applications

### The perfect choice for an expandable lecture capture application

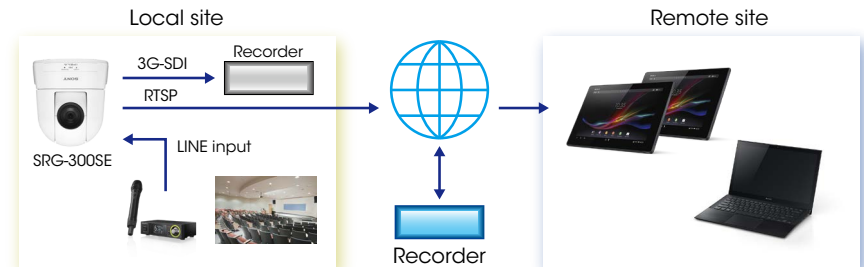
The 3G-SDI baseband and IP H.264 simultaneous streaming capabilities are very useful. 3G-SDI baseband video is suitable for local video archiving in broadcast quality. H.264 compressed video is easily transmitted over the IP network.



By combining IP server systems for transmission and recording over the IP network, users can build a perfect lecture capture system for in-house corporate training and for educational applications.

### RTP/RTCP protocols for audio and video optimized streaming

Audio and video can be naturally reproduced with optimally minimized processing latency. Accurate audio/video synchronization is achieved using the camera's time stamp in the network-attached recorder.



### Open design concept for easy system integration

This remote camera incorporates the RTSP (real-time streaming protocol), and its open design gives access to the widest range of partner and system integrator options.

### Wide range of applications

The SRG-300SE is ideal for small venues such as houses of worship, large classrooms, and much more.



# Specifications

Camera	
Image Sensor	1/2.8 Exmor CMOS
Image Sensor (Number of Effective Pixels)	Approx. 2.1 Megapixels
Signal System	1080/59.94p(A/B), 50p(A/B), 29.97p, 25p 1080/59.94i, 50i, 720/59.94p, 50p, 29.97p, 25p
Minimum Illumination (50 IRE)	1.4 lux (F1.6, highsensitivitymode OFF, 30fps) 2.8 lux (F1.6, highsensitivitymode OFF, 60fps) 0.35 lux (F1.6, highsensitivitymode ON, 30fps) 0.7 lux (F1.6, highsensitivitymode ON, 60fps)
S/N Ratio	50 dB
Gain	Auto/Manual (0 to +43 dB)
Shutter Speed	1/1 to 1/10000 sec(59.94 Hz system) 1/1 to 1/10000 sec(50Hz system)
Exposure Control	Auto, Manual, Priority AE(Shutter,Iris), Exposure compensation, Blight
White Balance	Auto, Indoor, Outdoor, One-push auto, ATW, Manual
Optical Zoom	30x
Digital Zoom	12x
Focusing System	Auto/Manual
Horizontal Viewing Angle	63.7 degree(Wide)
Focal Length	f=4.3mm(wide) to 129 mm(Tele) F1.6 to 4.7
Minimum Object Distance	10 mm(Wide)~1200 mm(Tele)
Pan/Tilt Angle	Pan: ±170° Tilt: +90°/-20°
Pan/Tilt Speed (Max.)	Pan 100°/sec Tilt 90°/sec
Preset Position	256 (position number from 17th to 256th are stored PTZF only)
Camera Features	
Day/Night ICR	Yes
Wide Dynamic Range	Yes (View-DR)
Noise Reduction	Yes
Image Stabilization	Yes
Image Flip	Yes
Superimpose Number	3 independent positions for characters (Codec, Date & Time, Event, Text (Max. 64 characters)), 1 independent position for a logo mark
Superimpose Language	English
Menu Language	English, Japanese, Chinese (simplified), Chinese (traditional), French, Spanish, German, Italian, Korean, Portuguese, Russian, Arabic, Hindi, Vietnamese, Thai *OSD menu support only English.
Smartphone viewer	Yes (not support audio transmission)
Video	
Resolution	1920 x 1080, 1280 x 720, 1024 x 576, 720 x 576, 720 x 480, 704 x 576, 640 x 480, 640 x 360, 352 x 288, 320 x 184(H.264, JPEG)
Compression Format	H.264, JPEG
Maximum Frame Rate	H.264: 60 fps (1920 x 1080) JPEG: 30 fps (1920 x 1080)
Bitrate Compression Mode	CBR/VBR (selectable)
Range of Bitrate Setting	64 Kbps to 32 Mbps

Image Cropping	No
Adaptive Rate Control	H.264
Bandwidth Control	JPEG
Multi Streaming Capability	Triple streaming
Number of Clients	20 (Up to 10 clients can receive video and audio combined streaming)
Audio	
Compression Format	AAC-LC (64 kbps/128 kbps)
System Requirements	
Operating System	Mac OS (Plug-in free viewer only) Android/ iOS (Smart phone viewer only) Windows Vista (32 bit) Ultimate, Business Edition Windows 7 (32/64 bit) Ultimate, Professional Edition Windows 8 Pro (32/64 bit), Microsoft DirectX 9.0c <
Processor	Intel Core i7 2.8 GHz <
Memory	2 GB <
Web Browser	Microsoft Internet Explorer Ver. 8.0, Ver. 9.0, Ver 10.0, Ver 11.0, Firefox Ver. 19.02 (Plug-in free viewer only) Safari Ver. 5.1 (Plug-in free viewer only) Google Chrome Ver. 25.0 (Plug-in free viewer only) No audio is output if the Plug-in free viewer is used.
Network	
Protocols	IPv4, TCP, UDP, ARP, ICMP, IGMP, HTTP, DHCP, DNS, NTP, RTP/RTCP, RTSP over TCP, RTSP over HTTP, IPv6, HTTPS, SNMP (v1, v2c, v3), SSL
QoS	DiffServ (DSCP)
Multicast Streaming Support	Yes
ONVIF Conformance	No
Wireless Network	No
Authentication	IEEE802.1X
Interface	
HD Video Output	3G-SDI (No audio is supported)
SD Video Output	-
MIC Input	Mini jack (Monaural): 2.5V DC plug-in power
LINE Input	RCA (Monaural)
Network Port	10BASE-T/100BASE-TX (RJ-45)
Serial Interface	RS-422
General	
Power Requirements	DC 12V (DC 10.8V to 13.2V)
Power Consumption	16.8W
Operating Temperature	0 °C to 40 °C, 32 °F to 104 °F
Storage Temperature	-20 °C to +60 °C, -4 °F to +140 °F
Dimensions (W x H x D)*1	157 x 164 x 163mm, 6 1/4 x 6 1/2 x 6 1/2 inches
Mass	1.4 kg, 3 lb 1.4 oz
Body Color	White/Black
Wide Conversion Lens Attachable	No
Mountable Angle	<±15°
Ceiling Mount	Yes
Supplied Accessories	AC power adaptor (1), AC power cable (1) Ceiling bracket (2), RS-422 connector plug (1) Wire rope (1), Screw M3 x 8 (8)

\*1 The values for dimensions are approximate.

# Peripheral Equipment

RS-422 serial VISCA control



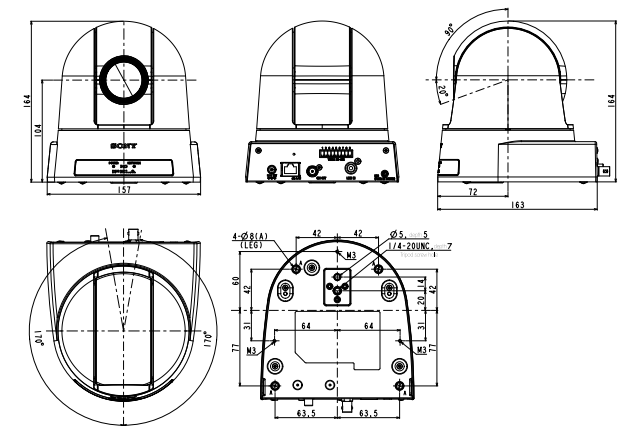
## RM-IP10

- Comfortable P/T/Z operation with the optical three-axis joystick
- Versatile camera adjustment by simple panel operation

## REAR PANEL



# Dimensions



Distributed by

©2014 Sony Corporation. All rights reserved.  
 Reproduction in whole or in part without written permission is prohibited.  
 Features and specifications are subject to change without notice.  
 Screen images are simulated.  
 The values for mass and dimension are approximate.  
 "SONY", "IPELA", and "Exmor" are trademarks of Sony Corporation.  
 All other trademarks are the property of their respective owners.