



**Hewlett Packard**  
Enterprise

# **HPE 10000 G2 Series Rack Options**

## Installation Guide

### Abstract

This document is for the person who installs racks and rack products. This procedure is performed only by trained personnel. Hewlett Packard Enterprise assumes you are qualified in performing installations and trained in recognizing hazards in rack products.

Part Number: 489899-006R  
November 2015  
Edition: 7

© Copyright 2008, 2015 Hewlett Packard Enterprise Development LP

The information contained herein is subject to change without notice. The only warranties for Hewlett Packard Enterprise products and services are set forth in the express warranty statements accompanying such products and services. Nothing herein should be construed as constituting an additional warranty. Hewlett Packard Enterprise shall not be liable for technical or editorial errors or omissions contained herein.

# Contents

- About this guide ..... 7
  - Rack options installation guide ..... 7
  - Important safety information ..... 7
  - Additional rack considerations ..... 7
- Rack options ..... 9
  - Ordering rack options ..... 9
- 100 Kilo Sliding Shelf kit ..... 11
  - About this device ..... 11
    - Kit contents ..... 11
    - Required tools ..... 11
  - Preparing the sliding shelf rail assemblies for installation ..... 11
  - Installing the sliding shelf rail assemblies ..... 12
  - Installing the sliding shelf ..... 14
  - Using the 100 Kilo Sliding Shelf ..... 16
- Airflow Optimization kit ..... 17
  - About this device ..... 17
    - Kit contents ..... 17
    - Required tools ..... 17
  - Installing foam rail gaskets ..... 17
    - Installing foam rail gaskets between racks ..... 18
  - Installing the floor gasket ..... 20
- Ballast kit ..... 22
  - About this device ..... 22
    - Kit contents ..... 22
    - Required tools ..... 22
  - Installing the ballast kit ..... 22
- Baying kit ..... 25
  - About this device ..... 25
    - Kit contents ..... 25
    - Required tool ..... 25
  - Installing the baying kit ..... 25
- Cable Management Bracket kit ..... 28
  - About this device ..... 28
    - Kit contents ..... 28
    - Required tools ..... 28
  - Installing the 1U cable management bracket ..... 29
  - Installing the 2U cable management bracket ..... 30
  - Installing the cable management D-ring bracket ..... 30
    - Front mount ..... 31
    - Side mount ..... 32
  - Installing the cross-over bracket ..... 32
  - Installing the hook-and-loop cabling straps ..... 34
- Cable Management Tray kit ..... 36
  - About this device ..... 36
    - Kit contents ..... 36
    - Required tool ..... 36
  - Installing the cable management tray ..... 37
  - Installing the cable management inner and outer trays ..... 39
  - Ground bonding stud location ..... 41

Fan (110V/220V) kit.....	42
About this device.....	42
Kit contents.....	42
Required tools.....	42
Installing the fan.....	42
Filler Panel kit.....	45
About this device.....	45
Kit contents.....	45
Required tools.....	45
Installing the filler panel.....	45
Front Door kit.....	46
About this device.....	46
Kit contents.....	46
Required tools.....	46
Installing the hinge brackets and lock catches.....	46
Installing the front door.....	47
Ground Bonding kit.....	49
About this device.....	49
Kit contents.....	49
Required tools.....	49
Installing the ground bonding rack option kit on HPE 10000 G2 Series Racks.....	49
Installing the ground bonding rack option kit on HPE 10000 G2 Series Rack side panels.....	55
Installing the ground bonding rack option kit on HPE 10000 G2 Series Rack fan kits.....	57
Installing the ground bonding rack option kit on HPE 10000 G2 Series Rack 150-mm extension kits.....	58
Installing the ground bonding rack option kit on HPE 10000 G2 Series Rack 200-mm extension kits.....	59
Installing the ground bonding rack option kit on HPE 10000 Series Racks.....	61
Installing the ground bonding rack option kit on HPE 10000 Series Rack side panels.....	65
Installing the ground bonding rack option kit on HPE 10000 Series Rack fan kits.....	66
Heavy Duty Stabilizer kit.....	68
About this device.....	68
Kit contents.....	68
Required tools.....	68
Installing the rack stabilizer option kit.....	68
Hook-and-Loop Cabling Strap Clip kit.....	71
About this device.....	71
Kit contents.....	71
Required tools.....	71
Installing the hook-and-loop cabling strap clips.....	72
Light kit.....	75
About this device.....	75
Kit contents.....	75
Required Tool.....	75
Important safety information.....	75
Installing the 110V/220V Light.....	76
Operating the HPE 110V/220V Light.....	78
Connecting the power cord to the 110V/220V light.....	78
Connecting devices to the 110V/220V light.....	78
0V/220V light kit specifications.....	79
F14W/133-T8 fluorescent lamp specifications.....	80
Material disposal.....	81
Mini Stabilizer kit.....	82
About this device.....	82
Kit contents.....	82
Required tools.....	82
Installing the stabilizer.....	82

Rack Air Duct kit .....	85
About this kit .....	85
Kit contents .....	85
Required tools .....	86
Installation video .....	86
Installing the Top Exhaust Retrofit kit .....	87
Removing the rear doors .....	87
Installing the solid rack top plate .....	88
Installing the solid rack base plate .....	89
Installing the airflow gasket .....	90
Installing the floor gasket .....	92
Installing the Top Exhaust Extension kit .....	92
Removing the rear doors .....	93
Installing the rear extension assembly .....	94
Installing the solid rear doors .....	96
Assembling the kits .....	97
Installing the kit assembly .....	100
Adjusting the kit .....	101
Baying options .....	102
Rear Extension kit .....	103
About this device .....	103
Kit contents .....	103
Required tools .....	103
Removing the rear doors .....	103
Installing the rear extension assembly .....	105
Installing the rear doors .....	107
Installing the cable management brackets .....	108
Server/Utility Shelf kit .....	110
About this device .....	110
Kit contents .....	110
Required tools .....	110
Installing the server/utility shelf .....	110
Side Panel kit .....	113
About this device .....	113
Kit contents .....	113
Required tools .....	113
Installing the side panels .....	114
Tie-Down kit .....	116
About this device .....	116
Kit contents .....	116
Required tools .....	116
Installing the tie-down kit .....	116
Securing the rack to the floor .....	118
1200 mm Full Frame Rack Tie-down Kit .....	118
Installing the 1200 mm full frame rack tie-down kit .....	118
1200 mm full frame rack tie-down kit contents .....	119
Required tools .....	119
Securing the 1200 mm full frame rack to the floor .....	120
Vertical PDU Mounting kit .....	121
About this device .....	121
Kit contents .....	121
Required tools .....	121
Installing the Vertical PDU Mounting kit .....	121
Electrostatic discharge .....	123
Preventing electrostatic discharge .....	123
Grounding methods to prevent electrostatic discharge .....	123

Support and other resources.....	124
Accessing Hewlett Packard Enterprise Support.....	124
Information to collect .....	124
Accessing updates .....	124
Websites.....	124
Customer Self Repair .....	125
Remote support.....	132
Acronyms and abbreviations.....	133
Documentation feedback .....	134

# About this guide

## Rack options installation guide

This installation guide includes the instructions for installing rack option kits that are compatible with the HPE 10000 G2 Series Rack.

For more information, see the 10000 G2 Series Rack User Guide on the Hewlett Packard Enterprise website (<http://www.hpe.com/info/rackandpower>).

## Important safety information



---

**WARNING:** To reduce the risk of personal injury or damage to the equipment, be sure that:

- The rear leveling feet are extended to the floor.
  - The full weight of the rack rests on the rear leveling feet and front stabilizer feet.
- 



**WARNING:** To reduce the risk of personal injury or damage to the rack and equipment, the racks must be positioned and secured together according to these instructions. Failure to do so could result in an unstable installation.

---



**WARNING:** Components can be very heavy. To reduce the risk of personal injury or damage to the equipment:

- Remove all pluggable power supplies and modules to reduce the weight of the product before lifting it.
  - Observe local occupational health and safety requirements and guidelines for manual material handling.
  - Get help to lift and stabilize the product during installation or removal, especially when the product is not fastened to the rails. When the component weighs more than 22.5 kg (50 lb), at least two people must lift the component into the rack together. If the component is loaded into the rack above chest level, a third person must assist in aligning the rails while the other two support the component.
  - Use caution when installing the component in or removing the component from the rack; it is unstable when not fastened to the rails.
- 

## Additional rack considerations

Consider the following specifications and components, with regard to your specific rack configuration:

- Power—If a UPS is installed, do not exceed its output rating. Be sure to review the installation instructions provided with each component for important cautions and warnings.
- PDUs—Install PDUs before installing other components.
- Height—The height of the rack and of rack-mountable components is measured in U increments, where U = 4.5 cm (1.75 in). When you are configuring your rack installation, remember that the total U measurement of the components you want to install cannot exceed the stated U height of the rack.
- Keyboard—The rack keyboard requires installation of a 1U keyboard drawer rack option kit.
- Monitor—The monitor requires installation of a monitor/utility shelf rack option kit unless you are using a rack-mountable flat-panel monitor.

- Server console switch—If a console switch is configured, use the CPU-to-console switch cable included with the server. The standard distance between the console switch and the keyboard, monitor, and mouse can vary by 3-, 7-, 12-, 20-, and 40-ft lengths.

---

**NOTE:** National electrical regulations governing the installation of building wiring require that an appropriate cable, meeting fire-safety standards, must be used any time cabling is routed:

- Through an overhead drop-ceiling
- Under raised flooring
- From room to room
- From floor to floor

Be sure that the cable jacket or sleeving is made of material that does not burn easily and does not exude toxic fumes when exposed to heat. Be sure that the cable you have selected is appropriate for your installation site. If you require a U.S. plenum-rated (CL2P) cable, contact your local Hewlett Packard Enterprise authorized reseller to obtain any of the following options:

- 149363-B21-20-foot plenum cable
  - 149364-B21-40-foot plenum cable
- 

- Rack baying option kits—The number of baying kits needed to join a series of racks is one less than the number of racks in the suite. Each baying kit supplies parts to bay two cabinets on 600 mm (24 in) center line spacing.
- Side panels—Only one set of side panels is required for each row of bayed racks.
- Stabilizer kit—A stabilizer kit is either required or recommended, depending on your rack configuration. There are four stabilizer kit options.
  - The standard 600-mm (23.6 in) or 800-mm (31.5 in) front foot is required with deployments of stand-alone racks. Rack rows with four or more bayed racks, without a single rack-mountable component exceeding 99.8 kg (220 lb), do not need a stabilizer kit installed.
  - The heavy duty 600-mm (23.6 in) or 800-mm (31.5 in) front foot is required when a single rack-mountable component weighing 99.8 kg (220 lb) or more is installed in a stand-alone rack or in a rack belonging to a rack row of three or fewer bayed racks.



# Rack options

## Ordering rack options

Hewlett Packard Enterprise provides several rack option kits to complement or complete your rack solution. The following list is a sample of the many rack option kits available.

For information about ordering rack option kits, see the Hewlett Packard Enterprise website, (<http://www.hpe.com/info/rackandpower>) or contact your nearest Hewlett Packard Enterprise authorized reseller.

Rack option kit	Part number	Description
100 Kilo Sliding Shelf kit (on page 11)	234672-B21	Enables easy access to various rack components
Airflow Optimization kit (on page 17)	AF090A	Enables you to improve airflow of your rack
Ballast kit (on page 22)	120672-B21	Provides rack stability when you install, remove, or access heavy equipment within the rack
Baying kit (on page 25)	248929-B21	Joins multiple racks of the same series, height, and depth
Cable Management Bracket kit (on page 28)	AF099A	Enables you to manage your cable configurations
Cable Management Tray kit (on page 36)	383982-B21 383983-B21 383984-B21	Enables you to manage your cable configurations
Fan (110V/220V) kit (on page 42)	257414-B21	Enhances natural convection cooling by increasing the airflow in the rack
Filler Panel kit (on page 45)	AF072A	Enables you to control airflow by covering empty locations in your rack
Front Door kit (on page 46)	AF009A	Enables you to add a door to the front of your rack
Ground Bonding kit (on page 49)	AF074A	Reduces the level of electromagnetic emissions outside the rack
Heavy Duty Stabilizer kit (on page 68)	AF064A	Increases the stability of free-standing racks
Hook-and-Loop Cabling Strap Clip kit (on page 71)	379820-B21	Enables you to manage your cable configurations
Light kit (on page 75)	361589-B21	Provides additional light inside your rack
Mini Stabilizer kit (on page 82)	AF062A AF066A	Increases the stability of free-standing racks
Rack Air Duct kit (on page 85) <ul style="list-style-type: none"><li>• Top exhaust extension kit</li><li>• Top exhaust field retrofit kit</li><li>• Top exhaust rack</li></ul>	AF028A AF029A AF030A	Removes warm air from the rack by channeling the warm air into the data center ceiling return air plenum
Rear Extension kit (on page 103) <ul style="list-style-type: none"><li>• 42U rear extension kit</li><li>• 47U rear extension kit</li></ul>	AF036A AF043A	Enables you to add 200-mm (7.87 in) of depth to the rear of your rack
Server/Utility Shelf kit (on page 110)	253449-B21	Holds rack components inside the rack
Side Panel kit (on page 113)	AF054A	Provides enclosures for the sides of a rack

<b>Rack option kit</b>	<b>Part number</b>	<b>Description</b>
Tie-Down kit (on page <a href="#">116</a> )	AF076A	Increases the stability of free-standing racks
Vertical PDU Mounting kit (on page <a href="#">121</a> )	H6L32A	Allows PDU vertical models to be mounted in the rack

# 100 Kilo Sliding Shelf kit

## About this device

The HPE 100 Kilo Sliding Shelf kit enables you to install a sliding shelf in your rack mount system for placement and easy access to various components. This option occupies 2Us of rack space.

## Kit contents

Item	Quantity
Shelf with handle	1
Right rail with fixed brackets	1
Left rail with fixed brackets	1
Sliding rail	2
Cable management arm with hardware	1
Rack template	1
Hardware kit	
• M4 x 12 flat HD screw	• 8
• M4 external washer	• 8
• M4 x 10 pan HD screw	• 2
• M6 x 12 pan HD screw	• 12
• M4 plain washer	• 2
• M4 nut	• 6
• M6 external washer	• 10

Extra hardware might be included for your convenience.

## Required tools

The following tools are required for installation:

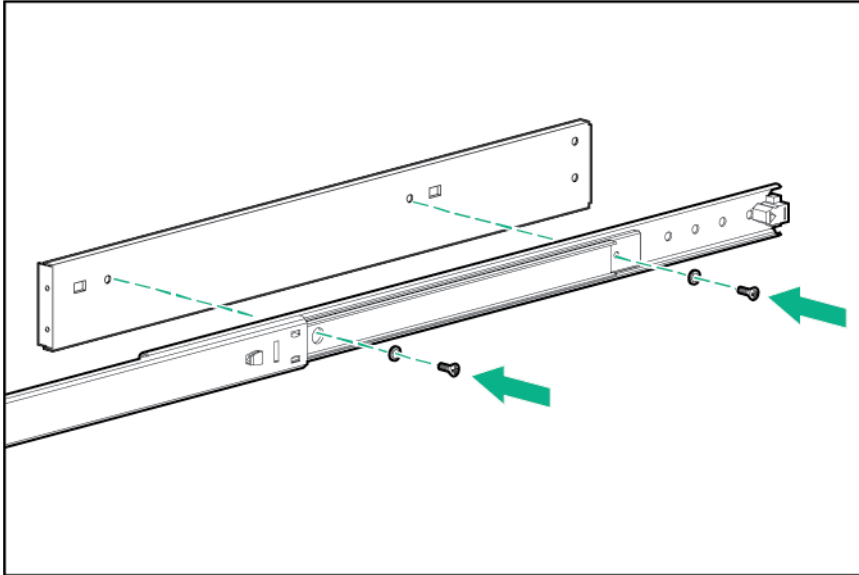
- No. 2 Phillips screwdriver
- No. 3 Phillips screwdriver

## Preparing the sliding shelf rail assemblies for installation

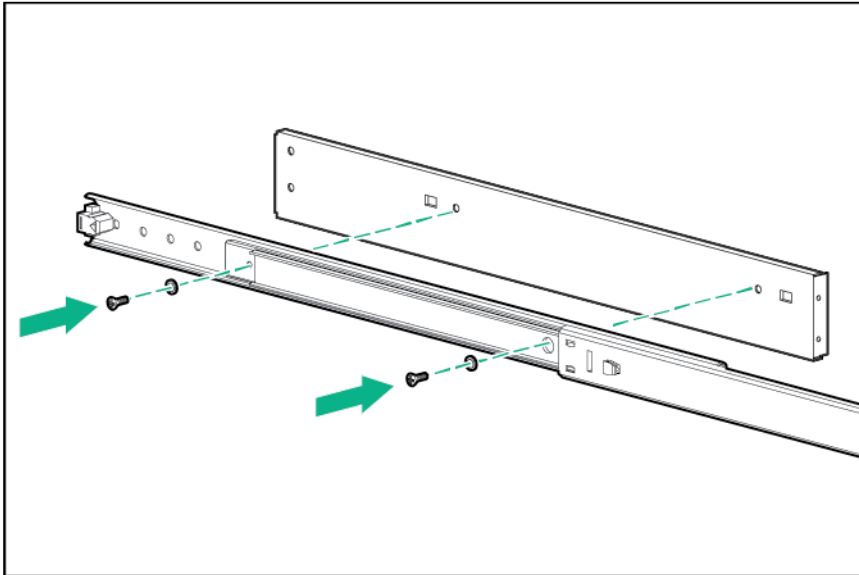
Each sliding shelf rail assembly consists of a rail with fixed brackets attached to a sliding rail. To construct the sliding shelf rail assemblies:

1. Hold the flat side of the left rail with fixed brackets facing toward you.
2. Place the sliding rail on top of the left rail with fixed brackets.
3. Extend the inner slides of the sliding rail until the screw holes on the sliding rail and the left rail with fixed brackets are aligned. Gently push down on the sliding rail to lock it into place.

4. Secure the rails together with two M4 x 12 flat HD screws and M4 external washers.



5. Repeat steps 1 through 4 for the right rail with fixed brackets.



## Installing the sliding shelf rail assemblies

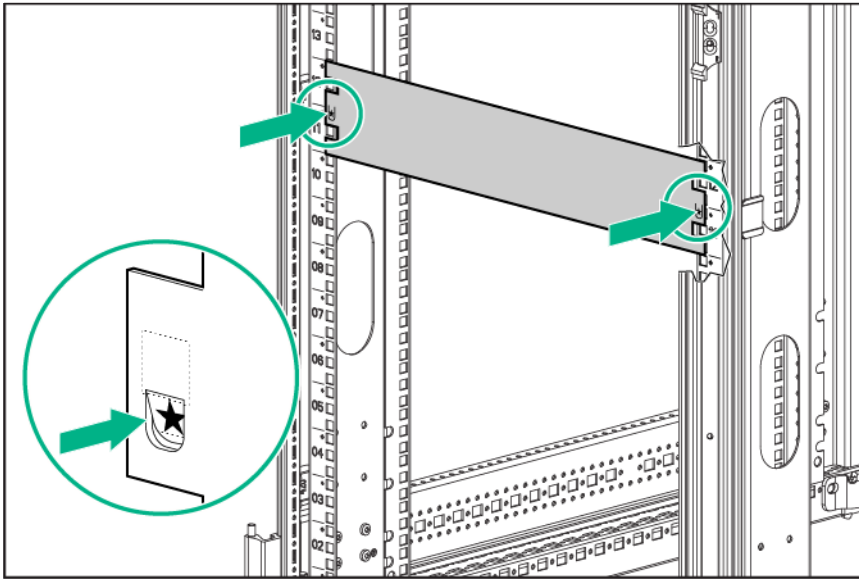


**WARNING:** The rack air duct weighs approximately 22.5 kg (50 lb). To reduce the risk of personal injury or damage to the equipment:

- Observe local occupational health and safety requirements and guidelines for manual material handling.
- Use at least two people to lift and stabilize the product during installation or removal.
- Use step stools to install the product to the top of the rack. Do not lift the air duct over your head.

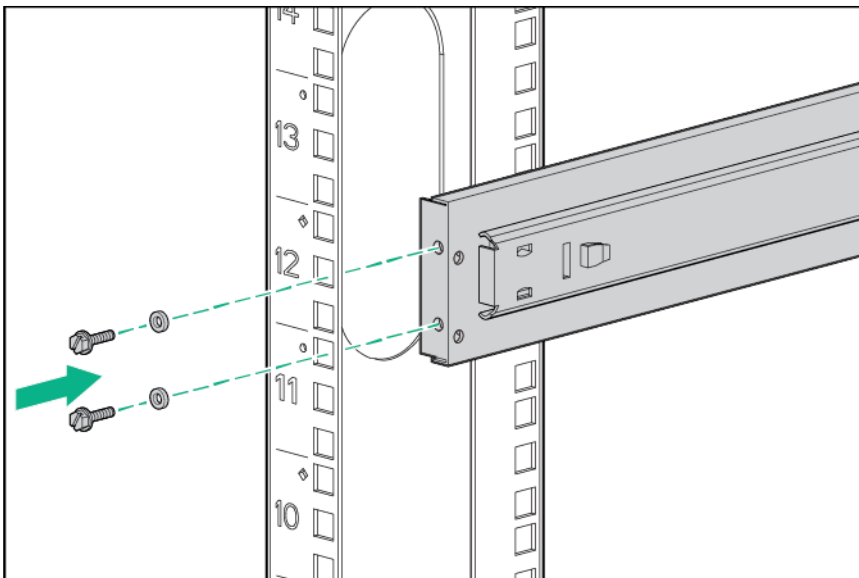
You must install the sliding shelf rail assemblies before installing the sliding shelf. Follow these steps closely to install the sliding shelf rail assemblies into the rack:

1. Use the template on the front and rear of the rack frame to mark the attachment points for the sliding shelf rail assemblies, by measuring from the top of the component installed below the desired position for the sliding shelf.

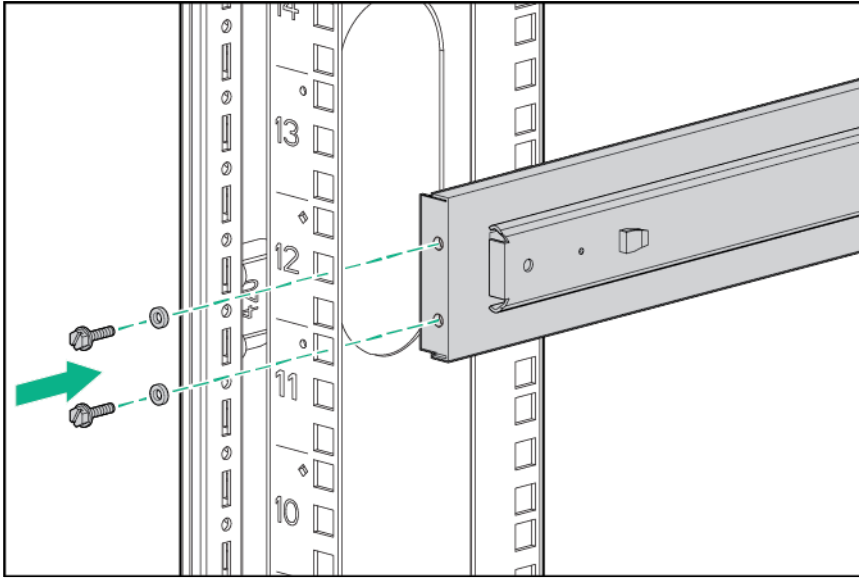


**IMPORTANT:** When using the template on the rear of the rack frame, mark the rack at the top of the template to help align the next rack component.

2. Align and secure the rear of the left sliding shelf rail assembly to the rear of the rack frame with two M6 x 12 pan HD screws and M6 external washers.



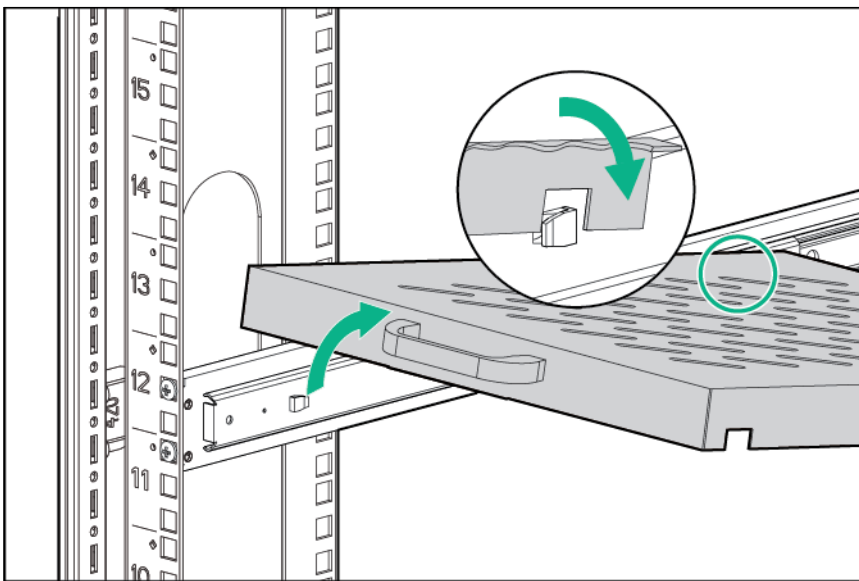
3. Secure the front of the left sliding shelf rail assembly to the front of the rack frame with two M6 x 12 pan HD screws and M6 external washers.



4. Repeat steps 2 and 3 to install the right sliding shelf rail assembly.

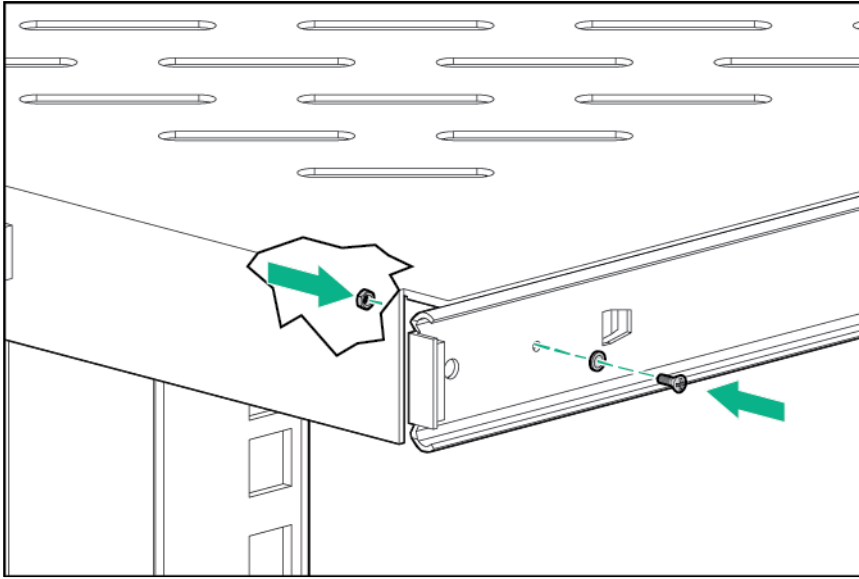
## Installing the sliding shelf

1. Move the sliding shelf into the rack while tilting the front of the shelf up. Align the rear notches on the sliding shelf over the rear tabs on the sliding shelf rail assemblies.

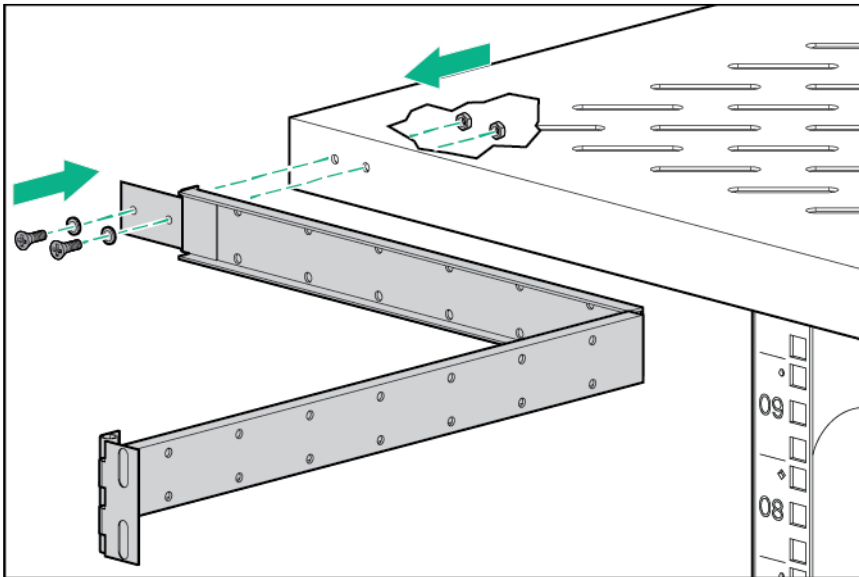


2. Push the sliding shelf down onto the rear tabs to align the front notches on the sliding shelf with the front tabs on the sliding shelf rail assemblies.
3. Lower the front of the sliding shelf over the tabs on the front of the sliding shelf rail assemblies and push down gently to lock the shelf into place.

4. Secure the sliding shelf to each sliding rail using one M4 x 12 flat HD screw and M4 external washer with one M4 nut on the inside of the shelf.



5. Attach the cable management arm to the sliding shelf with the flat side of the cable management arm mounting bracket flush with the sliding shelf.
6. Secure the cable management arm to the sliding shelf using two M4 x 12 flat HD screws and M4 external washers with two M4 nuts on the inside of the shelf.

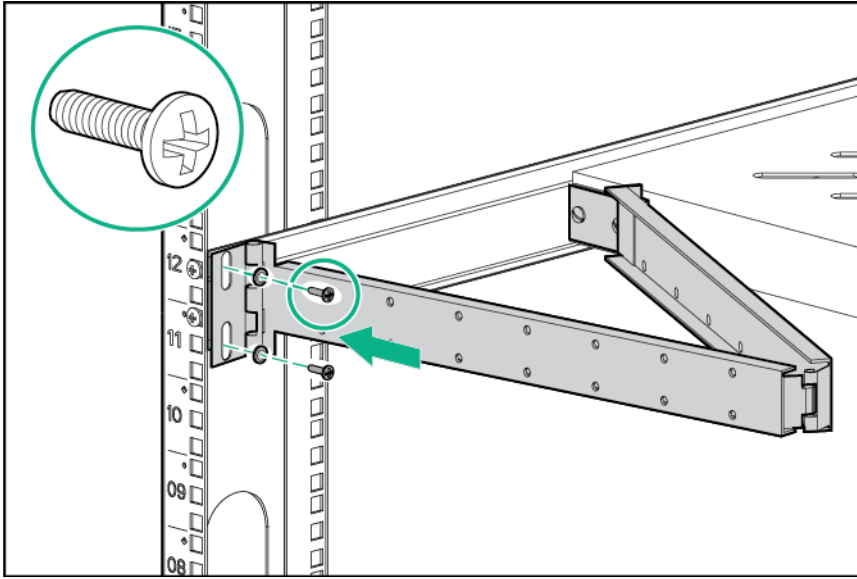


---

**NOTE:** The cable management arm attaches to the rear of the sliding shelf on either the right or left side.

---

7. Secure the opposite end of the cable management arm to the rack using two M6 x 12 pan HD screws and M6 external washers.



Installation is complete.

## Using the 100 Kilo Sliding Shelf

Use the handle on the front of the sliding shelf to slide it in and out of the rack. When sliding the shelf back into the rack, there may be resistance. Apply pressure as needed to fully move the shelf into the rack.



**IMPORTANT:** Be sure to secure all rack mount system components when moving the shelf out of the rack.

---



# Airflow Optimization kit

## About this device

The Airflow Optimization kit enables you to install foam rail gaskets in your HPE 10000 G2 Series 22U, 36U, 42U, and 47U 600-mm (24-in) wide racks and in to 42U 800-mm (31-in) wide racks to improve separation between hot and cold aisles in the data center.

## Kit contents

Item	Quantity
600-mm (24-in) perforated floor gasket	1
—or—	1
800-mm (31-in) perforated floor gasket	
Foam rail gasket roll	4

Extra hardware might be included for your convenience.

## Required tools

No tools are required for this procedure.

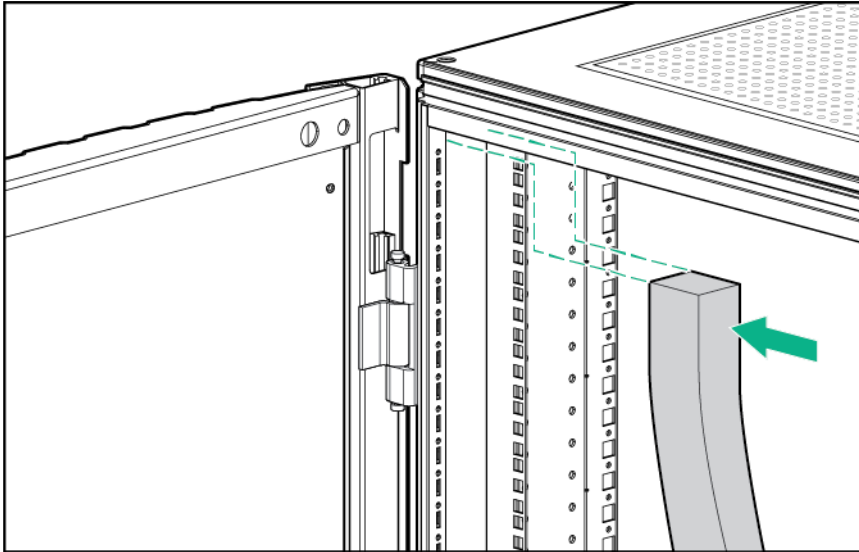
## Installing foam rail gaskets



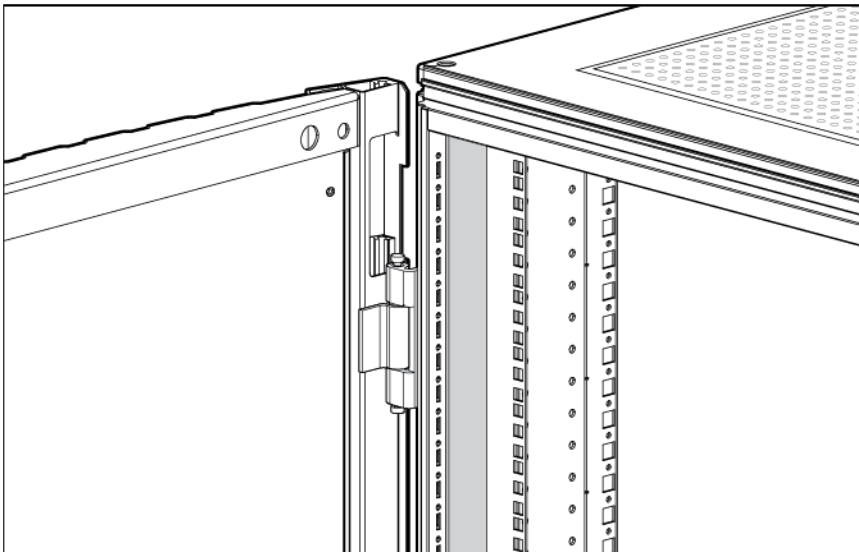
**IMPORTANT:** This option kit is only compatible with racks that are 600-mm (24 in) or 800-mm (31 in) wide.

1. Cut the foam rail gasket to fit the size of your rack.
2. Insert the foam rail gasket into the rack front door on both sides of the rack.

3. Insert the foam rail gasket into the space between the 19-in mounting rails and the vertical frame on both sides of the rack, with the closed cell side of the foam rail gasket facing the front of the rack.



4. Gently push the foam rail gasket into the space until it is flush with the vertical frame.



## Installing foam rail gaskets between racks

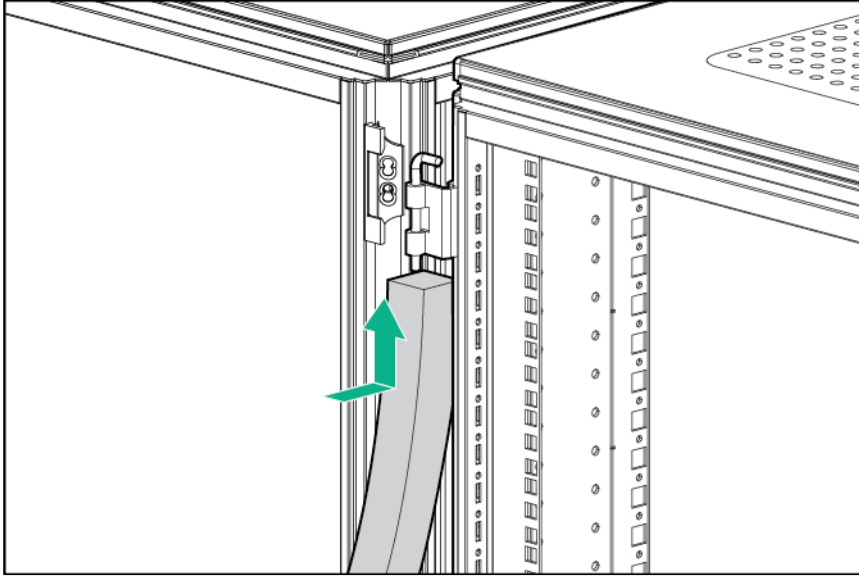


**CAUTION:** The foam rail gasket must be installed into the rack before two or more racks can be bayed together. For additional information on baying racks, see the *HPE Baying Rack Option Kit*.

If installing the foam rail gasket between racks that have a baying kit installed, the baying bracket must be removed before the foam rail gasket can be inserted between the racks.

1. Position the racks side by side.
2. Cut the foam rail gasket to fit the size of your rack.

3. Insert the foam rail gasket into the space between the racks with the closed cell side of the foam rail gasket facing the front of the rack.

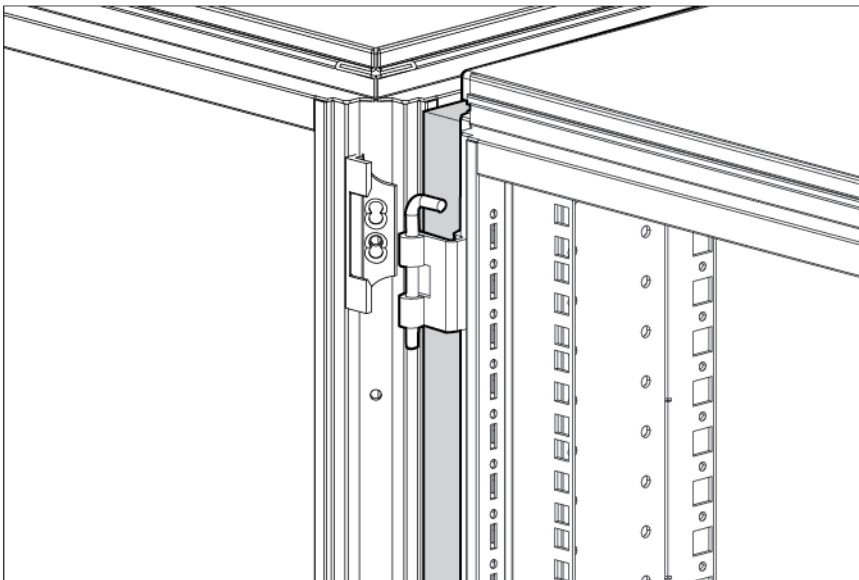


---

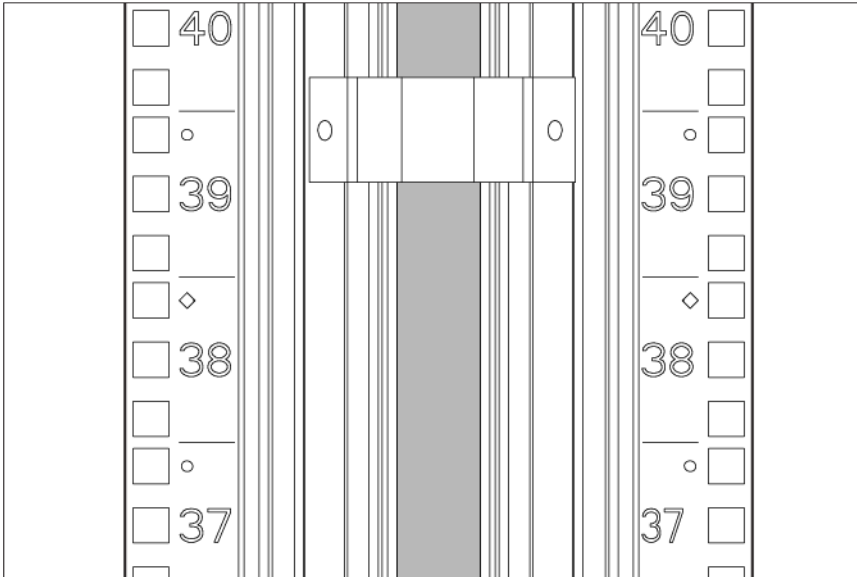
**NOTE:** Follow steps 1 through 3 to install the foam rail gasket into a rack that will be bayed using a 24-in. baying bracket.  
If the rack will be bayed using a 600-mm baying bracket, rotate the foam rail gasket 90 degrees before inserting it into the space between the racks.

---

4. Gently push the foam rail gasket into the space between the racks until it is flush with the vertical frame.

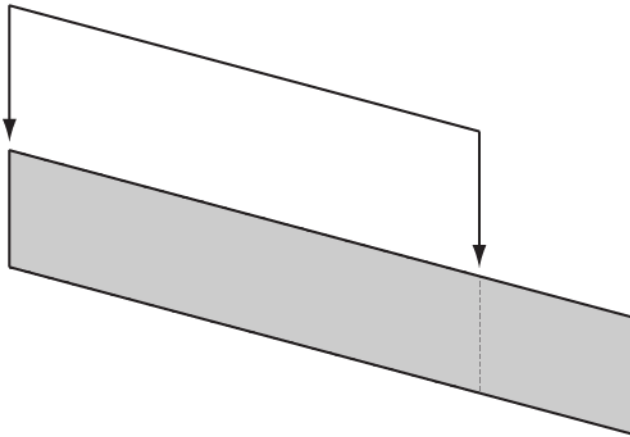


5. (Optional) See the *HPE Baying Rack Option Kit* for specific information on baying racks.

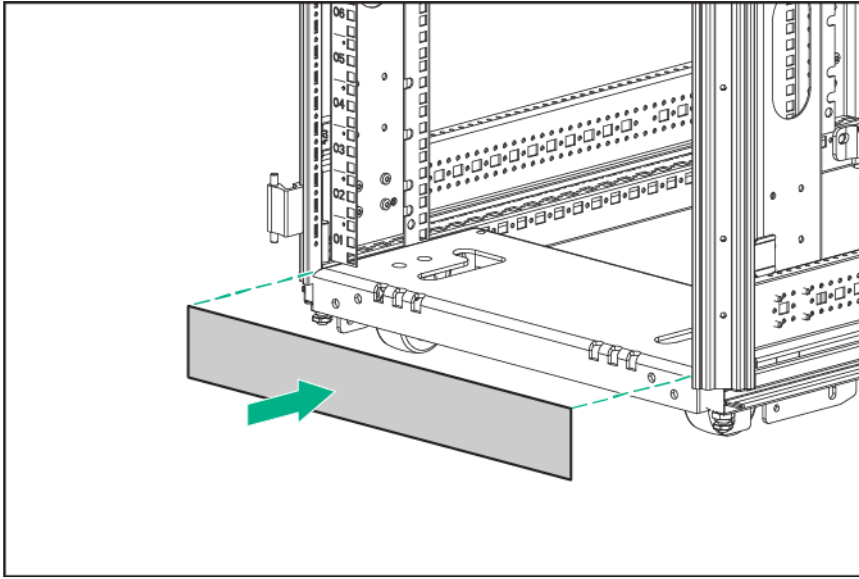


## Installing the floor gasket

1. Depending on the size of your rack, cut the floor gasket at the perforation to reduce the length from 800-mm (31 in) to 600-mm (24 in).



2. Remove the protective tape from the bottom edge of the floor gasket, and apply it to the bottom of the rack with the adhesive strip facing the front of the rack.



Installation is complete.

# Ballast kit

## About this device

The Ballast kit provides additional stability with single-rack installations.

## Kit contents

Item	Quantity
Ballast assembly	2
M6 screws	10
Cage nuts	10

Extra hardware might be included for your convenience.

## Required tools

The following tools are required for installation:

- Cage nut insertion tool (included in your original rack hardware kit)
- One of the following screwdrivers:
  - Flathead screwdriver
  - T-25 Torx driver

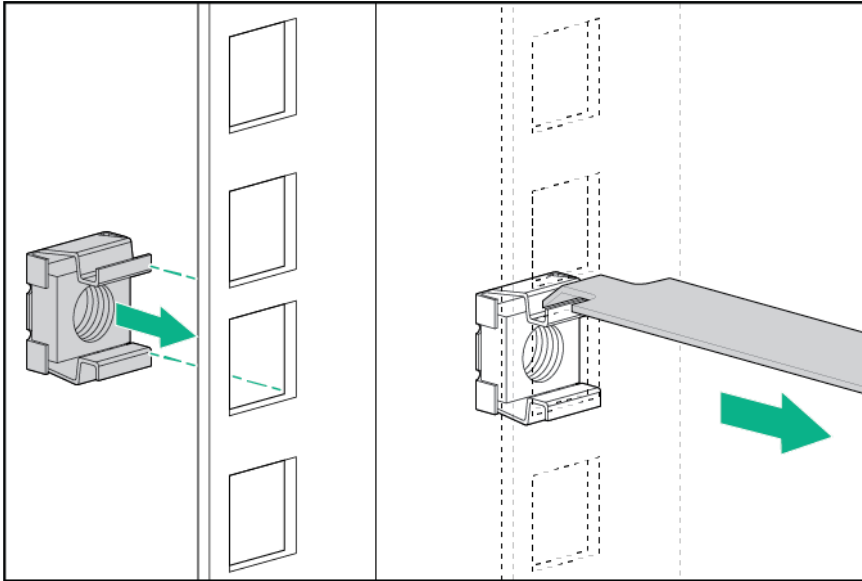
## Installing the ballast kit

Hewlett Packard Enterprise recommends installing a single ballast assembly as close to the bottom of the rack as possible. Occasionally, more than one ballast kit might be necessary. In these cases, install the first ballast assembly as close to the bottom of the rack as possible and move up the rack accordingly.

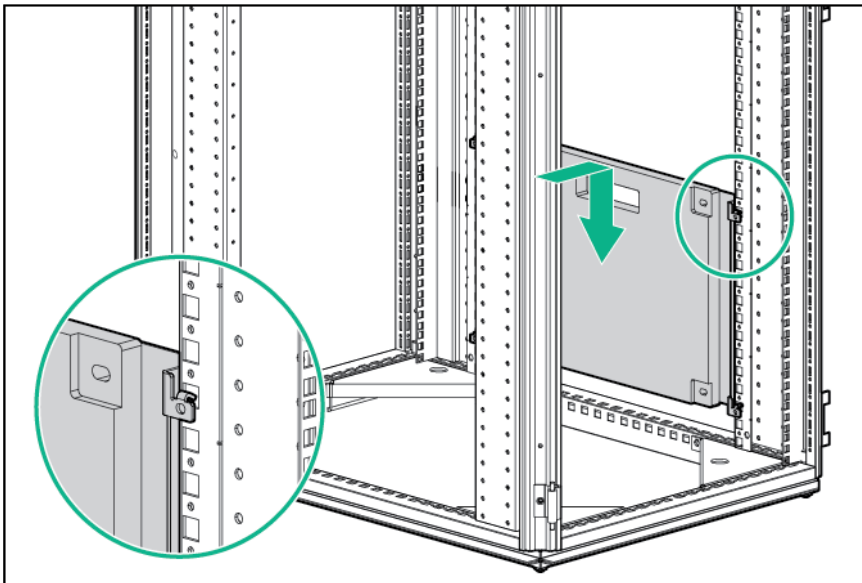


**CAUTION:** To reduce the risk of personal injury or damage to the equipment, Hewlett Packard Enterprise recommends that you install the Ballast kit only in unconfigured racks.

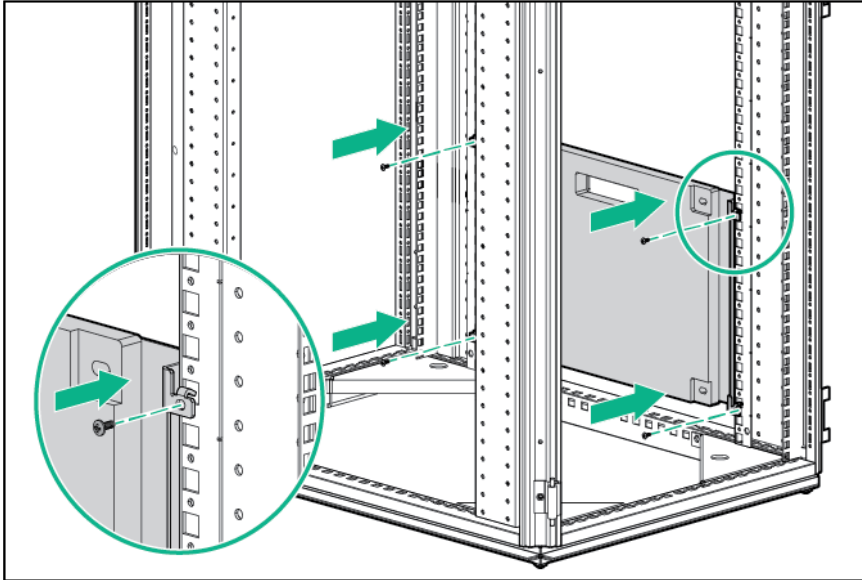
1. Install the two bottom cage nuts using the cage nut insertion tool included in your original rack hardware kit.



2. Count 16 holes up the rack, starting at the bottom cage nuts, and install the two top cage nuts using the cage nut insertion tool.
3. Align the screw holes of the ballast assembly with the installed cage nuts.



4. Insert the M6 screws into one side of the ballast assembly to secure it to the rack.



5. Repeat step 4 to secure the other side of the ballast assembly to the rack.
- Installation is complete.



# Baying kit

## About this device

The Baying kit enables you to connect multiple racks of the same series (10000 and 10000 G2 Series Racks), height, and depth. For example, two 10622 Racks can be bayed together, as well as two 10842 Racks.

## Kit contents

Item	Quantity
24-inch baying brackets	6
600-mm baying brackets	6
T-30 Torx screws	15

Extra hardware might be included for your convenience.

## Required tool

You will need a T-30 Torx driver.

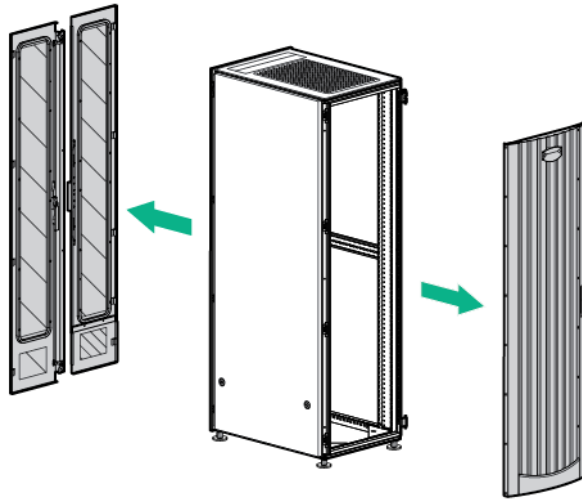
## Installing the baying kit



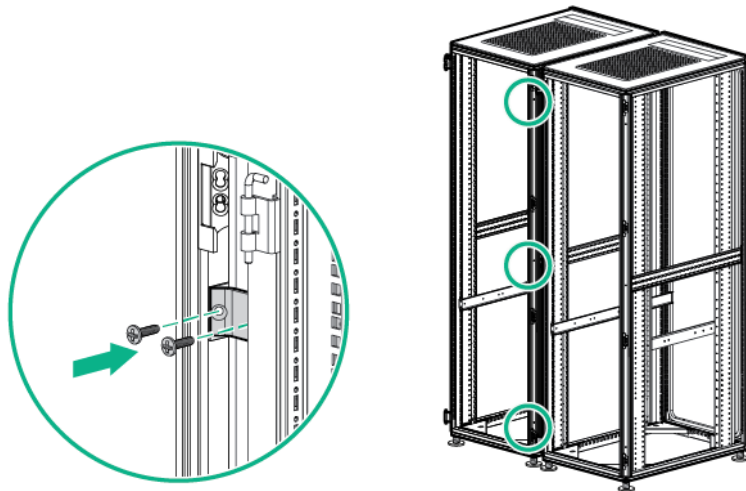
**WARNING:** To reduce the risk of personal injury or damage to the rack and equipment, the racks must be positioned and secured together according to these instructions. Failure to do so could result in an unstable installation.

**NOTE:** The appearance of the rack might vary depending on the model of the rack purchased.

1. Remove the front and rear doors.

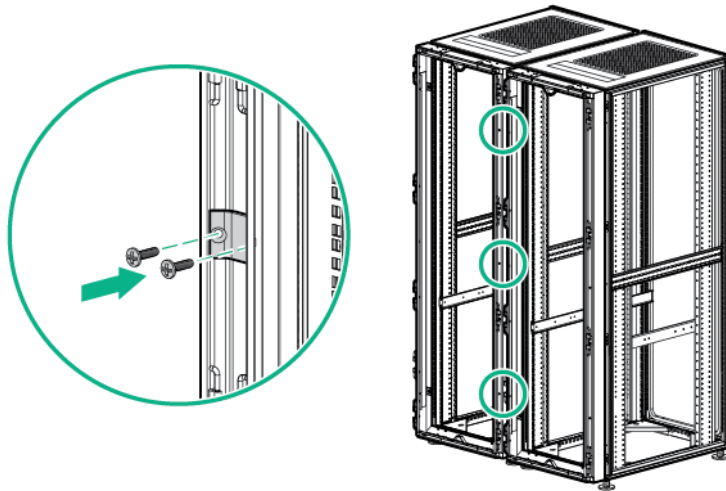


2. Remove the side panels (if present between the racks).
3. Position the racks side by side, ensuring that the feet of the racks are on solid flooring (no cracks or openings).
4. Attach three baying brackets (either 24-inch or 600-mm depending on the floor layout) to the front and rear of each rack set using two T-30 Torx screws in each bracket.

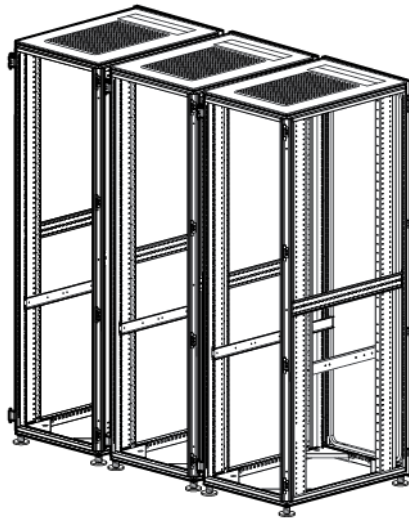


-or-

If you bay racks with a rear extension, you do not need to remove the rear extensions. Attach three baying brackets to the rear extensions using two T-30 Torx screws in each bracket.



5. Bay any additional racks.



6. Attach side panels to each end of the bayed racks, and reattach the front and rear doors. Installation is complete.

# Cable Management Bracket kit

## About this device

The Cable Management Bracket kit assists with cable management and is designed for use with all racks.

## Kit contents

Item	Quantity
1U cable management bracket	1
2U cable management bracket	1
Cable management D-ring bracket clips	10
Cable management D-ring bracket clamps	10
Cross-over brackets	2
12.7-cm (5-in) hook-and-loop cabling strap	10
20.3-cm (8-in) hook-and-loop cabling strap clips	10
M6 cage nuts	11
M6 x 16-mm Torx screws	11
M5.5-mm x 10-mm Torx screws	9
1/4 turn plastic latches	6

Extra hardware might be included for your convenience.

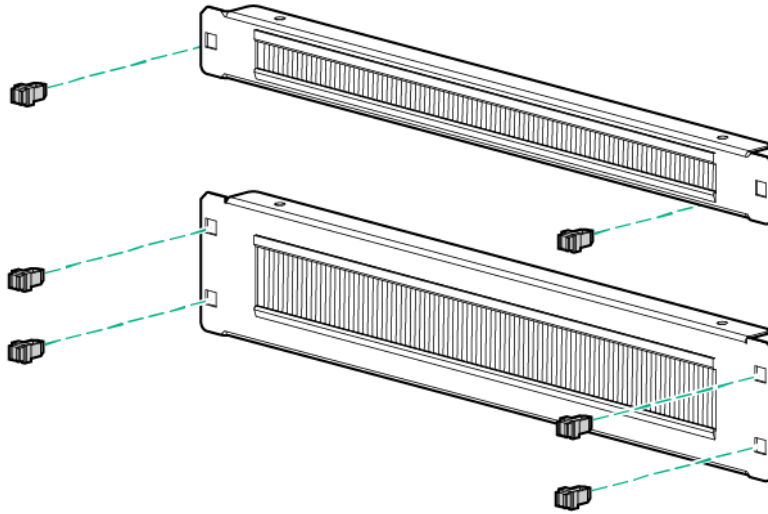
## Required tools

The following tools are required for installation:

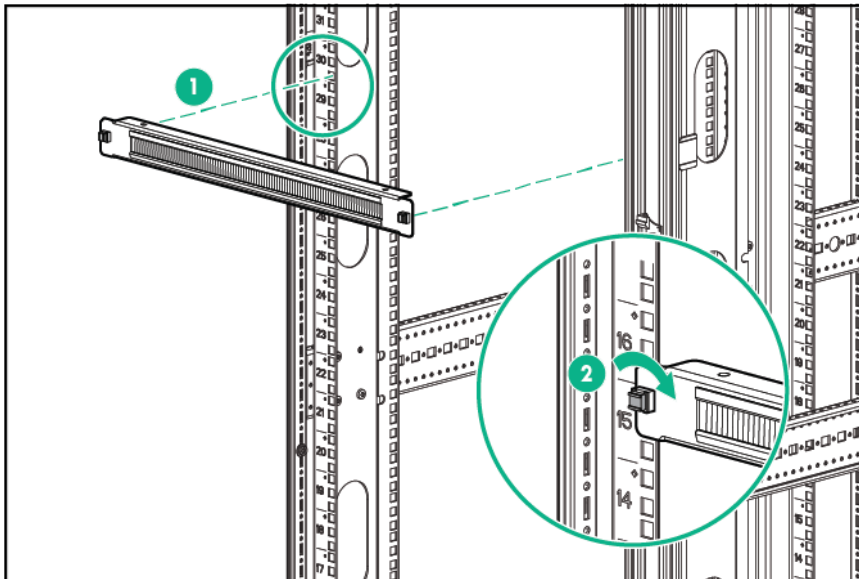
- T-25 Torx driver
- Cage nut insertion tool (included with your original rack hardware kit)

# Installing the 1U cable management bracket

1. Insert one 1/4 turn plastic latch on either side of the 1U cable management bracket.

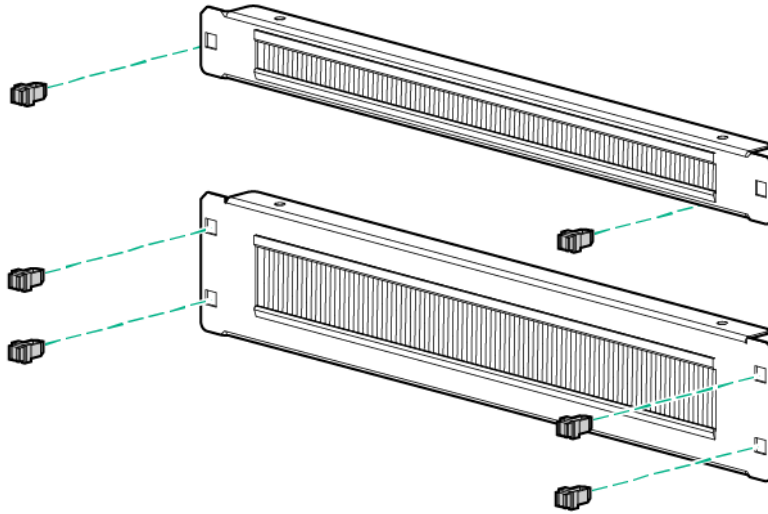


2. Align the 1U cable management bracket to the screw holes in the desired location of the rack (1).
3. Turn the 1/4 turn plastic latch on either side of the 1U cable management bracket clockwise until it locks in place (2).

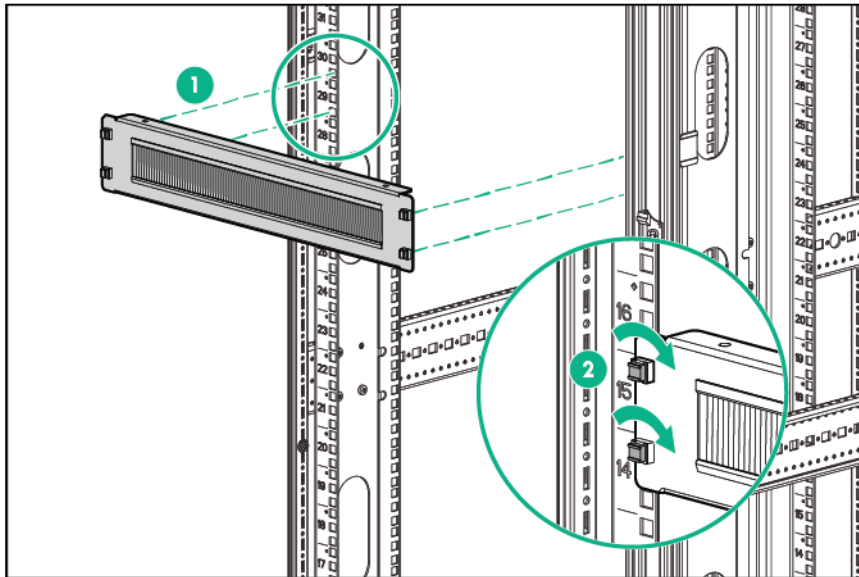


# Installing the 2U cable management bracket

1. Insert two 1/4 turn plastic latches on either side of the 2U cable management bracket.



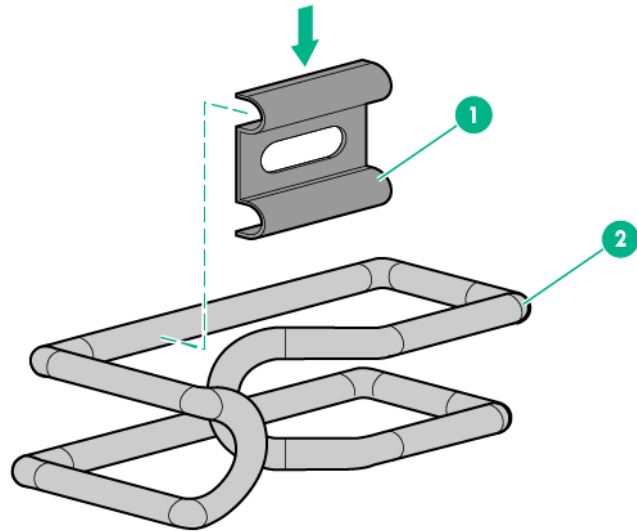
2. Align the 2U cable management bracket to the screw holes in the desired location of the rack (1).
3. Turn the two 1/4 turn plastic latches on either side of the 2U cable management bracket clockwise until they lock in place (2).



# Installing the cable management D-ring bracket

The cable management D-ring bracket can be installed in either a front mount or a side mount, depending on your rack configuration.

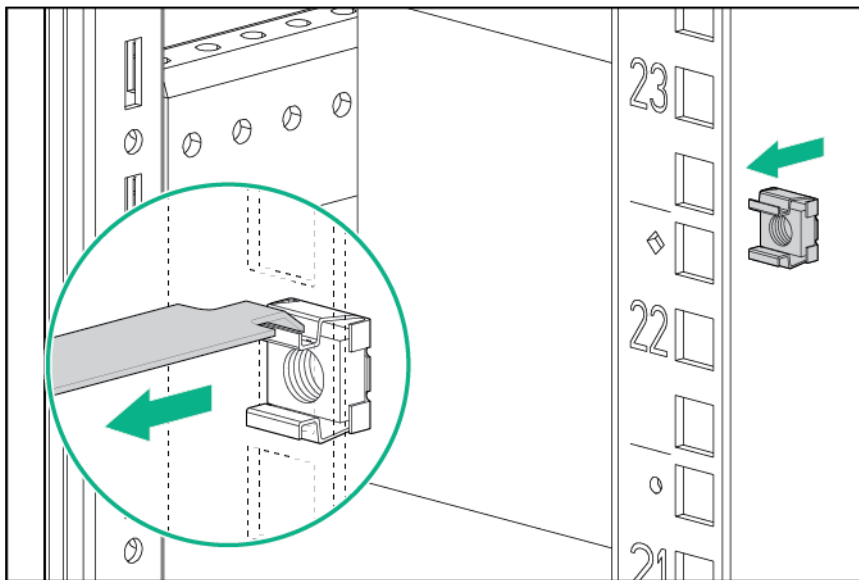
1. Place a cable management D-ring bracket clip (1) on a cable management D-ring bracket clamp (2).



2. Install the cable management D-ring bracket in a front mount ("[Installing the cable management D-ring bracket](#)" on page 30, "[Front mount](#)" on page 31).
3. Install the cable management D-ring bracket in a side mount ("[Installing the cable management D-ring bracket](#)" on page 30, "[Side mount](#)" on page 32).

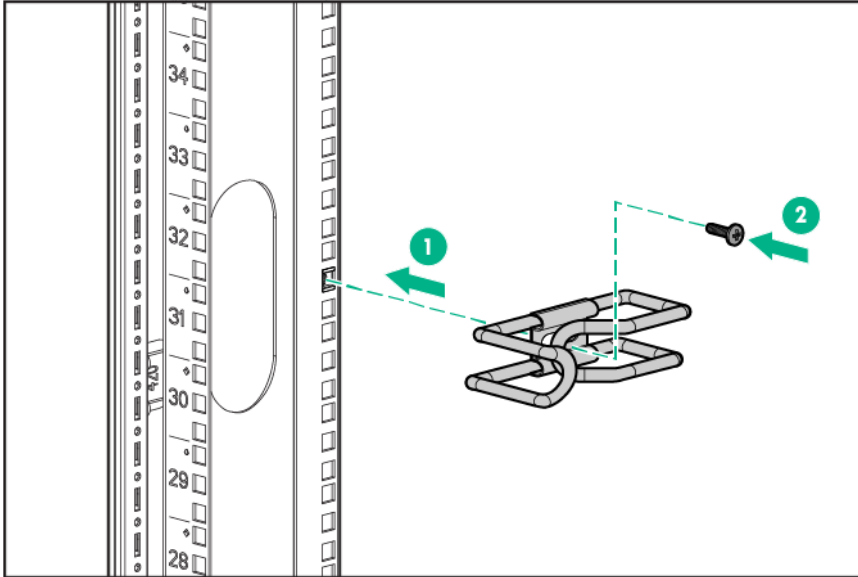
## Front mount

1. Using a cage nut insertion tool, install an M6 cage nut into the desired location on the front of your rack.



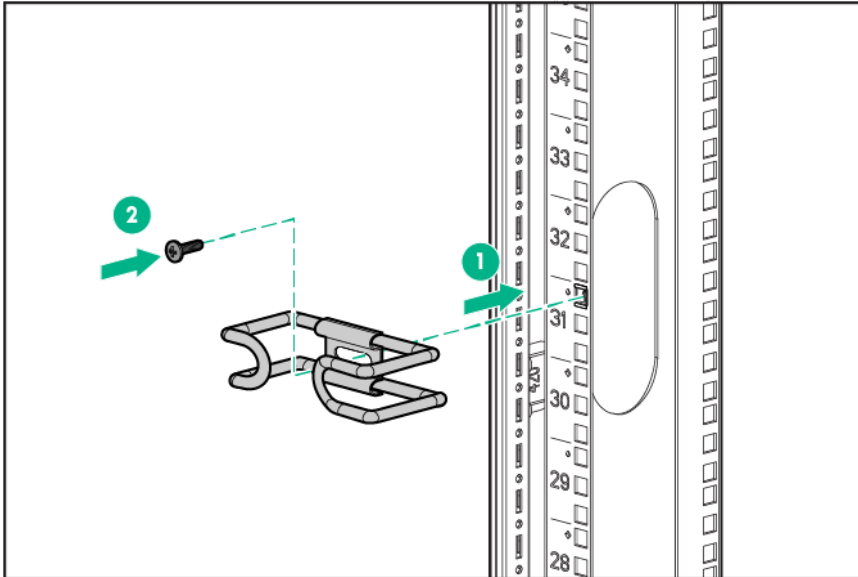
2. Align the cable management D-ring bracket with the previously installed M6 cage nut (1).

- Using a T-25 Torx driver, insert one M6 x 16-mm Torx screw to secure the cable management D-ring bracket to the rack (2).



## Side mount

- Align the cable management D-ring bracket with the screw hole in the desired location on the side of your rack (1).
- Using a T-25 Torx driver, insert one M5.5 x10-mm Torx screw to secure the cable management D-ring bracket to the rack (2).



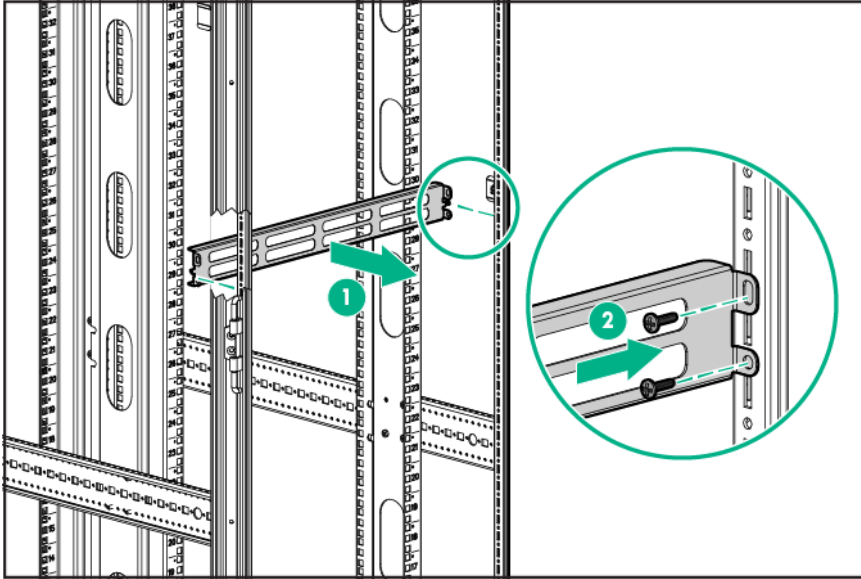
## Installing the cross-over bracket

- Align the cross-over bracket with the appropriate screw holes in the desired location across the back of the rack (1).

**NOTE:** The screw holes for the cross-over bracket are located on the side of the rear rack screw column, towards the inside of the rack.

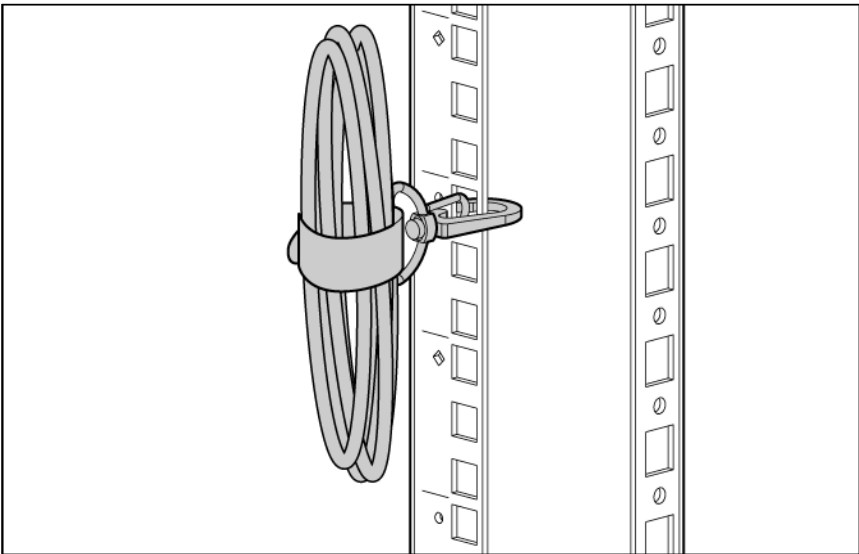
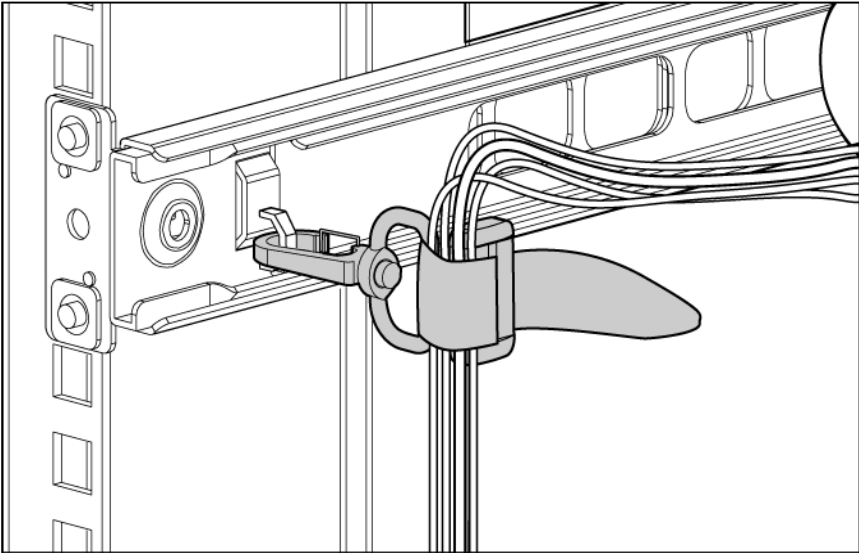


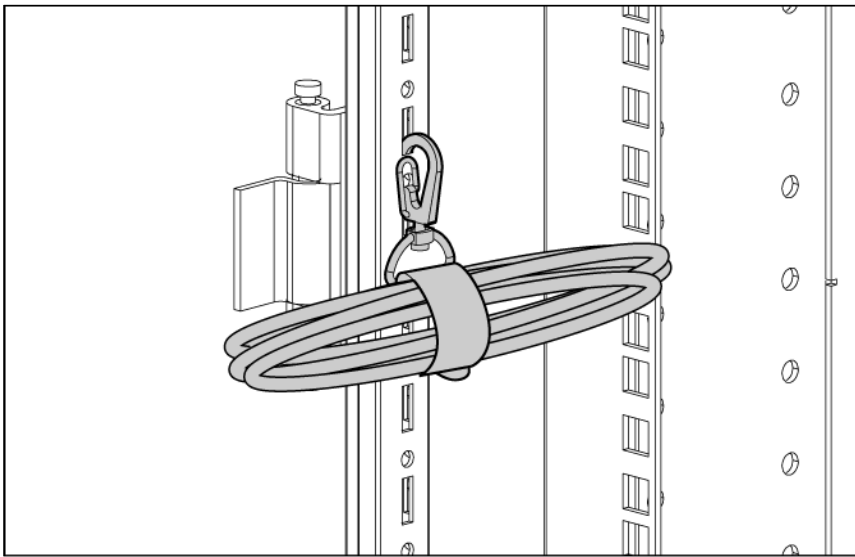
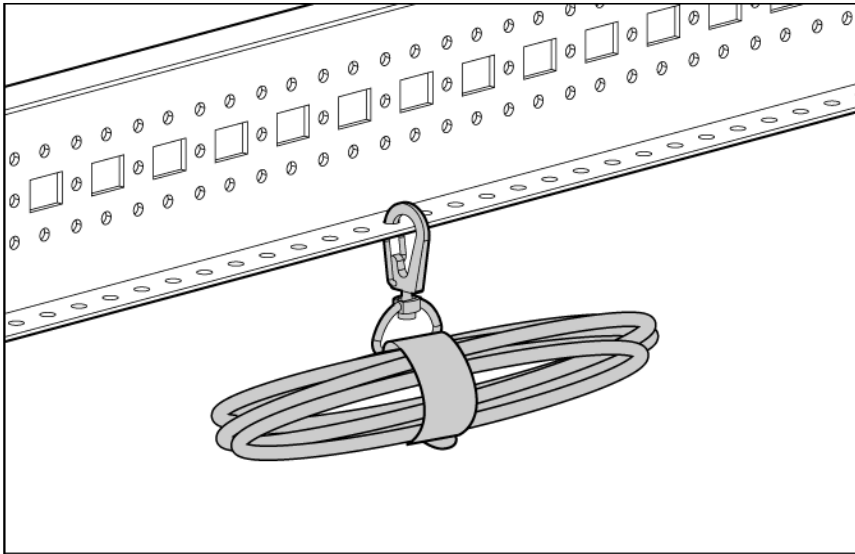
- Using a T-25 Torx driver, insert two M5.5 x 10-mm Torx screws on either side of the cross-over bracket and secure to the rack frame (2).



# Installing the hook-and-loop cabling straps

Attach the clip to the rack in any of the following positions, then route and secure your cables with the hook-and-loop cabling straps.





Installation is complete.

# Cable Management Tray kit

## About this device

The Cable Management Tray kit enables you to attach cable management trays to the top of racks to improve cable management.

## Kit contents

Depending on which kit you order, this kit includes the following items:

Item	Quantity
600-mm cable management tray	1
600-mm cable trough	8
Wire for trough	16
Cover	8

—or—

Item	Quantity
800-mm cable management tray	1
800-mm cable trough	1
Wire for trough	2
Cover	1

—or—

Item	Quantity
Cable trough inner tray	1
Cable trough outer tray	1

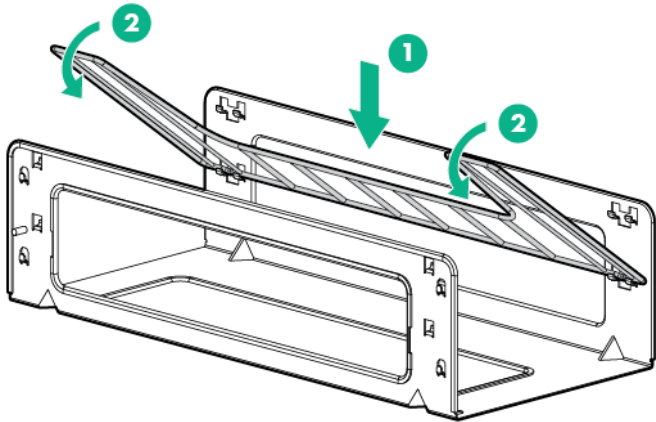
Extra hardware might be included for your convenience.

## Required tool

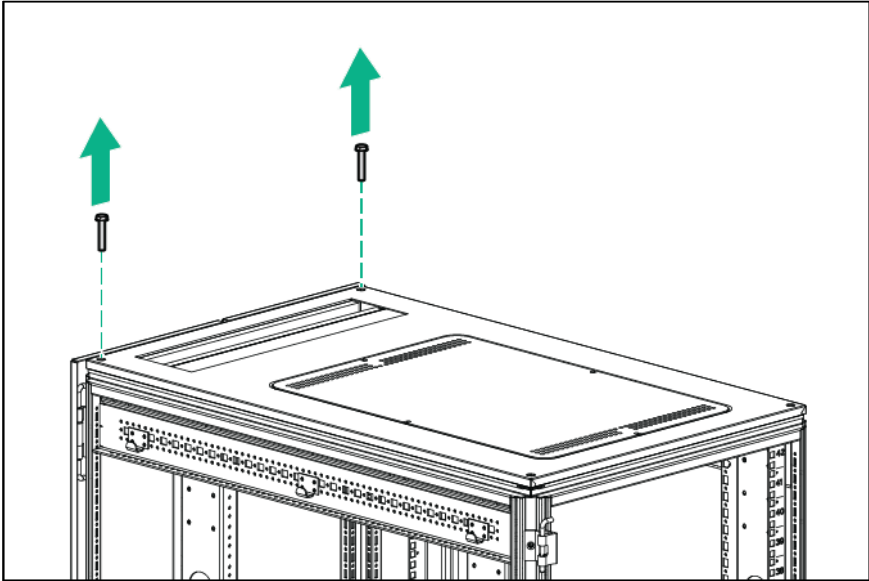
You will need a T-30 Torx driver.

# Installing the cable management tray

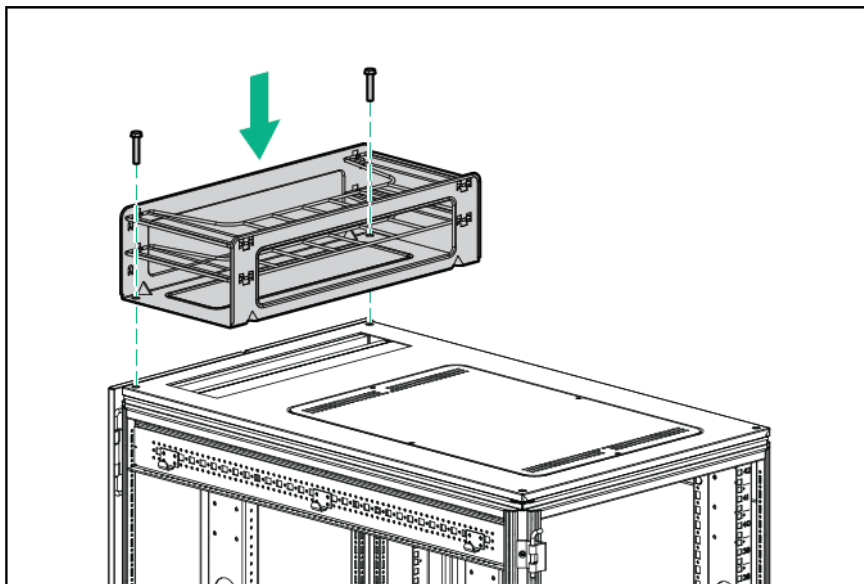
- 1. Attach the wire for the trough to the cable management tray.



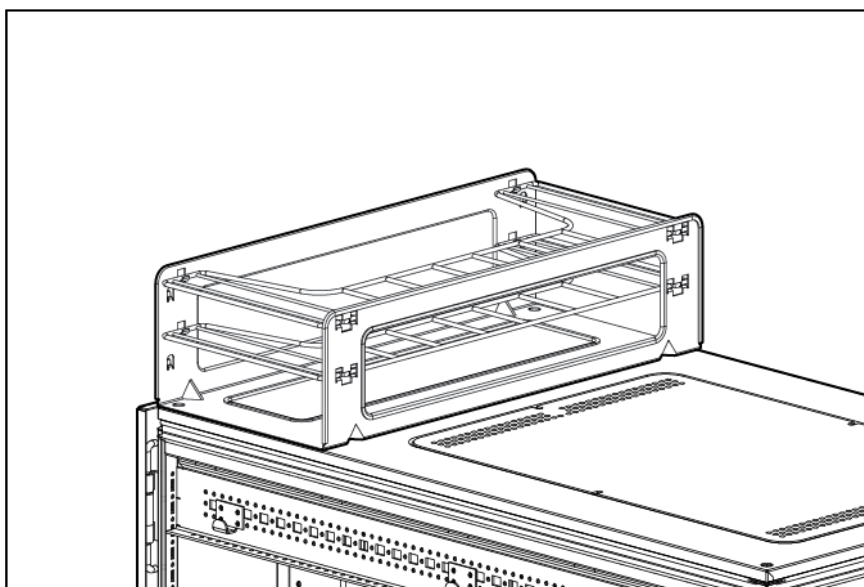
- 2. Remove the two screws from the rack top.



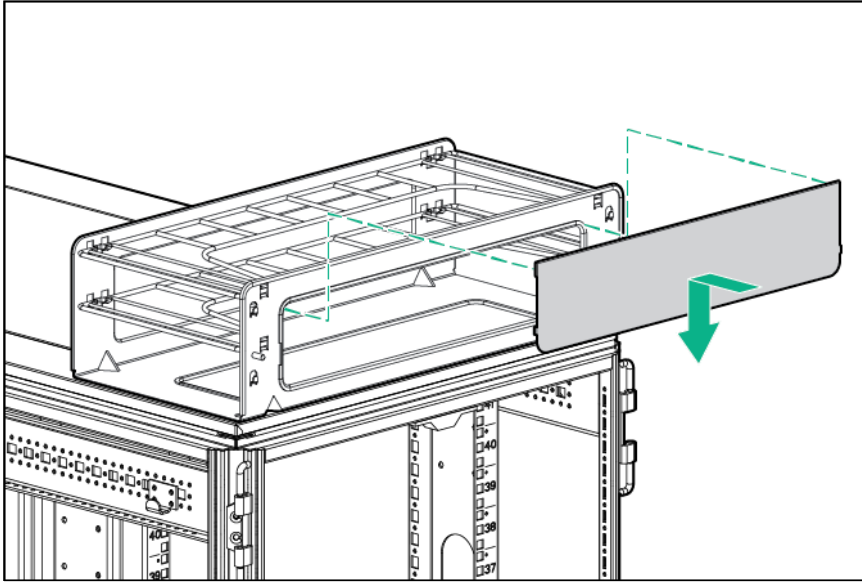
3. Install the cable management tray on top of the rack, using the same two screws you removed in step 2.



4. Route the cables through the cable management tray.

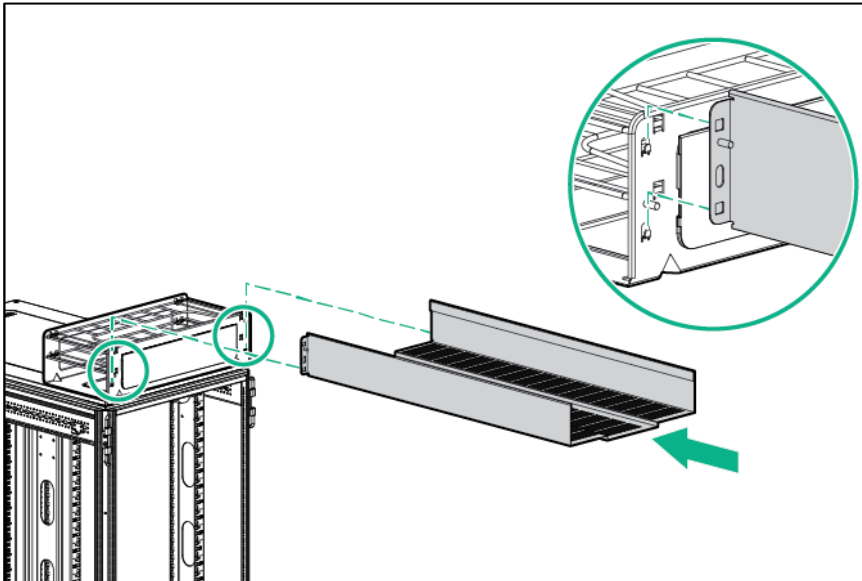


5. Hook and slide the cover into place.

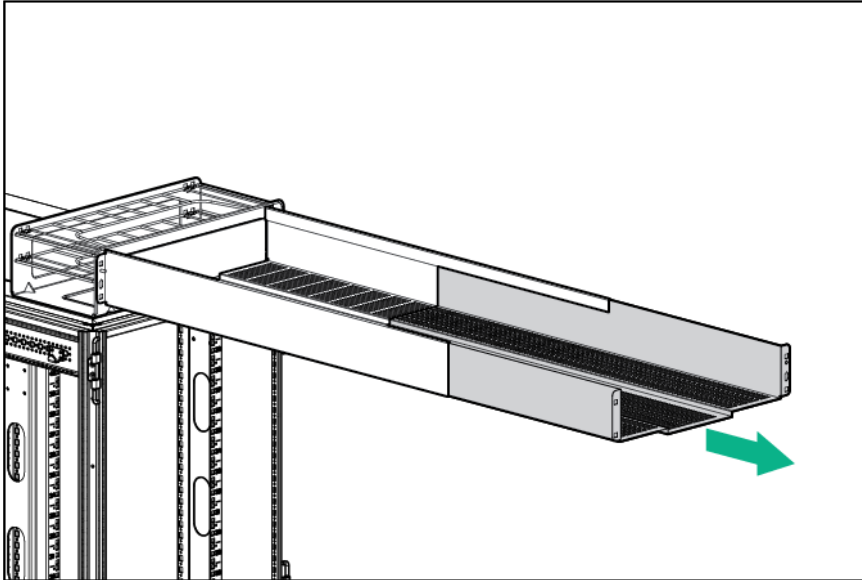


## Installing the cable management inner and outer trays

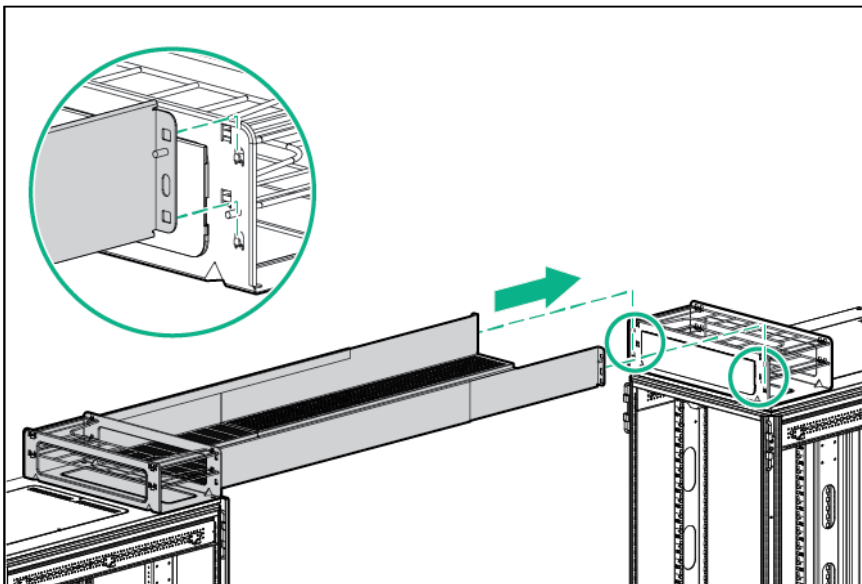
1. Attach the cable management outer tray to the cable management tray.



2. Slide the inner tray into the outer tray, and adjust them to the desired length.

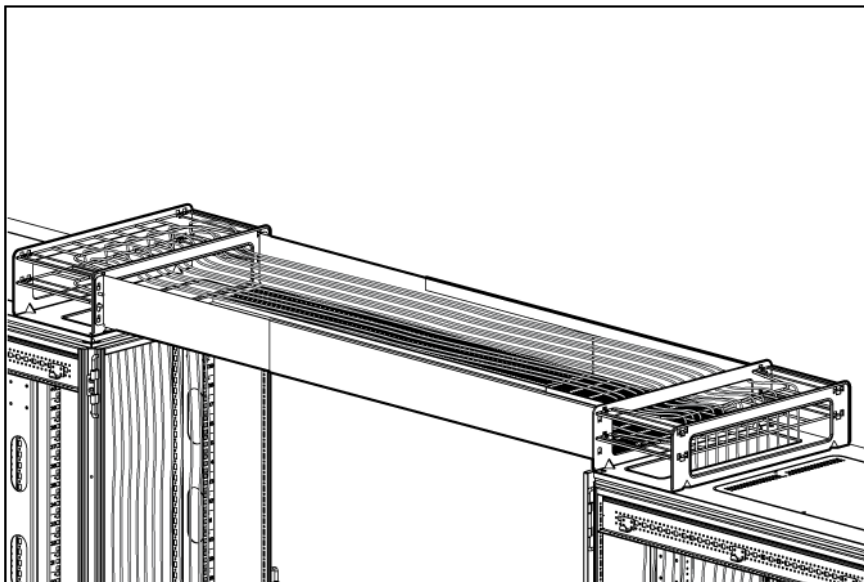


3. Attach the cable management inner tray to the cable management tray.

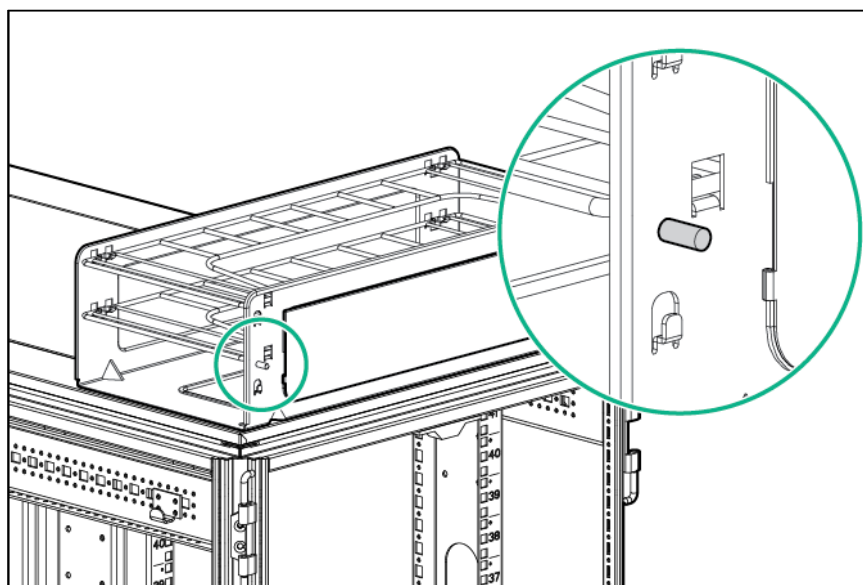




4. Route the cables through the cable management tray.



## Ground bonding stud location



# Fan (110V/220V) kit

## About this device

The Fan (110V/220V) kit enhances the natural convection cooling by increasing rack airflow.

## Kit contents

Item	Quantity
Fan assembly	1
Power cord	2
Cable fastener	4

This kit might contain extra hardware for your convenience.

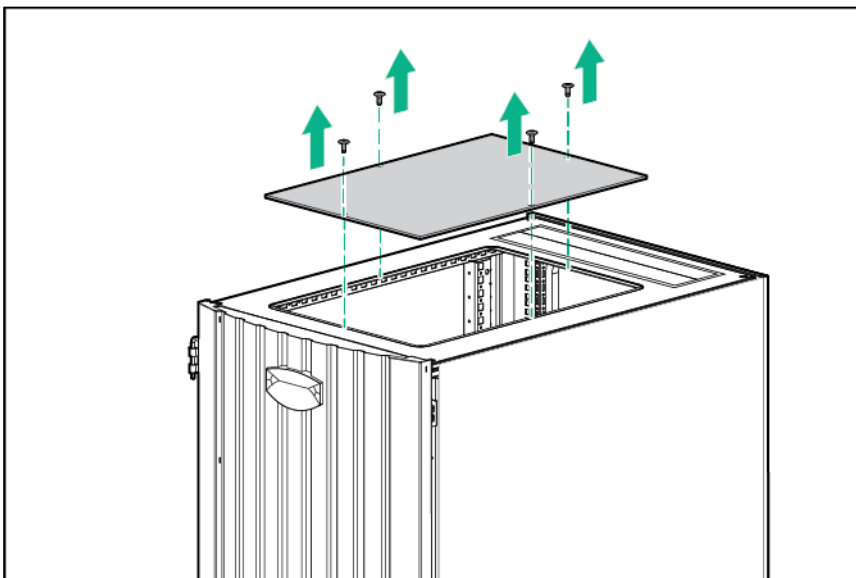
## Required tools

You will need a T-30 Torx driver.

## Installing the fan

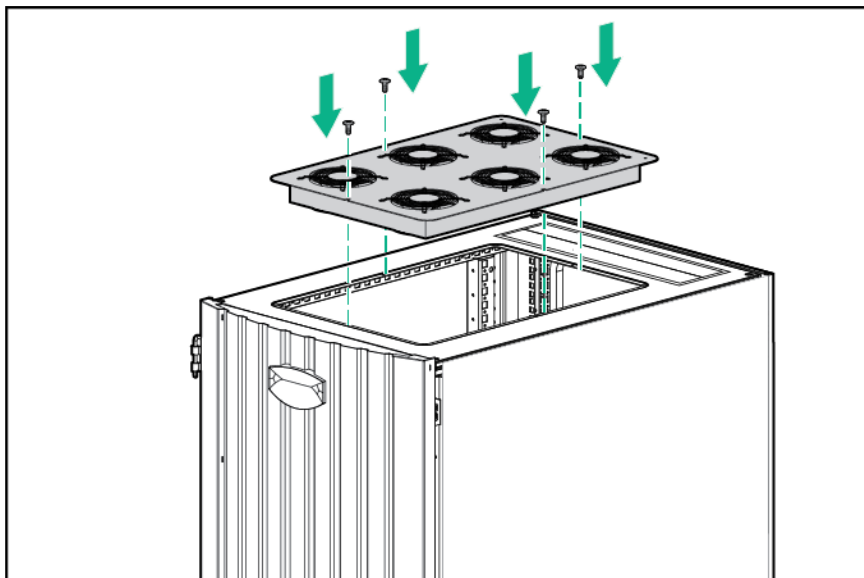
**NOTE:** The rack top covers might be different, but the installations are identical.

1. Using a T-30 Torx driver, remove the four T-30 Torx screws securing the rack top cover to the rack, and remove the rack top cover. Retain the screws.

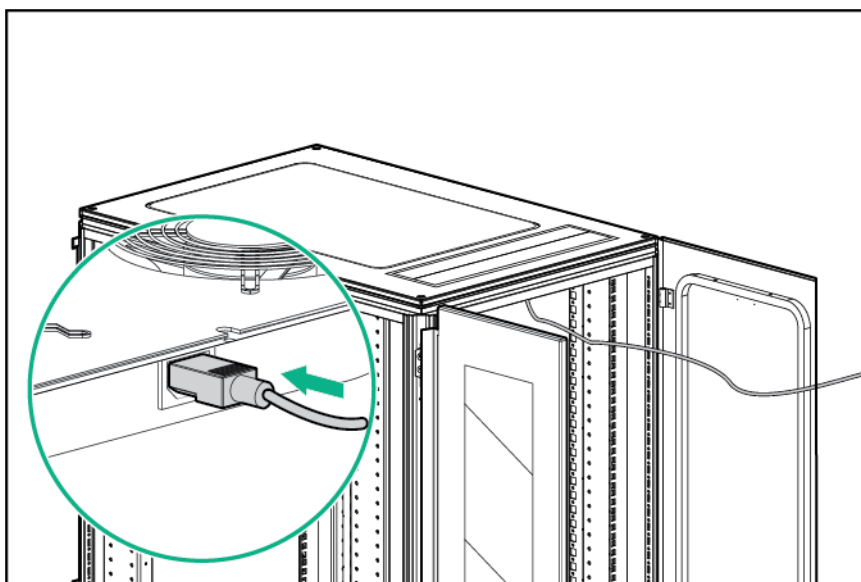


2. Align the fan assembly so that the power cord faces the rear of the rack.

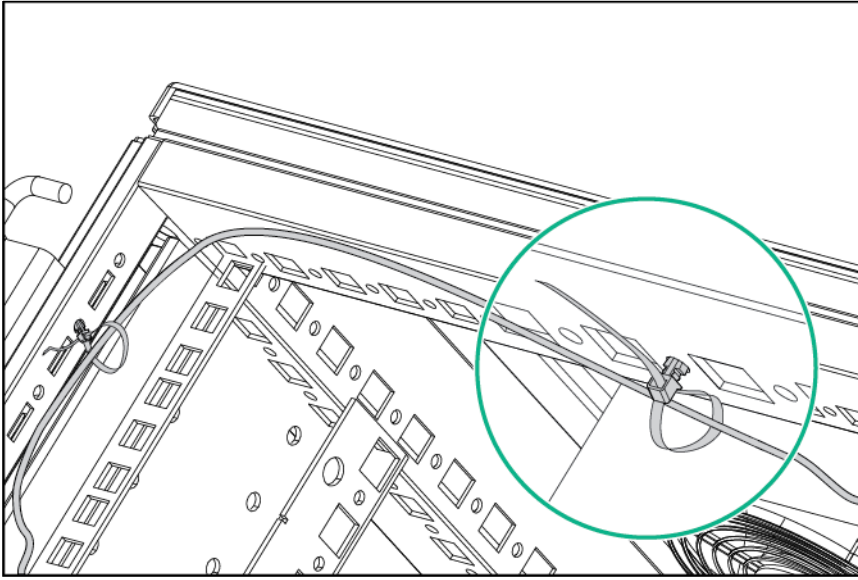
3. Insert the fan assembly into the top of the rack and secure using the four T-30 Torx screws from step 1.



4. Connect the power cord to the fan assembly.



5. Insert the notched end of the tie wrap into a small hole in the rack rail and push the tie wrap in to lock it in place. Encircle the power cord with the tie wrap by inserting the free end of the tie wrap into the hole on the other end of the tie wrap, pulling the tie wrap tight, and cutting off excess length.



Installation is complete.

# Filler Panel kit

## About this device

The Filler Panel kit enables you to cover open areas of the rack to better control airflow.

## Kit contents

Item	Quantity
1U Filler panels	10
—or—	
1U Filler panels	100

This kit might contain extra hardware for your convenience.

## Required tools

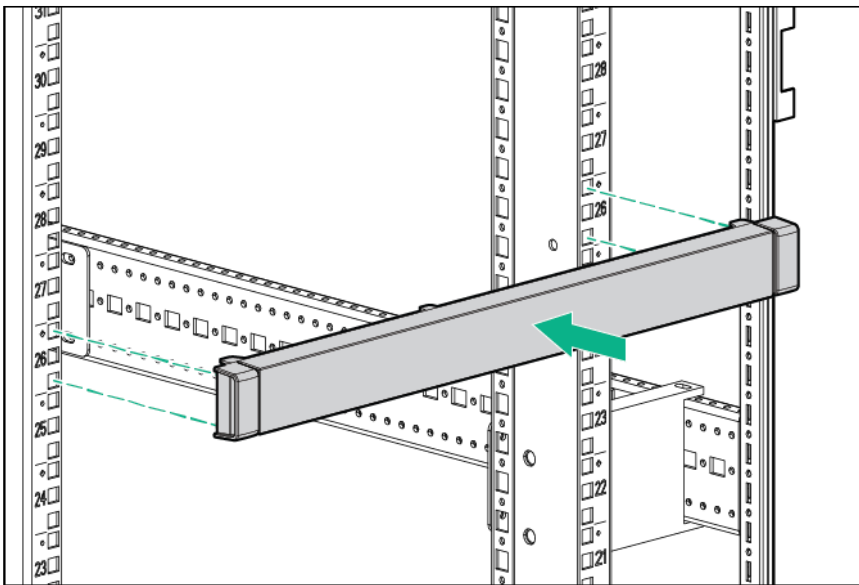
No tools are required for this procedure.

## Installing the filler panel

1. Position the filler panel in the desired rack location.
2. Snap the filler panel into place.



**CAUTION:** Always use filler panels to fill all remaining empty front panel U-spaces in the rack. This arrangement ensures proper airflow. Using a rack without filler panels results in improper cooling, which can lead to thermal damage.



# Front Door kit

## About this device

The Front Door kit enables you to add a front door to your HPE 10000 G2 Series rack. You can also install this option kit on 10000 series racks of the same size.

## Kit contents

Item	Quantity
Front door	1
Keys	2
Hinge brackets	2
Lock catches	2

This kit might contain extra hardware for your convenience.

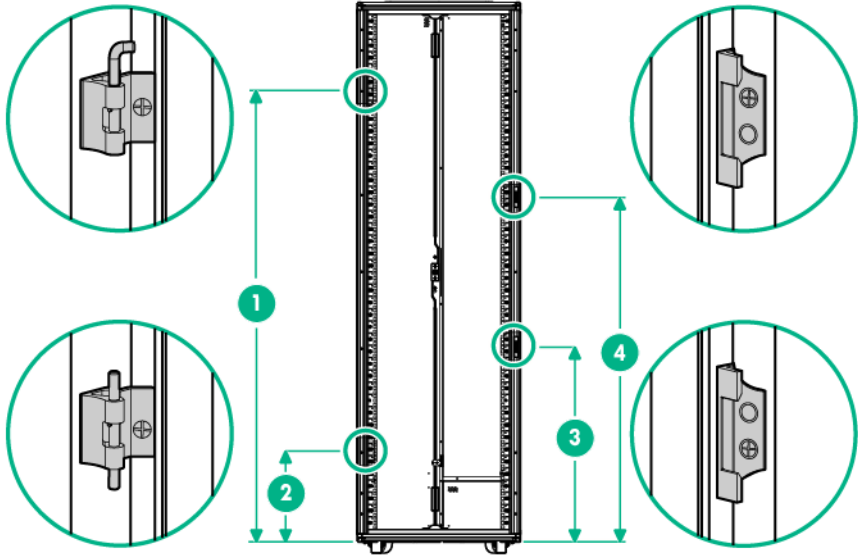
## Required tools

The following tools are required for installation:

- T-25 Torx driver
- Phillips screwdriver

## Installing the hinge brackets and lock catches

The following tables indicate where the hinge brackets and lock catches are to be mounted in a 36U or 42U front door installation. The distance is measured from the bottom of the rack to an indicated hinge bracket or lock catch fastening hole.



### Hinge bracket mounting distance from the bottom of the rack

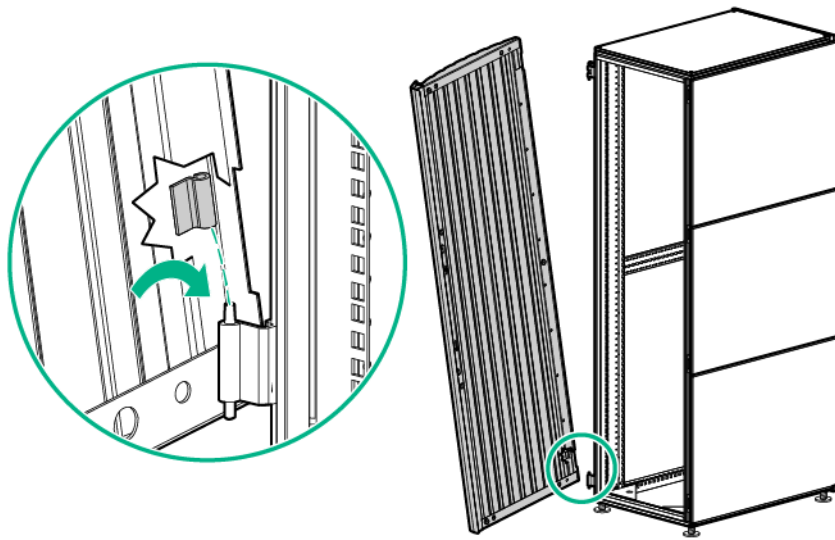
Position number	36U	42U
1	1598.5 mm (62.9 in)	1856 mm (73.1 in)
2	98.5 mm (3.9 in)	98.5 mm (3.9 in)

### Lock catch mounting distance from the bottom of the rack

Position number	36U	42U
3	569.5 mm (22.4 in)	698.5 mm (27.5 in)
4	1127.5 mm (44.4 in)	1256.5 mm (49.5 in)

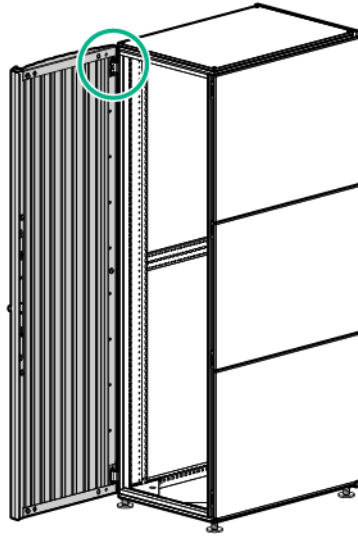
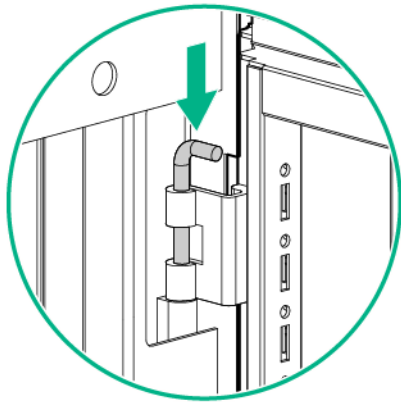
## Installing the front door

1. Slide the bottom door hinge onto the hinge bracket on the rack frame.



2. Lift the top hinge pin up, and slide the upper door hinge into place.

3. Release the top hinge pin to secure the front door to the rack.



4. Close the front door.  
Installation is complete.



# Ground Bonding kit

## About this device

The Ground Bonding kit reduces the electromagnetic emissions outside the rack. These emissions are produced during normal operation of the electronic components within the rack. Typically, rack-mounted equipment must meet class A emissions levels, but you might want to reduce these levels even further. Use this kit to tie all the conductive structural components together with conductive cables, and then attach the kit to a ground bonding point on the AC power distribution device of the rack or the building ground.

## Kit contents

Item	Quantity
15.24-cm (6-in) grounding straps	6
15.24-cm (6-in) grounding straps (with a connector on one end)	6
36.83-cm (14.5-in) grounding straps	8
36.83-cm (14.5-in) grounding straps (with a connector on one end)	6
M8 internal serrated lock washer	20
M8 hex nut	20
M5.5 T-25 Torx screw	12
M6 x 10-mm Torx screw	1
M8 x 20-mm bolt	1
M8 Belleville toothed washer	1
M5 Belleville toothed washer	1

This kit might contain extra hardware for your convenience.

## Required tools

The following tools are required for installation:

- T-25 Torx driver
- M8 socket

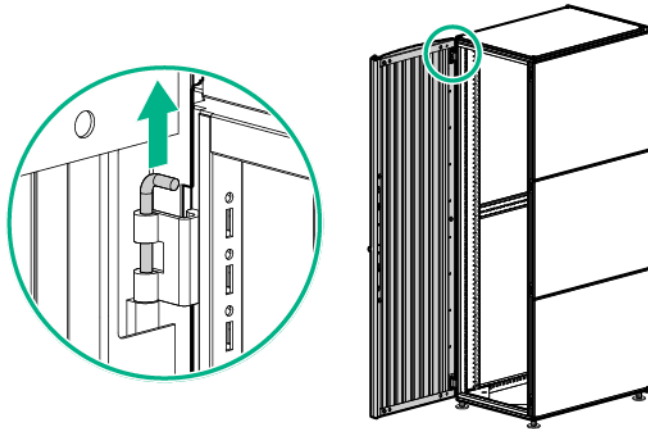
## Installing the ground bonding rack option kit on HPE 10000 G2 Series Racks

Attach the appropriate grounding straps to the following locations:

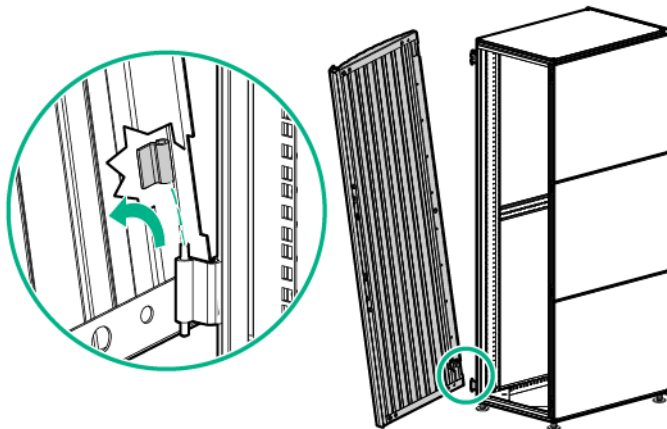
**From the system chassis to the front door (without a grounding lug):**

1. Remove the rack front door.
  - a. Unlock and open the front door.

- b. Lift the top hinge pin up, and tilt the door away from the rack.

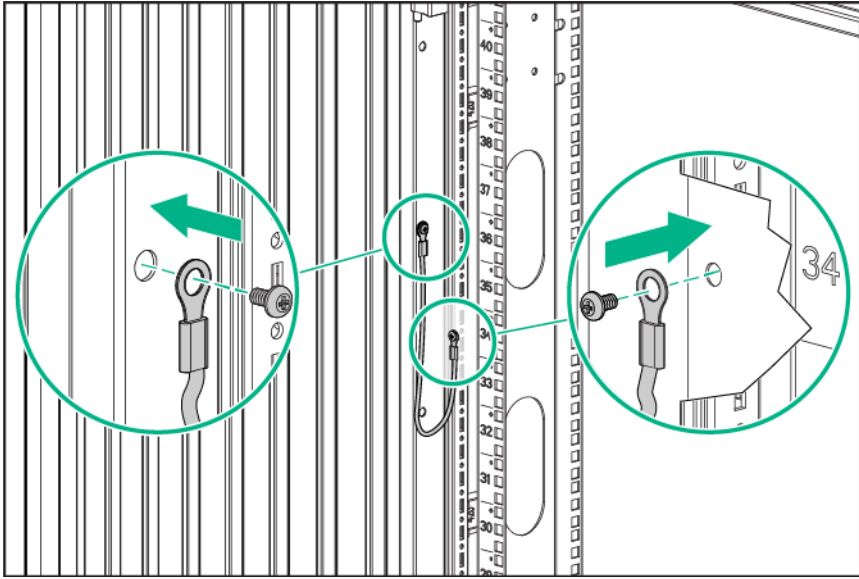


- c. Lift the door up and out of the bottom hinge.



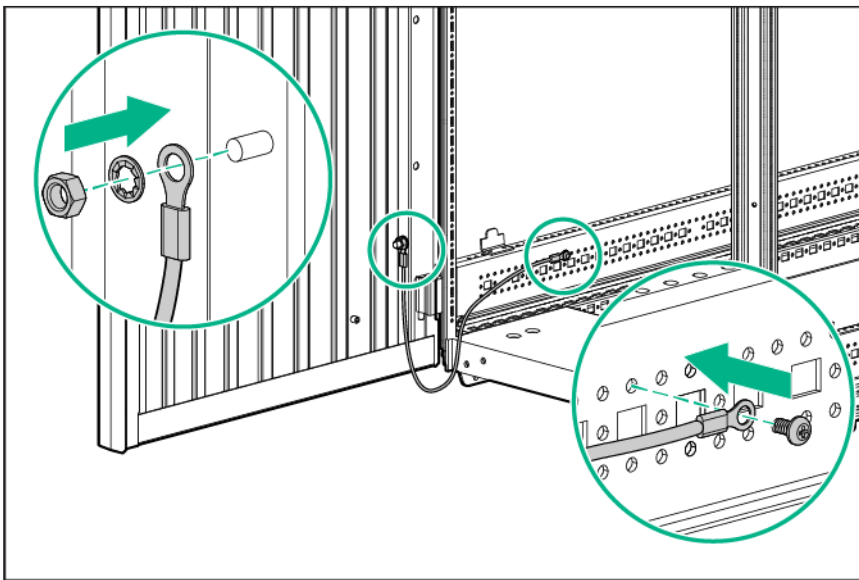
2. Insert an M6 T-25 Torx screw through one end of a 15.24-cm (6-in) grounding strap, and insert it in the second hole below the upper front door hinge on the vertical frame member of the rack. Tighten the screw.
3. Replace the rack front door.

4. Insert a T-25 Torx screw through the other end of the same grounding strap, and insert it in the hole on the rack front door. Tighten the screw.



**From the system chassis rail to the front door (with a grounding lug):**

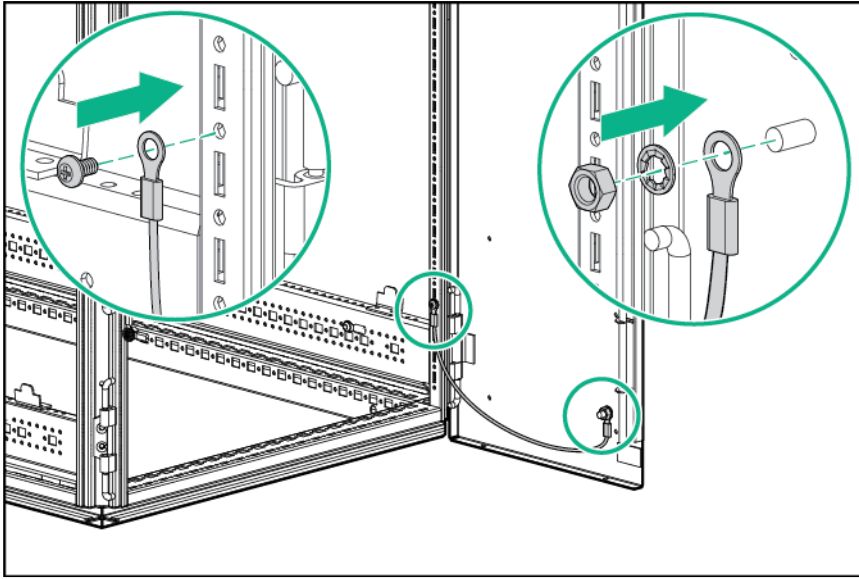
1. Insert a T-25 Torx screw through one end of a 36.83-cm (14.5-in) grounding strap, and secure it to the system chassis rail.
2. Place the other end of the same grounding strap over the grounding lug on the front door.
3. Place an M8 internal serrated lock washer and an M8 hex nut over the grounding lug on the front door and tighten.



**From the system chassis rail to the right rear door:**

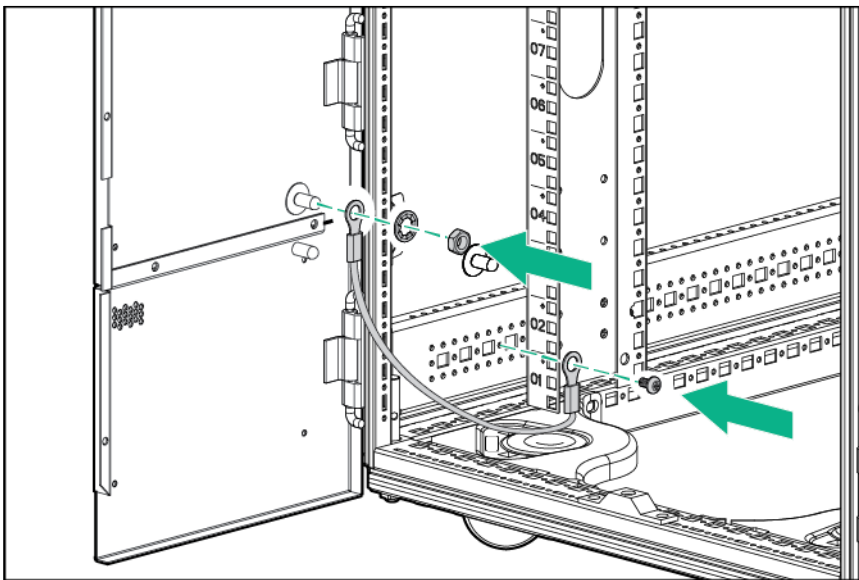
1. Insert a T-25 Torx screw through the end of a 36.83-cm (14.5-in) grounding strap, and secure it to the system chassis rail.
2. Place the other end of the same grounding strap over the grounding lug on the right rear door.

3. Place an M8 internal serrated lock washer and an M8 hex nut over the grounding lug on the right rear door and tighten.



**From the system chassis rail to the left rear door:**

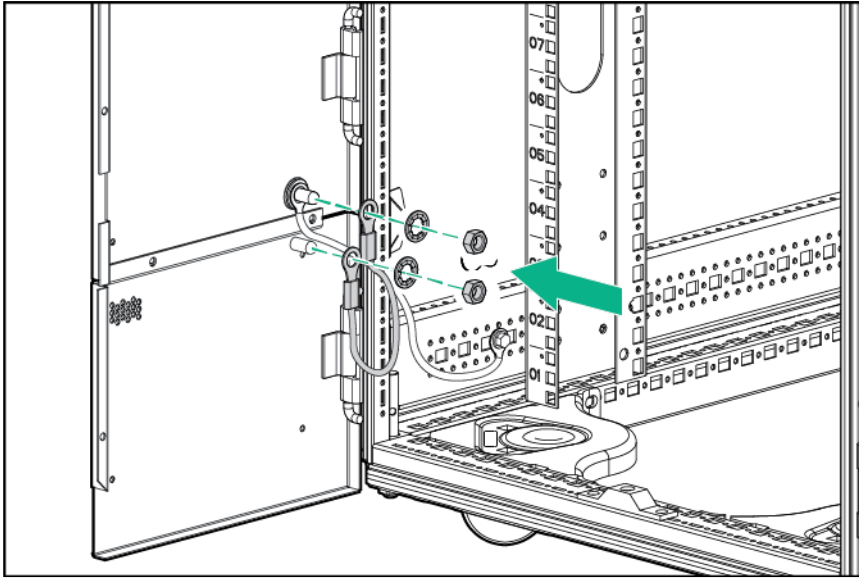
1. Insert a T-25 Torx screw through the end of a 36.83-cm (14.5-in) grounding strap, and secure it to the system chassis rail.
2. Place the other end of the grounding strap over the grounding lug on the left rear door.
3. Place an M8 internal serrated lock washer and an M8 hex nut over the grounding lug on the left rear door and tighten.



**From the left rear door to the left rear door cable access panel:**

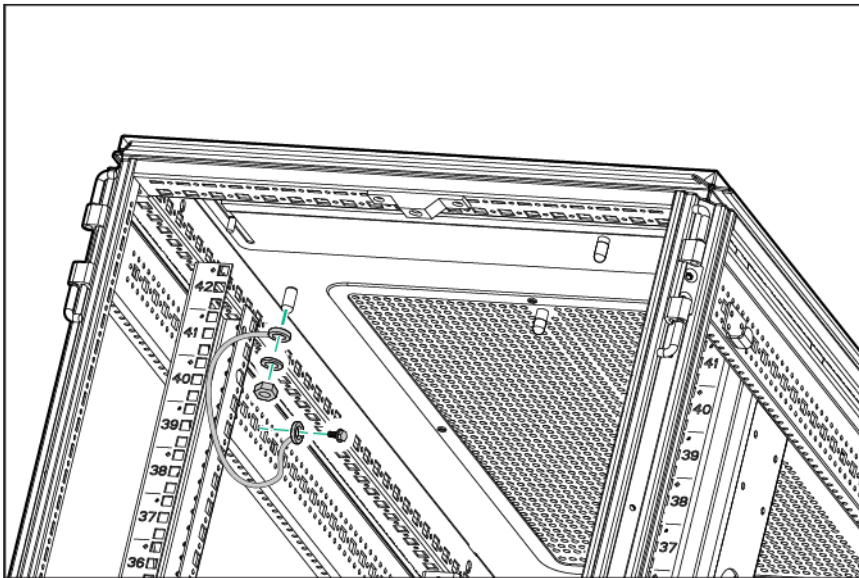
1. Place one end of a 15.24-cm (6-in) grounding strap over the grounding lug on the left rear door.
2. Place an M8 internal serrated lock washer and an M8 hex nut over the grounding lug on the left rear door and tighten.
3. Place the other end of the same grounding strap over the grounding lug on the cable access panel.

4. Place an M8 internal serrated lock washer and an M8 hex nut over the grounding lug on the cable access panel and tighten.



**From the system chassis rail to the rack top:**

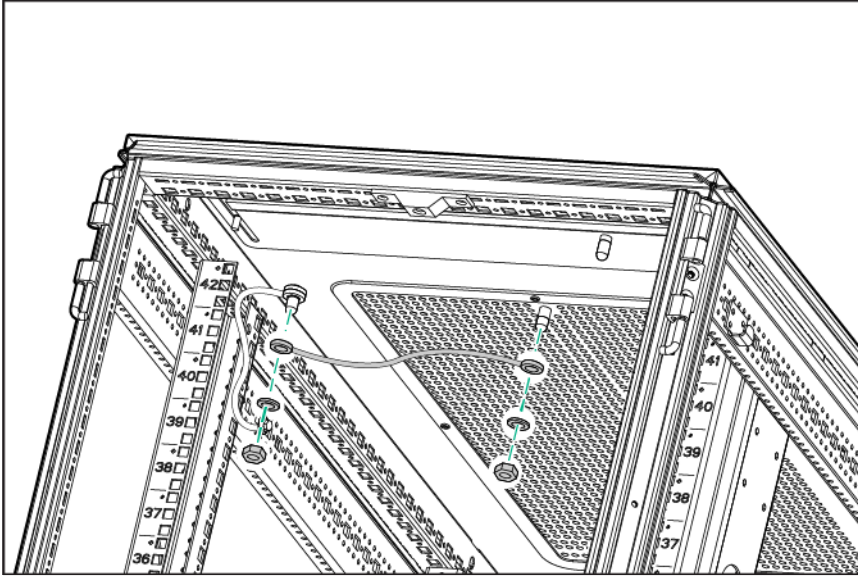
1. Insert a T-25 Torx screw through one end of a 15.24-cm (6-in) grounding strap, and secure it to the system chassis rail.
2. Place the other end of the same grounding strap over the grounding lug on the rack top.
3. Place an M8 internal serrated lock washer and an M8 hex nut over the grounding lug on the rack top and tighten.



**From the grounding lug on the rack top to the grounding lug on the perforated panel:**

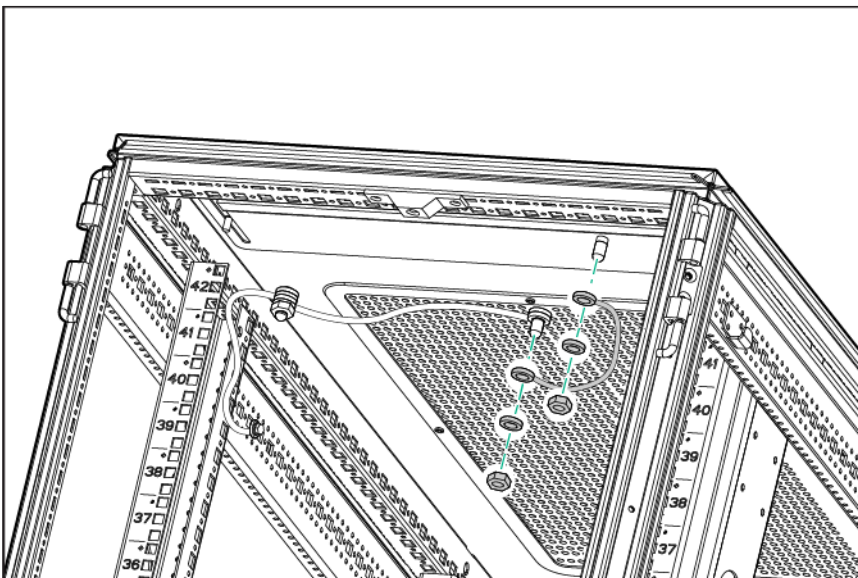
1. Place one end of a 36.83-cm (14.5-in) grounding strap over the grounding lug on the rack top.
2. Place an M8 internal serrated lock washer and an M8 hex nut over the grounding lug on the rack top and tighten.
3. Place the other end of the same grounding strap over the grounding lug on the perforated panel.

4. Place an M8 internal serrated lock washer and an M8 hex nut over the grounding lug on the perforated panel and tighten.

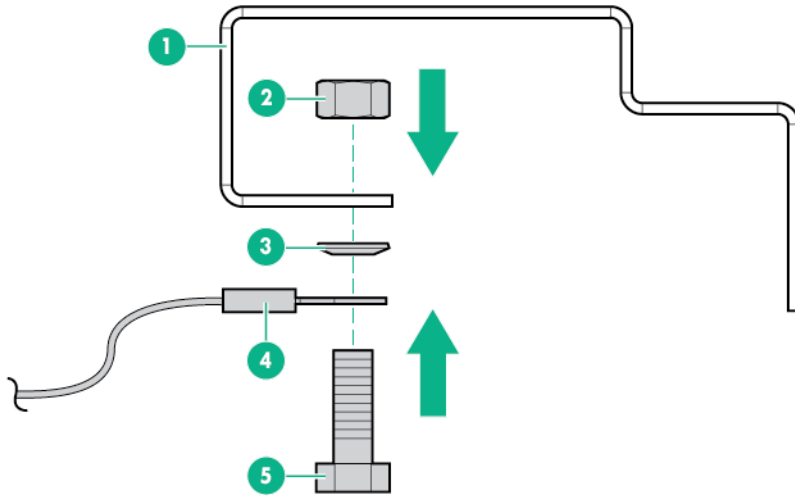


**From the grounding lug on the perforated panel or fan kit to the grounding lug on the egress slot:**

1. Place one end of a 15.24-cm (6-in) grounding strap over the grounding lug on the perforated panel or fan kit.
2. Place an M8 internal serrated lock washer and an M8 hex nut over the grounding lug on the perforated panel or fan kit and tighten.
3. Place the other end of the same grounding strap over the grounding lug on the egress slot.
4. Place an M8 internal serrated lock washer and an M8 hex nut over the grounding lug on the egress slot and tighten.



**From the rack to a building facility**, contact your building supervisor for more information. The following figure illustrates parts for this step.



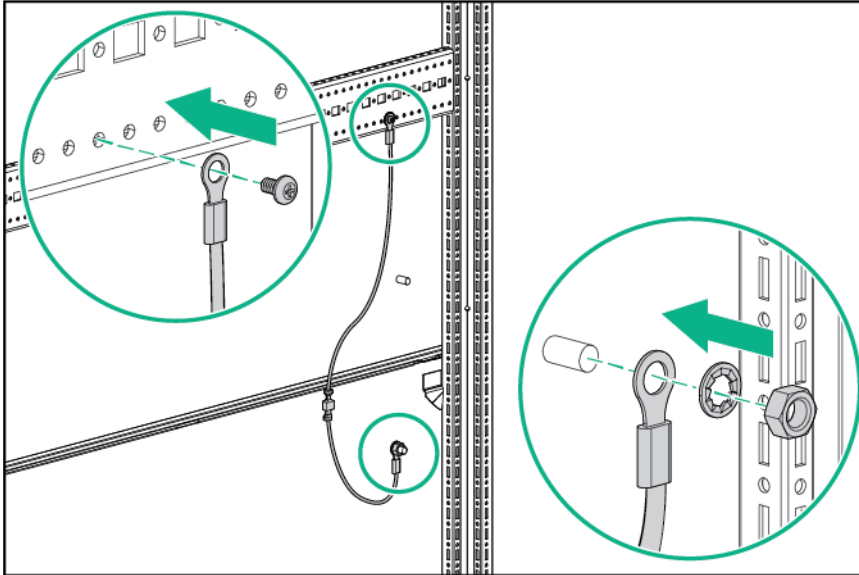
Reference	Item
1	48.26-cm (19-in) mounting rail (the mounting hole is located at the top or bottom of the rail)
2	M8 hex nut
3	M8 Belleville toothed washer
4	Facility ground (not included with this kit)
5	M8 x 20 bolt

## Installing the ground bonding rack option kit on HPE 10000 G2 Series Rack side panels

### From the middle system chassis rail to the bottom side panel:

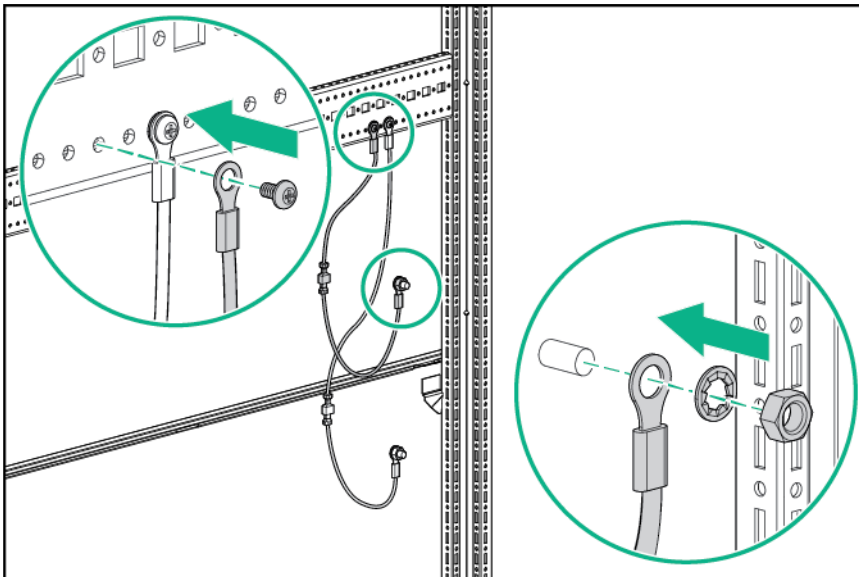
1. Connect a 36.83-cm (14.5-in) and a 15.24-cm (6-in) grounding strap with connectors together.
2. Insert a T-25 Torx screw through the end of the 36.83-cm (14.5-in) grounding strap, and secure it to the middle system chassis rail.
3. Place the end of the 15.24-cm (6-in) grounding strap over the grounding lug on the bottom side panel.
4. Place an M8 internal serrated lock washer and an M8 hex nut over the grounding lug on the bottom side panel and tighten.

5. Repeat steps 1 through 4 for the other bottom side panel.



**From the middle system chassis rail to the middle side panel:**

1. Connect a 36.83-cm (14.5-in) and a 15.24-cm (6-in) grounding strap with connectors together.
2. Insert a T-25 Torx screw through the end of the 36.83-cm (14.5-in) grounding strap, and secure it to the middle system chassis rail.
3. Place the end of the 15.24 (6-in) grounding strap over the grounding lug on the middle side panel.
4. Place an M8 internal serrated lock washer and an M8 hex nut over the grounding lug on the middle side panel and tighten.
5. Repeat steps 1 through 4 for the other middle side panel.

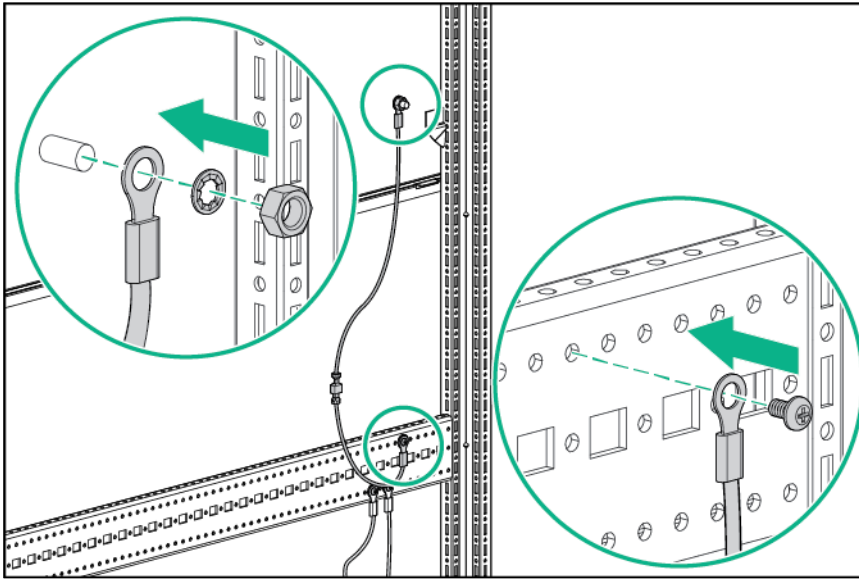


**From the middle system chassis rail to the top side panel:**

1. Connect a 36.83-cm (14.5-in) and a 15.24-cm (6-in) grounding strap with connectors together.
2. Insert a T-25 Torx screw through the end of a 36.83-cm (14.5-in) grounding strap, and secure it to the middle system chassis rail.
3. Place the end of the 15.24-cm (6-in) grounding strap over the grounding lug on the top side panel.



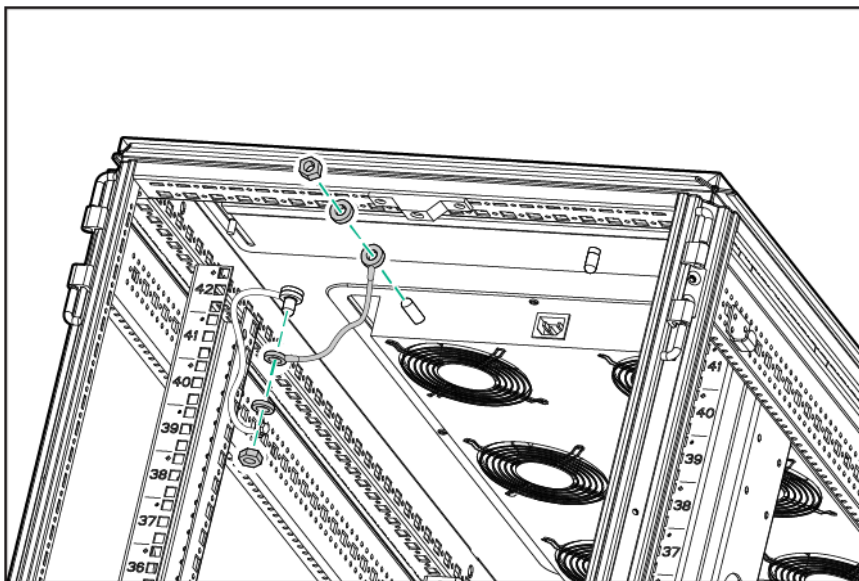
4. Place an M8 internal serrated lock washer and an M8 hex nut over the grounding lug on the top side panel and tighten.
5. Repeat steps 1 through 4 for the other top side panel.



## Installing the ground bonding rack option kit on HPE 10000 G2 Series Rack fan kits

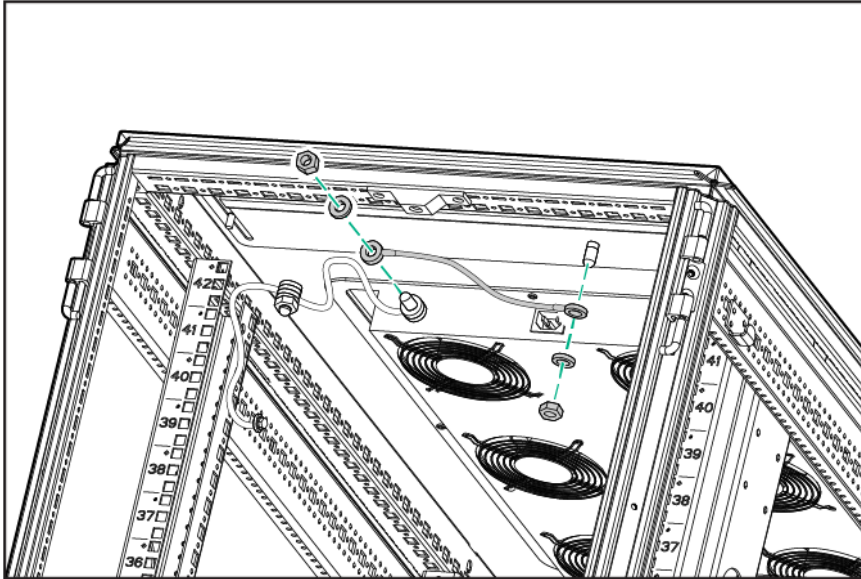
### From the grounding lug on the rack top to the grounding lug on the fan kit:

1. Place one end of a 15.24-cm (6-in) grounding strap over the grounding lug on the rack top.
2. Place an M8 internal serrated lock washer and an M8 hex nut over the grounding lug on the rack top and tighten.
3. Place the other end of the same grounding strap over the grounding lug on the perforated panel.
4. Place an M8 internal serrated lock washer and an M8 hex nut over the grounding lug on the perforated panel and tighten.



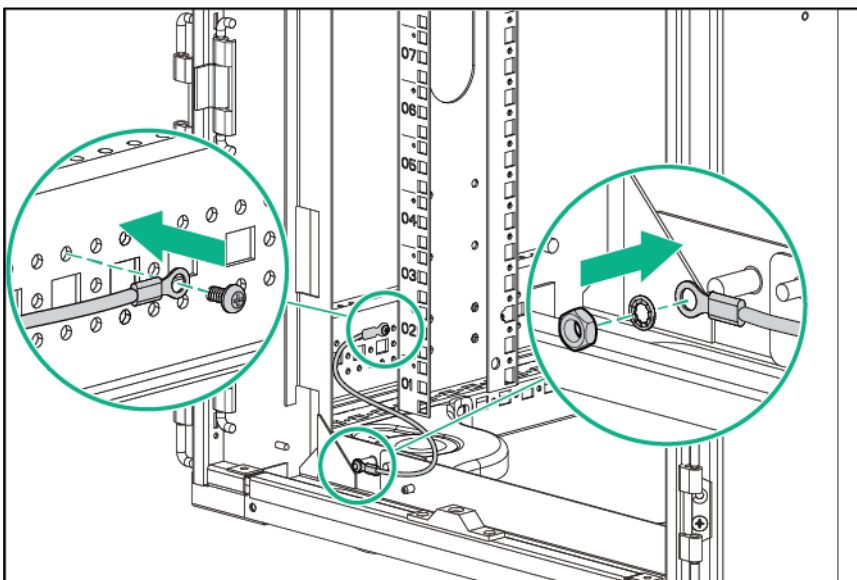
### From the grounding lug on the fan kit to the grounding lug on the egress slot:

1. Place one end of a 36.83-cm (14.5-in) grounding strap over the grounding lug on the fan kit.
2. Place an M8 internal serrated lock washer and an M8 hex nut over the grounding lug on the fan kit and tighten.
3. Place the other end of the same grounding strap over the grounding lug on the egress slot.
4. Place an M8 internal serrated lock washer and an M8 hex nut over the grounding lug on the egress slot and tighten.



## Installing the ground bonding rack option kit on HPE 10000 G2 Series Rack 150-mm extension kits

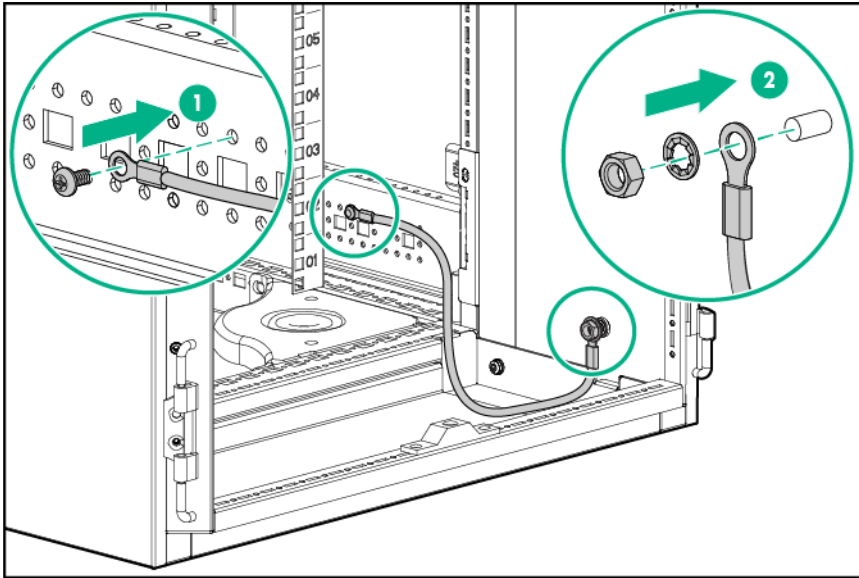
1. Insert a T-25 Torx screw through one end of a 15.24-cm (6-in) grounding strap, and secure it to the rear rack chassis.
2. Place an M8 internal serrated lock washer and the other end of the same grounding strap over the grounding lug on the extension kit.
3. Place an M8 hex nut over the grounding lug and tighten.



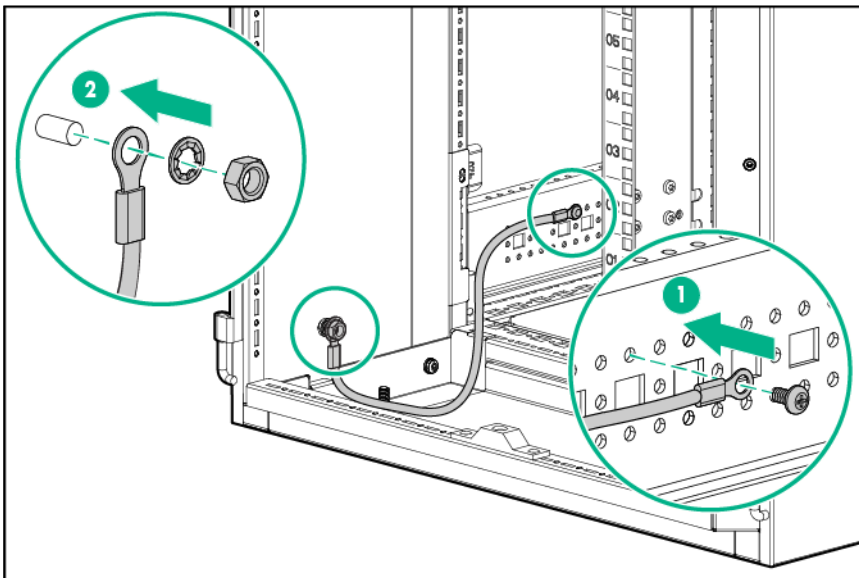
# Installing the ground bonding rack option kit on HPE 10000 G2 Series Rack 200-mm extension kits

## From the extension kit to the bottom rack side panel:

1. Insert a T-25 Torx screw through the end of the 36.83-cm (14.5 in) grounding strap, and secure it to the bottom side panel.
2. Place the other end of the same grounding strap over the grounding lug on the extension kit.
3. Place an M8 internal serrated lock washer and an M8 hex nut over the grounding lug on the extension kit and tighten.



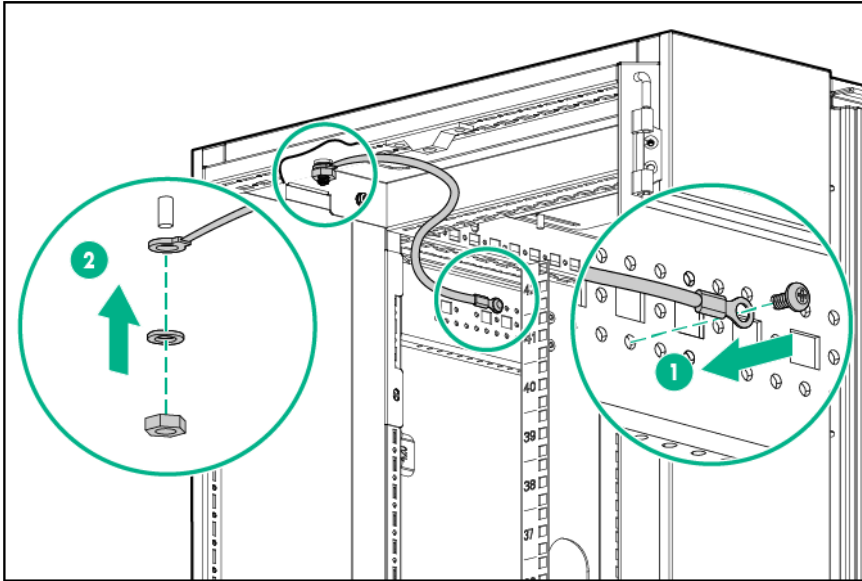
4. Repeat the previous steps for the opposite side of the rack.



## From the extension kit to the top rack side panel:

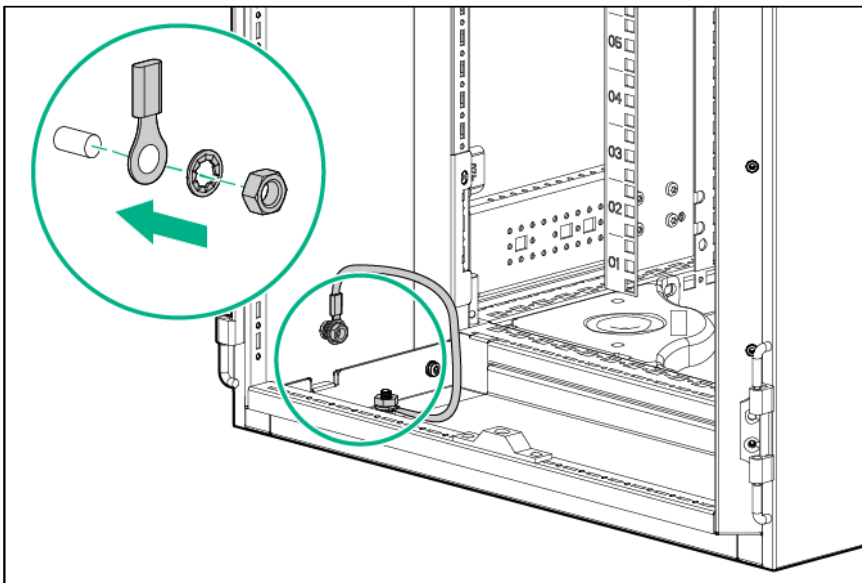
1. Insert a T-25 Torx screw through the end of the 36.83-cm (14.5 in) grounding strap, and secure it to the top side panel.
2. Place the other end of the same grounding strap over the grounding lug on the extension kit.

- Place an M8 internal serrated lock washer and an M8 hex nut over the grounding lug on the extension kit and tighten.



**From the side panel grounding lug to the bottom panel grounding lug:**

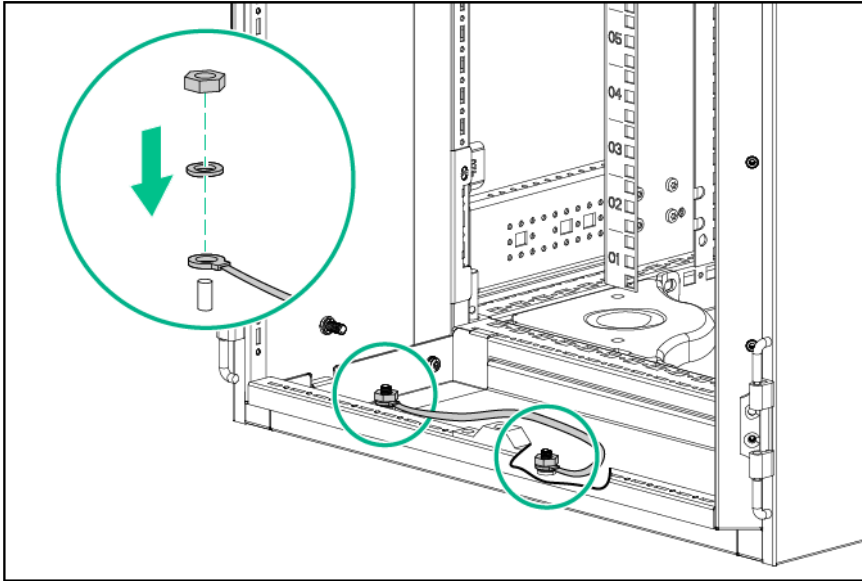
- Place the 36.83-cm (14.5 in) grounding strap over the grounding lug on the side panel of the extension kit.
- Place an M8 internal serrated lock washer and an M8 hex nut over the grounding lug on the side panel of the extension kit and tighten.
- Repeat the previous steps to secure the other end of the same grounding strap to the grounding lug on the bottom panel of the extension kit.



**From the egress panel grounding lug to the bottom panel grounding lug:**

- Place the 36.83-cm (14.5 in) grounding strap over the grounding lug on the egress panel of the extension kit.
- Place an M8 internal serrated lock washer and an M8 hex nut over the grounding lug on the egress panel of the extension kit and tighten.

3. Repeat the previous steps to secure the other end of the same grounding strap to the grounding lug on the bottom panel of the extension kit.

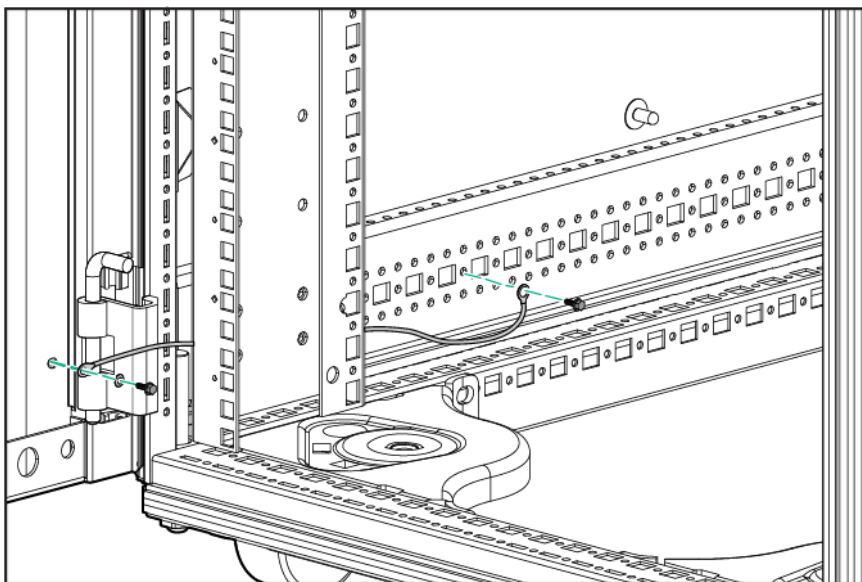


## Installing the ground bonding rack option kit on HPE 10000 Series Racks

Attach the appropriate grounding straps to the following locations:

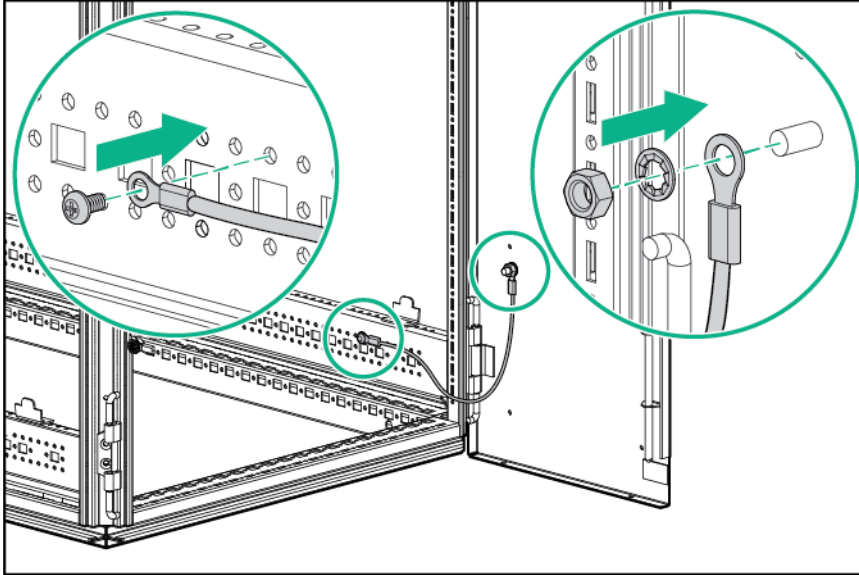
### From the system chassis rail to the front door:

1. Insert a T-25 Torx screw through one end of a 36.83-cm (14.5-in) grounding strap, and secure it to the system chassis rail.
2. Remove the inside front door panel screw.
3. Place an M5 Belleville toothed washer and the other end of the grounding strap over the front door panel screw.
4. Reinsert and tighten the front door panel screw.



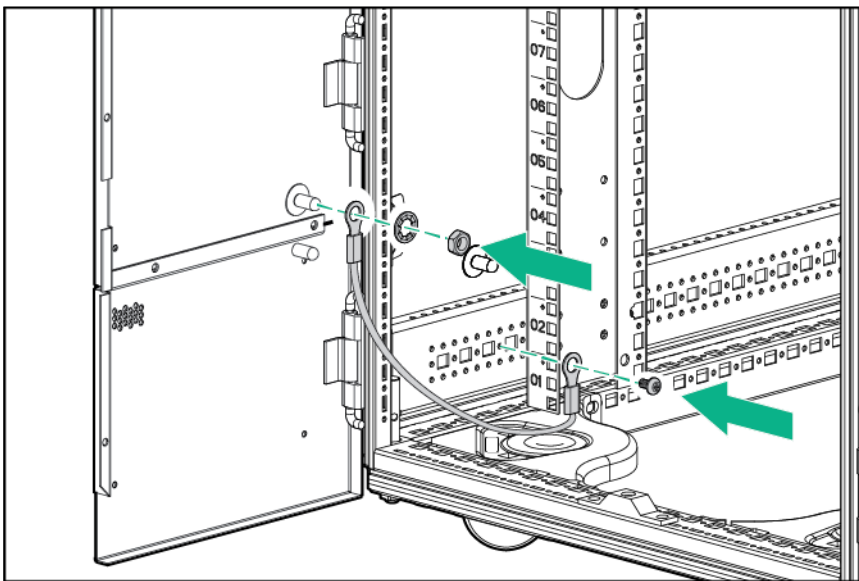
**From the system chassis rail to the right rear door:**

1. Insert a T-25 Torx screw through the end of a 36.83-cm (14.5-in) grounding strap, and secure it to the system chassis rail.
2. Place the other end of the same grounding strap over the grounding lug on the right rear door.
3. Place an M8 internal serrated lock washer and an M8 hex nut over the grounding lug on the right rear door and tighten.



**From the system chassis rail to the left rear door:**

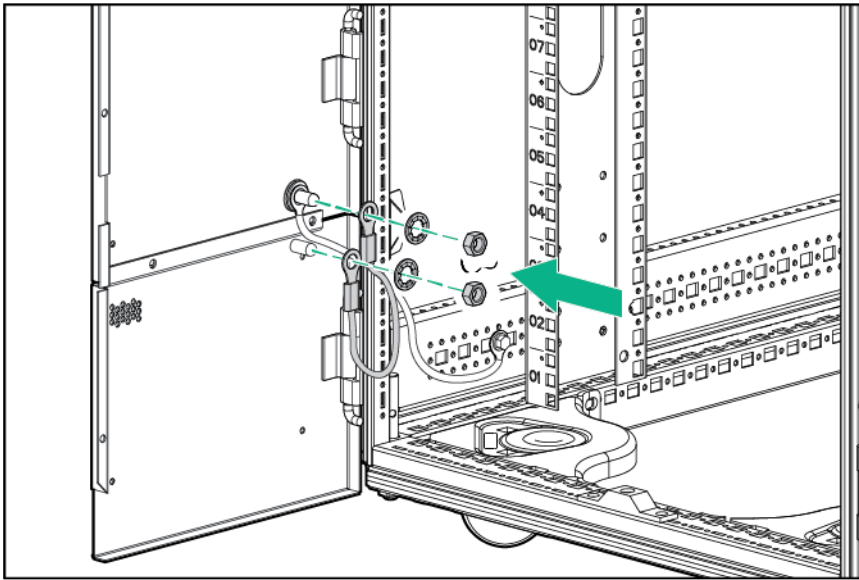
1. Insert a T-25 Torx screw through the end of a 36.83-cm (14.5-in) grounding strap, and secure it to the system chassis rail.
2. Place the other end of the same grounding strap over the grounding lug on the left rear door.
3. Place an M8 internal serrated lock washer and an M8 hex nut over the grounding lug on the left rear door and tighten.



**From the left rear door to the left rear door cable access panel:**

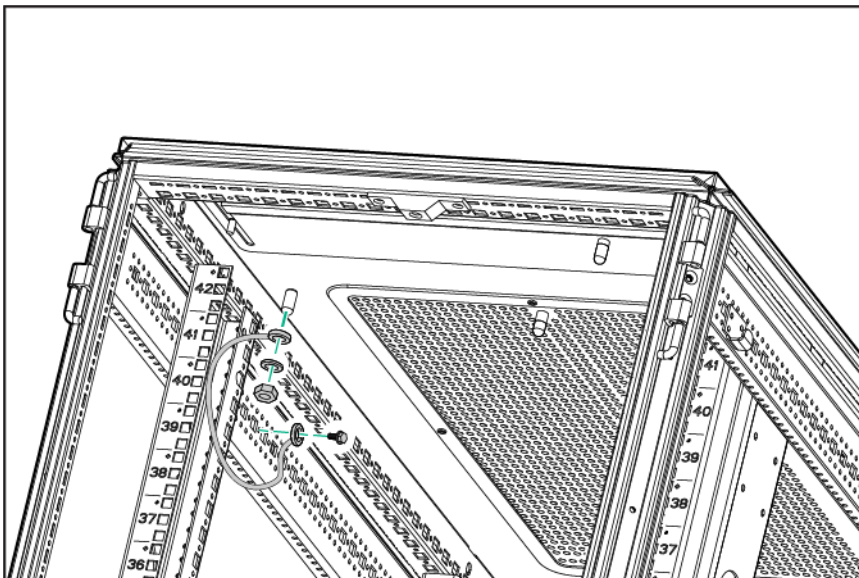
1. Place one end of a 15.24-cm (6-in) grounding strap over the same grounding lug on the left rear door.

2. Place an M8 internal serrated lock washer and an M8 hex nut over the grounding lug on the left rear door and tighten.
3. Place the other end of the same grounding strap over the grounding lug on the cable access panel.
4. Place an M8 internal serrated lock washer and an M8 hex nut over the grounding lug on the cable access panel and tighten.



**From the system chassis rail to the rack top:**

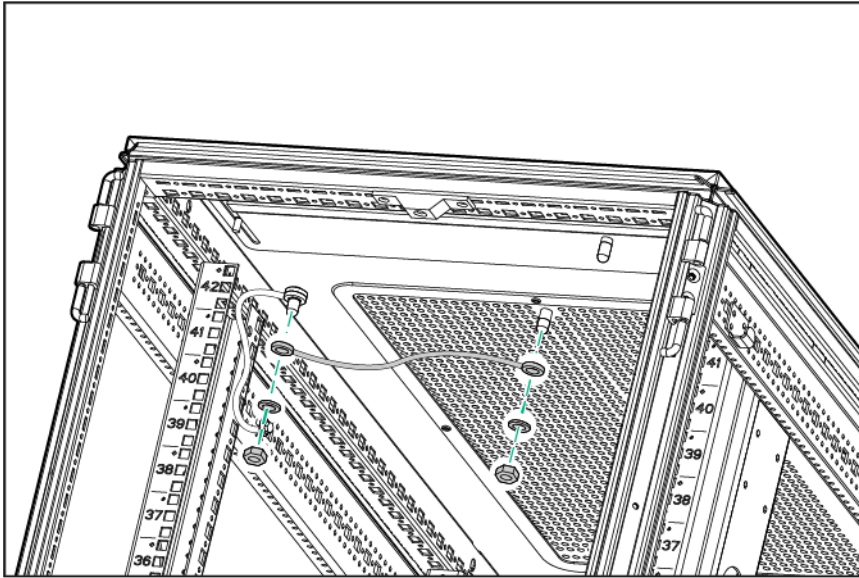
1. Insert a T-25 Torx screw through one end of a 15.24-cm (6-in) grounding strap and secure it to the system chassis rail.
2. Place the other end of the same grounding strap over the grounding lug on the rack top.
3. Place an M8 internal serrated lock washer and an M8 hex nut over the grounding strap on the rack top and tighten.



**From the grounding lug on the rack top to the grounding lug on the perforated panel:**

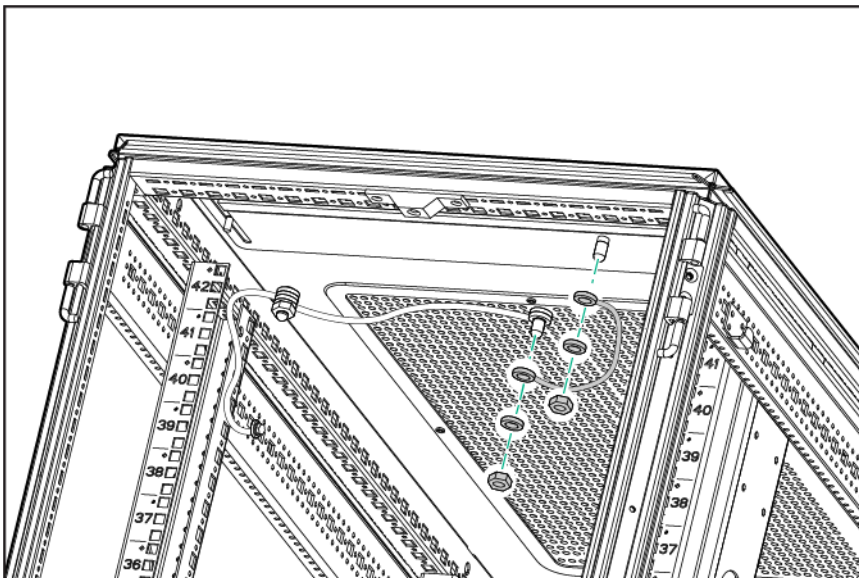
1. Place one end of a 36.83-cm (14.5-in) grounding strap over the same grounding strap on the rack top.

2. Place an M8 internal serrated lock washer and an M8 hex nut over the grounding lug on the rack top and tighten.
3. Place the other end of the same grounding strap over the grounding lug on the perforated panel.
4. Place an M8 internal serrated lock washer and an M8 hex nut over the grounding lug on the perforated panel and tighten.



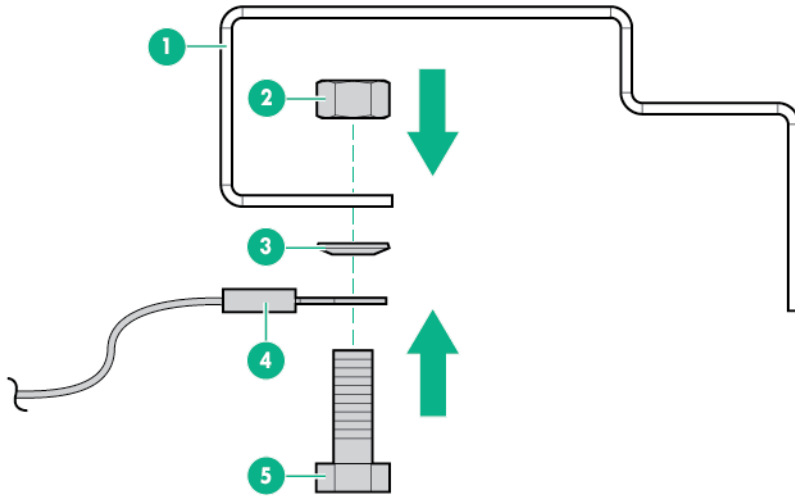
**From the grounding lug on the perforated panel or fan kit to the grounding lug on the egress slot:**

1. Place one end of a 15.24-cm (6-in) grounding strap over the grounding lug on the perforated panel or fan kit.
2. Place an M8 internal serrated lock washer and an M8 hex nut over the grounding lug on the perforated panel or fan kit and tighten.
3. Place the other end of the same grounding strap over the grounding lug on the egress slot.
4. Place an M8 internal serrated lock washer and an M8 hex nut over the grounding lug on the egress slot and tighten.





**From the rack to a building facility**, contact your building supervisor for more information. The following figure illustrates parts for this step.



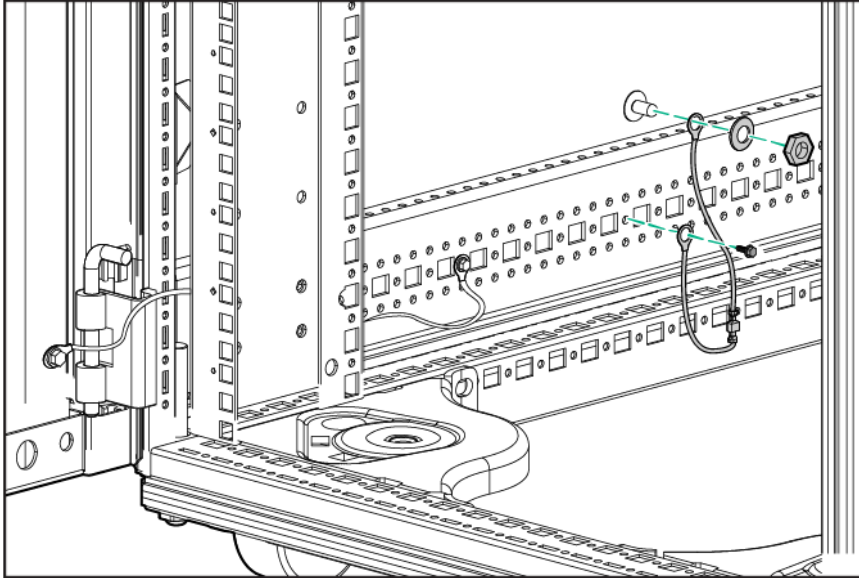
Reference	Item
1	48.26-cm (19-in) mounting rail (the mounting hole is located at the top or bottom of the rail)
2	M8 hex nut
3	M8 Belleville toothed washer
4	Facility ground (not included with this kit)
5	M8 x 20 bolt

## Installing the ground bonding rack option kit on HPE 10000 Series Rack side panels

### From the system chassis rail to the side panel:

1. Connect a 36.83-cm (14.5-in) and a 15.24-cm (6-in) grounding strap with connectors together.
2. Insert a T-25 Torx screw through the end of the 36.83-cm (14.5-in) grounding strap, and secure it to the system chassis rail.
3. Place the end of the 15.24-cm (6-in) grounding strap over the grounding lug on the side panel.
4. Place an M8 internal serrated lock washer and an M8 hex nut over the grounding lug on the side panel and tighten.

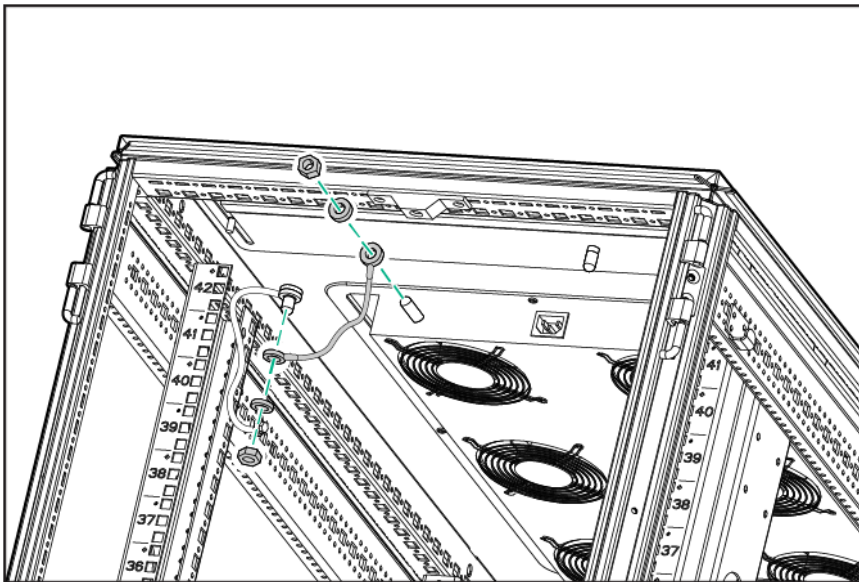
5. Repeat steps 1 through 4 for the other side panel.



## Installing the ground bonding rack option kit on HPE 10000 Series Rack fan kits

### From the grounding lug on the rack top to the grounding lug on the fan kit:

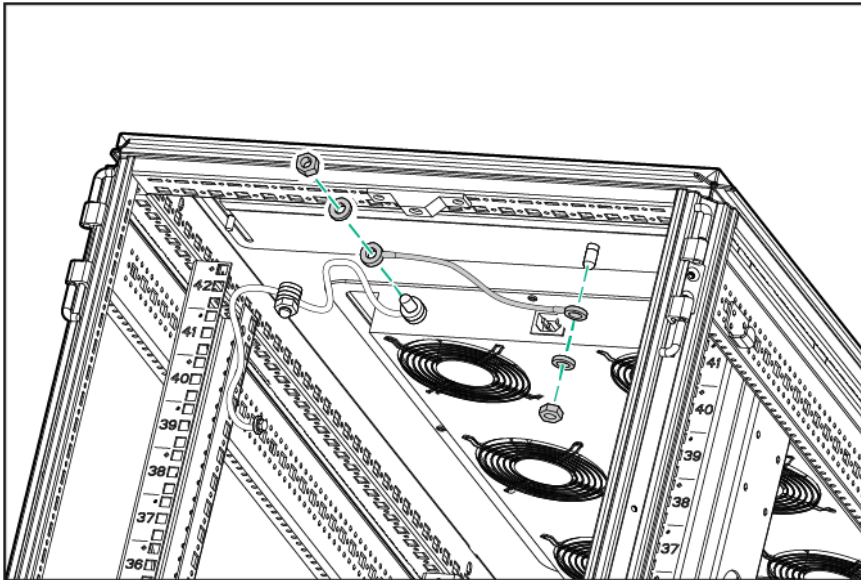
1. Place one end of a 15.24-cm (6-in) grounding strap over the grounding lug on the rack top.
2. Place an M8 internal serrated lock washer and an M8 hex nut over the grounding lug on the rack top and tighten.
3. Place the other end of the same grounding strap over the grounding lug on the perforated panel.
4. Place an M8 internal serrated lock washer and an M8 hex nut over the grounding lug on the perforated panel and tighten.



### From the grounding lug on the fan kit to the grounding lug on the egress slot:

1. Place one end of a 36.83-cm (14.5-in) grounding strap over the grounding lug on the fan kit.

2. Place an M8 internal serrated lock washer and an M8 hex nut over the grounding lug on the fan kit and tighten.
3. Place the other end of the same grounding strap over the grounding lug on the egress slot.
4. Place an M8 internal serrated lock washer and an M8 hex nut over the grounding lug on the egress slot and tighten.



# Heavy Duty Stabilizer kit

## About this device

The Heavy Duty Stabilizer kit provides stability and support and prevents possible tipping when you install, remove, or access equipment within the rack.

If you have a stand-alone rack with a single rack-mountable component that exceeds 99.8 kg (220 lb) or if you have three or fewer bayed racks with a single rack-mountable component that exceeds 99.8 kg (220 lb), you must use the heavy duty stabilizer.

## Kit contents

Item	Quantity
Heavy duty front stabilizer mount	1
Heavy duty stabilizer feet	2
M8 x 16-mm bolt	8
M8 x 30-mm bolt	2
M8 flat washer	10

This kit might contain extra hardware for your convenience.

## Required tools

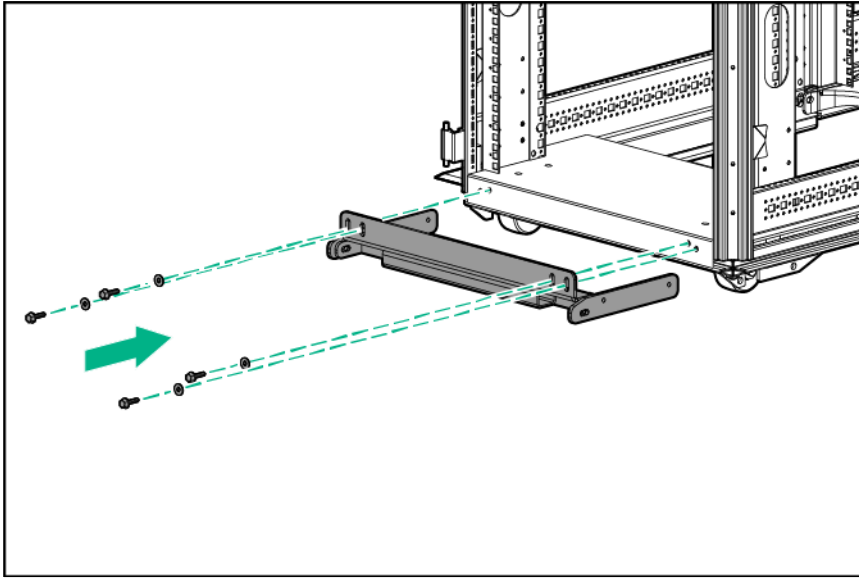
The following tools are required for installation:

- Ratchet with sockets
- Adjustable wrench

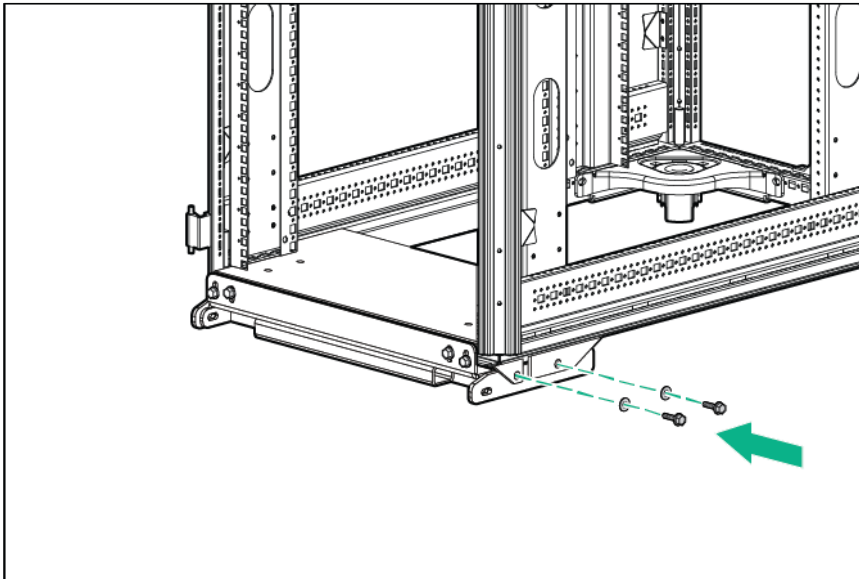
## Installing the rack stabilizer option kit

1. Install the front stabilizer mount.
  - a. Align the front stabilizer mount to the mounting holes on the rack front caster plate.

- b. Insert and partially tighten four M8 x16-mm bolts with washers, securing the front stabilizer mount to the front caster plate.

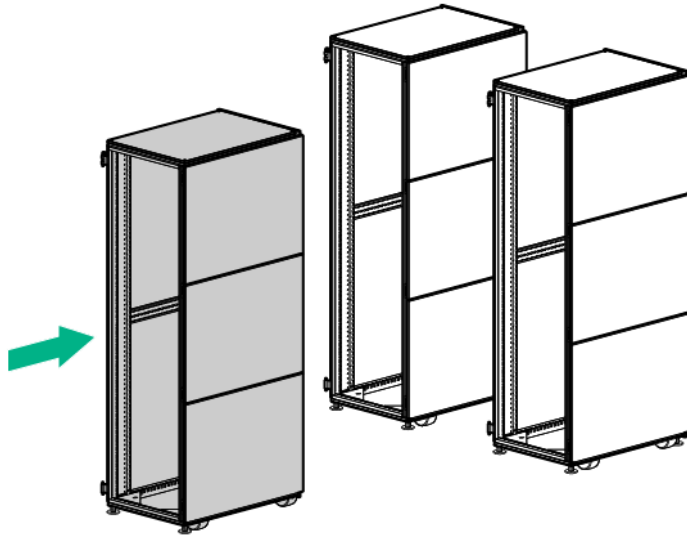


- c. Insert and partially tighten two M8 x16-mm bolts with washers on each side of the caster plate skirt, securing the front stabilizer mount to the front caster plate.

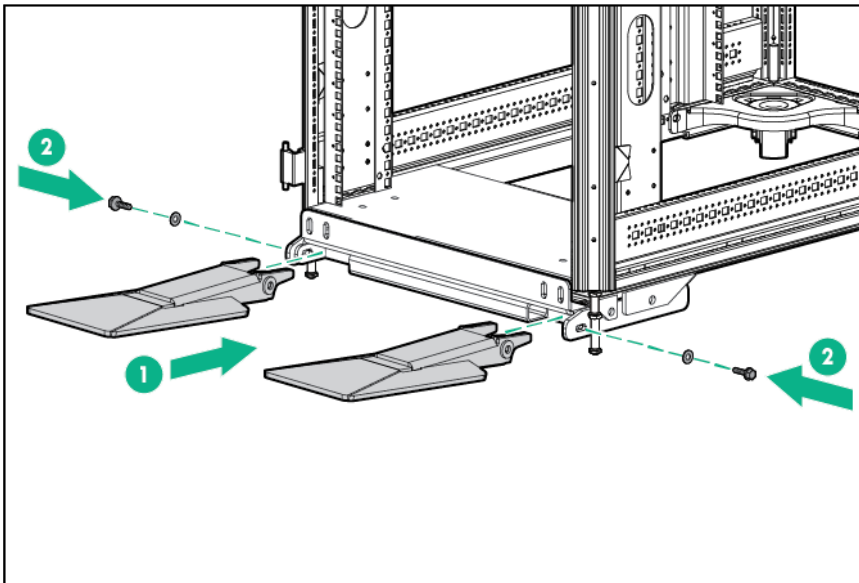


- d. Tighten the bolts from step b.  
e. Tighten the bolts from step c.

- Slide the rack into its final location.



- Raise the rack by lowering the leveling feet, raising the casters approximately 6.4 mm (0.25 in) off the floor.
- Install one stabilizer foot on each side of the front stabilizer mount (1) by inserting and partially tightening one M8 x 30-mm bolt and washer on each foot (2).



- Fully seat each stabilizer foot to the front stabilizer mount, and tighten the bolts from step 4.
- Lower the rack so that the full weight of the rack rests on the rear leveling feet and the front stabilizer feet.



**WARNING:** To reduce the risk of personal injury or damage to the equipment, be sure that:

- The rear leveling feet are extended to the floor.
- The full weight of the rack rests on the rear leveling feet and front stabilizer feet.

Installation is complete.

# Hook-and-Loop Cabling Strap Clip kit

## About this device

The Hook-and-Loop Cabling Strap Clip kit enables you to add hook-and-loop cabling strap clips to manage your cable configurations.

## Kit contents

Item	Quantity
12.7-cm (5-in) hook-and-loop cabling strap clip	20
20.3-cm (8-in) hook-and-loop cabling strap clip	20
30.5-cm (12-in) hook-and-loop cabling strap clip	10

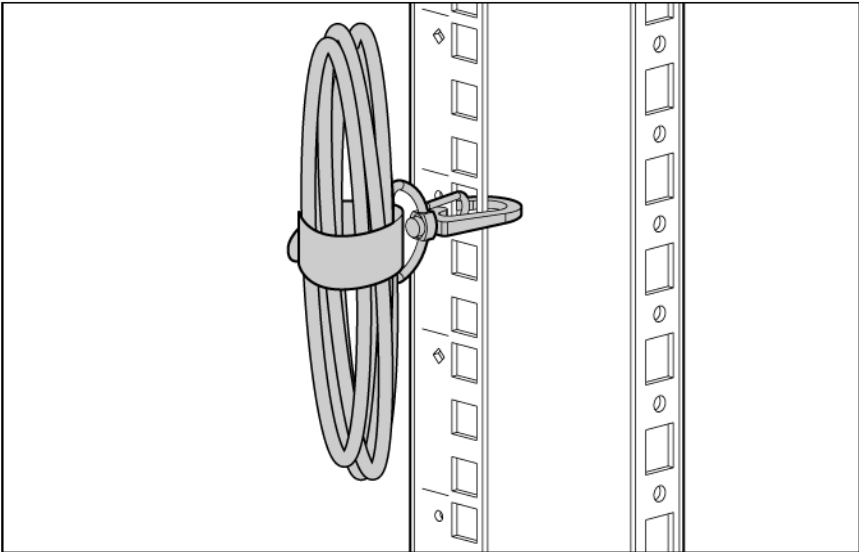
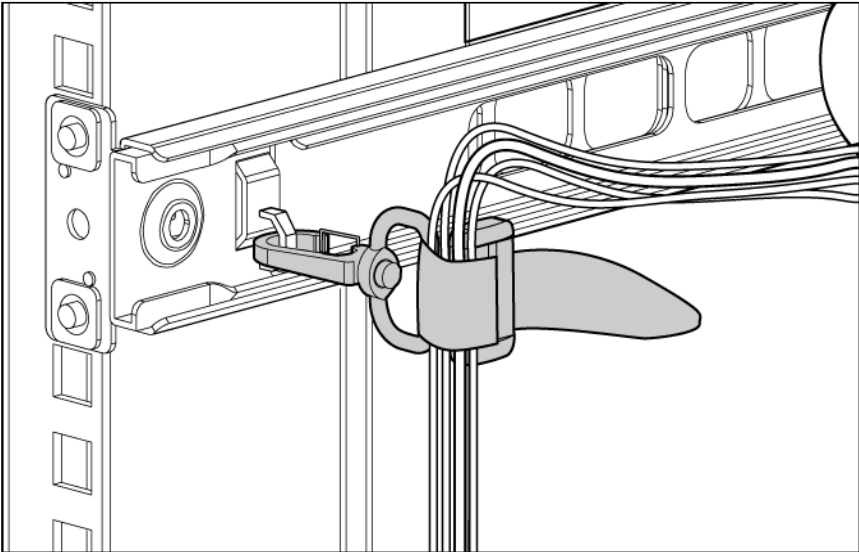
This kit might contain extra hardware for your convenience.

## Required tools

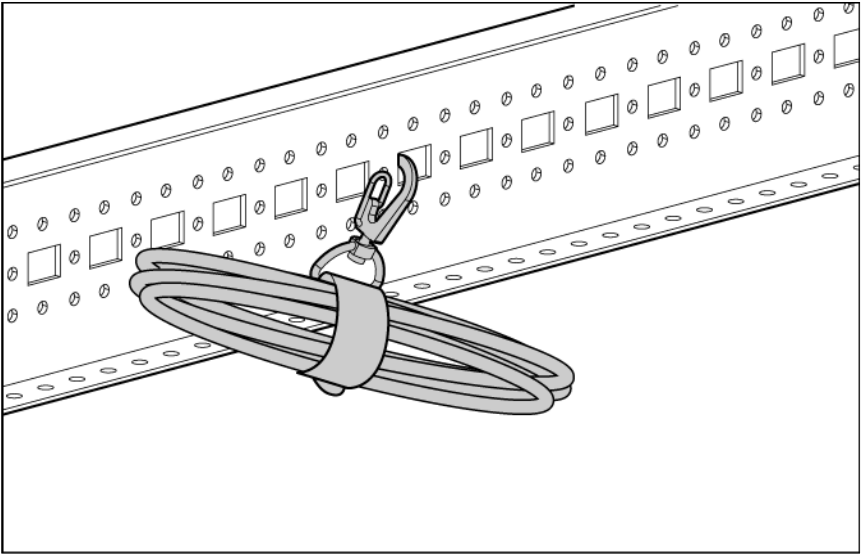
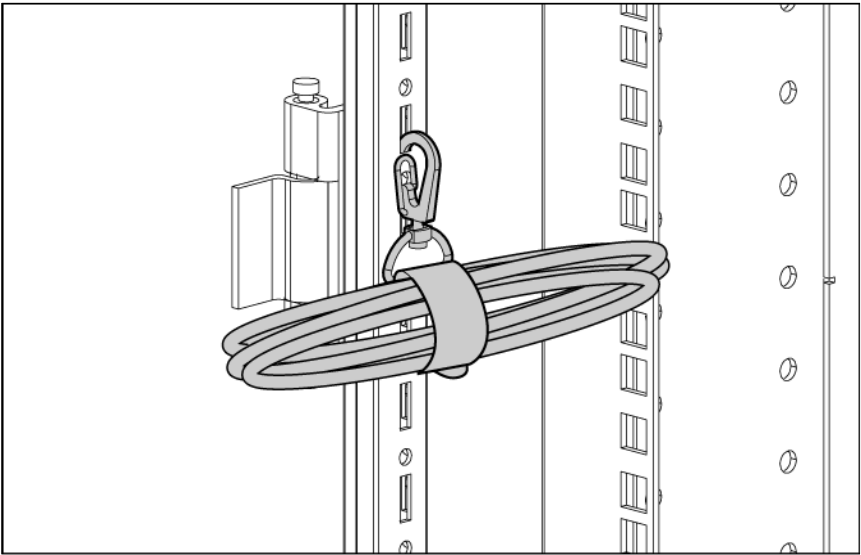
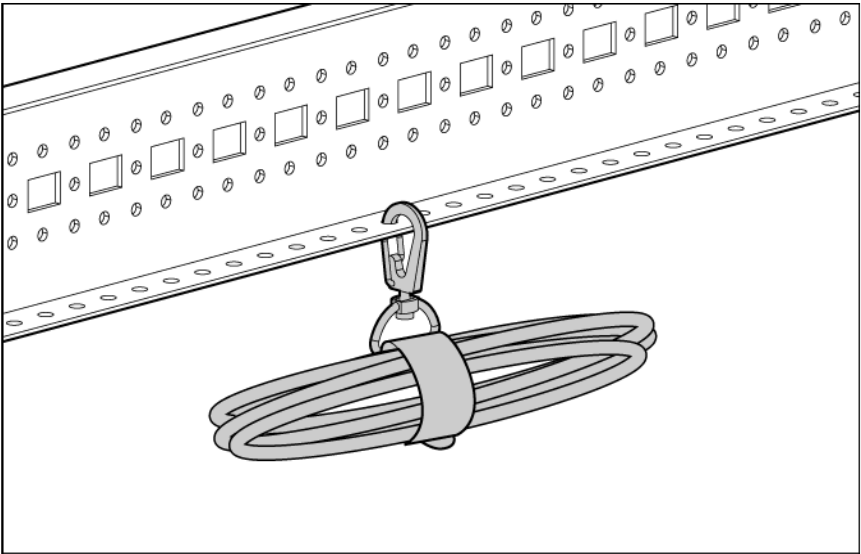
No tools are required for this procedure.

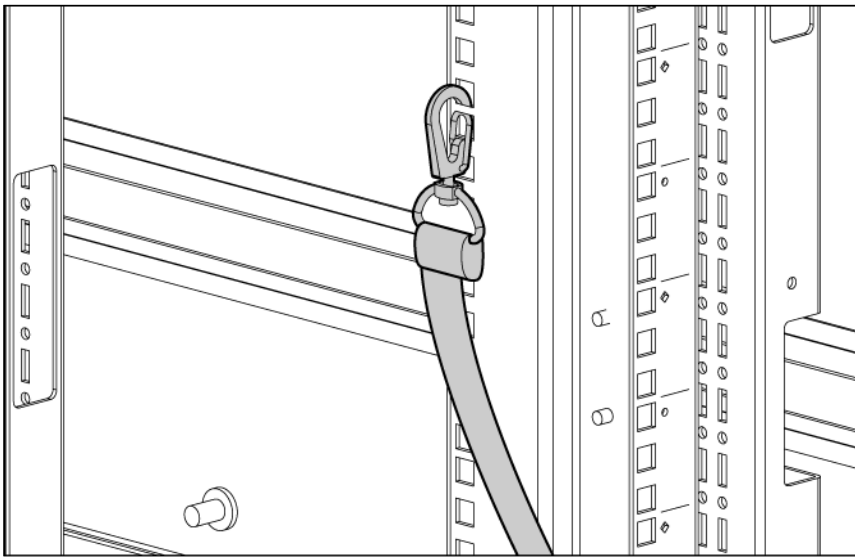
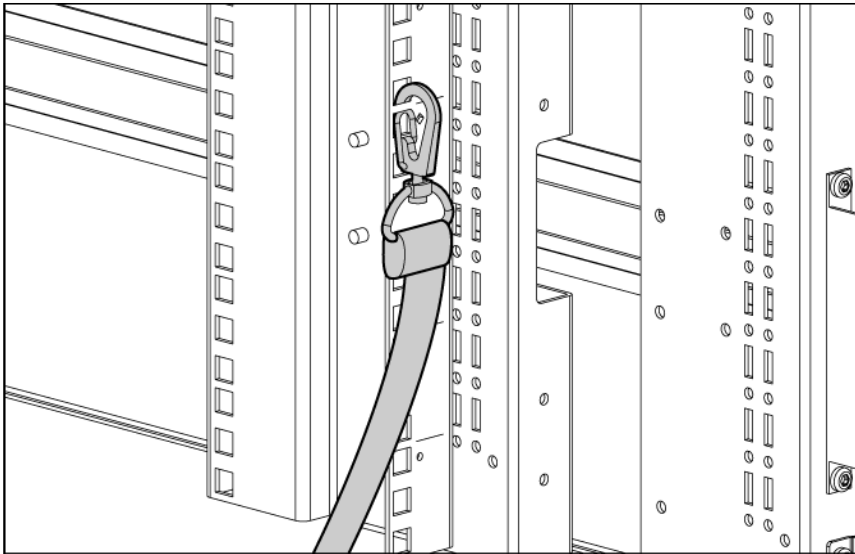
# Installing the hook-and-loop cabling strap clips

Route and secure your cables with the hook-and-loop cabling strap clips.









Installation is complete.

# Light kit

## About this device

The Light kit enables you to add a light to the rack.

## Kit contents

Item	Quantity
110V/220V light assembly	1
Light cover	1
F14W/133-T8 fluorescent lamp	1
Power cord (10 ft), C13-C14	1
Mounting screws	2

This kit might contain extra hardware for your convenience.

## Required Tool

You will need a flat-head screwdriver.

## Important safety information

Before installing this product, read the *Important Safety Information* guide provided.



**WARNING:** To reduce the risk of personal injury, fire, or damage to the equipment, do not exceed the recommended voltage for the rack.



**WARNING:** The fluorescent lamp contains mercury. Therefore, at end-of-life, the fluorescent lamp may require special handling.

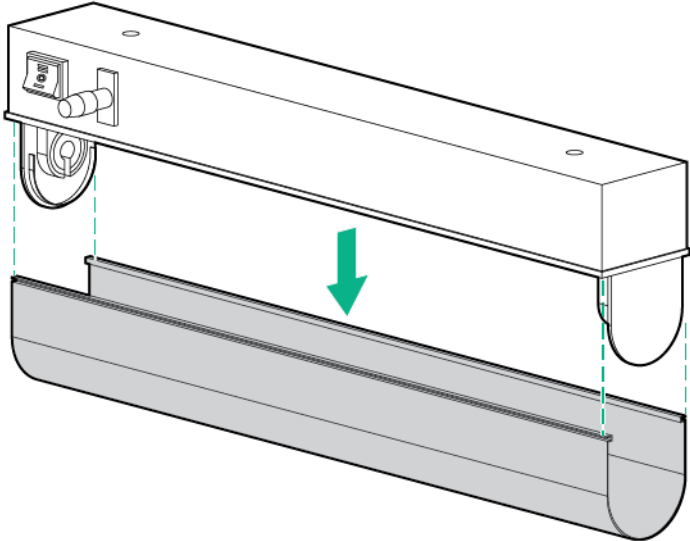


**WARNING:** To reduce the risk of personal injury or damage to the equipment, be sure that:

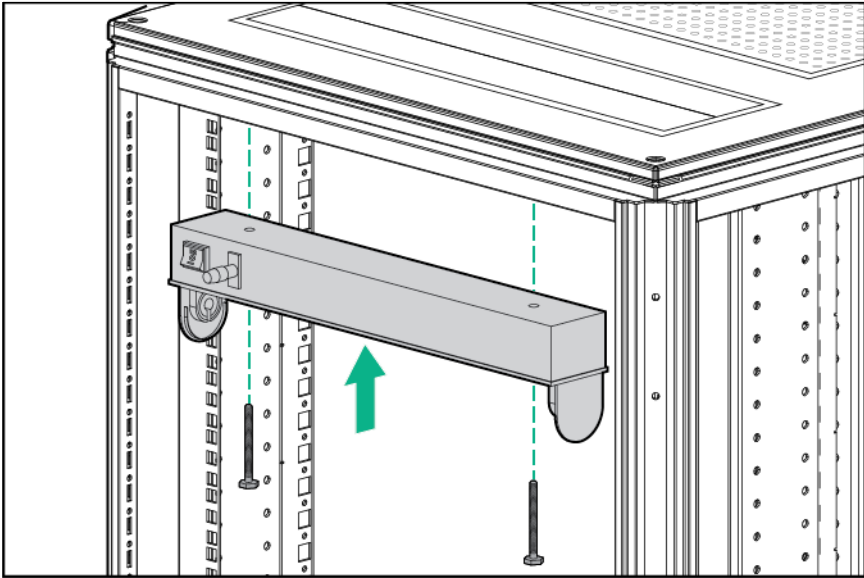
- The leveling feet are extended to the floor.
- The full weight of the rack rests on the leveling feet.
- The stabilizing feet are attached to the rack if it is a single-rack installation.
- The racks are coupled together in multiple-rack installations.
- Only one component is extended at a time. A rack may become unstable if more than one component is extended for any reason.

# Installing the 110V/220V Light

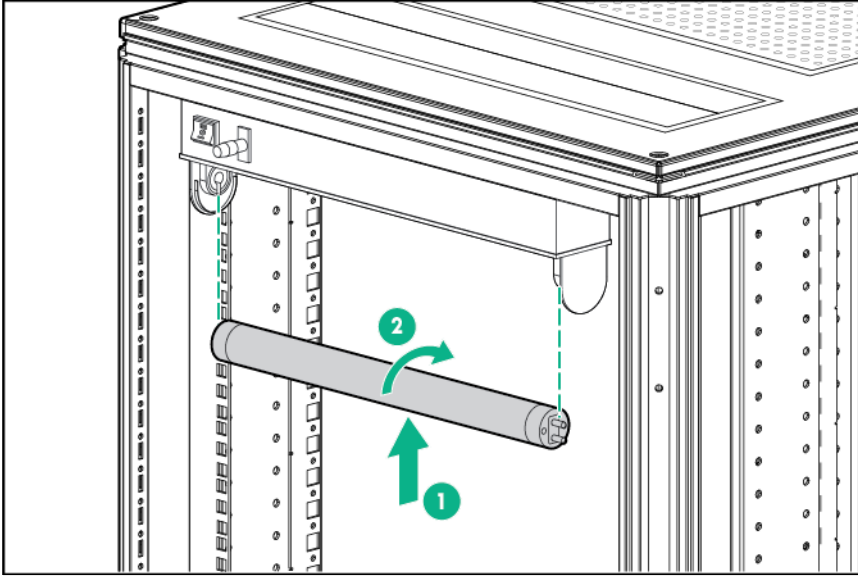
- 1. Remove the fluorescent lamp cover.



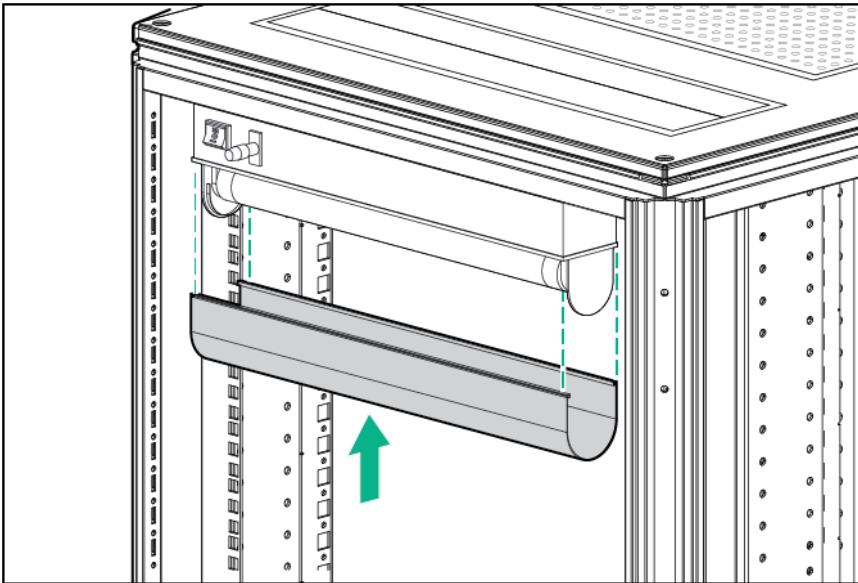
- 2. Insert two screws, securing the light to the rack frame.



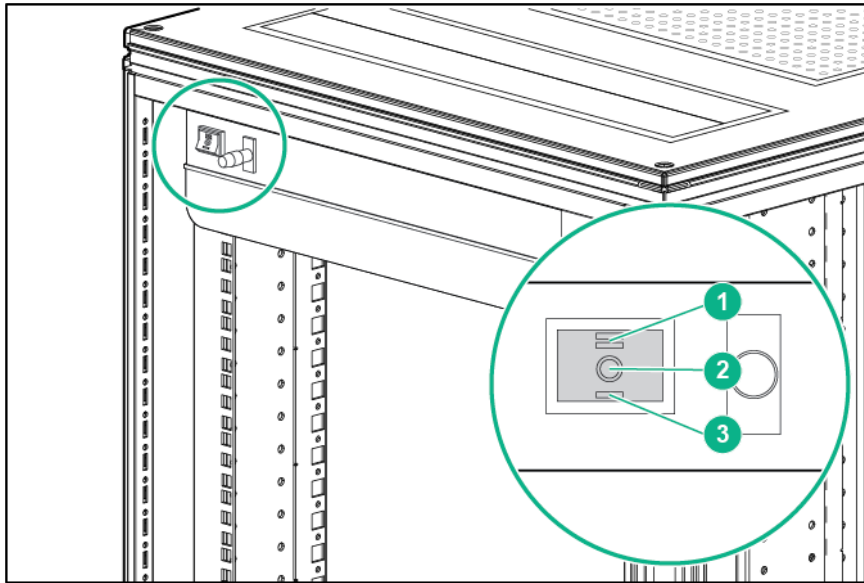
3. Insert the fluorescent lamp pins into the light socket (1) and gently turn the fluorescent lamp toward the rack (2) until the lamp locks into place.



4. Replace the fluorescent lamp cover.

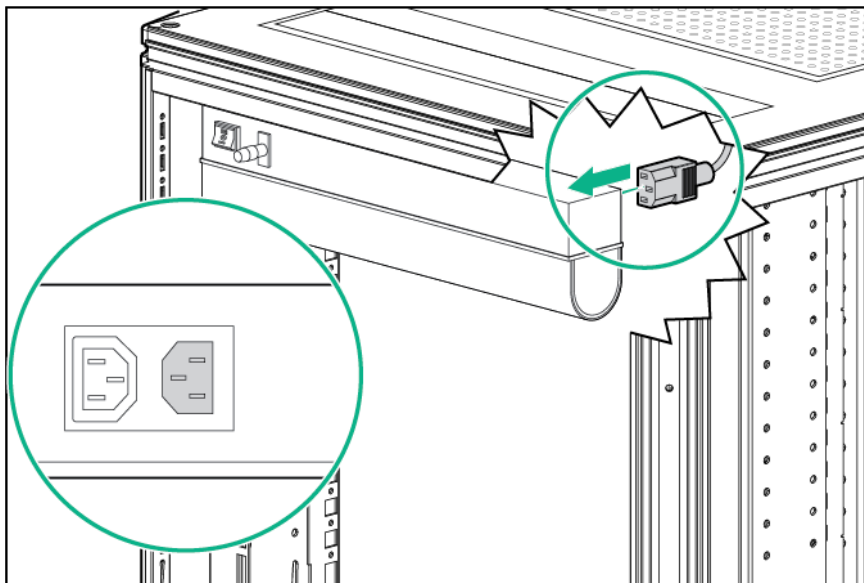


# Operating the HPE 110V/220V Light



Item	Description	Status
1	On	Turns on the light.
2	Off	Turns off the light.
3	Standby mode	Turns on the light when the rack door is open, and turns off the light when the rack door is closed.

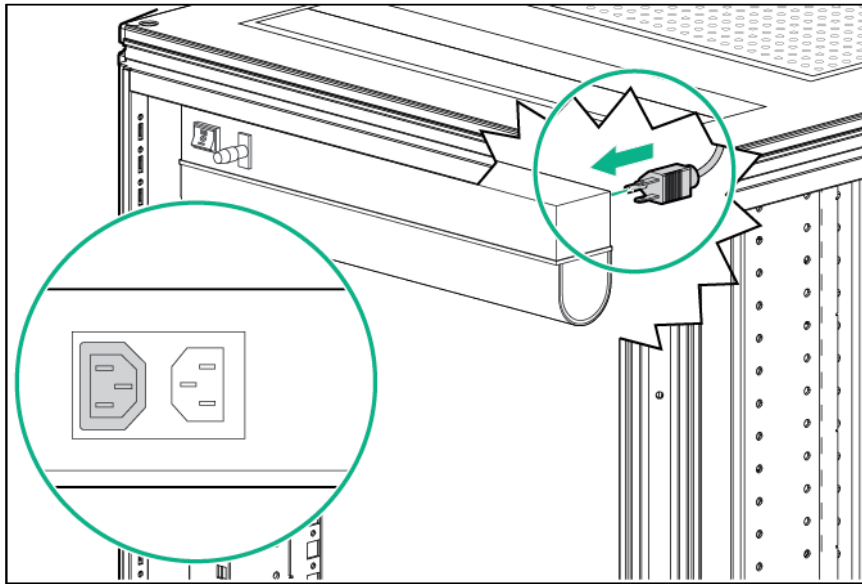
# Connecting the power cord to the 110V/220V light



# Connecting devices to the 110V/220V light



**WARNING:** To reduce the risk of personal injury, fire, or damage to the equipment, do not exceed the recommended voltage for the rack.



## 0V/220V light kit specifications

Parameter	Value
Height	116 mm
Depth	50 mm
Width	452 mm
Weight	approximately 1 kg
Rated input	100–240 V, 50/60 Hz
Maximum rated output	10 A/250 VAC
Illuminant	F14W/133-T8, Coolwhite
Protection class	1
Degree of protection	IP20 (IEC 529/EN 60 529)
Power consumption	approximately 27 VA
Current consumption	0, 08 A at 240 V 0, 012 A at 230 V 0, 175 A at 100 V
Operating temperature	-25°C to 50°C
Type of start	Warm start
Candle power	700 lm
Illumination	approximately 90 lx (measured by 1 m distance)
Test standard	UL153, (Portable Lamps), File E243499 ENEC/GS according EN60598-1 (at test)
EMC	EN61547, EN55015, EN61000-6-3, EN61000-6-2, EN61000-3-3

# F14W/133-T8 fluorescent lamp specifications

Electrical data*	Nominal value	Minimum	Maximum
Frequency	50 Hz	—	—
Lamp nominal wattage	14 W	—	—
Lamp rated wattage			
• Single operation	14.0 W	12.8 W	15.2 W
• Series operation	30 W	—	—
Lamp operating voltage	38 V	28V	48 V
Lamp current			
• Single operation	395 mA	—	—
• Series operation	330 mA	—	—
Preheat current			
• Single operation	590 mA	360 mA	—
• Series operation	660 mA	—	—

\*Lamps must comply with the requirements of IEC/EN 60081 and IEC/EN 61195, respectively.

Lamp life*	Nominal Value	Minimum
Average life (50% failure rate)	14000 h	
Individual life	6000 h	

\*Life test according to IEC/EN 60081, Annex C.

Operating conditions*	Value
Cap rim temperature	Nominal value maximum 125°C
Lamp ambient temperature	Nominal value minimum -20°C
Ballast impedance	
• Single operation	285/127, 525/220, 566/230, 612/240 ΩN
• Series operation	507/220, 540/230, 580/240 ΩN
Starter	
• Single operation	FS-11, FS-22, COP-22
• Series operation	FS-22, COP-22
Burning position	Any

\*Starter and Ballast must comply with IEC/EN 60155 and IEC/EN 60921, respectively.

## Photometric data

Color	No	Luminous Flux* Nominal Value	CRI	Color Temp	ILCOS-Code
Standard colors					
• Warm white	129	700 lm	3 group	3000 K	FD-14/30/3-E-G13-26/360
• Cool white	133	700 lm	2B group	4300 K	FD-14/43/2B-E-G13-26/360
• Daylight	154	650 lm	2A group	6500 K	FD-14/65/2A-E-G13-26/360
Special colors					
• Activa	172	600 lm	1A group	6500 K	FD-14/65/1A-E-G13-26/360
• Gro-lux	gro	n/a	n/a	n/a	Not for general lighting purposes

\*At 50-Hz operation, lamp aged for 100 h.



# Material disposal

This product contains the following material that might require special handling at end-of-life:

- Mercury in the user replaceable fluorescent lamp.

Disposal of mercury might be regulated because of environmental considerations. For disposal or recycling information, contact your local authorities or the Electronic Industries Alliance (EIA) (<http://www.eiae.org>).

# Mini Stabilizer kit

## About this device

The Mini Stabilizer kit provides stability and support and prevents possible tipping when you install, remove, or access equipment within the rack.

## Kit contents

Item	Quantity
600-mm (23.62-in) Front stabilizer mount	1
—or—	1
800-mm (31.50-in) Front stabilizer mount	
Stabilizer feet	2
M8 x 20-mm bolt	8
M8 flat washer	8

This kit might contain extra hardware for your convenience.

## Required tools

The following tools are required for installation:

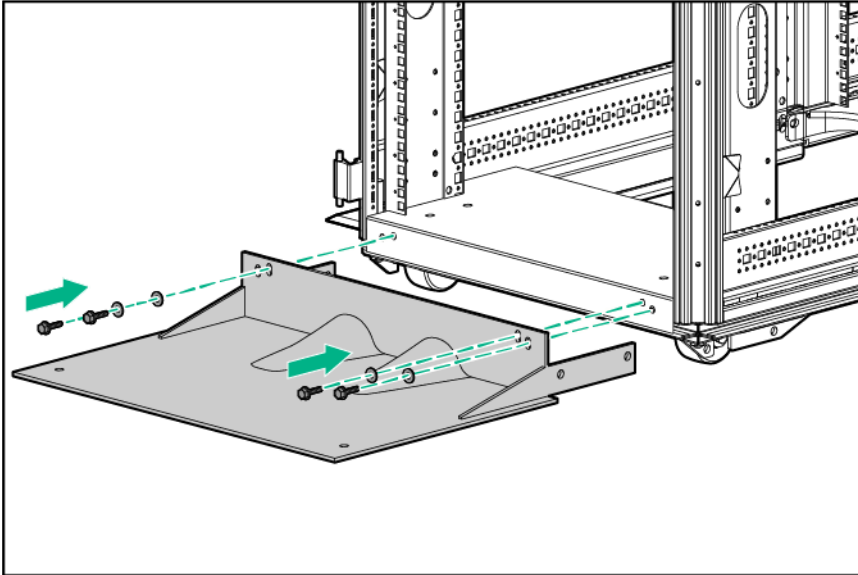
- Ratchet with sockets
- Adjustable wrench

## Installing the stabilizer

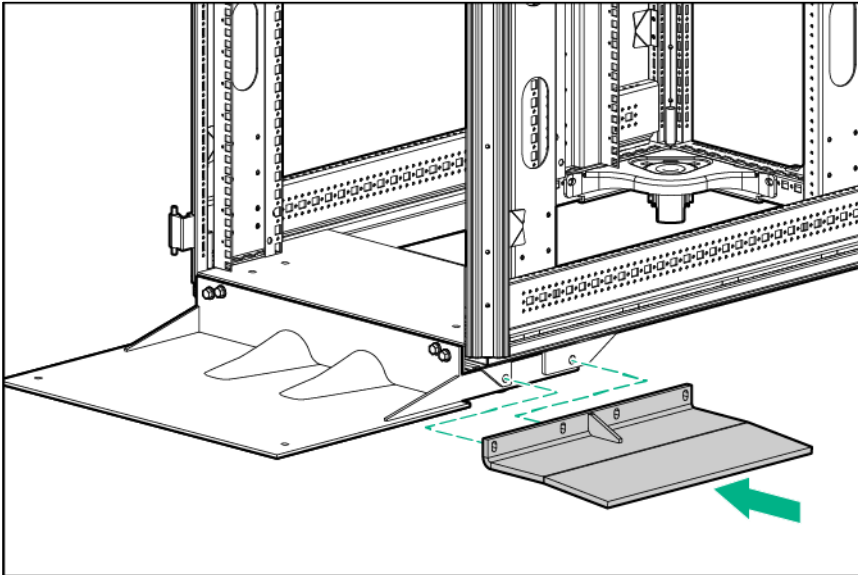
**NOTE:** Hewlett Packard Enterprise recommends using the side feet, provided with this kit, to stabilize stand-alone racks from the side. If you are stabilizing racks that are secured together with baying kits, the side feet are optional on either end of the row.

1. Align the front foot with the front caster plate.

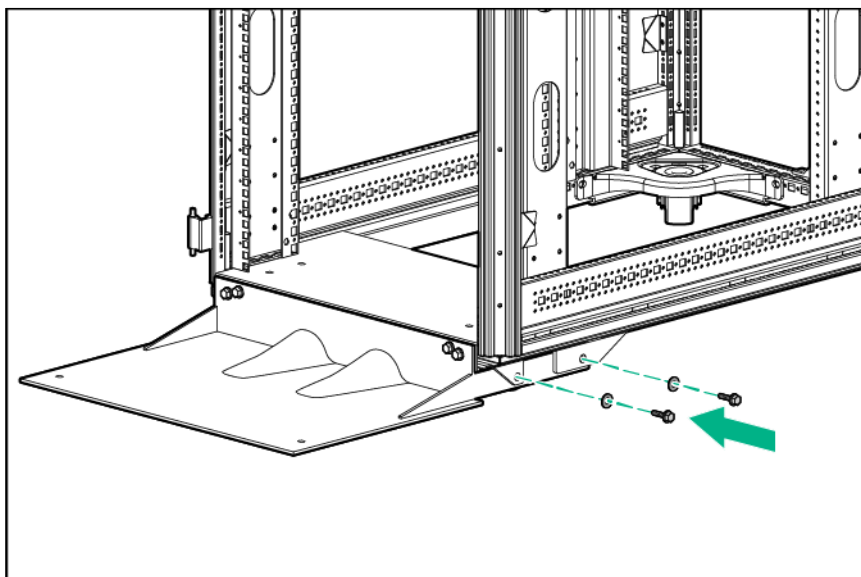
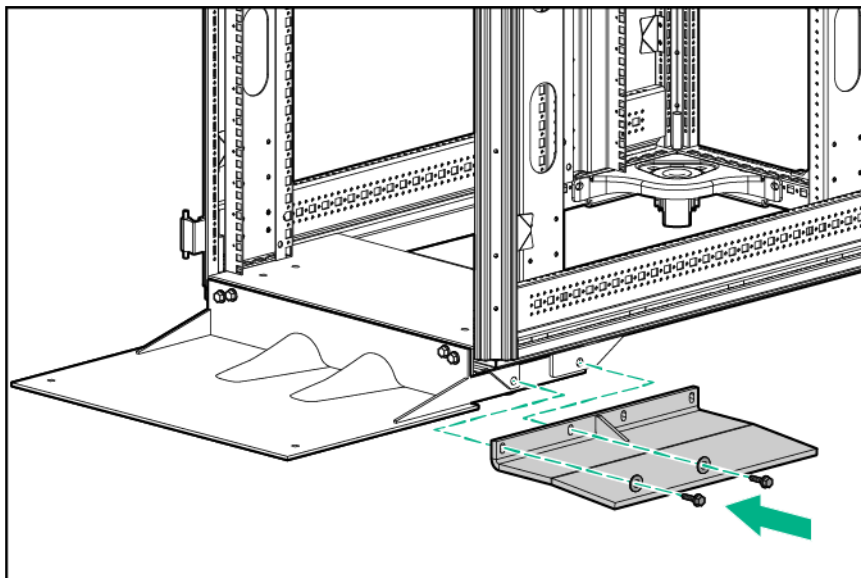
2. Insert and partially tighten four bolts with washers, securing the front foot to the front caster plate.



3. If you are using the side feet, align the side feet with the holes on the caster plate skirt and front foot.



4. Insert and partially tighten two bolts with washers, securing the side feet (if installed) and front foot to the caster plate skirt.



5. Tighten the bolts from step 2.
  6. Tighten the bolts from step 4.
- Installation is complete.

# Rack Air Duct kit

## About this kit

The HPE 10000 G2 Rack Air Duct kit removes warm air from the rack by channeling the warm air into the data center ceiling return air plenum. The air duct sits on top of the rack, directly joined to the ceiling plenum, preventing the warm air from entering the data center aisle.

Three kits support this product.

Part number	Option kit name	Description
AF028A	10642G2 Top Exhaust Extension Kit	This kit includes the rear extension assembly and rack air duct assembly.
AF029A	10642G2 Top Exhaust Field Retrofit Kit	This kit includes a solid top and bottom rack plate, solid rear rack doors, and an airflow gasket, enabling you to convert your existing rack to accommodate the rack air duct assembly.
AF030A	10642G2 Top Exhaust Rack	This factory custom-to-order rack arrives with a solid top and bottom rack plate preinstalled on the rack.

If you are converting your current rack to accommodate the 10000 G2 Rack Air Duct, you must install the AF029A kit prior to installing the AF028A kit.

If you ordered the AF030A rack, you must install the AF028A kit to the AF030A rack.

## Kit contents

The following items are included in your rack option kit:

### AF028A HPE 10642G2 Top Exhaust Extension Kit

- Extension assembly
  - Extension left side (1)
  - Extension right side (1)
  - Extension top (1)
  - Extension base (1)
  - M5.5 self-tapping screw (6)
  - M6 machine screw (8)
- Air duct assembly
  - Upper air duct assembly (1)
    - M6 cap screw (4)
    - M6 star washer (4)
    - M6 flat washer (4)
    - M6 nut (4)
    - Draw latch assembly (1)
    - Plastic push fastener (4)

- 510-mm foam gasket (2)
- 520-mm foam gasket (2)
- Lower air duct assembly (1)
  - M5.5 self-tapping screw (4)
- M3.5 self-drilling screw (2)
- M10 x 25 bolt (2)
- Baying gaskets
  - 876-mm foam gasket (2)
  - 1850-mm foam gasket (2)

#### **AF029A HPE 10642G2 Top Exhaust Field Retrofit Kit**

- Top rack plate
- Base rack plate
  - Base plate (2)
  - Egress slot plate (2)
  - M5.5 self-tapping screw (4)
  - 6-mm plastic push fastener (2)
  - 10-mm plastic tree fastener (2)
- Solid rear rack doors (2)
- Airflow rail foam gasket (2)
- 600-mm plastic floor gasket (1)

#### **AF030A HPE 10642G2 Top Exhaust Rack**

Factory custom-to-order HPE 10642G2 rack with a solid top rack plate and a solid bottom rack plate.

## Required tools

The following tools are required for installation:

- T-25 Torx driver
- T-30 Torx driver
- Adjustable wrench or 17-mm wrench
- Scissors
- Electric drill
- 2.38-mm (3/32-in) drill bit

## Installation video

Hewlett Packard Enterprise recommends watching the HPE 10000 G2 Rack Air Duct Installation video. The video provides a demonstration of installation strategies and techniques that might be helpful while installing the air duct.

To access the video:

1. Go to the Hewlett Packard Enterprise website (<http://www.hpe.com/support/sml>).
2. In the Product category section, select **Options and Accessories**.
3. In the Product family section, select **Server Rack and Rack Options**.

4. In the Product series section, select **10000 G2 Rack Air Duct Kit**.
5. In the Media selection and resources section, select either the *Air duct installation video* or the *Retrofit kit installation video*.

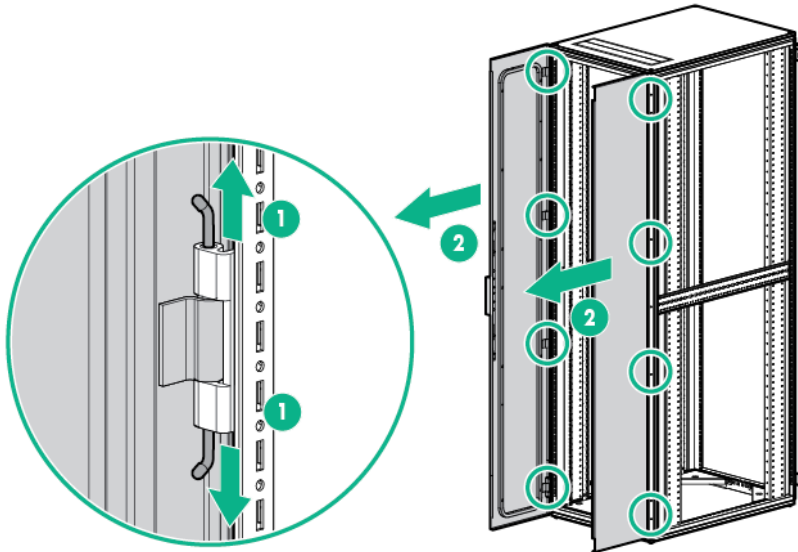
## Installing the Top Exhaust Retrofit kit

Follow these instructions to convert your existing rack to accommodate the kit.

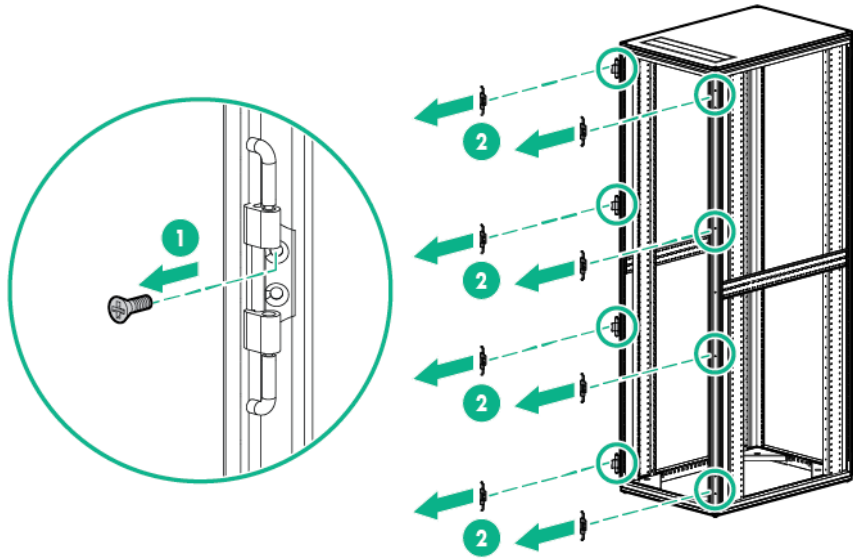
1. Remove the perforated rear doors of your rack ("[Removing the rear doors](#)" on page 87).
2. Remove the perforated rack top plate and install the solid rack top plate ("[Installing the solid rack top plate](#)" on page 88).
3. If necessary, remove any installed components from the bottom two U spaces.
4. Install the solid rack base plate ("[Installing the solid rack base plate](#)" on page 89).
5. If necessary, replace the installed components in their original rack locations.
6. Install the airflow gasket to the inside of your rack ("[Installing the airflow gasket](#)" on page 90).
7. Install the floor gasket to your rack ("[Installing the floor gasket](#)" on page 92).

## Removing the rear doors

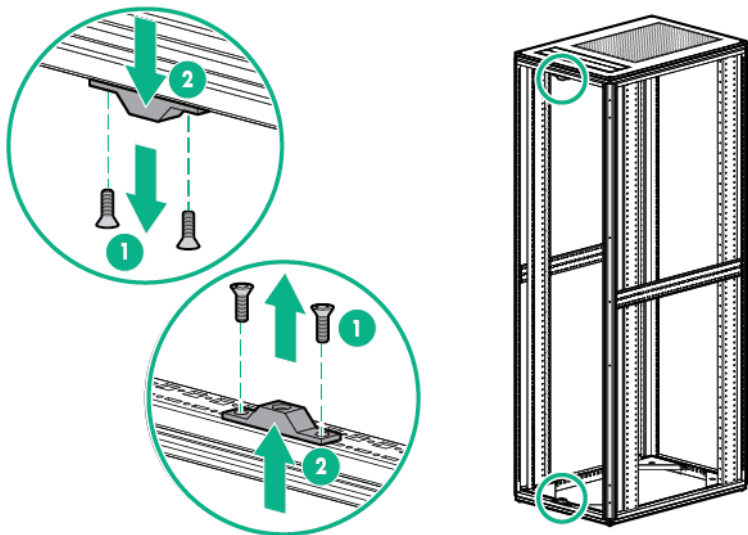
1. Open the hinge brackets by pulling up the top hinge pin and pulling down the bottom hinge pin (1).
2. Lift the rear doors off the hinge brackets, and then remove the doors from the rack (2).



- Using a T-30 Torx screwdriver, remove the M6 flathead screw securing each hinge bracket to the rack (1), and then remove all of the hinge brackets from the rack (2). Retain the hinge brackets and screws for reinstallation.



- Using a T-25 Torx driver, remove the upper and lower rear door lock catches by removing the two screws from each of the upper and lower rear door lock catches. Retain the door lock catches and screws for reinstallation.



---

**NOTE:** Install the solid rear rack doors ("[Installing the solid rear doors](#)" on page 96) after you have installed the AF028A kit.

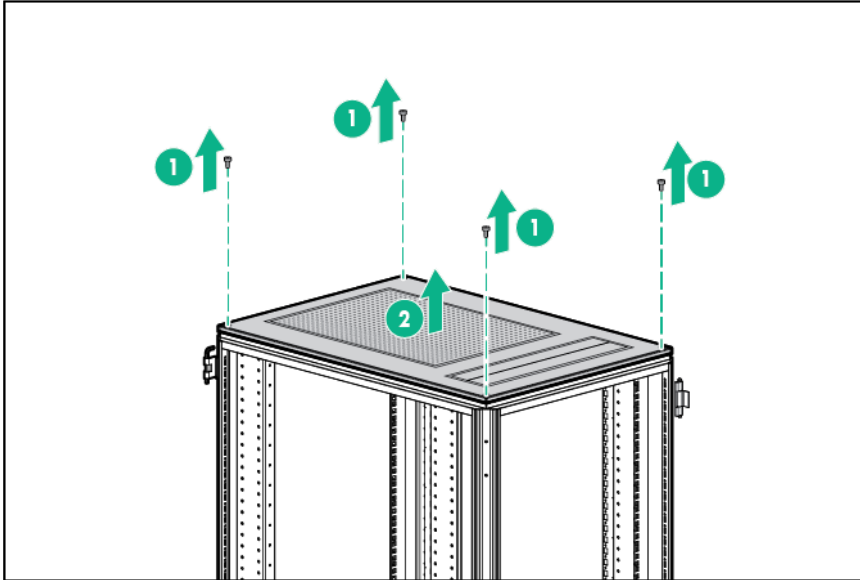
---

## Installing the solid rack top plate

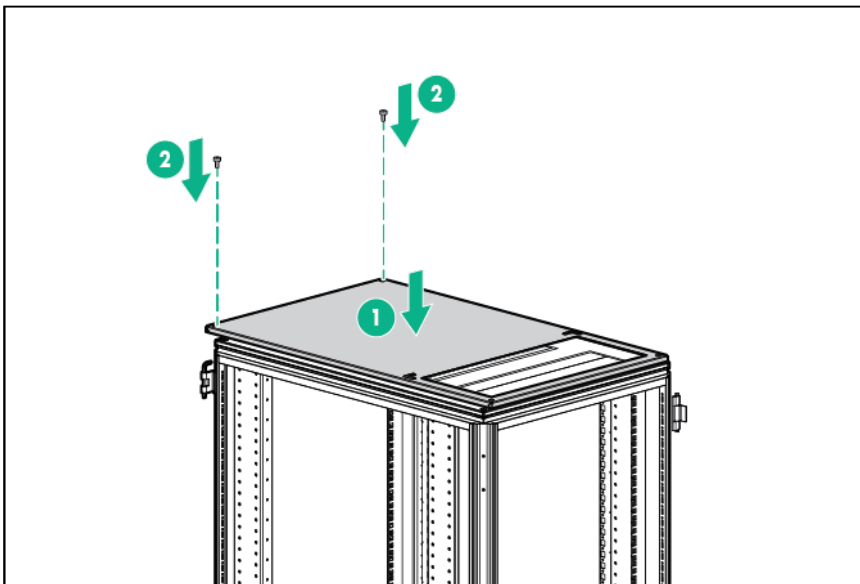
- Using a T-30 Torx screwdriver, remove the four M-12 bolts at each corner of the perforated top plate of the rack (1). Retain the bolts for future use.



2. Remove the perforated top plate of the rack (2).



3. Align the solid plate with the top of the rack (1).
4. Using a T-30 Torx screwdriver, insert and tighten two of the four M-12 bolts (from step 1) into the two corner holes at the front of rack (2).



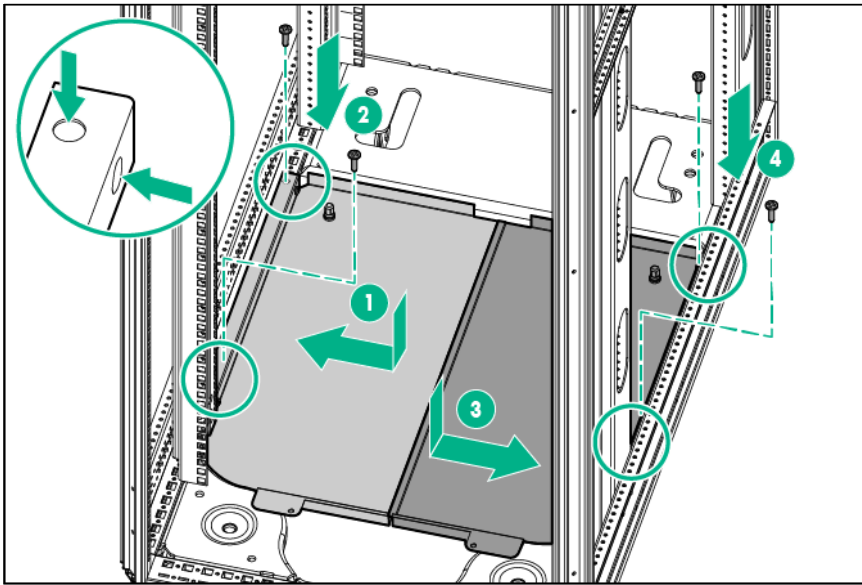
## Installing the solid rack base plate

1. From the rear of the rack, insert the left side plate into the rack, and set the plate on the lip of the rack frame (1).

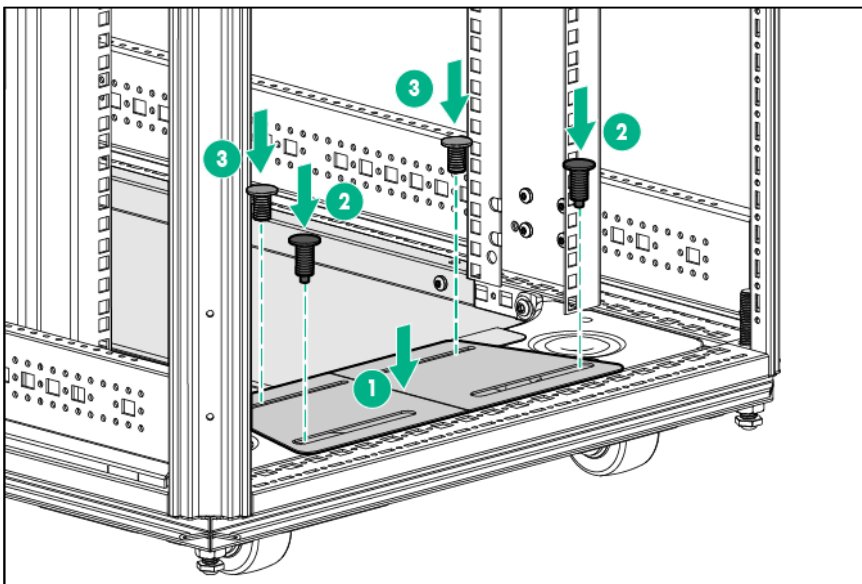
**NOTE:** When you insert the sheet metal screws to secure the base plates, you can either use the top hole or the side hole, depending on your space allotment.

2. Using a T-25 Torx screwdriver, insert and tighten one M5.5 self-tapping screw at the rear, left corner and one M5.5 self-tapping screw at the front, left corner to secure the left side plate to the rack frame (2).

3. Insert the right side plate into the rack, overlapping the left side plate, and set it on the lip of the rack frame (3).
4. Using a T-25 Torx screwdriver, insert and tighten one M5.5 self-tapping screw at the rear, right corner and one M5.5 self-tapping screw at the front, right corner to secure the right side plate to the rack frame (4).



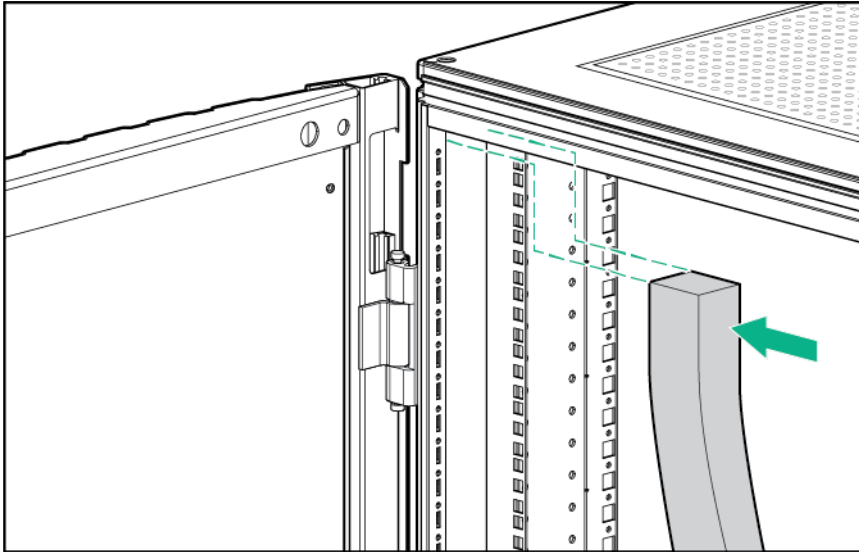
5. From the rear of the rack, align the two egress cover plates with the egress slot at the rear of the rack (1).
6. Secure the egress cover slot.
  - a. Insert two 10-mm plastic tree fasteners into the two rear holes, through the caster plate (2).
  - b. Insert two 6-mm plastic push fasteners into the two front holes, through the base plate (3).



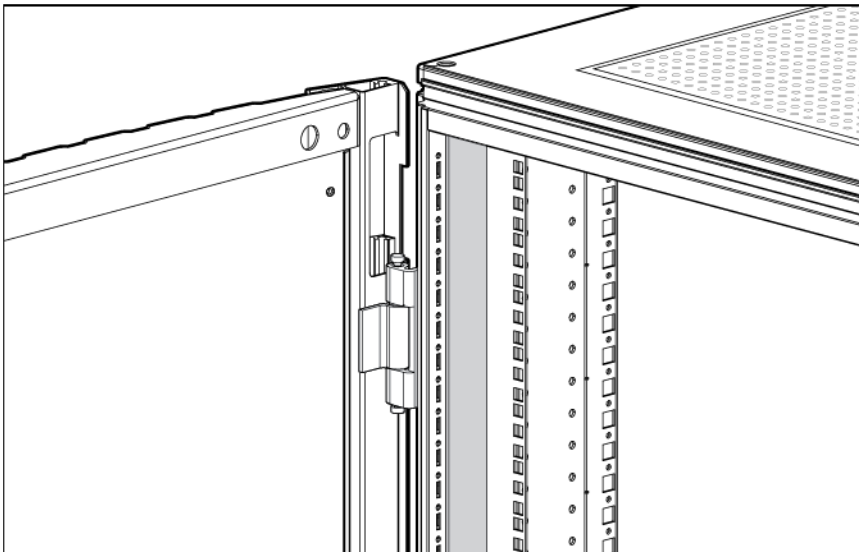
## Installing the airflow gasket

1. Using scissors, cut the airflow rail gasket to fit the size of your rack.
2. Insert the airflow rail gasket into the rack front door on both sides of the rack.

3. Insert the airflow rail gasket into the space between the 19-in mounting rails and the vertical frame on both sides of the rack, with the closed cell side of the airflow rail gasket facing the front of the rack.



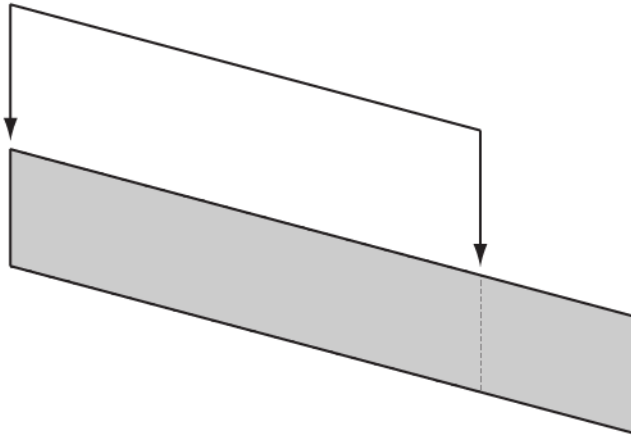
4. Gently push the airflow rail gasket into the space until it is flush with the vertical frame.



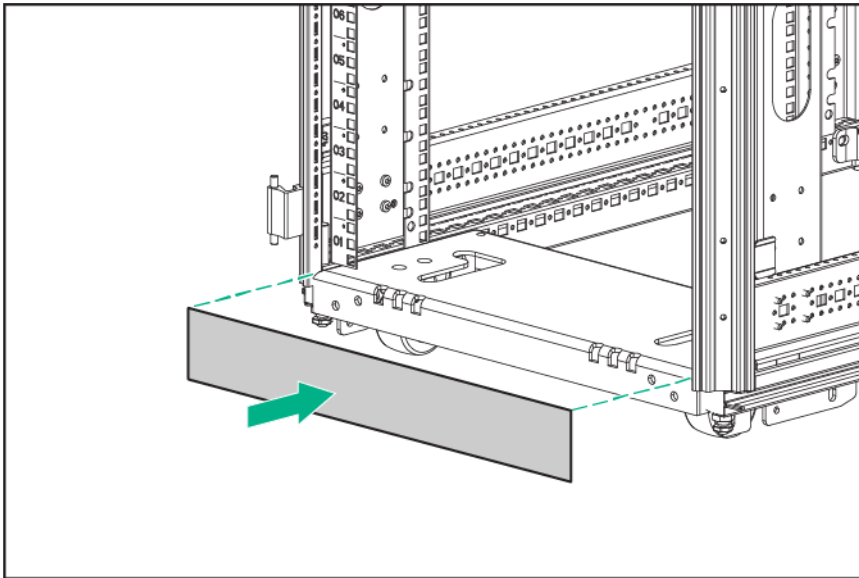
For more information, see the *HPE Airflow Optimization Kit Installation Instructions (AF090A)*.

## Installing the floor gasket

1. Cut the floor gasket at the perforation to reduce the length from 800-mm (31-in) to 600-mm (24-in).



2. Remove the protective tape from the bottom edge of the floor gasket, and then apply it to the bottom of the rack with the adhesive strip facing the front of the rack.



Installation is complete.

## Installing the Top Exhaust Extension kit

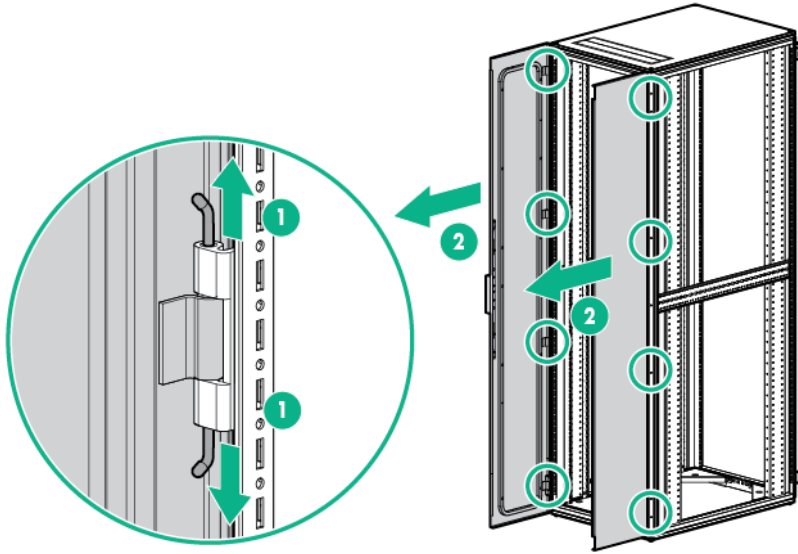
Follow these instructions to install the AF028A Top Exhaust Extension Kit, either to an AF030A Top Exhaust Rack or after you have installed the AF029A kit to an existing retrofit rack.

1. Remove the rear doors and door hinges from the rear of your rack ("[Removing the rear doors](#)" on page [87](#)).
2. Install the rear extension assembly to your rack ("[Installing the rear extension assembly](#)" on page [94](#)).
3. Install the solid rear doors to the extension assembly ("[Installing the solid rear doors](#)" on page [96](#)).

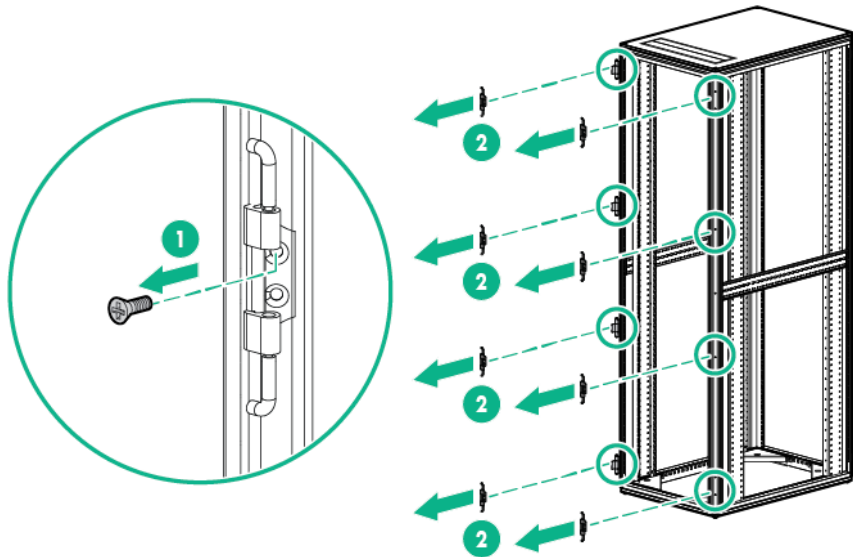
4. Assemble the kits ("[Assembling the kits](#)" on page 97).
5. Install the kit assembly to the top of your rack ("[Installing the kit assembly](#)" on page 100).
6. Adjust the height of the kit ("[Adjusting the kit](#)" on page 101).

## Removing the rear doors

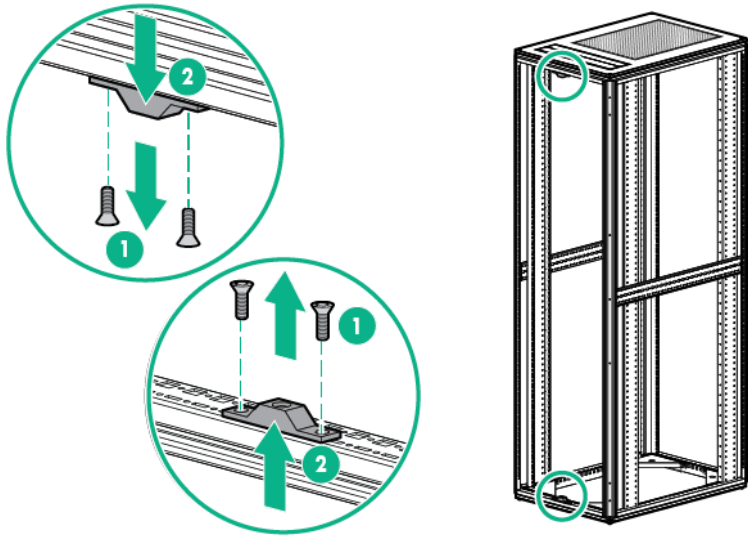
1. Open the hinge brackets by pulling up the top hinge pin and pulling down the bottom hinge pin (1).
2. Lift the rear doors off the hinge brackets, and then remove the doors from the rack (2).



3. Using a T-30 Torx screwdriver, remove the M6 flathead screw securing each hinge bracket to the rack (1), and then remove all of the hinge brackets from the rack (2). Retain the hinge brackets and screws for reinstallation.



4. Using a T-25 Torx driver, remove the upper and lower rear door lock catches by removing the two screws from each of the upper and lower rear door lock catches. Retain the door lock catches and screws for reinstallation.



---

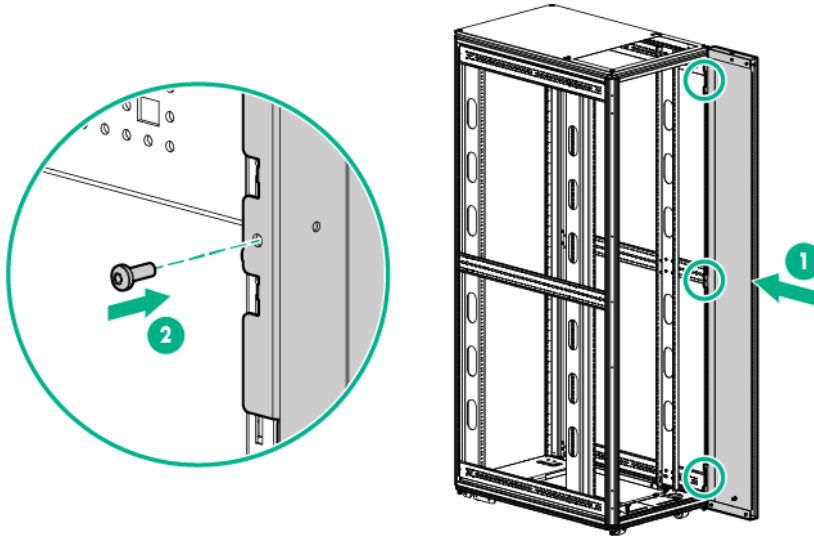
**NOTE:** Install the solid rear rack doors ("[Installing the solid rear doors](#)" on page 96) after you have installed the AF028A kit.

---

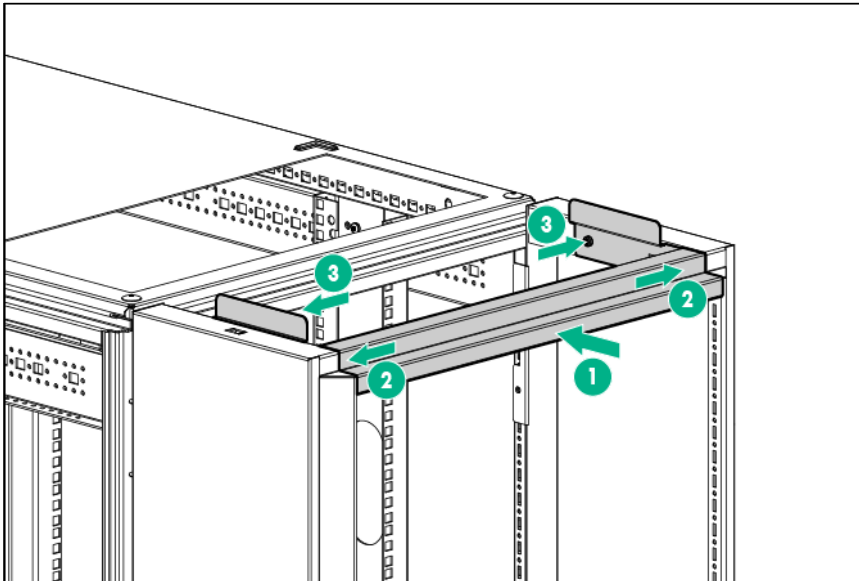
## Installing the rear extension assembly

1. Install the side assemblies of the rear extension assembly.
  - a. Align the right-side assembly with the rack frame (1).
  - b. Hook the extension into the rack frame at the three hook locations at the top, middle, and bottom of the rack.
  - c. Using a T-25 Torx screwdriver, insert and tighten one M5.5 self-tapping screws into each of the three hook locations to secure the side assembly to the rack frame (2).

- d. Repeat steps a through c for the left-side assembly.

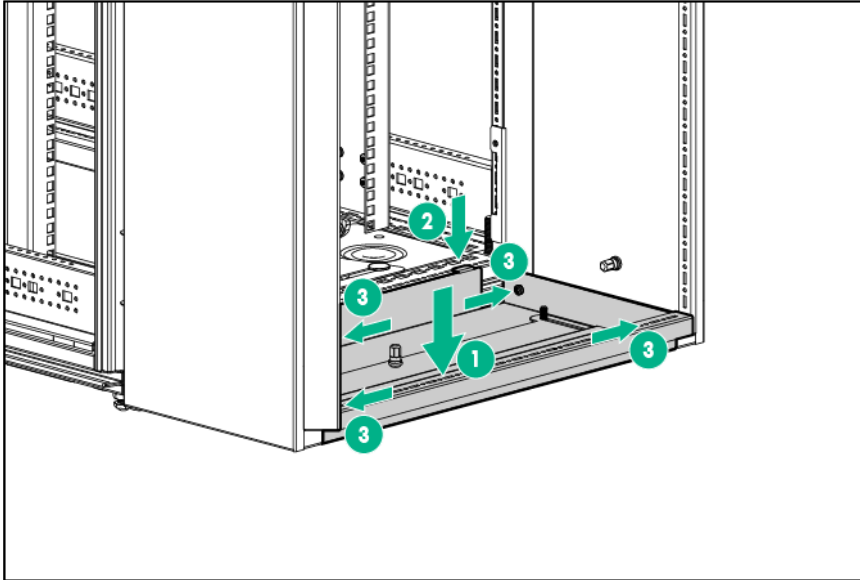


2. Install the top assembly of the rear extension assembly.
- Align the top assembly with the installed side assemblies (1).
  - Using a T-25 Torx driver, insert and tighten two M6 machine screws into the rear screw holes (2).
  - Using a T-25 Torx driver, insert and tighten two M6 machine screws into the front screw holes (3).



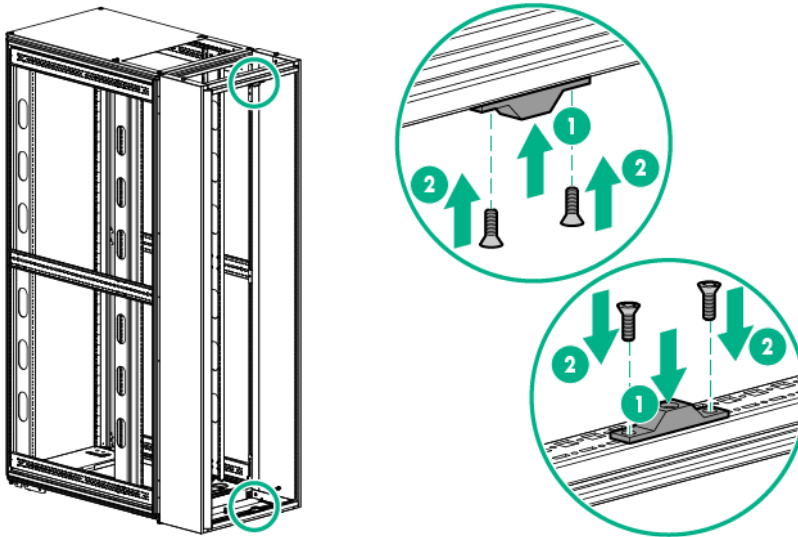
3. Install the bottom assembly of the rear extension assembly.
- Align the bottom assembly with the installed side assemblies (1), making sure to set the metal tab at the front of the assembly over the rear rack frame (2).

- b. Using a T-25 Torx driver, insert and tighten four M6 machine screws into each corner hole (3).



## Installing the solid rear doors

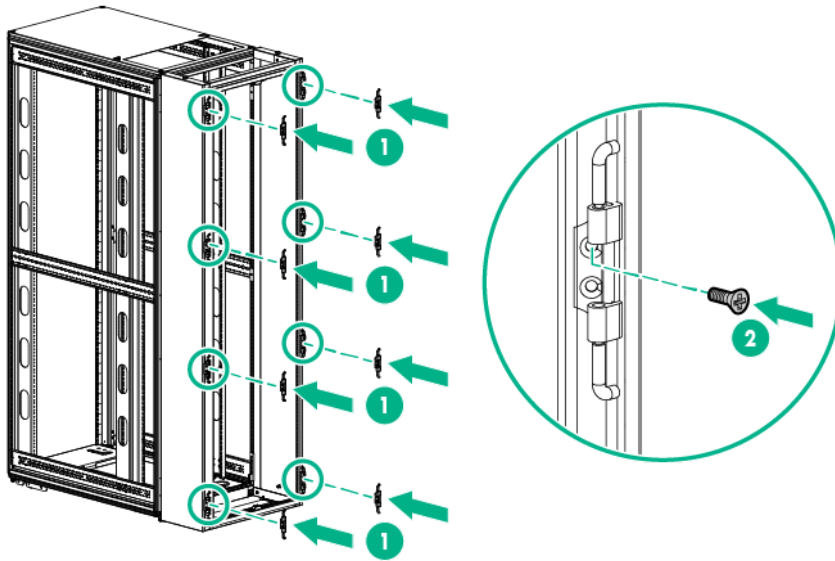
1. Using a T-25 Torx driver, insert and tighten two screws into each of the upper and lower rear door lock catches.



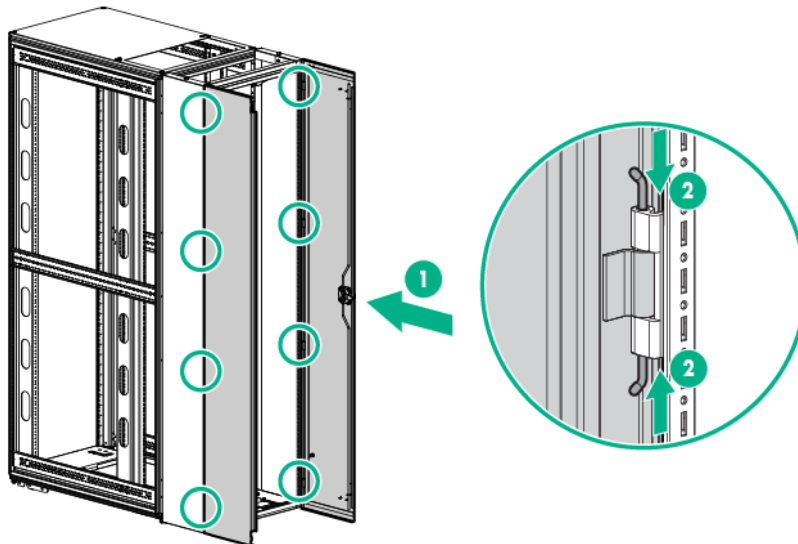
2. Install the hinges brackets.
- a. Align the eight hinge brackets that you removed from the rear of your rack to the designated locations on the rear extension assembly (1).



- b. Using a T-30 Torx driver, insert and tighten one M6 flathead screw to secure each hinge bracket to the rear extension assembly (2).



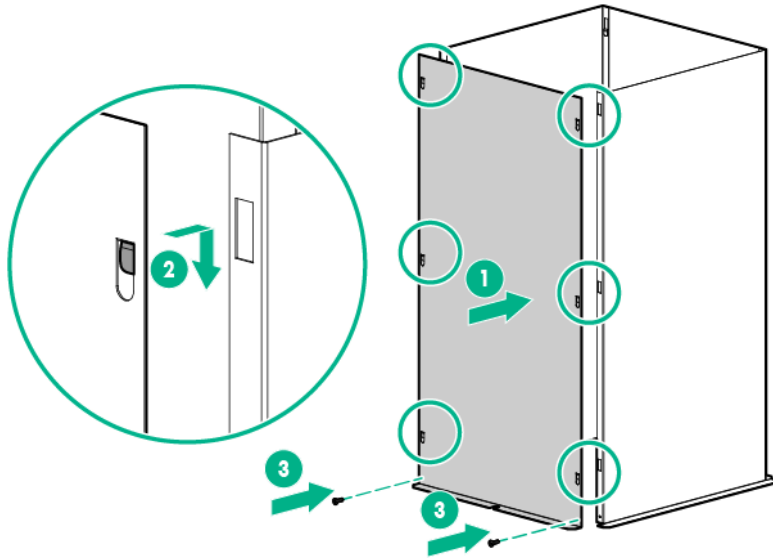
3. Lift the rear doors, aligning them with the hinge brackets on the rear extension assembly (1).
4. Push down the hinge pins, and then insert the hinge into the holes on the rear door (2).



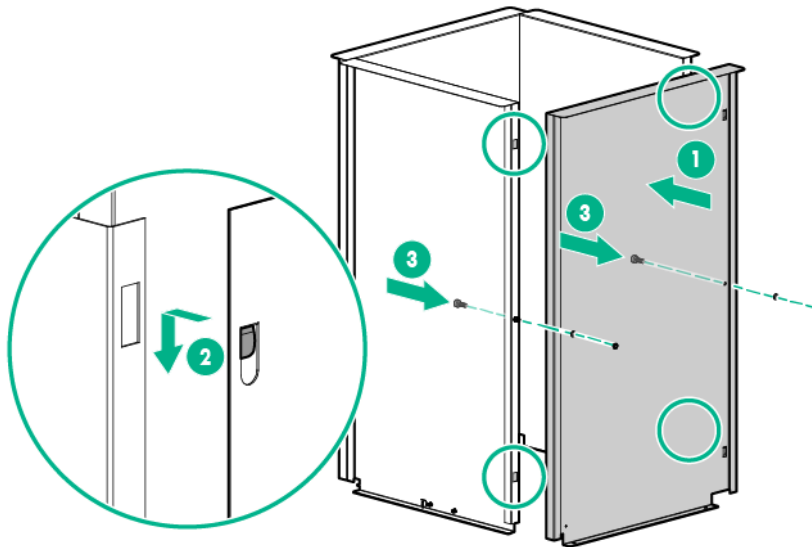
## Assembling the kits

1. Assemble the lower duct.
  - a. Align the hooks of the side panels with the slots of the front and back panels (1).
  - b. Slide the six hooks into the slots, and then slide the panel down until it locks in place (2).

- c. Insert one M5.5 self-tapping screw into each bottom corner of the assembly (3).

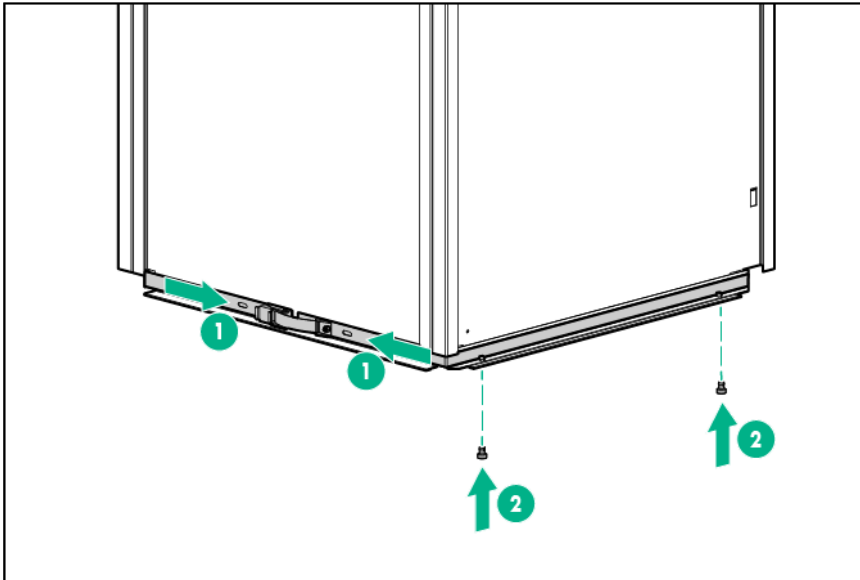


- d. Repeat steps a through c for the other side panel.
2. Assemble the upper duct.
    - a. Align the hooks of the side panels with the slots of the front and back panels (1).
    - b. Slide the six hooks into the slots, and then slide the panel down until it locks in place (2).
    - c. From the inside of the assembly, insert two M6 cap screws in the middle of the assembly. Using an adjustable wrench, secure the screws from outside the assembly with an M6 star washer, an M6 flat washer, and a nut (3).

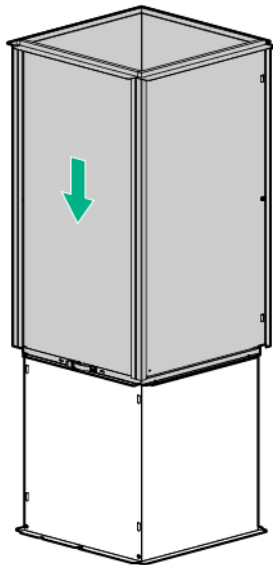


- d. Repeat steps a through c for the other side panel.
3. Install the draw-latch straps to the upper duct assembly.
    - a. Slide the draw-latch strap around the bottom of the upper duct assembly (1).
    - b. Align the holes of the draw-latch strap with the holes of the upper duct assembly.
    - c. Insert two plastic push fasteners into the holes on both sides of the assembly to secure the draw-latch strap to the upper duct assembly (2).

d. Repeat steps a through c for the second draw-latch strap.



4. With the draw-latch straps in the loose position, slide the upper duct down over the lower duct.



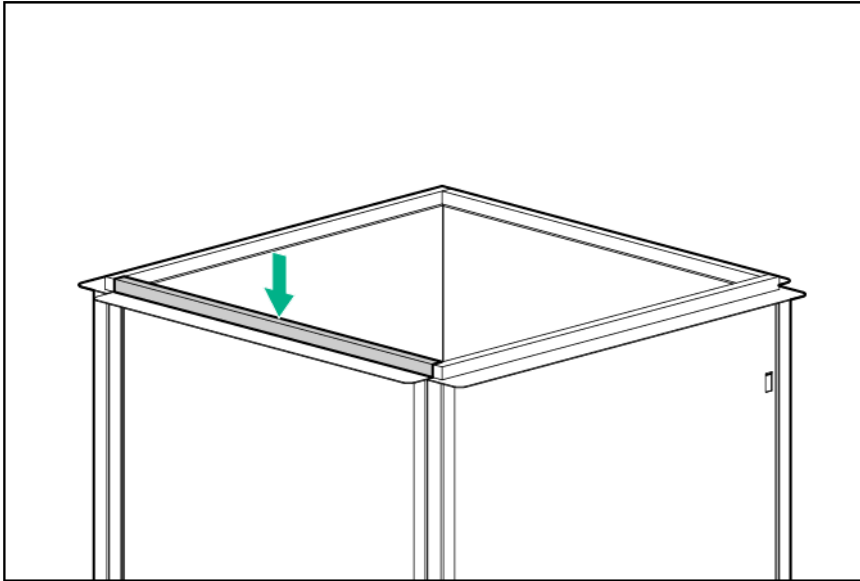
5. Lock the draw-latch straps.

---

**NOTE:** The two 510-mm gaskets sit on the inside edges of the two 520-mm gaskets.

---

6. Apply the foam gasketing to the top of the upper duct by peeling the adhesive backing and aligning the gasketing with the top edges of the upper duct.



## Installing the kit assembly



**WARNING:** The rack air duct weighs approximately 22.5 kg (50 lb). To reduce the risk of personal injury or damage to the equipment:

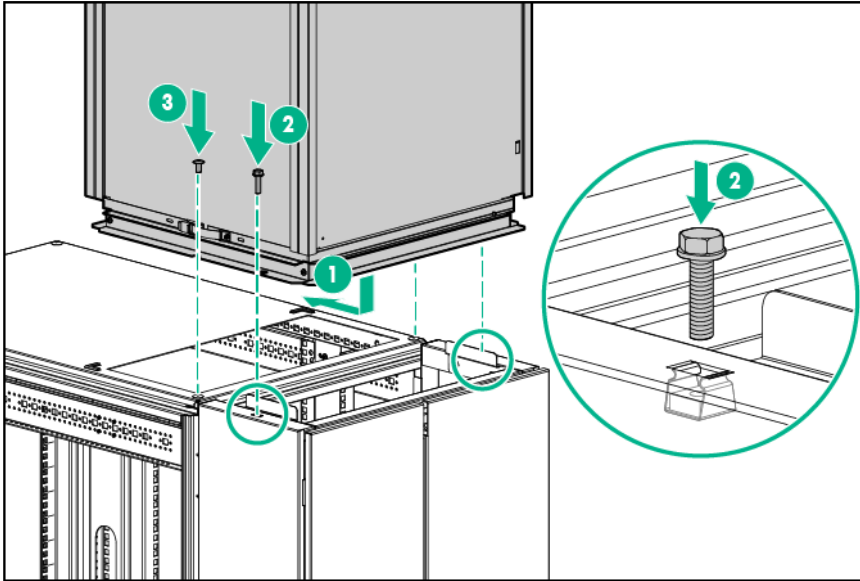
- Observe local occupational health and safety requirements and guidelines for manual material handling.
- Use at least two people to lift and stabilize the product during installation or removal.
- Use step stools to install the product to the top of the rack. Do not lift the air duct over your head.

1. Using a T-30 Torx screwdriver, remove the two rear M-12 bolts from the top plate of the rack. Retain the bolts for future use.
2. Align the open slots of the lower air duct to the mounting holes on the top of the rack.
3. Slide the air duct toward the front of the rack, until the front edge slides under the metal slots on the top plate of the rack (1).

**NOTE:** You might need to slightly raise the upper duct to access the bolts.

4. Using an adjustable wrench, insert and tighten two M-10 bolts through the holes of the air duct assembly and into the cage nut holes on top the side assemblies (2).

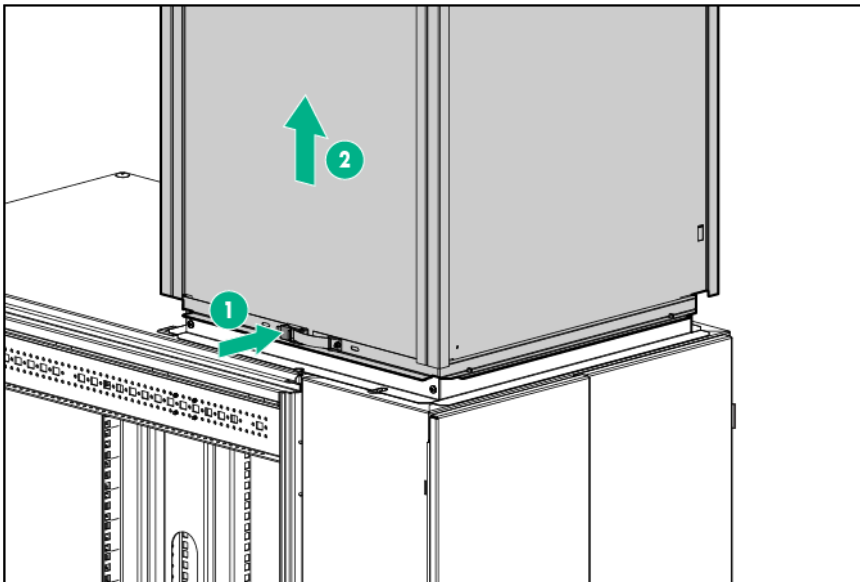
- Using a T-30 Torx screwdriver, insert and tighten two M-12 bolts (from step 1) through the holes of the air duct assembly and into the two rear holes of the rack (3).



## Adjusting the kit

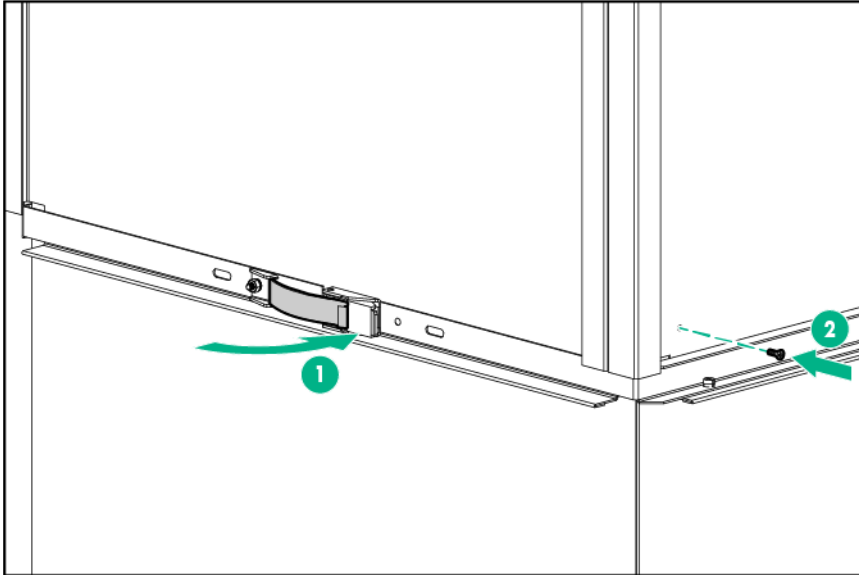
After you have installed the air duct to the top of your rack:

- Loosen both draw-latch straps (1).
- Raise the upper duct until it reaches the ceiling opening, and the gasketing is pressed firmly against the ceiling (2).



- Tighten and lock both draw-latch straps to hold the upper duct in place (1).
- To lock the air duct in the raised position:
  - Mark through the pre-drilled hole on the upper duct, so you know where the hole should be on the lower duct.
  - Using an electric drill, drill one 2.38-mm (3/32-in) hole through the lower duct, in the location you marked.

- c. Insert one M3.5 self-drilling screw through the holes in both the upper and lower ducts (2).



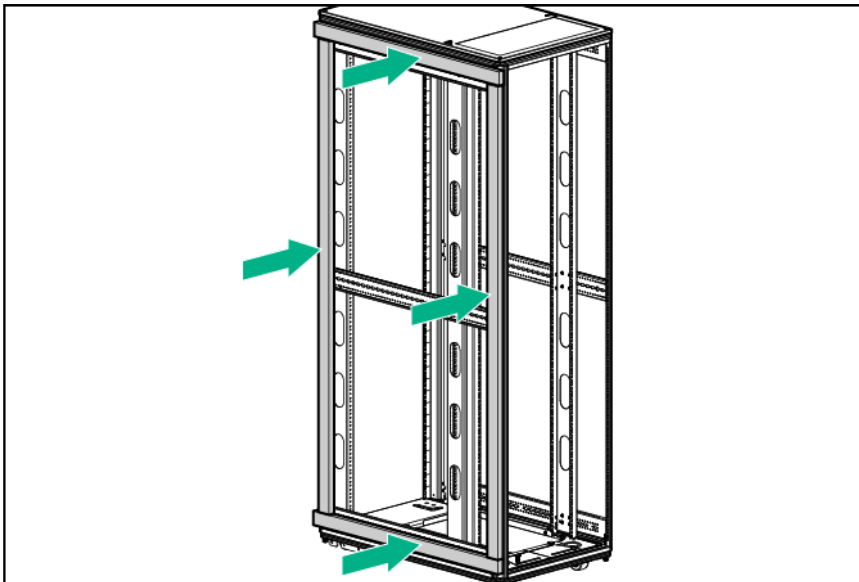
## Baying options

You can order the HPE Baying Rack Option Kit to bay your 10000 G2 Rack Air Duct rack to another 10000 G2 Rack Air Duct rack. You cannot bay a 10000 G2 Rack Air Duct rack to a standard rack.

You must install the included gaskets to your 10000 G2 Rack Air Duct rack prior to baying, to ensure that the air continues to be channeled up the air duct and not out the sides of the bayed rack.

To install the gasket strips to your rack:

1. Remove the liner backing from each of the four gasket strips.
2. Attach the two 876-mm gasket strips to the top and bottom frames of the side of the rack.
3. Attach the two 1875-mm gasket strips to the front and rear frames of the side of the rack.



For more information, see Baying kit (on page [25](#)).

# Rear Extension kit

## About this device

The Rear Extension kit enables you to add 200-mm (7.87-in) of depth to the rear of the HPE 10000 Series and HPE 10000 G2 Series racks.

The Rear Extension kit only fits the 600-mm (23.62-inch) wide (42U and 47U) rack models.

## Kit contents

Item	Quantity
Rear extension assembly	1
<ul style="list-style-type: none"><li>• Left side assembly</li><li>• Right side assembly</li><li>• Top assembly</li><li>• Bottom assembly</li></ul>	
M5.5 self tapping screw	8
M6 machine screw	8
Rear extension cord	3
Cable management bracket	6

This kit might contain extra hardware for your convenience.

## Required tools

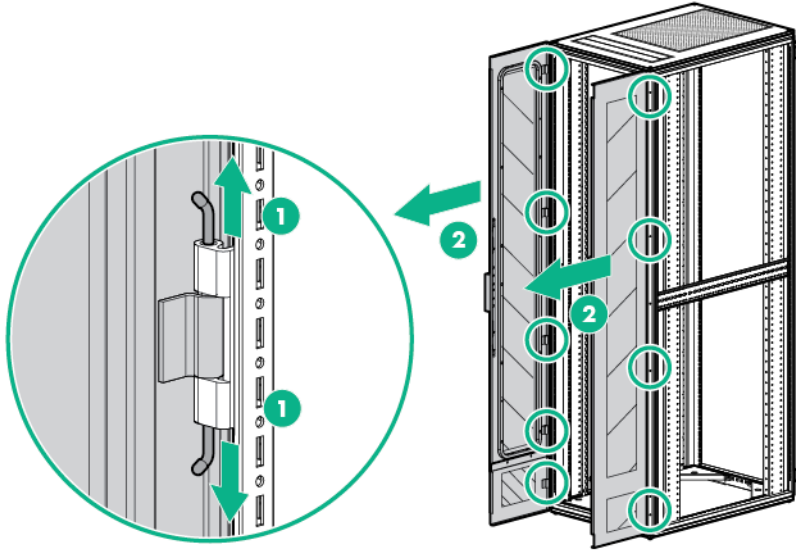
The following tools are required for installation:

- T-25 Torx driver
- T-30 Torx driver

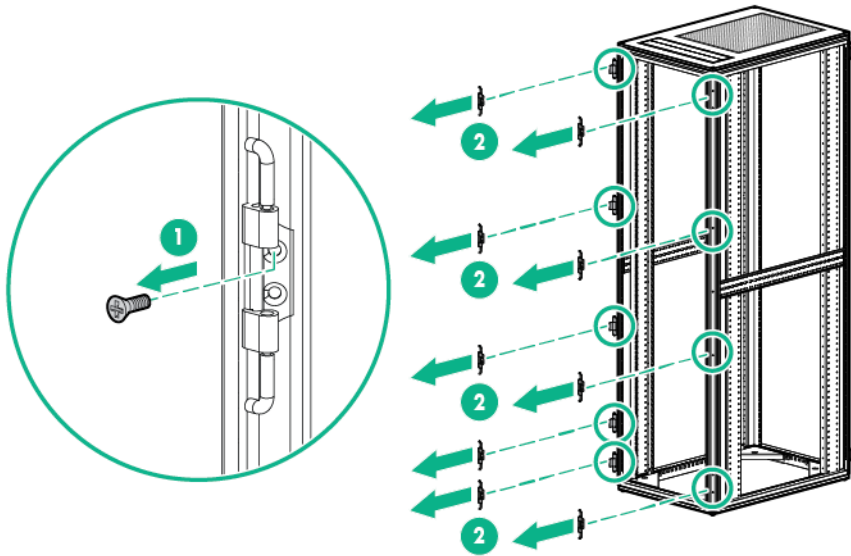
## Removing the rear doors

1. Open the hinge brackets by pulling up the top hinge pin and pulling down the bottom hinge pin (1).

2. Lift the rear doors off the hinge brackets, and then remove the doors from the rack (2).

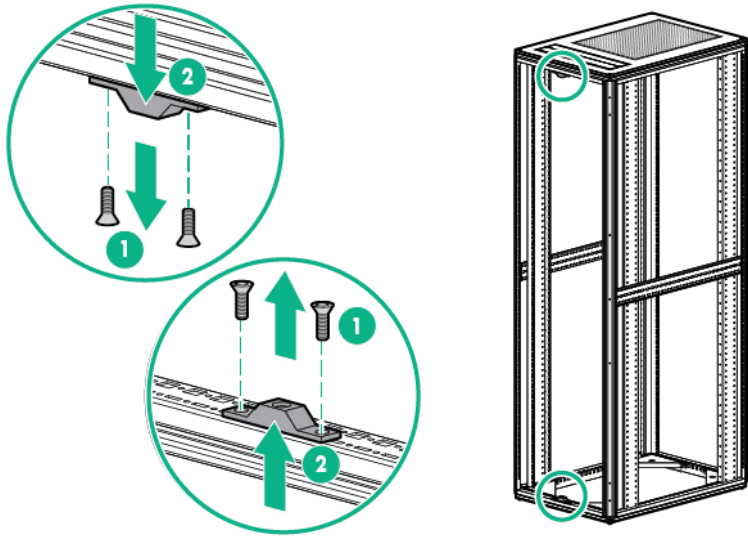


3. Using a T-30 Torx screwdriver, remove the M6 flathead screw securing each hinge bracket to the rack (1), and then remove all of the hinge brackets from the rack (2). Retain the hinge brackets and screws for reinstallation.



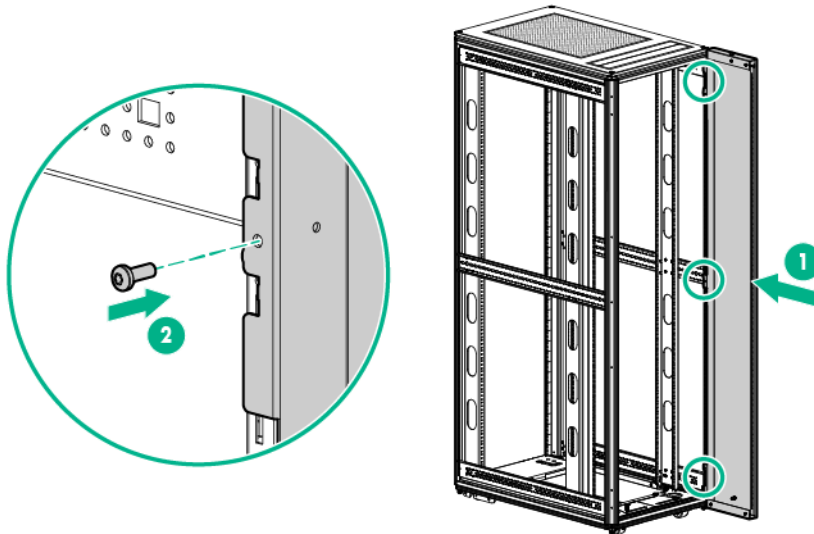


- Using a T-25 Torx driver, remove the upper and lower rear door lock catches by removing the two screws from each of the upper and lower rear door lock catches. Retain the door lock catches and screws for reinstallation.



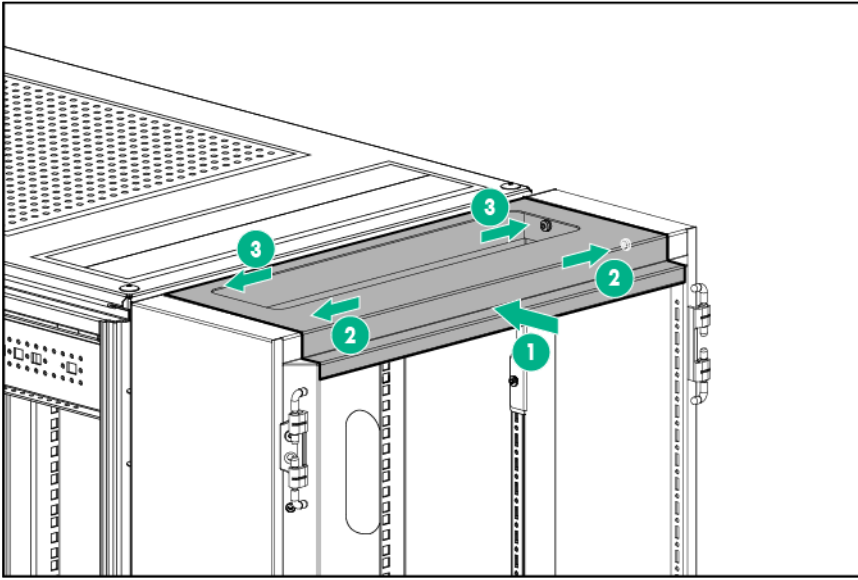
## Installing the rear extension assembly

- Install the side assemblies of the rear extension assembly.
  - Align the right-side assembly with the rack frame (1).
  - Hook the extension into the rack frame at the three hook locations at the top, middle, and bottom of the rack.
  - Using a T-25 Torx screwdriver, insert and tighten one M5.5 self-tapping screws into each of the three hook locations to secure the side assembly to the rack frame (2).
  - Repeat steps a through c for the left-side assembly.

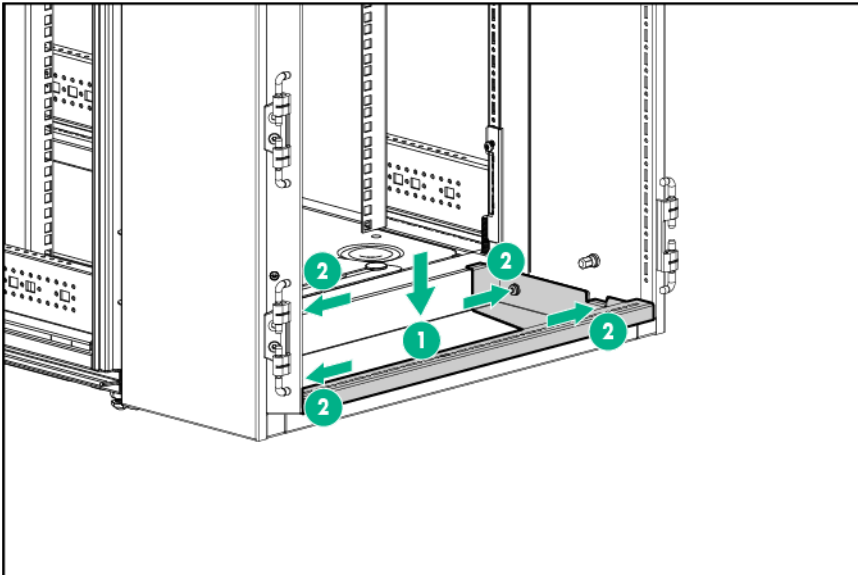


- Install the top assembly of the rear extension assembly.
  - Align the top assembly with the installed side assemblies (1).

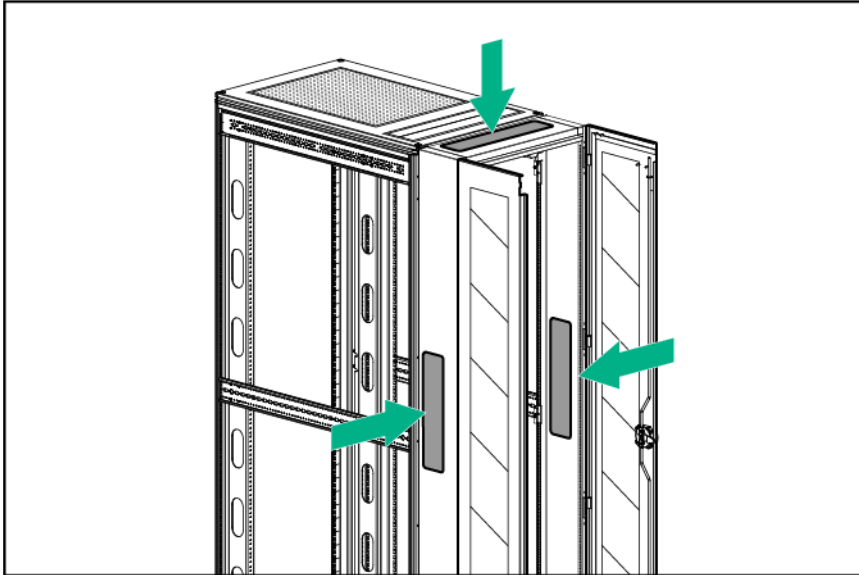
- b. Using a T-25 Torx driver, insert and tighten two M6 machine screws into the rear screw holes (2).
- c. Using a T-25 Torx driver, insert and tighten two M6 machine screws into the front screw holes (3).



- 3. Install the bottom assembly of the rear extension assembly.
  - a. Align the bottom assembly with the installed side assemblies (1), making sure to set the metal tab at the front of the assembly over the rear rack frame (2).
  - b. Using a T-25 Torx driver, insert and tighten four M6 machine screws into each corner hole (3).

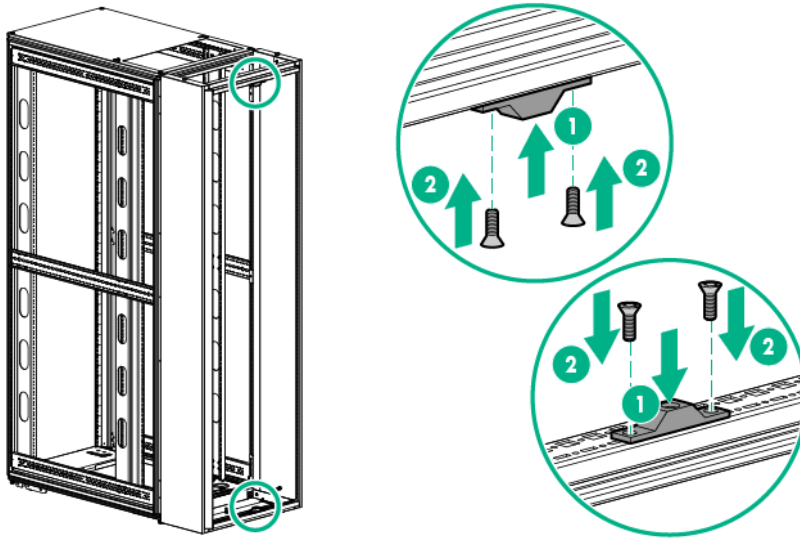


4. Insert the filler panels into the side and top assemblies.



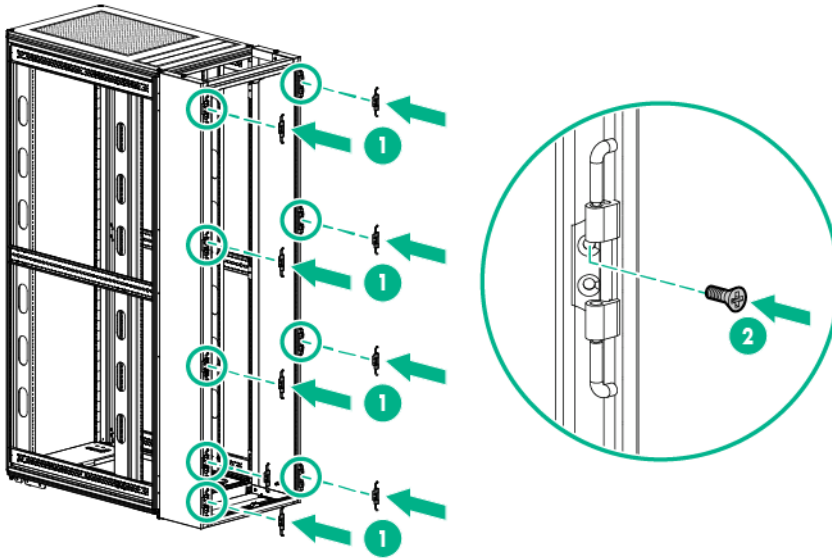
## Installing the rear doors

1. Using a T-25 Torx driver, insert and tighten two screws into each of the upper and lower rear door lock catches.

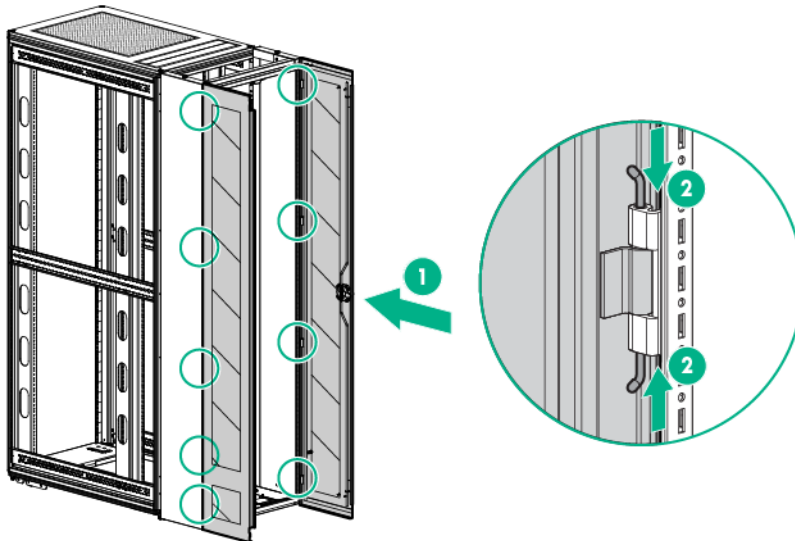


2. Install the hinges brackets.
  - a. Align the hinge brackets that you removed from the rear of your rack to the designated locations on the rear extension assembly (1).

- b. Using a T-30 Torx driver, insert and tighten one M6 flathead screw to secure each hinge bracket to the rear extension assembly (2).



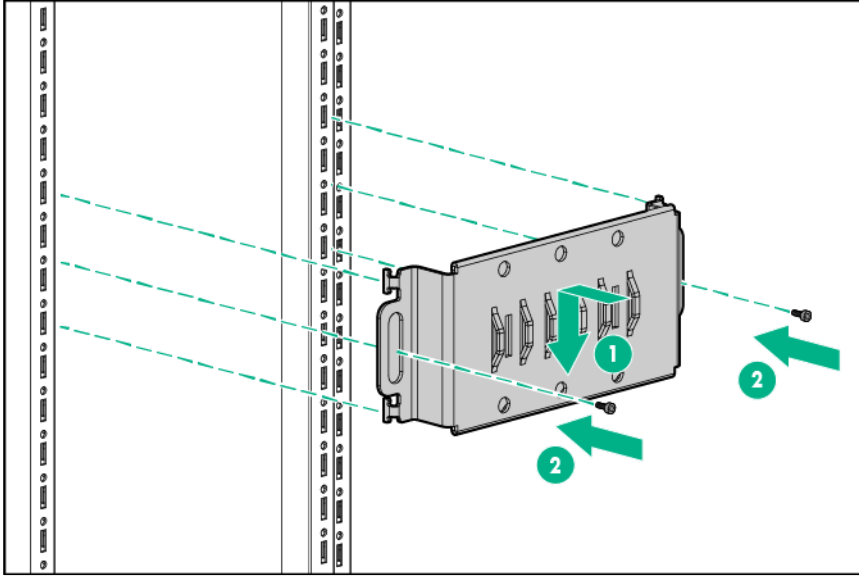
3. Lift the rear doors, aligning them with the hinge brackets on the rear extension assembly (1).
4. Push down the hinge pins, and then insert the hinge into the holes on the rear door (2).



## Installing the cable management brackets

1. Position the cable management bracket so that one side is attached to the inside of the rack frame while the other side is attached to the inside of the extension kit.
2. Slide the cable management bracket into place (1).

- Using a T-25 Torx driver, insert and tighten one M5.5 self-tapping screw into each side of the bracket to secure the cable management bracket to the rack frame and extension kit (2).



Installation is complete.

# Server/Utility Shelf kit

## About this device

The Server/Utility Shelf kit enables you to install a convenient shelf in your rack-mount system. This kit can be used with all racks.

## Kit contents

Item	Quantity
Server/Utility shelf	1
Cage nut	2
M6 screw	2
Quick-release tie-down straps	2

This kit might contain extra hardware for your convenience.

## Required tools

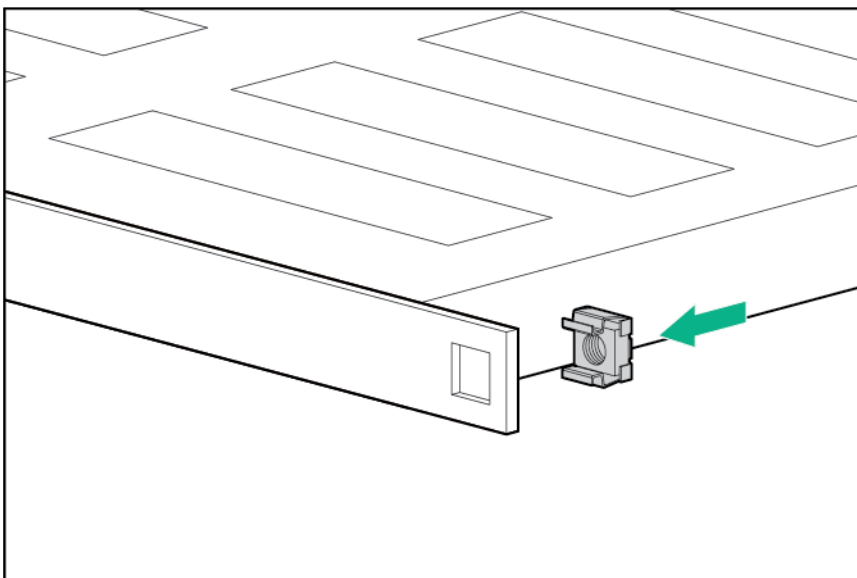
The following tools are required for installation:

- Phillips screwdriver
- Cage nut insertion tool

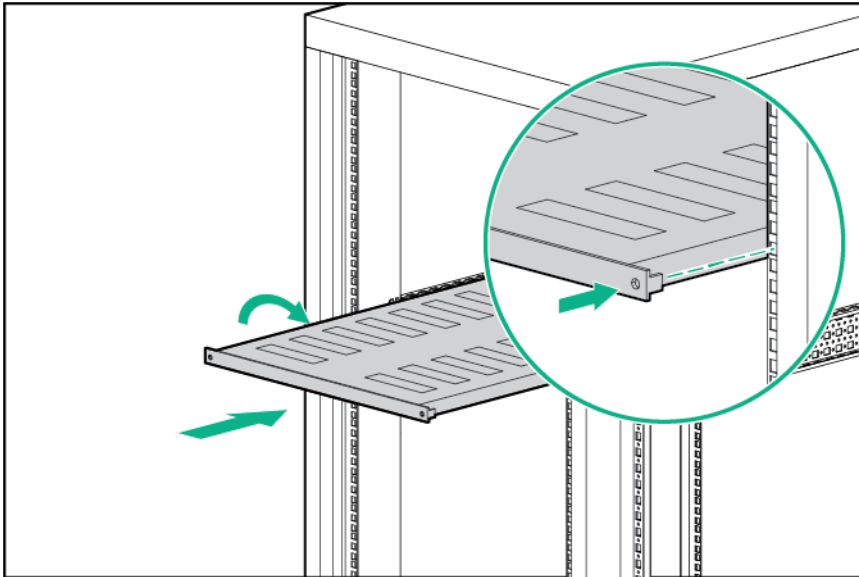
## Installing the server/utility shelf

Always plan the rack installation so that the heaviest item is on the bottom of the rack. Install the heaviest item first, and then continue to populate the rack from the bottom to the top.

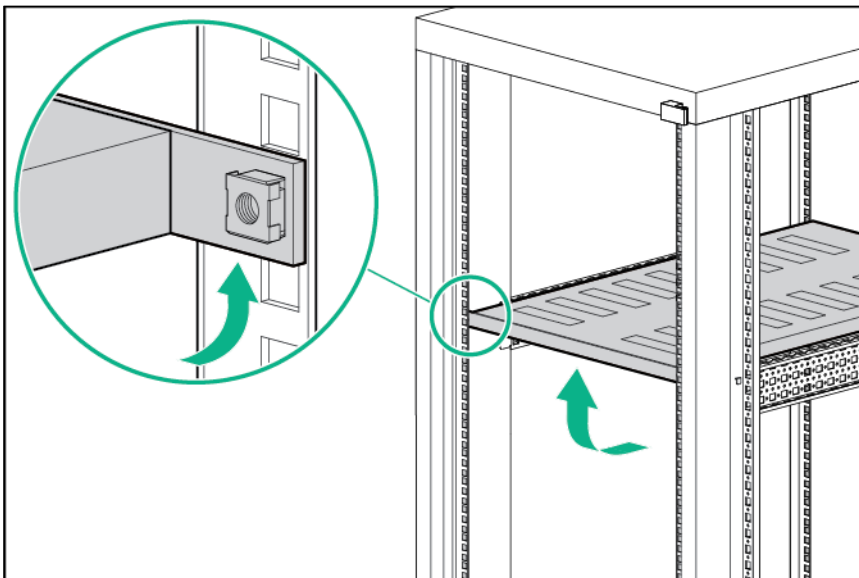
1. Align the cage nuts with the square-rail perforations on the front of the shelf.



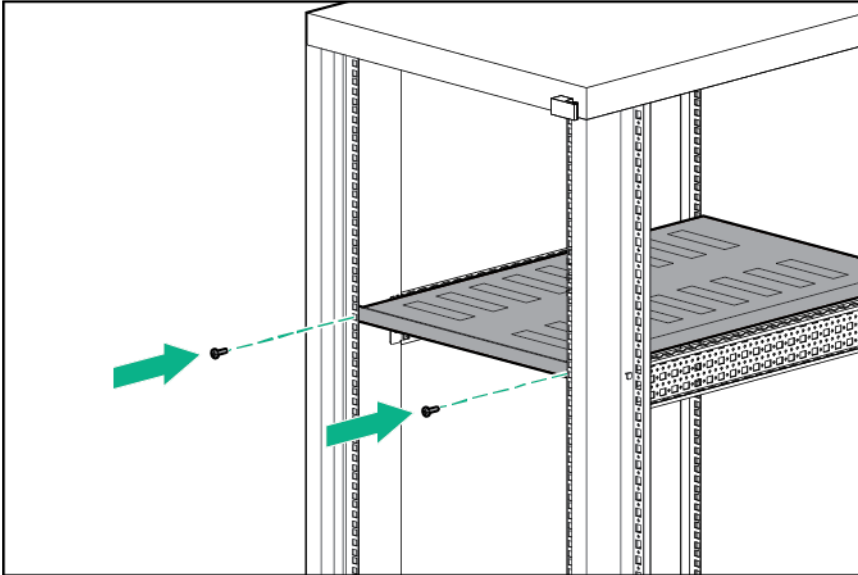
2. Use the cage nut insertion tool (not included) to secure each cage nut to the shelf.
  - a. Hook the bottom lip of the cage nut in the square-rail perforation.
  - b. Insert the tip of the insertion tool through the perforation, and then hook the top lip of the cage nut.
  - c. Pull the cage nut through the square-rail perforation until the top lip snaps into position.
3. Firmly hold the shelf, and then insert the shelf into the rack, tilting the shelf slightly so that the rear teeth on the shelf clear the rear of the rack.
4. Straighten the shelf, and then insert the rear teeth into the mounting holes on the rear of the rack.



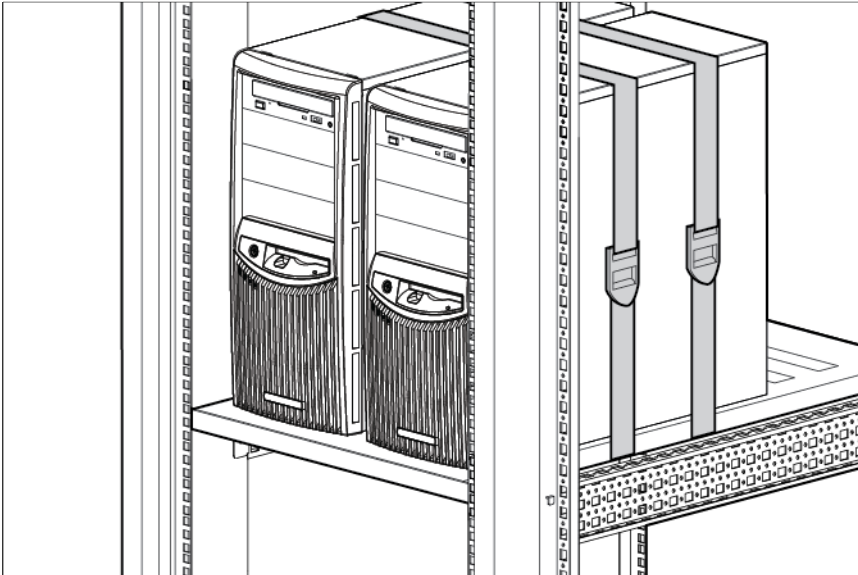
5. Align each cage nut assembly with the mounting holes on the inside front of the rack.



6. Secure the shelf to the rack with two M6 screws using a Phillips screwdriver.



7. Secure servers to the shelf using the quick-release tie-down straps.



Installation is complete.



# Side Panel kit

## About this device

The Side Panel kit enables you to attach side panels to 10000 G2 Series Racks.

## Kit contents

Item	Quantity
Top side panel	2
Middle side panel	2
Bottom side panel	2
Key	2

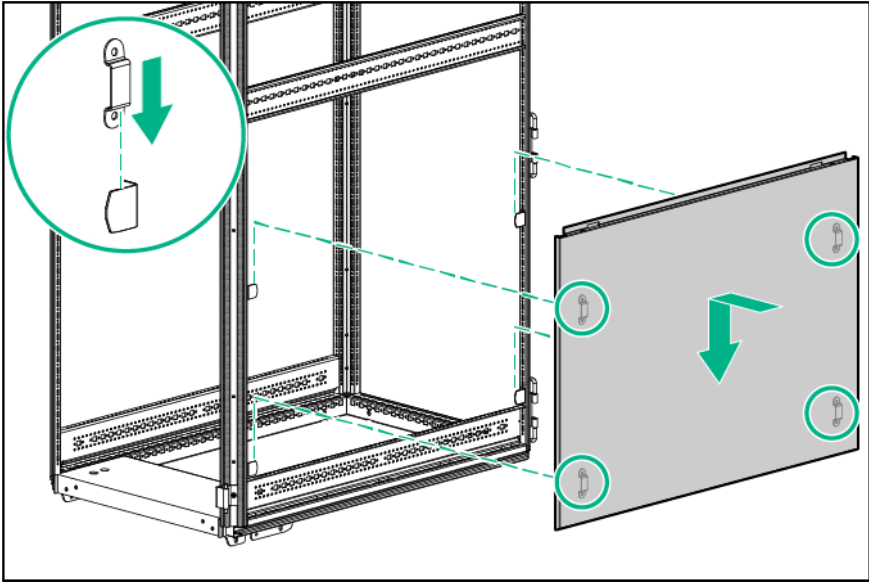
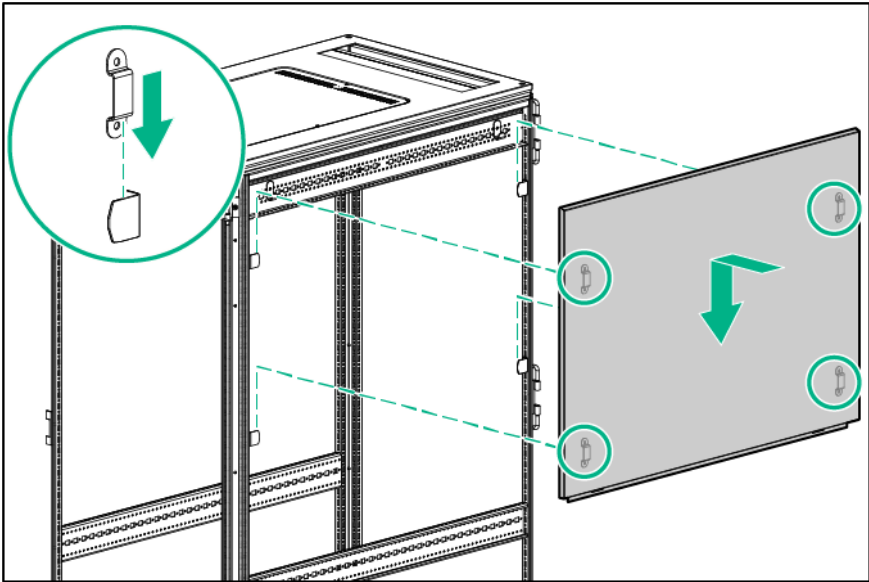
This kit might contain extra hardware for your convenience.

## Required tools

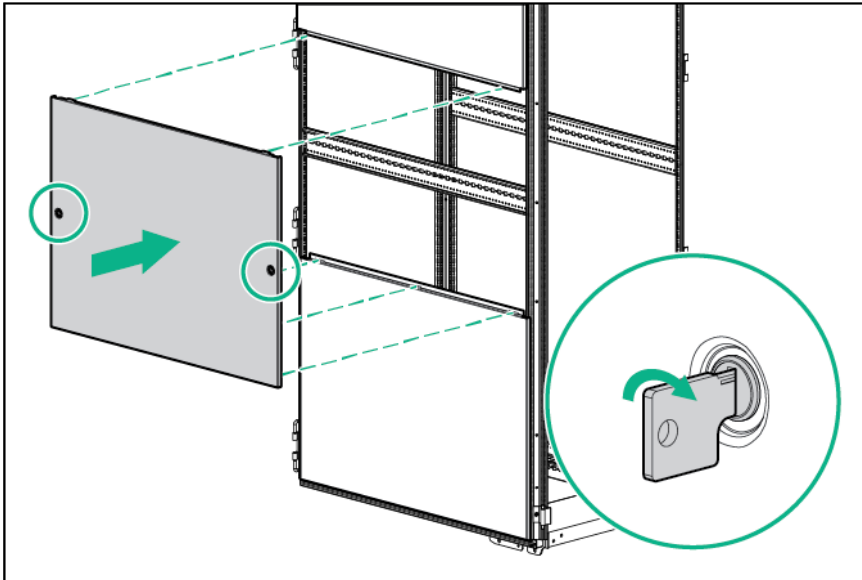
No tools are required for this procedure.

# Installing the side panels

- 1. Install the top and bottom side panel by sliding the brackets on the side panel behind the tabs on the rack frame.



2. Install the middle side panel by locking the side panel locks, securing it to the rack.



3. Repeat steps 1 and 2 for the other side of the rack.

Installation is complete.

# Tie-Down kit

## About this device

The HPE 10000 G2 Series Rack Tie-down Kit enables you to secure 10000 G2 Series Racks to the floor. This kit is for all 10000 G2 Series Racks except for Rack SKUs AF092A and AF094A.

A separate tie-down kit is used exclusively for the 1200 full frame racks. This separate kit is for Rack SKUs AF092A and AF094A only.

## Kit contents

Item	Quantity
Front tie-down bracket	1
Rear tie-down bracket	1
M8 x 20-mm bolt	8
M8 flat washer	8
M8 spring clip	4

This kit might contain extra hardware for your convenience.

## Required tools

The following tools are required for installation:

- Ratchet with sockets
- Adjustable wrench

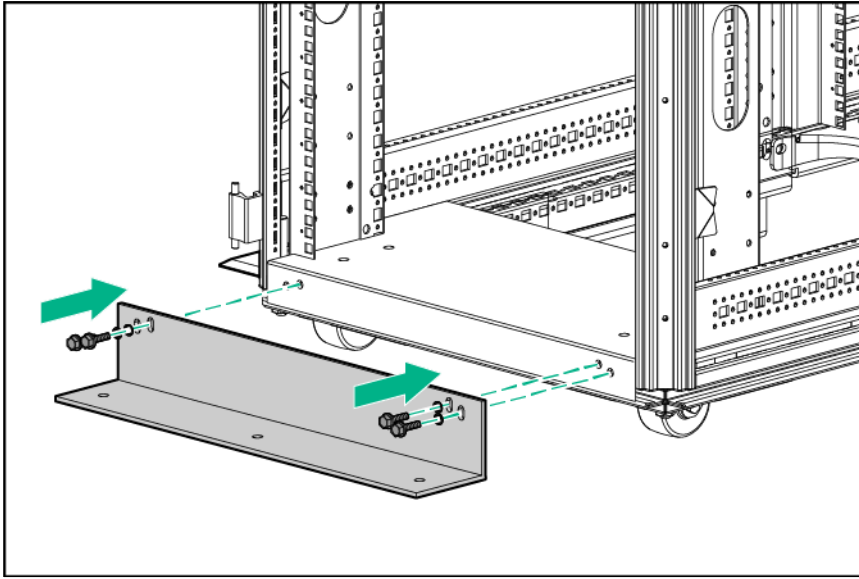
## Installing the tie-down kit

This procedure is for all 10000 G2 Series racks except for Rack SKUs AF092A and AF094A.

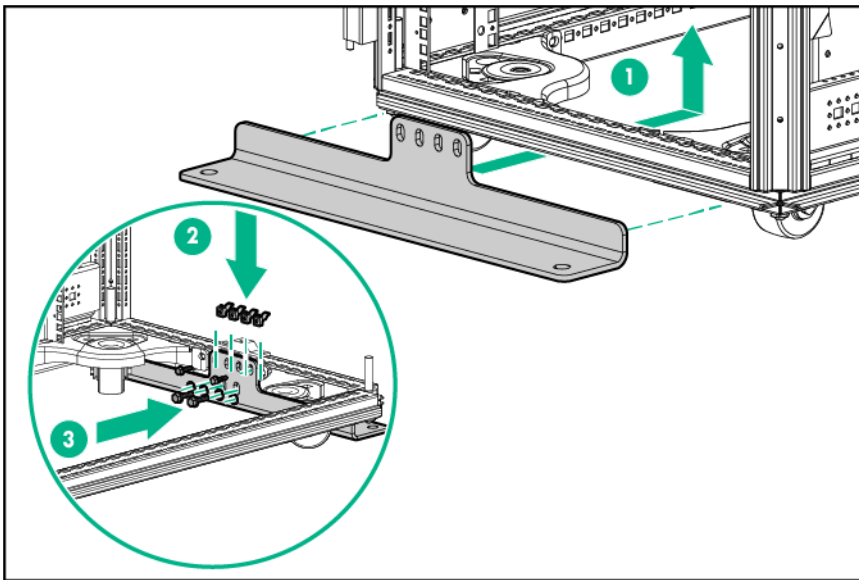
To install the tie-down kit:

1. Adjust the leveling feet on the rack so that the full weight of the rack rests on the leveling feet.
2. Align the front tie-down with the holes on the front caster plate.

3. Insert and partially tighten four bolts with washers, securing the front tie-down to the front caster plate.



4. Align the rear tie-down with the holes on the rear caster plate (1).
5. Insert the four spring clips (2), and then partially tighten four bolts with washers (3), securing the rear tie-down to the rear caster plate.

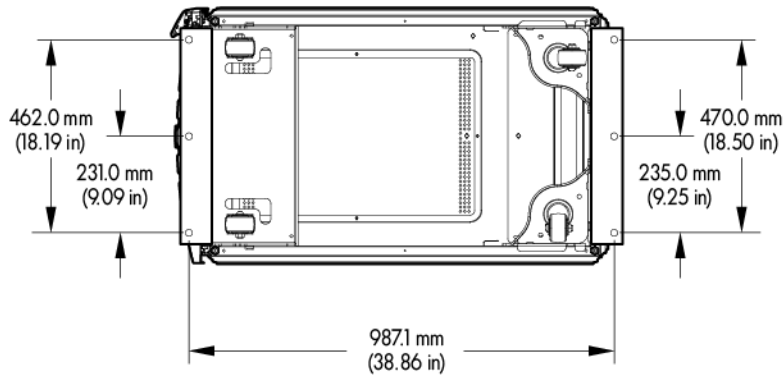


6. Tighten the bolts from step 3.
7. Tighten the bolts from step 5.
8. Secure the rack to the floor ("[Securing the rack to the floor](#)" on page 118).

Installation is complete.

## Securing the rack to the floor

The following illustration indicates where to drill the holes to secure the rack to the floor. The distances are measured from the holes on the tie-downs. Have your building structural engineer drill the holes. After your holes have been drilled, insert a bolt with a washer into each hole to secure the rack to the floor.



## 1200 mm Full Frame Rack Tie-down Kit

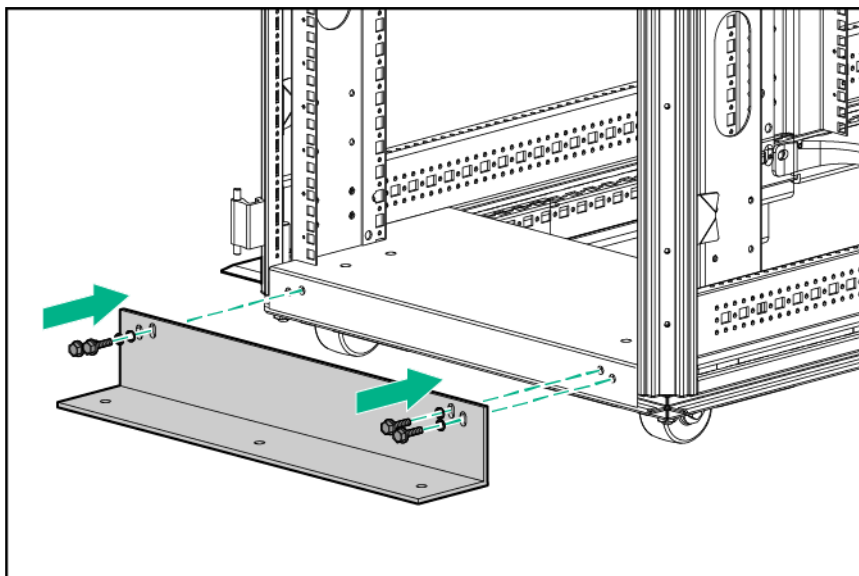
The HPE 10000 G2 Series Rack 1200mm Full Frame Pack tie-down kit is designed for greater stability in seismic environments. This tie-down kit is for Rack SKUs AF092A and AF094A only.

### Installing the 1200 mm full frame rack tie-down kit

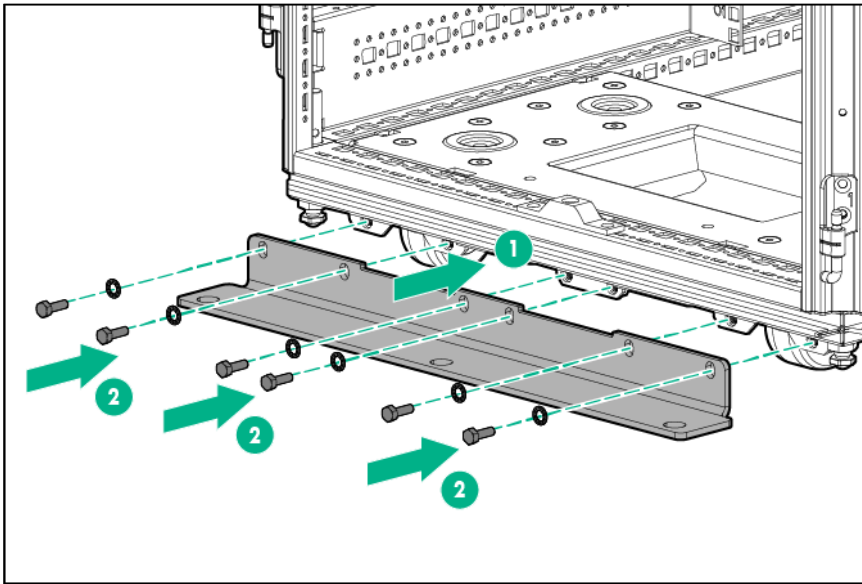
This procedure is only for rack SKUs AF092A and AF094A.

To install the kit:

1. Adjust the leveling feet on the rack so that the full weight of the rack rests on the leveling feet.
2. Align the front tie-down with the holes on the front caster plate.
3. Insert and then partially tighten four bolts with washers, securing the front tie-down to the front caster plate.



4. Align the rear tie-down with the holes on the rear caster plate (1).
5. Insert the six bolts with washers (2), securing the rear tie-down to the rear caster plate.



6. Tighten the bolts from step 3.
  7. Tighten the bolts from step 5.
  8. Secure the rack to the floor ("[Securing the 1200 mm full frame rack to the floor](#)" on page 120).
- Installation is complete.

## 1200 mm full frame rack tie-down kit contents

Item	Quantity
Front tie-down bracket	1
Rear tie-down bracket	1
M8 x 20-mm bolt	12
M8 x 20-mm bolt	12
M8 flat washer	12

This kit might contain extra hardware for your convenience.

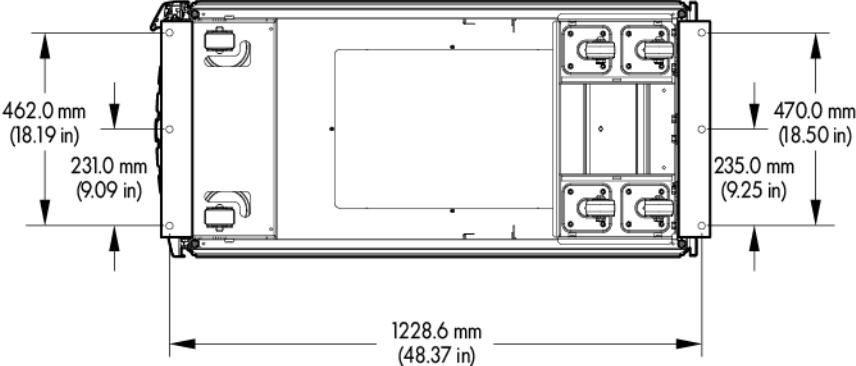
## Required tools

The following tools are required for installation:

- Ratchet with sockets
- Adjustable wrench

# Securing the 1200 mm full frame rack to the floor

The following illustration indicates where to drill the holes to secure the 1200 mm full frame rack to the floor. The distances are measured from the holes on the tie-downs. Have your building structural engineer drill the holes. Then secure the rack to the floor by inserting a bolt with a washer into each hole.





# Vertical PDU Mounting kit

## About this device

The Vertical PDU Mounting kit allows PDU vertical models to be mounted in HPE 10000 G2 Series Racks and in the V142 Rack.

## Kit contents

Item	Quantity
Top bracket	1
Bottom bracket	1
Phillips self tapping screw	4
8-32 Torx machine screw	2

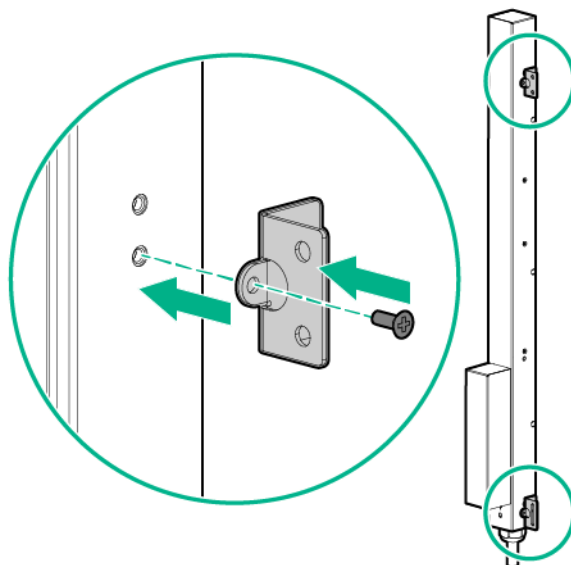
## Required tools

The following tools are required for installation:

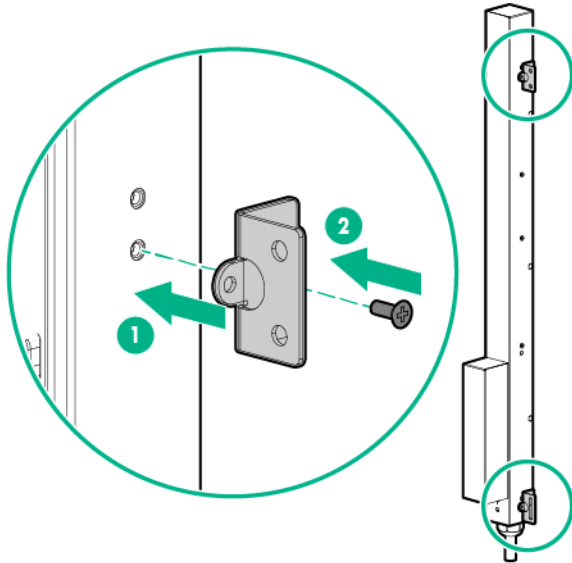
- Phillips screwdriver
- 8-32 screwdriver

## Installing the Vertical PDU Mounting kit

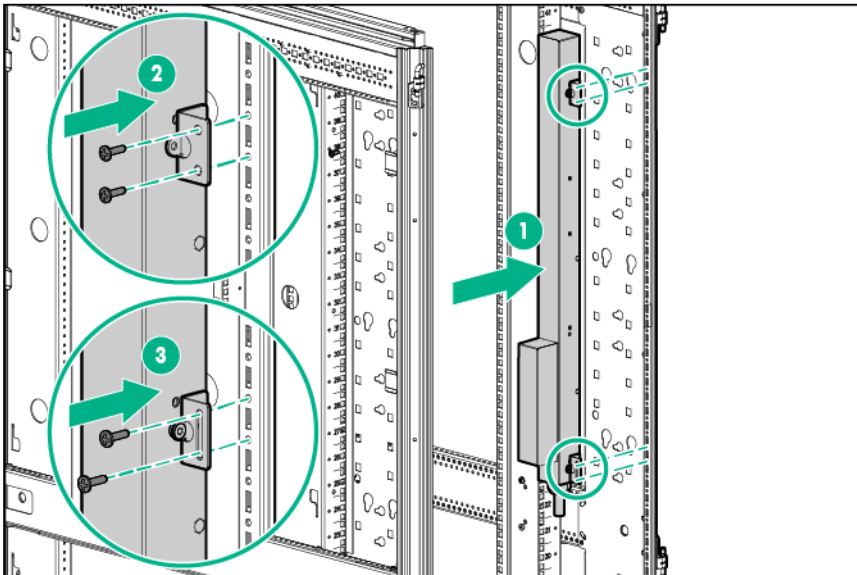
1. Install the brackets.  
Basic PDU



## Monitored PDU



### 2. Install the PDU.



The installation is complete.

# Electrostatic discharge

## Preventing electrostatic discharge

To prevent damaging the system, be aware of the precautions you need to follow when setting up the system or handling parts. A discharge of static electricity from a finger or other conductor may damage system boards or other static-sensitive devices. This type of damage may reduce the life expectancy of the device.

To prevent electrostatic damage:

- Avoid hand contact by transporting and storing products in static-safe containers.
- Keep electrostatic-sensitive parts in their containers until they arrive at static-free workstations.
- Place parts on a grounded surface before removing them from their containers.
- Avoid touching pins, leads, or circuitry.
- Always be properly grounded when touching a static-sensitive component or assembly.

## Grounding methods to prevent electrostatic discharge

Several methods are used for grounding. Use one or more of the following methods when handling or installing electrostatic-sensitive parts:

- Use a wrist strap connected by a ground cord to a grounded workstation or computer chassis. Wrist straps are flexible straps with a minimum of 1 megohm  $\pm$ 10 percent resistance in the ground cords. To provide proper ground, wear the strap snug against the skin.
- Use heel straps, toe straps, or boot straps at standing workstations. Wear the straps on both feet when standing on conductive floors or dissipating floor mats.
- Use conductive field service tools.
- Use a portable field service kit with a folding static-dissipating work mat.

If you do not have any of the suggested equipment for proper grounding, have an authorized reseller install the part.

For more information on static electricity or assistance with product installation, contact an authorized reseller.

# Support and other resources

## Accessing Hewlett Packard Enterprise Support

- For live assistance, go to the Contact Hewlett Packard Enterprise Worldwide website (<http://www.hpe.com/assistance>).
- To access documentation and support services, go to the Hewlett Packard Enterprise Support Center website (<http://www.hpe.com/support/hpesc>).

## Information to collect

- Technical support registration number (if applicable)
- Product name, model or version, and serial number
- Operating system name and version
- Firmware version
- Error messages
- Product-specific reports and logs
- Add-on products or components
- Third-party products or components

## Accessing updates

- Some software products provide a mechanism for accessing software updates through the product interface. Review your product documentation to identify the recommended software update method.
- To download product updates, go to either of the following:
  - Hewlett Packard Enterprise Support Center **Get connected with updates** page (<http://www.hpe.com/support/e-updates>)
  - Software Depot website (<http://www.hpe.com/support/softwaredepot>)
- To view and update your entitlements, and to link your contracts and warranties with your profile, go to the Hewlett Packard Enterprise Support Center **More Information on Access to Support Materials** page (<http://www.hpe.com/support/AccessToSupportMaterials>).



---

**IMPORTANT:** Access to some updates might require product entitlement when accessed through the Hewlett Packard Enterprise Support Center. You must have an HP Passport set up with relevant entitlements.

---

## Websites

- Hewlett Packard Enterprise Information Library (<http://www.hpe.com/info/enterprise/docs>)
- Hewlett Packard Enterprise Support Center (<http://www.hpe.com/support/hpesc>)
- Contact Hewlett Packard Enterprise Worldwide (<http://www.hpe.com/assistance>)

- Subscription Service/Support Alerts (<http://www.hpe.com/support/e-updates>)
- Software Depot (<http://www.hpe.com/support/softwaredepot>)
- Customer Self Repair (<http://www.hpe.com/support/selfrepair>)
- Insight Remote Support (<http://www.hpe.com/info/insightremotesupport/docs>)
- Serviceguard Solutions for HP-UX (<http://www.hpe.com/info/hpux-serviceguard-docs>)
- Single Point of Connectivity Knowledge (SPOCK) Storage compatibility matrix (<http://www.hpe.com/storage/spock>)
- Storage white papers and analyst reports (<http://www.hpe.com/storage/whitepapers>)

## Customer Self Repair

Hewlett Packard Enterprise products are designed with many Customer Self Repair (CSR) parts to minimize repair time and allow for greater flexibility in performing defective parts replacement. If during the diagnosis period Hewlett Packard Enterprise (or Hewlett Packard Enterprise service providers or service partners) identifies that the repair can be accomplished by the use of a CSR part, Hewlett Packard Enterprise will ship that part directly to you for replacement. There are two categories of CSR parts:

- **Mandatory**—Parts for which customer self repair is mandatory. If you request Hewlett Packard Enterprise to replace these parts, you will be charged for the travel and labor costs of this service.
- **Optional**—Parts for which customer self repair is optional. These parts are also designed for customer self repair. If, however, you require that Hewlett Packard Enterprise replace them for you, there may or may not be additional charges, depending on the type of warranty service designated for your product.

**NOTE:** Some Hewlett Packard Enterprise parts are not designed for customer self repair. In order to satisfy the customer warranty, Hewlett Packard Enterprise requires that an authorized service provider replace the part. These parts are identified as "No" in the Illustrated Parts Catalog.

Based on availability and where geography permits, CSR parts will be shipped for next business day delivery. Same day or four-hour delivery may be offered at an additional charge where geography permits. If assistance is required, you can call the Hewlett Packard Enterprise Support Center and a technician will help you over the telephone. Hewlett Packard Enterprise specifies in the materials shipped with a replacement CSR part whether a defective part must be returned to Hewlett Packard Enterprise. In cases where it is required to return the defective part to Hewlett Packard Enterprise, you must ship the defective part back to Hewlett Packard Enterprise within a defined period of time, normally five (5) business days. The defective part must be returned with the associated documentation in the provided shipping material. Failure to return the defective part may result in Hewlett Packard Enterprise billing you for the replacement. With a customer self repair, Hewlett Packard Enterprise will pay all shipping and part return costs and determine the courier/carrier to be used.

For more information about the Hewlett Packard Enterprise CSR program, contact your local service provider. For the North American program, go to the Hewlett Packard Enterprise CSR website (<http://www.hpe.com/support/selfrepair>).

## Réparation par le client (CSR)

Les produits Hewlett Packard Enterprise comportent de nombreuses pièces CSR (Customer Self Repair = réparation par le client) afin de minimiser les délais de réparation et faciliter le remplacement des pièces défectueuses. Si pendant la période de diagnostic, Hewlett Packard Enterprise (ou ses partenaires ou mainteneurs agréés) détermine que la réparation peut être effectuée à l'aide d'une pièce CSR, Hewlett Packard Enterprise vous l'envoie directement. Il existe deux catégories de pièces CSR :

- **Obligatoire**—Pièces pour lesquelles la réparation par le client est obligatoire. Si vous demandez à Hewlett Packard Enterprise de remplacer ces pièces, les coûts de déplacement et main d'œuvre du service vous seront facturés.
- **Facultatif**—Pièces pour lesquelles la réparation par le client est facultative. Ces pièces sont également conçues pour permettre au client d'effectuer lui-même la réparation. Toutefois, si vous demandez à Hewlett Packard Enterprise de remplacer ces pièces, l'intervention peut ou non vous être facturée, selon le type de garantie applicable à votre produit.

**REMARQUE:** Certaines pièces Hewlett Packard Enterprise ne sont pas conçues pour permettre au client d'effectuer lui-même la réparation. Pour que la garantie puisse s'appliquer, Hewlett Packard Enterprise exige que le remplacement de la pièce soit effectué par un Mainteneur Agréé. Ces pièces sont identifiées par la mention "Non" dans le Catalogue illustré.

Les pièces CSR sont livrées le jour ouvré suivant, dans la limite des stocks disponibles et selon votre situation géographique. Si votre situation géographique le permet et que vous demandez une livraison le jour même ou dans les 4 heures, celle-ci vous sera facturée. Pour toute assistance, appelez le Centre d'assistance Hewlett Packard Enterprise pour qu'un technicien vous aide au téléphone. Dans les documents envoyés avec la pièce de rechange CSR, Hewlett Packard Enterprise précise s'il est nécessaire de lui retourner la pièce défectueuse. Si c'est le cas, vous devez le faire dans le délai indiqué, généralement cinq (5) jours ouvrés. La pièce et sa documentation doivent être retournées dans l'emballage fourni. Si vous ne retournez pas la pièce défectueuse, Hewlett Packard Enterprise se réserve le droit de vous facturer les coûts de remplacement. Dans le cas d'une pièce CSR, Hewlett Packard Enterprise supporte l'ensemble des frais d'expédition et de retour, et détermine la société de courses ou le transporteur à utiliser.

Pour plus d'informations sur le programme CSR de Hewlett Packard Enterprise, contactez votre Mainteneur Agréé local. Pour plus d'informations sur ce programme en Amérique du Nord, consultez le site Web Hewlett Packard Enterprise (<http://www.hpe.com/support/selfrepair>).

## Riparazione da parte del cliente

Per abbreviare i tempi di riparazione e garantire una maggiore flessibilità nella sostituzione di parti difettose, i prodotti Hewlett Packard Enterprise sono realizzati con numerosi componenti che possono essere riparati direttamente dal cliente (CSR, Customer Self Repair). Se in fase di diagnostica Hewlett Packard Enterprise (o un centro di servizi o di assistenza Hewlett Packard Enterprise) identifica il guasto come riparabile mediante un ricambio CSR, Hewlett Packard Enterprise lo spedisce direttamente al cliente per la sostituzione. Vi sono due categorie di parti CSR:

- **Obbligatorie**—Parti che devono essere necessariamente riparate dal cliente. Se il cliente ne affida la riparazione ad Hewlett Packard Enterprise, deve sostenere le spese di spedizione e di manodopera per il servizio.
- **Opzionali**—Parti la cui riparazione da parte del cliente è facoltativa. Si tratta comunque di componenti progettati per questo scopo. Se tuttavia il cliente ne richiede la sostituzione ad Hewlett Packard Enterprise, potrebbe dover sostenere spese aggiuntive a seconda del tipo di garanzia previsto per il prodotto.

**NOTA:** alcuni componenti Hewlett Packard Enterprise non sono progettati per la riparazione da parte del cliente. Per rispettare la garanzia, Hewlett Packard Enterprise richiede che queste parti siano sostituite da un centro di assistenza autorizzato. Tali parti sono identificate da un "No" nel Catalogo illustrato dei componenti.

In base alla disponibilità e alla località geografica, le parti CSR vengono spedite con consegna entro il giorno lavorativo seguente. La consegna nel giorno stesso o entro quattro ore è offerta con un supplemento di costo solo in alcune zone. In caso di necessità si può richiedere l'assistenza telefonica di un addetto del centro di supporto tecnico Hewlett Packard Enterprise. Nel materiale fornito con una parte di ricambio CSR, Hewlett Packard Enterprise specifica se il cliente deve restituire dei componenti. Qualora sia richiesta la resa ad Hewlett Packard Enterprise del componente difettoso, lo si deve spedire ad Hewlett Packard Enterprise entro un determinato periodo di tempo, generalmente cinque (5) giorni lavorativi. Il componente difettoso deve essere restituito con la documentazione associata nell'imballo di

spedizione fornito. La mancata restituzione del componente può comportare la fatturazione del ricambio da parte di Hewlett Packard Enterprise. Nel caso di riparazione da parte del cliente, Hewlett Packard Enterprise sostiene tutte le spese di spedizione e resa e sceglie il corriere/vettore da utilizzare.

Per ulteriori informazioni sul programma CSR di Hewlett Packard Enterprise, contattare il centro di assistenza di zona. Per il programma in Nord America fare riferimento al sito Web (<http://www.hpe.com/support/selfrepair>).

## Customer Self Repair

Hewlett Packard Enterprise Produkte enthalten viele CSR-Teile (Customer Self Repair), um Reparaturzeiten zu minimieren und höhere Flexibilität beim Austausch defekter Bauteile zu ermöglichen. Wenn Hewlett Packard Enterprise (oder ein Hewlett Packard Enterprise Servicepartner) bei der Diagnose feststellt, dass das Produkt mithilfe eines CSR-Teils repariert werden kann, sendet Ihnen Hewlett Packard Enterprise dieses Bauteil zum Austausch direkt zu. CSR-Teile werden in zwei Kategorien unterteilt:

- **Zwingend**—Teile, für die das Customer Self Repair-Verfahren zwingend vorgegeben ist. Wenn Sie den Austausch dieser Teile von Hewlett Packard Enterprise vornehmen lassen, werden Ihnen die Anfahrt- und Arbeitskosten für diesen Service berechnet.
- **Optional**—Teile, für die das Customer Self Repair-Verfahren optional ist. Diese Teile sind auch für Customer Self Repair ausgelegt. Wenn Sie jedoch den Austausch dieser Teile von Hewlett Packard Enterprise vornehmen lassen möchten, können bei diesem Service je nach den für Ihr Produkt vorgesehenen Garantiebedingungen zusätzliche Kosten anfallen.

**HINWEIS:** Einige Hewlett Packard Enterprise Teile sind nicht für Customer Self Repair ausgelegt. Um den Garantieanspruch des Kunden zu erfüllen, muss das Teil von einem Hewlett Packard Enterprise Servicepartner ersetzt werden. Im illustrierten Teilekatalog sind diese Teile mit „No“ bzw. „Nein“ gekennzeichnet.

CSR-Teile werden abhängig von der Verfügbarkeit und vom Lieferziel am folgenden Geschäftstag geliefert. Für bestimmte Standorte ist eine Lieferung am selben Tag oder innerhalb von vier Stunden gegen einen Aufpreis verfügbar. Wenn Sie Hilfe benötigen, können Sie das Hewlett Packard Enterprise Support Center anrufen und sich von einem Mitarbeiter per Telefon helfen lassen. Den Materialien von Hewlett Packard Enterprise, die mit einem CSR-Ersatzteil geliefert werden, können Sie entnehmen, ob das defekte Teil an Hewlett Packard Enterprise zurückgeschickt werden muss. Wenn es erforderlich ist, das defekte Teil an Hewlett Packard Enterprise zurückzuschicken, müssen Sie dies innerhalb eines vorgegebenen Zeitraums tun, in der Regel innerhalb von fünf (5) Geschäftstagen. Das defekte Teil muss mit der zugehörigen Dokumentation in der Verpackung zurückgeschickt werden, die im Lieferumfang enthalten ist. Wenn Sie das defekte Teil nicht zurückschicken, kann Hewlett Packard Enterprise Ihnen das Ersatzteil in Rechnung stellen. Im Falle von Customer Self Repair kommt Hewlett Packard Enterprise für alle Kosten für die Lieferung und Rücksendung auf und bestimmt den Kurier-/Frachtdienst.

Weitere Informationen über das Hewlett Packard Enterprise Customer Self Repair Programm erhalten Sie von Ihrem Servicepartner vor Ort. Informationen über das CSR-Programm in Nordamerika finden Sie auf der Hewlett Packard Enterprise Website unter (<http://www.hpe.com/support/selfrepair>).

## Reparaciones del propio cliente

Los productos de Hewlett Packard Enterprise incluyen muchos componentes que el propio usuario puede reemplazar (Customer Self Repair, CSR) para minimizar el tiempo de reparación y ofrecer una mayor flexibilidad a la hora de realizar sustituciones de componentes defectuosos. Si, durante la fase de diagnóstico, Hewlett Packard Enterprise (o los proveedores o socios de servicio de Hewlett Packard Enterprise) identifica que una reparación puede llevarse a cabo mediante el uso de un componente CSR, Hewlett Packard Enterprise le enviará dicho componente directamente para que realice su sustitución. Los componentes CSR se clasifican en dos categorías:

- **Obligatorio**—componentes cuya reparación por parte del usuario es obligatoria. Si solicita a Hewlett Packard Enterprise que realice la sustitución de estos componentes, tendrá que hacerse cargo de los gastos de desplazamiento y de mano de obra de dicho servicio.
- **Opcional**—componentes cuya reparación por parte del usuario es opcional. Estos componentes también están diseñados para que puedan ser reparados por el usuario. Sin embargo, si precisa que Hewlett Packard Enterprise realice su sustitución, puede o no conllevar costes adicionales, dependiendo del tipo de servicio de garantía correspondiente al producto.

**NOTA:** Algunos componentes de Hewlett Packard Enterprise no están diseñados para que puedan ser reparados por el usuario. Para que el usuario haga valer su garantía, Hewlett Packard Enterprise pone como condición que un proveedor de servicios autorizado realice la sustitución de estos componentes. Dichos componentes se identifican con la palabra "No" en el catálogo ilustrado de componentes.

Según la disponibilidad y la situación geográfica, los componentes CSR se enviarán para que lleguen a su destino al siguiente día laborable. Si la situación geográfica lo permite, se puede solicitar la entrega en el mismo día o en cuatro horas con un coste adicional. Si precisa asistencia técnica, puede llamar al Centro de asistencia técnica de Hewlett Packard Enterprise y recibirá ayuda telefónica por parte de un técnico. Con el envío de materiales para la sustitución de componentes CSR, Hewlett Packard Enterprise especificará si los componentes defectuosos deberán devolverse a Hewlett Packard Enterprise. En aquellos casos en los que sea necesario devolver algún componente a Hewlett Packard Enterprise, deberá hacerlo en el periodo de tiempo especificado, normalmente cinco días laborables. Los componentes defectuosos deberán devolverse con toda la documentación relacionada y con el embalaje de envío. Si no enviara el componente defectuoso requerido, Hewlett Packard Enterprise podrá cobrarle por el de sustitución. En el caso de todas sustituciones que lleve a cabo el cliente, Hewlett Packard Enterprise se hará cargo de todos los gastos de envío y devolución de componentes y escogerá la empresa de transporte que se utilice para dicho servicio.

Para obtener más información acerca del programa de Reparaciones del propio cliente de Hewlett Packard Enterprise, póngase en contacto con su proveedor de servicios local. Si está interesado en el programa para Norteamérica, visite la página web de Hewlett Packard Enterprise CSR (<http://www.hpe.com/support/selfrepair>).

## Customer Self Repair

Veel onderdelen in Hewlett Packard Enterprise producten zijn door de klant zelf te repareren, waardoor de reparatieduur tot een minimum beperkt kan blijven en de flexibiliteit in het vervangen van defecte onderdelen groter is. Deze onderdelen worden CSR-onderdelen (Customer Self Repair) genoemd. Als Hewlett Packard Enterprise (of een Hewlett Packard Enterprise Service Partner) bij de diagnose vaststelt dat de reparatie kan worden uitgevoerd met een CSR-onderdeel, verzendt Hewlett Packard Enterprise dat onderdeel rechtstreeks naar u, zodat u het defecte onderdeel daarmee kunt vervangen. Er zijn twee categorieën CSR-onderdelen:

- **Verplicht**—Onderdelen waarvoor reparatie door de klant verplicht is. Als u Hewlett Packard Enterprise verzoekt deze onderdelen voor u te vervangen, worden u voor deze service reiskosten en arbeidsloon in rekening gebracht.
- **Optioneel**—Onderdelen waarvoor reparatie door de klant optioneel is. Ook deze onderdelen zijn ontworpen voor reparatie door de klant. Als u echter Hewlett Packard Enterprise verzoekt deze onderdelen voor u te vervangen, kunnen daarvoor extra kosten in rekening worden gebracht, afhankelijk van het type garantieservice voor het product.

**OPMERKING:** Sommige Hewlett Packard Enterprise onderdelen zijn niet ontwikkeld voor reparatie door de klant. In verband met de garanti voorwaarden moet het onderdeel door een geautoriseerde Service Partner worden vervangen. Deze onderdelen worden in de geïllustreerde onderdelencatalogus aangemerkt met "Nee".

Afhankelijk van de leverbaarheid en de locatie worden CSR-onderdelen verzonden voor levering op de eerstvolgende werkdag. Levering op dezelfde dag of binnen vier uur kan tegen meerkosten worden aangeboden, indien dit mogelijk is gezien de locatie. Indien assistentie is gewenst, belt u het Hewlett Packard Enterprise Support Center om via de telefoon ondersteuning van een technicus te ontvangen.



Hewlett Packard Enterprise vermeldt in de documentatie bij het vervangende CSR-onderdeel of het defecte onderdeel aan Hewlett Packard Enterprise moet worden geretourneerd. Als het defecte onderdeel aan Hewlett Packard Enterprise moet worden teruggezonden, moet u het defecte onderdeel binnen een bepaalde periode, gewoonlijk vijf (5) werkdagen, retourneren aan Hewlett Packard Enterprise. Het defecte onderdeel moet met de bijbehorende documentatie worden geretourneerd in het meegeleverde verpakkingsmateriaal. Als u het defecte onderdeel niet terugzendt, kan Hewlett Packard Enterprise u voor het vervangende onderdeel kosten in rekening brengen. Bij reparatie door de klant betaalt Hewlett Packard Enterprise alle verzendkosten voor het vervangende en geretourneerde onderdeel en kiest Hewlett Packard Enterprise zelf welke koerier/transportonderneming hiervoor wordt gebruikt.

Neem contact op met een Service Partner voor meer informatie over het Customer Self Repair programma van Hewlett Packard Enterprise. Informatie over Service Partners vindt u op de Hewlett Packard Enterprise website (<http://www.hpe.com/support/selfrepair>).

## Reparo feito pelo cliente

Os produtos da Hewlett Packard Enterprise são projetados com muitas peças para reparo feito pelo cliente (CSR) de modo a minimizar o tempo de reparo e permitir maior flexibilidade na substituição de peças com defeito. Se, durante o período de diagnóstico, a Hewlett Packard Enterprise (ou fornecedores/parceiros da Hewlett Packard Enterprise) concluir que o reparo pode ser efetuado pelo uso de uma peça CSR, a Hewlett Packard Enterprise enviará a peça diretamente ao cliente. Há duas categorias de peças CSR:

- **Obrigatória**—Peças cujo reparo feito pelo cliente é obrigatório. Se desejar que a Hewlett Packard Enterprise substitua essas peças, serão cobradas as despesas de transporte e mão-de-obra do serviço.
- **Opcional**—Peças cujo reparo feito pelo cliente é opcional. Essas peças também são projetadas para o reparo feito pelo cliente. No entanto, se desejar que a Hewlett Packard Enterprise as substitua, pode haver ou não a cobrança de taxa adicional, dependendo do tipo de serviço de garantia destinado ao produto.

**OBSERVAÇÃO:** Algumas peças da Hewlett Packard Enterprise não são projetadas para o reparo feito pelo cliente. A fim de cumprir a garantia do cliente, a Hewlett Packard Enterprise exige que um técnico autorizado substitua a peça. Essas peças estão identificadas com a marca "No" (Não), no catálogo de peças ilustrado.

Conforme a disponibilidade e o local geográfico, as peças CSR serão enviadas no primeiro dia útil após o pedido. Onde as condições geográficas permitirem, a entrega no mesmo dia ou em quatro horas pode ser feita mediante uma taxa adicional. Se precisar de auxílio, entre em contato com o Centro de suporte técnico da Hewlett Packard Enterprise para que um técnico o ajude por telefone. A Hewlett Packard Enterprise especifica nos materiais fornecidos com a peça CSR de reposição se a peça com defeito deve ser devolvida à Hewlett Packard Enterprise. Nos casos em que isso for necessário, é preciso enviar a peça com defeito à Hewlett Packard Enterprise, você deverá enviar a peça com defeito de volta para a Hewlett Packard Enterprise dentro do período de tempo definido, normalmente em 5 (cinco) dias úteis. A peça com defeito deve ser enviada com a documentação correspondente no material de transporte fornecido. Caso não o faça, a Hewlett Packard Enterprise poderá cobrar a reposição. Para as peças de reparo feito pelo cliente, a Hewlett Packard Enterprise paga todas as despesas de transporte e de devolução da peça e determina a transportadora/serviço postal a ser utilizado.

Para obter mais informações sobre o programa de reparo feito pelo cliente da Hewlett Packard Enterprise, entre em contato com o fornecedor de serviços local. Para o programa norte-americano, visite o site da Hewlett Packard Enterprise (<http://www.hpe.com/support/selfrepair>).

## カスタマーセルフリペア

修理時間を短縮し、故障部品の交換における高い柔軟性を確保するために、Hewlett Packard Enterprise製品には多数のカスタマーセルフリペア（CSR）部品があります。診断の際に、CSR部品を使用すれば修理ができるとHewlett Packard Enterprise（Hewlett Packard EnterpriseまたはHewlett Packard Enterprise正規保守代理店）が判断した場合、Hewlett Packard Enterpriseはその部品を直接、お客様に発送し、お客様に交換していただきます。CSR部品には以下の2種類があります。

- **必須** - カスタマーセルフリペアが必須の部品。当該部品について、もしもお客様がHewlett Packard Enterpriseに交換作業を依頼される場合には、その修理サービスに関する交通費および人件費がお客様に請求されます。
- **任意** - カスタマーセルフリペアが任意である部品。この部品もカスタマーセルフリペア用です。当該部品について、もしもお客様がHewlett Packard Enterpriseに交換作業を依頼される場合には、お買い上げの製品に適用される保証サービス内容の範囲内においては、別途費用を負担していただくことなく保証サービスを受けることができます。

**注：** Hewlett Packard Enterprise製品の一部の部品は、カスタマーセルフリペアの対象外です。製品の保証を継続するためには、Hewlett Packard EnterpriseまたはHewlett Packard Enterprise正規保守代理店による交換作業が必須となります。部品カタログには、当該部品がカスタマーセルフリペア除外品である旨が記載されています。

部品供給が可能な場合、地域によっては、CSR部品を翌営業日に届くように発送します。また、地域によっては、追加費用を負担いただくことにより同日または4時間以内に届くように発送することも可能な場合があります。サポートが必要なときは、Hewlett Packard Enterpriseの修理受付窓口に電話していただければ、技術者が電話でアドバイスします。交換用のCSR部品または同梱物には、故障部品をHewlett Packard Enterpriseに返送する必要があるかどうかが表示されています。故障部品をHewlett Packard Enterpriseに返送する必要がある場合は、指定期限内（通常は5営業日以内）に故障部品をHewlett Packard Enterpriseに返送してください。故障部品を返送する場合は、届いた時の梱包箱に関連書類とともに入れてください。故障部品を返送しない場合、Hewlett Packard Enterpriseから部品費用が請求されます。カスタマーセルフリペアの際には、Hewlett Packard Enterpriseは送料および部品返送費を全額負担し、使用する宅配便会社や運送会社を指定します。

## 客户自行维修

Hewlett Packard Enterprise 产品提供许多客户自行维修 (CSR) 部件，以尽可能缩短维修时间和在更换缺陷部件方面提供更大的灵活性。如果在诊断期间 Hewlett Packard Enterprise (或 Hewlett Packard Enterprise 服务提供商或服务合作伙伴) 确定可以通过使用 CSR 部件完成维修，Hewlett Packard Enterprise 将直接把该部件发送给您进行更换。有两类 CSR 部件：

- **强制性的** — 要求客户必须自行维修的部件。如果您请求 Hewlett Packard Enterprise 更换这些部件，则必须为该服务支付差旅费和人工费用。
- **可选的** — 客户可以选择是否自行维修的部件。这些部件也是为客户自行维修设计的。不过，如果您要求 Hewlett Packard Enterprise 为您更换这些部件，则根据为您的产品指定的保修服务类型，Hewlett Packard Enterprise 可能收取或不再收取任何附加费用。

**注：**某些 Hewlett Packard Enterprise 部件的设计并未考虑客户自行维修。为了满足客户保修的需要，Hewlett Packard Enterprise 要求授权服务提供商更换相关部件。这些部件在部件图解目录中标记为“否”。

CSR 部件将在下一个工作日发运（取决于备货情况和允许的地理范围）。在允许的地理范围内，可在当天或四小时内发运，但要收取额外费用。如果需要帮助，您可以致电 Hewlett Packard Enterprise 技术支持中心，将会有技术人员通过电话为您提供帮助。Hewlett Packard Enterprise 会在随更换的 CSR 部件发运的材料中指明是否必须将有缺陷的部件返还给 Hewlett Packard Enterprise。如果要求您将有缺陷的部件返还给 Hewlett Packard Enterprise，那么您必须在规定的期限内（通常是五 (5) 个工作日）将缺陷部件发给 Hewlett Packard Enterprise。有缺陷的部件必须随所提供的发运材料中的相关文件一起返还。如果未能送还有缺陷的部件，Hewlett Packard Enterprise 可能会要求您支付更换费用。客户自行维修时，Hewlett Packard Enterprise 将承担所有相关运输和部件返回费用，并指定快递商/承运商。

有关 Hewlett Packard Enterprise 客户自行维修计划的详细信息，请与您当地的服务提供商联系。有关北美地区的计划，请访问 Hewlett Packard Enterprise 网站 (<http://www.hpe.com/support/selfrepair>)。

## 客戶自行維修

Hewlett Packard Enterprise 產品設計了許多「客戶自行維修」(CSR) 的零件以減少維修時間，並且使得更換瑕疵零件時能有更大的彈性。如果在診斷期間，Hewlett Packard Enterprise (或 Hewlett Packard Enterprise 服務供應商或維修夥伴) 辨認出此項維修工作可以藉由使用 CSR 零件來完成，則 Hewlett Packard Enterprise 將直接寄送該零件給您作更換。CSR 零件分為兩種類別：

- **強制的** — 客戶自行維修所使用的零件是強制性的。如果您要求 Hewlett Packard Enterprise 更換這些零件，Hewlett Packard Enterprise 將會向您收取此服務所需的外出費用與勞動成本。
- **選購的** — 客戶自行維修所使用的零件是選購的。這些零件也設計用於客戶自行維修之用。不過，如果您要求 Hewlett Packard Enterprise 為您更換，則可能需要也可能不需要負擔額外的費用，端視針對此產品指定的保固服務類型而定。

**備註：**某些 Hewlett Packard Enterprise 零件沒有消費者可自行維修的設計。為符合客戶保固，Hewlett Packard Enterprise 需要授權的服務供應商更換零件。這些零件在圖示的零件目錄中，被標示為「否」。

基於材料取得及環境允許的情況下，CSR 零件將於下一個工作日以快遞寄送。在環境的允許下當天或四小時內送達，則可能需要額外的費用。若您需要協助，可致電 Hewlett Packard Enterprise 支援中心，會有一位技術人員透過電話來協助您。不論損壞的零件是否必須退回，Hewlett Packard Enterprise 皆會在與 CSR 替換零件一起運送的材料中註明。若要將損壞的零件退回 Hewlett Packard Enterprise，您必須在指定的一段時間內 (通常為五 (5) 個工作天)，將損壞的零件寄回 Hewlett Packard Enterprise。損壞的零件必須與寄送資料中隨附的相關技術文件一併退還。如果無法退還損壞的零件，Hewlett Packard Enterprise 可能要向您收取替換費用。針對客戶自行維修情形，Hewlett Packard Enterprise 將負責所有運費及零件退還費用，並指定使用何家快遞/貨運公司。

如需 Hewlett Packard Enterprise 的 CSR 方案詳細資訊，請連絡您當地的服務供應商。至於北美方案，請參閱 Hewlett Packard Enterprise 的 CSR 網站 [selfrepair](http://www.hpe.com/support/selfrepair) (<http://www.hpe.com/support/selfrepair>)。

## 고객 셀프 수리

Hewlett Packard Enterprise 제품은 수리 시간을 최소화하고 결함이 있는 부품 교체 시 더욱 용통성을 발휘할 수 있도록 하기 위해 고객 셀프 수리(CSR) 부품을 다량 사용하여 설계되었습니다. 진단 기간 동안 Hewlett Packard Enterprise(또는 Hewlett Packard Enterprise 서비스 공급업체 또는 서비스 협력업체)에서 CSR 부품을 사용하여 수리가 가능하다고 판단되면 Hewlett Packard Enterprise는 해당 부품을 바로 사용자에게 보내어 사용자가 교체할 수 있도록 합니다. CSR 부품에는 두 가지 종류가 있습니다.

- 필수 - 고객 셀프 수리가 의무 사항인 필수 부품. 사용자가 Hewlett Packard Enterprise에 이 부품의 교체를 요청할 경우 이 서비스에 대한 출장비 및 작업비가 청구됩니다.
- 선택 사항 - 고객 셀프 수리가 선택 사항인 부품. 이 부품들도 고객 셀프 수리가 가능하도록 설계되었습니다. 하지만 사용자가 Hewlett Packard Enterprise에 이 부품의 교체를 요청할 경우 사용자가 구입한 제품에 해당하는 보증 서비스 유형에 따라 추가 비용 없이 교체가 가능할 수 있습니다.

**참고:** 일부 Hewlett Packard Enterprise 부품은 고객 셀프 수리가 불가능하도록 설계되었습니다. Hewlett Packard Enterprise는 만족스러운 고객 보증을 위해 공인 서비스 제공업체를 통해 부품을 교체하도록 하고 있습니다. 이러한 부품들은 Illustrated Parts Catalog에 “No”라고 표시되어 있습니다.

CSR 부품은 재고 상태와 지리적 조건이 허용하는 경우 다음 영업일 납품이 가능하도록 배송이 이루어집니다. 지리적 조건이 허용하는 경우 추가 비용이 청구되는 조건으로 당일 또는 4시간 배송이 가능할 수도 있습니다. 도움이 필요하시면 Hewlett Packard Enterprise Support Center로 전화하십시오. 전문 기술자가 전화로 도움을 줄 것입니다. Hewlett Packard Enterprise는 결함이 발생한 부품을 Hewlett Packard Enterprise로 반환해야 하는지 여부를 CSR 교체 부품과 함께 배송된 자료에 지정합니다. 결함이 발생한 부품을 Hewlett Packard Enterprise로 반환해야 하는 경우에는 지정된 기간 내(통상 영업일 기준 5일)에 Hewlett Packard Enterprise로 반환해야 합니다. 이때 결함이 발생한 부품은 제공된 포장 재료에 넣어 관련 설명서와 함께 반환해야 합니다. 결함이 발생한 부품을 반환하지 않는 경우 Hewlett Packard Enterprise가 교체 부품에 대해 비용을 청구할 수 있습니다. 고객 셀프 수리의 경우, Hewlett Packard Enterprise는 모든 운송 및 부품 반환 비용을 부담하며 이용할 운송업체 및 택배 서비스를 결정합니다.

Hewlett Packard Enterprise CSR 프로그램에 대한 자세한 내용은 가까운 서비스 제공업체에 문의하십시오. 북미 지역의 프로그램에 대해서는 Hewlett Packard Enterprise CSR 웹 사이트(<http://www.hpe.com/support/selfrepair>)를 참조하십시오.

## Remote support

Remote support is available with supported devices as part of your warranty or contractual support agreement. It provides intelligent event diagnosis, and automatic, secure submission of hardware event notifications to Hewlett Packard Enterprise, which will initiate a fast and accurate resolution based on your product's service level. Hewlett Packard Enterprise strongly recommends that you register your device for remote support.

For more information and device support details, go to the Insight Remote Support website (<http://www.hpe.com/info/insightremotesupport/docs>).

# Acronyms and abbreviations

KVM

keyboard, video, and mouse

PDU

power distribution unit

RKM

rackmount keyboard monitor

TMRA

recommended ambient operating temperature

UPS

uninterruptible power system

# Documentation feedback

Hewlett Packard Enterprise is committed to providing documentation that meets your needs. To help us improve the documentation, send any errors, suggestions, or comments to Documentation Feedback (<mailto:docsfeedback@hpe.com>). When submitting your feedback, include the document title, part number, edition, and publication date located on the front cover of the document. For online help content, include the product name, product version, help edition, and publication date located on the legal notices page.