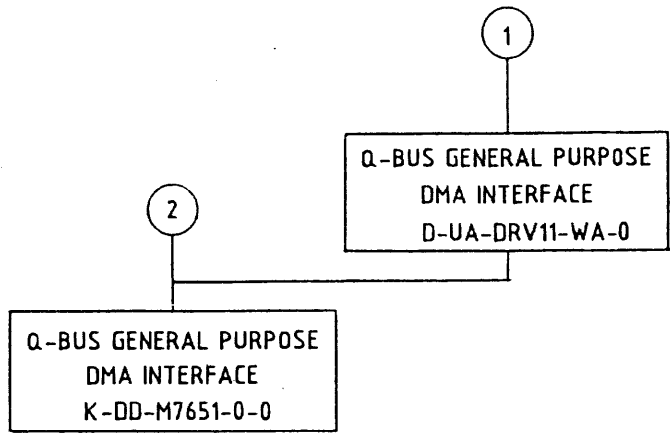


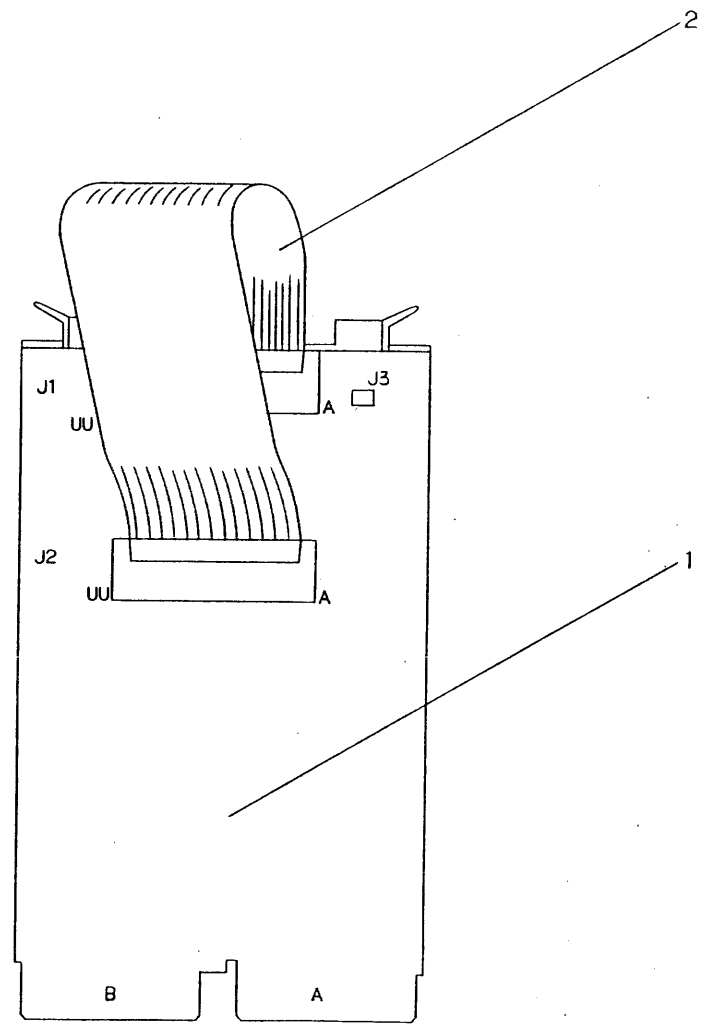
"THIS DRAWING AND SPECIFICATIONS, HEREIN, ARE THE PROPERTY OF DIGITAL EQUIPMENT CORPORATION AND SHALL NOT BE REPRODUCED OR COPIED OR USED IN WHOLE OR IN PART AS THE BASIS FOR THE MANUFACTURE OR SALE OF ITEMS WITHOUT WRITTEN PERMISSION. COPYRIGHT © 1984 DIGITAL EQUIPMENT CORPORATION"



8
 THIS DRAWING AND SPECIFICATIONS HEREIN ARE THE PROPERTY OF DIGITAL EQUIPMENT CORPORATION AND SHALL NOT BE REPRODUCED OR COPIED OR USED IN WHOLE OR IN PART AS THE BASIS FOR THE MANUFACTURE OR SALE OF ITEMS WITHOUT WRITTEN PERMISSION. COPYRIGHT © 1984 DIGITAL EQUIPMENT CORPORATION.

REV B
 DUA DRV11-WA-Q
 3000 325

6 5 4 3 2 1



DATE	ECO NUMBER	REV
		A
		B
	INITIAL	
	7651-0002	

1	OUTER BOX		99-05016-04	5
1	DRV11-WA SHIPPING LIST	K-PL-DRV11-WA-SH		4
1	MODULE BOX		99-07004-02	3
1	BC05L CABLE	D-UA-BC05L-1C	BC05L-0E	2
1	LSI-11 DMA INTERFACE	D-UA-M7651-Q-Q	M7651	1

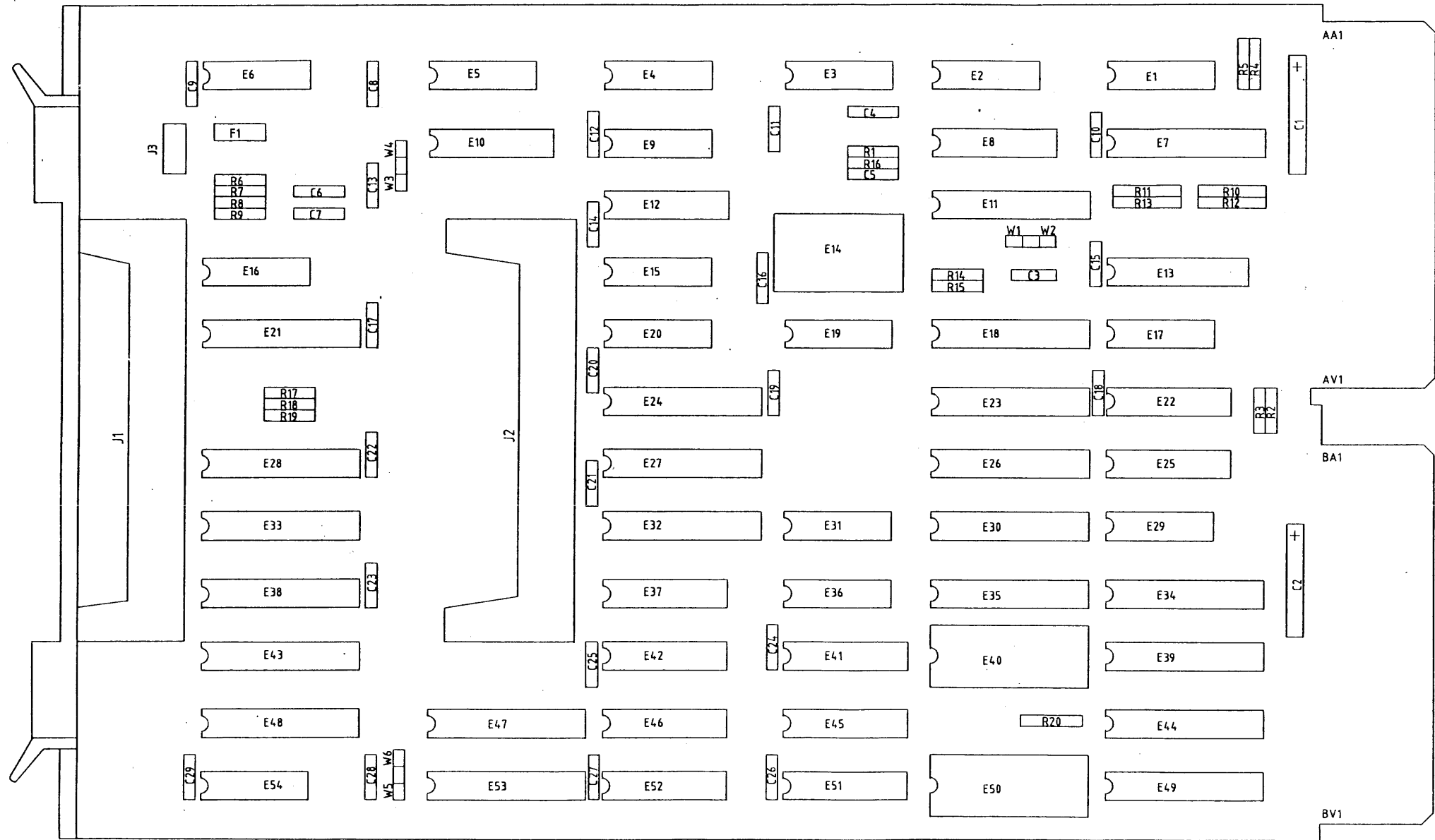
QTY	DESCRIPTION	DRAWING NO.	PART NO.	ITEM NO.
	UNLESS OTHERWISE SPECIFIED DIMENSIONS ARE IN INCHES AND THE FOLLOWING TOLERANCES APPLY (PER DEC STD 114)			
	INCHES TOLERANCES	ANGLES ±0°30'	APPLICABLE DIMENSION RANGE (CHECK ONE)	
	X = ±.1		OVER 0 TO 0.2	OVER 0.2 TO 1.2
	.XX = ±.02		OVER 1.2 TO 4.0	OVER 4.0 TO 12.0
	.XXX = ±.005		OVER 12.0 TO 40.0	OVER 40.0 TO 80.0
			±.004	±.008 ±.012 ±.016 ±.024 ±.04
				±.10
				±.04

THIRD ANGLE PROJECTION	DRN S. Shimazaki	DATE 22-FEB-85	TITLE LSI 11 DMA INTERFACE
DO NOT SCALE DRAWING	CHKD J. Kitag	DATE 22-FEB-85	DOCUMENT NUMBER DUA DRV11-WA-Q B
REMOVE BURRS AND BREAK SHARP CORNERS	DES ENG Hide Nakagawa	DATE 22-FEB-85	
MATERIAL SEE PARTS LIST	RESP ENG Hide Nakagawa	DATE 22-FEB-85	
FINISH	MFG ENG J. Sakuma	DATE 22-FEB-85	
	NEXT HIGHER DOC B-DD-DRV11-WA		

8 7 6 5 4 3 2 1

D
 C
 B
 A

THIS DRAWING AND SPECIFICATIONS HEREIN ARE THE PROPERTY OF DIGITAL EQUIPMENT CORPORATION AND SHALL NOT BE REPRODUCED OR COPIED OR USED IN WHOLE OR IN PART AS THE BASIS FOR THE MANUFACTURE OR SALE OF ITEMS WITHOUT WRITTEN PERMISSION. COPYRIGHT © 1984 DIGITAL EQUIPMENT CORPORATION.



- NOTES:
- M7651-YA IS A MODULE WHICH:
 - A. DOES NOT HAVE J1 OR J2 INSERTED.
 - B. DOES NOT HAVE A HANDLE ATTACHED.
 THIS OPTION IS USED ONLY BY MANUFACTURING AS AN INTERMEDIATE STAGE TO BECOMING A M7651-00 OR A M7651-PA.
 - M7651-00 IS THE STANDARD Q-BUS OPTION.
 - M7651-PA IS A M7651-YA WITH:
 - A. INTERCONNECT CABLES AT J1, J2 POSITIONS.
 - B. IVAX (BA214) HANDLE.

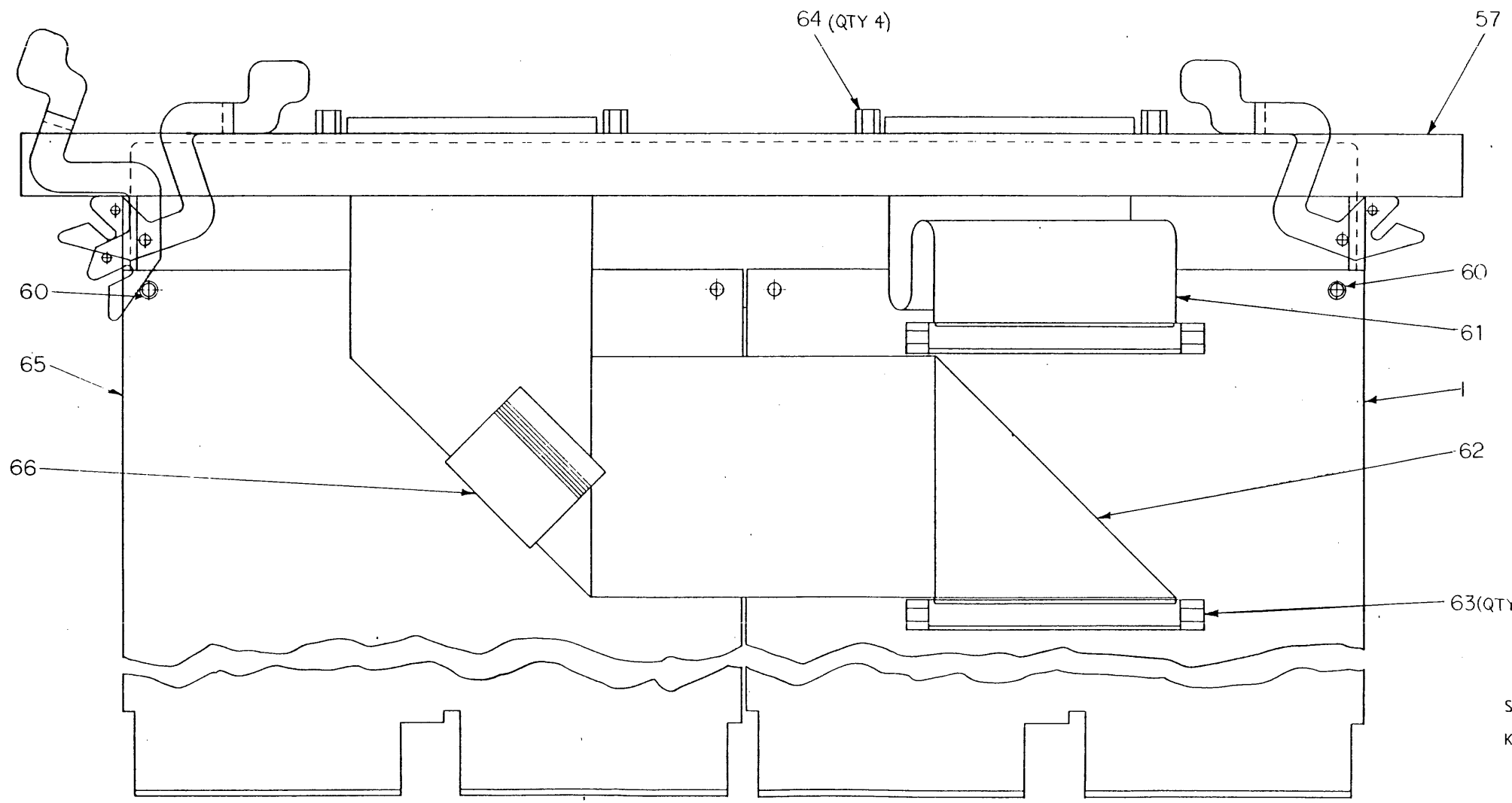
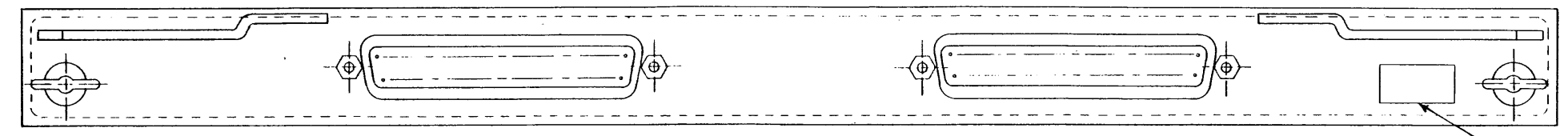
REV	ECO NUMBER	DATE	BY	CHKD
A	INITIAL			
B	M7651-00001			
C	M7651-00002			
D	M7651-J5004			
E	M7651-J5007			

OWN	S. Shimazaki	DATE	22-FEB-85	TITLE	LSI-11
OWD	J. Kitag	DATE	22-FEB-85		
DES ENG	Hide Nakagawa	DATE	22-FEB-85		
REP ENG	Hide Nakagawa	DATE	22-FEB-85		
MFG ENG	Y. Oshikawa	DATE	22-FEB-85		
TOP DOC. NO.				DOCUMENT NUMBER	
				SIZE	CODE
				D	UA
				NUMBER	REV
				M7651-Q-Q	E
				SCALE	SHEET 1 OF 2

THIS DRAWING AND THE SPECIFICATIONS CONTAINED HEREIN ARE CONFIDENTIAL AND PROPRIETARY. THEY ARE THE PROPERTY OF DIGITAL EQUIPMENT CORPORATION AND SHALL NOT BE REPRODUCED OR COPIED OR USED IN WHOLE OR IN PART AS THE BASIS FOR THE MANUFACTURE OR SALE OF ITEMS WITHOUT WRITTEN PERMISSION. THIS IS AN UNPUBLISHED WORK PROTECTED UNDER THE FEDERAL COPYRIGHT LAWS.

REV E 0-0-159Z-M D UA 3225

LEGEND		
PART NO.	REV	VARIATION
M7651-PA	A1	AS SHOWN



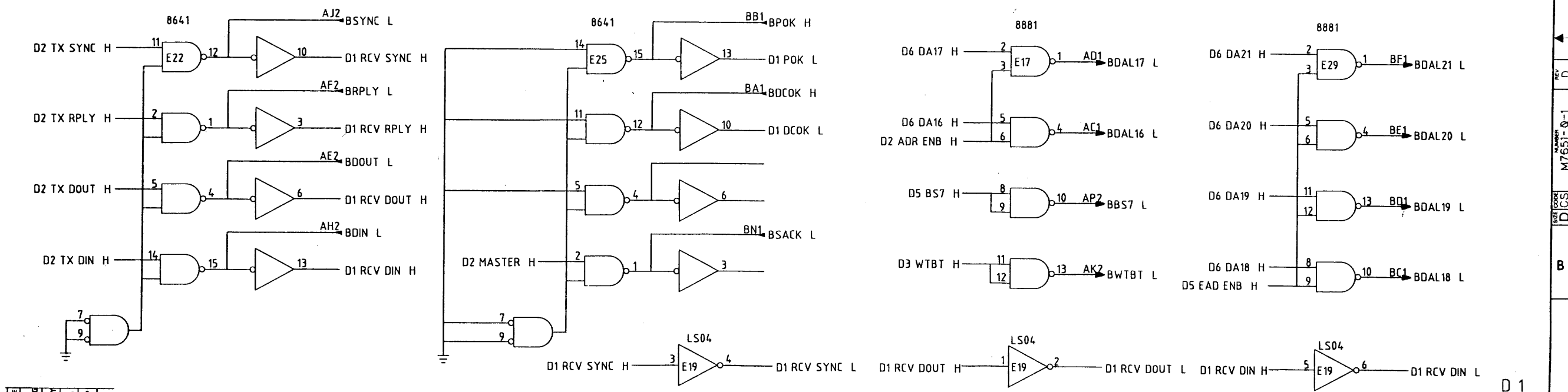
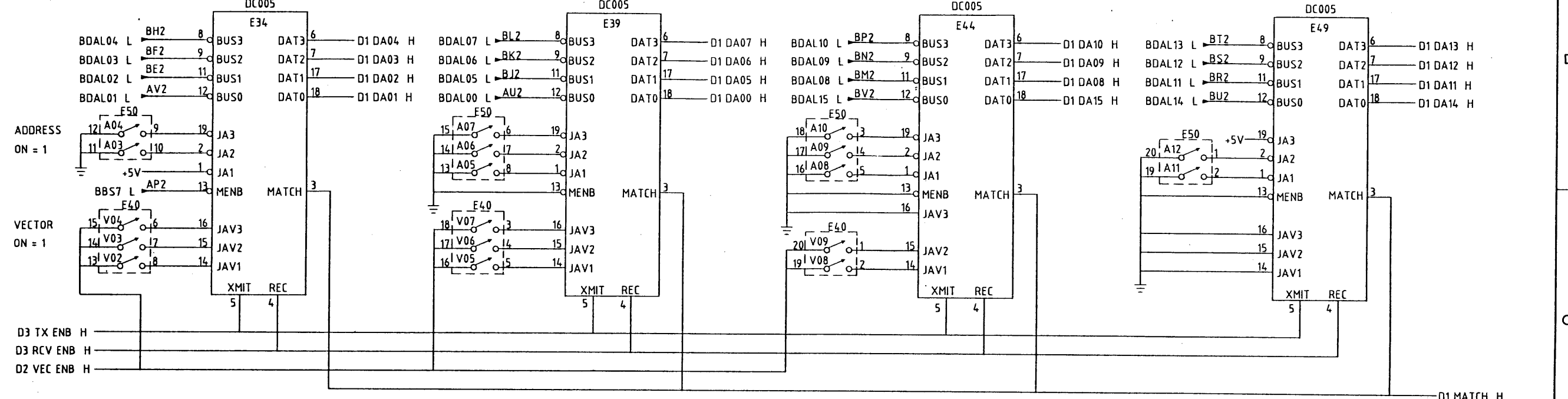
SEE OFF SHEET PARTS LIST
K-PL-M7651-0-DBP

REVISION HISTORY		
REV	ECO NUMBER	DATE

TITLE
LSI-11 DMA INTERFACE

DOCUMENT NUMBER			
SIZE	CODE	NUMBER	REV
D	UA	M7651-0-0	E
SCALE 2 / 1		SHEET 2 OF 2	

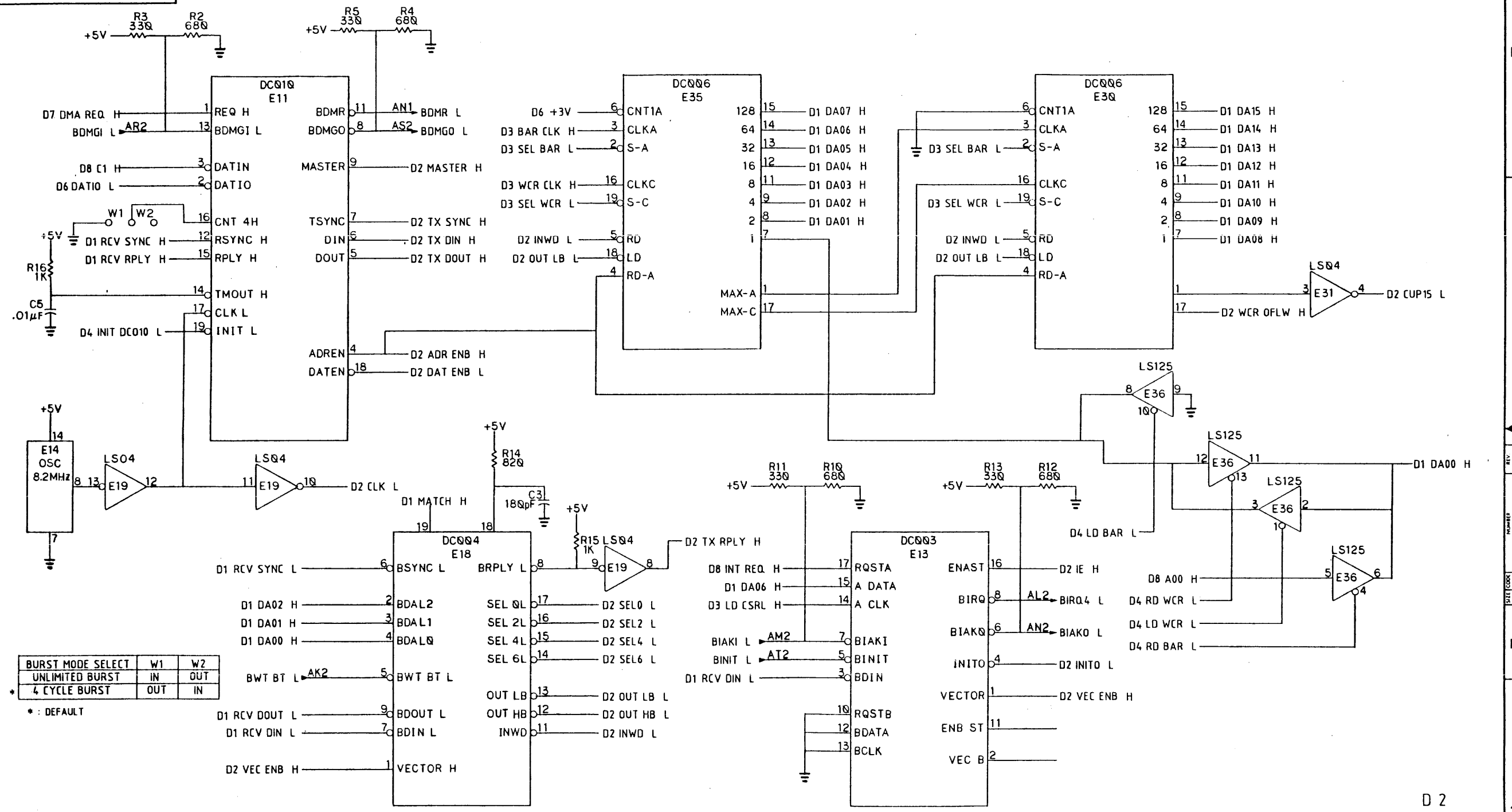
THIS DRAWING AND SPECIFICATIONS HEREIN ARE THE PROPERTY OF DIGITAL EQUIPMENT CORPORATION AND SHALL NOT BE REPRODUCED OR COPIED OR USED IN WHOLE OR IN PART AS THE BASIS FOR THE MANUFACTURE OR SALE OF ITEMS WITHOUT WRITTEN PERMISSION. COPYRIGHT © 1984 DIGITAL EQUIPMENT CORPORATION



REV	ECO NUMBER	DATE	BY	CHKD
A	INITIAL			
B	M7651-00001			
C	M7651-00002			
D	M7651-JS005			

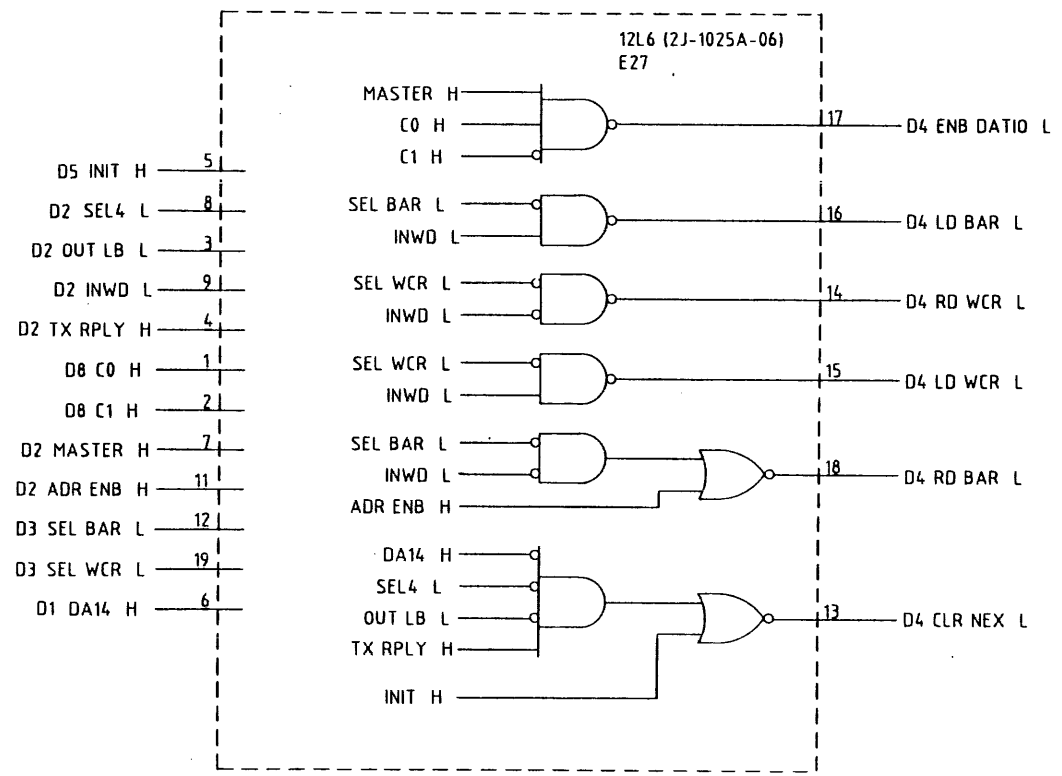
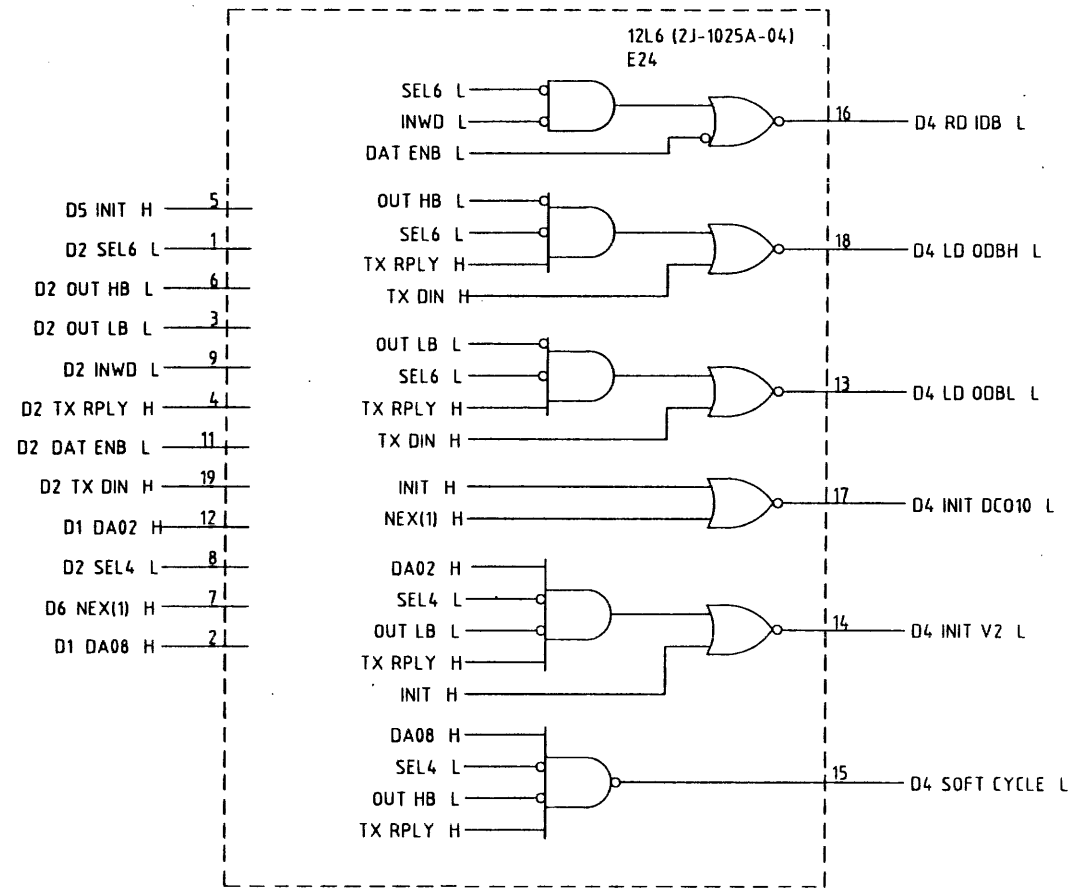
DRN	S. Shimazaki	DATE	22FEB85	TITLE	LSI-11 digital
CHKD	J. Kitay	DATE	22-FEB-85		
DES ENG	Hide Nakagawa	DATE	22-FEB-85		
RESP ENG	Hide Nakagawa	DATE	22-FEB-85		
WFO ENG	G. Osakawa	DATE	22-FEB-85		
TOP DOC. NO.					
DOCUMENT NUMBER				SIZE	CODE
M7651-Q-1				D	CS
SHEET 1 OF 10					

THIS DRAWING AND SPECIFICATIONS, HEREIN, ARE THE PROPERTY OF DIGITAL EQUIPMENT CORPORATION AND SHALL NOT BE REPRODUCED OR COPIED OR USED IN WHOLE OR IN PART AS THE BASIS FOR THE MANUFACTURE OR SALE OF ITEMS WITHOUT WRITTEN PERMISSION. COPYRIGHT © 1984 DIGITAL EQUIPMENT CORPORATION



REVISIONS		
CHK	CHANGE NO.	REV.

THIS DRAWING AND SPECIFICATIONS HEREIN ARE THE PROPERTY OF DIGITAL EQUIPMENT CORPORATION AND SHALL NOT BE REPRODUCED OR COPIED OR USED IN WHOLE OR IN PART AS THE BASIS FOR THE MANUFACTURE OR SALE OF ITEMS WITHOUT WRITTEN PERMISSION. COPYRIGHT © 1984 DIGITAL EQUIPMENT CORPORATION.



REVISION HISTORY		
REV	ECO NUMBER	DATE

TITLE
LSI-11 DMA INTERFACE

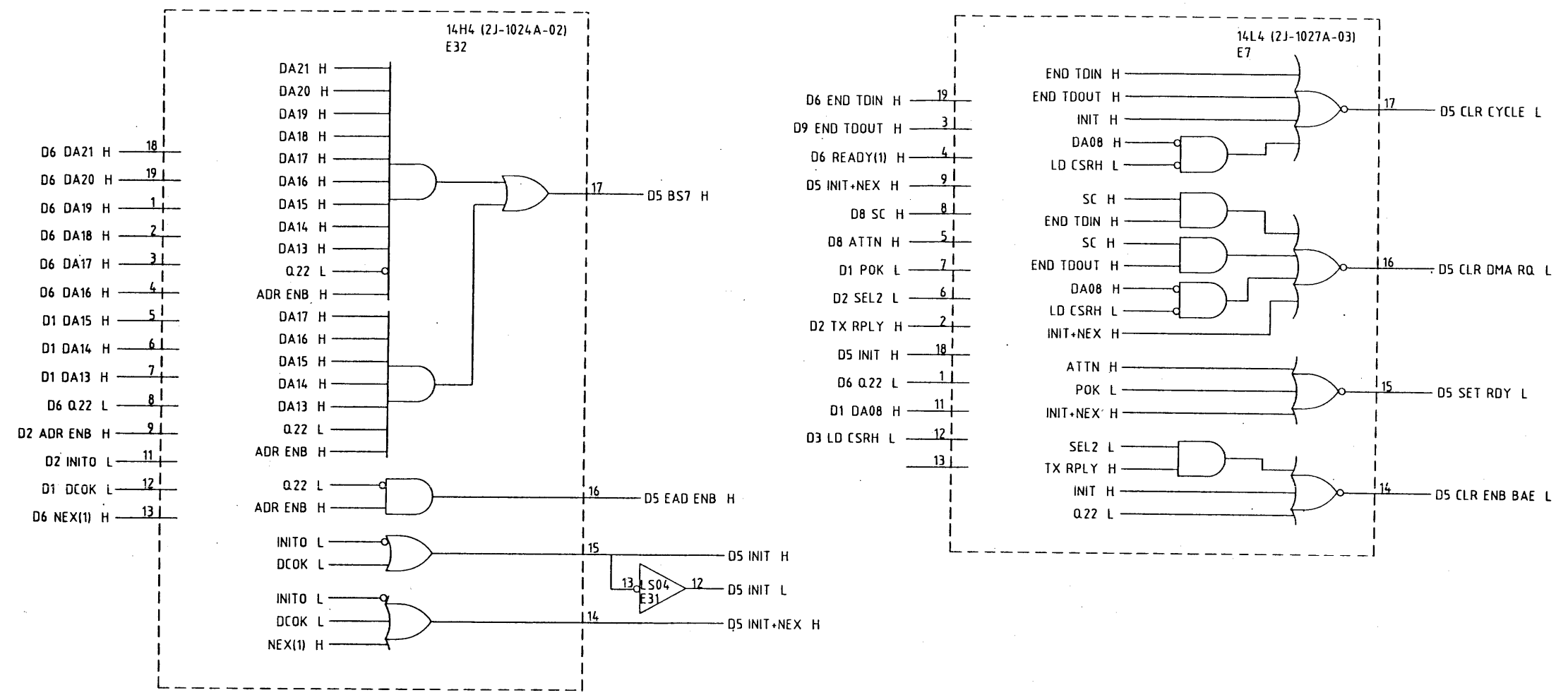
DOCUMENT NUMBER		
SIZE CODE	NUMBER	REV
DCS	M7651-Q-1	D
SCALE		SHEET 4 OF 10

8

THIS DRAWING AND SPECIFICATIONS HEREIN ARE THE PROPERTY OF DIGITAL EQUIPMENT CORPORATION AND SHALL NOT BE REPRODUCED OR COPIED OR USED IN WHOLE OR IN PART AS THE BASIS FOR THE MANUFACTURE OR SALE OF ITEMS WITHOUT WRITTEN PERMISSION. COPYRIGHT © 1984 DIGITAL EQUIPMENT CORPORATION.

REV D
ECO NUMBER 1-0-1992W
SIZE CODE DCS

6 5 4 3 2 1

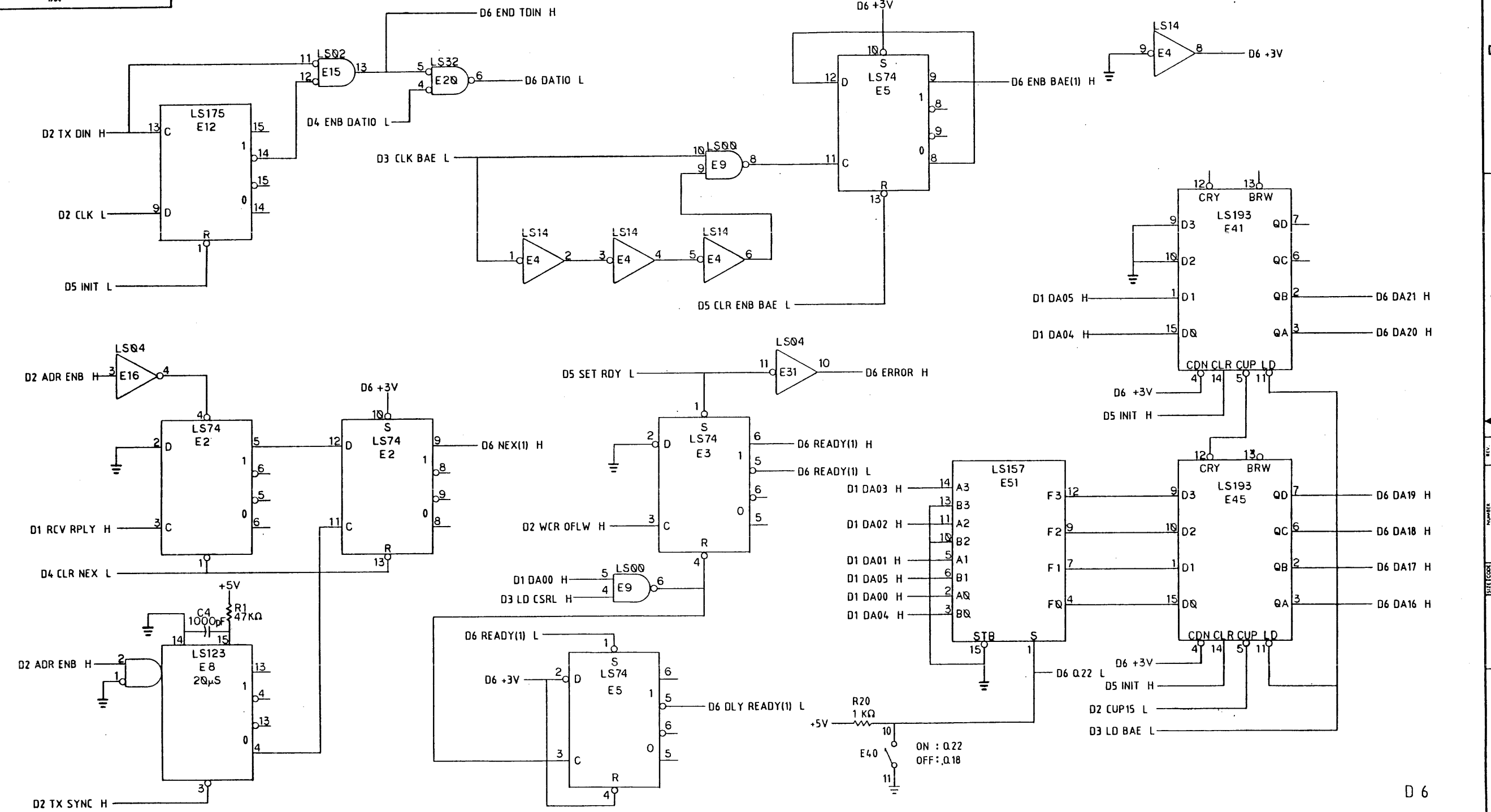


D
C
B
A

REV D
NUMBER M7651-0-1
SIZE CODE DCS

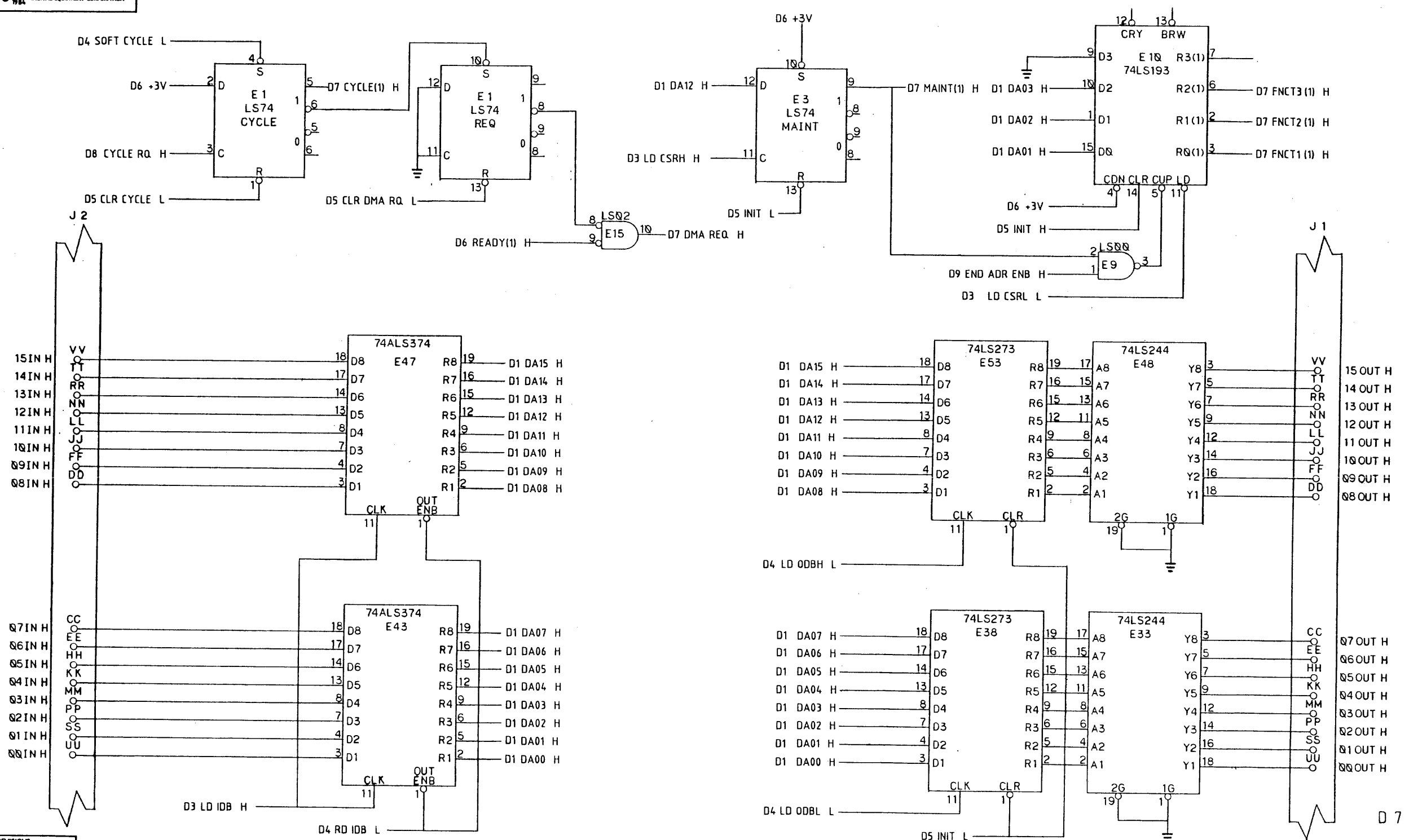
REVISION HISTORY		
REV	ECO NUMBER	DATE

"THIS DRAWING AND SPECIFICATIONS HEREIN ARE THE PROPERTY OF DIGITAL EQUIPMENT CORPORATION AND SHALL NOT BE REPRODUCED OR COPIED OR USED IN WHOLE OR IN PART AS THE BASIS FOR THE MANUFACTURE OR SALE OF ITEMS WITHOUT WRITTEN PERMISSION. COPYRIGHT © 1984 DIGITAL EQUIPMENT CORPORATION"



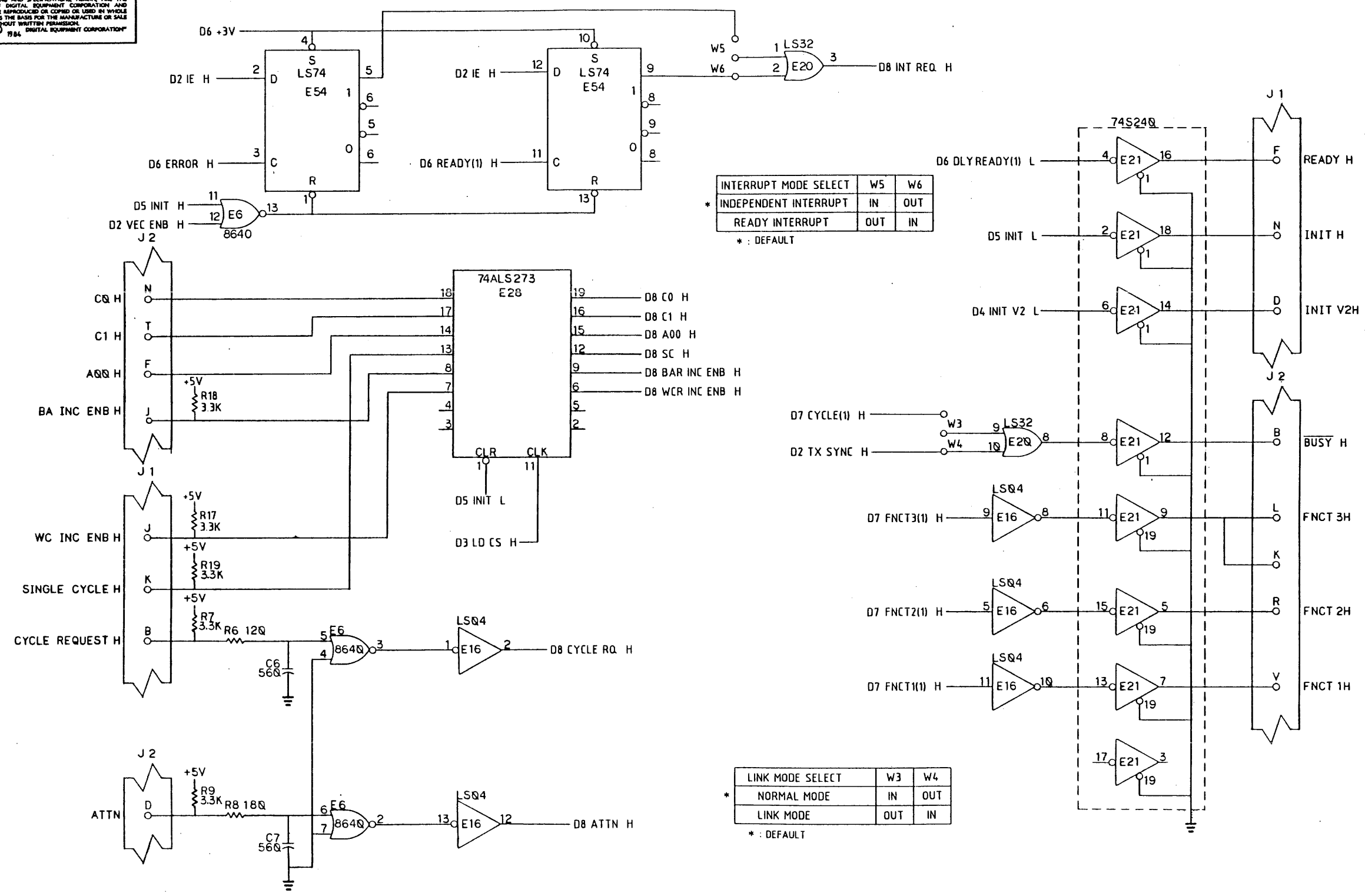
REVISIONS		
CHK	CHANGE NO.	REV.

"THIS DRAWING AND SPECIFICATIONS, HEREIN, ARE THE PROPERTY OF DIGITAL EQUIPMENT CORPORATION AND SHALL NOT BE REPRODUCED OR COPIED OR USED IN WHOLE OR IN PART AS THE BASIS FOR THE MANUFACTURE OR SALE OF ITEMS WITHOUT WRITTEN PERMISSION. COPYRIGHT © 1984 DIGITAL EQUIPMENT CORPORATION"



REVISIONS		
CHK	CHANGE NO.	REV.

"THIS DRAWING AND SPECIFICATIONS, HEREIN, ARE THE PROPERTY OF DIGITAL EQUIPMENT CORPORATION AND SHALL NOT BE REPRODUCED OR COPIED OR USED IN WHOLE OR IN PART AS THE BASIS FOR THE MANUFACTURE OR SALE OF ITEMS WITHOUT WRITTEN PERMISSION. DIGITAL EQUIPMENT CORPORATION. COPYRIGHT © 1984"



INTERRUPT MODE SELECT	W5	W6
* INDEPENDENT INTERRUPT	IN	OUT
READY INTERRUPT	OUT	IN

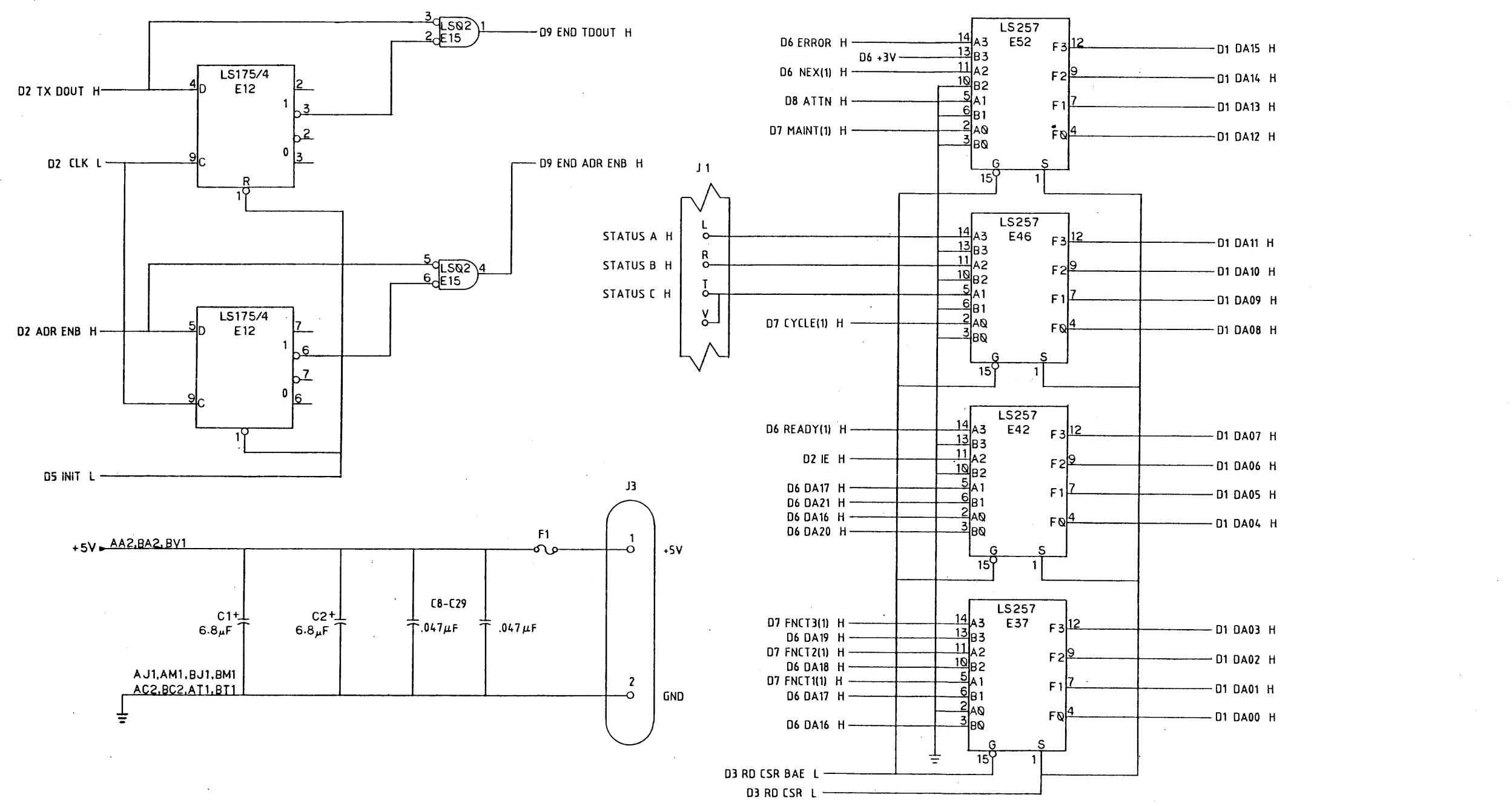
* : DEFAULT

LINK MODE SELECT	W3	W4
* NORMAL MODE	IN	OUT
LINK MODE	OUT	IN

* : DEFAULT

REVISIONS		
CHK	CHANGE NO.	REV.

THIS DRAWING AND SPECIFICATIONS HEREIN ARE THE PROPERTY OF DIGITAL EQUIPMENT CORPORATION AND SHALL NOT BE REPRODUCED OR COPIED OR USED IN WHOLE OR IN PART AS THE BASIS FOR THE MANUFACTURE OR SALE OF ITEMS WITHOUT WRITTEN PERMISSION. COPYRIGHT © 1984 DIGITAL EQUIPMENT CORPORATION

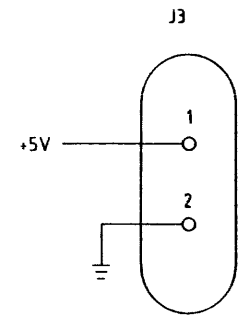
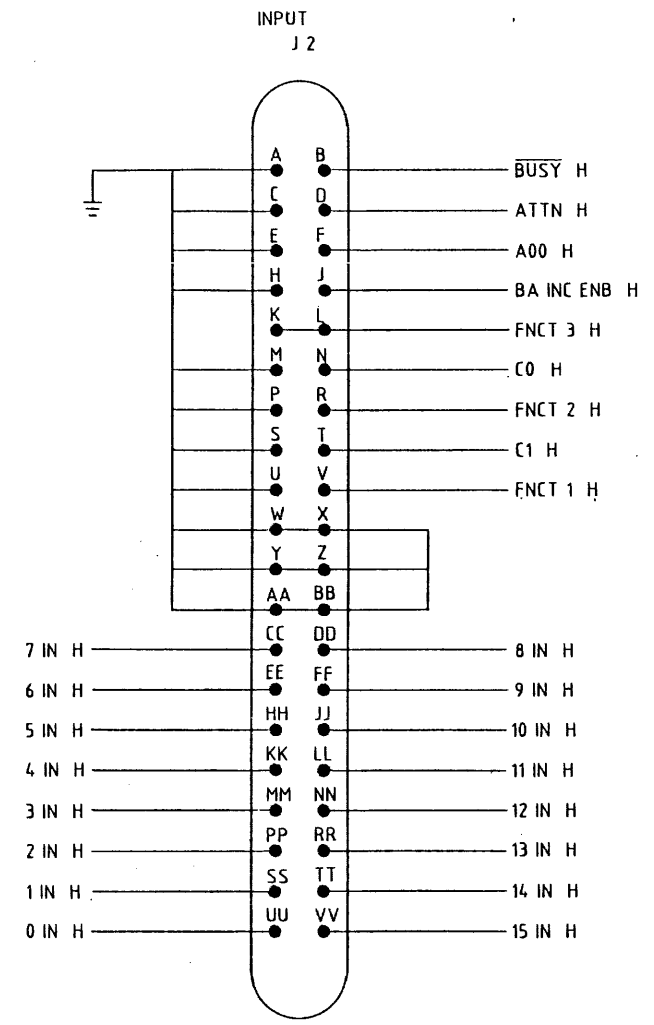
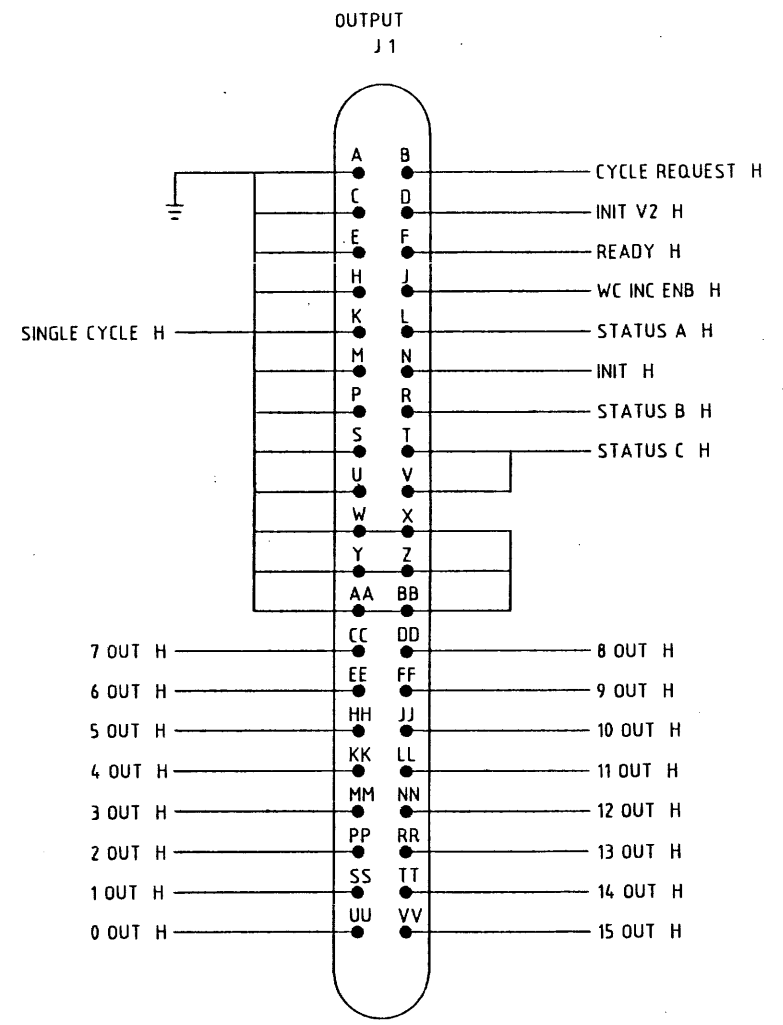


REVISIONS		
CHK	CHANGE NO.	REV.

D
C
B
A
 REV. D
 NUMBER M7651-0-1
 SIZE CODE DCS

THIS DRAWING AND SPECIFICATIONS, HEREIN, ARE THE PROPERTY OF DIGITAL EQUIPMENT CORPORATION AND SHALL NOT BE REPRODUCED OR COPIED OR USED IN WHOLE OR IN PART AS THE BASIS FOR THE MANUFACTURE OR SALE OF ITEMS WITHOUT WRITTEN PERMISSION. COPYRIGHT © 1984 DIGITAL EQUIPMENT CORPORATION.

FOR REFERENCE ONLY



D10

REVISION HISTORY		
REV	ECO NUMBER	DATE

TITLE
LSI-11 DMA INTERFACE

DOCUMENT NUMBER		
SIZE CODE	NUMBER	REV
D CS	M7651-0-1	D
SCALE		SHEET 10 OF 10

PARTS LIST

LINE ITEM	TOP DOCUMENT	PART NUMBER	MIN REV	DESCRIPTION	QTY PER VARIATION			REFERENCE DESIGNATION
					00	PA	YA	
1	1	B-DD-YJ5056B-0-0		2J-5056A-00	1	1	1	
2	2			10-13466-07	1	1	1	C3
3	3			10-13466-30	2	2	2	C6,C7
4	4			10-13466-09	1	1	1	C4
5	5			10-13466-16	1	1	1	C5
6	6			10-05306-00	2	2	2	C1,C2
7	7			10-12784-00	22	22	22	C8-C29
8	8			12-09941-02	2	-	-	J1,J2
9	9			12-10929-06	1	1	1	F1
10	10			2J-6301A-00	1	1	1	J3
11	11			12-11164-06	2	2	2	E40,E50
12	12			12-13543-01	1	-	-	
13	13			13-01322	1	1	1	R8
14	14			13-00295	4	4	4	R3,R5,R11,R13
15	15			13-00309	***	***	***	*** THIS ITEM IS NOT USED ***
16	16			13-01424	4	4	4	R2,R4,R10,R12
17	17			13-01775	1	1	1	R14
18	18			13-00365	3	3	3	R15,R16,R20
19	19			13-00439	5	5	5	R7,R9,R17,R18,R19
20	20			13-02177	1	1	1	R1
21	21			18-11660-12	1	1	1	E14
22	22			19-12730-00	1	1	1	E13
23	23			19-12729-00	1	1	1	E18
24	24			19-13040-00	4	4	4	E34,E39,E44,E49
25	25			19-14035-00	2	2	2	E30,E35
26	26			19-14038-00	1	1	1	E11
27	27			19-12799-00	1	1	1	E9
28	28			19-12801-00	1	1	1	E15
29	29			19-12803-00	3	3	3	E16,E19,E31
30	30			19-13414-00	1	1	1	E4

REVISION HISTORY		BASIC PART NO: M7651		DRN: S.Shimazaki	DATE:22-FEB-85	DIGITAL			
ENG	ECO NUMBER	REV	SECTION A OF A			TITLE PARTS LIST			
	INITIAL	A	SECTION VARIATION INDEX	CHK'D: T.Kitao	DATE:22-FEB-85	M7651 PARTS LIST			
H.N!	M7651-00001	B	[A]00			DOCUMENT NUMBER			
H.N!	M7651-00002	C		DES.ENG: Hide.Nakagawa	DATE:22-FEB-85	SIZE	CODE	NUMBER	REV
M.K!	M7651-JS003	D	[B]			K	PL	M7651-0-DBP	J
T.J!	M7651-JS004	E	[C]	RESP.ENG.: Hide.Nakagawa	DATE:22-FEB-85	RELEASE DATE:			
H.M!	M7651-JS005	F	[D]						
M.K!	M7651-JS006	H	[E]	MFG.ENG.: Y.Ishikawa	DATE:22-FEB-85				
S.F!	M7651-JS007	J	[F]	ASSEMBLY NUMBER:	TOP DOCUMENT NUMBER:	FILE NAME:		EDIT #	
				D-UA-M7651-0-0	K-DD-M7651-1	M7651.PLS			

"THIS DRAWING AND THE SPECIFICATIONS CONTAINED HEREIN ARE CONFIDENTIAL AND PROPRIETARY. THEY ARE THE PROPERTY OF DIGITAL EQUIPMENT CORPORATION AND SHALL NOT BE REPRODUCED OR COPIED OR USED IN WHOLE OR IN PART AS THE BASIS FOR THE MANUFACTURE OR SALE OF ITEMS WITHOUT WRITTEN PERMISSION. THIS IS AN UNPUBLISHED WORK PROTECTED UNDER THE FEDERAL COPYRIGHT LAWS."

PARTS LIST

LINE ITEM	TOP DOCUMENT	PART NUMBER	MIN REV	DESCRIPTION	QTY PER VARIATION			REFERENCE DESIGNATION
					00	PA	YA	
1	31	19-12816-00		IC 74LS32	1	1	1	E20
2	32	19-12824-00		IC 74LS74	5	5	5	E1,E2,E3,E5,E54
3	33	19-12837-00		IC 74LS123	1	1	1	E8
4	34	19-15932-00		IC 74LS125	1	1	1	E36
5	35	19-12847-00		IC 74LS157	1	1	1	E51
6	36	19-12853-00		IC 74LS175	1	1	1	E12
7	37	19-12854-00		IC 74LS193	3	3	3	E10, E41, E45
8	38	19-15193-00		IC 74LS244	2	2	2	E33, E48
9	39	19-12647-00		IC 74LS257	4	4	4	E37, E42, E46, E52
10	40	19-12863-00		IC 74LS273	2	2	2	E38, E53
11	41	19-13462-00		IC 74S240	1	1	1	E21
12	42	19-23440-02		IC 74ALS273	1	1	1	E28
13	43	19-23441-02		IC 74ALS374	2	2	2	E43, E47
14	44	19-11469-00		8640	1	1	1	E6
15	45	19-11579-00		*** THIS ITEM IS NOT USED ***				
16	46	19-09705		8881	2	2	2	E17, E29
17	47	2J-1026A-03		PAL1 10L8	1	1	1	E26
18	48	2J-1029A-01		PAL2 12H6	1	1	1	E23
19	49	2J-1025A-04		PAL3 12L6	1	1	1	E24
20	50	2J-1025A-06		PAL4B 12L6	1	1	1	E27
21	51	2J-1024A-02		PAL5 14H4	1	1	1	E32
22	52	2J-1027A-03		PAL6 14L4	1	1	1	E7
23	53	90-06732-00		EYELET	2	-	-	
24	54	2J-6302A-00		CONNECTOR, 2POS, JUMP	3	3	3	W1-W6
25	55	2J-6303A-00		HEADER 3POS JUMP	3	3	3	W1-W6
26	56	19-14987-00		8641-2	2	2	2	E22, E25
27	57	70-23742-06		HANDOLE,SBOX ASSY	-	1	-	
28	58	"SEE NOTE #58"		37-00931-01	-	1	-	
29	59			36-26883-39	-	1	-	
30	60			90-00024-01	-	5	-	
31	61	"SEE NOTE #61 & #62"		70-24782-01	-	1	-	
32	62	"SEE NOTE #61 & #62"		70-24782-02	-	1	-	
33	63			12-14886-01	-	2	-	
34	64			12-15243-00	-	2	-	
35	65			74-35941-01	-	1	-	
36	66			90-09636-00	-	1	-	
37	67			13-00247	1	1	1	R6

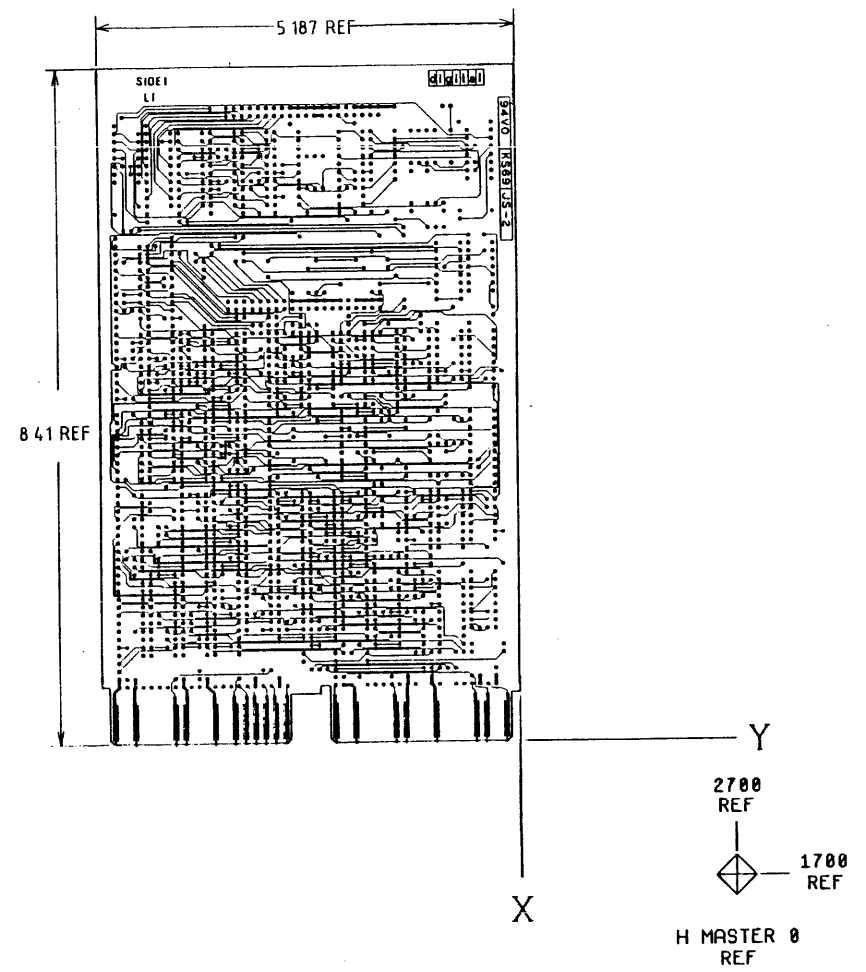
38
39
40
41 NOTE #58:
42 37-00931-01 IS THE REQUIRED INDIVIDUAL PACKAGE: FOR INTERPLANT SHIPMENT REFERENCE BULK MULTIPACK
43 VARIATIONS 37-00931-02/03.
44
45 NOTE #61 & #62:
46 REFER TO D-IA-7024782-0-0 AND K-PL-7024782-0-DBP.
47
48

! D I G I T A L !	! TITLE !	! SECTION A_ OF A_ !	! SIZE !	! CODE !	! DOCUMENT NUMBER !	! REV !
	M7651 PARTS LIST		K	PL	M7651-0-DBP	J

REV C 0-0-895056A YJ5056B-0-0
 SIZE CODE MD 71

VIEWED FROM SIDE 1
 COMPONENT SIDE

THIS DRAWING AND SPECIFICATIONS, HEREIN, ARE THE PROPERTY OF DIGITAL EQUIPMENT CORPORATION AND SHALL NOT BE REPRODUCED OR COPIED OR USED IN WHOLE OR IN PART AS THE BASIS FOR THE MANUFACTURE OR SALE OF ITEMS WITHOUT WRITTEN PERMISSION. DIGITAL EQUIPMENT CORPORATION DEPARTMENT © 1985



CHK	DRAWN BY	ENGINEER	CHANGE NO	DATE	REV
	H. Nakagawa	H. Nakagawa	MAY85 A		
	H. Nakagawa	H. Nakagawa	MAY85 B		
	H. Nakagawa	H. Nakagawa	AUG85 C		

FOR HOLE TOLERANCES USE DEC STD 176										
SYMBOL										
FIN HOLE SIZE										
PLATED										
NON PLATED										
QTY										
OFF GRO HOLE										
DRILL SIZE										

DESIGN INFORMATION	
CIRCUIT SIZE: X 5.187 Y 8.41 INCHES	
CIRCUIT TYPE: PPE <input type="checkbox"/> PTH <input type="checkbox"/> ML <input type="checkbox"/>	
CIRCUIT HD15X15 <input type="checkbox"/>	
TECHNOLOGY: 80 <input type="checkbox"/> HD12X13 <input type="checkbox"/> H20 <input type="checkbox"/> OTHER <input checked="" type="checkbox"/> HD8X8	
UL REQUIREMENTS LPWR <input checked="" type="checkbox"/> HPWR <input type="checkbox"/>	
CIRCUIT OUTLINE-FINGER DETAIL MD-ELE7607-0-0 AS SHOWN <input type="checkbox"/>	
LAYER CONSTRUCTION PER C-MD-ELE7633-0-0 AS SHOWN <input type="checkbox"/>	
ARTWORK LAYOUT: MANUAL <input checked="" type="checkbox"/> SCI <input type="checkbox"/>	
ENG SPECIAL FEATURES:	
SPECIAL NOTES:	

FABRICATED INFORMATION	
FABRICATE BOARD PER <input type="checkbox"/> AS SHOWN <input checked="" type="checkbox"/>	
SOLDER MASK, SIDE 1 <input checked="" type="checkbox"/> SIDE 2 <input checked="" type="checkbox"/> NONE <input type="checkbox"/>	
INCIRCUIT THIEVING <input type="checkbox"/> YES THIEVING VOIDS <input checked="" type="checkbox"/> YES	
SPECIFICATIONS AND STANDARDS:	
MATERIALS AND WORKMANSHIP FOR ALL FABRICATED PRINTED WIRING	
BOARDS MUST MEET OR EXCEED THE REQUIREMENTS OF DEC STD 176	
SPECIAL NOTES:	

TOLERANCES INCHES UNLESS SPECIFIED	
XXX ± .005	ANGLES
XX ± .010	±0 DEG 30 MIN
X ± .020	

SIGNATURES		DATE
CHK D: J. Nakagawa		
MECH ENG: H. Nakagawa		
PROJ ENG: H. Nakagawa		
MFG ENG: J. Sridharan		

TITLE: CIRCUIT DRILL AND ETCH DRAWING
 SIZE CODE D MD NUMBER YJ5056B-0-0 REV C
 SHEET 1 OF 2
 NEXT HIGHER ASSY: K-DD-M7651-0-0
 ETCH REV: E

REV C
 NUMBER YJ5056B-0-0
 SIZE CODE D MD
 B
 A

8

SIZE CODE D MD
NUMBER YJ5056B-0-0

6

5

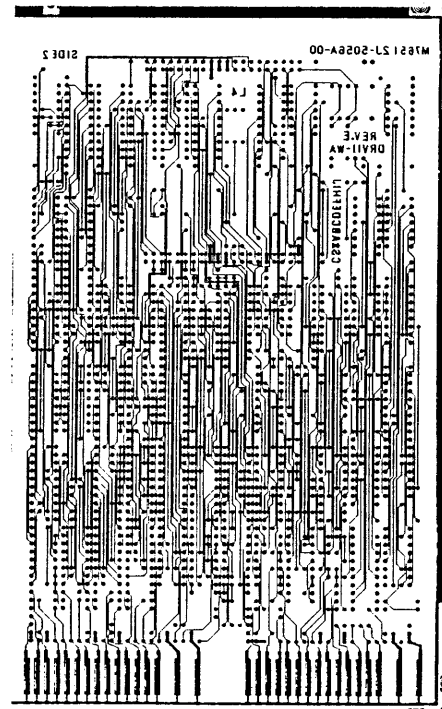
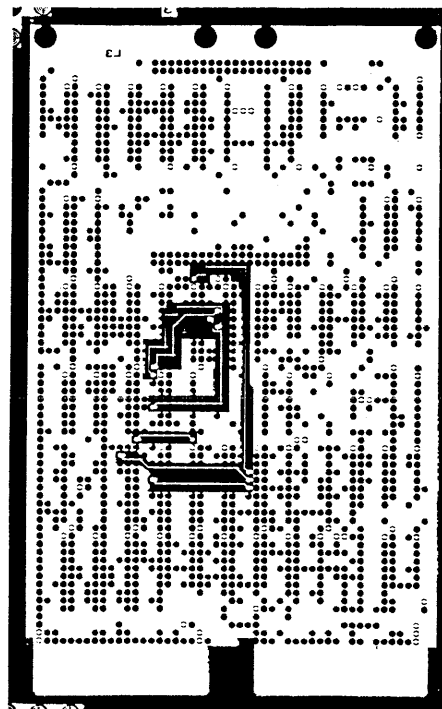
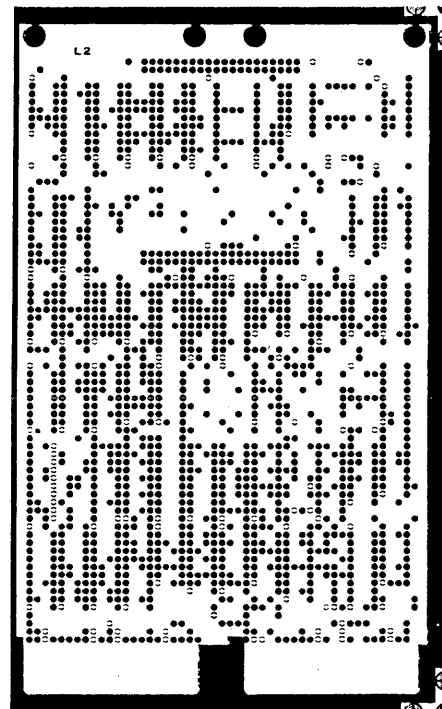
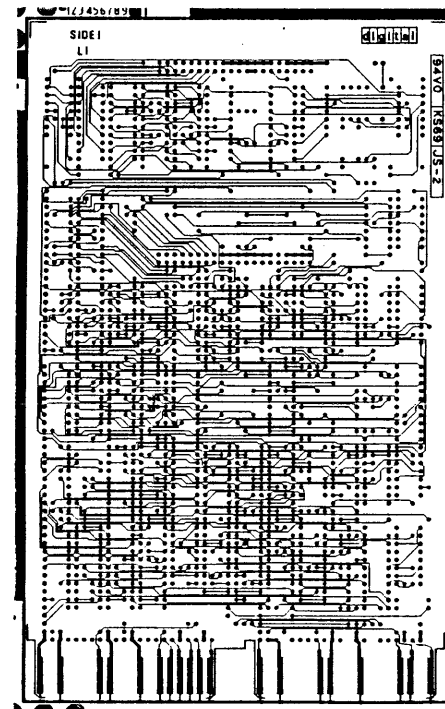
4

3

2

1

"THIS DRAWING AND SPECIFICATIONS HEREIN ARE THE PROPERTY OF DIGITAL EQUIPMENT CORPORATION AND SHALL NOT BE REPRODUCED OR COPIED OR USED IN WHOLE OR IN PART AS THE BASIS FOR THE MANUFACTURE OR SALE OF ITEMS WITHOUT WRITTEN PERMISSION
COPYRIGHT © 1985 DIGITAL EQUIPMENT CORPORATION"



D

C

B

A

REVISION HISTORY		
REV	ECO NUMBER	DATE

8

7

6

5

4

3

2

1

TITLE
CIRCUIT DRILL AND ETCH DRAWING

DOCUMENT NUMBER		
SIZE CODE	NUMBER	REV
D MD	YJ5056B-0-0	C

SCALE 1/1 SHEET 2 OF 2

C

B

A

C

B

A

C

B

A

C

B

A

C

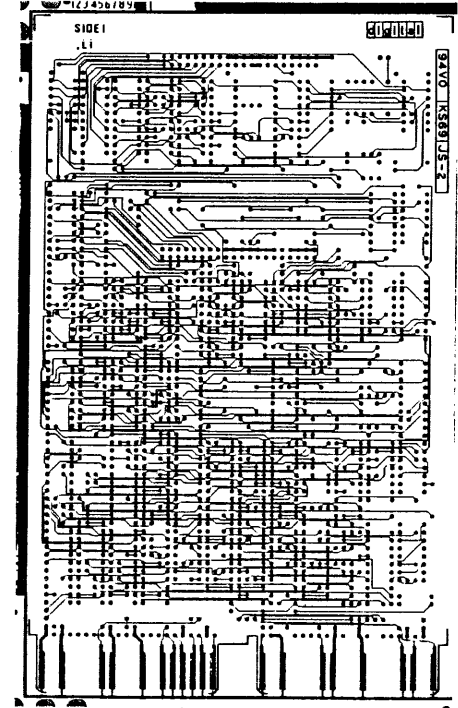
B

A

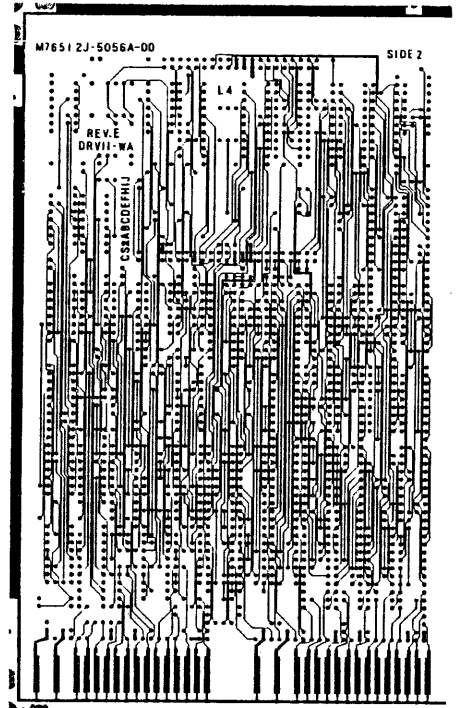
THIS DRAWING AND SPECIFICATIONS HEREIN ARE THE PROPERTY OF DIGITAL EQUIPMENT CORPORATION AND SHALL NOT BE REPRODUCED OR COPIED OR USED IN WHOLE OR IN PART AS THE BASIS FOR THE MANUFACTURE OR SALE OF ITEMS WITHOUT WRITTEN PERMISSION
 COPYRIGHT © 1985 DIGITAL EQUIPMENT CORPORATION

0-0-895056A
 DEC 325

VIEWED FROM SIDE 1



VIEWED FROM SIDE 2



REV	ECO NUMBER	DATE
A	INITIAL	MAY 85
B	M7651-00001	MAY 85
C	M7651-00002	AUG 85

DRN	S. Shimazaki	DATE	14-MAY-85	TITLE	digital
CHK'D	J. Kitag	DATE	14-MAY-85		
DES ENO	Iside Nakagawa	DATE	14-MAY-85	DOCUMENT NUMBER	YJ5056B-0-0
REP ENO	Iside Nakagawa	DATE	14-MAY-85		
WFO ENO	Y. Ishikawa	DATE	14-MAY-85	REV	C
TOP DOC NO.	K-DD-M7651-0-0			SCALE	1/1

D
C
B
A

YJ5056B-0-0
 DEC 325

PARTS LIST

SHEET A1 OF A1

LINE	ITEM	TOP DOCUMENT	PART NUMBER	MIN REV	DESCRIPTION	QTY PER VARIATION
1	1	D-UA-M7651-0-0	M7651		LSI11 DMA INTERFACE	1
2	2	D-UA-BC05L-0-0	BC05L-0E		TEST CABLE	1
3	3		EK-DRVWA-UG		DRV11-WA OPTION DESCRIPTION	1
4	4	B-TC-DRV11-WA-0	MP01582-01		MAINTENANCE PRINT SET	1
5	5		12-20307-02		BAG, ANTI STATIC	1
6	6		99-07004-02		CARTON, DIE CUT	1

REVISION HISTORY			BASIC PART NO:		DRN: S.Shimazaki		DATE:22-FEB-85		D I G I T A L			
ENG	ECD NUMBER	REV	SECTION A_ OF A_						TITLE PARTS LIST			
	INITIAL	A	SECTION.VARIATION INDEX		CHK'D: T.Kitao		DATE:22-FEB-85		SHIPPING LIST			
H.N	M7651-00001	B	[A]01						DOCUMENT NUMBER			
H.N	M7651-00002	C	[B]		DES.ENG: Hide.Nakagawa		DATE:22-FEB-85		SIZE	CODE	NUMBER	REV
T.J	M7651-JS004	D	[C]					K	PL	DRV11-WA-SH	D	
			[D]		RESP.ENG.: Hide.Nakagawa		DATE:22-FEB-85					
			[E]		MFG.ENG.: Y.Ishikawa		DATE:22-FEB-85		RELEASE DATE:			
			[F]		ASSEMBLY NUMBER:		TOP DOCUMENT NUMBER:		FILE NAME:		EDIT #	
							B-DD-DRV11-WA-0		DRV11WA.SHP			

"THIS DRAWING AND THE SPECIFICATIONS CONTAINED HEREIN ARE CONFIDENTIAL AND PROPRIETARY. THEY ARE THE PROPERTY OF DIGITAL EQUIPMENT CORPORATION AND SHALL NOT BE REPRODUCED OR COPIED OR USED IN WHOLE OR IN PART AS THE BASIS FOR THE MANUFACTURE OR SALE OF ITEMS WITHOUT WRITTEN PERMISSION. THIS IS AN UNPUBLISHED WORK PROTECTED UNDER THE FEDERAL COPYRIGHT LAWS."

LINE ITEM	TOP DOCUMENT	PART NUMBER	MIN REV	DESCRIPTION	QUANTITY PER VARIATION/REVISION		
					SA A1	SB A1	SF A1
1	1 K-DD-M7651-0-0	M7651-PA		DRV11-WA,DMA 18/22 BIT PAR GP INTF	-	1	1
2	2 K-PL-7024505-0-DBP	70-24505-01		KIT,BULKHEAD,PANEL	-	-	1
3	3 A-PA-3700931-0-0	37-00931-04		PKG MODULE 1 IN CUS OPT	-	-	1
4	4	EK-DRV1W-IN		DRV11-SF DMA INTERFACE OPT INSTALL	-	-	1
5	5	EK-DRVWA-UG		DRV11-WA GEN. PURPOSE DMA INTERFAC	1	-	1
6	6	70-24767-01		CABLE LOOPBACK	-	1	1
7	7 K-PL-DRV1W-S-DBP	DRV1W-SB		M7651-PA,70-24767-01 LOOP-BACK, NO	1	-	-

REVISION HISTORY		KPL MATRIX FORMAT		SECTION A OF A		DRN: PAUL GAGNE		D I G I T A L		
ENG	ECO NUMBER	REV	SECTION/VARIATION INDEX			DATE:				
	INITIAL	A	(A)	SA,SB,SF		14-APR-87	TITLE PARTS LIST			
			(B)			27-AUG-87	DRV1W-S SHIPPING LIST			
			(C)			DES.ENG: J. PADGETT	DOCUMENT NUMBER			
			(D)			DATE: 27-AUG-87	SIZE	CODE	NUMBER	REV
			(E)			RESP.ENG.: J. PADGETT	K	PL	DRV1W-S-DBP	A
			(F)			DATE: 27-AUG-87	RELEASE DATE: 27-AUG-87			
			(H)			MFG.ENG: R. MCCLAIN	RELEASE STATUS: RELEASED			
			(J)			DATE: 27-AUG-87				
		BASIC PART NUMBER:		ASSEMBLY NUMBER:		TOP DOCUMENT NUMBER:		FILE NAME:		EDIT #
		DRV1W				K-PL-DRV1W-S-DBP		MLA1436A.PLS		12
<p>"THIS DRAWING AND THE SPECIFICATIONS CONTAINED HEREIN ARE CONFIDENTIAL AND PROPRIETARY. THEY ARE THE PROPERTY OF DIGITAL EQUIPMENT CORPORATION AND SHALL NOT BE REPRODUCED OR COPIED OR USED IN WHOLE OR IN PART AS THE BASIS FOR THE MANUFACTURE OR SALE OF ITEMS WITHOUT WRITTEN PERMISSION. THIS IS AN UNPUBLISHED WORK PROTECTED UNDER THE FEDERAL COPYRIGHT LAWS."</p>										