

30" x 48" BOX ASSEMBLY

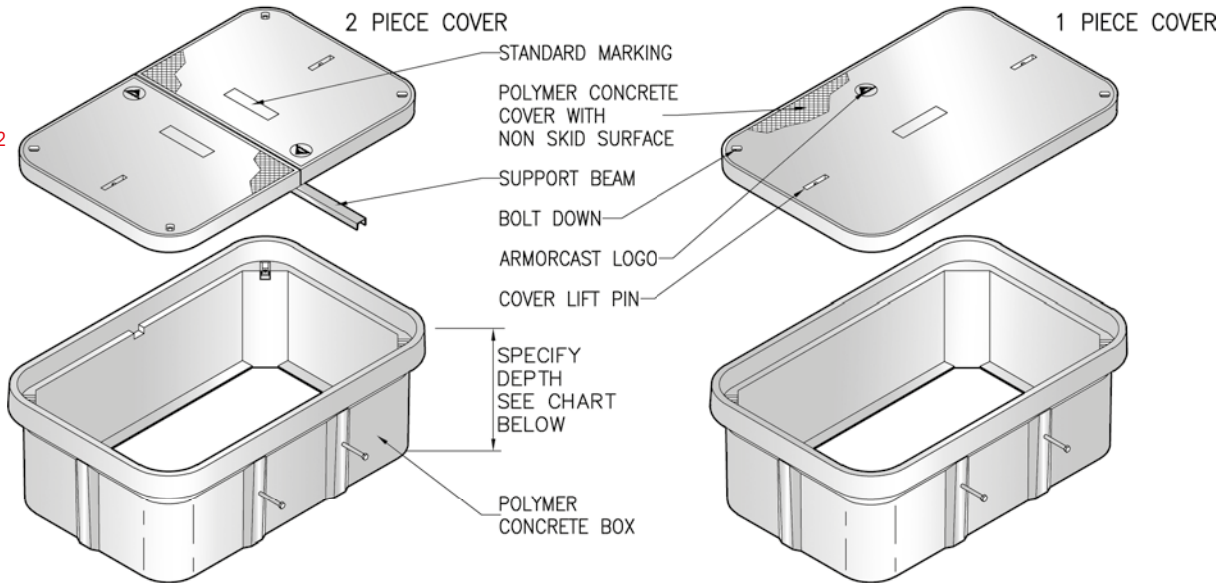
12" to 48" DEPTHS



POLYMER CONCRETE

ARMORCAST PRODUCTS COMPANY

A6001430



30"W x 48"L BOX ASSEMBLIES Specify Depth Below

DESCRIPTION	NOMINAL SIZE W x L x D	LOAD RATING	ANSI TIER	PART NUMBER	APPROX. WEIGHT	PALLET QTY.
Box & Cover Assembly	30" x 48" x 12"	10K	8	A6001430APCX12	317 lbs.	5
	30" x 48" x 12"	20K	15 / 22	A6001430TAPCX12 / A6001430HDAPCX12	325 lbs.	5
Box & Cover Assembly	30" x 48" x 18"	10K	8	A6001430APCX18	377 lbs.	2
	30" x 48" x 18"	20K	15 / 22	A6001430TAPCX18 / A6001430HDAPCX18	385 lbs.	2
Box & Cover Assembly	30" x 48" x 24"	10K	8	A6001430APCX24	427 lbs.	3
	30" x 48" x 24"	20K	15 / 22	A6001430TAPCX24 / A6001430HDAPCX24	435 lbs.	3
Box & Cover Assembly	30" x 48" x 30"	10K	8	A6001430APCX30	498 lbs.	3
	30" x 48" x 30"	20K	15 / 22	A6001430TAPCX30 / A6001430HDAPCX30	506 lbs.	3
Box & Cover Assembly	30" x 48" x 36"	10K	8	A6001430APCX36	568 lbs.	1
	30" x 48" x 36"	20K	15 / 22	A6001430TAPCX36 / A6001430HDAPCX36	576 lbs.	1
Box & Cover Assembly	30" x 48" x 48"	10K	8	A6001430APCX48	663 lbs.	1
	30" x 48" x 48"	20K	15 / 22	A6001430TAPCX48 / A6001430HDAPCX48	671 lbs.	1

COMPONENTS

MORE COVER VARIATIONS ARE AVAILABLE IN OUR "COVER SECTION"

DESCRIPTION	NOMINAL SIZE W x L x D	LOAD RATING	ANSI TIER	PART NUMBER	APPROX. WEIGHT	PALLET QTY.
Replacement Covers	30" x 48" - 1 pc.	10K	8	A6001630	146 lbs.	10
	30" x 48" - 1 pc.	20K	15 / 22	A6001630T / A6001630HD	180 lbs.	10
	30" x 48" - 2 pc.	10K	8	A6001470 (2 pc. Req.)	96 lbs. ea.	20
	30" x 48" - 2 pc.	20K	15 / 22	A6001470T / A6001470HD (2 pc. Req.)	100 lbs. ea.	20
Replacement Boxes	30" x 48" x 12"	10K / 20K	22	A6001430PCX12	137 lbs.	8
	30" x 48" x 18"	10K / 20K	22	A6001430PCX18	189 lbs.	2
	30" x 48" x 24"	10K / 20K	22	A6001430PCX24	265 lbs.	3
	30" x 48" x 30"	10K / 20K	22	A6001430PCX30	300 lbs.	3
	30" x 48" x 36"	10K / 20K	22	A6001430PCX36	371 lbs.	1
	30" x 48" x 48"	10K / 20K	22	A6001430PCX48	468 lbs.	1

- Boxes are Open Bottom and Stackable, also available with Solid Bottoms.
- For sizes not shown please contact Armorcast Products for more information

THIS PRODUCT IS LISTED TO APPLICABLE UL STANDARDS AND REQUIREMENTS BY UL.

www.armorcastprod.com

Tel: (818) 982-3600 Fax: (818) 982-7742

POLYMER CONCRETE BOXES



ARMORCAST PRODUCTS COMPANY

30" x 48" BOX ASSEMBLY

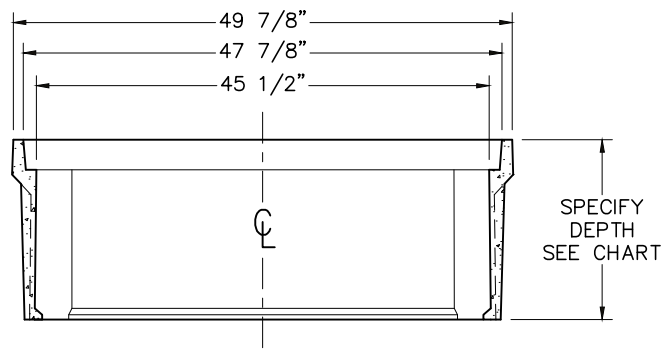
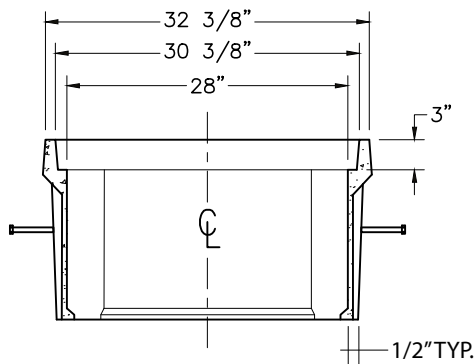
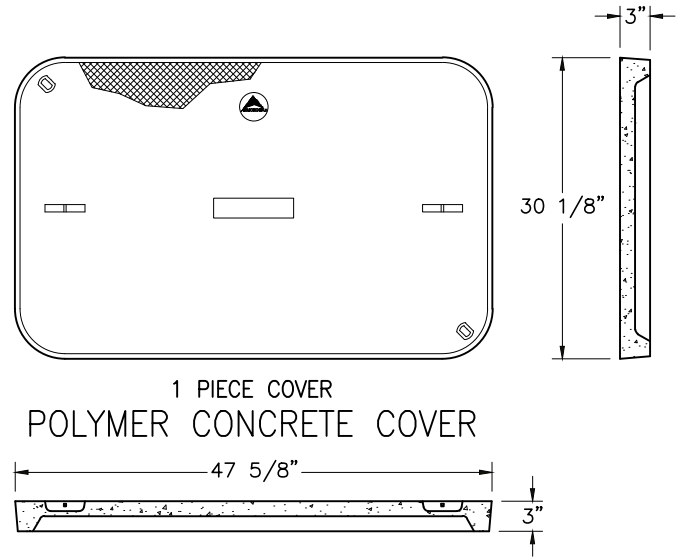
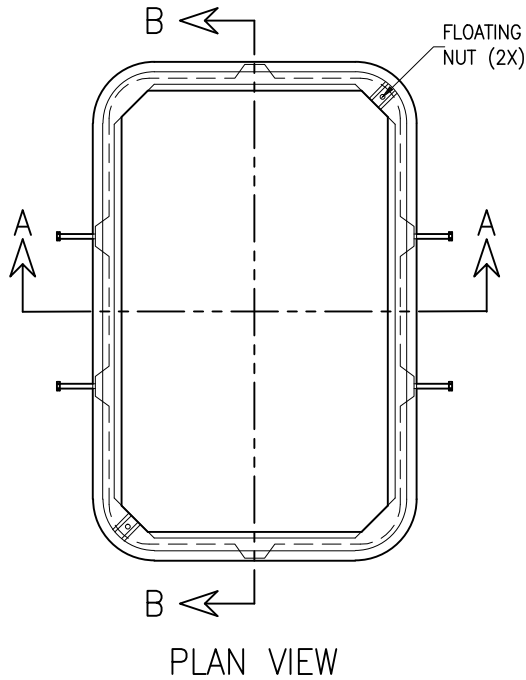
STANDARD DIMENSIONS

POLYMER CONCRETE

A6001430



LISTED
FILE #E364252



POLYMER CONCRETE BOXES

Armorcast Products Company reserves the right to update or discontinue product information at any time without notice.

THIS PRODUCT IS LISTED TO APPLICABLE UL STANDARDS AND REQUIREMENTS BY UL.

www.armorcastprod.com Tel: (818) 982-3600 Fax: (818) 982-7742