

Digital Color Copier
(D118-TWN)
Parts Catalog

Parts change information sample

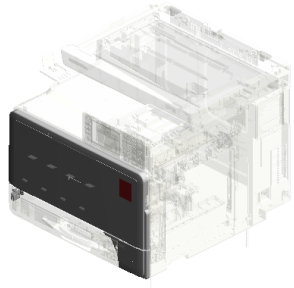
 **Add**

 **Update**

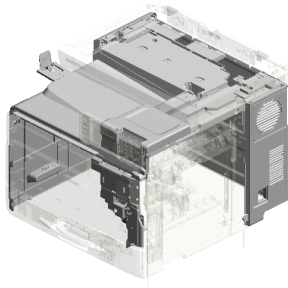
 **Delete**

Model	Product Code	PC Style
Digital Color Copier	D118	3D
Paper Feed Unit PB1050	D573	3D
1 Bin Tray BN1010	D574	3D
ARDF DF1030	D606	3D
Platen Cover PN1010	D607	Traditional
Fax Option Type C305	D649	Traditional
CTL Option	-	Traditional

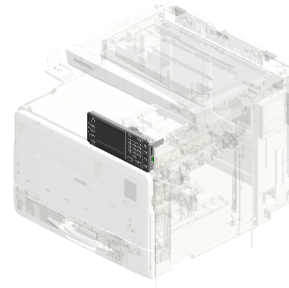
Unit All



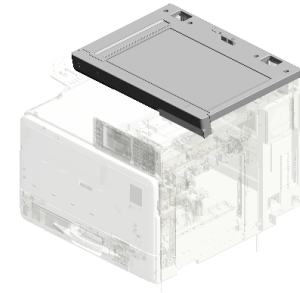
U001
Exterior-1



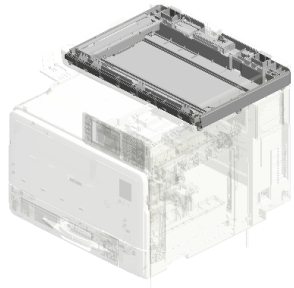
U002
Exterior-2



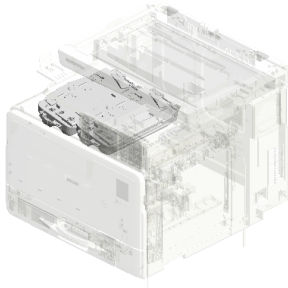
U003
Operation



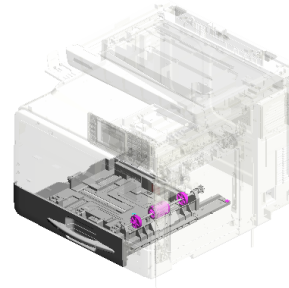
U004
Scanner-1



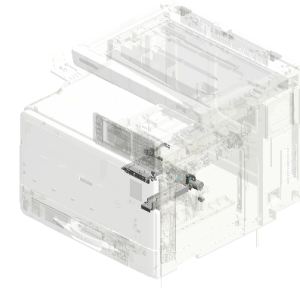
U005
Scanner-2



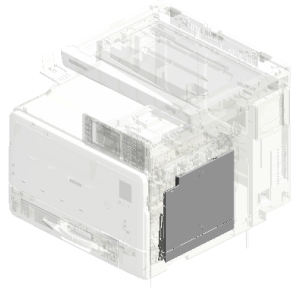
U006
Laser Unit



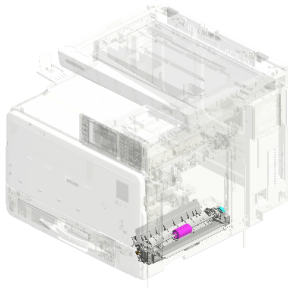
U007
Paper Feed-1



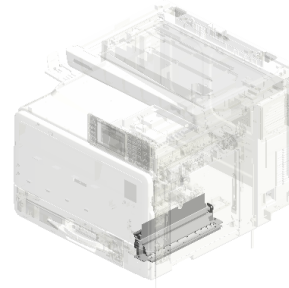
U008
Paper Feed-1



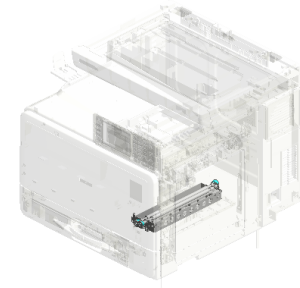
U009
By-pass Feed-1



U010
By-pass Feed-2

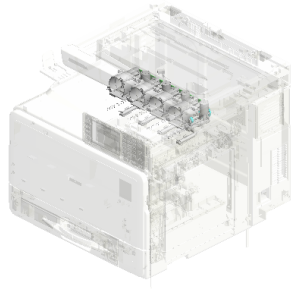


U011
Vertical Transport

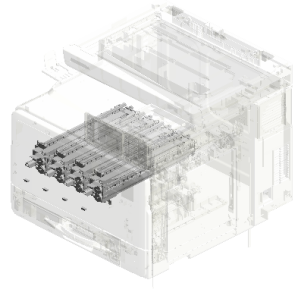


U012
Paper Registration

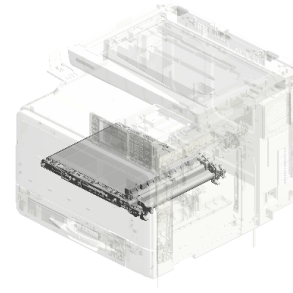
Unit All



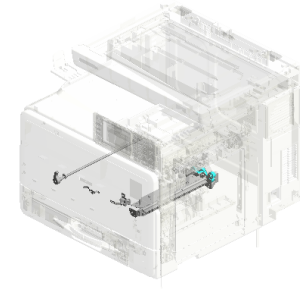
U013
Toner Supply



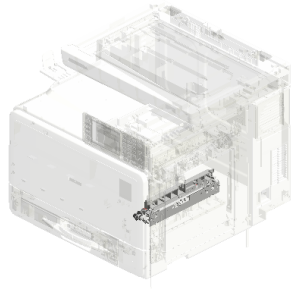
U014
PCDU



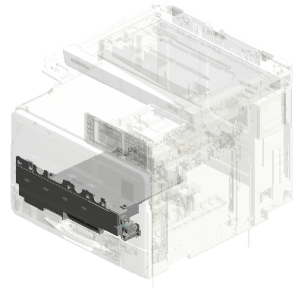
U015
ITB Unit-1



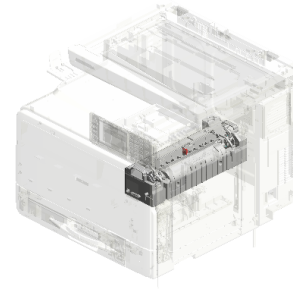
U016
ITB Unit-2



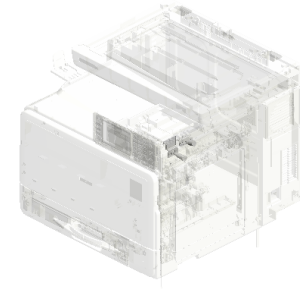
U017
Paper Transfer



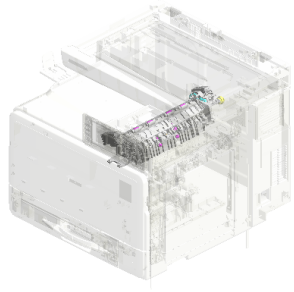
U018
Used Toner



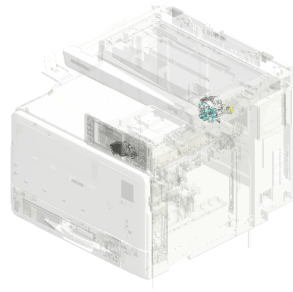
U019
Fusing-1



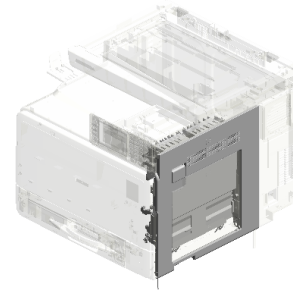
U020
Fusing-2



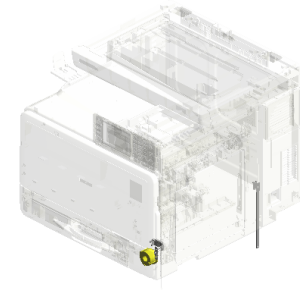
U021
Paper Exit-1



U022
Paper Exit-2

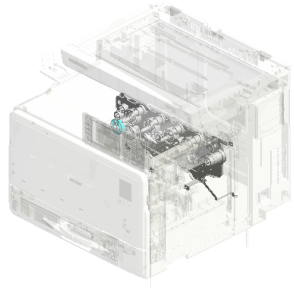


U023
Duplex-1

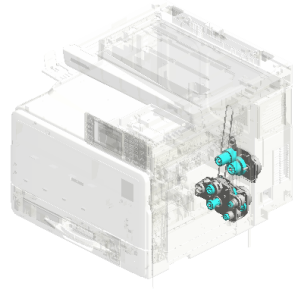


U024
Duplex-2

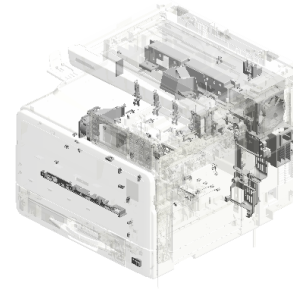
Unit All



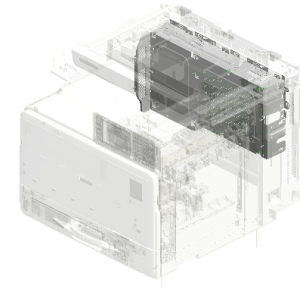
U025
Main Drive-1



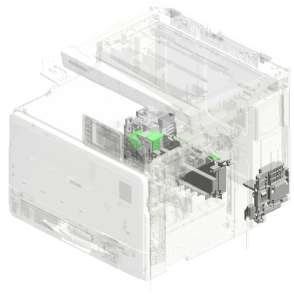
U026
Main Drive-2



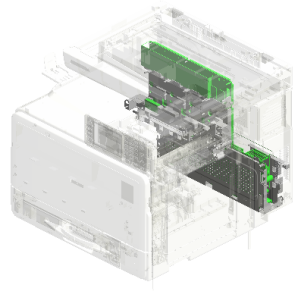
U027
Electrical-1



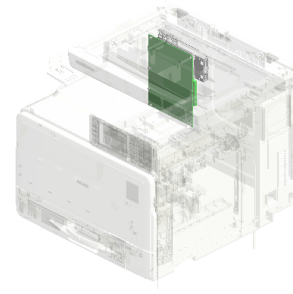
U028
Electrical-2



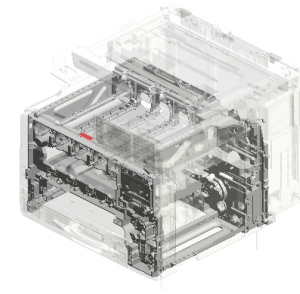
U029
Electrical-3



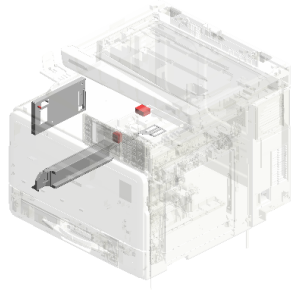
U030
Electrical-4



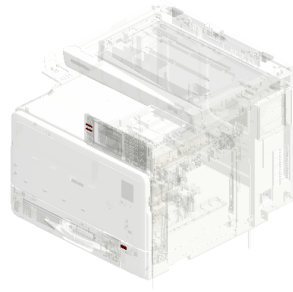
U031
Controller



U032
Main Frame

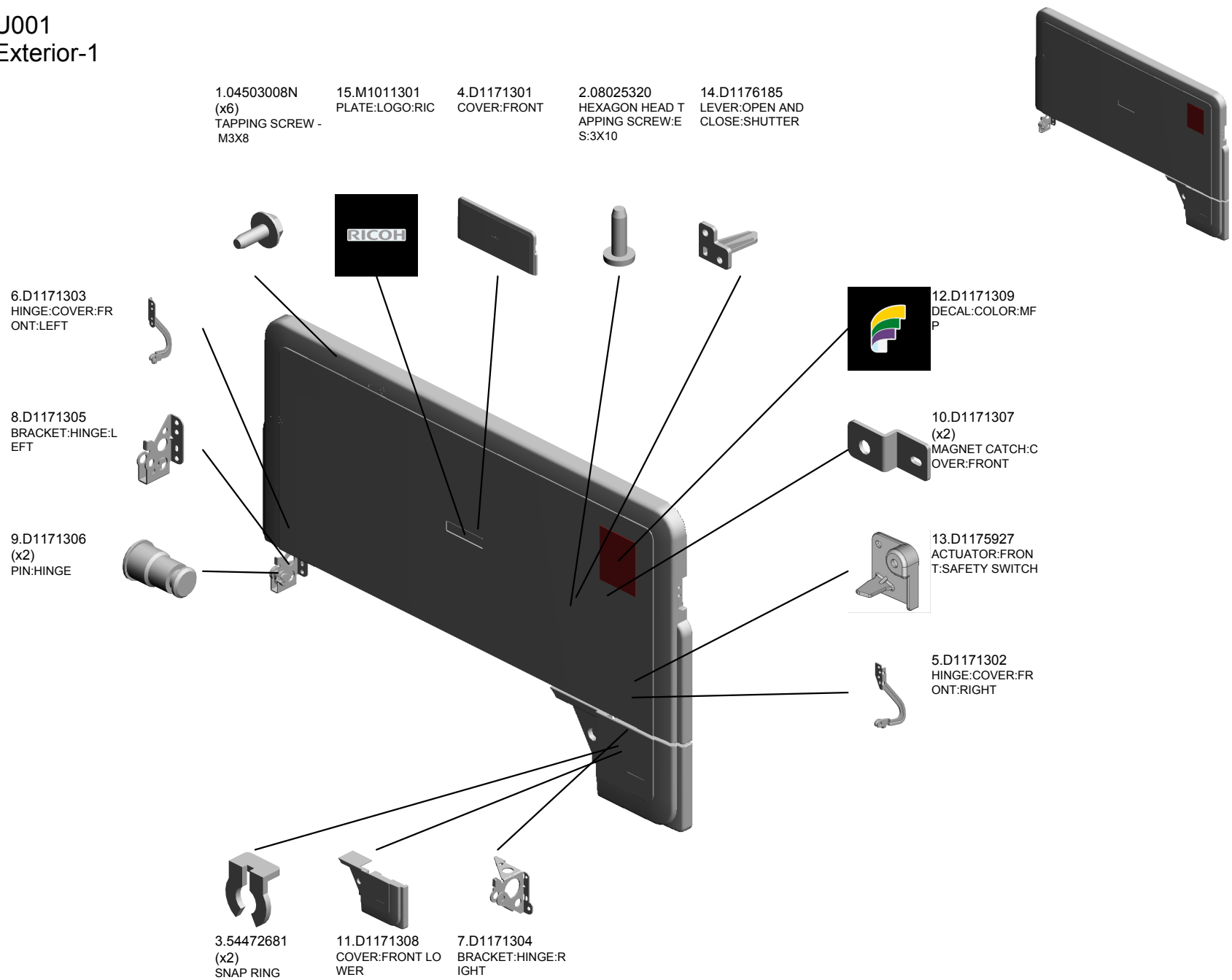


U033
Option



U034
Accessories

U001 Exterior-1



U001	U002	U003	U004	U005	U006	U007	U008	U009	U010	U011	U012	U013	U014	U015	U016	U017	U018	U019	U020	U021
------	------	------	------	------	------	------	------	------	------	------	------	------	------	------	------	------	------	------	------	------

U002 Exterior-2

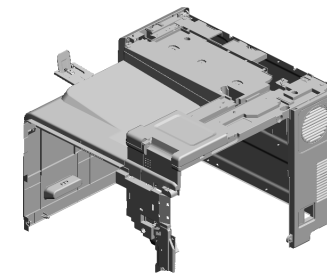
8.D1171313
COVER:UPPER
201503-02 X/O

17.D1171353
COVER:UPPER LE
FT

16.D1171352
COVER:UPPER RI
GHT

1.03603006N
(x13)
SCREW - M3X6

15.D1171351
COVER:SUPPORT:
SCANNER



20.D1174495
EXTENSION TRAY:
EXIT

5.08025320
(x20)
HEXAGON HEAD T
APPING SCREW: E
S:3X10

14.D1171331
COVER:LEFT

7.AG070513
(x2)
MAGNET CATCH

18.D1171354
COVER:UPPER FR
ONT

19.D1171361
INNER COVER:UP
PER

4.04513006N
(x2)
TAPPING SCREW -
3X6

3.04503010N
(x3)
TAPPING SCREW -
M3X10

6.12042612
(x2)
MICRO SWITCH:D3
V-16506-3C25

9.D1171321
COVER:RIGHT RE
AR

2.04503008N
(x4)
TAPPING SCREW -
M3X8

11.D1171324
COVER:DEODORIZ
E FILTER

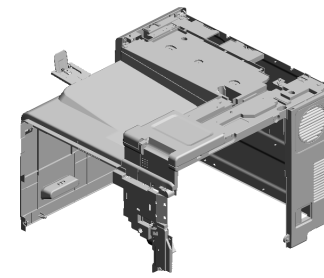
12.D1171325
LOUVER:COVER:R
IGHT REAR

10.D1171323
DEODORIZE FILTE
R

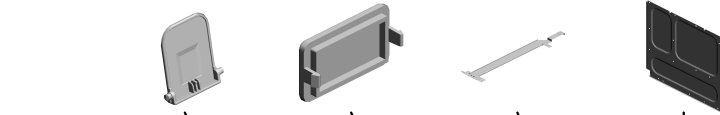
13.D1171326
LOUVER:DUCT

U002 Exterior-2

21.D1174496 END FENCE:EXIT
 32.M0261265 CAP:TOTAL COUNTER
 34.D1171358 GROUND PLATE:UPPER:ASSY
 24.D1965854 COVER:REAR
 201411-06 O/O



22.D1174498 STOPPER:END FENCE:EXIT



23.D1174499 COMPRESSION SPRING:END FENCE:EXIT



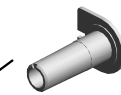
27.D1175894 LEVER:FRONT:SAFETY SWITCH



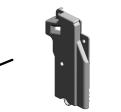
33.M0266885 DECAL:MAIN SWITCH:ON-STANDBY:EU



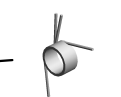
30.D1175902 COLLAR:SHAFT:SAFETY SWITCH



31.D1175903 INNER COVER:SAFETY SWITCH



28.D1175895 TORSION SPRING:SAFETY SWITCH



29.D1175901 TORSION SPRING:LEVER:RIGHT:SAFETY SWITCH



25.D1175892 BRACKET:SWIVEL:SAFETY SWITCH



26.D1175893 LEVER:RIGHT:SAFETY SWITCH



U003.Operation

U003 S001
D1171415
OPERATION SUB-UNI:TWN



U001	U002	U003	U004	U005	U006	U007	U008	U009	U010	U011	U012	U013	U014	U015	U016	U017	U018	U019	U020	U021
------	------	------	------	------	------	------	------	------	------	------	------	------	------	------	------	------	------	------	------	------



U003_S001
OPERATION SUB-UNI:TWN



4.D1171415
OPERATION SUB-
UNI:TWN

1.03520030N
(x14)
SCREW:M2X3

22.D1171518
SHADEING PLATE:
TOUCH PANEL

9.D1271473
LCD:UWVGA:STEC
5:NA:SH
201211-01 X/O

20.D1171516
BRACKET:LDCDC

5.D1171431
PCB:LDCARFT:A
SS'Y

12.D1171503
KEYTOP:HOME

15.D1171508
KEYTOP:RESET S
WITCH

7.D1171465
PCB:UWVGA:OP-L:
ASS'Y

11.D1171502
COVER:HINGE

14.D1171505
KEYTOP:LEFT

2.04522006N
(x22)
BINDING SELF-TA
PPING SCREW - M
2X6

18.D1171513
LENS:FRONT

3.04522008P
BINDING SELF-TA
PPING SCREW:2X
8

8.D1171470
FPC:LED:ASS'Y

21.D1171517
BRACKET:HINGE

10.D1171501
COVER:REAR

19.D1171514
SHAFT:CABLE

17.D1171511
KEYTOP:STOP

16.D1171510
KEYTOP:START

6.D1271460
PCB:UWVGA:OP-R:
ASS'Y
201506-01 O/O

U003_S001
OPERATION SUB-UNI:TWN



4.D1171415
OPERATION SUB-
UNI:TWN

26.D1171523
(x4)
GASKET:LCD

23.D1171519
SHEET:LCDC

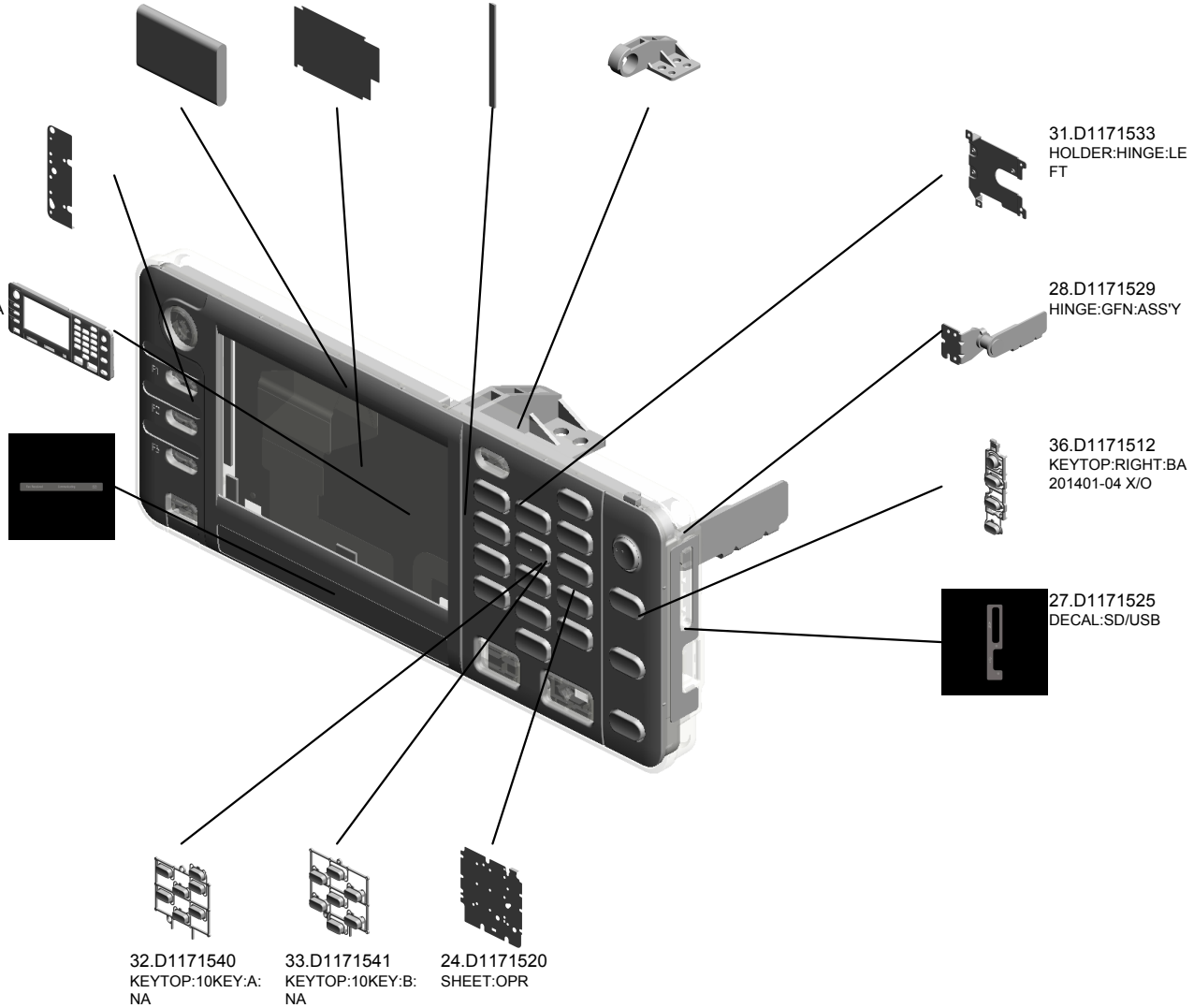
29.D1171530
(x2)
SPACER:LCD

30.D1171531
BRACKET:HINGE:L
EFT

25.D1171521
SHEET:OPL

35.D1171551
COVER:FRONT:NA
/AP

34.D1171547
DECAL:FAX:TWN



31.D1171533
HOLDER:HINGE:LE
FT

28.D1171529
HINGE:GFN:ASS'Y

36.D1171512
KEYTOP:RIGHT:BA
201401-04 X/O

27.D1171525
DECAL:SD/USB

32.D1171540
KEYTOP:10KEY:A:
NA

33.D1171541
KEYTOP:10KEY:B:
NA

24.D1171520
SHEET:OPR

U004 Scanner-1

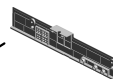
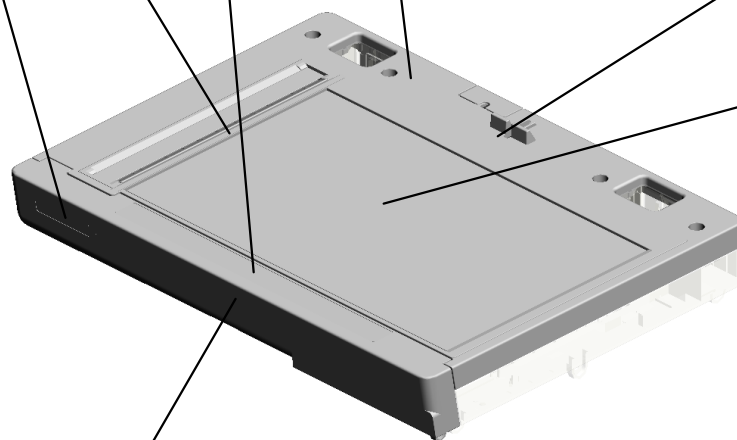
7.M0261718
DECAL:SCALE:LEF
T:EU

5.D1176878
DECAL:CAUTION:O
RIGINAL:TAIWAN

1.04503010N
(x10)
TAPPING SCREW -
M3X10



6.D1186801
DECAL:MODEL NA
ME PLATE:RIC:EXP
:(for D118)



3.D1171845
COVER:SCANNER:
REAR



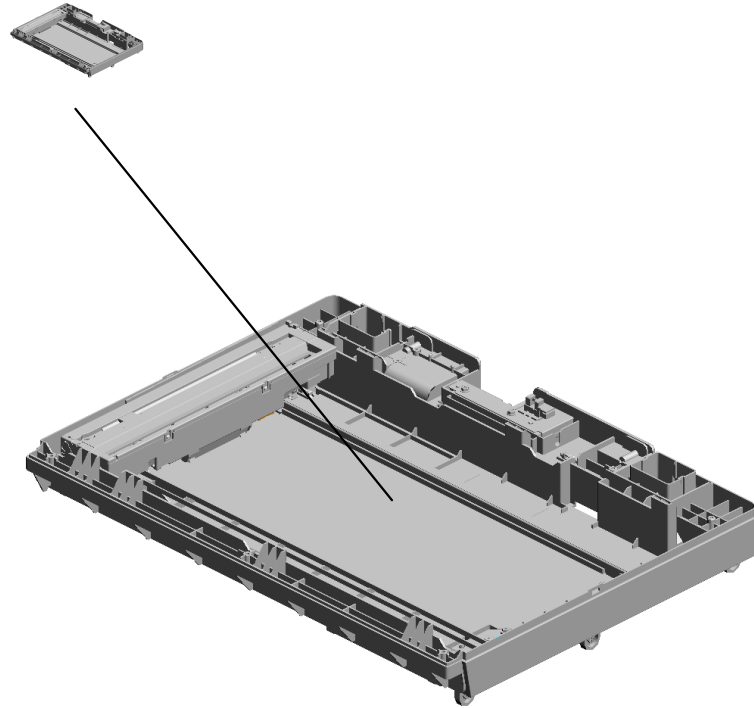
2.D1171657
EXPOSURE GLASS
UNIT:SCANNER:A
SS'Y



4.D1171846
COVER:SCANNER:
FRONT

U005.Scanner-2

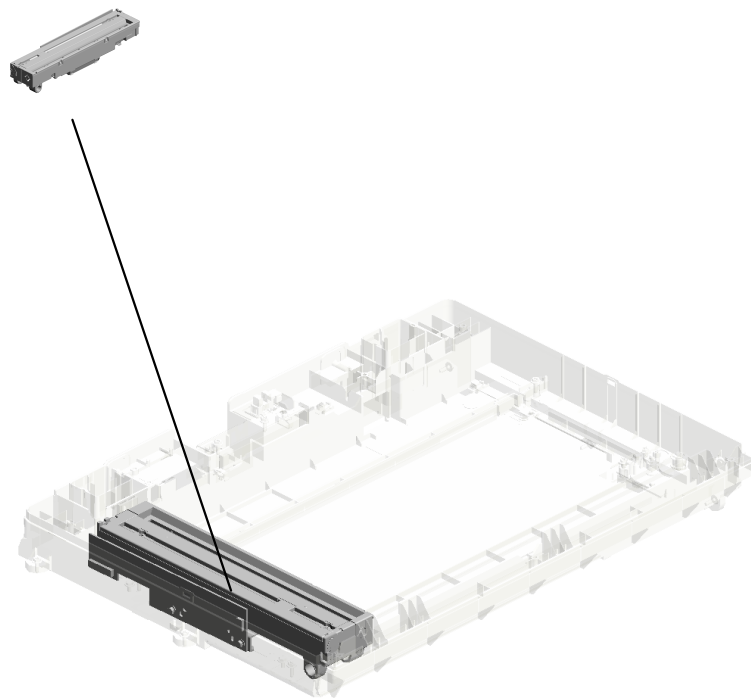
U005 S001
D1170072
OPTICAL READING SECTION
:EU



U001	U002	U003	U004	U005	U006	U007	U008	U009	U010	U011	U012	U013	U014	U015	U016	U017	U018	U019	U020	U021
------	------	------	------	-------------	------	------	------	------	------	------	------	------	------	------	------	------	------	------	------	------

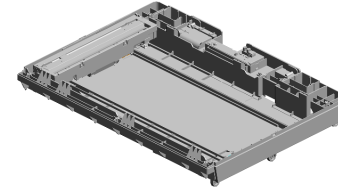
U005_S001.OPTICAL READING SECTION:EU

U005 S001 S001
D1171651
CARRIAGE:SCANNER:ASSY



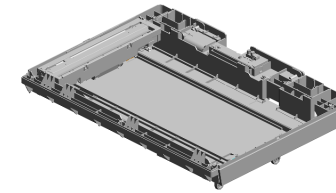
U001	U002	U003	U004	U005	U006	U007	U008	U009	U010	U011	U012	U013	U014	U015	U016	U017	U018	U019	U020	U021
------	------	------	------	-------------	------	------	------	------	------	------	------	------	------	------	------	------	------	------	------	------

U005
Scanner-2



U001	U002	U003	U004	U005	U006	U007	U008	U009	U010	U011	U012	U013	U014	U015	U016	U017	U018	U019	U020	U021
------	------	------	------	------	------	------	------	------	------	------	------	------	------	------	------	------	------	------	------	------

U005_S001 OPTICAL READING SECTION:EU



26.D1170072
OPTICAL READING
SECTION:EU

10.11050516
CLAMP

9.11050511
(x5)
HARNESS CLAMP -
LWS-0306ZC

15.D1171753
SLIDE RAIL

14.D1171752
RAIL:SCANNER

22.D1171810
SYNCHRONOUS B
ELT:S2M:441

3.04503010N
(x13)
TAPPING SCREW -
M3X10

18.D1171804
(x2)
CAP:TIMING PULL
EY

21.D1171807
BRACKET:IDLER:P
EEN

20.D1171806
PULLEY:IDLER

2.03603006N
(x2)
SCREW - M3X6

16.D1171754
GUIDE ROD:SCAN
NER

1.03530040N
(x3)
SCREW - M3X4

12.AX040272
DC STEPPER MOT
OR:NMB

5.07073050N
(x3)
BUSHING:DIA3X5

23.D1171820
(x3)
BUSHING:BRACKE
T

6.07200025E
RETAINING RING -
M2.5

8.08050104
(x2)
RETAINING RINGS
-E:SILENCER:DIA4
201504-03 O/O

4.04503014N
(x3)
TAPPING SCREW:
M3X14

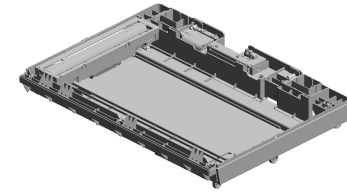
19.D1171805
GEAR:TIMING PUL
LEY:81-18

17.D1171801
BRACKET:MOTOR

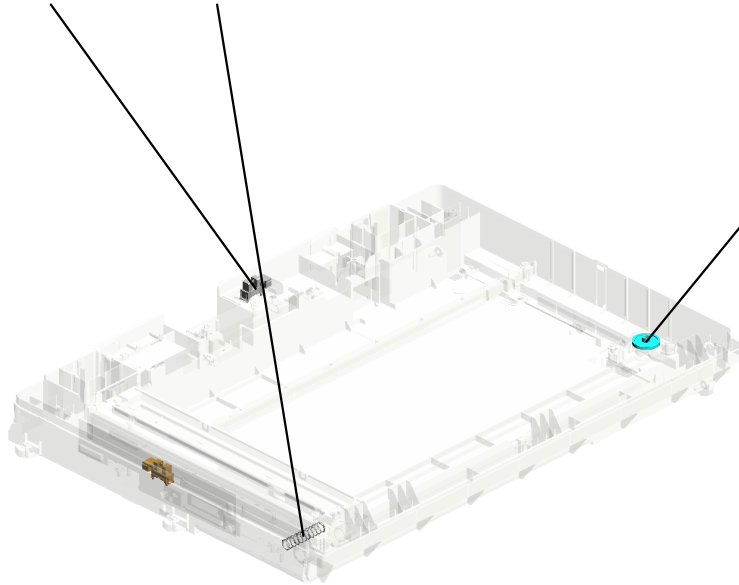
U005_S001
OPTICAL READING SECTION:EU

27.AW020234
(x2)
PHOTOINTERRUP
TOR:GP1A173LCS
5F
201902-01 O/O

25.D1171837
COIL SPRING:TEN
SION



26.D1170072
OPTICAL READING
SECTION:EU



24.D1171826
GEAR:SLOW DOW
N:53-19

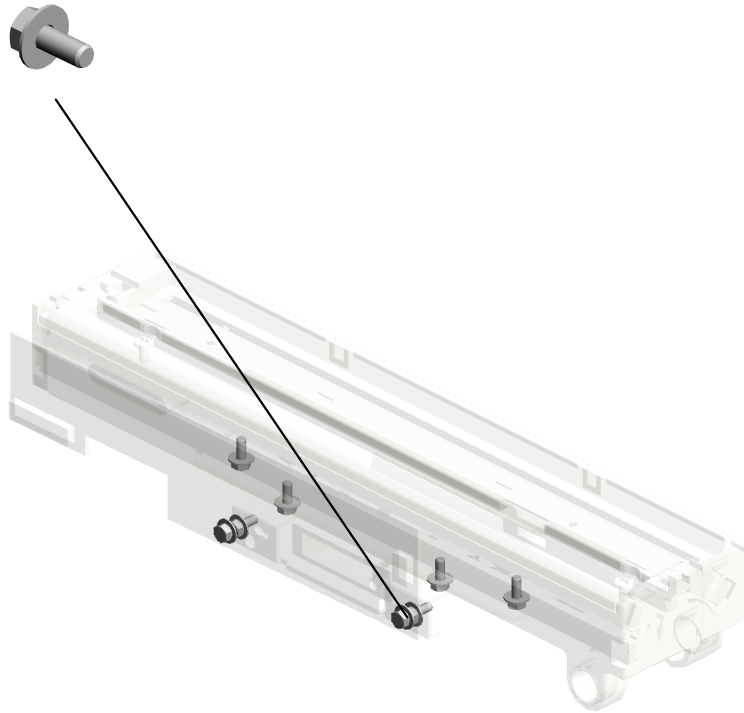
U001	U002	U003	U004	U005	U006	U007	U008	U009	U010	U011	U012	U013	U014	U015	U016	U017	U018	U019	U020	U021
------	------	------	------	------	------	------	------	------	------	------	------	------	------	------	------	------	------	------	------	------

U005_S001_S001
CARRIAGE:SCANNER:ASS'Y

7.08046123
(x8)
HEXAGONAL BOLT
:W/WASHER:M3X8



13.D1171651
CARRIAGE:SCANN
ER:ASS'Y

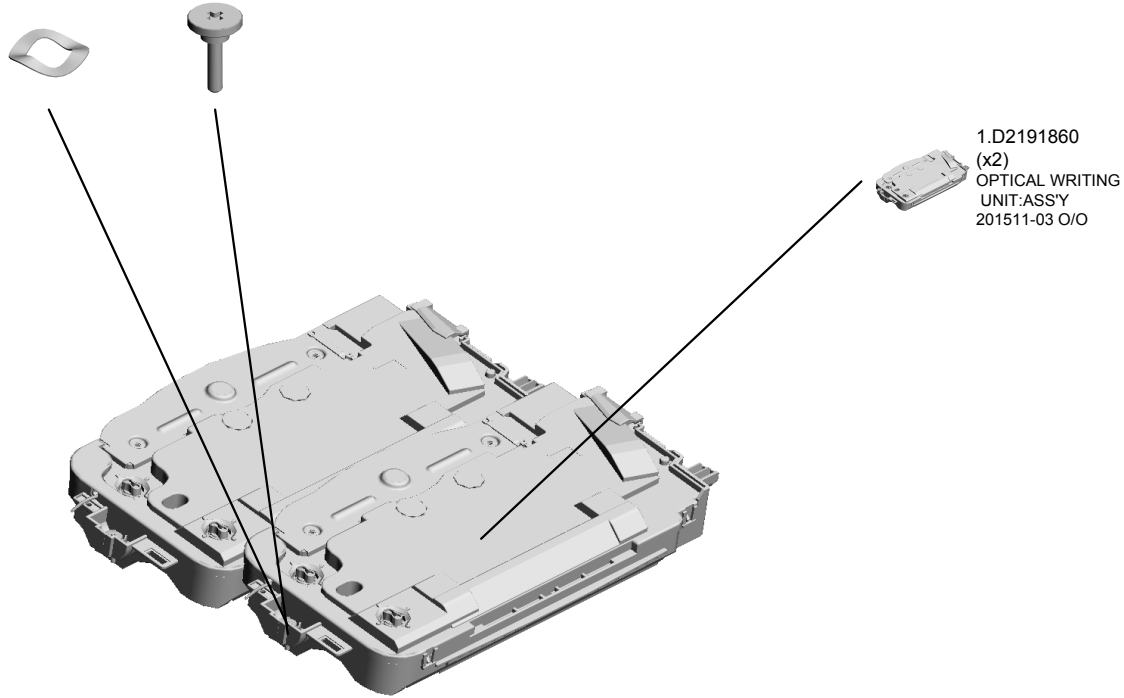
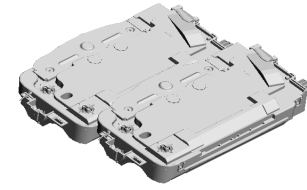


U001	U002	U003	U004	U005	U006	U007	U008	U009	U010	U011	U012	U013	U014	U015	U016	U017	U018	U019	U020	U021
------	------	------	------	------	------	------	------	------	------	------	------	------	------	------	------	------	------	------	------	------

U006
Laser Unit

3.D1171991
(x2)
SPRING LOCK WA
SHER:DIA6.4XDIA1
1X1.5

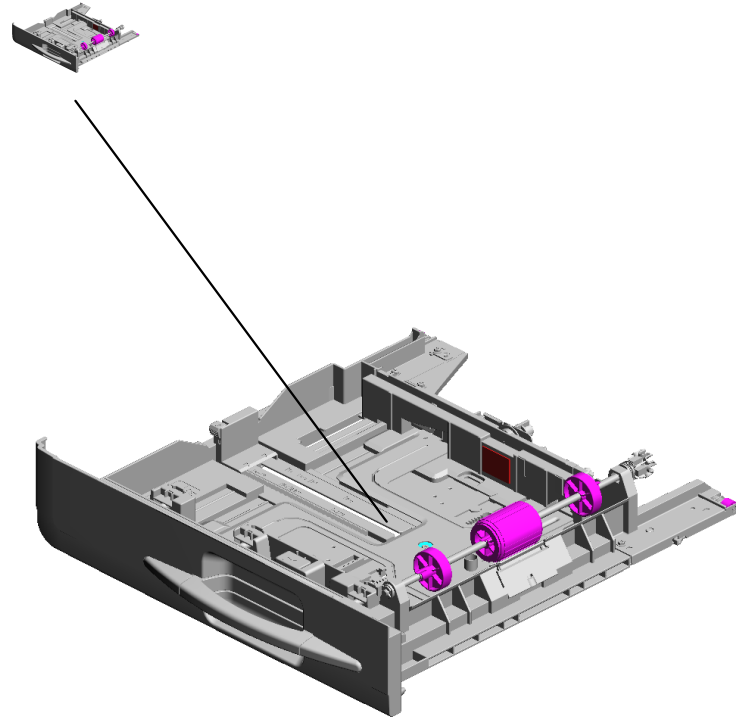
2.D1171990
(x2)
STEPPED SCREW



1.D2191860
(x2)
OPTICAL WRITING
UNIT:ASSY
201511-03 O/O

U007.Paper Feed-1

U007 S001
D1172900
PAPER TRAY:ASSY



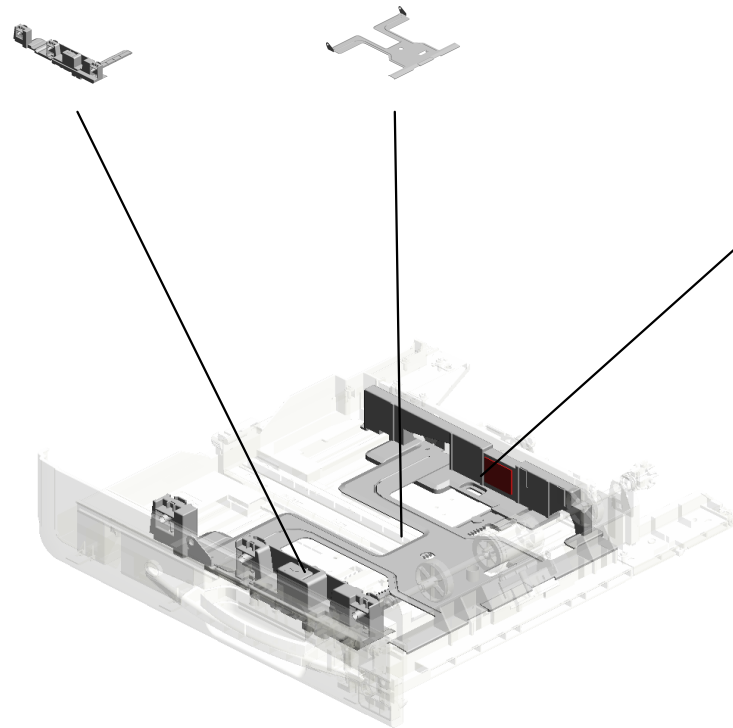
U001	U002	U003	U004	U005	U006	U007	U008	U009	U010	U011	U012	U013	U014	U015	U016	U017	U018	U019	U020	U021
------	------	------	------	------	------	------	------	------	------	------	------	------	------	------	------	------	------	------	------	------

U007_S001.PAPER TRAY:ASS'Y

U007 S001 S001
D1172825
SIDE FENCE:FRONT:ASS'Y

U007 S001 S003
D1172845
BASE:TRAY:ASS'Y

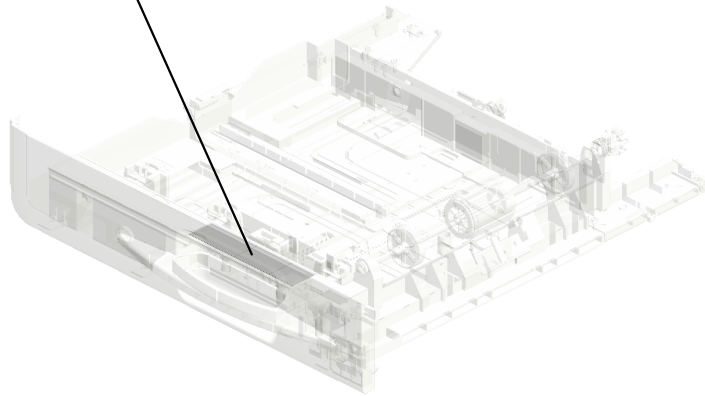
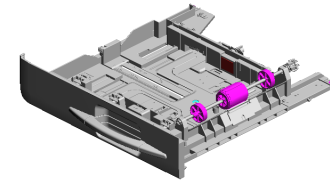
U007_S001_S002
D1172836
SIDE FENCE:REAR:ASS'Y



U001	U002	U003	U004	U005	U006	U007	U008	U009	U010	U011	U012	U013	U014	U015	U016	U017	U018	U019	U020	U021
------	------	------	------	------	------	------	------	------	------	------	------	------	------	------	------	------	------	------	------	------

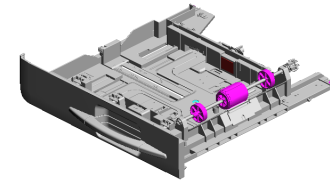
U007
Paper Feed-1

49.D1172876
DECAL:PAPER SE
T DIRECTION:TRA
Y:RIGHT:TAIWAN

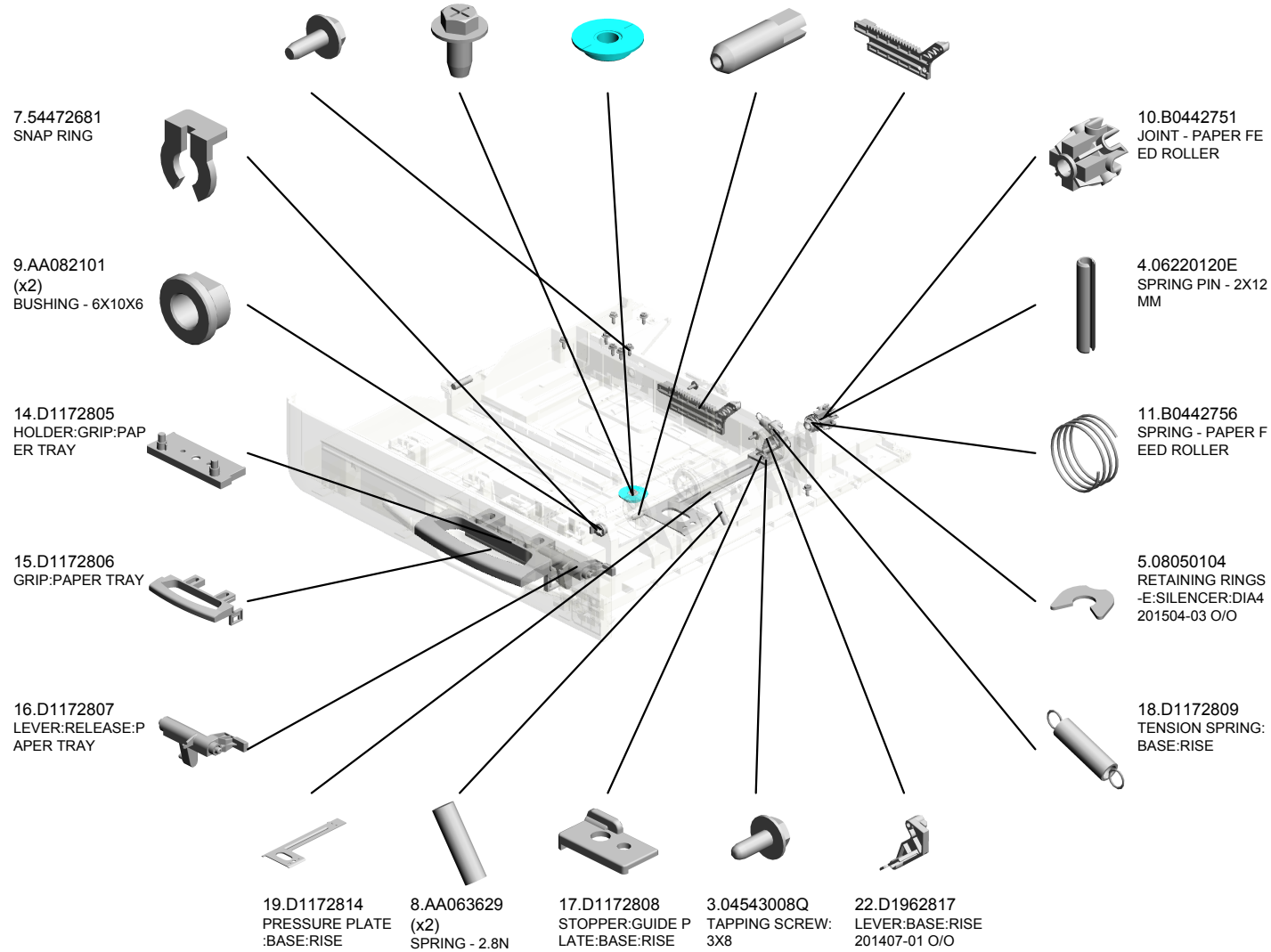


U007_S001 PAPER TRAY:ASS'Y

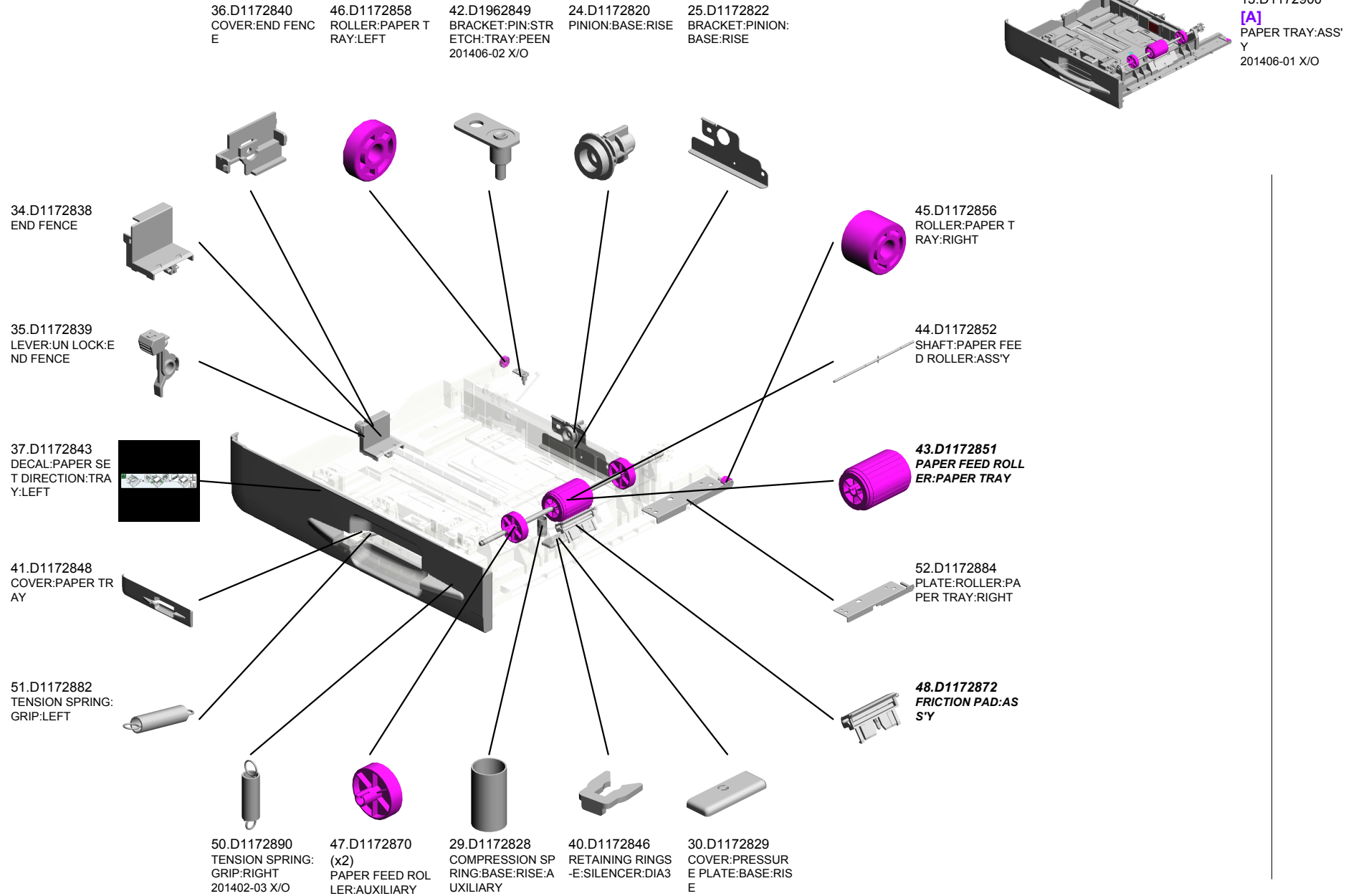
- 1.04503008N (x11) TAPPING SCREW - M3X8
- 2.04504008N TAPPING SCREW - M4X8
- 12.B2232936 GEAR - 16Z
- 21.D1172816 SHAFT:BASE:RISE
- 23.D1172819 RACK:BASE:RISE



13.D1172900
[A]
PAPER TRAY:ASS'
Y
201406-01 X/O



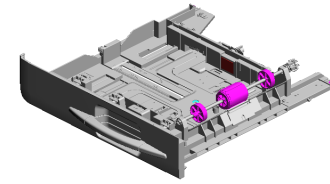
U007_S001 PAPER TRAY:ASS'Y



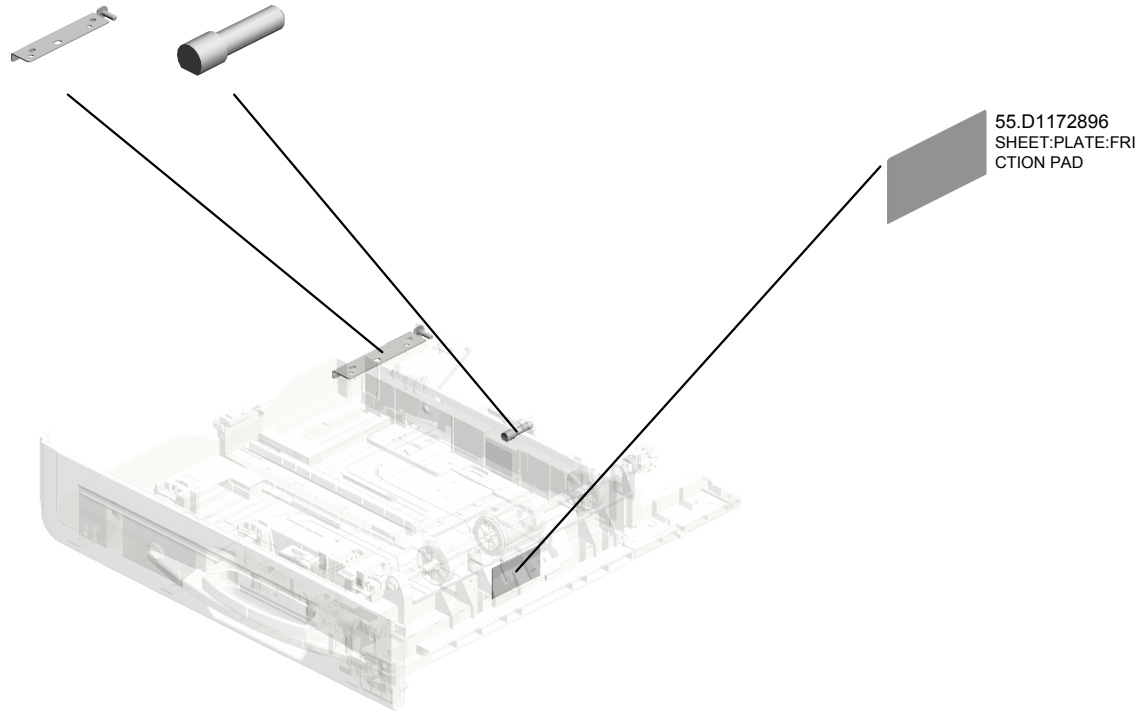
U001	U002	U003	U004	U005	U006	U007	U008	U009	U010	U011	U012	U013	U014	U015	U016	U017	U018	U019	U020	U021
------	------	------	------	------	------	------	------	------	------	------	------	------	------	------	------	------	------	------	------	------

U007_S001
PAPER TRAY:ASS'Y

53.D1172886 54.D1172894
PLATE:ROLLER:PA SHAFT:PINION:BA
PER TRAY:LEFT SE:RISE



13.D1172900
[A]
PAPER TRAY:ASS'
Y
201406-01 X/O

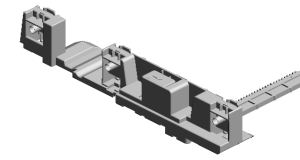


D1172800
[A]
PAPER TRAY:ASS'
Y
201406-01 X/O

U007_S001_S001
SIDE FENCE:FRONT:ASS'Y

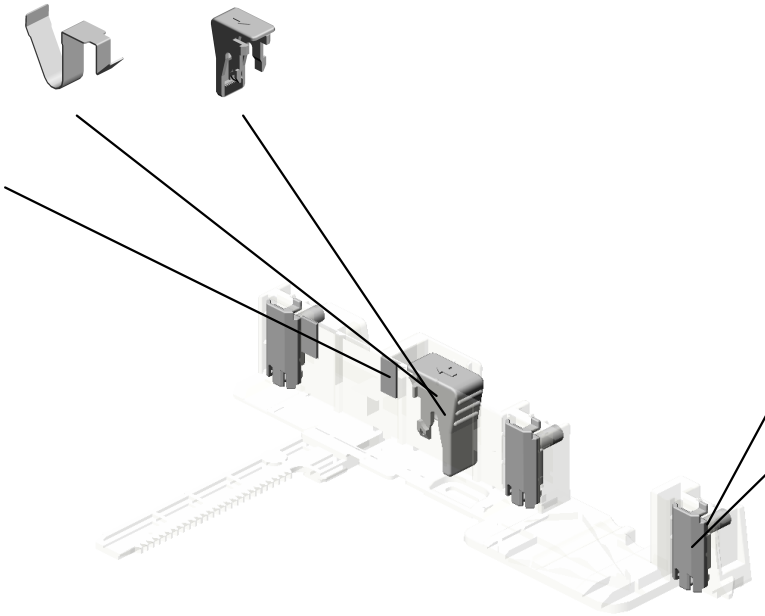
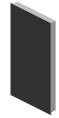
20.D1172815
SPRING PLATE:SI
DE FENCE:FRONT

31.D1172830
LEVER:STOPPER:
FRONT

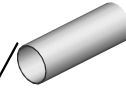


27.D1172825
SIDE FENCE:FRON
T:ASS'Y

26.D1172823
(x2)
PAD:SIDE FENCE



28.D1172826
(x3)
COMPRESSION SP
RING:SIDE FENCE:
PLATE

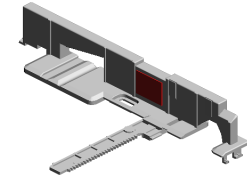
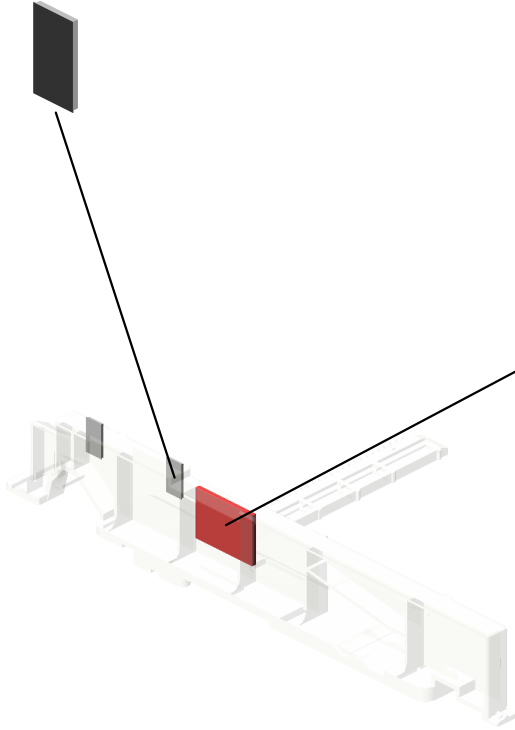


32.D1172834
(x3)
PLATE:SIDE FENC
E



U007_S001_S002
SIDE FENCE:REAR:ASS'Y

26.D1172823
(x2)
PAD:SIDE FENCE



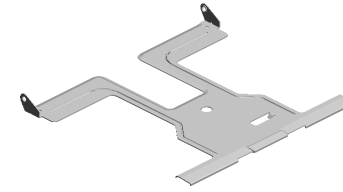
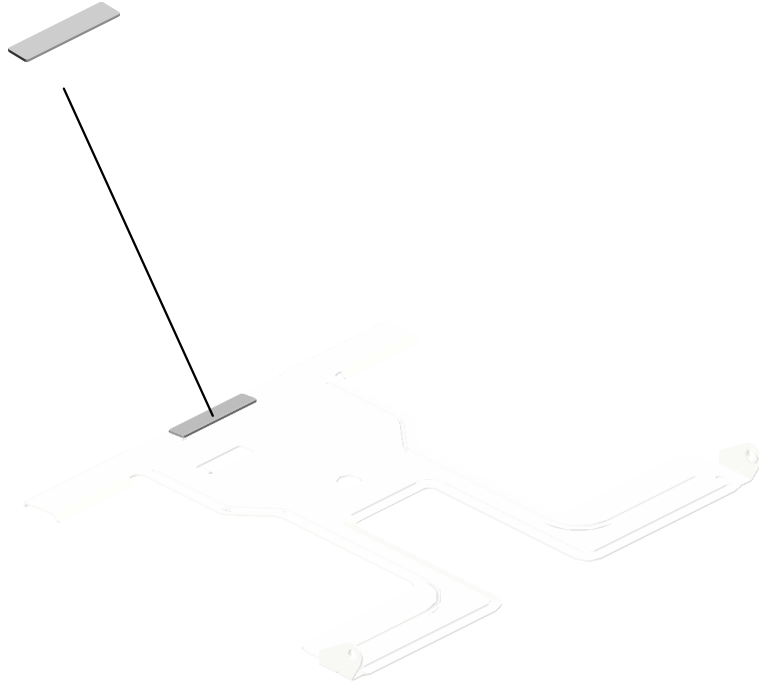
33.D1172836
SIDE FENCE:REAR
:ASS'Y

38.D1172844
DECAL:SIDE FENCE:REAR

U001	U002	U003	U004	U005	U006	U007	U008	U009	U010	U011	U012	U013	U014	U015	U016	U017	U018	U019	U020	U021
------	------	------	------	------	------	------	------	------	------	------	------	------	------	------	------	------	------	------	------	------

U007_S001_S003
BASE:TRAY:ASS'Y

6.52152713
BOTTOM PLATE P
AD

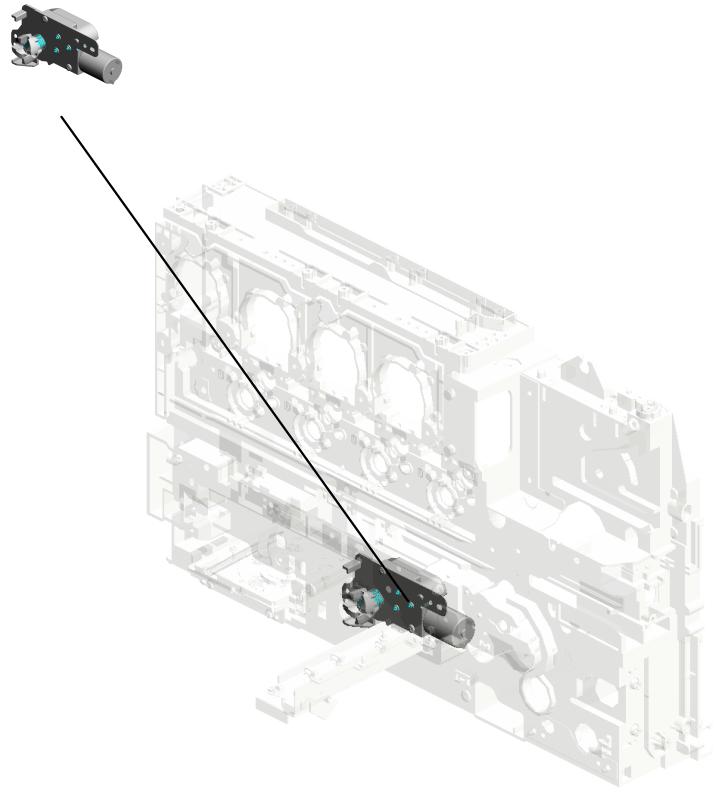


39.D1172845
BASE:TRAY:ASS'Y

U001	U002	U003	U004	U005	U006	U007	U008	U009	U010	U011	U012	U013	U014	U015	U016	U017	U018	U019	U020	U021
------	------	------	------	------	------	------	------	------	------	------	------	------	------	------	------	------	------	------	------	------

U008.Paper Feed-1

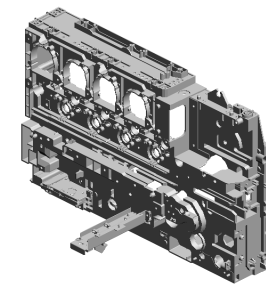
U008 S001
D1172533
BASE:RISE:ASS'Y



U001	U002	U003	U004	U005	U006	U007	U008	U009	U010	U011	U012	U013	U014	U015	U016	U017	U018	U019	U020	U021
------	------	------	------	------	------	------	-------------	------	------	------	------	------	------	------	------	------	------	------	------	------

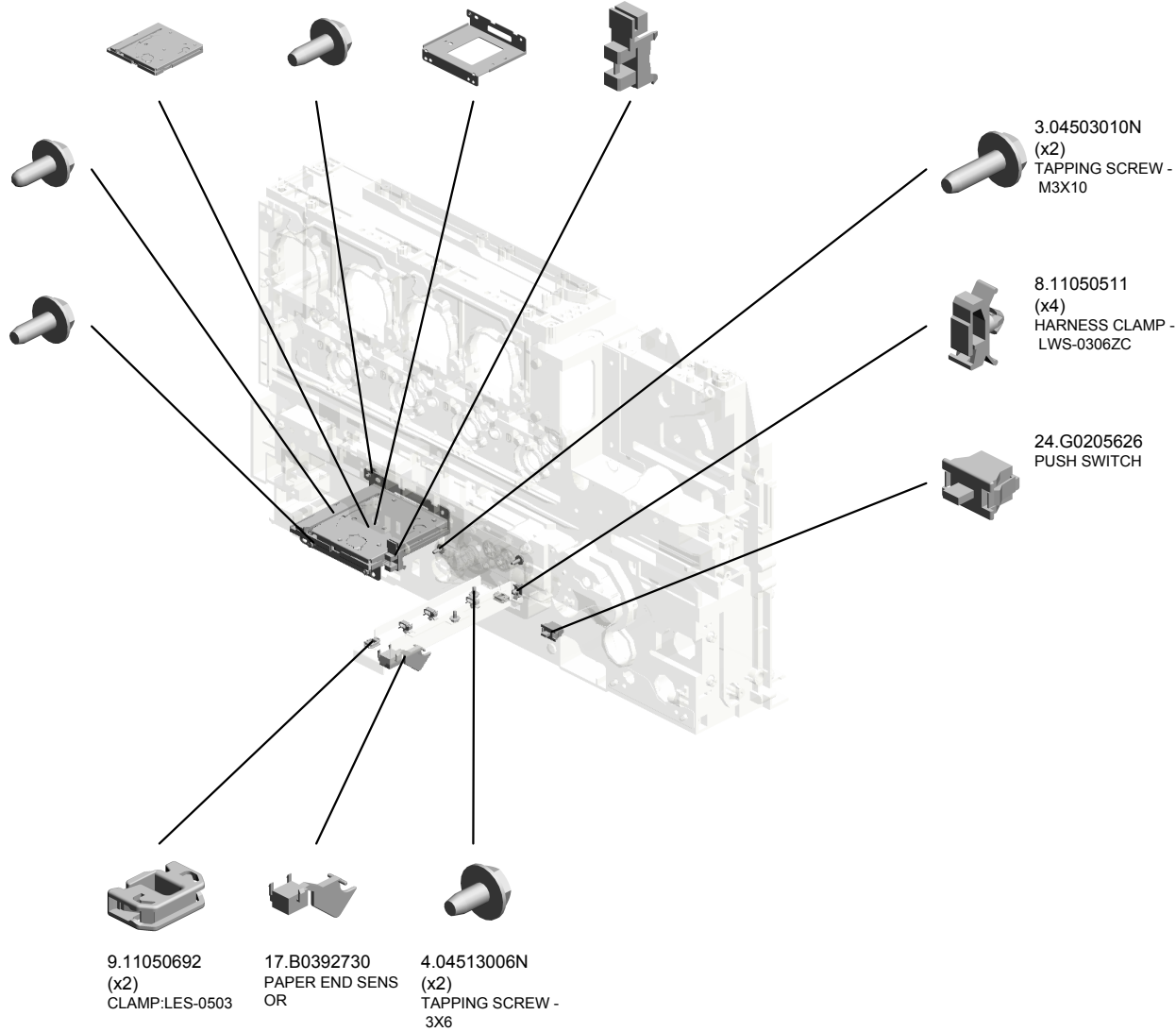
U008 Paper Feed-1

22.D1172899 LEVER:STRETCH:TRAY:UNI:ASSY
 5.04513008N TAPPING SCREW - M3X8
 23.D1172901 BRACKET:STRETCH:TRAY
 16.AW020224 PHOTOINTERRUPTOR:GP1A173LCS VF 201607-01 O/O

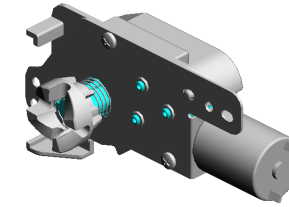


7.04543008Q (x2) TAPPING SCREW - 3X8

2.04503008N (x2) TAPPING SCREW - M3X8



U008_S001
BASE:RISE:ASS'Y



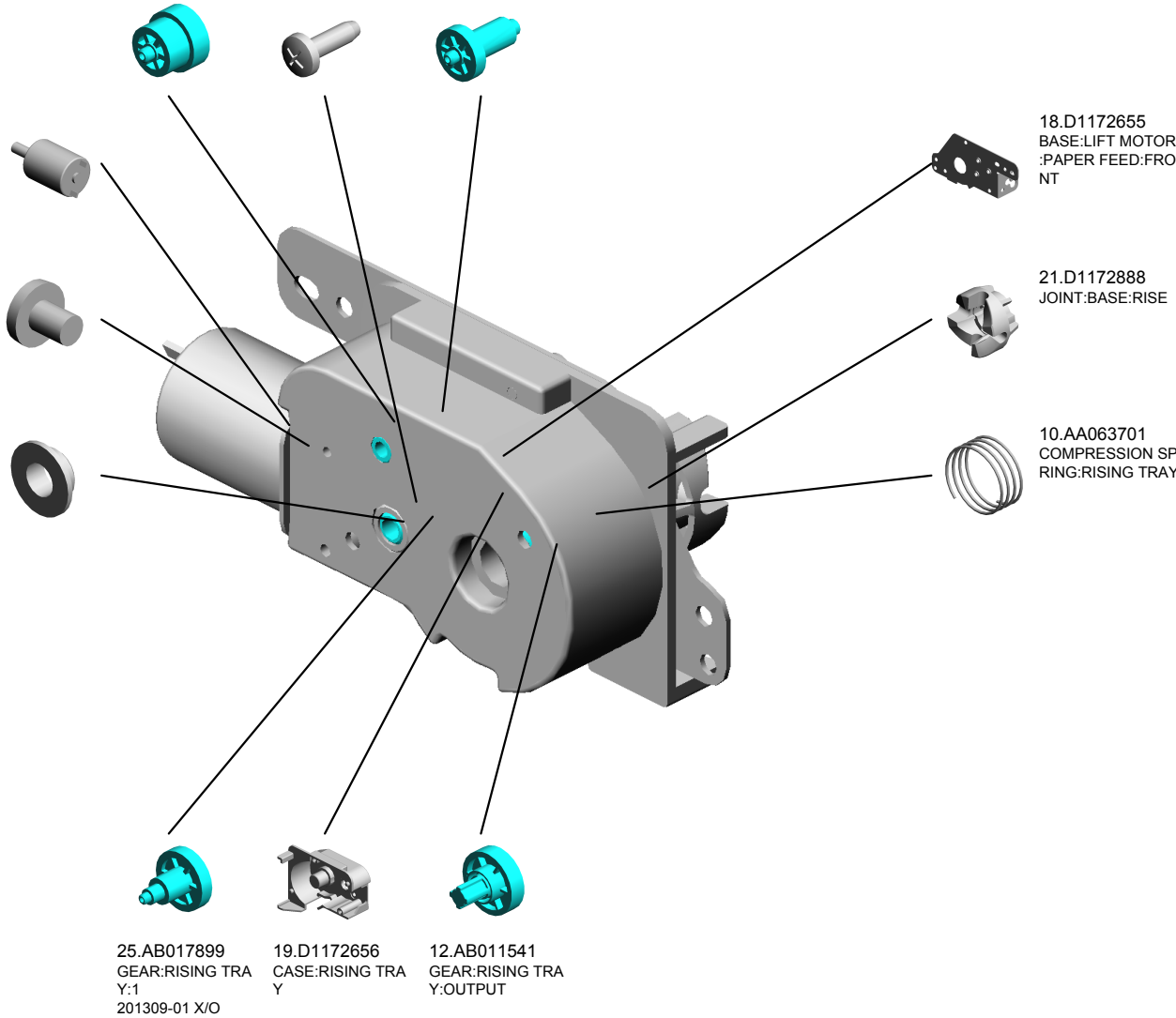
26.D1172533
BASE:RISE:ASS'Y

- 15.AB017835 GEAR:RISING TRA Y:3
- 6.04523008N (x2) TAPPING SCREW - M3X8
- 14.AB017834 GEAR:RISING TRA Y:2

20.D1172660 DC MOTOR:2.6W:B RUSH

1.03530030N (x2) SCREW:M3X3

11.AA080361 PLAIN SHAFT BEARING:CASE:RISING TRAY



18.D1172655 BASE:LIFT MOTOR :PAPER FEED:FRONT

21.D1172888 JOINT:BASE:RISE

10.AA063701 COMPRESSION SPRING:RISING TRAY

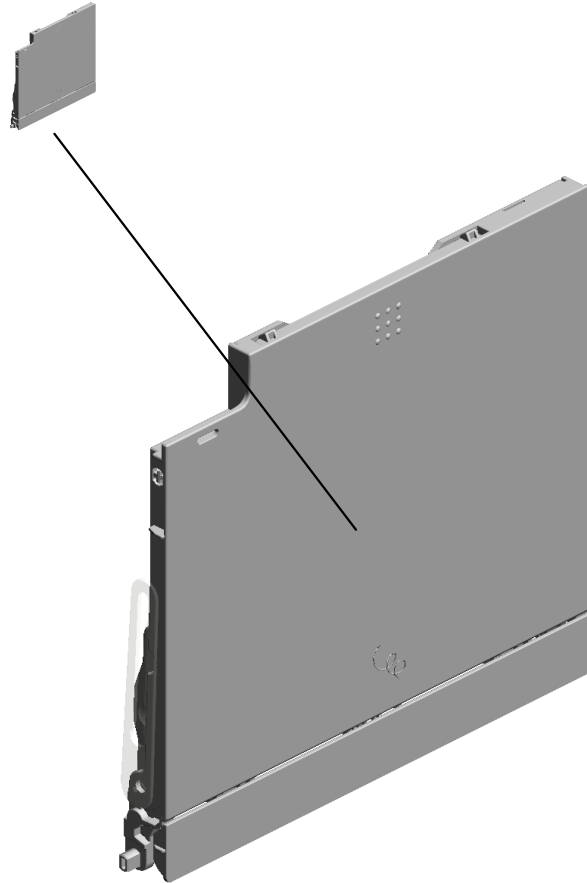
25.AB017899 GEAR:RISING TRAY:201309-01 X/O

19.D1172656 CASE:RISING TRAY

12.AB011541 GEAR:RISING TRAY:OUTPUT

U009.By-pass Feed-1

U009 S001
D1172762
MANUAL FEED TABLE:ASS'Y



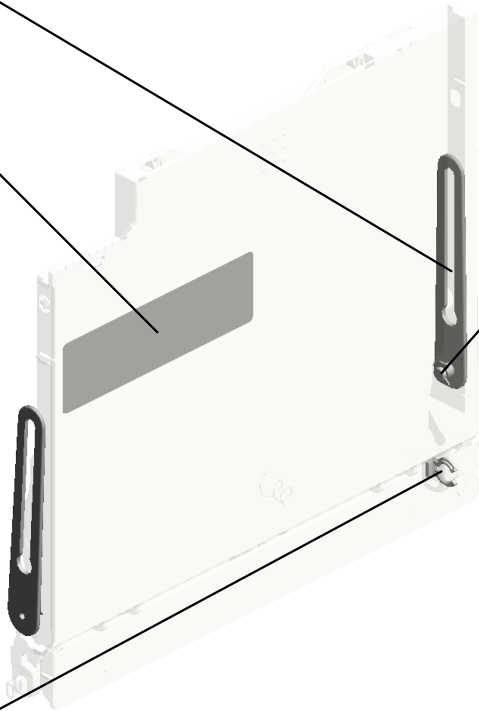
U001	U002	U003	U004	U005	U006	U007	U008	U009	U010	U011	U012	U013	U014	U015	U016	U017	U018	U019	U020	U021
------	------	------	------	------	------	------	------	------	------	------	------	------	------	------	------	------	------	------	------	------

U009
By-pass Feed-1

3.D1172761
(x2)
LINK:MANUAL FEE
D TABLE



21.D1172797
DECAL:TRAY:MAN
UAL FEED:INKJET:
TAIWAN



1.08050104
(x2)
RETAINING RINGS
-E:SILENCER:DIA4
201504-03 O/O



19.D1172787
STOPPER:MANUA
L FEED TABLE

U001	U002	U003	U004	U005	U006	U007	U008	U009	U010	U011	U012	U013	U014	U015	U016	U017	U018	U019	U020	U021
------	------	------	------	------	------	------	------	------	------	------	------	------	------	------	------	------	------	------	------	------

U009_S001 MANUAL FEED TABLE:ASS'Y

16.D1172781 COIL SPRING:PINION GEAR:MANUAL FEED
 10.D1172771 EXTENSION TRAY:MANUAL FEED
 7.D1172768 GEAR:SIDE FENCE
 9.D1172770 COVER:MANUAL FEED TABLE
 20.D1172792 DECAL:SCALE:MANUAL FEED



4.D1172762
MANUAL FEED TABLE:ASS'Y

11.D1172772 (x2)
COMPRESSION SPRING:EXTENSION TRAY:MANUAL FEED

8.D1172769 (x2)
RACK:MANUAL FEED

22.M0262993
DECAL:SIDE FENCE:MANUAL FEED

6.D1172767
SIDE FENCE:MANUAL FEED:REAR

17.D1172784 (x2)
LINK:COVER:FRONT REAR

23.M0662743 (x2)
FRICTION PAD:MANUAL FEED TABLE:18X7.5

12.D1172773
COVER:MANUAL FEED TABLE:LOWER

18.D1172785
LINK:COVER:MIDDLE

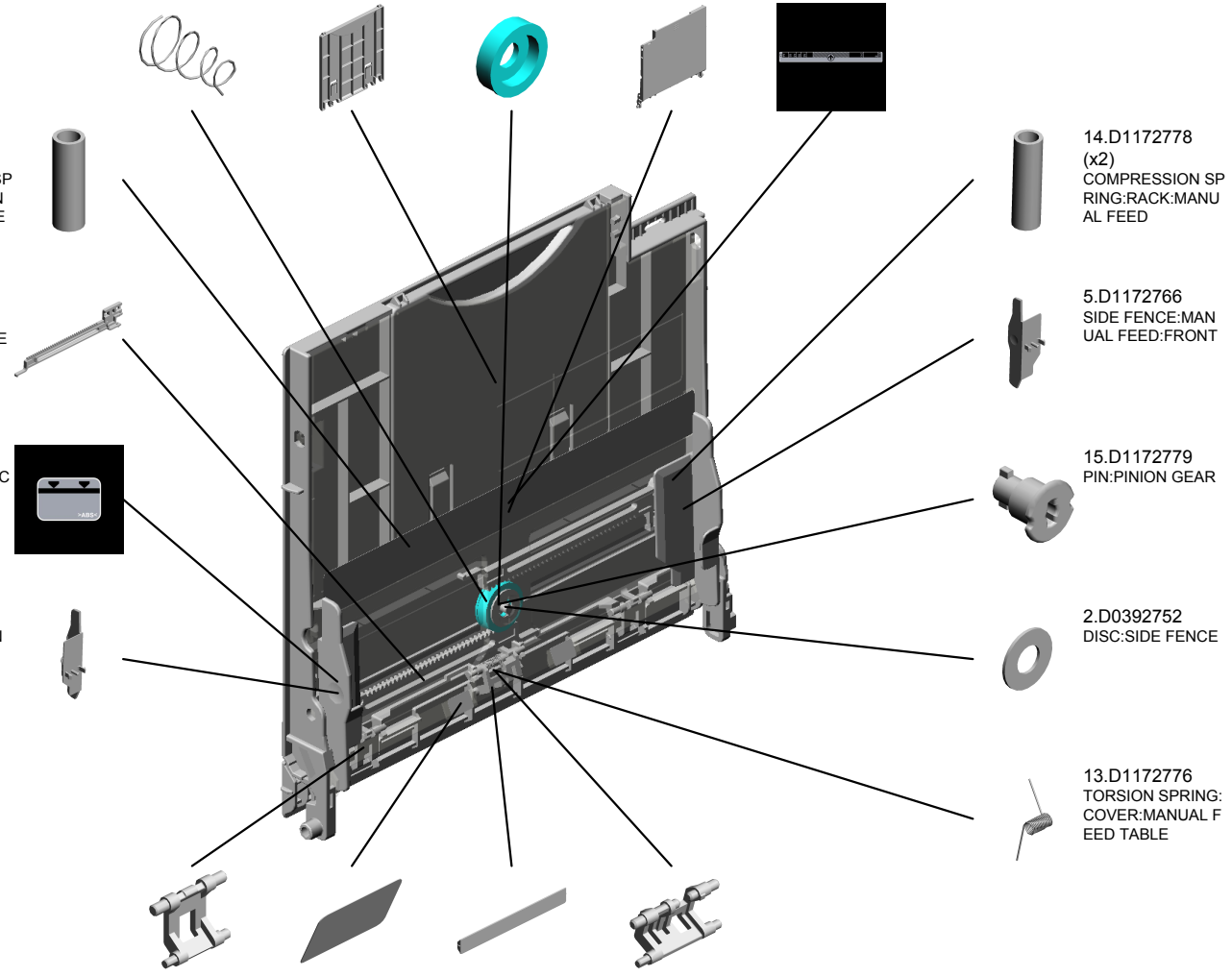
14.D1172778 (x2)
COMPRESSION SPRING:RACK:MANUAL FEED

5.D1172766
SIDE FENCE:MANUAL FEED:FRONT

15.D1172779
PIN:PINION GEAR

2.D0392752
DISC:SIDE FENCE

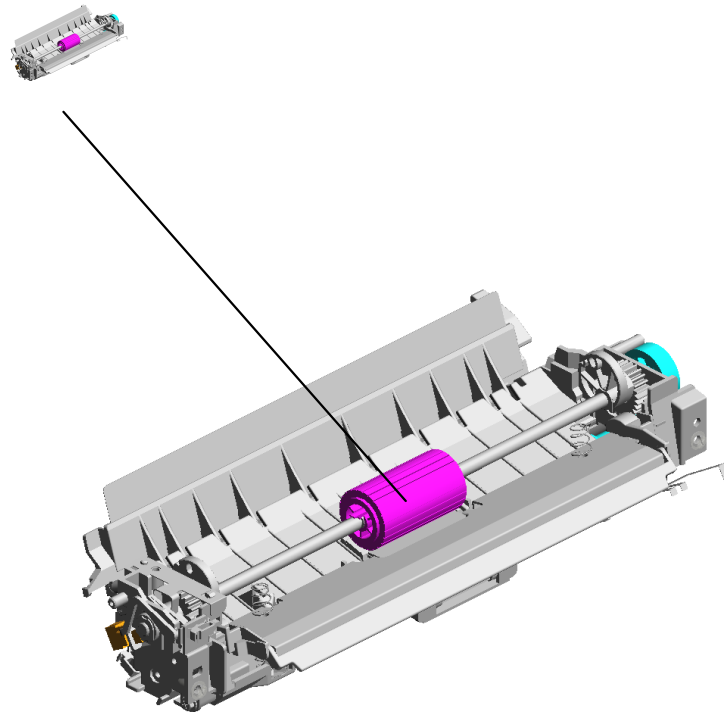
13.D1172776
TORSION SPRING:COVER:MANUAL FEED TABLE



U001	U002	U003	U004	U005	U006	U007	U008	U009	U010	U011	U012	U013	U014	U015	U016	U017	U018	U019	U020	U021
------	------	------	------	------	------	------	------	------	------	------	------	------	------	------	------	------	------	------	------	------

U010.By-pass Feed-2

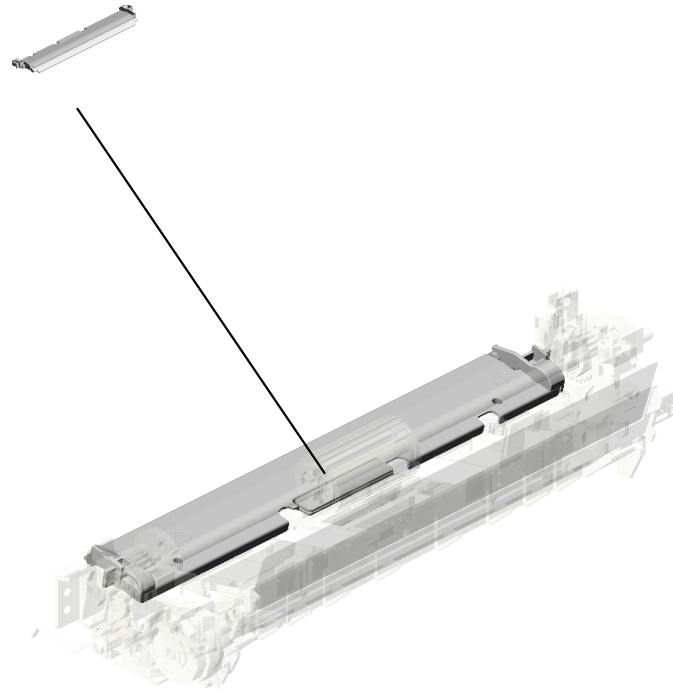
U010 S001
D1172701
MANUAL FEED UNIT:ASS'Y



U001	U002	U003	U004	U005	U006	U007	U008	U009	U010	U011	U012	U013	U014	U015	U016	U017	U018	U019	U020	U021
------	------	------	------	------	------	------	------	------	------	------	------	------	------	------	------	------	------	------	------	------

U010_S001.MANUAL FEED UNIT:ASS'Y

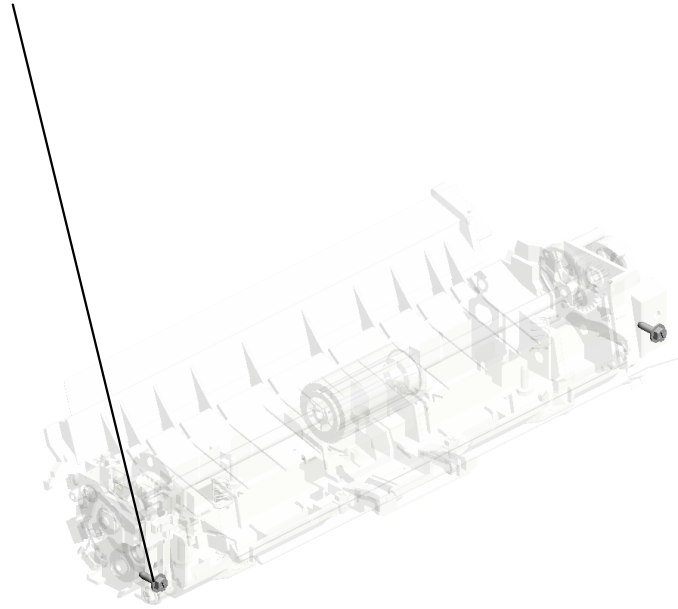
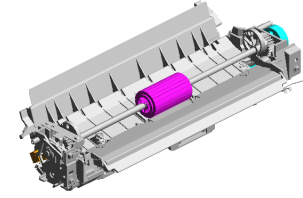
U010 S001 S001
D1172720
TRAY BOTTOM PLATE:MANU
AL FEED:ASS'Y



U001	U002	U003	U004	U005	U006	U007	U008	U009	U010	U011	U012	U013	U014	U015	U016	U017	U018	U019	U020	U021
------	------	------	------	------	------	------	------	------	------	------	------	------	------	------	------	------	------	------	------	------

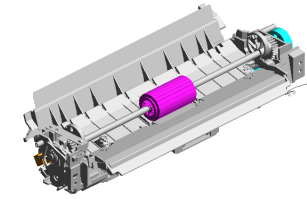
U010
By-pass Feed-2

1.04503010N
(x2)
TAPPING SCREW -
M3X10



U001	U002	U003	U004	U005	U006	U007	U008	U009	U010	U011	U012	U013	U014	U015	U016	U017	U018	U019	U020	U021
------	------	------	------	------	------	------	------	------	------	------	------	------	------	------	------	------	------	------	------	------

U010_S001 MANUAL FEED UNIT:ASS'Y



41.D1172701
MANUAL FEED UNIT:ASS'Y

- 25.D1172734 (x2) TORSION SPRING: PAPER END SENSOR:MANUAL FEED
- 2.04513006N (x2) TAPPING SCREW - 3X6
- 10.D1172710 GUIDE PLATE:MANUAL FEED:LOWER
- 7.AF031092 PAPER FEED ROLLER:MANUAL FEED
- 13.D1172717 SHAFT:PAPER FEED D:MANUAL FEED

6.AA082101 (x4) BUSHING - 6X10X6

14.D1172719 GEAR:PAPER FEED D:MANUAL FEED

3.08050104 (x9) RETAINING RINGS -E:SILENCER:DIA4 201504-03 O/O

1.04503010N (x8) TAPPING SCREW - M3X10

9.AX200328 ELECTROMAGNETIC CLUTCH:DRIVE:MANUAL FEED

24.D1172733 FEELER:PAPER END SENSOR:MANUAL FEED

8.AW020224 (x3) PHOT INTERRUPTOR:GP1A173LCS VF 201607-01 O/O

23.D1172732 (x2) HOLDER:PAPER END SENSOR:MANUAL FEED

11.D1172711 FRICTION PAD:MANUAL FEED:ADHESION

12.D1172714 COMPRESSION SPRING:SEPARATION:MANUAL FEED

4.11050511 (x2) HARNESS CLAMP - LWS-0306ZC

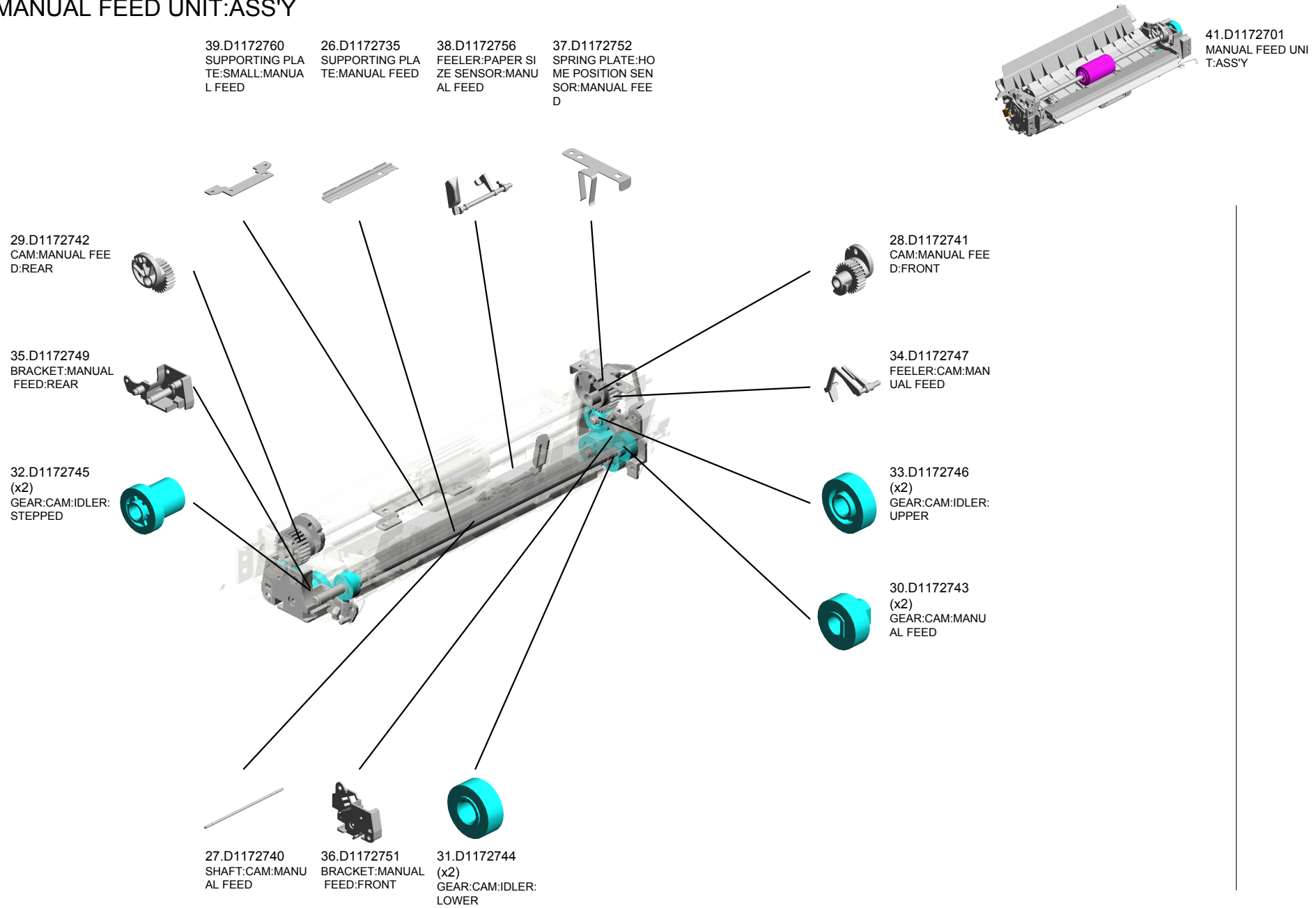
22.D1172729 TENSION SPRING: GUIDE PLATE:MANUAL FEED

19.D1172725 (x2) COMPRESSION SPRING:PAPER FEED:MANUAL FEED

21.D1172728 SHEET:MANUAL FEED

20.D1172727 GUIDE PLATE:MANUAL FEED:MIDDLE

U010_S001
MANUAL FEED UNIT:ASS'Y

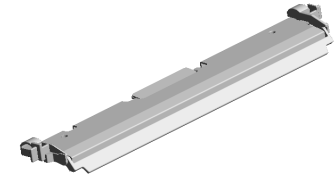


U001	U002	U003	U004	U005	U006	U007	U008	U009	U010	U011	U012	U013	U014	U015	U016	U017	U018	U019	U020	U021
------	------	------	------	------	------	------	------	------	------	------	------	------	------	------	------	------	------	------	------	------

U010_S001_S001
TRAY BOTTOM PLATE:MANUAL FEED:ASS'Y

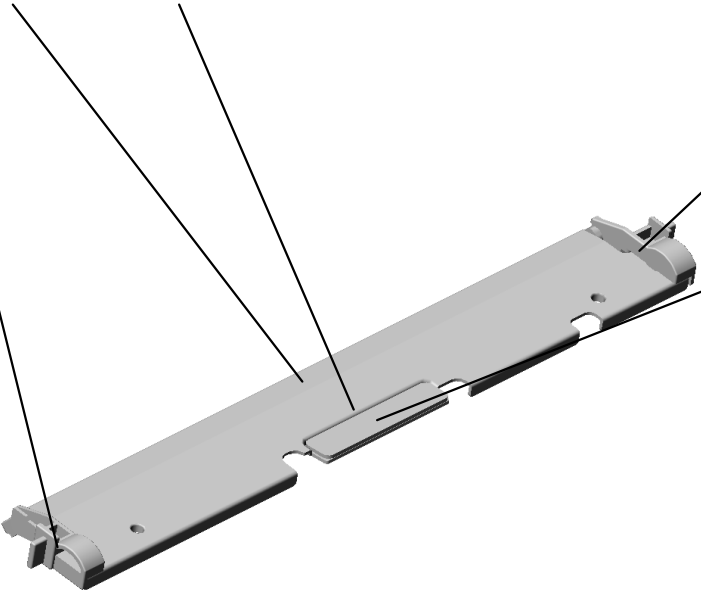
40.D1172782
GUIDE PLATE:MAN
UAL FEED TABLE

16.D1172721
TRAY BOTTOM PL
ATE:MANUAL FEE
D



15.D1172720
TRAY BOTTOM PL
ATE:MANUAL FEE
D:ASS'Y

18.D1172724
GUIDE:BASE:REAR



17.D1172723
GUIDE:BASE:FRO
NT



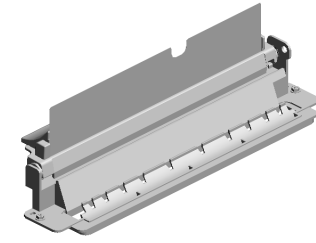
5.52152713
BOTTOM PLATE P
AD



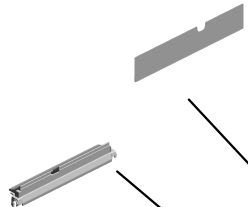
U001	U002	U003	U004	U005	U006	U007	U008	U009	U010	U011	U012	U013	U014	U015	U016	U017	U018	U019	U020	U021
------	------	------	------	------	------	------	------	------	------	------	------	------	------	------	------	------	------	------	------	------

U011 Vertical Transport

4.D1172613
GUIDE:VERTICAL
TRANSPORT



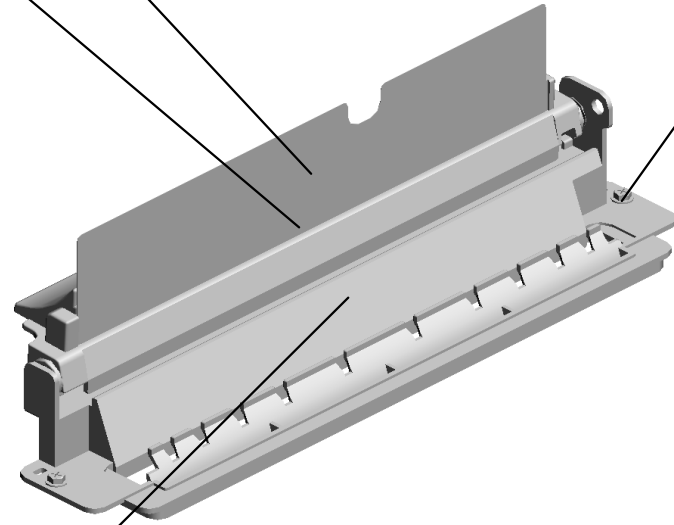
3.D1172612
GUIDE PLATE:VER
TICAL TRANSPOR
T:UPPER



1.04543006Q
(x2)
TAPPING SCREW -
M3X6



2.D1172611
GUIDE PLATE:VER
TICAL TRANSPOR
T:LOWER



U001	U002	U003	U004	U005	U006	U007	U008	U009	U010	U011	U012	U013	U014	U015	U016	U017	U018	U019	U020	U021
------	------	------	------	------	------	------	------	------	------	------	------	------	------	------	------	------	------	------	------	------

U012 Paper Registration

2.04543006Q
(x6)
TAPPING SCREW -
M3X6

12.D1172617
CASE:REMOVE PA
PER DUST

13.D1172618
GUIDE:REMOVE P
APER DUST

14.D2962619
GUIDE PLATE:REG
ISTRATION ROLLE
R:DRIVEN
201607-02 O/O

10.AF021088
REGISTRATION R
OLLER:DRIVEN



11.AW010107
(x2)
PAPER FEED SEN
SOR

6.AB011537
GEAR:REGISTRATI
ON ROLLER:FRON
T

19.D1172637
(x2)
COMPRESSION SP
RING:ROLLER:TEN
SION

8.AB011539
GEAR:REGISTRATI
ON ROLLER:DRIVE

18.D1172636
(x2)
HOLDER:REGISTR
ATION

1.04503010N
(x2)
TAPPING SCREW -
M3X10

9.AF020791
REGISTRATION R
OLLER:DRIVE

20.D1172638
GUIDE PLATE:REG
ISTRATION ROLLE
R:DRIVE

17.D1172635
BRACKET:FRAME:
REGISTRATION

3.04543008Q
(x2)
TAPPING SCREW:
3X8

4.07200040E
(x4)
RETAINING RING -
M4

7.AB011538
GEAR:REGISTRATI
ON ROLLER:INNER
BACK

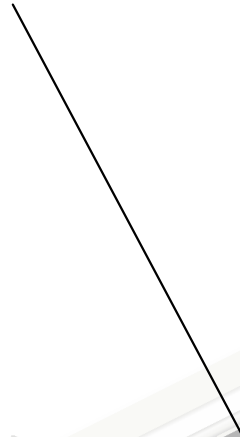
5.AA082161
(x2)
PLAIN SHAFT BEA
RING:REGISTRATI
ON ROLLER

15.D1172631
(x2)
COLLAR:REGISTR
ATION

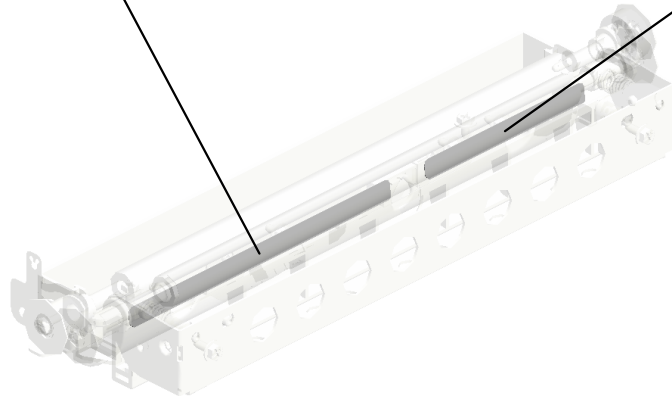
16.D1172633
(x2)
BUSHING:REGIST
RATION ROLLER:D
RIVE

U012 Paper Registration

21.D1172639
GUIDE:REGISTRAT
ION:DRIVE:FRONT



22.D1172640
GUIDE:REGISTRAT
ION:DRIVE:INNER
BACK



U001	U002	U003	U004	U005	U006	U007	U008	U009	U010	U011	U012	U013	U014	U015	U016	U017	U018	U019	U020	U021
------	------	------	------	------	------	------	------	------	------	------	------	------	------	------	------	------	------	------	------	------

U013.Toner Supply

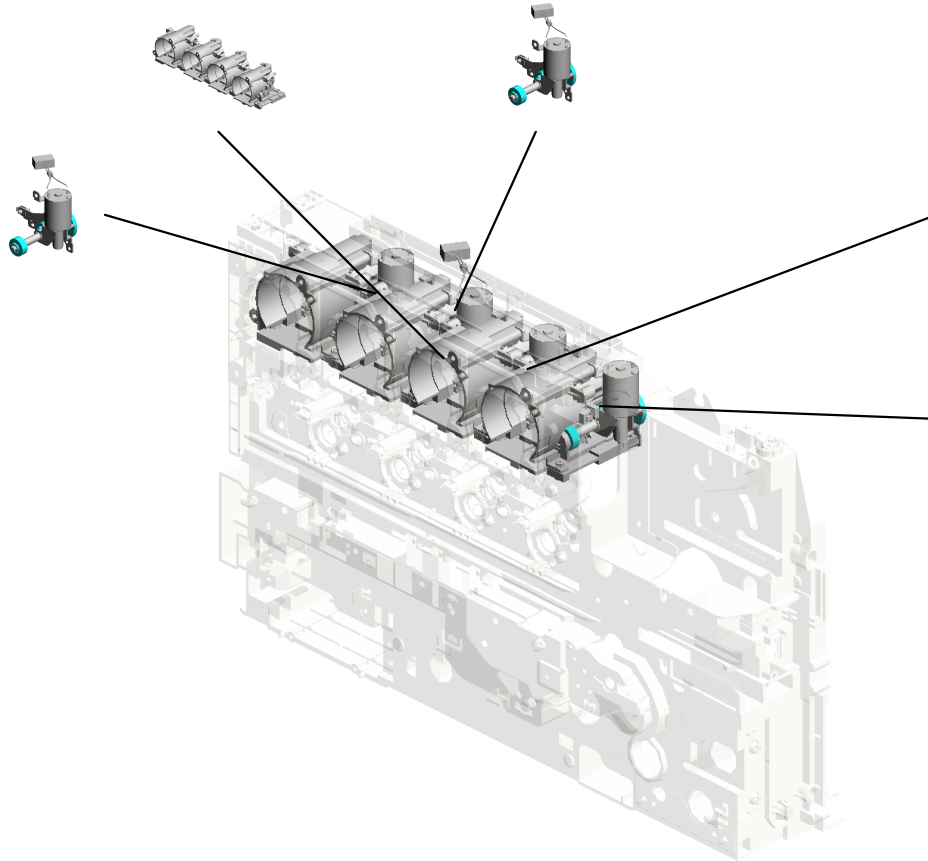
U013_S001
D1173301
HOUSING:TONER SUPPLY:A
SS'Y

U013_S005
D1173304
DRIVE UNIT:TONER SUPPLY
:ASS'Y

U013_S002
D1173304
DRIVE UNIT:TONER SUPPLY
:ASS'Y

U013_S004
D1173304
DRIVE UNIT:TONER SUPPLY
:ASS'Y

U013_S003
D1173304
DRIVE UNIT:TONER SUPPLY
:ASS'Y



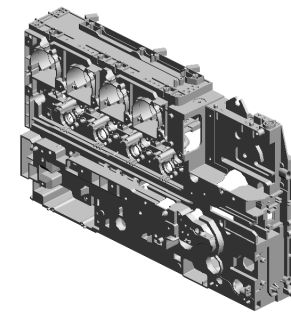
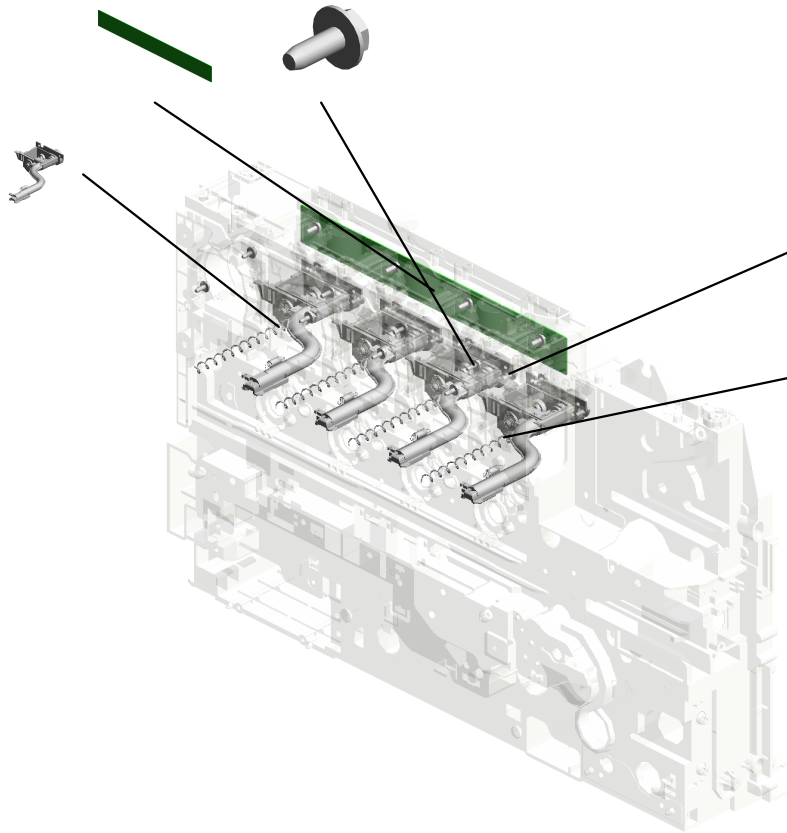
U001	U002	U003	U004	U005	U006	U007	U008	U009	U010	U011	U012	U013	U014	U015	U016	U017	U018	U019	U020	U021
------	------	------	------	------	------	------	------	------	------	------	------	------	------	------	------	------	------	------	------	------

U013 Toner Supply

17.D1175162
PCB:BRB
201512-01 O/O

2.04583008N
(x12)
HEXAGON HEAD T
APPING SCREW:3
X8

7.D1173302
TONER HOPPER:T
ONER SUPPLY:BK:
ASS'Y

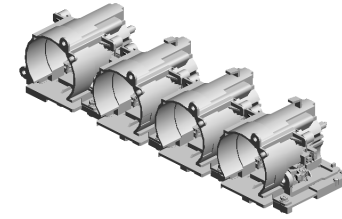


3.04583010N
(x8)
HEXAGON HEAD T
APPING SCREW:3
X10

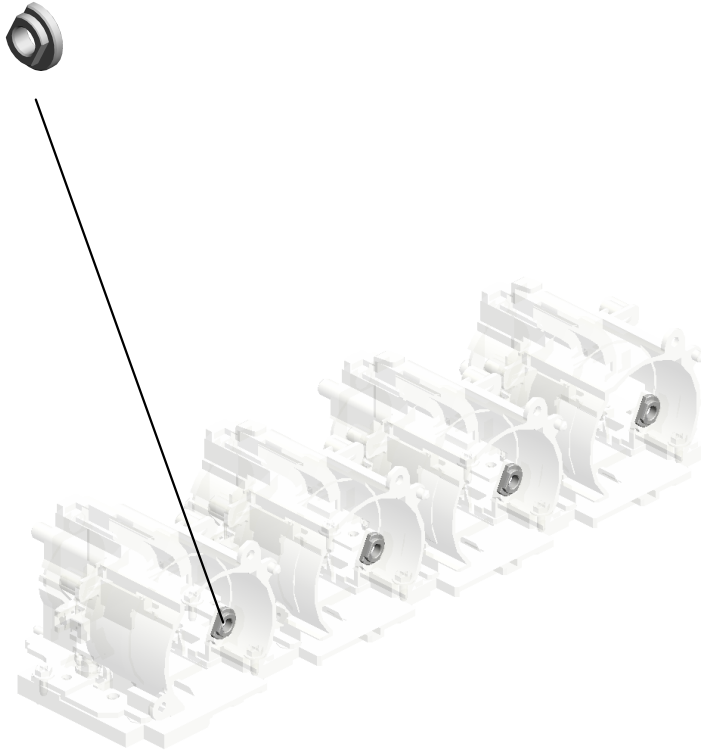
8.D1173303
(x3)
TONER HOPPER:T
ONER SUPPLY:CO
L:ASS'Y

U013_S001
HOUSING:TONER SUPPLY:ASS'Y

18.D1173354
(x4)
COLLAR:TONER S
UPPLY:HOUSING



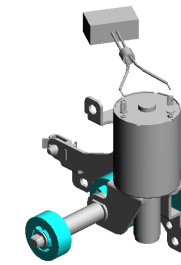
6.D1173301
HOUSING:TONER
SUPPLY:ASS'Y



U001	U002	U003	U004	U005	U006	U007	U008	U009	U010	U011	U012	U013	U014	U015	U016	U017	U018	U019	U020	U021
------	------	------	------	------	------	------	------	------	------	------	------	------	------	------	------	------	------	------	------	------

U013_S002
 DRIVE UNIT:TONER SUPPLY:ASS'Y

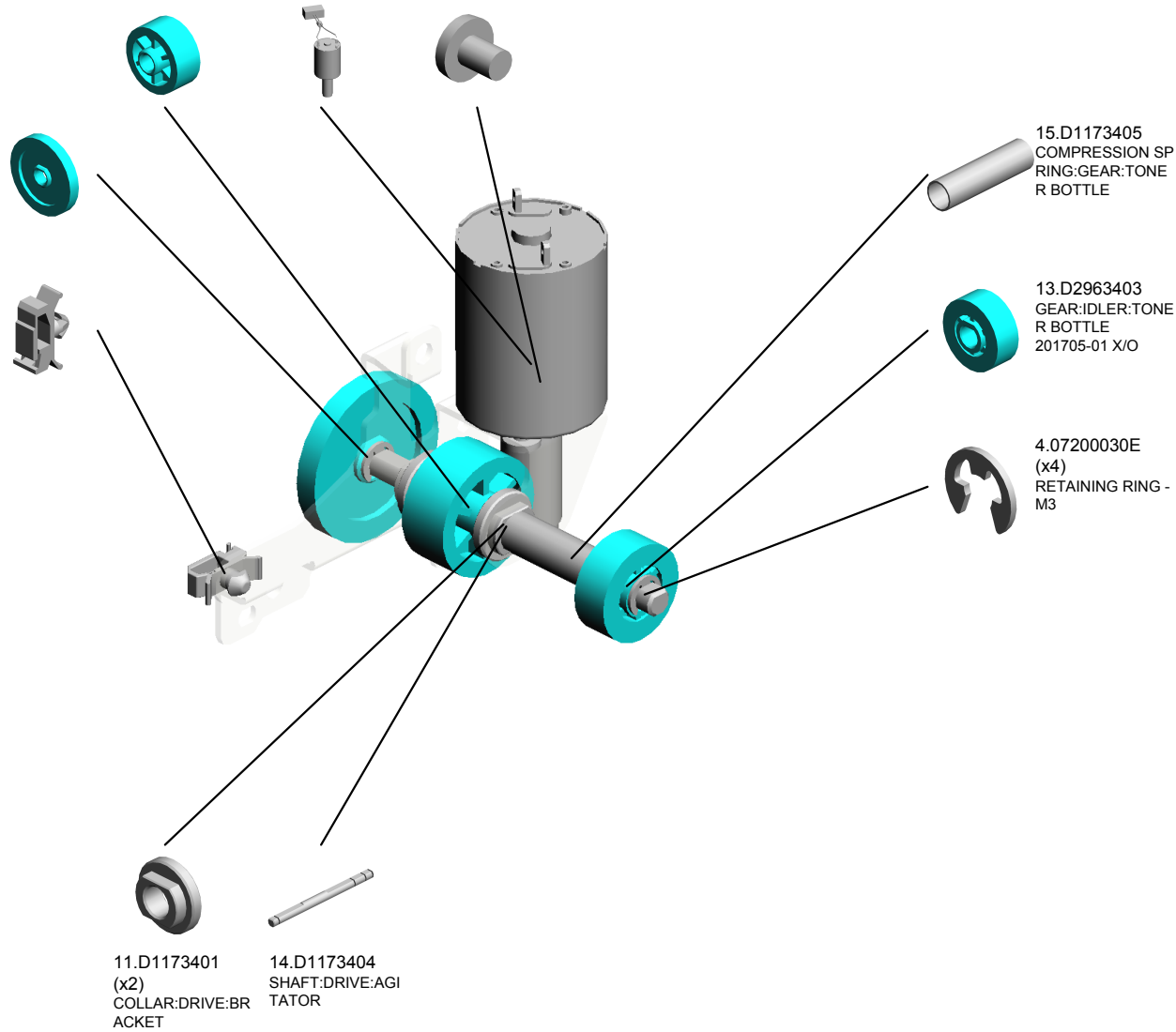
12.D1173402 GEAR:IDLER:DC MOTOR
 10.D1173400 DC MOTOR:TONE R SUPPLY:5.3W:BRUSH
 1.03530030N (x2) SCREW:M3X3



9.D1173304
 DRIVE UNIT:TONE R SUPPLY:ASS'Y

16.D1173407 GEAR:IDLER:TONE R HOPPER:30

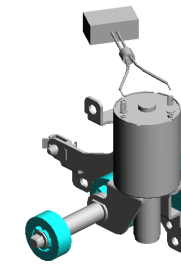
5.11050511 HARNESS CLAMP - LWS-0306ZC



U001	U002	U003	U004	U005	U006	U007	U008	U009	U010	U011	U012	U013	U014	U015	U016	U017	U018	U019	U020	U021
------	------	------	------	------	------	------	------	------	------	------	------	------	------	------	------	------	------	------	------	------

U013_S003
 DRIVE UNIT:TONER SUPPLY:ASS'Y

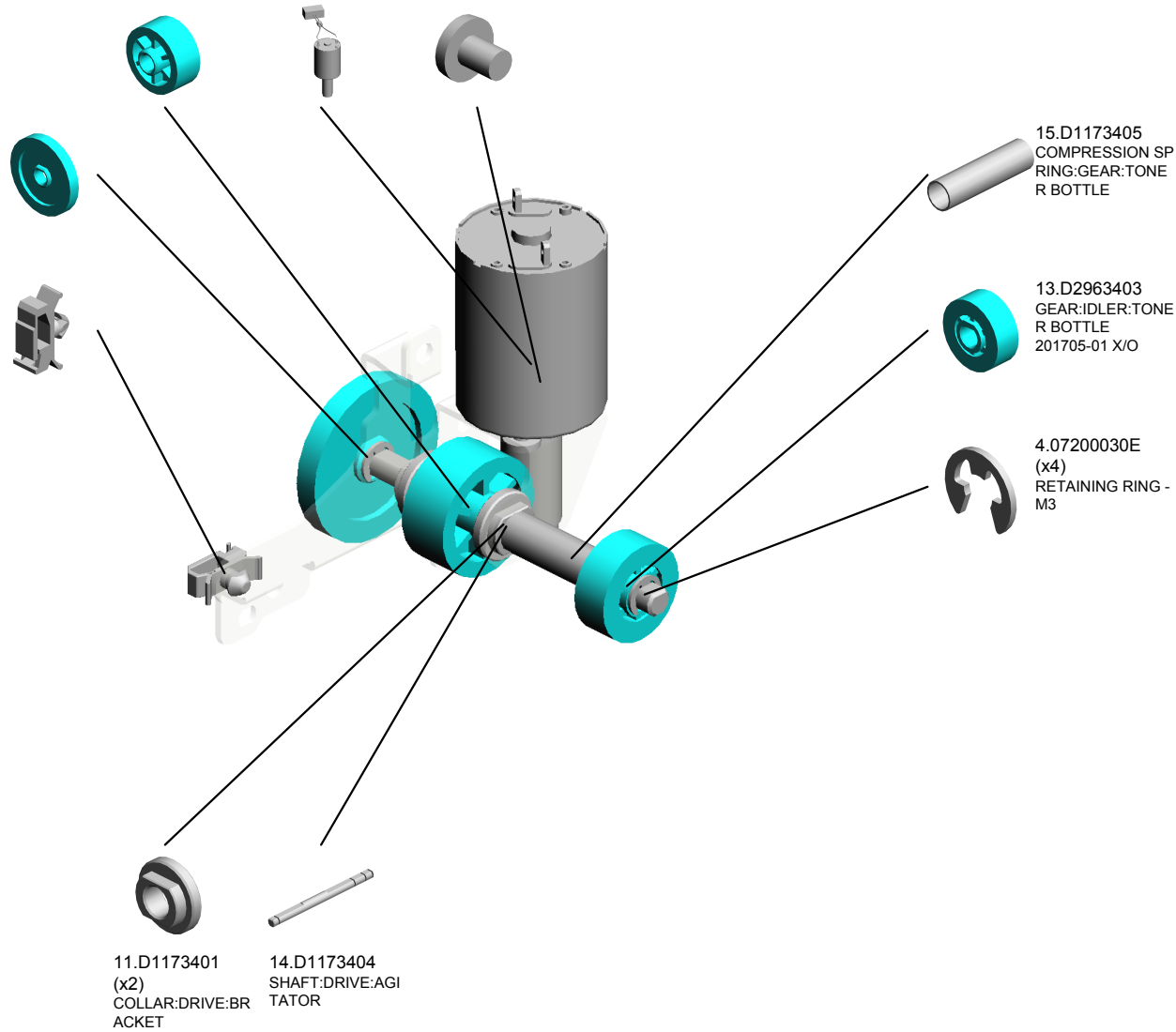
12.D1173402 GEAR:IDLER:DC MOTOR
 10.D1173400 DC MOTOR:TONE R SUPPLY:5.3W:BRUSH
 1.03530030N (x2) SCREW:M3X3



9.D1173304
 DRIVE UNIT:TONE R SUPPLY:ASS'Y

16.D1173407 GEAR:IDLER:TONE R HOPPER:30

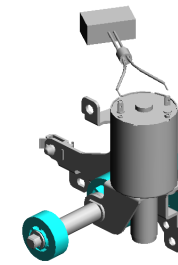
5.11050511 HARNESS CLAMP - LWS-0306ZC



U001	U002	U003	U004	U005	U006	U007	U008	U009	U010	U011	U012	U013	U014	U015	U016	U017	U018	U019	U020	U021
------	------	------	------	------	------	------	------	------	------	------	------	------	------	------	------	------	------	------	------	------

U013_S004
 DRIVE UNIT:TONER SUPPLY:ASS'Y

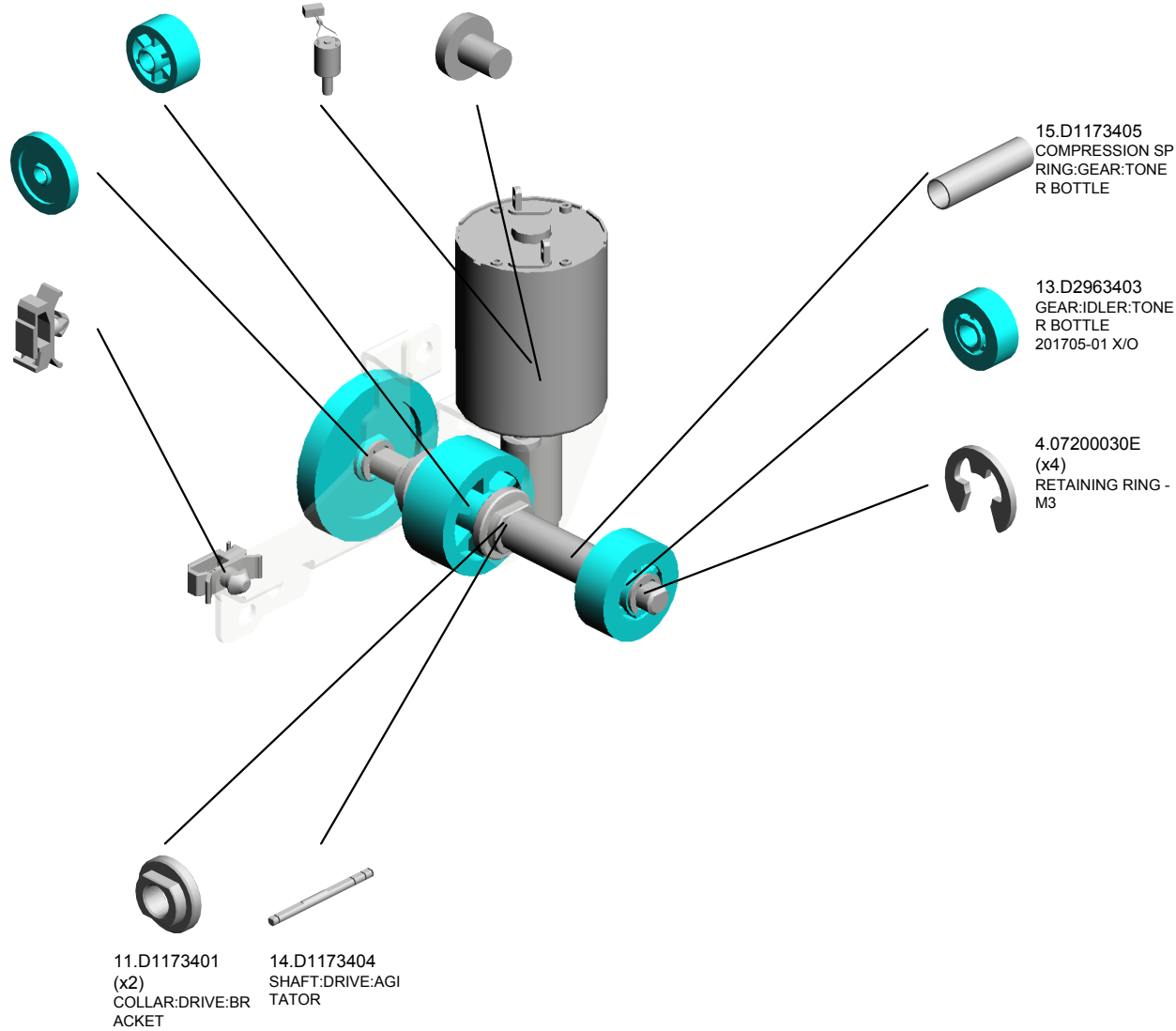
12.D1173402 GEAR:IDLER:DC MOTOR
 10.D1173400 DC MOTOR:TONE R SUPPLY:5.3W:BRUSH
 1.03530030N (x2) SCREW:M3X3



9.D1173304
 DRIVE UNIT:TONE R SUPPLY:ASS'Y

16.D1173407 GEAR:IDLER:TONE R HOPPER:30

5.11050511 HARNESS CLAMP - LWS-0306ZC



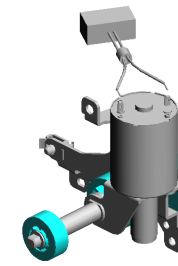
U001	U002	U003	U004	U005	U006	U007	U008	U009	U010	U011	U012	U013	U014	U015	U016	U017	U018	U019	U020	U021
------	------	------	------	------	------	------	------	------	------	------	------	------	------	------	------	------	------	------	------	------

U013_S005
 DRIVE UNIT:TONER SUPPLY:ASS'Y

10.D1173400 DC MOTOR: TONE
 R SUPPLY:5.3W:B
 RUSH

12.D1173402 GEAR:IDLER:DC M
 OTOR

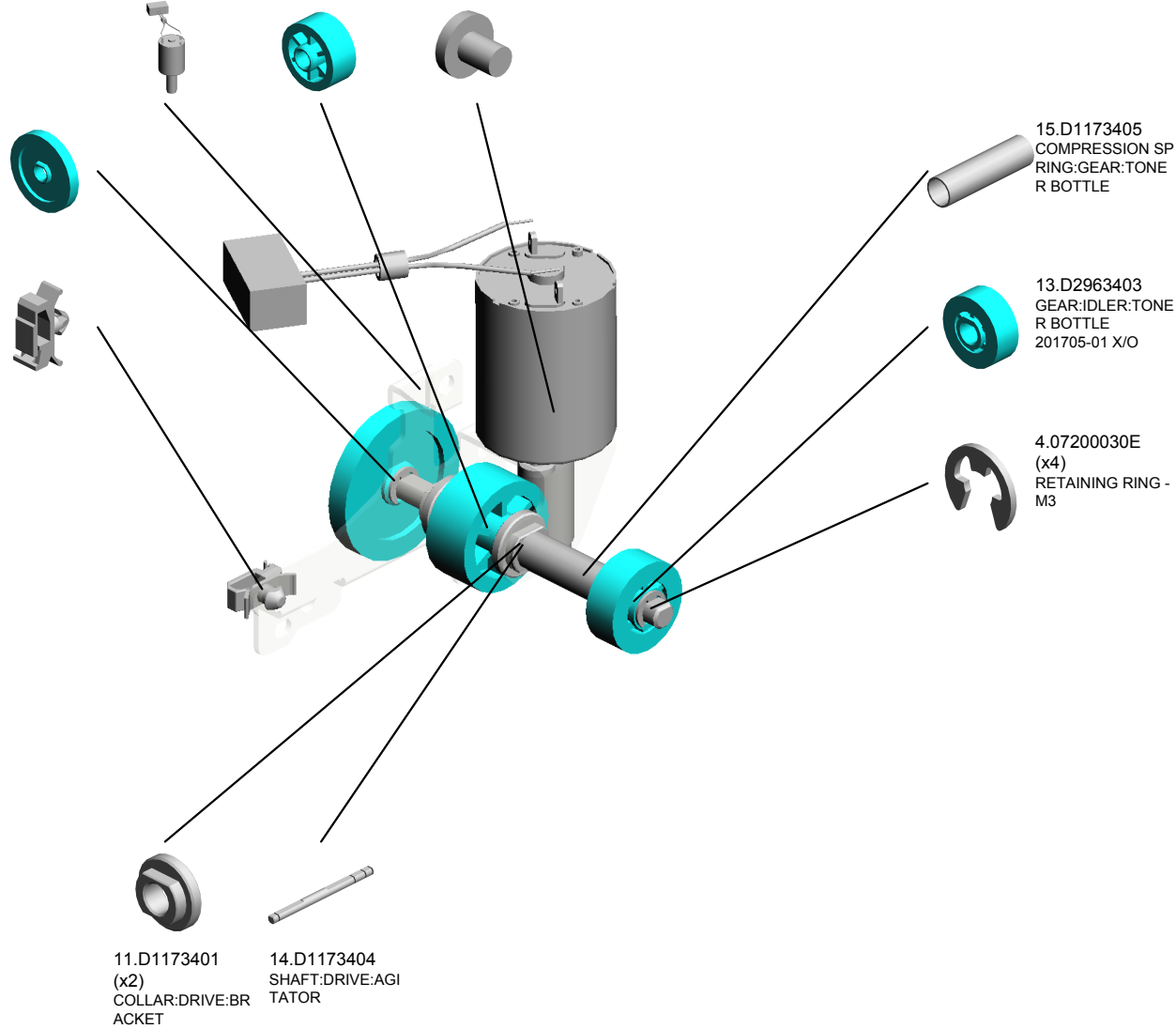
1.03530030N
 (x2)
 SCREW:M3X3



9.D1173304
 DRIVE UNIT: TONE
 R SUPPLY: ASS'Y

16.D1173407
 GEAR:IDLER: TONE
 R HOPPER:30

5.11050511
 HARNESS CLAMP -
 LWS-0306ZC



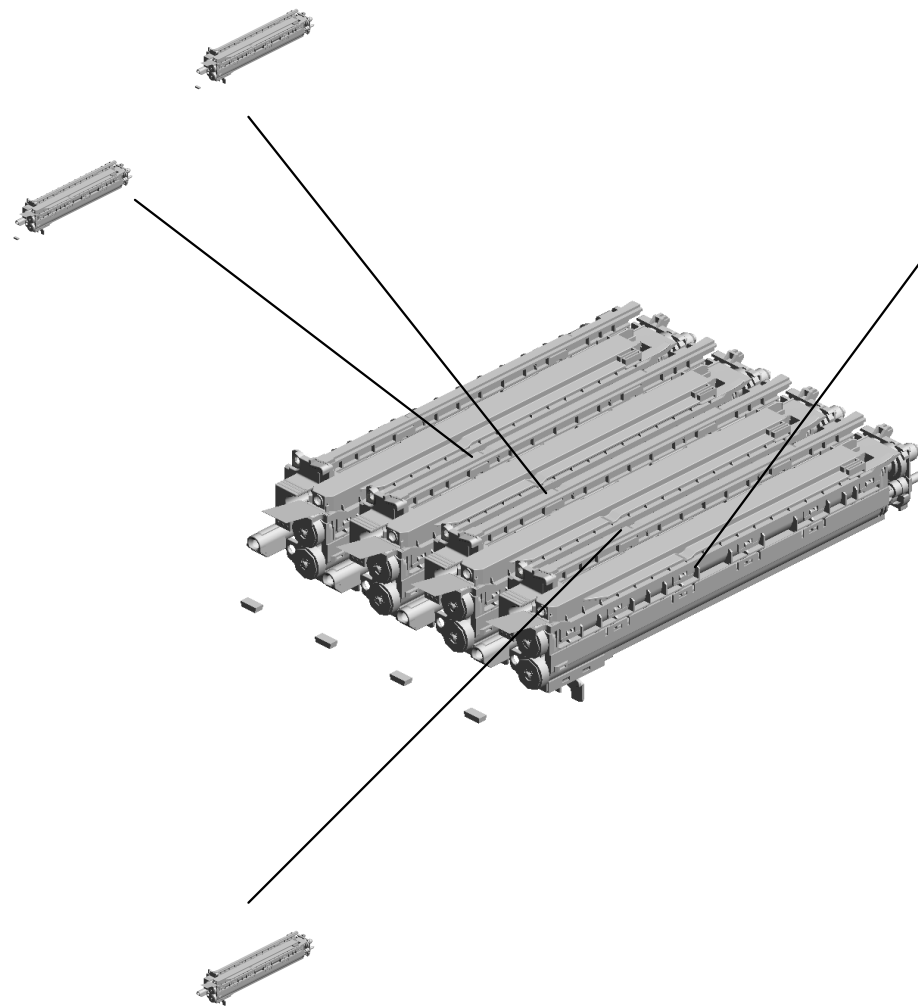
U001	U002	U003	U004	U005	U006	U007	U008	U009	U010	U011	U012	U013	U014	U015	U016	U017	U018	U019	U020	U021
------	------	------	------	------	------	------	------	------	------	------	------	------	------	------	------	------	------	------	------	------

U014.PCDU

U014_S002
D1170126
PCDU:C:SERVICE PARTS

U014_S001
D1170125
PCDU:BK:SERVICE PARTS

U014_S004
D1170128
PCDU:Y:SERVICE PARTS

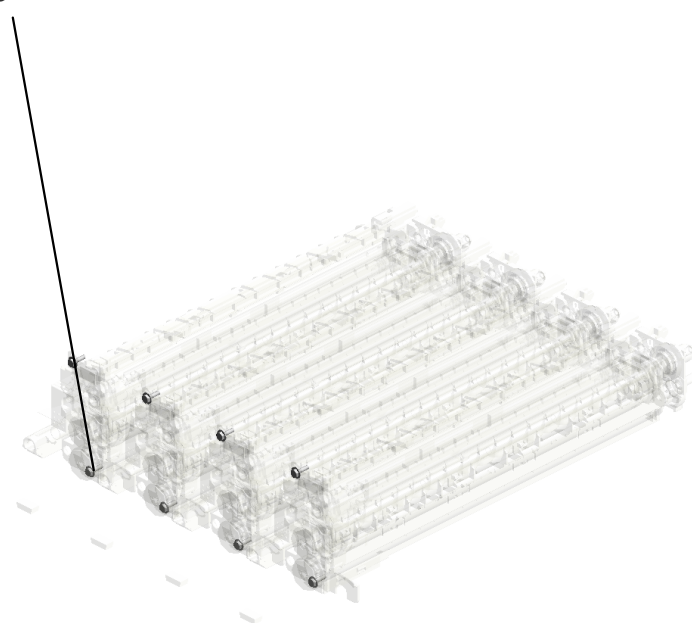
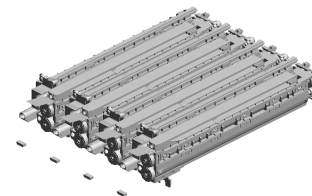


U014_S003
D1170127
PCDU:M:SERVICE PARTS

U001	U002	U003	U004	U005	U006	U007	U008	U009	U010	U011	U012	U013	U014	U015	U016	U017	U018	U019	U020	U021
------	------	------	------	------	------	------	------	------	------	------	------	------	------	------	------	------	------	------	------	------

U014
PCDU

1.08046128
(x8)
HEXAGONAL BOLT
:DOUBLE SCREW:
M3X10





6.D1170125
[A]
PCDU:BK:SERVICE PARTS
201411-05 X/O



10.08050104
RETAINING RINGS
-E:SILENCER:DIA4
201504-03 O/O



D1170121
[A]
PCDU:BK:SERVICE PARTS
201411-05 X/O



7.D1170126
[A]
PCDU:C:SERVICE
PARTS
201411-04 X/O



10.08050104
RETAINING RINGS
-E:SILENCER:DIA4
201504-03 O/O



D1170122
[A]
PCDU:C:SERVICE
PARTS
201411-04 X/O

U014_S003
PCDU:M:SERVICE PARTS



8.D1170127
[A]
PCDU:M:SERVICE
PARTS
201411-03 X/O



10.08050104
RETAINING RINGS
-E:SILENCER:DIA4
201504-03 O/O



D1170123
[A]
PCDU:M:SERVICE
PARTS
201411-03 X/O

U001	U002	U003	U004	U005	U006	U007	U008	U009	U010	U011	U012	U013	U014	U015	U016	U017	U018	U019	U020	U021
------	------	------	------	------	------	------	------	------	------	------	------	------	------	------	------	------	------	------	------	------

U014_S004
PCDU:Y:SERVICE PARTS



9.D1170128
[A]
PCDU:Y:SERVICE
PARTS
201411-02 X/O



10.08050104
RETAINING RINGS
-E:SILENCER:DIA4
201504-03 O/O

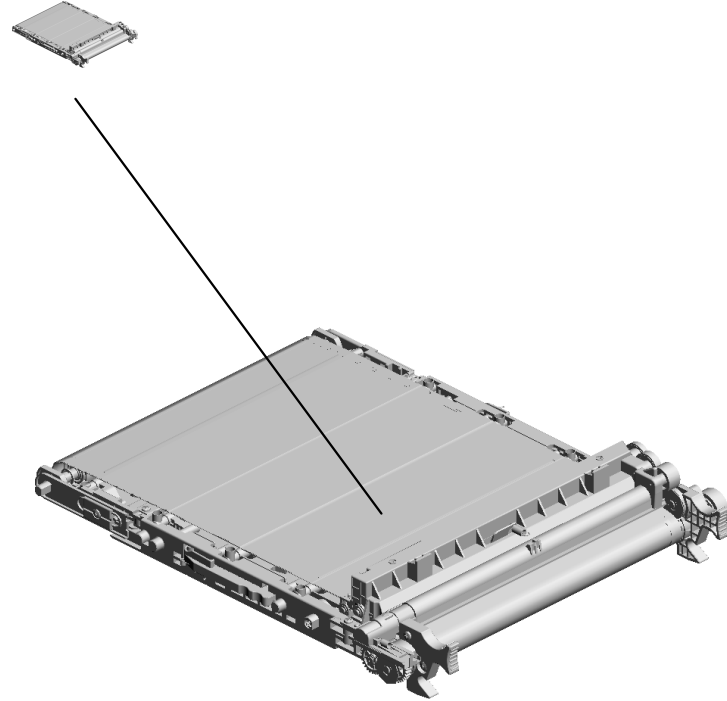


D1170124
[A]
PCDU:Y:SERVICE
PARTS
201411-02 X/O

U001	U002	U003	U004	U005	U006	U007	U008	U009	U010	U011	U012	U013	U014	U015	U016	U017	U018	U019	U020	U021
------	------	------	------	------	------	------	------	------	------	------	------	------	------	------	------	------	------	------	------	------

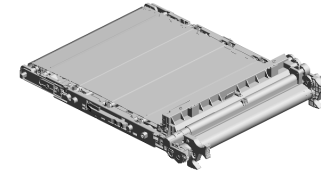
U015.ITB Unit-1

U015 S001
D1176002
TRANSFER UNIT:INTERMEDI
ATE TRANSFER:ASS'Y



U001	U002	U003	U004	U005	U006	U007	U008	U009	U010	U011	U012	U013	U014	U015	U016	U017	U018	U019	U020	U021
------	------	------	------	------	------	------	------	------	------	------	------	------	------	------	------	------	------	------	------	------

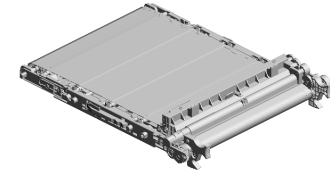
U015
ITB Unit-1



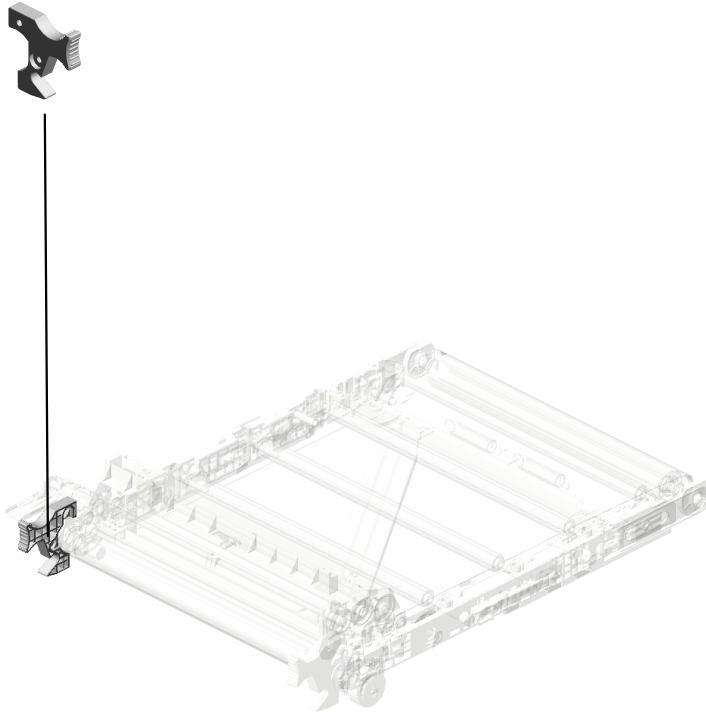
U001	U002	U003	U004	U005	U006	U007	U008	U009	U010	U011	U012	U013	U014	U015	U016	U017	U018	U019	U020	U021
------	------	------	------	------	------	------	------	------	------	------	------	------	------	------	------	------	------	------	------	------

U015_S001
TRANSFER UNIT:INTERMEDIATE TRANSFER:ASS'Y

2.D1176124
GRIP:INTERMEDIA
TE TRANSFER:RIG
HT FRONT



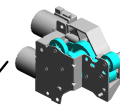
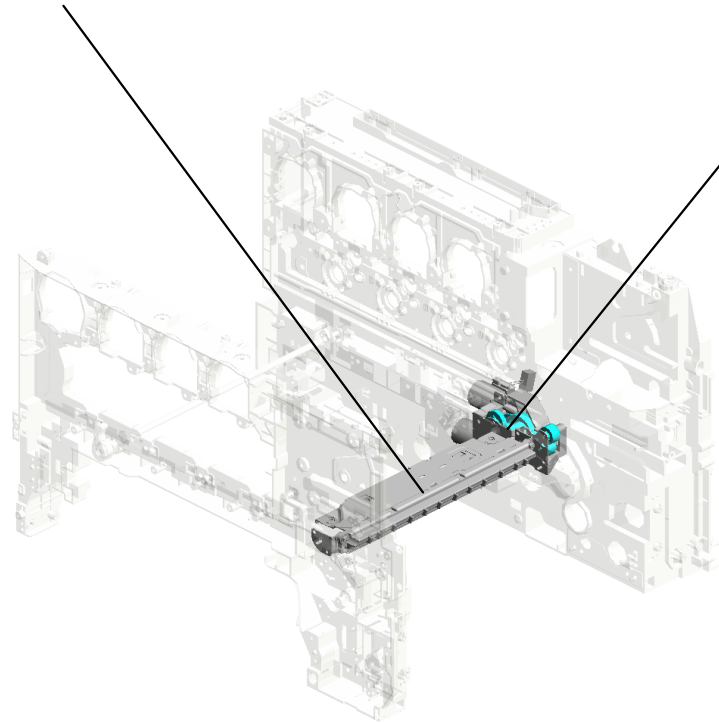
1.D1176002
TRANSFER UNIT:IN
TERMEDIATE TRA
NSFER:ASS'Y



U001	U002	U003	U004	U005	U006	U007	U008	U009	U010	U011	U012	U013	U014	U015	U016	U017	U018	U019	U020	U021
------	------	------	------	------	------	------	------	------	------	------	------	------	------	------	------	------	------	------	------	------

U016.ITB Unit-2

U016_S002
D1176245
DENSITY SENSOR:TM/P:ASS
Y

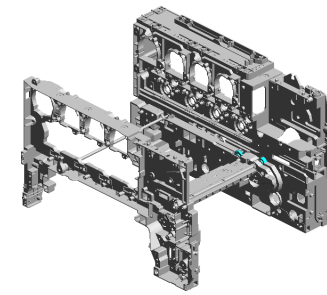


U016_S001
D1176241
DRIVE UNIT:ON-OFF:TRANS
FER ROLLER:ASS'Y

U001	U002	U003	U004	U005	U006	U007	U008	U009	U010	U011	U012	U013	U014	U015	U016	U017	U018	U019	U020	U021
------	------	------	------	------	------	------	------	------	------	------	------	------	------	------	-------------	------	------	------	------	------

U016 ITB Unit-2

- 16.D1176138 (x2) PRESSURE PLATE :INTERMEDIATE TRANSFER
- 14.D1176136 SHAFT:CAM:ON-OFF: BK
- 6.08050104 (x2) RETAINING RINGS -E:SILENCER:DIA4 201504-03 O/O
- 37.G1666057 PLAIN SHAFT BEARING RING:ROLLER:BLACK DE



13.D1176135 (x2) CAM:ON-OFF: BK



15.D1176137 LEVER:ON-OFF: BK :INTERMEDIATE TRANSFER



9.AA066695 TORSION SPRING: LEVER:ON-OFF



31.D1176376 FEELER:ON-OFF: FIRST



8.AA061084 TENSION SPRING: FEELER



30.D1176375 BRACKET:FEELER: ON-OFF



11.AW020203 PHOTOINTERRUPTOR: GP1A173LCS 2F



2.04503010N (x7) TAPPING SCREW - M3X10

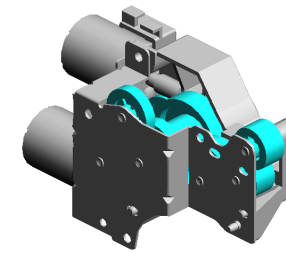


17.D1176181 LEVER:SUPPORT: SHUTTER



U016_S001
 DRIVE UNIT:ON-OFF:TRANSFER ROLLER:ASS'Y

24.D1176365 GEAR:ON-OFF:FIR ST:NO.2
 23.D1176364 GEAR:ON-OFF:FIR ST:NO.1
 25.D1176366 GEAR:ON-OFF:FIR ST:NO.3
 5.07200030E RETAINING RING - M3

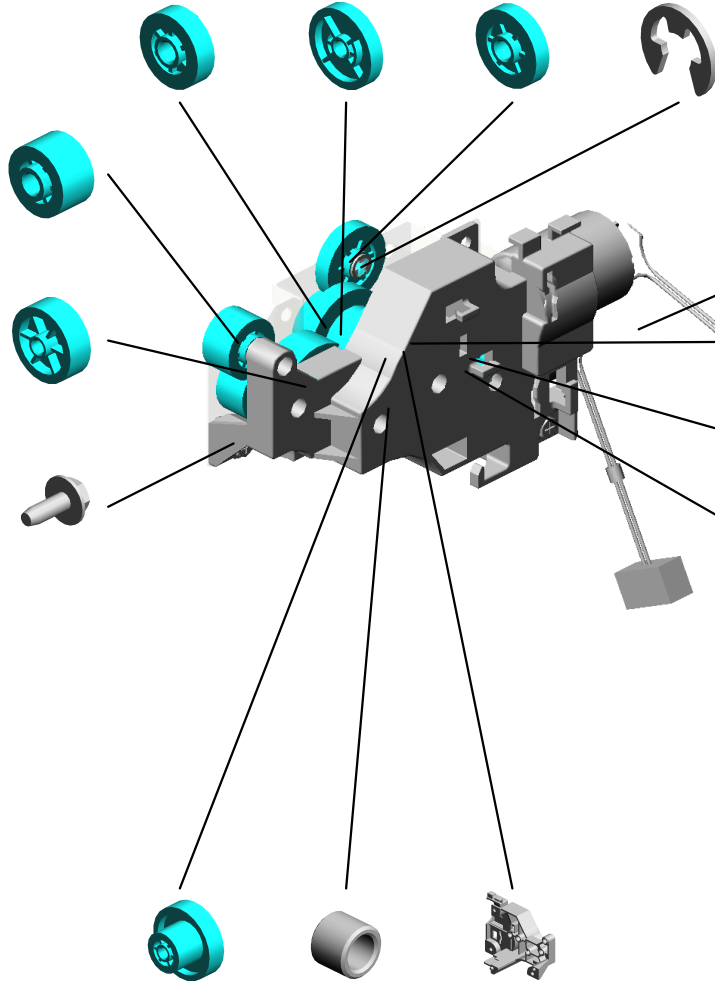


18.D1176241
 DRIVE UNIT:ON-OFF:TRANSFER ROLLER:ASSY

29.D1176370 (x2)
 GEAR:ON-OFF:SE COND:NO.3

28.D1176369 GEAR:ON-OFF:SE COND:NO.2

4.04513008N (x2)
 TAPPING SCREW - M3X8



20.D1176350 (x2)
 DC MOTOR:ON-OFF:F:FIRST:ASSY:5.3 W:BRUSH

22.D1176363 GEAR:ON-OFF:FIRST

1.03530030N (x4)
 SCREW:M3X3

26.D1176367 GEAR:ON-OFF:SE COND

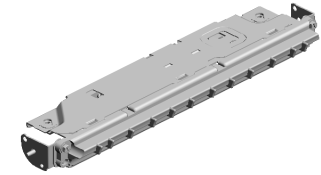
27.D1176368 GEAR:ON-OFF:SE COND:NO.1

10.AA082109 (x2)
 PLAIN SHAFT BEARING: DIA4

21.D1176362 COVER:BRACKET: DRIVE:ON-OFF

U016_S002
 DENSITY SENSOR:TM/P:ASS'Y

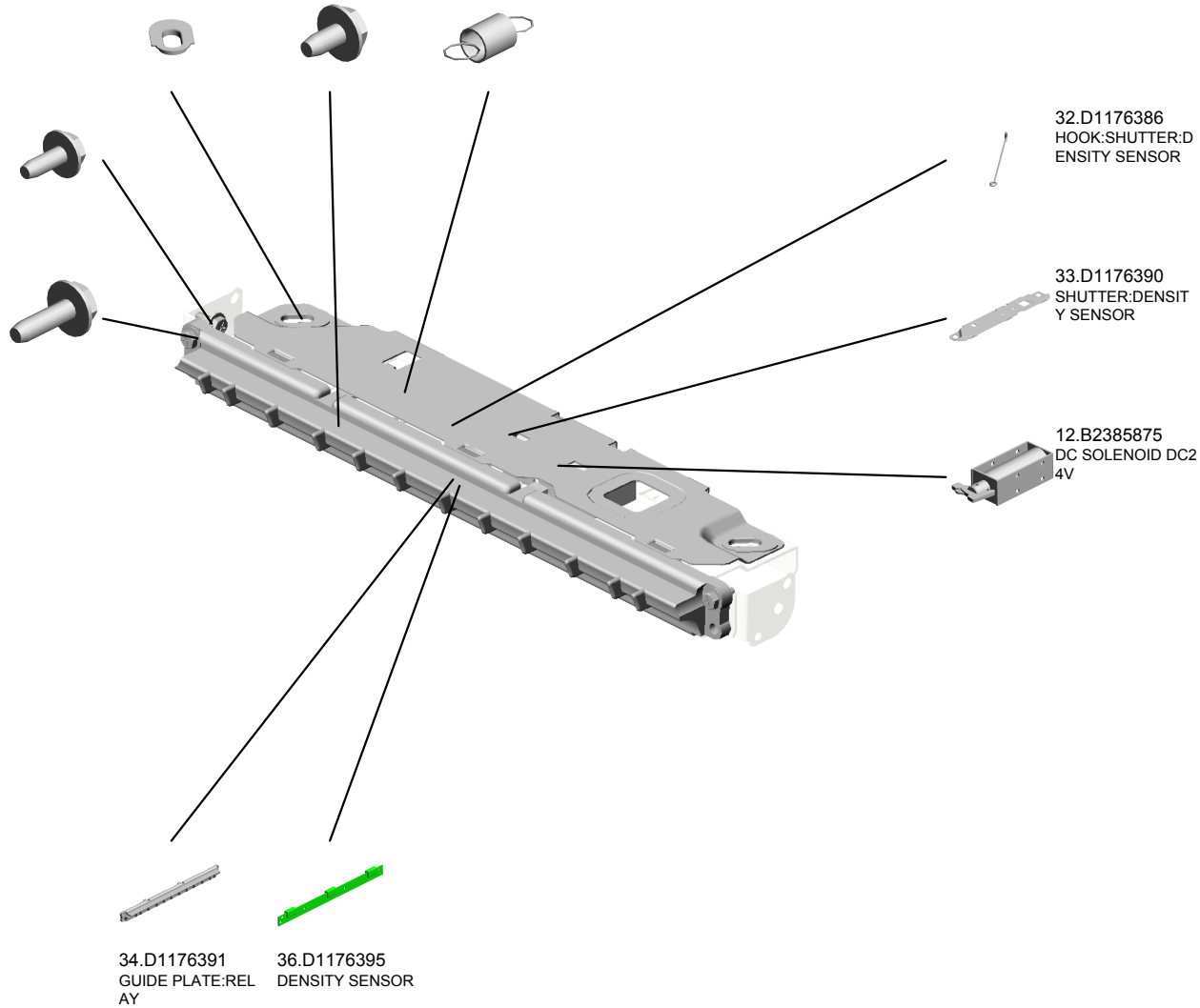
35.D1176392 (x2) SPACER:SHUTTER :SENSOR:TM
 3.04513006N (x3) TAPPING SCREW - 3X6
 7.AA060151 TENSION SPRING



19.D1176245
 DENSITY SENSOR:
 TM/P:ASSY

4.04513008N (x2) TAPPING SCREW - M3X8

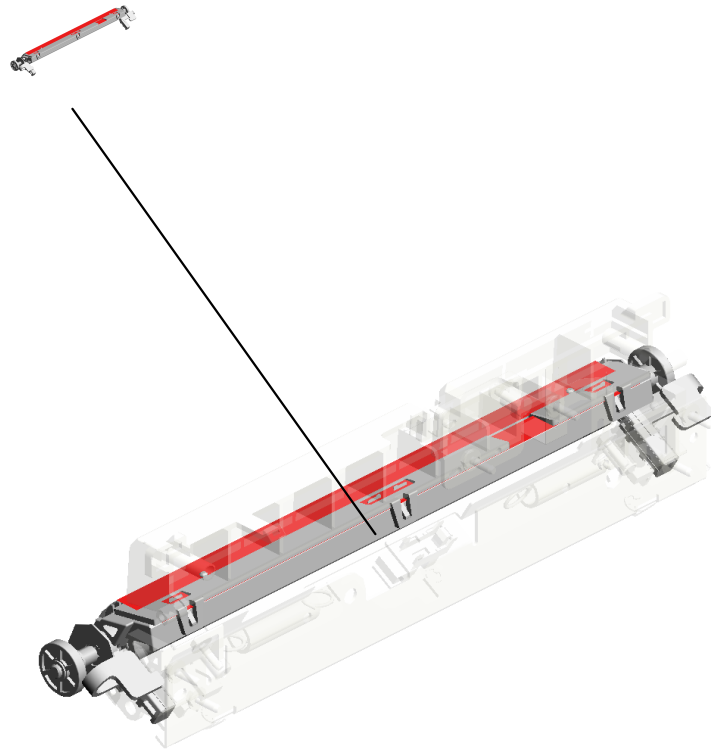
2.04503010N (x2) TAPPING SCREW - M3X10



U001	U002	U003	U004	U005	U006	U007	U008	U009	U010	U011	U012	U013	U014	U015	U016	U017	U018	U019	U020	U021
------	------	------	------	------	------	------	------	------	------	------	------	------	------	------	------	------	------	------	------	------

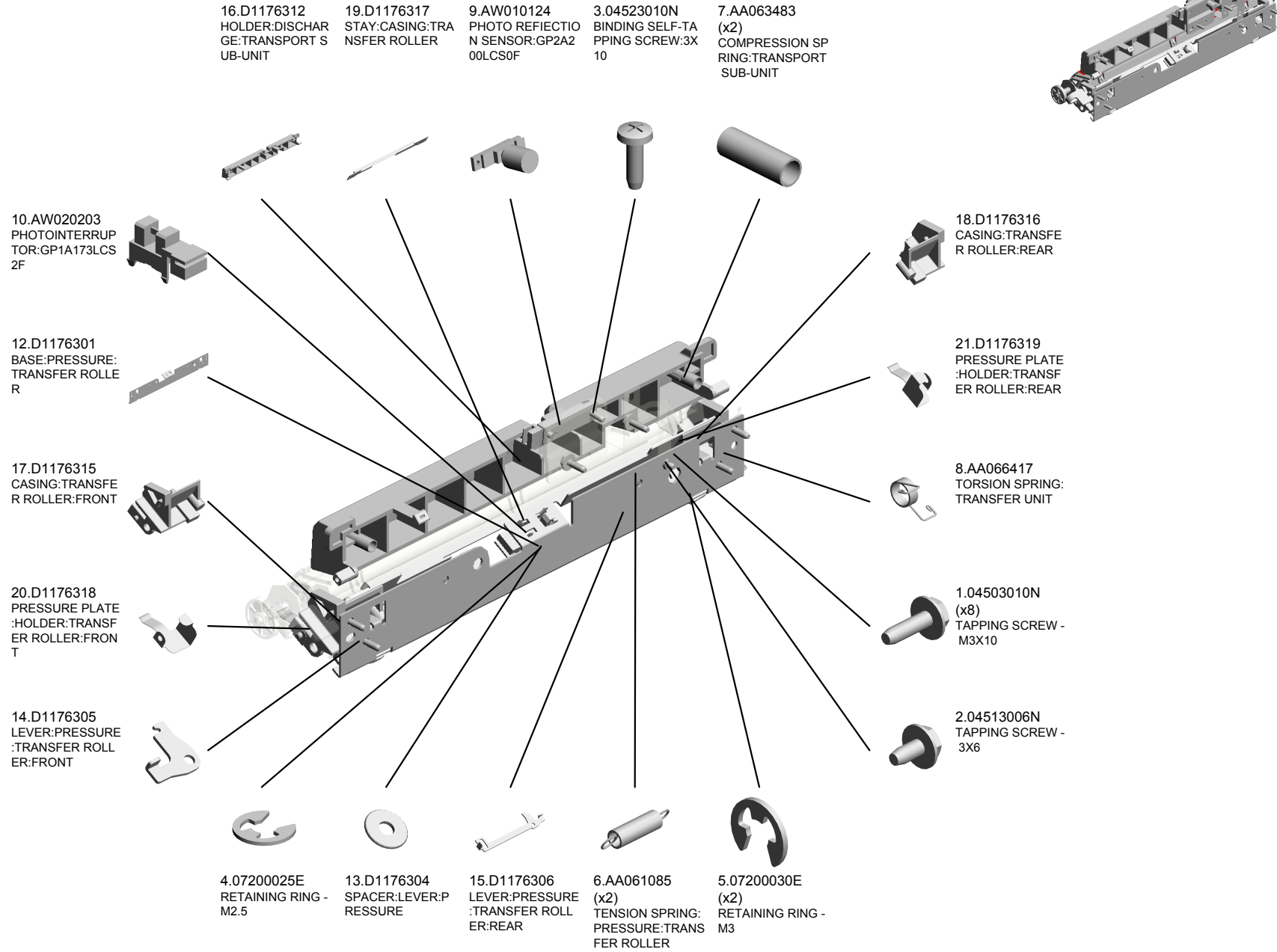
U017.Paper Transfer

U017 S001
D1186204
TRANSFER/SEPARATION UN
IT:SECOND:ASSY



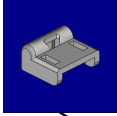
U001	U002	U003	U004	U005	U006	U007	U008	U009	U010	U011	U012	U013	U014	U015	U016	U017	U018	U019	U020	U021
------	------	------	------	------	------	------	------	------	------	------	------	------	------	------	------	------	------	------	------	------

U017 Paper Transfer



U017 Paper Transfer

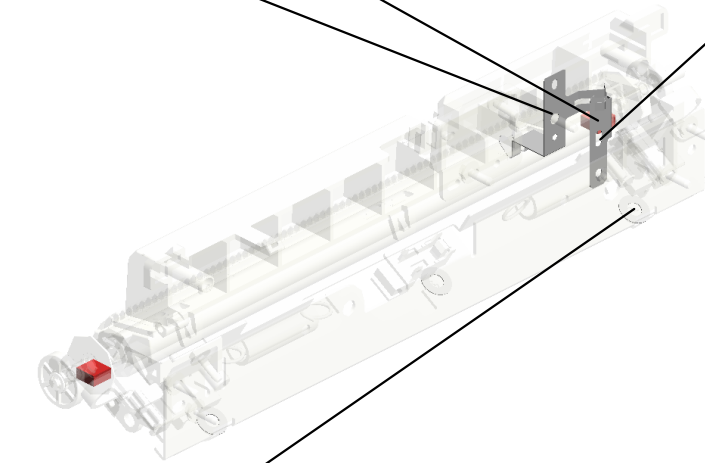
23.D1176322
(x2)
COVER:PRESSUR
E PLATE:ENTRAN
CE



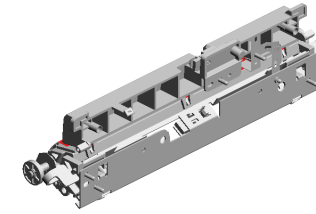
22.D1176320
TERMINAL:BIAS:SEPARATION



24.D1176327
LEVER:GROUND PLATE

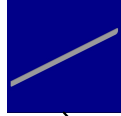


25.H3103640
(x3)
SPACER

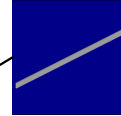
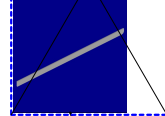


U017_S001
TRANSFER/SEPARATION UNIT:SECOND:ASS'Y

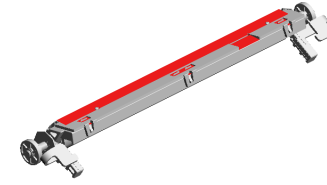
26.D1176265
SEAL:DISCHARGE:
PLATE:FRONT
201409-02



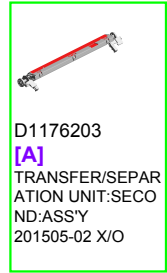
27.D1176266
SEAL:DISCHARGE:
PLATE:REAR
201503-05



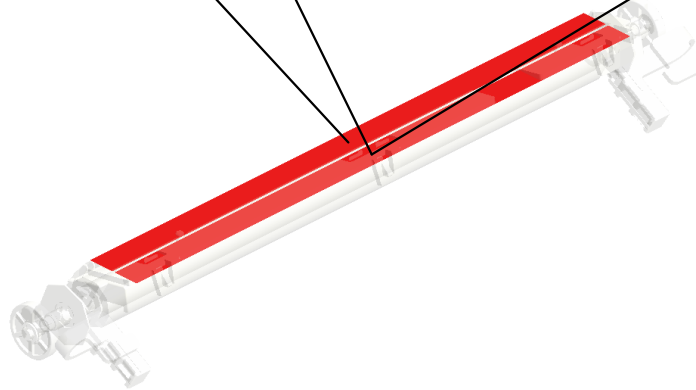
29.D1176268
SHEET:DISCHARG
E:PLATE
201601-05



28.D1186204
[A]
TRANSFER/SEPAR
ATION UNIT:SECO
ND:ASS'Y
201505-02 X/O



D1176203
[A]
TRANSFER/SEPAR
ATION UNIT:SECO
ND:ASS'Y
201505-02 X/O



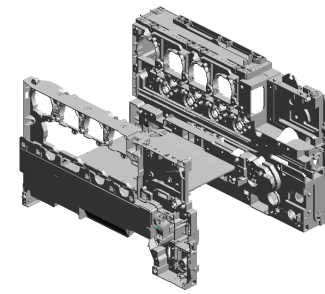
U018 Used Toner

11.D1176401
COLLECTION BOT
TLE:ASS'Y

13.D1176590
COVER:GEAR:USE
D TONER

9.AW020203
PHOTOINTERRUP
TOR:GP1A173LCS
2F

8.AG071012
MAGNET CATCH:A
SS'Y



12.D1176588
BRACKET:COLLEC
TION BOTTLE:LEF
T



10.AW500023
PUSH SWITCH



2.07200040E
RETAINING RING -
M4



3.AB011552
GEAR:IDLER:LEFT
REAR



4.AB011553
GEAR:IDLER:MIDD
LE REAR



5.AB011554
GEAR:IDLER:RIGH
T REAR



1.04503010N
(x3)
TAPPING SCREW -
M3X10



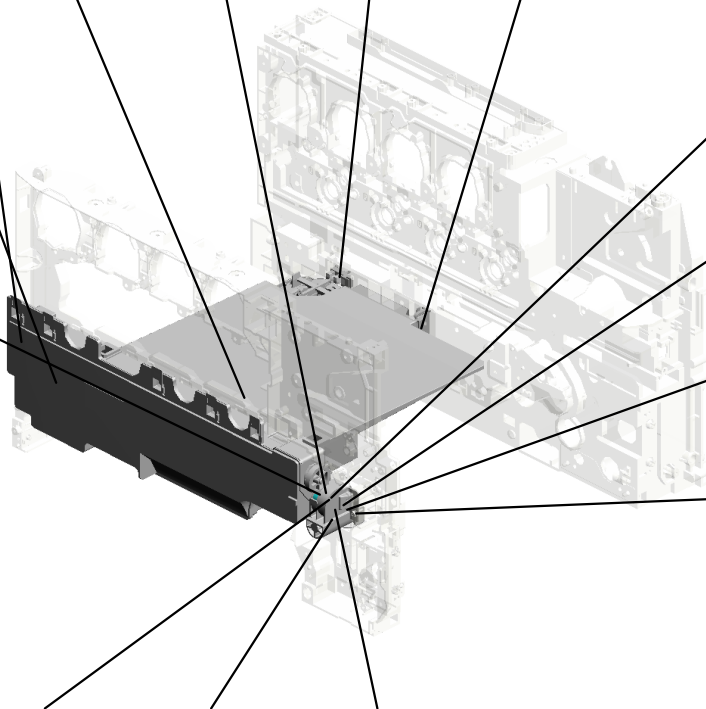
7.AB017827
GEAR:IDLER:COLL
ECTION BOTTLE:R
IGHT UPPER



6.AB011555
GEAR:IDLER:RIGH
T FRONT

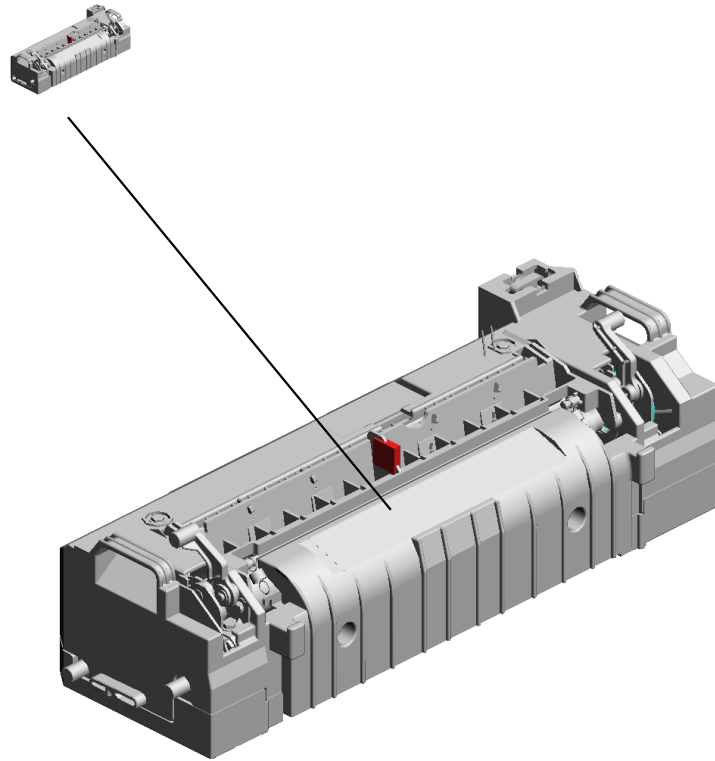


14.D1176585
BRACKET:COLLEC
TION BOTTLE:RIG
HT:PRESS FIT



U019.Fusing-1

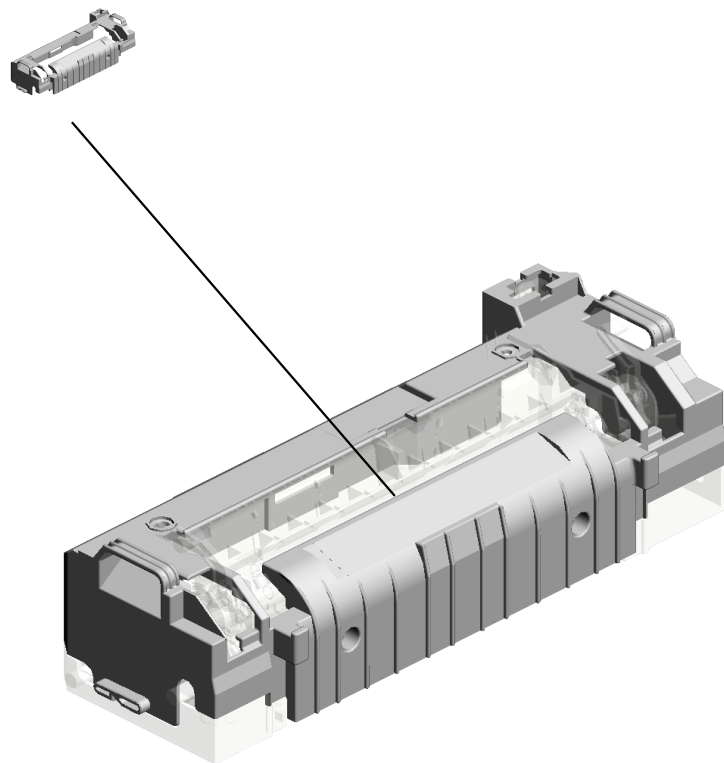
U019 S001
D1174027
FUSING UNIT:TWN:SERVICE
:ASS'Y



U001	U002	U003	U004	U005	U006	U007	U008	U009	U010	U011	U012	U013	U014	U015	U016	U017	U018	U019	U020	U021
------	------	------	------	------	------	------	------	------	------	------	------	------	------	------	------	------	------	------	------	------

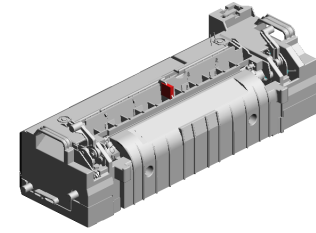
U019_S001.FUSING UNIT:TWN:SERVICE:ASS'Y

U019 S001 S001
D1174261
FUSING COVER:UPPER:ASS'
Y



U001	U002	U003	U004	U005	U006	U007	U008	U009	U010	U011	U012	U013	U014	U015	U016	U017	U018	U019	U020	U021
------	------	------	------	------	------	------	------	------	------	------	------	------	------	------	------	------	------	------	------	------

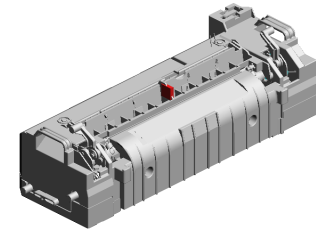
U019
Fusing-1



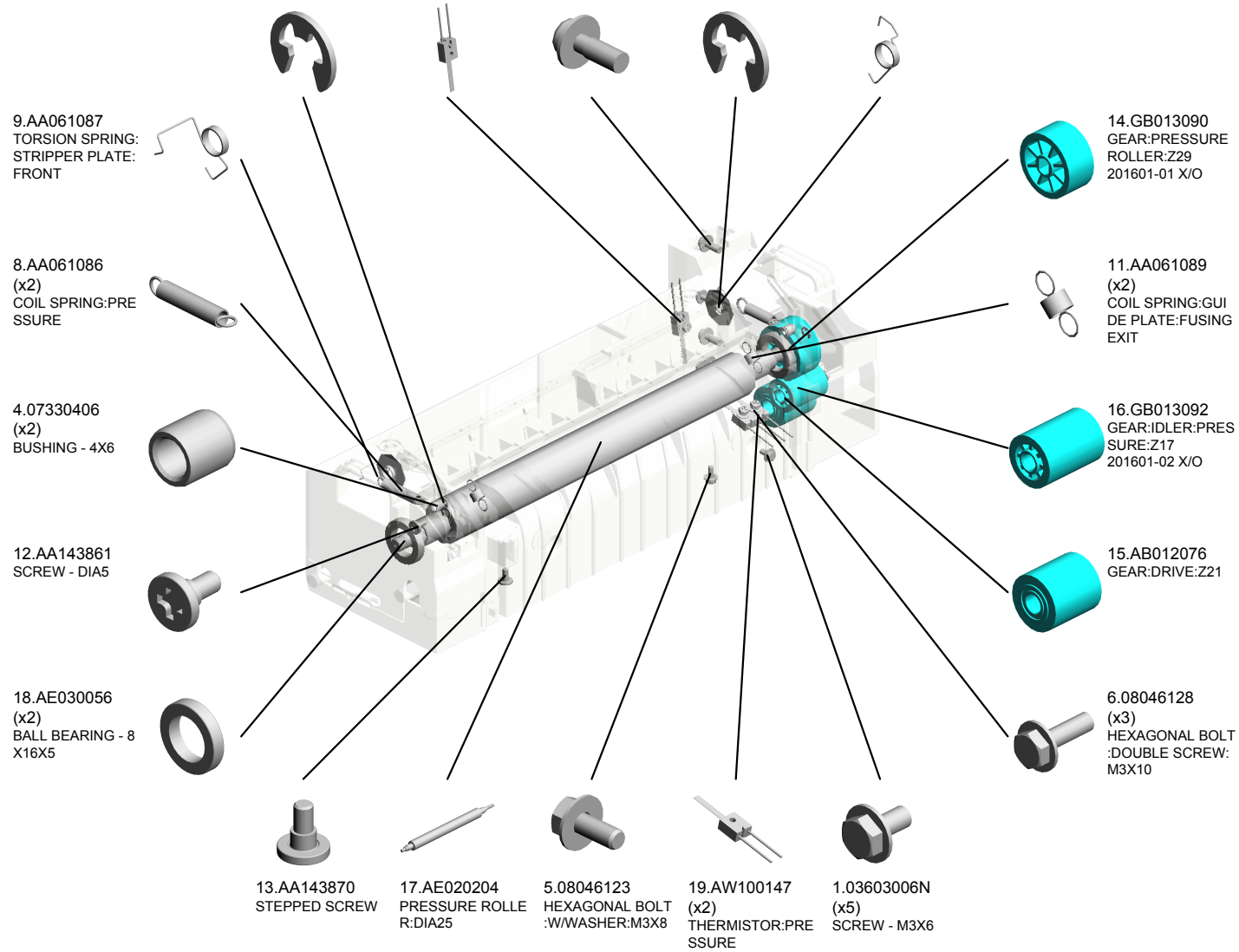
U001	U002	U003	U004	U005	U006	U007	U008	U009	U010	U011	U012	U013	U014	U015	U016	U017	U018	U019	U020	U021
------	------	------	------	------	------	------	------	------	------	------	------	------	------	------	------	------	------	------	------	------

U019_S001
FUSING UNIT:TWN:SERVICE:ASS'Y

- 2.07200030E (x4) RETAINING RING - M3
- 20.AW100149 THERMISTOR:SLEVE:FUSING
- 7.09544012N (x2) SCREW:POLISHED ROUND/SPRING:M 4X12
- 3.07200040E (x2) RETAINING RING - M4
- 10.AA061088 TORSION SPRING:STRIPPER PLATE:REAR



24.D1174027
FUSING UNIT:TWN
:SERVICE:ASSY



U019_S001
FUSING UNIT:TWN:SERVICE:ASS'Y

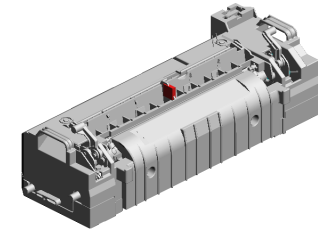
32.D1174177
HOUSING:THERM
OSTAT

34.D1174231
STRIPPER PLATE:
COAT

25.D1174054
SLEEVE:FUSING:T
WN:ASS'Y

23.D1054303
ELECTRODE PLAT
E:FUSING:NEUTRA
L

36.D1174236
SHEET:C:LEVER



24.D1174027
FUSING UNIT:TWN
:SERVICE:ASS'Y

21.AW110110
THERMOSTAT



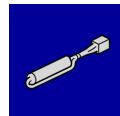
27.D1174153
LEVER:PRESSURE
RELEASE:FRONT:
ASS'Y



22.D1054168
(x2)
LEVER:LOCK:PRE
SSURE



43.M0264371
NEW ARTICLE SE
NSOR



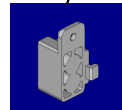
28.D1174155
LEVER:PRESSURE
:FRONT



26.D1174124
DISCHARGE BRUS
H:PRESSURE ROL
LER



31.D1174174
TERMINAL:HEATE
R:REAR



39.D1174251
FUSING COVER:L
OWER



38.D1174241
FUSING ENTRANC
E GUIDE PLATE



35.D1174235
GUIDE PLATE:FUSI
NG EXIT



29.D1174163
LEVER:PRESSURE
RELEASE:REAR:A
SS'Y



37.D1174238
(x4)
GUIDE:FUSING EXI
T:ETFE



33.D1174199
BRACKET:THERMI
STOR:SLEEVE:EU



30.D1174165
LEVER:PRESSURE
:REAR

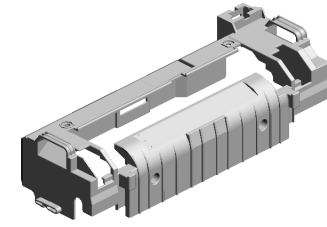
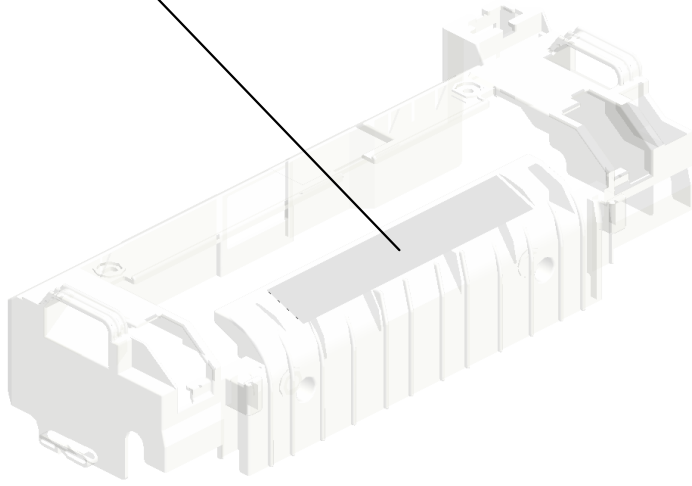


42.D1441085
(x8)
STEPPED SCREW:
M3



U019_S001_S001
FUSING COVER:UPPER:ASS'Y

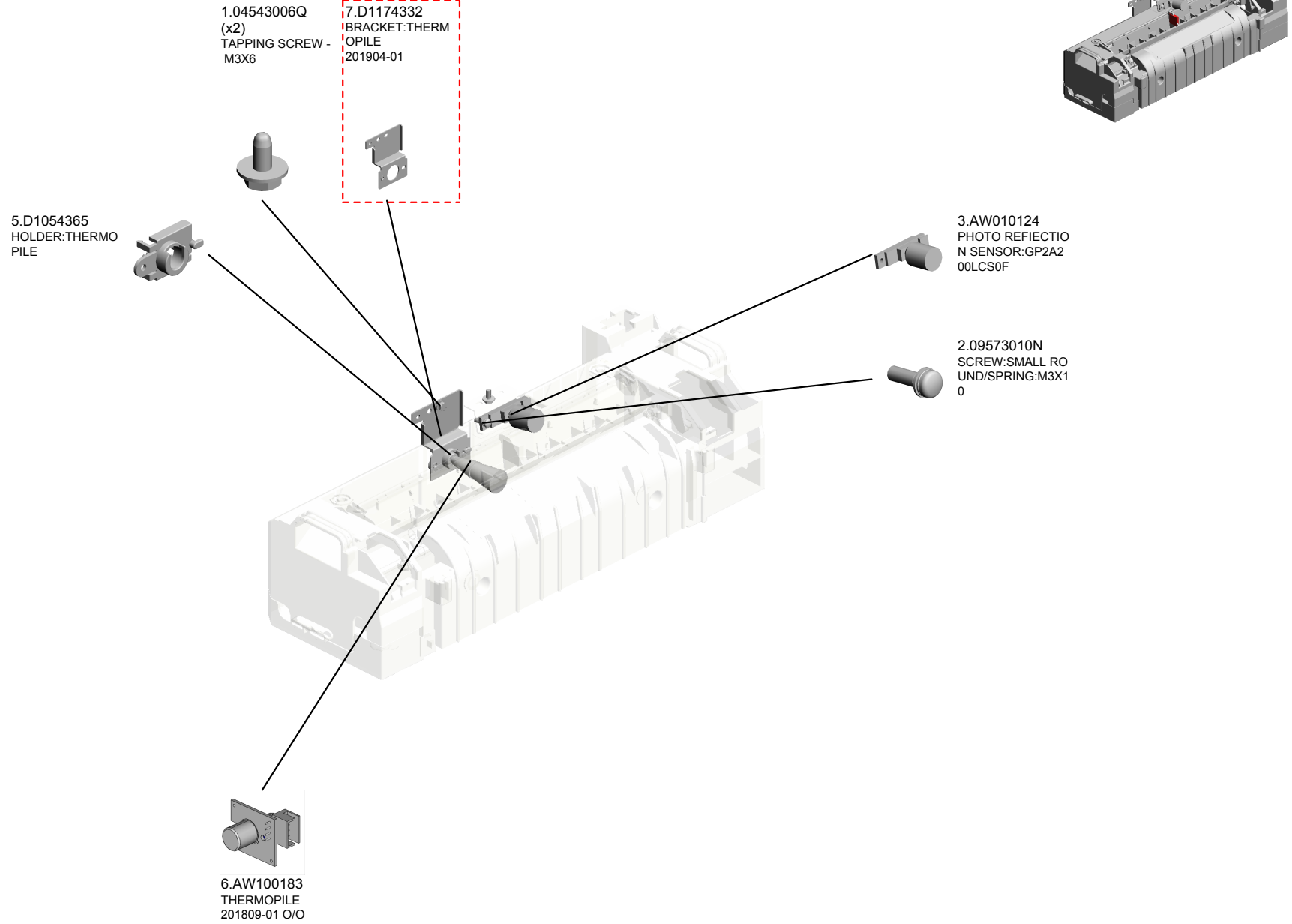
41.D1174263
DECAL:H-TEMP W
ARNING:FUSING



40.D1174261
FUSING COVER:U
PPER:ASS'Y

U001	U002	U003	U004	U005	U006	U007	U008	U009	U010	U011	U012	U013	U014	U015	U016	U017	U018	U019	U020	U021
------	------	------	------	------	------	------	------	------	------	------	------	------	------	------	------	------	------	------	------	------

U020 Fusing-2



U001	U002	U003	U004	U005	U006	U007	U008	U009	U010	U011	U012	U013	U014	U015	U016	U017	U018	U019	U020	U021
------	------	------	------	------	------	------	------	------	------	------	------	------	------	------	------	------	------	------	------	------

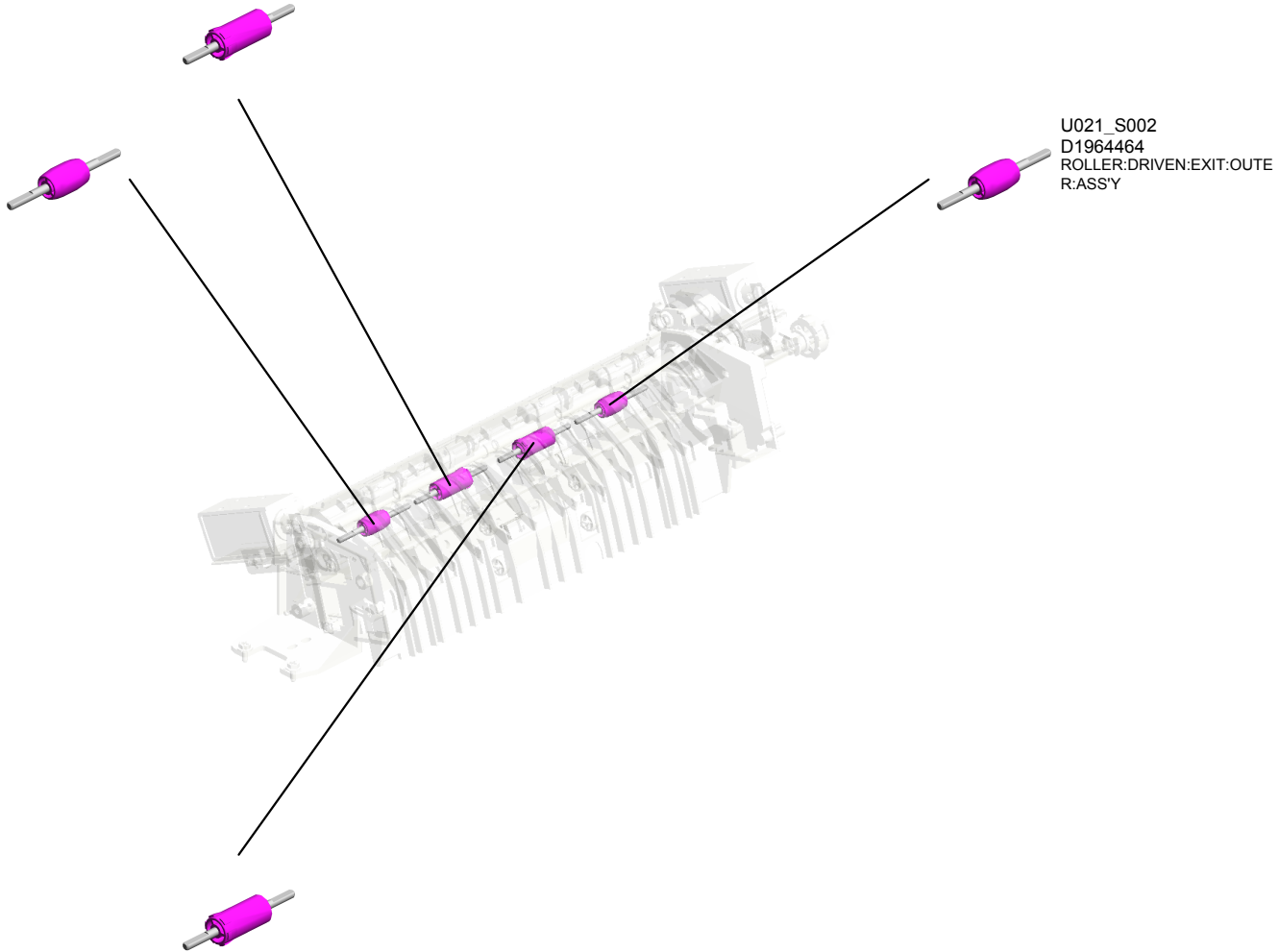
U021.Paper Exit-1

U021_S003
D1964463
ROLLER:DRIVEN:EXIT:MIDD
LE:ASS'Y

U021_S004
D1964464
ROLLER:DRIVEN:EXIT:OUTE
R:ASS'Y

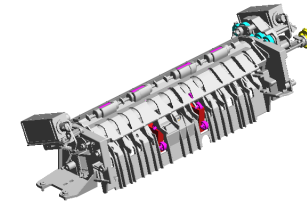
U021_S002
D1964464
ROLLER:DRIVEN:EXIT:OUTE
R:ASS'Y

U021_S001
D1964463
ROLLER:DRIVEN:EXIT:MIDD
LE:ASS'Y



U021 Paper Exit-1

- 11.D1174489 DISCHARGE BRUSH:EXIT
- 14.G1634459 STOPPER:EXIT:EXIT
- 7.D1174454 EXIT ROLLER
- 13.G1634453 GUIDE PLATE:REVERSE:UPPER
- 6.D1174452 GATE PAWL:REVERSE



- 18.G1634465 (x2) ROLLER:DRIVEN:DUPLIX:INNER

- 22.G1634469 (x4) SPRING:PRESSURE:DUPLIX

- 21.G1634468 (x2) SPRING:PRESSURE:EXIT:INNER

- 17.G1634463 (x4) GUIDE:PLATE:EXIT

- 23.GA082014 (x2) PLAIN SHAFT BEARING:DIA6:DIA10:9

- 2.04583010N HEXAGON HEAD TAPPING SCREW:3X10

- 12.D1174492 (x6) ROLLER:EXIT

- 5.D1174451 GUIDE PLATE:EXIT:LOWER

- 20.G1634467 (x2) ROLLER:DRIVEN:DUPLIX

- 16.G1634461 (x2) SPRING:PRESSURE:EXIT:OUTER

- 3.08050104 (x2) RETAINING RINGS -E:SILENCER:DIA4 201504-03 O/O

- 10.D1174465 COLLAR:GEAR:EXIT

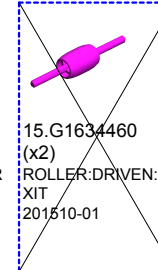
- 8.D1174455 GEAR:EXIT

- 4.11050511 (x3) HARNESS CLAMP - LWS-0306ZC

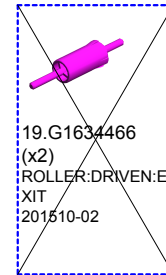
- 1.04543008Q (x3) TAPPING SCREW:3X8



- 9.D1174457 (x2) BRACKET:ROLLER:EXIT



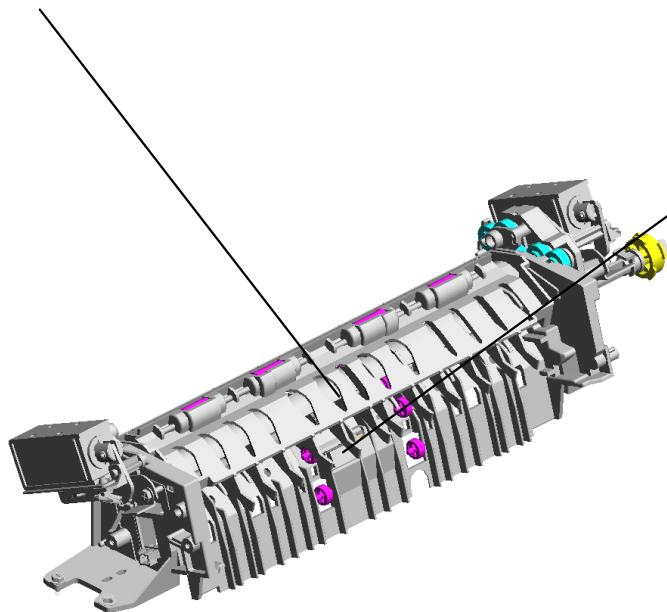
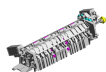
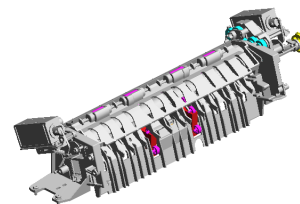
- ~~15.G1634460 (x2) ROLLER:DRIVEN:EXIT 201510-01~~



- ~~19.G1634466 (x2) ROLLER:DRIVEN:EXIT 201510-02~~

U021
Paper Exit-1

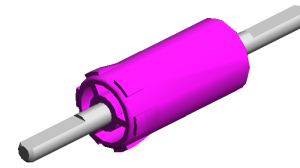
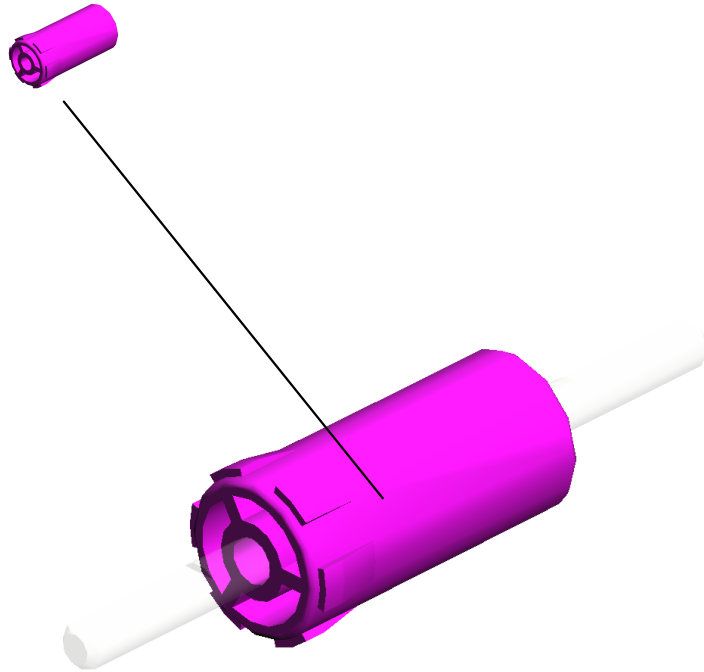
25.D1174403
PAPER EXIT UNIT:
ASS'Y
201601-03 X/O



24.GW010007
PHOTO REFLECTI
ON SENSOR:EXIT

U021_S001
ROLLER:DRIVEN:EXIT:MIDDLE:ASS'Y

26.D1964461
ROLLER:DRIVEN:EXIT:MIDDLE:ASS'Y
201611-01

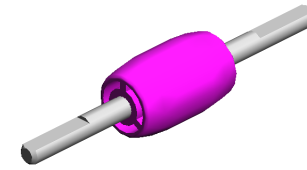
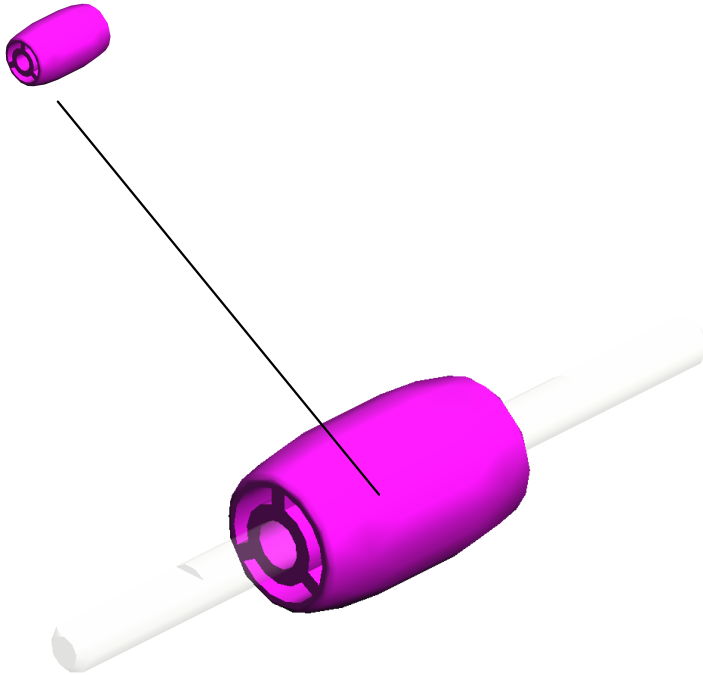


28.D1964463
ROLLER:DRIVEN:EXIT:MIDDLE:ASS'Y
201611-03

U001	U002	U003	U004	U005	U006	U007	U008	U009	U010	U011	U012	U013	U014	U015	U016	U017	U018	U019	U020	U021
------	------	------	------	------	------	------	------	------	------	------	------	------	------	------	------	------	------	------	------	------

U021_S002
ROLLER:DRIVEN:EXIT:OUTER:ASS'Y

27.D1964462
ROLLER:DRIVEN:EXIT:OUTER:ASS'Y
201611-02

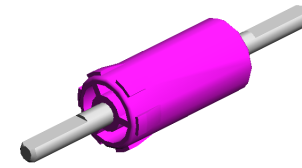
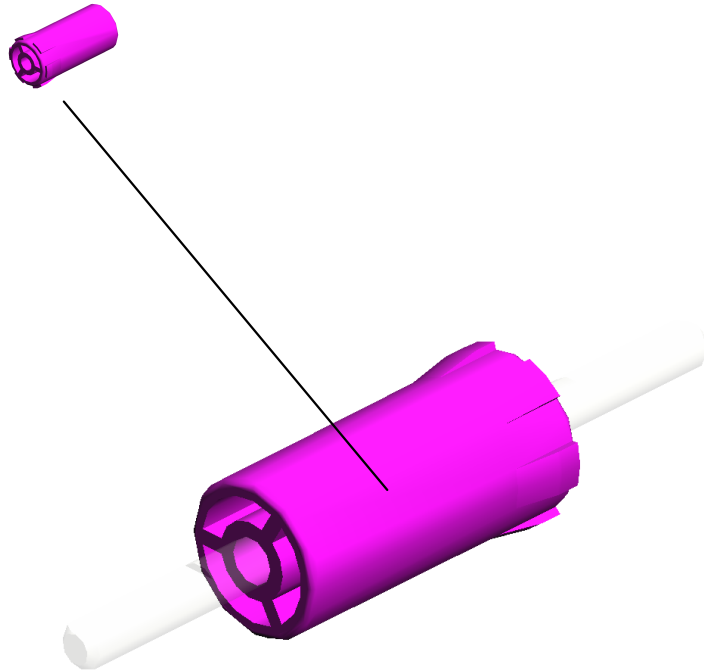


29.D1964464
ROLLER:DRIVEN:EXIT:OUTER:ASS'Y
201611-04

U001	U002	U003	U004	U005	U006	U007	U008	U009	U010	U011	U012	U013	U014	U015	U016	U017	U018	U019	U020	U021
------	------	------	------	------	------	------	------	------	------	------	------	------	------	------	------	------	------	------	------	------

U021_S003
ROLLER:DRIVEN:EXIT:MIDDLE:ASS'Y

26.D1964461
ROLLER:DRIVEN:EXIT:MIDDLE:ASS'Y
201611-01

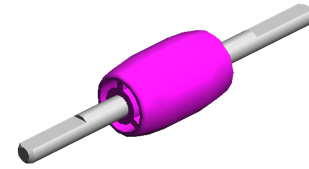
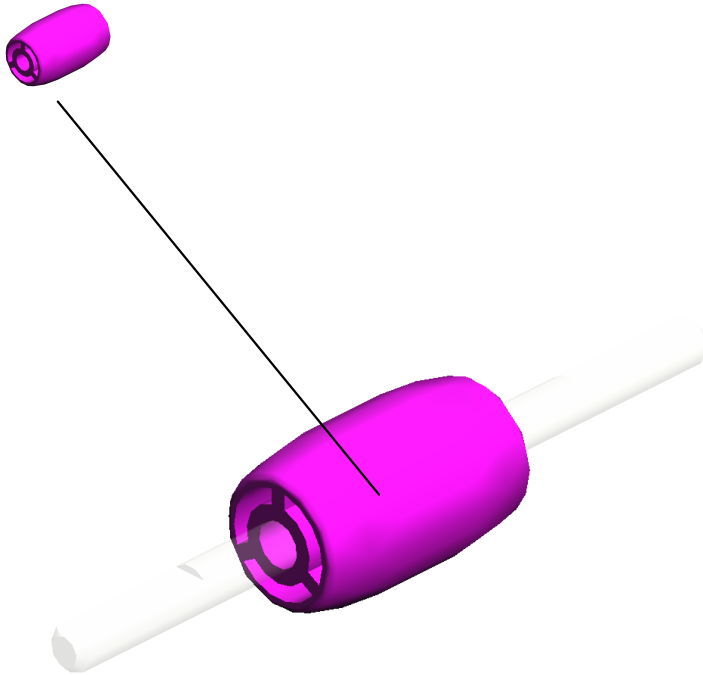


28.D1964463
ROLLER:DRIVEN:EXIT:MIDDLE:ASS'Y
201611-03

U001	U002	U003	U004	U005	U006	U007	U008	U009	U010	U011	U012	U013	U014	U015	U016	U017	U018	U019	U020	U021
------	------	------	------	------	------	------	------	------	------	------	------	------	------	------	------	------	------	------	------	------

U021_S004
ROLLER:DRIVEN:EXIT:OUTER:ASS'Y

27.D1964462
ROLLER:DRIVEN:EXIT:OUTER:ASS'Y
201611-02



29.D1964464
ROLLER:DRIVEN:EXIT:OUTER:ASS'Y
201611-04

U001	U002	U003	U004	U005	U006	U007	U008	U009	U010	U011	U012	U013	U014	U015	U016	U017	U018	U019	U020	U021
------	------	------	------	------	------	------	------	------	------	------	------	------	------	------	------	------	------	------	------	------

U022.Paper Exit-2

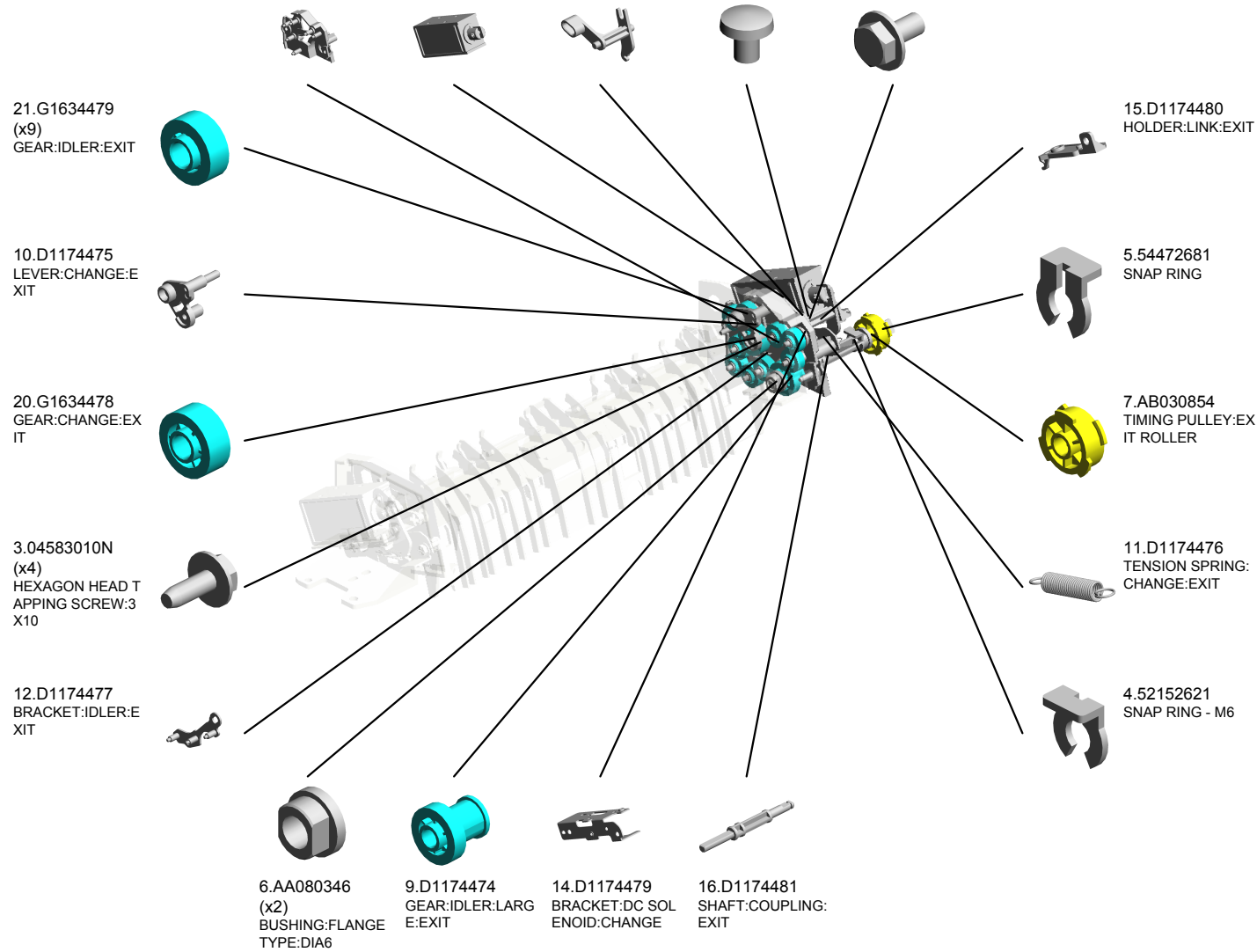
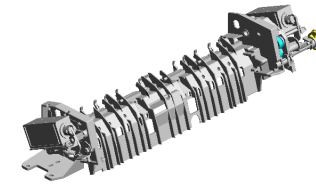
U022 S001
D1174412
DC SOLENOID:GATE PAWL:
ASS'Y



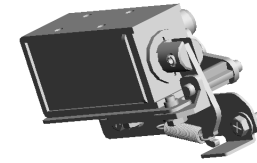
U001	U002	U003	U004	U005	U006	U007	U008	U009	U010	U011	U012	U013	U014	U015	U016	U017	U018	U019	U020	U021
------	------	------	------	------	------	------	------	------	------	------	------	------	------	------	------	------	------	------	------	------

U022 Paper Exit-2

8.D1174473 BRACKET:GEAR:EXIT
23.G1634492 DC SOLENOID:PRESS FIT
13.D1174478 LINK:CHANGE:EXIT
1.03530040N (x2) SCREW - M3X4
2.03603006N (x2) SCREW - M3X6



U022_S001
DC SOLENOID:GATE PAWL:ASS'Y

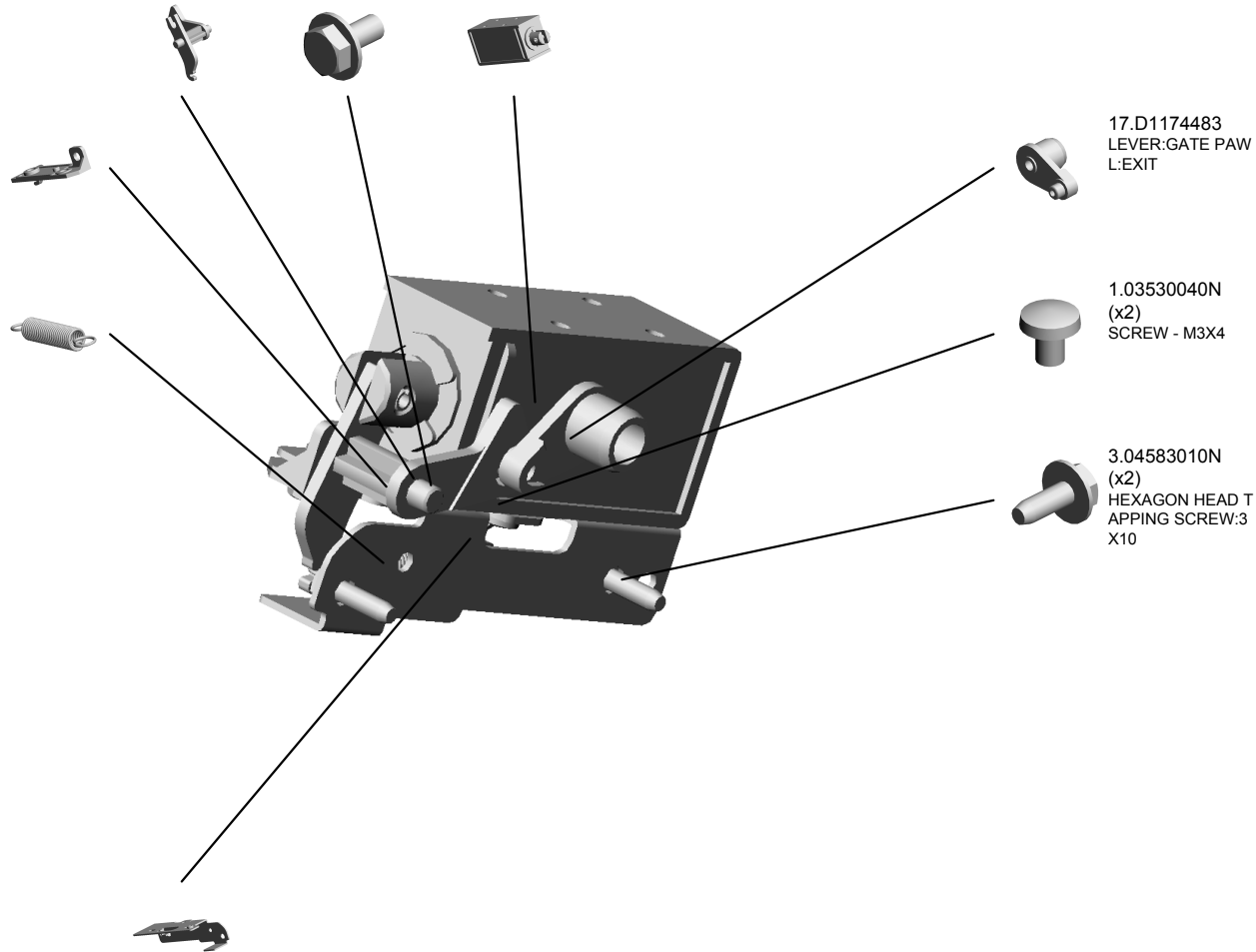


25.D1174412
DC SOLENOID:GA
TE PAWL:ASS'Y

18.D1174484
LINK:GATE PAWL:
EXIT
2.03603006N
(x2)
SCREW - M3X6
23.G1634492
DC SOLENOID:PR
ESS FIT

24.G1634499
HOLDER:LINK:EXIT

22.G1634484
SPRING:CHANGE:
EXIT



17.D1174483
LEVER:GATE PAW
L:EXIT

1.03530040N
(x2)
SCREW - M3X4

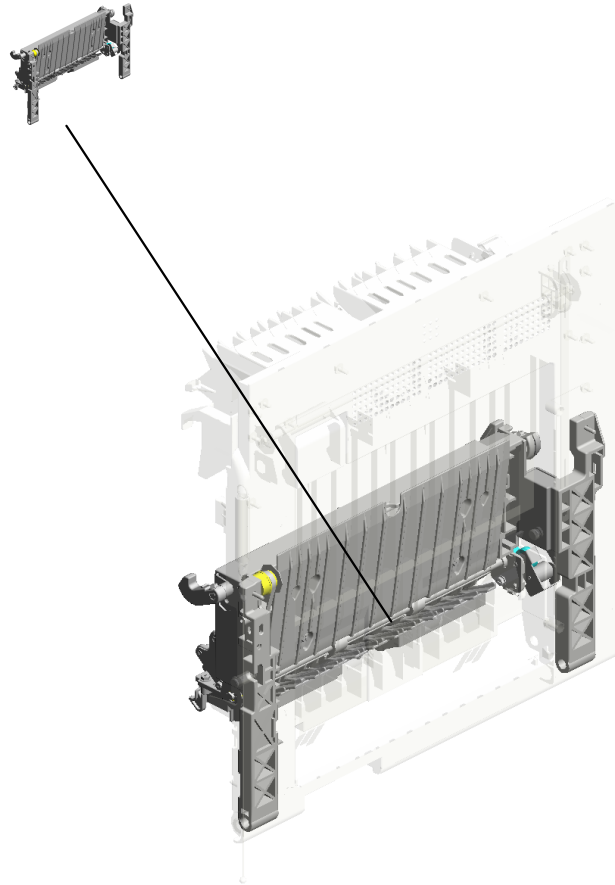
3.04583010N
(x2)
HEXAGON HEAD T
APPING SCREW:3
X10

19.D1174485
BRACKET:DC SOL
ENOID:GATE PAW
L

U001	U002	U003	U004	U005	U006	U007	U008	U009	U010	U011	U012	U013	U014	U015	U016	U017	U018	U019	U020	U021
------	------	------	------	------	------	------	------	------	------	------	------	------	------	------	------	------	------	------	------	------

U023.Duplex-1

U023 S001
D1174520
FRAME:DUPLEX:ASS'Y



U001	U002	U003	U004	U005	U006	U007	U008	U009	U010	U011	U012	U013	U014	U015	U016	U017	U018	U019	U020	U021
------	------	------	------	------	------	------	------	------	------	------	------	------	------	------	------	------	------	------	------	------

U023 Duplex-1

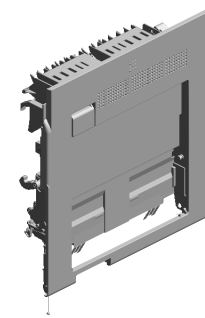
5.04513006N
(x6)
TAPPING SCREW -
3X6

1.03603006N
(x2)
SCREW - M3X6

11.AW020224
PHOTOINTERRUPT
TOR:GP1A173LCS
VF
201607-01 O/O

17.D1174609
LEVER:FUSING:RE
LEASE:INNER BAC
K

7.07200040E
(x5)
RETAINING RING -
M4



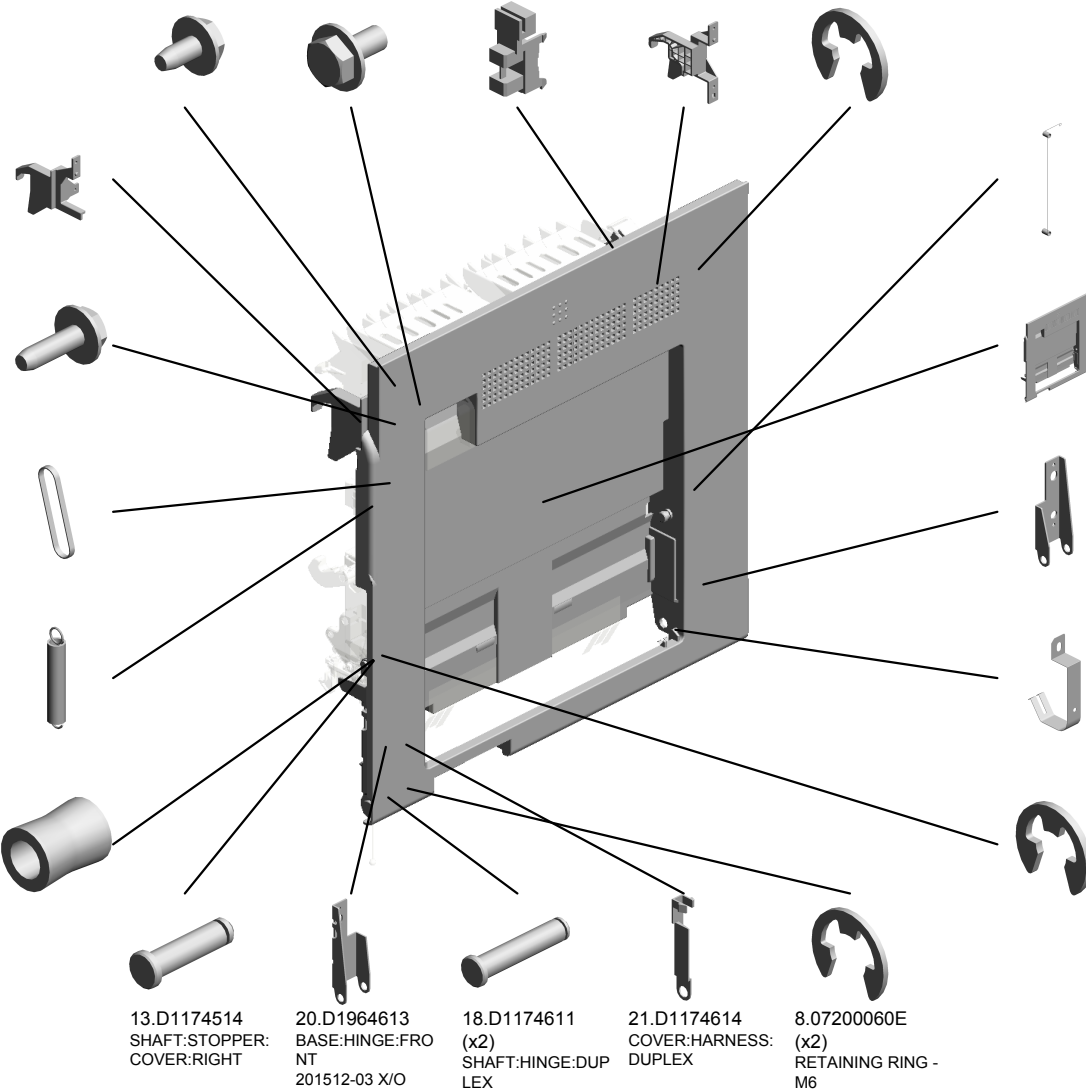
16.D1174608
LEVER:FUSING:RE
LEASE:FRONT

3.04503010N
(x15)
TAPPING SCREW -
M3X10

12.B7002649
TIMING BELT:40S2
M144

23.D1174616
TENSION SPRING:
STOPPER:DOOR:R
IGHT:FRONT

24.D1174617
COLLAR:STOPPER
:COVER:RIGHT



14.D1174515
GROUND WIRE:DU
PLEX

15.D1174600
COVER:RIGHT:DU
PLEX

19.D1964612
BASE:HINGE:REAR
201512-02 X/O

22.D1174615
SPRING PLATE:EA
RTH:DUPLEX

6.07200030E
RETAINING RING -
M3

13.D1174514
SHAFT:STOPPER:
COVER:RIGHT

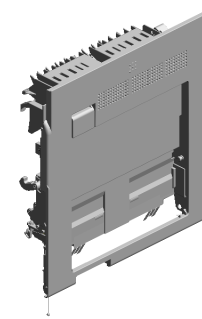
20.D1964613
BASE:HINGE:FRO
NT
201512-03 X/O

18.D1174611
(x2)
SHAFT:HINGE:DU
PLEX

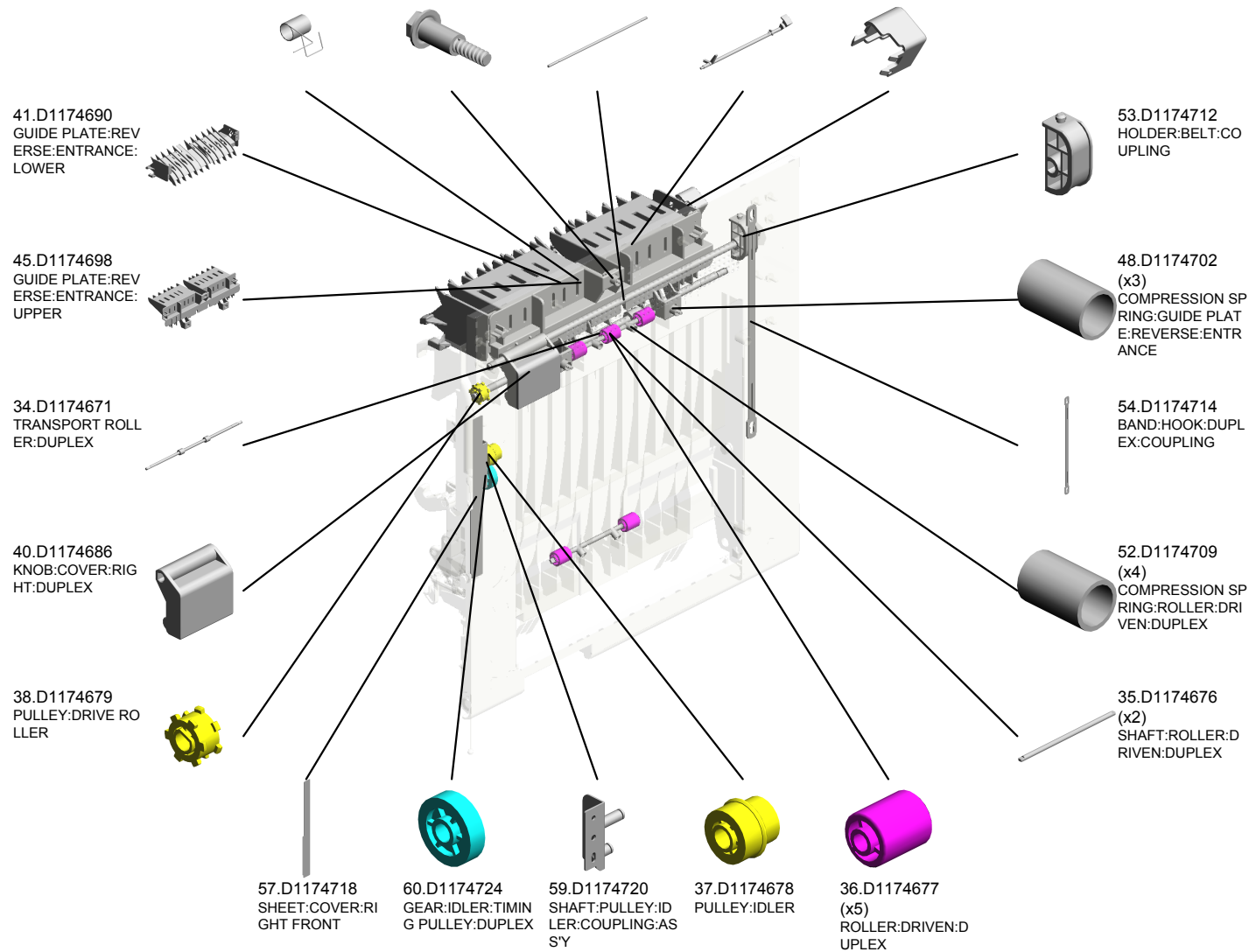
21.D1174614
COVER:HARNESS:
DUPLEX

8.07200060E
(x2)
RETAINING RING -
M6

U023 Duplex-1



- 55.D1174716 TORSION SPRING: FEELER:ENTRANCE SENSOR
- 46.D1174699 (x3) SHAFT:GUIDE PLATE:REVERSE:ENTRANCE:UPPER
- 39.D1174682 SHAFT:HOOK:STOPER
- 47.D1964700 FEELER:ENTRANCE SENSOR:REVERSE:DUPL
- 56.D1174717 COVER:ENTRANCE SENSOR

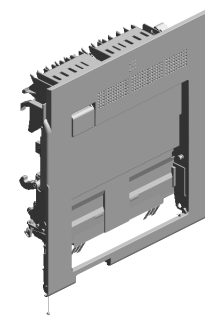


U001	U002	U003	U004	U005	U006	U007	U008	U009	U010	U011	U012	U013	U014	U015	U016	U017	U018	U019	U020	U021
------	------	------	------	------	------	------	------	------	------	------	------	------	------	------	------	------	------	------	------	------

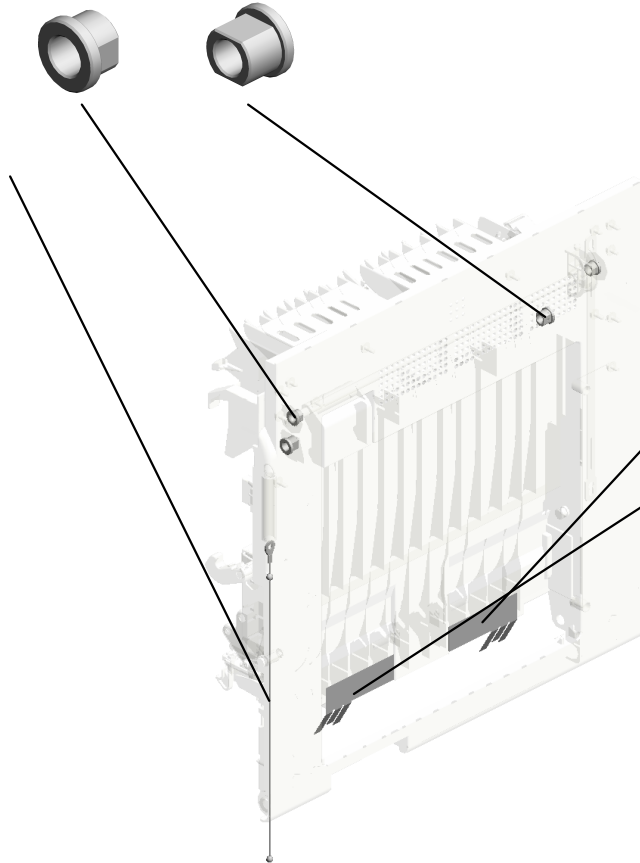
U023 Duplex-1

65.GA082015 (x2)
PLAIN SHAFT BEA
RING:DIA6:DIA9:7

64.GA082010 (x2)
BUSHING:DIA6:DIA
10:9



61.D1174737
WIRE:STOPPER:DI
A1.2:ASS'Y



63.D1174794
PLATE:MANUAL FE
ED:INNER BACK

62.D1174792
PLATE:MANUAL FE
ED:FRONT

U001	U002	U003	U004	U005	U006	U007	U008	U009	U010	U011	U012	U013	U014	U015	U016	U017	U018	U019	U020	U021
------	------	------	------	------	------	------	------	------	------	------	------	------	------	------	------	------	------	------	------	------

U023_S001
FRAME:DUPLEX:ASS'Y

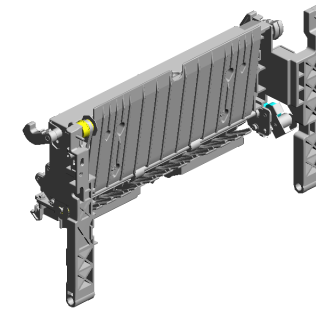
4.04503012N
(x2)
TAPPING SCREW:
3X12

33.D1174664
SHAFT:PULLEY:CO
UPLING:FRAME:AS
S'Y

37.D1174678
PULLEY:IDLER

7.07200040E
(x2)
RETAINING RING -
M4

25.D1174633
SHAFT:HOOK:FRA
ME:DUPLEX



67.D1174520
FRAME:DUPLEX:A
SS'Y

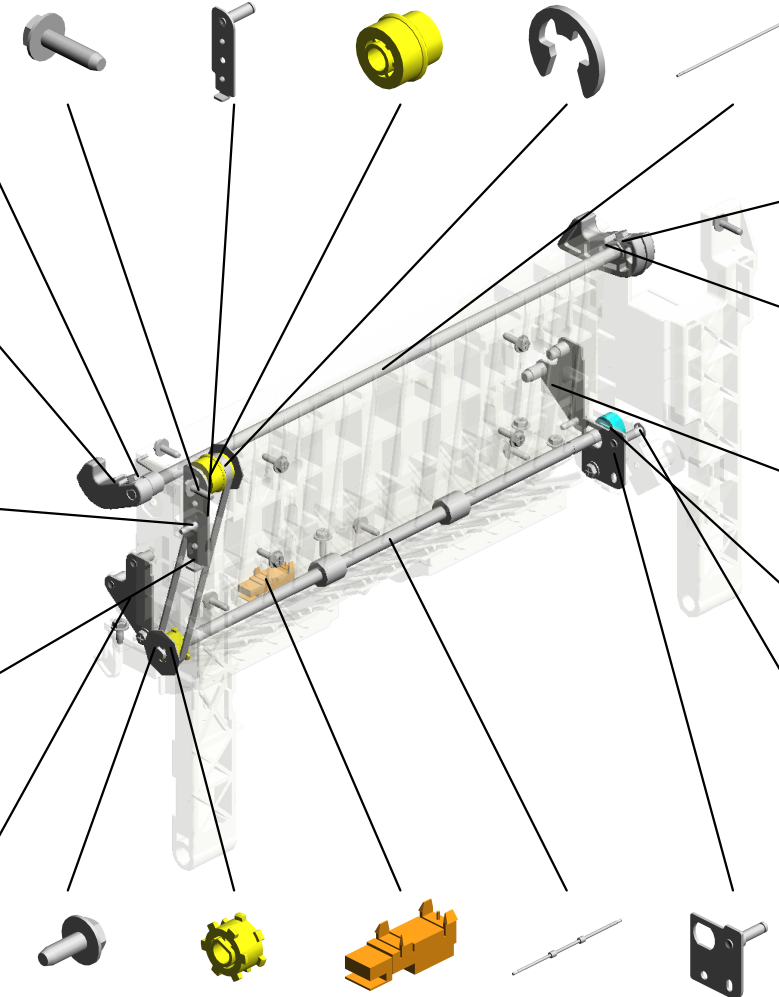
27.D1174635
TORSION SPRING:
HOOK:FRAME:DUP
LEX

26.D1174634
HOOK:FRAME:DUP
LEX:FRONT

3.04503010N
(x13)
TAPPING SCREW -
M3X10

9.AA043325
TIMING BELT - B40
S2M250

29.D1174641
BRACKET:PLATE:T
RANSFER:ASS'Y



1.03603006N
(x2)
SCREW - M3X6

28.D1174637
HOOK:FRAME:DUP
LEX:REAR

30.D1174645
BRACKET:PLATE:T
RANSFER:INNER B
ACK:ASS'Y

31.D1174651
GEAR:TRANSPOR
T ROLLER:DUPLEX
:Z14

6.07200030E
RETAINING RING -
M3

2.04503008N
(x4)
TAPPING SCREW -
M3X8

38.D1174679
PULLEY:DRIVE RO
LLER

10.AW010151
PHOTO REFLECTIO
N SENSOR:PS122T
L1-A

34.D1174671
TRANSPORT ROLL
ER:DUPLEX

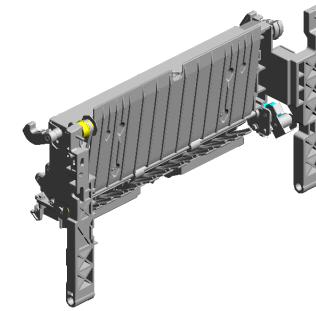
32.D1174654
SHAFT:GEAR:SWI
NG UNIT:Z14:ASS'
Y
201402-02 X/O

U023_S001
 FRAME:DUPLEX:ASS'Y

44.D1174697
 GUIDE PLATE:MID
 DLE

66.D1964630
 FRAME:DUPLEX
 201407-02 O/O

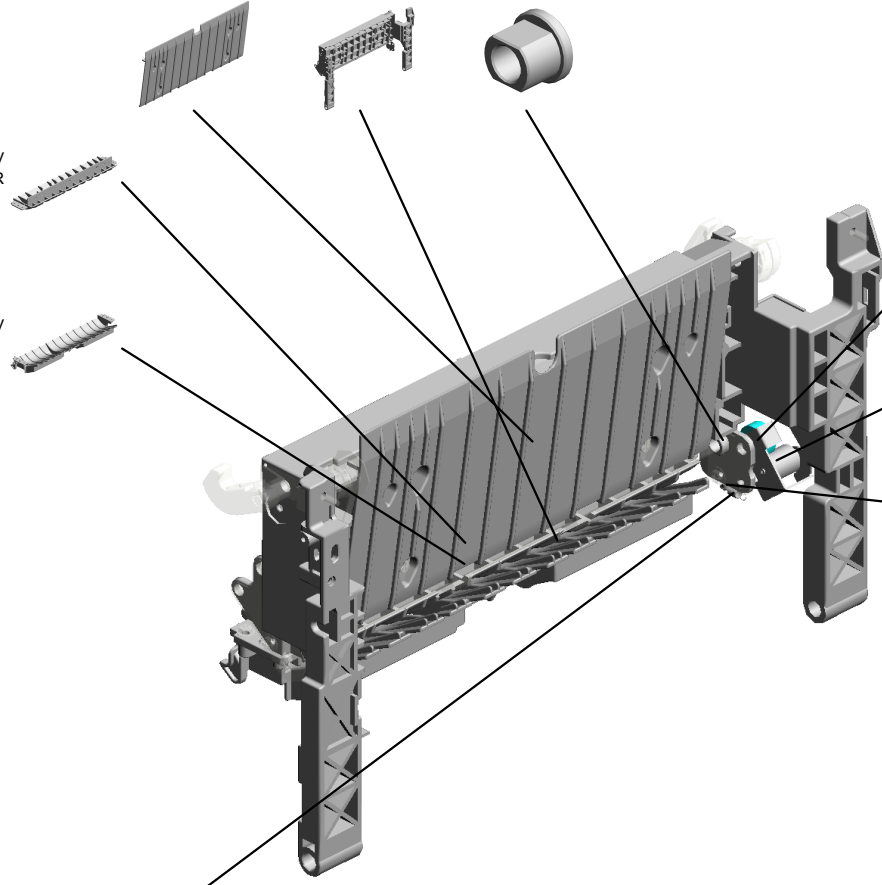
64.GA082010
 (x2)
 BUSHING:DIA6:DIA
 10:9



67.D1174520
 FRAME:DUPLEX:A
 SS'Y

43.D1174693
 GUIDE PLATE:REV
 ERSE:EXIT:UPPER

42.D1174691
 GUIDE PLATE:REV
 ERSE:EXIT:LOWE
 R



50.D1174706
 GEAR:IDLER:SWIV
 EL:COUPLING

49.D1174705
 BRACKET:GEAR:S
 WIVEL:ASS'Y

58.D1174719
 TUBE:STOPPER

51.D1174708
 TENSION SPRING:
 GEAR:SWING UNIT

U001	U002	U003	U004	U005	U006	U007	U008	U009	U010	U011	U012	U013	U014	U015	U016	U017	U018	U019	U020	U021
------	------	------	------	------	------	------	------	------	------	------	------	------	------	------	------	------	------	------	------	------

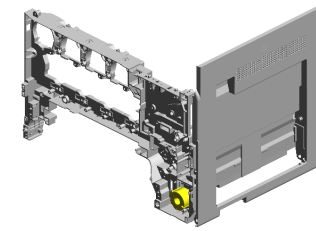
U024 Duplex-2

4.D1174713
SHAFT:PULLEY:WI
RE

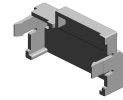
7.D1174732
TORSION SPRING:
DOOR:RIGHT:STO
PPER

5.D1174727
COVER:CONNECT
OR:DUPLX SECTI
ON:CONNECTING

8.D1174733
COLLAR:STOPPER
:SIDE PLATE



6.D1174731
PULLEY:WIRE:DA
MPER



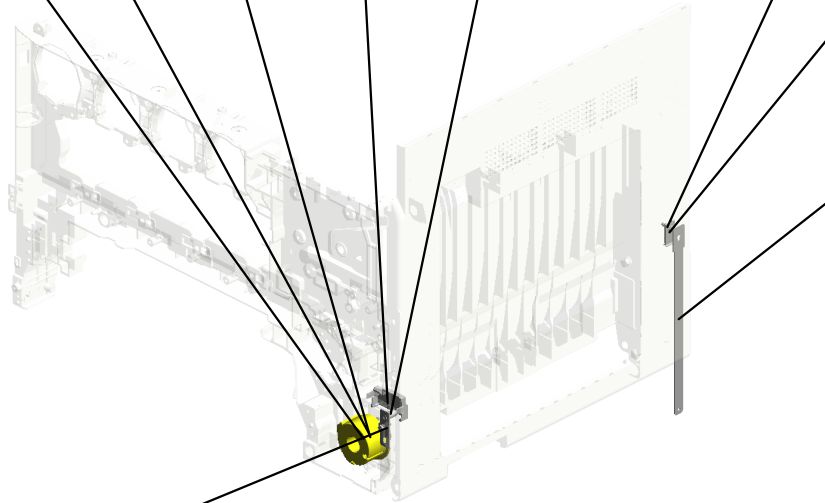
1.04503010N
(x2)
TAPPING SCREW -
M3X10



3.D1174607
PLATE:BAND:STO
PPER



2.D1174602
BAND:STOPPER:C
OVER:RIGHT

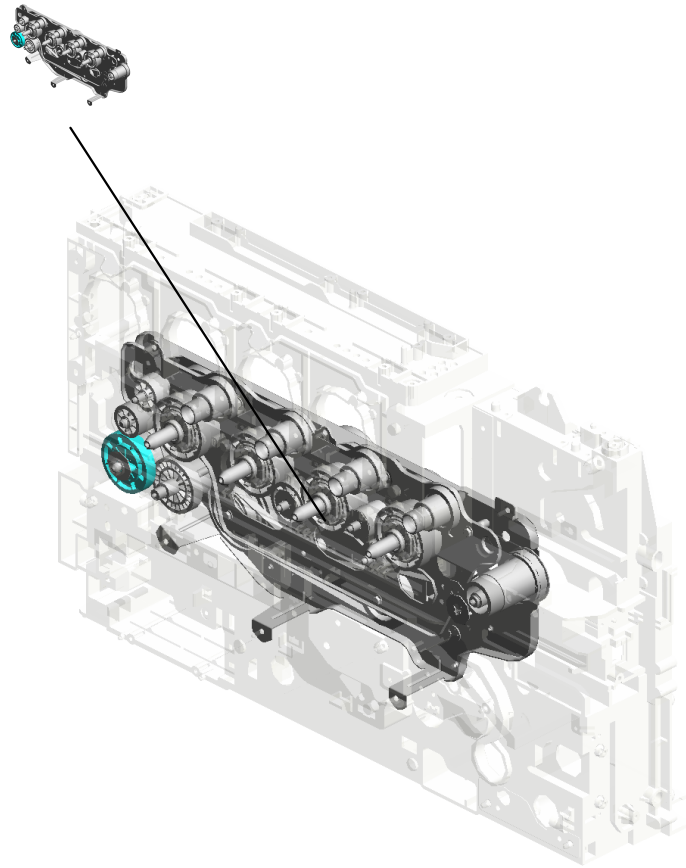


9.D1174734
BRACKET:STOPPE
R:SIDE PLATE:ASS
Y



U025.Main Drive-1

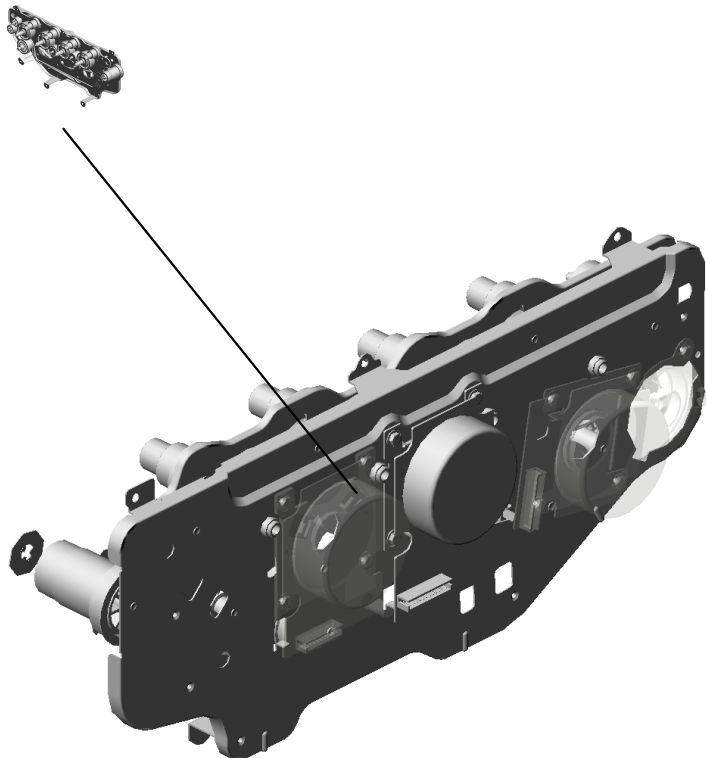
U025 S001
D1171151
DRIVE UNIT:DRUM:DEVELO
PMENT:TRANSFER:ASS'Y



U001	U002	U003	U004	U005	U006	U007	U008	U009	U010	U011	U012	U013	U014	U015	U016	U017	U018	U019	U020	U021
------	------	------	------	------	------	------	------	------	------	------	------	------	------	------	------	------	------	------	------	------

U025_S001.DRIVE UNIT:DRUM:DEVELOPMENT:TRANSFER:ASS'Y

U025 S001 S001
D1171152
DRIVE UNIT:DRUM:DEVELO
PMENT:TRANSFER



U001	U002	U003	U004	U005	U006	U007	U008	U009	U010	U011	U012	U013	U014	U015	U016	U017	U018	U019	U020	U021
------	------	------	------	------	------	------	------	------	------	------	------	------	------	------	------	------	------	------	------	------

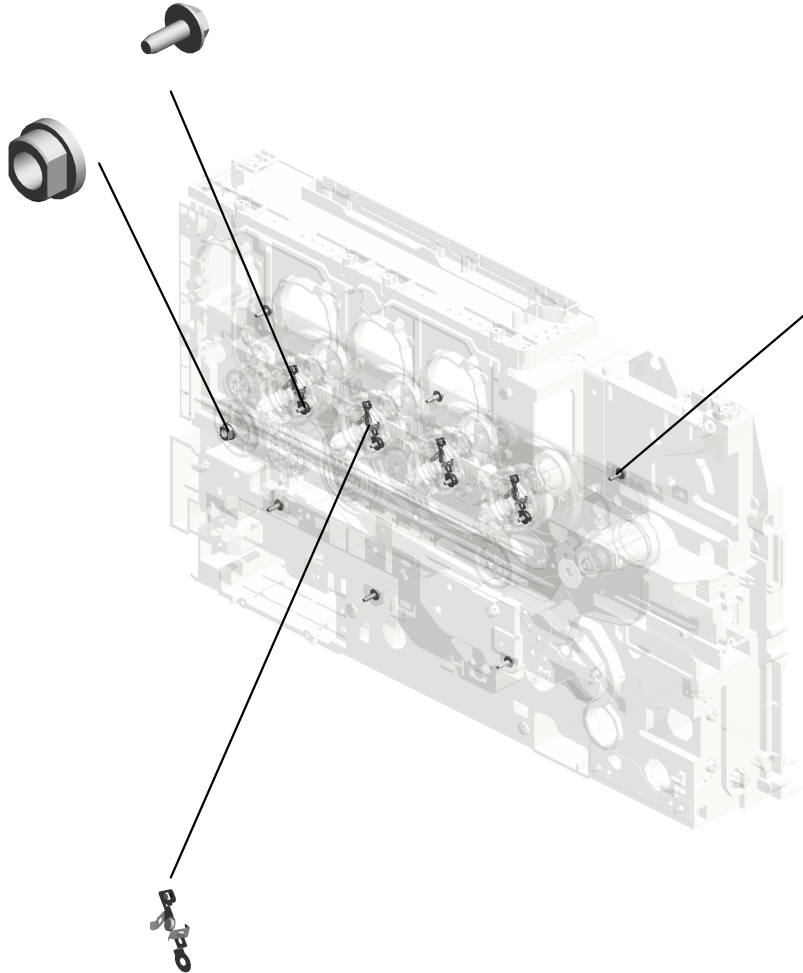
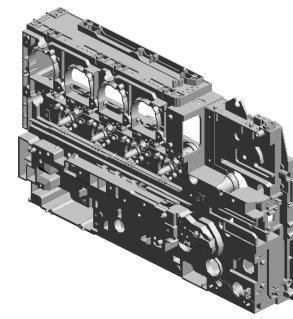
U025 Main Drive-1

2.04503008N
(x4)
TAPPING SCREW -
M3X8

6.AA080346
BUSHING:FLANGE
TYPE:DIA6

3.04503010N
(x6)
TAPPING SCREW -
M3X10

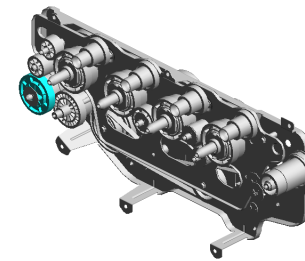
16.D1171192
(x4)
TERMINAL:DEVEL
OPMENT BIAS:ASS
Y



U001	U002	U003	U004	U005	U006	U007	U008	U009	U010	U011	U012	U013	U014	U015	U016	U017	U018	U019	U020	U021
------	------	------	------	------	------	------	------	------	------	------	------	------	------	------	------	------	------	------	------	------

U025_S001
 DRIVE UNIT:DRUM:DEVELOPMENT:TRANSFER:ASS'Y

7.AB017892 GEAR:DRIVE:DEVELOPMENT:NO.2
 4.07200040E (x2) RETAINING RING - M4
 11.AX200329 ELECTROMAGNETIC CLUTCH:DEVELOPMENT:0.5N:DIA6



12.D1171151
 DRIVE UNIT:DRUM
 :DEVELOPMENT:T
 RANSFER:ASS'Y

1.03603006N
 (x9)
 SCREW - M3X6



10.AX060429
 DC BRUSHLESS MOTOR:DEVELOPMENT:COLOR:36.1W



14.D1171178
 SHAFT:DRIVE:DEVELOPMENT:ELECTROMAGNETIC CLUTCH



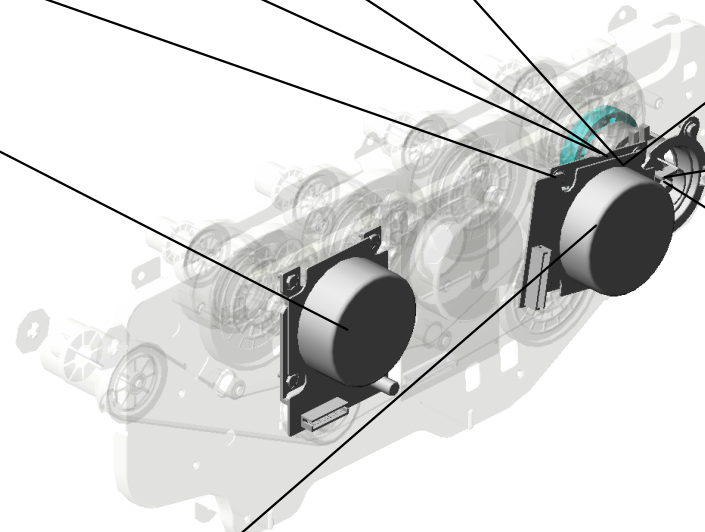
15.D1171183
 COVER:ELECTROMAGNETIC CLUTCH:DEVELOPMENT:DIA6



5.54472681
 SNAP RING



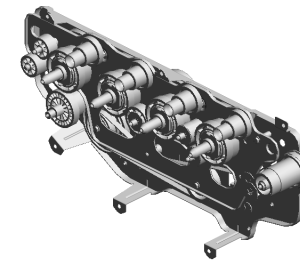
8.AX060421
 DC BRUSHLESS MOTOR:DRUM:BK:28.5W



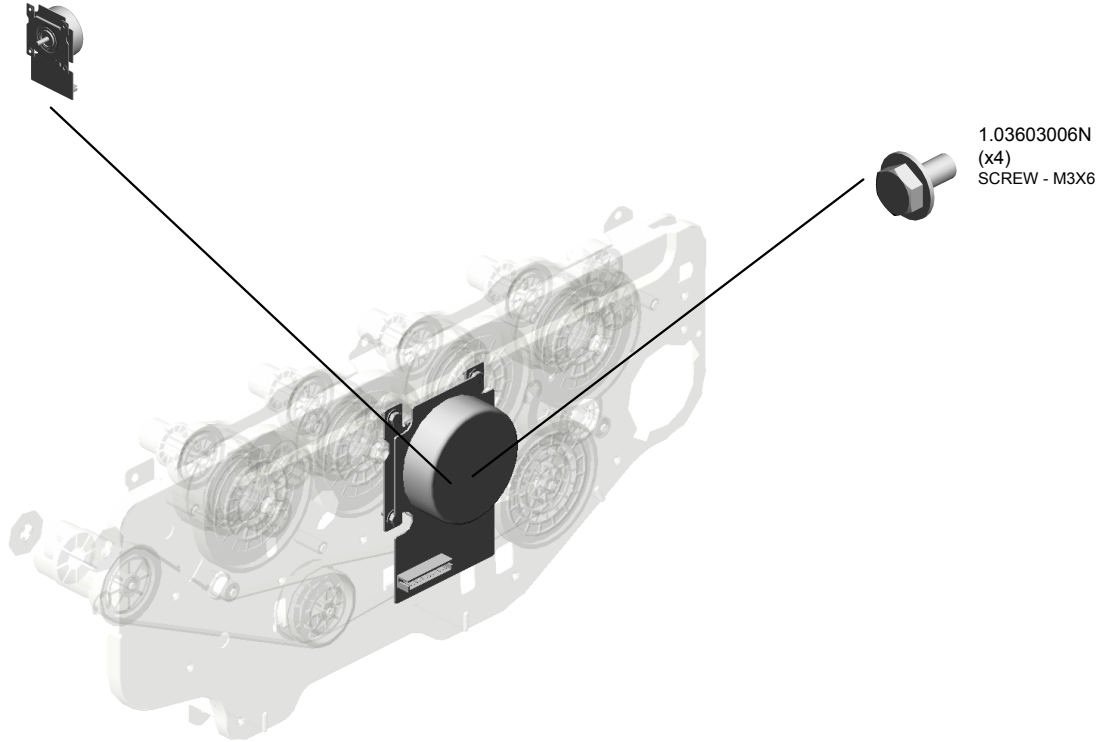
U001	U002	U003	U004	U005	U006	U007	U008	U009	U010	U011	U012	U013	U014	U015	U016	U017	U018	U019	U020	U021
------	------	------	------	------	------	------	------	------	------	------	------	------	------	------	------	------	------	------	------	------

U025_S001_S001
DRIVE UNIT:DRUM:DEVELOPMENT:TRANSFER

9.AX060422
DC BRUSHLESS M
OTOR:DRUM:COLL
AR:21.6W



13.D1171152
DRIVE UNIT:DRUM
:DEVELOPMENT:T
RANSFER

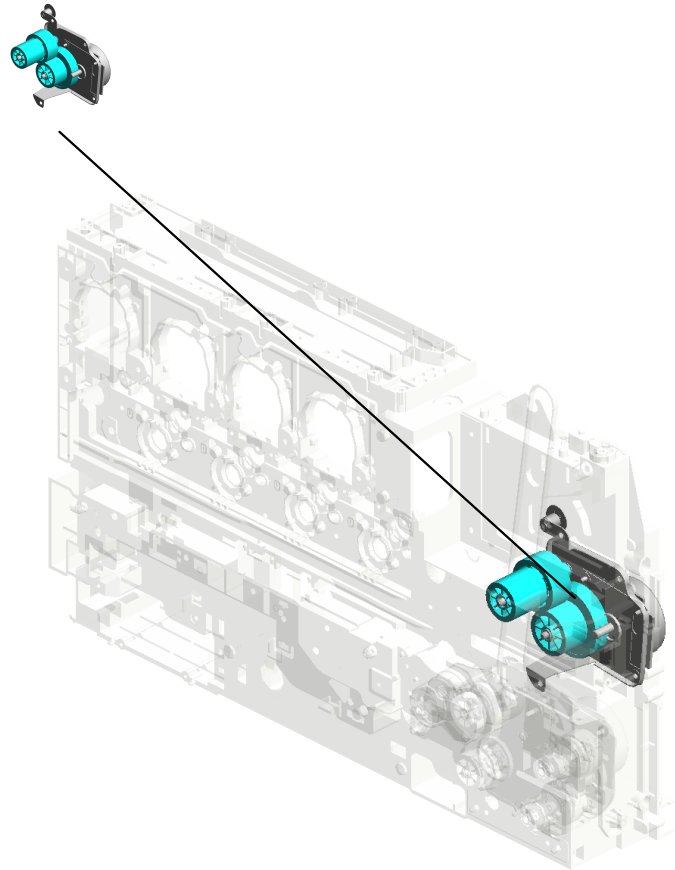


1.03603006N
(x4)
SCREW - M3X6

U001	U002	U003	U004	U005	U006	U007	U008	U009	U010	U011	U012	U013	U014	U015	U016	U017	U018	U019	U020	U021
------	------	------	------	------	------	------	------	------	------	------	------	------	------	------	------	------	------	------	------	------

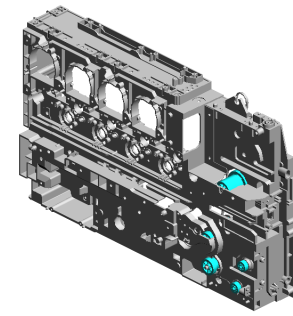
U026.Main Drive-2

U026 S001
D1171220
FUSING DRIVE UNIT:ASS'Y



U001	U002	U003	U004	U005	U006	U007	U008	U009	U010	U011	U012	U013	U014	U015	U016	U017	U018	U019	U020	U021
------	------	------	------	------	------	------	------	------	------	------	------	------	------	------	------	------	------	------	------	------

U026 Main Drive-2



- 6.AB017840 GEAR:ELECTROMAGNETIC CLUTCH: OUTPUT:Z30
- 25.D1171207 SHAFT:TIMING PULLEY:PAPER EXIT UNIT
- 22.AX200327 ELECTROMAGNETIC CLUTCH:REGISTRATION
- 17.AB017851 GEAR:TIMING PULLEY:PAPER EXIT UNIT
- 24.B7027105 TIMING BELT:B40S 2M520:

4.08050104
(x4)
RETAINING RINGS
-E:SILENCER:DIA4
201504-03 O/O

21.AX200326
ELECTROMAGNETIC CLUTCH:PAPER FEED ROLLER

8.AB017842
SHAFT:JOINT:PAPER FEED ROLLER

5.AA080347
(x4)
BUSHING - 8MM

12.AB017846
GEAR:TRANSPORT: NO.4

3.07200040E
(x3)
RETAINING RING - M4

13.AB017847
GEAR:MANUAL FEED:BASE

11.AB017845
GEAR:TRANSPORT: NO.3

1.03603006N
(x8)
SCREW - M3X6

23.AX200328
(x2)
ELECTROMAGNETIC CLUTCH:DRIVE: MANUAL FEED

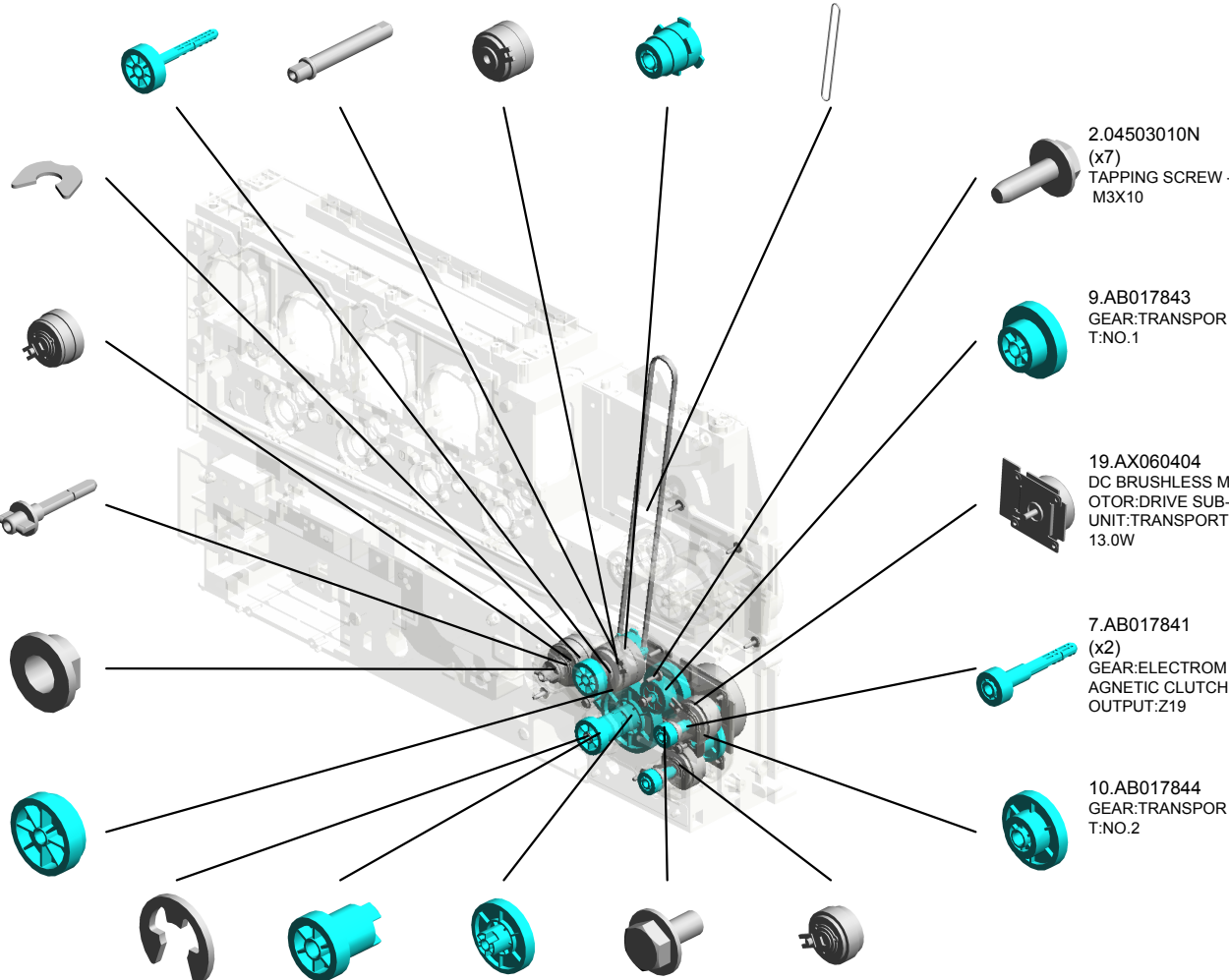
2.04503010N
(x7)
TAPPING SCREW - M3X10

9.AB017843
GEAR:TRANSPORT: NO.1

19.AX060404
DC BRUSHLESS MOTOR:DRIVE SUB-UNIT:TRANSPORT: 13.0W

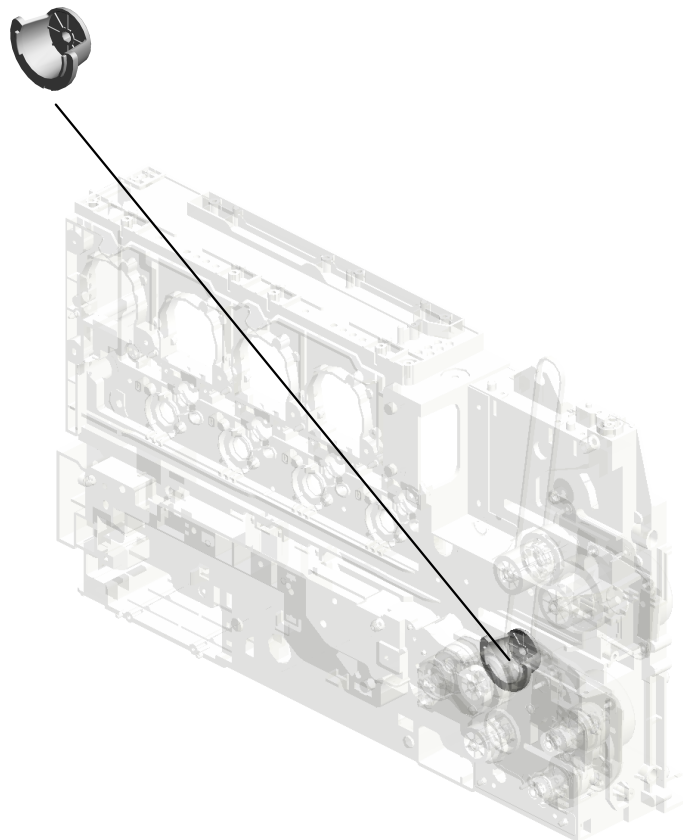
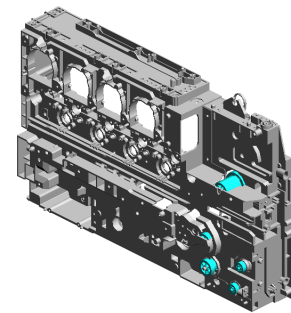
7.AB017841
(x2)
GEAR:ELECTROMAGNETIC CLUTCH: OUTPUT:Z19

10.AB017844
GEAR:TRANSPORT: NO.2



U026
Main Drive-2

27.D1171232
HOLDER:TIMING P
ULLEY:PAPER EXI
T UNIT



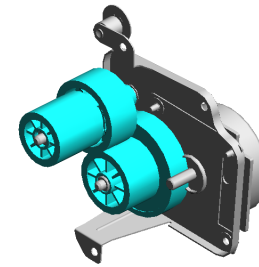
U001	U002	U003	U004	U005	U006	U007	U008	U009	U010	U011	U012	U013	U014	U015	U016	U017	U018	U019	U020	U021
------	------	------	------	------	------	------	------	------	------	------	------	------	------	------	------	------	------	------	------	------

U026_S001
FUSING DRIVE UNIT:ASS'Y

16.AB017850
GEAR:DRIVE UNIT:
FUSING:NO.3

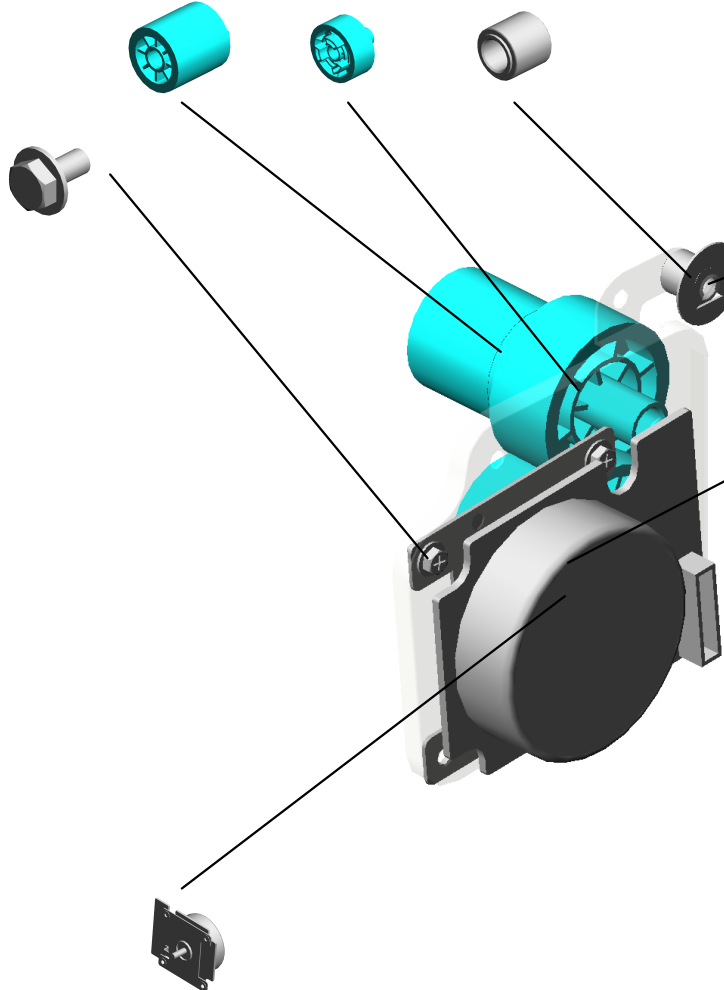
15.AB017849
GEAR:DRIVE UNIT:
FUSING:NO.2

18.AB033120
TIGHTENER:SYNC
HROUNOUS BELT:P
APER EXIT UNIT



26.D1171220
FUSING DRIVE UNI
T:ASSY

1.03603006N
(x3)
SCREW - M3X6



4.08050104
RETAINING RINGS
-E:SILENCER:DIA4
201504-03 O/O

14.AB017848
GEAR:DRIVE UNIT:
FUSING:NO.1

20.AX060405
DC BRUSHLESS M
OTOR:DRIVE SUB-
UNIT:FUSING:25.1
W

U001	U002	U003	U004	U005	U006	U007	U008	U009	U010	U011	U012	U013	U014	U015	U016	U017	U018	U019	U020	U021
------	------	------	------	------	------	------	------	------	------	------	------	------	------	------	------	------	------	------	------	------

U027 Electrical-1

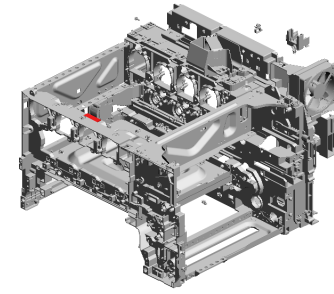
10.D1171034
COVER:DUCT:LEF
T:VACUUM

5.11028534
CONNECTOR - QR/
P17-14S-B

13.D1171126
DUCT:OPTICAL W
RITING MD
201301-01 X/O

1.04503010N
(x12)
TAPPING SCREW -
M3X10

18.D1175303
THERMISTOR



2.04503025N
(x2)
TAPPING SCREW:
3X25

9.D1171033
DUCT:LEFT:VACU
UM

16.D1171136
FAN:SIROCCO:DC
24V:50MM

11.D1171036
(x2)
SEAL:COVER:LEFT

4.04543008N
(x2)
TAPPING SCREW:
ROUND POINT:3X8

7.AW140026
TEMPERATURE &
HUMIDITY SENSO
R
201505-01 O/O

19.D1175869
WIRE:HIGH VOLTA
GE:TRANSFER:BK

20.D1175870
WIRE:HIGH VOLTA
GE:TRANSFER:C

6.AA066696
TORSION SPRING:
TERMINAL:DRIVE
ROLLER:INTERME
DIATE TRANSFER

8.AW500023
PUSH SWITCH

3.04503035N
(x2)
TAPPING SCREW:
3X35

17.D1171143
DUCT:REAR:BASE

12.D1171121
DC FAN MOTOR:A
XIAL:MM92

14.D1171124
COVER:FAN

15.D1171125
(x2)
SEAL:COVER:FAN

U027 Electrical-1

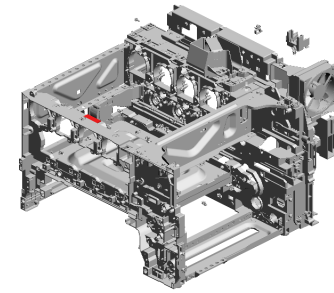
29.D1175879 WIRE:HIGH VOLTA
GE:CHARGE:C

30.D1175880 WIRE:HIGH VOLTA
GE:CHARGE:M

38.D1175915 (x4)
GUIDE:WIRE:HIGH
VOLTAGE:CHARG
E

26.D1175876 WIRE:HIGH VOLTA
GE:DEVELOPMEN
T:M

31.D1175881 WIRE:HIGH VOLTA
GE:CHARGE:Y



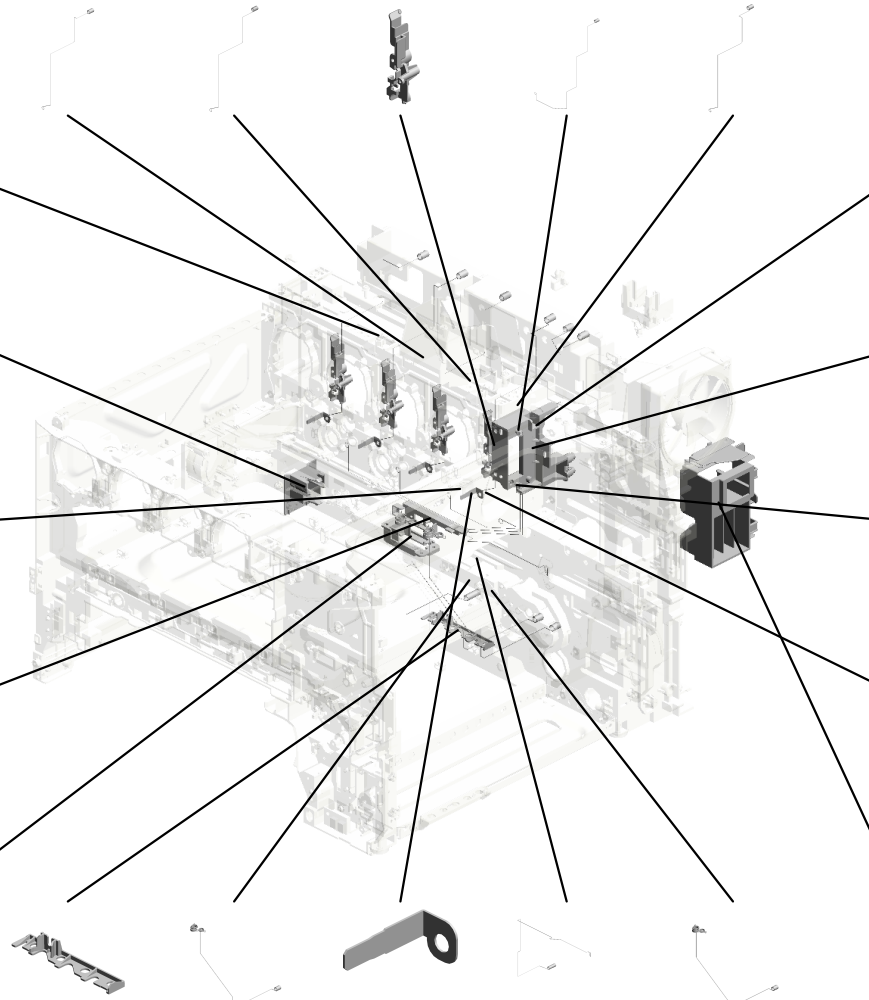
28.D1175878 WIRE:HIGH VOLTA
GE:CHARGE:BK

37.D1175912 BRACKET:SWITCH
:HEATER

24.D1175874 WIRE:HIGH VOLTA
GE:DEVELOPMEN
T:BK

35.D1175905 GUIDE:WIRE:HIGH
VOLTAGE:TRANSF
ER:SECOND

36.D1175908 BRACKET:DRAW
R:OPTION TRAY



27.D1175877 WIRE:HIGH VOLTA
GE:DEVELOPMEN
T:Y

34.D1175904 BRACKET:DRAW
R:FUSING

39.D1175916 (x2)
STEPPED SCREW:
M3X8:SECOND KIN
D

25.D1175875 WIRE:HIGH VOLTA
GE:DEVELOPMEN
T:C

32.D1175887 DUCT:POWER SU
PPLY UNIT:EXHAU
ST

40.D1175924 STOPPER:WIRE:HI
GH VOLTAGE:TRA
NSFER

21.D1175871 WIRE:HIGH VOLTA
GE:TRANSFER:M

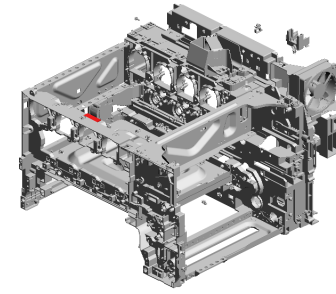
33.D1175899 (x4)
TERMINAL:CHARG
E

23.D1175873 WIRE:HIGH VOLTA
GE:TRANSFER:SE
COND

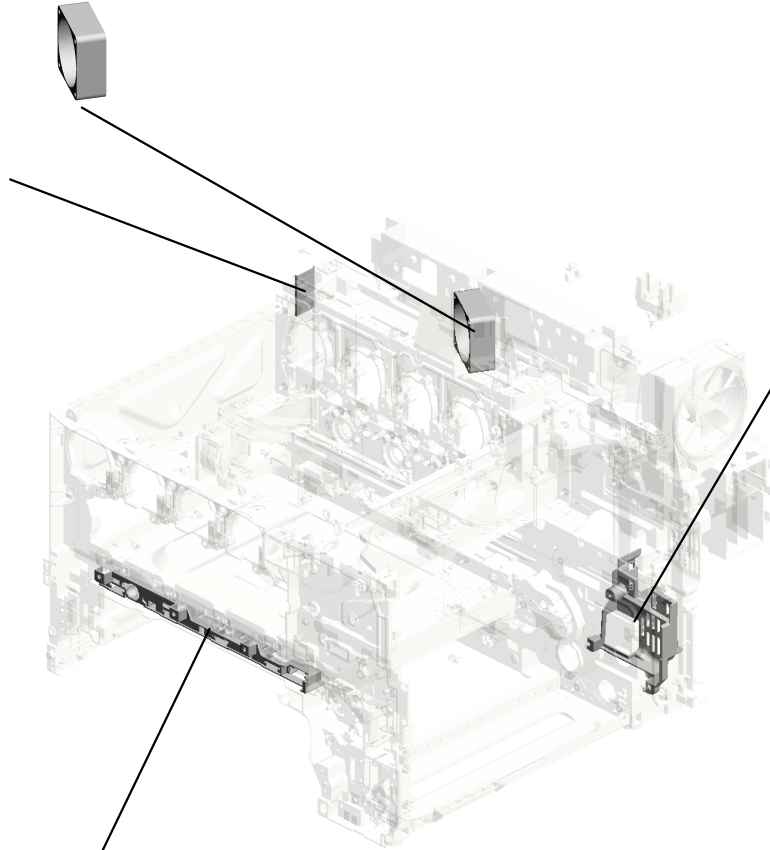
22.D1175872 WIRE:HIGH VOLTA
GE:TRANSFER:Y

U027
Electrical-1

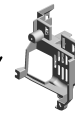
44.GX640021
FAN MOTOR DC24
V 1.92W



43.D1175945
SPACER:FFC



41.D1175925
GUIDE:HARNESS:
PAPER FEED DRIV
E



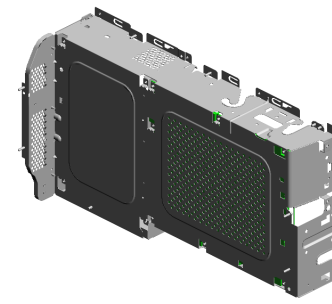
42.D1175930
COVER:HARNESS:
PCU:FRONT



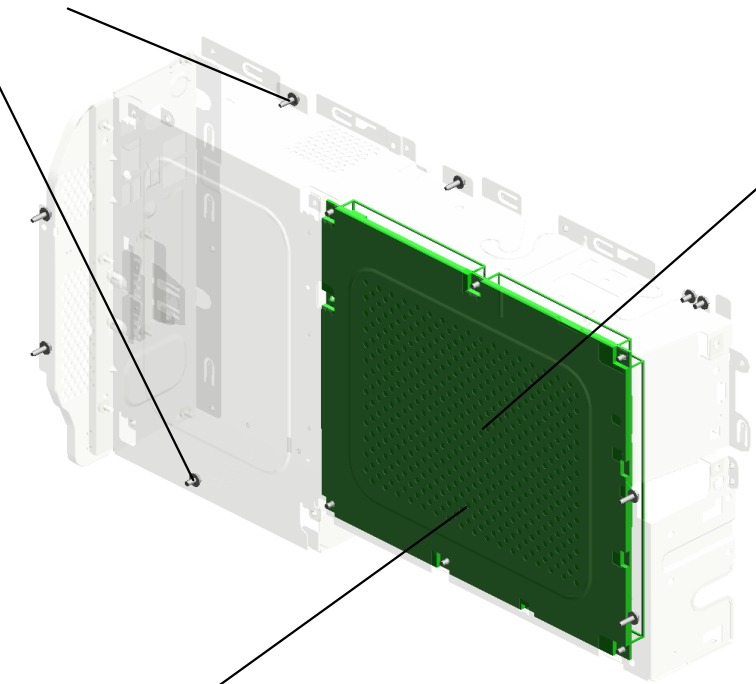
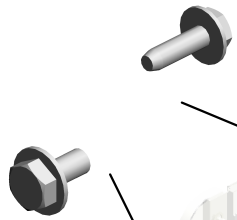
U001	U002	U003	U004	U005	U006	U007	U008	U009	U010	U011	U012	U013	U014	U015	U016	U017	U018	U019	U020	U021
------	------	------	------	------	------	------	------	------	------	------	------	------	------	------	------	------	------	------	------	------

U028
Electrical-2

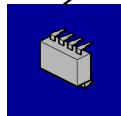
2.04503010N
(x6)
TAPPING SCREW -
M3X10



1.03603006N
(x9)
SCREW - M3X6



4.D1175112
PCB:BICU:ASS'Y

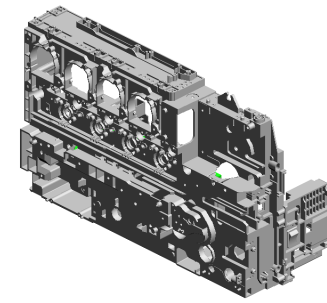


3.14077667
EEPROM:BR24T12
8-W

U001	U002	U003	U004	U005	U006	U007	U008	U009	U010	U011	U012	U013	U014	U015	U016	U017	U018	U019	U020	U021
------	------	------	------	------	------	------	------	------	------	------	------	------	------	------	------	------	------	------	------	------

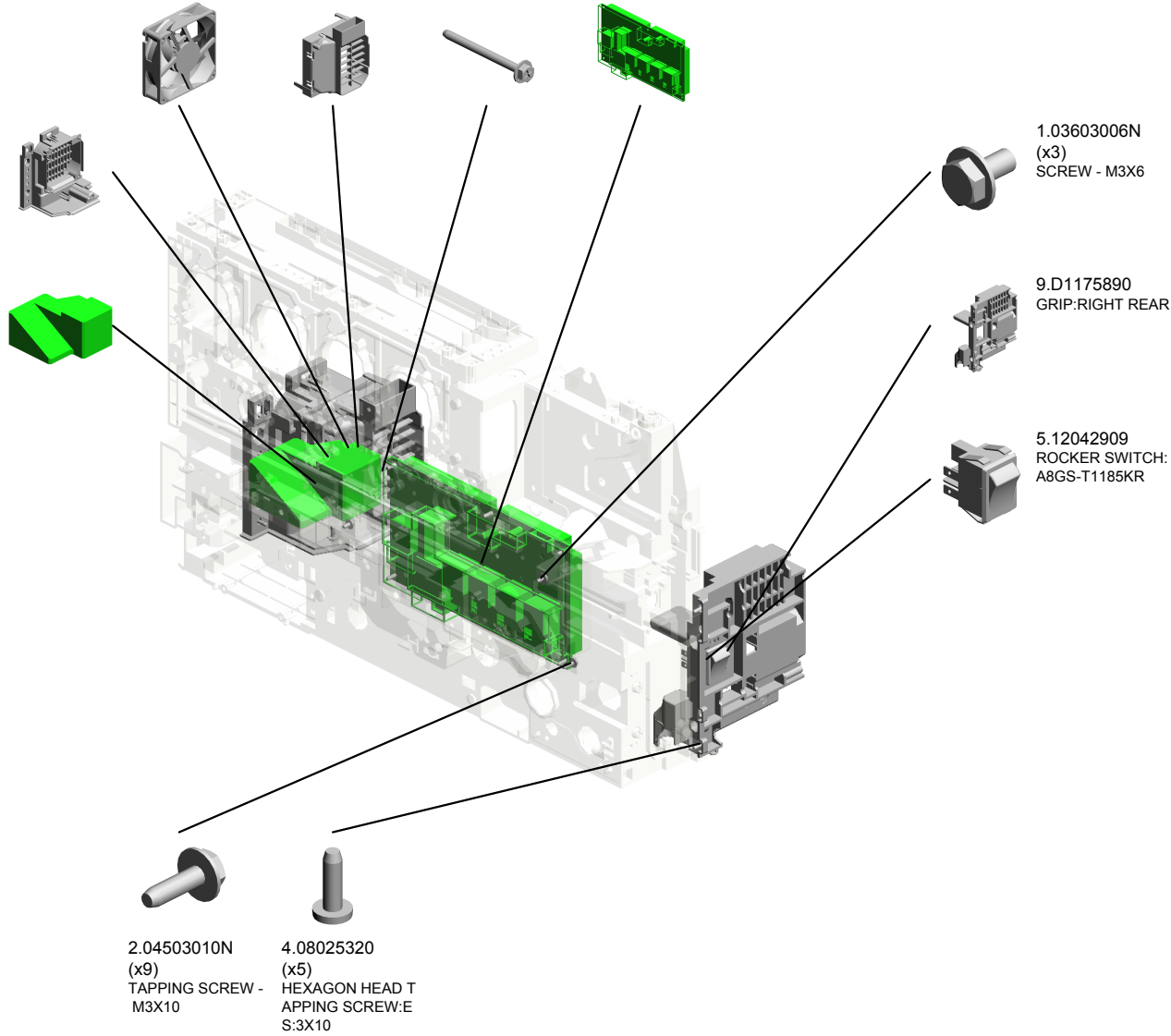
U029 Electrical-3

- 11.GX645734 FAN MOTOR:MM80 DC24V 3.12W
- 8.D1175886 DUCT:POWER SU PPLY UNIT:ENTRANCE
- 3.04503035N (x2) TAPPING SCREW: 3X35
- 6.AZ320192 POWER PACK:T1T 2



10.D1175891
GRIP:LEFT REAR

7.D1175180
PCB:ACVB:100V



1.03603006N
(x3)
SCREW - M3X6

9.D1175890
GRIP:RIGHT REAR

5.12042909
ROCKER SWITCH:
A8GS-T1185KR

2.04503010N
(x9)
TAPPING SCREW -
M3X10

4.08025320
(x5)
HEXAGON HEAD T
APPING SCREW:E
S:3X10

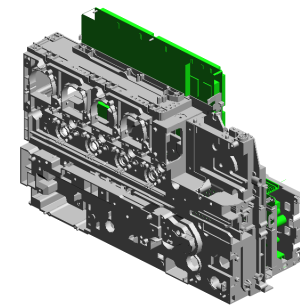
U001	U002	U003	U004	U005	U006	U007	U008	U009	U010	U011	U012	U013	U014	U015	U016	U017	U018	U019	U020	U021
------	------	------	------	------	------	------	------	------	------	------	------	------	------	------	------	------	------	------	------	------

U030 Electrical-4

11.AZ320203
POWER PACK:CB:
GR-C1
201401-05 O/O

10.D1175883
WIRE:HIGH VOLTA
GE:DEVELOPMEN
T:C:CONNECTING

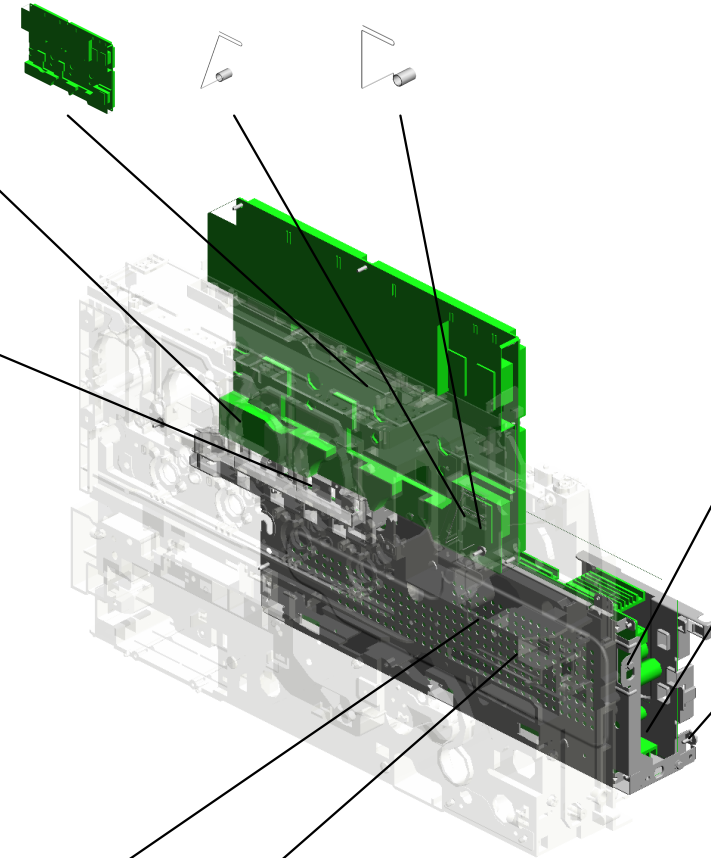
9.D1175882
WIRE:HIGH VOLTA
GE:DEVELOPMEN
T:BK:CONNECTIN
G



3.08025320
(x5)
HEXAGON HEAD T
APPING SCREW: E
S:3X10



7.D1175864
GUIDE:HARNESS:F
FC:OPTICAL WRITI
NG UNIT



1.03603006N
(x4)
SCREW - M3X6



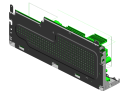
4.AA143592
SCREW- M4X6



2.04503010N
(x6)
TAPPING SCREW -
M3X10



6.D1175060
POWER SUPPLY U
NIT:100V:280W



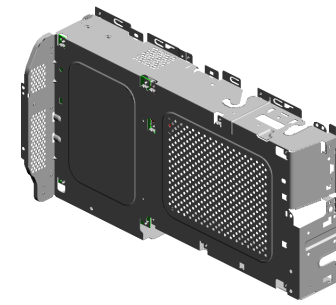
8.D1175867
GUIDE:HARNESS:
POWER SUPPLY U
NIT



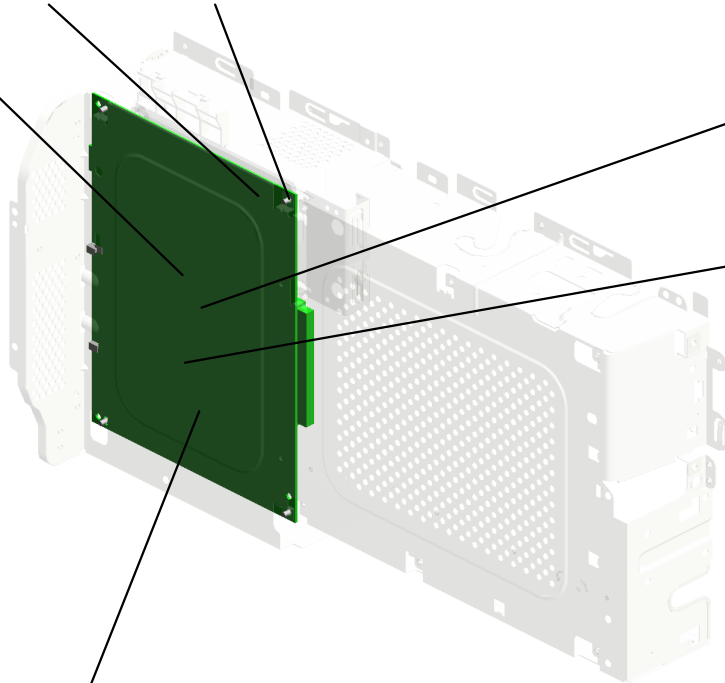
U031 Controller

5.D1179590
NV-RAM

1.03603006N
(x4)
SCREW - M3X6



3.D0095899
RIGHT RAIL - SMA
LL

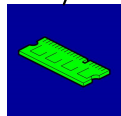


9.D1175408
PCB:CTL:EXP:ASS'
Y
201509-02 X/O



8.B7715050
SPEAKER

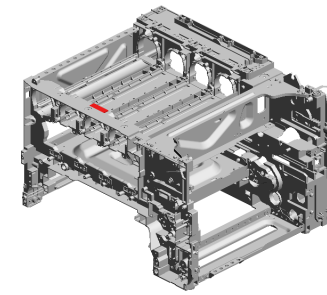
2.D0095891
LEFT RAIL - FAX C
ONTROL UNIT



6.M0525391
(x2)
PCB:MEMORY:512
MB

U001	U002	U003	U004	U005	U006	U007	U008	U009	U010	U011	U012	U013	U014	U015	U016	U017	U018	U019	U020	U021
------	------	------	------	------	------	------	------	------	------	------	------	------	------	------	------	------	------	------	------	------

U032 Main Frame



- 17.D1173411 DECAL:COLORED DISPLAY:INNER COVER:C
- 18.D1173412 DECAL:COLORED DISPLAY:INNER COVER:M
- 19.D1173413 DECAL:COLORED DISPLAY:INNER COVER:Y
- 8.D1171058 (x4) CASE:COIL SPRING:PLATE:PCU:REAR
- 9.D1171059 (x4) SLIDER:COIL SPRING:PLATE:PCU:REAR

7.D1171057 (x4) CASE:COIL SPRING:PLATE:PCU:FRONT

16.D1173410 DECAL:COLORED DISPLAY:INNER COVER:K

11.D1171068 (x8) COIL SPRING:PLATE:PCU

12.D1171069 (x4) SLIDER:COIL SPRING:PLATE:PCU:FRONT

15.D1172897 BRACKET:LEFT:ROLLER:ASSY

1.04503008N (x2) TAPPING SCREW - M3X8

3.07200025E RETAINING RING - M2.5

14.D1172866 ROLLER:RAIL:RIGHT

13.D1172813 STOPPER:PAPER TRAY

5.AH010011 (x3) RUBBER FOOT:H5

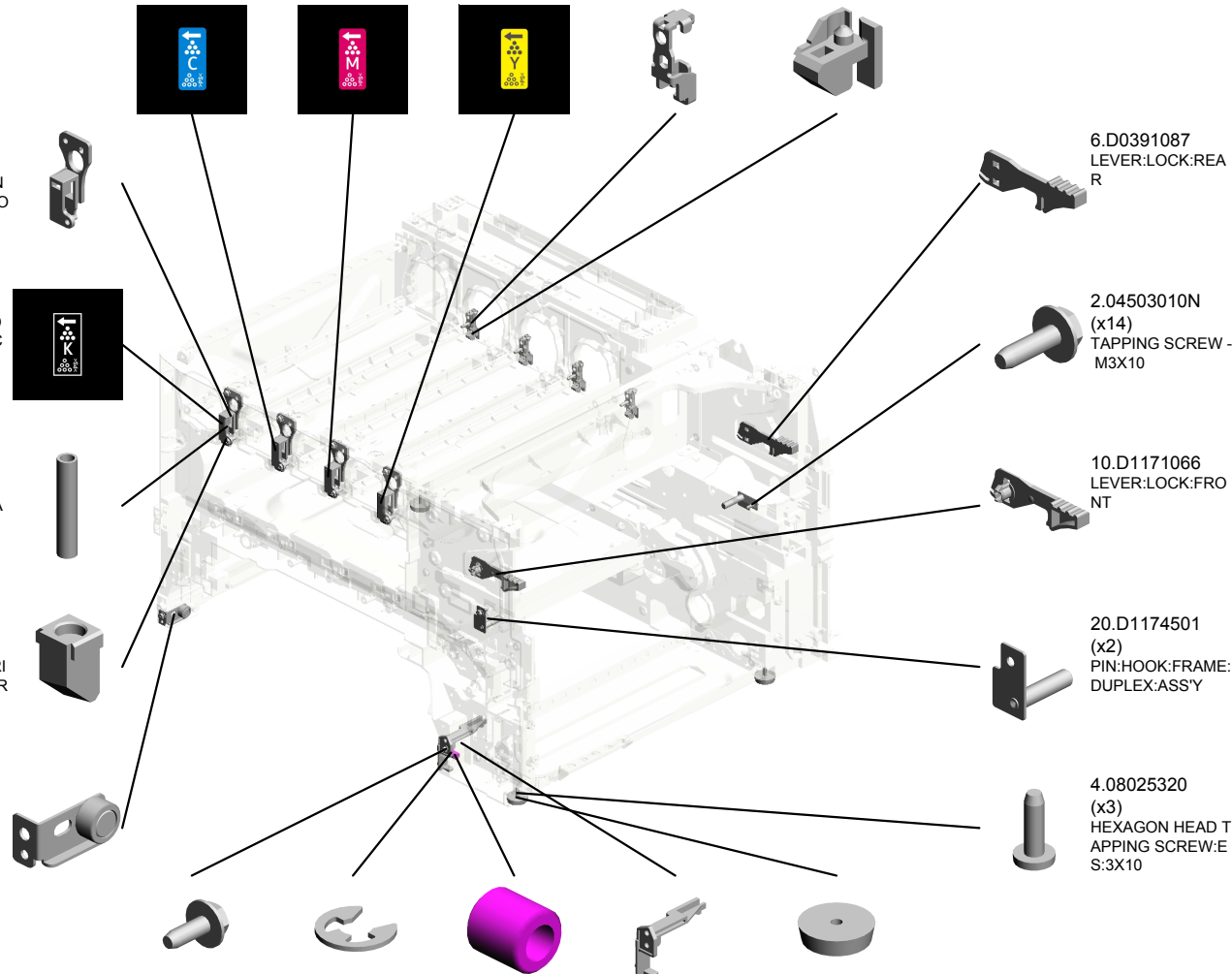
6.D0391087 LEVER:LOCK:REAR

2.04503010N (x14) TAPPING SCREW - M3X10

10.D1171066 LEVER:LOCK:FRONT

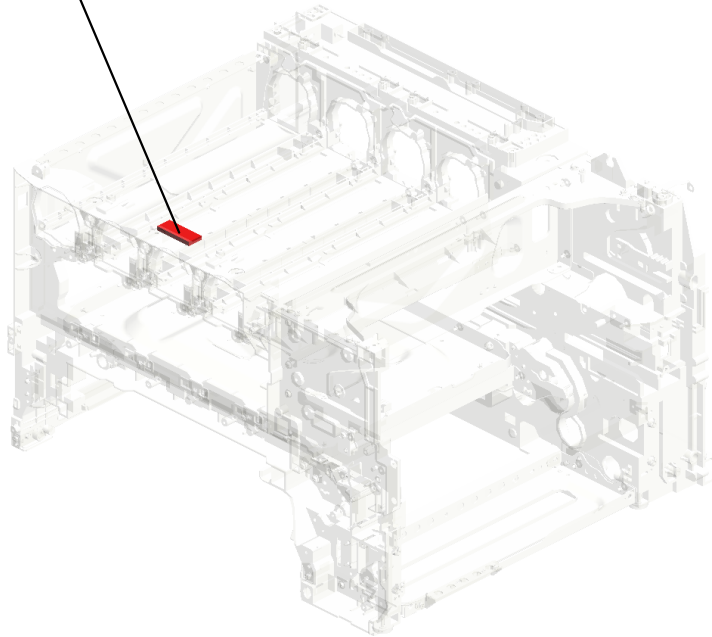
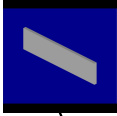
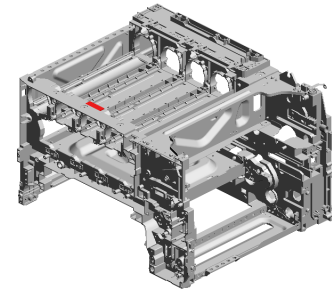
20.D1174501 (x2) PIN:HOOK:FRAME:DUPLIX:ASSY

4.08025320 (x3) HEXAGON HEAD TAPPING SCREW:ES:3X10



U032
Main Frame

21.D1171064
SEAL:SIDE PLATE:
FRONT
201503-01

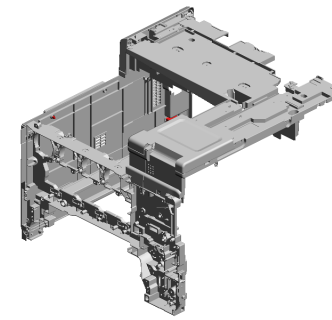


U001	U002	U003	U004	U005	U006	U007	U008	U009	U010	U011	U012	U013	U014	U015	U016	U017	U018	U019	U020	U021
------	------	------	------	------	------	------	------	------	------	------	------	------	------	------	------	------	------	------	------	------

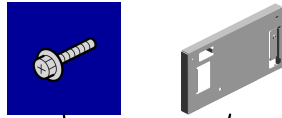
U033 Option

1.03603014N
SCREW - M3X14

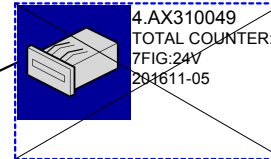
5.D1171332
BRACKET:KEY CO
UNTER HOLDER



9.D1175091
HEATER:NA:ASS'Y
201409-05 X/O

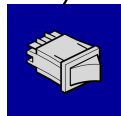


2.08010231
HEXAGONAL HEA
D BOLT W/WASHE
R:M3X6



4.AX310049
TOTAL COUNTER:
7FIG:24V
201611-05

7.D1171372
BRACKET:CARD R
EADER:(for 1 Bin Tr
ay)



3.12042570
ROCKER SWITCH:
SDDJE13200

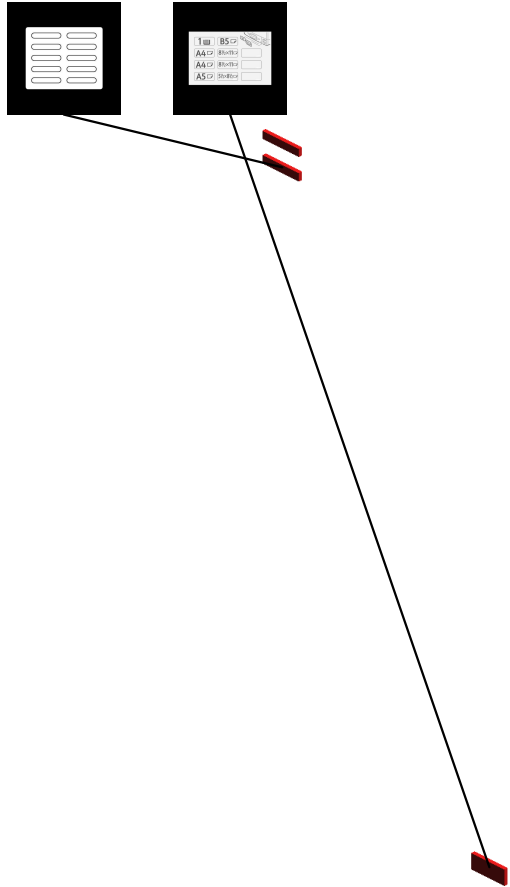


6.D1171371
BRACKET:CARD R
EADER

U034 Accessories

2.D1171573
DECAL:FUNCTION:
BLANK:MULTI-LAN
GUAGE

3.D1172877
DECAL:PAPER TR
AY:SIZE INDICATIO
N



4.D1181545
DECAL:FUNCTION:
MULTI-LANGUAGE:
TWN

5.D1176893
DECAL:TONER BO
TTLE:INSTALL:CO
VER:UPPER
201401-01 X/O

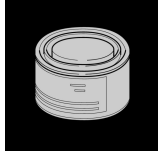
6.D1176894
DECAL:TONER BO
TTLE:INSTALL:CO
VER:LEFT
201401-02 X/O

7.D1176895
DECAL:TONER BO
TTLE:INSTALL:CO
VER:FRONT
201401-03 X/O

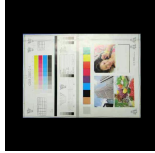
1.11500409 (x 1)
POWER SUPPLY CODE:125V:15A:TWN

U001	U002	U003	U004	U005	U006	U007	U008	U009	U010	U011	U012	U013	U014	U015	U016	U017	U018	U019	U020	U021
------	------	------	------	------	------	------	------	------	------	------	------	------	------	------	------	------	------	------	------	------

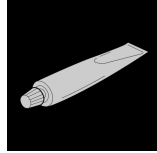
Special Tools



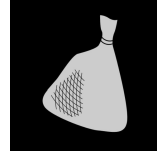
1.52039502
Silicon Grease G-501



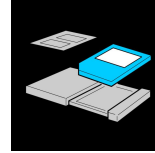
2.A0929503
C4 Color Test Chart (3 pcs/set)



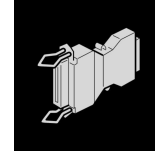
3.A2579300
Grease Barrierta S552R



4.B1329700
Lubricant Powder



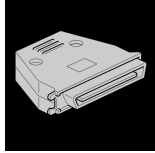
5.B6455010
SD Card



6.B6795100
Plug - IEEE1284 Type C



7.C4019503
20X Magnification Scope



8.G0219350
Loop-back Connector Parallel

Exclusive Parts

Number	Part Name	Group	ID
52039502	Silicon Grease G-501	Special Tools	1
52152621	SNAP RING - M6	U022	4
52152713	BOTTOM PLATE PAD	U007_S001_S003	6
		U010_S001_S001	5
54472681	SNAP RING	U001	3
		U007_S001	7
		U022	5
		U025_S001	5
A0929503	C4 Color Test Chart (3 pcs/set)	Special Tools	2
A2579300	Grease Barrierta S552R	Special Tools	3
AA043325	TIMING BELT - B40S2M250	U023_S001	9
AA060151	TENSION SPRING	U016_S002	7
AA061084	TENSION SPRING:FEELER	U016	8
AA061085	TENSION SPRING:PRESSURE:TR ANSFER ROLLER	U017	6
AA061086	COIL SPRING:PRESSURE	U019_S001	8
AA061087	TORSION SPRING:STRIPPER PLA TE:FRONT	U019_S001	9
AA061088	TORSION SPRING:STRIPPER PLA TE:REAR	U019_S001	10
AA061089	COIL SPRING:GUIDE PLATE:FUSI NG EXIT	U019_S001	11
AA063483	COMPRESSION SPRING:TRANSP ORT SUB-UNIT	U017	7
AA063629	SPRING - 2.8N	U007_S001	8
AA063701	COMPRESSION SPRING:RISING T RAY	U008_S001	10
AA066417	TORSION SPRING:TRANSFER UNI T	U017	8
AA066695	TORSION SPRING:LEVER:ON-OFF	U016	9
AA066696	TORSION SPRING:TERMINAL:DRI VE ROLLER:INTERMEDIATE TRAN SFER	U027	6
AA080346	BUSHING:FLANGE TYPE:DIA6	U022	6
		U025	6
AA080347	BUSHING - 8MM	U026	5
AA080361	PLAIN SHAFT BEARING:CASE:RISI NG TRAY	U008_S001	11

Number	Part Name	Group	ID
AA082101	BUSHING - 6X10X6	U007_S001	9
		U010_S001	6
AA082109	PLAIN SHAFT BEARING:DIA4	U016_S001	10
AA082161	PLAIN SHAFT BEARING:REGISTR ATION ROLLER	U012	5
AA143592	SCREW- M4X6	U030	4
AA143861	SCREW - DIA5	U019_S001	12
AA143870	STEPPED SCREW	U019_S001	13
AB011537	GEAR:REGISTRATION ROLLER:FR ONT	U012	6
AB011538	GEAR:REGISTRATION ROLLER:IN NER BACK	U012	7
AB011539	GEAR:REGISTRATION ROLLER:D RIVE	U012	8
AB011541	GEAR:RISING TRAY:OUTPUT	U008_S001	12
AB011552	GEAR:IDLER:LEFT REAR	U018	3
AB011553	GEAR:IDLER:MIDDLE REAR	U018	4
AB011554	GEAR:IDLER:RIGHT REAR	U018	5
AB011555	GEAR:IDLER:RIGHT FRONT	U018	6
AB012076	GEAR:DRIVE:Z21	U019_S001	15
AB017827	GEAR:IDLER:COLLECTION BOTTL E:RIGHT UPPER	U018	7
AB017834	GEAR:RISING TRAY:2	U008_S001	14
AB017835	GEAR:RISING TRAY:3	U008_S001	15
AB017840	GEAR:ELECTROMAGNETIC CLUT CH:OUTPUT:Z30	U026	6
AB017841	GEAR:ELECTROMAGNETIC CLUT CH:OUTPUT:Z19	U026	7
AB017842	SHAFT:JOINT:PAPER FEED ROLL ER	U026	8
AB017843	GEAR:TRANSPORT:NO.1	U026	9
AB017844	GEAR:TRANSPORT:NO.2	U026	10
AB017845	GEAR:TRANSPORT:NO.3	U026	11
AB017846	GEAR:TRANSPORT:NO.4	U026	12
AB017847	GEAR:MANUAL FEED:BASE	U026	13
AB017848	GEAR:DRIVE UNIT:FUSING:NO.1	U026_S001	14
AB017849	GEAR:DRIVE UNIT:FUSING:NO.2	U026_S001	15
AB017850	GEAR:DRIVE UNIT:FUSING:NO.3	U026_S001	16

Exclusive Parts

Number	Part Name	Group	ID
AB017851	GEAR:TIMING PULLEY:PAPER EXIT UNIT	U026	17
AB017892	GEAR:DRIVE:DEVELOPMENT:NO.2	U025_S001	7
AB017899	GEAR:RISING TRAY:1	U008_S001	25
AB030854	TIMING PULLEY:EXIT ROLLER	U022	7
AB033120	TIGHTENER:SYNCHRONOUS BELT:PAPER EXIT UNIT	U026_S001	18
AE020204	PRESSURE ROLLER:DIA25	U019_S001	17
AE030056	BALL BEARING - 8X16X5	U019_S001	18
AF020791	REGISTRATION ROLLER:DRIVE	U012	9
AF021088	REGISTRATION ROLLER:DRIVEN	U012	10
AF031092	PAPER FEED ROLLER:MANUAL FEED	U010_S001	7
AG070513	MAGNET CATCH	U002	7
AG071012	MAGNET CATCH:ASS'Y	U018	8
AH010011	RUBBER FOOT:H5	U032	5
AW010107	PAPER FEED SENSOR	U012	11
AW010124	PHOTO REFLECTION SENSOR:GP2A200LCS0F	U017 U020	9 3
AW010151	PHOTO REFLECTION SENSOR:PS122TL1-A	U023_S001	10
AW020203	PHOTOINTERRUPTOR:GP1A173LCS2F	U016 U017 U018	11 10 9
AW020224	PHOTOINTERRUPTOR:GP1A173LCSVF	U008 U010_S001 U023	16 8 11
AW020234	PHOTOINTERRUPTOR:GP1A173LCS5F	U005_S001	27
AW100147	THERMISTOR:PRESSURE	U019_S001	19
AW100149	THERMISTOR:SLEEVE:FUSING	U019_S001	20
AW100183	THERMOPILE	U020	6
AW110110	THERMOSTAT	U019_S001	21
AW140026	TEMPERATURE & HUMIDITY SENSOR	U027	7
AW500023	PUSH SWITCH	U018 U027	10 8

Number	Part Name	Group	ID
AX040272	DC STEPPER MOTOR:NMB	U005_S001	12
AX060404	DC BRUSHLESS MOTOR:DRIVE SUB-UNIT:TRANSPORT:13.0W	U026	19
AX060405	DC BRUSHLESS MOTOR:DRIVE SUB-UNIT:FUSING:25.1W	U026_S001	20
AX060421	DC BRUSHLESS MOTOR:DRUM:BLACK:28.5W	U025_S001	8
AX060422	DC BRUSHLESS MOTOR:DRUM:COLLAR:21.6W	U025_S001_S001	9
AX060429	DC BRUSHLESS MOTOR:DEVELOPMENT:COLOR:36.1W	U025_S001	10
AX200326	ELECTROMAGNETIC CLUTCH:PAPER FEED ROLLER	U026	21
AX200327	ELECTROMAGNETIC CLUTCH:REGISTRATION	U026	22
AX200328	ELECTROMAGNETIC CLUTCH:DRIVE:MANUAL FEED	U010_S001 U026	9 23
AX200329	ELECTROMAGNETIC CLUTCH:DEVELOPMENT:0.5N:DIA6	U025_S001	11
AZ320192	POWER PACK:T1T2	U029	6
AZ320203	POWER PACK:CB:GR-C1	U030	11
B0392730	PAPER END SENSOR	U008	17
B0442751	JOINT - PAPER FEED ROLLER	U007_S001	10
B0442756	SPRING - PAPER FEED ROLLER	U007_S001	11
B1329700	Lubricant Powder	Special Tools	4
B2232936	GEAR - 16Z	U007_S001	12
B2385875	DC SOLENOID DC24V	U016_S002	12
B6455010	SD Card	Special Tools	5
B6795100	Plug - IEEE1284 Type C	Special Tools	6
B7002649	TIMING BELT:40S2M144	U023	12
B7027105	TIMING BELT:B40S2M520:	U026	24
B7715050	SPEAKER	U031	8
C4019503	20X Magnification Scope	Special Tools	7
D0095891	LEFT RAIL - FAX CONTROL UNIT	U031	2
D0095899	RIGHT RAIL - SMALL	U031	3
D0391087	LEVER:LOCK:REAR	U032	6
D0392752	DISC:SIDE FENCE	U009_S001	2
D1054168	LEVER:LOCK:PRESSURE	U019_S001	22

Exclusive Parts

Number	Part Name	Group	ID
D1054303	ELECTRODE PLATE:FUSING:NEUTRAL	U019_S001	23
D1054365	HOLDER:THERMOPILE	U020	5
D1170072	OPTICAL READING SECTION:EU	U005_S001	26
D1170125	PCDU:BK:SERVICE PARTS	U014_S001	6
D1170126	PCDU:C:SERVICE PARTS	U014_S002	7
D1170127	PCDU:M:SERVICE PARTS	U014_S003	8
D1170128	PCDU:Y:SERVICE PARTS	U014_S004	9
D1171033	DUCT:LEFT:VACUUM	U027	9
D1171034	COVER:DUCT:LEFT:VACUUM	U027	10
D1171036	SEAL:COVER:LEFT	U027	11
D1171057	CASE:COIL SPRING:PLATE:PCU:FRONT	U032	7
D1171058	CASE:COIL SPRING:PLATE:PCU:REAR	U032	8
D1171059	SLIDER:COIL SPRING:PLATE:PCU:REAR	U032	9
D1171064	SEAL:SIDE PLATE:FRONT	U032	21
D1171066	LEVER:LOCK:FRONT	U032	10
D1171068	COIL SPRING:PLATE:PCU	U032	11
D1171069	SLIDER:COIL SPRING:PLATE:PCU:FRONT	U032	12
D1171121	DC FAN MOTOR:AXIAL:MM92	U027	12
D1171124	COVER:FAN	U027	14
D1171125	SEAL:COVER:FAN	U027	15
D1171126	DUCT:OPTICAL WRITING MD	U027	13
D1171136	FAN:SIROCCO:DC24V:50MM	U027	16
D1171143	DUCT:REAR:BASE	U027	17
D1171151	DRIVE UNIT:DRUM:DEVELOPMENT:TRANSFER:ASS'Y	U025_S001	12
D1171152	DRIVE UNIT:DRUM:DEVELOPMENT:TRANSFER	U025_S001_S001	13
D1171178	SHAFT:DRIVE:DEVELOPMENT:ELECTROMAGNETIC CLUTCH	U025_S001	14
D1171183	COVER:ELECTROMAGNETIC CLUTCH:DEVELOPMENT:DIA6	U025_S001	15
D1171192	TERMINAL:DEVELOPMENT BIAS:ASS'Y	U025	16

Number	Part Name	Group	ID
D1171207	SHAFT:TIMING PULLEY:PAPER EXIT UNIT	U026	25
D1171220	FUSING DRIVE UNIT:ASS'Y	U026_S001	26
D1171232	HOLDER:TIMING PULLEY:PAPER EXIT UNIT	U026	27
D1171301	COVER:FRONT	U001	4
D1171302	HINGE:COVER:FRONT:RIGHT	U001	5
D1171303	HINGE:COVER:FRONT:LEFT	U001	6
D1171304	BRACKET:HINGE:RIGHT	U001	7
D1171305	BRACKET:HINGE:LEFT	U001	8
D1171306	PIN:HINGE	U001	9
D1171307	MAGNET CATCH:COVER:FRONT	U001	10
D1171308	COVER:FRONT LOWER	U001	11
D1171309	DECAL:COLOR:MFP	U001	12
D1171313	COVER:UPPER	U002	8
D1171321	COVER:RIGHT REAR	U002	9
D1171323	DEODORIZE FILTER	U002	10
D1171324	COVER:DEODORIZE FILTER	U002	11
D1171325	LOUVER:COVER:RIGHT REAR	U002	12
D1171326	LOUVER:DUCT	U002	13
D1171331	COVER:LEFT	U002	14
D1171332	BRACKET:KEY COUNTER HOLDER	U033	5
D1171351	COVER:SUPPORT:SCANNER	U002	15
D1171352	COVER:UPPER RIGHT	U002	16
D1171353	COVER:UPPER LEFT	U002	17
D1171354	COVER:UPPER FRONT	U002	18
D1171358	GROUND PLATE:UPPER:ASS'Y	U002	34
D1171361	INNER COVER:UPPER	U002	19
D1171371	BRACKET:CARD READER	U033	6
D1171372	BRACKET:CARD READER:(for 1 Bin Tray)	U033	7
D1171415	OPERATION SUB-UNI:TWN	U003_S001	4
D1171431	PCB:LCD CARFT:ASS'Y	U003_S001	5
D1171465	PCB:UWVGA:OP-L:ASS'Y	U003_S001	7
D1171470	FPC:LED:ASS'Y	U003_S001	8
D1171501	COVER:REAR	U003_S001	10
D1171502	COVER:HINGE	U003_S001	11

Exclusive Parts

Number	Part Name	Group	ID
D1171503	KEYTOP:HOME	U003_S001	12
D1171505	KEYTOP:LEFT	U003_S001	14
D1171508	KEYTOP:RESET SWITCH	U003_S001	15
D1171510	KEYTOP:START	U003_S001	16
D1171511	KEYTOP:STOP	U003_S001	17
D1171512	KEYTOP:RIGHT:BA	U003_S001	36
D1171513	LENS:FRONT	U003_S001	18
D1171514	SHAFT:CABLE	U003_S001	19
D1171516	BRACKET:LCDC	U003_S001	20
D1171517	BRACKET:HINGE	U003_S001	21
D1171518	SHADEING PLATE:TOUCH PANEL	U003_S001	22
D1171519	SHEET:LCDC	U003_S001	23
D1171520	SHEET:OPR	U003_S001	24
D1171521	SHEET:OPL	U003_S001	25
D1171523	GASKET:LCD	U003_S001	26
D1171525	DECAL:SD/USB	U003_S001	27
D1171529	HINGE:GFN:ASS'Y	U003_S001	28
D1171530	SPACER:LCD	U003_S001	29
D1171531	BRACKET:HINGE:LEFT	U003_S001	30
D1171533	HOLDER:HINGE:LEFT	U003_S001	31
D1171540	KEYTOP:10KEY:A:NA	U003_S001	32
D1171541	KEYTOP:10KEY:B:NA	U003_S001	33
D1171547	DECAL:FAX:TWN	U003_S001	34
D1171551	COVER:FRONT:NA/AP	U003_S001	35
D1171573	DECAL:FUNCTION:BLANK:MULTI-L ANGUAGE	U034	2
D1171651	CARRIAGE:SCANNER:ASS'Y	U005_S001_S001	13
D1171657	EXPOSURE GLASS UNIT:SCANNER: R:ASS'Y	U004	2
D1171752	RAIL:SCANNER	U005_S001	14
D1171753	SLIDE RAIL	U005_S001	15
D1171754	GUIDE ROD:SCANNER	U005_S001	16
D1171801	BRACKET:MOTOR	U005_S001	17
D1171804	CAP:TIMING PULLEY	U005_S001	18
D1171805	GEAR:TIMING PULLEY:81-18	U005_S001	19
D1171806	PULLEY:IDLER	U005_S001	20
D1171807	BRACKET:IDLER:PEEN	U005_S001	21
D1171810	SYNCHRONOUS BELT:S2M:441	U005_S001	22

Number	Part Name	Group	ID
D1171820	BUSHING:BRACKET	U005_S001	23
D1171826	GEAR:SLOW DOWN:53-19	U005_S001	24
D1171837	COIL SPRING:TENSION	U005_S001	25
D1171845	COVER:SCANNER:REAR	U004	3
D1171846	COVER:SCANNER:FRONT	U004	4
D1171990	STEPPED SCREW	U006	2
D1171991	SPRING LOCK WASHER:DIA6.4XDI A11X1.5	U006	3
D1172533	BASE:RISE:ASS'Y	U008_S001	26
D1172611	GUIDE PLATE:VERTICAL TRANSP ORT:LOWER	U011	2
D1172612	GUIDE PLATE:VERTICAL TRANSP ORT:UPPER	U011	3
D1172613	GUIDE:VERTICAL TRANSPORT	U011	4
D1172617	CASE:REMOVE PAPER DUST	U012	12
D1172618	GUIDE:REMOVE PAPER DUST	U012	13
D1172631	COLLAR:REGISTRATION	U012	15
D1172633	BUSHING:REGISTRATION ROLLE R:DRIVE	U012	16
D1172635	BRACKET:FRAME:REGISTRATION	U012	17
D1172636	HOLDER:REGISTRATION	U012	18
D1172637	COMPRESSION SPRING:ROLLER: TENSION	U012	19
D1172638	GUIDE PLATE:REGISTRATION RO LLER:DRIVE	U012	20
D1172639	GUIDE:REGISTRATION:DRIVE:FR ONT	U012	21
D1172640	GUIDE:REGISTRATION:DRIVE:INN ER BACK	U012	22
D1172655	BASE:LIFT MOTOR:PAPER FEED:F RONT	U008_S001	18
D1172656	CASE:RISING TRAY	U008_S001	19
D1172660	DC MOTOR:2.6W:BRUSH	U008_S001	20
D1172701	MANUAL FEED UNIT:ASS'Y	U010_S001	41
D1172710	GUIDE PLATE:MANUAL FEED:LOW ER	U010_S001	10
D1172711	FRICTION PAD:MANUAL FEED:AD HESION	U010_S001	11

Exclusive Parts

Number	Part Name	Group	ID
D1172714	COMPRESSION SPRING:SEPARATION:MANUAL FEED	U010_S001	12
D1172717	SHAFT:PAPER FEED:MANUAL FEED	U010_S001	13
D1172719	GEAR:PAPER FEED:MANUAL FEED	U010_S001	14
D1172720	TRAY BOTTOM PLATE:MANUAL FEED:ASS'Y	U010_S001_S001	15
D1172721	TRAY BOTTOM PLATE:MANUAL FEED	U010_S001_S001	16
D1172723	GUIDE:BASE:FRONT	U010_S001_S001	17
D1172724	GUIDE:BASE:REAR	U010_S001_S001	18
D1172725	COMPRESSION SPRING:PAPER FEED:MANUAL FEED	U010_S001	19
D1172727	GUIDE PLATE:MANUAL FEED:MIDDLE	U010_S001	20
D1172728	SHEET:MANUAL FEED	U010_S001	21
D1172729	TENSION SPRING:GUIDE PLATE:MANUAL FEED	U010_S001	22
D1172732	HOLDER:PAPER END SENSOR:MANUAL FEED	U010_S001	23
D1172733	FEELER:PAPER END SENSOR:MANUAL FEED	U010_S001	24
D1172734	TORSION SPRING:PAPER END SENSOR:MANUAL FEED	U010_S001	25
D1172735	SUPPORTING PLATE:MANUAL FEED	U010_S001	26
D1172740	SHAFT:CAM:MANUAL FEED	U010_S001	27
D1172741	CAM:MANUAL FEED:FRONT	U010_S001	28
D1172742	CAM:MANUAL FEED:REAR	U010_S001	29
D1172743	GEAR:CAM:MANUAL FEED	U010_S001	30
D1172744	GEAR:CAM:IDLER:LOWER	U010_S001	31
D1172745	GEAR:CAM:IDLER:STEPPED	U010_S001	32
D1172746	GEAR:CAM:IDLER:UPPER	U010_S001	33
D1172747	FEELER:CAM:MANUAL FEED	U010_S001	34
D1172749	BRACKET:MANUAL FEED:REAR	U010_S001	35
D1172751	BRACKET:MANUAL FEED:FRONT	U010_S001	36
D1172752	SPRING PLATE:HOME POSITION	U010_S001	37

Number	Part Name	Group	ID
	ENSOR:MANUAL FEED		
D1172756	FEELER:PAPER SIZE SENSOR:MANUAL FEED	U010_S001	38
D1172760	SUPPORTING PLATE:SMALL:MANUAL FEED	U010_S001	39
D1172761	LINK:MANUAL FEED TABLE	U009	3
D1172762	MANUAL FEED TABLE:ASS'Y	U009_S001	4
D1172766	SIDE FENCE:MANUAL FEED:FRONT	U009_S001	5
D1172767	SIDE FENCE:MANUAL FEED:REAR	U009_S001	6
D1172768	GEAR:SIDE FENCE	U009_S001	7
D1172769	RACK:MANUAL FEED	U009_S001	8
D1172770	COVER:MANUAL FEED TABLE	U009_S001	9
D1172771	EXTENSION TRAY:MANUAL FEED	U009_S001	10
D1172772	COMPRESSION SPRING:EXTENSION TRAY:MANUAL FEED	U009_S001	11
D1172773	COVER:MANUAL FEED TABLE:LOWER	U009_S001	12
D1172776	TORSION SPRING:COVER:MANUAL FEED TABLE	U009_S001	13
D1172778	COMPRESSION SPRING:RACK:MANUAL FEED	U009_S001	14
D1172779	PIN:PINION GEAR	U009_S001	15
D1172781	COIL SPRING:PINION GEAR:MANUAL FEED	U009_S001	16
D1172782	GUIDE PLATE:MANUAL FEED TABLE	U010_S001_S001	40
D1172784	LINK:COVER:FRONT REAR	U009_S001	17
D1172785	LINK:COVER:MIDDLE	U009_S001	18
D1172787	STOPPER:MANUAL FEED TABLE	U009	19
D1172792	DECAL:SCALE:MANUAL FEED	U009_S001	20
D1172797	DECAL:TRAY:MANUAL FEED:INKJET:TAIWAN	U009	21
D1172805	HOLDER:GRIP:PAPER TRAY	U007_S001	14
D1172806	GRIP:PAPER TRAY	U007_S001	15
D1172807	LEVER:RELEASE:PAPER TRAY	U007_S001	16
D1172808	STOPPER:GUIDE PLATE:BASE:RISE	U007_S001	17

Exclusive Parts

Number	Part Name	Group	ID
D1172809	TENSION SPRING:BASE:RISE	U007_S001	18
D1172813	STOPPER:PAPER TRAY	U032	13
D1172814	PRESSURE PLATE:BASE:RISE	U007_S001	19
D1172815	SPRING PLATE:SIDE FENCE:FRO NT	U007_S001_S001	20
D1172816	SHAFT:BASE:RISE	U007_S001	21
D1172819	RACK:BASE:RISE	U007_S001	23
D1172820	PINION:BASE:RISE	U007_S001	24
D1172822	BRACKET:PINION:BASE:RISE	U007_S001	25
D1172823	PAD:SIDE FENCE	U007_S001_S001	26
		U007_S001_S002	26
D1172825	SIDE FENCE:FRONT:ASS'Y	U007_S001_S001	27
D1172826	COMPRESSION SPRING:SIDE FEN CE:PLATE	U007_S001_S001	28
D1172828	COMPRESSION SPRING:BASE:RIS E:AUXILIARY	U007_S001	29
D1172829	COVER:PRESSURE PLATE:BASE: RISE	U007_S001	30
D1172830	LEVER:STOPPER:FRONT	U007_S001_S001	31
D1172834	PLATE:SIDE FENCE	U007_S001_S001	32
D1172836	SIDE FENCE:REAR:ASS'Y	U007_S001_S002	33
D1172838	END FENCE	U007_S001	34
D1172839	LEVER:UN LOCK:END FENCE	U007_S001	35
D1172840	COVER:END FENCE	U007_S001	36
D1172843	DECAL:PAPER SET DIRECTION:T RAY:LEFT	U007_S001	37
D1172844	DECAL:SIDE FENCE:REAR	U007_S001_S002	38
D1172845	BASE:TRAY:ASS'Y	U007_S001_S003	39
D1172846	RETAINING RINGS-E:SILENCER:DI A3	U007_S001	40
D1172848	COVER:PAPER TRAY	U007_S001	41
D1172851	PAPER FEED ROLLER:PAPER TRA Y	U007_S001	43
D1172852	SHAFT:PAPER FEED ROLLER:ASS 'Y	U007_S001	44
D1172856	ROLLER:PAPER TRAY:RIGHT	U007_S001	45
D1172858	ROLLER:PAPER TRAY:LEFT	U007_S001	46
D1172866	ROLLER:RAIL:RIGHT	U032	14

Number	Part Name	Group	ID
D1172870	PAPER FEED ROLLER:AUXILIARY	U007_S001	47
D1172872	FRICTION PAD:ASS'Y	U007_S001	48
D1172876	DECAL:PAPER SET DIRECTION:T RAY:RIGHT:TAIWAN	U007	49
D1172877	DECAL:PAPER TRAY:SIZE INDICA TION	U034	3
D1172882	TENSION SPRING:GRIP:LEFT	U007_S001	51
D1172884	PLATE:ROLLER:PAPER TRAY:RIG HT	U007_S001	52
D1172886	PLATE:ROLLER:PAPER TRAY:LEF T	U007_S001	53
D1172888	JOINT:BASE:RISE	U008_S001	21
D1172890	TENSION SPRING:GRIP:RIGHT	U007_S001	50
D1172894	SHAFT:PINION:BASE:RISE	U007_S001	54
D1172896	SHEET:PLATE:FRICTION PAD	U007_S001	55
D1172897	BRACKET:LEFT:ROLLER:ASS'Y	U032	15
D1172899	LEVER:STRETCH:TRAY:UNI:ASS'Y	U008	22
D1172900	PAPER TRAY:ASS'Y	U007_S001	13
D1172901	BRACKET:STRETCH:TRAY	U008	23
D1173301	HOUSING:TONER SUPPLY:ASS'Y	U013_S001	6
D1173302	TONER HOPPER:TONER SUPPLY: BK:ASS'Y	U013	7
D1173303	TONER HOPPER:TONER SUPPLY: COL:ASS'Y	U013	8
D1173304	DRIVE UNIT:TONER SUPPLY:ASS' Y	U013_S002	9
		U013_S003	9
		U013_S004	9
		U013_S005	9
D1173354	COLLAR:TONER SUPPLY:HOUSIN G	U013_S001	18
D1173400	DC MOTOR:TONER SUPPLY:5.3W: BRUSH	U013_S002	10
		U013_S003	10
		U013_S004	10
		U013_S005	10
D1173401	COLLAR:DRIVE:BRACKET	U013_S002	11
		U013_S003	11
		U013_S004	11
		U013_S005	11

Exclusive Parts

Number	Part Name	Group	ID
D1173402	GEAR:IDLER:DC MOTOR	U013_S002	12
		U013_S003	12
		U013_S004	12
		U013_S005	12
D1173404	SHAFT:DRIVE:AGITATOR	U013_S002	14
		U013_S003	14
		U013_S004	14
		U013_S005	14
D1173405	COMPRESSION SPRING:GEAR:TONE NER BOTTLE	U013_S002	15
		U013_S003	15
		U013_S004	15
		U013_S005	15
D1173407	GEAR:IDLER:TONER HOPPER:30	U013_S002	16
		U013_S003	16
		U013_S004	16
		U013_S005	16
D1173410	DECAL:COLORED DISPLAY:INNER COVER:K	U032	16
D1173411	DECAL:COLORED DISPLAY:INNER COVER:C	U032	17
D1173412	DECAL:COLORED DISPLAY:INNER COVER:M	U032	18
D1173413	DECAL:COLORED DISPLAY:INNER COVER:Y	U032	19
D1174027	FUSING UNIT:TWN:SERVICE:ASS' Y	U019_S001	24
D1174054	SLEEVE:FUSING:TWN:ASS'Y	U019_S001	25
D1174124	DISCHARGE BRUSH:PRESSURE R OLLER	U019_S001	26
D1174153	LEVER:PRESSURE RELEASE:FRO NT:ASS'Y	U019_S001	27
D1174155	LEVER:PRESSURE:FRONT	U019_S001	28
D1174163	LEVER:PRESSURE RELEASE:REA R:ASS'Y	U019_S001	29
D1174165	LEVER:PRESSURE:REAR	U019_S001	30
D1174174	TERMINAL:HEATER:REAR	U019_S001	31
D1174177	HOUSING:THERMOSTAT	U019_S001	32
D1174199	BRACKET:THERMISTOR:SLEEVE:	U019_S001	33

Number	Part Name	Group	ID
	EU		
D1174231	STRIPPER PLATE:COAT	U019_S001	34
D1174235	GUIDE PLATE:FUSING EXIT	U019_S001	35
D1174236	SHEET:C:LEVER	U019_S001	36
D1174238	GUIDE:FUSING EXIT:ETFE	U019_S001	37
D1174241	FUSING ENTRANCE GUIDE PLATE	U019_S001	38
D1174251	FUSING COVER:LOWER	U019_S001	39
D1174261	FUSING COVER:UPPER:ASS'Y	U019_S001_S001	40
D1174263	DECAL:H-TEMP WARNING:FUSIN G	U019_S001_S001	41
D1174332	BRACKET:THERMOPILE	U020	7
D1174403	PAPER EXIT UNIT:ASS'Y	U021	25
D1174412	DC SOLENOID:GATE PAWL:ASS'Y	U022_S001	25
D1174451	GUIDE PLATE:EXIT:LOWER	U021	5
D1174452	GATE PAWL:REVERSE	U021	6
D1174454	EXIT ROLLER	U021	7
D1174455	GEAR:EXIT	U021	8
D1174457	BRACKET:ROLLER:EXIT	U021	9
D1174465	COLLAR:GEAR:EXIT	U021	10
D1174473	BRACKET:GEAR:EXIT	U022	8
D1174474	GEAR:IDLER:LARGE:EXIT	U022	9
D1174475	LEVER:CHANGE:EXIT	U022	10
D1174476	TENSION SPRING:CHANGE:EXIT	U022	11
D1174477	BRACKET:IDLER:EXIT	U022	12
D1174478	LINK:CHANGE:EXIT	U022	13
D1174479	BRACKET:DC SOLENOID:CHANGE	U022	14
D1174480	HOLDER:LINK:EXIT	U022	15
D1174481	SHAFT:COUPLING:EXIT	U022	16
D1174483	LEVER:GATE PAWL:EXIT	U022_S001	17
D1174484	LINK:GATE PAWL:EXIT	U022_S001	18
D1174485	BRACKET:DC SOLENOID:GATE PA WL	U022_S001	19
D1174489	DISCHARGE BRUSH:EXIT	U021	11
D1174492	ROLLER:EXIT	U021	12
D1174495	EXTENSION TRAY:EXIT	U002	20
D1174496	END FENCE:EXIT	U002	21
D1174498	STOPPER:END FENCE:EXIT	U002	22
D1174499	COMPRESSION SPRING:END FEN	U002	23

Exclusive Parts

Number	Part Name	Group	ID
	CE:EXIT		
D1174501	PIN:HOOK:FRAME:DUPLEX:ASS'Y	U032	20
D1174514	SHAFT:STOPPER:COVER:RIGHT	U023	13
D1174515	GROUND WIRE:DUPLEX	U023	14
D1174520	FRAME:DUPLEX:ASS'Y	U023_S001	67
D1174600	COVER:RIGHT:DUPLEX	U023	15
D1174602	BAND:STOPPER:COVER:RIGHT	U024	2
D1174607	PLATE:BAND:STOPPER	U024	3
D1174608	LEVER:FUSING:RELEASE:FRONT	U023	16
D1174609	LEVER:FUSING:RELEASE:INNER BACK	U023	17
D1174611	SHAFT:HINGE:DUPLEX	U023	18
D1174614	COVER:HARNESS:DUPLEX	U023	21
D1174615	SPRING PLATE:EARTH:DUPLEX	U023	22
D1174616	TENSION SPRING:STOPPER:DOOR:RIGHT:FRONT	U023	23
D1174617	COLLAR:STOPPER:COVER:RIGHT	U023	24
D1174633	SHAFT:HOOK:FRAME:DUPLEX	U023_S001	25
D1174634	HOOK:FRAME:DUPLEX:FRONT	U023_S001	26
D1174635	TORSION SPRING:HOOK:FRAME:DUPLEX	U023_S001	27
D1174637	HOOK:FRAME:DUPLEX:REAR	U023_S001	28
D1174641	BRACKET:PLATE:TRANSFER:ASS'Y	U023_S001	29
D1174645	BRACKET:PLATE:TRANSFER:INNER BACK:ASS'Y	U023_S001	30
D1174651	GEAR:TRANSPORT ROLLER:DUPLEX:Z14	U023_S001	31
D1174654	SHAFT:GEAR:SWING UNIT:Z14:ASS'Y	U023_S001	32
D1174664	SHAFT:PULLEY:COUPLING:FRAME:ASS'Y	U023_S001	33
D1174671	TRANSPORT ROLLER:DUPLEX	U023 U023_S001	34 34
D1174676	SHAFT:ROLLER:DRIVEN:DUPLEX	U023	35
D1174677	ROLLER:DRIVEN:DUPLEX	U023	36
D1174678	PULLEY:IDLER	U023 U023_S001	37 37

Number	Part Name	Group	ID
D1174679	PULLEY:DRIVE ROLLER	U023 U023_S001	38 38
D1174682	SHAFT:HOOK:STOPPER	U023	39
D1174686	KNOB:COVER:RIGHT:DUPLEX	U023	40
D1174690	GUIDE PLATE:REVERSE:ENTRANCE:LOWER	U023	41
D1174691	GUIDE PLATE:REVERSE:EXIT:LOWER	U023_S001	42
D1174693	GUIDE PLATE:REVERSE:EXIT:UPPER	U023_S001	43
D1174697	GUIDE PLATE:MIDDLE	U023_S001	44
D1174698	GUIDE PLATE:REVERSE:ENTRANCE:UPPER	U023	45
D1174699	SHAFT:GUIDE PLATE:REVERSE:ENTRANCE:UPPER	U023	46
D1174702	COMPRESSION SPRING:GUIDE PLATE:REVERSE:ENTRANCE	U023	48
D1174705	BRACKET:GEAR:SWIVEL:ASS'Y	U023_S001	49
D1174706	GEAR:IDLER:SWIVEL:COUPLING	U023_S001	50
D1174708	TENSION SPRING:GEAR:SWING UNIT	U023_S001	51
D1174709	COMPRESSION SPRING:ROLLER:DRIVEN:DUPLEX	U023	52
D1174712	HOLDER:BELT:COUPLING	U023	53
D1174713	SHAFT:PULLEY:WIRE	U024	4
D1174714	BAND:HOOK:DUPLEX:COUPLING	U023	54
D1174716	TORSION SPRING:FEELER:ENTRANCE SENSOR	U023	55
D1174717	COVER:ENTRANCE SENSOR	U023	56
D1174718	SHEET:COVER:RIGHT FRONT	U023	57
D1174719	TUBE:STOPPER	U023_S001	58
D1174720	SHAFT:PULLEY:IDLER:COUPLING:ASS'Y	U023	59
D1174724	GEAR:IDLER:TIMING PULLEY:DUPLEX	U023	60
D1174727	COVER:CONNECTOR:DUPLEX SECTION:CONNECTING	U024	5
D1174731	PULLEY:WIRE:DAMPER	U024	6

Exclusive Parts

Number	Part Name	Group	ID
D1174732	TORSION SPRING:DOOR:RIGHT:S TOPPER	U024	7
D1174733	COLLAR:STOPPER:SIDE PLATE	U024	8
D1174734	BRACKET:STOPPER:SIDE PLATE: ASS'Y	U024	9
D1174737	WIRE:STOPPER:DIA1.2:ASS'Y	U023	61
D1174792	PLATE:MANUAL FEED:FRONT	U023	62
D1174794	PLATE:MANUAL FEED:INNER BAC K	U023	63
D1175060	POWER SUPPLY UNIT:100V:280W	U030	6
D1175091	HEATER:NA:ASS'Y	U033	9
D1175112	PCB:BICU:ASS'Y	U028	4
D1175162	PCB:BRB	U013	17
D1175180	PCB:ACVB:100V	U029	7
D1175303	THERMISTOR	U027	18
D1175408	PCB:CTL:EXP:ASS'Y	U031	9
D1175864	GUIDE:HARNESS:FFC:OPTICAL W RITING UNIT	U030	7
D1175867	GUIDE:HARNESS:POWER SUPPLY UNIT	U030	8
D1175869	WIRE:HIGH VOLTAGE:TRANSFER: BK	U027	19
D1175870	WIRE:HIGH VOLTAGE:TRANSFER: C	U027	20
D1175871	WIRE:HIGH VOLTAGE:TRANSFER: M	U027	21
D1175872	WIRE:HIGH VOLTAGE:TRANSFER: Y	U027	22
D1175873	WIRE:HIGH VOLTAGE:TRANSFER: SECOND	U027	23
D1175874	WIRE:HIGH VOLTAGE:DEVELOPM ENT:BK	U027	24
D1175875	WIRE:HIGH VOLTAGE:DEVELOPM ENT:C	U027	25
D1175876	WIRE:HIGH VOLTAGE:DEVELOPM ENT:M	U027	26
D1175877	WIRE:HIGH VOLTAGE:DEVELOPM ENT:Y	U027	27

Number	Part Name	Group	ID
D1175878	WIRE:HIGH VOLTAGE:CHARGE:BK	U027	28
D1175879	WIRE:HIGH VOLTAGE:CHARGE:C	U027	29
D1175880	WIRE:HIGH VOLTAGE:CHARGE:M	U027	30
D1175881	WIRE:HIGH VOLTAGE:CHARGE:Y	U027	31
D1175882	WIRE:HIGH VOLTAGE:DEVELOPM ENT:BK:CONNECTING	U030	9
D1175883	WIRE:HIGH VOLTAGE:DEVELOPM ENT:C:CONNECTING	U030	10
D1175886	DUCT:POWER SUPPLY UNIT:ENT RANCE	U029	8
D1175887	DUCT:POWER SUPPLY UNIT:EXH AUST	U027	32
D1175890	GRIP:RIGHT REAR	U029	9
D1175891	GRIP:LEFT REAR	U029	10
D1175892	BRACKET:SWIVEL:SAFETY SWITC H	U002	25
D1175893	LEVER:RIGHT:SAFETY SWITCH	U002	26
D1175894	LEVER:FRONT:SAFETY SWITCH	U002	27
D1175895	TORSION SPRING:SAFETY SWITC H	U002	28
D1175899	TERMINAL:CHARGE	U027	33
D1175901	TORSION SPRING:LEVER:RIGHT:S AFETY SWITCH	U002	29
D1175902	COLLAR:SHAFT:SAFETY SWITCH	U002	30
D1175903	INNER COVER:SAFETY SWITCH	U002	31
D1175904	BRACKET:DRAWER:FUSING	U027	34
D1175905	GUIDE:WIRE:HIGH VOLTAGE:TRA NSFER:SECOND	U027	35
D1175908	BRACKET:DRAWER:OPTION TRAY	U027	36
D1175912	BRACKET:SWITCH:HEATER	U027	37
D1175915	GUIDE:WIRE:HIGH VOLTAGE:CHA RGE	U027	38
D1175916	STEPPED SCREW:M3X8:SECOND KIND	U027	39
D1175924	STOPPER:WIRE:HIGH VOLTAGE:T RANSFER	U027	40
D1175925	GUIDE:HARNESS:PAPER FEED D RIVE	U027	41

Exclusive Parts

Number	Part Name	Group	ID
D1175927	ACTUATOR:FRONT:SAFETY SWITCH	U001	13
D1175930	COVER:HARNESS:PCU:FRONT	U027	42
D1175945	SPACER:FFC	U027	43
D1176002	TRANSFER UNIT:INTERMEDIATE TRANSFER:ASS'Y	U015_S001	1
D1176124	GRIP:INTERMEDIATE TRANSFER:RIGHT FRONT	U015_S001	2
D1176135	CAM:ON-OFF:BK	U016	13
D1176136	SHAFT:CAM:ON-OFF:BK	U016	14
D1176137	LEVER:ON-OFF:BK:INTERMEDIATE TRANSFER	U016	15
D1176138	PRESSURE PLATE:INTERMEDIATE TRANSFER	U016	16
D1176181	LEVER:SUPPORT:SHUTTER	U016	17
D1176185	LEVER:OPEN AND CLOSE:SHUTTER	U001	14
D1176241	DRIVE UNIT:ON-OFF:TRANSFER ROLLER:ASS'Y	U016_S001	18
D1176245	DENSITY SENSOR:TM/P:ASS'Y	U016_S002	19
D1176265	SEAL:DISCHARGE:PLATE:FRONT	U017_S001	26
D1176268	SHEET:DISCHARGE:PLATE	U017_S001	29
D1176301	BASE:PRESSURE:TRANSFER ROLLER	U017	12
D1176304	SPACER:LEVER:PRESSURE	U017	13
D1176305	LEVER:PRESSURE:TRANSFER ROLLER:FRONT	U017	14
D1176306	LEVER:PRESSURE:TRANSFER ROLLER:REAR	U017	15
D1176312	HOLDER:DISCHARGE:TRANSPORT SUB-UNIT	U017	16
D1176315	CASING:TRANSFER ROLLER:FRONT	U017	17
D1176316	CASING:TRANSFER ROLLER:REAR	U017	18
D1176317	STAY:CASING:TRANSFER ROLLER	U017	19
D1176318	PRESSURE PLATE:HOLDER:TRANSFER	U017	20

Number	Part Name	Group	ID
	SFER ROLLER:FRONT		
D1176319	PRESSURE PLATE:HOLDER:TRANSFER SFER ROLLER:REAR	U017	21
D1176320	TERMINAL:BIAS:SEPARATION	U017	22
D1176322	COVER:PRESSURE PLATE:ENTRANCE	U017	23
D1176327	LEVER:GROUND PLATE	U017	24
D1176350	DC MOTOR:ON-OFF:FIRST:ASS'Y:5.3W:BRUSH	U016_S001	20
D1176362	COVER:BRACKET:DRIVE:ON-OFF	U016_S001	21
D1176363	GEAR:ON-OFF:FIRST	U016_S001	22
D1176364	GEAR:ON-OFF:FIRST:NO.1	U016_S001	23
D1176365	GEAR:ON-OFF:FIRST:NO.2	U016_S001	24
D1176366	GEAR:ON-OFF:FIRST:NO.3	U016_S001	25
D1176367	GEAR:ON-OFF:SECOND	U016_S001	26
D1176368	GEAR:ON-OFF:SECOND:NO.1	U016_S001	27
D1176369	GEAR:ON-OFF:SECOND:NO.2	U016_S001	28
D1176370	GEAR:ON-OFF:SECOND:NO.3	U016_S001	29
D1176375	BRACKET:FEELER:ON-OFF	U016	30
D1176376	FEELER:ON-OFF:FIRST	U016	31
D1176386	HOOK:SHUTTER:DENSITY SENSOR	U016_S002	32
D1176390	SHUTTER:DENSITY SENSOR	U016_S002	33
D1176391	GUIDE PLATE:RELAY	U016_S002	34
D1176392	SPACER:SHUTTER:SENSOR:TM	U016_S002	35
D1176395	DENSITY SENSOR	U016_S002	36
D1176401	COLLECTION BOTTLE:ASS'Y	U018	11
D1176585	BRACKET:COLLECTION BOTTLE:RIGHT:PRESS FIT	U018	14
D1176588	BRACKET:COLLECTION BOTTLE:LEFT	U018	12
D1176590	COVER:GEAR:USED TONER	U018	13
D1176878	DECAL:CAUTION:ORIGINAL:TAIWAN	U004	5
D1179590	NV-RAM	U031	5
D1181545	DECAL:FUNCTION:MULTI-LANGUAGE:TWN	U034	4
D1186204	TRANSFER/SEPARATION UNIT:SE	U017_S001	28

Exclusive Parts

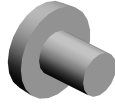
Number	Part Name	Group	ID
	COND:ASS'Y		
D1186801	DECAL:MODEL NAME PLATE:RIC:EXP:(for D118)	U004	6
D1271460	PCB:UWVGA:OP-R:ASS'Y	U003_S001	6
D1271473	LCD:UWVGA:STEC5:NA:SH	U003_S001	9
D1441085	STEPPED SCREW:M3	U019_S001	42
D1962817	LEVER:BASE:RISE	U007_S001	22
D1962849	BRACKET:PIN:STRETCH:TRAY:PE EN	U007_S001	42
D1964461	ROLLER:DRIVEN:EXIT:MIDDLE	U021_S001	26
		U021_S003	26
D1964462	ROLLER:DRIVEN:EXIT:OUTER	U021_S002	27
		U021_S004	27
D1964463	ROLLER:DRIVEN:EXIT:MIDDLE:ASS'Y	U021_S001	28
		U021_S003	28
D1964464	ROLLER:DRIVEN:EXIT:OUTER:ASS'Y	U021_S002	29
		U021_S004	29
D1964612	BASE:HINGE:REAR	U023	19
D1964613	BASE:HINGE:FRONT	U023	20
D1964630	FRAME:DUPLEX	U023_S001	66
D1964700	FEELER:ENTRANCE SENSOR:REVERSE:DUPLEX	U023	47
D1965854	COVER:REAR	U002	24
D2191860	OPTICAL WRITING UNIT:ASS'Y	U006	1
D2962619	GUIDE PLATE:REGISTRATION ROLLER:DRIVEN	U012	14
D2963403	GEAR:IDLER:TONER BOTTLE	U013_S002	13
		U013_S003	13
		U013_S004	13
		U013_S005	13
G0205626	PUSH SWITCH	U008	24
G0219350	Loop-back Connector Parallel	Special Tools	8
G1634453	GUIDE PLATE:REVERSE:UPPER	U021	13
G1634459	STOPPER:EXIT:EXIT	U021	14
G1634461	SPRING:PRESSURE:EXIT:OUTER	U021	16
G1634463	GUIDE:PLATE:EXIT	U021	17
G1634465	ROLLER:DRIVEN:DUPLEX:INNER	U021	18
G1634467	ROLLER:DRIVEN:DUPLEX	U021	20

Number	Part Name	Group	ID
G1634468	SPRING:PRESSURE:EXIT:INNER	U021	21
G1634469	SPRING:PRESSURE:DUPLEX	U021	22
G1634478	GEAR:CHANGE:EXIT	U022	20
G1634479	GEAR:IDLER:EXIT	U022	21
G1634484	SPRING:CHANGE:EXIT	U022_S001	22
G1634492	DC SOLENOID:PRESS FIT	U022	23
		U022_S001	23
G1634499	HOLDER:LINK:EXIT	U022_S001	24
G1666057	PLAIN SHAFT BEARING:ROLLER:BLADE	U016	37
GA082010	BUSHING:DIA6:DIA10:9	U023	64
		U023_S001	64
GA082014	PLAIN SHAFT BEARING:DIA6:DIA10:9	U021	23
GA082015	PLAIN SHAFT BEARING:DIA6:DIA9:7	U023	65
GB013090	GEAR:PRESSURE ROLLER:Z29	U019_S001	14
GB013092	GEAR:IDLER:PRESSURE:Z17	U019_S001	16
GW010007	PHOTO REFLECTION SENSOR:EXIT	U021	24
GX640021	FAN MOTOR DC24V 1.92W	U027	44
GX645734	FAN MOTOR:MM80 DC24V 3.12W	U029	11
H3103640	SPACER	U017	25
M0261265	CAP:TOTAL COUNTER	U002	32
M0261718	DECAL:SCALE:LEFT:EU	U004	7
M0262993	DECAL:SIDE FENCE:MANUAL FEED	U009_S001	22
M0264371	NEW ARTICLE SENSOR	U019_S001	43
M0266885	DECAL:MAIN SWITCH:ON-STANDBY:EU	U002	33
M0525391	PCB:MEMORY:512MB	U031	6
M0662743	FRICTION PAD:MANUAL FEED TABLE:18X7.5	U009_S001	23
M1011301	PLATE:LOGO:RIC	U001	15

Standard Parts



03520030N
SCREW:M2X3



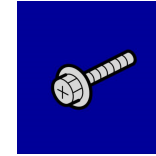
03530030N
SCREW:M3X3



03530040N
SCREW - M3X4



03603006N
SCREW - M3X6



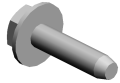
03603014N
SCREW - M3X14



04503008N
TAPPING SCREW - M3X8



04503010N
TAPPING SCREW - M3X10



04503012N
TAPPING SCREW:3X12



04503014N
TAPPING SCREW:M3X14



04503025N
TAPPING SCREW:3X25



04503035N
TAPPING SCREW:3X35



04504008N
TAPPING SCREW - M4X8



04513006N
TAPPING SCREW - 3X6



04513008N
TAPPING SCREW - M3X8



04522006N
BINDING SELF-TAPPING SCREW - M2X6



04522008P
BINDING SELF-TAPPING SCREW:2X8



04523008N
TAPPING SCREW - M3X8



04523010N
BINDING SELF-TAPPING SCREW:3X10



04543006Q
TAPPING SCREW - M3X6



04543008N
TAPPING SCREW:ROUND POINT:3X8



04543008Q
TAPPING SCREW:3X8



04583008N
HEXAGON HEAD TAPPING SCREW:3X8



04583010N
HEXAGON HEAD TAPPING SCREW:3X10



06220120E
SPRING PIN - 2X12MM



07073050N
BUSHING:DIA3X5



07200025E
RETAINING RING - M2.5



07200030E
RETAINING RING - M3



07200040E
RETAINING RING - M4

Standard Parts



07200060E
RETAINING RING - M6



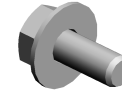
07330406
BUSHING - 4X6



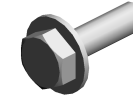
08010231
HEXAGONAL HEAD BOLT W/
WASHER:M3X6



08025320
HEXAGON HEAD TAPPING S
CREW:ES:3X10



08046123
HEXAGONAL BOLT:W/WASH
ER:M3X8



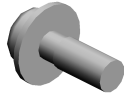
08046128
HEXAGONAL BOLT:DOUBLE
SCREW:M3X10



08050089
RETAINING RING - M4



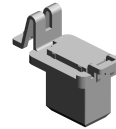
08050104
RETAINING RINGS-E:SILENC
ER:DIA4



09544012N
SCREW:POLISHED ROUND/
SPRING:M4X12



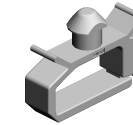
09573010N
SCREW:SMALL ROUND/SPRI
NG:M3X10



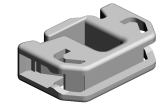
11028534
CONNECTOR - QR/P17-14S-
B



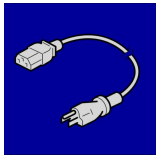
11050511
HARNESS CLAMP - LWS-030
6ZC



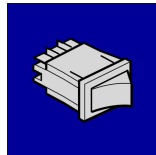
11050516
CLAMP



11050692
CLAMP:LES-0503



11500409
POWER SUPPLY CODE:125V
:15A:TWN



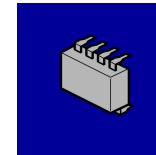
12042570
ROCKER SWITCH:SDDJE132
00



12042612
MICRO SWITCH:D3V-16506-3
C25



12042909
ROCKER SWITCH:A8GS-T11
85KR



14077667
EEPROM:BR24T128-W

PM Part List

Number	Part Name	Num	Group	ID
AF031092	PAPER FEED ROLLER:MANUAL FEED	1	U010_S001	7
D1170125	PCDU:BK:SERVICE PARTS	1	U014_S001	6
D1172851	PAPER FEED ROLLER:PAPE R TRAY	1	U007_S001	43
D1172872	FRICTION PAD:ASS'Y	1	U007_S001	48
D1176002	TRANSFER UNIT:INTERMEDIATE TRANSFER:ASS'Y	1	U015_S001	1
D1176401	COLLECTION BOTTLE:ASS'Y	1	U018	11
D1186204	TRANSFER/SEPARATION UNIT:SECOND:ASS'Y	1	U017_S001	28

Design Change List

Number	Title	Set	Old Part		New Part		Index No.		Q'ty	Interchg		Reason	Cut-in S/N
			P/N	Name	P/N	Name	Group	ID		Indiv.	Set		
201904-01	1904 Modification	-			D1174332	BRACKET:THERMOPILE	U020	7	1				D11819:
201902-01	1902 Modification	-	AW020203	PHOTOINTERRUPTOR:GP1A173LCS2F	AW020234	PHOTOINTERRUPTOR:GP1A173LCS5F	U005_S001	27	1	O/O			D11819:
			AW020203	PHOTOINTERRUPTOR:GP1A173LCS2F	AW020234	PHOTOINTERRUPTOR:GP1A173LCS5F	U005_S001	27	1	O/O			
201810-01	1810 Modification	-			D1171358	GROUND PLATE:UPPER:ASS'Y	U002	34	1				D11819:
201809-01	1809 Modification	-	AW100138	THERMOPILE	AW100183	THERMOPILE	U020	6	1	O/O			D11819:
201705-01	1705 Modification	-	D1173403	GEAR:IDLER:TOWER BOTTLE	D2963403	GEAR:IDLER:TOWER BOTTLE	U013_S002	13	1	X/O			D11819:
							U013_S003	13	1				
							U013_S004	13	1				
							U013_S005	13	1				
201611-01	1611 Modification	-			D1964461	ROLLER:DRIVEN:EXIT:MIDDLE	U021_S001	26	1				D11819:
					D1964461	ROLLER:DRIVEN:EXIT:MIDDLE	U021_S003	26	1				
201611-02	1611 Modification	-			D1964462	ROLLER:DRIVEN:EXIT:OUTER	U021_S002	27	1				D11819:
					D1964462	ROLLER:DRIVEN:EXIT:OUTER	U021_S004	27	1				
201611-03	1611 Modification	-			D1964463	ROLLER:DRIVEN:EXIT:MIDDLE:ASS'Y	U021_S001	28	1				D11819:
					D1964463	ROLLER:DRIVEN:EXIT:MIDDLE:ASS'Y	U021_S003	28	1				
201611-04	1611 Modification	-			D1964464	ROLLER:DRIVEN	U021_S002	29	1				D11819:

Design Change List

Number	Title	Set	Old Part		New Part		Index No.		Q'ty	Interchg		Reason	Cut-in S/N
			P/N	Name	P/N	Name	Group	ID		Indiv.	Set		
		-				:EXIT:OUTER:AS S'Y							
					D1964464	ROLLER:DRIVEN :EXIT:OUTER:AS S'Y	U021_S004	29	1				
201611-05	1611 Modification	-	AX310049	TOTAL COUNT R:7FIG:24V			U033	4	1				D11819:
201607-01	1607 Modification	-	AW020203	PHOTOINTERRU PTOR:GP1A173L CS2F	AW020224	PHOTOINTERRU PTOR:GP1A173L CSVF	U008	16	1	O/O			D11819:
			AW020203	PHOTOINTERRU PTOR:GP1A173L CS2F	AW020224	PHOTOINTERRU PTOR:GP1A173L CSVF	U010_S001	8	1	O/O			
			AW020203	PHOTOINTERRU PTOR:GP1A173L CS2F	AW020224	PHOTOINTERRU PTOR:GP1A173L CSVF	U010_S001	8	1	O/O			
			AW020203	PHOTOINTERRU PTOR:GP1A173L CS2F	AW020224	PHOTOINTERRU PTOR:GP1A173L CSVF	U010_S001	8	1	O/O			
			AW020203	PHOTOINTERRU PTOR:GP1A173L CS2F	AW020224	PHOTOINTERRU PTOR:GP1A173L CSVF	U023	11	1	O/O			
201607-02	1607 Modification	-	D1172619	GUIDE PLATE:R EGISTRATION R OLLER:DRIVEN	D2962619	GUIDE PLATE:R EGISTRATION R OLLER:DRIVEN	U012	14	1	O/O			D11819:
201603-01	1603 Modification	-	D1175248	HARNESS:MAIN ASS'Y SECTION: PAPER FEED:CO NNECTING	D1175288	HARNESS:MAIN ASS'Y SECTION: PAPER FEED:CO NNECTING	C1(1/2)		1	X/X			D11819:
201603-02	1603 Modification	-	D1175255	HARNESS:MAIN	D1175285	HARNESS:MAIN	B2(1/2)		1	X/X			D11819:

Design Change List

Number	Title	Set	Old Part		New Part		Index No.		Q'ty	Interchg		Reason	Cut-in S/N
			P/N	Name	P/N	Name	Group	ID		Indiv.	Set		
		-		ASS'Y SECTION: ON-OFF:CONNE CTING		ASS'Y SECTION: ON-OFF:CONNE CTING							
201601-01	1601 Modification	-	AB012072	GEAR:PRESSUR E ROLLER:Z29	GB013090	GEAR:PRESSUR E ROLLER:Z29	U019_S001	14	1	X/O			D11819:
201601-02	1601 Modification	-	AB012077	GEAR:IDLER:PR ESSURE:Z17	GB013092	GEAR:IDLER:PR ESSURE:Z17	U019_S001	16	1	X/O			D11819:
201601-03	1601 Modification	-	D1174402	PAPER EXIT UNI T:ASS'Y	D1174403	PAPER EXIT UNI T:ASS'Y	U021	25	1	X/O			D11819:
201601-04	1601 Modification	-			D1176265	SEAL:DISCHARG E:PLATE:FRONT	U017_S001	26	1				D11819:
201601-05	1601 Modification	-			D1176268	SHEET:DISCHAR GE:PLATE	U017_S001	29	1				D11819:
201512-01	1512 Modification	-	D1175160	PCB:BRB	D1175162	PCB:BRB	U013	17	1	O/O			D11819:
201512-02	1512 Modification	-	D1174612	BASE:HINGE:RE AR	D1964612	BASE:HINGE:RE AR	U023	19	1	X/O			D11819:
201512-03	1512 Modification	-	D1174613	BASE:HINGE:FR ONT	D1964613	BASE:HINGE:FR ONT	U023	20	1	X/O			D11819:
201511-01	1511 Modification	-	D1174700	FEELER:ENTRA NCE SENSOR:R EVERSE:DUPLE X	D1964700	FEELER:ENTRA NCE SENSOR:R EVERSE:DUPLE X	U023	47	1	X/O			D11819:
201511-02	1511 Modification	-			D1176124	GRIP:INTERMEDI ATE TRANSFER: RIGHT FRONT	U015_S001	2	1				D11819:
201511-03	1511 Modification	-	D1171860	OPTICAL WRITIN G UNIT:ASS'Y	D2191860	OPTICAL WRITIN G UNIT:ASS'Y	U006	1	1	O/O			D11819:
			D1171860	OPTICAL WRITIN G UNIT:ASS'Y	D2191860	OPTICAL WRITIN G UNIT:ASS'Y	U006	1	1	O/O			
201510-01	1510 Modification	-	G1634460	ROLLER:DRIVEN			U021	15	2				D11819:

Design Change List

Number	Title	Set	Old Part		New Part		Index No.		Q'ty	Interchg		Reason	Cut-in S/N
			P/N	Name	P/N	Name	Group	ID		Indiv.	Set		
		-		:EXIT									
201510-02	1510 Modification	-	G1634466	ROLLER:DRIVEN :EXIT			U021	19	2				D11819:
201509-02	1509 Modification	-	D1175404	PCB:CTL:GRI-C1: EXP:ASS'Y	D1175408	PCB:CTL:EXP:AS S'Y	U031	9	1	X/O			D11819:
201509-03	1509 Modification	-			D1173354	COLLAR:TONER SUPPLY:HOUSIN G	U013_S001	18	4				D11819:
201506-01	1506 Modification	-	D1171460	PCB:UWVGA:OP- R:ASS'Y	D1271460	PCB:UWVGA:OP- R:ASS'Y	U003_S001	6	1	O/O			D11819:
201505-01	1505 Modification	-	AW140016	TEMPERATURE & HUMIDITY SEN SOR	AW140026	TEMPERATURE & HUMIDITY SEN SOR	U027	7	1	O/O			D11819:
201505-02	1505 Modification	-	D1176203	TRANSFER/SEP ARATION UNIT:S ECOND:ASS'Y	D1186204	TRANSFER/SEP ARATION UNIT:S ECOND:ASS'Y	U017_S001	28	1	X/O			D11819:
201504-02	1504 Modification	-	D1175403	PCB:CTL:GRI-C1: EXP:ASS'Y	D1175404	PCB:CTL:GRI-C1: EXP:ASS'Y	U031	7	1	X/O			D11819:
201504-03	1504 Modification	-	08050089	RETAINING RING - M4	08050104	RETAINING RING S-E:SILENCER:DI A4	U005_S001	8	2	O/O			D11819:
							U007_S001	5	1				
							U009	1	2				
							U010_S001	3	9				
							U014_S001	10	1				
							U014_S002	10	1				
							U014_S003	10	1				
							U014_S004	10	1				
							U016	6	2				
							U021	3	2				
							U026	4	4				
							U026_S001	4	1				

Design Change List

Number	Title	Set	Old Part		New Part		Index No.		Q'ty	Interchg		Reason	Cut-in S/N
			P/N	Name	P/N	Name	Group	ID		Indiv.	Set		
201504-05	1504 Modification	-			D1172701	MANUAL FEED UNIT:ASS'Y	U010_S001	41	1				D11819:
201503-01	1503 Modification	A			D1171064	SEAL:SIDE PLATE:FRONT	U032	21	1				D11819:
201503-02	1503 Modification	A	D1171311	COVER:UPPER	D1171313	COVER:UPPER	U002	8	1	X/O			D11819:
201503-04	1503 Modification	-	D1176265	SEAL:DISCHARGE:PLATE:FRONT									D11819:
201503-05	1503 Modification	-	D1176266	SEAL:DISCHARGE:PLATE:REAR			U017_S001	27	1				D11819:
201501-01	1501 Modification	-			D1174402	PAPER EXIT UNIT:ASS'Y	U021	25	1				D11819:
201411-01	1411 Modification	-	D1176201	TRANSFER/SEPARATION UNIT:SECOND:ASS'Y	D1176203	TRANSFER/SEPARATION UNIT:SECOND:ASS'Y	U017	11	1	O/O			D11819:
201411-02	1411 Modification	-	D1170124	PCDU:Y:SERVICE PARTS	D1170128	PCDU:Y:SERVICE PARTS	U014_S004	9	1	X/O			D11819:
201411-03	1411 Modification	-	D1170123	PCDU:M:SERVICE PARTS	D1170127	PCDU:M:SERVICE PARTS	U014_S003	8	1	X/O			D11819:
201411-04	1411 Modification	-	D1170122	PCDU:C:SERVICE PARTS	D1170126	PCDU:C:SERVICE PARTS	U014_S002	7	1	X/O			D11819:
201411-05	1411 Modification	-	D1170121	PCDU:BK:SERVICE PARTS	D1170125	PCDU:BK:SERVICE PARTS	U014_S001	6	1	X/O			D11819:
201411-06	1411 Modification	-	D1175854	COVER:REAR	D1965854	COVER:REAR	U002	24	1	O/O			D11819:
201410-01	1410 Modification	-			D1176585	BRACKET:COLLECTION BOTTLE:RIGHT:PRESS FIT	U018	14	1				D11819:
201409-02	1409 Modification	-			D1176265	SEAL:DISCHARGE:PLATE:FRONT	U017_S001	26	1				D11819:
201409-03	1409 Modification	-			D1174520	FRAME:DUPLEX:	U023_S001	67	1				D11819:

Design Change List

Number	Title	Set	Old Part		New Part		Index No.		Q'ty	Interchg		Reason	Cut-in S/N
			P/N	Name	P/N	Name	Group	ID		Indiv.	Set		
		-				ASS'Y							
201409-05	1409 Modification	-	D1175097	HEATER:EU:ASS'Y	D1175091	HEATER:NA:ASS'Y	U033	9	1	X/O			D11819:
201406-01	1406 Modification	-	D1172800	PAPER TRAY:ASS'Y	D1172900	PAPER TRAY:ASS'Y	U007_S001	13	1	X/O			D11819:
201406-02	1406 Modification	-	D1172849	BRACKET:PIN:STRETCH:TRAY	D1962849	BRACKET:PIN:STRETCH:TRAY:PEEN	U007_S001	42	1	X/O			D11819:
201407-01	1407 Modification	-	D1172817	LEVER:BASE:RISE	D1962817	LEVER:BASE:RISE	U007_S001	22	1	O/O			D11819:
201407-02	1407 Modification	-	D1174630	FRAME:DUPLEX	D1964630	FRAME:DUPLEX	U023_S001	66	1	O/O			D11819:
201402-02	1402 Modification	-	D1174652	SHAFT:GEAR:SWING UNIT:Z14:ASS'Y	D1174654	SHAFT:GEAR:SWING UNIT:Z14:ASS'Y	U023_S001	32	1	X/O			D11819:
201402-03	1402 Modification	-	D1172881	TENSION SPRING:GRIP:RIGHT	D1172890	TENSION SPRING:GRIP:RIGHT	U007_S001	50	1	X/O			D11819:
201402-05	1402 Modification	-			D1174412	DC SOLENOID:GATE PAWL:ASS'Y	U022_S001	25	1				D11819:
201402-06	1402 Modification	-			D1170072	OPTICAL READING SECTION:EU	U005_S001	26	1				D11819:
201401-01	1401 Modification	-	D1176893	DECAL:TONER BOTTLE:INSTALL:COVER:UPPER			U034	5	1	X/O			D11819:
201401-02	1401 Modification	-	D1176894	DECAL:TONER BOTTLE:INSTALL:COVER:LEFT			U034	6	1	X/O			D11819:
201401-03	1401 Modification	-	D1176895	DECAL:TONER BOTTLE:INSTALL:COVER:FRONT			U034	7	1	X/O			D11819:
201401-04	1401 Modification	-	D1171504	KEYTOP:RIGHT	D1171512	KEYTOP:RIGHT:	U003_S001	36	1	X/O			D11819:

Design Change List

Number	Title	Set	Old Part		New Part		Index No.		Q'ty	Interchg		Reason	Cut-in S/N
			P/N	Name	P/N	Name	Group	ID		Indiv.	Set		
		-				BA							
201401-05	1401 Modification	-	AZ320191	POWER PACK:C B	AZ320203	POWER PACK:C B:GR-C1	U030	11	1	O/O			D11819:
201401-06	1401 Modification	-	D1175401	PCB:CTL:EXP:AS S'Y	D1175403	PCB:CTL:GRI-C1: EXP:ASS'Y	U031	7	1	X/O			D11819:
201307-01	1307 Modification	-			D1174630	FRAME:DUPLEX	U023_S001		1				D11819:
201308-01	1308 Modification	-			D1172533	BASE:RISE:ASS' Y	U008_S001	26	1				D11819:
201309-01	1309 Modification	-	AB017781	GEAR:RISING TR AY:1	AB017899	GEAR:RISING TR AY:1	U008_S001	25	1	X/O			D11819:
201301-01	1301 Modification	-	D1171123	DUCT:OPTICAL WRITING MD	D1171126	DUCT:OPTICAL WRITING MD	U027	13	1	X/O			D11819:
201211-01	1211 Modification	-	D1171497	LCD:UWVGA:MV: ASS'Y	D1271473	LCD:UWVGA:ST EC5:NA:SH	U003_S001	9	1	X/O			D11819:

