

**Digital Color Copier**  
**(D168-EU)**  
**Parts Catalog**

**Parts change information sample**

 **Add**

 **Update**

 **Delete**

<b>Model</b>	<b>Product Code</b>	<b>PC Style</b>
Digital Color Copier	D117/D118/D168	3D
Paper Feed Unit PB1050	D573	3D
1 Bin Tray BN1010	D574	3D
ARDF DF1030	D606	3D
Platen Cover PN1010	D607	Traditional
Fax Option Type C305	D649	Traditional
CTL Option	-	Traditional

# Unit All



U001  
Exterior-1



U002  
Exterior-2



U003  
Operation



U004  
Scanner-1



U005  
Scanner-2



U006  
Laser Unit



U007  
Paper Feed-1



U008  
Paper Feed-2



U009  
By-pass Feed-1



U010  
By-pass Feed-2



U011  
Vertical Transport



U012  
Paper Registration

# Unit All



U013  
Toner Supply



U014  
PCDU



U015  
ITB Unit-1



U016  
ITB Unit-2



U017  
Paper Transfer



U018  
Used Toner



U019  
Fusing-1



U020  
Fusing-2



U021  
Paper Exit-1



U022  
Paper Exit-2



U023  
Duplex-1



U024  
Duplex-2

# Unit All



U025  
Main Drive-1



U026  
Main Drive-2



U027  
Electrical-1



U028  
Electrical-2



U029  
Electrical-3



U030  
Electrical-4



U031  
Controller



U032  
Main Frame

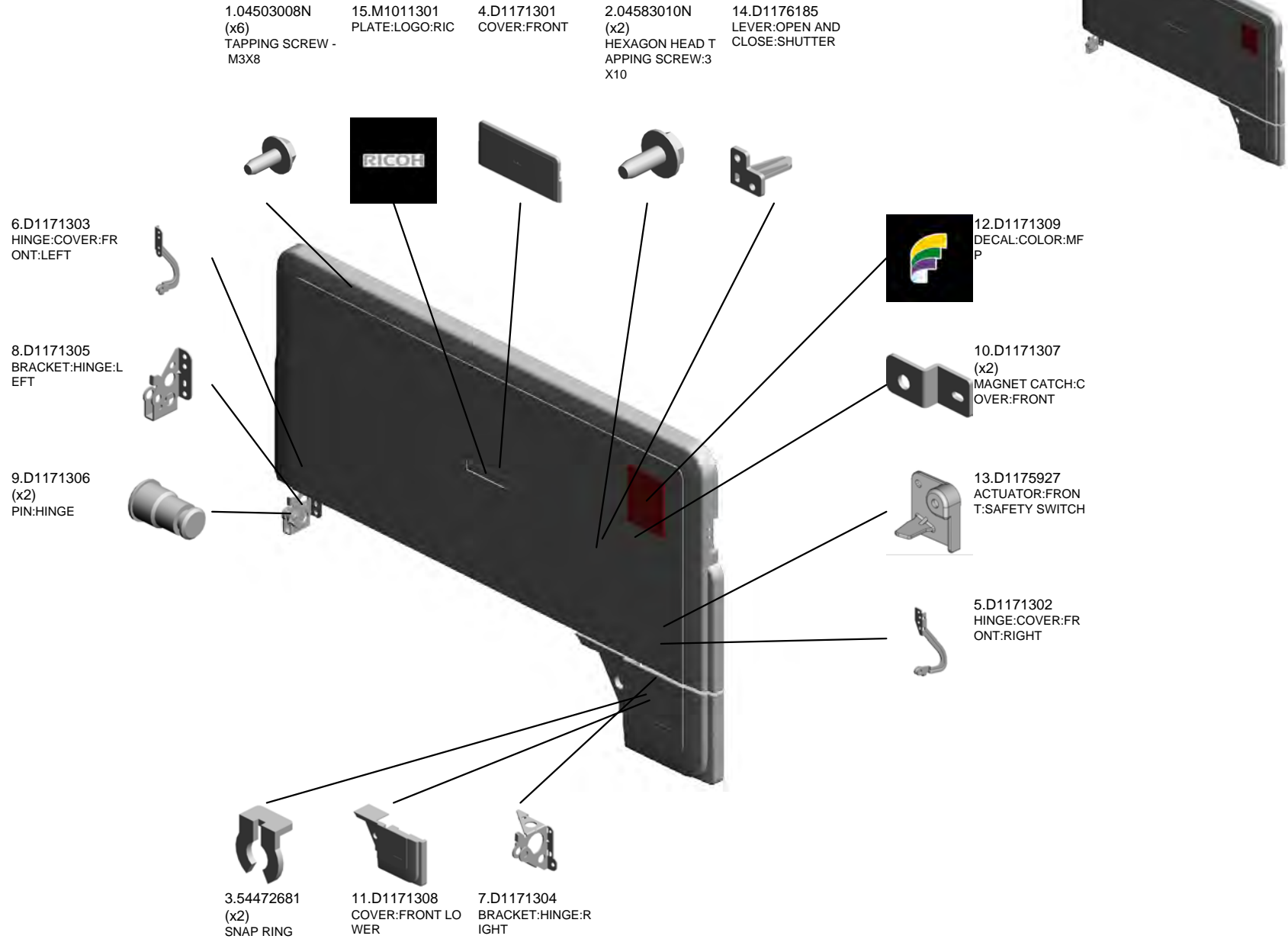


U033  
Option



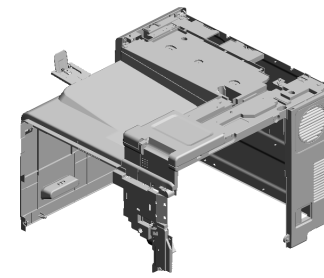
U034  
Accessories

# U001 Exterior-1



# U002 Exterior-2

18.D1174495 EXTENSION TRAY: EXIT  
 8.D1171311 COVER:UPPER  
 16.D1171353 COVER:UPPER LEFT  
 1.03603006N (x13) SCREW - M3X6  
 15.D1171351 COVER:SUPPORT: SCANNER



19.D1174496 END FENCE:EXIT

20.D1174498 STOPPER:END FENCE:EXIT

5.04583010N (x20) HEXAGON HEAD TAPPING SCREW:3 X10

14.D1171331 COVER:LEFT

7.AG070513 (x2) MAGNET CATCH

17.D1171361 INNER COVER:UPPER

4.04513006N (x2) TAPPING SCREW - 3X6

3.04503010N (x3) TAPPING SCREW - M3X10

6.12042612 (x2) MICRO SWITCH:D3 V-16506-3C25

9.D1171321 COVER:RIGHT REAR

2.04503008N (x4) TAPPING SCREW - M3X8

11.D1171324 COVER:DEODORIZE FILTER

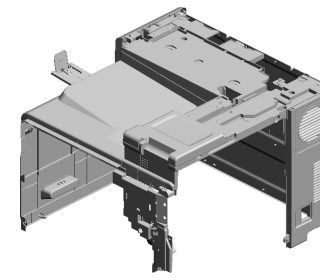
12.D1171325 LOUVER:COVER:RIGHT REAR

10.D1171323 DEODORIZE FILTER

13.D1171326 LOUVER:DUCT



# U002 Exterior-2



31.D1681352 COVER:UPPER RIGHT:FRONT:VIEW  
 33.M0261265 CAP:TOTAL COUNTER  
 32.D1681353 COVER:UPPER RIGHT:REAR:VIEW  
 22.D1175854 COVER:REAR

21.D1174499 COMPRESSION SPRING:END FENCE:EXIT

30.D1681351 COVER:UPPER FRONT:VIEW

25.D1175894 LEVER:FRONT:SAFETY SWITCH

34.M0266885 DECAL:MAIN SWITCH:ON-STANDBY:EU

28.D1175902 COLLAR:SHAFT:SAFETY SWITCH

29.D1175903 INNER COVER:SAFETY SWITCH

26.D1175895 TORSION SPRING:SAFETY SWITCH

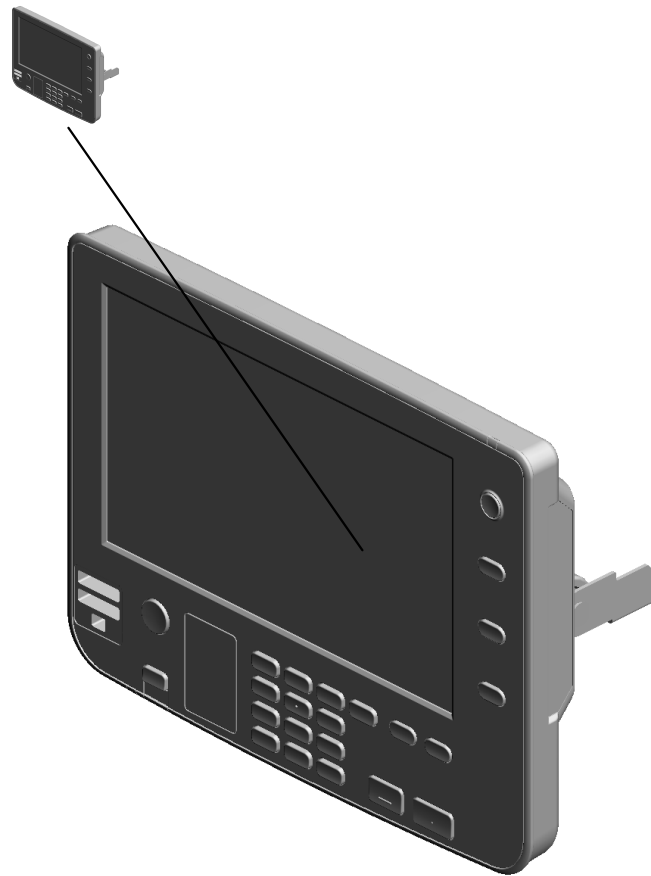
27.D1175901 TORSION SPRING:LEVER:RIGHT:SAFETY SWITCH

23.D1175892 BRACKET:SWIVEL:SAFETY SWITCH

24.D1175893 LEVER:RIGHT:SAFETY SWITCH

# U003.Operation

U003\_S001  
D1681412  
OPERATION PANEL:VW:EU:  
ASS'Y



U001	U002	U003	U004	U005	U006	U007	U008	U009	U010	U011	U012	U013	U014	U015	U016	U017	U018	U019	U020	U021
------	------	------	------	------	------	------	------	------	------	------	------	------	------	------	------	------	------	------	------	------



U003\_S001  
OPERATION PANEL:VW:EU:ASS'Y

14.D1181523  
COVER:REAR

16.D1181525  
SHADEING PLATE

13.D1181522  
COVER:INNER

17.D1181526  
BRACKET:LCDC:A  
SS'Y

18.D1181528  
BRACKET:REAR



29.D1681412  
OPERATION PANE  
L:VW:EU:ASS'Y

10.D1181519  
KEYTOP:RIGHT

15.D1181524  
COVER:HINGE

4.D1171437  
PCB:VW:KEYSUB:  
ASS'Y

19.D1181529  
HINGE:RIGHT:ASS'  
Y

1.04593008N  
(x9)  
BINDING HEAD TA  
PPING SCREW:3X  
8

5.D1181512  
KEYTOP:START

7.D1181514  
KEYTOP:RESET S  
WITCH

6.D1181513  
KEYTOP:STOP

2.04593010N  
(x10)  
BINDING HEAD TA  
PPING SCREW:3X  
10

3.D1171434  
PCB:VW:KEYMAIN:  
ASS'Y

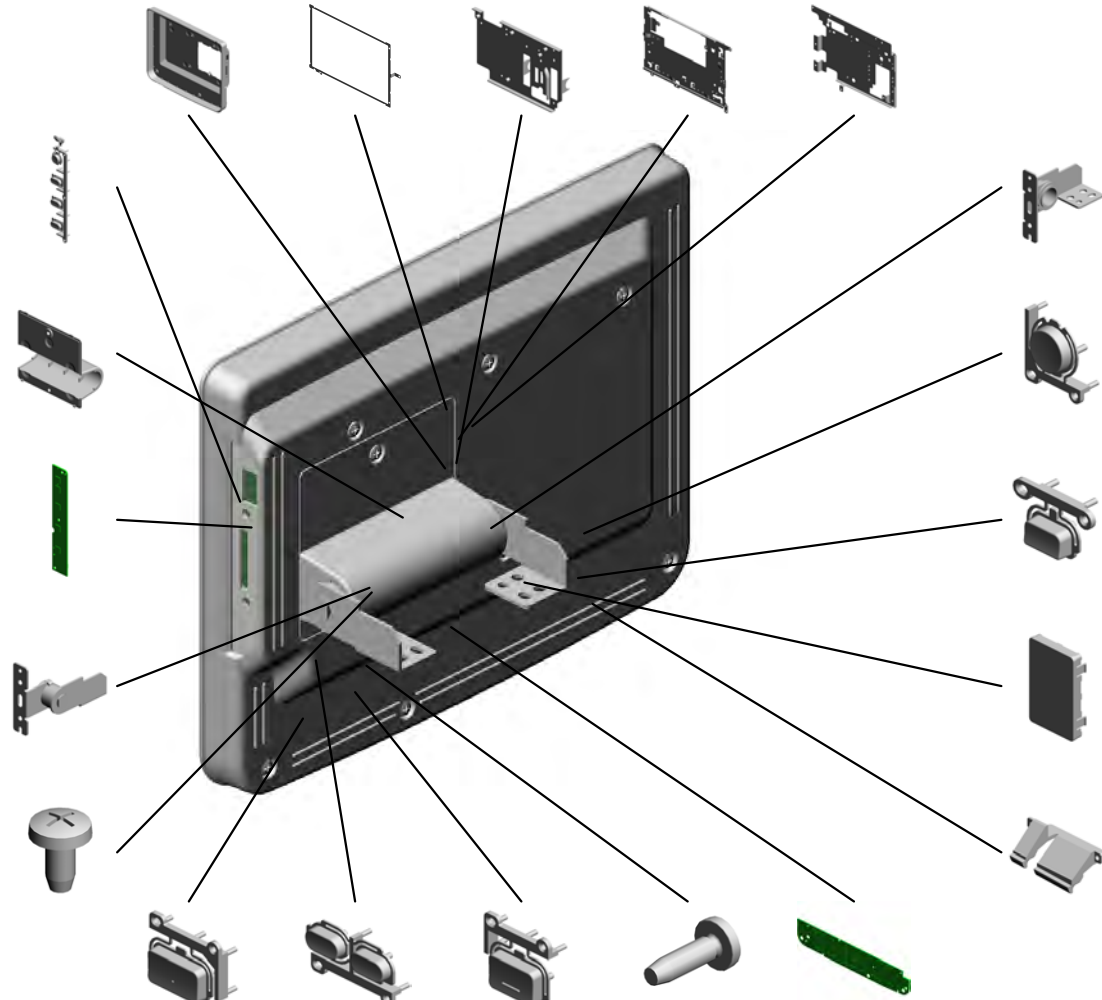
20.D1181530  
HINGE:LEFT:ASS'Y

8.D1181517  
KEYTOP:HOME

9.D1181518  
KEYTOP:STATUS

11.D1181520  
COVER:BLANK

12.D1181521  
LENS:FRONT



U003\_S001  
OPERATION PANEL:VW:EU:ASS'Y

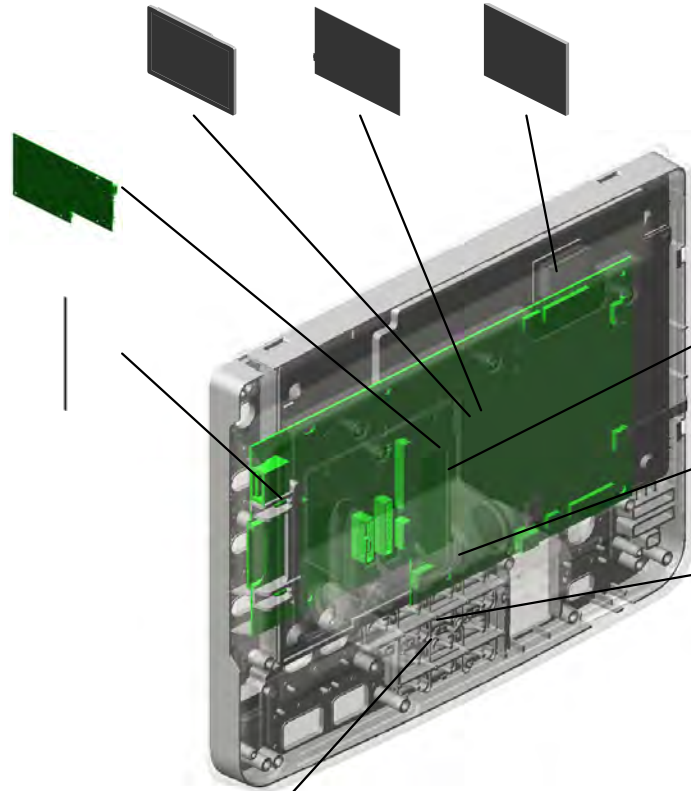
28.D1291423 LCD:TFT:WVGA:LE  
D:SH  
27.D1291421 TOUCH PANEL:WV  
GA:MV  
21.D1181535 CUSHION:CORE



29.D1681412  
OPERATION PANE  
L:VW:EU:ASS'Y

30.D1681442  
PCB:LDCD:EU:FT

22.D1181537  
(x2)  
SPACER:LCD:A



24.D1181552  
COVER:FRONT:GR  
F8.5:EU

23.D1181539  
(x2)  
SPACER:LCD:C

25.D1181563  
KEYTOP:10KEY:1:E  
U

26.D1181564  
KEYTOP:10KEY:2:E  
U

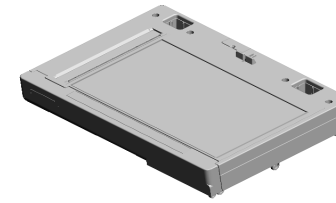
U001	U002	U003	U004	U005	U006	U007	U008	U009	U010	U011	U012	U013	U014	U015	U016	U017	U018	U019	U020	U021
------	------	------	------	------	------	------	------	------	------	------	------	------	------	------	------	------	------	------	------	------

# U004 Scanner-1

6.M0261718  
DECAL:SCALE:LEF  
T:EU

7.M0266890  
DECAL:CAUTION:O  
RIGINAL:ENGLISH

1.04503010N  
(x10)  
TAPPING SCREW -  
M3X10



5.D1176801  
DECAL:MODEL NA  
ME PLATE:RIC:EXP



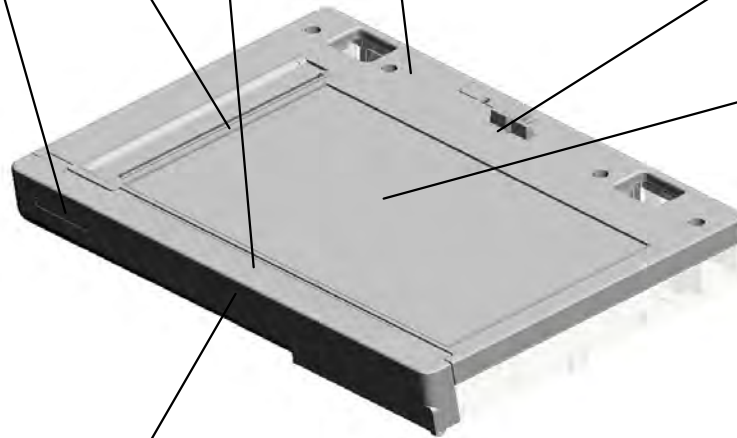
4.D1171845  
COVER:SCANNER:  
REAR



2.D1171657  
EXPOSURE GLASS  
UNIT:SCANNER:A  
SS'Y

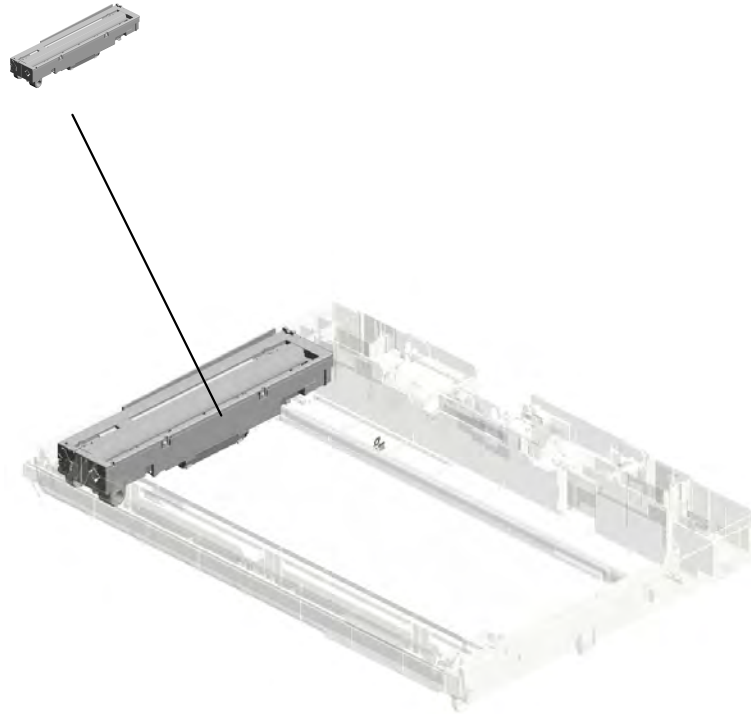


3.D1171840  
COVER:SCANNER:  
FRONT:ASS'Y



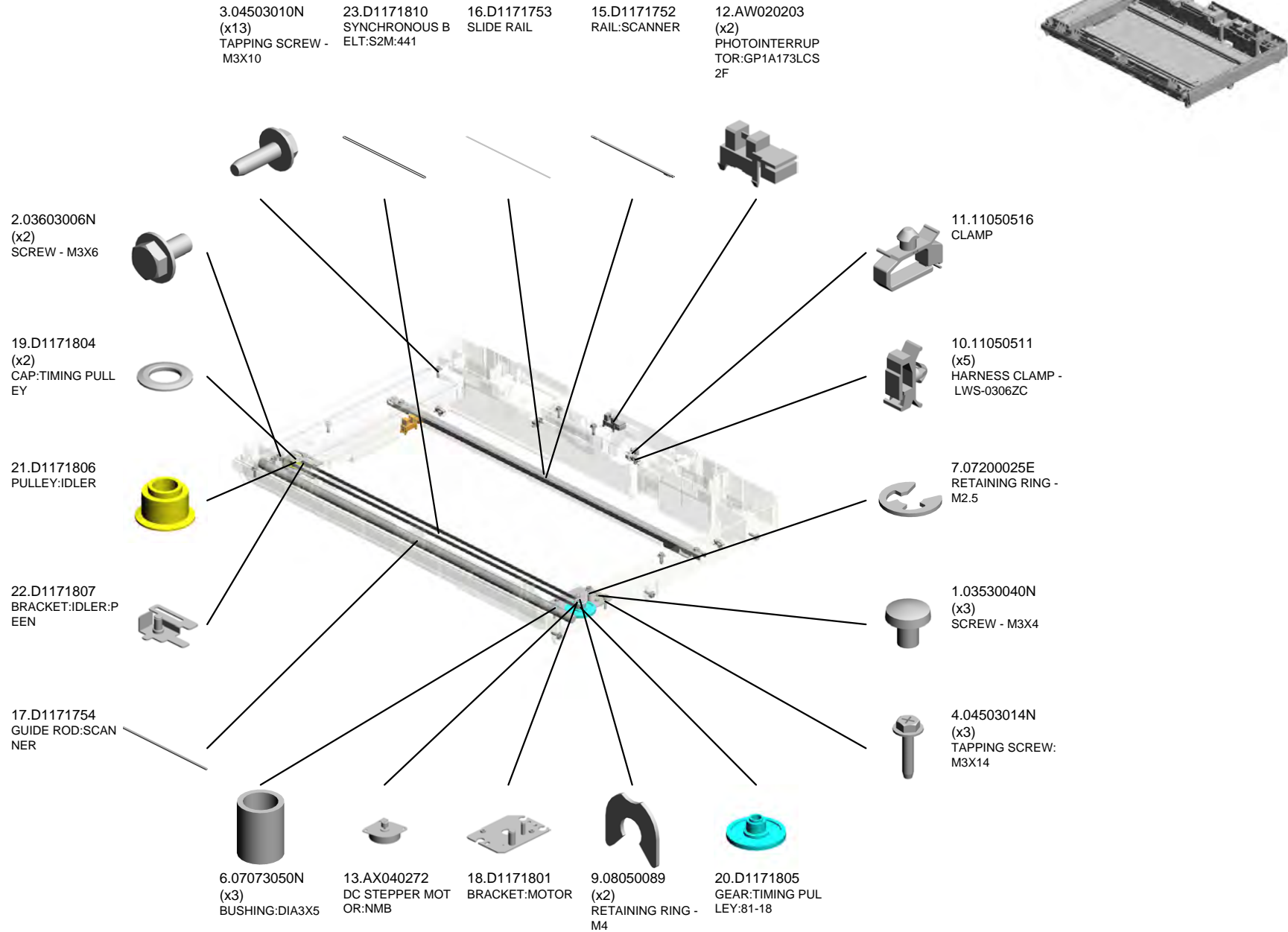
# U005.Scanner-2

U005\_S001  
D1171651  
CARRIAGE:SCANNER:ASSY



U001	U002	U003	U004	<b>U005</b>	U006	U007	U008	U009	U010	U011	U012	U013	U014	U015	U016	U017	U018	U019	U020	U021
------	------	------	------	-------------	------	------	------	------	------	------	------	------	------	------	------	------	------	------	------	------

# U005 Scanner-2





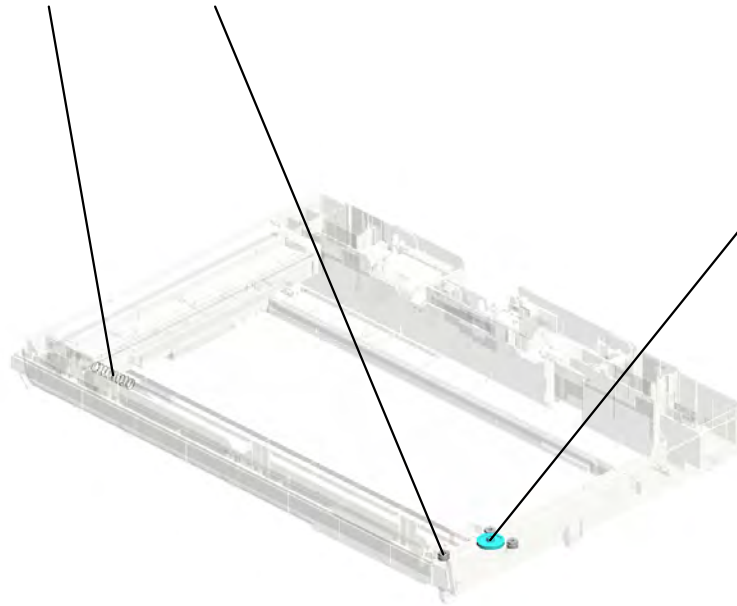
U005  
Scanner-2

26.D1171837  
COIL SPRING:TEN  
SION

24.D1171820  
(x3)  
BUSHING:BRACKE  
T



25.D1171826  
GEAR:SLOW DOW  
N:53-19



U005\_S001  
CARRIAGE:SCANNER:ASS'Y

5.04593008N  
(x2)  
BINDING HEAD TA  
PPING SCREW:3X  
8



14.D1171651  
CARRIAGE:SCANN  
ER:ASSY



8.08046123  
(x8)  
HEXAGONAL BOLT  
:W/WASHER:M3X8

U001	U002	U003	U004	U005	U006	U007	U008	U009	U010	U011	U012	U013	U014	U015	U016	U017	U018	U019	U020	U021
------	------	------	------	------	------	------	------	------	------	------	------	------	------	------	------	------	------	------	------	------

# U006.Laser Unit

U006\_S001  
D1171860  
OPTICAL WRITING UNIT:ASS  
Y



U001	U002	U003	U004	U005	<b>U006</b>	U007	U008	U009	U010	U011	U012	U013	U014	U015	U016	U017	U018	U019	U020	U021
------	------	------	------	------	-------------	------	------	------	------	------	------	------	------	------	------	------	------	------	------	------

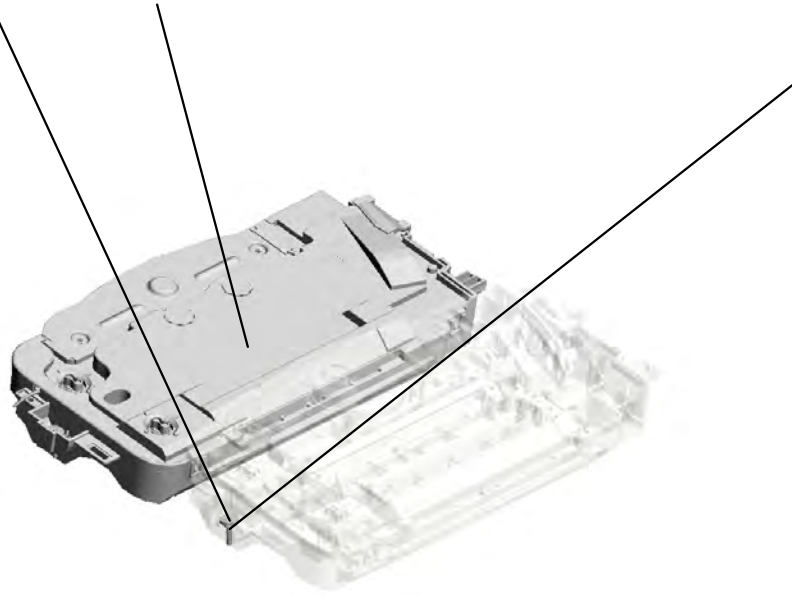
U006  
Laser Unit

5.D1171991  
(x2)  
SPRING LOCK WA  
SHER:DIA6.4XDIA1  
1X1.5

3.D1171860  
OPTICAL WRITING  
UNIT:ASSY



4.D1171990  
(x2)  
STEPPED SCREW



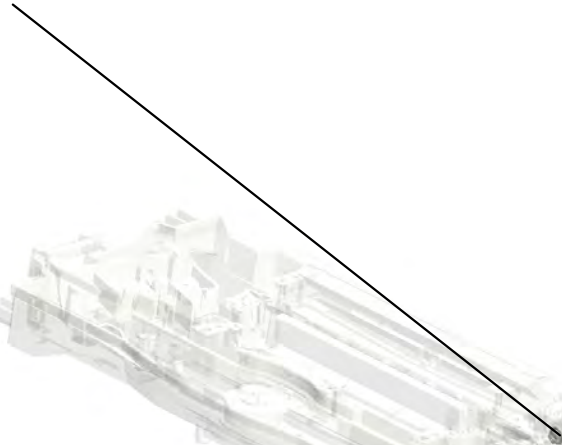
U001	U002	U003	U004	U005	<b>U006</b>	U007	U008	U009	U010	U011	U012	U013	U014	U015	U016	U017	U018	U019	U020	U021
------	------	------	------	------	-------------	------	------	------	------	------	------	------	------	------	------	------	------	------	------	------

U006\_S001  
OPTICAL WRITING UNIT:ASS'Y

2.04543008Q  
(x2)  
TAPPING SCREW:  
3X8



3.D1171860  
OPTICAL WRITING  
UNIT:ASSY



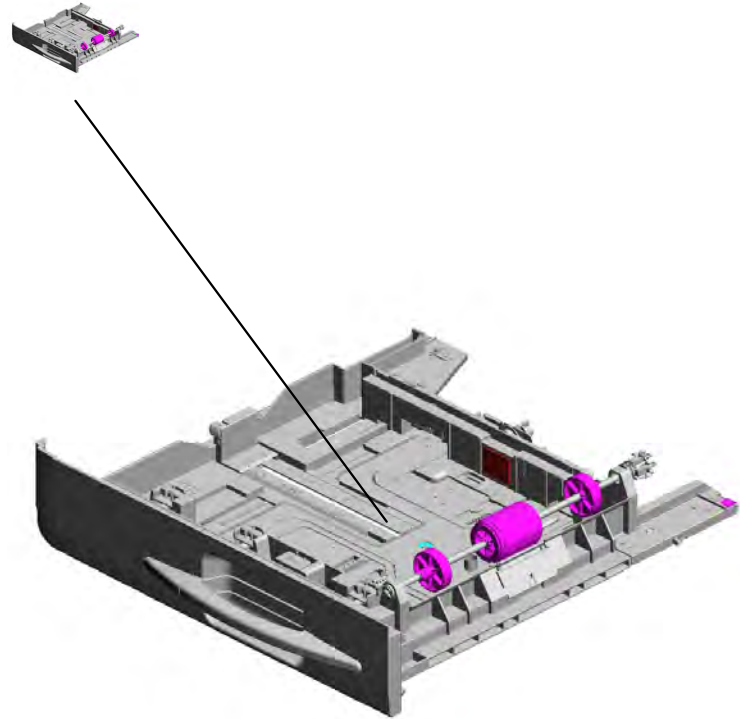
1.03530060N  
(x2)  
BIND SCREW - M3  
X6



U001	U002	U003	U004	U005	<b>U006</b>	U007	U008	U009	U010	U011	U012	U013	U014	U015	U016	U017	U018	U019	U020	U021
------	------	------	------	------	-------------	------	------	------	------	------	------	------	------	------	------	------	------	------	------	------

# U007.Paper Feed-1

U007\_S001  
D1172800  
PAPER TRAY:ASSY



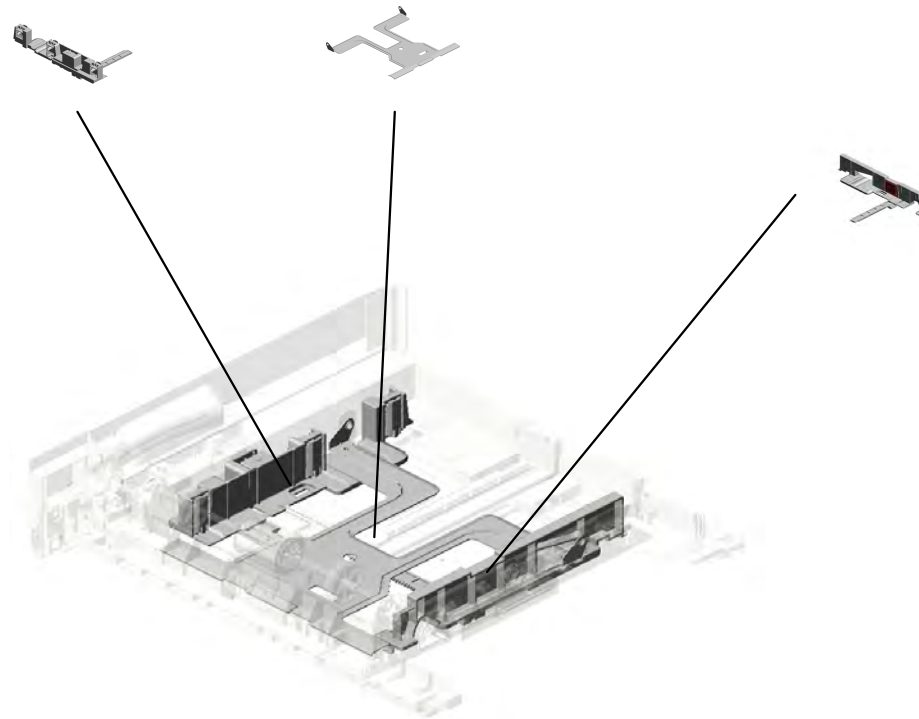
U001	U002	U003	U004	U005	U006	U007	U008	U009	U010	U011	U012	U013	U014	U015	U016	U017	U018	U019	U020	U021
------	------	------	------	------	------	------	------	------	------	------	------	------	------	------	------	------	------	------	------	------

# U007\_S001.PAPER TRAY:ASS'Y

U007\_S001\_S001  
D1172825  
SIDE FENCE:FRONT:ASS'Y

U007\_S001\_S003  
D1172845  
BASE:TRAY:ASS'Y

U007\_S001\_S002  
D1172836  
SIDE FENCE:REAR:ASS'Y



U001	U002	U003	U004	U005	U006	U007	U008	U009	U010	U011	U012	U013	U014	U015	U016	U017	U018	U019	U020	U021
------	------	------	------	------	------	------	------	------	------	------	------	------	------	------	------	------	------	------	------	------

U007  
Paper Feed-1



U001	U002	U003	U004	U005	U006	U007	U008	U009	U010	U011	U012	U013	U014	U015	U016	U017	U018	U019	U020	U021
------	------	------	------	------	------	------	------	------	------	------	------	------	------	------	------	------	------	------	------	------



# U007\_S001 PAPER TRAY:ASS'Y

16.D1172806 GRIP:PAPER TRAY  
 15.D1172805 HOLDER:GRIP:PAPER TRAY  
 22.D1172816 SHAFT:BASE:RISE  
 3.04504008N TAPPING SCREW - M4X8  
 13.B2232936 GEAR - 16Z



14.D1172800 PAPER TRAY:ASS'Y

8.54472681 SNAP RING



10.AA082101 (x2) BUSHING - 6X10X6



17.D1172807 LEVER:RELEASE:PAPER TRAY



2.04503010N (x5) TAPPING SCREW - M3X10



9.AA063629 (x2) SPRING - 2.8N



20.D1172814 PRESSURE PLATE :BASE:RISE



12.B0442756 SPRING - PAPER FEED ROLLER



6.08050089 RETAINING RING - M4



5.06220120E SPRING PIN - 2X12 MM



4.04543008Q TAPPING SCREW: 3X8



1.04503008N (x7) TAPPING SCREW - M3X8



11.B0442751 JOINT - PAPER FEED ROLLER



19.D1172809 TENSION SPRING: BASE:RISE



23.D1172817 LEVER:BASE:RISE



18.D1172808 STOPPER:GUIDE PLATE:BASE:RISE



U007\_S001  
PAPER TRAY:ASS'Y

42.D1172848  
COVER:PAPER TRAY

51.D1172882  
TENSION SPRING:GRIP:LEFT

**44.D1172851**  
**PAPER FEED ROLLER:PAPER TRAY**

45.D1172852  
SHAFT:PAPER FEED ROLLER:ASS'Y

38.D1172843  
DECAL:PAPER SELECTION DIRECTION:TRAY:LEFT



14.D1172800  
PAPER TRAY:ASS'Y

50.D1172881  
TENSION SPRING:GRIP:RIGHT

48.D1172870  
(x2)  
PAPER FEED ROLLER:AUXILIARY

**49.D1172872**  
**FRICTION PAD:ASS'Y**

31.D1172829  
COVER:PRESSURE PLATE:BASE:RISE

41.D1172846  
RETAINING RINGS:BASE:SILENCER:DIA3

30.D1172828  
COMPRESSION SPRING:BASE:RISE:AUXILIARY

46.D1172856  
ROLLER:PAPER TRAY:RIGHT

26.D1172822  
BRACKET:PINION:BASE:RISE

25.D1172820  
PINION:BASE:RISE

24.D1172819  
RACK:BASE:RISE

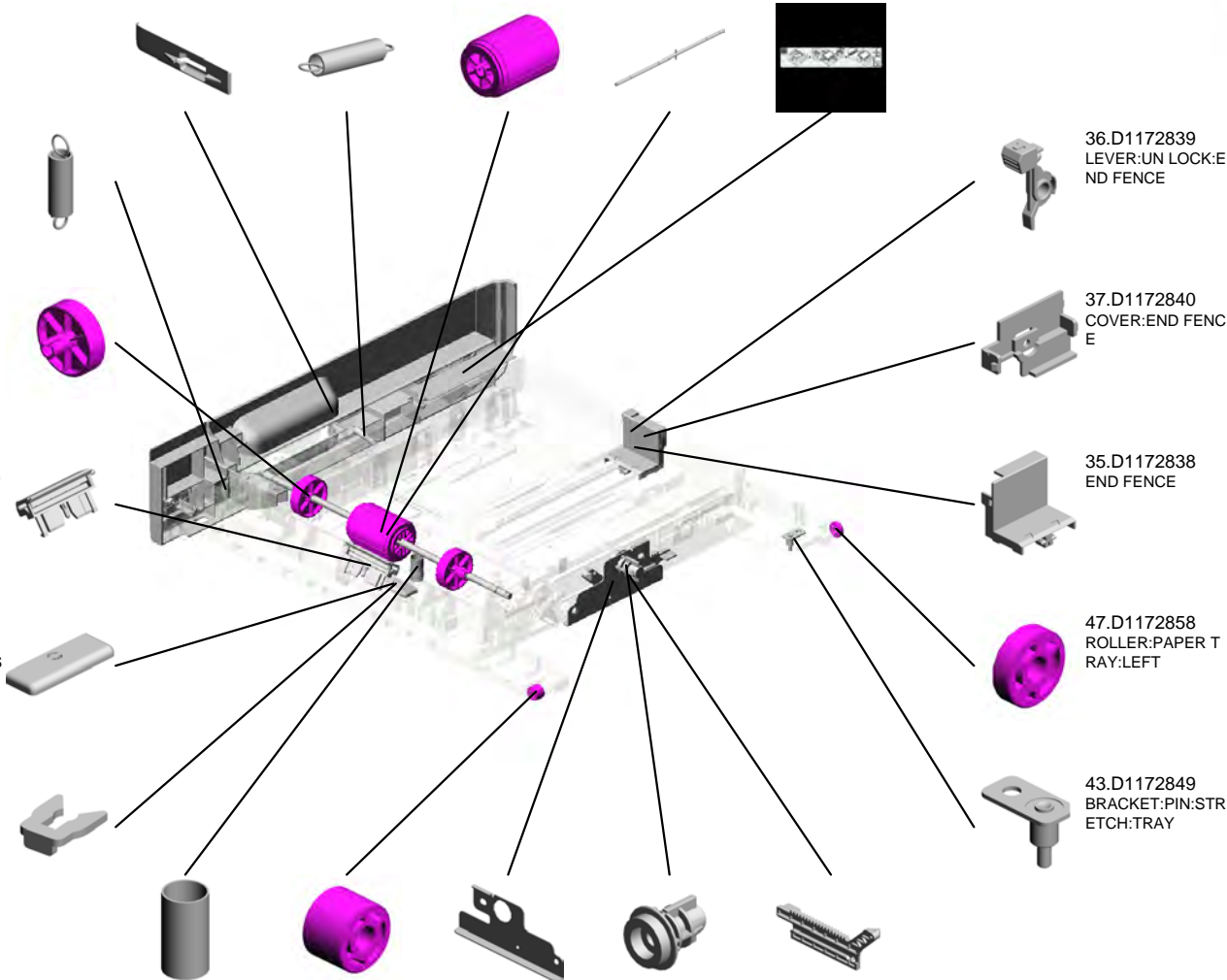
36.D1172839  
LEVER:UNLOCK:END FENCE

37.D1172840  
COVER:END FENCE

35.D1172838  
END FENCE

47.D1172858  
ROLLER:PAPER TRAY:LEFT

43.D1172849  
BRACKET:PIN:STRUT:TRAY



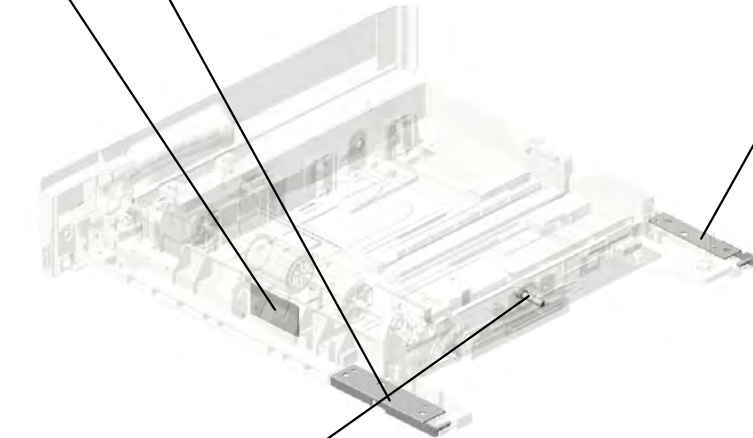
U007\_S001  
PAPER TRAY:ASS'Y

52.D1172884  
PLATE:ROLLER:PA  
PER TRAY:RIGHT

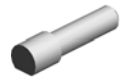


14.D1172800  
PAPER TRAY:ASS'  
Y

55.D1172896  
SHEET:PLATE:FRI  
CTION PAD



53.D1172886  
PLATE:ROLLER:PA  
PER TRAY:LEFT

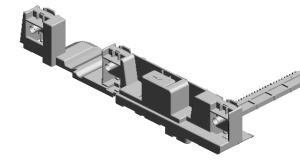


54.D1172894  
SHAFT:PINION:BA  
SE:RISE

U001	U002	U003	U004	U005	U006	U007	U008	U009	U010	U011	U012	U013	U014	U015	U016	U017	U018	U019	U020	U021
------	------	------	------	------	------	------	------	------	------	------	------	------	------	------	------	------	------	------	------	------

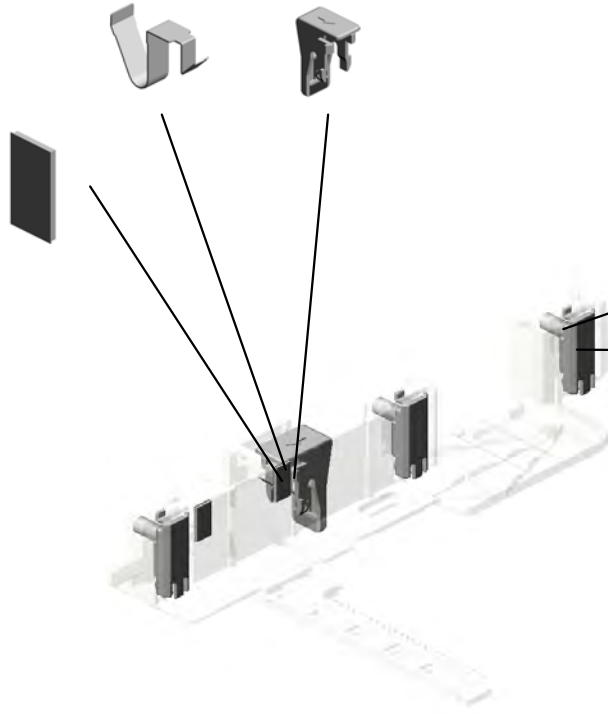
U007\_S001\_S001  
SIDE FENCE:FRONT:ASS'Y

21.D1172815    32.D1172830  
SPRING PLATE:SI    LEVER:STOPPER:  
DE FENCE:FRONT    FRONT

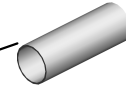


28.D1172825  
SIDE FENCE:FRON  
T:ASS'Y

27.D1172823  
(x2)  
PAD:SIDE FENCE



29.D1172826  
(x3)  
COMPRESSION SP  
RING:SIDE FENCE:  
PLATE

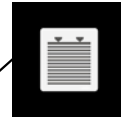


33.D1172834  
(x3)  
PLATE:SIDE FENC  
E

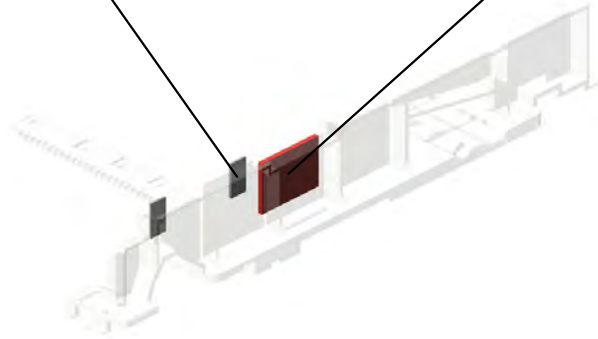


U007\_S001\_S002  
SIDE FENCE:REAR:ASS'Y

27.D1172823  
(x2)  
PAD:SIDE FENCE



39.D1172844  
DECAL:SIDE FENCE:REAR

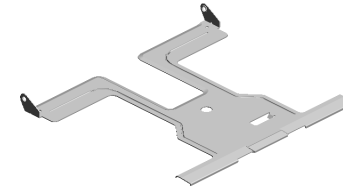
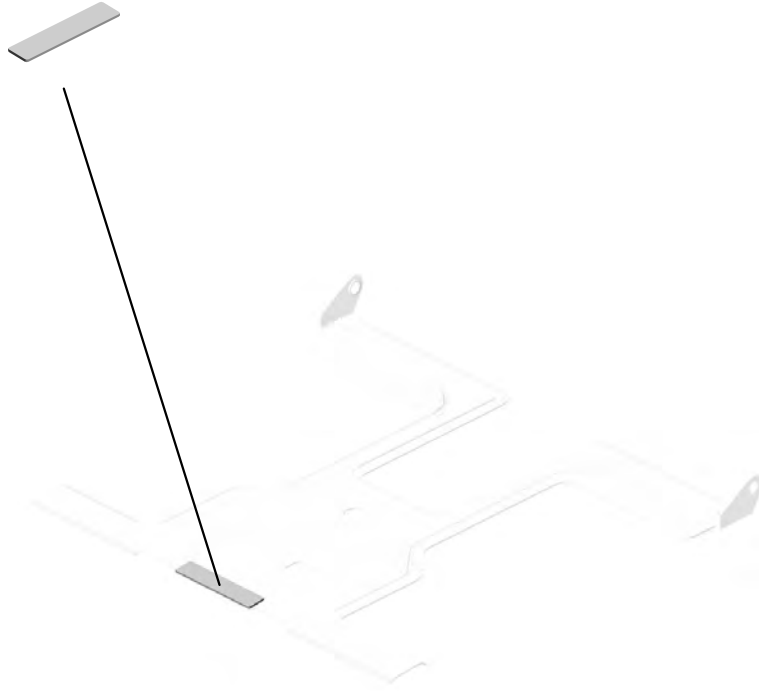


34.D1172836  
SIDE FENCE:REAR  
:ASS'Y

U001	U002	U003	U004	U005	U006	U007	U008	U009	U010	U011	U012	U013	U014	U015	U016	U017	U018	U019	U020	U021
------	------	------	------	------	------	------	------	------	------	------	------	------	------	------	------	------	------	------	------	------

U007\_S001\_S003  
BASE:TRAY:ASS'Y

7.52152713  
BOTTOM PLATE P  
AD

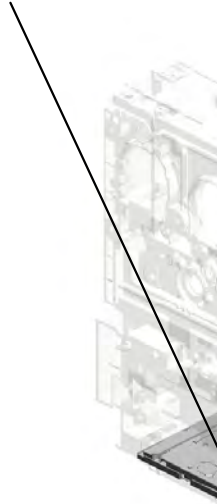
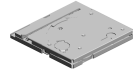


40.D1172845  
BASE:TRAY:ASS'Y

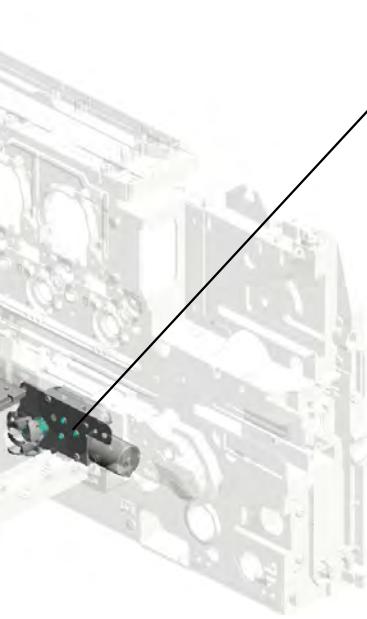
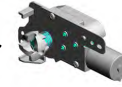
U001	U002	U003	U004	U005	U006	U007	U008	U009	U010	U011	U012	U013	U014	U015	U016	U017	U018	U019	U020	U021
------	------	------	------	------	------	------	------	------	------	------	------	------	------	------	------	------	------	------	------	------

# U008.Paper Feed-2

U008\_S001  
D1172899  
LEVER:STRETCH:TRAY:UNI:  
ASS'Y



U008\_S002  
D1172533  
BASE:RISE:ASS'Y



U001	U002	U003	U004	U005	U006	U007	<b>U008</b>	U009	U010	U011	U012	U013	U014	U015	U016	U017	U018	U019	U020	U021
------	------	------	------	------	------	------	-------------	------	------	------	------	------	------	------	------	------	------	------	------	------

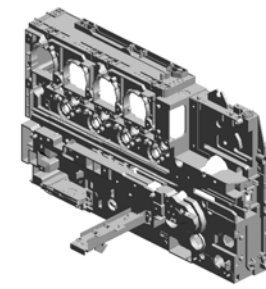
# U008 Paper Feed-2

6.04513008N  
TAPPING SCREW -  
M3X8

24.D1172901  
BRACKET:STRETC  
H:TRAY

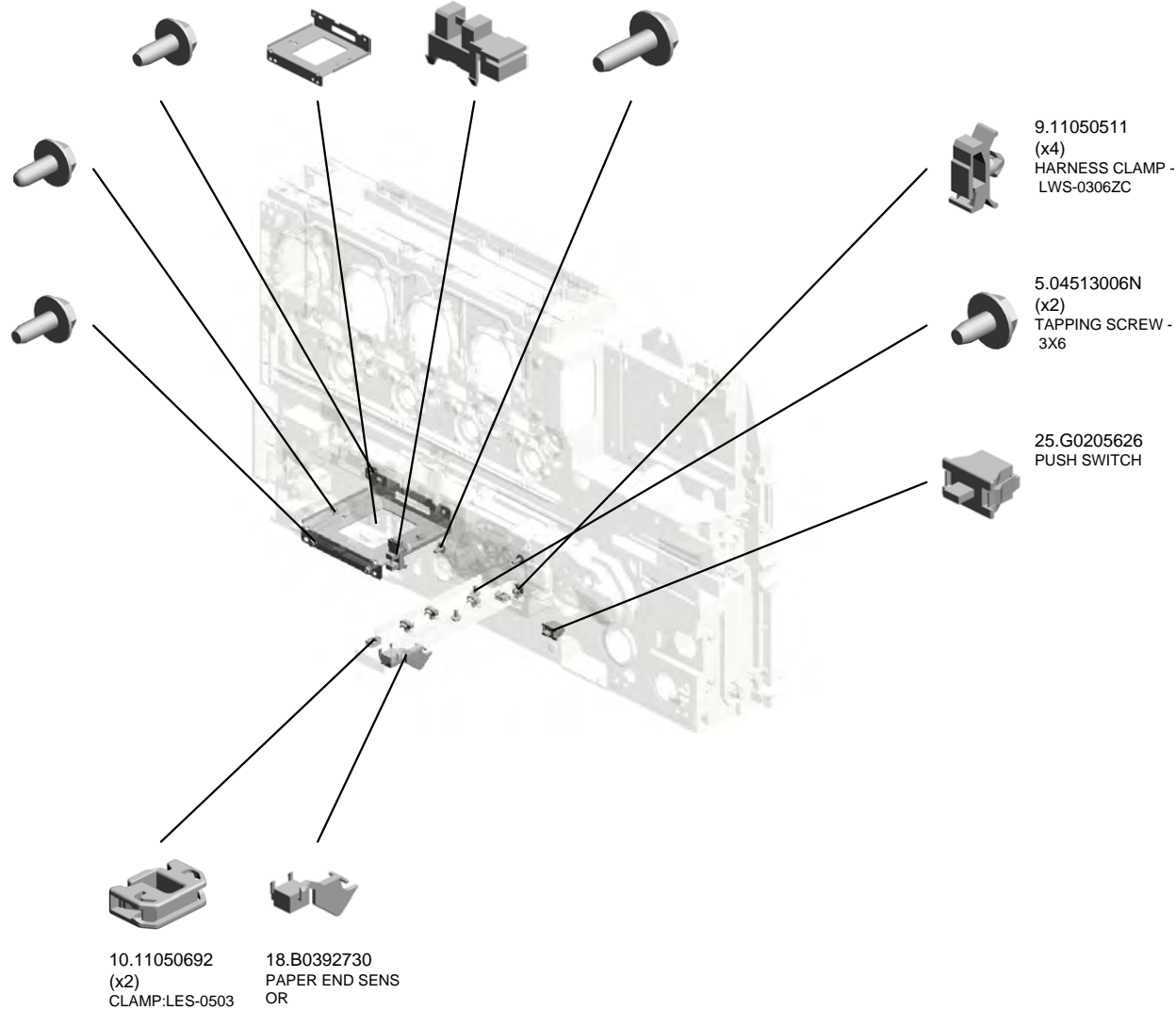
17.AW020203  
PHOTOINTERRUP  
TOR:GP1A173LCS  
2F

4.04503010N  
(x2)  
TAPPING SCREW -  
M3X10



8.04543008Q  
(x2)  
TAPPING SCREW:  
3X8

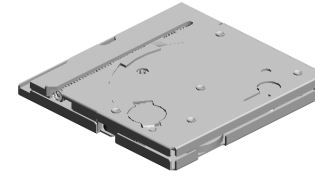
3.04503008N  
(x2)  
TAPPING SCREW -  
M3X8



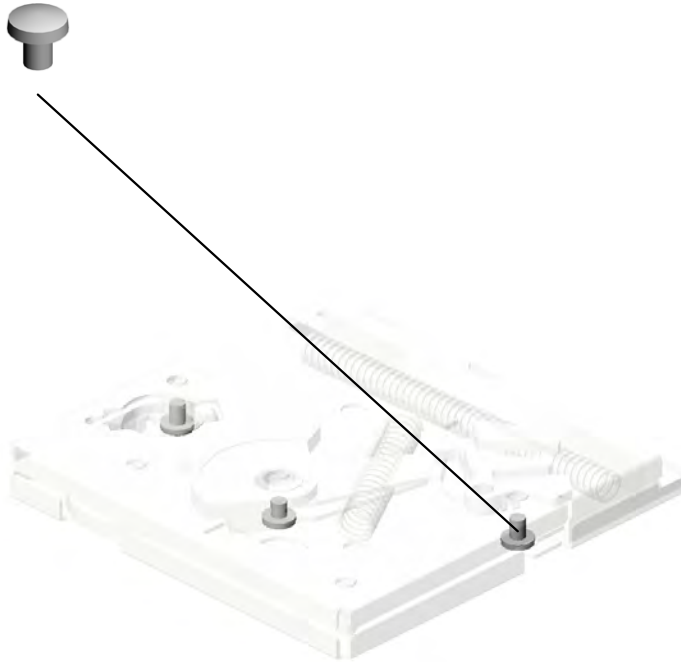


U008\_S001  
LEVER:STRETCH:TRAY:UNI:ASS'Y

2.03530040N  
(x3)  
SCREW - M3X4



23.D1172899  
LEVER:STRETCH:T  
RAY:UNI:ASS'Y



U001	U002	U003	U004	U005	U006	U007	<b>U008</b>	U009	U010	U011	U012	U013	U014	U015	U016	U017	U018	U019	U020	U021
------	------	------	------	------	------	------	-------------	------	------	------	------	------	------	------	------	------	------	------	------	------

U008\_S002  
BASE:RISE:ASS'Y



27.D1172533  
BASE:RISE:ASS'Y

- 22.D1172888 JOINT:BASE:RISE
- 15.AB017834 GEAR:RISING TRAY:2
- 11.AA063701 COMPRESSION SPRING:RISING TRAY

19.D1172655  
BASE:LIFT MOTOR  
:PAPER FEED:FRONT

16.AB017835  
GEAR:RISING TRAY:3

21.D1172660  
DC MOTOR:2.6W:BRUSH

7.04523008N  
(x2)  
TAPPING SCREW - M3X8

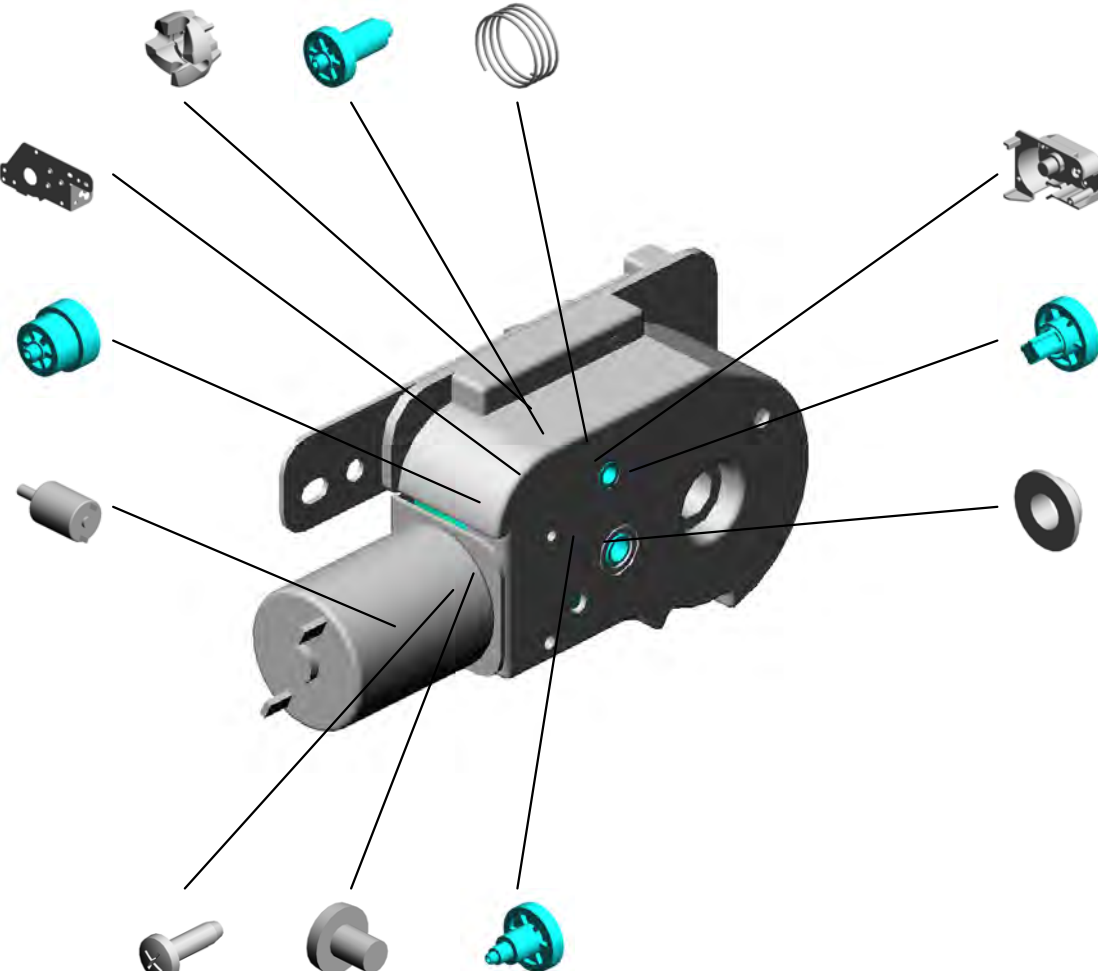
1.03530030N  
(x2)  
SCREW:M3X3

26.AB017899  
GEAR:RISING TRAY:1  
201309-01 X/O

20.D1172656  
CASE:RISING TRAY

13.AB011541  
GEAR:RISING TRAY:OUTPUT

12.AA080361  
PLAIN SHAFT BEARING:CASE:RISING TRAY



U001	U002	U003	U004	U005	U006	U007	U008	U009	U010	U011	U012	U013	U014	U015	U016	U017	U018	U019	U020	U021
------	------	------	------	------	------	------	------	------	------	------	------	------	------	------	------	------	------	------	------	------

# U009.By-pass Feed-1

U009\_S001  
D1172762  
MANUAL FEED TABLE:ASSY



U001	U002	U003	U004	U005	U006	U007	U008	U009	U010	U011	U012	U013	U014	U015	U016	U017	U018	U019	U020	U021
------	------	------	------	------	------	------	------	------	------	------	------	------	------	------	------	------	------	------	------	------

U009  
By-pass Feed-1

1.08050089 (x2)  
RETAINING RING - M4

3.D1172761 (x2)  
LINK:MANUAL FEE D TABLE

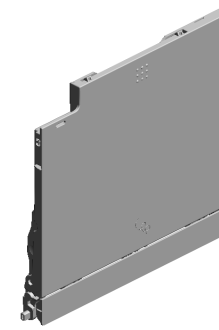


19.D1172787  
STOPPER:MANUAL FEE D TABLE

U001	U002	U003	U004	U005	U006	U007	U008	<b>U009</b>	U010	U011	U012	U013	U014	U015	U016	U017	U018	U019	U020	U021
------	------	------	------	------	------	------	------	-------------	------	------	------	------	------	------	------	------	------	------	------	------

U009\_S001  
MANUAL FEED TABLE:ASS'Y

10.D1172771 EXTENSION TRAY: MANUAL FEED  
 15.D1172779 PIN:PINION GEAR  
 2.D0392752 DISC:SIDE FENCE  
 20.D1172792 DECAL:SCALE:MANUAL FEED  
 9.D1172770 COVER:MANUAL FEED TABLE



4.D1172762  
MANUAL FEED TABLE:ASS'Y

14.D1172778 (x2)  
COMPRESSION SPRING:RACK:MANUAL FEED



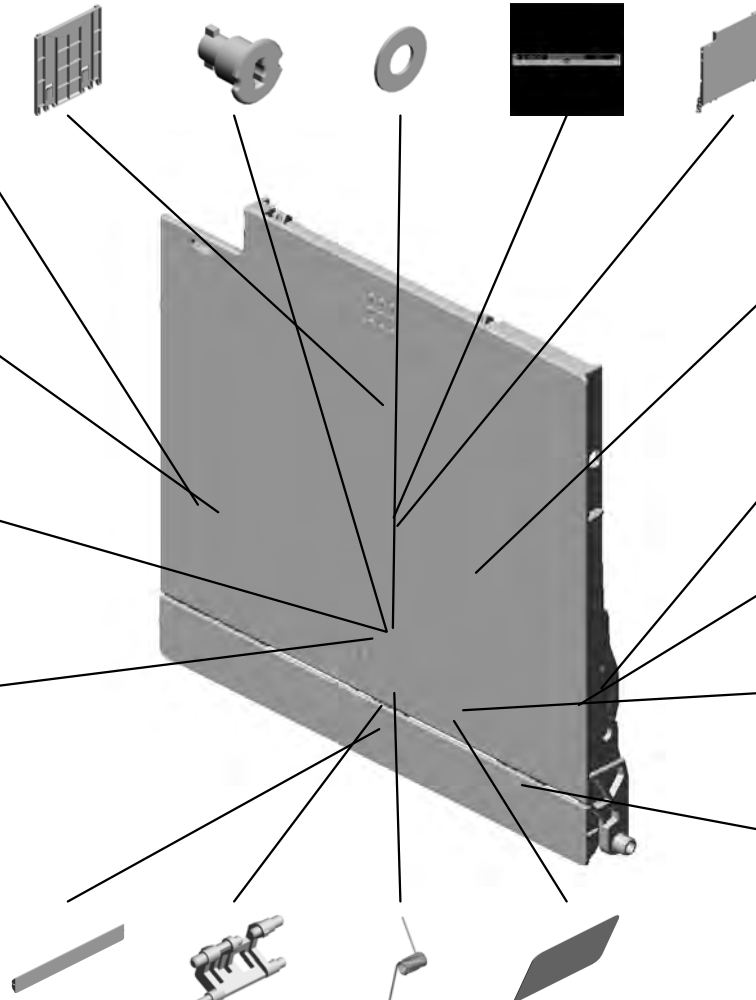
5.D1172766  
SIDE FENCE:MANUAL FEED:FRONT



7.D1172768  
GEAR:SIDE FENCE



16.D1172781  
COIL SPRING:PINION GEAR:MANUAL FEED



11.D1172772 (x2)  
COMPRESSION SPRING:EXTENSION TRAY:MANUAL FEED



21.M0262993  
DECAL:SIDE FENCE:MANUAL FEED



6.D1172767  
SIDE FENCE:MANUAL FEED:REAR



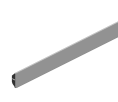
8.D1172769 (x2)  
RACK:MANUAL FEED



17.D1172784 (x2)  
LINK:COVER:FRONT REAR



12.D1172773  
COVER:MANUAL FEED TABLE:LOWER



18.D1172785  
LINK:COVER:MIDDLE



13.D1172776  
TORSION SPRING:COVER:MANUAL FEED TABLE

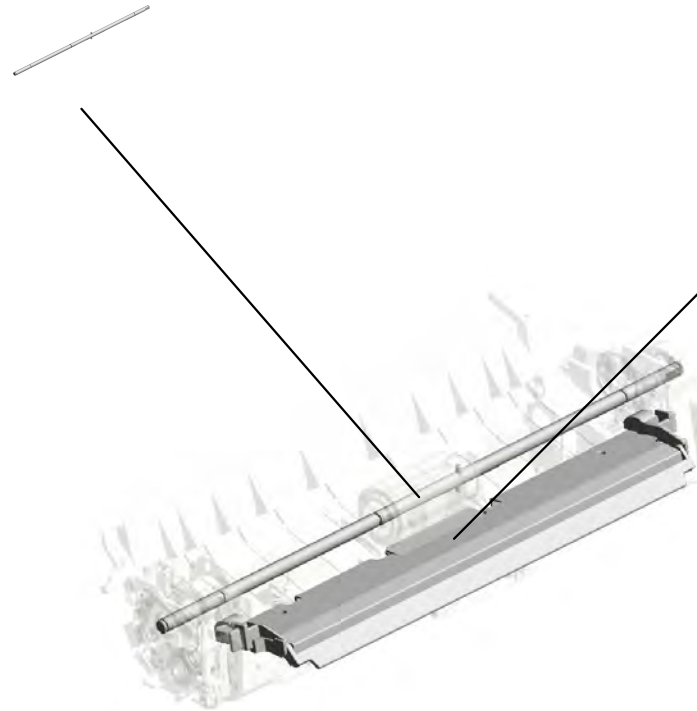


22.M0662743 (x2)  
FRICTION PAD:MANUAL FEED TABLE:18X7.5



# U010.By-pass Feed-2

U010\_S001  
D1172717  
SHAFT:PAPER FEED:MANUAL FEED

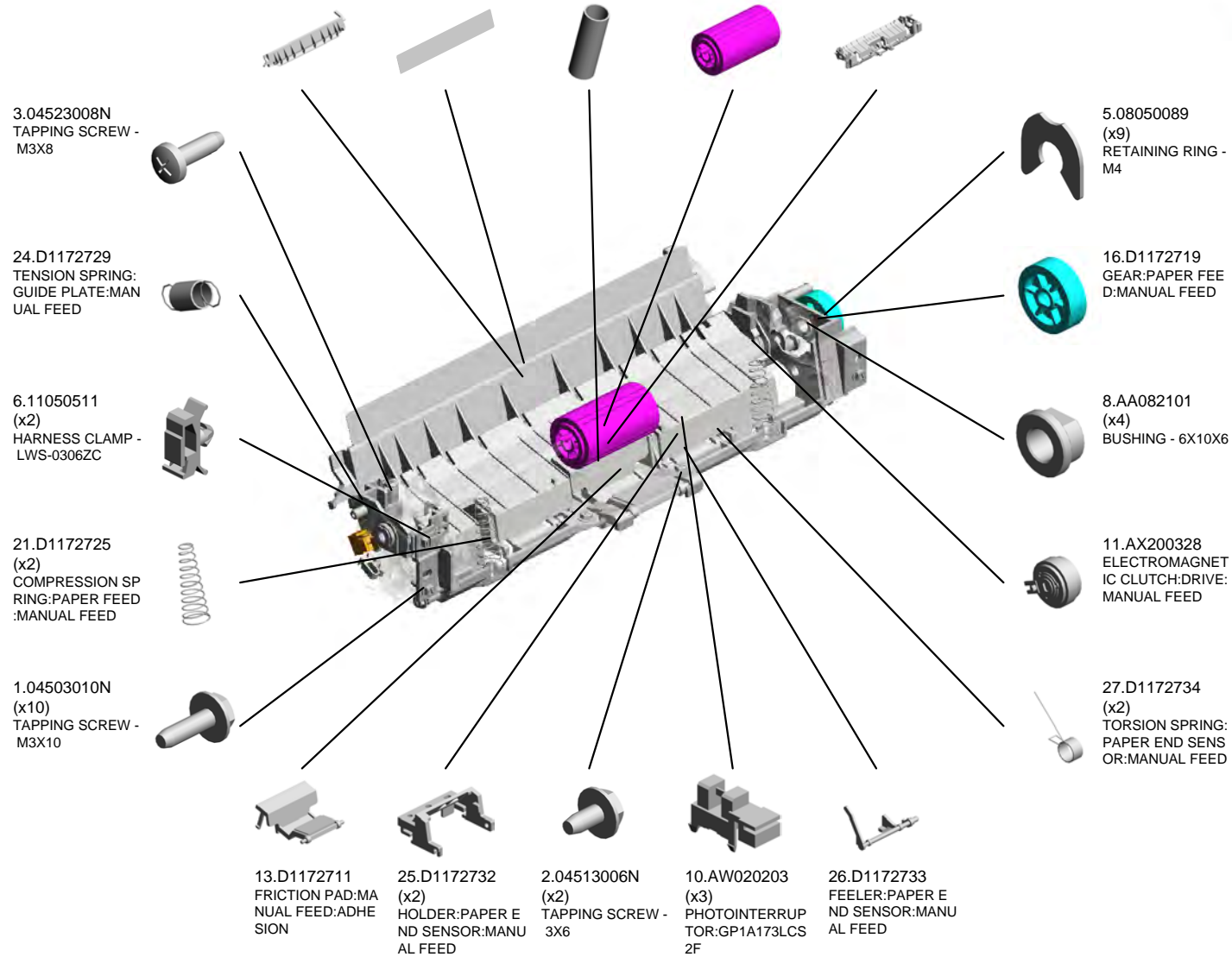


U010\_S002  
D1172720  
TRAY BOTTOM PLATE:MANUAL FEED:ASSY

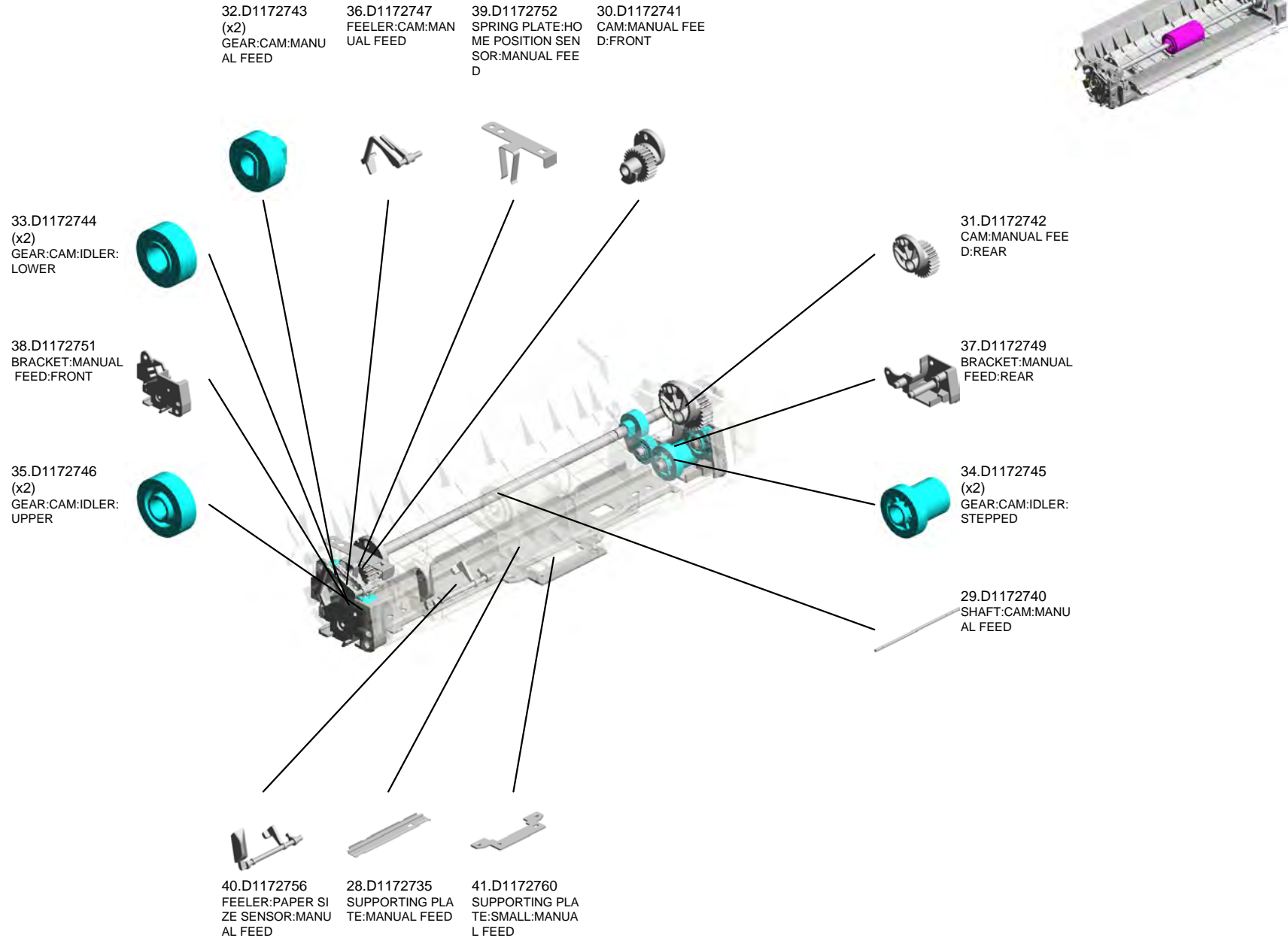
U001	U002	U003	U004	U005	U006	U007	U008	U009	U010	U011	U012	U013	U014	U015	U016	U017	U018	U019	U020	U021
------	------	------	------	------	------	------	------	------	------	------	------	------	------	------	------	------	------	------	------	------

# U010 By-pass Feed-2

22.D1172727 GUIDE PLATE:MANUAL FEED:MIDDLE  
 23.D1172728 SHEET:MANUAL FEED  
 14.D1172714 COMPRESSION SPRING:SEPARATION:MANUAL FEED  
**9.AF031092 PAPER FEED ROLLER:MANUAL FEED**  
 12.D1172710 GUIDE PLATE:MANUAL FEED:LOWER



# U010 By-pass Feed-2



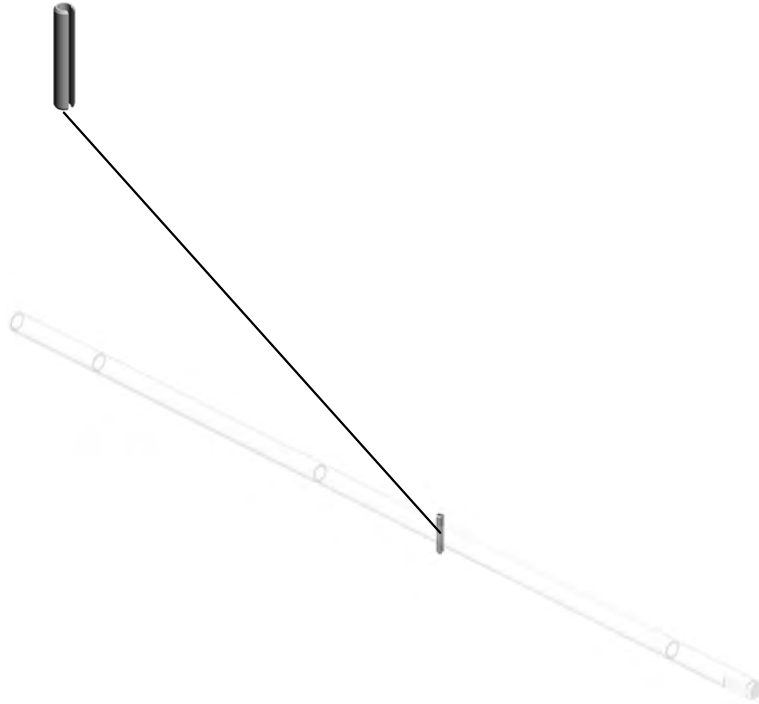
U001	U002	U003	U004	U005	U006	U007	U008	U009	U010	U011	U012	U013	U014	U015	U016	U017	U018	U019	U020	U021
------	------	------	------	------	------	------	------	------	------	------	------	------	------	------	------	------	------	------	------	------



U010\_S001  
SHAFT:PAPER FEED:MANUAL FEED

4.06220120E  
SPRING PIN - 2X12  
MM

15.D1172717  
SHAFT:PAPER FEE  
D:MANUAL FEED



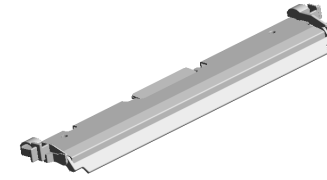
U001	U002	U003	U004	U005	U006	U007	U008	U009	U010	U011	U012	U013	U014	U015	U016	U017	U018	U019	U020	U021
------	------	------	------	------	------	------	------	------	------	------	------	------	------	------	------	------	------	------	------	------

U010\_S002

TRAY BOTTOM PLATE:MANUAL FEED:ASS'Y

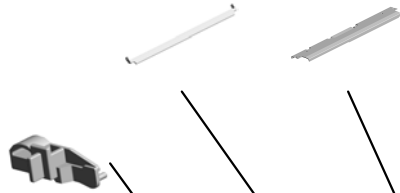
42.D1172782  
GUIDE PLATE:MAN  
UAL FEED TABLE

18.D1172721  
TRAY BOTTOM PL  
ATE:MANUAL FEE  
D



17.D1172720  
TRAY BOTTOM PL  
ATE:MANUAL FEE  
D:ASS'Y

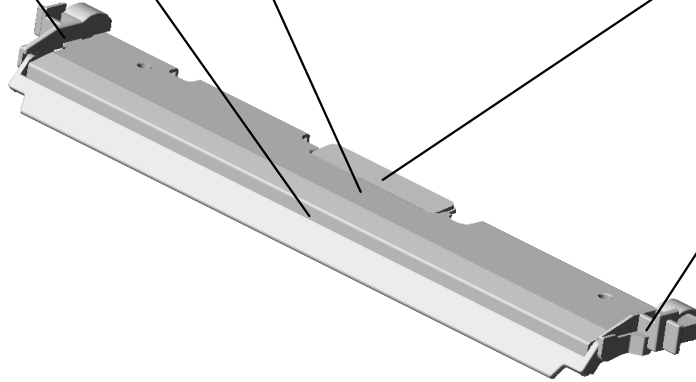
19.D1172723  
GUIDE:BASE:FRO  
NT



7.52152713  
BOTTOM PLATE P  
AD



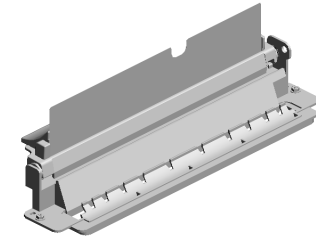
20.D1172724  
GUIDE:BASE:REAR



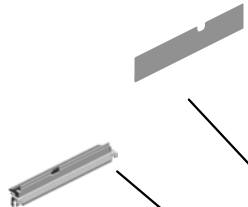
U001	U002	U003	U004	U005	U006	U007	U008	U009	U010	U011	U012	U013	U014	U015	U016	U017	U018	U019	U020	U021
------	------	------	------	------	------	------	------	------	------	------	------	------	------	------	------	------	------	------	------	------

# U011 Vertical Transport

4.D1172613  
GUIDE:VERTICAL  
TRANSPORT



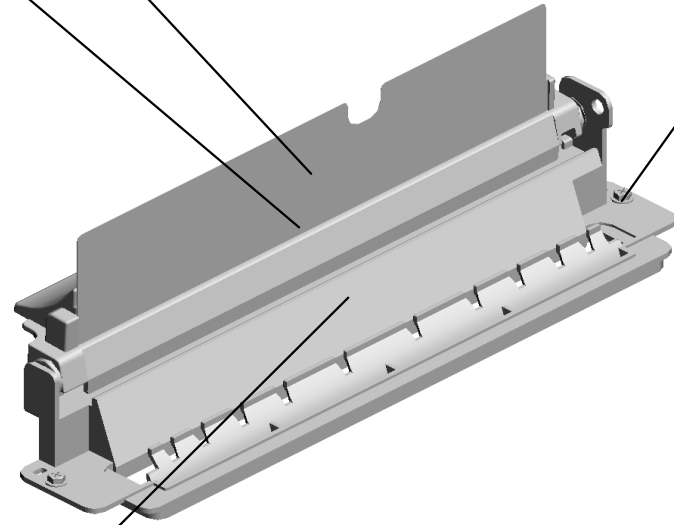
3.D1172612  
GUIDE PLATE:VER  
TICAL TRANSPOR  
T:UPPER



1.04543006Q  
(x2)  
TAPPING SCREW -  
M3X6



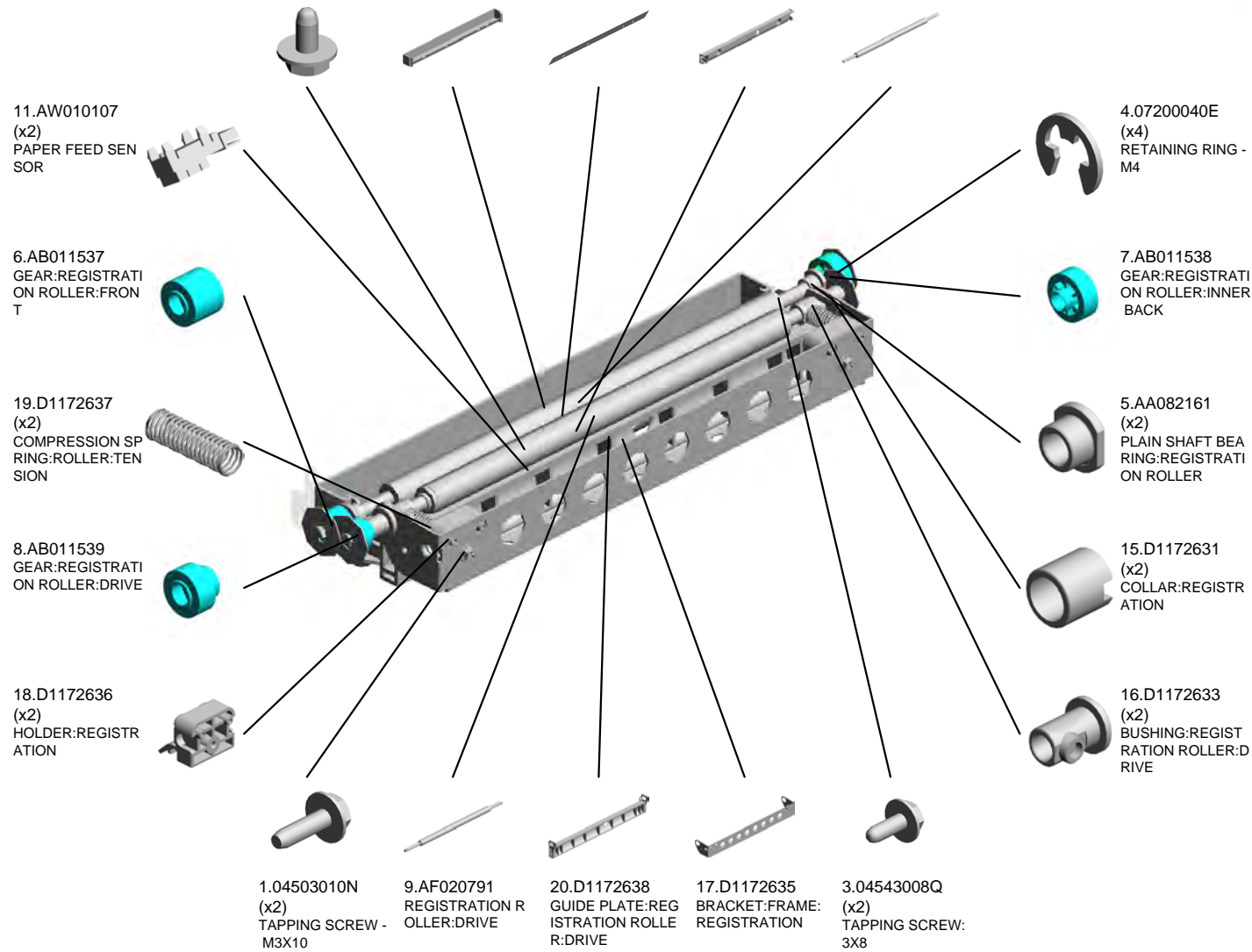
2.D1172611  
GUIDE PLATE:VER  
TICAL TRANSPOR  
T:LOWER



U001	U002	U003	U004	U005	U006	U007	U008	U009	U010	U011	U012	U013	U014	U015	U016	U017	U018	U019	U020	U021
------	------	------	------	------	------	------	------	------	------	------	------	------	------	------	------	------	------	------	------	------

# U012 Paper Registration

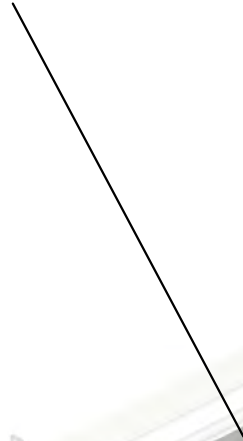
- 2.04543006Q (x6) TAPPING SCREW - M3X6
- 12.D1172617 CASE:REMOVE PAPER DUST
- 13.D1172618 GUIDE:REMOVE PAPER DUST
- 14.D1172619 GUIDE PLATE:REGISTRATION ROLLER:DRIVEN
- 10.AF021088 REGISTRATION ROLLER:DRIVEN



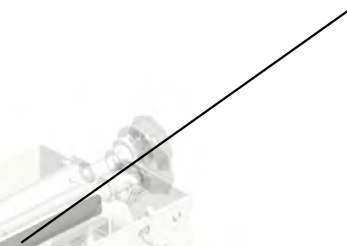
U001	U002	U003	U004	U005	U006	U007	U008	U009	U010	U011	U012	U013	U014	U015	U016	U017	U018	U019	U020	U021
------	------	------	------	------	------	------	------	------	------	------	------	------	------	------	------	------	------	------	------	------

# U012 Paper Registration

21.D1172639  
GUIDE:REGISTRAT  
ION:DRIVE:FRONT



22.D1172640  
GUIDE:REGISTRAT  
ION:DRIVE:INNER  
BACK



U001	U002	U003	U004	U005	U006	U007	U008	U009	U010	U011	U012	U013	U014	U015	U016	U017	U018	U019	U020	U021
------	------	------	------	------	------	------	------	------	------	------	------	------	------	------	------	------	------	------	------	------

# U013.Toner Supply

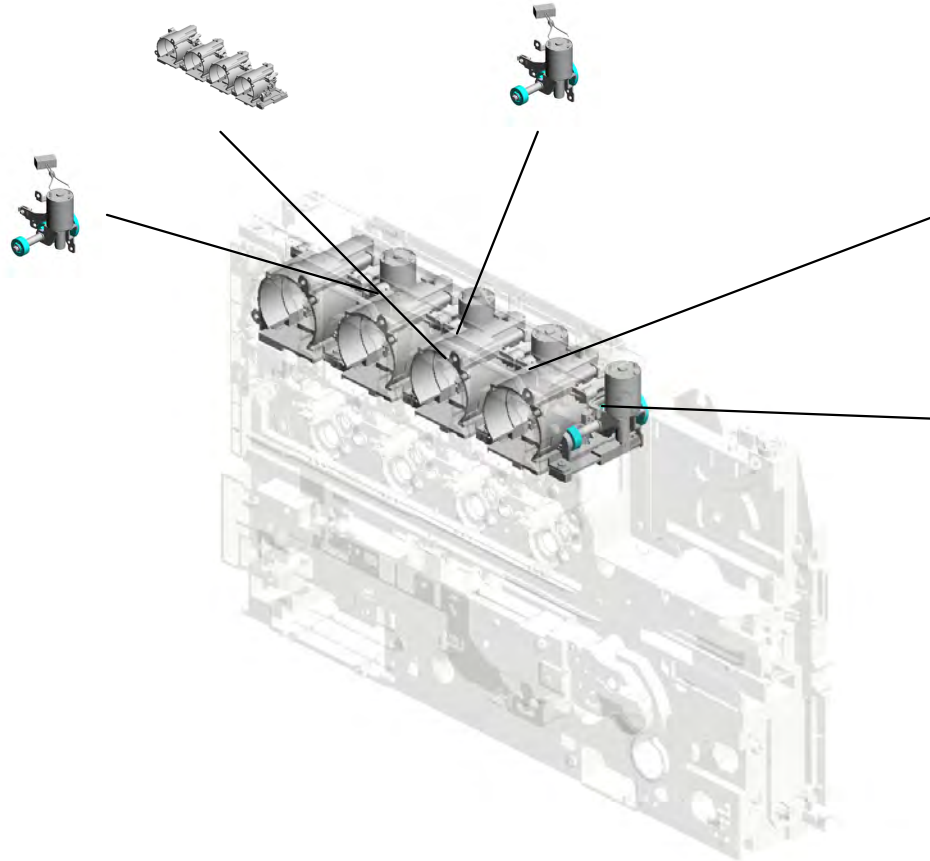
U013\_S001  
D1173301  
HOUSING:TONER SUPPLY:A  
SS'Y

U013\_S005  
D1173304  
DRIVE UNIT:TONER SUPPLY  
:ASS'Y

U013\_S002  
D1173304  
DRIVE UNIT:TONER SUPPLY  
:ASS'Y

U013\_S004  
D1173304  
DRIVE UNIT:TONER SUPPLY  
:ASS'Y

U013\_S003  
D1173304  
DRIVE UNIT:TONER SUPPLY  
:ASS'Y

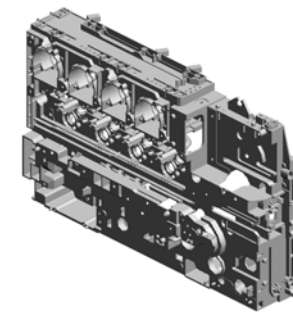


U001	U002	U003	U004	U005	U006	U007	U008	U009	U010	U011	U012	U013	U014	U015	U016	U017	U018	U019	U020	U021
------	------	------	------	------	------	------	------	------	------	------	------	------	------	------	------	------	------	------	------	------

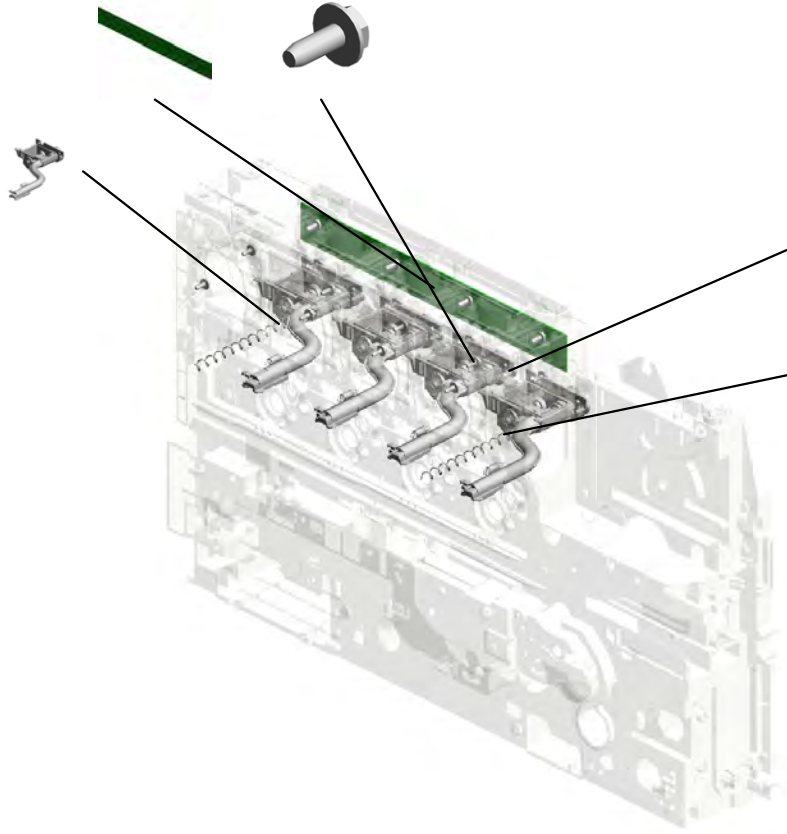
# U013 Toner Supply

18.D1175160  
PCB:BRB

3.04583008N  
(x12)  
HEXAGON HEAD T  
APPING SCREW:3  
X8



8.D1173302  
TONER HOPPER:T  
ONER SUPPLY:BK:  
ASS'Y



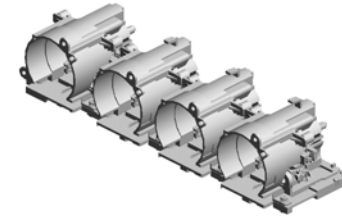
4.04583010N  
(x8)  
HEXAGON HEAD T  
APPING SCREW:3  
X10

9.D1173303  
(x3)  
TONER HOPPER:T  
ONER SUPPLY:CO  
L:ASS'Y

U001	U002	U003	U004	U005	U006	U007	U008	U009	U010	U011	U012	<b>U013</b>	U014	U015	U016	U017	U018	U019	U020	U021
------	------	------	------	------	------	------	------	------	------	------	------	-------------	------	------	------	------	------	------	------	------

U013\_S001  
HOUSING:TONER SUPPLY:ASS'Y

2.04503008N  
(x8)  
TAPPING SCREW -  
M3X8



7.D1173301  
HOUSING:TONER  
SUPPLY:ASS'Y



U001	U002	U003	U004	U005	U006	U007	U008	U009	U010	U011	U012	U013	U014	U015	U016	U017	U018	U019	U020	U021
------	------	------	------	------	------	------	------	------	------	------	------	------	------	------	------	------	------	------	------	------



U013\_S002  
 DRIVE UNIT:TONER SUPPLY:ASS'Y

11.D1173400 DC MOTOR: TONE  
 R SUPPLY:5.3W:BRUSH  
 12.D1173401 (x2)  
 COLLAR:DRIVE:BRACKET  
 15.D1173404 SHAFT:DRIVE:AGITATOR

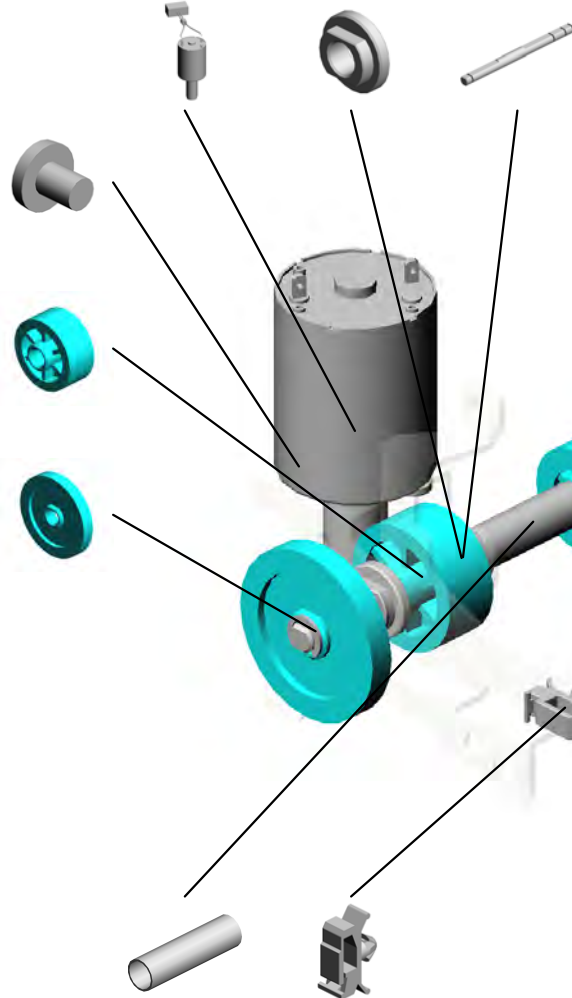


10.D1173304  
 DRIVE UNIT: TONE  
 R SUPPLY: ASS'Y

1.03530030N  
 (x2)  
 SCREW:M3X3

13.D1173402  
 GEAR:IDLER:DC MOTOR

17.D1173407  
 GEAR:IDLER:TONE  
 R HOPPER:30



5.07200030E  
 (x4)  
 RETAINING RING -  
 M3

14.D1173403  
 GEAR:IDLER:TONE  
 R BOTTLE

16.D1173405  
 COMPRESSION SP  
 RING:GEAR:TONE  
 R BOTTLE

6.11050511  
 HARNESS CLAMP -  
 LWS-0306ZC

U001	U002	U003	U004	U005	U006	U007	U008	U009	U010	U011	U012	U013	U014	U015	U016	U017	U018	U019	U020	U021
------	------	------	------	------	------	------	------	------	------	------	------	------	------	------	------	------	------	------	------	------

U013\_S003

DRIVE UNIT:TONER SUPPLY:ASS'Y

11.D1173400  
DC MOTOR: TONE  
R SUPPLY:5.3W:B  
RUSH

12.D1173401  
(x2)  
COLLAR:DRIVE:BR  
ACKET

15.D1173404  
SHAFT:DRIVE:AGI  
TATOR

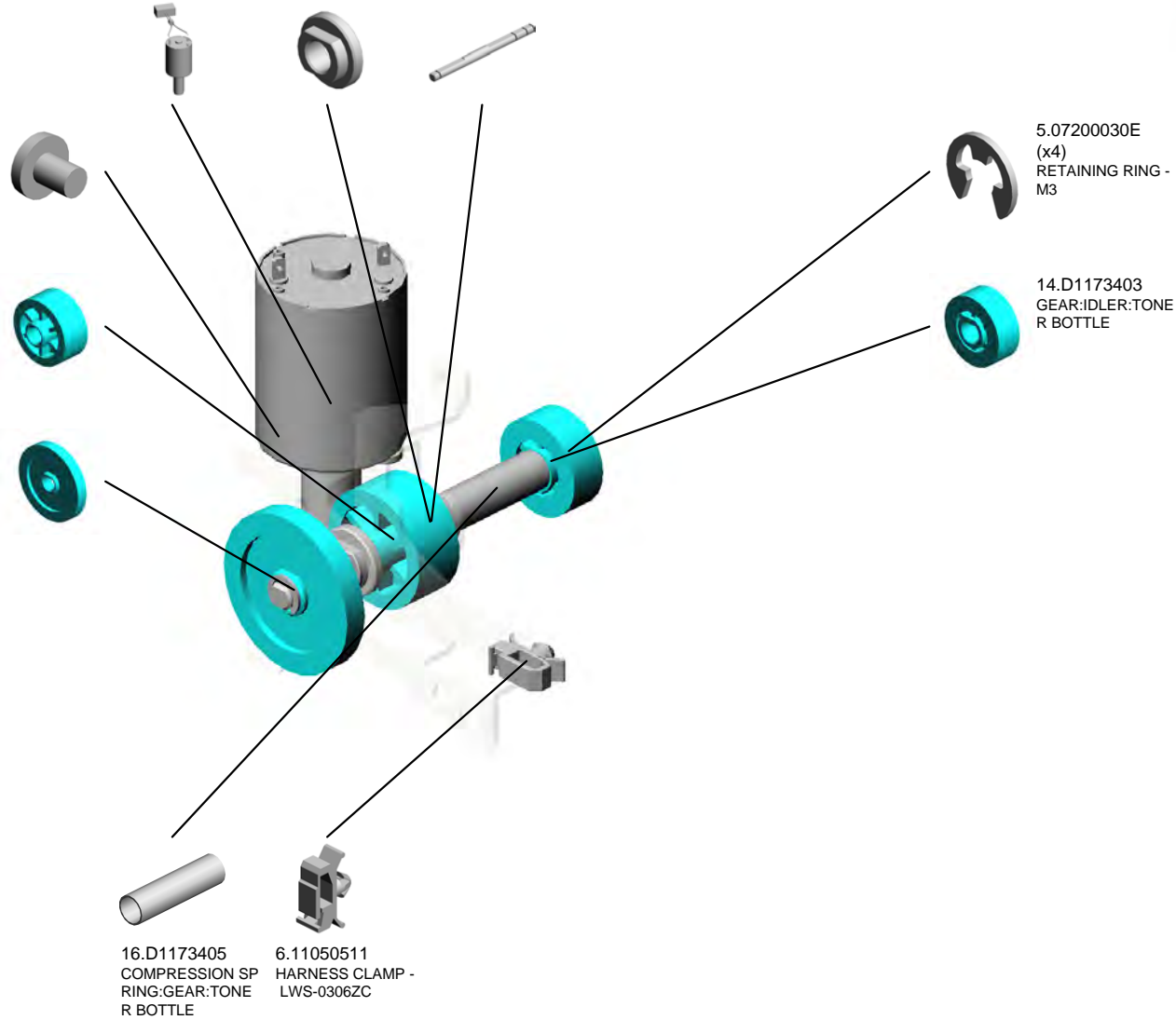


10.D1173304  
DRIVE UNIT: TONE  
R SUPPLY: ASS'Y

1.03530030N  
(x2)  
SCREW:M3X3

13.D1173402  
GEAR:IDLER:DC M  
OTOR

17.D1173407  
GEAR:IDLER:TONE  
R HOPPER:30



16.D1173405  
COMPRESSION SP  
RING:GEAR:TONE  
R BOTTLE

6.11050511  
HARNESS CLAMP -  
LWS-0306ZC

U001	U002	U003	U004	U005	U006	U007	U008	U009	U010	U011	U012	U013	U014	U015	U016	U017	U018	U019	U020	U021
------	------	------	------	------	------	------	------	------	------	------	------	------	------	------	------	------	------	------	------	------

U013\_S004  
 DRIVE UNIT:TONER SUPPLY:ASS'Y

11.D1173400 DC MOTOR: TONE  
 R SUPPLY:5.3W:BRUSH  
 12.D1173401 (x2)  
 COLLAR:DRIVE:BRACKET  
 15.D1173404 SHAFT:DRIVE:AGITATOR

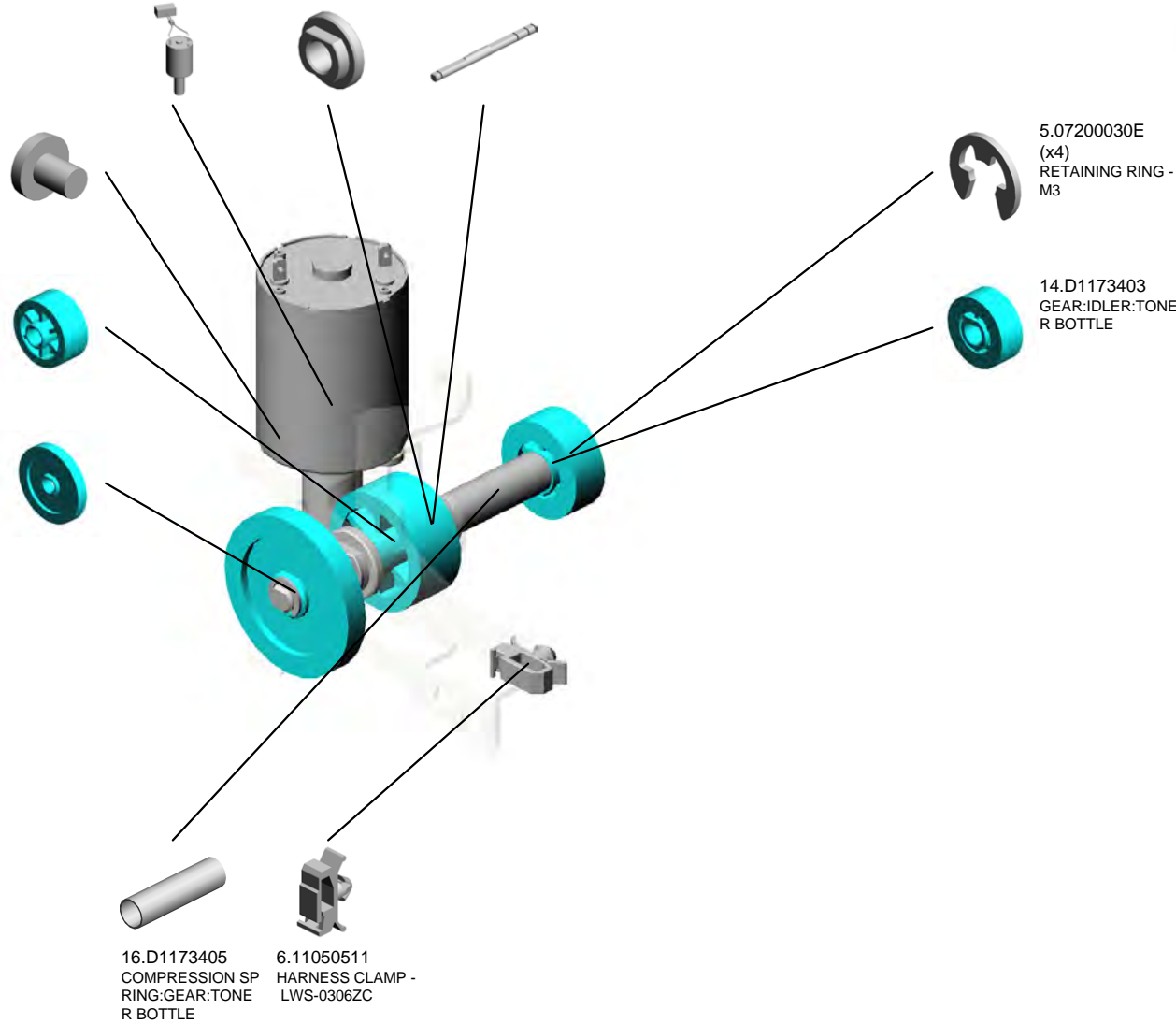


10.D1173304  
 DRIVE UNIT: TONE  
 R SUPPLY: ASS'Y

1.03530030N  
 (x2)  
 SCREW:M3X3

13.D1173402  
 GEAR:IDLER:DC MOTOR

17.D1173407  
 GEAR:IDLER:TONE  
 R HOPPER:30



5.07200030E  
 (x4)  
 RETAINING RING -  
 M3

14.D1173403  
 GEAR:IDLER:TONE  
 R BOTTLE

16.D1173405  
 COMPRESSION SP  
 RING:GEAR:TONE  
 R BOTTLE

6.11050511  
 HARNESS CLAMP -  
 LWS-0306ZC

U001	U002	U003	U004	U005	U006	U007	U008	U009	U010	U011	U012	U013	U014	U015	U016	U017	U018	U019	U020	U021
------	------	------	------	------	------	------	------	------	------	------	------	------	------	------	------	------	------	------	------	------

U013\_S005  
 DRIVE UNIT:TONER SUPPLY:ASS'Y

11.D1173400 DC MOTOR: TONE  
 R SUPPLY:5.3W:BRUSH  
 12.D1173401 (x2)  
 COLLAR:DRIVE:BRACKET  
 15.D1173404 SHAFT:DRIVE:AGITATOR

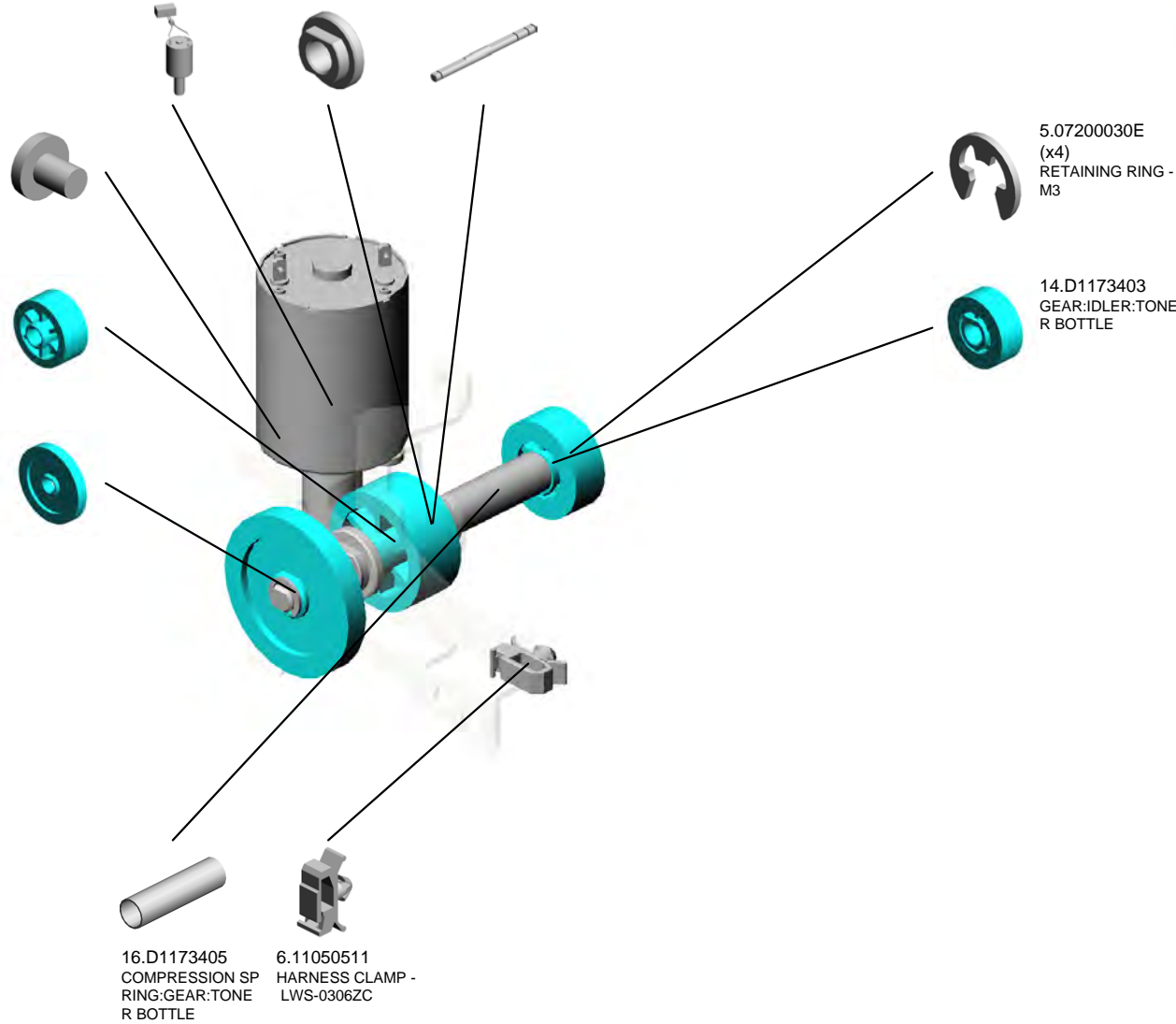


10.D1173304  
 DRIVE UNIT: TONE  
 R SUPPLY: ASS'Y

1.03530030N  
 (x2)  
 SCREW:M3X3

13.D1173402  
 GEAR:IDLER:DC MOTOR

17.D1173407  
 GEAR:IDLER:TONE  
 R HOPPER:30



5.07200030E  
 (x4)  
 RETAINING RING - M3

14.D1173403  
 GEAR:IDLER:TONE  
 R BOTTLE

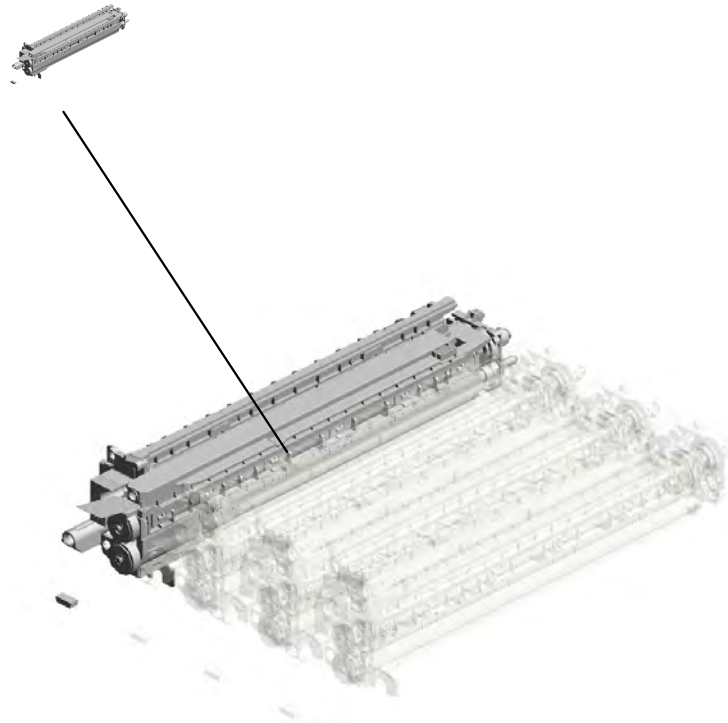
16.D1173405  
 COMPRESSION SPRING:GEAR:TONE  
 R BOTTLE

6.11050511  
 HARNESS CLAMP - LWS-0306ZC

U001	U002	U003	U004	U005	U006	U007	U008	U009	U010	U011	U012	U013	U014	U015	U016	U017	U018	U019	U020	U021
------	------	------	------	------	------	------	------	------	------	------	------	------	------	------	------	------	------	------	------	------

# U014.PCDU

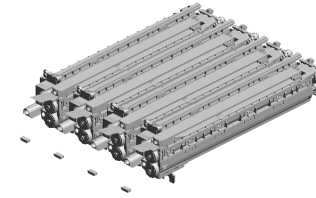
U014\_S001  
D1170121  
PCDU:BK:SERVICE PARTS



U001	U002	U003	U004	U005	U006	U007	U008	U009	U010	U011	U012	U013	U014	U015	U016	U017	U018	U019	U020	U021
------	------	------	------	------	------	------	------	------	------	------	------	------	------	------	------	------	------	------	------	------

# U014 PCDU

4.D1170122  
PCDU:C:SERVICE  
PARTS



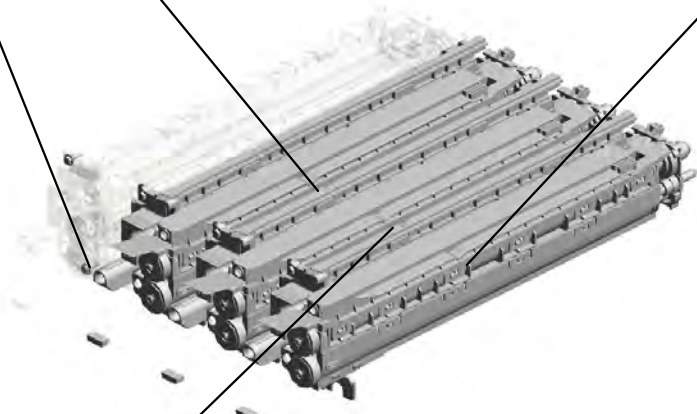
1.08046128  
(x8)  
HEXAGONAL BOLT  
:DOUBLE SCREW:  
M3X10



6.D1170124  
PCDU:Y:SERVICE  
PARTS



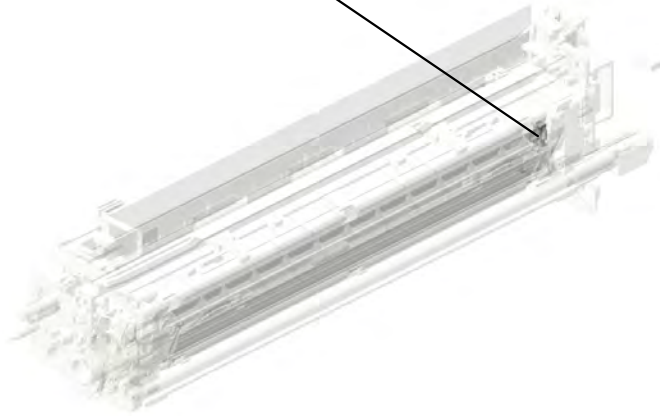
5.D1170123  
PCDU:M:SERVICE  
PARTS



U001	U002	U003	U004	U005	U006	U007	U008	U009	U010	U011	U012	U013	U014	U015	U016	U017	U018	U019	U020	U021
------	------	------	------	------	------	------	------	------	------	------	------	------	------	------	------	------	------	------	------	------

U014\_S001  
PCDU:BK:SERVICE PARTS

2.11050511  
HARNES CLAMP -  
LWS-0306ZC

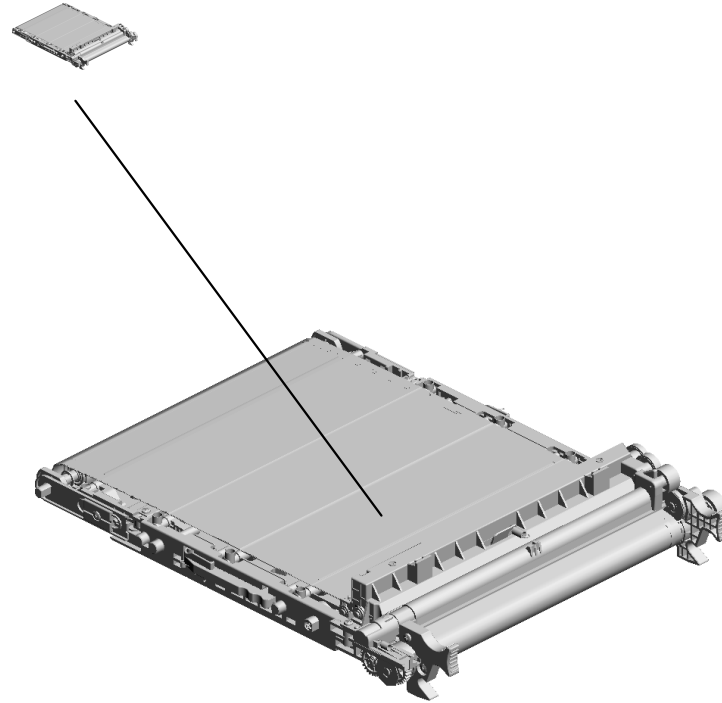


3.D1170121  
PCDU:BK:SERVICE  
PARTS

U001	U002	U003	U004	U005	U006	U007	U008	U009	U010	U011	U012	U013	U014	U015	U016	U017	U018	U019	U020	U021
------	------	------	------	------	------	------	------	------	------	------	------	------	------	------	------	------	------	------	------	------

# U015.ITB Unit-1

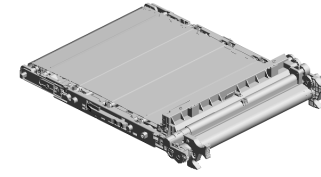
U015\_S001  
D1176002  
TRANSFER UNIT:INTERMEDI  
ATE TRANSFER:ASS'Y



U001	U002	U003	U004	U005	U006	U007	U008	U009	U010	U011	U012	U013	U014	U015	U016	U017	U018	U019	U020	U021
------	------	------	------	------	------	------	------	------	------	------	------	------	------	------	------	------	------	------	------	------



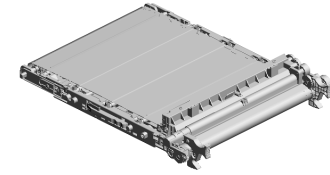
U015  
ITB Unit-1



U001	U002	U003	U004	U005	U006	U007	U008	U009	U010	U011	U012	U013	U014	U015	U016	U017	U018	U019	U020	U021
------	------	------	------	------	------	------	------	------	------	------	------	------	------	------	------	------	------	------	------	------

U015\_S001  
TRANSFER UNIT:INTERMEDIATE TRANSFER:ASS'Y

7.07200060E (x2) RETAINING RING - M6  
8.08050092 (x4) RETAINING RING - 3M



9.D1176002  
TRANSFER UNIT:IN  
TERMEDIATE TRA  
NSFER:ASS'Y

1.03530060N (x4) BIND SCREW - M3 X6



4.04593008N (x4) BINDING HEAD TAPPING SCREW:3X8



3.04523010N (x4) BINDING SELF-TAPPING SCREW:3X10



6.07200040E (x3) RETAINING RING - M4



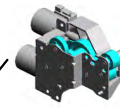
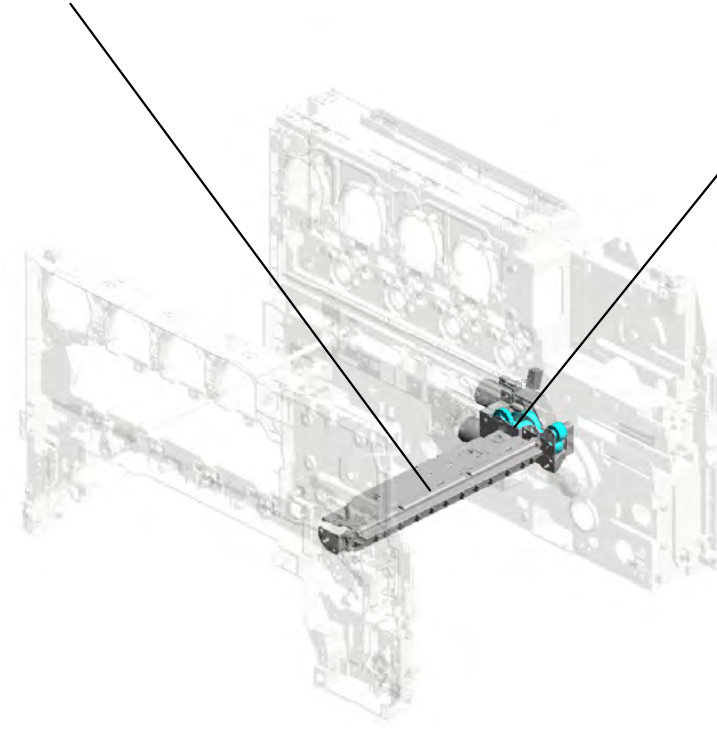
5.07200030E (x8) RETAINING RING - M3



2.04523008N (x10) TAPPING SCREW - M3X8

# U016.ITB Unit-2

U016\_S002  
D1176245  
DENSITY SENSOR:TM/P:ASS  
Y



U016\_S001  
D1176241  
DRIVE UNIT:ON-OFF:TRANS  
FER ROLLER:ASS'Y

U001	U002	U003	U004	U005	U006	U007	U008	U009	U010	U011	U012	U013	U014	U015	<b>U016</b>	U017	U018	U019	U020	U021
------	------	------	------	------	------	------	------	------	------	------	------	------	------	------	-------------	------	------	------	------	------

U016  
ITB Unit-2

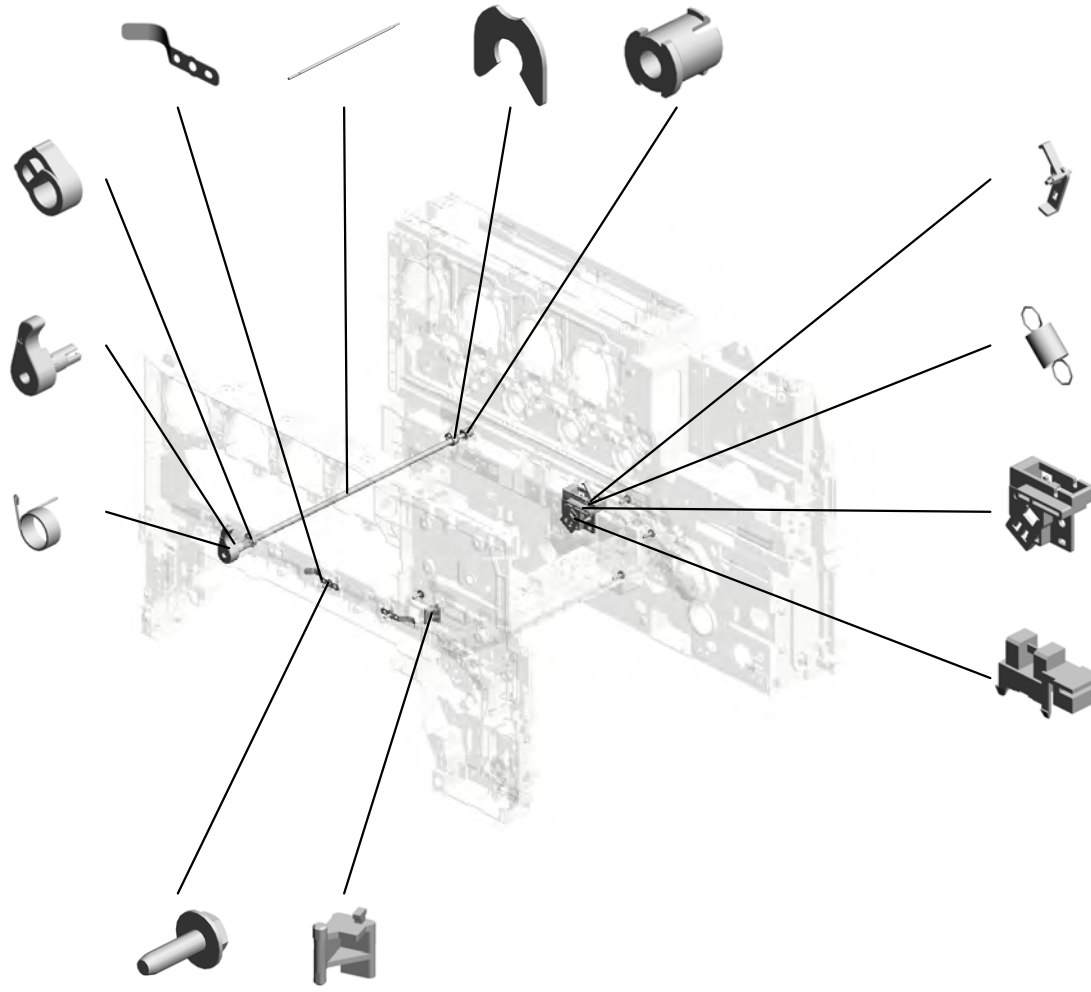


- 18.D1176138 (x2) PRESSURE PLATE :INTERMEDIATE TRANSFER
- 16.D1176136 SHAFT:CAM:ON-OFF:BK
- 7.08050089 (x2) RETAINING RING - M4
- 39.G1666057 PLAIN SHAFT BEARING:ROLLER:BLADE

- 15.D1176135 (x2) CAM:ON-OFF:BK

- 17.D1176137 LEVER:ON-OFF:BK :INTERMEDIATE TRANSFER

- 11.AA066695 TORSION SPRING: LEVER:ON-OFF



- 33.D1176376 FEELER:ON-OFF:FIRST

- 10.AA061084 TENSION SPRING: FEELER

- 32.D1176375 BRACKET:FEELER:ON-OFF

- 13.AW020203 PHOTOINTERRUPTOR:GP1A173LCS 2F

- 3.04503010N (x7) TAPPING SCREW - M3X10

- 19.D1176181 LEVER:SUPPORT:SHUTTER

U016\_S001

DRIVE UNIT:ON-OFF:TRANSFER ROLLER:ASS'Y

27.D1176366  
GEAR:ON-OFF:FIR  
ST:NO.3

6.07200030E  
RETAINING RING -  
M3

22.D1176350  
(x2)  
DC MOTOR:ON-OF  
F:FIRST:ASSY:5.3  
W:BRUSH

28.D1176367  
GEAR:ON-OFF:SE  
COND

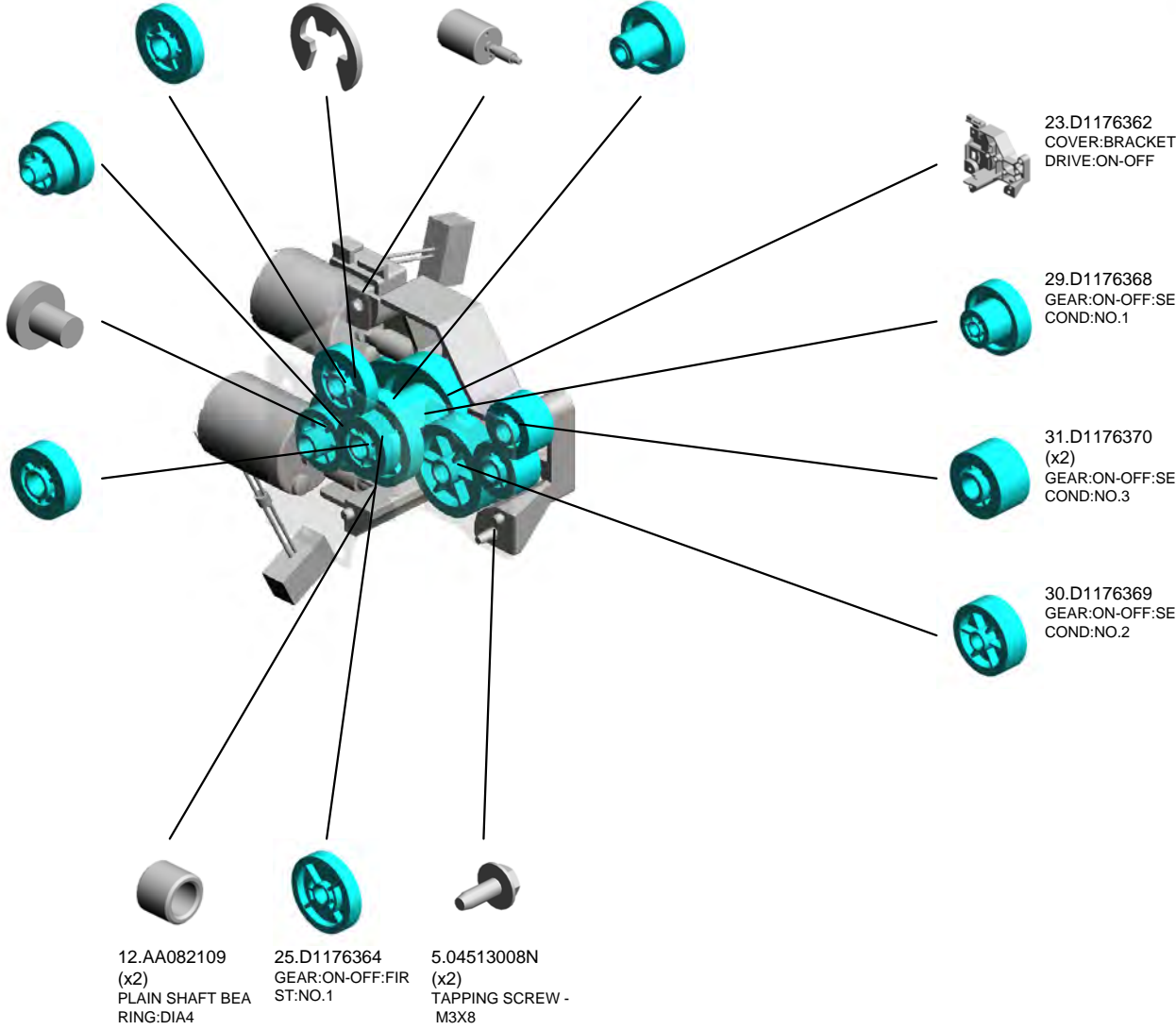


20.D1176241  
DRIVE UNIT:ON-OF  
F:TRANSFER ROLL  
ER:ASSY

24.D1176363  
GEAR:ON-OFF:FIR  
ST

2.03530030N  
(x4)  
SCREW:M3X3

26.D1176365  
GEAR:ON-OFF:FIR  
ST:NO.2



23.D1176362  
COVER:BRACKET:  
DRIVE:ON-OFF

29.D1176368  
GEAR:ON-OFF:SE  
COND:NO.1

31.D1176370  
(x2)  
GEAR:ON-OFF:SE  
COND:NO.3

30.D1176369  
GEAR:ON-OFF:SE  
COND:NO.2

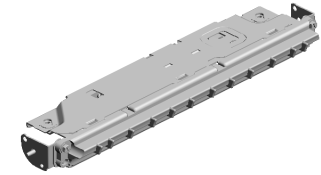
12.AA082109  
(x2)  
PLAIN SHAFT BEA  
RING:DIA4

25.D1176364  
GEAR:ON-OFF:FIR  
ST:NO.1

5.04513008N  
(x2)  
TAPPING SCREW -  
M3X8

U016\_S002  
 DENSITY SENSOR:TM/P:ASS'Y

9.AA060151 TENSION SPRING  
 34.D1176386 HOOK:SHUTTER:DENSITY SENSOR  
 1.03125040N (x2) SCREW - M2.5X4

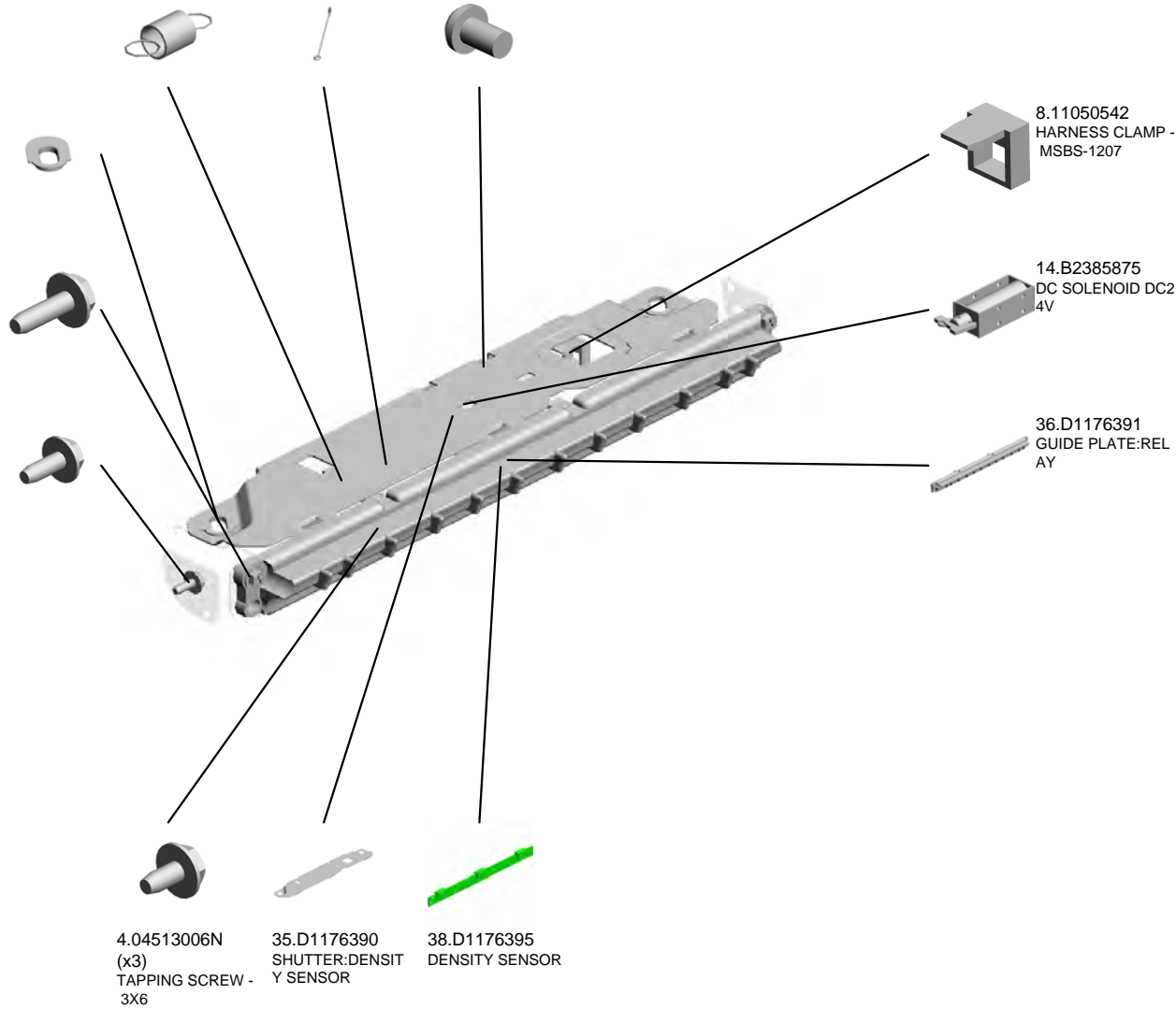


21.D1176245  
 DENSITY SENSOR:  
 TM/P:ASS'Y

37.D1176392  
 (x2)  
 SPACER:SHUTTER  
 :SENSOR:TM

3.04503010N  
 (x2)  
 TAPPING SCREW -  
 M3X10

5.04513008N  
 (x2)  
 TAPPING SCREW -  
 M3X8



8.11050542  
 HARNESS CLAMP -  
 MSBS-1207

14.B2385875  
 DC SOLENOID DC2  
 4V

36.D1176391  
 GUIDE PLATE:REL  
 AY

4.04513006N  
 (x3)  
 TAPPING SCREW -  
 3X6

35.D1176390  
 SHUTTER:DENSIT  
 Y SENSOR

38.D1176395  
 DENSITY SENSOR

# U017 Paper Transfer

16.D1176312 HOLDER:DISCHARGE:TRANSPORT SUB-UNIT  
 19.D1176317 STAY:CASING:TRANSFER ROLLER  
 9.AW010124 PHOTO REFLECTION SENSOR:GP2A200LCS0F  
 3.04523010N BINDING SELF-TAPPING SCREW:3X10  
 7.AA063483 (x2) COMPRESSION SPRING:TRANSPORT SUB-UNIT



11.D1176201 TRANSFER/SEPARATION UNIT:SECOND:ASSY



10.AW020203 PHOT INTERRUPTOR:GP1A173LCS2F



17.D1176315 CASING:TRANSFER ROLLER:FRONT



20.D1176318 PRESSURE PLATE:HOLDER:TRANSFER ROLLER:FRONT



14.D1176305 LEVER:PRESSURE:TRANSFER ROLLER:FRONT



12.D1176301 BASE:PRESSURE:TRANSFER ROLLER



4.07200025E RETAINING RING - M2.5



13.D1176304 SPACER:LEVER:PRESSURE



15.D1176306 LEVER:PRESSURE:TRANSFER ROLLER:REAR



6.AA061085 (x2) TENSION SPRING:PRESSURE:TRANSFER ROLLER



18.D1176316 CASING:TRANSFER ROLLER:REAR



8.AA066417 TORSION SPRING:TRANSFER UNIT



1.04503010N (x8) TAPPING SCREW - M3X10



2.04513006N TAPPING SCREW - 3X6



5.07200030E (x2) RETAINING RING - M3



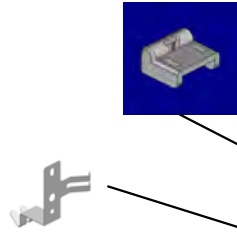
# U017 Paper Transfer

23.D1176322 (x2)  
COVER:PRESSUR  
E PLATE:ENTRAN  
CE

24.D1176327  
LEVER:GROUND P  
LATE



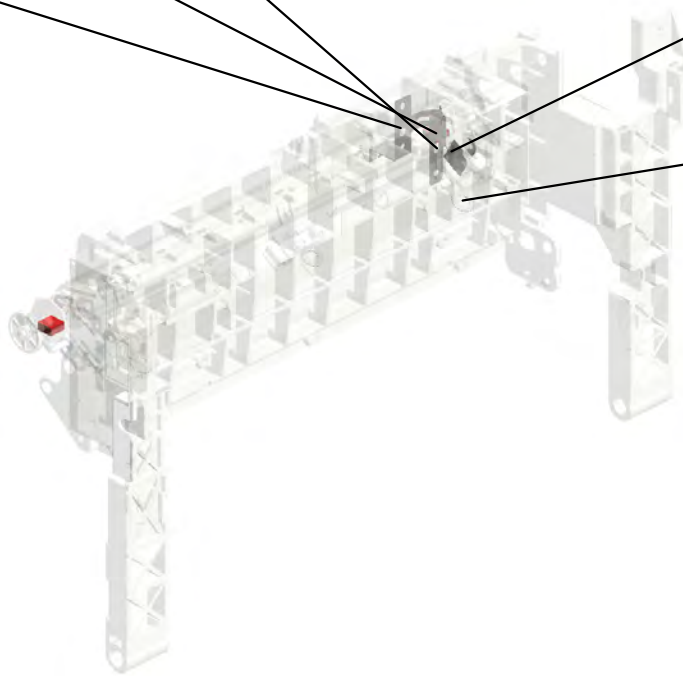
22.D1176320  
TERMINAL:BIAS:S  
EPARATION



21.D1176319  
PRESSURE PLATE  
:HOLDER:TRANSF  
ER ROLLER:REAR



25.H3103640  
(x3)  
SPACER





# U018 Used Toner

- 11.D1176401 COLLECTION BOTTLE:ASS'Y
- 13.D1176590 COVER:GEAR:USED TONER
- 9.AW020203 PHOTOINTERRUPTOR:GP1A173LCS 2F
- 8.AG071012 MAGNET CATCH:ASS'Y



12.D1176588  
BRACKET:COLLECTION BOTTLE:LEFT



10.AW500023  
PUSH SWITCH



2.07200040E  
RETAINING RING - M4



3.AB011552  
GEAR:IDLER:LEFT REAR



4.AB011553  
GEAR:IDLER:MIDDLE REAR



5.AB011554  
GEAR:IDLER:RIGHT REAR



1.04503010N  
(x3)  
TAPPING SCREW - M3X10



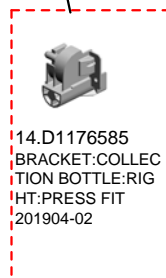
7.AB017827  
GEAR:IDLER:COLLECTION BOTTLE:RIGHT UPPER



6.AB011555  
GEAR:IDLER:RIGHT FRONT

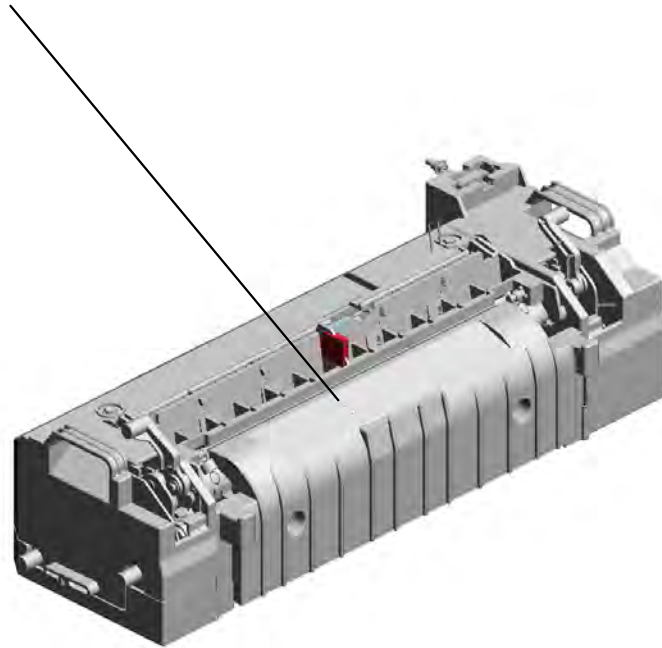


14.D1176585  
BRACKET:COLLECTION BOTTLE:RIGHT:PRESS FIT 201904-02



# U019.Fusing-1

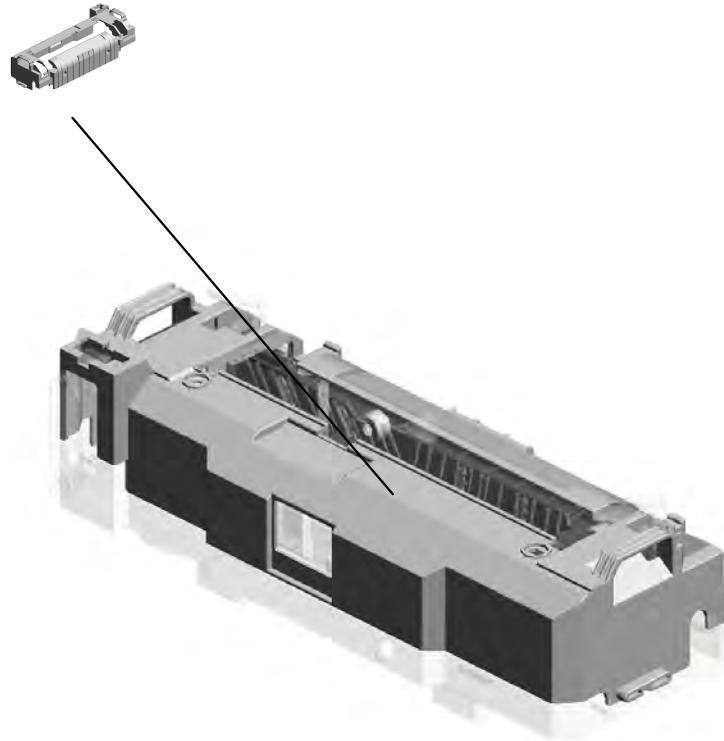
U019\_S001  
D1174022  
FUSING UNIT:EU:SERVICE:A  
SS'Y



U001	U002	U003	U004	U005	U006	U007	U008	U009	U010	U011	U012	U013	U014	U015	U016	U017	U018	U019	U020	U021
------	------	------	------	------	------	------	------	------	------	------	------	------	------	------	------	------	------	------	------	------

# U019\_S001.FUSING UNIT:EU:SERVICE:ASS'Y

U019\_S001\_S001  
D1174261  
FUSING COVER:UPPER:ASS'  
Y



U001	U002	U003	U004	U005	U006	U007	U008	U009	U010	U011	U012	U013	U014	U015	U016	U017	U018	U019	U020	U021
------	------	------	------	------	------	------	------	------	------	------	------	------	------	------	------	------	------	------	------	------

U019  
Fusing-1



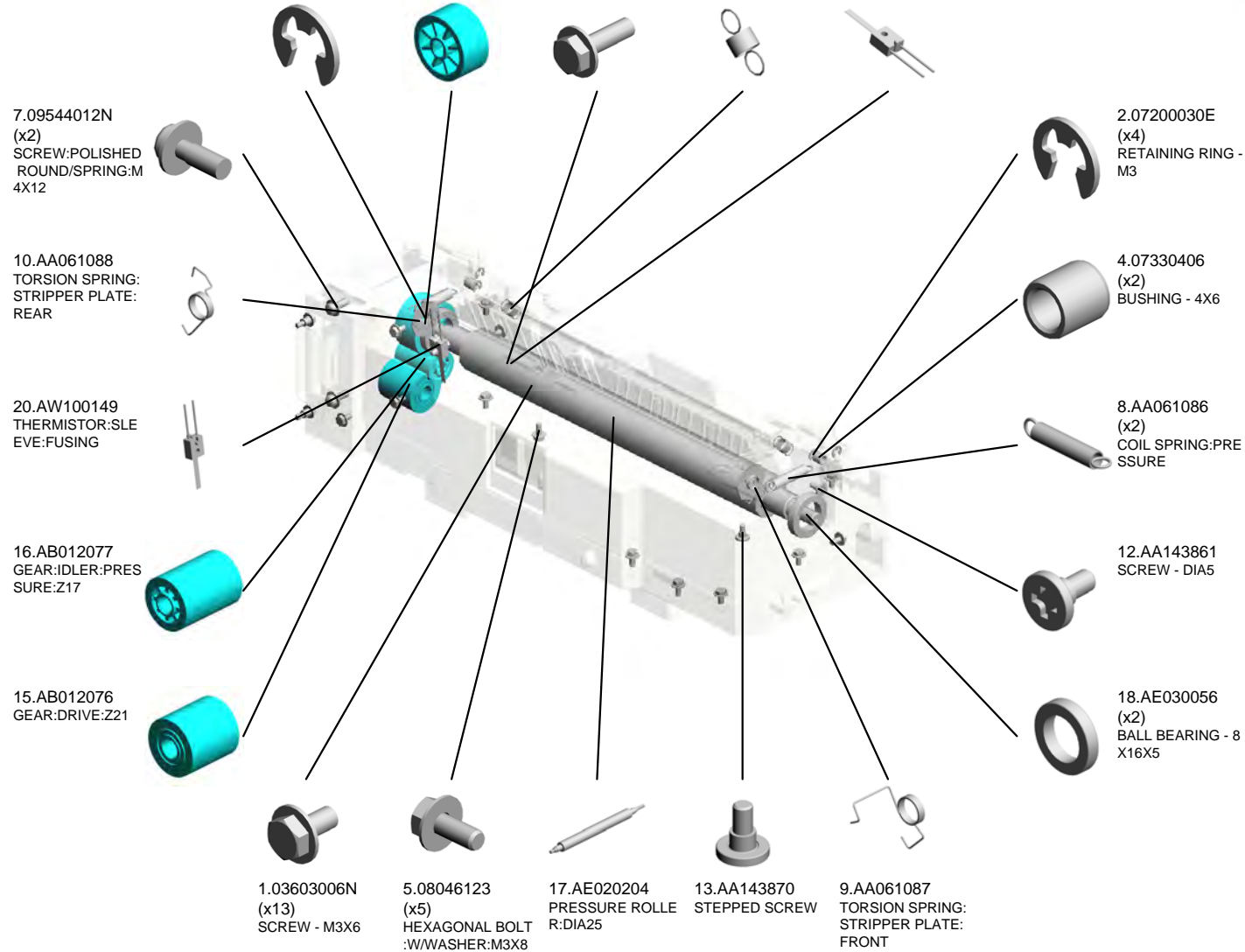
U001	U002	U003	U004	U005	U006	U007	U008	U009	U010	U011	U012	U013	U014	U015	U016	U017	U018	U019	U020	U021
------	------	------	------	------	------	------	------	------	------	------	------	------	------	------	------	------	------	------	------	------

U019\_S001  
FUSING UNIT:EU:SERVICE:ASS'Y



24.D1174022  
FUSING UNIT:EU:S  
ERVICE:ASS'Y

- 3.07200040E (x2) RETAINING RING - M4
- 14.AB012072 GEAR:PRESSURE ROLLER:Z29
- 6.08046128 (x3) HEXAGONAL BOLT :DOUBLE SCREW: M3X10
- 11.AA061089 (x2) COIL SPRING:GUI DE PLATE:FUSING EXIT
- 19.AW100147 (x2) THERMISTOR:PRE SSURE

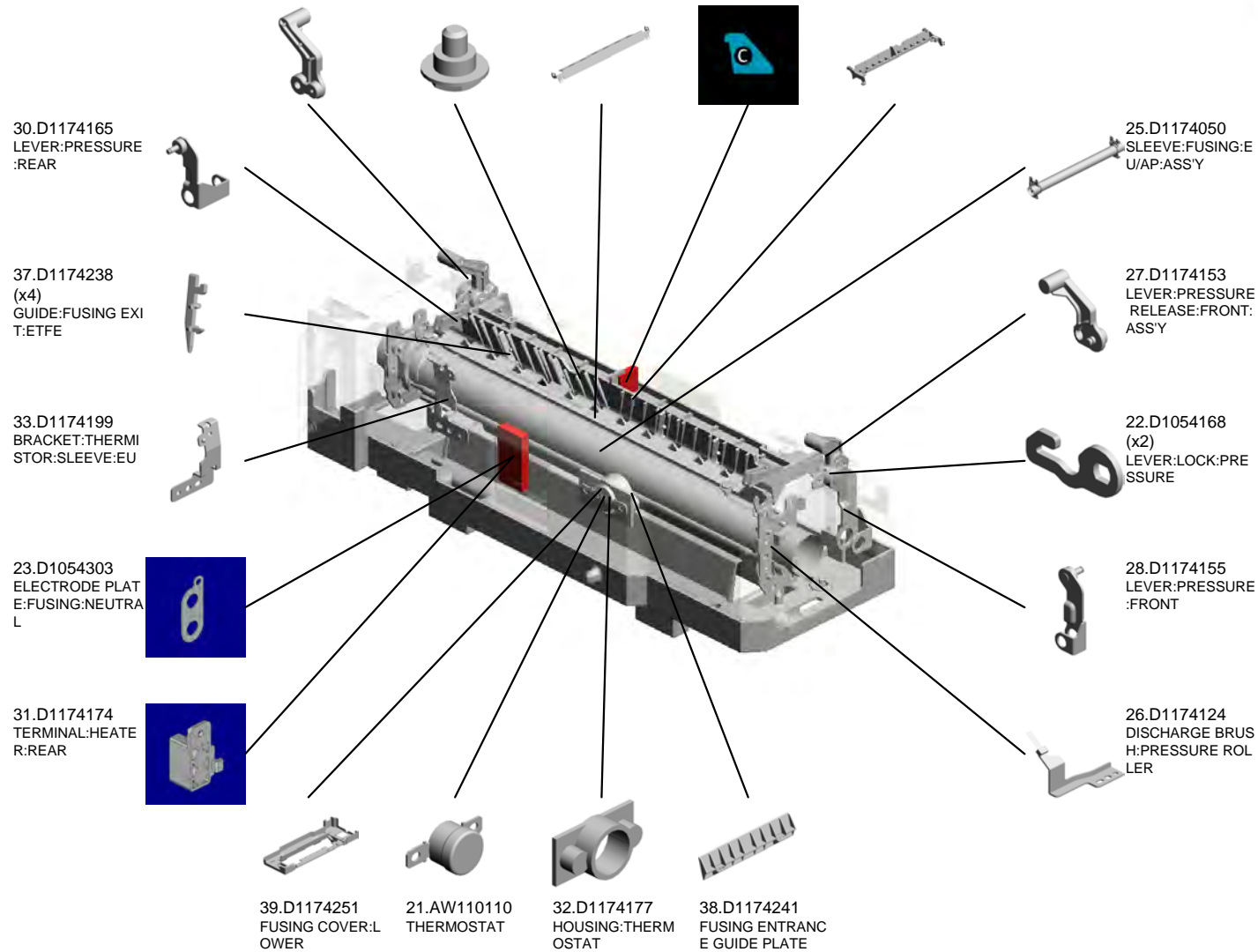


U019\_S001  
FUSING UNIT:EU:SERVICE:ASS'Y

- 29.D1174163 LEVER:PRESSURE RELEASE:REAR:ASSY
- 42.D1441085 (x8) STEPPED SCREW:M3
- 34.D1174231 STRIPPER PLATE:COAT
- 36.D1174236 SHEET:C:LEVER
- 35.D1174235 GUIDE PLATE:FUSING EXIT

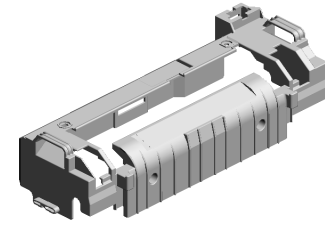
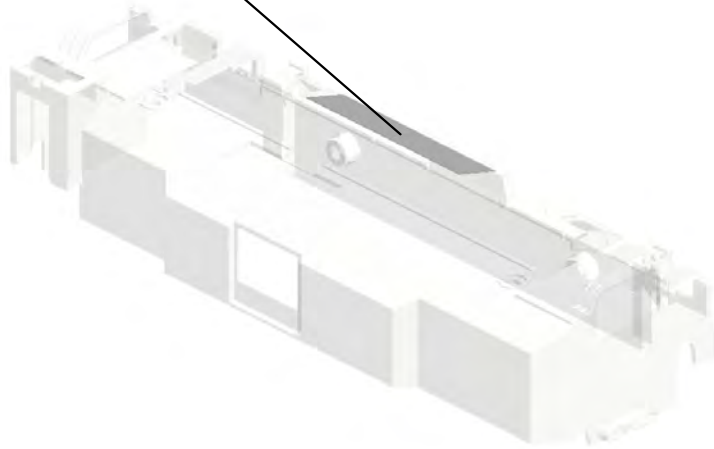


24.D1174022  
FUSING UNIT:EU:SERVICE:ASS'Y



U019\_S001\_S001  
FUSING COVER:UPPER:ASS'Y

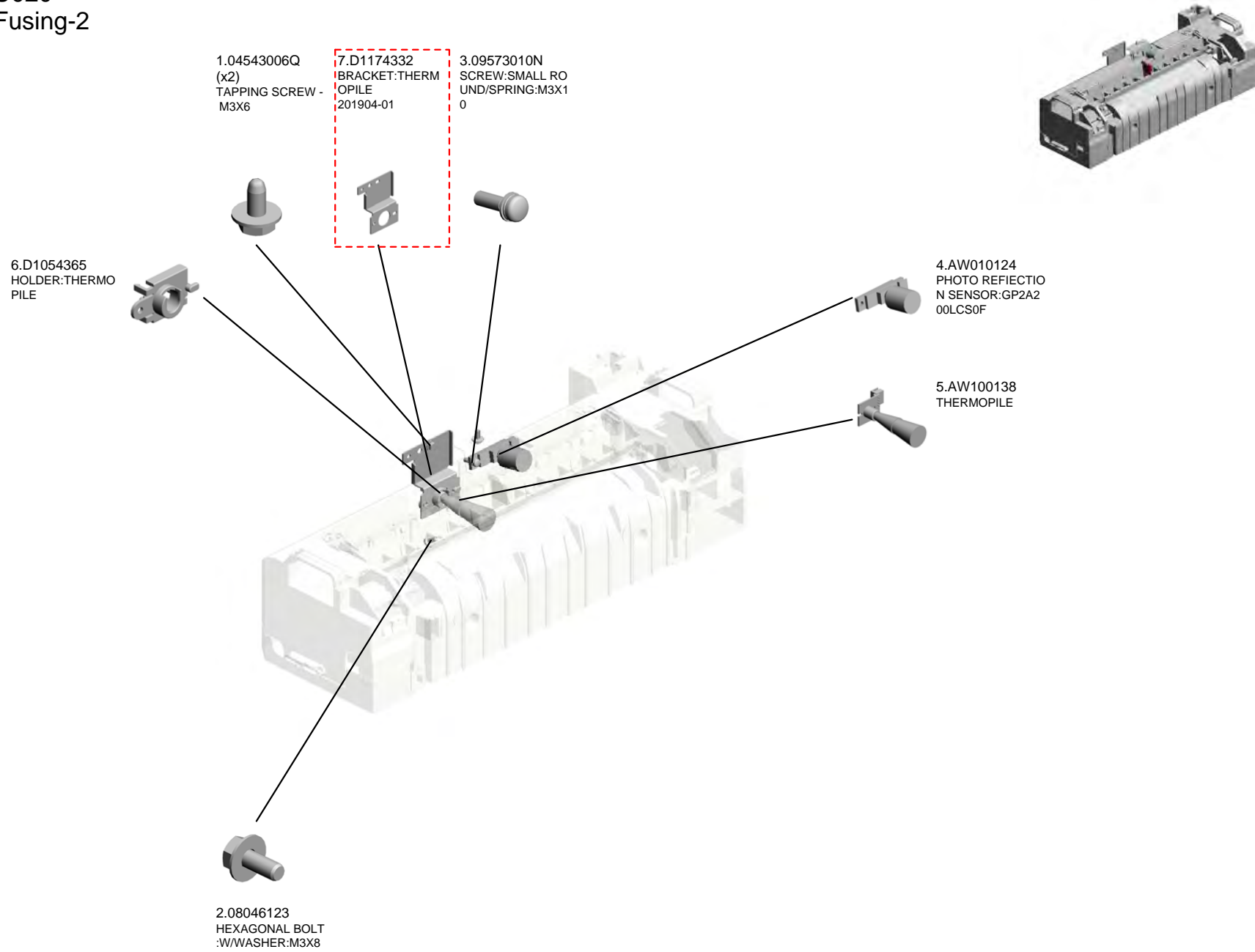
41.D1174263  
DECAL:H-TEMP W  
ARNING:FUSING



40.D1174261  
FUSING COVER:U  
PPER:ASS'Y

U001	U002	U003	U004	U005	U006	U007	U008	U009	U010	U011	U012	U013	U014	U015	U016	U017	U018	U019	U020	U021
------	------	------	------	------	------	------	------	------	------	------	------	------	------	------	------	------	------	------	------	------

# U020 Fusing-2



U001	U002	U003	U004	U005	U006	U007	U008	U009	U010	U011	U012	U013	U014	U015	U016	U017	U018	U019	<b>U020</b>	U021
------	------	------	------	------	------	------	------	------	------	------	------	------	------	------	------	------	------	------	-------------	------



# U021 Paper Exit-1



- 14.G1634459 STOPPER:EXIT:EXIT
- 7.D1174454 EXIT ROLLER
- 13.G1634453 GUIDE PLATE:REVERSE:UPPER
- 6.D1174452 GATE PAWL:REVERSE
- 20.G1634467 (x2) ROLLER:DRIVEN:DUPLIX

11.D1174489  
DISCHARGE BRUSH:EXIT

18.G1634465  
(x2)  
ROLLER:DRIVEN:DUPLIX:INNER

19.G1634466  
(x2)  
ROLLER:DRIVEN:EXIT

2.04583010N  
HEXAGON HEAD TAPPING SCREW:3X10

17.G1634463  
(x4)  
GUIDE:PLATE:EXIT

9.D1174457  
(x2)  
BRACKET:ROLLER:EXIT

12.D1174492  
(x6)  
ROLLER:EXIT

5.D1174451  
GUIDE PLATE:EXIT:LOWER

15.G1634460  
(x2)  
ROLLER:DRIVEN:EXIT

16.G1634461  
(x2)  
SPRING:PRESSURE:EXIT:OUTER

3.08050089  
(x2)  
RETAINING RING - M4

10.D1174465  
COLLAR:GEAR:EXIT

8.D1174455  
GEAR:EXIT

4.11050511  
(x3)  
HARNES CLAMP - LWS-0306ZC

1.04543008Q  
(x3)  
TAPPING SCREW:3X8

# U021 Paper Exit-1

22.G1634469  
(x4)  
SPRING:PRESSUR  
E:DUPLEX

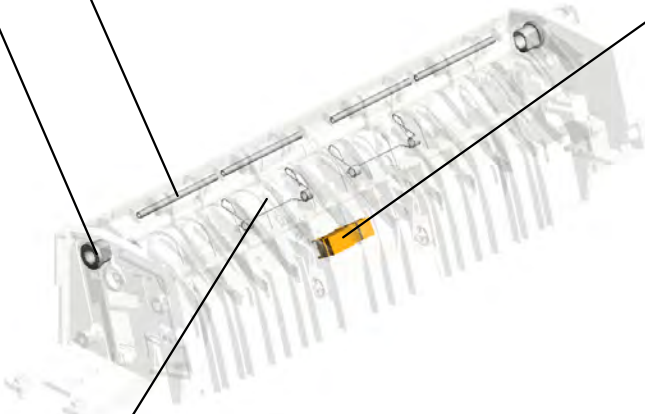


23.GA082014  
(x2)  
PLAIN SHAFT BEA  
RING:DIA6:DIA10:9



21.G1634468  
(x2)  
SPRING:PRESSUR  
E:EXIT:INNER

24.GW010007  
PHOTO REFLECTI  
ON SENSOR:EXIT



U001	U002	U003	U004	U005	U006	U007	U008	U009	U010	U011	U012	U013	U014	U015	U016	U017	U018	U019	U020	U021
------	------	------	------	------	------	------	------	------	------	------	------	------	------	------	------	------	------	------	------	------

# U022 Paper Exit-2

10.D1174475 LEVER:CHANGE:EXIT  
 3.04583010N (x6) HEXAGON HEAD TAPPING SCREW:3X10  
 8.D1174473 BRACKET:GEAR:EXIT  
 13.D1174478 LINK:CHANGE:EXIT  
 1.03530040N (x4) SCREW - M3X4



20.G1634478 GEAR:CHANGE:EXIT



12.D1174477 BRACKET:IDLER:EXIT



17.D1174483 LEVER:GATE PAWL:EXIT



18.D1174484 LINK:GATE PAWL:EXIT



19.D1174485 BRACKET:DC SOLENOID:GATE PAWL



6.AA080346 (x2) BUSHING:FLANGE TYPE:DIA6



9.D1174474 GEAR:IDLER:LARGE:EXIT



14.D1174479 BRACKET:DC SOLENOID:CHANGE



11.D1174476 TENSION SPRING:CHANGE:EXIT



16.D1174481 SHAFT:COUPLING:EXIT



2.03603006N (x4) SCREW - M3X6



15.D1174480 HOLDER:LINK:EXIT



5.54472681 SNAP RING



7.AB030854 TIMING PULLEY:EXIT ROLLER



4.52152621 SNAP RING - M6



U022  
Paper Exit-2

22.G1634484  
SPRING:CHANGE:  
EXIT



24.G1634499  
HOLDER:LINK:EXIT



21.G1634479  
(x9)  
GEAR:IDLER:EXIT



23.G1634492  
(x2)  
DC SOLENOID:PR  
ESS FIT



U001	U002	U003	U004	U005	U006	U007	U008	U009	U010	U011	U012	U013	U014	U015	U016	U017	U018	U019	U020	U021
------	------	------	------	------	------	------	------	------	------	------	------	------	------	------	------	------	------	------	------	------

# U023 Duplex-1

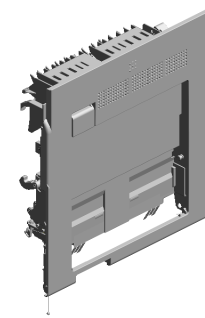
5.04513006N  
(x6)  
TAPPING SCREW -  
3X6

1.03603006N  
(x4)  
SCREW - M3X6

11.AW020203  
PHOTOINTERRUPT  
TOR:GP1A173LCS  
2F

17.D1174609  
LEVER:FUSING:RE  
LEASE:INNER BAC  
K

7.07200040E  
(x8)  
RETAINING RING -  
M4



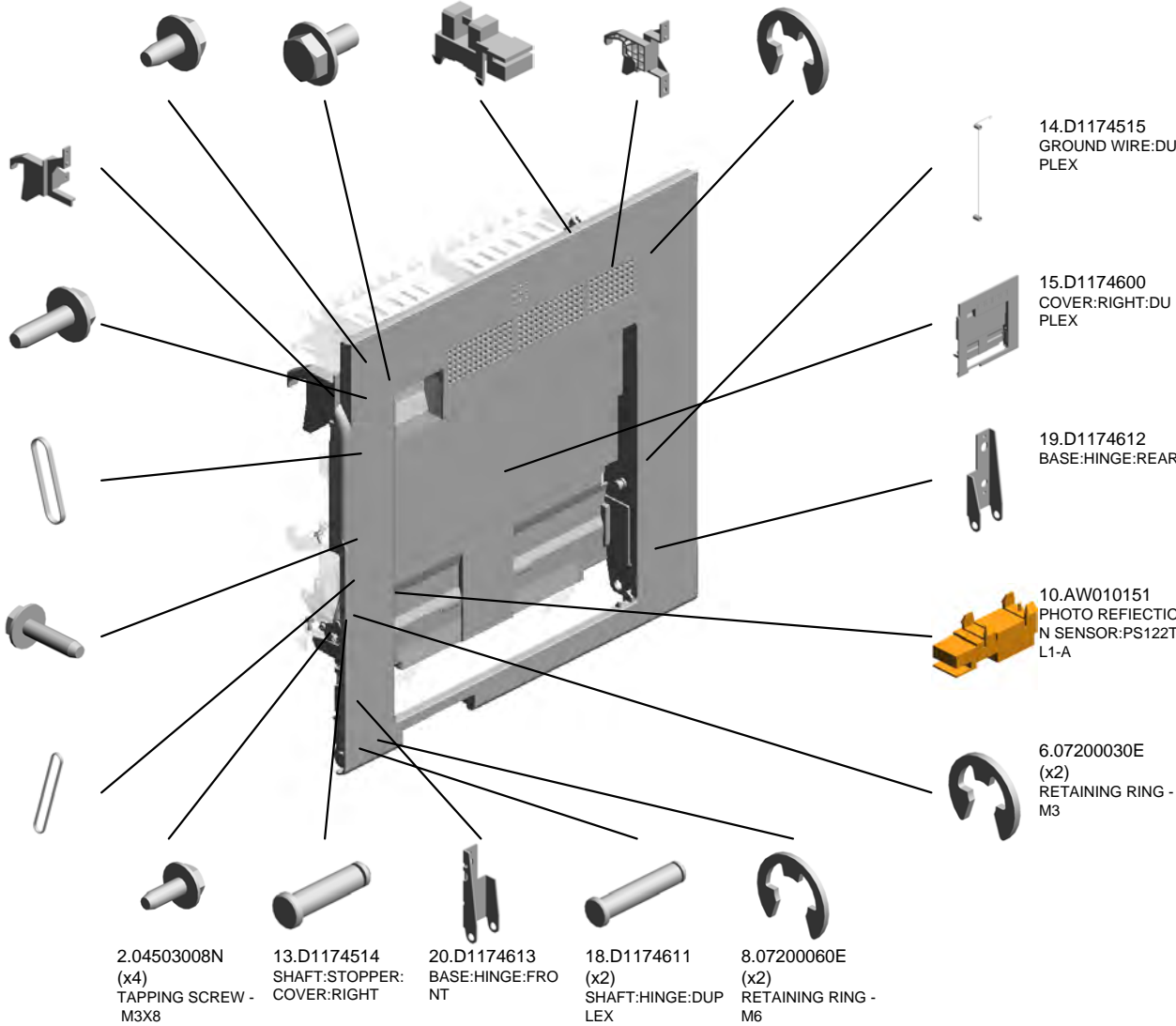
16.D1174608  
LEVER:FUSING:RE  
LEASE:FRONT

3.04503010N  
(x28)  
TAPPING SCREW -  
M3X10

12.B7002649  
TIMING BELT:40S2  
M144

4.04503012N  
(x2)  
TAPPING SCREW:  
3X12

9.AA043325  
TIMING BELT - B40  
S2M250



2.04503008N  
(x4)  
TAPPING SCREW -  
M3X8

13.D1174514  
SHAFT:STOPPER:  
COVER:RIGHT

20.D1174613  
BASE:HINGE:FRO  
NT

18.D1174611  
(x2)  
SHAFT:HINGE:DUP  
LEX

8.07200060E  
(x2)  
RETAINING RING -  
M6

14.D1174515  
GROUND WIRE:DU  
PLEX

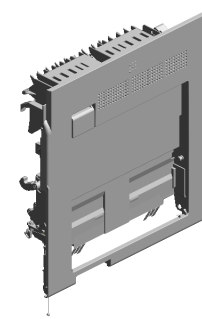
15.D1174600  
COVER:RIGHT:DU  
PLEX

19.D1174612  
BASE:HINGE:REAR

10.AW010151  
PHOTO REFLECTIO  
N SENSOR:PS122T  
L1-A

6.07200030E  
(x2)  
RETAINING RING -  
M3

# U023 Duplex-1



- 23.D1174616 TENSION SPRING: STOPPER:DOOR:RIGHT:FRONT
- 40.D1174686 KNOB:COVER:RIGHT:DUPL
- 36.D1174677 (x5) ROLLER:DRIVEN:DUPL
- 35.D1174676 (x2) SHAFT:ROLLER:DRIVEN:DUPL
- 39.D1174682 SHAFT:HOOK:STOPPER

37.D1174678 (x2) PULLEY:IDLER

27.D1174635 TORSION SPRING: HOOK:FRAME:DUPL

26.D1174634 HOOK:FRAME:DUPL

33.D1174664 SHAFT:PULLEY:COUPLING:FRAME:ASSY

29.D1174641 BRACKET:PLATE:TRANSFER:ASSY

38.D1174679 (x2) PULLEY:DRIVE ROLLER

24.D1174617 COLLAR:STOPPER:COVER:RIGHT

21.D1174614 COVER:HARNESS:DUPL

25.D1174633 SHAFT:HOOK:FRAME:DUPL

34.D1174671 (x2) TRANSPORT ROLLER:DUPL

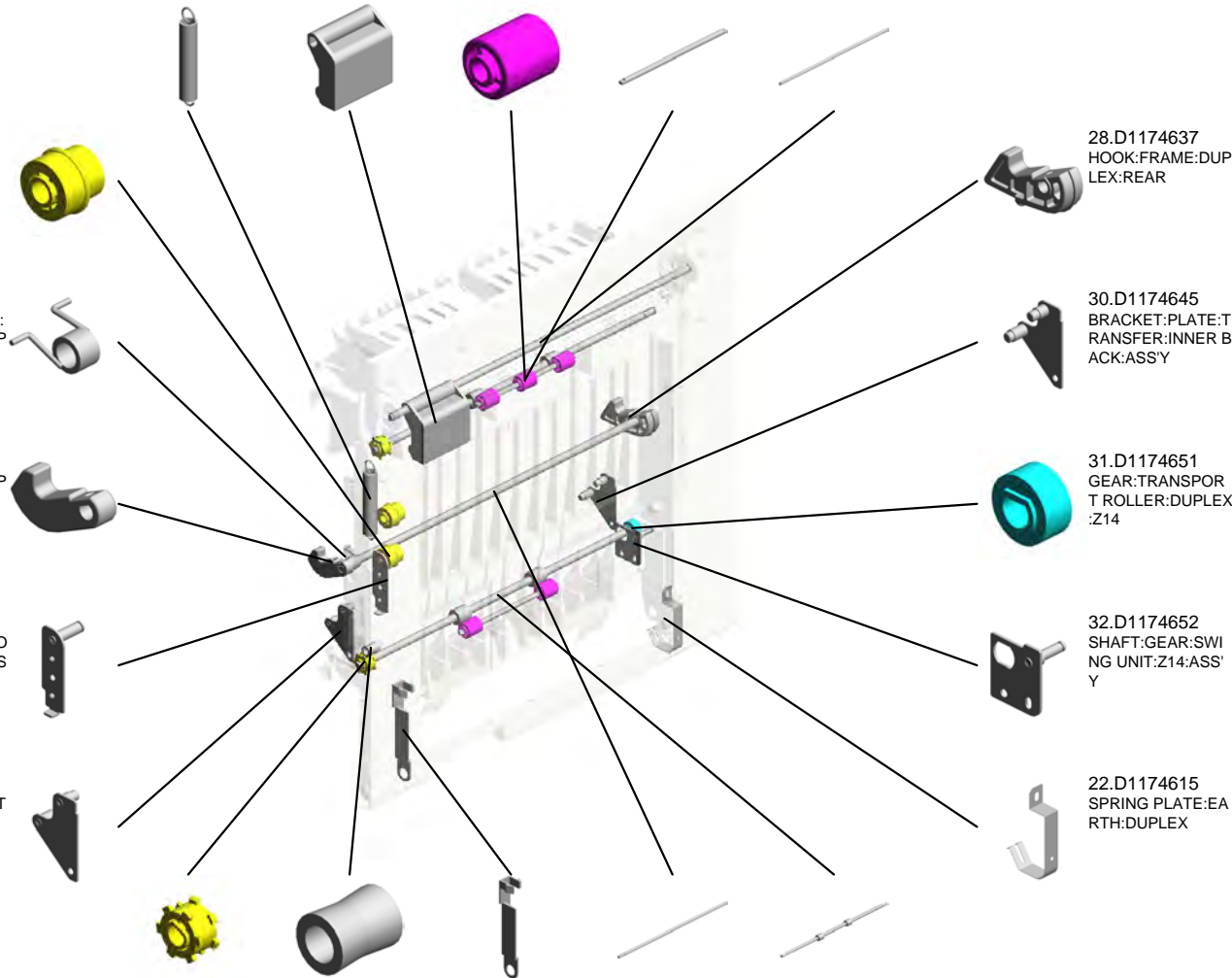
28.D1174637 HOOK:FRAME:DUPL

30.D1174645 BRACKET:PLATE:TRANSFER:INNER BACK:ASSY

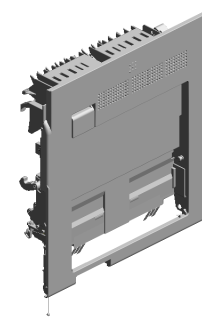
31.D1174651 GEAR:TRANSPORT ROLLER:DUPL

32.D1174652 SHAFT:GEAR:SWITCHING UNIT:Z14:ASSY

22.D1174615 SPRING PLATE:EA



# U023 Duplex-1



- 55.D1174716 TORSION SPRING: FEELER: ENTRANCE SENSOR
- 46.D1174699 (x3) SHAFT: GUIDE PLATE: REVERSE: ENTRANCE: UPPER
- 52.D1174709 (x4) COMPRESSION SPRING: ROLLER: DRIVER: DUPLEX
- 47.D1174700 FEELER: ENTRANCE SENSOR: REVERSE: DUPLEX
- 56.D1174717 COVER: ENTRANCE SENSOR

41.D1174690  
GUIDE PLATE: REVERSE: ENTRANCE: LOWER

45.D1174698  
GUIDE PLATE: REVERSE: ENTRANCE: UPPER

59.D1174720  
SHAFT: PULLEY: IDLER: COUPLING: ASSY

60.D1174724  
GEAR: IDLER: TIMING PULLEY: DUPLEX

57.D1174718  
SHEET: COVER: RIGHT FRONT

42.D1174691  
GUIDE PLATE: REVERSE: EXIT: LOWER

43.D1174693  
GUIDE PLATE: REVERSE: EXIT: UPPER

44.D1174697  
GUIDE PLATE: MIDDLE

58.D1174719  
TUBE: STOPPER

51.D1174708  
TENSION SPRING: GEAR: SWING UNIT

53.D1174712  
HOLDER: BELT: COUPLING

48.D1174702 (x3)  
COMPRESSION SPRING: GUIDE PLATE: REVERSE: ENTRANCE

54.D1174714  
BAND: HOOK: DUPLEX: COUPLING

50.D1174706  
GEAR: IDLER: SWIVEL: COUPLING

49.D1174705  
BRACKET: GEAR: SWIVEL: ASSY

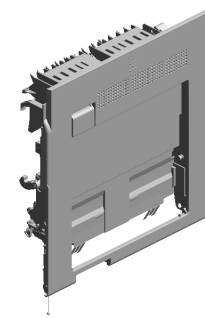
U001	U002	U003	U004	U005	U006	U007	U008	U009	U010	U011	U012	U013	U014	U015	U016	U017	U018	U019	U020	U021
------	------	------	------	------	------	------	------	------	------	------	------	------	------	------	------	------	------	------	------	------



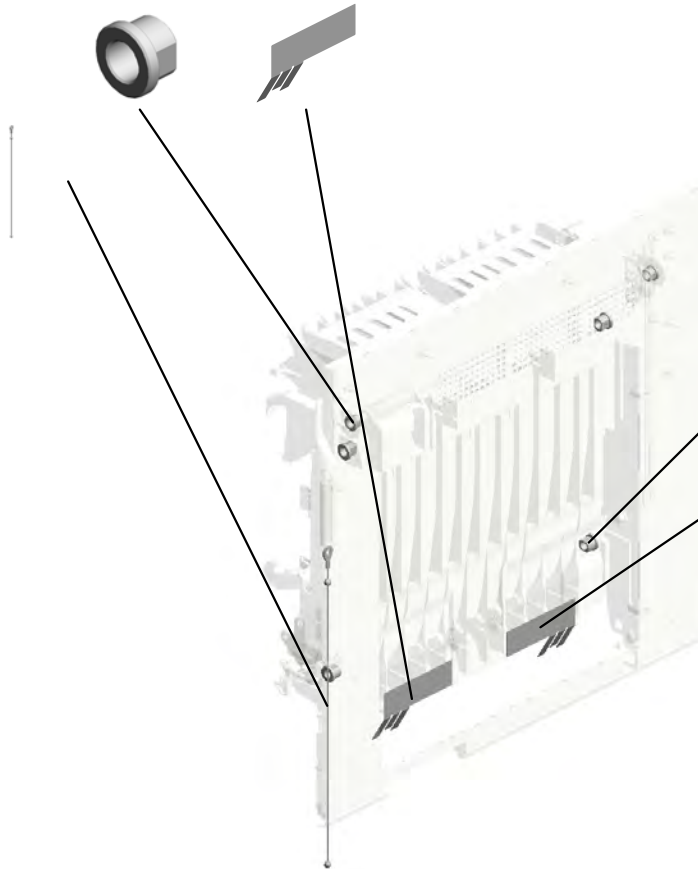
U023  
Duplex-1

65.GA082015  
(x2)  
PLAIN SHAFT BEA  
RING:DIA6:DIA9:7

62.D1174792  
PLATE:MANUAL FE  
ED:FRONT



61.D1174737  
WIRE:STOPPER:DI  
A1.2:ASS'Y



64.GA082010  
(x4)  
BUSHING:DIA6:DIA  
10:9

63.D1174794  
PLATE:MANUAL FE  
ED:INNER BACK

U001	U002	U003	U004	U005	U006	U007	U008	U009	U010	U011	U012	U013	U014	U015	U016	U017	U018	U019	U020	U021
------	------	------	------	------	------	------	------	------	------	------	------	------	------	------	------	------	------	------	------	------



# U024 Duplex-2

4.D1174713  
SHAFT:PULLEY:WI  
RE

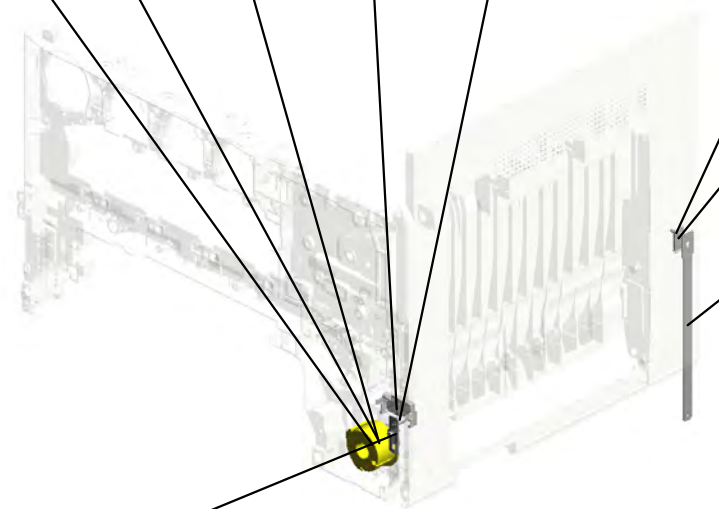
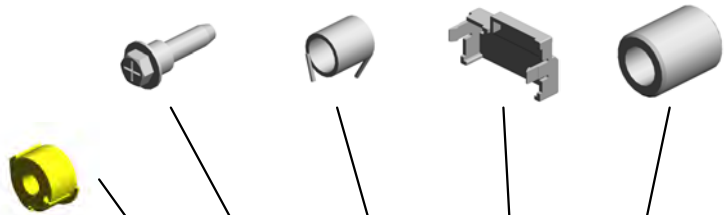
7.D1174732  
TORSION SPRING:  
DOOR:RIGHT:STO  
PPER

5.D1174727  
COVER:CONNECT  
OR:DUPLX SECTI  
ON:CONNECTING

8.D1174733  
COLLAR:STOPPER  
:SIDE PLATE



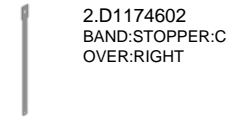
6.D1174731  
PULLEY:WIRE:DA  
MPER



1.04503010N  
(x2)  
TAPPING SCREW -  
M3X10



3.D1174607  
PLATE:BAND:STO  
PPER



2.D1174602  
BAND:STOPPER:C  
OVER:RIGHT

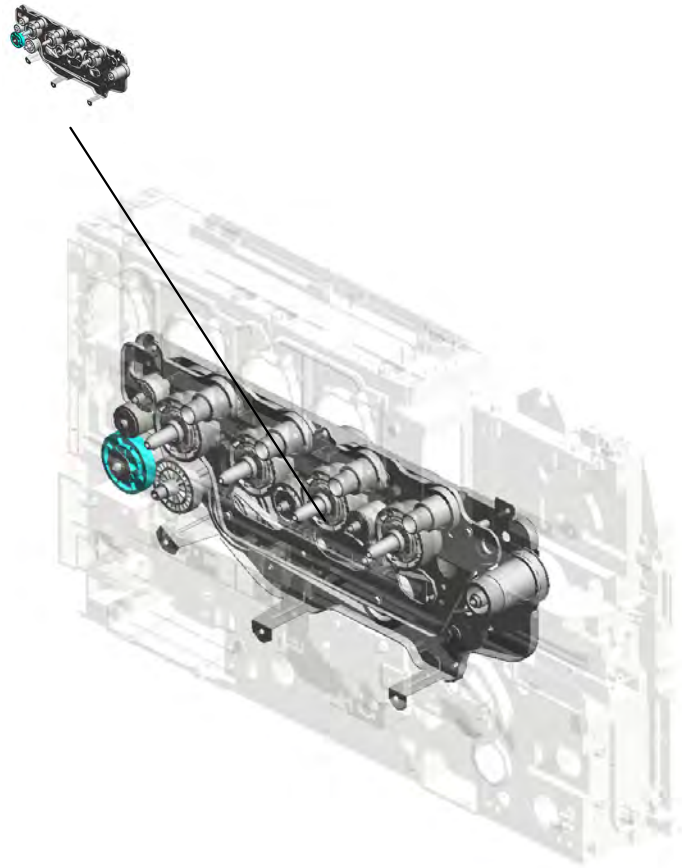
9.D1174734  
BRACKET:STOPPE  
R:SIDE PLATE:ASS  
'Y



U001	U002	U003	U004	U005	U006	U007	U008	U009	U010	U011	U012	U013	U014	U015	U016	U017	U018	U019	U020	U021
------	------	------	------	------	------	------	------	------	------	------	------	------	------	------	------	------	------	------	------	------

# U025.Main Drive-1

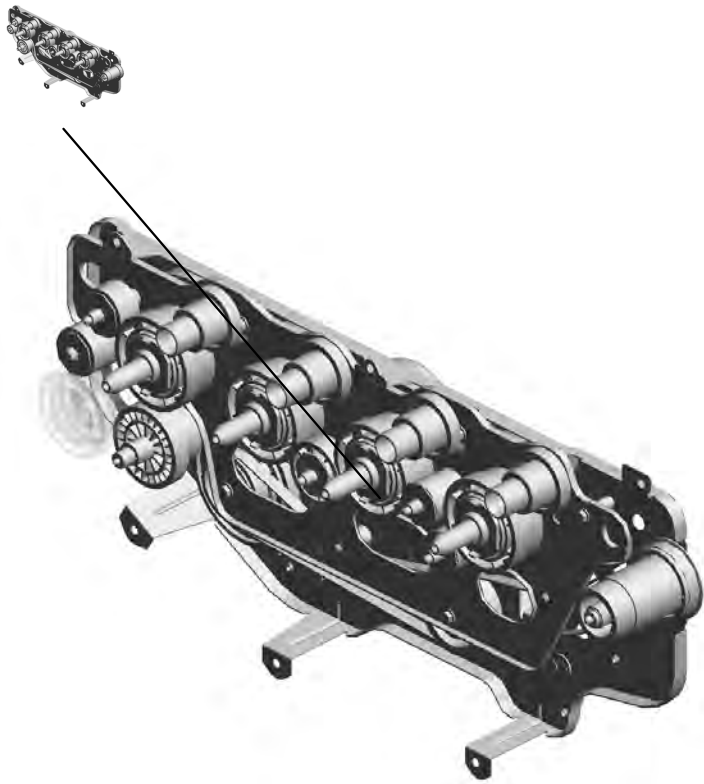
U025\_S001  
D1171151  
DRIVE UNIT:DRUM:DEVELO  
PMENT:TRANSFER:ASS'Y



U001	U002	U003	U004	U005	U006	U007	U008	U009	U010	U011	U012	U013	U014	U015	U016	U017	U018	U019	U020	U021
------	------	------	------	------	------	------	------	------	------	------	------	------	------	------	------	------	------	------	------	------

# U025\_S001.DRIVE UNIT:DRUM:DEVELOPMENT:TRANSFER:ASS'Y

U025\_S001\_S001  
D1171152  
DRIVE UNIT:DRUM:DEVELO  
PMENT:TRANSFER

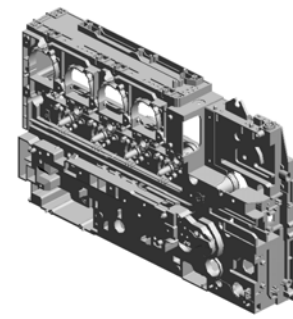


U001	U002	U003	U004	U005	U006	U007	U008	U009	U010	U011	U012	U013	U014	U015	U016	U017	U018	U019	U020	U021
------	------	------	------	------	------	------	------	------	------	------	------	------	------	------	------	------	------	------	------	------

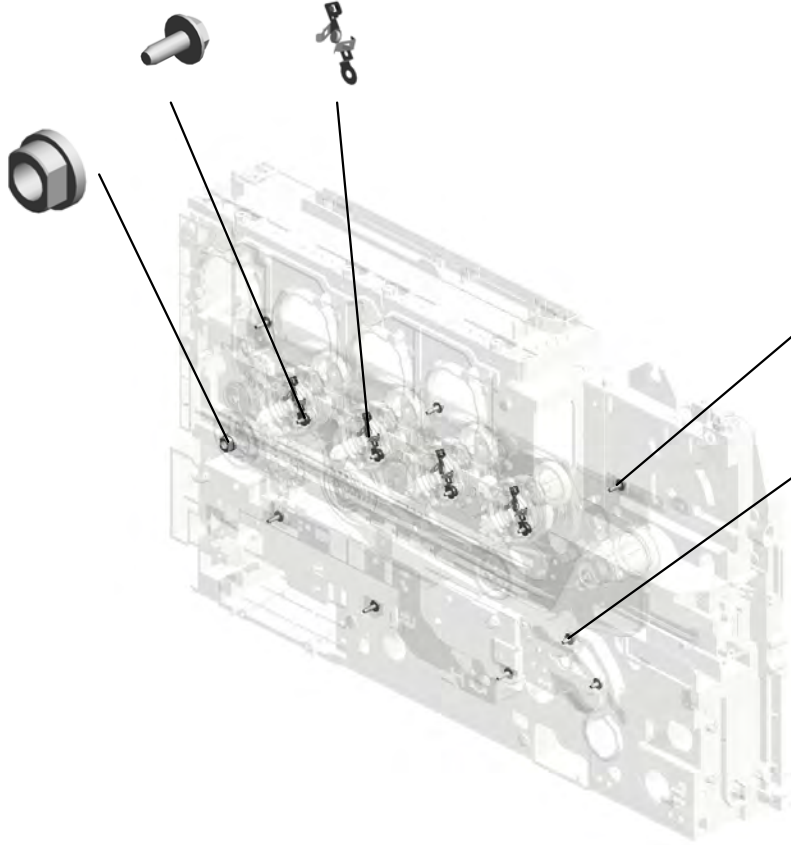
# U025 Main Drive-1

2.04503008N  
(x4)  
TAPPING SCREW -  
M3X8

17.D1171192  
(x4)  
TERMINAL:DEVEL  
OPMENT BIAS:ASS  
Y



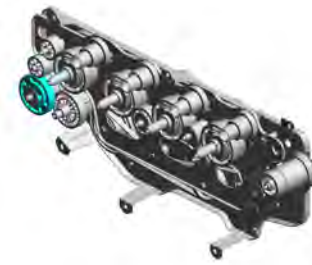
7.AA080346  
BUSHING:FLANGE  
TYPE:DIA6



3.04503010N  
(x6)  
TAPPING SCREW -  
M3X10

1.03603006N  
(x2)  
SCREW - M3X6

U025\_S001  
 DRIVE UNIT:DRUM:DEVELOPMENT:TRANSFER:ASS'Y

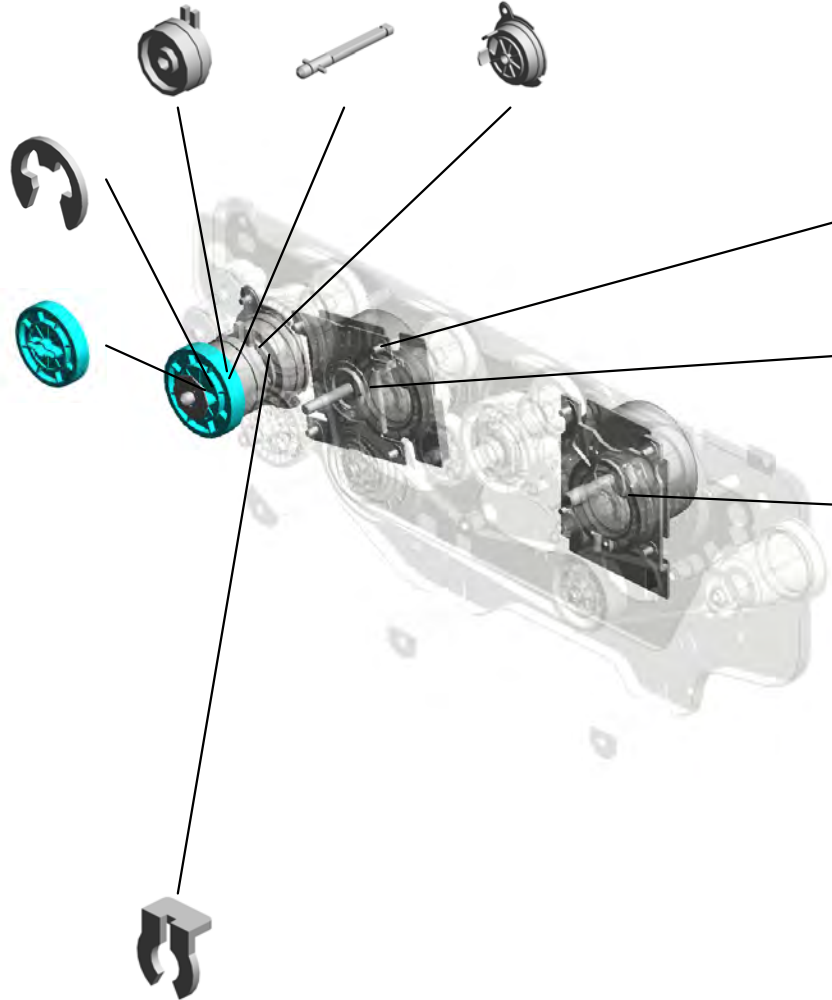


13.D1171151  
 DRIVE UNIT:DRUM  
 :DEVELOPMENT:T  
 RANSFER:ASS'Y

- 12.AX200329 ELECTROMAGNETIC CLUTCH:DEVELOPMENT:0.5N:DIA6
- 15.D1171178 SHAFT:DRIVE:DEVELOPMENT:ELECTROMAGNETIC CLUTCH
- 16.D1171183 COVER:ELECTROMAGNETIC CLUTCH:DEVELOPMENT:DIA6

4.07200040E (x2)  
 RETAINING RING - M4

8.AB017892  
 GEAR:DRIVE:DEVELOPMENT:NO.2



6.54472681  
 SNAP RING

1.03603006N (x9)  
 SCREW - M3X6

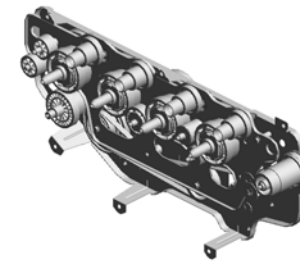
9.AX060421  
 DC BRUSHLESS MOTOR:DRUM:BK:28.5W

11.AX060429  
 DC BRUSHLESS MOTOR:DEVELOPMENT:COLOR:36.1W

U001	U002	U003	U004	U005	U006	U007	U008	U009	U010	U011	U012	U013	U014	U015	U016	U017	U018	U019	U020	U021
------	------	------	------	------	------	------	------	------	------	------	------	------	------	------	------	------	------	------	------	------

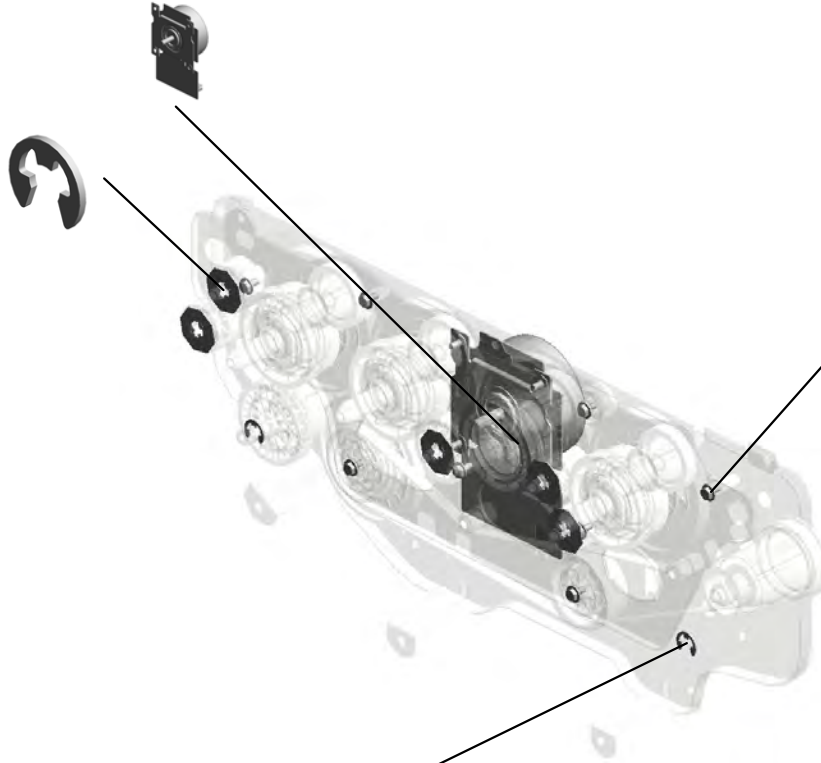
U025\_S001\_S001  
DRIVE UNIT:DRUM:DEVELOPMENT:TRANSFER

10.AX060422  
DC BRUSHLESS M  
OTOR:DRUM:COLL  
AR:21.6W



14.D1171152  
DRIVE UNIT:DRUM  
:DEVELOPMENT:T  
RANSFER

4.07200040E  
(x5)  
RETAINING RING -  
M4



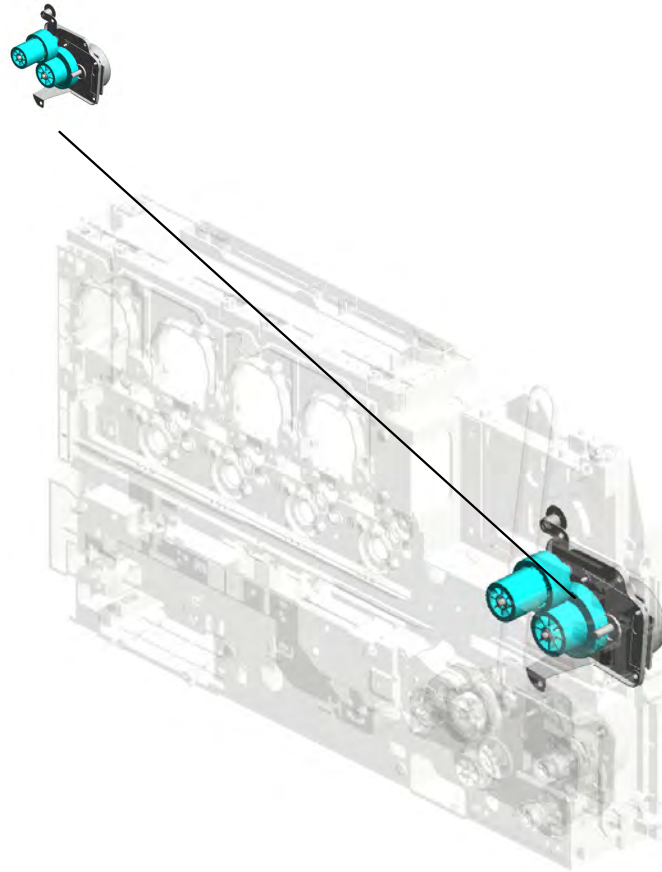
1.03603006N  
(x12)  
SCREW - M3X6

5.07200060E  
(x2)  
RETAINING RING -  
M6

U001	U002	U003	U004	U005	U006	U007	U008	U009	U010	U011	U012	U013	U014	U015	U016	U017	U018	U019	U020	U021
------	------	------	------	------	------	------	------	------	------	------	------	------	------	------	------	------	------	------	------	------

# U026.Main Drive-2

U026\_S001  
D1171220  
FUSING DRIVE UNIT:ASS'Y

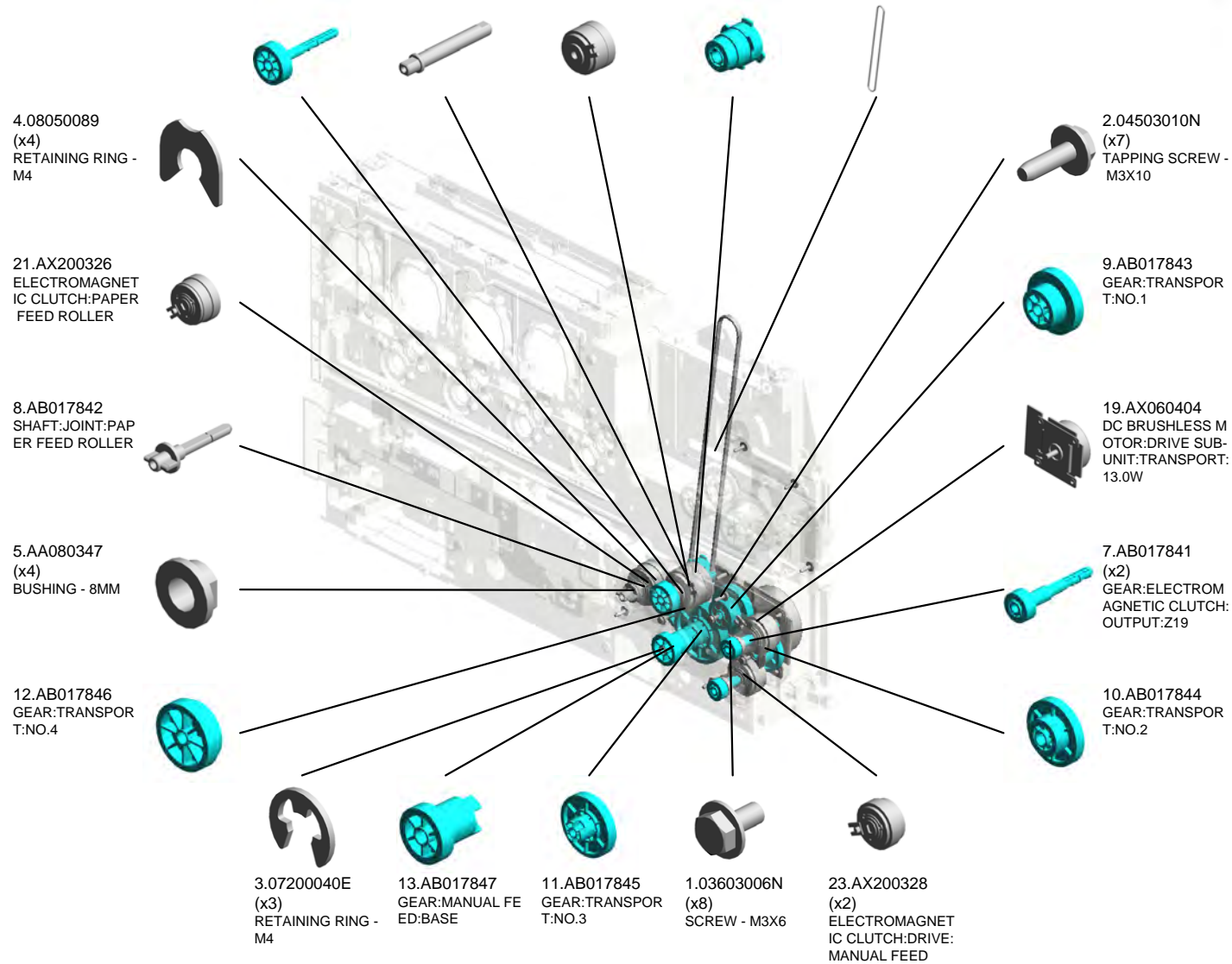


U001	U002	U003	U004	U005	U006	U007	U008	U009	U010	U011	U012	U013	U014	U015	U016	U017	U018	U019	U020	U021
------	------	------	------	------	------	------	------	------	------	------	------	------	------	------	------	------	------	------	------	------

# U026 Main Drive-2



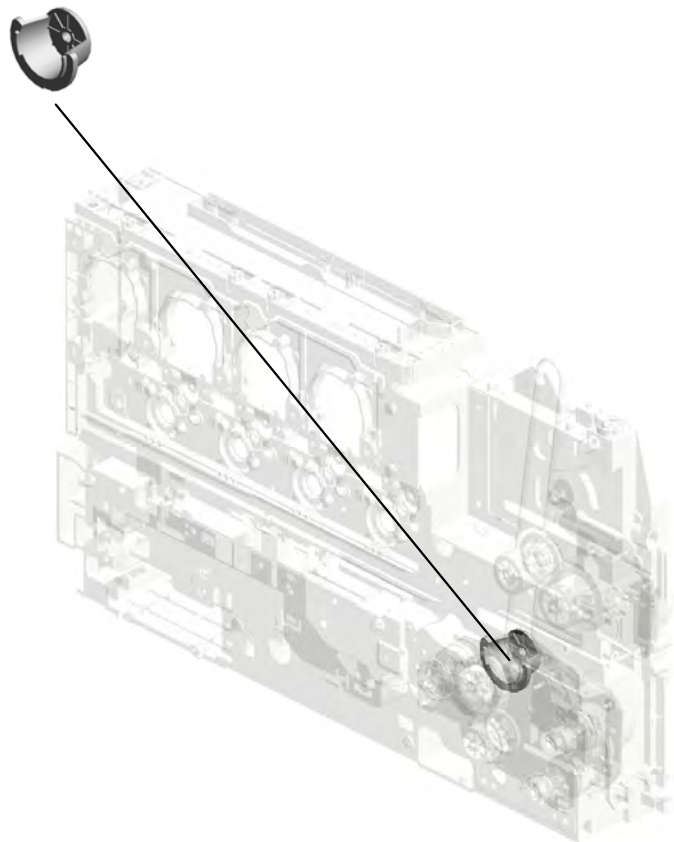
- 6.AB017840 GEAR:ELECTROMAGNETIC CLUTCH: OUTPUT:Z30
- 25.D1171207 SHAFT:TIMING PULLEY:PAPER EXIT UNIT
- 22.AX200327 ELECTROMAGNETIC CLUTCH:REGISTRATION
- 17.AB017851 GEAR:TIMING PULLEY:PAPER EXIT UNIT
- 24.B7027105 TIMING BELT:B40S 2M520:





U026  
Main Drive-2

27.D1171232  
HOLDER:TIMING P  
ULLEY:PAPER EXI  
T UNIT



U001	U002	U003	U004	U005	U006	U007	U008	U009	U010	U011	U012	U013	U014	U015	U016	U017	U018	U019	U020	U021
------	------	------	------	------	------	------	------	------	------	------	------	------	------	------	------	------	------	------	------	------

U026\_S001  
FUSING DRIVE UNIT:ASS'Y

15.AB017849  
GEAR:DRIVE UNIT:  
FUSING:NO.2

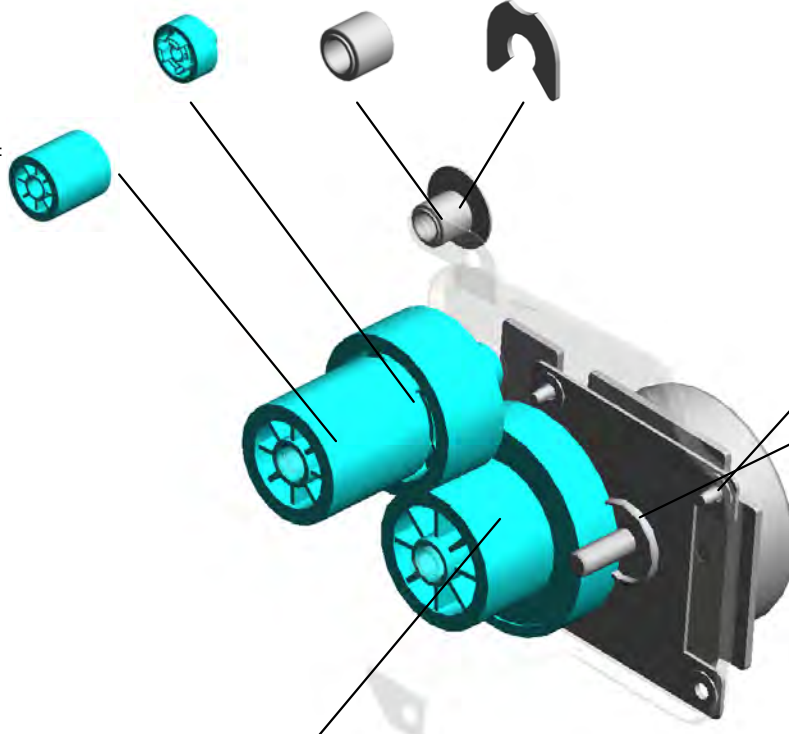
18.AB033120  
TIGHTENER:SYNC  
HRONOUS BELT:P  
APER EXIT UNIT

4.08050089  
RETAINING RING -  
M4



26.D1171220  
FUSING DRIVE UNI  
T:ASSY

16.AB017850  
GEAR:DRIVE UNIT:  
FUSING:NO.3



1.03603006N  
(x3)  
SCREW - M3X6

20.AX060405  
DC BRUSHLESS M  
OTOR:DRIVE SUB-  
UNIT:FUSING:25.1  
W

14.AB017848  
GEAR:DRIVE UNIT:  
FUSING:NO.1

U001	U002	U003	U004	U005	U006	U007	U008	U009	U010	U011	U012	U013	U014	U015	U016	U017	U018	U019	U020	U021
------	------	------	------	------	------	------	------	------	------	------	------	------	------	------	------	------	------	------	------	------

# U027 Electrical-1



11.D1171034  
COVER:DUCT:LEF  
T:VACUUM

16.D1171126  
DUCT:OPTICAL W  
RITING MD

1.04503010N  
(x19)  
TAPPING SCREW -  
M3X10

19.D1175303  
THERMISTOR

5.11050508  
HARNESS CLAMP -  
LWS-0711

2.04503025N  
(x2)  
TAPPING SCREW:  
3X25

10.D1171033  
DUCT:LEFT:VACU  
UM

17.D1171136  
FAN:SIROCCO:DC  
24V:50MM

12.D1171036  
(x2)  
SEAL:COVER:LEFT

4.04543008N  
(x2)  
TAPPING SCREW:  
ROUND POINT:3X8

8.AW140016  
TEMPERATURE &  
HUMIDITY SENSO  
R

20.D1175869  
WIRE:HIGH VOLTA  
GE:TRANSFER:BK

6.11050511  
(x5)  
HARNESS CLAMP -  
LWS-0306ZC

7.AA066696  
TORSION SPRING:  
TERMINAL:DRIVE  
ROLLER:INTERME  
DIATE TRANSFER

9.AW500023  
PUSH SWITCH

3.04503035N  
(x2)  
TAPPING SCREW:  
3X35

18.D1171143  
DUCT:REAR:BASE

13.D1171121  
DC FAN MOTOR:A  
XIAL:MM92

14.D1171124  
COVER:FAN

15.D1171125  
(x2)  
SEAL:COVER:FAN

U001	U002	U003	U004	U005	U006	U007	U008	U009	U010	U011	U012	U013	U014	U015	U016	U017	U018	U019	U020	U021
------	------	------	------	------	------	------	------	------	------	------	------	------	------	------	------	------	------	------	------	------

# U027 Electrical-1



30.D1175879 WIRE:HIGH VOLTA  
GE:CHARGE:C

31.D1175880 WIRE:HIGH VOLTA  
GE:CHARGE:M

39.D1175915 (x4)  
GUIDE:WIRE:HIGH  
VOLTAGE:CHARG  
E

27.D1175876 WIRE:HIGH VOLTA  
GE:DEVELOPMEN  
T:M

32.D1175881 WIRE:HIGH VOLTA  
GE:CHARGE:Y

29.D1175878 WIRE:HIGH VOLTA  
GE:CHARGE:BK

38.D1175912 BRACKET:SWITCH  
:HEATER

25.D1175874 WIRE:HIGH VOLTA  
GE:DEVELOPMEN  
T:BK

36.D1175905 GUIDE:WIRE:HIGH  
VOLTAGE:TRANSF  
ER:SECOND

37.D1175908 BRACKET:DRAW  
R:OPTION TRAY

21.D1175870 WIRE:HIGH VOLTA  
GE:TRANSFER:C

22.D1175871 WIRE:HIGH VOLTA  
GE:TRANSFER:M

34.D1175899 (x4)  
TERMINAL:CHARG  
E

24.D1175873 WIRE:HIGH VOLTA  
GE:TRANSFER:SE  
COND

23.D1175872 WIRE:HIGH VOLTA  
GE:TRANSFER:Y

28.D1175877 WIRE:HIGH VOLTA  
GE:DEVELOPMEN  
T:Y

35.D1175904 BRACKET:DRAW  
R:FUSING

40.D1175916 (x2)  
STEPPED SCREW:  
M3X8:SECOND KIN  
D

26.D1175875 WIRE:HIGH VOLTA  
GE:DEVELOPMEN  
T:C

33.D1175887 DUCT:POWER SU  
PPLY UNIT:EXHAU  
ST

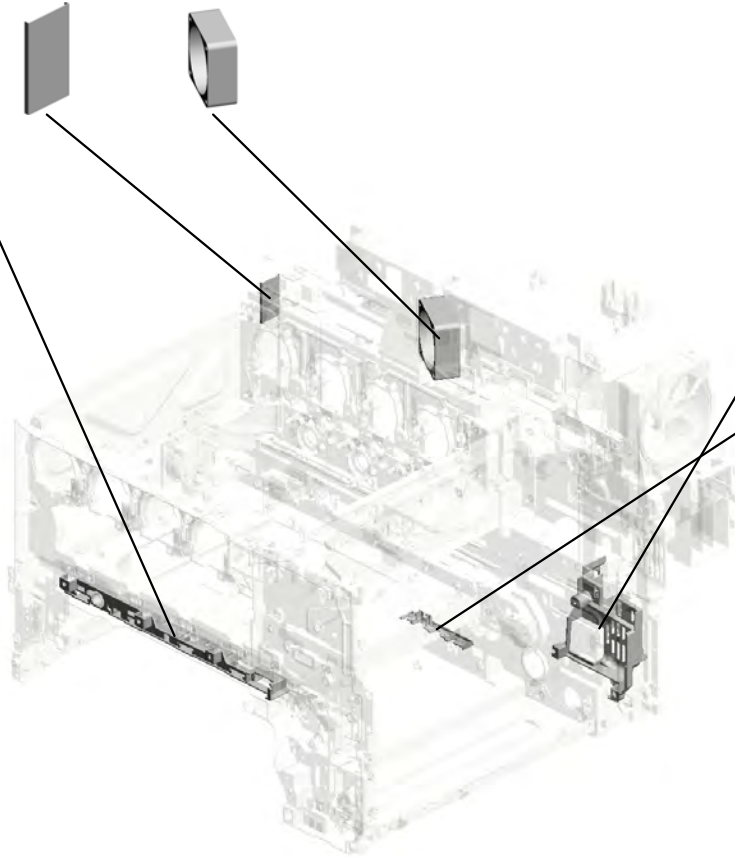
U027  
Electrical-1

44.D1175945  
SPACER:FFC

45.GX640021  
FAN MOTOR DC24  
V 1.92W



43.D1175930  
COVER:HARNESS:  
PCU:FRONT



42.D1175925  
GUIDE:HARNESS:  
PAPER FEED DRIV  
E

41.D1175924  
STOPPER:WIRE:HI  
GH VOLTAGE:TRA  
NSFER

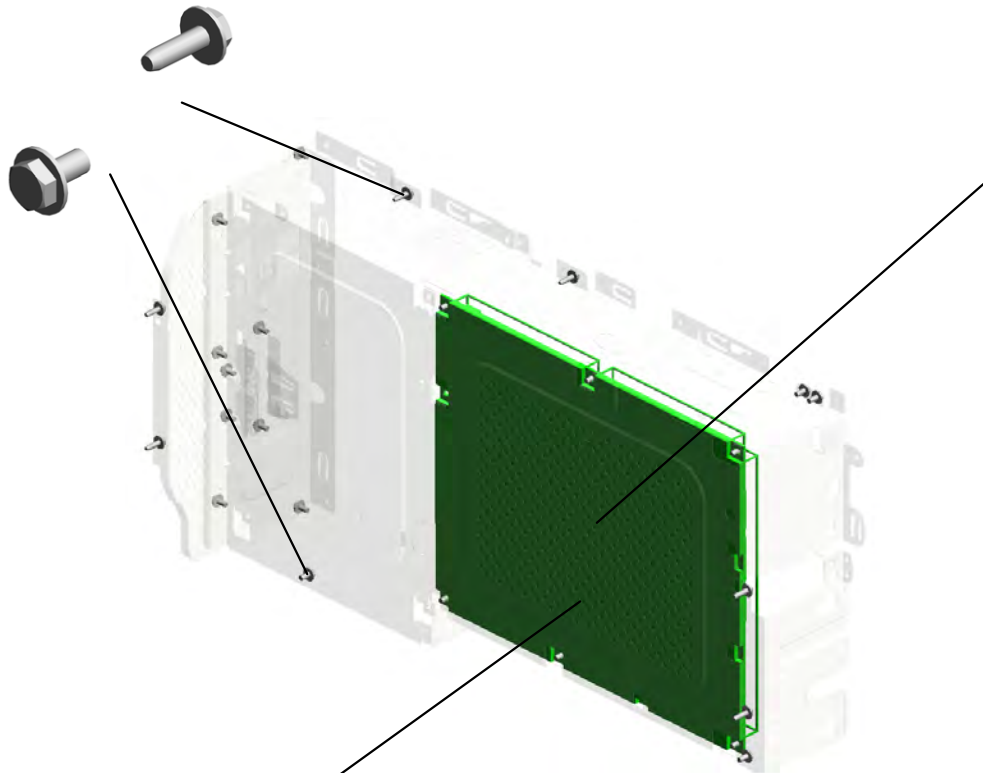
U001	U002	U003	U004	U005	U006	U007	U008	U009	U010	U011	U012	U013	U014	U015	U016	U017	U018	U019	U020	U021
------	------	------	------	------	------	------	------	------	------	------	------	------	------	------	------	------	------	------	------	------

U028  
Electrical-2

2.04503010N  
(x6)  
TAPPING SCREW -  
M3X10



1.03603006N  
(x19)  
SCREW - M3X6



3.D1685113  
PCB:BICU:VW:ASS'  
Y



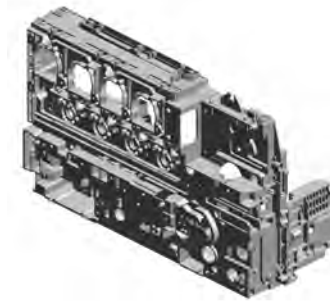
4.14077667  
EEPROM:BR24T12  
8-W

U001	U002	U003	U004	U005	U006	U007	U008	U009	U010	U011	U012	U013	U014	U015	U016	U017	U018	U019	U020	U021
------	------	------	------	------	------	------	------	------	------	------	------	------	------	------	------	------	------	------	------	------



# U029 Electrical-3

- 11.GX645734 FAN MOTOR:MM80 DC24V 3.12W
- 8.D1175886 DUCT:POWER SUPPLY UNIT:ENTRANCE
- 3.04503035N (x2) TAPPING SCREW: 3X35
- 6.AZ320192 POWER PACK:T1T 2



10.D1175891  
GRIP:LEFT REAR



7.D1175190  
PCB:ACVB:200V



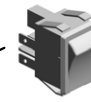
1.03603006N  
(x3)  
SCREW - M3X6



9.D1175890  
GRIP:RIGHT REAR



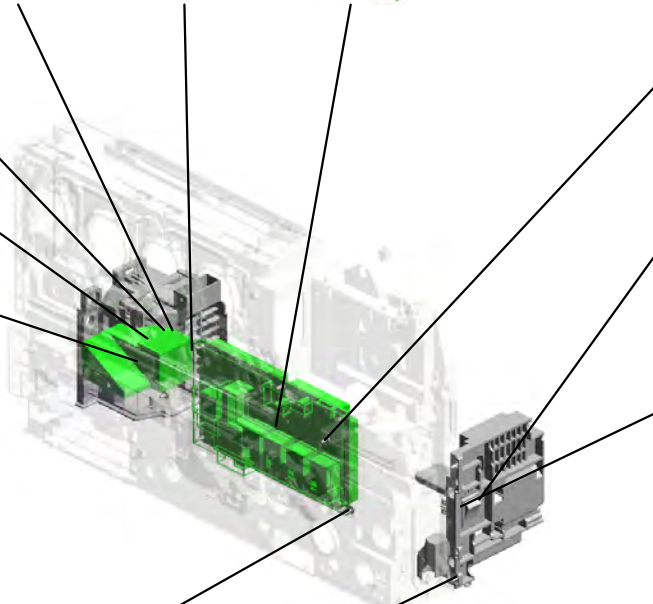
5.12042909  
ROCKER SWITCH:  
A8GS-T1185KR



2.04503010N  
(x9)  
TAPPING SCREW -  
M3X10



4.04583010N  
(x5)  
HEXAGON HEAD T  
APPING SCREW:3  
X10



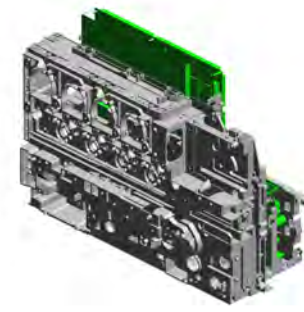
U001	U002	U003	U004	U005	U006	U007	U008	U009	U010	U011	U012	U013	U014	U015	U016	U017	U018	U019	U020	U021
------	------	------	------	------	------	------	------	------	------	------	------	------	------	------	------	------	------	------	------	------

# U030 Electrical-4

11.AZ320203  
POWER PACK:CB:  
GR-C1  
201401-05 O/O

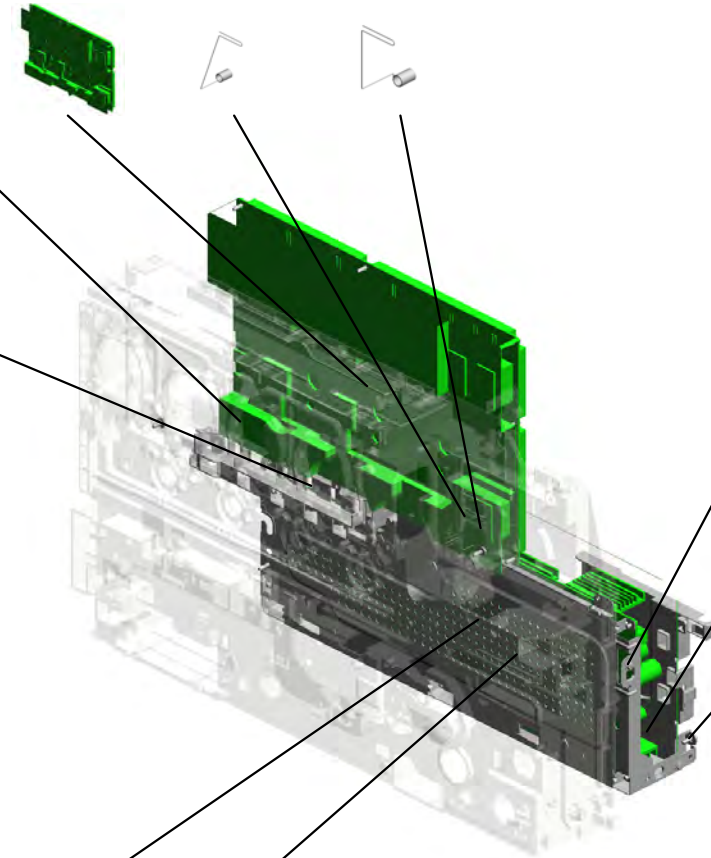
10.D1175883  
WIRE:HIGH VOLTA  
GE:DEVELOPMEN  
T:C:CONNECTING

9.D1175882  
WIRE:HIGH VOLTA  
GE:DEVELOPMEN  
T:BK:CONNECTIN  
G



3.04583010N  
(x5)  
HEXAGON HEAD T  
APPING SCREW:3  
X10

7.D1175864  
GUIDE:HARNESS:F  
FC:OPTICAL WRITI  
NG UNIT



1.03603006N  
(x4)  
SCREW - M3X6

4.AA143592  
SCREW- M4X6

2.04503010N  
(x6)  
TAPPING SCREW -  
M3X10

6.D1175080  
POWER SUPPLY U  
NIT:200V:280W

8.D1175867  
GUIDE:HARNESS:  
POWER SUPPLY U  
NIT

U001	U002	U003	U004	U005	U006	U007	U008	U009	U010	U011	U012	U013	U014	U015	U016	U017	U018	U019	U020	U021
------	------	------	------	------	------	------	------	------	------	------	------	------	------	------	------	------	------	------	------	------



# U031 Controller

4.D1179590  
NV-RAM

1.03603006N  
(x4)  
SCREW - M3X6

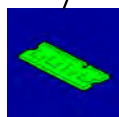


3.D0095899  
RIGHT RAIL - SMA  
LL



5.D1685401  
PCB:CTL:VW:EXP:  
ASSY

2.D0095891  
LEFT RAIL - FAX C  
ONTROL UNIT



6.M0525391  
(x2)  
PCB:MEMORY:512  
MB

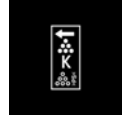
U001	U002	U003	U004	U005	U006	U007	U008	U009	U010	U011	U012	U013	U014	U015	U016	U017	U018	U019	U020	U021
------	------	------	------	------	------	------	------	------	------	------	------	------	------	------	------	------	------	------	------	------

# U032 Main Frame



- 6.04583008N  
HEXAGON HEAD TAPPING SCREW:3X8
- 11.D1171057  
(x4)  
CASE:COIL SPRING:PCU:FRO  
NT
- 12.D1171058  
(x4)  
CASE:COIL SPRING:PCU:REA  
R
- 13.D1171059  
(x4)  
SLIDER:COIL SPRING:PLATE:PCU:RE  
AR
- 7.04583010N  
(x11)  
HEXAGON HEAD TAPPING SCREW:3X10

20.D1173410  
DECAL:COLORED  
DISPLAY:INNER COVER:K



15.D1171068  
(x8)  
COIL SPRING:PLATE:PCU



16.D1171069  
(x4)  
SLIDER:COIL SPRING:PLATE:PCU:FRO  
NT



19.D1172897  
BRACKET:LEFT:ROLLER:ASSY



1.04503008N  
TAPPING SCREW - M3X8



8.07200025E  
RETAINING RING - M2.5



18.D1172866  
ROLLER:RAIL:RIGHT



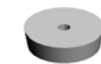
4.04543006Q  
(x3)  
TAPPING SCREW - M3X6



17.D1172813  
STOPPER:PAPER TRAY



9.AH010011  
(x3)  
RUBBER FOOT:H5



10.D0391087  
LEVER:LOCK:REA  
R



2.04503010N  
(x30)  
TAPPING SCREW - M3X10



5.04543008Q  
(x31)  
TAPPING SCREW: 3X8



14.D1171066  
LEVER:LOCK:FRO  
NT



3.04513006N  
(x3)  
TAPPING SCREW - 3X6

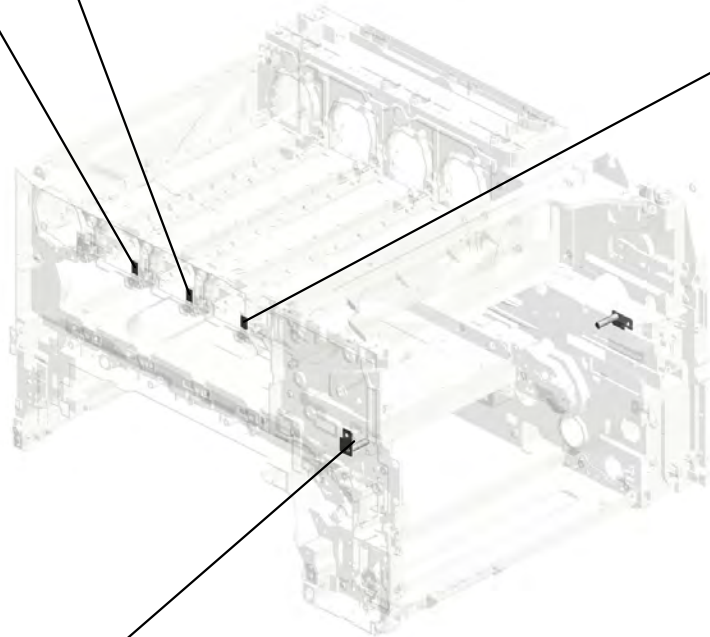


# U032 Main Frame

22.D1173412  
DECAL:COLORED  
DISPLAY:INNER C  
OVER:M



21.D1173411  
DECAL:COLORED  
DISPLAY:INNER C  
OVER:C



23.D1173413  
DECAL:COLORED  
DISPLAY:INNER C  
OVER:Y



24.D1174501  
(x2)  
PIN:HOOK:FRAME:  
DUPLX:ASS'Y



U001	U002	U003	U004	U005	U006	U007	U008	U009	U010	U011	U012	U013	U014	U015	U016	U017	U018	U019	U020	U021
------	------	------	------	------	------	------	------	------	------	------	------	------	------	------	------	------	------	------	------	------

# U033 Option

1.03603014N  
SCREW - M3X14

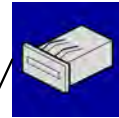
5.D1171332  
BRACKET:KEY CO  
UNTER HOLDER



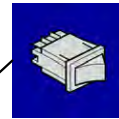
6.D1171371  
BRACKET:CARD R  
EADER



7.D1171372  
BRACKET:CARD R  
EADER



4.AX310049  
TOTAL COUNTER:  
7FIG:24V



3.12042570  
ROCKER SWITCH:  
SDDJE13200



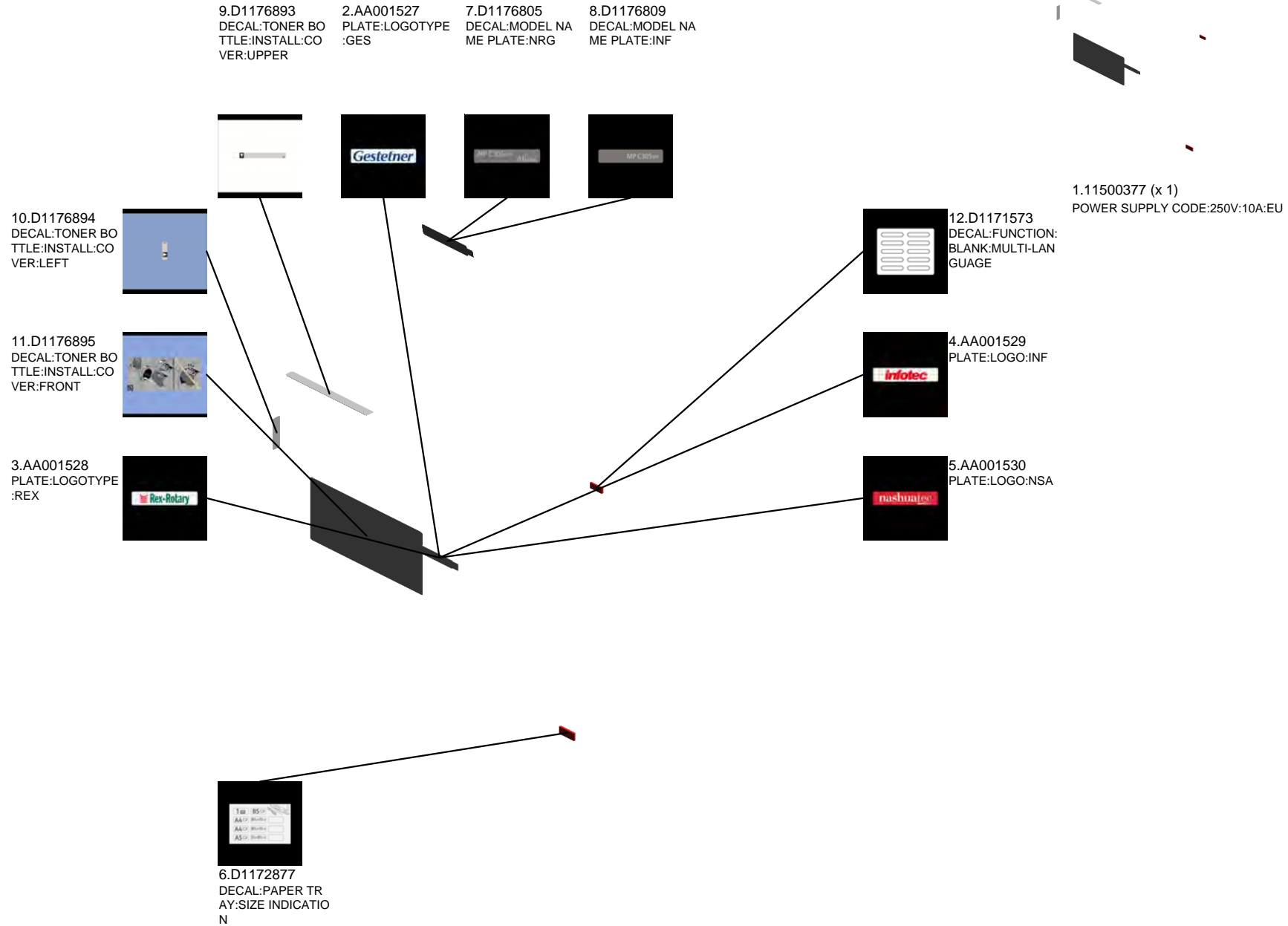
2.08010231  
HEXAGONAL HEA  
D BOLT W/WASHE  
R:M3X6



8.D1175097  
HEATER:EU:ASS'Y

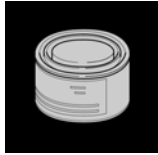
U001	U002	U003	U004	U005	U006	U007	U008	U009	U010	U011	U012	U013	U014	U015	U016	U017	U018	U019	U020	U021
------	------	------	------	------	------	------	------	------	------	------	------	------	------	------	------	------	------	------	------	------

# U034 Accessories



U001	U002	U003	U004	U005	U006	U007	U008	U009	U010	U011	U012	U013	U014	U015	U016	U017	U018	U019	U020	U021
------	------	------	------	------	------	------	------	------	------	------	------	------	------	------	------	------	------	------	------	------

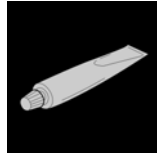
## Special Tools



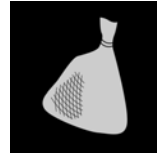
1.52039502  
Silicon Grease G-501



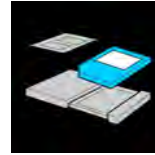
2.A0929503  
C4 Color Test Chart (3 pcs/set)



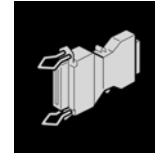
3.A2579300  
Grease Barrierta S552R



4.B1329700  
Lubricant Powder



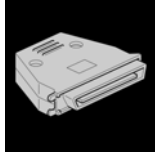
5.B6455010  
SD Card



6.B6795100  
Plug - IEEE1284 Type C



7.C4019503  
20X Magnification Scope



8.G0219350  
Loop-back Connector Parallel

## Exclusive Parts

Number	Part Name	Group	ID
52039502	Silicon Grease G-501	Special Tools	1
52152621	SNAP RING - M6	U022	4
52152713	BOTTOM PLATE PAD	U007_S001_S003	7
		U010_S002	7
54472681	SNAP RING	U001	3
		U007_S001	8
		U022	5
		U025_S001	6
A0929503	C4 Color Test Chart (3 pcs/set)	Special Tools	2
A2579300	Grease Barrierta S552R	Special Tools	3
AA001527	PLATE:LOGOTYPE:GES	U034	2
AA001528	PLATE:LOGOTYPE:REX	U034	3
AA001529	PLATE:LOGO:INF	U034	4
AA001530	PLATE:LOGO:NSA	U034	5
AA043325	TIMING BELT - B40S2M250	U023	9
AA060151	TENSION SPRING	U016_S002	9
AA061084	TENSION SPRING:FEELER	U016	10
AA061085	TENSION SPRING:PRESSURE:TRANSFER ROLLER	U017	6
AA061086	COIL SPRING:PRESSURE	U019_S001	8
AA061087	TORSION SPRING:STRIPPER PLATE:FRONT	U019_S001	9
AA061088	TORSION SPRING:STRIPPER PLATE:REAR	U019_S001	10
AA061089	COIL SPRING:GUIDE PLATE:FUSING EXIT	U019_S001	11
AA063483	COMPRESSION SPRING:TRANSPORT SUB-UNIT	U017	7
AA063629	SPRING - 2.8N	U007_S001	9
AA063701	COMPRESSION SPRING:RISING TRAY	U008_S002	11
AA066417	TORSION SPRING:TRANSFER UNIT	U017	8
AA066695	TORSION SPRING:LEVER:ON-OFF	U016	11
AA066696	TORSION SPRING:TERMINAL:DRIVE ROLLER:INTERMEDIATE TRANSFER	U027	7
AA080346	BUSHING:FLANGE TYPE:DIA6	U022	6

Number	Part Name	Group	ID
		U025	7
AA080347	BUSHING - 8MM	U026	5
AA080361	PLAIN SHAFT BEARING:CASE:RISING TRAY	U008_S002	12
AA082101	BUSHING - 6X10X6	U007_S001	10
		U010	8
AA082109	PLAIN SHAFT BEARING:DIA4	U016_S001	12
AA082161	PLAIN SHAFT BEARING:REGISTRATION ROLLER	U012	5
AA143592	SCREW- M4X6	U030	4
AA143861	SCREW - DIA5	U019_S001	12
AA143870	STEPPED SCREW	U019_S001	13
AB011537	GEAR:REGISTRATION ROLLER:FRONT	U012	6
AB011538	GEAR:REGISTRATION ROLLER:INNER BACK	U012	7
AB011539	GEAR:REGISTRATION ROLLER:DRIVE	U012	8
AB011541	GEAR:RISING TRAY:OUTPUT	U008_S002	13
AB011552	GEAR:IDLER:LEFT REAR	U018	3
AB011553	GEAR:IDLER:MIDDLE REAR	U018	4
AB011554	GEAR:IDLER:RIGHT REAR	U018	5
AB011555	GEAR:IDLER:RIGHT FRONT	U018	6
AB012072	GEAR:PRESSURE ROLLER:Z29	U019_S001	14
AB012076	GEAR:DRIVE:Z21	U019_S001	15
AB012077	GEAR:IDLER:PRESSURE:Z17	U019_S001	16
AB017827	GEAR:IDLER:COLLECTION BOTTLE:RIGHT UPPER	U018	7
AB017834	GEAR:RISING TRAY:2	U008_S002	15
AB017835	GEAR:RISING TRAY:3	U008_S002	16
AB017840	GEAR:ELECTROMAGNETIC CLUTCH:OUTPUT:Z30	U026	6
AB017841	GEAR:ELECTROMAGNETIC CLUTCH:OUTPUT:Z19	U026	7
AB017842	SHAFT:JOINT:PAPER FEED ROLLER	U026	8
AB017843	GEAR:TRANSPORT:NO.1	U026	9
AB017844	GEAR:TRANSPORT:NO.2	U026	10

## Exclusive Parts

Number	Part Name	Group	ID
AB017845	GEAR:TRANSPORT:NO.3	U026	11
AB017846	GEAR:TRANSPORT:NO.4	U026	12
AB017847	GEAR:MANUAL FEED:BASE	U026	13
AB017848	GEAR:DRIVE UNIT:FUSING:NO.1	U026_S001	14
AB017849	GEAR:DRIVE UNIT:FUSING:NO.2	U026_S001	15
AB017850	GEAR:DRIVE UNIT:FUSING:NO.3	U026_S001	16
AB017851	GEAR:TIMING PULLEY:PAPER EXIT UNIT	U026	17
AB017892	GEAR:DRIVE:DEVELOPMENT:NO.2	U025_S001	8
AB017899	GEAR:RISING TRAY:1	U008_S002	26
AB030854	TIMING PULLEY:EXIT ROLLER	U022	7
AB033120	TIGHTENER:SYNCHRONOUS BELT:PAPER EXIT UNIT	U026_S001	18
AE020204	PRESSURE ROLLER:DIA25	U019_S001	17
AE030056	BALL BEARING - 8X16X5	U019_S001	18
AF020791	REGISTRATION ROLLER:DRIVE	U012	9
AF021088	REGISTRATION ROLLER:DRIVEN	U012	10
AF031092	PAPER FEED ROLLER:MANUAL FEED	U010	9
AG070513	MAGNET CATCH	U002	7
AG071012	MAGNET CATCH:ASS'Y	U018	8
AH010011	RUBBER FOOT:H5	U032	9
AW010107	PAPER FEED SENSOR	U012	11
AW010124	PHOTO REFLECTION SENSOR:GP2A200LCS0F	U017	9
		U020	4
AW010151	PHOTO REFLECTION SENSOR:PS122TL1-A	U023	10
AW020203	PHOTOINTERRUPTOR:GP1A173LCS2F	U005	12
		U008	17
		U010	10
		U016	13
		U017	10
		U018	9
		U023	11
AW100138	THERMOPILE	U020	5
AW100147	THERMISTOR:PRESSURE	U019_S001	19
AW100149	THERMISTOR:SLEEVE:FUSING	U019_S001	20

Number	Part Name	Group	ID
AW110110	THERMOSTAT	U019_S001	21
AW140016	TEMPERATURE & HUMIDITY SENSOR	U027	8
AW500023	PUSH SWITCH	U018	10
		U027	9
AX040272	DC STEPPER MOTOR:NMB	U005	13
AX060404	DC BRUSHLESS MOTOR:DRIVE SUB-UNIT:TRANSPORT:13.0W	U026	19
AX060405	DC BRUSHLESS MOTOR:DRIVE SUB-UNIT:FUSING:25.1W	U026_S001	20
AX060421	DC BRUSHLESS MOTOR:DRUM:BLACK:28.5W	U025_S001	9
AX060422	DC BRUSHLESS MOTOR:DRUM:COLLAR:21.6W	U025_S001_S001	10
AX060429	DC BRUSHLESS MOTOR:DEVELOPMENT:COLOR:36.1W	U025_S001	11
AX200326	ELECTROMAGNETIC CLUTCH:PAPER FEED ROLLER	U026	21
AX200327	ELECTROMAGNETIC CLUTCH:REGISTRATION	U026	22
AX200328	ELECTROMAGNETIC CLUTCH:DRIVE:MANUAL FEED	U010	11
		U026	23
AX200329	ELECTROMAGNETIC CLUTCH:DEVELOPMENT:0.5N:DIA6	U025_S001	12
AX310049	TOTAL COUNTER:7FIG:24V	U033	4
AZ320192	POWER PACK:T1T2	U029	6
AZ320203	POWER PACK:CB:GR-C1	U030	11
B0392730	PAPER END SENSOR	U008	18
B0442751	JOINT - PAPER FEED ROLLER	U007_S001	11
B0442756	SPRING - PAPER FEED ROLLER	U007_S001	12
B1329700	Lubricant Powder	Special Tools	4
B2232936	GEAR - 16Z	U007_S001	13
B2385875	DC SOLENOID DC24V	U016_S002	14
B6455010	SD Card	Special Tools	5
B6795100	Plug - IEEE1284 Type C	Special Tools	6
B7002649	TIMING BELT:40S2M144	U023	12
B7027105	TIMING BELT:B40S2M520:	U026	24
C4019503	20X Magnification Scope	Special Tools	7



## Exclusive Parts

Number	Part Name	Group	ID
D0095891	LEFT RAIL - FAX CONTROL UNIT	U031	2
D0095899	RIGHT RAIL - SMALL	U031	3
D0391087	LEVER:LOCK:REAR	U032	10
D0392752	DISC:SIDE FENCE	U009_S001	2
D1054168	LEVER:LOCK:PRESSURE	U019_S001	22
D1054303	ELECTRODE PLATE:FUSING:NEUTRAL	U019_S001	23
D1054365	HOLDER:THERMOPILE	U020	6
D1170121	PCDU:BK:SERVICE PARTS	U014_S001	3
D1170122	PCDU:C:SERVICE PARTS	U014	4
D1170123	PCDU:M:SERVICE PARTS	U014	5
D1170124	PCDU:Y:SERVICE PARTS	U014	6
D1171033	DUCT:LEFT:VACUUM	U027	10
D1171034	COVER:DUCT:LEFT:VACUUM	U027	11
D1171036	SEAL:COVER:LEFT	U027	12
D1171057	CASE:COIL SPRING:PLATE:PCU:FRONT	U032	11
D1171058	CASE:COIL SPRING:PLATE:PCU:REAR	U032	12
D1171059	SLIDER:COIL SPRING:PLATE:PCU:REAR	U032	13
D1171066	LEVER:LOCK:FRONT	U032	14
D1171068	COIL SPRING:PLATE:PCU	U032	15
D1171069	SLIDER:COIL SPRING:PLATE:PCU:FRONT	U032	16
D1171121	DC FAN MOTOR:AXIAL:MM92	U027	13
D1171124	COVER:FAN	U027	14
D1171125	SEAL:COVER:FAN	U027	15
D1171126	DUCT:OPTICAL WRITING MD	U027	16
D1171136	FAN:SIROCCO:DC24V:50MM	U027	17
D1171143	DUCT:REAR:BASE	U027	18
D1171151	DRIVE UNIT:DRUM:DEVELOPMENT:TRANSFER:ASS'Y	U025_S001	13
D1171152	DRIVE UNIT:DRUM:DEVELOPMENT:TRANSFER	U025_S001_S001	14
D1171178	SHAFT:DRIVE:DEVELOPMENT:ELECTROMAGNETIC CLUTCH	U025_S001	15
D1171183	COVER:ELECTROMAGNETIC CLUTCH	U025_S001	16

Number	Part Name	Group	ID
	TCH:DEVELOPMENT:DIA6		
D1171192	TERMINAL:DEVELOPMENT BIAS:ASS'Y	U025	17
D1171207	SHAFT:TIMING PULLEY:PAPER EXIT UNIT	U026	25
D1171220	FUSING DRIVE UNIT:ASS'Y	U026_S001	26
D1171232	HOLDER:TIMING PULLEY:PAPER EXIT UNIT	U026	27
D1171301	COVER:FRONT	U001	4
D1171302	HINGE:COVER:FRONT:RIGHT	U001	5
D1171303	HINGE:COVER:FRONT:LEFT	U001	6
D1171304	BRACKET:HINGE:RIGHT	U001	7
D1171305	BRACKET:HINGE:LEFT	U001	8
D1171306	PIN:HINGE	U001	9
D1171307	MAGNET CATCH:COVER:FRONT	U001	10
D1171308	COVER:FRONT LOWER	U001	11
D1171309	DECAL:COLOR:MFP	U001	12
D1171311	COVER:UPPER	U002	8
D1171321	COVER:RIGHT REAR	U002	9
D1171323	DEODORIZE FILTER	U002	10
D1171324	COVER:DEODORIZE FILTER	U002	11
D1171325	LOUVER:COVER:RIGHT REAR	U002	12
D1171326	LOUVER:DUCT	U002	13
D1171331	COVER:LEFT	U002	14
D1171332	BRACKET:KEY COUNTER HOLDER	U033	5
D1171351	COVER:SUPPORT:SCANNER	U002	15
D1171353	COVER:UPPER LEFT	U002	16
D1171361	INNER COVER:UPPER	U002	17
D1171371	BRACKET:CARD READER	U033	6
D1171372	BRACKET:CARD READER	U033	7
D1171434	PCB:VW:KEYMAIN:ASS'Y	U003_S001	3
D1171437	PCB:VW:KEYSUB:ASS'Y	U003_S001	4
D1171573	DECAL:FUNCTION:BLANK:MULTI-LANGUAGE	U034	12
D1171651	CARRIAGE:SCANNER:ASS'Y	U005_S001	14
D1171657	EXPOSURE GLASS UNIT:SCANNER:ASS'Y	U004	2

## Exclusive Parts

Number	Part Name	Group	ID
D1171752	RAIL:SCANNER	U005	15
D1171753	SLIDE RAIL	U005	16
D1171754	GUIDE ROD:SCANNER	U005	17
D1171801	BRACKET:MOTOR	U005	18
D1171804	CAP:TIMING PULLEY	U005	19
D1171805	GEAR:TIMING PULLEY:81-18	U005	20
D1171806	PULLEY:IDLER	U005	21
D1171807	BRACKET:IDLER:PEEN	U005	22
D1171810	SYNCHRONOUS BELT:S2M:441	U005	23
D1171820	BUSHING:BRACKET	U005	24
D1171826	GEAR:SLOW DOWN:53-19	U005	25
D1171837	COIL SPRING:TENSION	U005	26
D1171840	COVER:SCANNER:FRONT:ASS'Y	U004	3
D1171845	COVER:SCANNER:REAR	U004	4
D1171860	OPTICAL WRITING UNIT:ASS'Y	U006	3
		U006_S001	3
D1171990	STEPPED SCREW	U006	4
D1171991	SPRING LOCK WASHER:DIA6.4XDI A11X1.5	U006	5
D1172533	BASE:RISE:ASS'Y	U008_S002	27
D1172611	GUIDE PLATE:VERTICAL TRANSP ORT:LOWER	U011	2
D1172612	GUIDE PLATE:VERTICAL TRANSP ORT:UPPER	U011	3
D1172613	GUIDE:VERTICAL TRANSPORT	U011	4
D1172617	CASE:REMOVE PAPER DUST	U012	12
D1172618	GUIDE:REMOVE PAPER DUST	U012	13
D1172619	GUIDE PLATE:REGISTRATION RO LLER:DRIVEN	U012	14
D1172631	COLLAR:REGISTRATION	U012	15
D1172633	BUSHING:REGISTRATION ROLLE R:DRIVE	U012	16
D1172635	BRACKET:FRAME:REGISTRATION	U012	17
D1172636	HOLDER:REGISTRATION	U012	18
D1172637	COMPRESSION SPRING:ROLLER: TENSION	U012	19
D1172638	GUIDE PLATE:REGISTRATION RO LLER:DRIVE	U012	20

Number	Part Name	Group	ID
D1172639	GUIDE:REGISTRATION:DRIVE:FR ONT	U012	21
D1172640	GUIDE:REGISTRATION:DRIVE:INN ER BACK	U012	22
D1172655	BASE:LIFT MOTOR:PAPER FEED:F RONT	U008_S002	19
D1172656	CASE:RISING TRAY	U008_S002	20
D1172660	DC MOTOR:2.6W:BRUSH	U008_S002	21
D1172710	GUIDE PLATE:MANUAL FEED:LOW ER	U010	12
D1172711	FRICTION PAD:MANUAL FEED:AD HESION	U010	13
D1172714	COMPRESSION SPRING:SEPARAT ION:MANUAL FEED	U010	14
D1172717	SHAFT:PAPER FEED:MANUAL FEE D	U010_S001	15
D1172719	GEAR:PAPER FEED:MANUAL FEE D	U010	16
D1172720	TRAY BOTTOM PLATE:MANUAL F EED:ASS'Y	U010_S002	17
D1172721	TRAY BOTTOM PLATE:MANUAL F EED	U010_S002	18
D1172723	GUIDE:BASE:FRONT	U010_S002	19
D1172724	GUIDE:BASE:REAR	U010_S002	20
D1172725	COMPRESSION SPRING:PAPER F EED:MANUAL FEED	U010	21
D1172727	GUIDE PLATE:MANUAL FEED:MID DLE	U010	22
D1172728	SHEET:MANUAL FEED	U010	23
D1172729	TENSION SPRING:GUIDE PLATE:M ANUAL FEED	U010	24
D1172732	HOLDER:PAPER END SENSOR:MA NUAL FEED	U010	25
D1172733	FEELER:PAPER END SENSOR:MA NUAL FEED	U010	26
D1172734	TORSION SPRING:PAPER END SE NSOR:MANUAL FEED	U010	27
D1172735	SUPPORTING PLATE:MANUAL FE	U010	28

## Exclusive Parts

Number	Part Name	Group	ID
	ED		
D1172740	SHAFT:CAM:MANUAL FEED	U010	29
D1172741	CAM:MANUAL FEED:FRONT	U010	30
D1172742	CAM:MANUAL FEED:REAR	U010	31
D1172743	GEAR:CAM:MANUAL FEED	U010	32
D1172744	GEAR:CAM:IDLER:LOWER	U010	33
D1172745	GEAR:CAM:IDLER:STEPPED	U010	34
D1172746	GEAR:CAM:IDLER:UPPER	U010	35
D1172747	FEELER:CAM:MANUAL FEED	U010	36
D1172749	BRACKET:MANUAL FEED:REAR	U010	37
D1172751	BRACKET:MANUAL FEED:FRONT	U010	38
D1172752	SPRING PLATE:HOME POSITION S ENSOR:MANUAL FEED	U010	39
D1172756	FEELER:PAPER SIZE SENSOR:MA NUAL FEED	U010	40
D1172760	SUPPORTING PLATE:SMALL:MAN UAL FEED	U010	41
D1172761	LINK:MANUAL FEED TABLE	U009	3
D1172762	MANUAL FEED TABLE:ASS'Y	U009_S001	4
D1172766	SIDE FENCE:MANUAL FEED:FRON T	U009_S001	5
D1172767	SIDE FENCE:MANUAL FEED:REAR	U009_S001	6
D1172768	GEAR:SIDE FENCE	U009_S001	7
D1172769	RACK:MANUAL FEED	U009_S001	8
D1172770	COVER:MANUAL FEED TABLE	U009_S001	9
D1172771	EXTENSION TRAY:MANUAL FEED	U009_S001	10
D1172772	COMPRESSION SPRING:EXTENSI ON TRAY:MANUAL FEED	U009_S001	11
D1172773	COVER:MANUAL FEED TABLE:LO WER	U009_S001	12
D1172776	TORSION SPRING:COVER:MANUA L FEED TABLE	U009_S001	13
D1172778	COMPRESSION SPRING:RACK:MA NUAL FEED	U009_S001	14
D1172779	PIN:PINION GEAR	U009_S001	15
D1172781	COIL SPRING:PINION GEAR:MANU AL FEED	U009_S001	16
D1172782	GUIDE PLATE:MANUAL FEED TAB	U010_S002	42

Number	Part Name	Group	ID
	LE		
D1172784	LINK:COVER:FRONT REAR	U009_S001	17
D1172785	LINK:COVER:MIDDLE	U009_S001	18
D1172787	STOPPER:MANUAL FEED TABLE	U009	19
D1172792	DECAL:SCALE:MANUAL FEED	U009_S001	20
D1172800	PAPER TRAY:ASS'Y	U007_S001	14
D1172805	HOLDER:GRIP:PAPER TRAY	U007_S001	15
D1172806	GRIP:PAPER TRAY	U007_S001	16
D1172807	LEVER:RELEASE:PAPER TRAY	U007_S001	17
D1172808	STOPPER:GUIDE PLATE:BASE:RIS E	U007_S001	18
D1172809	TENSION SPRING:BASE:RISE	U007_S001	19
D1172813	STOPPER:PAPER TRAY	U032	17
D1172814	PRESSURE PLATE:BASE:RISE	U007_S001	20
D1172815	SPRING PLATE:SIDE FENCE:FRO NT	U007_S001_S001	21
D1172816	SHAFT:BASE:RISE	U007_S001	22
D1172817	LEVER:BASE:RISE	U007_S001	23
D1172819	RACK:BASE:RISE	U007_S001	24
D1172820	PINION:BASE:RISE	U007_S001	25
D1172822	BRACKET:PINION:BASE:RISE	U007_S001	26
D1172823	PAD:SIDE FENCE	U007_S001_S001	27
		U007_S001_S002	27
D1172825	SIDE FENCE:FRONT:ASS'Y	U007_S001_S001	28
D1172826	COMPRESSION SPRING:SIDE FEN CE:PLATE	U007_S001_S001	29
D1172828	COMPRESSION SPRING:BASE:RIS E:AUXILIARY	U007_S001	30
D1172829	COVER:PRESSURE PLATE:BASE: RISE	U007_S001	31
D1172830	LEVER:STOPPER:FRONT	U007_S001_S001	32
D1172834	PLATE:SIDE FENCE	U007_S001_S001	33
D1172836	SIDE FENCE:REAR:ASS'Y	U007_S001_S002	34
D1172838	END FENCE	U007_S001	35
D1172839	LEVER:UN LOCK:END FENCE	U007_S001	36
D1172840	COVER:END FENCE	U007_S001	37
D1172843	DECAL:PAPER SET DIRECTION:T RAY:LEFT	U007_S001	38

## Exclusive Parts

Number	Part Name	Group	ID
D1172844	DECAL:SIDE FENCE:REAR	U007_S001_S002	39
D1172845	BASE:TRAY:ASS'Y	U007_S001_S003	40
D1172846	RETAINING RINGS-E:SILENCER:DI A3	U007_S001	41
D1172848	COVER:PAPER TRAY	U007_S001	42
D1172849	BRACKET:PIN:STRETCH:TRAY	U007_S001	43
D1172851	PAPER FEED ROLLER:PAPER TRA Y	U007_S001	44
D1172852	SHAFT:PAPER FEED ROLLER:ASS 'Y	U007_S001	45
D1172856	ROLLER:PAPER TRAY:RIGHT	U007_S001	46
D1172858	ROLLER:PAPER TRAY:LEFT	U007_S001	47
D1172866	ROLLER:RAIL:RIGHT	U032	18
D1172870	PAPER FEED ROLLER:AUXILIARY	U007_S001	48
D1172872	FRICTION PAD:ASS'Y	U007_S001	49
D1172877	DECAL:PAPER TRAY:SIZE INDICA TION	U034	6
D1172881	TENSION SPRING:GRIP:RIGHT	U007_S001	50
D1172882	TENSION SPRING:GRIP:LEFT	U007_S001	51
D1172884	PLATE:ROLLER:PAPER TRAY:RIG HT	U007_S001	52
D1172886	PLATE:ROLLER:PAPER TRAY:LEF T	U007_S001	53
D1172888	JOINT:BASE:RISE	U008_S002	22
D1172894	SHAFT:PINION:BASE:RISE	U007_S001	54
D1172896	SHEET:PLATE:FRICTION PAD	U007_S001	55
D1172897	BRACKET:LEFT:ROLLER:ASS'Y	U032	19
D1172899	LEVER:STRETCH:TRAY:UNI:ASS'Y	U008_S001	23
D1172901	BRACKET:STRETCH:TRAY	U008	24
D1173301	HOUSING:TONER SUPPLY:ASS'Y	U013_S001	7
D1173302	TONER HOPPER:TONER SUPPLY: BK:ASS'Y	U013	8
D1173303	TONER HOPPER:TONER SUPPLY: COL:ASS'Y	U013	9
D1173304	DRIVE UNIT:TONER SUPPLY:ASS' Y	U013_S002	10
		U013_S003	10
		U013_S004	10
		U013_S005	10

Number	Part Name	Group	ID
D1173400	DC MOTOR:TONER SUPPLY:5.3W: BRUSH	U013_S002	11
		U013_S003	11
		U013_S004	11
		U013_S005	11
D1173401	COLLAR:DRIVE:BRACKET	U013_S002	12
		U013_S003	12
		U013_S004	12
		U013_S005	12
D1173402	GEAR:IDLER:DC MOTOR	U013_S002	13
		U013_S003	13
		U013_S004	13
		U013_S005	13
D1173403	GEAR:IDLER:TONER BOTTLE	U013_S002	14
		U013_S003	14
		U013_S004	14
		U013_S005	14
D1173404	SHAFT:DRIVE:AGITATOR	U013_S002	15
		U013_S003	15
		U013_S004	15
		U013_S005	15
D1173405	COMPRESSION SPRING:GEAR:TO NER BOTTLE	U013_S002	16
		U013_S003	16
		U013_S004	16
		U013_S005	16
D1173407	GEAR:IDLER:TONER HOPPER:30	U013_S002	17
		U013_S003	17
		U013_S004	17
		U013_S005	17
D1173410	DECAL:COLORED DISPLAY:INNER COVER:K	U032	20
D1173411	DECAL:COLORED DISPLAY:INNER COVER:C	U032	21
D1173412	DECAL:COLORED DISPLAY:INNER COVER:M	U032	22
D1173413	DECAL:COLORED DISPLAY:INNER COVER:Y	U032	23
D1174022	FUSING UNIT:EU:SERVICE:ASS'Y	U019_S001	24
D1174050	SLEEVE:FUSING:EU/AP:ASS'Y	U019_S001	25

## Exclusive Parts

Number	Part Name	Group	ID
D1174124	DISCHARGE BRUSH:PRESSURE ROLLER	U019_S001	26
D1174153	LEVER:PRESSURE RELEASE:FRONT:ASS'Y	U019_S001	27
D1174155	LEVER:PRESSURE:FRONT	U019_S001	28
D1174163	LEVER:PRESSURE RELEASE:REAR:ASS'Y	U019_S001	29
D1174165	LEVER:PRESSURE:REAR	U019_S001	30
D1174174	TERMINAL:HEATER:REAR	U019_S001	31
D1174177	HOUSING:THERMOSTAT	U019_S001	32
D1174199	BRACKET:THERMISTOR:SLEEVE:EU	U019_S001	33
D1174231	STRIPPER PLATE:COAT	U019_S001	34
D1174235	GUIDE PLATE:FUSING EXIT	U019_S001	35
D1174236	SHEET:C:LEVER	U019_S001	36
D1174238	GUIDE:FUSING EXIT:ETFE	U019_S001	37
D1174241	FUSING ENTRANCE GUIDE PLATE	U019_S001	38
D1174251	FUSING COVER:LOWER	U019_S001	39
D1174261	FUSING COVER:UPPER:ASS'Y	U019_S001_S001	40
D1174263	DECAL:H-TEMP WARNING:FUSING	U019_S001_S001	41
<b>D1174332</b>	<b>BRACKET:THERMOPILE</b>	<b>U020</b>	<b>7</b>
D1174451	GUIDE PLATE:EXIT:LOWER	U021	5
D1174452	GATE PAWL:REVERSE	U021	6
D1174454	EXIT ROLLER	U021	7
D1174455	GEAR:EXIT	U021	8
D1174457	BRACKET:ROLLER:EXIT	U021	9
D1174465	COLLAR:GEAR:EXIT	U021	10
D1174473	BRACKET:GEAR:EXIT	U022	8
D1174474	GEAR:IDLER:LARGE:EXIT	U022	9
D1174475	LEVER:CHANGE:EXIT	U022	10
D1174476	TENSION SPRING:CHANGE:EXIT	U022	11
D1174477	BRACKET:IDLER:EXIT	U022	12
D1174478	LINK:CHANGE:EXIT	U022	13
D1174479	BRACKET:DC SOLENOID:CHANGE	U022	14
D1174480	HOLDER:LINK:EXIT	U022	15
D1174481	SHAFT:COUPLING:EXIT	U022	16
D1174483	LEVER:GATE PAWL:EXIT	U022	17

Number	Part Name	Group	ID
D1174484	LINK:GATE PAWL:EXIT	U022	18
D1174485	BRACKET:DC SOLENOID:GATE PAWL	U022	19
D1174489	DISCHARGE BRUSH:EXIT	U021	11
D1174492	ROLLER:EXIT	U021	12
D1174495	EXTENSION TRAY:EXIT	U002	18
D1174496	END FENCE:EXIT	U002	19
D1174498	STOPPER:END FENCE:EXIT	U002	20
D1174499	COMPRESSION SPRING:END FENCE:EXIT	U002	21
D1174501	PIN:HOOK:FRAME:DUPLEX:ASS'Y	U032	24
D1174514	SHAFT:STOPPER:COVER:RIGHT	U023	13
D1174515	GROUND WIRE:DUPLEX	U023	14
D1174600	COVER:RIGHT:DUPLEX	U023	15
D1174602	BAND:STOPPER:COVER:RIGHT	U024	2
D1174607	PLATE:BAND:STOPPER	U024	3
D1174608	LEVER:FUSING:RELEASE:FRONT	U023	16
D1174609	LEVER:FUSING:RELEASE:INNER BACK	U023	17
D1174611	SHAFT:HINGE:DUPLEX	U023	18
D1174612	BASE:HINGE:REAR	U023	19
D1174613	BASE:HINGE:FRONT	U023	20
D1174614	COVER:HARNESS:DUPLEX	U023	21
D1174615	SPRING PLATE:EARTH:DUPLEX	U023	22
D1174616	TENSION SPRING:STOPPER:DOOR:RIGHT:FRONT	U023	23
D1174617	COLLAR:STOPPER:COVER:RIGHT	U023	24
D1174633	SHAFT:HOOK:FRAME:DUPLEX	U023	25
D1174634	HOOK:FRAME:DUPLEX:FRONT	U023	26
D1174635	TORSION SPRING:HOOK:FRAME:DUPLEX	U023	27
D1174637	HOOK:FRAME:DUPLEX:REAR	U023	28
D1174641	BRACKET:PLATE:TRANSFER:ASS'Y	U023	29
D1174645	BRACKET:PLATE:TRANSFER:INNER BACK:ASS'Y	U023	30
D1174651	GEAR:TRANSPORT ROLLER:DUPLICATE:Z14	U023	31

## Exclusive Parts

Number	Part Name	Group	ID
D1174652	SHAFT:GEAR:SWING UNIT:Z14:AS S'Y	U023	32
D1174664	SHAFT:PULLEY:COUPLING:FRAM E:ASS'Y	U023	33
D1174671	TRANSPORT ROLLER:DUPLEX	U023	34
D1174676	SHAFT:ROLLER:DRIVEN:DUPLEX	U023	35
D1174677	ROLLER:DRIVEN:DUPLEX	U023	36
D1174678	PULLEY:IDLER	U023	37
D1174679	PULLEY:DRIVE ROLLER	U023	38
D1174682	SHAFT:HOOK:STOPPER	U023	39
D1174686	KNOB:COVER:RIGHT:DUPLEX	U023	40
D1174690	GUIDE PLATE:REVERSE:ENTRAN CE:LOWER	U023	41
D1174691	GUIDE PLATE:REVERSE:EXIT:LO WER	U023	42
D1174693	GUIDE PLATE:REVERSE:EXIT:UPP ER	U023	43
D1174697	GUIDE PLATE:MIDDLE	U023	44
D1174698	GUIDE PLATE:REVERSE:ENTRAN CE:UPPER	U023	45
D1174699	SHAFT:GUIDE PLATE:REVERSE:E NTRANCE:UPPER	U023	46
D1174700	FEELER:ENTRANCE SENSOR:REV ERSE:DUPLEX	U023	47
D1174702	COMPRESSION SPRING:GUIDE PL ATE:REVERSE:ENTRANCE	U023	48
D1174705	BRACKET:GEAR:SWIVEL:ASS'Y	U023	49
D1174706	GEAR:IDLER:SWIVEL:COUPLING	U023	50
D1174708	TENSION SPRING:GEAR:SWING U NIT	U023	51
D1174709	COMPRESSION SPRING:ROLLER: DRIVEN:DUPLEX	U023	52
D1174712	HOLDER:BELT:COUPLING	U023	53
D1174713	SHAFT:PULLEY:WIRE	U024	4
D1174714	BAND:HOOK:DUPLEX:COUPLING	U023	54
D1174716	TORSION SPRING:FEELER:ENTRA NCE SENSOR	U023	55
D1174717	COVER:ENTRANCE SENSOR	U023	56

Number	Part Name	Group	ID
D1174718	SHEET:COVER:RIGHT FRONT	U023	57
D1174719	TUBE:STOPPER	U023	58
D1174720	SHAFT:PULLEY:IDLER:COUPLING: ASS'Y	U023	59
D1174724	GEAR:IDLER:TIMING PULLEY:DUP LEX	U023	60
D1174727	COVER:CONNECTOR:DUPLEX SE CTION:CONNECTING	U024	5
D1174731	PULLEY:WIRE:DAMPER	U024	6
D1174732	TORSION SPRING:DOOR:RIGHT:S TOPPER	U024	7
D1174733	COLLAR:STOPPER:SIDE PLATE	U024	8
D1174734	BRACKET:STOPPER:SIDE PLATE: ASS'Y	U024	9
D1174737	WIRE:STOPPER:DIA1.2:ASS'Y	U023	61
D1174792	PLATE:MANUAL FEED:FRONT	U023	62
D1174794	PLATE:MANUAL FEED:INNER BAC K	U023	63
D1175080	POWER SUPPLY UNIT:200V:280W	U030	6
D1175097	HEATER:EU:ASS'Y	U033	8
D1175160	PCB:BRB	U013	18
D1175190	PCB:ACVB:200V	U029	7
D1175303	THERMISTOR	U027	19
D1175854	COVER:REAR	U002	22
D1175864	GUIDE:HARNESS:FFC:OPTICAL W RITING UNIT	U030	7
D1175867	GUIDE:HARNESS:POWER SUPPLY UNIT	U030	8
D1175869	WIRE:HIGH VOLTAGE:TRANSFER: BK	U027	20
D1175870	WIRE:HIGH VOLTAGE:TRANSFER: C	U027	21
D1175871	WIRE:HIGH VOLTAGE:TRANSFER: M	U027	22
D1175872	WIRE:HIGH VOLTAGE:TRANSFER: Y	U027	23
D1175873	WIRE:HIGH VOLTAGE:TRANSFER: SECOND	U027	24

## Exclusive Parts

Number	Part Name	Group	ID
D1175874	WIRE:HIGH VOLTAGE:DEVELOPMENT:BK	U027	25
D1175875	WIRE:HIGH VOLTAGE:DEVELOPMENT:C	U027	26
D1175876	WIRE:HIGH VOLTAGE:DEVELOPMENT:M	U027	27
D1175877	WIRE:HIGH VOLTAGE:DEVELOPMENT:Y	U027	28
D1175878	WIRE:HIGH VOLTAGE:CHARGE:BK	U027	29
D1175879	WIRE:HIGH VOLTAGE:CHARGE:C	U027	30
D1175880	WIRE:HIGH VOLTAGE:CHARGE:M	U027	31
D1175881	WIRE:HIGH VOLTAGE:CHARGE:Y	U027	32
D1175882	WIRE:HIGH VOLTAGE:DEVELOPMENT:BK:CONNECTING	U030	9
D1175883	WIRE:HIGH VOLTAGE:DEVELOPMENT:C:CONNECTING	U030	10
D1175886	DUCT:POWER SUPPLY UNIT:ENTRANCE	U029	8
D1175887	DUCT:POWER SUPPLY UNIT:EXHAUST	U027	33
D1175890	GRIP:RIGHT REAR	U029	9
D1175891	GRIP:LEFT REAR	U029	10
D1175892	BRACKET:SWIVEL:SAFETY SWITCH	U002	23
D1175893	LEVER:RIGHT:SAFETY SWITCH	U002	24
D1175894	LEVER:FRONT:SAFETY SWITCH	U002	25
D1175895	TORSION SPRING:SAFETY SWITCH	U002	26
D1175899	TERMINAL:CHARGE	U027	34
D1175901	TORSION SPRING:LEVER:RIGHT:SAFETY SWITCH	U002	27
D1175902	COLLAR:SHAFT:SAFETY SWITCH	U002	28
D1175903	INNER COVER:SAFETY SWITCH	U002	29
D1175904	BRACKET:DRAWER:FUSING	U027	35
D1175905	GUIDE:WIRE:HIGH VOLTAGE:TRANSFER:SECOND	U027	36
D1175908	BRACKET:DRAWER:OPTION TRAY	U027	37
D1175912	BRACKET:SWITCH:HEATER	U027	38

Number	Part Name	Group	ID
D1175915	GUIDE:WIRE:HIGH VOLTAGE:CHARGE	U027	39
D1175916	STEPPED SCREW:M3X8:SECOND KIND	U027	40
D1175924	STOPPER:WIRE:HIGH VOLTAGE:TRANSFER	U027	41
D1175925	GUIDE:HARNESS:PAPER FEED DRIVE	U027	42
D1175927	ACTUATOR:FRONT:SAFETY SWITCH	U001	13
D1175930	COVER:HARNESS:PCU:FRONT	U027	43
D1175945	SPACER:FFC	U027	44
D1176002	TRANSFER UNIT:INTERMEDIATE TRANSFER:ASS'Y	U015_S001	9
D1176135	CAM:ON-OFF:BK	U016	15
D1176136	SHAFT:CAM:ON-OFF:BK	U016	16
D1176137	LEVER:ON-OFF:BK:INTERMEDIATE TRANSFER	U016	17
D1176138	PRESSURE PLATE:INTERMEDIATE TRANSFER	U016	18
D1176181	LEVER:SUPPORT:SHUTTER	U016	19
D1176185	LEVER:OPEN AND CLOSE:SHUTTER	U001	14
D1176201	TRANSFER/SEPARATION UNIT:SENDER:COND:ASS'Y	U017	11
D1176241	DRIVE UNIT:ON-OFF:TRANSFER ROLLER:ASS'Y	U016_S001	20
D1176245	DENSITY SENSOR:TM/P:ASS'Y	U016_S002	21
D1176301	BASE:PRESSURE:TRANSFER ROLLER	U017	12
D1176304	SPACER:LEVER:PRESSURE	U017	13
D1176305	LEVER:PRESSURE:TRANSFER ROLLER:FRONT	U017	14
D1176306	LEVER:PRESSURE:TRANSFER ROLLER:REAR	U017	15
D1176312	HOLDER:DISCHARGE:TRANSPORT SUB-UNIT	U017	16
D1176315	CASING:TRANSFER ROLLER:FRONT	U017	17

## Exclusive Parts

Number	Part Name	Group	ID
	NT		
D1176316	CASING:TRANSFER ROLLER:REAR	U017	18
D1176317	STAY:CASING:TRANSFER ROLLER	U017	19
D1176318	PRESSURE PLATE:HOLDER:TRANSFER ROLLER:FRONT	U017	20
D1176319	PRESSURE PLATE:HOLDER:TRANSFER ROLLER:REAR	U017	21
D1176320	TERMINAL:BIAS:SEPARATION	U017	22
D1176322	COVER:PRESSURE PLATE:ENTRANCE	U017	23
D1176327	LEVER:GROUND PLATE	U017	24
D1176350	DC MOTOR:ON-OFF:FIRST:ASS'Y:5.3W:BRUSH	U016_S001	22
D1176362	COVER:BRACKET:DRIVE:ON-OFF	U016_S001	23
D1176363	GEAR:ON-OFF:FIRST	U016_S001	24
D1176364	GEAR:ON-OFF:FIRST:NO.1	U016_S001	25
D1176365	GEAR:ON-OFF:FIRST:NO.2	U016_S001	26
D1176366	GEAR:ON-OFF:FIRST:NO.3	U016_S001	27
D1176367	GEAR:ON-OFF:SECOND	U016_S001	28
D1176368	GEAR:ON-OFF:SECOND:NO.1	U016_S001	29
D1176369	GEAR:ON-OFF:SECOND:NO.2	U016_S001	30
D1176370	GEAR:ON-OFF:SECOND:NO.3	U016_S001	31
D1176375	BRACKET:FEELER:ON-OFF	U016	32
D1176376	FEELER:ON-OFF:FIRST	U016	33
D1176386	HOOK:SHUTTER:DENSITY SENSOR	U016_S002	34
D1176390	SHUTTER:DENSITY SENSOR	U016_S002	35
D1176391	GUIDE PLATE:RELAY	U016_S002	36
D1176392	SPACER:SHUTTER:SENSOR:TM	U016_S002	37
D1176395	DENSITY SENSOR	U016_S002	38
D1176401	COLLECTION BOTTLE:ASS'Y	U018	11
<b>D1176585</b>	<b>BRACKET:COLLECTION BOTTLE:RIGHT:PRESS FIT</b>	<b>U018</b>	<b>14</b>
D1176588	BRACKET:COLLECTION BOTTLE:LEFT	U018	12
D1176590	COVER:GEAR:USED TONER	U018	13

Number	Part Name	Group	ID
D1176801	DECAL:MODEL NAME PLATE:RIC:EXP	U004	5
D1176805	DECAL:MODEL NAME PLATE:NRG	U034	7
D1176809	DECAL:MODEL NAME PLATE:INF	U034	8
D1176893	DECAL:TONER BOTTLE:INSTALL:COVER:UPPER	U034	9
D1176894	DECAL:TONER BOTTLE:INSTALL:COVER:LEFT	U034	10
D1176895	DECAL:TONER BOTTLE:INSTALL:COVER:FRONT	U034	11
D1179590	NV-RAM	U031	4
D1181512	KEYTOP:START	U003_S001	5
D1181513	KEYTOP:STOP	U003_S001	6
D1181514	KEYTOP:RESET SWITCH	U003_S001	7
D1181517	KEYTOP:HOME	U003_S001	8
D1181518	KEYTOP:STATUS	U003_S001	9
D1181519	KEYTOP:RIGHT	U003_S001	10
D1181520	COVER:BLANK	U003_S001	11
D1181521	LENS:FRONT	U003_S001	12
D1181522	COVER:INNER	U003_S001	13
D1181523	COVER:REAR	U003_S001	14
D1181524	COVER:HINGE	U003_S001	15
D1181525	SHADEING PLATE	U003_S001	16
D1181526	BRACKET:LCDC:ASS'Y	U003_S001	17
D1181528	BRACKET:REAR	U003_S001	18
D1181529	HINGE:RIGHT:ASS'Y	U003_S001	19
D1181530	HINGE:LEFT:ASS'Y	U003_S001	20
D1181535	CUSHION:CORE	U003_S001	21
D1181537	SPACER:LCD:A	U003_S001	22
D1181539	SPACER:LCD:C	U003_S001	23
D1181552	COVER:FRONT:GRF8.5:EU	U003_S001	24
D1181563	KEYTOP:10KEY:1:EU	U003_S001	25
D1181564	KEYTOP:10KEY:2:EU	U003_S001	26
D1291421	TOUCH PANEL:WVGA:MV	U003_S001	27
D1291423	LCD:TFT:WVGA:LED:SH	U003_S001	28
D1441085	STEPPED SCREW:M3	U019_S001	42
D1681351	COVER:UPPER FRONT:VW	U002	30
D1681352	COVER:UPPER RIGHT:FRONT:VW	U002	31



## Exclusive Parts

Number	Part Name	Group	ID
D1681353	COVER:UPPER RIGHT:REAR:VW	U002	32
D1681412	OPERATION PANEL:VW:EU:ASS'Y	U003_S001	29
D1681442	PCB:LCDC:EU:FT	U003_S001	30
D1685113	PCB:BICU:VW:ASS'Y	U028	3
D1685401	PCB:CTL:VW:EXP:ASS'Y	U031	5
G0205626	PUSH SWITCH	U008	25
G0219350	Loop-back Connector Parallel	Special Tools	8
G1634453	GUIDE PLATE:REVERSE:UPPER	U021	13
G1634459	STOPPER:EXIT:EXIT	U021	14
G1634460	ROLLER:DRIVEN:EXIT	U021	15
G1634461	SPRING:PRESSURE:EXIT:OUTER	U021	16
G1634463	GUIDE:PLATE:EXIT	U021	17
G1634465	ROLLER:DRIVEN:DUPLEX:INNER	U021	18
G1634466	ROLLER:DRIVEN:EXIT	U021	19
G1634467	ROLLER:DRIVEN:DUPLEX	U021	20
G1634468	SPRING:PRESSURE:EXIT:INNER	U021	21
G1634469	SPRING:PRESSURE:DUPLEX	U021	22
G1634478	GEAR:CHANGE:EXIT	U022	20
G1634479	GEAR:IDLER:EXIT	U022	21
G1634484	SPRING:CHANGE:EXIT	U022	22
G1634492	DC SOLENOID:PRESS FIT	U022	23
G1634499	HOLDER:LINK:EXIT	U022	24
G1666057	PLAIN SHAFT BEARING:ROLLER:BLADE	U016	39
GA082010	BUSHING:DIA6:DIA10:9	U023	64
GA082014	PLAIN SHAFT BEARING:DIA6:DIA10:9	U021	23
GA082015	PLAIN SHAFT BEARING:DIA6:DIA9:7	U023	65
GW010007	PHOTO REFLECTION SENSOR:EXIT	U021	24
GX640021	FAN MOTOR DC24V 1.92W	U027	45
GX645734	FAN MOTOR:MM80 DC24V 3.12W	U029	11
H3103640	SPACER	U017	25
M0261265	CAP:TOTAL COUNTER	U002	33
M0261718	DECAL:SCALE:LEFT:EU	U004	6
M0262993	DECAL:SIDE FENCE:MANUAL FEED	U009_S001	21

Number	Part Name	Group	ID
M0266885	DECAL:MAIN SWITCH:ON-STANDBY:EU	U002	34
M0266890	DECAL:CAUTION:ORIGINAL:ENGLISH	U004	7
M0525391	PCB:MEMORY:512MB	U031	6
M0662743	FRICTION PAD:MANUAL FEED TABLE:18X7.5	U009_S001	22
M1011301	PLATE:LOGO:RIC	U001	15

## Standard Parts



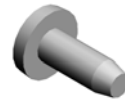
03125040N  
SCREW - M2.5X4



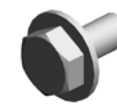
03530030N  
SCREW:M3X3



03530040N  
SCREW - M3X4



03530060N  
BIND SCREW - M3X6



03603006N  
SCREW - M3X6



03603014N  
SCREW - M3X14



04503008N  
TAPPING SCREW - M3X8



04503010N  
TAPPING SCREW - M3X10



04503012N  
TAPPING SCREW:3X12



04503014N  
TAPPING SCREW:M3X14



04503025N  
TAPPING SCREW:3X25



04503035N  
TAPPING SCREW:3X35



04504008N  
TAPPING SCREW - M4X8



04513006N  
TAPPING SCREW - 3X6



04513008N  
TAPPING SCREW - M3X8



04523008N  
TAPPING SCREW - M3X8



04523010N  
BINDING SELF-TAPPING SCREW:3X10



04543006Q  
TAPPING SCREW - M3X6



04543008N  
TAPPING SCREW:ROUND POINT:3X8



04543008Q  
TAPPING SCREW:3X8



04583008N  
HEXAGON HEAD TAPPING SCREW:3X8



04583010N  
HEXAGON HEAD TAPPING SCREW:3X10



04593008N  
BINDING HEAD TAPPING SCREW:3X8



04593010N  
BINDING HEAD TAPPING SCREW:3X10



06220120E  
SPRING PIN - 2X12MM



07073050N  
BUSHING:DIA3X5



07200025E  
RETAINING RING - M2.5



07200030E  
RETAINING RING - M3

## Standard Parts



07200040E  
RETAINING RING - M4



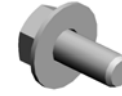
07200060E  
RETAINING RING - M6



07330406  
BUSHING - 4X6



08010231  
HEXAGONAL HEAD BOLT W/  
WASHER:M3X6



08046123  
HEXAGONAL BOLT:W/WASH  
ER:M3X8



08046128  
HEXAGONAL BOLT:DOUBLE  
SCREW:M3X10



08050089  
RETAINING RING - M4



08050092  
RETAINING RING - 3M



09544012N  
SCREW:POLISHED ROUND/  
SPRING:M4X12



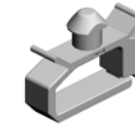
09573010N  
SCREW:SMALL ROUND/SPRI  
NG:M3X10



11050508  
HARNESS CLAMP - LWS-071  
1



11050511  
HARNESS CLAMP - LWS-030  
6ZC



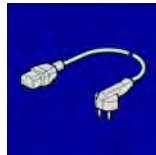
11050516  
CLAMP



11050542  
HARNESS CLAMP - MSBS-12  
07



11050692  
CLAMP:LES-0503



11500377  
POWER SUPPLY CODE:250V  
:10A:EU



12042570  
ROCKER SWITCH:SDDJE132  
00



12042612  
MICRO SWITCH:D3V-16506-3  
C25



12042909  
ROCKER SWITCH:A8GS-T11  
85KR



14077667  
EEPROM:BR24T128-W

## PM Part List

Number	Part Name	Num	Group	ID
AF031092	PAPER FEED ROLLER:MANUAL FEED	1	U010	9
D1170121	PCDU:BK:SERVICE PARTS	1	U014_S001	3
D1172851	PAPER FEED ROLLER:PAPE R TRAY	1	U007_S001	44
D1172872	FRICTION PAD:ASS'Y	1	U007_S001	49
D1176002	TRANSFER UNIT:INTERMEDIATE TRANSFER:ASS'Y	1	U015_S001	9
D1176401	COLLECTION BOTTLE:ASS'Y	1	U018	11

## Design Change List

Number	Title	Set	Old Part		New Part		Index No.		Q'ty	Interchg		Reason	Cut-in S/N
			P/N	Name	P/N	Name	Group	ID		Indiv.	Set		
201904-01	1904 Modification	-			D1174332	BRACKET:THERMOPILE	U020	7	1				D16827:
201904-02	1904 Modification	-			D1176585	BRACKET:COLLECTION BOTTLE:RIGHT:PRESS FIT	U018	14	1				D16827:
201401-05	1401 Modification	-	AZ320191	POWER PACK:CB	AZ320203	POWER PACK:CB:GR-C1	U030	11	1	O/O			D16827:
201308-01	1308 Modification	-			D1172533	BASE:RISE:ASS'Y	U008_S002	27	1				D16827:
201309-01	1309 Modification	-	AB017781	GEAR:RISING TRAY:1	AB017899	GEAR:RISING TRAY:1	U008_S002	26	1	X/O			D16827:

