



8420, VSB, 8220 Boom

Operator's & Parts Manual



4-1-18 05-08R4

Printed In The USA — Specifications & Design Subject To Change Without Notice!



A Message To The Owner And Operator

This equipment was carefully designed and manufactured to give you dependable service. To insure efficient operation of this equipment, please read this operator's manual carefully. Check each item and acquaint yourself with the adjustments required to maintain optimum performance and operation. Now, we have included a heavy duty HCS-500 great for brush and high clearance acreage. **Remember, this equipment's performance depends on how you operate and care for it!**

At the end of each season, thoroughly clean and inspect your equipment. Preventive maintenance saves time and pays dividends. Your nearest Wylie Spray Center has original equipment parts which assure proper fit and best performance. Record your equipment's model and serial numbers and the date you purchased this equipment in the space below. Have this information available when you order parts or attachments.

Model Number: _____

Serial Number: _____

Date Purchased: _____

Limited Warranty

This is a limited warranty. It covers products manufactured by WYLIE Mfg. Co. The Warrantor is **WYLIE Mfg. Co., 702 E. 40th St., Lubbock, TX 79404 USA**. The duration of the warranty for WYLIE manufactured equipment and products (excluding polyethylene tanks) is for **one year from date of delivery to the carrier**. The Warrantor warrants to the Buyer that the product(s) sold hereunder are free from defects to material and workmanship, under normal use and service, in the hands of the original buyer.

If goods are defective, the defective goods will be replaced with identical goods. If identical goods are not available, the Buyer may elect to receive a refund of the purchase price for the defective goods, or the Buyer may order similar goods. **The damage for defective goods shall not exceed the purchase price of the defective goods. No allowance shall be made for labor or expense or repairing goods without prior approval in writing by the Warrantor.** The Buyer's remedy under this warranty does not include incidental or consequential damages.

For products not manufactured by the Warrantor, the Warrantor warrants these products to the extent of the warranties of their respective manufactures. **There are no warranties which extend beyond this limited warranty, including the implied warranty of merchantability.** Dealers or representatives shall not make any representation in regard to particular goods except as authorized by the Warrantor through a written warranty accompanying those particular goods.

Disclaimer of Warranty

WYLIE Mfg. Co., and its divisions, "Wylie Spray Centers," in each location, requires as a condition of sale and coverage by its LIMITED WARRANTY that all equipment sold by it be used in accordance with the instructions and specifications of the Warrantor. This requirement is in addition to the LIMITED WARRANTY.

Polyethylene and fiberglass tanks – These tanks are warranted for the storage and transport of water, herbicide solutions (on farm), liquid fertilizer and liquid feed. Such tanks should not be used for the storage of any bulk herbicide (undiluted). Any such use will render this warranty void.

In addition, the Warrantor makes no warranty with regard to bulkhead tank fittings used in connection with tanks containing bulk herbicides and the use of any such fittings sold by the Warrantor or any WYLIE dealer in connection with tanks containing bulk herbicides is improper.

Chemical Incompatibility – The Warrantor does not make any recommendations or warranties regarding chemical compatibility. WYLIE shall not be liable for any damages due to chemical incompatibility, and any Buyer or user should rely solely on written information furnished by the chemical manufacturer regarding chemical compatibility.

No employee of WYLIE Mfg. Co., or its representatives, agents or dealers, is authorized to vary the terms of this limited warranty.



Wylie Manufacturing Company
 702 E. 40th St.
 Lubbock, TX 79404
 Ph. 888-788-7753

8420, VSB, 8220 Boom

Date of Purchase		
Model Number	Type of Applicator: <input type="checkbox"/> Row Crop <input type="checkbox"/> Cotton <input type="checkbox"/> Small Grain <input type="checkbox"/> Pasture <input type="checkbox"/> Other	
Tank Serial Number		
Trailer Serial Number		
Boom Serial Number		
Pump Model		
Wylie Invoice Number		
Owner's Name		
Address		
City	State	Zip
Phone		
Email		
Dealer		

 Owner's Signature

Must be returned within 10 days to validate the warranty.

-- Or Register Online --
 Go to: www.wyliesprayers.com



Table Of Contents

Safety Issues	2-3
Safety Decals & Placement	4-6
Introduction	7
Inspection & Setup	8-11
Sprayer Operation	12-15
Maintenance	16
Boom Adjustment	17
Trailer Adjustment.....	18
Troubleshooting Guidelines.....	19-20
Lubrication	21
Repair Parts.....	23-50
8420 Boom Center Section	24
8420 Boom Primary/Secondary Section	25
Vari-Space Boom (VSB).....	26
8220 Boom	27
Parallel Linkage; Boom Plumbing	28
EP-1000 Trailer	29
HCS Trailer.....	30
LCS Tandem Trailer.....	31 - 32
LCS Single Trailer	33
3 Point Carrier Frame.....	34
3 Point Centrifugal Pump Plumbing	35
EP-1000/HCS Pump Plumbing	36
EP-1000/HCS Tandem Plumbing.....	37
Mix-n-Fill Assembly; Fresh Water.....	38 - 39
Boom Buster; Hose & Gun.....	40
Roller Pump & Hypro Control Plumbing	41
Raven 450 Automatic Controller.....	42
Remcor 2551 Control Panel (Ball Valves).....	43
Remcor 2040 Control (Solenoids).....	44
Raven Boom Valve.....	45
Remcor 1999A Solenoid.....	46
Hypro Valve Parts/ Brass Gear Pump Parts.....	47
Hypro Roller Pump Parts.....	48
Ace 206 Pump Parts	49
#43 Gunjet Repair Parts.....	50



Be alert when you see the above symbol in the manual. It warns of a hazard which might lead to injury. It means: *Attention! Become alert! Your safety is Involved!*

Three (3) words (Danger, Warning, and Caution) are associated with this symbol.

DANGER – Indicates a hazardous situation, which, if not avoided, will result in death or serious injury. This signal word is to be limited to the most extreme situations.

WARNING – Indicates a hazardous situation, which, if not avoided, could result in death or serious injury.

CAUTION – Indicates a hazardous situation, which, if not avoided, may result in minor or moderate injury.

NOTICE – Indicates information considered important, but not hazard-related (e.g., messages relating to property damage).

SAFETY INSTRUCTIONS - Indicates a type of safety sign where specific safety-related instructions or procedures are described.

Before Use



Do not operate sprayer until this manual has been read and understood!

- * Thoroughly read and understand all instructions before operating this sprayer. If you have questions, please contact **Wylie Manufacturing, 702 E. 40th St., Lubbock, TX 79404, (888) 788-7753**. You can also contact your nearest **Wylie Spray Center**.
- * Place a “*Slow Moving Vehicle*” emblem on the rear of the unit prior to driving on open roads.
- * Always wear safety goggles, chemical resistant apron and rubber gloves when handling chemicals.
- * Read and understand the chemical manufacturer’s safety guidelines on handling, mixing and application.

During Use



- * Do not allow anyone to ride on sprayer during operation. Falling can cause injury.
- * Ensure the tractor has sufficient weights to prevent tipping when spray tank is full.
- * Reduce speed when crossing uneven or rough terrain.
- * Always support the sprayer on parking stands and turn off tractor engine before making adjustments or repairs.

After Use



- * Inspect sprayer for wear or damage.
- * Ensure that all fasteners and fittings are tight.
- * Flush tank and pump with fresh water. Dispose of flush water using appropriate means.
- * Carry out maintenance and/or lubrication procedures as outlined in this manual.

Always



- * Keep hands, feet and clothing away from moving parts.
- * Wear protective clothing and gloves when working with the hydraulic system.
- * Escaping hydraulic fluid under pressure can penetrate skin causing serious injury:
 - Do Not use hands to check for leaks in hydraulic system, use cardboard or paper.
 - Stop tractor engine and relieve pressure before connecting or disconnecting lines.
 - Tighten all connections prior to starting engine or pressurizing line.
 - If any fluid is injected into the skin, obtain medical treatment immediately to avoid gangrene.

Operator's Instructions



- * Securely fasten seat belt if tractor is equipped with a *Roll Over Protection System (ROPS)*.
- * When possible, avoid operating the tractor near ditches, embankments and holes.
- * Reduce speed when turning, crossing slopes and on rough, slick or muddy surfaces.
- * Be aware of where you are going at all times; especially at row ends, roads and around trees.
- * Do not permit others to ride.
- * Operate tractor smoothly – no jerky turns, starts and stops.
- * Hitch only to the drawbar and hitch points recommended by the tractor manufacturer.
- * When tractor is idle, engage brakes and park lock securely.
- * Tighten lug bolts before transporting and after the first five miles.
- * Limit transport speed to 25 mph.

Safety Decals & Placement Vari-Space Boom (VSB)

	<p>CAUTION</p> <p>Agricultural chemicals can be dangerous. Improper selection of use can seriously injure persons, animals, plants, soil or other property. BE SAFE. Select the right chemical for the job. Handle it with care. Follow the instructions on the container label and instructions from the equipment manufacturer.</p> <p style="text-align: right;"><small>V9055</small></p>
--	---

	<p>WARNING</p> <p>To prevent serious injury from spray:</p> <ul style="list-style-type: none"> When water under pressure do not point spray nozzle at any part of body or place in mouth. <p style="text-align: right;"><small>SW701W</small></p>
--	---

Decal #V9055

Decal #SW701W



<p>WARNING</p>	
<p>HIGH-PRESSURE FLUID HAZARD</p> <p>To prevent serious injury or death:</p> <ul style="list-style-type: none"> Relieve pressure on system before repairing or adjusting or disconnecting. Wear proper hand and eye protection when searching for leaks. Use wood or cardboard instead of hands. Keep all components in good repair. <p style="text-align: center;"><small>SUNWEST SCREEN GRAPHICS® SW 700</small></p>	

Decal #SW700

	<p>DANGER</p> <p>CRUSHING HAZARD</p> <p>To prevent serious injury or death:</p> <ul style="list-style-type: none"> Do not stand between implement and moving tractor. Stop tractor engine and set park brake before installing pins. <p style="text-align: right;"><small>T3</small></p>
--	--

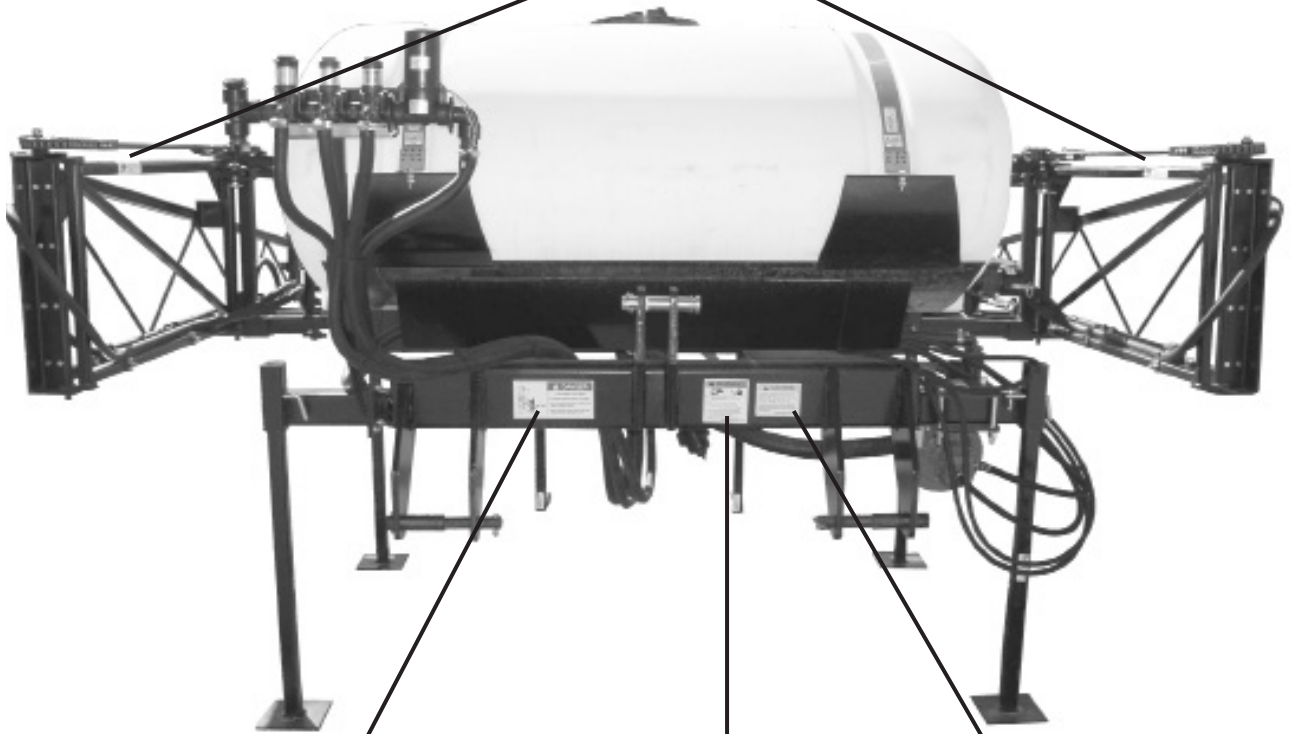
Decal #T3

Safety Decals & Placement

8420 Boom

	⚠ WARNING
	<p>FRAME PINCH POINT HAZARD KEEP AWAY</p> <p>To prevent serious injury or death from crushing:</p> <ul style="list-style-type: none"> • Stay away from frame hinge area when folding wings. • Keep others away. • Do not fold wings when bystanders are present. <p style="text-align: right;"><small>SW202</small></p>

Decal #SW202



	⚠ DANGER
	<p>CRUSHING HAZARD</p> <p>To prevent serious injury or death:</p> <ul style="list-style-type: none"> • Do not stand between implement and moving tractor. • Stop tractor engine and set park brake before installing pins. <p style="text-align: right;"><small>T3</small></p>

Decal #T3

⚠ WARNING	
<p>HIGH-PRESSURE FLUID HAZARD</p> <p>To prevent serious injury or death:</p> <ul style="list-style-type: none"> • Relieve pressure on system before repairing or adjusting or disconnecting. • Wear proper hand and eye protection when searching for leaks. Use wood or cardboard instead of hands. • Keep all components in good repair. <p style="text-align: right;"><small>SUNWEST SCREEN GRAPHICS® SW 700</small></p>	

Decal #SW700

	⚠ CAUTION
	<p>Agricultural chemicals can be dangerous. Improper selection of use can seriously injure persons, animals, plants, soil or other property. BE SAFE. Select the right chemical for the job. Handle it with care. Follow the instructions on the container label and instructions from the equipment manufacturer.</p> <p style="text-align: right;"><small>V9055</small></p>

Decal #V9055

Safety Decals & Placement

HCS/LCS Trailers



	<p>CAUTION</p> <p>Agricultural chemicals can be dangerous. Improper selection of use can seriously injure persons, animals, plants, soil or other property. BE SAFE. Select the right chemical for the job. Handle it with care. Follow the instructions on the container label and instructions from the equipment manufacturer.</p> <p><small>V9055</small></p>
--	---

Decal #V9055

	<p>WARNING</p> <p>To prevent serious injury from spray:</p> <ul style="list-style-type: none"> When water under pressure do not point spray nozzle at any part of body or place in mouth. <p><small>SW701W</small></p>
--	--

Decal #SW701W

<p>WARNING</p>	
<p>HIGH-PRESSURE FLUID HAZARD</p> <p>To prevent serious injury or death:</p> <ul style="list-style-type: none"> Relieve pressure on system before repairing or adjusting or disconnecting. Wear proper hand and eye protection when searching for leaks. Use wood or cardboard instead of hands. Keep all components in good repair. <p><small>SUNWEST SCREEN GRAPHICS® SW 700</small></p>	

Decal #SW700

*"8420" Boom**Vari-Space Boom (VSB)**"8220" Boom*

Introduction

The Wylie 8420 boom, Vari-Space Boom (VSB), and 8220 boom are the result of years of testing and field proven experience. They are built of the finest materials and expert workmanship to provide you with years of reliable service. The 8420 boom is built in a 45' length while the VSB are built in 20', 27', or 42' lengths and are available in 3 point and trailer mounted configurations. The 8220 boom is available in a 30' length. The setup and operation of the 8220 boom on spray trailers is similar to the VSB, therefore, 8220 owners should refer to the instructions for the VSB and apply them to the 8220 boom.

This manual explains where and how to make necessary adjustments to your sprayer for safe and proper operation. Thoroughly read and understand the contents of this manual before operating your sprayer. If you have questions or do not understand particular items, contact your nearest Wylie Spray Center or call Wylie Manufacturing at (888) 788-7753. Please keep this manual handy to answer questions you may have as they arise.

Pay Particular Attention To All Safety Suggestions – Their purpose is to assure safe operation of the sprayer and prevent injury or damage to yourself or the unit.

Inspection & Setup

3 Point Carrier & Boom:

The 8420 boom and VSB can be mounted on the tractor 3 point hitch with or without a tank. If the boom is not equipped with a tank, the tractor must be equipped with front or side mount tanks to supply the boom with spray solution.

The boom should be delivered setup and ready to mount to the tractor without further assembly.



Figure A1
Mounting 3 point VSB to tractor

Mounting 3 pt. Carrier/Boom

Mount the carrier to the tractor 3 point hitch. Connect the boom hydraulic and pump hydraulic hoses (if equipped) to tractor hydraulic circuits. Adjust the top link to level the sprayer when the boom is at spraying height. Move the tractor to a flat area with sufficient clearance to unfold the boom.

Spray Trailer & Boom:

The sprayer should be delivered setup and ready to attach to the tractor without further assembly.

Attach to the tractor drawbar. Make sure that the clip pin is inserted in the pull pin to prevent the pull pin from coming out while transporting or spraying. The elliptical tank sprayer has a height adjustable hitch. Set the hitch so that the trailer is level when attached to the tractor.

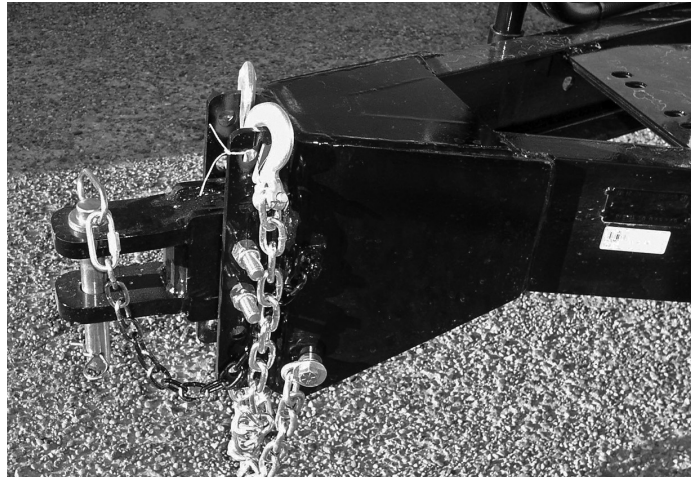


Figure A2
Height Adjustable Hitch

A jack transport mount is available on some trailers which prevents damage to the jack in very short turns.



Figure A3
Jack Mounted For Transport

⚠ DANGER ⚠

Crushing Hazard

To prevent serious injury or death:
Do not stand between sprayer and moving tractor
Stop tractor engine and set brake before installing pins

Connect the boom hydraulic hoses and pump hydraulic hoses (if equipped) to the tractor remotes. Hydraulic centrifugal pumps require a tractor hydraulic circuit. Most 8420 booms are equipped with hydraulic fold while VSB and 8220 booms are manual fold. The 8420 booms are equipped with a parallel linkage and require a hydraulic circuit. VSB and 8220's bolt directly to the trailer frame.

! DANGER !

The tractor engine should be shut off before attaching the pump to the PTO shaft. Failure to do so possibly cause serious injury or death.

Roller pumps are powered by the tractor PTO. The pump may be equipped with a PTO drive shaft or the pump may couple directly to the tractor PTO shaft.

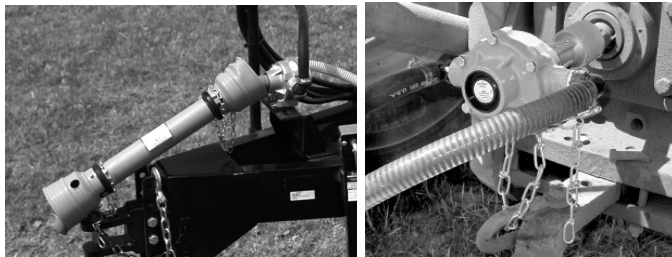


Figure A4

Pump With Drive Shaft

Direct Coupled Pump

Direct coupled roller pumps must have the chain attached to the tractor frame to prevent the pump from rotating when the PTO is engaged.

Spray Controller:



Figure A5

Remcor 2040 Mounted In Tractor

Several sprayer controllers can be fitted with the 8420 boom and the VSB's. Usually the 8420 is controlled by the Raven 450 automatic controller or the Remcor 2551 controller. The VSB and 8220 booms are usually controlled by a Remcor 2040 electric controller or the Hypro manual controller. If your sprayer is equipped with a Raven or Remcor controller, refer to the appropriate manual for detailed instructions on setting the controller up for operation. The console should be mounted in a convenient location in the tractor cab for easy access.

If your sprayer is equipped with a Hypro manual controller, no further installation should be required.

Once the controller, foam marker control and any other accessories are installed, move the tractor to a flat area with sufficient clearance to unfold the boom.

**Boom Inspection & Setup:
8420 Boom**

The 8420 boom is equipped with an "over-center" breakaway that protects the boom when an obstruction is struck. The breakaway may be folded to make transport easier. If so, the breakaway must be unfolded manually.



Figure A6

8420 Boom With Folded Breakaways

! WARNING !

Assure that the area is clear of all people before unfolding boom. Failure to do so could cause bodily injury to anyone hit by an unfolding boom.

Engage the hydraulic lever to unfold the boom. Carefully unfold and fold the boom several times to purge any air from the folding hydraulic system.

With the boom unfolded, check along the length of the boom to assure that the boom is straight. If one or more sections of the boom is not straight, refer to page 17 for instructions on how to straighten boom.

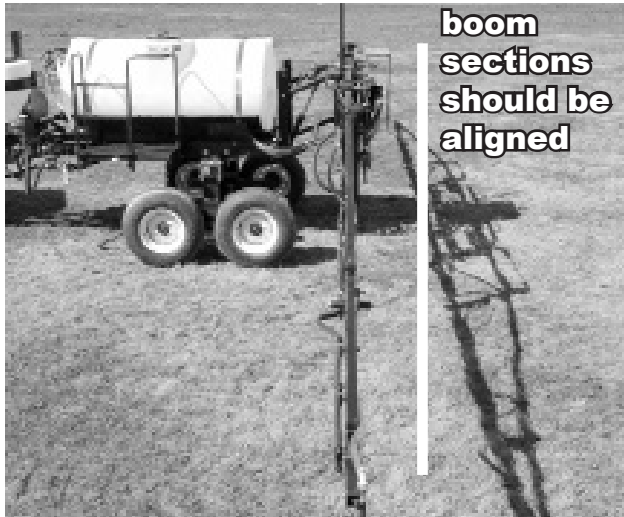


Figure A7
Checking boom for straightness

VSB (Vari-Space Boom)



Do not let the VSB drop. Allowing the boom to free-fall into spray position could cause bodily injury to anyone struck by a falling boom.

The VSB is a manual fold boom. The length of the boom will determine if it is equipped with a secondary section. With the sprayer positioned in an open area, remove the lock pin while holding the boom. Let the boom lower into position.

Once the boom has been lowered, unfold the secondary section (if equipped). It is important to flush the boom before installing the spray tips. Check the suspension



Figure A8
Unfolding VSB

cables to make sure that they have uniform tension when the boom is unfolded.

8220 Boom

The 8220 boom is a manually folded boom. Remove the pin from the transport lock and rotate the boom to the spray position.

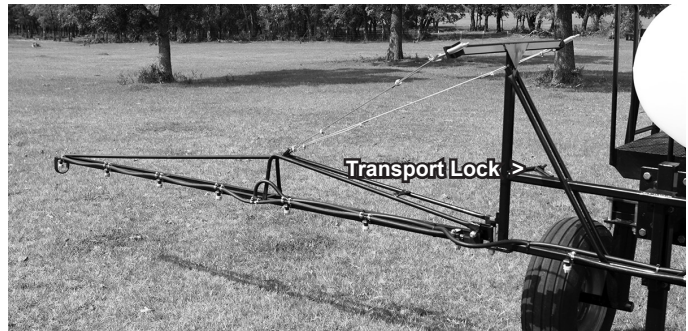


Figure A9
Unfolded 8220 Boom

Flushing The System



Do not add any chemical to any tank until the sprayer has been fully checked for leaks.

Load about 100 gallons of clean water into the spray tank. Add a few gallons of water to any other tanks such as the fresh water tank.

Open ball valves to allow water to gravity flow through the system. Check for any leaks. Close all ball valves except the main ball valve between the spray tank and the pump. Any fluid leak on the suction side of the pump will result in an air leak when the pump is started.

It is important to flush the boom before installing the spray tips.

The sprayer can be equipped with a variety of pumps. The following section will help starting the sprayer with the most popular pumps.

Centrifugal Pump (Hydraulic Drive)

Note: The hydraulic fluid flow supplying the pump must be set the first time the pump is engaged and anytime a different hydraulic circuit or tractor is used. Before engaging the pump, turn the hydraulic adjustment to its lowest setting for that particular circuit. With the return and boom valves turned off, engage the hydraulic lever and slowly increase the hydraulic fluid flow until the boom pressure gauge reads no more than 100 psi.



Figure A10

Adjusting hydraulic fluid flow

Activate the switch for each boom section to open the boom valves (automatic controller should be set to “manual”) and flush the boom with clear water. Turn the pump off once the boom is flushed.



Figure A11

Activating Boom Switch On Remcor 2040 Controller

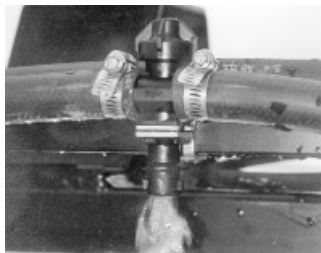


Figure A12

Flushing boom with clean water

Roller Pump (PTO Drive)

With the agitator line open, engage the PTO drive to start the pump. Water should be returning to the tank through the agitator and the return line.

If an electric controller is used, turn the boom switches on to allow water to flow through the open nozzle bodies. Turn the pump off when the boom has been flushed.

If the manual Hypro controller is used, flip the boom valves up to open the valves and allow the water to flow through the open nozzle bodies. Close the valves and turn off the pump when the boom has been flushed.



Figure A13

“Off” Control Valves

“On” Control Valves

Preparing The Sprayer For Operation

Install the spray tips and tip screens in each nozzle body.



Figure A14

Installing tip screen and spray tip

Open the agitator ball valve on the spray tank. Engage the pump and open the valves to bring the boom up to operating pressure. With the boom spraying, check all plumbing connections for leaks. Make sure that all tips are spraying a uniform pattern.

If the Hypro manual control is used, the operating pressure will have to be set. The operating pressure is set by adjusting the pressure relief valve located on the top of the Hypro control valve. With the boom valves closed, tighten the pressure relief valve to increase the pressure.



Figure A15

Adjusting Pressure Relief Valve

Operation

Loading Spray Material Into The Sprayer

Spraying solution can be loaded by either filling with a pre-mixed solution or mixing the chemical and carrier on the sprayer. Most trailer mounted sprayers have a Mix n' Fill tank mounted on the trailer while most 3 point sprayers use the Mix n' Fill tank on the nurse trailer.

⚠ WARNING ⚠

Always wear protective clothing, i.e. apron, face shield, gloves and respirator, when handling any chemicals. Failure to do so will risk chemical exposure to your body resulting in sickness, injury or possibly death.

3 Point Carrier:

3 point carriers may be equipped with an optional "Quick Fill". Remove the cap from the spray tank "Quick Fill" coupling and attach the supply hose to the coupling. Open the "Quick Fill" ball valve as well as the supply line. Fill the spray tank with water or mixed solution.



Figure B1
Filling Optional "Quick Fill"

If you are mixing the chemical in the spray tank, carefully add the desired amount of chemical to the spray tank. Turn the pump on and allow the agitator to circulate the chemical for several minutes.

Trailer Sprayers:

Remove the cap from the "Quick Fill" coupling on the Main Fill valve and attach the supply hose to the coupling. Open the main fill ball valve as well as the main tank ball valve. Make sure that the Mix-n-Fill valve is closed. Open the supply line. Fill the spray tank with water, less the amount of chemical to be added. (The Ace pump can be used to

fill the tank by closing the main valve and opening the filler and return valve.)



Figure B2
Filling Spray Tank

The EP-1000 spray trailer is equipped with a Mix-n-Fill tank mounted in the trailer tongue while the HCS-500T spray trailer has the Mix-n-Fill tank mounted on a parallel linkage frame.

EP-1000 Trailer Mix-n-Fill:

With the Mix-n-Fill valve closed, add the desired amount of chemical to the Mix-n-Fill tank.



Figure B3
Adding Chemical to EP-1000 Mix-n-Fill Tank

Open the agitator and return lines, then engage the pump. Close the spray tank ball valve about halfway to "starve" the pump slightly. Open the Mix n' Fill ball valve to allow the chemical to be drawn into the pump. Close the Mix n' Fill ball valve once the tank is empty to prevent an air leak on the suction side of the pump. With the return ball valve open, let the pump circulate the solution for several minutes. Rinse the Mix n' Fill tank and draw the rinse water into the spray tank.

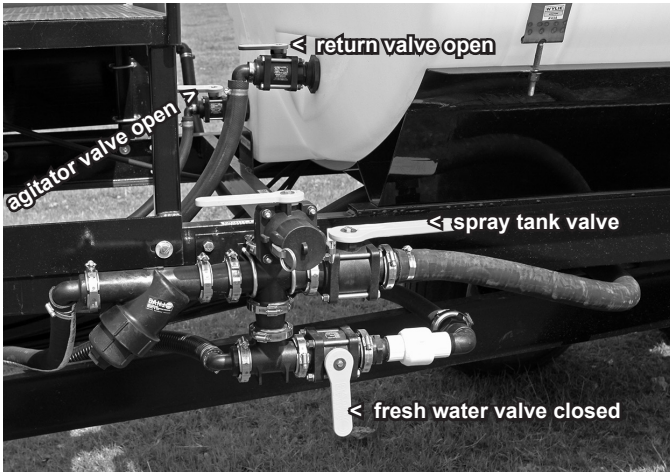


Figure B4
EP-1000 Valve Setting for Chemical Induction



Figure B5
EP-1000 Chemical Induction

HCS-500T Trailer Mix-n-Fill:

Pull the lock pin and lower the Mix-n-Fill tank. Place lock pin back in the frame so that the tank stops in the correct horizontal position. *Assure that the Mix-n-Fill ball valve is closed.*

⚠ WARNING ⚠

The Mix n' Fill tank should always be empty except when adding chemical to the sprayer. Raising and lowering the tank with chemical is dangerous and greatly increases the possibility of chemical exposure to your body resulting in sickness, injury or possibly death.

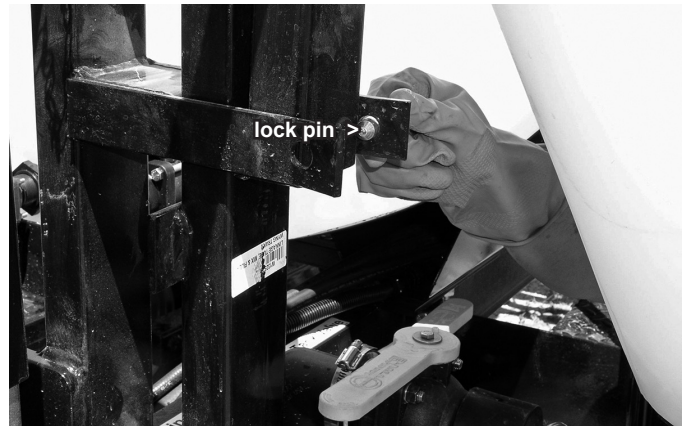


Figure B6
Removing Lock Pin from Mix-n-Fill Tank



Figure B7
Lowering Mix-n-Fill Tank



Figure B7
Adding Chemical To Mix-n-Fill Tank

With the Mix n' Fill ball valve closed, add the desired amount of chemical to the Mix n' Fill tank. Open the agitator and return lines, then engage the pump. Close the spray tank ball valve about halfway to "starve" the pump slightly.



Figure B8

Partially Closing Main Valve for Chemical Induction

Open the Mix n' Fill ball valve to allow the chemical to be drawn into the pump. Close the Mix n' Fill ball valve once the tank is empty to prevent an air leak on the suction side of the pump.



Figure B9

Opening Mix n' Fill Valve

With the return ball valve open, let the pump circulate the solution for several minutes. Rinse the Mix n' Fill tank and draw the rinse water into the spray tank. Raise and lock the Mix n' Fill tank in the transport position. Close the return line ball valve before starting to spray.

Other Spray Trailers:

Add chemical to other spray trailers by pouring the desired amount of chemical in the spray tank through the fillwell. Open the spray tank valve and the agitator valve. Start the pump and mix the chemical thoroughly.

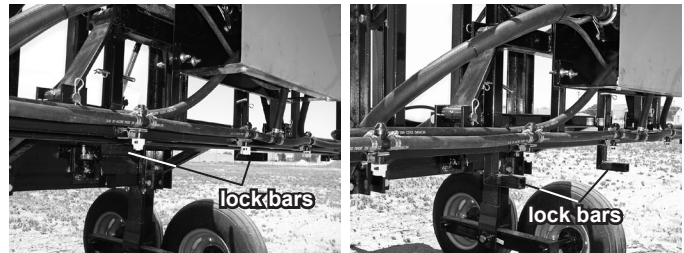


Figure B10

Adding Chemical to LCS Trailer

Operating The Sprayer

The 8420 boom is equipped with lock bars to prevent boom movement during transport. The lock bars should be lowered before operation to allow the boom to self-level during operation.



Raise for Transport

Lower for Operation

Figure B11

8420 Boom Lock Bars

NOTICE

The boom must always operate perpendicular to the ground. Failure to do this can cause excessive yaw movement and can damage the boom.

Levelling Trailer Sprayers

Adjust the drawbar clevis on trailer units to level the spray trailer. Set the boom to the desired spraying height by adjusting the parallel linkage.



Figure B12

Trailer Should Run Level

Levelling The Boom On 3 Point Units

Set the 3 point hitch on 3 point mounted units at the desired boom spraying height. Adjust the top link to level the boom while in the spraying position. (See Figure B13)

Activating The Sprayer

If you are using an automatic controller, refer to the owner's manual for instructions on setting the controller for the desired spray volume and speed.



Figure B13
Adjusting Top Link To Level Boom

CAUTION

Be aware of any obstructions, animals or people while spraying. While the boom is equipped with a breakaway to help protect the boom, damage or injury can occur in a collision.

Engage the pump, activate the master switch on the controller and begin spraying.

The 8420, 8220 and VSB are designed to operate at speeds of 5-10 mph. Care and common sense, however, must be used to determine the optimum speed for a particular spraying operation. Factors such as rough surface conditions, hillsides and terraces will require a slower operating speed.

Listed below are several things you should check to maintain trouble free spraying:

- *Make sure spray tips are sized for the desired volume and speed. (Refer to the TeeJet Catalog or Wylie Catalog website if using TeeJet™ tips.)
- *Clean pump strainer as needed to maintain adequate flow to the pump.
- *Keep tractor hydraulic level full for consistent pump operation.
- *Keep the agitator ball valve open and the return line ball valve (if equipped) closed or slightly open while spraying.

End Of The Day Procedure

Some chemicals require the boom to be flushed at the end of the day to prevent corrosion in the pump or settling of chemical in other components. To flush the pump and boom, close the main tank, agitator and return line ball valves, then open the fresh water tank valve. Set the controller for manual operation, engage the pump and open the boom valves to allow fresh water to flush the pump and boom.

Lower and lock into place any parking stands supplied with trailer units when unhooked from the tractor to maintain complete stability.



Figure B14
Valve Setting For Fresh Water Flush

Preparing The Sprayer For Storage

- (1) Flush the tank, pump and lines with clean water.
- (2) Remove cap from the “Quick-Fill” and open ball valve.
- (3) Remove the drain plug from the primary strainer and the plug from the “Tee” to drain the tank and suction lines. Remove pump plug to drain pump housing.



Figure B15
Draining Tank

- (4) Remove tips and strainers from the nozzle bodies. Clean strainers and check tips for wear and damage.
- (5) Open controller ball valves. Allow the system to drain completely to prevent any parts from breaking due to freezing. Loosen at least one cap from each boom section to allow any water inside the nozzle bodies to drain. Check any fittings where water can collect and disconnect to allow drainage. Reconnect all fittings and ensure tightness once system is drained.
- (6) For further protection, pump environmentally safe antifreeze or winter grade windshield washing fluid into the lines.

Maintenance and Adjustment

Clearing Debris From System

Occasionally, it may become necessary to clear debris from the system. A primary strainer is located beneath the spray tank.



Wear chemical resistant rubber gloves, apron and face protection when cleaning the system. Failure to do so can cause sickness or death. Read safety information provided by chemical manufacturer for proper handling procedures.

(1) Turn ball valve off. Remove the strainer's base and take out wire mesh screen. Clean and replace. Turn ball valve on.



Figure C1
Removing Strainer Screen

(2) Secondary strainers are located at each nozzle. To clean, remove the nozzle cap (tip and gasket come out with cap). Remove strainer from the nozzle body. Clean and replace.

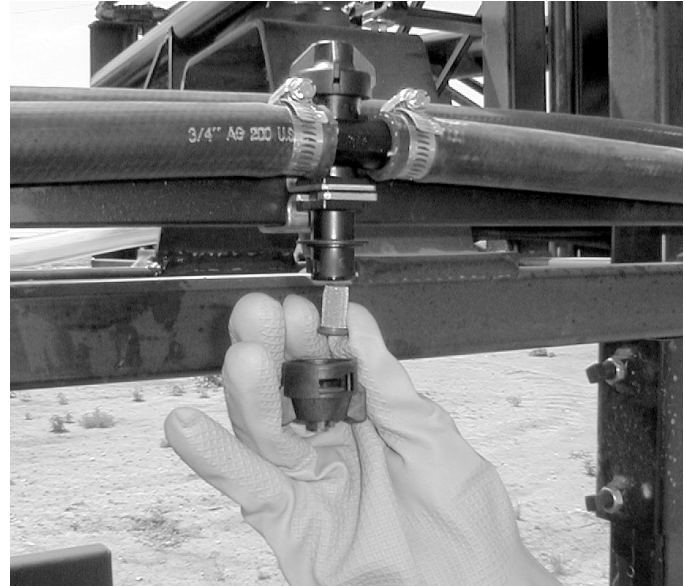
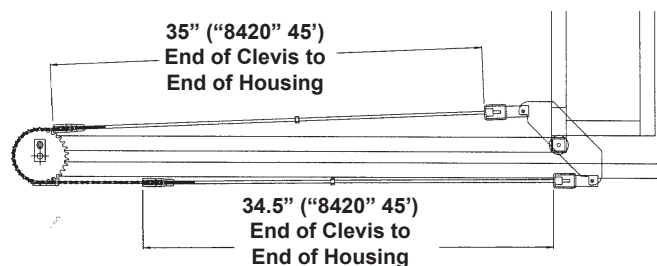


Figure C2
Removing Tip Strainer

(3) Discard and replace damaged strainers.

It is possible for debris to get past the strainers and clog the orifice of the tip. *Clean the tips with a TeeJet™ cleaning brush only. Using wire, pocketknives or wire brushes can cause damage to the tip, altering spray volume or pattern.*

Factory Setting Dimensions



Note: Chain length for #60 chain on secondary sprockets for wing section -- (20 links)



Adjusting The Boom

The Wylie 8420 boom was manufactured to exacting specifications and should not need adjustment initially. It may become necessary, however, during the life of the boom to make adjustments to the folding/unfolding cycle. Factory setting dimensions are provided on page 16 as a basic reference point.

Fold/Unfold Adjustment

The boom should be adjusted so that it is straight when completely unfolded. Both sides of the boom should also close uniformly when folded. These two conditions are controlled by the combined adjustment of the folding cylinder clevis and turnbuckles on the primary wings.

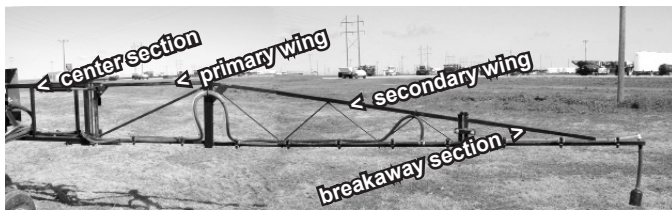


Figure C3
Boom Sections

The most important setting is that the boom be straight when completely unfolded. Always adjust the primary wing first, then straighten the secondary wing.

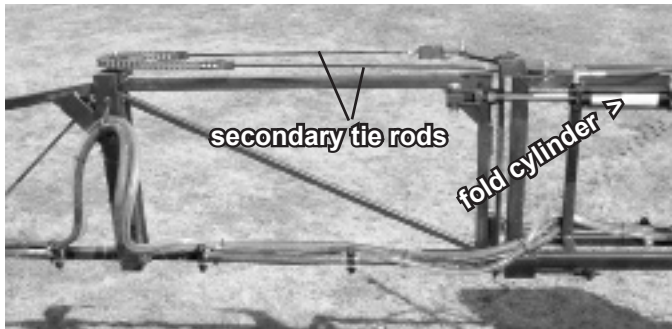


Figure C4
Wing Adjustment Points

1. If the primary wing needs to fold out more, remove the pin from the rod end of the folding cylinder and lengthen the cylinder clevis. If the primary wing needs to be drawn in, shorten the cylinder clevis. The primary wing should align with the center section. Re-install the cylinder pin.



Figure C5
Adjusting Primary Wing

2. If the secondary wing needs to fold out more, lengthen the back tie rod and shorten the front tie rod. *Note: Both the front and back tie rods must be adjusted uniformly. The amount that is shortened on one tie rod must be lengthened on the other.* If the secondary wing needs to be drawn in, shorten the back tie rod and lengthen the front tie rod. Align the secondary wing with the primary wing and center section. Tighten the jam nuts on the secondary wing tie rods.



Figure C6
Adjusting Secondary Wing

Trailer Adjustment

Hitch Adjustment

The HCS and LCS spray trailers with elliptical tanks feature an adjustable hitch to maintain a level trailer and boom with different tractor drawbar heights. With the trailer pinned to the tractor drawbar and the parking jack supporting the tongue, remove the two hitch pins. Level the trailer with the jack, then insert and lock the pins.



Figure C7
Adjust Hitch To Level Trailer

EP-1000 and HCS Spray Trailer

The EP-1000 trailer is equipped with a 1,000 gallon tank and 12.5L x 15 tires, while the HCS (High Clearance Sprayer) features a 500 gallon tank and 11L x 15 tires. Attach the sprayer to the tractor drawbar and set the brake on the tractor. Using sturdy blocks to support a hydraulic jack, raise one side of the trailer. Loosen the strut bolts and move the wheels to the desired location. Tighten the strut bolts.



Figure C8
HCS Tandem Axle Adjustment



Troubleshooting Guidelines

Problem	Cause	Solution
Pump Will Not Operate	<ol style="list-style-type: none"> (1) Hydraulic lines not attached (2) Tractor hydraulic lever not engaged (3) Hydraulic lines in wrong ports (4) Malfunctioning hydraulic motor (5) Tractor hydraulic flow adjusted too low 	<ol style="list-style-type: none"> (1) Insert hydraulic lines in tractor circuit (2) Engage lever (see tractor instructions) (3) Change hydraulic line locations (4) See pump owner's manual or contact Wylie (5) Adjust tractor flow higher
Pump will not move solution	<ol style="list-style-type: none"> (1) Spray tank empty (2) Tank ball valve closed (3) Plugged strainer (4) Malfunctioning pump 	<ol style="list-style-type: none"> (1) Fill tank (2) Open ball valve (3) Clean strainer screen (4) See pump owner's manual or contact Wylie Spray Center
Pump output is very low; erratic	<ol style="list-style-type: none"> (1) Spray tank low; air getting in pump (2) Tank ball valve partially closed (3) Plugged strainer (4) Collapsed suction hose (5) Air leak in suction system (6) Air leaking through open Mix n' Fill ball valve (7) Malfunctioning pump (8) Air leaking through open fresh water tank valve (9) Tractor hydraulic flow adjusted too low 	<ol style="list-style-type: none"> (1) Fill tank; bleed air by removing top plug (2) Open ball valve (3) Clean strainer screen (4) Replace suction hose (5) Tighten fittings; Check for cracked or cut components; Apply thread sealant to pipe threads. (6) Close ball valve (7) See pump owner's manual or contact Wylie Spray Center (8) Close fresh water tank valve (9) Adjust tractor flow higher
Controller does not operate	<ol style="list-style-type: none"> (1) Not connected to 12V system (2) Improperly connected to 12V system (3) Fuse blown on controller (4) Master switch turned off (5) Boom switches off (6) Controller not programmed properly (7) Malfunctioning controller 	<ol style="list-style-type: none"> (1) Connect to constant power source (2) Check hot and ground connections (3) Replace fuse (4) Turn on switch (5) Turn boom switches on (6) See controller owner's manual for instructions. (7) See controller owner's manual or contact Wylie Spray Center
Boom ball valves do not operate	<ol style="list-style-type: none"> (1) Not connected to controller (2) Not connected to independent 12 volt source 	<ol style="list-style-type: none"> (1) Connect wires to controller cable (2) Connect red wire to 12 volt source
No output or insufficient pressure at spray tip(s)	<ol style="list-style-type: none"> (1) Air leak in suction side of system (2) Problem with pump (3) Control valve malfunctioning (4) Malfunctioning controller (5) Nozzle strainer(s) or tip(s) clogged (6) Spray tips not proper size (7) Return valve open too much 	<ol style="list-style-type: none"> (1) See above (2) See above (3) Replace control valve; Replace pressure adjusting switch; See controller owner's manual or contact Wylie Spray Center (4) See above (5) Clean strainer(s) or tip(s) (6) Replace with proper tip (7) Partially or completely close return valve



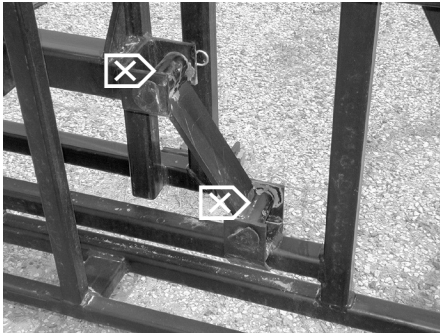
Troubleshooting Guidelines

Problem	Cause	Solution
No output from one section of sprayer	(1) Boom switch turned off (2) Malfunctioning ball valve (3) Malfunctioning boom switch	(1) Turn boom switch on (2) Repair or replace ball valve (3) Replace boom switch
Spray pattern uneven at one tip	(1) Trash in tip orifice (2) Damaged tip orifice (3) Worn or damaged tip	(1) Clean tip (2), (3) Replace tip
Spray solution not mixing well	(1) Agitator closed (2) Clogged or damaged agitator (3) Chemical incompatibility	(1) Open agitator ball valve (2) Replace agitator assembly (3) Mix a small sample in a 5 gal. bucket first

8420 Boom Troubleshooting Guidelines

Problem	Cause	Solution
Boom not level	(1) One end of boom weighted with mud, etc.	(1) Clean boom
Primary wing does not fold out in line with center section	(1) Fold cylinder needs adjustment	(1) Shorten cylinder clevis to fold in (2) Lengthen cylinder clevis to fold out
Secondary wing does not fold out in line with primary	(1) Tie rods need uniform adjustment	(1) Lengthen front tie rod and shorten back tie rod to fold in (2) Shorten front tie rod and lengthen back tie rod to fold out
Breakaway section swings excessively	(1) Breakaway spring tension too loose (2) Poly spring worn	(1) Tighten spring tension (2) Replace poly spring

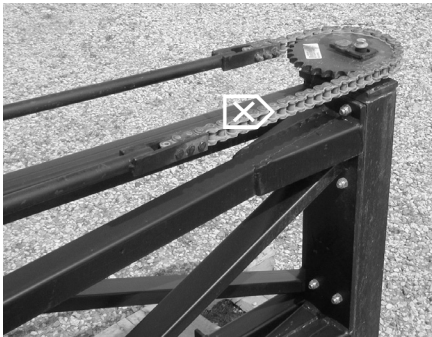
Recommended Lubrication



Suspension Arm (2 grease zerts per arm)
Grease every week



Wheel Hub Assemblies
Repack every year



Folding Chains
Oil every week



Walking Beam Pivot
Grease every week



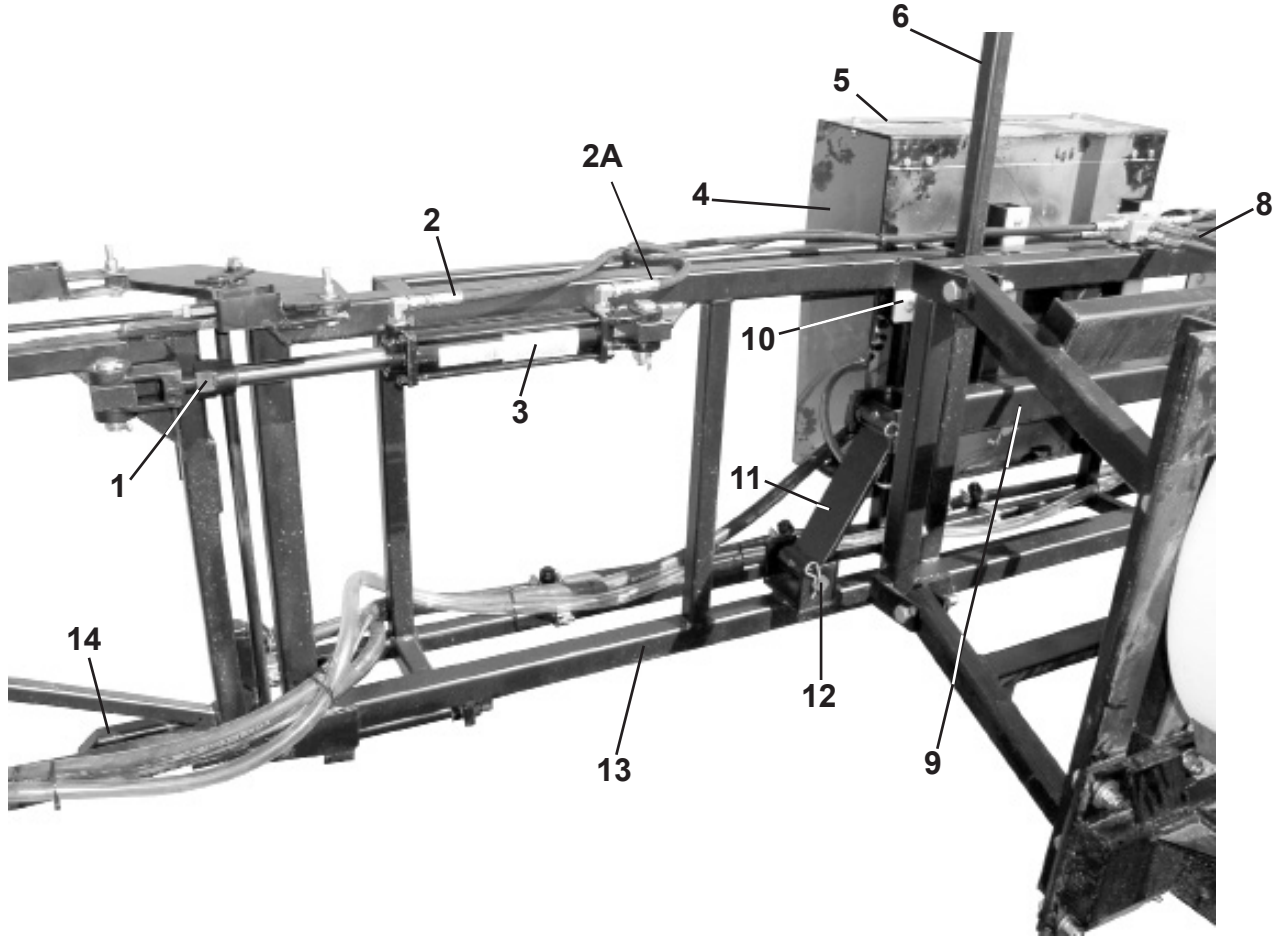
Notes



“8420”, VSB, “8220” Repair Parts

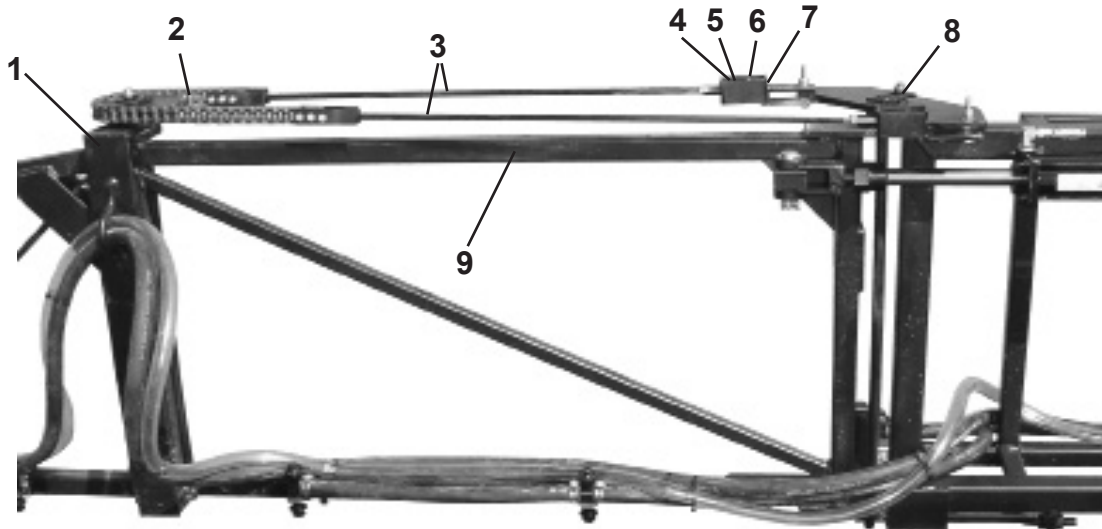
8420 Boom Center Section	24
8420 Boom Primary/Secondary Section	25
Vari-Space Boom (VSB).....	26
8220 Boom	27
Parallel Linkage; Boom Plumbing	28
EP-1000 Trailer	29
HCS Trailer.....	30
LCS Tandem Trailer.....	31 - 32
LCS Single Trailer	33
3 Point Carrier Frame.....	34
3 Point Centrifugal Pump Plumbing	35
EP-1000/HCS Pump Plumbing	36
EP-1000/HCS Tandem Plumbing.....	37
Mix-n-Fill Assembly; Fresh Water.....	38 - 39
Boom Buster; Hose & Gun	40
Roller Pump & Hypro Control Plumbing	41
Raven 450 Automatic Controller.....	42
Remcor 2551 Control Panel (Ball Valves).....	43
Remcor 2040 Control (Solenoids).....	44
Raven Boom Valve	45
Remcor 1999A Solenoid.....	46
Hypro Valve Parts/ Brass Gear Pump Parts.....	47
Hypro Roller Pump Parts.....	48
Ace 206 Pump Parts	49
#43 Gunjet Repair Parts.....	50

8420 Boom Center Section



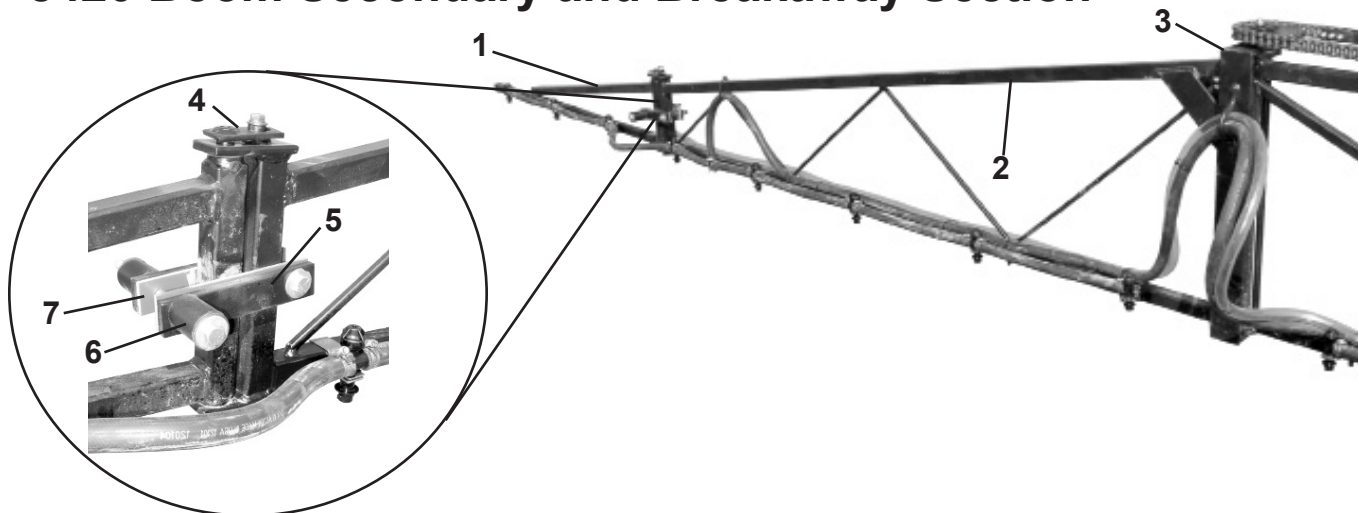
No.	Part No.	Description	No.	Part No.	Description
1	W842024	Cylinder Stop	8	HYD122	¼" Hose, ½ MPT -6FJICS 144", 3 PT
2	HYD106	¼" Hose - 6FJICS, 60"		HYD179	¼" Hose, ½ MPT -6FJIC 361", EP1000
2A	HYD120	¼" Hose - 6FJICS, 54"		HYD121	¼" Hose, ½ MPT -6FJIC 252", HCS-500T
3	645054	2" x 8" Tie Rod Cylinder	9	W842001	Suspension Frame
4	W860520	Control Mount Plate	10	V0115	Wear Strip
5	W860521	Control Panel Cover	11	W842002	Hanger Arms
6	W842020	Boom Stand Leg	12	W842015	Suspension Pin
			13	W842005	Center Section
			14	W842006	Boom Wing Rest

8420 Boom Primary Section



No.	Part No.	Description	No.	Part No.	Description
1	W842010	Secondary Hinge, RH	6	W850152	Spring Adjuster
	W842009	Secondary Hinge, LH	7	W850151	Spring Housing
2	#60 CHAIN-HD	#60 Heavy Duty Chain	8	W860513	Primary Pin
3	W842025	Tie Rod	9	W842008	Primary Wing, RH
4	W832103	Thick Washer		W842007	Primary Wing, LH
5	W850173	1-3/8" Poly-U Spring			

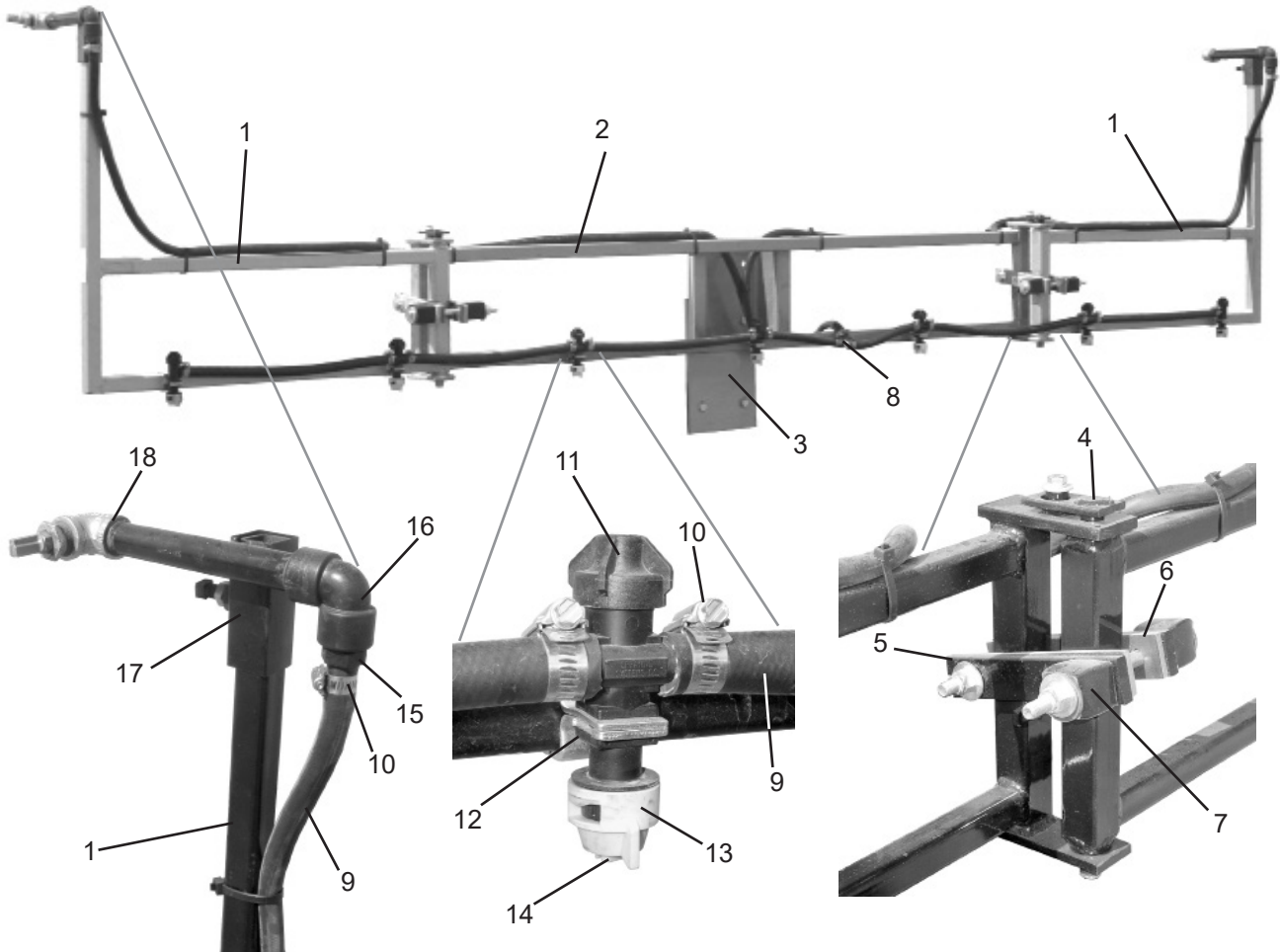
8420 Boom Secondary and Breakaway Section



No.	Part No.	Description	No.	Part No.	Description
1	W842027	Wing Tip	4	W842028	Wing Tip Pin, 13½" w/Lock
2	W842026	Secondary Wing	5	W860527	Breakaway Plate
3	W842010	Secondary Hinge, RH	6	W860525	Breakaway Spring, 2"
	W842009	Secondary Hinge, LH	7	V0124	Breakaway Rub Pad



W8114 -- Extender Boom



No.	Part No.	Description	No.	Part No.	Description
1	W811402	Wing w/nozzle upright	12	QJ111SQ-11/4	Vari Spacing Nozzle Clamp, 1 1/4"
2	W811401	Center Section	13	25612-1-NYR	QT Cap & Gasket
3	W811403K	Mount Kit		CP19438-EPR	Gasket
4	W842028	Wing Tip Pin		8079-50M	Tip Strainer
5	W860527	Pad, 5 5/8" BC	14	8002VP	TeeJet Tip, 80° #2
6	V0124	Breakaway Rub Pad	15	HB075-050	3/4" MPT x 1/2" Hose Barb
7	W811118	2" Square Breakaway Spring Block	16	EL075-90	3/4" Poly Pipe Elbow
8	T-1200-NY	1/2" x 1/2" x 1/2" Insert Tee, Nylon	17	W570301	Nozzle Slip, Single
9	2-200-050	1/2" Rubber Hose	18	90L-34G	3/4" Galv. Elbow
10	1008	1/2" Hose Clamp	19	RB-3414G	3/4" x 1/4" Reducer Bushing, Galv.
11	22252-312-500NY	Double Hose Shank Nozzle Body	20	BB140	1/4" Boom Buster Nozzle, #140
	22251-311-500NY	Single Hose Shank Nozzle Body			

Vari-Space Boom

W8109 -- 20' VSB

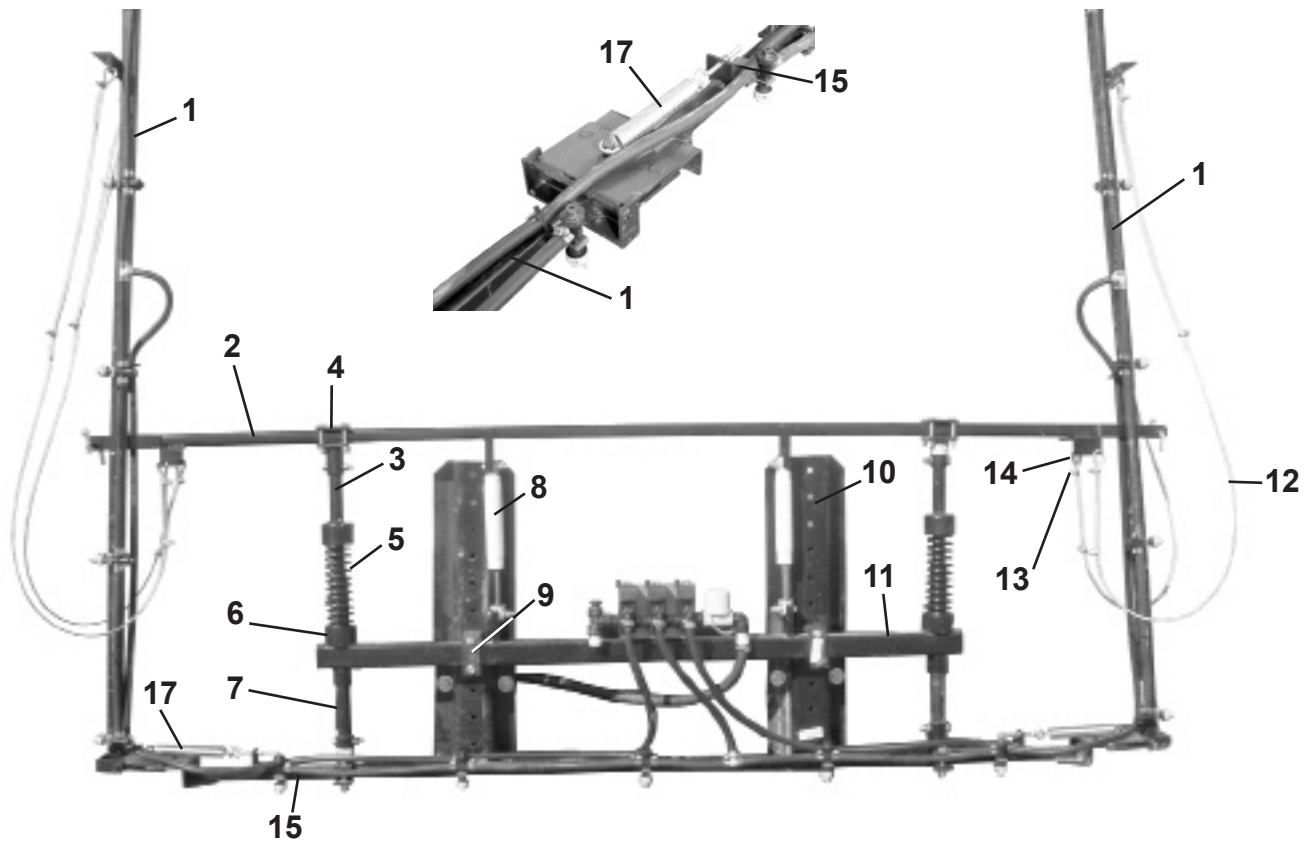
W8107 -- 27' VSB

W8108 -- 42' VSB

W8808 -- 3PT Floating Boom Mount

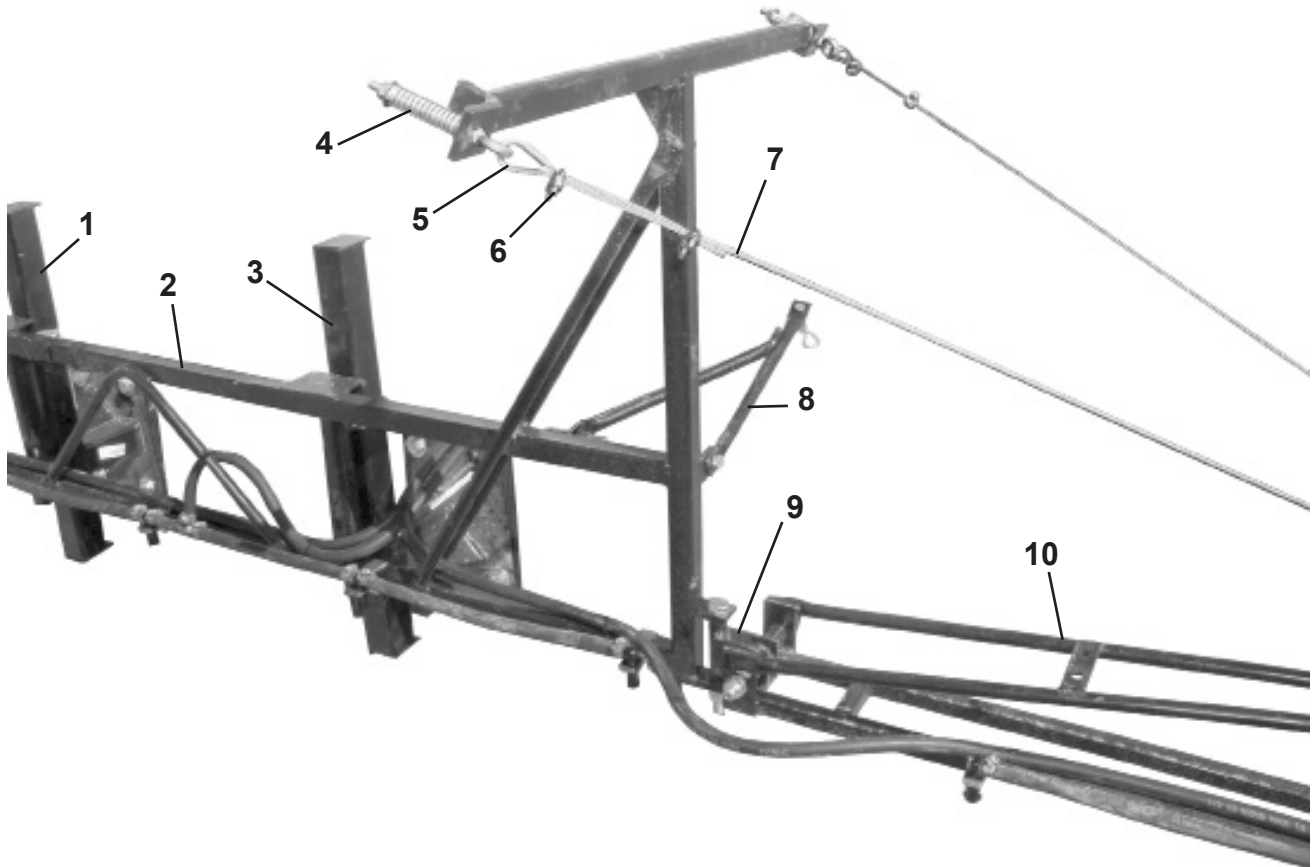
W8843 -- EP/HCS Floating Boom Mount

W8832 -- LCS Floating Boom Mount



No.	Part No.	Description	No.	Part No.	Description
1	W810901	Wing Section, 20'	9	W883005	Bottom Shoe Pad
	W810702	Wing Section, 27', 42'	10	W886801	Mounting Bracket
	W810801	Extension Section, 42' (not shown)	11	W880503	Suspension Bar
2	W883202	Top Pipe	12	3/16-CABLE	3/16" Aircraft Cable
3	W880505	Top Shoe Channel	13	3/16-CLAMP	3/16" Clamp for Cable
4	W880506	Top Shoe Pad	14	3/16-THIMBLE	3/16" Wire Rope Thimble
5	62370	Coil Spring	15	W810701	Center Section
6	W880507	Bottom Shoe	16	12-B	1/2" x 3" Bent Pull Pin
7	W880504	Upright Support	17	62310	Boom Extension Spring
8	SS10317	6807 Shock w/bolt kit			

8220 Boom



No.	Part No.	Description	No.	Part No.	Description
1	W822004	Mount, LH	6	3/16-CLAMP	3/16" Clamp
2	W822001	Center Section	7	3/16-CABLE	3/16" Aircraft Cable
3	W822005	Mount, RH	8	W822008	Wing Lock
4	WW1550	Spring	9	W822002	Swivel
5	3/16-THIMBLE	Wire Rope Thimble	10	W822003	Wing Section

Parallel Linkage Lift

W8836-500

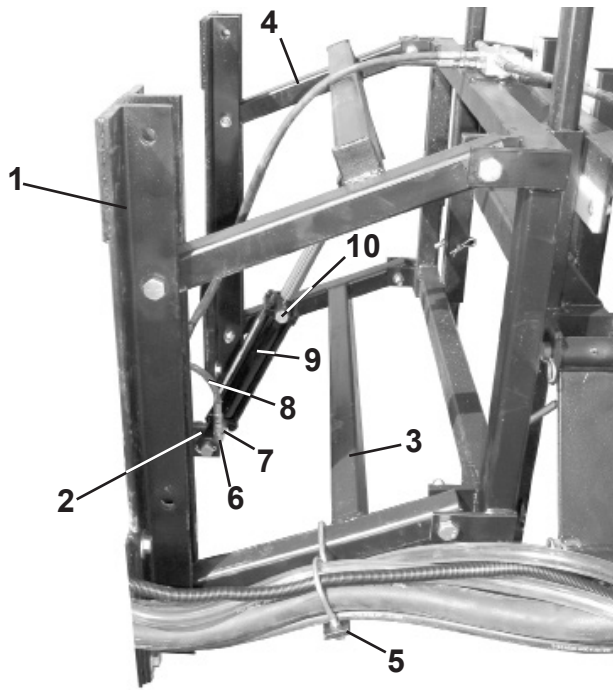
HCS 500 Gallon Trailer

W8836

LCS Trailer, 3 PT Carrier w/Tank

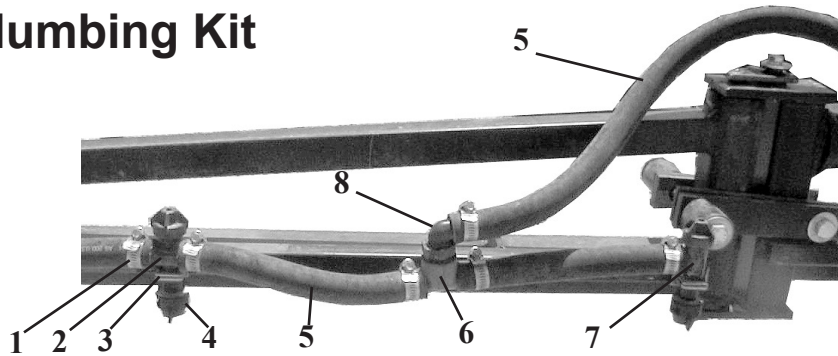
W8846

3 PT Boom Mount



No.	Part No.	Description
1	W883601	Bracket Frame
2	W883609	Cylinder Mount
	W883610	2x6 Spacer, 3 PT (not shown)
3	W883702	Bottom Parallel Arm
4	W883704	Top Link
5	W886509	Hose Bracket
6	8MB-6MJ90	8 Male O-Ring Boss x 6MJIC 90
7	8MB-8FBR	8 Male Boss 8 Fem Boss Restrictor
8	HYD116	1/4" Hose, 1/2" MPT - 6FJICS, 228"
9	645055	2" x 12" Tie Rod Cylinder, 3 PT, LCS
	645054	2" x 8" Tie Rod Cylinder, HCS
10	110559	8 Male Boss Breather, 10 Micron

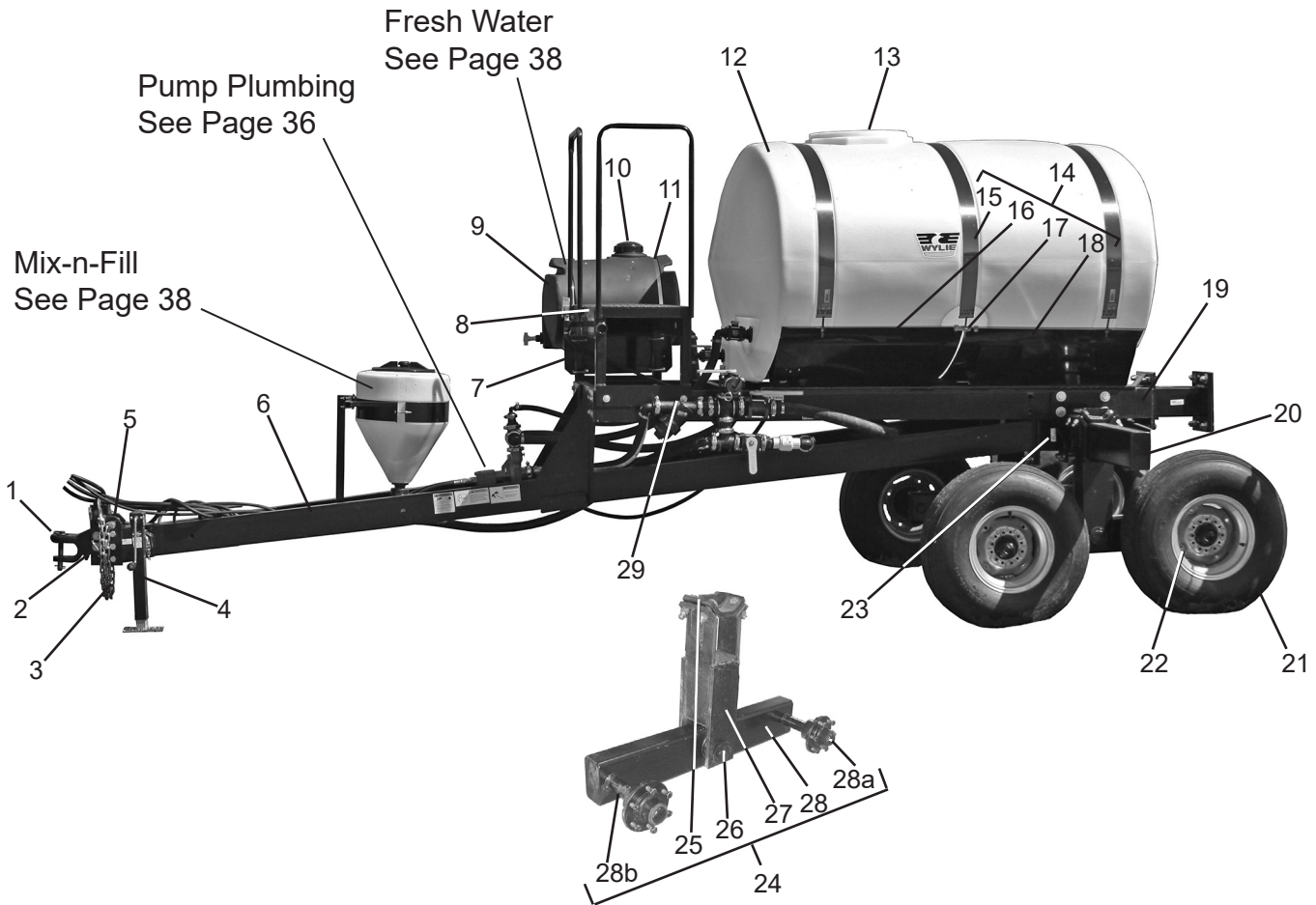
Boom Plumbing Kit



No.	Part No.	Description	No.	Part No.	Description
1	1012-SS	3/4" Hose Clamp, Stain. Steel	5	2-200-075	3/4" Rubber Hose
2	22252-312-750NY	Double Shank QJ Nozzle Body, Single	6	1402-007	3/4" Combination Tee
	QJ363-750-2-NYB	Double Shank QJ Nozzle Body, Triple		HBT-075	3/4" Hose Barb Tee
	QJ365-750-2-NYB	Double Shank QJ Nozzle Body, Quint.	7	22251-311-750NY	Single Shank QJ Nozzle Body, Single
	21950-NYB	End Cap, 10 PSI		QJ363-750-1-NYB	Single Shank QJ Nozzle Body, Triple
	21953-EPR	Diaphragm, EPDM		QJ365-750-1-NYB	Single Shank QJ Nozzle Body, Quint.
3	QJ111SQ-1	Quick Jet Clamp, 1"	8	HB075-90	3/4" Hose Barb, 90°
4	25612-1-NYR	Quick TeeJet Cap & Gasket (flat tip)		8079-50M	Tip Screen, 50 Mesh (not shown)



W1310 EP-1000 HCS Trailer

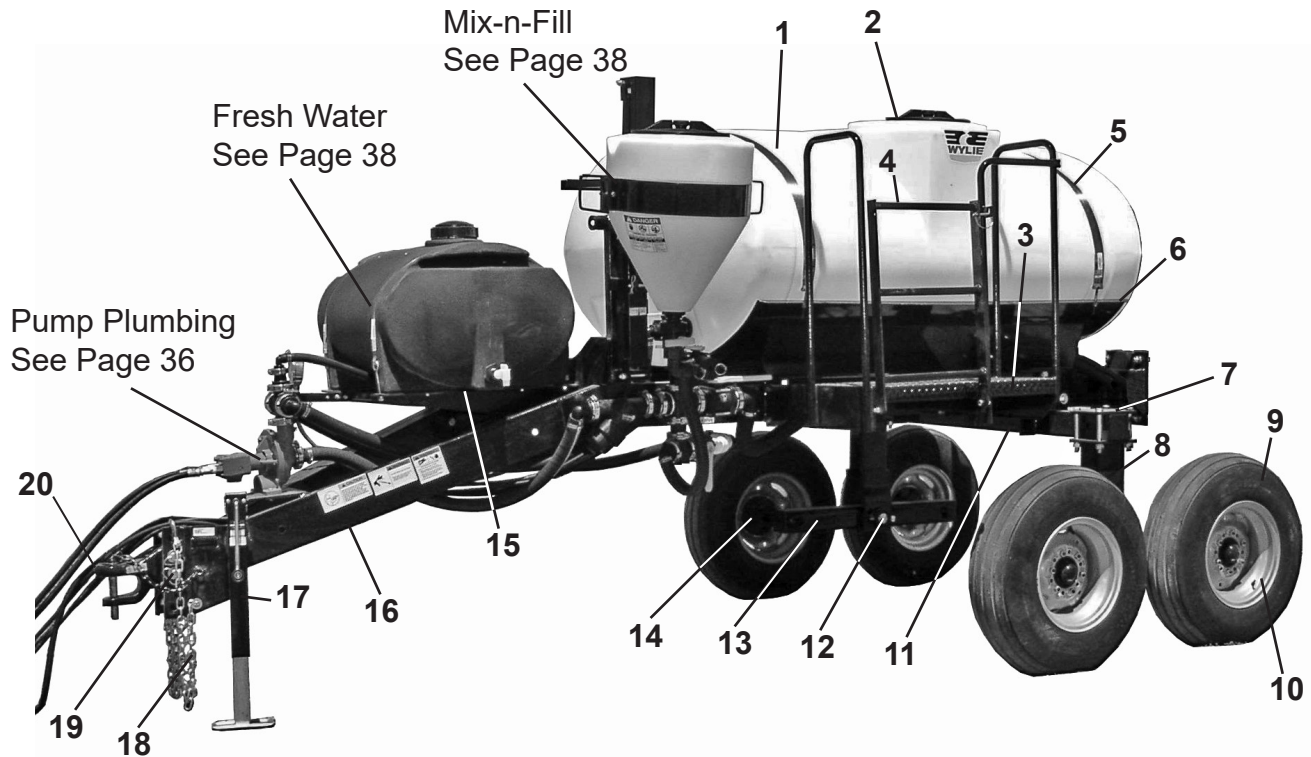


No.	Part No.	Description	No.	Part No.	Description
1	W1211K	Adjustable Clevis Hitch Assembly	21	12.5 X 15	8 Ply Tubeless Tire
2	1006H	1"x6" Hitch Pin w/Key	22	67502	Wheel 15x10, 6-6-4, 62
3	SC70-39	Safety Chain	23	W131707	Wheel 15x8, 6-6-4, 62
4	HD500-SWL-TMR-PZ-M	Side Wind Jack	24	W1323	Walking Beam & Strut Ass'y
5	W131705	Adjustable Clevis Hitch Bracket	25	W132110	Cap, Strut
6	W131704	Tongue	26	W132111	Pivot Pin
7	W981203	Fresh Water Tank Saddle	27	W132305	Strut
8	W131016	Loading Stand	28	W132301	44" Walking Beam w/Hubs
9	T50LGBK	50 Gal. Fresh Water Tank	28A	2810560	W35-6 Hub Ass'y.
10	TL600C	6" Tank Lid		2810440	W35-6 Hub w/cups
11	W720142	50 Gal. Tank Band		9102731	Inner Cone (bearing)
12	T1000HENK	1,000 Gal. Spray Tank		9102591	Outer Cone (bearing)
13	352060	18" Lid		9099050	Dust Cap
14	W7124	Saddle Assembly		9135481	Stud Bolt
15	W720115	#43A-T-3"/x133" (129") Tank Band		9135491	Lug Nut
16	W712403	Saddle Half w/Sump		9062941	Seal
17	W712405	Locking Clips		9136161	Washer
18	W712404	Saddle Half w/o Sump		9129531	Nut
19	W131701	Frame		9059368	Cotter Pin
20	W131013	Mount Beam for Walking Beam	28B	2813030L 15.000	W35-6 Spindle, 2x15 CRS
			29	W131008	Strainer Mount

High Clearance Sprayer (HCS) Trailer

W3313 Tandem Axle HCS

W3310 Single Axle HCS

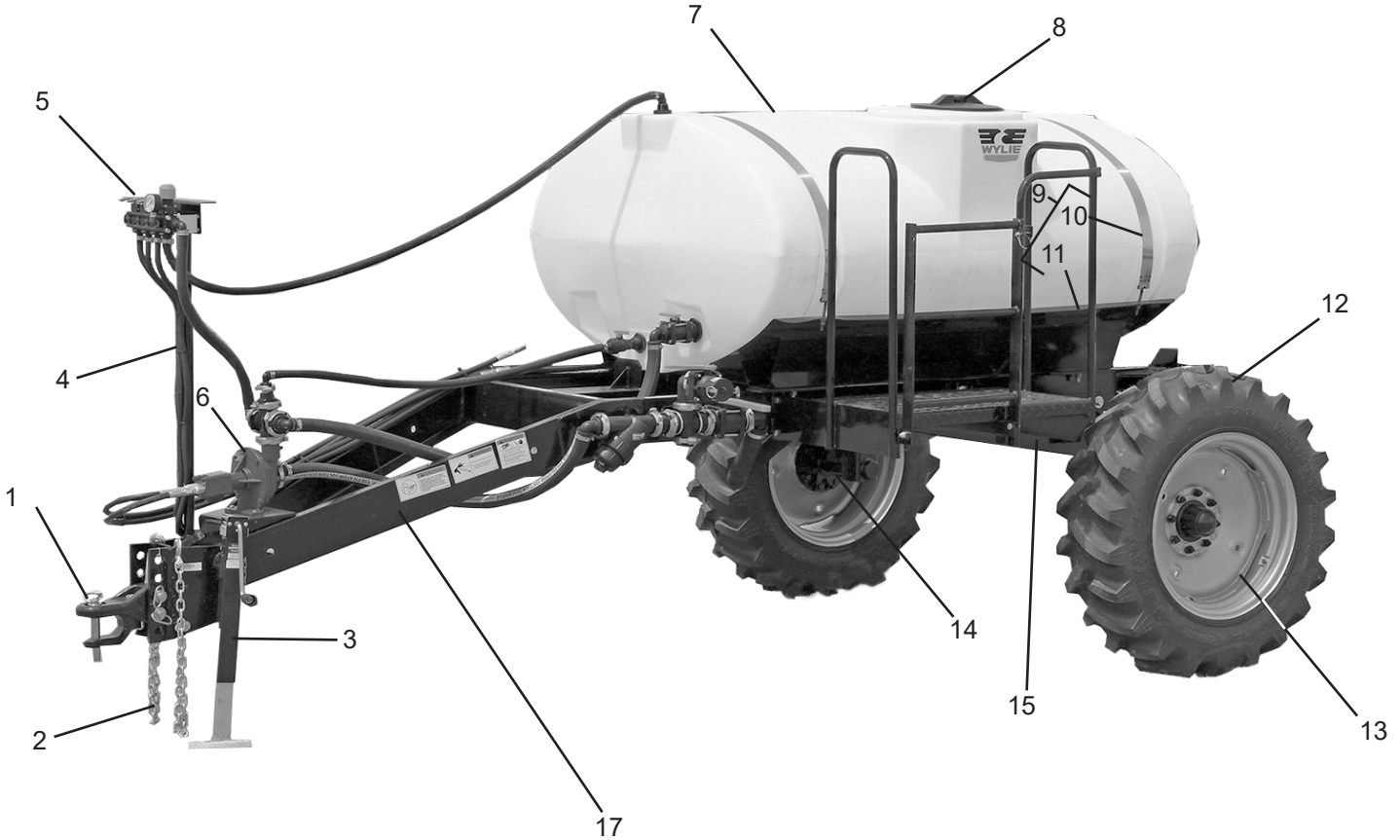


No.	Part No.	Description	No.	Part No.	Description
1	T500HENK	500 Gal. Elliptical Poly Tank	14	2805500	Hub Assy., W888
2	TL102	10" Tank Lid		2805510	Hub, w/Cups
3	W3310-STAND	Loading Stand w/Ladder		9102641	Inner Cone (Bearing)
4	W132538	Lower Ladder		9102591	Outer Cone (Bearing)
5	W720109	#12 Tank Band 2"x91" SS		9099050	Dust Cap
6	W7133	Tank Saddle Assembly w/Bands		9062841	Seal
7	W331202	Overhead Strut Cap Pad		9136071	Washer
8	W331401	Strut (tandem)		9129521	Nut
	W330301	Strut w/hub (single)		9059368	Cotter Pin
9	11Lx15	8 Ply Ribbed Implement Tire		2807220	Spindle, 15"
10	67504	Wheel, 15x8LB 6-6-4.62	15	W981302	Fresh Water Saddle
11	W331002	Strut Mount 4"x4"	16	W331006	Frame, HCS
12	V0141	Pin, Stressproof	17	HD500-SWL-TMR-PZ-M	Sidewind Jack
13	W320402	HCS Walking Beam w/Hubs	18	SC43-39	Safety Chain
			19	1006H	1"x6" Hitch Pin
			20	W1211K	Adjustable Clevis Hitch



HCS Heavy Duty Tandem Axle Trailer

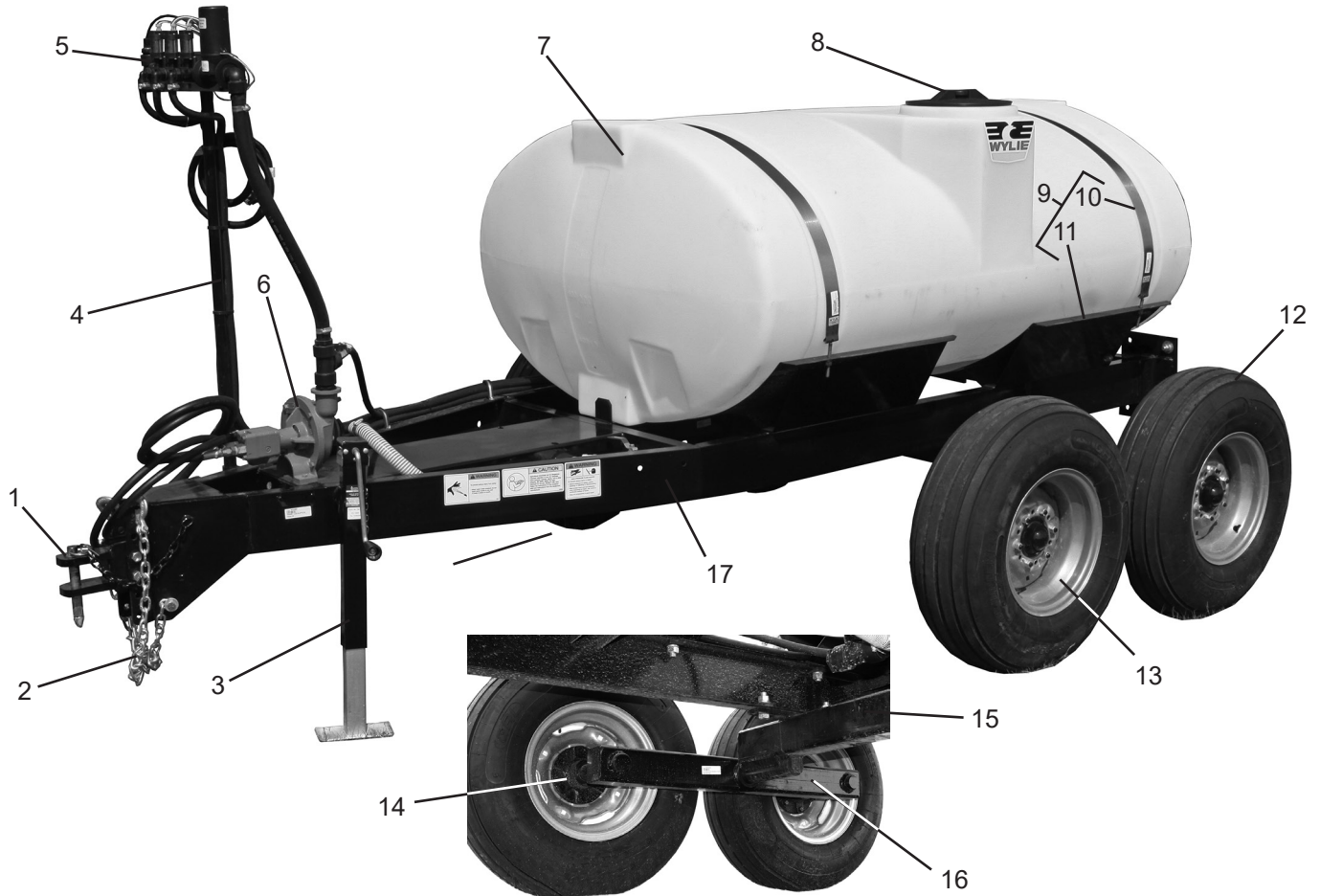
W3310 -- Walking Beam Trailer (500 Gal. Elliptical)



No.	Part No.	Description	No.	Part No.	Description
1	W1211K	Adjustable Clevis Hitch Kit	13	67505	Wheel 24x10, 8-8-6
2	SC43-39	Safety Chain	14	W331201	Strut w/Hubs
3	HD500-SWL-TMR-PZ-M	Side Wind Jack		2810800	W6-80 Hub Assembly
4	W320709	Control Pipe Stand		910292	Inner Cup (race)
5	463CPV16K	Hypro Triple Manual Control (shown)		910272	Outer Cup (race)
	443-AECK	Remcor 2551 Electric Control (optional)		9102931	Inner Bearing
	TEC-K	Triple Electric Control (optional)		9102731	Outer Bearing
6	HYD-206-HCSM	Ace 206 Hyd. Pump Kit		9099121	Dust Cap
	PTOC-150-HCSM	PTOC-150-600 Centrifugal, 540 PTO		9064861	Seal
	W320103	Pump Bracket		2810890	Hub With Cups
7	T500HENK	500 gal. Elliptical Tank		9136241	Washer
8	5478-R	10" Lid		9129591	Nut
9	W7134	Saddle Assembly		9059411	Cotter Pin
10	W720109	#12-T-2"x92" (88") Tank Band		2862560L 16.00	Spindle 2 3/4 Assembly
11	W713401	500 Gal. Saddle, Half Sec.	15	W331206	Axle
12	48D004	11.2-24 Hi Trac Ag Tire	16	W331006	Frame
11	W713401	500 Gal. Saddle, Half Sec.		W3101-K	Hose Rack Kit (optional)
12	48D004	11.2-24 Hi Trac Ag Tire		W331202	Strut Cap (not shown)

LCS Tandem Axle Trailer

W3211 -- Walking Beam Trailer (500 Gal. Elliptical)



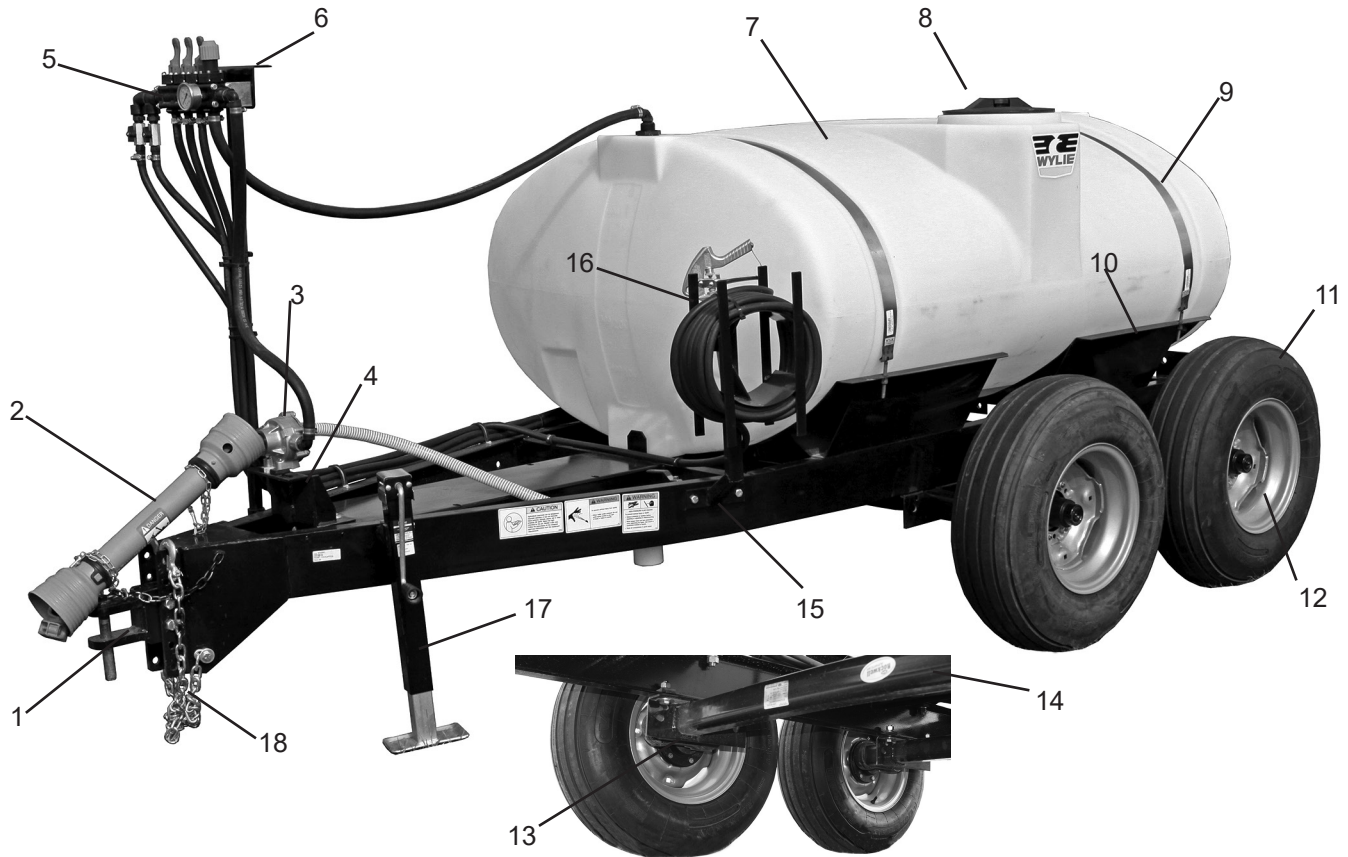
No.	Part No.	Description	No.	Part No.	Description
1	W2213-CLEVIS	Adjustable Clevis Hitch Kit	13	67504	Wheel 15x8, 6-6-4, 62
2	SC43-39	Safety Chain	14	2805760	W888 Hub Ass'y. (solid axle)
3	HD500-SWL-TMR-PZ-M	Side Wind Jack		2805750	W888 Hub w/cups
4	W320706	Control Pipe Stand		9102641	Inner Cone (bearing)
5	SCS-203K	Raven 203 Electric Control		9102591	Outer Cone (bearing)
	463CPV16K	Hypro Triple Manual Control		9099050	Dust Cap
	TEC-K	Triple Electric Control (Pos. Disp. Pump)		913569	Stud Bolt
6	81533	Ace 206 Hyd. Pump Kit		9129181	Lug Nut
	75617	Hypro 8 Roller Silver Cast Pump		9062841	Seal
	51441	Drive Shaft, 1 3/8SP x 15/16"		2807220	W888 Spindle Ass'y., 15"
	W320103	Pump Bracket		9136071	Washer
7	T500HENK	500 gal. Elliptical Tank		9129521	Nut
8	5478-R	10" Lid		9059368	Cotter Pin
9	W7134	Saddle Assembly	15	W320903	Tandem Axle
10	W720109	#12-T-2"x92" (88") Tank Band	16	W320402	Walking Beam w/hubs
11	W713401	500 Gal. Saddle, Half Sec.	17	W320901	Frame
12	11L x 15	8 Ply Ribbed Implement Tire		W3101-K	Hose Rack Kit (optional)



Trailer Assembly -- 800/500 Gal. LCS

W3221-HT 800 Gal. Tandem Torsion Axle

W3210-HT 500 Gal. Tandem Torsion Axle

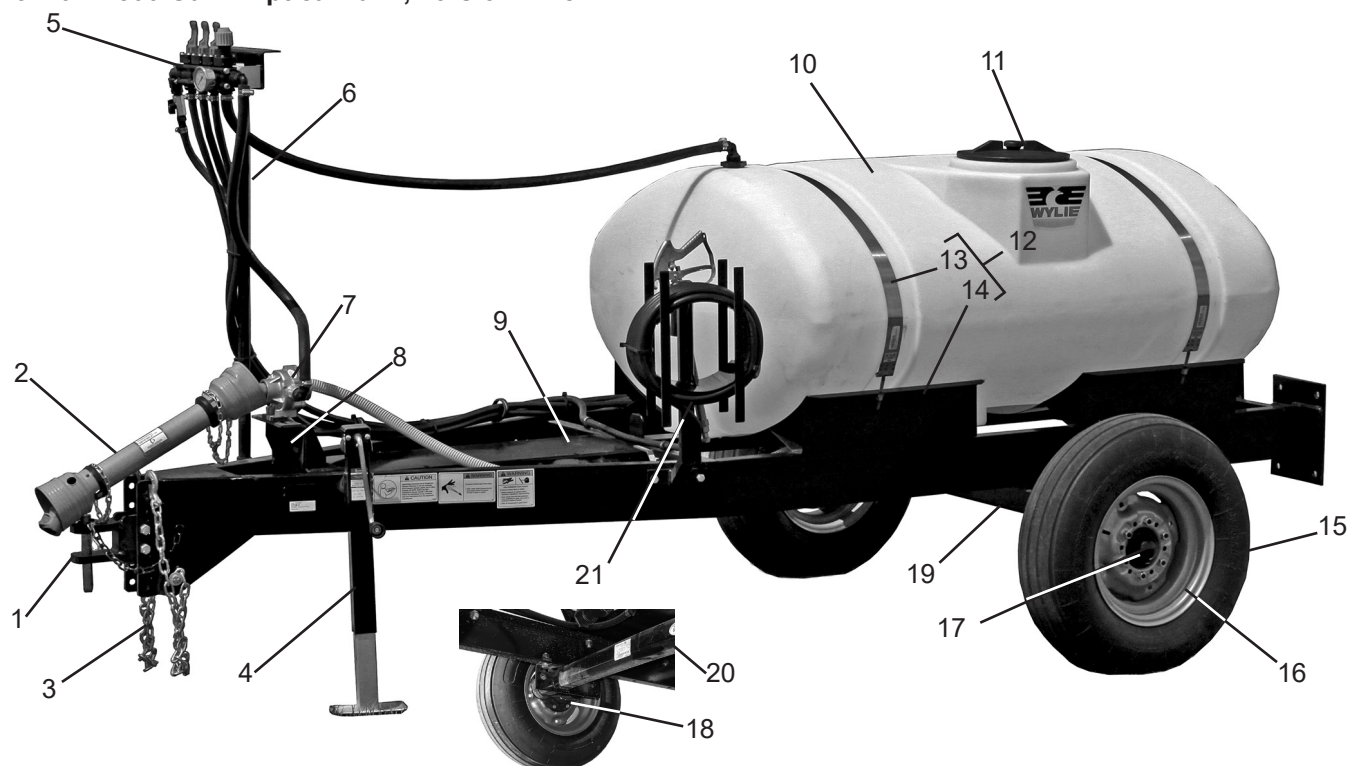


No.	Part No.	Description	No.	Part No.	Description
1	W2213-CLEVIS	Adjustable Clevis Hitch Kit	13	82660	Hub Ass'y. (torsion axle)
2	51441	Drive Shaft, 1 3/8SP x 15/16"		82660-1	Hub w/cups
3	75617	Hypro 8 Roller Silver Cast Pump		25580	Inner Cone (bearing)
4	W320103	Pump Bracket		15123	Outer Cone (bearing)
5	463CPV16K	Hypro Triple Manual Control		21-1	Dust Cap
	TEC-PD	Triple Electric Control (Pos. Disp. Pump)		4759-Z	Stud Bolt
6	W320709	Control Pipe Stand w/hose wrap (800)		4756	Lug Nut
	W320706	Control Pipe Stand (500)		22333TBN	Seal
7	T500HENK	500 gal. Elliptical Tank (500)		4753	Washer
	T800LDNK	800 Gal. Tank w/sump (800)		4754	Nut
8	60011	16" Lid (800)		4755	Cotter Pin
	5478-R	10" Lid (500)		9099050	Dust Cap
9	W720109	#12-T-2"x92" (88") Tank Band (500)	14	EC52810600660IEC	Axle, 5200# Idler Torsion (800)
	W127605	Tank Hoop (800)		EC526440660IE	Axle, 5200# Idler Torsion (500)
	W127608	Tank Hoop w/Hook (800)	15	W322101	Frame (800)
10	W7134	Saddle Assembly (500)		W320901	Frame (500)
	W713401	500 Gal. Saddle, Half Sec. (500)	16	W3101-K	Hose Rack (500)
11	11L x 15	8 Ply Ribbed Implement Tire	17	HD500-SWL-TMR-PZ-M	Side Wind Jack
12	67504	Wheel 15x8, 6-6-4, 62	18	SC43-39	Safety Chain

Trailer Assembly -- LCS Stockman Special (SSP) & Economy

W3209 300 Gal. Elliptical Tank, Solid Axle
 W3209-H 300 Gal. Elliptical Tank, Torsion Axle
 W3210 500 Gal. Elliptical Tank, Solid Axle
 W3210-H 500 Gal. Elliptical Tank, Torsion Axle

W3209E 300 Gal. Economy, Solid Axle
 W3210E 500 Gal. Economy, Solid Axle



No.	Part No.	Description	No.	Part No.	Description
1	W2213-CLEVIS	Adjustable Clevis Hitch Kit	17	2805760	W888 Hub Ass'y. (solid axle)
2	51441	Drive Shaft, 1 3/8SP x 15/16"		2805750	W888 Hub w/cups
3	SC43-39	Safety Chain		9102641	Inner Cone (bearing)
4	HD500-SWL-TMR-PZ-M	Side Wind Jack		9102591	Outer Cone (bearing)
5	463CPV16K	Hypro Triple Manual Control		9099050	Dust Cap
	TEC-PD	Triple Electric Control (Pos. Disp. Pump)		913569	Stud Bolt
6	W320706	Control Pipe Stand (SSP)		9129181	Lug Nut
	W320709	Control Pipe Stand (Econo)		9062841	Seal
7	75617	Hypro 8 Roller Silver Cast Pump		2807220	W888 Spindle Ass'y., 15"
	7560C	Hypro 8 Roller Cast Iron Pump		9136071	Washer
	113778	CDS/John Blue Brass Gear Pump		9129521	Nut
8	W320103	Pump Bracket		9059368	Cotter Pin
9	W320901	Frame	18	82660	Hub Ass'y. (torsion axle)
10	T300HENK	300 gal. Elliptical Tank		82660-1	Hub w/cups
	T500HENK	500 gal. Elliptical Tank		25580	Inner Cone (bearing)
11	5478-R	10" Lid		15123	Outer Cone (bearing)
12	W7135	300 Gal. Elliptical Saddle Assembly		21-1	Dust Cap
	W7134	500 Gal. Elliptical Saddle Assembly		4759-Z	Stud Bolt
13	W720129	#54-T-2"x83" (79") Tank Band (300)		4756	Lug Nut
	W720109	#12-T-2"x92" (88") Tank Band (500)		22333TBN	Seal
14	W713501	300 Gal. Saddle, Half Sec. (300)		4753	Washer
	W713401	500 Gal. Saddle, Half Sec. (500)		4754	Nut
15	9.5L x 15	8 Ply Ribbed Implement Tire (300)		4755	Cotter Pin
	11L x 15	8 Ply Ribbed Implement Tire (500)	19	W320902	Axle, Solid
16	67503	Wheel 15x6, 6-6-4, 62 (300)	20	EC526440660IE	Axle, 5200# Idler Torsion
	67504	Wheel 15x8, 6-6-4, 62 (500)	21	W3101-K	Hose Rack Kit (SSP)



Carrier Frame Section
W4328-200 -- 200 Gal.
W4328-300E -- 300 Gal.
W4328-500R -- 500 Gal.

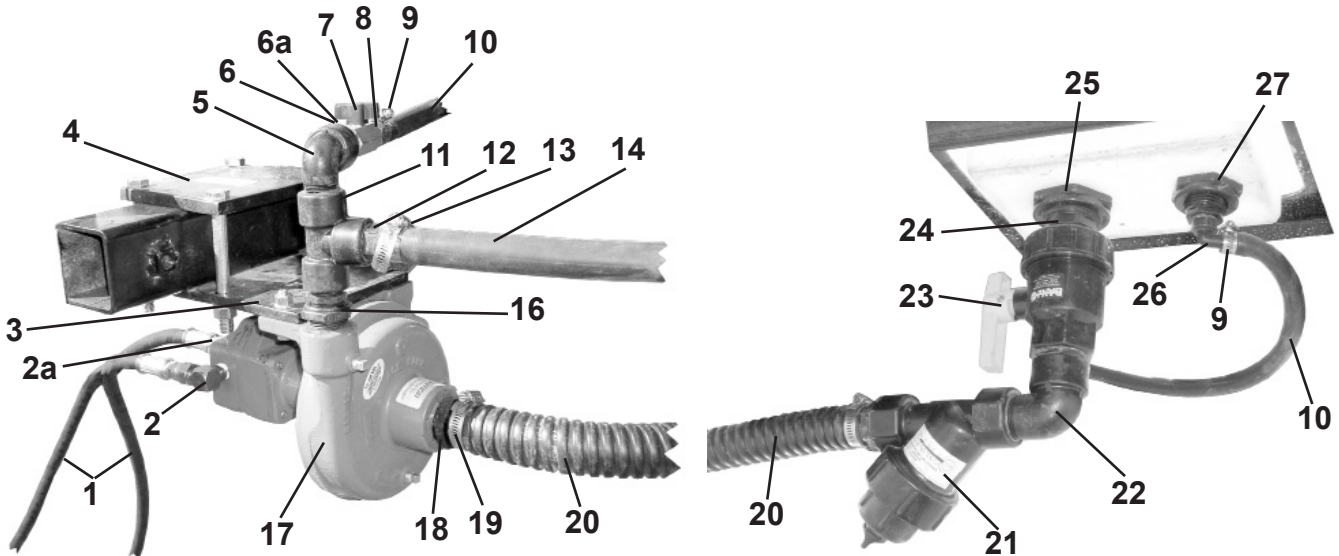


No.	Part No.	Description	No.	Part No.	Description
1	T200HMK	200 gal. Horizontal Tank	5	W432002	Stand Leg
	T300HENK	300 gal. Elliptical Tank	6	W432005	Pump Bracket
	T500RLNK	500 gal. Rectangular Tank	7	W432006	Pad
2	TL102	10" Lid	8	W432801	Frame (200, 300 gal.)
3	W720108	#36-T-2"x61" (57") (200 gal.)		W432606	Frame (500 gal.)
	W720141	#65-L-2"x60" (56") (300 gal.)	9	W430508	Stress Proof Pin
	W127503	Tank Hoop (500 gal.)	10	W430902	Control Stand
4	W7109	Saddle w/bands (200 gal.)		W432802	Hose Rack (not shown)
	W7136	Saddle w/bands (300 gal.)			



3 PT Centrifugal Plumbing

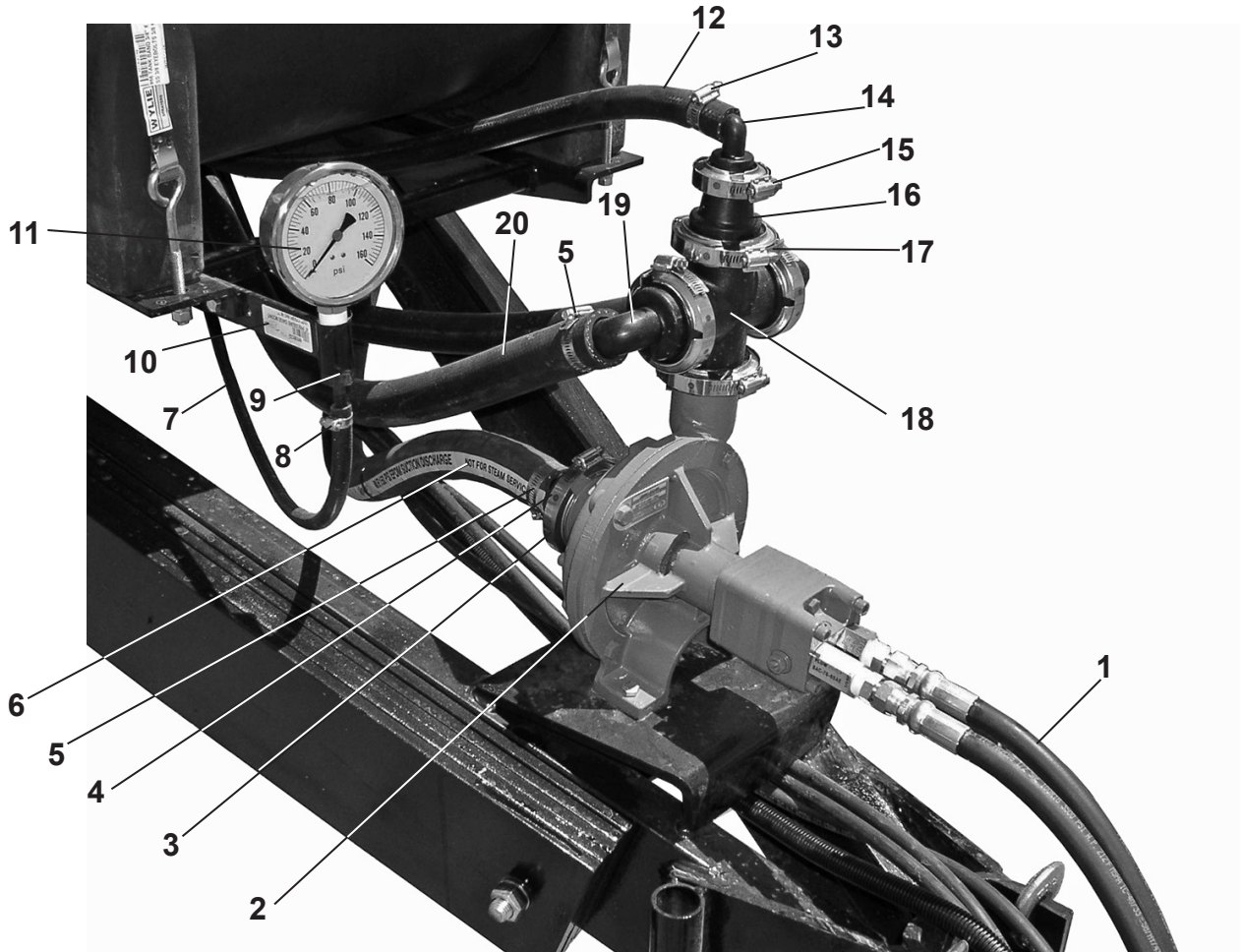
- HYD-206-K Ace 206 Hydraulic Centrifugal Pump Kit, 1½" x 1¼"
- HYD-204-K Ace 204 Hydraulic Centrifugal Pump Kit, 1¼" x 1"
- 84402 Plumbing Kit, 1½"
- 84401 Plumbing Kit, 1¼"
- 84400 Plumbing Kit, 1"



No.	Part No.	Description	No.	Part No.	Description
1	HYD015	Hyd. Hose 3/8 x 6.5' (OAL) #8 FJICSW ½ MPT	18	HB150	1½" Hosebarb (206 Pump)
	8010-4P	Tractor Hydraulic Fitting (not shown)		HB125	1¼" Hosebarb (206 Pump)
2	8MJ-6MP90	8MJIC x 3/8" MPT, 90° Fitting		HB100	1" Hosebarb (204 Pump)
2a	8MJ-6MP	8MJIC x 3/8" MPT Fitting	19	1028	1½" Hose Clamp (1½", 1¼" Plumb)
3	W432005	Pump Bracket		1016	1" Hose Clamp (1" Plumb)
4	W432006	Pump Bracket Pad	20	HS6053	1½" Kanaflex Hose (1½" Plumb)
5	SL125-90	1¼" Street "L", 90° (1½", 1¼" Plumb)		HS6052	1¼" Kanaflex Hose (1¼" Plumb)
	SL100-90	1" Street "L", 90° (1" Plumb)		7-090-100	1" PVC Hose (1" Plumb)
6	RB125-075	1¼" x ¾" Reducer Bushing (1½", 1¼" Plumb)	21	LS-150-50	1½" Strainer (1½" Plumb)
	RN100-050	1" x ½" Reducer Nipple (1" Plumb)		LS-125	1¼" Strainer (1¼" Plumb)
6a	RN075-050	¾" x ½" Reducer Nipple (1½", 1¼" Plumb)		LST100-50	1" Strainer (1" Plumb)
7	90-FFB-12	½" FNPT Ball Valve	22	SL150-90	1½" Street "L", 90° (1½" Plumb)
8	HB050	½" Hosebarb		SL125-90	1¼" Street "L", 90° (1¼" Plumb)
9	1008	½" Hose Clamp		SL100-90	1" Street "L", 90° (1" Plumb)
10	2-200-050	½" Rubber Hose	23	UV-150FP	1½" Single Union Valve (1½" Plumb)
11	TEE125	1¼" Tee (1½", 1¼" Plumb)		UV-125FP	1¼" Single Union Valve (1¼" Plumb)
	TEE100	1" Tee (1" Plumb)		UV-100FP	1" Single Union Valve (1" Plumb)
12	HB075	¾" Hosebarb	24	NIP150-SH	1½" Short Nipple (1½" Plumb)
13	1012	¾" Hose Clamp		NIP125-SH	1¼" Short Nipple (1¼" Plumb)
14	2-200-075	¾" Rubber Hose		NIP100-SH	1" Short Nipple (1" Plumb)
16	NIP125-SH	1¼" Short Nipple (206 Pump)	25	TF150VOR	1½" Tank Fitting (1½" Plumb)
	NIP100-SH	1" Short Nipple (204 Pump)		TF125VOR	1¼" Tank Fitting (1¼" Plumb)
17	FMC-150F-HYD-206	Ace 206 Centrifugal Hyd Pump, 1½" x 1¼"		TF100VOR	1" Tank Fitting (1" Plumb)
	FMC-HYD-204	Ace 204 Centrifugal Hyd Pump, 1¼" x 1"	26	HB050-90	½" Hosebarb, 90°
			27	TF050VOR	½" Tank Fitting
				3371	Jet Agitator (not shown)



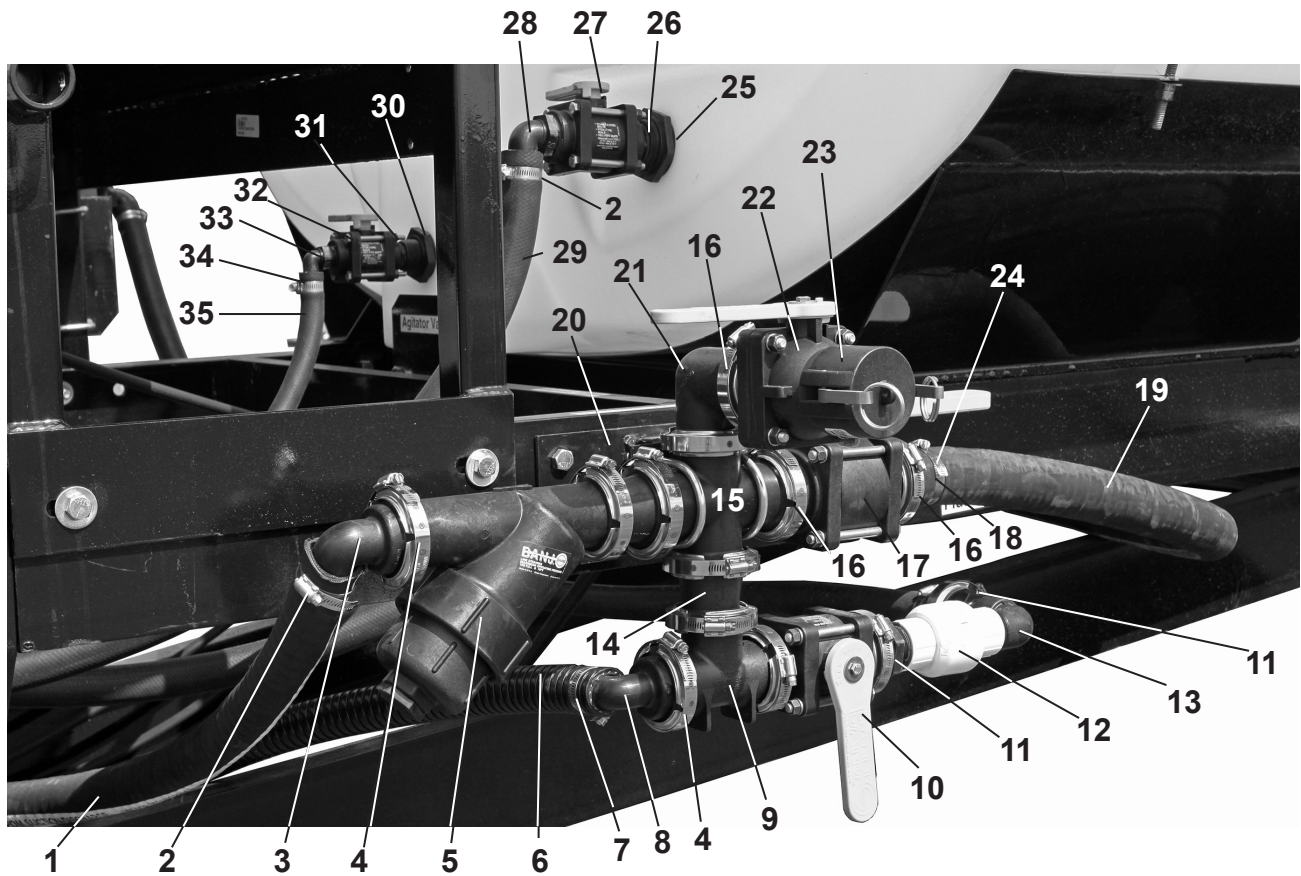
EP1000/HCS Centrifugal Pump Plumbing



No.	Part No.	Description	No.	Part No.	Description
1	HYD109	½ Hose, ½ MPT - 8FJICS 120" (1,000)	11	4154GXX160.5	4" Pressure Gauge
	HYD165	½ Hose, ½ MPT - 8FJICS 102" (500)	12	2-200-075	¾" Rubber Hose
2	FMC-150F-HYD-206	Ace 206 Hydraulic Pump	13	1012	¾" Hose Clamp
3	FC220	2" Flange Clamp FP	14	M100075BRB90	1" Flange x ¾" Hose Barb, 90°
	200GV	2" Viton Gasket FP	15	FC100	1" Flange Clamp
4	M220150BRB	2" Flange FP x 1½" Hose Barb		M100GV	1" Viton Gasket
5	1028	1½" Hose Clamp	16	M200100CPG	2"x1" Flange Coupling
6	12003501	1½" Suction Hose	17	FC200	2" Flange Clamp
7	2-200-038	3/8" Rubber Hose		150GV	2" Viton Gasket
8	06-MC	9/16" Hose Clamp	18	M200CR	2" Flange Cross
9	HB025-038	¼" NPT x 3/8" Hose Barb	19	M200150BRB90	2" Flange x 1½" Hose Barb, 90°
10	W930133	4" Pressure Gauge Mount	20	2-150-114	1¼" Rubber Hose



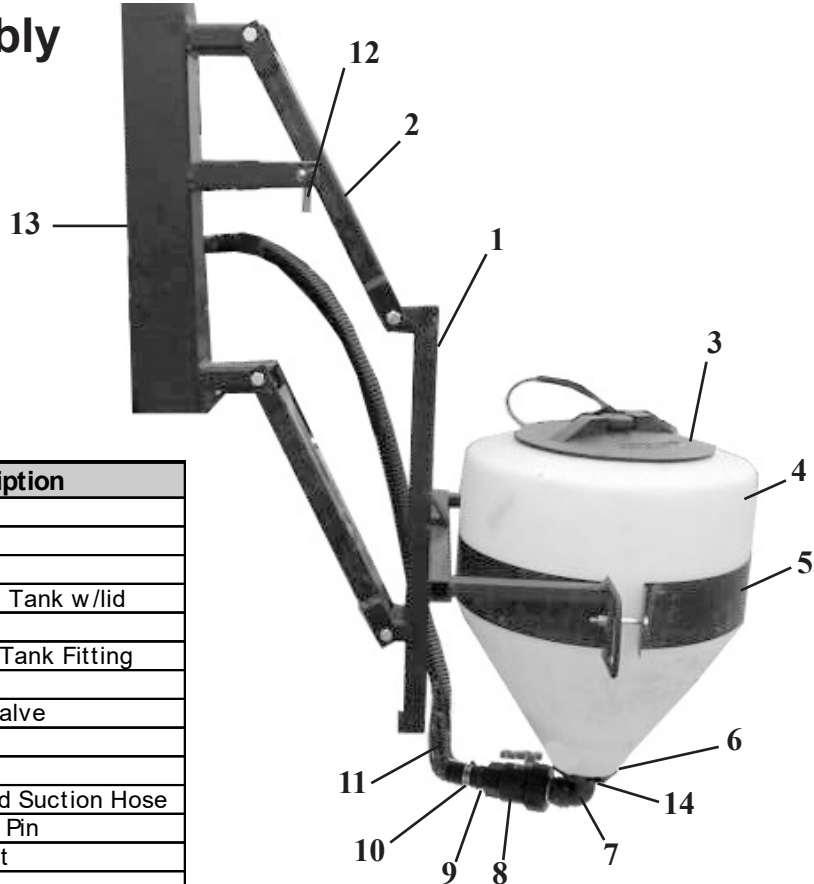
EP1000/HCS Tandem Plumbing



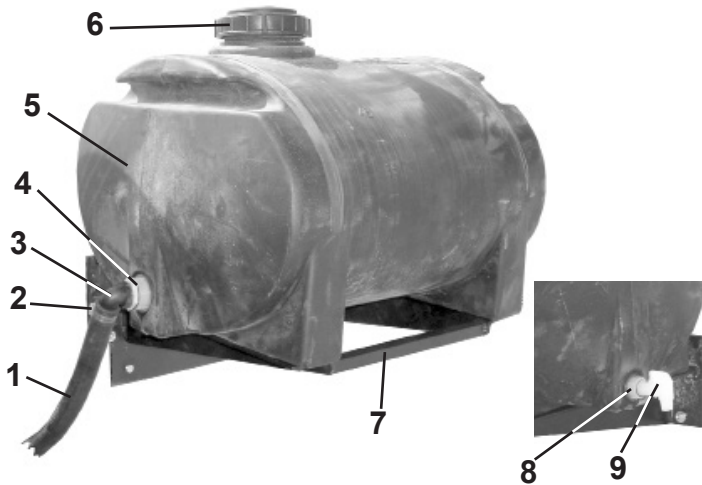
No.	Part No.	Description	No.	Part No.	Description
1	12003501	1½" Suction Hose	17	MV220CF	2" FP Flange Ball Valve
2	1028	1½" Hose Clamp	18	M220 BRB	2" FP Flange Hose Barb
3	M200150BRB90	2" Flange x 1½" Hose Barb, 90°	19	12004001	2" Suction Hose
4	FC200	2" Flange Clamp	20	W131008	Strainer Mount
	150GV	2" Viton Gasket	21	M220CPG90	2" FP Flange Coupling, 90°
5	MLS200-50	2" Flange "Y" Strainer	22	VSF220FP	2" FP Stubby Valve
6	HS6052	1¼" Ribbed Hose	23	200-CAP-PP	2" QC Cap
7	1020	1" Hose Clamp	24	1036	2" Hose Clamp
8	M200125BRB90	2" Flange x 1¼" Hose Barb, 90°	25	63065	1¼" Anti-Vortex Tank Fitting
9	M200TEE	2" Flange Tee	26	NIP125-SH	1¼" Short Nipple
10	MV200CF	2" Flange Ball Valve	27	V-125	1¼" Ball Valve
11	M200125MPT	2" Flange x 1¼" MPT	28	HB125-90	1¼" Hose Barb, 90°
12	6QVTWE125	1¼" PVC Check Valve	29	2-150-114	1¼" Rubber Hose
13	SL125-90	1¼" Street EL	30	62798	¾" Anti-Vortex Tank Fitting
14	M220200CPG	2" FPx2" Flange Coupling	31	NIP075-SH	¾" Short Nipple
15	M200CR	2" Flange Cross	32	V075	¾" Ball Valve
16	FC220	2" Flange Clamp FP	33	HB075-90	¾" Hose Barb, 90°
	200GV	2" Viton Gasket FP	34	1012	¾" Hose Clamp
			35	2-200-075	1¼" Rubber Hose



HCS Mix-n-Fill Assembly W9401-50



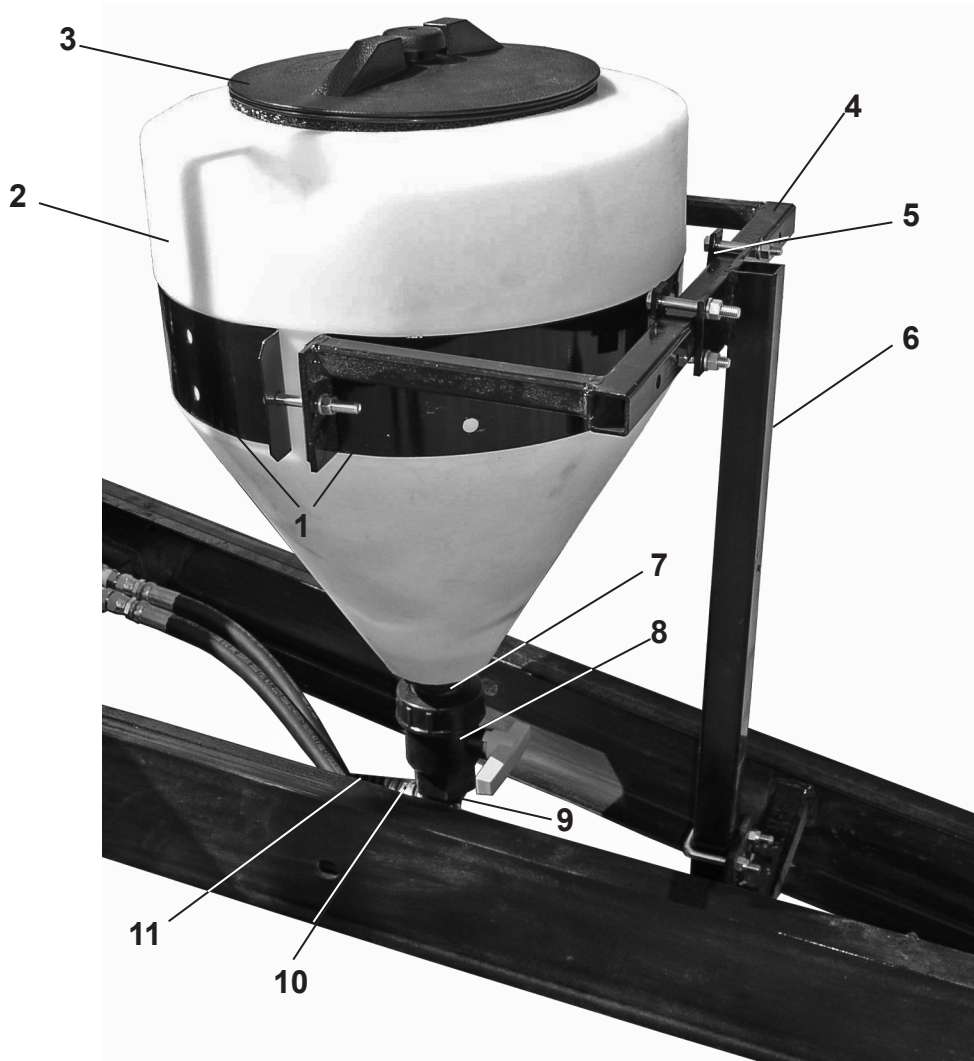
No.	Part No.	Description
1	W132522	Support Mount
2	W132521	Linkage Tube
3	TL102	10" Lid
4	T15MNK	15 Gal. Mix n' Fill Tank w/lid
5	W940102	Tank Band
6	TF125AV	1 1/4" Anti-Vortex Tank Fitting
7	SL125-90	1 1/4" Street "L"
8	UV-125FP	1 1/4" Union Ball Valve
9	HB125	1 1/4" Hose Barb
10	1020	1 1/4" Hose Clamp
11	HS6052	1 1/4" x 3 1/2' Ribbed Suction Hose
12	124B	1/2" x 4" Bent Pull Pin
13	W132518	Mix n' Fill Bracket
14	NIP125-SH	1 1/4" Short Nipple
	W132523	Pad (not shown)



W9813K Fresh Water Tank (EP-1000 & HCS)

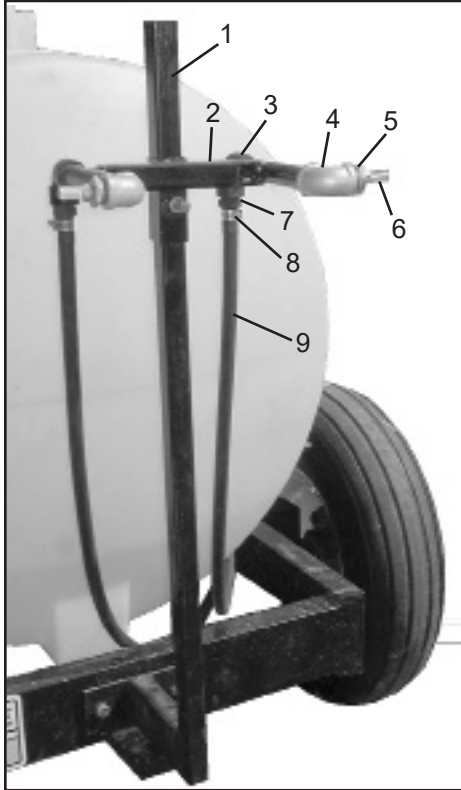
No.	Part No.	Description
1	2-150-114	1 1/2" Rubber Hose
2	1028	1 1/2" Hose Clamp
3	HB150/125-90	1 1/2" MPT x 1 1/4" Hosebarb, 90°
4	56DT	1 1/2" Spin Weld Fitting
5	T50LGBK	50 Gal. Tank, Black
6	TL600C	6" Lid
7	W981302	Fresh Water Tank Mount
8	74HD	3/4" Spin Weld Fitting
9	4461T2	3/4" NPT Regular Lever Faucet
	W720142	Tank Band (not shown)

EP-1000 Mix-n-Fill Assembly W9401-T15/TONGUE



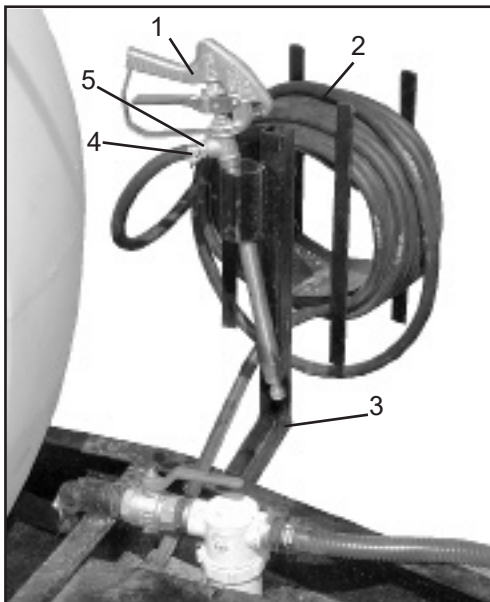
No.	Part No.	Description	No.	Part No.	Description
1	W940102	Mix & Fill Band, 15 Gal.	6	W941005	Support Bracket
2	T15MNK	15 Gal. Mix & Fill Tank	7	63065	1/4" AV Fitting
3	5478-R	10" Vented Lid	8	UV-125FP	1/4" x 1/4" Single Union Valve
4	W940106	Bracket	9	HB125-90	1/4" Hose Barb, 90
5	W940105	Pad	10	1020	1/4" Hose Clamp
			11	HS6052	1/4" Hose

Boom Buster Kit



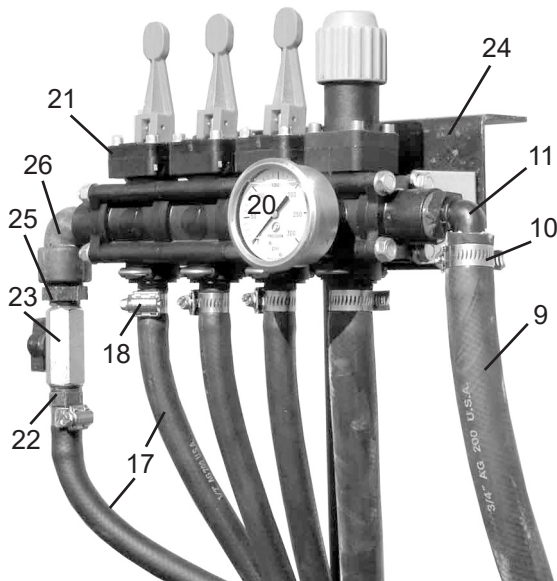
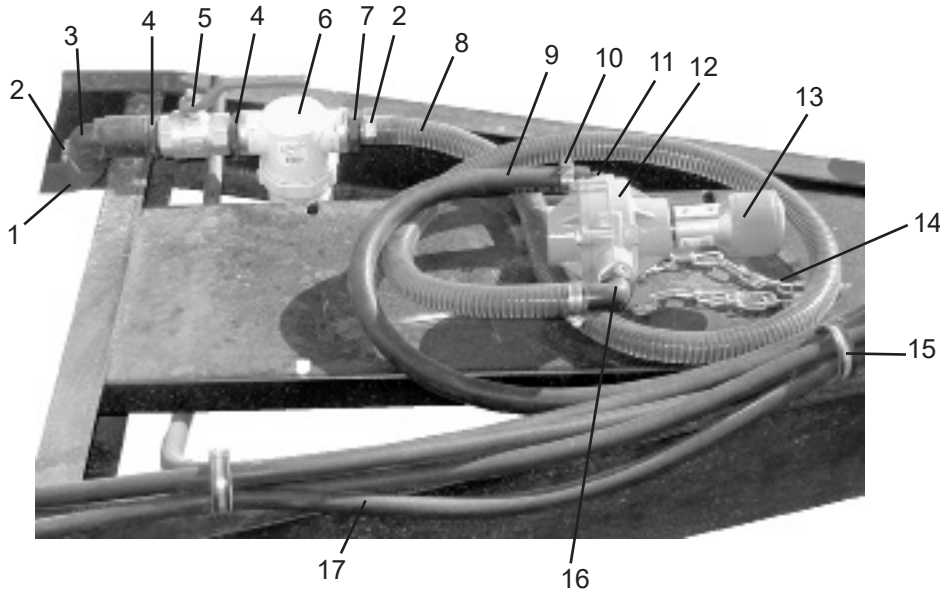
No.	Part No.	Description
1	W570201	Upright Support
2	W570202	Double Nozzle Slip
3	EL075-90	3/4" Elbow, Poly
4	90L-34G	3/4" Elbow, Galv.
5	RB-3414G	3/4" x 1/4" Reducer Bushing, Galv.
6	BB140	Boom Buster Nozzle, 140
7	HB075-050	3/4" MPT x 1/2" Hose Barb
8	1008	1/2" Hose Clamp
9	2-200-050	1/2" Rubber Hose

Hose & Gun Assy.



No.	Part No.	Description
1	#43L-BR	#43 Brass Gun with D-Disc
2	2-200-050	1/2" Rubber Hose
3	W310101	Hose Rack
4	1008	1/2" Hose Clamp
5	1212-BR	1/2" MPT x 1/2" Hose Barb, Brass

Roller Pump and Hypro Control Plumbing

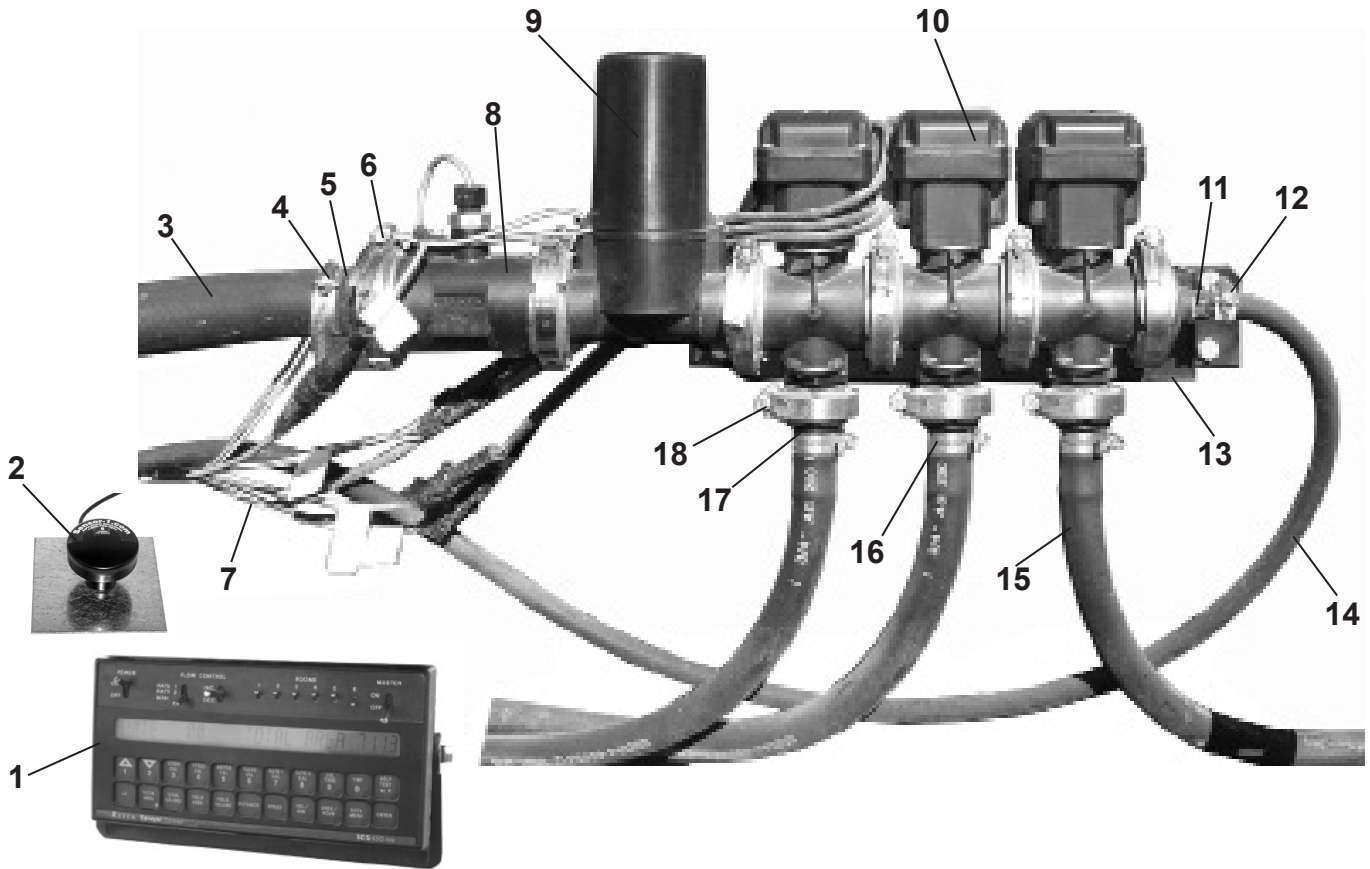


No.	Part No.	Description
1	7-090-114	1¼" PVC Suction Hose
2	1020	1¼" Hose Clamp
3	HB125-90	1¼" Hose Barb, 90°
4	NIP125-SH	1¼" Short Nipple
5	BBV-114	1¼" Brass Ball Valve
6	3350-0075	1¼" Hypro Strainer
7	HB125-100	1¼" MPT x 1" Hose Barb
8	7-090-100	1" PVC Suction Hose
9	2-200-075	¾" Rubber Hose
10	1012	¾" Hose Clamp
11	HB075-90	¾" Hose Barb, 90°
12	7560C	8-Roller Hypro Pump, Cast Iron
	75617	8-Roller Hypro Pump, Silver Cast
	113778	CDS/John Blue Brass Gear Pump
13	1321-0013	Multi-speed PTO Quick-Coupler, 1 3/8"
	388784	PTO Drive Shaft, 1 3/8"
	W320103	LCS Pump Bracket (for shaft drive pumps)
14	038-1491	Chain
15	2018	1 1/8" Loom Clamp
16	HB100/075-90	1" MPT x ¾" Hose Barb, 90°
17	2-200-050	½" Rubber Hose
18	1008	½" Hose Clamp
20	WGG300C	2½" Liquid Pressure Gauge, ¼" Stem, 300 PSI
21	463CPV16	Hypro Triple Control Valve
22	HB-050	½" Hose Barb
23	90-FFB-12	½" Brass Ball Valve
24	W320704	LCS Control Stand
25	SL075-90	¾" Street "L"
26	RN075-050	¾" x ½" Reducing Nipple



SCS450 Automatic Control Panel

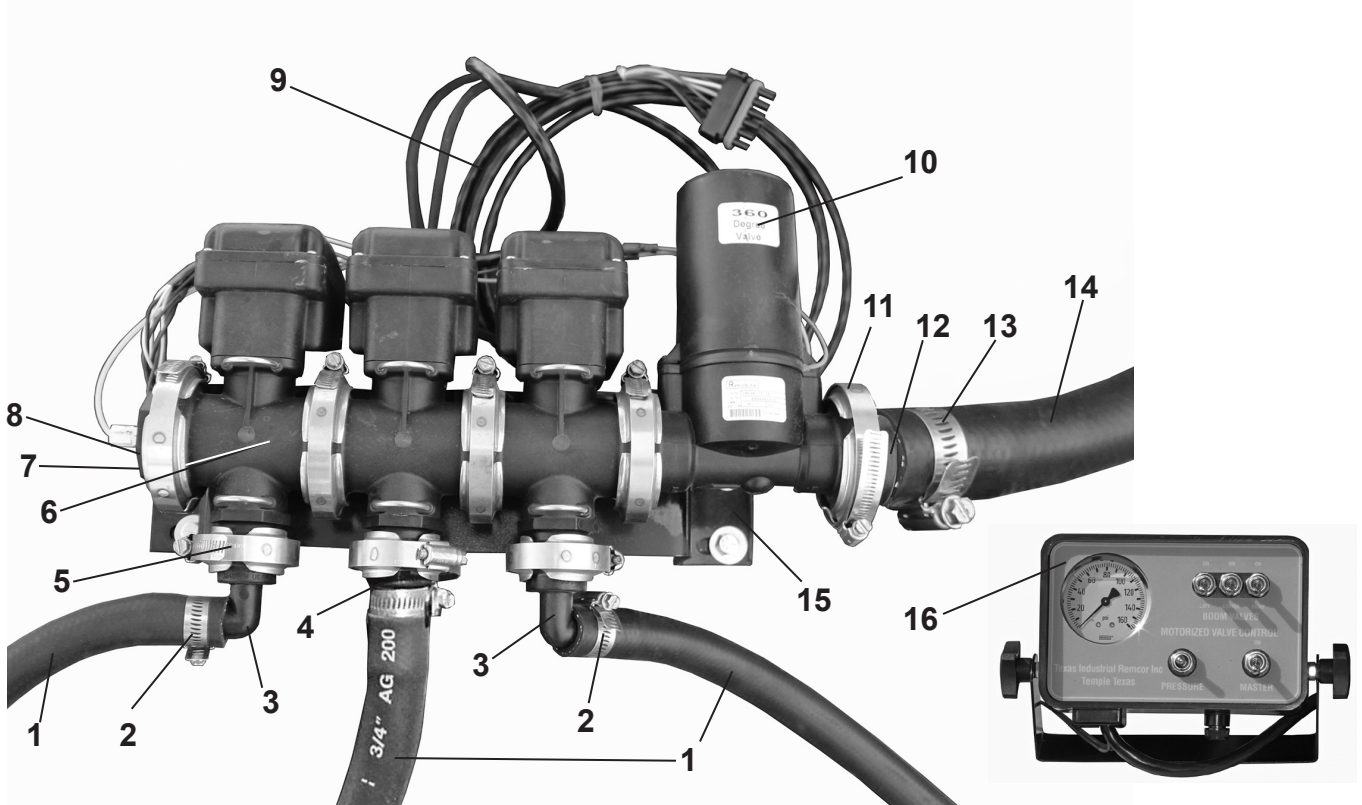
SCS-450-AECK Raven 450 Triple Control w/ball valves



No.	Part No.	Description	No.	Part No.	Description
1	063-0171-220	450 Console	9	063-0172-125	1" Control Valve
	115-0159-857	Extention Cable (NS)	10	063-0171-928	3 Valve Raven Manifold
	115-0171-085	Cable, 10' Cons 7BM, SCS450 (NS)	11	HB025-038	1/4" MPT x 3/8" Hose Barb
2	DS-GPSM-R5	GPS Speed Sensor 5 HZ	12	06-MC	9/16" Mini Hose Clamp
3	2-150-114	1 1/4" Rubber Hose	13	W930123	Valve Mount Bracket
4	1020	1 1/4" Standard Hose Clamp	14	2-200-038	3/8" Rubber Hose
5	M200125BRB	2" Flange x 1 1/4" Hose Barb	15	2-200-075	3/4" Rubber Hose
6	FC200	2" Worm Screw Clamp	16	1012	3/4" Standard Hose Clamp
	150GV	Manifold Viton Gasket, 2"	17	M100075BRB	1" Flange x 3/4" Hose Barb
7	115-0171-086	6' Flow Control Cable	18	FC100	1" Worm Screw Clamp
8	063-0171-793	RFM60P Flowmeter		M100GV	Manifold Viton Gasket, 1"
9	063-0172-125	1" Control Valve			

Remcor 2551L Electric Control Panel

443-AECK Triple Control w/ball valves

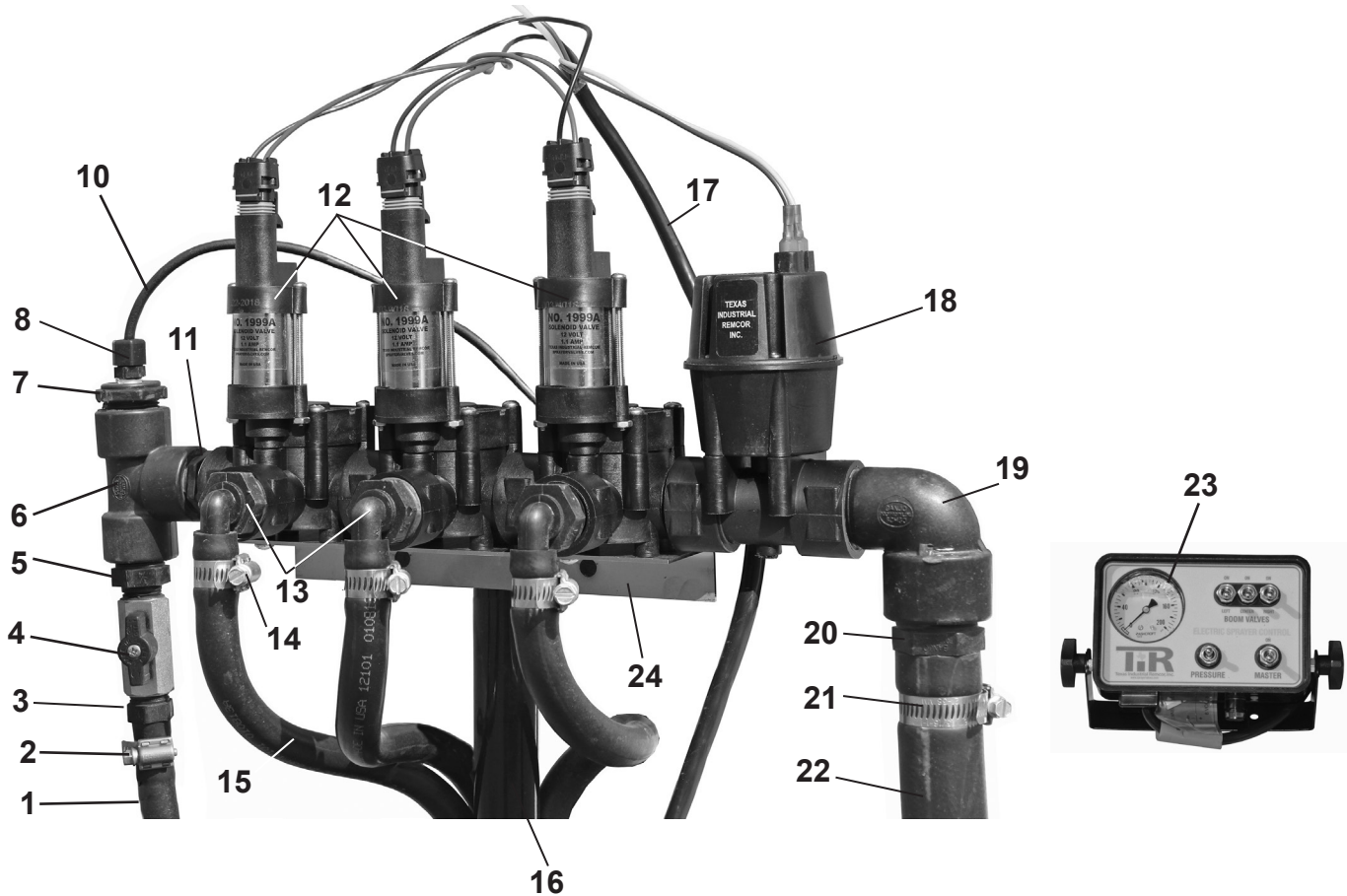


No.	Part No.	Description	No.	Part No.	Description
1	2-200-075	¾" Rubber Hose	9	HRN.2549.WP	10' Harness for Ball Valves
2	1012	¾" Hose Clamp	10	063-0172-126	1" Control Valve
3	M100075BRB90	1" Flange x ¾" Hose Barb, 90°	11	FC200	2" Manifold Clamp
4	M100075BRB	1" Flange x ¾" Hose Barb		150GV	Viton Gasket for 2" Clamp
5	FC100	1" Manifold Clamp	12	M200100BRB	2" Flange x 1" Hose Barb
	M100GV	Viton Gasket for Manifold Clamp	13	1016	1" Hose Clamp
6	063-0171-928	3 Section Manifold Valve	14	2-150-100	1" Rubber Hose
7	M200PLG075	2" SP Flange Plug w/¾" FTP	15	W930123	Valve Mount Bracket
8	RB075-018	Reducer Bushing ¾" x 1/8"	16	CPL.2551L	RC1B Controller
				HRN.2653.WP	18' Extension for CPL.2511L (not shown)



Remcor 2040 Electric Control

SCS-203HV Triple Control w/solenoids



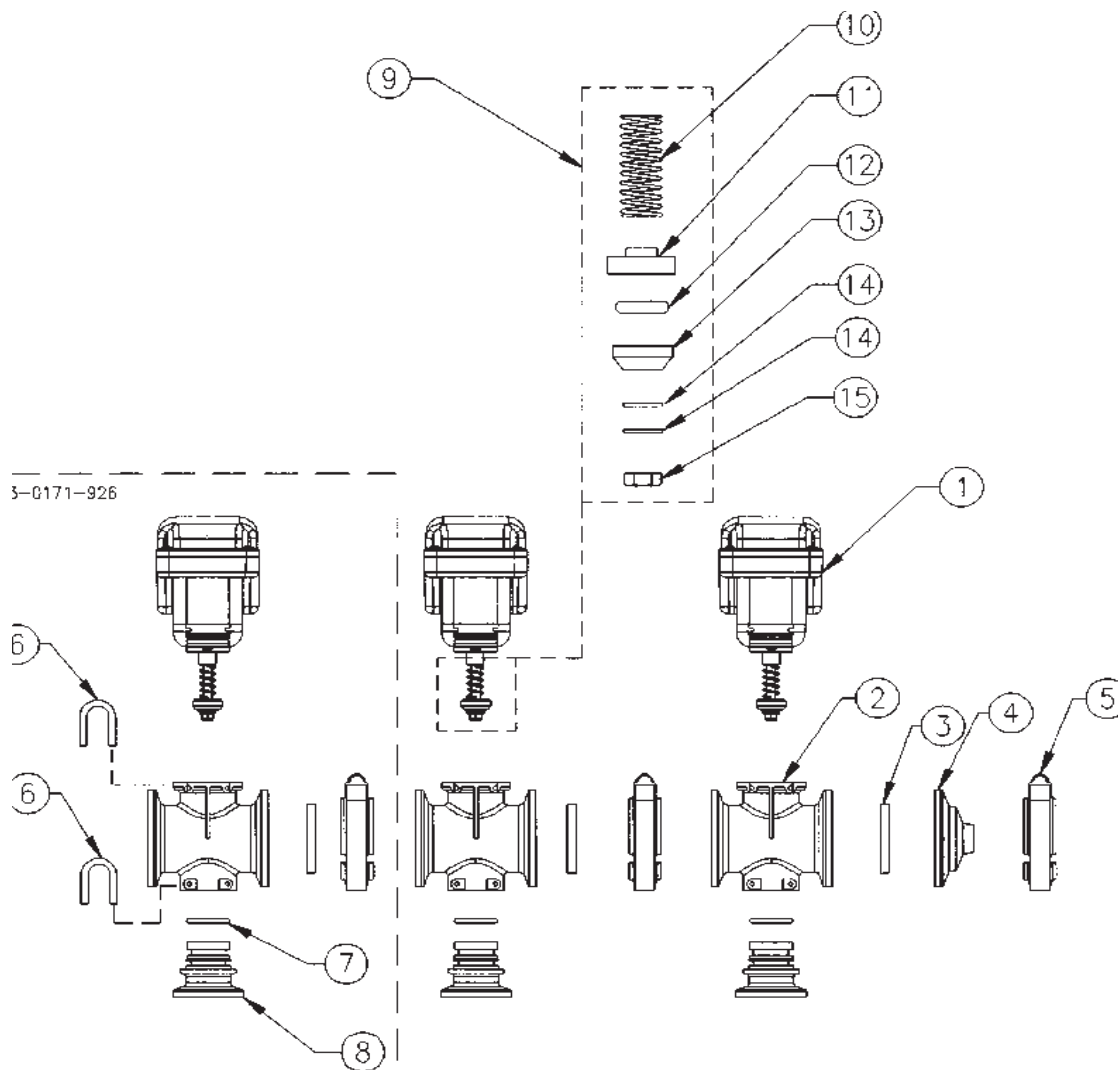
No.	Part No.	Description	No.	Part No.	Description
	CON.2040L.WP.3	3 Valve Controller (11, 17, 22, 23, 24)	13	HB075-90	3/4" Male Thread x 3/4" Hose Barb, 90°
1	2-200-050	1/2" Rubber Hose	14	1012	3/4" Hose Clamp
2	1008	1/2" Hose Clamp	15	2-200-075	3/4" Rubber Hose
3	HB-050	1/2" Hosebarb	16	W430902	Control Stand (3 PT)
4	90-FFB-12	1/2" Brass Ball Valve		W320704	Control Stand (HCS/LCS)
5	RN100-050	1" x 1/2" Reducer Nipple	17	1576WP	8' Sprayer Harness
6	TEE100	1" Tee	18	1541A	1" Regulator Valve
7	RB100-018	1" x 1/8" Reducer Bushing	19	SL100-90	1" Poly Street El
8	1181	1/8" Male Adapter Fitting	20	HB-100	1" Hose Barb x 1" NPT
10		1/8" Tubing	21	1016	1" Hose Clamp
11	NIP100-SH	1" x Short Poly Nipple	22	2-150-100	1" Rubber Hose
12	1999A	1" Solenoid Valve	23	CPL1987L	Remcor 2040 Console
			24	1990	Valve Bracket



Raven Boom Valve

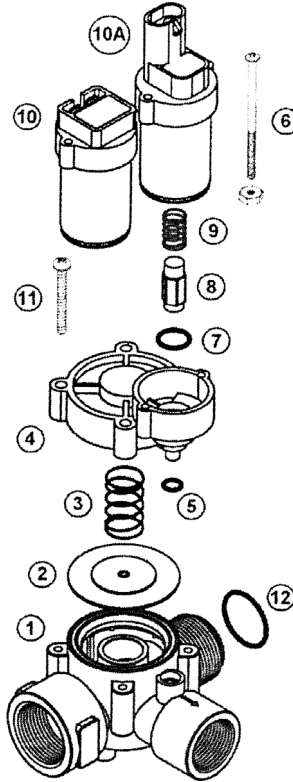
063-0171-926 1 section ball valve

063-0171-928 3 section ball valve



No.	Part No.	Description	No.	Part No.	Description
1	063-0172-330	Motor assembly	9	117-0159-780	Plunger seat kit
2	106-0159-522	Body	10	314-0000-011	Spring
3	219-0000-097	Gasket	11	106-0159-534	Seat retainer
4	106-0159-524	End plate	12	219-0002-010	O-ring
5	435-3003-038	Clamp, V-band	13	219-0000-099	Plunger seat
6	107-0171-327	Clip	14	313-2301-810	Washer
7	219-0002-214	O-ring	15	312-4000-160	Locking nut
8	106-0159-523	Outlet			

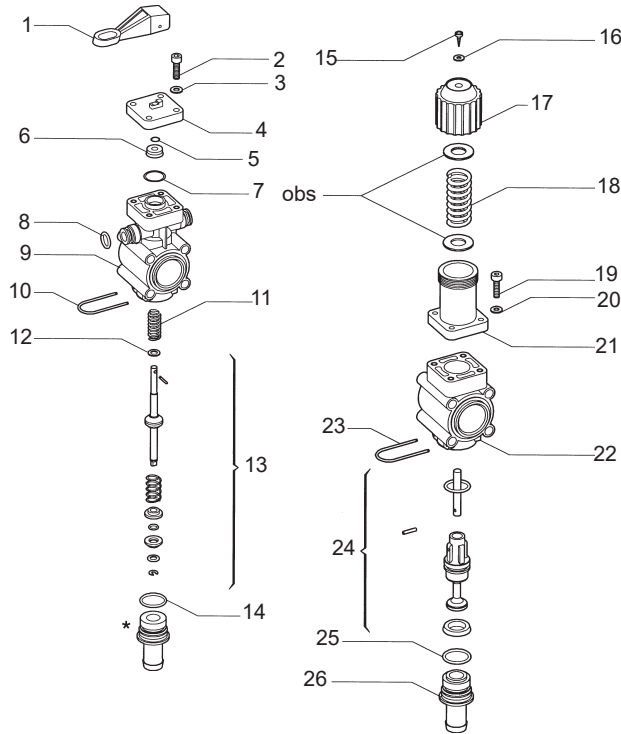
1999A Solenoid Repair Parts



No. 1999A SOLENOID PARTS LIST

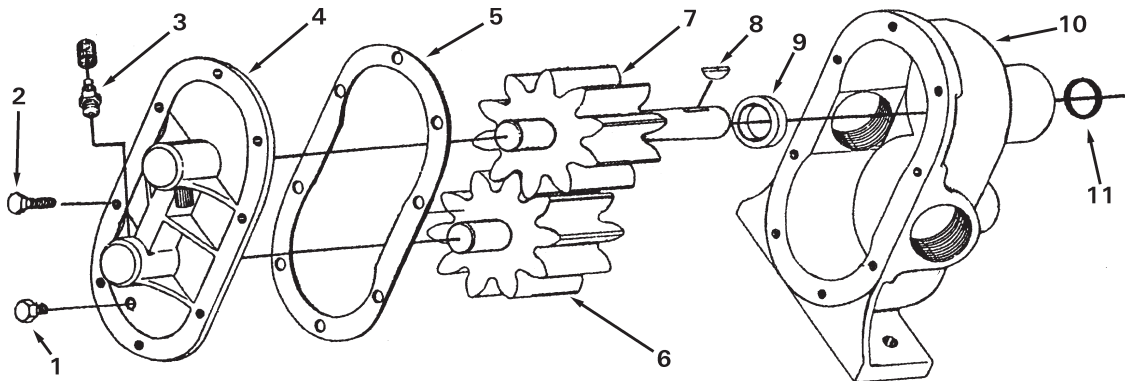
Ref	Part No.	Description	No.
1	1962	Valve Body	1
2	*1974	Viton Diaphragm Assembly, Standard	1
2	⁽¹⁾ 2109	Aflas Diaphragm Assembly, Optional	1
3	⁽¹⁾ 1975	Spring	1
4	1963	Valve Cover	1
5	⁽¹⁾ *1976	Viton "O" Ring 010	1
6	5305/5306	6-32 X 2 5/8 Screw with Hex Nut	2
7	⁽¹⁾ *1977	Viton "O" Ring 014	1
8	*2239	Plunger with Viton Seat, Standard	1
8	2240	Plunger with Aflas Seat, Optional	1
9	⁽¹⁾ *1979	Plunger Spring	1
10	2515	Coil Assembly	1
10A	2520	Coil Assembly, Weather Pack	1
11	5307	No. 8 X 1 1/2 Screw	4
12	2168	"O" Ring 022	1
	2517	Viton Repair Kit – consists of items*	
	2518	Aflas Repair Kit – consists of items (1)	

Hypro 463061/463080N Manual Valve



Ref.	Part No.	Description
1	463051-140	Handle
2	V1C131	Screw
3	B201EO	Washer
4	463051-130	Top Plate For Manual Valve
5	550001-150V	Viton O-Ring
6	465900-060	Gasket
7	465900-180	Motor Shaft Seal
8	004352-050V	Viton O-Ring
9	463011-010	Valve Body
10	462300-040	Pin-Outlet HB Electro VLV
11	463051-050	Spring
12	B202GO	Flat Washer
13	463061-550	Plunger Assembly Kit
14	465005-140V	Viton Gasket
15	V2B24H	Screw
16	B202DO	Solenoid Washer
17	463080-090	Green Pressure Knob
18	463080-050	Adjustment Spring
19	V1C31	Screw
20	B201EO	Washer
21	463080-060	Adjustment Spring Sleeve (OBS)
22	463080-010	Valve Body
23	462300-040	Pin-Outlet HB Electro VLV
24	463080-510	Valve Stem Kit
25	465005-140V	Viton Gasket
26	463080-119	Hose Barb D.19 Inox Seat

113778 Brass Gear Pump

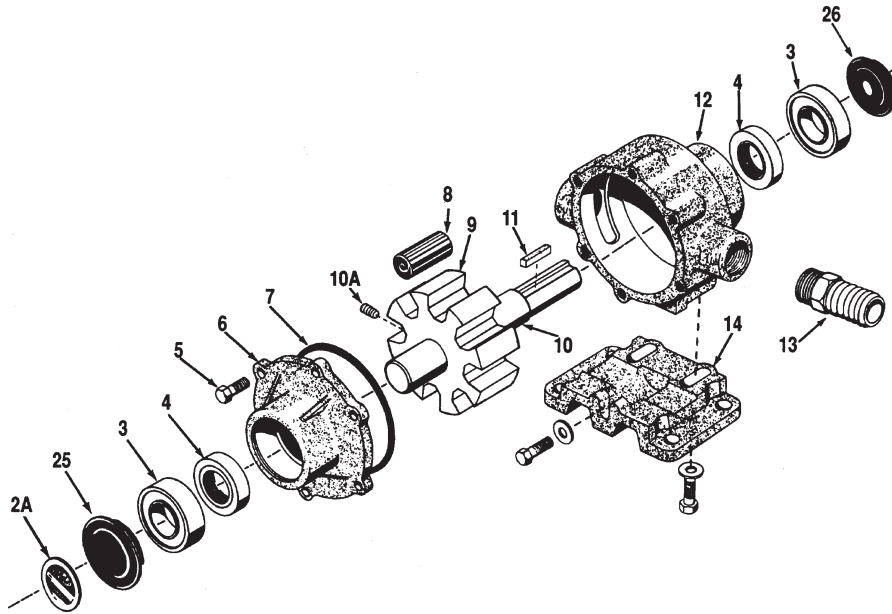


Ref.	Part No.	Description
1	113823-01	1/8" pipe
2	90612	cap screw
3	113819-01	zerk fitting with cover
4		pump cover (included w/ 113938)
5*	113787-01	gasket
6	113783-91	idler gear & drive shaft assembly
7	113782-91	drive gear & drive shaft assembly
8	S-8479	woodruff key
9*	113821-01	seal
10	113938	pump body
11*	113822-01	O-ring
	113939	gasket kit

* included in gasket kit



Hypro Models 7560C, 7560N and 7560XL



IMPORTANT:
When ordering parts, give PART NUMBER and PART DESCRIPTION. Reference Numbers are used ONLY to point out parts in the drawing and are NOT to be used as ordering numbers.

Ref. No.	Qty. Req'd.	Part Number	Description
2A	1	6031-0258	Name Plate (Specify Pump Model #)
3	2	2008-0001	Sealed Ball Bearing
4	2	2112-0003	Viton Seal (Standard)
4	2	2112-0001	Buna-N Seal (Optional)
4	2	2103-0002	Leather Seal (Optional)
5	6	2210-0004	Bolt
6	1	0204-7500C	Endplate (Cast-Iron) with seal
6	1	0204-7500N	Endplate (Ni-Resist) with seal
6	1	0204-7500X	Endplate (SilverCast) with seal
7	1	1720-0014	O-ring Gasket for Endplate
8	8	1005-0004	Super Roller (Standard)
8	8	1002-0004	Polypropylene Roller (Optional)
8	8	1052-0004	Buna-N Roller (Optional)
8	8	1055-0004	Teflon Roller (Optional)

Ref. No.	Qty. Req'd.	Part Number	Description
9	1	0308-7560C	Rotor (Cast Iron) with shaft
9	1	0308-7560N	Rotor (Ni-Resist) with shaft
9	1	0308-7560X	Rotor (SilverCast) with shaft
10	1	0500-7400	Shaft Only
10A	1	2230-0003	Set Screw
10A	1	2230-0007	Set Screw (SilverCast Only)
11	1	1610-0005	Key
12	1	0104-7500C	Body (Cast Iron) with seal
12	1	0104-7500N	Body (Ni-Resist) with seal
12	1	0104-7500X	Body (SilverCast) with seal
13	1	2404-0052	1" Hose Barb
14	1 kit	3420-0003	Base Kit — Includes: (1) Base, (3) Bolts and (3) Washers
25	1	2300-0020	Bearing Cover
26	1	2300-0022	Shaft Bearing Cover

See Page 17 for the proper coupler or adapter.

Repair Parts Kit No. 3430-0343 (Universal) Consists of: (8) Ref. 8 Super Rollers, (2) Ref. 7 O-rings and (4) Ref. 4 Viton Seals of two different sizes.

Repair Parts Kit No. 3430-0376 Consists of: (8) Ref. 8 Super Rollers and (1) Ref. 7 O-Ring Gasket.

Repair Parts Kit No. 3430-0377 Consists of: (8) Ref. 8 Super Rollers, (1) Ref. 7 O-Ring Gasket, and (2) Ref. 4 Buna Seals.

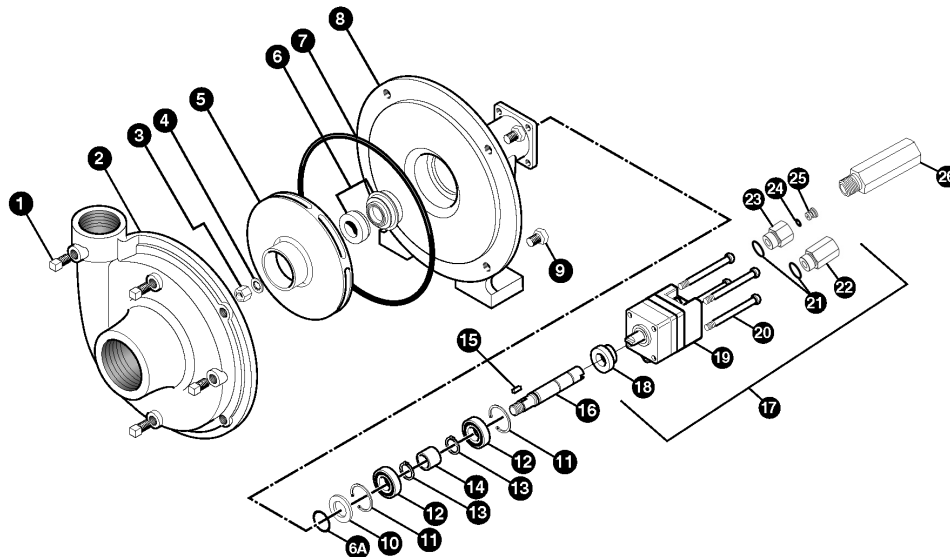
Repair Parts Kit No. 3430-0381 Consists of: (8) Ref. 8 Super Rollers, (1) Ref. 7 O-Ring Gasket, and (2) Ref. 4 Viton Seals.

Repair Parts Kit No. 3430-0154 Consists of: (8) Ref. 8 Polypropylene Rollers and (1) Ref. 7 O-Ring Gasket.

Repair Parts Kit No. 3430-0167 Consists of: (8) Ref. 8 Polypropylene Rollers, (1) Ref. 7 O-Ring Gasket, and (2) Ref. 4 Viton Seals.



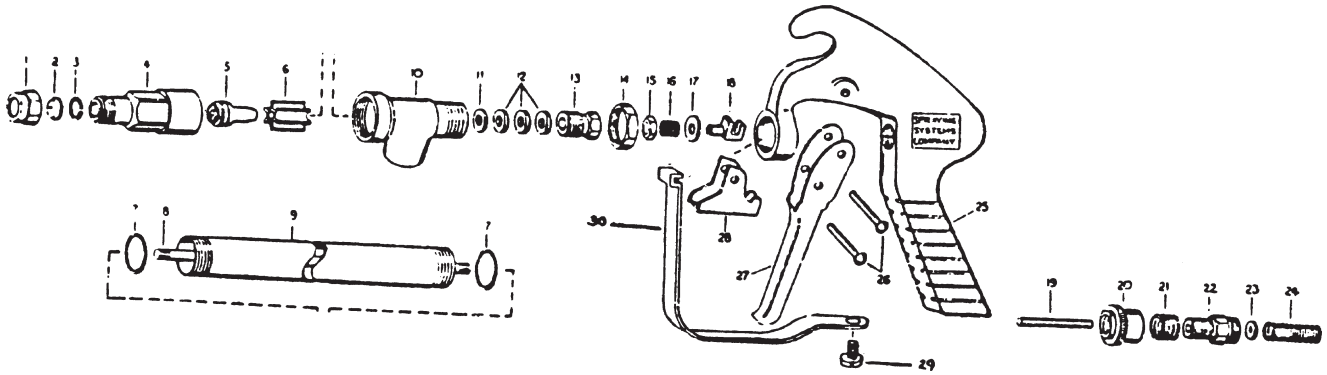
Ace 206 Hydraulic Centrifugal Pump



REF. #	PART NUMBER	EDP #	DESCRIPTION	REQ.
1	BAC-53	41110	Pipe plug	4
1	41120	41120	Pipe plug, stainless steel (optional)	4
2	BAC-12-150	40255	Volute, 1-1/2" x 1-1/4"	1
3	BAC-23-A	40391	Nut, 3/8" NF, cad plated	1
3	BAC-23-A-SS	40392	Nut, 3/8" NF, stainless steel (optional)	1
4①②	BAC-24-HYD-SS	40400	Washer, 3/8" star, stainless steel	1
5	BAC-26-150-P	40446	Impeller, Valox, keyway	1
5	BAC-26-150-CI	40445	Impeller, cast iron, keyway (optional)	1
6①	BAC-7V	40151	Seal, carbon/ceramic/Viton (includes 40160 O-Ring)	1
6②	BAC-7SC	40152	Seal, silicon carbide/Viton (includes 40160 O-Ring) (optional)	1
6A①②	40160	40160	O-ring, shaft seal	1
7①②	BAC-4-150	40015	O-ring, body seal	1
8	BAC-14-150-HYD	40305	Mounting frame (for 200 Series hydraulic motor)	1
9	40950	40950	Cap screw, 3/8" NC x 3/4" hex head	4
9	40930	40930	Cap screw, 3/8" NC x 3/4" hex head, stainless steel (optional)	4
10	BAC-54	41130	Slinger	1
11	BAC-33	40810	Snap ring, internal, BAC-14 mounting frame	2
12	BAC-37	40870	Ball Bearing, sealed, BAC-6 shaft	2
13	BAC-32	40790	Snap ring, external, BAC-6 shaft	2
14	BAC-32-S	40795	Spacer for BAC-6 shaft	1
15	BACH-25	40420	Key, 1/8" x 1/8" x 1/2"	1
16	BAC-6-HYD-SS	40061	Shaft, 5/8" diameter, keyway and tang slot, stainless steel	1
17	BAC-75-HYD-206	41372	Hydraulic motor, 7 GPM (includes parts 18 - 25)	1
18	S200	40161	Seal support spacer for 200 Series HYD motor	1
19	BAC-75-HYD-206N	41397	Hydraulic motor, 7 GPM (motor only - no external fittings)	1
20	41255	41255	Cap screw, 5/16" N. C. x 3-3/4" socket head (for 206N motor)	4
21	41875	41875	O-ring, #8 SAE fitting	2
22	BAC-78-8SAE	41441	Reverse check valve, #8 SAE male x 1/2" NPT female	1
23	BAC-80-8SAE	41455	Adapter, restrictor body, #8 SAE male x 1/2" NPT female	1
24	41448	41448	O-ring, orifice insert	1
25	BAC-79-7	41456	Orifice, restrictor insert, .109 (206N)	1
26	LS-206N	41418	Flow limiting valve (206N), #8 SAE male x 1/2" NPT female	1
①	RK-FMC-150	52710	Repair kit for FMC-150 series pump	-
②	RK-FMCSC-150	52711	Repair kit for FMC-150 series with silicon carbide shaft seal	-
#	RK-BAC-75-HYD-L	41374	Repair kit for 200 Series motor with high pressure lip seal	-



#43 Gunjet Repair Parts



Ref.	Brass No.	Aluminum No.	Description
1	1325-BR	1325-AL	cap
2	D disc	D disc	orifice disc
3*	4743-NY	4743-NY	gasket
4	10566-BR	10566-AL	nozzle housing
5*	10565-1-NY	10565-1-NY-AL	seat plug, seat plat
6	CP10571-2-NY	CP10571-2-NY	guide vane, nylon
7	CP45195-NYB	CP45196-NYB	gasket, nylon, 2 re
8	19238-416SS	19238-416SS	stem
9	6604-BR	6604-AL	tubing
10	6492-BR	6492-AL	inlet body
11*	6601-302SS	6601-302SS	packing washer
12*	6602-LEA	6602-LEA	packing, leather, 3
	6602-TEF	6602-TEF	packing teflon, 3 re
13	19237-BR	19237-AL	packing screw
14	6599-BR	6599-IZP	locknut
15	9641-INP	9641-INP	stem nut
16	6595-SS	6595-SS	trigger stop spring
17	7991-IZP	7991-IZP	washer
18	6597-INP	6597-INP	trigger guide
19	6591-SS	6591-SS	spring stud
20	6589-IZP	6589-IZP	stop adjustment nu
21	6594-SS	6594-SS	spring for stop adju
22	6588-IZP	6588-IZP	spring screw
23	6592-302SS	6592-302SS	spring guide washc
24	6593-1-SS	6593-1-SS	main spring, 43L
	6593-2-SS	6593-2-SS	main spring, 43H
25	14477-1-AL	14477-1-AL	handle body
26	7623-IZP	7623-IZP	rivet
27	6509-INP	6509-INP	trigger
28	6510-INP	6510-INP	trigger stop
29	11757-INP	11757-INP	screw
30	13798-INP	13798-INP	trigger guard

PK-AB43-KIT

repair kit (all *items)

2018 – Wylie Manufacturing Company
Specifications Subject To Change Without Notice