

LDK 5310

5-inch SDTV Viewfinder



User's Guide

3922 496 48541 St.01

Declaration of Conformity

We, Thomson Broadcast Solutions Nederland B.V., Kapittelweg 10, 4827 HG Breda, The Netherlands declare under our sole responsibility that this product is in compliance with the following standards:

- EN60065 : Safety
- EN55103-1 : EMC (Emission)
- EN55103-2 : EMC (Immunity)

following the provisions of:

- a. the Safety Directives 73/23/EEC and 93/68/EEC
- b. the EMC Directives 89/336/EEC and 93/68/EEC

FCC Class A Statement

This product generates, uses, and can radiate radio frequency energy and if not installed and used in accordance with the instructions, may cause interference to radio communications.

It has been tested and found to comply with the limits for a class A computing device pursuant to Subpart J of part 15 of FCC rules, which are designed to provide reasonable protection against such interference when operated in a commercial environment.

Operation of this product in a residential area is likely to cause interference in which case the user at his own expense will be required to take whatever measures may be required to correct the interference.

Copyright

Für diese Unterlage behalten wir uns alle Rechte vor (Gemäß DIN 34). Technische Änderungen im Zuge der Weiterentwicklung vorbehalten.

Copying of this document and giving it to others, and the use or communication of the contents thereof, are forbidden without express authority. Offenders are liable to the payment of damages. All rights are reserved in the event of the grant of a patent or the registration of a utility model or design. Liable to technical alterations in the course of further development.

Toute communication ou reproduction de ce document, toute exploitation ou communication de son contenu sont interdites, sauf autorisation expresse. Tout manquement à cette règle est illicite et expose son auteur au versement de dommages et intérêts. Tous nos droits sont réservés pour le cas de la délivrance d'un modèle d'utilité. Sous réserve de modification au cours de l'évolution technique.

LDK 5310/00

5-inch SDTV Viewfinder

User's Guide

Contents

| | | | |
|--|------------|--|------------|
| Safety Instructions | 1-2 | Mechanical Exploded Views | 3-1 |
| About This Manual | 1-4 | Mech. 5-inch Viewfinder short | 3-2 |
| Operating Instructions | 1-5 | VF-Bracket-ASSY | 3-3 |
| Connections | 1-7 | 5-inch Viewfinder | 3-4 |
| Specifications | 1-7 | Parts Lists | 4-1 |
| Electrical Drawings | 2-1 | | |
| On Air Board | 2-2 | | |
| Video Pre Amp /IIC Interface Board | 2-4 | | |
| SMPS DC-DC Converter Board | 2-8 | | |
| CRT Board | 2-12 | | |
| Deflection Board | 2-14 | | |

Safety Instructions

Safety Summary

This information is intended as a guide for trained and qualified personnel who are aware of the dangers involved in handling potentially hazardous electrical/electronic equipment. It is not intended to contain a complete list of all safety precautions which should be observed by personnel in using this or other electronic equipment.

The installation, maintenance and service of this equipment involves risks both to personnel and equipment and must be performed only by qualified personnel exercising due care.

Personnel engaged in the installation, operation, maintenance or servicing of this equipment are urged to become familiar with First Aid theory and practices.

During installation and operation of this equipment, local building safety and fire protection standards must be observed.

Before connecting the equipment to the power supply of the installation, the proper functioning of the protective earth lead of the installation needs to be verified.

Whenever it is likely that safe operation is impaired, the apparatus must be made inoperative and secured against any unintended operation. The appropriate servicing authority must then be informed. For example, safety is likely to be impaired if the apparatus fails to perform the intended function or shows visible damage.

This product has been designed and tested according to EN60065.

Cautions and Warnings

When performing service, be sure to read and comply with the warning and caution notices appearing in the manuals. Warnings indicate danger that requires correct procedures or practices to prevent death or injury to personnel. Cautions indicate procedures or practices that should be followed to prevent damage or destruction to equipment or property.

WARNING

THE CURRENT AND VOLTAGES PRESENT IN THIS EQUIPMENT ARE DANGEROUS. ALL PERSONNEL MUST AT ALL TIMES FOLLOW THE SAFETY REGULATIONS.

ALWAYS DISCONNECT POWER BEFORE REMOVING COVERS OR PANELS.

ALWAYS DISCHARGE HIGH VOLTAGE POINTS BEFORE SERVICING.

NEVER MAKE INTERNAL ADJUSTMENTS, PERFORM MAINTENANCE OR SERVICE WHEN ALONE OR WHEN FATIGUED.

IN CASE OF AN EMERGENCY ENSURE THAT THE POWER IS DISCONNECTED.

ANY INTERRUPTION OF THE PROTECTION CONDUCTOR INSIDE OR OUTSIDE THE APPARATUS, OR DISCONNECTION OF THE PROTECTIVE EARTH TERMINAL, IS LIKELY TO MAKE THE APPARATUS DANGEROUS. INTENTIONAL INTERRUPTION IS PROHIBITED.

FOR SAFETY REASONS THE CPU MUST BE MOUNTED IN A 19-inch RACK WHICH HAS SAFETY COVERS ACCORDING TO IEC65.

WHEN TWO CPU's ARE MOUNTED ABOVE EACH OTHER THE MINIMUM DISTANCE BETWEEN THEM MUST BE 50MM OR THE RACK MUST BE FORCE-AIR COOLED.

USE ONLY FUSES OF THE TYPE AND RATING SPECIFIED.

CAUTION

To prevent risk of overheating, ventilate the product correctly.





Connect the product only to a power source with the specified voltage rating.

Only connect a Triax cable from the LDK 6 camera family to an LDK 6 CPU. Never connect it to any other base station.


Never connect the Triax cable from a camera to a CPU of a different family; never connect the LDK family to the TTV family.

Do not allow system ground currents to exceed 1.5A in the outer shield of the triax cable or 0.2A in other cable shields.

It is strictly prohibited to short circuit the inner and outer shields of a triax cable used to connect a camera to a base station.

| Symbol Colour | Explanation |
|--|--|
|  Red | High voltage terminal at which a voltage, with respect to an other terminal, exists or may be adjusted to 1000V or more. |
|  Yellow/Black | Live part. |
|  Yellow/Black | This marking indicates that the operator must refer to an explanation in the Instruction Manual, or that a specific component must be replaced by the component specified in the documentation for safety reasons. |
|  White/Black | Protective earth (ground) terminal. |

Cathode ray tubes



Components marked  on the circuit diagram are critical for safety and include those specified to comply with X-ray emission standards for units using cathode ray tubes and those specified for compliance with various regulations regarding spurious radiation emission.

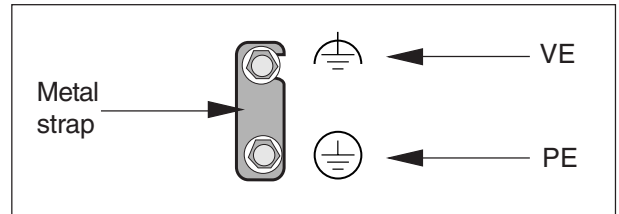
When servicing units that use cathode ray tubes (CRTs), the cathode ray tubes themselves, the high voltage circuits and related circuits are specifically chosen so that they comply with recognized codes pertaining to X-ray emission.

Consequently, when servicing, replace the cathode ray tubes and other parts with specified parts only. Do not attempt to modify these circuits as any unauthorized modification can increase the high voltage value and cause X-ray emission from the cathode ray tube.

Handle the cathode ray tube only when wearing shatterproof goggles and after discharging the high voltage completely.

Earthing

The rear of a CPU has two separate screw terminals for protective earth  (PE) and video earth  (VE).



These are normally connected by a metal strap. The protective earth terminal is internally connected to the protective earth conductor of the power cable. If required, the central earth connection wire of the studio can be connected to terminal PE.

In normal circumstances the connection between the protective earth and the video earth should not be broken.

The metal strap may be removed only if the studio (or OB van) is equipped with separate protective and video earth systems. Under these circumstances the video earth terminal must be connected to the central functional earth potential (video earth) of the studio. This earth potential should have functional protective and noiseless earth (FPE) qualities as stated in the VDE regulation 0800/part2. A low impedance interconnection of both earth conductors must be provided at the central studio earthing point.

WARNING

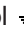
THE UNIT MUST ALWAYS BE CONNECTED TO PROTECTIVE EARTH.

Mains Lead Wiring for UK Users

The wires in the mains lead are coloured in accordance with the following code:

| | | |
|------------------|---|---------|
| GREEN AND YELLOW | - | EARTH |
| BLUE | - | NEUTRAL |
| BROWN | - | LIVE |

As the colours of the wires in the mains lead of this apparatus may not correspond with the coloured markings identifying the terminals in your plug proceed as follows:

- The wire coloured GREEN AND YELLOW must be connected to the terminal on the plug marked with the letter E or by the safety earth symbol  or coloured GREEN or GREEN AND YELLOW.
- The wire coloured BROWN must be connected to the terminal marked with the letter L or coloured RED.
- The wire coloured BLUE must be connected to the terminal marked with the letter N or coloured BLACK.

Ensure that your equipment is connected correctly - if you are in any doubt consult a qualified electrician.

About This Manual

Purpose of this manual

The purpose of this manual is to present a global description of how to operate the viewfinder. Consult the Operator's manual of your camera as required during and after the installation process.

This manual is an integral part of the service policy. It ensures that you will be able to install your viewfinder to meet the requirements of your environment. The manual provides first line service information so that suitably qualified service personnel can detect and repair faults, normally by module replacement.

Because of the complexity of some of the components, second line service can only be carried out at the specially equipped service centres and information concerning second line maintenance is not supplied in this manual.

Intended audience

The manual is intended as a guide to those with a working knowledge of camera systems and installation techniques. The first line detection and repair of faults requires a general knowledge of test and measurement techniques. The guide is so designed that it can be used as well to the viewfinder, as well a simple procedural guide to those who wish to setup and start shooting immediately, and as a reference work to be consulted as required during the long life of the viewfinder.

Service policy

The LDK5310 is a sophisticated viewfinder containing state-of-the-art electronic components which are designed to provide long-life operation without the need for maintenance. With this in mind, the service policy of Thomson Multimedia Broadcast Solutions endeavours to ensure that help will be quickly on hand in the unlikely event of anything going wrong. The guiding principles of the Thomson Multimedia Broadcast Solutions first line maintenance philosophy are speed and cost effectiveness. First line maintenance is dedicated to keeping your viewfinder operational, despite a fault, by replacement boards and the replacement of minor mechanical parts by the user.

CAUTION

Without additional protection the LDK5310 is protected according to safety specification EN60529 up to level IPX3 (spraying water).

Exposure to splashing or jetting water can result in harmful effects.

Packing/Unpacking

Inspect the shipping container for evidence of damage immediately after receipt. If the shipping container or cushioning material is damaged, it should be kept until the contents of the shipment have been checked for completeness and the units have been checked mechanically and electrically.

The contents of the shipment should be checked against the packing list. If the contents are incomplete, if there is mechanical damage or defect, or if the units do not perform correctly when unpacked, notify your Thomson Multimedia Broadcast Solutions sales or service centre within eight days. If the shipping container shows signs of damage or stress, notify the carrier as well.

If a unit is being returned to Thomson Multimedia Broadcast Solutions for servicing, try to use the containers and materials of the original packaging. Attach a tag indicating the type of service required, return address, model number, full serial number and the return number which will be supplied by your Thomson Multimedia Broadcast Solutions service centre.

If the original packing can no longer be used, the following general instructions should be used for repacking with commercially available materials:

- a. Wrap unit in heavy paper or plastic.
- b. Use strong shipping container.
- c. Use a layer of shock-absorbing material around all sides of the unit to provide firm cushioning and prevent movement inside container.
- d. Seal shipping container securely.
- e. Mark shipping container FRAGILE to ensure careful handling.

Operating Instructions

The 5 inch viewfinder LDK 5310/00 is intended for use with LDK100 series cameras.

Attaching the 5" viewfinder to the camera

Caution

Before connecting, make sure that the camera is switched off.

- a. Slide the top mount into the slot on the camera, until you hear it click into place.
- b. Connect the viewfinder cable to the viewfinder connector on the camera.
- c. Fasten the cable with the two cable clamps on the camera.

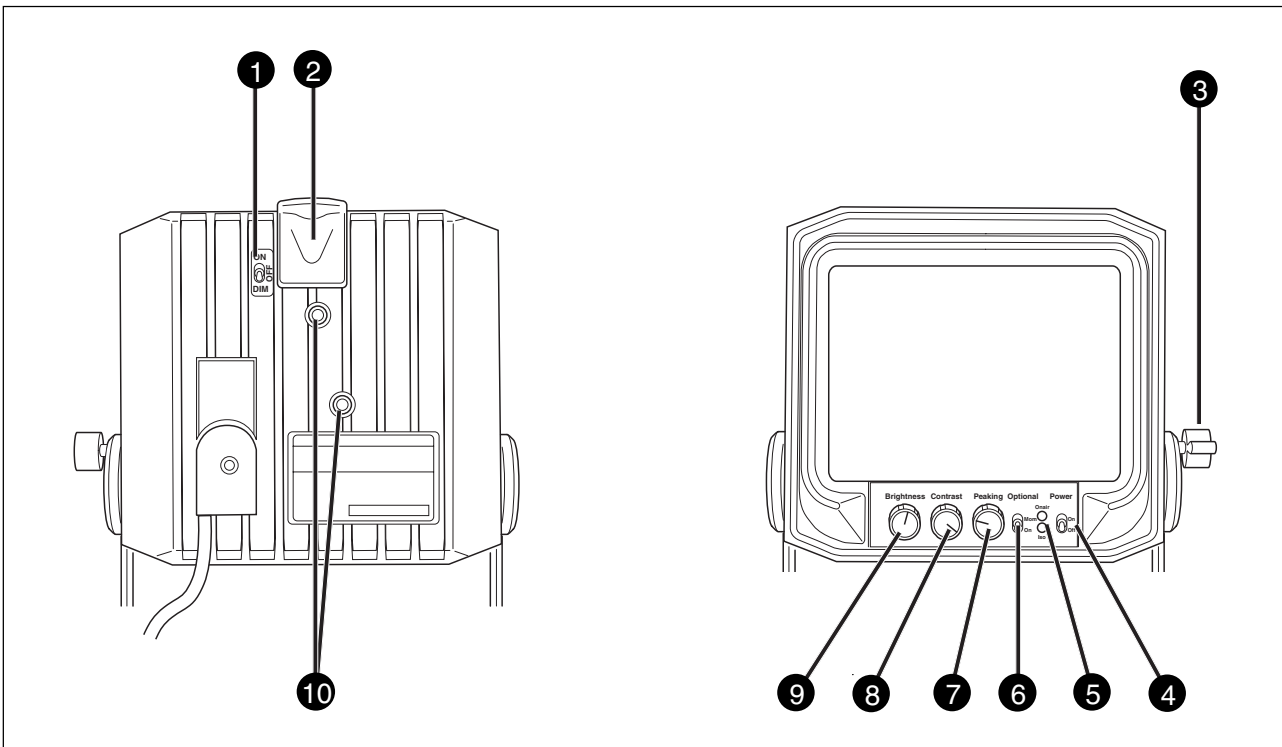
To release the viewfinder push the release lever in and slide the viewfinder out of the slot.

Adjusting the 5" viewfinder position

You can rotate the viewfinder freely.

To tilt the viewfinder:

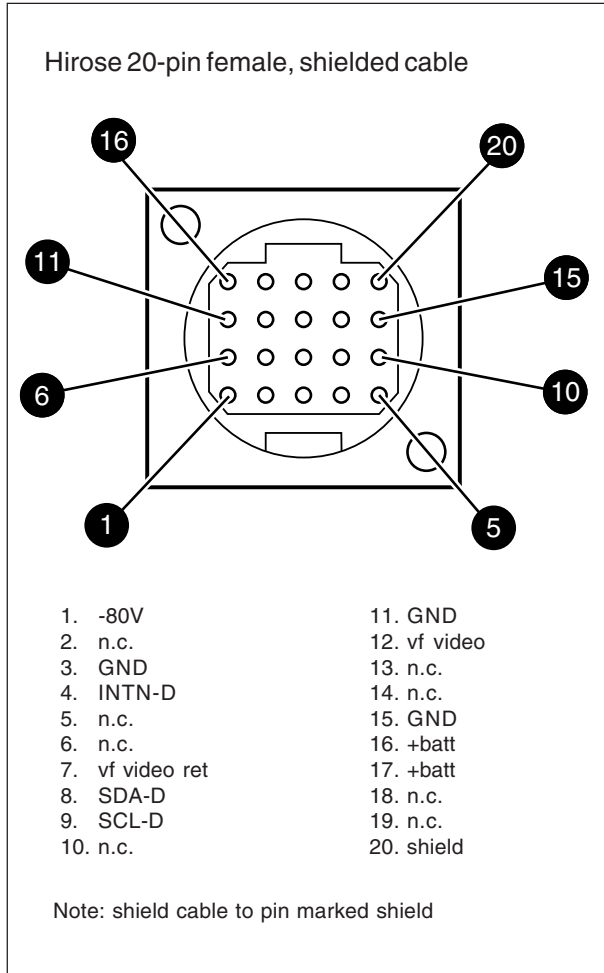
- a. Loosen the tilt locking knob by turning it counterclockwise.
- b. Tilt the viewfinder to the desired position.
- c. Secure the tilt locking knob by turning it clockwise.



Location of Controls and Functions

- | | |
|---|--|
| <p>1 Front on-air indicator switch Switches the front on-air indicator on and off.</p> <p>2 Front on-air indicator Lights to indicate that the camera is on air.</p> <p>3 Tilt locking knob Locks the tilting mechanism of the viewfinder.</p> <p>4 Power switch Switches the viewfinder on and off.</p> <p>5 On-air indicator Lights to indicate that the camera is on air.</p> <p>ISO indicator Lights to indicate that the camera is selected and ready to be switched on-air.</p> <p>6 Optional switch This switch is mounted on the viewfinder to allow future features to be incorporated.</p> | <p>7 Peaking control Adjusts the peaking (crisp) on and off.</p> <p>8 Contrast control Adjusts the contrast of the viewfinder display.</p> <p>9 Brightness control Adjusts the brightness of the viewfinder display.</p> <p>10 Camera number attachment slots Attach a camera number to these slots.</p> |
|---|--|

Viewfinder Connector, frontview



Dimensions

Length x width x height: 255 x 126 x 135
 (without sunhood)
 Weight approx. 3.1 kg including tilt mechanism

Systems

625 lines, 50 Hz, CCIR/PAL
 525 lines, 60 Hz, EIA/NTSC
 automatic control of vertical picture amplitude,
 automatic aspect ratio control 16:9 and 4:3,

Power Supply

-50 Vdc to -100 Vdc
 or
 +10.5 to 17 Vdc (automatically selected if -80V not available)

Power Consumption

Max: 12 W at -80 Vdc
 Max: 10 W at +10.5 to 17 Vdc

CRT

5" CRT High Resolution type

Linearity and geometry

Distorsion: 1% within a circle with a diameter of picture height, rest 1.5%

Resolution (horizontal)

Min. 650 lines in centre of screen at 400 cd/m²

Frequency response

5 MHz within -1 dB to +2 dB with resp. to 0.1 MHz
 10 MHz - 3 dB

Peaking

0-12dB at approx. 3.5MHz

Black level stability

Change of black level 1.5% with respect to white level

Environmental conditions:

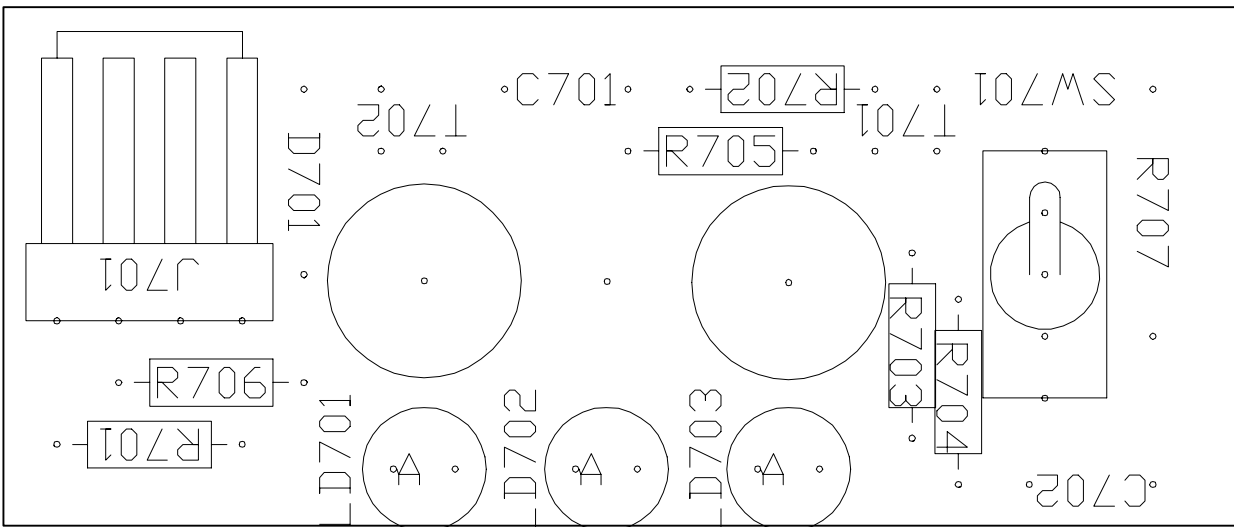
Operating temp.: -20 to +45 °C
 Non-operating temp.: -25 to +70 °C
 Operating humidity: 93%

Section 2

Electrical Drawings

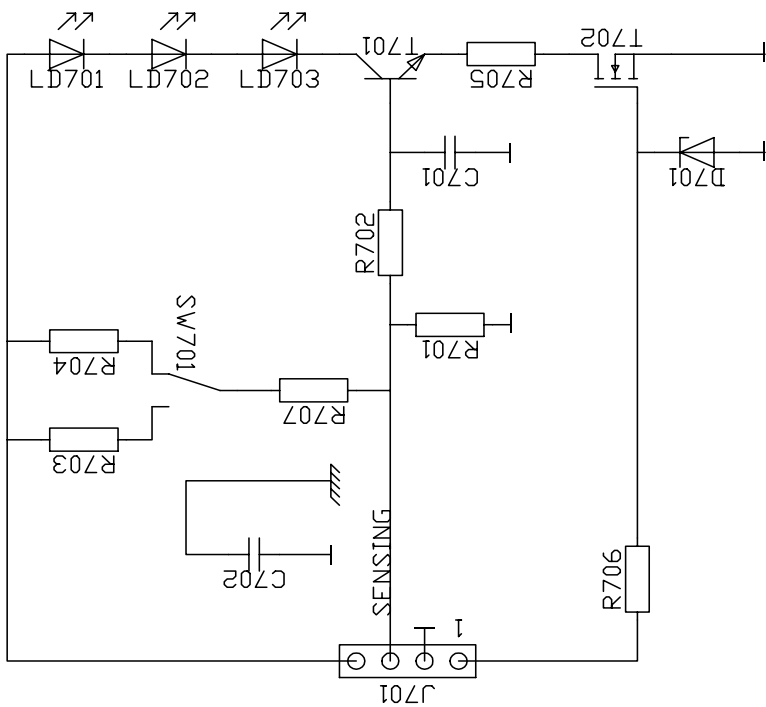
Contents

| | | | |
|--|-----|------------------------|------|
| On Air Board | 2-2 | CRT Board | 2-12 |
| Video Pre Amp /IIC Interface Board | 2-4 | Deflection Board | 2-14 |
| SMPS DC-DC Converter Board | 2-8 | | |



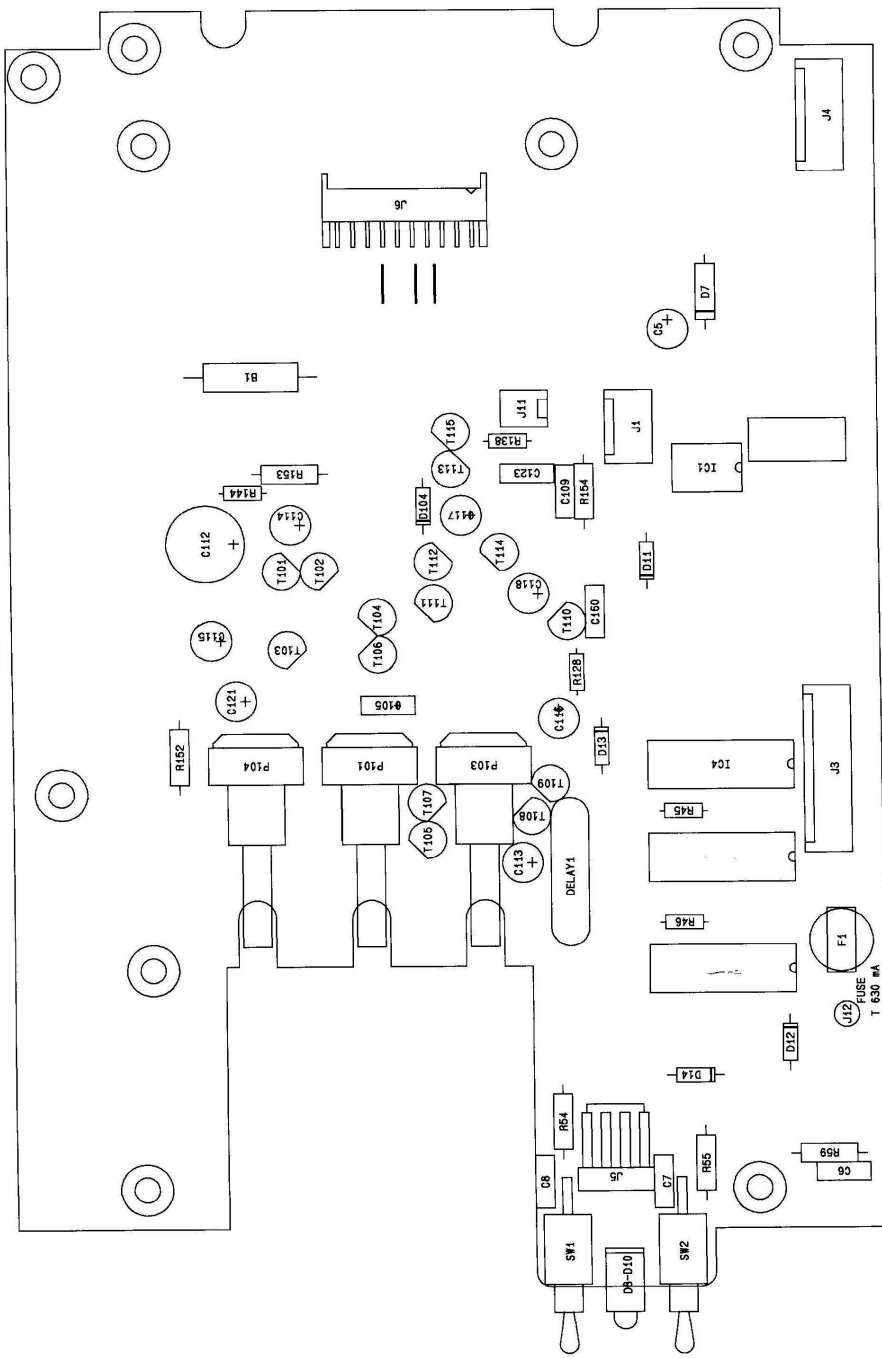
PCB 701321-1

| | | | | | | | | | |
|--|----|----|----|----|----|----|----|----|----|
| 00 | 10 | 20 | 30 | 40 | 50 | 60 | 70 | 80 | 90 |
| STATUS | | | | | | | | | |
| 0 | 1 | 2 | 3 | 4 | 5 | 6 | 7 | 8 | 9 |
| On Air Board Assembly | | | | | | | | | |
| 3922 450 04501 | | | | | | | | | |
| PROPERTY OF: MILITARY/VEHICULAR/SPACE - BREA - TELEBRAND | | | | | | | | | |
| DATE: 24-03-1999 | | | | | | | | | |
| A3 | | | | | | | | | |

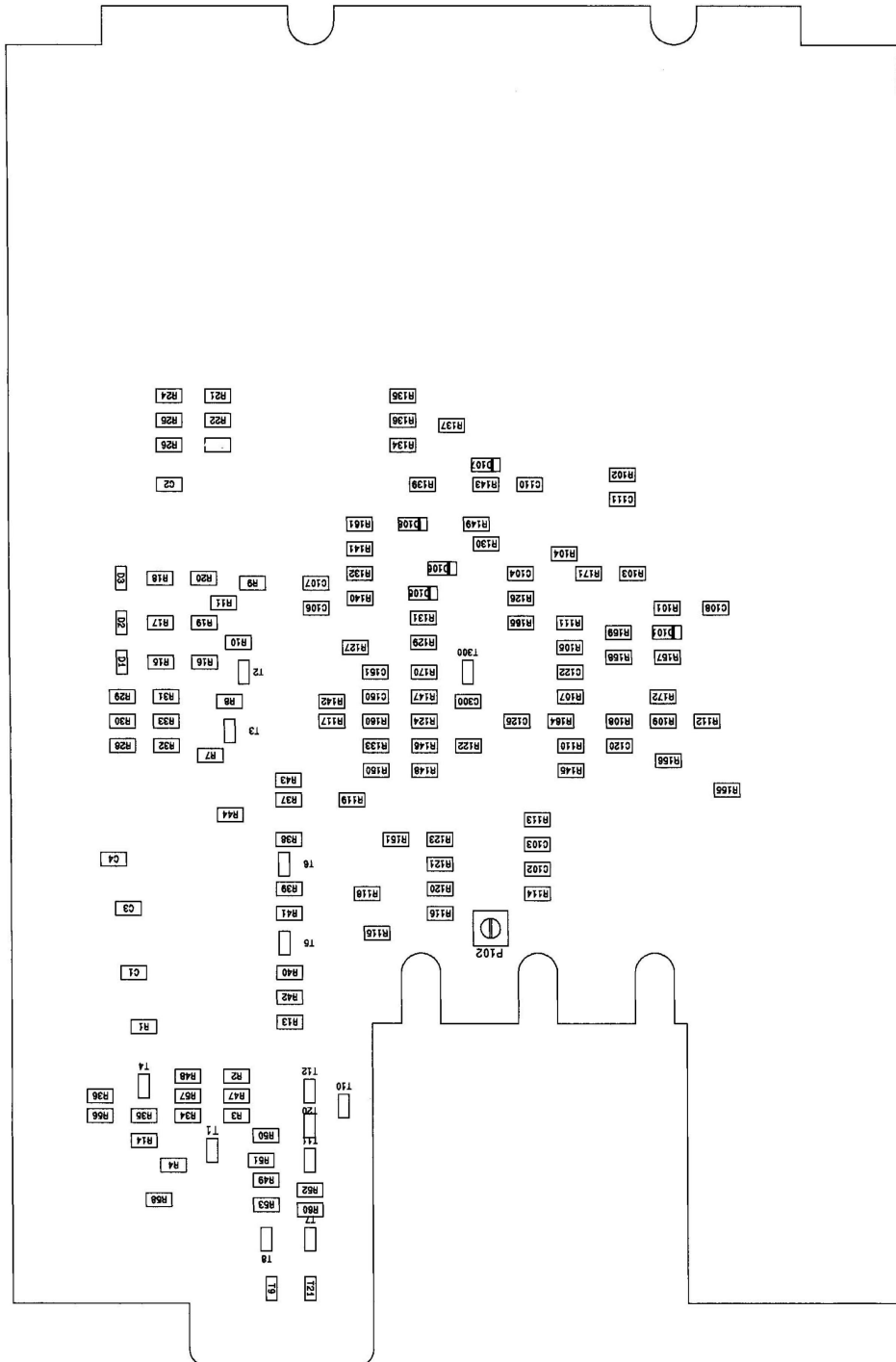


PCB 701321-1

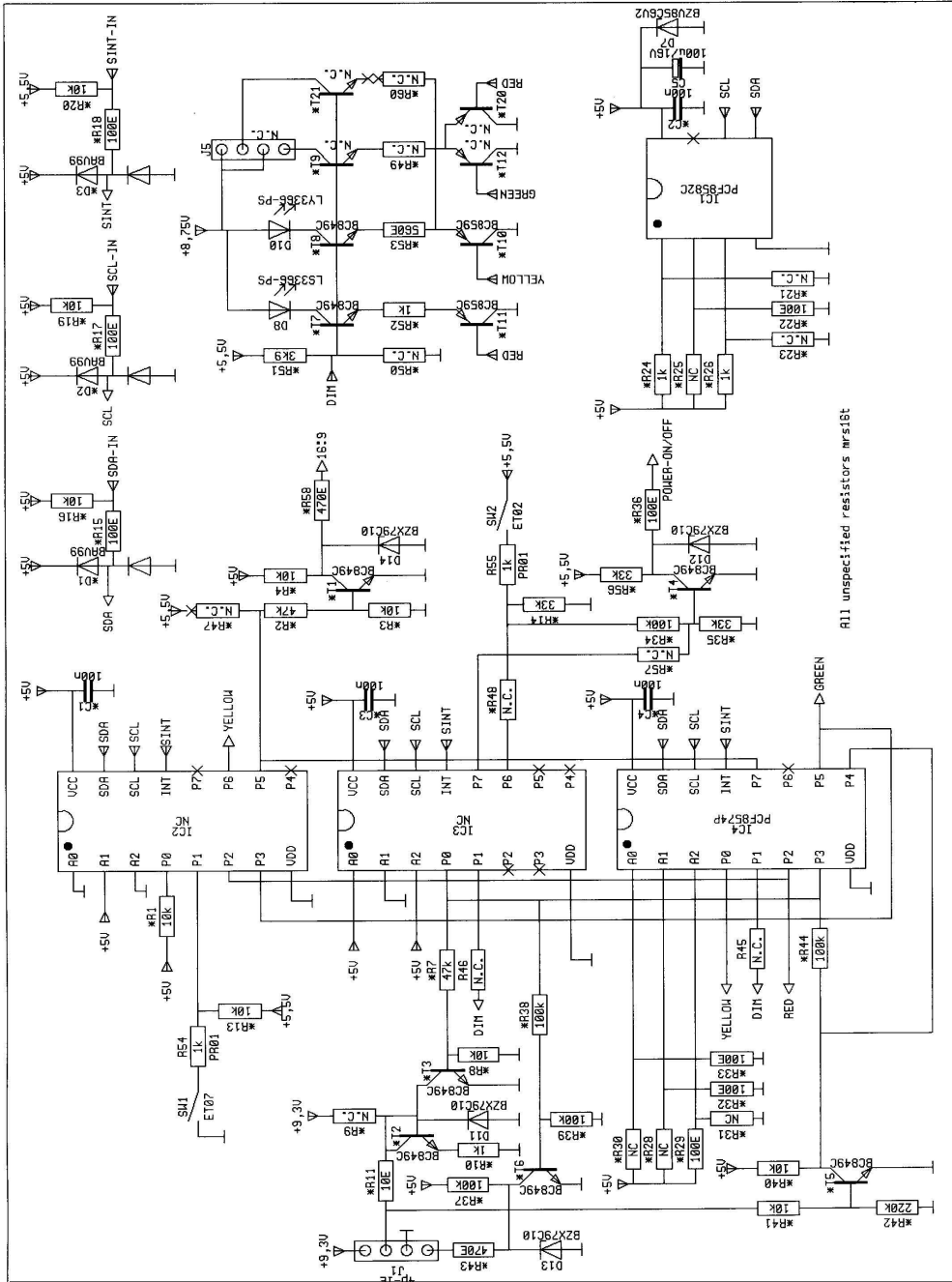
| | | | | | | | | | |
|--|----|----|----|----|----|----|----|----|----|
| 00 | 10 | 20 | 30 | 40 | 50 | 60 | 70 | 80 | 90 |
| STATUS | | | | | | | | | |
| 0 | 1 | 2 | 3 | 4 | 5 | 6 | 7 | 8 | 9 |
| On Air Board | | | | | | | | | |
| Circuit diagram | | | | | | | | | |
| 3922 450 04501 | | | | | | | | | |
| DATE: 24-03-1999 A3 | | | | | | | | | |
| PROPERTY OF: MANUFACTURING DIVISION - BRED - TELEFONOS | | | | | | | | | |



| | | | | | | | | | | |
|----------------------------------|--|----|----|----|----|----|----|----|----|----|
| STATUS | 00 | 10 | 20 | 30 | 40 | 50 | 60 | 70 | 80 | 90 |
| SCALE | 0 | 1 | 2 | 3 | 4 | 5 | 6 | 7 | 8 | 9 |
| VIDEO PRE AMP/IC INTERFACE BOARD | | | | | | | | | | |
| 3922 450 05121 | | | | | | | | | | |
| Checked by | Assembly drawing | | | | | | | | | |
| NAME: T. van T. Hooff | supers: | | | | | | | | | |
| on | 1. prepare drawings data, video systems sv | | | | | | | | | |
| | - ama - the Netherlands | | | | | | | | | |
| | DATE: 12-12-1997 | | | | | | | | | |
| | A4 | | | | | | | | | |

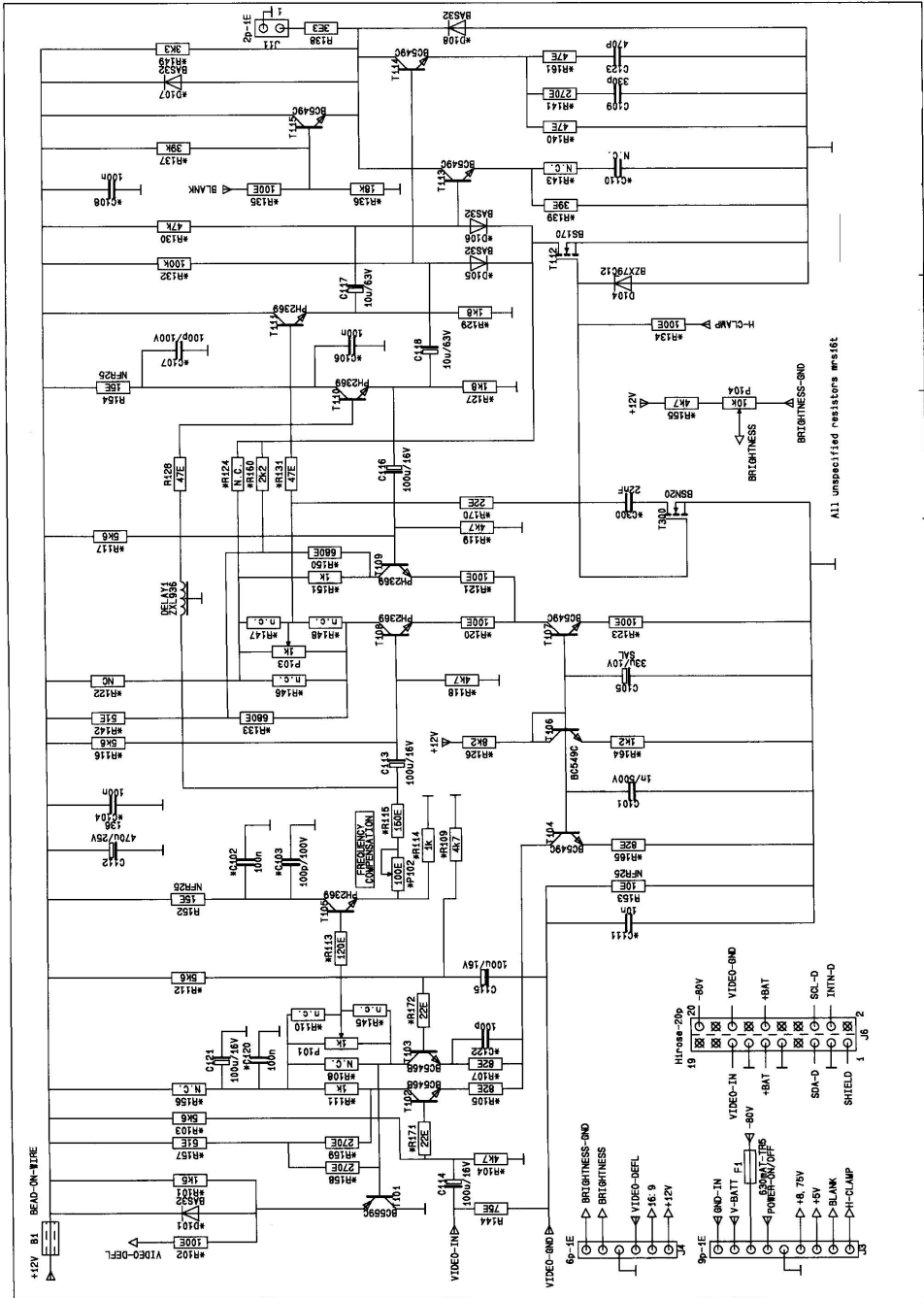


| | | | | | | | | | | |
|---------|----------------------------------|----|----|----|----|----|----|----|----|----|
| STATUS | 00 | 10 | 20 | 30 | 40 | 50 | 60 | 70 | 80 | 90 |
| SCALE | 0 | 1 | 2 | 3 | 4 | 5 | 6 | 7 | 8 | 9 |
| DESIGN | VIDEO PRE AMP IC INTERFACE BOARD | | | | | | | | | |
| PROJECT | Assembly drawing | | | | | | | | | |
| NAME | T. van 't Hoff | | | | | | | | | |
| DATE | 2005-11-02 | | | | | | | | | |
| BY | M. de Vries | | | | | | | | | |
| DATE | 12-12-1997 | | | | | | | | | |
| FILE | 3922_450_05121 | | | | | | | | | |

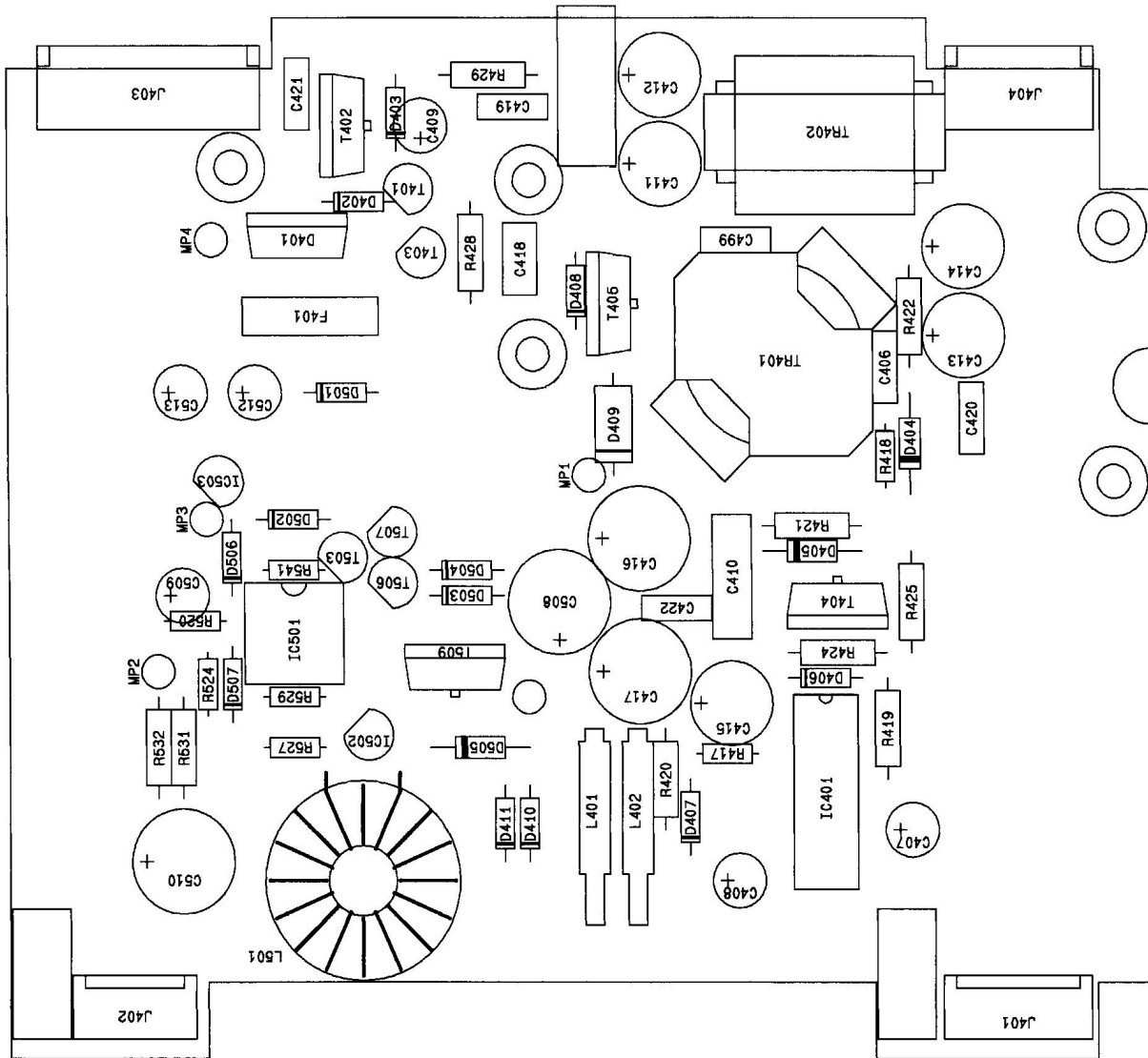


| | | | | | | | | | | |
|--------|----|----|----|----|----|----|----|----|----|----|
| STATUS | 00 | 10 | 20 | 30 | 40 | 50 | 60 | 70 | 80 | 90 |
| SCALE | 0 | 1 | 2 | 3 | 4 | 5 | 6 | 7 | 8 | 9 |

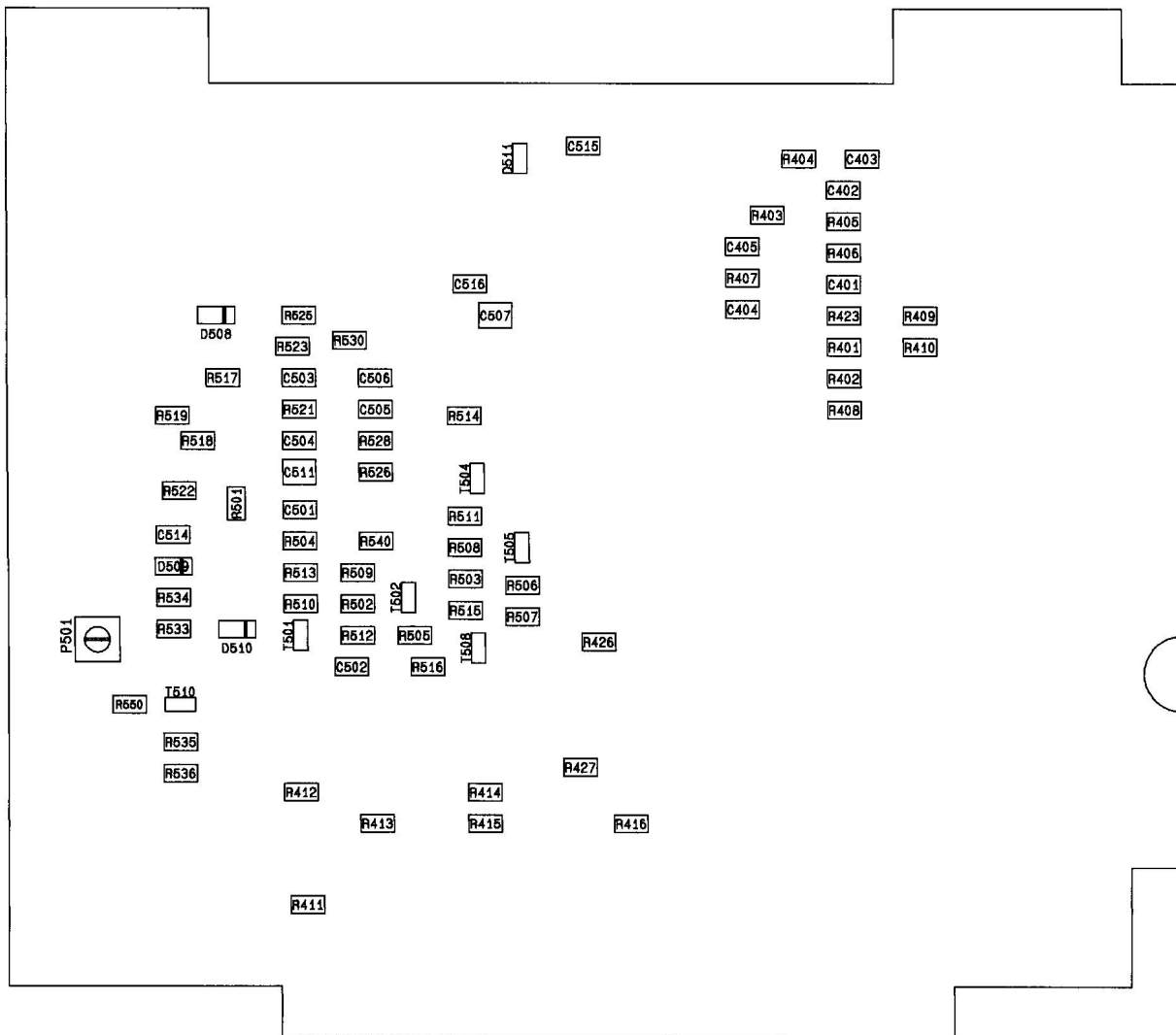
VIDEO PRE-AMP IC INTERFACE BOARD
 3922 450 05121
 DATE: 10/01/2008 12:54:31
 C:\1\PROJECTS\3922_450_05121\3922_450_05121.dwg



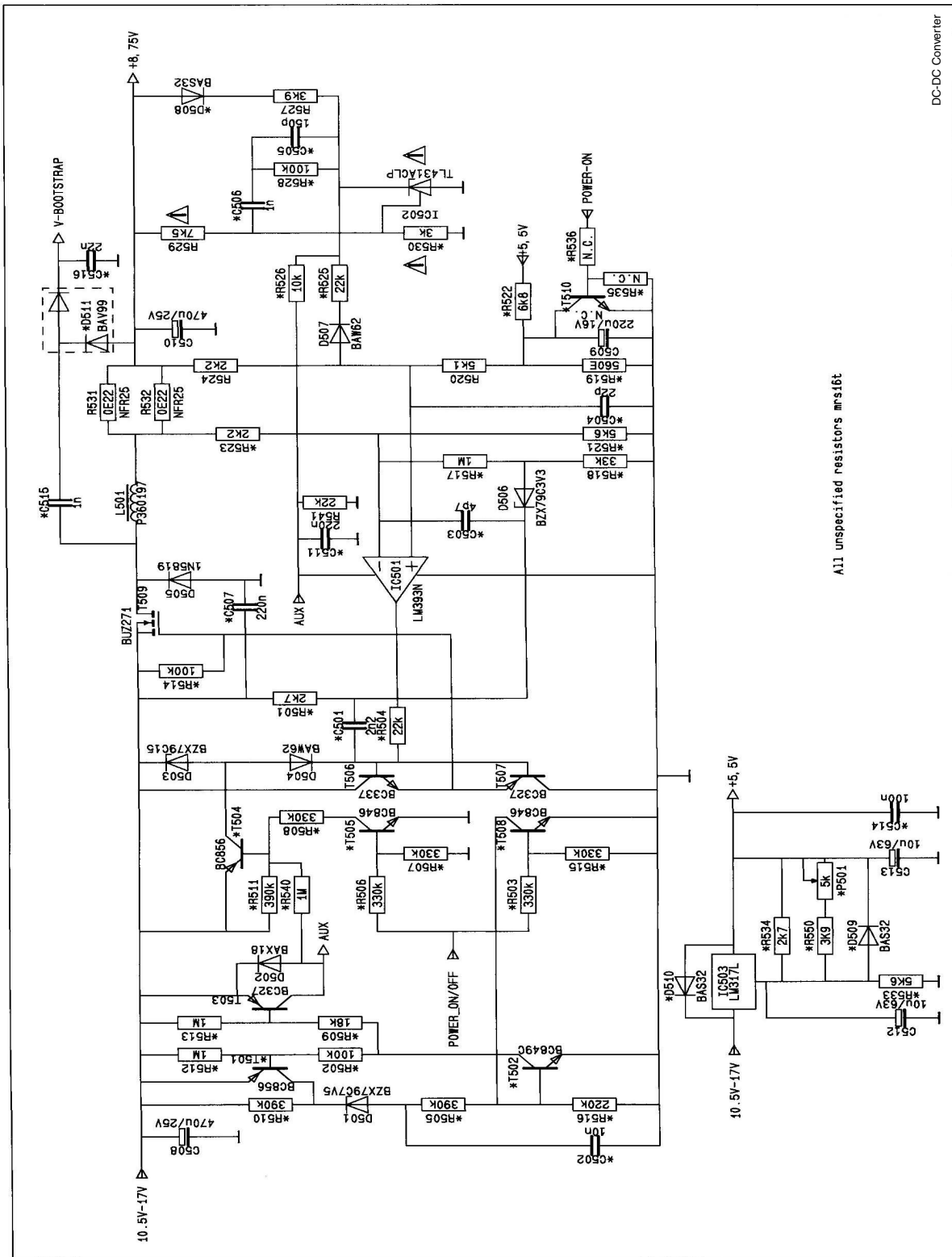
| | | | | | | | | | | |
|---------------------------------|----|----|----|----|----|----|----|----|----|----|
| STATUS | 00 | 10 | 20 | 30 | 40 | 50 | 60 | 70 | 80 | 90 |
| SCALE | 0 | 1 | 2 | 3 | 4 | 5 | 6 | 7 | 8 | 9 |
| VIDEO PREAMP/IC INTERFACE BOARD | | | | | | | | | | |
| Circuit Diagram | | | | | | | | | | |
| MARKET LABEL/PROJECT NUMBER | | | | | | | | | | |
| DATE | | | | | | | | | | |
| 3922 450 05121 | | | | | | | | | | |
| DATE | | | | | | | | | | |
| 12-21-1997 | | | | | | | | | | |
| ALL RIGHTS RESERVED | | | | | | | | | | |



| | | | | | | | | | | |
|-------------|------------------------------|----|----|----|----|----|----|----|----|----|
| STATUS | 00 | 10 | 20 | 30 | 40 | 50 | 60 | 70 | 80 | 90 |
| SCALE | 0 | 1 | 2 | 3 | 4 | 5 | 6 | 7 | 8 | 9 |
| MATERIAL | SMPS / DC-DC CONVERTER BOARD | | | | | | | | | |
| DESCRIPTION | Assembly drawing | | | | | | | | | |
| DATE | 17-11-1998 | | | | | | | | | |
| DRWING NO. | 3922 450 05101 | | | | | | | | | |
| DESIGNED BY | [Signature] | | | | | | | | | |
| CHECKED BY | [Signature] | | | | | | | | | |
| APPROVED BY | [Signature] | | | | | | | | | |



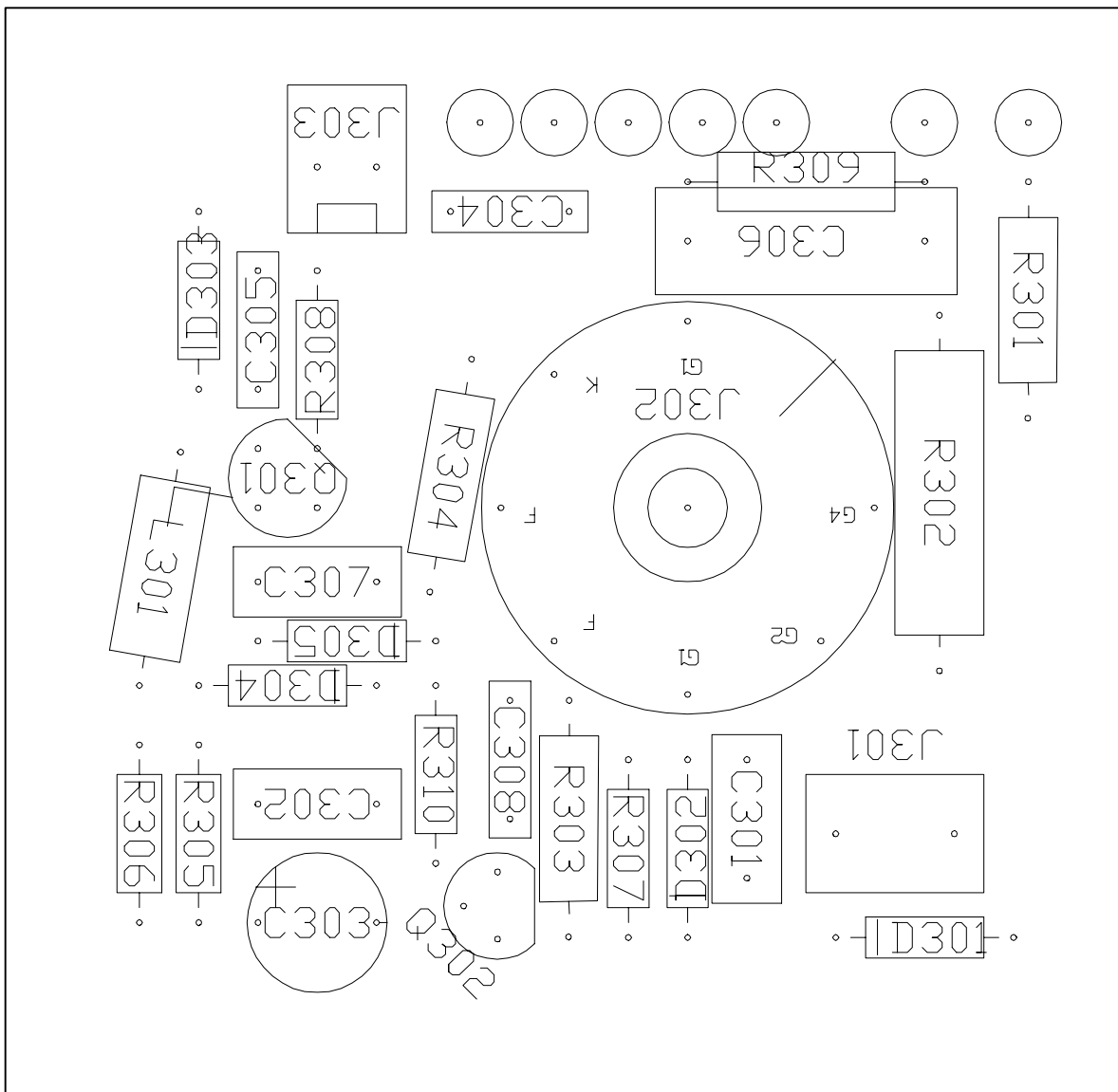
| | | | | | | | | | | |
|-------------|------------------------------|----|----|----|----|----|----|----|----|----|
| STATUS | 00 | 10 | 20 | 30 | 40 | 50 | 60 | 70 | 80 | 90 |
| SCALE | 0 | 1 | 2 | 3 | 4 | 5 | 6 | 7 | 8 | 9 |
| PROJECT | SMPS / DC-DC CONVERTER BOARD | | | | | | | | | |
| DESCRIPTION | Assembly drawing | | | | | | | | | |
| DATE | 17-11-1998 | | | | | | | | | |
| SCALE | 3922 450 05101 | | | | | | | | | |



All unspecified resistors mrs16t

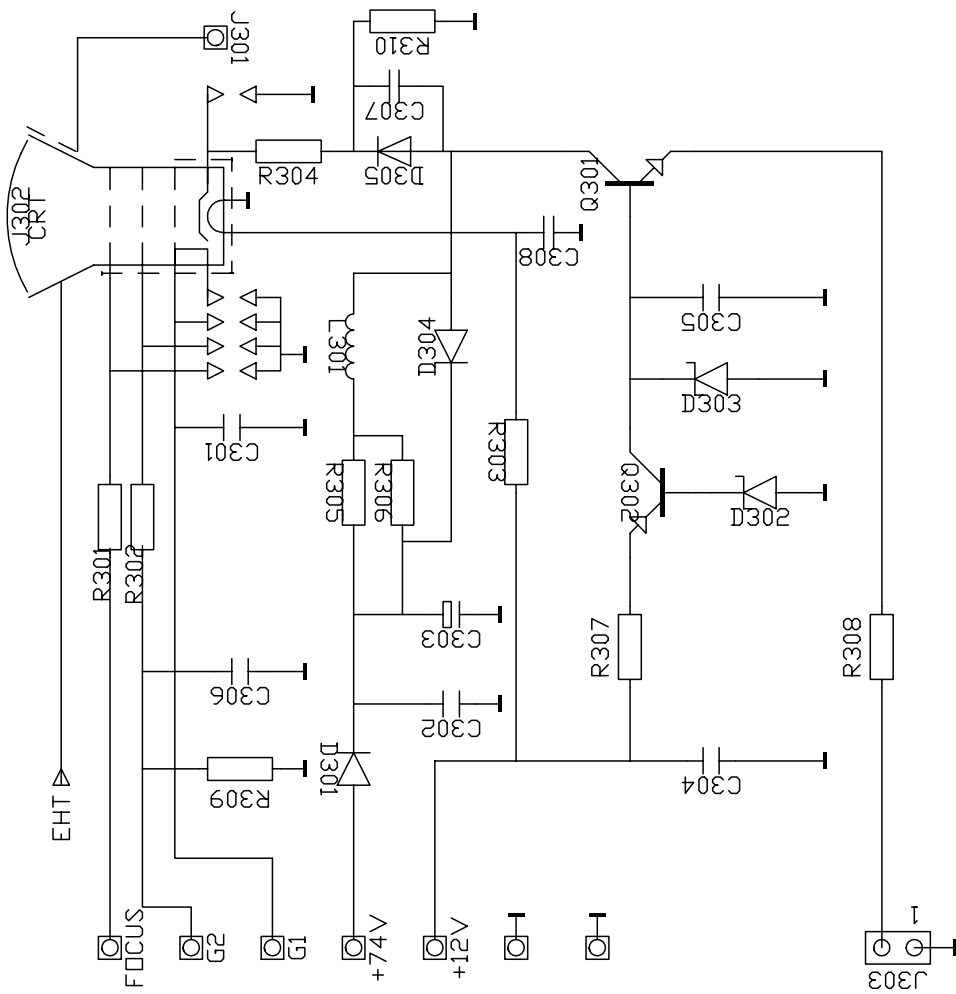
DC-DC Converter

| | | | | | | | | | | |
|------------|------------------------------|----|----|----|----|----|----|----|----|----|
| STATUS | 00 | 10 | 20 | 30 | 40 | 50 | 60 | 70 | 80 | 90 |
| SCALE | 0 | 1 | 2 | 3 | 4 | 5 | 6 | 7 | 8 | 9 |
| MicroPLUTE | Circuit diagram | | | | | | | | | |
| NAME | SMPS / DC-DC CONVERTER BOARD | | | | | | | | | |
| DATE | 12 Sep 1992 | | | | | | | | | |
| BY | R. J. ... | | | | | | | | | |
| PROJECT | 3922 450 05101 | | | | | | | | | |
| FILE | PAGE 17-1-1986 A4 | | | | | | | | | |



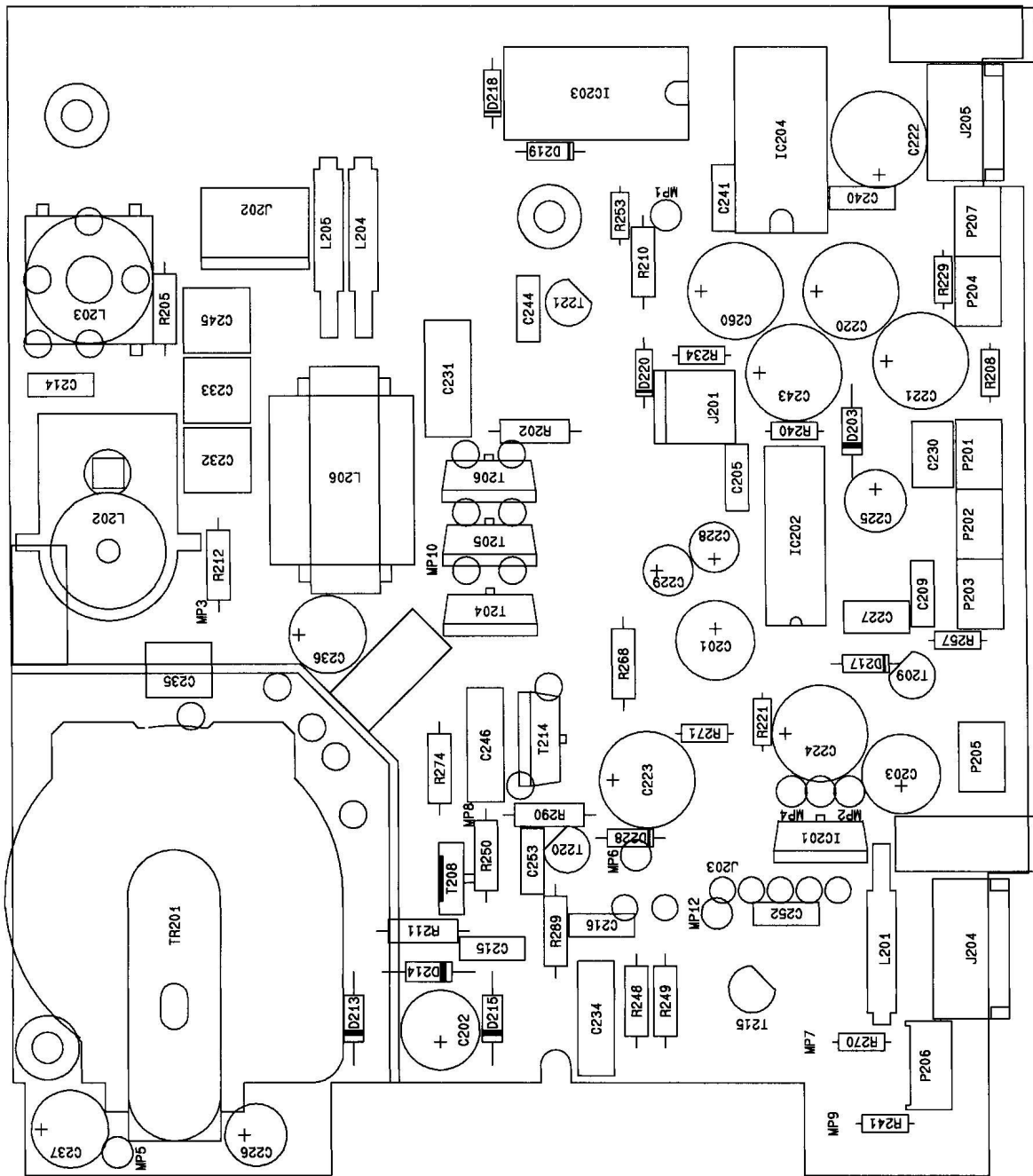
PCB 300321-1

| | | | | | | | | | | |
|--|----|----|----|----|----|----|----|----|----|---|
| 00 | 10 | 20 | 30 | 40 | 50 | 60 | 70 | 80 | 90 | |
| STATUS | 0 | 1 | 2 | 3 | 4 | 5 | 6 | 7 | 8 | 9 |
| USER/PLD NAME: | | | | | | | | | | |
| 3922 450 16301 CRT Board Assembly | | | | | | | | | | |
| SUPP: 110-1 DATE: 24-03-1993 | | | | | | | | | | |
| PROPERTY OF: PHL INDUSTRIAL VIDEO SYSTEMS - BREDENHEERLAAN | | | | | | | | | | |

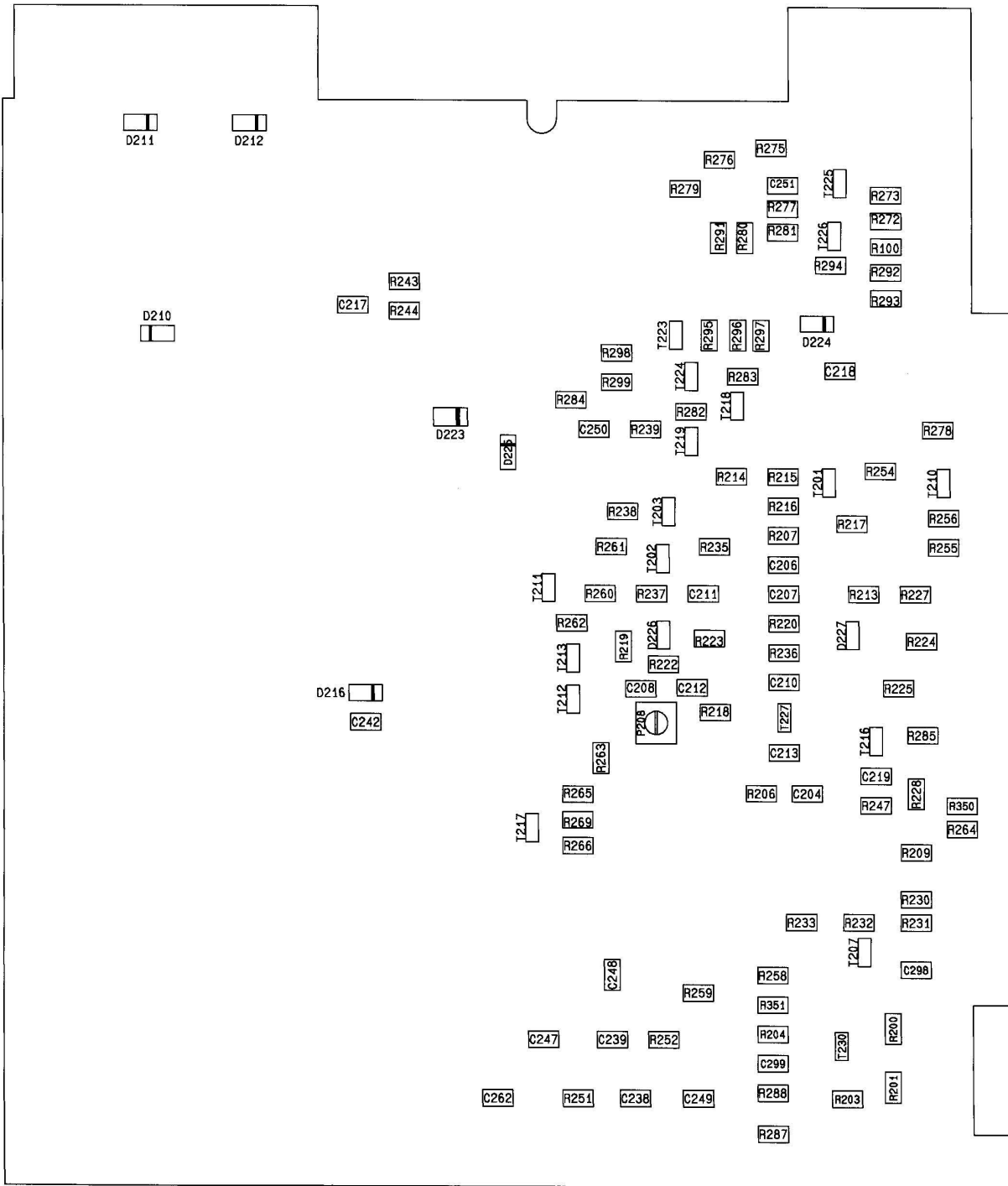


PCB 300321-1

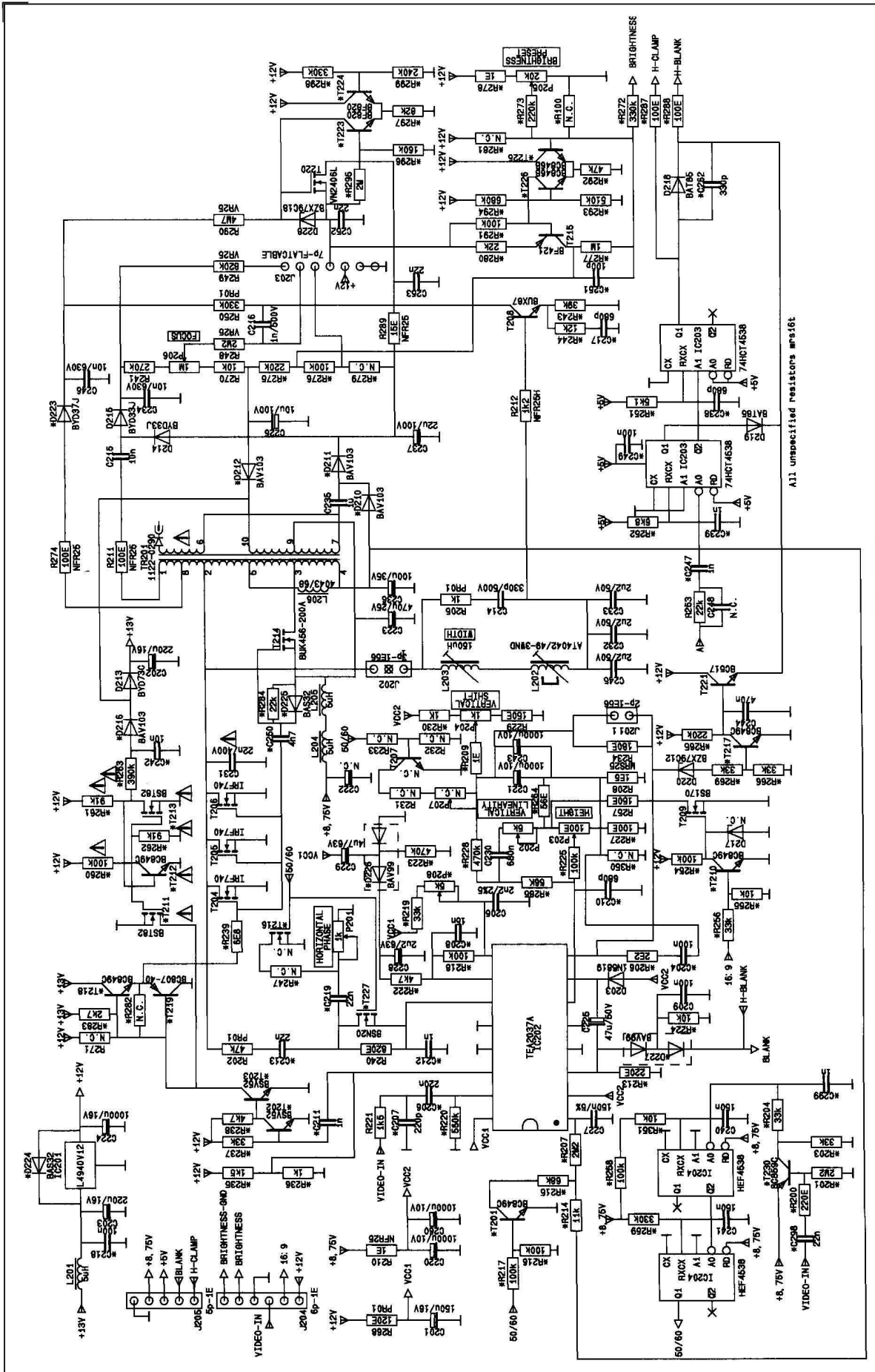
| | | | | | | | | | |
|--|---|----|----|----|----|----|----|----|----|
| 00 | 10 | 20 | 30 | 40 | 50 | 60 | 70 | 80 | 90 |
| STATUS | 0 | 1 | 2 | 3 | 4 | 5 | 6 | 7 | |
| CRT Board Circuit diagram | | | | | | | | | |
| 3922 450 16301 | | | | | | | | | |
| NAME | 3922 450 16301 | | | | | | | | |
| BY | PROPERTY OF: PHILIPS/DVA/VIDEO SYSTEM - BREDA - THE NETHERLANDS | | | | | | | | |
| DATE: | 24-03-1999 | | | | | | | | |



| | | | | | | | | | | |
|---------------------|----|----|----|----|----|----|----|----|----|----|
| STATUS | 00 | 10 | 20 | 30 | 40 | 50 | 60 | 70 | 80 | 90 |
| SCALE | 0 | 1 | 2 | 3 | 4 | 5 | 6 | 7 | 8 | 9 |
| DEFLECTION BOARD | | | | | | | | | | |
| Assembly drawing | | | | | | | | | | |
| 3922 450 16311 | | | | | | | | | | |
| DATE: 17-11-1988 A4 | | | | | | | | | | |



| | | | | | | | | | | |
|-----------|------------------|----|----|----|----|----|----|----|----|----|
| STATUS | 00 | 10 | 20 | 30 | 40 | 50 | 60 | 70 | 80 | 90 |
| SCALE | 0 | 1 | 2 | 3 | 4 | 5 | 6 | 7 | 8 | 9 |
| UNIVERSAL | DEFLECTION BOARD | | | | | | | | | |
| PROJECT | Assembly drawing | | | | | | | | | |
| DATE | 3922 450 16311 | | | | | | | | | |
| DESIGNER | J. S. J. | | | | | | | | | |
| CHECKER | J. S. J. | | | | | | | | | |
| DATE | 17-11-1998 | | | | | | | | | |
| SCALE | A4 | | | | | | | | | |



All unspecified resistors are 1/8W

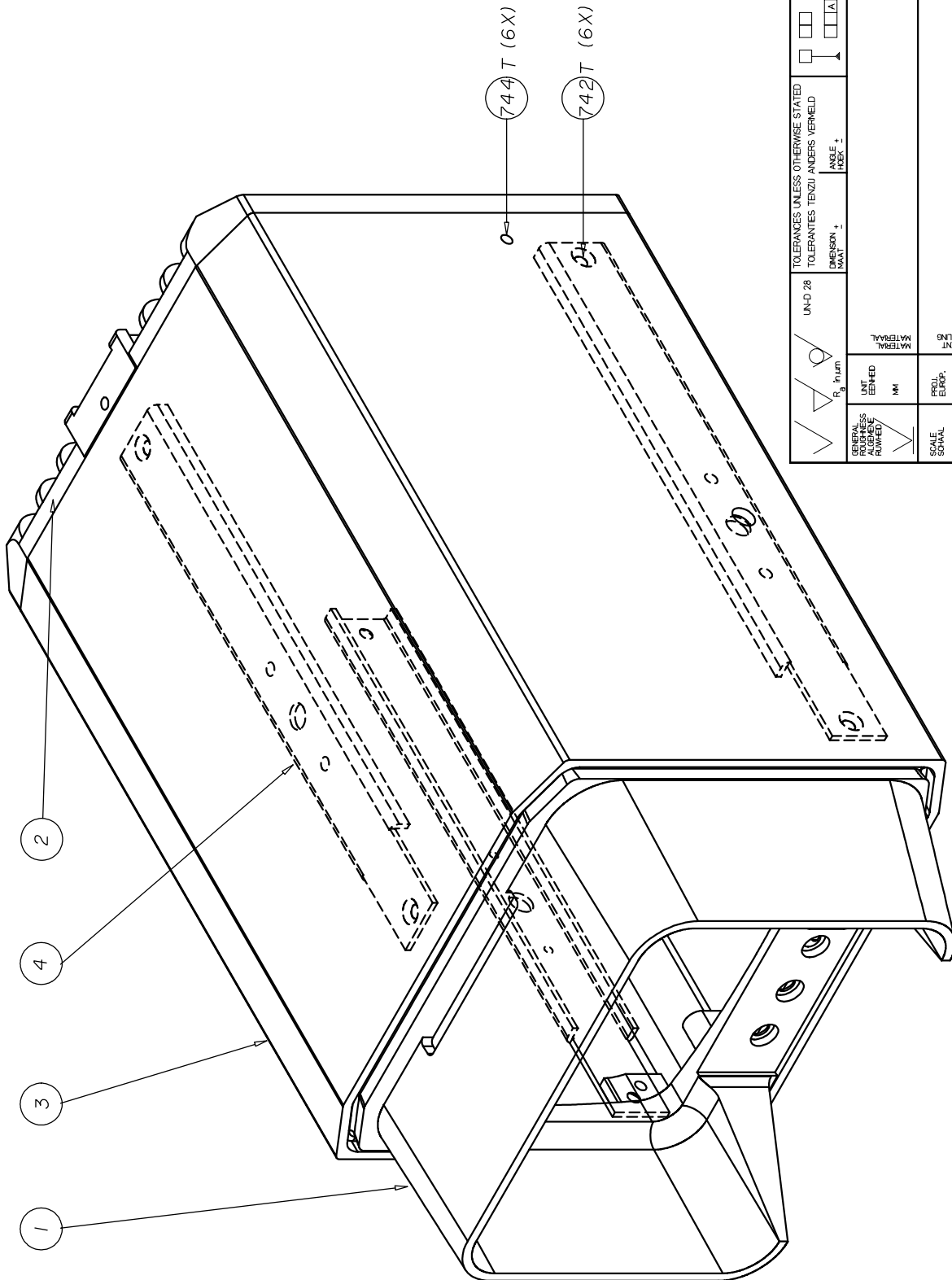
| | | | | | | | | | | |
|---------------------|----|----|----|----|----|----|----|----|----|----|
| STATUS | 00 | 10 | 20 | 30 | 40 | 50 | 60 | 70 | 80 | 90 |
| SCALE | 0 | 1 | 2 | 3 | 4 | 5 | 6 | 7 | 8 | 9 |
| DEFLECTION BOARD | | | | | | | | | | |
| Circuit Diagram | | | | | | | | | | |
| 3922 450 16311 | | | | | | | | | | |
| DATE: 17-11-1988 | | | | | | | | | | |
| DRAWN BY: T. H. ... | | | | | | | | | | |
| CHECKED BY: ... | | | | | | | | | | |
| APPROVED BY: ... | | | | | | | | | | |

Section 3

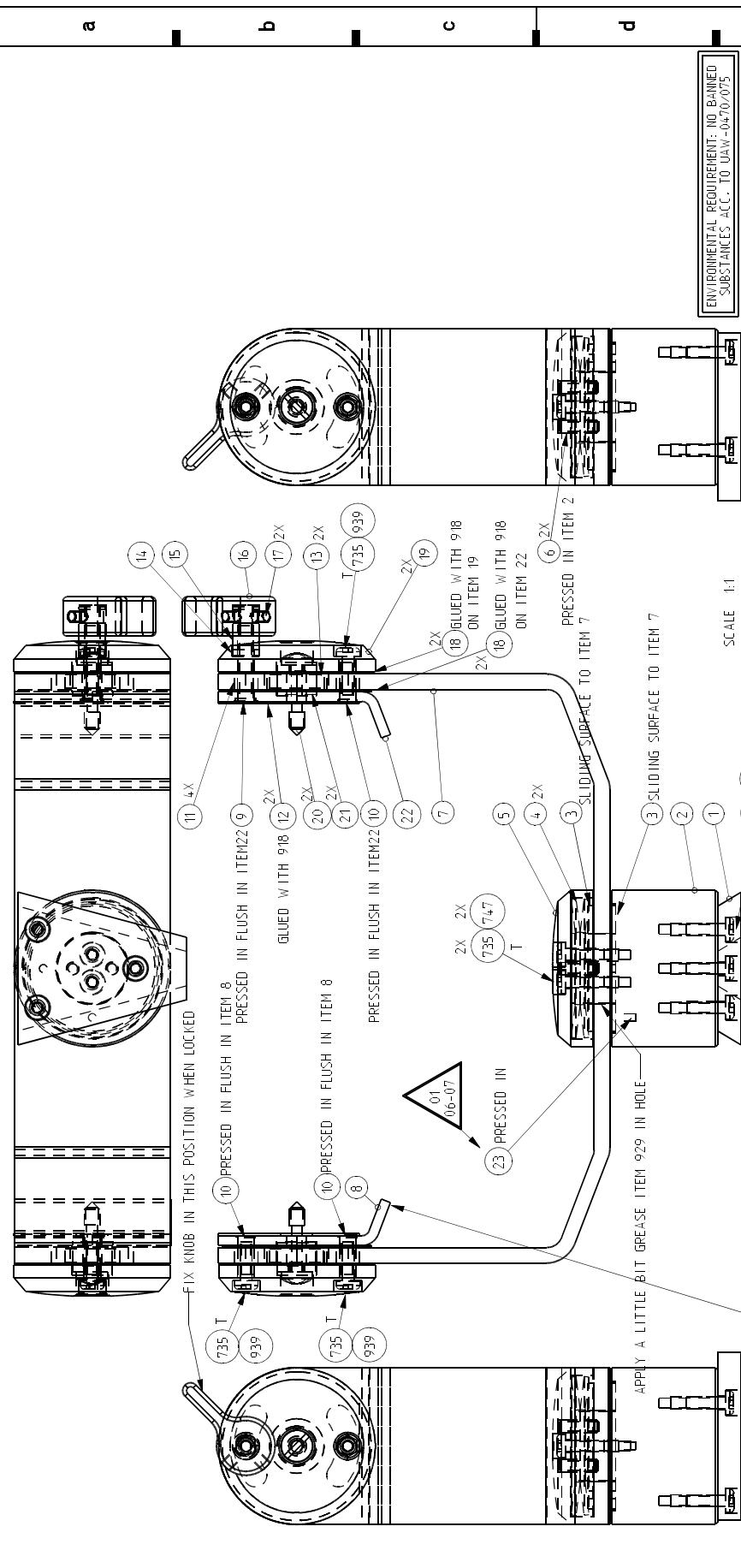
Mechanical Exploded Views

Contents

| | | | |
|-------------------------------------|-----|-------------------------|-----|
| Mech. 5-inch Viewfinder short | 3-2 | 5-inch Viewfinder | 3-4 |
| VF-Bracket-ASSY | 3-3 | | |



| | | | | | | |
|---|---------------------------|--|--------------------------|---|---------------------------------------|---|
| GENERAL TOLERANCES UNLESS OTHERWISE STATED ALGEMENE TOEGANGSVOORWAARDEN TOEGANGSVOORWAARDEN | UN-D 28 UN-D 603 | TOLERANCES UNLESS OTHERWISE STATED TOEGANGSVOORWAARDEN TOEGANGSVOORWAARDEN | DIMENSION MAAT | ANGLE HOEK | UN-D 603 ACCORDING TO MFV 3-2037-1 | QUALITY STANDARD ACCORDING TO MFV 3-2037-1 |
| | SURFACE BEDIJF BEH. | MATERIAL MATERIAAL | TREATMENT BEHANDELING | PATTERN NO. / MODELNR. ORDER NO. / ORDERNR. QTY. / AANTAL | DATE DATUM | 97-12-17 |
| MICROFILM MECH. 5 INCH VIEWFINDER SHOR T MECH. 5 INCH VIEWFINDER KOR | | | | 110-01 | PHILIPS | ELECTRONICS |
| NAME NAAM | DE GREEUW | PROPERTY OF EIGENDOM | 110-01 | DATE DATUM | 97-09-18 | A3 |

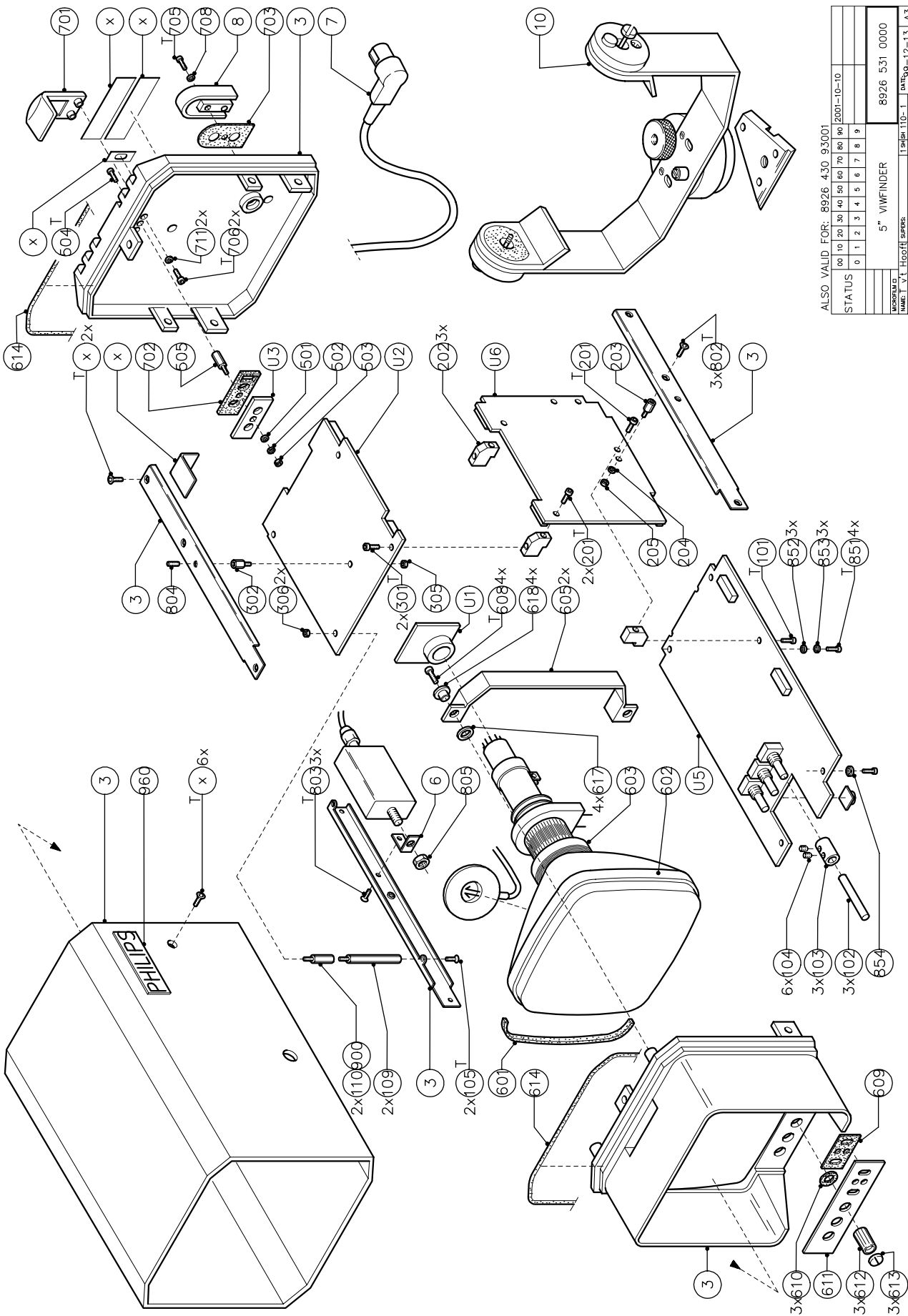


| | | | |
|---|--|--|---------------------------------------|
| CON: ----- ✓ UNP. 28 ✓ TOLERANCES UNLESS OTHERWISE STATED DIMENSIONS ... IN INCH ... ±0.2 ... IN MM ... ±0.5 | | SET NAME: ----- UNP. 403 PART NO. 403 | QUANT. ASSEMBLY NO. PATTERN NO. |
| GENERAL PURPOSES UNIT mm | MATERIAL ----- REFINISH ----- | ORDER NO. | QUANT. |
| SCALE 1:1 | CLASS NO. 2XXXX000 ARCHIVED ----- | SH120 1 2001-03-01 1 2001-04-26 1 2001-06-07 - | 3922 407 33890 |
| DATE 2000-05-26 | SUPP. XXXX XXX XXXX 1 | PHILIPS ELECTRONICS N.V. | 110 - 1 A3 |

PHILIPS



ALL RIGHTS ARE RESERVED. REPRODUCTION IN WHOLE OR IN PART IS PROHIBITED WITHOUT THE WRITTEN CONSENT OF THE COPYRIGHT OWNER.



ALSO VALID FOR: 8926 430 93001

| | | | | | | | | | | | |
|--------|----|----|----|----|----|----|----|----|----|----|------------|
| STATUS | 00 | 10 | 20 | 30 | 40 | 50 | 60 | 70 | 80 | 90 | 2001-10-10 |
| | 0 | 1 | 2 | 3 | 4 | 5 | 6 | 7 | 8 | 9 | |

5" VIEWFINDER 8926 531 0000

MODEL NO. 8926 531 0000
 NAME: V.T. HOOFD
 SURF.: 100-1
 OF: PROPERTY OF PHILIPS CORP. WAGO. STORAGE: INDIA - IN-RECORDS
 DATE: 99-12-13 A3

Section 4

Parts Lists

| SERVICE PARTS LIST | | | | | | |
|--------------------|--------------------------------|------------------|--|---------|-----------------------------------|------------------|
| Item | Description | Code Number | | Item | Description | Code Number |
| 2 | USER'S GUIDE LDK5310 | | | BM618 | ISOL MANCH M3 OD75 NYLON | s 3922 450 05001 |
| 3 | RINGCORE TN23/14/7 4C65 | s 3922 450 04781 | | BM701 | ON-AIR-LENS | s 3922 400 09311 |
| 4 | FERRITE CORE D14.5 D8.4 X 5.5 | s 3922 450 04791 | | BM702 | LED-SEAL | s 3922 401 49591 |
| 6 | LED DISTANCE HOLDER | s 3922 450 05011 | | BM703 | CABLE-SEAL | s 3922 401 49601 |
| 8 | USER'S GUIDE LDK5310 | | | BM705 | PAN SCR STL ST M3X8 | s 5322 502 14405 |
| 11 | TYPE PLAAT 12X50 | | | BM706 | PAN TAP SCR F ST T8 2,9X6,5 | s 5322 502 14037 |
| 12 | KNOB BLACK 11MM D4 | s 3922 450 04561 | | BM708 | SPRING M3 | s 3922 450 04471 |
| 80A | WIRE ASSY IIC TO ON-AIR PCB | s 3922 450 05131 | | BM709 | PAN SCR STL ST M3X8 | s 5322 502 14405 |
| 80B | WIRE ASSY VIDEO PREAMP CRT-BOA | s 3922 450 05141 | | BM711 | WASHER M3 A2 | s 3922 450 04901 |
| BM001 | TY-RAP 100MM WIT KL | | | BM801 | TORX CS M3X5 | s 2522 203 04022 |
| BM003 | MECH.5INCH VIEWFINDER SHORT | 3922 407 27142 | | BM802 | TORX CS M3X5 | s 2522 203 04022 |
| BM006 | HS-MOUNTING BRACKET | s 3922 450 04461 | | BM803 | TORX CS M3X5 | s 2522 203 04022 |
| BM007 | V.F CABLE ASSY | s 3922 045 01771 | | BM804 | ADJUSTING SCREW M4X6 | s 3922 450 04861 |
| BM008 | CLAMPING PLATE | s 3922 404 24141 | | BM805 | NUT M8 | s 3922 450 04881 |
| BM009A | V-BLOCK | s 5322 466 10936 | | BM851 | PAN SCR STL ST M3X8 | s 5322 502 14405 |
| BM009B | BRACKET ASSY | s 3922 407 11951 | | BM852 | WASHER M3 A2 | s 3922 450 04901 |
| BM009C | VF BRACKET ASSY | s 3922 407 33891 | | BM853 | SPRING M3 | s 3922 450 04471 |
| BM101 | PAN TAP SCR F ST T8 2,9X9,5 | s 2522 202 07014 | | BM854 | LOCKWASHER M3 A2 RVS | s 3922 450 04911 |
| BM102 | SPINDLE | s 3922 401 48051 | | BM901 | CSK SCR STL ST M3X12 | s 2522 203 04026 |
| BM103 | BUSH | s 3922 404 20821 | | BM902 | CSK SCR STL ST M3X8 | s 4822 502 13964 |
| BM104 | ADJUSTING SCREW M3X3 INBUS | s 3922 450 04851 | | BM950 | PAN SCR STL ST M3X8 | s 5322 502 14405 |
| BM105 | CSK SCR STL ST M3X12 | s 2522 203 04026 | | BM951 | SPRING M3 | s 3922 450 04471 |
| BM109 | NYLON DISTANCE PIECE M3 L=50 | s 3922 450 04961 | | BM960 | WORDMARK 62MM | s 3922 402 04741 |
| BM110 | DISTANCE PIECE 6X25 M3 | s 3922 450 04951 | | SD8D10A | LED-HOLDER (DOUBLE) | s 5322 255 40432 |
| BM201 | PAN TAP SCR F ST T8 2,9X9,5 | s 2522 202 07014 | | SD8D10B | BUS ID2.6 OD4 NYLON (S=2 MM) | s 3922 450 04991 |
| BM202 | PCB MOUNTING PIECE | s 3922 450 04971 | | SS D10 | LED 3MM HI-BRI YELLOW | s 3922 450 05241 |
| BM203 | DISTANCE PIECE M3X8 | s 3922 450 04921 | | SS D8 | LED 3MM HI-BRI RED | s 3922 450 05231 |
| BM204 | LOCKWASHER M3 A2 RVS | s 3922 450 04911 | | STATUS | STICKER | |
| BM205 | NUT M3 | s 3922 450 04871 | | U1 | CRT BOARD | s 3922 450 16301 |
| BM301 | PAN TAP SCR F ST T8 2,9X9,5 | s 2522 202 07014 | | U2 | DEFLECTION BOARD | s 3922 450 16311 |
| BM302 | DISTANCE PIECE M4X5 | s 3922 450 04941 | | U3 | ON AIR BOARD | s 3922 450 04501 |
| BM305 | HEXAGON FLANGE NUT WITH THEET | s 3922 450 04891 | | U4 | PCB 15000321 | |
| BM306 | NUT M3 NYLON | s 3922 450 04981 | | U5 | VIDEO PRE AMP / IIC INTERFACE BOA | s 3922 450 05121 |
| BM401 | TY-RAP 100MM WIT KL | | | U6 | SMPS / DC-DC CONVERTER BOARD | s 3922 450 05101 |
| BM501 | WASHER M3 A2 | s 3922 450 04901 | | | | |
| BM502 | SPRING M3 | s 3922 450 04471 | | | | |
| BM503 | NUT M3 | s 3922 450 04871 | | | | |
| BM504 | PAN SCR STL ST M3X8 | s 5322 502 14405 | | | | |
| BM505 | DISTANCE PIECE M3X12 | s 3922 450 04931 | | | | |
| BM601 | GASKET | s 3922 401 13341 | | | | |
| BM602 | PICTURE TUBE | s 3922 450 05271 | | | | |
| BM603 | 5,5-6 COIL | s 3922 450 05151 | | | | |
| BM604 | 5,5-6 AQUADAGASSEMBLY | s 3922 450 05161 | | | | |
| BM605 | BRACKET | s 3922 404 25171 | | | | |
| BM606 | INSULATING TAPE | | | | | |
| BM607 | INSULATING TAPE | | | | | |
| BM608 | PAN SCR STL ST M3X8 | s 5322 502 14405 | | | | |
| BM609 | PACKING | s 3922 450 04821 | | | | |
| BM610 | O-RING 3,68X1,78 | s 2622 080 90691 | | | | |
| BM611 | FRONTPANEL OPTIONAL | s 3922 450 04811 | | | | |
| BM612 | KNOB BLACK 11MM D4 | s 3922 450 05021 | | | | |
| BM613 | KNOB COVER BLACK 11MM 1.L | s 3922 450 05031 | | | | |
| BM614 | PACKING RING | s 5322 466 64201 | | | | |
| BM615 | MELINEX 0,125MMX60CM | s 3922 450 05081 | | | | |
| BM617 | WASHER M4 OD8 NYLON | s 3922 450 04481 | | | | |

products market with "s" are available as spare part,
other parts are printed for information only.

| | | |
|------------------------------|--------------------------------------|-------------------------|
| 5" VIEWFINDER 50/60HZ | ORDERING CODE: 8926 531 00001 | STATUS: 00 |
| | REF NR: 8926 531 00001 | DATE: 2002-05-01 |
| | | SHEET: 1 OF 1 |

© Philips Digital Video Systems BV, Breda, The Netherlands

alt. code: LDK5310/00

| SERVICE PARTS LIST | | |
|--------------------|------------------------|--------------------|
| <i>Item</i> | <i>Description</i> | <i>Code Number</i> |
| 1 | FRONT 5INCH VF REVISED | s 3922 402 04242 |
| 2 | CAP | s 3922 407 26752 |
| 3 | EXTRUSION | s 3922 404 24101 |
| 4 | RAIL | s 3922 404 24161 |
| 742T | CSK SCR STL ST M3X6 | s 5322 502 14498 |
| 744T | CSK SCR STL ST M3X12 | s 2522 203 04026 |

products market with "s" are available as spare part,
other parts are printed for information only.

| | | |
|--|--|-------------------------|
| MECH.5INCH VIEWFINDER SHORT | ORDERING CODE: not a spare part | STATUS: |
| | REF NR: 3922 407 27142 | DATE: 1998-05-18 |
| © Philips Digital Video Systems BV, Breda, The Netherlands | SHEET: 1 OF 1 | |

| SERVICE PARTS LIST | | |
|--------------------|-------------------------------|------------------|
| Item | Description | Code Number |
| 1 | V-BLOCK | s 5322 466 10936 |
| 2 | VF SHAFT | s 3922 404 29041 |
| 5 | VF SPRING CAP | s 3922 404 29051 |
| 6 | SPRING POWEL ST BLK. 3X8 | s 5322 529 50221 |
| 7 | VF BRACKET | s 3922 404 29061 |
| 8 | EAR | s 5322 401 11147 |
| 10 | STANDOFF M3X10 | s 2531 499 05013 |
| 11 | PE SHRINK SL BL RNF 1/8INCH | |
| 12 | WASHER | s 3922 401 13531 |
| 13 | RING | s 5322 532 51507 |
| 14 | RING | s 3922 405 01211 |
| 15 | VF NUT | s 3922 404 29071 |
| 16 | VF KNOB | s 3922 404 29081 |
| 17 | SET SCREW HEX CUP STL ST M3X4 | s 5322 502 13916 |
| 18 | DISC | s 3922 405 01231 |
| 19 | DISC | s 3922 404 29021 |
| 20 | RSD CH NK SCR STL ST M4X18 | s 5322 502 12942 |
| 21 | SPACER | s 5322 532 20997 |
| 22 | EAR | s 3922 404 29741 |
| 23 | DOWEL H6 STL ST A2 2X6 | s 5322 529 50239 |
| 735T | PAN SCR STL ST M3X10 | s 5322 502 21212 |
| 747 | SPR WASH STL ST 3,1X5,7 | s 4822 530 80188 |
| 918 | RUBBER GLUE SYN CR 060 | |
| 929 | GREASE FS 1292 | |
| 939 | SCREW LOCK 222 | |

products market with "s" are available as spare part,
other parts are printed for information only.

| | | |
|--|--------------------------------------|-------------------------|
| VF BRACKET ASSY | ORDERING CODE: 3922 407 33891 | STATUS: |
| | REF NR: 3922 407 33891 | DATE: 2001-06-07 |
| © Philips Digital Video Systems BV, Breda, The Netherlands | SHEET: 1 OF 1 | |

| SERVICE PARTS LIST | | |
|--------------------|-------------------------------|------------------|
| Item | Description | Code Number |
| C702 | MKTPHI P 10N 10% 2E 250V | s 2222 370 35103 |
| D701 | BZX79-C10 DIODE DO-35 | s 4822 130 61219 |
| J701 | HDR L 1E 4P ANGLED GOLD/BROWN | s 3922 450 04641 |
| LD701 | LED 5MM HI-BRI TOSHIBA | s 3922 450 05301 |
| LD702 | LED 5MM HI-BRI TOSHIBA | s 3922 450 05301 |
| LD703 | LED 5MM HI-BRI TOSHIBA | s 3922 450 05301 |
| R701 | MRSPhi P 100K0 1% 3E C | s 2322 157 11004 |
| R702 | MRSPhi P 100E0 1% 3E C | s 2322 157 11001 |
| R703 | MRSPhi P 10K00 1% 3E C | s 2322 157 11003 |
| R704 | MRSPhi P 39K00 1% 3E C | s 2322 157 13903 |
| R705 | MRSPhi P 15E00 1% 3E C | s 2322 157 11509 |
| R706 | MRSPhi P 470E0 1% 3E C | s 2322 157 14701 |
| R707 | PR1PHI P 1K0 5% 4E C 1W | s 2322 193 13102 |
| SW701 | SCHAK C&K ET03LD1V31BE | s 3922 450 04741 |
| T701 | TRAPHI P SMSIG TO92 C | s 4822 130 44246 |
| T702 | TRANSISTOR BS170 | s 4822 130 41937 |

products marked with "s" are available as spare part,
other parts are printed for information only.

| | | |
|--|--------------------------------------|-----------------------------|
| ON AIR BOARD | ORDERING CODE: 3922 450 04501 | STATUS: |
| | REF NR: 3922 450 04501 | DATE: 1997-10-01 |
| © Philips Digital Video Systems BV, Breda, The Netherlands | | SHEET: 1 OF 1 |

alt. code: 900015071321

| SERVICE PARTS LIST | | | | | | |
|--------------------|------------------------------|---|----------------|-------|------------------------------|------------------|
| Item | Description | | Code Number | Item | Description | Code Number |
| 401 | MULTIFUSE 4A/30V | s | 3922 450 04761 | D510 | DIOPHI P FAST SOD80C S | s 4822 230 80466 |
| C401 | NP0PHI P 100P 10% 1206 100V | s | 2222 863 13101 | D511 | BAV99 DIODE SOT-23 | s 9332 153 70215 |
| C402 | NP0PHI P 560P 5% 1206 63V | s | 2222 863 12561 | IC401 | IC TDA8380 | s 3922 450 05281 |
| C403 | CERCAP 10N X7R 1206 PM10 | s | 2222 591 16627 | IC501 | LM393N | s 4822 209 80797 |
| C405 | X7RPHI P 100N 10% 1206 63V | s | 2222 591 16641 | IC502 | ADJUSTABLE ZENER TL431CLP 1% | s 3922 450 05291 |
| C407 | ELCPHI P 2U2 20% 2E 63V | s | 2222 037 68228 | IC503 | IC SGS P VOLTREG T092 C | s 5322 209 17304 |
| C408 | ELCPHI P 1U 20% 2E 63V | s | 2222 037 38108 | J401 | HDR L 1E 6P GOLD/BROWN | s 3922 450 04621 |
| C409 | ELCPHI P 4U7 20% 2E 63V | s | 2222 037 28478 | J402 | HDR L 1E 5P GOLD/BROWN | s 3922 450 04611 |
| C410 | MKTPHI P 1N 20% 4E 630V | s | 2222 347 60102 | J403 | CONTRAHDR L 1E 9P GOLD/BROWN | s 3922 450 04671 |
| C411 | ELCPHI P 22U 20% 1E4 100V | s | 2222 135 89229 | J404 | CONTRAHDR L 1E 6P GOLD/BROWN | s 3922 450 04661 |
| C412 | ELCPHI P 22U 20% 1E4 100V | s | 2222 135 89229 | L401 | 5UH/3A | s 3922 450 04541 |
| C413 | ELCPHI P 22U 20% 1E4 100V | s | 2222 135 89229 | L402 | 5UH/3A | s 3922 450 04541 |
| C414 | ELCPHI P 22U 20% 1E4 100V | s | 2222 135 89229 | L501 | TOROIDE 100UH 2A | s 3922 450 05251 |
| C415 | ELCPHI P 100U 20% 1E4 35V | s | 2222 135 50101 | MP | PIN 1 MM PCB | s 3922 450 04711 |
| C416 | ELCPHI P 220U 20% 2E 35V | s | 2222 046 50221 | P501 | TRIMMER SMD 3314G 5K | s 2340 100 16502 |
| C417 | ELCPHI P 220U 20% 2E 35V | s | 2222 046 50221 | R401 | RC2PHI P 22E 1% 1206 | s 2322 724 50221 |
| C418 | MKTPHI P 100N 10% 2E 100V | s | 2222 370 85104 | R402 | RC2PHI P 22E 1% 1206 | s 2322 724 50221 |
| C419 | MKTPHI P 15N 10% 2E 250V | s | 2222 370 35153 | R403 | RC2PHI P 4K70 1% 1206 S | s 2322 724 54702 |
| C420 | MKTPHI P 47N 10% 2E 100V | s | 2222 370 85473 | R404 | RC2PHI P 6K20 1% 1206 S | s 2322 724 56202 |
| C421 | MKTPHI P 47N 10% 2E 100V | s | 2222 370 85473 | R405 | RC2PHI P 820E 1% 1206 | s 2322 724 18201 |
| C422 | MKTPHI P 1N 10% 2E 400V | s | 2222 370 65102 | R406 | RC2PHI P 5K10 1% 1206 S | s 2322 724 55102 |
| C501 | NPOPHI P 2N2-5%-1206-50V | s | 2222 863 12222 | R408 | RC2PHI P 2K70 1% 1206 S | s 2322 724 52702 |
| C502 | CERCAP 10N X7R 1206 PM10 | s | 2222 591 16627 | R410 | RC2PHI P 100E 1% 1206 | s 2322 724 51001 |
| C503 | CERCAP 4P7 NPO 1206 +/-0.25P | s | 2222 863 12478 | R411 | RC2PHI P 220K 1% 1206 S | s 2322 724 52204 |
| C504 | NP0PHI P 22P 5% 1206 63V | s | 2222 863 12229 | R412 | RC2PHI P 10K0 1% 1206 S | s 2322 724 51003 |
| C505 | NP0PHI P 150P 10% 1206 100V | s | 2222 863 13151 | R413 | RC2PHI P 6K80 1% 1206 S | s 2322 724 56802 |
| C506 | NP0PHI P 1N 5% 1210 63V | s | 2222 862 12102 | R414 | RC2PHI P 1M 1% 1206 S | s 2322 724 51005 |
| C507 | X7RPHI P 220N 10% 1210 63V | s | 2222 592 16645 | R415 | RC2PHI P 470K 1% 1206 | s 2322 724 54704 |
| C508 | ELCPHI P 470U 20% 2E 25V | s | 2222 136 66471 | R416 | RC2PHI P 1M 1% 1206 S | s 2322 724 51005 |
| C509 | ELCPHI P 47U 20% 2E 50V | s | 2222 037 90072 | R418 | MRSPHI P 47K00 1% 3E C | s 2322 157 14703 |
| C510 | ELCPHI P 470U 20% 2E 25V | s | 2222 136 66471 | R419 | PR1PHI P 8K2 5% 4E C 1W | s 2322 193 13822 |
| C511 | X7RPHI P 220N 10% 1210 63V | s | 2222 592 16645 | R420 | PR1PHI I 270E 5% 4E C 1W | s 2322 193 13271 |
| C512 | ELCPHI P 10U 20% 2E 63V | s | 2222 037 28109 | R421 | PR1PHI I 2K7 5% 4E C 1W | s 2322 193 13272 |
| C513 | ELCPHI P 10U 20% 2E 63V | s | 2222 037 28109 | R422 | PR1PHI P 39E 5% 4E C 1W | s 2322 193 13399 |
| C514 | X7RPHI P 100N 10% 1206 63V | s | 2222 591 16641 | R423 | RC2PHI P 1E 1% 1206 | s 2322 724 50011 |
| C515 | CERCAP 1N NPO 1206 PM2 | s | 2222 863 11102 | R424 | NFRPHI P 0E22 5% 4E NFR25 | s 2322 205 90005 |
| C516 | CERCAP 22N X7R 1206 PM10 | s | 2222 591 16632 | R425 | NFRPHI P 0E22 5% 4E NFR25 | s 2322 205 90005 |
| D401 | BYV29-500 | s | 3922 450 04511 | R426 | RC2PHI P 1M 1% 1206 S | s 2322 724 51005 |
| D402 | DIODE BZX79 C12 SOD27 | s | 4822 130 34179 | R427 | RC2PHI P 470K 1% 1206 | s 2322 724 54704 |
| D403 | DIODE BZX79 C12 SOD27 | s | 4822 130 34179 | R428 | NFRPHI P 1K2 5% 4E NFR25H | s 2322 207 13122 |
| D404 | DIOPHI P RECT SOD81 4E C | s | 4822 130 83121 | R429 | NFRPHI P 1K2 5% 4E NFR25H | s 2322 207 13122 |
| D405 | DIOPHI P RECT SOD57 4E C | s | 4822 130 83848 | R501 | RC2PHI P 2K70 1% 1206 S | s 2322 724 52702 |
| D406 | DIODE BZX79 C18 SOD27 | s | 4822 130 31024 | R502 | RC2PHI P 100K0 1% 1206 S | s 2322 724 51004 |
| D407 | DIODE BAV21 SOD27 | s | 4822 130 30482 | R503 | RC2PHI P 330K 1% 1206 | s 2322 724 53304 |
| D408 | DIODE BZX79 C13 SOD27 | s | 4822 130 34195 | R504 | RC2PHI P 22K 1% 1206 S | s 2322 724 52203 |
| D409 | DIOPHI P RECT SOD57 4E C | s | 5322 130 31938 | R505 | RC2PHI P 390K 1% 1206 | s 2322 724 53904 |
| D501 | DIODE BZX79C7V5 | s | 3922 450 05221 | R506 | RC2PHI P 330K 1% 1206 | s 2322 724 53304 |
| D502 | DIODE BAX 18 SOD27 | s | 4822 130 34121 | R507 | RC2PHI P 330K 1% 1206 | s 2322 724 53304 |
| D503 | DIODE BZX79C15 | s | 3922 450 05211 | R508 | RC2PHI P 330K 1% 1206 | s 2322 724 53304 |
| D504 | BAW62 DIODE SOD-27 | s | 4822 130 30613 | R509 | RC2PHI P 18K 1% 1206 | s 2322 724 51803 |
| D505 | DIOPHI P RECT SOD81 4E C | s | 4822 130 81234 | R510 | RC2PHI P 390K 1% 1206 | s 2322 724 53904 |
| D506 | BZX79-C3V3 DIODE DO-35 | s | 5322 130 31504 | R511 | RC2PHI P 390K 1% 1206 | s 2322 724 53904 |
| D507 | BAW62 DIODE SOD-27 | s | 4822 130 30613 | R512 | RC2PHI P 1M 1% 1206 S | s 2322 724 51005 |
| D508 | DIOPHI P FAST SOD80C S | s | 4822 230 80466 | R513 | RC2PHI P 1M 1% 1206 S | s 2322 724 51005 |
| D509 | DIOPHI P FAST SOD80C S | s | 4822 230 80466 | R514 | RC2PHI P 100K0 1% 1206 S | s 2322 724 51004 |

products market with "s" are available as spare part,
other parts are printed for information only.

| | | |
|-------------------------------------|--------------------------------------|-------------------------|
| SMPS / DC-DC CONVERTER BOARD | ORDERING CODE: 3922 450 05101 | STATUS: |
| | REF NR: 3922 450 05101 | DATE: 1997-10-01 |
| | | SHEET: 1 OF 2 |

© Philips Digital Video Systems BV, Breda, The Netherlands

alt. code: 900015010321

| SERVICE PARTS LIST | | |
|--------------------|-----------------------------|------------------|
| Item | Description | Code Number |
| R515 | RC2PHI P 330K 1% 1206 | s 2322 724 53304 |
| R516 | RC2PHI P 220K 1% 1206 S | s 2322 724 52204 |
| R517 | RC2PHI P 1M 1% 1206 S | s 2322 724 51005 |
| R518 | RC2PHI P 33K 1% 1206 S | s 2322 724 53303 |
| R519 | RC2PHI P 560E 1% 1206 S | s 2322 724 55601 |
| R520 | MRSPhi P 5K10 1% 3E C | s 2322 157 15102 |
| R521 | RC2PHI P 5K60 1% 1206 S | s 2322 724 55602 |
| R522 | RC2PHI P 6K80 1% 1206 S | s 2322 724 56802 |
| R523 | RC2PHI P 2K20 1% 1206 S | s 2322 724 52202 |
| R524 | MRSPhi P 2K20 1% 3E C | s 2322 157 12202 |
| R525 | RC2PHI P 22K 1% 1206 S | s 2322 724 52203 |
| R526 | RC2PHI P 10K0 1% 1206 S | s 2322 724 51003 |
| R527 | MRSPhi P 3K90 1% 3E C | s 2322 157 13902 |
| R528 | RC2PHI P 100K0 1% 1206 S | s 2322 724 51004 |
| R529 | MRSPhi P 7K50 1% 3E C | s 2322 157 17502 |
| R530 | RC2PHI P 3K 1% 1206 | s 2322 724 53002 |
| R531 | NFRPHI P 0E22 5% 4E NFR25 | s 2322 205 90005 |
| R532 | NFRPHI P 0E22 5% 4E NFR25 | s 2322 205 90005 |
| R533 | RC2PHI P 6K80 1% 1206 S | s 2322 724 56802 |
| R534 | RC2PHI P 2K70 1% 1206 S | s 2322 724 52702 |
| R540 | RC2PHI P 1M 1% 1206 S | s 2322 724 51005 |
| R541 | MRSPhi P 22K00 1% 3E C | s 2322 157 12203 |
| R550 | RC2PHI P 4K70 1% 1206 S | s 2322 724 54702 |
| T401 | TRANSISTOR BF420 | s 4822 130 42148 |
| T402 | POWERFET | s 5322 130 62264 |
| T403 | TRANSISTOR VN2406L | s 3922 450 05311 |
| T404 | POWERFET | s 5322 130 62264 |
| T405 | POWERFET | s 4822 130 61253 |
| T501 | BCX53 TRANSISTOR PNP SOT-89 | s 5322 130 60596 |
| T502 | TRAPHI P SMSIG SOT 2 1206 | s 4822 130 42614 |
| T503 | BC327 TRANSISTOR TO-92VAR | s 4822 130 40854 |
| T504 | BCX53 TRANSISTOR PNP SOT-89 | s 5322 130 60596 |
| T505 | TRAPHI P BC846 SOT 23 S | s 3922 450 05171 |
| T506 | BC337 TRANSISTOR TO-92VAR | s 4822 130 40855 |
| T507 | BC327 TRANSISTOR TO-92VAR | s 4822 130 40854 |
| T508 | TRAPHI P BC846 SOT 23 S | s 3922 450 05171 |
| T509 | POWER FET BUZ271 | s 3922 450 05191 |
| TR401 | TRAFO | s 3922 450 04521 |
| TR402 | CU15D3/1 CURRENTTRANSFORMER | s 3922 450 04421 |

products market with "s" are available as spare part,
other parts are printed for information only.

| | | |
|--|--------------------------------------|-------------------------|
| SMPS / DC-DC CONVERTER BOARD | ORDERING CODE: 3922 450 05101 | STATUS: |
| | REF NR: 3922 450 05101 | DATE: 1997-10-01 |
| © Philips Digital Video Systems BV, Breda, The Netherlands | | SHEET: 2 OF 2 |

alt. code: 900015010321

| SERVICE PARTS LIST | | | | | | |
|--------------------|-------------------------------|---|----------------|------|---------------------------|------------------|
| Item | Description | | Code Number | Item | Description | Code Number |
| 1 | FUSE T630MA TR5 WICKMANN | s | 3922 450 04451 | P104 | POTMETER 10K SFERNICE 10% | s 2340 200 35103 |
| B1 | FERRITE CORE ON WIRE 2UH | s | 3922 450 04801 | R1 | RC2PHI P 10K0 1% 1206 S | s 2322 724 51003 |
| C1 | X7RPHI P 100N 10% 1206 63V | s | 2222 591 16641 | R2 | RC2PHI P 47K 1% 1206 S | s 2322 724 54703 |
| C2 | X7RPHI P 100N 10% 1206 63V | s | 2222 591 16641 | R3 | RC2PHI P 10K0 1% 1206 S | s 2322 724 51003 |
| C3 | X7RPHI P 100N 10% 1206 63V | s | 2222 591 16641 | R4 | RC2PHI P 10K0 1% 1206 S | s 2322 724 51003 |
| C4 | X7RPHI P 100N 10% 1206 63V | s | 2222 591 16641 | R7 | RC2PHI P 47K 1% 1206 S | s 2322 724 54703 |
| C5 | ELCPHI P 100U 20% 2E 16V | s | 2222 036 25101 | R8 | RC2PHI P 47K 1% 1206 S | s 2322 724 54703 |
| C7 | MKTPHI P 10N 10% 2E 250V | s | 2222 370 35103 | R10 | RC2PHI P 1K00 1% 1206 S | s 2322 724 51002 |
| C8 | MKTPHI P 10N 10% 2E 250V | s | 2222 370 35103 | R11 | RC2PHI P 10E 1% 1206 S | s 2322 724 51009 |
| C102 | X7RPHI P 100N 10% 1206 63V | s | 2222 591 16641 | R13 | RC2PHI P 10K0 1% 1206 S | s 2322 724 51003 |
| C103 | NP0PHI P 100P 10% 1206 100V | s | 2222 863 13101 | R14 | RC2PHI P 33K 1% 1206 S | s 2322 724 53303 |
| C104 | X7RPHI P 100N 10% 1206 63V | s | 2222 591 16641 | R15 | RC2PHI P 100E 1% 1206 | s 2322 724 51001 |
| C105 | SALPHI P 33U 20% 2E 10V | s | 2222 122 54339 | R16 | RC2PHI P 10K0 1% 1206 S | s 2322 724 51003 |
| C106 | X7RPHI P 100N 10% 1206 63V | s | 2222 591 16641 | R17 | RC2PHI P 100E 1% 1206 | s 2322 724 51001 |
| C107 | NP0PHI P 100P 10% 1206 100V | s | 2222 863 13101 | R18 | RC2PHI P 100E 1% 1206 | s 2322 724 51001 |
| C108 | X7RPHI P 100N 10% 1206 63V | s | 2222 591 16641 | R19 | RC2PHI P 10K0 1% 1206 S | s 2322 724 51003 |
| C109 | KERPHI P 330P 10% 2E 500V | s | 2222 655 09331 | R20 | RC2PHI P 10K0 1% 1206 S | s 2322 724 51003 |
| C111 | CERCAP 10N X7R 1206 PM10 | s | 2222 591 16627 | R22 | RC2PHI P 100E 1% 1206 | s 2322 724 51001 |
| C112 | ELCPHI P 470U 20% 2E 25V | s | 2222 136 66471 | R24 | RC2PHI P 1K00 1% 1206 S | s 2322 724 51002 |
| C113 | ELCPHI P 100U 20% 2E 16V | s | 2222 036 25101 | R26 | RC2PHI P 1K00 1% 1206 S | s 2322 724 51002 |
| C114 | ELCPHI P 100U 20% 2E 16V | s | 2222 036 25101 | R29 | RC2PHI P 100E 1% 1206 | s 2322 724 51001 |
| C115 | ELCPHI P 100U 20% 2E 16V | s | 2222 036 25101 | R32 | RC2PHI P 100E 1% 1206 | s 2322 724 51001 |
| C116 | ELCPHI P 100U 20% 2E 16V | s | 2222 036 25101 | R33 | RC2PHI P 100E 1% 1206 | s 2322 724 51001 |
| C117 | ELCPHI P 10U 20% 2E 63V | s | 2222 037 28109 | R34 | RC2PHI P 100K0 1% 1206 S | s 2322 724 51004 |
| C118 | ELCPHI P 10U 20% 2E 63V | s | 2222 037 28109 | R35 | RC2PHI P 33K 1% 1206 S | s 2322 724 53303 |
| C120 | X7RPHI P 100N 10% 1206 63V | s | 2222 591 16641 | R36 | RC2PHI P 100E 1% 1206 | s 2322 724 51001 |
| C121 | ELCPHI P 100U 20% 2E 16V | s | 2222 036 25101 | R37 | RC2PHI P 100K0 1% 1206 S | s 2322 724 51004 |
| C122 | NP0PHI P 100P 10% 1206 100V | s | 2222 863 13101 | R38 | RC2PHI P 100K0 1% 1206 S | s 2322 724 51004 |
| C123 | KERPHI P 470P 10% 2E 100V | s | 2222 630 19471 | R39 | RC2PHI P 100K0 1% 1206 S | s 2322 724 51004 |
| C300 | CERCAP 22N X7R 1206 PM10 | s | 2222 591 16632 | R40 | RC2PHI P 10K0 1% 1206 S | s 2322 724 51003 |
| D1 | BAV99 DIODE SOT-23 | s | 9332 153 70215 | R41 | RC2PHI P 10K0 1% 1206 S | s 2322 724 51003 |
| D2 | BAV99 DIODE SOT-23 | s | 9332 153 70215 | R42 | RC2PHI P 220K 1% 1206 S | s 2322 724 52204 |
| D3 | BAV99 DIODE SOT-23 | s | 9332 153 70215 | R43 | RC2PHI P 470E0 1% 1206 S | s 2322 724 54701 |
| D7 | DIODE BZV85 C6V2 | s | 3922 450 05201 | R44 | RC2PHI P 100K0 1% 1206 S | s 2322 724 51004 |
| D11 | BZX79-C10 DIODE DO-35 | s | 4822 130 61219 | R51 | RC2PHI P 3K90 1% 1206 | s 2322 724 53902 |
| D12 | BZX79-C10 DIODE DO-35 | s | 4822 130 61219 | R52 | RC2PHI P 470E0 1% 1206 S | s 2322 724 54701 |
| D13 | BZX79-C10 DIODE DO-35 | s | 4822 130 61219 | R53 | RC2PHI P 270E0 1% 1206 S | s 2322 724 52701 |
| D14 | BZX79-C10 DIODE DO-35 | s | 4822 130 61219 | R54 | PR1PHI P 1K0 5% 4E C 1W | s 2322 193 13102 |
| D101 | DIOPHI P FAST SOD80C S | s | 4822 230 80466 | R55 | PR1PHI P 1K0 5% 4E C 1W | s 2322 193 13102 |
| D104 | DIODE BZX79 C12 SOD27 | s | 4822 130 34179 | R56 | RC2PHI P 33K 1% 1206 S | s 2322 724 53303 |
| D105 | DIOPHI P FAST SOD80C S | s | 4822 230 80466 | R58 | RC2PHI P 470E0 1% 1206 S | s 2322 724 54701 |
| D106 | DIOPHI P FAST SOD80C S | s | 4822 230 80466 | R101 | RC2PHI P 1K5 1206 S | s 2322 724 51502 |
| D107 | DIOPHI P FAST SOD80C S | s | 4822 230 80466 | R102 | RC2PHI P 100E 1% 1206 | s 2322 724 51001 |
| D108 | DIOPHI P FAST SOD80C S | s | 4822 230 80466 | R103 | RC2PHI P 5K60 1% 1206 S | s 2322 724 55602 |
| DELAY1 | DELAYLINE 140NS 200OHM | s | 3922 450 05321 | R104 | RC2PHI P 4K70 1% 1206 S | s 2322 724 54702 |
| IC1 | IC EEPROM DIL8 C | s | 3922 450 05261 | R105 | RC2PHI P 82E 1% 1206 S | s 2322 724 58209 |
| IC4 | IC PHI P I/O EXPANDER DIL16 C | s | 5322 209 10883 | R107 | RC2PHI P 82E 1% 1206 S | s 2322 724 58209 |
| J1 | HDR L 1E 4P GOLD/BROWN | s | 3922 450 04431 | R109 | RC2PHI P 4K70 1% 1206 S | s 2322 724 54702 |
| J3 | HDR L 1E 9P GOLD/BROWN | s | 3922 450 04631 | R111 | RC2PHI P 1K00 1% 1206 S | s 2322 724 51002 |
| J4 | HDR L 1E 6P GOLD/BROWN | s | 3922 450 04621 | R112 | RC2PHI P 5K60 1% 1206 S | s 2322 724 55602 |
| J6 | SOCKET 20p ANGLED HIROSE | s | 3922 450 04691 | R113 | RC2PHI P 120E 1% 1206 | s 2322 724 51201 |
| J11 | HDR L 1E 2P GOLD/BROWN | s | 3922 450 04601 | R114 | RC2PHI P 1K00 1% 1206 S | s 2322 724 51002 |
| P101 | POTMETER 1K SFERNICE 10% | s | 2340 200 35102 | R115 | RC2PHI P 150E0 1% 1206 S | s 2322 724 51501 |
| P102 | TRIMMER SMD 3314G 100E | s | 2340 100 16101 | R116 | RC2PHI P 5K60 1% 1206 S | s 2322 724 55602 |
| P103 | POTMETER 1K SFERNICE 10% | s | 2340 200 35102 | R117 | RC2PHI P 5K60 1% 1206 S | s 2322 724 55602 |

products market with "s" are available as spare part,
other parts are printed for information only.

| | | |
|--|--------------------------------------|-------------------------|
| VIDEO PRE AMP / IIC INTERFACE BOARD | ORDERING CODE: 3922 450 05121 | STATUS: |
| | REF NR: 3922 450 05121 | DATE: 1997-10-01 |
| | | SHEET: 1 OF 2 |

© Philips Digital Video Systems BV, Breda, The Netherlands

alt. code: 900015370321

| SERVICE PARTS LIST | | | | | | |
|--------------------|---------------------------|---|----------------|------|-------------------------|------------------|
| Item | Description | | Code Number | Item | Description | Code Number |
| R118 | RC2PHI P 4K70 1% 1206 S | s | 2322 724 54702 | T104 | TRAPHI P SMSIG TO92 C | s 4822 130 44246 |
| R119 | RC2PHI P 4K70 1% 1206 S | s | 2322 724 54702 | T105 | TRANSISTOR PH2369 | s 4822 130 41594 |
| R120 | RC2PHI P 100E 1% 1206 | s | 2322 724 51001 | T106 | TRAPHI P SMSIG TO92 C | s 4822 130 44246 |
| R121 | RC2PHI P 100E 1% 1206 | s | 2322 724 51001 | T107 | TRAPHI P SMSIG TO92 C | s 4822 130 44246 |
| R123 | RC2PHI P 100E 1% 1206 | s | 2322 724 51001 | T108 | TRANSISTOR PH2369 | s 4822 130 41594 |
| R126 | RC2PHI P 8K20 1% 1206 S | s | 2322 724 58202 | T109 | TRANSISTOR PH2369 | s 4822 130 41594 |
| R127 | RC2PHI P 1K80 1% 1206 S | s | 2322 724 51802 | T110 | TRANSISTOR PH2369 | s 4822 130 41594 |
| R128 | MRSPhi P 47E00 1% 3E C | s | 2322 157 14709 | T111 | TRANSISTOR PH2369 | s 4822 130 41594 |
| R129 | RC2PHI P 1K80 1% 1206 S | s | 2322 724 51802 | T112 | TRANSISTOR BS170 | s 4822 130 41937 |
| R130 | RC2PHI P 47K 1% 1206 S | s | 2322 724 54703 | T113 | TRAPHI P SMSIG TO92 C | s 4822 130 44246 |
| R131 | RC2PHI P 47E 1% 1206 | s | 2322 724 50471 | T114 | TRAPHI P SMSIG TO92 C | s 4822 130 44246 |
| R132 | RC2PHI P 100K0 1% 1206 S | s | 2322 724 51004 | T115 | TRAPHI P SMSIG TO92 C | s 4822 130 44246 |
| R133 | RC2PHI P 680E 1% 1206 | s | 2322 724 56801 | T300 | FETPHI P SWITCH SOT23 S | s 5322 130 63289 |
| R134 | RC2PHI P 100E 1% 1206 | s | 2322 724 51001 | | | |
| R135 | RC2PHI P 100E 1% 1206 | s | 2322 724 51001 | | | |
| R136 | RC2PHI P 18K 1% 1206 | s | 2322 724 51803 | | | |
| R137 | RC2PHI P 39K 1% 1206 S | s | 2322 724 53903 | | | |
| R138 | SFRPHI P 3E3 5% 3E C | s | 2322 187 73338 | | | |
| R139 | RC2PHI P 39E 1% 1206 S | s | 2322 724 53909 | | | |
| R140 | RC2PHI P 47E 1% 1206 | s | 2322 724 50471 | | | |
| R141 | RC2PHI P 270E0 1% 1206 S | s | 2322 724 52701 | | | |
| R142 | RC2PHI P 51E 1% 1206 S | s | 2322 724 55109 | | | |
| R144 | MRSPhi P 75E00 1% 3E C | s | 2322 157 17509 | | | |
| R149 | RC2PHI P 3K30 1% 1206 S | s | 2322 724 53302 | | | |
| R150 | RC2PHI P 680E 1% 1206 | s | 2322 724 56801 | | | |
| R151 | RC2PHI P 1K00 1% 1206 S | s | 2322 724 51002 | | | |
| R152 | NFRPHI P 15E 5% 4E NFR25 | s | 2322 205 13159 | | | |
| R153 | NFRPHI P 10E 5% 4E NFR25H | s | 2322 207 13109 | | | |
| R154 | NFRPHI P 15E 5% 4E NFR25 | s | 2322 205 13159 | | | |
| R155 | RC2PHI P 4K70 1% 1206 S | s | 2322 724 54702 | | | |
| R157 | RC2PHI P 51E 1% 1206 S | s | 2322 724 55109 | | | |
| R158 | RC2PHI P 270E0 1% 1206 S | s | 2322 724 52701 | | | |
| R159 | RC2PHI P 270E0 1% 1206 S | s | 2322 724 52701 | | | |
| R160 | RC2PHI P 2K20 1% 1206 S | s | 2322 724 52202 | | | |
| R161 | RC2PHI P 47E 1% 1206 | s | 2322 724 50471 | | | |
| R164 | RC2PHI P 1K2 1% 1206 S | s | 2322 724 51202 | | | |
| R165 | RC2PHI P 82E 1% 1206 S | s | 2322 724 58209 | | | |
| R170 | RC2PHI P 22E 1% 1206 | s | 2322 724 50221 | | | |
| R171 | RC2PHI P 22E 1% 1206 | s | 2322 724 50221 | | | |
| R172 | RC2PHI P 22E 1% 1206 | s | 2322 724 50221 | | | |
| SW1 | SCHAK C&K ET07MD1AVBE | s | 3922 450 04751 | | | |
| SW2 | SCHAK C&K ET02MD1AVBE | s | 3922 450 04731 | | | |
| T1 | TRAPHI P SMSIG SOT 2 1206 | s | 4822 130 42614 | | | |
| T2 | TRAPHI P SMSIG SOT 2 1206 | s | 4822 130 42614 | | | |
| T3 | TRAPHI P SMSIG SOT 2 1206 | s | 4822 130 42614 | | | |
| T4 | TRAPHI P SMSIG SOT 2 1206 | s | 4822 130 42614 | | | |
| T5 | TRAPHI P SMSIG SOT 2 1206 | s | 4822 130 42614 | | | |
| T6 | TRAPHI P SMSIG SOT 2 1206 | s | 4822 130 42614 | | | |
| T7 | TRAPHI P SMSIG SOT 2 1206 | s | 4822 130 42614 | | | |
| T8 | TRAPHI P SMSIG SOT 2 1206 | s | 4822 130 42614 | | | |
| T10 | TRAPHI P SMSIG SOT 23 S | s | 4822 130 60516 | | | |
| T11 | TRAPHI P SMSIG SOT 23 S | s | 4822 130 60516 | | | |
| T101 | TRAPHI P SMSIG TO92 C | s | 4822 130 61755 | | | |
| T102 | TRAPHI P SMSIG TO92 C | s | 4822 130 44461 | | | |
| T103 | TRAPHI P SMSIG TO92 C | s | 4822 130 44461 | | | |

products market with "s" are available as spare part,
other parts are printed for information only.

| | | |
|--|--------------------------------------|-------------------------|
| VIDEO PRE AMP / IIC INTERFACE BOARD | ORDERING CODE: 3922 450 05121 | STATUS: |
| | REF NR: 3922 450 05121 | DATE: 1997-10-01 |
| | | SHEET: 2 OF 2 |

© Philips Digital Video Systems BV, Breda, The Netherlands

alt. code: 900015370321

| SERVICE PARTS LIST | | |
|--------------------|------------------------------|------------------|
| Item | Description | Code Number |
| C301 | MKTPHI P 100N 10% 2E 100V | s 2222 370 85104 |
| C302 | MKTPHI P 100N 10% 2E 100V | s 2222 370 85104 |
| C303 | ELCPHI P 22U 20% 1E4 100V | s 2222 135 89229 |
| C304 | MKTPHI P 100N 10% 2E 63V | s 2222 370 75104 |
| C305 | KERPFI P 4N7 10% 2E 100V | s 2222 630 19472 |
| C306 | MKTPHI P 10N 10% 4E 630V | s 2222 369 61103 |
| C307 | MKTPHI P 470N 10% 2E 63V | s 2222 370 75474 |
| C308 | MKTPHI P 100N 10% 2E 63V | s 2222 370 75104 |
| D301 | DIODE BAV21 SOD27 | s 4822 130 30482 |
| D303 | DIODE PHI BZX79C5V1 SOD27 | s 3922 450 16271 |
| D304 | DIODE BAV21 SOD27 | s 4822 130 30482 |
| D305 | DIODE BAV21 SOD27 | s 4822 130 30482 |
| J302 | CRT SOCKET 1061Z JUNGBECKER | s 3922 450 04721 |
| J303 | HDR L 1E 2P GOLD/BROWN | s 3922 450 04601 |
| L301 | COIL BC 15UH 10% 610MA | s 3922 450 04571 |
| Q301 | TRANSISTOR BF420 | s 4822 130 42148 |
| Q302 | TRANSISTOR BC556 TO92 | s 4822 130 40989 |
| R301 | AB RCR07G393JS 39K 1/4W/10% | s 2323 211 11393 |
| R304 | AB RCR07G471JS 470E 1/4W/10% | s 2323 211 11471 |
| R305 | MRSPhi P 4K30 1% 3E C | s 2322 157 14302 |
| R306 | MRSPhi P 4K30 1% 3E C | s 2322 157 14302 |
| R308 | SFRPhi P 3E3 5% 3E C | s 2322 187 73338 |
| R310 | MRSPhi P 560K0 1% 3E C | s 2322 157 15604 |

products marked with "s" are available as spare part,
other parts are printed for information only.

| | | |
|--|--------------------------------------|-----------------------------|
| CRT BOARD | ORDERING CODE: 3922 450 16301 | STATUS: |
| | REF NR: 3922 450 16301 | DATE: 1997-10-01 |
| © Philips Digital Video Systems BV, Breda, The Netherlands | | SHEET: 1 OF 1 |

alt. code: 900015020321B

| SERVICE PARTS LIST | | | | | | |
|--------------------|-----------------------------|---|----------------|-------|--------------------------------|------------------|
| Item | Description | | Code Number | Item | Description | Code Number |
| C201 | ELCPHI P 150UF 20% 2E 16V | s | 2222 036 55151 | C302 | MKTPHI P 100N 10% 2E 100V | s 2222 370 85104 |
| C202 | ELCPHI P 220U 20% 2E 16V | s | 2222 135 25221 | C303 | ELCPHI P 22U 20% 1E4 100V | s 2222 135 89229 |
| C204 | X7RPHI P 100N 10% 1206 63V | s | 2222 591 16641 | C304 | MKTPHI P 100N 10% 2E 63V | s 2222 370 75104 |
| C205 | FKCWIM P 2N2 2%5 2E 100V | s | 2223 284 18222 | C305 | KERPHI P 4N7 10% 2E 100V | s 2222 630 19472 |
| C206 | X7RPHI P 220N 10% 1206 25V | s | 2222 911 16654 | C306 | MKTPHI P 10N 10% 4E 630V | s 2222 369 61103 |
| C207 | NP0PHI P 220P 10% 1206 100V | s | 2222 863 13221 | C307 | MKTPHI P 470N 10% 2E 63V | s 2222 370 75474 |
| C208 | X7RPHI P 15N 10% 1206 63V | s | 2222 591 16629 | C308 | MKTPHI P 100N 10% 2E 63V | s 2222 370 75104 |
| C209 | MKTPHI P 100N 10% 2E 63V | s | 2222 370 75104 | D203 | DIOPHI P RECT SOD81 4E C | s 4822 130 81234 |
| C210 | NP0PHI P 680P 5% 1206 63V | s | 2222 863 12681 | D210 | DIOPHI P SWITCH SOD 80C S | s 4822 130 80877 |
| C211 | NPOPHI P 1N 5% 1206 63V | s | 2222 863 12102 | D211 | DIOPHI P SWITCH SOD 80C S | s 4822 130 80877 |
| C212 | NPOPHI P 1N 5% 1206 63V | s | 2222 863 12102 | D212 | DIOPHI P SWITCH SOD 80C S | s 4822 130 80877 |
| C213 | CERCAP 22N X7R 1206 PM10 | s | 2222 591 16632 | D213 | DIOPHI P RECT SOD81 4E C | s 4822 130 83121 |
| C214 | KERPHI P 330P 10% 2E 500V | s | 2222 655 09331 | D214 | DIOPHI P RECT SOD81 4E C | s 4822 130 42606 |
| C215 | MKTPHI P 10N 10% 2E 250V | s | 2222 370 35103 | D215 | DIOPHI P RECT SOD81 4E C | s 4822 130 42606 |
| C216 | KERPHI P 1N 10% 2E 500V | s | 2222 655 09102 | D216 | DIOPHI P SWITCH SOD 80C S | s 4822 130 80877 |
| C217 | NP0PHI P 680P 5% 1206 63V | s | 2222 863 12681 | D218 | DIODE BAT 85 SOD68 | s 4822 130 31983 |
| C218 | X7RPHI P 100N 10% 1206 63V | s | 2222 591 16641 | D219 | DIODE BAT 85 SOD68 | s 4822 130 31983 |
| C219 | CERCAP 22N X7R 1206 PM10 | s | 2222 591 16632 | D220 | DIODE BZX79 C12 SOD27 | s 4822 130 34179 |
| C220 | ELCPHI P 1000U 20% 2E 10V | s | 2222 048 64102 | D223 | DIOPHI P RECT SOD87 C | s 5322 130 83619 |
| C221 | ELCPHI P 1000U 20% 2E 10V | s | 2222 048 64102 | D224 | DIOPHI P FAST SOD80C S | s 4822 230 80466 |
| C223 | ELCPHI P 470U 20% 2E 25V | s | 2222 136 66471 | D225 | DIOPHI P FAST SOD80C S | s 4822 230 80466 |
| C224 | ELCPHI P 1000U 20% 2E 16V | s | 2222 047 55102 | D226 | DIODE BAV99 SOD23 | s 3922 450 16291 |
| C225 | ELCPHI P 47U 20% 2E 50V | s | 2222 037 90072 | D227 | DIODE BAV99 SOD23 | s 3922 450 16291 |
| C226 | ELCPHI P 10U 20% 2E 100V | s | 2222 037 69109 | D228 | DIODE BZX79 C18 SOD27 | s 4822 130 31024 |
| C227 | MKTPHI P 150N 5% 2E 63V | s | 2222 370 76154 | D301 | DIODE BAV21 SOD27 | s 4822 130 30482 |
| C228 | ELCPHI P 2U2 20% 2E 63V | s | 2222 037 68228 | D302 | DIODE BZX79 C10 | s 3922 450 16261 |
| C229 | ELCPHI P 4U7 20% 2E 63V | s | 2222 037 28478 | D303 | DIODE PHI BZX79C5V1 SOD27 | s 3922 450 16271 |
| C230 | MKTPHI P 680N 10% 2E 63V | s | 2222 370 75684 | D304 | DIODE BAV21 SOD27 | s 4822 130 30482 |
| C231 | MKPPHI P 22N 5% 4E-400V | s | 2222 379 54223 | D305 | DIODE BAV21 SOD27 | s 4822 130 30482 |
| C232 | MKSWIM P 2U2 10% 2E 50V | s | 2223 161 10225 | IC201 | T0220 VOLTREG L4940V12 | s 4822 209 15867 |
| C233 | MKSWIM P 2U2 10% 2E 50V | s | 2223 161 10225 | IC202 | IC SGS P HOR VER DEF DIL 16 C | s 4822 209 63819 |
| C234 | MKTPHI P 10N 10% 4E 630V | s | 2222 369 61103 | IC203 | IC PHI P MON MULTIV DIL16 C | s 4822 209 71585 |
| C235 | MKTPHI P 1U 10% 2E 63V | s | 2222 370 75105 | IC204 | IC HEF4538BP | s 3922 450 16281 |
| C236 | ELCPHI P 100U 20% 1E4 35V | s | 2222 135 50101 | J201 | HDR L 1E56 2P GOLD | s 3922 450 04681 |
| C237 | ELCPHI P 22U 20% 1E4 100V | s | 2222 135 89229 | J202 | HDR L 1E56 3P GOLD/TRANSP | s 3922 450 04441 |
| C238 | NP0PHI P 680P 5% 1206 63V | s | 2222 863 12681 | J203 | 7A 1E 13CM FLATCABLE MET CONT. | s 3922 450 04771 |
| C239 | NPOPHI P 1N 5% 1206 63V | s | 2222 863 12102 | J204 | CONTRAHDR L 1E 6P GOLD/BROWN | s 3922 450 04661 |
| C240 | MKTPHI P 150N 5% 2E 63V | s | 2222 370 76154 | J205 | CONTRAHDR L 1E 5P GOLD/BROWN | s 3922 450 04651 |
| C241 | MKTPHI P 150N 5% 2E 63V | s | 2222 370 76154 | J301 | FASTON 6.3mm | s 3922 450 04701 |
| C242 | CERCAP 10N X7R 1206 PM10 | s | 2222 591 16627 | L201 | ROD COIL 6UH | s 4822 158 10101 |
| C243 | ELCPHI P 1000U 20% 2E 10V | s | 2222 048 64102 | L202 | AT4042/49 MINUS 3 WINDINGS | s 3922 450 04531 |
| C244 | MKTPHI P 470N 10% 2E 63V | s | 2222 370 75474 | L203 | COIL 28-150UH | s 3922 450 04591 |
| C245 | MKSWIM P 2U2 10% 2E 50V | s | 2223 161 10225 | L204 | ROD COIL 6UH | s 4822 158 10101 |
| C246 | MKTPHI P 10N 10% 4E 630V | s | 2222 369 61103 | L205 | ROD COIL 6UH | s 4822 158 10101 |
| C247 | CERCAP 1N NPO 1206 PM2 | s | 2222 863 11102 | L206 | COIL AT4063/68 | s 3922 450 04551 |
| C249 | X7RPHI P 100N 10% 1206 63V | s | 2222 591 16641 | L301 | COIL BC 15UH 10% 610MA | s 3922 450 04571 |
| C250 | X7RPHI P 4N7 10% 1206 63V | s | 2222 591 16623 | MP | PIN 1 MM PCB | s 3922 450 04711 |
| C251 | NP0PHI P 100P 10% 1206 100V | s | 2222 863 13101 | P201 | TRIMMER 3323W 1K | s 2340 100 50102 |
| C252 | MKTPHI P 22N 10% 2E 100V | s | 2222 370 85223 | P202 | TRIMMER 3323W 5K | s 2340 100 50502 |
| C253 | MKTPHI P 22N 10% 2E 100V | s | 2222 370 85223 | P203 | TRIMMER 3323W 100E | s 2340 100 50101 |
| C260 | ELCPHI P 1000U 20% 2E 10V | s | 2222 048 64102 | P204 | TRIMMER 3323W 1K | s 2340 100 50102 |
| C262 | NP0PHI P 330P 10% 1206 100V | s | 2222 863 13331 | P205 | TRIMMER 3323W 20K | s 2340 100 50203 |
| C298 | CERCAP 22N X7R 1206 PM10 | s | 2222 591 16632 | P206 | TRIMMER 3386H 1M | s 2340 100 14105 |
| C299 | NPOPHI P 1N 5% 1206 63V | s | 2222 863 12102 | P208 | TRIMMER SMD 3314G 5K | s 2340 100 16502 |
| C301 | MKTPHI P 100N 10% 2E 100V | s | 2222 370 85104 | Q301 | TRANSISTOR BF420 | s 4822 130 42148 |

products market with "s" are available as spare part,
other parts are printed for information only.

| | | |
|-------------------------|--------------------------------------|-------------------------|
| DEFLECTION BOARD | ORDERING CODE: 3922 450 16311 | STATUS: |
| | REF NR: 3922 450 16311 | DATE: 1997-10-01 |
| | | SHEET: 1 OF 3 |

© Philips Digital Video Systems BV, Breda, The Netherlands

alt. code: 900015020321A

| SERVICE PARTS LIST | | | | | | |
|--------------------|---------------------------|---|----------------|------|---------------------------|------------------|
| Item | Description | | Code Number | Item | Description | Code Number |
| Q302 | TRANSISTOR BC556 TO92 | s | 4822 130 40989 | R262 | RC2PHI P 91K00 1% 1206 S | s 2322 724 59103 |
| R200 | RC2PHI P 220E 1% 1206 S | s | 2322 724 52201 | R263 | RC2PHI P 390K 1% 1206 | s 2322 724 53904 |
| R201 | RC2PHI P 2M2 1% 1206 S | s | 2322 724 52205 | R264 | RC2PHI P 56E 1% 1206 | s 2322 724 50561 |
| R202 | PR1PHI I 47K 5% 4E C 1W | s | 2322 193 13473 | R265 | RC2PHI P 220K 1% 1206 S | s 2322 724 52204 |
| R203 | RC2PHI P 33K 1% 1206 S | s | 2322 724 53303 | R266 | RC2PHI P 33K 1% 1206 S | s 2322 724 53303 |
| R204 | RC2PHI P 33K 1% 1206 S | s | 2322 724 53303 | R268 | PR1PHI P 120E 5% 4E C 1W | s 2322 193 13121 |
| R205 | PR1PHI P 1K0 5% 4E C 1W | s | 2322 193 13102 | R269 | RC2PHI P 33K 1% 1206 S | s 2322 724 53303 |
| R206 | RC2PHI P 2E2 1% 1206 | s | 2322 724 52208 | R270 | MRSPhi P 10K00 1% 3E C | s 2322 157 11003 |
| R207 | RC2PHI P 2M2 1% 1206 S | s | 2322 724 52205 | R272 | RC2PHI P 330K 1% 1206 | s 2322 724 53304 |
| R208 | SFRPHI P 1E5 5% 3E C | s | 2322 187 73158 | R273 | RC2PHI P 220K 1% 1206 S | s 2322 724 52204 |
| R209 | RC2PHI P 1E 1% 1206 | s | 2322 724 50011 | R274 | NFRPHI P 100E 5% 4E NFR25 | s 2322 205 13101 |
| R210 | MTLRST FLM NFR25 1E PM5 | s | 4822 052 10108 | R275 | RC2PHI P 220K 1% 1206 S | s 2322 724 52204 |
| R211 | NFRPHI P 100E 5% 4E NFR25 | s | 2322 205 13101 | R276 | RC2PHI P 100K0 1% 1206 S | s 2322 724 51004 |
| R212 | NFRPHI P 1K2 5% 4E NFR25H | s | 2322 207 13122 | R277 | RC2PHI P 1M 1% 1206 S | s 2322 724 51005 |
| R213 | RC2PHI P 220E 1% 1206 S | s | 2322 724 52201 | R278 | RC2PHI P 1E 1% 1206 | s 2322 724 50011 |
| R214 | RC2PHI P 11K00 1% 1206 S | s | 2322 724 51103 | R280 | RC2PHI P 22K 1% 1206 S | s 2322 724 52203 |
| R215 | RC2PHI P 68K 1% 1206 S | s | 2322 724 56803 | R283 | RC2PHI P 2K70 1% 1206 S | s 2322 724 52702 |
| R216 | RC2PHI P 100K0 1% 1206 S | s | 2322 724 51004 | R284 | RC2PHI P 22K 1% 1206 S | s 2322 724 52203 |
| R217 | RC2PHI P 100K0 1% 1206 S | s | 2322 724 51004 | R285 | RC2PHI P 39K 1% 1206 S | s 2322 724 53903 |
| R218 | RC2PHI P 100K0 1% 1206 S | s | 2322 724 51004 | R287 | RC2PHI P 100E 1% 1206 | s 2322 724 51001 |
| R219 | RC2PHI P 33K 1% 1206 S | s | 2322 724 53303 | R288 | RC2PHI P 100E 1% 1206 | s 2322 724 51001 |
| R220 | RC2PHI P 560K 1% 1206 S | s | 2322 724 55604 | R289 | NFRPHI P 15E 5% 4E NFR25 | s 2322 205 13159 |
| R221 | MRSPhi P 1K50 1% 3E C | s | 2322 157 11502 | R290 | MTLGLRST FLM VR25 4M7 PM5 | s 4822 053 20475 |
| R222 | RC2PHI P 4K70 1% 1206 S | s | 2322 724 54702 | R291 | RC2PHI P 100K0 1% 1206 S | s 2322 724 51004 |
| R223 | RC2PHI P 470K 1% 1206 | s | 2322 724 54704 | R292 | RC2PHI P 47K 1% 1206 S | s 2322 724 54703 |
| R224 | RC2PHI P 10K0 1% 1206 S | s | 2322 724 51003 | R293 | RC2PHI P 510K 1% 1206 | s 2322 724 55104 |
| R225 | RC2PHI P 100K0 1% 1206 S | s | 2322 724 51004 | R294 | RC2PHI P 680K 1% 1206 S | s 2322 724 56804 |
| R227 | RC2PHI P 100E 1% 1206 | s | 2322 724 51001 | R295 | RC2PHI P 2M 1% 1206 S | s 2322 724 52005 |
| R228 | RC2PHI P 470K 1% 1206 | s | 2322 724 54704 | R296 | RC2PHI P 160K 1% 1206 S | s 2322 724 51604 |
| R229 | MRSPhi P 180E0 1% 3E C | s | 2322 157 11801 | R297 | RC2PHI P 82K0 1% 1206 S | s 2322 724 58203 |
| R230 | RC2PHI P 390E 1% 1206 | s | 2322 724 53901 | R298 | RC2PHI P 330K 1% 1206 | s 2322 724 53304 |
| R234 | MRSPhi P 180E0 1% 3E C | s | 2322 157 11801 | R299 | RC2PHI P 240K0 1% 1206 S | s 2322 724 52404 |
| R235 | RC2PHI P 1K5 1206 S | s | 2322 724 51502 | R302 | AB RCR20G272JS 2K7 1/2W | s 2323 111 11272 |
| R236 | RC2PHI P 1K00 1% 1206 S | s | 2322 724 51002 | R303 | MTLRST FLM NFR25 5E6 PM5 | s 4822 052 10568 |
| R237 | RC2PHI P 33K 1% 1206 S | s | 2322 724 53303 | R305 | MRSPhi P 4K30 1% 3E C | s 2322 157 14302 |
| R238 | RC2PHI P 4K70 1% 1206 S | s | 2322 724 54702 | R306 | MRSPhi P 4K30 1% 3E C | s 2322 157 14302 |
| R239 | RC2PHI P 6E8 1% 1206 | s | 2322 724 56808 | R307 | MRSPhi P 820E0 1% 3E C | s 2322 157 18201 |
| R240 | MRSPhi P 820E0 1% 3E C | s | 2322 157 18201 | R308 | SFRPHI P 3E3 5% 3E C | s 2322 187 73338 |
| R241 | MRSPhi P 270K0 1% 3E C | s | 2322 157 12704 | R350 | RC2PHI P 22E 1% 1206 | s 2322 724 50221 |
| R243 | RC2PHI P 39K 1% 1206 S | s | 2322 724 53903 | R351 | RC2PHI P 10K0 1% 1206 S | s 2322 724 51003 |
| R244 | RC2PHI P 12K00 1% 1206 S | s | 2322 724 51203 | T201 | TRAPHI P SMSIG SOT 2 1206 | s 4822 130 42614 |
| R248 | MTLGLRST FLM VR25 2M2 PM5 | s | 4822 053 20225 | T202 | TRANSISTOR BSV52 | s 3922 450 16241 |
| R249 | VR PHI P 820K 5% 4E VR25 | s | 2322 241 13824 | T203 | TRANSISTOR BSV52 | s 3922 450 16241 |
| R250 | PR1PHI I 330K 5% 4E C 1W | s | 2322 193 13334 | T204 | POWERFET | s 5322 130 62264 |
| R251 | RC2PHI P 5K10 1% 1206 S | s | 2322 724 55102 | T205 | POWERFET | s 5322 130 62264 |
| R252 | RC2PHI P 6K80 1% 1206 S | s | 2322 724 56802 | T206 | POWERFET | s 5322 130 62264 |
| R253 | MRSPhi P 22K00 1% 3E C | s | 2322 157 12203 | T208 | TRANSISTOR BUX87 | s 3922 450 16251 |
| R254 | RC2PHI P 100K0 1% 1206 S | s | 2322 724 51004 | T209 | TRANSISTOR BS170 | s 4822 130 41937 |
| R255 | RC2PHI P 10K0 1% 1206 S | s | 2322 724 51003 | T210 | TRAPHI P SMSIG SOT 2 1206 | s 4822 130 42614 |
| R256 | RC2PHI P 33K 1% 1206 S | s | 2322 724 53303 | T211 | FETPHI P SWITCH SOT23 S | s 5322 130 60803 |
| R257 | MRSPhi P 150E0 1% 3E C | s | 2322 157 11501 | T212 | TRAPHI P SMSIG SOT 2 1206 | s 4822 130 42614 |
| R258 | RC2PHI P 100K0 1% 1206 S | s | 2322 724 51004 | T213 | FETPHI P SWITCH SOT23 S | s 5322 130 60803 |
| R259 | RC2PHI P 330K 1% 1206 | s | 2322 724 53304 | T214 | TRAPHI P POWER T0220 C | s 3922 450 05181 |
| R260 | RC2PHI P 100K0 1% 1206 S | s | 2322 724 51004 | T215 | TRAPHI P SMSIG T092C PNP | s 4822 130 42149 |
| R261 | RC2PHI P 91K00 1% 1206 S | s | 2322 724 59103 | T217 | TRAPHI P SMSIG SOT 2 1206 | s 4822 130 42614 |

products market with "s" are available as spare part,
other parts are printed for information only.

| | | |
|--|--------------------------------------|-----------------------------|
| DEFLECTION BOARD | ORDERING CODE: 3922 450 16311 | STATUS: |
| | REF NR: 3922 450 16311 | DATE: 1997-10-01 |
| © Philips Digital Video Systems BV, Breda, The Netherlands | | SHEET: 2 OF 3 |

alt. code: 900015020321A

| SERVICE PARTS LIST | | |
|---------------------------|---------------------------|--------------------|
| <i>Item</i> | <i>Description</i> | <i>Code Number</i> |
| T218 | TRAPHI P SMSIG SOT 2 1206 | s 4822 130 42614 |
| T219 | TRAPHI P SMSIG SOT 23 S | s 5322 130 60123 |
| T220 | TRANSISTOR VN2406L | s 3922 450 05311 |
| T221 | TRAPHI P SMSIG T092 C | s 5322 130 44864 |
| T223 | TRAPHI P SMSIG SOT 23 S | s 5322 130 62802 |
| T224 | TRAPHI P SMSIG SOT 23 S | s 5322 130 62802 |
| T225 | TRAPHI P SMSIG SOT 23 S | s 5322 130 60159 |
| T226 | TRAPHI P SMSIG SOT 23 S | s 5322 130 60159 |
| T227 | FETPHI P SWITCH SOT23 S | s 5322 130 63289 |
| T230 | TRAPHI P SMSIG SOT 23 S | s 4822 130 60516 |
| TR201 | EHT TRANSFORMER | s 3922 450 04841 |

products marked with "s" are available as spare part,
other parts are printed for information only.

| | | |
|--|--------------------------------------|-------------------------|
| DEFLECTION BOARD | ORDERING CODE: 3922 450 16311 | STATUS: |
| | REF NR: 3922 450 16311 | DATE: 1997-10-01 |
| © Philips Digital Video Systems BV, Breda, The Netherlands | | SHEET: 3 OF 3 |

alt. code: 900015020321A

