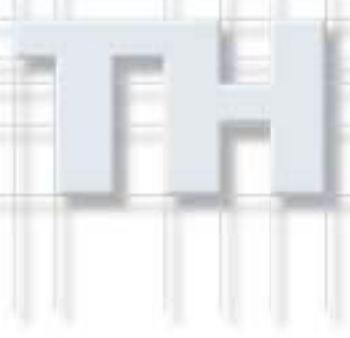


LDK 5310

5-inch SDTV Viewfinder



User's Guide

3922 496 48541 St.01

Declaration of Conformity

We, Thomson Broadcast Solutions Nederland B.V., Kapittelweg 10, 4827 HG Breda, The Netherlands declare under our sole responsibility that this product is in compliance with the following standards:

- EN60065 : Safety
- EN55103-1 : EMC (Emission)
- EN55103-2 : EMC (Immunity)

following the provisions of:

- a. the Safety Directives 73/23/EEC and 93/68/EEC
- b. the EMC Directives 89/336/EEC and 93/68/EEC

FCC Class A Statement

This product generates, uses, and can radiate radio frequency energy and if not installed and used in accordance with the instructions, may cause interference to radio communications.

It has been tested and found to comply with the limits for a class A computing device pursuant to Subpart J of part 15 of FCC rules, which are designed to provide reasonable protection against such interference when operated in a commercial environment.

Operation of this product in a residential area is likely to cause interference in which case the user at his own expense will be required to take whatever measures may be required to correct the interference.

Copyright

Für diese Unterlage behalten wir uns alle Rechte vor (Gemäß DIN 34). Technische Änderungen im Zuge der Weiterentwicklung vorbehalten.

Copying of this document and giving it to others, and the use or communication of the contents thereof, are forbidden without express authority. Offenders are liable to the payment of damages. All rights are reserved in the event of the grant of a patent or the registration of a utility model or design. Liable to technical alterations in the course of further development.

Toute communication ou reproduction de ce document, toute exploitation ou communication de son contenu sont interdites, sauf autorisation expresse. Tout manquement à cette règle est illicite et expose son auteur au versement de dommages et intérêts. Tous nos droits sont réservés pour le cas de la délivrance d'un modèle d'utilité. Sous réserve de modification au cours de l'évolution technique.

LDK 5310/00

5-inch SDTV Viewfinder

User's Guide

Contents

Safety Instructions	1-2	Mechanical Exploded Views	3-1
About This Manual	1-4	Mech. 5-inch Viewfinder short	3-2
Operating Instructions	1-5	VF-Bracket-ASSY	3-3
Connections	1-7	5-inch Viewfinder	3-4
Specifications	1-7	Parts Lists	4-1
Electrical Drawings	2-1		
On Air Board	2-2		
Video Pre Amp /IIC Interface Board	2-4		
SMPS DC-DC Converter Board	2-8		
CRT Board	2-12		
Deflection Board	2-14		

Safety Instructions

Safety Summary

This information is intended as a guide for trained and qualified personnel who are aware of the dangers involved in handling potentially hazardous electrical/electronic equipment. It is not intended to contain a complete list of all safety precautions which should be observed by personnel in using this or other electronic equipment.

The installation, maintenance and service of this equipment involves risks both to personnel and equipment and must be performed only by qualified personnel exercising due care.

Personnel engaged in the installation, operation, maintenance or servicing of this equipment are urged to become familiar with First Aid theory and practices.

During installation and operation of this equipment, local building safety and fire protection standards must be observed.

Before connecting the equipment to the power supply of the installation, the proper functioning of the protective earth lead of the installation needs to be verified.

Whenever it is likely that safe operation is impaired, the apparatus must be made inoperative and secured against any unintended operation. The appropriate servicing authority must then be informed. For example, safety is likely to be impaired if the apparatus fails to perform the intended function or shows visible damage.

This product has been designed and tested according to EN60065.

Cautions and Warnings

When performing service, be sure to read and comply with the warning and caution notices appearing in the manuals. Warnings indicate danger that requires correct procedures or practices to prevent death or injury to personnel. Cautions indicate procedures or practices that should be followed to prevent damage or destruction to equipment or property.

WARNING

THE CURRENT AND VOLTAGES PRESENT IN THIS EQUIPMENT ARE DANGEROUS. ALL PERSONNEL MUST AT ALL TIMES FOLLOW THE SAFETY REGULATIONS.

ALWAYS DISCONNECT POWER BEFORE REMOVING COVERS OR PANELS.

ALWAYS DISCHARGE HIGH VOLTAGE POINTS BEFORE SERVICING.

NEVER MAKE INTERNAL ADJUSTMENTS, PERFORM MAINTENANCE OR SERVICE WHEN ALONE OR WHEN FATIGUED.

IN CASE OF AN EMERGENCY ENSURE THAT THE POWER IS DISCONNECTED.

ANY INTERRUPTION OF THE PROTECTION CONDUCTOR INSIDE OR OUTSIDE THE APPARATUS, OR DISCONNECTION OF THE PROTECTIVE EARTH TERMINAL, IS LIKELY TO MAKE THE APPARATUS DANGEROUS. INTENTIONAL INTERRUPTION IS PROHIBITED.

FOR SAFETY REASONS THE CPU MUST BE MOUNTED IN A 19-inch RACK WHICH HAS SAFETY COVERS ACCORDING TO IEC65.

WHEN TWO CPU's ARE MOUNTED ABOVE EACH OTHER THE MINIMUM DISTANCE BETWEEN THEM MUST BE 50MM OR THE RACK MUST BE FORCE-AIR COOLED.

USE ONLY FUSES OF THE TYPE AND RATING SPECIFIED.

CAUTION

To prevent risk of overheating, ventilate the product correctly.





Connect the product only to a power source with the specified voltage rating.

Only connect a Triax cable from the LDK 6 camera family to an LDK 6 CPU. Never connect it to any other base station.


Never connect the Triax cable from a camera to a CPU of a different family; never connect the LDK family to the TTV family.

Do not allow system ground currents to exceed 1.5A in the outer shield of the triax cable or 0.2A in other cable shields.

It is strictly prohibited to short circuit the inner and outer shields of a triax cable used to connect a camera to a base station.

Symbol Colour	Explanation
 Red	High voltage terminal at which a voltage, with respect to an other terminal, exists or may be adjusted to 1000V or more.
 Yellow/Black	Live part.
 Yellow/Black	This marking indicates that the operator must refer to an explanation in the Instruction Manual, or that a specific component must be replaced by the component specified in the documentation for safety reasons.
 White/Black	Protective earth (ground) terminal.

Cathode ray tubes



Components marked  on the circuit diagram are critical for safety and include those specified to comply with X-ray emission standards for units using cathode ray tubes and those specified for compliance with various regulations regarding spurious radiation emission.

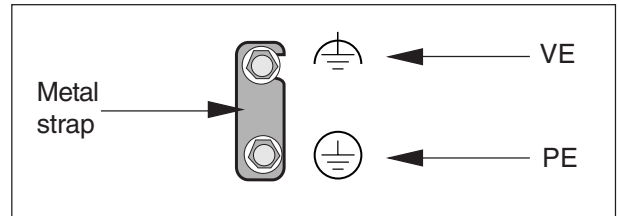
When servicing units that use cathode ray tubes (CRTs), the cathode ray tubes themselves, the high voltage circuits and related circuits are specifically chosen so that they comply with recognized codes pertaining to X-ray emission.

Consequently, when servicing, replace the cathode ray tubes and other parts with specified parts only. Do not attempt to modify these circuits as any unauthorized modification can increase the high voltage value and cause X-ray emission from the cathode ray tube.

Handle the cathode ray tube only when wearing shatterproof goggles and after discharging the high voltage completely.

Earthing

The rear of a CPU has two separate screw terminals for protective earth  (PE) and video earth  (VE).



These are normally connected by a metal strap. The protective earth terminal is internally connected to the protective earth conductor of the power cable. If required, the central earth connection wire of the studio can be connected to terminal PE.

In normal circumstances the connection between the protective earth and the video earth should not be broken.

The metal strap may be removed only if the studio (or OB van) is equipped with separate protective and video earth systems. Under these circumstances the video earth terminal must be connected to the central functional earth potential (video earth) of the studio. This earth potential should have functional protective and noiseless earth (FPE) qualities as stated in the VDE regulation 0800/part2. A low impedance interconnection of both earth conductors must be provided at the central studio earthing point.

WARNING

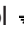
THE UNIT MUST ALWAYS BE CONNECTED TO PROTECTIVE EARTH.

Mains Lead Wiring for UK Users

The wires in the mains lead are coloured in accordance with the following code:

GREEN AND YELLOW	-	EARTH
BLUE	-	NEUTRAL
BROWN	-	LIVE

As the colours of the wires in the mains lead of this apparatus may not correspond with the coloured markings identifying the terminals in your plug proceed as follows:

- The wire coloured GREEN AND YELLOW must be connected to the terminal on the plug marked with the letter E or by the safety earth symbol  or coloured GREEN or GREEN AND YELLOW.
- The wire coloured BROWN must be connected to the terminal marked with the letter L or coloured RED.
- The wire coloured BLUE must be connected to the terminal marked with the letter N or coloured BLACK.

Ensure that your equipment is connected correctly - if you are in any doubt consult a qualified electrician.

About This Manual

Purpose of this manual

The purpose of this manual is to present a global description of how to operate the viewfinder. Consult the Operator's manual of your camera as required during and after the installation process.

This manual is an integral part of the service policy. It ensures that you will be able to install your viewfinder to meet the requirements of your environment. The manual provides first line service information so that suitably qualified service personnel can detect and repair faults, normally by module replacement.

Because of the complexity of some of the components, second line service can only be carried out at the specially equipped service centres and information concerning second line maintenance is not supplied in this manual.

Intended audience

The manual is intended as a guide to those with a working knowledge of camera systems and installation techniques. The first line detection and repair of faults requires a general knowledge of test and measurement techniques. The guide is so designed that it can be used as well to the viewfinder, as well a simple procedural guide to those who wish to setup and start shooting immediately, and as a reference work to be consulted as required during the long life of the viewfinder.

Service policy

The LDK5310 is a sophisticated viewfinder containing state-of-the-art electronic components which are designed to provide long-life operation without the need for maintenance. With this in mind, the service policy of Thomson Multimedia Broadcast Solutions endeavours to ensure that help will be quickly on hand in the unlikely event of anything going wrong. The guiding principles of the Thomson Multimedia Broadcast Solutions first line maintenance philosophy are speed and cost effectiveness. First line maintenance is dedicated to keeping your viewfinder operational, despite a fault, by replacement boards and the replacement of minor mechanical parts by the user.

CAUTION

Without additional protection the LDK5310 is protected according to safety specification EN60529 up to level IPX3 (spraying water).

Exposure to splashing or jetting water can result in harmful effects.

Packing/Unpacking

Inspect the shipping container for evidence of damage immediately after receipt. If the shipping container or cushioning material is damaged, it should be kept until the contents of the shipment have been checked for completeness and the units have been checked mechanically and electrically.

The contents of the shipment should be checked against the packing list. If the contents are incomplete, if there is mechanical damage or defect, or if the units do not perform correctly when unpacked, notify your Thomson Multimedia Broadcast Solutions sales or service centre within eight days. If the shipping container shows signs of damage or stress, notify the carrier as well.

If a unit is being returned to Thomson Multimedia Broadcast Solutions for servicing, try to use the containers and materials of the original packaging. Attach a tag indicating the type of service required, return address, model number, full serial number and the return number which will be supplied by your Thomson Multimedia Broadcast Solutions service centre.

If the original packing can no longer be used, the following general instructions should be used for repacking with commercially available materials:

- a. Wrap unit in heavy paper or plastic.
- b. Use strong shipping container.
- c. Use a layer of shock-absorbing material around all sides of the unit to provide firm cushioning and prevent movement inside container.
- d. Seal shipping container securely.
- e. Mark shipping container FRAGILE to ensure careful handling.

Operating Instructions

The 5 inch viewfinder LDK 5310/00 is intended for use with LDK100 series cameras.

Attaching the 5" viewfinder to the camera

Caution

Before connecting, make sure that the camera is switched off.

- a. Slide the top mount into the slot on the camera, until you hear it click into place.
- b. Connect the viewfinder cable to the viewfinder connector on the camera.
- c. Fasten the cable with the two cable clamps on the camera.

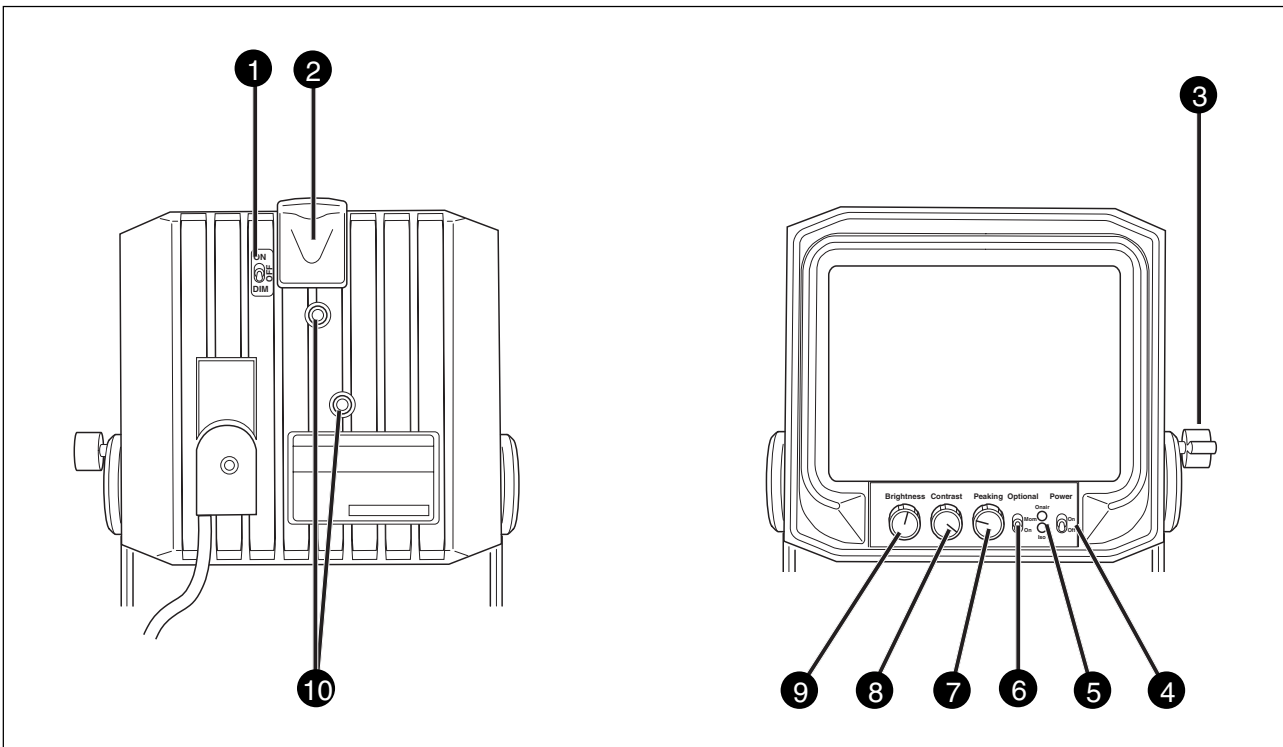
To release the viewfinder push the release lever in and slide the viewfinder out of the slot.

Adjusting the 5" viewfinder position

You can rotate the viewfinder freely.

To tilt the viewfinder:

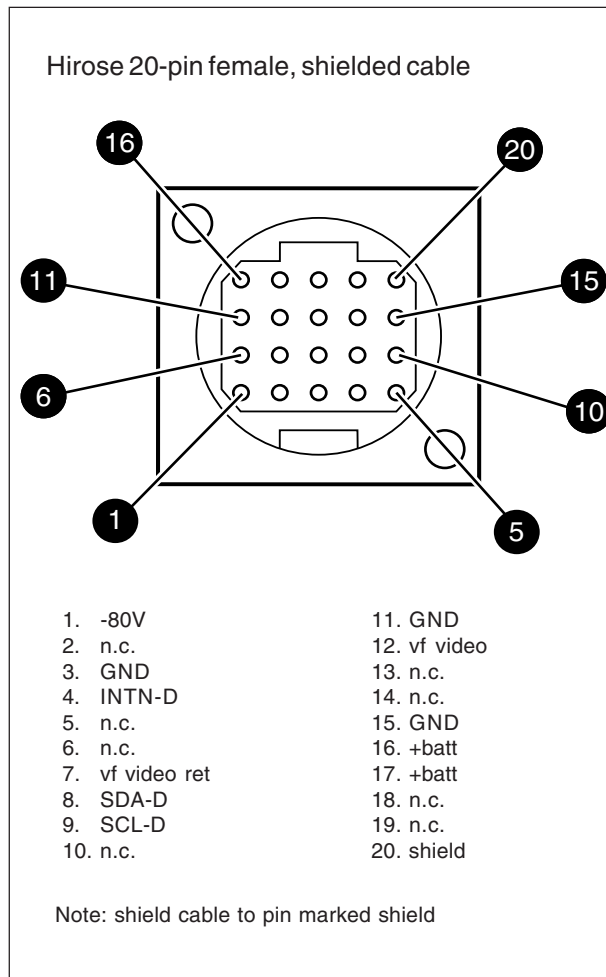
- a. Loosen the tilt locking knob by turning it counterclockwise.
- b. Tilt the viewfinder to the desired position.
- c. Secure the tilt locking knob by turning it clockwise.



Location of Controls and Functions

- | | |
|---|---|
| <p>❶ Front on-air indicator switch
Switches the front on-air indicator on and off.</p> <p>❷ Front on-air indicator
Lights to indicate that the camera is on air.</p> <p>❸ Tilt locking knob
Locks the tilting mechanism of the viewfinder.</p> <p>❹ Power switch
Switches the viewfinder on and off.</p> <p>❺ On-air indicator
Lights to indicate that the camera is on air.</p> <p>ISO indicator
Lights to indicate that the camera is selected and ready to be switched on-air.</p> <p>❻ Optional switch
This switch is mounted on the viewfinder to allow future features to be incorporated.</p> | <p>❼ Peaking control
Adjusts the peaking (crisp) on and off.</p> <p>❽ Contrast control
Adjusts the contrast of the viewfinder display.</p> <p>❾ Brightness control
Adjusts the brightness of the viewfinder display.</p> <p>❿ Camera number attachment slots
Attach a camera number to these slots.</p> |
|---|---|

Viewfinder Connector, frontview



Dimensions

Length x width x height: 255 x 126 x 135
 (without sunhood)
 Weight approx. 3.1 kg including tilt mechanism

Systems

625 lines, 50 Hz, CCIR/PAL
 525 lines, 60 Hz, EIA/NTSC
 automatic control of vertical picture amplitude,
 automatic aspect ratio control 16:9 and 4:3,

Power Supply

-50 Vdc to -100 Vdc
 or
 +10.5 to 17 Vdc (automatically selected if -80V
 not available)

Power Consumption

Max: 12 W at -80 Vdc
 Max: 10 W at +10.5 to 17 Vdc

CRT

5" CRT High Resolution type

Linearity and geometry

Distorsion: 1% within a circle with a diameter of
 picture height, rest 1.5%

Resolution (horizontal)

Min. 650 lines in centre of screen at 400 cd/m²

Frequency response

5 MHz within -1 dB to +2 dB with resp. to
 0.1 MHz
 10 MHz - 3 dB

Peaking

0-12dB at approx. 3.5MHz

Black level stability

Change of black level 1.5% with respect to
 white level

Environmental conditions:

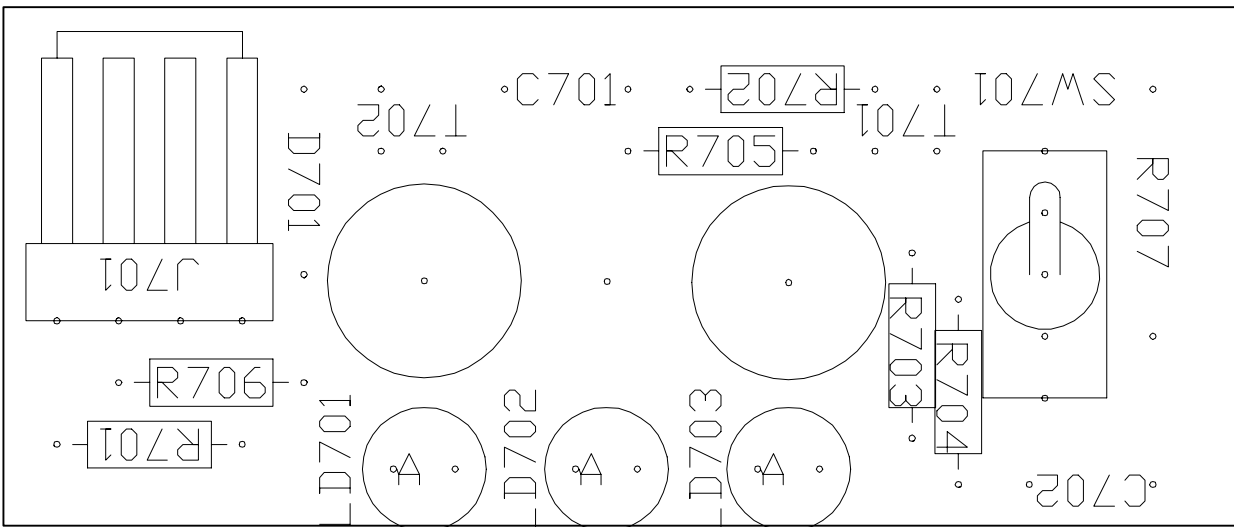
Operating temp.: -20 to +45 °C
 Non-operating temp.: -25 to +70 °C
 Operating humidity: 93%

Section 2

Electrical Drawings

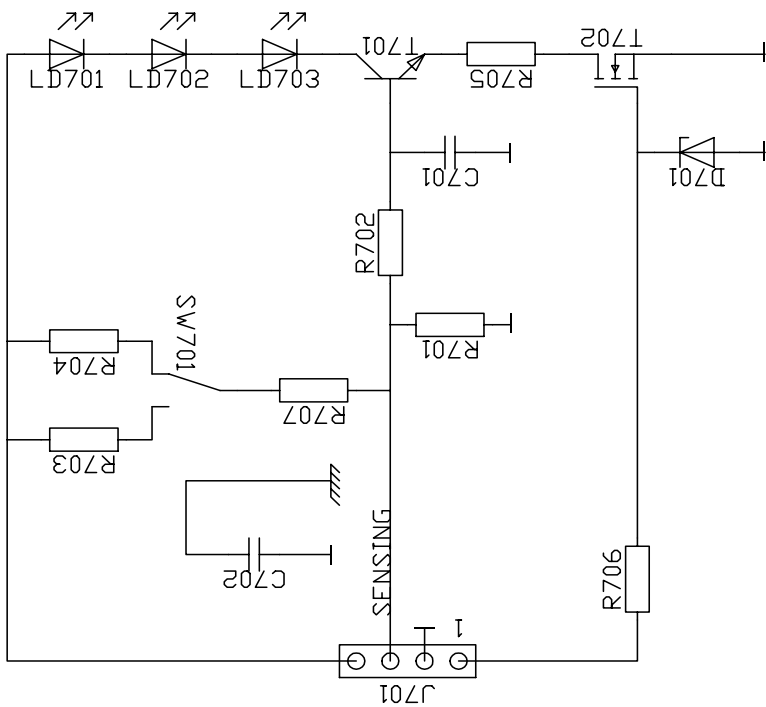
Contents

On Air Board	2-2	CRT Board	2-12
Video Pre Amp /IIC Interface Board	2-4	Deflection Board	2-14
SMPS DC-DC Converter Board	2-8		



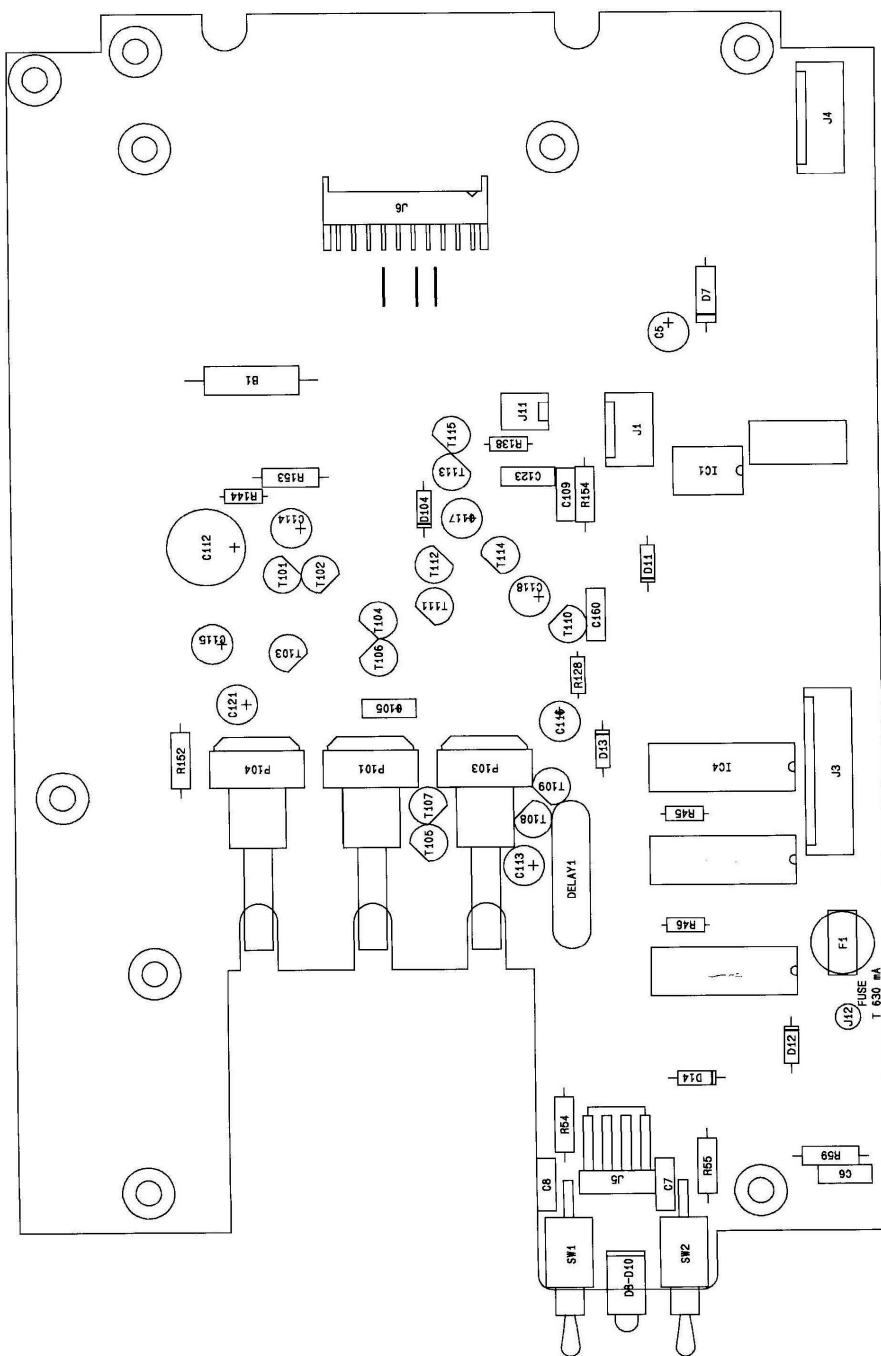
PCB 701321-1

00	10	20	30	40	50	60	70	80	90
STATUS									
0	1	2	3	4	5	6	7	8	9
On Air Board Assembly									
3922 450 04501									
PROPERTY OF: MILITARY/VEHICULAR/SPACE - AREA - TELETYPE									
DATE: 24-03-1999									
AG									

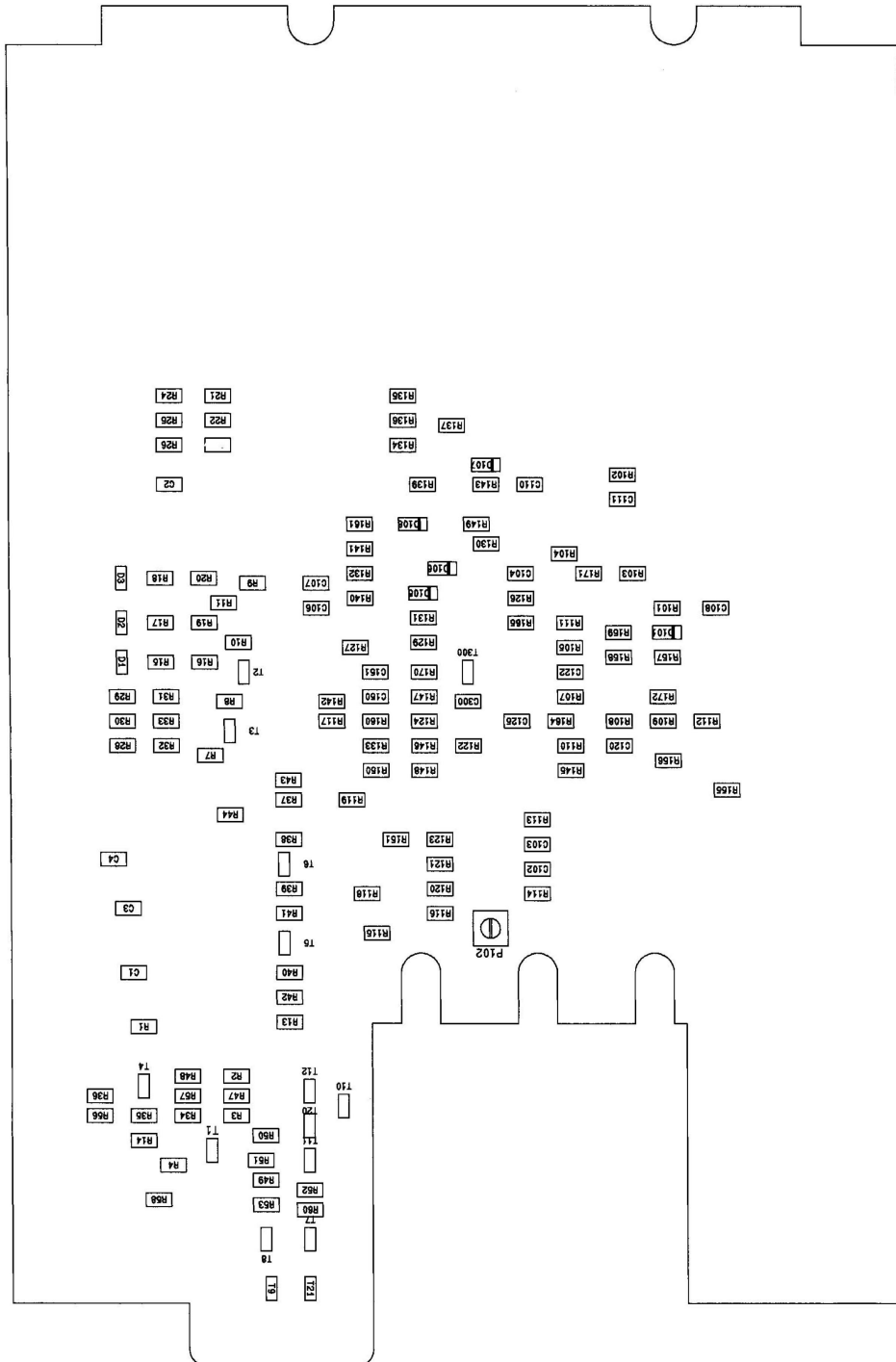


PCB 701321-1

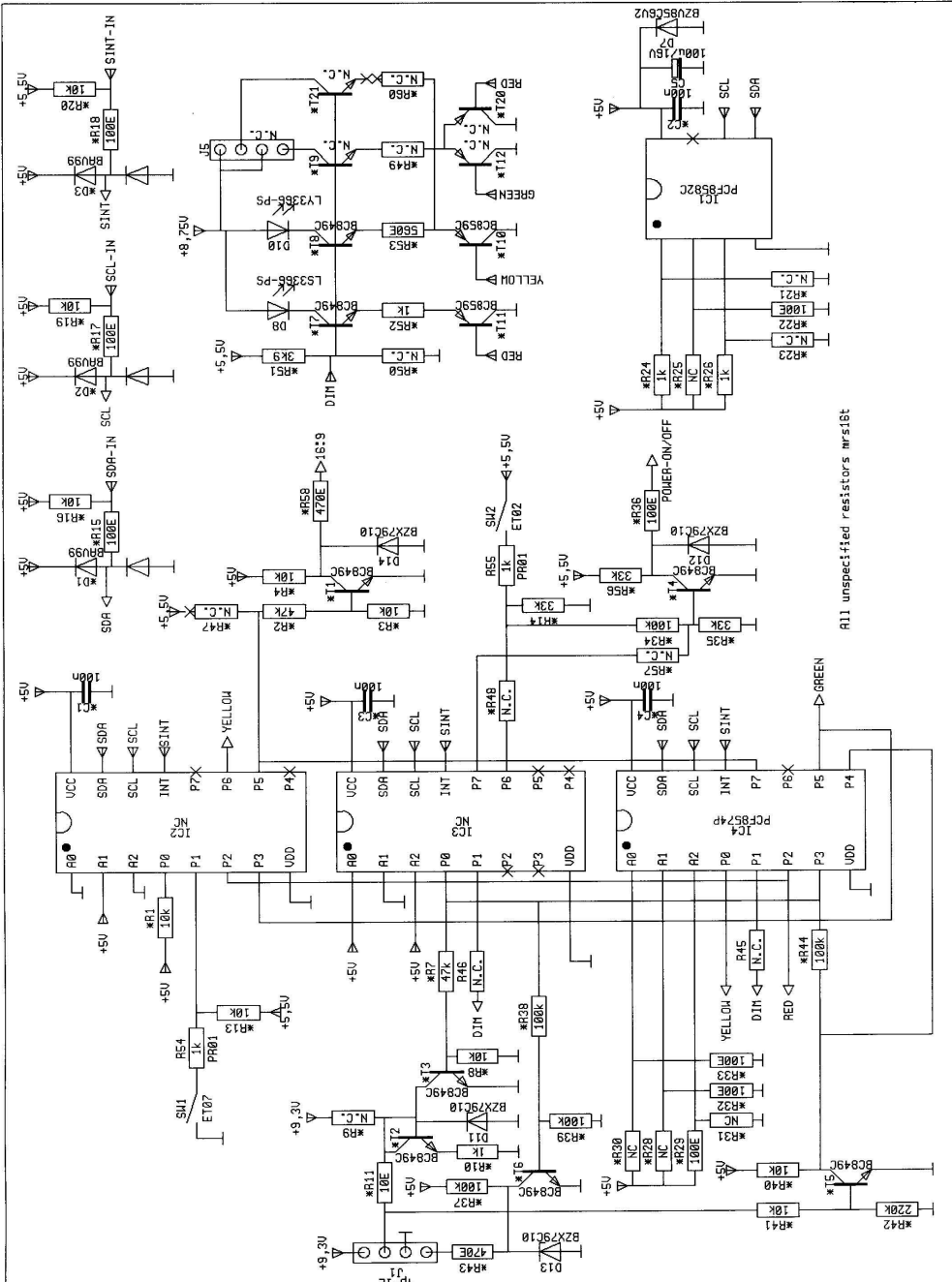
00	10	20	30	40	50	60	70	80	90
STATUS									
0	1	2	3	4	5	6	7	8	9
On Air Board									
Circuit diagram									
3922 450 04501									
DATE: 24-03-1999 A3									
PROPERTY OF: MANUFACTURING DIVISION - BRED - TELEFRANCO									



STATUS	00	10	20	30	40	50	60	70	80	90
SCALE	0	1	2	3	4	5	6	7	8	9
VIDEO PRE AMP/IC INTERFACE BOARD										
3922 450 05121										
Checked by	Assembly drawing									
NAME: T. van T. Hooff	Scherer-TTO-T									
City: The Netherlands	- email: t.van.t.hooff@netherlands.nl									
	DATE: 12-12-1997									
	A4									

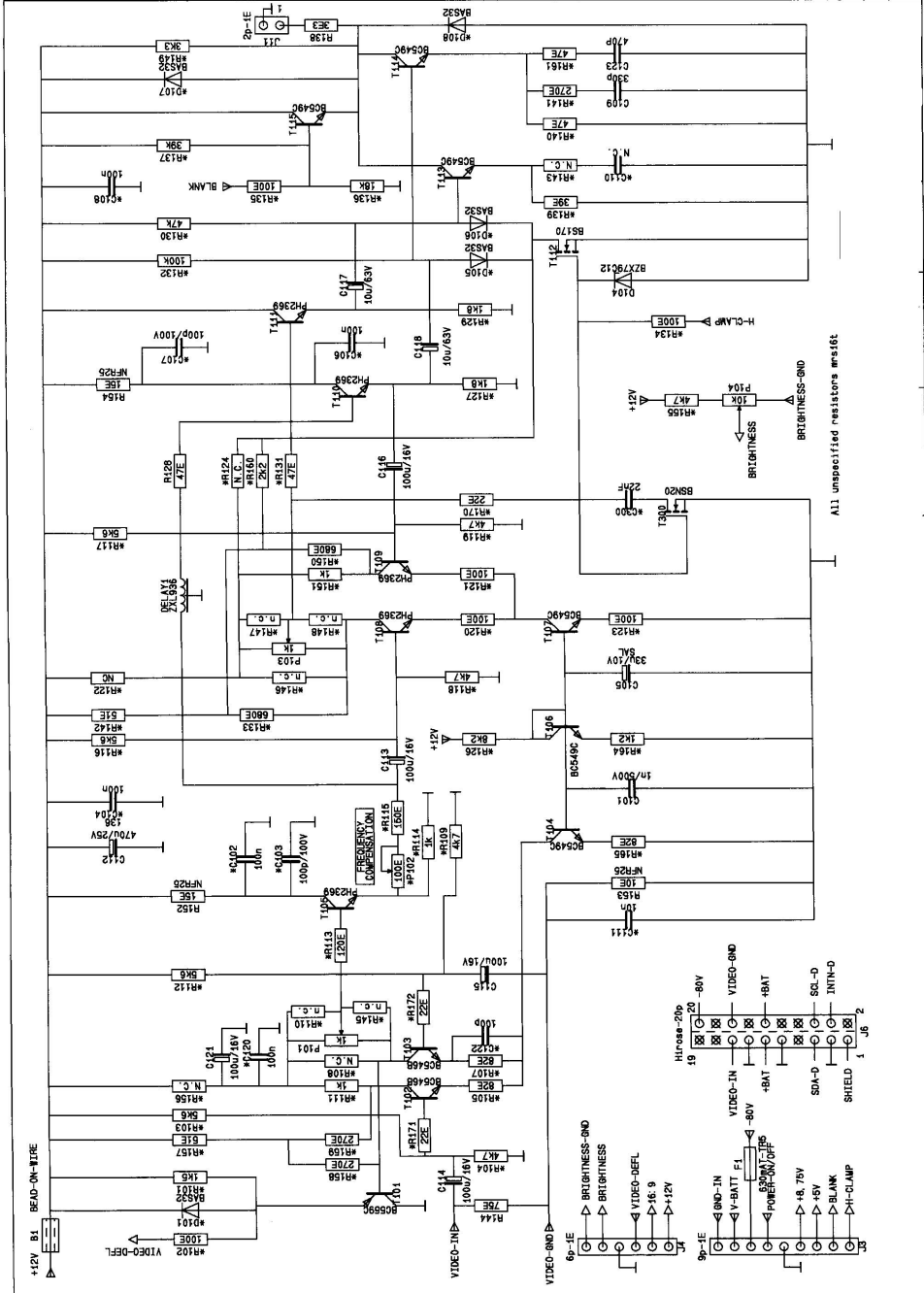


STATUS	00	10	20	30	40	50	60	70	80	90
SCALE	0	1	2	3	4	5	6	7	8	9
DESIGNER	VIDEO PRE AMP IC INTERFACE BOARD									
NAME	Twin Hook, SUPER									
PROJECT	Assembly drawing									
DATE	2/2/54-1102									
BY	MIRA, THE ENGINEER									
NO.	3922 450 05121									
REV.	12-12-1997									

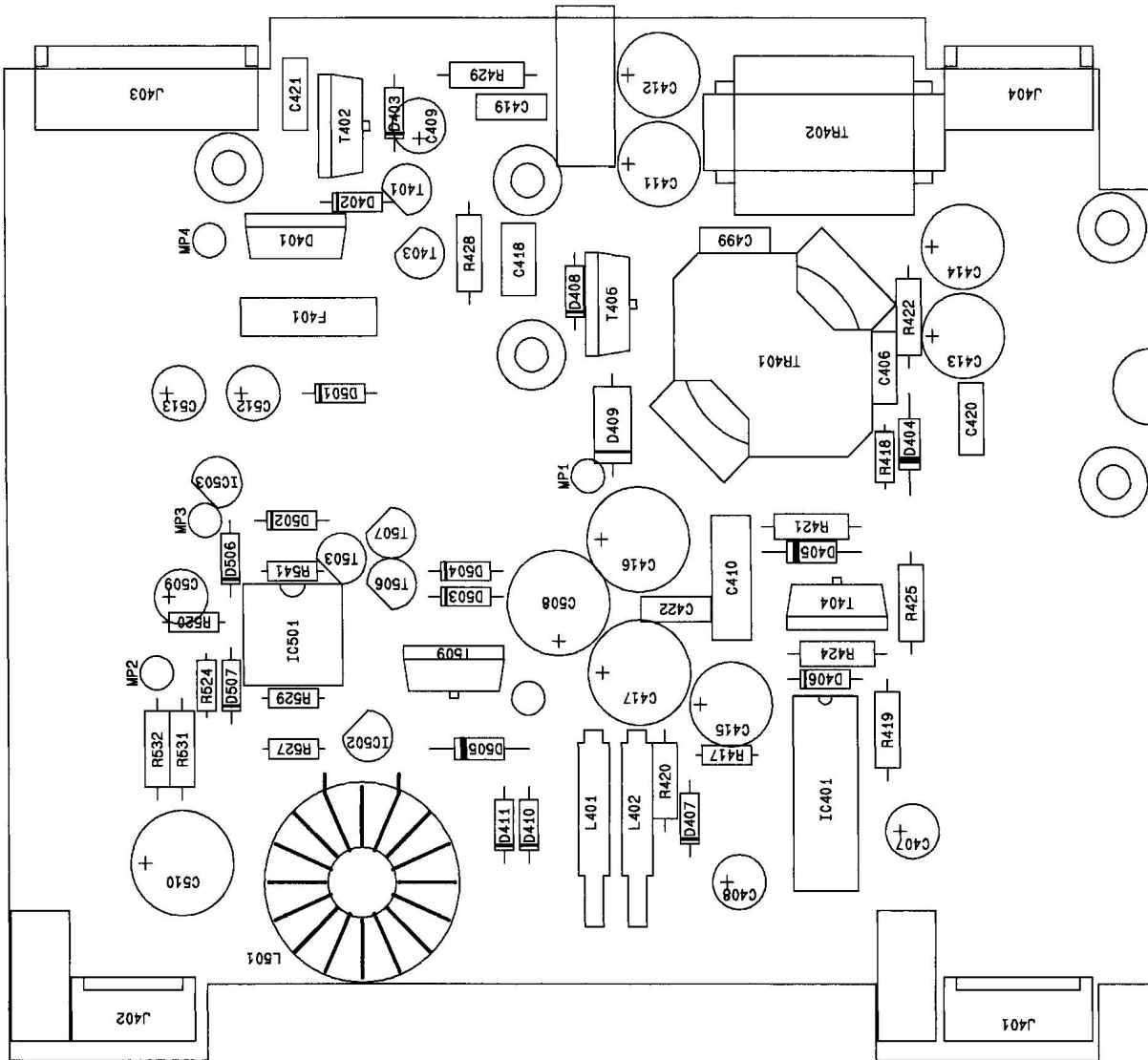


STATUS	00	10	20	30	40	50	60	70	80	90
SCALE	0	1	2	3	4	5	6	7	8	9

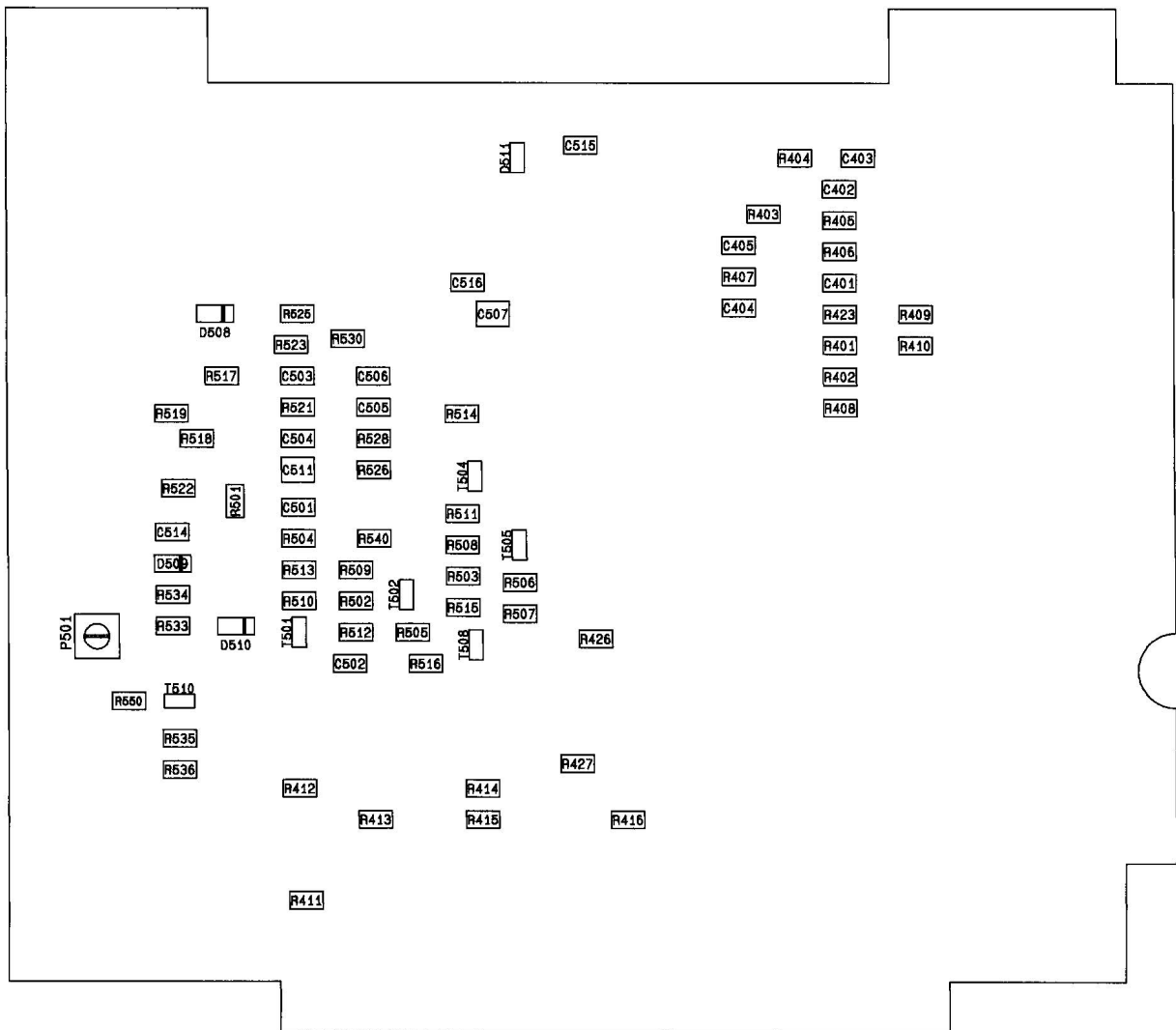
VIDEO PRE-AMP IC INTERFACE BOARD
 3922 450 05121
 DATE: 11/08/11 12:00:01
 C:\1\WORK\LDK5310\3922_450_05121.dwg 12/12/1997 A4



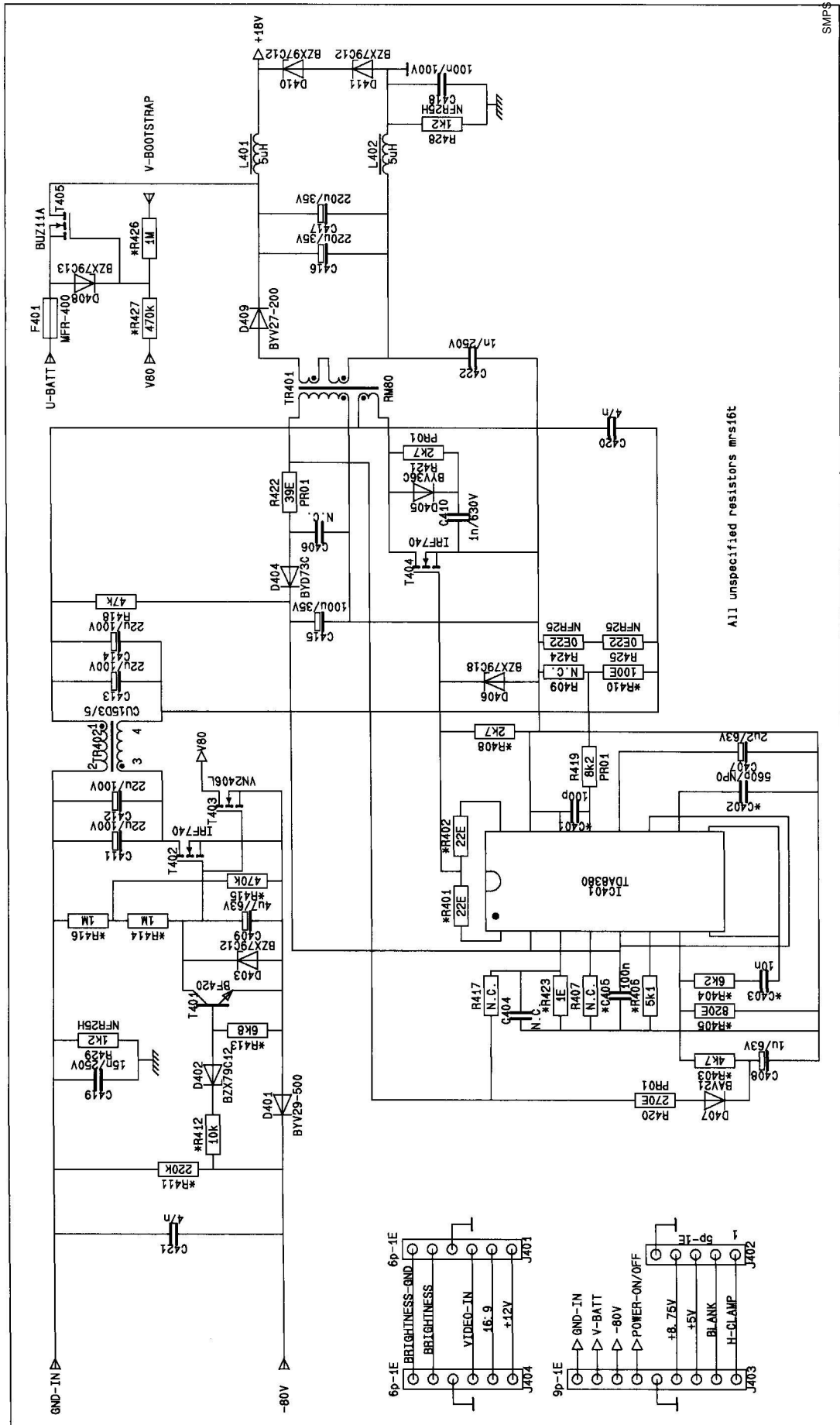
STATUS	00	10	20	30	40	50	60	70	80	90
SHEET	0	1	2	3	4	5	6	7	8	9
VIDEO PREAMP/IC INTERFACE BOARD										
Circuit Diagram										
DESIGNER	MARK L. THORNTON									
DATE	12-12-1997									
3922 450 05121										
VIDEO PREAMP/IC INTERFACE BOARD										
Circuit Diagram										
MARK L. THORNTON										
DATE: 12-12-1997										
3922 450 05121										
VIDEO PREAMP/IC INTERFACE BOARD										
Circuit Diagram										
MARK L. THORNTON										
DATE: 12-12-1997										



STATUS	00	10	20	30	40	50	60	70	80	90
SCALE	0	1	2	3	4	5	6	7	8	9
PROJECT	SMPS / DC-DC CONVERTER BOARD									
DESCRIPTION	Assembly drawing									
DATE	17-11-1998									
BY	[Signature]									
CHECKED	[Signature]									
APPROVED	[Signature]									
PROJECT NO.	3922 450 05101									
REV.	A4									



STATUS	00	10	20	30	40	50	60	70	80	90
SCALE	0	1	2	3	4	5	6	7	8	9
DESCRIPTION	SMPS / DC-DC CONVERTER BOARD									
DATE	17-11-1998									
PROJECT	3922 450 05101									
DRAWN	Assembly drawing									
CHECKED	LDK									
DATE	17-11-1998									
SCALE	1:1									

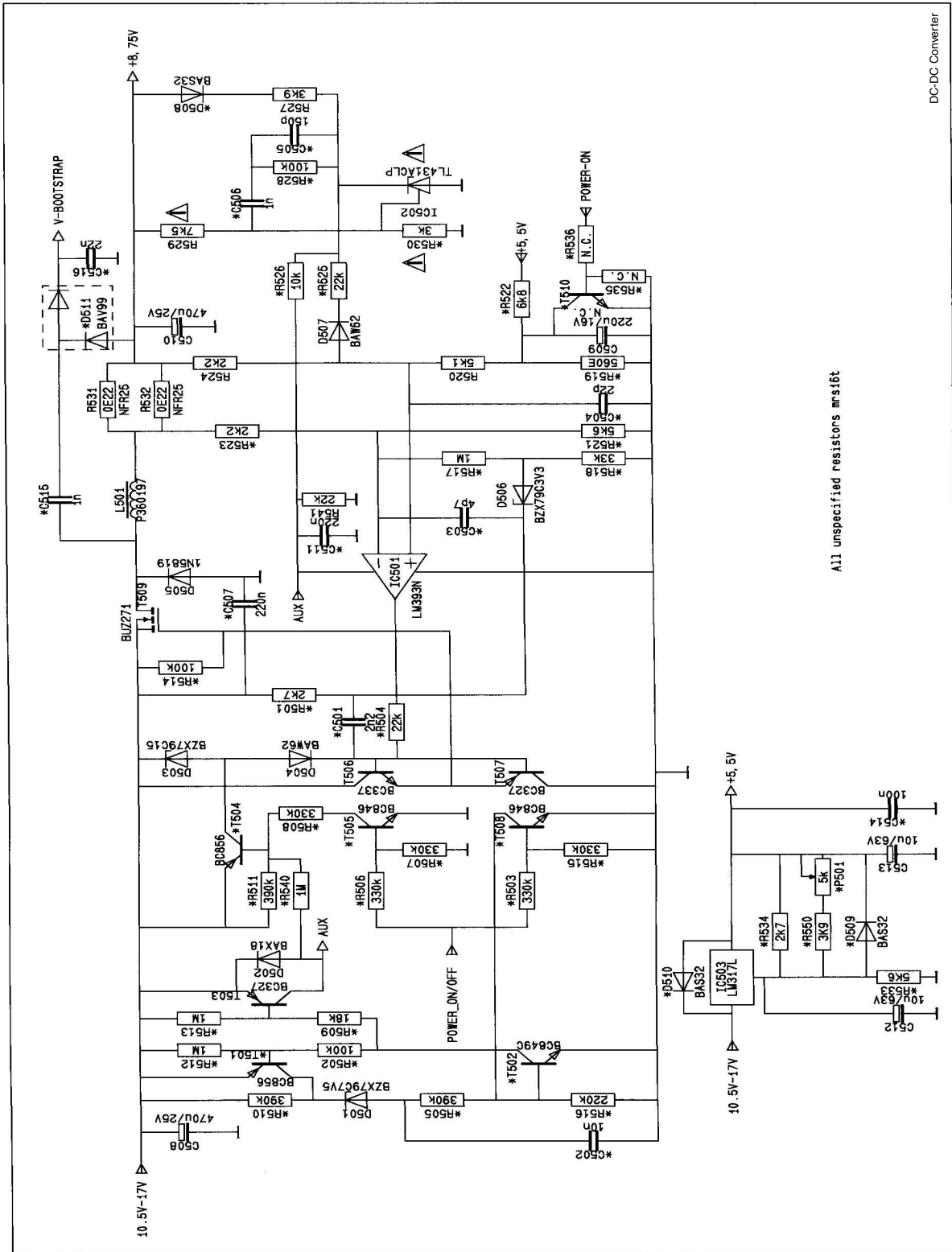


STATUS	00	10	20	30	40	50	60	70	80	90
SCALE	0	1	2	3	4	5	6	7	8	9

3922 450 05101

SMPS / DC-DC CONVERTER BOARD

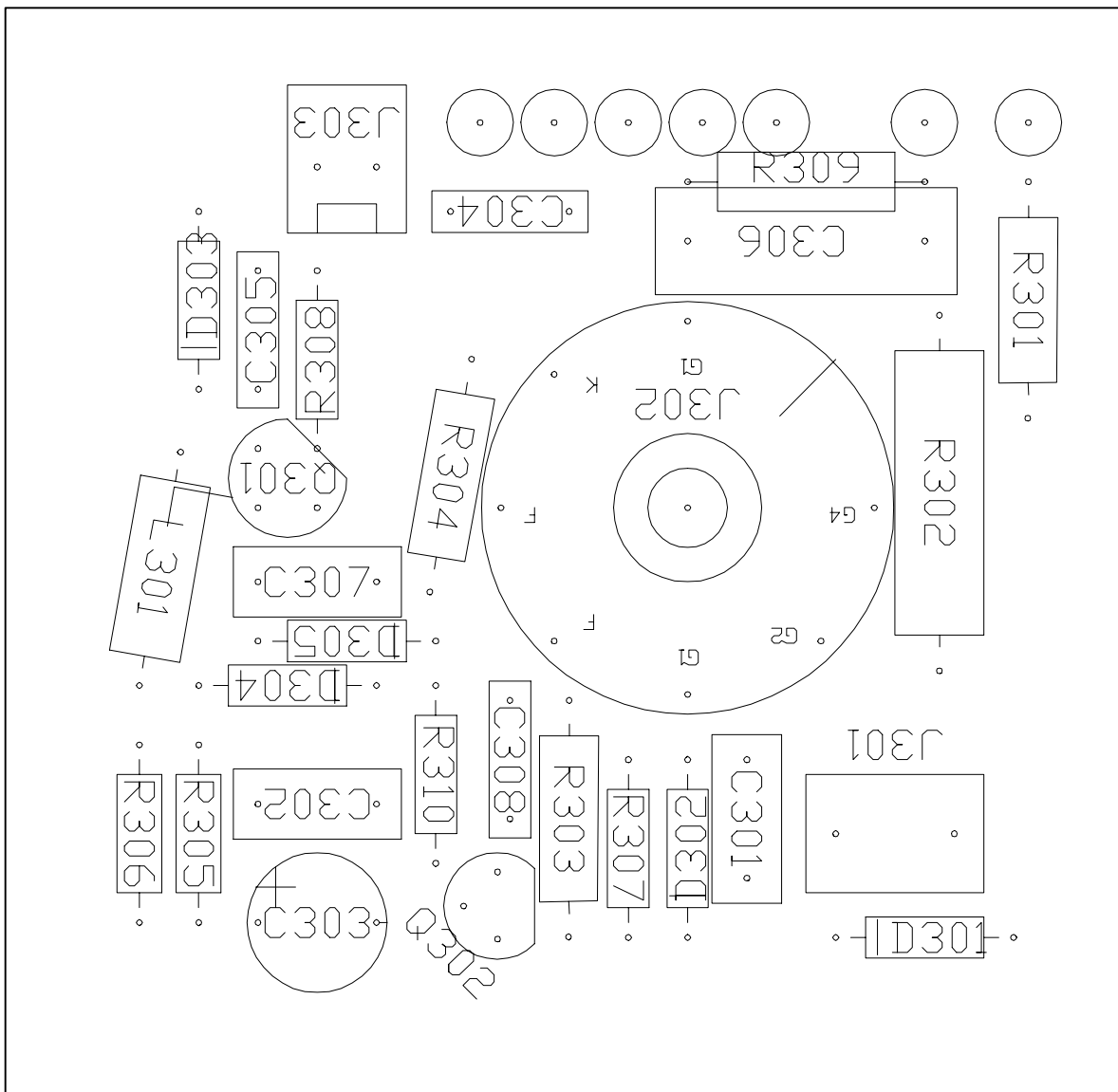
DATE: 17-11-1998 / A4



All unspecified resistors mrs16t

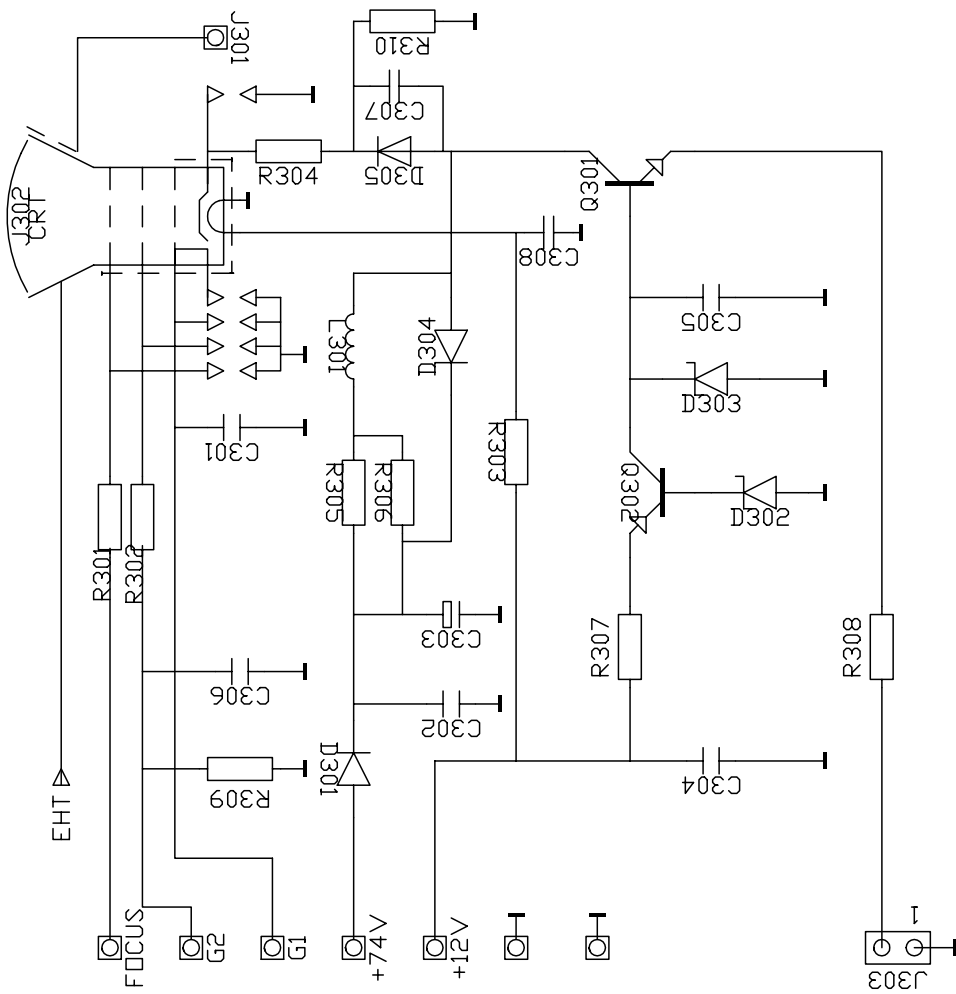
DC-DC Converter

STATUS	00	10	20	30	40	50	60	70	80	90
SCALE	0	1	2	3	4	5	6	7	8	9
MicroPLUTE	Circuit diagram									
NAME	SMPS / DC-DC CONVERTER BOARD									
DATE	12 Sep 1992									
BY	M. J. ...									
	3922 450 05101									
	PAGE 17-1-1998 A4									



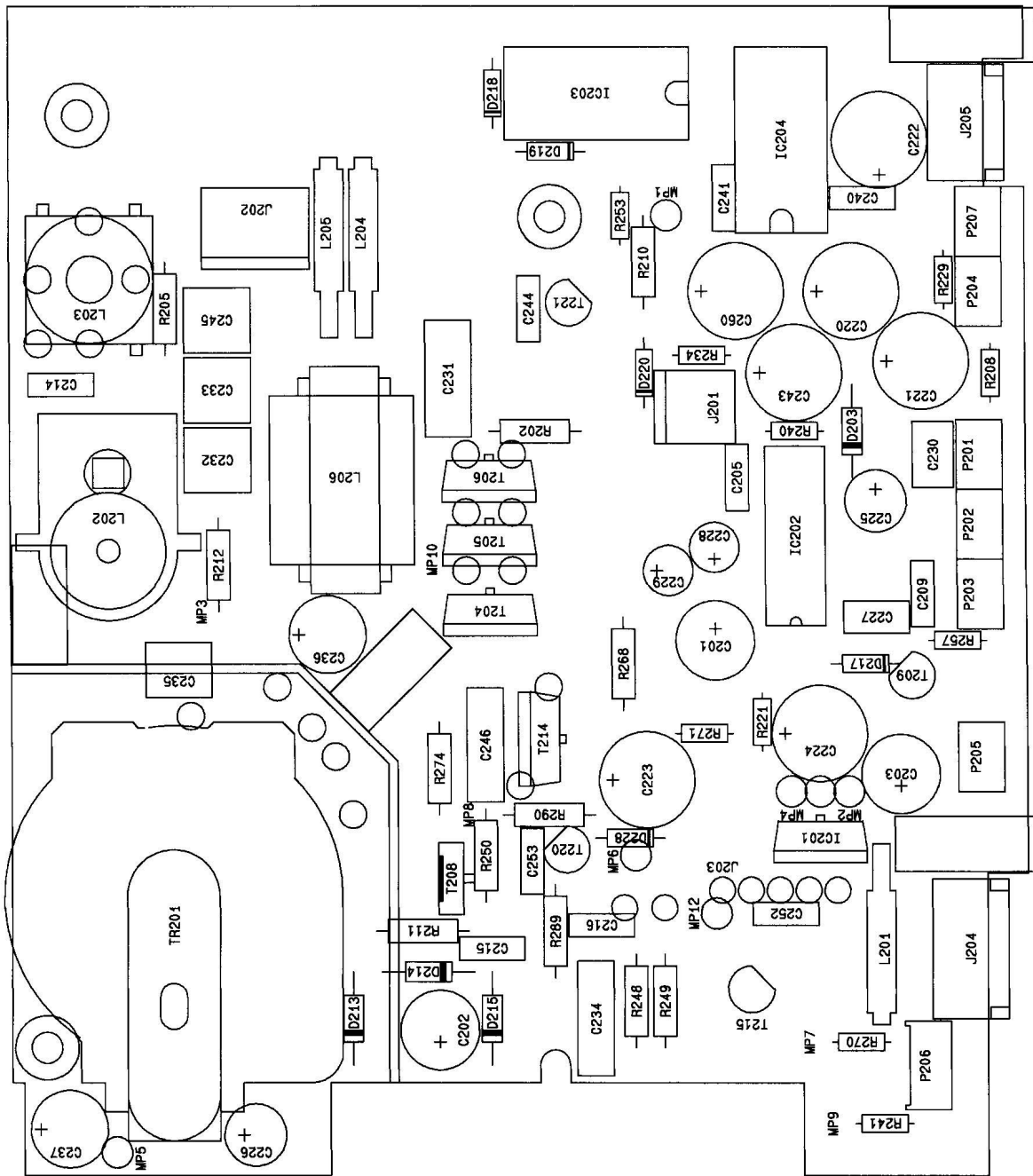
PCB 300321-1

00	10	20	30	40	50	60	70	80	90
0	1	2	3	4	5	6	7	8	9
STATUS									
3922 450 16301									
CRT Board Assembly									
3922 450 16301									
DATE: 24-03-1993									
PROPERTY OF: PHILIPS/DIGITAL VIDEO SYSTEMS - BREDA - THE NETHERLANDS									

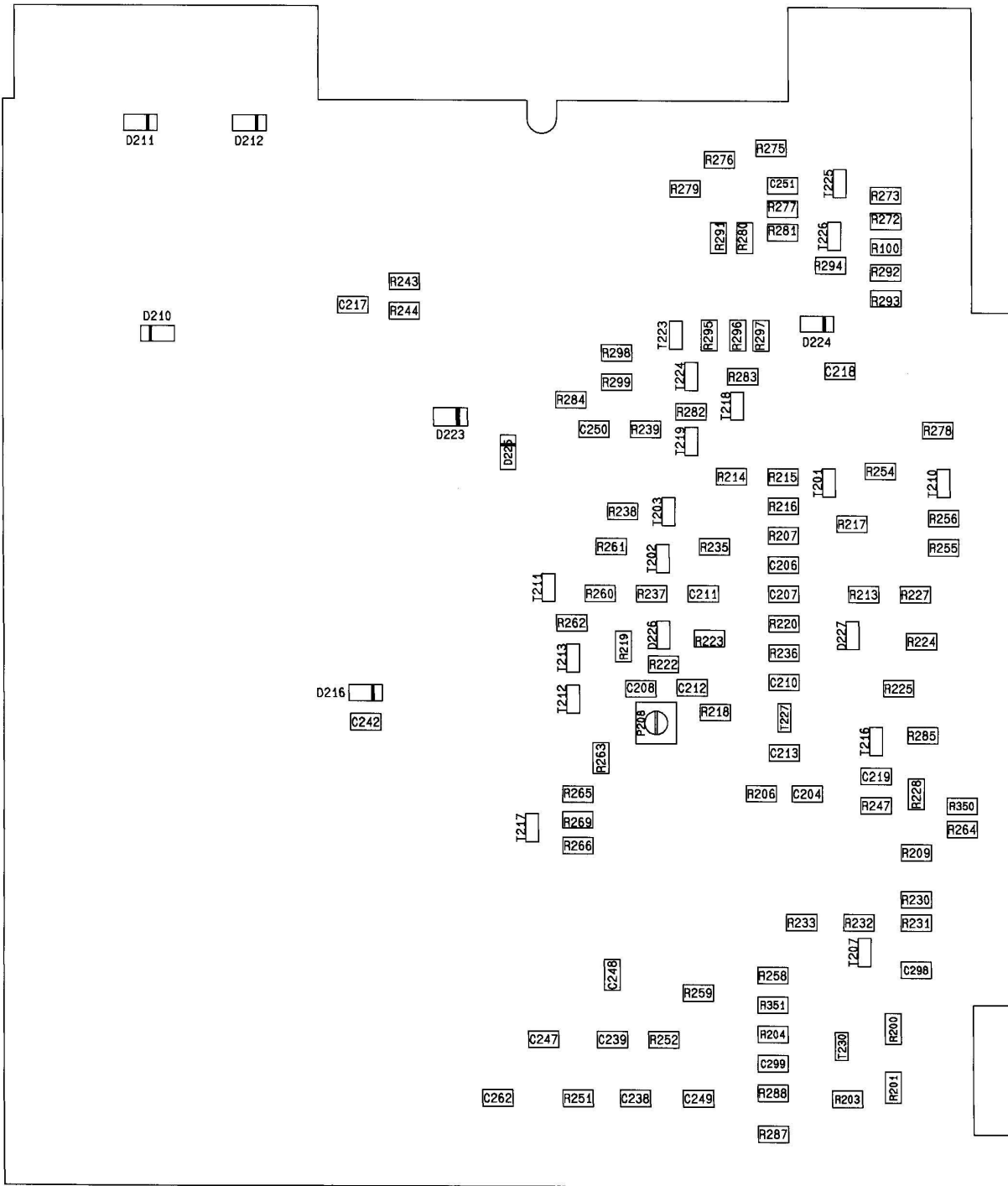


PCB 300321-1

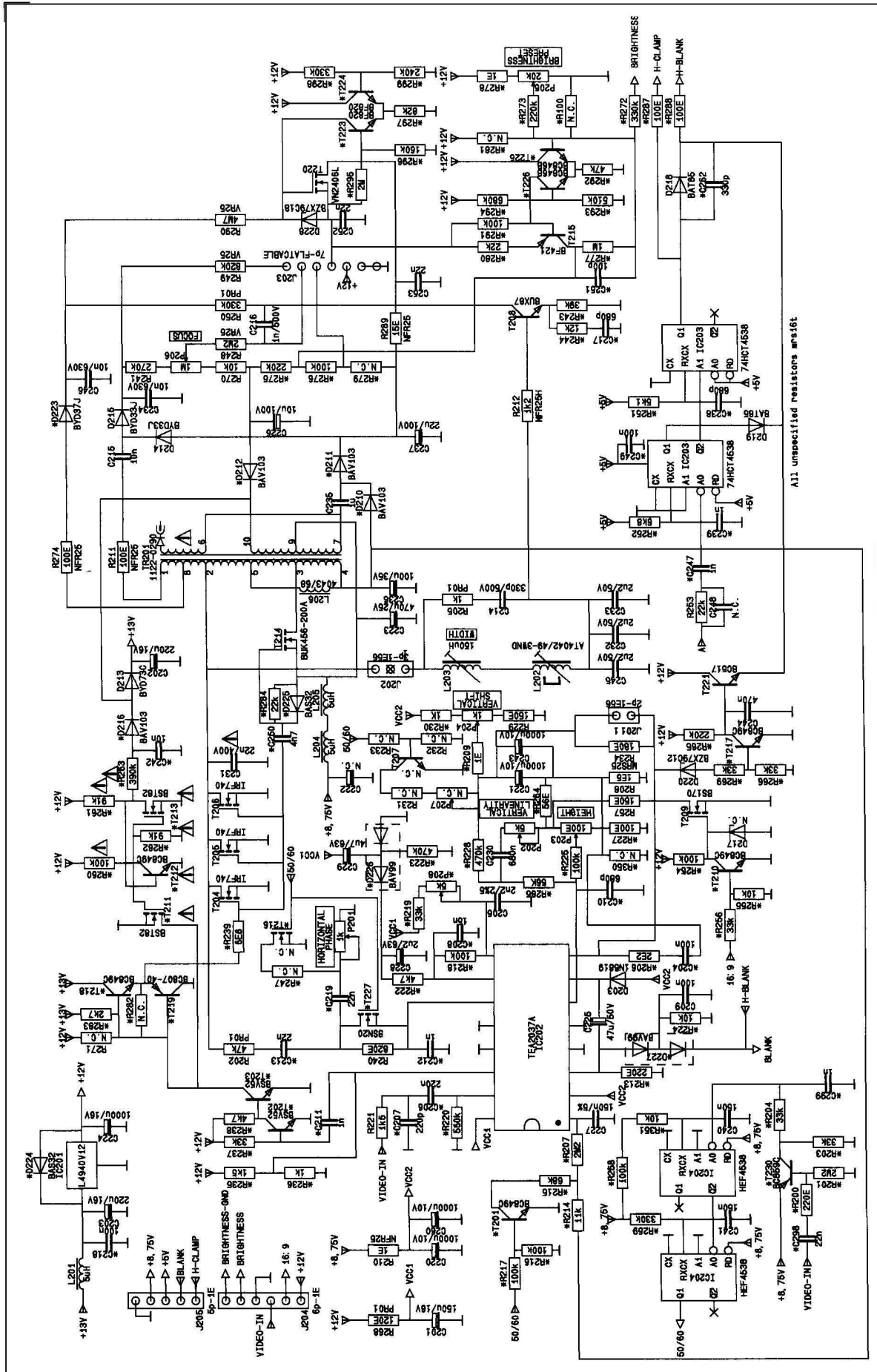
00	10	20	30	40	50	60	70	80	90
STATUS	0	1	2	3	4	5	6	7	
NAME: CRT Board SUBPC: Circuit diagram 3922 450 16301									
DATE:	24-03-1999								
BY:	PROPERTY OF: PHILIPS/DVA/VIDEO SYSTEMS - BREDA - THE NETHERLANDS								



STATUS	00	10	20	30	40	50	60	70	80	90
SCALE	0	1	2	3	4	5	6	7	8	9
DEFLECTION BOARD										
Assembly drawing										
3922 450 16311										
DATE: 17-11-1988 A4										



STATUS	00	10	20	30	40	50	60	70	80	90
SCALE	0	1	2	3	4	5	6	7	8	9
UNIVERSAL	DEFLECTION BOARD									
DESCRIPTION	Assembly drawing									
DATE	3922 450 16311									
DESIGNER	J. S. J.									
DATE	17-11-1998									
REVISION	101									



All unspecified resistors mfr:161

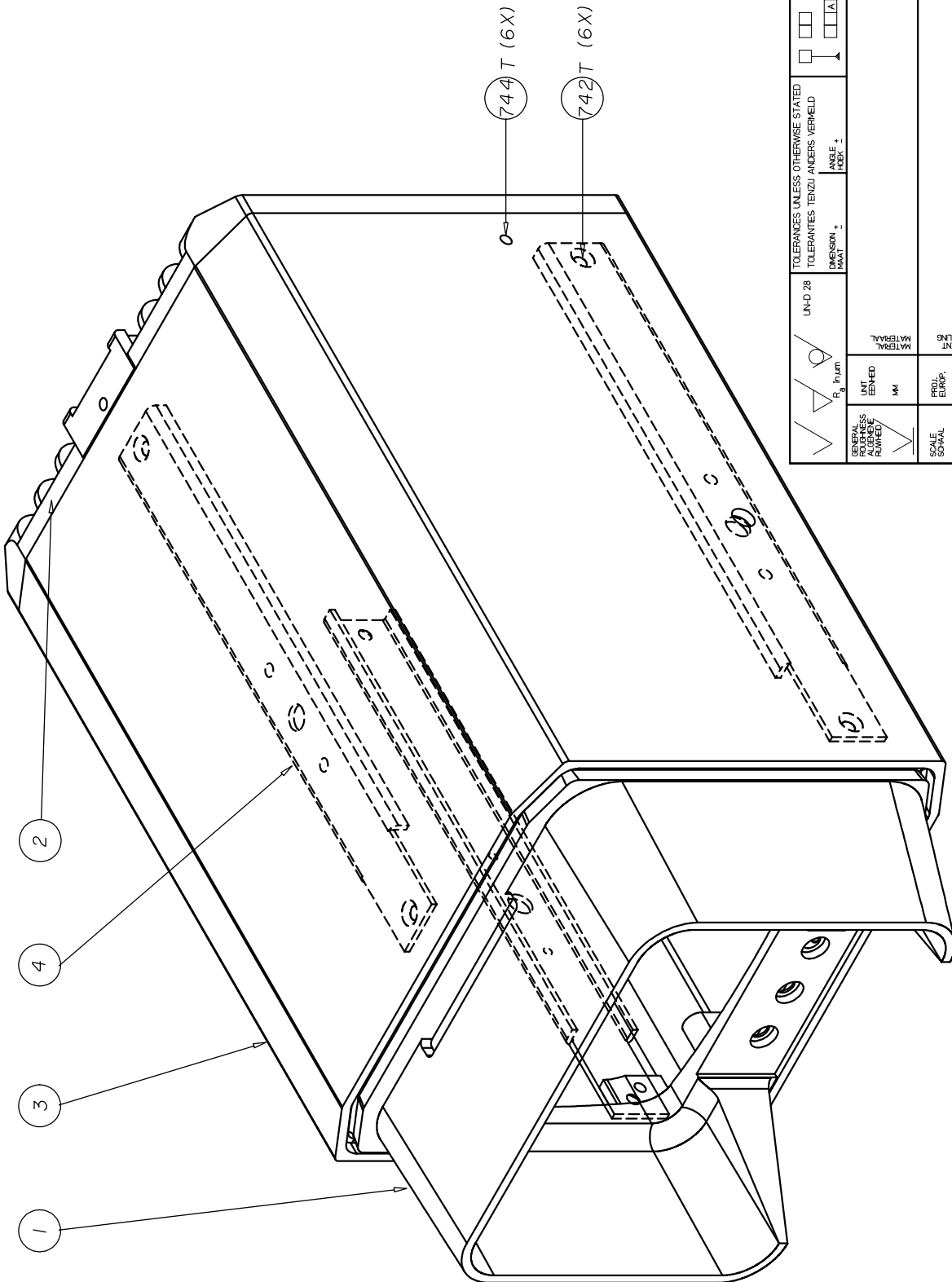
STATUS	00	10	20	30	40	50	60	70	80	90	
SCALE	0	1	2	3	4	5	6	7	8	9	
DEFLECTION BOARD											
Circuit Diagram											
WORKING											
DATE: 12-11-1988											
DRAWN BY: J. L. ...											
CHECKED BY: ...											
3922 450 16311											
PAGE: 17-11-1988											

Section 3

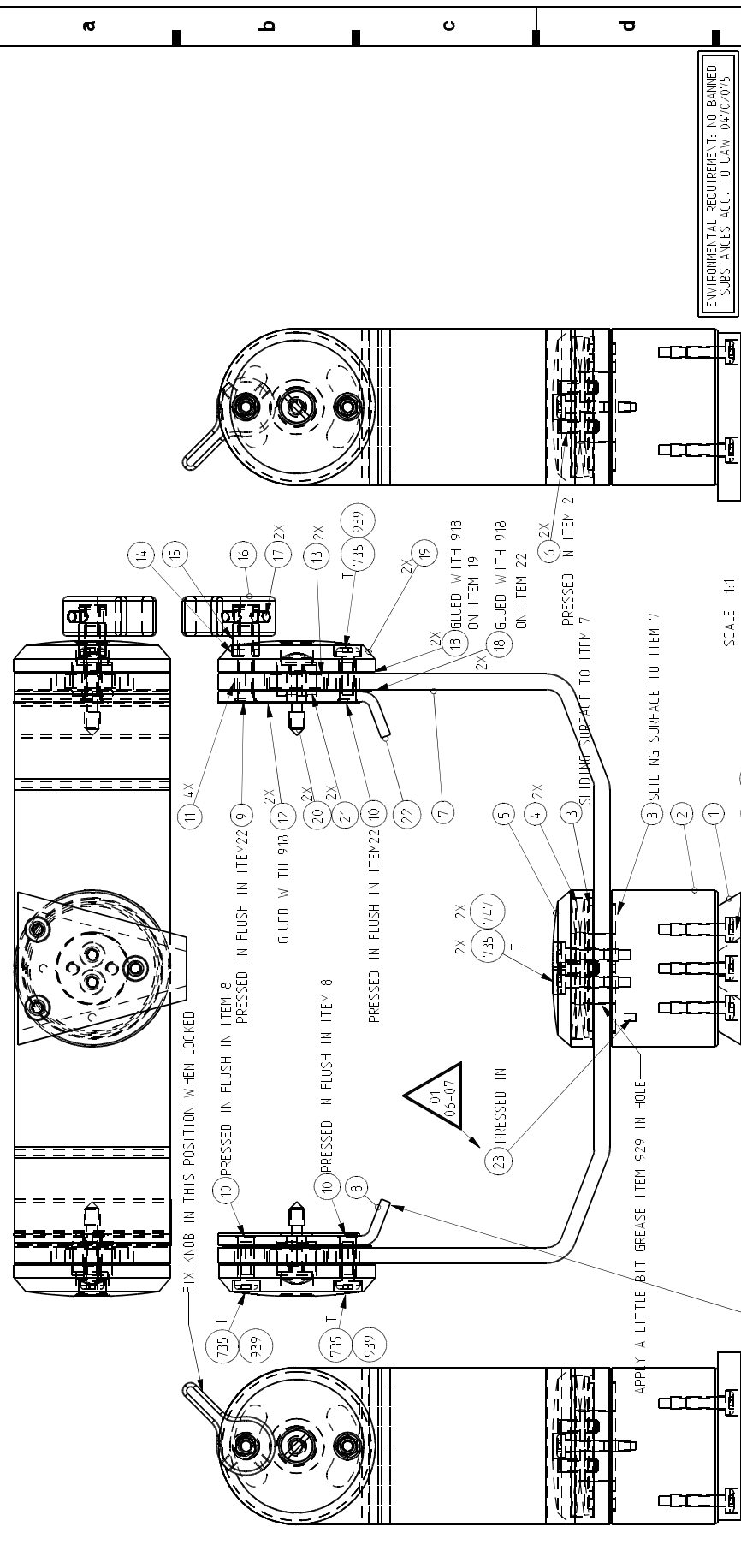
Mechanical Exploded Views

Contents

Mech. 5-inch Viewfinder short	3-2	5-inch Viewfinder	3-4
VF-Bracket-ASSY	3-3		



	UND 28	TOLERANCES UNLESS OTHERWISE STATED TOLERANTIES TENZIJ anders vermeld	UND 603	QUALITY STANDARD ACCORDING TO MFV 3-2037-1
		DIMENSION MAAT	ANGLE HOEK	PATTERN NO. / MODELNR.
	UNT BEH. RUMED	MATERIAL	ORDER NO. / ORDER.	QANT. MANT.
	PROJ. EURP.	BEHANDLING		
MECH. 5 INCH VIEWFINDER SHOR T		3922 407 27140		97-12-17
MECH. 5 INCH VIEWFINDER KOR				
NAME DE GREEUW	PROPERTY OF RESERVATION	DATE 110-01	DATE 97-09-18	A3
EH		PHILIPS		ELECTRONICS

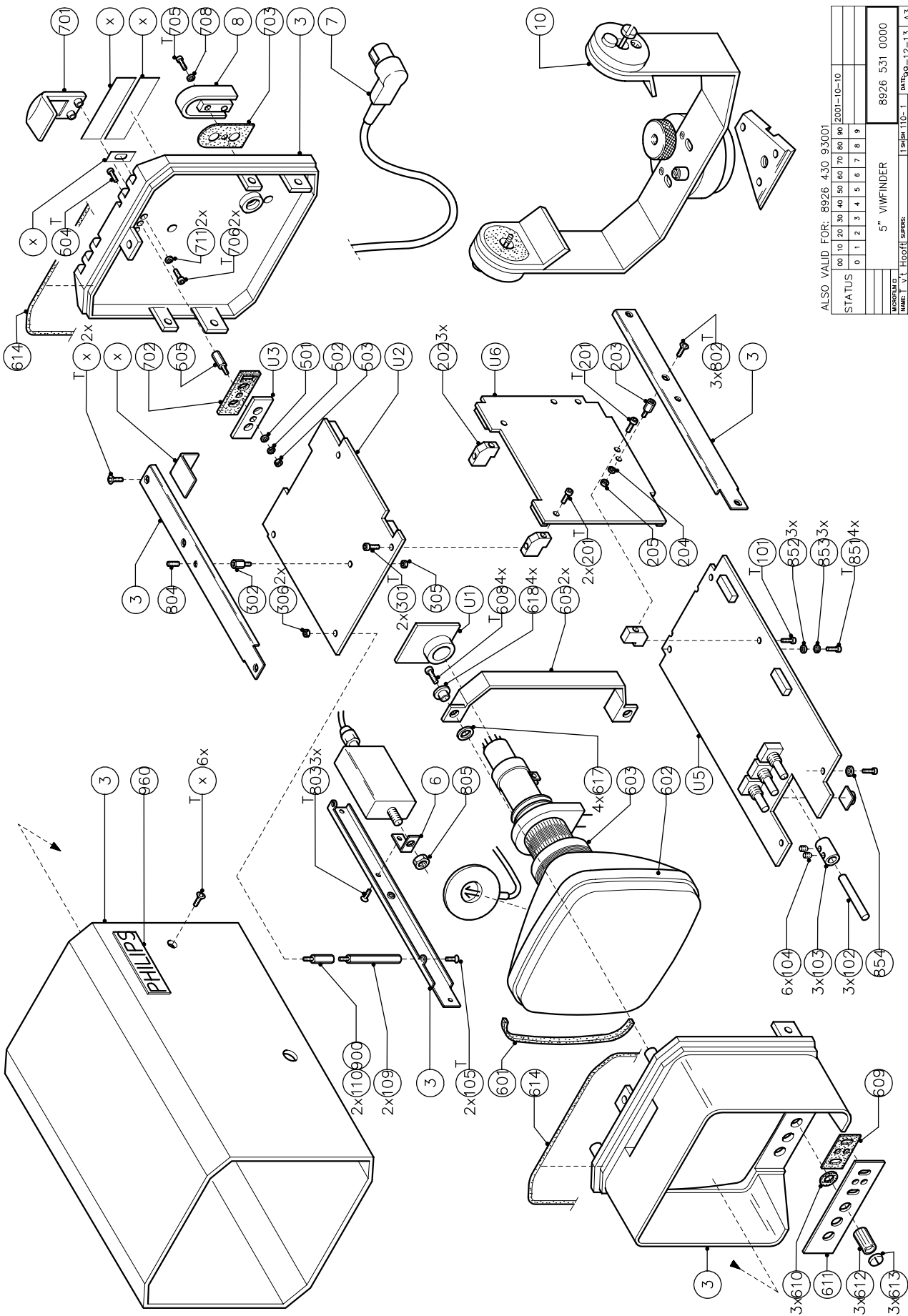


CON: ----- UNITS: 28 DIMENSIONS: mm TOLERANCES UNLESS OTHERWISE STATED: ±0.2 SURF. FINISH: Ra 0.5		SET NAME: ----- UNITS: 403 DIMENSIONS: mm TOLERANCES UNLESS OTHERWISE STATED: ±0.5	
GENERAL PURPOSES	UNIT	MATERIAL	PATTERN NO.
SCALE	PROF. FIRST ANGLE	REQUIREMENT	ORDER NO.
CLASS. NO.	ARCHIVED	DATE	QUANT.
22X0000	2000-05-26	1
PHILIPS	DE GREEUW	CREW	110 - 1
VF-BRACKET-ASSY VF-BEUGEL-SAM		3922 407 33890	
SH120 1 2001-03-01 1 2001-04-26 1 2001-06-07		PHILIPS ELECTRONICS N.V. SUPP. DATE: 2000-05-26	

PHILIPS



ALL RIGHTS ARE RESERVED. REPRODUCTION IN WHOLE OR IN PART IS PROHIBITED WITHOUT THE WRITTEN CONSENT OF THE COPYRIGHT OWNER.



ALSO VALID FOR: 8926 430 93001

STATUS	00	10	20	30	40	50	60	70	80	90	2001-10-10
	0	1	2	3	4	5	6	7	8	9	

5" VIEWFINDER

8926 531 0000

DATE: 89-12-13

REV: A3

Section 4

Parts Lists

SERVICE PARTS LIST						
Item	Description	Code Number		Item	Description	Code Number
2	USER'S GUIDE LDK5310			BM618	ISOL MANCH M3 OD75 NYLON	s 3922 450 05001
3	RINGCORE TN23/14/7 4C65	s 3922 450 04781		BM701	ON-AIR-LENS	s 3922 400 09311
4	FERRITE CORE D14.5 D8.4 X 5.5	s 3922 450 04791		BM702	LED-SEAL	s 3922 401 49591
6	LED DISTANCE HOLDER	s 3922 450 05011		BM703	CABLE-SEAL	s 3922 401 49601
8	USER'S GUIDE LDK5310			BM705	PAN SCR STL ST M3X8	s 5322 502 14405
11	TYPE PLAAT 12X50			BM706	PAN TAP SCR F ST T8 2,9X6,5	s 5322 502 14037
12	KNOB BLACK 11MM D4	s 3922 450 04561		BM708	SPRING M3	s 3922 450 04471
80A	WIRE ASSY IIC TO ON-AIR PCB	s 3922 450 05131		BM709	PAN SCR STL ST M3X8	s 5322 502 14405
80B	WIRE ASSY VIDEO PREAMP CRT-BOA	s 3922 450 05141		BM711	WASHER M3 A2	s 3922 450 04901
BM001	TY-RAP 100MM WIT KL			BM801	TORX CS M3X5	s 2522 203 04022
BM003	MECH.5INCH VIEWFINDER SHORT	3922 407 27142		BM802	TORX CS M3X5	s 2522 203 04022
BM006	HS-MOUNTING BRACKET	s 3922 450 04461		BM803	TORX CS M3X5	s 2522 203 04022
BM007	V.F CABLE ASSY	s 3922 045 01771		BM804	ADJUSTING SCREW M4X6	s 3922 450 04861
BM008	CLAMPING PLATE	s 3922 404 24141		BM805	NUT M8	s 3922 450 04881
BM009A	V-BLOCK	s 5322 466 10936		BM851	PAN SCR STL ST M3X8	s 5322 502 14405
BM009B	BRACKET ASSY	s 3922 407 11951		BM852	WASHER M3 A2	s 3922 450 04901
BM009C	VF BRACKET ASSY	s 3922 407 33891		BM853	SPRING M3	s 3922 450 04471
BM101	PAN TAP SCR F ST T8 2,9X9,5	s 2522 202 07014		BM854	LOCKWASHER M3 A2 RVS	s 3922 450 04911
BM102	SPINDLE	s 3922 401 48051		BM901	CSK SCR STL ST M3X12	s 2522 203 04026
BM103	BUSH	s 3922 404 20821		BM902	CSK SCR STL ST M3X8	s 4822 502 13964
BM104	ADJUSTING SCREW M3X3 INBUS	s 3922 450 04851		BM950	PAN SCR STL ST M3X8	s 5322 502 14405
BM105	CSK SCR STL ST M3X12	s 2522 203 04026		BM951	SPRING M3	s 3922 450 04471
BM109	NYLON DISTANCE PIECE M3 L=50	s 3922 450 04961		BM960	WORDMARK 62MM	s 3922 402 04741
BM110	DISTANCE PIECE 6X25 M3	s 3922 450 04951		SD8D10A	LED-HOLDER (DOUBLE)	s 5322 255 40432
BM201	PAN TAP SCR F ST T8 2,9X9,5	s 2522 202 07014		SD8D10B	BUS ID2.6 OD4 NYLON (S=2 MM)	s 3922 450 04991
BM202	PCB MOUNTING PIECE	s 3922 450 04971		SS D10	LED 3MM HI-BRI YELLOW	s 3922 450 05241
BM203	DISTANCE PIECE M3X8	s 3922 450 04921		SS D8	LED 3MM HI-BRI RED	s 3922 450 05231
BM204	LOCKWASHER M3 A2 RVS	s 3922 450 04911		STATUS	STICKER	
BM205	NUT M3	s 3922 450 04871		U1	CRT BOARD	s 3922 450 16301
BM301	PAN TAP SCR F ST T8 2,9X9,5	s 2522 202 07014		U2	DEFLECTION BOARD	s 3922 450 16311
BM302	DISTANCE PIECE M4X5	s 3922 450 04941		U3	ON AIR BOARD	s 3922 450 04501
BM305	HEXAGON FLANGE NUT WITH THEET	s 3922 450 04891		U4	PCB 15000321	
BM306	NUT M3 NYLON	s 3922 450 04981		U5	VIDEO PRE AMP / IIC INTERFACE BOA	s 3922 450 05121
BM401	TY-RAP 100MM WIT KL			U6	SMPS / DC-DC CONVERTER BOARD	s 3922 450 05101
BM501	WASHER M3 A2	s 3922 450 04901				
BM502	SPRING M3	s 3922 450 04471				
BM503	NUT M3	s 3922 450 04871				
BM504	PAN SCR STL ST M3X8	s 5322 502 14405				
BM505	DISTANCE PIECE M3X12	s 3922 450 04931				
BM601	GASKET	s 3922 401 13341				
BM602	PICTURE TUBE	s 3922 450 05271				
BM603	5,5-6 COIL	s 3922 450 05151				
BM604	5,5-6 AQUADAGASSEMBLY	s 3922 450 05161				
BM605	BRACKET	s 3922 404 25171				
BM606	INSULATING TAPE					
BM607	INSULATING TAPE					
BM608	PAN SCR STL ST M3X8	s 5322 502 14405				
BM609	PACKING	s 3922 450 04821				
BM610	O-RING 3,68X1,78	s 2622 080 90691				
BM611	FRONTPANEL OPTIONAL	s 3922 450 04811				
BM612	KNOB BLACK 11MM D4	s 3922 450 05021				
BM613	KNOB COVER BLACK 11MM 1.L	s 3922 450 05031				
BM614	PACKING RING	s 5322 466 64201				
BM615	MELINEX 0,125MMX60CM	s 3922 450 05081				
BM617	WASHER M4 OD8 NYLON	s 3922 450 04481				

products market with "s" are available as spare part,
other parts are printed for information only.

5" VIEWFINDER 50/60HZ	ORDERING CODE: 8926 531 00001	STATUS: 00
	REF NR: 8926 531 00001	DATE: 2002-05-01
		SHEET: 1 OF 1

© Philips Digital Video Systems BV, Breda, The Netherlands

alt. code: LDK5310/00

SERVICE PARTS LIST		
<i>Item</i>	<i>Description</i>	<i>Code Number</i>
1	FRONT 5INCH VF REVISED	s 3922 402 04242
2	CAP	s 3922 407 26752
3	EXTRUSION	s 3922 404 24101
4	RAIL	s 3922 404 24161
742T	CSK SCR STL ST M3X6	s 5322 502 14498
744T	CSK SCR STL ST M3X12	s 2522 203 04026

products market with "s" are available as spare part,
other parts are printed for information only.

MECH.5INCH VIEWFINDER SHORT	ORDERING CODE: not a spare part	STATUS:
	REF NR: 3922 407 27142	DATE: 1998-05-18
© Philips Digital Video Systems BV, Breda, The Netherlands	SHEET: 1 OF 1	

SERVICE PARTS LIST		
Item	Description	Code Number
1	V-BLOCK	s 5322 466 10936
2	VF SHAFT	s 3922 404 29041
5	VF SPRING CAP	s 3922 404 29051
6	SPRING POWEL ST BLK. 3X8	s 5322 529 50221
7	VF BRACKET	s 3922 404 29061
8	EAR	s 5322 401 11147
10	STANDOFF M3X10	s 2531 499 05013
11	PE SHRINK SL BL RNF 1/8INCH	
12	WASHER	s 3922 401 13531
13	RING	s 5322 532 51507
14	RING	s 3922 405 01211
15	VF NUT	s 3922 404 29071
16	VF KNOB	s 3922 404 29081
17	SET SCREW HEX CUP STL ST M3X4	s 5322 502 13916
18	DISC	s 3922 405 01231
19	DISC	s 3922 404 29021
20	RSD CH NK SCR STL ST M4X18	s 5322 502 12942
21	SPACER	s 5322 532 20997
22	EAR	s 3922 404 29741
23	DOWEL H6 STL ST A2 2X6	s 5322 529 50239
735T	PAN SCR STL ST M3X10	s 5322 502 21212
747	SPR WASH STL ST 3,1X5,7	s 4822 530 80188
918	RUBBER GLUE SYN CR 060	
929	GREASE FS 1292	
939	SCREW LOCK 222	

products market with "s" are available as spare part,
other parts are printed for information only.

VF BRACKET ASSY	ORDERING CODE: 3922 407 33891	STATUS:
	REF NR: 3922 407 33891	DATE: 2001-06-07
© Philips Digital Video Systems BV, Breda, The Netherlands	SHEET: 1 OF 1	

SERVICE PARTS LIST		
Item	Description	Code Number
C702	MKTPHI P 10N 10% 2E 250V	s 2222 370 35103
D701	BZX79-C10 DIODE DO-35	s 4822 130 61219
J701	HDR L 1E 4P ANGLED GOLD/BROWN	s 3922 450 04641
LD701	LED 5MM HI-BRI TOSHIBA	s 3922 450 05301
LD702	LED 5MM HI-BRI TOSHIBA	s 3922 450 05301
LD703	LED 5MM HI-BRI TOSHIBA	s 3922 450 05301
R701	MRSPhi P 100K0 1% 3E C	s 2322 157 11004
R702	MRSPhi P 100E0 1% 3E C	s 2322 157 11001
R703	MRSPhi P 10K00 1% 3E C	s 2322 157 11003
R704	MRSPhi P 39K00 1% 3E C	s 2322 157 13903
R705	MRSPhi P 15E00 1% 3E C	s 2322 157 11509
R706	MRSPhi P 470E0 1% 3E C	s 2322 157 14701
R707	PR1PHI P 1K0 5% 4E C 1W	s 2322 193 13102
SW701	SCHAK C&K ET03LD1V31BE	s 3922 450 04741
T701	TRAPHI P SMSIG TO92 C	s 4822 130 44246
T702	TRANSISTOR BS170	s 4822 130 41937

products marked with "s" are available as spare part,
other parts are printed for information only.

ON AIR BOARD	ORDERING CODE: 3922 450 04501	STATUS:
	REF NR: 3922 450 04501	DATE: 1997-10-01
© Philips Digital Video Systems BV, Breda, The Netherlands		SHEET: 1 OF 1

alt. code: 900015071321

SERVICE PARTS LIST						
Item	Description		Code Number	Item	Description	Code Number
401	MULTIFUSE 4A/30V	s	3922 450 04761	D510	DIOPHI P FAST SOD80C S	s 4822 230 80466
C401	NP0PHI P 100P 10% 1206 100V	s	2222 863 13101	D511	BAV99 DIODE SOT-23	s 9332 153 70215
C402	NP0PHI P 560P 5% 1206 63V	s	2222 863 12561	IC401	IC TDA8380	s 3922 450 05281
C403	CERCAP 10N X7R 1206 PM10	s	2222 591 16627	IC501	LM393N	s 4822 209 80797
C405	X7RPHI P 100N 10% 1206 63V	s	2222 591 16641	IC502	ADJUSTABLE ZENER TL431CLP 1%	s 3922 450 05291
C407	ELCPHI P 2U2 20% 2E 63V	s	2222 037 68228	IC503	IC SGS P VOLTREG T092 C	s 5322 209 17304
C408	ELCPHI P 1U 20% 2E 63V	s	2222 037 38108	J401	HDR L 1E 6P GOLD/BROWN	s 3922 450 04621
C409	ELCPHI P 4U7 20% 2E 63V	s	2222 037 28478	J402	HDR L 1E 5P GOLD/BROWN	s 3922 450 04611
C410	MKTPHI P 1N 20% 4E 630V	s	2222 347 60102	J403	CONTRAHDR L 1E 9P GOLD/BROWN	s 3922 450 04671
C411	ELCPHI P 22U 20% 1E4 100V	s	2222 135 89229	J404	CONTRAHDR L 1E 6P GOLD/BROWN	s 3922 450 04661
C412	ELCPHI P 22U 20% 1E4 100V	s	2222 135 89229	L401	5UH/3A	s 3922 450 04541
C413	ELCPHI P 22U 20% 1E4 100V	s	2222 135 89229	L402	5UH/3A	s 3922 450 04541
C414	ELCPHI P 22U 20% 1E4 100V	s	2222 135 89229	L501	TOROIDE 100UH 2A	s 3922 450 05251
C415	ELCPHI P 100U 20% 1E4 35V	s	2222 135 50101	MP	PIN 1 MM PCB	s 3922 450 04711
C416	ELCPHI P 220U 20% 2E 35V	s	2222 046 50221	P501	TRIMMER SMD 3314G 5K	s 2340 100 16502
C417	ELCPHI P 220U 20% 2E 35V	s	2222 046 50221	R401	RC2PHI P 22E 1% 1206	s 2322 724 50221
C418	MKTPHI P 100N 10% 2E 100V	s	2222 370 85104	R402	RC2PHI P 22E 1% 1206	s 2322 724 50221
C419	MKTPHI P 15N 10% 2E 250V	s	2222 370 35153	R403	RC2PHI P 4K70 1% 1206 S	s 2322 724 54702
C420	MKTPHI P 47N 10% 2E 100V	s	2222 370 85473	R404	RC2PHI P 6K20 1% 1206 S	s 2322 724 56202
C421	MKTPHI P 47N 10% 2E 100V	s	2222 370 85473	R405	RC2PHI P 820E 1% 1206	s 2322 724 18201
C422	MKTPHI P 1N 10% 2E 400V	s	2222 370 65102	R406	RC2PHI P 5K10 1% 1206 S	s 2322 724 55102
C501	NPOPHI P 2N2-5%-1206-50V	s	2222 863 12222	R408	RC2PHI P 2K70 1% 1206 S	s 2322 724 52702
C502	CERCAP 10N X7R 1206 PM10	s	2222 591 16627	R410	RC2PHI P 100E 1% 1206	s 2322 724 51001
C503	CERCAP 4P7 NPO 1206 +/-0.25P	s	2222 863 12478	R411	RC2PHI P 220K 1% 1206 S	s 2322 724 52204
C504	NP0PHI P 22P 5% 1206 63V	s	2222 863 12229	R412	RC2PHI P 10K0 1% 1206 S	s 2322 724 51003
C505	NP0PHI P 150P 10% 1206 100V	s	2222 863 13151	R413	RC2PHI P 6K80 1% 1206 S	s 2322 724 56802
C506	NP0PHI P 1N 5% 1210 63V	s	2222 862 12102	R414	RC2PHI P 1M 1% 1206 S	s 2322 724 51005
C507	X7RPHI P 220N 10% 1210 63V	s	2222 592 16645	R415	RC2PHI P 470K 1% 1206	s 2322 724 54704
C508	ELCPHI P 470U 20% 2E 25V	s	2222 136 66471	R416	RC2PHI P 1M 1% 1206 S	s 2322 724 51005
C509	ELCPHI P 47U 20% 2E 50V	s	2222 037 90072	R418	MRSPHI P 47K00 1% 3E C	s 2322 157 14703
C510	ELCPHI P 470U 20% 2E 25V	s	2222 136 66471	R419	PR1PHI P 8K2 5% 4E C 1W	s 2322 193 13822
C511	X7RPHI P 220N 10% 1210 63V	s	2222 592 16645	R420	PR1PHI I 270E 5% 4E C 1W	s 2322 193 13271
C512	ELCPHI P 10U 20% 2E 63V	s	2222 037 28109	R421	PR1PHI I 2K7 5% 4E C 1W	s 2322 193 13272
C513	ELCPHI P 10U 20% 2E 63V	s	2222 037 28109	R422	PR1PHI P 39E 5% 4E C 1W	s 2322 193 13399
C514	X7RPHI P 100N 10% 1206 63V	s	2222 591 16641	R423	RC2PHI P 1E 1% 1206	s 2322 724 50011
C515	CERCAP 1N NPO 1206 PM2	s	2222 863 11102	R424	NFRPHI P 0E22 5% 4E NFR25	s 2322 205 90005
C516	CERCAP 22N X7R 1206 PM10	s	2222 591 16632	R425	NFRPHI P 0E22 5% 4E NFR25	s 2322 205 90005
D401	BYV29-500	s	3922 450 04511	R426	RC2PHI P 1M 1% 1206 S	s 2322 724 51005
D402	DIODE BZX79 C12 SOD27	s	4822 130 34179	R427	RC2PHI P 470K 1% 1206	s 2322 724 54704
D403	DIODE BZX79 C12 SOD27	s	4822 130 34179	R428	NFRPHI P 1K2 5% 4E NFR25H	s 2322 207 13122
D404	DIOPHI P RECT SOD81 4E C	s	4822 130 83121	R429	NFRPHI P 1K2 5% 4E NFR25H	s 2322 207 13122
D405	DIOPHI P RECT SOD57 4E C	s	4822 130 83848	R501	RC2PHI P 2K70 1% 1206 S	s 2322 724 52702
D406	DIODE BZX79 C18 SOD27	s	4822 130 31024	R502	RC2PHI P 100K0 1% 1206 S	s 2322 724 51004
D407	DIODE BAV21 SOD27	s	4822 130 30482	R503	RC2PHI P 330K 1% 1206	s 2322 724 53304
D408	DIODE BZX79 C13 SOD27	s	4822 130 34195	R504	RC2PHI P 22K 1% 1206 S	s 2322 724 52203
D409	DIOPHI P RECT SOD57 4E C	s	5322 130 31938	R505	RC2PHI P 390K 1% 1206	s 2322 724 53904
D501	DIODE BZX79C7V5	s	3922 450 05221	R506	RC2PHI P 330K 1% 1206	s 2322 724 53304
D502	DIODE BAX 18 SOD27	s	4822 130 34121	R507	RC2PHI P 330K 1% 1206	s 2322 724 53304
D503	DIODE BZX79C15	s	3922 450 05211	R508	RC2PHI P 330K 1% 1206	s 2322 724 53304
D504	BAW62 DIODE SOD-27	s	4822 130 30613	R509	RC2PHI P 18K 1% 1206	s 2322 724 51803
D505	DIOPHI P RECT SOD81 4E C	s	4822 130 81234	R510	RC2PHI P 390K 1% 1206	s 2322 724 53904
D506	BZX79-C3V3 DIODE DO-35	s	5322 130 31504	R511	RC2PHI P 390K 1% 1206	s 2322 724 53904
D507	BAW62 DIODE SOD-27	s	4822 130 30613	R512	RC2PHI P 1M 1% 1206 S	s 2322 724 51005
D508	DIOPHI P FAST SOD80C S	s	4822 230 80466	R513	RC2PHI P 1M 1% 1206 S	s 2322 724 51005
D509	DIOPHI P FAST SOD80C S	s	4822 230 80466	R514	RC2PHI P 100K0 1% 1206 S	s 2322 724 51004

products market with "s" are available as spare part,
other parts are printed for information only.

SMPS / DC-DC CONVERTER BOARD	ORDERING CODE: 3922 450 05101	STATUS:
	REF NR: 3922 450 05101	DATE: 1997-10-01
		SHEET: 1 OF 2

© Philips Digital Video Systems BV, Breda, The Netherlands

alt. code: 900015010321

SERVICE PARTS LIST		
Item	Description	Code Number
R515	RC2PHI P 330K 1% 1206	s 2322 724 53304
R516	RC2PHI P 220K 1% 1206 S	s 2322 724 52204
R517	RC2PHI P 1M 1% 1206 S	s 2322 724 51005
R518	RC2PHI P 33K 1% 1206 S	s 2322 724 53303
R519	RC2PHI P 560E 1% 1206 S	s 2322 724 55601
R520	MRSPhi P 5K10 1% 3E C	s 2322 157 15102
R521	RC2PHI P 5K60 1% 1206 S	s 2322 724 55602
R522	RC2PHI P 6K80 1% 1206 S	s 2322 724 56802
R523	RC2PHI P 2K20 1% 1206 S	s 2322 724 52202
R524	MRSPhi P 2K20 1% 3E C	s 2322 157 12202
R525	RC2PHI P 22K 1% 1206 S	s 2322 724 52203
R526	RC2PHI P 10K0 1% 1206 S	s 2322 724 51003
R527	MRSPhi P 3K90 1% 3E C	s 2322 157 13902
R528	RC2PHI P 100K0 1% 1206 S	s 2322 724 51004
R529	MRSPhi P 7K50 1% 3E C	s 2322 157 17502
R530	RC2PHI P 3K 1% 1206	s 2322 724 53002
R531	NFRPhi P 0E22 5% 4E NFR25	s 2322 205 90005
R532	NFRPhi P 0E22 5% 4E NFR25	s 2322 205 90005
R533	RC2PHI P 6K80 1% 1206 S	s 2322 724 56802
R534	RC2PHI P 2K70 1% 1206 S	s 2322 724 52702
R540	RC2PHI P 1M 1% 1206 S	s 2322 724 51005
R541	MRSPhi P 22K00 1% 3E C	s 2322 157 12203
R550	RC2PHI P 4K70 1% 1206 S	s 2322 724 54702
T401	TRANSISTOR BF420	s 4822 130 42148
T402	POWERFET	s 5322 130 62264
T403	TRANSISTOR VN2406L	s 3922 450 05311
T404	POWERFET	s 5322 130 62264
T405	POWERFET	s 4822 130 61253
T501	BCX53 TRANSISTOR PNP SOT-89	s 5322 130 60596
T502	TRAPHI P SMSIG SOT 2 1206	s 4822 130 42614
T503	BC327 TRANSISTOR TO-92VAR	s 4822 130 40854
T504	BCX53 TRANSISTOR PNP SOT-89	s 5322 130 60596
T505	TRAPHI P BC846 SOT 23 S	s 3922 450 05171
T506	BC337 TRANSISTOR TO-92VAR	s 4822 130 40855
T507	BC327 TRANSISTOR TO-92VAR	s 4822 130 40854
T508	TRAPHI P BC846 SOT 23 S	s 3922 450 05171
T509	POWER FET BUZ271	s 3922 450 05191
TR401	TRAFO	s 3922 450 04521
TR402	CU15D3/1 CURRENTTRANSFORMER	s 3922 450 04421

products market with "s" are available as spare part,
other parts are printed for information only.

SMPS / DC-DC CONVERTER BOARD	ORDERING CODE: 3922 450 05101	STATUS:
	REF NR: 3922 450 05101	DATE: 1997-10-01
© Philips Digital Video Systems BV, Breda, The Netherlands		SHEET: 2 OF 2

alt. code: 900015010321

SERVICE PARTS LIST						
Item	Description		Code Number	Item	Description	Code Number
1	FUSE T630MA TR5 WICKMANN	s	3922 450 04451	P104	POTMETER 10K SFERNICE 10%	s 2340 200 35103
B1	FERRITE CORE ON WIRE 2UH	s	3922 450 04801	R1	RC2PHI P 10K0 1% 1206 S	s 2322 724 51003
C1	X7RPHI P 100N 10% 1206 63V	s	2222 591 16641	R2	RC2PHI P 47K 1% 1206 S	s 2322 724 54703
C2	X7RPHI P 100N 10% 1206 63V	s	2222 591 16641	R3	RC2PHI P 10K0 1% 1206 S	s 2322 724 51003
C3	X7RPHI P 100N 10% 1206 63V	s	2222 591 16641	R4	RC2PHI P 10K0 1% 1206 S	s 2322 724 51003
C4	X7RPHI P 100N 10% 1206 63V	s	2222 591 16641	R7	RC2PHI P 47K 1% 1206 S	s 2322 724 54703
C5	ELCPHI P 100U 20% 2E 16V	s	2222 036 25101	R8	RC2PHI P 47K 1% 1206 S	s 2322 724 54703
C7	MKTPHI P 10N 10% 2E 250V	s	2222 370 35103	R10	RC2PHI P 1K00 1% 1206 S	s 2322 724 51002
C8	MKTPHI P 10N 10% 2E 250V	s	2222 370 35103	R11	RC2PHI P 10E 1% 1206 S	s 2322 724 51009
C102	X7RPHI P 100N 10% 1206 63V	s	2222 591 16641	R13	RC2PHI P 10K0 1% 1206 S	s 2322 724 51003
C103	NP0PHI P 100P 10% 1206 100V	s	2222 863 13101	R14	RC2PHI P 33K 1% 1206 S	s 2322 724 53303
C104	X7RPHI P 100N 10% 1206 63V	s	2222 591 16641	R15	RC2PHI P 100E 1% 1206	s 2322 724 51001
C105	SALPHI P 33U 20% 2E 10V	s	2222 122 54339	R16	RC2PHI P 10K0 1% 1206 S	s 2322 724 51003
C106	X7RPHI P 100N 10% 1206 63V	s	2222 591 16641	R17	RC2PHI P 100E 1% 1206	s 2322 724 51001
C107	NP0PHI P 100P 10% 1206 100V	s	2222 863 13101	R18	RC2PHI P 100E 1% 1206	s 2322 724 51001
C108	X7RPHI P 100N 10% 1206 63V	s	2222 591 16641	R19	RC2PHI P 10K0 1% 1206 S	s 2322 724 51003
C109	KERPHI P 330P 10% 2E 500V	s	2222 655 09331	R20	RC2PHI P 10K0 1% 1206 S	s 2322 724 51003
C111	CERCAP 10N X7R 1206 PM10	s	2222 591 16627	R22	RC2PHI P 100E 1% 1206	s 2322 724 51001
C112	ELCPHI P 470U 20% 2E 25V	s	2222 136 66471	R24	RC2PHI P 1K00 1% 1206 S	s 2322 724 51002
C113	ELCPHI P 100U 20% 2E 16V	s	2222 036 25101	R26	RC2PHI P 1K00 1% 1206 S	s 2322 724 51002
C114	ELCPHI P 100U 20% 2E 16V	s	2222 036 25101	R29	RC2PHI P 100E 1% 1206	s 2322 724 51001
C115	ELCPHI P 100U 20% 2E 16V	s	2222 036 25101	R32	RC2PHI P 100E 1% 1206	s 2322 724 51001
C116	ELCPHI P 100U 20% 2E 16V	s	2222 036 25101	R33	RC2PHI P 100E 1% 1206	s 2322 724 51001
C117	ELCPHI P 10U 20% 2E 63V	s	2222 037 28109	R34	RC2PHI P 100K0 1% 1206 S	s 2322 724 51004
C118	ELCPHI P 10U 20% 2E 63V	s	2222 037 28109	R35	RC2PHI P 33K 1% 1206 S	s 2322 724 53303
C120	X7RPHI P 100N 10% 1206 63V	s	2222 591 16641	R36	RC2PHI P 100E 1% 1206	s 2322 724 51001
C121	ELCPHI P 100U 20% 2E 16V	s	2222 036 25101	R37	RC2PHI P 100K0 1% 1206 S	s 2322 724 51004
C122	NP0PHI P 100P 10% 1206 100V	s	2222 863 13101	R38	RC2PHI P 100K0 1% 1206 S	s 2322 724 51004
C123	KERPHI P 470P 10% 2E 100V	s	2222 630 19471	R39	RC2PHI P 100K0 1% 1206 S	s 2322 724 51004
C300	CERCAP 22N X7R 1206 PM10	s	2222 591 16632	R40	RC2PHI P 10K0 1% 1206 S	s 2322 724 51003
D1	BAV99 DIODE SOT-23	s	9332 153 70215	R41	RC2PHI P 10K0 1% 1206 S	s 2322 724 51003
D2	BAV99 DIODE SOT-23	s	9332 153 70215	R42	RC2PHI P 220K 1% 1206 S	s 2322 724 52204
D3	BAV99 DIODE SOT-23	s	9332 153 70215	R43	RC2PHI P 470E0 1% 1206 S	s 2322 724 54701
D7	DIODE BZV85 C6V2	s	3922 450 05201	R44	RC2PHI P 100K0 1% 1206 S	s 2322 724 51004
D11	BZX79-C10 DIODE DO-35	s	4822 130 61219	R51	RC2PHI P 3K90 1% 1206	s 2322 724 53902
D12	BZX79-C10 DIODE DO-35	s	4822 130 61219	R52	RC2PHI P 470E0 1% 1206 S	s 2322 724 54701
D13	BZX79-C10 DIODE DO-35	s	4822 130 61219	R53	RC2PHI P 270E0 1% 1206 S	s 2322 724 52701
D14	BZX79-C10 DIODE DO-35	s	4822 130 61219	R54	PR1PHI P 1K0 5% 4E C 1W	s 2322 193 13102
D101	DIOPHI P FAST SOD80C S	s	4822 230 80466	R55	PR1PHI P 1K0 5% 4E C 1W	s 2322 193 13102
D104	DIODE BZX79 C12 SOD27	s	4822 130 34179	R56	RC2PHI P 33K 1% 1206 S	s 2322 724 53303
D105	DIOPHI P FAST SOD80C S	s	4822 230 80466	R58	RC2PHI P 470E0 1% 1206 S	s 2322 724 54701
D106	DIOPHI P FAST SOD80C S	s	4822 230 80466	R101	RC2PHI P 1K5 1206 S	s 2322 724 51502
D107	DIOPHI P FAST SOD80C S	s	4822 230 80466	R102	RC2PHI P 100E 1% 1206	s 2322 724 51001
D108	DIOPHI P FAST SOD80C S	s	4822 230 80466	R103	RC2PHI P 5K60 1% 1206 S	s 2322 724 55602
DELAY1	DELAYLINE 140NS 200OHM	s	3922 450 05321	R104	RC2PHI P 4K70 1% 1206 S	s 2322 724 54702
IC1	IC EEPROM DIL8 C	s	3922 450 05261	R105	RC2PHI P 82E 1% 1206 S	s 2322 724 58209
IC4	IC PHI P I/O EXPANDER DIL16 C	s	5322 209 10883	R107	RC2PHI P 82E 1% 1206 S	s 2322 724 58209
J1	HDR L 1E 4P GOLD/BROWN	s	3922 450 04431	R109	RC2PHI P 4K70 1% 1206 S	s 2322 724 54702
J3	HDR L 1E 9P GOLD/BROWN	s	3922 450 04631	R111	RC2PHI P 1K00 1% 1206 S	s 2322 724 51002
J4	HDR L 1E 6P GOLD/BROWN	s	3922 450 04621	R112	RC2PHI P 5K60 1% 1206 S	s 2322 724 55602
J6	SOCKET 20p ANGLED HIROSE	s	3922 450 04691	R113	RC2PHI P 120E 1% 1206	s 2322 724 51201
J11	HDR L 1E 2P GOLD/BROWN	s	3922 450 04601	R114	RC2PHI P 1K00 1% 1206 S	s 2322 724 51002
P101	POTMETER 1K SFERNICE 10%	s	2340 200 35102	R115	RC2PHI P 150E0 1% 1206 S	s 2322 724 51501
P102	TRIMMER SMD 3314G 100E	s	2340 100 16101	R116	RC2PHI P 5K60 1% 1206 S	s 2322 724 55602
P103	POTMETER 1K SFERNICE 10%	s	2340 200 35102	R117	RC2PHI P 5K60 1% 1206 S	s 2322 724 55602

products market with "s" are available as spare part,
other parts are printed for information only.

VIDEO PRE AMP / IIC INTERFACE BOARD	ORDERING CODE: 3922 450 05121	STATUS:
	REF NR: 3922 450 05121	DATE: 1997-10-01
		SHEET: 1 OF 2

© Philips Digital Video Systems BV, Breda, The Netherlands

alt. code: 900015370321

SERVICE PARTS LIST						
Item	Description		Code Number	Item	Description	Code Number
R118	RC2PHI P 4K70 1% 1206 S	s	2322 724 54702	T104	TRAPHI P SMSIG TO92 C	s 4822 130 44246
R119	RC2PHI P 4K70 1% 1206 S	s	2322 724 54702	T105	TRANSISTOR PH2369	s 4822 130 41594
R120	RC2PHI P 100E 1% 1206	s	2322 724 51001	T106	TRAPHI P SMSIG TO92 C	s 4822 130 44246
R121	RC2PHI P 100E 1% 1206	s	2322 724 51001	T107	TRAPHI P SMSIG TO92 C	s 4822 130 44246
R123	RC2PHI P 100E 1% 1206	s	2322 724 51001	T108	TRANSISTOR PH2369	s 4822 130 41594
R126	RC2PHI P 8K20 1% 1206 S	s	2322 724 58202	T109	TRANSISTOR PH2369	s 4822 130 41594
R127	RC2PHI P 1K80 1% 1206 S	s	2322 724 51802	T110	TRANSISTOR PH2369	s 4822 130 41594
R128	MRSPhi P 47E00 1% 3E C	s	2322 157 14709	T111	TRANSISTOR PH2369	s 4822 130 41594
R129	RC2PHI P 1K80 1% 1206 S	s	2322 724 51802	T112	TRANSISTOR BS170	s 4822 130 41937
R130	RC2PHI P 47K 1% 1206 S	s	2322 724 54703	T113	TRAPHI P SMSIG TO92 C	s 4822 130 44246
R131	RC2PHI P 47E 1% 1206	s	2322 724 50471	T114	TRAPHI P SMSIG TO92 C	s 4822 130 44246
R132	RC2PHI P 100K0 1% 1206 S	s	2322 724 51004	T115	TRAPHI P SMSIG TO92 C	s 4822 130 44246
R133	RC2PHI P 680E 1% 1206	s	2322 724 56801	T300	FETPHI P SWITCH SOT23 S	s 5322 130 63289
R134	RC2PHI P 100E 1% 1206	s	2322 724 51001			
R135	RC2PHI P 100E 1% 1206	s	2322 724 51001			
R136	RC2PHI P 18K 1% 1206	s	2322 724 51803			
R137	RC2PHI P 39K 1% 1206 S	s	2322 724 53903			
R138	SFRPHI P 3E3 5% 3E C	s	2322 187 73338			
R139	RC2PHI P 39E 1% 1206 S	s	2322 724 53909			
R140	RC2PHI P 47E 1% 1206	s	2322 724 50471			
R141	RC2PHI P 270E0 1% 1206 S	s	2322 724 52701			
R142	RC2PHI P 51E 1% 1206 S	s	2322 724 55109			
R144	MRSPhi P 75E00 1% 3E C	s	2322 157 17509			
R149	RC2PHI P 3K30 1% 1206 S	s	2322 724 53302			
R150	RC2PHI P 680E 1% 1206	s	2322 724 56801			
R151	RC2PHI P 1K00 1% 1206 S	s	2322 724 51002			
R152	NFRPHI P 15E 5% 4E NFR25	s	2322 205 13159			
R153	NFRPHI P 10E 5% 4E NFR25H	s	2322 207 13109			
R154	NFRPHI P 15E 5% 4E NFR25	s	2322 205 13159			
R155	RC2PHI P 4K70 1% 1206 S	s	2322 724 54702			
R157	RC2PHI P 51E 1% 1206 S	s	2322 724 55109			
R158	RC2PHI P 270E0 1% 1206 S	s	2322 724 52701			
R159	RC2PHI P 270E0 1% 1206 S	s	2322 724 52701			
R160	RC2PHI P 2K20 1% 1206 S	s	2322 724 52202			
R161	RC2PHI P 47E 1% 1206	s	2322 724 50471			
R164	RC2PHI P 1K2 1% 1206 S	s	2322 724 51202			
R165	RC2PHI P 82E 1% 1206 S	s	2322 724 58209			
R170	RC2PHI P 22E 1% 1206	s	2322 724 50221			
R171	RC2PHI P 22E 1% 1206	s	2322 724 50221			
R172	RC2PHI P 22E 1% 1206	s	2322 724 50221			
SW1	SCHAK C&K ET07MD1AVBE	s	3922 450 04751			
SW2	SCHAK C&K ET02MD1AVBE	s	3922 450 04731			
T1	TRAPHI P SMSIG SOT 2 1206	s	4822 130 42614			
T2	TRAPHI P SMSIG SOT 2 1206	s	4822 130 42614			
T3	TRAPHI P SMSIG SOT 2 1206	s	4822 130 42614			
T4	TRAPHI P SMSIG SOT 2 1206	s	4822 130 42614			
T5	TRAPHI P SMSIG SOT 2 1206	s	4822 130 42614			
T6	TRAPHI P SMSIG SOT 2 1206	s	4822 130 42614			
T7	TRAPHI P SMSIG SOT 2 1206	s	4822 130 42614			
T8	TRAPHI P SMSIG SOT 2 1206	s	4822 130 42614			
T10	TRAPHI P SMSIG SOT 23 S	s	4822 130 60516			
T11	TRAPHI P SMSIG SOT 23 S	s	4822 130 60516			
T101	TRAPHI P SMSIG TO92 C	s	4822 130 61755			
T102	TRAPHI P SMSIG TO92 C	s	4822 130 44461			
T103	TRAPHI P SMSIG TO92 C	s	4822 130 44461			

products market with "s" are available as spare part,
other parts are printed for information only.

VIDEO PRE AMP / IIC INTERFACE BOARD	ORDERING CODE: 3922 450 05121	STATUS:
	REF NR: 3922 450 05121	DATE: 1997-10-01
		SHEET: 2 OF 2

© Philips Digital Video Systems BV, Breda, The Netherlands

alt. code: 900015370321

SERVICE PARTS LIST		
Item	Description	Code Number
C301	MKTPHI P 100N 10% 2E 100V	s 2222 370 85104
C302	MKTPHI P 100N 10% 2E 100V	s 2222 370 85104
C303	ELCPHI P 22U 20% 1E4 100V	s 2222 135 89229
C304	MKTPHI P 100N 10% 2E 63V	s 2222 370 75104
C305	KERPFI P 4N7 10% 2E 100V	s 2222 630 19472
C306	MKTPHI P 10N 10% 4E 630V	s 2222 369 61103
C307	MKTPHI P 470N 10% 2E 63V	s 2222 370 75474
C308	MKTPHI P 100N 10% 2E 63V	s 2222 370 75104
D301	DIODE BAV21 SOD27	s 4822 130 30482
D303	DIODE PHI BZX79C5V1 SOD27	s 3922 450 16271
D304	DIODE BAV21 SOD27	s 4822 130 30482
D305	DIODE BAV21 SOD27	s 4822 130 30482
J302	CRT SOCKET 1061Z JUNGBECKER	s 3922 450 04721
J303	HDR L 1E 2P GOLD/BROWN	s 3922 450 04601
L301	COIL BC 15UH 10% 610MA	s 3922 450 04571
Q301	TRANSISTOR BF420	s 4822 130 42148
Q302	TRANSISTOR BC556 TO92	s 4822 130 40989
R301	AB RCR07G393JS 39K 1/4W/10%	s 2323 211 11393
R304	AB RCR07G471JS 470E 1/4W/10%	s 2323 211 11471
R305	MRSPhi P 4K30 1% 3E C	s 2322 157 14302
R306	MRSPhi P 4K30 1% 3E C	s 2322 157 14302
R308	SFRPhi P 3E3 5% 3E C	s 2322 187 73338
R310	MRSPhi P 560K0 1% 3E C	s 2322 157 15604

products marked with "s" are available as spare part,
other parts are printed for information only.

CRT BOARD	ORDERING CODE: 3922 450 16301	STATUS:
	REF NR: 3922 450 16301	DATE: 1997-10-01
© Philips Digital Video Systems BV, Breda, The Netherlands		SHEET: 1 OF 1

alt. code: 900015020321B

SERVICE PARTS LIST						
Item	Description		Code Number	Item	Description	Code Number
C201	ELCPHI P 150UF 20% 2E 16V	s	2222 036 55151	C302	MKTPHI P 100N 10% 2E 100V	s 2222 370 85104
C202	ELCPHI P 220U 20% 2E 16V	s	2222 135 25221	C303	ELCPHI P 22U 20% 1E4 100V	s 2222 135 89229
C204	X7RPHI P 100N 10% 1206 63V	s	2222 591 16641	C304	MKTPHI P 100N 10% 2E 63V	s 2222 370 75104
C205	FKCWIM P 2N2 2%5 2E 100V	s	2223 284 18222	C305	KERPHI P 4N7 10% 2E 100V	s 2222 630 19472
C206	X7RPHI P 220N 10% 1206 25V	s	2222 911 16654	C306	MKTPHI P 10N 10% 4E 630V	s 2222 369 61103
C207	NP0PHI P 220P 10% 1206 100V	s	2222 863 13221	C307	MKTPHI P 470N 10% 2E 63V	s 2222 370 75474
C208	X7RPHI P 15N 10% 1206 63V	s	2222 591 16629	C308	MKTPHI P 100N 10% 2E 63V	s 2222 370 75104
C209	MKTPHI P 100N 10% 2E 63V	s	2222 370 75104	D203	DIOPHI P RECT SOD81 4E C	s 4822 130 81234
C210	NP0PHI P 680P 5% 1206 63V	s	2222 863 12681	D210	DIOPHI P SWITCH SOD 80C S	s 4822 130 80877
C211	NPOPHI P 1N 5% 1206 63V	s	2222 863 12102	D211	DIOPHI P SWITCH SOD 80C S	s 4822 130 80877
C212	NPOPHI P 1N 5% 1206 63V	s	2222 863 12102	D212	DIOPHI P SWITCH SOD 80C S	s 4822 130 80877
C213	CERCAP 22N X7R 1206 PM10	s	2222 591 16632	D213	DIOPHI P RECT SOD81 4E C	s 4822 130 83121
C214	KERPHI P 330P 10% 2E 500V	s	2222 655 09331	D214	DIOPHI P RECT SOD81 4E C	s 4822 130 42606
C215	MKTPHI P 10N 10% 2E 250V	s	2222 370 35103	D215	DIOPHI P RECT SOD81 4E C	s 4822 130 42606
C216	KERPHI P 1N 10% 2E 500V	s	2222 655 09102	D216	DIOPHI P SWITCH SOD 80C S	s 4822 130 80877
C217	NP0PHI P 680P 5% 1206 63V	s	2222 863 12681	D218	DIODE BAT 85 SOD68	s 4822 130 31983
C218	X7RPHI P 100N 10% 1206 63V	s	2222 591 16641	D219	DIODE BAT 85 SOD68	s 4822 130 31983
C219	CERCAP 22N X7R 1206 PM10	s	2222 591 16632	D220	DIODE BZX79 C12 SOD27	s 4822 130 34179
C220	ELCPHI P 1000U 20% 2E 10V	s	2222 048 64102	D223	DIOPHI P RECT SOD87 C	s 5322 130 83619
C221	ELCPHI P 1000U 20% 2E 10V	s	2222 048 64102	D224	DIOPHI P FAST SOD80C S	s 4822 230 80466
C223	ELCPHI P 470U 20% 2E 25V	s	2222 136 66471	D225	DIOPHI P FAST SOD80C S	s 4822 230 80466
C224	ELCPHI P 1000U 20% 2E 16V	s	2222 047 55102	D226	DIODE BAV99 SOD23	s 3922 450 16291
C225	ELCPHI P 47U 20% 2E 50V	s	2222 037 90072	D227	DIODE BAV99 SOD23	s 3922 450 16291
C226	ELCPHI P 10U 20% 2E 100V	s	2222 037 69109	D228	DIODE BZX79 C18 SOD27	s 4822 130 31024
C227	MKTPHI P 150N 5% 2E 63V	s	2222 370 76154	D301	DIODE BAV21 SOD27	s 4822 130 30482
C228	ELCPHI P 2U2 20% 2E 63V	s	2222 037 68228	D302	DIODE BZX79 C10	s 3922 450 16261
C229	ELCPHI P 4U7 20% 2E 63V	s	2222 037 28478	D303	DIODE PHI BZX79C5V1 SOD27	s 3922 450 16271
C230	MKTPHI P 680N 10% 2E 63V	s	2222 370 75684	D304	DIODE BAV21 SOD27	s 4822 130 30482
C231	MKPPHI P 22N 5% 4E-400V	s	2222 379 54223	D305	DIODE BAV21 SOD27	s 4822 130 30482
C232	MKSWIM P 2U2 10% 2E 50V	s	2223 161 10225	IC201	T0220 VOLTREG L4940V12	s 4822 209 15867
C233	MKSWIM P 2U2 10% 2E 50V	s	2223 161 10225	IC202	IC SGS P HOR VER DEF DIL 16 C	s 4822 209 63819
C234	MKTPHI P 10N 10% 4E 630V	s	2222 369 61103	IC203	IC PHI P MON MULTIV DIL16 C	s 4822 209 71585
C235	MKTPHI P 1U 10% 2E 63V	s	2222 370 75105	IC204	IC HEF4538BP	s 3922 450 16281
C236	ELCPHI P 100U 20% 1E4 35V	s	2222 135 50101	J201	HDR L 1E56 2P GOLD	s 3922 450 04681
C237	ELCPHI P 22U 20% 1E4 100V	s	2222 135 89229	J202	HDR L 1E56 3P GOLD/TRANSP	s 3922 450 04441
C238	NP0PHI P 680P 5% 1206 63V	s	2222 863 12681	J203	7A 1E 13CM FLATCABLE MET CONT.	s 3922 450 04771
C239	NPOPHI P 1N 5% 1206 63V	s	2222 863 12102	J204	CONTRAHDR L 1E 6P GOLD/BROWN	s 3922 450 04661
C240	MKTPHI P 150N 5% 2E 63V	s	2222 370 76154	J205	CONTRAHDR L 1E 5P GOLD/BROWN	s 3922 450 04651
C241	MKTPHI P 150N 5% 2E 63V	s	2222 370 76154	J301	FASTON 6.3mm	s 3922 450 04701
C242	CERCAP 10N X7R 1206 PM10	s	2222 591 16627	L201	ROD COIL 6UH	s 4822 158 10101
C243	ELCPHI P 1000U 20% 2E 10V	s	2222 048 64102	L202	AT4042/49 MINUS 3 WINDINGS	s 3922 450 04531
C244	MKTPHI P 470N 10% 2E 63V	s	2222 370 75474	L203	COIL 28-150UH	s 3922 450 04591
C245	MKSWIM P 2U2 10% 2E 50V	s	2223 161 10225	L204	ROD COIL 6UH	s 4822 158 10101
C246	MKTPHI P 10N 10% 4E 630V	s	2222 369 61103	L205	ROD COIL 6UH	s 4822 158 10101
C247	CERCAP 1N NPO 1206 PM2	s	2222 863 11102	L206	COIL AT4063/68	s 3922 450 04551
C249	X7RPHI P 100N 10% 1206 63V	s	2222 591 16641	L301	COIL BC 15UH 10% 610MA	s 3922 450 04571
C250	X7RPHI P 4N7 10% 1206 63V	s	2222 591 16623	MP	PIN 1 MM PCB	s 3922 450 04711
C251	NP0PHI P 100P 10% 1206 100V	s	2222 863 13101	P201	TRIMMER 3323W 1K	s 2340 100 50102
C252	MKTPHI P 22N 10% 2E 100V	s	2222 370 85223	P202	TRIMMER 3323W 5K	s 2340 100 50502
C253	MKTPHI P 22N 10% 2E 100V	s	2222 370 85223	P203	TRIMMER 3323W 100E	s 2340 100 50101
C260	ELCPHI P 1000U 20% 2E 10V	s	2222 048 64102	P204	TRIMMER 3323W 1K	s 2340 100 50102
C262	NP0PHI P 330P 10% 1206 100V	s	2222 863 13331	P205	TRIMMER 3323W 20K	s 2340 100 50203
C298	CERCAP 22N X7R 1206 PM10	s	2222 591 16632	P206	TRIMMER 3386H 1M	s 2340 100 14105
C299	NPOPHI P 1N 5% 1206 63V	s	2222 863 12102	P208	TRIMMER SMD 3314G 5K	s 2340 100 16502
C301	MKTPHI P 100N 10% 2E 100V	s	2222 370 85104	Q301	TRANSISTOR BF420	s 4822 130 42148

products market with "s" are available as spare part,
other parts are printed for information only.

DEFLECTION BOARD	ORDERING CODE: 3922 450 16311	STATUS:
	REF NR: 3922 450 16311	DATE: 1997-10-01
		SHEET: 1 OF 3

© Philips Digital Video Systems BV, Breda, The Netherlands

alt. code: 900015020321A

SERVICE PARTS LIST						
Item	Description		Code Number	Item	Description	Code Number
Q302	TRANSISTOR BC556 TO92	s	4822 130 40989	R262	RC2PHI P 91K00 1% 1206 S	s 2322 724 59103
R200	RC2PHI P 220E 1% 1206 S	s	2322 724 52201	R263	RC2PHI P 390K 1% 1206	s 2322 724 53904
R201	RC2PHI P 2M2 1% 1206 S	s	2322 724 52205	R264	RC2PHI P 56E 1% 1206	s 2322 724 50561
R202	PR1PHI I 47K 5% 4E C 1W	s	2322 193 13473	R265	RC2PHI P 220K 1% 1206 S	s 2322 724 52204
R203	RC2PHI P 33K 1% 1206 S	s	2322 724 53303	R266	RC2PHI P 33K 1% 1206 S	s 2322 724 53303
R204	RC2PHI P 33K 1% 1206 S	s	2322 724 53303	R268	PR1PHI P 120E 5% 4E C 1W	s 2322 193 13121
R205	PR1PHI P 1K0 5% 4E C 1W	s	2322 193 13102	R269	RC2PHI P 33K 1% 1206 S	s 2322 724 53303
R206	RC2PHI P 2E2 1% 1206	s	2322 724 52208	R270	MRSPHI P 10K00 1% 3E C	s 2322 157 11003
R207	RC2PHI P 2M2 1% 1206 S	s	2322 724 52205	R272	RC2PHI P 330K 1% 1206	s 2322 724 53304
R208	SFRPHI P 1E5 5% 3E C	s	2322 187 73158	R273	RC2PHI P 220K 1% 1206 S	s 2322 724 52204
R209	RC2PHI P 1E 1% 1206	s	2322 724 50011	R274	NFRPHI P 100E 5% 4E NFR25	s 2322 205 13101
R210	MTLRST FLM NFR25 1E PM5	s	4822 052 10108	R275	RC2PHI P 220K 1% 1206 S	s 2322 724 52204
R211	NFRPHI P 100E 5% 4E NFR25	s	2322 205 13101	R276	RC2PHI P 100K0 1% 1206 S	s 2322 724 51004
R212	NFRPHI P 1K2 5% 4E NFR25H	s	2322 207 13122	R277	RC2PHI P 1M 1% 1206 S	s 2322 724 51005
R213	RC2PHI P 220E 1% 1206 S	s	2322 724 52201	R278	RC2PHI P 1E 1% 1206	s 2322 724 50011
R214	RC2PHI P 11K00 1% 1206 S	s	2322 724 51103	R280	RC2PHI P 22K 1% 1206 S	s 2322 724 52203
R215	RC2PHI P 68K 1% 1206 S	s	2322 724 56803	R283	RC2PHI P 2K70 1% 1206 S	s 2322 724 52702
R216	RC2PHI P 100K0 1% 1206 S	s	2322 724 51004	R284	RC2PHI P 22K 1% 1206 S	s 2322 724 52203
R217	RC2PHI P 100K0 1% 1206 S	s	2322 724 51004	R285	RC2PHI P 39K 1% 1206 S	s 2322 724 53903
R218	RC2PHI P 100K0 1% 1206 S	s	2322 724 51004	R287	RC2PHI P 100E 1% 1206	s 2322 724 51001
R219	RC2PHI P 33K 1% 1206 S	s	2322 724 53303	R288	RC2PHI P 100E 1% 1206	s 2322 724 51001
R220	RC2PHI P 560K 1% 1206 S	s	2322 724 55604	R289	NFRPHI P 15E 5% 4E NFR25	s 2322 205 13159
R221	MRSPHI P 1K50 1% 3E C	s	2322 157 11502	R290	MTLGLRST FLM VR25 4M7 PM5	s 4822 053 20475
R222	RC2PHI P 4K70 1% 1206 S	s	2322 724 54702	R291	RC2PHI P 100K0 1% 1206 S	s 2322 724 51004
R223	RC2PHI P 470K 1% 1206	s	2322 724 54704	R292	RC2PHI P 47K 1% 1206 S	s 2322 724 54703
R224	RC2PHI P 10K0 1% 1206 S	s	2322 724 51003	R293	RC2PHI P 510K 1% 1206	s 2322 724 55104
R225	RC2PHI P 100K0 1% 1206 S	s	2322 724 51004	R294	RC2PHI P 680K 1% 1206 S	s 2322 724 56804
R227	RC2PHI P 100E 1% 1206	s	2322 724 51001	R295	RC2PHI P 2M 1% 1206 S	s 2322 724 52005
R228	RC2PHI P 470K 1% 1206	s	2322 724 54704	R296	RC2PHI P 160K 1% 1206 S	s 2322 724 51604
R229	MRSPHI P 180E0 1% 3E C	s	2322 157 11801	R297	RC2PHI P 82K0 1% 1206 S	s 2322 724 58203
R230	RC2PHI P 390E 1% 1206	s	2322 724 53901	R298	RC2PHI P 330K 1% 1206	s 2322 724 53304
R234	MRSPHI P 180E0 1% 3E C	s	2322 157 11801	R299	RC2PHI P 240K0 1% 1206 S	s 2322 724 52404
R235	RC2PHI P 1K5 1206 S	s	2322 724 51502	R302	AB RCR20G272JS 2K7 1/2W	s 2323 111 11272
R236	RC2PHI P 1K00 1% 1206 S	s	2322 724 51002	R303	MTLRST FLM NFR25 5E6 PM5	s 4822 052 10568
R237	RC2PHI P 33K 1% 1206 S	s	2322 724 53303	R305	MRSPHI P 4K30 1% 3E C	s 2322 157 14302
R238	RC2PHI P 4K70 1% 1206 S	s	2322 724 54702	R306	MRSPHI P 4K30 1% 3E C	s 2322 157 14302
R239	RC2PHI P 6E8 1% 1206	s	2322 724 56808	R307	MRSPHI P 820E0 1% 3E C	s 2322 157 18201
R240	MRSPHI P 820E0 1% 3E C	s	2322 157 18201	R308	SFRPHI P 3E3 5% 3E C	s 2322 187 73338
R241	MRSPHI P 270K0 1% 3E C	s	2322 157 12704	R350	RC2PHI P 22E 1% 1206	s 2322 724 50221
R243	RC2PHI P 39K 1% 1206 S	s	2322 724 53903	R351	RC2PHI P 10K0 1% 1206 S	s 2322 724 51003
R244	RC2PHI P 12K00 1% 1206 S	s	2322 724 51203	T201	TRAPHI P SMSIG SOT 2 1206	s 4822 130 42614
R248	MTLGLRST FLM VR25 2M2 PM5	s	4822 053 20225	T202	TRANSISTOR BSV52	s 3922 450 16241
R249	VR PHI P 820K 5% 4E VR25	s	2322 241 13824	T203	TRANSISTOR BSV52	s 3922 450 16241
R250	PR1PHI I 330K 5% 4E C 1W	s	2322 193 13334	T204	POWERFET	s 5322 130 62264
R251	RC2PHI P 5K10 1% 1206 S	s	2322 724 55102	T205	POWERFET	s 5322 130 62264
R252	RC2PHI P 6K80 1% 1206 S	s	2322 724 56802	T206	POWERFET	s 5322 130 62264
R253	MRSPHI P 22K00 1% 3E C	s	2322 157 12203	T208	TRANSISTOR BUX87	s 3922 450 16251
R254	RC2PHI P 100K0 1% 1206 S	s	2322 724 51004	T209	TRANSISTOR BS170	s 4822 130 41937
R255	RC2PHI P 10K0 1% 1206 S	s	2322 724 51003	T210	TRAPHI P SMSIG SOT 2 1206	s 4822 130 42614
R256	RC2PHI P 33K 1% 1206 S	s	2322 724 53303	T211	FETPHI P SWITCH SOT23 S	s 5322 130 60803
R257	MRSPHI P 150E0 1% 3E C	s	2322 157 11501	T212	TRAPHI P SMSIG SOT 2 1206	s 4822 130 42614
R258	RC2PHI P 100K0 1% 1206 S	s	2322 724 51004	T213	FETPHI P SWITCH SOT23 S	s 5322 130 60803
R259	RC2PHI P 330K 1% 1206	s	2322 724 53304	T214	TRAPHI P POWER T0220 C	s 3922 450 05181
R260	RC2PHI P 100K0 1% 1206 S	s	2322 724 51004	T215	TRAPHI P SMSIG T092C PNP	s 4822 130 42149
R261	RC2PHI P 91K00 1% 1206 S	s	2322 724 59103	T217	TRAPHI P SMSIG SOT 2 1206	s 4822 130 42614

products market with "s" are available as spare part,
other parts are printed for information only.

DEFLECTION BOARD	ORDERING CODE: 3922 450 16311	STATUS:
	REF NR: 3922 450 16311	DATE: 1997-10-01
		SHEET: 2 OF 3

© Philips Digital Video Systems BV, Breda, The Netherlands

alt. code: 900015020321A

SERVICE PARTS LIST		
<i>Item</i>	<i>Description</i>	<i>Code Number</i>
T218	TRAPHI P SMSIG SOT 2 1206	s 4822 130 42614
T219	TRAPHI P SMSIG SOT 23 S	s 5322 130 60123
T220	TRANSISTOR VN2406L	s 3922 450 05311
T221	TRAPHI P SMSIG T092 C	s 5322 130 44864
T223	TRAPHI P SMSIG SOT 23 S	s 5322 130 62802
T224	TRAPHI P SMSIG SOT 23 S	s 5322 130 62802
T225	TRAPHI P SMSIG SOT 23 S	s 5322 130 60159
T226	TRAPHI P SMSIG SOT 23 S	s 5322 130 60159
T227	FETPHI P SWITCH SOT23 S	s 5322 130 63289
T230	TRAPHI P SMSIG SOT 23 S	s 4822 130 60516
TR201	EHT TRANSFORMER	s 3922 450 04841

products marked with "s" are available as spare part,
other parts are printed for information only.

DEFLECTION BOARD	ORDERING CODE: 3922 450 16311	STATUS:
	REF NR: 3922 450 16311	DATE: 1997-10-01
© Philips Digital Video Systems BV, Breda, The Netherlands		SHEET: 3 OF 3

alt. code: 900015020321A

