

Watch Movement Specification and Drawing

MULTI - FUNCTION

Cal. VX7PE

Movement Size

12 3/4'''

Casing Diameter

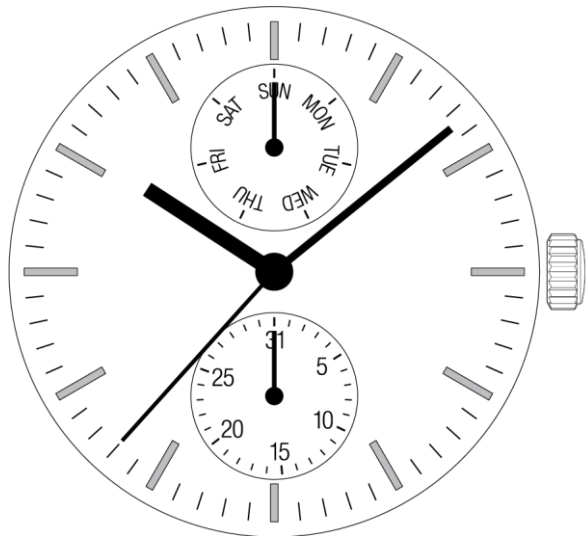
Ø 28.6mm

Height

3.99mm

Battery Life

3 years



Date: 18/Sep./'20

Cal. VX7PE

Items	Rev.	Page
Specifications	02	1
Appearance	02	2
Casing	02	3
Hand fitting	03	4
Hand setting stem	02	5
Dial	01	6
Casing ring	01	7
Operation	03	8

**Analog Quartz 12 3/4" Movement / 3 hands (H/M/S) and 2 eyes
with Day / Date indicators**

1. MOVEMENT DIMENSIONS

Outside diameter	$\phi 29.50\text{mm} \times 26.00\text{mm}(3\text{-}9\text{H}) \times 29.36\text{mm}(12\text{-}6\text{H})$
Casing diameter	$\phi 28.60\text{mm} \times 25.60\text{mm}(3\text{-}9\text{H}) \times 28.60\text{mm}(12\text{-}6\text{H})$
Total height	3.99mm (including battery)

2. TIME STANDARD

Type of quartz oscillator	Tuning fork
Frequency of quartz oscillator	32,768 Hz
Accuracy	± 20 seconds per month (on wrist)
Operating temperature range	-5°C to $+50^{\circ}\text{C}$
Regulation device	Nil (Pre-adjusted)

3. INDICATOR / FUNCTIONS

3 Hands	Hour / Minute / Second
2 Small hands	Day(12H) / Date(6H)
Reset switch	
Setting mechanism	Crown at normal position : Free
	Crown pulled out 1st click : Instant date change
	Crown pulled out 2nd click : Time setting (Day change) / Reset

4. FEATURES

Jewels	0 Jewels
Anti-magnetism	Over 1600A/m (Direct current magnetic field)
Maximum unbalance of hands	Second hand : $0.1 \mu \text{N}\cdot\text{m}$
	Minute hand : $0.9 \mu \text{N}\cdot\text{m}$
	Hour hand : $0.9 \mu \text{N}\cdot\text{m}$

5. BATTERY

Type / Size	Silver oxide battery / $\phi 9.5\text{mm} \times t 2.7\text{mm}$
Recommended battery	SR927SW (Maxell, Murata, Seizaiken)
Nominal voltage	1.55 V
Battery life	Approx. 3 years
Driving current consumption	Approx. $2.1 \mu \text{A}$
Operation stopping voltage	1.2 V

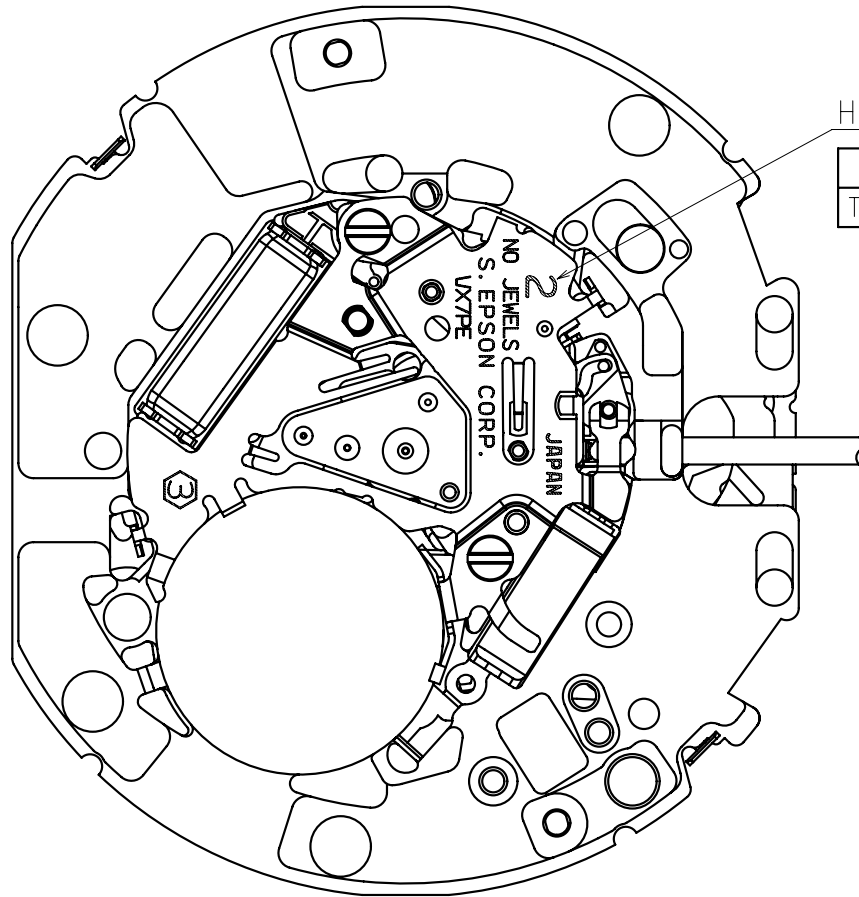
6. SEPARATED PARTS (Parts code)

Hand setting stem	0351578 or 0351177
Battery	SR927SW

7. TEST OF ACCURACY

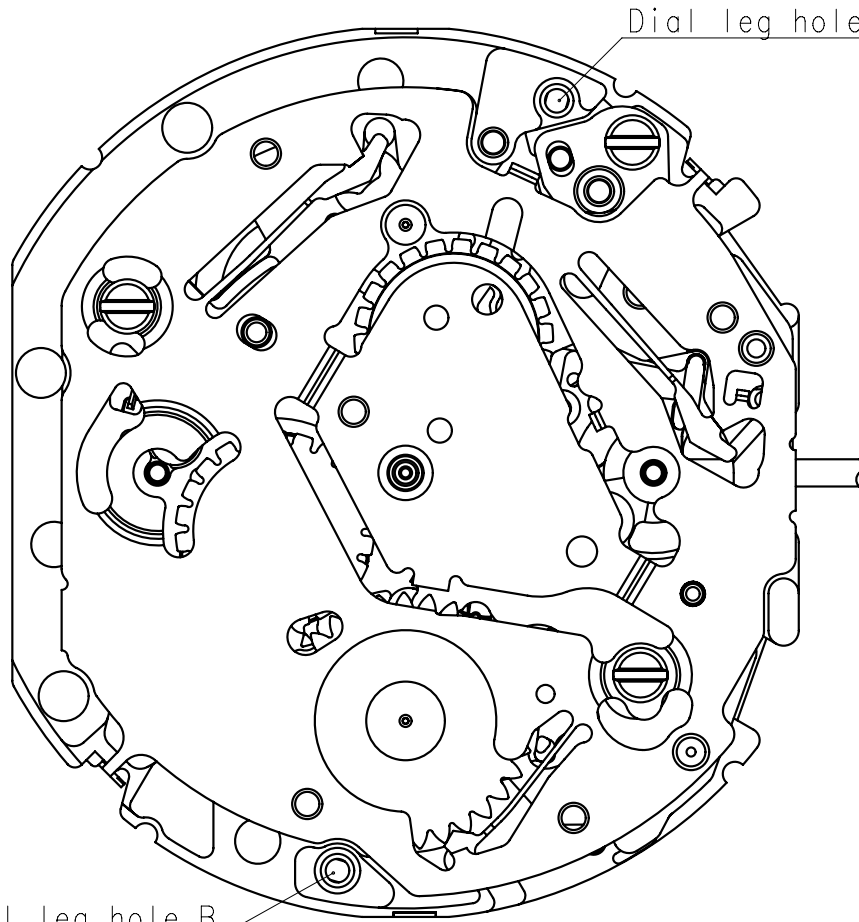
Equipment to be used	SEIKO quartz tester QT-99, Greiner quartz timer-C , Witschi Q-tester 4000
Duration of measurement	10 seconds
Microphone to be used	Electromagnetic detection type

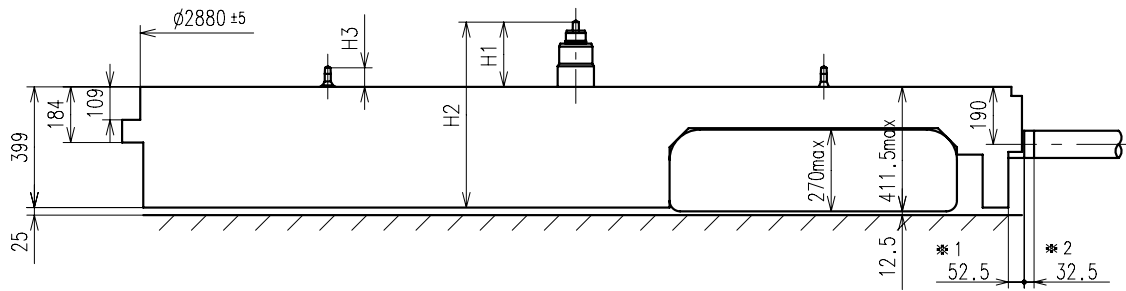
All specifications are subject to change without notice.



Hands type

	Mark
Type M	2

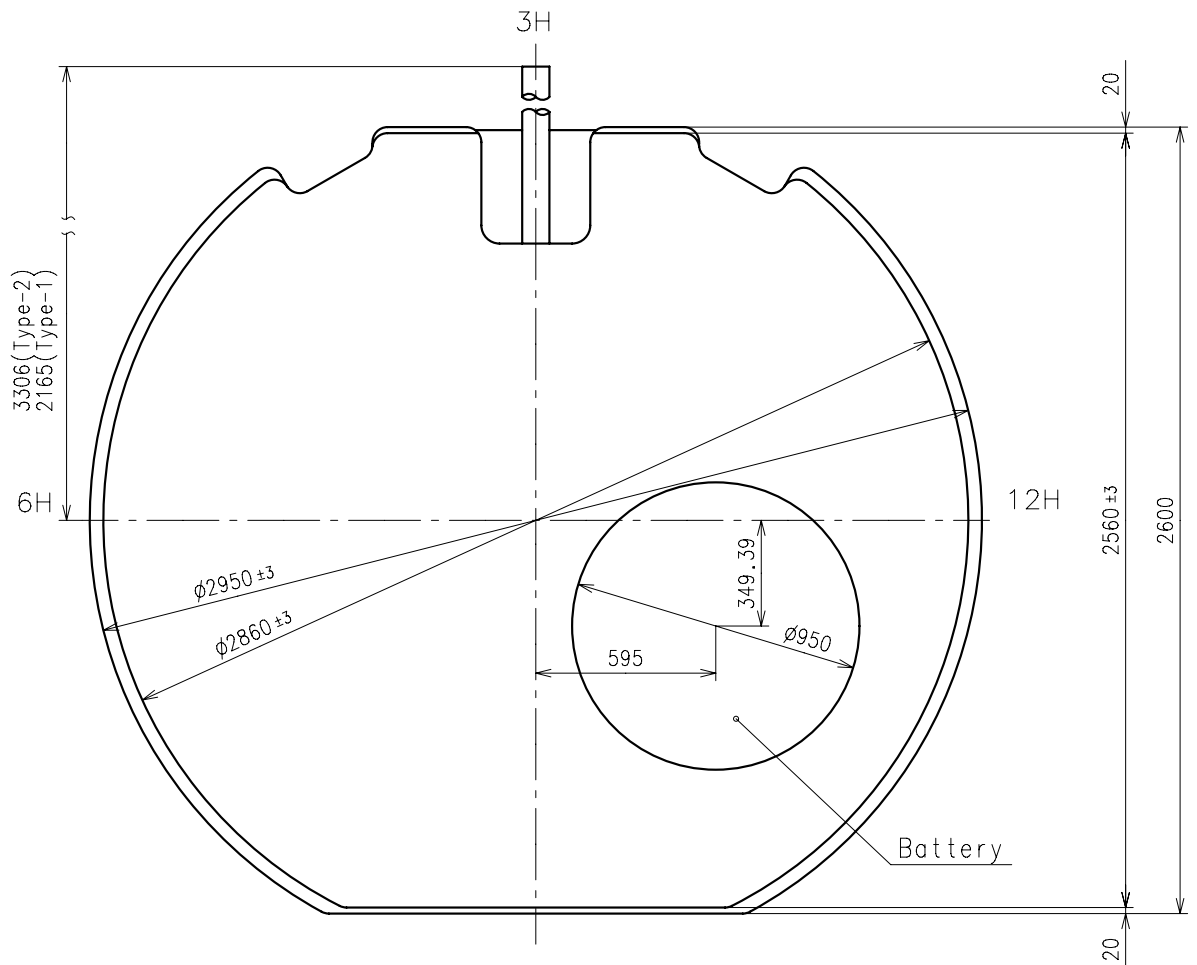




Center post		Type M (2) VX7PE**
Maximum height from dial support	H1	214
Total height including movement	H2	613
Maximum height from dial support	H3	63

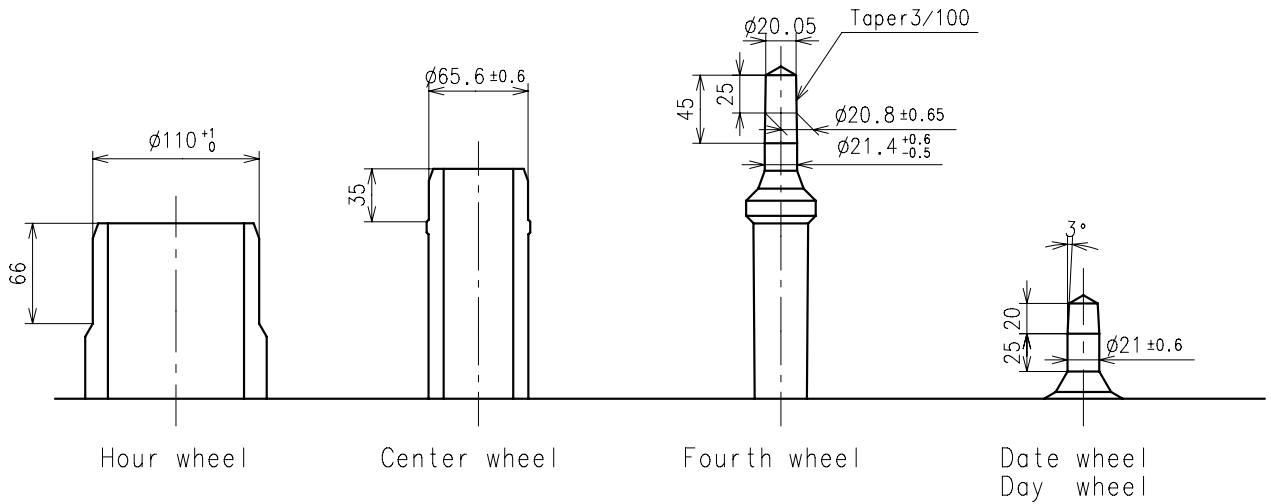
*1:First pullout stroke

*2:Second pullout stroke

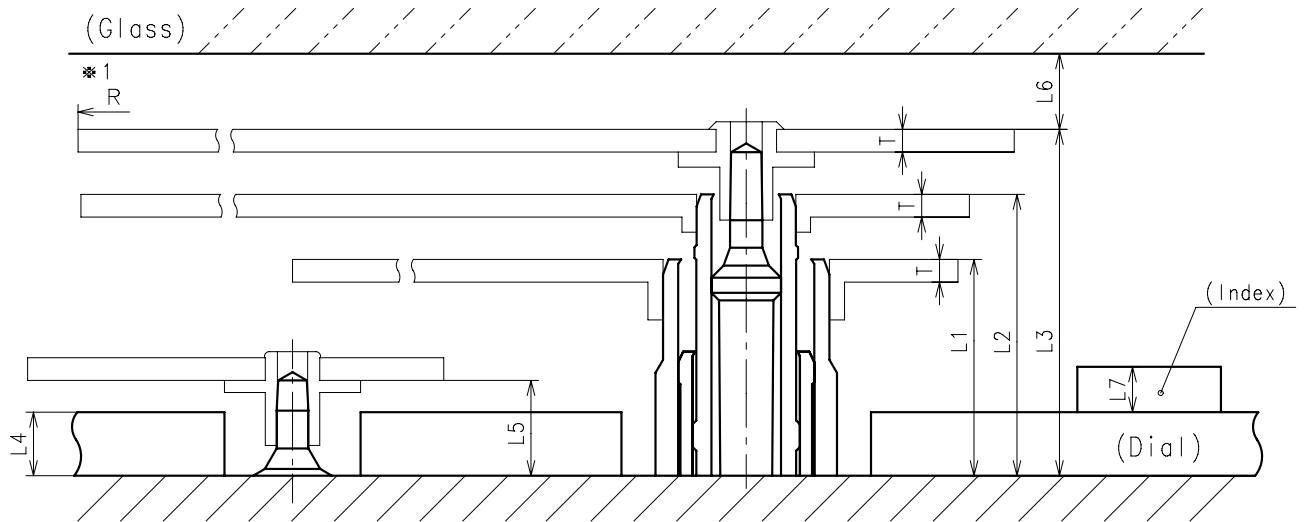


※ Unbalance

- Hour hand $\leq 0.9\mu \text{ N} \cdot \text{m}$ ($90\mu \text{ g} \cdot \text{m}$)
- Minute hand $\leq 0.9\mu \text{ N} \cdot \text{m}$ ($90\mu \text{ g} \cdot \text{m}$)
- Second hand $\leq 0.1\mu \text{ N} \cdot \text{m}$ ($10\mu \text{ g} \cdot \text{m}$)

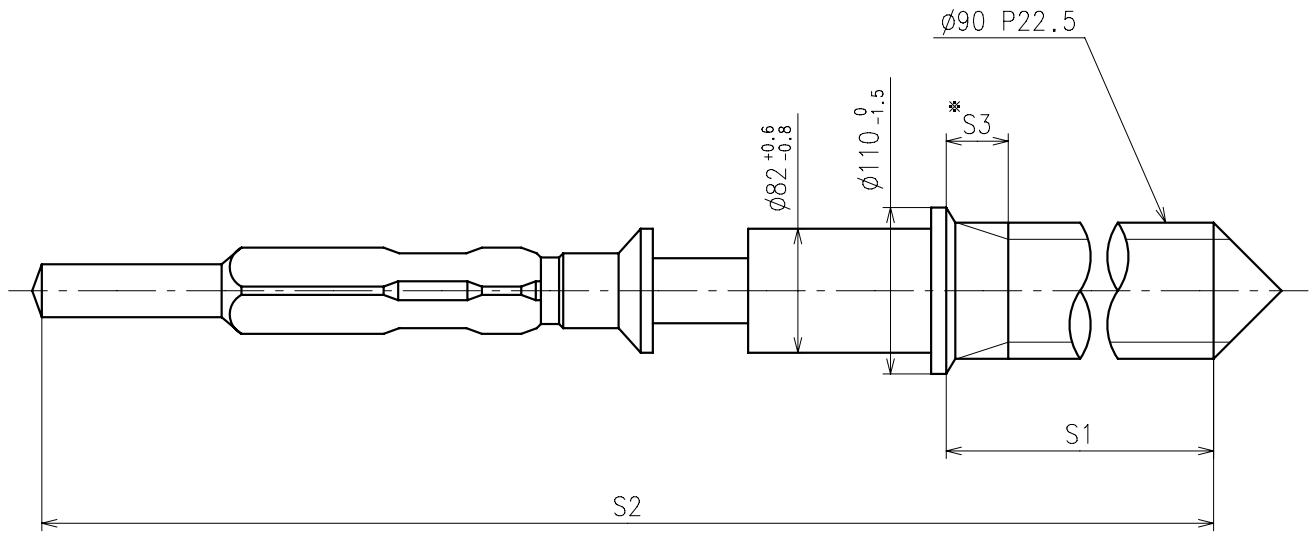


	Parts No.				
	Hour wheel	Center wheel	Fourth wheel	Date wheel	Day wheel
Type M (2) VX7PE**	0271658	0221602	0241559	0970503	1002546



	L1	L2	L3	L4	L5	L6	L7	T	*1 R
Type M (2) VX7PE**	143	186	229	40	63	MIN: 50	MAX: 50	15	MAX: 1250

※ 1: It is the size taken into consideration for hands attachment.
Please observe some standard value specified in unbalance when using long hands.

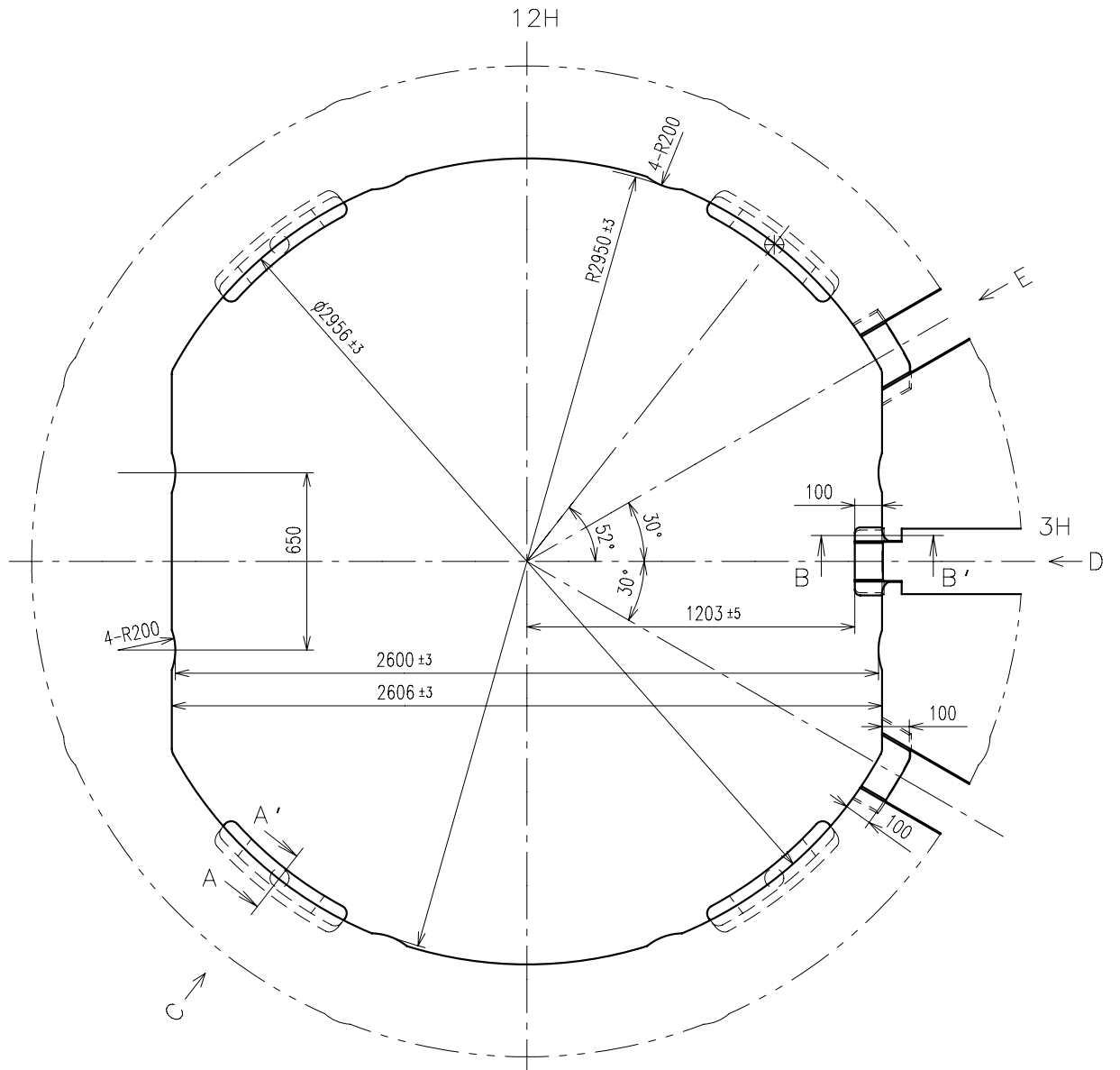


※ Not threaded

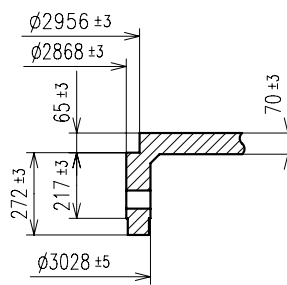
	Part No.	S1	S2	※ S3
Type-1	0351177	1366	1964	60
Type-2 (Standard)	0351578	2507	3105	650

Material : Steel

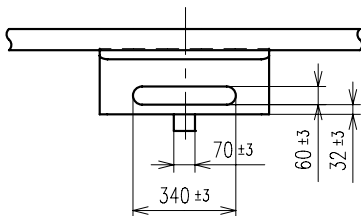
Hardness : Vickers 600±50



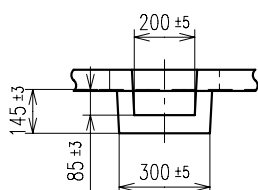
A-A' section



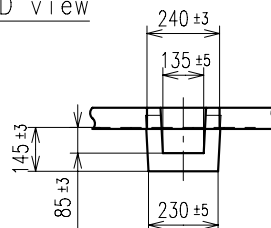
C view



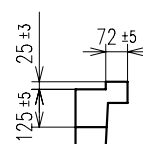
E view

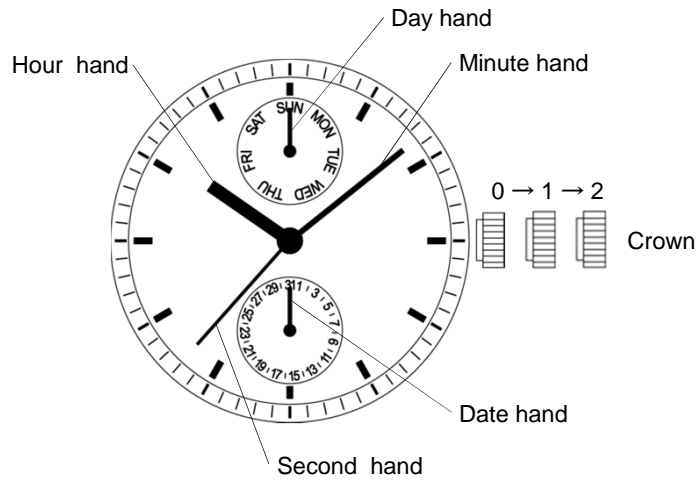


D view



B-B' section





		Crown position		
		0 click	1st click	2nd click
Crown		Free	Turn counterclockwise for date change	Time setting (Day change)

* Do not set the day and date between 9:00 PM and 4:00 AM. Otherwise, the day and date may not change properly.