

DATA SHEET

Premium Efficiency Motor: **PEWWE500-12-586/7UZ**

60 Hz

WorldWide Electric Corporation

1 (800) 808-2131

Worldwideelectric.net



Document Generated: 15-Feb-2023

Document ID:

Customer:

MOTOR INFORMATION

| | |
|-------------------------|-----------------------------|
| HP | 500 |
| RPM | 1200 |
| Phase | 3 |
| Frequency | 60 Hz |
| Voltage | 460 V |
| Frame Size | 586/7UZ |
| Enclosure | TEFC |
| Degree of Protection | IP55 |
| Service Factor | 1.00 |
| Poles | 6 |
| Full Load Speed | 1190 |
| Insulation Class | F |
| Temp Rise | 80°C |
| NEMA Code Letter | G |
| Duty Cycle | S1 / Continuous |
| Slip | 0.83% |
| NEMA Design | B |
| Moment of Inertia | 303 lb.ft.^2 |
| Locked Rotor Time (Hot) | 15 seconds |
| Sound Pressure Level | 90 dB(A) |
| Number of Starts | 2 Cold/ 1 Hot |
| Max Ambient Temperature | 40°C |
| Max Elevation | 1000 m.a.s.l (3300 f.a.s.l) |
| Mounting | F1 |
| Rotation | Bi-Directional |
| Area of Classification | - |
| Inverter Rating | 3:1 CT / 6:1 VT PWM Type |
| Standard | NEMA MG-1 |
| Approvals | CSA-US, CE |

EFFICIENCY/POWER FACTOR

| LOAD | EFF | P. F. |
|------|--------|-------|
| 100% | 95.8 % | 0.87 |
| 75% | 95.9 % | 0.85 |
| 50% | 95.7 % | 0.78 |

TORQUE

| FULL LOAD | LRT | BDT |
|-------------|-------|-------|
| 2206 lb.ft. | 200 % | 250 % |

AMPERAGE INFORMATION

| | 230V | 460V |
|-------------------|------|-------|
| Full Load Amps | --A | 562A |
| Locked Rotor Amps | --A | 3625A |
| No Load Current | --A | 174A |
| Usable at 208V | --A | |

BEARING INFORMATION

| | |
|-------------------------|------------|
| DE Bearing | NU326 C3 |
| ODE Bearing | 6324 C3 |
| Grease Type | SKF LGHP 2 |
| DE Regreasing Interval | 1500 Hours |
| ODE Regreasing Interval | 2200 Hours |

ADDITIONAL DATA

| | |
|--------------------|-------------------|
| F2 Suitable | No |
| Shaft Material | 4140 Carbon Steel |
| Connection Diagram | 460 V - 6 Lead Δ |
| Approximate Weight | 4740 lbs. |

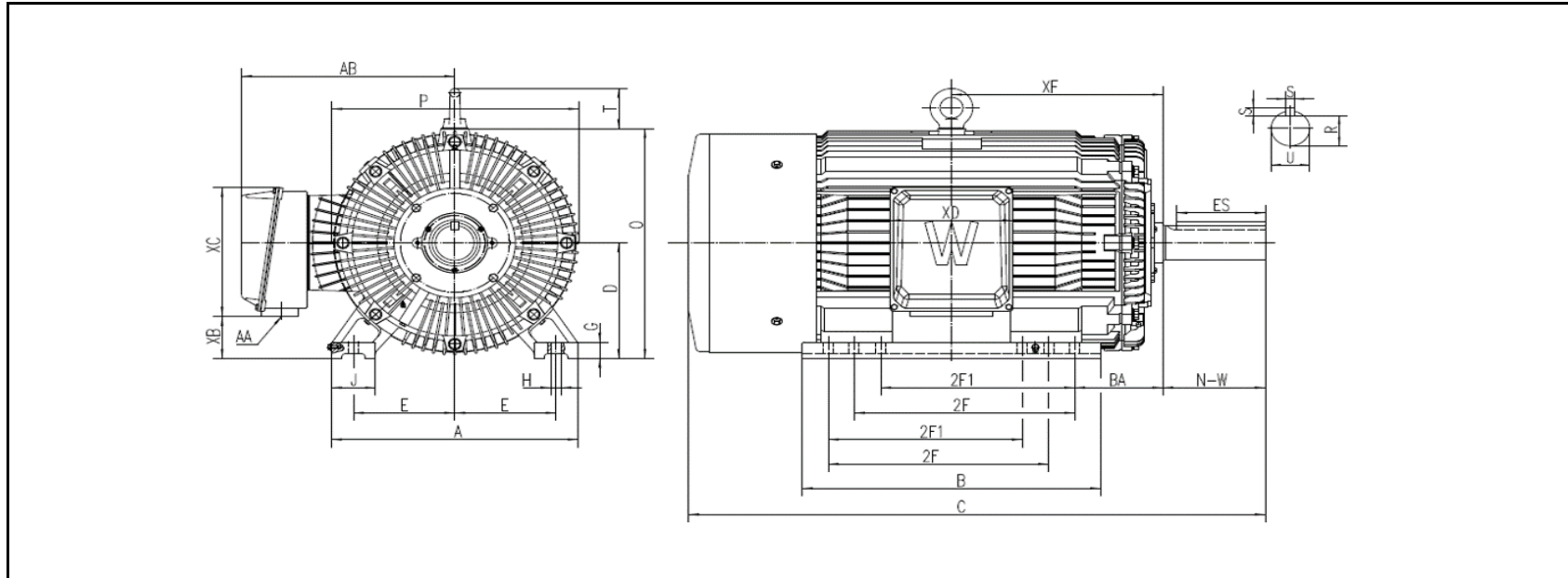
MOTOR DRAWING

Premium Efficiency Motor: **PEWWE500-12-586/7UZ**

WorldWide Electric Corporation

1 (800) 808-2131

Worldwideelectric.net



DIMENSION - INCHES

| MOUNTING | | | | | A | B | C | D | G | J | P | O | T | AB |
|----------|-----|----|-------|----|--------|--------|--------|------|-------|---|--------|-------|------|--------|
| E | 2F1 | 2F | H | BA | | | | | | | | | | |
| 11.5 | 22 | 25 | 1.125 | 10 | 27.992 | 33.858 | 65.444 | 14.5 | 2.047 | 5 | 28.011 | 28.87 | 5.02 | 24.212 |

| SHAFT & KEY | | | | |
|-------------|----|-------|--------|-------|
| S | ES | R | N-W | U |
| 1 | 10 | 3.817 | 11.625 | 4.375 |

| TERMINAL BOX | | | | |
|--------------|-------|--------|--------|--------|
| AA | XB | XC | XD | XF |
| 2 X 3 | 5.287 | 16.158 | 13.937 | 23.976 |

PERFORMANCE CURVES

WorldWide Electric Corporation

1 (800) 808-2131

Worldwideelectric.net



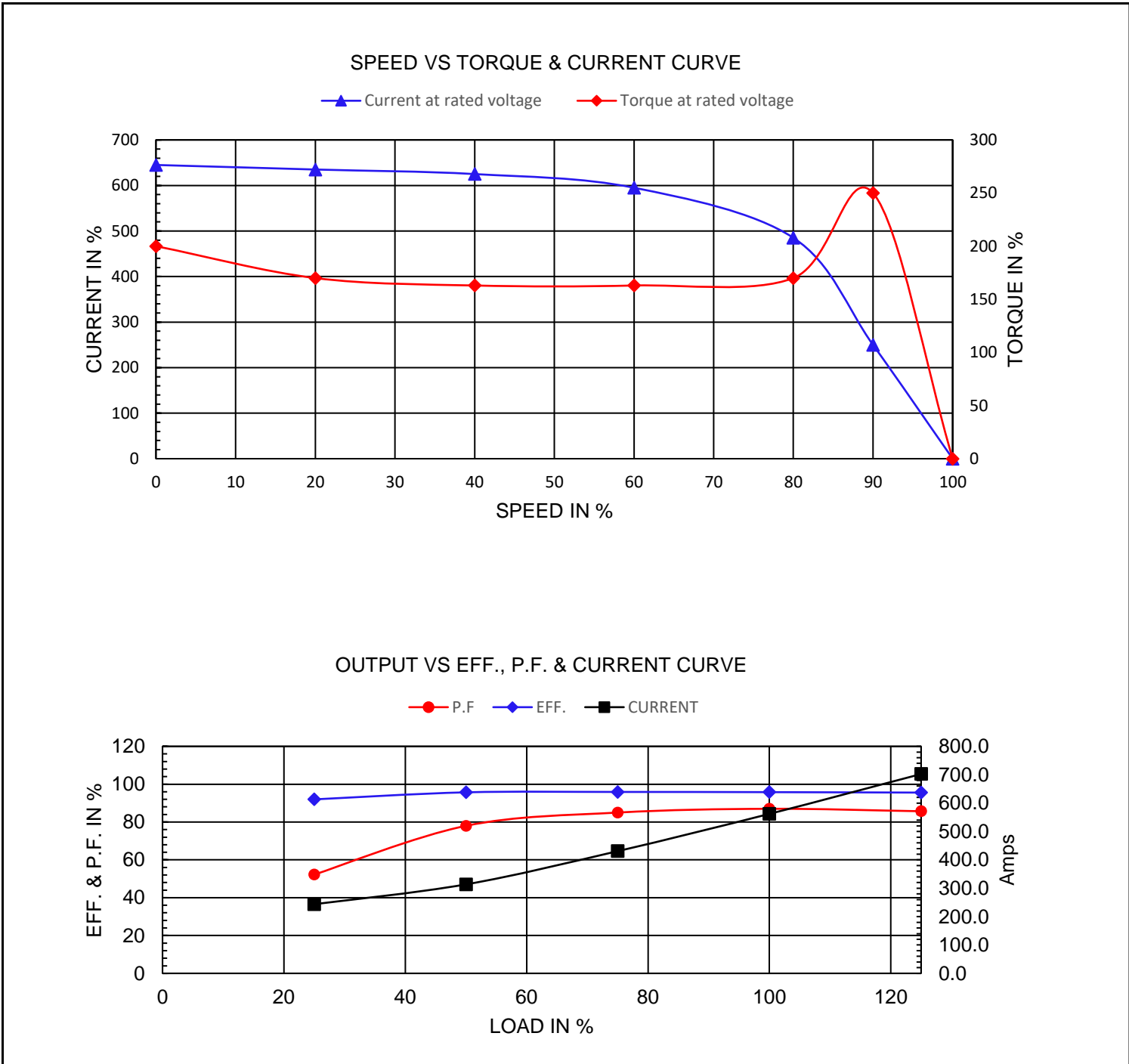
Premium Efficiency Motor:

PEWWE500-12-586/7UZ

Document Generated: 15-Feb-2023
Document ID:

Customer:

| | | | | | |
|--------------------|-------------|--|------------|------|--------------------|
| Motor Type | PEWWE | | FL Speed | 1190 | |
| Output Rating (HP) | 500 | | LRT (%FLT) | 200 | 460 volt FLA 562 A |
| Full Load Torque | 2206 lb.ft | | BDT (%FLT) | 250 | 230 volt FLA -- A |
| Rotor Wk^2 | 303 lb-ft^2 | | | | |



NAMEPLATE / WIRING

WorldWide Electric Corporation

1 (800) 808-2131

Worldwideelectric.net



Premium Efficiency Motor:

PEWWE500-12-586/7UZ

Document Generated: 15-Feb-2023
Document ID:

Customer:

SAMPLE NAMEPLATE DATA

| | | | | | | | | | |
|---------------------------------------|----|---------------------|---|--------------------------------|---------|---------|-------------|-----|-------|
| | | NEMA Premium | | 3-PHASE INDUCTION MOTOR | | 259277 | | | |
| Model | | Ser No. | | Connection | | | | | |
| HP | | S.F. | | IP | | Encl | | | |
| Frame | | P.F. | | Code | | Type | | | |
| Voltage | | Hz | | Ins Cl | | Rating | °C Amb Cont | | |
| Amps | | RPM | | Design | | Date | | | |
| Nom.Eff. | FL | % 3/4 | % | V | 10:1 CT | 20:1 VT | PWM | VFD | 1.0SF |
| Class I DIV. 2 Groups A B C D | | | | Amb.40°C | | | | | |
| DE Brng | | | | Grease type: LGHP 2 | | | | | |
| ODE Brng | | | | (compatible with polyrex) | | | | | |
| WorldWide Electric Corporation | | | | | | | | | |

| | | | | | | | | | |
|----------|---------------------|-------|-------|--------|------------------|-------------------------|------|--|--|
| Model | PEWWE500-12-586/7UZ | | | | | | | | |
| HP | 500 | S.F. | 1 | IP | IP55 | Encl | TEFC | | |
| Frame | 586/7UZ | P.F. | 0.87 | Code | G | Type | | | |
| Voltage | 460 V | Hz | 60 Hz | Ins Cl | F | Ambient | 40°C | | |
| Amps | 562 | RPM | 1190 | Design | B | DE Brng NU326 C3 | | | |
| Nom.Eff. | FL | 95.8% | 3/4 | 95.9% | ODE Brng 6324 C3 | | | | |
| | | | | | | Grease type: SKF LGHP 2 | | | |
| 50Hz | -- | HP | -- | -- | A | -- rpm | | | |