

electronics today

FEBRUARY 1980

INTERNATIONAL

60p



Modular Synthesiser Multi-Option Constructional Design

CMOS 555 Circuits Major Experimenters Feature



Active Filter Signal Tracer Casio FX502P



TRANSCENDENT 2000 SINGLE BOARD SYNTHESIZER

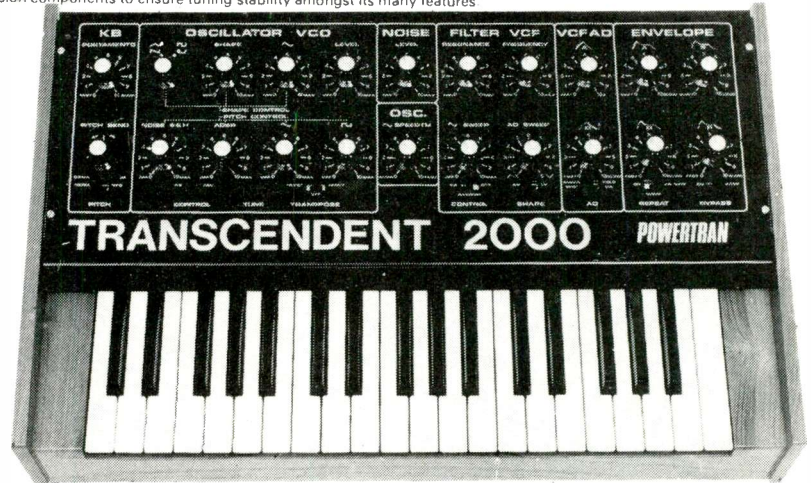
LIVE PERFORMANCE SYNTHESIZER DESIGNED BY CONSULTANT TIM ORR (FORMERLY SYNTHESIZER DESIGNER FOR EMS LIMITED) AND FEATURED AS A CONSTRUCTIONAL ARTICLE IN ELECTRONICS TODAY INTERNATIONAL.

The TRANSCENDENT 2000 is a 3 octave instrument transposable 2 octaves up or down giving an affective 7 octave range. There is portamento, pitch bending, a VCO with shape and pitch modulation, a VCF with both low and high pass outputs and a separate dynamic sweep control, a noise generator and an ADSR envelope shaper. There is also a slow oscillator, a new pitch detector, ADSR repeat, sample and hold, and special circuitry with precision components to ensure tuning stability amongst its many features. The kit includes fully finished metalwork, fully assembled solid teak cabinet, filter sweep pedal, professional quality components (all resistors either 2% metal oxide or 1/2% metal trim!) and it really is complete — right down to the last nut and bolt and last piece of wire! There is even a 13A plug in the kit — you need buy absolutely no more parts before plugging in and making great music! Virtually all the components are on the one professional quality fibreglass PCB printed with component locations. All the controls mount directly on the main board, all connections to the board are made with connector plugs and construction is so simple it can be built easily in a few evenings by almost anyone capable of neat soldering! When finished you will possess a synthesizer comparable in performance and quality with ready-built units selling for between £500 and £700!

**COMPLETE KIT
ONLY
£168.50 + VAT!**

Comprehensive handbook supplied with all complete kits! This fully describes construction and tells you how to set up your synthesizer with nothing more elaborate than a multi-meter and a pair of ears!

**WE'VE MOVED!
NEW FACTORY UP!
PRICES DOWN!**



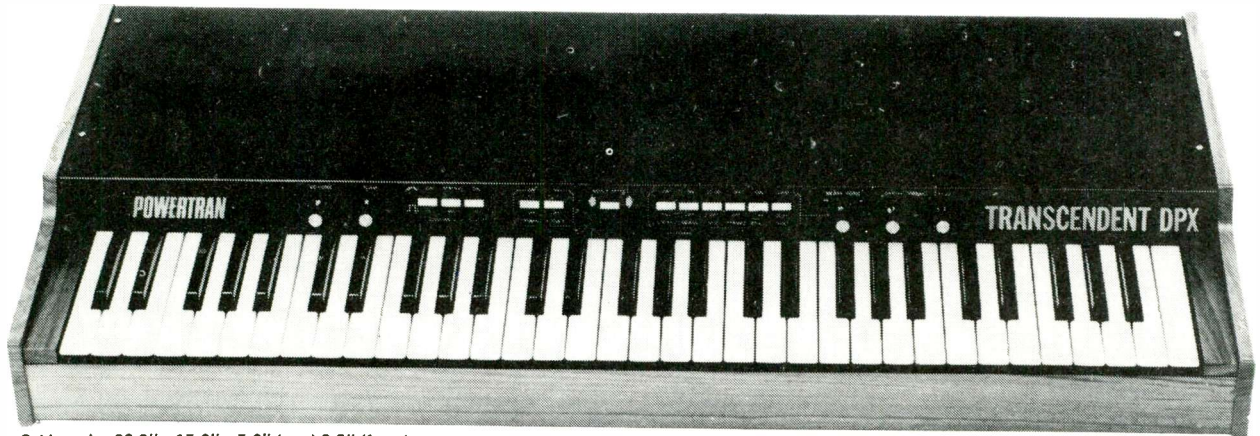
Cabinet size 24.6" x 15.7" x 4.8" (rear) 3.4" (front)

**INCREASED CAPACITY AT OUR BIG NEW FACTORY
MEANS MANY PRICES DOWN! ALL OTHERS FROZEN!**

TRANSCENDENT DPX

DIGITALLY CONTROLLED, TOUCH SENSITIVE, POLYPHONIC, MULTI-VOICE SYNTHESIZER

The Transcendent DPX is a really versatile new 5 octave keyboard instrument. There are two audio outputs which can be used simultaneously. On the first there is a beautiful harpsichord or reed sound — fully polyphonic i.e. you can play chords with as many notes as you like. On the second output there is a wide range of different voices, still fully polyphonic. It can be a straightforward piano or a honky tonk piano or even a mixture of the two! Alternatively you can play strings over the whole range of the keyboard or brass over the whole range of the keyboard or should you prefer — strings on the top of the keyboard and brass at the lower end (the keyboard is electronically split after the first two octaves) or vice versa or even a combination of strings and brass sounds simultaneously. And on all voices you can switch in circuitry to make the keyboard touch sensitive! The harder you press down a key the louder it sounds — just like an acoustic piano. The digitally controlled multiplexed system makes practical touch sensitivity with the complex dynamics law necessary for a high degree of realism. There is a master volume and tone control, a separate control for the brass sounds and also a vibrato circuit with variable depth control together with a variable delay control so that the vibrato comes in only after waiting a short time after the note is struck for even more realistic string sounds.



Cabinet size 36.3" x 15.0" x 5.0" (rear) 3.3" (front)

COMPLETE KIT ONLY £299.00 + VAT!

To add interest to the sounds and make them more natural there is a chorus/ensemble unit which is a complex phasing system using CCD (charge coupled device) analogue delay lines. The overall effect of this is similar to that of several acoustic instruments playing the same piece of music. The ensemble circuitry can be switched in with either strong or mild effects.

As the system is based on digital circuitry digital data can be easily taken to and from a computer (for storing and playing back accompaniments with or without pitch or key change, computer composing etc.) and an interface socket (25 way D type) is provided for this purpose.

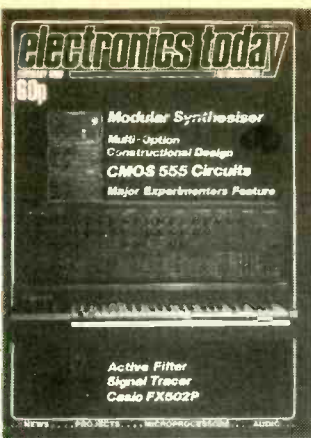
Although the DPX is an advanced design using a very large amount of circuitry, much of it is very sophisticated, the kit is mechanically extremely simple with excellent access to all the circuit boards which interconnect with multiway connectors, just four of which are removed to separate the keyboard circuitry and the panel circuitry from the main circuitry in the cabinet.

The kit includes fully finished metalwork, solid teak cabinet, professional quality components (all resistors 2% metal oxide) nuts, bolts, etc. even a 13A plug — you need buy absolutely no more parts before plugging in and making great music! When finished you will possess an instrument comparable in performance and quality with ready-built units selling for over £1,200!

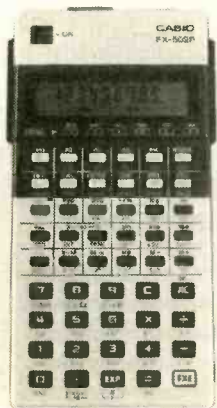
POWERTRAN

**ORDERING INFORMATION
AND MORE KITS ON PAGE 8**

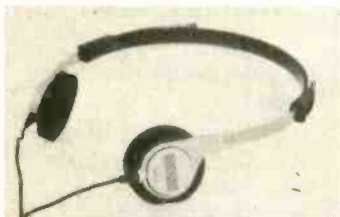
All kits also available as separate packs (e.g. P.C.B., component sets, hardware sets, etc.)
Prices in FREE CATALOGUE



synth a module p.62



button box p.23



evolution sound p.84

electronics today

FEBRUARY 1980 Vol. 9 No. 2 INTERNATIONAL

FEATURES

NEWS DIGEST	9	Find out first — here
ROBOT PIN-UPS!	19	Riveting beauty?
CASIO FX502P	23	Button up with this
BUGGED BY HUM?	32	Don't let it drive you loopy
CMOS 555	44	Timer to do it better?
RAVEN ON	57	Lies and distractions!
DESIGNERS NOTEBOOK	74	Revolutionary robotics
AUDIOPHILE	84	Has a head start
MICROFILE	90	Micro-goodies
TECH-TIPS	93	Entirely your own fault
PCB FOIL PATTERNS	99	Where you can find them

PROJECTS

2M POWER AMP	27	VMOS rules OK?
HILO FILTER	39	If it offends — cut it
COIN TOSS	51	Make a noisy decision
MODULAR SYNTHESISER	62	Everything two ways
TUNING FORK	79	For sharp thinkers

INFORMATION

BOOK SERVICE	21	Fine fine print
MARKETPLACE	31	Special offers in time
SPECIALS	42	A superb new special from ETI
BINDERS	48	Wrap 'em up
SUBSCRIPTIONS	55	Don't miss a word
HOBBY NEXT TIME	61	Lots of goodies
ETI MARCH	73	What we're up to
COMPUTING TODAY	83	Computers awake!
ETIPRINTS	89	Do it the easy way

INTERNATIONAL EDITIONS

ALIA Collyn Rivers
 Publisher
 Roger Harrison
 Acting Editor

D Anton Kriegsman
 Editor-in-Chief

Graham Wideman
 Editor

Udo Wittig
 Editor



EDITORIAL AND ADVERTISEMENT OFFICE
 145 Charing Cross Road, London WC2H 8DEE. Telephone 01-437 1002/3/4/5

Ron Harris, B.Sc	Editor
Ian Graham B.Sc	Editorial Assistant
Diego M. Rincon	Art Director
Dee Camilleri	Production
Paul Edwards, Tony Strakas	Technical Illustrators
Joanne Barseghian	
Ray Marston	Project Editor
Keith Brindley, John Fitzgerald	Project Engineer
Steve Ramsahadeo	Project Development
Margaret Hewitt	Administration
Lorraine Stout	Editorial Secretary
Christopher Surgenor (Manager)	Advertising
Sandie Neville	Ad. Production
Steve Rowe	Ad. Representative
Halvor Moorshead	Editorial Director

PUBLISHED BY
 DISTRIBUTED BY
 PRINTED BY

Modmags Ltd., 145 Charing Cross Road
 Argus Distribution Ltd. (British Isles)
 Gordon & Gotch Ltd. (Overseas)
 QB Limited, Colchester

Electronics Today International is normally published on the first Friday of the month prior to the cover date

COPYRIGHT: All material is subject to world wide Copyright protection. All reasonable care is taken in the preparation of the magazine to ensure accuracy but ETI cannot be held responsible for it legally. Where errors do occur a correction will be published as soon as possible afterwards.

Quartz Melody Multi-Alarm Chrono For 1980 Try this 34 Function

for only £ 19.95

★
**GUARANTEED
SAME DAY
DISPATCH**
★

Count-down Timer



Can be used for a host of applications from boiling an egg to warning you your parking meter is expired.

The timer is presettable to 23 hours 59 mins. 00 secs. in 1 min. steps and counts down in 1 sec. steps. It operates quite independently of the other counters and the watch can be in any other mode whilst it is being used.

At the preset time the musical tone will sound for 1 minute.

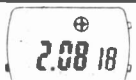
Alarm



The alarm can be set at 1 minute intervals to any time within the 24 hour period.

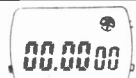
A clear firm musical tone sounds for 1 minute at the appointed time. An automatic roll-over to the normal time is a feature after the alarm has been read. A clear indicator displays whether the alarm is set or not.

Time Zone



The time zone enables you to tell the time in two places at once. It can be useful on holiday or business trips. Just programme the second time zone and it will be permanently recorded for your easy reference.

Chronograph

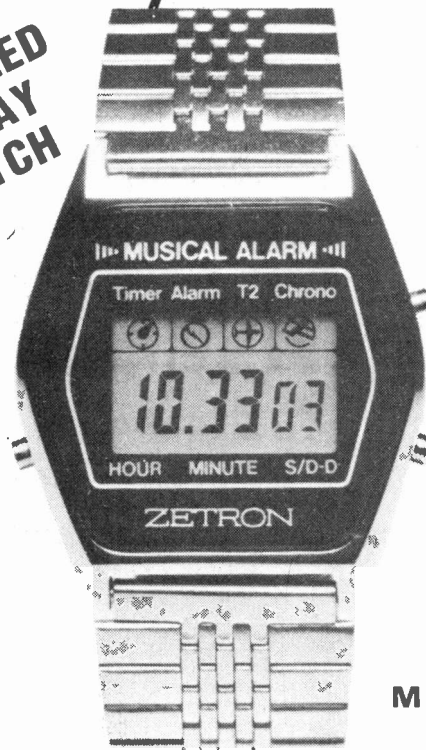


This watch incorporates a sophisticated and very accurate stop/start counter which has many applications in sporting events and timing for recordings etc.

Mode 1: Is the normal stop-watch mode. Stop-Start-Zero

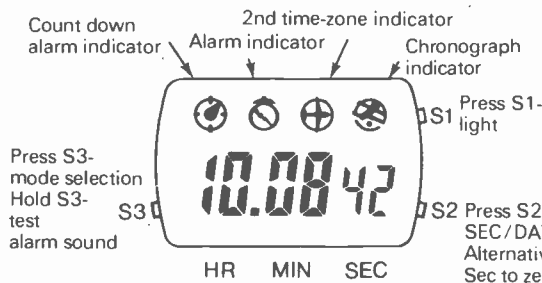
Mode 2: The lap timer enables first and second past the post times to be recorded. The display is frozen but the counter continues to count.

Mode 3: Longer timing intervals, such as journey times, can be recorded whilst the watch is reading its normal time, or the count-down is being used. The counter counts to 1 hour in 1/100 sec. steps in all its modes.



MODEL M30

Display Format (NORMAL TIME DISPLAY)



5 independent working modes

- i) Normal watch
- ii) Count down alarm
- iii) Alarm
- iv) Dual time zone
- v) 1/100 sec. chronograph

Display indicators (not all shown)

A very impressive new watch at a superbly low price from Metac. This super slim watch is only 7mm thick (that's thinner than most mechanical tick-tocks), but its micro-processor heart packs 34 different features.

In addition to those listed on the left the watch can display the day of the week in French or German or English (just select the one that suits you).

It has fast and slow setting rates for the counter and the alarm as well as the normal time setting.

There are 7 display indicators, 6 digits and a back light for night viewing. The 5 working modes are independent of each other, and the watch can be operated in all 5 modes at once.

FOR ORDERING INFORMATION PLEASE SEE OVER

Metac

**ELECTRONICS
& TIME CENTRES**

North & Midlands
67 High Street, D'AVENTRY
Northamptonshire
Telephone: 03272 76545

South of England
327 Edgware Road
LONDON W.2
Telephone: (01) 723 4753

**QUARTZ LCD
5 Function**

Hours, mins, secs, month, date, auto calendar, back light, fully adjustable bracelet to fit all wrists.

£6.65

Guaranteed same day despatch.
Very slim, only 6mm thick



M1

**SOLAR QUARTZ LCD
5 Function**

Genuine solar panel with battery back-up
Hours, mins, secs
Day/date
Fully adjustable bracelet
Back-light
Only 7mm thick

£8.65

Guaranteed same day despatch



M2

**QUARTZ LCD
11 Function SLIM CHRONO**

6 digit, 11 functions.
Hours, mins, secs., day, date, day of week.
1/100th, 1/10th, secs.; 10X secs., mins.
Split and lap modes.
Back-light, auto calendar. Only 8mm thick.
Stainless steel bracelet and back.
Adjustable bracelet
Metac Price

£10.65 Thousands sold!

Guaranteed same day despatch



M3

**QUARTZ LCD
ALARM 7 Function**

Alarm
Hours, mins., secs.
Month, date, day.
6 digits. 3 flags plus continuous display of day and date and seconds
Back-light
Only 9mm thick

~~£12.65~~
£9.95

Guaranteed same day despatch



M4

**MULTI ALARM
6 Digits
10 Functions**

- * Hours mins secs
- * Month date, day
- * Basic alarm
- * Memory date alarm
- * Timer alarm with dual time and 5 country zone
- * Back light
- * 8mm thick

£18.65



M5

**FRONT-BUTTON ALARM
Chrono Dual Time**

6 digits, 5 flags, 22 functions.
Constant display of hours and mins, plus optional seconds or date display.
AM/PM indication
Month, date.
Continuous display of day
Stop-watch to 12 hours 59.9 secs in 1/10 second steps
Split and lap timing modes.
Dual time zones.
Only 8mm thick
Back-light

~~£22.65~~ **£18.95**

Guaranteed same day despatch.



M6

**SOLAR QUARTZ LCD
Chronograph with Alarm
Dual Time Zone Facility**

6 digits, 5 flags, 22 functions.
Solar panel with battery back-up
6 basic functions stop-watch to 12 hours 59.9 secs in 1/10 sec. steps.
Split and lap timing modes.
Dual time zones
Alarm
9mm thick
Back-light.
Fully adjustable bracelet.

~~£27.95~~ **£19.95**

M7



**ALARM CHRONO
with 9 World
Time Zones**

- * 6 digits, 5 flags
- * 6 basic functions
- * 8 further time zones
- * Count-down alarm
- * Stop-watch to 12 hours 59.9 secs in 1/10 sec steps
- * Split and lap timing modes
- * Alarm
- * 9mm thick
- * Back-light
- * Fully adjustable bracelet

~~£29.65~~ **£24.95**

M8



**SOLAR QUARTZ LCD
Chronograph**

Powered from solar panel with battery back-up
6 digit 11 functions
Hours mins secs day date day of week
1/100th 1/10th secs
10X secs mins
Split and lap modes
Back light Auto calendar Only 8mm thick
Stainless steel bracelet and back
Adjustable bracelet
Metac Price

£13.65

Guaranteed same day despatch

M9



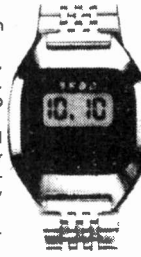
**LADIES DAY WATCH
QUARTZ LCD**

Ladies Day Watch only 25x20mm and 6mm thick.
Hours, minutes, seconds, day, date, backlight and auto calendar.
Elegant metal bracelet in silver or gold fully adjustable to suit very slim wrists.
State colour preference.

£9.95

Guaranteed same day despatch

M15



**LADIES FASHION WATCH
QUARTZ LCD**

Lady's Fashion Watch. Elegant bracelet in bronze/gold finish or silver colour. Hours, minutes, seconds, day, date, backlight and auto calendar. Adjustable for the slimmest of wrists.

State colour preference.

£14.95

Guaranteed same day despatch

M17



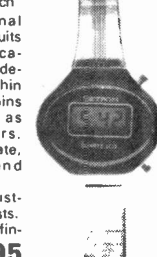
**LADIES COCKTAIL WATCH
QUARTZ LCD**

Lady's Cocktail Watch
Highly functional watch which also suits those special occasions. Beautifully designed with a very thin bracelet which retains strength as well as elegance. Hours, mins., secs., day, date, backlight and autocalendar.
Bracelet fully adjustable to suit slim wrists.
State gold or silver finish.

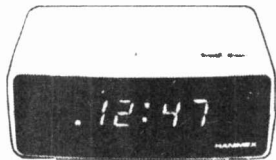
£19.95

Guaranteed same day despatch

M18



**HANIMEX
Electronic
LED Alarm Clock**



Features and Specification
Hour/minute display Large LED display with p.m. and alarm on indicator 24 Hours alarm with on/off control. Display flashing for power loss indication Repeatable 9-minute snooze Display bright/dim modes control Size: 5.15" x 3.93" x 2.36" (131mm x 111mm x 60mm)
Weight: 1.43 lbs (0.65 kg)

£10.20 Thousands sold!

Mains operated.

Guaranteed same day despatch.

M13

**Special Offer
EXECUTIVE
ALARM
WATCH**

6 functions plus alarm.
Conference signal, 5 minute snooze alarm.
Conference signal sounds 4 secs. before main alarm to give advance warning and option to cancel.
Snooze sounds 5 mins. after main alarm and is always preceded by the conference signal.

£14.95

~~£9.95~~

M60



**MACY QUARTZ
ANALOGUE**

Automatic calendar day and date, infinite bracelet. This man's watch has elegance as well as the robust appearance provided by a watch with traditional features. Accuracy is provided by a quartz crystal powered by a long life miniature battery.

£24.95

M21



Metac price breakthrough for an Alarm Chronograph with Dual Time
~~Only £16.95~~
Only £14.50

OUTSTANDING FEATURES

- * **DUAL TIME.** Local time always visible and you can set and recall any other time zone (such as GMT). Also has a light for night viewing
 - * **CALENDAR FUNCTIONS** include the date and day in each time zone
 - * **CHRONOGRAPH/STOPWATCH** displays up to 12 hours, 59 minutes and 59.9 seconds.
On command, stopwatch display freezes to show intermediate (split/lap) time while stopwatch continues to run. Can also switch to and from timekeeping and stopwatch modes without affecting either's operation
 - * **ALARM** can be set to any time within a 24-hour period. At the designated time, a pleasant, but effective buzzer sounds to remind or awaken you!
- Guaranteed same day despatch **M16**



HOW TO ORDER

Payment can be made by sending cheque, postal order, Barclay, Access or American Express card numbers. Write your name, address and order details clearly, enclose 40 pence per single item for post and packing or the amount stated in the advert. All products carry 1 year written guarantee and full money-back 10 day reassurance. Battery fitting and electronic calibration service is available to customers at any Metac shop. All prices include VAT currently at 15%.

Metac Wholesale:

Trade enquiries — send for a complete list of prices for all the goods advertised plus many more not shown, also minimum order details.

Telephone orders Credit card customers can telephone orders direct to Daventry (03272) 76545 or Edgware Road 01-723 4753 24 hours a day.

Service Enquiries: 03272-77659

CALLERS WELCOME. Shops open 9.30am-6.00pm.



Metac

**ELECTRONICS
& TIME CENTRES**

North & Midlands
67 High Street, DAVENTRY
Northamptonshire
Telephone: 03272 76545

South of England
327 Edgware Road
LONDON W.2
Telephone: (01) 723 4753

BUILD YOUR OWN METAL DETECTOR VLF/TR VCO/TR IB/TR BFO...

Pre-aligned search heads — test equipment not required. Literature available in return for SAE. Manuals and parts sold separately: write or phone for price. Export welcome: write for quote.



Shadow VLF/TR. The worlds most advanced metal detector in kit form. Full discrimination; rejects nails, bottle caps. Aluminium foil and ring pull tabs! Full ground effect exclusion over normal or high permeability soils. 4 modes — deepseeking VLF plus 3 TR discriminating ranges! Instant tuning recall via push button memory circuit. Variable sensitivity and volume controls. Built-in speaker, headset jack, and meter for discrimination and battery check functions. Long life from inexpensive batteries. Fully adjustable shaft; length and head angle. Waterproof head, capacitive and thermally shielded. Complete kit as described in ETI.
Only £85 + VAT (post & pkg. £1.50).

Shadow TR/1B

Hardware only: Shell, S/Head, PCB, Case **£44 + VAT** (post & pkg. £1.50)
FREE FOR PURCHASERS OF COMPLETE KIT: Details and parts for extra switched function which sounds the tone for good & bad or just good finds when in discriminating mode!

Shadow TR/1B (illustrated). A true transmit receive/induction balance detector at a budget price for anyone who doesn't need discrimination. Waterproof and thermally insulated search head. Good sensitivity. Built-in speaker and headset jack. **Complete kit £25 + VAT** (post & Pkg. £1.50).

Shadow TR/VCO. An advanced version of the TR/1B. Use as a sensitive IB machine or switch to VCO mode when the sound changes to a varying pitch, allowing easier use over mineralised ground and enabling detection of negative, high permeability anomalies. **Kit price £29 + VAT** (post £1.50).

Matching stereo headphones for all Shadow models £4.90 + VAT (post paid).

Beginners BFO model. A very detailed assembly manual and pre-wound coils make this an ideal first project. Simple high efficiency circuit. Full size (Not a toy) but weighs only 300gms (10.5ozs) with battery! **FREE STETHOSCOPE HEADSET** with every order. **ALTS kit: £12 + VAT** (post £1.50) Padded high Z headphones **£4.50 + VAT** (post paid).

Shell Kit. Consists of the (hard to find) hardware/items, for detectors of your own design. Fully adjustable shaft with handle, search head mouldings (int. diam. 185mm) with hinge assembly, special clips to mount your own control housing (any box is suitable). Completely non-metallic and undrilled. With assembly instructions **£8.25 + VAT** (post £1.50).

ALTEK

(ETI), 1 Green Lane
Walton-on-Thames Surrey

Order by post or phone (24 hours). Access & Visa Cards quote number. Callers by appointment only please.
Phone (093 22) 44110 anytime!

WE STOCK THE PRODUCTS OF

EAGLE	KNIPEX	NEWNES
WELLER	SERVISOL	JAYBEAM
DRAPER	BARNARD'S	LIDEN PLASTICS
SPIRALUX	& BABANI	GREENPAR

B. BAMBER ELECTRONICS

5 STATION ROAD
LITTLEPORT, CAMBS.
PHONE: (0353) 860185

1980 Electronics Catalogue now available price 75p + 20p postage. If you send £1.55 you will receive our Catalogue plus six bi-monthly Short-form Catalogues to keep you up to date with prices and special offers.

Microcomputers are coming - ride the wave! Learn to program

Millions of jobs are threatened, but millions more will be created through the microcomputer revolution. Will YOU sink or swim? Be one of the people who welcomes computers and the end of boring jobs.

Learn BASIC - the language of the small computer and the most easy-to-learn computer language in widespread use. Teach yourself with a course which takes you from complete ignorance step-by-step to real proficiency - all you need to start with is a knowledge of simple arithmetic and the use of decimals. And you don't need a computer.

This unique course comes as four A4 books, written by three authors well-known in the fields of microcomputing, self-instruction and writing clear English. In 60 straightforward lessons you learn the five essentials: problem definition, flowcharting, coding the program, debugging, and preparing clear documentation.

Every lesson has thought-provoking questions and we never ask for mindless drudgery. You will know that you are mastering the material and feel a rare satisfaction. Harder problems are provided with a series of graded hints, a unique and really helpful approach. So you never sit glassy-eyed with your mind a blank. First time through, you may need to read most of the hints, but you will soon learn to tackle tough programming tasks - such as writing programs for computer games, preparing graphs on an output printer, calculating compound interest tables and estimating costs.

COMPUTER PROGRAMMING IN BASIC £7.50

Book 1 Computers and what they do well; READ, DATA, PRINT; powers, brackets, variable names; LET; errors; coding simple programs.

Book 2 High and low level languages; flowcharting; functions; REM and documentation; INPUT, IF...THEN, GO TO; limitations of computers, problem definition.

Book 3 Compilers and interpreters; loops, FOR...NEXT; RESTORE; debugging; arrays; bubble sorting; TAB.

Book 4 Advanced BASIC; subroutines; string variables; files; complex programming; examples; glossary.

THE BASIC HANDBOOK £11.50

This best-selling American title usefully supplements our BASIC course with an alphabetical guide to the many variations that occur in BASIC terminology. The dozens of BASIC 'dialects' in use today mean programmers often need to translate instructions so that they can be RUN on their system. The BASIC Handbook is clear, easy to use and should save hours of your time and computer time. A must for all users of BASIC throughout the world.

FORTRAN COLORING BOOK £5.40

"If you have to learn Fortran (and no one actually wants to assimilate it for the good of the soul) buy this book. Forget the others-this one is so good it will even help you understand the standard, dense, boring, unintelligible texts." *New Scientist*.

A.N.S. COBOL £4.40

Covers the most widely used computer language in business today. It teaches how to write a COBOL program and compile it effectively, paying proper attention to spelling, punctuation, and format.

THE ALGORITHM WRITER'S GUIDE £3.75

FLOW CHARTS & ALGORITHMS help you present: safety procedures, government legislation, office procedures, teaching materials and computer programs by means of YES and NO answers to questions.

The Algorithm Writer's Guide

explains how to: define the questions, put them in the best order and draw the flow chart, with numerous examples shown. All that students require is an aptitude for logical thought. Size: A5, 130 pages. This book is a MUST for those with things to say.



Cambridge Learning Enterprises

Understand Digital Electronics

In the years ahead the products of digital electronics technology will play an important part in your life. Calculators and digital watches are already commonplace. Tomorrow a digital display could show your vehicle speed and fuel consumption; you could be 'phoning people by entering their name into a telephone which would automatically look up their number and dial it for you.

These courses were written by experts in electronics and learning systems so that you could teach yourself the theory and application of digital logic. Learning by self-instruction has the advantages of being faster and more thorough than classroom learning. You work at your own pace and must respond by answering questions on each new piece of information before proceeding.

After completing these courses you will have broadened your career prospects and increased your fundamental understanding of the rapidly changing technological world around you.

DIGITAL COMPUTER LOGIC AND ELECTRONICS £7.00

Digital Computer Logic and Electronics is designed for the beginner. No mathematical knowledge other than simple arithmetic is assumed, though the student should have an aptitude for logical thought. It consists of four volumes - each A4 size - and serves as an introduction to the subject of digital electronics. Everyone can learn from it - designer, executive, scientist, student, engineer.

- Book 1 Binary, octal and decimal number systems; conversion between number systems.
- Book 2 AND, OR, NOR and NAND gates and inverters; Boolean algebra and truth tables.
- Book 3 Positive ECL; De Morgans Laws; designing logic circuits using NOR gates.
- Book 4 R-S and J-K flip flops; binary counters, shift registers and half adders.

DESIGN OF DIGITAL SYSTEMS £11.50

Design of Digital Systems is written for the engineer seeking to learn more about digital electronics. Its six volumes - each A4 size are packed with information, diagrams and questions designed to lead you step-by-step through number systems and Boolean algebra to memories, counters and simple arithmetic circuits, and finally to a complete understanding of the design and operation of calculators and computers. Contents include:

- Book 1 Octal, hexadecimal and binary number systems; conversion between number systems; representation of negative numbers; complementary systems; binary multiplication and division.
- Book 2 OR and AND functions; logic gates; NOT, exclusive-OR NAND, NOR and exclusive-NOR functions; multiple input gates; truth tables; De Morgans Laws; canonical forms; logic conventions; Karnaugh mapping; three-state and wired logic.
- Book 3 Half adders and full adders; subtractors; serial and parallel adders; processors and arithmetic logic units (ALUs); multiplication and division systems.
- Book 4 Flip flops; shift registers; asynchronous and synchronous counters; ring, Johnson and exclusive-OR feedback counters; random access memories (RAMs) and read only memories (ROMs).
- Book 5 Structure of calculators; keyboard encoding; decoding display data; register systems; control unit; program ROM; address decoding; instruction sets; instruction decoding; control programme structure.
- Book 6 Central processing unit (CPU); memory organization; character representation; program storage; address modes; input/output systems; program interrupts; interrupt priorities; programming; assemblers; computers; executive programs; operating systems and time sharing.

O-LEVEL ENGLISH LANGUAGE £7.00

More and more jobs require a C-GRADE PASS, and over 250,000 people fail to get this every year. Will one of them be in your family? This new course, written by experts in a style that's serious yet fun to read, shows you how to mark your own work and compare it with the work of other people in their exam year. Set your own pace and assess your results immediately with no postal delays: watch your speed and standards improve. In Book 1 learn how you will be marked on COMPREHENSION, Book 2 covers SUMMARY, PUNCTUATION & SPELLING, and Book 3 coaches you in the principles of COMPOSITION. Size: 3 A4 volumes totalling 250 pages.

SELF-INSTRUCTION COURSES



CAMBRIDGE LEARNING ENTERPRISES, UNIT 17 RIVERMILL SITE, FREEPOST, ST. IVES, HUNTINGDON, CAMBS PE17 4BR, ENGLAND. TELEPHONE: ST. IVES (0480) 67446

All prices include worldwide postage (airmail extra) If order comes to £15 or more, deduct £2 Please allow 21 days for delivery

GUARANTEE No risk to you.

If you are not completely satisfied your money will be refunded when books are returned in good order.

Please send me the following books:

- Computer Programming in BASIC (4 books) at £7.50
- The BASIC Handbook at £11.50
- FORTRAN Coloring Book at £5.40
- A.N.S. COBOL at £4.40
- Algorithm Writer's Guide at £3.75
- Digital Computer Logic & Electronics (4 books) at £7.00
- Design of Digital Systems (6 books) at £11.50
- O-Level English Language (3 books) at £7.00

I enclose a cheque/PO payable to Cambridge Learning Enterprises for £.....

Please charge my *Diner's Club/Access/Barclaycard/Visa/Eurocard/Mastercharge/Trustcard Account No. (*delete where applicable)

Signature.....
Telephone orders from credit card holders accepted on 0480-67446 (Ansafone). Overseas customers (inc. Eire) should send a bank draft in sterling drawn on a London Bank, or quote credit card number.

Name

Address

Cambridge Learning Enterprises, Unit 17, Rivermill Site, FREEPOST, St. Ives, Huntingdon, Cambs PE17 4BR, En gland.

CHROMATHEQUE 5000

POWERTRAN

5 CHANNEL LIGHTING EFFECTS SYSTEM

COMPLETE KIT

ONLY

£49.50 + VAT!



Panel size 19.0" x 3.5". Depth 7.3"

This versatile system featured as a constructional article in *ELECTRONICS TODAY INTERNATIONAL* has 5 frequency channels with individual level controls on each channel. Control of the lights is comprehensive to say the least. You can run the unit as a straightforward sound-to-light or have it strobe all the lights at a speed dependent upon music level or front panel control or use the internal digital circuitry which produces some superb random and sequencing effects. Each channel handles up to 500W and as the kit is a single board design wiring is minimal and construction very straightforward.

Kit includes fully finished metalwork, fibreglass PCB controls, wire, etc. — Complete right down to the last nut and bolt!

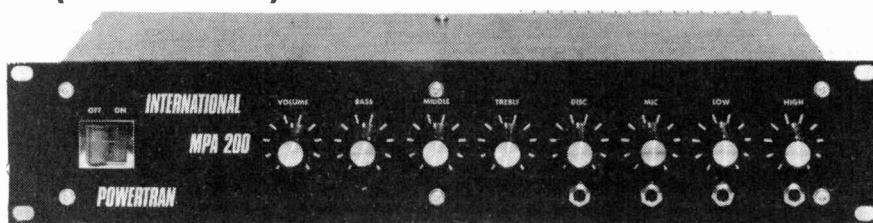
MPA 200 100 WATT (rms into 8Ω) MIXER / AMPLIFIER

COMPLETE KIT

ONLY

£49.90 + VAT!

**MATCHES THE
CHROMATHEQUE 5000
PERFECTLY!**



Panel size 19.0" x 3.5". Depth 7.3"

Featured as a constructional article in *ETI*, the MPA 200 is an exceptionally low priced — but professionally finished — general purpose high power amplifier. It features adaptable input mixer which accepts a wider range of sources such as microphone, guitar, etc. There are wide range tone controls and a master volume control. Mechanically the MPA 2000 is simplicity itself with minimal wiring needed making construction very straightforward. The kit includes fully finished metalwork, fibreglass PCBs, controls, wire, etc. — complete down to the last nut and bolt.

DE LUXE EASY TO BUILD LINSLEY HOOD 75W STEREO AMPLIFIER £99.30 + VAT

This easy to build version of our world-wide acclaimed 75W amplifier kit based upon circuit boards interconnected with gold plated contacts resulting in minimal wiring and construction delightfully straightforward. The design was published in *H-Fi News and Record Review* and features include rumble filter, variable scratch filter, versatile tone controls and tape monitoring whilst distortion is less than 0.01%.

WIRELESS WORLD FM TUNER £70.20 + VAT

A pre-aligned front-end module makes this Wireless World published design very simple to construct and adjust without special instruments. Features include an excellent a.m. rejection push-button station selection as well as infinitely variable tuning and a phase locked loop stereo decoder, incorporating active filters for "birdy" suppression.

LINSLEY-HOOD CASSETTE DECK £79.60 + VAT

This design, published in *Wireless World*, although straightforward and relatively low cost provides a very high standard of performance. There are separate record and replay amplifiers and switchable equalisation together with a choice of bias levels are also provided. The mechanism is the Goldring-Lenco CRV with electronic speed control.



T20+20 20W STEREO AMPLIFIER £33.10 + VAT

This kit, based upon a design published in *Practical Wireless*, uses a single printed circuit board and offers at very low cost, ease of construction and all the normal facilities found on quality amplifiers. A 30 watt version of this kit (T30+30) is also available for **£38.40 + VAT**.

MATCHING TUNERS — SEE OUR FREE CATALOGUE!

COMPLETE KITS: Our complete kits really are complete. All of the projects shown on this page are supplied with fully finished metalwork, ready assembled high quality teak veneer cabinet (last 4 kits on this page), or professional quality rack mounting cabinet (first 2 kits on this page), cables, nuts, bolts, etc., and full instructions — in fact everything!

All of the kits shown on this page are available as separate packs for those customers who wish to spread their purchase or perhaps make their own cabinets or metalwork. Prices are given in our **FREE CATALOGUE**.

PRICE STABILITY: Order with confidence. Irrespective of any price changes we will honour all prices in this advertisement until March 31st, 1980, if this month's advertisement is mentioned with your order. Errors and VAT rate changes excluded.

EXPORT ORDERS: No VAT. Postage charged at actual cost plus 50p handling and documentation.

U.K. ORDERS: Subject to 15% surcharge for VAT. No charge is made for carriage, or at current rate if changed.

SECURICOR DELIVERY: For this optional service (U.K. mainland only) add £2.50 (VAT inclusive) per kit.

SALES COUNTER: If you prefer to collect kit from the factory call at Sales Counter. Open 9 a.m. - 4.30 p.m. Monday-Thursday.

**NEW FACTORY ON SAME INDUSTRIAL ESTATE
ADDRESS AND PHONE NUMBER UNCHANGED**

OUR CATALOGUE IS FREE! WRITE OR PHONE NOW!

POWERTRAN ELECTRONICS

PORTWAY INDUSTRIAL ESTATE
ANDOVER, HANTS SP10 3NM

ANDOVER
(STD 0264) 64455



DIGEST



Open Ears

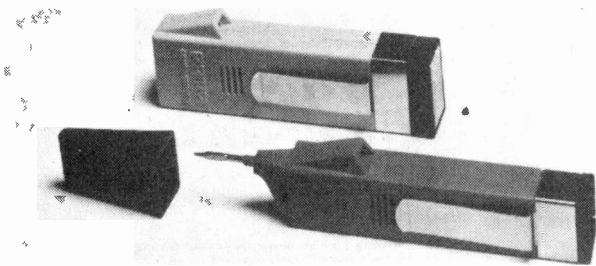
If you find earphones a pain in the neck, try this dangle from JVC. You hang it over your shell-like instead of wedging it inside.

The TP-1E weighs only 13g without its three metres of cord. It's designed for people who find conventional earphones uncomfortable. Secretaries in Readerland could

use it to listen in on Radio 1 (or music, if you prefer) without driving the boss round the twist.

I would also recommend it whole-heartedly to insomniacs. While all about you are deep in dreamland, tune into your favourite middle-of-the-night music without starting a riot.

The TP-1E from JVC should be available for around £4.60 including VAT.



Combi 'n' Poly

Arm yourself with a Combi-Sensor and you're ready to detect AC or pulsating DC voltage, faulty connections to ground in electrical appliances, leakage to ungrounded metal cases or breaks in insulated conductors. Live cables laid on the surface or under plastic panels can be checked and traced without any need for stripping the cable. The Combi-Sensor has no test leads and so is safe to use. The condition of cables and connections under test is indicated by light and sound.

With the Poly-Tester you can

test continuity, neutral and ground terminals in power outlets, semiconductors and voltages. There are no test leads to connect — the Poly-Tester has only one integral test probe, with a protective cover. It can also be used as an ordinary screwdriver-type voltage tester with the added advantage of being unaffected by induction. Connection to the user's body is by a metal pocket clip. Like the combi-Sensor, test indication is by sound and light.

The Combi-Sensor and Poly-Tester are £7.60 each plus VAT from C. Lord, 61 Forknell Avenue, Wyken, Coventry CV2 3EN.

Opticom

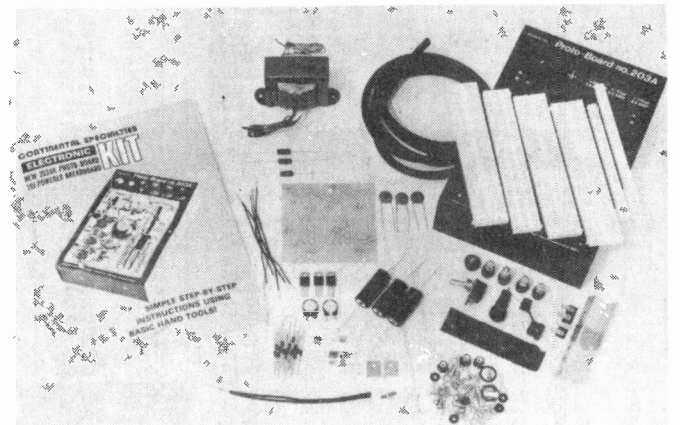
A 96 kms experimental optical communications system has been set up by Philips Research Laboratories in Holland. It is believed to be the longest in the world.

The glass fibre connection consists of 16 reels of cable, each made of six separate strands. The reels are connected in two sections of eight kilometres each.

The signal is passed down one strand in the cable, through a repeater at each eight kilometre section, through the second eight kilometre section, then through a further repeater before returning up the cable via a second strand. This sequence is repeated via all six strands and eleven repeaters until the signal emerges at the

end of its 96 kms journey. Attenuation is a mere 4 dB/km, including the joints every kilometre. Hence the need for repeaters at only eight kilometre intervals (conventional copper cable links need repeaters every two to four kilometres).

Japan isn't far behind the Dutch achievement. The Nippon Telegraph and Telephone Corporation have succeeded in transmitting an 800 Mbit/S signal through 30 kms of fibre-optic cable with an error rate of less than 10^{-12} . At the source wavelength (1.3 μ m from an indium-gallium-arsenide-phosphide laser at room temperature) the attenuation is such that the loss in the cable is only 0.73 dB/km (including losses in the splicing, every 2 kms).



Bread Power

Continental Specialties Corporation has introduced a kit of parts for a solderless breadboard system with three regulated DC power supplies.

The Proto-Board PB203AK kit comes complete with all the electronic components, case and breadboard modules, nuts, bolts, connecting wire and solder. Step by step instructions are also included. The finished Proto-Board has three large breadboards plus four-long busbars and one shorter one, giving a constructional area sufficient for 24 ICs in 14 pin

packages. Terminal posts also allow connection to earth and +5A, 1A and \pm V, 0.5A power supplies. The supplies are independent and fully regulated. The \pm 15V supplies can be adjusted internally over 7 to 18 volts. The three supply rails allow the Proto-Board to be used with TTL and CMOS logic.

The PB203AK, supplied with a robust earthed metal case (248 x 168 x 83mm) and designed to be powered from 240V AC mains, is available for £59 plus VAT from Continental Specialties Corporation, Shire Hill Industrial Estate, Saffron Walden, Essex CB11 3AQ.

Cat Corner

Let's kick off with the Vero contribution to Cat Corner. The new edition of the Vero Electronics Complete Packaging Catalogue is now available. The 300 page catalogue is divided into 23 separate sections covering Vero's extensive range of electronics packaging products. The product section and a copy of the latest price list are included in a smart ring binder. You can get your copy from the Sales Literature Department, Vero Electronics Ltd, Industrial Estate, Chandler's Ford, Hampshire SO5 3ZR.

Hamlin Electronics have a 24 page manual covering solid state relay applications with device specification and selection information and a guide to troubleshooting relay-based circuits. Typical circuits are included to illustrate different applications. Each type of relay is defined and described in detail as are all the relevant electrical parameters. If you're a bit confused by relay lingo, don't worry, there's even a glossary of terms. This handy little relay bible is available from Hamlin Electronics Europe Ltd, Diss, Norfolk IP22 3AY,

From Cyril With Love

We know from our mail bag that the UK edition of ETI is read all over the world. Recently we received our first fan letter from Russia (a red letter day?). The demand for ETI behind the Iron Curtain is so great that the USSR National Public Library for Science and Technology have asked us to send them a copy every month. I wonder if they have an ulterior motive. Here is the news for 1999 — this morning five thousand String Things swept across the Central Ger-

man Plains, desimating Nato forces. British Centurion tanks were no match for Soviet air to ground flash triggers. Ground troops had been thoroughly trained on Ambush simulators. We believe their operations coordination computer is called Triton. Just a joke, comrades. In return for a monthly Moscow air-lift of ETIs, the library have kindly offered us our choice of over 500 Soviet periodicals. They are all listed in a handy handbook... in Russian. Now, we're not devastating decoders of Cyrillic script at the best of times, so, to put it bluntly (Anthony who?), Houston, we have a problem.

AUDIO AND TEST EQUIPMENT CENTRE

Telephone your order with Access and Barclaycards or send cheque with order.

LONDON'S TEST GEAR CENTRE
OPEN 6 DAYS A WEEK 9 am-6 pm

SCOPES — (UK P/P £1.50 ea.)

HAMEG	
HM 307-3 10MHz single beam	170.00
HM 312-8 20MHz dual trace	287.50
HM 412-4 20MHz sweep delay	402.50
Super 6 6MHz single beam	186.00
Super 10 10MHz dual trace	239.00
4D25 Scope x 25MHz dual trace	414.00
PROBES 15.40 x 10 10.50 x 1 8.50	
SINCLAIR 10MHz Miniscope	159.85

FREQUENCY COUNTERS

MAX 50 50MHz 6 digit pocket counter 61.00

MAX 100 100MHz 8 digit portable counter 88.75

MAX 550 550MHz 6 digit pocket counter 106.00

500 MHz Prescaler for max 50 or max 100 40.00

PFM200 Sinclair 200MHz Pocket Counter 8 digit 53.00

OFF07000 7 digit 600MHz Portable 1Hz RES with N/CADS 139.95

DIGITAL MULTIMETERS

DM235 Sinclair portable 3½ digit LED	52.95
PDM35 Sinclair Pocket 3½ digit LED	31.90
DM350 Sinclair 3½ digit	74.45
DM450 Sinclair 4½ digit	106.45

(30Kv Probes 19.00, Mains, Japtors 3.50, DM carrycase 8.95)

M1200 Bench Portable 3½ digit LED Resolution 1µA/0.1mv/0.01ohm	87.50
835 Data Precision 3½ digit hand-held LCD (2 amp AC/DC)	99.95
198. Low cost 3½ digit general purpose LCD	62.95
197. Pocket Low cost 3½ digit LCD	39.95

MULTI-METERS — GENERAL PURPOSE & ELECTRONIC

Multi-Range Instruments featuring AC/DC volts, DC current Resistance Ranges all with mirror scales except T1/T12/T12/TM3A (TM3 AC volts only), some with AC current etc

TM11 incredible 120 Range Electronic Multi-meter	158.00
TM3B AC Micro voltmeter 3MHz > 4 Megohm	161.75
TM3A AC Micro voltmeter 3MHz > 4 Megohm	139.50
360TR 100k/volt 23 Range (plus transistor checker). Large scale	38.98
PROE 20k/volt 26 Range, Large scale	29.95
7081 50k/volt 36 Range Multi-meter	22.95
TMK500 30k/volt 22 Range Multi-meter (plus Continuity Buzzer)	22.95
680R 20k/volt 52 Range Pocket Multi-meter	36.75
7200 20k/volt 22 Range Double Multi-meter	17.95
Micro80 20k/volt 26 Range Pocket Multi-meter	19.10
RE132m/171-2 20k/volt 16 Range Popular Multi-meter	11.95
LT22 20k/volt 19 Range Pocket Multi-meter	14.50
LT101 1k/volt 12 Range Pocket Multi-meter	6.50
RE142m 20k/volt 17 Range Multi-meter	13.50
YN360TR 20k/volt 19 Range Multi-meter plus transistor check	13.60
AT205 50k/volt 21 Range Multi-meter	26.95

AVO 8s and a large range of replacement test leads in stock

GENERAL EQUIPMENT	GENERATORS
SE250 Signal Injector 5.15	TG152 Series 3Hz 300kHz 5 Ranges 86.25
TE7 Signal Tracer AF/RF 9.95	TG152D 107.50
SWR50 SWR/Power Meter 19.50	TG152Dm (with meter) 107.50
LP30 30MHz Low Pass Filter 4.95	TG200 Series RC Oscillators Sine/Square output 1Hz-1MHz 12 Ranges
OX3A 150 watt 3 way AE Switch 7.50	TG200D 113.95
DC25kV 100 Meg HV Probe 11.95	TG200Dm (with meter) 145.90
DR510 36 Value Resis. Box 3.95	TG2000mp (meter & fine control) 145.90
RP124 0/24v/0/1 amp P/S Stabilised RP324 0/24v/3 amp 42.00	4001 Digital Pulse Generator 0.5Hz-5MHz 105.00
RP230N 0/30v/0/1 amp P/S Twin Meters 85.00	2001 Function Generator: Sine/Square/Triangle/TTL 86.00
TR1000 Transistor checker in/out circuit 11.95	SG2030 (RF) 6 bands 250kHz-300MHz 49.95
MOD83 Signal injector 8.65	AG781 (Audio) sine 19Hz-220Hz square 19Hz-100kHz 61.00
C3022 Transistor/Diode Checker 19.95	ARF300 (RF-Audio) 18Hz-200MHz 78.50
3101 Clamp Meter 0/1 K ohm 0/150/300/600 AC volts 0/300 amp 35.95	
SWR8 SWR & FS Meter 10.50	
SWR10 SWR Meter 12.50	
MS319 2x100 Watt Audio Watt Meter 13.95	
500V Megohmmeter 500 Megohms 51.00	
2½ Amp Variable Transformer 21.95	

DRILLS AND DRILL KITS

9 to 12 volt Operated ¼" max SMALL DRILL with collets	6.85
MEDIUM DRILL with 3 collets	9.90
SMALL DRILL with 20 drills etc	13.95
SMALL DRILL with 6 P/C drills	12.95
MEDIUM DRILL with 20 drills etc	16.95
MAINS Eliminators	9.95
VARIABLE Speed	13.95
12 volt ¼" Heavy Duty Drill	12.50

TV SOUND

High quality TV sound from your Hi-Fi. Simply plug into aerial socket of your FM tuner 6.50 (UK P&P 50p)
As reviewed by 'Popular Hi-Fi', July '79

PIEZO HORN TWEETERS

Up to 100 watts each No x-over req'd Only 4.95 each

Flared Horns 6.50

Midrange Flared Horns 9.50

(P/P 20p per 1 or 2, 30p per 3 to 5)

LOGIC PROBES AND MONITORS

LT2000 Economy Probe 10MHz 11.95

LM1 Monitor circuit powered 33.00

LP1 Probe 10MHz 25.50

LP2 15MHz 20.50

16 Pin IC test clip 1.95

PROTO BOARD IN STOCK

KITS PR 6 9.20, PR 100 11.80.
REPARATES EXP300 8.95, EXP600 6.50, EXP350 3.45, EXP650 3.95

NEW BULK PURCHASE

BEC 10+10 watt Tuner/Amplifier.

NW/LW/SW/Store FH. Supplied as two easy to connect units. £21.95 P&P £1.50

WE SELL
Kef, Seas, Audax, Fane, Goodmans, Motorola, Peerless, Speakers/Kits, etc Also Irons, Tools etc

TM11

TMK500

TM3

CALL IN AND SEE FOR YOURSELF

PRICES CORRECT AT 1/1/80

AUDIO ELECTRONICS

301 EDGWARE RD., LONDON W2 1BN

01-724-3564. OPEN 9-6, MON-SAT.

ALSO AT 248 TOTTENHAM COURT ROAD, W 1

FREE CATALOGUE

SEND STAMPED (15/2 UK) ADDRESSED ENVELOPE (MIN 9" x 6" 1") FOR YOUR COPY NOW

ELECTRONICS TODAY INTERNATIONAL — FEBRUARY 1980

11

**24 HOUR CLOCK/
APPLIANCE TIMER KIT**



Switches any appliance up to 1kW on and off at preset times once per day. Kit contains AY-5 1230 IC, 0.5" LED display

Mains supply, display drivers, switches, LEDs, triac, PCBs and full instructions

CT1000K Basic Kit **£14.90**

CT1000KB with white box (56x131x71mm) **£17.40**

Ready-built **£22.50**

DVM/THERMOMETER KIT



Based on the ICL 7106 This kit contains a PCB resistors, presets, capacitors, diodes, IC and 0.5" liquid crystal display

Components are also included to enable the basic DV kit to be modified to a Digital Thermometer using a single diode as the sensor. Requires a 3mA 9V Supply (PP3 battery)

£20.75

LEDS DISPLAYS

0.1" Red 9p
0.2" Red 9p
0.2" Green 12p
0.2" Yellow 12p
0.2" LED Clips 3p
Square Red 20p

DL727 0.5" 2-digit CA **£1.50**



IC Sockets
8 pin 8p
14 pin 12p
18 pin 17p
28 pin 24p
40 pin 36p
Soldercon pins 50p per 100

DL304 (pin compatible with DL704) 0.3" CA Rad 70p
DL307 0.3" CA rad pin compatible with DL707 70p
DL847/DL850 (pin compatible with DL747/750) 0.8" CA/IC **£1.80**
*SPECIAL HL74 Opto isolator **45p**

RESISTORS

1/4 W 22 ohm 10M E12 Series Pack of 10 (one value) **10p**
10 Packs (10 values) **80p**

TRIACS



400V Plastic Case (Texas)
3A 49p 15A 90p
8A 58p 20A 165p
12A 70p 25A 190p
6A with trigger 80p
8A isolated tab 82p
Diac 18p

ALL COMPONENTS ARE BRAND NEW AND TO SPECIFICATION. ADD VAT AT CURRENT RATE TO ABOVE PRICES PLUS 30p P&P. MAIL ORDER - CALLERS WELCOME BY APPOINTMENT.

TK Electronics

(ET) 106 STUDLEY GRANGE ROAD LONDON, W7 2LX. TEL: 01-579 9794

INTEGRATED CIRCUITS

- 555 Timer **21p**
 - 741 Op Amp **18p**
 - AY-5-1224 Clock **£2.60**
 - AY-5-1230/2 Clock/Timer **£4.20**
 - AY-3-1270 Thermometer **£8.20**
 - ICL7106 DVM (LCD drive) **£7.00**
 - LM377 Dual 2W Amp **£1.45**
 - LM3785 Dual 6W Amp **£3.50**
 - LM380 2W Audio Amp **80p**
 - LM382 Dual low noise preamp **£1.00**
 - LM386 250mW low voltage amp **75p**
 - LM1830 Fluid Level Detector **£1.50**
 - LM2907 I-v Converter **£1.40**
 - LM3909 LED Flasher/Oscillator **55p**
 - LM3911 Thermometer **£1.20**
 - LM3914 Dot/Bar Driver **£2.10**
 - MM57160 (stac) Timer **£5.90**
 - MM74C911 4-digit display controller **£6.50**
 - MM74C915 7-segment-BCD converter **96p**
 - MM74C926 4-digit counter with 7-seg outputs **£4.50**
 - S566B Touchdimmer **£2.50**
 - S9263 Touchswitch 16-way **£4.85**
 - TBA800 5W Audio Amp **58p**
 - TBA810AS 7W Audio Amp **85p**
 - TDA1024 Zero Voltage Switch **£1.00**
 - TDA220 20W Audio Amp **£2.85**
 - 2N1034E Timer **£1.80**
- All ICs supplied with data and circuits. Data sheets only 5p

MINI KITS

These KITs form useful subsystems which may be incorporated into larger designs or used alone. Kits include PCB short instructions and all components.

TEMPERATURE CONTROLLER/THERMOSTAT

Uses LM3911 IC to sense temperature (80°C max) and triac to switch heater. PCB (4cm sq.) potentiometer, plus all other components included with instructions **500W £3.20 1KW £3.50**

SOLID STATE RELAY

Ideal for switching motors, lights, heaters, etc from logic. Opto isolated with zero voltage switching. Supplied without triac. Select the required triac from our range **£2.60**

BAR/DOT DISPLAY

Displays an analogue voltage on a linear 10-element LED display as a bar or single dot. Ideal for thermometers, level indicators etc. May be stacked to obtain 20 to 100 element displays. Requires 5-20V supply. **£4.75**

BURST FIRE/PROPORTIONAL TEMPERATURE CONTROLLER

Based on the TDA1024 Zero Voltage Switch this kit contains all the components required to make a "burst fire" power controller or a "proportional temperature" controller enabling the temperature of an enclosure to be maintained to within 0.5°C **15KW £5.25 3KW £5.55**

The MIGHTY MIDGETS SOLDERING IRONS AND ACCESSORIES

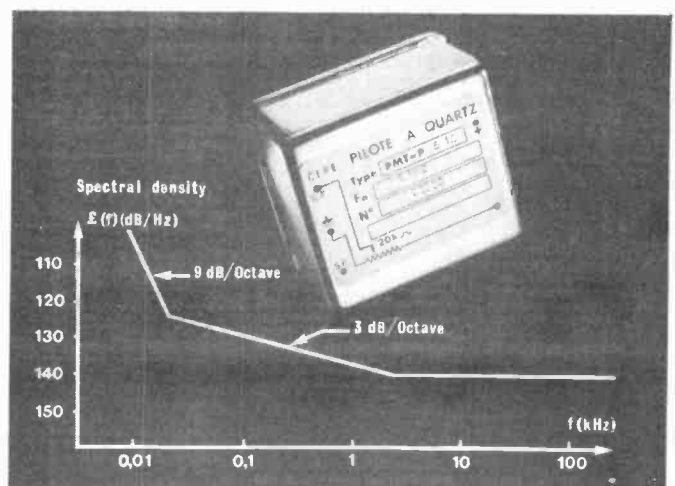
18 WATT IRON FITTED WITH NO. 20 BIT AVAILABLE IN: 12V, 110V, or 240V	RETAIL PRICE each inc. V.A.T.	POSTAGE extra
SPARE BITS	£4.43	26p
STANDS	52p	—
SOLDER: SAVBIT 20	£4.23	75p
" " 10	61p	10p
LOWMELT 10	32p	6p
I.C. DESOLDERING BIT	76p	12p
	£1.04	12p

BIT SIZES: NO. 19 (1.5mm) NO. 20 (3mm)
NO. 21 (4.5mm) NO. 22 (6mm)

From your Local Dealer or Direct from Manufacturers

S&R BREWSTER LIMITED

86-88 UNION ST. PLYMOUTH PL1 3HG
Tel: 0752 65011 TRADE ENQUIRIES WELCOME



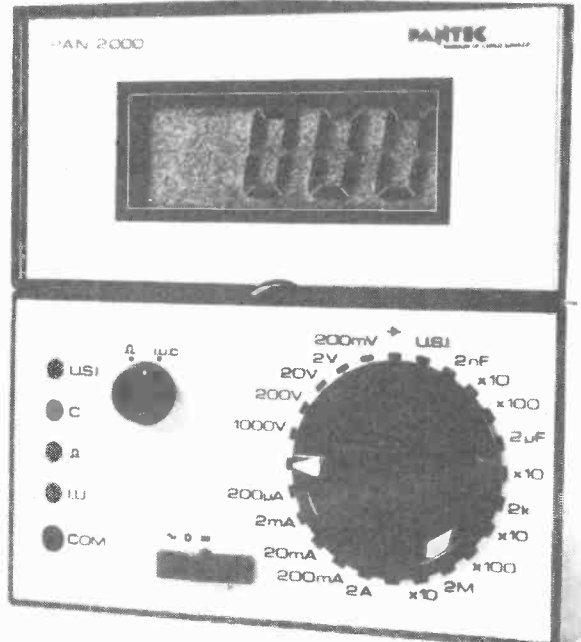
Standard Crystals

Thomson-CSF can now offer ovened crystal oscillators, type PMT P5, with ageing rates as low as $\pm 5 \times 10^{-10}$ at any frequency between 4 MHz and 12 MHz. You can choose the operating temperature and stability to suit the application.

externally applied voltage. The oscillators feature a very low signal to single sideband phase noise ratio at the output, the typical noise floor being -150dB/Hz. The initial power consumption, with a 12V $\pm 5\%$, negative earth supply is initially 8.4 watts, but falls to about two watts steady state at 25°C.

The oscillators each weigh 180 g, measure 67 x 60 x 40 mm and are PCB mounting. Frequency adjustment is by external potentiometer or an

The range of oscillators is available from Thomson-CSF Components and Materials Ltd, Ringway House, Bell Road, Daneshill, Basingstoke RG24 0QG.



Pil Pan

For about £90 you could have an LCD digital multimeter with 30 ranges, including five capacitance ranges and a temperature range using an optional temperature probe - namely the PAN 2000.

Other features include automatic polarity and overload display. A nine volt battery

brings 150 hours of digital viewing. With the half kilo package you can test 100uV to 1000V and 100uA to 2A DC, 100uV to 750V and 100uA to 2A AC, 2k to 20M, 1p to 20u and -50°C to 125°C. 30kV DC is also available.

The PAN 2000 is available from Precision Instrument Laboratories, Instrument House, 727 Old Kent Road, London SE15.

All these advantages...

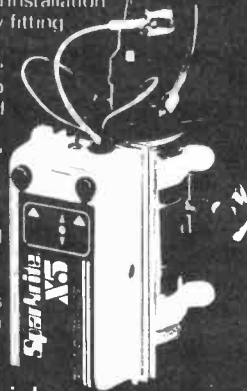
- Instant all-weather starting
- Smoother running
- Continual peak performance
- Longer battery & plug life
- Improved fuel consumption
- Improved acceleration/top speed
- Extended energy storage

..in kit form

SPARKRITE X5 is a high performance, top quality inductive discharge electronic ignition system designed for the electronics D.I.Y. world. It has been tried, tested and proven to be utterly reliable. Assembly only takes 1-2 hours and installation even less due to the patented 'clip on' easy fitting.

The superb technical design of the Sparkrite circuit eliminates problems of the contact breaker. There is no misfire due to contact breaker bounce which is eliminated electronically by a pulse suppression circuit which prevents the unit firing if the points bounce open at high R.P.M. Contact breaker burn is eliminated by reducing the current by 95% of the norm.

There is also a unique extended dwell circuit which allows the coil a longer period of time to store its energy before discharging to the plugs. The unit includes built-in static timing light, systems function light, and security changeover switch. Will work all rev counters.



Fits all 12v negative-earth vehicles with coil/distributor ignition up to 8 cylinders.

THE KIT COMPRISES EVERYTHING NEEDED

Die pressed case. Ready drilled, aluminium extruded base and heat sink, coil mounting clips and accessories. All kit components are guaranteed for a period of 2 years from date of purchase. Fully illustrated assembly and installation instructions are included.



Roger Clark the world famous rally driver says "Sparkrite electronic ignition systems are the best you can buy."

Sparkrite

HIGH PERFORMANCE
ELECTRONIC IGNITION

Electronics Design Associates, Dept. ET1/2
82 Bath Street, Walsall, WS1 3DE. Phone: (0922) 614791

Name _____

Address _____

Phone your order with Access or Barclaycard

Inc. V.A.T. and P.P.

QUANTITY REQ'D.

I enclose cheque/PO's for

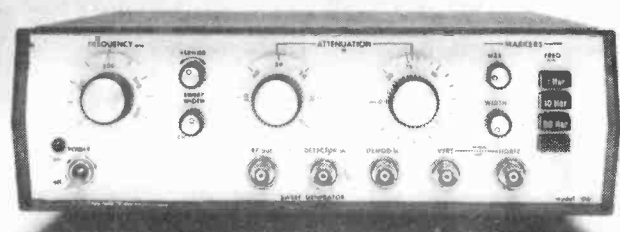
X5KIT £16.95

£

Cheque No.

ACCESS OR BARCLAY CARD No.

Send SAE if brochure only required.



Mini Hertz Box

New from Electroplan, the Labgear CM7044 is a miniature frequency meter with a bandwidth of 10 MHz to 500 MHz. The portable CM7044 also has a small antenna, enabling measurement of transmissions to be made without physical connection to the transmitter. Frequency readings are presented on the seven digit LED display in two ranges, 50 MHz and 500 MHz.

The Wavetek model 1061, also from Electroplan, can be used as a carrier wave genera-

tor or can be made to sweep any part of its 1 to 400 MHz bandwidth. Crystal controlled markers are available in the sweep mode at intervals of 1, 10 or 50 MHz. Maximum output is +10 dBm from 50 ohms with a flatness of ± 0.25 dBm over the instrument's range. The 1061 also features a built-in RF detector and demodulator and a horizontal drive for an oscilloscope.

The Labgear CM7044 frequency meter and the Wavetek 1061 sweeper are both available from Electroplan Ltd, PO Box 19, Orchard Road, Royston, Herts SG8 5HH.



OOPS!

The Beast (Nov.)

Some readers have experienced difficulty in winding the required 77 primary turns on the coil of track-cleaner transformer TI when using 22 s.w.g. enamelled wire. In case of such difficulty, 24 s.w.g. wire can be used instead.

We are presently aware of no other corrections pertaining to this project.

MCC Preamp (Jan.)

In January's issue we wrongly stated that the case for the Moving Coil cartridge project was available from Boss Industries. It is, in fact, supplied by West Hyde Developments. Please use order code Classic II A.J.D.

Deep Space Probes (Jan.)

Due to poor printing, page 87 of the Deep Space Probes feature last month is difficult to read. If you have an unreadable copy, tear out page 87 and send it to us. We will send back a fresh copy.

All these only from HENRY'S



NASCOM-2 + FREE 16K RAM

Here's an offer you can't refuse: Because of the lack of availability of MK 4118 RAMs, Nascom Microcomputers is supplying its Nascom 2 without the 8 spare 4118s but with a FREE 16K dynamic RAM board.

NASCOM-2 with 32K RAM
£345 VAT
 P&P 1.50

When the 4118s become available, Nascom 2 purchasers can have them at the special price of £80 + VAT for the 8K. So, for £295 plus VAT this is what you get:

Buy British It's Best!!

- MEMORY**
- 16K RAM board (expandable to 32K).
 - 8K Microsoft BASIC.
 - 2K NAS-SYS 1 monitor.
 - 1K Video RAM.
 - 1K Workspace/Scratchpad RAM.
 - Main board sockets for the 8x4118s or 2708 EPROMS.

NASCOM-2 + FREE 16K RAM
£295 VAT
 P&P £1.50

No more slaving over a hot soldering iron - the Nascom 1 is now supplied BUILT! Britain's biggest small system is available fully constructed for you to slot into your own housing for the ridiculously low price of £175 plus VAT (kit price still only £165 plus VAT). **EX-STOCK**

Nascom-1

12" x 8" PCB carrying 5LSI MOS memory packages. There is on-board unmodulated operating RAM. The user RAM. Less P10 £125

With NAS-SYS SCOOP KIT NOW ONLY FULLY GUARANTEED

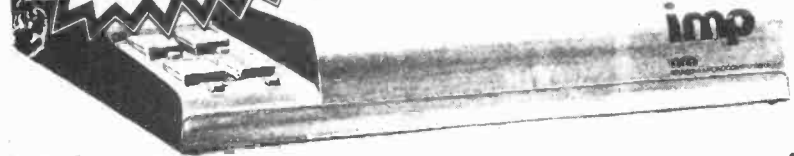
- MEMORIES**
- MK4116 16K **£7.50**
 - DYNAMIC RAM**
 - 8 for **£55.00**
 - MK 4027 4K **£2.80**
 - 8 for **£27**
 - 2708 **£8.50**
 - 2102 **£1.20**
 - 2716 **£32.00**
 - Full List P.O.R.

- MICROPROCESSOR**
- Z80A which will run at 4MHz but is selectable between 1/2/4 MHz.
- HARDWARE**
- Industrial standard 12" x 8" PCB, through hole plated, masked and screen printed. All bus lines are fully buffered on-board.
- INTERFACES**
- Licon 57 key solid state keyboard.
 - Monitor/domestic TV interface.
 - Kansas City cassette interface (300/1200 baud) or RS232/20mA teletype interface.
- The Nascom 2 kit is supplied complete with construction article and extensive software manual for the monitor and BASIC.

NASCOM-1 BUILT
£140 VAT
 P&P 1.50

NEW

NASCOM IMP
£325 VAT
 P&P £2.50



- EXPANSION NASCOM-1**
- *Expansion buffer board **£32.50**
 - MEMORY KITS (inclusive all hardware)
 - 8K **£85**
 - 16K **£140**
 - 32K **£200**
 - *I/O board with decoders and all hardware except ICS will accept up to 3 PIOs, 1 CTV and 1 UART
 - NEW. T 4 operating system in (2) 2708 EPROMS UPWARDS
 - COMPATIBLE FROM T2 and B-BUG **£25.00**
 - NAS SYS 1. MONITOR **£25.00**
- Programming Manual** **£4.50**
- *Power supply for up to 32K expansion Mk II **£24.50**
 - *8A power supply for larger than 32K expansion **£60.00**
 - *Expansion card frame **£29.50**
 - EPROM programmer **£13.95**
 - SMART-1 **£74.95**
 - Tiny Basic **£25.00**
 - Super Tiny Basic (with editor and machine utility routines) **£35.00**
 - Zeap assembler editor **£32.00**
 - 8K BASIC ROM **£40.00**
 - Naspen Text Handler **£30.00**
 - Disassembler **£9.95**

NASCOM IMP PLAIN PAPER PRINTER

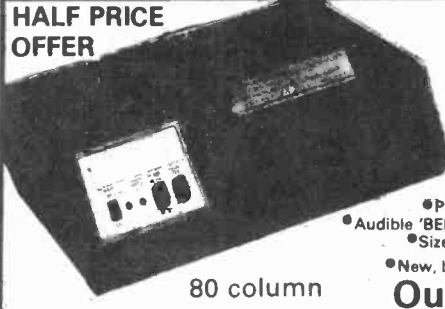
Fully built and housed in a stylish enclosure for just £325 plus 15% VAT. Interfaces with all micro computers. Deliveries Ex-Stock.

- Optional tractor feed.
- Baud rate from 110 to 9600
- External signal for optional synchronisation of baud

- The Nascom IMP (Impact Matrix Printer) features are:
- 60 lines per minute
 - 80 characters per line.
 - Bi-directional printing.
 - 10 line print buffer
 - 96 character ASCII set (includes upper/lower case)
 - Automatic CR/LF.
 - Accepts 8 1/2" paper.

NEW SPECIAL TOUCH ACTIVATE KEYBOARD
£49.50 + VAT 15% + £1 P&P

TASA has full 128 position 8-bit ASCII output plus continuous strobe, parity select. Ex-Stock



HALF PRICE OFFER

OUR PRICE £195

- Software selectable 20, 40 and 80 column using 120mm aluminium-based paper, 1 roll supplied.
- 150 lines per minute.
- Centronics parallel data interface for Nascom, Tandy, etc.
- 240volt mains input.
- ASCII character set
- Paper feed, and on/off select switches
- Audible 'BELL' signal. Weight 10lbs
- Size: 13" x 10 1/2" x 4 1/2" LIST PRICE **£400**
- New, boxed and fully guaranteed

80 column Centronics P1 printer

Our Price £195.00 plus VAT post free Paper **£12.13** per 3 rolls plus VAT

Your London & National Nascom Distributor. **Export Orders** deduct VAT, but add 5% carriage **Official Export & Educational Orders welcome** Our Telex 262284 Mono Ref. 1400 Transonics

COMPUTER SEND BROCHURE 15p FREE STAMP

HENRY'S
 Computer Kit Division
 404 Edgware Road, London, W2, England
 01-407 6822

ROBOT PIN~UPS

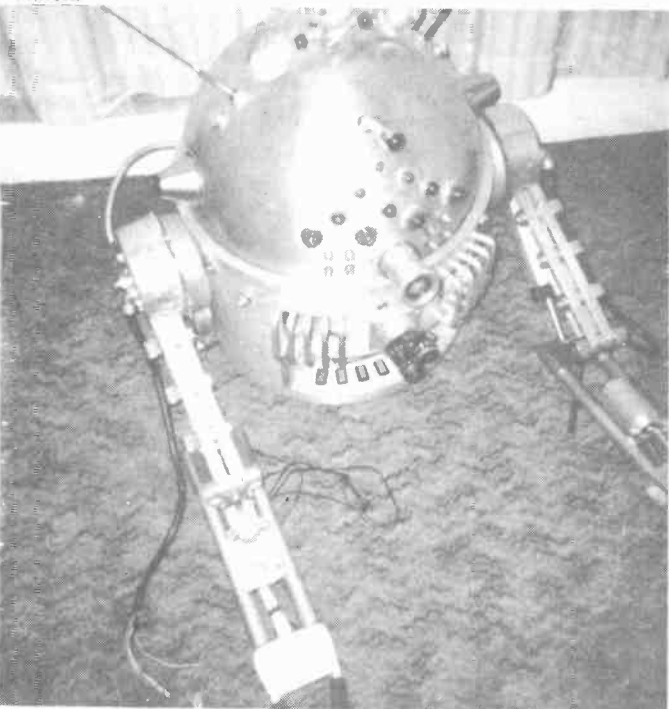
The response to our recent rallying call to the robot-makers of the UK has been truly astounding. Photos and detailed descriptions of the electronic entities have been pouring through our letterbox ever since.

Necessity, being the mother of invention, seems to have been responsible for the creation of metal men to cope with all those tedious yet absolutely essential jobs — from cutting the grass to frightening cats.

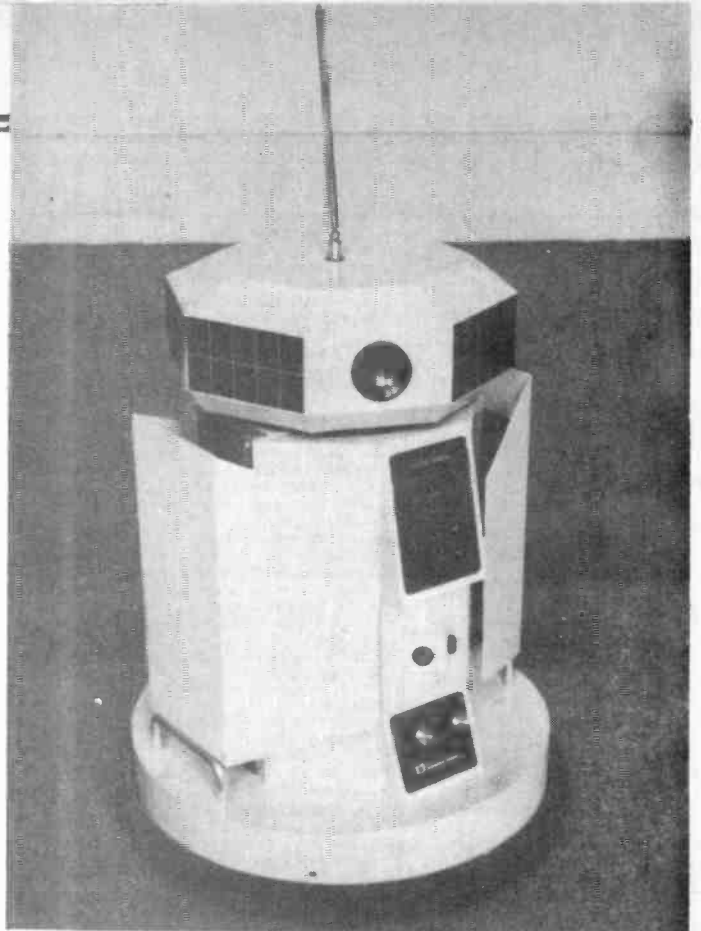
Here are a few of the ingenious creations that have come to our attention so far. Keep sending them in, with as many snaps as your Brownie can manage. Even if your system isn't finished yet, let us know what you're up to.



The Grass Hopper made its television debut in April on Tomorrow's World. Designed by Frank Carver, it's an admirably practical robot for armchair gardeners — it cuts grass. The design team, from Farnborough 6th form college have since produced a Mk 2 CMOS version.



ELECTRONICS TODAY INTERNATIONAL — FEBRUARY 1980



UR700 is equipped with six channel radio and light seeking and line following functions. It can 'feel' its way around using a tactile sensor band around the base.



UR370 started life as a two channel Futaba radio and a pound of splintered balsa wood. Both the UR 700 and its brother, the UR 370 are designed by Joe Gillespie.

This car battery and lawn mower motor powered butler is built from just about everything bar the kitchen sink. It incorporates a lampshade and three huge stewpots. Cyclops 2's arms are driven by six inch hydraulic rams and his nether regions spin round and flash. Cyclops 2 was designed by Steven Brooks.

PCB OFFERS

(1A) Video Store PCB 115mm x 94mm containing 10x TMS 3409 (4 x 80 Dyn. Shift Reg.) + Discretes, etc. £2 each, p & p 30p (limited stocks)

(1B) PCB 280 x 210mm containing TR 1602-A (UART), XTAL 19.2 KHZ, 8 DIL Switch, + 64 74-series ICs + LM 301 + Discretes. FANTASTIC VALUE **£3.50 + 50p** p & p (limited stocks)

(1C) PCB 215mm x 290mm, 12x TMS 3112J (or sim.), Hex 32-bit Shift Reg. + 39 ICs **£2 + 50p** p & p (limited stocks)

MPU CORNER

2112 (200ns) **£3**. 2114 (450ns) **£4.50**.

1702 **£2.50**; 2708 (400ns) **£7.25**

2716 (Single Rail) **£28.50**.

74125 4 for **£1 + p** & p 25p.

MK1002P (dual 128 bit Shift Reg) **35p**.

LM711CH (Voltage Comparator)

MM5240 Character Generator + Data 2560 Bit (64 x 8 x 5) **£3.50**, p & p 25p.

(All Full Spec)

D TYPE CONNECTORS

9 Way: plg **40p**; skt **40p**.

15 Way: plg **40p**; skt **50p**.

25 Way: plg **£1.00**; skt **£1.00** (RS232).

37 Way: plg **£1.40**; skt **£1.40**.

50 Way: skt (wirewrap) **£1.65**.

50 Way: skt **£1.45**.

COVERS

37 Way: **80p**.

25 Way **65p** Plastic p & p 25p

DISPLAYS

MAN 72 7 seg CC **£1.25**, p/p 25p.

Burroughs Panplex 9 Dig. + skt and bezel **£1.00**, p/p 25p.

LED 3 Digit DIL **55p**, p/p 25p.

LED 4 Digit DIL HP 50B2 CC 0.11" (RED), **£1.50**, p/p 25p.

SUPERSAVER

Ribbon Cable Headers 16 DIL Jernyn, gold plated, with cover, **45p**, p&p 25p.

SUPERSAVER 2

Tantalum Capacitors 25 volt, 4.7 uF, 14 for **£1.00**, p & p 25p.

SUPERSAVER 3

Mercury Batteries 1.35v 1AH Dia 15mm, height 18mm, **35p**, p & p 25p

SUPERSAVER 4

HYBRID SYSTEMS DAC 371-8 B Bit, DIL packaged, ideal MPU users with data, **£2.95**, p & p 25p.

SUPERSAVER 5

LM 323K Voltage Regulator, 5 volt 3A, **£4.50**, p & p 25p.

SUPERSAVER 6

RS 338-383 Miniature Decade Thumbwheel Switch, **£1.65**, p & p 25p.

SUPERSAVER 7

SN74114 Dual 4 Bit latch **75p**, p & p 25p

SN74181 Arithmetic Logic Unit, **80p**, p & p 25p.

SN74194 4 Bit Shift Register, **50p**, p & p 25p.

SN74198 B Bit Shift Register, **75p**, p & p 25p.

SUPERSAVER 8

BC108B **8p** each or 100 for **£7.00**, p & p 25p.

SUPERSAVER 9

4 Digit 7 segment LED Bubble Display, NSA 1540A Ex equipment, 5 for **£1**, p & p 25p.

SUPERSAVER 10

9 way male/female connector, ELCO 8129, 0.1 inch pitch, gold-plated PCB mounting, ideal for bussing two PCBs together. Superb value, **35p**, p & p 25p

SUPERSAVER 11

500 ohm multitrumpet PCB mounting, **30p**, p & p 25p.

SUPERSAVER 12

TMS 3128NC Static shift register, **£1.50**, p & p 25p.

SUPERSAVER 13

PL529 (JHF) Elbow Connectors, **50p** each, p & p 25p

SUPERSAVER 14

1S423 Stud mounting rectifiers, 400v 10A, giveaway price, 10 for **£2**, p & p 25p.

SUPERSAVER 15

20K Painton multitrumpet trimposts, PCB mounting, per box of 14 **£2.50**, p & p 25p

SUPERSAVER 16

Astec UM1163E 36 modulator plus PAL colour PCB (faulty) Few only **£2.25**, p&p 30p.

LEDS

TIL209, red, **10p**, 0.2in. red **12p**. 0.2in. green **28p**. 0.2in. yellow **28p**.

RL54 red Axial lead, **15p**. P&P on all above 25p.

VERNITRON Ceramic filters type FM4 10 7MHz **45p**, p&p 25

TRANSISTORS, BD236 **40p**, BC183L **10p**, BF195 **10p**, SGS 2N3055 **30p**, p&p on all 25p.

TBA 810S, with data, **85p**, 4-way DIL switches, **75p**, MC1303 Dual Stereo preamp with data, **£1.25**. 7in. Nylon cable ties 100 for **£1.50**. All p&p 25p

NEW SN76477 (Yes, back in stock) Sound Generator IC (Train, plane, explosion, laser gun etc.), with data **£3.25**, p&p 25p.

PCB KEYBOARD, 65mm x 82mm, 18 Key Clickers less Key tops, ideal Hexadecimal use **35p**, p&p 25p.

PACKAGED 10-WAY REED relay 12V coil terrific value **50p**, p&p 25p.

IR12T20 BRIDGE RECTIFIER 12A 200V, single or 3 phase, **95p**, p&p 25p.

NEW PERANCEA CASES: These superb cases now stocked in the DIN range incorporating the following features: Matt black finished bezels snap fitting onto case

front, firmly retaining either of the front panes provided, one aluminium, one RED anti-reflective. Each case has two sets of guides with rear panel slots for PCB mounting.

Types available:

DIN 1458	
H48xW96xD75(mm)	£3.75
DIN 2368	
H36xW72xD120(mm)	£3.00
DIN 1468	
H48xW96xD120(mm)	£3.80
P&P 25p	SAE for leaflet

WE STOCK PETS

8K version **£599**. S A E for PET/SORCERER software lists at discount prices

We can also offer a 48-hour repair service for out of warranty PETS Telephone for details

IC HOLDERS

8 Dil 12p.	14 Dil 15p.
16 Dil 17p.	18 Dil 32p.
24 Dil 48p.	28 Dil 65p.

All p & p 25p.

WE STOCK a vast range of TTL, CMOS, some 74LS, MINIATURE TOGGLES, etc

PSUs. We have a large stock of power supplies at very realistic prices (callers).

RELAYS

ITT 700 ohm Single pole changeover, **45p** BANOR resettable double pole changeover 12V **£1**, both p&p 25p.

CIRCUIT BREAKERS

450v AC 65v DC 0 5A **50p**; ditto 7A **80p**, p & p 25p

ALLEN KEYS, 7/16" **5p**; 12 for 50p, p & p 20p.

FOR CALLERS ONLY (or carriage at cost)

1 ONLY Viatron 21 Data management system comprising processor, video monitor, cassette tape drive, keyboard, modem interface,

4 lines of 80 characters per tape full record Autosearch/List facilities. To clear **£165 + VAT** (with manual)

1 ONLY MOORE REED miniport DT1106 portable data terminal. 110 baud keyboard/printer with internal modem and ACOUSTIC COUPLER for connection to telephone. Standard ASCII code, Full/Half duplex, 80 char. per line. **£300 + VAT.**

1 ONLY GEC 9000 Visual Display Unit Green phosphor cursive character gen. 600/1200 baud asynchronous serial **£125.**

1 ONLY CALCOMP 142 Disc Drive with manual. Fully tested on Exorciser. **£185 + VAT.**

Terms cash with order (official orders welcomed from colleges, etc) All enquiries s.a.e. please. All prices inclusive of VAT, unless otherwise stated. Postage as shown per item.

FOR THE PROFESSIONAL USER. Gould mg5-20B PSV 5V 20A. Brand new and boxed (switching) **£65 p&p £3**.

Gould PMA 47/10 0.15V 3A. Brand new **£45 p&p £3 50**. Many more in stock but in small numbers. Please phone for requirements

LB ELECTRONICS
11 HERCIES ROAD
HILLINGDON, MIDDLESEX
UB10 9LS, ENGLAND

New retail premises, now open Mon., Thur., Fri. and Sat. 9.30-6.00. Lunch 1-2.15 weekdays. We are situated just off the A40. Opposite Master Brewer.

UXBRIDGE 55399
All components full spec.

TOTAL AMPLIFICATION FROM CRIMSON ELEKTRIK


WE NOW OFFER THE WIDEST RANGE OF SOUND PRODUCTS

STEREO PRE-AMPLIFIER



CPR 1 — THE ADVANCED PRE-AMPLIFIER. The best pre-amplifier in the U.K. The superiority of the CPR 1 is probably the disc stage. The overload margin is a superb 40dB. This together with the high slewing rate ensures clean top, even with high output cartridges tracking heavily modulated records. Common-mode distortion is eliminated by an unusual design. R.I.A.A. is accurate to 1dB; signal to noise ratio is 70dB relative to 3.5mV distortion < 0.005% at 30dB overload 20kHz.

POWER AMPLIFIER



Following this stage is the flat gain/balance stage to bring tape, tuner etc up to power amp signal levels. Signal to noise ratio 86dB, slew-rate 3V/uS TH D 20Hz—20kHz < 008% at any level.

POWER SUPPLIES

We produce suitable power supplies which use our superb TOROIDAL transformers only 50mm high with a 120-240 primary and single bolt fixing (includes capacitors/bridge rectifier)

POWER AMPLIFIER KIT

The kit includes all metalwork heatsinks and hardware to house any two of our power amp modules plus a power supply. It is contemporarily styled and its quality is consistent with that of our other products. Comprehensive instructions and full back-up service enables a novice to build it with confidence in a few hours

PRE-AMPLIFIER KIT

THIS INCLUDES ALL METAL WORK, POTS, KNOBS, ETC — TO MAKE A COMPLETE PRE-AMP WITH CPR 1(S) MODULE AND THE MC1(2) IF REQUIRED



F.E.T. muting. No controls are fitted. There is no provision for tone controls. CPR 1 size is 138x80x20mm. Supply to be ± 15 volts

MC 1 — PRE-PRE-AMPLIFIER. Suitable for nearly all moving-coil cartridges. Sensitivity 70/170uV switchable on the p.c.b. This module brings signals from the now popular low output moving-coil cartridges up to 3.5mV (typical signal required by most pre-amp disc inputs). Can be powered from a 9V battery or from our REG 1 regulator board

XO2:XO3 — ACTIVE CROSSOVERS. XO2 — two way, XO3 — three way Slope 24dB/octave. Crossover points set to order within 10%

REG 1 — POWER SUPPLY. The regulator module, REG 1 provides 15.0-15v to power the CPR 1 and MC 1. It can be used with any of our power amp supplies or our small transformer TR 6. The power amp kit will accommodate it

TOROIDAL POWER SUPPLIES

CPS1 for 2xCE 608 or 1xCE 1004	£16.55
CPS2 for 2xCE 1004 or 2/4xCE 608	£18.80
CPS3 for 2xCE 1008 or 1xCE 1704	£19.75
CPS4 for 1xCE 1008	£17.12
CPS5 for 1xCE 1708	£24.15
CPS6mk 2xCE 1704 or 2xCE 1708	£25.53

POWER AMPLIFIER MODULES

CE 608 60W/8 ohms 35-0.35v	£19.52
CE 1004 100W/4 ohms 35-0.35v	£23.02
CE 1008 100W/8 ohms 45-0.45v	£25.95
CE 1704 170W/4 ohms 45-0.45v	£31.00
CE 1708 170W/8 ohms 60-0.60v	£33.97

POWER AMP KIT £35.03

PRE-AMPS

These are available in two versions — one uses standard components, and the other (the S), uses MO resistors where necessary and tantalum capacitors

CPR 1	£31.05
CPRIS	£40.87
MC1	£21.28
MC1S	£33.17
Pre-amp Kit	£38.07

ACTIVE CROSSOVERS

XO2	£15.16
XO3	£23.58

POWER SUPPLY

REG1	£6.90	TR6	£1.91
------	--------------	-----	--------------

BRIDGE DRIVER, BD1

Obtain up to 340W using 2x170W amps and this module

BD1	£5.75
-----	--------------

POWER AMPLIFIERS. It would be pointless to list in so small a space the number of recording studios, educational and government establishments, etc who have been using CRIMSON amps satisfactorily for quite some time. We have a reputation for the highest quality at the lowest prices. The power amp is available in five types they all have the same specification TH D typically 01% any power 1kHz B ohms T I D insignificant, slew rate limit 25V/uS, signal to noise ratio 110dB, frequency response 10Hz-35kHz — 3dB stability unconditional, protection drives any load safely sensitivity 775mV (250mV or 100mV on request), size 120x80x25mm

HEATSINKS

Light duty, 50mm, 2 C/W	£1.44
Medium power 100mm 1.4 C/W	£2.35
Disco/group, 150mm, 1-1 C/W	£3.04
Fan, 80mm, state 12U or 240v	£19.70
Fan mounted on two drilled 100mm heatsinks 2x4 C/W, 65 max with two 170W modules	£31.05
THERMAL CUT-OFF, 70 C	£1.54

Distributors:
Down Hi-Fi and Video Centre
66 Abbey Street
Bangor
N. Ireland

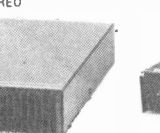
CRIMSON ELEKTRIK

1A STAMFORD STREET, LEICESTER LE1 6NL. Tel. (0533) 553508
U.K. — please allow up to 21 days for delivery

Bader Sound Services Ltd 46 Wood Street, Lytham St Annes Lancashire FY8 1QG

All prices shown are UK only and include VAT and post. COD 90p extra. E100 limit. Export is no problem, please write for specific quote. Send large SAE or 3 International Reply Coupons for detailed information

REG 1



CRIMSON ELEKTRIK
1A STAMFORD STREET, LEICESTER LE1 6NL. Tel. (0533) 553508
U.K. — please allow up to 21 days for delivery

Bader Sound Services Ltd 46 Wood Street, Lytham St Annes Lancashire FY8 1QG

All prices shown are UK only and include VAT and post. COD 90p extra. E100 limit. Export is no problem, please write for specific quote. Send large SAE or 3 International Reply Coupons for detailed information

ETI BOOK SERVICE

How to order: Make cheques etc payable to ETI Book Service. Payment in sterling only please. Orders should be sent to: ETI Book Service, PO Box 79, Maidenhead, Berks. All prices include P&P.

BEGINNERS

Beginners Guide to **Electronics** Squires £3.35
Beginners Guide to **Transistors** Reddihough £3.35
Electronics Self Taught Ashe £4.40
Beginners Guide to **Integrated Circuits** Sinclair £3.35
Understanding Electronic Circuits Sinclair £4.10
Understanding Electronic Components Sinclair £4.10
Beginners Guide to **Radio** King £3.35
Beginners Guide to **Audio** Sinclair £3.35

COOKBOOKS

TV Typewriters Cookbook £7.75
CMOS Cookbook £8.20
Active Filters £11.30
IC Timer Cookbook £7.50
IC Op-Amp Cookbook £10.00
Video Cookbook £7.00
TTL Cookbook £7.55
The Basic Cook £4.00 inc. p/p
IC Converter Cookbook £9.50

APPLICATIONS

Fire and Theft Security Systems B. Weis £2.00
How To Build Electronic Kits Capel £2.10
110 Electronic Alarm Projects R. M. Marston £3.95
110 Semiconductor Projects for the Home Constructor R. M. Marston £3.95
110 Integrated Circuit Projects for the Home Constructor R. M. Marston £3.95
110 Thyristor Projects Using SCRs R. M. Marston £3.95
110 Wave Form Generator Projects R. M. Marston £3.95

COMPUTING & MICROPROCESSORS

What is a Microprocessor? 2 cassette tapes plus a 72-page book £12.00
Beginners Guide to Computers and Microprocessors with Projects C. Adams £5.70
Basic Computer Games Ahl £5.25
Basic for Home Computers A self teaching guide B. Albrecht £4.95
Illustrating Basic D. Alcock £2.60
Intro to Microprocessors Aspinall £6.50
Z-80 Microcomputer Handbook W. Barden £7.75
How to Program Microcomputers W. Barden £7.25
Introduction to Microcomputers and Microprocessors A. Barna £8.60
Microprocessors in Instruments and Control R. J. Bibbero £12.60
Basic Basic J. S. Coan £7.80
Advanced Basic J. S. Coan £7.30
Getting Acquainted with Microprocessors L. Frenzel £7.10
Beginners Guide to Microprocessors C. M. Gilmore £4.85
Beginners Guide to Home Computers Grossworth £4.50
Beginning Basic R. E. Gosling £4.75
Microprocessor Programming for Computer Hobbyists N. Graham £7.10
Miniprocessors from Calculators to Computers Heiserman £5.00
Microcomputers, Microprocessors, Hardware, Software and Applications J. L. Hilburn £17.00
Basic Programming J. G. Kemeny £6.55
Microprocessor Systems Design E. Klingman £17.00
Intro to Microprocessors Leventhal £16.70
Microprocessors — Technology, Architecture & Applications D. R. McGlynn £9.00
Programming Microprocessors McMurrin £5.50
Interactive Computing with Basic Monro £3.65
Basic with Style P. Nagin £4.25
Software Design for Microcomputers Ogdin £7.00
Microcomputer Design Ogdin £7.00
Microcomputer Base Design Peatman £7.00
Hands on Basic with a PET Peckham £8.70
Basic — A hands on method Peckham £6.95
6800 Software Gourmet Guide and Cookbook Scelbi £8.00
8080 Software Gourmet Guide and Cookbook £8.00
The 8080A Bugbook: Microcomputer Interfacing & Programming P. H. Rony £8.20
8080/8085 Software Design Titus £7.60
57 Practical Programs & Games in Basic Tracton £6.60
Microcomputer Primer M. Waite £6.50
Your Own Computer Waite £1.50
Microprocessor/Microprogramming Handbook Ward £6.20

LOGIC

Logic Design Projects Using Standard ICs J. Wakerly £5.10
Practical Digital Design Using ICs J. Greenfield £12.70
Designing With TTL Integrated Circuits Texas Instruments £9.05
How To Use IC Circuit Logic Elements J. Streater £3.65
110 COSMOS Digital IC Projects for the Home Constructor R. M. Marston £3.95
Understanding CMOS Integrated Circuits R. Melen £4.00
Digital Electronic Circuits and Systems R. M. Morris £3.50
MOS Digital ICs G. Flynn £5.10

TEST INSTRUMENTS

The Oscilloscope In Use Sinclair £3.10
Working with the Oscilloscope A. Saunders £4.10
Servicing with the Oscilloscope A. King £6.50
Radio Television and Audio Test Instruments King £6.80

OP-AMPS

Applications of Operational Amplifiers Graeme (Burr Brown) £8.30
110 Operational Amplifier Projects for the Home Constructor R. M. Marston £3.95
Designing With Operational Amplifiers Burr Brown £16.65
Operational Amplifiers Design and Applications G. Tobery (Burr Brown) £7.40
Op-Amp Circuit Design & Applications J. Carr £4.00

COMMUNICATIONS

Communication Systems Intro To Signals & Noise B. Carlson £7.50
Digital Signal Processing Theory & Applications L. R. Rabiner £23.80
Electronic Communication Systems G. Kennedy £8.50
Frequency Synthesis. Theory & Design Mannassewitsch £23.40
Principles of Communication Systems H. Taub £8.10

THEORY

Introduction to Digital Filtering Bogner £10.20
Transistor Circuit Design Texas Instruments £9.35
Modern Electronic Maths Clifford £6.70
Foundations of Wireless Electronics M. G. Scroggie £5.00

REFERENCE

Electronic Engineers Reference Book (Ed. 4) L. W. Turner £34.00
Electronic Components M. A. Colwell £2.60
Electronic Diagrams M. A. Colwell £2.60
International Transistor Selector T. D. Towers New update £8.70
International FET Selector T. D. Towers £4.35
International Op-Amp Linear IC Selector Towers £7.50
Radio Valve and Semiconductor Data A. M. Bell £3.45
Radio, TV and Audio Technical Reference Amos £24.85

MISCELLANEOUS

Electronic Fault Diagnosis Sinclair £3.20
Integrated Electronics J. Milman £7.90
Practical Solid State DC Supplies T. D. Towers £6.20
Practical Triac/SCR Projects for the Experimenter R. Fox £2.25
Printed Circuit Assembly Hughes & Colwell £2.60

Fallen behind recent advances?
 Just starting out?
 Need a decent reference book?
 ETI Book Service provides an easy
 way of getting your hands
 on the right title.

MORE BIG VALUE FROM YOUR TANDY STORE

1000 OHMS/VOLTS AC/DC 8 RANGES

Handy multimeter for home and work-shop. Easy-to-read two colour 5cm meter, pin jacks for all 8 ranges. Reads AC and DC volts: 0-15-150-1000 DC current: 0-150 mA. Resistance: 0-100,000 ohms. Accuracy: $\pm 3\%$ full scale on DC ranges, $\pm 4\%$ on AC ranges. Complete battery 22-027. REG PRICE

£6.95



6-DIGIT FREQUENCY COUNTER

Counts frequencies from 100 Hz to over 45 MHz with 100 mS gate time. Accuracy is 3 ppm at 25°C or less then ± 30 Mhz on 10 MHz! Overload-protected 1-meg input. Sensitivity, 30 mV up to 30 MHz. Req. 9V battery. 22-351. REG. PRICE

£79.95



MULTITESTER

Dual FET input for accuracy and minimum loading. 11.5cm mirrored scale. DC volts: 0-1-3-10-30-100-300-1000. DC current 0-100 a. 0-3-30-300 milliamp. Resistance 0-30-300-3k-301C-1 megaohm. 0-100-1k-101C-100K-3 megaohms. Req. 9V battery 22-209.

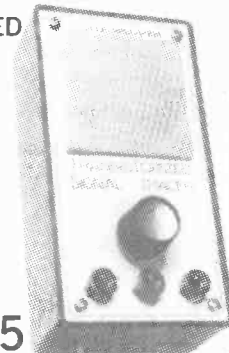
REG PRICE
£29.95



TRANSISTORIZED SIGNAL TRACER

Spot circuit troubles and check RF, IF and audio signals from aerial to speaker on all audio equipment. With 9V battery, instructions. 22-010.

REG PRICE **£9.95**



DIGITAL IC LOGIC PROBE

Unique circuitry makes it a combined level detector, pulse detector and pulse stretcher. Hi-LED indicates logic "1". Lo-LED is logic "0". Pulse LED displays pulse transitions to 300 nanoseconds, blinks at 3 Hz for high frequency signals (up to 1.5 MHz). Input impedance: 300K ohms. With 36" power cables. 22-300.

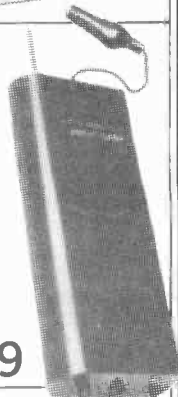
REG PRICE **£19.95**



SIGNAL INJECTOR

For RF, IF, AF circuits. Maximum accuracy. Easy pushbutton operation. Needs two "AA" batteries 22-4033.

REG PRICE **£2.79**



AC/DC CIRCUIT TESTER

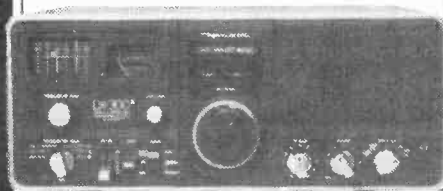
Accuracy in 1-300 volts ranges. Safe in live dead circuits. Needs two "AA" batteries 22-4034.

REG PRICE **£1.99**

REALISTIC DX 300

General coverage receiver. Quartz-synthesised tuning, digital frequency readout, 3 step RF Attenuator, 6-range preselector with LED indicators. SSB and CW demodulation. Speaker. Code oscillator. Batteries (not included) or 12V DC. 20-204.

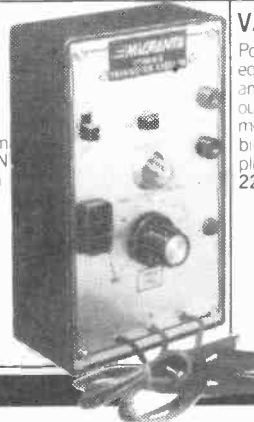
REG PRICE **£229.95**



DYNAMIC TRANSISTOR CHECKER

Shows current gain and electrode open and short circuit. Tests low, medium or high power PNP or NPN types. Go-no-Go test from 5-50mA on power types. 22-024.

REG PRICE
£9.95



VARIABLE POWER SUPPLY

Power project boards, IC's, other low-voltage DC equipment. Load regulation, less than 450mV at 1 amp at 24V DC. Ripple, less than 25mV. Maximum output current: 1.25 amps. Switchable colour-coded meter reads 0-25V. DC and 0-1.25 amps. Three-way binding posts take wires, banana plugs or dual banana plugs with 0.75" centres. For 220/240V AC. 22-9123

REG PRICE **£35.95**



You save because we design, manufacture, sell and service. Tandy have over 7,000 stores and dealerships worldwide. Over 2,500 products are made

specifically for or by Tandy at 16 factories around the world. The quality of our products has been achieved by over 60 years of continuous technological advancement.

KNOWN AS RADIO SHACK IN THE U.S.A. MAKERS OF THE WORLD'S BIGGEST-SELLING MICRO-COMPUTER TRUCK

TANDY

The largest electronics retailer in the world.

Offers subject to availability. Instant credit available in most cases.

OVER 170 STORES AND DEALERSHIPS NATIONWIDE.



TANDY DEALER

Most items also available at Tandy Dealers. Look for this sign in your area.

Access, Barclaycard and Trustcard welcome. Prices may vary at individual stores.

CASIO FX 502/FA1

Whatever you call this Casio marvel - computer or calculator - it's an attractive little beast! Beguiled by boundless buttons, bewitched by beautiful boxes, belaboured Ron Harris reports.

It is considered good form to be able to define precisely what you are reviewing, before sitting down to churn out the hackneyed prose which will enrage the manufacturer and baffle the consumer. In this case, however, I must confess that I transgress. Why?

Consider this: a computing system with ten program registers, 100 user labels (10 per program), LCD alphanumeric display, cassette dumping, full conditional branching, random number generation, dynamic display control (one second 'PAUSE' delay-stackable) and an excellent number crunching facility. Sounds like whatever it describes is well on the way to being a good micro system does it not?

No, it does not. It sound exactly like the Casio FX502P/FA1, however. (Else why would it be in this

review anyway?). Apart from all that the same machine is an excellent scientific calculator and is packed and presented so superbly that I can foresee large numbers of collar and tie impulse buyers trooping home to the missus, wondering how best to explain £100 spent on this calculator set-up that they just *happened* to pick up

The Casio cosmetics inspire one to heights for avarice hitherto reserved for expensive trifles such as cars, hi-fi and precious metals! ▶

Below: the complete Casio package. The two phantom keyboards to the right of the FA1 are the overlays for programmable and music playing usage. Note that the FA1 is an optional extra and you don't get it free with the 502P (shame shame . . .)



Left: the calculator nicely settled into its FA1 tape adaptor. Two slots in the holder engage the black lugs along the calculator sides to ensure a good alignment between the (gold plated) plug and socket.

Big Steps For Man, 256 Steps For...

Before the 502P Casio used their own little FORTRAN based programming language. That is now gone to join the Dodo, and there won't be many mourners I think.

They have returned to a more straightforward assembler type approach, but have an operating system which puts them clear ahead of the opposition. The total 256 steps of program memory is divisible into ten routines, PO-P9, and each can be called as a subroutine within another program, up to four deep.

Puttig a program into memory could not be easier. Set the mode to write — display shows which programs are free — designate (choose PO-P9) and enter just as you would if carrying out the calculation via the keyboard. SINCE there is no absolute addressing, all jumps must be labelled. Most of my programs began with 'LBL 1' just in case As you've got ten labels per program to play with — splash 'em all over! Correcting listings is easier than ever, the 502 can step forward and backward, single step or fast, and can delete or insert steps and automatically renumber the rest accordingly!



Whats In It For...

The 502 comes with two keyboard overlays — one for program use, one for music use (of which more later) — a program library covering such diverse topics as Surveying and Transistor Amplifier Design (but precious few games), an Operating Manual which is all one has come to expect and detest in such publications and a very smart wallet-type carrying case.

The FA1 cassette adaptor also has a carrying case, manual and short-form operating guide. The construction quality of cassette and adaptor is very high indeed. All in all eleven out of ten for presentation, Casio.

As a scientific the 502P has just about all the functions you are ever likely to consider using. Such statistical creations as standard deviation, mean square sum and data number are all hanging around beneath a key somewhere too, as are 22 non-volatile memories.

Mains operation of the 502P is not possible at all, but battery life is somewhere around 1300 hours (of operating time) and an auto-switch off will turn off the calculator if you leave it on, unused, for more than a quarter of an hour. Eat your heart out Electricity Board.

The display is nothing short of superb. Normally it shows ten digits with two digit exponent, but can be rounded to any number of digits, or switched to scientific, engineering or sexagesimal (degree) mode. Neat little alpha-numeric prompts appear in the lowest 1/3 of the display to keep you mindful of what you are doing with all this power.

Ten out of eleven as a scientific, Casio.

Right: a 502P fully dressed in its programming overlay. The little numbers beside each key are the check codes used by the machine (and you) in the compilation of a listing. The bottom half of the overlay is clear, to enable the multi-function keys to be read.



Conditional jumping is most comprehensively provided. Six tests can be made — $x = 0$; $X > F$; $X < F$; ISZ; DSZ — and jumps made or not as required. The last two are "increment and decrement jump if zero" commands which are particularly useful.

At each step the display gives last step-number and check code for key pushed at that point. This check code is alpha-numeric and corresponds to the programming overlay. After a few times through you get used to most of the codes and things (as always) improve with practise.

If the conservative 256 steps are not enough for you then the FA1 allows you to dump programs into a cassette player. Load times are pretty short so that over 100 programs could be lumped onto a C-60, PER SIDE!

Measure Of Tape

The FA1 terminates in a set of twin jacks, which should fit most portable cassette players, but will require an adaptor to fit most hi-fi decks. A few minutes with the soldering-iron might be preferable, though.

Programs are given three digit file numbers for both SAVE and LOAD operations and the machine will search the tape until it finds the required number to load. The really nice touch about this is that programs and data are stored separately, so that different data can be run through the same program, and sub-routines extracted to be added to existing listings within the calculator. Frighteningly flexible.

This brings me on to the music playing facility of the 502/FA1 combination. I cannot ignore it any longer, I suppose. All I shall say is that I consider it an insult to the intelligence of anyone buying such a calculator. What does it sound like, you may ask. Horrendous I might say. Is it

entertaining, you might ask. Boring, I might say.

Thus we could deal with the thing in one paragraph. Yeuk!

I found no problems loading and saving programs from the FA1 at all, and consider it a good system. Keep the volume turned up full on the tape through.

Summing It All Up

Overall then the new Casio has a lot going for it. A beautifully elegant programming system and a good scientific ability. Coupled to a tape through the FA1 it becomes an unequalled way to get some real computing power into your life at a reasonable price. Also an excellent way to earn basic programming techniques, as the machine steers you toward modular programming almost instinctively.

Against it stands the monument to ineptitude that is the Instruction Manual. Please Casio, you sell yourselves short here. The 502P is a magnificent piece of work but why why why why make it rise against a manual like this?

Other minor quibbles — although the display has alpha-numeric capability (it shows the check codes doesn't it) the user is denied access to anything but numbers. Why not let us loose upon the full ASCII set, eh? Make for much more interesting programs. And since we have a *little* brother (FX501P) with 128 steps, can I request a world conquering FX-503P with 1000 steps and absolute addressing please?

Our thanks to TEMPUS of Cambridge for supplying the review machines to us. Prices for the FX502P and FA1 are £74.95 and £19.95 respectively, although for a limited time TEMPUS will sell you the pair plus a Masterpack — a software pack of 150 programs on cassette — for £99.90 all inc. Tempus, Beaumont Centre, 164-167 East Road, Cambridge CB1 1DB.

ETI

BACK NUMBERS

Time to fill a few spaces on your bookshelf!

The following issues of ETI are still available as back issues:

- 1974 February, May, June, July
- 1975 February
- 1976 July, August, September, October
- 1977 February, April, June
- 1978 February, March, July, September, October, November, December
- 1979 All except February

If your binder is suffering from a severe case of missing ETI-itis, you can get hold of any of the above back numbers for £1 each, including post and packing. Mark your envelope Back Numbers.

**BACK NUMBERS
ETI EDITORIAL OFFICES
145 CHARING CROSS ROAD
LONDON W1R 1RF**

WHAT'S MISSING?

An ETI T-shirt of course!

Our little lady is perfectly intact thank you! We took her T-shirt away just to show you how lost you'd be without one.

(At least that's what we told her anyway.)

After all they are printed back & front on high quality cotton black logo on red background and cost a mere £3.00 all inc.

Orders to:
ETISHIRTS,
145 CHARING CROSS ROAD
LONDON W1R 1RF

Please specify size (S, M or L) and allow 14 days for delivery.

2 SUPERB NEW KITS!

Special Offer -
£2 OFF!



C300/ES200

high performance electronic ignition, to add power, economy, reliability, sustained smooth peak performance, instant all weather starting, to your car.

Surefire has sold in its thousands in ready made form from big name accessory firms, but it is now available in quality kit form to fit all vehicles with coil ignition up to 8 cylinders.

ES200. A high performance inductive discharge ignition incorporating a power integrated circuit (special selection); electronic variable dwell circuit (maximises spark energy at all speeds); pulse processor (overcomes contact breaker problems). Coil governor (protects coil). Long burn output. Negative earth only. Compatible with all rev. counters.

C300. In its ready built form (C3000) it came top of all systems tested by an independent national authority July '79. A high energy capacitive discharge ignition incorporating a high output short circuit proof inverter, top grade Swedish output capacitor, pulse processor circuit, transient overload protection. Fast rise bidirectional output ideal for fuel injection, sports carburation, oily engines. Compatible with most rev. counters. (Low cost adaptors available for rare cases. Application list enclosed with each kit. Note: Vehicles with Smiths/Jaeger rev. counters code RVI on dial will require adaptor type TCI).

What's in the kits. Surefire's own precision anodised aluminium extruded case. P.C. mounted security changeover switch, static timing light. Special selection Motorola semi-conductors. Capacitors, resistors etc. selected after 5 years experience. Glass fibre pcb, solder, complete down to last washer.

Fully illustrated comprehensive instructions and full technical back up service.

SUREFIRE ELECTRONIC IGNITION

Suretron Systems (UK) Ltd. Dept. ETI 3
Piccadilly Place, London Rd., Bath BA1 6PW. Tel: Bath (0225) 23194

Name _____

Address _____

Phone order with Access Barclaycard
VAT and P & P inc

Quantity
required

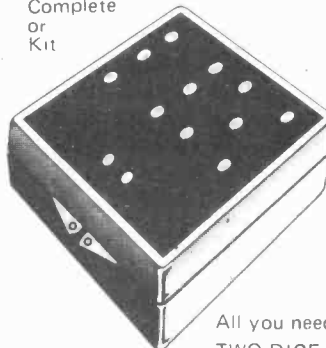
ES200: Neg	£13.95	£11.95	
C300: Pos	£17.95	£15.95	
C300: Neg	£17.95	£15.95	
Tacho Adapt. TCI		£3.90	

Enclose
cheq/PO or
£
Chq No

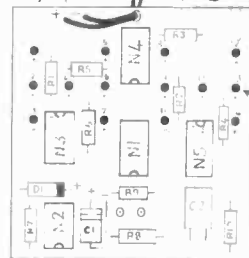
Random Electronic EASY DICE

Build your own 'EASY DICE' from the 5 integrated circuits and full components supplied, including box and descriptive instructions.

Complete
or
Kit



PCB
Layout



All you need is a soldering iron
TWO DICE FACES TOUCH CONTROL

- a * Self Assemble Dice £3.95 plus 25p p&p
- b * Ready built Dice £4.75 plus 25p p&p

Order now from: **Menorcrest Electronics Ltd.**

1 Hatton Court, Ipswich, Suffolk. 0473 210151

Amount enclosed £ _____

Name _____

Address _____

please state amount required in appropriate box a b



Wilmslow Audio

THE firm for speakers!

Send 30p stamp for the world's best catalogue of
Speakers, Drive Units, Kits, Crossovers, etc., and
discount price list.

- AUDAX ● BAKER ● BOWERS & WILKINS ●
- CASTLE ● CELESTION ● CHARTWELL ● COLES ●
- DALESFORD ● DECCA ● EMI ● EAGLE ● ELAC ●
- FANE ● GAUSS ● GOODMAN'S ● I.M.F. ●
- ISOPHON ● JR ● JORDAN WATTS ● KEF ● LEAK ●
- LOWTHER ● MCKENZIE ● MONITOR AUDIO ●
- PEERLESS ● RADFORD ● RAM ● RICHARD ALLAN ●
- SEAS ● TANNOY ● VIDEOTONE ●
- WHARFEDALE ● SHACKMAN ● AUDIOMASTER ●
- TANGENT ● STAG ● YAMAHA

WILMSLOW AUDIO Dept. ETI

SWAN WORKS, BANK SQUARE, WILMSLOW
CHESHIRE SK9 1HF

Discount HiFi, etc., at:
5 Swan Street

TEL. WILMSLOW 529599 FOR SPEAKERS
WILMSLOW 526213 FOR HI-FI

TWO METRE VMOS POWER AMPLIFIER

Bring your 2 metre rig right up to date with the latest in VMOS technology.

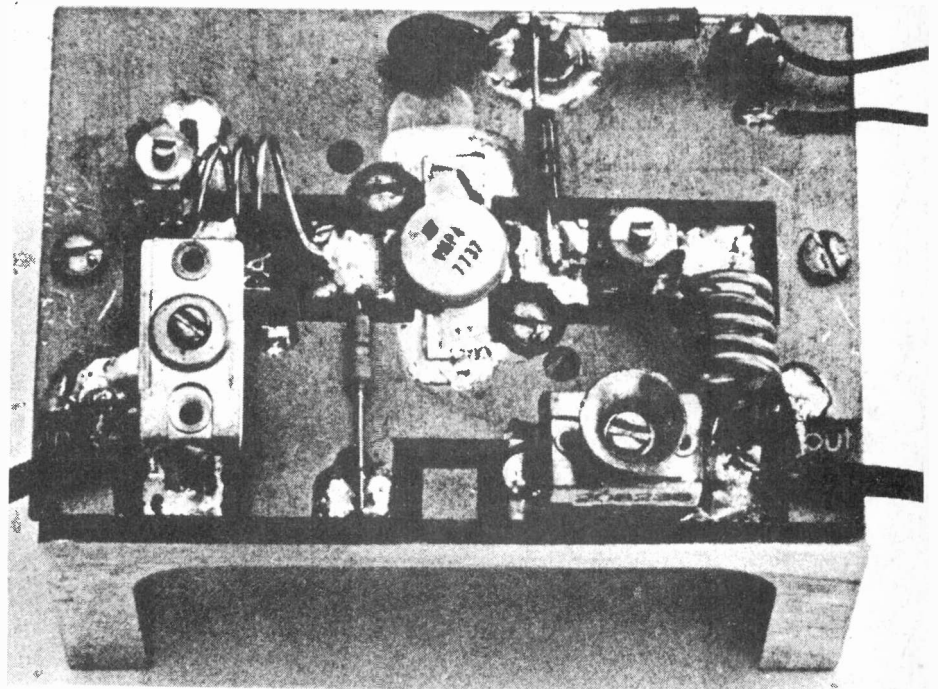
The latest development to emerge from the semiconductor research establishments is the VMOS FET. This device seems set to rapidly revolutionise many areas of solid-state technology, particularly fast switching/high current applications such as line drivers, optical data transmission, memory drivers, DC/DC converters and so on. However, VMOS devices also have unique advantages in communications circuitry. These are:

1. They can be used in any class of operation (A to D) due to the advantages of enhancement-mode operation.
2. They have excellent linear transfer characteristics. Fifth order inter-modulation distortion figures are typically eight to ten dB better than bipolars.
3. The drain temperature coefficient has a negative characteristic which prevents thermal runaway. VMOS devices may be easily paralleled and will current share automatically.
4. VMOS devices have no minority carrier storage time thus allowing efficient class D operation as switching times are up to 200 times faster than bipolar devices and there are no switching transients.
5. They are, by virtue of their construction, protected against infinite VSWR problems.
6. They have a high source-drain breakdown voltage.
7. They have low gate-drain feedback capacitance. This characteris-

SPECIFICATION

Saturated output power:	Vd of 24 volts – 16 watts (13.5 watts specified) Vd of 36 volts – 22 watts (21 watts specified)
Power Gain:	Vd of 24 volts – 11.2 dB at 10 watts output (10 dB @ 200 MHz specified) Vd of 36 volts – 11 dB at 18 watts output.
Efficiency:	53%
Input VSWR:	less than 1.5:1.

The prototype was unconditionally stable without neutralisation.



tic particularly suits VHF/UHF operation.

8. Low noise figure: 2.5dB is typical. A power amplifier can be used as a low-level amp as well

9. Wide bandwidth and uniformity of characteristics across frequency range.

10. Higher gain than bipolars of equivalent power dissipation rating.

HOW IT WORKS

The amplifier described here will produce 10 watts output on the amateur two-metre band from a drive of less than one watt, using a 24 volt dc power supply. It can be operated in either class AB or C modes for SSB or FM applications. At a supply voltage of 36 volts (recommended maximum) the prototype delivered 22 watts of RF power driven by around two watts.

The amplifier was unconditionally stable and required no neutralisation, although the manufacturer recommended it. Typical efficiency should be greater than 50%, comparable to bipolar designs for this power level.

The device used is a Siliconix VMP-4, the circuit is shown in Figure 1. Conventional matching was employed with values calculated from data given in reference 1. Input and output impedances of the VMP-4, S_{11} and S_{22} respectively, were taken from the manufacturer's data sheet.

The neutralisation circuit, as recommended by Siliconix, shown in the circuit, was found to be unnecessary on the prototype and could probably be left out in many cases. If your amplifier proves to be unstable it may be added after construction and testing as it is quite a simple matter.

For class AB operation, bias is applied from a simple zener regulator through a pot. and resistor to the base (no messy base chokes!).

In class C operation, the 4k7 base resistor is simply earthed. RF Chokes RFC1-RFC2 are 1 uH miniature moulded chokes.

The VMP-4 is an SOE (stripline opposed-emitter) package device with flange, rather than stud, mounting.

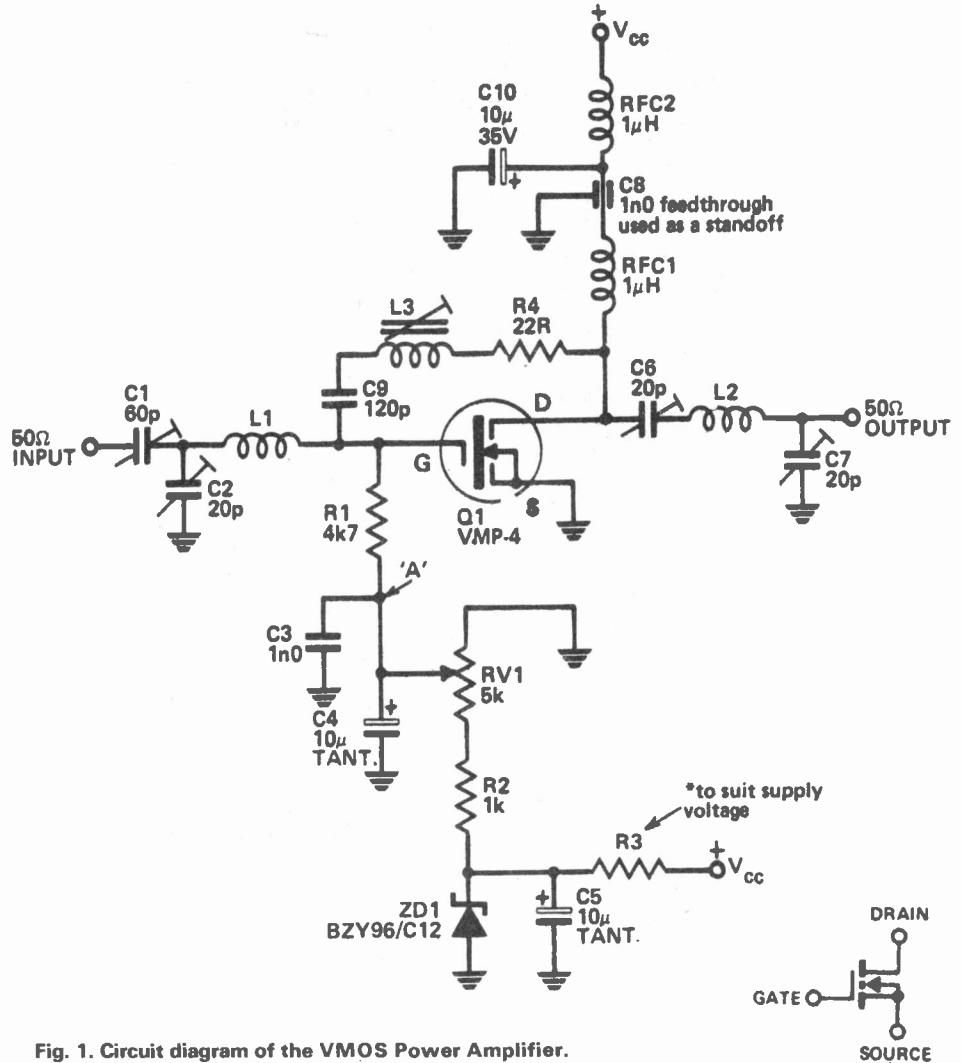
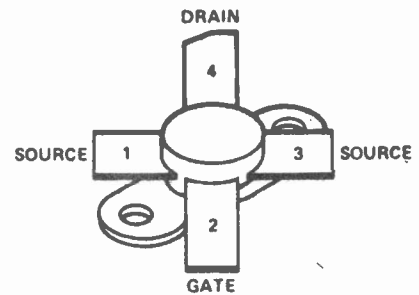


Fig. 1. Circuit diagram of the VMOS Power Amplifier.

	Characteristic	Min	Typ	Max	Unit
BV_{DSS}	Drain-Source Breakdown	60			V
$I_{D(on)}$	ON-State Drain Current	400	600		mA
g_{fs}	Forward Transconductance	170	240		$m\Omega$
C_{oss}	Common-Source Output Capacitance			34	37
C_{iss}	Common-Source Input Capacitance		32	35	pF
C_{rss}	Reverse Transfer Capacitance		4.8	6.5	
G_{ps}	Common-Source Power Gain	10			dB
NF	Small Signal Spot Noise Figure		25		



11. Input and output impedances generally higher than equivalent bipolar devices making matching easier.

High power MOS devices were pioneered in the mid-1960's by RCA laboratories who managed to produce an amplifier that delivered up to 14 watts at 10 MHz. The Russians next achieved 1 watt at frequencies up to 100 MHz.

Recently DMOS (double-diffused MOS) was developed in Japan and commercially produced by Signetics.

The performance of these early types of MOS technology has been surpassed by VMOS which can offer higher power levels by virtue of its inherent improved thermal transfer in the chip construction.

Several companies have developed VMOS devices for communications applications. These are: Westinghouse, Siliconix and the Communications Transistor Corporation. Other companies, such as Fairchild, have confined their interests to fast switching devices.

Construction

Commence construction by drilling two holes diagonally opposite the transistor mounting hole, as shown in figure 2 and the photograph, to clear the mounting bolts for the transistor flange. A small file should be used to elongate the holes.

Drill two holes in the heatsink to accommodate the transistor flange securing bolts.

Next, carefully solder the VMP-4 to the copper side of the PC board taking care that the orientation is correct:

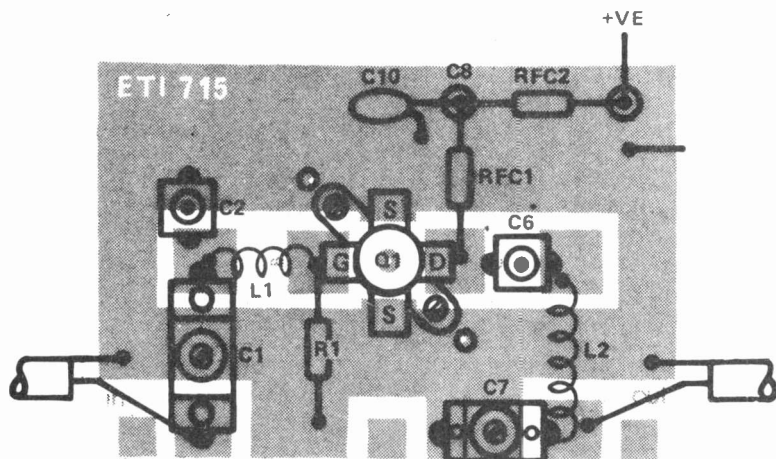


Fig. 2. Component Overlay.

NOTE: The bias and neutralisation components are not shown on the overlay. Neutralisation was not found to be necessary on the prototype.

If bias is required for linear operation R1 should be fed to the bias supply and this point by-passed through C3.

PARTS LIST

Resistors All 1/4W, 5% unless stated

R1 4k7
R2 1k0
R3 to suit supply voltage
R4 22R

Potentiometer

RV1 5k linear

Capacitors

C1 60p mica compression trimmer, or miniature film trimmer
C2 20p miniature film trimmer
C3 1n0 ceramic
C4,5 10u tantalum
C6,7 20p mica compression trimmer or miniature film trimmer
C8 1n0 feedthrough, used as standoff
C9 120p ceramic

Semiconductor

Q1 VMP-4 (Siliconix)

Miscellaneous

RFC1,2 1u miniature moulded RF chokes
heatsink to dissipate 20W nuts, bolts, wire, etc.

gate to the input side, drain to the output side.

All the minor components may then be soldered to the board. Wind and mount the two coils L1 and L2 last.

Take care when mounting the board assembly to the heatsink. Secure the VFET flange-mounting bolts first. These could be tapped into the heatsink (as we did with the prototype) or secured by nuts through the other side of the heatsink.

The board should be secured, and at the same time grounded to, the heatsink by two bolts. These were placed at each end of the board, simply for convenience, and a suitable number of washers placed between the board and the heatsink so that the board was firmly secured without placing strain on the VFET leads.

Input and output switching, if required, may be effected by diode switching or a carrier-operated-relay circuit.

Tune Up And Test

Once construction is completed, and

Coil Winding Details

L1	5 turns 18 B+S (19 SWG) tinned copper wire 6mm inside dia. 10mm long.
L2	3 turns 18 B+S (19 SWG) tinned copper wire 6mm inside dia. 6mm long.
L3	4 turns 26 B+S (27 SWG) enamelled wire wound on Neoside L1010 former with F29 slug.

BUYLINES

The only component liable to tax the intending constructor is the VMP4. All the rest are fairly standard stuff, and people like Catronics, for example, will have stocks.

The VFET itself is available from P. Rimmer at 367 Green Lane, N4 1DY or Ambit International. Check with them for prices before ordering.

you have checked that all is correct, testing can commence.

A variable supply with a current limiting facility is suggested for initial test and tune up. Bias is not necessary at this stage.

Connect the output to a dummy load and some RF power measuring device. Apply supply voltage and then drive power. Tune for maximum RF output! This should correspond with a peak in drain current. If 'funny' things happen here then suspect positive feedback and install neutralisation.

It's dead simple. However, take care not to grossly overdrive the device — VFETS do not take kindly to this sort of abuse. Becoming the owner of a four-legged stripline fuse can be a chastening experience!

For class AB linear operation, bias should be set to provide about 100 mA quiescent drain current, subsequently adjusted for best performance.

Some adjustment of the input network was required on the prototype suggesting that the input impedance, S_{11} , of the particular VMP-4 was lower than indicated on the data sheet.

ETI

The NEW Marshall's 79/80 catalogue is just full of components

and that's not all . . .

. . . our new catalogue is bigger and better than ever. Within its 60 pages are details and prices of the complete range of components and accessories available from Marshall's.

These include Audio Amps, Connectors, Boxes, Cases, Bridge Rectifiers, Cables, Capacitors, Crystals, Diacs, Diodes, Displays, Heatsinks, I.Cs, Knobs, LEDs, Multimeters, Plugs, Sockets, Pots, Publications, Relays, Resistors, Soldering Equipment, Thyristors, Transistors, Transformers, Voltage Regulators, etc., etc.

Plus details of the NEW Marshall's 'budget' Credit Card. We are the first UK component retailer to offer our customers our own credit card facility.

Plus — Twin postage paid order forms to facilitate speedy ordering.

Plus — Many new products and data.

Plus 100s of prices cut on our popular lines including I.Cs, Transistors, Resistors and many more.

If you need components you need the new Marshall's Catalogue.

Available by post 65p post paid from **Marshall's, Kingsgate House, Kingsgate Place, London NW6 4TA**. Also available from any branch to callers 50p.



Retail Sales: London: 40 Cricklwood Broadway, NW2 3ET. Tel: 01-452 0161/2. Also 325 Edgware Road, W2. Tel: 01-723 4242. Glasgow: 85 West Regent Street, G2 2QD. Tel: 041-332 4133. And Bristol: 108A Stokes Croft, Bristol. Tel: 0272 426801/2.

<p>MOTORS. 1.5V Model motors 2ZP. Sub. min. 3kg inch 115V DC 1 rpm motor 3Zp. 12V DC 5 pole motor motor 3Zp. Replaced motor 8 track 12V DC motors 55p. Gearhead mains motors. 2V rpm 75p. 115V AC 4 rpm motor 95p. Cassette motors. 5-8V DC ex. equip. 70p. 9V DC Cassette motors 95p. 6V Cassette motors. new standard jap. type E1.25</p> <p>BUZZERS. Miniature solid state type. 33x17x15mm. 70db at 5 feet. 15mA drain. 4 types. 6-9-12 or 24V 50p. LQUD 12 volt buzzer 50x30mm 63p. GPO type adjustable buzzer 6-12 volts 27p. 12V DC SIREN. all metal relay type. high pitched wail. E8.50</p>	<p>RECORDING TAPE. Low noise mylar. supplied unboxed: 7" 1200' E1.60. 7" 1800' E1.45. 10" 3600' E5.00. BLANK CASSETTES. C60 10 for E2.75. C90 10 for E3.85. TAPE HEAD DEMAGNETISER. 240vac curved probe E2.65. LOW COST 1/4" tape splicer E1.95.</p> <p>TOOLS. SOLDER Sucker. good suction. tetlon nozzle. E4.99. Side cutters 5" E1.45. Pliers 5" E1.45. NEED DRIVER 8" LONG 55p. NIYAMA 16 pin IC test clip E1.85. 5 PIECE precision screwdriver sets. Individual handles. E1.05. JUMPER TEST LEAD SETS 10 pairs of leads with insulated cross each end 90p. CRIMPING TOOL. a combination type for crimping red, blue and yellow terminals also incorporates a wire stripper (6 gauges) and wire cutter. insulated handles. only E2.30.</p>	<p>AMPHENDOL CONNECTORS (PL259) PLUGS 47p. Sockets 42p. Elbows 90p. Reducers 13p. DUMMY LOADS (PL259) 52ohms 1 watt with indicator bulb 97p. 8Wc Plugs crimp type 36p each.</p> <p>19-PIECE PRECISION TOOL KIT. In plastic hinged case. Contains all 5 spanners. 4x2.5mm. 5 nut drivers. 30mm. 3 small screwdrivers 2 Philips drivers. 1awl. 3 Alan Keys. E3.35.</p> <p>TAPE HEADS. Mono cassette. E1.75. Stereo cassette E3.90. Standard 8 track stereo E1.95. BSH MW 1330 1/4" track 50p. BSR SP90 1/4" track E2.10. TD10 dual head assembly 2 heads both 1/4" track R/P with built in erase E1.25.</p>	<p>MULTIMETERS. MH55 2000 opv., 1KV AC/DC. 100mA DC. CURRENT 2 resistance ranges to 1MΩ E5.95p. HANSEN AX120. 100.000opv., 1.2KV AC/DC. 12 amps AC/DC current. resistance to 200meg in 4 ranges. capacitance range 200pf-0.2mf. 1000pf-lim. dB range. Internal safety fuse. dimensions 160X105X50MM. a good quality meter. E34.50p.</p> <p>MICRO SWITCHES. Standard button operated 28x25x8mm make or break new 15p each. roller operated version of the latter new 20p each. Light action micro switch. 3 amp make or break 35x20x7mm 12p each. Cherry plunger operated micro switch. 2 norm. open and 2 norm. closed. plunger 20mm long (40x30x18mm) 25p each.</p>	<p>TRANSFORMERS. All 240V DC primary (postage per transformer is shown in brackets after price). MINIATURE RANGE 6.0-6V 100ma, 9.0-9V 75ma, 12-012-50ma all 79p each (15p). 12V 200ma 75p (15p). 0-6 0-5 200ma E1.20 (20p). 6V 500ma E1.10 (22p) 12V 2A E2.35 (45p) 12V 4A E2.85 (45p) 15-0-15V 1A E2.25 (45p). 30-0-30V 1A E2.85 (54p). 20-0-20V 2A E3.65 (54p). 0-12-15-20-30V 2A E4.75 (54p) 20V 2.5A 12.35 (54p).</p> <p>TRIAC XENON PULSE TRANSFORMERS. 11 (EPO style) 32p. 11plus 1 sub. min. pcb mounting 65p.</p>	<p>ALUMINIUM PROJECT BOXES. 18 S.W.G. with fitted lid and screws. AB1 3in x 2in x 1in 52p. AB2 4x3x1.5in 62p. AB3 4x3x2in 66p. AB4 6x4x2in 74p. AB5 6x4x3in 92p. AB6 8x6x2in E1.05. AB7 8x6x3in E1.25.</p> <p>DISPLAYS. 0.5" LED. Com. cath. green 90p. 4 digit LED clock displays with message centre. 0.6" com. cath. with data E3.25. MS488 8 digit multiplexed displays com. cath. with data E1.45.</p> <p>DIODES. IN4005 10 for 45p. BY255 10 for 85p.</p> <p>BRIDGE RECTIFIERS. 500V 600ma Ex equip 15p each. 100V 3 amp. stud mounting (new) 35p.</p> <p>ZENER DIODE. 24V 400mw 10 for 35p.</p>
<p>SPECIAL OFFER SEMICONDUCTORS. 2N5062 SCR 18p. BX504 opto isolator 25p. CA3130 95p. TB6000 50p. C1060 (400V) SCR 20p. 741 22p. 723 35p. NE555 24p. IM3400 40p. AD161/2 70p. 2N3055 38p. IN4005 10 for 35p. BU238 26p. BU438 28p. 741S 35p. ZN414 75p. TL305 alpha numeric display E2.50. MAMSA 3mm LED displays 45p. Min. LDRs 30p. LEDs D.2" CLEAR 15p. GREEN 12p. RED 10p. Infra-red clear LED 30p. MP131 PUTs. 40V. 200ma. 375mW 15p. 2N3773 E1.70. infra-red 0.2" LEDs 30p.</p>	<p>MICROPHONES. Min. Tie pin. On. uses dual cell battery (supplied) E4.95. Low cost condenser ECM105 0mm. 600ohms. on/off switch standard jack plug E2.95. EMS07 Condenser. uni. 500ohms. 3010kHz. Highly polished metal body. E7.95. DYNAMIC stick microphone dual imp. 600ohms or 20K. 70-15kHz. attractive black metal body. E7.75. EMS06 Condenser. cardioid. uni. 600ohms or 50K. heavy chromed copper case. E12.95. DYNAMIC P.A. Mics. mobile radio etc. Humo switch 50k imp. E3.75. CASSETTE replacement microphone with 2.5/3.5 plugs E1.35. INSERT crystal replacement 35x10mm 40p. GRUNDIG Electrical inserts. with built in FFT preamp 3-6vdc. E1.00.</p> <p>LOW COST PANEL METERS. Size 52x52x33mm. 50 microamp E4.25. 100 microamp E4.10. 1MA E3.95. 50V meter E4.65. 0-300V AC (50x17x33mm) E4.25. Ferranti 3.5" square 0-600V AC meter E2.95.</p>	<p>SWITCHES. Sub. min. Toggles. SPST 8x5x7mm. 52p. OPDT (8x7x7) 62p. OPDT Centre off (12x11x9mm) 77p.</p> <p>PUSH SWITCHES (16x6mm). red top. push in make 15p each. push on break version black vinyl 17p each.</p> <p>SLIDE SWITCHES all OPDT 15x8x8x12mm 13p. 16x11x9mm 13p. 22x13x8mm 13p. 22x13x8 centre off 14p. Multiple slider double actua (12 lags) 29x9x11mm 25p.</p> <p>ROTARY SWITCHES (w/alter) 3P4W. 4P3W. 2P6W and 1P12W all 35p each.</p> <p>16 pin D.I.J. SWITCHES only 42p each.</p>	<p>ROCKER SWITCHES. 2 amp SPST single pole. Rating. various colours. red, black, yellow, green, white) 15p each. 250vac 6 amp white rocker. 21x15x13mm 17p each.</p> <p>RELAYS. Encapsulated reed relay 1.000 coil. 9-12vdc. single make. 0.1 matrix mounting 35p. Miniature encapsulated reed relay. 0.1 matrix mounting, single make operated on 12vdc 50p. Continental series. sealed plastic case type. 24vdc. 3 pole c/a/5 amp contact. new 65p. 230vac Sealed Relay. 3 pole 5 amp contacts. ex. equipment. 11 pin base 60p each. Metal Cased reed relay 50x45x17mm has 4 heavy duty make reed inserts. operates on 12vdc 35p each.</p>	<p>VERO HAND HELD BOX. White ABS. 24in x 3.7 in tapered. with screws 68p each.</p> <p>VERO POTTING PLASTIC Boxes with lid and screws 70x50x20mm. white or black. 43p each.</p> <p>CLIFF CLICKTEST. 13 amp mains connector. Ideal for workshop. etc. provides rapid and safe mains connection. tough moulded case and lid with neon indicator and fuse E5.15</p> <p>PUSH BUTTON TV TUNERS (not varicap) Transistorized U.K. new E2.25.</p>	<p>RANK ARENA stereo cartridge preamplifier modules. suitable for magnetic cartridges. new. supplied with connection details. E1.95.</p> <p>FINNED HEATSINKS. Supplied drilled 4mm thick. 27mm high. 75x124mm 60p. 150x124mm 95p. Smaller version 2.7mm thick. 75x108mm 48p. TRANSISTOR SOCKETS T05 or T018 8p each. T03 type 15p each.</p> <p>MURATA TRANSISTORS. REC/SENDER. MA401L 40KHz E3.50 pair.</p> <p>NEW ARRIVALS. Glass reed switch. changeover contacts. 2 1/2" long 38p each. Mercury switches. glass encapsulated 1/4x1/4" long leads 36p each. Multiway in line plugs and sockets 3-way 35p. 5-way 45p. 12-way 55p (price per pair) new AMP type. GPO telephone handsets E1.95p. T041151 voltage regulators 25p each. MAGNETS 1/4" long. 1/4" thick. with fixing hole. 10 for 40p.</p>
<p>NEW STOCK ITEM — We are now stocking Expo mini hand held drills. these are a precision British made tool. ideal for P.C. board drilling, model makers etc. They operate on 12V DC. Drill kit supplied in plastic legged case. with drill and 21 accessories. drills, sanders, reamers, buffers, etc. complete kit only E14.25. Drill only E7.25p. Drill stand to suit vertical drill press E12.95 (postage 65p).</p>					
<p>Terms. Cash with order (official orders welcomed from colleges etc) 30p postage please unless otherwise shown. VAT inclusive prices. S.A.E. for illustrated lists.</p>					

PROGRESSIVE RADIO
31 CHEAPSIDE, LIVERPOOL L2 2JD
ALL ORDERS DESPATCHED BY RETURN POST

ETI MARKET PLACE



1 CLOCK RADIO

How about a round clock radio which can double as a very smart desk clock — as we can testify!

To time, rotate one end of the cylinder to display the frequency selected. Most of the functions are controlled by a push-button panel and the display is a large, clear LCD affair.

Made by Hanimex, the battery clock radio comes in white, white or white. It will lull you to sleep and then turn itself off an hour later and waken you to the sound of Radio 1, or music if you prefer.

£17.95

To CLOCK RADIO offer
ETI Magazine, 145 Charing Cross Road
London, WC2

Name

Address

2 DIGITAL ALARM

This mains-only Hanimex alarm has a large 12-hour display incorporating AM/PM and alarm set indicators. You can have a dim or bright display at the touch of a switch. Fast and slow setting buttons make time setting simplicity itself. You can forget about knocking these accidentally in the morning scramble to turn off the alarm, as a locking switch is fitted under the clock. A 9-minute snooze switch completes the list of all mod. clock cons.

£10.60

To: DIGITAL ALARM offer
ETI Magazine, 145 Charing Cross Road
London, WC2

Name

Address

3 LCD CHRONO

Our Chrono comes complete with a high grade adjustable metal strap and is fully guaranteed.

The LCD display shows seconds as well as hours and minutes. Press a button and you get the date and day of the week.

Press another button and you have an accurate stopwatch with hundredths of seconds displayed, giving the time up to an hour. There's a lap time facility, too — and of course a back light.

£11.95

To: LCD WATCH offer
ETI Magazine, 145 Charing Cross Road
London, WC2

Name

Address

4 LCD ALARM CHRONO

This is no ordinary watch. It's a slim, multi-function, dual time LCD alarm chronograph.

This model will show hours, minutes, seconds, date, day of the week, stopwatch, split time, alarm and alternate dual time zone — not all at once of course. There's a night light, too.

Hours, minutes, seconds and day of the week are displayed continuously, while the date will appear at the touch of a button. The alarm is beefy enough to wake you up in the morning and get you to work on time (or wake you up when it's time to go home).

£16.95

To: ALARM/CHRONO LCD WATCH offer
ETI Magazine, 145 Charing Cross Road
London, WC2

Name

Address

All prices include 15% VAT and postage

Examples of Marketplace offers can be seen at our Charing Cross Road offices.

Please mark your envelope with the offer that you want and order separately from offers shown elsewhere in ETI.

BUGGED BY INTERFERENCE?

You can banish the demon hum from your sounds if you know what you're looking for.

The most common irritant in hi-fi systems of any performance or cost standard is almost certainly hum, that horrible, low pitched noise which strikes almost every system at least once in its life. In fact, the only good thing that can be said about hum is that it is not selective; it will strike both amateur and professional equally.

And the most aggravating thing about hum is the trouble; that it may cause — not that it will normally damage components unless extremely bad, but because it may sometimes take hours of concentrated searching to track it down. Until the cause is located and the problem corrected, satisfying listening is impossible.

What is Hum?

Once hum has been heard it is unmistakable. It is also difficult to describe. Typical textbook descriptions run pretty much as follows: 'HUM — an unwanted low-pitched sound produced in reproduction by an interference from the AC mains. It usually occurs at the mains frequency of 50 Hz, or at its second harmonic, 100 Hz. Can be caused by . . .', and then follows a list of about a dozen typical causes.

In spite of the rather open-ended descriptions, hum is immediately recognisable.

Its causes are not so easily pinpointed, although the sources of hum found in hi-fi systems can usually be traced back to any one of three chief sources — loops, screening and induction.

Hum generally affects low level signals with high circuit impedances — so the pickup cartridge and its associated signal connections are the prime offenders. The high gain of this circuit, and the large amount of bass boost applied in the RIAA equalisation, make it exceptionally prone to hum from any of the various causes.

In Britain, the AC mains power supply is a nominal 240 volts, alternating with a frequency of 50 Hz. Wherever these voltages occur, the mains conductors are surrounded by electrostatic and magnetic fields which fluctuate at the same frequency. With a voltage as high as 240 volts, these fields are fairly intense and can produce hum by inducing tiny AC currents in surrounding wiring and components.

Occasionally hum may arise from a faulty component in some piece of equipment, but most problems come from the linking and positioning of the hi-fi components.



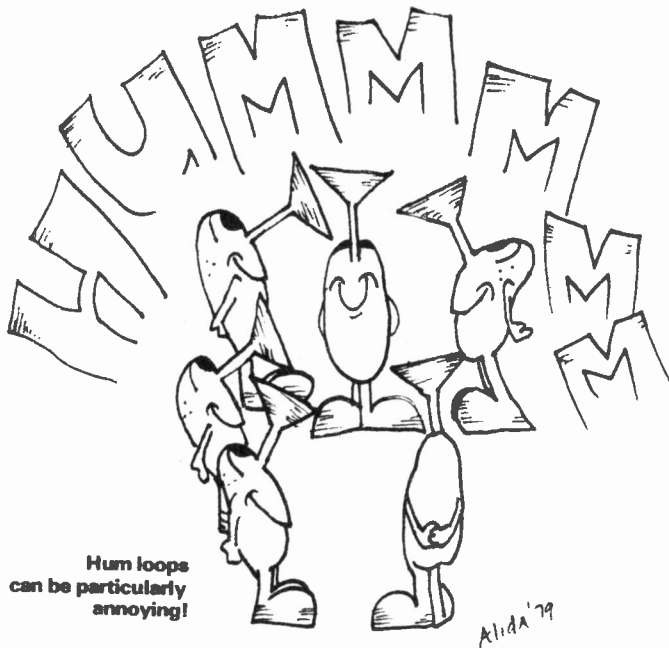
Hum-bugs can strike ANY system, with no regard to make or quality!

Loops

Earth loops are possibly the most common cause of hum, and are the most annoying in that they are frequently caused by taking too much care! They are formed by duplicating earth links between components — a real trap for beginners attempting to set up a foolproof system.

The problem arises when the earthed screen of a signal carrying lead is correctly earthed, but an additional earth link is formed between the two components. The separate earth link may be redundant, in which case it forms an electrical loop.

If there are slight potential differences at the earth points, or if the loop falls within a stray magnetic field, a tiny circulating AC current will start to flow within the loop. This current affects the audio signal carried in the central core of the conductor by adding unwanted components to it, and hum results.



Hum loops can be particularly annoying!

Sometimes the loop may be formed through no fault of the person assembling the system. When the earthy sides of the signal connectors on the amplifier (or other component) are linked internally to form a common ground, a loop is very easily completed.

Troublesome loops are known as 'earth' or 'hum' loops, and although they are the common cause of a great many problems, their source may well be different in each case, and their cure may take considerable time and careful thought.

The ideal interconnecting system between any two components conveys the signal and the earthy (signal return) conductors for each channel by only one path — via a live and an earthed conductor. Separate earth connections should be used only to earthed metalwork which is not connected to the signal carrying circuits. Because of this pickup arm on a turntable is earthed separately without causing hum loop problems.

In these cases earthing may be essential to draw off any leaked voltages or static build-up directly to the mains earthing point. If these spurious voltages were carried via the signal earth leads, they too could cause interference with the audio signal.

Curing Earth Loops

As hum loops are set up when there is a redundant earth connection, they can be cured by breaking the loop — that is, by removing the redundant earth.

The process of tracking down a hum loop problem is rather long and laborious. If the majority of connections are made by RCA-phonograph plugs and sockets, it is rather more simple than when DIN connectors are used.

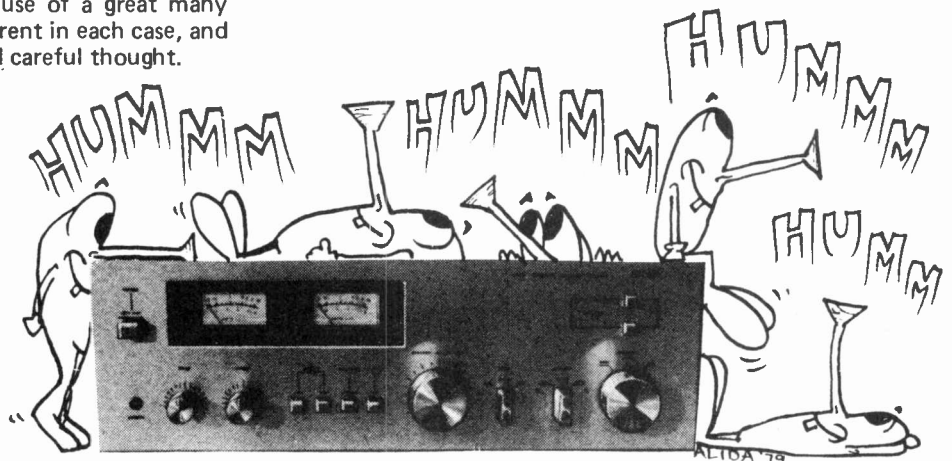
Start by disconnecting all inputs to the amplifier except for the separate earth link between the turntable frame and the amplifier's chassis. Connect one channel of the turntable and note the hum level. Try pulling the plug slightly out of the socket so that the outer rim doesn't still make contact. If the hum is now worse, push the plug fully home — excessive hum indicates that the rim contact is not redundant but is needed for shielding. If, however, the hum is reduced with partial connection, leave the plug as it is — this earth is redundant.

Now check the second channel from the turntable in the same way. If the hum is still present in spite of these checks, try removing the separate earth link from the frame of the turntable to the amp. It is unlikely that this will be redundant, as ideally it should be isolated from the signal carrying components. In rare cases, however, its removal may help.

Continue this checking process in the same way for all inputs, until you are sure which earth links are redundant and may be disconnected permanently.

DIN connectors pose more of a problem, and unless you are sure of your ability with a soldering iron it will be better to check only the auxiliary earth connections, and then investigate to see if the problem lies elsewhere.

When working through the checking procedure, make sure that the amplifier's volume control is turned down whenever making or breaking contacts. High level transients are easily generated, especially when checking for loops in the vicinity of the turntable.



As the amplifier is the control centre of a system, central earthing is best carried out at this point to avoid loops. Only use single earth wherever possible

Electrostatic Hum...

Because of the fairly intense electrostatic fields surrounding mains supply cables, any signal-carrying leads within such a field may be affected, because of the capacitance across the space between the cables. The higher the circuit impedance, and the lower the audio signal level, the more likely the occurrence of hum breakthrough.

This problem is generally overcome by the use of an earthed shield around the signal carrying conductors — hence the almost universal use of shielded leads for connections between components.

The screen must be arranged so that the live conductors are shielded by some earthed metal at all times — it will be seen when looking at RCA or DIN plugs and their appropriate sockets, that this requirement is fulfilled. It is to prevent this type of hum that almost all signal carrying leads between components in a hi-fi system use a shielded cable.

The shield, or braid, should itself be insulated so that it doesn't inadvertently contact any other earthed metalwork. If this happens, the earth bypass created will form an earth loop to bring even more hum.

The only components which do not require shielded connecting leads for the audio signals are loudspeakers, which are fed by high level signals via a low impedance circuit.

...And The Cure

The most obvious cure for hum of this sort is prevention. Any signal-carrying lead should be kept well clear of all mains supply cables, and should also be kept as short as practicable. However, as electric fields are coupled by capacitance, and the effects diminish as distance increases, length should not be sacrificed unnecessarily. Never lengthen the connecting cables supplied with a turntable, however, as this will degrade the unit's performance.

Mains cables should consist of twisted conductors or, when using two core mains leads, parallelled conductors so that the fields are reduced by cancellation.

If it can be established that hum is caused by some form of electrostatic breakthrough, but it is not practicable to move the offending cables, a form of shielding may be required between the mains cables and the signal leads. Any earthed metal should service the purpose — provided any signal leads and thus set up an earth loop.

When turntable hum is the problem, a trick of the trade which works in a surprising number of cases (with turntables fitted with two pin mains plugs) is simply to reverse the two pin mains plug in the power outlet — whether at the mains or at the amplifier's mains outlet. By transposing the active and neutral conductors in this way, it is sometimes possible to reduce the field that may occur around a switch, or some

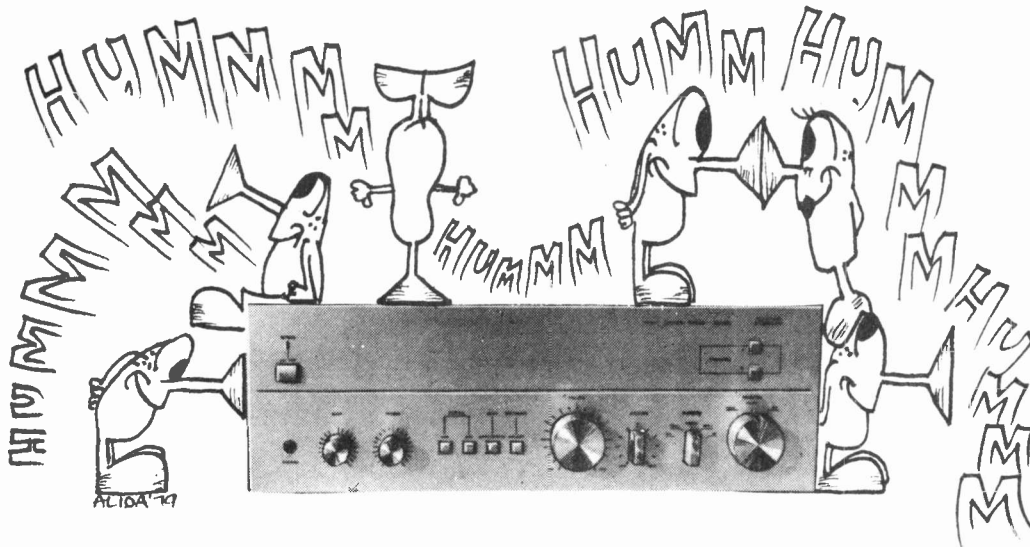


Turntables and associated equipment are particularly prone to hum in all its infuriating forms. This is due to the high impedances in this part of the circuitry and the bass boost applied by RIAA correction. Make sure for starters that the turntable is not earthed twice through the signal leads and its own leads. Some cartridge manufacturers earth the metal of the body to one channel of the system and if you get mono hum in one speaker have a look at the back of your head! (cartridge wires therein)

While it may be an advantage to use earthed metal equipment cabinets as a shield against induced electrical hum, this is not possible when the cabinet is electrically connected to the equipment's chassis. In this situation, any separate earthing of the cabinet will form a hum loop — the cure may be worse than the original symptom.

other internal device which is sufficiently close to the pickup, or to signal leads, to cause problems.

It is also worth experimenting with different routes for the signal cables — keeping them well clear of any cables carrying mains voltages. Make sure that any mains conductors are kept well away from the pickup cartridge.



Hum fields exist around mains transformers and AC mains wiring in general. If sensitive equipment — unscreened — is placed near enough humbugs will immediately surround it making life unbearable

Magnetic Induction

Transformers and electric motors operate within powerful magnetic fields which are generated by passing the mains current through the windings of a coil. It is very difficult to contain that magnetic fields that occur around transformers or turntable motors, and they tend to spread out beyond the immediate vicinity of the device. Any coils (including earth loops) or windings used in signal carrying components which do fall within the stray magnetic field, are very prone to hum pickup of this type;

The earthed shield used to prevent hum from electrostatic fields is unfortunately no barrier to a magnetic field, and special metallic shielding — such as mu metal — must be used.

The components which are most susceptible to magnetic hum induction are the pickup cartridge and the magnetic heads on a tape recorder — low level devices which rely on magnetic coupling for their operation.

Generally tape heads are shielded by the internal design and layout of the recorder's electronics. However, the pickup cartridge by its very design and performance requirements must be close to the turntable's motor. While most good turntable motors do not give trouble, cartridges do vary in their sensitivity to magnetic fields, and troubles may occur when least expected.

In spite of any design features or in-built shielding included to prevent the breakthrough of magnetically induced hum in turntables and tape decks, these units should be kept as far as possible from the power transformers of amplifiers, tuners and other components.

Curing Magnetic Hum

The most common problem with magnetically induced hum is found around the pickup cartridge. To cure this hum it is necessary first to establish the cause.

If you suspect that the turntable motor is the cause of the problem, try switching the motor on when the arm is at different points across the turntable. If the hum appears and disappears as the motor is turned on and off, then the motor is the culprit.

It will be possible to tell where the problem is worst, and the only cure in some cases will be to relocate the arm. If this is impossible, as it would generally be with automatic and semi-automatic arms, it is necessary to look to some form of magnetic shielding.

If hum levels change with the position of the arm across the platter — even with the motor switched off — it is probable that some nearby component is the cause — possibly a power transformer in the amplifier or some other component nearby. Try changing the position of the turntable relative to the other components — sometimes a slight change in orientation is all that is needed.

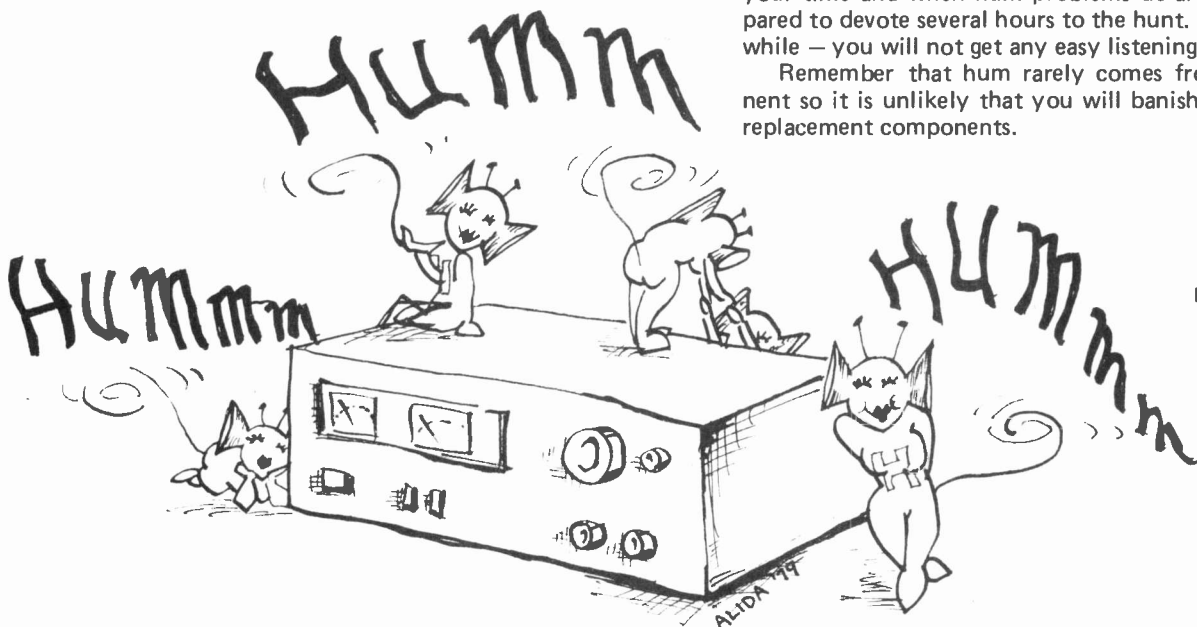
Similar experiments will be required if the hum occurs in a tape deck, although this is only likely to occur when the equipment is mounted in a confined space such as an equipment cabinet.

Halting Hum

The search for the source of a hum may take a great deal of your time and when hum problems do arise, you must be prepared to devote several hours to the hunt. It is certainly worthwhile — you will not get any easy listening until it is found.

Remember that hum rarely comes from a faulty component so it is unlikely that you will banish it simply by buying replacement components.

ETI



Don't let the hum-bugs get the last laugh! Follow the rules given here and **MAYBE** you'll get away hum-free!



Freeport Birmingham B19 1BR

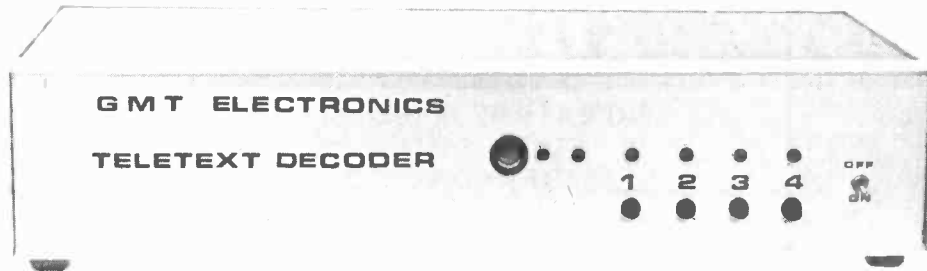
021-233-2400

- FREEPOST ON ORDERS
- VAT INCLUSIVE PRICES
- ADD 30p P&P
- 24 HR PHONE ANSWERING SERVICE
- ACCESS
- VISA
- CASH
- CHEQUE

ALL PRICES IN PENCE EACH UNLESS OTHERWISE STATED

CAPACITORS				Electrolytic Radial Leads				Miniature Low Value				Polyester Radial Leads									
Electrolytic Axial Leads				Order Code				Order Code				Order Code									
-10% to +50% Tol.				Cap 015 + μ F + V.d.c.				Cap 034 + μ F + Volts				Dipped Type, C280/352 Style									
-10% to +50% Tol.				Cap 015 + μ F + V.d.c.				Cap 630				Moulded Type, 10.2mm Pitch									
μ F	V.d.c.	16	25	40	63	μ F	V.d.c.	10	16	25	36	40	50	63	μ F	352	360	μ F	352	360	
1.0						47									001						
1.5						58									0015						
2.2						1.0									0022	6	7	12	8	10	11
3.3						1.5									0033	6	7	12	8	10	11
4.7						2.2									0047	6	7	12	8	10	11
6.8						3.3									0069	6	7	12	8	10	11
10						4.7									.01	6	8	1.0	21	20	21
15						6.8									.015	6	8	1.5	30	25	25
22						10									.022	6	8	2.2	35	35	35
33						15									.033	6	8				
47						22									.047	6	8				
68						33									.068	6	8				
100						47									.087	6	8				
150						68									.1	6	8				
220						100									.015	6	8				
330						150									.022	6	8				
470						220									.033	6	8				
680						330									.047	6	8				
1000						470									.068	6	8				
1500						680									.087	6	8				
2200						1000									.1	6	8				
						1500									.015	6	8				
						2200									.022	6	8				
						3300									.033	6	8				
						4700									.047	6	8				
						6800									.068	6	8				
						10000									.087	6	8				
						15000									.1	6	8				
						22000									.015	6	8				
						33000									.022	6	8				
						47000									.033	6	8				
						68000									.047	6	8				
						100000									.068	6	8				
						150000									.087	6	8				
						220000									.1	6	8				
						330000									.015	6	8				
						470000									.022	6	8				
						680000									.033	6	8				
						1000000									.047	6	8				
						1500000									.068	6	8				
						2200000									.087	6	8				
						3300000									.1	6	8				
						4700000									.015	6	8				
						6800000									.022	6	8				
						10000000									.033	6	8				
						15000000									.047	6	8				
						22000000									.068	6	8				
						33000000									.087	6	8				
						47000000									.1	6	8				
						68000000									.015	6	8				
						100000000									.022	6	8				
						150000000									.033	6	8				
						220000000									.047	6	8				
						330000000									.068	6	8				
						470000000									.087	6	8				
						680000000									.1	6	8				
						1000000000									.015	6	8				
						1500000000									.022	6	8				
						2200000000									.033	6	8				
						3300000000									.047	6	8				
						4700000000									.068	6	8				
						6800000000									.087	6	8				
						10000000000									.1	6	8				
						15000000000									.015	6	8				
						22000000000									.022	6	8				
						33000000000									.033	6	8				
						47000000000									.047	6	8				
						68000000000									.068	6	8				
						100000000000									.087	6	8				
						150000000000									.1	6	8				
						220000000000									.015	6	8				
						330000000000									.022	6	8				
						470000000000									.033	6	8				
						680000000000									.047	6	8				
						1000000000000									.068	6	8				
						1500000000000									.087	6	8				
						2200000000000									.1	6	8				
						3300000000000									.015	6	8				
						4700000000000									.022	6	8				
						6800000000000									.033	6	8				
						10000000000000									.047	6	8				
						15000000000000									.068	6	8				
						22000000000000									.087	6	8				
						33000000000000									.1	6	8				
						47000000000000									.015	6	8				
					</																

FULL SPEC KIT TELETEXT DECODER



- STATE OF THE ART L.S.I. CIRCUITS
- DOUBLE HEIGHT CHARACTER SELECTABLE FOR LEGIBILITY
- CHARACTER ROUNDING - EFFECTIVELY DOUBLES DEFINITION
- ULTRASONIC REMOTE CONTROL
- HIGH QUALITY THROUGH PLATED P.C.B.
- ALL I.C. MOUNTED ON SOCKETS
- PREALIGNED UHF/IF MODULES
- NEEDS NO INTERNAL CONNECTION TO THE TELEVISION SET
- SIZE 430mm x 90mm x 220mm
- SUPPLY 240v 50Hz 35w
- *NEW *TOUCH-CONTROL KEYPAD* NEW*

INCLUDES TUNER, P.S.U., DECODER, REMOTE KEYBOARD, P.A.L. ENCODER, U.H.F. MODULATOR CASE WITH SCREENED AND PUNCHED FRONT PANEL.

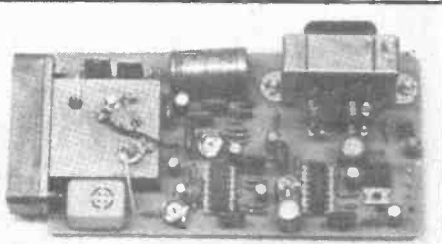
— £189.90 inc VAT. P & P £3.00.

FULL TELETEXT MANUAL IF BOUGHT SEPARATELY — £2.50 P & P £0.50.

P.C.B.'S AND L.S.I. I.C.'S NOT SOLD SEPARATE FROM KITS.

P & P INCLUDES CARRIAGE, PACKING AND INSURANCE

DOPPLER RADAR ALARM



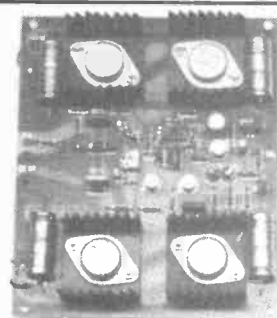
Do your goodies need protecting? No need to run miles of wire, and hack window and door frames to pieces. Just build a Doppler Radar Alarm kit. It can be mains or battery operated (external battery required), and is triggered by any movement in its detection area. It incorporates an arming delay - to enable you to leave its detection field safely, and a trigger delay (0 to 45 seconds), so you can catch the thief red handed without a prior warning having been given.

The unit provides a 12 volt output, normally high (low on alarm), to supply an external remote relay, which is not supplied. The unit has an integral buzzer to give an indication when the unit is being armed, and when triggering is complete.

The unit comes complete with a suitable case.

DOPPLER RADAR ALARM £39.50

F.E.T. POWER AMPLIFIER



Bring your HI-FI up to date. Available now is a 100 watt audio amplifier using POWER MOSFETS. The POWER MOSFET has several advantages over bipolar transistors. It has good frequency response, no carrier storage delay, thermal stability, no secondary breakdown, and high input impedance.

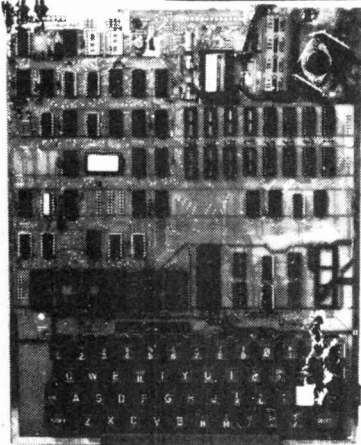
The MOSFET Amplifier has been designed to deliver a continuous power output of 100 watts with full heatsinking into 8 ohms from 5 Hz to 100 kHz with no more than 0.01% total harmonic distortion, which is about a tenfold improvement on ordinary bipolar techniques. The high output impedance and thermal stability of the MOSFET reduces the size of the total circuit by about 30%. The kit does not include a case.

POWER MOSFET AMPLIFIER MODULE £39.50

CHROMASONIC electronics

56 FORTIS GREEN ROAD MUSWELL HILL LONDON N10 3HN
TELEPHONE 01-883 3705 01-883 2289

your soundest connection in the world of components



Demonstration At Our Shop
(enter through stationers)

NOW AVAILABLE
Low cost computer in kit form

UK101

NO EXTRAS NEEDED
SIMPLY HIT
'RETURN' AND GO

As seen in
P.E.
August to November '79

Kit price
only **£199 + VAT**

AVAILABLE SOON

COLOUR ADD-ON CARD

Enables you to choose your foreground, the background colour anywhere on the screen. Flash any character on the screen at will. Full documentation and parts in kit form. Phone for details.

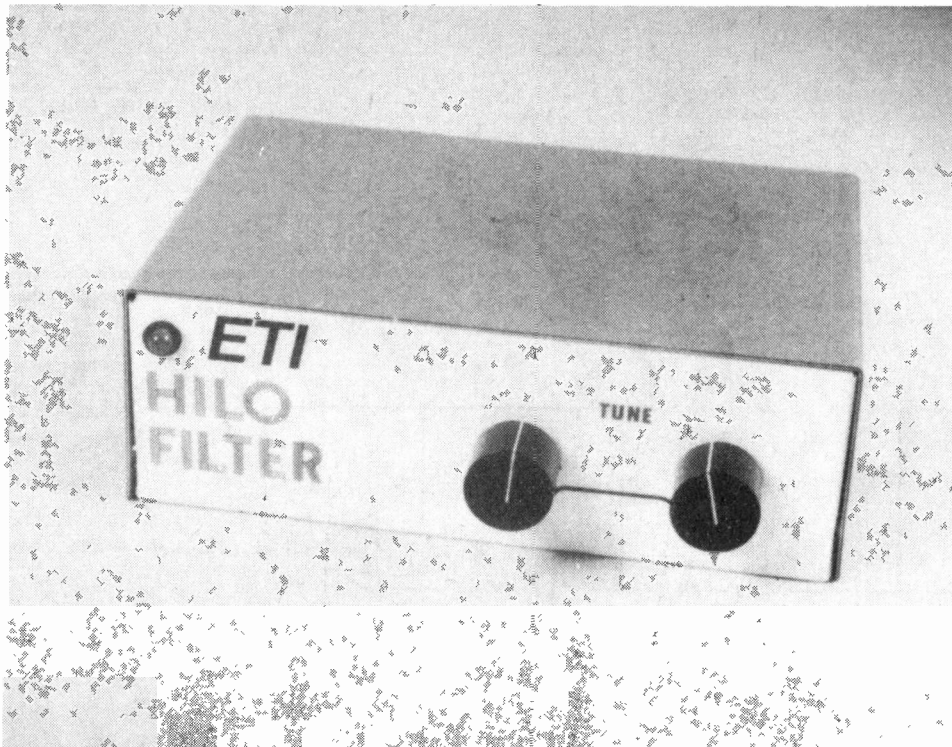
STOP PRESS

The latest edition of our 'STOP PRESS' is now available, and contains an up-to-date price list showing all the items that we stock. Just send an S.A.E. or phone for your FREE copy. Our catalogue is still available and if you're one of the few who haven't got a copy, order your FREE copy today.

Dynamic RAMS		Static RAMS		ROMS		CPU		E-PROMS		T.V. Controller		Buffers		Interface	
4027	3.01	2102A	1.16	2513 (U.C.)	6.25	6800	6.01	1702AQ	5.16	SFF96364	14.59	74365	0.52	8205	3.00
4050 (200ns)	2.50	2102A-2	1.16	2513 (L.C.)	6.25	8080	5.08	2708	6.26			74366	0.52	8212	2.00
4050 (350ns)	2.35	2111A-1	1.70	MM5230	4.62	9900	26.05	2716	24.00			74367	0.52	8216	2.08
4060 (300ns)	2.39	2112A-2	1.83			Z80	9.00					74368	0.52	8224	2.77
4116	6.74	2112	1.16			6502	9.50					74369	0.52		
		2114	5.17									74370	0.52		
		4035 (1000ns)	1.07									74371	0.52		
		4045 (250ns)	6.15									74372	0.52		
		5257 (TMS 4044)	6.93									74373	0.52		
		6810	3.03									74374	0.52		
												74375	0.52		
												74376	0.52		
												74377	0.52		
												74378	0.52		
												74379	0.52		
												74380	0.52		
												74381	0.52		
												74382	0.52		
												74383	0.52		
												74384	0.52		
												74385	0.52		
												74386	0.52		
												74387	0.52		
												74388	0.52		
												74389	0.52		
												74390	0.52		
												74391	0.52		
												74392	0.52		
												74393	0.52		
												74394	0.52		
												74395	0.52		
												74396	0.52		
												74397	0.52		
												74398	0.52		
												74399	0.52		
												74400	0.52		
												74401	0.52		
												74402	0.52		
												74403	0.52		
												74404	0.52		
												74405	0.52		
												74406	0.52		
												74407	0.52		
												74408	0.52		
												74409	0.52		
												74410	0.52		
												74411	0.52		
												74412	0.52		
												74413	0.52		
												74414	0.52		
												74415	0.52		
												74416	0.52		
												74417	0.52		
												74418	0.52		
												74419	0.52		
												74420	0.52		
												74421	0.52		
												74422	0.52		
												74423	0.52		
												74424	0.52		
												74425	0.52		
												74426	0.52		
												74427	0.52		
												74428	0.52		
												74429	0.52		
												74430	0.52		
												74431	0.52		
												74432	0.52		
												74433	0.52		
												74434	0.52		
												74435	0.52		
												74436	0.52		
												74437	0.52		
												74438	0.52		
												74439	0.52		
												74440	0.52		
												74441	0.52		
												74442	0.52		
												74443	0.52		
												74444	0.52		
												74445	0.52		
												74446	0.52		
												74447	0.52		
												74448	0.52		
												74449	0.52		
												74450	0.52		
												74451	0.52		
												74452	0.52		
												74453	0.52		
												74454	0.52		
												74455	0.52		
												74456	0.52		
												74457	0.52		
												74458	0.52		
												74459	0.52		
												74460	0.52		
												74461	0.52		
												74462	0.52		
												74463	0.52		
												74464	0.52		
												74465	0.52		
												74466	0.52		
												74467	0.52		
												74468	0.52		
												74469	0.52		
												74470	0.52		
												74471	0.52		
												74472	0.52		
												74473	0.52		
												74474	0.52		
												74475	0.52		
												74476	0.52		
												74477	0.52		
												74478	0.52		
												74479	0.52		
												74480	0.52		
												74481	0.52		
												74482	0.52		
												74483	0.52		
												74484	0.52		
												74485	0.52		
												74486	0.52		

HI~LO PASS FILTER

Are you in the depths of despair because your highs are hissy, or because your lows are rumbly? Then you need the ETI Hilo Filter to remove your extremities - without anaesthetic.



We can hear you all now, saying to yourselves in unison simultaneously and all together — GOSH, is there no end to the ETI Project Team's ingenuity? Whatever will they come up with next? Well this really is the ultimate in audio gadgetry — a rumble and scratch filter that one can tune to suit an individual rumble or a personal scratch. Speaking for ourselves, we only scratch when there is no-one around anyway, it's bad manners to do otherwise.

The ETI HILO FILTER essentially consists of two separate filters, a variable high pass and a variable low pass filter in series, which together form a tunable bandpass filter, whose cutoff frequencies at each end of the audio spectrum can be adjusted by varying the cutoff frequencies of the individual filters.

The cutoff point of the high pass

filter is variable between about 235 Hz and 2.8 kHz depending on the setting of RV1. At all frequencies above this the filter operates as a unity gain buffer. The effect of this part of the whole circuit is to quite adequately filter out all low frequency oscillations and tremors which go under the heading "rumbles".

The low pass filter functions in just the opposite mode, in that it filters out all frequencies above its cutoff point (variable between about 2.2 kHz and 24 kHz dependent on RV2).

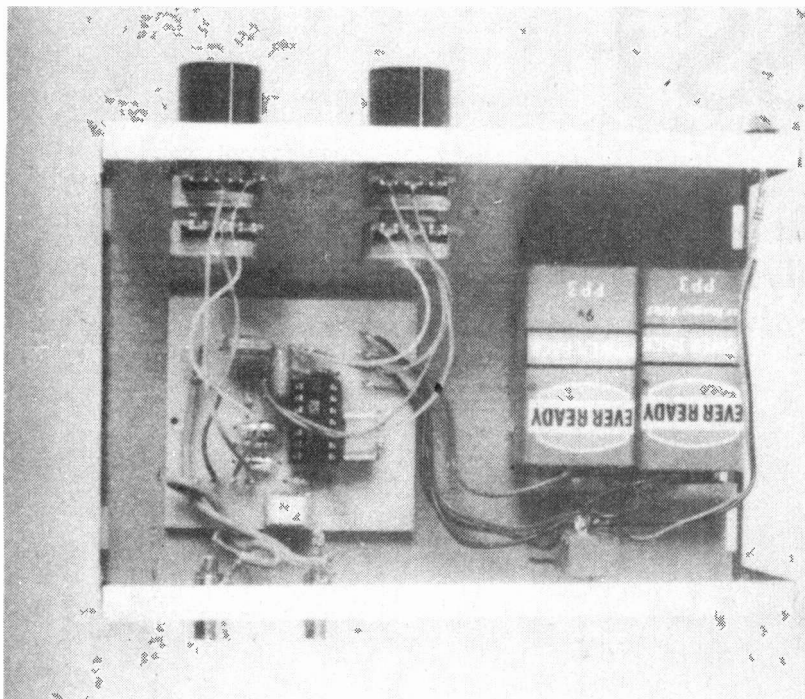
Unwanted tape hiss and record scratches can be filtered out with this part of the circuit. Frequencies below the cutoff point are buffered with unity gain.

For the technically minded we can say that both filters are second order filters giving a cutoff rate of 12 dB/octave below or above the consecutive filter points.

Construction

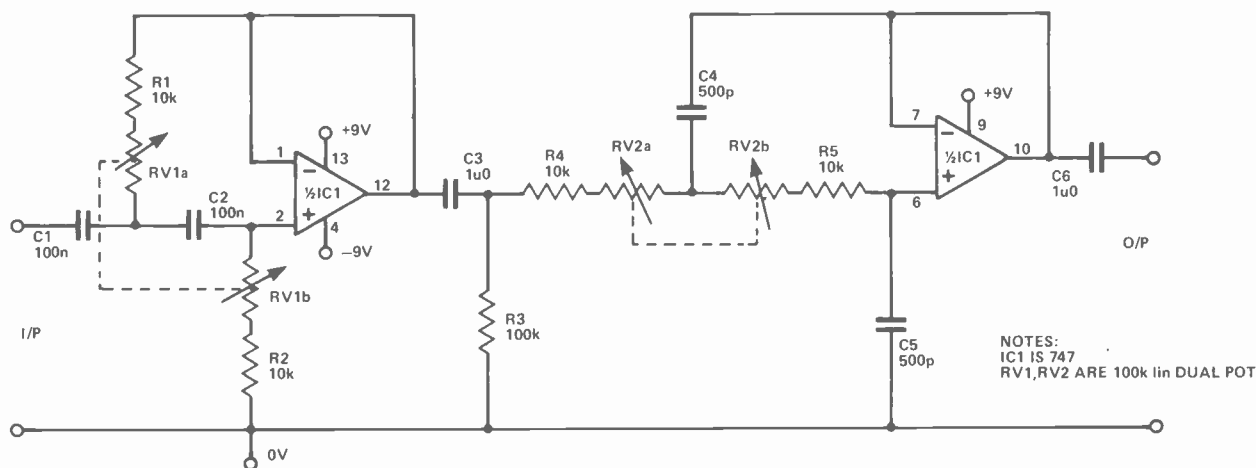
The circuit really is so simple that very little need be said on construction techniques. The only area of possible difficulty might be encountered in the wiring up of the two potentiometers RV1 and RV2. Both are dual ganged types and obviously require to be wired correctly for proper function. Work from the circuit diagram and follow the wiring carefully. If the circuit does not work first time, it is more than likely that this is the area of fault.


We build our filter into a box but this is not strictly necessary. You can build the board into your own system and run the filter from a mains/DC power supply (up to ± 15 V), which will save the expense of batteries, if you wish.



The internal photograph (left) shows the completed PCB installed in its case and the connectors to the batteries and front panel controls. Two PP3s will give sufficient power for satisfactory operation. We have taken the outputs to two phono sockets on the back panel.

Fig. 1 (below) shows the circuit diagram. RV1 and RV2 are both ganged potentiometers.





C.B. CITY

LTD.

**119d PROSPECT ROAD
FARNBOROUGH, HANTS
0252-318141 (EVES. & WEEKENDS)**

C. B. CITY is dedicated to all present and future Citizen Band Enthusiasts. We stock a full range of everything you are likely to require and more. If not, we can most probably obtain it.

Duff Rig?? Then why not take advantage of our repair service — absolute confidence guaranteed.

Access. Credit Cards accepted

Just send 3 x 10p stamps for our 16-page fully illustrated comprehensive catalogue

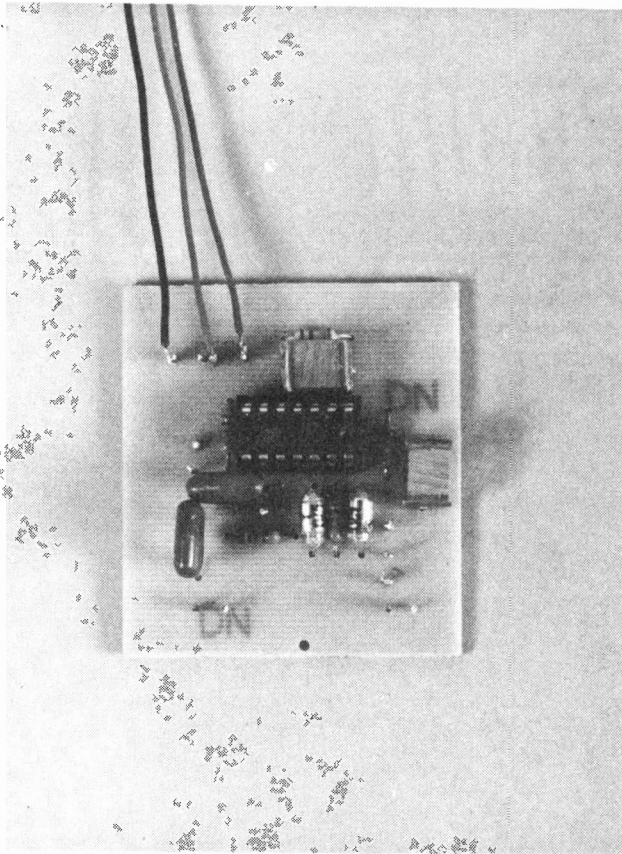
REMEMBER!! Until C. B. becomes legal we **DO NOT** sell rigs

HOW IT WORKS

The high pass filter gives a frequency response as in the graph of Fig. 1. The response of the circuit can be seen to fall off below about 235 Hz. Adjustment of RV1 can alter the response to that of the broken line or any position in between.

Similarly, the low pass filter shows a frequency response as in the graph of Fig. 2. Adjustment of RV2 alters the cutoff frequency 2.2 kHz and 24 kHz as shown by the broken and full lines of the graph.

When the two filters follow each other as in our circuit the overall response curve is simply a combination of the two diagrams of Figs. 1 and 2.



You shouldn't find this PCB (above) very taxing to construct. It may be small, but the mighty mica morsel banishes hiss and rumble a treat.

Fig. 2 (below) shows the Hi-Lo Filter component overlay. The capacitors go in two by two — two polyester, two polycarbonate and two polystyrene.

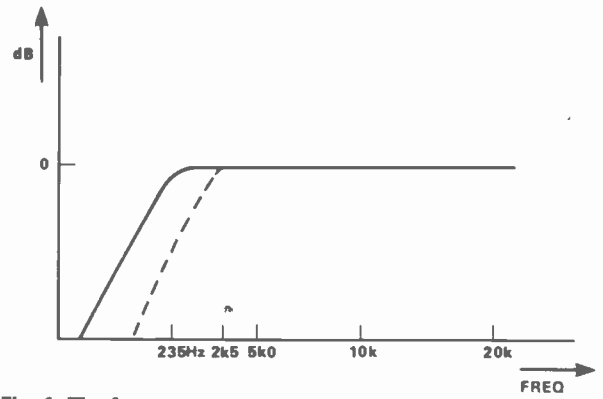
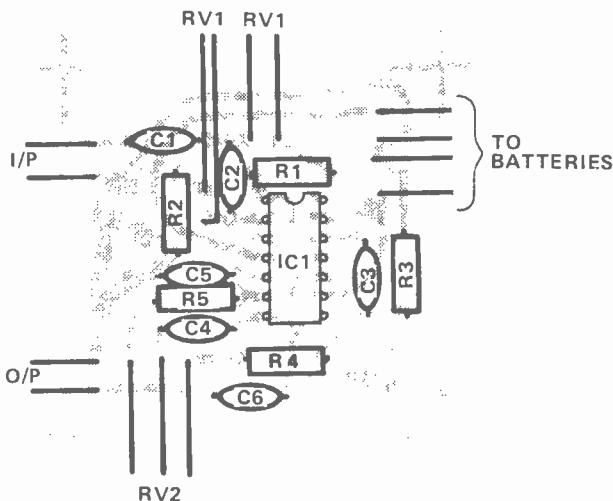


Fig. 1. The frequency response of the high pass filter. The response falls off below about 235 Hz.

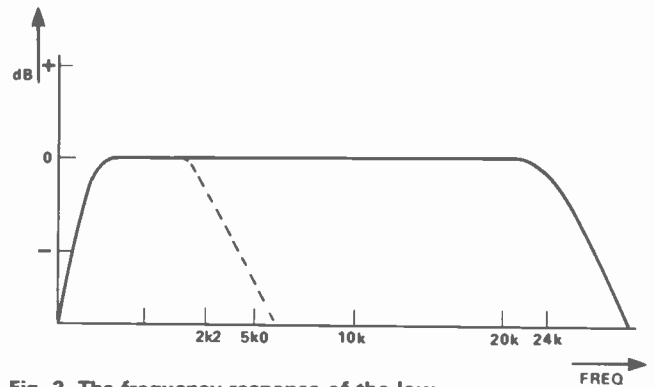


Fig. 2. The frequency response of the low pass filter.

BUYLINES

There should be no difficulty at all in obtaining any of these components as the ETI HiLo Filter is made from standard components.

PARTS LIST

RESISTORS (All 1/4W, 5%)

R1,2,4,5 10k
R3 100k

POTENTIOMETERS

RV1,2 100k lin dual ganged

CAPACITORS

C1,2 100n polyester
C3,6 1u0 polycarbonate
C4,5 500p polystyrene

SEMICONDUCTORS

IC1 747 (Dual 741 op amp)

MISCELLANEOUS

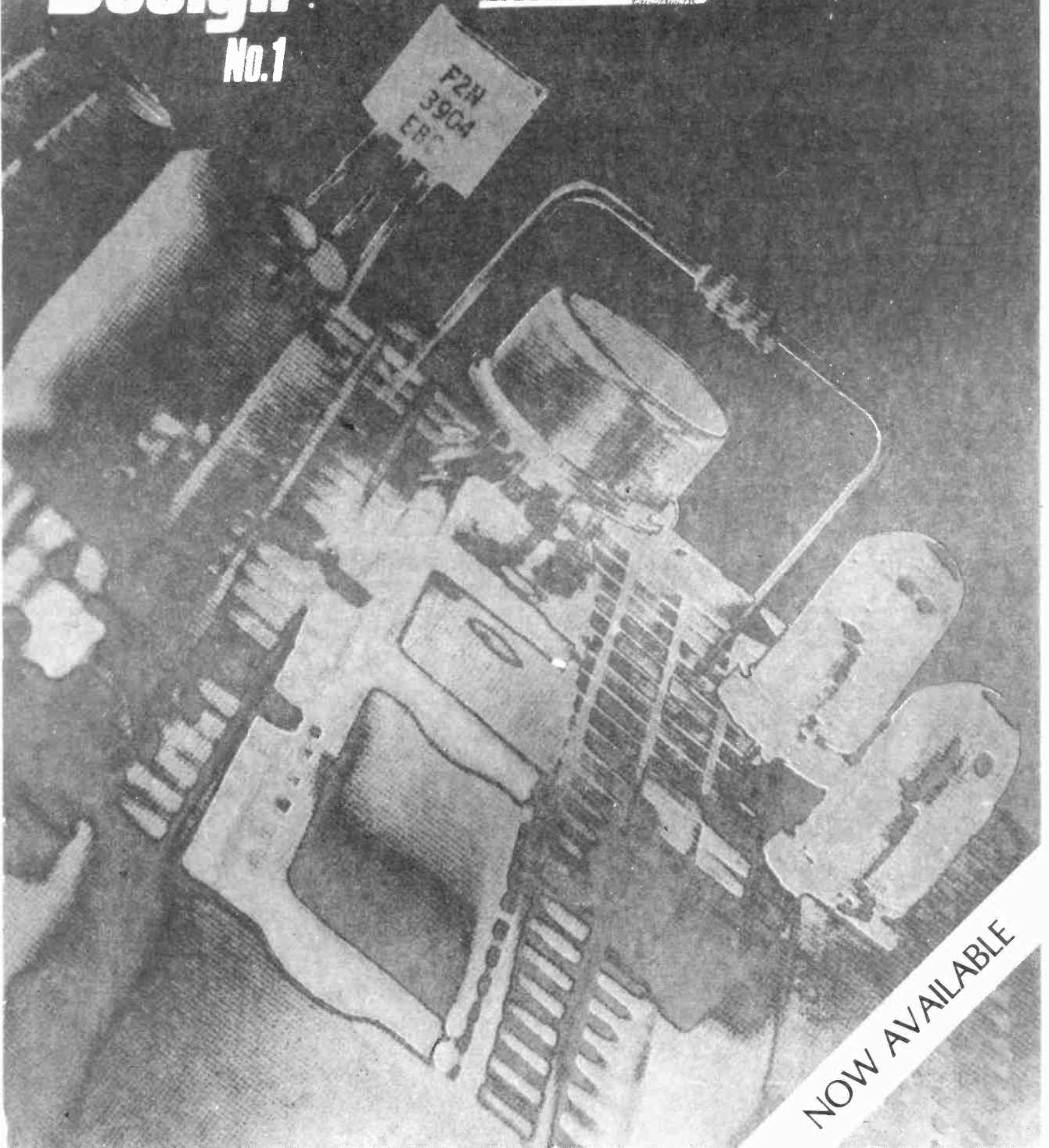
2 x Battery clips type PP3 I/P and O/P connectors
Case to suit (if required)

Electronic Circuit Design

No.1

Selected Reprints from
electronics today

£1.25



NOW AVAILABLE

SPECIALS



TOP PROJECTS

Book 1+2: £2.50 + 25p P&P

Master mixer, 100W guitar amp., low power laser, printmeter, transistor tester, mixer preamp., logic probe, Ni-Cad charger, loudhailer, scope calibrator, electronic ignition, car theft alarm, turn indicator canceller, brake light warning, LM3800 circuits, temperature alarm, aerial matcher, UHF-TV preamp., metal locator, four input mixer, IC power supply, rumble filter, IC tester, ignition timing light, 50W stereo amp. and many more.

Book 5: £1.00 + 25p P&P

5W stereo amp., stage mixer, disco mixer, touch organ, audio limiter, infra-red intruder alarm, model train controller, reaction tester, headphone radio, STD timer, double dice

Book 6: £1.00 + 25p P&P.

Graphic equaliser, 50/100W amp. modules, active crossover, flash trigger, "Star and Dot" game, burglar alarm, pink noise generator, sweep oscillator, marker generator, audio-visual metronome LED dice, skeet game, lie detector, disco light show

ETI CIRCUITS Books 1 & 2

Each volume contains over 150 circuits, mainly drawn from the best of our Tech-Tips. The circuits are indexed for rapid selection and an additional section is included which gives transistor specs, and plenty of other useful data.

Sales of this publication have been phenomenal — hardly surprising when the circuits cost under 1p each!

£1.50 + 25p P&P.

FROM THE PUBLISHERS OF
ELECTRONICS TODAY INTERNATIONAL

ETI CIRCUITS No 2

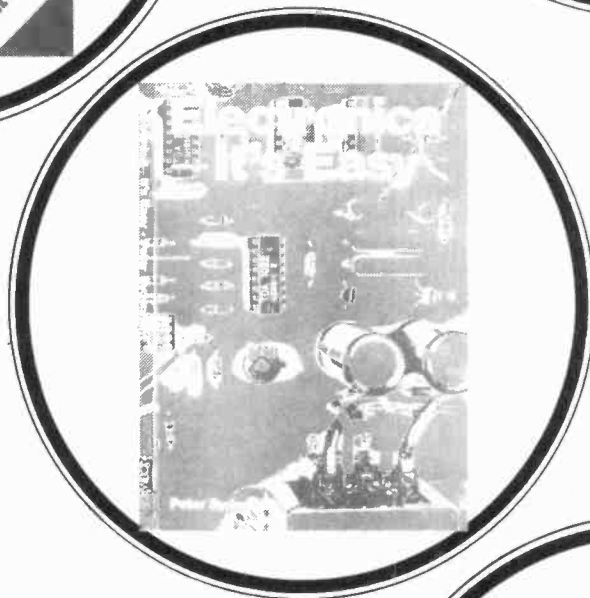
£1.50



TOP PROJECTS

Book 7: £1.25 + 25p P&P

ER II loudspeaker, CCD phaser, 3-channel tone control, bass enhancer, continuity tester, bench supply, LCD digital multimeter, digital frequency meter, wide range oscillator, ETI wet, egg timer, house alarm, porch light, torch finder, light dimmer, IB metal locator, electronic bongos, puzzle of the drunken sailor, race track, ultrasonic switch, tic-tac radio, rev counter, Transcendent 2000, spirit level.



ELECTRONICS — ITS EASY

Combined volume. This, our latest work, is a complete collection of our ever popular beginners series. Previously published in three volumes.

£3.60 + 50p P&P.



ORDER FROM

Specials Modmags Ltd, 145 Charing Cross Road, London WC2

Postage and packing also refers to overseas. Send remittance in Sterling only. Please mark the back of your cheque or PO with your name and address.

FROM ETI

CMOS 555 APPLICATIONS

Tim Orr brings you the result of bipolar versus CMOS in the 555 league

The bipolar 555 timer chip has been around for many years, but there is now a CMOS version that has some very significant design improvements. The two devices are functionally very similar, being interchangeable in most applications. The operation of the 555 is very simple, (Fig. 1). It consists of a pair of comparators that operate at $\frac{1}{3}$ and $\frac{2}{3}$ of the supply voltage, this being set up by a resistor chain. These comparators set and reset a flip flop which in turn drives the output stage. A second output is available which is an electronic switch, (Discharge) to ground. Other features include access to the resistor chain via the control voltage pin and an extra reset input to the flip flop. This simple network readily lends itself to all sorts of oscillators and timer circuits.

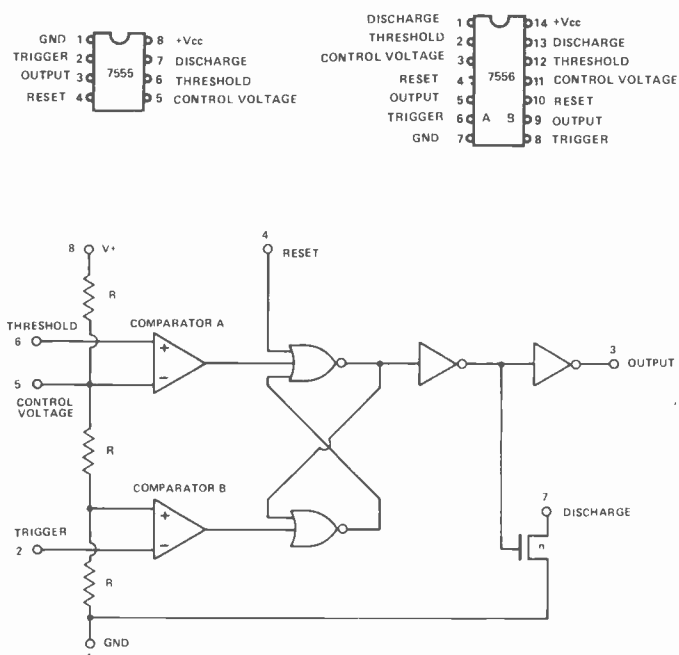


Fig. 1. The pin-out and internal configuration of the CMOS 555.

The bipolar 555 has a few parameters that can make it difficult to use, but which have been improved in the CMOS version, (Fig. 2.). The bipolar quiescent supply current is generally about 10 mA which negates their use in small battery units. The CMOS version consumes a mere 120 uA.

PARAMETER	ICM 7555	BIPOLAR 555C
QUIESCIENT CURRENT Vcc +15V	TYPICAL 120uA	TYPICAL 10mA
INPUT CURRENT TRIGGER	50pA	0u5A
THRESHOLD	50pA	0u1A
RESET	100pA	0m1A
MAX. OPERATING FREQUENCY	500kHz	500kHz
POWER SUPPLY RANGE	2 → 18V	4VS → 16V
PEAK SUPPLY CURRENT TRANSIENT	10mA	370mA
RISE AND FALL TIME AT OUTPUT	40nS	100nS

Fig. 2. A comparison between the Bipolar and CMOS version of the 555.

Also the CMOS inputs are very high impedance having input currents down in the pico amp region. Another major improvement is the reduction in the power supply current transient during an output transmission. The bipolar is very noisy in this respect and can often be the cause of lots of 'funnies' in nearby circuits.

The CMOS 555 is a low power high input impedance device that should be used where low current consumption is at a premium. The following circuits illustrate some possible uses of the device.

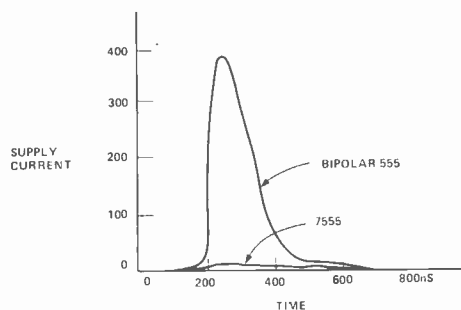


Fig. 3. The CMOS 555 displays an impressive reduction in supply current transient during an output transmission.

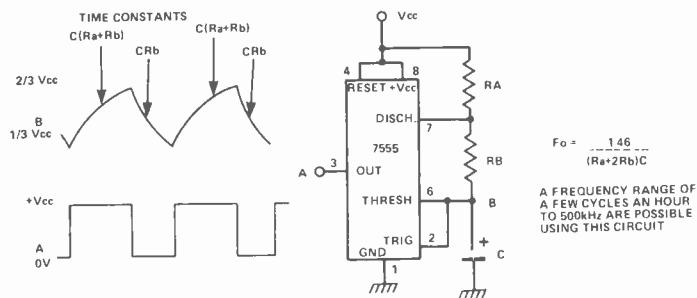


Fig. 4 (above) A simple oscillator can be constructed using two resistors and a capacitor. Due to the high input impedance of the CMOS device, resistor values up to 100M may be used. The operation is as follows. Capacitor C is charged up via Ra and Rb and so rises with a time constant of C(Ra+Rb). When the voltage B reaches $\frac{2}{3} V_{cc}$, the threshold hold comparator goes high causing the output (pin 3) to be set low. Also the discharge FET (pin 7) is turned on. This discharges the capacitor via Rb with a time constant of CRb, until the voltage B reaches $\frac{1}{3} V_{cc}$.

This causes the trigger comparator to go low which sets the output high and turns off the discharge FET. Thus, the voltage B oscillates between $\frac{1}{3}$ and $\frac{2}{3} V_{cc}$. The waveform is asymmetric but due to the nature of its generation its frequency is virtually invariant with regards to supply voltage changes. It is possible to generate a sawtooth waveform by reducing Rb to a short circuit. This causes the reset time to be very fast, of the order of a few microseconds. However, there is a propagation delay through the device from the trigger comparator to the output which causes the discharging waveform to overshoot the $\frac{1}{3} V_{cc}$ limit, thus making the waveform at B larger. This will cause the oscillation frequency to be lower than calculated. To maintain the calculated frequency, the discharge period should be 5 μ s seconds or longer.

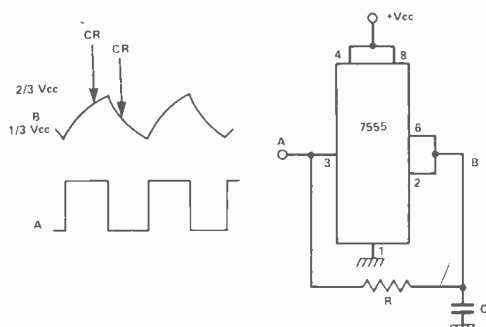


Fig. 5 (above) This oscillator has a symmetrical output because the charge and discharge paths are the same and the portion of the exponential curve that is used is symmetrical. Note that in this circuit, the discharge pin (7) is available to do other jobs, such as drive a LED or some other device. The timing resistor R should be kept relatively high (above 10k) to prevent loading of the output.

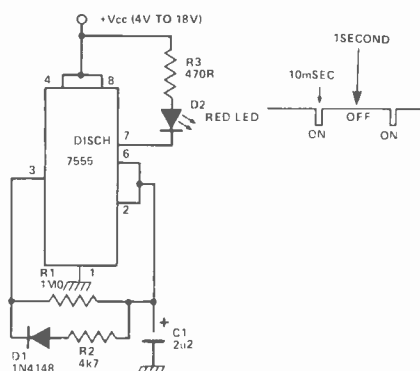
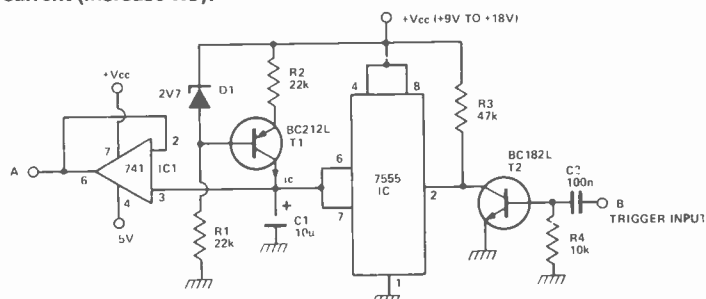


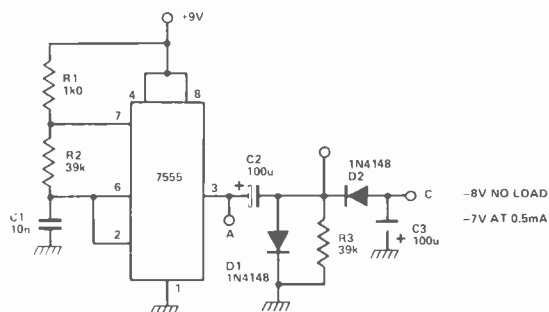
Fig. 6 (above) This circuit is an oscillator that has a wide mark to space ratio. It is OFF for approximately 1 second and then turns ON for about 10 mS. During this latter period the LED is turned on by the discharge FET. The long OFF period is generated by the R1, C1

time constant, whereas the short ON period is produced by D1 (which is forward biased) and R2, C1. The average current consumption is relatively low. If the unit were powered from a 9 V battery, then the current would be 120 μ A for the ICM 7555 and an average of 140 μ A for the LED, making 260 μ A total. This would give a lifetime of a few months for a PP3 which would be extended by lengthening the OFF period (increase R1) and reducing the LED current (increase R3).



NOTE NO RETRIGGER
 $SWEEP TIME T = \frac{V_{cc} \times 2/3 \times C1}{IC}$
 AND $IC = \frac{(2.7 - 0.7)}{R2}$

Fig. 7 (above) The 7555 is used to initiate and terminate a triggered sweep. Normally the discharge FET (pin 7) is ON and so C1 is shorted to ground. When a trigger is applied to the input, the collector of Q2 momentarily goes low which sets pin 7 of the 7555 in its OFF condition. Q1, R1, R2 and D1 form a current generator that drives C1. Once the discharge FET has been turned OFF, the voltage on C1 rises linearly. When this voltage reaches $\frac{2}{3} V_{cc}$, the threshold comparator sets the discharge FET into its ON state and so C1 is shorted to ground. IC1 is used to buffer the voltage on C1. The sweep generator is not retriggerable and is only initiated on fast positive going inputs. To vary the sweep rate, alter C1 and or R2.



DC TO DC CONVERTER

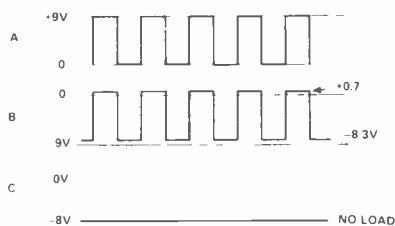


Fig. 8 (above) A DC to DC converter can be constructed from an oscillator and a diode charge pump. The 7555 forms a high frequency square wave oscillator. The squarewave from pin 3 is AC coupled via C2 to the charge pump. The voltage on the negative side of C2 is prevented from going more than 0V7 positive by D1 and so the square wave on this side of the capacitor biases itself so that it moves from +0V7 to -8V3. D2 charges up C3 on the negative excursion of this waveform and so a negative rail of about -8 V is generated. The current that can be taken from this rail is rather low, being determined by the oscillation frequency and C2. Generally DC to DC converters have a poor transfer efficiency.

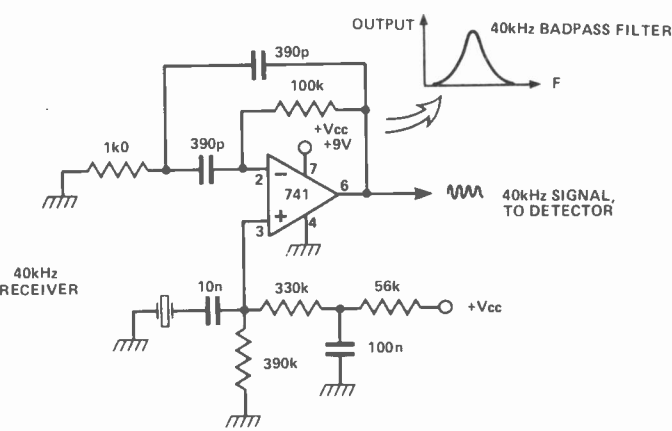
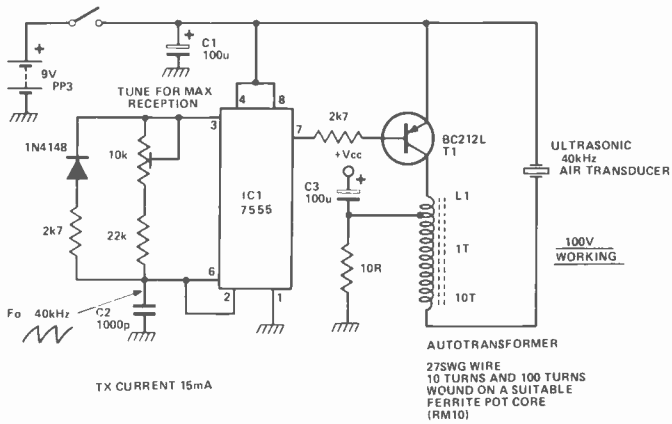


Fig. 9 (above) The 7555 can be used as the driving oscillator in an ultrasonic remote control system. The oscillator generates a thin pulse about 2.5 μ s long at the natural resonant frequency of the transducer. This short pulse is used to turn on a transistor (Q1) which drives an auto transformer with a 10 to 1 step up ratio. The output of the transformer is connected to the transducer and when the oscillation frequency is correct a 100 V peak to peak sine wave will be produced at this point. The transducer is usually a crystal with a high impedance and so a high operating voltage is required to produce any power output. The receiver is a 40 kHz bandpass filter. This will amplify any audio signals at this frequency, which can then be sent to a detector circuit.

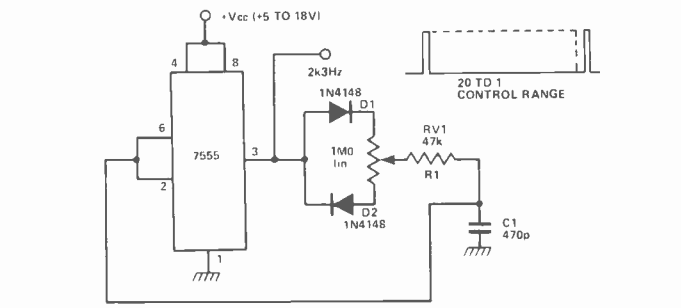


Fig. 10 (above) This oscillator allows the mark space ratio at pin 3 to be varied from 1 to 20, to 20 to 1, by using two feedback routes. When pin 3 is high, C1 is charged via D1, part of RV1 and R1. When it is low, C1 is charged via D2, the other part of RV1 and R1. Thus the position of the RV1 wiper determines the ratio of the charge and discharge periods. The oscillation frequency is slightly dependent on this ratio.

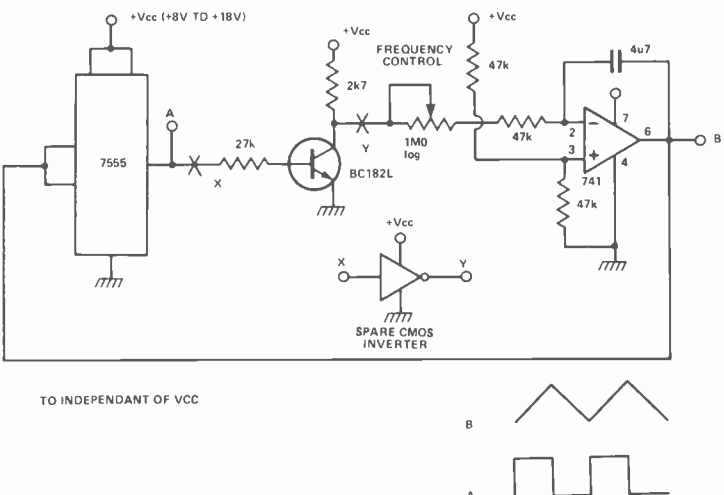


Fig. 11 (above) By making a loop out of a 7555, an inverter and an integrator, a triangle/square wave oscillator is produced. To operate well at high frequencies (up to 40 kHz) a CMOS inverter should be used to replace the transistor inverter. The op amp provides a low impedance triangle output, the frequency of which may be controlled with the 1M log pot.

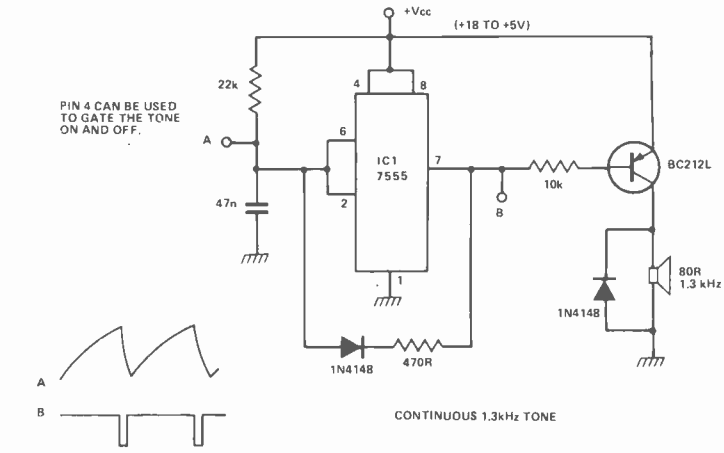


Fig. 12 (above) The 7555 can be used to generate an acoustic tone. The oscillator is set to run at 1k3Hz which has a low period of about 15 nS and a high period of about 755 nS. During the low period the transistor is turned ON and so the loudspeaker is connected across the power supply and sinks at about 100 mA (for a 9 V supply). This gives it a 'kick' on every cycle of the oscillation. As the transistor is only on for 15 out of every 770 nS the average current through the speaker is quite small, being about 1.95 mA. Therefore, the total current consumed by the whole system is only about 2.5 mA (at 9 V), and yet the 20 mW tone signal is quite audible.

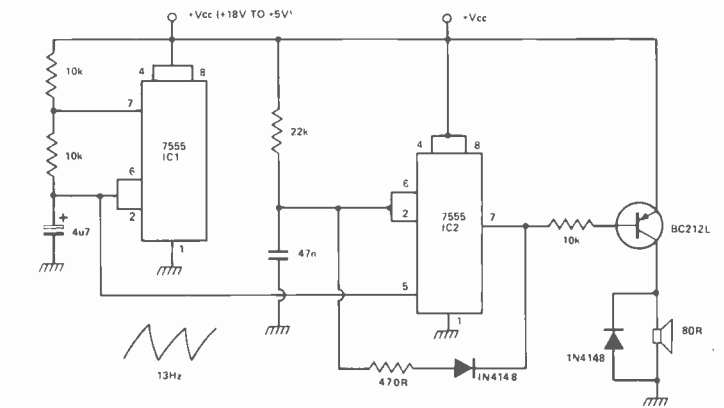


Fig. 13. A warbling tone can be generated by using two oscillators. The warble is produced by IC1 which generates a 13 Hz wave form that is used to frequency modulate the tone generator as described in the previous example. Pin 5 of a 7555 is connected to the $+2/3 V_{cc}$ tap on the resistor ladder. By tying it to a 'warble' waveform, frequency modulation of the final output tone is produced. A 7556 could be used instead of two 7555's.

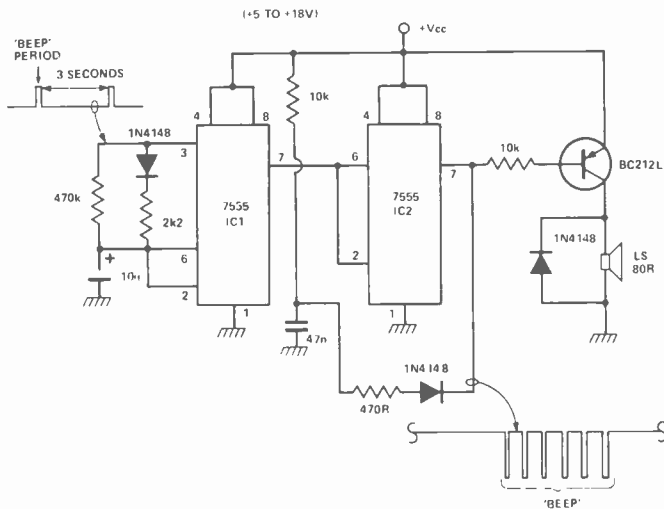


Fig. 14 (above) The police and other emergency services use a repeating high frequency 'beep' on their radio networks. This doesn't interfere with the normal radio traffic and allows the listener to be certain that he is still tuned in correctly to that channel. The circuit generates a similar 'beep' and yet consumes only a couple of milliamps. IC1 is a slow oscillator (3 second period) with a large mark/space ratio. The discharge FET is on for most of the time and only goes OFF for about 15 milliseconds in every 3 seconds. This FET is connected to the tone generator in such a manner that when the FET is ON the tone generator is inhibited. When the FET goes OFF the generator produces a burst of 3 kHz oscillations which are heard as a 'beep'.

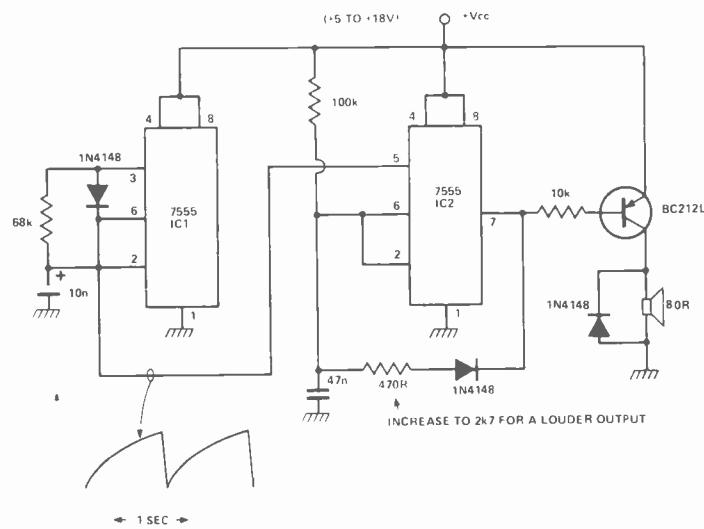


Fig. 15 (above) The last type of sound generator to be described is a simple siren. IC1 generates a sawtooth waveform which is used to frequency modulate, via pin 5, the tone generator (IC2). As the sawtooth voltage rises (with a period of 1 S) so does the tone generator frequency.

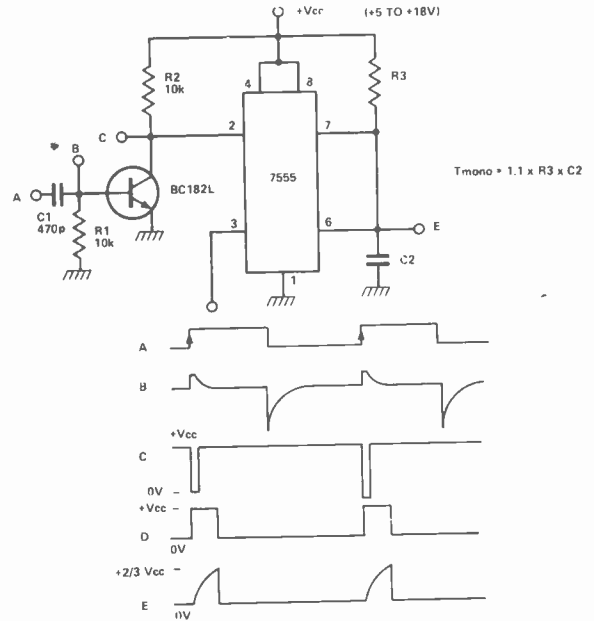


Fig. 16 (above) The 7555 can be made into a monostable, although some problems may occur in its use. A negative going pulse on the trigger input (pin 2) can be used to start the monostable period. It is important that this pulse goes high again before the end of the monostable period, or else it may prolong the period. To this end an AC coupled transistor inverter has been used so that a rising positive signal will initiate the event. Initially C2 is discharged to ground. When pin 2 is taken low, the discharge FET is turned OFF and so the voltage at E rises with a time constant of C2, R3. When this voltage reaches $+2/3 V_{cc}$, the discharge FET is turned ON, C2 is discharged to ground and the monostable period is finished. During this period the 7555 produces a high output at pin 3.

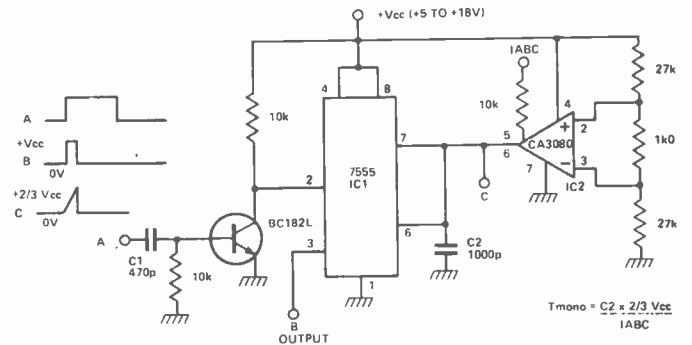
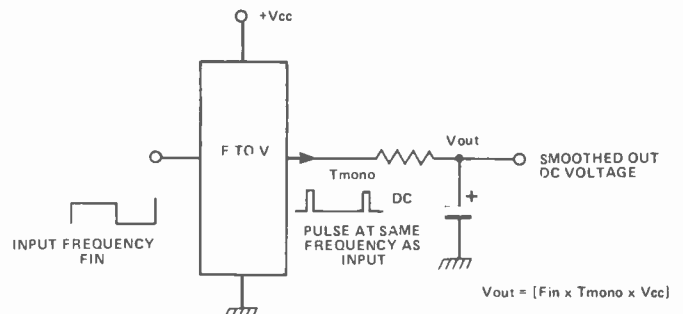


Fig. 17 (above) The previous circuit has been modified. The timing resistor has been replaced with a programmed current source, IC2. Whatever current is put into pin 5 of the CA 3080 (the I_{ABC} current) will appear at its output. This will linearly charge up C2 when the FET switch is turned OFF. The monostable action will be the same as in the previous example. The monostable period is linearly proportional to the I_{ABC} current so by programming this current the period is controlled.



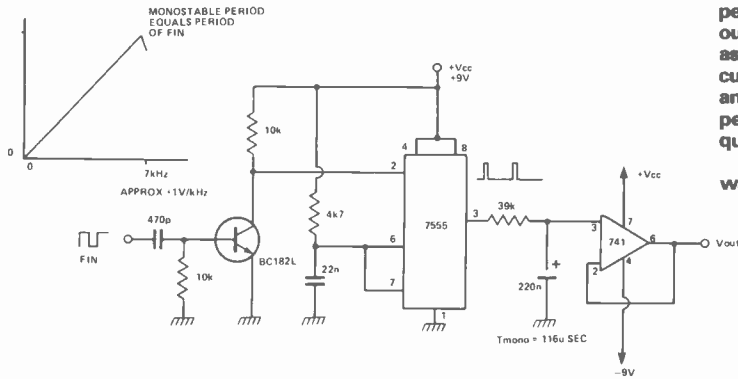
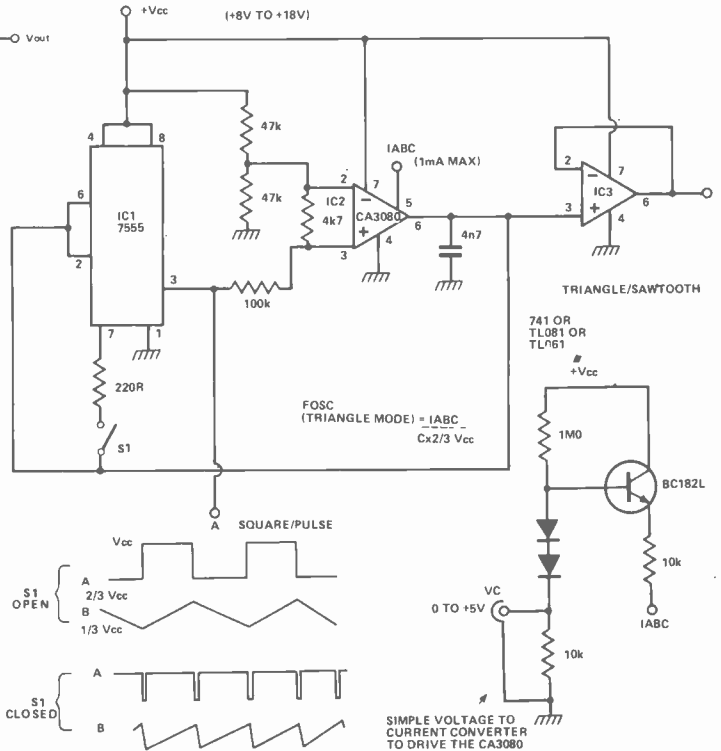


Fig. 18 (above) The monostable can be used to linearly convert a frequency into a voltage. The pulses at the output pin of the 7555 in this circuit are fixed in length but occur at the fundamental frequency of the input signal. Thus the average equivalent DC voltage of these pulses will be linearly proportional to their frequency. This averaging can be performed very simply with a CR low pass filter. This filter determines the response time of the circuit and the ripple. A long time constant will have little ripple and respond slowly and vice versa. Care must be taken to not exceed the range of the monostable. When the period of monostable exceeds that of the input signal, the circuit will miss every other period and will drop its apparent output by an octave.

Fig. 19 (right) IC1 and 2 form a triangle/squarewave oscillator. IC2 is a non-inverting, programmable rate integrator and its output ramps up and down between the $\frac{1}{3}$ and $\frac{2}{3}$ V_{CC} limits set by IC1. The rate at which the integrator ramps up and down and hence the oscillation frequency, is determined by the I_{ABC} current. Because the input impedance of IC1 is so high, it is possible to directly connect the timing capacitor to it, without any unwanted loading effects. This circuit has excellent high frequency performance producing good quality triangle wave forms at 40 kHz. The circuit can also produce very low frequency signals by making C a 100nF tantalum and I_{ABC} a current of say, 1 nA. This oscillator would then have a

period of 800 seconds. IC3 is used to buffer the triangle to the outside world. If a 741 is used, then the waveform will become asymmetrical at low I_{ABC} currents (below 1 μ A) due to the input bias current needed to run a 741. A TL081 has very little input current and so could be used for both low I_{ABC} currents and high frequency performance. If low power is needed, then a TL061 (200 μ A quiescent) could be used.

By closing switch S1, the oscillator will produce a sawtooth waveform and a pulse.



ETI



IT'S A DOGS LIFE!

Mighty mongrel strikes again!

Stop your powerful poach carving up your carefully collected ETIs with his canine choppers and live in hardback harmony with a profusion of precious project books by armour-plating your archives.

Invest in an ETI binder. You know it makes sense.

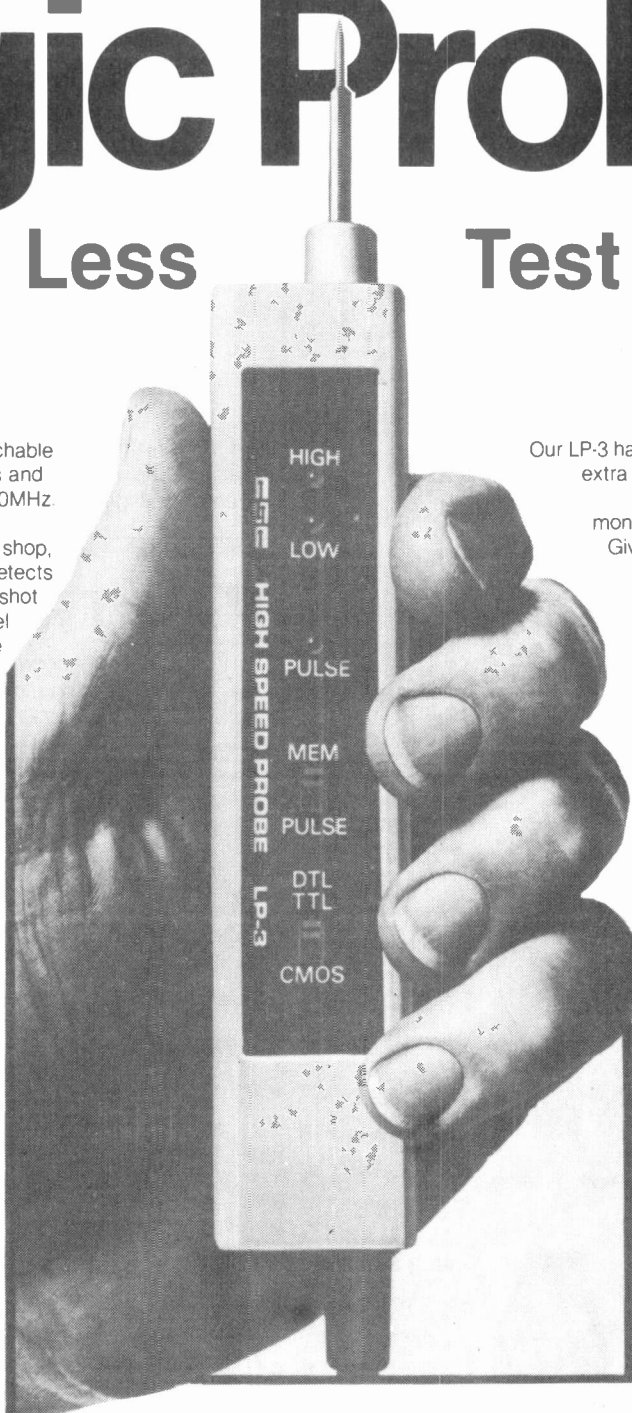
You can have any colour you like as long as it's black.

Send a mere £3.20 to:
ETI Binder
145 Charing Cross Road
London WC2H 0EE

The Logic Probes

Spend Less

Test More



LP-1 Logic Probe

The LP-1 has a minimum detachable pulse width of 50 nanoseconds and maximum input frequency of 10MHz. This 100 K ohm probe is an inexpensive workhorse for any shop, lab or field service tool kit. It detects high-speed pulse trains or one-shot events and stores pulse or level transitions, replacing separate level detectors, pulse detectors, pulse stretchers and pulse memory devices.

All for less than the price of a DVM

£31.00*

LP-2 Logic Probe

The LP-2 performs the same basic functions as the LP-1, but, for slower-speed circuits and without pulse memory capability. Handling a minimum pulse width of 300 nanoseconds, this 300 K ohm probe is the economical way to test circuits up to 1.5 MHz. It detects pulse trains or single-shot events in TTL, DTL HTL and CMOS circuits,

replacing separate pulse detectors, pulse stretchers and mode state analysers.

(Available in kit form LPK-1 £11-92)

£18.00*

The logic probes shown are all suitable for TTL, DTL, HTL and CMOS circuits

*price excluding P & P and 15% VAT

LP-3 Logic Probe

Our LP-3 has all the features of the LP-1 plus extra high speed. It captures pulses as narrow as 10 nanoseconds, and monitors pulse trains to over 50 MHz. Giving you the essential capabilities of a high-quality memory scope at 1/1000th the cost.

LP-3 captures one shot or low-rep-events all-but-impossible to detect any other way.

All without the weight, bulk, inconvenience and power consumption of conventional methods.

£49.00*

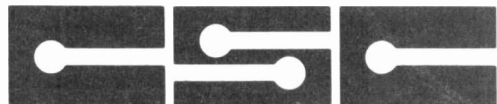
The New Pulser DP-1

The Digital Pulser: another new idea from C.S.C. The DP-1 registers the polarity of any pin, pad or component and then, when you touch the 'PULSE' button, delivers a single no-bounce pulse to swing the logic state the other way. Or if you hold the button down for more than a second, the DP-1 shoots out pulse after pulse at 1000 Hz.

The single LED blinks for each single pulse, or glows during a pulse train. If your circuit is a very fast one, you can open the clock line and take it through its function step by step, at single pulse rate or at 100 per second. Clever! And at a very reasonable price.

£51.00*

CONTINENTAL SPECIALTIES CORPORATION



C.S.C. (UK) Limited,
Dept. 9J, Shire Hill Industrial Estate, Unit 1,
Saffron Walden, Essex CB11 3AQ.
Telephone: Saffron Walden (0799) 21682
Telex: 817477

C.S.C. (UK) Ltd. Dept. 9J, Shire Hill Industrial Estate, Unit 1, Saffron Walden Essex CB11 3AQ
Prices include P & P and 15% VAT

LP-1	£37.38	Qty	LP-2	£22.14	Qty	LP-3	£58.08	Qty	DP-1	£60.38	Qty	LPK-1	£14.86	Qty
------	--------	-----	------	--------	-----	------	--------	-----	------	--------	-----	-------	--------	-----

Name _____ Address _____

I enclose Cheque/PO for £ _____ or debit my Barclaycard/Access/
American Express card no _____ exp date _____

FOR IMMEDIATE ACTION — The C.S.C. 24 hour, 5 day a week service
Telephone (0799) 21682 and give us your Barclaycard, Access, American Express
number and your order will be in the post immediately

for FREE catalogue tick box

SOUTH WALES

FOR TTL, CMOS, LINEARS, DISCRETES, PASSIVES, HARDWARE, TOOLS, CASES, TRANSFORMERS, ETC. CLOCKS, LEKTROKIT, BREADBOARDING AND VERO DEALERS

BOOKS BY NATIONAL, IOR, BABANI

SPECIAL OFFER LIST. ALL BRAND NEW. FULL SPEC.

DIL SOCKETS—GOLD PLATE

8 pin	9p	28 pin	27p
14 pin	11p	40 pin	32p
16 pin	12p	4013 CMOS	24p
18 pin	15.5p	7401 TTL	7.5p
22 pin	21p	4017 CMOS	70p
24 pin	24p	7447 TTL	75p

THYRISTOR 1A, 200V MADE BY ITT, TYPE CRS1/20AF 30p.

BRIDGE RECTIFIER BY MOTOROLA 1.5a, 50v 28p.

20k LIN-POT BY AB (+1) 20p, (+10) 19p.

100k LIN MOULDED TRACK (+1) 55p, (+10) 50p.

RELAY 4 POLE C/O, 12v COIL, £1.00.

20mm Q/B FUSES 150mA, 500mA, 4a, 5a, 50p for 10.

GLASS ENCAPSULATED REED SWITCHES £1 for 10.

DIGITAL METERS TYPE DM235 SINCLAIR MULTIMETER £58.

PDM 35 SINCLAIR MULTIMETER £34.99.

TFM 200 SINCLAIR FREQUENCY METER £53.

TMK 500 £33 LT22 £15.10

TMK 500 TUB £41 KRT 101 £7

CASE FOR ABOVE £8

ALL PRICES VAT INCLUSIVE : PLEASE ADD 25p PACKAGE AND POST

SEND YOUR ORDERS TO:

STEVE'S ELECTRONICS

15/17 THE BALCONY, CASTLE ARCADE

CARDIFF, CF1 2BU TEL: (0222) 41905

OR VISIT US AT THE SHOP—

OPEN TUESDAY TO SATURDAY 9.5.30 FRIDAY 12.30-7

Mail and Official Orders Accepted

BARGAIN OFFER

COMPLETE SECURITY ALARM SYSTEM

comprising the following top quality items:

- 1) CONTROL UNIT
- 2) BELL—6" HEAVY DUTY
- 3) OUTSIDE BELL COVER—PLASTIC COATED STEEL
- 4) SIX FLUSH MAGNETIC CONTACTS COMPLETE
- 5) FOUR LARGE PRESSURE PADS
- 6) 50M 4 CORE ALARM CABLE
- 7) INSTALLATION INSTRUCTIONS

All of the above for just

£73.50

inclusive of VAT and post-packing

Security catalogue still only £1.00 inclusive — deductible from orders over £10.00. Price list sent free of charge.

Callers Welcome



STRATHAND



32 St. Andrew's Square, Glasgow, G1 5PL

Tel: 041-552 6731 or 2

Telex: 777268 (24 hours' service)



MEN'S QUARTZ LCD

5 functions telling hours, mins., secs., month, date, plus back lighting, auto calendar. Accuracy guaranteed by tuning fork quartz at 32768KHZ.

Only **£6.95** (inc. VAT P&P) Same day despatch



LADY'S 7-FUNCTIONS ALARM

24 Hr. Alarm
Hours, mins., secs., month, date, day of week, back light
Auto calendar.
8mm thick.
12-month guarantee.

Only **£14.95** (inc. VAT P&P) Same day despatch



LADY'S 5-FUNCTIONS WATCH

Gold/silver colour finish
Hours, mins., secs., month, date, plus back light
Cocktail style
12 months' guarantee

Only **£12.95** (inc. VAT P&P) Same day despatch



LADY'S 5-FUNCTIONS WATCH

Hours, mins., secs., month, date, back light
Stainless steel 8mm thick.

Only **£9.95** (inc. VAT P&P) Same day despatch



MEN'S TWO-WAY TIME FROM CITIZEN

Digi-Ana stainless steel chronograph. Dual time watch. 24-hour digital display plus analogue dial. Auto calendar feature with full lap timing stopwatch
Also world time feature.

R.R.P. £106.00
Our price **£68.00** (inc. VAT P&P) Same day despatch



MEN'S LCD ALARM with Snooze

24hr. "Alarm"
Hrs., mins., sec., date, month, day of week plus back light.
6 digits, 3 flags, plus continuous display of day and date or seconds.
12-month guarantee

Only **£11.95** (inc. VAT P&P) Same day despatch



MEN'S "ALARM" CHRONO

Hr., min., sec., day, date, month, B/light. 1/10 chronograph. Lap time.
6 digit plus day.
12/24 hour option.
Month, date/date month
10mm thick

Only **£18.95** (inc. VAT P&P) Same day despatch



MEN'S CHRONOGRAPH

6 functions telling hr., min., sec., month, date, day of week, plus back light.
Auto calendar
1/100 of seconds counting up to 1 hour.
Time lapping to freeze the time with continuous timing.
12-month guarantee

Only **£10.95** (inc. VAT P&P) Same day despatch

LEKTROKIT LTD

12 Little Newport Street London WC2 7JJ Phone 01-437 4910



Shop open 7 days per week, 12 noon to 8 p.m.

COIN MACHINE

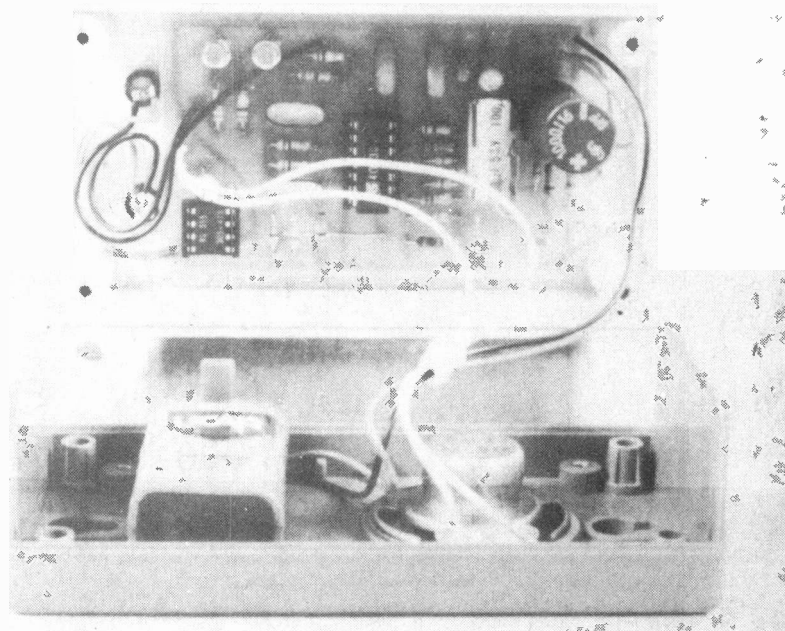
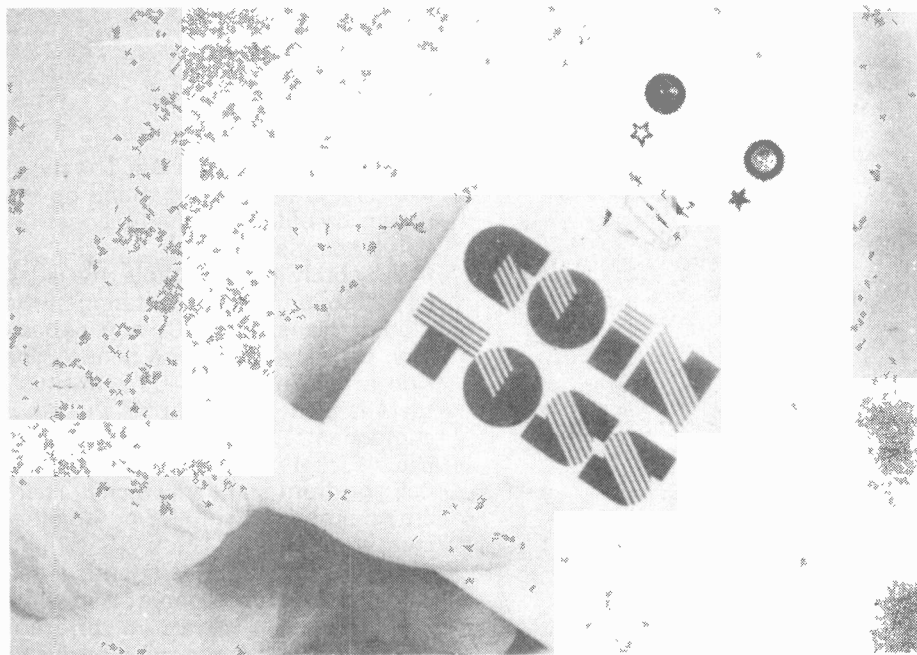
Try your luck with the ETI Coin Toss game. Heads or tails with LED indicators, full sound effects and fingertip control.

You know how it is. Someone flips a coin, it spins wildly in the air, you all call and the coin lands . . . on the floor and rolls under the sideboard. Frustrating, isn't it? Well, now you can banish the problem at a stroke with our great new circuit. Featuring illuminated indicators, single push-button control and exciting sound effects, the whole unit is powered from a single nine volt battery and switches itself off automatically after about twenty seconds.

Only a couple of cheap chips are used along with three transistors and a scattering of discrete passive components. Depressing the push-button causes the unit to emit a 'whooping' siren sound. Also the LEDs flash alternately, gradually slowing down until one remains illuminated. A further depression of the push-button starts the process again. If the unit is left undisturbed it will turn itself off, emitting a couple of quiet squeaks. Once the flashing display has settled and one LED is illuminated continuously, the display will remain stable until both LEDs are extinguished. This avoids any troublesome arguments!

Construction

The unit is assembled on a single PCB with the battery, push-button switch, LEDs and loudspeaker connected via flying leads. There are two links to make on the board; from IC1 (pin 4) to IC2 (pin 4) and from IC1 (pin 3) to the junction of diodes D6, 7. Note that this is a straight wire link which ▶



The finished coin machine (right) installed in a standard Verobox.

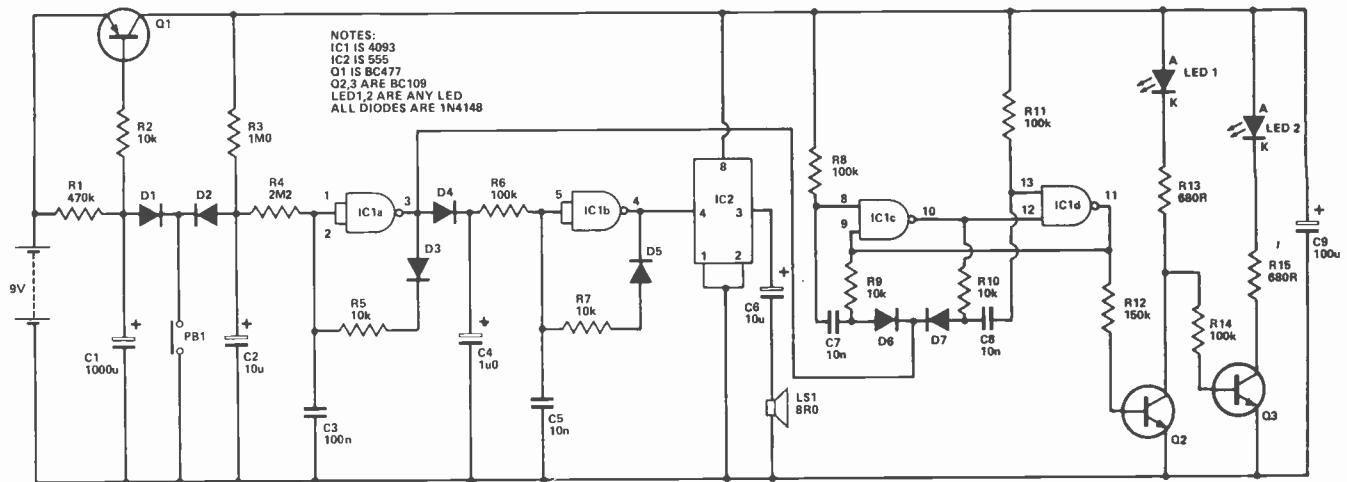


Fig. 1 Circuit diagram. We found that the circuit operated more reliably if D1 was made a 1N4001.

PARTS LIST

Resistors

R1	470k
R2,5,7,9,10	10k
R3	1M0
R4	2M2
R6,8,11,14	100k
R12	150k
R13,15	680R

Capacitors

C1	1000u electrolytic
C2,6	10u tantalum
C3	100n polyester
C4	1u0 tantalum
C5,7,8	10n polyester
C9	100u electrolytic

Semiconductors

IC1	4093
IC2	555
Q1	BC477
Q2,3	BC109
LED 1,2	ANY LED
D2 to D7	1N4148
D1	1N4001

Miscellaneous

PB1 SPST, LS1 8 ohm loudspeaker, PCB, PP3 9V battery.

BUYLINES

The Coin Toss project uses standard components. You should have no difficulty in obtaining them from your favourite mail order supplier.

passes under R11 and D6. The flying lead link is most easily made on the underside of the board after construction is complete.

Assembly is quite simple. As usual, pay attention to the orientation of the diodes, transistors, ICs and capacitors. C9 may have to be bent to one side to accommodate C1. However, there is plenty of space for the other components. As IC1 is a CMOS chip, use a socket if you are worried about damage from static electricity. There are no problems with IC2 or the other components.

Layout of the unit is uncritical and any construction technique may be employed. You need two different coloured LEDs. Any size or colour of LED will do. The unit should work as soon as power is applied and again upon depressing PB1. Build one now and try your luck!

HOW IT WORKS

The circuit has a single push-button control, PB1. When PB1 is closed, C1 is shorted to ground via D1. Current then flows through R1,2 and the base-emitter junction of Q1, turning the transistor on and providing power to the rest of the circuit. Upon releasing PB1, the charging current in C1 maintains power for about twenty seconds, after which the circuit will shut down.

A voltage-controlled-oscillator is formed around IC1a, which generates the clock pulses for the sound-effects oscillator IC1b and bistable flip-flop IC1c, d. Depressing and releasing PB1 causes the voltage across C2 to rise exponentially from near zero volts as it recharges via R3. IC1a then produces a train of pulses which decay from about 10 Hz until the oscillator stops when the voltage across C2 rises above the lower threshold voltage of the IC's input. Note that IC1 is a Schmitt trigger device. Use of the specified chip is essential ensure proper circuit operation.

Oscillation occurs as C3 is discharged below the lower threshold voltage of IC1a, causing the output (pin 3) to go 'high'. C3 then charges via D3, R5 until the voltage across it reaches the positive threshold, flipping the output of IC1a 'low'. C3 then discharges via R4 and the cycle continues until the voltage across C2 rises above the lower threshold voltage of IC1a. A falling siren tone is generated by IC1b. Operation of this VCO is identical to IC1a except that it is configured to operate with a positive control voltage. The output of IC1b drives IC2, a 555 timer which simply acts as an amplifier driving LS1.

The slow oscillator pulses from IC1a drive the bistable flip-flop formed around IC1c, d. R9,10, C7,8 and D6,7 provide a 'steering' network for the trigger pulse. The indicator LEDs are driven by Q2,3. Overall supply decoupling is provided by C9.

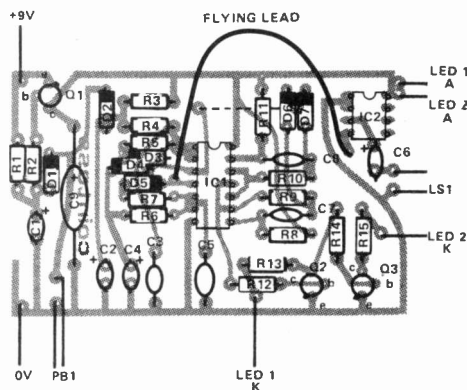


Fig. 2. Component overlay.

WE'RE OUT TO FINISH

YOU OFF! Rapitupe # eti PANEL TRANSFERS

MOD MAGS 1977 no 1

GOOD AND PROPER!

... or at least your projects. If there is one thing which is impossible to do at home is lettering front panels to professional standards. At least until now. If you cast your eyes right a while you'll see our new panel transfers sheet, which has been carefully designed to allow you to do exactly that.

The transfers are easily rubbed down, and the two sheet set contains a mass of lettering and -uniquely- control scales for both rotary and slider puts.

Each sheet measures 180mm X 240mm and comes packed flat in a stiff cardboard envelope for protection. There should be enough for dozens of projects here - and the longer you wait the worse they'll look!

Send £1.75 (includes VAT and postage) for the two-sheet set to:
Panel Markings
ETI Magazine,
25-27 Oxford Street,
London W1R 1RF.

Master Electronics

The **practical** way

No maths needed~
 No dull theory~

Step by step we take you through all the fundamentals of electronics and show you how easily the subject can be mastered.

- 1) BUILD AN OSCILLOSCOPE
- 2) READ, DRAW AND UNDERSTAND CIRCUIT DIAGRAMS
- 3) CARRY OUT OVER 40 EXPERIMENTS ON BASIC ELECTRONIC CIRCUITS AND SEE HOW THEY WORK.

We provide practical tuition for:- 3) Digital Electronics

1) Radio amateurs licence. 4) Computer Technology

2) City and Guilds certificates. 5) Test instrument kits

Mark your interest(s) with an x in box provided.

British National Radio & Electronics School,

NAME _____ P.O. Box 156, Jersey, Channel Islands

ADDRESS _____ ET012

(block caps please).

TRANSFORMERS

Panel Meters, Bridge Rectifiers, Power Supply Units
 Multimeters - Semi Conductors - Timers - Safebloc

Minimum & Sub Miniature

Volts	Milli-amps	Ref. No.	Price £	P&P
3-0.3	200	238	2.35	65
0.6 0.6	1A 1A	212	2.75	70
9-0.9	100	13	2.05	65
0.9 0.9	330 330	235	1.90	65
0-8.9 0-8.9	500 500	207	2.50	70
0-8.9 0-8.9	1A 1A	208	3.60	70
0-15 0-15	200 200	236	1.90	65
0-20 0-20	300 300	214	2.50	85
20-12-0-12-20	700(OC)	221	3.25	85
0-15-20 0-15-20	1A 1A	206	4.35	1.00
0-15-27 0-15-27	500 500	203	3.80	85
0-15-27 0-15-27	1A 1A	204	5.85	1.00

12 AND/OR 24 VOLT

Pri. 220-240 Volts

12v	Amps	24V	Ref. No.	Price £	P&P
0.5	0.25	111		2.05	70
1.0	0.5	213		2.50	85
2	1	71		3.00	85
4	2	18		3.80	85
6	3	70		5.35	90
8	4	108		7.20	1.15
10	5	72		8.00	1.15
12	6	116		8.60	1.15
16	8	17		10.60	1.25
20	10	115		13.60	1.45
30	15	187		16.60	1.45
60	30	226		33.10	1.75

30 VOLT (Pri. 220-240V)

Sec. 0-12-15-20-24-30V

Amps	Ref. No.	Price £	P&P
0.5	112	2.60	85
1.0	79	3.35	85
2.0	3	5.35	1.00
3.0	20	6.05	1.15
4.0	21	6.35	1.15
5.0	51	9.35	1.15
6.0	117	10.85	1.15
8.0	88	14.10	1.45
10.0	89	16.35	1.45

50 VOLT (Pri. 220-240V)

Sec. 0-19-25-33-40-50V

Amps	Ref. No.	Price £	P&P
0.5	102	3.35	85
1.0	103	4.35	1.00
2.0	104	7.05	1.15
3.0	105	8.35	1.15
4.0	106	10.60	1.25
6.0	107	14.85	1.45
8.0	118	19.95	1.65
10.0	119	23.85	2.15

60 VOLT (Pri. 220-240)

Sec. 0-24-30-40-48-60

Amps	Ref. No.	Price £	P&P
0.5	124	3.60	85
1.0	126	5.35	1.00
2.0	127	7.30	1.15
3.0	125	10.85	1.25
4.0	123	12.10	1.45
5.0	40	13.90	1.55
6.0	120	17.35	1.55

AUTO TRANSFORMERS

Input/Output Tapped 0-115-210-240V

VA (Watts)	Ref. No.	Price £	P&P
20	113	2.40	85
75	64	3.85	85
150	4	5.35	1.00

Input/Output Tapped

0-115-210-220-240V	Ref. No.	Price £	P&P
300	53	8.95	1.15
500	67	10.60	1.45
1000	84	18.35	1.55

Also 1500/2000/3000VA

MAINS ISOLATING (Centre Tapped & Screened)

Pri 120/240V	Ref. No.	Price £	P&P
60	149	6.35	1.00
100	150	7.35	1.25
200	151	10.85	1.25
250	152	13.05	1.45
350	153	16.05	1.55
1000	156	36.85	3.15

Please add VAT at 15%
 Barclaycard and Access facilities available
 Trade and Education Welcome

BAYDIS

7a William Street
 Herne Bay, Kent
 Herne Bay G4586

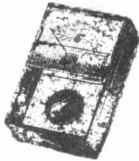
SERVICE TRADING CO

FT3 NEON FLASH TUBE

High intensity multi turn high voltage neon glow discharge flash tube
Design for ignition timing etc. £1.50. P&P 25p (£2.01 inc VAT) 3 for
£3. P&P 50p (£4.03 inc VAT & P)

WHY PAY MORE?

MULTI RANGE METERS Type MF15A. AC/DC volts 10, 50, 250, 500, 1000 Ma 0.5 0.10 0.100 Sensitivity 2000V 24 ranges dimensions 133x93x46mm Price £7.00 plus 50p P&P (£8.63 inc VAT & P)



METERS (New) — 90mm DIAMETER

AC Amp. Type 6T2 0-1A 0-5A 0-20A **AC Volt.** 0-15V 0-300V **DC Amp.** Type 65C5 0-2A 0-10A, 0-20A, 0-50A **DC Volt.** 0-15V, 0-30V **All types £3.50** ex plus P&P 50p (£4.60 inc VAT) 0-50A DC 0-100A DC Price £5.00 plus 50p P&P (£6.33 inc VAT)



TRIAC

Raytheon tag symmetrical Triac Type Tag 250 500V 10 amp 500 pW Glass passivated plastic Triac Swiss precision product for long term reliability £1.26 P&P 10p (£1.55 inc VAT & P) (inclusive of data and application sheet) Suitable Diac 22p.

MERCURY SWITCH

Size 27x5x5mm 10 for £5.00 P&P 30p total including VAT £6.10. Min quantity 10 N M S Heavy duty type size 38x16x10mm minimum quantity 10 £7.80 post paid (£8.63 inc VAT & P)



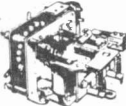
230 VOLT AC FAN ASSEMBLY

Powerful continuously rated AC motor complete with 5 blade 6 1/2" or 4 blade 3 1/2" aluminum fan New reduced price £3.00 P&P 65p (£4.20 inc VAT & P) N M S



21-WAY SELECTOR SWITCH with reset coil

The ingenious electro-mechanical device can be switched up to 21 positions and can be reset from any position by energising reset coil 230, 240V AC operation. Unit is mounted on strong chassis. Complete whipcover. Price £5.50 P&P 75p (£7.19 inc VAT & P) N M S



A.E.G. CONTACTOR

Type LS6/L11 Coil 240V 50Hz Contacts — 3 Make 600V 20 amp 1 break 600V 20 amp Price £5.50 + 50p P&P (£6.90 inc VAT & P) N M S

TORIN BLOWER

220/240V AC Aperture 10x4 1/2" Overall size 15x14cm Price £3.75 P&P 75p (inc VAT £5.18) N M S



SMITH BLOWER

Type FB 1706 Small quiet smooth running 240V AC operation Output aperture 4 1/2 x 4 1/2" Overall size 135 x 165mm Flange mounting Price £4.25 P&P 75p (Total £5.75 inc VAT & P) N M S Other types available SAE for details



24V DC BLOWER UNIT

USA made 24V DC 0.8 amp blower that operates well on 12V 0.4 amp DC producing 300 CFM in normal air pressure Maximum housing dia 110mm depth inc motor 75mm nozzle length 19mm dia 22mm Ideal for cooling mobile equipment car caravan etc. £4.50 P&P 75p (£6.04 inc VAT & P) N M S

MINIATURE UNISELECTOR

12V 11 way 4 bank (3 non bridging 1 homing) £3.00 P&P 35p (£3.85 inc VAT & P)

MICRO SWITCHES

Sub min lever m switch type MML46 10 for £2.50 (£3.22 inc VAT & P) Type 3 115M 906T 10 for £2.50 post paid (£2.84 inc VAT & P)



HEAVY DUTY SOLENOID

Mfg by Magnetic Devices 240V AC intermittent operation approx 20lb pull at 1.25in EX equip Tested Price £4.75 + 75p P&P (£6.33 inc VAT & P) R&T



HEAVY DUTY SOLENOID

Mfg by Magnetic Devices 240V AC intermittent operation approx 20lb pull at 1.25in EX equip Tested Price £4.75 + 75p P&P (£6.33 inc VAT & P) R&T

PYE ETHER

240V AC Solenoid Approx 1lb pull 1/4" travel intermittent rating Price £1.00 P&P 20p (inc VAT & P) N M S

WESTDOL TYPE MM6 MODEL 2

240V AC Approx 1 1/4 lb pull at 1 inch Rating 1 Price £1.50 P&P 20p (£1.96 inc VAT & P) N M S 18-24V DC 70 ohm Coil Solenoid Push or Pull Adjustable travel to 3.16in Fitted with mounting brackets and spark suppressor Size 100x65x25mm Price 3 for £2.40 + 30p P&P (min 3 off) (£3.10 inc VAT & P)

INSULATION TESTERS (NEW)

Test to I.E. spec Rugged metal construction suitable for bench or field work constant speed dials Size L Bin W 4in H 6in weight 6lb 500 VOLTS 500 megohms £49.00 Post 80p (£57.27 inc VAT & P) 1000 VOLTS 1000 megohms £55.00 Post 80p (£64.17 inc VAT & P) SAE for leaflet



YET ANOTHER OUTSTANDING OFFER

New 1MF6 600V Dubilier wire ended capacitors 10 for £1.50 P&P 50p (£2.30 inc VAT & P) (Min 10) N M S

VARIABLE VOLTAGE TRANSFORMERS

INPUT 230V AC 50/60

OUTPUT VARIABLE 0/260V AC

BRAND NEW. All types. 200V (1 Amp) fitted A/C volt meter £14.50
0.5 KVA (Max. 2 1/2 Amp) £17.00
1 KVA (Max. 5 Amp) £22.50
2 KVA (Max. 10 Amp) £37.00
3 KVA (Max. 15 Amp) £45.50
5 KVA (Max. 25 Amp) £74.00
10 KVA (Max. 50 Amp) £168.00
17 KVA (Max. 75 Amp) £280.00



Carriage and VAT extra

3-PHASE VARIABLE VOLTAGE TRANSFORMERS

3 KVA (Max. 15 Amp) £106.43
6 KVA (Max. 30 Amp) £159.37
10 KVA (Max. 50 Amp) £327.43

LT TRANSFORMERS

0-10V/15V at 3 amp (ex new equip) £2.50 P&P 50p (£3.45 inc VAT)
13-0-13V at 1 amp £2.50 P&P 50p (£3.45 inc VAT)
25-0-25V at 2 1/2 amp £4.50 P&P 75p (£6.04 inc VAT & P)
0.4V/6V/24V/32V at 12 amp £18.50 P&P £1 90 (£23.46 inc VAT & P)
0-6V/12V at 20 amp £14.70 P&P £1 50 (inc VAT £18.63)
0-12V at 20 amp 0-24V at 10 amp £12.00 P&P £1 50 (£15.53 inc VAT & P)
0-6V/12V at 10 amp £8.25 P&P £1 25 (inc VAT £10.93)
0-6V/12V/17V/18V/20V at 20 amp £19.00 P&P £1 50 (£23.58 inc VAT & P)
0-10V/17V/18V at 10 amp £10.50 P&P £1 50 (inc P&P £13.80)
JOB LOT! Primary 240V Secondary 6V at 1.66 amp Size 3 X 2 X 2in Price £1.50. P&P 50p (Total £2.30 inc P & V) N M S
Other types in stock phone for enquiries or send SAE for leaflet

POWER RHEOSTATS

New ceramic construction, vitreous enamel embedded winding, heavy duty brush assembly, continuously rated.

25 WATT 10, 25, 100, 150, 250, 500, 1k, 1.5k ohm £2.40 Post 20p (£2.99 inc VAT & P) 50 WATT 250 ohm £2.90 Post 25p (£3.62 inc VAT & P) 100 WATT 1/5/10/25/50/100/250/300/500/1k/1.5k/2.5k/5k/ohm £5.90. Post 35p (£7.9 inc VAT & P) Black Silver Skirted Knob calibrated in Nos. 1-9 1/8in dia brass bush Ideal for above Rheostats 24p ea.

SPECIAL OFFER
BERCO type L RHEOSTAT
85 ohm 300 watt 1.86 amp £7.80 P&P 50p (Total £9.20 inc VAT) N M S

STROBE! STROBE! STROBE!

*** HY-LIGHT STROBE KIT Mk. IV ***
Latest type Xenon white light tube. Solid state timing and triggering circuit 230/240V AC operation. Speed adjustable 1 20 f p s. Designed for large rooms halls etc. Light output greater than many (so called 4 Joule) strobes. Price £22.00 post £1.50 (£27.03 inc VAT & P). Specially designed case and reflector for Hy-Light £9.00 Post £1.50 (£12.06 inc VAT & P)

*** ULTRA VIOLET BLACK LIGHT FLUORESCENT TUBES ***
4ft 40 watt £8.70 (callers only £10.00 inc VAT) 2ft 20 watts £6.20. Post 75p £7.99 inc VAT & P. (For use in standard pin fittings) Mini 12in 8 watt £2.80 Post 35p (3.62 inc VAT & P) 9in 6 watt £2.25 Post 35p (£2.99 inc VAT & P) 6in 4 watt £2.25 Post 35p (£2.99 inc VAT & P)

Complete ballast unit for either 6" 9" or 12" tube 230V AC op. £3.50 plus P&P 45p (£4.34 inc VAT & P). Also available for 12V DC op. £3.50 plus P&P 45p (£4.54 inc VAT & P)
Big Black Light 400W UV Lamp and Ballast complete £38.00 Post £3.50 (£47.75 inc VAT & P)
400W UV Lamp only £14.00 Post £1 50 (£17.83 inc VAT)

SQUAD LIGHT

A new conception in light control. Four channels each capable of handling 750 watts of spotlights or dozens of small mains lamps. Seven programs all speed controlled plus flash modulation effectively giving 14 different displays. Makes sound to light obsolete. Completely electrically and mechanically noise free. Price only £80.70 Post 75p (£89.81 inc VAT & P) SAE (Footscap) for further details.

WIDE RANGE OF DISCO LIGHTING EQUIPMENT

XENON FLASH GUN TUBES
Range of Xenon tubes available from stock SAE for full details.

RELAYS

230/240V AC Relays: Arrow 2 c o 15 amp £1.50 (£1.96 inc VAT & P)
KM1K Relay. 230V AC 1 c o Open type 10 amp contact mfg by Keyswitch 80p + 20p P & P (£1.15 inc VAT) 5 for £3.75 post paid (£4.32 inc VAT)
TEC open type 3 c o 10 amp £1.10 (£1.50 inc VAT & P)
DC Relays, Open type 9 12V 3 c o 7 amp £1.00 (£1.38 inc VAT & P)
Sealed 12V 2 c o 7 amp octal base £1.25 (£1.67 inc VAT & P) Sealed 12V 3 c o 7 amp 11-pin £1.35 (£1.78 inc VAT & P) 24V Sealed 3 c o 7 amp 11 pin £1.38 (£1.78 inc VAT & P) (amps = contact rating) P&P on any relay 20p
Other types available — phone for details N M S
Very special offer: 9-12V DC 2 make contacts, new TT3 for £1.75 plus 25p P&P (inc VAT £2.30)
Diamond H heavy duty AC relay 230 240V AC 2 c o contacts 25 amps res at 250V AC £2.50 P&P 50p (£3.45 inc VAT & P&P) Special base 50p.

GEARED MOTORS

100 R.P.M. 115 lb. in.!!

115 lb in 110 volt 50Hz 2.8 amp single phase split capacitor motor Immense power. Continuous rated Totally enclosed Fan cooled. In-line gearbox Length 250mm, dia 135mm Spindle dia 15.5mm Length 115mm, ex-equipment tested £12.00 Post £1 50 (£15.63 inc VAT & P) Suitable transformers 230/240 volt £8.00 Post 75p (£10.08 inc VAT & P) R&T



GEARED MOTORS

4 1/2 rpm 115V AC 50 cycle mf SIGMA Inst Ltd USA Price £7.50 75p P&P
7 1/2 rpm 115V AC 50 cycle approx 25lb mf KLAXON 28 rpm 20lb In. 115V AC Reversible motor
71 rpm 10lb In. 115V AC Reversible motor
Both types similar to above drawing Price either type £4.75 + 75p P&P (£6.33 inc VAT & P)
Supplied with transformer for 240V AC operation £7.25 + P&P £1 (£8.46 inc VAT & P) N M S.



FRACMO MOTORS

56 rpm, 50lb in 240V AC reversible 0.7 amp shaft length 35mm, dia 16mm, weight 6 kilos 600 grams Price £15.00 P&P £1 50 (£18.95 inc VAT)



FRACMO MOTOR

1400 rpm HP 1-30 continuously rated 115V AC fitted with anti-vibration cradle mounting. Supplied complete with transformer for 230-240V AC op. £10.00 P&P £1 00 (Total £12.65 inc VAT)

PARVALUX MOTOR TYPE S.D.2

12V DC shunt 1/30th ph motor. Continuously rated 4,000 rpm Price £10.00 P&P 75p (£12.38 inc VAT & P) N M S

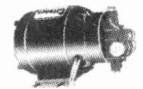
PARVALUX 230/250V AC MOTOR

Type SD18 240V AC reversible 30 rpm 50lb in. Price £15.00 P&P £1 50 (£18.95 inc VAT) N M S



CITENCO

FHP motor type C 7333/15 220/240V AC 19 rpm reversible motor, torque 14.5 kg Gear ratio 14:1 Brand new 115V AC capacitor our price £14.25 + £1 25 P&P (£17.83 inc VAT & P) N M S



CROUZET — 230/240V AC 2 rpm synchronous geared motor £2.90 P&P 30p (Total £3.88 inc VAT) N M S
MAYDON — 230 240V AC 1 rpm synchronous geared motor £2.90 P&P 30p (Total £3.88 inc VAT) N M S

BLOWER/VACUUM PUMP

3 phase AC motor 220/250V or 380/440V 1 425 rpm 1/4 hp cont Direct coupled to William Allday Alcosa carbon vane blower/vacuum pump 0.9cm 8hg Price £22.00 P&P £2 00 (£27.60 inc VAT & P) N M S

BIG INCH

Tiny precision-built 3 rpm USA motor size only 1" x 1" 100V AC operation supplied with resistor for 230V AC Price £2.00 P&P 20p (£2.63 inc P & V) 4 for £5.00 post paid (£5.75 inc VAT) N M S

REDUCTION DRIVE GEARBOX

Ratio 72:1 input spindle 1/4 x 3/16" Output spindle 3/8 x 3/16" In. Overall size approx 120x98x68mm. All metal construction Ex-equip tested Price £2.00 + 50p P&P (£2.88 inc VAT & P)

'VENNER TYPE' ERD TIME SWITCH

200/250V AC 30amp 2 on/2 off every 24 hrs at any manually preset time 36-hour spring reserve and day omitting device. Built to highest Electricity Board Specification Price £9.00. P&P 75p (£11.21). R&T



SANGAMO WESTON TIME SWITCH

Type S251 200/250 AC 2 on 2 off every 24 hours 20amps contacts with overload switch. Diameter 4" x 3" price £88.00 P&P 50p (£9.78 inc VAT & P) Also available with solar dia. R&T

AEG TIMERSWITCH

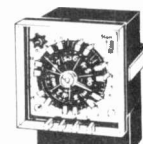
200/250V AC 1 on/1 off every 24 hours 80 amps contact (ideal storage heaters) Spring reserve £10.00 P&P 50p (Total £12.08 inc VAT)

MINIATURE PROGRAMMER

Crouzet 1 rpm 115V AC Motor operating 2 roller microswitches (4 amp) Can be used on 240V AC with either 0.25 mfd 250V Condenser or 5.6k wirewound resistor, 7 watts (supplied) Price £2.50 + 50p P&P (£3.45 inc VAT & P)

MINIATURE 24-HOUR TIME SWITCH

(German mfg) 240V AC operation Spring reserve 10 amp contacts one on-off every 24 hours Calibrated in two hour steps Minimum on off period 6 hours Day Deletion, Unusual feature with these switches is that trips may be removed at will enabling individual days to be programmed as required. Size only 3 1/2" x 4 1/2" Depth 2 3/4" Price £6.50, 50p P&P (£8.05 inc VAT & P)



A.C. WKT TUBULAR CAPACITORS

Fraction of makers price. Motor start etc.

1.5 mfd 440V AC	60p	6.5 mfd 280V AC	£1.00
2 mfd 250V AC	80p	7.5 mfd 200V AC	£1.00
2 mfd 450V AC	75p	10 mfd 250V AC	£1.00
2.2 mfd 440V AC	75p	10 mfd 400V AC	£1.75
3 mfd 440V AC	£1.00	14 mfd 400V AC	£3.00
4.1 mfd 440V AC	£1.00	15 mfd 2 500V (Block)	£1.50
5 mfd 400V AC	£1.25	18 mfd 280V AC	£2.00
5.3 mfd 180V AC	80p	20 mfd 250V AC	£2.25
5.4 mfd 280V AC	75p	50 mfd 370V (Block)	£5.00

P&P up to 2.5 mfd 25p 3 mfd to 20 mfd 50p 50 mfd £1 50 All plus VAT

N.M.S. — New Manufacturers' Surplus R.&T. — Reconditioned and Tested

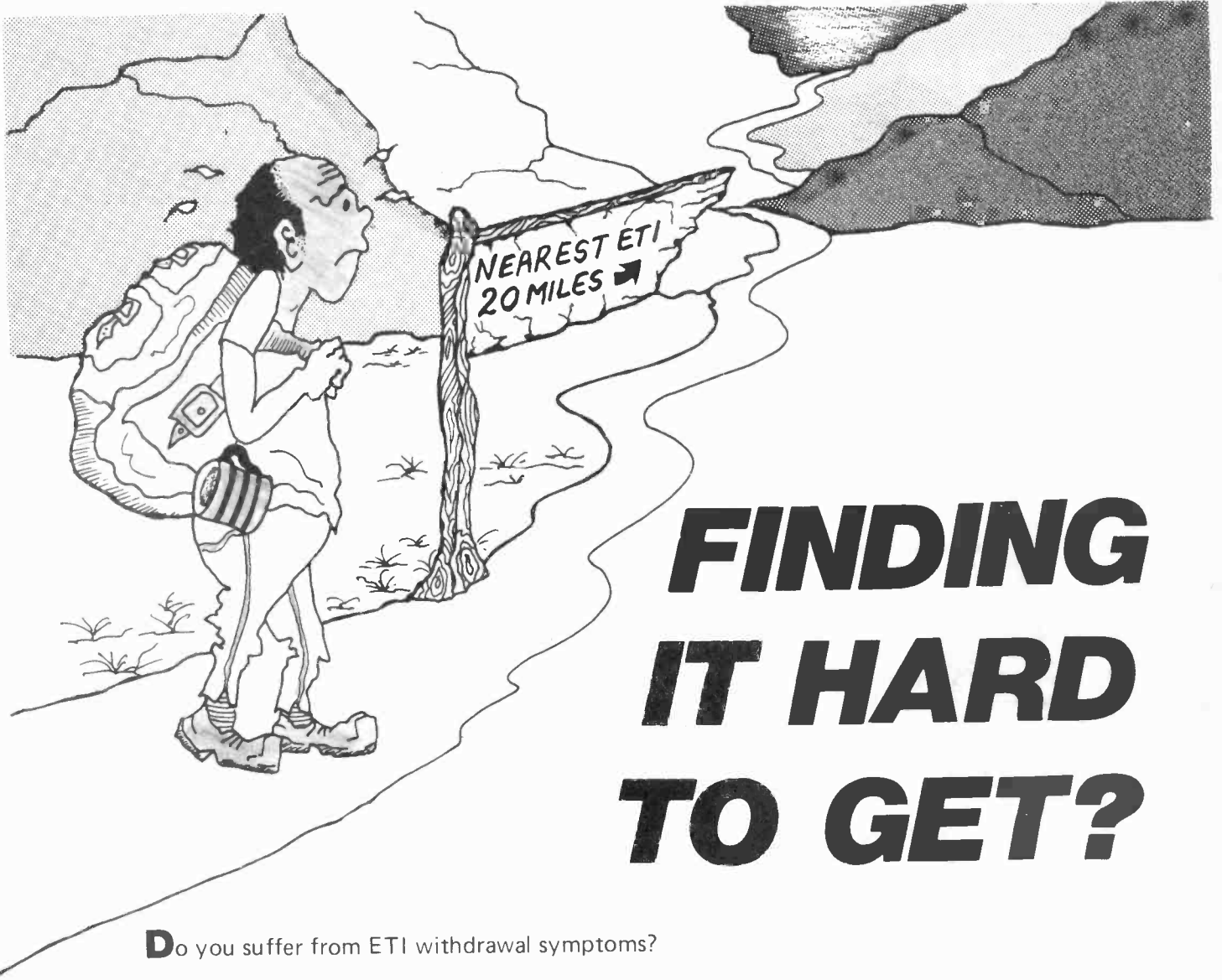
SERVICE TRADING CO

57 BRIDGMAN ROAD CHISWICK LONDON W4 5BB 01-995 1560

PERSONAL CALLERS ONLY
9 LITTLE NEWPORT STREET
LONDON WC2H 7JJ
Tel 01-437 0576

All Mail Orders — Callers
Ample parking space
Showroom open Monday-Friday

ACCOUNT CUSTOMERS MIN. ORDER £10.00



FINDING IT HARD TO GET?

Do you suffer from ETI withdrawal symptoms?

Do you break out in a cold sweat every month, wondering where your next ETI's coming from?

Do you have holes in your socks?

The answers to these and many other vital questions of today can be found in ETI subscriptions. For only £7.00 (£8.00 overseas) you can have twelve issues of ETI (all different) and cunningly spread over the entire year. You'll never again have to pack sandwiches, don haversack and set out on a monthly trek around the newsagents.

Relax in your armchair and wait for the satisfying sound of the best electronics mag in the country (unbiased opinion) dropping onto your welcome mat, delivered by hand to your door.

Send your subscription fee direct to

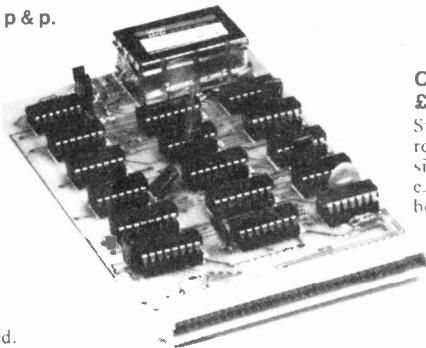
ETI Subscriptions
Map Publications
PO Box 35
Bridge Street
Hemel Hempstead
Herts.

Now, the complete MK 14 micro-computer system from Science of Cambridge

VDU MODULE. £33.75

(£26.85 without character generator) inc. p & p.

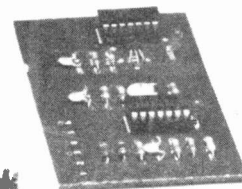
Display up to 16K memory/32 lines x 16 chars, with character generator; or 4096 spot positions in graphics mode, on UHF domestic TV. Eurocard-sized module includes UHF modulator, runs on single 5V supply. Complete ascii upper-case character set can be mixed with graphics.



CASSETTE INTERFACE MODULE.

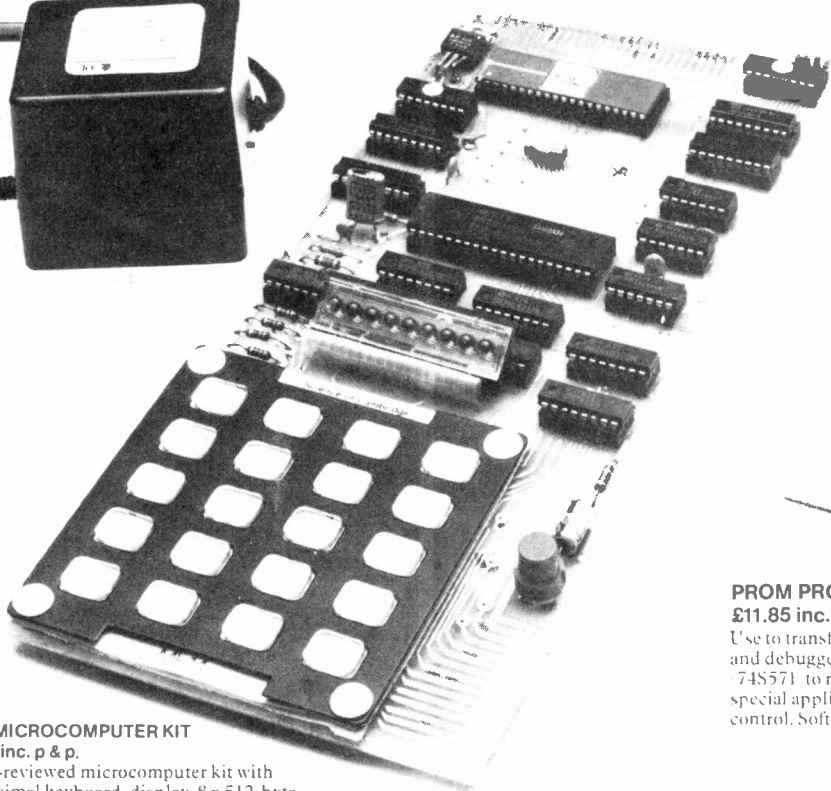
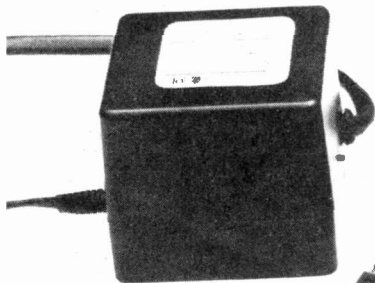
£7.25, inc. p & p.

Store and retrieve programs on any cassette recorder. Use for serial transmission down single line at up to 110 baud teletype speed, e.g. over telephone line, and to communicate between two or more MK 14s.



POWER SUPPLY. £6.10 inc. p & p.

Delivers 8V at 600 mA from 220/240V mains – sufficient to drive all modules shown here simultaneously. Sealed plastic case, BS-approved.



MK 14 MICROCOMPUTER KIT

£46.55 inc. p & p.

Widely-reviewed microcomputer kit with hexadecimal keyboard, display, 8 x 512-byte PROM, 256-byte RAM, and optional 16-lines I/O plus further 128 bytes of RAM.

Supplied with free manual to cover operations of all types – from games to basic maths to electronics design. Manual contains programs plus instructions for creating valuable personal programs. Also a superb education and training aid – an ideal introduction to computer technology.

Designed for fast, easy assembly; supplied with step-by-step instructions.

PROM PROGRAMMER.

£11.85 inc. p & p.

Use to transfer your own program developed and debugged on the MK 14 RAM to PROM 74S571 to replace SC10S monitor for special applications, e.g. model railway control. Software allows editing and verifying.

To order, complete coupon and post to Science of Cambridge
Return as received within 14 days for full money refund if not completely satisfied.

To: Science of Cambridge Ltd, 6 Kings Parade, Cambridge, Cambs., CB2 1SN.

Please send me:

- MK 14 standard kit @ £46.55.
- Extra RAM @ £4.14 per pair.
- RAM I/O device @ £8.97.
- VDU module including character generator @ £33.75.

- Cassette interface module @ £7.25
- PROM programmer @ £11.85.
- Power supply @ £6.10
- Full technical details of the MK 14 System, with order form.

All prices include p+p and VAT.

I enclose cheque/MO/PO for £ _____ total.

Name _____

Address please print _____

ETI/2/80

Science of Cambridge Ltd

6 Kings Parade, Cambridge, CAMBS., CB2 1SN.
Tel: 0223 311488.



RAVEN ON...

This month Dave Raven of Metac Electronics goes computer shopping and casts doubts on lie detectors.

Starting a new year is not only necessary but can be quite enjoyable since it is now possible to reflect on the previous year as history. Errors of judgment, success and missed opportunities are all behind us and cannot be brought back. The only positive thing you can do is cast all thoughts and aspirations forward. In the words of G. B. Shaw "Man can climb to the highest summits but he cannot dwell there long".

If electronics is your chosen career then 1980 is to be another exciting year of challenge and new opportunities. Behind clouds of doom and gloom painted for us by the Press and politicians, not forgetting those great British patriots, the government and business spokesmen, who roam the world speaking out, never failing to tell the world how bad things are in Britain or how bad they are going to be, there are still signs of the continuing revolution in the electronics industry. Difficult decisions have to be taken, since, to remain in the industry, it will be necessary to spot the trends. An interest in small computing systems must be formed since organisations that wish to remain competitive and efficient have to make the change from mechanical to computerised systems. Fewer jobs, even for school-leavers, will be available to those who have not had sight of a computer keyboard. These new tools for industry and commerce are being pushed out onto the market at an alarming pace. It is already possible to buy a small system with 4K of memory for half the price of a modern shop cash register. My own company is introducing a mixture of small systems for general purpose operations backed by larger units for the mail order centre. This philosophy of decentralising computers away from one large system gives maximum flexibility and enables a company to match the computer system to the job.

In America it is not uncommon for solicitors to sit at their word processor and prepare complex company merger documents in a fraction of the time previously required. So watch out ladies, this is just as important for you too. Secretaries and office juniors will all need the ability to change from typing pool mentalities to the new "smart" methods.

Computers In The High Street

Major efforts have been made in the UK during 1979 to bring small computers onto the High Street. However, my own impression is that most of the retailers have ended up selling mainly to established businesses. The consumer will

not be rushed into these things and it does appear that home computers have still to take off. I would also hazard a guess that video recorder specialists are finding a similar pattern of sales. Currys, the electrical retail chain, is to establish a subsidiary company to market small computers and provide computer programs. Operations are expected to start next year with outlets being opened at Currys established premises. They are aiming for the small to medium size business market, also industrial and commercial outlets. Figures quoted in the Press suggested that they aim to take a whole 10% of the domestic market in their first year which doesn't leave a lot for the rest of us. Coincidentally, news that the president of the electronics giant Fairchild Camera and Instrument Corporation had resigned reminded me of an announcement he made several years ago predicting that their range of Time Band LED watches were going to take some huge percentage of the world's market, I think it was about 40%. Not all that long after this they announced getting out of watches completely and promptly moved their entire UK service facility to somewhere in West Germany.

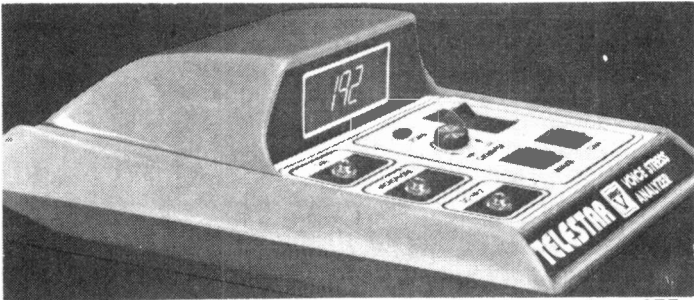
Confusion In The Shops

An interesting article on Computing Today describes the experiences of the author when shopping in London's Tottenham Court Road for a small computer. I mention this since it provides a classic story of the current state of immaturity and confusion that exists in the High Street. His experience when buying a computer may not be dissimilar to those buying electronic watches, video recorders, etc, mainly a bewildering choice of different systems, functions and, of course, prices. It is quite possible to spend £3,000 on a computer and find that the system is totally unsuitable for your requirements. Shortage of software for particular systems is a common complaint and the price of the add-ons.

Honest Truth Machines

A sinister new electronic product is being sold in America, called the Truth Machine. I have not seen these advertised in the UK yet, but when they come I can imagine a similar reaction to the one created in the States. Doubts have been cast on their accuracy. However, this has not prevented these solid state, voice stress analysers being used in personnel offices and other areas where people may stray from the truth. One leading professor of psychiatry and psychology at the University of Minnesota claimed that

lie detectors are about as accurate as flipping a coin. Professor Lykken goes on to say that you cannot discriminate with a stress analyser between a stress and a non-stress situation. Even if tests could detect stress, one could not assume that stress indicates lying. Speaking the truth under stressful circumstances would typically show up as stress in these machines. A more traditional machine used for lie detection, the polygraph, was compared for accuracy with one of the new stress analysers. Results showed that the stress analyser detected lies 38% and 20% of the time compared to the polygraph machines record of 92% and 76% assuming of course that stress indicates lying. The companies marketing the products will not disclose the identity of the integrated circuits used, saying that patent rights are still being sorted out. To use one particular model of stress analyser the operator first adjusts the circuitry to recognise the fundamental frequency range of the voice of the person under test. While talking to that person under non-stress conditions, the user tunes the analyser with a one-knob control, until the number 20 registers on the LED display. That number



The Truth Machine — currently being sold in America for about £75 each. Doubts are cast on the accuracy of its results.

signifies that the machine is locked into the fundamental voice frequency range. The claim then made by the manufacturers is that when a person experiences stress, normal harmonics disappear from the voice and they shift so that they are no longer integral multiples of the fundamental. A sensor which also doubles as a filter and may be a tuned circuit, is programmed to anticipate harmonic changes, and measure their duration and intensity. The LED display indicates stress by a rise in the numerical value at displays. The model described has a built in microphone, or it can be connected to an external mike or to a telephone. On the drawing board is another model which I hope my company will be cautious about handling. It incorporates a stress analyser in a digital watch. Just think of the reaction when you're told "The time is 9.30 and you're already lying through your teeth."

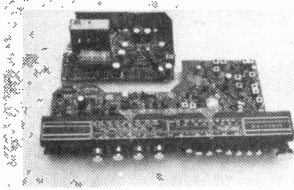
New SAW Devices

One old saying which regularly comes to mind is that "there ain't nothing new" especially in science. Acoustic surface wave devices are becoming more familiar and I was interested to see an article recently describing a new high speed SAW device on gallium arsenide material. The material used is the same as that required for producing Field Effect Transistors and, by making use of the properties of gallium arsenide, strain-sensitive FET heterodyne mixers can be fabricated in the epitaxial layer grown on the surface of the bulk gallium arsenide compound, producing a useful programmable tapped delay line.

Well, my news for the researchers is that a research programme I worked on ten years ago at Birmingham University developed working devices as described above. Ah well, back to the drawing board.

ETI

B.K. ELECTRONICS



AM/FM Stereo Tuner Amplifier chassis (originally designed for installation into a music centre) Ready built, comprising of a tuner/pre-amp. board, and separate power supply/power amp. board. Note: Interconnection wiring diagram supplied.

Rotary Controls Tuning, on/off volume, balance, treble, bass
Push-button Controls Mono, Tape, Disc, A.F.C., F.M. (VHF), L.W., M.W., S.W.
Power Output 7 watts RMS per channel, at better than 2% THD into 8 ohms, 10 watts speech and music.
Frequency Response 60Hz-20KHz within ± 3 dB.
Tape Sensitivity Output — typically 150 mv. Input — 300 mv for rated output.
Disc Sensitivity 100 mv (ceramic cartridge)
Radio FM (VHF) 87.5MHz-108MHz.
 Long Wave 145KHz-265KHz.
 Medium Wave 520KHz-1620KHz.
 Short Wave 5.8MHz-16MHz
Size Tuner — 2 $\frac{1}{2}$ " x 1 $\frac{1}{2}$ " x 7 $\frac{1}{2}$ " Approx. Power Amp — 2 $\frac{1}{2}$ " x 7 $\frac{1}{2}$ " x 4 $\frac{1}{2}$ " Approx.
 240 volt AC operation. Complete with circuit diagram
 Price — £22.00 + £2.50 P&P.

LOUDSPEAKER. High quality 8" loudspeaker, 10 watts RMS 8 ohm. Rolled surround with aluminium centre cone. £5.00 + £1.00 P&P

STEREO MAGNETIC CARTRIDGE BARGAIN. Acos M6EX stereo magnetic cartridge with tapered bi-radial diamond styli. Recommended tracking weight between 1 and 2 grms. Output 2.8 MV into 47 Kohms. 12.5mm (1/2 inch) fixings with a recommended retail price of £27.00. This is offered at a very special price of £9.00 (Post Free).

AERIAL. Useful telescopic chrome di-pole aerial. Both elements swivel and extend from 130mm to 500mm. Complete with black moulded mounting bracket and short 75 ohm co-ax lead. £1.50 + 40p P&P

ELECTROLYTIC CAPACITORS (CAN TYPE). 3300 μ f (Dual type) 63wv 70p + 30p P&P

TRANSFORMERS (0-240v primaries) 16v-0-16v @ 2 amps £2.50 + £1.00 P&P. Dual voltage 0-12v, 0-35v @ 4 amps or 1.5 amps respectively £2.50 + £1.00 P&P

MAIL ORDER ONLY (DISCOUNT FOR QUANTITY)
 Cheque/Postal Orders with Order Please

B.K. ELECTRONICS

37 Whitehouse Meadows, Eastwood, Leigh-on-Sea, Essex

BIO ACTIVITY TRANSLATOR™



- ★ Experience the unique Musical Form of plants.
- ★ Hear the beautiful patterns of sound created by their natural response.
- ★ Easy to operate, internal speaker, battery powered.

Natural Bio Electric signals, generated within the plant, are monitored by an electrode attached to the leaf. When amplified and filtered, a VCO, VCA and other exclusive synthesiser circuits are controlled by the plant to produce tracking sequences of notes. These follow in pitch, rhythm and volume the ever changing signal from the plant.

A Biological Amplifier and Sound Synthesiser in one Instrument

Components include: 6 IC's, 3 Transistors, 11 Diodes, 19 Capacitors, 50 Resistors, PCB, L.S., all Hardware and professional teak finish case.

Ready assembled £35.25 or kit form £27.35.

NEW! PERSONAL NEGATIVE IONISER—Send for details

Battery operated, pocket size. Ready assembled £25.00. Kit £19.50.

All prices include P & P, and V.A.T. Please allow 21 days for delivery

JEREMY LORD SYNTHESISERS LTD. (Dept. EJ)

3 Charterhouse, Eltringham Street, London SW18 1TD



CLEF KITS



High Quality Electronic Musical Instruments under the personal supervision of Specialist Designer A. J. BOOTHMAN.

JOANNA 72 & 88 PIANOS

Six and 7 1/4 Octave Electronic Pianos with unique Touch Sensitive Action as used in the P. E. JOANNA, which electronically simulates piano key inertia — a feature not available in any other design. Build this widely acclaimed professional instrument, for either Domestic or Stage use, from our top quality Component kits.

SIX OCTAVES — £184
7 1/4 OCTAVES — £209

P.E. STRING ENSEMBLE

The versatile String Synthesizer with a fantastic sound at an economic price. Split Keyboard facility with a range of impressive voices

COMPONENT KIT — £164

Back up TELEPHONE advice is available from the designer to supplement the clear instructions included with the above Kits.

P.A.'s — SPEAKERS — CABINETS

Units can be supplied to add to the Component Kits, including Domestic or Stage Cabinets and portable tubular legs.

SUB-KITS

Reduce the cash outlay during the building process — details in the lists.

KEYBOARDS

We believe that we have located the best manufacturer of square front Keyboards, as used in our Kits, and can also supply Keyswitch hardware including the industry standard soft plated contact springs.

49 NOTE C-C £23.80
73 NOTE F-F £37.00
88 NOTE A-C £45.00

All Keyboards are easily cut to provide your required length and compass. Quantity enquiries welcome.

NEW KITS

Clef Electronic Rotor Kit £89.00.

BUILDING SERVICE

We are specialists in Electronic Piano Manufacture and can build your Piano for you — see lists.

DEMONSTRATION CASSETTES

Please specify Ensemble or Piano at £1.50 each for ten minute content. Cost may be deducted from subsequent orders.

INFORMATION

Please send S.A.E. quoting items of interest Telephone BARCLAYCARD orders can be accepted, all prices include V.A.T., carriage & Insurance.

VISITS

Are welcome by appointment, otherwise Mail Order Only.

EXPORT

Enquiries welcome — in Australia please contact JAYCAR (Sydney)

CLEF PRODUCTS (ELECTRONICS) LIMITED (Dept. E.T.1.)

16 Mayfield Road, Bramhall, Cheshire SK7 1JU. 061 439 3297

QUANTITY PRICES — SAVE — SAVE — IMMEDIATE DELIVERY

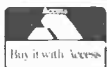
NEW STOCKS BELOW MANUFACTURERS' PRICES. Postage & packing add 50p per order.

SN74141N IC 50p ea
BCD Decimal Decoder-Driver 10 for 44p ea. 100 for 40p ea. 1,000 for 35p ea.
DISPLAYS by Hewlett-Packard. Seven segment DL707 (5082-7750) 95p. Common anode half inch red display brand new in maker's cartons 6 for £5. 50 for 70p ea. 1,000 for 55p ea.
TV SOUND. High quality sound through your hi-fi. Simply plug into your aerial socket. £6.50, as reviewed Popular Hi-Fi.
BURROUGHS 8 DIGIT Panaplex calculator display 7 segment 0.25" digits. Neon type with red bevel socket and date. £1.95 ea. 10 for £17. 100 for £140.
HONEYWELL PROXIMITY DETECTOR Integral amplifier BV DC £3.50 ea. 10 for £30.
MULLARD TB800. IC audio amplifier 95p ea. 10 for £8. 100 for £70. 500 for £300.
RCA CA3089. FM IF £1.50, 10 for £12.
RCA CA3090A. FM decoder £2.50, 10 for £20, 100 for £175.
BU 205 TEXAS. £1.50 ea. 10 for £12, 100 for £100.
2N3055 80V version TO3 power 10 for £3.50, 100 for £28, 500 for £125, 1,000 for £200.
BU208 TO3 Texas TV power transistors £1.75 ea. 10 for £15, 100 for £120, 1,000 for £1 ea.
MC1310P-SN76115N FM stereo decoder £1.20 ea. 10 for £1 ea. 100 for 85p ea.
MULLARD AD161-AD162 Matched pairs. 1 pair 80p, 10 pairs £8, 100 pairs £50.
Cartons of 600 pairs £250 EX-STOCK.
RADIATION DETECTORS Quartz Fibre Dosimeters. Pen type with clip with lens and scale 0-50R. Originally over £5 OUR PRICE 95p EACH. 10 for £8. 100 for £60. 1,000 for £500.
ORP12 light dependent resistance Mini Type 2 for £1, 10 for £4, 100 for £35. Similar
TV TUNERS by Mullard UHF 38 mc. size 3 1/4 x 2 1/4" £2.50 ea. 10 for £20. 100 for £175. 500 for £750. 1,000 for £1,250.
MULLARD TUNER MODULES with data LP1171 combined AM/FM IF strip £3.50, LP 1179 FM front end with AM tuning gang, used with LP1171 £3.50. LP1171 and 79 pair £6.75, 10 pairs for £50. 100 pairs for £400.
CA3085 RCA POSITIVE VARIABLE REG. 5 volt 100m amp variable 1.8-24V 55p ea. 10 for £5. 100 for £35. 1,000 for £300.
MULLARD LP1157 AM tuner modules with circuit £2.50 ea. 10 for £20. 100 for £175.
LUSTRAPHONE RIBBON MIKE £1.50, + pre amp on chassis 3x2x1in. 10 for £12.50.
TAA661B (14 pin DIL) IC TV sound and FM amplifier-detector by ATEs on p. circuit board with other parts. Complete with data & connections. 60p. 10 for £5. 100 for 40p ea. 500 for 35p ea.
PREVIOUS LINES IN STOCK

MARRIOTT TAPE HEADS Quarter track

Type	Each	Per 10	Per 100
XRPS18 Record/Replay	£3.00	£25.00	£200.00
XRPS36 Record/Replay	£4.00	£35.00	£250.00
XRPS11 Erase	£1.25	£11.00	£100.00

MAINS TRANSFORMERS all 200/250V IN
Type Current Size Price
12V 100m/a 1 1/2 x 1 1/2 x 1 1/2 £0.95
12V 500m/a 1 1/4 x 1 1/4 x 1 1/4 £1.35
12V 2 amps 2 1/4 x 2 1/4 x 2 1/2 £2.50
Per 10 less 10%. per 100 less 20%.
PHOTO CONDUCTIVE CELL £1.25. High power Cds cell 600mw for control circuits. Resistance 800ohm to 4K. Max volts 240. Size 1 1/2 x 1/2 in. 10 for £11, 100 for £100.
DYNAMIC MICROPHONE. Low imp. Foster insert. £1.45, 10 for £11, 100 for £100.
UHF TUNER BY GEC. 38mc /s with slow motion tuning. Size 5x3x2in. £3 ea. 10 for £25, 100 for £220, 500 for £1,000.
TWO GANG MINIATURE VARICAP TUNER 500pf with tuning knob, size 3 x 1 1/2 x 1 1/2 in. £1.25 ea. 10 for £10. 100 for £85.
ATES U14852 AUDIO IC AMPLIFIER 14 PIN DIL. 300m watts 55p ea. 10 for £4.50, 100 for £35, 1,000 for 30p ea.
GENERAL ELECTRIC 2+2 watt IC stereo audio chips with circuit & data £1.95 ea.
RCA CD4029AE 16 pin DIL presettings up down counter 85p each, 25 for £15, 100 for £50, 1,000 for £355 (in anti-static tubes of 25)
UHF TV TUNER (preamp) with BF180 55p each. Built on PC board 2x2in (sold without data) 10 for £4.50, 100 for £35, 500 for £250.
MARCONI IC. Oscillator Datal (T099 can) 30p ea. 10 for £2, 100 for £15, 1,000 for £125.
PLESSEY SL432A IC IF amplifier (T099 can) 55p ea. 10 for £5, 100 for £35, 500 for £150.
VHF MODULATORS for TV games 55p ea. 2 transistor — on built PC sizes 2x2x1 1/4 in. 10 for £4, 100 for £35, 500 for £150.
RF Filters for above modulators 20p ea with components and coils on built p. circuit, size 2x2x1 1/4 in. 10 for £3.50, 100 for £30, 500 for £125.
HIGH VOLTAGE TV TRIPLER DIODES BY ITT stick type per 10 £1.50, per 100 £18, per 1,000 £85.
TBA625 ATEs voltage regulators 55p ea. 5 volts 100m/amps (T099) per 10 £4.50, per 100 £39, per 1,000 £280. 12V TBA625B also
16 PIN low profile DIL sockets 12p. 10 for £1, 100 for £8, 1,000 for 6p ea.
THYRISTORS Motorola 2N5061 0.8 amp 60 volt 15p. 10 for 15p ea. 100 for 13p ea. 1,000 for 11p ea. 10,000 for 10p ea.
IN 914 TYPE DIODES tested, unceded in boxes of 1,000 £10, 10,000 for £75, 100K — £500.



Henry's

All mail to:
404 Edgware Road
London W2 England
Phone 01-723 1008
TELEX 262284. REF 1400



EXPORT ORDERS add 10% for carriage

PORTABLE PRECISION

A RANGE OF 3 1/2 DIGIT LCD MULTIMETERS OFFERING HIGH PRECISION AND EXTENDED BATTERY LIFE. ALL TYPES FEATURE FIVE FUNCTION OPERATION (AC AND DC VOLTS, AC AND DC CURRENT, RESISTANCE) WITH ABILITY TO CHECK DIODES. 0.5" LCD DISPLAY WITH 'BATTERY LOW' WARNING. AUTO-POLARITY. AUTO-ZERO. FULL PROTECTION AGAINST TRANSIENTS AND OVERLOADS WITH ABILITY TO WITHSTAND MAINS ON ANY RANGE. RUGGED ABS CASES AND A COMPREHENSIVE 1-YEAR WARRANTY.

The LMM-200 is a compact handheld multimeter with 0.5% basic accuracy and 15 different ranges. It measures AC/DC voltage from 0.1mV to 500V, AC/DC current from 0.1µA to 2 Amps and resistance from 0.1Ω to 2MΩ. 200 hour battery life.

The LMM-201 is an identical instrument but with a 0.1% basic accuracy.

The LMM-100 is suitable for field or bench use. It has a basic accuracy of 0.1% and 25 different ranges. It measures AC/DC voltage from 0.1mV to 1KV, AC/DC current from 0.1µA to 2 Amps and resistance from 0.1Ω to 20MΩ. Battery life is over 2,000 hours. It also features a unique 'digital hold' facility and adjustable carrying handle.

Lasca Electronics Ltd., Unit 1, Thomasin Road, Basildon, Essex.
Telephone No: Basildon (0268) 727383.



	£	P & P	VAT	TOTAL
LMM-200	34.95	1.00	5.39	41.34
LMM-201	44.95	1.00	6.89	52.84
LMM-100	69.95	1.50	10.72	82.17
TEST LEADS	1.95	0.25	0.33	2.53

To: Lasca Electronics, Unit 1, Thomasin Road, Basildon, Essex.

Please send me Data

LMM-100 £82.17 LMM-200 £41.34 LMM-201 £52.84 TEST LEADS £2.53

Name _____

Address _____

Tel. No. _____

I enclose cheque/P.O. value £ 0.00



20 x 20 WATT STEREO AMPLIFIER

Viscount IV unit in teak simulate cabinet Silver finish rotary controls and pushbuttons with matching fascia, red mains indicator and stereo jack socket. Functions switch for mic magnetic and crystal pickups, tape tuner and auxiliary. Rear panel features fuse holder, DIN speaker and input sockets. 20 x 20 watts RMS 40 x 40 watts peak for use with 8 to 15 ohm speakers. Size 14 1/2" x 3" x 10" approx. **NEW** feature—units now includes a built in four channel stereo sound facility.

£31.90
£3.00 p&p

30x30 WATT AMPLIFIER IN KIT FORM

For the experienced constructor complete in every detail, same facilities as Viscount IV, but with 30x30 output. 60x60 watts peak. For use with 4 to 15 ohms speakers.

£31.50 p&p £3.00



SPECIAL OFFER

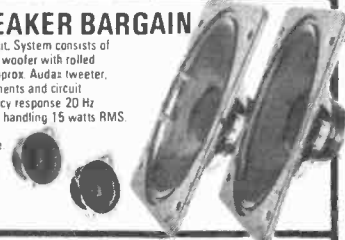
30 x 30 WATT AMPLIFIER KIT with BSR P200 belt drive deck and Shure M75 cartridge.

£57.00
+ p&p £6.00

EMI SPEAKER BARGAIN

Stereo pair 350 kit. System consists of 13" x 8" approx. woofer with tolled surround; 2 1/2" approx. Audax tweeter, crossover components and circuit diagram. Frequency response 20 Hz to 20 KHz. Power handling 15 watts RMS. 20 watts max. 8 ohm impedance.

£18.25
Per stereo pair
£3.65 p&p



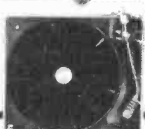
BSR P200

Belt drive chassis turntable unit semi-automatic, cueing device.

£25.50
p&p £2.60

Shure M756 Magnetic Cartridge to suit

£7.95



BSR

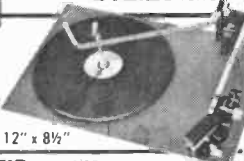
Manual single play record deck with auto return and cueing lever. Fitted with stereo ceramic cartridge 2 speeds with 45 r.p.m. spindle adaptor ideally suited for home or disco use.

OUR PRICE £12.25 £2.75 p&p

GARRARD DECK

Model CC 10A Record changer with cueing device fitted with stereo ceramic cartridge ready to fit into your own plinth.

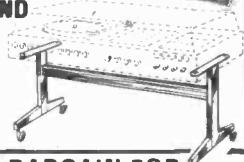
£8.15 p&p £2.05 Size 12" x 8 1/2"



UNIT AUDIO STAND

Can be used with TV top! Finish in chrome with decorative wood spacer fitted with 4 Kenrick Mini Meteor castors.

£3.95 £2.25 p&p
24" x 12 1/2" x 11 1/2" approx.



BARGAIN FOR PERSONAL SHOPPERS ONLY
Altone UA4 Stereo System

Features 8 watt total output. Full size BSR manual turntable with cueing and auto return. Socket for tape in and out and stereo headphones.

complete with speakers. **£35.75**

Micro Cassette Recorder

Pocket size—home or office use or when travelling.

£14.25

Battery operated fluorescent camping lamp.

Runs off 8 U2 batteries.

£4.80

Mullard

AUDIO MODULES IN BARGAIN PACKS CURRENT CATALOGUE

PRICE **£25** AT OVER PER PACK

SEE OUR PRICES

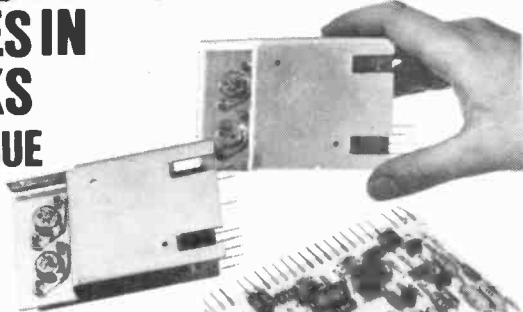
1 PACK 1 2 x LP1173 10w. RMS output power audio amp modules. + 1 LP1182/2 Stereo pre amp for ceramic and auxiliary input.

OUR PRICE **£5.00**
p+p £1.00

2 PACK 2 2 x LP1173 10w. RMS output power audio amp modules + 1 LP1184/2 Stereo pre amp for magnetic, ceramic and auxiliary inputs

OUR PRICE **£7.65**
p+p £1.00

illus.



ACCESSORIES

Suitable mains power supply parts, consisting of mains transformer, bridge rectifier, smoothing capacitor and set of rotary stereo controls for treble, bass, volume and balance.

£3.00
plus £1.50 p&p

Two Way Speaker Kit

Comprising of two 8" x 5" approx. 4 ohm bass and two 3 1/2" 15 ohm mid-range tweeter with two cross-over capacitors per stereo pair.

£4.05
plus £1.55 p&p

AVAILABLE ALSO TO PURCHASERS OF THE 10 + 10 AMPLIFIER KIT

10 + 10 AMPLIFIER KIT

An opportunity to buy a 10 watts per channel stereo amplifier kit which is suitable for use with a ceramic cartridge. The amplifier utilises proven Mullard modules and is available at a very competitive price. The amplifier kit comes complete with instructions and includes: a Mullard LP1183 stereo preamplifier module, two LP1173 power amplifiers with integral heatsinks, a power supply, Zobel networks, front and back mounting panels, a finished fascia panel, all control potentiometers (bass, treble, volume and balance), switches, input, output and headphone sockets, wire, and an easily assembled wrap around cabinet to house the finished unit.

Size approximately 9 1/4" x 8 3/4" x 4" p&p **£12.25**



BARGAINS FOR PERSONAL SHOPPERS

LCD Solar 5 function with backlite stainless steel finish case and strap **£7.40**

LCD Solar Chrono 9 function with backlite stainless steel finish case and strap **£9.55**

Chrono stop watch 9 function with back lite stainless steel finish case and strap. **£8.95**

Solar Alarm LCD stainless steel case and strap. **£21.95**

AM/FM DIGITAL CLOCK RADIO Accurate 4 Digit Electronic Clock with 1/2" LED display Buzzer and snooze timer **£12.20**



100 Watt Power Amp Module **£14.25**

Mains power supply for above unit **£3.60**

DECCA 20w Stereo speaker kit comprising 2 8" approx bass units + 2 3 1/2" approx tweeter inc crossovers **£20.45**

VIDEOMASTER Super Score TV Game with pistol mains operation **£15.95**

PORTABLE RADIO/CASSETTE RECORDER, AM/FM with clock LW, MW, SW, VHF mains/battery operation **£42.90**

ISP Radio Cassette recorder Mains/Battery AM/FM built in mic auto stop. **£24.50**

100 WATT MONO DISCO AMP

Size approx 14" x 4" x 10 1/4" Brushed aluminium fascia and rotary controls.

Five vertical slide controls, master volume, tape level, mic level, deck level. PLUS INTER DECK FADER for perfect graduated change from record deck No. 1 to No. 2, or vice versa. Pre fade level control (PFL) lets YOU hear next disc before fading it in. VU meter monitors output level. Output 100 watts RMS 200 watts peak.

p&p £4.05 **£66.45**



50 WATT MONO DISCO AMP

Size approx. 13 3/4" x 5 1/4" x 6 3/4" 50 watts rms. 100 watts peak output. Big features include two disc inputs, both for ceramic cartridges, tape input and microphone input. Level mixing controls fitted with integral push-pull switches. Independent bass and treble controls and master volume.

£30.60
p&p £2.70



BARGAIN OFFER

Ariston pick-up arm manufactured in Japan. Complete with headshell. Listed price over £30.00.

OUR PRICE £11.95

P&P £2.50



323 EDGWARE ROAD, LONDON W2
21E HIGH STREET ACTON W3 6NG

ACTON - Mail Order only. No callers
ALL PRICES INCLUDE VAT AT 15%

All items subject to availability. Price correct at 30.11.79 and subject to change without notice.

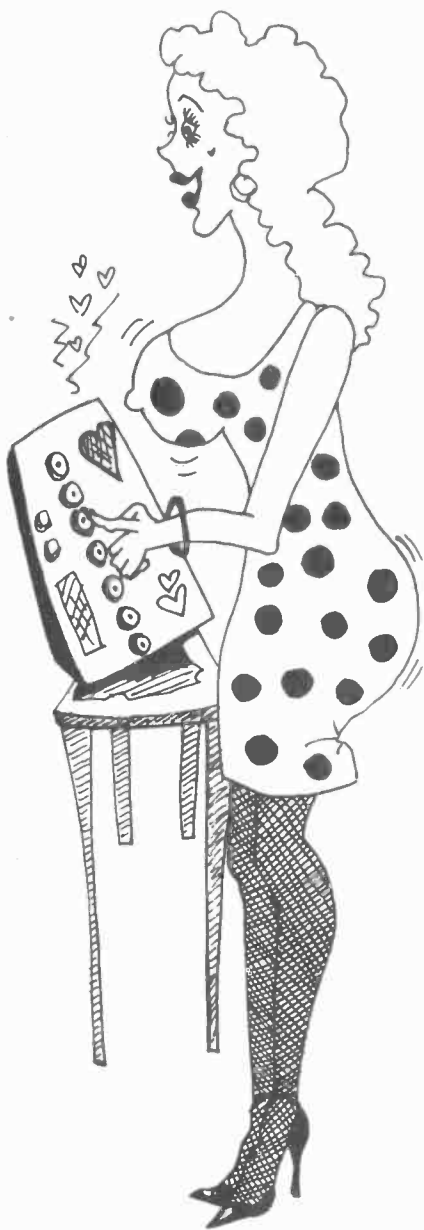
NOTE: Persons under 16 years not served without parent's authorisation.

Personal Shoppers EDGWARE ROAD LONDON W2 Tel: 01-723 8432. 9.30am-5.30pm. Closed all day Thursday ACTON: Mail Order only. No callers GOODS DESPATCHED TO MAINLAND AND N. IRELAND ONLY

Next
Month

Hobby Electronics

PASSIONMETER



Months of fearless research (mainly on calibration) have led to the design we hope to be publishing next month. It is primarily intended to visually display (via a column of LEDs) the degree of passion being experienced by the subject.

Measurement of passion is made by inserting the subject's finger into an orifice in the case to contact with a sensor array. Use of CMOS circuitry enables the unit to function for many months without being switched off. This project, whilst a little tongue-in-cheek should prove a great success at parties and may just provide a few surprises!

KEZY DOES IT



Unless you've heard it you will find it almost impossible to believe, American radio that is. Rick Maybury hot foot from Los Angeles brings back a report of one particular AM/FM station, KEZY. In a city that has over 80 other stations catering for just about every taste KEZY manages to capture a very large audience. Find out about this and the American radio scene in general in next month's issue.

INTO CONSTRUCTIONAL ELECTRONICS

Are you thinking about taking that first step into the wonderful world of electronics? Ian Sinclair begins a major new series just for you.

Many newcomers are often daunted by the thought of building that first project. This series is designed to take you gently by the hand, through the jungle of jargon and coloured bits and pieces and hopefully leave you with the confidence and expertise to tackle just about anything. Much of the series is centred around the Eurobreadboard so why not drop a few hints to Father Christmas so you can be ready



KIT REVIEW SPECIAL

Two kits this month. Even though we've delayed the Radio Control system for a few months we will still be presenting the review of the Servo Kit we hope to be using with the system.

Our second kit comes from THE kitmakers — Heathkit. They may be a bit pricey but they are the best. The one we're reviewing is probably one of the finest pieces of test equipment we've ever seen. It's the Digital Multimeter with an LCD readout. If you think a price tag of around £80 is a bit steep then see what we think next month.



INFRA RED CONTROL

Look out for a new remote control system using Infra Red techniques. Coming next month.

The February issue will be on sale January 11th

The items mentioned here are those planned but circumstances may affect the actual contents

MODULAR SYNTHESISER

The synthesiser you've been waiting for. Presented as either a full spec., rack mounting, stage instrument or as a set of stand-alone modules, ETI's Project 80 gives you the options. Circuit designs by R. C. Blakey.

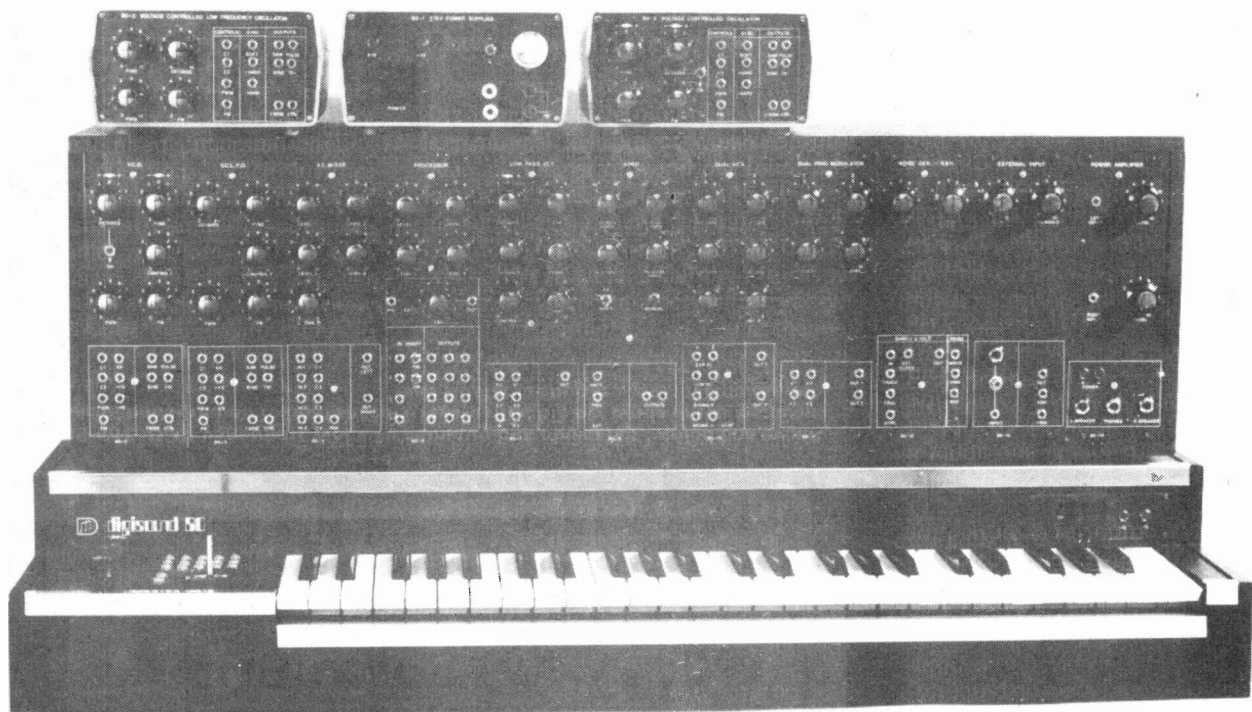
One of the fascinating, and sometimes irritating, aspects of electronics is its rate of technological growth. It is the recent development of customised integrated circuits for music applications which justifies another synthesiser project. The use of these devices greatly simplifies construction of stable, accurate and reliable modules, which will be of particular benefit to constructors. These new integrated circuits are equally useful to the musician since they allow greater control of many of the complex 'music-making' parameters.

Design Philosophy

The popular conception of a synthesiser is a musical instrument which can produce all manner of wondrous sounds. In fact a synthesiser is a multi-function machine having sound generators, modifiers and mixers which are electrically compatible with one another. It is the designer who connects the various modules together in a particular manner to produce an integrated musical instrument. He (she) has certain targets of portability, ease of playing and cost —

and inevitably these result in compromises in terms of the capabilities of the instrument.

The basis of the current project is that for hobby application and greater exploration of musical expression there is no substitute for a truly modular system inter-connected by patchcords. Of course, patchboards or switches are alternatives to lots of drooping cords, but sooner or later the compromises begin as the cost, or the trouble, of adding more switches or boards arises. Furthermore a patchcord synthesiser is just as easy to play as a pre-set machine.



SPECIFICATION

General Specification

The design features of the modules follow the principles adopted by many of the major manufacturers of synthesizers. These are:-

1. Exponential voltage control. For the basic signal and treatment units (oscillators and filters) this will be the widely used one volt per octave relationship. For some modules the response level may be variable, as with the voltage controlled amplifier.
2. 10 V minimum control range providing a span of 10 octaves without switching.
3. 10 V peak to peak signals.
4. Signal and control inputs via a summing op-amp stage. This allows

multiple inputs. It is also a simple matter to alter the inputs to make the modules compatible with existing equipment.

5. Normally all inputs will have an input impedance of 100k or a minimum of 47k. This allows a single control signal to drive several modules without adverse loading effects.

6. Output impedance will be 1k wherever practical, that is, without adding significantly to cost. These outputs may be mixed by shorting them together which results in an average of the mixed signals.

7. DC coupling, except for a few instances where it is essential to avoid errors which may arise from any DC drift and when the use of AC coupling

does not result in loss of flexibility.

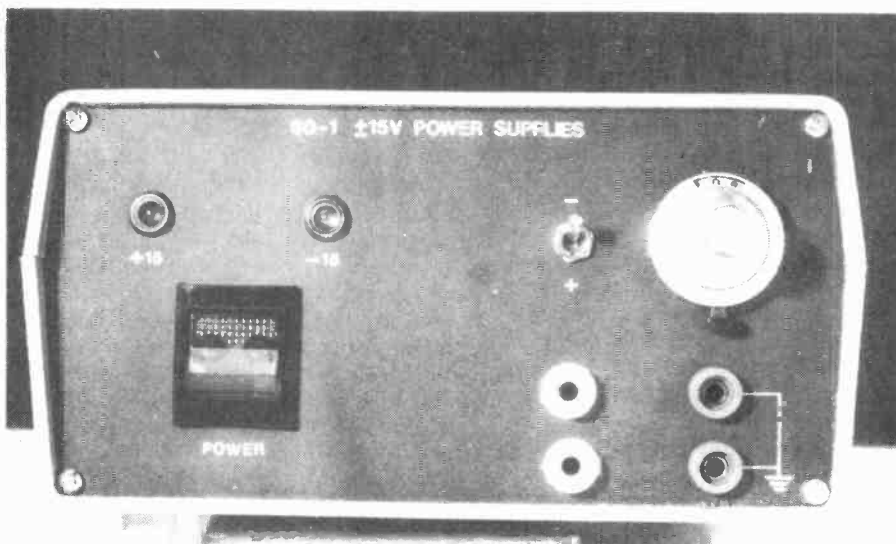
8. ± 15 V supplies, common to all modules. Single PSU required.

9. All major features to have voltage control capability, for example, Q control of filters, pulse width modulation, envelope generation and so on.

An important feature of the above is that it allows *anything* to be plugged *anywhere* without fear of causing damage. Where modules are interfaced with external equipment then 1/4 inch jack sockets are used to avoid problems which may arise from incompatibility. Another aspect that should be noted is that because one signal can control several modules any attenuation of the signal should be made at the input to the modules.



Above and below: the VCO and PSU modules as they appear in their free standing cases. Note the vernier drive on the PSU. This is for calibration of oscillators etc. This case will be standard throughout the series.



Modules To Come

The modules to be described in this series are as follows:-

1. **Power Supply:** ± 15 V regulated and trimmed supplies which, as described, are sufficient to drive all of the proposed modules.

2. **Voltage Controlled Oscillator.** Good exponential response over a range from 10 Hz to over 16 kHz. Triangle, sawtooth, pulse and sine outputs of 0 to 10 V amplitude and triangle and sine outputs of ± 5 V amplitude. Manual and voltage control of pulse width duty cycle from 0 to 100%. Linear frequency modulation input. Three techniques for synchronising oscillators.

3. **Voltage Controlled Low Frequency Oscillator.** Same features as the VCO but with a frequency range of 0.2 Hz to 205 Hz with a 10 V control input. The frequency range extends to over 5 kHz with higher control voltage or by manual adjustment of initial frequency. The lower frequency limit is easily altered to suit individual requirements.

4. **Processor.** The flexibility of the input-output structure described above has one main disadvantage, namely, that to take full advantage of it one should have several output jacks for each control source and an attenuating potentiometer on each control and signal input. This can be overcome by having a panel

(or panels) which only contain attenuating potentiometers and/or sets of commoned jack sockets for distribution purposes. Such panels are not powered and do not require further description. On the 'processor' module facilities have been incorporated for inverting two of the inputs and also for slowing down control signals by means of a lag circuit. The latter circuit may also be used as a control source by using a foot pedal.

5. Voltage Controlled Mixer. Four input mixer with manual and external voltage control of mix together with a single control for manual and external voltage control of pan.

6. Voltage Controlled Filters. A state variable filter with low pass, high pass, band pass and notch outputs will be described. Also a 24dB/octave low pass filter which is the most widely used type for music applications. Voltage control of Q provided.

7. Voltage Controlled Envelope Shaper. Voltage control over the attack, initial decay and final decay responses of the envelope generator provides opportunity for more realistic envelopes, for example, a change in envelope with pitch. A third generation IC will be used which has many other features allowing control over the formant of the sound.

8. Dual Voltage Controlled Amplifier. Exponential and linear control for increased flexibility and variable gain of both. Ability to partially bury the envelope so as to reduce the exponential final decay of the envelope which in imitative synthesis can be a problem. Provision for stopping the VCA so that when used in conjunction with other instruments it does not continue playing when the rest of the group has finished.

9. Dual Ring Modulator. Based on a single IC and having a wide dynamic range and high signal to noise ratio.

10. Noise Generator and Sample & Hold Module. White, pink and red (random) noise sources. The sample and hold unit allows creation of sounds from a variety of sources.

11. External Input. Pre-amplifier to increase external signals to a level compatible with the other synthesiser modules. Includes an envelope follower with a variable threshold level to generate trigger pulses.

12. Power Amplifier. Two speaker channels and headphone output. It is not advisable to use the domestic Hi-Fi for synthesisers since the tweeters can be destroyed by continuous tones at an output above a few watts. A pair of good quality speakers is a worthwhile investment. A separate power supply is used for the power amplifier.

13. Keyboard Controller. Digitally scanned keyboard capable of controlling a five octave keyboard. Sample and hold with portamento. Precise octave shift over range of -2 to +3 octaves. Gate and trigger pulses. Pitch bend with variable bend level. Suitable for standard monophonic synthesiser and micro-processor compatible for polyphonic capability.

Construction

Each module is designed for both panel mounting or for housing within a standard low cost plastic case. The use of a case serves a number of purposes, one of these being a neat packaging of the modules for those who wish to construct them for other applications. The cased units are also appropriate for teaching and learning purposes, for example, the beginner should start by thoroughly exploring the functions and capabilities of each module. If electronic music is approached in this systematic way it becomes a relatively simple matter to create specific sounds at a later date. Furthermore one should not have any pre-conceived notions on the format of a synthesiser and a methodical study will enable the user to determine his approach to electronic music.

The panels are 228 x 76 mms. (9 x 3 inches). This size is widely used by commercial manufacturers of patchcord synthesisers. Such a panel will comfortably accommodate at least six control potentiometers or rotary switches with control knobs of an easily manipulated size. Standard quarter inch jack sockets are used on most of the professional equipment but their physical size limits the number of inputs and outputs per panel and it is back to compromises again. This project uses 3.5 mm jack sockets and up to twenty may be fitted onto the panel along with the six rotary controls. These miniature jack sockets should be of good quality. Screened patchcords are used to reduce the likelihood of crosstalk or noise. A major



advantage of panels is their ease of construction which also applies to the case to house the panels. 1.2 mm aluminium sheet provides adequate strength and a professional appearance can be obtained by spraying and the use of transfers for the markings. The cabinet can be constructed from a proprietary laminated blockboard assembled with 'Lok-Joint' fasteners. With this type of shelving a maximum of twelve modules per row is advised unless intermediate supports are used. 9.5 mm hardwood beading along the edges of the shelves allows the panels to be mounted using small wood-screws and if only a small pilot hole is made then the panels can be repeatedly removed without refilling the holes. The panel approach provides flexibility in lay-out and virtually unlimited scope for expansion.

MODULE 1: POWER SUPPLY

A ± 15 V power supply is used for the modules except for the power amplifier which has its own supply. A design based on the 723 regulator is used and the circuit is shown in Figure 1. The circuit incorporates the recommended features for stability and both rails can be adjusted to a precise 15 V output.

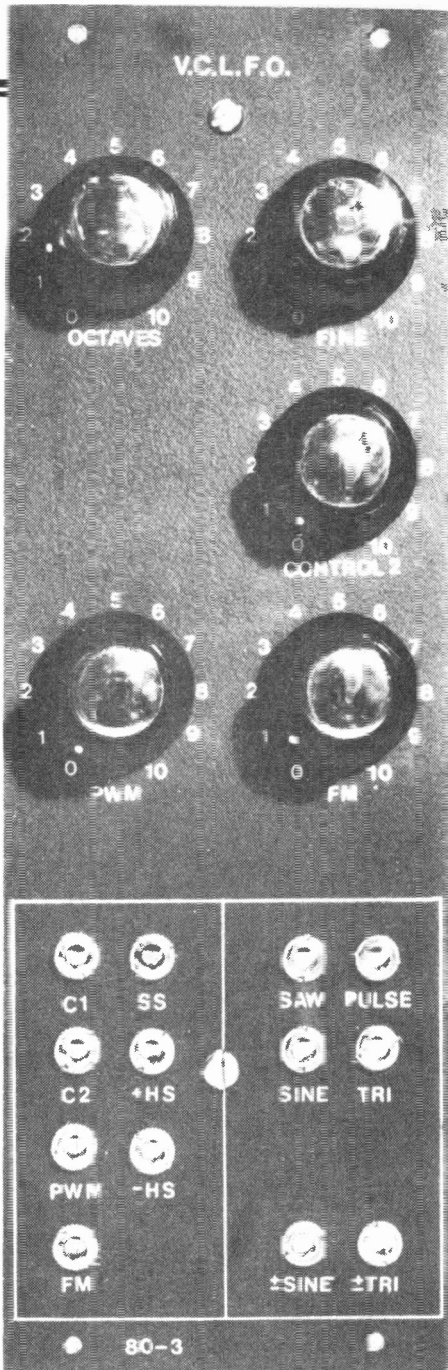
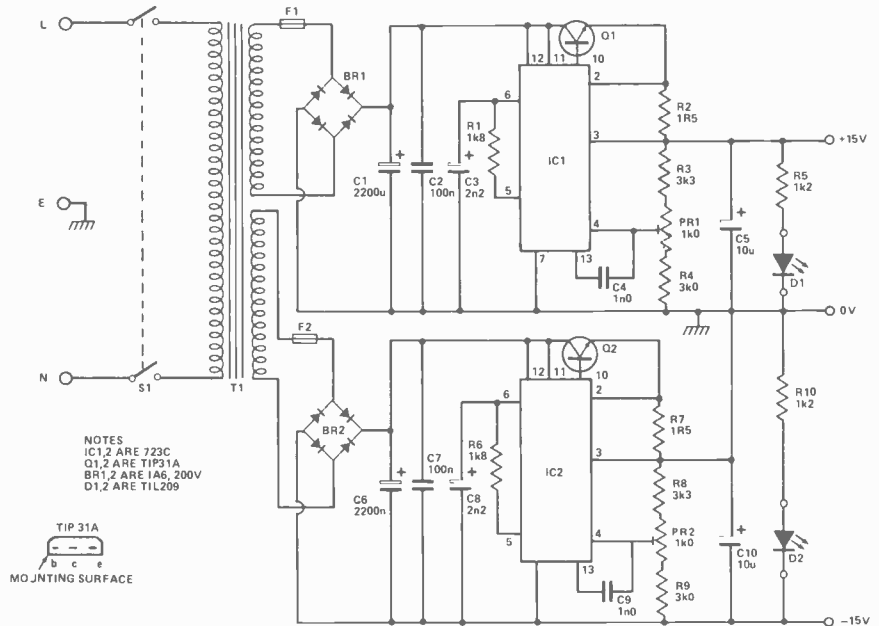
Construction

The PCB has been designed to suit the mounting holes in the recommended case and these same holes can be used

for vertical mounting of the power supply in the keyboard housing by means of L brackets. A 100 mm x 65 mm heatsink provides generous heat dissipation from the plastic box and this is secured to the outside of the rear panel. The transformer should be bolted onto a small piece of aluminium plate which is screwed down to mounting lugs moulded into the box. Addition of plastic feet to the box will ensure adequate ventilation through the grills.

Before connecting to the mains supply ensure that all mains connections

Fig 1 (below). Circuit diagram for the Project 80 power supply.



Above: both versions of the VCO, panel mounted for rack fixing. Note that all inputs/outputs are at the bottom of the panel to prevent wiring fouling the controls.

HOW IT WORKS - PSU

Power Supply

A synthesiser requires very stable power supplies because in most designs the voltage is used to establish reference currents in the exponential generators. It is also desirable that the voltages are set at the precise 15 V levels. The ± 15 V power supply for this project is based on the 723 voltage regulator. The circuit comprises two identical positive 15 V supplies with one of the outputs tied to the ground rail of the other to generate the ± 15 V required.

The circuit will supply up to 300 mA per rail at full voltage and the current sensing resistor R2 (R7) limits output to about 450 mA under overload or short circuit conditions. R3, TP 1 and R4 allow precise adjust-

ment of output voltages; R1 improves temperature stability; C3 increases ripple rejection; C4 is for compensation; and C5 reduces noise on the output which originates from the voltage reference diode in the IC.

The output is adequate for the basic project but if extension is envisaged then the same circuit board can be used for much greater outputs. The only changes required are: increased power rating of the transformer; appropriate increase in value of fuses; adjusting R2 (R7), i.e. halving this resistor will double the current limit and the PCB has provision for two resistors in parallel to facilitate obtaining the correct value. Wire-wound 2W5 resistors are also used since low

ohmic values are more easily obtained and the resistors are physically smaller than 1 W carbon types; increasing power rating of transistors and when more than 1 A per rail is required the latter should be mounted on separate heatsinks.

Setting up voltage controlled synthesiser modules requires a voltage source that can be quickly adjusted to a precise value. A ten turn potentiometer, which can be switched to positive or negative voltage is an asset. This is shown on the boxed module. Two commoned outputs are provided, one for the output to the unit being calibrated while the other may be used for direct connection to a voltmeter. Installation of this variable voltage source is optional and components are not listed.

to plug, switch and transformer are properly insulated. The calibration consists of setting TP 1 and TP 2 to obtain, as accurately as possible, +15 V and -15 V respectively.

PARTS LIST - PSU

RESISTORS All 1/4W, 5%

R1,6	1k8
R2,7	1R5, 2.5W wirewound
R3,8	3k3, metal film, 100ppm T.C.
R4,9	3k0, metal film, 100ppm T.C.
R5,10	1k2
TP 1,2	1k0 cermet trimmer

CAPACITORS

C1,6	2200uF, 35V electrolytic
C2,7	100nF, polyester
C3,8	2u2, 25V tantalum
C4,9	1nF, polyester
C5,10	10uF, 25V tantalum

SEMICONDUCTORS

BR1,2	1A6 200 V
IC1,2	LM 723CN
Q1,2	TIP 31A
D1,2	Red LED

MISCELLANEOUS

T1	0 - 17V5, 0 - 17V5 secondaries, 20 VA transformer.
F1,2	1A fuses with PCB holders.
S1	DPST rocker switch.
Heatsink (4°C/W); mains connector; output socket.	
The above will fit into a Teko Alba A23 case.	

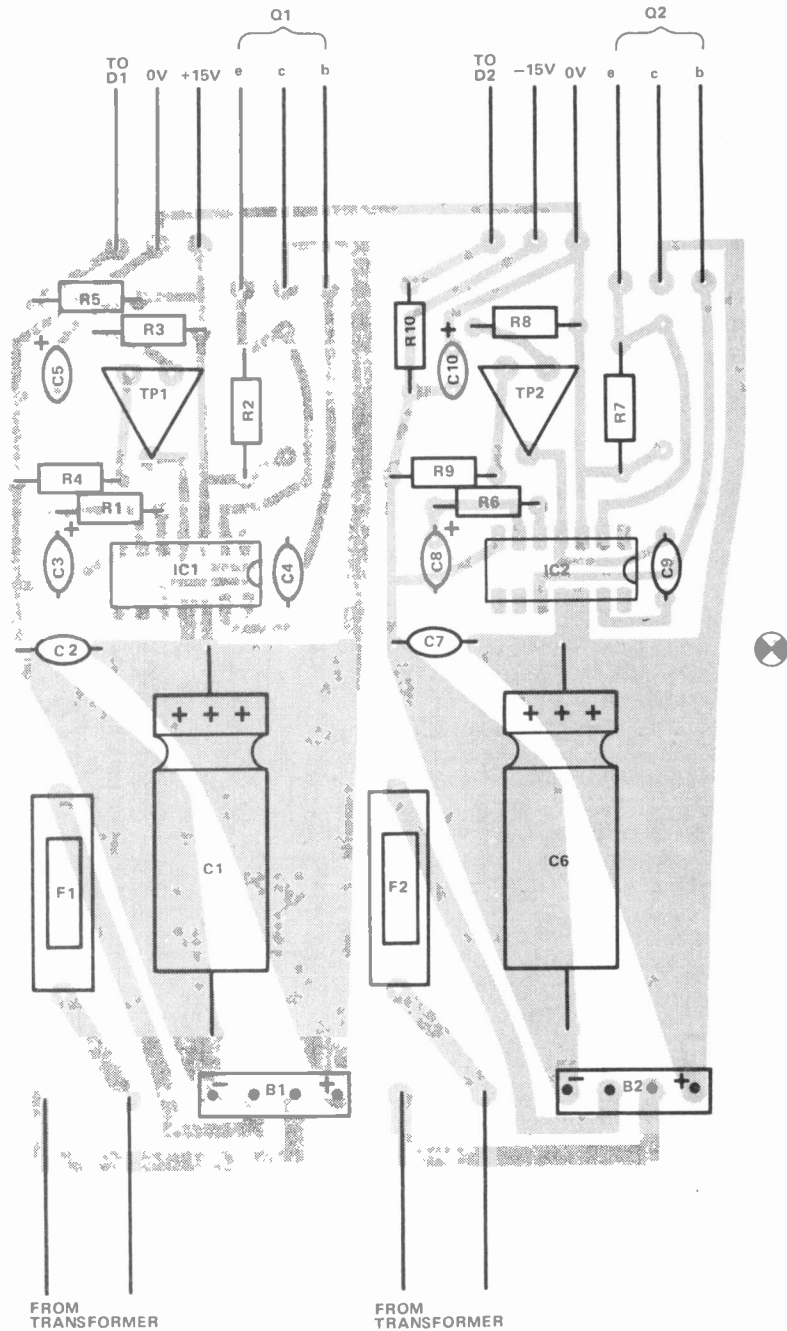
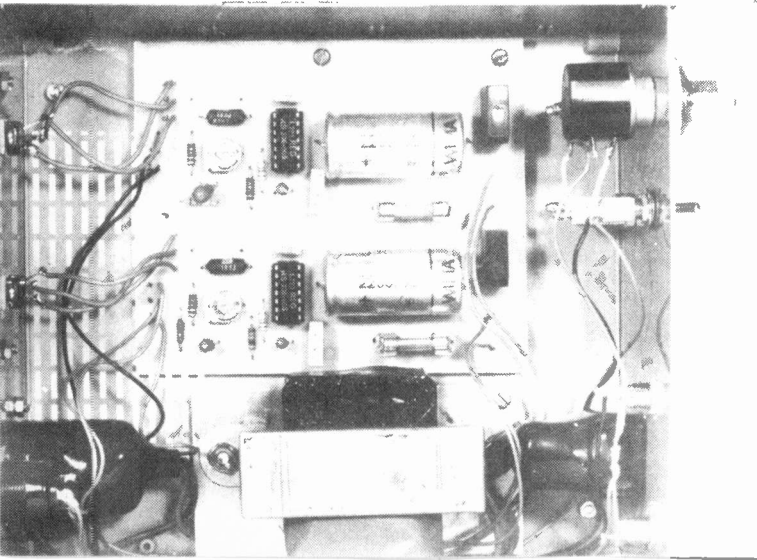


Fig. 2 (above). Component overlay for the PSU project.



Left: the inside story on the PSU project. The heatsink is mounted on the rear panel of the case.

MODULE 2: VCO

The VCO is based on the CEM 3340 IC produced by Curtis Electromusic Specialities and specifically designed for music applications. Figure 3 shows the block diagram of the device which is packaged in standard 16-pin DIL form. It provides the exponential law required for music, that is, a doubling of the frequency for a fixed increment of input control voltage, which for this project has been set at one volt per octave. The design provides excellent conformity to the exponential response from less than 10 Hz to over 16 kHz.

The CEM 3340 has triangle, sawtooth and pulse outputs. In the design presented a sine wave has been generated from the triangle output. The outputs are 0 to 10 V in amplitude which facilitates their use as control signals. Additionally, the triangle and sine waveforms are provided at ± 5 V amplitude and are directly suitable for modulation applications. The duty cycle of the pulse output can be varied from 0 to 100%, either manually or by external voltage control. A linear frequency modulation input with a 10% change in frequency per volt is also included.

The IC allows three methods of synchronising the oscillator which provides an exceptional range of modulation and harmonic locking effects.

The circuit is shown in Figure 4.

Construction

Construction is straightforward and the component layout on the printed circuit board is shown in Figure . It is essential to use the components specified if the accuracy and stability of the design is to be realised. All jack sockets and potentiometers should be wired up except for the wiper of the fine control (RV2). Neat and short wiring reduces the likelihood of crosstalk and all inputs and outputs are provided at the front edge of the PCB to avoid excessive wire length. The PCB will fit the mounting lugs in a Teko Alba A23 case. It may also be mounted to the 228 x 76 mm panel with proprietary brackets or L-brackets. If the latter are used a 12.5 mm spacer between the panel and the bracket is recommended since this provides adequate space for the wires.

When all components have been installed carefully check their placement and orientation and also inspect the underside of the board to ensure that no solder bridges have been made. Before

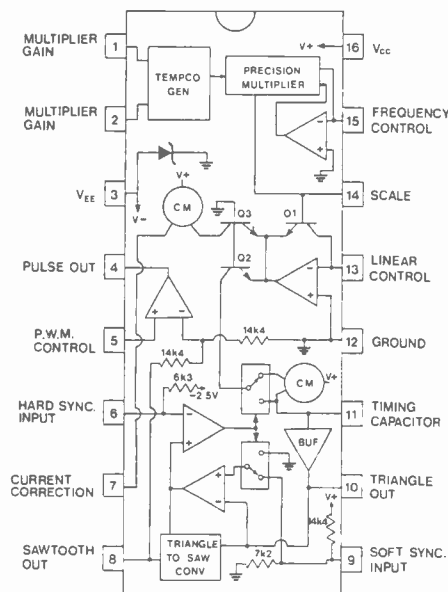
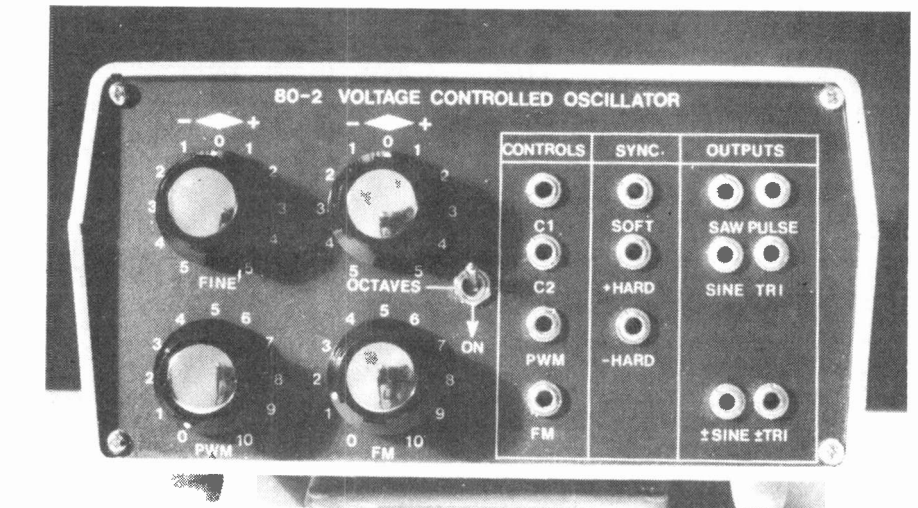


Fig. 3. Block diagram of CEM 3340 VCO chip.

inserting the IC it is good practice to connect the board to the power supply and check that power is available at the correct points in the circuit and this is simplified by using IC sockets. If this step is satisfactory then disconnect power before inserting the IC.

A final check before calibration is to ensure that all outputs are functioning. Connect the 0 - 10 V triangle to an oscilloscope or amplifier (turn volume control nearly off) and then power up the circuit. If there is no response then switch off immediately and repeat the checking procedure. If functioning then check the other outputs although remember that the sine waveform has not been trimmed at this time.

Calibration

Set all trimmers to their mid position. The first step is to adjust the sine-wave output. With an oscilloscope, or by ear via an amplifier, adjust TP 4 then TP 5 for purest sine output. These adjustments may have to be repeated a few times to obtain the best results. Next adjust TP 6 to get the 10 V output referenced to ground. The simplest method is using an oscilloscope, but it can be trimmed using another VCO. If the latter technique is used, set the other VCO to about 1 kHz and the frequency of the VCO being calibrated at a low frequency (coarse control switch on and RV1 fully anti-clockwise). The sine-wave output is then plugged into the other VCO and TP 6 adjusted until there is no discernible jump in frequency.

The last and most important step is to calibrate the oscillator to the 1V/octave relationship. The easiest method requires a variable voltage source (from a potentiometer or a calibrated keyboard), an accurate voltmeter and a digital frequency meter.

Alternatively, if a previously calibrated oscillator is available then the beat frequency technique may be employed. Another approach is to build two stable fixed frequency oscillators and use these in conjunction with an oscilloscope to calibrate the VCO by generating Lissajous figures. Whichever method is chosen the calibration proceeds as follows. With the coarse control switch, SW1 in the OFF position apply a positive voltage to Control Input 1 (R5) until the frequency is about 200 Hz.

Increase voltage by one volt (as accurately as the measuring equipment allows) and adjust TP 1 until the frequency is doubled. This step is repeated until a doubling of frequency for a one volt change in input is achieved. Next increase the frequency to about 5 kHz, increase voltage by one volt and adjust TP 3 to obtain doubling of frequency. Finally, re-check the first step and if a DFM is available check the VCO over its full range.

Note that the oscillator has been (accurately) calibrated for Control Input 1. This input should be used for the keyboard, if fitted, since there may be a slight difference between Control Inputs 1 and 2 even though 1% resistors are used.

The oscillator may now be adjusted so that with no input voltages it will be tuned to the lowest frequency of a four

octave C - C keyboard. Adjust TP 2 to 65.4 Hz, or if connected to a keyboard press note A and adjust to 440 Hz. This step is not essential until the VCO is connected to a keyboard. Also R4 and TP 2 may be changed to suit other keyboard requirements.

The wire to the wiper of the fine control potentiometer (RV2) may now be connected. ▶

HOW IT WORKS - VCO

Voltage Controlled Oscillator

The VCO utilises an integrated circuit which has been specifically designed for music applications. Understanding the IC and how it overcomes the many problems associated with building exponential converters from discrete components is best approached by considering the latter circuits. A transistor design makes use of the fact that in an ordinary transistor the collector current is an exponential function of the base-emitter voltage and the current can then be used for, say, charging a capacitor. The emitter saturation current, however, doubles for every 10°C change in temperature and so to employ a single transistor necessitates use of techniques such as 'overing', that is, maintaining the transistor at an elevated temperature. A better approach is to use a well matched transistor pair, preferably on the same chip, and to arrange them so as to cancel out this particular temperature dependent term. A simplified oscillator input stage using two transistors is shown in Figure A below.

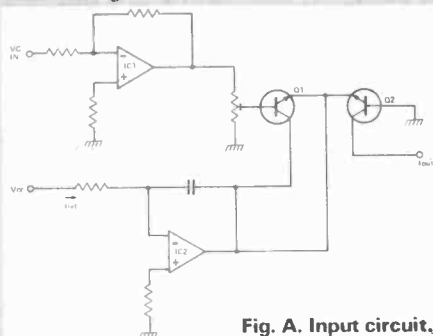


Fig. A. Input circuit.

IC1 and associated resistors and trimmer provide a means of scaling and ranging the input voltages and for the standard 1V/octave response the components are chosen to give approximately 18 mV increase at the base of Q 1 for an increase of 1 V at Vin. Next the control range is adjusted by applying a reference current to the collector of Q 1. Ideally this would be in the middle of the exponential range of the transistor, about 1uA, but considerations of bias current from IC2 usually dictate that Iref is 10uA, or more. IC2 also serves to sink the excess current from the emitters of Q 1 and Q 2. Thus the current from the output transistor Q 2 becomes:-

$$I_{out} = I_{ref} e^{V_b q/kT}$$

so that with Vin = 0, Iout = Iref. There remains, however, a temperature dependent term, 1/T, which changes the exponent by

about 0.33% for every degree Centigrade change in temperature. To compensate for this the usual practice is to use a temperature compensating resistor, having a similar temperature coefficient, in the input stage so that Vin also changes by 0.33% per °C.

This project is based on the CEM 3340 Voltage Controlled Oscillator produced by Curtis Electromusic Specialities. Reference to the simplified block diagram (Figure 3) shows that the whole of the input stage described above has been incorporated within the IC. Pin 15 is the input summing stage while Pin 14 determines the scale. Since the current gain of the multiplier is set near unity a 100k input resistor (R5, R6) and a 1k8 scaling resistor (R3) provide the standard 1V/octave response and about 18mV/volt at the base of Q 1. Components R4 and TP2 set the initial frequency of the oscillator and have been chosen so that with no external voltage inputs the frequency can be adjusted to 65.406 Hz, i.e. the lowest note of a 4 octave C - C keyboard. R7 and RV1 allow manual adjustment of the oscillator by ±5 octaves. Switch S1 has been fitted between RV1 and R7 so that in normal use, i.e. keyboard; precise octave shift; and external voltage controls, slight variations in RV7 will not cause the oscillator to go out of tune. R8 and RV2 provide a fine adjustment of approximately ±0.5 octaves. The other components (R9, C5) on the summing input are for compensation and are always required. The sum of the input voltages should always remain positive for proper operation of the oscillator.

For greatest multiplier accuracy the current flowing out of Pin 2 ($22VT/R2$, where $VT = 26 \text{ mV at } 20^\circ\text{C}$) should be close to the current flowing out of Pin 1 ($3.0/R1 + TP1$). TP 1 is used to adjust the oscillator to a precise 1V/octave response.

The exponential generator is capable of delivering a current, Ieg, for charging and discharging the timing capacitor, from greater than 500 uA to less than the input bias current of the buffer which gives a typical frequency range of 500,000:1. For synthesiser applications one should use the most accurate portion of this range, which is from 50 nA to 100 uA. These current limits are used to determine the value of the timing capacitor, CT (C7). The oscillation frequency is given by $f_o = 3I_{eg}/2V_{cc}CT$ and therefore to keep within the above current limits and to maintain an accurate frequency range of 5 Hz to 10 kHz the capacitor will be 1000p with a Vcc of +15 V.

An Iref of 10 uA is produced by R11 connected to the +15 V supply. This input (Pin 13) is also used for linear frequency modulation of the oscillator. R12 adjusts the FM

range to a 10% change in frequency per volt and an attenuating potentiometer (RV3) allows manual adjustment of this range. The FM input has been AC coupled so as to avoid errors from any DC drift although it may be DC coupled if required. A negative voltage at Pin 13 will gate the oscillator off.

Reference was made earlier of the need to provide temperature compensation. One of the many novel features of the CEM 3340 is the incorporation of temperature compensation within the device. This is achieved by multiplying the current sourced into the control pin (Pin 15) by a coefficient directly proportional to the absolute temperature. This coefficient is produced by the 'Tempco Generator' using the same mechanism as in the exponential generator and thus cancellation is nearly perfect.

A further problem that occurs with transistor exponential converters is their bulk emitter resistance which becomes a significant factor as current is increased and will cause the oscillator to go flat. With the CEM 3340 this situation applies when current from Q 2 is greater than 50 uA. Means of correcting for this effect have been included since Pin 7 outputs a current which is a quarter of the exponential generator current. The current is converted to a voltage across TP 3 and a proportion can be fed back into the control input via R10.

Waveform Outputs: All waveform outputs from the IC are short circuit protected and may be shorted continuously to any supply without damaging the device. A 0 - 10 V sawtooth waveform is available at Pin 8 which can sink at least 0.6 mA and source over several milliamps without any effect on oscillator performance and only a negligible effect on waveshape. The pulse output from Pin 4 is an open NPN emitter and therefore requires a pull down resistor to ground or a negative voltage. This output has been clamped with a 10 V zener diode (ZD 1) to give a 0 - 10 V pulse output. Pin 5 allows pulse width modulation and 0 to 5 V applied to this pin will vary the pulse width from 0 to 100%. Attenuating resistors R19, R20 increase the control range to our standard 0 to 10 V. P4 connected to +15 V provides manual control of pulse width and this control voltage is further attenuated by R18. RV4 input is connected via a jack socket so that it is disabled when an external voltage control source is used. Pin 10 outputs a 0 - 5 V triangle waveform. Although the sink and source capabilities approach those of the sawtooth this output has a finite impedance and also drives the comparator with the result that loading of this output into 100k impedance may lower frequency by 0.15%, in the worst case. This

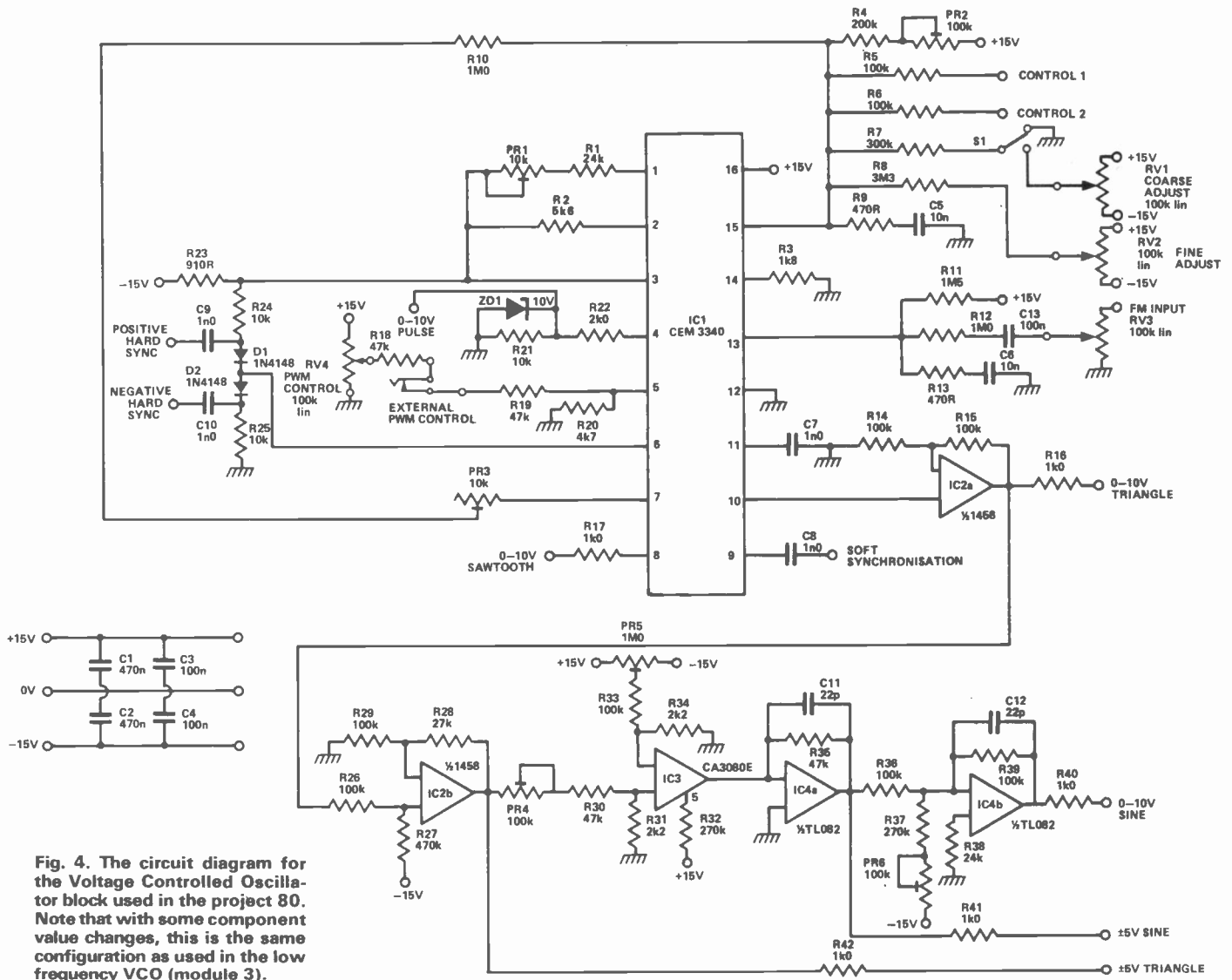


Fig. 4. The circuit diagram for the Voltage Controlled Oscillator block used in the project 80. Note that with some component value changes, this is the same configuration as used in the low frequency VCO (module 3).

output has therefore been buffered by IC2a and addition of R14, R15 increases gain by two to give a 0 - 10 V triangle output.

The triangle output is converted to ± 5 V at IC2b (this output is made available from the VCO) and attenuated to about ± 100 mV by TP 4, R30 and R31 prior to IC3 which is a CA 3080E. Use is made of the non linear characteristics of the OTA at high input levels to convert the triangle into a sine wave. TP 4 adjusts the 3rd harmonic content and TP 5 and associated components at the inverting input of IC3 trim the 2nd harmonic. IC4a converts the current from IC3 to a voltage and provides a ± 5 V sinewave. This output is 180° out of phase compared to all other outputs but this is not detrimental in most applications of this output. Finally the sine wave is shifted to a 0 - 10 V input by IC4b with R37 and TP 6 as the level shifter.

Power supply to IC: The CEM 3340 will operate directly from positive supplies of between 10V and 18 V (although the amplitude of the waveforms as given above will decrease and increase respectively) and negative supplies

from -4V5 to -6V0. Nevertheless the IC has a 6V5 zener diode within the chip which allows it to operate from virtually any negative supply voltage if R23 is selected according to $(V_{EE} - 7.2)/0.008$. In this design R23 allows use of the ± 15 V supplies described earlier.

Synchronisation of waveforms: Synchronisation of oscillators is often used to prevent unpleasant beating effects when two oscillators are set to ratios to produce a complex waveform. Synchronisation can, however, also be used to produce some pleasing timbral effects. The CEM 3340 has a wider range of synchronising effects than found on conventionally synchronised oscillators. Soft synchronisation by negative pulses to Pin 9 causes the triangle upper peak to reverse direction prematurely with the result that the oscillation period is an integral multiple of the pulse period. If this input will not be used it should be by-passed to ground with a 100nF capacitor (provision for this has been made on the PCB). Alternatively, the 100nF capacitor (C8A) may be connected to ground via a jack

socket input. By-passing is to prevent unwanted synchronisation or waveform instability from noise pulses on the V_{cc} supply line. Pin 6 is used for hard synchronisation and R24, D1 and C9 allow synchronisation from rising edges while R25, D2 and C10 allow synchronisation from falling edges. A positive sync. pulse will cause the triangle wave to reverse direction only during the rising portion of the triangle, whereas a negative sync. pulse will cause direction reversal only during the falling portion. Figure B illustrates the hard synchronisation capabilities of the CEM 3340.

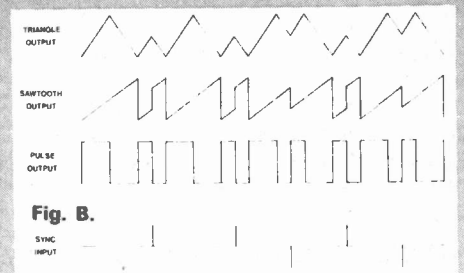


Fig. B.

PARTS LIST - VCO

RESISTORS All 1/4W, 5%.

R8	3M3
R9,13	470R
R12	1M0
R14,15,26, 29,33,36,39	100k
R16,17,40, 41,42	1k0
R18,19,20, 30,35	47k
R21,24,25	10k
R22	2k0
R23	910R
R27	470k
R28	27k
R31,34	2k2
R32,37	270k
R38	24k

RESISTORS All 1/4W, 1%, 100ppm T.C.

R1	24k
R2	5k6
R3	1k8
R4	200k
R5,6	100k
R7	300k
R10	1M0
R11	1M5

CAPACITORS

C1,2	470n polyester
C3,4,13	100n polyester
C5,6	10n polyester
C7	1n0 polystyrene
C8,9,10	1n0 polyester
C8A (see text)	100n polyester
C11,12	22p polystyrene

TRIMMERS

TP 1	10k cermet multitem
TP 2	100k cermet
TP 3	10k cermet multitem
TP 4,6	100k carbon
TP 5	1M carbon

POTENTIOMETERS

RV1,2,3,4 100k lin.

SEMICONDUCTORS

IC1	CEM 3340
IC2	LM 1458
IC3	CA 3080E
IC4	TL 082
D1,2	1N4148
ZD1	BZY 8810V

MISCELLANEOUS

S1	SPDT miniature switch; 3.5mm jack sockets (13)
----	---

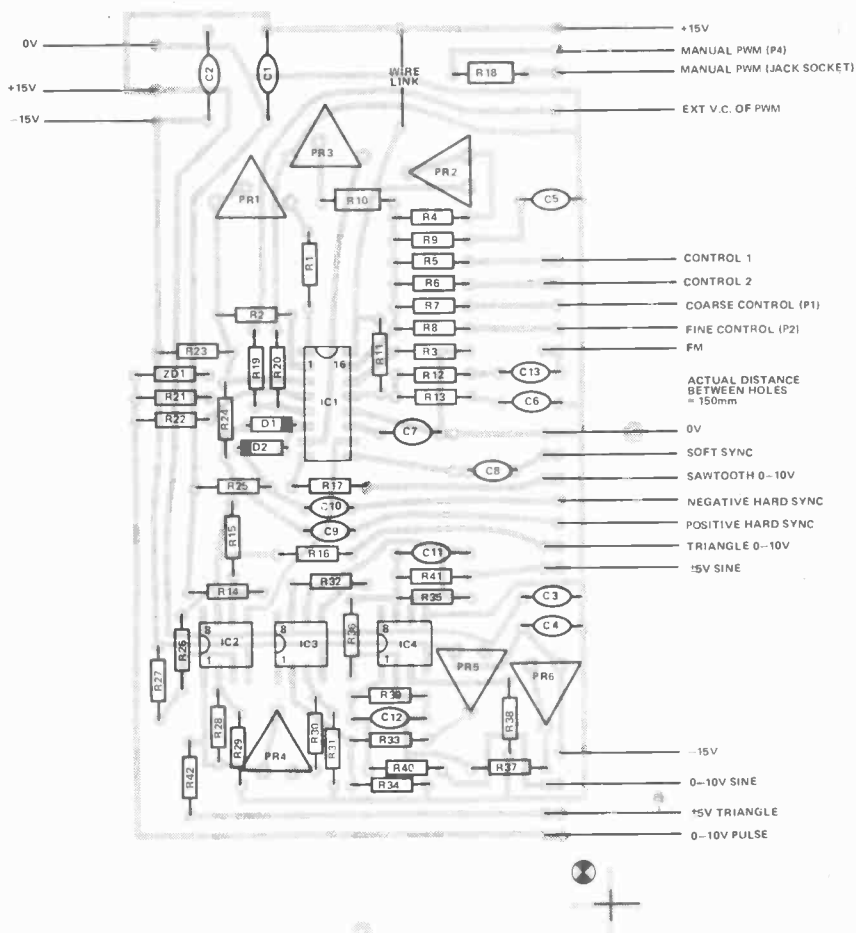
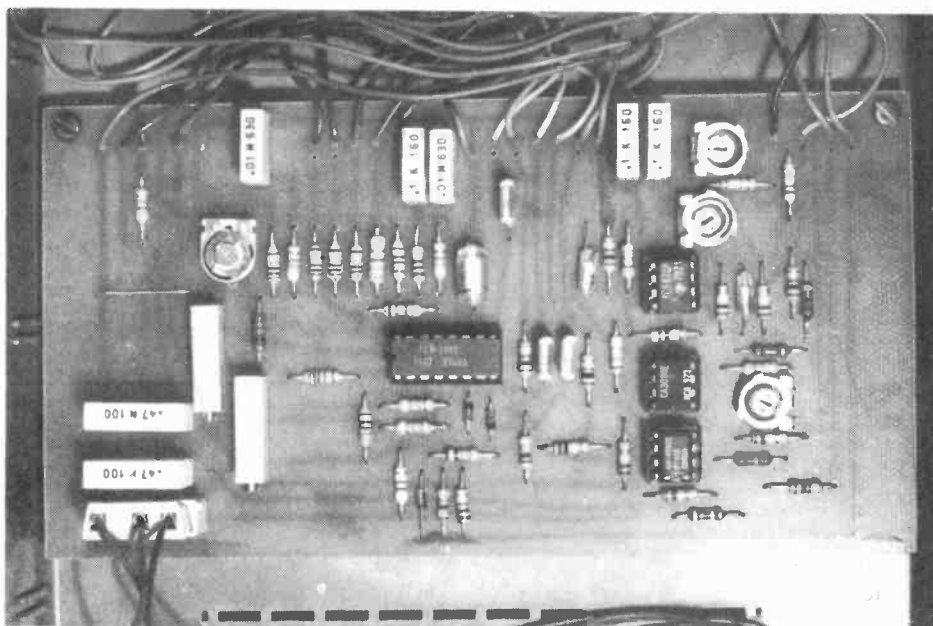


Fig. 5 (above). Component overlay for the VCO/VCLFO modules. The parts list to the left is for a standard VCO circuit. Use the changes given to the far right of page facing to convert to a low frequency oscillator.
Below: A made up PCB sat sitting in its box.



MODULE 3: VCLFO

The VCLFO is identical in design to the VCO described above. It is designed to operate in the range of 0.2 to 205 Hz with a 10 V control input. It is, however, capable of about 5 kHz. Alternatively a lower minimum frequency may be obtained by using a higher value timing capacitor, C7, provided that the capacitor is a very low leakage type.

Note the component changes listed. Construction and initial setting up follows the same procedure as the VCO except that the fine control potentiometer can be wired up prior to calibration.

Calibration

Set all trimmers to their mid position. Adjust sinewave output as described for VCO.

Turn both coarse and fine controls fully anti-clockwise (zero input) and apply a voltage to Control Input 1 to obtain doubling 100 Hz. Increase voltage by one volt and adjust TP 1 to obtain doubling of initial frequency. Repeat step until the one volt per octave response is achieved. Next increase frequency to about 1500 Hz, increase voltage by one volt and adjust TP 3 to obtain doubling of frequency. After adjusting TP 3 re-check setting of TP 1. Finally with 10 V applied to Control Input 1 adjust TP 2 to give a frequency of 205 Hz which will result in a frequency of 0.2 Hz with no external input voltages applied.

ETI

BUYLINES

The power supply PCB and components, including the heatsink and illuminated rocker switch but not the connectors, are available from Digisound for £19.55 incl. postage and VAT.

The PCB and components (including pots) for each voltage controlled oscillator are available from Digisound for £18.86 incl. postage and VAT.

Digisound Ltd
13 The Brooklands
Wrea Green

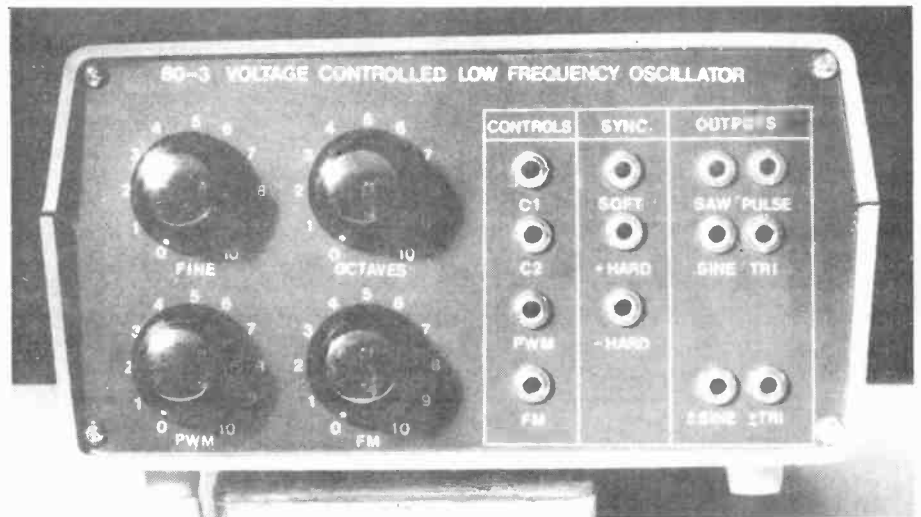
Preston
Lancashire PR4 2NQ

The modules are cased in Teko Alba A23G cases, available from West Hyde Developments Ltd Unit 9

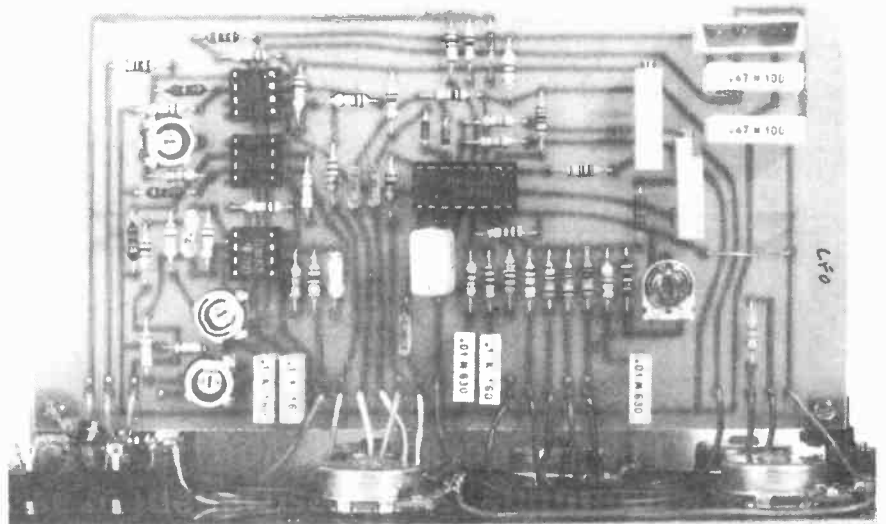
Park Street Industrial Estate
Aylesbury

Bucks HP20 1ET

They cost £4.43 each incl. postage and VAT. Please use order code TEK A23G.



Above and below: the inside and outsides of a low frequency VCO. The PCB is panel mounted just to show we did both ways! This method of construction is best suited to professional (or very serious amateur) use.



HOW IT WORKS - VCLFO

Voltage Controlled Low Frequency Oscillator
The LFO is identical in design to the VCO described above. A larger timing capacitor (C7) is used to give a frequency range of between 0.2 and 200 Hz with a 0 to 10 V control voltage. R4 and TP 4 are used to set the lower limit; RV2 provides an adjustment of one octave; and RV1 a range of 10 octaves. A switch is not required between RV1 and R7 in this instance. One reason is that both RV1 and RV2 are connected between +15 V and ground and so when the controls are fully anti-clockwise the oscillator is at the pre-set frequency (0.2 Hz). Secondly minor variations in frequency arising from RV1 and RV2 are of little importance for low frequency applications.

PARTS LIST - VCLFO

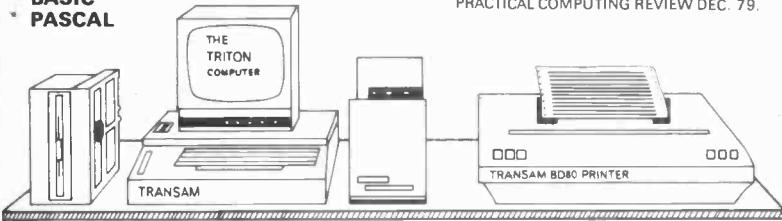
Component changes from VCO parts list.

R7	150k, 1%
R4	470k, 1%
C7	10n polycarbonate
R8	1M5, 5%
TP2	1M0 cermet

TRANSAM

COMPONENTS AND SYSTEMS FROM TRANSAM COMPUTERS

• CP/M
• BASIC
• PASCAL



TRITON IS IMPRESSIVE!
PRACTICAL COMPUTING REVIEW DEC. 79.

TRITON COMPUTER SYSTEM

Designed for ease of construction and flexibility. Kits come complete, and all components and software are available separately. UK designed and supported. Fully documented hardware and software. And a totally flexible approach to system building. Powerful and easy to use system monitors — a range of languages available. Firmware is Eprom based and upgrading from one level to the next is easy.

- L4.1 with 1k monitor 2k basic £286
 - L5.1 with 1.5k monitor 2.5k basic £294
 - L6.1 with 2k monitor 7k basic £399
 - L7.1 with 2k monitor 8k extended basic £409
 - L8.1 4k ed/mon 20k res Pascal £611
 - L9.1 CP/M disk based system p.o.a.
 - 8k Ram Card Kit (21144) £97
 - 8k Eprom Cards (excl 8x2708) £31
 - Motherboard Expansion 8 slot £50
 - Trap-Res Assm / Edit etc (8x2708) £80
 - Transam BD80 81-Dir Printer £595
 - TMVIO Video Monitor 9" £79
 - Eprom Prog (2708) kit £29.50
- Send for our catalogue for full details of Triton features

CP/M

Available now for Triton.

Disk operating system complete with text editor, assembler, debugger, system utilities and complete file management. Makes Triton fully CP/M compatible and able to run CP/M based software. Triton will support up to four 5 1/4" drives single or double density. Full CP/M software user group facilities available. SAE for details.

DISK DRIVES & POWER SUPPLIES



SHUGART
SA400 5 1/4" drive £205.00
SA800 8" drive £380.00
Power one quality power supplies
CP249 1 x 5 1/4" PSU £33.00
CP323 2 x 5 1/4" PSU £60.00
CP205 1 x 8" PSU £56.00
CP206 2 x 8" PSU £76.00

TCL PASCAL CP/M compatible. A standard Pascal compiler available ONR resident (20k) Eprom based configuration or available to run under CP/M on 8" disk plus documentation. CP/M version £90 — + P.O.A.

DIL PLUG SOCKETS & SWITCHES

W/WRAP SKTS	DIL SKTS	DIL PLUGS	DIL SWITCHES
08DL 0.20	8DL 0.14	1k DL 0.60	4 DL 1.20
14DL 0.35	14DL 0.15	1k DL 0.65	7 DL 1.75
16DL 0.42	16DL 0.17	SCOTCH FLEX	8 DL 1.80
18DL 0.60	18DL 0.24	14 DL 2.30	
24DL 0.52	20DL 0.27	16 DL 4.50	16w ZF* 4.95
28DL 0.74	24DL 0.30	24 DL 2.80	24w ZF* 6.20
40DL 0.95	28DL 0.36		
	48DL 0.50		

ZERO INSERTION FORCE

COMPCOLOR II — FULL COLOUR

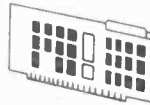
- 13" 8 Colour CRT Display
- Built in 5 1/4" Disk
- 16K Extended Basic in Rom
- 71 Key Keyboard — Detached
- RS232 + 50 pin B05
- 8K User Ram — Fully Expandable



SPECIAL GRAPHICS PACKAGE
£985 PLUS VAT

S100 DISK CONTROLLER

As used on Triton. Fully built, will drive 8x8" or 8x5 1/4" drives single or double density. Works with all Shugart compatible drives. Uses the 1791 chip onboard crystal — CPU independent.



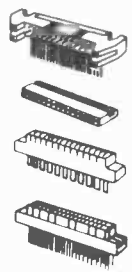
£195 + VAT

MULTIWAY CONNECTORS

INSULATION PIERCING	
20 Way Plug	£2.30
26 Way Plug	£2.70
34 Way Plug	£3.30
50 Way Plug	£4.60
20 Way SKT	£3.40
26 Way SKT	£4.00
34 Way SKT	£4.80
30 Way SKT	£6.00

GOLD .156 PITCH

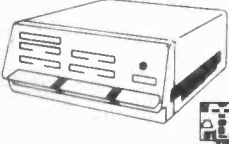
EDGE CONN — PCB	
60L .1" Pitch	£1.25
22/44	£1.50
25/50	£2.00
28/56	£2.20
30/60	£2.65
	£2.90
	£3.30
	£3.90
	£4.15



6k Way DIN Male £2.50
6k W/DIN Female £4.50

DPS.1 MAINFRAME — PASCAL SYSTEM S100

TO IEEE SPEC



ITHACA

PASCAL/z build your own Pascal Micro Development system. IEEE S100 bus system using DPS1 mainframe. Supports K2 ASSEMBLE/Z and PASCAL/Z on 8" disk.

S100 BOARDS

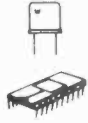
8k Static RAM board (450ns) £123.75
8k Static RAM board (250ns) £146.25
Z80 cpu board (2MHz) £131.25
Z80 cpu board (4MHz) £153.75
2708/2716 EPROM board
Prototype board (bare board) £63.75
Video display board (64 x 16, 128U/L, Ascii) £108.75
Disk controller board £131.25
K2 disk operating system £66.25
ASSEMBLE/Z Macro Assm £37.50
Pascal/Z compiler £131.25

WE STOCK THE FULL RANGE OF S100 CARDS AND ACCESSORIES

VISIT OUR SHOWROOM

WE ALSO STOCK: — A comprehensive range of books and magazines. Vero products including S100 and Eurocard and wire wrap equipment. Weller soldering equipment. Ribbon cables. Tools, tapes, diskettes and connectors.

CRYSTALS	4MHZ	2.10	FB (3850)	9.50	
100k	3.00	4.3M	1.00	8080A	6.33
200k	3.70	5MHZ	2.70	6809	24.00
1MHz	3.80	6MHZ	2.70	Z80	8.00
100kR	3.50	7MHZ	2.70	Z80A	15.00
1843K	3.00	7.168M	2.50	8085A	12.95
2MHz	1.50	8MHZ	2.70	6502	8.00
2457K	3.05	10MHZ	2.70	SCMP 11	10.00
3276K	2.70	10.7M	2.70	6802	13.95



ALL PRICES EXCLUDE VAT & P/P

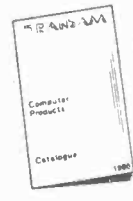
VAT 15%, P&P 40p on small orders. For larger items please Tel. Telephone credit card orders accepted subject to £5 min.

Rapid mail order service:

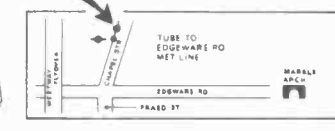


CATALOGUE 1980

New A4 sized - Only 40p + SAE



VISIT OUR SHOWROOM SOON
9.30-5.30 Mon-Fri
1.30-2.30 Closed Lunch
9.30-5.00 Sat.
Thursday half day 1.30



TRANSAM COMPONENTS LTD, 12, CHAPEL STREET, LONDON NW1. Tel: 01-402-8137. Telex: 444498.

electronics today

international

What to look for in the March issue: on sale February 1st



TV SOUNDS GOOD?

Tired of tinny tunes from your telly? The melodic meanderings start out from the transmitter in super-duper hi-fi, but the cost cutting sounds section of your set takes care of that, lowering the fi at the speed of light. Next month Richard Maybury explores the world of TV sound and comes up with a few ideas on improving it.

ELECTROMYOGRAM

The ETI Muscle Meter senses the tiny electrical impulses associated with muscle activity. As Superman flexes his biceps you can hear it all happening and see the activity building up on a meter.

THE ULTIMATE METAL LOCATOR

Calling all treasure hunters. How many times has your metal detector gone ping or buzz or hello sailor and you've shifted half a ton of Surrey only to find a non-bio-degradable ring pull tab? Well, next month we have a discriminating metal locator for you.

The magic machine rejects nails, bottle caps, aluminium foil and ring pull tabs. The design also features full ground effect exclusion over normal or high permeability soils. Search for your pot of gold with deepseeking VLF plus three TR discriminating ranges. Instant tuning recall is made possible by a push button memory circuit.

BLACK HOLES

When a massive star reaches the end of its life, uses the last of its nuclear fuel and explodes as a supernova, one of three things can happen. The supernova explosion may destroy the core, or, if a small core remains, it may become a neutron star, or, if it is large enough, it may collapse to form a black hole.

Next month Ian Graham has a bash at explaining that most enigmatic of astronomical propositions — the black hole.

HEATER POWER CONTROLLER

With most heater controllers, your heater is either on or off and the room temperature fluctuates several degrees either side of 'comfy'. Our design will keep your room temperature stable to within half a degree. In addition, by using zero voltage switching, RF interference is avoided.

If you're into Biofeedback you can use the ETI Muscle Meter to learn to relax more effectively. On the other hand, if you're into having fun, there's plenty of scope for doing your own thing. Watch this space (give or take a few pages) to find out how the miracle machine picks out the fractions of a microvolt of relaxed muscles from the volts of 50 Hz hum present in the body — induced from power and light wiring.





DESIGNER'S NOTEBOOK

Project editor Ray Marston makes an in-depth review of the revolutionary mini-robot, HEBOT.

The basic electronic concept of the Hobby Electronics HEBOT is brilliantly innovative and uses the priority encoding principle illustrated in Fig 1. Each drive motor is energised from an analogue driver circuit. Each driver has a high input impedance and can drive its motor forward or backward at a speed proportional to the input voltage. The motor drive 'instructions' (analogue voltages) can be selected from any one of (up to) eight independent sources (or circuit boards) via a motor instruction selector or 'multi-way electronic switch', which has its position controlled by an (up to) eight-level priority encoder. This encoder causes the motor to take its instructions from the source or circuit board with the highest active priority coding at any given moment of time and is analogous to a human central nervous system.

Suppose that we connect just four independent circuit boards to the HEBOT's central nervous system and assign each board a priority number as shown in Fig 1. Board 1, with the lowest coding, simply instructs the motors to drive HEBOT in a 'search' pattern. Board 2 is a light-sensing

circuit that gives a 'high' output to the priority encoder only in the presence of bright light and then produces motor instructions that steer the HEBOT towards the light source.

Board 3 is designed to detect the presence of, and guide the motors along, an inductively-coded wire loop. This board produces a 'high' priority output only in the presence of the loop. Finally, board 4 (with the highest priority coding) handles the tactile sensor logic and produces a 'high' priority output in the event of a collision and then instructs the motors to execute a suitable avoidance manoeuvre.

A Sequence Of Actions

A possible sequence of HEBOT actions may in this case be as follows.

At switch-on, all priority outputs except '1' may be low, so HEBOT accepts instructions from board 1 and goes into a 'search' or rotary-movement mode. During this move-

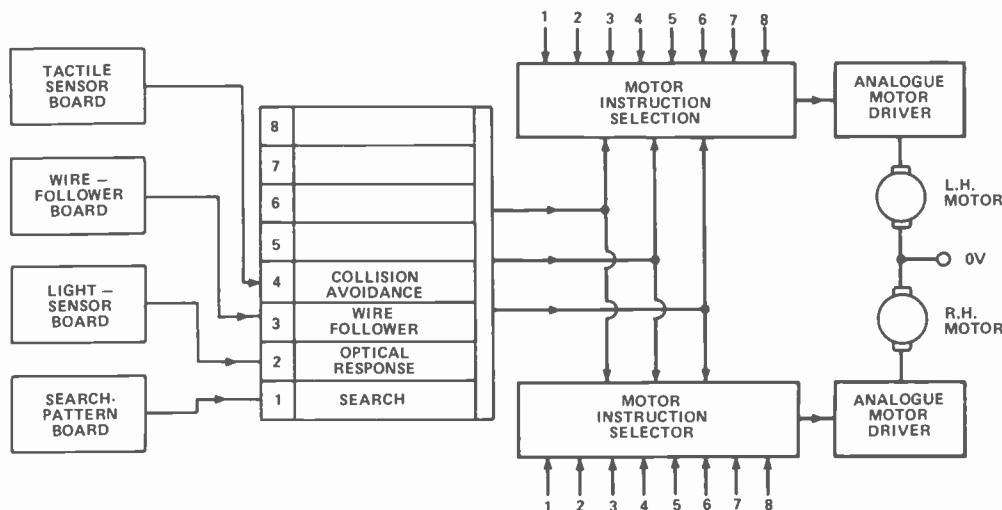


Fig 1. The priority encoding principle used in HEBOT has revolutionary implications in Robotics.

ment the light-sensing board may detect a powerful light source some distance away and so set its priority output high and start generating the motor instructions necessary to steer the HEBOT towards the light source. Since '2' is a higher priority number than '1', the priority encoder will automatically turn the motor instruction selectors to board 2 and HEBOT will start moving towards the light source. Note that under this condition the 'search mode' instructions may still be generated but will be ignored by HEBOT.

Suppose now that, as HEBOT moves towards the light source, board 3 detects the presence of an inductively coded wire loop. In this case the priority-3 output of the board will go high and HEBOT will lock on to the motor drive instructions of board 3, ignoring the instructions of boards 1 and 2. While following the inductive wire, HEBOT may collide with an object. The collision will be detected by board 4 (the highest priority board) and the mini-robot will then execute an avoidance manoeuvre based on instructions from board 4, ignoring all instructions from boards with lower priority numbers.

On completion of the avoidance manoeuvre, HEBOT may have lost contact with both the inductive wire (priority 3) and the light source (priority 2), in which it will revert to the priority-1 'search' mode until a higher priority number is generated.

A Revolutionary Concept

This 'priority coding' system has enormously important and revolutionary implications in robotics. First, it means that robots no longer have to be designed as single complex entities, but can be built as highly versatile devices containing a number of quite independent control/sensing modules, all feeding into a simple central nervous system or priority encoder.

The simple (?) version of HEBOT published in the recent editions of Hobby Electronics uses only the four priority levels already described. The experimenter can, however,

8	RADIO CONTROL
7	COLLISION AVOIDANCE, (TACTILE)
6	COLLISION AVOIDANCE, (ULTRA-SONIC)
5	HUNGER AVOIDANCE
4	WIRE FOLLOWER MODE [SEARCH AND LOCK]
3	OPTICAL RESPONSE
2	ACOUSTIC RESPONSE
1	'SLEEP' MODE

Fig 2. A possible sequence of priority coding for an advanced version of HEBOT.

design additional control boards and add them to the HEBOT at will. Figure 2 shows a possible way of connecting a number of independent circuits into the HEBOT central nervous system to give eight levels of priority encoding.

Individual boards can even incorporate their own priority-coded response conditioners, in which case they can be regarded as NERVOUS SUB-SYSTEMS

Human Behaviour

The second important implication of the HEBOT priority coding system is that it can give a very close analogy of animal/human behaviour. Figure 3 is a provisional table of human behavioural priority levels. The table shows six main priority levels, with COMFORT/PLEASURE (into which work ethic is entwined) having the lowest priority level and CONFORMANCE (conditioned responses) having the highest priority level (even higher than survival). If a

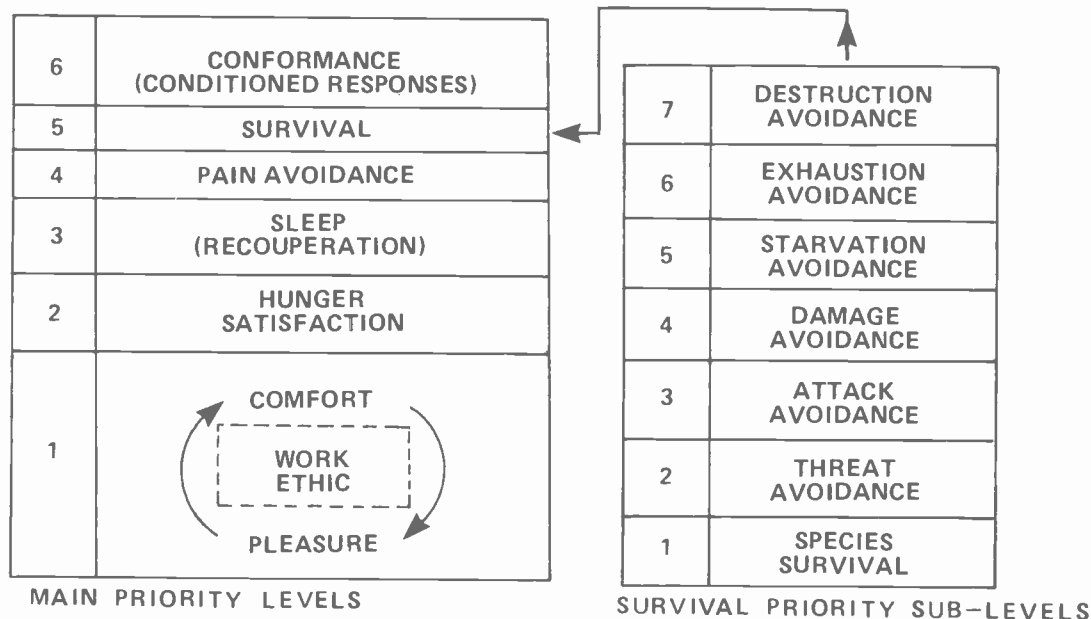
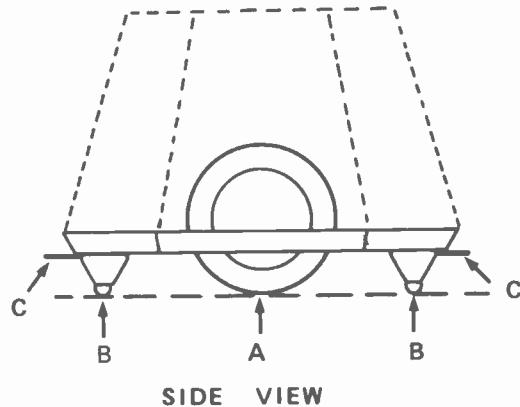
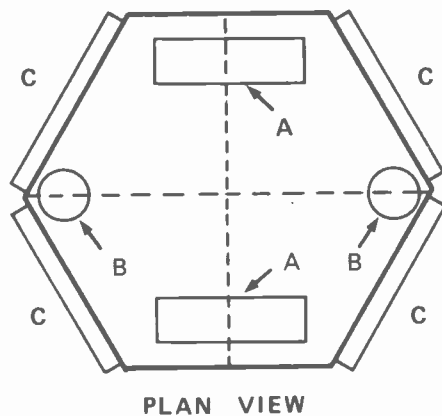


Fig 3. Provisional chart of human behavioural priority levels and survival sub-levels. Behavioural patterns are predictable and can be simulated by a HEBOT-type robot.



A = MOTOR DRIVE UNIT
 B = BALL CASTOR
 C = TACTILE SENSOR

Fig. 4. (Above) The HEBOT chassis. Although outwardly very simple, a great deal of thought and effort went into the final design of this. Anyone who saw HEBOT trotting around at Breadboard exhibition recently will realise that this configuration is in no way a limiting factor on HEBOTS performance.

The shape of the chassis helped us to determine several important factors for HEBOT and helped in finalising the tactile sensor arrangements.

number of these priority levels are stimulated simultaneously, the highest priority will override the lower ones.

The really fascinating feature of human/animal behaviour is that each of the main priority levels consists of a number of sub-levels. In Fig 3 seven main sub-levels of the survival priority are shown. Each of these sub-levels can in turn contain priority sub-levels. Each level and sub-level is fed with sensor information which itself has a number of basic levels: peckishness, hunger and starvation are, for example, three levels of the same basic sense which, when connected to the appropriate levels and sub-levels, produce highly complex but predictable behavioural patterns.

Similarly, work ethic normally has a low rating in the main priority levels but may, under certain circumstances, attain very high priority ratings as discrete sub-levels of a survival (level 5) or conformance (level 6) main priority level.

These complex behavioural patterns can easily be electronically simulated, or modified and improved upon, by using HEBOT's basic and revolutionary 'priority encoding' concept.

Indestructible

The final important implication of the HEBOT 'priority encoding' system is that, since most priority levels and sub-levels are normally low or inactive, it follows that total obliteration of an individual priority level will result in a mere degradation of the total performance of, rather than the total disabling of, a priority encoded robot system. Compare this concept with that of a television or computer, where every individual component is vital to the functioning of the total system! An alternative way of stating the same point is to say that the performance sophistication of a priority-encoded robot can be enhanced at any time by merely adding extra priority levels or sub-levels to its existing 'nervous system'.

Thus, at one end of the complexity scale, our simple little HEBOT project can (in principle) easily be expanded into a

highly sophisticated super-robot. At the other end of the scale, it is feasible that a highly sophisticated HEBOT-type robot could (like a living animal) have 90% of its circuitry blasted to shreds by machine-gun fire yet still be able to perform useful function (stay alive). In this latter case, the 'vital organs' of the HEBOT are the central nervous system, the motor drive system and the power supply unit.

You can see, then, why we are so proud of HEBOT. Superficially, it does not look very impressive, but it in fact incorporates the most far reaching design concept yet devised in the field of robotics. It represents a major breakthrough in robot technology and places the off-the-shelf commercial / domestic robot of 'science fiction' within the reach of all of us. And, by jove, it's British! **ETI**

VMOS POWERFETS

VMP4 (25W, 10dB at 200MHz, min.) **£12.50**
 VN67AF (15W, 2A, TO202) **75p, 10 + 70p**
 VN10KM (1W, 1/2A, TO92) **55p, 10 + 50p**
 Feb. '80 BD512 (P-chan, 10W, 1 1/2A, TO202/3) **85p, 10 + 80p**
 Heat clips, TO202 **12p**, TO92 **8p**, VN/VM Design Cat. **20p**

all 60v

TL081CP **29p, 10 + 27p, 25 + 25p**

CA3080E	70p	LM3900	43p	SD532	30p	LS191	90p
CA3140E	38p	MC3401	30p	(=RM4132)		LS194	75p
LM308	25p	TLO74	130p	Faster LSTTL		LS195	70p
LM377	125p	DAC08	250p	LS138	65p	LS251	65p
709	15p	DM2502	555p	LS139	65p	LS252	65p
710	25p	NE529	145p	LS160	75p	LS253	65p
733	50p	08 + 2502 + 529		LS161	75p	LS257	65p
741	18p	= 2µS ADC	£9	LS174	75p	plus LOC MOS	

Free brief data on VMOS and TL. Full data 25p item. Prices inc. P & P. 25p. Mail Order only

J. W. RIMMER 367 GREEN LANES
 LONDON N4 1DY

CMOS

4020	50p	4050	25p
4022	50p	4060	80p
4023	13p	4066	30p
4024	40p	4068	13p
4025	13p	4069	13p
4026	90p	4070	13p
4027	28p	4071	13p
4028	45p	4072	13p
4029	50p	4081	13p
4040	55p	4093	36p
4041	55p	4510	60p
4042	55p	4511	60p
4043	50p	4518	65p
4046	90p	4520	60p
4049	25p	4528	60p

FULL DETAILS IN CATALOGUE!

LINEAR

THIS IS ONLY A SELECTION!

LF356	80p	NE531	98p
LM301AN	26p	NE555	23p
LM308	60p	NE556	60p
LM318N	75p	NE567	100p
LM324	45p	RC4136	100p
LM339	45p	SN76477	230p
LM378	230p	TBA800	70p
LM379S	410p	TBA810S	100p
LM380	75p	TDA1022	620p
LM3900	50p	TL081	45p
LM3909	65p	TL084	125p
LM3911	100p	ZN414	80p
MC1458	32p	ZN425E	390p
MM57160	590p	ZN1034E	200p

STEVENSON

Electronic Components

TTL

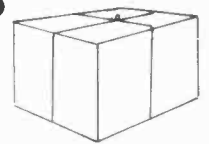
7473	20p	74141	55p
7474	22p	74145	55p
7475	25p	74148	90p
7476	20p	74150	55p
7485	55p	74151	40p
7486	20p	74154	65p
7489	135p	74157	40p
7490	25p	74164	55p
7492	30p	74165	55p
7493	25p	74170	100p
7494	45p	74174	55p
7495	35p	74177	50p
7496	45p	74190	50p
74121	25p	74191	50p
74122	35p	74192	50p
74123	38p	74193	50p
74125	35p	74196	50p
74126	35p	74197	50p
74132	45p	74199	90p

TRANSISTORS

AC127	17p	BCY72	14p	ZTX500	16p
AC128	16p	BD131	35p	2N697	12p
AC176	18p	BD132	35p	2N3053	18p
AD161	38p	BD139	35p	2N3054	50p
AD162	38p	BD140	35p	2N3055	15p
BC107	8p	BFY50	15p	2N3442	30p
BC108	8p	BFY51	15p	2N3702	8p
BC108C	10p	BFY52	15p	2N3703	8p
BC109	3p	MJ2955	98p	2N3704	8p
BC109C	10p	MPSA06	20p	2N3705	9p
BC147	7p	MPSA56	20p	2N3706	9p
BC148	7p	IP29C	60p	2N3707	9p
BC177	14p	IP30C	70p	2N3708	8p
BC178	14p	IP31C	65p	2N3819	15p
BC179	14p	TIP32C	80p	2N3820	44p
BC182	10p	IP2955	65p	2N3904	8p
BC182L	10p	IP3055	55p	2N3905	8p
PC184	10p	ZTX107	14p	2N3906	8p
BC184L	10p	ZTX108	14p	2N4058	12p
BC212	10p	ZTX300	16p	2N5457	32p
BC212L	10p			2N5459	32p
BC214	10p			2N5777	50p

JANUARY SPECIALS

A range of special offer items valid during January. All orders placed for these items must be received during January.



- Pack of 3 x LM380 225p 200p
- Pack of 30 x 1N4001 120p 100p
- Pack of 4 x FND500 400p 350p
- Pack of 15 x 2N3702 120p 100p
- Pack of 15 x BC107 120p 100p

Special pack of nuts + bolts containing over 600 4BA + 6BA nuts, bolts and washers 330p 250p

Pack of 4 red + 4 black crocodile clips 64p 50p

Mixer control knobs, per 100 (mixed) colours to suit 1400p 1300p

OPTO

LED's	0.125in	0.2in	each	100p
Red	TIL209	TIL220	9p	7.5p
Green	TIL211	TIL221	13p	12p
Yellow	TIL213	TIL223	13p	12p
Clips		3p		

DISPLAYS

DL704	0.3 in CC	130p	120p
DL707	0.3 in CA	130p	120p
FND500	0.5 in CC	100p	80p

DIODES

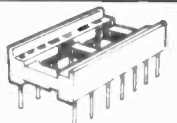
1N914	3p	1N4006	6p
1N4001	4p	1N5401	13p
1N4002	4p	BZY88 ser	8p
ITT Full spec product			
1N4148	£1.40	100	

SKTS

Low profile by Texas

8pin	8p	18pin	14p	24pin	18p
14pin	10p	20pin	16p	28pin	22p
16pin	11p	22pin	17p	40pin	32p

3 lead TO18 or TO5 socket. 10p each
Soldercon pins: 100:50p 1000:370p



CAPACITORS

TANTALUM BEAD

each

0.1, 0.15, 0.22, 0.33, 0.47, 0.68, 1 & 2.2uF @ 35V	8p
4.7, 6.8, 10uF @ 25V	13p
22 @ 16V, 47 @ 6V, 100 @ 3V	16p

MYLAR FILM

0.001, 0.01, 0.022, 0.033, 0.047, 0.068, 0.1	3p
0.068, 0.1	4p

POLYESTER

Mullard C280 series

0.01, 0.015, 0.022, 0.033, 0.047, 0.068, 0.1	5p
0.15, 0.22	7p
0.33, 0.47	10p
0.68	14p
1.0uF	17p

PCBS

Size in.	0.1in	0.15in.	Vero
2.5 x 1	14p	-	Cutter 80p.
2.5 x 3.75	45p	45p	
2.5 x 5	54p	54p	Pin insertion tool 108p
3.75 x 5	64p	64p	
3.75 x 17	205p	185p	

Single sided pins per 100 40p 40p

Top quality fibre glass copper board. Single sided. Size 203 x 95mm 60p each
'Dalo' pens 75p each
Five mixed sheets of Alfac. 145p per pack

CERAMIC

Plate type 50V. Available in E12 series from 22pF to 1000pF and E6 series from 1500pF 0.04uF

63V	0.47	1.0	2.2	4.7	10	5p
			22	33	47	7p
	100					13p
		220				20p
25V	10	22	33	47		5p
	100					8p
		220				10p
			470			15p
	1000					23p

RESISTORS

Carbon film resistors. High stability, low noise 5%.
E12 series. 4.7 ohms to 10M. Any mix.

0.25W	each	100+	1000+
0.5W	1p	0.9p	0.8p
	1.5p	1.2p	1p

Special development packs consisting of 10 of each value from 4.7 ohms to 1 Meg-ohm (650 res) 0.5W £7.50. 0.25W £5.70.

METAL FILM RESISTORS

Very high stability, low noise rated at ¼W 1%. Available from 51ohms to 330k in E24 series. Any mix.

0.25W	each	100+	1000+
	4p	3.5p	3.2p

CONNECTORS

JACK PLUGS AND SOCKETS

	unscreened	screened	socket
2.5mm	9p	13p	7p
3.5mm	9p	14p	8p
Standard	16p	30p	15p
Stereo	23p	36p	18p

DIN PLUGS AND SOCKETS

	plug	chassis socket	line socket
2pin	7p	7p	7p
3pin	11p	9p	14p
5pin 180°	11p	10p	14p
5pin 240°	13p	10p	16p

1mm PLUGS AND SOCKETS

Suitable for low voltage circuits, Red & black. Plugs: 6p each Sockets: 7p each.

4mm PLUGS AND SOCKETS

Available in blue, black, green, brown, red, white and yellow. Plugs: 11p each Sockets: 12p each

PHONO PLUGS AND SOCKETS

Insulated plug in red or black	9p
Screened plug	13p
Single socket	7p
Double socket	10p

MULTIMETERS

A really smart looking multimeter with an impressive specification for such a small size. The very clean scale in white and green on a black background makes this meter very easy to read. The D.C. Impedance of this meter is 4K ohms per volt which is exceptionally good compared with the vast majority of multimeters of a similar size. £5.95 each.

SPECIFICATION

DC Volts	5V 25V 250V 500V (4K ohms/V)
AC Volts	10V 50V 500V 1000V (2K ohms/V)
DC Current	250uA 250mA
Resistance	0 - 600K (7K ohms centre)

PANEL METERS

High quality 2" wide view meters. Zero adjustment. Back illumination wiring. Available in 50 uA, 100 uA, 500 uA, 1mA, 100mA, 500mA, 1A. £4.95 ea. VU meter similar style. £1.50 ea.

SLIDE POTENTIOMETERS

Good quality 60mm travel slider with 80mm fixing centres. Available from 5k - 500K in log and linear. 55p each. Suitable black knobs 6p ea. Coloured knobs 10p ea.

We now offer one of the widest ranges of components at the most competitive prices in the U.K. See catalogue for full details. We welcome callers at our shop in College Rd, Bromley, from Mon-Sat, 9am-6pm (8pm on Weds and Fridays). Special offers always available. We also provide an express telephone order service. Orders received before 5pm are shipped same day. Contact our sales office now with your requirements. TELEPHONE: 01-464 2951/5770.

Quantity discounts on any mix TTL, CMOS, 74LS and Linear circuits: 100+ 10%, 1000+ 15%. Prices VAT inclusive. Please add 30p for carriage. All prices valid to April 1980. Official orders welcome.

BARCLAYCARD & ACCESS WELCOME.



PLEASE WRITE FOR YOUR FREE COPY OF OUR 80 PAGE CATALOGUE OF COMPONENTS. OVER 2500 ITEMS LISTED.

76 College Road, Bromley, Kent BR1 1DE.

Mail orders to: STEVENSON (Dept ET)

Car Audio

Manual
MW/LW



Full medium and long wave tuning. Complete with speaker and mountings. Suitable for positive or negative chassis. Latest model.

£10.25 + £1.00 Post

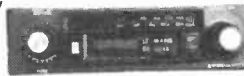
Push-Button
MW/LW



One LW, four MW buttons plus manual tuning. Complete with speaker and mountings. Latest model, negative chassis only.

£15.95 + £1.00 Post

Stereo FM/
Cassette
+ MW



Standard cassettes and FM in stereo plus medium wave. Tone and balance controls. Fast forward facility on tape. Adjustable shafts. Suitable for 4 or 8 ohm speakers (not supplied). This model is discounted elsewhere at £50 up.

£40.95 + £1.00 Post

Stereo
Speaker Set



Suitable for above stereo unit. Good quality in surface mounted casing, 5W nominal, 8W peak.

£4.00 (pair) + 70p Post

Telescopic Car Antenna

Multi-section standard type, suitable for angled mounting with locking key.

£1.60 + 30p Post

Metal Detector

★ Induction Balance Model



Built with sensitivity up to 10in on single coin; fitted with speaker and meter; PP3 battery; 7in dia. search head. Telescopic stem. Excellent pin-pointing, positive reaction to non-ferrous, negative reaction to iron. This model's normal price is £39.95!

£24.50 + £1.00 Post

All goods guaranteed one year 10-day money-back offer. Goods ex-stock at time of going to press. Callers by appointment only please. Send s.a.e. for illustrated leaflet.

Minikits Electronics Ltd.
88D Hainault Road
Leytonstone
London E.11

FROM CASIO — THE NEXT STEP FORWARD IN TIME

New Lithium battery lasting up to 5 years, totally eclipses most Solar watches

FOR THE EXECUTIVE WHO DOESN'T WANT HANDS ON HIS TIME

★ THIS YEAR'S STAR BUY ★

THE NEW 83QS — 27B ALARM CHRONOGRAPH

Optional display of hours, minutes, seconds, date, am/pm; or alternatively: Hours, minutes, alpha day, date, am/pm. The automatic calendar is set for 28 days in February. Casio's new Lithium battery lasts up to 4 YEARS or more. The chronograph times in 1/10 second units up to 12 hours, measuring net, lap and first and second place times. An indicator shows the chronograph is running when normal time is displayed. The 24 hour alarm can be set very easily to 1 minute intervals with an indicator to show the alarm is set.

In addition the watch can be set to chime every hour, on the hour, with a separate indicator to show this function is on.

A micro light illuminates the display at night time.

This superb watch is stainless steel encased, has a mineral glass face and is guaranteed water resistant to 66 feet (2 atmospheres).



RRP **£27.95**
£31.95



F-200 SPORTS CHRONO

Hours, minutes, seconds am/pm. Day, date, month, 1/100 sec. chrono to 1 hour. Net, lap and 1st and 2nd place times. Backlight. Resin case/strap. Mineral glass. W.R. to 66 feet. Silver oxide battery.

(£17.95) **£15.95**

F-8C Time/date

3 YEAR BATTERY
Hours, minutes, seconds, date, day, am/pm. Auto 28, 30, 31 day calendar. Backlight. Resin case strap. Mineral glass. W.R. to 66 feet.

(£12.95) **£10.95**

NB. This watch does not have a stopwatch.

CASIO CALCULATORS

Clock calculators: MQ-11 £26.95. AQ-2000 £24.95. CO-82 £14.95. HQ-21 £10.95.
Scientifics with volatile memory: FX-310 £17.95. FX-510 £19.95. FX-2600 £19.95. FX-3200 £21.95.
Others: FX-80 £15.95. FX-68 £19.95.

MASTER PACKAGE DEAL

Buy a CASIO PROGRAMMABLE CALCULATOR and FA-1 Adaptor/Cassette recorder interface and we will supply a MASTER PACK software kit for ONLY £5 (Normal price £17.95)

MASTER PACK contains a pre-recorded CASSETTE with over 150 ready-to-run programs. Full Casio Program Library plus extra games, personal computer programs, and powerful subroutines plus data-packing. PLUS USER MANUAL. Basic and advanced programming, tips and tricks to develop your programming skills.

FX-501P (£64.95) £54.95. FX-502P (£84.95) £74.95. FA-1 (£24.95) £19.95. MASTER PACK £17.95.
FX-501P+FA-1+M.P. Package Deal ONLY £79.95.
FX-502P+FA-1+M.P. Package Deal ONLY £99.95.

CASIO ALARM WATCH

4 digit ultra slim watch with four year calendar and 24 hour alarm.
59CS-33B Stainless steel (£49.95) **£44.95**

WE ARE NEVER KNOWINGLY UNDERSOLD AND WILL TRY AND MATCH OR BEAT ANY OTHER ADVERTISED PRICE PROVIDING THE ADVERTISER HAS STOCKS

IF YOU WANT A WATCH WITH Chrome plating that may wear off after a few months. A plastic glass that will scratch and scuff and you may not be able to replace. A module with around 25% failure rate, that may take weeks to repair.

A dubious or non-existent spares service. If you want a watch that the manufacturer doesn't put his name on THEN DON'T BUY A CASIO

ALARM CHRONOGRAPHS

Displaying hours, minutes, seconds, day: And with day, date, month and year calendar, pre-programmed to year 2029.



81QS — 33B
5 YEAR BATTERY
Chrome plated case
W.R. to 66 feet

(£31.95)

£27.95

1/100 second chrono to seven hours. Net, lap and 1st and second place. Selectable 12 or 24 hour display.

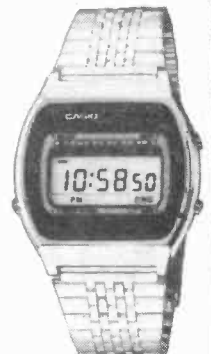
24-hour alarm
Selectable hourly chime facility
Backlight

Mineral glass face.

81CS — 36B

As above but
Stainless steel case.
W.R. to 100 feet

(£39.95) **£35.95**



CASIO CHRONOGRAPHS

As B1QS/CS above but with 12 or 24 hour dual time facility instead of alarm and chimes functions.
95QS — 32B Chrome plated (£27.95) **£23.95**
95QS — 31B Stainless jacket (£27.95) **£23.95**
95CS — 31B Stainless steel (£34.95) **£29.95**

Send 25p for illustrated brochures

Price includes VAT, P&P. Send cheques, PO or phone your ACCESS or BARCLAYCARD number to:

TEMPUS

Dept. ETI, Beaumont Centre
164-167 East Road
Cambridge CB1 1DB
Tel. 0223 312866

TUNING FORK

You don't have to bash this tuning fork on its head and sit it on the sideboard to get a note. Just flick a switch and get a constant frequency tuning tone.

Musical instruments are generally a clever and harmonious blend of physics and aesthetics (both aural and visual). But, underlying all this wonderful harmony and human cleverness is the law of 'the cussedness of nature'. This law, simply explained, says that through all the consistency and harmony we find in nature runs a streak of cussedness always causing *something* to be out of place. It is this very streak of cussedness that has thwarted attempts to date to develop a 'unified field' theory that would link gravity, electricity and magnetism.

It doesn't seem, at this stage, that gravity, electricity and magnetism have much to do with musical instruments and tuning forks, but we'll get around to it!

For one musical instrument to be played with another requires both to be tuned to the same fundamental pitch (or frequency). If not, the sound will be unpleasant — generally described as discordant.

Fork Lore

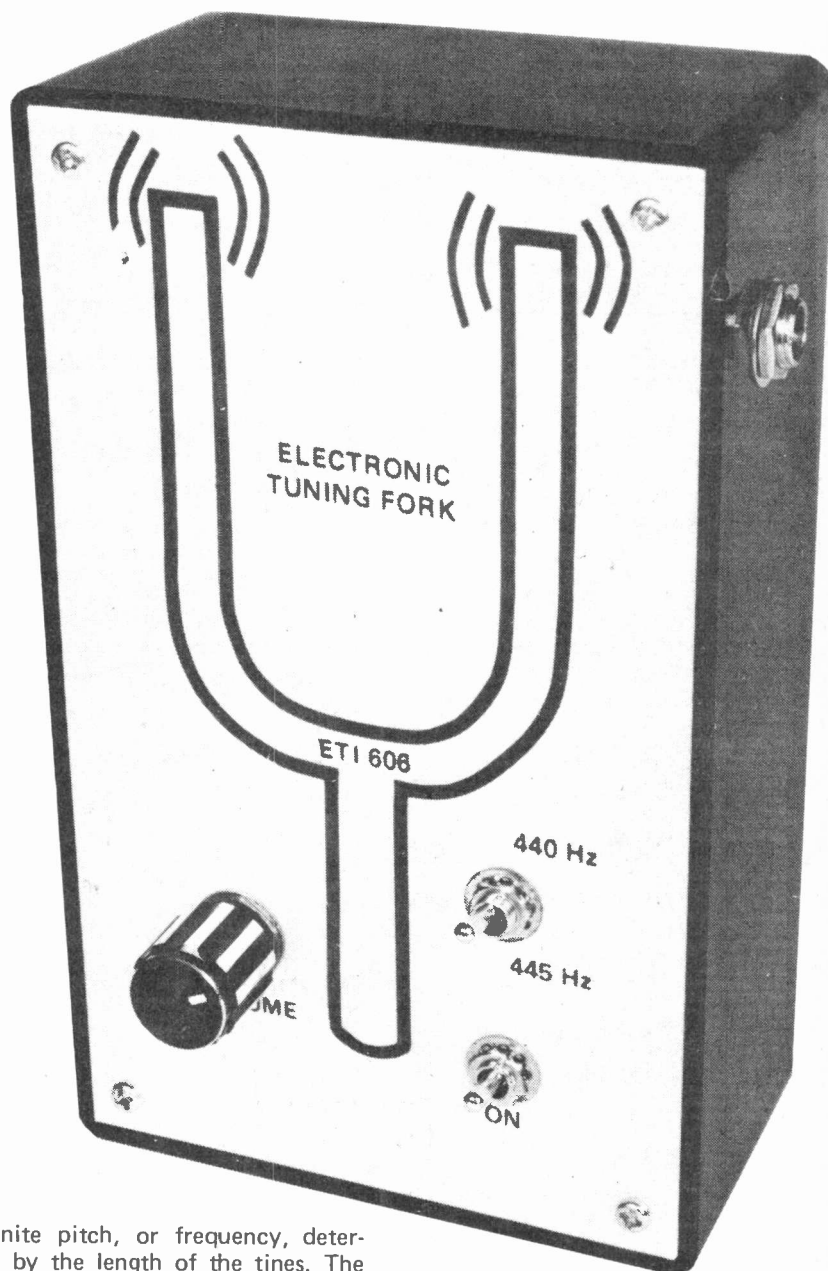
Over the centuries there were various ideas as to what basic 'standard' pitch would be adopted. After some considerable squabbling a 'standard concert pitch' was settled upon in 1929. This gave the note 'A' a pitch of 440 Hz. That standard remains to this day. Of course, it means that modern orchestras playing the music of Hadyn, Mozart and Bach, for example, will not be playing in the pitch in which the music was originally composed.

The traditional tuning fork consists of two cantilevered bars attached to a common base — it resembles that common eating utensil, hence the name. When the tines are struck (or one tine) they will vibrate, producing a sound of

a definite pitch, or frequency, determined by the length of the tines. The pitch is largely unaffected by temperature, except by gross variations, and accuracy can be maintained within about 0.1%.

They are portable and relatively inexpensive but suffer from low sound

level output and do not give a sustained note — it 'dies away'. What's more, as many modern groups use electrically amplified instruments and sound reinforcement, a failing of tuning forks is lack of a pick-up. ▶



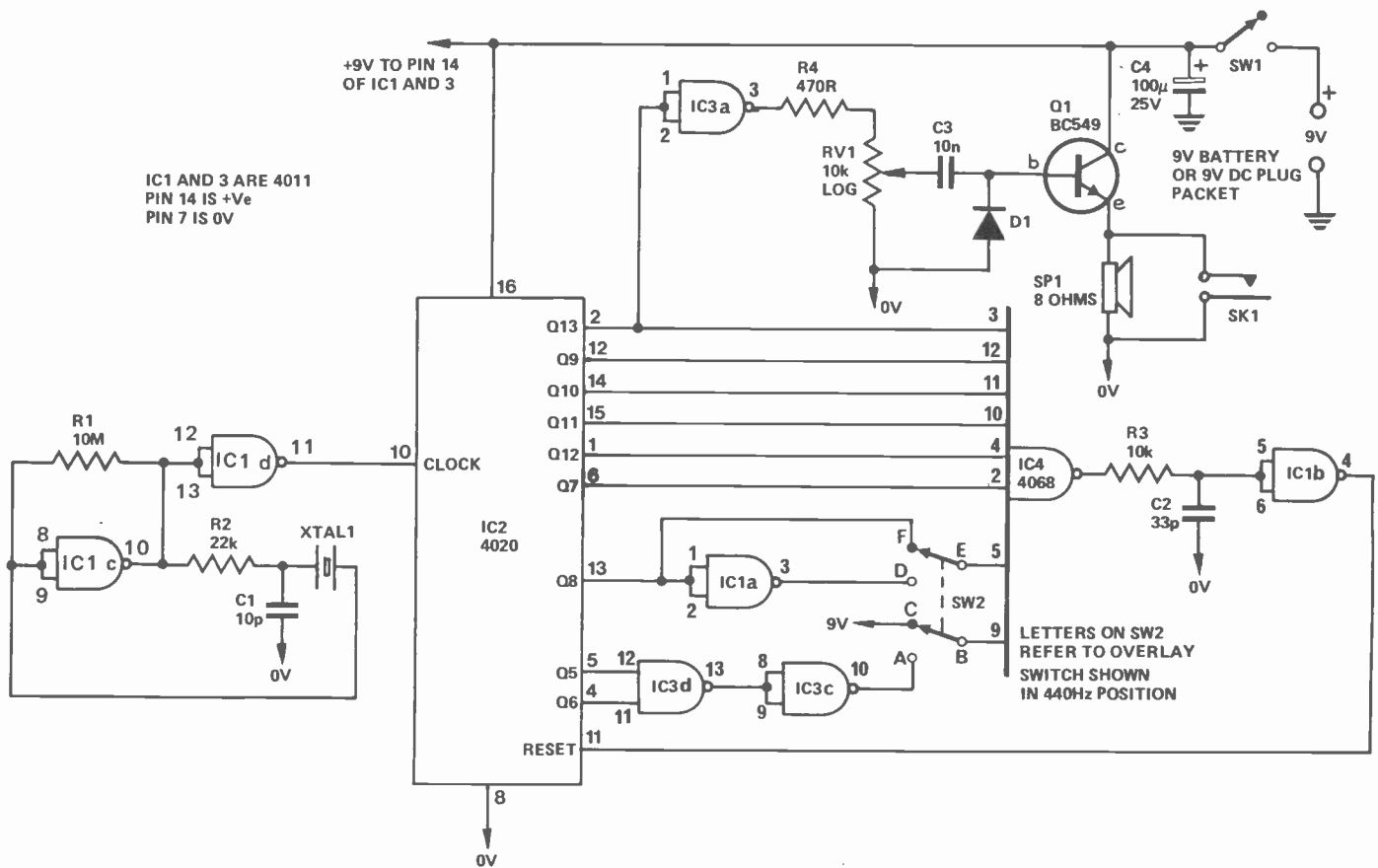
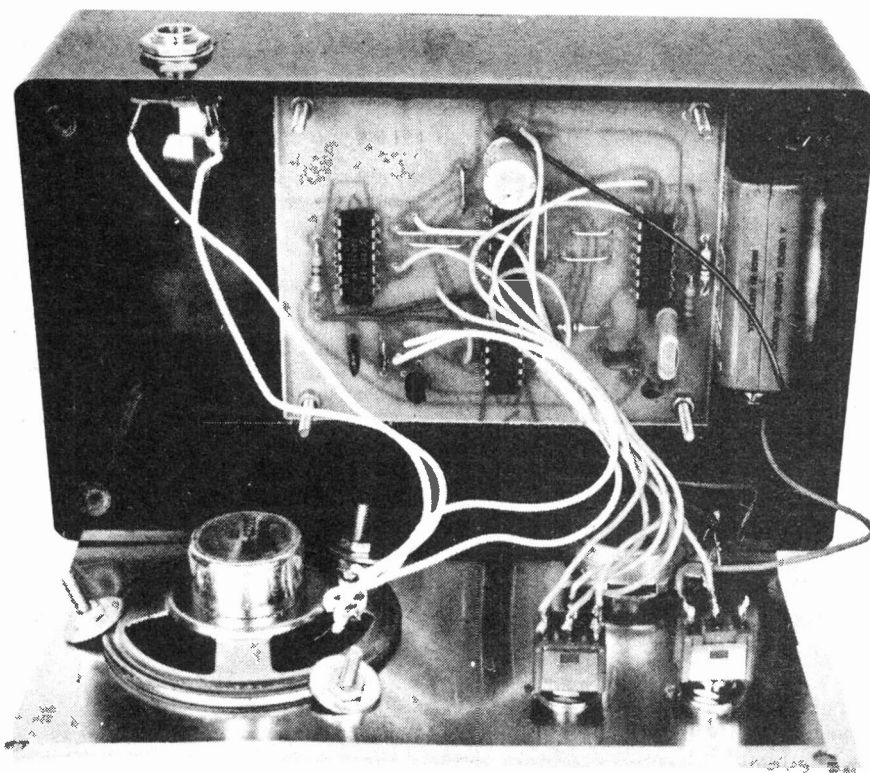


Fig. 1. Circuit diagram.



When you get all your bits bolted down into box, it should look like this.

HOW IT WORKS

The signal is generated at a high frequency (about 3.6 MHz) by a crystal oscillator and then divided down to the output frequency by a counting circuit. IC1c is the oscillator - gates biased into their linear region by R1 and R2. Capacitor C1 forms a phase-shift network with the bias components, providing a shift of 180 degrees at the crystal frequency. As the crystal is in series with the feedback path, the circuit will oscillate at the crystal frequency.

IC1d forms a buffer between the oscillator and the clock input of IC2, a 14-stage counter.

As the required division is not a power of two, decoding of the counter (IC2) outputs is necessary. This is provided in three gates - IC1a, IC3c and IC3d. These modify the outputs of IC2 to obtain the required division by resetting IC2 after the appropriate count.

Switch SW2 changes the decoding for either a division by 8128 for a 440 Hz output or 8048 for a 445 Hz output.

When all the inputs of IC4, an eight input NOR gate, go high its output goes low and drives IC1b via a network to remove noise pulses (R3, C2). IC1d then provides a reset signal to the divider, ready for the next count.

The Q13 output from the divider provides a signal at the required frequency and, after buffering provided by IC3a is fed to the volume control. The pulses are then fed to an emitter follower (Q1) and thence to the speaker.

PROJECT: Electronic Tuning Fork

PARTS LIST

Resistors All 1/4W, 5%

R1 10M
R2 22k
R3 10k
R4 470R

Capacitors

C1 10p ceramic
C2 33p ceramic
C3 10n polyester
C4 100u 25V electrolytic

Semiconductors

IC1, IC3 4011B or C
IC2 4020
IC4 4068
Q1 BC548, BC108 or similar
D1 1N914, or similar

Miscellaneous

RV1 10k log potentiometer
XTAL 1 3.579545 MHz Xtal
SP1 8 ohm speaker
SW1 SPST miniature toggle switch
SW2 DPDT miniature toggle switch
SK1 mono jack socket
9 V battery or Plug Pack (Ferguson type PPA9 - DC or similar), PCB, box to suit (155 mm x 105 mm x 50 mm), knob, plug for jack socket (if needed).

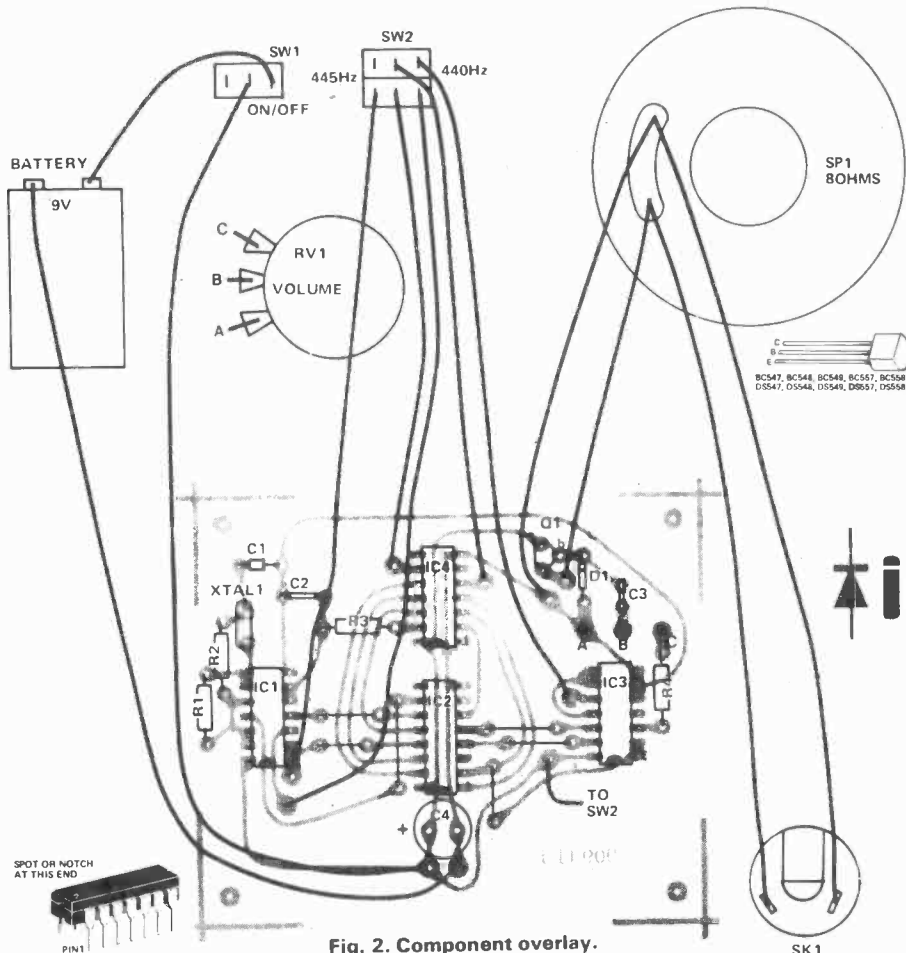


Fig. 2. Component overlay.

Again, the cussedness of nature raises its head. Remember too, the popularity of the electric guitar. They have magnetic pickups and require plugging into an amplifier. Now you see what electricity and magnetism have to do with musical instruments! Gravity? Oh, most instruments will go out of tune when dropped from a height!

Construction

We strongly recommend you use the pcb board specified for this project. For a

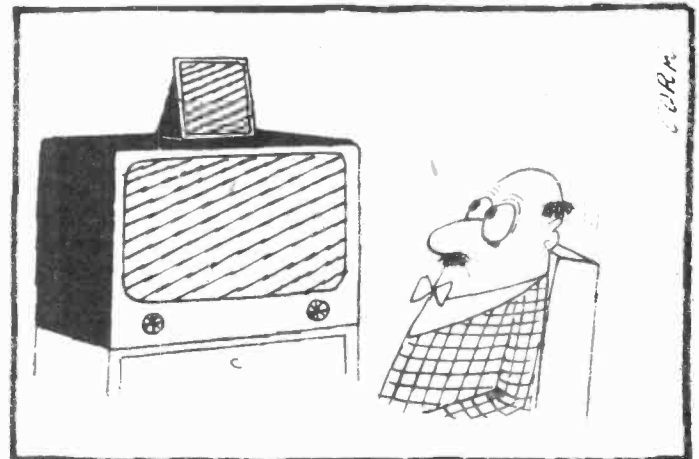
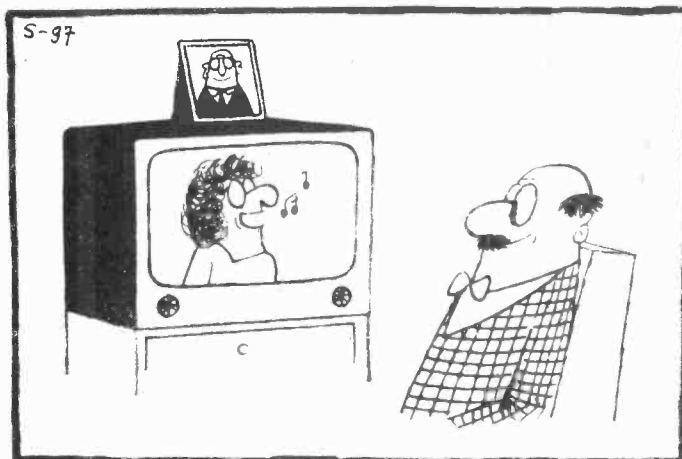
start, it simplifies construction, and secondly it reduces the possibility of wiring errors. With digital circuitry, bugs created by wiring errors can prove most frustrating to track down - particularly if you haven't had much experience with digital equipment. The project is not a difficult one; if you have had a small amount of experience constructing projects and finding your way around circuits and layout diagrams, then it should not prove too challenging.

It is best to commence construction

by assembling the components on the printed board. Leave the ICs till last. Solder the crystal, the BC547 transistor, diode, resistors and capacitors in first. Watch the orientation of the diode, D1. Then do all the links using, say 22 gauge, tinned copper wire. There are six in all. Take care here, and refer to the overlay.

The last thing to do is check that you have the switches wired correctly. Make sure that when you switch from 440 Hz to 445 Hz the output goes a little sharp in pitch.

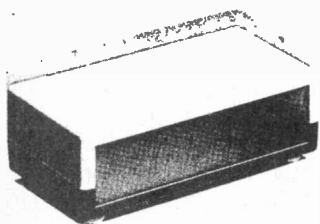
ETI



GREENWELD

443A Millbrook Road Southampton SO1 0HX

All prices include VAT at 15% — Just add 30p post



VEROCASE SALE!!

Three popular sizes of Verocase at drastically reduced prices — these were part of their standard range (75-1411, etc.) but are in GREEN and have been discontinued by Vero. We have purchased their entire stock and offer them as below.

Type No	Size	Price
21050	205 x 140 x 75mm	£2.70
21052	154 x 85 x 60mm	£1.70
21053	125 x 65 x 40mm	£1.40

DIL SOCKETS

Low profile by TI at lowest ever prices!

8 pin	1.99	100-499	500+
8 pin	.095	.075	.065
14 pin	.105	.085	.075
16 pin	.12	.095	.085
18 pin	.155	.125	.10
20 pin	.19	.15	.12
22 pin	.21	.17	.14
24 pin	.24	.19	.15
28 pin	.26	.21	.16
40 pin	.32	.26	.21

BULK BARGAINS

All new full spec devices. Prices per 100 inc VAT (orders not accepted for less than 100 of one type at these low prices!!)

AD161/2PR	£48	BF255	£8
BC107	£7	BF394	£4
BC108	£6	BF450	£7
BC109	£7	BF451	£5
BC114	£6	BFY17	£12
BC117	£5	BFY50	£14
BC125	£5	BFY51	£14
BC147	£5	BFY52	£14
BC148	£5	BSY95A	£10
BC149	£5	BU205	£65
BC159	£5	BU206	£65
BC172C	£5	2N1132	£12
BC182B	£4.50	2N2369	£12
1k	£35	2N2894	£12
10k	£310	2N2926Y	£5
BC183B	£5	2N2926R	£5
BC184L	£5	2N3053	£13
BC212	£5	2N3054	£34
BC213L	£5	2N3055	£34
BC237	£5	2N3442	£100
BC238B	£5	2N3583	£45
BC252	£7	2N3618	£78
BC308B	£6	2N3702	to £5
BC230	£7	2N3708	
BC238	£8	2N4401	£5
BC337	£8	2N4403	£6
BC348	£5	2N5401	£19
BC351	£14		

DIODES

BCX33	£5	1N4001	£3.50
BD131	£19	1k	£28
BD132	£20	1N4004	£4.50
BD181	£50	1k	£39
BD184	£60	1N4006	£5.50
BD246	£25	1k	£46
BD525	£25	1N4148	£2.30
BD526	£25	1k	£17
BD173	£13		
BF181	£17		
BF195	£5	741 8dill	£13.50
BF197	£5	555	£21.75
BF198	£5	723 14dill	£32
BF241	£5	723 T099	£30

Resistors — 1/4W 5% carbon film, these values only. 220R, 470R, 1k, 3k9, 4k7, 33k, 47k, 220k, 18R All at £4 per 1,000 (min qty of one value) or £35 per 10,000 any mix

All other values from 1R to 10M @ £1/100, £7.10/1000 per value

INVERTER

Prepare for the Power Cuts! Ready built inverter. 24V DC 290x55x37mm in, will power 6x8W fluorescent tubes Circuit supplied Only £2.90.

COMPONENT PANELS

Z525 Contains 11 800mA 60V 2N5061 SCR's, 11 6V8 zeners, 11 1N4004 diodes plus Rs, Cs, etc Only £1
74 Series ICs — Gates and complex logic, 20 ass'd ICs on panels £1; 100 ICs £4.
Z527 2x6V reed relays, 6x25030 or 2S230, 6x400V refts, plus Rs. Only 50p

OUT NOW

THE NEW 1980 GREENWELD CATALOGUE

FEATURES INCLUDE:

- 60p Discount Vouchers
- Quantity prices for bulk buyers
- Bargain Lst Supplement
- Reply Paid Envelope
- Priority Order Form
- VAT inclusive prices

PRICE 40p + 20p POST

1A 400V RECTIFIERS

Plastic, like 1N4004, type 388F these diodes have preformed leads for horizontal mntg (15mm FC). Supersave price — 100 for £2.30; 500/£10; 1000/£18.

1000 RESISTORS £2.50!!

New stock just arrived — Carbon Film 2% & 5%, 1/4 & 1/2W, all brand new, but have pre-formed leads, ideal for PC mntg. Enormous range of popular mixed values for just £2.50/1000; £11/5000; £50/25000.

POWER DARLINGTON PAIR

Plastic power (TOP66 case) transistors type BD695A/BD696A. Just look at the spec!! 70W 8A 45V — Hfe 750 @ 4A!! Special low price — £1.20 per pair.

TMS4030 RAM

4096 bit dynamic RAM with 300ns access time, 470ns cycle time: single low capacitance high level clock i/p; fully TTL compatible; low power dissipation. Supplied with data £2.75.

BUZZERS, MOTORS & RELAYS

Z401 Powerful 6V DC, all metal construction, 50mm dia x 20mm 70p.
Z402 Miniature type, 3-9V, only 22-15x16mm. Very neat 65p.
Z450 Miniature 6V DC motor, high quality type 32mm dia x 25mm high, with 12mm spindle. Only £1.

Z451 12V high torque motor 30mm dia x 40mm high, with 10mm spindle. 65p.
A372 Audible Warning device — solid state circuit drives high efficiency transducer to give high output. Voltage reqd 4-18V. Can also be driven direct from TTL or CMOS. Module size 45x21x12mm. Comprehensive data supplied £1.50.
WB92 Heavy Duty 12V relay, ideal for car use — single 15A make contact. Coil 25R in sealed metal can with mounting bracket 85p.

BUY A COMPLETE RANGE OF COMPONENTS AND THESE PACKS WILL HELP YOU

ALL PACKS CONTAIN FULL SPEC BRAND NEW MARKED DEVICES — SENT BY RETURN OF POST VAT INCLUSIVE PRICES

K001 50V ceramic plate capacitors 5%, 10 of each value 22pF to 1,000pF total 210 £3.60.
K002 Extended range 22pF to 0.1µF 330 values £5.83.

K003 Polyester capacitors, 10 each of these values 0.01, 0.015, 0.022, 0.033, 0.047, 0.068, 0.1, 0.15, 0.22, 0.33, 0.47, 110 altogether for £5.07.

K004 Mylar capacitors min 100V type 10 each all values from 1,000pF to 10,000pF Total 130 for £4.05.

K007 Electrolytic capacitors 25V working small physical size 10 each of these popular values 1, 2, 4, 7, 10, 22, 47, 100µF Total 70 for £3.50
K008 Extended range, as above, also including 220, 470 and 1,000µF Total of 100 for £6.05.
K021 Miniature carbon film 5% resistors CR25 or similar 10 of each value from 10R to 1M, 12 series Total 610 resistors £6.15.
K022 Extended range Total 850 resistors from 1R to 10M £8.50.

K041 Zener diodes 400mW 5% BZ88 etc 10 of each value from 2.7V to 36V. E24 series Total 280 for £16.37.

VU METERS

Voo2 Twin type 2 metres 40x40mm and driver board, supplied with circuit and connection data, £3.50.

Voo3 New type, just in. Twin type moulded in one piece, 80x40mm (no driver board but suitable circuit supplied) £2.50.

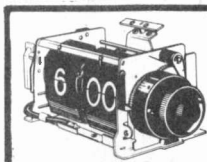
2708 PROMS

Surplus to requirements £7.00 each
Parts sent by return
Programming Service if required
Please add V.A.T. (15%) and 30p P&P

BARINGLOCK LTD.

31 Ashdown Avenue
Saltdean, Brighton

Tel: 32503 or 309980



MECHANISM WITH ALARM



Assemble it in an evening!
MECHANISM & CASE
Inc. assembly instructions

DIGITAL 24 HOUR CLOCK

- SILENT RUNNING
- LARGE ILLUMINATED NUMERALS

AS USED IN BRAUN DIGITAL CLOCKS

£5.00 £6.99

THREE FOR £13.50

MECHANISMS 10 FOR £39.100 FOR £300

- AC MAINS
 - SIZE 6 3/4 x 2 3/4 x 2 3/4
- Your receipt is a 2-year guarantee

HALF PRICE OFFER

Henry's Radio

HENRY'S RADIO
404 EDGWARE ROAD,
LONDON W2 1ED

EXPORT ENQUIRIES INVITED
01-723 1008



Buy it with Access

DELIVERY FROM STOCK

PROTON ELECTRONICS

BC107	7p	BCY70	10p	BC157	8p	BC131	33p	2N2904	19p
BC108	7p	BCY71	10p	BC158	8p	BC132	33p	2N2905	19p
BC109	7p	BCY72	10p	BC159	8p	BC133	36p	2N2906	19p
BC147	7p	BC212	8p	BC327	16p	BC136	36p	2N2907	19p
BC148	7p	BC213	8p	BC328	14p	BC139	34p	2N3054	49p
BC149	7p	BC214	8p	BC337	15p	BC140	34p	2N3055	40p
BC182	7p	BC557	8p	BC338	14p	BFY50	17p	TIP30	38p
BC117	18p	BC143	20p	DC71	15p	BFY51	17p		

1N4001	4p	741 8 pin plastic	18p	555 Timer	25p
1N4004	4p	741 metalcan spin oil	14p	CA3046 trans array	55p
1N4005	4p	709 op amp	29p	TBA810 7W amp	95p
1N4007	5p	MC1458 dual 741	40p	MC1310P stereo deck	110p
1N4148	2p	LM3900 quad amp	50p	7805 5V reg T03	100p
1N914	3p	LED green or yell 0.2in	12p	W04 1A 400V bridge	30p

SPECIAL OFFER 741 METAL CAN 10 for 120p
RESISTORS 0.5W 5% film E12 series 10Ω — 10MΩ 1p
POLYESTER CAPS 0.01-0.1µF, 0.15, 0.22, 0.33, 0.47, 0.68, 1, 1.5, 10p
ELECTROLYTICS 4.7, 25 or 63V, 6.8-40µF 25V 4p 25V 100µF 100, 220 8p, 470 10p, 1000 PC mount 16p, 6800 85p

PANEL MOUNTING NEONS 240V 20p
ALL FULL SPEC GUARANTEED CWP & P 25p. Mail order only
1A, 2 & 4 STORES ROAD, RADCLIFFE
MANCHESTER M26 9TN

Codespeed Electronics

PO BOX 23, 34 SEAFIELD ROAD, COPNOR, PORTSMOUTH, HANTS, PO3 5BJ
CALCULATOR CHIP Nortec 4204, 4 function and K. With data 85p. MMS314 Digital clock chip with data £1.99 each. MMS316 Digital alarm clock chip with data £2.49 each. DIGITAL ALARM CLOCK MODULE with 0.8" led display. With data £6.50 each. 4 DIGIT 0.8" LED DISPLAY Common cathode. With data £3.95 each. LED WRISTWATCH I.C. Mostek MK 5030 with data 99p each. LED WRISTWATCH DISPLAY type DIS501 0.1 digits. With data 99p each. SUPER SAVER — Purchase an MK5030 and a DIS501 for only £1.50 the pair. NOTE The MK5030 and DIS501 are packaged in legless flatpack format and require some fairly fine soldering. 20 KEY KEYBOARDS calculator style keyboards. 2 for £1.00. MM2102 MEMORIES Dynamic memories for your micro. With data 99p each. DIGITAL MULTIMETER CHIP MMS330 I.C. to build 4 1/2 digit multimeter. With data £3.95 each. 6 DIGIT 0.1" LED DISPLAY Common Cathode. 99p. LM555 TIMER I.C. with data and applications booklet 25p each. SLIDER SWITCHES 2 pole change-over 16p each. PUSH BUTTON SWITCHES spring loaded (momentary) with 1 no contact 15p each. POLARIZING MATERIAL at only 2p per square inch. QUALITY JACK SOCKETS 1/4 (6.35mm) jack sockets. Mono 25p each. Stereo 28p each. SLIDER CONTROL KNOBS, please state colour required. 15p each. ROTARY CONTROL KNOBS 18mm diam black with coloured cap. please state colour required. 22p each. WRISTWATCH LIQUID CRYSTAL DISPLAY supplied with data sheet 99p each. 25 GERMANIUM DIODES for only 50p. 10 SWITCHING DIODES for only 35p. 4 DIGIT CLOCK L.C.D. 0.5 digits supplied with data £6.95 each.

Some SN Series ICs at very favourable prices. For information on our full range of components please send a Stamped Addressed Envelope for your FREE copy of our latest catalogue. POST AND PACKING ADD 35p (OVERSEAS ORDERS ADD 90p)
Full SATISFACTION GUARANTEE on all items

computing today

WHAT TO LOOK FOR IN
THE FEBRUARY ISSUE
ON SALE JANUARY 11TH.

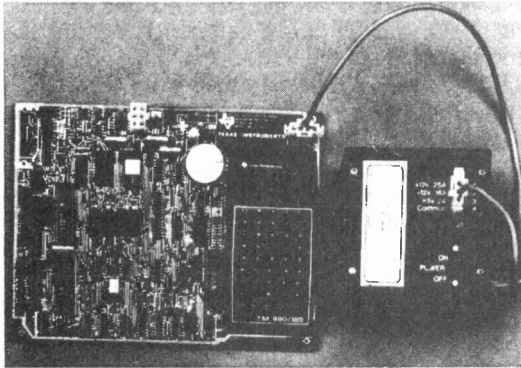
LOGIC EMULATOR

Does your logic lie to you? Do you doubt the truth of your tables? Next month we present a solution to your logic design problems with a software logic emulator for the Nascom. The design caters for the usual range of logic gates and will allow you to try out various input combinations. A must for all who are not up to Mr. Spock's logical capabilities!

We start a new occasional series on connections you can make with your micro. In the first part we show you how to get your Mk14 or Acorn to flash lights on and off, a vital step for micro-mankind.

MICROLINK

TEXAS UNIVERSITY MODULE



There have been evaluation kits and there have been teaching aids. Now there are teaching aids which can double as an evaluation kit! What Texas have produced, however, is a one board education system (TM990/189) which is also an excellent evaluation and to the TMS 9980 16-bit MPU!

A 300 page course comes with the board — along with a hell of a lot else. But is it good value? Can it teach machine code programming as promised? Could it really educate cavement and Spurs supporters? Can it make good tea?

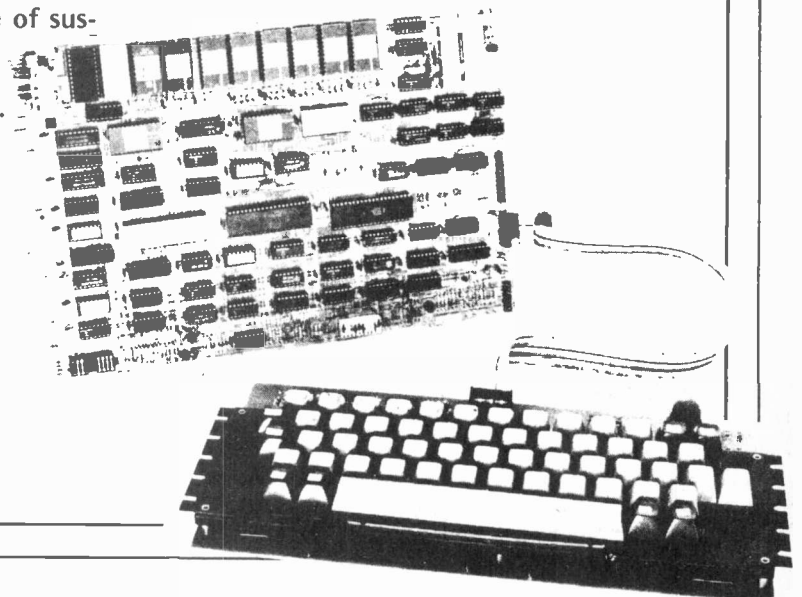
Don't miss next month's stunning inside information when CT reveals all on the TM990/189. The Wews of the Norld will envy us.

It has been the most (and longest) awaited home computing system for a considerable time. Everyone we spoke to had heard of it — and knew a great deal about it — but no-one had actually seen it!!!

NASCOM 2

Well we can put you out of the state of suspense because CT has been examining a Nascom 2 in great detail and will report all that there is to be reported in our next issue.

Whatever you were expecting we can guarantee you that the Nascom is a surprise!





AUDIOPHILE

Ron Harris takes time off returning noisy records for a chat with the record industry and a word about mini headphones with a mighty performance.

I am appalled. Totally and utterly appalled. Apart from that I'm not even happy. In the past month I have attempted in vain to buy myself some LPs with which to exercise all this hi-fi stuff our hobby is based upon.

I was particularly looking forward to 'Tusk'. After all, it cost a large fortune to produce — digital mixing and all — and the music promised to be worth all the effort. Six copies later I still cannot comment on how good the production finally turned out. Six copies and six doses of snap crackle and pop made me give up on the idea completely. Sorry Warner Bros but I *do* like some music with my surface noise. Silly, I know, but I'm old-fashioned that way.

The new Pink Floyd double LP led me a similar dance, wearing out the carpet in the record shop in the process. No-fi 2 me 0, and so it continued all month. Final score? LPs purchased — five; LPs kept — one; copies returned twelve.

Now admittedly this has been the worst ever month for duff records, but it is not unfortunately actually unique. Most records these days have to go back at least once — the record shop next to our office (Our Price Records — and very helpful they are too, thank God) is thinking of giving me a job. After all I spend more time at the exchange counter than the staff.

Other people I've talked to about this seem to suffer from a similar malaise, so I'm not gonna feel too paranoid just yet. Besides, you meet a nice class of person exchanging LPs. Beats discos anytime.

Trouble is — what *is* the point of all this ultra-fi that some of us are addicted to, if record companies go on churning out pure unadulterated garbage for us to play on it? Digital LPs may be on the way but in the meanwhile we have got to live with the surfaces upon which our music is recorded. Please please please Mr Record Executive Sir take your quality control a bit more seriously. No wonder record sales continue to fall, so does the quality of the product.

If there is anyone out there involved in the industry, engineers, technicians, producers, mixers, or even artists themselves, HELP. It's about time we all stood up and got counted. It seems everyone from us poor consumers back down the line wants something done, but no-one is actually doing it!

Well, having added one more small voice to all those already crying into the wind I'll cease and desist — after a quick wave of the fist in the appropriate direction.

MDR-3 Headphones

Open headphones seem to have continued to gain popularity steadily in recent years and it is never a surprise to see a new pair released. Some years ago Sony had a pair on the market, entitled DR-15s, which I thought to be excellent value for my money. About three weeks ago I was very interested, therefore, to see the new MDR-3 open headphones from the very same Sony.

These units are incredibly small and light, and thus comfortable. At first glance they look just *too* small to complete. At first *listen*, however, the universal reaction so far has been dropping of chins onto chests. My first thought was to go scrambling through the accompanying paper to find the price. I had expected somewhere in the region of £30-£40.

It came as a shock to read only £16 in the blurb.

The MDR-3 is a revolution at that price. The sound quality is truly amazing and will satisfy most types of listener. Rock followers who are made a little uneasy by the slightly 'light' balance can apply bass boost all they want with little or no complaints from the MDR-3.

Compared against Koss ESP-10 electrostatics, the transducers are shown to be adding a certain amount of 'warmth' to the sound, especially in the midrange, but this is no bad thing on headphones, I feel, and is certainly preferable to a hard, colder approach with no room effects to temper it. The treble is well extended and smooth and showed no tendency to harshness or a brittle nature.

The bass is obviously going to be less plentiful than on the much heavier 'can' type of phone but that diaphragm must be moving a long way indeed to produce bass as well as it does.

I have no complaints to make of the bass overall.

Cryptic Comments

Fitting the phones to the head is simple enough, the cups are angled back so they naturally lie in the same direction as your ears on your head (statement only valid for human subjects. Aliens can figure it out themselves) and have a certain degree of freedom to move and thus align themselves better.



The MDR-3s really are small. We tried several young ladies heads, in an attempt to convey just how small — but each time the headphones got lost! Those earpieces are about the size of a 50p piece. But no-one at ETI had one of those either.

As Sony say in their little leaflet, positioning is vital for best performance, so it is advisable to bend the headband to get the best fit with the pads exactly over the ears. Once set, they'll stay there until the moon falls, if necessary, although I doubt if you'll find an LP that long.

The chord is supposed to be oxygen-free copper — a chemical impossibility I would have thought — and is not of the usual coiled spring variety. This I found an absolute pest, as, oxygen free or not, it is pretty good at getting tangled and twisted around the most unlikely of objects.

Cobalt magnets are used to achieve the very high field density required to get the sound out of such a small diaphragm, although the leaflet insists that cobalt is used *instead* of magnets. The diaphragm itself is 12 μ m thick (so don't go trying to tap it!) and this very small mass undoubtedly confers upon the MDR-3 their quite incredible transient response.

Overall, the headphone market at anywhere from £17 to around £35 should take quite a beating from the MDR-3 if there is *any* justice in the world at all, and I stand by my

comment last month that you'd be mad to buy a pair of headphones in this price range unless you had at least given the MDR-3 a chance to impress you as much as it impressed us.

Quick Summary

- Small and lightweight (40g)
- Open type — do not exclude surroundings totally.
- Good extended treble, warm mid-range, good bass for type.
- Will take bass boost without deterioration of sound.
- Impedance 32R, thus needs to be driven hard.
- Cord not usual type — inconvenient.
- Excellent value for money, highly recommended.

Guest Moaner

Help! I'm being invaded by people. Ian Graham, ETI's new Celtic Assistant Editor, has cajouled his way into an Audiophile in order to have a moan about racking systems with no racks. Seems a valid point and besides he bribed me with a picture of Felicity Kendal.

So here you go Mr Graham, take it easy at first lad . . .

Put yourself in my position — you're building up your first decent hi-fi system. You save up your pennies, raid your little brother's piggy bank, collect the deposits on every lemonade bottle in sight and generally economise until friends start counting your ribs through your duffle coat. Unit by unit budget lo-fi gradually gives way to higher-fi than you've ever had.

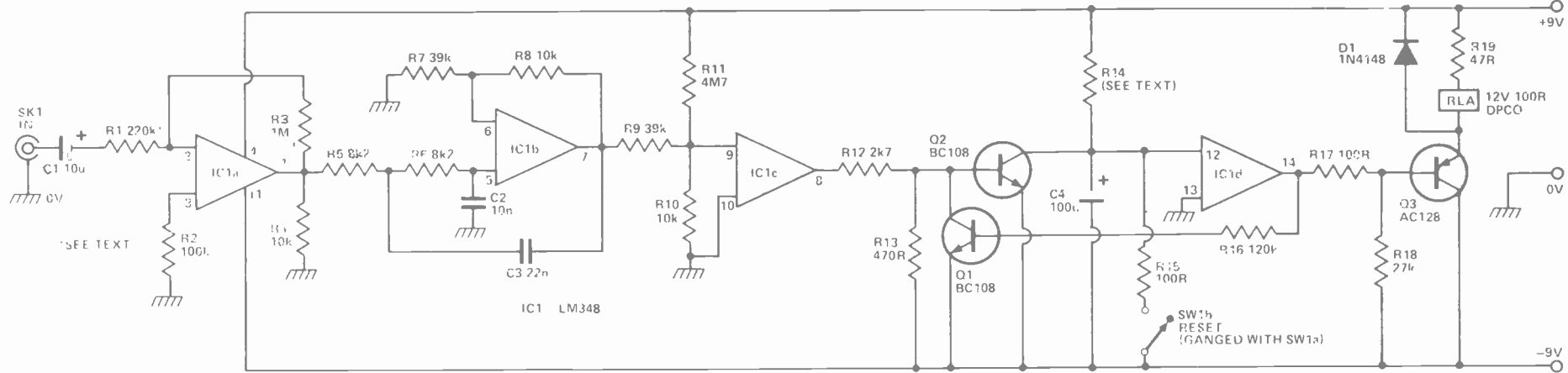
Now, the system looks a bit out of place piled up on the coffee table and, besides, it's beginning to sag a bit under all the watts. What about a rack to put it all in — like the one you saw your very own system in in the shop. A quick phone call brings the answer — no, we only supply a rack when you shell out £400 or so on a complete system. Another call to the UK importer brings the same response.

How much nicer and dust-free my Pioneer system would be in the smart, glass-fronted rack where I first saw it. I wonder how many other hi-fiers there are, who must now remain rackless and didn't find out until it was too late? For Pioneer-lovers, at least, I can bring news of a light at the end of the tunnel. Shriro (UK), the importers of Pioneer equipment, have told me that Pioneer racks will be available as separate units in about five months.

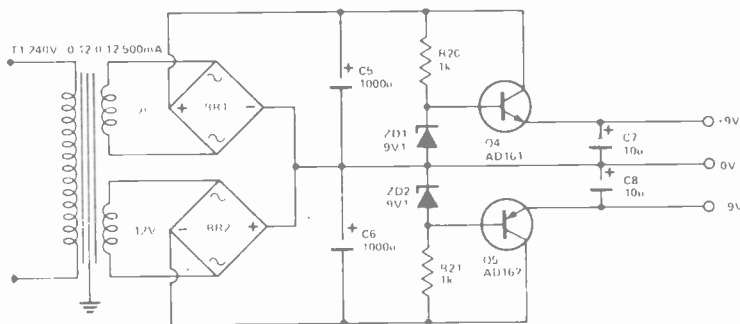
Keeping the Homeleds Burning

Battery powered equipment is a nuisance. More than that is a guilty-of-incestuous behaviour nuisance. Mainly because I keep leaving it on and flattening the batteries — and on my headlamp that means two days without moving-coil type music — leading to withdrawal symptoms such as shortened tempers and kicked cats.

What is needed is a machine which knows when you're using the box and when you're not — and makes an appropriate fuss if you leave it on. After several periods of non-musical evenings I finally overcame my inertia and DID SOMETHING ABOUT IT. Some moons ago ETI ran a project called the Watchdog which was designed to prevent you leaving on teles, hi-fis and other (mains driven) equipment. This was also born of my desire to be lazy electronically. ▶



Above: the faithful old Watchdog circuit. Rover here has saved me many a long evenings 'turning off'! The relay contacts can be wired easily enough to switch on an audible alarm, or even to de-power the equipment in question if need be, although this is less applicable to battery powered devices.



Above: a possible PSU for use with the Watchdog circuit, which will supply the needed 9-0-9 volts. A 500 mA in the mains rail will improve safety!

With a little modification Watchdog can be amended to sound an audible alarm. The circuit is given below, and note that, in order that the box is 'fail-safe', the switching relay is under power as long as the equipment is operating. This means that rather than replacing the relay with an audible 'bleeper' or the like 'would be better to wire up one set of contacts to power said device once the relay tripped 'Keeps open your options too. And I'm all for keeping me options open — except on cold days.

ETI

HOW IT WORKS

SKI feeds the input audio of around 50mV minimum to the buffer amp formed by IC1a and associated components. The gain of this stage is determined by the ratio of R3 to R1, and may be changed to vary the unit's sensitivity. IC1b is a second order Bessel low pass filter with break frequency set around 800Hz (when loaded). This is to cut the response to high frequencies such that continuous white noise will not keep the unit switched on.

IC1c and the potential divider R12, R13, square the incoming audio signal and feed this to the base of Q2, keeping it switched on as long as audio is present at SK1. IC1c is an op-amp working at its full open-loop gain such that it will 'clip' any input into a square-wave.

While Q2 is turned on, C4 cannot charge up above earth potential. Once the pulse train is no longer present at the base of Q2, C4 begins to charge via R14. IC1d acts as a comparator, and after the time-delay has elapsed, the output swings high, turning off the relay driver Q3, and disabling the relay which controls the mains to the equipment under consideration. D1 is protection against back EMF generated in the coil. Q1 is wired across Q2 as a 'Shut-down' component, in such a way that as soon as the output goes high, this turns on Q1 which then prevents any transient audio, such as switch-off 'thumps' etc re-triggering the Watchdog and keeping it from closing down.

ETCH RESIST TRANSFER KIT SIZE 1:1

Complete kit 13 sheets 6in x 4½in. **£2.50** with all symbols for direct application to P.C. board. Individual sheets 25p each. (1) Mixed Symbols (2) Lines 0.05 (3) Pads (4) Fish Plates and Connectors (5) 4 Lead and 3 Lead and Pads (6) DILs (7) BENDS 90 and 130° (8) 8-10-12 T.O.S. Cans (9) Edge Connectors 0.15 (10) Edge Connectors 0.1 (11) Lines 0.02 (12) Bends 0.02 (13). Quad in Line.

FRONT AND REAR PANEL TRANSFER SIGNS

All standard symbols and wording. Over 250 symbols, signs and words. Also available in reverse for perspex, etc. Choice of colours, red, blue, black, or white. Size of sheet 12in x 9in. Price **£1**.

GRAPHIC TRANSFERS WITH SPACER ACCESSORIES

Available also in reverse lettering, colours red, blue, black or white. Each sheet 12in. x 9in contains capitals, lower case and numerals ½in kit or ¼in kit. **£1** complete. State size.

All orders dispatched promptly.

All post paid

Shop and Trade enquiries welcome
Special Transfers made to order

**E. R. NICHOLLS
P.C.B. TRANSFERS**

DEPT. ETI 2

**46 LOWFIELD ROAD
STOCKPORT, CHES. 061-480 2179**

**PLEASE
MENTION
ETI
WHEN
REPLYING
TO
ADVERTS**

CALCULATORS

SPECIAL LOW PRICE ON PROGRAMMABLES

CASIO	£47.95
FX 501P128 step prog	£47.95
FX 502P 256 step prog	£65.95
FA1 Adaptor to cassette	£21.95
TEXAS INSTRUMENTS	
Ti42MBA 32 step	£40.95
Ti53 32 step	£24.95
Ti57 50 step	£25.95
Ti58 480 step	£65.95
Ti58C with power off memory	£84.95
Ti59 960 step	£169.95
PC100C Printer cradle	£148.95
Maths/Utilities	£23.95
Electrical engineering	£23.95
Applied statistics	£23.95
Business decisions	£23.95
Marine navigation	£23.95

TEXAS Full range available

Ti25 Students scientific	£19.95
Ti35 Sci L.c.d	£20.95
Ti44 L.c.d Sci/Stats	£31.95
Ti50 L.C.D Sci/Stats	£21.95
Ti1760 Datacard	£18.95
Ti Programmer	£41.95
CASIO	
MATH PET L.c.d Learning aid	£19.95
CO82 Multi Alarm Clock	£18.95
ML831 Musical Keys 'NEW'	£13.95
AQ2000 Alarm/Stop/Date	£23.95
FX68	£18.95
FX80	£14.95
FX310	£16.95
FX510	£18.95
FX2600	£18.95
FX3200	£20.95
FX5000	£27.95
FX5000EP Scientific Mains Printer	£139.95
Conversion Master! Solve the metric problem with the IBICO 067 only	£16.95
Telephone Answering Machines	£169.95

ALL ADVERTISED GOODS FROM STOCK
PRICES INCLUDE POST, PACKING, AND V.A.T

CALCULATOR SALES & SERVICE

ARROW WORKS, ARROW ROAD

REDDITCH B98 8NN

TEL: REDDITCH (0527) 43169

Callers by appointment only please

Please add 30p for P&P

DELTA TECH & CO.

62 NAYLOR ROAD, LONDON, N20 0HN
All prices VAT inclusive

RESISTORS (¼W E12) 10 ohm to 10 Mohm	1.5p
PRESETS (.15W Horizontal) 100 ohms to 2 Mohms	8p
POTENTIOMETERS (Carbon) Log and Linear 4.7 Kohm to 2.2 Mohms	28p
VERO BOARDS (0.1" Copper) 2.5 x 5 3.75 x 5	52p 62p
ZENER DIODES (400mW) 2V7 to 33V	8p
TRANSFORMERS (240V) 9.0-9V 100mA 0.15V 0.15V 200mA	130p 150p
CERAMIC CAP (50V) 22pF to 50nF	2p
POLYSTYRENE CAP (50V) 10pF to 1.000pF	5p
POLYESTER CAP (100V) 1nF to 100nF 15, 22, 33, 39µF 47, 68µF	5p 10p
1µF 12p 2.2µF 20p 3.3µF 26p 4.7µF 28p	
ELECTROLYTIC CAP (µF/V) 1/25 to 47/25 68/50, 100/35 150/25, 200/12 220/25, 250/12 470/25, 500/30 1000/10 1000/25 1500/25 2200/6.3	6p 8p 9p 10p 13p 14p 22p 26p 20p

BRIDGE RECTIFIERS 0.75/200V 25p 0.75/600V 30p 1A/50V 22p 1A/100V 27p 1A/200V 32p 1A/400V 34p 2A/50V 40p 2A/100V 42p 2A/200V 48p 2A/400V 55p	VOLTAGE REGULATORS 320H-05 40p 320H-24 40p 7805 70p 7812 70p 7815 70p 7818 70p 7824 70p 7905 90p 7912 90p 7915 90p 7918 90p 7924 90p
--	---

OPTO/DISPLAY 2N5777 55p OC711 65p ORP12 60p MAN72 110p MAN74 110p	LEDs - Red 10p Green 14p Yellow 14p 125" clip 3p 2" clip 4p
DIODES BY127 10p OA47 8p OA91 8p OA200 6p OA202 9p 1N916 5p 1N4148 4p 1N4001 4p 1N4002 4p 1N4003 5p 1N4004 6p 1N4005 6p 1N4006 8p 1N4007 8p 1N5400 13p 1N5401 14p 1N5402 15p 1N5404 16p	DIL SOCKETS 8 pin 11p 14 pin 13p 16 pin 14p 18 pin 18p 22 pin 22p 24 pin 24p 28 pin 28p 40 pin 40p
CAPACITORS LM3014N 32p LM3018N 60p LM318N 200p LM324N 74p LM339N 60p LM348N 90p LM377N 175p LM380N 90p LM381N 140p LM382N 130p LM1310N 150p LM3900N 55p LM3909N 70p MC1496P 85p NE531 140p NE555 25p NE556 60p NE566 140p TBA641A 200p TBA641B 200p TBA801 75p TBA810S 110p ZN414 100p ZN1034 200p	CMOS 4000 18p 4001 18p 4002 18p 4006 70p 4007 70p 4008 84p 4009 84p 4010 42p 4011 18p 4012 18p 4013 40p 4014 40p 4015 85p 4016 40p 4017 50p 4018 68p 4019 68p 4020 90p 4021 90p 4022 82p 4023 82p 4024 741.8 4025 58p 4027 18p 4028 35p 4029 60p 75p

4030 60p	4035 107p	4041 75p	4042 58p	4043 80p	4044 84p	4047 87p	4048 55p	4049 35p	4050 35p	4066 38p	4069 18p	4070 18p	4071 18p	4072 18p	4073 18p	4081 18p	4082 18p	4086 80p	4510 73p	4511 99p	4516 95p	4518 72p	4520 94p	4528 99p																																
7445 75p	7446 65p	7447 55p	7448 62p	7450 13p	7451 13p	7453 13p	7454 13p	7460 13p	7472 21p	7473 21p	7474 24p	7475 34p	7476 30p	7480 32p	7485 80p	7486 25p	7490 36p	7491 55p	7492 40p	7493 35p	7494 57p	7495 46p	7496 56p	7497 200p																																
74180 57p	74181 98p	74182 57p	74190 75p	74191 70p	74192 65p	74193 64p	74194 70p	74195 57p	74196 100p	74197 100p	74198 135p	74199 120p																																												
BD139 42p	BD140 42p	BF180 30p	BF181 8p	BF184 25p	BF185 25p	BF194 12p	BF195 12p	BF196 12p	BF197 12p	BF244B 35p	BF259 35p	BF259 32p	BF259 25p	BFX84 25p	BFX87 25p	BFX88 25p	BFY50 22p	BFY51 22p	BFY52 22p	BRV39 60p	BSX20 22p	BU205 150p	BU208 210p	MJ2955 110p	MJE340 70p	MJE2955 110p	MJE3055 85p	MPF102 40p	MPF103 40p	MPF104 40p	MPF105 40p	MPF106 50p	MPSA06 26p	MPSA56 26p	MPSU06 61p	OC35 92p	TIP29 40p	TIP29B 40p	TIP30 40p	TIP30B 40p	TIP31 40p	TIP32 40p	TIP33 60p	TIP34 90p	TIP35B 240p	TIP36B 280p	TIP41A 80p	TIP42A 80p	TIP2955 70p	TIP3055 55p	ZTX107 13p	ZTX108 13p	ZTX109 13p	ZTX300 16p	ZTX301 18p	ZTX302 20p

OHIO SCIENTIFIC SUPERBOARD 2
★★★★★★★★★★★★★★★★

We are the only people who include a free power supply and modulator kit in our special offer on Superboard 2.
★★★★★★★★★★★★★★★★

50Hz model for British TV sets. Full keyboard and a cassette interface and uses your TV as a VDU. 8K base. 4K ram. Fully assembled £188+15% VAT, post free.

SINCLAIR PRODUCTS
PFM200 £51.95, case £3.40, adaptor £3.40, connector kit £11.27. Microvision TV £91.44, mains adaptor £6.88, PDM35 £29.76, mains adaptor £3.40, case £3.40, DM350 £71.82, DM450 £102.17, DM235 £51.95. Accessories for all 3 models: rechargeable batteries £7.99, mains adaptor/charger £3.94, case £8.90. Enterprise prog calculator £19.95. New SC110 10MHz oscilloscope £144.95.

COMPUTER GAMES
Chess Champion 6 £49.95, Chess Challenger 7 £84, Voice Chess Challenger £227.95, Checker Challenger 2 £46, Checker Challenger 4 £84, Star Chess £62. Grandstand video entertainment computer £79.95. Videocarts £12.60, Philips G7000 Videopak home computer £149, Videopaks £12.95, Atari Videocomputer £147, Cartridges £14.85 (except chess £43.95 and backgammon £33.95).

TV GAMES
Tank battles kit £7.34, AY-38500 chip £3, kit £4.26, Stunt cycle AY-3-8760 chip £13.71, kit £4.95, 10 game paddle 2 AY-3-8600 chip £10.25, kit £7.03, Racing car chip AY-3-8603 £13.63, Modified shoot kit £5.28, Rifle kit £5.27, Colour generator kit £9.05, Joystick 220K £2.24.

MAINS TRANSFORMERS
6-0-6V 100ma 76p, 1½A £2.60, 9-0-9V 75ma 76p, 1A £2.22, 2A £3.13, 12-0-12V 100ma 92p, 1A £2.80, 15-0-15V 1A £3.15.

JC12 AND JC20 AMPLIFIERS
Integrated circuit audio amplifier chips with data and printed circuits. JC12 6 Watts £2.08, JC20 10 Watts £3.14.

CONTINENTAL SPECIALITIES PRODUCTS
EXP300 £6.61, EXP350 £3.62, EXP325 £1.84, EXP650 £4.14, EXP48 £2.64, LP2 £20.70.

PRINTED CIRCUIT MATERIALS
PC etching kits: economy £2.42, standard £4.46, 40sq ins pcb 45p, 1lb PCB £11.30, Etch resist pens: economy 50p, dale 84p, Drill bits 1/32" or 1mm 30p, Etching dish 92p, Laminate cutter 90p.

SWANLEY ELECTRONICS
DEPT ET1, 32 GOLDESL ROAD, SWANLEY, KENT BR8 8EZ

Mail order only. Please add 30p to the total cost of your order for postage. Prices include VAT unless stated. Lists 24p post free. Overseas customers deduct 13%. Official credit orders welcome.

S-DECS AND T-DECS
S-Dec £3.79, T-Dec £4.59, u-Deca £4.69, u-DecB £7.16.

BATTERY ELIMINATORS
3-way types with switched output and 4-way multi-jack: 3/4½/6V 100ma £2.39, 6/7½/9V 300ma £3.14, 100ma radio types with press stud connectors 9V £3.57, 6V £3.57, 4½V £3.57, 9+9V £4.79, 6+6V £4.79, 4½+4½V £4.79. Cassette recorder mains unit 7½V 100ma with 5 pin din plug £3.57. Fully stabilized type 3/6/7½/9V 400ma £5.89, Car converters 12V DC input, output 9V 300ma £1.19, output 7½V 300ma £1.19, output 3/4½/6/7½/9/12V 800ma £2.86.

BATTERY ELIMINATOR KITS
100ma radio types with press-stud connectors 4½V £1.49, 6V £1.49, 9V £1.49, 4½+4½V £1.92, 6+6V £2.92, 9+9V £1.92, Cassette type 7½V 100ma with din plug £1.49, Heavy duty 13-way types 4½/6/7/8½/11/13/14/17/21/25/28/34/42V 1A £4.95, 2A £8.20. Car converter input 12V DC, output 6/7½/9V 1A stabilized £1.35.

STABILIZED POWER KITS
The first price is for kit without transformer, the bracketed price includes transformer, 8-way types 3/4½/6/7½/9/12/15/18V 100ma £1.74 (£2.50), 1A £3.18 (£5.30), 2A £4.17 (£7.30). Variable voltage models 2-18V 100ma £2.12 (£2.98), 1-30V 1A £3.18 (£6.20), 1-30V 2A £4.98 (£11.24).

BI-PAK AUDIO MODULES
AL30A £4.08, PA12 £8.38, PS12 £1.58, T538 £2.70, S450 £25.08, AL60 £5.06, PA100 £17.33, SPM80 £4.74, BMT80 £6.08, Stereo 30 £21.57, M460 £38.27.

COMPONENTS
1N4148 0.9p, 1N4002 3.1p, 741 8 dil 18p, 723 14 dil 33p, NE555 8 dil 24p, bc183, bc213, bc547, bc549 4.9p, bc182, bc184, bc214, bc548 5.5p, tip31c, tip32c 36p, tip41c 40p, bd131, bd132 27p, Plastic equiv bcy72 5p, Fuses 20mm x5mm cartridge 15, 25, 5, 1, 2, 3 5 Amp quickblow 1p, anti-surge 3.6p, Resistors 5% ¼W E12 10R to 10M 1p, 0.8p for 50+ of one value. Polyester capacitors 250V .015, .068, .1mf 1.5p, .01mf 3p, .022, .033mf 3.3p, .047mf 3.5p, .15, .22, .33, .47mf 4.9p, Polystyrene capacitors £12 63V 10 to 1000pf 3p, 1n2 to 10n 4p, Ceramic capacitors 50V E6 22pf to 47n 2p, Electrolytic capacitors 50V 5, 1, 2mf 5p, 25V 5, 10mf 5p, 16V 22, 33mf 5p, 47, 68mf 3.5p, 100mf 6p, 330, 470mf 9p, 1000mf 10p, Zeners 400mW E24 2V7 to 33V 7p, Preset pots subminiature 0.1W horiz, or vert, 100 to 4M7 7p, Potentiometers ¼W 4K7 to 2M2 log or lin single 27p, dual 71p, ½" red LEDs 9.7p, IC sockets 8 dil 8.7p, 14 dil 10.1p, 16 dil 12p.

The latest from the U.S.A.

PINBALL WIZARD
★ Still available ★
Featured in Nov. issue of E.T.I.
Home TV Game — B/W Kit
Basic Kit **£28.90**
Contains everything except box and controls
Box & Controls — **£6.50**, Mains Adaptor — **£3.90**
Play 7 games with 4 options on each game
4-Pinball games 2-Basket, 1-Breakout
Versatile car alarm kit **£18.90**
See review in Hobby Electronics November
CHROMA CHIME 24 tune door chimes kit **£10.50** Built **£15.95**
C.B. Aerials and Accessories

HAND HELD GAMES
Mattel Space Alert **£15.90**
Mattel Auto Race **£15.90**
Mattel Soccer **£21.50**
ENTERPRISE 4 in 1 **£24.95**
3 Games and calculator in one
Electronic Mastermind **£12.90**
U.F.O. Master Blaster **£24.95**
Amaze-A-Tron maze game **£18.95**
Touch Me by ATARI (like Simon) **£26.95**
Football (two players) **£24.95**
ZAP missile game **£11.95**
DIGITS (like Mastermind) **£14.95**
DESTROYER **£16.95**
ALL GAMES HAVE SOUND EFFECTS EXCEPT MASTERMIND AND DIGITS

CHESS COMPUTERS ETC.
STAR CHESS T/V Game **£63.35**
DATABASE Prog. T/V Game **NEW £89.95**
CHESS CHAMPION 6 Level **£54.95**
CHESSMATE 8 Level **NEW £59.95**
CHESS CHALLENGER 7 **£99.00**
CHESS CHALLENGER 10 **£160.00**
VOICE CHALLENGER **NEW £230.00**
BRIDGE CHALLENGER **NEW £290.00**
CHECKER CHALLENGER 2 **£54.00**
CHECKER CHALLENGER 4 **£90.00**
ATARI Video Computer **£159.00**
ZODIAC Astrology Computer **NEW £34.95**

Selection of Commodore Watches & Calculators

COMPUTERS — Home, Business etc.
PET 8K **£632.00**
PET 16K New Keyboard **£776.00**
SORCERER 8K **£747.50**
SORCERER 16K **£874.00**
SORCERER 32K **£987.75**
SUPERBOARD II 4K **£216.20**
UK101 Kit 4K **£251.85**
Built 4K **£303.00**
NASCOM 1 Kit **£189.75**
1 Built **£247.25**
NASCOM 2 Kit **£339.25**
2 Built **£396.75**
HEATH WH89 **£P.O.A.**

Keyboard, VDU, Floppy Disc, 16K all in one
PRINTERS: FLOPPY DISC: BOOKS

N.I.C.
S.A.E. Enquiries Please allow up to 21 days for delivery
61 BROAD LANE, LONDON N.15 4DJ
Day 01-808 0377; Eve 01-889 9736

LCD SNOOZE ALARM
24-hr alarm
Hours, Mins., Secs., date, month, back-light, auto. calendar. Adjustable stainless steel bracelet, 12-month guarantee.

VT10
Same day despatch

ONLY £10.95
(inc. VAT, P&P)

NEW LOW PRICE! LCD ALARM CHRONOGRAPH
All usual features. Perpetual calendar, day, date, 24-hr. alarm with on/off indication, 1/10 second chronograph measuring set, lap and first and second place times. Dual time zone facility. Night light. 12-month guarantee.

ONLY £14.95
(inc. VAT, P&P)

VT06
Same day despatch
Same as ET1 spec.

50 HZ SUPERBOARD II
£216.20 inc. VAT
CASE — **£29.95** inc.
4k RAM — **£40.25** inc.
(8 x 2114)
COLOUR — **£59** inc.
BUILT ADD ON

SOLAR LCD ALARM CHRONO
★ WATER RESISTANT (no vents)
★ MINERAL GLASS
★ ALL STAINLESS STEEL
★ ONLY 7mm THICK
24-hr. alarm with on/off indication. 1/10 second chronograph measuring net, lap and first and second place times. Dual time zone facility. night light.

ONLY £29.95 (inc. VAT, P&P)
VT16
Same day despatch

BELTIME CHRONOGRAPH
9 Functions
Hours, mins, secs, day, date, month, interchangeable feature, automatic calendar, backlight, net time/lap time. Stainless steel bracelet, 8mm thick.

£10.95
(inc. VAT P&P)

VT07
Same day despatch

ATARI VCS System
— Most popular top range micro-video game
Current cartridges — Air Sea Battle (7), Space War (17), Outlaw (16), Video Olympics (50), Breakout (12), Basketball (2), Surround (14), Blackjack (7), Basic Maths (8), Codebreaker (20), Hunt & Scofe (8), Miniature Golf (2), Skydiver (5), Street Racer (27), Chess (8), Levels Backgammon (8), Brain Games, Bowling.
Cartridges mostly — **£14.95** inc.
CHESS (8 levels) — **£45.00** inc.
BACKGAMMON — **£34.50** inc.
SUPERMAN — **£23.25** inc.
INDY 500 — **£34.50** inc.
ATARI VCS — **£149.95** plus additional cartridge of your choice

VT08
details on request
Same day despatch

SOLAR LCD ALARM CHRONOGRAPH
24-hr. alarm with on/off indication. 1/10 second chronograph measuring net, lap and first and second place times. Dual time zone facility. Night light.

ONLY £19.95 (inc. VAT, P&P)
VT12
Same day despatch

12-month guarantee. 15% VAT included. Cheques or P.O.s or telephone Card No. to Allow 7 days delivery unless specified

VIDEOTIME PRODUCTS, 56 QUEENS ROAD, BASINGSTOKE, HANTS RG21 1REA. Tel: (0256) 56417 or 26620 TLX: 858747
FACTORY AGENTS WANTED MONEY BACK GUARANTEE OFFERS SUBJECT TO AVAILABILITY. TRADE ENQUIRIES WELCOME

ETIPRINTS

ETIPRINTS are a fast new aid for producing high quality printed circuit boards. Each ETIPRINTS sheet contains a set of etch resistant rub down transfers of the printed circuit board designs for several of our projects.

ETIPRINTS are made from our original artwork ensuring a neat and accurate board. We thought ETIPRINTS were such a good idea that we have patented the system (patent numbers 1445171 and 1445172).

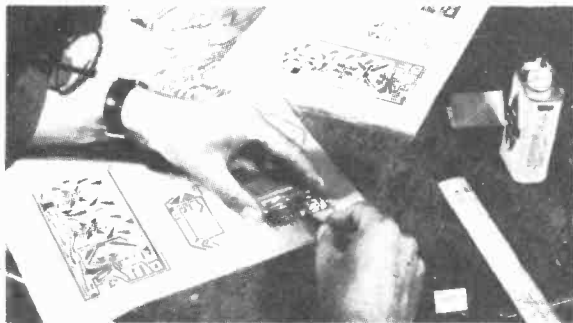
PARTS LIST

Shown below is the listing for the last year's ETIPRINTS.

Earlier sheets are available, ring Tim Salmon for details.

026	Motor Speed Controller (2 Boards For Controller) Battery Indicator	July 79	033	LED Audio Display (2 boards) (topside pattern) Bench Amp NICD Charger	Aug 79	036D	Power Switch Selector (double sided)	Nov 79
027	CCD Phaser Rev. Monitor	Project Book Seven	034	Cable Tester Reaction Tester Speech Compressor Preamp Power Supply Rectifier & De-Thump Board Power Amp (2) (price £1.60)	Nov 79	037A	Encoder (double sided)	Dec 79
028	Race Track, Spirit Level Egg Timer, Bongos Bench Supply, Oscillator	Project Book Seven	035	Oven Leakage Detector Pinball Wizard	Nov 79	037B	Decoder (top side)	Dec 79
029	Bass Enhancer Digital Freq. Meter (4 boards)	Project Book Seven	036A	3 x Display Board Relay Activator Points Controller	Nov 79	037C	Decoder (bottom side)	Dec 79
030	ETIWET, Continuity Tester Metal Locator, Light Dimmer Ultrasonic Switch (2 boards)	Project Book Seven	036B	Data Distributor (double sided)	Nov 79	038A	Long Period Timer Rain Alarm Touch Switch Flash Trigger Pseudo Random Noise Gen	Dec 79
031	Tone Control House Alarm (2 boards) Torch Finder	Project Book Seven	036C	Train Speed Controller Track Cleaner & Electronic Pot (double sided)	Nov 79	038B	Hum Filter Dice Logic Probe	Dec 79
032	LED Audio Display (2 boards) (underside pattern)	Aug 79				038C	Function Generator	Dec 79
						039	Buffer Moving Coil Preamp Process Controller	Jan 80

HOW IT WORKS



Lay down the ETIPRINT and rub over with a soft pencil until the pattern is transferred to the board. Peel off the backing sheet carefully making sure that the resist has transferred. If you've been a bit careless there's even a 'repair kit' on the sheet to correct any breaks!

BUY LINES

ORDER TODAY

Send a cheque or P O (payable to ETI Magazine) to:
ETI PRINT, ETI MAGAZINE
145 Charing Cross Road, London WC2H 0EE

80p INC P & P



MICROFILE

Henry Budgett has news of the long-awaited Nascom 2, a pretty potent Petsoft program party and an expensive Communicator.

If micros are the food of life eat on would be a fair description of this month's ramblings through the world of small systems. The spirit of Christmas also seemed to take quite a bashing as well! The old adage about it being human to err has struck again. Yours truly has made a box-up. Having rambled extensively on the subject of standards in the November offering, Mr Henry Law has raised the valid point about the usage of the word Baud. I tend to use both Baud and bits per second to mean the same thing and he points out quite rightly that they don't. The term "bits per second" means exactly what it says, but the term Baud is defined as being "a unit of signalling speed equal to the number of code elements transmitted per second." Some transmission systems such as phase modulation actually carry more than one bit in each signal element so in Mr Law's case his 9600 bps transmission runs at 2400 Baud. In future I'll stick to bps unless the actual Baud rate is defined, honest.

The Long Wait (Is Over)

The first gastronomic offering of the month was digested after the delivery of our Nascom 2. Not bad really, we have been waiting since June along with the rest of you for the machine. The hardware is certainly impressive. There are options galore for both memory and I/O and the packing density of chips is almost unbelievable. The lack of 4118 memory chips has caused Nascom to offer the 16K RAM board with the "2" but if you wish to use it in a dedicated system the missing 4118s can be replaced with 2708 EPROMs holding your own software. The BASIC is the 'standard' Microsoft version, but it has one or two added extras to make peripherel handling easier.

The other interesting feature is that the BASIC is blown in a 64K ROM chip, one of the first uses for this device, and is actually removable so you can use the memory space for something else. Both the new NAS-SYS monitor and the BASIC can be used on the "1" and I feel that the NAS-SYS should become the standard operating system for the "1" rather than the T2 or T4.

The instruction manual is a loose leaf binder making it easy to alter or insert new information. There are one or two poor areas, but Nascom have promised to change these if demand is sufficient. The price may seem high but you are getting a very high quality product that makes certain other "single board computers" look rather like toys.

A very strong whisper on the Nascom front is that the price of the "1" may well be coming down, look out for bargains. The lunch was very good but it's the first time I've had to pay for doing someone a review of their own product!



Would you buy 50,000 programs from this man?

The Second Belch

The second gastronomic wonder was given by Petsoft to celebrate, among other things, the sale of the 50,000th program. They have even had it gold plated and presented to the author. I rather suspect that the dreaded LOAD ERROR message may come up if it is ever used. Gathered at the lunch were many of the editors and publishers of the Computing Press and after the dinner discussions ranged far and wide on the subject of machines and languages. As usual in these meetings nobody managed to agree on anything apart from the excellence of the wine and the quality of the food!

The fact that Petsoft has become a part of the giant ACT doesn't seem to have detracted from the quality of their product. If anything, it has dramatically improved. The achievement of selling 50,000 programs has only left them with one slight problem, do they go for platinum plating on the 100,000th?

Fresh Air

We have had a small box called the Communicator, in the office for review. The device hangs on the parallel user port of the PET and provides eight user accessible input or output lines. The voltage of the power supply that you connect determines the output swing. The box derives five volts internally for the input lines. The circuit is based around two Darlington transistor arrays, each containing seven transistors that are connected to provide two channels with a drive capability of 500 mA and six channels that can drive 1 A. The box can be directly called from BASIC

using either POKE for output or PEEK for input. The manual is not too specific, but interrogation of the PET manual, the one with the blue writing on the cover, reveals that there are a few extra things that you can do. Unfortunately the unit has no handshaking capability at all so most of your program will be taken up with loops to interrogate the device.

The other contention that I have with the device is that for a grand total of £92.85 including VAT and p&p you don't really get value for money. The Communicator is available from Mektronic Consultants, Linden House, 116 Rectory Lane, Prestwich, Manchester M25 5DB.



The Communicator performs well, but does it represent value for money?

Exhibitionitis Strikes Again

There was one ray of sunshine in the gloom of computer shows this month, no it wasn't Compec. The Professional Viewdata Exhibition held at the West Centre Hotel last month was the one that rates high on my list for a visit next time. A grand total of 28 exhibitors, all doing their utmost to be helpful, plenty of space to move around, comfortable seats for tired journalists — in fact everything you could wish for. Among the notable were Tecnalogs who are doing very well with their TECS system, Logic Box with their screen treatments — amber is the IN colour — and Video Electronics with their intriguing real time graphics display system.

Make a note in your diaries to go to this one next year, it's well worth it. The same cannot be said of Compec which was incredibly hot, crowded and boring. A companion of mine, who was there to check out some hardware, reckoned the pub was less crowded at lunchtime, so we all went there instead. About the only points of interest were the new Sharp machine, but no-one seemed to be very impressed, and the Texas machine which is expensive. One day someone will organise a true home computer show with no big business computers, lots of room to walk around and a friendly atmosphere in which one can actually talk to the people you've gone to see. Surely it's not too much to ask.

ETI

CALCULATORS

SCIENTIFIC

***SPECIAL OFFER**
TEXAS T159 together with PC100C
(Complete as manufacturer's specifications)
£285.00

TEXAS/HP Accessories available	
*TEXAS T159 (Card prog 960 prog steps of 100 mem)	£156.50
*TEXAS T158 (Key prog 480 steps of 60 mem)	£60.00
*TEXAS PC100C (Printing Unit for T158/159)	£140.00
*TEXAS T157 (Key Prog 8 mem. 150 Keystrokes / 50 Prog.Steps)	£25.00

For your Texas T158/59 Calculator
ELECTRICAL ENG MODULE
Ideal for design/systems and engineering technical assistants.
Module now available. POA.

*TEXAS T145 (New updated version of the Texas T140)	£19.00
*TEXAS TI PROGRAMMER (Hexadecimal Oct)	£46.50
*TEXAS T151/iii (10 mem 32 Prog Steps Stat/Sci)	£26.30
TEXAS T150 LCD (Sci/Stat. 2 Con Mem)	£23.00
TEXAS T125 LCD (Sci/Stats)	£18.50
TEXAS T53 (Sci. 32 Prog Steps-Coa Mem + 80 Prog List Applications book)	£25.00

Make more of your Texas T158/89 Calculator MATH/UTILITIES MODULE

If you write your own programs this library is for you! Most programs in this library are designed to be used either on their own or as subroutines of your programs. Applications range from utility programs such as printer formatting and large-scale plotting to advanced mathematical routines.

Module includes:

Prompter, Alpha Messages, Printer Formatting, Superplotter, Sorting, Data Arrays, Data Packing, Prime Factors, Hyperbolic Functions, Gamma / Factorial, Random Numbers, Normal Distribution, Interpolation, Roots of a Function, Minimax, Romberg Integration, Differential Equations, Discrete Fourier Series, Calculator Status, Variable Arithmetic, Module Check.

*TEXAS T158 with Maths/Utilities	£90.00
*TEXAS T158 with Maths/Utilities	£186.50
*TEXAS T158 with Applied Statistics	£80.00
*TEXAS T159 with PC100C & Applied Statistics	£305.00

WINTER SALE

*TEXAS T159 Calculator (complete as manufacturer's spec. master module, charger, etc.). PLUS statistics module and extra set of 40 Blank Prog. Cards with wallet, etc.
ONLY £180

NEW TEXAS T158C*

*Continuous program facility on all 480 Program steps/60 mem even when calculator switched off	£79.50
*TEXAS T158C (complete plus Applied Stats. Module)	£99.00
*TEXAS T158C + PC100C	£208.00

*CBM9190R (9 mem Sci./Stat)	£27.50
*CBM Pro 100 (72 Step Prog)	£29.50
*HP33E (8 mem. Pro Sci/Sta)	£49.00
*HPE22E (Advanced Sci with Statistics)	£37.50
*HP31E (New Sci replaces HP21)	£25.50
*HP67A (C Prog 224 Steps 26 Mem)	£188.70
*HP97A (Fully prog with Printer)	£384.35
HP41C (the newest calculator from HP)	POA
CASIO AQ2000 Cal. (3-Way Stopwatch/Alarm plus Date Calendar)	£23.00
CASIO FX510 (10dig Sci/Stat)	£20.00
CASIO FX8000 (as above + Stop Watch/Alarm)	£27.73
CASIO FX501P (Sci. LCD Prog. 128 Steps. 11 Mem)	£47.50
CASIO FX502P (Sci LCD Prog 256 Steps. 22 Mem)	£65.00
CASIO Program Adaptor — permits Progs to be recorded on to standard cassette recorders for replay on Casio FX501P/Ex502P at later stage	POA

LEXICON LANGUAGE TRANSLATOR

(With 6 Lang. Module — French/Italian/German/Spanish etc)

£128.70

OHIO SCIENTIFIC'S SUPERBOARD II

£188.00

NOW IT'S YOU AGAINST 'COMPUTERS'

BORRIS the most advanced chess computer yet. Borris is ideal for the learning and improving your chess game from beginner to master. Borris can play against himself, has Alpha-Numeric prompting to help improve play and by simple switching you have facility to follow Borris's thinking while he analyses position before making a move. Walnut case, wooden chessmen, board mains, adaptor, etc

CHESS CHALLENGER "10" (10 Levels of beginner to master)	£147.75
CHESS CHALLENGER "7" (7 Levels of game)	£118.00
CHESS CHALLENGER "VOICE" (10 Levels — beginner to Master Plus) The strongest Prog yet in this series — twice as fast as the other challengers. A microprocessor with 128,000 to 160,000 bits of read only Mem. Over 8000 bits of Random Access Mem. Teaches opening & end game solutions. Plays against itself. Solves book problems etc — and in addition IT SPEAKS. Complete with Deluxe plywood board, hand carved men with magnetised base plus Deluxe carry case	POA
COMMODORE "CHESSMATE" (8 levels — 32 International openings — ideal game for learning)	£50.00

CHALLENGER "BRIDGE" (Advanced double computer — teacher / beginner to Master)
Can play 1/2/3 or even 4 hands — rejects illegal bids etc.
Deluxe hardwood housing / Deluxe carry-case

£239.00

FREE — mains / Charger included

GOODS FULLY GUARANTEED PRICES EXCLUDE VAT
(ADD 15%) BUT INC P&P CHEQUE WITH ORDER

Company / Hospital and Government orders accepted by phone

Barclaycard / Visa / Access accepted by phone

TEL. 01-455 9823

EXPORT ORDERS WELCOMED

Air Freight / Air Post Delivery
Quotations on request

MOUNTAINDENE

22 Cowper St., London, EC2

IT'S HAPPENED AGAIN!

THE PART THREE CATALOGUE IS PUBLISHED & WE HAVE MOVED TO BIGGER PREMISES.

Yes, it's here at last - the all new Part Three Catalogue. Fun for all the family, and the usual update on all that is new, worthwhile and exciting in the world of Radio and Communications. A big section on frequency synthesis techniques covering broadcast tuners, to communication quality transmitter systems. More new products than ever - RADIO CONTROL parts, crystal filters, ceramic filters for 455kHz and the new range of TOKO CFSH low temperature coefficient types for 10.7MHz. Details on new radio ICs, including the new HA11225, the CA3189E look-alike with 84dB signal to noise, and adjustable muting threshold. Radio control ICs - and an updated version of the RCM&E 8 channel FM receiver - now with an Ambit designed screened front end, with 27MHz ceramic bandpass filter, LCD panel clock/tuner modules - the neatest and best LCD panel DVM yet (only £19.45 each + VAT), the new 5 decade resolution DFM3 for LW/HF/VHF with LCD readout. The DFM6 with fluorescent display to 10kHz resolution on VHF, 1kHz on SW. A 1kHz HF synthesiser with five ICs - the list is endless. Get your copy of the catalogue now. Post publication price is 60p (inc PP etc). The previous two sections are also required for a complete picture: Parts 1 & 2 at the price, All 3 £1.50. And don't miss our spot the gibbon contest, together with a quiz to see if you can spot the differences between a neolithic cave drawing and a circuit diagram of one of our competitor's tuners.

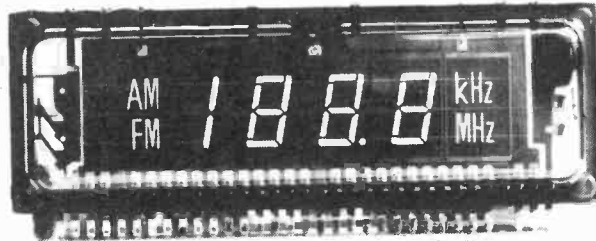
Updated RCME FM radio control RX kit



- 8 Channel RC receiver (FM)
- Single IC RF/IF/Detector
- Single IC decoder
- 27MHz ceramic filter input
- FET RF stage with double tuned bandpass filter
- Dual ceramic filter IF
- Based on RCM&E FM system
- Best quality SLM servo connector block
- ONLY £16.10 inc VAT (kit) (includes new SLM case)

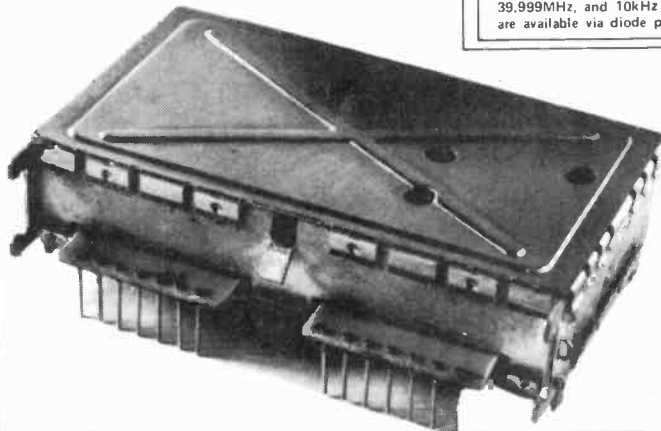
DOES YOUR ONE GLOW GREEN IN THE DARK ??

Our DFM4 does, since it uses a vacuum fluorescent display for direct readout of MW/LW/FM. Basically the same as the DFM2, (LCD Version). £24.45 kit (inc VAT) Transformer with all necessary windings for DFM4 - £2.50 inc VAT.



Not illustrated here - but also now available is the DFM6. This is a vacuum fluorescent display version of our immensely popular DFM3 (LCD). Resolution is 100Hz to 3.9999MHz, 1kHz to 39.999MHz, and 10kHz to 200.00MHz; all standard IF offsets (inc. 10.7MHz on shortwave) are available via diode programming.

New series of radio modules in fully screened cans:



UM1181 VHF band 2 VARICAP TUNERHEAD

5 tuned circuit, with image/spurri better than -80dB; buffered LO output, MOSFET RF stage, FET IF preamp, tunes with only 1% to 8v, -9dBm 3rd order intercept. Totl price £12.00 inc VAT. (100off/ OA)

911225 FM IF strip with all mod cons for the HiFi tuner: All types use 80dB S/N Hitachi IC, with muting, AFC, AGC, meter outputs for signal level and centre zero. IF preamp stage.

- 'A' Dual linear phase ceramic filters, with MOSFET (AGC'd) IF preamp and a 3rd narrow filter with DC filter selection. Dual tuned FM detector stage. £23.95 inc VAT (built)
 - 'B' Dual ceramic filters, single tuned detector stage £14.95 inc VAT
- (All 'A' series units are set up with a spectrum analyzer for best THD)

91072 AM RADIO TUNER MODULES - DC TUNED and DC SWITCHED Available February '80

All include buffered LO output, mechanical IF filter (TOKO CFMO) 1-10v tuning bias, switching by a single pole to earth

- A 10W/LW (150 to 350kHz LW range) with ferrite rod antenna
- B As 'A' but also including SW1 or SW2 (specify.)
- SW1 = 1.8 to 4MHz SW2 = 5 to 10MHz
- C With both SW ranges

Prices one off INC VAT
'A' £14.43 'B' £15.90 'C' £17.50 (Custom types OA)

There is a danger - when advertizing in some magazines - that because we do not find space to list everything we sell in every ad., that some readers forget about half the ranges we stock. So to summarize the general ranges:

- TOKO** Chokes, coils for AM/FM/SW/MPX, Audio filters etc
Filters: Ceramic for AM/FM, LC for FM, MPX etc.
Polyvaricons
ICs for radio, clock LSI, radio control MPX decoders etc
- Micrometals** Dust iron cores for toroids for resonant and EMI filters
Toroid mounts
- Hitachi** Radio/audio/mpx linear ICs
100W MOSFETs, small signal FETs, MOSFETs and bipolar

And the following groups of products from a broad range of sources:

- Semiconductors** -specializing in radio devices, Plessey SL1600, EUROPE's best selection of AM/FM and communications devices. Power MOSFETs, WORLD'S LOWEST NOISE AUDIO small signal transistors, BAR graph LED drivers for linear and log.
- CD4000 series CMOS, TTL/LPSNTTL, standard linears (741, 301, 3080 etc). MPUs, memories.
- Small signal transistors from AEG BC237/8/9 families etc. (1000 off BC239C : 5.2p ea)
- LEDs: AEG 3mm/5mm round, 2.5x5mm flat, red, green, orange, yellow. The best prices you will find for quality products.
- MOSFETs for RF signal processing, including the BF960 UHF device, and 3SK51 for VHF.
- Varicap diodes for 17:1 capacity ratio tuning

FREQUENCY READOUT LSI from OKI, with a one-chip answer to most digital frequency display needs (and various modules).

Crystal and ceramic ladder filters from leading manufacturers, ferrite rods, various ferrite beads and a range of crystals for 'standard' frequencies and both AM and FM radio control at 27MHz. Trimmer capacitors.

METERS - a new range of linear movement types, plus many 'indicator' types for VU, all types of tuning indicators etc.

SOCKETS - a new range that are better quality than Texas low profile, yet better priced.

Modules for AM/FM/STEREO, complete kits for tuners, audio amplifiers from Larsholt.

SWITCHES - complete low cost DIY systems for push button arrays, keyboard switches.

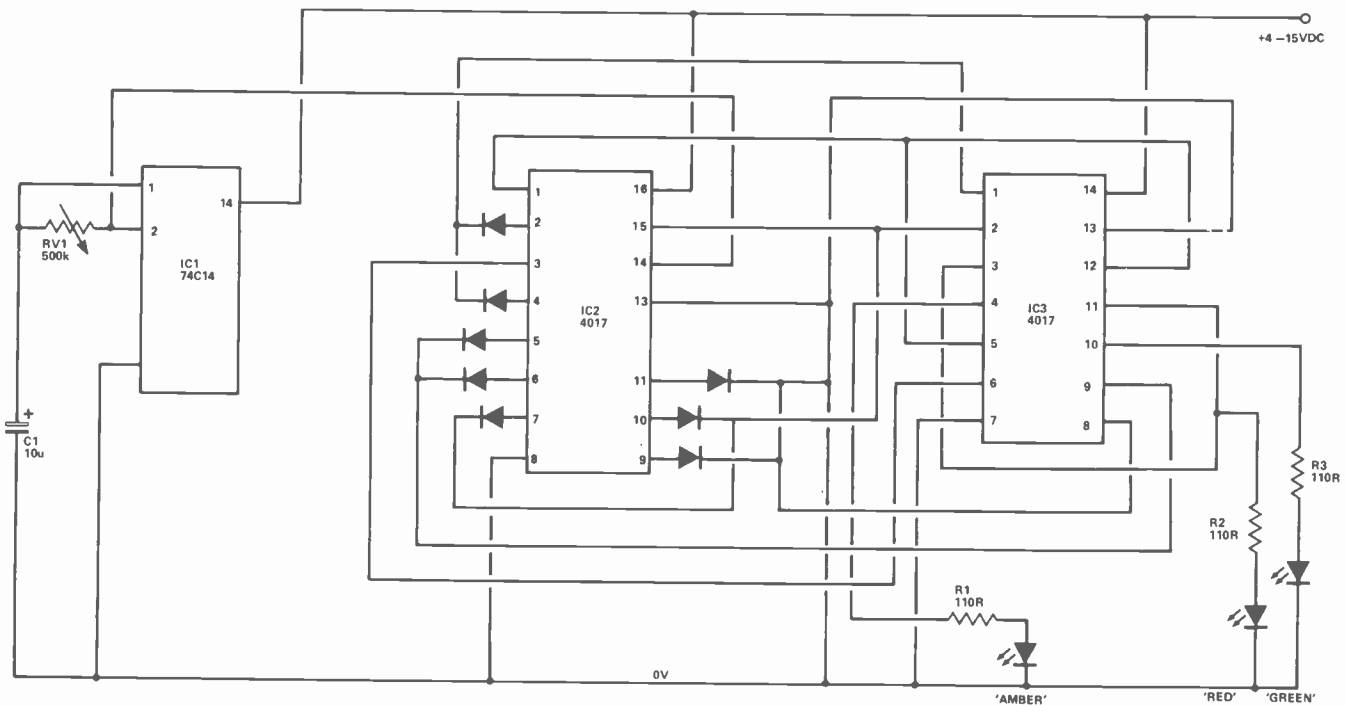
DOUBLE BALANCED MIXERS - MCL SBL1, replacement for MD108 etc. And cheaper.

OUR LATEST MOVING EXPERIENCE :: At last, we have moved to the address below. There is car parking for customers approaching via North Service Road (an extension of North Road Avenue, entrance opposite the Brentwood Fire Station.) Pedestrian access from the High Street (alongside 117 High Street). The new building is six times bigger than our Gresham Road offices, and we will be installing a much expanded sales counter in the fullness of time. **NEW TELEPHONE NUMBER (0277) 230909, TELEX NUMBER (as before) 995194 AMBIT G.** See you there!

200 North Service Road, Brentwood, Essex.



TECH TIPS

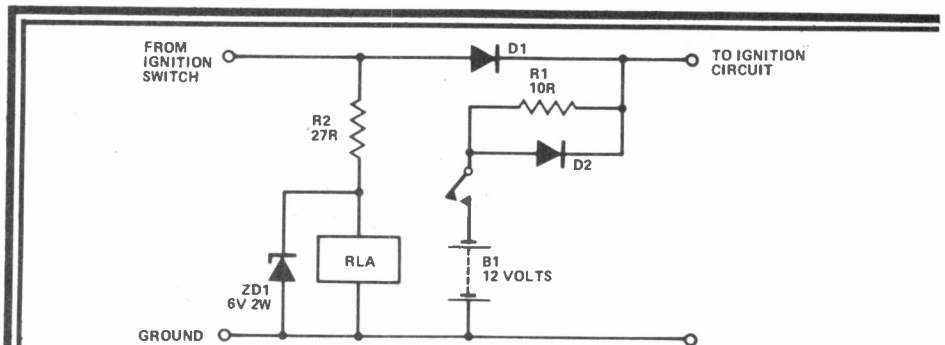


Traffic Light Controller

Michael Miller

This circuit is relatively simple and gives a realistic timing sequence. IC1 sets the timing clock pulse and can be adjusted by RV1. IC2 is a decade counter, whose output pulses are mainly fed through diode buffers (any small cheap diodes will do), to IC3, a quad OR gate, which sorts the consecutive decade pulses into three coloured LEDs.

To couple this circuit to a similar one, for the other intersection of the crossroads, the pulse from pin 1 of IC2 should be taken to pin 15 of the IC2 of the other circuit. This second circuit should have pin 15 biased to 0V via a 100 k resistor. When the first circuit is showing red, the second circuit will be showing green.



Cold Start Ignition

M. C. Polgreen

The heart of the circuit is a small auxiliary battery with a capacity of one or two amp hours. If a nickel cadmium battery is used then R1 should be increased in value so that the maximum trickle charge current is not exceeded. R2, ZD1, and RLA connect B1 into circuit when the ignition is switched on, thereby reducing the amount of additional wiring. Any small 6 volt relay with a

contact rating of 5 amps will do, and ZD1, R2 ensure that the relay will remain energised when the starter motor causes the main battery voltage to drop. When the main battery voltage falls, D1 becomes reverse biased and D2 forward biased, therefore allowing B1 to supply current to the ignition circuit. When the engine is running, the main battery voltage rises, forward biases D1 and reverse biases D2. Therefore the ignition current comes from the main battery, and B1 is trickle charged via R1. The two diodes D1, D2 should be rated at 50 V, 10 A.

Tech-Tips is an ideas forum and is not aimed at the beginner. We regret we cannot answer queries on these items.

ETI is prepared to consider circuits or ideas submitted by readers for this page. All items used will be paid for. Drawings should be as clear as possible and the text should preferably be typed. Circuits must not be subject to copyright. Items for consideration should be sent to ETI TECH-TIPS, Electronics Today International, 145 Charing Cross Road, London WC2H 0EE.

OLIVETTI PRINTER & KEYBOARD type Te 300

with PUNCH & READER. Upper case ASCII with V24 Interface. 240 volt operation.
£125 each

TELETYPES KSR33

Upper case ASCII with 20MA Loop. This is a printer with Keyboard (no Punch or Reader on this model).
£225 each

BRUEL & KJOER EQUIPMENT

AUDIO FREQUENCY SPECTROMETER type 2112 **£175 ea.**
BEAT FREQUENCY OSCILLATOR type 1013 **£140**
BEAT FREQUENCY OSCILLATOR type 1014 **£140**
BEAT FREQUENCY OSCILLATOR type 1022 **£140**
AUTOMATIC VIBRATION EXCITER CONTROL type 1018 **£90**
AUTOMATIC VIBRATION EXCITER CONTROL type 1019 **£90**
AUTOMATIC VIBRATION EXCITER CONTROL type 1016 **£90**

TRANSISTOR INVERTOR 115V 50/60 HZ INPUT

These run at 20KHZ. They can be modified to be a switching power supply or to provide EHT for VDU, Oscilloscopes, etc. or the output core could be rewound to provide any voltage/current within the units rating. As supplied they have multiple outputs. A schematic is provided. Size 3½ x 4 x 8½". All units are tested before dispatch.
£3.25. P&P £1.50.

INFRA RED IMAGE CONVERTER type 9606 (CV 144)

1½x2" diameter. Requires single low current 3KV to 6KV supply. Individually boxed. With data.
£12.50 each P&P 75p.
Infra Red Lamps also advertised

HONEYWELL VDU

1920 Character Upper Case ASCII. With edit and block transmission. Limited quantity with data.
NEW LOW PRICE £200 each

POLARAD SPECTRUM ANALYSER

5' Display. These are supplied with STU 2 plug-in. 1 to 4.5GHZ
£125 each.

MARCONI SPECTRUM ANALYSER Type TF1094

This gigantic but superb analyser covers from 100HZ to 30MHZ with a 6HZ resolution. 5" display. Complete with trolley.
£75 each.

CROWN replacement MOTOR for IBM GOLF-BALL TYPEWRITERS.
115 volt 50HZ 1350 rpm.
£4.50 each P&P £1.50

STEPPING MOTORS

6/12 position with additional where the rotor is coils. Device can be used as a tachometer. Diagram supplied. Will actually work on 5 volts. 12/24 recommended.
£1.50 each P&P 75p or 5 for £5 P&P £1.50.

R&S GEN BN 41026 SCR 1000-19000MHZ £120
R&S GEN BN 41027/2 SBR 1700-2700MHZ £140
R&S GEN BN 41022 SDR 300-1000MHZ £90
R&S GEN BN 41023/2 SDAF AM/FM Video £200
R&S GEN BN 1524 USVU 0.9-2.7 GHZ £180
R&S GEN BN 4105 SMLM Power Sig Source £180
R&S GEN BN 2412/50 NRD 0-3200MHZ £120
R&S GEN BN 4242 SVW 500KHz-12MHZ £120
R&S POLYSKOP BN 4244 SWOB £300
R&S GEN BN 4105 SMLM 30-305 MHZ £75
R&S GEN BN 1523 USVD 280-940MHZ £120 ea.
R&S GEN BN 4242 WID 30-300MHZ £120
FERRUGRAPH Recorder Test Ser RTS 2 £350
HEWLETT PACKARD Oscilloscope type 120B £190
HEWLETT PACKARD AC Converter type 3461A £240
HEWLETT PACKARD Synchronizer type 8708A £280
RACAL Auto Freq Converter 803R 500MHZ £80
COHU DC Voltage Standard 303B £350 ea.
AVO Precision meter £75 ea.
PYE pH Meter Model 79 £120
POLARAD Sig source Model 120BA 7-11GHZ £120
FLUKE RMS Voltmeter type 910A £80
TELEVIC SWEEPER SM2000 0.1800MHZ in 3 plug-in units £150
WAYNE KERR Bridge CT 530 with adaptor £150 ea.
TELEVIC SWEEPER SD 3 450-900MHZ with markers £85 ea.
TWENTY MILLION Megohm meter Bby E.1 £40 ea.
SCOPEX oscilloscope type 4010 £190 ea.
AVO 8 Mk 3 or similar from £50
HEWLETT PACKARD Oscilloscope type 140A with Reflector meter plug-in £250
MARCONI Gen type TF801D/1 £150
COSSOR CDU130 small, compact main/battery Oscilloscope Batteries supplied £240
MARCONI Gen type TF144H £180
LABGEAR UHF/VHF PAL Colour Bar Gen CM6052/CB £90 ea.
MARCONI GEN TF1066B £350
RANK FLETTER Meter type 1740 £50 ea.
AVO Sig Gen HF135/Taylor 68A/M £120 ea.
TEK scope 545A with H plug-in £125 ea.
TEK scope 545A with CA plug-in £175 ea.
H.P. scope 175A 50MHZ Dual trace £125 ea.
WAYNE KERR Universal Bridge CT375 £75 ea.
MARCONI Wave Analyser TF2330 £500 ea.
NOISE GENERATOR CT410 — covers audio to VHF £8 ea.
NAGARD Pulse Generator 500ZC £50 ea.
MARCONI Wave Analyser type TF455E £50 ea.
SOLARTRON DVM LM1420 with AC unit LM1477 £40 ea.
CALCOMP Drum Plotter type 564 £1,500
MARCONI Bridge TF868B £120
VARIACS EX-Equipment Good condition 8 Amps 20 AMPS £25 ea.
Some 3 phase available. Please enquire. CARRIAGE ALL UNITS £4 ea.

CRYSTALS

19.2KHZ FLAT METAL CASE — 50p each.
10 MHZ B7G 50p each.

EX-NAVAL 4ft dia STEEL DISHES NEW CRATED. 1 ft deep at centre. These are plain steel dishes with holes for various serial options. £22.50 ea. Carriage £4.

LISTS AVAILABLE — WRITE OR PHONE.

TRANSFORMERS — Standard Mains Input.

Secondary outputs
6KV 0.125A **£15 ea.**
3440V 0.66A with matching 40H Choke **£30 the pair.**
8V 600 Amps **£25.**
5V 0.20-30.40-50-60V 40 Amps **£20.** 5KV 300MA **£15.**
12KV 30MA **£20.**
3KV 50MA **£8 ea.** 4 Volts 250 Amps **£10 ea.**
18KV 30MA **£60.**
22.5KV 110MA **£50 ea.**
60KV 0.0273 **£150.**
Input 200V 50HZ Sec 100KV 0.05 **£150.**
MULTI PURPOSE MAINS TRANSFORMER 4 windings each winding 0.10-1.10-1.25-4-8A **£15 ea.**
425V 50HZ 2 Wire Input. Output 8.5KV 2.55KV. Could be run on 240V at ½ rating **£15 ea.**
STEP DOWN ISOLATING TRANSFORMER. Input 220V. 250V 50HZ Output 115V 1.8KVA BRAND NEW. These are very conservatively rated **£20 ea.**
CAPACITORS
10mfd 10KV DC Working **£4 ea.**
2mfd 5KV **£4 ea.**
0.5 mfd 5KV **£4 ea.**
200mfd 4KV Rapid discharge **£10 ea.**
0.5 mfd 10KV **£4 ea.**
8 mfd 2.5KV **£4 ea.**
CARRIAGE on these units will be charged at cost

INFRA RED QUARTZ LAMPS. 230V 620 Watts. Size 13½" x ½" dia. **£1.50. P&P 50p**
BRIDGE RECTIFIER. 2 Amp **50p ea.**
PHOTODIODE DETECTOR 4" flyleads. 25p ea.
A SUPERIOR KEYBOARD. Size 3 x 2½ x 2" high with 12 Alma Reed Switches. Blue keys marked in green 0-9 and a star with one black. NOW **£4 ea.** P&P 75p
AMPHENOL. 17-way chassis mount edge connectors 0.1 spacing. **15p ea.**
I.E.C. Standard MAINS LEAD. Moulded (3 vertical flat pins centre offset) **60p ea.** P&P 50p
FANS. 115V 13 Watts. Size 3¼ x 3¼ x 1½" BRAND NEW **£4.50 ea.** Secondary **£2.50 ea.** P&P 75p
MOTOROLA REGULATORS. type 7312 12V 1 amp **85p ea.**
Miniature MOTORS 12V with gear wheel (8 teeth 3/16" dia). Size 1¼ x ¾" dia. New **30p ea.**
MOTOR 12V DC with pulley and integral semiconductor Speed Control. New **£1 ea.** P&P 50p
LEDEX ROTARY SOLENOIDS. 115V DC. No switch assembly. **15p ea.**
DIAMOND H CONTROLS ROTARY SWITCH. Single pole 10-way. Printed Circuit Mount. New **10p ea.**
DELAY LINE. 50 nanoseconds. 3 connections. ground-in-out. Size 2 x 7/16 x 16". New **25p ea.**
PULSE TRANSFORMER. Sub min. Size ½ x 5/16 x ¼". Secondary centre tapped. New **20p ea.**

MICROSWITCH. V3 style. Button 250V 6A **15p ea.**
MOTOR by Inland Motor Corp. DC High Torque. Reversible. Usable torque at 5V. Max voltage 24V **£2.50 ea.** P&P £1.50.
REMO TY TYPE MULTIPLIER. Two high voltage outputs and focus **£2 ea.** P&P £1
DON'T TAKE CHANCES. Use the proper EHT CABLE **10p per meter** or **£7.50 per 100 meter drum.** P&P £1.50.
MOTOR by Eastern Air Devices Inc. 125V reversible with toothed shaft (10 teeth ¼" dia). Size 2¼ x 2¼" dia **75p ea.** P&P £1.
PHOTOGRAPHIC LAMPS. Pearl 230V 500 watt. Screw cap **75p ea.** Box of 12 **£5.50** P&P £1.50.
Decoupling CAPACITORS 0.05mfd 10V. Size 0.25" between leads ¼" height. **100 for £1.** P&P 50p
CAPACITORS 0.01mfd. Size 5/16" between leads. ½" height. **100 for £1.** P&P 50p.
MYSTERY IC PACK. Some 40 pin — good mixture — all new devices **25 ICs for £1.** P&P 50p. You find out what they are and we will buy the information from you.
SUPERB 19" RACK CABINET. Approx 4' 6" high x 33" deep. Instrument front panel position can be adjusted. Chocolate colour. These are new but have slight scratches and imperfections — hardly noticeable. **£35 each.** Carr. £4.
VACUUM PUMPS — TRAPS. Etc. Send for list.
10-Way Multi-Colour Ribbon Cable. New. 40p per metre. P&P 50p.

SPEAKERS 2½". 50 ohm 0.2W. New **40p each.** P&P 50p.
RAPID DISCHARGE capacitors 8mfd 4kV **£5 each.** P&P £1.50.
GEC UHF 4 button tuner. **£2.50 each.** P&P 85p.
BIG INCH Motor 110VAC 3 rpm 50 cycle. Very small **50p each.** P&P 50p.
CENTAUR 115V AMS. 4.5 x 4 x 1½" **£4.50 each.** P&P 75p.
EX-USED Equipment, tested **60p each.** P&P 75p.
POTTER & BRUMFIELD TIMER RELAY. 115V AC Heavy duty. 7 pole c/s with 2 second delay Charge R & C for different timing **50p each.** P&P 85p.
CONTRACTORS. Heavy Duty 24V DC 5 brake **£1 each.** P&P 85p.
GPC UHF/VHF 6 button tuner. **£4.50 each.** P&P £1.
DIGITAL 24-HOUR CLOCK with built-in alarm as used in Braun Digital clocks. Silent running. Large illuminated numerals. AC mains. Size 8½ x 2¼ x 2¼" **ONLY £3.75 each.** P&P 50p.
531A PHOTO MULTIPLIER in stainless steel container with window and built-in resistor network. **£2 each.** P&P £1.
SLIDER CONTROL 500W. Log. Single track. Complete with knob. Length 3½". **25p each.** P&P 25p.
RANCO 250V 18A THERMOSTATS with Control knobs calibrated 50-200 degree F. **£2.50 each.** P&P £1.
SOLID STATE UHF TUNERS. 30 acs **£1 each.** P&P 75p.
BRAND REX blue wire wraps. 30 metres for **£1.** P&P 25p.
5in SOLID RUBBER RINGS (1" dia. rubber) Keep the kids (or dog) happy. **4 for £1.** P&P £1.25.

TRANSFORMERS

AUTO 240V input 115V. 1 Amp output **£1.25 each.** P&P £1.25.
240V input 8 ac. 6V. 1.86A 8kV 2½ x 2 x 2" Good quality **£1.50 ea.** P&P £1
240V input 8 ac. 12V 0.92A. Size 2½ x 2 x 2" Good quality. **£1.50 ea.** P&P £1
240V input 12V100MA. Size 60 x 40 x 42mm. **50p each.** P&P 75p.
240V input 8 ac. 12-0-12V 50MA. Size 53 x 45 x 40mm **£1 each.** P&P 75p
115V input. 8ac. 5V 250MA. Size 1 11/16 x 1 5/16 x 1¼" 2 for 50p. P&P 75p

SEMICONDUCTORS

At 2p each.
1M3063 1344. **At 5p each.**
80147, 80148S, 80157, 80158, 80237, 80197, 0A90, 0A81, 8A154, 8A243. **At 25p each.**
DP31 TIP41A 2N5296, AF139, 2TX341
BY123 10p, BF181 20p, BD239 40p, BD241 40p, MA343AT 40p, BD228 50p, BD233 & BD234 Comp Pair 25p — **80p per pr at 50p each.**
Regulator TBA635 8 to 20V in — 5V out 180MA TD5 Con. **50p each.** BF266C. 20p.
TV AMPLIFIER TBA 120 **20p each.**

Integrated Circuits

7453	5p	709	15p	75325	£1
7451	5p	74474	12p	SN15662	4p
7401	5p	74H51	7p	MC4028	60p
7402	12p	74538	10p	7417	14p
7476	20p	74502	12p	7441	40p
7495	35p	74154	70p		

MOTOROLA DUAL in Line 6 pin Opto Coupler **30p each.** Gold plate tester version **50p each.**
AM9140 4K RAMS STATIC 5 Volt ceramic **£4 each.**
2708 £5.50 each. P&P 25p.
TELEPHONES. 706 style Black or Grey **£5.50 each.** 746 style Black or Grey **£7.50 each.** Older style Black **£2.50 each.** Postage **£1 each.**
Honeywell humidity Controllers **50p each.** P&P 40p.
THYRISTOR TIMER. Solid State. 15 secs adjustable (reset) in plastic relay case. Standard 7 pin base. Series delay **50p each.** P&P 85p.
MINIATURE PC MOUNT SLIDE SWITCH. Single pole 3-way **10p each.**
DIGITAL to ANALOGUE CONVERTER. 8 bit will fit standard TT1 socket. With data. **£2.50 each.** P&P 25p.
VARIACS. 2 amp Standard 240 Volts **£10 each.** P&P £1.50
ELECTROSTATIC VOLTMETERS. 7.5KV **£8 each.** P&P £1
Other ranges available. Please enquire
TRIMMERS. Sub min 0.25 to 1.25pF. 1 to 4.5pF. 7 to 45pF. All at **6p each.**

Minimum order £3 value of goods. P&P or Carriage and VAT at 15% on total must be added to all orders.
CALLERS VERY WELCOME STRICTLY BETWEEN 9am-1pm and 2-5pm Monday to Saturday inc.
BARCLAYCARD (VISA) and ACCESS taken. Official orders welcome

CHILMEAD LTD

NORWOOD ROAD, READING TELEPHONE NO. READING 669656

(2nd turning left past Reading Technical College in King's Road then first right — look on right for door with "Spoked Wheel")

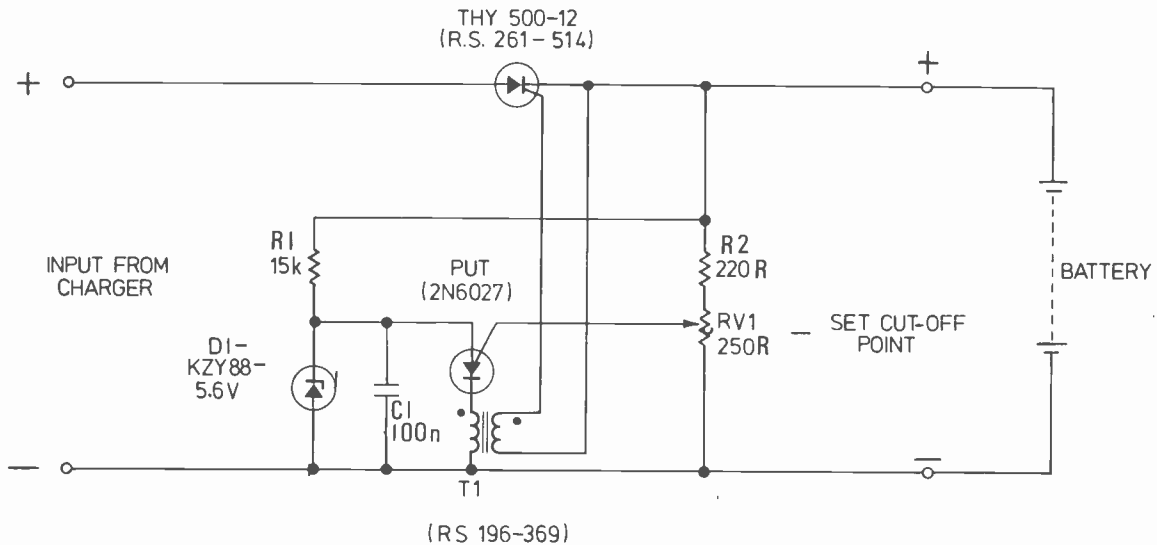
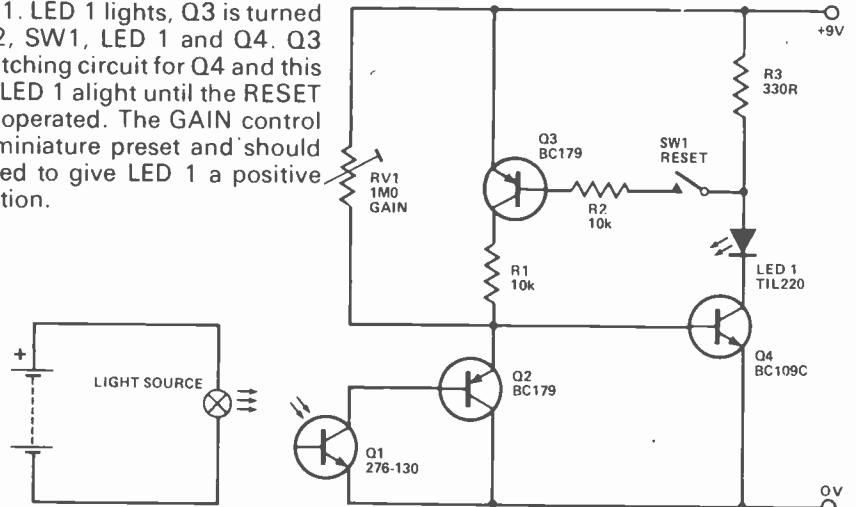
Silent Sentry

B. J. Lowery

The 'Silent Sentry' is a form of intrusion alarm. It will indicate the breaking of a light beam by means of lighting a Light Emitting Diode, which will remain lit until the RESET switch is activated. Q1 may be any suitable NPN photo-transistor available, eg 276-130 (Tandy) and BPX 25 (Maplin).

When light from the light source is falling on Q1, Q2 is turned on, causing both Q3 and Q4 to be turned off, therefore LED 1 will not light. As soon as the light beam is broken Q2 is turned off, allowing Q4 to be turned

on via RV1. LED 1 lights, Q3 is turned on via R2, SW1, LED 1 and Q4. Q3 forms a latching circuit for Q4 and this will keep LED 1 alight until the RESET switch is operated. The GAIN control is a sub-miniature preset and should be adjusted to give LED 1 a positive on/off action.



Battery Charger Controller

D. Wedlake

The battery charger circuit illustrated was designed to be incorporated in any conventional battery charger rated up to 10 amps, where the output is full-wave rectified and unsmoothed. It is fully protected as it cannot be damaged by short circuit or reverse battery connection. Furthermore, charging ceases when the battery voltage reaches a pre-set voltage (normally 13V8 for a fully charged battery).

The design is based on the Programmable Unijunction Transistor (PUT) oscillator which senses the

battery voltage to determine when charging should cease. The battery being charged provides the power for the oscillator which, in turn, triggers the thyristor via the pulse transformer T1. As the anode of the PUT is clamped to 5V6 by the Zener Diode, ZD1, it follows that the circuit will not oscillate if the potential at the slider of RV1 is correspondingly higher. Therefore, RV1 controls the cut-off point which should be set to 13V8. This is best set under actual operating conditions and the charging current will gradually reduce as this voltage is approached.

The charger is fully protected as the circuit cannot oscillate under short circuit conditions or reverse battery connections. However, as the power for the oscillator is derived

from the battery, the circuit will naturally not be self starting if the battery is completely flat or charged to less than about 7 volts. This problem could be overcome by providing a push-button shorting switch across the thyristor to initiate charging. In a short while the battery voltage should have risen sufficiently to maintain normal operation. However, one should bear in mind that the charger will not be protected when the start push button is pressed, so if included, one should provide a fuse as additional protection.

If used at full load current, the thyristor should be mounted on a suitable heat sink having a thermal dissipation of 4 C/W (eg RS 401-497).

8K ON BOARD MEMORY!

5K RAM. 3K ROM or 4K RAM, 4K ROM (link selectable). Kit supplied with 3K RAM, 3K ROM. System expandable for up to 32K memory.

2 KEYBOARDS!

56 Key alphanumeric keyboard for entering high level language plus 16 key Hex pad for easy entry of machine code.

GRAPHICS!

64 character graphics option — includes transistor symbols! Only £18.20 extra!

MEMORY MAPPED

high resolution VDU circuitry using discrete TTL for extra flexibility. Has its own 2K memory to give 32 lines for 64 characters.

KANSAS CITY

low error rate tape interface.

2 MICROPROCESSORS

Z80 the powerful CPU with 158 instruction, including all 78 of the 8080, controls the MM57109 number cruncher. Functions include +, -, *, /, squares, roots, logs, exponentials, trig functions, inverses etc. Range 10^{99} to 9×19^{99} to 8 figures plus 2 exponent digits.

EFFICIENT OPERATION

Why waste valuable memory on sub routines for numeric processing? The number cruncher handles everything internally!

RESIDENT BASIC

with extended mathematical capability. Only 2K memory used but more powerful than most 8K Basics!

1K MONITOR

resident in EPROM.

SINGLE BOARD DESIGN

Even keyboards and power supply circuitry on the superb quality double sided plated through-hole PCB.

NEW LOW PRICE!



Cabinet size 19.0" x 15.7" x 3.3". Television by courtesy of Rumblelows Ltd., price £58.62

COMPLETE KIT NOW ONLY £249 + VAT

Kit also available as separate packs e.g. PCB, Keyboards, Cabinet, etc.

POWERTRAN

PSI Comp 80. Z80 Based powerful scientific computer Design as published in Wireless World, April-September, 1979.

The kit for this outstandingly practical design by John Adams published in a series of articles in Wireless World really is complete!

Included in the PSI COMP 80 scientific computer kit is a professionally finished cabinet, fibre-glass double sided, plated-through-hole printed circuit board. 2 keyboards PCB mounted for ease of construction, IC sockets, high reliability metal oxide resistors, power supply using custom designed toroidal transformer. 2K Basic and 1K monitor in EPROMS and, of course, wire, nuts, bolts, etc.

PSI COMP 80 Memory Expansion System

Expansion up to 32K all inside the computer's own cabinet!

By carefully thought out engineering a mother board with buffers and its own power supply (powered by the computer's transformer) enables up to 3 8K RAM or 8K ROM boards to be fitted neatly inside the computer cabinet. Connections to the mother board from the main board expansion socket is made via a ribbon cable

Mother board:	Fibre glass double sided plated through hole P.C.B 8 7" x 3.0" set of all components including all brackets, fixing parts and ribbon cable with socket to connect to expansion plug £39.90
8K Static RAM board	Fibre glass double sided plated through hole P.C.B 5 6" x 4.8" £12.50 Set of components including IC sockets, plug and socket but excluding RAMs £11.20 2114L RAM (16 required) £5.00 Complete set of board, components, 16 RAMS £89.50
8K ROM board	Fibre glass double sided plated through hole P.C.B 5 6" x 4.8" £12.40 Set of components including IC sockets, plug and socket but excluding ROMs £10.70 2708 ROM (8 required) £8.00 Complete set of board, components, 8 ROMS £78.50

Floppy Disk, PROM programmer and printer interface coming shortly!

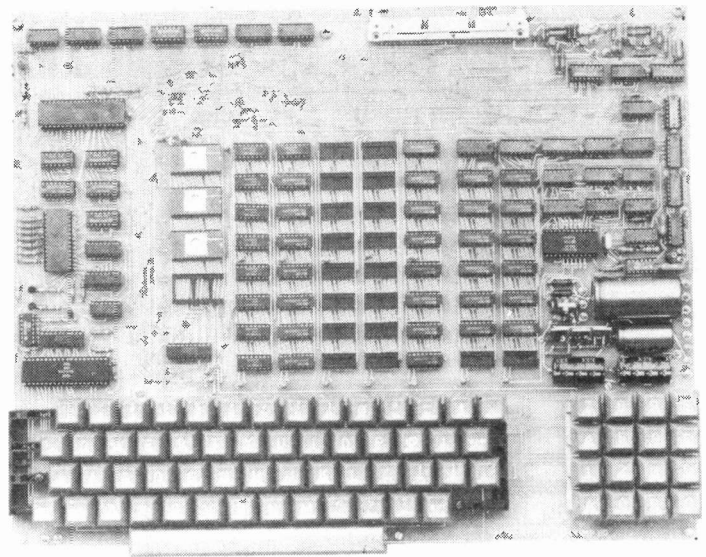
Value Added Tax not included in prices

PRICE STABILITY: Order with confidence. Irrespective of any price changes we will honour all prices in this advertisement until March 31st, 1980, if this month's advertisement is mentioned with your order. Errors and VAT rate changes excluded

EXPORT ORDERS: No VAT. Postage charged at actual cost plus 50p handling and documentation

U.K. ORDERS: Subsequent to 15% surcharge for VAT. No charge is made for carriage. *Or current rate if changed

SECURICOR DELIVERY: For this optional service (U.K. mainland only) add £2.50 (VAT inclusive) per kit



UK Carriage FREE

POWERTRAN COMPUTERS

(a division of POWERTRAN ELECTRONICS)

PORTWAY INDUSTRIAL ESTATE
ANDOVER HANTS SP10 3NM

ANDOVER
(0264) 64455

Stereo VCA

J. Macaulay

The circuit shown is of a stereo VCA whose gain can be varied over a 90 dB range by the application of a control voltage between 0-15V.

Maximum gain is limited to 20 dB and occurs when the control voltage is 0V. Minimum gain occurs with the application of +15V at the control input.

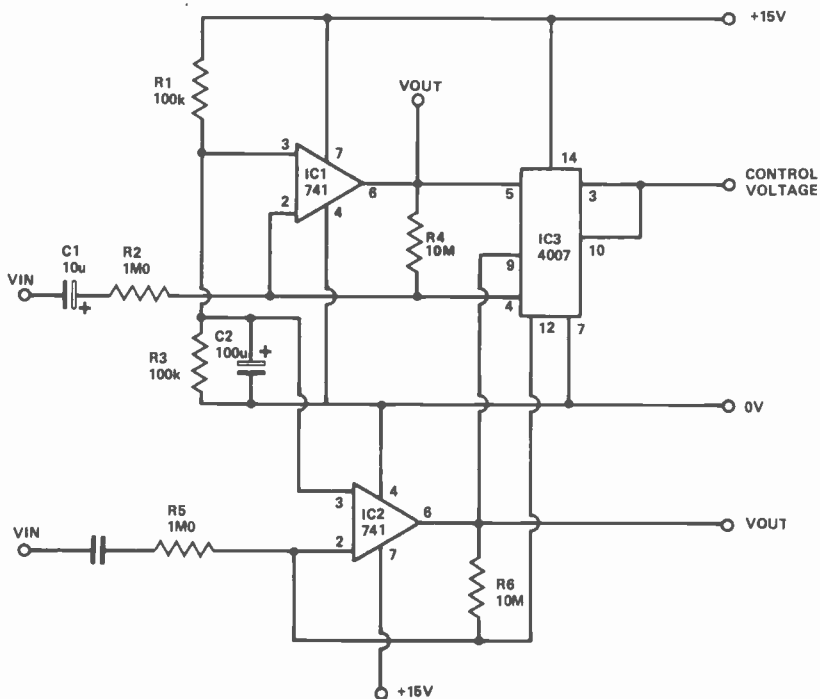
The circuit works as follows. IC1/2 are 741 op amps operated in the virtual earth mode with R1, R5 determining the input impedance at 1M, regardless of gain. The feedback loop from the output of the IC's are completed by the resistors R4, R6. A pair of MOSFETs, internal with these resistors and the control voltage is applied to their gates, pins 3 and 10.

When zero volts are applied to the gates the resistance across the feedback loop is some 10^9 ohms in all with R4-6. In consequence these latter components determine the gain of the stage. When the control voltage is increased in a positive direction the impedance across the

FETs decreases and the gain of the amplifier decreases in sympathy. Once the voltage is increased to 15V the impedance across the FETs lowers to roughly 300R.

The frequency response of the amplifier extends from approximately 5 Hz-100 kHz at the

-3 dB points whilst the distortion at maximum gain is about 0.1% at 1 kHz. If the feedback resistors are close tolerance types, 2%, the gain will be found to be within ± 1 dB between channels due to the closely matched characteristics of the FETs within IC3.



LED Chaser

P. Davidson

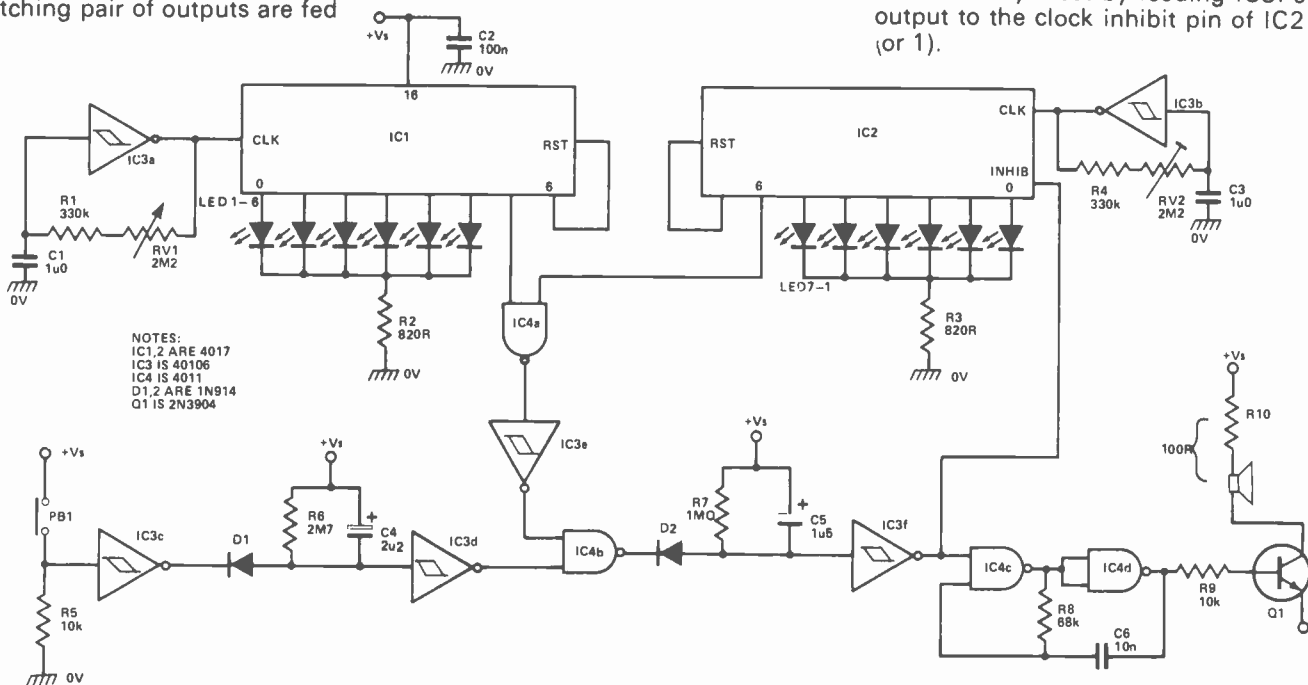
This game is a test of skill and patience. The aim is to align a LED chaser (under your control), with another preset chaser.

A matching pair of outputs are fed

to an AND gate (IC4a, IC3e). This gate feeds the NAND gate IC4b, its other output taken from the monostable formed around IC3d. This has a duration of about 6 seconds to ensure the display is fully counted.

When you think you've matched

the displays up PB1 is pressed. IC3d output goes high and if, while this is high, the two matching outputs both go high, the monostable formed around IC3f is triggered. This enables the astable formed by IC4c,d, to signal success. The unit can also be automatically reset by feeding IC3f's output to the clock inhibit pin of IC2 (or 1).



NOTES:
IC1,2 ARE 4017
IC3 IS 40106
IC4 IS 4011
D1,2 ARE 1N914
Q1 IS 2N3904

ELECTROVALUE

CATALOGUE

10

HAD YOURS YET?

Our computer has already selected thousands of our customers to whom our new catalogue has automatically been sent. If you would like a copy too, simply send us your name and address. It's

FREE

(You don't even have to pay postage in the U.K.)

IT'S A GOOD DEAL BETTER FROM ELECTROVALUE

● **We give discounts**

on C.W.O. orders, except for a few items market Net or N in our price lists

5% on orders list value £10 or more

10% on orders list value £25 or more

Not applicable on Access or Barclaycard purchase orders.

● **We pay postage**

in U.K. on C.W.O. orders list value £5 or over. If under, add 30p handling charge.

● **We stabilise prices.**

by keeping to our printed price lists which appear but three or four times a year.

● **We guarantee**

all products brand new, clean and maker's spec. No seconds, no surplus.

● Appointed distributors for SIEMENS, VERO, ISKRA, NASCOM and many others.

OUR NEW CATALOGUE No 10

Full 128 pages. Thousands of items. Improved classification for easier selection. Valuable working information. Illustrations. Separate quick-ref price list.

ELECTROVALUE LTD

HEAD OFFICE (Mail Orders)

28(D) St. Judes Road, Englefield Green, Egham, Surrey
TW20 0HB. Phone: 33603 (London prefix 87. STD 0784)
Telex 264475.

NORTHERN BRANCH (Personal Shoppers Only)

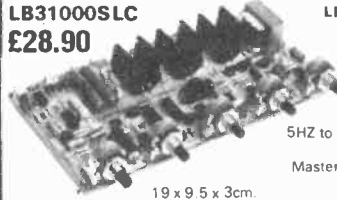
680 Burnage Lane, Burnage, Manchester M19 1NA
Phone: (061) 432 4945.

LIGHTING & AMPLIFIER MODULES FROM L & B

01-689 4138

YOU'VE ALL HEARD OF OUR SUPERB MODULES, AND IF YOU HAVEN'T, IT'S TIME YOU DID, SO READ ON! SHOWN HERE ARE A RANGE OF THE MOST RELIABLE SYSTEMS ON THE MARKET.

LB31000SLC
£28.90



19 x 9.5 x 3cm.

LB31000SL SOUND TO LIGHT. A SUPERB PERFORMING SYSTEM AT AN INCREDIBLY LOW PRICE.

3 channels. 1000w each. Fully fused. Very high input impedance. Operates from 1/4 to 300w sound input. Third order filters. Zero voltage fired. Master/Vol/Bass/Mid/Treble controls.

LB31000SLC SOUND TO LIGHT/CHASER. THE MOST ADVANCED SOUND TO LIGHT MODULE AVAILABLE, WITH AUTOMATIC SWITCHING TO CHASE UPON ABSENCE OF A MUSIC INPUT.

3 Channels. 1000w each. Fully fused. Very high input impedance. Electronic filters. 5HZ to 70KHZ bandwidth. Operates from 1/4 to 300w sound input. Triac zero voltage triggering. Master Vol/Bass/Mid/Treble/Chase speed controls.

LB31000SL £18.90



20 x 9.7 x 3.5cm.

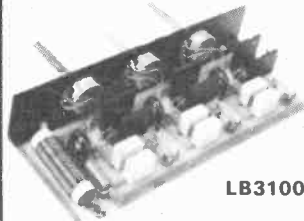
£25.50

LB81000LC
19 x 9.5 x 3cm.

LB41000LS SEQUENCER LOGIC RANDOM SEQUENCER, WITH TWO SPEED CONTROLS OFFERING A WIDE RANGE OF EFFECTS.

4 channels, 1000w each. CMOS circuitry. Zero voltage fired.

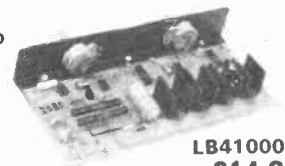
LB31000LD



20 x 7.9 x 3.5

LB81000LC CHASER A FULLY DIGITAL 8 CHANNEL CHASER, ALLOWING VARIATION OF CHASE SPEED AND CHASE RETURN DELAY.

1000w per channel. CMOS circuitry. Zero voltage fired. Can be footswitch triggered. Additional modules can be cascaded to form 16, 24, 32 chan. ect.



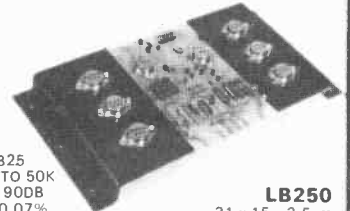
LB41000LS
£14.90

20 x 9.2 x 3.5 cm

LB31000LD and 11000LD DIMMERS. FULL POWER 3 & SINGLE CHANNEL LIGHTING DIMMERS FOR USE IN CLUBS/PUBS/THEATRES/SCHOOLS, ETC.

1000w per channel. Fully fused phase controlled Full input and individual Triac filters.

LB31000LD £12.90 LB11000LD £5.70



POWER AMPS, 250, 100 & 25W RMS. RUGGED TOUGH DEALING POWER AMP MODULES.

LB250
10HZ TO 25KHZ
S/N 110DB
THD 0.3%
£29.50

LB100
10HZ TO 30KHZ
S/N 80DB
THD 0.4%
£15.70

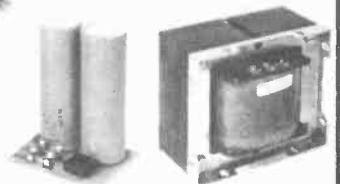
LB25
25HZ TO 50K
S/N 90DB
THD 0.07%
£8.20

LB250
31 x 15 x 3.5cm

POWER SUPPLIES

Three types of powerful supply units for our power amps. Consisting of a varnish-impregnated mains transformer and rectifier board (fuse protected).

LB250PS £21.20
LB100PS £12.20
LB25PS £10.00

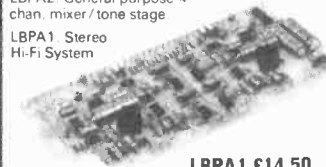


LB250PS

PREAMPS
LBPA3 Complete stereo disco preamp system. Comprising of L&R deck mixers, mic mixer, deck and mic tone stages, mic auto fade over decks, PFL, output drivers and its own regulators.

LBPA2 General purpose 4 chan. mixer/ tone stage

LBPA1 Stereo Hi-Fi System



LBPA1 £14.50
LBPA2 £13.50
LBPA3-M (magnetic deck inputs) £27.00
LBPA3-C (ceramic deck inputs) £27.00

LBPA3-M
20.4 x 9.5cm

YOU REQUIRE A BOARD THAT'S MIGHTY COMPETITIVE, RELIABLE, MANUFACTURED FROM THE HIGHEST QUALITY COMPONENTS, OF HIGH PERFORMANCE, TESTED AND INSPECTED, SUPPLIED WITH CONNECTION AND CCT, DGM AND GUARANTEED. IN TWO LETTERS YOU REQUIRE L & B.

All prices shown are inclusive of VAT. For further information, s.a.e. to Trade and Overseas inquiries welcome. Please include 70p p/ packing with all orders.

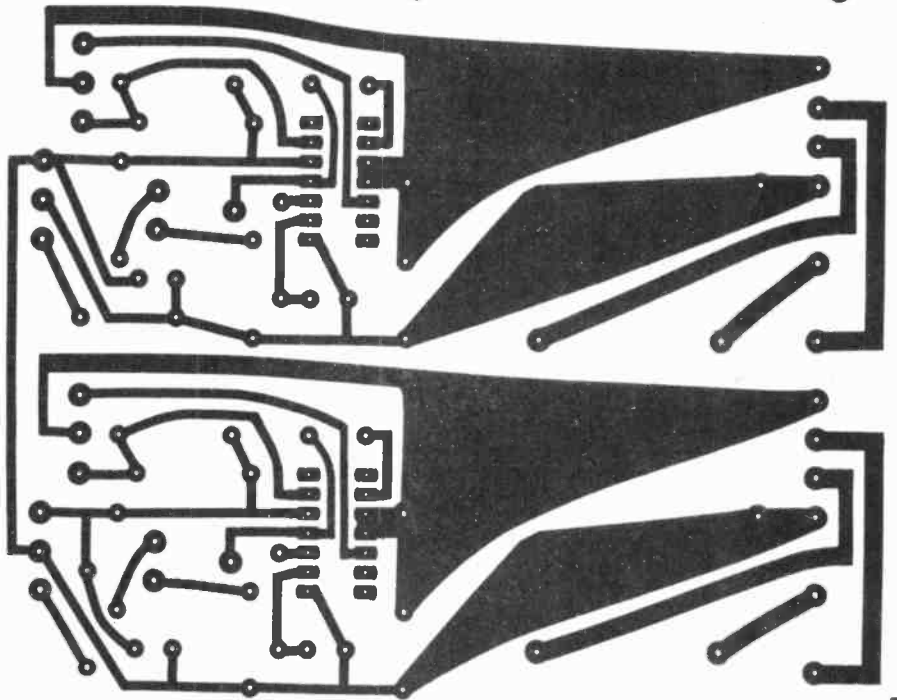
→ **L & B**

45 WORTLEY ROAD
WEST CROYDON
SURREY CRO 3FS
TEL. 01-689 4138

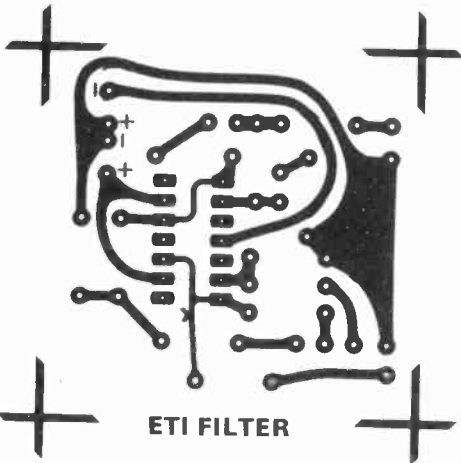
PCB FOIL PATTERNS

A small departure this month. We are giving the front panel layouts for the Project 80 modules, just to see whether or not it is really of use to our readers. Let's have your opinions.

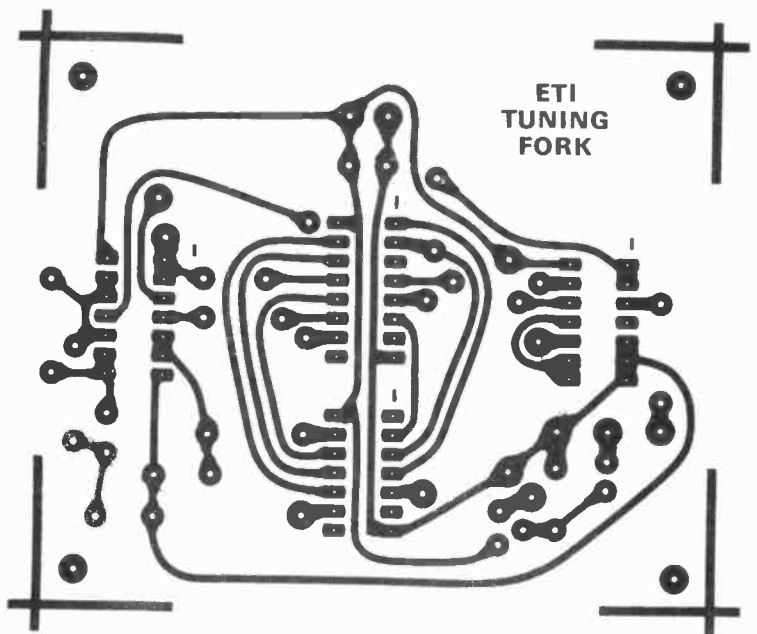
ETI 80 PSU



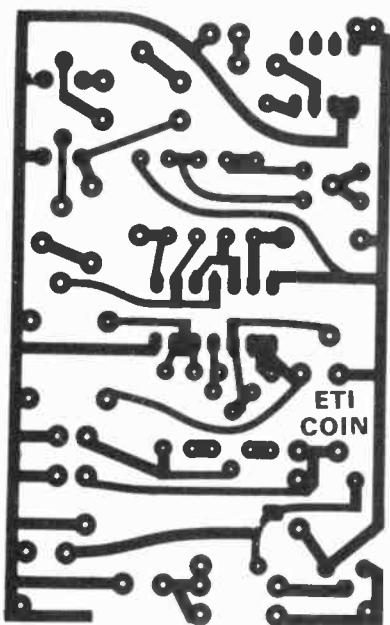
ETI FILTER

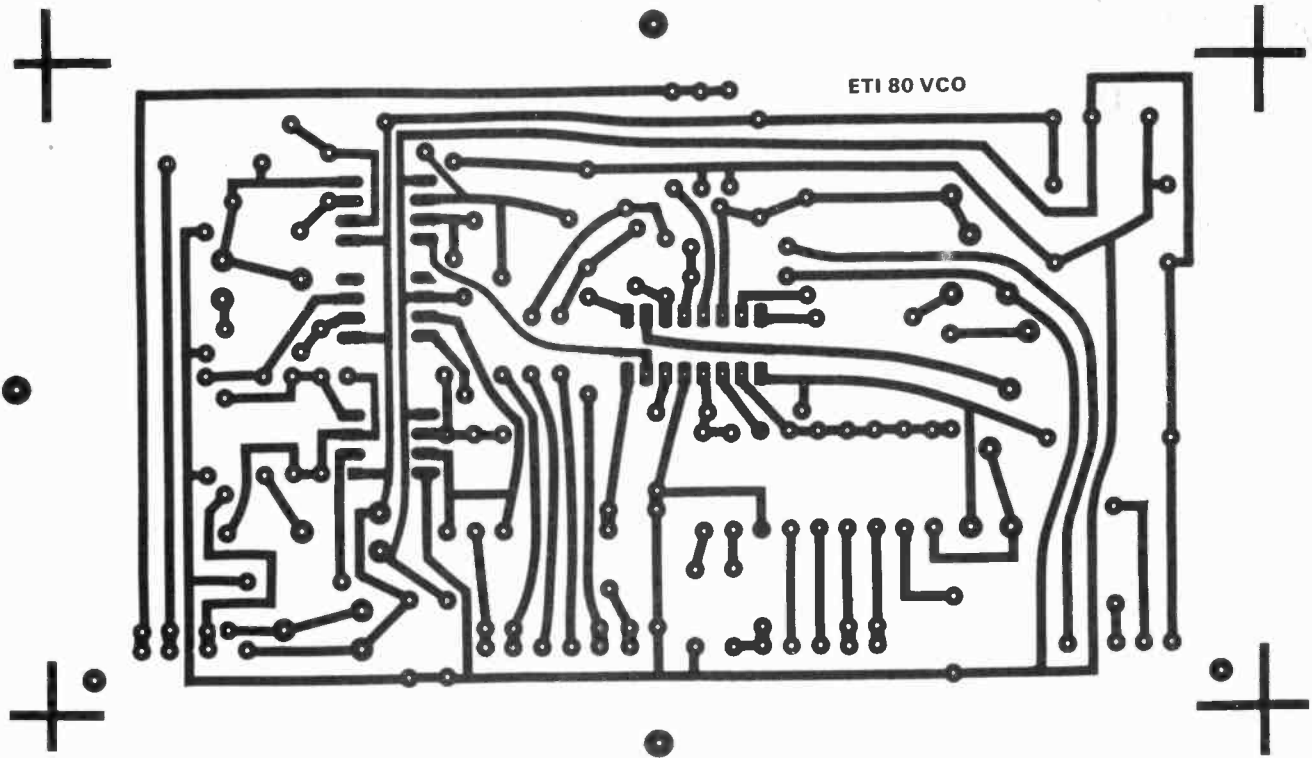


ETI TUNING FORK

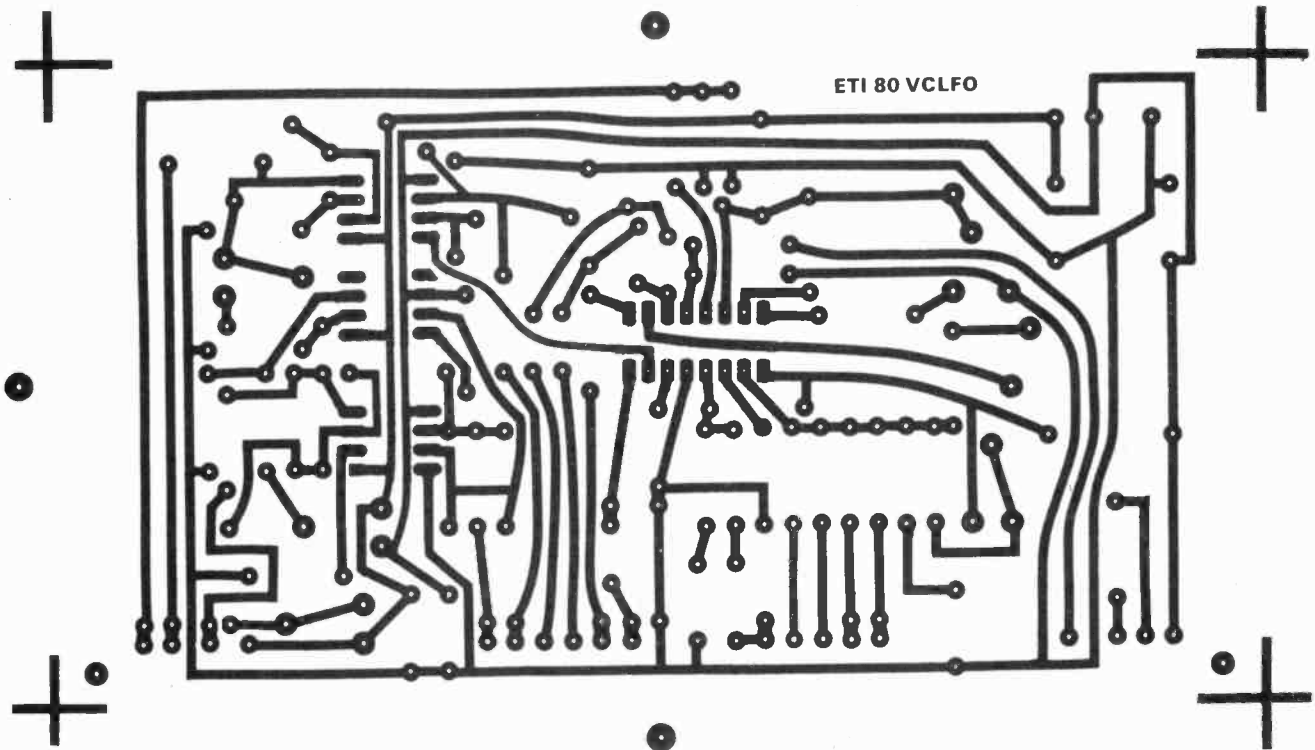


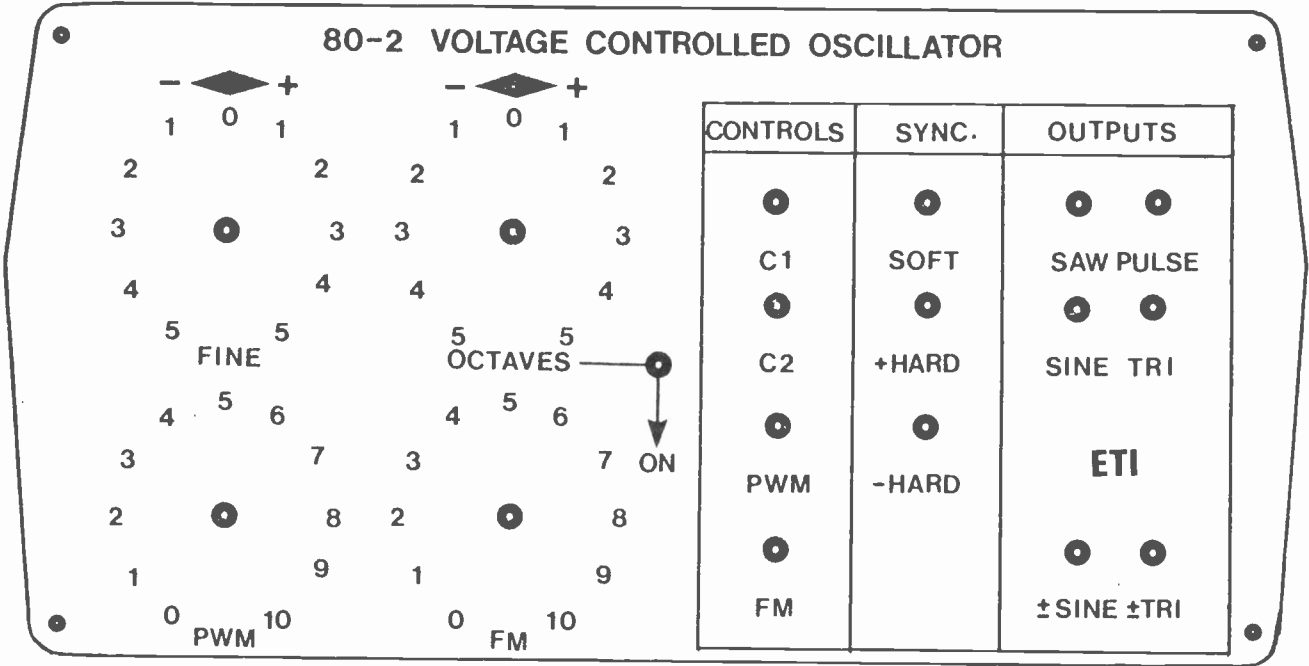
ETI COIN



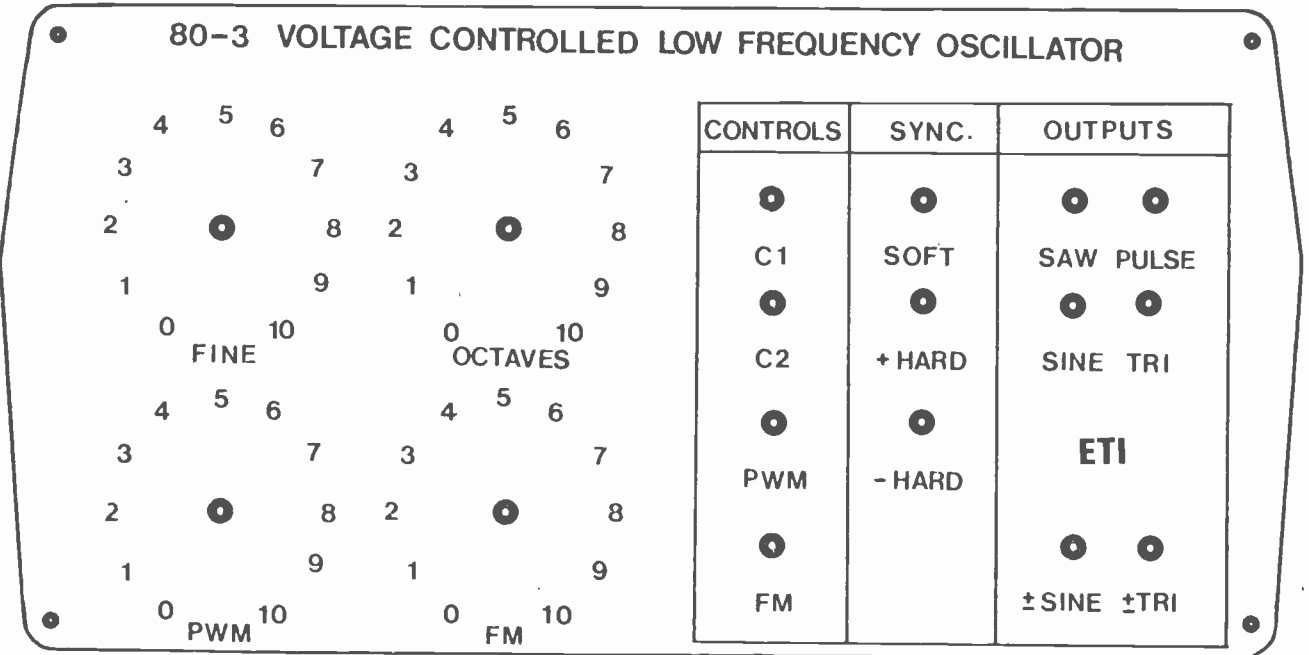


Above and below: PCBs for the VCO and VCLFO modules. Yes we know the boards are very similar, but you'll need both — won't you?



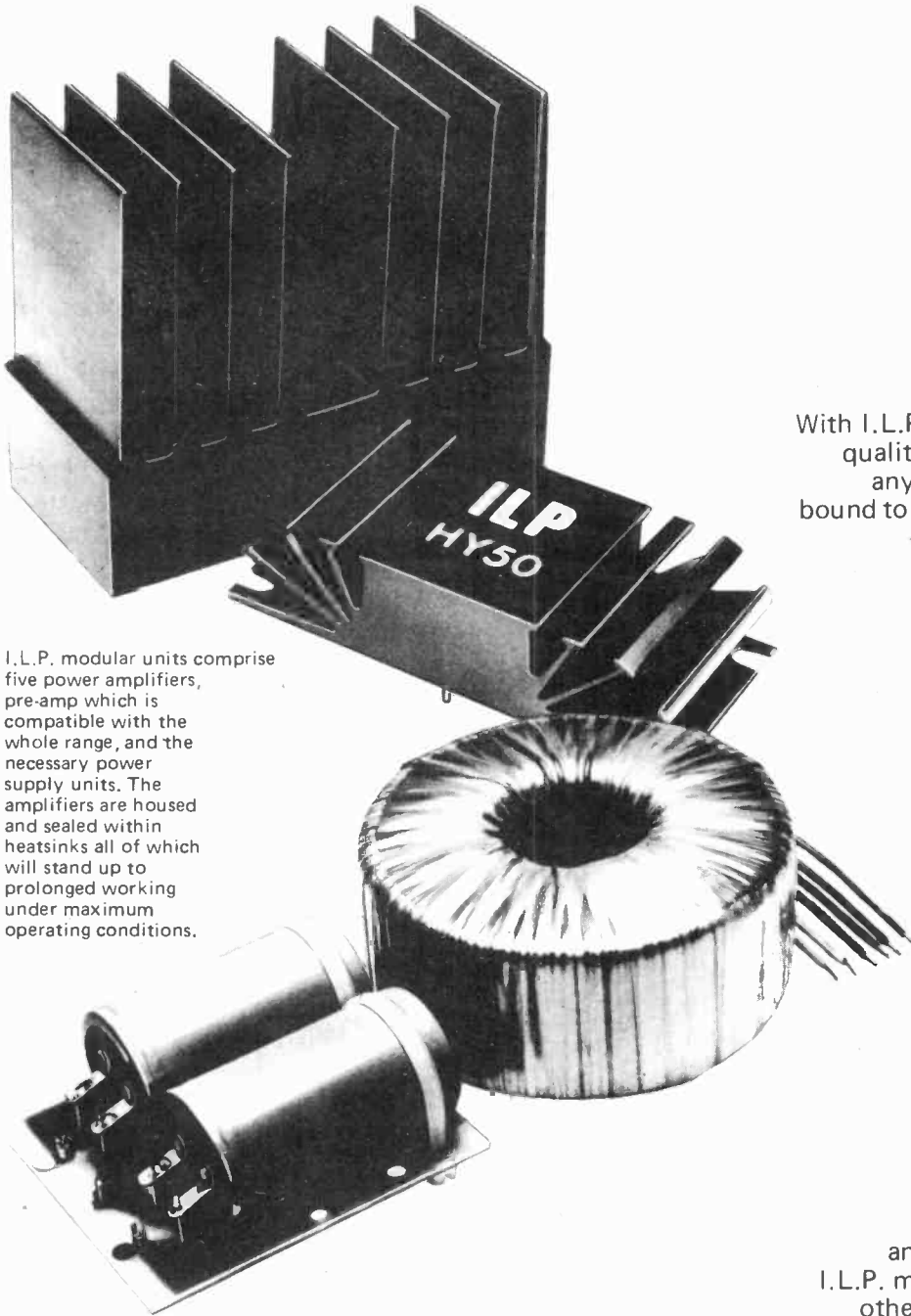


Above and below: front panel layouts for both the oscillator modules. The PSU artwork is not shown here, as this is not panel dependent — nor on show!



Simply ahead . .

ILP'S NEW GENERATION OF HIGH



I.L.P. modular units comprise five power amplifiers, pre-amp which is compatible with the whole range, and the necessary power supply units. The amplifiers are housed and sealed within heatsinks all of which will stand up to prolonged working under maximum operating conditions.

With I.L.P. performance standards and quality already so well established, any advances in I.L.P. design are bound to be of outstanding importance

— and this is exactly what we have achieved in our new generation of modular units. I.L.P. professional design principles remain — the completely adequate heatsinks, protected sealed circuitry, rugged construction and excellent performance.

These have stood the test of time far longer than normally expected from

ordinary commercial modules. So we have

concentrated on improvements whereby our products will meet even more stringent demands such, for example, as those revealed by vastly improved pick-ups, tuners, loudspeakers, etc., all of which can prove merciless to an indifferent amplifier system.

I.L.P. modules are for laboratory and other specialised applications too.

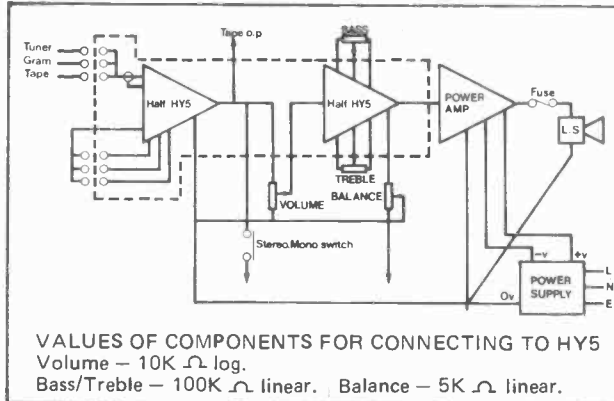
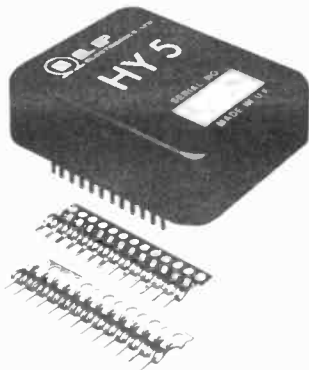
PRODUCTS OF THE WORLD'S FOREMOST SPECIALISTS IN ELECTRONIC MODULAR DESIGN

ALSO AVAILABLE FROM A NUMBER OF SELECTED APPOINTED STOCKISTS

and staying there

PERFORMANCE MODULAR UNITS

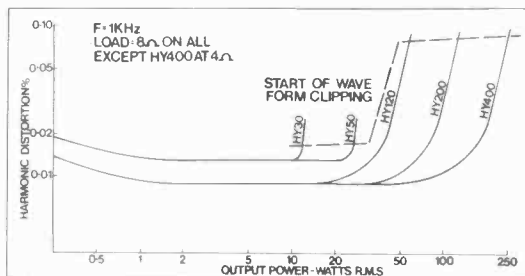
HY5 PRE-AMPLIFIER



The HY5 pre-amp is compatible with all I.L.P. amplifiers and P.S.U.'s. It is contained within a single pack 50 x 40 x 15 mm. and provides multi-function equalisation for Magnetic/Ceramic/Tuner/Mic and Aux (Tape) inputs, all with high overload margins. Active tone control circuits; 500 mV out. Distortion at 1KHz—0.01%. Special strips are provided for connecting external pots and switching systems as required. Two HY5's connect easily in stereo. With easy to follow instructions.

£4.64 + 74p VAT

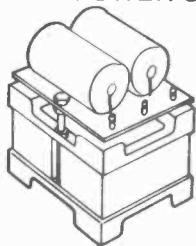
THE POWER AMPLIFIERS



Model	Output Power R.M.S.	Distortion Typical at 1KHz	Minimum Signal/Noise Ratio	Power Supply Voltage	Size in mm	Weight in gms	Price + V.A.T.
HY30	15 W into 8 Ω	0.02%	80dB	-20 -0 +20	105x50x25	155	£6.34 + 95p
HY50	30 W into 8 Ω	0.02%	90dB	-25 -0 +25	105x50x25	155	£7.24 + £1.09
HY120	60 W into 8 Ω	0.01%	100dB	-35 -0 +35	114x50x85	575	£15.20 + £2.28
HY200	120 W into 8 Ω	0.01%	100dB	-45 -0 +45	114x50x85	575	£18.44 + £2.77
HY400	240 W into 4 Ω	0.01%	100dB	-45 -0 +45	114x100x85	1.15Kg	£27.68 + £4.15

Load impedance — all models 4 - 16 Ω
 Input sensitivity — all models 500 mV
 Input impedance — all models 100K Ω
 Frequency response — all models 10Hz - 45Hz - 3dB

THE POWER SUPPLY UNITS



I.L.P. Power Supply Units are designed specifically for use with our power amplifiers and are in two basic forms — one with circuit panel mounted on conventionally styled transformer, the other with toroidal transformer, having half the weight and height of conventional laminated types.

PSU 30	$\pm 15V$ at 100ma to drive up to five HY5 pre-amps	£4.50 + £0.68 VAT
PSU 36	for 1 or 2 HY30's	£8.10 + £1.22 VAT
PSU 50	for 1 or 2 HY50's	£8.10 + £1.22 VAT
PSU 70	with toroidal transformer for 1 or 2 HY120's	£13.61 + £2.04 VAT
PSU 90	with toroidal transformer for 1 HY200	£13.61 + £2.04 VAT
PSU180	with toroidal transformer for 1 HY400 or 2 x HY200	£23.02 + £3.45 VAT

**NO QUIBBLE
 5 YEAR GUARANTEE
 7-DAY DESPATCH ON ALL ORDERS
 INTEGRAL HEATSINKS
 BRITISH DESIGN AND MANUFACTURE
 FREEPOST SERVICE — see below**

★ ALL U.K. ORDERS DESPATCHED POST PAID HOW TO ORDER, USING FREEPOST SYSTEM

Simply fill in order coupon with payment or credit card instructions. Post to address as below but do not stamp envelope — we pay postage on all letters sent to us by readers of this journal.



**I.L.P.
 ELECTRONICS LTD.**
 FREEPOST 4 Graham Bell House, Roper Close,
 Canterbury, Kent CT2 7EP.
 Telephone (0227) 54778 Telex 965780

Please supply Total purchase price £

I enclose Cheque Postal Orders International Money Order

Please debit my Account/Barclaycard Account No.

NAME

ADDRESS

Signature

CLASSIFIED INFORMATION

Semi-Display:—

1-3 insertions — £6.00 per single column centimetre
4-11 insertions — £5.50 per s.c.c.
12 insertions — £5.00 per s.c.c.

Classified:—

23 pence per word (minimum 25 words)
Box number £1.00 extra

ALL ADVERTISEMENTS IN THIS SECTION MUST BE PRE-PAID

Closing date: 1st Friday in month preceding publication.

Advertisements are accepted subject to the terms and conditions printed on the advertisement rate card (available on request).

Cheques and postal orders should be crossed and made payable to 'Electronics Today International.'

CLASSIFIED ADS, E.T.I., 145 CHARING CROSS ROAD, LONDON WC2H 0EE. (TEL: 01-437 1002).

STOP PRESS: Superboard Compatible!

COLOUR YOUR NASCOM!



DAZZLING COLOUR GRAPHICS FOR NASCOM 1

Genuine bit-addressable "pixel" system for straight-forward programming of pictorial or mathematical functions.

8 Colour display plus 8 colour independent background facility. Full documentation with FREE SOFTWARE: powerful sub-routines for vector generation, demonstration program for animated effects. All runs in Nascom 1 without expansion. Complete with UHF Colour Modulator for operation with normal colour TV set. Superior design allows connection to most other micro-processor systems — send us diagrams etc of your b & w video circuitry for free advice. Don't be fooled by the price: this is a top quality product which will transform your computer.

NOW AVAILABLE FOR £45 Inclusive of VAT and postage

WILLIAM STUART SYSTEMS LTD
Dower House, Billericay Road, Herongate, Brentwood, Essex CM13 3SD
Telephone: Brentwood (0277) 810244

TGS GAS SENSORS 812 & 813.

Send addressed envelope 6½" x 9" for Tech. Data and Prices. Design service also available. Asti Supplies Ltd., Shannon, Co. Clare, Ireland.

COLOUR MODULATOR

£9.95 FOR ALL TV GRAPHICS!
Red, Green, Blue inputs (can be mixed). Available now. Nascom Colour Kit. £45.00 inc. Graphics Software.

WILLIAM STUART SYSTEMS
Dower House, Billericay Road, Herongate, Brentwood, Essex CM13 3SD Tel: (0277) 810244
Barclaycard / Access welcome

INTENSIVE WEEKEND COURSES IN BASIC

including hands-on mini computer operation.

This short intensive course is intended to instruct from minimal knowledge to an operational capability of computer programming in BASIC high level language. The course is fully residential from Friday evening to Sunday afternoon. Option of non-residential weekend, weekday evening and weekday courses available if required.

For further details of dates available, fees, etc.:

Phone (0401) 43139, or write to Dept. ET1
CLEVELAND BUSINESS SERVICES
Cleveland House, ROUTH
Beverley, North Humberside

LEDs	Red	Green	Yellow	Coupler IL 74	LED DISPLAYS	ORP 12 Ltr	62p
.125in	10p	16p	18p	707 3 rd CA	80p	OC711 Photo Tr	40p
.2in	11p	16p	18p	747 B th CA	170p	8PX25 Photo Tr	150p
Infrared 68NW	£1.55					Photo Cartridges	50p
AC125/5/7/8	18p			2N687	12p	V RESB 1A plastic 5V.	
AD161/182	38p			2N706	11p	12V, 15V, 18V, 24V Pos.	
AF117	27p			2N111	22p	65p, Neg. 85p	
AF124/5/6/7/8	35p			2N219	22p	Types only	
AF139/238	30p			2N200A/5/6/7	20p	Dual adjustable ± 8 in	
BC/107/8/9	8p			2N200A/5/8A	22p	20V 100mA	£2
BC/107/8/9C	10p			2N2926(R)	9p	723 DIL 14	44p
BC147/8/9	7p			2N2926B	11p		
BC157/8/9	10p			2N3653	16p		
BC167/8/9	11p			2N3054/3055	45p		
BC180C	12p			2N3782/3/4	8p		
BC177/8/9	14p			2N3773	£3		
BC182/3/4L	10p			2N3903/4/5/6	12p		
BC182/3/4U	10p			2N2846	48p		
BC186/7	24p			TB43W1T	25p		
BC12/3/4L	10p			B744	32p	LM301 TO5	25p
BC212/3/4L	10p			9FF	32p	LM308 DIL8	90p
BCY70/71/72	14p			2K316	20p	LM3900 DIL 14	85p
BO131/132	35p			2K323	65p	CA 3130	90p
BO138/40	35p			2N5245	45p	CA 3140	80p
BF194/5/6/7	10p			2N5457/8/9	32p	555 Timer	22p
BF29/40	27p			2N6227	34p	558 2x555	60p
BF79/80	27p			IN914/4148	3p	LM380	80p
BFY50/51	15p			IN916	5p	LM381	140p
BFY29/84/85	25p			1N4001/2	4p	TB8800 DIL	70p
BSX19/20	20p			1N4003/4	6p	CA3046 Array	75p
ML2996	6p			1N4005/6	7p	NE5615	130p
ML2365	£1			1N4007	8p	NE566 vco	135p
MPS45/06	22p			3A Plastic	50N 12p	ZN414	85p
MPS45/56	22p			100V 14p	200V 16p		
OC71	17p			400V 19p	500V 24p		
TP29A/30A	40p			400V 14p	600V 24p		
TP31A/32A	45p			10A/100V	22p		
TP41A/42A	50p			84100/150	11p		
TP95/26/8	£2			84X15	8p		
SCRs	60V 100V	400V	DIL SOCKETS	8pin 10p	ZENERS		
TO5 1A	28p	32p	40p	14pin 11p	16pin 12p	2.7-33V	
TO66 3A	32p	34p	48p	18pin 18p	20pin 20p	400mWV 8p	
STUD 7A	54p	58p	70p	22pin 22p	24pin 28p	1.3W 16p	
Trac 400V 2A	70p	10A	£1	28pin 30p	40pin 35p	Diac	20p

ISLAND DEVICES

9 MAPLEFIELD, PARK STREET, ST. ALBANS, HERTS AL2 2BD
Prices inclusive Post & Pack 20p

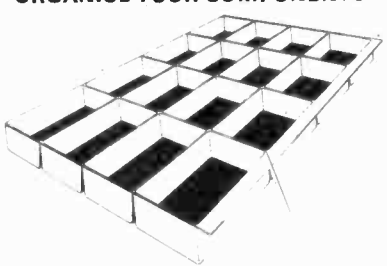
BREAKING COMPUTERS.

All parts available. Callers only. E. R. Nicholls, P.C.B. Transfers, 46 Lowfield Road, Stockport, Cheshire. Tel: 061-480 2179.

COMPONENT OFFER:

Carbon film 5% resistors (¼/½W) 25 each, 180R, 220R, 270R, 390R, 470R, 1k, 1k8, 3k3, 3k9, 12k, 15k, 18k, 20k, 27k, 33k, 47k, 68k, 82k, 100k, 470k (500 resistors) PLUS 100 top quality 1N4148 specification diodes for £3. Diodes alone 100, 500, 1,000 for £1. £3, £5. 200 15k resistors, 75p POST FREE FROM D. Johnston, 12 Balgillo Road, Dundee DD5 3LU.

ORGANISE YOUR COMPONENTS!



COMTRAYS

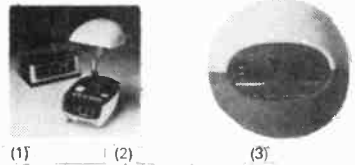
Store resistors, capacitors, IC's, screws, etc. Ideal for organising your project components — saves all that searching around while constructing. Plastic trays with 16 compartments, each compartment 3¼ x 2¼ x 1½ins deep.

£1.90 each, including p.p. and VAT
Four for £6.95 (64 compartments)
Eight for £12.60 (126 compartments)

Cheque or P.O. to:
HELISTAR SYSTEMS LTD.
150 WESTON ROAD
ASTON CLINTON
AYLESBURY, BUCKS HP22 5EP
Tel. Aylesbury 630364

BARGAINS FOR THE ELECTRONIC HANDYMAN

BRANDED LED DIGITAL ALARM CLOCKS



Returned to Service Department within guarantee period.

- With alarm repeat — S.R.S.P. of £17.00 offered at £3.95 inc. VAT.
- With luxury lamp and repeat alarm as featured in most major U.K. Mail Order catalogues, S.R.S.P. £31.00—offered at £7.95 inc. V.A.T.
- With integral luxury light and repeat alarm also as featured in most major U.K. Mail Order catalogues, S.R.S.P. of £32.00—offered at £7.45 inc. V.A.T.

These will be sold as received from our customers with the existing fault(s) and without guarantee.

Discounts available on large bulk purchases.

PRESCOTT CLOCK AND WATCH COMPANY LIMITED

Prescott House, Humber Road, London NW2 6ER

E.T.I. 4600 SYNTHESISER.

In Maplin cabinet. Only three modules to complete. Fully calibrated and ready to go. Must sell. Offers around £475. Also Heathkit scope, £35 o.n.o. Phone Harpenden 60958.

£12 Oscilloscope.

Converter plugs into TV aerial socket and converts to large screen oscilloscope. Costs approx. £12 to build. Circuit and details £3.—Kerr, 27 Coles Road, Milton, Cambridge CB4 4BL.

WANTED: ELECTRONIC COMPONENTS.

Redundant Stock, Test Equipment, Tools, Machines, Hardware; Factories cleared. Immediate cash decision. Contact: Mr. Quirk, "Q" Services Electronic (Camberley) Ltd., 29 Lawford Crescent, Yateley B71048, Camberley, Surrey.

PRINTED CIRCUITS and HARDWARE

Comprehensive range Constructors Hardware and accessories

Selected range of popular components
Full range of HE printed circuit boards normally ex-stock. same day despatch at competitive prices
P.C Boards to individual designs
Resist-coated epoxy glass laminate for the d.i.y. man with full processing instructions (no unusual chemicals required)

Affac range of etch resist transfers and other drawing materials for p.c. boards

Send 15p for catalogue.

RAMAR CONSTRUCTOR SERVICES

MASONS ROAD
STRATFORD-ON-AVON
WARWICKS. Tel. 4879

VIDEO MUSIC



Videograph II links to the aerial socket of your tv and provides a full colour GIANT oscilloscope display. A must for hi-fi, home entertainment, discos, organs etc.

New — signal invert control, integral square wave generator. Plus — full details for testing your audio system for transient distortion, crosstalk etc.

Complete Kit only **£26.95** Luxury cabinet and controls. **£12.95**

READY BUILT UNIT £49.95 + £1.00 P&P

WILLIAM STUART SYSTEMS Ltd

Power House, Billeray Road
Herongate, Brentwood
Essex CM13 3SD
Telephone: Brentwood (0277) 810244

SOUND EFFECTS. Factory clear out. Top quality. Flangers, Phasers, Fuzz, Voice boxes, etc. Working units, Non-working units, Boxes only, PCBs. Cheap. Ideal for musician/experimenter. Phone Radrage (024026) 2707 for details.

CIRCUIT DESIGN, Prototype construction, Analogue or Digital, Single Circuits or Complete Instruments/Systems: Write A. J. ATTWOOD, C.Eng., MIERE, Heathercote, Heatherton Park, Taunton, Somerset, TA4 1ET or Phone Bradford-on-Tone (082-346) 536.

ADVERTISEMENT INDEX

ALTEK INSTRUMENTS	6	L.B. ELECTRONICS	20
AMBIT INTERNATIONAL	92	L. & B. ELECTRONICS	98
AUDIO ELECTRONICS	11	LEYTRONICS	50
BARINGLOCK LTD.	82	MAPLIN ELECTRONIC SUPPLIES	108
BAYDIS	53	MARSHALLS	30
B. BAMBER	6	MENOCREST	26
BI-PAK SEMICONDUCTORS	10	METAC	4 & 5
B.K. ELECTRONICS	58	MINIKITS	78
B.N.R.S.	53	MOUNTAINDENE	91
S. & R. BREWSTER	15	E.R. NICHOLLS	87
CALCULATOR SALES & SERVICES	87	NIC MODELS	88
CAMBRIDGE LEARNING ENTERPRISES	6&7	POWERTRAN COMPUTERS	96
C.B. CITY	40	POWERTRAN ELECTRONICS ..	2 & 8
CHILTMHEAD	94	PROGRESSIVE RADIO	30
CHROMASONICS	38	PROTON ELECTRONICS	82
CLEF PRODUCTS	59	J. W. RIMMER	87
CODESPEED	82	R. & T.V.C.	60
COMP, COMP, COMP	106 & 107	SCIENCE OF CAMBRIDGE	56
CRIMSON ELEKTRIK	20	SERVICE TRADING	54
C.S.C.	49	C.N. STEVENSON	77
DELTA TECH & CO	87	STEVE'S ELECTRONICS	50
E.D.A.	17	STRATHAND	50
ELECTROVALUE	98	SURETRON	26
GREENBANK	16	SWANLEY ELECTRONICS	88
GREENWELD	82	TANDY CORPORATION	22
GMT ELECTRONICS	36 & 37	TECHNOMATIC	14
HENRYS RADIO	18, 59 & 82	TEMPUS	78
I.L.P. ELECTRONICS	102 & 103	T.K. ELECTRONICS	15
JEREMY LORD SYNTHESISERS ..	58	TRANSAM	72
LASCAR ELECTRONICS	59	VIDEOTIME PRODUCTS	88
		WATFORD ELECTRONICS	12 & 13
		WILMSLOW AUDIO	26

Linsley-Hood 75 Watt Amplifiers constructed and repaired. Power Amp Modules from £13.75. — I. G. Bowman (Dept. ETI), 59 Fowey Avenue, Torquay, S. Devon.

MK. 14. Replace calculator type display with full size FND 500 displays, PCB, filter and instructions, £2. 25-way keyboard, complete kit, £10. Useful notes on Mk. 14, 50p. Rayner, "Kismet," High Street, Colnbrook, Bucks.

10 LEDs mixed colours — sizes £1.15. 100 mixed diodes **85p.** 50 mixed transistors **95p.** Lists **15p.** Sole Electronics (ETI), 37 Stanley Street, Ormskirk, Lancs. L39 2DH.

Commissioning Editor

If you have a solid background in electronics, a good knowledge of current needs and trends and experience in book publishing, then there is an ideal opportunity for you with Newnes Technical Books as a Commissioning Editor.

Your role will be to sign up suitable authors for a wide range of books on subjects that include electronics theory and construction, personal computer principles and programming as well as electrical and electronics servicing and repair.

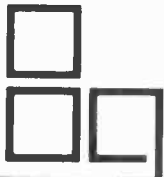
Ideally you would have an academic qualification although this is not as important as enthusiasm, application and an editorial flair.

Salary negotiable around £7000 according to experience + company car.

Our modern offices are in pleasant rural surroundings, about 50 minutes from London.

Applications in writing to:

Linda Stammers,
Personnel Assistant,
Butterworth & Co. (Publishers) Ltd.,
Borough Green, Nr. Sevenoaks, Kent.



Butterworths


MSF CLOCK

NOW GET ABSOLUTE TIME, always correct, never gains or loses, auto GMT/BST and leap year, auto-reset after power failure, 8 digits show DATE, HOURS, MINUTES, SECONDS, also parallel BCD output, receives Rugby 60KHz time signals, only 5x8x15cm, built-in antenna, 1000Km range, ideal for navigation, synchronising activities etc., £48.80.
60KHz RECEIVER, serial data output, £13.70
V.L.F.7 EXPLORE 10-15KHz Receiver £10.70
Each fun-to-build kit includes all parts, printed circuit, case, instructions, postage, etc. Money back assurance so SEND off NOW.

CAMBRIDGE KITS

45 (TB), Old School Lane, Milton, Cambridge

DIGITAL CAPACITANCE METER



1pF to 2µF in 5 ranges. Direct readout in pF, nF and µF. Accuracy 0.5%. Assembled modules **£22.92** all inc.
Precision Measurements P.O. Box 70, St. Stephens Ct., Canterbury, Kent (prototype shown on photo).

50Hz SUPERBOARDS BRITISH MODEL

from **£190** + VAT

Fully built, set up and tested

AUTHORISED dealer back-up

Free cursor control backspace, etc. tape

C.T.S., 1 Higher Calderbrook

Littleborough, Lancs.

Tel. Littleborough 79332 any time

8MHz Super Quality Modulators	£4.90
6MHz Standard Modulators	£2.90
C12 Computer Grade Cassettes 10 for	£4.00
Super Multi-rail P.S.U. +5 -5 +12v	£29.50
Nascom I with Nas-sys Kit	Special Price
Assembled } Limited quantities	£125.00
	£140.00
ETI Breakout Game - Chip and PCB	£9.90
S100 Expansion Motherboard for Nascom I	£39.00
Anadex Printer Paper - 2000 sheets	£25.00
Floppy Disks 5 1/4" Hard & Soft Sector	£3.50
Floppy Disk Library Case 5 1/4"	£3.50
Lexicon Language Translator	£125.00
Modules for Lexicon	£29.00
Eprom Boards	£63.00
8K Static Ram Boards - S100	£110.00
Grandstand Video Game	£59.00
Cartridges for Grandstand	£11.99
George Risk Ascii Keyboard	£39.00
Cartridges for Atari - Full Range in Stock	£13.90
Interface PET IEEE - Centronics Parallel Not decoded	£49.00
Decoded	£77.00
Interface to Centronics parallel for TRS80	£75.00
Verocases for Nascom 1 & 2 etc.	£22.50
Keyboard Cases	£9.90
Electric Pencil for TRS80	£29.00

only **£399** + VAT



TRS80 LEVEL 2 16K

Fully converted to UK T.V. Standard Comes complete with easy to follow manuals UK Power Supply - Cassette Leads - Sample tapes Special box to enable you to plug into your own TV Recommended for first time buyers Just plug in and go Full Range of Software Available

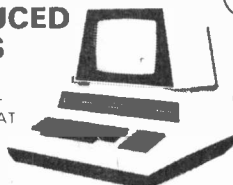
NEW REDUCED PRICES

8K **£449**

16K **£549**

32K **£649**

VAT



The PEDIGREE PETS

RRP £795 for 32K Very popular for home & business use 8K Microsoft Basic in ROM 8K Pet 32K & 16K with new improved keyboard All with green screen Extra cassette deck **£55** Full range of software available

32K **£690** + VAT

48K

£790 + VAT



EXIDY SORCERER

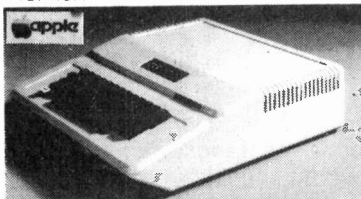
RRP **£859** for 32K

For Personal or Business Use. 32K or 48K memory. 8K Microsoft Basic in ROM. Dual Cassette I/O. RS232 I/O. Parallel I/O (Centronics). Expansion available through optional extra S100 Motherboard. 69 Key keyboard including 16 key numeric pad.

S100 EXPANSION - £199

RRP £975 for 48K

48K - **£690** + VAT



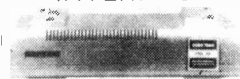
ITT 2020

Full colour into your own colour T.V. PALSOFT 9 digit floating point Basic in ROM as standard. Low and High resolution graphics. Built in loudspeaker. Compatible with most Apple Hardware add-ons and software.

only **£295** + VAT

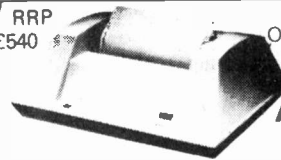
Expand your TRS80 by 32K 32K Memory on board Centronics parallel port Disk controller card Real time clock Requires Level II Basic Interface for 2 cassette decks complete with power supply

TRS80 EXPANSION INTERFACE



RRP **£540**

only **£499** + VAT

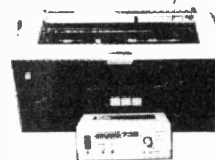


ANADEX DP8000

Super Quality - Low cost printer Tractor Feed with full 96 ASCII character set Accepts RS232C at band rates between 100 and 9600 and Parallel Bit data Attaches either directly or through interfaces to Pet, Apple, TRS80, Sorcerer, Nascom, CompuKit etc

RRP £690 only **£590** + VAT

IBM SELECTRIC GOLFBALL

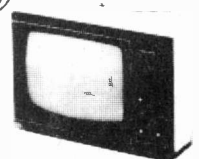


Refurbished IBM Golfball Printers to new specs. Accepts Centronics parallel data Friction feed Prints at 15 cps.

Attaches either directly or through interfaces to Pet, Apple, TRS80, Sorcerer, Nascom, CompuKit etc.

video 100

12" BLACK & WHITE LOW COST VIDEO MONITOR



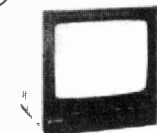
RRP **£79**

only **£69** + VAT

- Ideal for home, personal and business computer systems
- 12" diagonal video monitor
- Composite video input
- Composite video input
- Compatible with many computer systems
- Solid-state circuitry for a stable & sharp picture
- Video bandwidth - 12MHz + 3DB
- Input impedance - 75 Ohms
- Resolution - 650 lines Minimum In Central 80% of CRT; 550 Lines Minimum beyond central 80%.

HITACHI PROFESSIONAL MONITORS

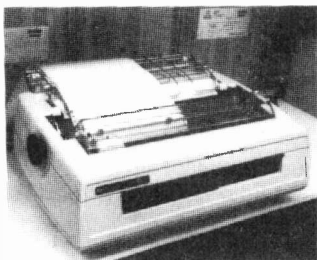
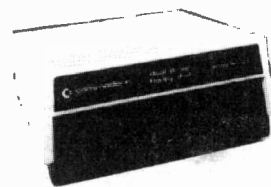
9" - **£129**
12" - **£199**



- **Reliability** Solid state circuitry using an IC and silicon transistors ensures high reliability.
- **500 lines horizontal resolution** Horizontal resolution in excess of 500 lines is achieved in picture center.
- **Stable picture** Even played back pictures of VTR can be displayed without jittering.
- **Looping video input** Video input can be looped through with built-in termination switch.
- **External sync operation** (available as option for U and C types)
- **Compact construction** Two monitors are mountable side by side in a standard 19-inch rack.

A PROFESSIONAL WORD PROCESSING SYSTEM AND IT'S A COMPUTER AS WELL.

FOR ONLY **£3250** + VAT



PET 32K - This is the standard 32K Pet from Commodore. Reverse video and graphics allow the WordPro Package to give simple clear and easy to read displays.

2040 Disk Drives Twin disk drives allow large high speed storage for your letters, or paragraphs. Plugs in the back of the PET.

NEC Spinwriter NEC's high quality printer uses a print "thimble" that has less diameter and inertia than a daisy wheel,

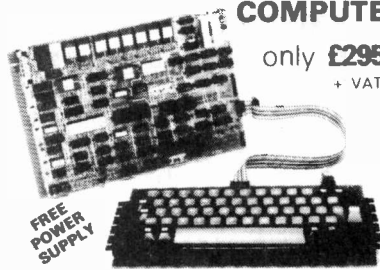
giving a quieter, faster, more reliable printer that can cope with plotting and printing (128 ASCII characters) with up to five copies, friction or tractor fed. The ribbon and thimble can be changed in seconds.

55 characters per second bidirectional printing - with red/black, bold, subscript, superscript, proportional spacing, tabbing, and much, much more.

WordPro II The heart of the system - consists of a ROM and diskette. The ROM is inserted into a space socket inside the Pet. One of the most versatile Word Processing Packages around.

NASCOM-2 MICRO-COMPUTER

only **£295** + VAT



Microprocessors Z80A. 8 bit CPU. This will run at 4MHz but is selectable between 1/2/4 MHz. This CPU has now been generally accepted as the most powerful, 8 bit processor on the market.

INTERFACE

Keyboard New expanded 57 key Licon solid state keyboard especially built for Nascom. Uses standard Nascom, monitor controlled, decoding.

T.V. The lv peak to peak video signal can drive a monitor directly and is also fed to the on-board modulator to drive the domestic T.V.

I.O. On-board UART (Int 6402) which provides serial handling for the on-board cassette interface or the RS232/20mA teletype interface.

The cassette interface is Kansas City standard at either 300 or 1200 baud. This is a link option on the NASCOM-2. The RS232 and 20mA loop connector will interface directly into any standard teletype.

The input and output sides of the UART are independently switchable between any of the options - i.e. it is possible to house input on the cassette and output on the printer.

PIO There is also a totally uncommitted Parallel I/O (MK3881) giving 16, programmable, I/O lines. These are addressable as 2 x 8 bit ports with complete handshake controls.

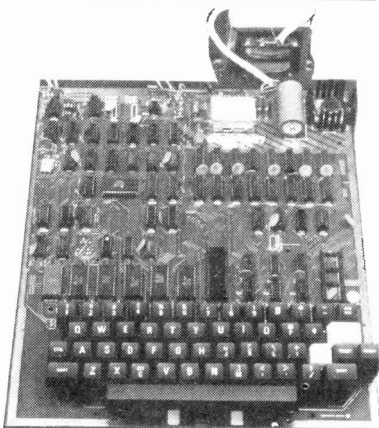
Documentation Full construction article is provided for those who buy a kit and an extensive software manual is provided for the monitor and Basic.

Basic The Nascom 2 contains a full 8K Microsoft Basic in one ROM chip with additional features like DEEK, DOKE, SET, RESET for simple programming.

With free 16K RAM board.

COMPUKIT UK101

EUROPE'S FASTEST SELLING ONE BOARD COMPUTER



- ★ 6502 based system — best value for money on the market.
- ★ Powerful 8K Basic — Fastest around
- ★ Full Qwerty Keyboard
- ★ 4K RAM Expandable to 8K on board.
- ★ Power supply and RF Modulator on board.
- ★ No Extras needed — Plug-in and go.
- ★ Kansas City Tape Interface on board.
- ★ Free Sampler Tape including powerful Dissampler and Monitor with each Kit.
- ★ If you want to learn about Micros, but didn't know which machine to buy then **this is the machine for you.**

Build, Understand and Program your own Computer for only a small outlay

KIT ONLY **£199** + VAT
NO EXTRAS NEEDED

AVAILABLE READY ASSEMBLED & TESTED
READY TO GO FOR **£249** + VAT

Specialty designed case for CompuKit in orange brick. With room for accessories **£29.50** + VAT

The **CompuKit UK101** comes in kit form with all the parts necessary to be up and working, supplied. No extras are needed. After plugging in just press the reset keys and the whole world of computing is at your fingertips. Should you wish to work in the machine code of the 6502 then just press the M key and the machine will be ready to execute your commands and programs. By pressing the C key the world of Basic is open to you. This machine is ideal to the computing student or Maths student, ideal to teach your children arithmetic, and is also great fun to use.

Because of the enormous volume of users of this kit we are able to offer a **new reduced price of £199** + VAT

Simple Soldering Job, clear and concise instructions compiled by **Dr. A.A. Berk, BSc, PhD**



THE NEW TRS80 SURPRISE — MODEL II

Fast and expandable!
Model II operates at twice TRS-80's high speed

In addition to either 32 or 64 thousand characters (bytes) of internal Random Access Memory, one built-in 8" floppy disk stores an additional one half million bytes, including the Disk Operating System. And you can easily expand up to a four disk system for up to two-million bytes of storage.

Model II features upper and lower case letters. Its built-in 12" high-resolution video monitor displays 24 lines of 80 normal characters. The professional 76 key keyboard (with "calculator" keypad) includes advanced functions such as Control, Escape, Caps, Hold, Repeat. The keyboard is detachable and moveable for convenient data entry.

You get the enhanced Level III version of TRS-80's already-famous Level II BASIC language and "TRSDOS" operating system, automatically loaded in memory when you "power up." (About 24K of RAM is used by this software.)

Each time you power up, Model II thoroughly tests itself to insure proper operation. Your chosen program can appear immediately, without any intermediate steps or questions to answer.

Versatility ... plug-in expandability

Built-in input/output capabilities include two RS 232C channels, and one Centronics parallel port. Future expansion is provided for through four plug-in slots for optional PC boards.

32K 1-Disk Model II
£1999.00 + VAT

64K 1-Disk Model II
£2200.00 + VAT

3 DISK EXPANSION

500K per Drive gives total of 1.5M Byte for only **£1399** + VAT

Just Plug In

WE ARE NOW EX-STOCK



Why do people buy more from COMPSHOP than anywhere else?

- ★ **LARGER STOCKS** — we hardly ever run out
- ★ **GOOD SERVICE** — we give extended warranties on all our products
- ★ **EXCELLENT REPAIR SERVICE** — Through Compcare we repair and maintain most makes of personal computers

LAST YEAR WE SUPPLIED TO THE PUBLIC — LARGE & SMALL
16,000 Television Games & 7,000 Computer Systems



Compcare is a company that has been set up to provide servicing and maintenance for the popular makes of micro-computers i.e. Sorcerer, Pet, Apple, TRS80, Nascom, CompuKit. Our charges are £7 per hour plus parts.

Because of the extensive range of spare parts stocked you can usually expect your micro to be repaired within 10 days for an average charge of £14 labour.

Emergency 24 hour repairs can be handled for a £10 surcharge where possible. CompuKits and Nascoms unsuccessfully constructed will be charged a standard £25.



THE ATARI VIDEO COMPUTER SYSTEM

£138
+ VAT

Atari's Video Computer System now offers more than 1300 different game variations and options in twenty great Game Program™ cartridges!

Have fun while you sharpen your mental and physical coordination. You can play rousing, challenging, sophisticated video games, the games that made Atari famous.

You'll have thrill after thrill, whether you're in the thick of a dogfight, screaming around a racetrack, or dodging asteroids in an alien galaxy. With crisp bright colour (on colour TV) and incredible, true-to-life sound effects. With special circuits to protect your TV.

Cartridges now available All at **£13.90** each + VAT

Basic Maths, Airsea Battle, Black Jack, Breakout, Surround, Spacewar, Video Olympics, Outlaw Basketball, Hunt & Score*, Space War, Sky Diver, Air Sea Battle Codebreaker*, Miniature Golf.

Extra Paddle Controllers
— **£14.90** + VAT

* Keyboard Controllers
— **£16.90** + VAT



Please add VAT to all prices — Delivery at cost, will be advised at time of purchase. Please make cheques and postal orders payable to COMPSHOP LTD., or phone your order quoting BARCLAYCARD, ACCESS, DINERS CLUB or AMERICAN EXPRESS number.

CREDIT FACILITIES ARRANGED — send S.A.E. for application form.

14 Station Road, New Barnet, Hertfordshire, EN5 1QW Telex: 298755 TELCOM G

Telephone: 01-441 2922 (Sales) 01-449 6596

OPEN - 10 am - 7 pm — Monday to Saturday

★ NOW OPEN ALL DAY SUNDAY — For Shop Sales Only ★

Close to New Barnet BR Station — Moorgate Line.



(Part of the Compsshop Ltd Group)

MAPLIN



A 63-key ASCII keyboard with 625-line TV interface, 4-page memory and microprocessor interface. Details in our catalogue.



Our catalogue even includes some popular car accessories at marvellous prices.



A 10-channel stereo graphic equaliser with a quality specification at an unbeatable price when you build it yourself. Full specification in our catalogue.



These are just some of the metal cases we stock. There are dozens of plastic ones to choose from as well. See pages 52 to 57 of our catalogue.



A massive new catalogue from Maplin that's even bigger and better than before. If you ever buy electronic components, this is the one catalogue you must not be without. Over 280 pages - some in full colour - it's a comprehensive guide to electronic components with hundreds of photographs and illustrations and page after page of invaluable data.

Our bi-monthly newsletter contains guaranteed prices, special offers and all the latest news from Maplin.



Mobile amateur radio, TV and FM aerials plus lots of accessories are described in our catalogue.



A digitally controlled stereo synthesiser the 5600S with more facilities than almost anything up to £3,000. Build it yourself for less than £750. Full specification in our catalogue.



A superb range of microphones and accessories at really low prices. Take a look in our catalogue - send the coupon now!



An attractive mains alarm clock with radio switching function and battery back up! Complete kit with case only £18.38 (incl. VAT & p & p) MA1023 module only £8.42 (incl. VAT).

MAPLIN

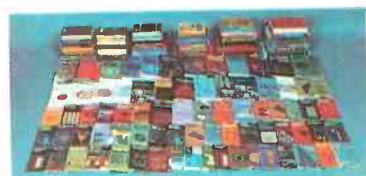
ELECTRONIC SUPPLIES LTD

Post this coupon now for your copy of our 1979-80 catalogue price 70p. Please send me a copy of your 280 page catalogue. I enclose 70p (plus 37p p&p). If I am not completely satisfied I may return the catalogue to you and have my money refunded. If you live outside the U.K. send £1.35 or ten International Reply Coupons. I enclose £1.07.

NAME _____

ADDRESS _____

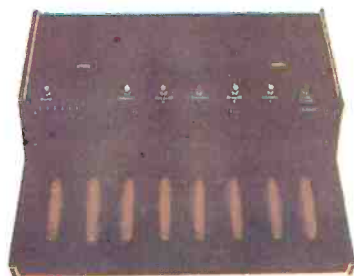
ETI/2/80



A superb technical bookshop in your home! All you need is our catalogue. Post the coupon now!



A hi-fi stereo tuner with medium and long wave, FM stereo and UHF TV sound! Full construction details in our catalogue.



Add-on bass pedal unit for organs. Has excellent bass guitar stop for guitarists accompaniment. Specification in our catalogue.

All mail to:-
 P.O. Box 3, Rayleigh, Essex SS6 8LR.
 Telephone: Southend (0702) 554155.
 Shop: 284 London Road, Westcliff-on-Sea, Essex.
 (Closed on Monday).
 Telephone: Southend (0702) 554000.