

SAMS PHOTOFACT[®]



AUTO RADIO SERIES

AR-38
38
AUGUST 1966



CONTENTS

REMOVAL INFORMATION PAGE 4

BUICK

Buick (1966) 7293644
Riviera (1966) 7293684

CADILLAC

Cadillac (1966) 7293015,
7293025

CHEVROLET

Chevrolet (1966) 986544,
Bendix 6BCH, Motorola
CT66A

Chevrolet Truck (1966)
Bendix 6BCT

Chevelle (1966) 986527,
986529, Bendix 6BCL,
Motorola CE66A

CHEVROLET (CONT'D)

Chevy II (1966) 986521,
Bendix 6BC2, Motorola
CY66A

Corvair (1966) 986113,
986118, Bendix 6BCC,
Motorola CR66A

FORD

Galaxie (1966) Sears
833.622810

MERCURY

Mercury (1966) EF6TBM,
F6TBM
Comet (1966) F6TBG

OLDSMOBILE

Oldsmobile (1966) 7293653

PONTIAC

Pontiac (1966) 7294342
Tempest (1966) 7293472,
7293502

SAAB

Saab (1966) 6BSA

UNIVERSAL

Hitachi KM1001
Motorola TM6A
Sears 837.62220

HOWARD W. SAMS & CO., INC.

Indianapolis, Indiana

World Radio History

\$2.95

\$3.75 IN CANADA

Cat. No. AR-38



SAMS PHOTOFACT[®] AUTO RADIO SERIES



VOLUME

38



by the



ENGINEERING STAFF



HOWARD W. SAMS & CO., INC.

INDIANAPOLIS INDIANA

FIRST EDITION

FIRST PRINTING – AUGUST, 1966

PHOTOFACT®
AUTO RADIO SERIES
VOLUME 38

Copyright © 1966 by Howard W. Sams & Co., Inc.
Indianapolis, Indiana 46206. Printed in the United States of America

All rights reserved. Reproduction or use, without express permission, of editorial or pictorial content, in any manner, is prohibited. No patent liability is assumed with respect to the use of the information contained herein.

The listing of any available replacement part herein does not constitute in any case a recommendation, warranty or guaranty by Howard W. Sams & Co., Inc., as to the quality and suitability of such replacement part. The numbers of these parts have been compiled from information furnished to Howard W. Sams & Co., Inc., by the manufacturers of the particular type of replacement part listed.

Library of Congress Catalog Card Number: 49-11493



TABLE OF CONTENTS

Model Number	Page
Bendix Models 6BCC, 6BCH, 6BCL, 6BCT, 6BC2.....	5
Buick Models 7293644, 7293684.....	11
Cadillac Models 7293015, 7293025.....	32
Chevrolet Models 986113, 986521, 986527, 986544.....	51
Chevrolet Models 7296351, 986118, 986529...	58
Hitachi Model KM1001.....	68
Mercury Models EF6TBM, F6TBM, F6TBG.....	80
Motorola Models CE66A, CR66A, CT66A, CY66A, TM6A.....	91
Oldsmobile Model 7293653 (982690).....	98
Pontiac Models 7294342 (984590), 7293472...	111
Pontiac Model 7293502 (984594).....	124
Saab Model 6BSA.....	130
Sears Model 833.622810.....	136
Sears Model 837.62220.....	141

Cumulative Index to Prior Volumes	152
--	------------

REMOVAL INSTRUCTIONS

GENERAL REMOVAL INFORMATION

Most radios and speakers can be removed for service by following the steps shown in this block of information. Check the Make, Model and Year of car listed below. If more specific instructions are required, they are shown.

- Step 1 Disconnect power, speaker and antenna leads.
- Step 2 Remove knobs.
- Step 3 Remove nuts from control bushings and cabinet braces.

- Step 4 Remove radio from under dash.
- Step 5 Remove nuts holding speaker and remove speaker from under dash.

BUICK - 1966

- Step 1. Remove Battery Ground Cable.
- Step 2. Remove windshield garnish moldings.
- Step 3. Remove 6 screws under eyebrow of instrument panel cover.
- Step 4. Lift instrument panel cover and disconnect speaker leads. Remove instrument panel cover.
- Step 5. Remove knobs.
- Step 6. Remove nuts from control bushings. Remove screw from rear brace.
- Step 7. Disconnect antenna lead and speaker connection.
- Step 8. Remove radio from top of instrument panel.

CHEVROLET 1966

See General Removal Information.

CHEVROLET TRUCK - 1966

See General Removal Information.

CHEVELLE - 1966

See General Removal Information.

CHEVY II - 1966

See General Removal Information.

SPEAKER REMOVAL:

- Step 1. Perform steps 1, 2, 3 & 4 of above.
- Step 2. Remove 4 nuts from speaker mounting and remove speaker.

CORVAIR - 1966

See General Removal Information.

RIVIERA - 1966

- Step 1. Remove Battery Ground Cable.
- Step 2. Remove 5 screws from ash tray mounting and remove ash tray.
- Step 3. Remove knobs and nuts from control bushings.
- Step 4. Disconnect antenna and speaker connector.
- Step 5. Remove 2 screws from bottom of radio and 2 nuts from side mounting.
- Step 6. Remove radio thru ash tray opening.

GALAXIE - 1966

- Step 1 Pull off knobs.
- Step 2 Disconnect "A" Speaker and Antenna leads.
- Step 3 Use 7/16" wrench to remove nut from rear brace, and 2 bolts holding radio to rear of instrument panel.
- Step 4 Remove radio from under instrument panel.

SPEAKER REMOVAL:

- Step 1. Remove radio.
- Step 2. Remove 4 nuts from speaker mounting and remove speaker thru ash tray opening.

SPEAKER REMOVAL:

- Step 1 Use phillips screw driver and remove glove box.
- Step 2 Use 5/16" wrench and remove 4 screws from speaker mounting.
- Step 3 Remove speaker thru glove box opening.

CADILLAC - 1966

- Step 1. Use Allen wrench, loosen set screws, and remove knobs.
- Step 2. Use 1/2" Spanner wrench, remove nuts from control bushings. Remove Escutcheon.
- Step 3. Use Phillips screw driver, remove right and left windshield Garnish Moldings.
- Step 4. Use Phillips screw driver, remove upper panel cover.
- Step 5. Raise upper panel cover.
- Step 6. Disconnect Dial Bulb Socket, antenna lead, 5-way connector & foot control plug (if used).
- Step 7. Remove locknut securing radio front side bracket to mounting stud.
- Step 8. Use 3/8" wrench, remove nut from rear bracket.
- Step 9. Remove radio through top of Instrument panel.

MERCURY - 1966

See General Removal Information.

OLDSMOBILE - 1966

See General Removal Information.

PONTIAC - 1966

See General Removal Information.

TEMPEST - 1966

See General Removal Information.

SAAB - 1966

See General Removal Information.

SPEAKER REMOVAL:

- Step 1. Perform steps 3, 4 & 5 above.
- Step 2. Use 3/8" wrench, remove nuts from speaker mounting.
- Step 3. Remove speaker thru top of Instrument panel.



PHOTOFACT[®] with

CIRCUITRACE[®]

TRADE NAME : Bendix Models:
 6BCC (1966 Corvair)
 6BCH (1966 Chevrolet)
 6BCL (1966 Chevelle)
 6BCT (1966 Chevrolet Commercial)
 6BC2 (1966 Chevy II)

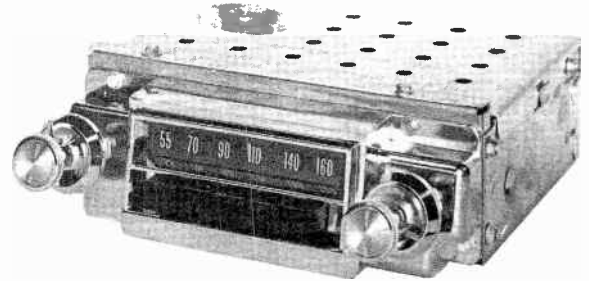
SUPPLIER : For Current Address, See Annual Index.

TYPE SET : 6 Transistor AM Receiver

POWER SUPPLY : 12 Volt Storage Battery

RATING : .680 Amp. @ 12.6 Volts DC

TUNING RANGE: BROADCAST 540-1605KC



ALIGNMENT INSTRUCTIONS

Check for specified source voltage.

Use only enough generator output to provide a usable indication.

Suggested Alignment Tools:

A1 thru A4, A8, A9, A10.

A5, A6, A7.

GENERAL CEMENT: 9440

WALSCO: 2501

GENERAL CEMENT: 8290, 8868, 9087

WALSCO: 2525, 2528, 2587

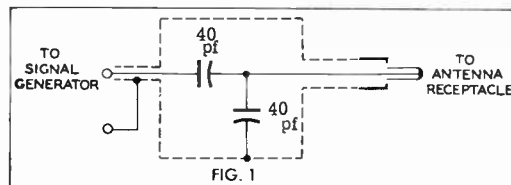
PUSH-BUTTON ADJUSTMENT

1. Pull button out.
2. Tune manually to desired station.
3. Press button in firmly.
4. Repeat for remaining buttons.

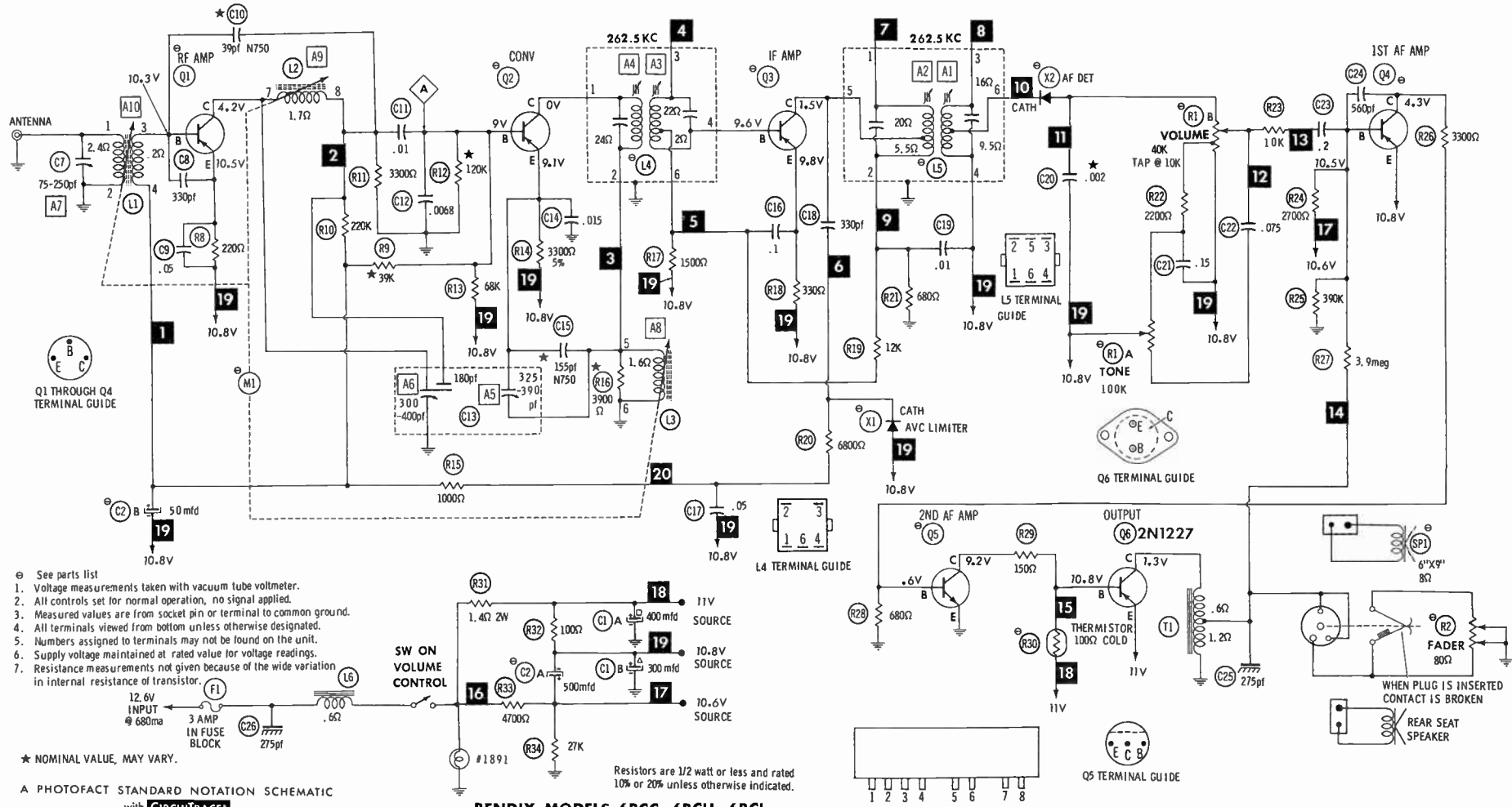
	SIGNAL GENERATOR COUPLING	SIGNAL GENERATOR FREQUENCY	RADIO DIAL SETTING	INDICATOR	ADJUST	REMARKS
1.	High side thru .1mf to point Δ , low side to ground.	262.5KC (400 ν Mod.)	High Freq. End Stop.	Output Meter across voice coil.	A1, A2, A3, A4	Adjust for maximum.
2.	Thru dummy (Fig. 1) to antenna receptacle.	1605KC	"	"	A5, A6, A7	"
Step 3 is not necessary unless tuner has been tampered with or associated components have been replaced. IF necessary, back tuning cores (A8, A9, A10) out of coils but not out of forms. Repeat step 2.						
3.	Thru dummy (Fig. 1) to antenna receptacle.	1000KC	Tune to Signal.	Output Meter across voice coil.	A8, A9, A10	Adjust for maximum. Repeat steps 2 & 3 until no further improvement is noted.

With radio installed in car and antenna fully extended, tune in a weak station near 1000KC and adjust A7 for maximum output.

Antenna Adjustment A7, located right rear, bottom.



BENDIX MODELS 6BCC, 6BCH, 6BCL, 6BCT, 6BC2

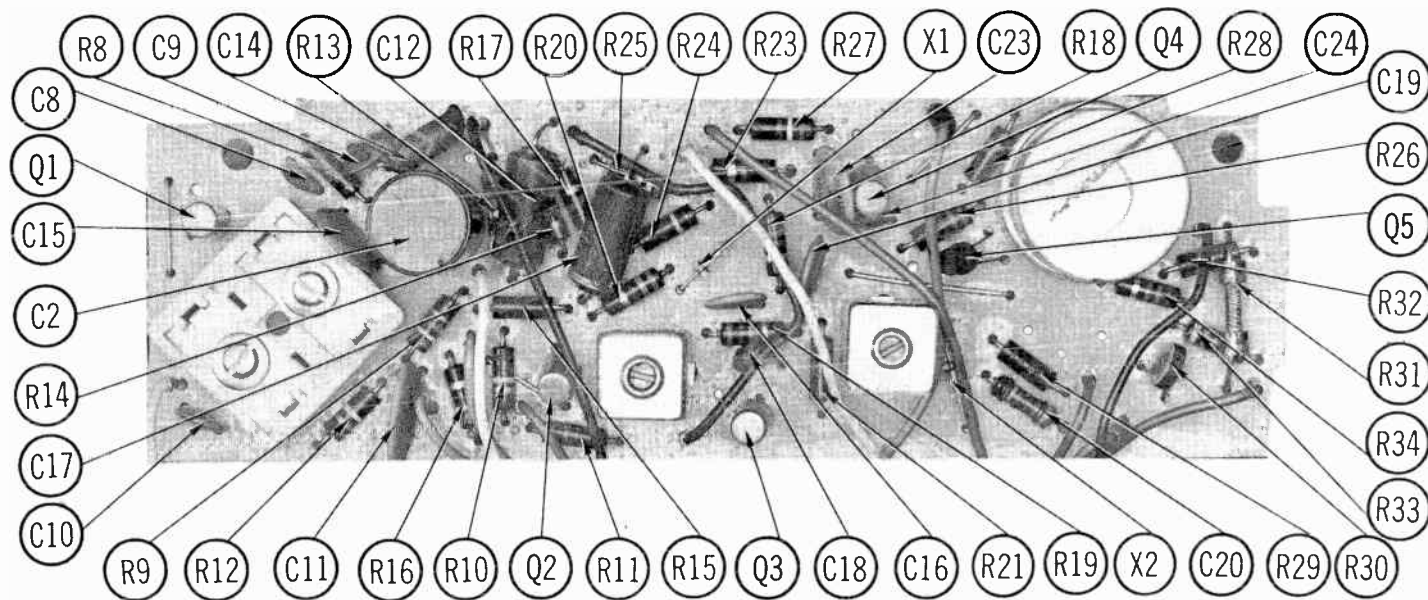


- ⊕ See parts list
- 1. Voltage measurements taken with vacuum tube voltmeter.
- 2. All controls set for normal operation, no signal applied.
- 3. Measured values are from socket pin or terminal to common ground.
- 4. All terminals viewed from bottom unless otherwise designated.
- 5. Numbers assigned to terminals may not be found on the unit.
- 6. Supply voltage maintained at rated value for voltage readings.
- 7. Resistance measurements not given because of the wide variation in internal resistance of transistor.

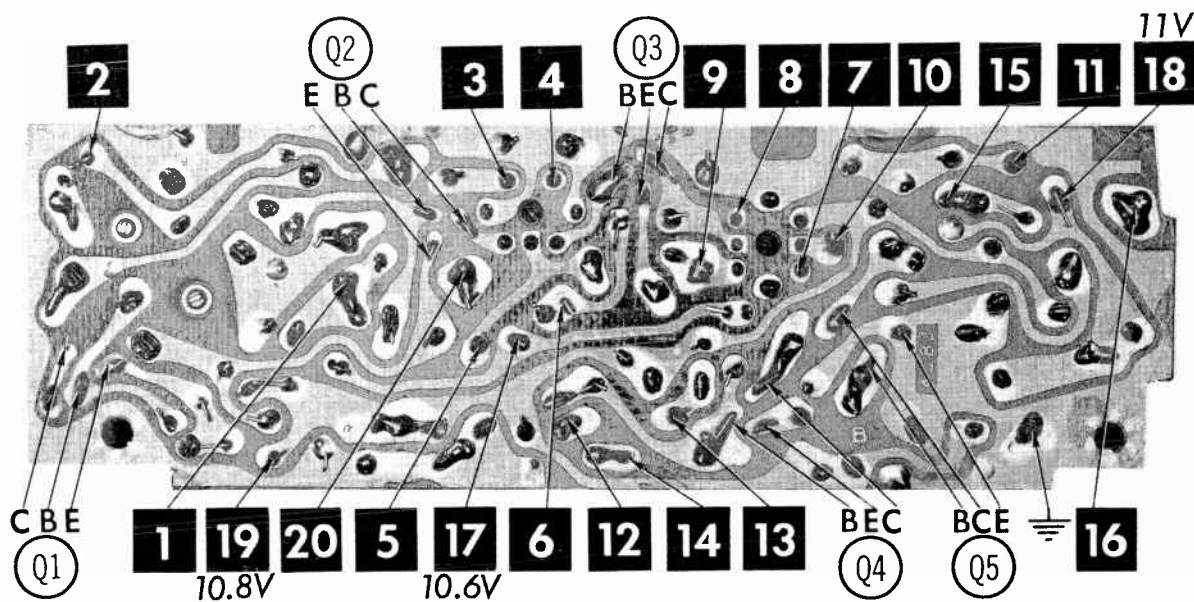
A PHOTOFAC STANDARD NOTATION SCHEMATIC
with **CIRCUITRACE**
© Howard W. Sams & Co., Inc. 1966

**BENDIX MODELS 6BCC, 6BCH, 6BCL,
6BCT, 6BC2**

Resistors are 1/2 watt or less and rated 10% or 20% unless otherwise indicated.



A Howard W. Sams
CIRCUITRACE® Photo



BENDIX MODELS 6B8C, 6B8H, 6B8L, 6B8T, 6B8C2

PARTS LIST AND DESCRIPTION

(When ordering parts, state Model, Part Number, and Description.)

Replacement parts shown may be superseded by the availability of newly introduced replacements. Have your local distributor check Sams COUNTER FACTS for the most up-to-date replacement.

WIRING DATA

General-use Unshielded Hook-up Wire	Use BELDEN No. 8530 (Solid) Available in 12 Colors 8524 (Stranded) Available in 12 Colors
Shielded Hook-up Wire	Use BELDEN No. 8885
Rear Seat Speaker Extension Cable	Use BELDEN No. 8782 (Stranded) Coded Parallel Leads
Bonding Strap	Use BELDEN No. 8661 (3/8 In.) or 8670 (3/4 In.)

TRANSISTORS

ITEM No.	ORIG. TYPE	USE	REPLACEMENT DATA			NOTES	BENDIX PART No.
			DELCO PART No.	GENERAL ELECTRIC PART No.	RCA PART No.		
Q1		RF Amp.	DS-25	GE-9	SK-3005	PNP	2091241-0015
Q2		Converter	DS-25	GE-9	SK-3005	PNP	2091241-0013
Q3		IF Amp.	DS-25	GE-9	SK-3005	PNP	2091241-0018 (2091241-0014)
Q4		AF Amp.	DS-26	GE-2	SK-3004	PNP	2090924-0008
Q5		AF Amp.	DS-66	GE-10	SK-3020	NPN	2092609-0713
Q6	2N1227	Output	DS-520	GE-3	SK-3009	PNP *	2091859-0718

* When replacing, apply silicone grease to both sides of insulator. Tighten mounting screws securely.

POWER RECTIFIERS & SIGNAL DIODES

ITEM No.	MEASURED CURRENT	ORIGINAL Part or Type No.	RECTIFIERS & DIODES		RECTIFIERS		
			GENERAL ELECTRIC PART No.	INTERNATIONAL RECTIFIER PART No.	MALLORY PART No.	RCA PART No.	SARKES TARZIAN PART No.
X1		2092055-0001	1N34AS	1N34A			
X2		2092055-0001	1N34AS	1N34A			

ELECTROLYTIC CAPACITORS

ITEM No.	RATING		BENDIX PART No.	REPLACEMENT DATA				
	CAP.	VOLT.		AEROVOX PART No.	CORNELL-DUBILIER PART No.	GENERAL ELECTRIC PART No.	MALLORY PART No.	SPRAGUE PART No.
C1A	400	16	2092983-0001	PWH2-02-08	CC0010	XC2-43.8	PFP200.65	PCL-2174.1
B	300	16						
C2A	500	3	2092246-0703	BCD3X50050			PET290	VLS-2116*
B	50	3						
	1000	3	2092246-0702 ①					
	50	3						

* Not normally in distributor's stock. Available thru distributor on order to manufacturer.

① Used in some versions.

CAPACITORS

ITEM No.	RATING	REMARKS	REPLACEMENT DATA					
			AEROVOX PART No.	CENTRALAB PART No.	CORNELL-DUBILIER PART No.	ELMENCO PART No.	MALLORY PART No.	SPRAGUE PART No.
C7	75-250	#2091853-0001						
C8	330		DI-330	DD-331	JBZ601YP331K	CCD-331	JF333	10TS-T33
C9	.05		TTD-05		HOV101ZV503Z		TA150	TH-S50
C10	39 N750			TCN-39		CCTN-390	CN7439	10TCU-Q39
C11	.01		BPD-01	DD-103	BYV102ZU103M	CCD-103	B110	5HK-S10
C12	.0068 100V		DBE6D68	CPR-6800J	WMF1D68	IDP-1-682	PVC4268	6PS-D68
C13A	300-400	#219092-0036						
B	180							
C	325-390							
C14	.015 25V		DBE4S15	CPR-10000J	WMF2S15	4DP-1-153	PVC2115	4PS-S15
C15	155 N750	†	N750-DI 150	DTN-150		CCTN-151	CN7315	10TCU-T15
C16	.1		TTD-1	CK-104	HOV101ZV104Z		TA010	TG-P10
C17	.05 100V		DBE6S5		DPMS2S5	IDP-2-503	PVC215	2PS-S50
C18	330		DI-330	DD-331	JBZ601YP331K	CCD-331	JF333	10TS-T33
C19	.01		BPD-01	DD-103	BYV102ZU103M	CCD-103	B110	5HK-S10
C20	.002	†	BPD-002	DD-202	BYV601ZU202P	CCD-202	B220	5HK-D20
C21	.15		TTD-1	CK-104	HOV101ZV104Z		TA010	TG-P10
C22	.075 25V		DBE6S75		DPMS6S75	IDP-2-753	PVC1168	4PS-S75
C23	.2			UK20-204			MAG25022	HY-325
C24	580		DI-580	DD-561	JBV601YP561K	CCD-561	GP356	5GA-T56
C25	275	#090150-0006						
C26	275	#2090150-0006						

Bendix Part Number.

† Nominal Value.

PARTS LIST AND DESCRIPTION (CONTINUED)

(When ordering parts, state Model, Part Number, and Description.)

Replacement parts shown may be superseded by the availability of newly introduced replacements.
Have your local distributor check Sams COUNTER FACTS® for the most up-to-date replacement.

CONTROLS

All wattages 1/2 watt, or less, unless otherwise listed.

ITEM No.	USE	RESISTANCE	REPLACEMENT DATA				
			BENDIX PART No.	CENTRALAB PART No.	CLAROSTAT PART No.	CTS-IRC PART No.	MALLORY PART No.
R1A	Tone	100K	2092528-0710 ①	F1-100K ⑥, R14-50K, FFS115, RFS209, KR-4			FA15L ⑥, RU44T14, OS1937, IS2562, US41
B	Volume/Switch	40K Tap @ 10K					
	Tone	100K	2092528-0711 ②	F1-100K, R14-50K, FFS103, RFS113, BB010, KR-4			
	Volume/Switch	40K Tap @ 10K					
	Tone	100K	2092528-0712 ③				
	Volume/Switch	40K Tap @ 10K					
	Tone	100K	2092528-0002 ④	2092528-2)	F1-100K ⑥, R14-50K, FFS203, RFS213, KR-4		FA15L ⑥, RU44T14, OS2187, IS2750, US41
R2	Volume/Switch	40K Tap @ 10K					
	Tone	100K	2092528-0713 ⑤				
	Volume/Switch	40K Tap @ 10K					
	Fader	80Ω 2W	2094124-0704 ①				
	Fader	80Ω 2W	2094124-0707 ②				
	Fader	80Ω 2W	2094124-0706 ③				

① Used in Model: 6BCC.

② Used in Model: 6BCL. Manufacturer suggests Part #2092528-0002.

③ Used in Model: 6BCC, Manufacturer suggests Part #2092528-0710.

④ Used in Model: 6BCL.

⑤ Used in Model: 6BCH.

⑥ Used in Model: 6BCT.

⑦ Used in Models: 6BCH, 6BC2.

⑧ Use original spring mounting clips.

RESISTORS (Power and Special)

ITEM No.	RATING	REPLACEMENT DATA			ITEM No.	RATING	REPLACEMENT DATA		
		IRC PART No.	WORKMAN PART No.	BENDIX PART No.			IRC PART No.	WORKMAN PART No.	BENDIX PART No.
R30	100Ω (Cold) Thermistor			220629-0012					

COILS (RF-IF)

ITEM No.	USE	REPLACEMENT DATA				
		BENDIX PART No.	MEISSNER Part No.	MERIT PART No.	MILLER PART No.	WORKMAN PART No.
L1	Antenna	①				
L2	RF	①				
L3	Oscillator	①				
L4	Input IF	2094080-0701 2094080-0707 ②				
L5	Output IF	2094080-0702 2094080-0708 ②			8006	

① Part of M1.

② Alternate Part Number.

TRANSFORMER (AUDIO OUTPUT)

ITEM No.	IMPEDANCE		REPLACEMENT DATA					NOTES
	PRI.	SEC.	BENDIX PART No.	MERIT PART No.	STANCOR PART No.	THORDARSON PART No.	TRIAD PART No.	
T1	12Ω Tap	@ 8Ω	2092138-0713				TR-164	

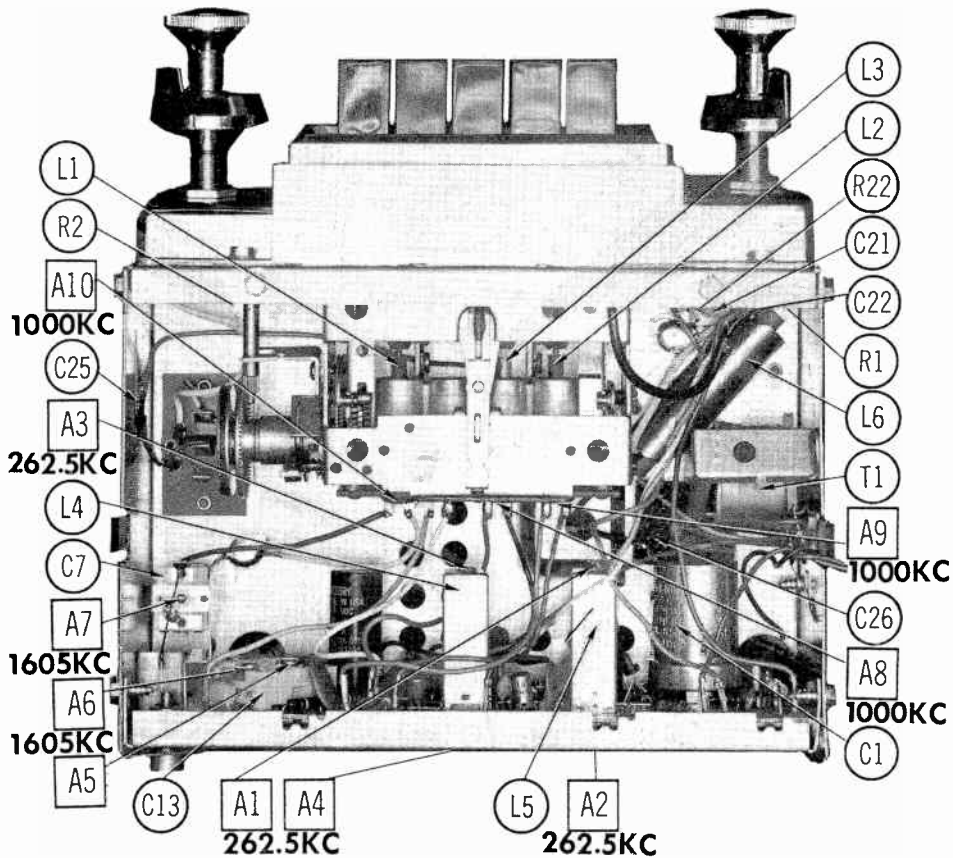
SPEAKER

ITEM No.	TYPE	REPLACEMENT DATA			NOTES
		BENDIX PART No.	QUAM PART No.		
SP1	6" x 9" PM	8Ω	2093354-0001	69A1Z8	Models: 6BCC, 6BCT.
	4" x 10" PM	8Ω	2094447-0701	410A2Z8	Model: 6BCH.
	4" x 10" PM	8Ω	2094671-0701	410A2Z8	Models: 6BCL, 6BC2.

FILTER CHOKE

ITEM No.	RATINGS			REPLACEMENT DATA					NOTES
	CURRENT (Measured)	DC RES.	INDUCTANCE (0 CURRENT 1000~)	BENDIX PART No.	MERIT PART No.	STANCOR PART No.	THORDARSON PART No.	TRIAD PART No.	
L6	680ma	.6Ω	1.5MH	2092050-0015	C-4095 ①	TC-1 ①	TR-153 ①	TY16XT ①	① Fabricate mounting

BENDIX MODELS 6BCC, 6BCH, 6BCL, 6BCT, 6BC2



PARTS LIST AND DESCRIPTION (CONTINUED)

(When ordering parts, state Model, Part Number, and Description.)

Replacement parts shown may be superseded by the availability of newly introduced replacements. Have your local distributor check Sams COUNTER FACTS® for the most up-to-date replacement.

FUSE DEVICES

ITEM No.	TYPE	RATING	REPLACEMENT DATA						
			PART No.		LITTELFUSE PART No.		BUSS PART No.		
			FUSE	HOLDER	FUSE	HOLDER	FUSE	HOLDER	
F1	AGC	3A	2091811-0016	In Fuse Block	312003			AGC 3	

MISCELLANEOUS

ITEM No.	PART NAME	BENDIX PART No.	NOTES
M1	Tuner	2094850-0001	Model 6BCC Early Production.
	Coil Assembly	2090131-0096	Model 6BCC Early Production.
	Pointer, Dial	2090129-0089	Model 6BCC Early Production.
	Tuner	2094851-0001	Model 6BCC Late Production.
	Coil Assembly	2090131-0095	Model 6BCC Late Production.
	Pointer, Dial	2090129-0089	Model 6BCC Late Production.
	Tuner	2094848-0501	Model 6BCH.
	Pointer, Dial	2090129-0082	Model 6BCH.
	Tuner	2094852-0501	Model 6BCL.
	Pointer, Dial	2090129-0084	Model 6BCL.
	Tuner	2094853-0501	Model 6BCT.
	Pointer, Dial	2090129-0042	Model 6BCT.
Tuner	2094849-0501	Model 6BC2.	
Pointer, Dial	2090129-0083	Model 6BC2.	
Coil Assembly	2090131-0095	Model 6BC2.	

CABINETS & CABINET PARTS

(When Ordering Specify Model, Chassis & Color)

ITEM	MODEL	PART No.	ITEM	MODEL	PART No.
Escutcheon	6BCC	2093584-0501	Dial Glass	6BCL	2094622-0001
Escutcheon	6BCH	2094854-0501	Dial Glass	6BCT	2092863-0003
Escutcheon	6BCL	2094856-0501	Dial Glass	6BC2	2092861-0003
Escutcheon	6BCT	2093983-0501	Pushbutton		2092860-0001
Escutcheon	6BC2	2094855-0501	Pushbutton	6BCT	2092859-0002
Dial Glass	6BCC	2094117-0001	Knob-Tuning or Volume		2092848-0502
Dial Glass	6BCH	2094117-0002	Knob-Tone or Fader		2092857-0001
			Knob-Tone or Fader	6BCL	2094670-0001



TRADE NAME : Buick Models:
7293644 (1966 Buick)
7293684 (1966 Riviera)

SUPPLIER : For Current Address, See Annual Index.

TYPE SET : 15 Transistor AM-FM Receiver,
9 Transistor Multiplex Chassis

POWER SUPPLY : 12 Volt Storage Battery

RATING : 2.5 Amp. @ 12.6 Volts DC

TUNING RANGE: BROADCAST 540-1615KC
FREQ. MOD: 88-108MC



BUICK MODELS 7293644, 7293684

ALIGNMENT INSTRUCTIONS

Check for specified source voltage.

Use only enough generator output to provide a usable indication.

Suggested Alignment Tools:

A1 thru A4, A11 thru A18.

GENERAL CEMENT: 5009, 8782A, 8987

WALSCO: 2531-X, 2538

A5 thru A10, A19 thru A29.

GENERAL CEMENT: 8290, 8868, 9087

WALSCO: 2525, 2528, 2587

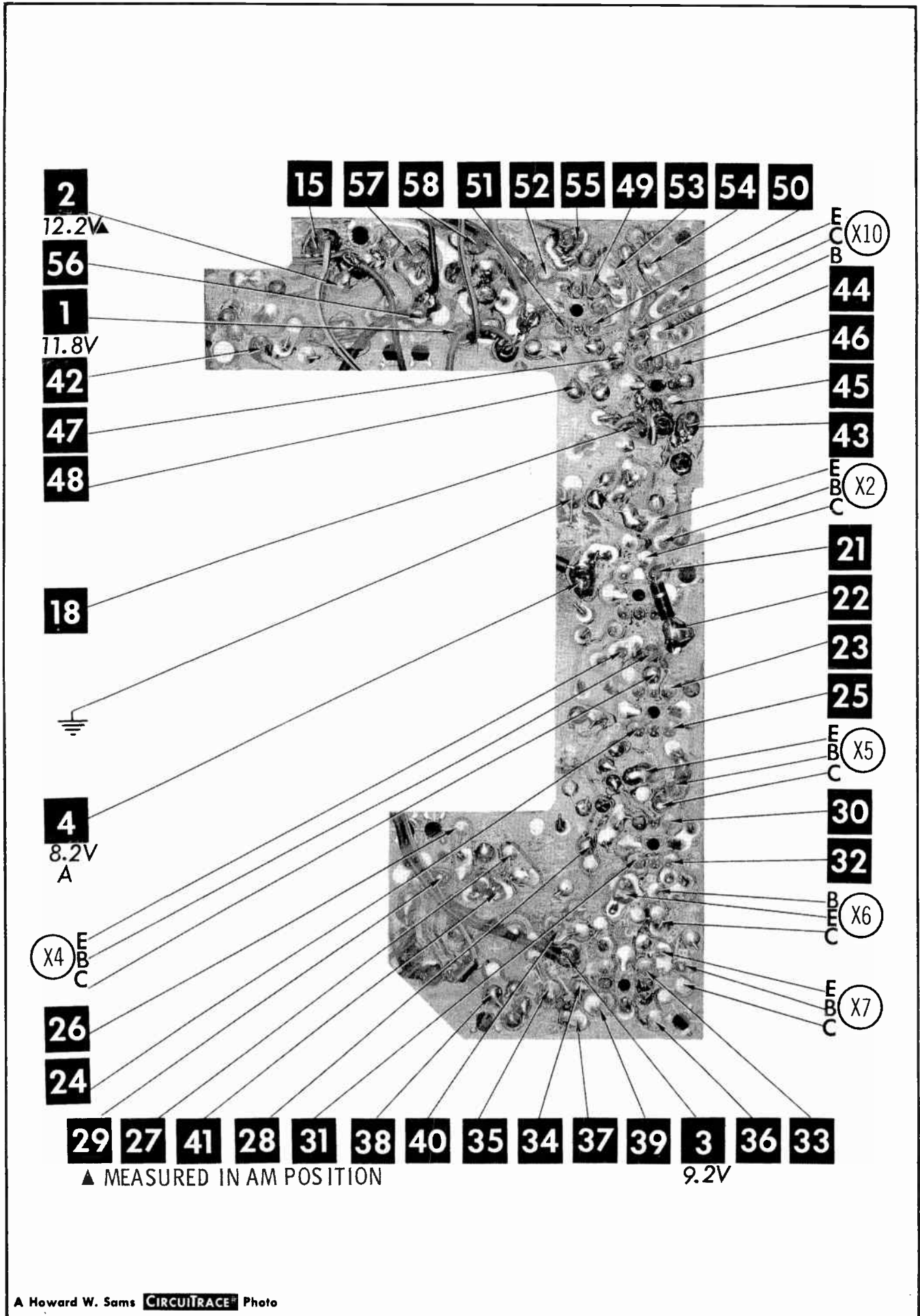
	SIGNAL GENERATOR COUPLING	SIGNAL GENERATOR FREQUENCY	RADIO DIAL SETTING	INDICATOR	ADJUST	REMARKS
1.	High side thru .1mfd to point A , low side to ground.	262KC (400v Mod.)	High Freq. End Stop.	Output Meter across voice coil.	A1, A2, A3, A4	Adjust for maximum.
Check setting of AM Oscillator coil core (A5). Rear of core should be 1 3/8" from mounting end of coil form.						
2.	High side thru 82mmf to antenna receptacle, low side to ground.	1615KC	High Freq. End Stop.	Output Meter across voice coil.	A6, A7, A8	Adjust for maximum.
3.	"	600KC	600KC Signal	"	A9, A10	Adjust for maximum. Repeat step 2.
With radio installed in car and antenna extended 31", tune in a weak station near 1400KC and adjust A8 for maximum output.						

For access to A8 (Antenna Trimmer), remove Balance and Tuning knobs.

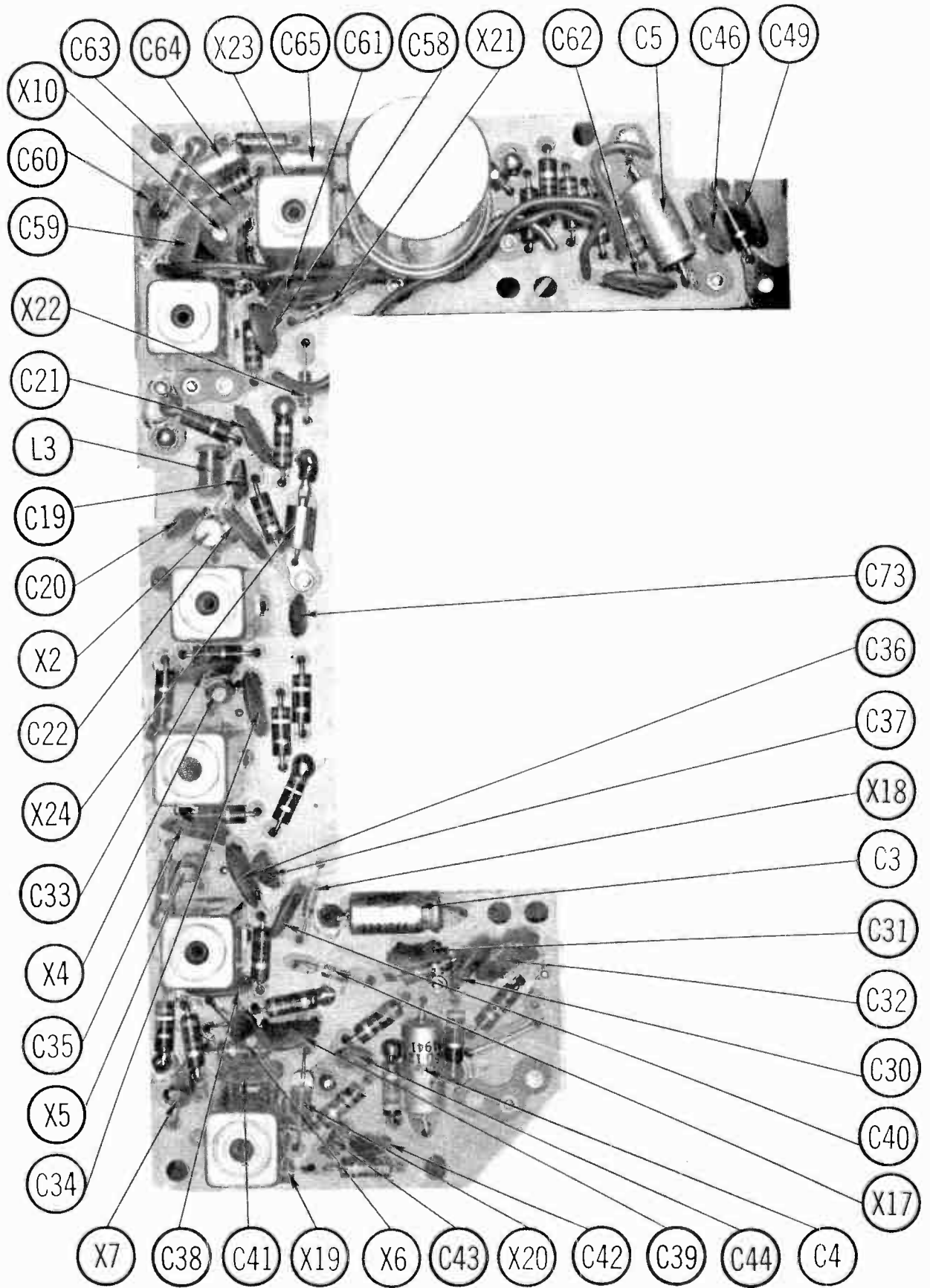
ALIGNMENT CONTINUED ON PAGE 25

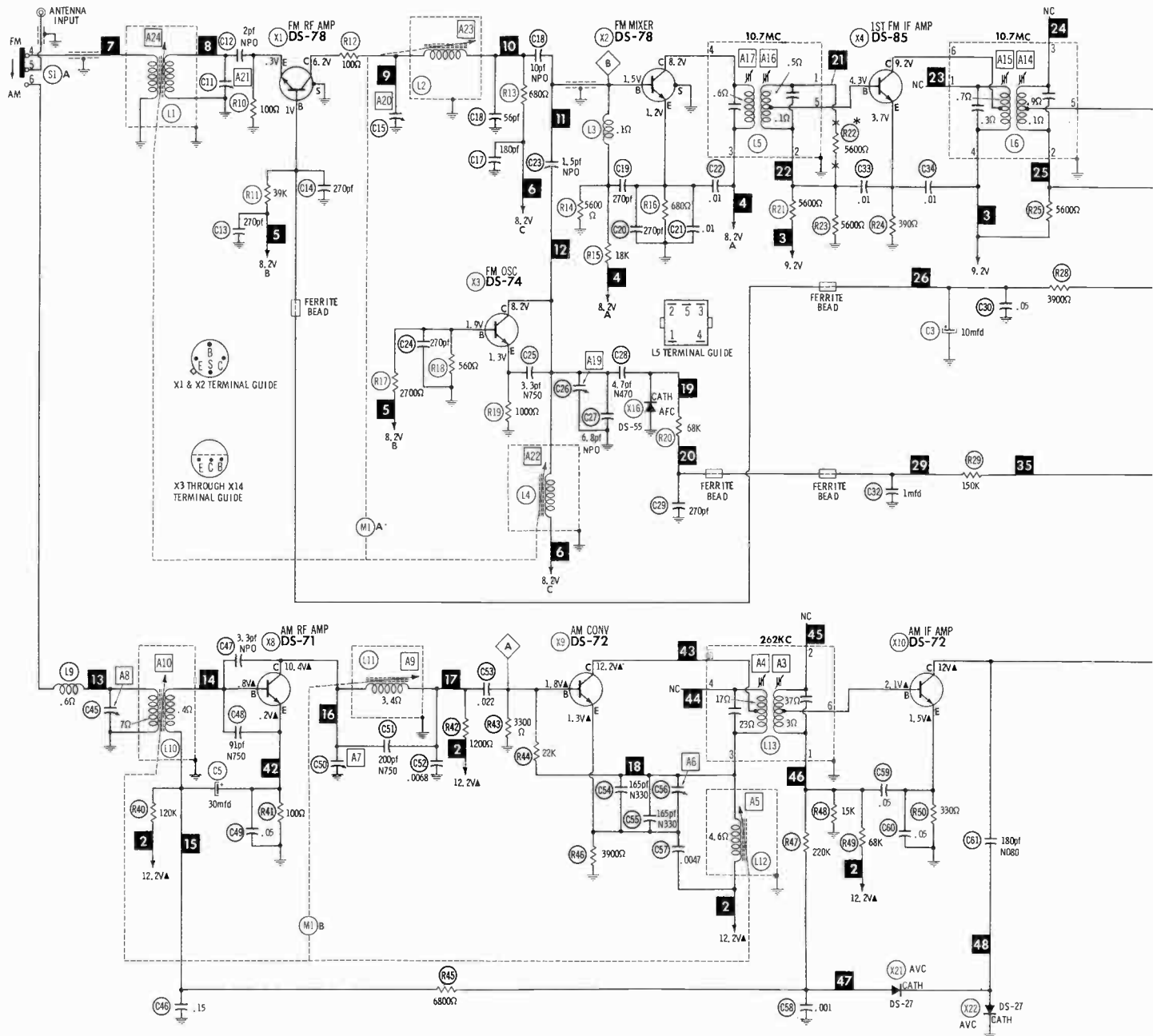
PUSH-BUTTON ADJUSTMENT

1. Pull button out.
2. Tune manually to desired station.
3. Press button in firmly.
4. Repeat for remaining buttons.



A Howard W. Sams **CIRCUITRACE**® Photo



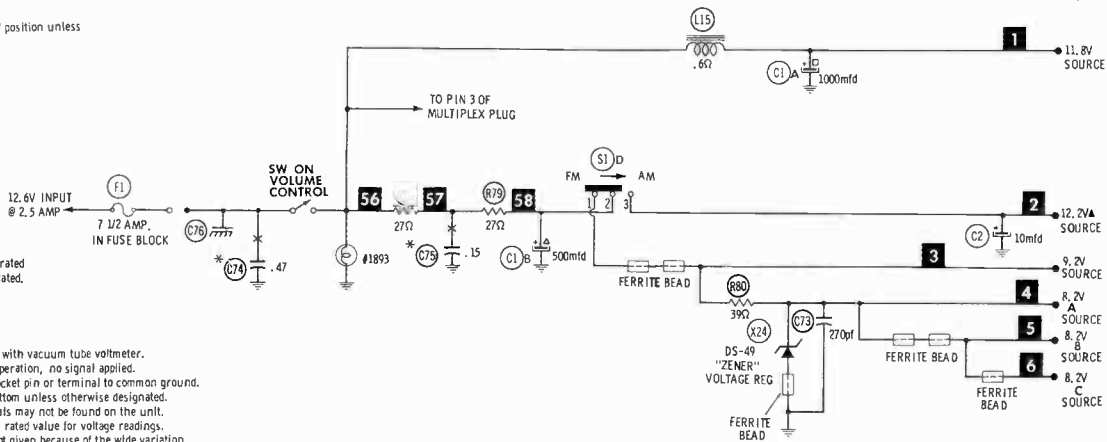


All measurements taken in "FM" position unless otherwise designated.

▲ Measured in "AM" position.

* Not used in some versions.

NC No Connection

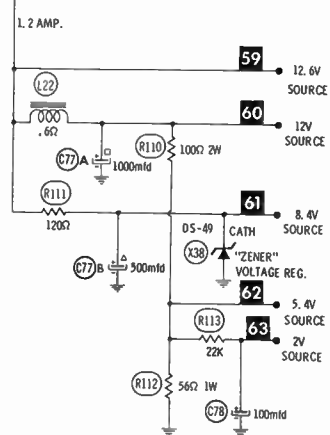
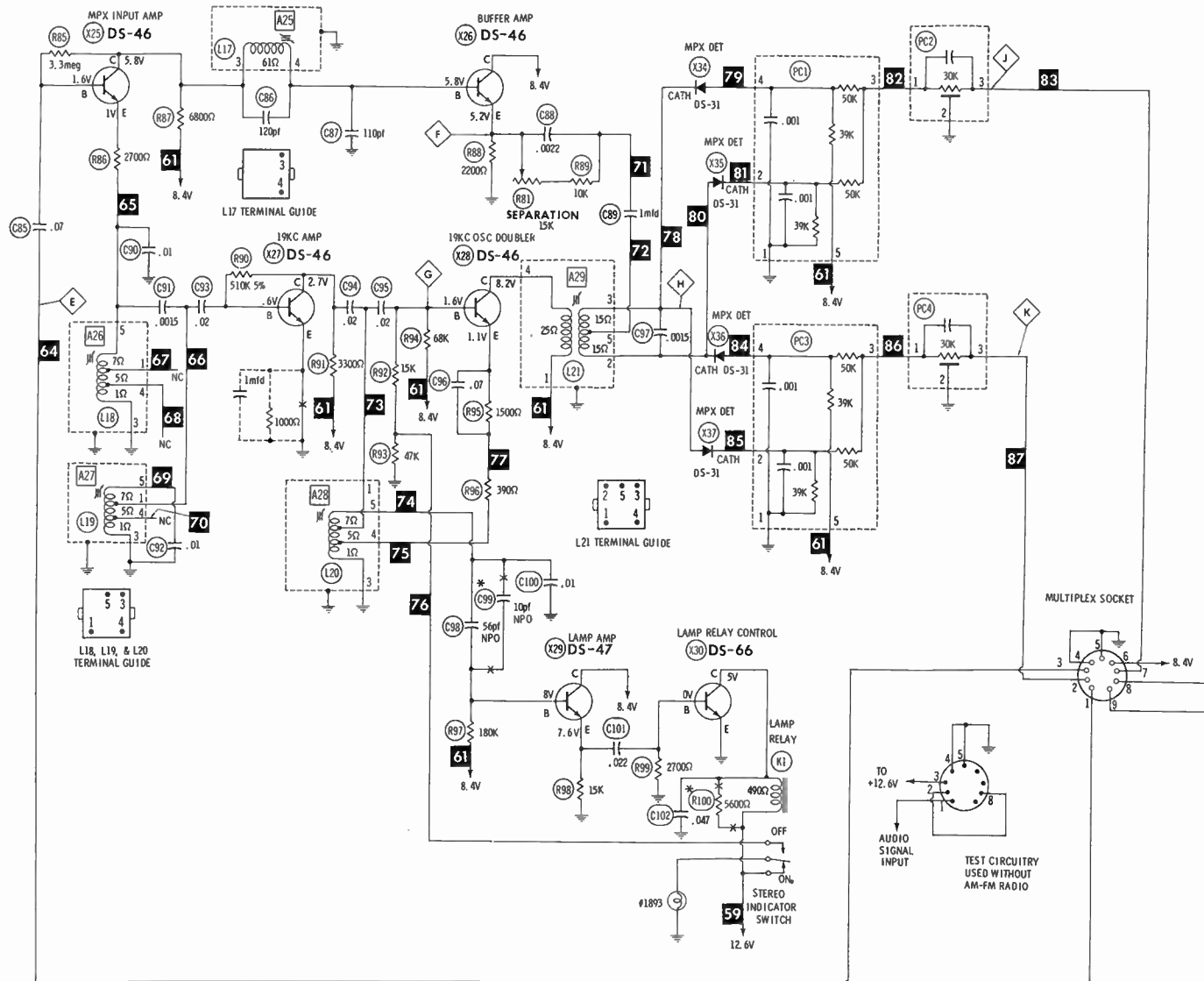


Resistors are 1/2 watt or less and rated 10% or 20% unless otherwise indicated.

- ① See parts list
- 1. Voltage measurements taken with vacuum tube voltmeter.
- 2. All controls set for normal operation, no signal applied.
- 3. Measured values are from socket pin or terminal to common ground.
- 4. All terminals viewed from bottom unless otherwise designated.
- 5. Numbers assigned to terminals may not be found on the unit.
- 6. Supply voltage maintained at rated value for voltage readings.
- 7. Resistance measurements not given because of the wide variation in internal resistance of transistor.

A PHOTOFAC STANDARD NOTATION SCHEMATIC with **Circuitrace**

© Howard W. Sams & Co., Inc. 1966



NC NO CONNECTION

* NOT USED IN SOME VERSIONS.

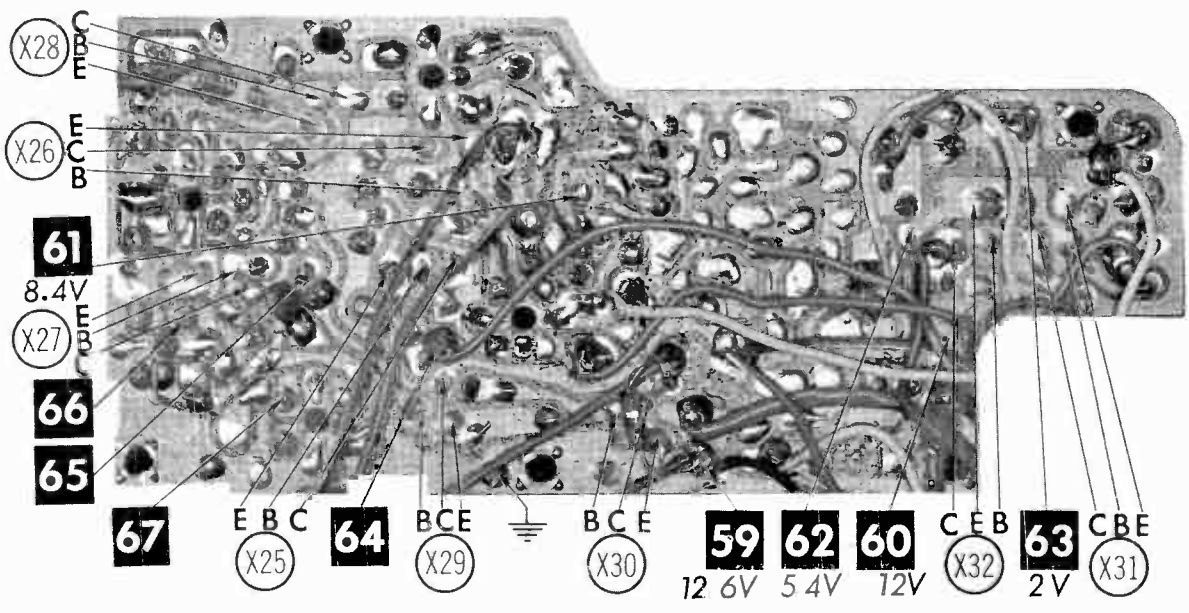
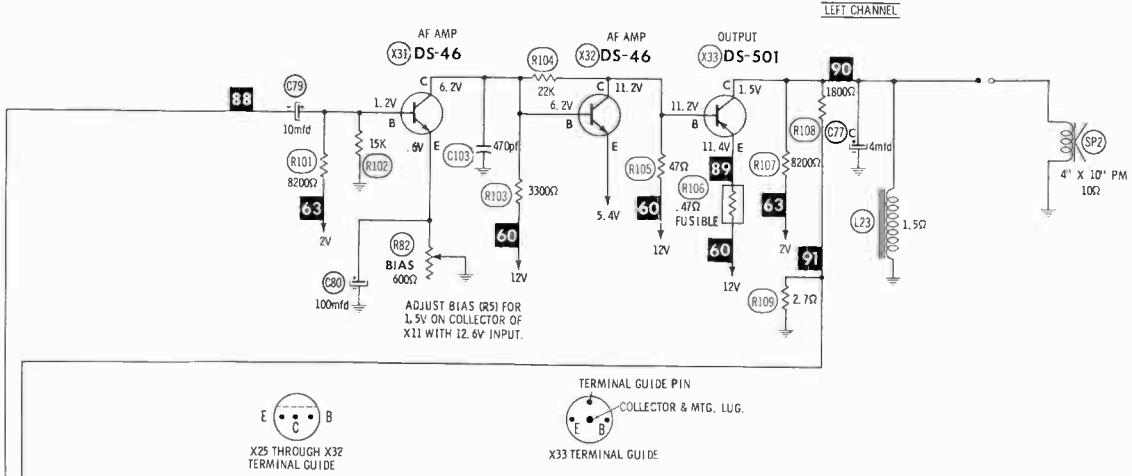
Resistors are 1/2 watt or less and rated 10% or 20% unless otherwise indicated.

See parts list

1. Voltage measurements taken with vacuum tube voltmeter.
2. All controls set for normal operation, no signal applied.
3. Measured values are from socket pin or terminal to common ground.
4. All terminals viewed from bottom unless otherwise designated.
5. Numbers assigned to terminals may not be found on the unit.
6. Supply voltage maintained at rated value for voltage readings.
7. Resistance measurements not given because of the wide variation in internal resistance of transistor.

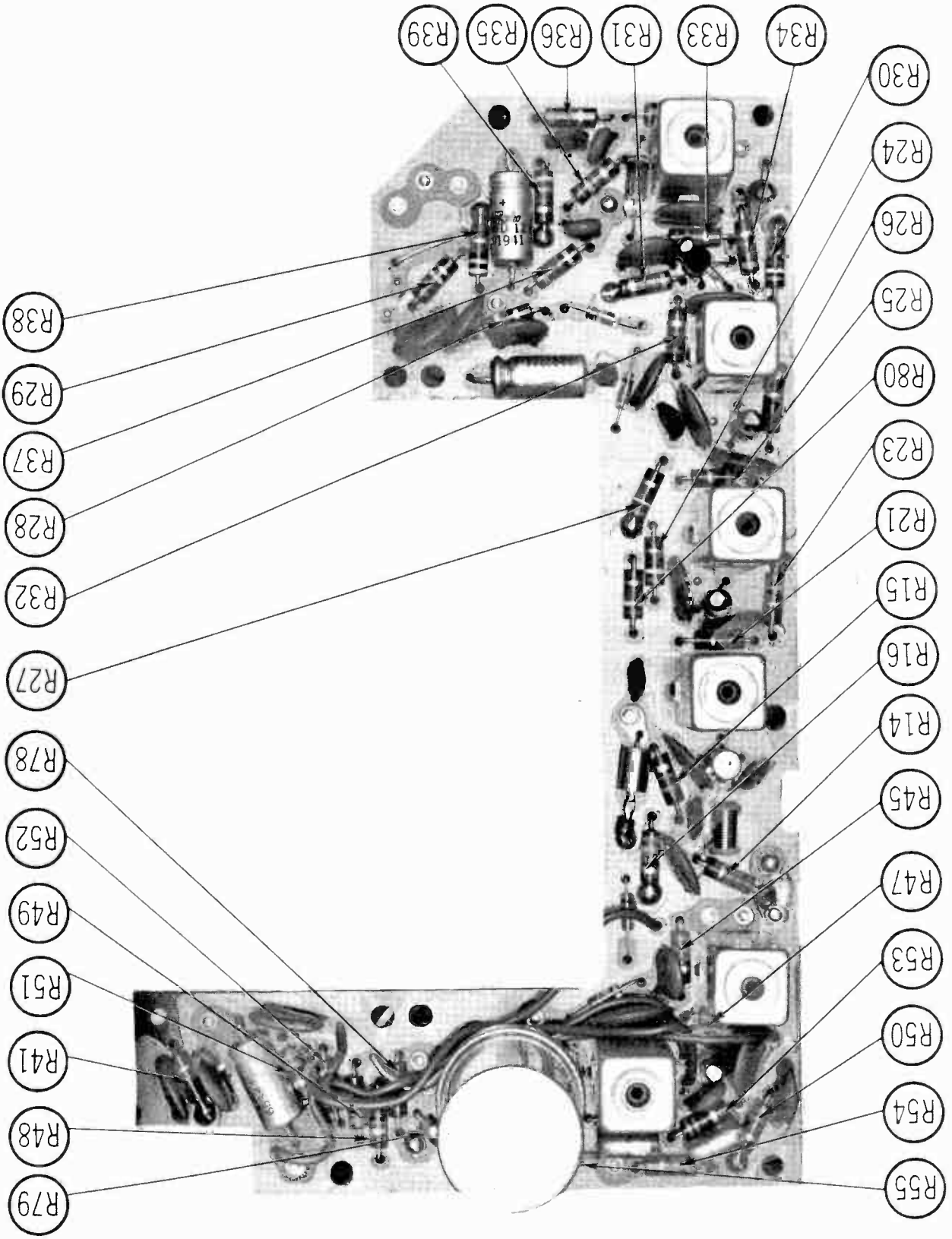
A PHOTOFACT STANDARD NOTATION SCHEMATIC with CIRCUITRACE

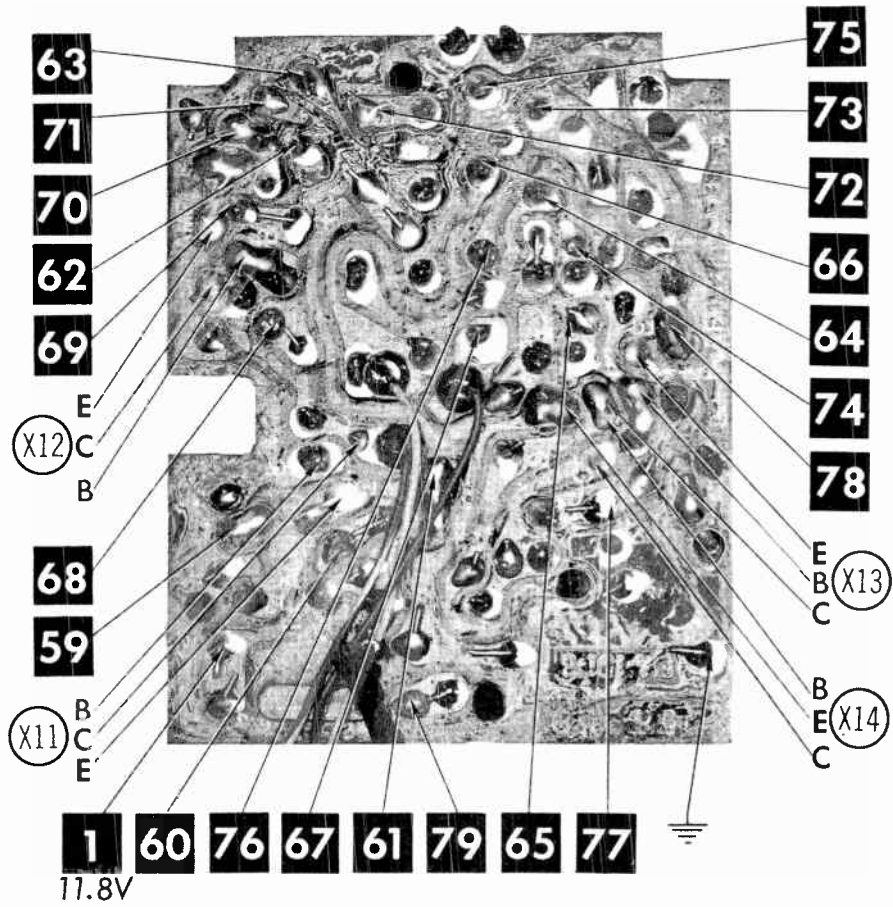
© Howard W. Sams & Co., Inc. 1966

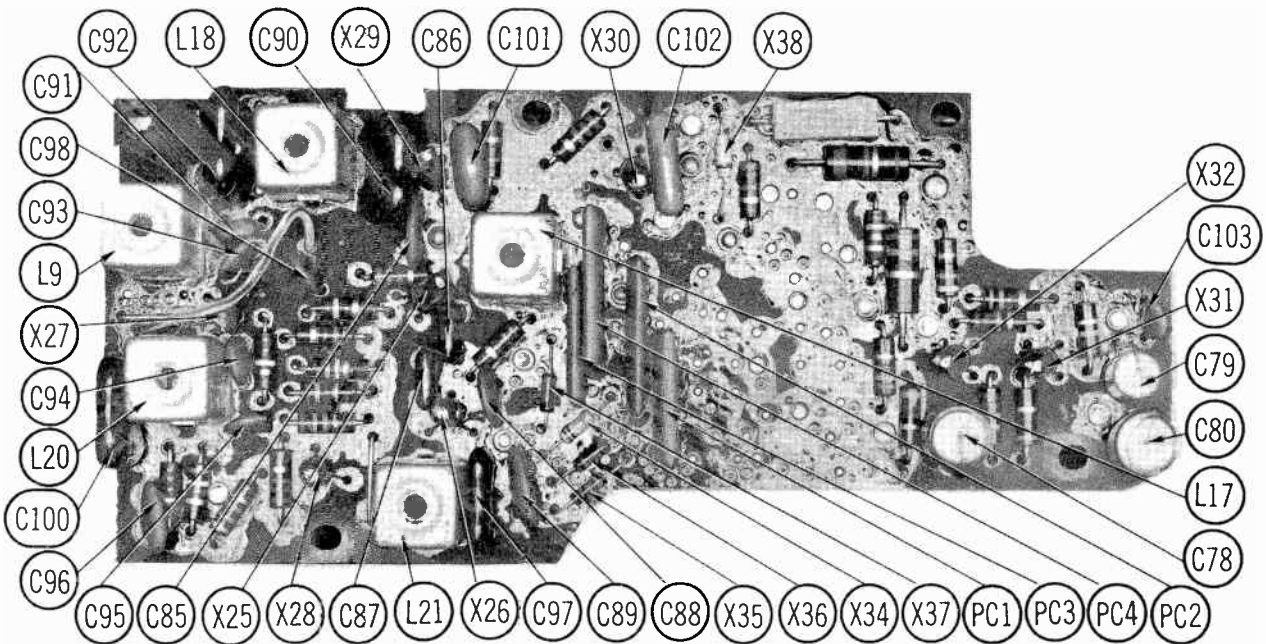
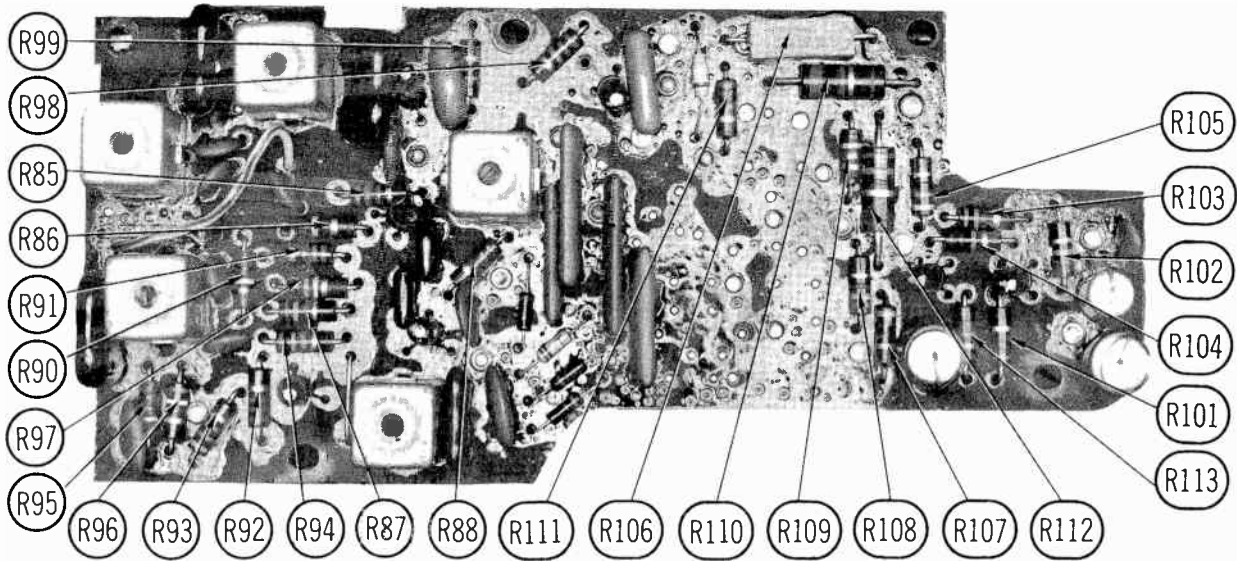


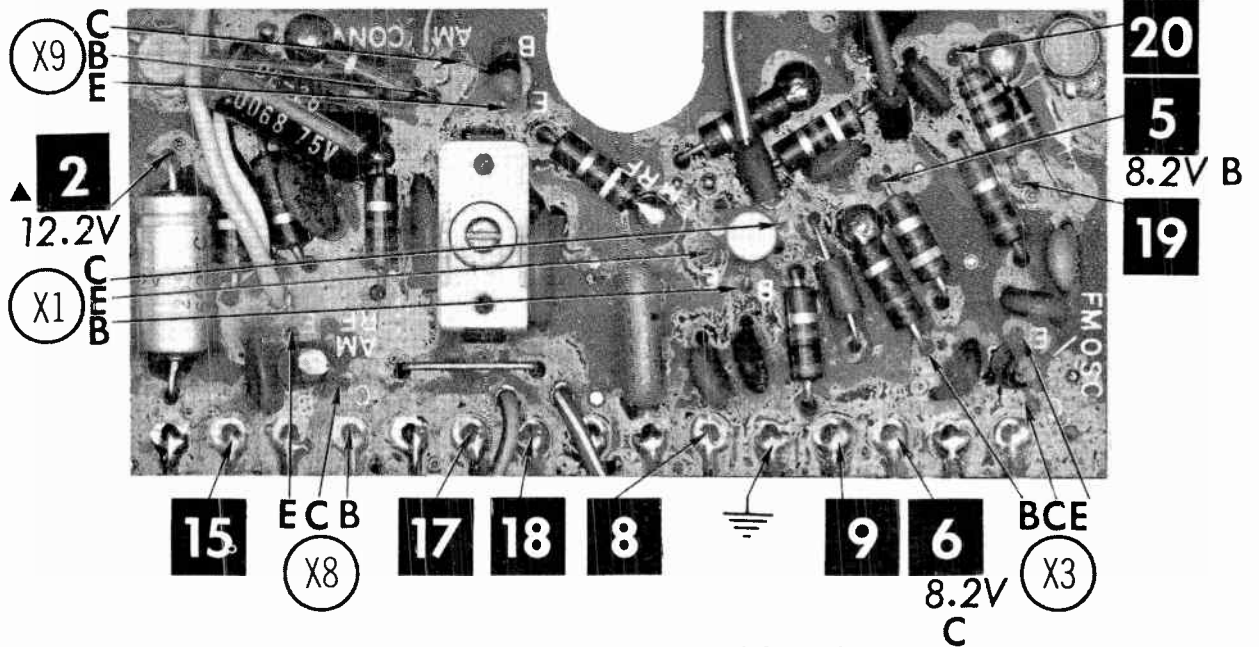
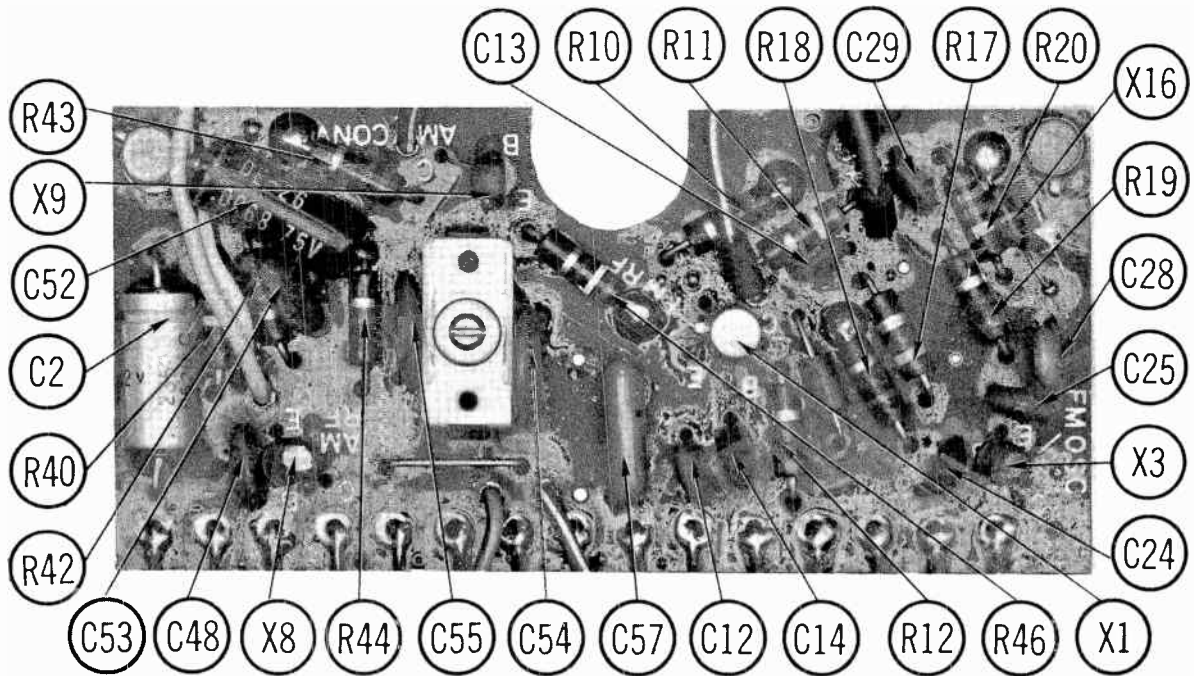
BUICK MODELS 7293644, 7293684

A Howard W. Sams CIRCUITRACE Photo

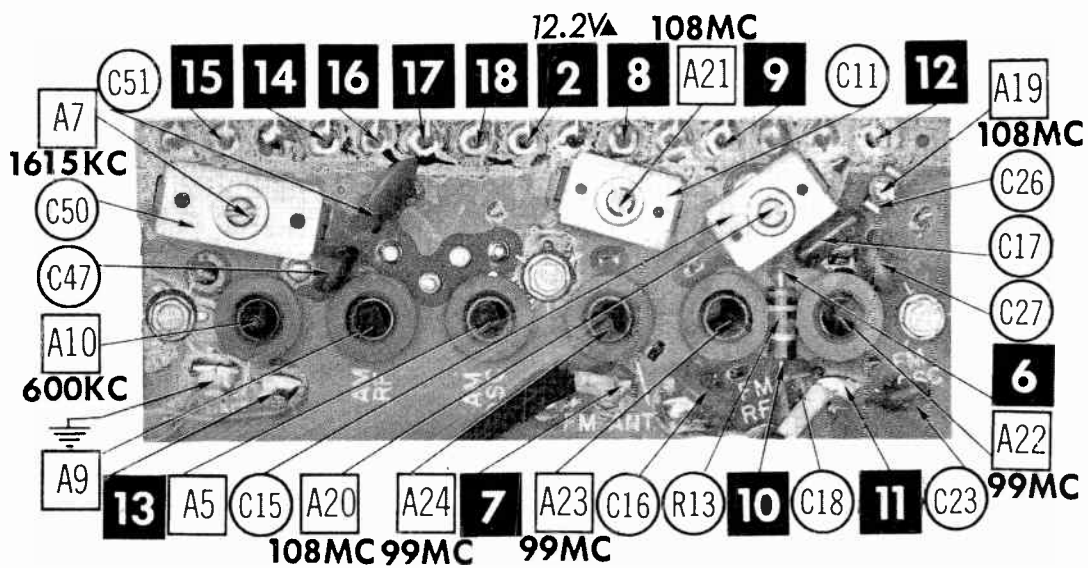
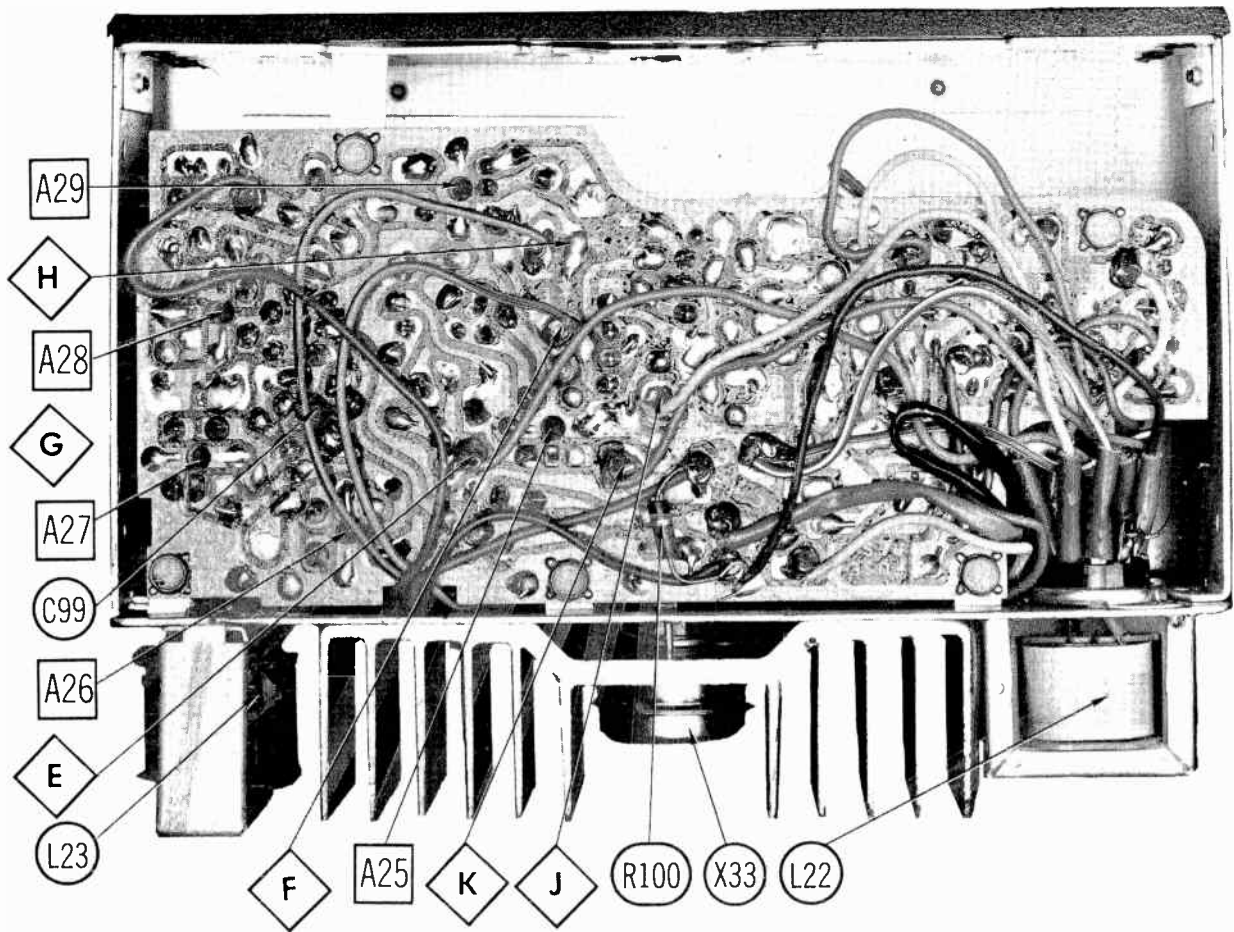




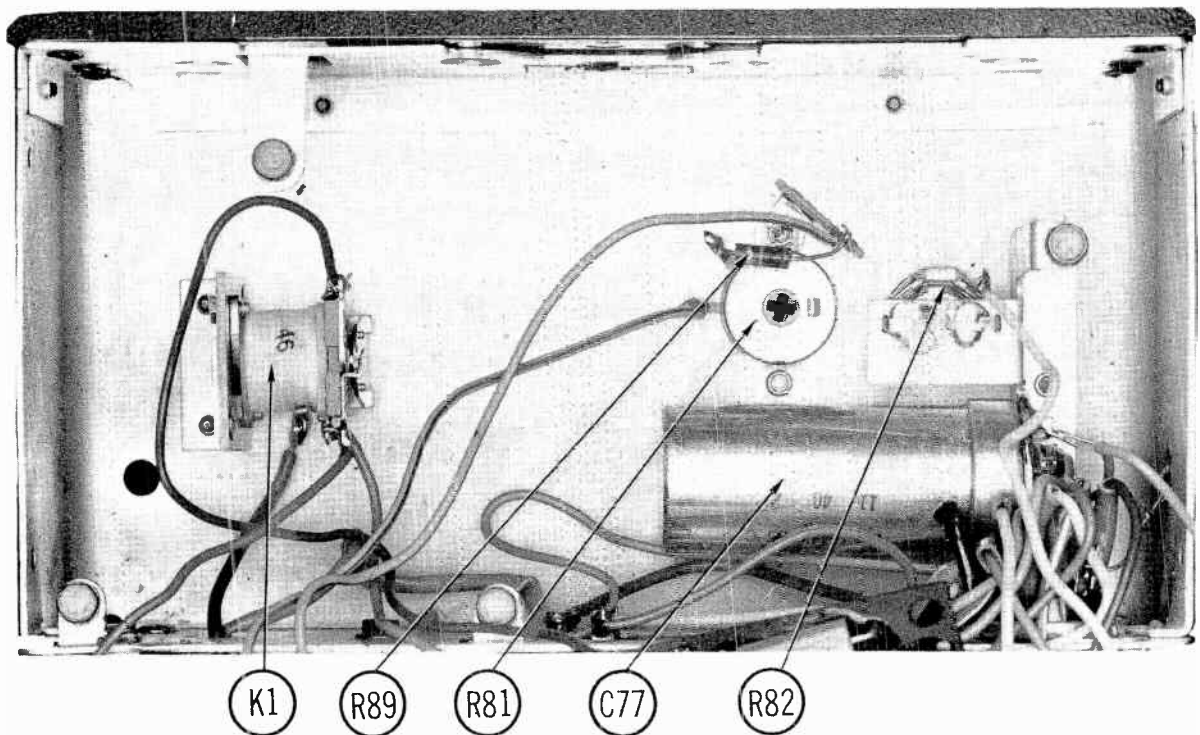
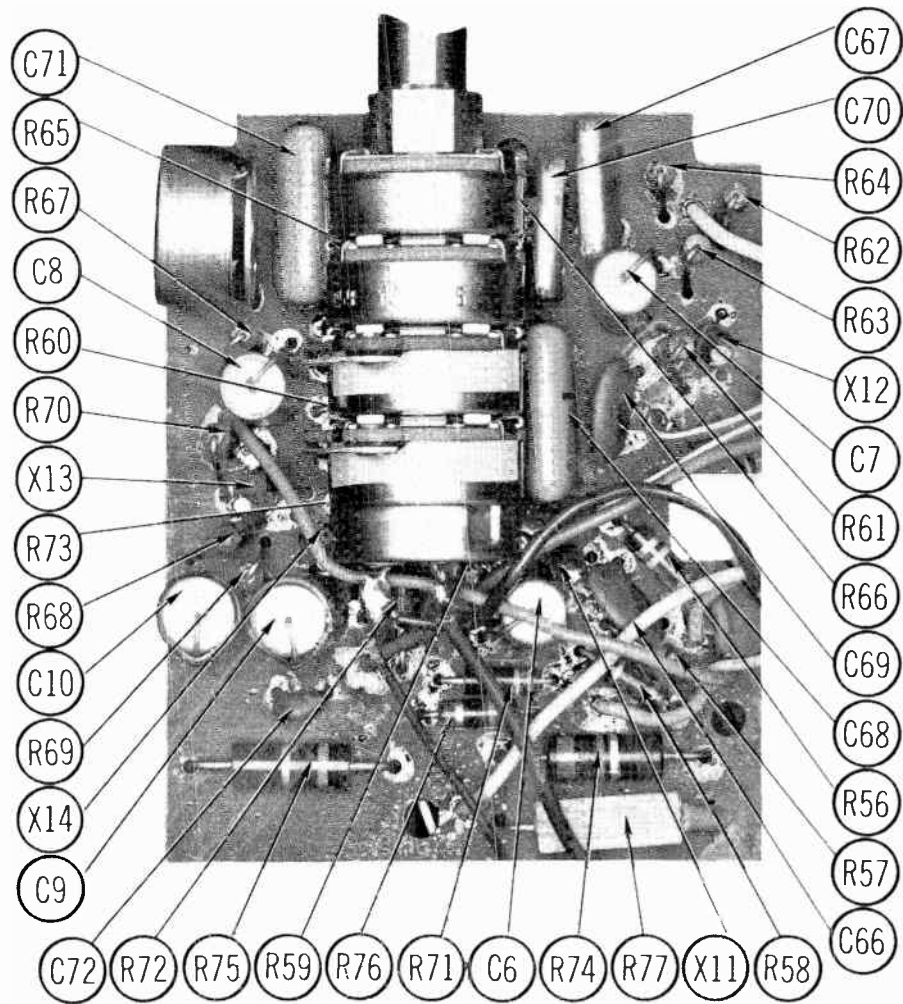




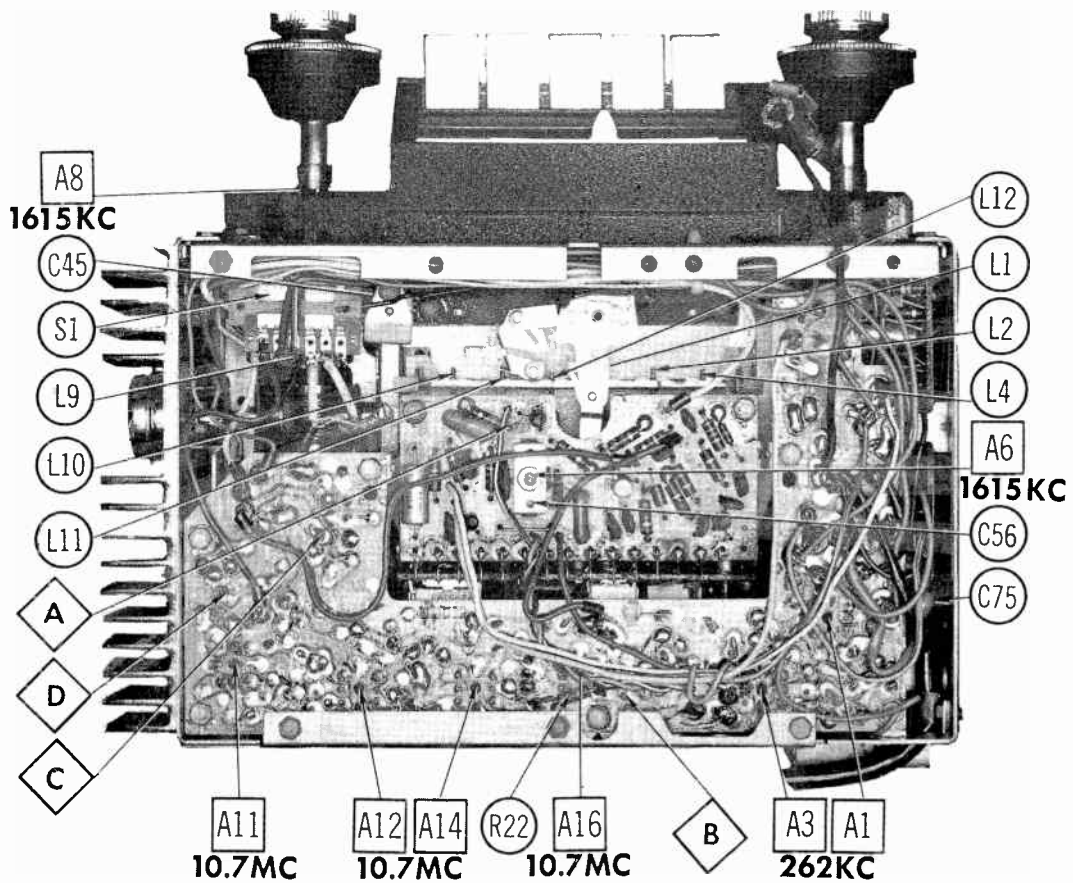
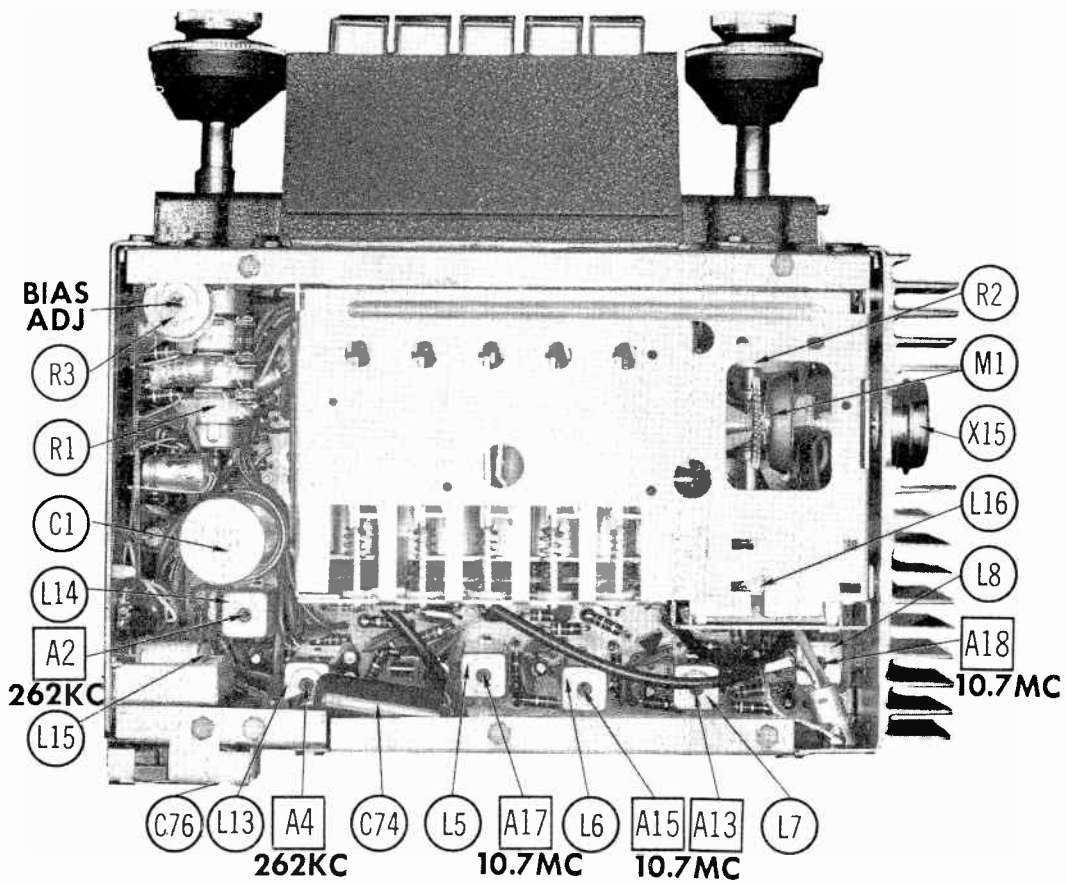
▲ MEASURED IN AM POSITION



▲ MEASURED IN AM POSITION






BUICK MODELS 7293644, 7293684



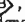
ALIGNMENT INSTRUCTIONS (cont)



FM ALIGNMENT USING AM SIGNAL GENERATOR – SELECTOR IN FM POSITION

High side thru .1mfd to point , low side to ground.

GENERATOR FREQUENCY	DIAL SETTING	INDICATOR	ADJUST	REMARKS
4. 10.7MC (Unmod.)	Point of non-interference.	DC probe of VTVM to point  ; common to ground.	A11, A12, A13, A14, A15, A16, A17.	Adjust for maximum.
5. "	"	DC probe to point  ; common to ground.	A18.	Adjust for zero reading. A positive or negative reading will be obtained on either side of the correct setting.


FM IF ALIGNMENT USING FM SIGNAL GENERATOR – SELECTOR IN FM POSITION

High side thru .1mfd to point , low side to ground. Use only enough marker signal to obtain indication. Use 60v frequency modulated signal with 450KC sweep. Use 120v sawtooth voltage in scope for horizontal deflection.


GENERATOR FREQUENCY	DIAL SETTING	INDICATOR	ADJUST	REMARKS
4. 10.7MC (450KC Swp.)	Point of non-interference	Vert. amp. of Scope to point  ; low side to ground.	A11, A12, A13, A14, A15, A16, A17.	Disconnect stabilizing capacitor C4. Adjust for maximum gain and symmetry of response similar to Fig. 1 with marker as shown. Reconnect C4.
5. "	"	Vert. amp. to point  ; low side to ground.	A18.	Adjust A18 (Secondary) to place marker at center of crossover lines similar to Fig. 2. Adjust A11 (Primary) for maximum amplitude and straightness of crossover lines.






FM RF ALIGNMENT Check setting of FM Oscillator coil core (A19). Rear of core should be 1 3/8" from mounting end of coil form.

Connect generator across antenna terminals with 120Ω carbon resistors in series with each lead.

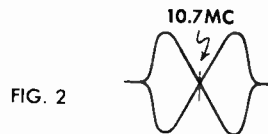
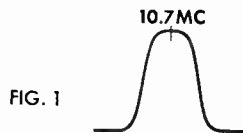
GENERATOR FREQUENCY	DIAL SETTING	INDICATOR	ADJUST	REMARKS
6. 108MC	Set at high end.	DC probe of VTVM to point  ; common to ground.	A20, A21, A22.	Ground Circuit trace Point 10. Adjust for maximum.
7. 99MC	Tune to signal.	"	A23, A24.	Rock tuning and adjust for maximum. Repeat steps 6 and 7 until no further improvement can be made.

FM STEREO MULTIPLEX ALIGNMENT USING FM STEREO SIGNAL GENERATOR (± .0001% ACCURACY)

Connect high side of generator to point , low side to Chassis.

GENERATOR FREQUENCY	INDICATOR	ADJUST	REMARKS
8. 67KC	Vert. amp. of Scope thru a 1 meg to point  ; low side to ground.	A25.	Adjust for MINIMUM.
9. 19KC	Vert. amp. thru 47K to point  ; low side to ground.	A26, A27, A28.	Adjust for maximum.
10. "	Vert. amp. thru 47K to point  ; low side to ground.	A29.	Adjust maximum for 38KC response.
11. Modulated Left Channel	Vert. amp. to point  ; low side to ground.	A26, A27, A28, A29 & R81.	Adjust for MINIMUM. Should require only a slight adjustment.
12. Modulated Right Channel	Vert. amp. to point  ; low side to ground.		Check for MINIMUM. Make compromise adjustments if necessary, by adjusting A26, A27, A28, A29 & R81.

To align multiplex section using an air signal, first make sure FM section is properly aligned. Tune in a strong FM stereo signal. Follow steps 8 thru 12 above except in step 8 adjust to eliminate whistle or interference.



BUICK MODELS 7293644, 7293684

AM-FM PARTS LIST AND DESCRIPTION

(When ordering parts, state Model, Part Number, and Description.)

Replacement parts shown may be superseded by the availability of newly introduced replacements.
Have your local distributor check Sams COUNTER FACTS for the most up-to-date replacement.

TRANSISTORS

ITEM No.	ORIG. TYPE	USE	REPLACEMENT DATA			NOTES
			DELCO PART No.	GENERAL ELECTRIC PART No.	RCA PART No.	
X1	DS-78	FM RF Amp.	DS-81		SK-3018	NPN
X2	DS-78	FM Mixer	DS-81		SK-3018	NPN
X3	DS-74	FM Oscillator	DS-74	GE-11	SK-3018	NPN
X4	DS-85	1st. FM IF	DS-74	GE-11	SK-3018	NPN
X5	DS-85	2nd. FM IF	DS-74	GE-11	SK-3018	NPN
X6	DS-73	3rd. FM IF	DS-74	GE-11	SK-3018	NPN
X7	DS-85	FM Limiter	DS-74	GE-11	SK-3018	NPN
X8	DS-71	AM RF Amp.	DS-75	GE-10	SK-3018	NPN
X9	DS-72	AM Converter	DS-75	GE-10	SK-3018	NPN
X10	DS-72	AM IF Amp.	DS-75	GE-10	SK-3018	NPN
X11	DS-46	Pre-Amp.	DS-66	GE-10	SK-3020	NPN
X12	DS-46	AF Amp.	DS-66	GE-10	SK-3020	NPN
X14	DS-46	AF Amp.	DS-66	GE-10	SK-3020	NPN
X15	DS-501	Output	DS-501	GE-4	SK-3012	NPN

POWER RECTIFIERS & SIGNAL DIODES

ITEM No.	MEASURED CURRENT	ORIGINAL Part or Type No.	RECTIFIERS & DIODES		RECTIFIERS		
			GENERAL ELECTRIC PART No.	INTERNATIONAL RECTIFIER PART No.	MALLORY PART No.	RCA PART No.	SARKES TARZIAN PART No.
X16		DS-55	1N34AS	1N34A			
X17		DS-27	1N34AS	1N34A			
X18		DS-27	1N34AS	1N34A			
X19		DS-39 ①	1N34AS	1N34A			
X20		DS-39 ①	1N34AS	1N34A			
X21		DS-27	1N34AS	1N34A			
X22		DS-27	1N34AS	1N34A			
X23		DS-27	1N34AS	1N34A			
X24		DS-49	1N34AS	1N34A			

① Matched Pair.

ELECTROLYTIC CAPACITORS

ITEM No.	RATING		DELCO PART No.	REPLACEMENT DATA				
	CAP.	VOLT.		AEROVOX PART No.	CORNELL-DUBILIER PART No.	GENERAL ELECTRIC PART No.	MALLORY PART No.	SPRAGUE PART No.
C1A	1000	16	7283875	AFH3-54-41	CC0006		FPS300.91	PCL-3021
B	500	16						
C	4	11.5rms						
C2	10	12	7292738	PTT53	NLW10-15	MT1-5	TT12X10	TL-1128
C3	10	12	7292738	PTT53	NLW10-15	MT1-5	TT12X10	TL-1128
C4	3	12	7291860	PTT50	NLW3-15	MT1-3	TT12X3	TE-1122
C5	30	6	7279896	PTT27	NLW30-15	MT1-13	TT6X30	TE-1092
C6	3	12	7291860	PTT50	NLW3-15	MT1-3	TT12X3	TE-1122
C7	3	12	7291860	PTT50	NLW3-15	MT1-3	TT12X3	TE-1122
C8	10	12	7292738	PTT53	NLW10-15	MT1-5	TT12X10	TL-1128
C9	100	4	7291810	PTT30	NLW125-6	MT1-21	TT6X100	TE-1102
C10	100	4	7291810	PTT30	NLW125-6	MT1-21	TT6X100	TE-1102

CAPACITORS

ITEM No.	RATING	REMARKS	REPLACEMENT DATA					
			AEROVOX PART No.	CENTRALAB PART No.	CORNELL-DUBILIER PART No.	ELMENCO PART No.	MALLORY PART No.	SPRAGUE PART No.
C11		#7293221						
C12	2	NPO	NPO-DI2.2	DTZ-2R2	CZ601CJ2R2D	CCTO-2R2	CN0522	10TCC-V22
C13	270	10%	DI-270	DD-271	CD15F271J500	CCD-271	GP327	5GA-T27
C14	270	10%	DI-270	DD-271	CD15F271J500	CCD-271	GP327	5GA-T27
C15		#7291003						
C16	56	100V 5%	DI-56	DD-560	CD10E560J500	CCD-560	GP456	10TS-Q56
C17	180	5%	DI-180	DD-181	CD10E181J500	CCD-181	GP318	5GA-T18
C18	10	NPO	NPO-DI10	DTZ-10	CZ601CG100J	CCTO-100	CN0410	10TCC-Q10
C19	270		DI-270	DD-271	CD15F271J500	CCD-271	GP327	5GA-T27
C20	270		DI-270	DD-271	CD15F271J500	CCD-271	GP327	5GA-T27
C21	.01		TTD-.01	CK-103	HCZ3R0XR103P	CCD-103	TA110	TG-S10
C22	.01		TTD-.01	CK-103	HCZ3R0XR103P	CCD-103	TA110	TG-S10
C23	1.5	NPO	NPO-DI1.0	TCZ-1			CN0510	10TCC-V10
C24	270	10%	DI-270	DD-271	CD15F271K500	CCD-271	GP327	5GA-T27
C25	3.3	N750		TCN-3R3			CN7533	10TCU-V33

AM-FM PARTS LIST AND DESCRIPTION (CONTINUED)

(When ordering parts, state Model, Part Number, and Description.)

Replacement parts shown may be superseded by the availability of newly introduced replacements.
Have your local distributor check Sams COUNTER FACTS® for the most up-to-date replacement.

CAPACITORS

ITEM No.	RATING	REMARKS	REPLACEMENT DATA						
			AEROVOX PART No.	CENTRALAB PART No.	CORNELL-DUBILIER PART No.	ELMENCO PART No.	MALLORY PART No.	SPRAGUE PART No.	
C26		#7292611							
C27	6.8 NPO	(3.3) †	NPO-DI6.8	DTZ-6R8	CZ601CH6R8D	CCTO-6R8	CN0568	10TCC-V68	
C28	4.7 N470	(3.9) †				*	*		
C29	270 10%		DI-270	DD-271	CD15F271K500	CCD-271	GP327	5GA-T27	
C30	.05 16V		TTD-.05	CK-503	HCZ3R0XR503P	CCD-503	TA150	TG-S50	
C31	.0022		DI-2200	DD-222	JBX601YP222K	CCD-222	GP222	10TS-D22	
C32	1 3V			UK-105	HCZ3R0XR105P		MAG31	HY-135	
C33	.01		TTD-.01	CK-103	HCZ3R0XR103P	CCD-103	TA110	TG-S10	
C34	.01		TTD-.01	CK-103	HCZ3R0XR103P	CCD-103	TA110	TG-S10	
C35	.01		TTD-.01	CK-103	HCZ3R0XR103P	CCD-103	TA110	TG-S10	
C36	.01		TTD-.01	CK-103	HCZ3R0XR103P	CCD-103	TA110	TG-S10	
C37	10 NPO		NPO-DI10	DTZ-10	CZ801CG100J	CCTO-100	CN0410	10TCC-Q10	
C38	.01		TTD-.01	CK-103	HCZ3R0XR103P	CCD-103	TA110	TG-S10	
C39	.01		TTD-.01	CK-103	HCZ3R0XR103P	CCD-103	TA110	TG-S10	
C40	.05 16V		TTD-.05	CK-503	HCZ3R0XR503P	CCD-503	TA150	TG-S50	
C41	.01		TTD-.01	CK-103	HCZ3R0XR103P	CCD-103	TA110	TG-S10	
C42	560		DI-560	DD-561	CD19F561K500	CCD-561	GP356	5GA-T56	
C43	330		DI-330	DD-331	JBZ601YP331K	CCD-331	GP331	10TS-T33	
C44	330		DI-330	DD-331	JBZ601YP331K	CCD-331	GP331	10TS-T33	
C45		#7283618							
C46	.15 12V		DBE4P15	CK-104	DMF4P15	4DP-4-154	PVC6015	4PS-P15	
C47	3.3 NPO		NPO-DI3.0	DTZ-3R3		CCTO-3R3	CN0533	10TCC-V30	
C48	91 N750			TCN-91					
C49	.05 16V		TTD-.05	CK-503	HCZ3R0XR503P	CCD-503	TA150	TG-S50	
C50		#7295193							
C51	200 N750		N750-DI200	DTN-200		CCTN-201	CN7320	10TCU-T20	
C52	.0068 75V		DBE6D68	CPR-6800J	DPMS6D68	1DP-1-682	PVC4268	6PS-D68	
C53	.022 25V		TTD-.025	CK-253	HOR101ZV253P		TA125	TG-S25	
C54	165 N330 5%					*	*		
C55	165 N330 5%					*	*		
C56		#7295192							
C57	.0047 100V		DBE6D47	CPR-4700J	DPMS6D47	6DP-1-472	PVC6247	6PS-D47	
C58	.001		DI-1000	DM-102	JBS601YP102K	CCD-102	SM210	5GAB-D10	
C59	.05 16V		TTD-.05	CK-503	HCZ3R0XR503P	CCD-503	TA150	TG-S50	
C60	.05 16V		TTD-.05	CK-503	HCZ3R0XR503P	CCD-503	TA150	TG-S50	
C61	180 N080					*	*	10CTCN-T80	
C62	1 16V		TTD-.1	CK-104	HCZ3R0XR104P	1DP-2-104	TA010	TG-P10	
C63	.001		DI-1000	DM-102	JBS601YP102K	CCD-102	SM210	5GAB-D10	
C64	.012		DI-1500	DD-152	DPMS6S12	CCD-152	GP215	10TS-D15	
C65	.012		DI-1500	DD-152	DPMS6S12	CCD-152	GP215	10TS-D15	
C66	.07 16V	#7288631							
C67	.047		DBE2S47		DMF2S47	4DP-3-473	PVC2147	2PS-S47	
C68	.15		DBE4P15		DMF4P15	4DP-4-154	PVC6015	4PS-P15	
C69	.07 16V	#7288631							
C70	.047		DBE2S47		DMF2S47	4DP-3-473	PVC2147	2PS-S47	
C71	.15		DBE4P15		DMF4P15	4DP-4-154	PVC6015	4PS-P15	
C72	470		DI-470	DD-471	JBZ601YP471K	CCD-471	GP347	10TS-T47	
C73	270		DI-270	DD-271	CD15F271J500	CCD-271	GP327	5GA-T27	
C74	.47 75V		DBE2P47		DMF2P47	2DP-5-474	PVC2047	2PS-P47	
C75	.15 75V		DBE4P15		DMF4P15	4DP-4-154	PVC6015	4PS-P15	
C76		#7271564							

* Not normally in distributor's stock. Available thru distributor on order to manufacturer.
Delco Part Number. † Alternate Value.

BUICK MODELS 7293644, 7293684

CONTROLS

All wattages 1/2 watt, or less, unless otherwise listed.

ITEM No.	USE	RESISTANCE	REPLACEMENT DATA				
			DELCO PART No.	CENTRALAB PART No.	CLAROSTAT PART No.	CTS-IRC PART No.	MALLORY PART No.
R1A	Tone (Right Channel)	100K	7295771 ①				
B	Tone (Left Channel)	100K					
C	Volume (Right Channel)	20K Tap @ 6000Ω					
D	Volume (Left Channel) Switch	20K Tap @ 6000Ω					
	Tone (Right Channel)	100K	7296059 ②				
	Tone (Left Channel)	100K					
	Volume (Right Channel)	20K Tap @ 6000Ω					
	Volume (Left Channel) Switch	20K Tap @ 6000Ω					
R2	Balance	20K	7296115	F1-25K, FFS204, BB114, SB008, SB006		† QJ-2226A	
R3	Bias	600Ω ZW	7286601	V-600	U39-600	110-600	MR600P

† "CONCENTRIKIT" Equivalent: K8 Kit, with Base Elements and Shafts: B11-119, P17-208 (Panel) S9 (Bushing) N4 ③ (Spacer Nut)

"SNAPTROL" Equivalent: BU8, CF11, None, SF20, None, N4 ③, None.
① Used in Model 7293644. ② Used in Model: 7293684. ③ Adjust Spacer Nut to meet requirements.

AM-FM PARTS LIST AND DESCRIPTION (CONTINUED)

(When ordering parts, state Model, Part Number, and Description.)

Replacement parts shown may be superseded by the availability of newly introduced replacements.
Have your local distributor check Sams COUNTER FACTS® for the most up-to-date replacement.

RESISTORS (Power and Special)

ITEM No.	RATING	REPLACEMENT DATA			ITEM No.	RATING	REPLACEMENT DATA		
		IRC PART No.	WORKMAN PART No.	DELCO PART No.			IRC PART No.	WORKMAN PART No.	DELCO PART No.
R77	.47Ω Fusible			7281890					

COILS (RF-IF)

ITEM No.	USE	REPLACEMENT DATA				
		DELCO PART No.	MEISSNER Part No.	MERIT PART No.	MILLER PART No.	WORKMAN PART No.
L1	FM Antenna	①				
L2	FM RF	①				
L3	FM IF Trap (1uh)	7298856	19-1000	BC-565	4602	T855
L4	FM Oscillator	①				
L5	1st. FM IF	7296100				
L6	2nd. FM IF	7296101				
L7	3rd. FM IF	7296102				
L8	Ratio Detector	7296103				
L9	RF Choke (8uh)	7255738	19-1009	BC-565	4611	T822
L10	AM Antenna	①				
L11	AM RF	①				
L12	AM Oscillator	①				
L13	1st. AM IF	7295169				
L14	2nd. AM IF	7295170				

① Part of M1.

FILTER CHOKE

ITEM No.	RATINGS			REPLACEMENT DATA					NOTES
	CURRENT (Measured)	DC RES.	INDUCTANCE (0 CURRENT 1000~)	DELCO PART No.	MERIT PART No.	STANCOR PART No.	THORDARSON PART No.	TRIAD PART No.	
L15	1.3A	.6Ω	8MH	1221823	C-4095	TC-2	TR-154	TY17XT	

CHOKE (AUDIO OUTPUT)

ITEM No.	INDUCTANCE	REPLACEMENT DATA					NOTES
		DELCO PART No.	MERIT PART No.	STANCOR PART No.	THORDARSON PART No.	TRIAD PART No.	
L16	30MHY	1222297					

AM-FM PARTS LIST AND DESCRIPTION (CONTINUED)

(When ordering parts, state Model, Part Number, and Description.)

Replacement parts shown may be superseded by the availability of newly introduced replacements.
Have your local distributor check Sams COUNTER FACTS® for the most up-to-date replacement.

SPEAKER

ITEM No.	TYPE		REPLACEMENT DATA		NOTES
			DELCO PART No.	QUAM PART No.	
SP1	4" x 10"	PM 10Ω	7289354	410A2Z10	
SP2	4" x 10"	PM 10Ω	7289354	410A2Z10	

FUSE DEVICES

ITEM No.	TYPE	RATING	REPLACEMENT DATA						
			PART No.		LITTELFUSE PART No.		BUSS PART No.		
			FUSE	HOLDER	FUSE	HOLDER	FUSE	HOLDER	
F1	AGC	7½ Amp.		In Fuse Block	31107.5			AGC 7½	

MISCELLANEOUS

ITEM No.	PART NAME	DELCO PART No.	NOTES
M1 S1	Tuner Coil Assembly AM-FM Selector Switch	7295149 7292199	All Models. Models 7293644 and 7293684.

CABINETS & CABINET PARTS

(When Ordering Specify Model, Chassis & Color)

ITEM	PART No.	ITEM	PART No.
MODEL: 7293644		MODEL: 7293684	
Dial Drum	7295882	Dial Drum	7295818
Escutcheon	7295885	Escutcheon	7297566
Dial Pointer	7295884	Dial Pointer	7295820
Pushbutton	7294695	Pushbutton	7293939
Knob-Tuning or Volume	1374934	Knob-Tone or Balance	1374935
Knob-Tone	1376884	Knob-Tuning or Volume	1374934
Knob-Balance	1376883		

WIRING DATA

General-use Unshielded Hook-up Wire	Use BELDEN No. 8530 (Solid) Available in 12 Colors 8524 (Stranded) Available in 12 Colors
Shielded Hook-up Wire	Use BELDEN No. 8885
Rear Seat Speaker Extension Cable	Use BELDEN No. 8782 (Stranded) Coded Parallel Leads
Bonding Strap	Use BELDEN No. 8661 (3/8 In.) or 8670 (3/4 In.)

BUICK MODELS 7293644, 7293684

MULTIPLEX PARTS LIST AND DESCRIPTION

(When ordering parts, state Model, Part Number, and Description.)

Replacement parts shown may be superseded by the availability of newly introduced replacements. Have your local distributor check Sams COUNTER FACTS® for the most up-to-date replacement.

TRANSISTORS

ITEM No.	ORIG. TYPE	USE	REPLACEMENT DATA			NOTES
			DELCO PART No.	GENERAL ELECTRIC PART No.	RCA PART No.	
X25	DS-46	MPX Input Amp.	DS-66	GE-10	SK-3020	NPN
X26	DS-46	Buffer Amp.	DS-66	GE-10	SK-3020	NPN
X27	DS-46	19KC Amp.	DS-66	GE-10	SK-3020	NPN
X28	DS-46	19KC Doubler	DS-66	GE-10	SK-3020	NPN
X29	DS-47	Lamp Amp.	DS-47	GE-10	SK-3020	NPN
X30	DS-66	Lamp Relay	DS-66	GE-10	SK-3020	NPN
X31	DS-46	AF Amp.	DS-66	GE-10	SK-3020	NPN
X32	DS-46	AF Amp.	DS-66	GE-10	SK-3020	NPN
X33	DS-501	AF Output	DS-501	GE-4	SK-3012	PNP

POWER RECTIFIERS & SIGNAL DIODES

ITEM No.	MEASURED CURRENT	ORIGINAL Part or Type No.	RECTIFIERS & DIODES		RECTIFIERS		
			GENERAL ELECTRIC PART No.	INTERNATIONAL RECTIFIER PART No.	MALLORY PART No.	RCA PART No.	SARKES TARZIAN PART No.
X34		DS-31	1N34AS	1N34A			
X35		DS-31	1N34AS	1N34A			
X36		DS-31	1N34AS	1N34A			
X37		DS-31	1N34AS	1N34A			
X38		DS-49					

ELECTROLYTIC CAPACITORS

ITEM No.	RATING		DELCO PART No.	REPLACEMENT DATA				
	CAP.	VOLT.		AEROVOX PART No.	CORNELL-DUBILIER PART No.	GENERAL ELECTRIC PART No.	MALLORY PART No.	SPRAGUE PART No.
C77A	1000	16	7282083	AFH3-54-41		CC0006	FPS300.91	PCL-3021.8
B	500	16						
C	4	11.5rma						
C78	100	4	7291810	PTT30	NLW125-6	MT1-21	TT6X100	TE-1102
C79	10	12	7292738	PTT53	NLW10-15	MT1-5	TT12X10	TL-1128
C80	100	4	7291810	PTT30	NLW125-6	MT1-21	TT6X100	TE-1102

CAPACITORS

ITEM No.	RATING		REMARKS	REPLACEMENT DATA						
				AEROVOX PART No.	CENTRALAB PART No.	CORNELL-DUBILIER PART No.	ELMENCO PART No.	MALLORY PART No.	SPRAGUE PART No.	
C85	.07	16V	#7288631	DI-120	DD-121	JBZ601YP121K	CCD-121	GP312	5GA-T12	
C86	120	100V 10%		DI-101	DD-101	JBZ601YP101K	CCD-101	GP310	5GA-T10	
C87	110	100V 5%		DI-2200	DD-222	JBX601YP222K	CCD-222	GP222	10TS-D22	
C88	.0022				UK-105	HXC3R0XR105P		MAG31	HY-135	
C89	1	3V			ADM-30-103	CPR-10000J	CD30F103J500	DM-20-103	SX110	MS-11
C90	.01	100V 5%			DI-1500	DD-152	CD19F152J500	CCD-152	GP215	10TS-D15
C91	.0015				ADM-30-103	CPR-10000J	CD30F103J500	DM-20-103	SX110	MS-11
C92	.01	100V 5%			TTD-.02	CK-203	HCZ3R0XR203P	CCD-203	TA120	TG-S20
C93	.02				TTD-.02	CK-203	HCZ3R0XR203P	CCD-203	TA120	TG-S20
C94	.02				TTD-.02	CK-203	HCZ3R0XR203P	CCD-203	TA120	TG-S20
C95	.02									
C96	.07	16V		#7288631	ADM-19-152	CPR-1500J	CD19F152J500	DM-16-152	SX215	MS-215
C97	.0015	100V 5%			DI-56	DD-560		CCD-560	GP456	10TS-Q56
C98	56	NPO	NPO-DI10		DTZ-10	CZ601CG100J	CCTO-100	CN0410	10TCC-Q10	
C99	10	NPO	ADM-30-103		CPR-10000J	CD30F103J500	DM-20-103	SX110	MS-11	
C100	.01	100V 5%			DBE4S22	DMF4S22	4DP-2-223	PVC6122	4PS-S22	
C101	.022	75V			DBE2S47	DMF2S47	4DP-3-473	PVC2147	2PS-S47	
C102	.047	75V			DI-470	DD-471	JBZ601YP471K	CCD-471	GP347	10TS-T47
C103	470									

Delco Part Number.

CONTROLS

All wattages 1/2 watt, or less, unless otherwise listed.

ITEM No.	USE	RESIST-ANCE	REPLACEMENT DATA				
			DELCO PART No.	CENTRALAB PART No.	CLAROSTAT PART No.	CTS-IRC PART No.	MALLORY PART No.
R81	Separation	15K 2W	7293376				
R82	Bias	600Ω 2W	7286601	V-600	U39-600	110-600	MR600P

MULTIPLEX PARTS LIST AND DESCRIPTION (CONTINUED)

(When ordering parts, state Model, Part Number, and Description.)

Replacement parts shown may be superseded by the availability of newly introduced replacements.
Have your local distributor check Sams COUNTER FACTS® for the most up-to-date replacement.

RESISTORS (Power and Special)

ITEM No.	RATING	REPLACEMENT DATA			ITEM No.	RATING	REPLACEMENT DATA		
		IRC PART No.	WORKMAN PART No.	DELCO PART No.			IRC PART No.	WORKMAN PART No.	DELCO PART No.
R106	.47Ω Fusible			7281890					

COILS (RF-IF)

ITEM No.	USE	REPLACEMENT DATA				
		DELCO PART No.	MEISSNER Part No.	MERIT PART No.	MILLER PART No.	WORKMAN PART No.
L17	67KC Trap	7291023				
L18	19KC Input	7291019				
L19	19KC Input	7291019				
L20	19KC Oscillator	7291019				
L21	19KC Doubler	7291020				

FILTER CHOKE

ITEM No.	RATINGS			REPLACEMENT DATA					NOTES
	CURRENT (Measured)	DC RES.	INDUCTANCE (0 CURRENT 1000~)	DELCO PART No.	MERIT PART No.	STANCOR PART No.	THORDARSON PART No.	TRIAD PART No.	
L22	1.2A	.6Ω	8MH	1221623	C-4095	TC-2	TR-154	TY17XT	

CHOKE (AUDIO OUTPUT)

ITEM No.	INDUCTANCE	REPLACEMENT DATA					NOTES
		DELCO PART No.	MERIT PART No.	STANCOR PART No.	THORDARSON PART No.	TRIAD PART No.	
L23	30MH	1222297					

COMPONENT COMBINATIONS

ITEM No.	USE	DESCRIPTION	DELCO PART No.	REPLACEMENT DATA
PC1	Stereo Det. Comp.	39K, 39K, 50K, 50K, .001mfd, .001mfd	7291090	
PC2	38KC Notch Filter	30K	7291089	Centralab PC-410
PC3	Stereo Det. Comp.	39K, 39K, 50K, 50K, .001mfd, .001mfd	7291090	
PC4	38KC Notch Filter	30K	7291089	Centralab PC-410

CABINETS & CABINET PARTS

(When Ordering Specify Model, Chassis & Color)

ITEM	PART No.	ITEM	PART No.
Escutcheon	7296673		

MISCELLANEOUS

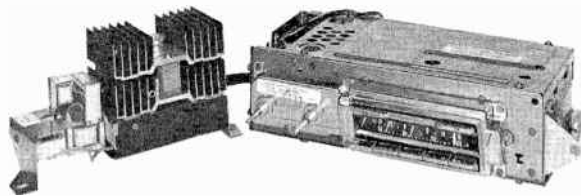
ITEM No.	PART NAME	DELCO PART No.	NOTES
K1	Relay Lamp	1221457	

BUICK MODELS 7293644, 7293684



PHOTOFACT[®] with

CIRCUITRACE[®]



TRADE NAME : Cadillac Models: (1966)
7293015 (AM-FM-Multiplex Chassis)
7293025 (Stereo Amplifier Chassis)
For Current Address, See Annual Index.

SUPPLIER :
For Current Address, See Annual Index.

TYPE SET : 18 Transistor AM-FM-FM Stereo Chassis,
6 Transistor Stereo Amplifier

POWER SUPPLY : 12 Volt Storage Battery

RATING : 2.5 Amp. @ 12.6 Volts DC

TUNING RANGE : BROADCAST: 540-1615KC
FREQ. MOD: 88-108MC

CADILLAC MODELS 7293015, 7293025

ALIGNMENT INSTRUCTIONS

Check for specified source voltage.

Use only enough generator output to provide a usable indication.

Suggested Alignment Tools:

A1 thru A4, A11 thru A18.

A5 thru A10, A19 thru A29.

GENERAL CEMENT: 5009, 8782A, 8987

WALSCO: 2531-X, 2538

GENERAL CEMENT: 8290, 8868, 9087

WALSCO: 2525, 2528, 2587

PUSH-BUTTON ADJUSTMENT

1. Pull button out.
2. Tune manually to desired station.
3. Press button in firmly.
4. Repeat for remaining buttons.

	SIGNAL GENERATOR COUPLING	SIGNAL GENERATOR FREQUENCY	RADIO DIAL SETTING	INDICATOR	ADJUST	REMARKS
1.	High side thru .1mf to point Δ , low side to ground.	262KC (400% Mod.)	High Freq. End Stop.	Output Meter across voice coil.	A1, A2, A3, A4	Adjust for maximum.
Check setting of AM Oscillator coil core (A5). Rear of core should be 1 3/8" from mounting end of coil form.						
2.	High side thru 82mmf to antenna receptacle, low side to ground.	1615KC	High Freq. End Stop.	Output Meter across voice coil.	A6, A7, A8	Adjust for maximum.
3.	"	600KC	600KC Signal	"	A9, A10	Adjust for maximum. Repeat step 2.
With radio installed in car and antenna extended 31", tune in a weak station near 1400KC and adjust A8 for maximum output.						

Pull out left hand pushbutton for Antenna Trimmer Adjustment (A8).

ALIGNMENT INSTRUCTIONS (cont)

FM ALIGNMENT USING AM SIGNAL GENERATOR - SELECTOR IN FM POSITION

High side thru .1mfd to point , low side to ground.				
GENERATOR FREQUENCY	DIAL SETTING	INDICATOR	ADJUST	REMARKS
4. 10.7MC (Unmod.)	Point of non-interference.	DC probe of VTVM to point ; common to ground.	A11, A12, A13, A14, A15, A16, A17.	Adjust for maximum.
5. "	"	DC probe to point ; common to ground.	A18.	Adjust for zero reading. A positive or negative reading will be obtained on either side of the correct setting.

FM IF ALIGNMENT USING FM SIGNAL GENERATOR - SELECTOR IN FM POSITION

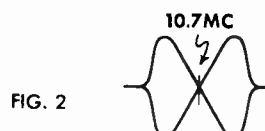
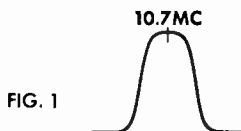
High side thru .1mfd to point , low side to ground. Use only enough marker signal to obtain indication. Use 60v frequency modulated signal with 450KC sweep. Use 120v sawtooth voltage in scope for horizontal deflection.				
GENERATOR FREQUENCY	DIAL SETTING	INDICATOR	ADJUST	REMARKS
4. 10.7MC (450KC Swp.)	Point of non-interference	Vert. amp. of Scope to point ; low side to ground.	A11, A12, A13, A14, A15, A16, A17.	Disconnect stabilizing capacitor C4 . Adjust for maximum gain and symmetry of response similar to Fig. 1 with marker as shown. Reconnect C4 .
5. "	"	Vert. amp. to point ; low side to ground.	A18.	Adjust A 18(Secondary) to place marker at center of crossover lines similar to Fig. 2. Adjust A 11 (Primary) for maximum amplitude and straightness of crossover lines.

FM RF ALIGNMENT Check setting of FM Oscillator coil core (A19). Rear of core should be 1 3/8" from mounting end of coil form.

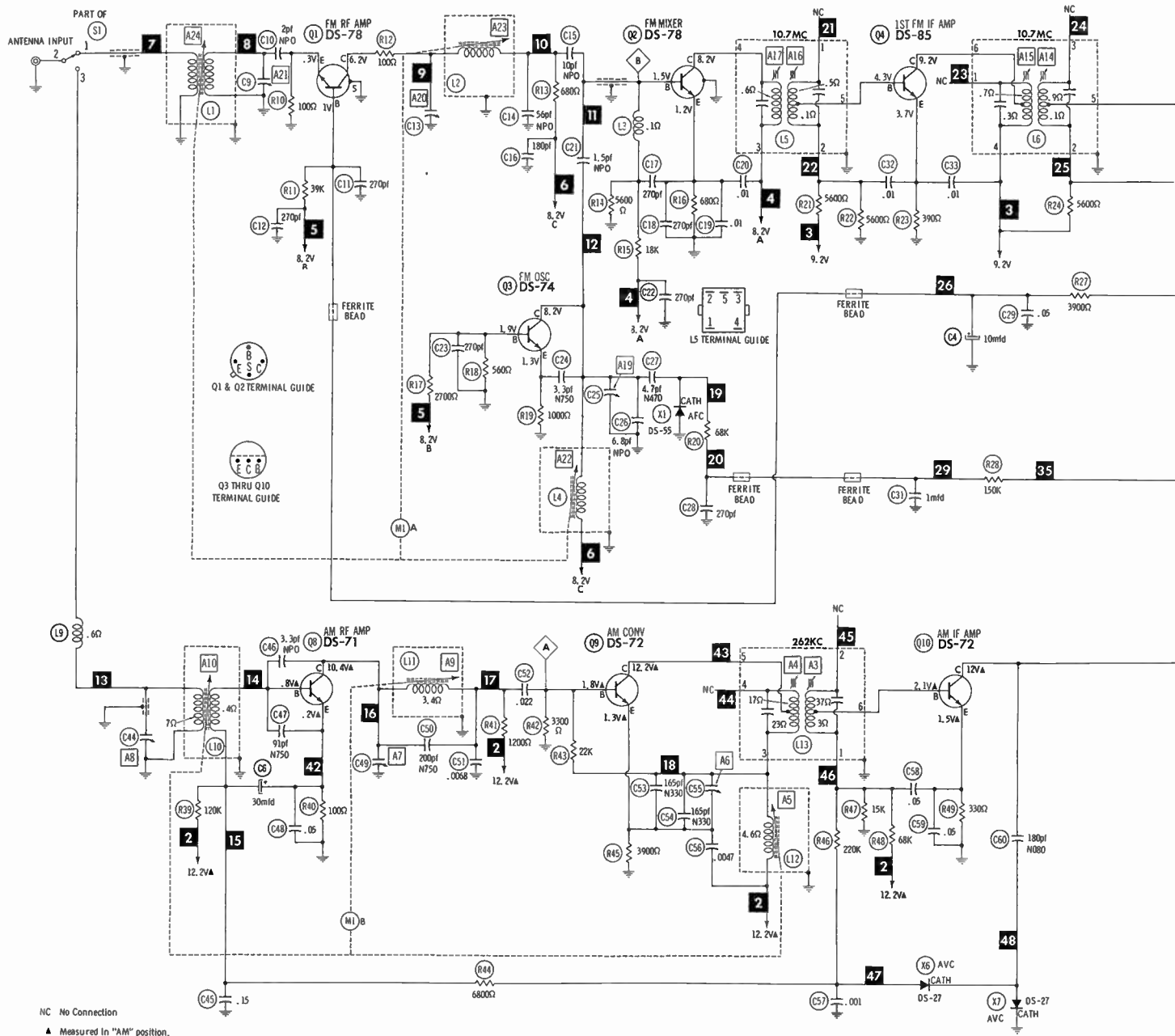
Connect generator across antenna terminals with 120Ω carbon resistors in series with each lead.				
GENERATOR FREQUENCY	DIAL SETTING	INDICATOR	ADJUST	REMARKS
6. 108MC	Set at high end.	DC probe of VTVM to point ; common to ground.	A20, A21, A22.	Ground Circuittrace Point 10. Adjust for maximum.
7. 99MC	Tune to signal.	"	A23, A24.	Rock tuning and adjust for maximum. Repeat steps 6 and 7 until no further improvement can be made.

FM STEREO MULTIPLEX ALIGNMENT USING FM STEREO SIGNAL GENERATOR (± .0001% ACCURACY)

Connect high side of generator to point , low side to Chassis.				
GENERATOR FREQUENCY	INDICATOR	ADJUST	REMARKS	
8. 67KC	Vert. amp. of Scope thru a 1 meg to point ; low side to ground.	A25.	Adjust for MINIMUM.	
9. 19KC	Vert. amp. thru 47K to point ; low side to ground.	A26, A27, A28.	Adjust for maximum.	
10. "	Vert. amp. thru 47K to point ; low side to ground.	A29.	Adjust maximum for 38KC response.	
11. Modulated Left Channel	Vert. amp. to point ; low side to ground.	A26, A27, A28, A29 & R3.	Adjust for MINIMUM. Should require only a slight adjustment.	
12. Modulated Right Channel	Vert. amp. to point ; low side to ground.		Check for MINIMUM: Make compromise adjustments, if necessary, by adjusting A26, A27, A28, A29 & R3.	
To align multiplex section using an air signal, first make sure FM section is properly aligned. Tune in a strong FM stereo signal. Follow steps 8 thru 12 above except in step 8 adjust to eliminate whistle or interference.				



CADILLAC MODELS 7293015, 7293025



NC No Connection

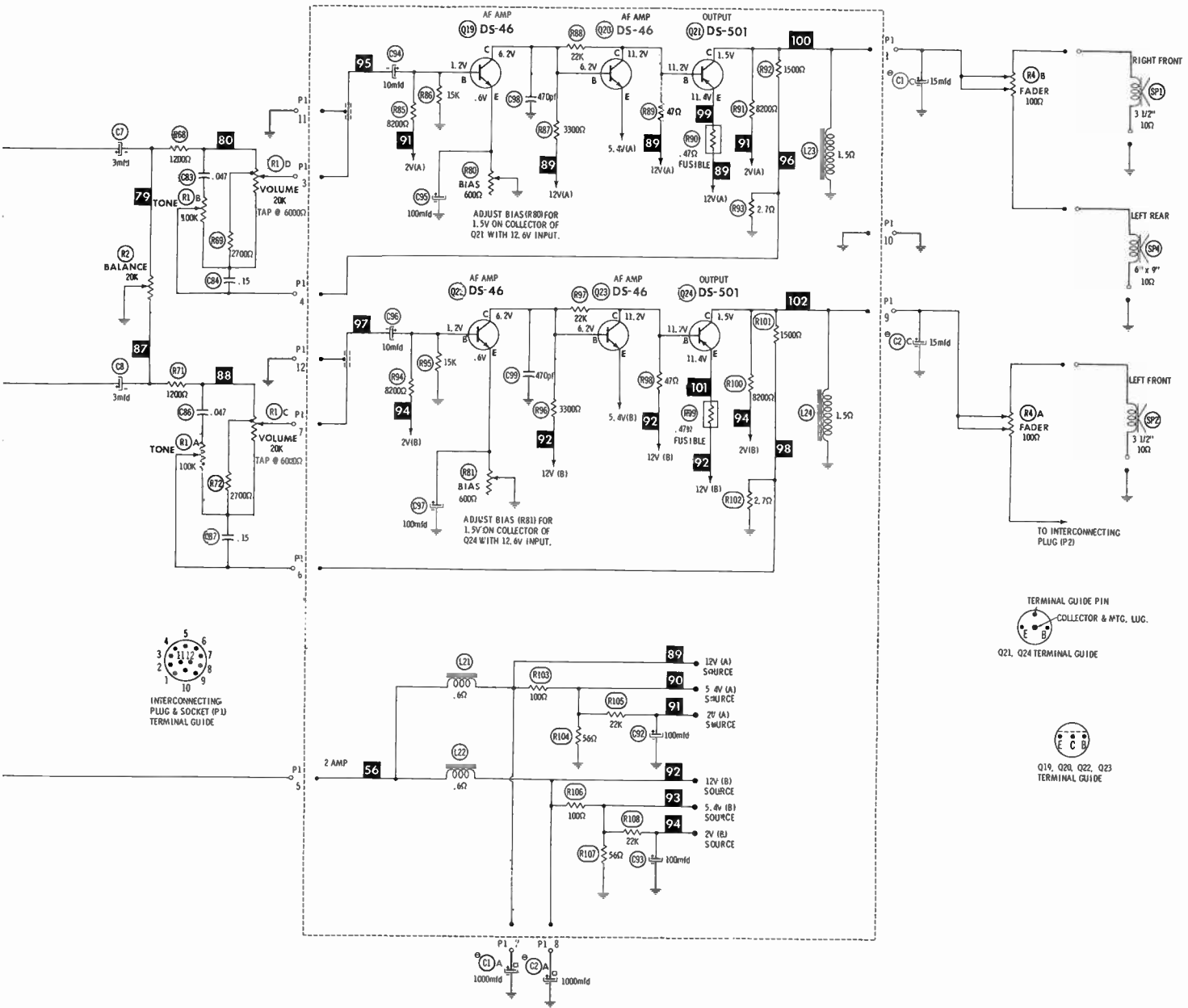
- ▲ Measured in "AM" position.
- * Not used in some versions.

- ⊙ See parts list
- 1. Voltage measurements taken with vacuum tube voltmeter.
- 2. All controls set for normal operation, no signal applied.
- 3. Measured values are from socket pin or terminal to common ground.
- 4. All terminals viewed from bottom unless otherwise designated.
- 5. Numbers assigned to terminals may not be found on the unit.
- 6. Supply voltage maintained at rated value for voltage readings.
- 7. Resistance measurements not given because of the wide variation in internal resistance of transistor.

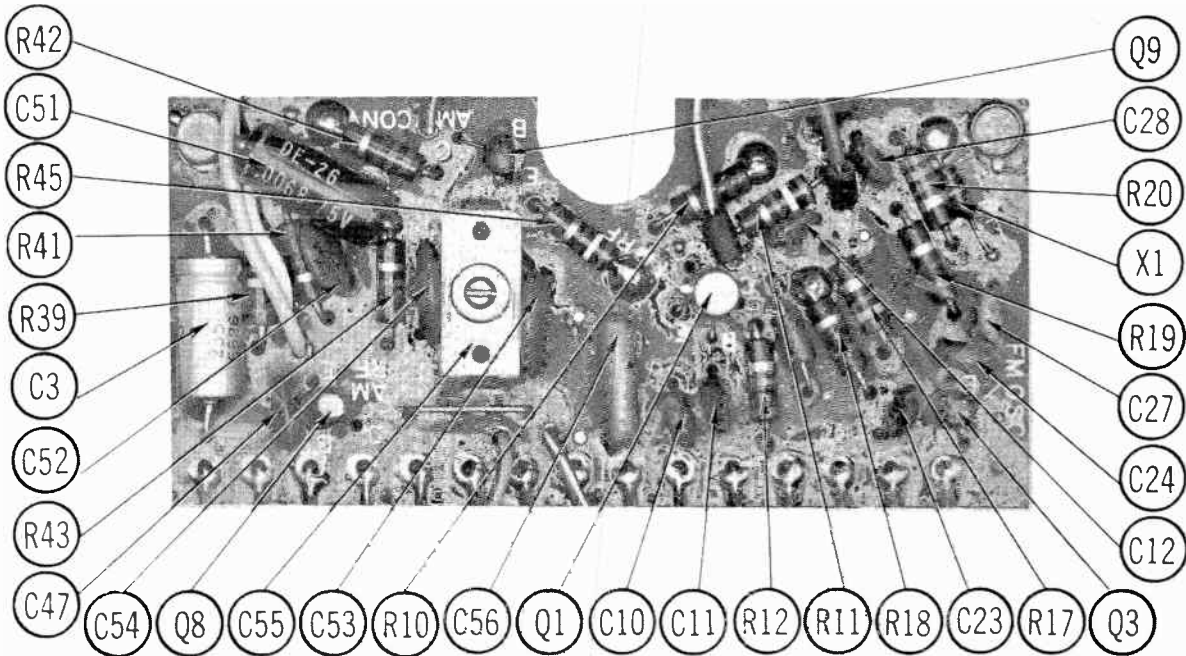
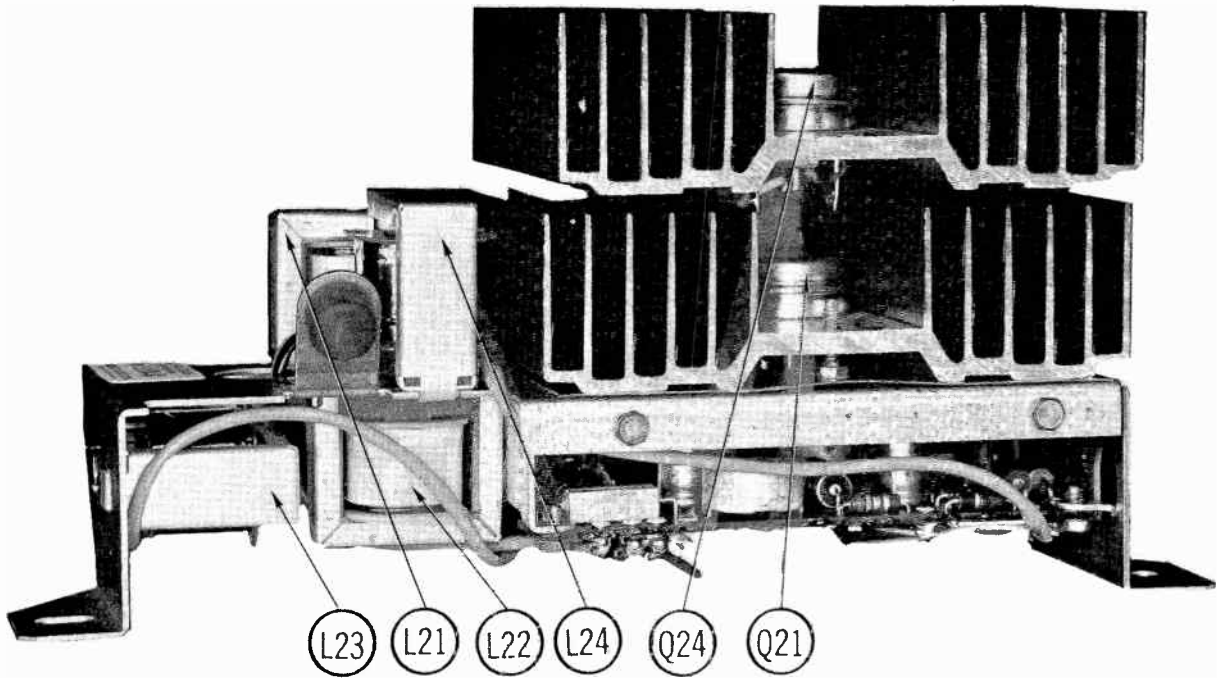
All measurements taken in "FM" position unless otherwise designated.

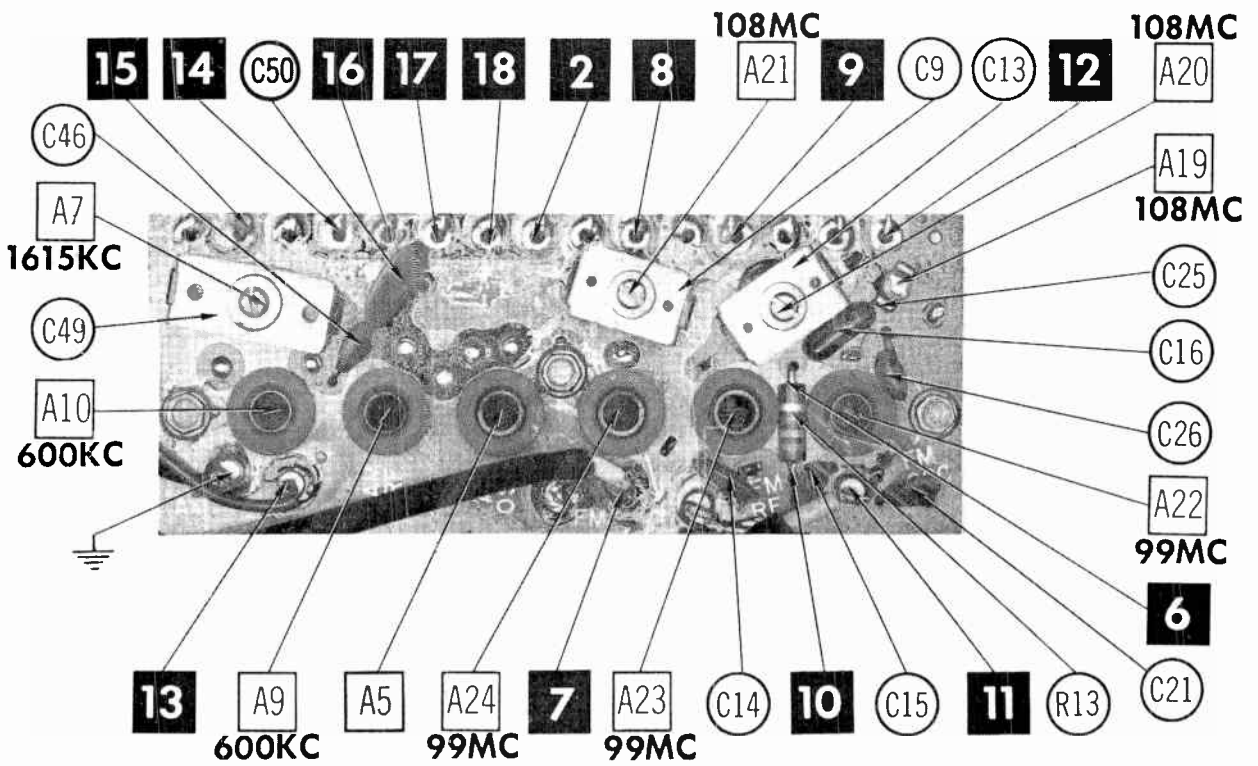
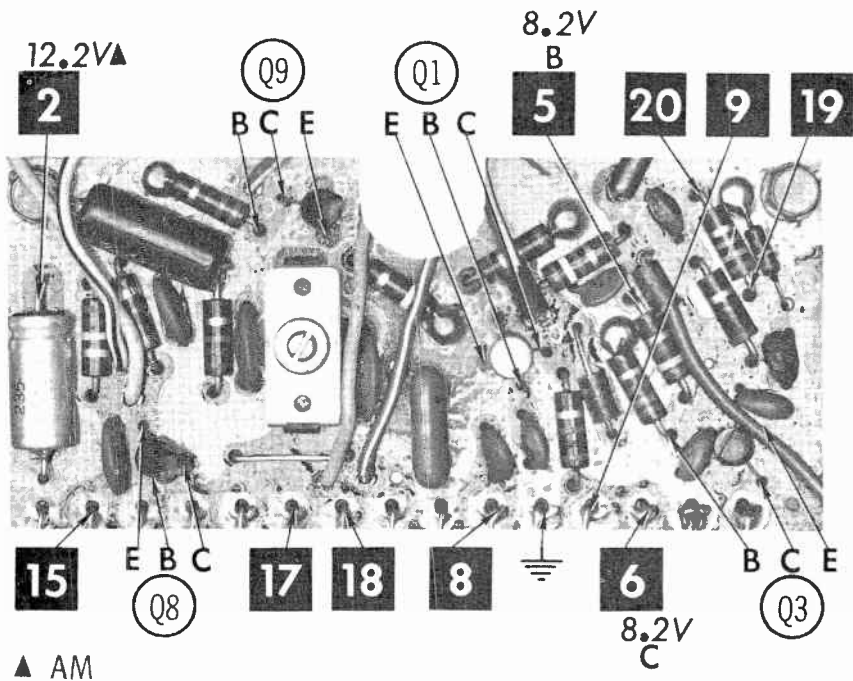
Resistors are 1/2 watt or less and rated 10% or 20% unless otherwise indicated.

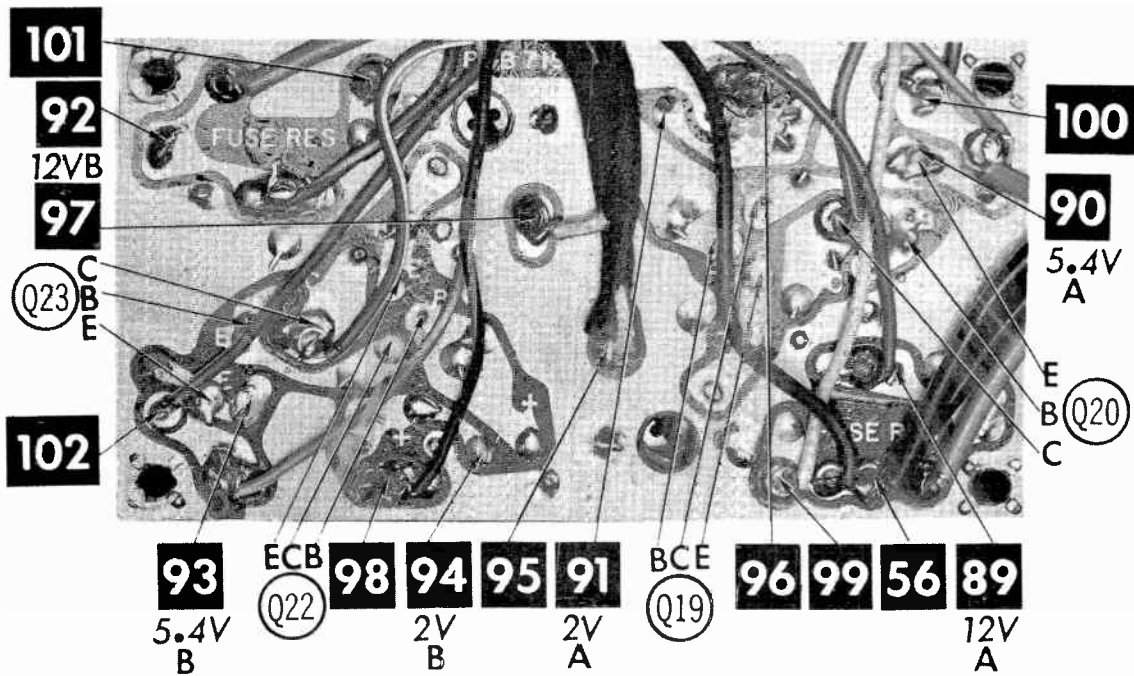
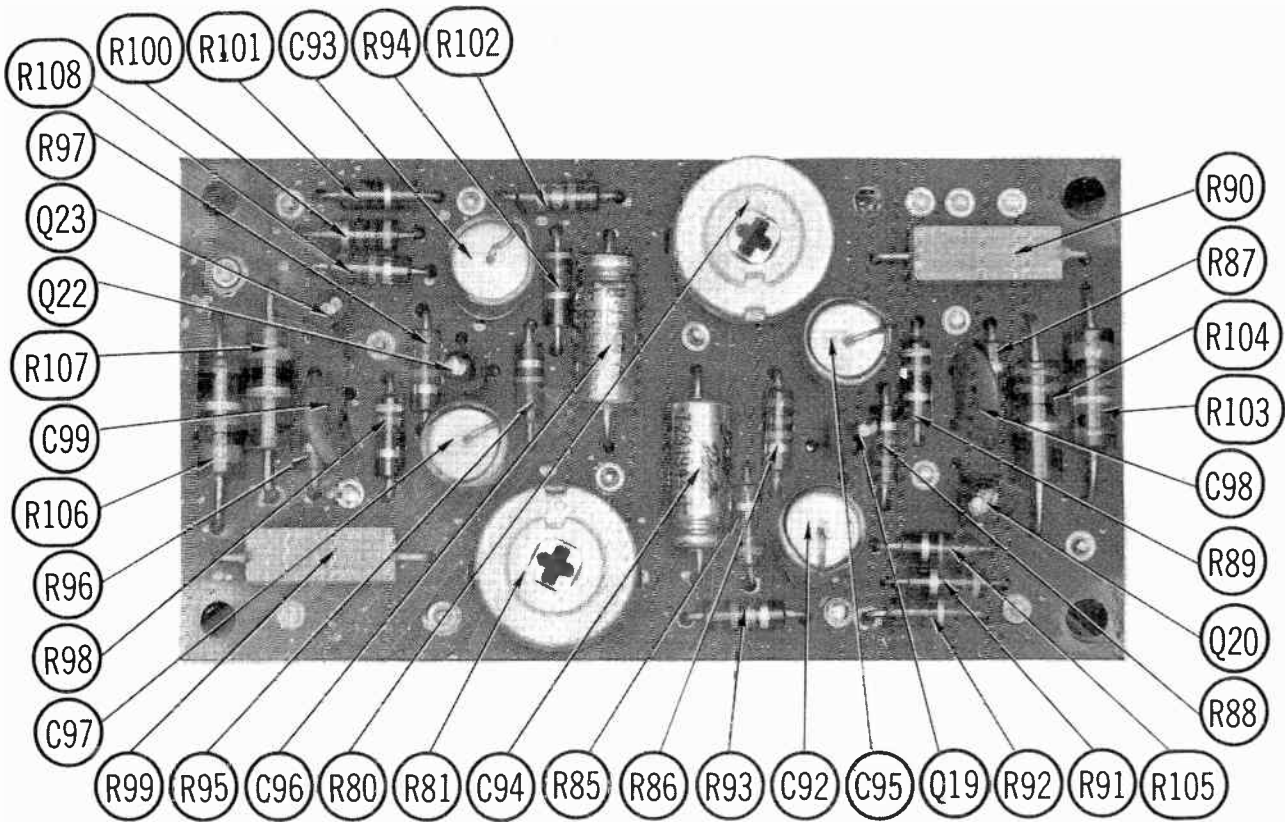
A PHOTOFAC STANDARD NOTATION SCHEMATIC with **CIRCUITRACE**
 © Howard W. Sams & Co., Inc. 1966



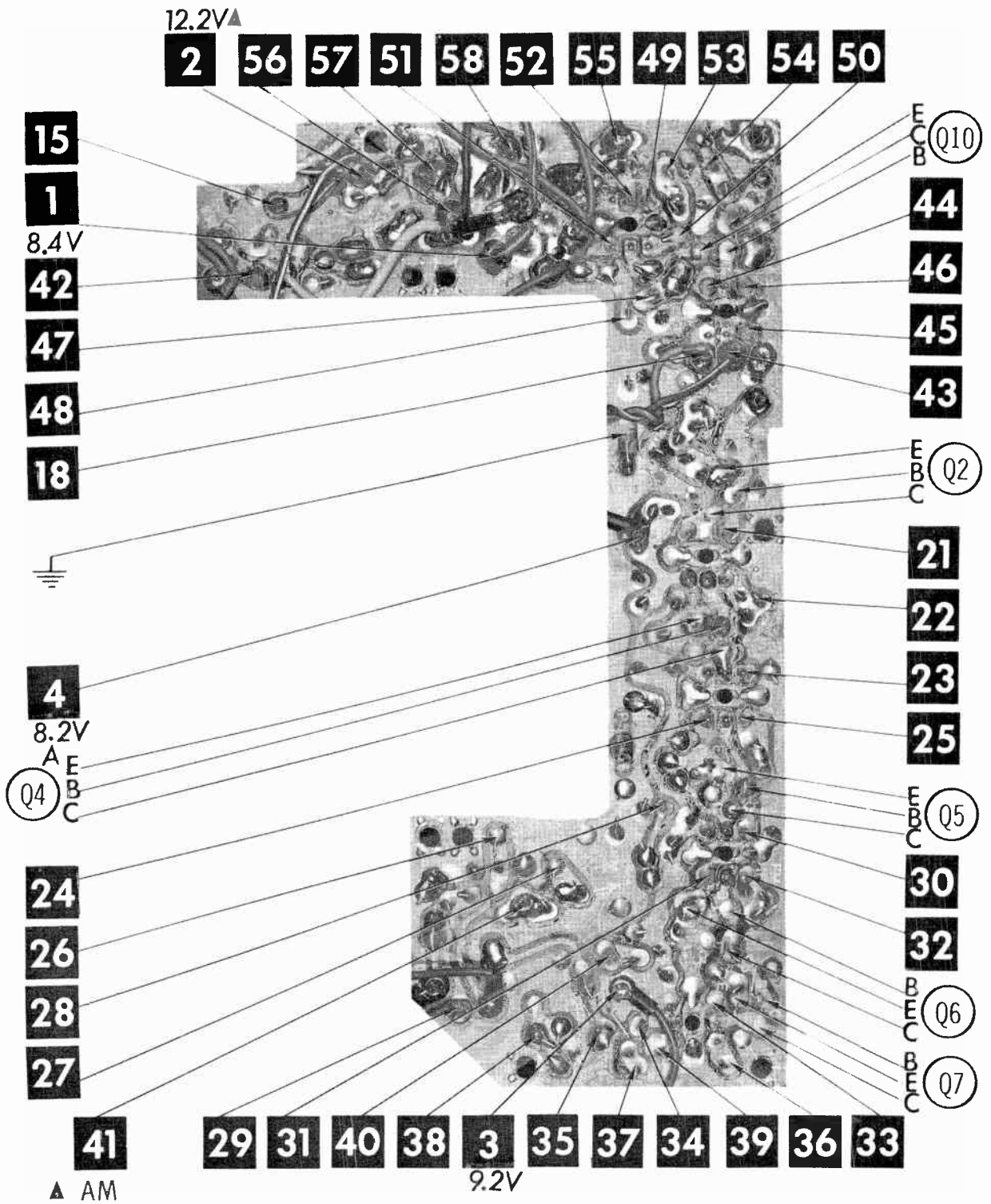
CADILLAC MODELS 7293015, 7293025

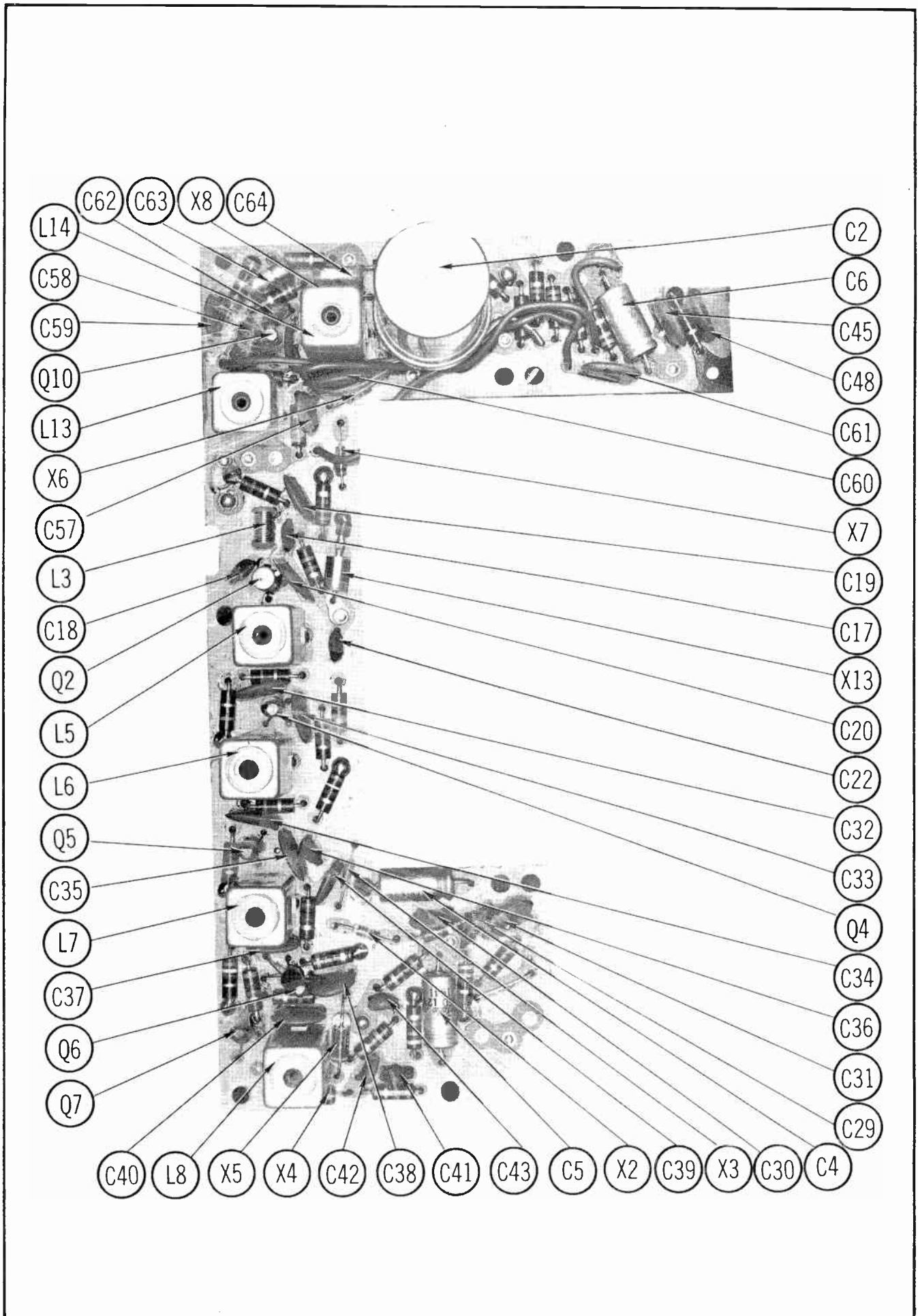


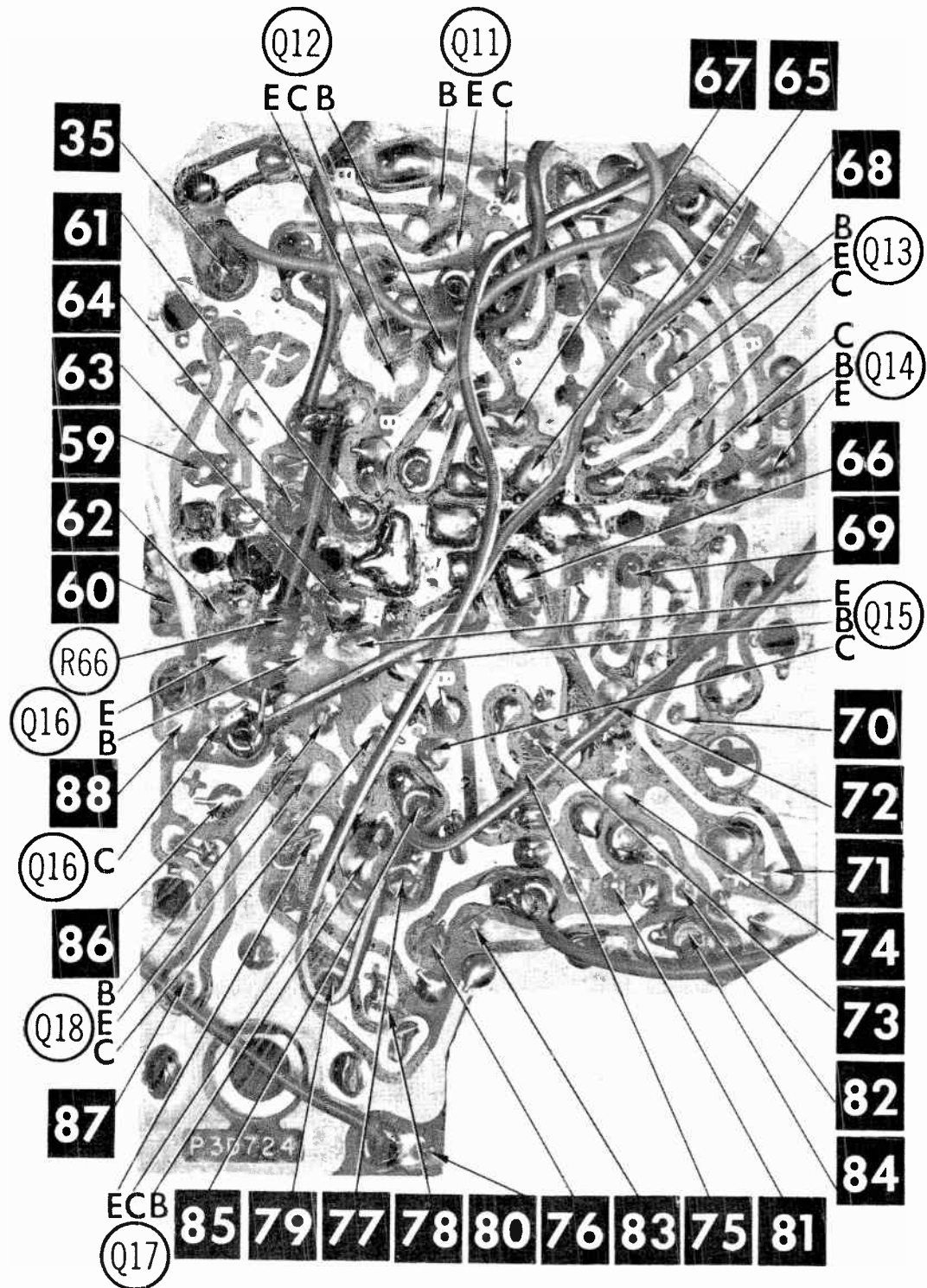


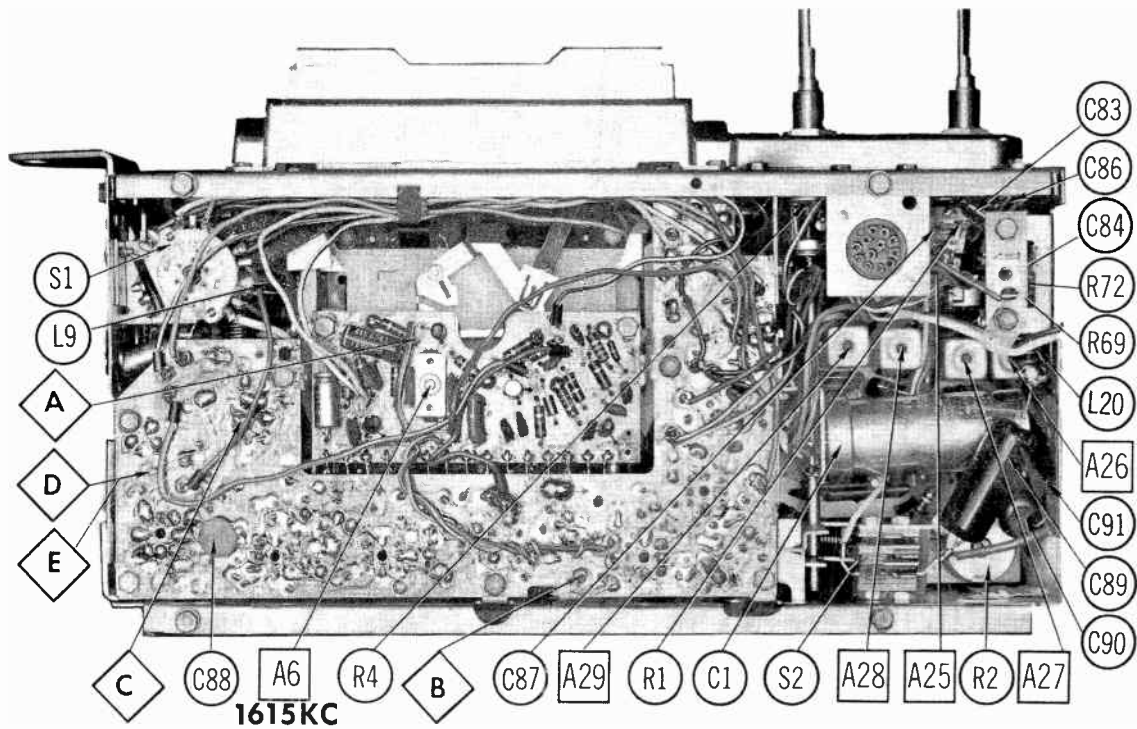
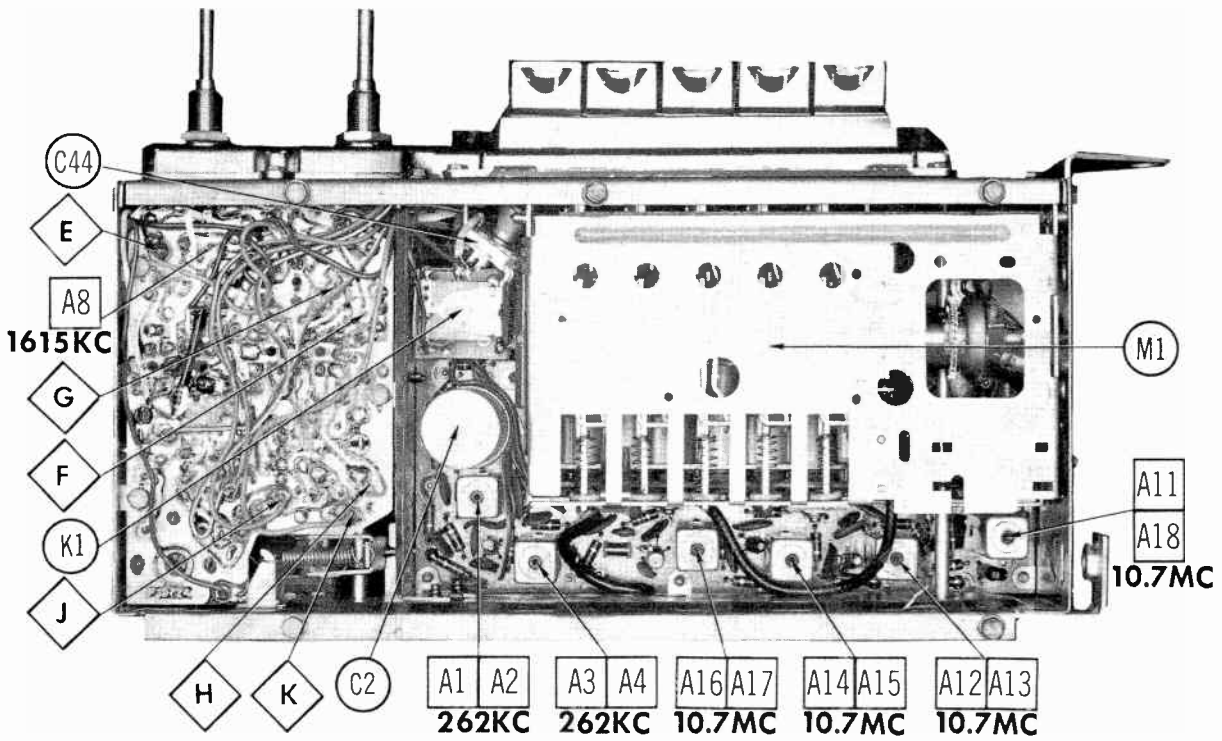


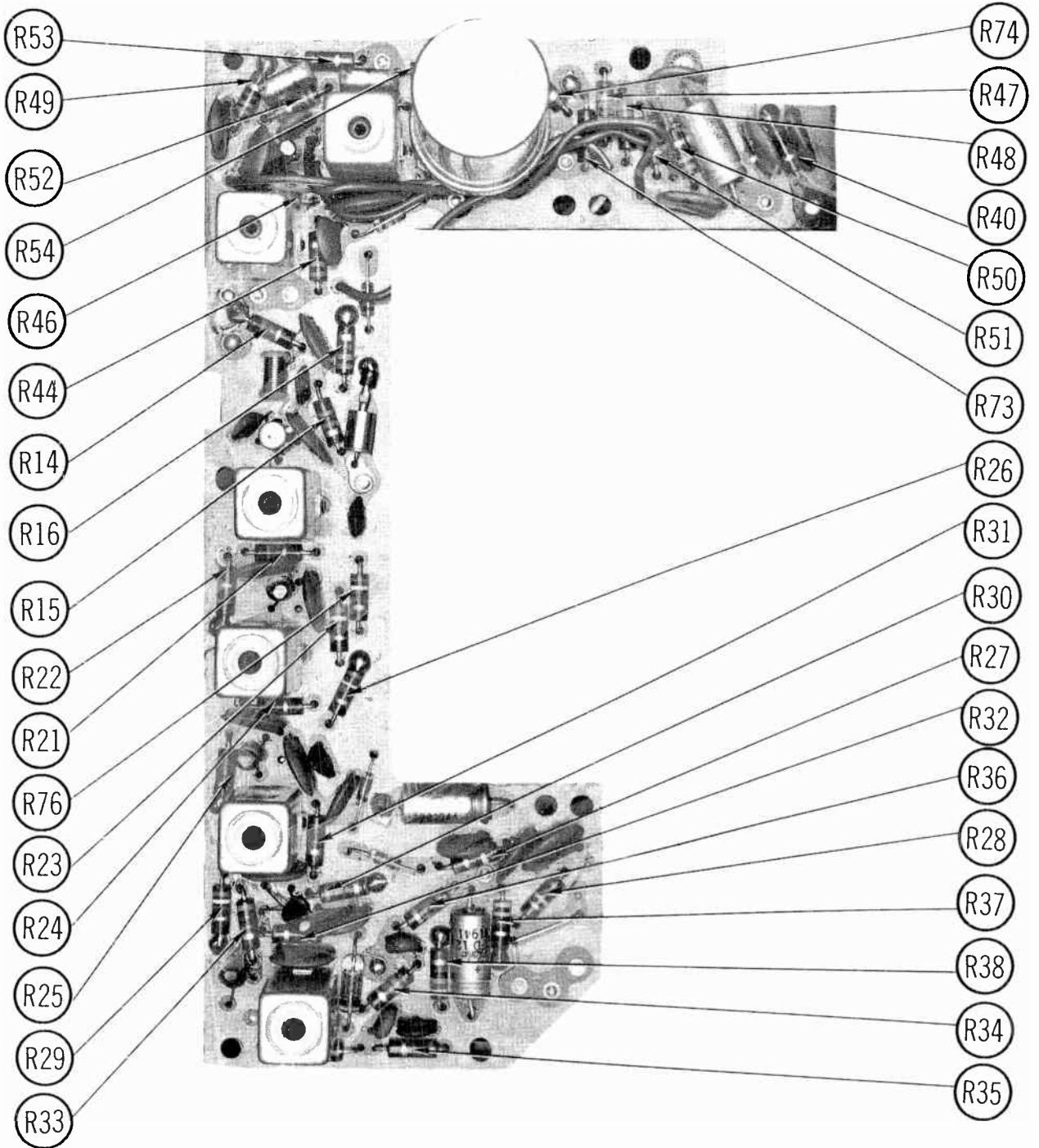
A Howard W. Sams **CIRCUITRACE** Photo

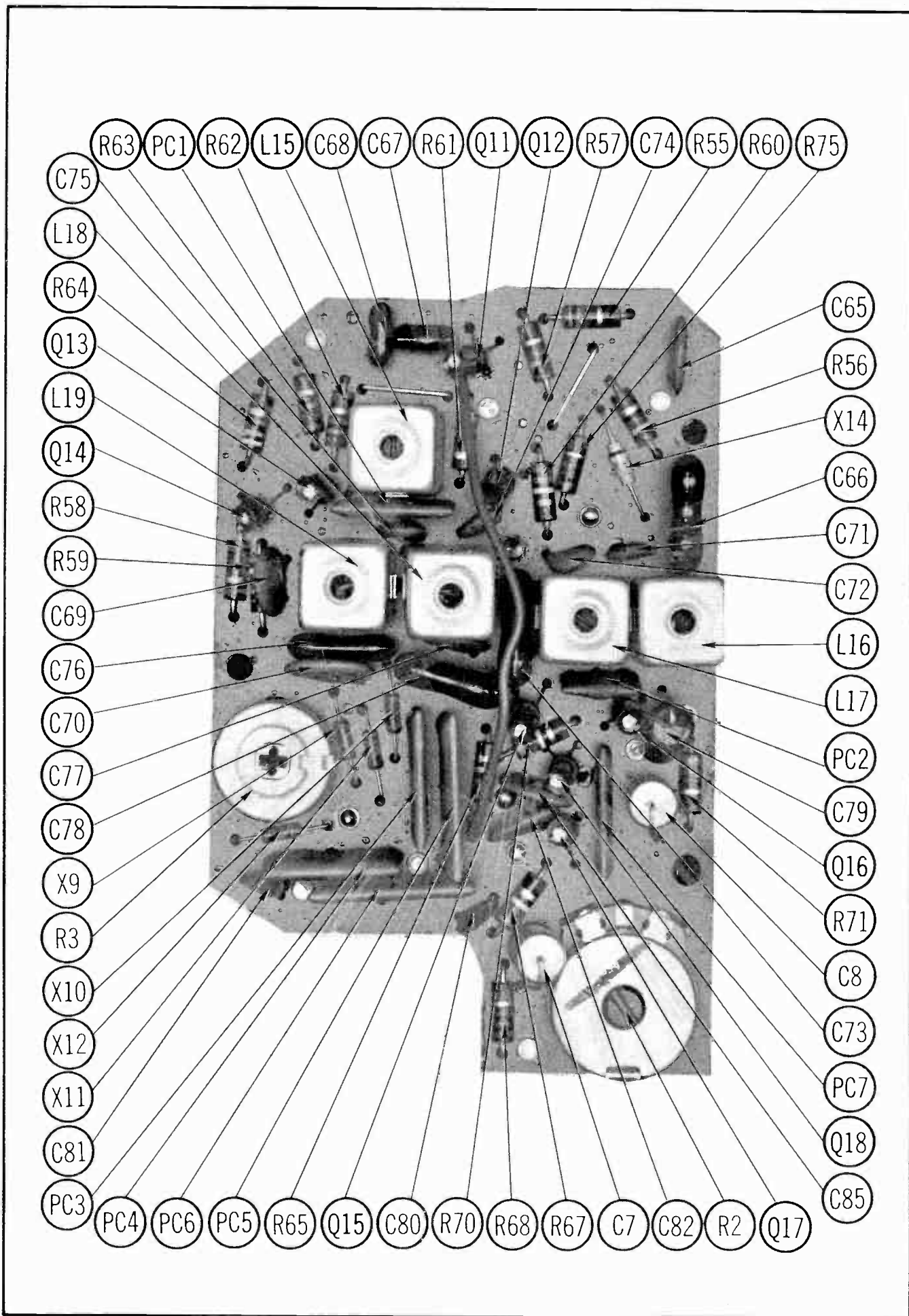












AM-FM MULTIPLEX PARTS LIST AND DESCRIPTION

(When ordering parts, state Model, Part Number, and Description.)

Replacement parts shown may be superseded by the availability of newly introduced replacements.
Have your local distributor check Sams COUNTER FACTS for the most up-to-date replacement.

WIRING DATA

General-use Unshielded Hook-up Wire	Use BELDEN No. 8530 (Solid) Available in 12 Colors 8524 (Stranded) Available in 12 Colors
Shielded Hook-up Wire	Use BELDEN No. 8885
Rear Seat Speaker Extension Cable	Use BELDEN No. 8782 (Stranded) Coded Parallel Leads
Bonding Strap	Use BELDEN No. 8661 (3/8 In.) or 8670 (3/4 In.)

TRANSISTORS

ITEM No.	ORIG. TYPE	USE	REPLACEMENT DATA			NOTES
			DELCO PART No.	GENERAL ELECTRIC PART No.	RCA PART No.	
Q1	DS-78	FM RF	DS-81	GE-11	SK-3018	NPN
Q2	DS-78	FM Mixer	DS-81	GE-11	SK-3018	NPN
Q3	DS-74	FM Oscillator	DS-74	GE-11	SK-3018	NPN
Q4	DS-85	1st. FM IF	DS-74	GE-11	SK-3018	NPN
Q5	DS-85	2nd. FM IF	DS-74	GE-11	SK-3018	NPN
Q6	DS-73	3rd. FM IF	DS-74	GE-11	SK-3018	NPN
Q7	DS-85	Limitter	DS-74	GE-11	SK-3018	NPN
Q8	DS-71	AM RF Amp.	DS-75	GE-11	SK-3018	NPN
Q9	DS-72	AM Converter	DS-75	GE-11	SK-3018	NPN
Q10	DS-72	AM IF	DS-75	GE-11	SK-3018	NPN
Q11	DS-46	MPX Input Amp.	DS-66	GE-10	SK-3020	NPN
Q12	DS-46	19KC Amp.	DS-66	GE-10	SK-3020	NPN
Q13	DS-46	19KC Osc. Doubler	DS-66	GE-10	SK-3020	NPN
Q14	DS-46	Buffer Amp.	DS-66	GE-10	SK-3020	NPN
Q15	DS-47	Lamp Amp.	DS-66	GE-10	SK-3020	NPN
Q16	DS-66	Lamp Relay Control	DS-66	GE-10	SK-3020	NPN
Q17	DS-46	AF Amp.	DS-66	GE-10	SK-3020	NPN
Q18	DS-46	AF Amp.	DS-66	GE-10	SK-3020	NPN

POWER RECTIFIERS & SIGNAL DIODES

ITEM No.	MEASURED CURRENT	ORIGINAL Part or Type No.	RECTIFIERS & DIODES		RECTIFIERS		
			GENERAL ELECTRIC PART No.	INTERNATIONAL RECTIFIER PART No.	MALLORY PART No.	RCA PART No.	SARKES TARZIAN PART No.
X1		DS-55	1N34AS	1N34A			
X2		DS-27	1N34AS	1N34A			
X3		DS-27	1N34AS	1N34A			
X4		DS-39 ①	1N34AS	1N34A			
X5		DS-39 ①	1N34AS	1N34A			
X6		DS-27	1N34AS	1N34A			
X7		DS-27	1N34AS	1N34A			
X8		DS-27	1N34AS	1N34A			
X9		DS-31	1N34AS	1N34A			
X10		DS-31	1N34AS	1N34A			
X11		DS-31	1N34AS	1N34A			
X12		DS-31	1N34AS	1N34A			
X13		DS-49					
X14		DS-49					

① X4 and X5, Matched Pair.

ELECTROLYTIC CAPACITORS

ITEM No.	RATING		REPLACEMENT DATA					
	CAP.	VOLT.	DELCO PART No.	AEROVOX PART No.	CORNELL-DUBILIER PART No.	GENERAL ELECTRIC PART No.	MALLORY PART No.	SPRAGUE PART No.
C1A	1000	16	7291356 ①	PWH3-54-45	CC0006		FPS300.93	PCL-3021.9
B	500	16						
C	15	11.5rms						
C2A	1000	16	7291356 ①	PWH3-54-45	CC0006		FPS300.93	PCL-3021.9
B	500	16						
C	15	11.5rms						
C3	10	12	7292738	PTT53	NLW10-15	MT1-5	TT12X10	TL-1128
C4	10	12	7292738	PTT53	NLW10-15	MT1-5	TT12X10	TL-1128
C5	3	12	7291860	PTT50	NLW3-15	MT1-3	TT12X3	TE-1122
C6	30	6	7279896	PTT27	NLW30-15	MT1-13	TT6X30	TE-1092
C7	3	12	7291860	PTT50	NLW3-15	MT1-3	TT12X3	TE-1122
C8	3	12	7291860	PTT50	NLW3-15	MT1-3	TT12X3	TE-1122

① Some versions may use Part # 7283675.

CAPACITORS

ITEM No.	RATING	REMARKS	REPLACEMENT DATA						
			AEROVOX PART No.	CENTRALAB PART No.	CORNELL-DUBILIER PART No.	ELMENCO PART No.	MALLORY PART No.	SPRAGUE PART No.	
C9	2	NPO	#7293221						
C10	270			NPO-DI.2	DTZ-2R2	CZ601CJ2R2D	CCTO-2R2	CN0522	10TCC-V22
C11	270			DI-270	DD-271	RR05CW271K	CCD-271	GP327	5GA-T27
C12	270			DI-270	DD-271	RR05CW271K	CCD-271	GP327	5GA-T27
C13			#7291003						
C14	56	NPO			TCZ-56		CCTO-560	CN0456	10TCC-Q56
C15	10	NPO		NPO-DI10	DTZ-10	CZ601CG100J	CCTO-100	CN0410	10TCC-Q10
C16	180			DI-180	DD-181	JBZ601YP181K	CCD-181	GP318	5GA-T18
C17	270			DI-270	DD-271	RR05CW271K	CCD-271	GP327	5GA-T27
C18	270			DI-270	DD-271	RR05CW271K	CCD-271	GP327	5GA-T27
C19	.01			DI-10000	DD-103	BYX601ZU103M	CCD-103	GP110	10T8-S10
C20	.01			DI-10000	DD-103	BYX601ZU103M	CCD-103	GP110	10T8-S10
C21	1.5	NPO		NPO-DI1.0	TCZ-1		CCD-103	CN0510	10TCC-V10

CADILLAC MODELS 7293015, 7293025

AM-FM MULTIPLEX PARTS LIST AND DESCRIPTION (CONTINUED)

(When ordering parts, state Model, Part Number, and Description.)

Replacement parts shown may be superseded by the availability of newly introduced replacements.
Have your local distributor check Sams COUNTER FACTS® for the most up-to-date replacement.

CAPACITORS

ITEM No.	RATING	REMARKS	REPLACEMENT DATA					
			AEROVOX PART No.	CENTRALAB PART No.	CORNELL-DUBILIER PART No.	ELMENCO PART No.	MALLORY PART No.	SPRAGUE PART No.
C22	270		DI-270	DD-271	RR05CW271K	CCD-271	GP327	5GA-T27
C23	270		DI-270	DD-271	RR05CW271K	CCD-271	GP327	5GA-T27
C24	3.3 N750			TCN-3R3			CN7533	10TCU-V33
C25		#7292611						
C28	6.8 NPO	(3.3)†	NPO-DI 6.8	DTZ-8R8	CZ601CH6R8D	CCTO-8R8	CN0568	10TCC-V68
C27	4.7 N470	(3.9)†				*	*	10TCT-V47
C28	270		DI-270	DD-271	RR05CW271K	CCD-271	GP327	5GA-T27
C29	.05		TTD-05	CK-503	HCZ3R0XR503P	CCD-503	TA150	TG-S50
C30	.0022		DI-2200	DD-222	JBX601YP222K	CCD-222	GP222	10TS-D22
C31	1mfd			UK-105	HXC3R0XR105P		MAG31	HY-135
C32	.01		TTD-01	CK-103	HCZ3R0XR103P	CCD-103	TA110	TG-S10
C33	.01		TTD-01	CK-103	HCZ3R0XR103P	CCD-103	TA110	TG-S10
C34	.01		TTD-01	CK-103	HCZ3R0XR103P	CCD-103	TA110	TG-S10
C35	.01		TTD-01	CK-103	HCZ3R0XR103P	CCD-103	TA110	TG-S10
C36	10 NPO		NPO-DI 10	DTZ-10	CZ601CG100J	CCTO-100	CN0410	10TCC-Q10
C37	.01		TTD-01	CK-103	HCZ3R0XR103P	CCD-103	TA110	TG-S90
C38	.01		TTD-01	CK-103	HCZ3R0XR103P	CCD-103	TA110	TG-S10
C39	.05		TTD-05	CK-503	HCZ3R0XR503P	CCD-503	TA150	TG-S50
C40	.01		TTD-01	CK-103	HCZ3R0XR103P	CCD-103	TA110	TG-S10
C41	560	(330)†	DI-560	DD-561	JBY601YP561K	CCD-561	GP356	5GA-T56
C42	330		DI-330	DD-331	JBZ601YP331K	CCD-331	GP331	10TS-T33
C43	330		DI-330	DD-331	JBZ601YP331K	CCD-331	GP331	10TS-T33
C44		#7290345						
C45	.15		TTD-1	CK-104	HCZ3R0XR104P		TA010	TG-P10
C46	3.3 NPO		NPO-DI 3.0	DTZ-3R3		CCTO-3R3	CN0533	10TCC-V30
C47	.91			TCN-91		CCD-910	GP419	5GA-Q91
C48	.05		TTD-05	CK-503	HCZ3R0XR503P	CCD-503	TA150	TG-S50
C49		#7295193						
C50	200 N750		N750-DI 200	DTN-200		CCTN-200	CN7320	10TCU-T20
C51	.0088 75V		DBE6D88	CPR-6800J	WMF1D68	1DP-1-682	PVC4268	6PS-D68
C52	.022		TTD-02	CK-203	HCZ3R0XR203P	CCD-203	TA120	TG-S20
C53	165 N330					*	*	
C54	165 N330					*	*	
C55		#7295192						
C56	.0047 75V		DBE6D47	CPR-4700J	WMF1S47	6DP-1-472	PVC6247	6PS-D47
C57	.001		DI-1000	DM-102	JBS601YP102K	CCD-102	SM210	5GAB-D10
C58	.05		TTD-05	CK-503	HCZ3R0XR503P	CCD-503	TA150	TG-S50
C59	.05		TTD-05	CK-503	HCZ3R0XR503P	CCD-503	TA150	TG-S50
C60	180 N080					*	*	10TCN-T80
C61	.1		TTD-1	CK-104	HCZ3R0XR104P		TA010	TG-P10
C62	.0022		DI-2200	DD-222	JBX601YP222K	CCD-222	GP222	10TS-D22
C63	.0022		DI-2200	DD-222	JBX601YP222K	CCD-222	GP222	10TS-D22
C64	.0022		DI-2200	DD-222	JBX601YP222K	CCD-222	GP222	10TS-D22
C65	.07	#7288631						
C66	.01		TTD-01	CK-103	HCZ3R0XR103P	CCD-103	TA110	TG-S10
C67	120		DI-120	DD-121	JBZ601YP121K	CCD-121	GP312	5GA-T12
C68	110		DI-100	DD-101	JBZ601YP101K	CCD-101	GP310	10TS-T10
C69	.0022		DI-2200	DD-222	JBX601YP222K	CCD-222	GP222	10TS-D22
C70	1mfd			UK-105	HXC3R0XR105P		MAG31	HY-135
C71	.0015		DI-1500	DD-152	HCZ3R0XR203P	CCD-152	GP215	10TS-D15
C72	.02		TTD-02	CK-203	HCZ3R0XR203P	CCD-203	TA120	TG-S20
C73	.01		TTD-01	CK-103	HCZ3R0XR103P	CCD-103	TA110	TG-S10
C74	.02		TTD-02	CK-203	HCZ3R0XR203P	CCD-203	TA120	TG-S20
C75	.02		TTD-02	CK-203	HCZ3R0XR203P	CCD-203	TA120	TG-S20
C76	.0015		DI-1500	DD-152	HCZ3R0XR203P	CCD-152	GP215	10TS-D15
C77	56 NPO		TCZ-56			CCTO-560	CN0456	10TCC-Q56
C78	.01		TTD-01	CK-103	HCZ3R0XR103P	CCD-103	TA110	TG-S10
C79	.047 75V		DBE2S47		DMF2S47	4DP-3-473	PVC2147	2PS-S47
C80	.001		DI-1000	DM-102	JBS601YP102K	CCD-102	SM210	5GAB-D10
C81	.001		DI-1000	DM-102	JBS601YP102K	CCD-102	SM210	5GAB-D10
C82	.07	#7288631						
C83	.047 75V		DBE2S47		DMF2S47	4DP-3-473	PVC2147	2PS-S47
C84	.15 75V		DBE4P15		DMF4P15	4DP-4-154	PVC6015	4PS-P15
C85	.07	#7288631						
C86	.047 75V		DBE2S47		DMF2S47	4DP-3-473	PVC2147	2PS-S47
C87	.15 75V		DBE4P15		DMF4P15	4DP-4-154	PVC6015	4PS-P15
C88	.05		TTD-05	CK-503	HCZ3R0XR503P	CCD-503	TA150	TG-S50
C89	.47 75V		DBE2P47		DMF2P47	2DP-5-474	PVC2047	2PS-P47
C90	.47 75V		DBE2P47		DMF2P47	2DP-5-474	PVC2047	2PS-P47
C91		#7282370						

* Not normally in distributor's stock. Available thru distributor on order to manufacturer.
† Alternate Value.

CONTROLS

All wattages 1/2 watt, or less, unless otherwise listed.

ITEM No.	USE	RESISTANCE	REPLACEMENT DATA				
			DELCO PART No.	CENTRALAB PART No.	CLAROSTAT PART No.	CTS-IRC PART No.	MALLORY PART No.
R1A	Tone (Right Channel)	100K	7293721				
B	Tone (Left Channel)	100K					
C	Volume(Right Channel)	20K Tap @ 8000Ω					
D	Volume(Left Channel)	20K Tap @ 8000Ω					
R2	Balance	20K	7297394	TT-26 or (F1-25K,SNK019 AK38)	B47-25K-S	B11-119, TM4 or (BU11,CF26,SS6)	RU253L, SL37, SN1000
R3	Separation	10K	7297389			P115R103A or (BU11,WF9,SS6)*	MR10KT
R4A	Fader (Right Channel)	100Ω 2W	7297370				
B	Fader (Left Channel)	100Ω 2W					

"SNAPTROL"

AM-FM MULTIPLEX PARTS LIST AND DESCRIPTION (CONTINUED)

(When ordering parts, state Model, Part Number, and Description.)

Replacement parts shown may be superseded by the availability of newly introduced replacements.
Have your local distributor check Sams COUNTER FACTS® for the most up-to-date replacement.

COILS (RF-IF)

ITEM No.	USE	REPLACEMENT DATA				
		DELCO PART No.	MEISSNER Part No.	MERIT PART No.	MILLER PART No.	WORKMAN PART No.
L1	FM Antenna	①				
L2	FM RF	①				
L3	FM IF Trap (1uh)	7298856	19-1000	BC-565	4602	T855
L4	FM Oscillator	①				
L5	1st. FM IF	7296100				
L6	2nd. FM IF	7296101				
L7	3rd. FM IF	7296102				
L8	Ratio Detector	7296103				
L9	RF Choke (8uh)	7255738	19-1009	BC-566	4611	T822
L10	AM Antenna	①				
L11	AM RF	①				
L12	AM Oscillator	①				
L13	1st. AM IF	7295169				
L14	2nd. AM IF	7295170				
L15	67KC Trap	7291023				
L16	19KC Input	7291019				
L17	19KC Input	7291019				
L18	19KC Oscillator	7291019				
L19	19KC Doubler	7291020				
L20	Hash Choke (1.4uh)	7241708	19-4125	BC-587	5230	T963

① Part of M1.

SPEAKER

ITEM No.	TYPE	REPLACEMENT DATA		NOTES
		DELCO PART No.	QUAM PART No.	
SP1	3 1/2" PM 10Ω	7296870	3A05Z10	Right Front
SP2	3 1/2" PM 10Ω	7296870	3A05Z10	Left Front
SP3	6" x 9" PM 10Ω	7282501	69A1Z10	Right Rear
SP4	6" x 9" PM 10Ω	7282501	69A1Z10	Left Rear

COMPONENT COMBINATIONS

ITEM No.	USE	DESCRIPTION	DELCO PART NO.	REPLACEMENT DATA
PC1	Biasing Network	390Ω, 1500Ω, .07mfd	7296987	
PC2	Biasing Network	2700Ω, 15K, .022mfd	7296984	
PC3	Stereo Det. Comp.	39K, 39K, 50K, 50K, .001mfd, .001mfd	7291090	
PC4	Stereo Det. Comp.	39K, 39K, 50K, 50K, .001mfd, .001mfd	7291090	
PC5	38KC Notch Filter	30K	7291089	Centralab PC-410
PC6	38KC Notch Filter	30K	7291089	Centralab PC-410
PC7	Biasing Network	1200Ω, 1200Ω, 15K, 15K	7296983	

FUSE DEVICES

ITEM No.	TYPE	RATING	REPLACEMENT DATA						
			PART No.		LITTELFUSE PART No.		BUSS PART No.		
			FUSE	HOLDER	FUSE	HOLDER	FUSE	HOLDER	
F1	SFE	14		In Fuse Block	307014			SFE 14	

MISCELLANEOUS

ITEM No.	PART NAME	DELCO PART No.	NOTES
K1	Lamp Relay	1221457	
M1	Tuner Coil Assembly	7295149	
S1	AM-FM Selector Switch	7297546	
S2	Antenna Motor Switch	7290366	

CABINETS & CABINET PARTS

(When Ordering Specify Model, Chassis & Color)

ITEM	PART No.	ITEM	PART No.
Manual Drive Belt	7269454	Pushbutton #2	7282172
Dial Glass	7282406	Pushbutton #3	7282173
Escutcheon	7282405	Pushbutton #4	7282174
Dial Pointer	7290791	Pushbutton #5	7282175
Pushbutton #1	7282171	Knob-Tuning or Volume	1485454
		Knob-Tone or Fader	1485456

CADILLAC MODELS 7293015, 7293025

AMP PARTS LIST AND DESCRIPTION

(When ordering parts, state Model, Part Number, and Description.)

Replacement parts shown may be superseded by the availability of newly introduced replacements.
Have your local distributor check Sams COUNTER FACTS for the most up-to-date replacement.

TRANSISTORS

ITEM No.	ORIG. TYPE	USE	REPLACEMENT DATA			NOTES
			DELCO PART No.	GENERAL ELECTRIC PART No.	RCA PART No.	
Q19	DS-46	AF Amp.	DS-66	GE-10	SK-3020	NPN
Q20	DS-46	AF Amp.	DS-66	GE-10	SK-3020	NPN
Q21	DS-501	Output	DS-501	GE-4	SK-3012	PNP ♦
Q22	DS-46	AF Amp.	DS-66	GE-10	SK-3020	NPN
Q23	DS-46	AF Amp.	DS-66	GE-10	SK-3020	NPN
Q24	DS-501	Output	DS-501	GE-4	SK-3012	PNP ♦

♦ When replacing, apply silicone grease to both sides of insulator. Tighten mounting screws securely. Check bias adjustment.

ELECTROLYTIC CAPACITORS

ITEM No.	RATING		REPLACEMENT DATA					
	CAP.	VOLT.	DELCO PART No.	AEROVOX PART No.	CORNELL-DUBILIER PART No.	GENERAL ELECTRIC PART No.	MALLORY PART No.	SPRAGUE PART No.
C92	100	4	7291810	PTT30	NLW125-6	MT1-21	TT6X100	TE-1102
C93	100	4	7291810	PTT30	NLW125-6	MT1-21	TT6X100	TE-1102
C94	10	12	7292738	PTT53	NLW10-15	MT1-5	TT12X10	TL-1128
C95	100	4	7291810	PTT30	NLW125-6	MT1-21	TT6X100	TE-1102
C96	10	12	7292738	PTT53	NLW10-15	MT1-5	TT12X10	TL-1128
C97	100	4	7291810	PTT30	NLW125-6	MT1-21	TT6X100	TE-1102

CAPACITORS

ITEM No.	RATING	REMARKS	REPLACEMENT DATA					
			AEROVOX PART No.	CENTRALAB PART No.	CORNELL-DUBILIER PART No.	ELMENDO PART No.	MALLORY PART No.	SPRAGUE PART No.
C98	.0022		DI-2200	DD-222	JBX601YP222K	CCD-222	GP222	10TS-D22
C99	.0022		DI-2200	DD-222	JBX601YP222K	CCD-222	GP222	10TS-D22

CONTROLS

All wattages 1/2 watt, or less, unless otherwise listed.

ITEM No.	USE	RESISTANCE	REPLACEMENT DATA				
			DELCO PART No.	CENTRALAB PART No.	CLAROSTAT PART No.	CTS-IRC PART No.	MALLORY PART No.
R80	Bias	600Ω 2W	7286601	V-800	U39-600	110-800	MR600P
R81	Bias	600Ω 2W	7286601	V-800	U39-600	110-800	MR600P

RESISTORS (Power and Special)

ITEM No.	RATING	REPLACEMENT DATA			ITEM No.	RATING	REPLACEMENT DATA		
		IRC PART No.	WORKMAN PART No.	DELCO PART No.			IRC PART No.	WORKMAN PART No.	DELCO PART No.
R90	.47Ω Fusible			7281890	R99	.47Ω Fusible			7281890

FILTER CHOKE

ITEM No.	RATINGS			REPLACEMENT DATA					NOTES
	CURRENT (Measured)	DC RES.	INDUCTANCE (0 CURRENT 1000~)	DELCO PART No.	MERIT PART No.	STANCOR PART No.	THORDARSON PART No.	TRIAD PART No.	
L21	1 Amp.	.6Ω	8MH	1221623	C-4095	TC-2	TR-154	TY17XT	
L22	1 Amp.	.6Ω	8MH	1221623	C-4095	TC-2	TR-154	TY17XT	

CHOKE (AUDIO OUTPUT)

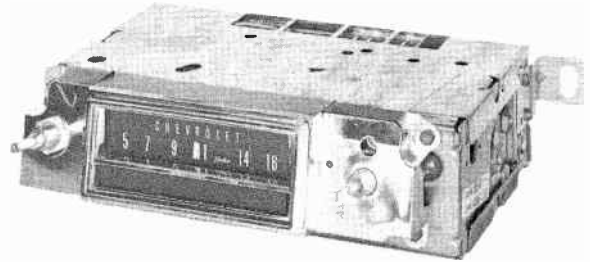
ITEM No.	INDUCTANCE	REPLACEMENT DATA					NOTES
		DELCO PART No.	MERIT PART No.	STANCOR PART No.	THORDARSON PART No.	TRIAD PART No.	
L23	30MH	7297572					
L24	30MH	7297572					



PHOTOFACT[®] with

CIRCUITRACE[®]

TRADE NAME : Chevrolet Models:
 986113 (1966 Corvair)
 986521 (1966 Chevy II)
 986527 (1966 Chevelle)
 986544 (1966 Chevrolet)
 SUPPLIER: For Current Address, See Annual Index.
 TYPE SET: 6 Transistor AM Receiver
 POWER SUPPLY: 12 Volt Storage Battery
 RATING: .680 Amp. @ 12.6 Volts DC
 TUNING RANGE: BROADCAST 540-1615KC



ALIGNMENT INSTRUCTIONS

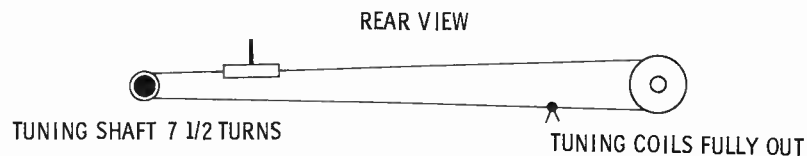
Check for specified source voltage.
 Use only enough generator output to provide a usable indication.
 Suggested Alignment Tools:

A1 thru A5, A9, A10. GENERAL CEMENT: 5009, 8728A, 8987
 WALSCO: 2531-X, 2536
 A6, A7, A8. GENERAL CEMENT: 8290, 8868, 9087
 WALSCO: 2525, 2528, 2587

	SIGNAL GENERATOR COUPLING	SIGNAL GENERATOR FREQUENCY	RADIO DIAL SETTING	INDICATOR	ADJUST	REMARKS
1.	High side thru .1mfd to point Δ , low side to ground.	262KC (400v Mod.)	High Freq. End Stop.	Output Meter across voice coil.	A1, A2, A3, A4	Adjust for maximum.
Check setting of oscillator coil core (A5). Rear of core should be 1 3/8" from mounting end of coil form.						
2.	High side thru 82mmf to antenna receptacle, low side to ground.	1615KC	High Freq. End Stop.	Output Meter across voice coil.	A6, A7, A8	Adjust for maximum.
3.	"	600KC	600KC Signal	"	A9, A10	Adjust for maximum. Repeat step 2.
With radio installed in car and antenna fully extended, tune in a weak station near 1400KC and adjust A8 for maximum output.						

Remove tuning and dummy knobs for access to Antenna Trimmer (A8).

DIAL CORD STRINGING

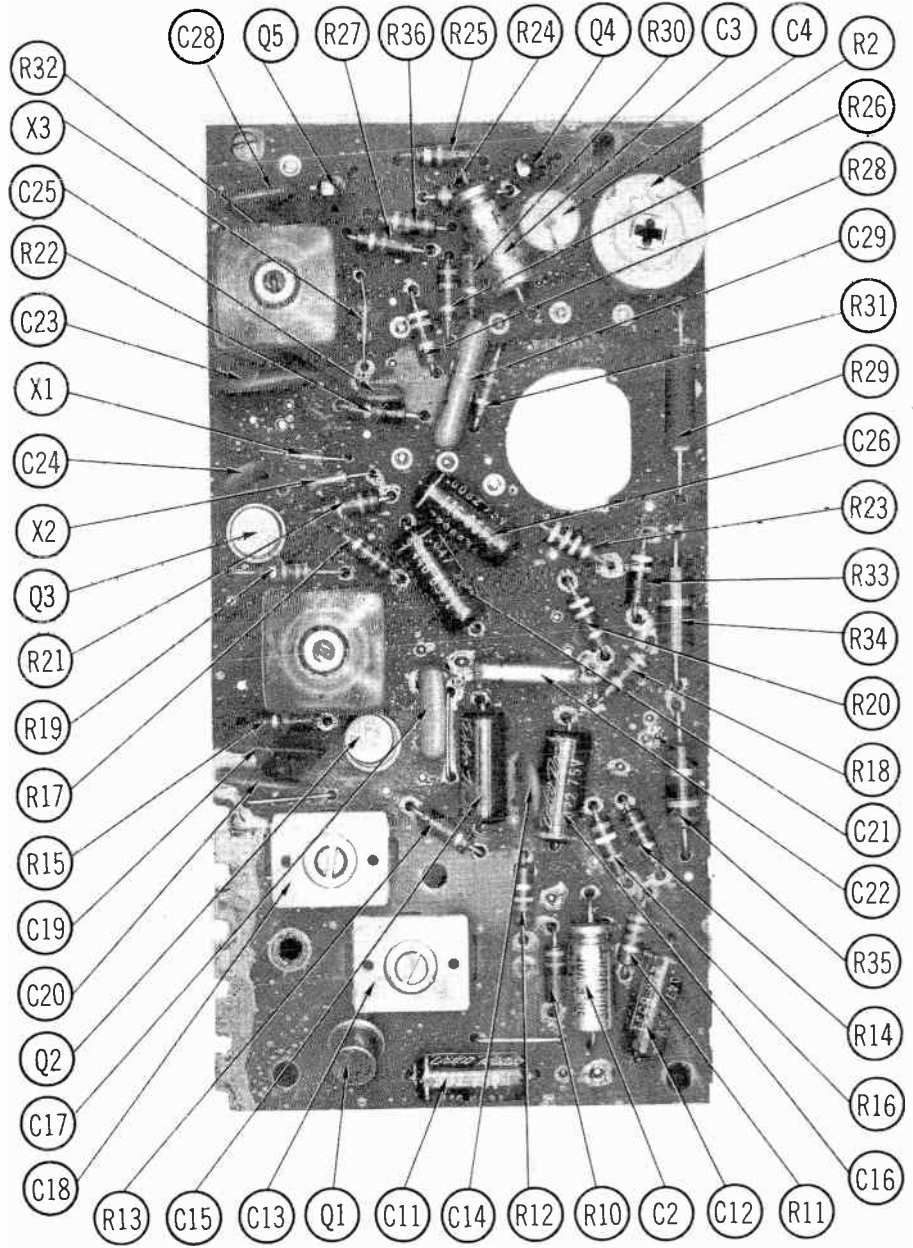
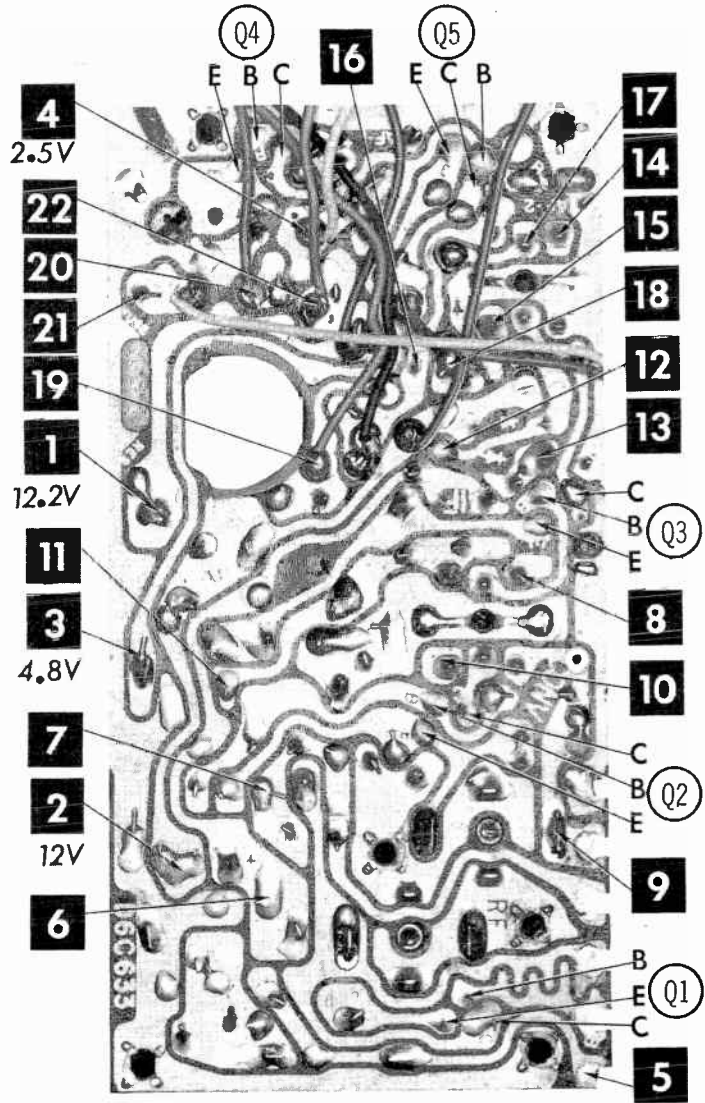


HOWARD W. SAMS & CO., INC. Indianapolis, Indiana 46206

© 1966 Howard W. Sams & Co., Inc. Printed in U. S. of America RD689

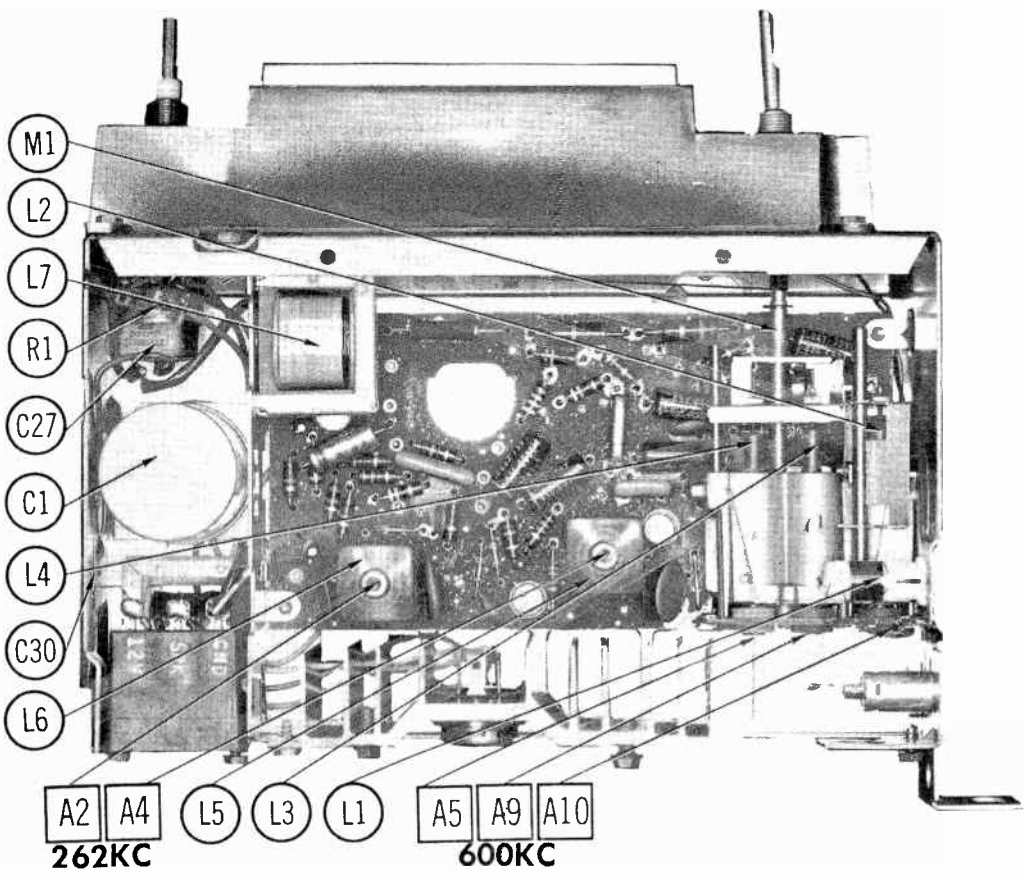
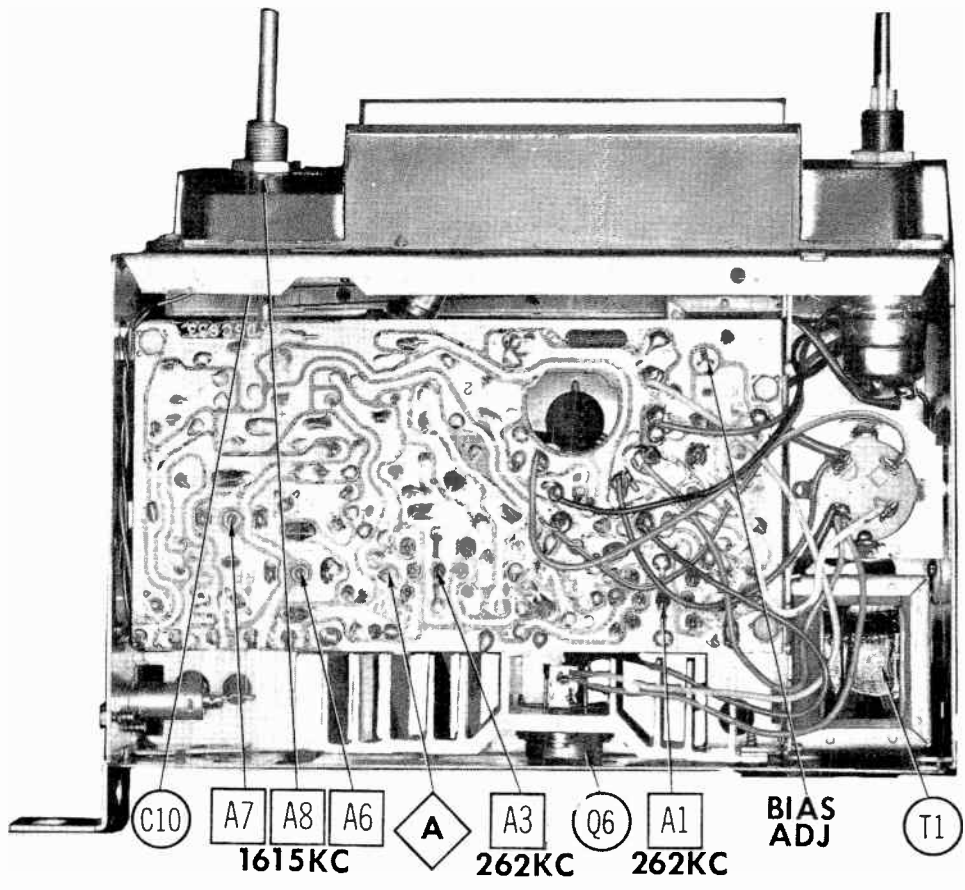
World Radio History

CHEVROLET MODELS 986113, 986521, 986527, 986544



A Howard W. Sams **CIRCUITRACE** Photo

CHEVROLET MODELS 986113, 986521, 986527, 986544



PARTS LIST AND DESCRIPTION

(When ordering parts, state Model, Part Number, and Description.)

Replacement parts shown may be superseded by the availability of newly introduced replacements.
Have your local distributor check Sams COUNTER FACTS for the most up-to-date replacement.

TRANSISTORS

ITEM No.	ORIG. TYPE	USE	REPLACEMENT DATA			NOTES
			DELCO PART No.	GENERAL ELECTRIC PART No.	RCA PART No.	
Q1	DS-51	RF Amp.	DS-25	GE-1	SK-3008	PNP
Q2	DS-52	Converter	DS025	GE-1	SK-3008	PNP
Q3	DS-53	IF Amp.	DS-25	GE-1	SK-3008	PNP
Q4	DS-46	1st. AF Amp.	DS-66	GE-10	SK-3020	NPN
Q5	(DS-66)† (DS-66W) (DS-46)† (DS-503)	2nd. AF Amp.	DS-66	GE-10	SK-3020	NPN
Q6		Output	DS-503	GE-3	SK-3009	PNP †

‡ When replacing, apply silicone grease to both sides of insulator. Tighten mounting screws securely.
Check bias adjustment. † Alternate Type.

POWER RECTIFIERS & SIGNAL DIODES

ITEM No.	MEASURED CURRENT	ORIGINAL Part or Type No.	RECTIFIERS & DIODES		RECTIFIERS		
			GENERAL ELECTRIC PART No.	INTERNATIONAL RECTIFIER PART No.	MALLORY PART No.	RCA PART No.	SARKES TARZIAN PART No.
X1		DS-27	1N34AS	1N34A			
X2		DS-27	1N34AS	1N34A			
X3		DS-27	1N34AS	1N34A			

ELECTROLYTIC CAPACITORS

ITEM No.	RATING		REPLACEMENT DATA					
	CAP.	VOLT.	DELCO PART No.	AEROVOX PART No.	CORNELL-DUBILIER PART No.	GENERAL ELECTRIC PART No.	MALLORY PART No.	SPRAGUE PART No.
C1A	850	16	7292515	AFH4-96-10	DD005		FP401.85	TVL-4206.1
B	400	16						
C	100	4						
D	4	11.5rms						
C2	30	6	7279896	PTT27	NLW30-15	MT1-13	TT6X30	TE-1092
C3	10	12	7272738	PTT53	NLW10-15	MT1-5	TT12X10	TL-1128
C4	100	4	7291810	PTT30	NLW125-6	MT1-21	TT6X100	TE-1102

CAPACITORS

ITEM No.	RATING	REMARKS	REPLACEMENT DATA					
			AEROVOX PART No.	CENTRALAB PART No.	CORNELL-DUBILIER PART No.	ELMENDO PART No.	MALLORY PART No.	SPRAGUE PART No.
C10		#7294291						
C11	.047 75V		DBE2S47		DMF2S47	4DP-3-473	PVC2147	2PS-S47
C12	.047 75V		DBE2S47		DMF2S47	4DP-3-473	PVC2147	2PS-S47
C13		#7287935						
C14	200 N750		N750-DI1	DTN-20		CCTN-201	CN7320	10TCU-T20
C15	.0033		BE6D33	CPR-3300J	DPMS6D33	6DP-1-332	PVC6233	6PS-D33
C16	.022		DBE4S22		DMF4S22	4DP-2-223	PVC6122	4PS-S22
C17	.0047		BE6D47	CPR-4700J	DPMS6D47	6DP-1-472	PVC6247	6PS-D47
C18		#7282165						
C19	165 N150					*	*	
C20	165 N220					*	*	
C21	.047 75V							
C22	.047		DBE2S47		DMF2S47	4DP-3-473	PVC2147	2PS-S47
C23	180 N080		DBE2S47		DMF2S47	4DP-3-473	PVC2147	2PS-S47
C24	.001		DI-1000	DM-102	JBS601YP102K	CCD-102	SM210	5GAB-D10
C25	.001		DI-1000	DM-102	JBS601YP102K	CCD-102	SM210	5GAB-D10
C26	.0082 75V		BE6D82	CPR-8200J	DPMS6D82	6DP-2-822	PVC628	6PS-D82
C27	.047		DBE2S47		DMF2S47	4DP-3-473	PVC2147	2PS-S47
C28	.002		DI-2000	DM-202	JBX601YP202K	CCD-202	GP220	5GAB-D22
C29	.047		DBE2S47		DMF2S47	4DP-3-473	PVC2147	2PS-S47
C30		#7271564						

* Not normally in distributor's stock. Available thru distributor on order to manufacturer.
Delco Part Number.

CHEVROLET MODELS 986113, 986521, 986527, 986544

PARTS LIST AND DESCRIPTION (CONTINUED)

(When ordering parts, state Model, Part Number, and Description.)

Replacement parts shown may be superseded by the availability of newly introduced replacements. Have your local distributor check Sams COUNTER FACTS[®] for the most up-to-date replacement.

CONTROLS

All wattages 1/2 watt, or less, unless otherwise listed.

ITEM No.	USE	RESIST-ANCE	REPLACEMENT DATA				
			DELCO PART No.	CENTRALAB PART No.	CLAROSTAT PART No.	CTS-IRC PART No.	MALLORY PART No.
RIA B	Tone	100K	7290608 ①	F2-100K, R2-25K, FFS014, RFS108, BB012, SB004, KR-4		† QJ-2227A	
	Volume/Switch	20K					
	Tone	100K	7293849 ②	F2-100K, R2-25K, FFS102, RFS112, BB100, SB004, KR-4		†† QJ-2229A	
	Volume/Switch	20K					
	Tone	100K	7294385 ③	F2-100K, R2-25K, FFS102, RFS200, BB014, SB004, KR-4		††† QJ-2228A	
	Volume/Switch	20K					
	Tone	100K	7294391 ④	F2-100K, R2-25K, FFS112, RFS208, BB108, SB008, SB008, KR-4		†††† QJ-2230A	
R2	Bias	600Ω ZW	7286601	V-600	U39-600	110-600	MR600P

† "CONCENTRIKIT" Equivalent: K8 Kit, with Base Elements and Shafts: B13-128, P21-029 (Panel)
B13-120, R26-112 (Rear)
S6 ⑤ (Bushing)
N4 (Spacer Nut)
76-1 (Switch)

"SNAPTROL" Equivalent: BU8 ⑤, CF52, CR50T ⑥, SF5, SR7, N4, GC.
†† "CONCENTRIKIT" Equivalent: K8 Kit, with Base Elements and Shafts: B13-128, P22-100 (Panel)
B13-120, R16-118 (Rear)
S6 ⑤ (Bushing)
N4 (Spacer Nut)
76-1 (Switch)

"SNAPTROL" Equivalent: BU8 ⑤, CF52, CR50T ⑥, SF6, SR8, N4, GC.
††† "CONCENTRIKIT" Equivalent: K8 Kit, with Base Elements and Shafts: B13-128, P22-100 (Panel)
B13-120, R16-127 (Rear)
S6 ⑤ (Bushing)
N4 (Spacer Nut)
76-1 (Switch)

"SNAPTROL" Equivalent: BU8 ⑤, CF52, CR50T ⑥, SF6, SR11, N4, GC.
†††† "CONCENTRIKIT" Equivalent: K8 Kit, with Base Elements and Shafts: B13-128, P17-123 (Panel)
B13-120, R26-215 (Rear)
S8 ⑤ (Bushing)
N4 (Spacer Nut)
76-1 (Switch)

"SNAPTROL" Equivalent: BU8 ⑤, CF52, CR50T ⑥, SF14, SR18, N4, GC.
① Used in Model: 986113. ② Used in Model: 986521. ③ Used in Model: 986527.
④ Used in Model: 986544. ⑤ Alter bushing and adjust spacer nut to meet requirements.
⑥ Do not use Tap.

RESISTORS (Power and Special)

ITEM No.	RATING	REPLACEMENT DATA			ITEM No.	RATING	REPLACEMENT DATA		
		IRC PART No.	WORKMAN PART No.	DELCO PART No.			IRC PART No.	WORKMAN PART No.	DELCO PART No.
R29	.47Ω Fusible			7281890					

COILS (RF-IF)

ITEM No.	USE	REPLACEMENT DATA				
		DELCO PART No.	MEISSNER Part No.	MERIT PART No.	MILLER PART No.	WORKMAN PART No.
L1	RF Choke (6.2uh)	7281946	19-1004	BC-565	4610	T859
L2	Antenna	①				
L3	RF	①				
L4	Oscillator	①				
L5	Input IF	1221856	16-6704		6542	TA653
L6	Output IF	1221857	16-6705		6543	TA653

① Part of M1.

FILTER CHOKE

ITEM No.	RATINGS			REPLACEMENT DATA					NOTES
	CURRENT (Measured)	DC RES.	INDUCTANCE (0 CURRENT 1000~)	DELCO PART No.	MERIT PART No.	STANCOR PART No.	THORDARSON PART No.	TRIAD PART No.	
L7	.680A.	.6Ω	8MH	1221823	C-4095	TC-2	TR-154	TY17XT	

PARTS LIST AND DESCRIPTION (CONTINUED)

(When ordering parts, state Model, Part Number, and Description.)

Replacement parts shown may be superseded by the availability of newly introduced replacements. Have your local distributor check Sams COUNTER FACTS™ for the most up-to-date replacement.

TRANSFORMER (AUDIO OUTPUT)

ITEM No.	IMPEDANCE		REPLACEMENT DATA					NOTES
			DELCO PART No.	MERIT PART No.	STANCOR PART No.	THORDARSON PART No.	TRIAD PART No.	
	PRI.	SEC.						
T1	12Ω Tap	@ 10Ω	7282057					

SPEAKER

ITEM No.	TYPE				REPLACEMENT DATA		NOTES
					DELCO PART No.	QUAM PART No.	
SP1	4" x 10"	PM	10Ω	7291711		Model: 986544	
	4" x 10"	PM	10Ω	7293691		Model: 986527	
	4" x 10"	PM	10Ω	7293691		Model: 986521	
	8" x 9"	PM	10Ω	7289731		Model: 986113	

FUSE DEVICES

ITEM No.	TYPE	RATING	REPLACEMENT DATA						
			PART No.		LITTELFUSE PART No.		BUSS PART No.		
			FUSE	HOLDER	FUSE	HOLDER	FUSE	HOLDER	
F1	AGC	3 Amp.		In Fuse Block	312003			AGC 3	

MISCELLANEOUS

ITEM No.	PART NAME	DELCO PART No.	NOTES
M1	Tuner	7287957	

CABINETS & CABINET PARTS

(When Ordering Specify Model, Chassis & Color)

ITEM	PART No.	ITEM	PART No.
MODEL: 986113		MODEL: 986527	
Escutcheon	1222146	Escutcheon	1222348
Dial Pointer	7289309	Dial Pointer	7289309
Knob-Tuning or Volume	3860189	Knob-Tuning or Volume	3860189
Knob-Tone	3860552	Knob-Tone	3876586
Knob-Dummy	3860553	Knob-Dummy	3862792
MODEL: 986521		MODEL: 986544	
Escutcheon	1222346	Escutcheon	1222350
Dial Pointer	7293845	Dial Pointer	7294395
Knob-Tuning or Volume	3860189	Knob-Tuning or Volume	3860189
Knob-Tone	3793636	Knob-Tone	3860187
Knob-Dummy	3860188	Knob-Dummy	3860188

WIRING DATA

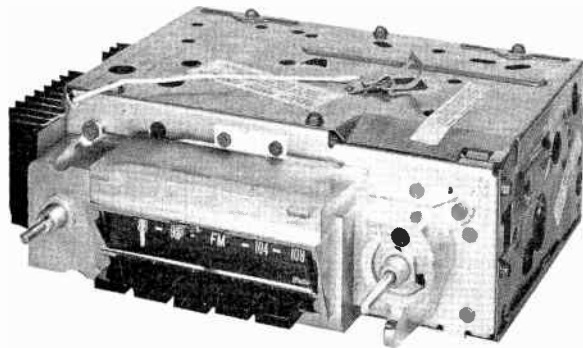
General-use Unshielded Hook-up Wire	Use BELDEN No. 8530 (Solid) Available in 12 Colors 8524 (Stranded) Available in 12 Colors
Shielded Hook-up Wire	Use BELDEN No. 8885
Rear Seat Speaker Extension Cable	Use BELDEN No. 8782 (Stranded) Coded Parallel Leads
Bonding Strap	Use BELDEN No. 8661 (3/8 in.) or 8670 (3/4 in.)

CHEVROLET MODELS 986113, 986521, 986527, 986544



PHOTOFACT[®] with

CIRCUITRACE[®]

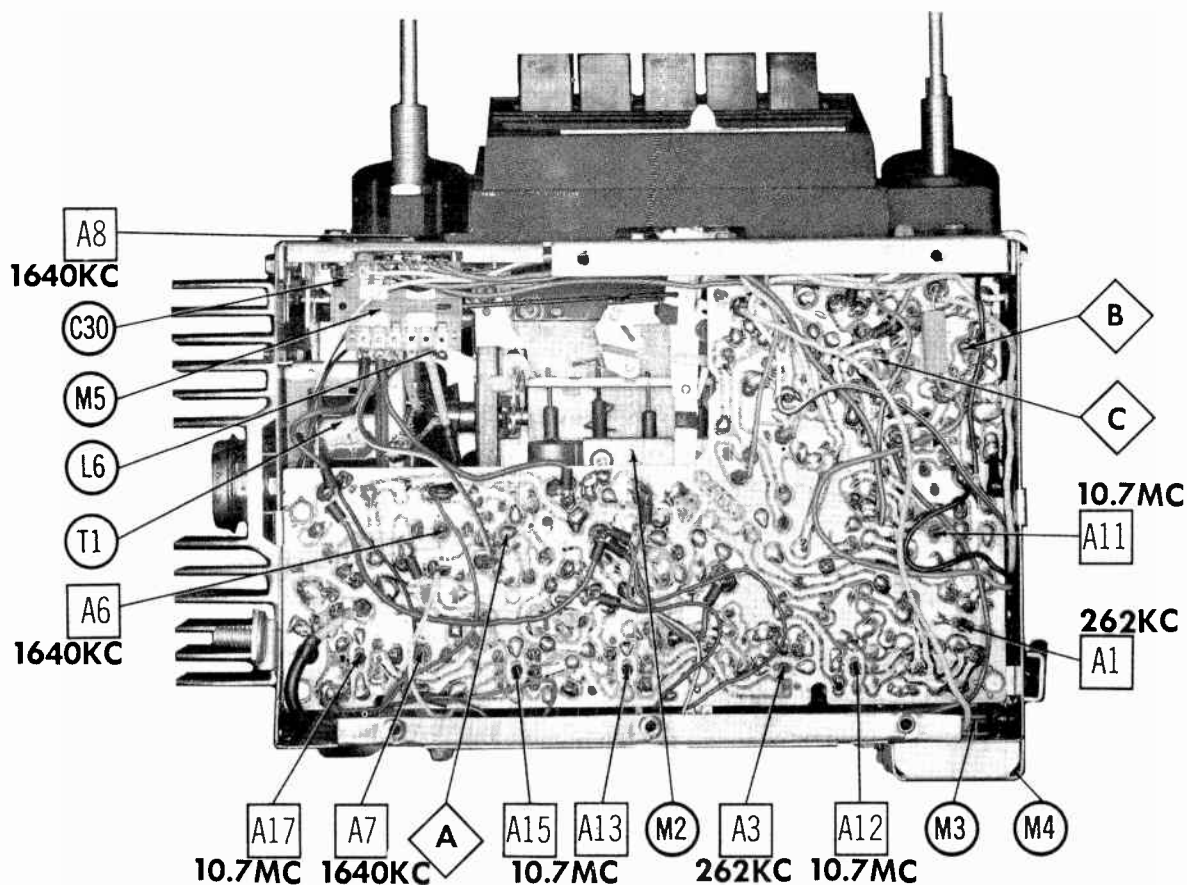


TRADE NAME : Chevrolet Models 986118 (1966 Corvair)
 986529 (1966 Chevelle)
 SUPPLIER : For Current Address, see Annual Index
 TYPE SET : 11-Transistor AM-FM Receiver
 POWER SUPPLY : 12-Volt Storage Battery
 RATING : 1.2 Amp. @ 12.6 Volts DC (Less Lamp)

TUNING RANGE: BROADCAST 540 - 1640KC
 FREQ. MOD. 87.5 - 108.5MC

FOR FM STEREO MODEL 7296351 - SEE AR37

CHEVROLET MODELS 7296351, 986118, 9866529



HOWARD W. SAMS & CO., INC. Indianapolis, Indiana 46206

ALIGNMENT INSTRUCTIONS

Check for specified source voltage.

Use only enough generator output to provide a usable indication.

Suggested Alignment Tools:
A1 thru A10, A12, thru A18
A11, A19

GENERAL CEMENT: 5009, 8728A, 8987
GENERAL CEMENT: 8606, 8606L, 8668
WALSICO: 2531-X, 2536
WALSICO: 2525, 2528, 2587

PUSH-BUTTON ADJUSTMENT

1. Pull button out.
2. Tune manually to desired station.
3. Press button in firmly.
4. Repeat for remaining buttons.

	SIGNAL GENERATOR COUPLING	SIGNAL GENERATOR FREQUENCY	RADIO DIAL SETTING	INDICATOR	ADJUST	REMARKS
1.	High side thru .1mf to point Δ , low side to ground.	262KC (400v Mod.)	High Freq. End Stop.	Output Meter across voice coil.	A1, A2, A3, A4	Adjust for maximum.
Check setting of oscillator coil core (A5). Rear of core should be 1 3/8" from mounting end of coil form.						
2.	High side thru 82pf to antenna receptacle, low side to ground.	1640KC	High Freq. End Stop.	Output Meter across voice coil.	A6, A7, A8	Adjust for maximum.
3.	"	600KC	600KC Signal	"	A9, A10	Adjust for maximum. Repeat step 2.
With radio installed in car and antenna extended 30", tune in a weak station near 1400KC and adjust A8 for maximum output.						

FM ALIGNMENT USING AM SIGNAL GENERATOR — SELECTOR IN FM POSITION

High side thru 82pf to Antenna receptacle, low side to ground.						
	GENERATOR FREQUENCY	DIAL SETTING	INDICATOR	ADJUST	REMARKS	
4.	10.7MC (Unmod.)	Point of non-interference.	DC probe of VTVM to point Δ ; common to ground.	A11 thru A18	Adjust for maximum.	
5.	"	"	DC probe to point Δ ; common to	A19	Adjust for zero reading. A positive or negative reading will be obtained on either side of the correct setting.	

FM IF ALIGNMENT USING FM SIGNAL GENERATOR — SELECTOR IN FM POSITION

High side thru 82pf to Antenna receptacle, low side to ground. Use only enough marker signal to obtain indication. Use 60v frequency modulated signal with 450KC sweep. Use 120v sawtooth voltage in scope for horizontal deflection.						
	GENERATOR FREQUENCY	DIAL SETTING	INDICATOR	ADJUST	REMARKS	
4.	10.7MC (450KC Swp.)	Point of non-interference	Vert. amp. of Scope to point Δ ; low side to ground.	A11 thru A18	Disconnect stabilizing capacitor C4. Adjust for maximum gain and symmetry of response similar to Fig. 1 with marker as shown. Reconnect C4.	
5.	"	"	Vert. amp. to point Δ ; low side to	A19	Adjust A19 (Secondary) to place marker at center of crossover lines similar to Fig. 2. Adjust A11 (Primary) for maximum amplitude and straightness of crossover lines.	

FM RF ALIGNMENT

Connect generator thru 82pf to Antenna receptacle, low side to ground.						
	GENERATOR FREQUENCY	DIAL SETTING	INDICATOR	ADJUST	REMARKS	
6.	108.5MC	Set at high end.	DC probe of VTVM to point Δ ; common to ground.	A20, A21, A22	Adjust for maximum.	
7.	92MC	Tune to signal.	"	A23, A24, A25	Rock tuning and adjust for maximum. Repeat steps 6 and 7 until no further improvement can be made.	

FIG. 1

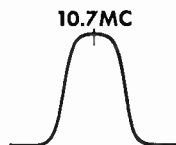
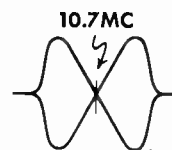
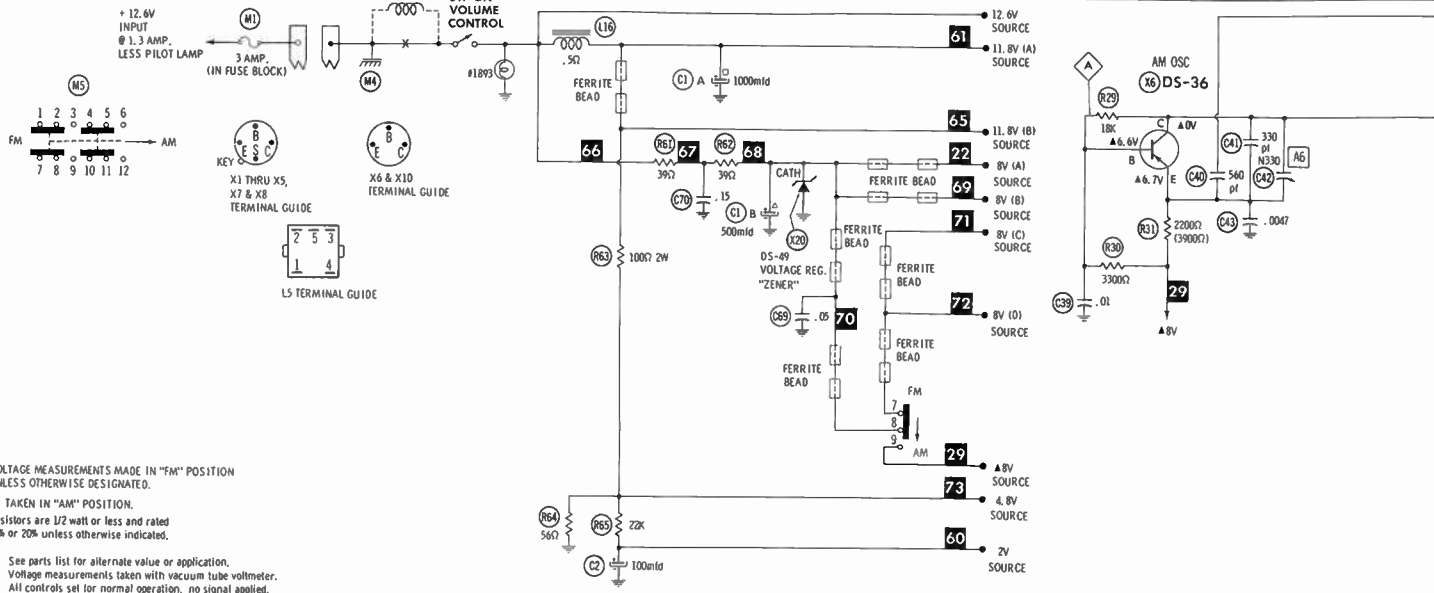
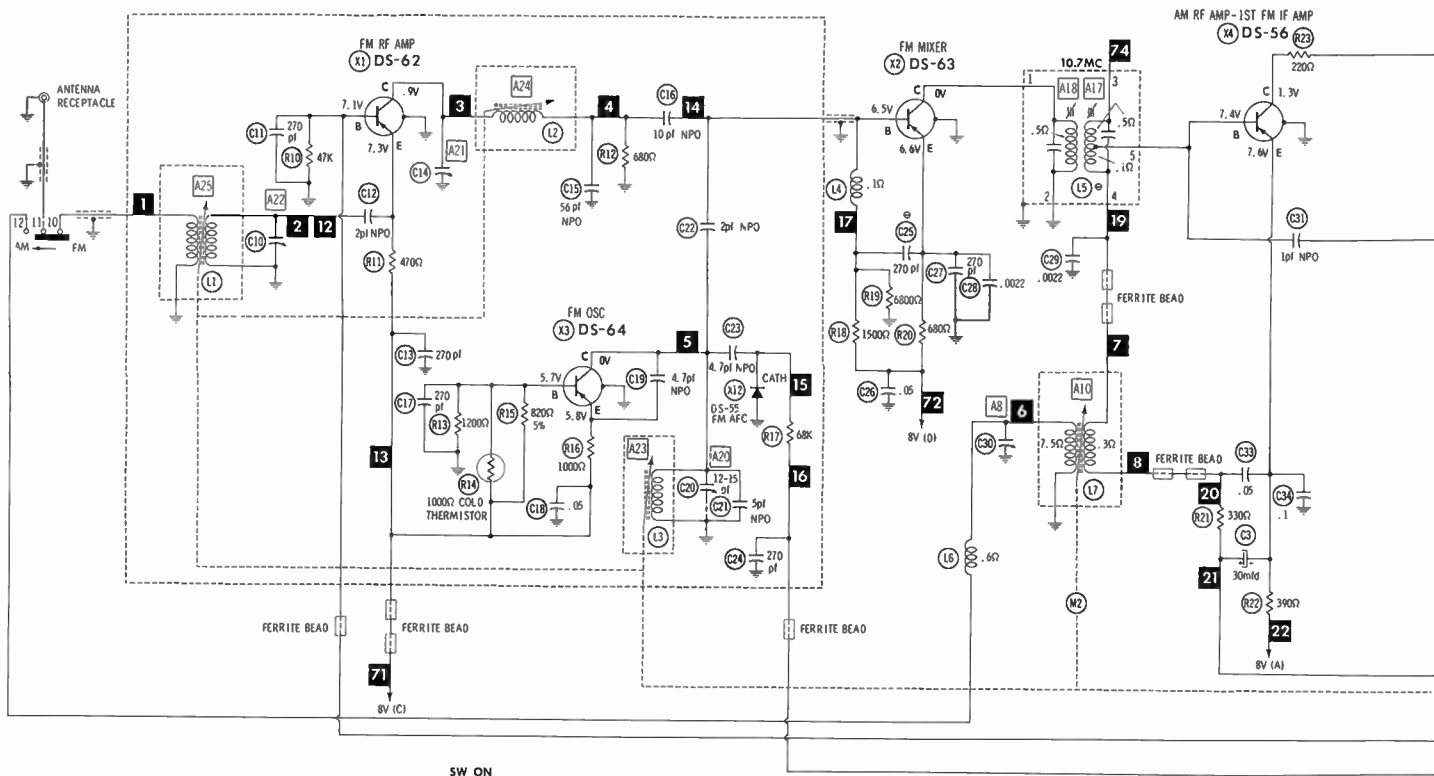


FIG. 2



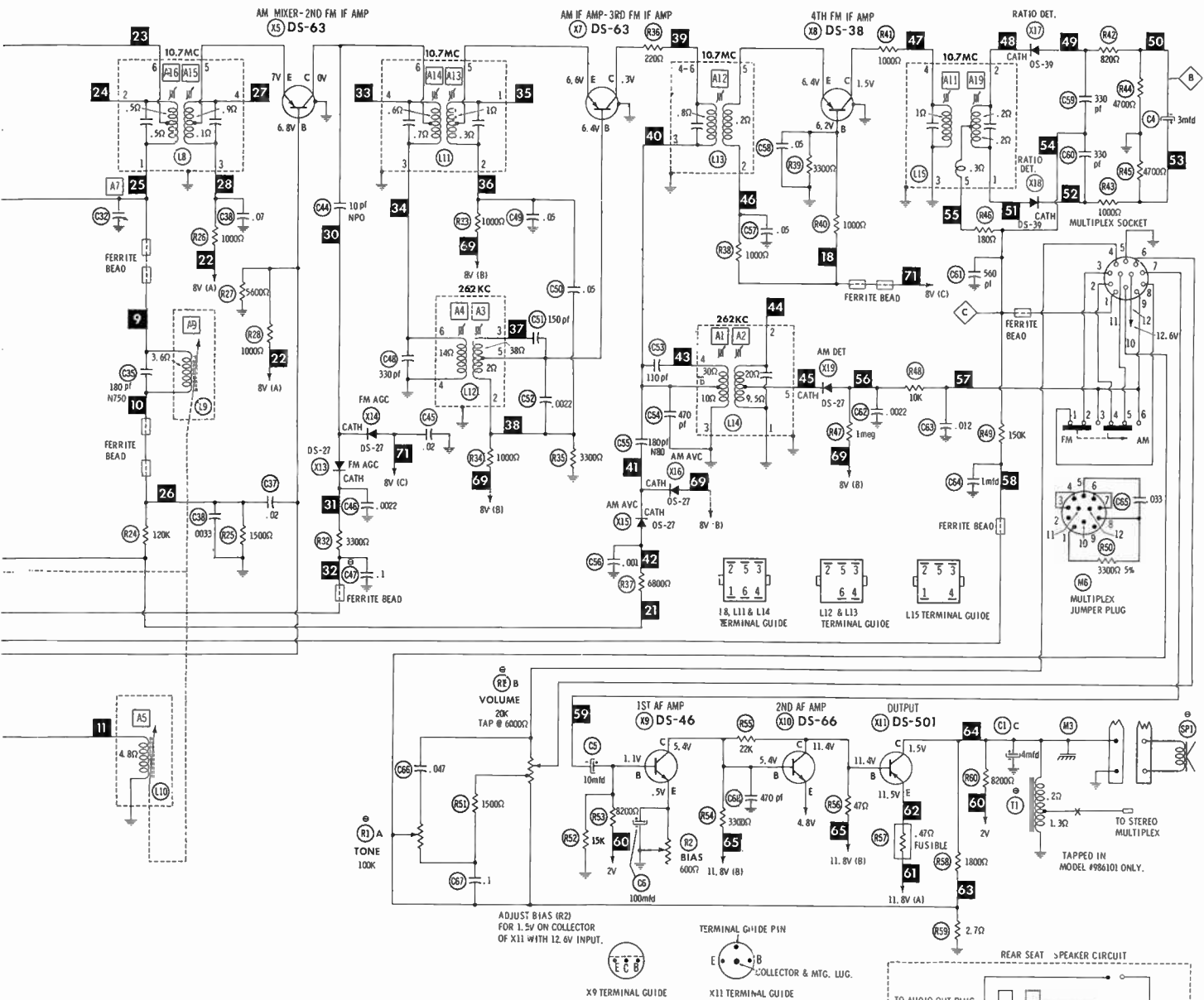


VOLTAGE MEASUREMENTS MADE IN "FM" POSITION UNLESS OTHERWISE DESIGNATED.

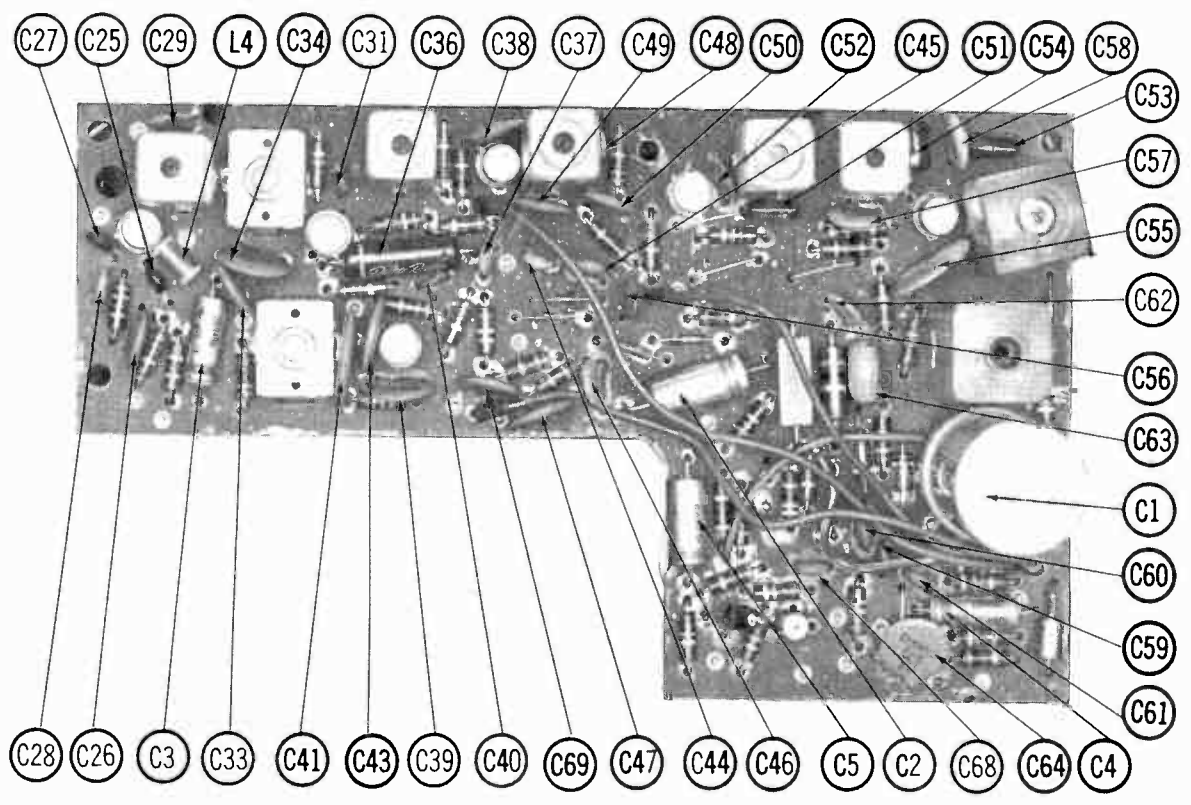
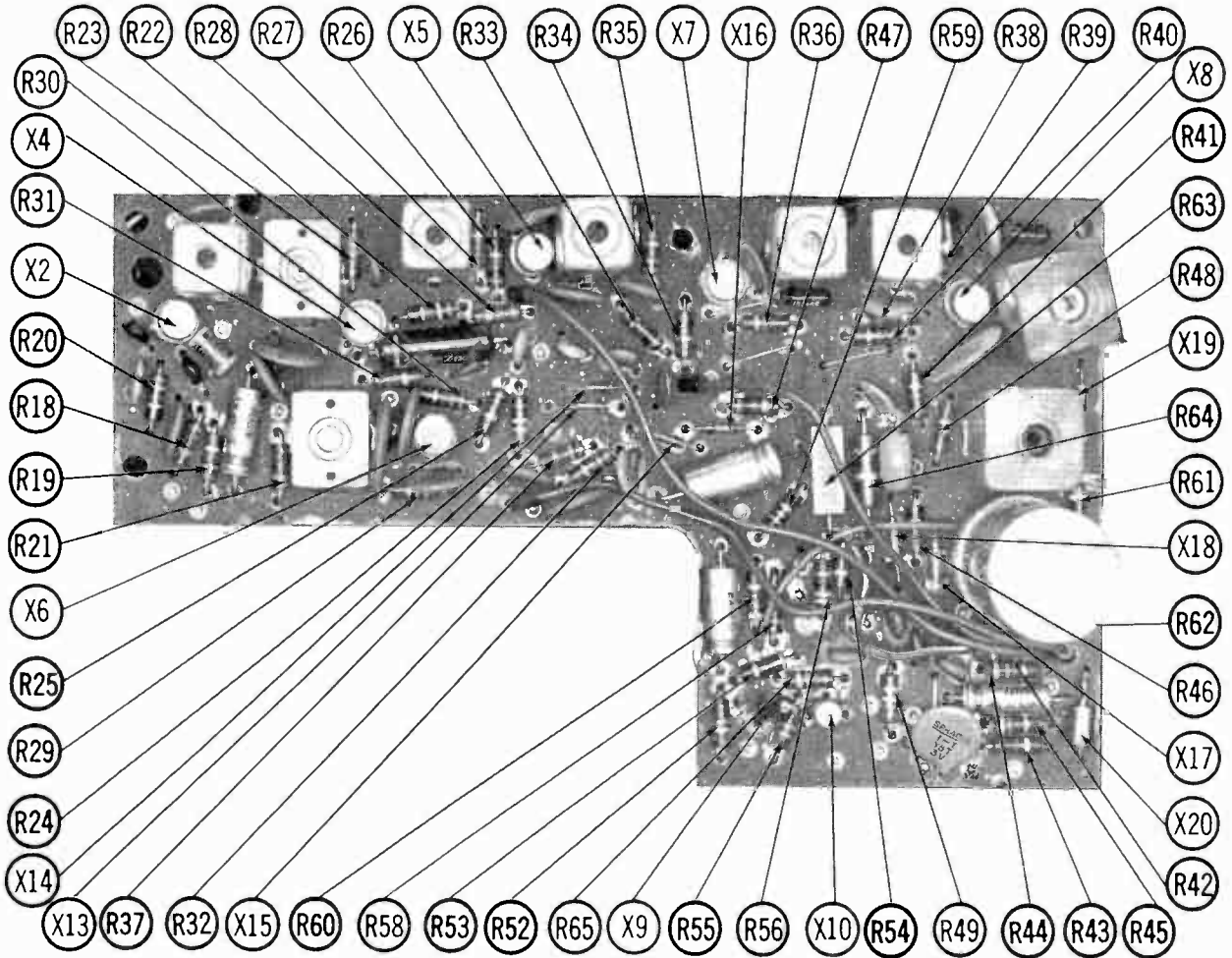
▲ TAKEN IN "AM" POSITION. Resistors are 1/2 watt or less and rated 10% or 20% unless otherwise indicated.

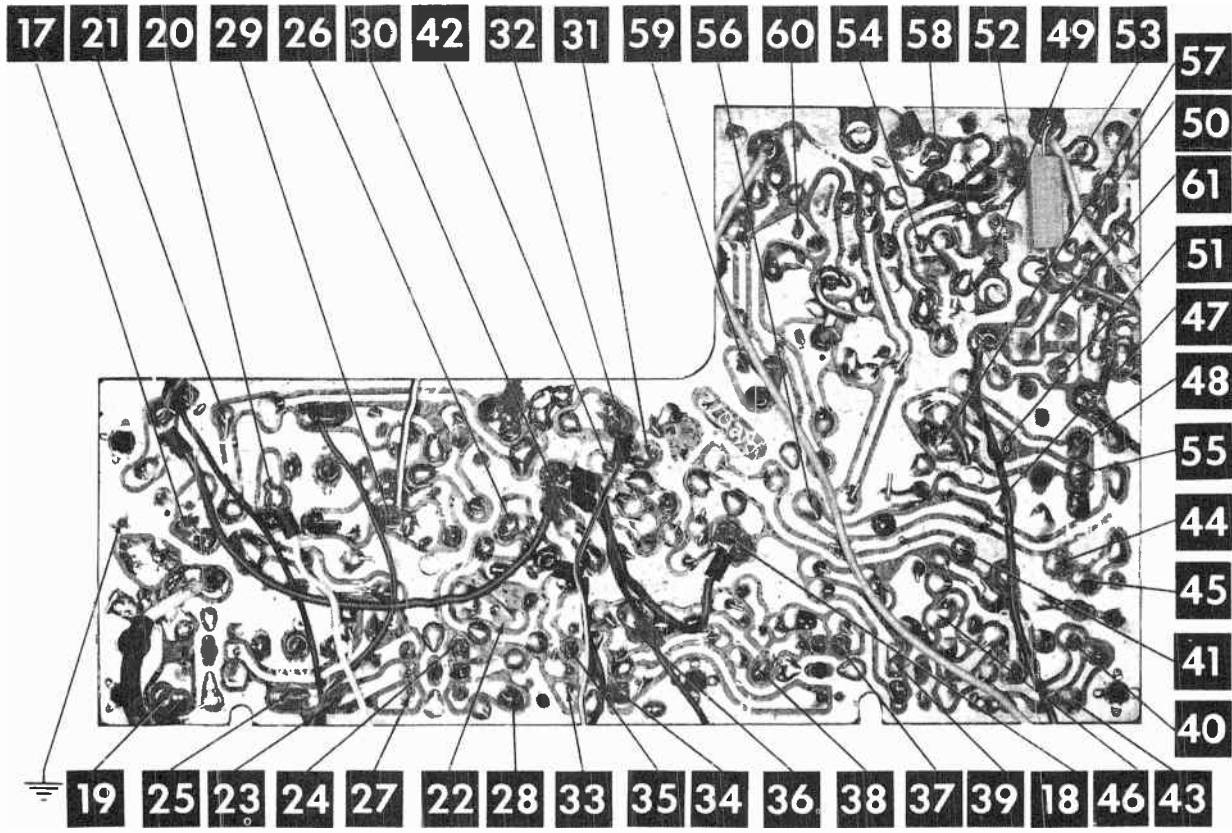
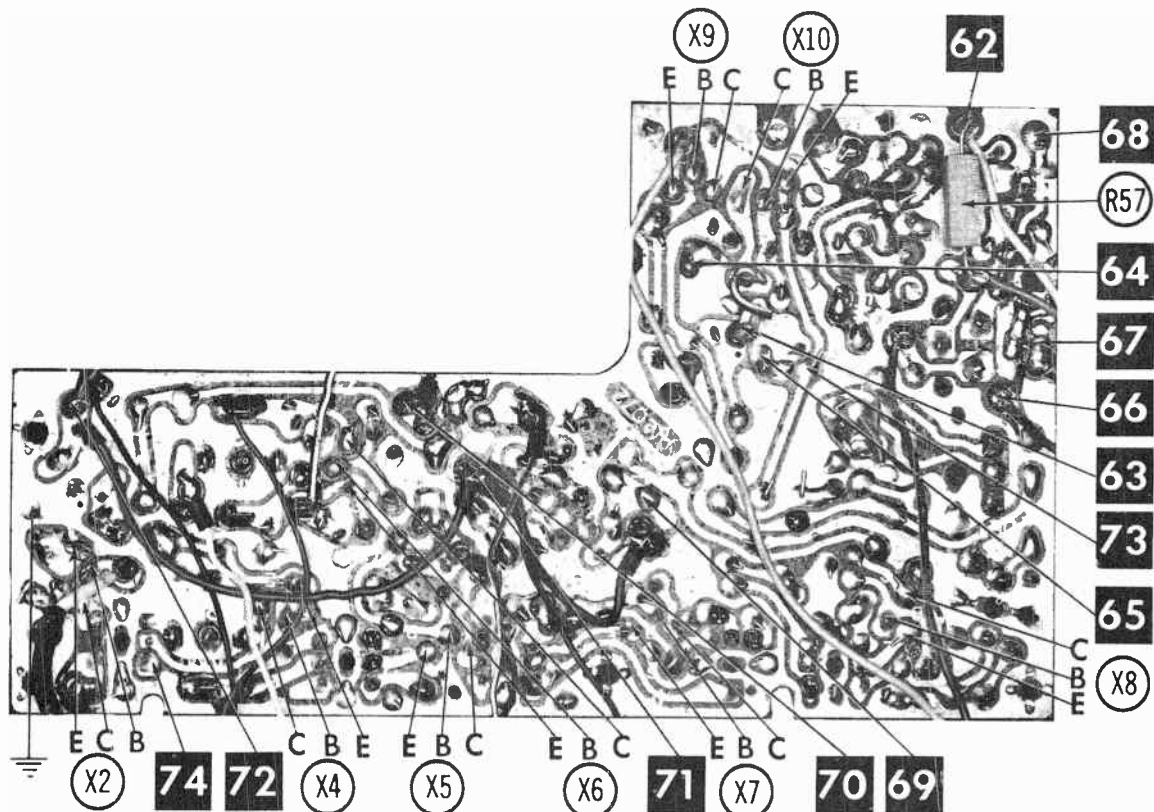
- ⊙ See parts list for alternate value or application.
- 1. Voltage measurements taken with vacuum tube voltmeter.
- 2. All controls set for normal operation, no signal applied.
- 3. Measured values are from socket pin or terminal to common ground.
- 4. All terminals viewed from bottom unless otherwise designated.
- 5. Numbers assigned to terminals may not be found on the unit.
- 6. Supply voltage maintained at rated value for voltage readings.
- 7. Resistance measurements not given because of the wide variation in internal resistance of transistor.

A PHOTOFAC STANDARD NOTATION SCHEMATIC with **CIRCUITRACE** © Howard W. Sams & Co., Inc. 1966

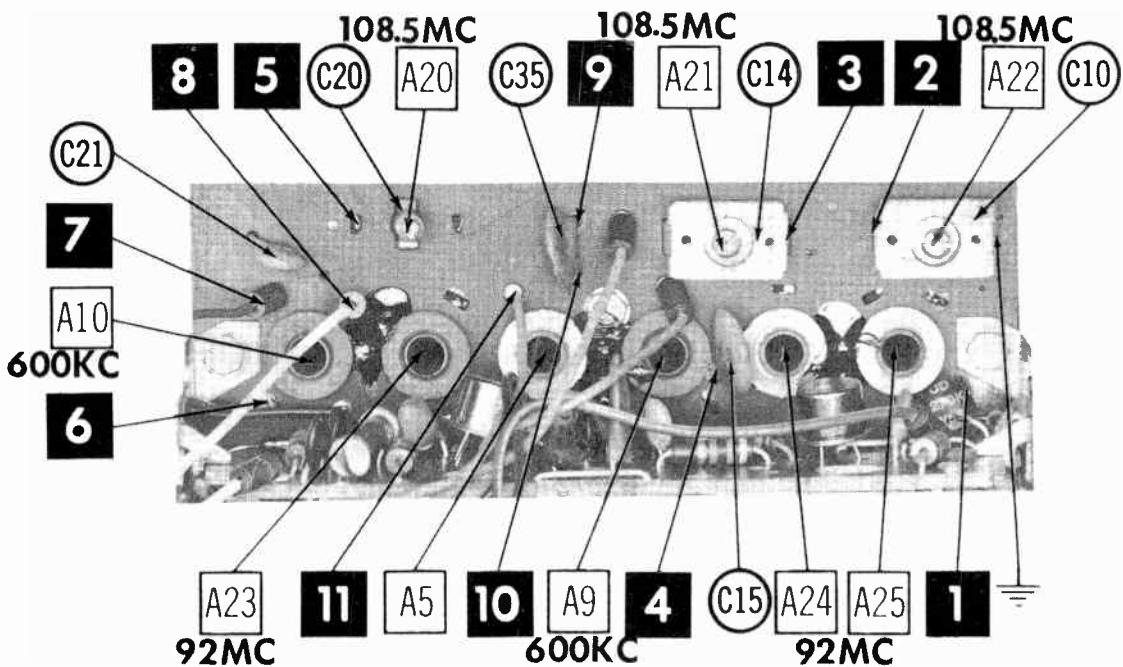
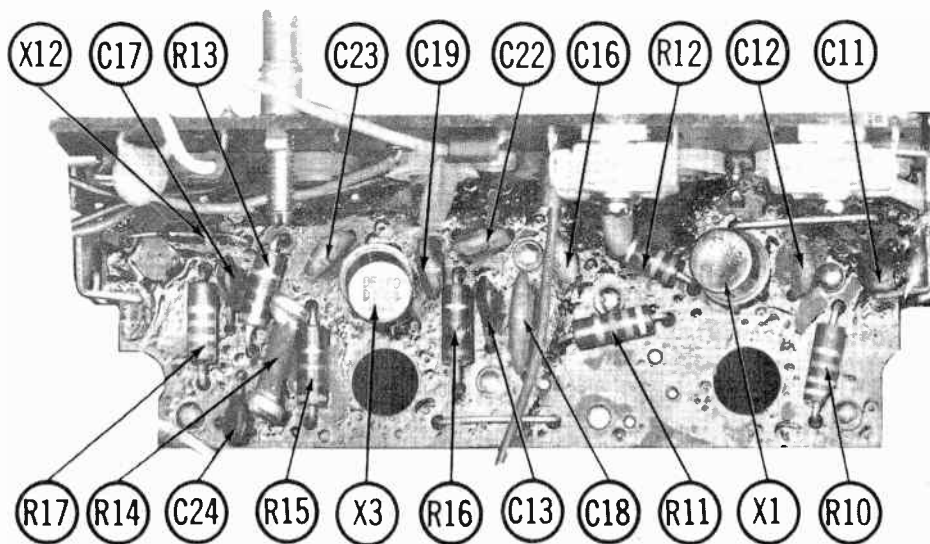
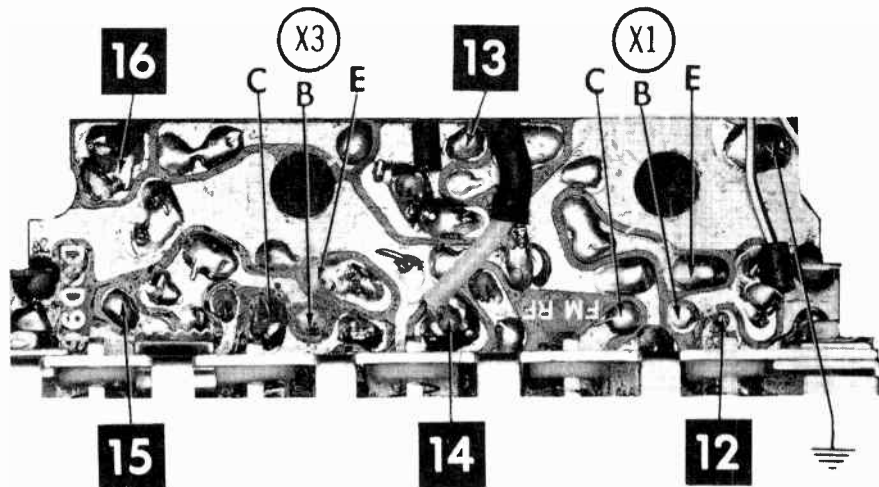


CHEVROLET MODELS 7296351, 986118, 9866529





A Howard W. Sams CIRCUITRACE® Photo



PARTS LIST AND DESCRIPTION

Replacement parts shown may be superseded by the availability of newly introduced replacements.
 Have your local distributor check Sams COUNTER FACTS® for the most up-to-date replacement.

WIRING DATA

General-use Unshielded Hook-up Wire	Use BELDEN No. 8530 (Solid) Available in 12 Colors 8524 (Stranded) Available in 12 Colors
Shielded Hook-up Wire	Use BELDEN No. 8885
Rear Seat Speaker Extension Cable	Use BELDEN No. 8782 (Stranded) Coded Parallel Leads
Bonding Strap	Use BELDEN No. 8661 (3/8 in.) or 8670 (3/4 in.)

TRANSISTORS

ITEM No.	ORIG. TYPE	USE	REPLACEMENT DATA			NOTES
			DELCO PART No.	GENERAL ELECTRIC PART No.	RCA PART No.	
X1	DS-62	FM RF Amp.	DS-41			PNP
X2	DS-63	FM Mixer	DS-41			PNP
X3	DS-64	FM Osc.	DS-41			PNP
X4	DS-56	AM RF Amp-1st FM IF	DS-56			PNP
X5	DS-63	AM Mixer-2nd FM IF	DS-56			PNP
X6	DS-36	AM Osc.	DS-25	GE-1		PNP
X7	DS-63	AM IF-3rd FM IF	DS-56			PNP
X8	DS-38	4th FM IF	DS-56			PNP
X9	DS-46	1st AF Amp.	DS-46	GE-10		NPN
X10	DS-66	2nd AF Amp.	DS-66			NPN
X11	DS-501	Output	DS-501	GE-4		PNP*

* Check bias adjustment.

POWER RECTIFIERS & SIGNAL DIODES

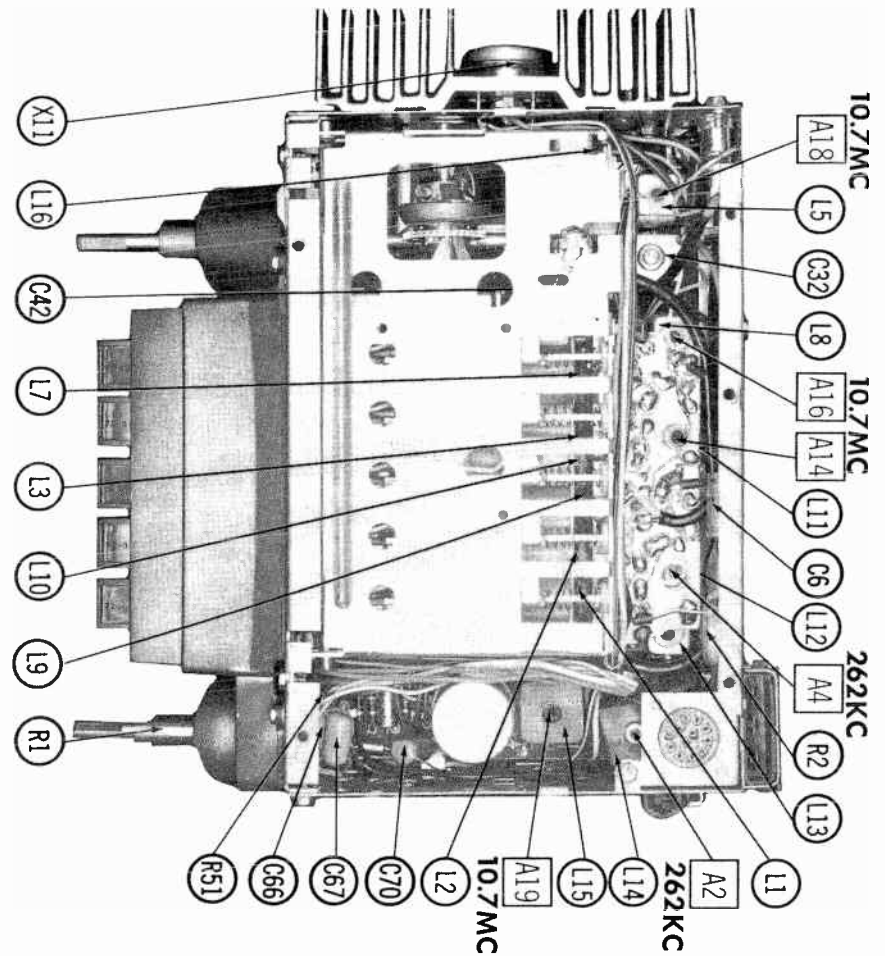
ITEM No.	MEASURED CURRENT	ORIGINAL Part or Type No.	RECTIFIERS				DIODES
			GENERAL ELECTRIC PART No.	MALLORY PART No.	RCA PART No.	SARKES TARZIAN PART No.	GENERAL ELECTRIC PART No.
X12		DS-55					1N34AS
X13		DS-27					1N34AS
X14		DS-27					1N34AS
X15		DS-27					1N34AS
X16		DS-27					1N34AS
X17		DS-39 ①					1N34AS
X18		DS-39 ①					1N34AS
X19		DS-27					1N34AS
X20		DS-49					1N34AS

① Matched Pair.

ELECTROLYTIC CAPACITORS

ITEM No.	RATING		REPLACEMENT DATA						
	CAP.	VOLT.	DELCO PART No.	AEROVOX PART No.	CORNELL-DUBILIER PART No.	GENERAL ELECTRIC PART No.	GENERAL INSTRUMENT PART No.	MALLORY PART No.	SPRAGUE PART No.
C1A	1000	16	7283675	AFH3-54-41	CC0006			FPS300.91	PCL8-3021.8*
B	4500	16							
C	4	1.5RMS							
C2	100	4	7291785	PTT30	NLW125-6	MT1-21	BL1720	TT6X100	TE-1102
C3	30	6	7279896	PTT27	NLW30-15	MT1-13	MLV30-6	TT6X30	TE-1092
C4	3	12	7291860	PTT50	NLW3-15	MT1-3	BL1140	TT12X3	TE-1122
C5	10	12	7292738	PTT53	NLW10-15	MT1-5			
C6	100	4	7291785	PTT30	NLW125-6	MT1-21	BL1720	TT6X100	TE-1102

* Not normally in distributor's stock. Available thru distributor on order to manufacturer.



PARTS LIST AND DESCRIPTION (CONTINUED)

Replacement parts shown may be superseded by the availability of newly introduced replacements.
Have your local distributor check Sams COUNTER FACTS[®] for the most up-to-date replacement.

FIXED CAPACITORS

ITEM No.	RATING	REMARKS	REPLACEMENT DATA						
			AEROVOX PART No.	CENTRALAB PART No.	CORNELL-DUBILIER PART No.	ELMENCO PART No.	MALLORY PART No.	SPRAGUE PART No.	
C10		#7293221							
C11	270		DI-270	DD-271	LA10T27-C4	CCD-271	GP327	5GA-T27	
C12	2 NPO		NPO-DI 2.2	DTZ-2R2	C10V22C	CCTO-2R2	CNO522	10TCC-V22	
C13	270		DI-270	DD-271	LA10T27-C4	CCD-271	GP327	5GA-T27	
C14		#7291003							
C15	56 NPO			TCZ-56		CCTO-560	CNO456	10TCC-Q56	
C16	10 NPO		NPO-DI 10	DTZ-10	C10Q1C	CCTO-100	CNO410	10TCC-Q10	
C17	270		DI-270	DD-271	LA10T27-C4	CCD-271	GP327	5GA-T27	
C18	.05		TTD-05	CK-503	H5		TA150	TG-S50	
C19	4.7 NPO		NPO-DI 5.0	DTZ-4R7	C10V47C	CCTO-050	CNO547	10TCC-V50	
C20	12.45	#7292611							
C21	5 NPO		NPO-DI 5.0	DTZ-4R7	C10V47C	CCTO-050	CNO547	10TCC-V50	
C22	2 NPO		NPO-DI 2.2	DTZ-2R2	C10V22C	CCTO-2R2	CNO522	10TCC-V22	
C23	4.7 NPO		NPO-DI 5.0	DTZ-4R7	C10V47C	CCTO-050	CNO547	10TCC-V50	
C24	270		DI-270	DD-271	LA10T27-C4	CCD-271	GP327	5GA-T27	
C25	270	①	DI-270	DD-271	LA10T27-C4	CCD-271	GP327	5GA-T27	
C26	.05		TTD-05	CK-503	H5		TA150	TG-S50	
C27	270		DI-270	DD-271	LA10T27-C4	CCD-271	GP327	5GA-T27	
C28	.0022		DI-2200	CF-222	JB6D22	CCD-222	GP222	10TS-D22	
C29	.0022		DI-2200	CF-222	JB6D22	CCD-222	GP222	10TS-D22	
C30		#7285097							
C31	1 NPO		NPO-DI 1.0	TCZ-1			CNO510	10TCC-V10	
C32		#7287935							
C33	.05		TTD-05	CK-503	H5		TA150	TG-S50	
C34	.1		TTD-1	CK-104	H6		TA010	TG-P10	
C35	180 N750				C10T18U		CN7318	10TCU-T18	
C36	.0033 75V		DBE6D33	CPR-3300J	WMF1D33	6DP-1-332	PVC4233	6PS-D33	
C37	.02		BPD-02	DD-203	BYA6S2	CCD-203	B120	5HK-S20	
C38	.07	#7288631							
C39	.01		BPD-01	DD-103	BYA10S1	CCD-103	B110	5HK-S10	
C40	560		DI-560	DD-561	LA10T56-C4	CCD-561	GP356	5GA-T56	
C41	330 N330							10TCS-T33	
C42		#7282165							
C43	.0047		BPD-0047	DD-472	BYA10D47	CCD-472	B247	5HK-D47	
C44	10 NPO		NPO-DI-10	DTZ-10	C10Q1C	CCTO-100	CNO410	10TCC-Q10	
C45	.02		BPD-02	DD-203	BYA6S2	CCD-203	B120	5HK-S20	
C46	.0022		BPD-0022	DD-222	LA10D22-C4	CCD-222	B222	10TS-D22	
C47	.1	②	TTD-1	CK-104	H6		TA-010	TG-P10	
C48	330		DI-330	DD-331	LA10T33-C4	CCD-331	GP333	10TS-T33	
C49	.05		TTD-05	CK-503	H5		TA150	TG-S50	
C50	.05		TTD-05	CK-503	H5		TA150	TG-S50	
C51	150		DI-150	DD-151	LA10T15-S3	CCD-151	GP315	5GA-T15	
C52	.0022		BPD-0022	DD-222	LA10D22-C4	CCD-222	B222	10TS-D22	
C53	110		DI-100	DD-101	LA10T1-S3	CCD-101	GP310	5GA-T10	
C54	470		BPD-00047	DD-471	BYA10T47	CCD-471	B347	10TS-T47	
C55	180 N80							10CN-T80	
C56	.001		BPD-001	DD-102	BYA10D1	CCD-102	B210	5HK-D10	
C57	.05		TTD-05	CK-503	H5		TA150	TG-S50	
C58	.05		TTD-05	CK-503	H5		TA150	TG-S50	
C59	330		DI-330	DD-331	LA10T33-C4	CCD-331	GP333	10TS-T33	
C60	330		DI-330	DD-331	LA10T33-C4	CCD-331	GP333	10TS-T33	
C61	560		DI-560	DD-561	LA10T56-C4	CCD-561	GP356	5GA-T56	
C62	.0022		BPD-0022	DD-222	LA10D22-C4	CCD-222	B222	10TS-D22	
C63	.012 75V		DBE6S12		PMAS12	6DP-2-123	PVC6112	6PS-S12	
C64	1mfd			UK-105	HCC3105P			HY-135	
C65	.033		DBE4S33		WMF1S33	1DP-1-333	PVC1133	4PS-S33	
C66	.047 75V		P288N-047	DD-503	PM2S47	4DP-3-473	GEM2147	2TM-S47	
C67	.1		TTD-1	CK-104	H6		TA010	TG-P10	
C68	470		BPD-00047	DD-471	BYA10T47	CCD-471	B347	10TS-T47	
C69	.05		TTD-05	CK-503	H5		TA150	TG-S50	
C70	.15 75V		DBE2P15		WMF1P15	1DP-3-154	PVC1015	2PS-P15	

Delco Part Number.

① .0022 used in some versions.

② .05 used in some versions.

CONTROLS

All wattages 1/2 watt, or less, unless otherwise listed.

ITEM No.	USE	RESISTANCE	REPLACEMENT DATA					
			DELCO PART No.	CENTRALAB PART No.	CLAROSTAT PART No.	CTS-IRC PART No.	MALLORY PART No.	
R1A	Tone	100K	7290641 ①	F1-100K, R14-25K, FFS015, RFS108, BB012, SB004, KR4			† QJ-2232A	■ UE4578S
	Volume & Switch	20K Tap @ 6000Ω						
B	Tone	100K	7296022 ②	F1-100K, R14-25K, FFS102, RFS200, BB014, SB004, KR4			† †	
	Volume & Switch	20K Tap @ 6000Ω						
R2	Bias	600Ω 2W	7286601	V-600	U39-600		110-600	MR600P

① Used in Model 986118,.... ② Used in Model 986529,.... ③ Alter Bushing and adjust Spacer Nut to meet Requirement.

† "CONCENTRIKIT" Equivalent: K8 Kit with Base Elements and Shafts: B11-128, P21-029 (Panel), B19-119X, R26-112 (Rear), S6 ③ (Bushings), N4 (Spacer Nut), 76-1 (Switch)

■ "SNAPTROL" Equivalent: BU8 ③, CF13, CR50T, SF5, SR6, N4, GC

■ "STA-LOC" Equivalent: FO15L, RU253T53, OS875A, IS1500, US41

†† "CONCENTRIKIT" Equivalent: K8 Kit with Base Elements and Shafts: B11-128, P22-103 (Panel), B19-119X, R16-127 (Rear), S6 ③ (Bushings), N4 (Spacer Nut), 76-1 (Switch)

"SNAPTROL" Equivalent: .BU8 ③, CF13, CR50T, SF7, SR11, N4, GC

PARTS LIST AND DESCRIPTION (CONTINUED)

Replacement parts shown may be superseded by the availability of newly introduced replacements.
Have your local distributor check Sams COUNTER FACTS[®] for the most up-to-date replacement.

RESISTORS (Power and Special)

ITEM No.	RATING	REPLACEMENT DATA			ITEM No.	RATING	REPLACEMENT DATA		
		IRC PART No.	WORKMAN PART No.	DELCO PART No.			IRC PART No.	WORKMAN PART No.	DELCO PART No.
R14	1000Ω (Cold)			7291750	R57	.47Ω (Fusible)			7281890

COILS (RF-IF)

ITEM No.	USE	REPLACEMENT DATA					
		PART No.	MEISSNER PART No.	MERIT PART No.	MILLER PART No.	STANCOR PART No.	WORKMAN PART No.
L1	FM Ant.	①					
L2	FM RF	①					
L3	FM Osc.	①					
L4	RF Choke (1.8uh)	7291800					
L5	1st FM IF	7292791					
L8	RF Choke (8uh)	7255738	19-1009	BC-565	4611	RTC-8521	T822
L7	AM Ant.	①					
L8	2nd FM IF	7291358					
L9	AM RF	①					
L10	AM Osc.	①					
L11	3rd FM IF	7291359					
L12	1st AM IF	7288144					
L13	4th AM IF	7291360					
L14	2nd AM IF	1221859			6545		
L15	Ratio Detector	7289392					TE838

① Part of M2.

FILTER CHOKE

ITEM No.	RATINGS			REPLACEMENT DATA					NOTES
	CURRENT (Measured)	DC RES.	INDUCTANCE (0 CURRENT 1000~)	DELCO PART No.	MERIT PART No.	STANCOR PART No.	THORDARSON PART No.	TRIAD PART No.	
L16	1.3Amp.	.5Ω	8MH	1221823	C-4095	TC-2	TR-154	TY17XT	

TRANSFORMER (AUDIO OUTPUT)

ITEM No.	IMPEDANCE		REPLACEMENT DATA					NOTES
			DELCO PART No.	MERIT PART No.	STANCOR PART No.	THORDARSON PART No.	TRIAD PART No.	
	PRI.	SEC.						
T1	12Ω Tap	@ 10Ω	1222297					

SPEAKER

ITEM No.	TYPE	REPLACEMENT DATA		NOTES
		DELCO PART No.	QUAM PART No.	
SP1	6" x 9" PM 10Ω 4" x 10" PM 10Ω	7289731 7293691		Model 986118 Model 986529

FUSES

ITEM No.	TYPE	RATING	REPLACEMENT DATA							
			DELCO PART No.		LITTELFUSE PART No.		BUSS PART No.			
			FUSE	HOLDER	FUSE	HOLDER	FUSE	HOLDER		
M1	AGC	3A		In Fuse Block	312003				AGC3	

MISCELLANEOUS

ITEM No.	PART NAME	DELCO PART No.	NOTES
M6	Multiplex Jumper Plug	7296020	

CABINETS & CABINET PARTS

(When Ordering Specify Model, Chassis & Color)

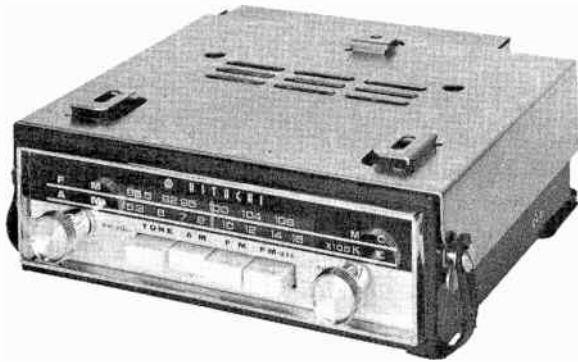
ITEM	PART No.	ITEM	PART No.
Dial Drum (Model 988118)	7290703	Push Button (Model 986529)	7294168
Dial Drum (Model 986529)	7295755	Knob, Tuning or Volume	3860189
Escutcheon (Model 986118)	1222303	Knob, Tone (Model 986118)	3860552
Escutcheon (Model 986529)	1222447	Knob, Tone (Model 986529)	3876586
Dial Pointer (Model 986118)	1222162	Knob, Dummy (Model 986118)	3860553
Dial Pointer (Model 986529)	7295754	Knob, Dummy (Model 986529)	3882792
Push Button (Model 986118)	7289312		

CHEVROLET MODELS 7296351, 986118, 9866529



PHOTOFACT[®] with

CIRCUITRACE[®]



TRADE NAME : Hitachi Model KM-1001

SUPPLIER : For Current Address, see Annual Index

TYPE SET : 10-Transistor AM-FM Auto-Portable Receiver

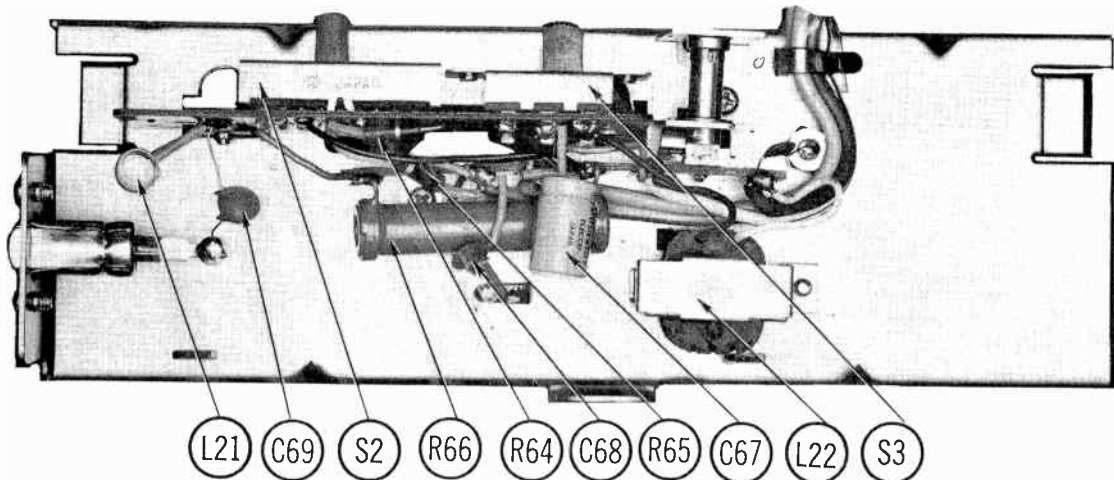
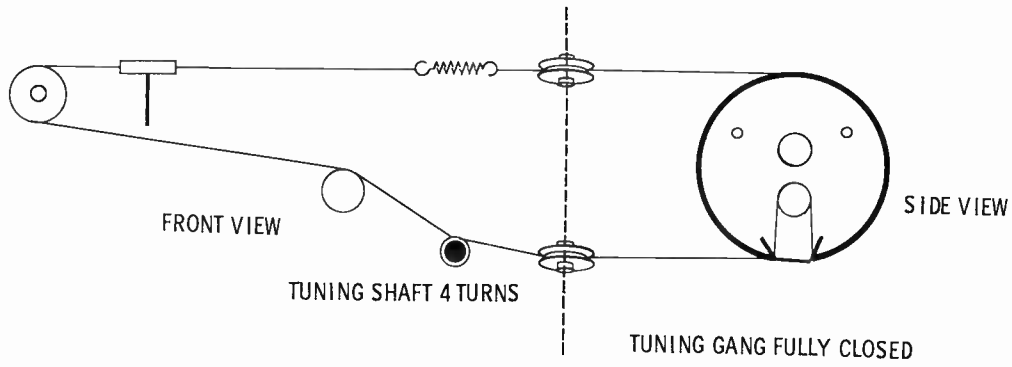
POWER SUPPLY : 12 or 6-Volt Storage Battery
6 Volts (4 "C" Cells)

RATING : .200 Amp. @ 12.3 or 6.3 Volts DC
.030 Amp. @ 6 Volts DC

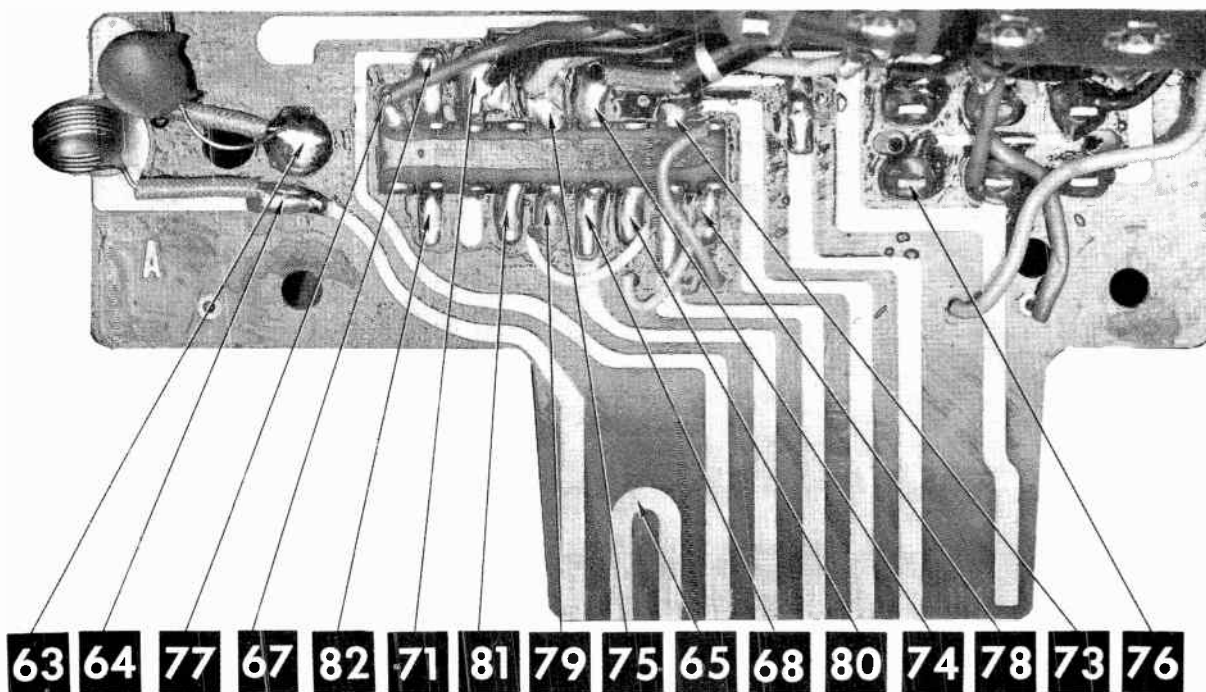
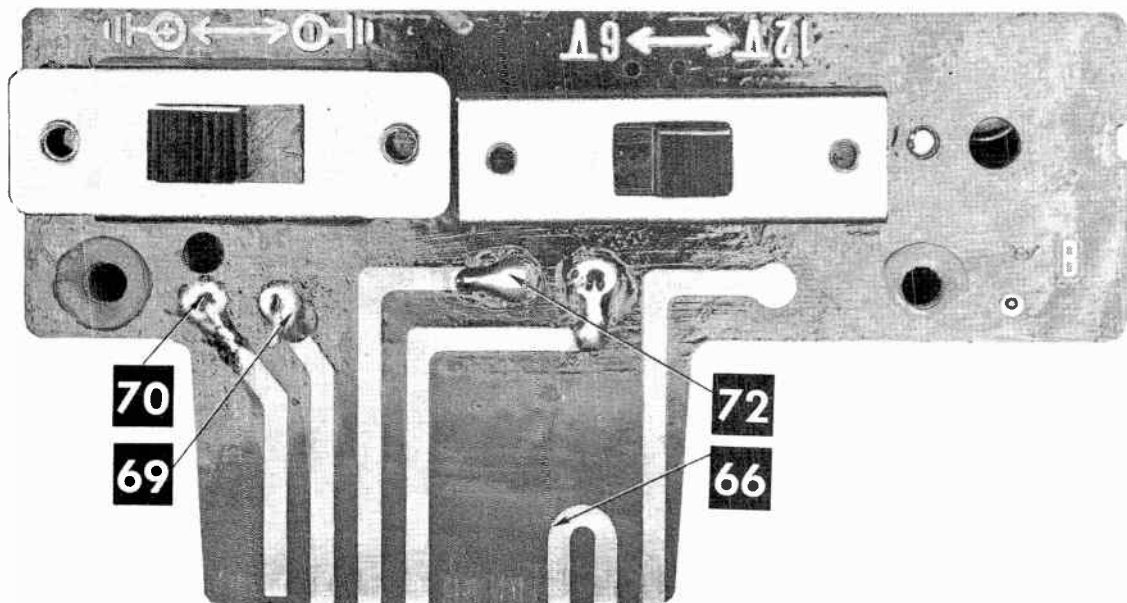
TUNING RANGE: BROADCAST 540 - 1615KC
FREQ. MOD. 88 - 108MC

HITACHI MODEL KM1001

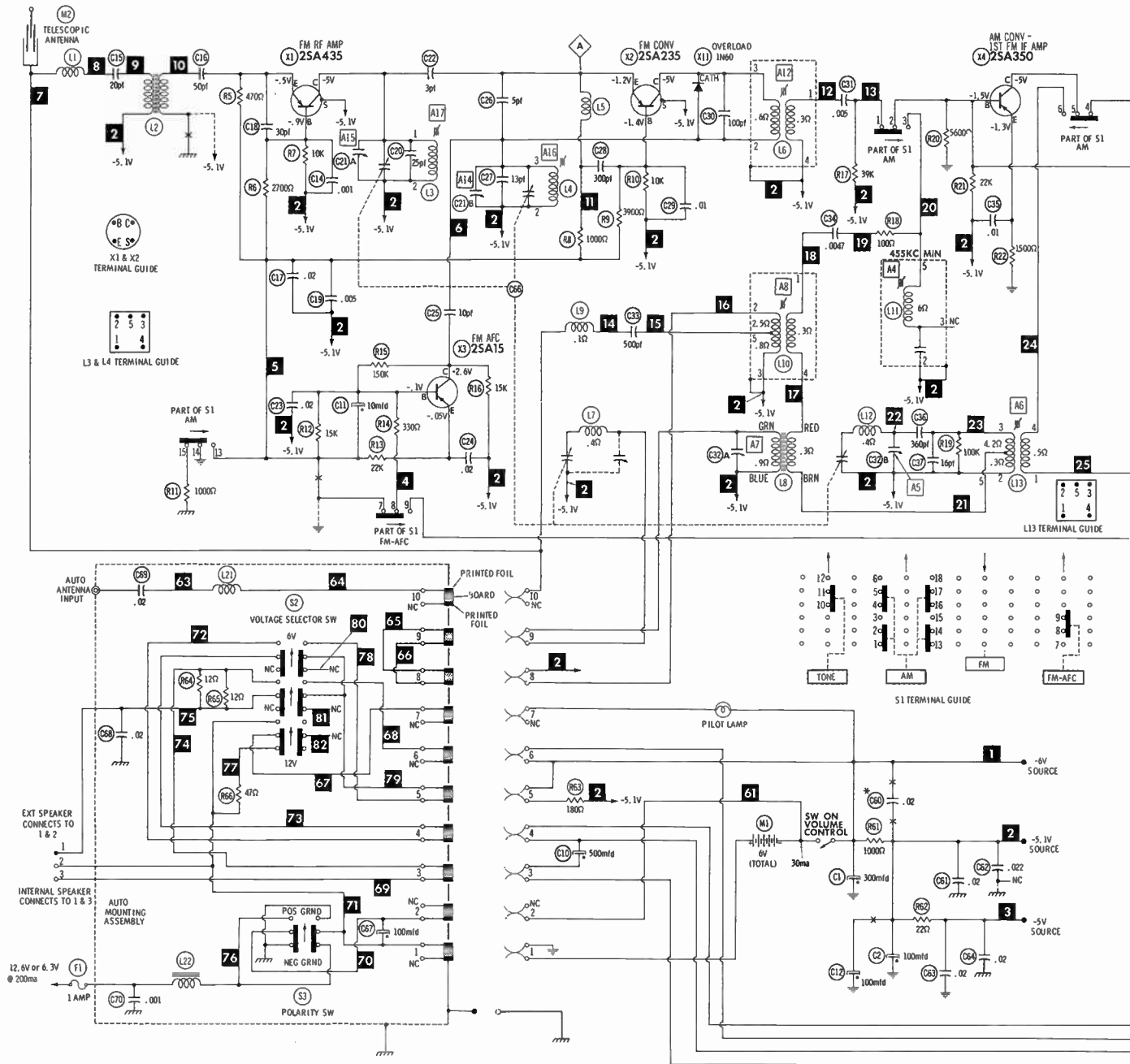
DIAL CORD STRINGING



HOWARD W. SAMS & CO., INC. Indianapolis, Indiana 46206



A Howard W. Sams **CIRCUITRACE** Photo



Resistors are 1/2 watt or less and rated 10% or 20% unless otherwise indicated.

Measurements taken using internal battery as voltage source.

All measurements taken in "FM" position unless otherwise designated.

* Not used in some versions

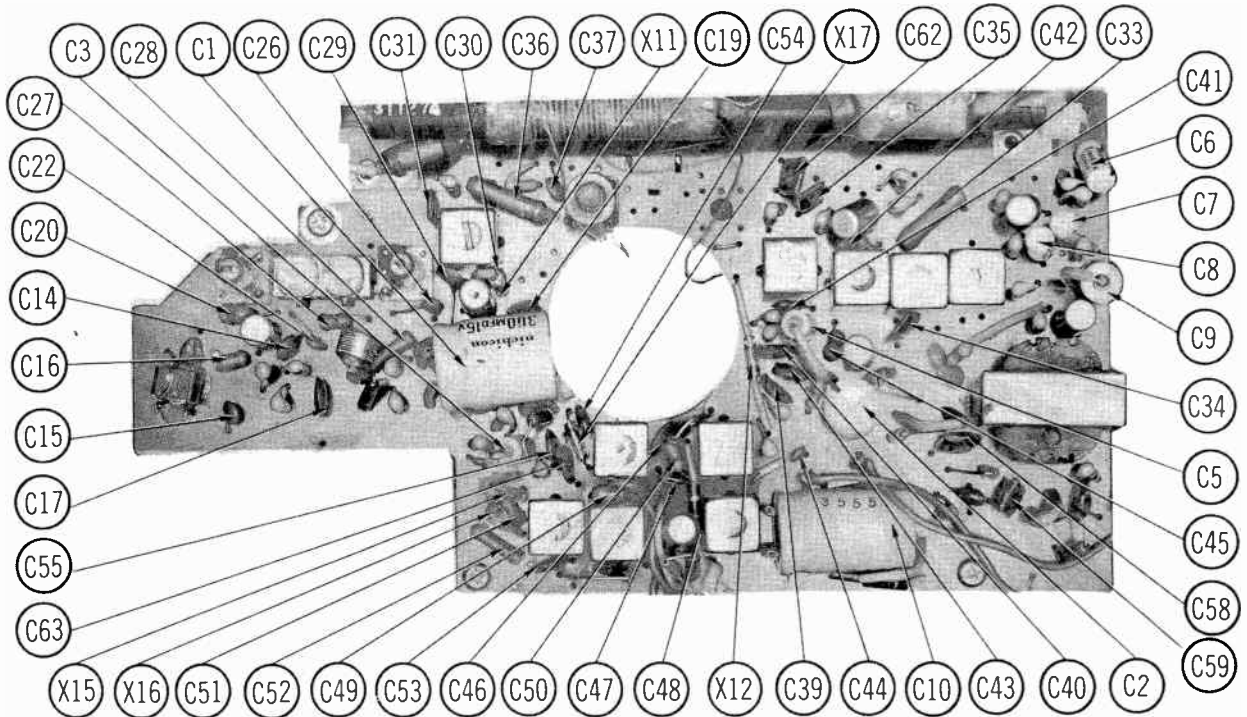
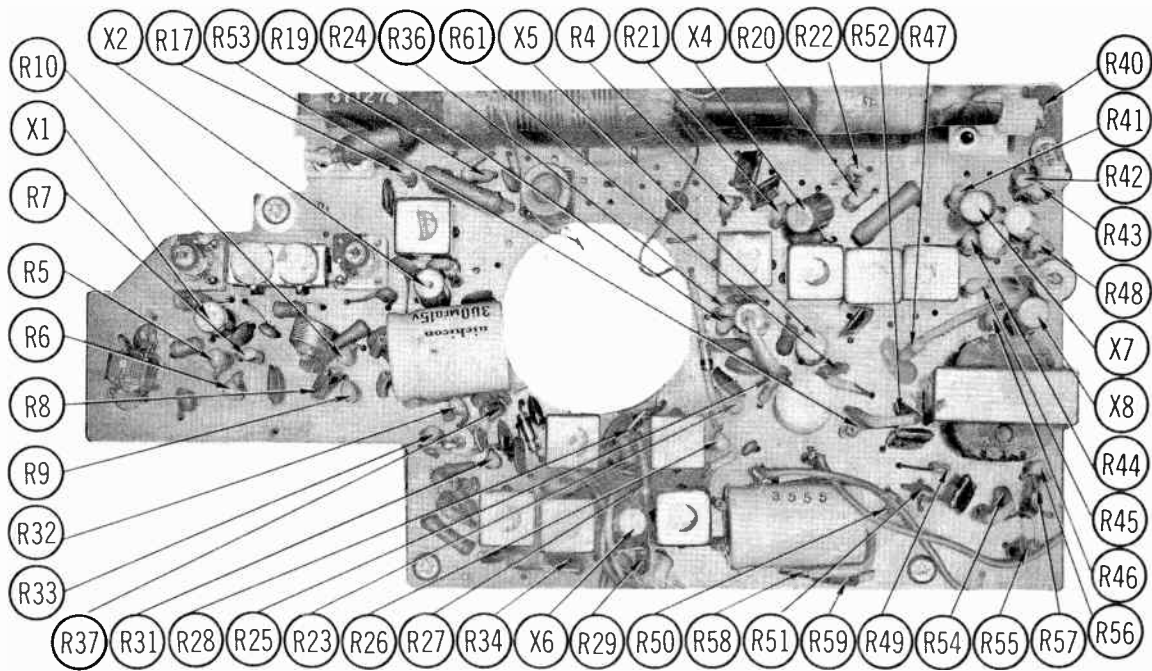
NC No Connection

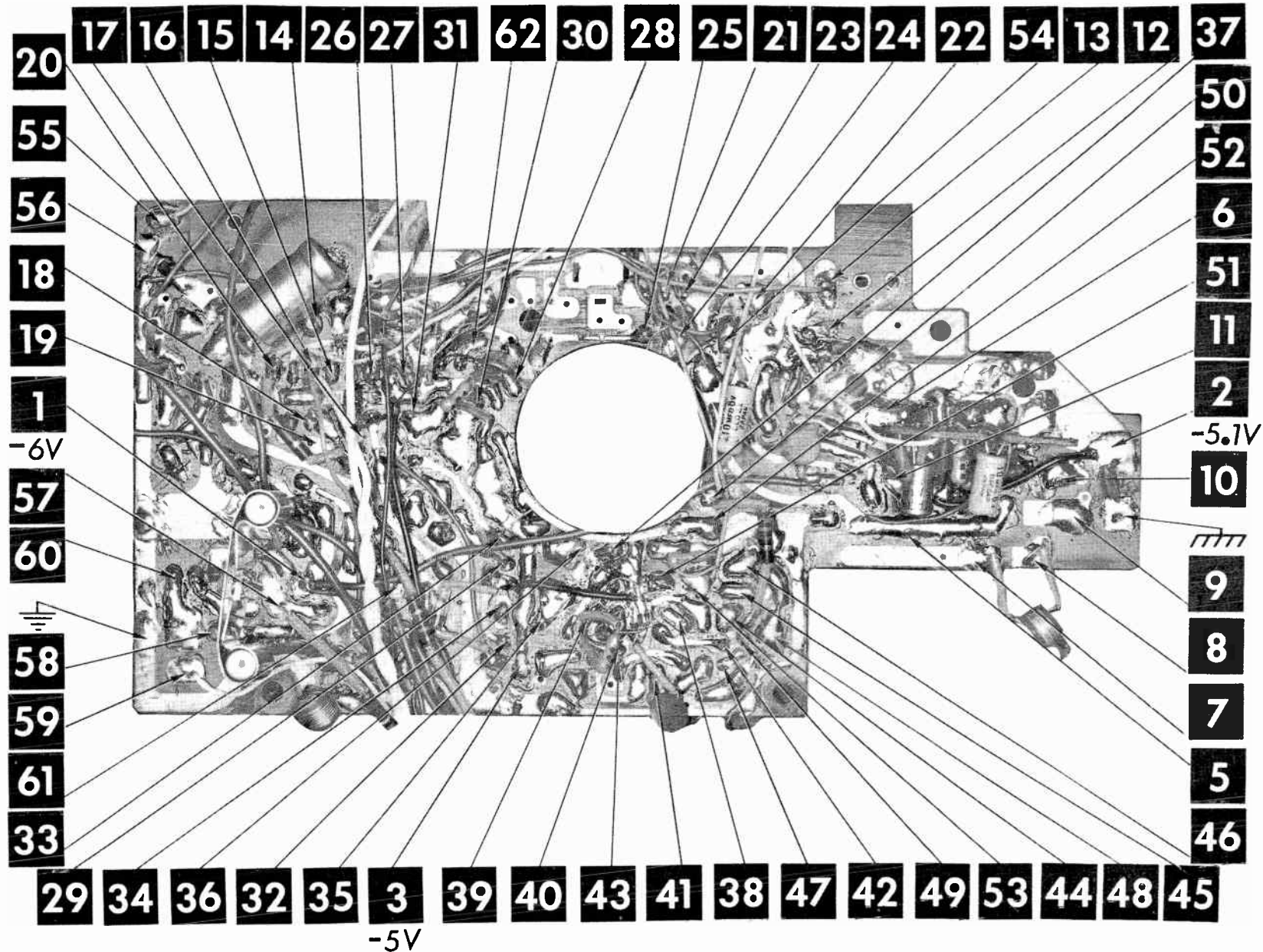
1. Voltage measurements taken with vacuum tube voltmeter.
2. All controls set for normal operation, no signal applied.
3. Measured values are from socket pin or terminal to common ground.
4. All terminals viewed from bottom unless otherwise designated.
5. Numbers assigned to terminals may not be found on the unit.
6. Supply voltage maintained at rated value for voltage readings.
7. Resistance measurements not given because of the wide variation in internal resistance of transistor.

A PHOTOFACIT STANDARD NOTATION SCHEMATIC

with **CIRCUITRACE**

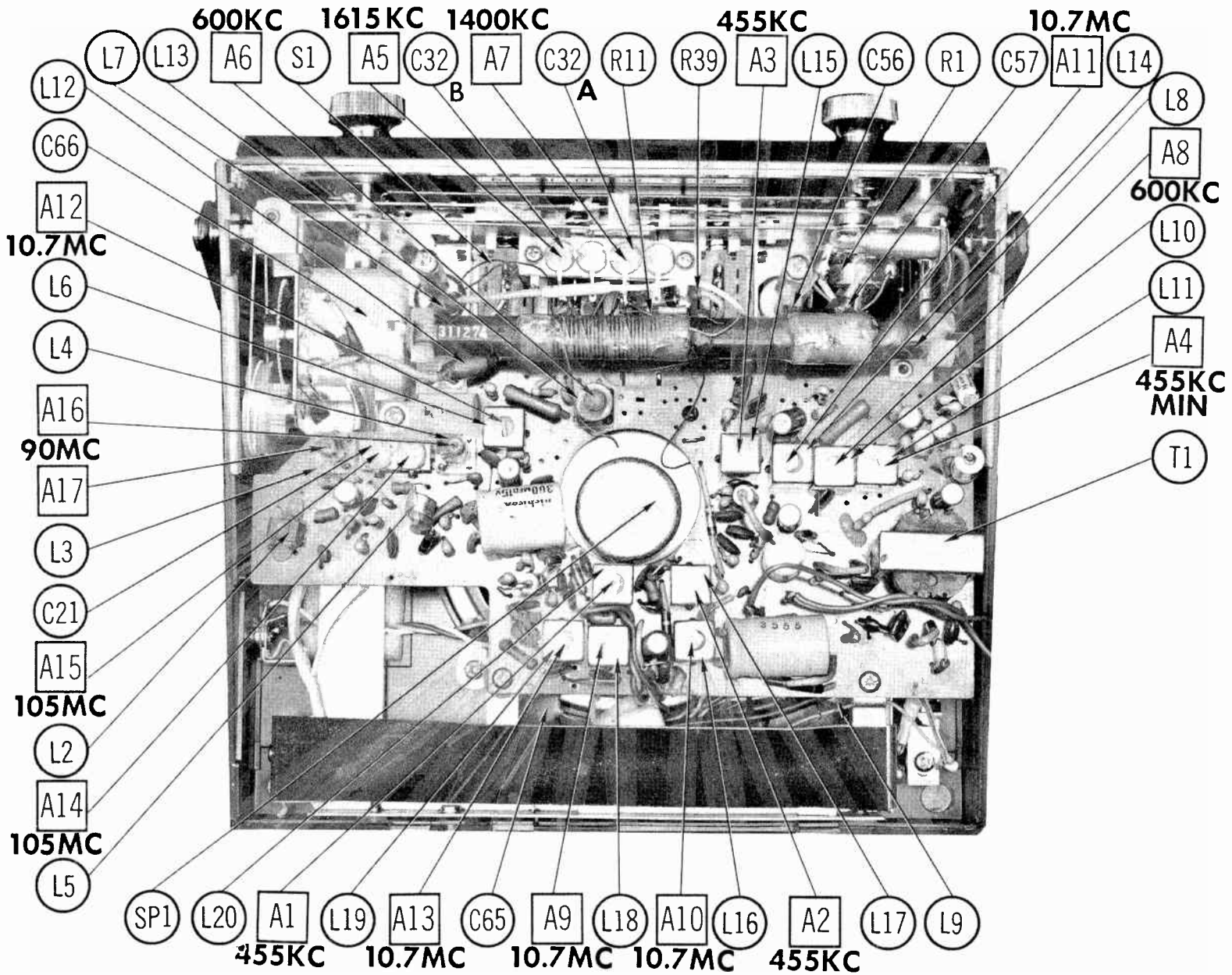
© Howard W. Sams & Co., Inc. 1966





A Howard W. Sams **CIRCUITRACE**® Photo

HITACHI MODEL KW1001



ALIGNMENT INSTRUCTIONS

Use only enough generator output to obtain a suitable indication.
 Allow a 15 minute warmup for receiver and equipment.
CAUTION: Use isolation transformer, if available. If not, observe polarity when connecting test equipment.
 Suggested Alignment Tools:
 A1 thru A17.....GENERAL CEMENT #9440.....WALSCO #2501

AM ALIGNMENT – SELECTOR IN AM POSITION

Fashion loop of several turns of wire and connect generator across loop. Set volume control at maximum.

GENERATOR FREQUENCY	DIAL SETTING	INDICATOR	ADJUST	REMARKS
1. 455KC (400% Mod.)	Tuning gang fully open.	Output Meter across Voice coil.	A1, A2, A3	Adjust for maximum. Repeat until no further improvement can be made.
2. "	"	"	A4	Adjust for MINIMUM.
3. 1615KC	"	"	A5	Adjust for maximum.
4. 600KC	Tune to signal.	"	A6	Rock tuning gang and adjust for maximum. Repeat steps 2 thru 4 until no further improvement can be made.
5. 1400KC	"	"	A7	Adjust for maximum.
CONNECT SIGNAL GENERATOR THRU .01MFD TO TELESCOPIC ANTENNA				
6. 600KC	Tune to Signal	"	A8	Adjust for maximum.

FM ALIGNMENT USING AM SIGNAL GENERATOR – SELECTOR IN FM POSITION

High side thru .1mfd to point A , low side to ground.

GENERATOR FREQUENCY	DIAL SETTING	INDICATOR	ADJUST	REMARKS
7. 10.7MC (Unmod.)	Point of non-interference.	DC probe of VTVM to point \diamond ; common to ground.	A9, A10, A11, A12	Adjust for maximum.
8. "	"	DC probe to point \diamond ; common to ground.	A13	Adjust for zero reading. A positive or negative reading will be obtained on either side of the correct setting.

FM IF ALIGNMENT USING FM SIGNAL GENERATOR – SELECTOR IN FM POSITION

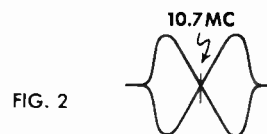
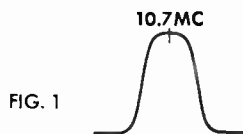
High side thru .1mfd to point A , low side to ground. Use only enough marker signal to obtain indication. Use 60% frequency modulated signal with 450KC sweep. Use 120% sawtooth voltage in scope for horizontal deflection.

GENERATOR FREQUENCY	DIAL SETTING	INDICATOR	ADJUST	REMARKS
7. 10.7MC (450KC Swp.)	Point of non-interference	Vert. amp. of Scope to point \diamond ; low side to ground.	A9, A10, A11, A12	Disconnect stabilizing capacitor C3 . Adjust for maximum gain and symmetry of response similar to Fig. 1 with marker as shown. Reconnect C3 .
8. "	"	Vert. amp. to point \diamond ; low side to ground.	A13	Adjust A13(Secondary) to place marker at center of crossover lines similar to Fig. 2. Adjust A9 (Primary) for maximum amplitude and straightness of crossover lines.

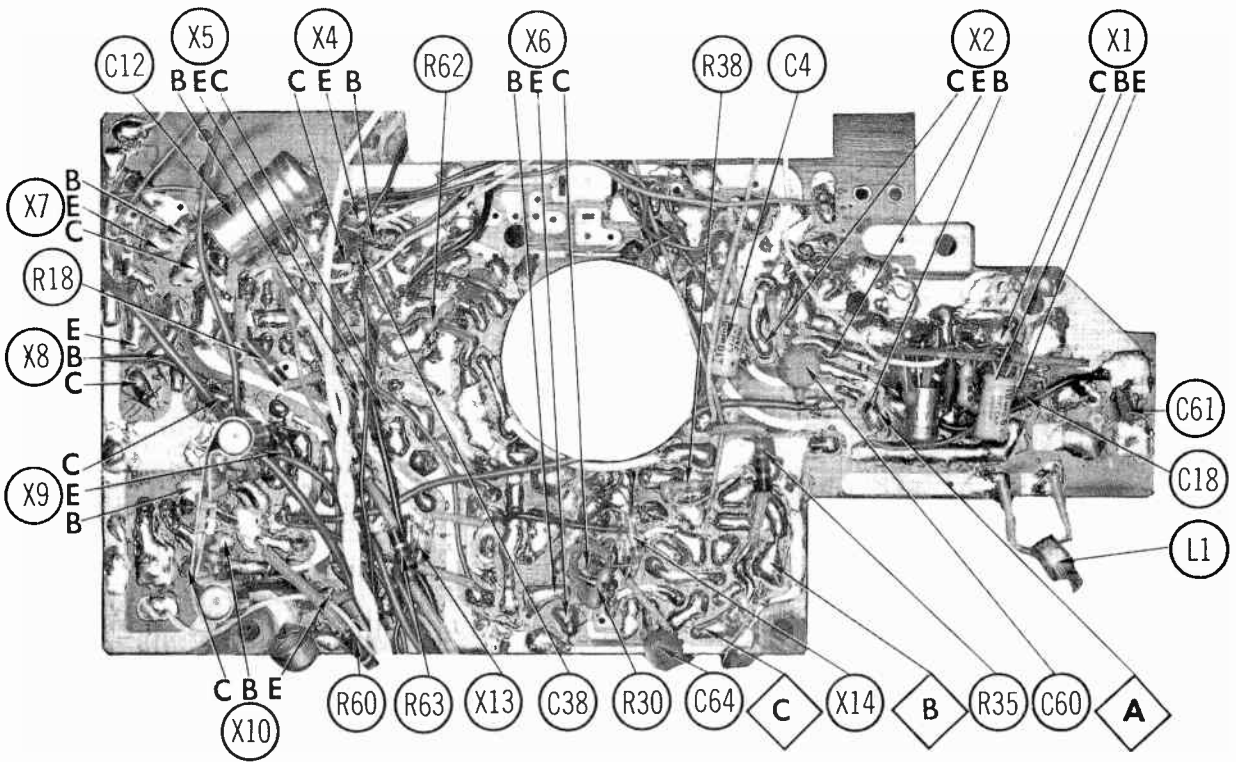
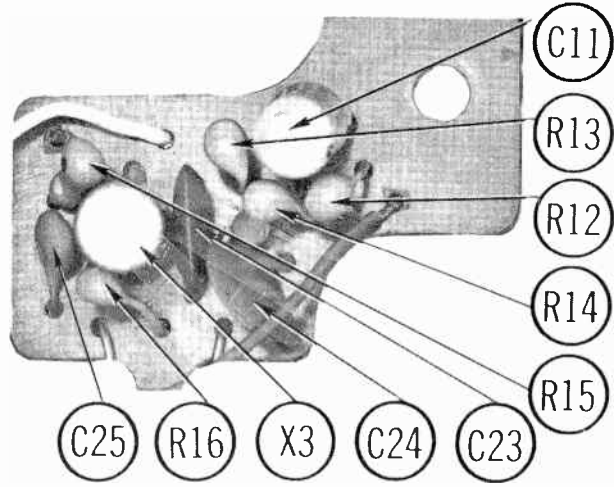
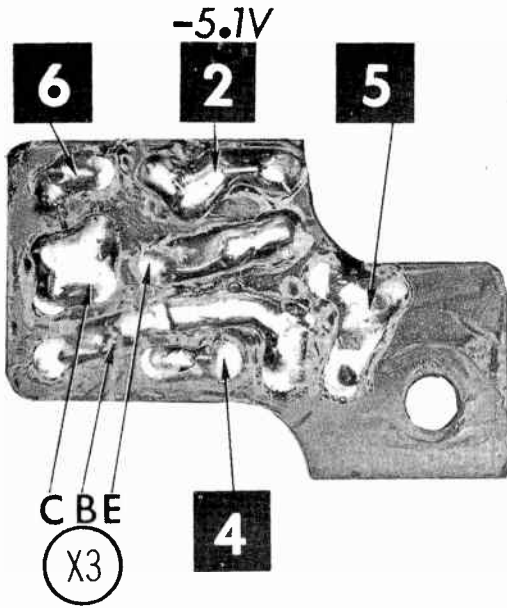
FM RF ALIGNMENT

Connect generator across antenna terminals with 120Ω carbon resistors in series with each lead.

GENERATOR FREQUENCY	DIAL SETTING	INDICATOR	ADJUST	REMARKS
9. 105MC	105MC	DC probe of VTVM to point \diamond ; common to ground.	A14, A15	Adjust for maximum.
10. 90MC	Tune to signal.	"	A16, A17	Rock tuning and adjust for maximum. Repeat steps 9 and10 until no further improvement can be made.



HITACHI MODEL KM1001



PARTS LIST AND DESCRIPTION

(When ordering parts, state Model, Part Number, and Description.)

Replacement parts shown may be superseded by the availability of newly introduced replacements. Have your local distributor check Sams COUNTER FACTS[®] for the most up-to-date replacement.

TRANSISTORS

ITEM No.	ORIG. TYPE	USE	REPLACEMENT DATA			NOTES
			DELCO PART No.	GENERAL ELECTRIC PART No.	RCA PART No.	
X1	2SA435	FM RF	DS-41		SK-3006	PNP
X2	2SA235	FM Converter	DS-41		SK-3006	PNP
X3	2SA15	FM AFC	DS-56	GE-1	SK-3005	PNP
X4	2SA350	AM Conv. -1st FM IF	DS-56	GE-9	SK-3007	PNP
X5	2SA234	1st AM-2nd FM IF	DS-56	GE-9	SK-3006	PNP
X6	2SA350	2nd AM-3rd FM IF	DS-56	GE-9	SK-3007	PNP
X7	2SB75	AF Amp.	DS-26	GE-2	SK-3003	PNP
X8	2SB77	Driver	DS-26	GE-2	SK-3003	PNP
X9	2SB156A	Output	DS-26	GE-2	SK-3004	PNP
X10	2SB156A	Output	DS-26	GE-2	SK-3004	PNP

POWER RECTIFIERS & SIGNAL DIODES

ITEM No.	MEASURED CURRENT	ORIGINAL Part or Type No.	RECTIFIERS & DIODES		RECTIFIERS		
			GENERAL ELECTRIC PART No.	INTERNATIONAL RECTIFIER PART No.	MALLORY PART No.	RCA PART No.	SARKES TARZIAN PART No.
X11		1N60	1N60	1N60			
X12		1N34A	1N34AS	1N34A			
X13		1N60	1N60	1N60			
X14		1N60	1N60	1N60			
X15		1N60	1N60	1N60			
X16		1N60	1N60	1N60			
X17		1N34A	1N34AS	1N34A			

ELECTROLYTIC CAPACITORS

ITEM No.	RATING		REPLACEMENT DATA					
	CAP.	VOLT.	HITACHI PART No.	AEROVOX PART No.	CORNELL-DUBILIER PART No.	GENERAL ELECTRIC PART No.	MALLORY PART No.	SPRAGUE PART No.
C1	300	15	259612	BCD15X300100①	BR250-15	QTI-30	MTA300F15	TVA-1161
C2	100	6	252231	BCD6100	NLW100-12	MT1-21	PET1400	VL-1100
C3	1	10	251311	CRE400A	NLW1-50	MT1-1	TT12X1	TE-1120
C4	10	6	251221	BCD6010	NLW10-6	MT1-6	PET1340	VL-1087
C5	10	6	251221	BCD6010	NLW10-6	MT1-6	PET1340	VL-1087
C6	5	6	252215	BCD6005	NLW5-15	MT1-3	PET1210	VL-1084
C7	10	6	252221	CRE307A	NLW10-6	MT1-6	TT6X10	TE-1087
C8	5	3	252115	BCD3005	NLW5-15	MT1-3	PET1210	VL-1035
C9	50	3	252125	CRE217A	NLW50-3	MT1-5	TT3X50	TE-1058
C10	500	10	252335	PRS1170	BR500-12	QTI-30	TC1505	TVA-1132
C11	10	6	252221	CRE307A	NLW10-6	MT1-6	TT6X10	TE-1087
C12	100	6	252231	BCD6100	NLW100-12	MT1-21	PET1400	VL-1100

① Do not use 100mfd Section.

CAPACITORS

ITEM No.	RATING	REMARKS	REPLACEMENT DATA					
			AEROVOX PART No.	CENTRALAB PART No.	CORNELL-DUBILIER PART No.	ELMENC0 PART No.	MALLORY PART No.	SPRAGUE PART No.
C14	.001		BPD-001	DD-102	HVX162ZP102M	CCD-102	B210	5HK-D10
C15	20 10%		NPO-DI 20	DTZ-20		CCTO-200	CNO422	10TCC-Q20
C16	50 10%		DI-50	DD-500	RR05CW470K	CCD-500	GP450	10TS-Q50
C17	.02		TTD-02	CK-303	HOR101ZV203P		TA120	TG-S20
C18	30 10%		DI-30	DD-300		CCD-300	GP430	10TS-Q30
C19	.005		BPD-005	DD-502	BYX601ZU502P	CCD-502	B250	5HK-D50
C20	25 10%			DD-250	CD10E270K500	CCD-250	GP425	10TS-Q25
C21A		#283093						
C22	3 ± .5pf		NPO-DI 3.0	DTZ-3R3		CCTO-3R3	CNO533	10TCC-V30
C23	.02		TTD-02	CK-303	HOR101ZV203P		TA120	TG-S20
C24	.02		TTD-02	CK-303	HOR101ZV203P		TA120	TG-S20
C25	10 10%		NPO-DI 10	DTZ-10	CZ601CG100J	CCTO-100	CNO410	10TCC-Q10
C26	5 ± .5pf		NPO-DI 5.0	DTZ-4R7	CZ601CH5R0D	CCTO-050	CNO547	10TCC-V50
C27	13 10%			TCZ-12	CZ601CG120J	CCTO-120	CNO412	10TCC-Q12
C28	300 5%			DD-301	CD15F301K500	CCD-301	GP330	10TS-T30
C29	.01		BPD-01	DD-103	BYV102ZU103M	CCD-103	B110	5HK-S10
C30	100 5%		DI-100	DD-101	JBZ601YP101K	CCD-101	GP310	10TS-T10
C31	.005		BPD-005	DD-502	BYX601ZU502P	CCD-502	B250	5HK-D50
C32A		#283083						
C33	500 10%			DD-501	JBZ601YP501K	CCD-501	GP350	10TS-T50
C34	.0047		BPD-0047	DD-472	BYX601ZU472P	CCD-472	B247	5HK-D47
C35	.01		BPD-01	DD-103	BYV102ZU103M	CCD-103	B110	5HK-S10
C36	360 5%							
C37	16 10%		NPO-DI 15	DTZ-15	CZ601CG150J	CCTO-150	CNO415	10TCC-Q15
C38	6 ± .5pf							
C39	.02		TTD-02	CK-303	HOR101ZV203P		TA120	TG-S20
C40	.02		TTD-02	CK-303	HOR101ZV203P		TA120	TG-S20
C41	.001		BPD-001	DD-102	HVX162ZP102M	CCD-102	B210	5HK-D10
C42	40 5%			TCZ-39	CD10E390K500	CCTO-390	CNO439	10TCC-Q39
C43	.02		TTD-02	CK-303	HOR101ZV203P		TA120	TG-S20
C44	2 ± .25pf		NPO-DI 2.2	DTZ-2R2	CZ601CJ2R2D	CCTO-2R2	CNO522	10TCC-V22
C45	2 ± .25pf		NPO-DI 2.2	DTZ-2R2	CZ601CJ2R2D	CCTO-2R2	CNO522	10TCC-V22
C46	.02		TTD-02	CK-303	HOR101ZV203P		TA120	TG-S20
C47	.0022		DI-2200	CF-222	JBX601YP222K	CCD-222	JF222	10TS-D22
C48	.02		TTD-02	CK-303	HOR101ZV203P		TA120	TG-S20
C49	25 10%			DD-250	CD10E270K500	CCD-250	GP425	10TS-Q25
C50	1 ± .25pf		NPO-DI 1.0	TCZ-1			CNO510	10TCC-V10

PARTS LIST AND DESCRIPTION (CONTINUED)

(When ordering parts, state Model, Part Number, and Description.)

Replacement parts shown may be superseded by the availability of newly introduced replacements.
Have your local distributor check Sams COUNTER FACTS® for the most up-to-date replacement.

CAPACITORS

ITEM No.	RATING	REMARKS	REPLACEMENT DATA					
			AEROVOX PART No.	CENTRALAB PART No.	CORNELL-DUBILIER PART No.	ELMENCO PART No.	MALLORY PART No.	SPRAGUE PART No.
C51	300 10%			DD-301	CD15F301K500	CCD-301	GP330	10TS-T30
C52	300 10%			DD-301	CD15F301K500	CCD-301	GP330	10TS-T30
C53	.01		BPD-01	DD-103	BYV102ZU103M	CCD-103	B110	5HK-S10
C54	.01		BPD-01	DD-103	BYV102ZU103M	CCD-103	B110	5HK-S10
C55	.01		BPD-01	DD-103	BYV102ZU103M	CCD-103	B110	5HK-S10
C56	.047		TTD-05		H0V101ZV503Z		TA150	TH-S50
C57	.01		BPD-01	DD-103	BYV102ZU103M	CCD-103	B110	5HK-S10
C58	.022		TTD-02	CK-303	H0R101ZV203P		TA120	TG-S20
C59	.022		TTD-02	CK-303	H0R101ZV203P		TA120	TG-S20
C60	.022		TTD-02	CK-303	H0R101ZV203P		TA120	TG-S20
C61	.02		TTD-02	CK-303	H0R101ZV203P		TA120	TG-S20
C62	.022		TTD-02	CK-303	H0R101ZV203P		TA120	TG-S20
C63	.02		TTD-02	CK-303	H0R101ZV203P		TA120	TG-S20
C64	.02		TTD-02	CK-303	H0R101ZV203P		TA120	TG-S20
C65	.02		TTD-02	CK-303	H0R101ZV203P		TA120	TG-S20
C66	.02		TTD-02	CK-303	H0R101ZV203P		TA120	TG-S20

Hitachi Part Number.

CONTROLS

All wattages 1/2 watt, or less, unless otherwise listed.

ITEM No.	USE	RESISTANCE	REPLACEMENT DATA				
			HITACHI PART No.	CENTRALAB PART No.	CLAROSTAT PART No.	CTS-IRC PART No.	MALLORY PART No.
R10	Volume & Switch	10K	153586				

RESISTORS (Power and Special)

ITEM No.	RATING	REPLACEMENT DATA			ITEM No.	RATING	REPLACEMENT DATA		
		IRC PART No.	WORKMAN PART No.	HITACHI PART No.			IRC PART No.	WORKMAN PART No.	HITACHI PART No.
R51	45Ω (Cold)			576042	R57	45Ω (Cold)			576042

COILS (RF-IF)

ITEM No.	USE	REPLACEMENT DATA				
		HITACHI PART No.	MEISSNER Part No.	MERIT PART No.	MILLER PART No.	WORKMAN PART No.
L1	RF Choke (.62uh)	333121				
L2	FM Ant.	315565				
L3	FM RF	318033				
L4	FM Osc.	318025				
L5	10.7MC Trap (1-uh)	333116	19-1000	BC-561	4602	T855
L6	1st FM IF	322234				
L7	RF Choke (2uh)	333048	19-1002	BC-563	4606	T857
L8	Loopstick	311274				
L9	RF Choke (1uh)	333116	19-1000	BC-561	4602	T855
L10	Auto Ant.	316176				
L11	455KC Trap	324001				
L12	RF Choke (2uh)	333048	19-1002	BC-563	4606	T857
L13	AM Osc.	316173				
L14	2nd FM IF	322331				
L15	1st AM IF	322215				
L16	3rd FM IF	322203				
L17	2nd AM IF	322208				
L18	Ratio Detector Prim.	326005				
L19	Ratio Detector Sec.	326006				
L20	3rd AM IF	322206				

TRANSFORMER (DRIVER)

ITEM No.	TURNS RATIO		REPLACEMENT DATA					NOTES
	PRI.	SEC.	HITACHI PART No.	MERIT PART No.	STANCOR PART No.	THORDARSON PART No.	TRIAD PART No.	
T1	5.5	1	441058					

FUSE DEVICES

ITEM No.	TYPE	RATING	REPLACEMENT DATA					
			PART No.		LITTELFUSE PART No.		BUSS PART No.	
			FUSE	HOLDER	FUSE	HOLDER	FUSE	HOLDER
F1		1A	591167		312001	155020	AGC 1	HHJ

SPEAKER

ITEM No.	TYPE	REPLACEMENT DATA		NOTES
		HITACHI PART No.	QUAM PART No.	
SPI	4" PM 8Ω	523071	4A05RZ8	

BATTERIES

ITEM No.	VOLTAGE	HITACHI PART No.	REPLACEMENT DATA			NOTES
			BURGESS	EVEREADY	MALLORY	
M1	6V (Total)		130 or (AL1)	1035 or (E93)	M14 or (Mn1400)	4 Required

PARTS LIST AND DESCRIPTION (CONTINUED)

(When ordering parts, state Model, Part Number, and Description.)

Replacement parts shown may be superseded by the availability of newly introduced replacements.
Have your local distributor check Sams COUNTER FACTS® for the most up-to-date replacement.

MISCELLANEOUS

ITEM No.	PART NAME	HITACHI PART No.	NOTES
M2 S1	Telescopic Ant. Selector Switch	644092 533135	

CABINETS & CABINET PARTS

(When Ordering Specify Model, Chassis & Color)

ITEM	PART No.	ITEM	PART No.
Knob - Tuning, Volume	619294	Dial Pointer	667208

WIRING DATA

General-use Unshielded Hook-up Wire	Use BELDEN No. 8530 (Solid) Available in 12 Colors 8524 (Stranded) Available in 12 Colors
Shielded Hook-up Wire	Use BELDEN No. 8885
Rear Seat Speaker Extension Cable	Use BELDEN No. 8782 (Stranded) Coded Parallel Leads
Bonding Strap	Use BELDEN No. 8661 (3/8 in.) or 8670 (3/4 in.)

AUTO MOUNTING ASSEMBLY

ELECTROLYTIC CAPACITORS

ITEM No.	RATING		REPLACEMENT DATA					
	CAP.	VOLT.	HITACHI PART No.	AEROVOX PART No.	CORNELL-DUBILIER PART No.	GENERAL ELECTRIC PART No.	MALLORY PART No.	SPRAGUE PART No.
C67	100	15	252531	BCD15100	NLW100-15	MT1-19	TT15X100	TE-1162

CAPACITORS

ITEM No.	RATING	REMARKS	REPLACEMENT DATA					
			AEROVOX PART No.	CENTRALAB PART No.	CORNELL-DUBILIER PART No.	ELMENCO PART No.	MALLORY PART No.	SPRAGUE PART No.
C68	.02		TTD-02	CK-303	HOR101ZV203P		TA120	TG-S20
C69	.02		TTD-02	CK-303	HOR101ZV203P		TA120	TG-S20
C70	.001		BPD-001	DD-102	HVX162XP102M	CCD-102	B210	5HK-D10

COILS (RF-IF)

ITEM No.	USE	REPLACEMENT DATA				
		HITACHI PART No.	MEISSNER Part No.	MERIT PART No.	MILLER PART No.	WORKMAN PART No.
L21	RF Choke (.62uh)	333121				

FILTER CHOKE

ITEM No.	RATINGS			REPLACEMENT DATA					NOTES
	CURRENT (Measured)	DC RES.	INDUCTANCE (0 CURRENT 1000~)	HITACHI PART No.	MERIT PART No.	STANCOR PART No.	THORDARSON PART No.	TRIAD PART No.	
L22	.200A	.5Ω	5mh	423017	C-4095	TC-2	TR-157	TY17XT	

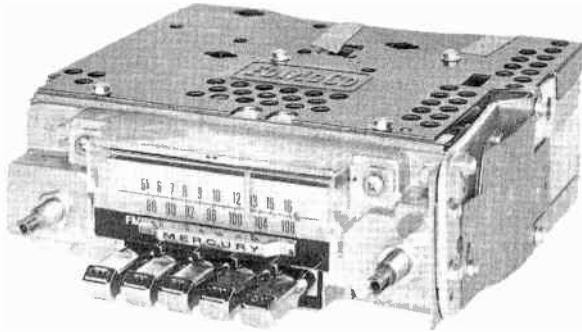
MISCELLANEOUS

ITEM No.	PART NAME	HITACHI PART No.	NOTES
S2	Voltage Selector Switch		
S3	Polarity Switch		



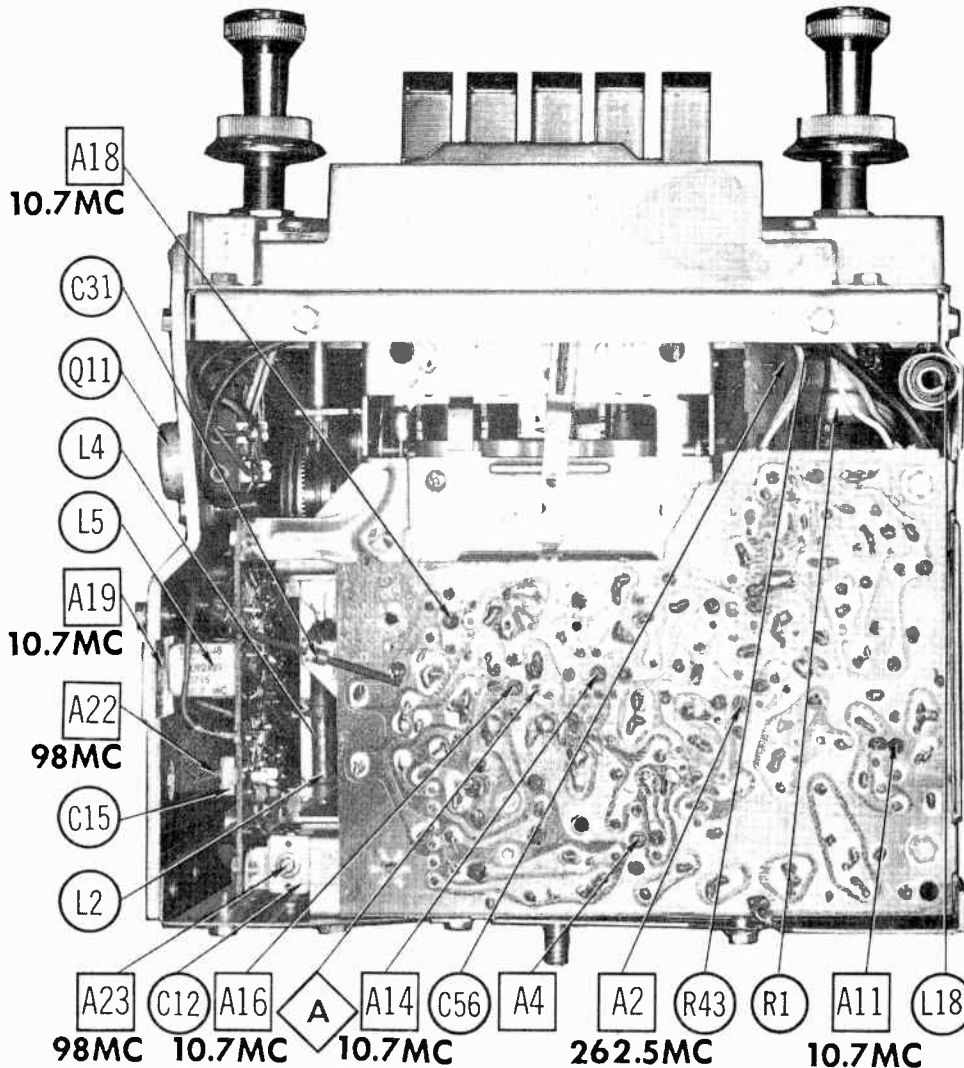
PHOTOFACT[®] with

CIRCUITRACE[®]

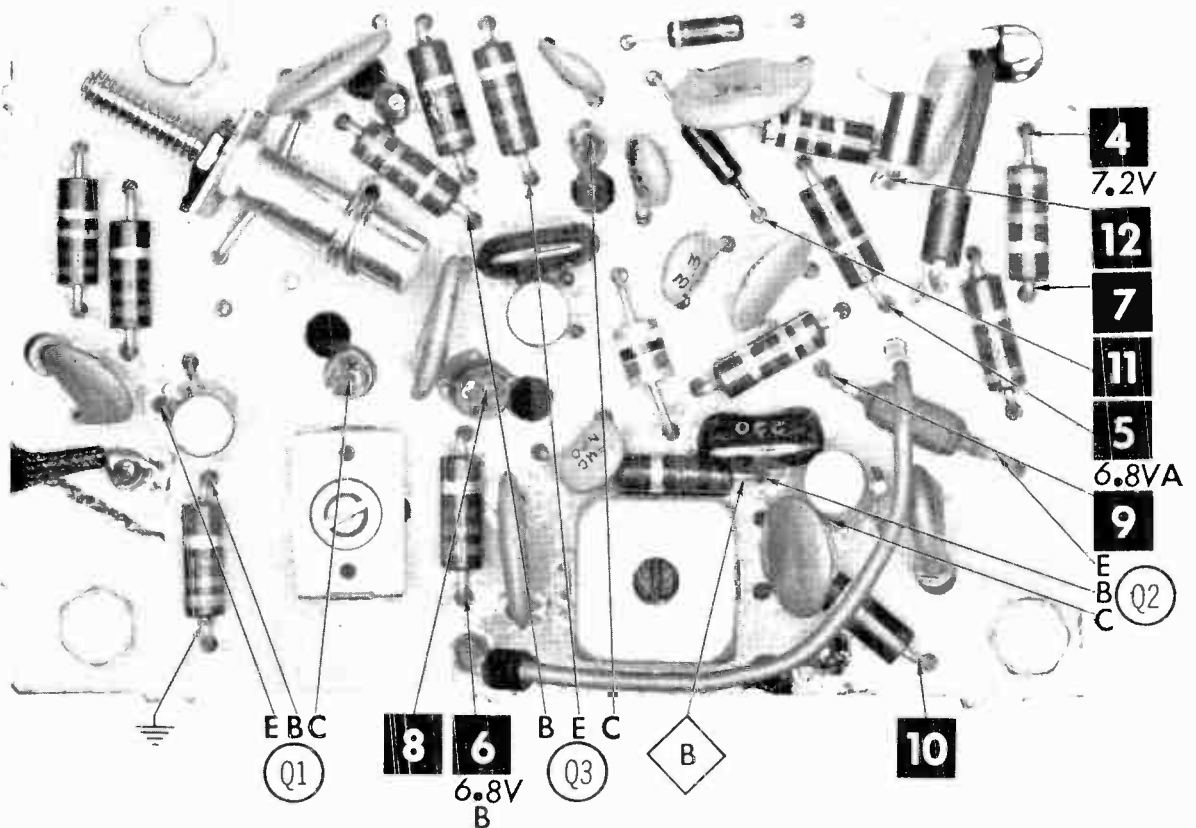
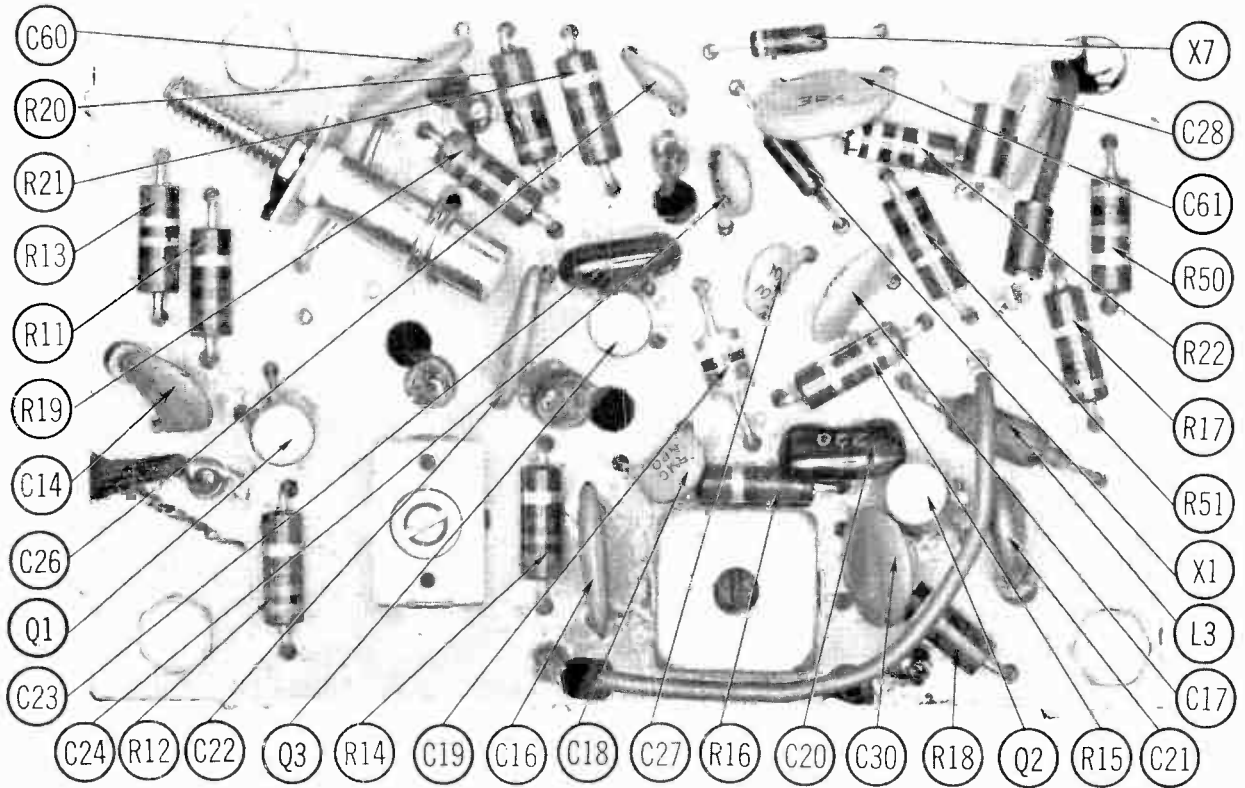


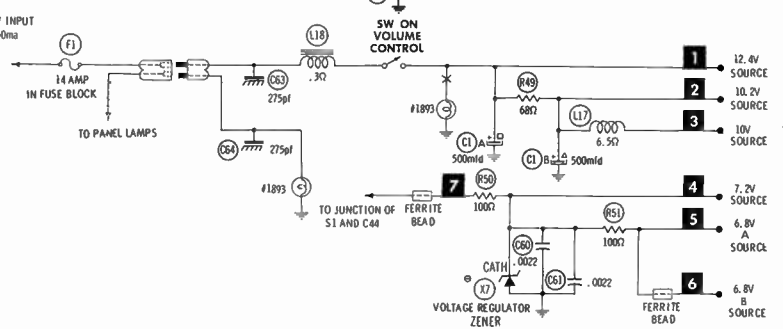
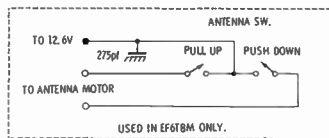
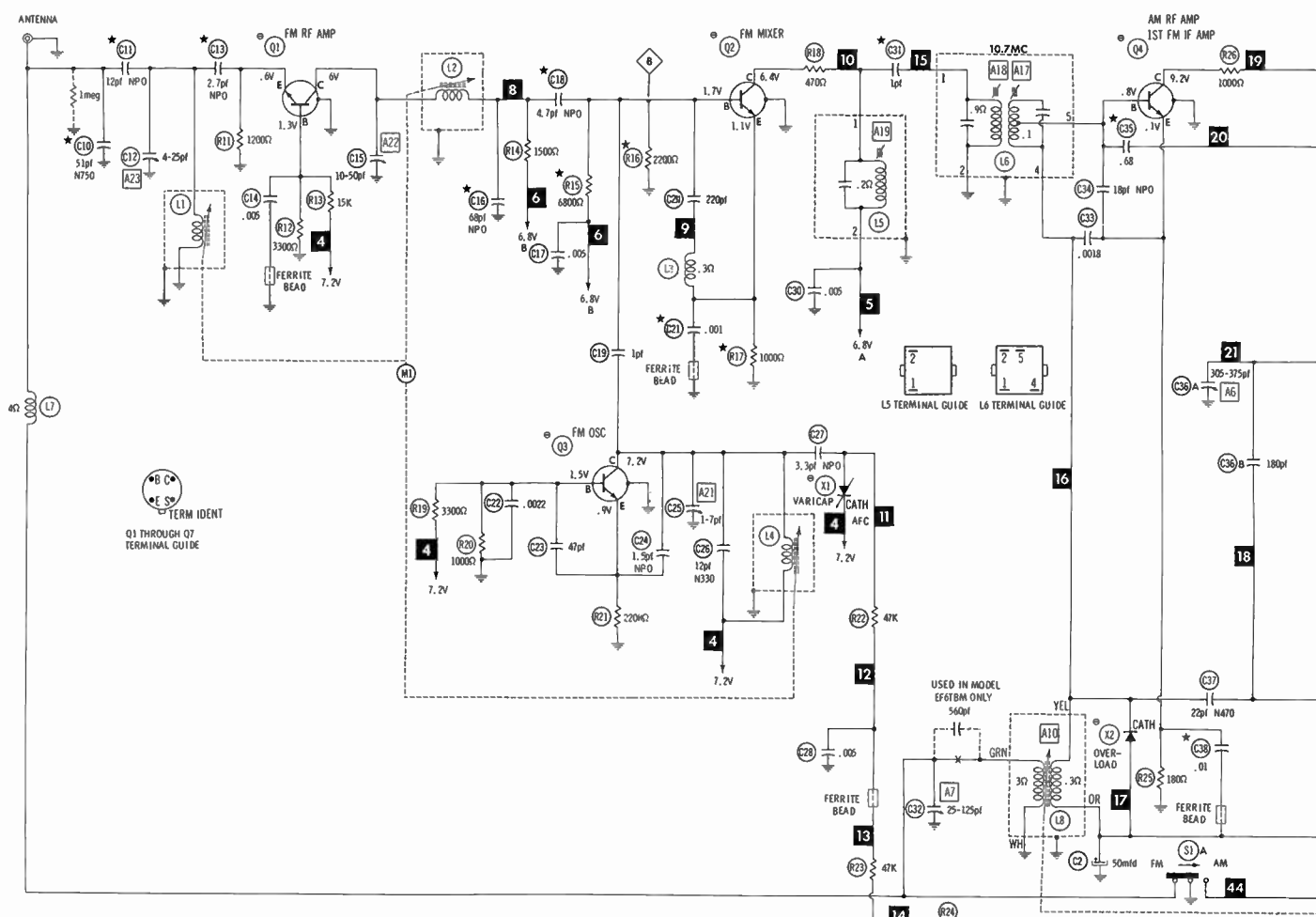
TRADE NAME : Mercury Models: EF6TBM, F6TBM, (1966 Mercury), F6TBG (1966 Comet)
SUPPLIER : For Current Address, See Annual Index.
TYPE SET : 11 Transistor AM-FM Receiver
POWER SUPPLY : 12 Volt Storage Battery
RATING : .350 Amp. @ 12.6 Volts DC (Less Lamp)
TUNING RANGE : BROADCAST: 540-1605KC
 FREQ. MOD: 88-108MC

MERCURY MODELS EF6TBM, F6TBM, F6TBG



HOWARD W. SAMS & CO., INC. Indianapolis, Indiana 46206





* NOMINAL VALUE, MAY VARY
 NC NO CONNECTION

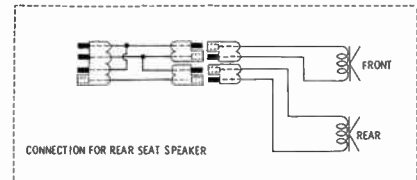
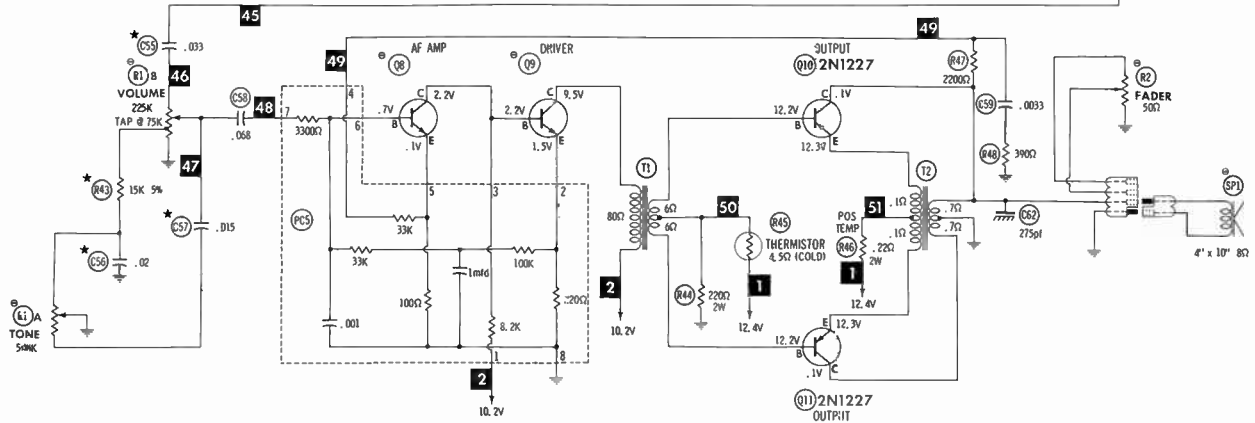
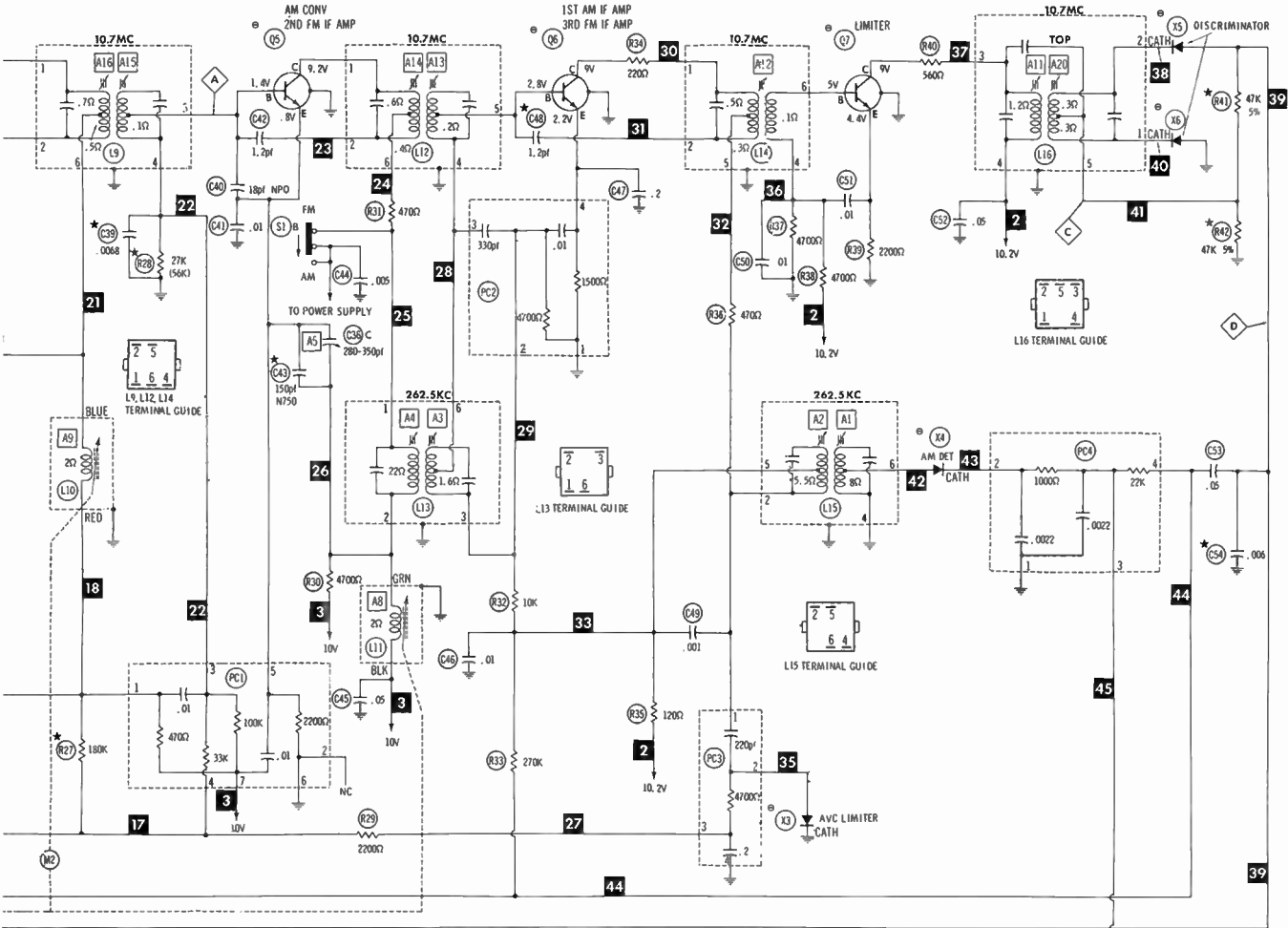
ALL VOLTAGES MEASURED IN "FM" POSITION UNLESS OTHERWISE INDICATED.

- ① See parts list
- 1. Voltage measurements taken with vacuum tube voltmeter.
- 2. All controls set for normal operation, no signal applied.
- 3. Measured values are from socket pin or terminal to common ground.
- 4. All terminals viewed from bottom unless otherwise designated.
- 5. Numbers assigned to terminals may not be found on the unit.
- 6. Supply voltage maintained at rated value for voltage readings.
- 7. Resistance measurements not given because of the wide variation in internal resistance of transistor.

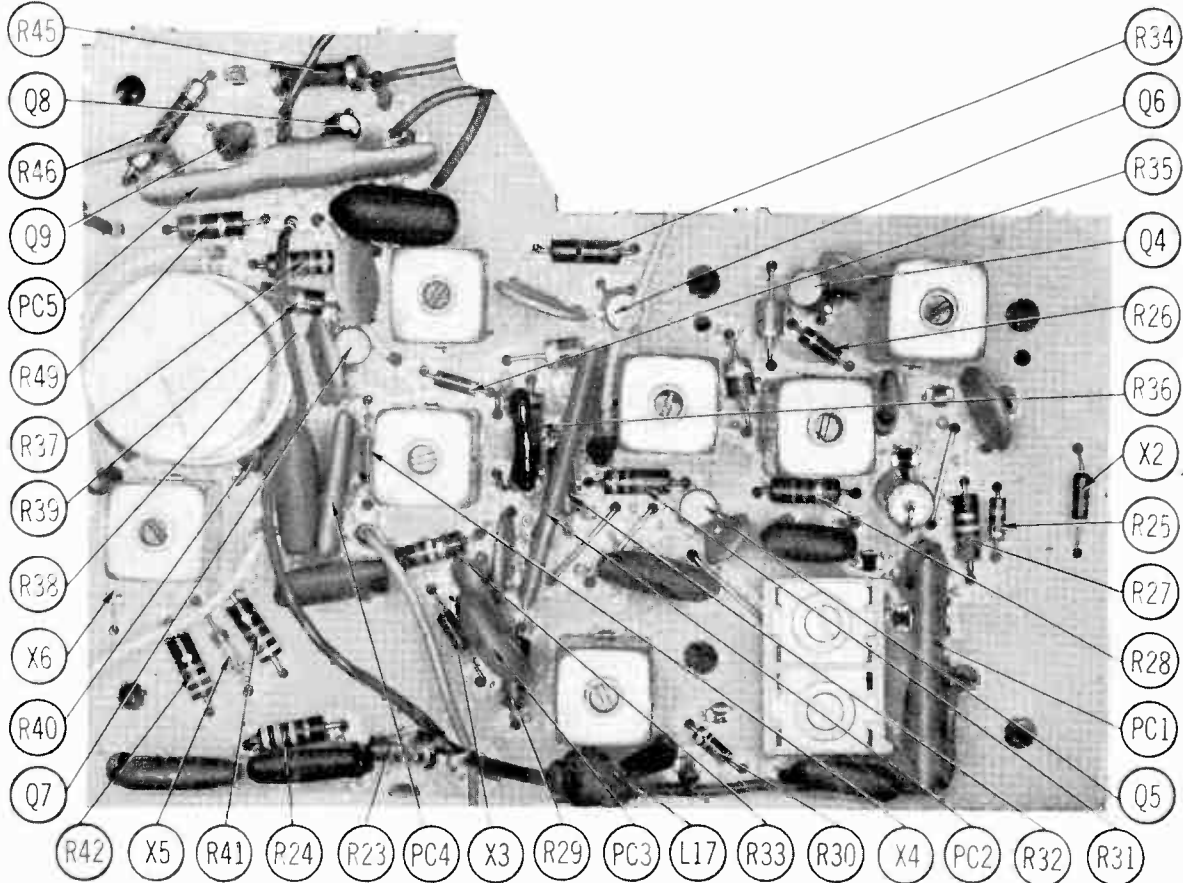
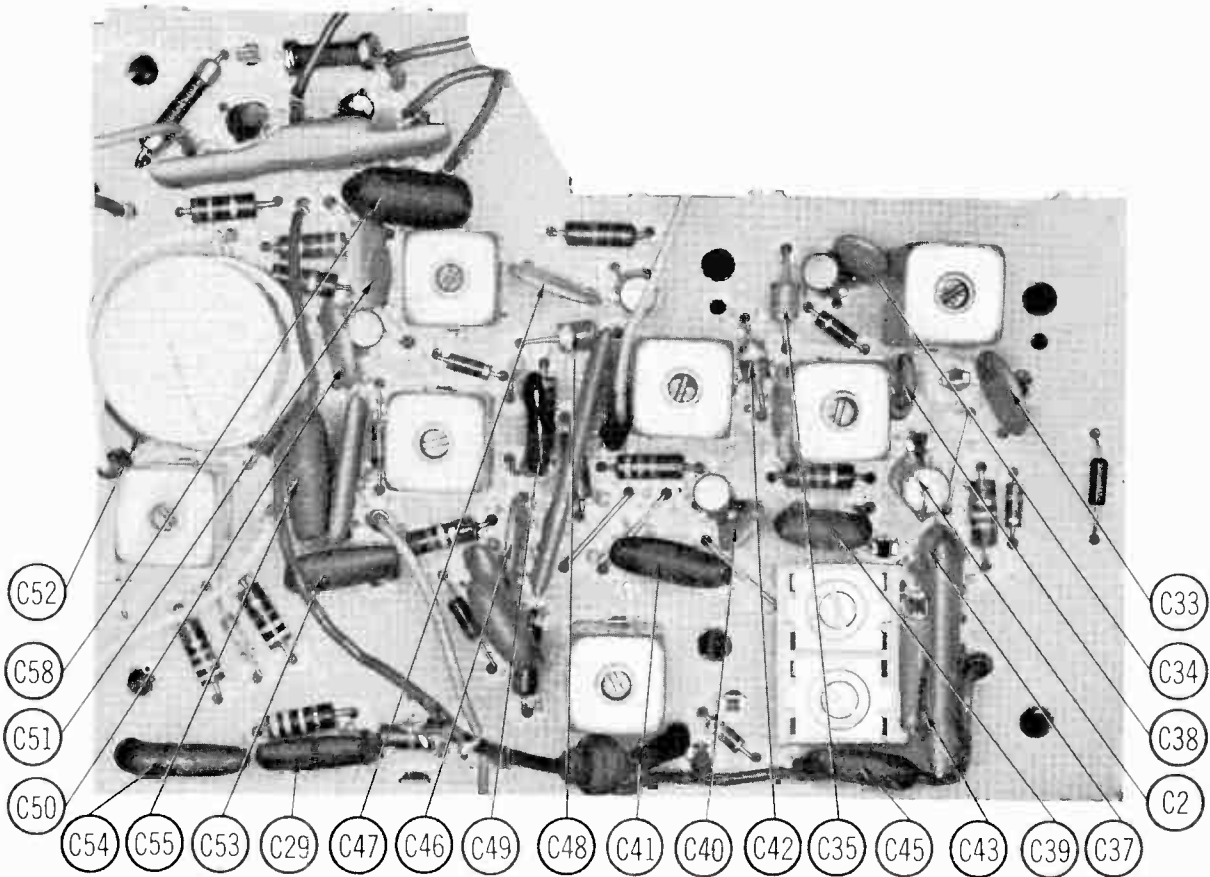
Resistors are 1/2 watt or less and rated 10% or 20% unless otherwise indicated.

A PHOTOFAC STANDARD NOTATION SCHEMATIC
 with CIRCUITRACE

© Howard W. Sams & Co., Inc. 1966

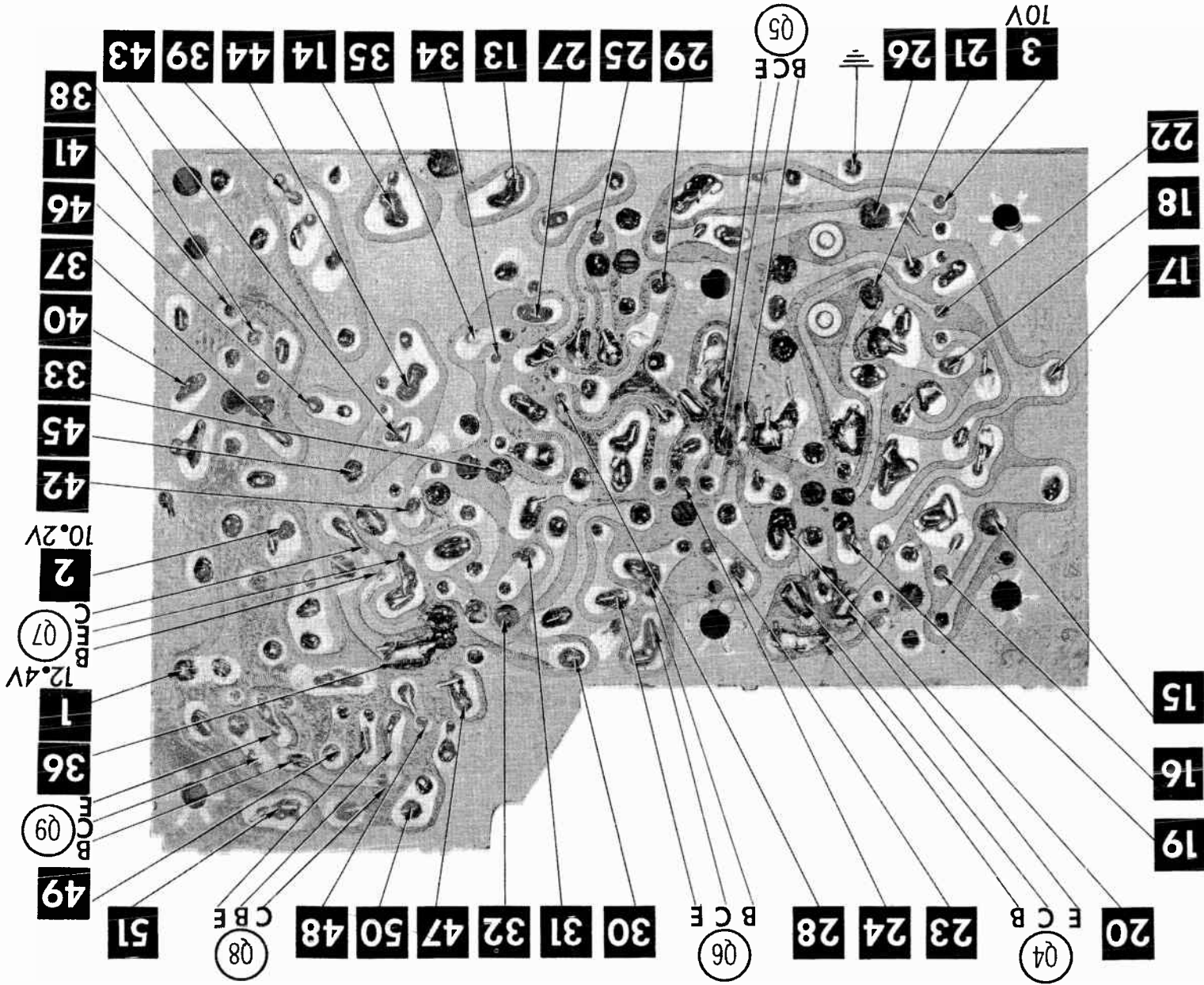


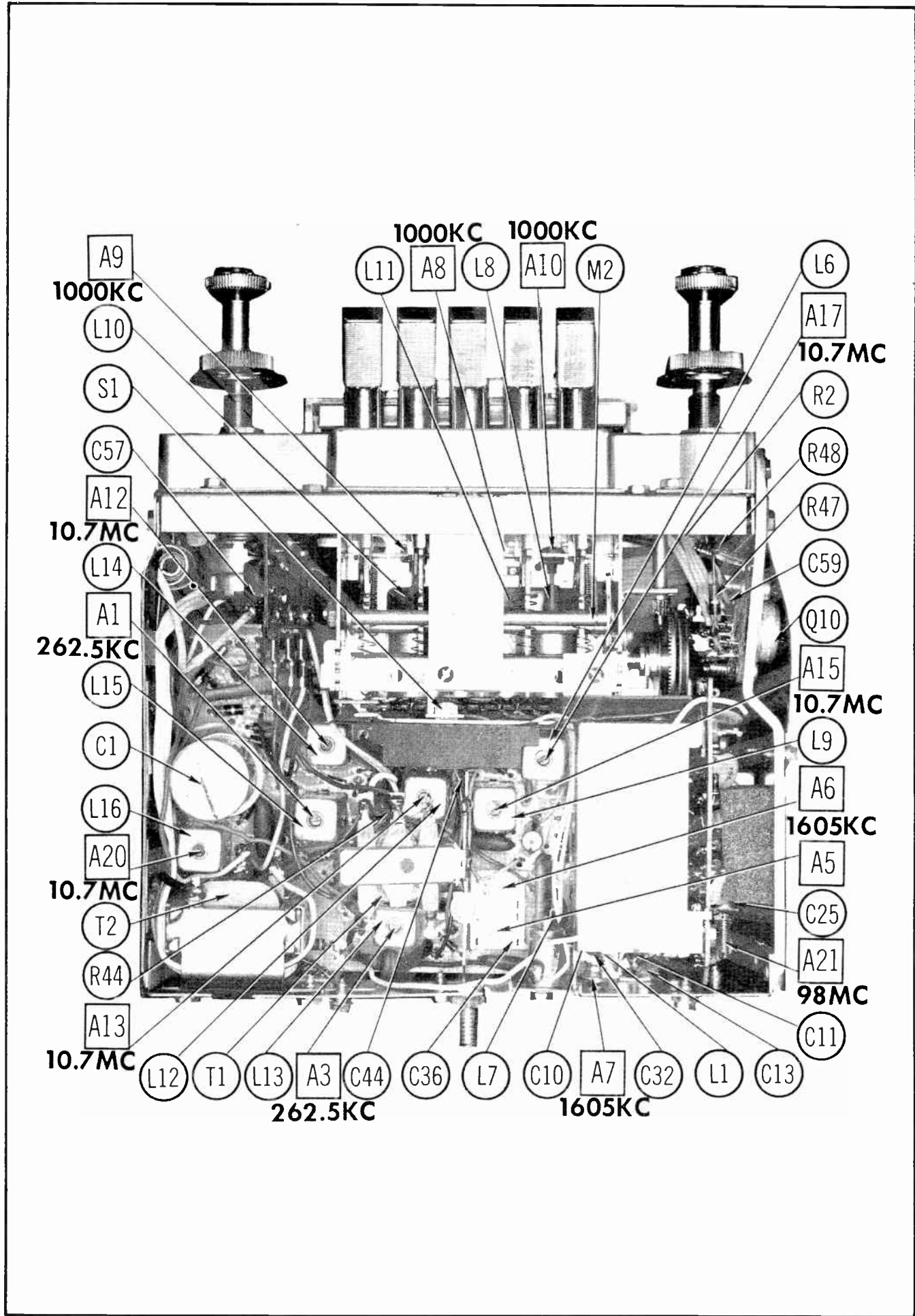
MERCURY MODELS EF6TBM, F6TBM, F6T8G



MERCURY MODELS EF6TBM, F6TBM, F6TBG

A Howard W. Soms CIRCUITRACE® Photo





PARTS LIST AND DESCRIPTION

(When ordering parts, state Model, Part Number, and Description.)

Replacement parts shown may be superseded by the availability of newly introduced replacements.
Have your local distributor check Sams COUNTER FACTS for the most up-to-date replacement.

TRANSISTORS

ITEM No.	ORIG. TYPE	USE	REPLACEMENT DATA			NOTES	BENDIX PART No.
			DELCO PART No.	GENERAL ELECTRIC PART No.	RCA PART No.		
Q1		FM RF Amp.	DS-81		SK-3018	NPN	2092417-0711
Q2		FM Mixer	DS-81		SK-3018	NPN	2092417-0712
Q3		FM Oscillator	DS-74		SK-3018	NPN	2092417-0713
Q4		AM RF Amp/1st. FM IF	DS-74		SK-3018	NPN	2092418-0715
Q5		AM Conv. /2nd. FM IF	DS-74		SK-3018	NPN	2092418-0716
Q6		AM IF/3rd. FM IF	DS-74		SK-3018	NPN	2092418-0717
Q7		FM Limiter	DS-74		SK-3018	NPN	2092418-0716
Q8		AF Amp.	DS-66	GE-10	SK-3020	NPN	2092609-0707
Q9		Driver	DS-66	GE-10	SK-3020	NPN	2092609-0002
Q10	2N1227	Output	DS-520	GE-3	SK-3009	PNP *	2091859-0720
Q11	2N1227	Output	DS-520	GE-3	SK-3009	PNP *	2091859-0720

* When replacing, apply silicone grease to both sides of insulator. Tighten mounting screws securely.

POWER RECTIFIERS & SIGNAL DIODES

ITEM No.	MEASURED CURRENT	ORIGINAL Part or Type No.	RECTIFIERS & DIODES		RECTIFIERS		
			GENERAL ELECTRIC PART No.	INTERNATIONAL RECTIFIER PART No.	MALLORY PART No.	RCA PART No.	SARKES TARZIAN PART No.
X1		2092055-0003					
X2		2092055-0708	1N34AS	1N34A			
X3		2092055-0708	1N34AS	1N34A			
X4		2092055-0001	1N34AS	1N34A			
X5		2092055-0007	1N34AS	1N34A			
X6		2092055-0007	1N34AS	1N34A			
X7		2092055-0710	1N34AS	1N34A			

ELECTROLYTIC CAPACITORS

ITEM No.	RATING		BENDIX PART No.	REPLACEMENT DATA				
	CAP.	VOLT.		AEROVOX PART No.	CORNELL-DUBILIER PART No.	GENERAL ELECTRIC PART No.	MALLORY PART No.	SPRAGUE PART No.
C1A	500	16	2091503-0712	PWH2-02-40		XC2-43.05	PFP200, 65	PCL-2177
B	500	16						
C2	50	8	2093667-0711	CRE417A	NLW50-10	MT1-16	TT10X50	TE-1119

CAPACITORS

ITEM No.	RATING		REMARKS	REPLACEMENT DATA					
				AEROVOX PART No.	CENTRALAB PART No.	CORNELL-DUBILIER PART No.	ELMENCO PART No.	MALLORY PART No.	SPRAGUE PART No.
C10	51	N750	†		TCN-51				
C11	12	NPO	†		TCZ-12	CZ601CG120J	CCTO-120	CN0412	10TCU-Q50
C12	4-25	NPO	#2093114-0706						10TCC-Q12
C13	2.7	NPO	†	NPO-DI3.0	DTZ-2R2	CZ601CJ2R2D	CCTO-2R2	CN0522	10TCC-V22
C14	.005			BPD-005	DD-502	BYX601ZU502P	CCD-502	B250	5HK-D50
C15	10-50		#2093115-0001						
C16	68	NPO	†	NPO-DI68	DTZ-68	CX601CG680K	CCTO-680	CN0468	10TCC-Q68
C17	.005			BPD-005	DD-502	BYX601ZU502P	CCD-502	B250	5HK-D50
C18	4.7	NPO	†	NPO-DI4.7	DTZ-4R7	CZ601CH5R0D	CCTO-4R7	CN0547	10TCC-V47
C19	1		†	NPO-DI1.0	TCZ-1			CN0510	10TCC-V10
C20	220			DI-220	DD-221	JBZ601YP221K	CCD-221	JF220	10TS-T22
C21	.001			BPD-001	DD-102	HVX162XP102M	CCD-102	B210	5HK-D10
C22	.0022			DI-2200	CF-222	JBX601YP222K	CCD-222	JF222	10TS-D22
C23	47			NPO-DI47	DTZ-47	CX601CG470K	CCTO-470	CN0447	10TCC-Q47
C24	1.5	NPO	†	NPO-DI1.5	DTZ-1R5			CN0515	10TCC-V15
C25	1-7		#2093105-0001						
C26	12	N330	†		TCA-10		*	*	
C27	3.3	NPO	†	NPO-DI3.3	DTZ-3R3		CCTO-3R3	CN0533	10TCC-V30
C28	.005			BPD-005	DD-502	BYX601ZU502P	CCD-502	B250	5HK-D50
C29	.05	100V		DBE685		DPMS255	1DP-2-503	PVC215	2PS-S50
C30	.005			BPD-005	DD-502	BYX601ZU502P	CCD-502	B250	5HK-D50
C31	1		†	NPO-DI1.0	TCZ-1			CN0510	10TCC-V10
C32	25-125		#2093114-0705						
C33	.0018			DI-1800	DD-182	JBX601YP182K	CCS-182	GP218	5GA-D18
C34	18	NPO	†		TCZ-18	CY601CG180J	CCTO-180	CN0418	10TCC-Q18
C35	.68		†		TCZ-R68				
C36A	305-375		#2092422-0708						
B	180								
C	280-350								
C37	22	N470					*	*	10TCT-Q22
C38	.01		†	BPD-01	DD-103	BYV102ZU103M	CCD-103	B110	5HK-S10
C39	.0068	25V	†	DBE6D68	CPR-6800J	WMF1D68	1DP-1-682	PVC4268	6PS-D68
C40	18	NPO	†		TCZ-18	CY601CG180J	CCTO-180	CN0418	10TCC-Q18
C41	.01	100V		DBE481	CPR-10000J	WMF1S1	1DP-1-103	PVC211	4PS-S10
C42	1.2		†	NPO-DI1	TCZ-1R5			CN0510	10TCC-V22
C43	150	N750	†	N750-DI150	DTN-150		CCTN-151	CN7315	10TCU-T15
C44	.005			BPD-005	DD-502	BYX601ZU502P	CCD-502	B250	5HK-D50
C45	.05	100V		DBE685		DPMS255	1DP-2-503	PVC215	2PS-S50
C46	.01			BPD-01	DD-103	BYV102ZU103M	CCD-103	B110	5HK-S10
C47	.2				UK20-204			MAG25022	HY-325
C48	1.2		†	NPO-DI1	TCZ-1R5			CN0510	10TCC-V22
C49	.001			BPD-001	DD-102	HVX162XP102M	CCD-102	B210	5HK-D10
C50	.01			BPD-01	DD-103	BYV102ZU103M	CCD-103	B110	5HK-S10

PARTS LIST AND DESCRIPTION (CONTINUED)

(When ordering parts, state Model, Part Number, and Description.)

Replacement parts shown may be superseded by the availability of newly introduced replacements. Have your local distributor check Sams COUNTER FACTS® for the most up-to-date replacement.

CAPACITORS

ITEM No.	RATING	REMARKS	REPLACEMENT DATA					
			AEROVOX PART No.	CENTRALAB PART No.	CORNELL-DUBILIER PART No.	ELMENCO PART No.	MALLORY PART No.	SPRAGUE PART No.
C51	.01		BPD-01	DD-108	BYV102ZU103M	CCD-103	B110	5HK-S10
C52	.05		TTD-05		HOV101ZV503Z		TA150	TH-S50
C53	.05 100V		DBE6S5		DPMS2S5	1DP-2-503	PVC215	2PS-S50
C54	.006 100V	†	DBE6D66	CPR-8200J	DPMS6D56	1DP-1-802	PVC626	8PS-D80
C55	.033 100V	†	DBE4S33		DPMS4S33	1DP-1-333	PVC1133	4PS-S33
C56	.02 100V	†	DBE6S2		WMF1S22	1DP-1-203	PVC212	2PS-S20
C57	.015 100V	†	DBE4S15	CPR-10000J	DPMS4S15	1DP-1-153	PVC2115	4PS-S15
C58	.088 100V	†	DBE4S88		DPMS4S88	1DP-2-683	PVC1168	4PS-S88
C59	.0033		BPD-0033	DD-332	BYS601ZU332P	CCD-332	B233	5HK-D33
C80	.0022		DI-2200	CF-222	JBX601YP222K	CCD-222	JF222	10TS-D22
C61	.0022		DI-2200	CF-222	JBX601YP222K	CCD-222	JF222	10TS-D22
C62	275	‡093050-0002						
C63	275	‡093050-0002						
C64	275	‡093050-0002						

* Not normally in distributor's stock. Available thru distributor on order to manufacturer.

† Nominal Value.

① Not used in some versions.

CONTROLS

All wattages 1/2 watt, or less, unless otherwise listed.

ITEM No.	USE	RESISTANCE	REPLACEMENT DATA				
			BENDIX PART No.	CENTRALAB PART No.	CLAROSTAT PART No.	CTS-IRC PART No.	MALLORY PART No.
R1A	Tone Volume/Switch	500K 225K Tap @ 75K	2093789-0703 ①				
	Tone Volume/Switch	500K 225K Tap @ 75K	2093812-0715 ②				
	Tone Volume/Switch	500K 225K Tap @ 75K	2093812-0712 ③				
R2	Fader	50Ω 2W	2093807-0703 ①②			†QJ-2222A	
	Fader	50Ω 2W	2093807-0706 ③				

① Used in Model: F6TBM.

② Used in Model: F8TBM.

③ Used in Model: F8TBG.

④ Alter Bushing to meet requirements.

† "SNAPTROL" Equivalent: BU15A ④, WF18, None, SF7, None.

RESISTORS (Power and Special)

ITEM No.	RATING	REPLACEMENT DATA			ITEM No.	RATING	REPLACEMENT DATA		
		IRC PART No.	WORKMAN PART No.	BENDIX PART No.			IRC PART No.	WORKMAN PART No.	BENDIX PART No.
R45	4.5Ω (Cold) Thermistor			220629-0018	R46	.22Ω 2W (PTC)			2090948-0007

COILS (RF-IF)

ITEM No.	USE	REPLACEMENT DATA				
		BENDIX PART No.	MEISSNER Part No.	MERIT PART No.	MILLER PART No.	WORKMAN PART No.
L1	FM Antenna	①				
L2	FM RF	①				
L3	FM IF Trap (1uh)	2092210-0005	19-1000	BC-561	4602	T855
L4	FM Oscillator	①				
L5	1st. FM IF	2092421-0715				
L6	2nd. FM IF	2092421-0012				
L7	RF Choke (2uh)	2092210-0007	19-1002	BC-563	74F226AP	TA812
L8	AM Antenna	②				
L9	3rd. FM IF	2092421-0716				
L10	AM RF	②				
L11	AM Oscillator	②				
L12	4th. FM IF	2092421-0014				
L13	1st. AM IF	2092419-0713				
L14	5th. FM IF	2092421-0010				
L15	2nd. AM IF	2092419-0717				
L16	Discriminator	2093856-0701				
L17	RF Choke (100uh)	2092210-0711	19-3100	TV-194	6112	T305

① Part of M1.

② Part of M2.

FILTER CHOKE

ITEM No.	RATINGS			REPLACEMENT DATA					NOTES
	CURRENT (Measured)	DC RES.	INDUCTANCE (0 CURRENT 1000~)	BENDIX PART No.	MERIT PART No.	STANCOR PART No.	THORDARSON PART No.	TRIAD PART No.	
L18	350ma	.3Ω	240uh	2094209-0701					

TRANSFORMER (DRIVER)

ITEM No.	TURNS RATIO		REPLACEMENT DATA					NOTES
	PRI.	SEC.	BENDIX PART No.	MERIT PART No.	STANCOR PART No.	THORDARSON PART No.	TRIAD PART No.	
	T1	2,2	1	2092192-0705				

MERCURY MODELS F6TBM, F6TBM, F6TBM, F6TBM

PARTS LIST AND DESCRIPTION (CONTINUED)

(When ordering parts, state Model, Part Number, and Description.)

Replacement parts shown may be superseded by the availability of newly introduced replacements.
Have your local distributor check Sams COUNTER FACTS® for the most up-to-date replacement.

TRANSFORMER (AUDIO OUTPUT)

ITEM No.	IMPEDANCE		REPLACEMENT DATA					NOTES
			BENDIX PART No.	MERIT PART No.	STANCOR PART No.	THORDARSON PART No.	TRIAD PART No.	
	PRI.	SEC.						
T2	25Ω Tap	@ 8Ω	2091880-0707					

SPEAKER

ITEM No.	TYPE		REPLACEMENT DATA		NOTES
			BENDIX PART No.	QUAM PART No.	
SP1	4" x 10"	PM 8Ω	2094432-0701	410A2Z8	Models: EF6TBM, F6TBM.
	4" x 10"	PM 8Ω	2094211-0701	410A2Z8	Model: F6TBG.

COMPONENT COMBINATIONS

ITEM No.	USE	DESCRIPTION	BENDIX PART No.	REPLACEMENT DATA
PC1	IF Network	470Ω, 2200Ω, 33K, 100K, .01mfd, .01mfd	2094397-0701	
PC2	IF Network	1500Ω, 4700Ω, 330pf, .01mfd	2093110-0703	
PC3	AVC Network	4700Ω, 220pf, .2mfd	2093112-0003	
PC4	AM Det. Network	1000Ω, 22K, .0022mfd, .0022mfd	2093852-0702	
PC5	AF Network	100Ω, 220Ω, 3300Ω, 8200Ω, 33K, 33K, 100K, .001mfd, 1mfd	2094398-0702 (2094398-0703)	

FUSE DEVICES

ITEM No.	TYPE	RATING	REPLACEMENT DATA						
			PART No.		LITTELFUSE PART No.		8USS PART No.		
			FUSE	HOLDER	FUSE	HOLDER	FUSE	HOLDER	
F1	SFE	14	2091811-0005	In Fuse Block	307014			SFE 14	

MISCELLANEOUS

ITEM No.	PART NAME	BENDIX PART No.	NOTES
M1	FM Tuner Complete	2093394-0704	TRW. Model: EF6TBM.
	FM Tuner Complete	2093394-0710	GIC. Models: EF6TBM, F6TBM, F6TBG.
	FM Tuner Complete	2093394-0708	TRW. Models: F6TBM, F6TBG.
M2	AM Tuning Coil Assy.	2090131-0089	TRW. Model: EF6TBM.
	AM Tuning Coil Assy.	2090131-0082	GIC. Model: EF6TBM.
	AM Tuning Coil Assy.	2090131-0088	TRW. Models: F6TBM, F6TBG.
	AM Tuning Coil Assy.	2090131-0091	GIC. Models: F6TBM, F6TBG.
S1	AM-FM Selector Sw.	2092719-0704	TRW. Model: EF6TBM.
	AM-FM Selector Sw.	2092719-0706	GIC. Model: EF6TBM.
	AM-FM Selector Sw.	2092719-0703	TRW. Models: F6TBM, F6TBG.
	AM-FM Selector Sw.	2092719-0703	GIC. Models: F6TBM, F6TBG.
	Dial Pointer	2090129-0063	TRW. Models: EF6TBM, F6TBM.
	Dial Pointer	2090129-0072	GIC. Models: EF6TBM, F6TBM.
	Dial Pointer	2090129-0071	TRW. Model: F6TBG.
	Dial Pointer	2090129-0076	GIC. Model: F6TBG.

CABINETS & CABINET PARTS

(When Ordering Specify Model, Chassis & Color)

ITEM	PART No.	ITEM	PART No.
MODELS: EF6TBM, F6TBM		MODEL: F6TBG	
Escutcheon	2094188-0501	Escutcheon	2094681-0501
Dial Glass	2094184-0502	Pushbutton	2094087-0001
Pushbutton	2093773-0509	Knob-Tuning or Volume	2094215-0001
Knob-Tuning or Volume (F6TBM)	2093745-0001	Knob-Tone or Fader	2094174-0001
Knob-Tuning (EF6TBM)	2093745-0001		
Knob-Volume-Antenna (EF6TBM)	2093951-0001		
Knob-Tone or Fader	2093746-0001		

WIRING DATA

General-use Unshielded Hook-up Wire	Use BELDEN No. 8530 (Solid) Available in 12 Colors 8524 (Stranded) Available in 12 Colors
Shielded Hook-up Wire	Use BELDEN No. 8885
Rear Seat Speaker Extension Cable	Use BELDEN No. 8782 (Stranded) Coded Parallel Leads
Bonding Strap	Use BELDEN No. 8661 (3/8 In.) or 8670 (3/4 In.)



TRADE NAME: Motorola Models:
 CE66A (1966 Chevelle)
 CR66A (1966 Corvair)
 CT66A (1966 Chevrolet)
 CY66A (1966 Chevy II)
 TM6A (Universal)
 For Current Address, See Annual Index.

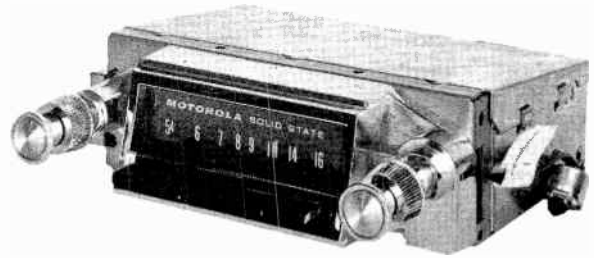
SUPPLIER:

TYPE SET: 6 Transistor AM Receiver

POWER SUPPLY: 12 Volt Storage Battery

RATING: .7 Amp. @ 12.6 Volts DC

TUNING RANGE: BROADCAST 540-1615KC



ALIGNMENT INSTRUCTIONS

Check for specified source voltage.
 Use only enough generator output to provide a usable indication.
 Suggested Alignment Tools:

A1 thru A4.	GENERAL CEMENT: 9296, 9297, 9300 WALSCO: 2510, 2546, 2547
A5, A6, A7.	GENERAL CEMENT: 8290, 8868, 9087 WALSCO: 2525, 2528, 2587

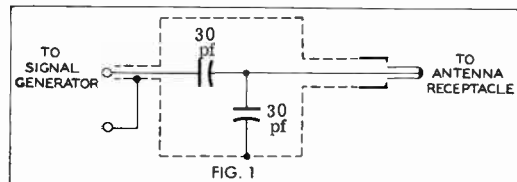
	SIGNAL GENERATOR COUPLING	SIGNAL GENERATOR FREQUENCY	RADIO DIAL SETTING	INDICATOR	ADJUST	REMARKS
1.	High side thru .1mfd to point Δ , low side to ground.	262KC (400v Mod.)	High Freq. End Stop.	Output Meter across voice coil.	A1, A2, A3, A4	Adjust for maximum.
2.	Thru dummy (Fig. 1) to antenna receptacle.	1615KC	"	"	A5, A6, A7	"
Step 3 is not necessary unless tuner has been tampered with or associated components have been replaced. IF necessary, back tuning cores (A8, A9, A10) out of coils but not out of forms. Repeat step 2.						
3.	Thru dummy (Fig. 1) to antenna receptacle.	1000KC	Tune to Signal.	Output Meter across voice coil.	A8, A9, A10	Adjust for maximum. Repeat steps 2 & 3 until no further improvement is noted.

With radio installed in car and antenna fully extended, tune in a weak station near 1400KC and adjust A7 for maximum output.

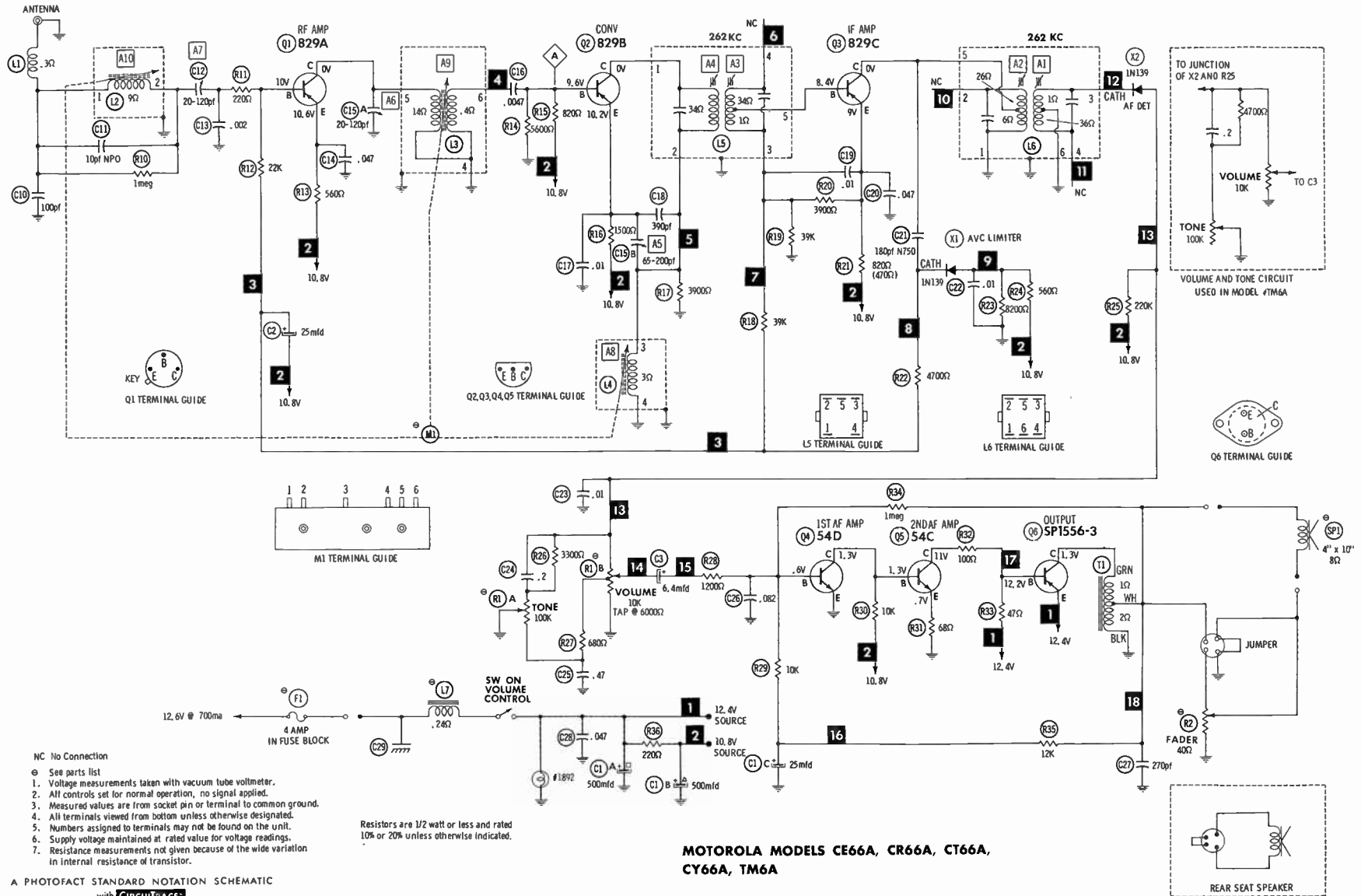
Antenna Adjustment (A7) located right rear.

PUSH-BUTTON ADJUSTMENT

1. Pull button out.
2. Tune manually to desired station.
3. Press button in firmly.
4. Repeat for remaining buttons.



MOTOROLA MODELS CE66A, CR66A, CT66A, CY66A, TM6A

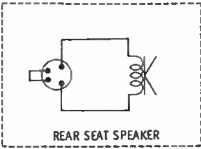


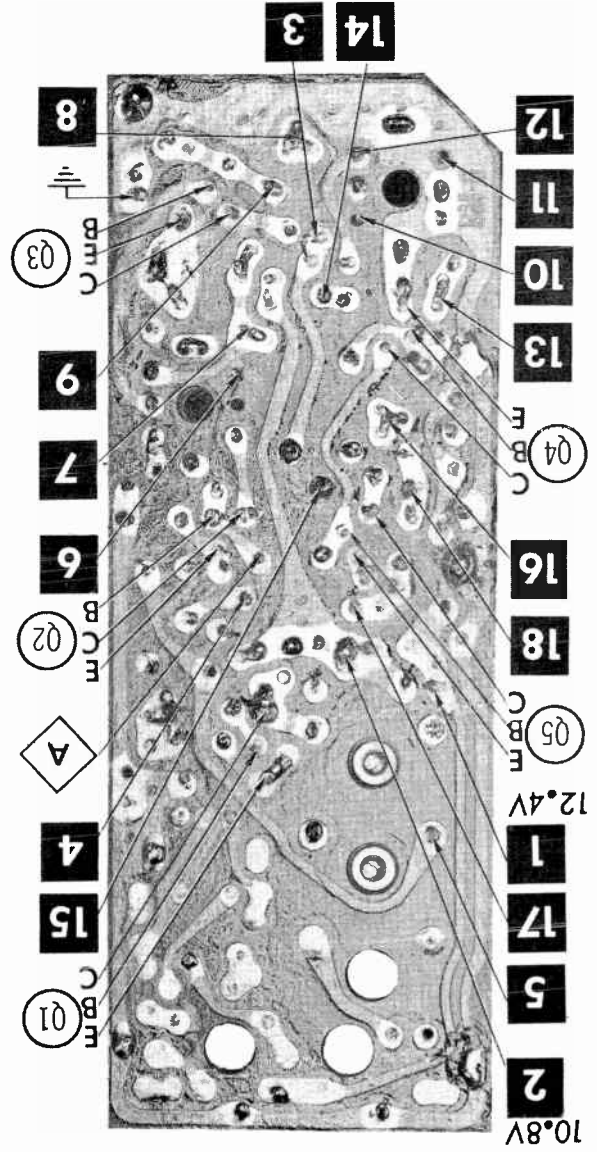
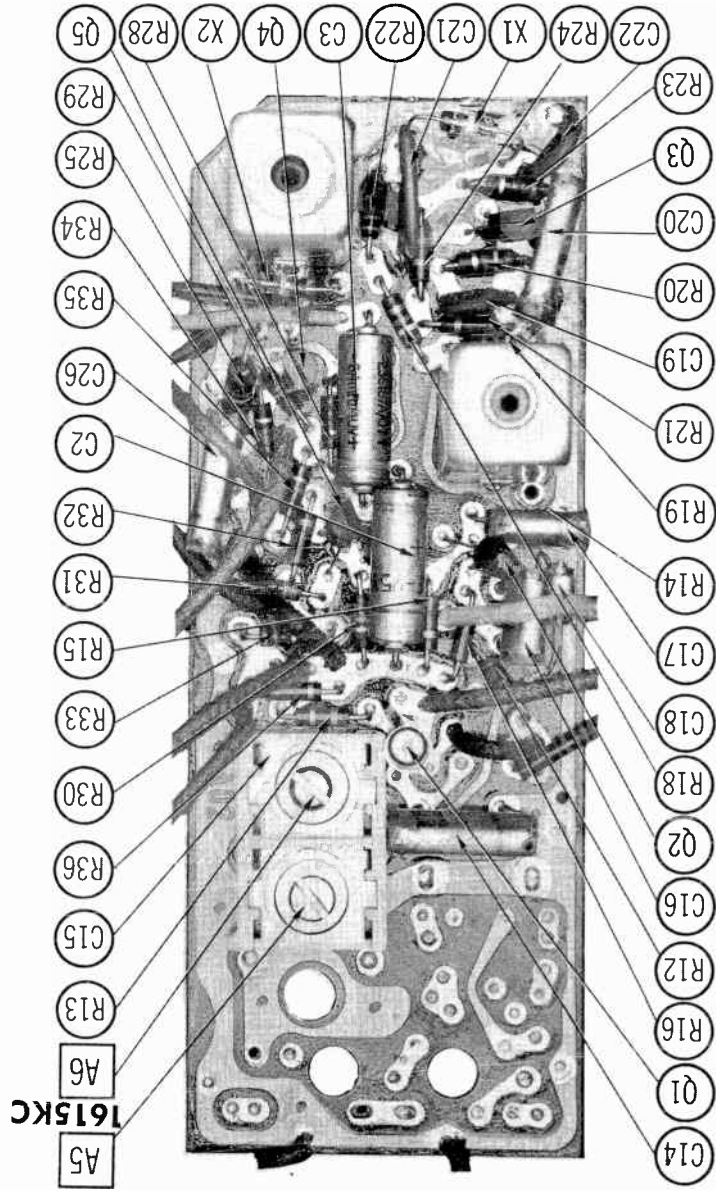
- NC: No Connection
 Ⓞ: See parts list
 1. Voltage measurements taken with vacuum tube voltmeter.
 2. All controls set for normal operation, no signal applied.
 3. Measured values are from socket pin or terminal to common ground.
 4. All terminals viewed from bottom unless otherwise designated.
 5. Numbers assigned to terminals may not be found on the unit.
 6. Supply voltage maintained at rated value for voltage readings.
 7. Resistance measurements not given because of the wide variation in internal resistance of transistor.

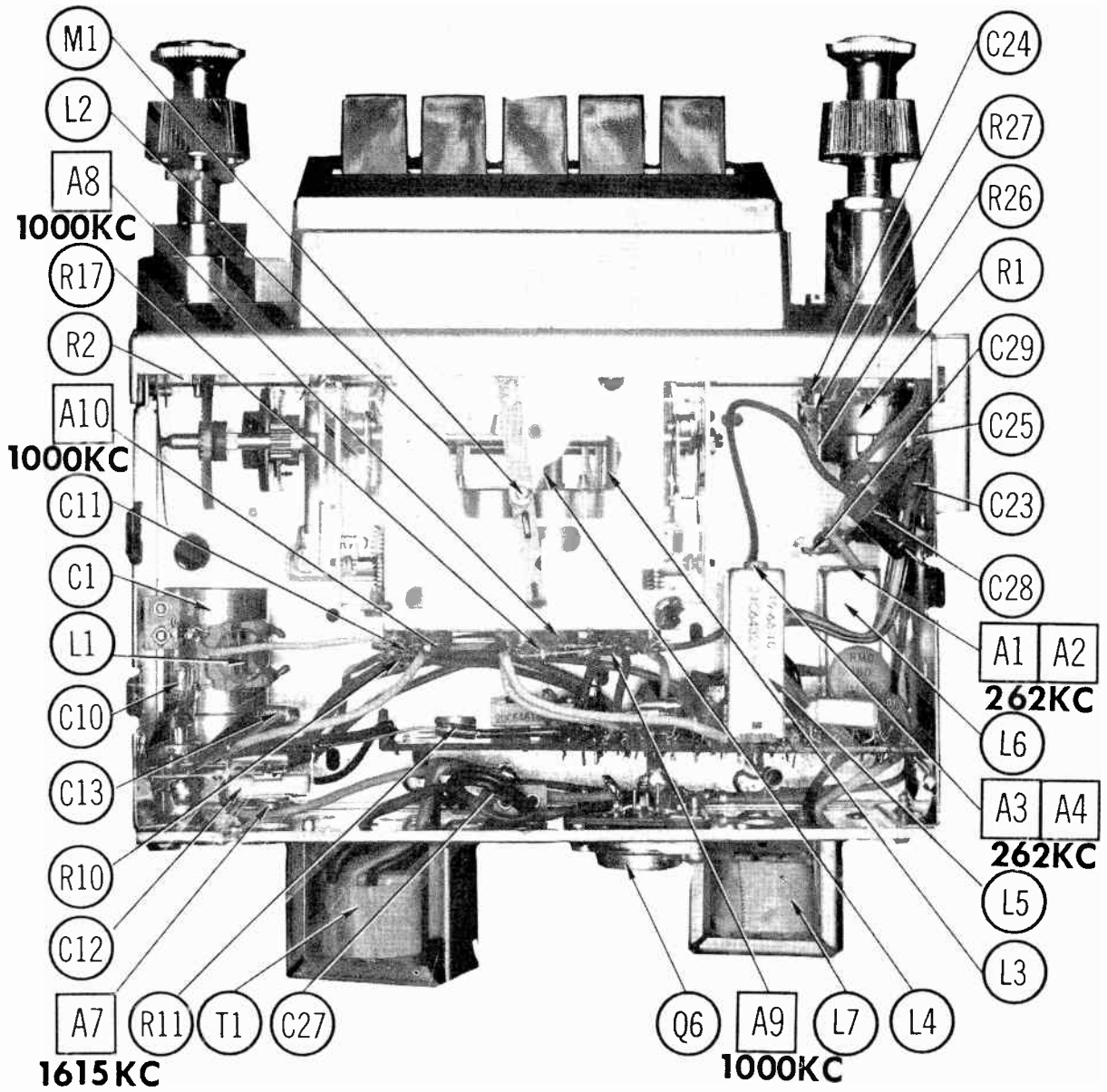
Resistors are 1/2 watt or less and rated 10% or 20% unless otherwise indicated.

A PHOTOFAC STANDARD NOTATION SCHEMATIC
 with **CIRCUITRACE**
 © Howard W. Sams & Co., Inc. 1966

MOTOROLA MODELS CE66A, CR66A, CT66A, CY66A, TM6A







PARTS LIST AND DESCRIPTION

(When ordering parts, state Model, Part Number, and Description.)

Replacement parts shown may be superseded by the availability of newly introduced replacements.
Have your local distributor check Sams COUNTER FACTS for the most up-to-date replacement.

TRANSISTORS

ITEM No.	ORIG. TYPE	USE	REPLACEMENT DATA			NOTES
			DELCO PART No.	GENERAL ELECTRIC PART No.	RCA PART No.	
Q1	829A	RF Amp. Converter IF Amp. AF Amp. Driver Output				PNP
Q2	829B					PNP
Q3	829C					PNP
Q4	54D		DS-86	GE-10	SK-3020	NPN
Q5	54C		DS-86	GE-10	SK-3020	NPN
Q6	SP1556-3		DS-520	GE-3	SK-3009	PNP

POWER RECTIFIERS & SIGNAL DIODES

ITEM No.	MEASURED CURRENT	ORIGINAL Part or Type No.	RECTIFIERS & DIODES		RECTIFIERS		
			GENERAL ELECTRIC PART No.	INTERNATIONAL RECTIFIER PART No.	MALLORY PART No.	RCA PART No.	SARKES TARZIAN PART No.
X1		1N139	1N295	1N295			
X2		1N139	1N295	1N295			

ELECTROLYTIC CAPACITORS

ITEM No.	RATING		REPLACEMENT DATA					
	CAP.	VOLT.	MOTOROLA PART No.	AEROVOX PART No.	CORNELL-DUBILIER PART No.	GENERAL ELECTRIC PART No.	MALLORY PART No.	SPRAGUE PART No.
C1A	500	16	23S184A04	PWH3-00-94.7				
B	500	16						
C	25	16						
C2	25	25	23S187A02	CRE612A	NLW25-25	MT1-11	TT25X25	TE-1207
C3	6.4	40	23S187A01	CRE755A	NLW6-50	MT1-5	TT50X6	TE-1301.1

CAPACITORS

ITEM No.	RATING	REMARKS	REPLACEMENT DATA						
			AEROVOX PART No.	CENTRALAB PART No.	CORNELL-DUBILIER PART No.	ELMENC0 PART No.	MALLORY PART No.	SPRAGUE PART No.	
C10	100		NPO-DI100	DTZ-100	CV601CG101K	CCT0-101	CN0310	10TCC-T10	
C11	10 NPO		NPO-DI10	DTZ-10	CZ601CG100J	CCT0-100	CN0410	10TCC-Q10	
C12	20-120	#20B541014				463			
C13	.002		DI-2000	DM-202	JBX601YP202K	CCD-202	GP220	5GAB-D22	
C14	.047 100V		DBE2S47		DMF2S47	4DP-3-473	PVC2147	2PS-S47	
C15A	20-120	#20C64618A03							
E	65-200								
C16	.0047		DBE6D47	CPR-4700J	CD19F472J500	DM-19-472	SX247	MS-247	
C17	.01 100V		DI-10000	DD-103	BYX601ZU103M	CCD-103	GP110	10TS-S10	
C18	390			CPR-390J	CD15F391K500	DM-10-391	SX339	MS-339	
C19	.01 100V		DI-10000	DD-103	BYX601ZU103M	CCD-103	GP110	10TS-S10	
C20	.047 100V		DBE2S47		DMF2S47	4DP-3-473	PVC2147	2PS-S47	
C21	180 N750			TCN-180					
C22	.01 100V		DI-10000	DD-103	BYX601ZU103M	CCD-103	GP110	10TS-S10	
C23	.01 100V		DI-10000	DD-103	BYX601ZU103M	CCD-103	GP110	10TS-S10	
C24	.2 10V			UK10-204	HCZ3R0XR224P	1DP-3-204	MAG25022	2PS-P47	
C25	.47 3V				DMF2P47	2DP-5-474	PVC2047	2PS-P47	
C26	.082		DBE6D82	CPR-8200J	DPMS6S82	6DP-4-823	GEM10182	6PS-S82	
C27	270			CPR-270J	CD15F271J500	DM-15-271	SX327	MS-327	
C28	.047 50V		DBE2S47		DMF2S47	4DP-3-473	PVC2147	2PS-S47	
C29		#64A530176							

Motorola Part Number.

MOTOROLA MODELS CE66A, CR66A, CT66A, CY66A, TM6A

PARTS LIST AND DESCRIPTION (CONTINUED)

(When ordering parts, state Model, Part Number, and Description.)

Replacement parts shown may be superseded by the availability of newly introduced replacements. Have your local distributor check Sams COUNTER FACTS[®] for the most up-to-date replacement.

CONTROLS

All wattages 1/2 watt, or less, unless otherwise listed.

ITEM No.	USE	RESISTANCE	REPLACEMENT DATA					
			MOTOROLA PART No.	CENTRALA8 PART No.	CLAROSTAT PART No.	CTS-IRC PART No.	MALLORY PART No.	
R1A	Tone	100K	18C64588A11 ①	F1-100K ③, R16-10K, FFS113, RFS211, KR-4			†QJ-2237A	FA15L ⑥, RU14T53, OS1812A, IS2687, US41
	B Volume/Switch	10K Tap @ 8000Ω						
	Tone	100K	18C64588A06 ②	F1-100K ③, R16-10K, FFS203 RFS212, KR-4			††QJ-1925A	FA15L ⑥, RU14T53, OS2187, IS2750, US41
	Volume/Switch	10K Tap @ 8000Ω						
	Tone	100K	18C64588A12 ③	F1-100K ③, R16-10K, FFS109 RFS208, KR-4			†††QJ-2238A	FA15L ⑥, RU14T53, OS1562A, IS2375, US41
	Volume/Switch	10K Tap @ 8000Ω						
	Tone	100K	18C64062A01 ④	F1-100K ③, R16-10K, FFS107, RFS200, KR-4			††††QJ-2239A	FA15L ⑥, RU14T53, OS1437A, IS2000, US41
	Volume/Switch	10K Tap @ 8000Ω						
	Tone	100K	18C64668A03 ⑤	R2-100K, R1-10K, FFS114, RFS205, BA104, CA005, KR-4			†††††QJ-1929A	■UE4453S
	Volume/Switch	10K						
R2	Fader	40Ω 2W	18B64440A07 ①				*QJ-2240A	
	Fader	40Ω 2W	18B64440A06 ②				**QJ-2241A	

- † "CONCENTRIKIT" Equivalent: K8 ③ Kit, with Base Elements and Shafts: B11-128, P17-128 (Panel)
B19-116K, R1-218 (Rear)
76-1 (Switch)
- †† "CONCENTRIKIT" Equivalent: K8 ④ Kit, with Base Elements and Shafts: B11-128, P14-206 (Panel)
B19-116K, R9-222 (Rear)
76-1 (Switch)
- ††† "CONCENTRIKIT" Equivalent: K8 ⑤ Kit, with Base Elements and Shafts: B11-128, P17-118 (Panel)
B19-116K, R9-208 (Rear)
76-1 (Switch)
- †††† "CONCENTRIKIT" Equivalent: K8 ⑥ Kit, with Base Elements and Shafts: B11-128, P22-115 (Panel)
B19-116K, R1-130 (Rear)
76-1 (Switch)
- ††††† "CONCENTRIKIT" Equivalent: K8 Kit, with Base Elements and Shafts: B13-128, P17-118 (Panel)
B11-116, R1-130 (Rear)
QCB5A ⑦ (Bushing)
76-1 (Switch)

- "SNAPTROL" Equivalent: BU15A ①, CF52, CR5, SF12, SR47, GC.
- "STA-LOC" Equivalent: FJ15L, RU14L, OS1437A, IS1937, US41.
- * "SNAPTROL" Equivalent: WF18, None, SF18, None.
- ** "SNAPTROL" Equivalent: WF18, None, SF5, None.
- ① Used in Model: CE66A. ② Used in Model: CR66A. ③ Used in Model: CT66A.
- ④ Used in Model: CY66A. ⑤ Used in Model: TM6A. ⑥ Use Original spring mounting clips.
- ⑦ Alter bushing to meet requirements.

COILS (RF-IF)

ITEM No.	USE	REPLACEMENT DATA				
		MOTOROLA PART No.	MEISSNER Part No.	MERIT PART No.	MILLER PART No.	WORKMAN PART No.
L1	Antenna Loading	24B64785A03	19-1001	BC-562	74F186AP	T810
L2	①					
L3	①					
L4	①					
L5	Input IF	24C64327A03				
L6	Output IF	24C64327A02				

① Part of M1 or Coil Assembly.

FILTER CHOKE

ITEM No.	RATINGS			REPLACEMENT DATA					NOTES
	CURRENT (Measured)	DC RES.	INDUCTANCE (0 CURRENT 1000~)	MOTOROLA PART No.	MERIT PART No.	STANCOR PART No.	THORDARSON PART No.	TRIAD PART No.	
L7	.7A DC	.24Ω	1.9MH	25C64172A08	C-4095	TC-1	TR-157	TY16XT	Used in Models: CE66A, CY66A, CT66A, TM6A
	.7A DC	.23Ω	2.5MH	25C64172A05	C-4095	TC-1	TR-157	TY16XT	Used in Model: CR66A.

TRANSFORMER (AUDIO OUTPUT)

ITEM No.	IMPEDANCE		REPLACEMENT DATA					NOTES
	PRI.	SEC.	MOTOROLA PART No.	MERIT PART No.	STANCOR PART No.	THORDARSON PART No.	TRIAD PART No.	
T1	22.4Ω Tap @ 8Ω		25D64129A03					

PARTS LIST AND DESCRIPTION (CONTINUED)

(When ordering parts, state Model, Part Number, and Description.)

Replacement parts shown may be superseded by the availability of newly introduced replacements. Have your local distributor check Sams COUNTER FACTS® for the most up-to-date replacement.

FUSE DEVICES

ITEM No.	TYPE	RATING	REPLACEMENT DATA					
			PART No.		LITTELFUSE PART No.		BUSS PART No.	
			FUSE	HOLDER	FUSE	HOLDER	FUSE	HOLDER
F1	3AG AGA 5	4amp. 250V 5 Amp.	①	In Fuse Block 45K538872	312004 301005	155004	AGC 4 AGA 5	HAF

① Used in Models: CE66A, CR66A, CT66A and CY66A. ② Used in Model: TM6A.

SPEAKER

ITEM No.	TYPE	REPLACEMENT DATA		NOTES
		MOTOROLA PART No.	QUAM PART No.	
SP1	4" x 10" PM 8Ω	1C84290A03	410A2Z8	Used in Models: CE66A and CY66A. Used in Model: CR66A. Used in Model: CT66A. Used in Model: TM6A.
	6" x 9" PM 8Ω	1D64324A02	69A1Z8	
	4" x 10" PM 8Ω	1C84290A02	410A2Z8	
	5" x 7" PM 8Ω	50C84137A01	57A19Z8	

MISCELLANEOUS

ITEM No.	PART NAME	MOTOROLA PART No.	NOTES
M1	Tuner	77A43039A04	AT-578, Model: CE66A.
	Coil Assembly	1V43800A38	Model: CE66A.
	Tuner	77D43039A03	AT-589, Model: CR66A.
	Coil Assembly	1V43800A38	Model: CR66A.
	Tuner	1U43500A07	AT-582, Model: CT66A.
	Coil Assembly	1V43800A38	Model: CT66A.
	Tuner	77D43039A05	AT-595, Model: CY66A.
	Coil Assembly	1V43800A36	Model: CY66A.
	Tuner	77D42935A05	AT-568, Model: TM6A.
	Coil Assembly	1V43800A38	Model: TM6A.

CABINETS & CABINET PARTS

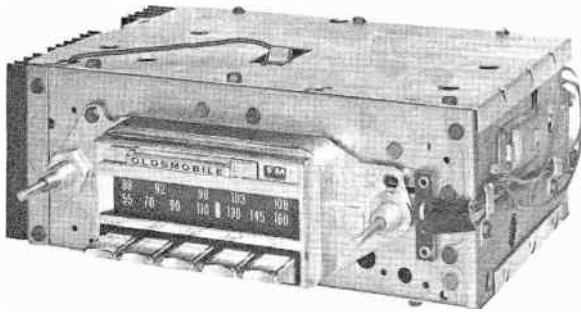
(When Ordering Specify Model, Chassis & Color)

ITEM	PART No.	ITEM	PART No.
MODEL CE66A		MODEL CT66A (Cont'd)	
Escutcheon	13D64048A01	Knob-Tuning or Volume	38B84334A01
Dial Glass	34B84034A01	Knob-Tone or Fader	38C84333A01
Pushbutton-1st., 3rd., 5th.	38C40283B02	Dial Pointer	52C42082A28
2nd. and 4th.	38C40283B01	MODEL CY66A	
Knob-Tuning or Volume	38B84334A01	Escutcheon	13D64089A01
Knob-Tone or Fader	38B84047A01	Dial Glass	34B84056A01
Dial Pointer	52C42082A31	Pushbutton-1st., 3rd., 5th.	38C44097A08
MODEL CR66A		2nd. and 4th.	38C44097A07
Escutcheon	13D64315A01	Knob-Tuning or Volume	36B64334A01
Dial Glass	34B84307A01	Knob-Tone	36B543330
Pushbutton-1st., 3rd., 5th.	38C41815A02	Knob-Dummy	36B543332
2nd. and 4th.	38C41815A01	Dial Pointer	52C40244B01
Knob-Tuning or Volume	36B84334A01	MODEL TM6A	
Knob-Tone or Dummy	36B84313A01	Escutcheon	13C84661A01
Dial Pointer	52C42082A17	Dial Glass	34B64284A01
MODEL CT66A		Pushbutton	38B563819
Escutcheon	13D64046A01	Knob-Tuning or Volume	36B543382
Dial Glass	34B64042A01	Knob-Tone	36B543398
Pushbutton-1st., 3rd., 5th.	38C40283B02	Knob-Dummy	36K543399
2nd. and 4th.	38C40283B01	Dial Pointer	1B40875A01

WIRING DATA

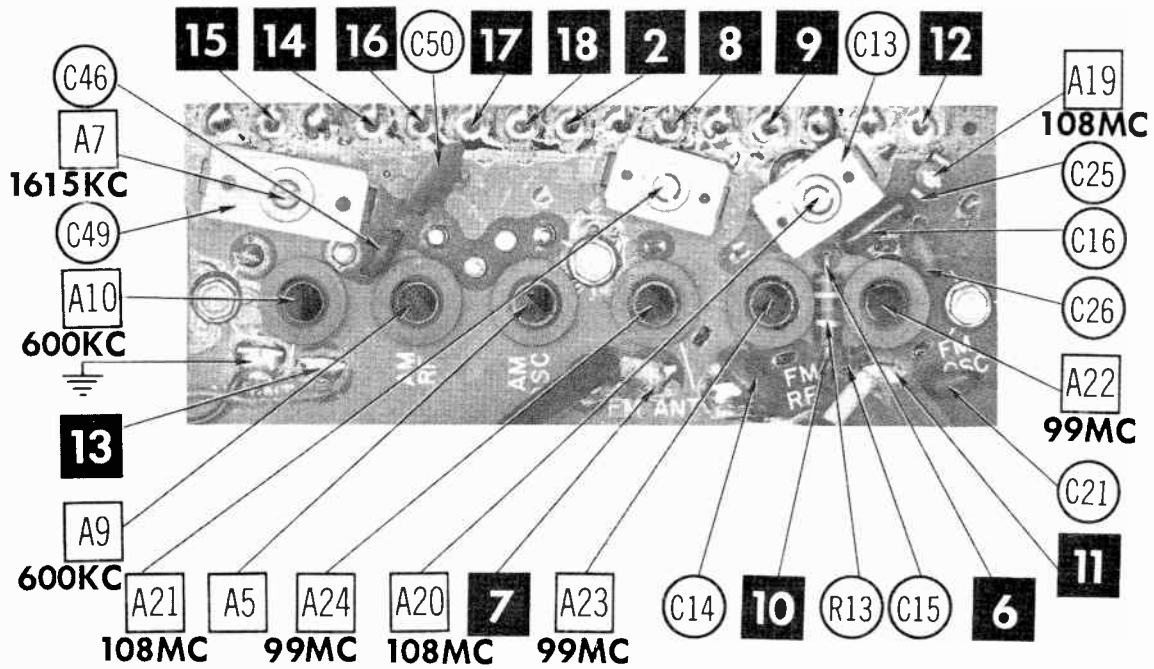
General-use Unshielded Hook-up Wire	Use BELDEN No. 8530 (Solid) Available in 12 Colors 8524 (Stranded) Available in 12 Colors
Shielded Hook-up Wire	Use BELDEN No. 8885
Rear Seat Speaker Extension Cable	Use BELDEN No. 8782 (Stranded) Coded Parallel Leads
Bonding Strap	Use BELDEN No. 8661 (3/8 in.) or 8670 (3/4 in.)

MOTOROLA MODELS CE66A, CR66A, CT66A, CY66A, TM6A

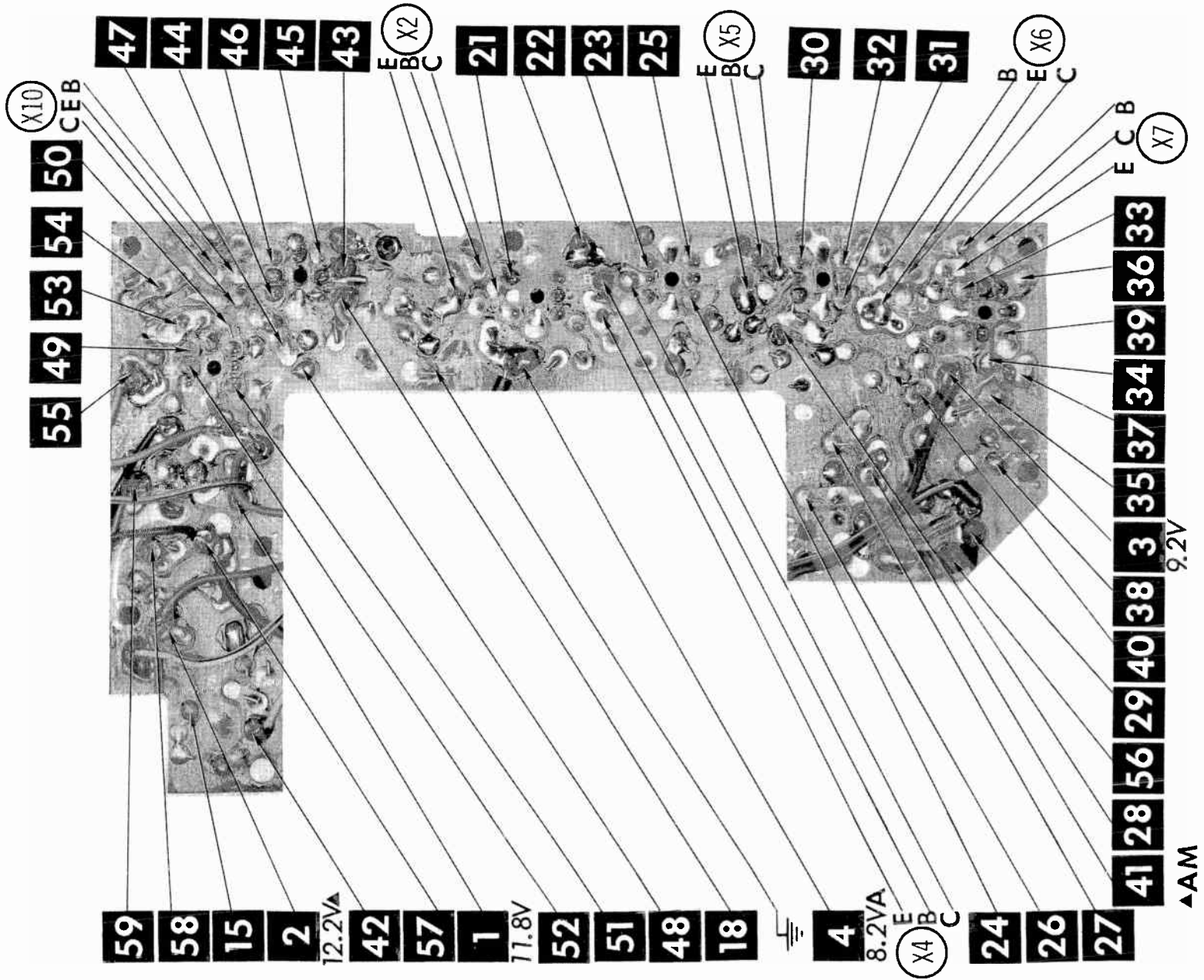


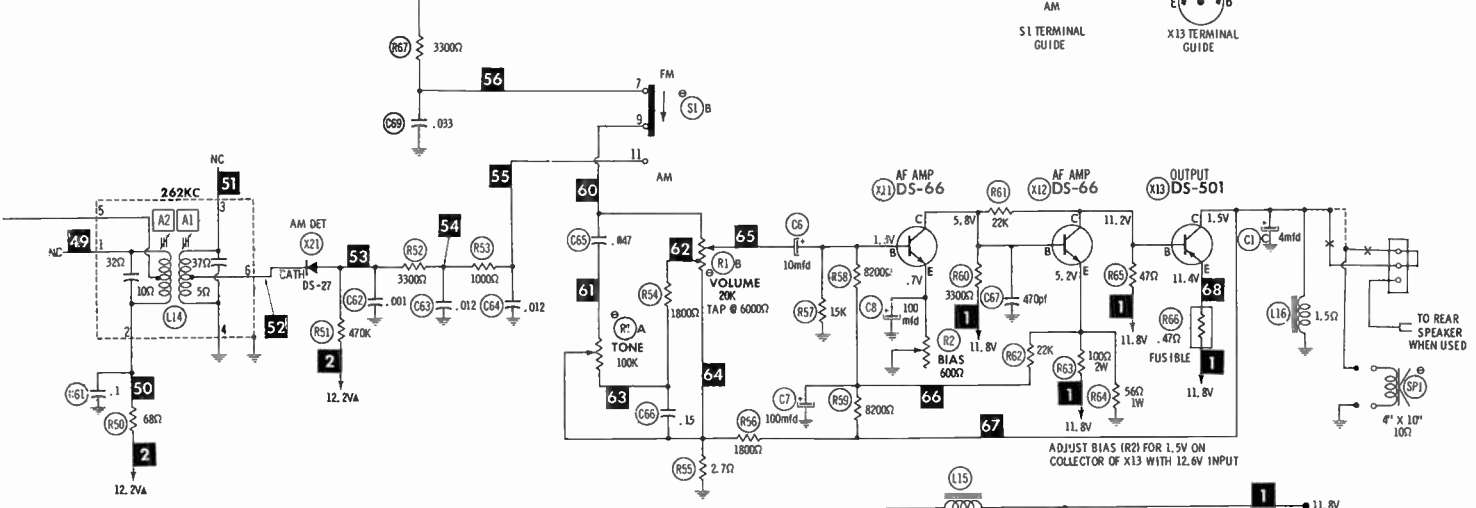
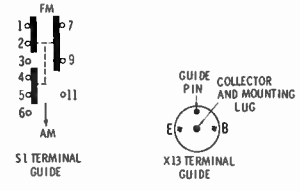
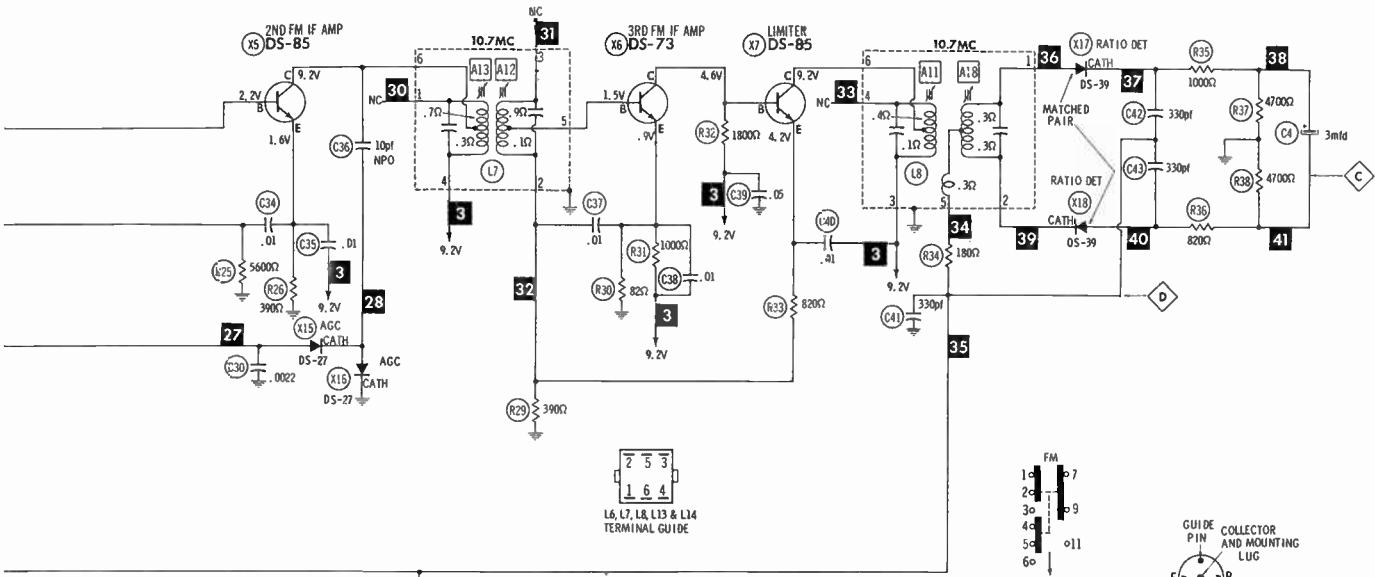
TRADE NAME : Oldsmobile Model 7293653 (982690) 1966
SUPPLIER : For Current Address, See Annual Index.
TYPE SET : 13 Transistor AM-FM Receiver
POWER SUPPLY : 12 Volt Storage Battery
RATING : 1.3 Amp. @ 12.6 Volts DC

TUNING RANGE: BROADCAST 540-1615KC
 FREQ. MOD: 88-108MC

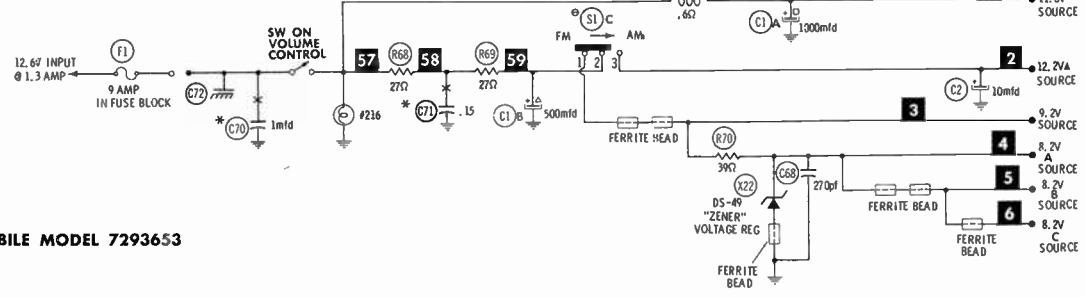


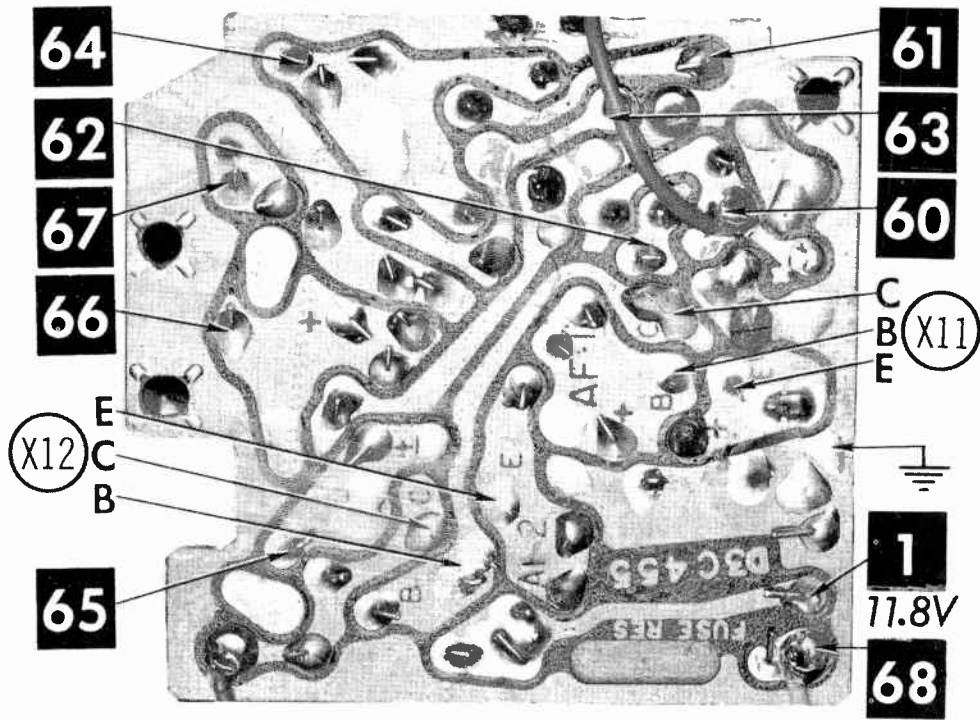
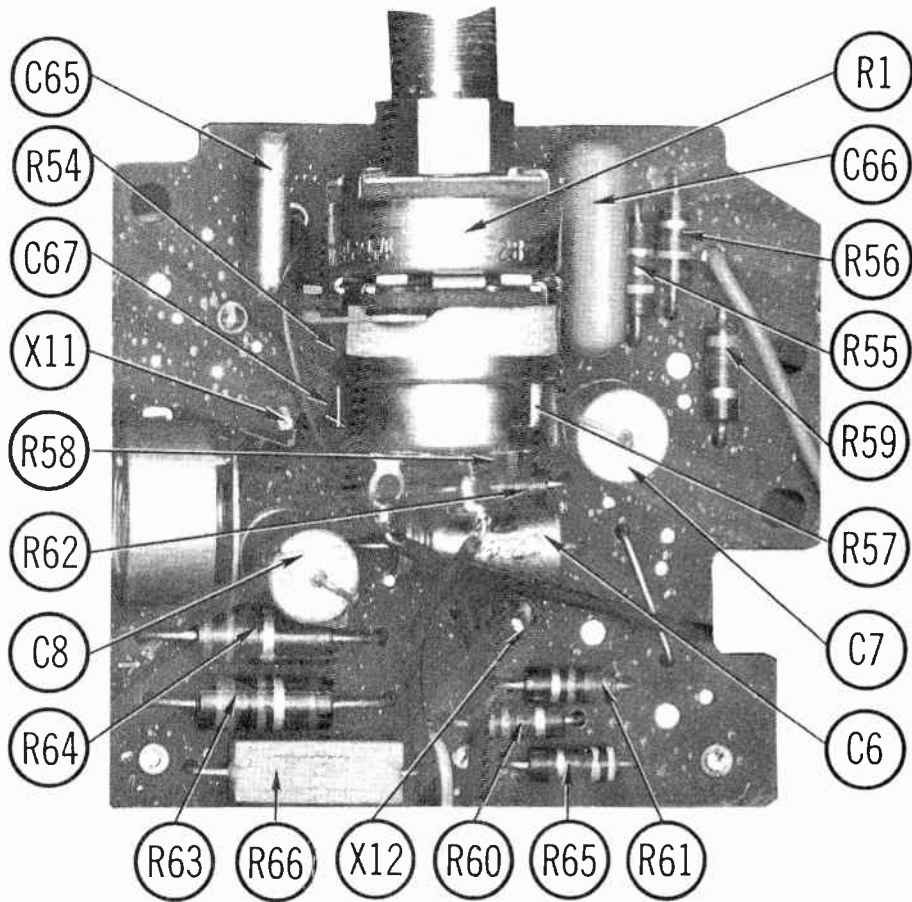
A Howard W. Sams CIRCUITRACE Photo



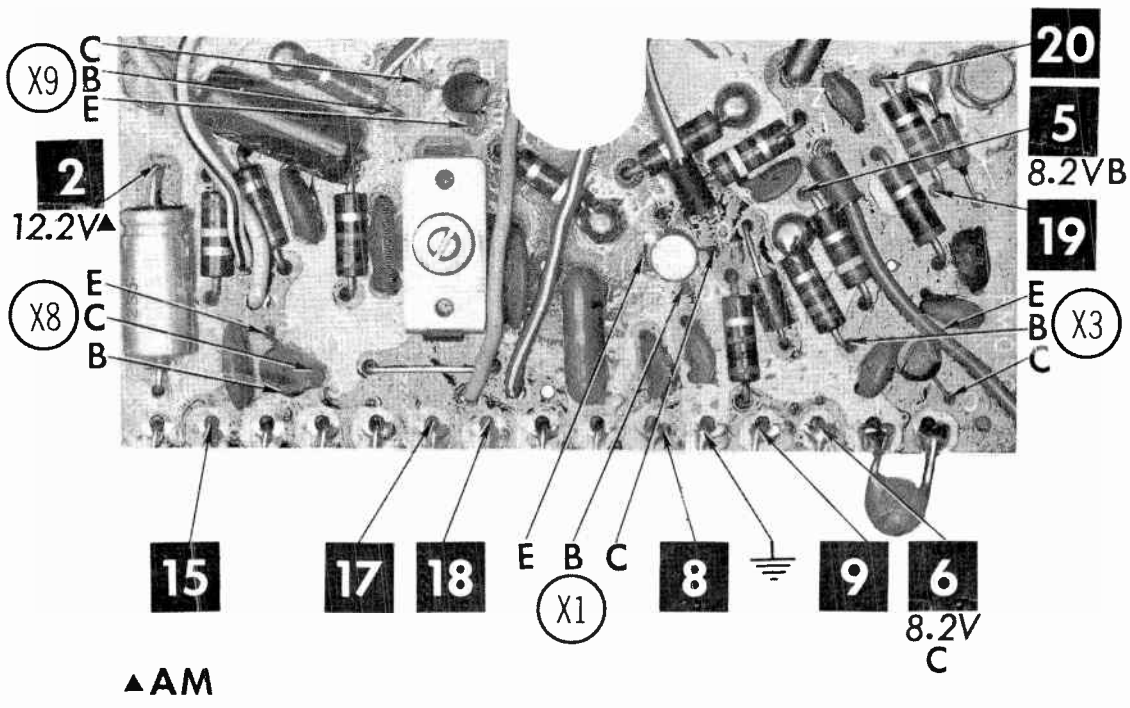
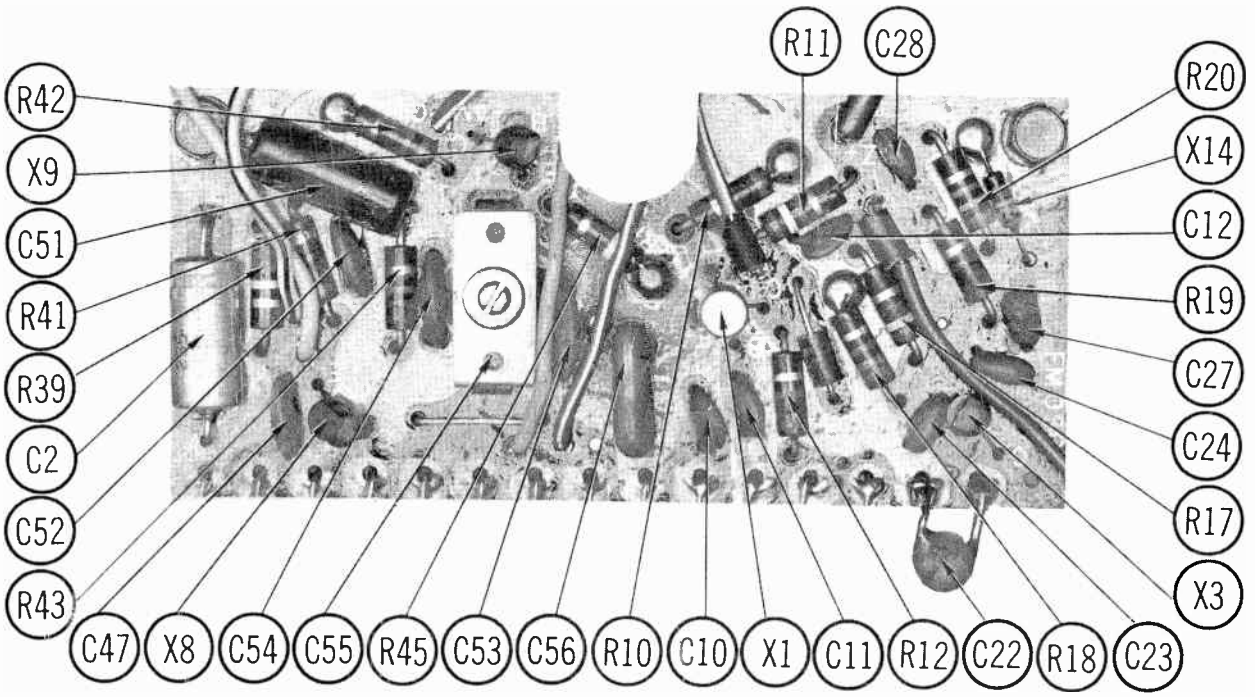


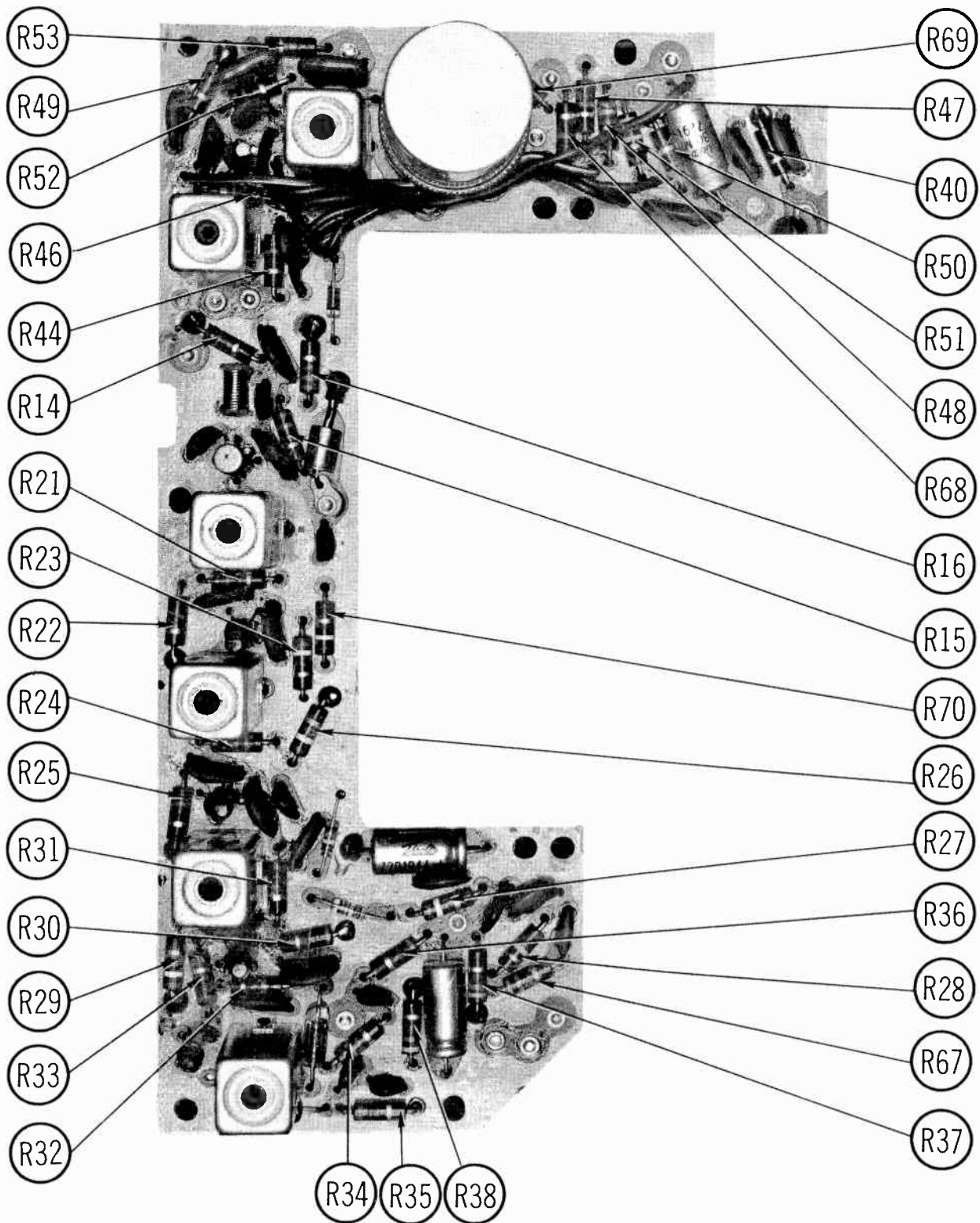
OLDSMOBILE MODEL 7293653

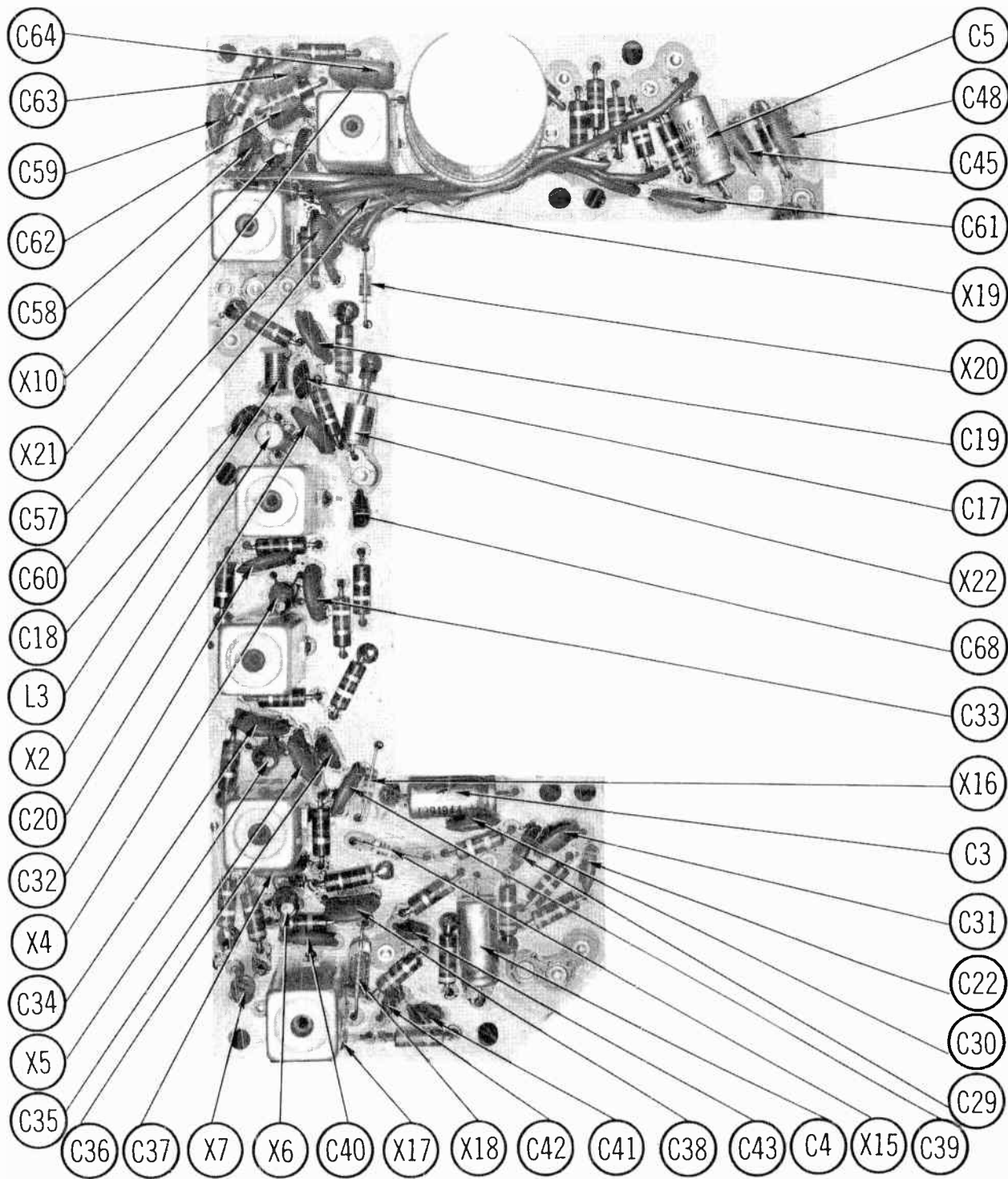


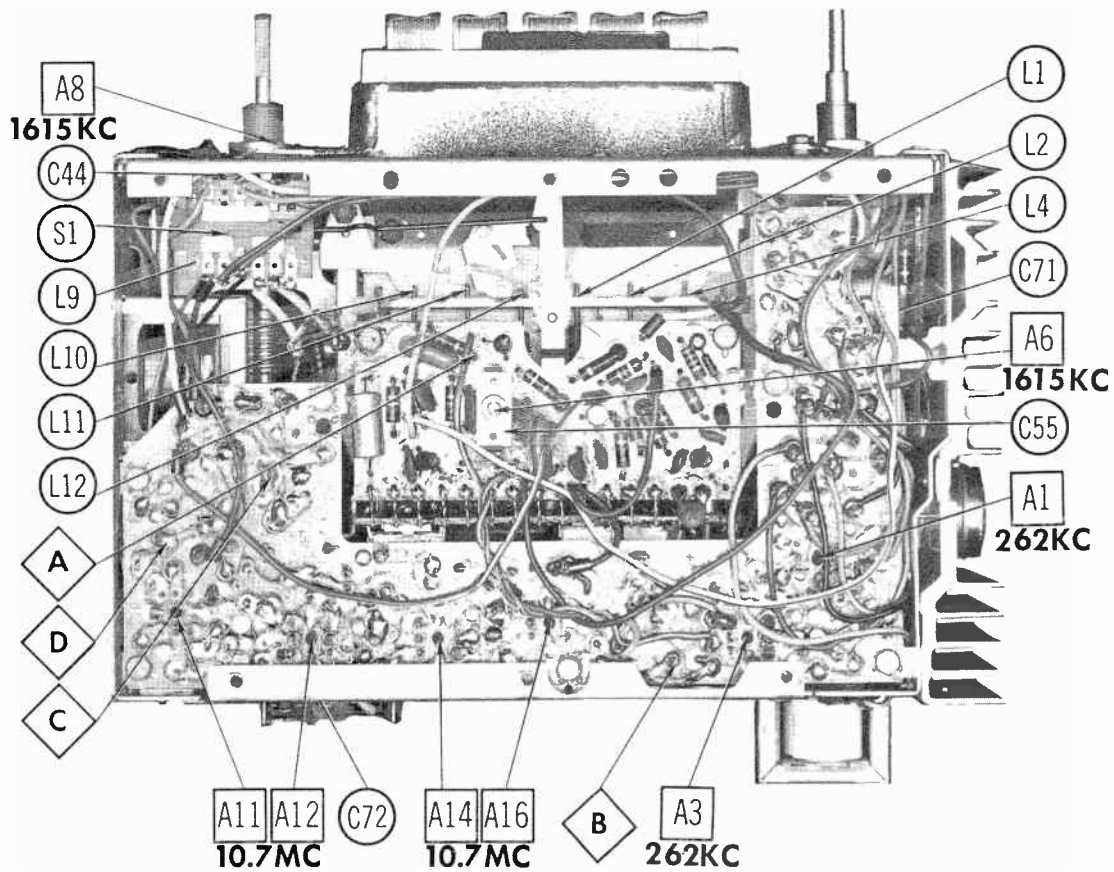
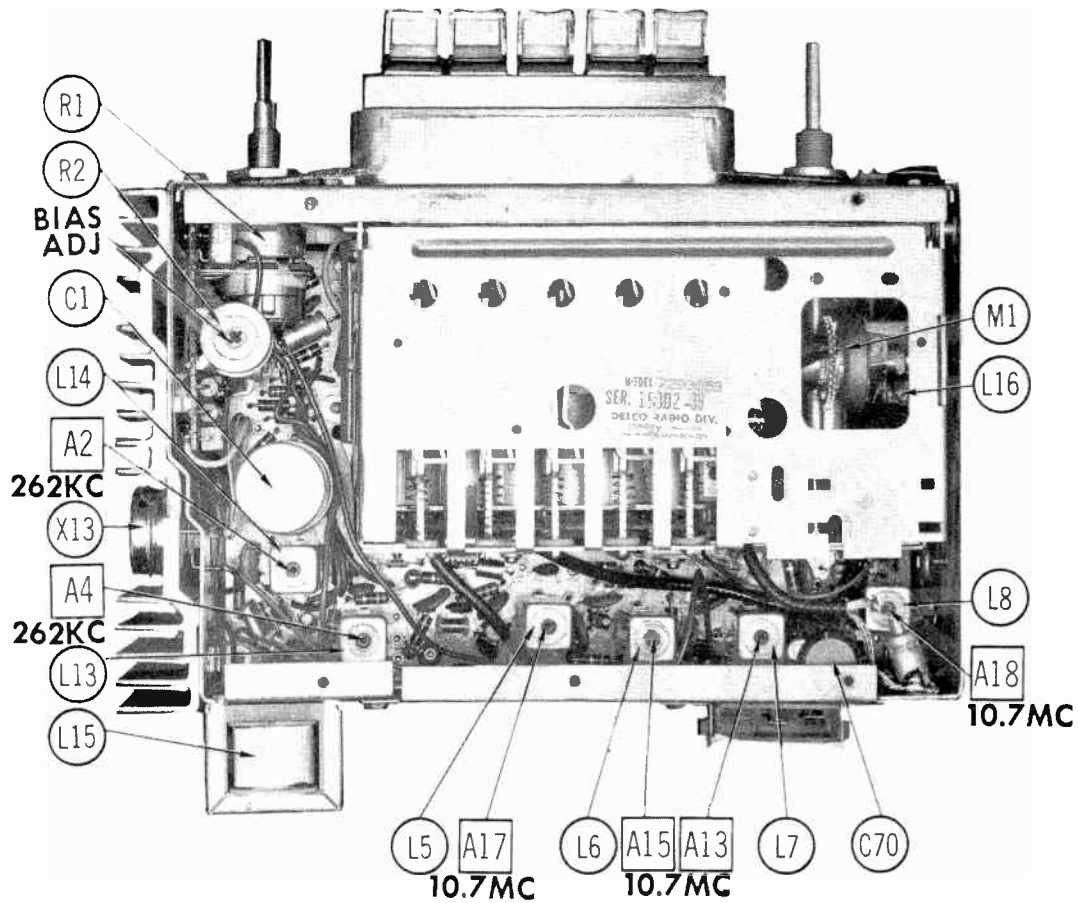


A Howard W. Soms **CIRCUITRACE**® Photo









ALIGNMENT INSTRUCTIONS

Check for specified source voltage.
Use only enough generator output to provide a usable indication.
Suggested Alignment Tools:
A1 thru A4, A11 thru A18. GENERAL CEMENT: 9298, 9297, 9300
WALSCO: 2510, 2546, 2547
A8, A7, A6, A20, A21, A22. GENERAL CEMENT: 8290, 8668, 9087
WALSCO: 2525, 2528, 2587

PUSH-BUTTON ADJUSTMENT

1. Pull button out.
2. Tune manually to desired station.
3. Press button in firmly.
4. Repeat for remaining buttons.

SIGNAL GENERATOR COUPLING	SIGNAL GENERATOR FREQUENCY	RADIO DIAL SETTING	INDICATOR	ADJUST	REMARKS
1. High side thru .1mfd to point \diamond , low side to ground.	262KC (400v Mod.)	High Freq. End Stop.	Output Meter across voice coil.	A1, A2, A3, A4	Adjust for maximum.
Check setting of AM Oscillator coil core (A5). Rear of core should be 1 3/8" from mounting end of coil form.					
2. High side thru 82mmf to antenna receptacle, low side to ground.	1615KC	High Freq. End Stop.	Output Meter across voice coil.	A6, A7, A8	Adjust for maximum.
3. " "	600KC	600KC Signal	"	A9, A10	Adjust for maximum. Repeat step 2.

With radio installed in car and antenna extended 31', tune in a weak station near 1400KC and adjust A8 for maximum output.

To adjust (A8), remove Tuning and Dummy knobs.

FM ALIGNMENT USING AM SIGNAL GENERATOR - SELECTOR IN FM POSITION

High side thru .1mfd to point B, low side to ground.

GENERATOR FREQUENCY	DIAL SETTING	INDICATOR	ADJUST	REMARKS
4. 10.7MC (Unmod.)	Point of non-interference.	DC probe of VTVM to point \diamond ; common to ground.	A11, A12, A13, A14, A15, A16, A17.	Adjust for maximum.
5. " "	" "	DC probe to point \diamond ; common to ground.	A18.	Adjust for zero reading. A positive or negative reading will be obtained on either side of the correct setting.

FM IF ALIGNMENT USING FM SIGNAL GENERATOR - SELECTOR IN FM POSITION

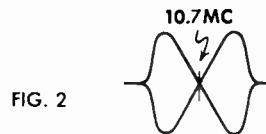
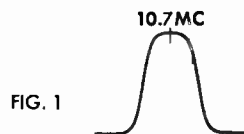
High side thru .1mfd to point B, low side to ground. Use only enough marker signal to obtain indication. Use 60v frequency modulated signal with 450KC sweep. Use 120v sawtooth voltage in scope for horizontal deflection.

GENERATOR FREQUENCY	DIAL SETTING	INDICATOR	ADJUST	REMARKS
4. 10.7MC (450KC Swp.)	Point of non-interference	Vert. amp. of Scope to point \diamond ; low side to ground.	A11, A12, A13, A14, A15, A16, A17.	Disconnect stabilizing capacitor C4. Adjust for maximum gain and symmetry of response similar to Fig. 1 with marker as shown. Reconnect C4.
5. " "	" "	Vert. amp. to point \diamond ; low side to ground.	A18.	Adjust A 18(Secondary) to place marker at center of crossover lines similar to Fig. 2. Adjust A 11(Primary) for maximum amplitude and straightness of crossover lines.

FM RF ALIGNMENT Check setting of FM Oscillator coil core (A19). Rear of core should be 1 3/8" from mounting end of coil form.

Connect generator across antenna terminals with 120Ω carbon resistors in series with each lead.

GENERATOR FREQUENCY	DIAL SETTING	INDICATOR	ADJUST	REMARKS
6. 108MC	Set at high end.	DC probe of VTVM to point \diamond ; common to ground.	A20, A21, A22.	Ground Circuittrace Point 10. Adjust for maximum.
7. 99MC	Tune to signal.	"	A23, A24.	Rock tuning and adjust for maximum. Repeat steps 6 and 7 until no further improvement can be made.



PARTS LIST AND DESCRIPTION

(When ordering parts, state Model, Part Number, and Description.)

Replacement parts shown may be superseded by the availability of newly introduced replacements. Have your local distributor check Sams COUNTER FACTS for the most up-to-date replacement.

TRANSISTORS

ITEM No.	ORIG. TYPE	USE	REPLACEMENT DATA			NOTES
			DELCO PART No.	GENERAL ELECTRIC PART No.	RCA PART No.	
X1	DS-78	FM RF Amp.	DS-81	GE-11	SK-3018	NPN
X2	DS-78	FM Mixer	DS-81	GE-11	SK-3018	NPN
X3	DS-74	FM Oscillator	DS-74	GE-11	SK-3018	NPN
X4	DS-85	1st. FM IF	DS-74	GE-11	SK-3018	NPN
X5	DS-85	2nd. FM IF	DS-74	GE-11	SK-3018	NPN
X8	DS-73	3rd. FM IF	DS-74	GE-11	SK-3018	NPN
X7	DS-85	FM Limiter	DS-74	GE-11	SK-3018	NPN
X8	DS-71	AM RF Amp.	DS-75	GE-11	SK-3020	NPN
X9	DS-72	AM Converter	DS-75	GE-11	SK-3020	NPN
X10	DS-72	AM IF	DS-75	GE-11	SK-3020	NPN
X11	DS-66	AF Amp.	DS-66	GE-10	SK-3020	NPN
X12	DS-66	AF Amp.	DS-66	GE-10	SK-3020	NPN
X13	DS-501	Output	DS-501	GE-4	SK-3012	PNP *

* When replacing, apply silicone grease to both sides of insulator. Tighten mounting screws securely. Check bias adjustment.

POWER RECTIFIERS & SIGNAL DIODES

ITEM No.	MEASURED CURRENT	ORIGINAL Part or Type No.	RECTIFIERS & DIODES		RECTIFIERS		
			GENERAL ELECTRIC PART No.	INTERNATIONAL RECTIFIER PART No.	MALLORY PART No.	RCA PART No.	SARKES TARZIAN PART No.
X14		DS-55	1N34AS	1N34A			
X15		DS-27	1N34AS	1N34A			
X16		DS-27	1N34AS	1N34A			
X17		DS-39①	1N34AS	1N34A			
X18		DS-39①	1N34AS	1N34A			
X19		DS-27	1N34AS	1N34A			
X20		DS-27	1N34AS	1N34A			
X21		DS-27	1N34AS	1N34A			
X22		DS-49 (Zener)					

① Matched Pair.

ELECTROLYTIC CAPACITORS

ITEM No.	RATING		REPLACEMENT DATA					
	CAP.	VOLT.	DELCO PART No.	AEROVOX PART No.	CORNELL-DUBILIER PART No.	GENERAL ELECTRIC PART No.	MALLORY PART No.	SPRAGUE PART No.
C1A	1000	16	7283875	AFH3-54-41	CC0008		FPS300.91	PCL-3021.8*
B	500	16						
C	4	115rms						
C2	10	12	7292738	PTT53	NLW10-15	MT1-5	TT12X10	TL-1128
C3	10	12	7292738	PTT53	NLW10-15	MT1-5	TT12X10	TL-1128
C4	3	12	7291860	PTT50	NLW3-15	MT1-3	TT12X3	TE-1122
C5	30	6	7279896	PTT27	NLW30-6	MT1-13	TT6X30	TE-1092
C6	10	12	7292738	PTT53	NLW10-15	MT1-5	TT12X10	TL-1128
C7	100	4	7291810	PTT30	NLW125-6	MT1-21	TT6X100	TE-1102
C8	100	4	7291810	PTT30	NLW125-6	MT1-21	TT6X100	TE-1102

* Not normally in distributor's stock. Available thru distributor on order to manufacturer.

CAPACITORS

ITEM No.	RATING	REMARKS	REPLACEMENT DATA					
			AEROVOX PART No.	CENTRALAB PART No.	CORNELL-DUBILIER PART No.	ELMENCO PART No.	MALLORY PART No.	SPRAGUE PART No.
C9		#7293221						
C10	2	NPO	NPO-DI 2.2	DTZ-2R2	CZ601CJ2R2D	CCTO-2R2	CN0512	10TCC-V22
C11	270		DI-270	DD-271	RR05CW271K	CCD-271	GP327	5GA-T27
C12	270		DI-270	DD-271	RR05CW271K	CCD-271	GP327	5GA-T27
C13		#7291003						
C14	56			TCZ-56		CCTO-560	CN0456	10TCC-Q56
C15	10	NPO	NPO-DI 10	DTZ-10	CZ601CG100J	CCTO-100	CN0410	10TCC-Q10
C16	180			DD-181	JBZ601YP181K	CCD-181	GP318	5GA-T18
C17	270		DI-270	DD-271	RR05CW271K	CCD-271	GP327	5GA-T27
C18	270		DI-270	DD-271	RR05CW271K	CCD-271	GP327	5GA-T27
C19	.01		BPD-01	DD-103	BYV102ZU103M	CCD-103	B110	5HK-S10
C20	.01		BPD-01	DD-103	BYV102ZU103M	CCD-103	B110	5HK-S10
C21	1.5	NPO	NPO-DI 1.0	TCZ-1			CN0510	10TCC-V10
C22	1	NPO	NPO-DI 1.0	TCZ-1			CN0510	10TCC-V10
C23	270		DI-270	DD-271	RR05CW271K	CCD-271	GP327	5GA-T27
C24	3.3	N750		TCN-3R3			CN7533	10TCU-V33
C25		#7292611						

PARTS LIST AND DESCRIPTION (CONTINUED)

(When ordering parts, state Model, Part Number, and Description.)

Replacement parts shown may be superseded by the availability of newly introduced replacements.
Have your local distributor check Sams COUNTER FACTS® for the most up-to-date replacement.

CAPACITORS

ITEM No.	RATING	REMARKS	REPLACEMENT DATA					
			AEROVOX PART No.	CENTRALAB PART No.	CORNELL-DUBILIER PART No.	ELMENCO PART No.	MALLORY PART No.	SPRAGUE PART No.
C28	6.8 NPO		NPO-DI 6.8	DTZ-6R8	CZ601CH6R8D	CCTO-6R8	CN0568	10TCC-V68
C27	4.7 N470		DI-270	DD-271	RR05CW271K	CCD-271	GP327	10TCT-V47
C28	270		DI-2200	CF-222	JBX601YP222K	CCD-222	JF222	5GA-T27
C29	.05		TTD-05	CK-503	HOV101ZV503Z	CCD-503	TA150	TH-S50
C30	.0022		BPD-01	DD-103	BYV102ZU103M	CCD-103	B110	10TS-D22
C31	.05		TTD-05	CK-503	HCZ3R0XR503P	CCD-103	TA150	TG-S50
C32	.01		BPD-01	DD-103	BYV102ZU103M	CCD-103	B110	5HK-S10
C33	.01		BPD-01	DD-103	BYV102ZU103M	CCD-103	B110	5HK-S10
C34	.01		BPD-01	DD-103	BYV102ZU103M	CCD-103	B110	5HK-S10
C35	.01		BPD-01	DD-103	BYV102ZU103M	CCD-103	B110	5HK-S10
C36	10 NPO		NPO-DI 10	DTZ-10	CZ601CG100J	CCTO-100	CN0410	10TCC-Q10
C37	.01		BPD-01	DD-103	BYV102ZU103M	CCD-103	B110	5HK-S10
C38	.01		BPD-01	DD-103	BYV102ZU103M	CCD-103	B110	5HK-S10
C39	.05		TTD-05	CK-503	HOV101ZV503Z	CCD-103	TA150	TH-S50
C40	.01		BPD-01	DD-103	BYV102ZU103M	CCD-103	B110	5HK-S10
C41	330		DI-330	DD-331	JBZ601YP331K	CCD-331	GP331	10TS-T33
C42	330		DI-330	DD-331	JBZ601YP331K	CCD-331	JF333	10TS-T33
C43	330		DI-330	DD-331	JBZ601YP331K	CCD-331	JF333	10TS-T33
C44		#7283618						
C45	.15		TTD-1	CK-104	HOV101ZV104Z		TA010	TG-P10
C46	3.3 NPO		NPO-DI 3.0	DTZ-3R3		CCTO-3R3	CN0533	10TCC-V30
C47	91 N750			TCN-91	HOV101ZV503Z		TA150	TH-S50
C48	.05		TTD-05					
C49		#7295193						
C50	200 N750		N750-DI 200	DTN-200		CCTN-201	CN7320	10TCU-T20
C51	.0068 75V		DBE6D68	CPR-6800J	WMF1D68	1DP-1-682	PVC4268	6PS-D68
C52	.022		BPD-02	DD-203	BYT601ZU203Z	CCD-203	B120	5HK-S20
C53	165 N330							
C54	165 N330							
C55		#7295192						
C56	.0047 75V		DBE6D47	CPR-4700J	WMF1S47	6DP-1-472	PVC6247	6PS-D47
C57	.001		BPD-001	DD-102	HVX182XP102M	CCD-102	B210	5HK-D10
C58	.05		TTD-05		HOV101ZV503Z		TA150	TH-S50
C59	.05		TTD-05		HOV101ZV503Z		TA150	TH-S50
C60	180 N080							10CTCN-T80
C61	.1		TTD-1	CK-104	HOV101ZV104Z		TA010	TG-P10
C62	.001		BPD-001	DD-102	HVX182XP102M	CCD-102	B210	5HK-D10
C63	.012 75V		DBE6S12	CPR-10000J	DPMS8S12	8DP-2-123	PVC6112	6PS-S12
C64	.012 75V		DBE6S12	CPR-10000J	DPMS8S12	8DP-2-123	PVC6112	6PS-S12
C65	.047 75V		DBE2S47	CK-104	DMF2S47	4DP-3-473	PVC2147	2PS-S47
C66	.15 75V		DBE4P15		DMF4P15	4DP-4-154	PVC8015	4PS-P15
C67	470		DI-470	DD-471	JBZ601YP471K	CCD-471	JF347	10TS-T47
C68	270		DI-270	DD-271	RR05CW271K	CCD-271	GP327	5GA-T27
C69	.033		TTD-03	CK-303				TG-S30
C70	1mfd 75V	①		UK-105	HXC3R0XR105P		MAG31	HY-135
C71	.15 75V	①			WMF1P15	1DP-1-154	PVC1015	2PS-P15
C72		#7271564						

* Not normally in distributor's stock. Available thru distributor on order to manufacturer.
Delco Part Number. ① Not used in some versions.

OLDSMOBILE MODEL 7293653

CONTROLS

All wattages 1/2 watt, or less, unless otherwise listed.

ITEM No.	USE	RESISTANCE	REPLACEMENT DATA					
			DELCO PART No.	CENTRALAB PART No.	CLAROSTAT PART No.	CTS-IRC PART No.	MALLORY PART No.	
R1A	Tone	100K	7295254	F1-100K, R14-25K			† QJ-2231A	
B	Volume	20K Tap @ 8000Ω		FFS106, RFS202, BB102, SB004, KR-4				
R2	Bias	600Ω 2W	7286601	V-600	U39-600	110-600		MR600P

† "CONCENTRIKIT" Equivalent: K8 Kit, with Base Elements and Shafts: B11-128, P17-112 (Panel)
B19-119X, R9-202 (Rear)
S7 ① (Bushing)
N4 (Spacer Nut)
76-1 (Switch)

"SNAPTROL" Equivalent: BU8 ①, CF13, CR50T, SF10, SR13, N4, GC.
① Alter bushing and adjust spacer nut to meet requirements.

RESISTORS (Power and Special)

ITEM No.	RATING	REPLACEMENT DATA			ITEM No.	RATING	REPLACEMENT DATA		
		IRC PART No.	WORKMAN PART No.	DELCO PART No.			IRC PART No.	WORKMAN PART No.	DELCO PART No.
R66	.47Ω (Fusible)			7281890					

PARTS LIST AND DESCRIPTION (CONTINUED)

(When ordering parts, state Model, Part Number, and Description.)

Replacement parts shown may be superseded by the availability of newly introduced replacements.
Have your local distributor check Sams COUNTER FACTS® for the most up-to-date replacement.

COILS (RF-IF)

ITEM No.	USE	REPLACEMENT DATA				
		DELCO PART No.	MEISSNER Part No.	MERIT PART No.	MILLER PART No.	WORKMAN PART No.
L1	FM Antenna	①				
L2	FM RF	①				
L3	FM IF Trap (.18uh)	7291800				
L4	FM Oscillator	①				
L5	1st. FM IF	7296100				
L6	2nd. FM IF	7296101				
L7	3rd. FM IF	7296102				
L8	Ratio Detector	7296103				
L9	RF Choke (8uh)	7255738	19-1009	BC-545	4611	T822
L10	AM Antenna	①				
L11	AM RF	①				
L12	AM Oscillator	①				
L13	1st. AM IF	7295169				
L14	2nd. AM IF	7295170				

① Part of M1.

FILTER CHOKE

ITEM No.	RATINGS			REPLACEMENT DATA					NOTES
	CURRENT (Measured)	DC RES.	INDUCTANCE (0 CURRENT 1000~)	DELCO PART No.	MERIT PART No.	STANCOR PART No.	THORDARSON PART No.	TRIAD PART No.	
L15	1.3 Amp.	.6Ω	8MH	1221623					

CHOKE (AUDIO OUTPUT)

ITEM No.	INDUCTANCE	REPLACEMENT DATA					NOTES
		DELCO PART No.	MERIT PART No.	STANCOR PART No.	THORDARSON PART No.	TRIAD PART No.	
L16	30MH	1222297	C-4095	TC-2	TR-154	TY17XT	

SPEAKER

ITEM No.	TYPE	REPLACEMENT DATA		NOTES
		DELCO PART No.	QUAM PART No.	
SP1	4" x 10" PM 10Ω	7289669	410A2Z10	

FUSE DEVICES

ITEM No.	TYPE	RATING	REPLACEMENT DATA						
			PART No.		LITTELFUSE PART No.		BUSS PART No.		
			FUSE	HOLDER	FUSE	HOLDER	FUSE	HOLDER	
F1	SFE 9	9 Amp.		In Fuse Block		307009		SFE 9	

MISCELLANEOUS

ITEM No.	PART NAME	DELCO PART No.	NOTES
M1	Tuning Coll Assy.	7295149	
M2	Jumper Plug	7296020	
S1	AM-FM Selector Switch	1222239	

CABINETS & CABINET PARTS

(When Ordering Specify Model, Chassis & Color)

ITEM	PART No.	ITEM	PART No.
Dial Drum	7296383	Knob-Tuning or Volume	387511
Escutcheon	7295916	Knob-Tone	387512
Dial Pointer	1222237	Knob-Dummy	387513
Pushbutton	7289720		

WIRING DATA

General-use Unshielded Hook-up Wire	Use BELDEN No. 8530 (Solid) Available in 12 Colors 8524 (Stranded) Available in 12 Colors
Shielded Hook-up Wire	Use BELDEN No. 8885
Rear Seat Speaker Extension Cable	Use BELDEN No. 8782 (Stranded) Coded Parallel Leads
Bonding Strap	Use BELDEN No. 8661 (3/8 In.) or 8670 (3/4 In.)



PHOTOFACT[®] with

CIRCUITRACE[®]

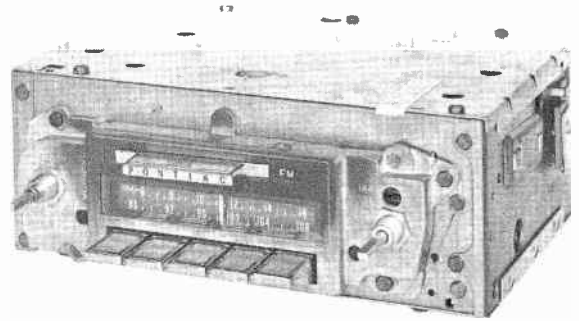
TRADE NAME : Pontiac Models:
7293472 (1966 Tempest)
7294342 (1966 Pontiac)
SUPPLIER : For Current Address, See Annual Index.

TYPE SET : 13 Transistor AM-FM Receiver

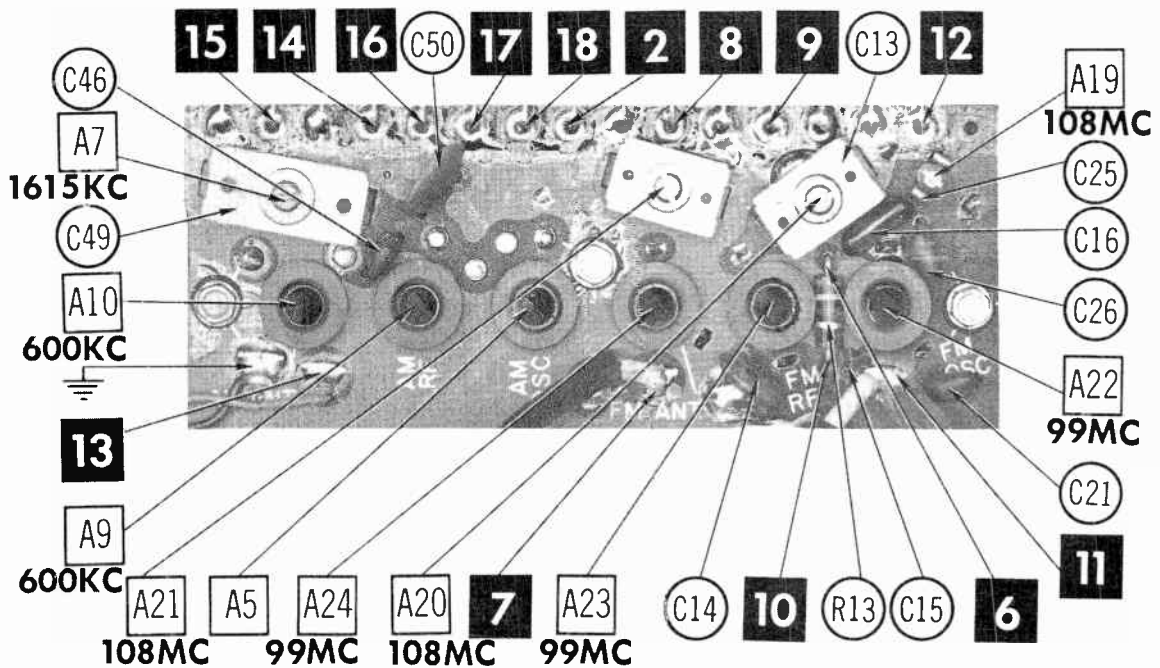
POWER SUPPLY : 12 Volt Storage Battery

RATING : 1.3 Amp. @ 12.6 Volts DC

TUNING RANGE: BROADCAST: 540-1615KC
FREQ. MOD: 88-108MC



PONTIAC MODELS 7293472, 7294342

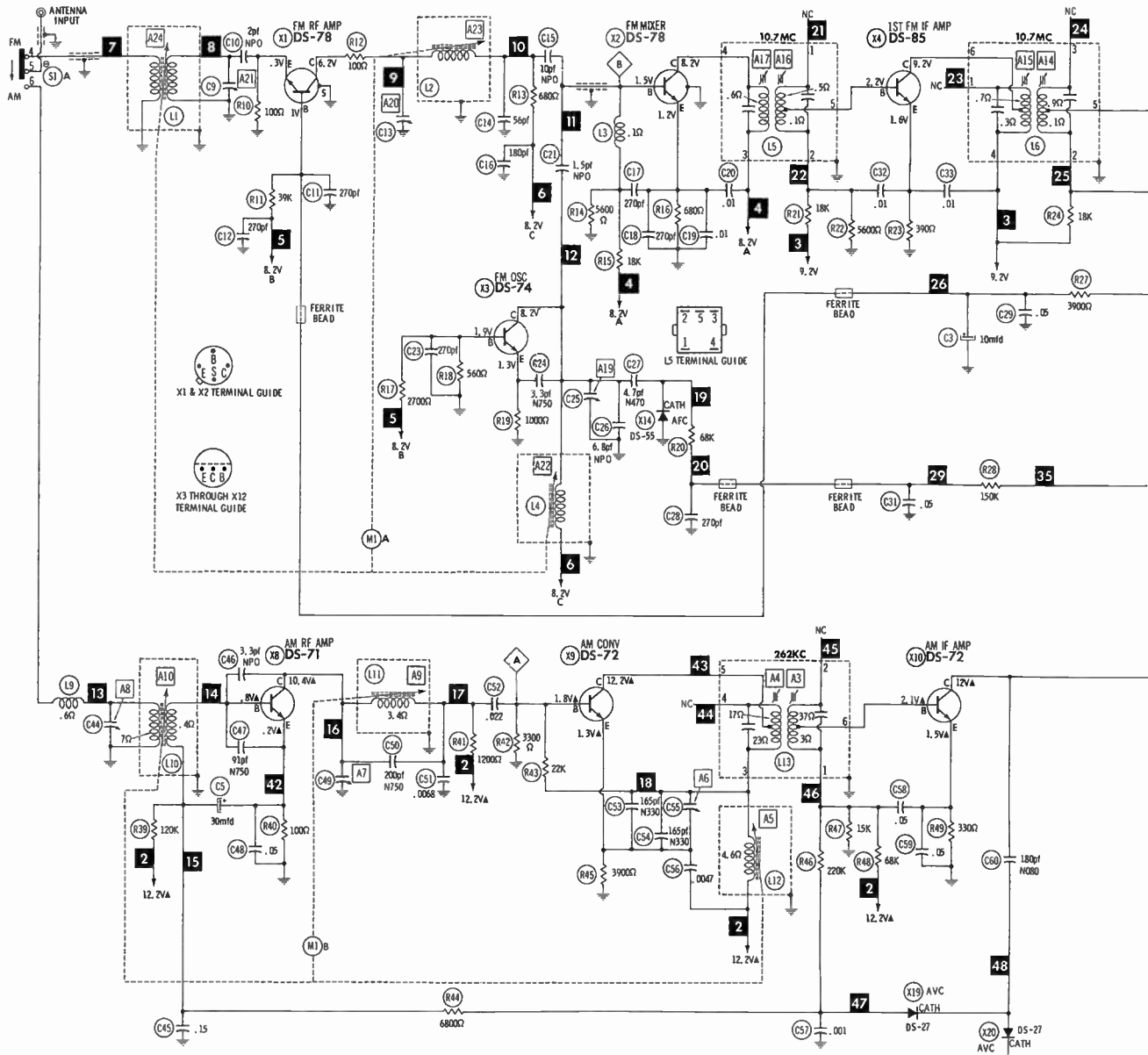


A Howard W. Sams CIRCUITRACE Photo

HOWARD W. SAMS & CO., INC. Indianapolis, Indiana 46206

© 1966 Howard W. Sams & Co., Inc. Printed in U. S. of America RD695

World Radio History



All measurements taken in "FM" position unless otherwise designated.

Resistors are 1/2 watt or less and rated 10% or 20% unless otherwise indicated.

▲ Measured in "AM" position.

* Not used in some versions.

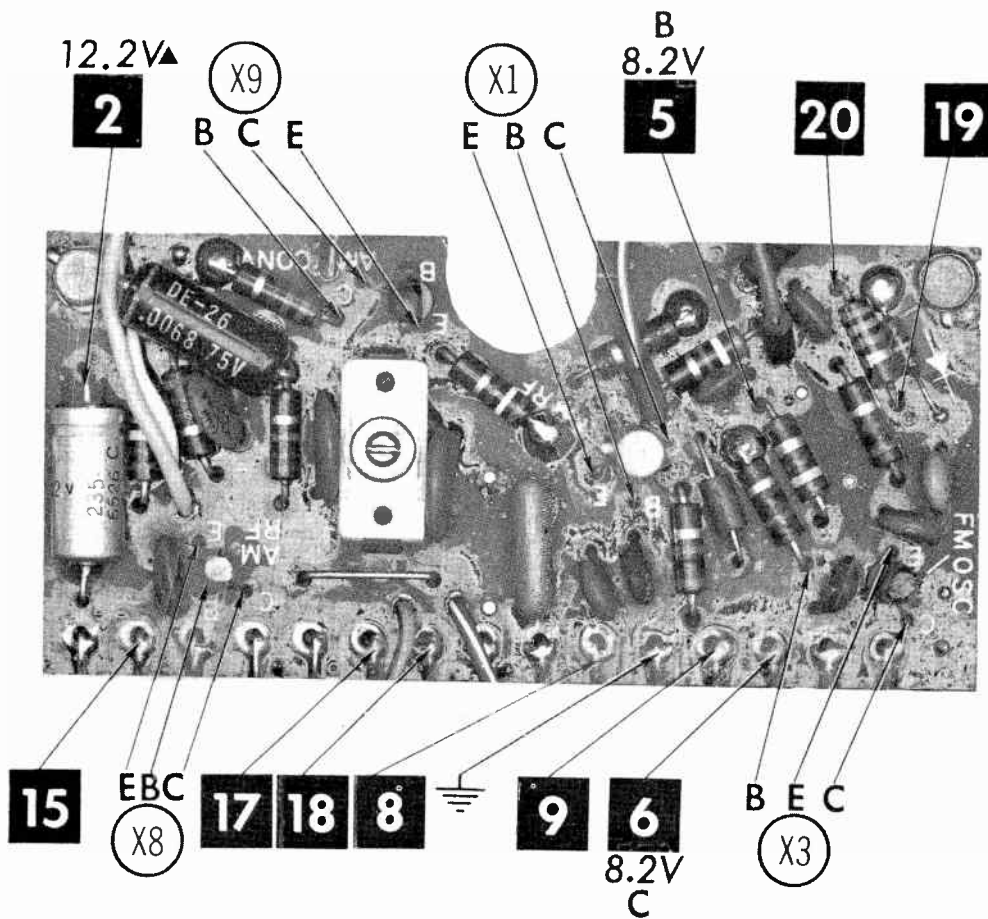
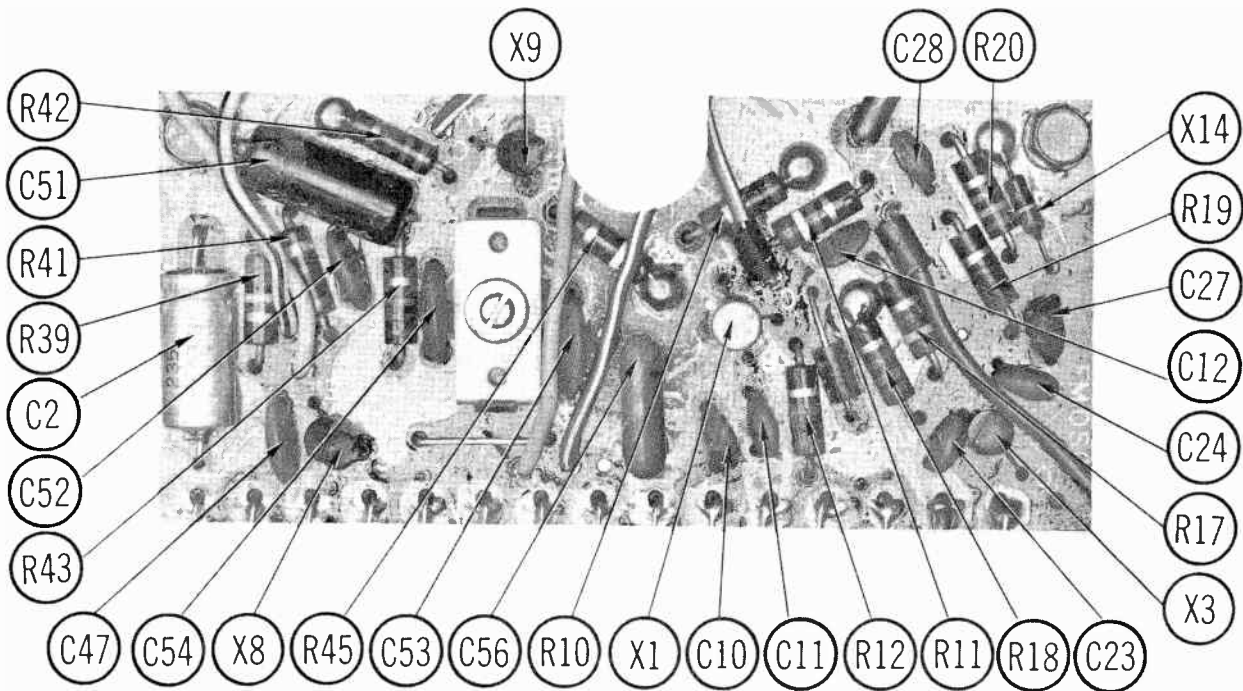
NC No Connection

⊙ See parts list

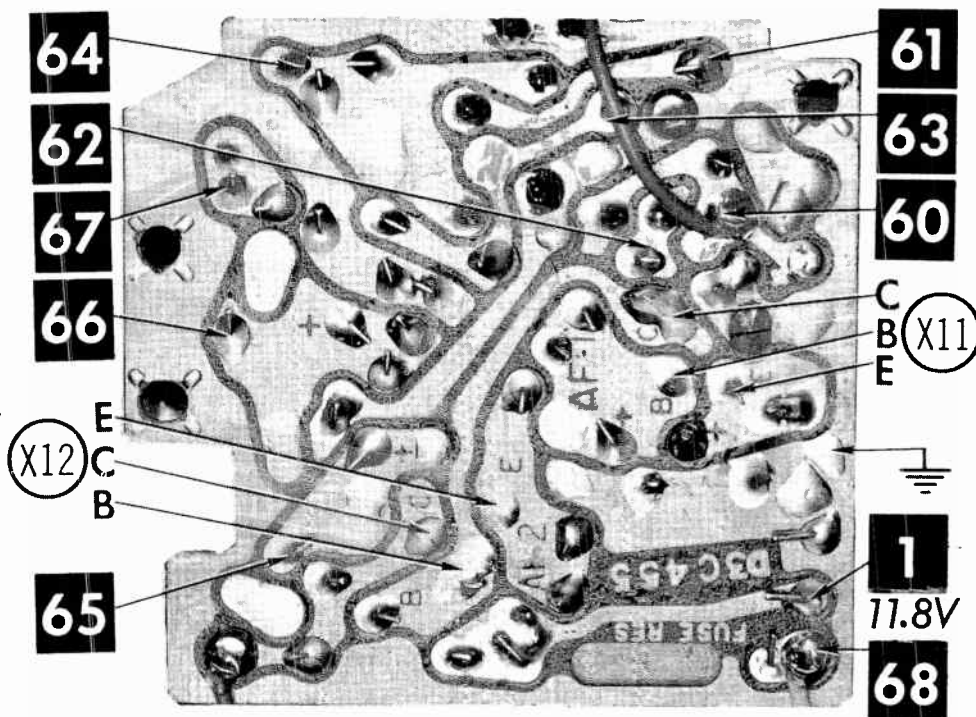
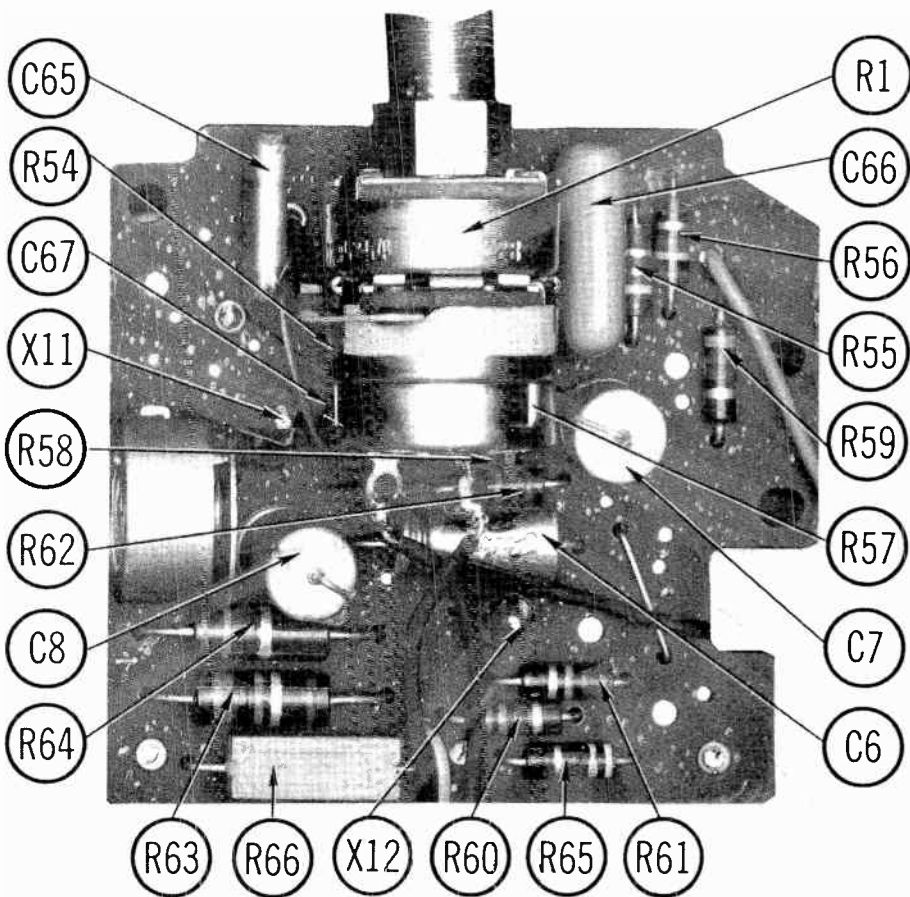
1. Voltage measurements taken with vacuum tube voltmeter.
2. All controls set for normal operation, no signal applied.
3. Measured values are from socket pin or terminal to common ground.
4. All terminals viewed from bottom unless otherwise designated.
5. Numbers assigned to terminals may not be found on the unit.
6. Supply voltage maintained at rated value for voltage readings.
7. Resistance measurements not given because of the wide variation in internal resistance of transistor.

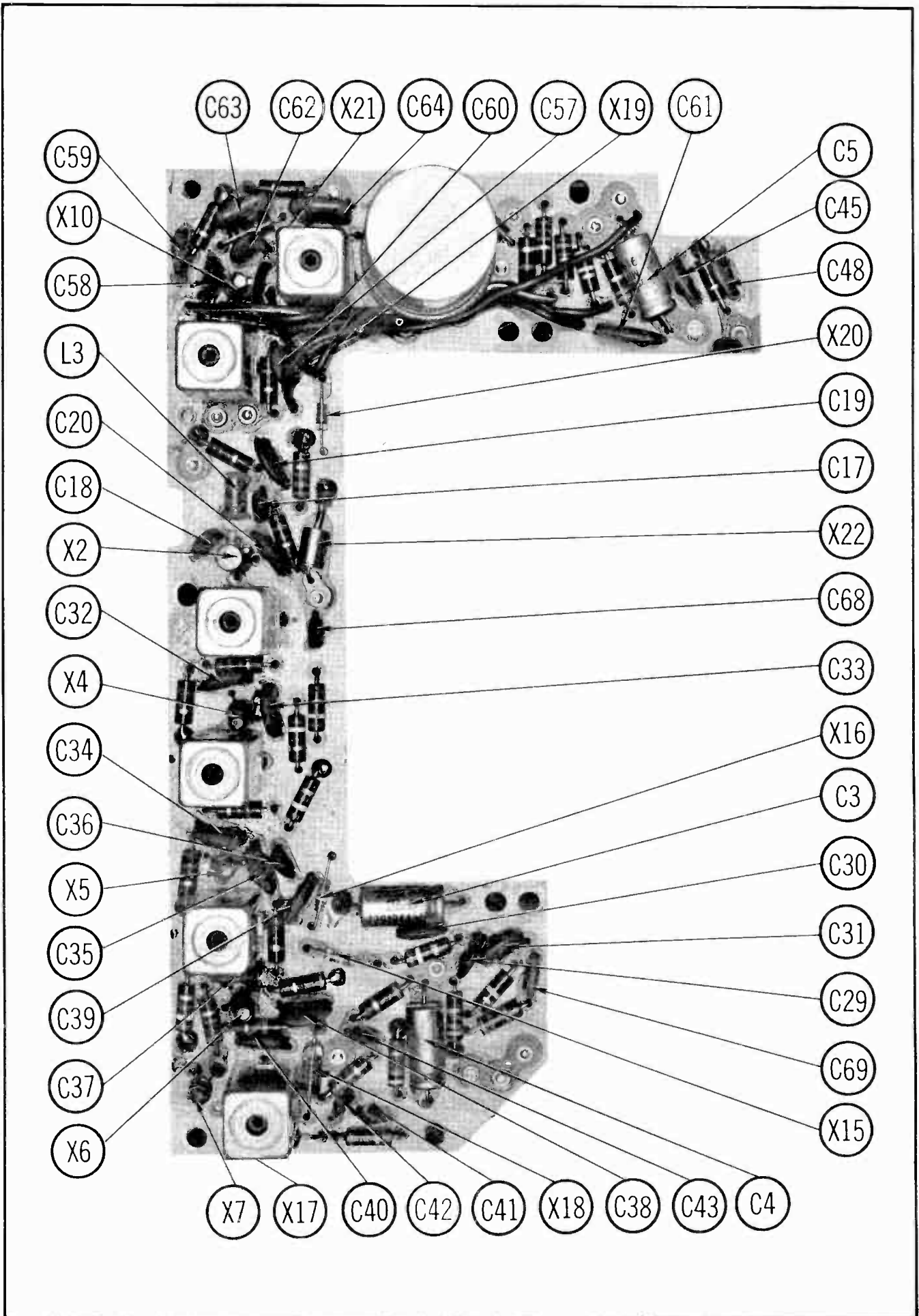
A PHOTOFACT STANDARD NOTATION SCHEMATIC with **CIRCUITRACE**

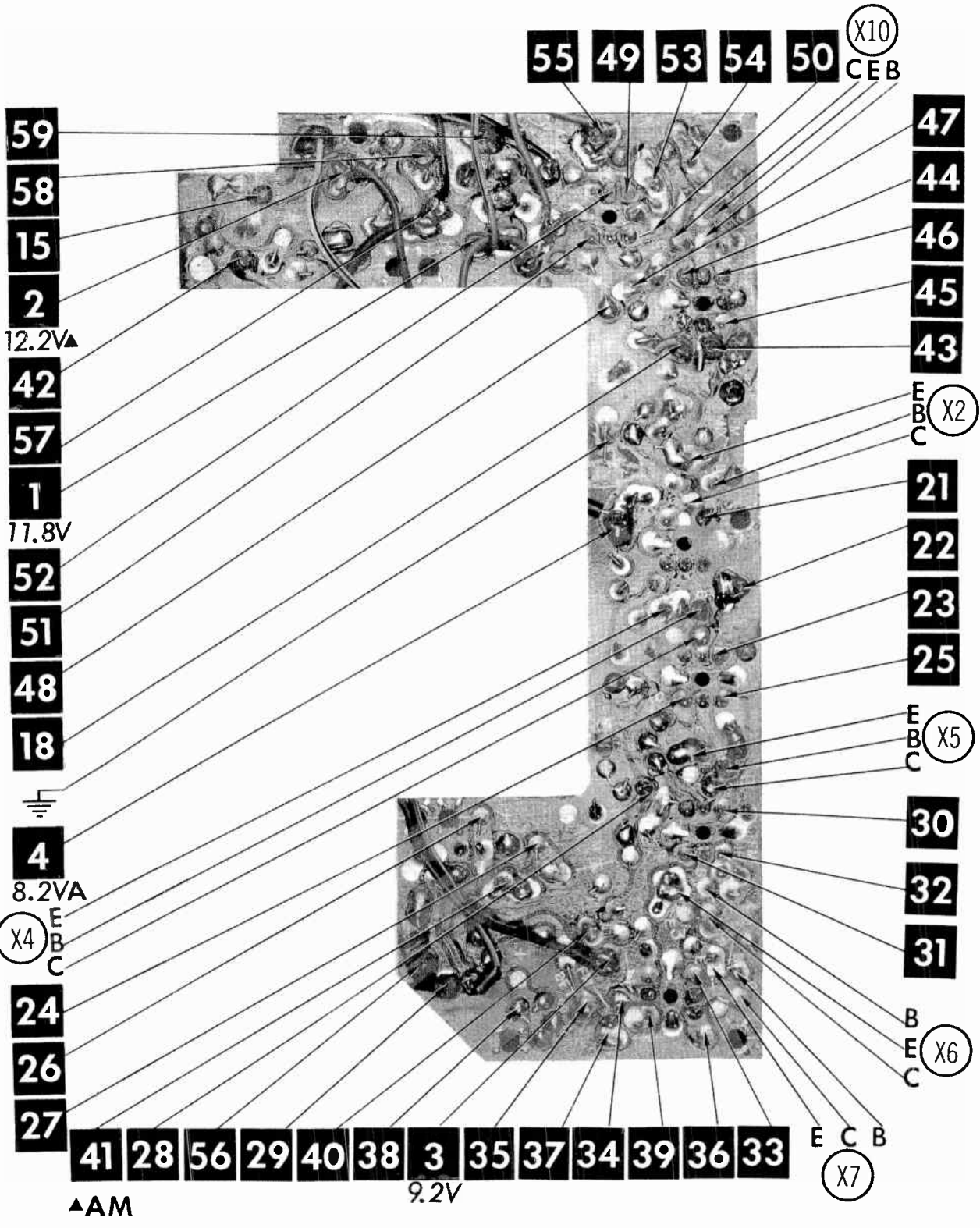
© Howard W. Sams & Co., Inc. 1966

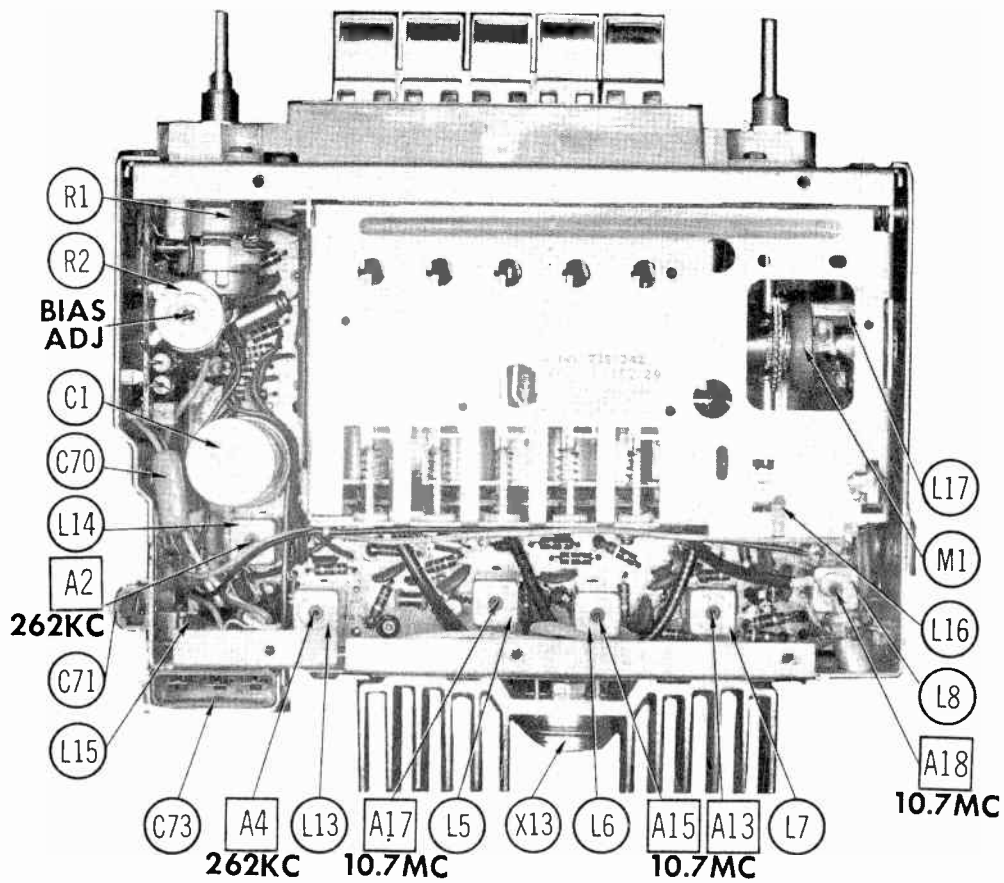
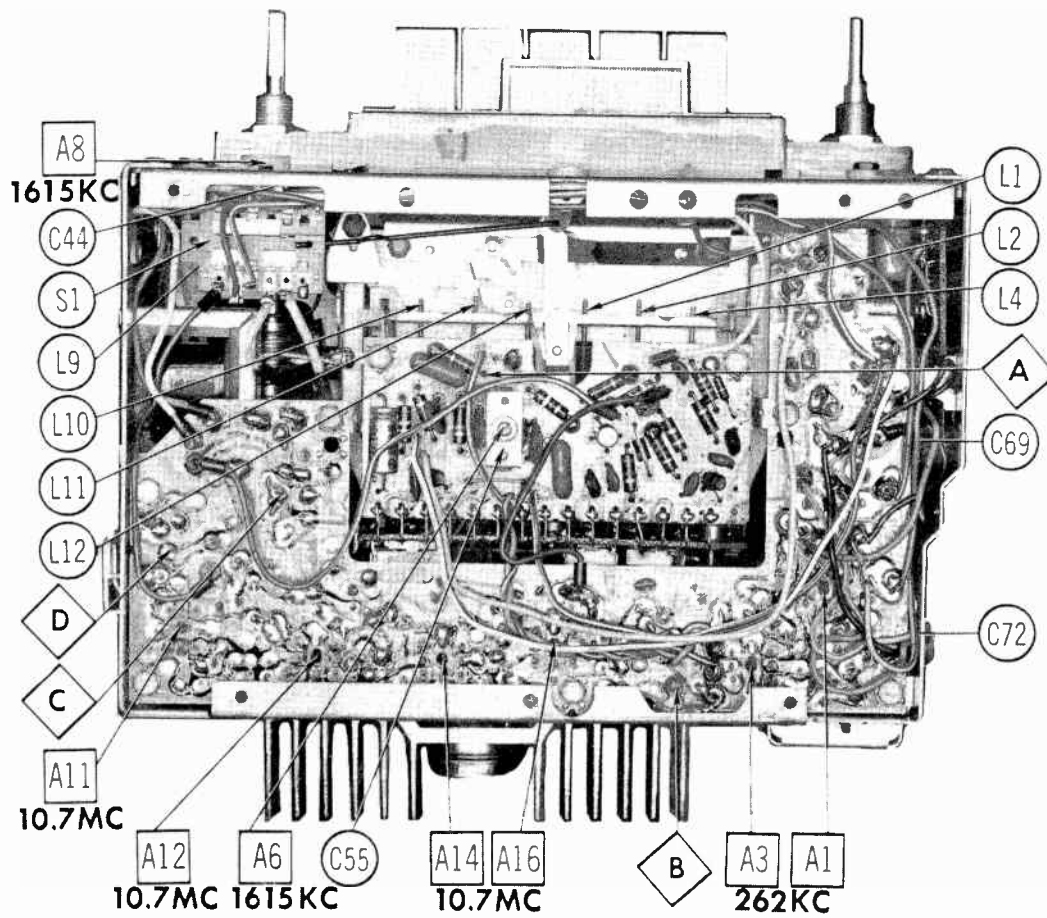


▲ AM

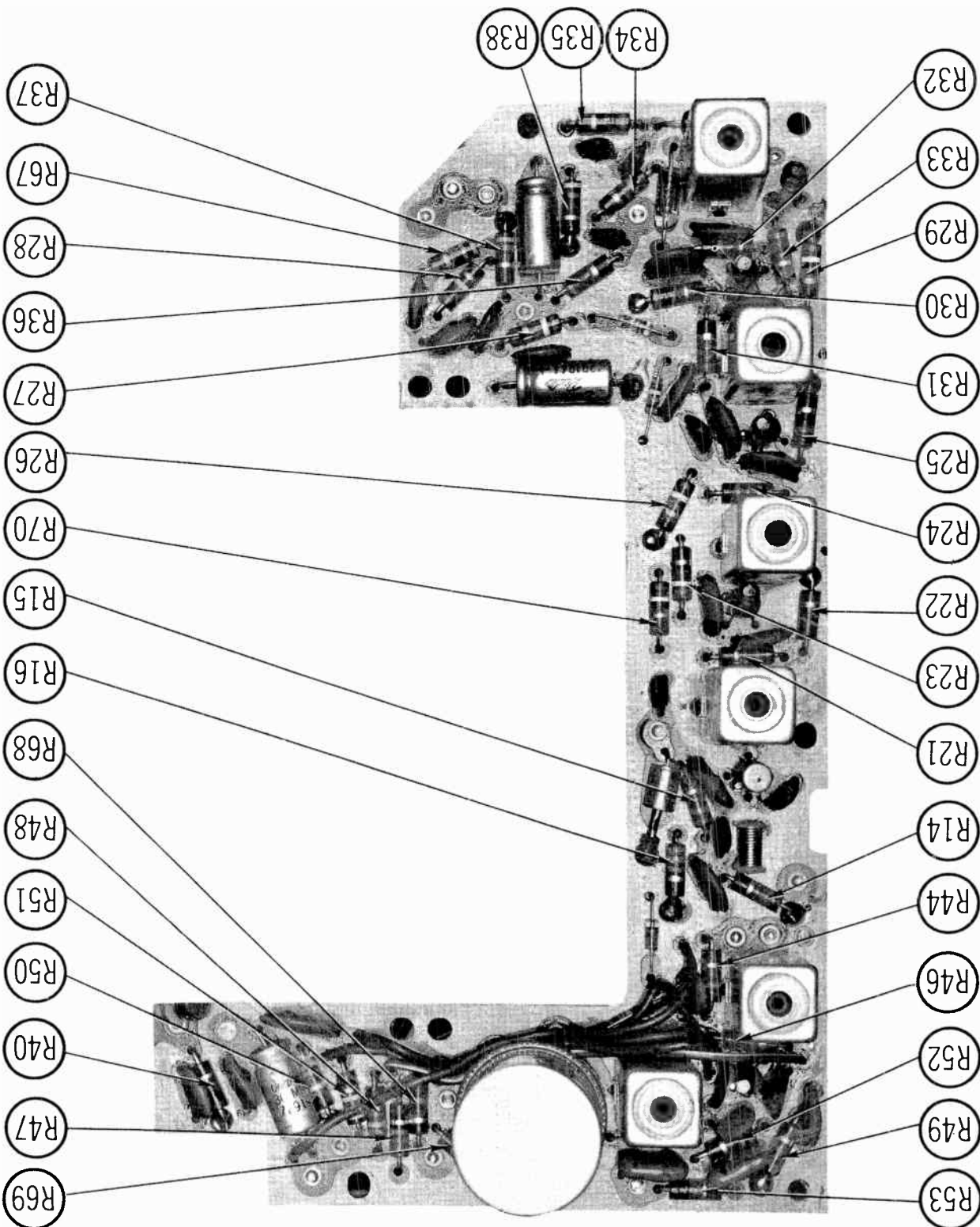








PONTIAC MODELS 7293472, 7294342



PARTS LIST AND DESCRIPTION

(When ordering parts, state Model, Part Number, and Description.)

Replacement parts shown may be superseded by the availability of newly introduced replacements.
Have your local distributor check Sams COUNTER FACTS[®] for the most up-to-date replacement.

WIRING DATA

General-use Unshielded Hook-up Wire	Use BELDEN No. 8530 (Solid) Available in 12 Colors 8524 (Stranded) Available in 12 Colors
Shielded Hook-up Wire	Use BELDEN No. 8885
Rear Seat Speaker Extension Cable	Use BELDEN No. 8782 (Stranded) Coded Parallel Leads
Bonding Strap	Use BELDEN No. 8661 (3/8 in.) or 8670 (3/4 in.)

TRANSISTORS

ITEM No.	ORIG. TYPE	USE	REPLACEMENT DATA			NOTES
			DELCO PART No.	GENERAL ELECTRIC PART No.	RCA PART No.	
X1	DS-78	FM RF Amp.	DS-81	GE-11	SK-3018	NPN
X2	DS-78	FM Mixer	DS-81	GE-11	SK-3018	NPN
X3	DS-74	FM Oscillator	DS-74	GE-11	SK-3018	NPN
X4	DS-85	1st. FM IF	DS-74	GE-11	SK-3020	NPN
X5	DS-85	2nd. FM IF	DS-74	GE-11	SK-3020	NPN
X6	DS-73	3rd. FM IF	DS-74	GE-11	SK-3020	NPN
X7	DS-85	FM Limiter	DS-74	GE-11	SK-3020	NPN
X8	DS-71	AM RF Amp.	DS-75	GE-11	SK-3020	NPN
X9	DS-72	AM Converter	DS-75	GE-11	SK-3020	NPN
X10	DS-72	AM IF	DS-75	GE-11	SK-3020	NPN
X11	DS-66	AF Amp.	DS-66	GE-10	SK-3020	NPN
X12	DS-66	AF Amp.	DS-66	GE-10	SK-3020	NPN
X13	DS-501	Output	DS-501	GE-4	SK-3012	PNP *

* When replacing, apply silicone grease to both sides of insulator. Tighten mounting screws securely. Check bias adjustment.

POWER RECTIFIERS & SIGNAL DIODES

ITEM No.	MEASURED CURRENT	ORIGINAL Part or Type No.	RECTIFIERS & DIODES		RECTIFIERS		
			GENERAL ELECTRIC PART No.	INTERNATIONAL RECTIFIER PART No.	MALLORY PART No.	RCA PART No.	SARKES TARZIAN PART No.
X14		DS-55	1N34AS	1N34A			
X15		DS-27	1N34AS	1N34A			
X16		DS-27	1N34AS	1N34A			
X17		DS-39 ①	1N34AS	1N34A			
X18		DS-39 ①	1N34AS	1N34A			
X19		DS-27	1N34AS	1N34A			
X20		DS-27	1N34AS	1N34A			
X21		DS-27	1N34AS	1N34A			
X22		DS-49 (Zener)					

① Matched Pair.

ELECTROLYTIC CAPACITORS

ITEM No.	RATING		DELCO PART No.	REPLACEMENT DATA				
	CAP.	VOLT.		AEROVOX PART No.	CORNELL-DUBILIER PART No.	GENERAL ELECTRIC PART No.	MALLORY PART No.	SPRAGUE PART No.
C1A	1000	16	7283675	AFH3-54-41	CC0006		FPS-300, 91	PCLS-3021, 8*
B	500	16						
C	4	11.5rms						
C2	10	12	729273B	PTT53	NLW10-15	MT1-5	TT12X10	TL-1128
C3	10	12	7292738	PTT53	NLW10-15	MT1-5	TT12X10	TL-1128
C4	3	12	7291866	PTT50	NLW3-15	MT1-3	TT12X3	TE-1122
C5	30	6	7279895	PTT27	NLW30-8	MT1-13	TT6X30	TE-1092
C6	10	12	7292738	PTT53	NLW10-15	MT1-5	TT12X10	TL-1128
C7	100	4	7291810	PTT30	NLW125-6	MT1-21	TT6X100	TE-1102
C8	100	4	7291810	PTT30	NLW125-6	MT1-21	TT6X100	TE-1102

* Not normally in distributor's stock. Available thru distributor on order to manufacturer.

CAPACITORS

ITEM No.	RATING	REMARKS	REPLACEMENT DATA						
			AEROVOX PART No.	CENTRALAB PART No.	CORNELL-DUBILIER PART No.	ELMENCO PART No.	MALLORY PART No.	SPRAGUE PART No.	
C9		#7293221							
C10	2	NPO	NPO-DI 2.2	DTZ-2R2	CZ801CJ2R2D	CCTO-2R2	CN0522	10TCC-V22	
C11	270		DI-270	DD-271	RR05CW271K	CCD-271	GP327	5GA-T27	
C12	270		DI-270	DD-271	RR05CW271K	CCD-271	GP327	5GA-T27	
C13		#7291003							
C14	58			TCZ-56		CCTO-560	CN0456	10TCC-Q56	
C15	10	NPO	NPO-DI 10	DTZ-10	CZ801CG100J	CCTO-100	CN0410	10TCC-Q10	
C16	180		DD-180	DD-181	JBZ801YP181K	CCD-181	GP318	5GA-T18	
C17	270		DI-270	DD-271	RR05CW271K	CCD-271	GP327	5GA-T27	
C18	270		DI-270	DD-271	RR05CW271K	CCD-271	GP327	5GA-T27	
C19	.01		BPD-01	DD-103	BYV1027U103M	CCD-103	B110	5HK-S10	
C20	.01		BPD-01	DD-103	BYV1027U103M	CCD-103	B110	5HK-S10	
C21	1.5	NPO	NPO-DI 1.0	TCZ-1			CN0510	10TCC-V10	
C22	.033		TTD-03	CK-303				TG-S30	
C23	270		DI-270	DD-271	RR05CW271K	CCD-271	GP327	5GA-T27	
C24	3.3	N750		TCN-3R3			CN7533	10TCU-V33	
C25		#7292611							
C26	6.8	NPO	NPO-DI 6.8	DTZ-6R8	CZ601CH6R8D	CCTO-6R8	CN0568	10TCC-V68	
C27	4.7	N470		DD-271	RR05CW271K	CCD-271	GP327	5GA-T27	
C28	270		DI-270	DD-271	RR05CW271K	CCD-271	GP327	5GA-T27	
C29	.05		TTD-05	CF-222	HOV101ZV5037	TA150	JF222	TH-S50	
C30	.0022		DI-2200	CF-222	JBX601YP222K	CCD-222	JF222	10TS-D22	

PONTIAC MODELS 7293472, 7294342

PARTS LIST AND DESCRIPTION (CONTINUED)

(When ordering parts, state Model, Part Number, and Description.)

Replacement parts shown may be superseded by the availability of newly introduced replacements.
Have your local distributor check Sams COUNTER FACTS[®] for the most up-to-date replacement.

CAPACITORS

ITEM No.	RATING	REMARKS	REPLACEMENT DATA					
			AEROVOX PART No.	CENTRALAB PART No.	CORNELL-DUBILIER PART No.	ELMENCO PART No.	MALLORY PART No.	SPRAGUE PART No.
C31	.05	NPO	TTD-05	CK-503	HCZ3R0XR503P	CCD-503	TA150	TG-S50
C32	.01		BPD-01	DD-103	BYV102ZU103M	CCD-103	B110	5HK-S10
C33	.01		BPD-01	DD-103	BYV102ZU103M	CCD-103	B110	5HK-S10
C34	.01		BPD-01	DD-103	BYV102ZU103M	CCD-103	B110	5HK-S10
C35	.01		BPD-01	DD-103	BYV102ZU103M	CCD-103	B110	5HK-S10
C36	10		NPO-DI 10	ETZ-10	CZ801CG100J	CCTO-100	CN0410	10TCC-Q10
C37	.01		BPD-01	DD-103	BYV102ZU103M	CCD-103	B110	5HK-S10
C38	.01		BPD-01	DD-103	BYV102ZU103M	CCD-103	B110	5HK-S10
C39	.05		TTD-05	HOV101ZV503Z			TA150	TH-S50
C40	.01		BPD-01	DD-103	BYV102ZU103M	CCD-103	B110	5HK-S10
C41	330	DI-330	DD-331	JBZ601YP331K	CCD-331	GP331	10TS-T33	
C42	330	DI-330	DD-331	JBZ601YP331K	CCD-331	JF333	10TS-T33	
C43	330	DI-330	DD-331	JBZ601YP331K	CCD-331	JF333	10TS-T33	
C44		#7294355						
C45	.15		TTD-1	CK-104	HOV101ZV104Z		TA010	TG-F10
C46	3.3	NPO	NPO-DI 3.0	DTZ-3R3		CCTO-3R3	CN0533	10TCC-V30
C47	91	N750		TCN-91				
C48	.05		TTD-05		HOV101ZV503Z		TA150	TH-S50
C49		#7295193						
C50	200	N750	N750-DI200	DTN-200		CCTN-201	CN7320	10TCU-T20
C51	.0068	75V	DBE8D68	CPR-8800J	WMF1D68	1DP-1-682	PVC4268	6PS-D68
C52	.022		BPD-02	DD-203	BYT601ZU203Z	CCD-203	B120	5HK-S20
C53	165	N330				*	*	
C54	165	N330				*	*	
C55		#7295192						
C56	.0047	75V	DBE8D47	CPR-4700J	WMF1S47	6DP-1-472	PVC6247	6PS-D47
C57	.001		BPD-001	DD-102	HVX162XP102M	CCD-102	B210	5HK-D10
C58	.05		TTD-05		HOV101ZV503Z		TA150	TH-S50
C59	.05		TTD-05		HOV101ZV503Z		TA150	TH-S50
C60	180	N080				*	*	10CTCN-T80
C61	.1		TTD-1	CK-104	HOV101ZV104Z		TA010	TG-P10
C62	.001		BPD-001	DD-102	HVX162XP102M	CCD-102	B210	5HK-D10
C63	.012	75V	DBE8S12	CPR-10000J	DPMS6S12	6DP-2-123	PVC6112	6PS-S12
C64	.012	75V	DBE8S12	CPR-10000J	DPMS6S12	6DP-2-123	PVC6112	6PS-S12
C65	.047	75V	DBE2S47	CK-104	DMF2S47	4DP-3-473	PVC2147	2PS-S47
C66	.15	75V	DBE4P15		DMF4P15	4DP-4-154	PVC6015	4PS-P15
C67	470		DI-470	DD-471	JBZ601YP471K	CCD-471	JF347	10TS-T47
C68	270		DI-270	DD-271	RR05CW271K	CCD-271	GP327	5GA-T27
C69	.15	75V	DBE4P15	UK-105	DMF4P15	4DP-4-154	PVC6015	4PS-P15
C70	.15	75V	DBE4P15		DMF4P15	4DP-4-154	PVC6015	4PS-P15
C71	220		DI-220	DD-221	JBZ601YP221K	CCD-221	GP322	10TS-T22
C72		#7271564						
C73		#7271564 ①						

* Not normally in distributor's stock. Available thru distributor on order to manufacturer.
Delco Part Number. ① Not used in some versions.

CONTROLS

All wattages 1/2 watt, or less, unless otherwise listed.

ITEM No.	USE	RESISTANCE	REPLACEMENT DATA					
			DELCO PART No.	CENTRALAB PART No.	CLAROSTAT PART No.	CTS-IRC PART No.	MALLORY PART No.	
R1A	Tone	100K	7294820 ①	F1-100K, R14-25K			† QJ-2234A	■ UE4498S
B	Volume/Switch	20K Tap @ 8000Ω		FFS100, RFS111, BB014, SB004, KR-4				
	Tone	100K	7295968 ②	F1-100K, R14-25K			†† QJ-2235A	
	Volume/Switch	20K Tap @ 8000Ω		FFS108, RFS203, BB104, SB004, KR-4				
R2	Bias	800Ω 2W	7288801	V-800	U39-600		110-600	MR600P

† "CONCENTRIKIT" Equivalent: K8 Kit, with Base Elements and Shafts: B11-128, P22-100 (Panel)
B19-119X, R16-118 (Rear)
S6 ③ (Bushing)
N4 (Spacer Nut)
76-1 (Switch)

"SNAPTROL" Equivalent: BU8 ③, CF13, CR50T, SF6, SR8, N4, GC.

†† "CONCENTRIKIT" Equivalent: K8 Kit, with Base Elements and Shafts: B11-128, P22-115 (Panel)
B19-119X, R9-202 (Rear)
S51 (Bushing)
N4 (Spacer Nut)
76-1 (Switch)

"SNAPTROL" Equivalent: BU8 ③, CF13, CR50T, SF11, SR13, N4, GC.

① Used in Model 7293472. ② Used in Model 7294342.

③ Alter bushing and adjust spacer nut to meet requirements.

■ "STA-LOC" Equivalent: FL15L, RU253T53, OS1000A, IS1825, US41.

RESISTORS (Power and Special)

ITEM No.	RATING	REPLACEMENT DATA			ITEM No.	RATING	REPLACEMENT DATA		
		IRC PART No.	WORKMAN PART No.	DELCO PART No.			IRC PART No.	WORKMAN PART No.	DELCO PART No.
R66	.47Ω (Fusible)			7281890					

PARTS LIST AND DESCRIPTION (CONTINUED)

(When ordering parts, state Model, Part Number, and Description.)

Replacement parts shown may be superseded by the availability of newly introduced replacements. Have your local distributor check Sams COUNTER FACTS® for the most up-to-date replacement.

COILS (RF-IF)

ITEM No.	USE	REPLACEMENT DATA				
		DELCO PART No.	MEISSNER Part No.	MERIT PART No.	MILLER PART No.	WORKMAN PART No.
L1	FM Antenna	①				
L2	FM RF	①				
L3	FM IF Trap (.18uh)	7291800				
L4	FM Oscillator	①				
L5	1st. FM IF	7296100				
L6	2nd. FM IF	7296101				
L7	3rd. FM IF	7296102				
L8	Ratio Detector	7296103				
L9	RF Choke (6uh)	7255738	19-1009	BC-565	4611	T822
L10	AM Antenna	①				
L11	AM RF	①				
L12	AM Oscillator	①				
L13	1st. AM IF	7295169				
L14	2nd. AM IF	7295170				
L15	Hash Choke (6uh) ① Part of M1.		19-4215	BC-537	5220	T980

SPEAKER

ITEM No.	TYPE	REPLACEMENT DATA		NOTES
		DELCO PART No.	QUAM PART No.	
SP1	4" x 10" PM 10Ω	7286462	410A2Z1D	Model: 7293472. Model: 7294342.
	4" x 10" PM 10Ω	7291442	410A2Z10	

FILTER CHOKE

ITEM No.	RATINGS			REPLACEMENT DATA					NOTES
	CURRENT (Measured)	DC RES.	INDUCTANCE (0 CURRENT 1000~)	DELCO PART No.	MERIT PART No.	STANCOR PART No.	THORDARSON PART No.	TRIAD PART No.	
L16	1.3 Amp.	.6Ω	8MH	1221623	C-4095	TC-2	TR-154	TY17XT	

CHOKE (AUDIO OUTPUT)

ITEM No.	INDUCTANCE	REPLACEMENT DATA					NOTES
		DELCO PART No.	MERIT PART No.	STANCOR PART No.	THORDARSON PART No.	TRIAD PART No.	
L17	30MH	1222297					

FUSE DEVICES

ITEM No.	TYPE	RATING	REPLACEMENT DATA					
			PART No.		LITTELFUSE PART No.		BUSS PART No.	
			FUSE	HOLDER	FUSE	HOLDER	FUSE	HOLDER
F1	SFE	9 Amp.	In Fuse Block		307009		SFE9	

MISCELLANEOUS

ITEM No.	PART NAME	DELCO PART No.	NOTES
M1	Tuner Coil Assembly	1222504	
S1	AM-FM Selector Sw.	7284009	

CABINETS & CABINET PARTS

(When Ordering Specify Model, Chassis & Color)

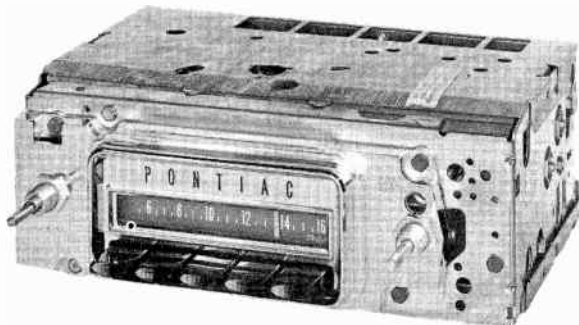
ITEM	MODEL	PART No.	ITEM	PART No.
Escutcheon	7293472	7294819	Knob-Tuning or Volume	9783650
Escutcheon	7294342	7290468	Knob-Tone	9782421
Pushbutton		7290577	Knob-Dummy	9722420

PONTIAC MODELS 7293472, 7294342



PHOTOFACT[®] with

CIRCUITRACE[®]



TRADE NAME : Pontiac Model: 7293502 (984594)
 (1966 Tempest)
 SUPPLIER : For Current Address, See Annual Index.
 TYPE SET : 6 Transistor AM Receiver
 POWER SUPPLY : 12 Volt Storage Battery
 RATING : .620 Amp. @ 12.6 Volts DC
 TUNING RANGE: BROADCAST 540-1615KC

ALIGNMENT INSTRUCTIONS

Check for specified source voltage.

Use only enough generator output to provide a usable indication.

Suggested Alignment Tools:

A1 thru A5, A9, A10.

A6, A7, A8.

GENERAL CEMENT: 5009, 8782A, 8987

WALSCO: 2531-X, 2536

GENERAL CEMENT: 8290, 8868, 9087

WALSCO: 2525, 2528, 2587

PUSH-BUTTON ADJUSTMENT

1. Pull button out.
2. Tune manually to desired station.
3. Press button in firmly.
4. Repeat for remaining buttons.

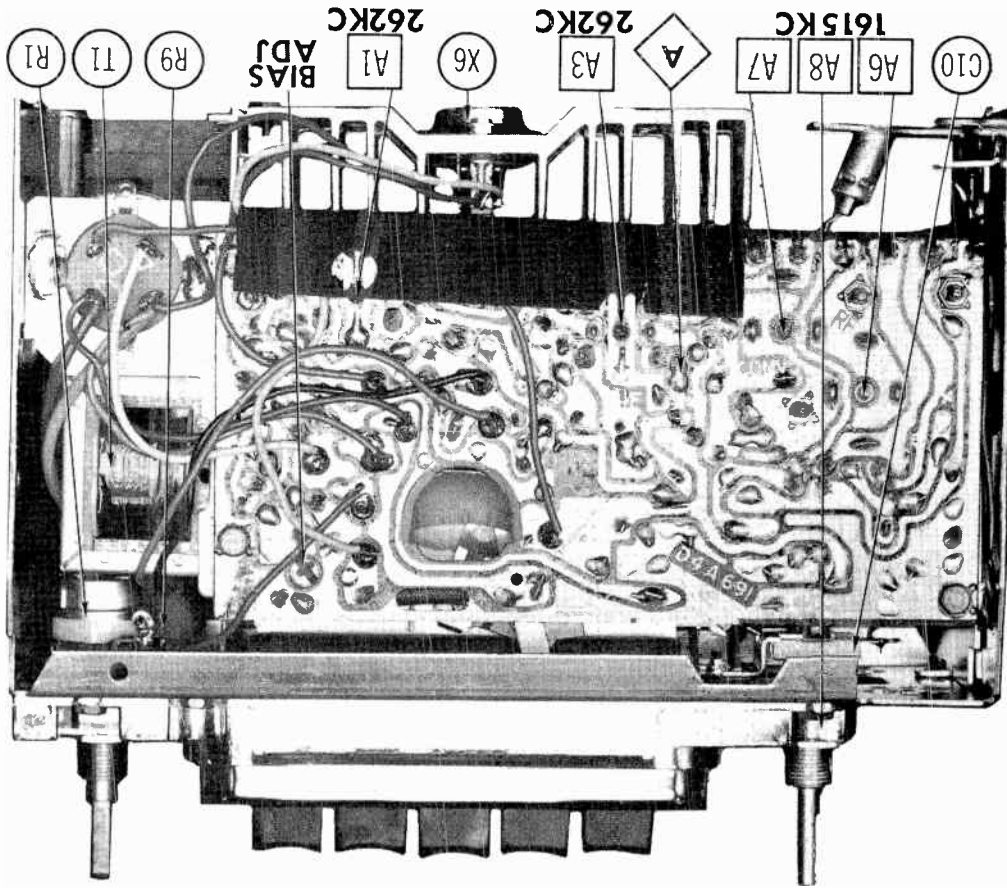
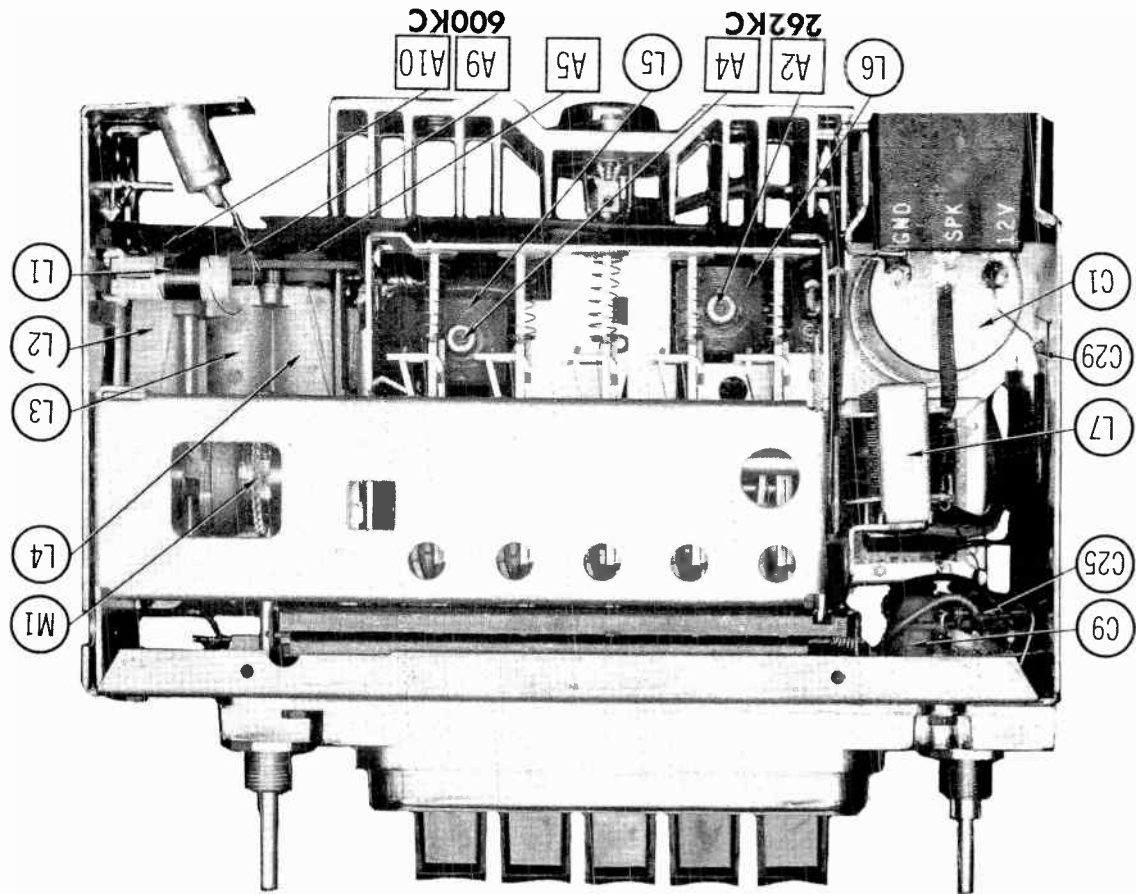
	SIGNAL GENERATOR COUPLING	SIGNAL GENERATOR FREQUENCY	RADIO DIAL SETTING	INDICATOR	ADJUST	REMARKS
1.	High side thru .1mf to point A, low side to ground.	262KC (400 μ Mod.)	High Freq. End Stop.	Output Meter across voice coil.	A1, A2, A3, A4	Adjust for maximum.
Check setting of oscillator coil core (A5). Rear of core should be 1 3/8" from mounting end of coil form.						
2.	High side thru 82mmf to antenna receptacle, low side to ground.	1615KC	High Freq. End Stop.	Output Meter across voice coil.	A6, A7, A8	Adjust for maximum.
3.	"	600KC	600KC Signal	"	A9, A10	Adjust for maximum. Repeat step 2.

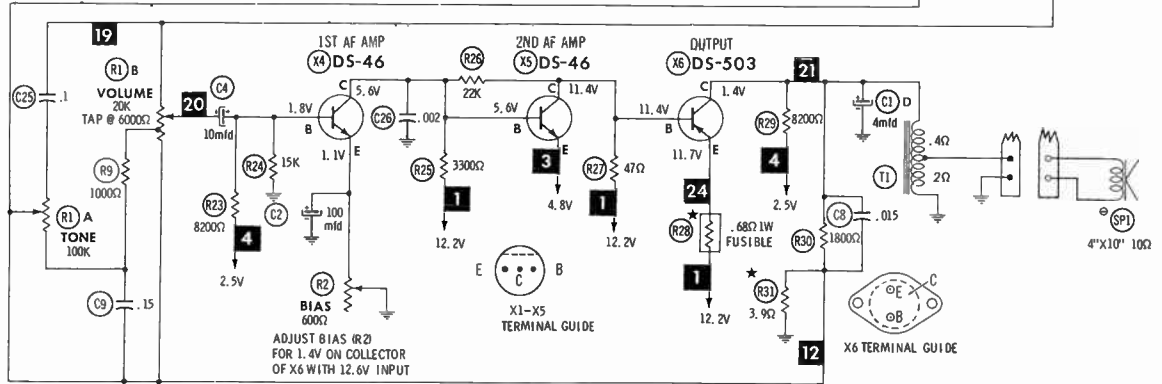
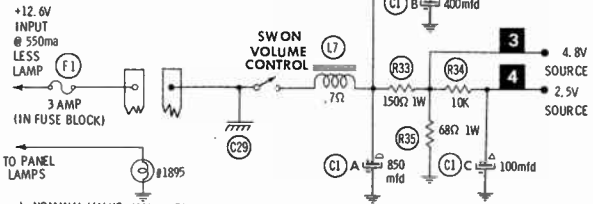
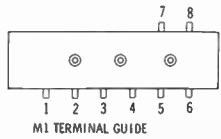
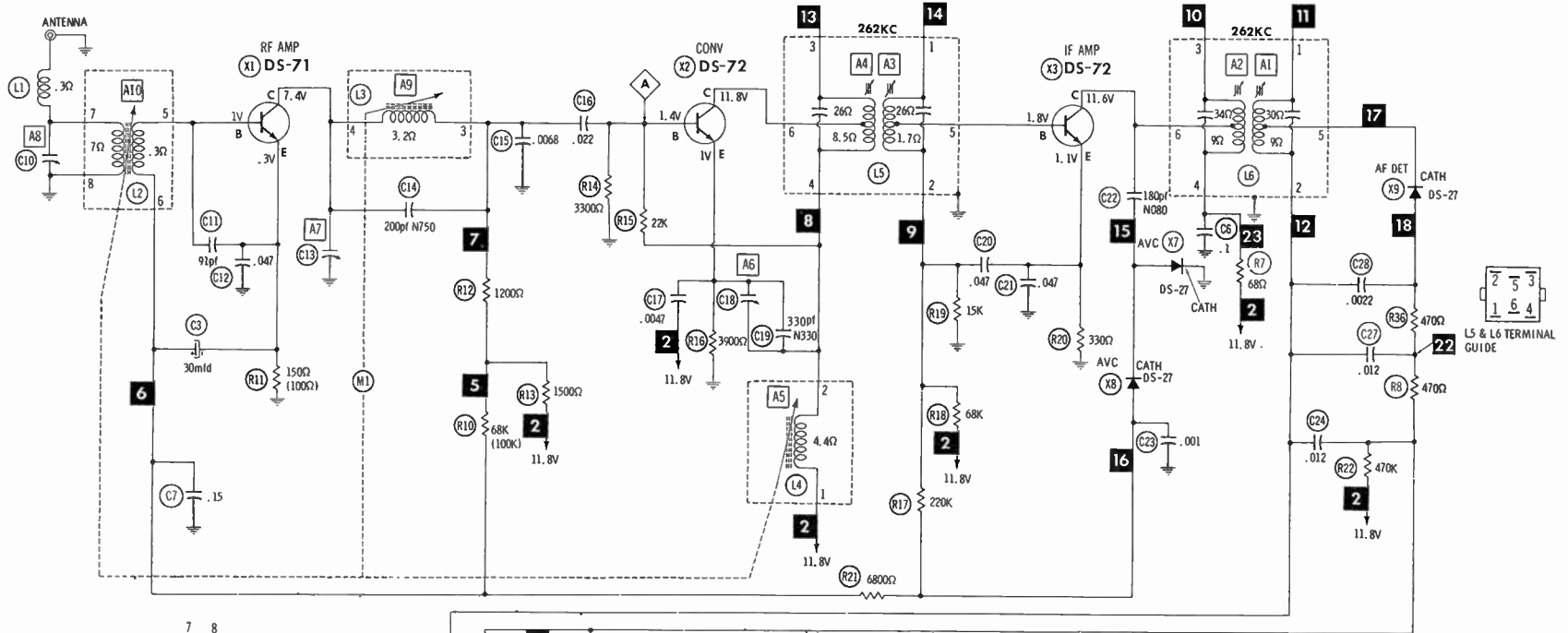
With radio installed in car and antenna fully extended, tune in a weak station near 1400KC and adjust A8 for maximum output.

Remove tuning and dummy knobs for access to antenna adjustment (A8).

PONTIAC MODEL 7293502

PONTIAC MODEL 7293502





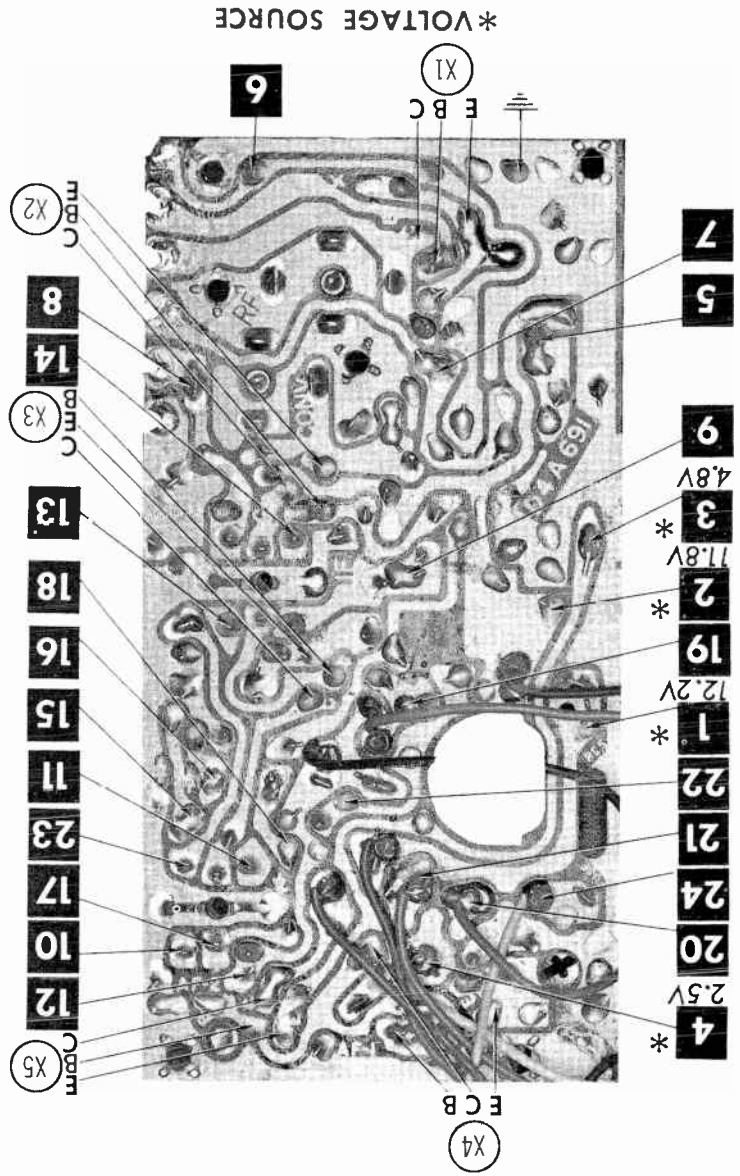
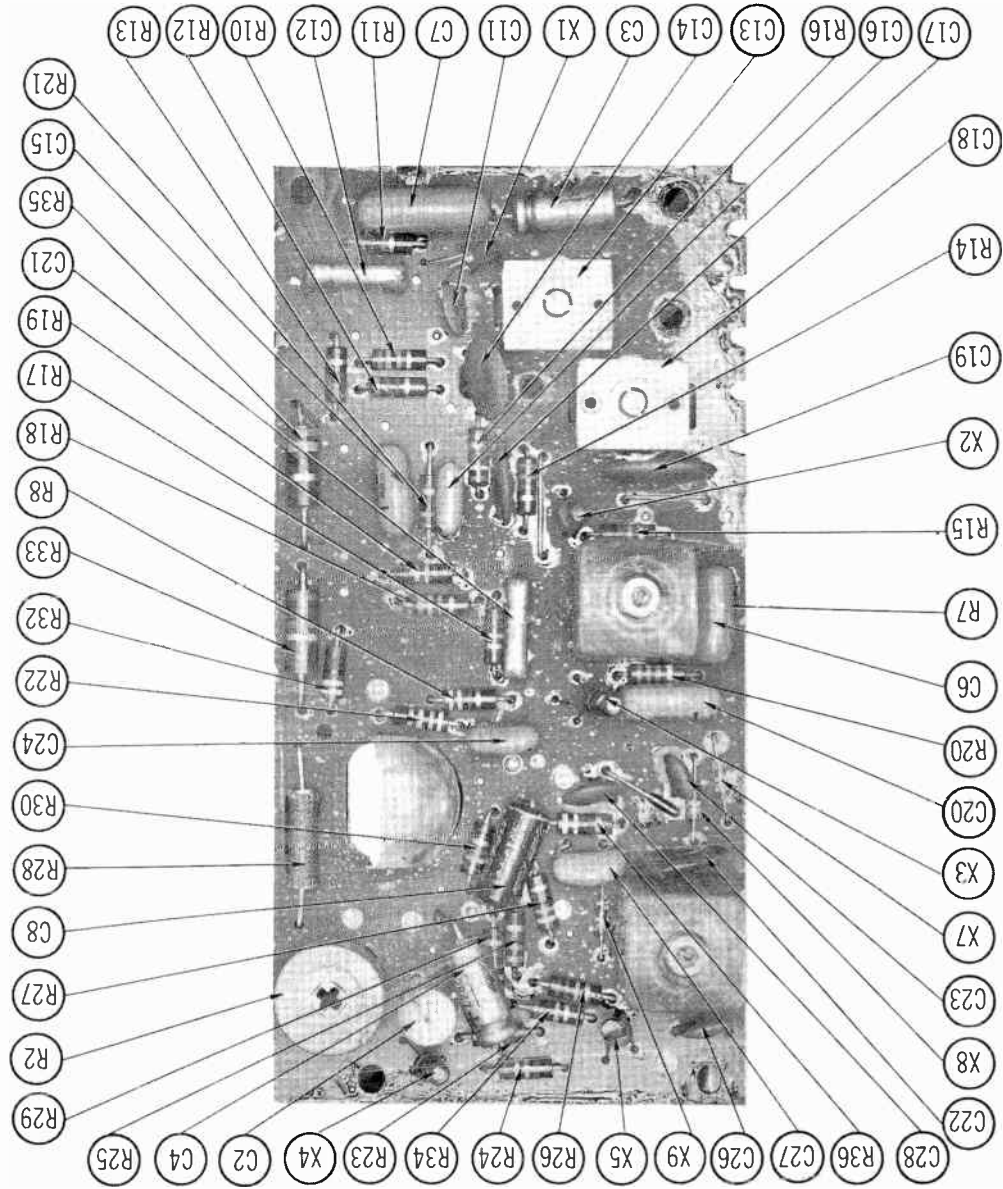
* NOMINAL VALUE, MAY VARY.
Resistors are 1/2 watt or less and rated 10% or 20% unless otherwise indicated.

A PHOTOFACIT STANDARD NOTATION SCHEMATIC with CIRCUITRACE

© Howard W. Sams & Co., Inc. 1966

- ⊙ See parts list
- 1. Voltage measurements taken with vacuum tube voltmeter.
- 2. All controls set for normal operation, no signal applied.
- 3. Measured values are from socket pin or terminal to common ground.
- 4. All terminals viewed from bottom unless otherwise designated.
- 5. Numbers assigned to terminals may not be found on the unit.
- 6. Supply voltage maintained at rated value for voltage readings.
- 7. Resistance measurements not given because of the wide variation in internal resistance of transistor.

PONTIAC MODEL 7293502



PARTS LIST AND DESCRIPTION

(When ordering parts, state Model, Part Number, and Description.)

Replacement parts shown may be superseded by the availability of newly introduced replacements.
Have your local distributor check Sams COUNTER FACTS™ for the most up-to-date replacement.

WIRING DATA

General-use Unshielded Hook-up Wire	Use BELDEN No. 8530 (Solid) Available in 12 Colors 8524 (Stranded) Available in 12 Colors
Shielded Hook-up Wire	Use BELDEN No. 8885
Rear Seat Speaker Extension Cable	Use BELDEN No. 8782 (Stranded) Coded Parallel Leads
Bonding Strap	Use BELDEN No. 8661 (3/8 In.) or 8670 (3/4 In.)

TRANSISTORS

ITEM No.	ORIG. TYPE	USE	REPLACEMENT DATA			NOTES
			DELCO PART No.	GENERAL ELECTRIC PART No.	RCA PART No.	
X1	DS-71	RF Amp.	DS-75	GE-11	SK-3020	NPN
X2	DS-72	Conv.	DS-75	GE-11	SK-3020	NPN
X3	DS-72	IF Amp.	DS-75	GE-11	SK-3020	NPN
X4	DS-46	1st. AF Amp.	DS-46	GE-10	SK-3020	NPN
X5	DS-46	2nd. AF Amp.	DS-46	GE-10	SK-3020	NPN
X6	DS-503	Output	DS-503	GE-3	SK-3009	PNP †

† When replacing, apply silicone grease to both sides of insulator. Tighten mounting screws securely. Check bias adjustment.

POWER RECTIFIERS & SIGNAL DIODES

ITEM No.	MEASURED CURRENT	ORIGINAL Part or Type No.	RECTIFIERS & DIODES		RECTIFIERS		
			GENERAL ELECTRIC PART No.	INTERNATIONAL RECTIFIER PART No.	MALLORY PART No.	RCA PART No.	SARKES TARZIAN PART No.
X7		DS-27	1N34AS	1N34A			
X8		DS-27	1N34AS	1N34A			
X9		DS-27	1N34AS	1N34A			

ELECTROLYTIC CAPACITORS

ITEM No.	RATING		DELCO PART No.	REPLACEMENT DATA				
	CAP.	VOLT.		AEROVOX PART No.	CORNELL-DUBILIER PART No.	GENERAL ELECTRIC PART No.	MALLORY PART No.	SPRAGUE PART No.
C1A	850	16	7292515	AFH4-96-10	DD0005		FP401,8	TVL-4206.1
B	400	16						
C	100	16						
D	4	11.5RMS						
C2	100	4	7291810	PTT30	NLW125-6	MT1-21	TT6X100	TE-1102
C3	30	6	7279896	PTT27	NLW30-15	MT1-13	TT6X30	TE-1092
C4	10	12	7292738	PTT53	NLW10-15	MT1-5	TT12X10	TL-1128

CAPACITORS

ITEM No.	RATING		REMARKS	REPLACEMENT DATA					
	CAP.	VOLT.		AEROVOX PART No.	CENTRALAB PART No.	CORNELL-DUBILIER PART No.	ELMENCO PART No.	MALLORY PART No.	SPRAGUE PART No.
C6	.1	75V		DBE2P1		WMF1P1	1DP-2-104	PVC101	2PS-P10
C6A	220		#7270375						
B	220								
C7	.15	75V		DBE2P15		WMF1P15	1DP-1-154	PVC1015	2PS-P15
C8	.015	75V		DBE4S15		DPMS4S15	1DP-1-153	PVC2115	4PS-S15
C9	.15	75V		DBE2P15		WMF1P15	1DP-1-154	PVC1015	2PS-P15
C10			#7281971						
C11	91				DD-910		CCD-910	GP491	5GA-Q91
C12	.047	75V		DBE2S47		WMF2S47	1DP-2-473	PVC1147	2PS-S47
C13			#7287935						
C14	200	N750		N750-DI 200	DTN-200	CV601UJ201K	CCTN-201	CN7320	10TCU-T20
C15	.0088	75V		DBE6D68	CPR-6800J	WMF1D68	1DP-1-682	PVC4268	6PS-D68
C16	.022	75V		DBE2S22		WMF1S22	1DP-1-223	PVC1122	2PS-S22
C17	.0047			BPD-0047	DD-472	BYX601Z U472P	CCD-472	B247	5HK-D47
C18			#7282165						
C19	330	N330					*	*	10TCS-T33
C20	.047	75V		DBE2S47		WMF2S47	1DP-2-473	PVC1147	2PS-S47
C21	.047	75V		DBE2S47		WMF2S47	1DP-2-473	PVC1147	2PS-S47
C22	180	N080					*	*	10TCN-T18
C23	.001			BPD-001	DD-102	HVX162XP102M	CCD-102	B210	5HK-D10
C24	.012	75V		DBE6S12	CPR-10000J	DPMS6S12	6DP-2-123	PVC6112	6PS-S12
C25	.1	75V		DBE2P1		WMF1P1	1DP-2-104	PVC101	2PS-P10
C26	.002			BPD-002	DD-202	BYX601Z U202P	CCD-202	B220	5HK-D20
C27	.012	75V		DBE6S12	CPR-10000J	DPMS6S12	6DP-2-123	PVC6112	6PS-S12
C28	.0022			DI-2200	CF-222	JBX601YP222K	CCD-222	JF222	10TS-D22
C29			#7271564						

* Not normally in distributor's stock. Available thru distributor on order to manufacturer.
Delco Part Number.

PARTS LIST AND DESCRIPTION (CONTINUED)

(When ordering parts, state Model, Part Number, and Description.)

Replacement parts shown may be superseded by the availability of newly introduced replacements.
Have your local distributor check Sams COUNTER FACTS[®] for the most up-to-date replacement.

CONTROLS

All wattages 1/2 watt, or less, unless otherwise listed.

ITEM No.	USE	RESISTANCE	REPLACEMENT DATA					
			DELCO PART No.	CENTRALAB PART No.	CLAROSTAT PART No.	CTS-IRC PART No.	MALLORY PART No.	
R1A	Tone	100K	7283707	F1-100K, R14-25K			†QJ-2234A	■UE4498S
B	Volume/Switch	20K Tap @ 6000Ω		FFS100, RFS111, BB012, SB004, KR-4				
R2	Bias	600Ω 2W	7286601	V-800	U39-600		110-600	MR600P

† "CONCENTRIKIT" Equivalent: K8 Kit, with Base Elements and Shafts: B11-128, P22-100 (Panel)
B19-119X, R16-118 (Rear)
S6Ⓢ (Bushing)
N4 (Spacer Nut)
76-1 (Switch)

"SNAPTROL" Equivalent: BU8Ⓢ, CF13, CR50T, SF3, SR8, N4, GC.
■ "STA-LOC" Equivalent: FL15L, RU253T53, OS1000A, IS1825, US41.
Ⓢ Alter Bushing and adjust Spacer Nut to meet requirements.

RESISTORS (Power and Special)

ITEM No.	RATING	REPLACEMENT DATA			ITEM No.	RATING	REPLACEMENT DATA		
		IRC PART No.	WORKMAN PART No.	DELCO PART No.			IRC PART No.	WORKMAN PART No.	DELCO PART No.
R28	.68Ω (Fusible)			7287480					

COILS (RF-IF)

ITEM No.	USE	REPLACEMENT DATA					
		DELCO PART No.	MEISSNER PART No.	MERIT PART No.	MILLER PART No.	STANCOR PART No.	WORKMAN PART No.
L1	RF Choke (6.2uh)	7281946	19-1004	BC-565	4610	RTC-8520	T859
L2	Antenna	Ⓢ					
L3	RF	Ⓢ					
L4	Oscillator	Ⓢ					
L5	Input IF	1221856	16-6704		6542	RTC-9399	TA653
L6	Output IF	1221857	16-6705		6543	RTC-9400	TA653

Ⓢ Part of Coil Assembly Part #7287957.

FILTER CHOKE

ITEM No.	RATINGS			REPLACEMENT DATA					NOTES
	CURRENT (Measured)	DC RES.	INDUCTANCE (0 CURRENT 1000~)	DELCO PART No.	MERIT PART No.	STANCOR PART No.	THORDARSON PART No.	TRIAD PART No.	
L7	.550A	.6Ω	8MH	1221623	C-4095	TC-2	TR-154	TY17XT	

SPEAKER

ITEM No.	TYPE	REPLACEMENT DATA		NOTES
		DELCO PART No.	QUAM PART No.	
SP1	4" x 10" PM 10Ω	7286462	410A2Z10	

TRANSFORMER (AUDIO OUTPUT)

ITEM No.	IMPEDANCE		REPLACEMENT DATA					NOTES
	PRI.	SEC.	DELCO PART No.	MERIT PART No.	STANCOR PART No.	THORDARSON PART No.	TRIAD PART No.	
T1	12Ω Tap	@ 8Ω	7282057					

FUSE DEVICES

ITEM No.	TYPE	RATING	REPLACEMENT DATA								
			PART No.		LITTELFUSE PART No.		BUSS PART No.				
			FUSE	HOLDER	FUSE	HOLDER	FUSE	HOLDER			
F1	3AG	3 Amp.		In Fuse Block			312003			AGC 3	

MISCELLANEOUS

ITEM No.	PART NAME	DELCO PART No.	NOTES
M1	Tuner		

CABINETS & CABINET PARTS

(When Ordering Specify Model, Chassis & Color)

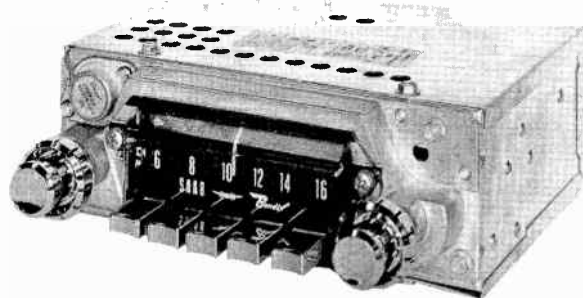
ITEM	PART No.	ITEM	PART No.
Escutcheon	7293554	Knob-Tuning or Volume	9783850
Dial Pointer	7290180	Knob-Tone	9782421
Pushbutton	1222409	Knob-Dummy	9782420

PONTIAC MODEL 7293502



PHOTOFACT[®] with

CIRCUITRACE[®]



TRADE NAME : Saab Model 6BSA (1966)
 SUPPLIER : For Current Address, See Annual Index.
 TYPE SET : 6 Transistor AM Receiver
 POWER SUPPLY : 12 Volt Storage Battery
 RATING : 1.2 Amp. @ 12.6 Volts DC
 TUNING RANGE : BROADCAST 540-1600KC

ALIGNMENT INSTRUCTIONS

Check for specified source voltage.
 Use only enough generator output to provide a usable indication.
 Suggested Alignment Tools:

A1, A2. GENERAL CEMENT: 9296, 9297, 9300
 WALSCO: 2510, 2546, 2547
 A5 thru A7. GENERAL CEMENT: 9440
 WALSCO: 2501

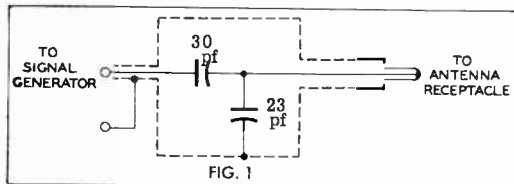
PUSH-BUTTON ADJUSTMENT

1. Pull button out.
2. Tune manually to desired station.
3. Press button in firmly.
4. Repeat for remaining buttons.

	SIGNAL GENERATOR COUPLING	SIGNAL GENERATOR FREQUENCY	RADIO DIAL SETTING	INDICATOR	ADJUST	REMARKS
1.	High side thru .1mfd to point Δ , low side to ground.	262.5KC (400 ν Mod.)	High Freq. End Stop.	Output Meter across voice coil.	A1, A2, A3, A4	Adjust for maximum.
2.	Thru dummy (Fig. 1) to antenna receptacle.	1605KC	"	"	A5, A6, A7	"
Step 3 is not necessary unless tuner has been tampered with or associated components have been replaced. IF necessary, back tuning cores (A8, A9, A10) out of coils but not out of forms. Repeat step 2.						
3.	Thru dummy (Fig. 1) to antenna receptacle.	1000KC	Tune to Signal.	Output Meter across voice coil.	A8, A9, A10	Adjust for maximum. Repeat steps 2 & 3 until no further improvement is noted.

With radio installed in car and antenna fully extended, tune in a weak station near 1600KC and adjust A7 for maximum output.

Antenna Adjustment (A7) located center rear.

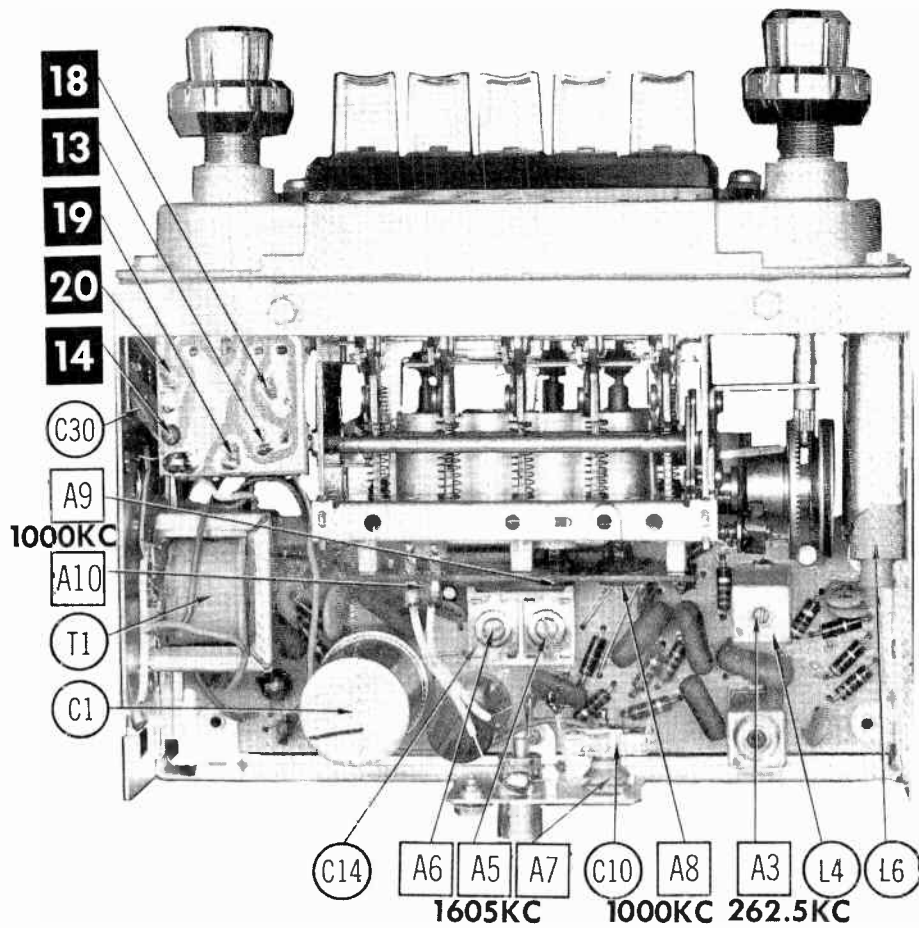
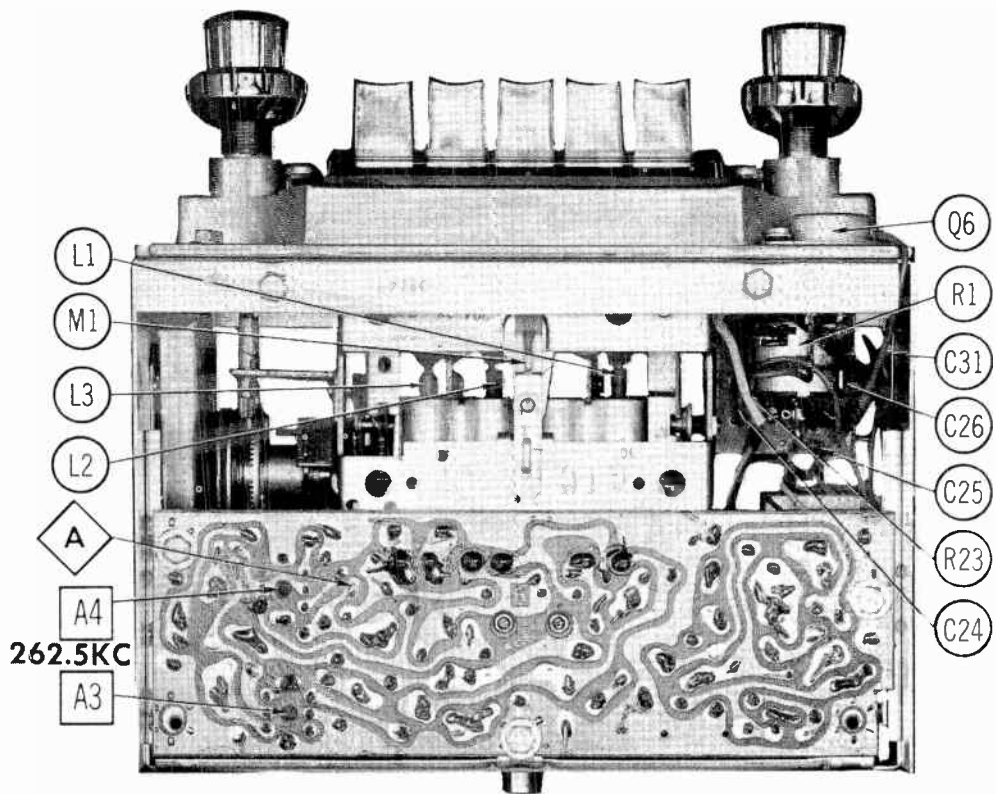


SAAB MODEL 6BSA

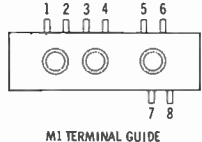
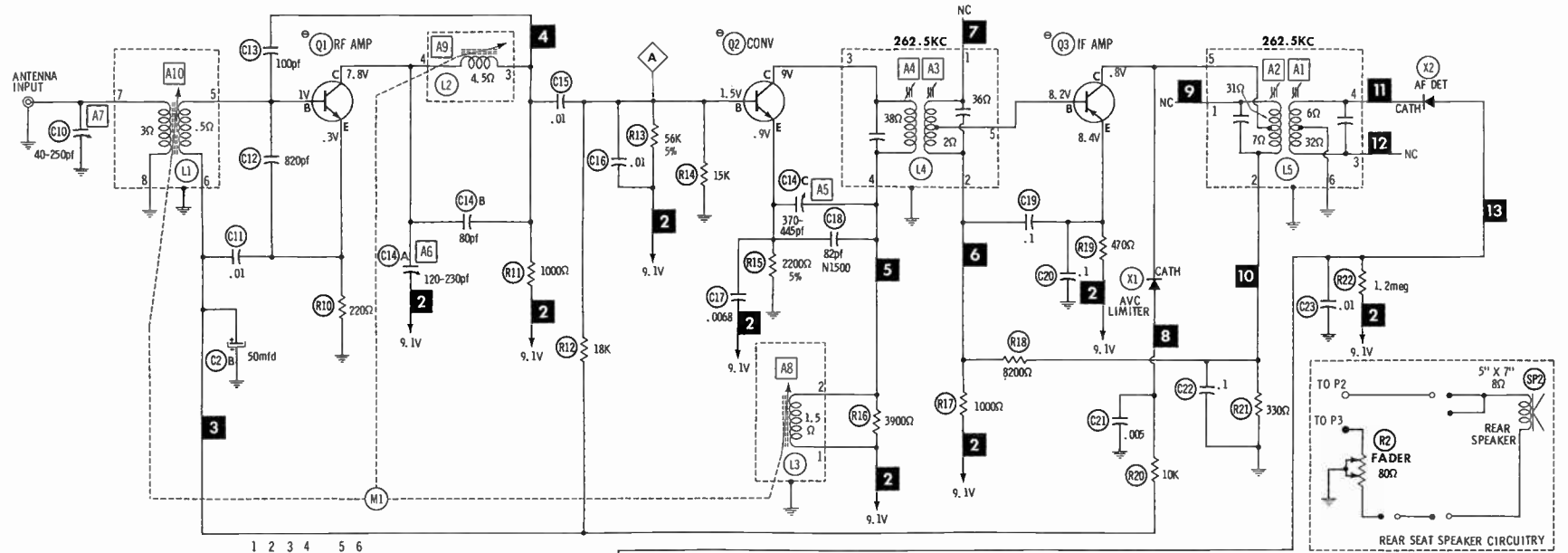
HOWARD W. SAMS & CO., INC. Indianapolis, Indiana 46206

© 1966 Howard W. Sams & Co., Inc. Printed in U. S. of America RD706

World Radio History



A Howard W. Sams **CIRCUITRACE** Photo



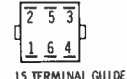
M1 TERMINAL GUIDE



Q1, Q2, & Q4 TERMINAL GUIDE



Q6 TERMINAL GUIDE



L5 TERMINAL GUIDE



Q5 TERMINAL GUIDE



Q3 TERMINAL GUIDE



L4 TERMINAL GUIDE

Resistors are 1/2 watt or less and rated 10% or 20% unless otherwise indicated.

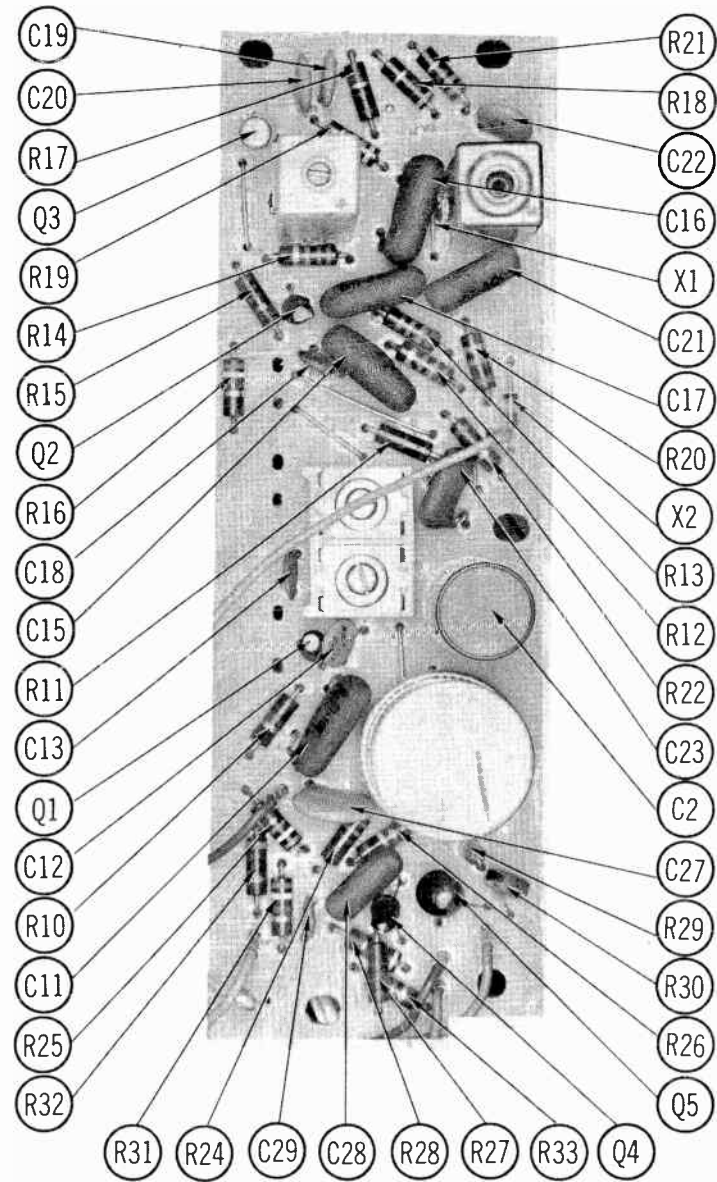
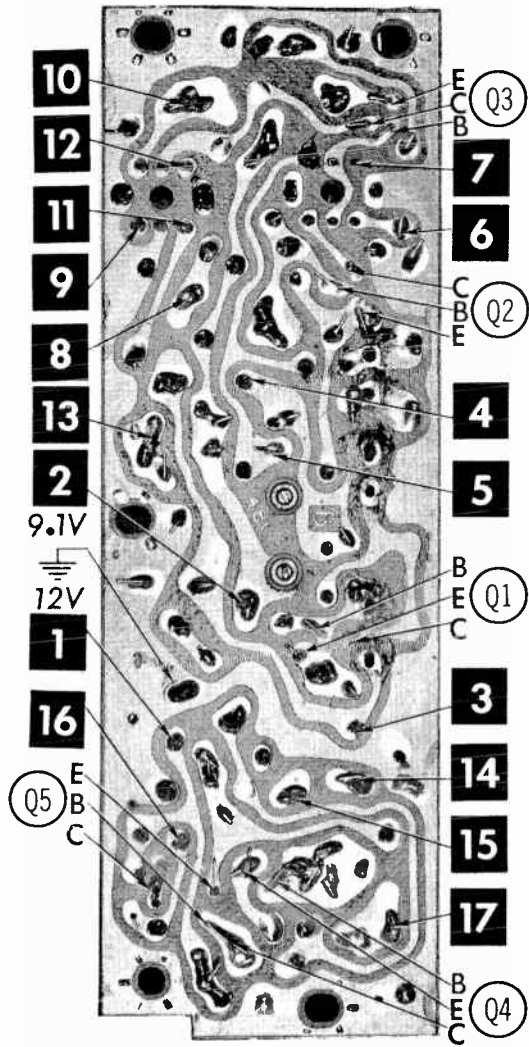
NC No Connection.

- ⊖ See parts list
- 1. Voltage measurements taken with vacuum tube voltmeter.
- 2. All controls set for normal operation, no signal applied.
- 3. Measured values are from socket pin or terminal to common ground.
- 4. All terminals viewed from bottom unless otherwise designated.
- 5. Numbers assigned to terminals may not be found on the unit.
- 6. Supply voltage maintained at rated value for voltage readings.
- 7. Resistance measurements not given because of the wide variation in internal resistance of transistor.

A PHOTOFAC STANDARD NOTATION SCHEMATIC with **CIRCUITRACE**

© Howard W. Sams & Co., Inc. 1966

SAAB MODEL 6BSA



A Howard W. Soms **CIRCUITRACE** Photo

PARTS LIST AND DESCRIPTION

(When ordering parts, state Model, Part Number, and Description.)

Replacement parts shown may be superseded by the availability of newly introduced replacements.
Have your local distributor check Sams COUNTER FACTS for the most up-to-date replacement.

TRANSISTORS

ITEM No.	ORIG. TYPE	USE	REPLACEMENT DATA			NOTES	BENDIX PART No.
			DELCO PART No.	GENERAL ELECTRIC PART No.	RCA PART No.		
Q1		RF Amp.	DS-75	GE-11	SK-3018	NPN	2093308-0701
Q2		Converter	DS-75	GE-11	SK-3018	NPN	2093308-0702
Q3		IF Amp.	DS-25	GE-9	SK-3008	PNP	2091241-0719
Q4		AF Amp.	DS-66	GE-10	SK-3020	NPN	2092609-0715
Q5		AF Amp.	DS-66	GE-10	SK-3020	NPN	2092609-0713
Q6		AF Output	DS-520	GE-3	SK-3009	PNP *	2091859-0723

* When replacing, apply silicone grease to both sides of insulator. Tighten mounting screws securely.

POWER RECTIFIERS & SIGNAL DIODES

ITEM No.	MEASURED CURRENT	ORIGINAL Part or Type No.	RECTIFIERS & DIODES		RECTIFIERS		
			GENERAL ELECTRIC PART No.	INTERNATIONAL RECTIFIER PART No.	MALLORY PART No.	RCA PART No.	SARKES TARZIAN PART No.
X1		2092055-0001	1N34AS	1N34A			
X2		2092055-0001	1N34AS	1N34A			

ELECTROLYTIC CAPACITORS

ITEM No.	RATING		BENDIX PART No.	REPLACEMENT DATA				
	CAP.	VOLT.		AEROVOX PART No.	CORNELL-DUBILIER PART No.	GENERAL ELECTRIC PART No.	MALLORY PART No.	SPRAGUE PART No.
C1A	1000	18	2091503-0714					PCL-2185.2
B	500	18						
C2A	1000	4	2092246-0705	BCD1.5-3100050			PET295	
B	50	4						

CAPACITORS

ITEM No.	RATING	REMARKS	REPLACEMENT DATA						
			AEROVOX PART No.	CENTRALAB PART No.	CORNELL-DUBILIER PART No.	ELMENCO PART No.	MALLORY PART No.	SPRAGUE PART No.	
C10	40-250	#2091504-0007				464			
C11	.01 100V		DBE4S1	CPR-10000J	DMF2S1	4DP-1-103	PVC211	2TM-S10	
C12	820		DI-820	DD-821	JBY801YP821K	CCD-821	GP382	10TS-T82	
C13	100		NPO-DI 100	DTZ-100	CV601CG101K	CCD-101	GN0310	10TCC-T10	
C14A	120-230	#2092422-0712							
B	80								
C	370-445								
C15	.01 100V		DBE4S1	CPR-10000J	DMF2S1	4DP-1-103	PVC211	2TM-S10	
C16	.01 100V		DBE4S1	CPR-10000J	DMF2S1	4DP-1-103	PVC211	2TM-S10	
C17	.0068 100V		DBE6D88	CPR-6800J	DPMS6D88	6DP-1-682	PVC6268	6PS-D68	
C18	82 N1500					*	*		
C19	.1		TTD-1	CK-104	HCZ3R0XR104P		TA010	TG-P10	
C20	.1		TTD-1	CK-104	HCZ3R0XR104P		TA010	TG-P10	
C21	.005 100V		DBE6D5	CPR-5000J	DPMS6D5	6DP-1-502	PVC625	6PS-D50	
C22	.1		TTD-1	CK-104	HCZ3R0XR104P		TA010	TG-P10	
C23	.01 25V		DBE4S1	CPR-10000J	DMF2S1	4DP-1-103	PVC211	2TM-S10	
C24	.0068		DI-6800	DD-682	BYX601ZU103P	CCD-682	GP268	10TS-D68	
C25	.2			UK10-204	HCZ3R0XR224P		MAG3022		
C26	.2			UK10-204	HCZ3R0XR224P		MAG3022		
C27	.2			UK10-204	HCZ3R0XR224P		MAG3022		
C28	.1 25V		DBE2P1		DMF2P1	2DP-3-104	PVC201	2PS-P10	
C29	22		NPO-DI22	DTZ-22	CY601CG220K	CCTO-220	CN0422	10TCC-Q22	
C30	.01		TTD-01	CK-103	HCZ3R0XR103P	CCD-103	TA110	TG-S10	
C31	275	#2093050-0705							

* Not normally in distributor's stock. Available thru distributor on order to manufacturer.
Bendix Part Number

CONTROLS

All wattages 1/2 watt, or less, unless otherwise listed.

ITEM No.	USE	RESIST-ANCE	REPLACEMENT DATA					
			BENDIX PART No.	CENTRALAB PART No.	CLAROSTAT PART No.	CTS-IRC PART No.	MALLORY PART No.	
R1A	Tone	25K	2094545-0705	F2-25K,			† QJ-2242A	
B	Volume & Switch	25K Tap @ 3000Ω		R14-25K, FFS115, RFS207, AK38, KR-7				
R2	Fader	80Ω 2W	2094153-0702					

† "CONCENTRIKIT" Equivalent: K8 Kit with Base Elements and Shafts:

B13-120, P17-123 (Panel), B19-119X, R9-202 (Rear), R-5 (Tab Mount), 76-1 (Switch)

"SNAPTROL" Equivalent: BU7, CF11, CR50T, SF13, SR49, GC

PARTS LIST AND DESCRIPTION (CONTINUED)

(When ordering parts, state Model, Part Number, and Description.)

Replacement parts shown may be superseded by the availability of newly introduced replacements. Have your local distributor check Sams COUNTER FACTS™ for the most up-to-date replacement.

RESISTORS (Power and Special)

ITEM No.	RATING	REPLACEMENT DATA			ITEM No.	RATING	REPLACEMENT DATA		
		IRC PART No.	WORKMAN PART No.	BENDIX PART No.			IRC PART No.	WORKMAN PART No.	BENDIX PART No.
R30	100Ω (Cold) Thermistor			220629-12					

COILS (RF-IF)

ITEM No.	USE	REPLACEMENT DATA				
		BENDIX PART No.	MEISSNER Part No.	MERIT PART No.	MILLER PART No.	WORKMAN PART No.
L1	Antenna	①				
L2	RF	①				
L3	Oscillator	①				
L4	Input IF	2094080-0701				
L5	Output IF	2094080-0702			8008	

① Part of M1, Part #2090131-0094.

FILTER CHOKE

ITEM No.	RATINGS			REPLACEMENT DATA					NOTES
	CURRENT (Measured)	DC RES.	INDUCTANCE (0 CURRENT 1000~)	BENDIX PART No.	MERIT PART No.	STANCOR PART No.	THORDARSON PART No.	TRIAD PART No.	
L6	1.2A DC	.3Ω	140MH	2092050-0725					

TRANSFORMER (AUDIO OUTPUT)

ITEM No.	IMPEDANCE		REPLACEMENT DATA					NOTES
	PRI.	SEC.	BENDIX PART No.	MERIT PART No.	STANCOR PART No.	THORDARSON PART No.	TRIAD PART No.	

SPEAKER

ITEM No.	TYPE			REPLACEMENT DATA		NOTES
				BENDIX PART No.	QUAM PART No.	
SP1	5" x 7"	PM	8Ω	2094860-0702	57A1Z8	
SP2	5" x 7"	PM	8Ω	2094859-0701	57A1Z8	

FUSE DEVICES

ITEM No.	TYPE	RATING	REPLACEMENT DATA						
			PART No.		LITTELFUSE PART No.		BUSS PART No.		
			FUSE	HOLDER	FUSE	HOLDER	FUSE	HOLDER	
F1	AGA 2	2 Amp. 32V	2091811-0007	In Fuse Block	301002		HOLDER	AGA 2	

MISCELLANEOUS

ITEM No.	PART NAME	BENDIX PART No.	NOTES
M1	Tuner Coil Assembly	2094066-0505 2090131-0094	

CABINETS & CABINET PARTS

(When Ordering Specify Model, Chassis & Color)

ITEM	PART No.	ITEM	PART No.
Escutcheon	2094551-0503	Knob-Tuning or Volume	2091420-0502
Dial Pointer	2090129-0078	Knob-Tone or Dummy	2094480-0001
Pushbutton	2094440-0001	Knob-Fader Control	2091420-0502
		Dial Glass (Calibrated)	2094767-0003

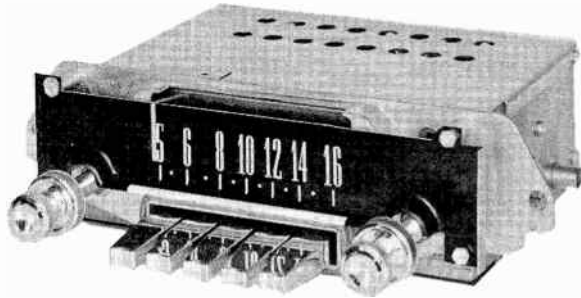
WIRING DATA

General-use Unshielded Hook-up Wire	Use BELDEN No. 8530 (Solid) Available in 12 Colors 8524 (Stranded) Available in 12 Colors
Shielded Hook-up Wire	Use BELDEN No. 8885
Rear Seat Speaker Extension Cable	Use BELDEN No. 8782 (Stranded) Coded Parallel Leads
Bonding Strap	Use BELDEN No. 8661 (3/8 In.) or 8670 (3/4 In.)

SAAB MODEL 6BSA



PHOTOFACT[®]



TRADE NAME : Sears Model 833.622810 (1966 Galaxie)
SUPPLIER : For Current Address, See Annual Index.
TYPE SET : 5 Transistor AM Receiver
POWER SUPPLY : 12 Volt Storage Battery
RATING : .725 Amp. @ 12.6 Volts DC

TUNING RANGE : BROADCAST 540-1615KC

SEARS MODEL 833.622810

ALIGNMENT INSTRUCTIONS

Check for specified source voltage.
 Use only enough generator output to provide a usable indication.
 Suggested Alignment Tools:

A1 thru A7.

GENERAL CEMENT: 9440
 WALSCO: 2501

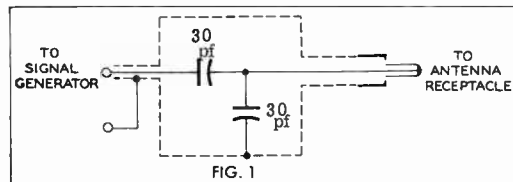
PUSH-BUTTON ADJUSTMENT

1. Pull button out.
2. Tune manually to desired station.
3. Press button in firmly.
4. Repeat for remaining buttons.

	SIGNAL GENERATOR COUPLING	SIGNAL GENERATOR FREQUENCY	RADIO DIAL SETTING	INDICATOR	ADJUST	REMARKS
1.	High side thru .1mf to point Δ , low side to ground.	262KC (400% Mod.)	High Freq. End Stop.	Output Meter across voice coil.	A1, A2, A3, A4	Adjust for maximum.
2.	Thru dummy (Fig. 1) to antenna receptacle.	1615KC	"	"	A5, A6, A7	"

With radio installed in car and antenna fully extended, tune in a weak station near 1400KC and adjust A7 for maximum output.

Antenna Adjustment (A7) located right side.



HOWARD W. SAMS & CO., INC. Indianapolis, Indiana 46206

PARTS LIST AND DESCRIPTION

(When ordering parts, state Model, Part Number, and Description.)

Replacement parts shown may be superseded by the availability of newly introduced replacements.
Have your local distributor check Sams COUNTER FACTS for the most up-to-date replacement.

TRANSISTORS

ITEM No.	ORIG. TYPE	USE	REPLACEMENT DATA			NOTES
			DELCO PART No.	GENERAL ELECTRIC PART No.	RCA PART No.	
Q1	6-60 (2N1637)	RF Amp.	DS-25	GE-9	SK-3008	PNP
Q2	6-61 (2N1639)	Converter	DS-25	GE-9	SK-3008	PNP
Q3	6-62 (2N1638)	IF Amp.	DS-25	GE-9	SK-3008	PNP
Q4	6-53	Driver	DS-26	GE-2	SK-3004	PNP
Q5	8P404 (2N176)	Output	DS-520	GE-3	SK-3009	PNP ♦

♦ When replacing, apply silicone grease to both sides of insulator. Tighten mounting screws securely.

POWER RECTIFIERS & SIGNAL DIODES

ITEM No.	MEASURED CURRENT	ORIGINAL Part or Type No.	RECTIFIERS & DIODES		RECTIFIERS		
			GENERAL ELECTRIC PART No.	INTERNATIONAL RECTIFIER PART No.	MALLORY PART No.	RCA PART No.	SARKES TARZIAN PART No.
X1		1GD2 (1N295)	1N34AS	1N34A			
X2		1GD2 (1N295)	1N34AS	1N34A			

ELECTROLYTIC CAPACITORS

ITEM No.	RATING		SEARS PART No.	REPLACEMENT DATA				
	CAP.	VOLT.		AEROVOX PART No.	CORNELL-DUBILIER PART No.	GENERAL ELECTRIC PART No.	MALLORY PART No.	SPRAGUE PART No.
C1A	500	16	20A2653	AFH3-00-94.5	CC0010	XC3-48.1	F P300.83	TVS-3026.14*
B	300	16						
C	100	16						
C2	25	15	20-256	PTT69	NLW25-15	MT1-10	TT15X25	TE-1157.1
C3	5	15	20-505	CRE454A	NLW5-15	MT1-3	TT25X5	TE-1152

* Not normally in distributor's stock. Available thru distributor on order to manufacturer.

CAPACITORS

ITEM No.	RATING	REMARKS	REPLACEMENT DATA					
			AEROVOX PART No.	CENTRALAB PART No.	CORNELL-DUBILIER PART No.	ELMENCO PART No.	MALLORY PART No.	SPRAGUE PART No.
C10		#28-800-2L						
C11A		#28A1332						
C12	270		DI-270	DD-271	RR05CW271K	CCD-271	GP327	5GA-T27
C13	100 N750		N750-DI 100	DTN-100	CX801UJ101K	CCTN-101	CN7310	10TCU-T10
C14	.01		NPO-DI 100	DTZ-100	CV601CG101K	CCTO-101	CN0310	10TCC-T10
C15	.22	(.47)†		UK20-204			MAG25022	HY-325
C16	.1		TTD-1	CK-104	HCZ3R0XR104P		TA010	TG-P10
C17	.05		TTD-05	CK-503	HCZ3R0XR503P	CCD-503	TA150	TG-S50
C18		#43-215						

Sears Part Number.

† Alternate Value.

CONTROLS

All wattages 1/2 watt, or less, unless otherwise listed.

ITEM No.	USE	RESISTANCE	REPLACEMENT DATA					
			SEARS PART No.	CENTRALAB PART No.	CLAROSTAT PART No.	CTS-IRC PART No.	MALLORY PART No.	
R1A	Tone	10K	80A2558C	F1-10K,R16-10K			†QJ-2145A	■UE4545S
B	Volume	7500Ω Tap @ 5000Ω		FFS207,RFS215, BA200②, CA005, KR-4				
	Tone	10K	80A3257①	F1-10K,R16-10K, FFS200,RFS208, BA106, CA005, KR-4			††QJ-2111A	■UE4544S
	Volume/Switch	7500Ω Tap @ 5000Ω						

† "CONCENTRIKIT" Equivalent: K8 Kit, with Base Elements and Shafts: B11-116, P22-203 (Panel) B21-115X, R26-215 (Rear) QCB5A ② (Bushing) 76-1 (Switch)

"SNAPTROL" Equivalent: BU15A ②, CF9, CR48T, SF8, SR53, GC.

†† "CONCENTRIKIT" Equivalent: K8 Kit, with Base Elements and Shafts: B11-116, P22-121 (Panel) B21-115X, R9-202 (Rear) QCB5A ② (Bushing) 76-1 (Switch)

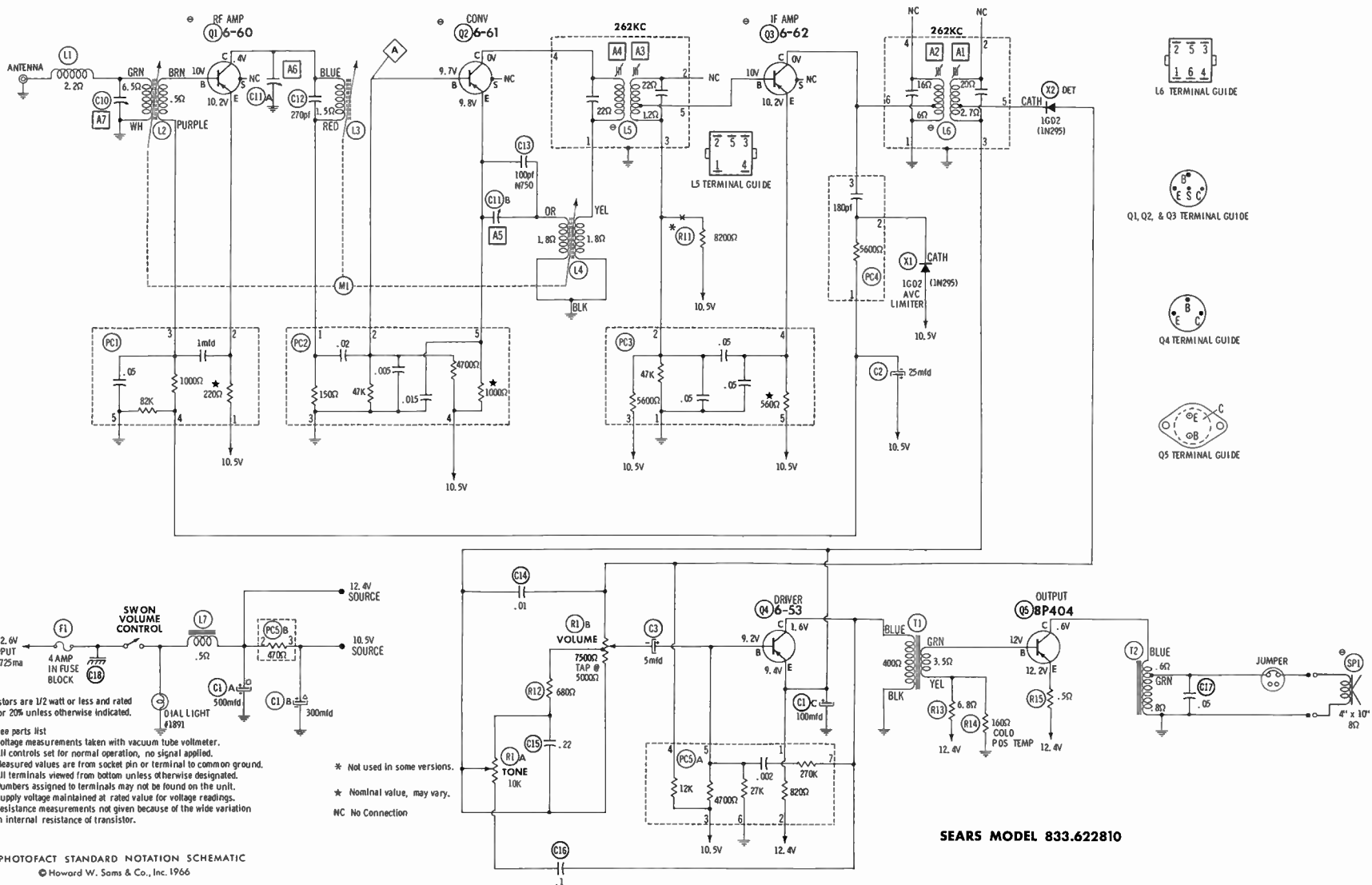
"SNAPTROL" Equivalent: BU15A ②, CF9, CR48T, SF13, SR49, GC.

■ "STA-LOC" Equivalent: FL14L, RU752T53, O62187, IS2825, US41.

■ "STA-LOC" Equivalent: FK14L, RU752T53, O61887, IS2187, US41.

① Alternate Part Number used in some versions.

② Alter bushing to meet requirements.



Resistors are 1/2 watt or less and rated 10% or 20% unless otherwise indicated.

See parts list

1. Voltage measurements taken with vacuum tube voltmeter.
2. All controls set for normal operation, no signal applied.
3. Measured values are from socket pin or terminal to common on ground.
4. All terminals viewed from bottom unless otherwise designated.
5. Numbers assigned to terminals may not be found on the unit.
6. Supply voltage maintained at rated value for voltage readings.
7. Resistance measurements not given because of the wide variation in internal resistance of transistor.

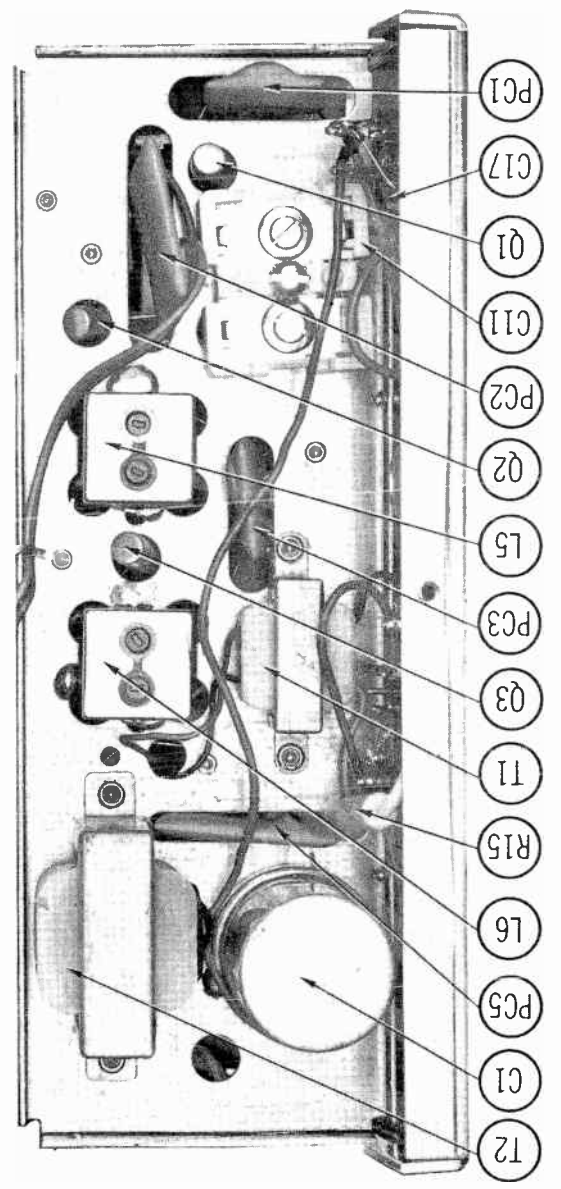
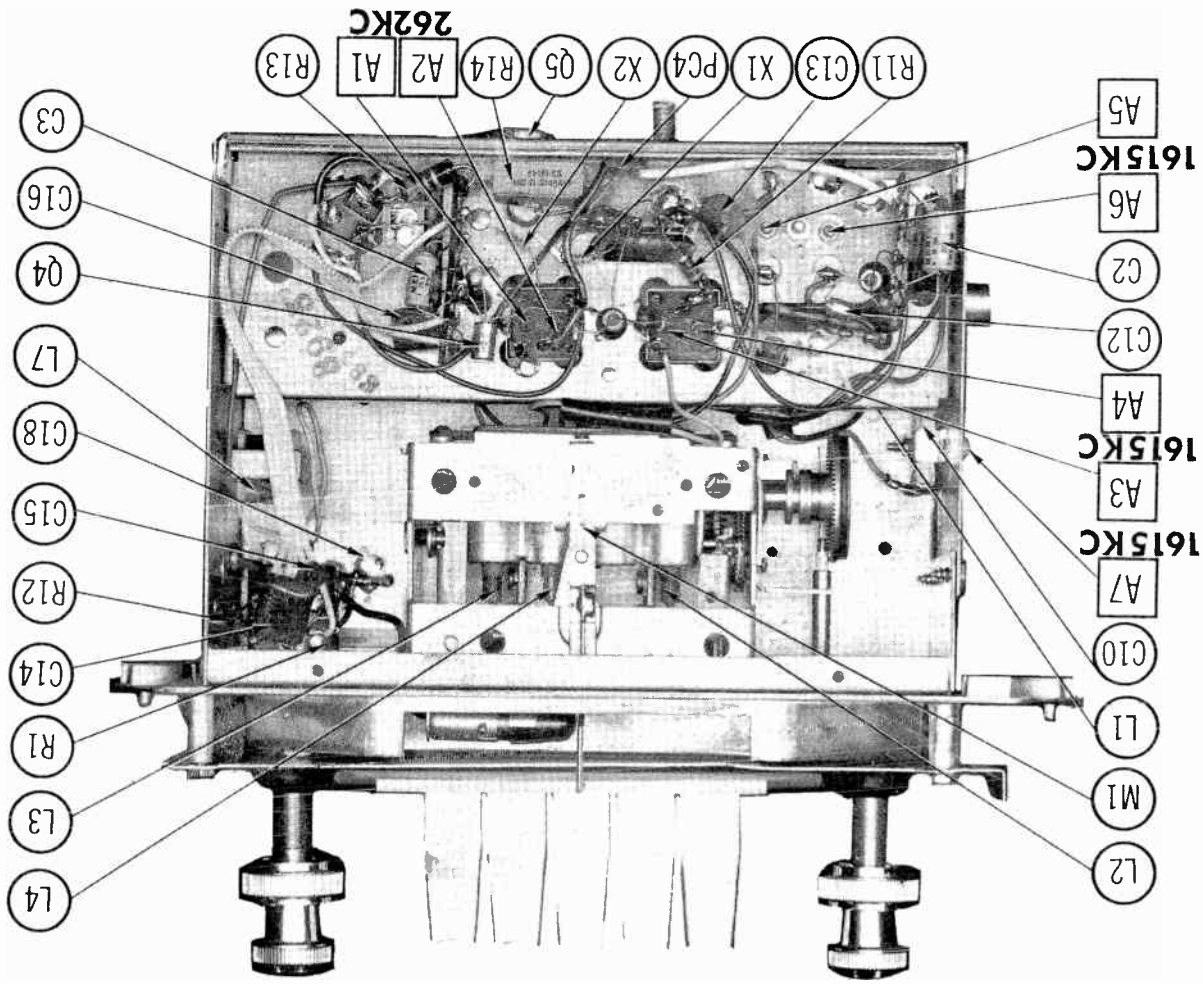
* Not used in some versions.

* Nominal value, may vary.

NC No Connection

A PHOTOFAC STANDARD NOTATION SCHEMATIC
 © Howard W. Sams & Co., Inc. 1966

SEARS MODEL 833.622810



PARTS LIST AND DESCRIPTION (CONTINUED)

(When ordering parts, state Model, Part Number, and Description.)

Replacement parts shown may be superseded by the availability of newly introduced replacements. Have your local distributor check Sams COUNTER FACTS® for the most up-to-date replacement.

RESISTORS (Power and Special)

ITEM No.	RATING	REPLACEMENT DATA			ITEM No.	RATING	REPLACEMENT DATA		
		IRC PART No.	WORKMAN PART No.	SEARS PART No.			IRC PART No.	WORKMAN PART No.	SEARS PART No.
R14	160Ω (Cold) (PTC)			61-161-58					

COILS (RF-IF)

ITEM No.	USE	REPLACEMENT DATA				
		SEARS PART No.	MEISSNER Part No.	MERIT PART No.	MILLER PART No.	WORKMAN PART No.
L1	RF Choke (6.2uh)	14-8.2	19-1004	BC-565	4610	T859
L2	Antenna	①				
L3	RF	①				
L4	Oscillator	①				
L5	Input IF	14-3233A	16-6718	BC-690	6570	
		14-2654②	16-6718	BC-690	6570	
L6	Output IF	14-3234A	16-6719	BC-691	6571	TF606
		14-2655②				

① Part of M1.

② Alternate Part.

FILTER CHOKE

ITEM No.	RATINGS			REPLACEMENT DATA					NOTES
	CURRENT (Measured)	DC RES.	INDUCTANCE (0 CURRENT 1000~)	SEARS PART No.	MERIT PART No.	STANCOR PART No.	THORDARSON PART No.	TRIAD PART No.	
L7	.725A	.5Ω	10MH	75A3082	C-4095	TC-2	TR-155	TY17XT	

TRANSFORMER (DRIVER)

ITEM No.	TURNS RATIO		REPLACEMENT DATA					NOTES
	PRI.	SEC.	SEARS PART No.	MERIT PART No.	STANCOR PART No.	THORDARSON PART No.	TRIAD PART No.	
T1	8	1	75A2635			TR-184		

TRANSFORMER (AUDIO OUTPUT)

ITEM No.	IMPEDANCE		REPLACEMENT DATA					NOTES
	PRI.	SEC.	SEARS PART No.	MERIT PART No.	STANCOR PART No.	THORDARSON PART No.	TRIAD PART No.	
T2	24Ω Tap	@ 8Ω	75A2636 (-1)			TR-189		

SPEAKER

ITEM No.	TYPE			REPLACEMENT DATA		NOTES
				SEARS PART No.	QUAM PART No.	
	4" x 10"	PM	8Ω	73B3276A	410A2Z8	

FUSE DEVICES

ITEM No.	TYPE	RATING	REPLACEMENT DATA						
			PART No.		LITTELFUSE PART No.		8USS PART No.		
			FUSE	HOLDER	FUSE	HOLDER	FUSE	HOLDER	
F1	AGW	4A	108-400	In Fuse Block	303004			AGW 4	

COMPONENT COMBINATIONS

ITEM No.	USE	DESCRIPTION	SEARS PART No.	REPLACEMENT DATA
PC1	RF Network	220Ω, 1000Ω, 82K, .05mfd, 1mfd	89A2582C	
PC2	Converter Network	150Ω, 1000Ω, 4700Ω, 47K, .005mfd, .015mfd, .02mfd	89A2583B	
PC3	IF Network	560Ω, 5600Ω, 47K, .05mfd, .05mfd, .05mfd	89A2584B	
PC4	AVC	5600Ω, 180pf	89A2701	
PC5	Biasing Network	470Ω, 820Ω, 4700Ω, 12K, 27K, 270K, .002mfd	89A2585A	

MISCELLANEOUS

ITEM No.	PART NAME	SEARS PART No.	NOTES
M1	Tuner	78B3700 or 78B3800	

CABINETS & CABINET PARTS

(When Ordering Specify Model, Chassis & Color)

ITEM	PART No.	ITEM	PART No.
Dial Pointer	84A3861	Knob-Tuning or Volume	48A3769
Pushbutton	55A4503	Knob-Tone	48A3777
Escutcheon	54C3888	Knob-Dummy	48A3777-1



PHOTOFACT[®] with

CIRCUITRACE[®]

TRADE NAME : Sears Model 837.62220
 SUPPLIER : For Current Address, See Annual Index.
 TYPE SET : 20 Transistor AM Receiver W/Tape Player
 POWER SUPPLY : 12 Volt Storage Battery
 RATING : .75 Amp. @ 12.6 Volts DC (Receiver)
 1 Amp. @ 12.6 Volts DC (Tape)
 TUNING RANGE: BROADCAST 535-1610KC



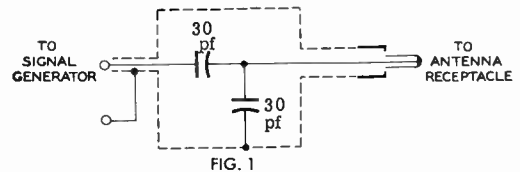
OPERATING INSTRUCTIONS

1. Turn the unit on by rotating the volume control clockwise.
2. Insert the tape cartridge, label side up, in the tape slot until the cartridge is seated firmly. The tape will start playing as soon as the cartridge is seated.
3. Adjust the volume, tone and balance as desired.
4. The tape will play automatically or a desired track may be selected by pressing the Program Selector.

ALIGNMENT INSTRUCTIONS

Check for specified source voltage.
 Use only enough generator output to provide a usable indication.
 Suggested Alignment Tools:

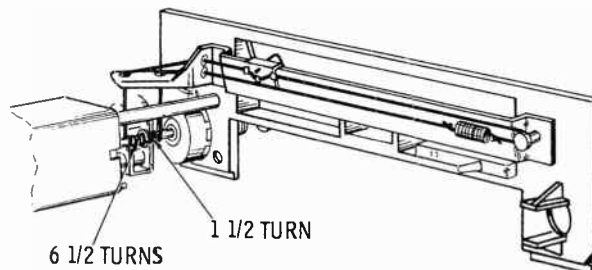
A1 thru A7. GENERAL CEMENT: 9440 WALSCO: 2501



	SIGNAL GENERATOR COUPLING	SIGNAL GENERATOR FREQUENCY	RADIO DIAL SETTING	INDICATOR	ADJUST	REMARKS
1.	High side thru .1mfd to point Δ , low side to ground.	262KC (400% Mod.)	High Freq. End Stop.	Output Meter across voice coil.	A1, A2, A3, A4	Adjust for maximum.
2.	Thru dummy (Fig. 1) to antenna receptacle.	1615KC	"	"	A5, A6, A7	"

With radio installed in car and antenna fully extended, tune in a weak station near 1000KC and adjust A7 for maximum output.

DIAL CORD STRINGING

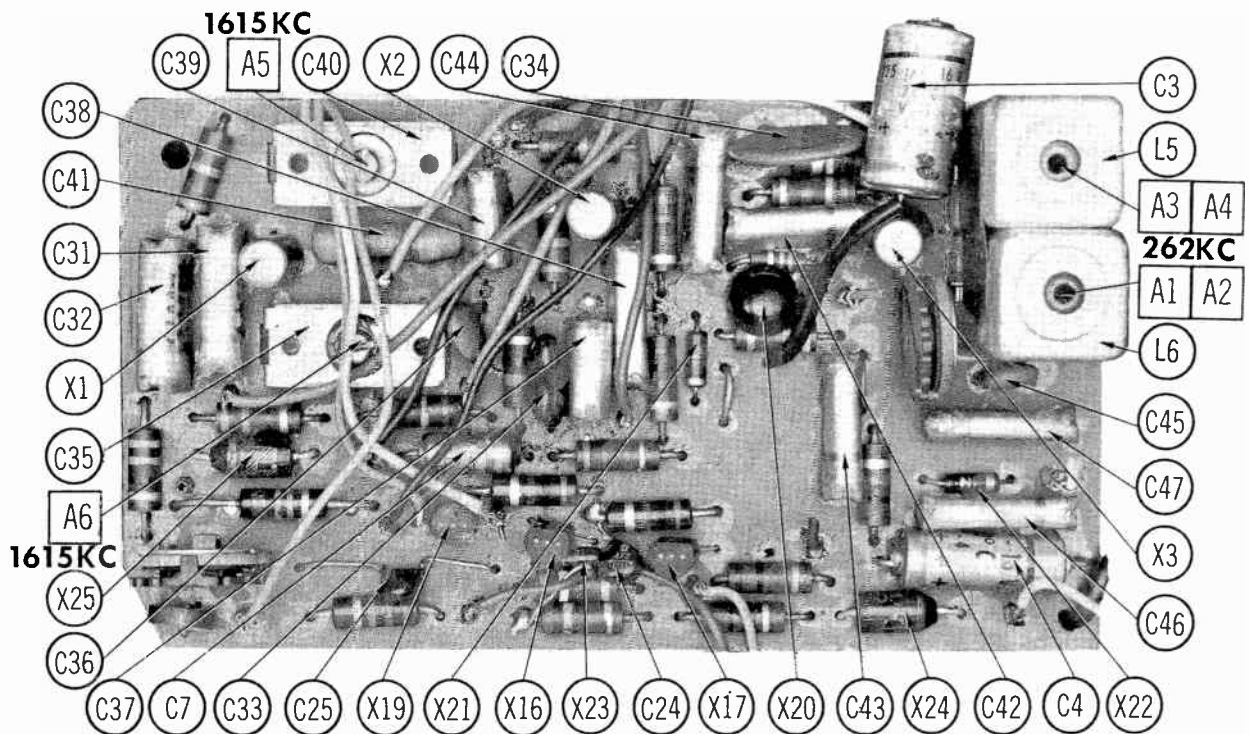
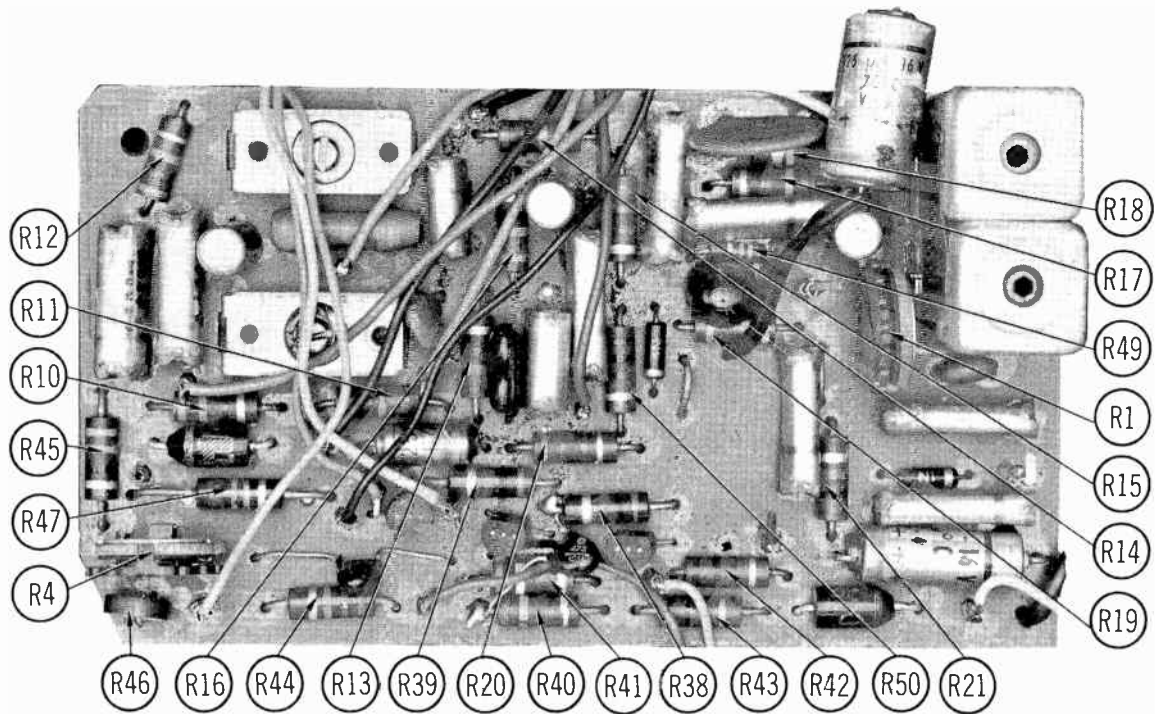


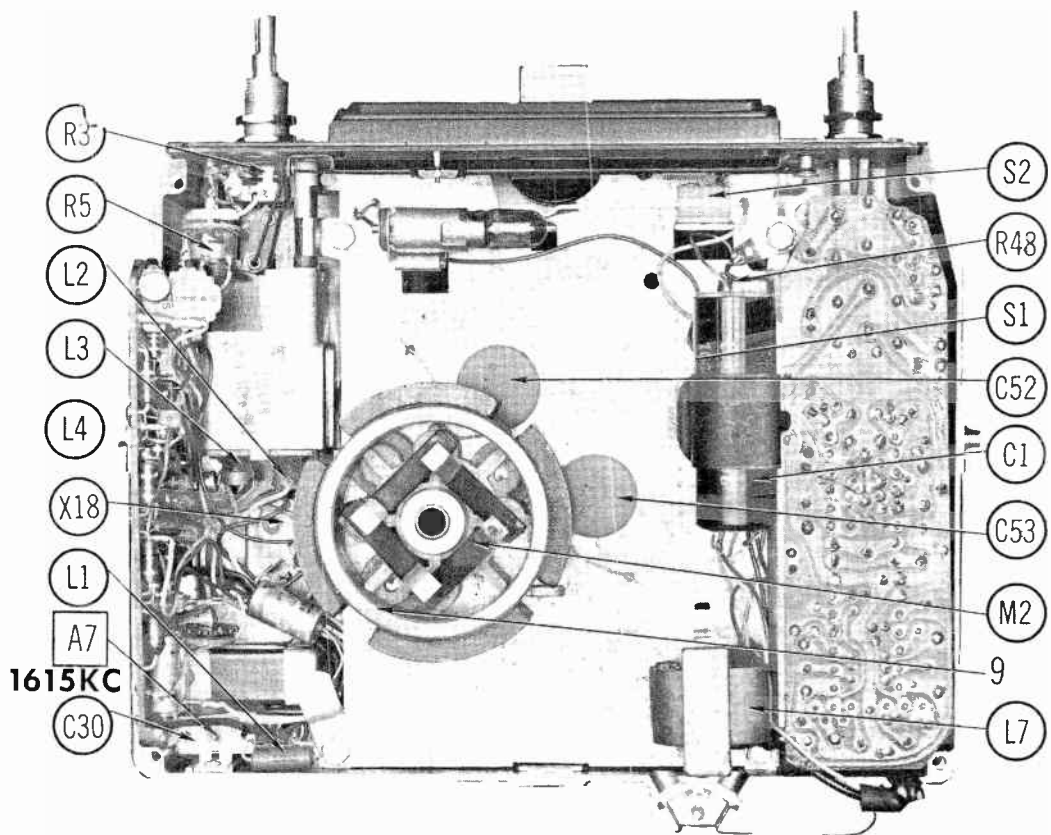
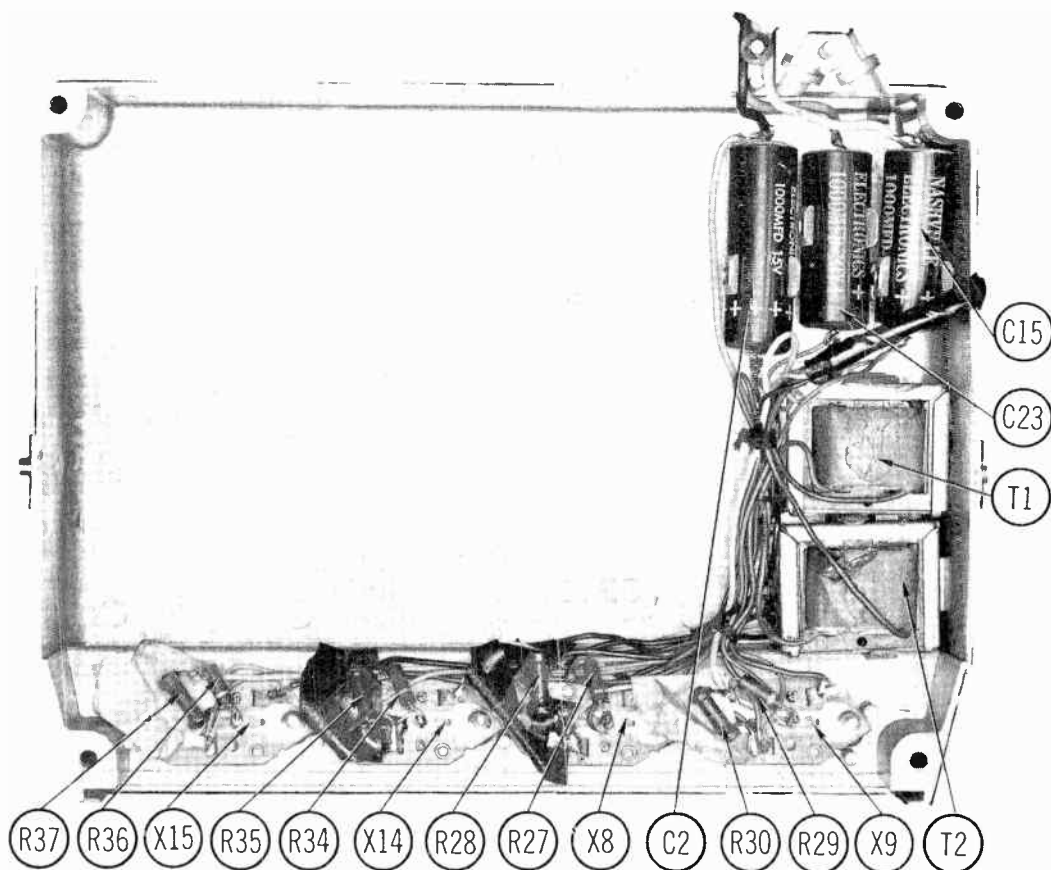
SEARS MODEL 837.62220

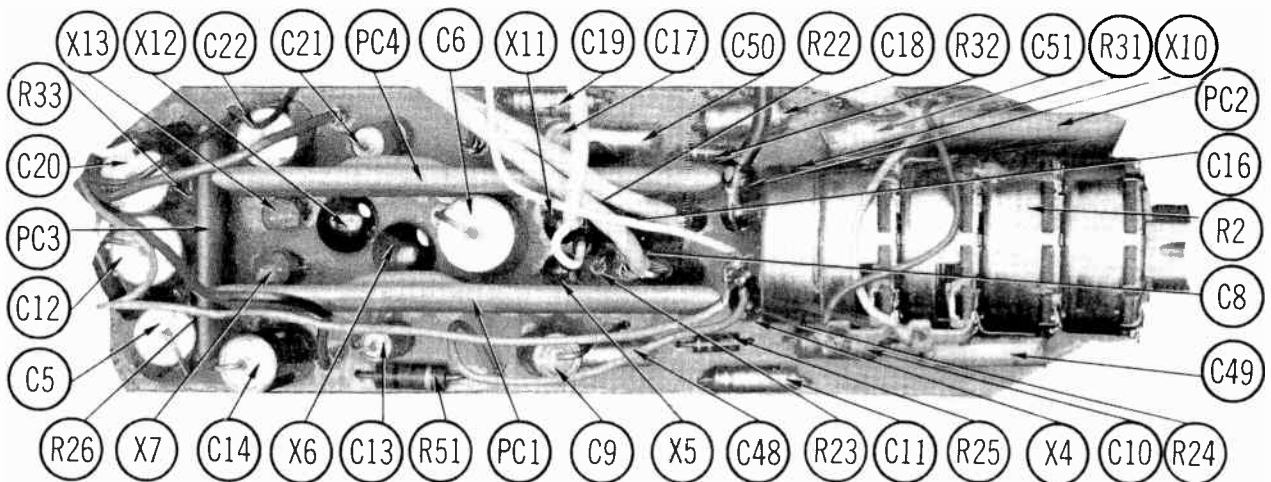
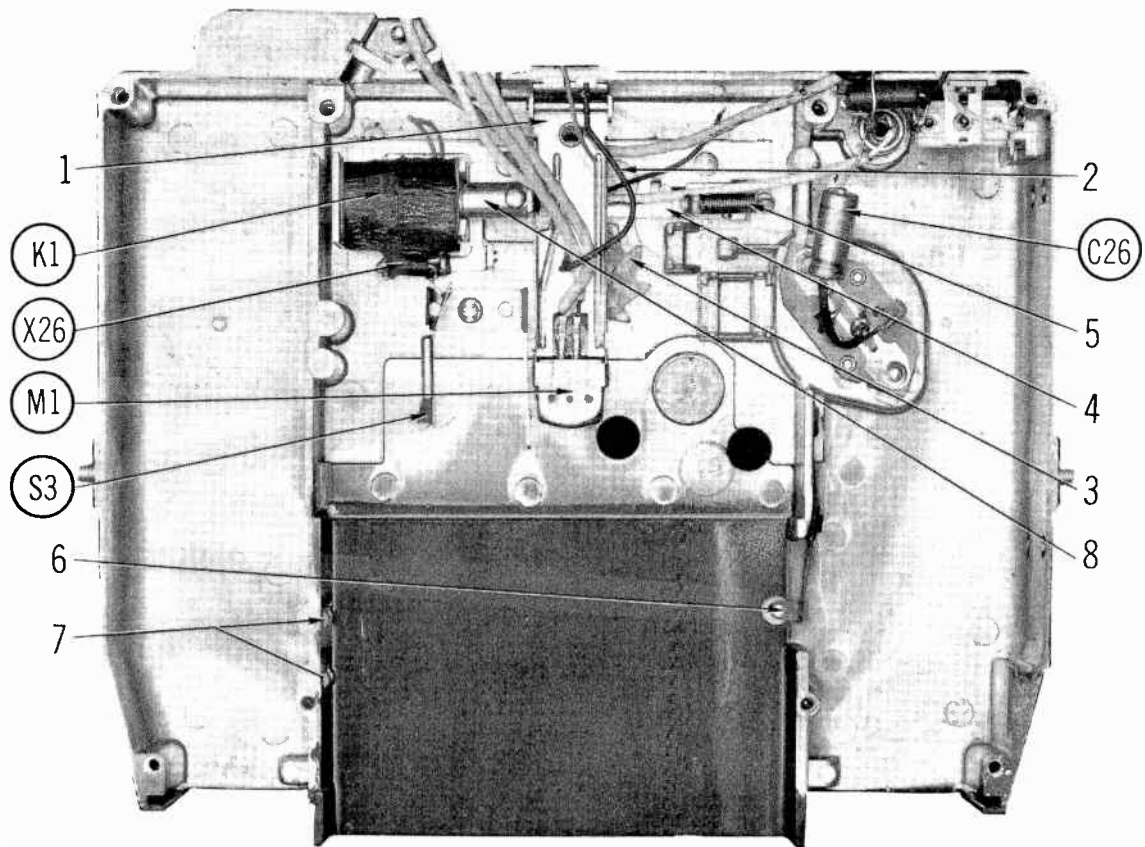
HOWARD W. SAMS & CO., INC. Indianapolis, Indiana 46206

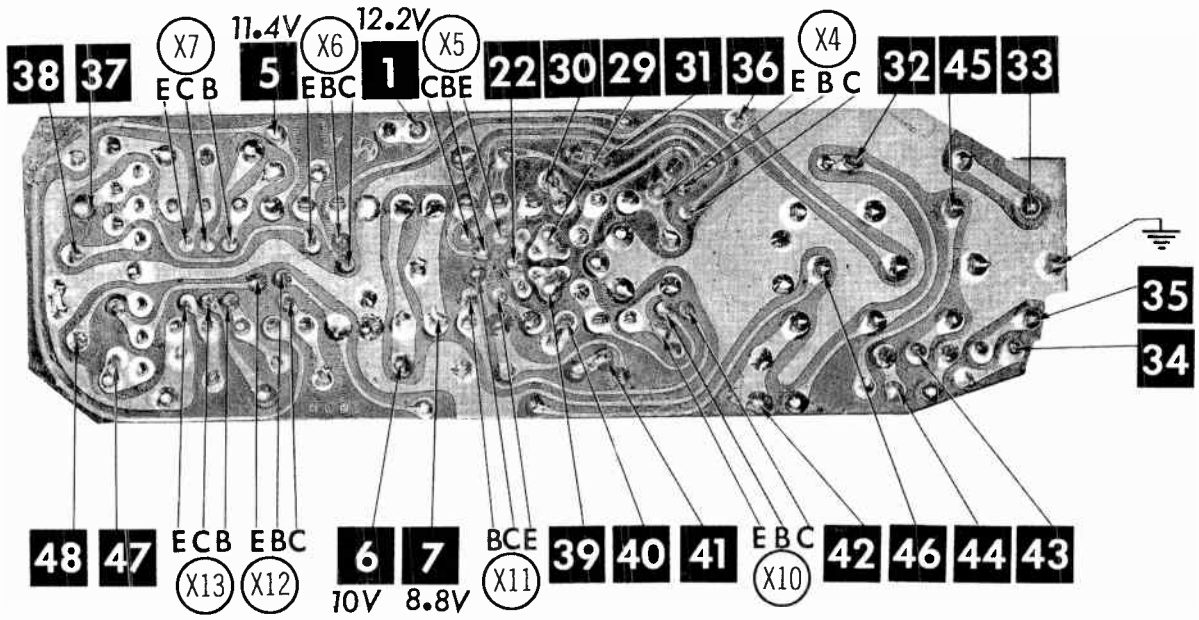
© 1966 Howard W. Sams & Co., Inc. Printed in U. S. of America RD681

World Radio History

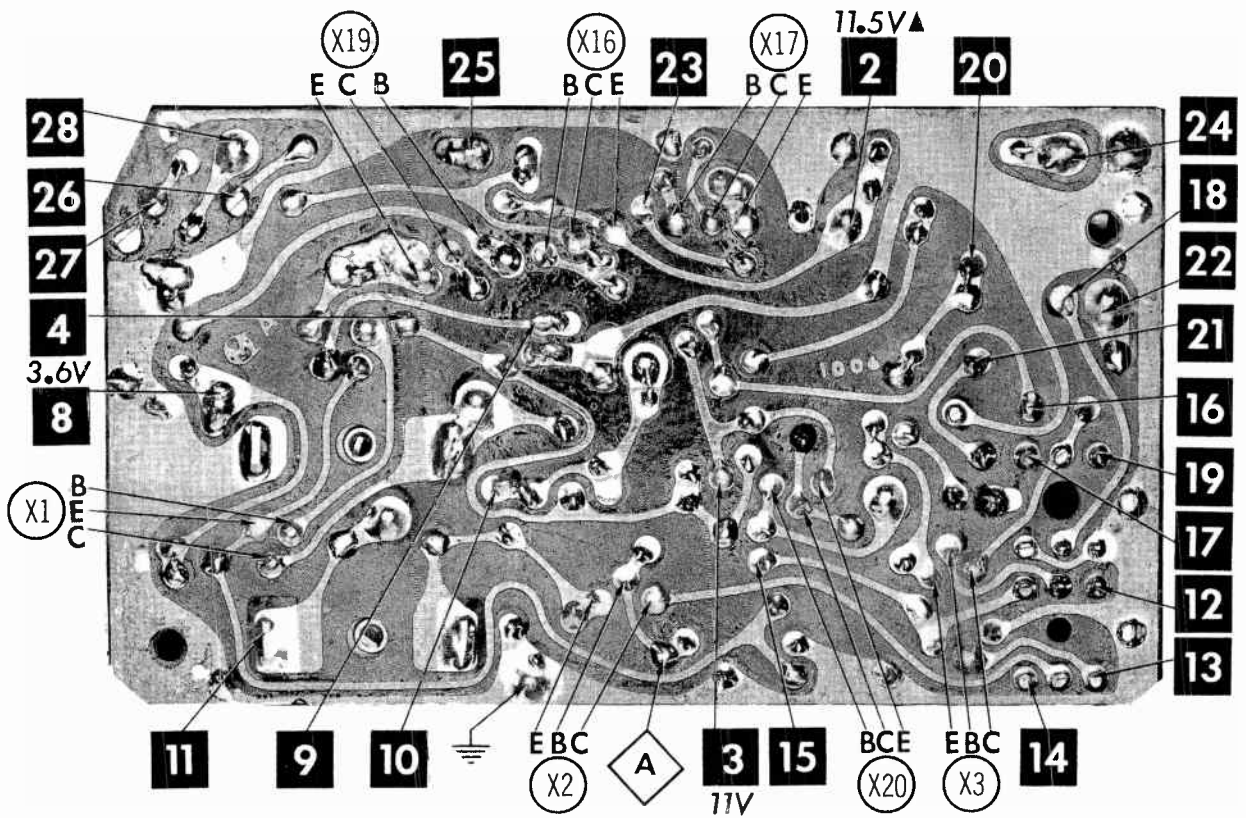




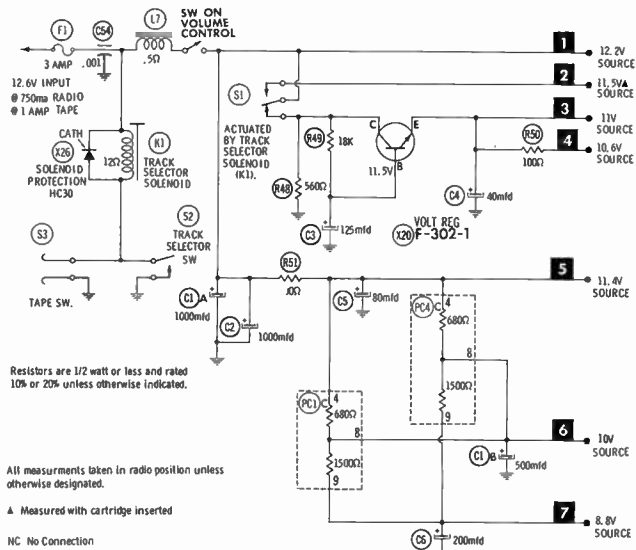
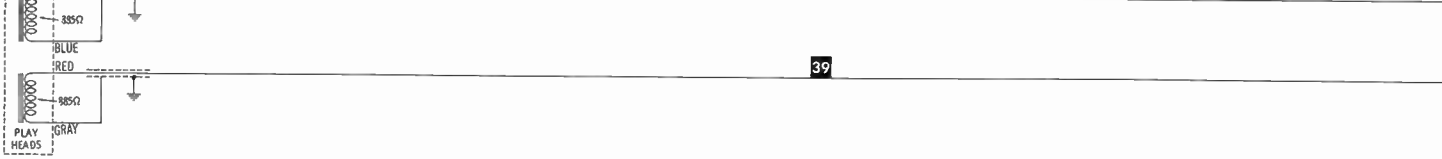
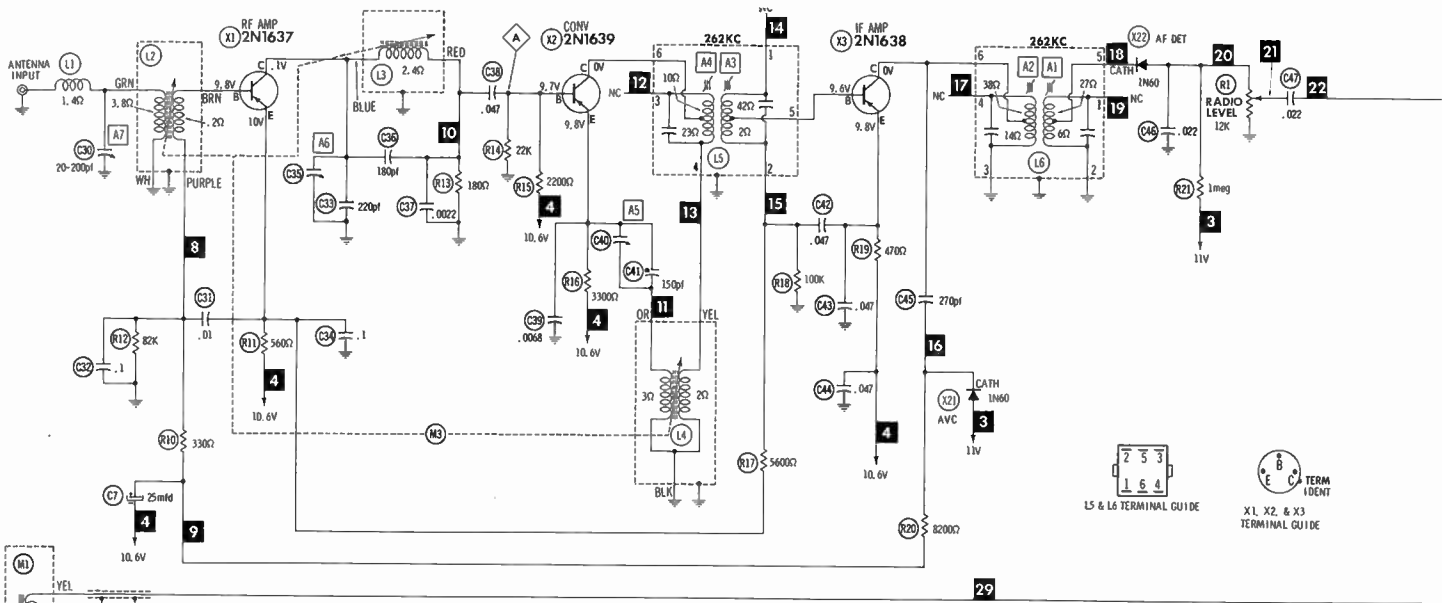




▲ MEASURED WITH CARTRIDGE INSERTED



A Howard W. Sams CIRCUITRACE® Photo



Resistors are 1/2 watt or less and rated 10% or 20% unless otherwise indicated.

All measurements taken in radio position unless otherwise designated.

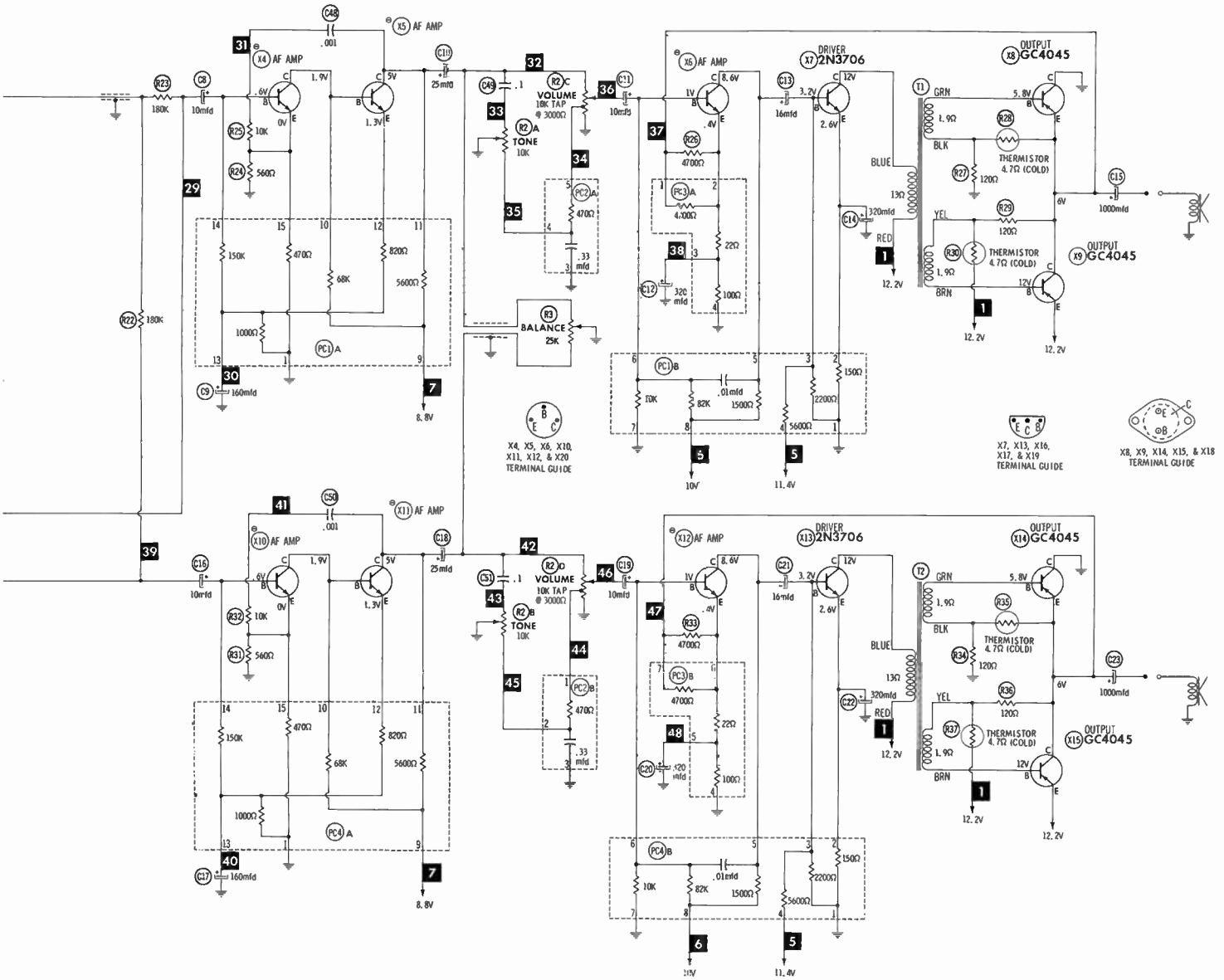
A Measured with cartridge inserted

NC No Connection

- ⊙ See parts list
- 1. Voltage measurements taken with vacuum tube voltmeter.
- 2. All controls set for normal operation, no signal applied.
- 3. Measured values are from socket pin or terminal to common ground.
- 4. All terminals viewed from bottom unless otherwise designated.
- 5. Numbers assigned to terminals may not be found on the unit.
- 6. Supply voltage maintained at rated value for voltage readings.
- 7. Resistance measurements not given because of the wide variation in internal resistance of transistor.

A PHOTOFAC STANDARD NOTATION SCHEMATIC with **CircuitTrace**

© Howard W Sams & Co., Inc. 1966



SEARS MODEL 837.62220

TROUBLE CHART

SYMPTOM	REMARKS
Distorted or no output.	<ol style="list-style-type: none"> 1. Play Head (M1) misadjusted, dirty, defective or disconnected. 2. Tape too tight in cartridge. 3. Tape turned over in cartridge (shiny side to the outside). 4. Defective cartridge.
Wow or Flutter.	<ol style="list-style-type: none"> 1. Capstan dirty. 2. Cartridge defective.
Will not change programs.	<ol style="list-style-type: none"> 1. Push switch contacts dirty or open. 2. Supply voltage below 12 volts (coil can not operate). 3. Solenoid slide mechanism or ratchet needs lubricating.
Crosstalk	<ol style="list-style-type: none"> 1. Play Head (M1) misadjusted. 2. Cartridge or tape defective.
Electrical interference.	<ol style="list-style-type: none"> 1. Ungrounded engine and body parts. 2. Capacitor on voltage regulator, generator or alternator missing or connected in the wrong place. 3. Check for radiation in high and low voltage leads. 4. Static from front wheels.

ADJUST	REMARKS
Play Head Azimuth	Play an azimuth test tape and monitor the appropriate output. Insert a screwdriver in the slot of Azimuth Adjusting Torque (Part of Ref. 1) and rock the head support for maximum output.
Downward pressure of Play Head	The downward pressure should be about 70 grams on the bottom ratchet stop. If not, remove the Semi-Circular Head Spring, bend outward slightly and replace.
Motor Speed	Place the unit under a fluorescent light with a cartridge playing. The pattern of bars on top of the motor shell should appear to stand still. If the pattern rotates clockwise, the speed is slow; if it rotates counterclockwise, the speed is fast. Adjust (R5) until the pattern appears stationary. If this adjustment is not sufficient, adjust (R4) slowly.

CLEANING

The capstan and head faces should be cleaned with head cleaner and a soft cloth or cotton to remove dust and accumulated oxide.

Do not use a screwdriver or any metallic object near the head faces.

CAUTION: Avoid getting head cleaner on any plastic surface.

HEAD DEMAGNETIZING

The play head requires demagnetizing at regular intervals to maintain high-frequency response, dynamic range and low distortion. (Follow instructions included with the demagnetizing unit). After demagnetizing the head, keep all screwdrivers and other metallic objects from the head face.

IMPORTANT: Be sure to demagnetize the head after making resistance measurements in the head circuits.

MECHANICAL PARTS LIST (Continued)
MECHANICAL PARTS LIST

Ref. No.	Part No.	Description	Ref. No.	Part No.	Description
1	302-1014-001	Head Support Sub-Assembly	6	368-1901-001	Cartridge Retention Spring
2	368-1907-001	Head Support Spring	7	373-1305-001	Cartridge Guide Rollers
3	327-1002-001	Head Adjust Ratchet	8		Solenoid Plunger
4		Ratchet Actuating Lever	9	302-1011-001	Center Housing Assembly
5		Ratchet Actuating Lever Return Spring			

PARTS LIST AND DESCRIPTION

(When ordering parts, state Model, Part Number, and Description.)

Replacement parts shown may be superseded by the availability of newly introduced replacements.
Have your local distributor check Sams COUNTER FACTS® for the most up-to-date replacement.

WIRING DATA

General-use Unshielded Hook-up Wire	Use BELDEN No. 8530 (Solid) Available in 12 Colors 8524 (Stranded) Available in 12 Colors
Shielded Hook-up Wire	Use BELDEN No. 8885
Rear Seat Speaker Extension Cable	Use BELDEN No. 8782 (Stranded) Coded Parallel Leads
Bonding Strap	Use BELDEN No. 6661 (3/6 In.) or 8670 (3/4 In.)

TRANSISTORS

ITEM No.	ORIG. TYPE	USE	REPLACEMENT DATA			NOTES	SEARS PART No.
			DELCO PART No.	GENERAL ELECTRIC PART No.	RCA PART No.		
X1	2N1637	RF Amp.	DS-25	GE-9	SK-3006	PNP	
X2	2N1639	Converter	DS-25	GE-9	SK-3008	PNP	
X3	2N1636	IF Amp.	DS-25	GE-9	SK-3008	PNP	
X4		AF Amp.	DS-66	GE-10	SK-3020	NPN	353-9306-002
X5		AF Amp.	DS-66	GE-10	SK-3020	NPN	353-9306-002
X6		AF Amp.	DS-66	GE-10	SK-3020	NPN	353-9306-001
X7	2N3706	Driver	DS-66	GE-10	SK-3020	NPN	
X8	GC4045	Output	DS-520	GE-3	SK-3009	PNP ♦	
X9	GC4045	Output	DS-520	GE-3	SK-3009	PNP ♦	
X10		AF Amp.	DS-66	GE-10	SK-3020	NPN	353-9306-002
X11		AF Amp.	DS-66	GE-10	SK-3020	NPN	353-9306-002
X12		AF Amp.	DS-66	GE-10	SK-3020	NPN	353-9306-001
X13	2N3706	Driver	DS-66	GE-10	SK-3020	NPN	
X14	GC4045	Output	DS-520	GE-3	SK-3009	PNP ♦	
X15	GC4045	Output	DS-520	GE-3	SK-3009	PNP ♦	
X16	2N3702	Motor Regulator Amp.				PNP	
X17	2N3702	Motor Regulator Amp.				PNP	
X18	GC4062	Motor Regulator	DS-520	GE-3	SK-3009	PNP ♦	
X19	2N3704	Speed Control	DS-66	GE-10	SK-3020	NPN	
X20	F-302-1	Voltage Regulator	DS-66	GE-10	SK-3020	NPN	

♦ When replacing, apply silicone grease to both sides of insulator. Tighten mounting screws securely.

POWER RECTIFIERS & SIGNAL DIODES

ITEM No.	MEASURED CURRENT	ORIGINAL Part or Type No.	RECTIFIERS & DIODES		RECTIFIERS		
			GENERAL ELECTRIC PART No.	INTERNATIONAL RECTIFIER PART No.	MALLORY PART No.	RCA PART No.	SARKES TARZIAN PART No.
X21		1N60	1N60	1N60			
X22		1N60	1N60	1N60			
X23		G130	1N34AS	1N34A			
X24		HC30	1N34AS	1N34A			
X25		HC30	1N34AS	1N34A			
X26		HC30	1N34AS	1N34A			

ELECTROLYTIC CAPACITORS

ITEM No.	RATING		SEARS PART No.	REPLACEMENT DATA				
	CAP.	VOLT.		AEROVOX PART No.	CORNELL-DUBILIER PART No.	GENERAL ELECTRIC PART No.	MALLORY PART No.	SPRAGUE PART No.
C1A	1000	16	350-9503-001	PRS1230	BR1000-15	QT1-32	TC1501	TVA-2330
B	500	12		PRS1170	BR500-12	QT1-30	TC1505	
C2	1000	15	350-9502-001	PRS1230	BR1000-15	QT1-32	TC1501	TVA-1163
C3	125	16	350-9504-009	CRE476A	NLW125-15	MT1-23	TT15X150	TE-1163
C4	40	16	350-9504-010	CRE615A	NLW40-25	MT1-17	TT25X50	TE-1209
C5	80	15	350-9504-004	CRE470A	NLW75-15	MT1-19	MTA80E15	TE-1161
C6	200	10	350-9504-005	PTT47	NLW225-10	MT1-25	TT10X200	TE-1119, 6
C7	25	6.4	350-9504-002	CRE412A	NLW25-10	MT1-16	TT10X25	TE-1118
C8	10	2.5	350-9504-001	CRE207A	NLW10-3	MT1-5	TT3X10	TE-1053
C9	160	2.5	350-9504-003	CRE230A	NLW175-3	MT1-22	MTA175E3	TE-1064
C10	25	6.4	350-9504-002	CRE412A	NLW25-10	MT1-16	TT10X25	TE-1118
C11	10	2.5	350-9504-001	CRE207A	NLW10-3	MT1-5	TT3X10	TE-1053
C12	320	2.5	350-9504-006	CRE237A	NLW350-3	MT1-26	TT3X400	TE-1066
C13	16	10		CRE411A	NLW20-15	MT1-10	TT10X25	TL-1090
C14	320	2.5	350-9504-006	CRE237A	NLW350-3	MT1-26	TT3X400	TE-1066
C15	1000	10	350-9502-002	PRS1180	BR1000-12	QT1-32	TC1501	TVA-1133
C16	10	2.5	350-9504-001	CRE207A	NLW10-3	MT1-5	TT3X10	TE-1053
C17	160	2.5	350-9504-003	CRE230A	NLW175-3	MT1-22	MTA175E3	TE-1064
C18	25	6.4	350-9504-002	CRE412A	NLW25-10	MT1-16	TT10X25	TE-1118
C19	10	2.5	350-9504-001	CRE207A	NLW10-3	MT1-5	TT3X10	TE-1053
C20	320	2.5	350-9504-006	CRE237A	NLW350-3	MT1-26	TT3X400	TE-1066
C21	16	10		CRE411A	NLW20-15	MT1-10	TT10X25	TL-1090
C22	320	2.5	350-9504-006	CRE237A	NLW350-3	MT1-26	TT3X400	TE-1066
C23	1000	10	350-9502-002	PRS1180	BR1000-12	QT1-32	TC1501	TVA-1133
C24	4.7	10	350-9501-009①	BCD12005	NLW5-15	MT1-3	TT12X5	VL-1124
C25	4.7	10	350-9501-009	BCD12005	NLW5-15	MT1-3	TT12X5	VL-1124
C26	80	15	350-9504-004	CRE470A	NLW75-15	MT1-19	MTA80E15	TE-1161

① Not used in some versions.

CAPACITORS

ITEM No.	RATING	REMARKS	REPLACEMENT DATA					
			AEROVOX PART No.	CENTRAL LAB PART No.	CORNELL-DUBILIER PART No.	ELMENCO PART No.	MALLORY PART No.	SPRAGUE PART No.
C30	20-200	# 50-9001-001						
C31	.01	200V	DBE481	CPR-10000J	WMF1S1	1DP-1-103	PVC211	4PS-S10
C32	.1	200V	DBE2P1		WMF1P1	1DP-2-104	PVC101	2PS-P10
C33	220		DI-220	DD-221	JBS601YP221K	CCD-221	JF220	10TS-T22
C34	.1		TTD-1	CK-104	HOV101ZV104Z		TA010	TG-P10
C35		# 50-9801-002						
C36	180		DI-180	DD-181	JBZ601YP181K	CCD-181	GP318	5GA-T18
C37	.0022	100V	DBE6D22	CPR-2200J	DPMS6D22	6DP-1-222	PVC4222	6PS-D22

SEARS MODEL 837.62220

PARTS LIST AND DESCRIPTION (CONTINUED)

(When ordering parts, state Model, Part Number, and Description.)

Replacement parts shown may be superseded by the availability of newly introduced replacements.
Have your local distributor check Sams COUNTER FACTS® for the most up-to-date replacement.

CAPACITORS

ITEM No.	RATING	REMARKS	REPLACEMENT DATA					
			AEROVOX PART No.	CENTRALAB PART No.	CORNELL-DUBILIER PART No.	ELMENCO PART No.	MALLORY PART No.	SPRAGUE PART No.
C38	.047 200V	# 50-9001-002	DBE2S47	CPR-6800J	WMF2S47	1DP-2-473	PVC1147	2PS-S47
C39	.0068 200V		DBE6D68		WMF1D68	1DP-1-682	PVC4268	6PS-D68
C40								
C41	.150		NPO-DI 150	DTZ-150		CCTO-151	CN0315	10TCC-T15
C42	.047 200V		DBE2S47		WMF2S47	1DP-2-473	PVC1147	2PS-S47
C43	.047 200V		DBE2S47		WMF2S47	1DP-2-473	PVC1147	2PS-S47
C44	.047 200V		DBE2S47		WMF2S47	1DP-2-473	PVC1147	2PS-S47
C45	.270		DI-270	DD-271	RR05CW271K	CCD-271	GP327	5GA-T27
C46	.022 200V		DBE2S22		WMF1S22	1DP-1-223	PVC1122	2PS-S22
C47	.022 200V		DBE2S22		WMF1S22	1DP-1-223	PVC1122	2PS-S22
C48	.001 200V		DBE6D1	CPR-1000J	DPMS6D1	6DP-1-102	PVC621	6PS-D10
C49	.1 200V		DBE2P1		WMF1P1	1DP-2-104	PVC101	2PS-P10
C50	.001 200V		DBE6D1	CPR-1000J	DPMS6D1	6DP-1-102	PVC621	6PS-D10
C51	.1 200V		DBE2P1		WMF1P1	1DP-2-104	PVC101	2PS-P10
C52	.47			UK10-404			MAG12047	HY-330
C53	.47		UK10-404			MAG12047	HY-330	
C54	.001		MFT-1000		CCF-102	CT280A		

Sears Part Number.

CONTROLS

All wattages 1/2 watt, or less, unless otherwise listed.

ITEM No.	USE	RESIST-ANCE	REPLACEMENT DATA					
			SEARS PART No.	CENTRALAB PART No.	CLAROSTAT PART No.	CTS-IRC PART No.	MALLORY PART No.	
R1	Radio Level	12K	351-9003-003				X201R103B	MTC153L1
R2A	Tone (Left Channel)	10K	351-9001-001					
B	Tone (Right Channel)	10K						
C	Volume (Left Channel)	10K Tap @ 3000Ω						
D	Volume (Right Channel)	10K Tap @ 3000Ω						
R3	Switch Balance	25K	351-9007-001	F1-25K, FFS102, BB014			† QJ-2221A	
R4	Motor Balance	200Ω	351-9003-001				X201R251B	MTC22L1
R5	Motor Speed	2500Ω	351-9006-001					

† "CONCENTRIKIT" Equivalent: K8 Kit, with Base Elements and Shafts: B11-120, P17-105 (Panel)
None (Rear)
S6 (Bushing)

"SNAPTROL" Equivalent: BU8①, CF11, None, SF8, None.
① Alter Bushing to meet requirements.

RESISTORS (Power and Special)

ITEM No.	RATING	REPLACEMENT DATA			ITEM No.	RATING	REPLACEMENT DATA		
		IRC PART No.	WORKMAN PART No.	SEARS PART No.			IRC PART No.	WORKMAN PART No.	SEARS PART No.
R28	4.7Ω (Cold) Thermistor			351-9301-001	R37	4.7Ω (Cold) Thermistor			351-9301-001
R30	4.7Ω (Cold) Thermistor			351-9301-001	R46	100Ω (Cold) Thermistor			351-9302-001
R35	4.7Ω (Cold) Thermistor			351-9301-001					

COILS (RF-IF)

ITEM No.	USE	REPLACEMENT DATA				
		SEARS PART No.	MEISSNER Part No.	MERIT PART No.	MILLER PART No.	WORKMAN PART No.
L1	RF Choke (6.8uh)	356-9701-001	19-1004	BC-565	74F686AP	T859
L2	Antenna	①				
L3	RF	①				
L4	Oscillator	①				
L5	Input IF	356-9001-001				
L6	Output IF	356-9002-001				

① Part of M3.

FILTER CHOKE

ITEM No.	RATINGS			REPLACEMENT DATA				NOTES
	CURRENT (Measured)	DC RES.	INDUCTANCE (0 CURRENT 1000~)	SEARS PART No.	MERIT PART No.	STANCOR PART No.	THORDARSON PART No.	
L7	1 Amp	.5Ω	10MH	356-1902-001	C-4095	TC-2	TR-154	TY17XT

PARTS LIST AND DESCRIPTION (CONTINUED)

(When ordering parts, state Model, Part Number, and Description.)

Replacement parts shown may be superseded by the availability of newly introduced replacements.
Have your local distributor check Sams COUNTER FACTS® for the most up-to-date replacement.

TRANSFORMER (DRIVER)

ITEM No.	TURNS RATIO			REPLACEMENT DATA					NOTES
				SEARS PART No.	MERIT PART No.	STANCOR PART No.	THORDARSON PART No.	TRIAD PART No.	
	PRI.	SEC. 1	SEC. 2						
T1	3	1	1	356-1101-001					
T2	3	1	1	356-1101-001					

FUSE DEVICES

ITEM No.	TYPE	RATING	REPLACEMENT DATA					
			PART No.		LITTELFUSE PART No.		BUSS PART No.	
			FUSE	HOLDER	FUSE	HOLDER	FUSE	HOLDER
F1	AGC	3	360-9001-001	360-9301-001	312003	155020A	AGC 3	HDJ

TAPE HEADS

ITEM NO.	MEASURED			SEARS PART NO.	NORTRONICS PART NO.	DESCRIPTION
	INDUCTANCE	BIAS/ERASE VOLTS (RMS)	BIAS FREQ.			
M1	340MH			342-9001-001	5800	8 - Track Stereo Play.

COMPONENT COMBINATIONS

ITEM No.	USE	DESCRIPTION	SEARS PART NO.	REPLACEMENT DATA
PC1	Biasing Network	150Ω, 470Ω, 680Ω, 820Ω, 1000Ω, 1500Ω, 1500Ω, 2200Ω, 5600Ω, 5600Ω, 10K, 68K, 82K, 150K, .01mfd	342-1004-001	
PC2	Tone Comp.	470Ω, 470Ω, .33mfd, .33mfd	342-1002-001	
PC3	Biasing Network	22Ω, 22Ω, 100Ω, 100Ω, 4700Ω	342-1003-001	
PC4	Biasing Network	150Ω, 470Ω, 680Ω, 820Ω, 1000Ω, 1500Ω, 1500Ω, 2200Ω, 5600Ω, 5600Ω, 10K, 68K, 82K, 150K, .01mfd	342-1004-001	

MISCELLANEOUS

ITEM No.	PART NAME	SEARS PART No.	NOTES
K1	Solenoid	342-1001-001	
M2	Motor	302-1034-001	
M3	Tuner	356-9801-004	
S1	Selector Switch	361-9002-001	
S2	Track Selector	361-1001-001	
S3	Tape Switch	341-1001-001	

CABINETS & CABINET PARTS

(When Ordering Specify Model, Chassis & Color)

ITEM	PART No.	ITEM	PART No.
Bezel	330-1001-001	Dial Pointer	365-1501-001
Dial Glass	334-1001-001	Track Selector Button	361-1501-001

SEARS MODEL 837.62220

CPA-4533 (1964 Corvair)	AR-28
CPV-4048 (1964 Chevelle)	AR-28
CPV-5007 (1965 Chevelle)	AR-29
CR-3006 (1963 Corvair)	AR-23
CR-4034 (1964 Corvair)	AR-28
CRA-3046 (1963 Corvair)	AR-23
CRA-4534 (1964 Corvair)	AR-28
CRP-442A/AT (1963 Corvair)	AR-23
CRP-3007 (1963 Corvair)	AR-23
CRP-4033 (1964 Corvair)	AR-28
CRP-5009 (1965 Corvair)	AR-29
CT-356 (1955-56 Chevrolet)	AR-13
CT-387 (1957 Chevrolet)	AR-12
CT-4058 (1964 Comet)	AR-27
CTP-792AT (1962 Comet)	AR-23
CTP-3004 (1963 Comet)	AR-23
CTP4059 (1964 Comet)	AR-27
CTP-5071 (1965 Comet)	AR-29
CTR-6A (1955-56 Chevrolet)	AR-12
CTR-6B (1955-56 Chevrolet)	AR-13
CTR-77A (1957 Chevrolet)	AR-9
CU-39	AR-12
CY-3010 (1963 Chevy II)	AR-23
CY-4025 (1964 Chevy II)	AR-28
CY-5005 (1965 Chevy II)	AR-29
CYP-3009 (1963 Chevy II)	AR-23
CYP-4032 (1964 Chevy II)	AR-28
CYP-5006 (1965 Chevy II)	AR-29
D-2 (1959 Renault Dauphine)	AR-12
D-8 (1959 Renault Dauphine)	AR-12
DAP-39 (1959 Dodge)	AR-13
DD-5125 (1965 Dart)	AR-30
DD-5125N (1965 Dart 270)	AR-35
DE-300 (1960 DeSoto)	AR-14
DE-3077 (1963 Dodge-Dart)	AR-22
DE-3078 (1963 Dodge-Dart)	AR-22
DEP-4154	AR-27
DEP-4654	AR-27
DET-28 (1957-58 DeSoto)	AR-9
DFM-3095	AR-26
DM-132 (1953 Dodge)	AR-5
DP-6 (1957-59 Renault Dauphine)	AR-12
DP-11 (1957-59 Renault Dauphine)	AR-12
DP-3082 (1964 Dodge 880)	AR-26
DP-4107 (1964 Dodge 880)	AR-26
DP-5127N (1965 Dodge 880, Polara, Monaco)	AR-35
DTX-67A (1957-58 Dodge)	AR-12
DTX-68 (1957-58 Dodge)	AR-12
DUP-42	AR-20
DUP-4151	AR-27
DUP-4651	AR-27
DX-410 (1960 Dart, DeSoto, Dodge)	AR-14
DX-619 (1959 Dodge)	AR-13
DX-3013 (1963 Dodge)	AR-22
DX-5121 (1965 Coronet)	AR-30
DX-5121N (1965 Coronet)	AR-35
DXA-50 (1960 Dart, DeSoto, Dodge)	AR-14
DXA-3053 (1963 Dodge)	AR-22
EM-29	AR-21
EP-108 (1958 Edsel)	AR-12
F-100 (Revised)(1949-50 Ford)	AR-6
F-128 (1958 Ford)	AR-12
F-128C (1958 Ford)	AR-12
F-139 (1959 Ford)	AR-6
F-151 (Revised)(1951 Ford)	AR-6
F-152 (1952 Ford)	AR-6
F-241 (1954 Ford)	AR-6
F-322A	AR-19
F-3016 (1963 Ford)	AR-23
F-4055 (1964 Ford)	AR-27
F-5058N (1965 Galaxie)	AR-36
FA-219 (1959 Ford)	AR-11
FA-3056 (1963 Ford)	AR-23
FA-4555 (1964 Ford)	AR-27
FAL-4554	AR-27
FAN-3058 (1963 Fairlane)	AR-23
FAN-4551 (1964 Falcon)	AR-27
FAP-70 (1960 Ford)	AR-14
FAP-4556 (1964 Ford)	AR-27
FAR-762AT (1962 Fairlane)	AR-24
FAR-3018 (1963 Fairlane)	AR-23
FAR-4054 (1964 Fairlane)	AR-27
FFM-3091A (1963 Ford)	AR-22
FM-61	AR-14
FM-731	AR-6
FM-3083	AR-27
FM-3083A	AR-27
FM-5099	AR-32
FN-4051 (1964 Falcon)	AR-27
FNP-430 (1960 Falcon)	AR-14
FNP-452AT (1962 Falcon)	AR-23
FNP-3015 (1963 Falcon)	AR-23
FNP-3015A (1963 Falcon)	AR-23
FNP-4052 (1964 Falcon)	AR-27
FNP-5051N (1965 Falcon)	AR-36
FOP-4528 (1964 F-85)	AR-28
FP-238 (1958 Ford)	AR-12
FP-238C (1958 Ford)	AR-12
FP-260 (1960 Ford)	AR-14
FP-271AT (1960-61 Ford)	AR-16

FP-276TR (1959 Ford)	AR-11
FP-3017 (1963 Ford)	AR-23
FP-4056 (1964 Ford)	AR-27
FP-5057N (1965 Galaxie)	AR-36
FPA-220 (1960 Falcon)	AR-14
FPA-3055 (1963 Falcon)	AR-23
FPA-3057 (1963 Ford)	AR-28
FPA-4552 (1964 Falcon)	AR-27
FPF-4557 (1964 Falcon)	AR-27
FPO-4028 (1964 F-85)	AR-28
FPO-5033 (1965 Olds F-85)	AR-29
FT-227 (1957 Ford)	AR-12
FTP-37A (1957 Ford)	AR-9
FUP-3080 (1963 Falcon Futura)	AR-23
FUP-4057 (1964 Falcon)	AR-27
H-4 (1958 Hillman)	AR-12
H-9 (1958 Hillman)	AR-12
H-400 (1949-50-51 Hudson)	AR-6
HP-10 (1958 Hillman)	AR-12
HP-15 (1958 Hillman)	AR-12
K-700 (1951 Henry J)	AR-6
L-390 (1959-60 Studebaker Lark)	AR-14
L-559 (Early)(1959 Studebaker Lark)	AR-11
L-559 (Late)(1959-60 Studebaker Lark)	AR-14
LA-449 (1959 Studebaker Lark)	AR-11
LAP-29 (1959 Studebaker Lark)	AR-11
LAP-40 (1959-60 Studebaker Lark)	AR-14
LP-929 (1959 Studebaker Lark)	AR-11
MAP-99 (Early)(1959 Mercury)	AR-11
MAP-99 (Late)(1959-60 Mercury)	AR-14
MAP-3063 (1963 Mercury)	AR-23
MAP-4561 (1964 Mercury)	AR-27
MB-72	AR-30
MM-430 (1953 Mercury)	AR-4
MP-69	AR-6
MP-126	AR-6
MT-47C (1957 Mercury)	AR-12
MT-419 (Early)(1959 Mercury)	AR-11
MT-419 (Late)(1959-60 Mercury)	AR-14
MT-530 (1959-60 Mercury)	AR-14
MT-3023 (1963 Mercury)	AR-23
MT-4061 (1964 Mercury)	AR-27
MT-5073 (1965 Mercury)	AR-29
MTR-602AT (1962 Meteor)	AR-24
MU-34	AR-6
MUS-4067 (1964 Mustang)	AR-27
MUS-5056 (1965 Mustang)	AR-12
MUS-5059N (1965 Mustang)	AR-36
N-638 (1958-59 Rambler American)	AR-13
N-639 (1958-59 Rambler American)	AR-13
N-3028 (1963 Rambler American)	AR-23
NA-749 (1958-59 Rambler American)	AR-13
NA-3068 (1963 Rambler American)	AR-23
NAP-3069 (1963 Rambler American)	AR-23
NAY-3052 (1963 Chrysler)	AR-23
NP-3029 (1963 Rambler American)	AR-23
NP-5153 (1965 Rambler American)	AR-29
NU-63-AT	AR-23
NU-3107	AR-23
NU-3107A	AR-28
NY-400 (1960 Chrysler)	AR-14
NY-598A (1958 Chrysler)	AR-10
NY-3012 (1963 Chrysler)	AR-23
NY-3100 (1963 Chrysler New Yorker)	AR-26
NY-5101N (1965 Chrysler)	AR-35
OAE-10 (1960 Oldsmobile)	AR-14
OAE-4531 (1964 Oldsmobile)	AR-28
OE-160 (1960 Oldsmobile)	AR-14
OE-171AT (1961 Oldsmobile)	AR-16
OE-3024 (1963 Oldsmobile)	AR-23
OE-4931 (1964 Oldsmobile)	AR-28
OE-5031 (1965 Oldsmobile)	AR-29
P-69	AR-23
P-651 (Revised)(1951 Plymouth)	AR-6
P-4152	AR-27
P-4652	AR-27
P-5040 (1965 Pontiac)	AR-29
PA-74R	AR-30
PA-85	AR-23
PA-3065 (1963 Plymouth)	AR-26
PA-3285	AR-23
PAC-90 (1960 Pontiac)	AR-14
PAC-3067 (1963 Pontiac)	AR-23
PAC-4529 (1964 Pontiac)	AR-28
PAF-4340	AR-29
PAP-69 (1959 Plymouth)	AR-15
PAP-80 (1960 Plymouth)	AR-15
PAP-3066 (1963 Plymouth)	AR-22
PC-350 (1960 Oldsmobile)	AR-14
PC-361AT (1961 Pontiac)	AR-16
PC-3027 (1963 Pontiac)	AR-23
PC-4029 (1964 Pontiac)	AR-28
PC-5041 (1965 Pontiac)	AR-29
PFM-3092A (1963 Pontiac)	AR-27
PFM-3094 (1963 Plymouth)	AR-22
PFX-5109 (1965 Fury)	AR-30
PFX-5109N (1965 Fury)	AR-35
PM-236 (1953 Plymouth)	AR-5
PP-330 (1960 Plymouth)	AR-15
PP-341AT (1961 Plymouth)	AR-16

PP-819 (1959 Plymouth)	AR-15
PP-3026 (1963 Plymouth)	AR-22
PP-5105 (1965 Belvedere)	AR-30
PP-5105N (1965 Belvedere)	AR-35
PS-4153	AR-27
PS-4653	AR-27
PT-3025 (1963 Plymouth)	AR-26
PUT-3108	AR-23
PUT-3108A	AR-28
R-54, B	AR-11
R-61	AR-20
RAP-89 (1959 Rambler)	AR-13
RAP-100 (1960 Rambler)	AR-13
RAP-3070 (1963 Rambler)	AR-26
RG-59	AR-14
RG-59C	AR-14
RP-470 (1960 Rambler)	AR-13
RP-481AT (1960-61 Rambler)	AR-16
RP-519 (1959 Rambler)	AR-13
RP-3030 (1963 Rambler)	AR-26
RP-3097 (1963 Rambler)	AR-23
RP-5151 (1965 Rambler)	AR-29
RT-7B	AR-13
RT-7D	AR-11
S-91 (1958-59 Simca Aronde)	AR-11
S-500 (1950-51 Studebaker)	AR-6
S-551 (Revised)(1950-51 Studebaker)	AR-6
SA-529 (1958-59 Simca Aronde)	AR-11
SAB-3071 (1963 Special)	AR-23
SB-3032 (1963 Special)	AR-23
SBP-3033 (1963 Special)	AR-23
SBP-4027 (1964 Buick Special)	AR-28
SP-1 (1958-59 Simca Aronde)	AR-11
SPA-209 (1958-59 Simca Aronde)	AR-11
SPA-3072 (1963 Special)	AR-23
SPA-4527 (1964 Buick Special)	AR-28
TA-3073 (1963 F-85, Tempest)	AR-23
TAC-3051 (1963 Chev. Truck)	AR-22
TAC-4541 (1964 Chevrolet Truck)	AR-28
TAC-5514N (1965 Chevrolet Truck)	AR-37
TAP-3074 (1963 F-85, Tempest)	AR-23
TAP-4526 (1964 Tempest)	AR-28
TAX-4542 (1964 Chevrolet Truck)	AR-28
TAX-5513N (1965 Chevrolet Truck)	AR-37
TC-3035 (1963 F-85, Tempest)	AR-23
TCM-3011 (1963 Chev. Truck)	AR-22
TCM-4041 (1964 Chevrolet Truck)	AR-28
TCM-5014 (1965 Chevrolet Truck)	AR-29
TCM-5014N (1965 Chevrolet Truck)	AR-37
TCX-4042 (1964 Chevrolet Truck)	AR-28
TCX-5013 (1965 Chevrolet Truck)	AR-29
TCX-5013N (1965 Chevrolet Truck)	AR-37
TPC-31 (1961 Buick Special, Oldsmobile F-85, Pontiac Tempest)	AR-16
TPC-31AT (1963 F-85, Tempest)	AR-23
TPC-42AT (1963 F-85, Tempest)	AR-23
TPC-3036 (1963 F-85, Tempest)	AR-23
TPC-4026 (1964 Tempest)	AR-28
TPP-87A (1957 Plymouth)	AR-13
TPP-88 (1957-58 Plymouth)	AR-13
TPP-88C (1957-58 Plymouth)	AR-13
TR-12 (Tractor)	AR-4
TR-13B	AR-25
TR-48AT	AR-25
TR-0048	AR-25
TUN-5	AR-14
UE-4155A	AR-28
UE-4171A	AR-28
UE-4655A	AR-28
UE-4671A	AR-28
UFM-3089	AR-22
UFP-3098	AR-22
UN-40	AR-12
VP-12	AR-12
VPA-280 (1960 Valiant)	AR-15
VPA-3076 (1963 Valiant)	AR-22
VT-5108 (1965 Valiant)	AR-30
VTP-440 (1960 Valiant)	AR-15
VTP-3038 (1963 Valiant)	AR-22
VTP-5107 (1965 Valiant)	AR-30
W-76 (Thru 1957 Volkswagen)	AR-12
W-84 (1958-63 Volkswagen)	AR-23
W-89 (1958-59 Volkswagen)	AR-12
W-3040 (1958-63 Volkswagen)	AR-23
W-3040A (1964 Volkswagen)	AR-28
W-5204 (See Page 41) (1965 Volkswagen)	AR-28
WP-4 (1958-59 Volkswagen)	AR-12
WP-7 (Thru 1957 Volkswagen)	AR-12
WP-7G (Karmann-Ghia)	AR-12
WP-19 (1958-59 Volkswagen)	AR-12
WP-21 (1958-63 Volkswagen)	AR-23
WP-167	AR-15
WP-3039 (1958-63 Volkswagen)	AR-23
WP-3093A (1964 Volkswagen)	AR-28
WP-5203 (See Page 41)(1965 Volkswagen)	AR-28
WPC-8 (Thru 1957 Volkswagen)	AR-12
YAM-3050 (1963 Chevy II)	AR-23
YAM-4525 (1964 Chevy II)	AR-28
YP-3049 (1963 Chevy II)	AR-23
YP-4532 (1964 Chevy II)	AR-28

KARADIO	Vol.	METEOR (Also See Mercury)	Vol.	MOPAR (Continued)	Vol.
M80B.....	AR-4	24ME (C2GY-18805-A)(1962 Comet)(See Ford 24ME).....	AR-17	314V (Export Version of Model 113).....	AR-16
KARMANN GHIA (See Volkswagen)		24MY (C2YY-18805-A2)(1962 Meteor)(See Ford 24ME).....	AR-17	317 (13BC 1961 Chrysler).....	AR-15
KINEMATIX		77BM (FEK-18805-C)(1957).....	AR-7	322 (SP1, SP2, 1962 Plymouth).....	AR-17
Verba-Matix.....	AR-27	78BM (FEK-18805-D)(1957).....	AR-7	323 (SD1, SD2 1962 Dodge Dart).....	AR-17
LAFAYETTE		84BM (FEW-18805-U)(1958).....	AR-8	324 (Export SP1, SP2, 1962 Plymouth).....	AR-17
SP-172 (FM-100).....	AR-14	85BM (FEW-18805-T)(1958).....	AR-9	327 (SC1, SC2, SC3 1962 Chrysler).....	AR-17
LANCER (See MoPar)		94PM (B9MF-18805-B)(1959).....	AR-12	330 (1963 Plymouth).....	AR-21
LARK (See Studebaker)		95PM (B9FM-18805-A)(1959).....	AR-11	331 (1963 Dodge).....	AR-21
LINCOLN		METRAVOX		332 (1963 Dodge 880).....	AR-21
05BH (COLF-18810, COLY-18805)(1960) ..	AR-12			333 (1963 Chrysler).....	AR-21
3SH756 (FAG-18805-A)(1953).....	AR-4	SUTTON RA144.....	AR-20	334 (4TBQ)(1964 Dodge 880).....	AR-24
4SH764 (FDD-18805-B)(1954).....	AR-4	SUTTON RA155.....	AR-21	335 (1964 Plymouth).....	AR-25
4SH766 (FDD-18805-A)(1954).....	AR-4			336 (1964 Dodge).....	AR-25
5BH (FDL-18805-C,-D)(1955).....	AR-5	MG		337 (1963 Valiant).....	AR-22
6BH (FDU-18805-C)(1956).....	AR-6			339 (1963 Dodge Dart).....	AR-22
78BL (HHD-18805-A)(1957).....	AR-7	HAC700 (4TMB).....	AR-30	343 (R3BC)(1963 Chrysler TC1, TC2, TC3).....	AR-19
85BH (FFC-18805-C,-D)(1958).....	AR-9			344 (1963 Dodge).....	AR-22
85BHP (FFC-18805-C,-D)(Above Serial #5000)(1958).....	AR-9	MIDLAND		345 (1963 Plymouth).....	AR-22
88BH (FFC-15491-B)(1958).....	AR-8	65-210.....	AR-34	347 (R23BDQ)(1962 Dodge 880, SD3).....	AR-19
95BH (B9FL-15801-A,-B, FFC-19061-B)(1959).....	AR-9	MONITORADIO		348 (4TBC)(1964 Chrysler).....	AR-24
87DC (1966 Lincoln).....	AR-37	M-40.....	AR-12	350 (R3BD)(1963 Dodge 880).....	AR-19
T6SMC (C6VA-18806-J)(1966 Lincoln Continental).....	AR-36	M-160.....	AR-12	351 (1964 Chrysler).....	AR-25
MACK		MC-40.....	AR-12	352 (1964 Chrysler Imperial).....	AR-25
U3MMT (Truck).....	AR-32	MC-160.....	AR-12	353 (1964 Dodge 880).....	AR-25
MERCURY				354 (1964 Dodge).....	AR-24
E5TBM (1965 Mercury).....	AR-28	MONTGOMERY WARD (See Riverside)		360 (5FBP)(1965 Plymouth).....	AR-30
E6TMM (C6MA-18806-B2)(1966 Mercury).....	AR-35	MOPAR		361 (5FBPD)(1965 Plymouth).....	AR-30
EF5TBM (1965 Mercury).....	AR-34	RV4C.....	AR-24	361 (6FBPD)(1966 Plymouth Deluxe).....	AR-36
EF6TBM (1966 Mercury).....	AR-38	RV4CL.....	AR-24	363 (1965 Dodge 880).....	AR-28
F3TBM (1963).....	AR-21	RV5C (1965).....	AR-30	363S (1966 Polara, Custom 880, Monaco BD2).....	AR-35
F4TBE (1964 Comet).....	AR-24	RV5CC (1965).....	AR-30	364 (5FBDD)(1965 Dodge).....	AR-30
F5TBE (1965 Comet).....	AR-34	RV5CL (1965).....	AR-30	364 (6FBDD)(1966 Dodge Deluxe).....	AR-36
F6TBE (1966 Comet).....	AR-38	101 (PP1, PP2, 1960 Plymouth).....	AR-13	365 (1965 Chrysler).....	AR-28
F4TBM (1964 Mercury).....	AR-24	102 (PD1, PD2, PD3, PD4, 1960 Dodge).....	AR-13	365S (1966 Chrysler BC1, BC2, BC3).....	AR-35
F5TBM (1965 Mercury).....	AR-34	104 (1960 Valiant).....	AR-13	366 (5FBC)(1965 Chrysler).....	AR-30
F6TBM (1966 Mercury).....	AR-38	106 (1960 Dodge).....	AR-14	366 (6FBC)(1966 Chrysler).....	AR-36
M-5841 (1958).....	AR-9	107 (12B)(1961 Dodge Dart).....	AR-15	367 (5FB)(1965 Imperial).....	AR-30
T6SMM (C6AA-19A049-D)(1966 Mercury).....	AR-35	109 (RP1, RP2, 1961 Plymouth).....	AR-15	369 (6FBP, 6FBVE)(1966 Plymouth Standard).....	AR-36
04BM-1 (COMF-18805)(1960).....	AR-13	110 (Export Version of Model 101).....	AR-13	372 (5FBVE)(See page 86)(1965 Plymouth).....	AR-30
04BM-2 (COMF-18806)(1960).....	AR-13	111 (RP1, RP2, 1961 Plymouth).....	AR-15	373 (5FBL)(See page 86)(1965 Dodge Dart).....	AR-30
2TBM (R2TBM)(C2MY-18805-B)(1962).....	AR-20	112 (1960 Desoto).....	AR-14	379 (6FBL)(1966 Dart).....	AR-36
2TMY (C2YA-18806-E)(1962 Meteor).....	AR-18	113 (RV1 1961 Valiant).....	AR-15	402 (04BC)(1960 Chrysler).....	AR-13
35MY757 (FAF-18805-A)(1953)(See Lincoln Model 3SH756).....	AR-4	114 (RW1, 1961 Lancer).....	AR-15	403 (04BI)(1960 Imperial).....	AR-13
3TBM (C3MY-18805)(1963).....	AR-21	202 (1962 Lancer SL1).....	AR-18	404 (14BI)(1961 Imperial).....	AR-15
3TME (C3GA-18806)(1963 Comet).....	AR-23	203 (1962 Valiant SV1).....	AR-18	407 (14BC)(1961 Chrysler).....	AR-15
3TMY (C3YA-18806)(1963 Meteor).....	AR-23	204 (1962 Plymouth SP1, SP2).....	AR-18	409 (24BI)(1962 Imperial SY1).....	AR-18
45M767 (FDC-18805-A)(1954)(See Lincoln Model 4SH764).....	AR-4	205 (1962 Dodge Dart SD1, SD2).....	AR-17	410 (24BC)(1962 Chrysler SC1, SC2, SC3).....	AR-18
4TBM (C4MA-18805)(1964 Mercury).....	AR-23	206 (4TBLL)(1964 Dart).....	AR-24	411 (34BCS)(1963 Chrysler).....	AR-20
4TME (C4AA-18806)(1964 Comet).....	AR-23	214 (3BVD)(1963 Valiant TV1).....	AR-19	413 (34BI)(1963 Imperial TY1).....	AR-20
5BM (1955)(See Lincoln Model 5BH).....	AR-5	215 (3BLE)(1963 Dart TL1).....	AR-19	414 (44BI)(1964 Imperial).....	AR-24
5TBM (1965 Mercury).....	AR-28	216 (1963 Plymouth).....	AR-22	415 (44BCS)(1964 Chrysler).....	AR-24
5TPE (1965 Comet).....	AR-28	217 (1963 Dodge).....	AR-22	416 (1965 Chrysler).....	AR-31
6BM (FDT-18805-C)(1956).....	AR-6	218 (4TBVE)(1964 Valiant).....	AR-24	417 (1965 Imperial).....	AR-31
6BMS (FDT-18805-D)(1956).....	AR-6	219 (1964 Dodge VDI, VD2).....	AR-23	608 (1953 Plymouth P24).....	AR-4
6TMM (C6MA-18806-A2)(1966 Mercury).....	AR-35	220 (1964 Plymouth VP1, VP2).....	AR-23	609 (1953 Dodge Model D-44, D-46, D-47, and D-48).....	AR-4
6TPG (1966 Mercury).....	AR-37	221 (4TBLH)(1964 Dart).....	AR-24	610T (1953 Dodge Truck, Series B-3, B-4).....	AR-4
22BM (C2MY-18805-A)(1962).....	AR-18	222 (5BVE)(1965 Valiant).....	AR-28	611T (1954 Dodge Truck, Series C)(See Model 610T).....	AR-4
		223 (1965 Dodge Dart).....	AR-28	612 (1954 Dodge Models D-40, D-51, D-52, and D-53)(See Model 609).....	AR-4
		224 (5BP)(1965 Plymouth Std.).....	AR-28	613 (1955 Plymouth Models P-26, P-27).....	AR-5
		225 (5BPD)(1965 Plymouth Deluxe).....	AR-28	614 (1955 Dodge Models D-55, D-56).....	AR-5
		226 (1965 Dodge Coronet).....	AR-28	620 (1956 Plymouth Models P-28, P-29).....	AR-7
		228 (6BVE)(1966 Valiant).....	AR-37	621 (1956 Dodge Models D-62, D-63).....	AR-7
		229 (6BL)(1966 Dart).....	AR-37	624 (1957 Dodge Models D-66, D-67, D-70, D-71, D-72).....	AR-8
		230 (6BP)(1966 Plymouth).....	AR-37	700 (1958 Dodge Truck).....	AR-8
		231 (6BPD)(1966 Fury).....	AR-37	700 (Revised)(1960 Dodge Truck).....	AR-14
		232 (1966 Coronet BW1, BW2).....	AR-35	701 (1959 Simca).....	AR-12
		233 (1966 Charger BW29).....	AR-35	703 (R12BDDT)(1961 Dodge Truck).....	AR-16
		234 (6BVS)(1966 Valiant).....	AR-37	706 (1964 Dodge Truck).....	AR-26
		235S (1966 Polara, Custom 880, Monaco BD2).....	AR-35	706 (5TBDDT)(Similar to page 64)(1965 Dodge Truck).....	AR-26
		301 (PP1, PP2, 1960 Plymouth).....	AR-14	819 (1953 Plymouth).....	AR-4
		302 (PD1, PD2, PD3, PD4, 1960 Dodge).....	AR-13	820 (1953 Dodge).....	AR-4
		303 (03BC 1960 Chrysler).....	AR-13	821 (Desoto Models S-16, S-18).....	AR-4
		304 (03BS 1960 Desoto).....	AR-13	824 (1953 Chrysler)(See Model 819).....	AR-4
		305 (03BD 1960 Dodge).....	AR-13	828 (1954 Dodge Models D-50, D-51, D-52, D-53)(See Model 820).....	AR-4
		306 (13BD 1961 Dodge).....	AR-16	829 (Desoto Models S-19 and S-20).....	AR-4
		309 (RP1, RP2, 1961 Plymouth).....	AR-16	830 (1954 Chrysler Models C-62, C-63, C-64).....	AR-4
		310 (Export Version of Model 301).....	AR-14	831 (See Model 830).....	AR-4
		311 (Export Versions of Model 309).....	AR-16	832 (1955 Plymouth).....	AR-5
		312 (13BS 1961 Desoto).....	AR-16	833 (1955 Dodge Models D-55, D-56).....	AR-5
		313 (1960 Valiant).....	AR-14	834 (1955 Desoto Models S-21, S-22).....	AR-5
		314L (Export Version of Model 114).....	AR-16	835 (1955 Chrysler).....	AR-5
				836 (1955 Plymouth Models P-25, P-27).....	AR-5
				840 (1956 Plymouth).....	AR-6
				841 (1956 Plymouth Models P-28, P-29).....	AR-6
				842, 842HR (1956 Dodge Models D-62, D-63).....	AR-6
				843 (1956 Desoto Models S-23, S-24).....	AR-6
				844, 844HR (1956 Chrysler).....	AR-6
				845 (1957 Dodge Models D-66, D-67, D-70, D-71, D-72).....	AR-8

MOTOROLA (Continued)	Vol.	PENNY	Vol.	PONTIAC (Continued)	Vol.
861 (See MoPar Model 861).....	AR-12	3104 (984-8227).....	AR-29	984961 (1955).....	AR- 5
923 (See MoPar Model 923).....	AR- 9	3108 (984-8219)(1958-63 Volkswagen).....	AR-29	988568 (1956)(See Model 984961).....	AR- 5
927 (See MoPar Model 927).....	AR-11	3114 (984-1991)(1963 Ford).....	AR-29	988569 (1956).....	AR- 6
980886 (1964 Opel Kadett).....	AR-26	3118 (982-0093).....	AR-30	988671 (1957).....	AR- 7
Chassis		3120 (982-1992)(1958-63 Volkswagen).....	AR-29	988672 (1957).....	AR- 7
R15A6.....	AR- 5	3121 (981-4021).....	AR-30	988822 (1958).....	AR- 8
R16M6.....	AR- 5	3122 (981-4031).....	AR-30	988823 (1958).....	AR- 8
R17A6.....	AR- 5	3129 (985-6816).....	AR-30	988837 (1958).....	AR- 8
NASH (Also see American Motors)		3138 (984-8243).....	AR-29	988976 (1959).....	AR-10
AC-154 (1954-55).....	AR- 5	3143 (985-8358).....	AR-29	988977 (1959).....	AR-11
NH3C (1953 Nash Rambler).....	AR- 4	3144 (985-8374).....	AR-30	988978 (1959).....	AR-11
NH5AC (1955)(See Model AC-154).....	AR- 5	3146 (985-8390).....	AR-30	989614 (1960).....	AR-12
NORDIC		3151 (985-8341).....	AR-30	989615 (1960).....	AR-13
501F55 (1955 Ford).....	AR- 5	3160 (985-8408)(1964 Chevelle).....	AR-29	989692 (1961).....	AR-14
NORDMENDE		3161 (985-8416)(1963-64 Chevrolet).....	AR-29	989693 (1961).....	AR-15
Transita-Royal K-C (4/608K-C).....	AR-34	3162 (985-8424)(1963-64 Chevy II).....	AR-29	989792 (1961 Tempest).....	AR-15
OLDSMOBILE		3163 (1964 Comet).....	AR-30	989831 (1961 Tempest).....	AR-15
982029 (1962).....	AR-17	3168 (1964 Ford).....	AR-30	7284742.....	AR-22
982030 (1962).....	AR-18	3169 (1964 Falcon).....	AR-30	7284742A (1966 Pontiac)(Reverb. Unit) ..	AR-36
982136 (1963).....	AR-19	3170 (1964 Falcon).....	AR-30	7289752 (1965 Pontiac).....	AR-29
982137 (1963).....	AR-20	3171 (985-8515)(1964 F-85).....	AR-29	7289772 (1965 Pontiac).....	AR-29
982149 (1963 F-85).....	AR-20	3172 (1964 Fairlane).....	AR-30	7291562 (1965 Tempest).....	AR-30
982212 (1963).....	AR-21	3173 (1964 Mercury).....	AR-30	7291582 (1965 Tempest).....	AR-29
982249 (1964).....	AR-25	3174 (985-8549)(1964 Oldsmobile).....	AR-29	7292112 (1965 Tempest).....	AR-29
982250 (1964).....	AR-25	3176 (985-8564)(1963-64 Pontiac).....	AR-29	7293472 (1966 Tempest).....	AR-38
982251 (1964).....	AR-25	3179 (985-8275)(1964 Tempest).....	AR-29	7293492 (984595)(1966 Pontiac).....	AR-36
982252 (1964 F-85).....	AR-25	3180 (985-8291)(1964 Chevrolet).....	AR-29	7293502 (984594)(1966 Tempest).....	AR-38
982990 (1953).....	AR- 4	3181 (985-8309)(1960-64 Corvair).....	AR-29	7293512 (984596)(1966 Pontiac).....	AR-35
983004 (1953).....	AR- 4	3182 (985-8317)(1963-64 Chevy II).....	AR-29	7293632A (1966 Pontiac)(Reverb. Unit) ..	AR-36
983090 (1954).....	AR- 5	PHILCO		7294322 (1965 Pontiac).....	AR-33
983091 (1954).....	AR- 5	C-5209 (See MoPar Model 824).....	AR- 4	7294332 (1966 Pontiac).....	AR-37
983204 (1955).....	AR- 5	C-5409 (See MoPar Model 830).....	AR- 4	7294342 (984590)(1966 Pontiac).....	AR-38
983205 (1955).....	AR- 5	C-5509 (See MoPar Model 835).....	AR- 5	RAMBLER (Also see American Motors)	
983334 (1956).....	AR- 6	C-5595 (See MoPar Model 902).....	AR- 5	AF4TMR (1964 Rambler).....	AR-26
983336 (1956).....	AR- 6	C-5596 (See MoPar Model 903).....	AR- 5	AF5TMR (1965 Rambler).....	AR-28
989001 (1957).....	AR- 7	C-5609 (See MoPar Model 844).....	AR- 6	D4TMR (1964 Rambler).....	AR-24
989002 (1957).....	AR- 7	C-5609HR (See MoPar Model 844HR).....	AR- 6	RA-66PB (1966 Rambler).....	AR-37
989127 (1958).....	AR- 8	C-5705 (See MoPar Model 847).....	AR- 8	RV5R (1965).....	AR-31
989129 (1958).....	AR- 8	C-5707 (See MoPar Model 820HR).....	AR- 8	RV5RY (1965).....	AR-31
989131 (1958).....	AR- 8	C-5709 (See MoPar Model 921HR).....	AR- 8	3TB (1963 Rambler American).....	AR-19
989170 (1959).....	AR-10	C-5809 (See MoPar Model 924HR).....	AR- 9	3TBAM (1963 Rambler American).....	AR-19
989171 (1959).....	AR-11	D-5207 (See MoPar Model 819).....	AR- 4	3TBAX (1963 Rambler American).....	AR-19
989172 (1959).....	AR-11	J-407 (See MoPar Model 820).....	AR- 4	3TMR (8991142)(1963).....	AR-25
989276 (1960).....	AR-13	P-5206 (See MoPar Model 819).....	AR- 4	4TBA (8991321)(1964).....	AR-25
989277 (1960).....	AR-12	P-5506 (See MoPar Model 832).....	AR- 5	4TBAM (8991320)(1964).....	AR-25
989387 (1961 F-85).....	AR-15	P-5606 (See MoPar Model 840).....	AR- 6	4TMR (1964 Rambler).....	AR-24
989392 (1961).....	AR-15	P-5701 (See MoPar Model 848).....	AR- 8	5BA (8991562)(1965 Rambler American) ..	AR-29
989393.....	AR-14	P-5703 (See MoPar Model 917HR).....	AR- 8	5BAM (8991561)(1965 Rambler American).....	AR-29
7284893.....	AR-22	P-5803 (See MoPar Model 925).....	AR- 9	5TMR (1965 Rambler).....	AR-29
7289313 (1965 Oldsmobile).....	AR-30	P-5901 (See MoPar Model 855).....	AR-11	6SMA (1966 Rambler American).....	AR-35
7289333 (1965).....	AR-31	P-6234.....	AR-20	6SMAM (1966 Rambler American).....	AR-35
7289353 (1965).....	AR-31	S-5323 (See Studebaker Model AC-2301).....	AR- 4	RANGER	
7289373 (982687)(1966 Oldsmobile F-85) ..	AR-35	S-5327 (See Studebaker Model AC-2300).....	AR- 4	R-500.....	AR-31
7291063 (1965 F-85).....	AR-30	S-5524 (See Studebaker Model AC-2301).....	AR- 4	RR-3M.....	AR-35
7292643 (1966 Toronado).....	AR-37	S-5528 (See Studebaker Model AC-2300).....	AR- 4	RR-4PB (5-045).....	AR-36
7293653 (982690)(1966 Oldsmobile).....	AR-38	S-5529 (See Studebaker Model AC-2300).....	AR- 4	RU-101-T.....	AR-24
7294743 (982688) (1966 Oldsmobile).....	AR-37	TA-R-58 (See MoPar Model 700).....	AR- 8	TC-100M.....	AR-23
7294753 (982689)(1966 Oldsmobile).....	AR-36	94PM (See Mercury Model 94PM).....	AR-12	TC-100-M.....	AR-32
7297564 (1966 Oldsmobile)(Reverb. Unit) ..	AR-36	929 (See MoPar Model 929).....	AR-11	TC-100-MD.....	AR-32
OPEL-REKORD		PHILLIPS		TC-200PB.....	AR-23
980886 (1964 Kadett).....	AR-26	P7C-400-MR.....	AR-32	TC-200-PB.....	AR-32
981946 (1958).....	AR-14	PLYMOUTH (See MoPar)		TC-300M (1964 Volkswagen).....	AR-23
981981 (1959-60).....	AR-14	PONTIAC		TC-300M, MD (1965 Prod.)(Similar to Page 144).....	AR-23
PACKARD		983578 (1962).....	AR-17	TC-300M (5-041).....	AR-36
AC-2906 (1958).....	AR- 8	983579 (1962).....	AR-18	TC-400PB (1964 Volkswagen).....	AR-23
AC-2907 (1958).....	AR- 8	983687 (1962).....	AR-20	TC-400PB (1965 Prod.)(Similar to page 144).....	AR-23
439338, 439339 (1953 Series 26).....	AR- 4	983873 (1963).....	AR-20	TRM-64M.....	AR-23
439663 (1954)(See Model 439338).....	AR- 4	983873A (Similar to page 105)(1963 Pontiac).....	AR-24	VW-64PB (1964 Volkswagen).....	AR-23
439666 (1954)(See Model 439338).....	AR- 4	983874 (1963 Tempest).....	AR-19	REALISTIC	
472046 (1955).....	AR- 5	983875 (1963).....	AR-21	'90LX697.....	AR-16
472047, 472048 (1955).....	AR- 5	983945 (1963).....	AR-21	REGAL	
480487 (1956 Packard Clipper).....	AR- 6	984075 (1964 Tempest).....	AR-24	CR-871.....	AR- 4
484649 (1957).....	AR- 7	984076 (1964).....	AR-23	RENAULT	
484652 (1957)(See Model 7287427).....	AR- 6	984077 (1964 Pontiac).....	AR-24	55555 (2TMDX).....	AR-17
7267427 (480487)(1956 Packard Clipper) ..	AR- 6	984078 (1964 Pontiac).....	AR-24	55556 (3TMDX)(1963).....	AR-21
		984817 (1953-54).....	AR- 4		

RIVERSIDE (Also see Airline)

FGJ16511A	AR-27
FJB-6471A (1962 Chevy II)	AR-19
FJB-6472A (1962 Chevy II)	AR-19
FJB-6537A (1958-59 Volkswagen)	AR-14
FJB-6538A (1958-59 Volkswagen)	AR-14
FJB-6540A	AR-19
FJB-6540C	AR-27
FJB-6550A	AR-24
FJB-6551A	AR-22
FJB-6551B	AR-27
FJB-6551C	AR-34
FJB-6560A (1962 Mercury)	AR-19
FJB-6561A (1962 Fairlane)	AR-19
FJB-6562A (1961-62 Chevrolet)	AR-19
FJB-6567M (1959 Plymouth)	AR-13
FJB-6571 (1960-61 Dart)	AR-19
FJB-6572A (1961-62 F-85, Special, Tempest)	AR-19
FJB-6576A	AR-32
FJB-6577A	AR-32
FJB-6579A (1961-62 F-85, Special, Tempest)	AR-19
FJB-6580A (1961-62 F-85, Special, Tempest)	AR-19
FJB-6581 (1960-62 Corvair)	AR-19
FJB-6583A (1960-62 Ford)	AR-19
FJB-6584A (1960-61 Valiant)	AR-18
FJB-6587	AR-20
FJB-6591	AR-16
FJB-6592	AR-16
FJB-6593	AR-16
FJB-6604B (1960-62 Corvair)	AR-19
FJB-6608A (1961 Lancer)	AR-18
FJB-6609	AR-19
FJB-6609A	AR-19
FJB-6611 (1960-61 Rambler)	AR-22
FJB-6612 (61-6612)(1962 Chevrolet)	AR-18
FJB-6612A (1961-62 Chevrolet)	AR-19
FJB-6613, FJB-6613A (1960-61 Falcon or Comet)	AR-18
FJB-6615A	AR-27
FJB-6618A (61-6618A)(1961 Rambler)	AR-17
FJB-6619/A	AR-21
FJB-6643A (1960-62 Comet, Falcon)	AR-19
FJB-6649A (Tractor)	AR-20
FJB-6658	AR-21
FJB-6679A	AR-10
FJB-6681A (1958 Plymouth)	AR-10
FJB-6682A, B	AR-10
FJB-6684 (1959 Ford)	AR-11
FJB-6686A (1959 Plymouth)	AR-12
FJB-6687 (1959 Ford)	AR-11
FJB-6688 (1959 Chevrolet)	AR-11
FJB-6689A (1959 Plymouth)	AR-12
FJB-6690A (1959 Buick)	AR-13
FJB-6691B (Renault Dauphine)	AR-12
FJB-6693B (Renault Dauphine)	AR-12
FJB-16509C	AR-33
FJB-16512A (1964 Volkswagen)	AR-28
FJB-16513A (1964 Volkswagen)	AR-28
FJB-16520A (1963 Chrysler)	AR-23
FJB-16521A (1963 Chevrolet)	AR-23
FJB-16522A (1963 Dodge)	AR-23
FJB-16523A (1963 Ford)	AR-23
FJB-16524A (1963 Mercury)	AR-23
FJB-16525A (1963 Oldsmobile)	AR-23
FJB-16526A (1963 Plymouth)	AR-23
FJB-16527A (1963 Pontiac)	AR-23
FJB-16563A	AR-32
FJB-16566A	AR-20
FJB-16567A	AR-21
FJB-16569A	AR-28
FJB-16574A (1963 Buick)	AR-23
FJB-16576A (1963 Corvair)	AR-23
FJB-16577A (1963 Dodge Dart)	AR-22
FJB-16578A (1963 Ford)	AR-23
FJB-16579A (1963 Falcon)	AR-23
FJB-16580A (1963 F-85)	AR-23
FJB-16581A (1963 Mercury)	AR-23
FJB-16582A (1962-63 Plymouth)	AR-23
FJB-16583A (1963 Tempest)	AR-23
FJB-16584A (1963 Rambler)	AR-26
FJB-16585A (1963 Chevrolet)	AR-23
FJB-16586A (1963 Corvair)	AR-23
FJB-16587A (1963 Falcon)	AR-23
FJB-16588A (1963 Ford)	AR-23
FJB-16589A	AR-23
FJB-16607A	AR-32
FLH-16518A (1964-65 Chevrolet & GMC Truck)	AR-35
FLH-16519A (1960 thru 1964 Dodge, 880)	AR-34
FLH-16528A (1963-64 Chevrolet)	AR-34
FLH-16529A (1965 Chevrolet)	AR-35
FLH-16530A (1960-64 Corvair)	AR-34
FLH-16531A (1965 Corvair)	AR-35
FLH-16533A (1962-65 Chevy II)	AR-35
FLH-16534A (1964 Chevelle)	AR-34
FLH-16535A (1965 Chevelle)	AR-35
FLH-16536A (1963-64 Galaxie)	AR-34
FLH-16537A (1965 Galaxie)	AR-35

Vol.

RIVERSIDE (Continued)

FLH-16538A (1964 Fairlane)	AR-34
FLH-16539A (1965 Fairlane 500)	AR-35
FLH-16541A (1964/65 Falcon, 1964 Comet)	AR-35
FLH-16543A (1965 Comet)	AR-35
FLH-16544A (1963-64 Mercury)	AR-34
FLH-16545A (1965 Mercury)	AR-35
FLH-16546A (1963-64 Ambassador, Classic)	AR-34
FLH-16547A (1965 Ambassador, Classic)	AR-34
FLH-16549A (1964 Plymouth)	AR-34
FLH-16552A (1964 Valiant)	AR-34
FLH-16554A (1964 Polara, 330, 440)	AR-34
FLH-16556A (1964 Dart 270, GT)	AR-34
FLH-16558A (1964 Dart 170)	AR-34
FLH-16598A	AR-31
FLH-16650A (1965 Dodge Deluxe, Polara, Monaco, 880)	AR-35
FLH-16651A (1963-65 Econoline Truck)	AR-35
FLH-16652A (1964 Buick Special)	AR-34
FLH-16653A (1965 Oldsmobile)	AR-35
FLH-16654A (1964 Oldsmobile F-85)	AR-34
FLH-16658A (1964-65 Tempest)	AR-35
FLH-16662A (1965)	AR-34
FLH-16663A (1960-63 Chevrolet & GMC Trucks)	AR-34
FLH-16665A (1964-65 Dodge Truck)	AR-35
61-16509C	AR-33
61-16584A (1963 Rambler)	AR-26
SAAB	
4BH (1964)	AR-30
5BH (1965 Saab)	AR-34
6B5A (1966)	AR-38
SAMPSON	
55A	AR-18
SEARS	
833.62280	AR-36
833.62830	AR-37
833.622810 (1966 Galaxie)	AR-38
837.62220	AR-38
SIMCA	
4TBJ (1000)(1964)	AR-27
5BJ (1000)(1965)	AR-35
SOUNDEX	
CEP-764T (1964 Chevelle)	AR-26
CHP-164T (1964 Chevrolet)	AR-26
CHP-165T (1965 Chevrolet)	AR-32
CHP-654T (1964 Chevy II)	AR-26
COM-60 (1960 Corvair)	AR-16
COP-60 (1960 Corvair)	AR-16
CTP-264T (1964 Comet)	AR-26
CYP-465T (1965 Chrysler)	AR-32
DAP-864T (1964 Dodge Dart)	AR-26
DAP-865T (1965 Dodge Dart)	AR-32
DOP-864T (1964 Dodge)	AR-26
DOP-865T (1965 Dodge)	AR-32
FAP-264T (1964 Falcon)	AR-26
FLP-264T (1964 Fairlane)	AR-26
FOP-264T (1964 Ford)	AR-26
FOP-265T (1965 Ford)	AR-32
MEP-264T (1963-64 Mercury)	AR-26
MEP-265T (1965 Mercury)	AR-32
PLP-464T (1964 Plymouth)	AR-26
PLP-465T (1965 Plymouth)	AR-32
PLPF-465T (1965 Plymouth Fury)	AR-32
RAAP-1065T(1965 Rambler American)	AR-32
RAP-364T	AR-27
RAP-365T (1965 Rambler)	AR-32
SM-13ORPE	AR-27
STM-059 (1959 Studebaker Lark)	AR-16
STP-059 (1959 Studebaker Lark)	AR-16
UP-220RPT	AR-27
VAP-464T (1964 Valiant)	AR-26
VAP-465T (1965 Valiant)	AR-32
VWP-19T	AR-27
VWP-19T (1965 Prod)	AR-33
4TBR (V-350)(1964 Triumph)	AR-26

Vol.

STROMBERG-CARLSON

C. A. R. 7	AR-11
C. A. R. 9 (1959 Ford & Edsel)	AR-11
CH-60-M (1960 Chevrolet)	AR-14
CH-60-PB (1960 Chevrolet)	AR-14
CH-61-M (1961 Chevrolet)	AR-17
CH-61-PB (1961 Chevrolet)	AR-17
DA-60-PB (1960 Dodge Dart)	AR-14
DE-60-PB (1960 DeSoto)	AR-14
DO-60-PB (1960 Dodge)	AR-14
DO-61-PB (1961 Dodge & Dodge Dart)	AR-17
FA-60-M (1960 Falcon)	AR-14
FA-60-PB (1960 Falcon)	AR-14
FO-60-M (1960 Ford)	AR-14
FO-60-PB (1960 Ford)	AR-14
FO-61-M (1961 Ford & Mercury)	AR-17
FO-61-PB (1961 Ford & Mercury)	AR-17
IM-60-M	AR-15
IM-60-MX	AR-17
IM-61-PB	AR-17
LA-61-PB (1961 Studebaker Lark)	AR-17
LR-61-PB (1961 Lancer)	AR-18
OF-61-PB (1961 Oldsmobile F-85)	AR-17
OL-61-PB (1961 Oldsmobile)	AR-17
PL-60-M (1960 Plymouth)	AR-14
PL-61-M (1961 Plymouth)	AR-18
PO-61-PB (1961 Pontiac)	AR-17
RA-61-PB (1961 Rambler)	AR-17
VA-60-M (1960 Valiant)	AR-14
VA-61-PB (1961 Valiant)	AR-18

Vol.

SPECIAL (See Buick)

STUDEBAKER

AC-2300 (S-5327)(1953)	AR- 4
AC-2301 (S-5323)(1953)	AR- 4
AC-2686 (S-5528)(1955)(See Model AC-2300)	AR- 4
AC-2687 (S-5524)(1955)(See Model AC-2301)	AR- 4
AC-2721 (S-5529)(1955)(See Model AC-2300)	AR- 4
AC-2745 (1956)	AR- 6
AC-2746 (1956)	AR- 6
AC-2747 (1956)	AR- 6
AC-2748 (1956)	AR- 6
AC-2905 (1958)	AR- 9
AC-2906 (1958)	AR- 8
AC-2907 (1958)	AR- 8
AC-2977 (1960)	AR-12
AC-2978 (1960)	AR-13
AC-3084 (1961)	AR-17
AC-3085 (1961)	AR-15
AC-3086 (1961)	AR-17
AC-3087 (1961)	AR-15
AC-3216 (1962)	AR-17
AC-3217 (1962)	AR-18
AC-3246 (1962)	AR-18
AC-3247 (1962)	AR-17
AC-3255 (1962)	AR-18
AC-3256 (1962)	AR-17
AC-3351 (1963)	AR-19
AC-3352 (1963)	AR-21
AC-3353 (1963)	AR-19
AC-3354 (1963)	AR-21
AC-3377 (1963)	AR-21
AC-3423 (SR2T)	AR-22
AC-3473 (1964 Studebaker)	AR-24
AC-3474 (1964 Hawk)	AR-24
AC-3498 (1964 Studebaker)	AR-24
AC-3499 (1964 Hawk)	AR-24
AC-3500 (1964 Avanti)	AR-24
AC-3508 (1964 Avanti)	AR-24
AC-3556 (1966 Studebaker)	AR-36

TEMPEST (See Pontiac)

TENATRONICS

SA-822	AR-36
SM-711	AR-22
SM-751	AR-22
SM-821	AR-36
TRM-701	AR-22
UA-702	AR-22
UM-701	AR-22
UA702 (Late Prod.)	AR-37
UM701 (Late Prod.)	AR-37
VVA-702	AR-22
VWM-701	AR-22

TENNA	Vol.
AM-63M/PB (1960-63 Rambler)	AR-26
AM-64PB (1964 American)	AR-23
AM-66PB (1966 Rambler American)	AR-36
BU-63PB (1963 Buick)	AR-26
BU-64PB (1963-64 Buick)	AR-23
BU-66PB (1966 Buick)	AR-37
CH-63M/PB (1963 Chevrolet)	AR-26
CH-64M (See page 136)(1963-64 Chevrolet)	AR-23
CH-64PB/RS (1963-64 Chevrolet)	AR-23
CH-65M (1965 Chevrolet)	AR-34
CH-65PB (1965 Chevrolet)	AR-34
CH-66M/PB (1966 Chevrolet)	AR-37
CHT-63M (1963 Chevrolet Truck)	AR-26
CHT-64M (See page 136)(1964 Chevrolet	
Truck)	AR-23
CHT-65M (1965 Chevrolet Truck)	AR-35
CHT-65PB (1965 Chevrolet Truck)	AR-35
CHT-66M/PB (1966 Chevrolet Truck)	AR-37
CL-64PB (1964 Chevelle)	AR-23
CL-65PB (1965 Chevelle)	AR-35
CL-66PB (1966 Chevelle)	AR-37
CM-63PB (1963 Comet)	AR-26
CM-64PB (1964 Comet)	AR-23
CM-65-PB (1965 Comet)	AR-31
CM-66PB (1966 Comet)	AR-36
CO-63M/PB (1960-63 Corvair)	AR-26
CO-64PB (1960-64 Corvair)	AR-23
CO-65PB (1965 Corvair)	AR-34
CO-66PB (1966 Corvair)	AR-37
CR-63PB (1963 Chrysler)	AR-26
CR-64PB (1963-64 Chrysler)	AR-23
CR-65PB (1965 Chrysler)	AR-34
CR-66PB (1966 Chrysler)	AR-36
CI-63M/PB (1962-63 Chevy II)	AR-26
CI-64PB (1962-64 Chevy II)	AR-23
CI-65M (1965 Chevy II)	AR-35
CI-65PB (1965 Chevy II)	AR-35
CI-66PB (1966 Chevy II)	AR-37
DA-63PB (1963 Dodge Dart)	AR-26
DA-64PB (1964 Dodge Dart)	AR-23
DA-65PB (1965 Dart)	AR-34
DA-66PB (1966 Dart)	AR-36
DD-65PB (1965 Dodge)	AR-34
DD-66PB (1966 Polara, Monaco)	AR-36
DE-66PB (1966 Dodge)	AR-36
DO-63PB (1963 Dodge)	AR-26
DO-64PB (1964 Dodge)	AR-23
DO-65PB (1965 Dodge)	AR-34
DO-66PB (1966 Dodge)	AR-36
DT-65M (1965 Dodge Truck)	AR-34
EC-65M (1965 Econoline Truck)	AR-35
EC-66M (1966 Econoline)	AR-36
FA-63M/PB (1960-63 Falcon)	AR-26
FA-64M/PB (1964 Falcon)	AR-23
FA-65PB (1965 Falcon)	AR-35
FA-66PB (1966 Falcon)	AR-36
FL-63M/PB (1962-63 Fairlane)	AR-26
FL-64PB (1964 Fairlane)	AR-23
FL-65PB (1965 Fairlane 500)	AR-35
FL-66PB (1966 Fairlane)	AR-36
FO-63M/PB (1963 Ford)	AR-26
FO-64M (See page 136)(1963-64 Ford)	AR-23
FO-64PB (1964 Ford)	AR-23
FO-65PB (1965 Ford)	AR-35
FO-65PB/RS (1965 Ford)	AR-35
FO-66PB (1966 Ford)	AR-36
FO-66PB/RS (1966 Ford)	AR-36
FT-65M (1965 Ford)	AR-36
FT-66M (1966 Ford)	AR-36
IM-65-M	AR-32
IM-65-PB	AR-32
ME-63PB (1963 Mercury)	AR-26
ME-64PB (1963-64 Mercury)	AR-23
ME-65PB (1965 Mercury)	AR-35
ME-66PB (1966 Mercury)	AR-36
MR-63PB (1962-63 Meteor)	AR-26
MU-66PB (1965/66 Mustang)	AR-36
OF-64PB (1964 F-85)	AR-23
OF-63PB (1961-63 F-85)	AR-26
OF-65PB (1965 Oldsmobile)	AR-35
OF-66PB (1966 F-85)	AR-37
OL-63PB (1963 Oldsmobile)	AR-26
OL-64PB (1963-64 Oldsmobile)	AR-23
OL-65PB (1965 Oldsmobile)	AR-34
OL-66PB (1966 Oldsmobile)	AR-37
PD-65PB (1965 Fury)	AR-34
PD-66PB (1966 Fury)	AR-36
PL-63PB (1962-63 Plymouth)	AR-26
PL-64PB (1964 Plymouth)	AR-23
PL-65PB (1965 Plymouth)	AR-34
PL-66PB (1966 Plymouth)	AR-36
PO-63PB (1963 Pontiac)	AR-26
PO-64PB (1963-64 Pontiac)	AR-23
PO-65PB (1965 Pontiac)	AR-35
PO-65PB/A (1965 Pontiac W/Air	
Conditioning)	AR-35
RA-63PB (1963 Rambler)	AR-26
RA-64PB (1964 Rambler)	AR-23
RA-65-PB (1965 Rambler)	AR-32

TENNA (Continued)	Vol.
RU-101-T	AR-24
SP-63PB (1963 Buick Special)	AR-26
SP-66PB (1966 Buick Special)	AR-37
TC-100M	AR-23
TC-110-M	AR-32
TC-110-MD	AR-32
TC-200PB	AR-23
TC-210-PB	AR-32
TC-300M (1964 Volkswagen)	AR-23
TC-300M (5-041)(1965 Prod.)	AR-36
TC-300MD (5-072)	AR-36
TC-310M/MD	AR-35
TC-400PB (1964 Volkswagen)	AR-23
TC-400PB (5-045)(1965 Prod.)	AR-36
TC-410PB (Similar to page 144)	AR-23
TC-410PB (5-045)	AR-36
TE-63PB (1963 Pontiac Tempest)	AR-26
TE-64PB (1964 Tempest)	AR-23
TE-65-PB (1965 Pontiac Tempest)	AR-31
TE-66PB (1966 Pontiac)	AR-37
TRM-64M	AR-23
VA-63PB (1961-63 Valiant)	AR-26
VA-64PB (1964 Valiant)	AR-23
VA-65PB (1965 Valiant)	AR-34
VA-66PB (1966 Valiant)	AR-36
VW-64PB (1964 Volkswagen)	AR-23
VW-65PB (1965 Volkswagen)	AR-35
VW-65PB/15 (1965 Volkswagen)	AR-35
VW-66PB (1958-1966 Volkswagen)	AR-36
170-64PB(See page 136)(1964 Dart)	AR-23
880-63PB (1962-63 Dodge 880)	AR-26
880-64PB (1963-64 Dodge 880)	AR-23

TITAN	Vol.
FMC-4	AR-27
SP-22	AR-28
TMA-39	AR-28
TMA-40	AR-28
TPB-60	AR-28

TOKAI	Vol.
CR-105	AR-33
MR-65	AR-34

TRIUMPH	Vol.
R2BT4 (0-01000)(1962)	AR-19
4TBTR (V-350)	AR-26
5BTR (V-350)(1965 Triumph)	AR-33
5BTRP (V-350DP)(1965 Triumph)	AR-33
5SMTR (V-350)(1965 Triumph)	AR-34

TRUETONE	Vol.
D4118, B	AR- 4
C4320	AR- 4
D4320B	AR- 4
D4321, A	AR- 4
D4425B	AR- 5
D4426A	AR- 5
D4623A	AR- 7
D4624A	AR- 7
D4625A	AR- 7
D4626A	AR- 7
D4826A	AR- 7
DC4200	AR-18
DC4203	AR-26
DC4203B	AR-31
DC4203C	AR-35
DC4205B	AR-18
DC4206B	AR-18
DC4208	AR-23

VALIANT (See MoPar)	Vol.
---------------------	------

VAUXHALL	Vol.
988946 (1958)	AR-10

VISTA	Vol.
875	AR-36

VOLKSWAGEN	Vol.
R2BT (1962 Transporter)	AR-18
R2BV (1962 Sedan)	AR-18
0BG	AR-13
0BT (1960 Transporter)	AR-13
0BV (1960 Sedan)	AR-13
1BG (1961)	AR-16
1BT (1961 Transporter)	AR-16
1BV (1961 Sedan)	AR-16
2BG (R2BG)	AR-18
2BT (1962 Transporter)	AR-18

VOLKSWAGEN (Continued)	Vol.
2BV (1962 Sedan)	AR-18
2FMBG (1962 Karmann Ghia)	AR-22
2FMBT (1962 Transporter)	AR-22
2FMBV (1962 Sedan)	AR-22
3TBV (1963 Sedan)	AR-20
3TBVG	AR-20
3TBVT (1963 Transporter)	AR-20
4FMBG (1964 Karmann Ghia)	AR-27
4FMBT (1964 Transporter)	AR-27
4FMBV (1964 Sedan)	AR-27
4TBV (1964 Sedan)	AR-27
4TBVG (1964 Karmann Ghia)	AR-27
4TBVT (1964 Transporter)	AR-27
4TMVG (1964 Karmann Ghia)	AR-26
4TMVG (1964 Karmann Ghia)(Serial	
#50, 001 and Higher)	AR-29
4TMVT (1964 Transporter)	AR-26
4TMVT (1964 Transporter)(Serial #50, 001	
and Higher)	AR-29
4TMVW (1964 Sedan)	AR-26
4TMVW (1964 Sedan)(Serial #50, 001 and	
Higher)	AR-29
5FMBG (1965 Karmann Ghia)	AR-30
5FMBT (1965 Volkswagen Transporter)	AR-30
5FMBV (1965 Volkswagen Sedan)	AR-30
6BVG (1966 Karmann Ghia)	AR-37
6BVT (1966 Transporter)	AR-37
6BVV (1966 Sedan)	AR-37
6BV3 (1966 Type 3 Vehicles)	AR-37

VOLVO	Vol.
3BN (1963)	AR-20
4TBN (279958/959/90961)(1964 Volvo)	AR-23

VOXMOBILE	Vol.
TR-241	AR-27

VOXSON	Vol.
Vanguard 736	AR-15

WHITE	Vol.
W-6234 (Truck)	AR-20

WILLYS	Vol.
3TBW (1963 Jeep)	AR-22
12BW	AR-16
815395	AR- 9

HOWARD W. SAMS

PHOTOFACT® SPECIALIZED SERIES

TAPE RECORDER SERIES



Complete PHOTOFACT® coverage of all important, late-model Tape Recorders now in easy-to-use volumes. Regular price, \$4.95 per volume—**only \$4.65 when purchased on a Standing Order Subscription! Sign up and save 30¢ per volume!**

CB RADIO SERIES



Two to three volumes issued yearly for complete PHOTOFACT® coverage of all popular CB Radio models. Regular price, \$2.95 per volume—**only \$2.65 when purchased on a Standing Order Subscription! Sign up and save 30¢ per volume!**

TRANSISTOR RADIO SERIES



Twelve to fifteen volumes issued each year provide complete PHOTOFACT® coverage of Transistor Radios. Each volume covers 40 to 50 popular late models. Regular price per volume, \$2.95—**only \$2.65 when purchased on a Standing Order Subscription! Sign up and save 30¢ per volume!**



HOWARD W. SAMS & CO., INC.

PHOTOFACT® SPECIALIZED SERIES

are available from your local parts distributor

\$2.95
\$3.75 IN CANADA
AR-38