

ICD 08559

NOVEMBER 1989 \$2.50
CANADA \$3.50

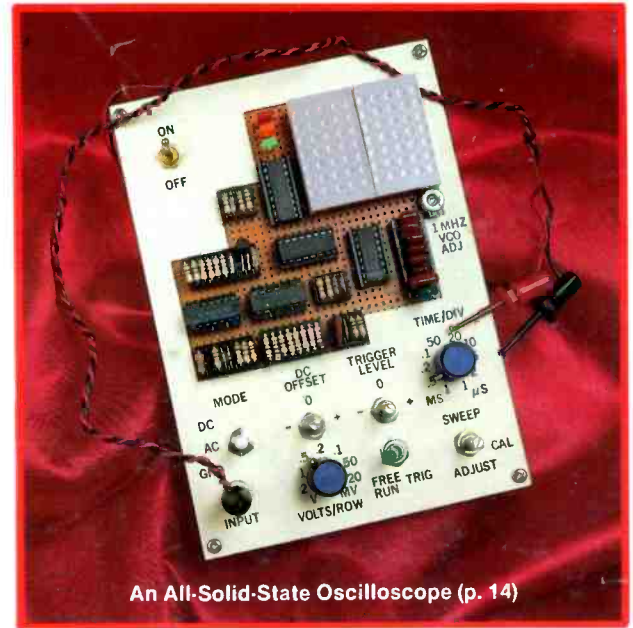
MODERN ELECTRONICS™

THE MAGAZINE FOR ELECTRONICS & COMPUTER ENTHUSIASTS

- An All-Solid-State Portable Oscilloscope
- An Alternative Timer—The New LS7210 Chip

Also Featured:

- A Telephone Ringer
- The Right Computer Power: McIntosh Series
- Precise UV, IR & Light Detection
- Electronic Organizers



An All-Solid-State Oscilloscope (p. 14)



McIntosh Computer Line (p. 28)

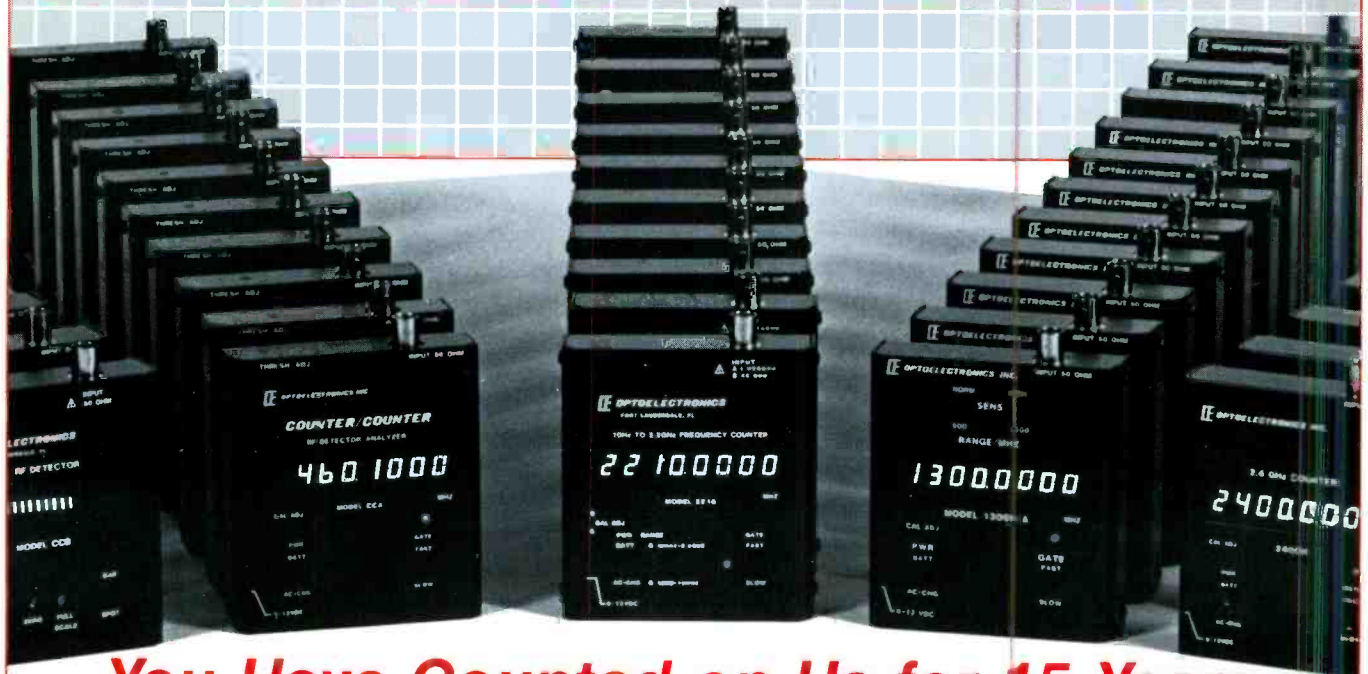


Casio's SF-8000 B.O.S.S. Pocket Organizer (p. 54)

Plus: Evaluating WordStar 5.5 & Atari's New Pocket Computer • High-Precision & Micropower Op Amps • Electronics & Computer News • Latest Technical Books & Literature ... more.

Bulk Rate
U.S. Postage
PAID
Permit No. 79
Gordonville, VA
22942

OPTOELECTRONICS



You Have Counted on Us for 15 Years

You have counted on OPTOELECTRONICS Hand Held Frequency Counters to be the best quality, to be affordable and reliable. We have been there for you with Frequency Counters that are compact and ultra sensitive.

And more and more of you are counting on us, technicians, engineers, law enforcement officers, private investigators, two-way radio operators, scanner hobbyists, and amateur radio operators, just to name a few.

Hand Held Series Frequency Counters and Instruments

MODEL	2210	1300H/A	2400H	CCA	CCB
RANGE: FROM TO	10 Hz 2.2 GHz	1 MHz 1.3 GHz	10 MHz 2.4 GHz	10 MHz 550 MHz	10 MHz 1.8 GHz
APPLICATIONS	General Purpose Audio-Microwave	RF	Microwave	Security	Security
PRICE	\$219	\$169	\$189	\$299	\$99
SENSITIVITY					
1 KHz	< 5 mv	NA	NA	NA	NA
100 MHz	< 3 mv	< 1 mv	< 3 mv	< .5 mv	< 5 mv
450 MHz	< 3 mv	< 5 mv	< 3 mv	< 1 mv	< 5 mv
850 MHz	< 3 mv	< 20 mv	< 5 mv	NA	< 5 mv
1.3 GHz	< 7 mv	< 100 mv	< 7 mv	NA	< 10 mv
2.2 GHz	< 30 mv	NA	< 30 mv	NA	< 30 mv

ACCURACY ALL HAVE +/- 1 PPM TCXO TIME BASE.

All counters have 8 digit red .28" LED displays. Aluminum cabinet is 3.9" H x 3.5" x 1". Internal Ni-Cad batteries provide 2-5 hour portable operation with continuous operation from AC line charger/power supply supplied. Model CCB uses a 9 volt alkaline battery. One year parts and labor guarantee. A full line of probes, antennas, and accessories is available. Orders to U.S. and Canada add 5% to total (\$2 min, \$10 max). Florida residents, add 6% sales tax. COD fee \$3. Foreign orders add 15%. MasterCard and VISA accepted.

Orders to U.S. and Canada add 5% to total (\$2 min, \$10 max). Florida residents, add 6% sales tax. COD fee \$3. Foreign orders add 15%. MasterCard and VISA accepted.

OPTOELECTRONICS INC.

5821 N.E. 14th Avenue • Fort Lauderdale, Florida 33334
1-800-327-5912 FL (305) 771-2050 FAX (305) 771-2052

Finally, Somebody With All The Answers.

Why is the sky blue? How much does Isaac Asimov weigh? Why won't my Macintosh talk to my laser printer? How do you fold fitted sheets? How's the weather up there? Who put the bop in the bop-sh-bop-sh-bop? Where can I find the best steak in Chicago? How much is that doggy in the window? How is OS/2 going to affect me? Which hard drive is best for me? Will you marry me?

When you join CompuServe, your computer becomes a communications link between you and over 500,000 CompuServe members. That's more than a half million different jobs, skills, experiences, interests, senses of humor, hobbies, and interesting peccadillos.

The possibilities are endless. Because CompuServe's communications services

include everything from special interest forums to electronic mail and fax services. They let you ask questions (our forums, for instance, can sometimes solve hardware and software problems faster than the manufacturers can), give answers, and make just about any kind of contact you want. (It's true. We've already had several online marriages.)

So become a member of CompuServe. Because let's face it, 500,000 heads are better than one. Any questions?

To join CompuServe, see your computer dealer. To order direct or for more information, call 800 848-8199.

CompuServe

CIRCLE NO. 131 ON FREE INFORMATION CARD

HAM RADIO IS FUN!

It's even more fun for beginners now that they can operate voice and link computers just as soon as they obtain their Novice class license. You can talk to hams all over the world when conditions permit, then switch to a repeater for local coverage, perhaps using a transceiver in your car or handheld unit.



Your passport to ham radio adventure is TUNE-IN THE WORLD WITH HAM RADIO. The book tells what you need to know in order to pass your Novice exam. Two cassettes teach the code quickly and easily.

Enclosed is my check or money order for \$19.00 plus \$3.50 for shipping and handling or charge my

() VISA () MasterCard () Am. Express

Signature _____

Acct. No _____

Good from _____ Expires _____

Name _____

Address _____

City _____ State _____ Zip _____

THE AMERICAN RADIO RELAY LEAGUE
225 MAIN ST.
NEWINGTON, CT 06111

CIRCLE 88 ON FREE INFORMATION CARD

4 / MODERN ELECTRONICS / November 1989

MODERN ELECTRONICS

THE MAGAZINE FOR ELECTRONICS & COMPUTER ENTHUSIASTS

NOVEMBER 1989

VOLUME 6, NUMBER 11

FEATURES

15 A Solid-State Oscilloscope

Low-cost battery-powered instrument can be a first scope or a supplement to an existing one on your testbench or in the field. *By Jeff T. Williams*

22 Using the LS7210 Timer

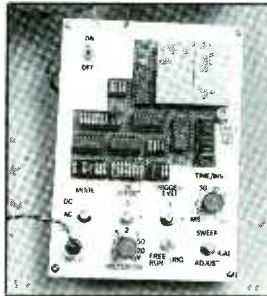
Versatile IC lets you program time delays ranging from a few milliseconds to hours and even days. *By Jan Axelson*

28 Choosing the Right Computer Power (Part II)

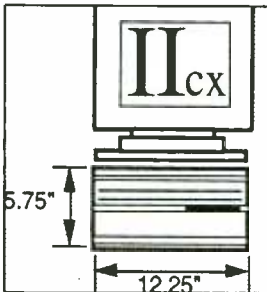
Beyond IBM and Compatibles: Apple Macintosh Series. *By Joseph Desposito*

38 A High-Tech Telephone Ringer

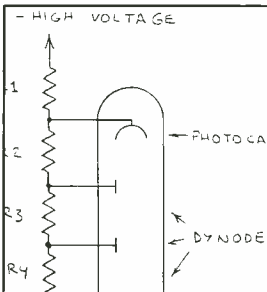
Sounds a more attention-getting, yet pleasant British-style phone signaling sequence to an incoming call. *By Steve Sokolowski*



15



28



46



54

COLUMNS

46 Electronics Notebook

More on How to Detect Ultraviolet, Visible Light and Infrared. *By Forrest M. Mims III*

54 Electronic Omnibus

Portable Electronic Organizers. *By Curt Phillips*

60 Solid-State Devices

High-Precision and Micropower Operational Amplifiers. *By Joseph Desposito*

63 PC Capers

A New Pocket Computer. *By Ted Needleman*

64 Software Focus

The Latest Wordstar Upgrade: WordStar 5.5 adds new benefits. *By Art Salsberg*

DEPARTMENTS

6 Editorial

By Art Salsberg

8 Modern Electronics News

9 New Products

66 Books & Literature

82 Advertisers Index

Say You Saw It In Modern Electronics

EDITORIAL STAFF

Art Salsberg
Editor-in-Chief

Alexander W. Burawa
Managing Editor

Dorothy Kehrwieler
Production Manager

Elizabeth Ryan
Art Director

Barbara Terzo
Artist

Pat Le Blanc
Florence V. Martin
Phototypographers

Hal Keith
Illustrator

Bruce Morgan
Photographer

**Joe Desposito, Forrest Mims III,
Ted Needleman, Curt Phillips**
Contributing Editors

BUSINESS STAFF

Richard A. Ross
Publisher

Art Salsberg
Associate Publisher

Dorothy Kehrwieler
General Manager

Frank V. Fuzia
Controller

Catherine Ross
Circulation Director

Melissa Kehrwieler
Data Processing

Kathleen Bell
Customer Service

SALES OFFICE

Modern Electronics
76 North Broadway
Hicksville, NY 11801
(516) 681-2922
FAX: (516) 681-2926

Jonathan Kummer
Advertising Manager

Offices: 76 North Broadway, Hicksville, NY 11801. Telephone: (516) 681-2922. FAX (516) 681-2926. Modern Electronics (ISSN 0748-9889) is published monthly by CQ Communications, Inc. Subscription prices (payable in US Dollars only): Domestic—one year \$17.97, two years \$33.00, three years \$48.00; Canada/Mexico—one year \$20.00, two years \$37.00, three years \$54.00; Foreign—one year \$22.00, two years \$41.00, three years \$60.00. Foreign Air Mail—one year \$75.00, two years \$147.00, three years \$219.00.

Entire contents copyright 1989 by CQ Communications, Inc. Modern Electronics or CQ Communications Inc. assumes no responsibility for unsolicited manuscripts. Allow six weeks for delivery of first issue and for change of address. Printed in the United States of America.

Postmaster: Please send change of address notice to Modern Electronics, 76 North Broadway, Hicksville, NY 11801.

CQ Communications, Inc. is publisher of CQ The Radio Amateurs Journal, Popular Communications, Modern Electronics, CQ Radio Amateur (Spanish CQ), and the CQ Amateur Radio Buyer's Guide.

CABLE-TV

**WE'LL MATCH OR BEAT ANYONE'S
ADVERTISED RETAIL OR WHOLESALE PRICES!**

BONANZA!

ITEM	1 UNIT	10 OR MORE
HAMLIN MCC 3000 36 CORDED REMOTE CONVERTER (Ch 3 only)	29.00	18.00
PANASONIC WIRELESS CONVERTER (our best buy)	98.00	79.00
MOVIE TIME VR7200A (manual fine tune)	88.00	69.00
JERROLD 400 COMBO	169.00	119.00
JERROLD 400 HAND REMOTE CONTROL	29.00	18.00
JERROLD 450 COMBO	199.00	139.00
JERROLD 450 HAND REMOTE CONTROL	29.00	18.00
JERROLD SB-ADD-ON	99.00	63.00
JERROLD SB-ADD-ON WITH TRIMODE	109.00	75.00
M-35 B COMBO UNIT (Ch 3 output only)	99.00	70.00
M-35 B COMBO UNIT WITH VARISYNC	109.00	75.00
MINICODE (N-12)	99.00	62.00
MINICODE (N-12) WITH VARISYNC	109.00	65.00
MINICODE VARISYNC WITH AUTO ON-OFF	145.00	105.00
ECONOCODE (minicode substitute)	69.00	42.00
ECONOCODE WITH VARISYNC	79.00	46.00
MLD 1200-3 (Ch 3 output)	99.00	62.00
MLD 1200-2 (Ch 2 output)	99.00	62.00
ZENITH SSAVI CABLE READY	175.00	125.00
INTERFERENCE FILTERS (Ch 3 only)	24.00	14.00
EAGLE PD 3 DESCRAMBLER (Ch 3 output only)	119.00	65.00
SCIENTIFIC ATLANTA ADD-ON REPLACEMENT DESCRAMBLER	119.00	85.00

CALL FOR AVAILABILITY

Quantity	Item	Output Channel	Price Each	TOTAL PRICE

California Penal Code #593-D forbids us from shipping any cable descrambling unit to anyone residing in the state of California.

Prices subject to change without notice.

SUBTOTAL
Shipping Add \$3.00 per unit
COD & Credit Cards — Add 5%
TOTAL

PLEASE PRINT

Name _____

Address _____ City _____

State _____ Zip _____ Phone Number () _____

Cashier's Check Money Order COD Visa Mastercard

Acct # _____ Exp. Date _____

Signature _____

FOR OUR RECORDS:

DECLARATION OF AUTHORIZED USE — I, the undersigned, do hereby declare under penalty of perjury that all products purchased, now and in the future, will only be used on cable TV systems with proper authorization from local officials or cable company officials in accordance with all applicable federal and state laws. **FEDERAL AND VARIOUS STATE LAWS PROVIDE FOR SUBSTANTIAL CRIMINAL AND CIVIL PENALTIES FOR UNAUTHORIZED USE.**

Dated: _____ Signed: _____

Pacific Cable Company, Inc.

7325½ RESEDA BLVD., DEPT. #ME • RESEDA, CA 91335
(818) 716-5914 • No Collect Calls • (818) 716-5140

IMPORTANT: WHEN CALLING FOR INFORMATION
Please have the make and model # of the equipment used in your area. Thank You

© Copyright 1987 PACIFIC CABLE CO., INC.

SPICE



THE ONLY SOURCE YOU'LL EVER NEED!

SATISFACTION GUARANTEED
QUICK SHIPMENT
RELIABILITY • LOW COST

FOR FREE CATALOG, CALL OR WRITE:

JAN CRYSTALS

P.O. BOX 06017
FORT MYERS, FL 33906
(813) 936-2397



TOLL-FREE: 1-800-JAN-XTAL
(526-9825)

FAX ORDERS: 1-813-936-3750

CIRCLE 82 ON FREE INFORMATION CARD

HUGE UNTAPPED MARKET! SERIOUS LACK OF TRAINED TECHNICIANS

LEARN HOW TO
CLEAN/MAINTAIN/REPAIR
PRINTERS



- Over 32 million personal computers in use nationwide
- Approximately 85% have a printer attached
- Average printer needs service every 12 months
- Vast Majority of printer breakdowns are due to *Electro-Mechanical or Mechanical* breakdowns.

If you possess average mechanical ability, then we can teach YOU to repair up to 95% of ALL printer malfunctions.

Viejo's award-winning training video reveals the secrets of printer maintenance and repair. Training video covers printer mechanism identification, little-known maintenance tips, printer circuit fundamentals, advanced diagnosis and repair techniques, and much more! Start repairing printers for profit in days.

200-page manual reveals printer maintenance procedures, pricing guidelines, instructions on setting up your workbench, how and where to buy spares, and how to successfully advertise your service business, and much more!

TO ORDER:

Please send \$89 per video—all orders with money order shipped U.P.S. (at no charge to you) the next day. For personal checks please allow 10 days—make check or money order payable to Viejo Publications.

For more information call 1-800-537-0589

VIEJO PUBLICATIONS, INC.

3540 Wilshire Blvd., STE 310 Dept. P2
Los Angeles, CA 90010

California residents please add 6.5% sales tax

Increasingly, personal computers play an important role in electronics. Electronics designers know this as they check out parts information on computer databases provided by many manufacturers, including Motorola Semiconductor. They know it through using electronic design software programs, where one fills in the blanks with desired parameters to derive unknown values. Or have a computer draw the schematic, lay out a pc board, acquire data, and so on. Electronics team leaders and managers use PC's for a host of other purposes, from project management to budgets to inventory; for a service company there's service-contract tracking, work orders and scheduling, dispatching, customer histories, etc.

It's difficult today to avoid personal computers when you're involved in electronics. But you don't have to be a very knowledgeable computer user in order to use computers effectively. More important is having the underlying knowledge required to make a software application program meaningful, then utilizing the computer as a tool to make work easier to do while yielding greater productivity and better accuracy. Naturally, you'll have to learn fundamentals of computer operations and the in's and out's of some application programs. But you need not know how to write programs or set up a local area network, etc., unless you're directly in this work area.

The most proficient person in the computer field won't be able to use the electronics software you can because they simply don't have the type of technical background to do so (or the need to). An

example of a popular professional application here would be simulating an electronic circuit design on a computer before building a prototype. You might use one of the SPICE (Simulation Program with Integrated Circuit Emphasis) family of programs, for instance. Developed at the University of California, Berkeley, a host of variations developed commercially are available for modern circuit development.

As many circuit design pro's know, you can't easily and inexpensively breadboard microcircuits to check out results because physical effects impact performance a great deal, unlike discrete components. With a computer, even a personal computer, you can do it all without even touching circuit hardware. Just model it with a SPICE-type program.

If you're unfamiliar with this design and analysis program, you might want to read a review of how it and a derivative program, PSpice, work by getting a copy of the July 1986 issue of *BYTE* magazine. There's an interesting guide on the subject that has been published by Prentice-Hall, too. It's entitled, "SPICE, A Guide to Circuit Simulation and Analysis Using PSpice" by Paul W. Tuinenga of Microsim Corp. (Its ISBN number is 0-13-834607-0.)

So keep your eye on the computer ball, much as you do on electronic test instruments. They're now both in your career bag of tricks. We'll cover some aspects of computers from time to time as it relates to basic hardware, interesting software, and applications relating to electronics. Our main thrust will, of course, continue to be on electronics.

Art Salsberg

Crowded Pot

• In my "PC Volume Control & Beep-Tone Converter" (August 1989), readers should change the value of R8 and R10 to 20 ohms, both in the schematic/Parts List and text. The use of the 200-ohm potentiometers I originally specified will crowd the volume adjustments at one end of the pots. Also, the value of C3 in the schematic should be changed to 0.01- μ F, although the μ F value shown will work, too. The preliminary checkout tests on the Volume Control circuit described on page 35 are to be performed with PL1 disconnected from the computer's motherboard to eliminate parallel resistance paths on the latter. Finally, the positive lead of C7 connects to R10, as stated in the text.

Adolph A. Mangieri

Early-Warning Errors

• I've been reading *Modern Electronics* for several years and have used many of the projects that have been featured in it for teaching electronics at the hobby level. As I was going through the September

1989 issue, I noted some errors in the "Early-Warning Intrusion Alarm" article. In Fig. 1, the designations for pins 3 and 7 for IC2 are reversed, and pin 8 is not shown going to the +5-volt rail. It also appears that the article was cut short after page 27 because on page 25 a reference is made to Fig. 8, which appears nowhere in the article.

Scott McAlpine
Renton, WA

Thanks for pointing out the schematic errors. Reference to Fig. 8 in the article is a typographical error, it should read Fig. 7.—Ed.

Master Index

• I am interested in obtaining an index of technical articles—specifically with regard to PC and computer construction projects—that have appeared in your excellent magazine. Also, are back issues available?

Robert J. Akridge
Warner Robins, GA

Each year, in the December issue, we publish a comprehensive Cumulative Index of all the articles and columns that

have appeared in Modern Electronics for that year. Back issues are available for most months since October 1984 for \$2.50 each.—Ed.

Setting Record Straight

• I was interested in reading Joe Carr's "Pulse Circuits Revisited" (July 1989). After doing so, I would like to suggest that Joe might wish to reconsider his statement that "All other waveforms have a fundamental—which sets the frequency of the waveform or pulse repetition rate of the pulse train—and a collection of harmonics." As a case in point, a square wave comprises a fundamental and an array of odd harmonics. If the square wave is passed through a notch filter that removes the fundamental, the output waveform does not have a fundamental and the frequency or repetition rate of the waveform remains the same. Thus, the output waveform has a repetition rate that is set by the beating harmonics. (This is from my forthcoming

(Continued on page 79)

ERASE YOUR PROBLEMS

MCM ELECTRONICS HAS THE ANSWERS

Having trouble finding the electronic parts and components you need? Finding it impossible to get answers to order status inquiries or technical questions? Been bitten once too often by the "backorder bug?"

Then it's time you look to MCM Electronics for... ■ A huge selection of more than 11,000 in-stock items ■ Competitive prices that boost your profits ■ Convenient TOLL-FREE customer service and order hotlines ■ Virtually no backorders!

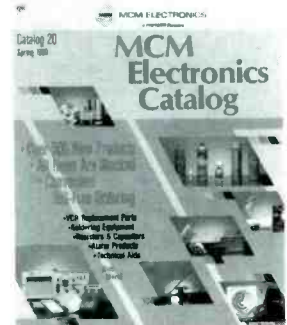
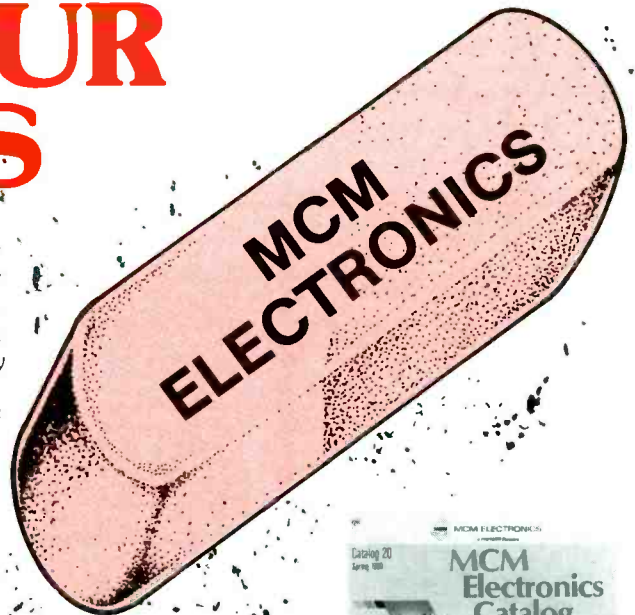
Ask for your FREE MCM Electronics Catalog today. When it arrives, place an order and find out how thousands of satisfied customers have erased their problems by turning to MCM for all their electronic parts and components needs.

FOR YOUR FREE ONE-YEAR SUBSCRIPTION TO THE MCM ELECTRONICS CATALOG...

CALL TOLL-FREE 1-800-543-4330



MCM ELECTRONICS
650 CONGRESS PARK DR.
CENTERVILLE, OH 45459-4072
A PREMIER Company



SOURCE NO. ME-50

CIRCLE 37 ON FREE INFORMATION CARD

CALIFORNIA LEADS ELECTRONICS EMPLOYMENT. Like heavyweight champ Mike Tyson, California keeps winning in the electronics-company employment arena, reports the AEA, which bases the information of U.S. Bureau of Labor Statistics. As of December '87, it more than doubles that of any other state with 590,000 workers. New York takes second place with 207,000, while Massachusetts breathes down its neck with 199,000. Following them are Texas, 154,000; New Jersey, 107,000; Florida, 105,000; Illinois, 104,000; Pennsylvania, 88,000; Minnesota, 73,000; and Maryland, 65,000, to round out the top ten in electronics-company employment. Rankings haven't changed within this group for the past three years.

Viewing this from another perspective, electronics employees per 1,000 population finds New Hampshire in the lead with 37 per thousand. Massachusetts is second with 34, followed by California (22), Vermont (20), Arizona (18), Minnesota, Connecticut and Colorado (17 each), Maryland (15) and New Jersey (14).

WRIST INSTRUMENTS. Casio has a host of "wrist instruments" built in with digital electronic watches. One, its model TS100-UV (\$64.95) measures temperature. It can store the data for 12 months of high and low temperatures for 23 cities and can store hourly temperature for the last 24-hour period...model MAP-100 (\$99.95) is a map meter that lets the user calculate time and distance using a conventional road map...model CGW50-1 (\$49.95) picture planet rotation on the watch's face display.

NEW HAM BBS. Kenwood U.S.A. Corp. has set up, on a trial basis, an Amateur Radio computer bulletin board for anyone to use. System parameters are 2400 baud or slower, 8 bits, 1 stop bit, no parity. Operating hours, subject to change, are 5 P.M.-8 A.M. Pacific Time, Monday to Friday; 24 hours weekends and holidays.

ELECTRONIC RECOGNITION NEWS. Bellcore (Bell Communications Research) has patented a technology for personalized "smart cards" that work with spoken commands. An owner "trains" the card to recognize only his or her voice so that no one else can use it. Applications include increased credit-card security and expediting other transactions involving an access card. Examples are use with pay phones, automated teller cash machines, and security access to a building.

Heath/Zenith unveiled a voice-controlled computer system and robotic workstation to allow people with severe upper-body limitations to operate a personal computer. It uses proprietary voice-recognition software and hardware developed by PRAB Command Inc. of Kalamazoo, MI. Spoken commands are converted into traditional keystrokes for operating all of the system's components. A robot arm can retrieve documents from a printer, pick up heavy books and perform other manipulative tasks upon voice command. The system also has a telephone management system for placing and receiving calls, taking notes, etc.

For more information on products described, please circle the appropriate number on the Free Information Card bound into this issue or write to the manufacturer.

Pocket Audio Generator

New from B&K-Precision is the Model 3001, a low-cost, pocket-size audio signal generator that covers from 20 Hz to 150 kHz. It offers selectable sine- and square-wave outputs via a slide switch. Other features include a 23-position rotary switch and $\times 1/\times 100$ slide-type switch for selecting frequency; a small rotary control for setting signal amplitude; a slide switch for selecting 0/ - 20 dB of attenuation; main output jacks; and sync output jack that provides a fixed-level signal of the same frequency and phase as the main output. A low-battery LED indicator is also provided.



This RC-type instrument generates sine waves with a specified 0.05 percent or less THD from 200 Hz to 15 kHz, 0.1 percent or less THD from 50 Hz to 28 kHz, and 0.3 percent or less from 20 Hz to 100 kHz. Specified rise and fall time for the square-wave output is 0.5 microsecond, and amplitude flatness is said to

be within 0.5 dB over the entire frequency range of the generator. Maximum open-circuit output signal levels are rated to be at least 1.2 volts rms for sine waves and 5 volts peak-to-peak for square waves. Levels are fully adjustable with a 0-to-20-dB step and continuously variable attenuators.

Supplied with the Model 3001 audio signal generator are two test leads, a 9-volt battery (for power) and users manual. \$67.

CIRCLE 70 ON FREE INFORMATION CARD

Premium CD Player

Krell Digital, Inc. (Wallingford, CT) has a new CD player, the Model MD-1, that is said to produce a



digital signal of exceptional clarity by eliminating virtually all sources of interference. A key feature is the top-loading turntable. This unique transport system is claimed to eliminate problems commonly associated with drawer-loading mechanisms. Electronic sensing confirms when a disc is on the turntable, and a special weight centers and stabilizes the disc without the need for rings and stabilizers. (This drive was originally designed for CD-ROM applications in the computer industry.)

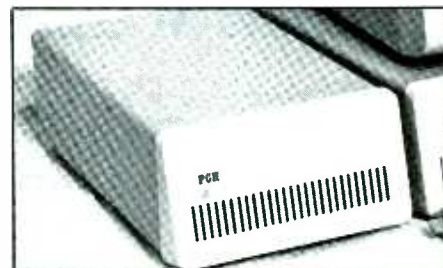
According to Krell, proprietary electronics recovers more of the signal recorded on a disc, which is then error-corrected and converted into standard digital format for conversion by a processor. Custom-designed toroidal transformers and two-stage regulation limit self-noise to lowest possible levels.

External noise is minimized by the design of the player's mechanical elements. The Philips transport is mounted in a piece of plastic that keeps extraneous resonances from reaching the assembly. Each suspension component, machined from solid aluminum, is mounted to a solid-aluminum base plate to produce a rigid system that minimizes unwanted vibration. Four suspension towers isolate the system from its environment and facilitate easy leveling. The exterior chassis provides additional shielding that further reduces outside interference.

CIRCLE 71 ON FREE INFORMATION CARD

Bus-Expansion Chassis

PC Horizons, Inc. (Santa Ana, CA) now offers a high-power PC-XTRA HP (for high power) expansion unit



for PC users. It comes with a built-in 60-watt switching-type power supply and a cooling fan and contains five usable expansion slots. The PC-XTRA HP is said to hold any option card that will fit into the computer's system slots. Because it connects directly to the computer's I/O bus, no modifications are required to either the operating system or applications programs. The PC-XTRA HP chassis measures 9¼ inches wide and has the same height and depth as a PC system unit. It features easy cable installation to the computer system and is an IBM-chassis look-alike type. It uses flat cables with appropriate connectors for easy plug-in to one of the computer's expansion slots. \$549.

CIRCLE 72 ON FREE INFORMATION CARD

(Continued on page 14)

Learn to troubleshoot and service today's computer systems as you build a fully XT-compatible micro, complete with 640K RAM and powerful 20 meg hard drive

Train the NRI Way— and Earn Good Money Servicing Any Brand of Computer

Jobs for computer service technicians will almost double in the next 10 years according to Department of Labor statistics, making computer service one of the top 10 growth fields in the nation.

Now you can cash in on this exciting opportunity— either as a full-time industry technician or in a computer service business of your own—once you've mastered electronics and computers the NRI way.

NRI's practical combination of "reason-why" theory and hands-on building skills starts you with the fundamentals of electronics, then guides you through more sophisticated circuitry all the way up to the latest advances in computer technology.

Train With a Powerful XT-Compatible — Now With 20 Meg Hard Drive and 640K RAM!

To give you hands-on training with the absolute in state-of-the-art computer technology, NRI includes the powerful new Packard Bell VX88 computer as the centerpiece of your training. As you assemble this fully IBM XT-compatible micro from the keyboard up, you actually see for yourself how every section of your computer works.



You build this powerful Packard Bell VX88 computer, all the while gaining a true mastery of computer electronics. Best of all, it's yours to keep for all your professional and personal computing needs.



You assemble and test your computer's "intelligent" keyboard, install the power supply and 5¼" disk drive, then interface the high-resolution monitor. But that's not all.

Your hands-on training continues as you install a powerful 20 megabyte hard disk drive—today's most-wanted computer peripheral—now included in your course to dramatically increase the data storage capacity of your computer while giving you lightning-quick data access. Plus you work with exclusive word processing, database, and spreadsheet software, yours to use for your own professional and personal applications.

As you build your computer, performing key demonstrations and experiments at each stage of assembly, you get the confidence-building, real-

Your NRI computer training includes all this: • NRI's unique Discovery Lab® for circuit design and diagnosis • NRI's hand-held digital multimeter featuring "talk-you-through" instructions on audio cassette • A digital logic probe that lets you visually examine computer circuits • The new Packard Bell VX88 computer with "intelligent" keyboard, 360K double-sided, double-density disk drive, 640K RAM, 16K ROM • 20 megabyte hard disk drive • Bundled software including MS-DOS, GW-BASIC, word processing, spreadsheet, and database programs • Packard Bell reference manuals with programming guidelines and schematics.

NEW!

Includes 20 meg Hard Drive

prepared to take advantage of today's opportunities in computer service. You learn at your own convenience in your own home.

No classroom pressures, no night school, no need to quit your present job until you're ready to make your move. And all throughout your training, you've got the full support of your personal NRI instructor and the NRI technical staff, always ready to answer your questions and help you whenever you need it.

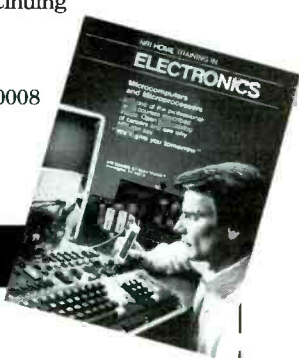
FREE 100-Page Catalog Tells More

Send today for NRI's big, 100-page catalog that describes every aspect of NRI's innovative computer training, as well as hands-on training in other growing high-tech career fields. If the coupon is missing, write to: NRI School of Electronics, McGraw-Hill Continuing Education Center, 4401 Connecticut Avenue, NW, Washington, DC 20008.

NRI School of Electronics

McGraw-Hill Continuing Education Center
4401 Connecticut Avenue, NW
Washington, DC 20008

IBM is a registered trademark of International Business Machines Corporation



world experience you need to work with, troubleshoot, and service today's most widely used computer systems.

New! Explore the Latest Advances in Voice Synthesis

Now NRI also includes innovative hands-on training in voice synthesis, one of today's most exciting and widely applied new developments in computer technology.

You now train with and keep a full-featured 8-bit D/A converter that attaches in-line with your computer's parallel printer port. Working with the exclusive text-to-speech software also included with your course, you explore the fascinating technology behind both digitized and synthesized computer speech.

NRI's new hands-on training in voice synthesis is just one more way you get the confidence-building experience you need to feel at home with the latest advances in computer technology.

No Experience Needed, NRI Builds It In

This is the kind of practical, hands-on experience that makes you uniquely

SEND TODAY FOR FREE CATALOG!



McGraw-Hill Continuing Education Center
4401 Connecticut Avenue, NW, Washington, DC 20008

For Career courses approved under GI Bill
 check for details.



CHECK ONE FREE CATALOG ONLY

- Computer Electronics
- TV/Video/Audio Servicing
- Robotics
- Electronic Music Technology
- Security Electronics
- Digital Electronics Servicing
- Telecommunications
- Industrial Electronics
- Electronic Circuit Design
- Basic Electronics
- Bookkeeping & Accounting
- Building Construction
- Automotive Servicing
- Air Conditioning, Heating, & Refrigeration
- Small Engine Repair
- Electrician
- Locksmithing
- Travel Careers
- Paralegal
- Computer Programming

Name (Please print) _____ Age _____
 Street _____
 City/State/Zip _____ We'll give you tomorrow. Accredited Member National Home Study Council 4-119

Hand-Held Multimeters

The 80 Series of 3 $\frac{3}{4}$ -decade hand-held digital multimeters from John Fluke Mfg. Co. consists of the full-featured Fluke 83, higher-accuracy Fluke 85 and top-of-the-line Fluke 87 true rms DMMs. They offer a powerful combination of measurement functions and safety features, including frequency, duty-cycle, capacitance and simultaneous minimum/maximum/average, Input Alert™ and MIN MAX™ features.



The MIN/MAX/AVERAGE recording mode allows the 80 Series to find intermittent failures and interference in a circuit. The audible MIN MAX alert pinpoints intermittent failures by signaling with a short beep only when a new minimum or maximum value is recorded. Input Alert warns when the leads are connected to the current jack while the meter is set to the resistance or voltage mode.

Updated 40 times per second, a high-resolution analog bargraph display featured in all three meters (with zoom mode on the Fluke 83 and Fluke 84) is fast. A relative (zero) mode with Fluke's Touch Hold capability generates a beep when a stable reading is sensed and locks the reading in the display for viewing after removal of the test leads from the circuit under test.

The Fluke 87 is claimed to have measurement capability available in no other hand-held multimeter in the world. Its user-selectable 4 $\frac{1}{2}$ /3 $\frac{3}{4}$ -decade display, can be back-lit. Its MIN MAX recording mode captures transient events to 1 ms or sine-wave + or - peaks to 400 Hz. The Fluke 83's specified ac voltage response is 5 kHz and dc accuracy is within 0.3%. The more-accurate Fluke 85 and Fluke 87 extend the Vac to 20 kHz and Vdc accuracy to within 0.1%.

Overload protection to 1,000 volts in the resistance and diode-test modes is provided via patent-pending protection circuitry. All models are emi-shielded and packaged in splash- and dust-proof cases with protective holsters that include flexible stands for hanging the DMMs from doors or pipes or propping them up in the usual tilt position.

\$189 for Fluke 83; \$219 for Fluke 85; \$259 for Fluke 87.

CIRCLE 73 ON FREE INFORMATION CARD

Dictionary/Thesaurus

Seiko Instruments now has a Word Power Professional 4000 Dictionary/Thesaurus, an electronic vocabulary aid that puts 90,000 definitions, 500,000 synonyms and a 95,000-word spell checker at your fingertips.



To use the package, one types a word on the WP-4000's keyboard and presses one of three function buttons, according to whether a definition, synonym or spelling check is required. Another key allows the user to scroll through memory. When not in use the linguistic aid automatically shuts itself off. \$185.

CIRCLE 74 ON FREE INFORMATION CARD

Three-Way Power Supply

New from Elenco Electronics, Inc. (Wheeling, IL) is the Model XP-620 fully regulated power supply with three separate outputs. One output is at a fixed 5 volts dc at 3 amperes. The other two outputs, both variable (one from +1.5 to +15 volts, the other from -1.5 to -15 volts), can deliver up to 1 ampere to a load. The power supply features full short-circuit protection. It shuts off the outputs when a short circuit is detected, without causing internal damage. Each section in the power supply is regulated to better than 0.2 volt when going from no load to full load.



The power supply measures a compact 8 $\frac{1}{4}$ " x 7" x 4" to take up minimum space on a workbench. It is available both factory-wired and in kit form, the latter supplied with assembly instructions and circuit descriptions. \$89.95 factory wired; \$59.95 kit.

CIRCLE 75 ON FREE INFORMATION CARD

Switching Power Supplies

Three new switching power supplies for PC applications have been announced by the Power Supply Division of Fortron/Source (Livermore, CA). These new introductions include the 250-watt Model FC 5250, 300-watt Model FC 5300 and 375-watt Model FC 5375. The Model FC 5250 delivers +5 volts at 30 amperes maximum, +12 volts at 8 amperes, -5 volts at 0.5 ampere and -12 volts at 0.5 ampere. The Model

(Continued on page 37)

A Solid-State Oscilloscope

Use this low-cost ac/battery-powered instrument as your first oscilloscope or to supplement use of an existing one on your testbench and in the field

By Jeff T. Williams

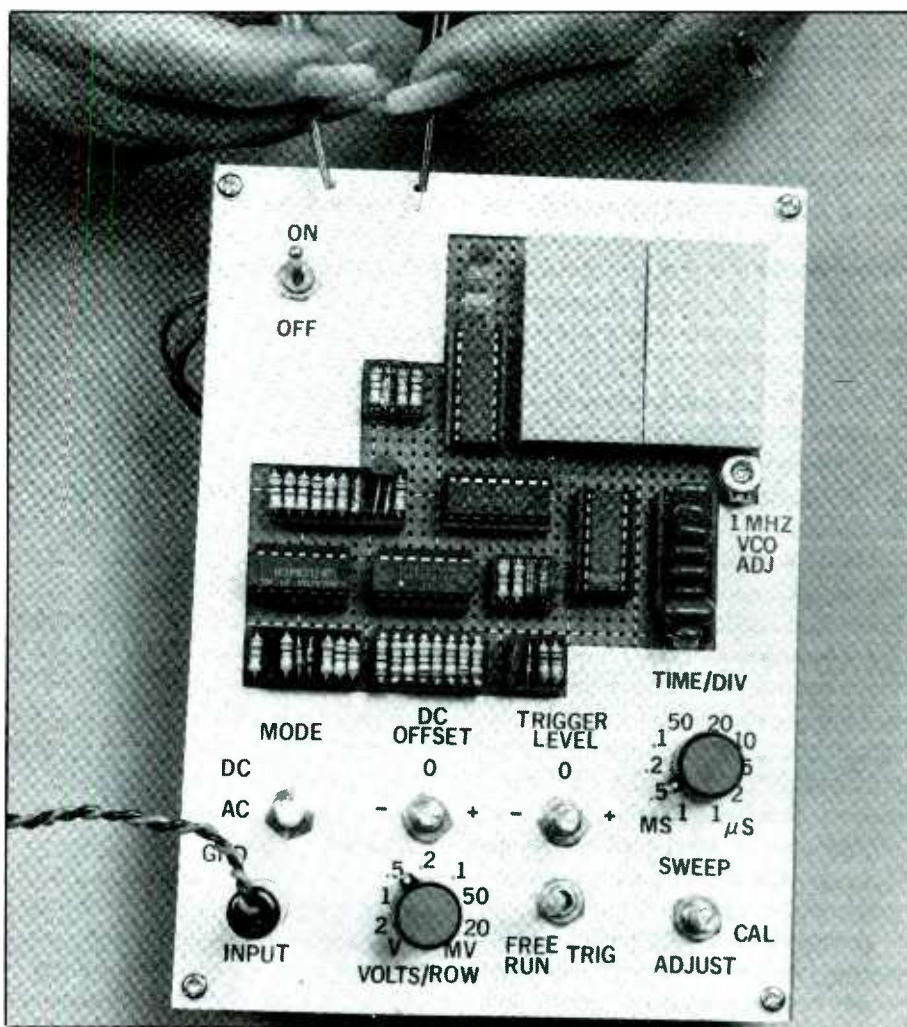
There are many instances in which only an oscilloscope can tell you what you want to know about a circuit. Measuring the rise time of a clock signal, for example, or the propagation delay of a logic gate, or the magnitude and duration of a voltage spike generated by switching an inductive load, are just a few of the many tasks to which the oscilloscope is uniquely suited.

Although oscilloscopes can be very expensive, there is an easy way to begin to understand and take advantage of some of their capabilities. In this article, we will show you how to build a very-low-cost, completely solid-state scope. Although our Solid-State Oscilloscope is not nearly as advanced or accurate as its commercial counterpart, it is quite sophisticated and can be used for a wide variety of monitoring and measurement purposes in which high accuracy is not critical.

If you already own a scope, our solid-state version can be used as a reasonably accurate second one on your workbench, to monitor a signal when the inputs on your main scope are unavailable. Compared to more advanced commercial instruments, our scope is extraordinarily compact and ideal for field use, along with your multimeter and toolbox.

Oscilloscope Fundamentals

At its simplest level, the chief function of an oscilloscope is to display how a voltage changes with time.



Most oscilloscopes employ a cathode-ray tube (CRT) on which a representation of some given input signal appears.

Internal circuitry generates an electron beam that produces a small bright dot when it strikes the phosphor coating on the inner face of the CRT. This dot is made to move verti-

cally and horizontally in response to the signal at the input of the scope. Vertical and horizontal deflection of the dot represent changes in voltage and time, respectively. The result is a traced line that accurately represents the voltage-versus-time characteristics of the input signal.

A block diagram of how all this is

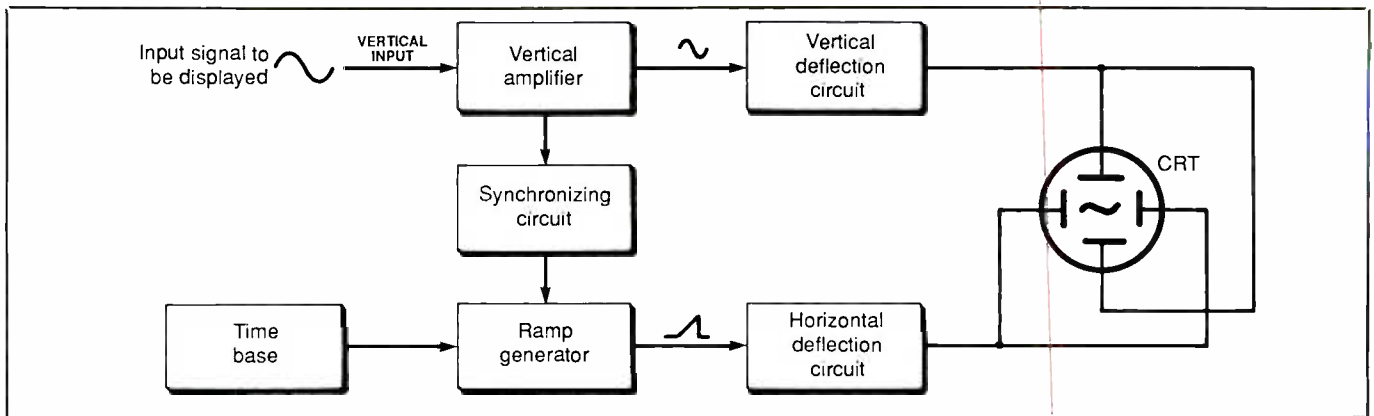


Fig. 1. Block diagram of the conventional oscilloscope.

accomplished is shown in Fig. 1. The signal to be observed is coupled to the vertical axis of the oscilloscope through amplification and deflection control circuitry that both generates the 10,000 to 20,000 volts required by the CRT and varies this potential in response to the input signal. The instantaneous magnitude of the input signal determines the degree of vertical deflection of the beam at any given time.

If the above were all that occurred, only a rather uninformative vertical line would appear on the screen as the input voltage varied. The electron beam is simply being moved vertically in response to variations in the magnitude of the input voltage. The horizontal "time" motion of the signal is still missing. To see this time component, a means is needed to "sweep" the electron beam steadily across the screen.

In conventional CRT-type oscilloscopes, sweeping is accomplished with a "ramp generator" circuit that generates a linearly-increasing voltage. When applied to the horizontal deflection plates of the CRT, this voltage moves the electron beam uniformly across the screen from left to right. The *slope* of the ramp voltage determines how quickly the beam is swept across the screen. The quicker the ramp voltage increases, the more rapidly the beam moves.

As an example of the above, a

1,000-volt potential is required for full horizontal deflection. If the ramp potential increases at a rate of 100,000 volts per second, the beam will move completely across the screen in 10 milliseconds. Thus, the horizontal sweep rate of the oscilloscope is 1/10 ms, which factors out to 100 Hz. Knowing this sweep rate, you can calculate the frequency of the input signal. If at a sweep rate of 100 Hz two full cycles of an input signal were on-screen, the input frequency must be 2(100 Hz), or 200 Hz.

Now let us see how the solid-state oscilloscope differs from the conventional CRT-type instrument. The most important difference, of course, is in the display screen. Our Solid-State Oscilloscope uses a screen made up of a matrix of light-emitting-diode points instead of a cathode-ray tube. This qualifies it as being 100 percent *solid-state* in design. (Some oscilloscopes on the market today replace the CRT with a liquid-crystal display, or LCD, matrix). As shown in Fig. 2, an input signal on our Solid-State Oscilloscope is displayed as a pattern of light and dark LEDs.

How does using an array of LEDs instead of a CRT change the horizontal and vertical deflection circuitry? Certainly, a ramp voltage will not sequentially light one LED after another. Instead, it will make a given LED brighter and brighter. However, a simple counter and decoder

that sequentially addresses the LED columns would be ideal.

In our Solid-State Oscilloscope, the traditional ramp generator is replaced by a counter/divider circuit driven by a master clock. By varying the speed of the clock, the speed at which the columns of the LED display are addressed and, thus, the horizontal sweep rate across the screen of the scope is varied.

The vertical deflection section of our scope is not much different from that of a CRT oscilloscope. The most important difference is that the amplitude of the input signal must now be used to enable discrete rows on the LED screen instead of deflecting a beam of electrons. Higher input voltages should activate physically higher rows on the LED screen, and vice-versa.

The above is most conveniently accomplished using a bargraph display chip like the LM3914. This chip compares an input voltage to an internal reference potential and automatically determines which of its 10 available outputs most accurately represents the input signal level. If these outputs are used to activate 10 rows on a LED screen, the vertical section of our scope is essentially complete.

About the Circuit

Referring to the complete schematic diagram of the Solid-State Oscilloscope's circuit shown in Fig. 3, let us

now follow a signal from input to display. Because of the complexity of this circuit, it's much easier to understand by examining it in sections.

Operational amplifier *IC1A* and its associated circuitry make up a unity-gain high-impedance input follower that buffers the input and isolates the circuit under test from the oscilloscope. Diodes *D1* and *D2* protect *IC1A* by clipping any input signal outside the power supply limits (about ± 9 volts).

Switch *S2* selects the input coupling mode. Set to the DC position, this switch passes the input signal directly to *IC1A* through *R2*. If *S2* is set to the AC position, the input signal must first go through blocking capacitor *C1*. If the input signal is "riding" on a dc voltage, this mode blocks the dc component and permits only the ac portion of the input to pass. Finally, *S1* can also connect the input buffer to ground to permit a 0-volt reference trace to be positioned on the scope screen.

The buffered input signal from *IC1A* is scaled by inverting amplifier *IC1B*, the gain of which is determined by the ratio of the values of the feedback resistor (*R6* through *R12*, whichever is selected by VOLTS/

ROW switch *S3*) to input resistor *R4*. Switch *S3* controls the gain of this stage by inserting one of seven resistances into the feedback path. With the values specified, gains of 25, 10, 5, 2.5, 1.0, 0.5 and 0.25 are available.

When combined with a fixed reference voltage for the LM3914, the available gain values calibrate the vertical deflection on the oscilloscope display in volt (or millivolt) units per row. This permits voltage measurements to be made directly from the scope screen.

In principle, the output of *IC1B* could be coupled directly to the signal input of LM3914 bargraph display *IC3*. One of the two reasons why this isn't done is that the output from *IC1B* is an inverted version of the input signal (a second inversion is required if the scope is to properly display the input signal). The other, more important, reason is that the LM3914 input contains a diode clamp to ground that effectively removes all but the positive portion of any input to this device.

To display waveforms with negative portions, a dc offset voltage must be added to the signal to raise the entire waveform into the positive-voltage region. This is accomplished

with *IC1C*, which sums the output signal from *IC1B* with a variable dc voltage taken from DC OFFSET control *R15*. When adjusted in combination with the input gain, this control permits both positive and negative portions of an input signal to appear on the screen.

Note that *IC1C* also operates in an inverting mode. Therefore, it reverses the inversion of gain stage *IC1B* so that the signal at the output of *IC1C* becomes a correctly oriented, scaled and dc-adjusted version of the input signal.

The summed output from *IC1C* is now applied to the input of *IC3*. The LM3914 responds by activating one of its 10 outputs and enabling one of the rows on the LED display. However, since the display screen in this project consists of seven rows, only seven of these 10 outputs are used to drive the main display. The remaining three outputs are connected to separate green, yellow and red OVER-RANGE light-emitting diodes *LED1*, *LED2* and *LED3*. The LEDs indicate when a portion of the input signal is being deflected vertically beyond the uppermost display row.

As with a commercial oscilloscope, you would like to be able to

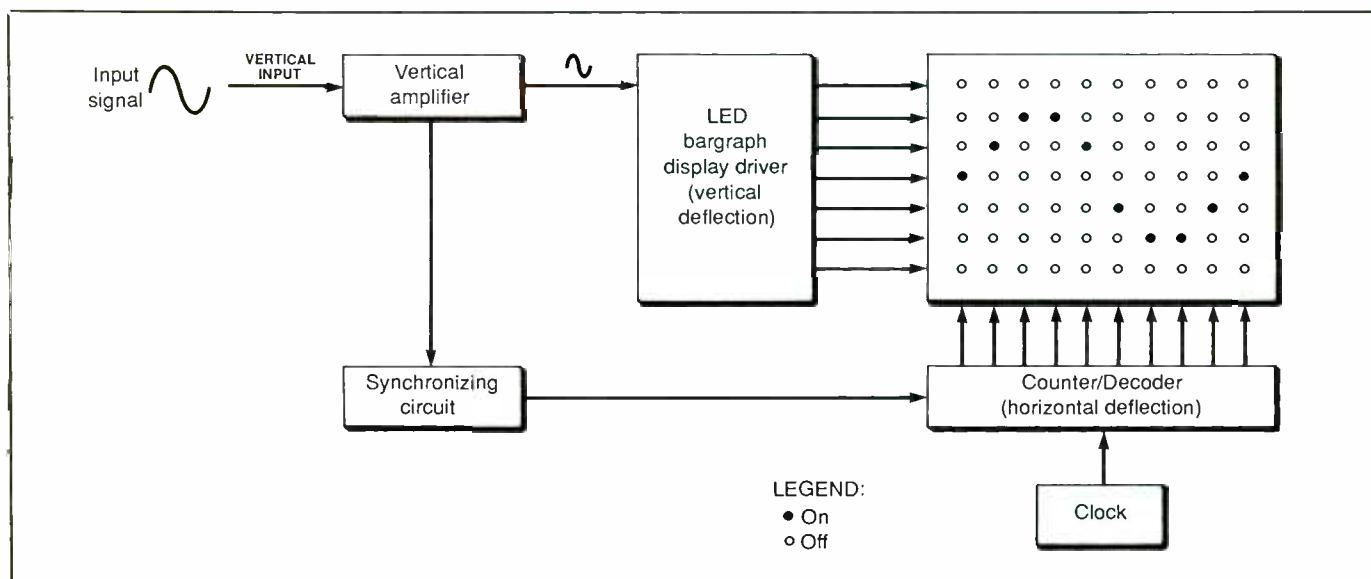
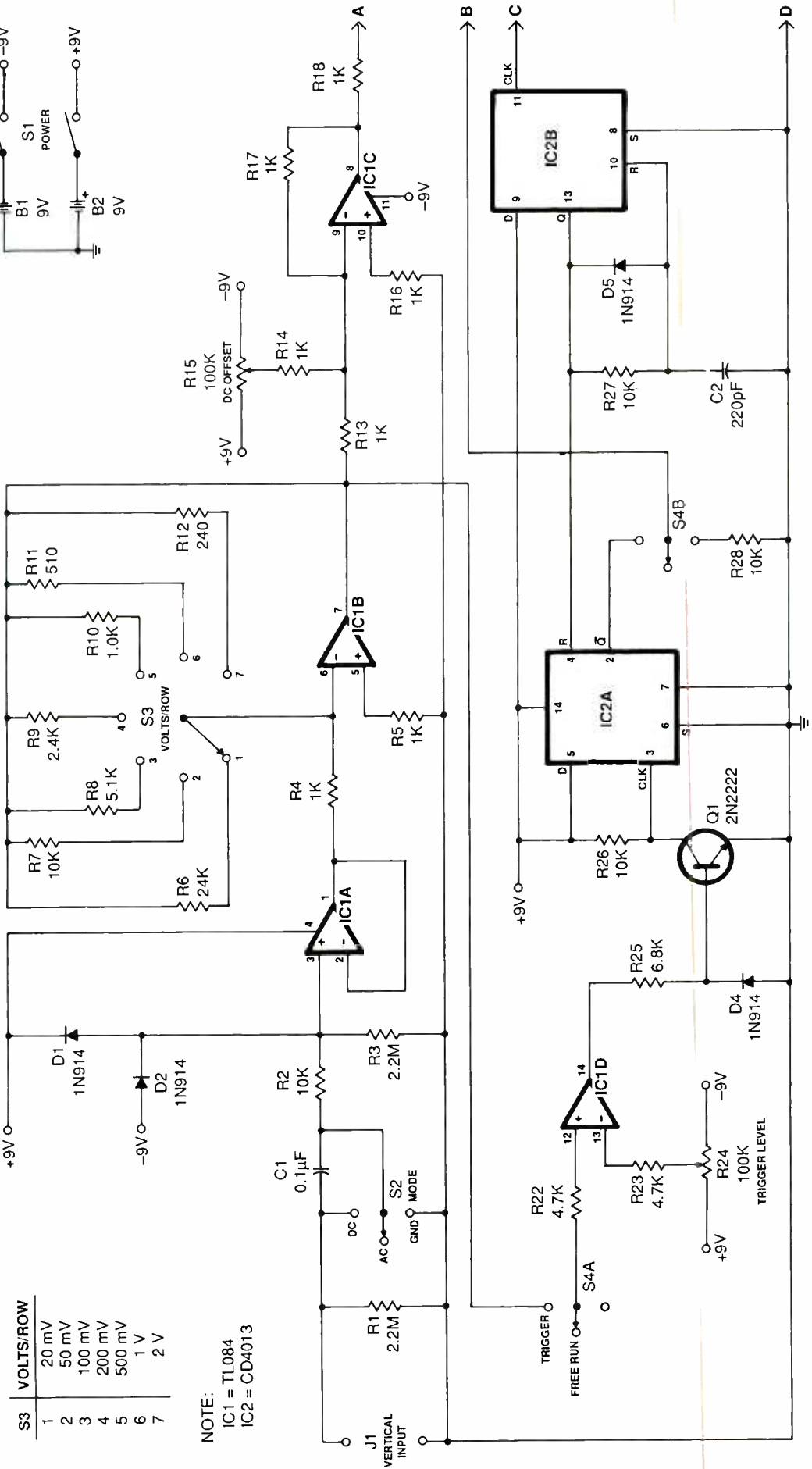
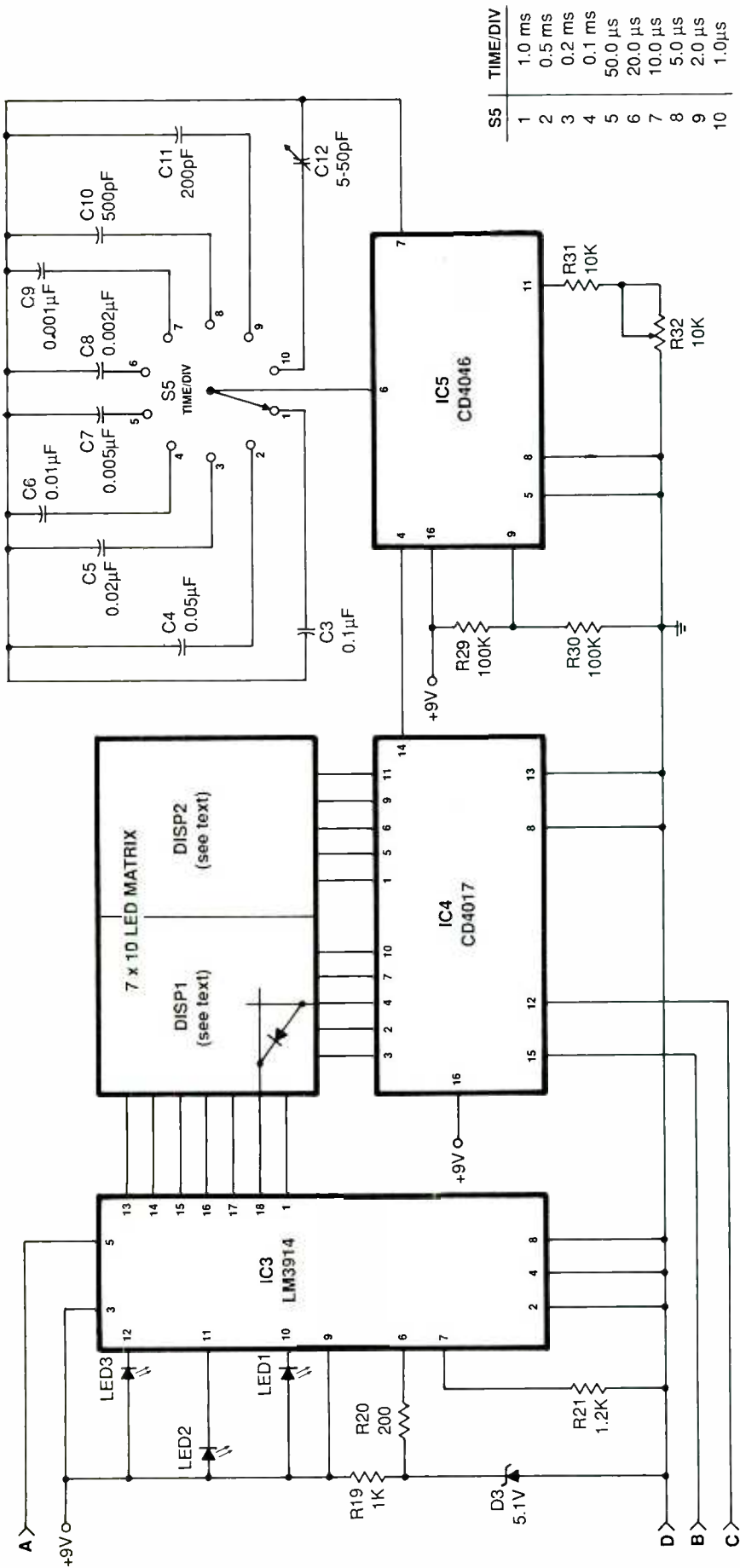


Fig. 2. Block diagram of the Solid-State Oscilloscope.





make voltage measurements directly from the display. To be able to do this, the display screen be calibrated in units of *volts per row* so that by counting the number of rows over which a signal is deflected allows you to determine the voltage of the signal. To understand how this is done, we need to first review the internal calibration feature on the LM3914.

Before the LM3914 can be used to "measure" an input signal, its 10 outputs must be calibrated to respond to a certain range of input voltages. This is accomplished by supplying a reference voltage to pin 6 of IC3. This reference voltage is divided internally across a string of 10 comparators and 1,000-ohm resistors; hence, any input voltage to the LM3914 becomes "measured" in units of $V_{ref}/10$. If V_{ref} is 10 volts, for example, the 10 outputs of IC3 will be sequentially activated by input signals of 1 volt, 2 volts, 3 volts and so on up to 10 volts.

In the Solid-State Oscilloscope, zener diode D3 and resistor R20 hold the reference input at pin 6 of IC3 at 5.0 volts, which yields an internal calibration factor of 0.5 volt per output. The "effective" number of volts per row on the LED display then becomes the "actual" volts per row provided by the LM3914 divided by the gain of stage IC1B. If the gain of this stage is 0.25, for example, the vertical deflection factor becomes $(0.5 \text{ volt/row})/0.25 = 2.0 \text{ volts/row}$.

A 6-volt input signal, for example, would produce a $(6.0 \text{ volts} \times 0.25) = 1.5\text{-volt}$ output from stage IC1B, and at 0.5 volt per output this 1.5-volt signal will activate the third row on the LM3914. The 6-volt input signal will produce a three-row deflection on the LED screen; so the vertical axis is calibrated at 2 volts per row.

The other vertical scale factors can be determined in a similar fashion.

◆ Fig. 3. Complete schematic diagram of the Solid-State Oscilloscope.

PARTS LIST

Semiconductors

DISP1, DISP2—5 × 7 LED dot-matrix display (IEE1257R or equivalent—see text)

D1, D2, D4, D5—1N914 or 1N4148 general-purpose silicon diode

D3—5.1-volt zener diode (1N5231B, 1N4733A or equivalent—see text)

LED1—Green light-emitting diode

LED2—Yellow light-emitting diode

LED3—Red light emitting diode

Q1—2N2222 or equivalent silicon npn transistor

IC1—TL084 quad BiFET operational amplifier

IC2—CD4013 dual D-type flip-flop

IC3—LM3914 bargraph display driver

IC4—CD4017 decade counter/divider

IC5—CD4046 phase-locked loop

Capacitors (Minimum 35 WV)

C1, C3—0.1- μ F ceramic disc

C2—220-pF ceramic disc

C4—0.05- μ F ceramic disc

C5—0.02- μ F ceramic disc

C6—0.01- μ F ceramic disc

C7—0.005- μ F ceramic disc

C8—0.002- μ F ceramic disc

C9—0.001- μ F ceramic disc

C10—500-pF ceramic disc

C11—200-pF ceramic disc

C12—6-to-50-pF trimmer

Resistors* (1/4-watt, 5% tolerance)

R1, R3—2.2 megohms

R2, R26 thru R28, R31—10,000 ohms

R4, R10—1,000 ohms (1,020 ohms)

R5, R13, R14, R16 thru R19—1,000 ohms

R6—24,000 ohms (25,500 ohms)

R7—10,000 ohms (10,200 ohms)

R8—5,100 ohms (5,110 ohms)

R9—2,400 ohms (2,550 ohms)

R11—510 ohms (511 ohms)

R12—240 ohms (255 ohms)

R20—200 ohms (see text)

R21—1,200 ohms

R22, R23—4,700 ohms

R25—6,800 ohms

R29, R30—100,000 ohms

R15, R24—100,000-ohm linear-taper potentiometer

R32—10,000-ohm single- or multi-turn potentiometer

Miscellaneous

B1, B2—9-volt battery

S1—Dpst or dpdt toggle or slide switch

S2—Spdt center-off toggle or slide switch

S3—7-position non-shorting rotary switch

S4—Dpdt toggle or slide switch

S5—10-position non-shorting rotary switch

Perforated board with holes on 0.1-inch centers and suitable soldering or Wire Wrap hardware (or design and fabricate your own printed-circuit board); sockets for all ICs, two 9-volt battery snap connectors and clips; suitable enclosure (Radio Shack Cat. No. 22-153 or similar); spacers; machine hardware; hookup wire; solder; etc.

*For maximum accuracy, use values shown in parentheses.

Note: A good source for zener diodes and precision resistors and capacitors is Digi-Key Corp., 701 Brooks Ave. S., P.O. Box 677, Thief River Falls, MN 56701. IEE1257R displays are available from IEE, Inc., 7740 Lemona Ave., Van Nuys, CA 91405; there is a \$250 minimum order requirement, but contact the company for the name of the nearest stocking distributor. MAN-2 displays are available from a variety of mail-order houses. One source of miniature rotary switches is All Electronics Corp., P.O. Box 567, Van Nuys, CA 91408. Request Cat. No. MRS-10 (\$1.50 each, \$10 minimum order).

With the 0.5-volt/row internal reference for the LM3914, the gain factors for IC1B listed earlier yield "effective" vertical deflection factors of 20 and 50 millivolts per row, and 0.1, 0.2, 0.5, 1.0 and 2.0 volts per row in the LED display.

Finally, since 5.0-volt zener diodes can be difficult to locate, R20 is included to permit the use of zener diodes with greater breakdown voltages. For example, if you use a 5.1-volt zener for D3, choosing a value of 200 ohms for R20 will drop the extra 0.1 volt and maintain the LM3914 reference input at 5 volts. If you can locate a 5.0-volt zener diode, R20 can be omitted.

The horizontal sweep circuitry consists of IC3 and IC4 and their associated components. Here, IC4 serves as the master clock for the horizontal sweep generator and IC3 is a

counter/divider that sequentially addresses the 10 columns of the display. After experimenting with a number of designs for the horizontal sweep clock, the voltage-controlled oscillator (vco) portion of 4046 phase-locked loop IC5 was determined to give the most stable output and consistent performance over the rather large frequency range desired.

Instead of fixing the RC component values for the vco and varying the input voltage to control output frequency (the traditional arrangement), the vco input voltage was fixed at $V + \sqrt{2}$, and the values of R and C were made variable. There are at least two advantages to doing this. One is that the clock circuit becomes largely independent of changes in the supply voltages, an especially important consideration in a battery-operated device. The other advantage

is that the values for the capacitor can be selected which step the output frequency of the vco in the standard 1-2-5 pattern found on commercial oscilloscopes.

Switch S5 is used to select one of 10 time base values for the horizontal sweep circuit. With R32 set to its 0-ohm "calibrate" position, the setting of S5 determines the time per division (actually, time per column) on the display. If R32 is any resistance other than 0 ohm, however, the time base is no longer equal to the value indicated by S5, and the actual time per division may be increased to twice the calibrate value.

With R32 set to 0 ohm, for example, setting S5 to 0.1 ms inserts a 0.01-microfarad capacitor into the vco circuit. The master clock frequency will be 10 kHz, and the effective horizontal sweep rate will be one-

tenth of this (1 kHz). A complete left-to-right sweep of the display will require 1 millisecond to accomplish. When divided among the 10 columns of the display, this yields a horizontal time base of 0.1 ms per "division" (column) on the LED screen. This is the "calibrate" position. Control R32 will smoothly increase the horizontal time per division to twice this value, from 0.1 to 0.2 ms per division (the same as halving the effective horizontal sweep frequency).

The vco frequencies, horizontal sweep frequencies and horizontal time base values are summarized in the Table for the various capacitor values. Notice that since a single horizontal sweep across the screen requires 10 clock cycles, the effective horizontal sweep frequency is one tenth the vco output frequency. Thus, if the clock output is 1 MHz, the scope screen is being swept at a frequency of 100 kHz. That is, the sweep clock must be capable of performing at 10 times the highest desired oscilloscope sweep rate. With the component values specified, maximum vco frequency is about 1 MHz, which yields an effective horizontal sweep rate of 100 kHz, or 1 microsecond per column.

The output of the vco drives the clock input of 4017 1-of-10 divider/decoder IC4. This latter chip counts the number of clock pulses it receives and activates the appropriate output. After three clock cycles, for example, output 3 goes high; after four clock cycles, output 4 goes high; and so on. This cycle repeats every 10 clock counts.

With the outputs of IC4 connected to the anodes of the LED screen, the 10 columns of the oscilloscope display are sequentially and continuously activated as this 4017 chip cycles through its count. As each LED column becomes enabled (an IC4 output goes high), the voltage at the input of IC3 determines which LED row will also be active (the chip's output goes low). The result is that a single LED,

Horizontal Sweep Rates and Time Base Values				
Position of S4	Capacitance Value	VCO Frequency*	Horizontal Sweep Frequency	Time Per Column*
1	0.1 μ F	1 kHz	100 Hz	1.0 ms
2	0.05 μ F	2 kHz	200 Hz	0.5 ms
3	0.02 μ F	5 kHz	500 Hz	0.2 ms
4	0.01 μ F	10 kHz	1 kHz	0.1 ms
5	0.005 μ F	20 kHz	2 kHz	50 μ s
6	0.002 μ F	50 kHz	5 kHz	20 μ s
7	0.001 μ F	100 kHz	10 kHz	10 μ s
8	500 pF	200 kHz	20 kHz	5 μ s
9	200 pF	500 kHz	50 kHz	2 μ s
10**	6-to-50 pF	1.0 MHz	100 kHz	1 μ s

*Values listed are for SWEEP control R32 set to CALIBRATE position; R32 can be used to double the Time/Column from any CALIBRATE position. Time per column is one-tenth total time required for a single screen sweep.

**Stray capacitance can considerably affect observed frequency in this range. Use a trimmer capacitor and adjust value of C for 1 MHz operation.

corresponding to the instantaneous amplitude of the input signal, lights on the screen. As the display is repeatedly scanned horizontally, a picture of the input signal appears on the screen.

One of the most important features of this oscilloscope, and a feature that really makes this project a practical test device, not just a breadboarded curiosity, is its triggered-sweep feature. Briefly, triggered sweep is the ability of an oscilloscope to synchronize its horizontal display sweep with the input signal to initiate a sweep only when the input signal reaches some preset level. In older recurrent sweep oscilloscopes, horizontal sweep occurs continuously and independently of the input signal. With triggered sweep, an input signal can be "frozen" in the display and then expanded or compressed simply by adjusting the horizontal time base.

Triggered sweep is provided by the IC1D and dual D flip-flop IC5 stages. Switch S4 permits selection between triggered and free-running horizontal sweep modes. To understand how the trigger circuit works, assume that IC2A is in its RESET state. Then the not-Q output at pin 2 is high, which resets IC4, which does not count. Thus, no sweep occurs.

Meanwhile, comparator IC1D

compares the input signal with the trigger voltage level set by TRIGGER LEVEL control R24. If the input signal at pin 13 of IC1D is greater than the trigger voltage at pin 12 of the chip, the output of IC1D is high, Q1 is conducting and the CLK input at pin 3 of IC2A is low. The not-Q output at pin 2 of IC2A remains high and IC4 remains reset.

Now suppose that the input signal level drops below the selected trigger level. When this occurs, the output at pin 14 of IC1D goes low. This turns off Q1 and pulls the CLK input of IC2A high (D4 prevents the base of Q1 from going negative when the output of IC1D is low). This clocks a logic 1 into IC2A so that its pin 2 output goes low. This brings RESET pin 15 of IC4 low and initiates a screen sweep.

At the end of this sweep, pin 12 of IC4 goes from low to high. This clocks a logic 1 into IC2B at CLK input pin 11, causing its Q output at pin 13 to go high. This immediately resets IC2A and temporarily disables any further sweep. As C2 charges through R27, however, IC2B eventually resets, after which IC2A is ready to be triggered again.

As soon as IC2B resets, D5 quickly discharges C2 and prepares it for an-

(Continued on page 71)

Using the LS7210 Timer

This versatile IC lets you program time delays ranging from a few milliseconds to hours and even days

By Jan Axelson

Any circuit that waits before it acts is a candidate for a time-delay circuit. Timer chips like the popular 555 are often used to handle the timed-delay functions for such circuits. Though the 555 is the chip that usually comes to mind for a timing application, a new timer chip, the LS7210, is especially suited for these uses.

A versatile device, you can use the LS7210 to time delays milliseconds, seconds, minutes, hours or even days in length. On-chip frequency dividers allow you to program long delays without the need for huge timing resistors and capacitors that many other IC timing devices require. The LS7210 can also be used as a one-shot monostable multivibrator, or as a low-frequency oscillator.

Manufactured by LSI Computer Systems, Inc., the LS7210 is widely available. Versatile as it is, this chip can be confusing to design with be-

cause a simple formula for choosing values of timing components does not exist. In this article, we will describe a simplified circuit-design method for the LS7210 and discuss sample circuits that may give you ideas for your own time-delay applications.

About the IC

Shown in Fig. 1 are the pinout diagram of the LS7210 and a summary of some of the design characteristics of this chip. CLOCK SELECT pin 4 selects an internal or external clock source for timing the delays. The internal clock requires a resistor and capacitor at OSCILLATOR pin 5, the external clock an oscillator connected to EXTERNAL CLOCK pin 6.

A prescaler inside the LS7210 divides the clock frequency by 1,023. This causes the output delay to always be at least 1,024 times longer than the clock period. Five weighting inputs can increase the delay even

further. A logic low (0) on one or more of the weighting inputs multiplies the delay by approximately the sum of the low weightings. With all five weighting inputs low, the delay length is multiplied by 31 (1 + 2 + 4 + 8 + 16), for a delay almost 32,000 times longer than the clock period. The delay is calculated using $D = (1 + 1,023N)/F$, where D is the delay seconds, N is the weighting factor, and F is the clock frequency in Hz.

A pulse at TRIGGER pin 3 causes the LS7210 to begin timing a delay. How the IC responds to a trigger pulse depends on the mode of operation selected at MODE SELECT A pin 2 and MODE SELECT B pin 1. Figure 2 illustrates the four modes.

In delayed-operate mode, a high-to-low trigger causes the output to pause for the programmed delay time before turning on (going high), and a low-to-high trigger causes the output to turn off (go low) immediately.

Delayed-release mode is just the opposite of the delayed-operate

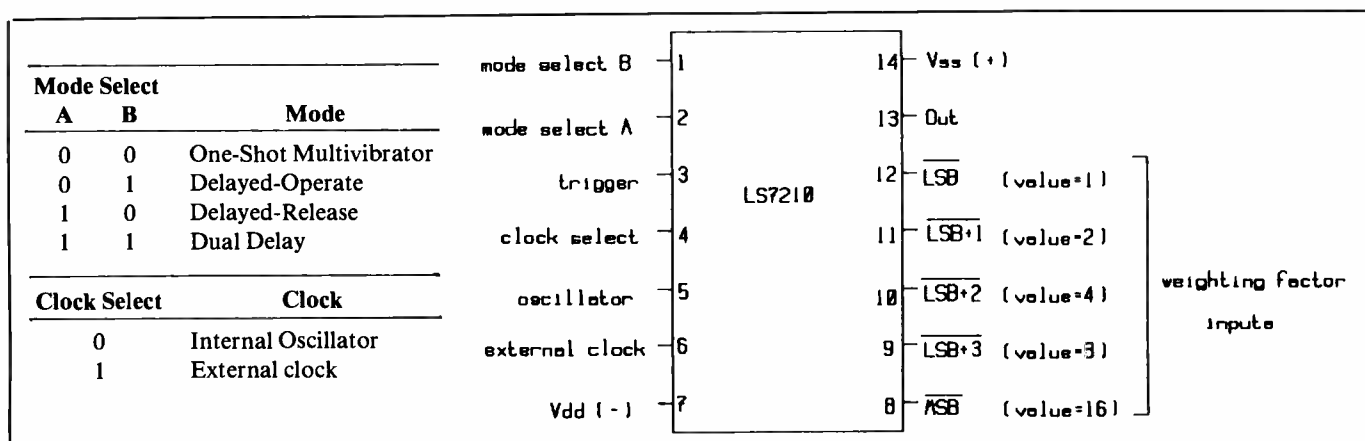


Fig. 1. The LS7210 delay timer has four modes of operation and a user-programmable delay period.

mode in that a high-going trigger causes a delay in turning the output off and a low-going trigger causes the output to turn on immediately.

In dual-delay mode, the output is delayed both in turning on and in turning off.

In one-shot mode, a low-going trigger causes the output to turn on immediately and remain on for the programmed delay time. High-going triggers are ignored in this mode.

All four operating modes are re-triggerable, with additional triggers during the delay restarting the delay timing.

Mode, weighting, trigger and clock-select inputs all have internal pull-up resistors; so leaving them open sets them high automatically. These inputs can be tied directly to ground to set them low.

OUTPUT pin 13 of the IC connects internally to an open-drain field-effect transistor (FET) that can serve as a current source. For currents that exceed a few milliamperes, the output at pin 13 can be used to drive an external transistor, power MOSFET or other amplifying device. If the output is used to drive a logic input, a pull-down resistor from the output to ground is required to bring the output to a logic low level.

Programming the Chip

A basic LS7210 circuit is shown schematically in Fig. 3. In this circuit, pin 4 of the IC is grounded. Therefore, the internal oscillator is selected and the values of *RI* and *CI* set the clock frequency.

If you are familiar with the popular 555 timer IC, you know that its output pulse length can be determined by plugging resistance and capacitance component values into a formula. Unfortunately, the data sheet for the LS7210 gives no such formula. Instead, a chart is provided that gives sample resistor and capacitor values and the clock frequencies obtained with them. From these, you

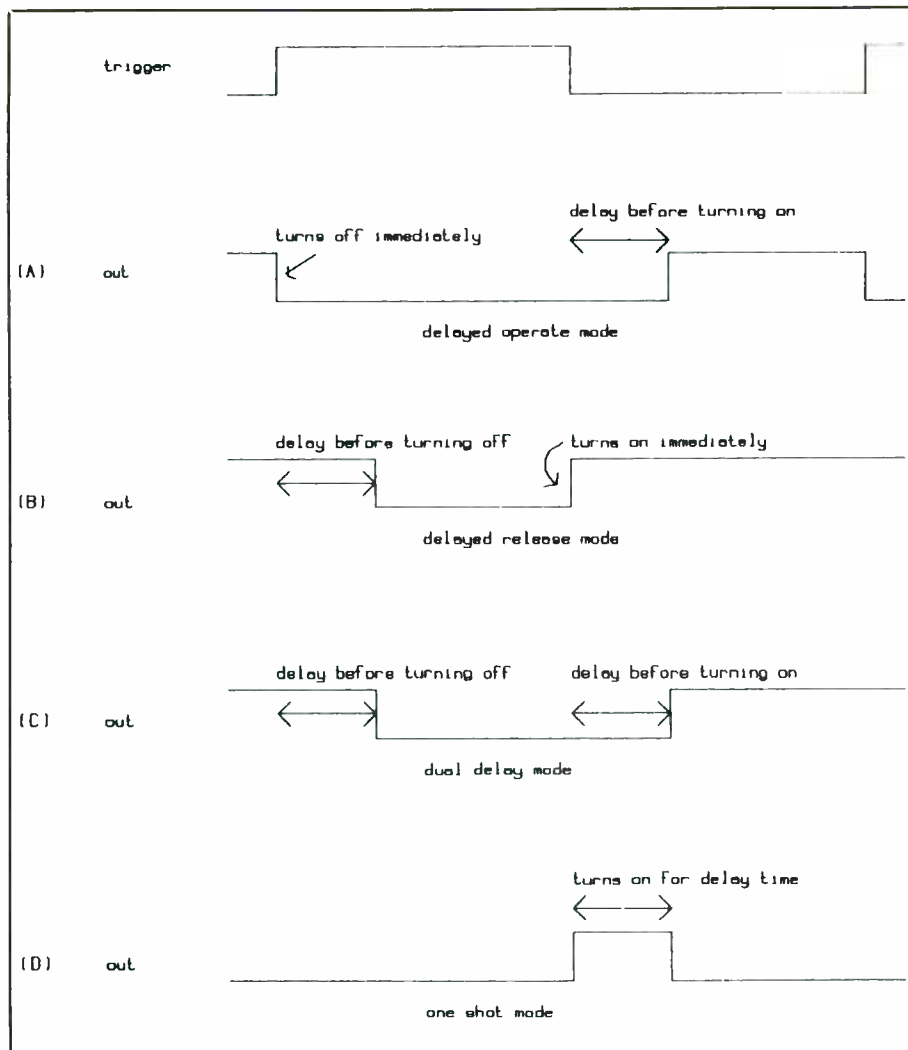


Fig. 2. In delayed-operate mode (A), a high-to-low trigger causes the output of LS7210 to delay before turning on; in delayed-release mode (B), a low-to-high trigger causes a delay in turning off the output; in dual-delay mode (C), delays appear both in turning on and turning off the output; and in one-shot mode (D), chip is configured as a retriggerable monostable multivibrator.

can estimate resistances and capacitances needed for the clock frequency and delay length you require.

A portion of the chart provided with the LS7210 chip is reproduced in Fig. 4. Of course, you can use component values other than those listed, adjusting them experimentally for the results you desire. The frequencies given are those obtained with the LS7210 powered from a 10-volt dc source. Greater or lesser power supply voltages than this will cause the

output frequency to vary slightly from the values given.

For a clock frequency of 2,000 Hz, the chart recommends a 470,000-ohm resistor and a 0.001-microfarad capacitor. With all five weighting inputs grounded as shown, the delay length (calculated from the formula given above) is about 16 seconds.

Because pins 1 and 2 are both open, the timer is in dual-delay mode. Closing switch *SI* starts the delay timing. After 16 seconds pin 13

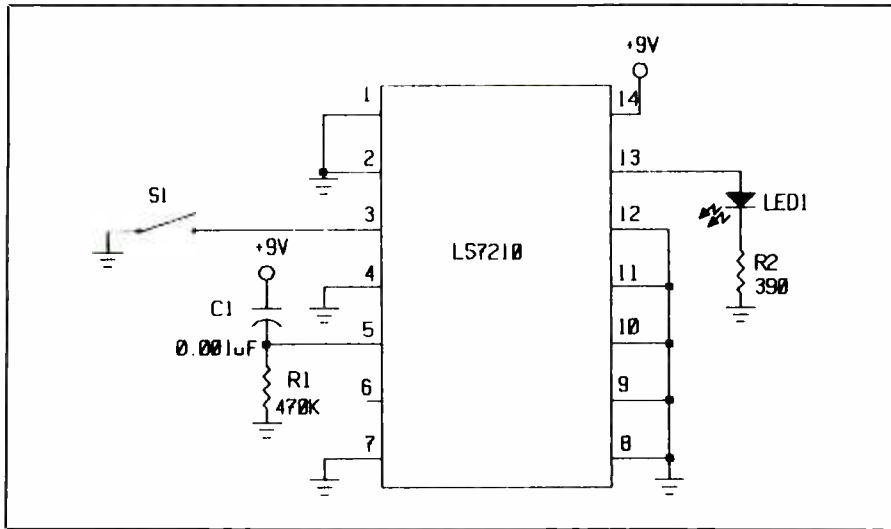


Fig. 3. Closing or opening *S1* causes *LED1* to turn on or off after a delay, period for which is set by *R1*, *C1* and weighting inputs at pins 8 through 12 of *LS7210*.

goes high and *LED1* lights. Opening the switch restarts the delay, and pin 13 goes low after 16 seconds, extinguishing the LED.

You can test the operation of the other three modes by grounding pins 1 and 2 in different combinations. Ground pin 1 for a delay only in turning off the LED, or ground pin 2 for a delay only in turning on the LED. Grounding both pins 1 and 2 and closing *S1* causes the LED to turn on immediately and then off after the programmed delay has timed out.

Choosing Timing Elements

To set up the *LS7210* for a specific delay time, you must take into account resistor and capacitor values and the weighting inputs. Because there are many ways of achieving the same result, it is sometimes difficult to know where to begin. The following steps offer one way of designing a circuit around an *LS7210* using a minimum of calculations and/or guesswork. We offer two procedures, your choice of which one to use depending on the length of the delay you need.

For a delay of about half a second or longer, the procedure is as follows:

- (1) Ground pins 8 through 12 to

give the maximum delay. By doing this, you can use the smallest possible resistor and capacitor values.

- (2) Estimate the clock frequency, using the formula $F = 32,000/D$, where *F* is the clock frequency and *D* is the desired delay in seconds.

- (3) Using the chart given in Fig. 4, find resistor and capacitor values for a frequency close to the value you have calculated. Use these values for the timing resistor and capacitor at pin 5 of the *LS7210* timer chip, as shown in Fig. 3.

If you need a precisely timed delay, substitute a potentiometer for the timing resistor. Use a value that is greater than that recommended for the resistor, and adjust the resistance until you have the delay time you need.

For delays of less than 0.5 second, use the following procedure:

- (1) Ground pin 12 and leave pins 8 through 11 open to generate the minimum delay possible.

- (2) Estimate the clock frequency using the formula $F = 1,024/D$, where *F* is the clock frequency and *D* is the delay wanted in seconds.

- (3) Follow Step 3 in the above procedure to select component values.

As a design example, to change the Fig. 3 circuit to yield a delay of 0.2 se-

cond, use the short-delay procedure: Ground pin 12 and leave pins 8-11 open. From the formula, you need a clock frequency of $1,024/0.2$, which calculates out to 5,120 Hz. The closest frequency to this on the data sheet is 4,700 Hz, which is obtained with a 2-megohm resistor and a 100-picofarad capacitor. Substitute components of these values for *R1* and *C1*, to program the *LS7210* for a delay of about 0.2 second.

Low-Frequency Oscillators

The *LS7210* can also serve as an oscillator that generates frequencies of about 50 Hz and lower, as shown in Fig. 5. Here, pins 1 and 2 of the IC are open, putting the timer in dual-delay mode. The output at pin 13 feeds back to provide the trigger pulses. Each time pin 13 changes state, the timer begins counting down a delay period. Estimate the output frequency of the Fig. 5 circuit using the formula $F_o = F/2,046N$, where *F*

Timing Resistor Value	Timing Capacitor Value	Frequency of Oscillation
47k	100 pF	139 HZ
	200 pF	83 HZ
	500 pF	37 HZ
	0.001 μF	21 HZ
	0.05 μF	500 HZ
470k	100 pF	16 HZ
	200 pF	9.5 HZ
	500 pF	4 HZ
	0.001 μF	2 HZ
	0.05 μF	51 HZ
2M	100 pF	4.7 HZ
	200 pF	2.7 HZ
	500 pF	1.1 HZ
	0.001 μF	617 HZ
	0.05 μF	14 HZ
10M	10 μF	0.015 HZ

Fig. 4. From this chart of timing resistor and capacitor values, you can select appropriate values for the required clock frequency for *LS7210*.

is the clock frequency and N is the weighting at pins 8 through 12.

At the 0.01-Hz lowest recommended clock frequency for the internal oscillator and maximum weighting factor with all weighting inputs grounded, the output of the Fig. 5 circuit should theoretically oscillate at a frequency of 0.00000016 Hz, or one cycle every 73 days! In reality, the output frequency of this circuit is not quite that low; the clock frequency is 2 kHz, yielding an output frequency of about 1 Hz.

The weighting inputs enable you to create an oscillator with a variable duty cycle, or ratio of "on" time to total period. Fig. 6 is the schematic diagram of such an oscillator that operates at a frequency of 0.2 Hz and has a duty cycle of 0.1. The clock frequency is again about 2 kHz. WEIGHTING INPUT 1 pin 12 is low, and WEIGHTING INPUT 8 pin 9 is controlled by the signal at pin 13.

When pin 13 goes low, total weighting is 9 (1 + 8), for triggering of a 4.5-second delay. When the delay times out, pin 13 goes high and again triggers the delay timing at pin 3. This time, WEIGHTING INPUT 1 pin 12 is the only weighting input that is low; so pin 13 delays just 0.5 second

Technical Specifications	
Recommended power-supply potential	4.75 V minimum 15 V maximum
Typical supply current	3.0 mA
Output source current:	
$V_{out} = +4.0\text{ V}, V_{ss} = +5\text{ V}$	+1.0 mA
$V_{out} = +9.0\text{ V}, V_{ss} = +10\text{ V}$	+2.8 mA
$V_{out} = +14\text{ V}, V_{ss} = +15\text{ V}$	+4.2 mA
Internal oscillator frequency	0.01 Hz minimum 100 kHz maximum
External oscillator frequency	dc minimum 160 kHz maximum

before going low and triggering the next delay. The output cycles on for 0.5 second and off for 4.5 seconds, for a duty cycle of 0.1.

Other duty cycles can be created by tying different combinations of weighting inputs to ground and pin 13. However, bear in mind that the "on" part of the cycle must always be equal to or less than the "off" part.

A Sequencer

In Fig. 7 is shown the schematic diagram of a sequential timer circuit that alternates turning on the outputs of two LS7210 chips. Pin 4 of each timer is left open to select the external

clock source. An oscillator generated by CMOS inverters IC3D and IC3E provides the clock signal, which is at a frequency of about 100 Hz at pin 6 of timers IC1 and IC2. Pins 1 and 2 of the timers are grounded, putting IC1 and IC2 in one-shot mode.

The duration of the delay from each timer is controlled independently at its weighting inputs. For IC1, a weighting of 1 gives a delay of about 10 seconds, while for IC2, a weighting of 3 gives a delay of about 30 seconds.

A high-to-low transition at pin 3 of IC1 causes LED1 to turn on. Ten seconds later, pin 13 of IC1 goes high. This turns off LED1 and triggers

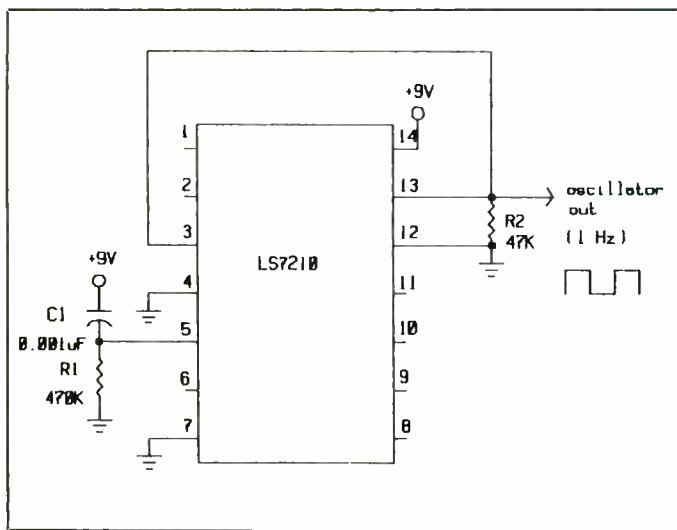


Fig. 5. Output feeds back to provide trigger pulses for this 1-Hz oscillator.

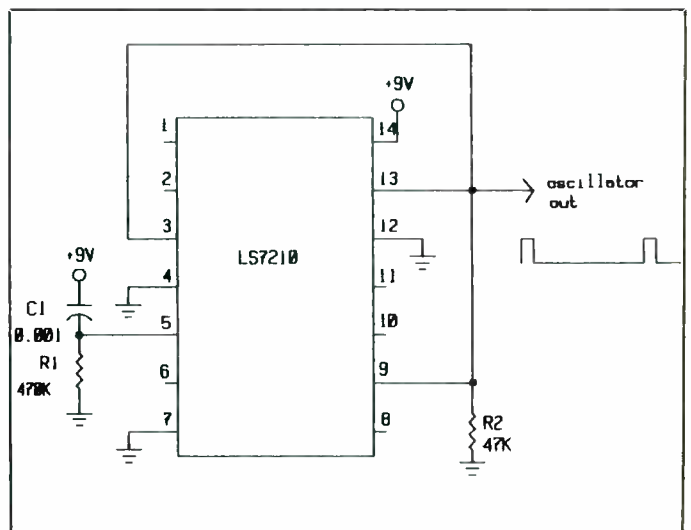


Fig. 6. Output of this oscillator alternates 0.5 second on and 4.5 seconds off.

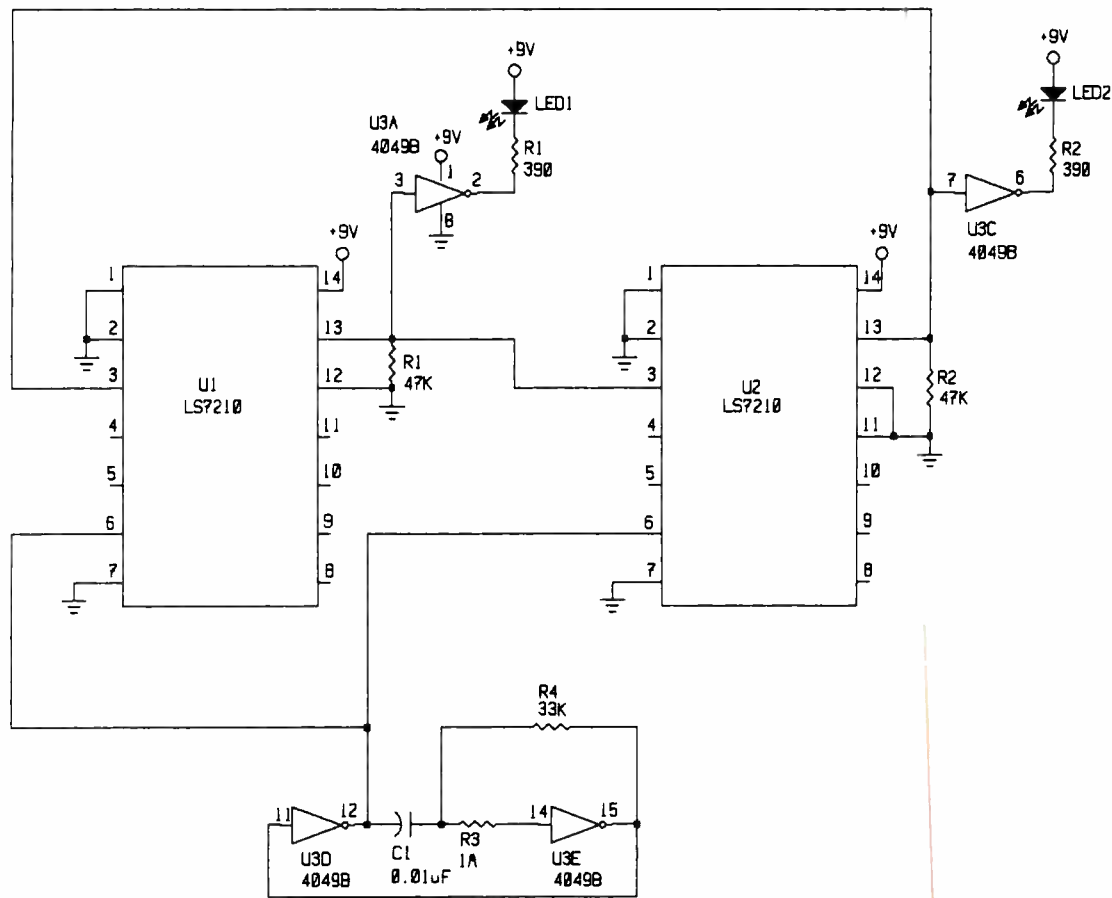


Fig. 7. Two timers cause LED1 and LED2 to light in timed sequence. An external clock is provided at pin 6 of each LS7210 timer chip.

IC2, which now turns on LED2. After 30 seconds, LED2 turns off and IC1 again turns on LED1. The two LEDs continue to alternate on and off in this way.

The LEDs make it easy to observe what is happening at the outputs of the timers. You can also control other devices with the outputs that drive the LEDs. To time more than two events in sequence, additional timers can be added to the chain. To change the "on" time of any timer output, vary the weightings at pins 8 through 12 for the associated chip. Alternatively, change the value of R4 or C1 to change the clock frequency of both timers.

A Watchdog Circuit

A so-called "watchdog" circuit that monitors a signal at its trigger input and operates a relay if any pulses are missed is shown schematically in Fig. 8. Here, pins 1 and 2 are grounded to put the LS7210 in one-shot mode. The trigger input at pin 3 is a 1-Hz square wave (such as that generated by the circuit in Fig. 5). The output pulse of the one-shot circuit is set to be slightly longer than the 1-second period of the trigger signal.

A high-to-low trigger at pin 3 causes pin 13 to go high immediately. This turns off transistor Q1 and deenergizes relay K1. Pin 13 remains

high for a little more than 1 second. Before the delay times out, another trigger pulse arrives, restarting the delay timing and preventing pin 13 from going low.

The circuit times out only if a trigger pulse is missed. The output then goes low and Q1 causes the relay to switch. If the trigger signal reappears, the output turns on and the relay is deenergized again.

Time's Up Indicator

Our final circuit example, shown schematically in Fig. 9, is a "time's up" indicator that gives a warning after a user-selectable delay between

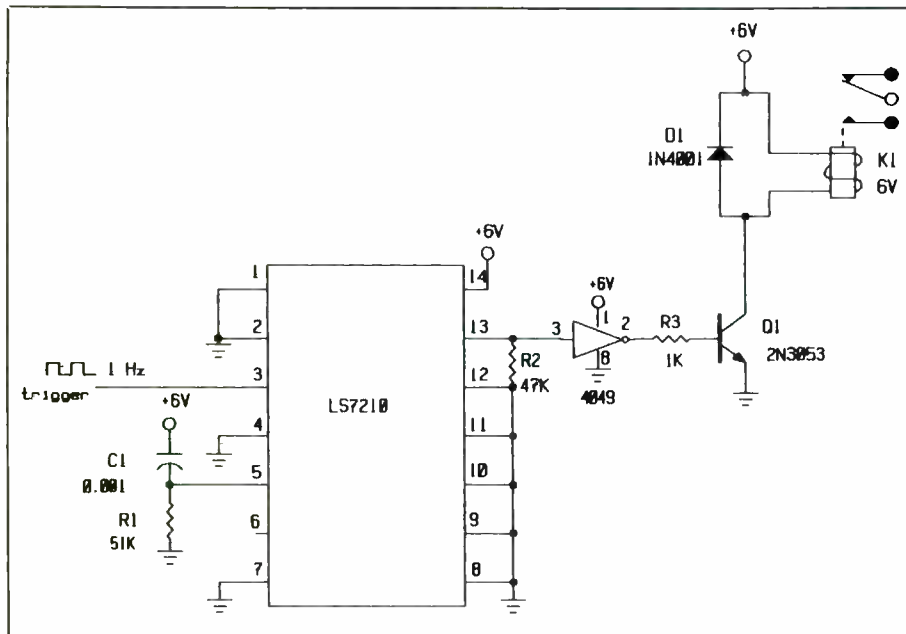


Fig. 8. "Watch-dog" circuit operates a relay when a trigger pulse is missed.

1 and 31 minutes. Pin 2 is grounded to select delayed-operate mode.

The weighting inputs for the Fig. 9 circuit are controlled by *S2* through *S6*, which can be toggle or slide switches, or even binary-coded-decimal thumbwheel switches. The output controls piezo buzzer *PB1*.

The values of *R1*, *R2* and *C1* provide a delay of 1 minute with a weight-

ing of 1. Potentiometer *R2* provides a means of fine-tuning the delay time. When *S1* closes, the delay timing begins. Then when the delay times out, pin 13 goes high and turns on *PB1*. Opening *S1* turns off the buzzer.

To calibrate the time's-up timer, close *S2* and leave *S3* through *S6* open. Adjust *R2* so that the buzzer turns on one minute after closing *S1*.

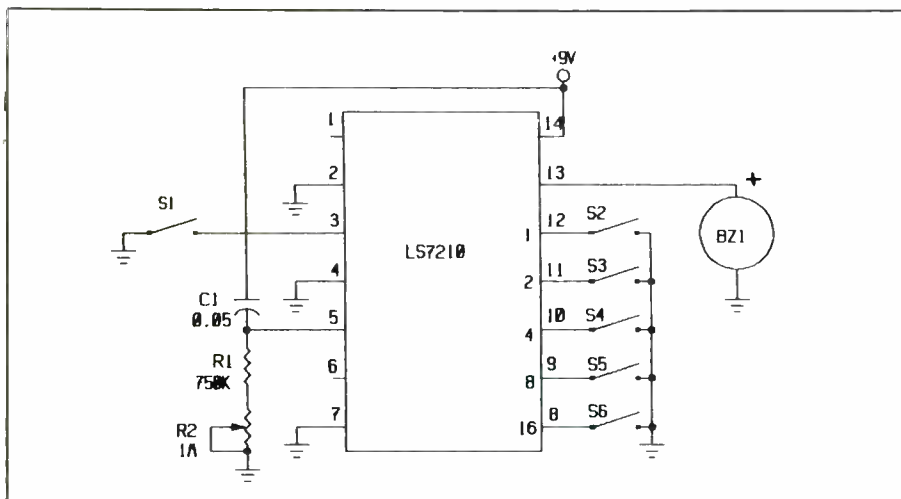


Fig. 9. This "time's-up" timer sounds a piezoelectric buzzer after a delay of 1 to 31 minutes, selected via *S2* through *S6*.

To use the timer, set the weighting for the delay you need by closing the appropriate switches. For example, close *S3* and *S5* for a delay of 10 (2 + 8) minutes. Close *S1*, and 10 minutes later the buzzer will sound, warning you that the programmed time has elapsed. For a silent alarm, substitute a light-emitting diode and current-limiting resistor of appropriate value for the buzzer, as in Fig. 3.

Summing Up

We have covered here just a few examples of what you can do with the versatile LS7210 timer chip. From the foregoing, you can see that this is a relatively simple device to use in electronic timing applications. It is fairly inexpensive. So the next time you have a need for timing circuit, think beyond the usual 555 timer to the LS7210 timer to fill your needs.

LEARN VCR

CLEANING/MAINTENANCE/REPAIR

EARN UP TO \$1000 A WEEK, WORKING PART TIME FROM YOUR OWN HOME!



Secrets Revealed!

NO Special Tools or Equipment Needed.

EARN UP TO \$60 AN HOUR AND MORE!

THE MONEY MAKING OPPORTUNITY OF THE 1990'S

IF you are able to work with common small hand tools, and are familiar with basic electronics (i.e. able to use voltmeter, understand DC electronics) ...

IF you possess average mechanical ability, and have a VCR on which to practice and learn ... then we can teach YOU VCR maintenance and repair!

FACT: up to 90% of ALL VCR malfunctions are due to simple MECHANICAL or ELECTRO-MECHANICAL breakdowns!

FACT: over 77 million VCRs in use today nationwide! Average VCR needs service or repair every 12 to 18 months!

Viejo's 400 PAGE TRAINING MANUAL (over 500 photos and illustrations) and AWARD-WINNING VIDEO TRAINING TAPE reveals the SECRETS of VCR maintenance and repair—"real-world" information that is NOT available elsewhere!

Also includes all the info you'll need regarding the BUSINESS-SIDE of running a successful service operation!

FREE INFORMATION
CALL TOLL-FREE 1-800-537-0589
 Or write to:
Viejo Publications
 3540 Wilshire BL. STE 310
 Los Angeles, CA 90010 Dept ME



Choosing the Right Computer Power

(Part II)

Beyond IBM and Compatibles: Apple Macintosh Series

By Joseph Desposito

In the first part of this article on personal computers, which appeared last month, we covered IBM and compatible PCs. Now we'll cover PCs produced by Apple Computer (Cupertino, CA), Commodore Business machines (West Chester,

PA), and Atari Computer (Sunnyvale, CA).

A good starting point for describing a PC is its microprocessor. In the previous article on the IBM PC and compatible computers, we categorized the various models this way. This technique will be used to categorize the computers from Apple, Atari, and Commodore, with one big

difference—there are no compatibles to worry about. All three companies have produced unique personal computers. Each may sell a variety of computers within one or more product lines, but there are no serious competitors with compatible models. For example, no one sells a computer that is compatible with the Apple Macintosh.



68000 Computers: Apple Macintosh Series

The Apple Macintosh

The most successful personal computer company selling non-IBM compatible computers is Apple Computer. Some 13 years ago, Apple started up in a garage with two Steves, Wozniak and Jobs, selling a personal computer board named the Apple I. A year later, they moved to a small building and produced a personal computer system, the Apple II. Although the company owes its success to the Apple II, and still sells a descendant of the original model, the Apple II GS, which we will cover later, the Apple Macintosh computer has been its dominant line.

The Macintosh, or Mac, as it is commonly called, was the first personal computer to use Motorola's powerful 68000 microprocessor. The 68000's power enabled the Mac to use software with a graphic interface. A graphic interface is one that uses graphic elements such as icons (pictorial representations of computer peripherals or commands), pull-down menus, and windows to assist the user in communicating with the computer.

For example, instead of a user having to type: ERASE REPORT.DOC to erase a report from a disk, he would move an icon of the document—a picture of the report—to an icon of a garbage can. The icons and menus on the screen are generally controlled by moving and clicking buttons on a mouse, but they can also be controlled from the keyboard.

When it first appeared, the Macintosh was quite an innovative computer in both function and design. And as the years passed, Apple drastically improved the functionality of the Macintosh by increasing its power and changing its design. Now there is

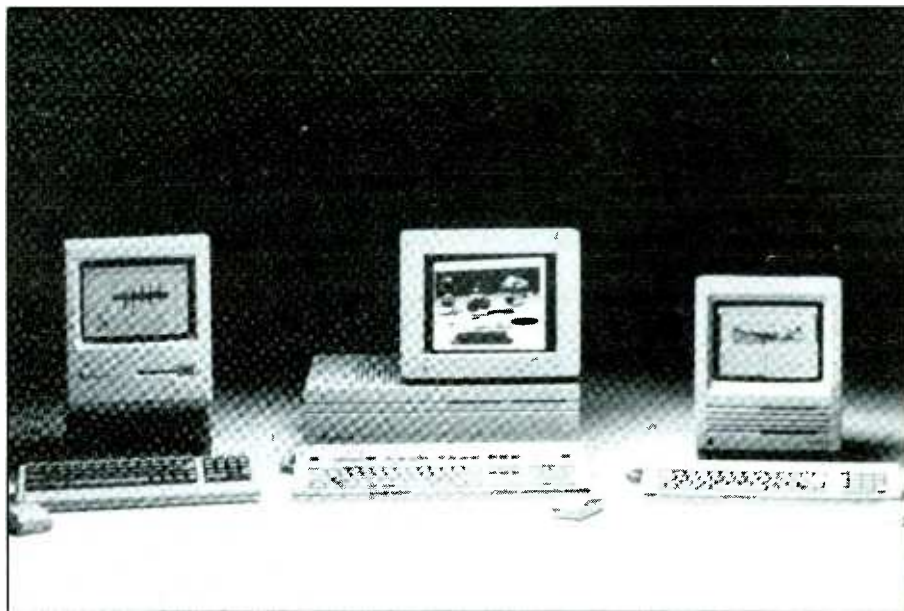
a whole line of Macintosh computers that range from the Macintosh Plus, which is a lot like the original Macintosh, to the Macintosh IIcx, which is very different hardware-wise, but still uses the familiar graphics interface of the original Mac.

Since everyone is interested in what's new, let's discuss the powerful Macintosh IIcx first. It's very unlike the original Mac. For starters, it has a modular design with separate computer system unit and video monitor, much as an IBM machine has. Moreover, a color display can be used. This contrasts with the integrated computer/monitor and black-and-white display of Mac models resembling the original model. The IIcx uses the Motorola 68030 microprocessor (a more powerful version of the 68000) running at 16 MHz. The IIcx, IIx and Macintosh SE/30, which are discussed later in this sec-

tion, are only three microcomputers that use this chip. Also included as a standard feature is the 68882 math coprocessor.

The 68030 has separate 256-byte caches for data and instructions, plus a built-in Page Memory Management Unit (PMMU) used by multi-tasking operating systems such as A/UX, Apple's UNIX system. (For more information on the 68030, see "The Motorola 68030 Microprocessor" box.)

Unlike the original Macintosh, but similar to its predecessor, the Mac II, the IIcx contains NuBus expansion slots. (For an explanation of the NuBus, see the "A NuBus Primer" box.) There are only three of these slots, which means the IIcx has a footprint that is more like the original Mac than the Mac II (for more information, see the "Honey, They Shrunk the Mac II" box).



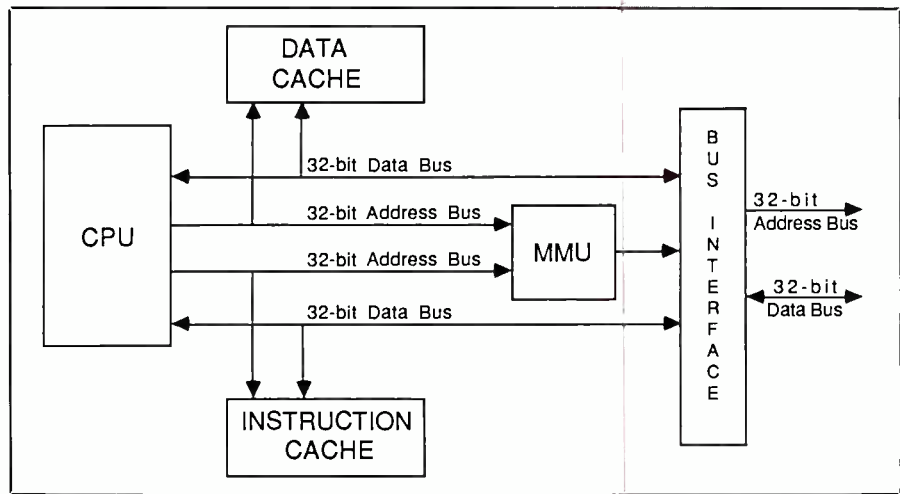
Apple's Macintosh 68000-microprocessor-based computers: the Mac Plus, II and SE, left to right.

Motorola's 68000-Series Microprocessors

The **68030** is the top-performance chip in a series of 32-bit microprocessors from Motorola, Inc. (Austin, TX). Motorola introduced its first 32-bit microprocessor, the 68000, in late 1979. It was the first microprocessor to feature a 32-bit internal architecture and, consequently, was the first to run software written for 32-bit machines.

In 1984, Motorola introduced the 68020, the first full 32-bit microprocessor. A full 32-bit processor is one whose essential data paths and processing elements (such as data buses, execution units and program counters) are all 32 bits wide. In contrast, the original 68000 is technically classified as a 16/32-bit microprocessor: its internal processing is 32 bits, while it employs 16-bit communications to external circuitry. Because the 68020's predecessor had 32-bit core architecture, the 68020 was able to build on the earlier chip's design with no loss of compatibility. Full 32-bit application programs developed for the 68000 could be used on 68020 systems immediately and without modification.

The Motorola 68020 can be considered to be competitive with Intel's 80386, though the latter is somewhat more powerful. The Motorola 68030, in turn, is reportedly somewhat more powerful than the 80386. Both companies have a new generation in the wings: the Motorola 68040 and the Intel 80486.



Internal details of the Motorola 68030 32-bit microprocessor.

The 68030, introduced in 1987, continues the evolution of the 68000 family. The 68030 inherits all the key features of the 68020 including a large general-purpose register set, on-chip instruction cache, pipelining, bit manipulation, and virtual machine capability. The 68030 also maintains complete compatibility with previous 68000-family processors.

A Closer Look at the 68030

In order to perform a computation, a microprocessor requires data and instructions. Data is the raw information that the processor manipulates; instruc-

tions are the elementary commands, issued by computer programs, that tell the processor what to do with the data. A typical instruction might move a data "word" from location X to location Y or add one datum to another. Millions of such tiny steps may be required to accomplish an ordinary computing task.

Conventionally, instructions and data words are fed to the processor one at a time from external storage devices such as random access memories (RAMs). The processor's execution unit (the hardware that actually carries out the calculation) receives first an in-

The IICx base system, which has a suggested list price of \$4,669, comes with 1 MB RAM (expandable to 8 MB) and 256K of ROM. The ROM features software, such as the Hierarchical File System and Color Quick-Draw and drivers for Macintosh hard disk drives, the NuBus expansion slots, the Apple Desktop Bus (ADB), the 68882 coprocessor, SCSI (Small Computer Systems Interface) devices, and the AppleTalk network.

Also included with the base system is a 1.4-MB, 3.5-inch floppy-disk drive that Apple calls a SuperDrive.

The drive gets this moniker from its ability to read and write MS-DOS, OS/2 and Apple II (ProDos) files when used with the Apple File Exchange program. (As you'll see later on in this article, the Commodore Amiga offers more complete compatibility with MS-DOS computers.)

Other standard features are a mouse, two RS-232/422 ports, two ADB ports (for keyboard and mouse or other devices such as a graphics tablet), SCSI, stereo audio port, and an external floppy disk drive port. Oddly enough, the keyboard is not a

standard feature and must be purchased separately. (There are two types, the Apple Keyboard and the Apple Extended Keyboard.)

As far as software goes, the Mac IICx come with System Software V. 6.0.3, which includes Apple File Exchange, and HyperCard. (System 7.0, a much more advanced Mac operating system that appears to be Apple's answer to IBM's OS/2 while retaining compatibility with earlier Mac systems, is expected soon.)

The IICx SCSI port supports such peripherals as hard disks and Apple's

struction and then a data word from memory, does a computation, and then awaits its next instruction and data.

This sequential, or "serial," loading of instructions and data constitutes a fundamental bottleneck in the computing process. No matter how fast a microprocessor becomes internally, it is still limited by the rate at which information can be piped in from external memory. The limitation is known as the "von Neumann bottleneck," named after computer pioneer John von Neumann, who first described this type of serial computer architecture.

For a number of years, advanced mainframe computer designs have been attempting to alleviate the von Neumann bottleneck, both by moving more functions onto the processor chip itself and by increasing the parallelism of computing—that is, the number of things a processor can do at once.

The 68030 employs both strategies. The chip is the first general-purpose microprocessor to feature built-in cache memories for instructions and data. Caches are small, fast memory arrays that give processors rapid access to frequently-used information. By placing these devices on the processor chip, the 68030 puts the data and instructions within easy reach of its execution unit.

Not only can the 68030 get instructions and data from its own built-in

memory, but it can do so in parallel. Whereas conventional processors use a single pathway (bus) for all data and instructions, the 68030's caches are connected to the execution unit by separate buses. Rather than retrieving first an instruction then a datum one after the other, the 68030 can fetch both simultaneously. The 68030 is the first general-purpose microprocessor to employ an on-chip dual bus structure, known as Harvard-style architecture. Harvard architectures have been traditionally confined to special-purpose processors, mainframes and supercomputers.

A cache can only hold so much information and, as the 68030 progresses through a program, its caches must be periodically replenished with new blocks of data and instructions. These are loaded in from off-chip "main" memory devices, such as dynamic RAMs. The 68030 is able to refill its caches very rapidly by virtue of a new capability called Burst Fill. Burst Fill allows the 68030 to load a cache with four 32-bit data or instruction words in rapid succession, much faster than information is retrieved by ordinary processors. Overall, Burst Fill doubles the 68030's memory bandwidth (the rate at which information can be transmitted from external memories).

The 68030 also features a complete memory-management unit (MMU),

which provides the software protection and virtual memory functions critical to many applications. Protection is necessary, for example, in multi-user, multi-tasking systems, where it keeps the various tasks from interfering with one another. Virtual memory is a scheme that enables the microprocessor to efficiently handle program and data structures larger than the main memory of the system. Programs and data are instead kept in secondary storage (such as hard or floppy disks) and portions of them are swapped into main memory (usually RAM) as needed.

Memory management hardware, under the control of the computer's operating system, manages the swapping and keeps track of the location of information in main and secondary memory. The 68030 uses a swapping method called paging. The 68030's MMU incorporates the basic features of Motorola's MC68851, a standard single-chip memory management chip used in conjunction with the 68020 microprocessor. (A block diagram of the 68030 is shown in the accompanying illustration.)

The Motorola 68000 family is widely used in computers outside the IBM and compatible machine world, including the Apple Macintosh, Sun Apollo and many other machines. Sun's powerful Model 3/470 workstation, for example, uses a 68030 rated at 33 MHz.

Laser-Writer IIsc, Scanner, and AppleCD SC CD-ROM drive. The SCSI port provides data transfer rates of up to 1 megabyte per second.

The model contains a custom digital sound chip that provides 8-bit stereo sampling at 44.1 kHz, and includes four-voice wave-table synthesis. The chip is capable of driving stereo headphones or other stereo equipment through the sound jack. Most of the systems described in this article come with custom sound chips, which you don't find in IBM and compatible computers.

The Macintosh IIcx can be expanded with more memory and either a 40- or 80-MB 3.5-in. hard disk drive. A IIcx system with 4 MB of RAM and an 80-MB hard-disk drive has a suggested retail price of \$7,552.

One choice you must make with the IIcx is the type of monitor you will use. Apple manufactures several models, including the Apple High-Resolution Monochrome Monitor, AppleColor High-Resolution RGB Monitor, Apple Two-Page Monochrome Monitor, and Apple Macintosh Portrait Display. However, you

may also choose a monitor manufactured by a third-party vendor. Keep in mind that whichever Apple monitor you choose, you must purchase a separate video display adapter card.

The Macintosh IIx is very similar to the Macintosh IIcx technically, but is 50 percent wider (see box). The main differences between the two models are in the number of expansion slots: the IIx has six, while the IIcx has three; and the size of the power supply: the IIx has 230 watts, while the IIcx has 90 watts.

Both the Macintosh IIcx and IIx

evolved from the Macintosh II, which used the older 68020 microprocessor running at 16 MHz and the 68881 math coprocessor. The 68020 processor lacks an on-chip PMMU, and instead works with a separate 68851 PMMU chip, which is an optional feature of the Mac II.

A computer that retains the elegant design of the original Macintosh is the Macintosh SE/30. The SE/30, like the IICx and IIX computers, uses Motorola's 68030 microprocessor and 68882 math coprocessor, both running at 16 MHz. The base system, which contains 1 MB RAM and a 1.44-MB SuperDrive has a suggested list price of \$4,369. An SE/30 with an added 40-MB internal hard disk drive sells for \$4,869. Again, the keyboard is sold separately.

The major difference between a Macintosh SE/30 and either the IIX or IICx is the lack of NuBus expansion slots. Instead, the SE/30 has a slot called an 030 direct slot. This slot supports expansion options such as video cards that support large gray-scale and color monitors, and communications cards like Ethernet and Token Ring cards. The slot is accessed through an opening in the back of the computer rather than by removing the cover.

Standard features of the SE/30 include an integral high-resolution (512 by 342 pixels) 9-inch monochrome screen. This screen, made famous by the original Macintosh, is black-and-white monochrome. Other features are the Apple Sound Chip, 256K ROM, and seven built-in ports. System Software 6.0.3, MultiFinder, HyperCard and a mouse are also included with the system.

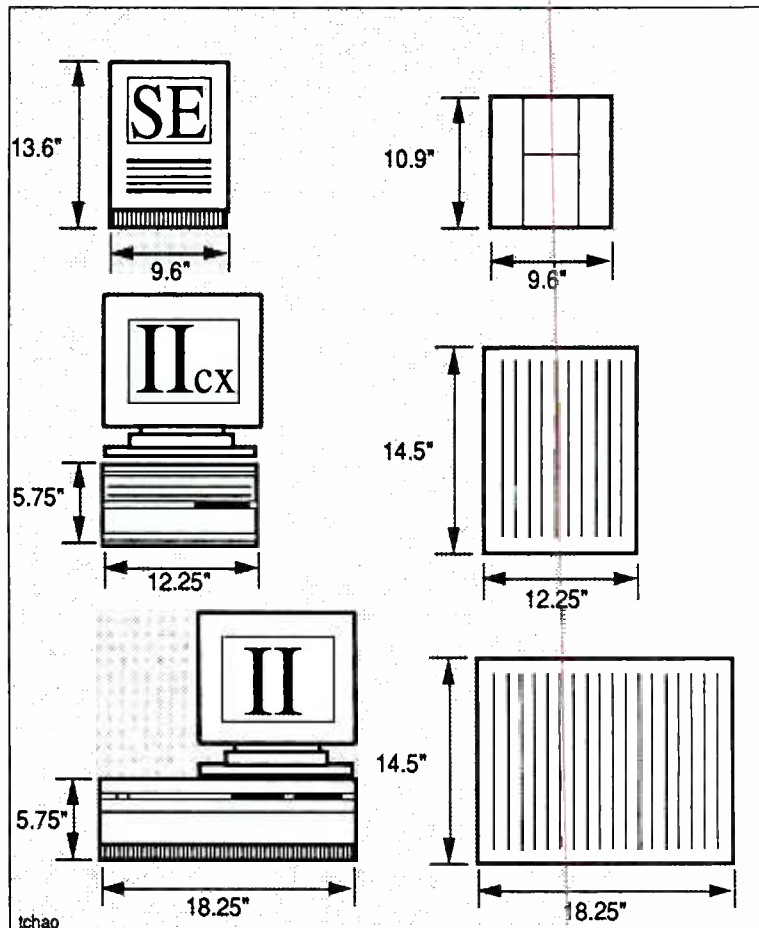
The SE/30 is the successor to the Macintosh SE, which uses a 68000 microprocessor running at 8 MHz. Like the SE/30, the SE has an expansion slot, but it isn't the equivalent of the SE/30's 030 direct slot. The latest SE model has 1.44-MB SuperDrives, permitting it to work with files from

Honey, They Shrank the Mac II

When Apple Computer introduced the Macintosh personal computer back in 1984, one of its key features was its size. Much was made of the fact that the Mac's footprint was about the size of a standard $8\frac{1}{2} \times 11$ -inch sheet of paper. This was in sharp contrast to the IBM AT, whose footprint could engulf a good part of a desktop. Of course, with the AT's great size came the advantage of expandability through eight expansion slots and optional video displays (including color).

As the Macintosh increased in power and newer models were introduced, the unique style and size of the Macintosh was retained for a while. However, Apple broke with tradition when it introduced the Macintosh II. This Mac was the same size as an IBM AT! And similar to the AT, the Mac II could easily be expanded—it had six NuBus slots.

But the Macintosh II for all its expandability simply did not look like a Mac. Sure it acted like one once you turned it on, but there's no getting



Dimensions details for Macintosh series of Apple computers.

around the fact that it now looked like a typical IBM or compatible computer. Maybe that didn't sit well with Mac enthusiasts, and Apple heard about it, or maybe it is just a coincidence, but the latest Macintosh II computer, the IICx, has been cut down to size—Macintosh size (see drawing). The Mac IICx may lack the elegant style of the Mac SE/30,

but it comes closer to its size while retaining advances such as color capability. It can be placed on its side, too, to fit a variety of work environments. And it still can be expanded—it has three NuBus expansion slots. Now at least, people won't confuse the Mac II with that bad old AT, even though the modular models can display color.

A NuBus Primer

The NuBus architecture used in the Macintosh II series of computers was created at the Massachusetts Institute of Technology and further developed by Texas Instruments. Thanks to its 32-bit architecture, the NuBus offers high performance; however, it is simple enough for manufacturers to design relatively inexpensive plug-in boards for it.

Plug-in boards for Mac II computers are similar to boards for IBM's PC AT—about 4 by 13 inches. A single 96-pin Eurocard Type-C connector is used for signal connection between the motherboard and plug-in boards.

NuBus devices are generally categorized as bus masters or slaves (see Fig. 1). NuBus masters can take control of the bus and initiate transactions with other devices. Examples are processors and DMA controllers. NuBus slaves cannot initiate transactions; instead, they respond to transactions initiated by NuBus masters. Examples are memory boards and simple I/O devices. Reads and writes are the only transactions that take place between NuBus devices.

Each expansion slot of the Macintosh

IIx, IIx, or II can hold both master and slave NuBus devices. An interrupt line in each slot can interrupt the host processor. Curiously enough, the motherboard, which contains the host processor and other chips (such as main memory), is itself a NuBus device capable of both master and slave functions. Thus the motherboard can be a NuBus master and control plug-in boards, or it can be a NuBus slave when plug-in boards function as bus masters to access main memory directly. The concept of the motherboard acting as a standard device on the NuBus is an important aspect of Macintosh-II-series architecture.

The NuBus is a synchronous bus—all transitions and signal samplings are synchronized to a central (10 MHz) system clock.

Data and address lines on the NuBus share the same signal lines. By multiplexing the signals only 51 signals, plus power and ground lines, are needed for a full 32-bit implementation.

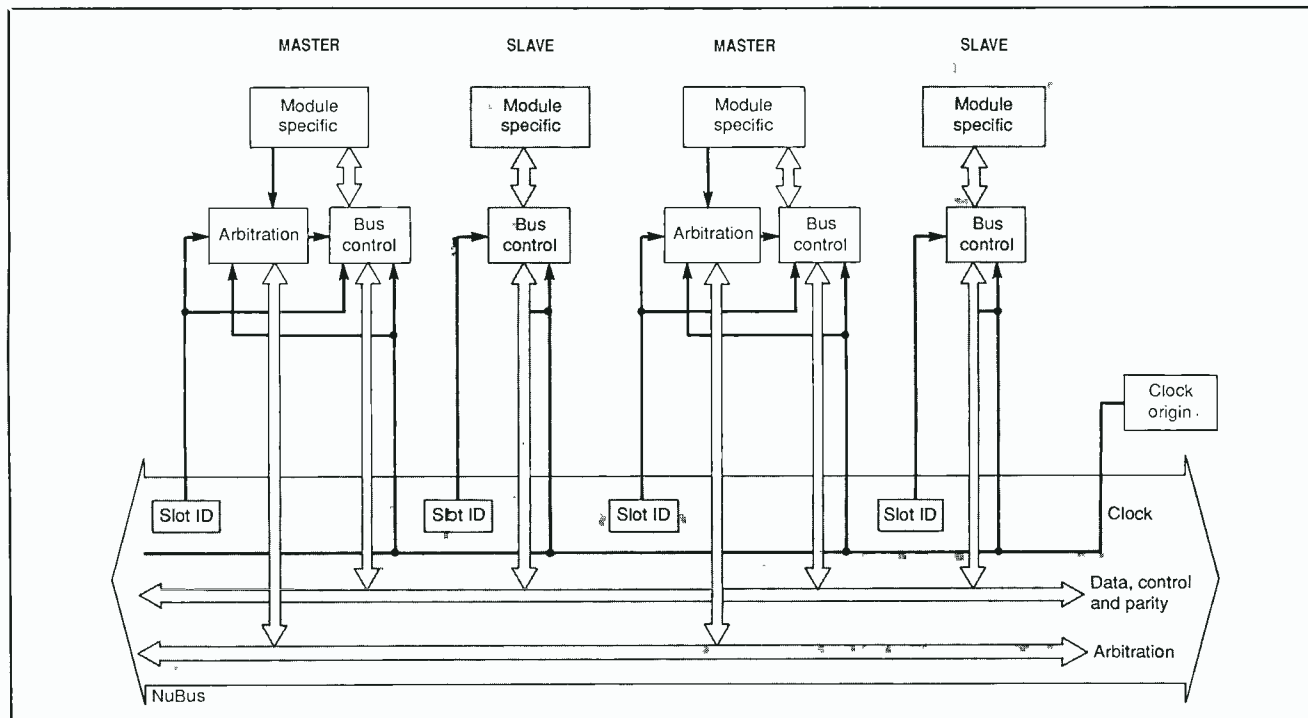
According to NuBus arbitration protocol, any NuBus master device can request and obtain ownership of the bus

to initiate data transfers with other devices. The arbitration is simple, fair, and distributed to each device in parallel. Therefore, when an arbitration conflict arises, it can be resolved while the current bus master is performing transactions. The next bus master then begins its operation right after the current bus master completes its transaction.

This scheme uses bus bandwidth in a highly efficient way. It allows full-speed data transfer between hardware subsystems even when those transfers are initiated by numerous independent bus masters.

Other multiprocessor features of NuBus are bus locking and resource locking. Using bus locking, a NuBus master can perform several successive data transfers without interruption from another NuBus master. A more sophisticated feature is resource locking. Using this feature, a bus master can perform successive transactions with a particular resource without that resource's local processor interfering. For example, a NuBus master can read or write a large

(Continued on page 82)



A NuBus system consists of masters and slaves that communicate with each other over the bus.

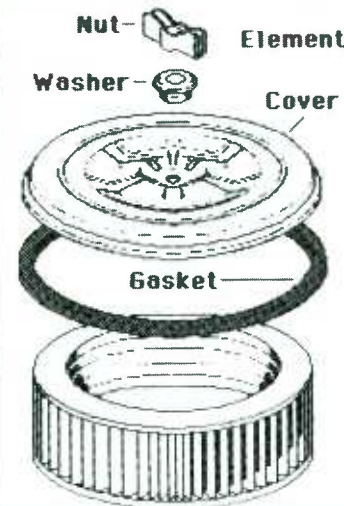
other operating systems, as previously cited.

Apple's entry-level model is the Macintosh Plus, a computer that very closely resembles the original Macintosh. It uses a 68000 microprocessor running at 8 MHz and contains 1 MB of RAM (expandable to 4 MB). Features include an 800K 3.5-inch floppy disk drive and an integral 9-inch high-resolution monochrome display. It has two RS-422 serial ports, an SCSI port, a mouse port, and a disk-drive port. Both mouse and keyboard come standard with the machine. The Mac Plus has four-voice sound with 8-bit digital/analog conversion using 22-kilohertz sampling rate. There is an audio jack on the rear panel of the computer.

Pros and Cons Of the Macintosh

All Macintosh computers are excel-

National Auto Supply Catalog



Auto: Honda Civic 1975

Fuel **Engine** Cooling/Heating
Cylinders Gaskets **Air Cleaner**

Gasket, cleaner case

Part No. 17258-634-300

Price per item: \$ 6.45



Location: Aisle 3, Shelf 12, Bin 4

Inventory

Add/Pick List

Suppliers

Print Pick List

This auto supply display screen illustrates complete integration of text and graphics featured in one of Apple's HyperCard information applications for Macintosh computers.

Be an FCC LICENSED ELECTRONIC TECHNICIAN!

Earn up to \$30 an hour and more!

Learn at home in spare time. No previous experience needed!

No costly School. No commuting to class. The Original Home-Study course prepares you for the "FCC Commercial Radiotelephone License". This valuable license is your "ticket" to thousands of exciting jobs in Communications, Radio-TV, Microwave, Computers, Radar, Avionics and more! You don't need a college degree to qualify, but you do need an FCC License. **No Need to Quit Your Job or Go To School** This proven course is easy, fast and low cost! **GUARANTEED PASS** — You get your FCC License or money refunded. **Send for FREE facts now. MAIL COUPON TODAY!**

COMMAND PRODUCTIONS

FCC LICENSE TRAINING, Dept. 220
P.O. Box 2824, San Francisco, CA 94126
Please rush FREE details immediately!

NAME _____
ADDRESS _____
CITY _____ STATE _____ ZIP _____

lent general-purpose computers. However, they are particularly good for applications such as desktop publishing. Since all Macintosh applications use a graphics interface (and there is an abundance of these applications), Mac users need as much power as they can get (or afford). The Macintosh II line offers power and NuBus expandability. The Macintosh SE line offers just as much power and an elegant design, but expandability is limited. If you just want to get your Macintosh feet wet, the Macintosh Plus is a fine choice.

One of the best reasons for buying any Macintosh computer is the abundance of software applications and hardware peripherals that work with it. Software programs such as Microsoft's Excel and Word are very powerful spreadsheet and word processing programs. Pagemaker from Aldus is a top-notch desktop publishing program. Peripherals such as large-screen monitors, scanners and PostScript laser printers enhance the

power of the Macintosh.

On the down side, the Macintosh is not the standard for business computing—IBM and compatible computers own that distinction. If all the computers in a particular company follow the IBM standard, the Mac will not be software or hardware compatible. The best you can hope for is file compatibility—if you have a Macintosh with a SuperDrive. You should think about the compatibility problem, too, if you are considering a home purchase because of work you do in the office. It doesn't make too much sense to buy a Macintosh for home use if you're using an IBM or compatible computer in the office.

Coming Next Month

This concludes the second of the three installments that make up this series. Next month, we will finish up with offerings from Atari and Commodore and Apple's 6500-microprocessor series series. **ME**



FC 5300 delivers the same currents at +5, -5 and -12 volts as the Model FC 5250 but ups current delivery at +12 volts to 12 amperes. The Model FC 5375 delivers 25 amperes maximum at +5 volts, 20 amperes at +12 volts and 0.5 ampere each at -5 and -12 volts.

CIRCLE 77 ON FREE INFORMATION CARD

Video Rear-View "Mirror"

Philips Consumer Electronics Co., under its Magnavox brand name, has developed electronic rear-view "mirrors" for owners of motor homes and boats. The Model MC4049RV01 combines a 152-channel, cable-ready 13" color TV receiver/monitor with



the microprocessor-controlled ability to switch automatically from television operation to rear-view observation, via a color video camera, of the vehicle in which it is installed.

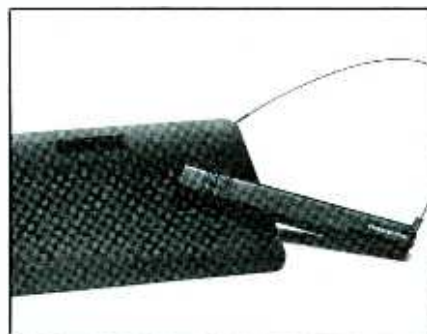
The color camera provided with the system has a built-in microphone and can be used in low-light (3-lux) situations, including moonlight. A 4.8-mm lens and 57-foot coaxial cable are also included. The TV receiver/monitor features an 18-button infrared remote-control transmitter.

Counterfeit Bill Checkers

With a growing number of bogus currency bills in circulation (over \$1-billion a year is reported to be fraudulently printed), merchants and even consumers need some means to tell the real from the counterfeit. Two electronic products that have recently come on the market may be the answer to this problem.

One such product is the Visatector Counterfeit Currency Detector from Visatect Enterprises, Inc. (New York, NY). This device uses a simple two-step test to detect the magnetic particles that are embedded on the front of all legitimate U.S. paper currency. It's said to also detect counterfeiting of travelers checks and most foreign currencies

To use the Visatector, one just places the bill in question on a soft padded surface or an optional Visatector Security Pad. The head of the pencil-like scanning unit is then rapidly rubbed back and forth on portions of the bill while the user is press-



ing the thumb button on the unit. In the first test, the area under the portrait is rubbed, while in the second test the section on which the seal is printed is rubbed. Indicators at the top of the scanning unit and a tone signify whether a bill is genuine or counterfeit.

The Visatector is small enough to clip into a pocket. The optional Visatector Security Pad has a padded surface and includes a flexible steel security cord that easily attaches to the clip on the scanning unit. The Security Pad area measures 7" x 5". \$99.99 for Detector; \$19.95 for Pad.

CIRCLE 79 ON FREE INFORMATION CARD

"Cashscan" is the name of the other counterfeit bill detector. This one is from Edwin Products (Bay-side, NY) and its operation is automated. Cashscan is an automatic detection system that can detect even sophisticated forgeries that the Visatector might miss.

In operation, Cashscan tells the user with a flash of a red or green indicator and by audible tone whether a bill is genuine or not. Cashscan has a built-in microprocessor that intelligently manages the detection and indication functions. It can be operated on either battery or 117/220 volts ac and comes with an ac adapter. \$240.



CIRCLE 78 ON FREE INFORMATION CARD

The system retails for \$949.95. A less-expensive system (the Model MC3613RV01, \$449.95) offers a 5" black-and-white monitor and camera, the latter also usable down to 3 lux, and 57 feet of coaxial cable.

With this system, the buyer has a choice of 4.8- or 8-mm lens for the camera.

CIRCLE 76 ON FREE INFORMATION CARD

(Continued on page 79)

A High-Tech Telephone Ringer

Accessory sounds a more attention-getting, yet pleasant-sounding British-style phone signaling sequence to alert you to an incoming call

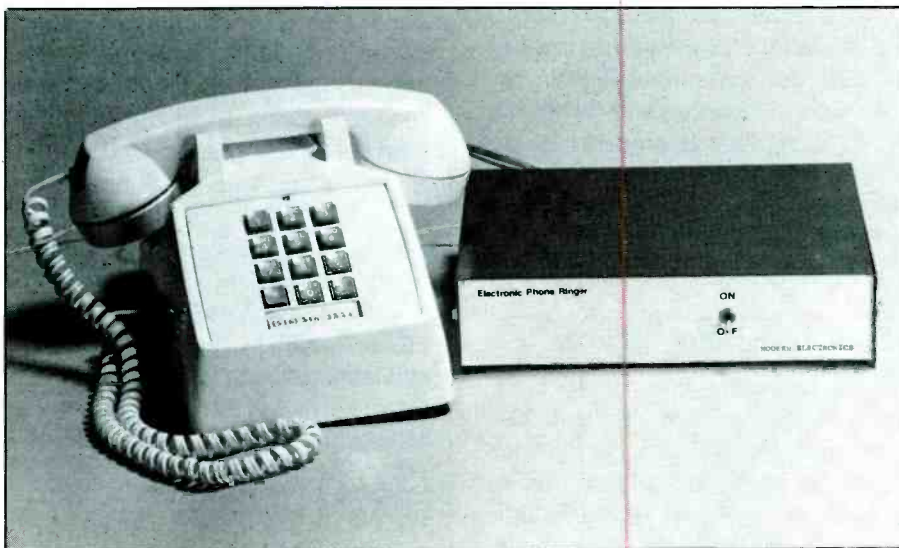
By Steve Sokolowski

To get one's immediate attention, telephone instrument makers build into their products electromechanical bells or transducers that sound like a "chirping-bird". Though effective attention-getter devices, these can often be irritating to the ear. A more-pleasant and just as effective attention getter is the warble tone that is generated by the High Tech Telephone Ringer described here. In addition to providing a less-irritating tone, this incorporates the distinctive characteristics of the British-style signaling system. Thus, instead of generating the 2 seconds of ringing followed by 3 seconds of silence in the standard pattern used in this country, our Ringer generates two short ring bursts followed by 4 seconds of silence.

This project is relatively low in cost to build. When built as described, it conforms to existing FCC Rules and Regulations regarding customer-installed telephone accessories. The only modification required for the instrument with which the Ringer is used is to defeat whatever audible alerting device is used inside it.

About the Circuit

Shown in Fig. 1 is a block diagram of the High-Tech Telephone Ringer circuitry. As you can see, the circuit is built around just five integrated circuits and two optical isolators (*IC4* and *IC5*). The complete schematic of the circuitry is shown in Fig. 2.



When power is supplied to the circuit from a 12-volt dc wall transformer (*T1* in Fig. 2), separate sections of *IC1*, wired in three free-running oscillator configurations, go into oscillation. Inverters *IC1C* and *IC1D* make up a low-frequency generator that operates at approximately 12 Hz. Similarly, the *IC1F/IC1E* and *IC1A/IC1B* inverter pairs make up oscillators that operate at 287 and 335 Hz, respectively. Regardless of whether or not the telephone instrument is being used, these three oscillators will continuously develop the three signals described.

The secret of producing pleasant-sounding audio tones lies in the manner in which the three basic oscillator frequencies are digitally mixed by quad two-input Schmitt-trigger NAND gate *IC2*. Once combined,

the now-continuous warble tone is present at pin 11 of *IC2C*.

To shape the Ringer's output signal into the desired form, three of the four elements inside bilateral switch *IC3* are wired in series with each other. With the combined audio signal from pin 11 of *IC2C* connected to pin 1 of *IC3*, you can very easily shape and control the output signal at pin 11 of *IC3* to drive crystal transducer *XTAL*.

To create the British-style telephone ring signal, a low-frequency "clock" is needed to generate a series of positive-going pulses. By using diodes, you can extract pulses capable of producing the required control signal at pin 12 of *IC3*. This clock signal is obtained at pin 6 of *IC1C*. This signal is not usable as is because, at 12 pulses per second (pps), the frequen-

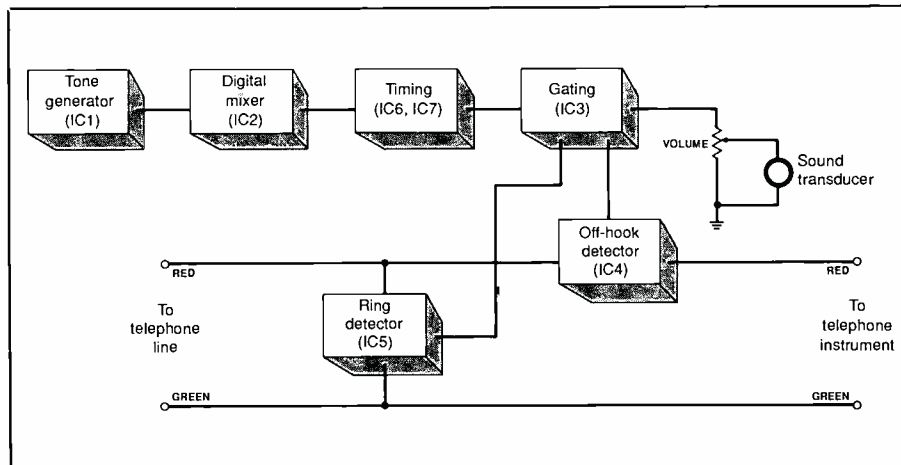


Fig. 1. Block diagram of circuitry used in the High-Tech Telephone Ringer. Five ICs and two optical isolators (IC4 and IC5) are the main elements in this circuit.

cy is too high. Therefore, it is passed through 12-stage binary ripple counter IC6 to create a more desirable timing signal with a repetition rate of 3 pps. This 3-pps signal can be viewed with an oscilloscope by touching the input probe to pin 3 of IC6.

Having obtained a 3-pps clock signal, it must be converted into positive-going single voltage outputs. This task is accomplished with IC7, a divide-by-10 counter with a 1-of-10 positive output. Thus, for every clock pulse delivered to input pin 14 of IC7 from output pin 7 of IC6, IC7 outputs one positive pulse at one of its 10 output pins. This occurs until the tenth pulse is received, at which time the process repeats.

By connecting diodes D3 and D4 to pins 2 and 7, respectively, of IC7 as shown, the British-style telephone ring signal is simulated by allowing the clock pulse to deliver a positive-going pulse to control pin 12 of one of the solid-state switches in IC3. This positive pulse instructs IC3 to "close" the switch located between pins 10 and 11. Whatever signal is present on input pin 10 will then flow to output pin 11.

For illustration purposes only, let us assume that the two additional switches located between pins 1 and 2

and pins 3 and 4 of IC3 are not connected at this time.

With the second clock pulse delivered to the input of IC7, this 4017 chip returns pin 2, which had the positive control signal on it, to ground potential. With the control signal now on pin 4, the signal that was previously delivered to pin 14 of IC3 is gone. Without this pulse, the warble tone is prevented from passing to the output of the switch and on to the crystal transducer. This will be the case only until the third pulse is received.

Upon being received, the third pulse causes a positive signal to appear at pin 7 of IC7. The voltage is now delivered through D4 to the same control pin of IC3. This instructs the internal switch to close until the fourth pulse is received. Seeing no other connections are made to pin 12 of IC3, the fourth through tenth pulses will generate no audio output from the project. In effect, the ringer is turned on for the duration of these clock pulses.

The above remains so until the eleventh pulse arrives. When it does, IC7 cycles back to its starting condition, where a positive pulse is delivered to pin 2 of IC7. The switching process repeats continuously.

Figure 3 illustrates the gating pulse that appears during the timing procedure. With every peak shown, a warble tone is delivered to output pin 11 of IC3. The pulse train illustrated here is for the British-style ringer.

For the project to operate properly, a second control signal must be developed to deliver a positive-going pulse to pin 5 of IC3 every time an incoming call is being received. This is easily accomplished with IC5. This optical isolator detects the ring signal that appears on the telephone line to signal an incoming call. It maintains maximum isolation between the telephone line and circuitry that makes up the High-Tech Telephone Ringer to satisfy the requirements of existing FCC Rules and Regulations regarding customer-installed telephone apparatus.

The voltage delivered by the central office of the telephone company to activate a device to signal an incoming call is about 90 volts ac at a frequency of 20 or 30 Hz. This voltage is applied across pins 1 and 2 of the LED contained inside IC5. Capacitor C6 permits passage of only ac signals and blocks dc components. If this capacitor were not present, the dc voltage on the telephone line would keep the LED inside the optoisolator on all the time and would render the project useless.

Resistor R12 reduces the 90-volt ac ring signal to a level that can easily be handled by the LED inside IC5. Across pins 4 and 5 of this optical isolator is a light-sensitive transistor that operates as an electronic switch. The transistor conducts a current when the LED is on. When the transistor does conduct, it brings the voltage that was previously present on pin 5 of IC5 to ground level. This ground signal is then applied to input pins 8 and 9 of Schmitt-trigger NAND gate IC2D.

Use of a Schmitt-trigger device that has snap-action operation for IC2D is needed to prevent the slow discharge voltage of C7 from enter-

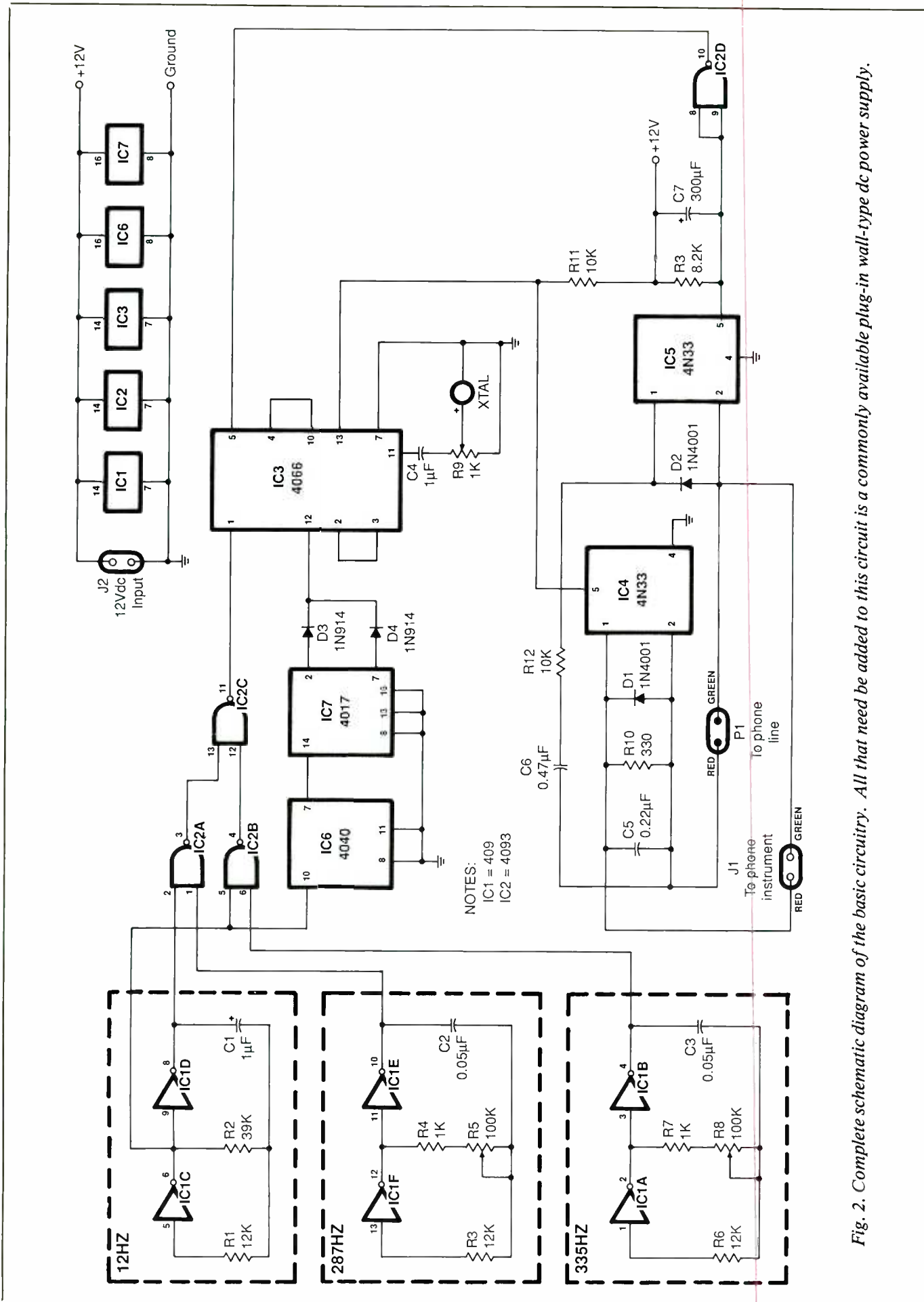


Fig. 2. Complete schematic diagram of the basic circuitry. All that need be added to this circuit is a commonly available plug-in wall-type dc power supply.

PARTS LIST

Semiconductors

D1, D2—1N4001 or similar silicon rectifier diode

D3, D4—1N914 or similar silicon switching diode

IC1—CD4069 hex inverter

IC2—CD4093 quad 2-input Schmitt-Trigger NAND gate

IC3—CD4066 quad bilateral switch

IC4, IC5—4N33 optical isolator

IC6—CD4040 12-stage binary ripple counter

IC7—CD4017 divide-by-10 counter with 1-of-10 outputs

Capacitors

C1—1- μ F, 16-volt electrolytic with radial leads

C2, C3—0.05- μ F ceramic disc

C4—1- μ F, 50-volt electrolytic with radial leads

C5—0.22- μ F, 100-volt ceramic disc

C6—0.47- μ F, 250-volt tubular with axial leads

C7—330- μ F, 16-volt electrolytic with radial leads

Resistors ($\frac{1}{4}$ -watt, 5% tolerance)

R1, R3, R6—12,000 ohms

R2—39,000 ohms

R4, R7—1,000 ohms

R10—330 ohms

R11, R12—10,000 ohms

R13—8,200 ohms

R5, R8—100,000-ohm, pc-mount trimmer potentiometer (Digi-Key Cat. No. K4A15 or similar)

R9—1,000-ohm, panel-mount, audio-taper potentiometer

Miscellaneous

J1—Telephone jack (see text)

J2—Jack to match plug-in wall-type power supply

P1—Telephone plug (see text)

XTAL—High-impedance crystal transducer (see text)

Printed-circuit board or perforated board with holes on 0.1-inch centers and suitable Wire Wrap or soldering hardware; suitable enclosure (see text); telephone cord (see text); control knob for R9; machine hardware; hookup wire; solder; etc.

Note: The following items are available from Del-Phone Industries, P.O. Box 5835, Spring Hill, FL 34606: Printed-circuit board, \$12; crystal sound element, \$1.50; 6-ft., 6-conductor telephone line cord with spade lugs, \$1.75. Add \$2.50 P&H. Florida residents, please add state sales tax.

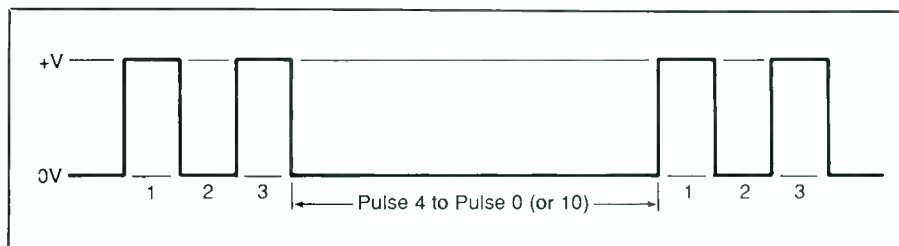


Fig. 3. Gating pulse that appears during timing period. Every peak represents a warble tone generated.

ing IC3. Otherwise, this discharging voltage will adversely affect operation of the circuit by allowing the tone output to be loud when the capacitor is first charged and then slowly decrease in volume during the off cycle of the incoming signal.

Even with the problems caused by using C7, this capacitor is still needed. It keeps the output of IC5 low while the ring signal across the telephone line is in its 3-second-off cycle. That is, the capacitor produces, with the help of Schmitt-trigger NAND gate IC2D, a positive-going control signal from the time the first incoming ring signal is detected until the call is answered or terminated. This signal is then applied to pin 5 of IC3.

When the signal is applied to pin 5 of IC3, a British-style ring is being controlled at IC3 and a positive voltage is being generated every time a call is incoming. With these two control signals, there remains one small problem. That is, when a call is coming in, C7 charges up, the action for which develops a control signal that is being applied to IC3. At this time, if the telephone handset is lifted, the Ringer will still generate an audio signal until C7 discharges sufficiently to overcome the snap action of IC2D, which may take 4 to 5 seconds.

To compensate for the shutoff delay, another optical isolator, IC4, is used as an off-hook detector. When the phone is taken off-hook, the LED inside IC4 lights and sends the internal transistor into conduction. This causes pin 13 of IC3 to go to

ground level. When this control pin is grounded by lifting the handset off the hook, the electronic switch between pins 1 and 2 of IC3 ceases to conduct and disconnects the Ringer circuitry from the crystal transducer.

Replacing the handset on-hook causes the LED inside IC4 to extinguish and, thus, the internal transistor to cut off. When this occurs, the ground potential that was previously on pin 5 of IC4 goes high. With a positive signal at this point, control pin 13 of IC3 instructs the chip to close its associated switch.

With the switch located between pins 1 and 2 of IC4 closed, all that remains is to have a positive signal applied to pin 5 of IC3 from IC5 for the project to operate as desired.

Power consumption of the circuitry is modest at only 100 milliamperes. A standard 12-volt dc, 200-milliamperere plug-in wall power supply makes an ideal power source for the project.

Construction

There is nothing critical about component layout and lead routing. Therefore, you can use any method of wiring that pleases you. You can fabricate a printed-circuit board using the actual-size etching-and-drilling guide shown in Fig. 4 or purchase a ready-to-wire board from the source given in the Note at the end of the Parts List. Alternatively, you can mount the components on perforated board that has holes on 0.1-inch

centers using Wire Wrap or soldering hardware and the point-to-point wiring technique. Whichever way you go, though, it is a good idea to use sockets for the DIP ICs.

From here on, we will assume you are assembling your project on a printed-circuit board. Place the ready-to-wire board in front of you oriented as shown in Fig. 5. Begin wiring it by installing and soldering into place the IC sockets. Do *not* install the sockets until after you have checked out the project and are certain that is correctly wired. Install and solder into place the two jumpers shown, using insulated hookup wire.

After the sockets are in place, install and solder into place the resistors and pc-mount trimmer controls. Then follow with the capacitors and diodes. Make sure the electrolytic capacitors and diodes are properly oriented before soldering any of their leads to the copper pads on the bottom of the board.

Strip $\frac{1}{4}$ inch of insulation from both ends of four 5-inch-long hookup wires. If you are using stranded hookup wire, tightly twist together the fine conductors at all ends and sparingly tin with solder. Plug one end of these wires into the holes labeled R9, +12V and GROUND and solder them into place.

Carefully check the top of the circuit-board assembly to make sure all components are mounted in their correct locations and those that are polarity sensitive are properly oriented. Turn over the assembly and check all soldering. Solder any connections you missed and reflow the solder on any that appear to be suspicious. If you locate any solder bridges, especially between the closely spaced IC socket pads, clear them with desoldering braid or a vacuum-type desoldering tool.

Now prepare the enclosure in which the project will be housed. You can use any type of enclosure that will accommodate the circuit-board assembly, VOLUME control R9

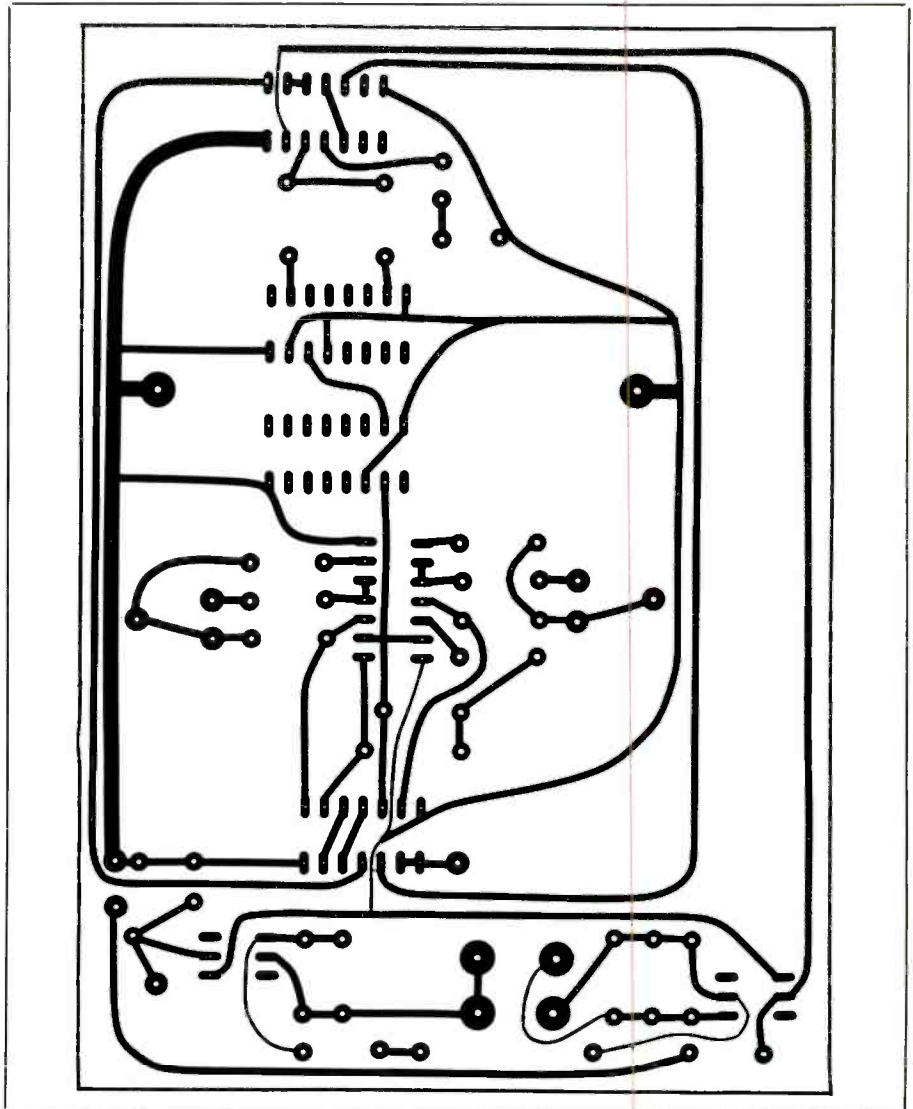


Fig. 4. Actual-size etching-and-drilling guide for fabricating project's single-sided printed-circuit board.

and various jacks. Machine the enclosure by drilling mounting holes for all components and exit holes for the sound from the crystal transducer. All holes, except those for mounting the circuit-board assembly, should be drilled or cut in the rear panel of the selected enclosure.

You have two choices for the connections between the telephone line and project and project and telephone instrument(s) with which it is to be used. One is to mount modular jacks on the rear panel of the enclosure and use separate cables termin-

ated in appropriate connectors for the two connections. The alternative is to cut in half a single 12-foot or longer telephone cable with a modular plug on one end and fitted with a modular jack adapter on the other end and wire the cable halves directly to the circuit-board assembly.

Should you decide to go the latter route, drill separate entry holes for the two cables through the rear panel. If you are using a metal enclosure, deburr the holes and line them with rubber grommets. Then feed the cut ends of the cable through their

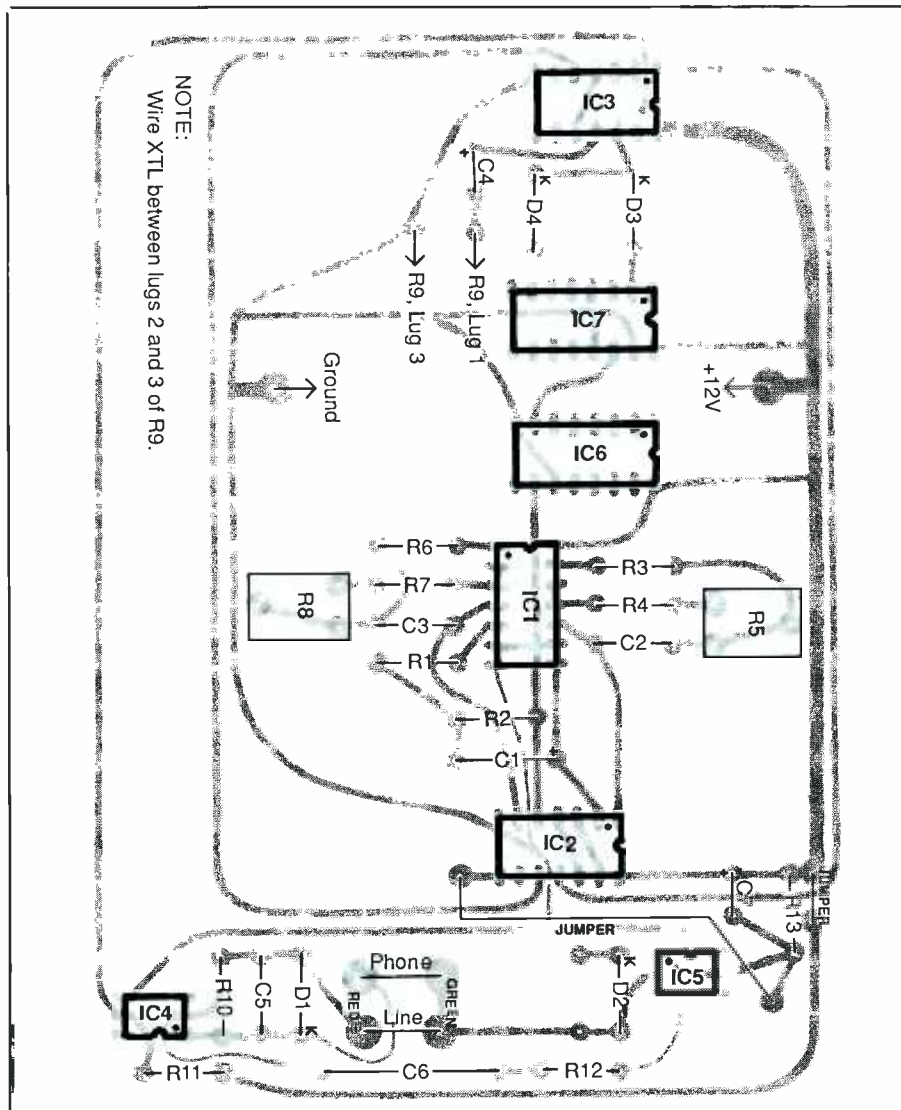


Fig. 5. Wiring guide for pc board. Use this as rough guide for positioning components when wiring on perforated board.

separate holes, and tie a strain-relieving knot in each about 5 inches from the end inside the enclosure.

Carefully remove 1½ inch of outer plastic jacket from both cables and strip ¼ inch of insulation from the two exposed conductors. (Note: If there are more than two conductors in the cable, strip the insulation from only those with red and green insulation on them and clip the remaining conductors back to the cut-off plastic jacket. Tightly twist together the fine wires in each conductor and sparingly tin with solder.)

Plug the prepared conductors into the holes for them in the circuit-board assembly (observe color coding according to which cable is to go where) and solder into place. Then place on the other end of the cable that is to go to the telephone instrument(s) with which the project is to be used a male-to-female adapter.

If you are using the panel-mount connectors, simply mount the connectors in their respective cutouts and wire them to the circuit-board assembly. Again, make certain you observe proper color coding, and label

the connectors with the legends TO TELEPHONE LINE and TO TELEPHONE INSTRUMENT accordingly.

Mount the circuit-board assembly in place with ½-inch spacers and 4-40 × ¾-inch machine screws, nuts and lockwashers. Mount the power jacks and potentiometer in their respective holes in the rear panel. Run a bead of fast-setting epoxy cement or silicone adhesive around the perimeter of the crystal sound transducer (this can be salvaged from an old telephone instrument or purchased from a surplus-parts outlet) and press this into place on the enclosure panel through which the holes for allowing the sound to escape were drilled. Allow the cement or adhesive to fully set.

Viewing the rear-panel-mounted VOLUME control from the rear, crimp and solder one lead from the crystal transducer to the center lug and crimp but do not solder the other lead to the lug on the right. Locate the wires coming from the R9 holes in the circuit-board assembly. Crimp and solder the free end of the wire coming from the lower hole to the right lug of the VOLUME control and solder the three-way connection. Then crimp and solder the other wire to the left lug of the control.

Taking care to observe proper polarity, crimp and solder the free ends of the wires coming from the +12V and GROUND holes to the lugs of the power jack. Except for installation of the integrated circuits in their sockets, this completes construction of the High-Tech Telephone Ringer. You can now proceed to checkout.

Checkout & Installation

Before you plug any ICs into the sockets, connect the 12-volt dc plug-in wall power supply to the project via its jack on the rear panel. Clip the common lead of a dc voltmeter or multimeter set to the dc-volts function to a convenient circuit-ground point, such as the right lug of R9. Plug the power supply into an ac out-

let and touch the "hot" probe of the meter to pin 14 of the IC1, IC2 and IC3 sockets and pin 16 of the IC6 and IC7 sockets. In all cases, you should obtain a reading of approximately + 12 volts.

If you do not obtain the proper reading at any one or more of these points on the circuit-board assembly, use the meter to ascertain that the power supply is wired into the circuit in the correct polarity. If so, remove power from the project and rectify the problem before proceeding.

Once you are certain that the project has been wired correctly, power it down and install the ICs and optical isolators in their respective sockets. Make certain that the proper IC goes into each socket and that it is properly oriented. As you push each IC and optoisolator home, make certain that no pins overhang the socket or fold under between IC and socket.

To provide an audio output from your High-Tech Telephone Ringer for testing and adjustment purposes, place a temporary jumper between pins 4 and 5 of IC5 and power up the project. If everything is okay, you will hear some sort of tone from the crystal sound transducer.

If a frequency counter is available, clip its common or ground lead to the right lug of the VOLUME control and touch its "signal" lead to pin 10 of IC1. You should obtain a reading of approximately 287 Hz at this point. If not, use a small screwdriver to adjust trimmer control R5 until the displayed frequency is 287 Hz.

Move the "signal" lead of the counter to pin 4 of IC1 and observe the display. If you do not obtain a reading of 335 Hz, adjust the setting of trimmer control R8 until you do obtain this reading. Note that the final oscillator, which uses IC1C and IC1D operates at a fixed 12 Hz and has no frequency-adjust control.

If no frequency counter is available, adjustment of the two oscillator frequency controls can be attempted. All you do under this condition is to

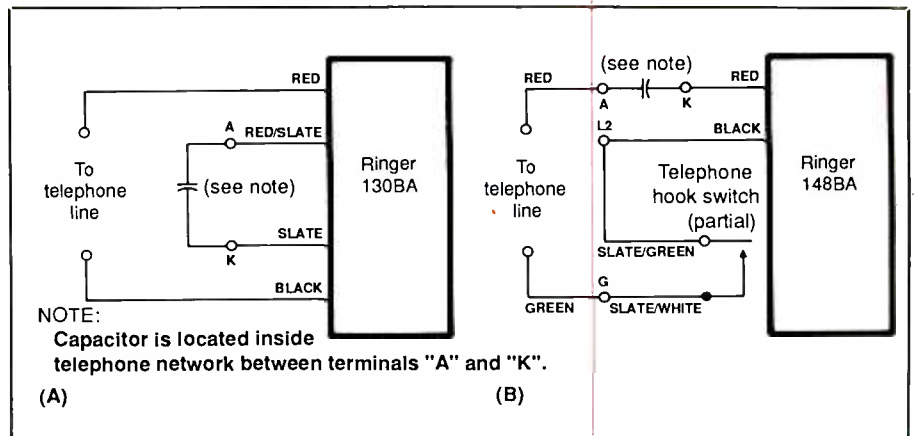


Fig. 6. Color coding for four-wire ringers (A) is red, black, slate/red and slate/black, while for two-wire ringers (B), it is simply red and black.

adjust both trimmer controls until you hear the most pleasing tone from the crystal sound transducer.

After you have tuned the oscillators, power down the project and remove and discard the temporary wire jumper.

Now decide upon which telephone instrument to which you will connect your High-Tech Telephone Ringer. This instrument can have either a rotary or a tone dial. It can be a premium ITT model or a low-cost import. The only internal wiring that must be made is to an ITT or similar make phone. These premium instruments contain a single- or double-gong type bell, while imports contain an inexpensive tone-type ringer. The modification to be explained prevents the bells or tone generators inside the telephone instrument from sounding when an incoming call is signaled.

Imported and other low-cost telephone instruments generally have built in switches that permit the user to switch in and out the "ringer." For these instruments, all you need do is set the switch to its "off" position. Once this is done, you can simply connect the project between your telephone instrument and the incoming line from the telephone company.

With more expensive ITT and AT&T telephone instruments, the

modification is more involved. The first thing you must do is remove the housing from the instrument. If you are working on a desktop phone, turn over the instrument and locate and back off on the two screws that secure the housing to the base plate.

With the housing removed, locate the mechanical telephone ringer. This ringer can have either two or four wires connected to the coil of the bells. Color coding for four-wire ringers is red, black, slate/red and slate/black, as in Fig. 6(A). A two-wire bell, such as the 148BA ringer found in 200 and 2200 style desk and wall phones, has the simple color coding of red and black, as in Fig.

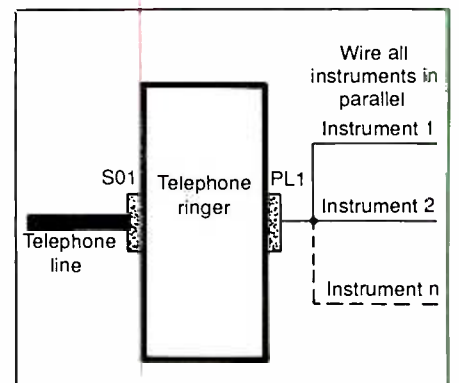


Fig. 7. Details for connecting project into multiple-instrument installations.

6(B). Do not confuse the bell's red-insulated wire for the red-insulated conductor of the telephone line; these are two completely different things.

Whether you have a two- or a four-wire telephone ringer, simply disconnect any of the bell wires (make a note of the point from which you remove it for future restoration of this function should you wish it) and use electrical tape to insulate the spade lug on the end of the wire to prevent unwanted short circuiting once the phone is reassembled.

Connect the project into your telephone system, between the incoming telephone line and your modified instrument. If you are installing this project in an older system that does not have modular connectors, substitute suitable adapter cables for the standard modular types where needed. Then plug the power supply into a conveniently located ac receptacle.

Should you wish to use the High-Tech Telephone Ringer in a system containing two or more telephone instruments, you can do so. As Fig. 7 illustrates, all you need do is wire all instruments in parallel with each other and plug them into the TO TELEPHONE INSTRUMENT jack or cable. When performing the wiring for this type of installation, make sure you observe proper color coding.

The final step in installation is to try out the project under real operating conditions. To do this, have a relative or friend call you. When the call comes in, you should hear the warble tone from the crystal sound transducer in the project. At this time, adjust the VOLUME control on the rear panel for a comfortable but attention-getting listening level.

Lifting the receiver off the hook should immediately silence the warble tone. At this point, you can conduct normal conversation over the telephone network. When you complete your call, simply hang up the handset. The High-Tech Telephone Ringer automatically rearms itself to wait for the next incoming call. **ME**

LEARN ELECTRONICS FROM VHS VIDEO TAPES!

PREPARE FOR
THE FUTURE...

NOW!



Video Tapes
Designed Especially
For The Electronic Enthusiast!

- **ELECTRONICS AND YOU—PART 1—DC** Price \$32.95
Series circuits, parallel circuits, combination of series—parallel circuits, OHMS law, voltage, current and resistance.
- **ELECTRONICS AND YOU—PART 2—AC** Price \$32.95
AC theory, coils, transformers, capacitors, filter circuits and how they are used in actual circuits.
- **ELECTRONICS AND YOU—PART 3—SEMICONDUCTORS** Price \$32.95
An introduction into the world of semiconductors. Starts with semiconductor theory then proceeds into 15 different semiconductor devices. Shows how an integrated circuit is designed and built.
- **ELECTRONICS AND YOU—PART 4—POWER SUPPLIES** Price \$32.95
Starting with the transformer then to various types of rectifier circuits. Filter circuits, voltage protection. Trouble-shooting different parts of the power supply.
- **VCR MAINTENANCE AND REPAIR** Price \$32.95
Designed for the average VCR user. Learn how to clean the tape path, replace belts plus more. A must for home maintenance.
- **INTRODUCTION TO VCR REPAIR** Price \$59.95
Shows how the VCR processes the luminance, chromance and audio signals in playback and record modes. Servo systems for controlling the capstan motor and video drum cylinder. Many more aspects of VCR repair.

—ORDER NOW!—

Mail check or money order to:
or call us at: (513) 548-6113
VISA and MASTERCARD accepted

UCANDO
P.O. BOX 386
GREENVILLE, OHIO 45331

BE A SUCCESS WITH UCANDO VIDEOS!

CIRCLE 93 ON FREE INFORMATION CARD

M O R E T H A N LOGIC



286 SupersPort Laptop by Heathkit®

Your logical source for quality computer and electronic product needs, the **FREE Heathkit Catalog** is your key to a fun and exciting hobby. The Heathkit Catalog contains powerful kit laptop and desktop computers, test instruments, weather equipment, and home theater components, plus self-study electronics courses. Order your **FREE Heathkit Catalog** today! It's the logical thing to do!

1-800-44-HEATH
(1-800-444-3284)

Send to: Heath Company, Dept. 079-834
Benton Harbor, Michigan 49022

Name _____

Address _____

City _____

State _____

Zip _____

A subsidiary of Zenith Electronics Corporation

CIRCLE 38 ON FREE INFORMATION CARD

November 1989 / MODERN ELECTRONICS / 45

More on How to Detect Ultraviolet, Visible Light and Infrared

By Forrest M. Mims III

This is the second of two columns on the detection of ultraviolet, visible and infrared radiation. Last month, I described various kinds of thermal detectors for these wavelengths of the electromagnetic spectrum. This month, we'll be looking at the most important kinds of photodetectors.

Photodetectors

Thermal detectors detect light indirectly by the temperature increase that is produced when the detector is illuminated. Photodetectors detect light directly by the photoelectric effect. Therefore, most photodetectors are more sensitive and have faster response times than most thermal detectors.

There are three major classes of photodetectors: photoemissive, photovoltaic and photoconductive. Photoemissive detectors include phototubes and photomultiplier tubes. Photovoltaic and photoconductive detectors are semiconductor devices. While semiconductor detectors are by far the most common, you should be aware of the basic operating principles of photoemissive detectors.

Photoemissive Detectors

If you know what a phototube or photomultiplier tube is, then you know what a photoemissive detector is. These detectors consist of an evacuated or gas-filled glass envelope that contains a light-sensitive *photocathode* and an electron-collecting anode. The photocathode is a metal electrode that is coated with a thin layer of material that emits electrons when it is exposed to light.

Two common photocathode materials for the visible spectrum are silver-oxygen-cesium and cesium-antimony. Cesium-telluride and other materials are used for detection of ultraviolet energy.

Some of the more commonly used photocathode materials have been assigned "S" numbers for convenient identification. Figure 1 is a graph that shows the sensitivities of several important S sur-

faces across the ultraviolet, visible-light and near-infrared spectra.

The simplest phototube detectors have only two electrodes—a photocathode and an anode. A phototube can be made by coating a wire electrode with a photocathode material and enclosing the wire, along with a similar uncoated wire, in a thin glass tube. Larger photocathodes are usually used since they provide more light-collection area. For example, the photocathode of the miniature phototube shown in Fig. 2 is formed by coating the inside half of a cylinder with cesium-telluride. This particular drawing of a phototube is of a Hamamatsu (P.O. Box 6910, Bridgewater, NJ 08807-0910) Model R1826 that I am using to measure the ultraviolet radiation from the sun.

Photomultiplier tubes provide hundreds of times more sensitivity than do ordinary phototubes. The photomultiplier tube, or PMT, contains a series of elec-

trodes called "dynodes." Each dynode is maintained at a potential that is slightly greater than that on the previous dynode. Light stimulates the photocathode of the PMT to release electrons, which strike the first dynode.

In a process called "secondary emission," the dynode emits about five electrons for each one it collects. The secondary electrons strike the second dynode, and the multiplication process is repeated. Since a typical PMT has as many as 10 dynodes, eventually hundreds or even thousands of electrons for each original electron strike the anode of the tube.

Photomultipliers are so sensitive that they can detect the arrival of a single photon. But this sensitivity comes at the price of high operating voltage, which is typically 1,000 to 2,500 volts. And since each dynode requires a different voltage, a low-current voltage divider made from a string of resistors is required. Finally, for

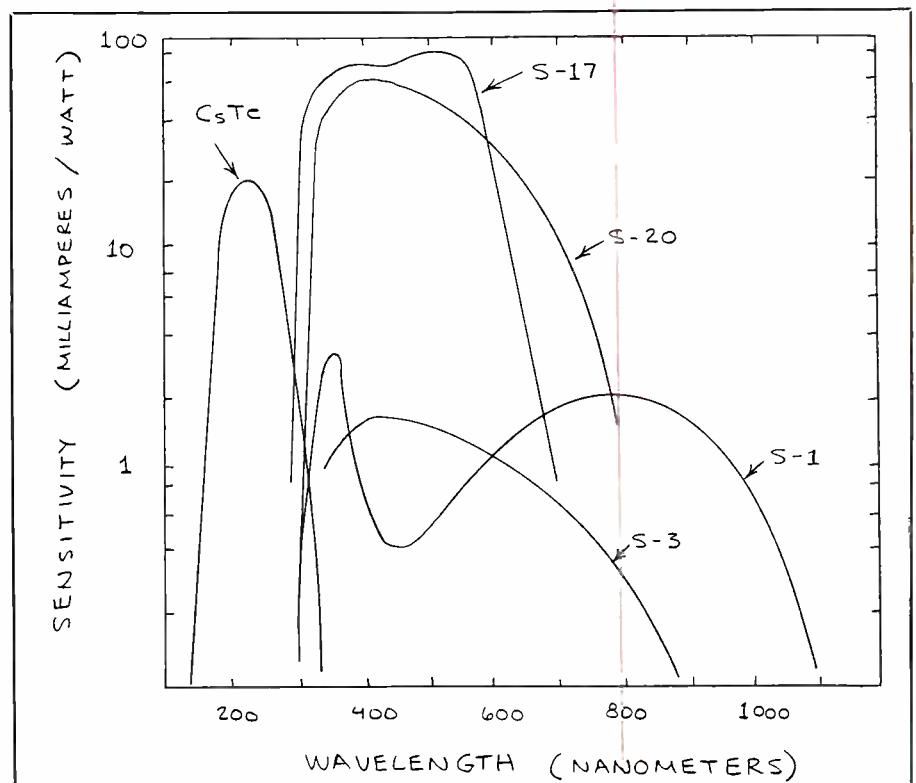


Fig. 1. Spectral responses of several photoemissive surfaces.

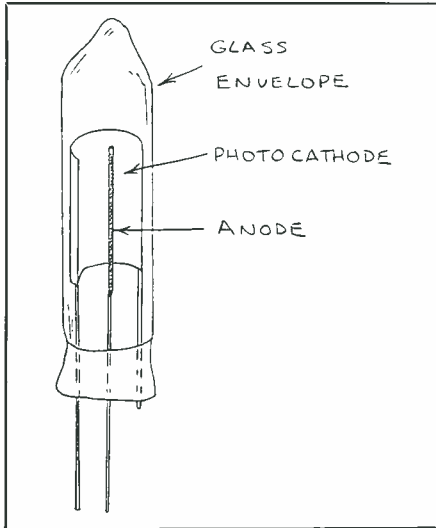


Fig. 2. Internal details of Hamamatsu R1826 ultraviolet phototube.

ultra-low noise operation, the PMT should be cooled.

Photoemissive Detector Applications

Semiconductor photodetectors have taken over in many applications where photoemissive detectors were once used. Nevertheless, phototubes and PMTs still have important uses. The various spec-

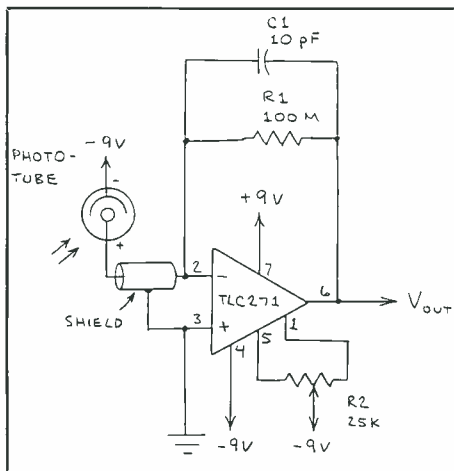


Fig. 3. Schematic diagram of a high-gain phototube amplifier.

tral sensitivities that are available make phototubes and PMTs especially useful for detecting specific bands of light.

As an example of the above, ultra-sensitive photodiodes are much more sensitive to red light than to ultraviolet radiation. This poses a difficult problem because interference filters designed to pass UV wavelengths tend to also pass some red light as well. This can be solved by using a phototube or PMT with a cesium-telluride photocathode that responds to only ultraviolet wavelengths.

PMTs are especially useful for detecting very-low light levels. That's why both amateur and professional astronomers use them to measure the light coming from faint stars. PMTs are also used to detect the flashes of light produced when radiation passes through certain plastics and crystals.

Experimenting With Photoemissive Detectors

Shown in Fig. 3 is the schematic diagram of a circuit I've used to enable the R1826 phototube described above to detect ultraviolet energy from the sky and sun. The TLC271 CMOS op amp provides the extremely high input impedance required for this circuit to perform properly. However, you can substitute any other CMOS or FET-input op amp for the TLC271, making any pin changes that might be needed. Use a shielded cable between the phototube and op amp if the distance between the two exceeds several inches.

In the Fig. 3 circuit, R_2 controls the offset voltage in the circuit. The output can go to a digital voltmeter or, perhaps, a comparator that switches when the light on the phototube exceeds or drops below a preset threshold.

This circuit has plenty of gain. Its output is at a level of about 1 volt or so when the tube is exposed to blue sky on a clear day. The tube should *not* be exposed to direct sunlight. Otherwise, its performance and sensitivity may suffer degradation. Instead, first place the tube behind a UV filter, such as Schott UG-11 glass.

You can further reduce the intensity of

direct sunlight with a diffuser made from quartz, silica or some material that is transparent to ultraviolet wavelengths. One or both surfaces of the diffuser should be ground to a rough finish.

You will also want to consider a photomultiplier tube if your application calls for detection of the light from a faint star, a firefly or a crystal that flashes when it is exposed to radioactivity. There are many kinds of PMTs available, each with a specific set of power-supply requirements.

Shown in Fig. 4 is a generalized connection diagram for a typical PMT. This circuit shows the voltage divider that delivers progressively greater voltages to the dynodes in the PMT. It is important that you use good wiring practices and properly insulated sockets when using PMTs. Manufacturers of photomultiplier tubes can supply specific connection and circuit information for their PMTs.

Semiconductor Photodetectors

The most common detectors of ultraviolet, visible-light and infrared radiation

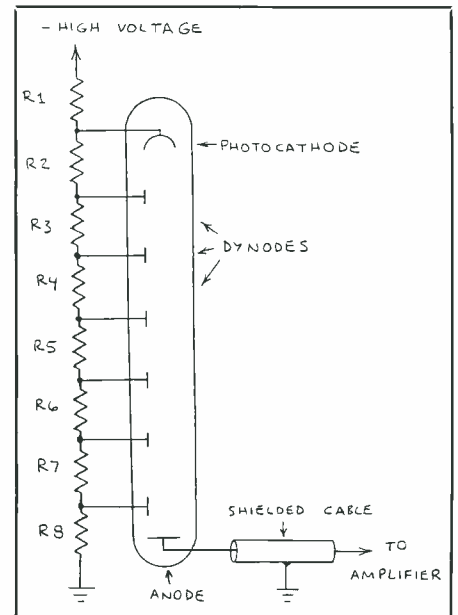


Fig. 4. Generalized connection circuit for a photomultiplier tube.



VCR ALIGNMENT TAPE

This professionally mastered 15 minute alignment tape will prove to be an important addition to your repair equipment inventory. It will assist in the adjustment of the tape path and audio/control head alignment, head switching point, luminance and chroma circuit, and tracking fix. 30 Hz audio tone, gray raster, NTSC color bars, convergence grid and convergence dots. Great for TV alignment also.

#505-030

\$24⁹⁵

BATTERY ELIMINATOR

This handy adaptor eliminates the need for batteries when using your camcorder in your automobile. Simply insert the "dummy" battery pack into the camcorder and the lighter plug into the cigarette lighter jack of the vehicle. Your camcorder then draws its power from the car's electrical system. The lighter plug has a built-in 7 amp fuse to protect your camcorder from harmful current surges. Will replace our battery # 140-541. Call for more details.



#090-920

\$14⁹⁰

VCR IDLER KIT

Make VCR tire repairs quickly by having the tire you need in stock when you need it. This comprehensive kit contains 170 of the most commonly used tires in an easy-to-use case and a cross reference with over 80 manufacturer assembly numbers crossing over 200 VCR model numbers. A \$400.00 retail value.

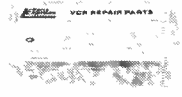


#400-900

\$55⁰⁰

VCR REPAIR PARTS KIT

Now you can do most of your VCR repair jobs the same day. Parts Express' VCR Parts Kit makes this possible. It contains over 45 of the most commonly used parts to repair RCA, Hitachi, Fisher, Sanyo, Lloyds, Panasonic, Sony, Sharp, JVC, Samsung, TMK, GE, Magnavox and more. Idler assemblies, pinch roller, sensing transistors, switches, and lamps are included in this comprehensive kit. You also save over \$20.00 (wholesale pricing). Call for more details.



#400-950

\$89⁹⁵

FREE
CATALOG



CALL TOLL FREE
1-800-338-0531

340 E. First St., Dayton, OH 45402
Local: 1-513-222-0173

CIRCLE 97 ON FREE INFORMATION CARD

ELECTRONICS NOTEBOOK...

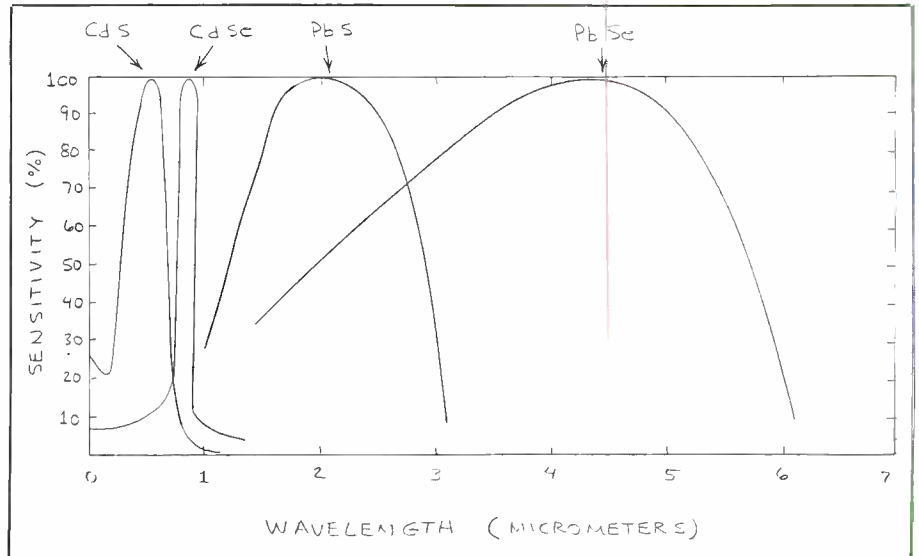


Fig. 5. Spectral sensitivities of several photoresistors.

are semiconductor photodetectors. These can be pn-junction devices like photodiodes and phototransistors, or they can be bulk devices like photoresistors. In either case, semiconductor photodetectors are physically smaller and more durable than photoemissive detectors.

• **Photoresistors.** Photoresistors are also known as light-dependent resistors (LDRs) and photocells (PCs). Since their resistance varies with the intensity of the light they intercept, photoresistors are "photoconductive" detectors. The resistance of a photoresistor is much higher when the device is dark than when it is being illuminated.

Photoresistors are made by applying electrodes to a thin film of photoresistive material. The electrodes are usually applied in a spiral or zig-zag pattern to increase the exposure of light-sensitive material.

The most common light-sensitive materials used in photoresistors are cadmium-sulfide (CdS) and cadmium-selenide (CdSe). The peak spectral response of some formulations of CdS closely matches that of the human eye—in the 550-to-555-nanometer range. The peak spectral response of CdSe ranges from 720 to 780

nanometers in the far red portion of the visible spectrum.

Lead-sulfide (PbS) and lead-selenide (PbSe) are used to make infrared-sensitive photoresistors. Cooling these detectors greatly increases their sensitivity. Figure 5 compares the spectral sensitivities of some of the most important photoresistor materials.

Photoresistors are easy to use and ex-

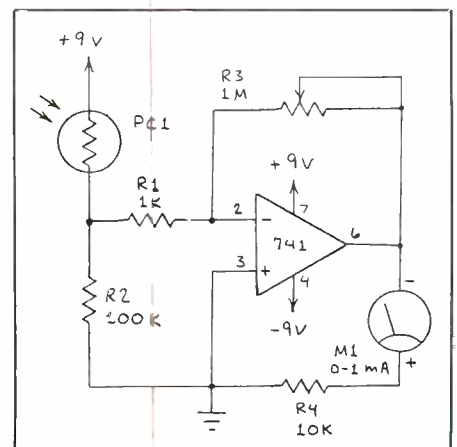


Fig. 6. Circuit details of a photoresistive light meter with gain stage.

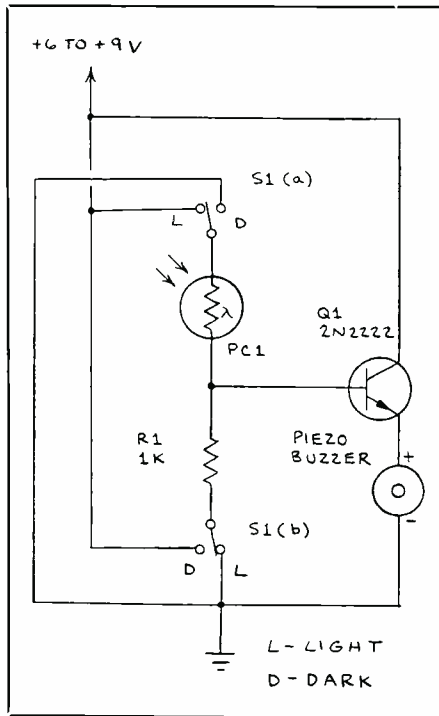


Fig. 7. Schematic diagram of a light/dark buzzer circuit.

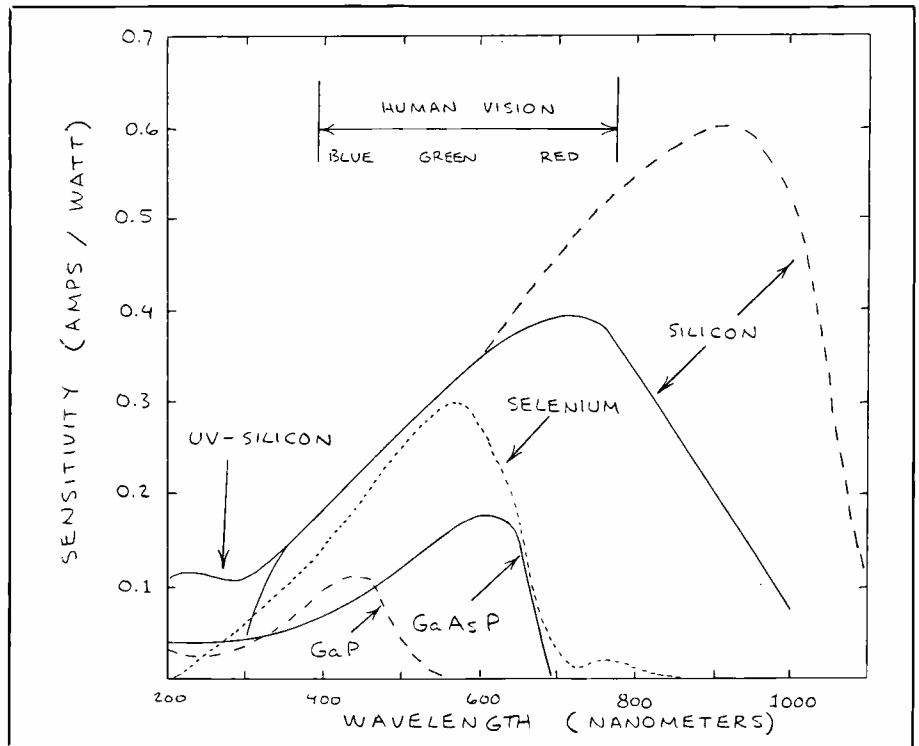


Fig. 8. Spectral responses of several photodiode materials.

ceptionally sensitive to light. However, their response time is much slower than that of junction semiconductor detectors. Also, photoresistors are subject to the "light history effect" in which the resistance of the device is dependent for a time upon the previous light level received by the detector.

You can make a sensitive light meter by connecting a photoresistor in series with a battery and milliammeter, as shown in Fig. 6. This circuit also shows how to increase the sensitivity of such a meter by adding a single op-amp gain stage. While the 741 op amp shown in the Fig. 6 schematic diagram will work, better-quality op amps with less offset voltage will work even better. A good choice is the OP-07 op amp.

Shown in Fig. 7 is the schematic diagram of a simple circuit that doubles as both a light and a dark detector. The circuit can be used to wake you when the sun

comes up or warn you when your refrigerator door is ajar.

If you would like to know more about photoresistors, I refer you to my September 1988 "Electronics Notebook" column, in which I described these and several other applications. I also discussed in that column the operation of CdS and CdSe photoresistors in some detail.

• **Pn-Junction Detectors.** Virtually any semiconductor pn junction is sensitive to visible or infrared radiation. Bell Laboratories found this out when they encapsulated some of their early transistors in transparent plastic. Even light-emitting diodes can be used as light detectors.

Many kinds of semiconductor photodetectors are in common use, and many others have been developed by research laboratories. Some of them have a very small active surface area to make them suitable for detecting very fast optical pulses. Others are divided into two halves

or four quadrants for use in position-sensing applications.

Position-sensitive detectors can also be made from single detector elements. These use what is called the "lateral effect" to detect the position of a light spot on the surface of the detector.

The spectral sensitivities of various pn-junction photodetectors are dependent on the semiconductor material from which they are manufactured. Figure 8 shows the spectral sensitivities of some of the semiconductor materials used to make junction photodetectors. Of course, silicon is the most common photodetector material currently in use.

The peak spectral response of silicon matches the peak emission wavelength of several kinds of light-emitting diodes. For applications in which infrared sensitivity is not desired, filters can be placed in front of a silicon detector, or a gallium-phosphide (GaP) photodiode can be used

for ultraviolet and visible-blue wavelengths. Gallium-arsenide-phosphide (GaAsP) can be used for the UV through visible red wavelengths.

Any semiconductor pn-junction photodetector is, by definition, a photodiode. Therefore, even silicon photocells are photodiodes. The most important characteristic of photodiodes is that they produce an output current that is linear with respect to the light that strikes their active surfaces. Depending on the semiconductor material from which the photodiode is manufactured, linearity can range from around four to as many as ten decades of light-intensity variation.

Pn-junction detectors can be used in either a photovoltaic or photoconductive mode. Self-generating photodetectors, such as silicon photodiodes and solar cells, are commonly used in the photovoltaic mode. The detector is simply connected directly to the input of an operational amplifier, as shown in Fig. 9. The op amp then functions as a current-to-voltage (also known as transimpedance or transresistance) amplifier that boosts the detector's photocurrent.

Figure 10 shows two ways in which a junction detector can be connected in the photoconductive mode. In both methods, the detector connects to an external current source in the reverse direction. Light striking the active surface of the detector increases the current flow (photocurrent, or I_p) through the device.

The voltage-amplifier connection transforms the photocurrent into a voltage that is then amplified. In the current-amplifier (transresistance or transimpedance) mode, the photocurrent is boosted by an op amp and connected to a voltage-to-current amplifier.

The voltage-amplifier connection provides a convenient way of increasing the photodiode's sensitivity. Simply increase the resistance of load resistor R_L to increase sensitivity. The down side of this is that the resistor contributes noise and a bias current is required. Also, the response speed of the circuit is inversely proportional to the resistance of the series resistor. In other words, increasing the sensitivity by increasing the resistance

of the load resistor slows down response time. This happens because R_L determines the time required for the internal capacitance of the photodiode to be discharged.

The transresistance or transimpedance arrangement has no load resistor to contribute noise or slow down response time.

The avalanche photodiode is the solid-state analog of the photomultiplier tube. These photodiodes are designed to be operated at a relatively high reverse-bias voltage that is just below the breakdown or avalanche potential of the diode. Incoming photons generate free electrons that permit a much greater current to flow than in a conventional photodiode. Gains of up to several hundred are possible.

While avalanche photodiodes provide exceptionally high sensitivity, they require a carefully regulated high-voltage power supply. They are also expensive.

Now that we've covered some photodiode basics, let's look at those photodetectors that are most important to electronics experimenters.

- **Selenium Cells.** selenium cells are large-area photodiodes with several important advantages and features. Their spectral response closely matches that of the human eye, they can be used as low-

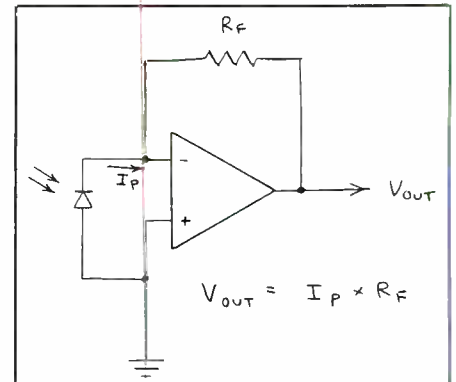


Fig. 9. Circuit details of photovoltaic operation of a photodiode.

power solar photovoltaic cells, and they have good sensitivity in the blue and near-ultraviolet regions of the spectrum. It's easy to make selenium cells in various shapes and with holes. They can even be made in the shape of a cylinder.

These advantages and features have for many years made selenium cells the most important light detectors available. Perhaps their most important use was as detectors in light meters used by photographers and illumination engineers. These light meters consisted of a self-gen-

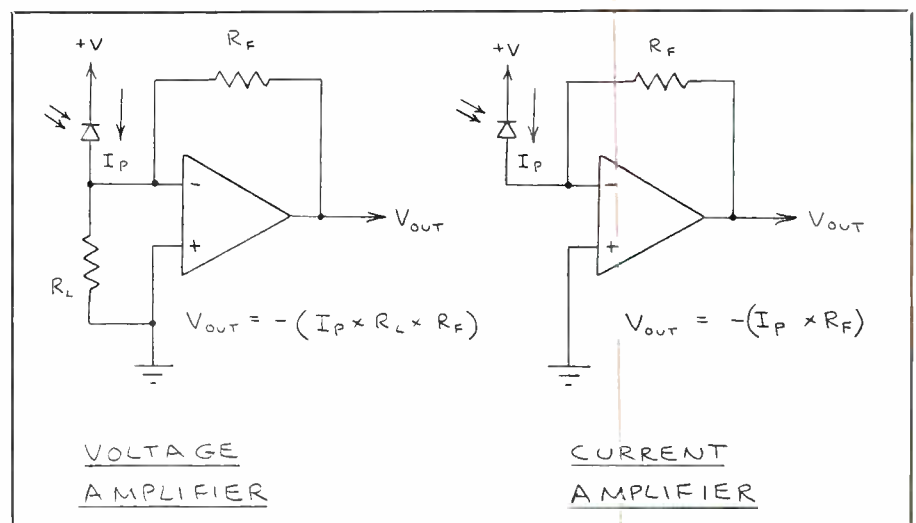


Fig. 10. Details of photoconductive operation of a photodiode.

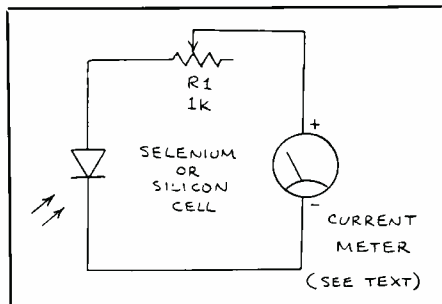


Fig. 11. Schematic diagram for a self-powered light meter.

erating selenium cell connected across a microammeter. Another common use for selenium cells was in light-activated relay applications.

From the late 1950s to the mid-1960s, International Rectifier sold its famous B2M selenium "sun battery" for \$2.50. During those years, silicon solar cells cost at least \$20. Therefore, a B2M played a major role in introducing many experimenters around the world, including yours truly, to solar-powered projects.

Today, selenium solar cells have been replaced almost entirely by silicon photodiodes. One of the few remaining manu-

facturers of selenium cells is EG&G Vactec (10900 Page Blvd., St. Louis, MO 63132). Sometimes, selenium cells are available on the surplus market.

• **Silicon Solar Cells.** Silicon solar cells can convert into electricity up to 10 percent or more of the light that strikes them. The forward voltage of a silicon solar cell is around 0.6 volt. Current output varies linearly with light exposure. In full sunlight, a 1-square-inch cell can deliver as much as 100 milliamperes of current. Large circular cells will deliver a full ampere or more.

While silicon solar cells are generally considered to be "sun batteries," they also make highly effective light sensors. Their main advantage as sensors is their large active-surface area. This means that they can detect very-low light levels without the use of a light-collecting reflector or lens.

Aside from recharging batteries on a homemade xenon strobe light I take on bicycle trips, my favorite applications for solar cells are as detectors for lightwave communication receivers and lightning detection. Their large surface area gives silicon solar cells too much capacitance for them to detect fast-risetime pulses.

Shown in Fig. 11 is the schematic diagram of a simple but effective light meter

that you can make with a selenium cell or a silicon solar cell and a microammeter. A silicon cell provides considerably more sensitivity in this application, while a selenium cell provides a spectral response that resembles that of the human eye.

If the Fig. 11 meter is too sensitive, you can place a light-limiting aperture over the detector. Alternatively, you can insert a current-limiting potentiometer between the detector element and meter movement.

You can make a simple light-powered, light-activated relay by connecting a series-array of selenium cells or silicon solar cells to a low-voltage relay. You'll have to experiment to determine how many cells of either type are needed to energize the relay. For example, a 5-volt dc relay will require approximately 10 silicon solar cells. The cells must be able to deliver sufficient current to actuate the relay, of course.

Small-area silicon photodiodes are ideal for use as detectors in lightwave communication systems. Figure 12 shows a basic circuit you can use to receive an intensity- or pulse-modulated visible or near-infrared signal. Note that *C1* is included in the circuit so that only the fluctuating (ac) signal and not the steady (dc) background is not amplified.

You can greatly increase the receiving range of the Fig. 12 circuit by placing the detector behind a lens. The circuit will work much better in daylight if you use a filter that passes only the wavelength of the signal. Interference filters work best, but they're expensive. A cheap substitute for near-infrared wavelengths is developed color film. Photodiodes encapsulated in infrared-transmitting plastic are another good choice.

Photodiodes are well-suited for use in sensitive light meters, and radiometers. The schematic diagram shown in Fig. 13 is for the circuit of a radiometer that will detect very-low light levels. Virtually any photodiode can be used in this circuit, including a solar cell. Many different operational amplifiers can be used, too. For best results, though, be sure to use an op amp that has a high input impedance, such as the OP-07. CMOS op amps might

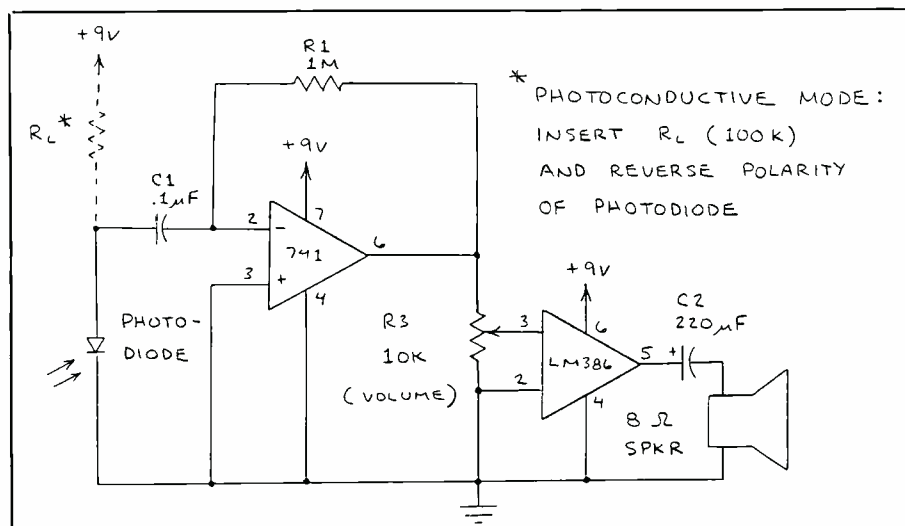
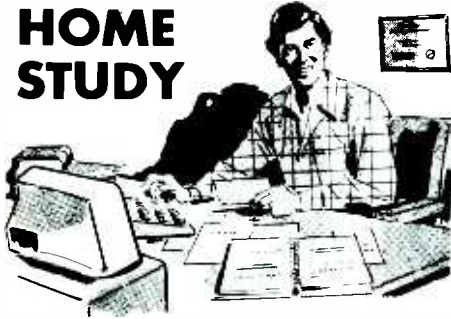


Fig. 12. Schematic diagram of a photoreceiver for audio-frequency signals.

Put Professional Knowledge and a
COLLEGE DEGREE
 in your Technical Career through
HOME STUDY



Add prestige and earning power to your technical career by earning your Associate or Bachelor degree through directed home study.

Grantham College of Engineering awards accredited degrees in **electronics and computers.**

An important part of being prepared to *move up* is holding the right college degree, and the absolutely necessary part is knowing your field. Grantham can help you both ways—to learn more and to earn your degree in the process.

Grantham offers two degree programs—one with major emphasis in **electronics**, the other with major emphasis in **computers**. Associate and bachelor degrees are awarded in each program, and both programs are available completely by correspondence.

No commuting to class. Study at your own pace, while continuing on your present job. Learn from easy-to-understand lessons, with help from your Grantham instructors when you need it.

Write for our free catalog (see address below), or phone us at toll-free 1-800-955-2527 (for catalog requests only) and ask for our "degree catalog."

Accredited by
 the Accrediting Commission of the
 National Home Study Council

GRANTHAM
College of Engineering
 10570 Humbolt Street
 Los Alamitos, CA 90720

ELECTRONICS NOTEBOOK...

work even better. If necessary, be sure to modify the pin connection scheme to the offset adjust.

Capacitors *C1* through *C5* serve as feedback elements that keep the response of the circuit uniform across the frequency-response (*f*) range of the op amp. The value of feedback capacitance needed is calculated using the formula $1/(2\pi \times f \times R_f)$. These capacitors can be eliminated if steady-state light sources are being measured.

• **Phototransistors.** A phototransistor is a transistor in which the base region has been enlarged. Light striking the base region has the same effect as a current applied to the base of a standard transistor. When the transistor is dark, only a small leakage current flows between the collector and emitter. When light strikes the base area, a collector current flows. The level of collector current that flows depends on the intensity of the light and the current gain of the transistor.

Photodarlingtontons are phototransistors that include an integral output transistor stage connected in a Darlington configuration. This arrangement provides more current gain and, hence, much greater sensitivity than a phototransistor alone.

Because of their inherent gain, phototransistors do not provide the same degree of linear response as photodiodes. When the detected light exceeds a certain level, the transistor simply saturates, or switches fully on. This means that photo-

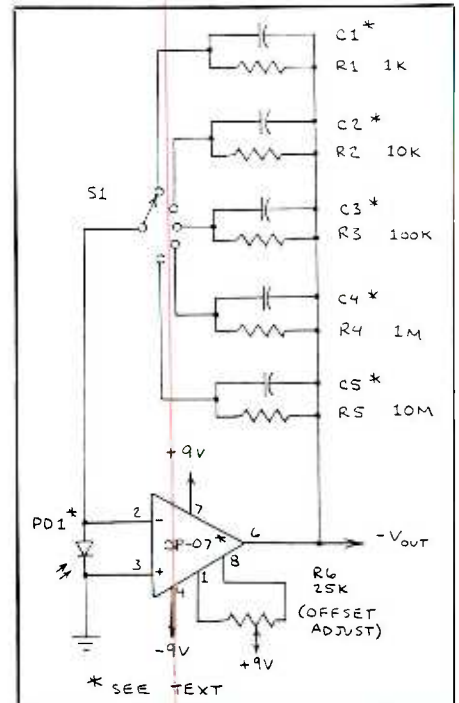


Fig. 13. Schematic diagram of a photodiode radiometer with range control.

transistors usually cannot be used in daylight because they will be "swamped out" by ambient light long before they detect any signal you aim at them.

Phototransistors are easy to use and provide a very simple approach to many optoelectronics applications. In Fig.

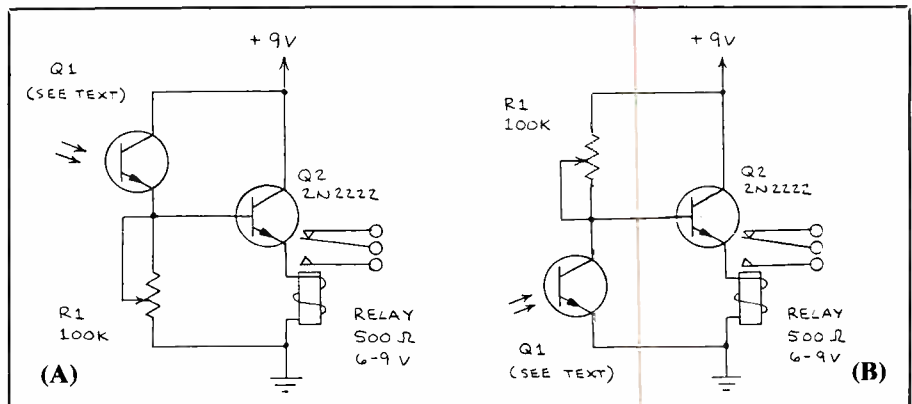


Fig. 14. Light-activated (A) and dark-activated (B) phototransistor relay circuits.

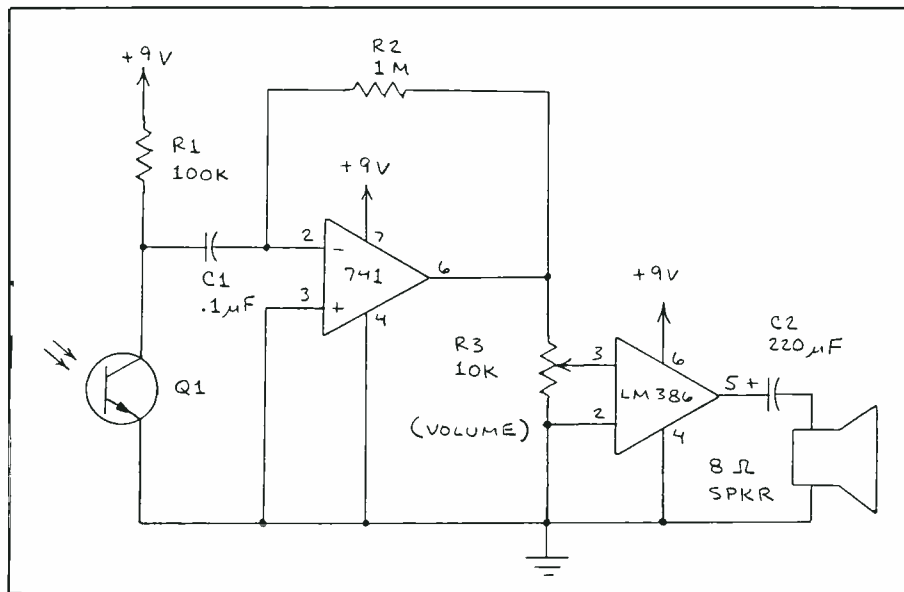


Fig. 15. Schematic diagram of a phototransistor receiver circuit for audio signals.

14(A), for example, a simple light-activated relay is made up of only four components. The sensitivity of the circuit is controlled by *R1*. Figure 14(B) shows how the position of the phototransistor and *R1* in Fig. 14(A) can be reversed to make up a dark-activated relay.

Any npn phototransistor should work well in either Fig. 14 circuit. If either circuit triggers erratically or prematurely, the phototransistor is probably receiving ambient light. In this event, either remove the external light source or place a piece of black heat-shrinkable tubing over the phototransistor to form a collimator.

Shown in Fig. 15 is the schematic diagram of a simple phototransistor receiver circuit you can assemble and use to detect a modulated light beam. This circuit is well-suited for use with many different kinds of audio-frequency lightwave-communication systems.

When experimenting with these and other phototransistor circuits, you may notice that the phototransistor is more sensitive to the signal it is supposed to detect when the phototransistor receives a small amount of ambient illumination. I

noticed this many years ago when I was testing a portable lightwave receiver set up 1,000 feet away from a transmitter. While checking the receiver with a small penlight, the volume of the signal emitted from the receiver's speaker suddenly increased in amplitude. Depending on where I pointed the penlight, it was possible to increase the output signal by several times.

You might want to experiment with this technique of increasing the sensitivity of phototransistors that don't have a base lead. You can alter the gain of phototransistors with a base lead by using traditional biasing techniques.

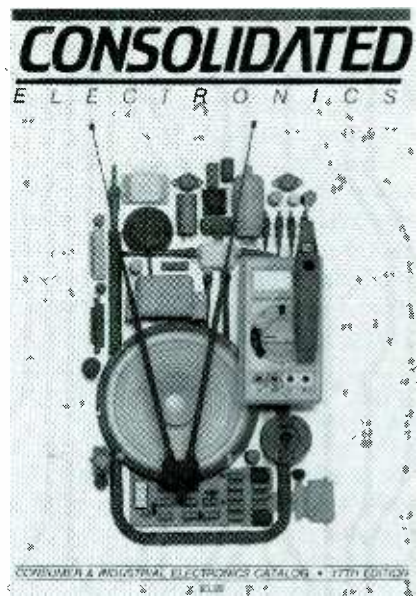
Going Further

Even though I've devoted two columns to discussing the devices and techniques for detecting ultraviolet, visible-light and infrared radiation, there's much that I haven't touched upon. If you want to find out more about the general subject of light detectors, visit a good technical library. Many books on optoelectronics include detailed chapters on various kinds of detectors.

If you want more information about

circuits for various kinds of light detectors, there's no better source than the brochures and data sheets published by the manufacturers of the detectors. Particularly good brochures are published by EG&G (25 Congress St., Salem, MA 01970); United Detector Technology (12525 Chadron Ave., Hawthorne, CA 90250); Centronic, Inc. (1829-B DeHavilland Dr., Newbury Park, CA 91320-1702); Silicon Detector Corp. (855 Lawrence Dr., Newbury Park, CA 91320); and both Hamamatsu and EG&G Vactec (addresses given earlier).

Finally, I included an elementary introduction to light detectors in my *Engineer's Mini-Notebook: Optoelectronics* (Radio Shack, 1986). I've also included considerable information about detecting light in *The Forrest Mims Circuit Scrapbook* (McGraw-Hill, 1983) and *Forrest Mims' Circuit Scrapbook II* (Howard W. Sams, 1987). **ME**



GET THE ULTIMATE ELECTRONICS CATALOG.

Order your 260 page catalogue packed with over 10,000 money saving electronic parts and equipment. Send \$3.00 check or money order, or call 1-800-543-3568 today and use your Mastercard or Visa.

Consolidated Electronics, Incorporated
705 Watervliet Ave., Dayton, Ohio 45420-2599

NAME _____
ADDRESS _____
CITY _____
STATE _____ ZIP _____

CIRCLE 99 ON FREE INFORMATION CARD

Electronic Organizers

By Curt Phillips

It is one of the hazards of the modern world that we all have too much to do, too many things to remember and too little time. Those of us who take advantage of electronic helpers have an advantage, but it seems that there can never be enough assistance.

By now, we tend to take the number crunching and information processing capability of our computers and programmable scientific calculators for granted. But the widespread availability of all this computational power has also helped to flood us with innumerable phone numbers, account numbers, access numbers, addresses and other incidental data that we have to keep track of just to function in the "information age."

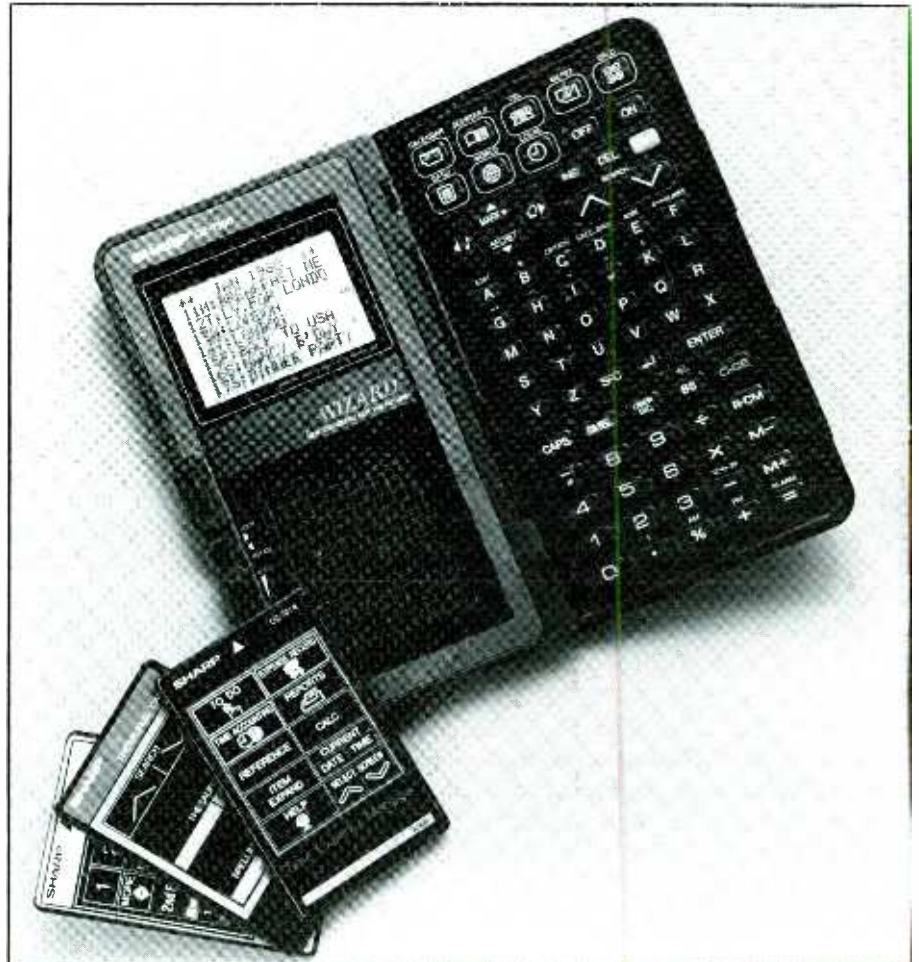
A few years ago, someone decided that if you had a portable calculator with multiple memories, you could as easily use these memories to store phone numbers as anything else. Then calculators appeared with memories *and* alphanumeric capabilities, and from this combination arose a specialty "calculator" known as electronic organizers.

Recently, our Japanese friends at Sharp and Casio introduced two new, powerful and expensive contenders in the electronic organizer battle. If anyone needs organization, (electronic or otherwise), I do; so I decided to see what these gadgets had to offer.

The "WIZARD" & the "B.O.S.S."

Sharp's entry is the much heralded "Wizard" Model OZ-7000 (I suspect the alphabetic prefix to the model number is no accident). The Wizard boasts seven major functions included in the standard model: calendar, schedule, telephone book, memo pad, world and local time, and calculator.

Casio has a whole new family of electronic organizers called the B.O.S.S. series (Business Organizer Scheduling System). The most powerful of the group is the SF-8000, which I had a chance to examine. It features virtually all of the functions as the Wizard, but it comes



Sharp's "Wizard" Model OZ-7000 electronic organizer.

with 64K RAM standard, whereas the Wizard has "only" 32K standard.

In an early discussion about these units, *ME* Editor Art Salsberg did not think I was sufficiently impressed with this amount of memory in such small packages. He was right. I guess I've become so jaded with 640K PCs and '286 and '386 machines with multi-megabytes of memory that it is hard to remember when a 16K Apple II was a thing of awe. People used to stop by to behold my "monster" 64K CP/M machine (with two 315K disk drives!), which is now ignored in an unused corner of the office. The Wizard's 32K RAM can be expanded to 96K with an add-in card, which puts it ahead of even the original IBM PCs, which were shipped with only 64K RAM.

User Interface

Both units have an alphanumeric keyboard for data entry and an LCD display that isn't backlit. The Sharp display is approximately 2 1/4" wide by 1 1/2" high and can be set to display either 8 lines of 16 characters or 4 lines of 12 characters. The 3 3/4" wide by 1 1/4" high Casio screen displays 6 lines of 32 characters. The print size of both displays is easily readable, within the limitations of lighting and angle of view typical of LCD displays.

Keyboards on both units are small, as you would expect. The Casio keyboard is in the "QWERTY" format of a typewriter so that, despite its size, anyone versed in touch-typing can still enter data with reasonable speed. The top-of-the-

line B.O.S.S. SF-8000 has raised buttons for the keys, but all of the lesser Casio units use membrane keyboards that have poor tactile response.

The raised buttons on the Wizard give a better tactile feel than even those on the SF-8000, but are arranged in "ABC" order. Non-touch typists are slow on a "QWERTY" keyboard, but, *everybody* is slow on an "ABC" keyboard. On both keyboards, shifting case is sufficiently tedious to encourage you to type in all caps.

The Wizard opens "backward" for right-handed people, but this is a minor inconvenience and will no doubt endear Sharp to lefties. The Casio flips up in micro-clamshell style and can be locked after opening approximately 135 degrees to provide a convenient desktop display or it can open 180 degrees to be placed flat.

The Functions

Both units can display any month from 1901 to 2099. This range is interesting to play with, but is really meaningless since

these units will be obsolete before 1999 and will be relegated to museums long before 2099. The B.O.S.S. can display two months simultaneously. The Wizard only displays one month, but also lists the number of the week (1 through 52) and the number of the day in the year (1 through 365) as well as the number of days remaining in the year.

Both units can display schedules and both provide an alarm function that can be programmed to beep the user as a reminder. I have often used the alarms on my watch to remind me of meetings, but there are *only* three alarms on my watch and they can only be set for up to 24 hours ahead. With the time/date functions on these electronic organizers, you can program an alarm for a meeting several weeks away and I could find no information in either operation manual regarding a limit on the number of alarms that could be set.

The Wizard also has a scheduling function to specially denote anniversary dates and flag them for ensuing years.

Other than use of the alarm function, the main advantage of these electronic organizers' scheduling function over a paper datebook is their ability to conduct a keyword search. On both units, if you want to see all the meetings scheduled with "XYZ Corp." the units will search and list all scheduled items that include the letters "XYZ Corp." The search mode of both models is case sensitive ("XYZ Corp" does not equal "XYZ CORP") which provides yet another incentive to stick with all caps.

Both units have a telephone directory function. The Wizard allows for three different directory files under different names so you can keep "Business," "Personal" and "Other" telephone listings separate. The Casio does not offer directory segregation per-se but I found this feature of limited use anyway. If you have a business acquaintance who is also a friend, you have to list him twice (and waste memory) or arbitrarily choose a category. Casio does have a "Business Card" category that's completely separate from the telephone directory, although it can contain phone numbers. This area has more data fields for information like company name, position, etc. than the telephone directory.

If you have the time and patience to enter a lot of phone numbers in these electronic organizers, their keyword search function can help in finding the right number, but the Wizard will only search within a directory and the B.O.S.S. won't search both telephone and business card areas simultaneously. If you search for "Jack Kennedy" mistakenly under the "Personal" directory, the Wizard won't tell you that he is actually listed under the "Business" directory. Likewise, if you search mistakenly under the telephone area of the B.O.S.S. So much for the usefulness of multiple directories.

Both units offer memo functions to those who can tolerate their keypads. Again, keyword search capability makes using the memo function almost worthwhile, since the memos can be formed into a quasi-database.

The local time function they provide would be ho-hum were it not for the alarm function that it allows. Setting



Casio's SF-8000 Business Organizer Scheduling System (B.O.S.S.).

ELECTRONICS OMNIBUS . . .

alarms as reminders for meetings allows you to concentrate on the task at hand without constantly having to worry about forgetting the appointment. Of course, the alarm on the Wizard, my watch and almost every other electronic device I've used is sufficiently loud for an office/automobile environment, but will not attract attention on a factory floor or other noisy place where engineers and some managers occasionally find themselves. I find these alarms to be very useful, but their limitations must be recognized. Of course, if the alarms were loud enough for a factory floor, they would be inappropriately loud for an office setting. Perhaps someone will build an electronic alarming device with a noise meter included, such that it causes the alarm volume to always be louder than the ambient noise level.

World Clock

I really had great expectations of the Wizard's World Clock function. At the time I received the Wizard, there was quite a bit of action going on in Beijing, China, and I intended to use the Wizard at my short-wave listening post to help me keep track of the time there and other hot spots of the world. After all, the Wizard keeps time on 212 cities internationally.

I had hoped to set the Wizard to read Beijing time continuously and set it up by my UTC (Universal Coordinated Time) clock but, as I discovered, it only displays the time for about two seconds after the button is released. I suppose only a very small number of the target audience for this product would care for it to display continuously, but this would nonetheless be a nice additional feature. It does have a feature that remembers the last six cities accessed, so that frequently checked cities are easier to recall.

The B.O.S.S. (which I got later), will continuously display the chosen time zone, at least for six minutes until the auto power-off feature turns it off. The B.O.S.S. keeps time for *only* 127 cities internationally. North Carolinians will notice that Charlotte didn't make the shorter Casio list, as Australians will notice the missing Alice Springs, Australia and Ca-

nadians (Saskatchewanians?) will have to live without Regina time included.

They both feature four-function calculators with square root keys, which I guess you'd expect, but is hardly exciting. The Wizard displays 10 digits in the calculator mode, while the B.O.S.S. displays 12 digits, but the Wizard has a typical calculator keyboard. The B.O.S.S. makes you use the numbers located above the QWERTY keyboard and what was an asset for alphabetic data entry becomes a liability for numeric data entry. If you expect to do much number crunching with an electronic organizer, the Wizard's keyboard is definitely the better.

Both the Sharp and the Casio units are large. The Sharp Wizard is 4" wide by 6½" long and over ¾" thick closed; after much searching I finally found a shirt whose pocket it would fit, so I guess it technically is shirt pocket sized. The Casio SF-8000 folds to approximately 3" by 6¼" and is about ¼" thick also. This fits a bit more easily into a shirt pocket, though no more inconspicuously.

Tipping the scales at over ten and a half ounces, the Casio outweighs the Sharp by over an ounce. Either is sufficiently heavy that you don't have to be very fashion conscious to notice their tug even in a suit coat pocket, though they do fit. It seems they are really meant to be carried in a brief case, although having them that inaccessible would detract from their usefulness while traveling. Perhaps some leather-smith could devise a shoulder holster for them.

Add-on Software

The Sharp Wizard has three interchangeable add-on software cards that provide functions for time management, thesaurus/dictionary and foreign language translation and each retail for a little over \$100. The thesaurus/dictionary provides 500,000 synonyms and will check spelling for 87,000 words and list definitions for 45,000 words. The translator card features 13 categories of pre-stored words and phrases in eight languages. The time management software card adds features for expense reports, time-accounts and

to-do lists. None of the software cards were available for review.

At this point, I'm not terribly impressed with either of these units. Although they are both nice and offer interesting features, let's face facts. When you first get one of these gizmos, the novelty of it causes you to type in all your appointments and meetings, even if it is awkward and time-consuming (and it is). The real test of usefulness comes after the novelty has worn off, if the utility of the device exceeds the time and effort required to use it. For me, these units don't qualify under that criteria.

Computer Interface

Enter the computer interface. The Wizard has an option called the Organizer-Link, which will allow for data transfer to and from the serial port of a PC compatible computer. The option for the Casio B.O.S.S. series is called PC-Link and it does the same thing. Links to the Macintosh are in the works.

With these options, data for the organizers can be typed not from a marginal to bad "calculator" keyboard, but from a full sized computer keyboard! This is an altogether different proposition.

The memo functions, which I said can form a quasi-database, now allows portable access to computer generated data sets. Both interfaces allow for translations from Sidekick-format phone lists and schedules.

Both Organizer-Link (Wizard) and PC-Link (B.O.S.S.) were written by Traveling Software, the people who brought us Lap-Link and Desk-Link, and both show their estimable heritage.

Both manuals are virtually identical, with someone at Traveling Software using "search-and-replace" word processing to change "Organizer-Link" to "PC-Link," although there are some differences. The Wizard's Organizer-Link can convert files from Sidekick and SDF (Standard Delimited Format), while the B.O.S.S. PC-Link can convert from Sidekick, SDF and ASCII. Note that this SDF is *not* dBASE's System Data Format, although dBASE does have a com-

patible mode that is discussed in both of the manuals.

The PC software for both is not (surprisingly) similar, and easy to use. A simple cable connects the B.O.S.S. to the PC, but the Sharp Wizard to PC connection requires an "RS-232 level converter" box with an ac power adapter. Despite this extra power source, the Sharp manual warns the user against spending too much time in the link mode because "battery drain increases significantly" (Sharp's emphasis). There is no such warning for the B.O.S.S. PC-Link with no external power, although it may be true.

Both software packages include telephone, memo and scheduling functions for those who don't use Sidekick, and both are as easy to use as any database-type systems. By entering telephone numbers, scheduling information and memos from the ease of a PC, the electronic organizers are reduced to primarily a data-accessing device and their keyboards are much less of a liability.

Although Sharp's Organizer-Link information mentions that the user can type memos "on-the-road" and transfer them to the computer for printing when they return to the office, this seems a bit fanciful to me. Typing (if you can call punching these ill-placed keys "typing") on the Wizard is only slightly less nerve-racking than having your wisdom teeth pulled (without novocain). I can't think of any circumstance where using the Wizard in this fashion would be preferable to just jotting the note on paper and typing it at the computer.

Conclusions

Without the PC transfer software, I wouldn't buy either of these units. With this option, both are quite nice to use although both would profit by being smaller and lighter.

Neither of these units come cheap, with the Sharp Wizard listing for just under \$300 and Casio's SF-8000 B.O.S.S. running \$259.95. The link software and cable adds \$179.95 to the Sharp, while the Casio option costs \$109.95 and includes a 25-pin to 9-pin serial adapter.

With the price advantage combined with its few functional advantages, the Casio is easily my pick as best choice. Even discounted, I'm not sure they are really worth this kind of money, but one thing is for certain. Although they may or may not help you become more organized, depending on your discipline, they

absolutely will give you the high-powered executive look.

Your comments and suggestions are welcome. You can contact me through Delphi (CURTPHIL) and CompuServe (73167,2050) or at P.O. Box 678, Garner, NC 27529. **ME**

HITACHI SCOPES AT DISCOUNT PRICES

 V-212 \$425 List \$595 Save \$170 20MHz Dual Trace Oscilloscope All Hitachi scopes include probes, schematics and Hitachi's 3 year warranty on parts and labor. Many accessories available for all scopes	 V-425 \$849 List \$1,070 Save \$221 20MHz Dual Trace Oscilloscope Features: • DC to 40MHz • Dual Channel • CRT Readout • Cursor Meas • DC Offset • All Magnifier • Compact Size	 V-1060 \$1,359 List \$1595 Save \$236 20MHz Dual Trace Oscilloscope Features: • DC to 100MHz • Dual Channel • Delayed Sweep • CRT Readout • Sweep Time • Autoringing • Trigger Lock • 2mV Sensitivity
--	--	--

Model	Frequency	Features	List Price	Discount Price	Save
V-223	20MHz	D.T., 1mV sens, Delayed Sweep, DC Offset, Vert Mode Trigger	\$825	\$725	\$100
V-422	40MHz	D.T., 1mV sens, DC Offset, Vert Mode Trigger, All Mag	\$940	\$740	\$200
V-423	40MHz	D.T., 1mV sens, Delayed Sweep, DC Offset, All Mag	\$1,025	\$825	\$200
V-660	60MHz	D.T., 2mV sens, Delayed Sweep, CRT Readout	\$1,295	\$1,145	\$150
V-1065	100MHz	D.T., 2mV sens, Delayed Sweep, CRT Readout, Cursor Meas	\$1,895	\$1,670	\$225
V-1100A	100MHz	D.T., 1mV sens, Delayed Sweep, CRT Readout, DVM, Counter	\$2,450	\$2,095	\$355
V-1150	150MHz	D.T., 1mV sens, Delayed Sweep, Cursor Meas, DVM, Counter	\$3,100	\$2,565	\$535

ELENCO PRODUCTS AT DISCOUNT PRICES

20MHz Dual Trace Oscilloscope  MO-1251 \$375 Features: • 6" CRT • Built in component tester • TV Sync	FREE DMM with purchase of MO-1251/1252 Scope SCOPE PROBES P-1 65MHz 1x, 10x \$19.95 P-2 100MHz 1x, 10x \$23.95	35MHz Dual Trace Oscilloscope  MO-1252 \$495 Features: • High luminance 6" CRT • 1mV Sensitivity • 6KV Acceleration Voltage • 10ns Rise Time • X-Y Operation + Z Axis • Delayed Triggering Sweep
---	--	---

Top quality scopes at a very reasonable price. Contains all desired features. Two 1x, 10x probes, diagrams and manual. Two year guarantee.

PRICE BREAKTHRU on Auto Ranging DMMs 3 to choose from MDM-1180 \$24.95 MDM-1181 \$27.95 MDM-1182 \$29.95 Features: • 3 1/2 LCD Display • 27 Functions • Auto Manual Ranges • Audible Continuity • Data Hold (MDM-1182) • 1% Accuracy (MDM-1181)	True RMS 4 1/2 Digit Multimeter  M-7000 \$135 Features: • 05% DC Accuracy • 1% Resistance with Freq. Counter and deluxe case	Multimeter with Capacitance and Transistor Tester  CM-1500A \$55 Reads Volts, Ohms, Current, Capacitors, Transistors and Diodes with case	Digital Capacitance Meter  CM-1550 \$58.95 9 Ranges 10f-20,000ufd 5% basic acy Zero control with case
Digital LCR Meter  LC-1800 \$125 Measures Coils 1uH-200H Caps 1pF-200uF Res 0.1-20M	Bench DMMs  M-3500 3 1/2 digit \$125 M-4500 4 1/2 digit \$175 05% acy	SOLDERING STATION Temperature Controlled  SL-30 \$99 Digital display Temp range 300F-900F Grounded tip Overheat protect	Solderless Breadboards  9436 SHOWN 9430 1,100 pins \$15 9434 2,170 pins \$35 9436 2,860 pins \$25 All have color coded posts
AC Clamp-On Current Adapter  ST-265 \$25 0-1000A AC Works with most DMM	Wide Band Signal Generators  SG-9000 \$129 RF Freq 100K-450MHz AM Modulation of 1KHz Variable RF output SG-9500 with Digital Display and 150MHz built-in Freq Ctr \$249	TRIPLE POWER SUPPLY XP-620  Assembled \$65 Kit \$45 2 to 15V at 1A 2 to 15V at 1A (or 4 to 30V at 1A) and 5V at 3A Contains all the desired features for doing experiments. Features short circuit protection all supplies	Function Generator  B10X #9600 \$28.95 Provides sine, tri, squ wave from 1Hz to 1MHz AM or FM capability
Digital Triple Power Supply  XP-765 \$249 0-20V at 1A 0-20V at 1A 5V at 5A Fully Regulated, Short circuit protected with Limit Cont. 3 Separate supplies XP-660 with Analog Meters \$175	Quad Power Supply  XP-580 \$59.95 2-20V at 2A 12V at 1A 5V at 3A 5V at 5A Fully regulated and short circuit protected XP-575 without meters \$39.95	Decade Blox  #9610 or #9620 \$18.95 #9610 Resistor Blox 47 ohm to 1M & 100K pot #9620 Capacitor Blox 47pF to 10MFD	LEARN TO BUILD AND PROGRAM COMPUTERS WITH THIS KIT! INCLUDES ALL PARTS, ASSEMBLY AND LESSON MANUAL  MODEL MM-8000 148.00 Starting from scratch you build a complete computer system. Our Micro Master trainer teaches you to write into RAMs, ROMs and run a 8085 microprocessor, which uses the same machine language as IBM PC. You will write the initial instructions to tell the 8085 processor to get started and store these instructions in permanent memory in a 2816 EPROM. Teaches you all about input and output ports, computer timers. Build your own keyboard and learn how to scan keyboard and display. No previous computer knowledge required. Simple easy to understand instruction teaches you to write in machine language.
Four-Function Frequency Counters  F-100 120MHz \$179 F-1000 1.28Hz \$259 Frequency, Period, Totalize, Self Check with High Stabilized Crystal Oven Oscillator, 8 digit LED display	GF-8016 Function Generator with Freq. Counter  GF-8016 \$249 Sine, Square, Triangle Pulse, Ramp, .2 to 2MHz Freq Counter .1 - 10MHz GF-8015 without Freq. Meter \$179	WE WILL NOT BE UNDERSOLD! UPS Shipping: 48 States \$5+ (\$10 Max) IL Res., 7% Tax	

C & S SALES INC.
 1245 Rosewood, Deerfield, IL 60015
 (800) 292-7711 (312) 541-0710

15 Day Money Back Guarantee
2 Year Warranty (Price subject to change)
WRITE FOR FREE CATALOG

CIRCLE 86 ON FREE INFORMATION CARD

High-Precision and Micropower Operational Amplifiers

By Joseph Desposito

Operational amplifiers are a favorite of engineers and hobbyists and are used in a wide variety of circuits. Choosing among the different op-amp types is usually done based on circuit design parameters such as low-noise, high precision, high speed or low power. Described below are a selection of high-precision and micropower op-amps that have appeared in the last year or so.

Precision Op-Amps

Precision Monolithics, Inc. (1500 Space Park Dr., Santa Clara, CA 95052) recently introduced the OP-177. According to its specifications, the OP-177 has an offset potential of 10 V maximum at room temperature and 20 μV maximum over the full military temperature range. The low offset voltage of the OP-177 coupled with an offset voltage drift of 0.1 $\mu\text{V}/^\circ\text{C}$ maximum eliminates the need for external trimming and increases system accuracy over temperature.

The OP-177 has an open-loop gain of 12V/ μV that is maintained over the full ± 10 V output range. Some of the OP-177's other specifications are a common-mode rejection ratio (CMRR) of 130 dB minimum, power-supply rejection ratio (PSRR) of 120 dB minimum and maximum supply current of 2 mA. Specifications like these allow the OP-177 to produce accurate performance in high closed-loop gain applications.

The OP-177 is available in an eight-pin ceramic dual in-line (CERDIP) package for the military (-55° to $+125^\circ$ C) temperature range and in eight-pin CERDIP, plastic and SO packages in the extended industrial (-40° to $+85^\circ$ C) temperature range. The OP-177 is priced at \$1.00 for plastic and SO, \$1.50 for CERDIP, and \$9.00 for military grades in 100-piece quantities.

Raytheon's (Semiconductor Div., 350 Ellis St., Mountain View, CA 94043) RC/RM4207 dual op-amp is designed for low-level signal conditioning and instrumentation applications. Low offset voltage of 75 μV maximum, low offset volt-

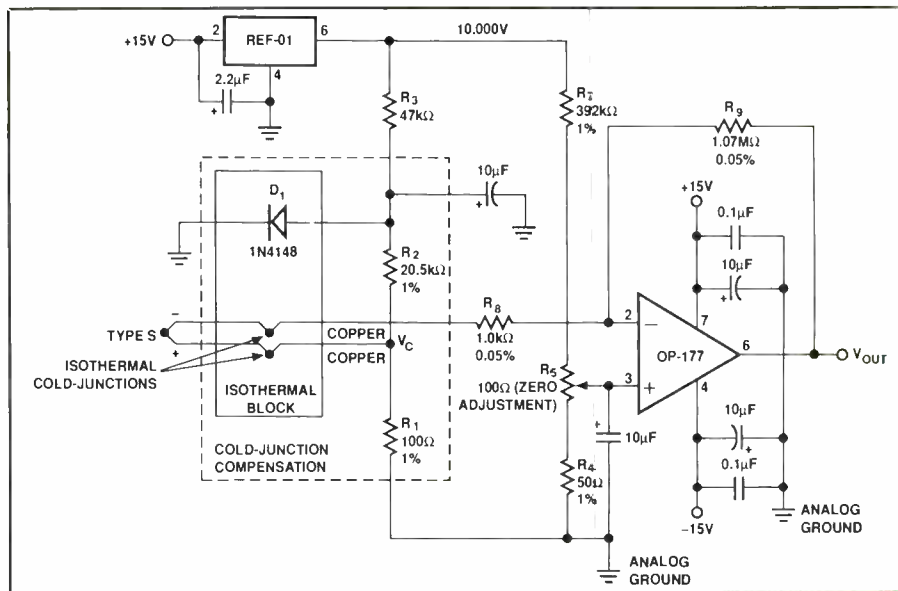


Fig. 1. In this circuit, built around Raytheon's OP-177 precision operational amplifier, an S-type thermocouple produces a 10.3-mV output at a temperature of 1,000° C.

age drift of 1.3 $\mu\text{V}/^\circ\text{C}$ maximum, a CMRR of 100 dB minimum, and low input bias current of 5 nA maximum serve to reduce input related errors to less than 0.01% in a typical high-gain instrumentation amplifier system ($A_v = 1,000$).

The 4207 contains two separate amplifiers with a high degree of isolation between them. Each is complete, requiring no external compensation capacitors or offset nulling potentiometers.

The RC4207, in an industry standard dual eight-lead pinout, is available in both the plastic and ceramic mini-dip packages in commercial and military temperature grades. Pricing, in 100-piece quantities, starts at \$.91 for the commercial plastic package.

An example of a precision circuit is a thermocouple amplifier that must amplify very-low-level signals accurately without introducing linearity and offset errors to the circuit. In the circuit shown in Fig. 1, an S-type thermocouple produces 10.3 μV of output voltage at a temperature of 1,000° C. The amplifier produces an output voltage of 10.024 V. The circuit uses a low-cost diode to sense the temperature at the terminating junctions and, in

turn, compensates for any ambient temperature change. An op-amp such as the OP-177, with its high open-loop gain, plus low offset voltage and drift, is the basis for a very precise temperature sensing circuit. A more simplified high-stability thermocouple amplifier using the 4207 is shown in Fig. 2.

Micropower Op-Amps

Linear Technology (1630 McCarthy Blvd., Milpitas, CA 95035) recently introduced the LT1178 and LT1179 precision micropower operational amplifiers with supply currents of 17 μA maximum per amplifier. The LT1178 is an eight-pin dual op-amp and the LT1179 is a 14-pin quad op-amp. Both devices are optimized for single-supply operation at 5 V.

The low supply current of the LT1178 and LT1179 is also combined with precision specifications: offset voltage is 70 μV maximum (with 0.5 $\mu\text{V}/^\circ\text{C}$ drift) and offset current is 250 picoamperes maximum. Their 1.5-picoampere peak-to-peak current noise and picoampere offset current permit the use of megohm-level source resistors without introducing serious er-

rors. Voltage noise is 0.9 μV peak-to-peak (0.1 Hz to 10 Hz), which is very low, considering the low supply current.

Both the LT1178 and the LT1179 can be operated from a single supply (as low as one lithium cell or two nickel-cadmium cells). The input range goes below ground. The all-npn output stage swings to within a few millivolts of ground while sinking current—no power-consuming pull-down resistors are needed.

The LT1178 dual micropower precision op-amp is available in eight-pin plastic or CERDIP packages and TO-5 metal cans. The LT1179 quad micropower precision op-amp is available in 14-pin plastic or CERDIP packages. Both commercial and military versions of the op-amps are available. Pricing in quantities of 100 and up for the commercial grade, plastic DIP package is \$3.00 each for the LT1178 and \$3.90 each for the LT1179.

Precision Monolithics' OP-290 is a precision low-voltage micropower dual op-amp. The OP-290 draws less than 20 μA of supply current per amplifier, but it is able to drive over 5 mA per amplifier into a load. Power-supply voltage for the OP-290 ranges from +1.6 V to +36 V in single-supply operation and from ± 0.8 V to ± 18 V in dual-supply operation.

Input offset voltage is under 200 μV

with a maximum input voltage drift of only 2 $\mu\text{V}/^\circ\text{C}$ over the military temperature range. The OP-290's gain exceeds 700,000 and its common mode rejection is better than 100 dB. The PSRR of 5.6 $\mu\text{V}/\text{V}$ maximum reduces errors caused by ground noise and power-supply fluctuations of battery- or solar-powered applications. Low offset voltage and high gain of the OP-290 bring precision performance to micropower applications.

The monolithic design of the OP-290 ensures parametric matching and temperature tracking between both amplifiers. This makes the OP-290 a good choice for dual op-amp applications such as instrumentation amplifiers. The minimal voltage and current requirements of the OP-290 suit it for battery and solar powered applications, such as portable instruments, remote sensors, and satellites.

The OP-290 can be operated on a minimum supply potential of +1.6 V, or with dual supplies of ± 0.8 V, and draws only 19 μA of supply current. In many battery-powered circuits, the OP-290 can be operated for thousands of hours before requiring battery replacement.

High-performance portable equipment and instruments frequently use lithium cells because of their long shelf life, light weight, and high energy density relative

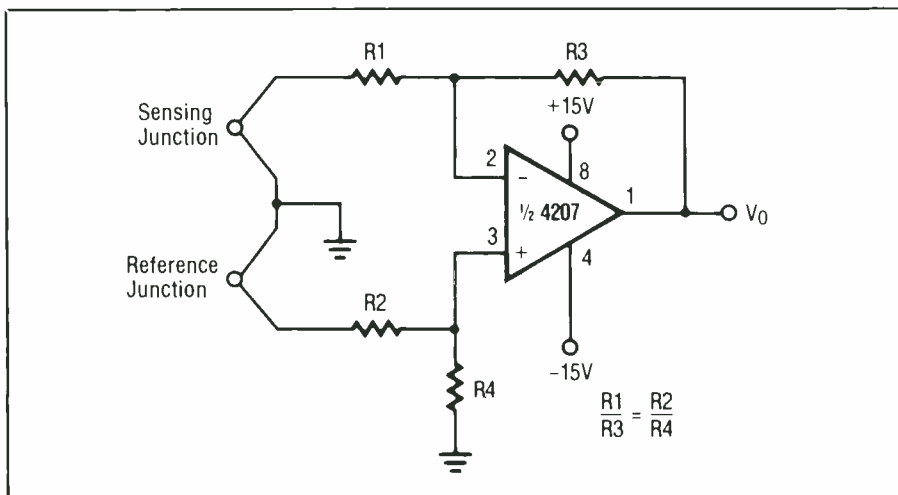
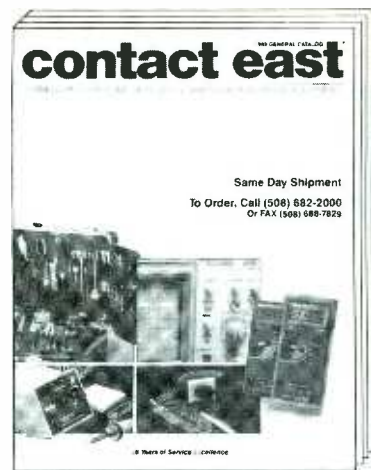


Fig. 2. This high-stability thermocouple amplifier, built around the Raytheon 4207 integrated-circuit amplifier, is much simpler than that shown in Fig. 1.



FREE CATALOG TEST INSTRUMENTS & HARD-TO-FIND TOOLS

Packed with over 10,000 quality products for testing, repairing, and assembling electronic equipment. A full selection of test instruments, power protection equipment, precision hand tools, tool kits, soldering supplies, and much more. Products are shown in full color with detailed descriptions and pricing. All products come with a 100% satisfaction guarantee. SAME-DAY shipment program.

In a hurry to receive your catalog?

Call (800) 225-5370

In Massachusetts call (508) 682-2000

Contact East, Inc., Dept. R431
335 Willow St., No. Andover, MA 01845

CIRCLE 35 ON FREE INFORMATION CARD

AMAZING SCIENTIFIC & ELECTRONIC PRODUCTS

PLANS—Build Yourself—All Parts Available In Stock

- LC7—BURNING CUTTING CO₂ LASER \$20.00
- RUB4—PORTABLE LASER RAY PISTOL 20.00
- TCC7—3 SEPARATE TESLA COIL
PLANS TO 1.5 MEV 25.00
- IOG2—ION RAY GUN 10.00
- GRA1—GRAVITY GENERATOR 10.00
- EML1—ELECTRO MAGNET COIL GUN/LAUNCHER 8.00

KITS

- MFT3K—FM VOICE TRANSMITTER 3 MI RANGE 59.50
- WWP7K—TELEPHONE TRANSMITTER 3 MI RANGE 49.50
- BTC3K—250,000 VOLT 10-14" SPARK TESLA COIL 249.50
- LHC2K—SIMULATED MULTICOLOR LASER 44.50
- BLS1K—100,000 WATT BLASTER DEFENSE DEVICE 69.50
- NIG7K—NEGATIVE ION GENERATOR KIT 34.50
- STAIK—ALL NEW SPACE AGE ACTIVE
PLASMA SABER 59.50
- PG5K—PLASMA LIGHTNING GLOBE KIT 49.50
- SDSK—SEE IN THE DARK VIEWER KIT 199.50

ASSEMBLED

- PTW1K—SPECIAL EFFECT VISUAL PLASMA
GENERATOR FOR GLOBES/NEON TUBING ETC. 59.50
- BTC10—50,000 VOLT—WORLD'S SMALLEST
TESLA COIL 54.50
- LGU40—1MW HeNe VISIBLE RED LASER GUN 249.50
- TAT30 AUTO TELEPHONE RECORDING DEVICE 24.50
- ITM10—100,000 VOLT 20" EFFECTIVE RANGE
INTIMIDATOR 99.50
- LIST10—SNOOPER PHONE INFINITY
TRANSMITTER 169.50
- IPG70—INVISIBLE PAIN FIELD GENERATOR—
MULTI MODE 74.50

* CATALOG CONTAINING DESCRIPTIONS OF ABOVE PLUS HUNDREDS MORE AVAILABLE FOR \$1.00 OR INCLUDED FREE WITH ALL ABOVE ORDERS.

PLEASE INCLUDE \$3.00 PH ON ALL KITS AND PRODUCTS PLANS ARE POSTAGE PAID. SEND CHECK, MO, VISA, MC IN US FUNDS

INFORMATION UNLIMITED
P.O. Box 716, DEPT. ME, AMHERST, NH 03031

CIRCLE 8 ON FREE INFORMATION CARD

ATTENTION! ELECTRONICS TECHNICIANS

EARN YOUR
**B.S.E.E.
DEGREE**

THROUGH HOME STUDY

Our New and Highly Effective Advanced-Placement Program for experienced Electronic Technicians grants credit for previous Schooling and Professional Experience, and can greatly reduce the time required to complete Program and reach graduation. No residence schooling required for qualified Electronic Technicians. Through this Special Program you can pull all of the loose ends of your electronics background together and earn your B.S.E.E. Degree. Upgrade your status and pay to the Engineering Level. Advance Rapidly! Many finish in 12 months or less. Students and graduates in all 50 States and throughout the World. Established Over 40 Years! Write for free Descriptive Literature.

COOK'S INSTITUTE
OF ELECTRONICS ENGINEERING



4251 CYPRESS DRIVE
JACKSON, MISSISSIPPI 39212

CIRCLE 85 ON FREE INFORMATION CARD

SOLID-STATE DEVICES...

to older primary cells. Most lithium cells have a nominal output of 3 V and a flat discharge characteristic.

The OP-290 conforms to the industry standard eight-pin dual op-amp pinout. It is available in the eight-pin CERDIP for the military and extended industrial temperature ranges. The OP-290 is also available in an eight-pin plastic DIP for the extended industrial temperature range. Prices in 100-piece quantities start at \$2.50 for plastic, \$3.40 for CERDIP, and \$9.50 for military grade.

The circuit shown in Fig. 3 is a variable slew rate filter. It can be used to remove pulse noise from an input signal without limiting the response rate to a genuine signal. The non-linear filter is useful in applications where the input signal is known to have physical limitations. An example of this is a transducer output where a change of temperature or pressure can-

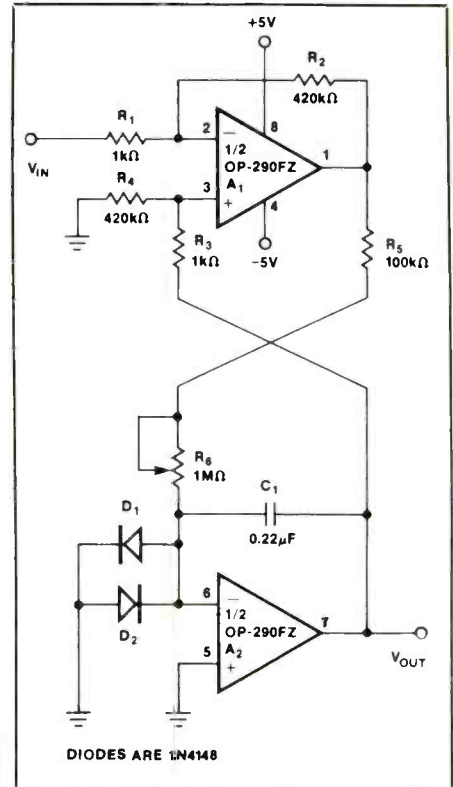


Fig. 3. Circuit details of a variable slew rate filter built around Precision Monolithics' OP-2970FZ.

not exceed a certain rate due to physical limitations of the environment.

The filter consists of a comparator that drives an integrator. The comparator compares the input voltage to the output voltage and forces the integrator output to equal the input voltage. The closed-loop gain of $A1$ is high so that with a fast slewing signal, $A1$ acts as a comparator with its output high or low. Diodes $D1$ and $D2$ clamp the voltage across $R6$ forcing a constant current to flow in or out of $C1$. Resistor $R6$, capacitor $C1$ and amplifier $A2$ form an integrator with the amplifier's output slewing at a maximum rate of $0.6 \text{ V}/(R6 \times C1)$.

With the values shown in Fig. 3, the maximum slew rate can vary from 2.7 V/s to 12 V/ms. For an input voltage slewing at a rate under the maximum slew rate, the output simply follows the input with $A1$ operating in its linear region. **ME**

They're Here! FUN PROJECTS

You'll want these two exciting project books, packed with complete plans for building a wide variety of useful electronic devices.

Look at what you can build & take pride in:

- * Digital voltmeter accessories—high-frequency ac probe, true-rms adapter, temperature probe
- * Car projects—anti-theft alarms, engine tachometer
- * Life-saving detectors—gases & microwave leaks

The Fun Projects are capped by introductory information on building projects and kits (tools needed, parts sources, etc.) and advanced design techniques that illustrate how a designer thinks and plans when putting together a practical end product.

From beginning to end, MODERN ELECTRONICS FUN PROJECT BOOKS are for you! Order them today for a fast start in the world of electronics.

MODERN ELECTRONICS
76 N. Broadway, Hicksville, NY 11801

Name _____

Address _____

City _____

State _____ Zip _____

() Check () MasterCard () VISA

Card No. _____

Expires _____

Signature _____

(Signature required on all charge orders)

Order Date: _____

QTY	Title	Price	Total
	First Book of Modern Electronics Fun Projects	\$12.95 ea.	
	Second Book of Modern Electronics Fun Projects	\$12.95 ea.	
		Total	
		*Shipping	
		Grand Total	

*Shipping charges \$2 per order. Orders processed day received, but please allow 30 days for delivery.

A New Pocket Computer

By Ted Needleman

In the more than two decades I've used computers, there have been just two systems that gave me the "knock-your-socks-off" feeling. The first was, of course, the first computer I worked with, an obsolete (even then) IBM 1401. This machine consisted of two large boxes, five feet high, a card reader/punch, and the venerable 1403 printer, a monstrously large and noisy band printer.

For all its size, the 1401 contained only 4K of ferrite core memory and no auxiliary storage such as tape or disk. It was programmed in a precursor to assembler language called AutoCoder. Memory locations could be directly altered by using a set of rotary memory address switches and nine toggle switches called "sense switches." The 1401 was manufactured before hexadecimal was widely adopted, and you needed to know a type of notation called Extended Binary Coded Decimal (which is still used in many of IBM's larger computers).

The 1401 was one of the most successful second generation (that is, all-transistor) computers. At the time I first encountered it (1968) the next generation of computers, IBM's 360, was already out and becoming very popular. But as difficult as it was to program and use, it was still my first computer, and I both loved it and was awed by it.

In the intervening years, I've used numerous other systems; IBM 360s, 370s, 3090s, System 3s, DEC PDP-11's and VAXes, and PCs ranging from Apple IIs to the 386 PC that is my main machine at the moment. Each new system offered a bit of a thrill, but until last week, that "gee-whiz" feeling was gone. The object of my affection is the new pocket-sized Portfolio computer from Atari.

I've never been particularly enthusiastic about Atari. Its Pong game was one of the first of its kind, but their computers, until recently, were more "home" machines than the business tools I generally use. This, of course, doesn't mean they were bad computers, it's just that my systems are generally used for business pur-



Atari's new MS-DOS-compatible hand-held PC is about the same size of a VCR tape cartridge. It comes with word-processing software, spreadsheet, personal calendar and phone directory.

poses, which has tended to bias me toward MS-DOS PCs (and CP/M computers before them).

The Portfolio has eliminated my Atari prejudice. About the size of a VCR tape cartridge and weighing just under a pound, the Portfolio is the first affordable truly portable computer. Using a low-power 80C88 microprocessor running at a clock speed of 4.92 MHz, it features a 40-character by 8-line LCD display, a standard 126K of RAM that can be partitioned between a RAM disk and program memory, a true QWERTY keyboard, and ports for plug-in RAM cards that can be used to expand the memory up to another 126K, and intelligent serial and parallel cables.

The whole thing runs on three AA cells or an optional ac power supply and contains a proprietary operating system in ROM that exactly emulates MS-DOS 2.11, a 1-2-3 file-compatible spreadsheet, a stripped down word processor, a calculator, diary, and phone directory. It can even dial your phone for you by playing the tones through its built-in speaker into the phone's mouthpiece. It offers all this for a list price of \$400!

Okay, I admit there have been other computers *almost* as terrific as this one.

After all, the TRS-100 (and its fraternal twin, the NEC 8201) had the same size display, a QWERTY keyboard, built-in word processor; while it didn't fold and wasn't as compact, it was still light and portable. Problem with it was that it was not MS-DOS compatible, had really limited memory, and contained Ni-Cds that had to be recharged.

The Portfolio, on the other hand, is entirely MS-DOS compatible. If you download a program small enough to both run and be stored in memory, it operates on the Portfolio the same way it does on an MS-DOS PC (except for the smaller screen). And it's easier to just open the back and change the three AA cells when needed than to recharge a run-down set of Ni-Cds. The Portfolio retains its data while you do this, incidentally, so you don't have to worry about your work going to "data heaven," as often happens with battery-powered laptops when their batteries give up the ghost.

The closest thing to Atari's Portfolio is the much more powerful NEC Ultralight. The size of a paperback book when closed, it offers a full sized screen (80 characters by 25 lines), a larger keyboard, a silicon hard disk, and much more RAM (1 megabyte is standard). At \$3,000, the

More QSO's More QSL's More Fun



when you speak their language.

- Add extra spice to your DX QSO's
- Let your DX friends know you care enough about them to learn their language. (After all, they've gone out of *their* way to learn English!)
- Break the phone pile-up with a few carefully chosen words in the DX station's own language. You'll be amazed at the difference. It's like adding 3 dB to your signal!

The Radio Amateur's Conversation Guide by OH1BR and OH3BAD gives you the 147 most often used phrases in eight languages: English, German, French, Italian, Spanish, Portuguese, Cyrillic Russian, Phonetic Russian, Phonetic Japanese. Phonetic alphabets and eight-language dictionary included in this rugged spiral-bound manual a MUST for any serious DXer or Contester. Beat the competition. Order yours today. Only \$10.00 plus \$2.00 per order shipping.

Supplements available in less-used languages: Dutch/Flemish, Danish, Finnish, Swedish, Serbocroatian. \$4.00 per supplement. Be sure to state which language supplement you need.



New cassette tapes in eight languages

Now you can hear the exact pronunciation of the sentences, phrases and words covered in *The Radio Amateur's Conversation Guide*. Each high quality language tape is recorded with proper dialect and usage in one of the languages in the Conversation Guide.

Tapes available in each of these languages:

- German
- French
- Spanish
- Finnish
- Portuguese
- Russian
- Japanese
- Swedish



CQ Book Shop
76 North Broadway
Hicksville, NY 11801

Please send the following

- Conversation Guide Book \$10

Language Tapes

@ \$10 each

- German
- French
- Spanish
- Finnish
- Portuguese
- Russian
- Japanese
- Swedish

Supplements

@ \$4 each

- Dutch/Flemish
- Danish
- Finnish
- Serbocroatian
- Swedish

Add \$2 for postage and handling in North America

Total _____

Name _____

Address _____

City _____ State _____ Zip _____

PC CAPERS...

NEC is 7.5 times the price of the Portfolio and more than four times the weight.

Using the Portfolio is just about the same as any other MS-DOS PC. You open the case and turn it on by depressing any of the keys. This brings you to the point where you left off. Atari's "kneetop" uses a nice windowing system for its built-in applications. The menu to select one of these applications can be displayed by typing "APP" at the DOS prompt.

Not having a power switch, the Portfolio is shut off by typing "off." The keyboard, incidentally, will give touch typists a bit of trouble. It's a standard QWERTY layout, and the keys have a good feel, but given the size of the machine, there's just no way that the keys can be spaced far enough apart so that a touch typist will feel comfortable. Unfortunately, though, that's the price you have to pay to own a PC that fits comfortably in a jacket pocket.

I've had a pre-release of the Portfolio for a week now and Atari wants it back quickly so that another reviewer can get a look at it. It came without the smart cable or an extra memory card, which severely limited what I could do with it other than use the built-in functions (spreadsheet, word processor, phone directory/dialer, and diary). Even at that, I'm going to be unhappy to see it go. I've had it just long enough to get some idea of how nice it would be to own. Atari has promised me another one on a longer loan. I'll report on whether a longer acquaintance fans the fires or cools them.

The Portfolio isn't as glamorous as the next generation of i486-based PCs. It has some limitations that are design compromises, such as the small screen (which does window into a virtual 80 character by 24 line screen), and relatively small amount of RAM (at least in these days of 640K standard memory). These compromises are minimal if your primary use for the Portfolio is for writing or spreadsheeting on the go, as the built-in applications leave plenty of room for data in the standard 126K of RAM. And with the optional RAM expansion cards, there should be sufficient room to download small cus-

tom applications, turning the Portfolio into a custom inventory taker, or data capture device. With the optional 126K RAM card, you should also be able to load and run BASIC programs, some dBASE software, or even GW-BASIC or Microsoft's QuickBASIC to do programming on the go.

What makes the Portfolio exciting is that it takes us one step closer to the science-fiction vision of a portable personal computer. It's easy to become jaded when your everyday PC is a 16-MHz 386, containing 3 MB of RAM, 110 MB of disk storage, and color VGA graphics. But compared to the Epson LT laptop that I normally shlep with me on business trips, the Atari Portfolio is a wonder. It's powerful, practical, and affordable.

Clarification

Looking back at September's column, I noticed that in my attempt to simplify, I may have done Traveling Software's Lap-Link III a disservice. I described Lap-Link's ability to load a clone of itself into the target machine as being similar to a benign virus. In doing so, I probably gave the impression that this could take place without direct intervention from the user. Actually, both Traveling Software's Lap-Link, and a similar file-transfer product from Rupp Software use a feature that has been in MS-DOS since version 2.0 to accomplish this "cloning" process. And the process itself requires that a user perform a set-up process on the system that is to receive a copy of the file transfer software.

This set-up procedure requires that you use the CTTY command on the target machine. CTTY has, as I mentioned before, been available since release 2.0 of MS-DOS and, in fact, was available in CP/M, the first widely accepted micro-computer operating system. Most operating systems, whether for micros, minis, or mainframes, have a class of commands for I/O redirection. In MS-DOS 3.0 and higher, these are called pipes, but even the earlier releases allowed you to send a file to a serial port, a parallel port or to a disk file. The CTTY (standing for

Console Teletype) command is similar in concept, but what it does is transfer where the PC looks for the standard input and output device (CRT and keyboard) to an auxiliary console. This auxiliary console is most often a "dumb" terminal connected to one of the serial I/O ports (that is, COM1 or COM2).

By issuing the CTTY command, you are turning over control of the PC to the device on the other side of the I/O port that you specify. The command CTTY COM1 causes the PC to look for "keyboard" input at the serial port rather than the keyboard port addresses. It also instructs the computer to send screen output to the serial I/O port, rather than the video adapter card installed in the PC. Whether you've connected a video terminal or another PC to this port is immaterial to the PC; it doesn't really look beyond the I/O port.

Both Lap-Link III and FastLynx take advantage of this situation. Once control has been handed over to the COM port (and to the software residing on the PC on the other side of that port) a series of instructions is issued that says, in essence, that the next series of "keystrokes" comprise a program that is to be stored in memory and run. This program is a copy of Lap-Link or FastLynx. When run, the "cloning" process is complete.

Aside from simulating a benign "virus," CTTY can be used for running your PC remotely. For example, if your system is located downstairs in the basement, but you'd also like to occasionally work in your upstairs bedroom, you can buy an inexpensive serial RS-232 terminal and run some cable from the downstairs PC to the upstairs bedroom. Then, by powering up the PC and issuing the CTTY COM1 command (along with some parameters that set the serial port to the same speed and word length as the terminal) you can operate the PC from your upstairs terminal.

There are some limitations to this technique. Many inexpensive terminals do not offer PC graphics, so word processing, programming, data base management, and spreadsheeting are the most

appropriate applications to run remotely. Also, many RS-232 terminals are limited as to the speed they can operate at. The most frequent speed limitation is 9600 baud or 19 kilobaud. This is substantially slower than the screen and keyboard connected directly to your PC operates at, and may be distracting in some applications.

On the other hand, though, you can get a fairly decent terminal for under \$300 from many mail-order companies. Moreover, serial communication can be accomplished with cable having as few as three conductors (depending on the terminal's requirements). While shielded cable is best, short runs of inexpensive telephone cable often work satisfactorily. Keep in mind, though, that with cable lengths in excess of 50 feet, serial communications begin to suffer because of line losses, so try and keep your cable runs under this length.

ME



Free Product Information

Readers can obtain free information on products advertised by certain companies, as well as for some editorially mentioned products. Simply circle the appropriate number printed below an advertisement onto the Modern Electronics "Free Information Service" card bound into this issue. After filling in your name and address, just mail the postpaid card. Your request will be forwarded directly to the advertiser with a mailing label prepared by our reader-service department to ensure speedy response.

NEW SUPER LONG PLAY TAPE RECORDERS

12 Hour Model — \$119.00*
USES D-120 TAPE

Modified Panasonic Slimline, high quality AC-DC Recorders provide 6 continuous hours of quality recording & playback on each side of cassette for a total of 12 hours. Built-in features include:
• Voice level control • Digital counter etc. TDK DC 120 Cassette Furnished.



PHONE RECORDING ADAPTER

Records calls automatically. All Solid state connects to your telephone jack and tape recorder. Starts recording when phone is lifted. Stops when you hang up. **\$28.50*** FCC APPROVED

VOX VOICE ACTIVATED CONTROL SWITCH

Solid state. Self contained. Adjustable sensitivity. Voices or other sounds automatically activate and control recorder. Uses either recorder or remote mike. **\$28.50***
*Add for ship & hdg. Phone Adapter & Vox \$1.50 ea. Recorders \$4.00 ea. Cal. Res. add tax. Mail order, VISA, M/C, COD's OK. Money Back Guarantee. Qty. disc avail.. Dealer inquiries invited. Free data.
AMC SALES INC. Dept. M9335 Lubec St., Box 928, Downey, CA 90241 Phone (213) 869-8519

CIRCLE 94 ON FREE INFORMATION CARD

Get A Complete Course In

ELECTRONIC ENGINEERING

8 volumes, over 2000 pages, including all necessary math and physics. 29 examinations to help you gauge your personal progress. A truly great learning experience.

Prepare now to take advantage of the growing demand for people able to work at the engineering level.

Ask for our brochure giving complete details of content. Use your free information card number, or write us directly. **\$99.95**, Postage Included. Satisfaction guaranteed or money refunded.



Banner Technical Books, Inc.

1203 Grant Ave.
Rockford, IL 61103

CIRCLE 95 ON FREE INFORMATION CARD

The Book of FAX. By Daniel Fishman & Eliot King. (Ventana Press, P.O. Box 2468, Chapel Hill, NC 17515. Soft cover. 130 pages. \$12.95.)

Facsimile communication is becoming more and more important in business and personal communication. This book can help the newcomer gain a working knowledge of the FAX technology and the person who already owns FAX equipment to obtain the most cost-effective use of it. It guides the newcomer to an intelligent buy decision based on needs, price and other important criteria. Though the book talks about not being "left behind," it also discusses whether or not a need even exists for a FAX machine in given situations. If no need exists, there is no push in the text for the reader to buy a FAX machine regardless, as so many books do.

This book's lucid text imparts technical and non-technical detail without unnecessary theory or side issues. At the outset, it discusses why one might need a FAX machine and builds from there. To set the stage, the two opening chapters familiarize the newcomer with the FAX revolution, his options, types of equipment available and advantages and pitfalls of becoming a FAX user. Later chapters are geared to people who are already users of FAX. These deal with choosing between competing FAX machines, the buy or lease decision, whether a FAX board that plugs into your computer is a better option than a stand-alone FAX machine, the FAX document as legally binding, and how to stop FAX "junk" mail. FAX "etiquette," managing FAX in a large company, and how FAX is becoming integrated with computers, copy machines and other technologies are other issues discussed. Included are checklists for determining FAX needs and which machine features to look for when making a purchase.

All in all, this is a well-rounded book on the FAX topic. Its approach is from a user's point of view, making the material it contains particularly valuable to the non-technical audience.

Encyclopedia of Electronic Circuits, Volume 2. By Rudolf F. Graf. (Tab Books. Soft cover. 731 pages. \$29.95.)

Written to serve as a companion to an earlier volume, this massive book (it is more than 2 inches thick) contains 108 chapters that offer more than 1,400 cir-

cuit schematics not covered in Volume 1. It is a truly encyclopedic work, giving schematics that encompass virtually the entire spectrum of electronics technology from alarm to touch-switch circuits. Just about every letter of the alphabet is represented between the two.

Arranged in alphabetical order by category, this book groups together circuits that share a common function, such as amplifiers, bridge circuits, clock circuits, and so on down the line. Each schematic is fully detailed with component values and numbers. Each is also accompanied by a small Circuit Notes section that tells something about the circuit. Its source is also identified, whether from a manufacturer's applications note, a magazine or book or a private individual. If the reader wishes more information on a particular circuit, he can find it in the source from which it was obtained. (All source references are given in a section at the back of the book.)

This volume—plus its companion Volume 1—should make up a ready source to which to turn for just about any type of circuit you can imagine. In this volume alone, you will find circuits for: counters, descramblers and decoders, electronic locks, fence chargers, gas and smoke detectors, humidity sensors, intercoms, logic amplifiers, metal detectors, oscillators, power amplifiers, radar detectors, strobes, and theremins—to name just one from each alphabetical letter represented. Many more types of circuits are schematically represented. This is a well worthwhile book to have handy if you do a lot of experimenting on your own or do not want to have to reinvent the wheel every time you are given an assignment on the job for designing a new system.

Complete Guide to RS232 and Parallel Connections. By Martin D. Seyer. (Prentice-Hall, Inc. 633 pages. \$27.95 soft cover; \$42.00 hard cover.)

This book is extraordinarily large in both page count and size (it measures 8" x 11" and is about 1" thick), considering that it focuses exclusively on making connections to serial and parallel ports. Leafing through it, however, one quickly learns why this is so: the author uses a "tutorial module" approach to analyze several dozen connections between a wide variety of equipment types and

models from a host of manufacturers. Each module is written to stand on its own. Thus, with much of the text material repeated from module to module, a lot of extra space is eaten up—to good use, considering that there would be an inordinate amount of flipping back and forth otherwise.

The book is arranged into six chapters, each covering a specific type of connection. Chapters 1 and 2, for example, cover connecting printers with RS-232 and parallel interfaces. Chapters 3, 4 and 5 detail connection of modems, terminals and computers. The final chapter deals with special tools for making connections, software, hardware and cable designs. In each of the "connecting" chapters, a series of specific-equipment connections are described (the tutorial modules), such as between an HP LaserJet printer and an IBM PC/XT computer. Each of these chapters closes with a general analysis that shows the reader how to apply what was covered in the specific-equipment analyses to equipment other than that mentioned.

By completing fill-in "port profiles" and adhering to the steps and tools provided in the text, the user can successfully connect together any different number of serially and parallel-fed devices.

Appendices sprinkled throughout the book (rather than being grouped together in the back of the book) provide technical details like RS-232 circuit summary with OCITT equivalents, the Centronics standard, pinouts for serial computers and peripherals, connection symptoms and solutions, rules for cable design, etc. In all, a review of more than 300 devices is included in these appendices.

If computers and peripherals are your profession, buying this book can be one of the best investments you make. It will make you into an expert on interconnections in short order.

NEW LITERATURE

Tools/Test Equipment Supplement. Contact East is offering a 1989 supplement to its General Catalog. It lists and describes a wide range of brand-name products for testing, repairing and assembling electronic equipment. Product listings are included for analog/digital

oscilloscopes, static protection, test instruments, precision hand tools and soldering supplies and workstations. Also featured are lines of tele/data communications test instruments, tool kits, wire and cable aids, electronic adhesives, and inspection equipment. For a free copy, write to: Contact East, 335 Willow St. S., Dept. ME, N. Andover, MA 01845.

Soldering Tools Catalog. A.W. Sperry's new catalog features a complete line of products, including all specifications and accessories. The 35-page catalog contains several new additions to the company's line of instruments, including a snap-on VOM, peak-hold and true-rms ac/dc digital voltmeters, photo/contact digital tachometer, no-contact microwave leakage detector, etc. For a free copy of Catalog No. MC-600 Issue C, write to: A.W. Sperry Instruments Inc., 245 Marcus Blvd., Dept. ME, Hauppauge, NY 11788.

Soldering Tools Catalog. A new catalog from Ungar describes the company's updated line of soldering and desoldering equipment for the electronics industry. The 28-page illustrated color catalog describes features and benefits of Ungar surface-mount network systems, desoldering service centers, soldering systems, soldering/desoldering irons, tips, accessories, heat guns and rechargeable cordless tools. Included are construction features, specifications, MIL-SPEC compliance information, ordering information and tip selection guidelines. For a copy of the "Soldering Tools for Electronic Production" catalog, write to: Ungar, 5620 Knott Ave., Buena Park, CA 90621.

Public-Domain PC Software Catalog. PC programs for \$4 per disk are the subject of a new catalog from Sector Systems Co. Listings are for easy-to-use business, engineering and personal-use programs. The eight-page catalog contains five full pages of software listings that are broken down into such categories as spreadsheets, word processors, engineering and science, business and financial, database, communications, graphics, desktop publishing, languages and programming, utilities, and—for the home—sports and games, health and nutrition, etc. Each is briefly described. For a free copy of the catalog, write to: Sector Systems Co., Inc., 416 Ocean Ave., Marblehead, MA 01945.

They're Here!

MODERN ELECTRONICS FUN PROJECT BOOKS

You'll want these two exciting project books, packed with complete plans for building a wide variety of useful electronic devices. The *First* and *Second Books of Modern Electronics Fun Projects*, both Howard W. Sams publications, are now available.

You'll find all the how-it-works information, schematics, photos, drawings, printed-circuit guides and parts sources to make it a snap to build almost 50 useful, unique electronic devices at modest cost.

Discover how these circuits and modern electronic devices perform their magic. Learn practical electronic technology the painless way and have fun doing it!

All projects are based on material published in *Modern Electronics*, with updates and revisions. They've been built and tested by the original authors. Chapters are divided into Intro To Electronic Projects, Home Electronics, Audio/Video Electronics, Security Electronics, Computers, Test Equipment, and Electronic Designing. There's something for everyone!

Look at what you can build & take pride in:

- * Digital voltmeter accessories—high-frequency ac probe, true-rms adapter, temperature probe
- * Car projects—anti-theft alarms, engine tachometer
- * Life-saving detectors—gases & microwave leaks



- * Computer system power controller
- * Dual-pulse generator
- * Surround-sound audio enhancer
- * Security—telephoned status reporter, alarm control center
- * Home convenience—selectable phone ringer musical tunes, touch-sensitive light controller.
- ... and so much more.

The **Fun Projects** are capped by introductory information on building projects and kits (tools needed, parts sources, etc.) and advanced design techniques that illustrate how a designer thinks and plans when putting together a practical end product.

From beginning to end, MODERN ELECTRONICS FUN PROJECT BOOKS are for you! Order them today for a fast start in the world of electronics.

MODERN ELECTRONICS
76 N. Broadway, Hicksville, NY 11801

Order Date: _____

Name _____
 Address _____
 City _____
 State _____ Zip _____
 () Check () MasterCard () VISA
 Card No. _____
 Expires _____
 Signature _____

QTY	Title	Price	Total
	First Book of Modern Electronics Fun Projects	\$12.95 ea.	
	Second Book of Modern Electronics Fun Projects	\$12.95 ea.	
		Total	
		*Shipping	
		Grand Total	

(Signature required on all charge orders)

*Shipping charges \$2 per order. Orders processed day received, but please allow 30 days for delivery.

The Latest WordStar Upgrade: WordStar 5.5 adds new benefits

By Art Salsberg

WordStar 5.5 for IBM XT/AT/PS-2 types of computers and compatibles fills in most of the missing pieces of its major 1988 revision, 5.0. The new \$495 list-priced package costs only \$89 to upgrade from the previous version and \$119 from any prior ones. The LAN package is \$595.

The 5.5's major changes consist of adding helpful programs that were heretofore for sale separately. This includes "Star Exchange" to convert other word-processing files, including WordPerfect and Microsoft Word, to WordStar format, and "Inset" to integrate screen graphics with text.

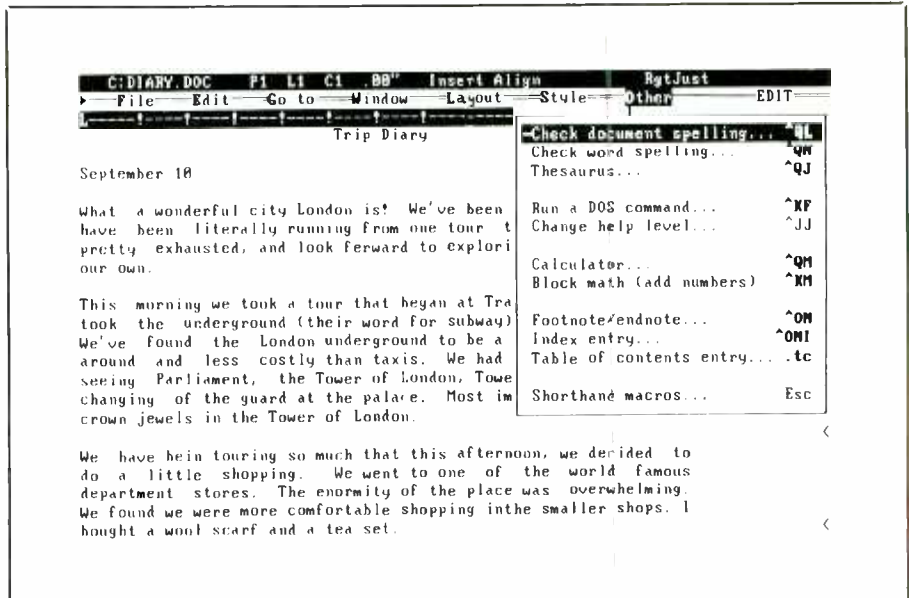
Among other important changes is a Style library to store paragraph styles such as indentations, body fonts, titles, positioning of graphic elements, etc. Its superb Advanced Page Preview feature that lets you see just what a page looks like before printing now also integrates graphics with text.

A bevy of enhancements add further to the productivity of the latest WordStar version. Prime ones include more elaborate menus, automatic spacing between lines when fonts are changed to ones with different heights, a typewriter mode, and multi-lingual spelling and hyphenation when using optional foreign language dictionaries. Also improved is an automatic installation process. Setting up multiple columns has been made easier, too, through use of a column layout dialog box instead of using a bevy of dot commands.

In-Use Comments

WordStar's latest version is a nice step forward, making it fully competitive with the few other top-notch, heavyweight word-processing programs on the market. It has its competitive advantages and shortcomings, much as similar packages have.

The new version carries forward the massive changes made in the earlier one last year, as readers may recall when we reviewed it in depth (see *Modern Electronics*, December 1988). These include



An example of the new WordStar's pull-down menus.

pull-down menus with selections made by entering an item that's highlighted (while retaining the option of using the old "classic" control- and combination-key command method), automatic paragraph reformat, an outliner, desktop publishing features (including WYSIWYG Page Preview and many more font drivers), file import/export (including direct Lotus 1-2-3 and dBASE data without the need of an intermediary conversion step), extended footnotes and headers, an extensive search/retrieve program, a telecommunications program, windows, and paragraph numbering, among other advances.

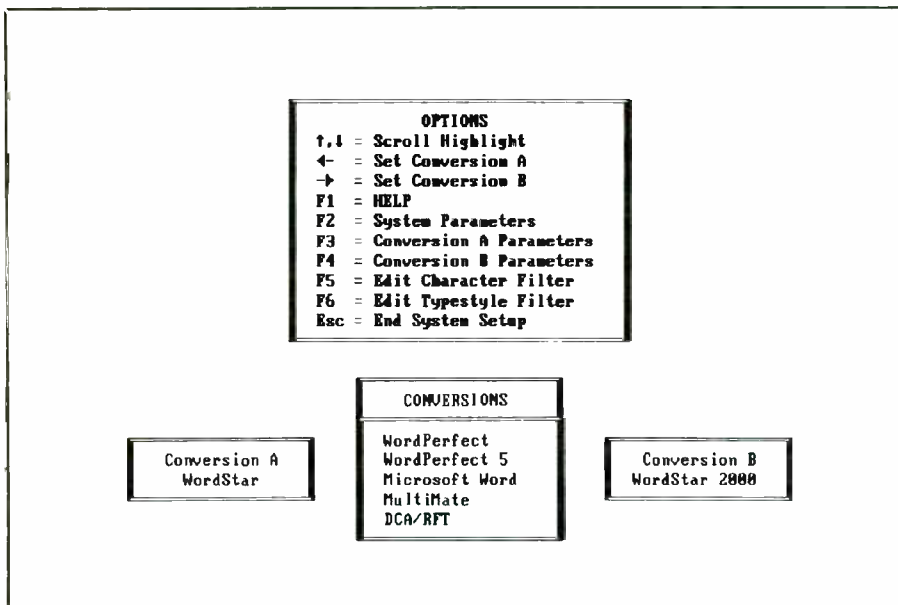
This upgrade gives us an opportunity to revisit the changes made last year with the perspective of a year's worth of experience working with them as well as examining the latest revisions.

Star Exchange, an add-on module that had to be bought separately, but is now included in Version 5.5, is most welcome. Given the enormous popularity of WordPerfect, as well as a few other word-processing packages, it is valuable if you exchange data with non-WordStar users.

The conversion program is easy to use. I had no problem converting programs from and to WordStar without even glancing at the user's manual to learn what to do. The program lists input files and as each one is converted lists the file name in an output column. The input file also displays total number of files to be converted, while the output section displays a running count of the number converted.

I discovered that it does not accept files with suffixes if it already converted one with the same prefix. Thus, in converting a file named Downeast, the program signified a duplicate program when the next one to be converted was Downeast.pre, requesting a new file name or overwrite command. I re-titled the file as Down.pre and it proceeded to do the conversion. All converted files are issued a .ws suffix, so I wound up with a Down.ws file. This information may well be noted in the user's manual, but I did not refer to it.

Converting files, which run automatically, is a little on the slow side compared to WordPerfect's similar function, but it does the job well. A 1,453-byte file re-



The Star exchange menu.

quired 20 seconds to convert, while a 1,662-byte file was clocked at a half-minute. A floppy disk filled with 65 files (258K total) of WordPerfect data consumed 1¼ hours to convert all of it to WordStar 5.5.

WordStar's new paragraph style feature simplifies things when you work with text that requires a lot of format changes since it relieves the user of constantly specifying new fonts, margins, etc. Also, leading (height of space between text lines) is automatically adjusted when new fonts are chosen.

Inset, like Star Exchange, is another program included with WordStar 5.5 that could be bought separately. With it, you can capture graphics from a program and integrate it with text. It's a memory-resident program that can be called up or removed at any time.

Text does not automatically flow around an image unless spacing provisions were made during word-processing. Previewing and the ability to edit allows the user to make any necessary adjustments before printing. Its a nice program nevertheless. Since it is limited to .PIX

files, it doesn't support import of some other graphics file formats that are popular. To do this, you'd have to buy an add-on program, Hijaak. I'd guess that the next revision will include this.

The graphics program is versatile. You can modify an image, re-size it, choose a variety of colors from a palette, clip artwork (clip-art files are included with a variety of symbols), choose line widths, rectangles and circles as well as draw with dots, fill in areas, and create a signature file with a password to protect your signature. A mouse can and should be used for efficient work in some of these areas, although one can stick with the keyboard and still make do. Clearly, Inset is a big step forward for WordStar, given the growing appeal of integrating graphics with text.

Conclusions

The new version makes WordStar even more powerful than it was, which is what new versions should be all about. (The previous WordStar wasn't plagued with a lot of bugs, so the latest one wasn't

brought out to address such a problem, as is the case with some programs.)

Compared to other leading word processors, WordStar still falls short in some operating speed departments, especially when moving paragraphs or going to the end of a long file. So it falls in the middle of the pack among some eight popular full-power WP packages in terms of raw performance.

In fairness, though, it beats out others in spots here and there. For example, it's got the best page preview function of all; the same goes for its import/export capability in terms of breadth. Its spelling checker and thesaurus take a back seat to none, the choice of fonts is breathtakingly deep, and its documentation is, I think, the best. On the latter, the user's manual comes in bound-text form. A ring binder with three-punch pages is available for \$10.

WordStar 5.5 is laden with useful features and still retains its ability to be user-customized. In spite of the riches it now possesses, however, it fails to incorporate a few of the extra features in a seamless manner. Some, like Brown Bag's outliner, which is very good, are clearly add-on modules. That is, a different set of commands are used. This isn't the worst thing in the world, of course. But I, for one, am not enthralled by a requirement to learn more commands. One of the attractions of continuing along with WordStar is my familiarity with its workings. Consequently, the learning curve is minimal. As a result of the cited built-in clumsiness, I do not use the outliner at all.

In the plus department once again is WordStar's relative ease of learning and everyday use. I've noted this many times in the past, disagreeing with the continual commentary of other reviewers that a major shortcoming of WordStar is the difficulty newcomers face in learning how to use the program. Surprise! The latest reviews by others now rank WordStar as the easiest to learn and use among the top-rated full-power word processors, now extolling the virtues of using the control key in combination with another key to get where you want to go. This is the very method that they continually blistered. Perhaps WordStar Inter-

SOFTWARE FOCUS ...

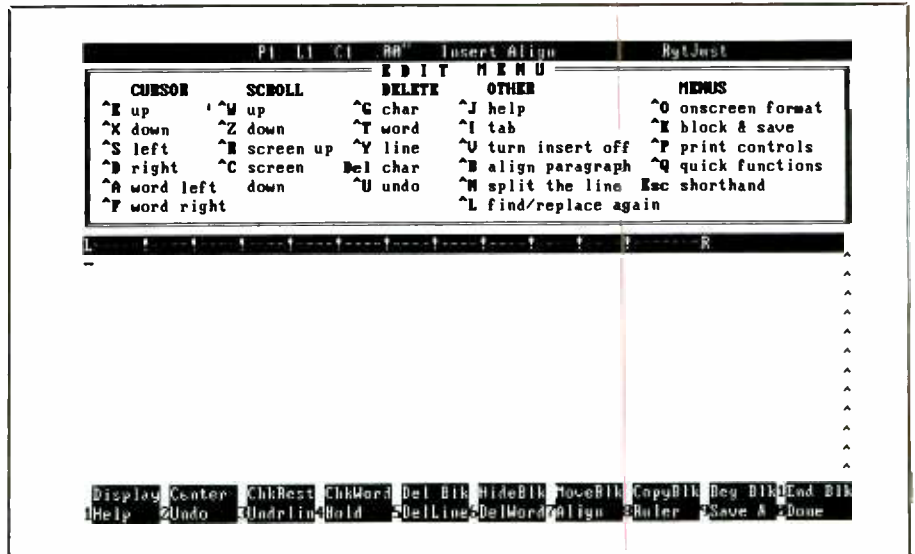
national's (the new corporate name, changed from Micropro) promotion program that WordStar is for "touch typists" brought home this point to reviewers who might have been hunt-and-peck typists all along and couldn't appreciate this potential.

Another very positive aspect of WordStar, although often unheralded, is its superlative error-handling and Help (function key F1) screens.

A criticism I can make for all the powerful word processors that gain muscle upon muscle with every succeeding version is the same one that I observed when "integrated" software first emerged: the programs that were "integrated" into the word processor are not necessarily the best ones available as separate add-ons. Moreover, all the programs are not necessarily desired in the first place. I like WordPerfect's approach to this complaint through an Executive edition that does not include supplementary programs on top of supplementary programs. The price is reduced accordingly. WordStar should do the same.

Although there is a modified version of WordStar built in as an option for users who don't have a hard disk or lots of memory, you lose out on speed and convenient operation if you use it. More than any other earlier version, WordStar 5.5 cries for a hard disk drive and 640K of user memory. The entire program, Postscript files included, requires about 6 megabytes of hard disk space! This can be reduced considerably by deleting lots of printer drivers and fonts that won't be used, but it's still a lot of space, especially when one remembers early WordStars that worked on 64K machines and a CP/M operating system. A sort of virtual memory system made it possible, switching data in and out of memory, onto and off a floppy disk. This considerably slowed down performance of the old WordStar. Later versions operate much faster; so the good old days were really not that good when you think about it.

Working with its predecessor version, 5.0, I came to appreciate its many added benefits even more as time went by. I even use the pull-down menus many times for



An example of the classic WordStar menu.

straight writing purposes, switching to the Classic format when editing and re-writing. Using the latest version, 5.5, is essentially the same, so there's no learning pain. Furthermore, one of WordStar's early strengths, its MailList program, is more powerful than ever. Merging different information into a letter for personalization was never better. This includes invoices, with changing loans and interest calculated and printed automatically, not just switching names and addresses.

Version 5.5 adds a Landscape function, allowing wide printing (printing across a paper's length rather than its width). It's easy, too, to set up phone lists, print on Rolodex cards, labels, etc.

An extra in the latest package is the offer of a Bitstream type face starter kit for only \$15 S&H, and an introductory subscription to CompuServe.

WordStar 5.5 still has some imperfections, as do similarly all-encompassing programs. There is no doubt that it is now up there with the handful of highly ranked powerful word processors on the market. The "street" prices of software are much less than their suggested manufacturers selling price, of course. I've seen Word-

Star 5.5 priced at \$189, for example, down from \$495, as well as WordPerfect for \$215, down from \$495. I think it's a shame that all these manufacturers play such pricing games, but they do. So don't be scared off by "list prices."

Technical support by telephone varied from being exemplary to getting busy signals. The latter is evidently due to heavy sales increases, but promises to greatly improve due to centralizing customer service in the midwest and adding many more trained employees to serve customers without delay.

For newcomers, I heartily recommend WordStar 5.5 for serious consideration among heavyweight word processors, especially if you're a fairly capable typist and you're not locked into special needs such as widespread use of another program in your office. It comes with a fine tutorial, by the way. And if you're already familiar with WordStar typing conventions, it's an even more compelling choice. Believe me, WordStar is more a star than ever, though it doesn't shine the brightest in every single category (none does). **ME**

CIRCLE 84 ON FREE INFORMATION CARD

other charge cycle. Thus, a screen sweep occurs only when the input signal falls below the trigger threshold set by *R24*. If this sounds backwards, it is because the signal input to the trigger comparator comes from the output of *IC1B*, which is an inverted version of the actual input signal. Thus, to initiate a sweep when the actual input signal reaches $+V_{\text{trigger}}$, comparator *IC1D* must switch states when the inverted signal drops to $-V_{\text{trigger}}$.

In practice, triggering on the inverted signal presents no difficulties. By taking the signal input to the trigger comparator from *IC1B* instead of *IC1C*, triggering operation remains independent of any dc offset that may have been added to the input signal.

The overall result of the triggered sweep is a fairly stable display of the input signal with its rising edge located in column 1 of the LED display. Notice that because the trigger level from *R24* is fed to the inverting input of comparator *IC1D*, the oscilloscope will always trigger on the rising edge of the input signal. For maximum flexibility, you can include a dpdt switch that can reverse the inputs to this comparator, which would permit triggering on both the rising and falling edges of an input signal.

Power for the Solid-State Oscilloscope is provided by a bipolar supply made up of two 9-volt batteries. A bipolar supply is needed for the vertical amplifier stages if the oscilloscope is to accept input waveforms with negative voltage portions. While leaving a lot to be desired as a source of power, use of 9-volt batteries does make the oscilloscope a truly portable instrument.

If the oscilloscope is to be used primarily at the workbench, a separate ac-operated ± 12 -volt, 100-milliamperere regulated supply can replace the batteries. Total current drain for the oscilloscope is approximately 35 milliamperes from the $V+$ and -15 milliamperes from the $V-$ supplies; so

fresh 9-volt alkaline batteries should provide several hours of operation.

The drain from the $V-$ supply is considerably less than that from $V+$ supply. Therefore, you can simply swap the two batteries when they begin to run low to obtain an additional few hours of service.

Construction

Though building the Solid-State Oscilloscope is not a trivial matter, there is nothing particularly difficult about building it, either. The entire project can be assembled in about a week's worth of evenings. If you purchase all new components, total project cost should be \$20 to \$30.

The Wire Wrap technique is ideal for this project. It makes checking each stage for proper operation as you go along a simple procedure. More importantly, because this project is also intended as an oscilloscope tutorial and trainer, Wire Wrap construction makes designing and testing of circuit modifications and improvements an easy proposition.

Begin construction by mounting and wiring the LED display array into place. In the prototype shown on the cover and in the lead photo, a couple of IEE1257R 5×7 LED dot-matrix displays were used because they are designed to fit side-by-side without an intervening gap. However, there is no reason why you cannot use a couple of MAN-2 5×7 LED displays, a series of 10-element LED bargraph-type displays, or even individual light-emitting diodes.

Whichever way you go, work carefully and take your time. Wiring the LED display is the most tedious part of the project and, thus, the part most prone to error. When you are finished wiring the display, check your work by connecting each LED in turn to a 9-volt battery through a 520-ohm series resistor, observing proper polarity.

Continue assembly by wiring the basic horizontal and vertical deflection circuits into place. These consist

of the LED display, *IC3* and *IC4*. You can check your work at this stage by clocking the input at pin 12 of *IC4* with a signal from a square-wave generator and applying low-amplitude signals to the pin 5 input of *IC3*. Remember at this stage that the display scale factor is just 0.5 volt per row; so full vertical deflection will result with only a 3.5-volt input. When these stages are operating properly, continue construction by adding the input buffer and gain stages. Again, use a frequency generator to check these stages for proper operation when you finish wiring them.

Add the trigger-sweep circuitry next. Then complete the construction by wiring the master clock section, keeping the wiring in this section short and direct. With the component values specified, clock frequencies from 1 kHz to around 1 MHz are possible (horizontal time base values of 1 millisecond to 1 microsecond per division). Poor wiring in the clock circuit, however, could slow the fastest time base by a factor of 2 or 3.

Component values are generally not critical. Even so, try to use at least 5-percent-tolerance resistors throughout to maintain some semblance of accuracy. You might want to use precision 1-percent-tolerance resistors for *R6* through *R12* in the gain section. Also, if possible, use high quality tantalum, Mylar, and silvered-mica capacitors for *C3* through *C12* in the vco clock circuit. The clock will work fine with ordinary ceramic disk capacitors, but the actual time/column for the various switch positions might deviate considerably from the desired values if such capacitors are used.

When all wiring is completed, give the oscilloscope a final visual inspection. Double-check everything, and keep an eye out for loose bits of solder and wire. If you have verified operation of the various stages as you assembled the oscilloscope, your unit should work perfectly the first time. You can give it a final checkout using

a signal generator, preferably one with both sine and square wave outputs.

Apply a 60-Hz 5-volt peak-to-peak signal to the oscilloscope input (use the center-tapped output from a 6.3-volt transformer if you do not have a signal generator). Set vertical deflection for 1 volt/row and set *S4* to FREE RUN. The display will probably show a rather random pattern of illuminated LEDs. Set the time base for 1 millisecond/column and slowly adjust the setting of *R32*. As the internal clock nears 600 Hz, the 60-Hz input signal should appear and slowly parade across the display.

Use *S3* to vary the number of volts/row and observe how the signal becomes deflected over a greater or lesser number of rows. Verify that the number of rows of vertical deflection corresponds to the peak-to-peak value of the input signal voltage.

DC OFFSET control *R15* should raise and lower the signal on the screen. Raise the input signal beyond the top row of the display and verify that the OVERRANGE LEDs illuminate. Check triggering action by setting *S4* to TRIG. Adjust TRIGGER LEVEL control *R24* until the oscilloscope sweeps. Verify that the input waveform "freezes" on the screen. With the time base set to 1 millisecond/division, slightly more than one-half of a 60-Hz cycle should fit on the screen.

You can now expand or compress the waveform by changing the time base using *S5* or *R32*. Slowly increase and decrease the trigger voltage level. If you are using a sinusoidal input waveform you will observe the displayed trace begin at higher and lower LED rows. If you adjust the trigger level to a value the input signal never reaches, horizontal sweep will stop and the display will show a bright dot or vertical line in column 1.

Increase the frequency of the input signal by a factor of 2 and then advance TIME/DIV horizontal sweep switch *S5* to its next position. TRIGGER LEVEL control *R24* may need a

slight readjustment, but the input signal should immediately reappear.

Continue increasing the input frequency and horizontal sweep rate until you reach the 1 μ s position. Apply a 100-kHz signal to the input of the oscilloscope and adjust trimmer capacitor *C12* so that one full cycle of the input signal just fits onto the entire display. This vco is now set for 1-MHz operation.

Improvements

Working with a Solid-State Oscilloscope takes a bit of patience and practice, but you will find that this instrument really is quite flexible and informative. With only 70 LEDs making up the screen, display resolution is rather coarse. However, with a little experience you will soon have no trouble distinguishing between triangle and sine waves or catching the rising and falling portions of high-frequency square waves.

If you do much work with this project, you will find the trigger-sweep feature to be a distinct convenience. As the frequency of the input signal increases, it will become increasingly difficult to adjust the horizontal sweep via *R32* for a steady or slowly parading display. This is where the trigger-sweep feature becomes especially useful. Just flip *S4* to TRIG position and adjust the horizontal time base for a convenient number of input cycles on the display. In fact, with the 1-2-5 time base sequence, you will usually find that one of the "calibrate" values for the time base will provide a stable display without having to move *R32* from its CALIBRATE position.

If the input frequency is relatively low, the trigger circuit will spend a lot of time simply waiting for the input signal to reach the appropriate trigger voltage. This will result in a bright dot or vertical trace appearing in column 1 of the LED display, in addition to the input waveform being examined. That is, the input signal is

being displayed without its time component (no horizontal sweep). At higher input frequencies, this vertical trace will become less apparent.

Finally, the Solid-State Oscilloscope is also ideal for expansion and modification. If you wish, experiment with the project by adding digital storage capability. Arrange for the screen display to be "captured" in RAM, from which it can be "recalled" at a later time. The 7489 16 \times 4-bit RAM would be ideal for this purpose; you could store the contents of the lower six screen rows in 60 of its 64 memory cells.

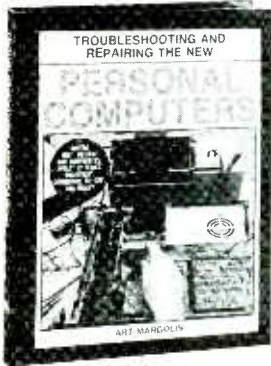
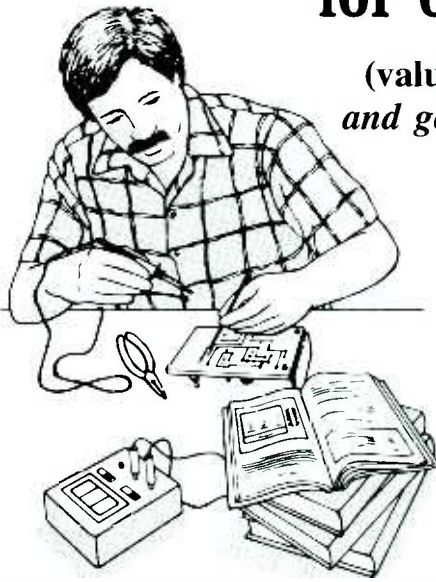
Although the vco design used here gives very good performance to well past 1 MHz, you might want to consider using a phase-locked loop and divide-by-N counter (such as the CD4059) with a crystal timebase to build a super-accurate horizontal sweep clock that is set by BCD thumbwheel switches. This would let you read the frequency of the input signal directly from the number dialed on the BCD switches.

The display screen of this oscilloscope is wide open for expansion. With a single LM3914, the display is limited to a maximum of 10 rows, but it is fairly easy to add LM3914s and increase the vertical size of the display. The same goes for the horizontal section. A single 4017 limits the screen width to 10 columns in the basic project, but cascading 4017s broadens the display. If you do go this route, do not forget that for a given clock frequency, the effective horizontal sweep frequency is the clock frequency divided by the number of display columns!

As you can readily see, though this appears to be a very basic instrument, our Solid-State Oscilloscope is endowed with plenty of sophistication. With a little expertise and small investment in components, it can be greatly expanded to provide much of the sophistication of modern instruments, including digital storage capability. **ME**

SELECT 5 BOOKS for only \$4⁹⁵

(values to \$125.70)
and get a **FREE Gift!**



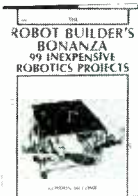
2809 \$27.95
Counts as 2



2912P \$14.95



3044 \$18.95



2800P \$14.95



2981P \$16.95



2900P \$24.95
Counts as 2



1604P \$17.95



1625P \$18.95



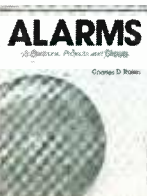
3107 \$26.95
Counts as 2



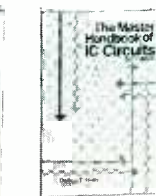
2735P \$14.95



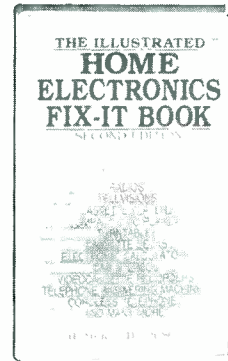
2925 \$16.95



2996P \$12.95



3185 \$34.95
Counts as 2



2883P \$16.95



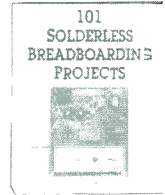
2826P \$15.95



1367P \$18.95



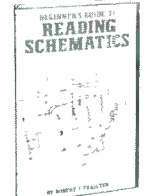
2875 \$17.95



2985 \$24.95



2970P \$15.95



1536P \$9.95

Electronics projects . . . ideas . . . the latest technology
all at up to 50% off publishers' prices!



1964P \$12.95



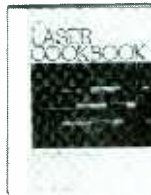
3034 \$19.95



3156 \$23.95



2867P \$17.95



3090 \$25.95
Counts as 2



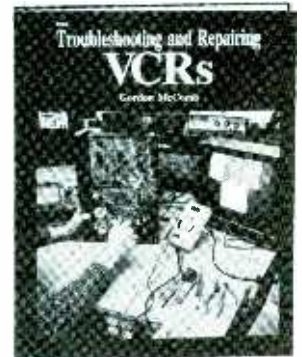
2898 \$23.95



1532P \$14.95



2733 \$14.95



2960 \$27.95
Counts as 2



2707 \$26.95
Counts as 2



3234 \$24.95

FREE when you join the ELECTRONICS BOOK CLUB!

15 Easy Electronic Projects
from Delton T. Horn

Projects you can build—some unique, some old favorites—from the author's vast treasury of electronics know-how.



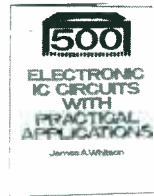
Delton T. Horn's
All-Time Favorite
Electronic Projects



Membership Benefits • Big Savings. In addition to this introductory offer, you keep saving substantially with members' prices of up to 50% off the publishers' prices. • **Bonus Books.** Starting immediately, you will be eligible for our Bonus Book Plan, with savings of up to 80% off publishers' prices. • **Club News Bulletins.** 14 times per year you will receive the Book Club News, describing all the current selections—mains, alternates, extras—plus bonus offers and special sales, with scores of titles to choose from. • **Automatic Order.** If you want the Main Selection, do nothing and it will be sent to you automatically. If you prefer another selection, or no book at all, simply indicate your choice on the reply form provided. As a member, you agree to purchase at least 3 books within the next 12 months and may resign at any time thereafter. • **Ironclad No-Risk Guarantee.** If not satisfied with your books, return them within 10 days without obligation! • **Exceptional Quality.** All books are quality publishers' editions especially selected by our Editorial Board.

MDNE1189

All books are hardcover unless numbers are followed by a "P" for paperback (Publishers' Prices Shown)
© 1989 ELECTRONICS BOOK CLUB®, Blue Ridge Summit, PA 17294-0810



2920P \$19.95



3195 \$28.95
Counts as 2



3133 \$15.95



3031P \$16.95

Improve Reception!



INDOOR ANTENNA!
VAK-TENNA mounts to window with suction cups. SCANNERS, TV, FM, HAM 30-500MHz Specify UHF, BNC or F connector \$29.95

Kathy Sez:

"Satisfaction Guaranteed!"



TAPE SAVER

Connects your scanner to tape recorder for "action only" recording \$49.95 Telephone adapter \$10.

WINDOW COUPLER

Run coax from outside to inside right through the glass! No Holes! No pinched coax! No Drafts! Many models! SCANNER/TV 60-800MHz, 8db loss, "F" conns WPO-TV \$49.95

RF PRE-AMPLIFIERS

CB RPTX amplifies received signals 18db AM-449.95 SSB-854.95 VHF MARINE-399.95 SCANNER RFP-40 0.5-1300MHz 15db gain, 2.9 nf. BNC, UHF, F conns avail 110AC power \$69.95

ELECTRON PROCESSING, INC.
P.O. BOX 68
CEDAR, MI 49621
(616) 228-7020

SEND FOR DETAILS!

MANY MORE PRODUCTS! ADD \$4 S/H & Tax if NY or MI

CIRCLE 100 ON FREE INFORMATION CARD

CABLE TV CONVERTERS IN STOCK

Stocking all types of converters: Panasonic, Jerrold, Tocom, Pioneer, Scientific Atlanta, Zenith, Oak, Hamlin, Eagle, and others.

Call or write for **FREE CATALOG**
Mon - Fri 10 to 6 Eastern Time

VIDEO-LINK

Enterprises, Inc..

165 W. PUTNAM AVE.
GREENWICH, CT 06830

Phone (203) 622-4386

ANTIQUE RADIO CLASSIFIED

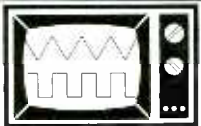
Free Sample!

Antique Radio's
Largest Circulation Monthly
Articles, Ads & Classifieds.

Also: 40's & 50's Radios, Ham Equip., Early TV, Books & more. *Free 20-word ad each month.*

6-Month Trial: \$11. 1-Yr: \$20 (\$30-1st Class).
A.R.C., P.O. Box 802-L2, Carlisle, MA 01741

CIRCLE 92 ON FREE INFORMATION CARD



DETAILED PLANS: \$7.95

TV-SCOPE

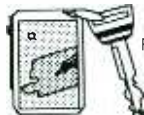
PENN RESEARCH, Box 3543
W1111msport, PA 17701

FINALLY!

An interesting and worthwhile project. This EASY-TO-BUILD circuit lets you use any regular TV set as a simple OSCILLOSCOPE. No modifications to TV! Tiny, 9v battery powered. Goes anywhere! Order now! Ask for our **FREE CATALOG** of other plans and kits!

CIRCLE 50 ON FREE INFORMATION CARD

REMOTE CONTROL KEYCHAIN



Complete w/mini-transmitter and +5 vdc RF receiver Fully assembled including plans to build your own auto alarm Write for more information Quantity discounts available

ONLY \$19.95

Check, Visa or M/C
30 days refund
Add \$3 shipping

VISITECT INC. / Dept. M (415) 872-0128
PO BOX 5442, SO. SAN FRAN., CA 94080

MODERN ELECTRONICS MART

Classified Commercial Rates: \$1 per word, 15-word minimum (\$15.00) prepaid. (Word count includes name and address; ZIP code and abbreviation each count as one word; P.O. Box number and telephone number count as two words each.) Indicate free category heading (**Computers, Communications, Electronics, Video or Miscellaneous**). A special heading is available for a \$6 surcharge. First word only is set boldface caps at no charge. Add 20% for additional boldface words.

Non-Commercial Rates: FREE to subscribers, as space permits; maximum 15 words. A recent **MODERN ELECTRONICS** mailing label must accompany ad.

(All advertisers with P.O. Box addresses must supply permanent address and telephone number. Copy is subject to publisher approval.)

Mailing Information: Copy must be received by the publisher by the 25th of the third month preceding the cover date. Send Advertising material with check or money order or credit card information (Visa or MasterCard only) with number and expiration date to: **MODERN ELECTRONICS**, Classified Department, 76 N. Broadway, Hicksville, NY 11801.

VIDEO

DESCRAMBLERS. All brands. Special: Jerrold combo 400 and SB3 \$165. Complete cable descrambler kit \$39. Complete satellite descrambler kit \$45.00. Free catalog. MJO INDUSTRY, Box 531, Bronx, NY 10461-0531.

VHS-VCR Repair Solutions Sets I, II, III, IV, V. Each contains 150 symptoms and cures, cross reference chart, free assistance, \$11.95 each all five \$49.95. Eagle Electronics Box A, 52053 Locks Lane, Granger, IN 46530.

ELECTRONICS

VOICE Disguisers! FM Bugs! Telephone Transmitters! Phone Snoops! Bug Detectors! More! Catalog \$1.00: XANDI ELECTRONICS, Box 25647, "RR", Tempe, AZ 85285-5647.

TUBES, New, up to 90% off, S.A.S.E., Kerby, 298 West Carmel Drive, Carmel, IN 46032.

ELECTRONIC COMPONENTS Free 192 page catalog including capacitors, resistors, relays, connectors, soldering equipment and supplies. Box 699, Mansfield, TX 76063. 1-800-992-9943.

LASER LISTENER II, other projects. Bugging, descrambling, false identification, information. Plans, kits, other strange stuff. Informational package \$3.00 refundable. DIRIJO/BOND ELECTRONICS, BOX 212, LOWELL, NC 28098.

DETECTION—Surveillance, Debugging. Plans, Kits, Assembled Devices. Latest High-Tech Catalog \$5. DETECTION SYSTEMS, 2515 E. Thomas, #16-864H, Phoenix, Arizona, 85016.

PROTECT YOUR HOME AND BUSINESS FROM ELECTRONIC EAVESDROPPING AND WIRE TAPPING! COMPLETE COUNTER MEASURES CATALOG, \$3.00 "REFUNDABLE." DIVERSIFIED WHOLESALE PRODUCTS, BOX 1275-ME, REDONDO BEACH, CA 90278.

LASER COMPONENTS! New surplus tubes, power supplies, optics. Build a working LASER for under \$75.00. Free plans with order. \$1.00 (refundable) brings list. FUNDSERV, 1546E Peaceful Lane, Clearwater, FL 34616.

ELECTRONIC TEST EQUIPMENT. Calibrated and guaranteed. Oscilloscopes, multi-meters, signal generators, NTSC vectorscopes and generators, etc. by Tektronix, HP, Fluke and other quality manufacturers. Reconditioned and new equipment available. We buy, sell, rent, and service electronic test equipment. Cal-Scope, 473-707 Macara Ave., Sunnyvale, CA 94086. (408) 730-4573/FAX (408) 730-9537.

PROGRAM your own computer simulations and learn how to analyze circuits. New periodical will show you how to analyze filters, phase locked loops, etc. Complete with BASIC sub-routines you can use in your own programs. Only \$10.00 per issue or \$100.00 for 12 issues. DESIGN LETTERS, P.O. Box 251, Gaithersburg, MD 20877.

PRIVACY PROBLEM—Need Information? New Electronic Surveillance, Debugging, Protection Catalog \$5.00 Kits—Assembled. TECHNOLOGY SERVICES, 829D Ginette, Gretna, LA 70056.

ELECTRONIC Test Equipment, Laboratory Equipment, Experimenter's Items.—Industrial and Government Surplus and priced cheap! Send \$1.00 for catalog to: Lehman, R.D. 1, Box 580, Wrightsville, PA 17368.

ADVANCE DIVERSIFIED ELECTRONICS NTE parts & components. Chemicals & supplies. Computer systems, parts. Satellite electronics. Free catalog 1-800-283-8036.

COMMUNICATIONS

COMMUNICATIONS PLANS, BOOKS, KITS! AM/FM broadcasting (licensed/unlicensed), 1750 Meter transceivers, ham/CB amplifiers, surveillance bugs, more! FREE catalog, PAN-COM, Box 130-ME11, Paradise, CA 95967.

LISTEN to the world! Huge catalog of short-wave receiving equipment including radio telescope and facsimile. Universal Radio, 1280 Aida Drive, #ME, Reynoldsburg, OH 43068.

AUDIO

WANT A CD? But no amplifier input! Unique selectors give the input capability you need for any audio accessory. Write today for details. JEL, 409 Angus Blvd.-1B, Warner Robins, GA 31088.

1-800-334-4539

AK, Puerto Rico - 218-681-6674 Telex - 6287914 FAX - 218-681-3380 TWX - 9103508982 DIGI KEY CORP

INTEGRATED CIRCUITS

Part	Price
7400 TTL	141S5788 50
7401	74LS129 30
7402	74LS129 30
7403	74LS129 30
7404	74LS129 30
7405	74LS129 30
7406	74LS129 30
7407	74LS129 30
7408	74LS129 30
7409	74LS129 30
7410	74LS129 30
7411	74LS129 30
7412	74LS129 30
7413	74LS129 30
7414	74LS129 30
7415	74LS129 30
7416	74LS129 30
7417	74LS129 30
7418	74LS129 30
7419	74LS129 30
7420	74LS129 30
7421	74LS129 30
7422	74LS129 30
7423	74LS129 30
7424	74LS129 30
7425	74LS129 30
7426	74LS129 30
7427	74LS129 30
7428	74LS129 30
7429	74LS129 30
7430	74LS129 30
7431	74LS129 30
7432	74LS129 30
7433	74LS129 30
7434	74LS129 30
7435	74LS129 30
7436	74LS129 30
7437	74LS129 30
7438	74LS129 30
7439	74LS129 30
7440	74LS129 30
7441	74LS129 30
7442	74LS129 30
7443	74LS129 30
7444	74LS129 30
7445	74LS129 30
7446	74LS129 30
7447	74LS129 30
7448	74LS129 30
7449	74LS129 30
7450	74LS129 30
7451	74LS129 30
7452	74LS129 30
7453	74LS129 30
7454	74LS129 30
7455	74LS129 30
7456	74LS129 30
7457	74LS129 30
7458	74LS129 30
7459	74LS129 30
7460	74LS129 30
7461	74LS129 30
7462	74LS129 30
7463	74LS129 30
7464	74LS129 30
7465	74LS129 30
7466	74LS129 30
7467	74LS129 30
7468	74LS129 30
7469	74LS129 30
7470	74LS129 30
7471	74LS129 30
7472	74LS129 30
7473	74LS129 30
7474	74LS129 30
7475	74LS129 30
7476	74LS129 30
7477	74LS129 30
7478	74LS129 30
7479	74LS129 30
7480	74LS129 30
7481	74LS129 30
7482	74LS129 30
7483	74LS129 30
7484	74LS129 30
7485	74LS129 30
7486	74LS129 30
7487	74LS129 30
7488	74LS129 30
7489	74LS129 30
7490	74LS129 30
7491	74LS129 30
7492	74LS129 30
7493	74LS129 30
7494	74LS129 30
7495	74LS129 30
7496	74LS129 30
7497	74LS129 30
7498	74LS129 30
7499	74LS129 30
7500	74LS129 30

INTEGRATED CIRCUITS

Part	Price
41988N	48 LM7472N 27
41989N	48 LM7473N 27
41990N	48 LM7474N 27
41991N	48 LM7475N 27
41992N	48 LM7476N 27
41993N	48 LM7477N 27
41994N	48 LM7478N 27
41995N	48 LM7479N 27
41996N	48 LM7480N 27
41997N	48 LM7481N 27
41998N	48 LM7482N 27
41999N	48 LM7483N 27
42000N	48 LM7484N 27
42001N	48 LM7485N 27
42002N	48 LM7486N 27
42003N	48 LM7487N 27
42004N	48 LM7488N 27
42005N	48 LM7489N 27
42006N	48 LM7490N 27
42007N	48 LM7491N 27
42008N	48 LM7492N 27
42009N	48 LM7493N 27
42010N	48 LM7494N 27
42011N	48 LM7495N 27
42012N	48 LM7496N 27
42013N	48 LM7497N 27
42014N	48 LM7498N 27
42015N	48 LM7499N 27
42016N	48 LM7500N 27
42017N	48 LM7501N 27
42018N	48 LM7502N 27
42019N	48 LM7503N 27
42020N	48 LM7504N 27
42021N	48 LM7505N 27
42022N	48 LM7506N 27
42023N	48 LM7507N 27
42024N	48 LM7508N 27
42025N	48 LM7509N 27
42026N	48 LM7510N 27
42027N	48 LM7511N 27
42028N	48 LM7512N 27
42029N	48 LM7513N 27
42030N	48 LM7514N 27
42031N	48 LM7515N 27
42032N	48 LM7516N 27
42033N	48 LM7517N 27
42034N	48 LM7518N 27
42035N	48 LM7519N 27
42036N	48 LM7520N 27
42037N	48 LM7521N 27
42038N	48 LM7522N 27
42039N	48 LM7523N 27
42040N	48 LM7524N 27
42041N	48 LM7525N 27
42042N	48 LM7526N 27
42043N	48 LM7527N 27
42044N	48 LM7528N 27
42045N	48 LM7529N 27
42046N	48 LM7530N 27
42047N	48 LM7531N 27
42048N	48 LM7532N 27
42049N	48 LM7533N 27
42050N	48 LM7534N 27
42051N	48 LM7535N 27
42052N	48 LM7536N 27
42053N	48 LM7537N 27
42054N	48 LM7538N 27
42055N	48 LM7539N 27
42056N	48 LM7540N 27
42057N	48 LM7541N 27
42058N	48 LM7542N 27
42059N	48 LM7543N 27
42060N	48 LM7544N 27
42061N	48 LM7545N 27
42062N	48 LM7546N 27
42063N	48 LM7547N 27
42064N	48 LM7548N 27
42065N	48 LM7549N 27
42066N	48 LM7550N 27
42067N	48 LM7551N 27
42068N	48 LM7552N 27
42069N	48 LM7553N 27
42070N	48 LM7554N 27
42071N	48 LM7555N 27
42072N	48 LM7556N 27
42073N	48 LM7557N 27
42074N	48 LM7558N 27
42075N	48 LM7559N 27
42076N	48 LM7560N 27
42077N	48 LM7561N 27
42078N	48 LM7562N 27
42079N	48 LM7563N 27
42080N	48 LM7564N 27
42081N	48 LM7565N 27
42082N	48 LM7566N 27
42083N	48 LM7567N 27
42084N	48 LM7568N 27
42085N	48 LM7569N 27
42086N	48 LM7570N 27
42087N	48 LM7571N 27
42088N	48 LM7572N 27
42089N	48 LM7573N 27
42090N	48 LM7574N 27
42091N	48 LM7575N 27
42092N	48 LM7576N 27
42093N	48 LM7577N 27
42094N	48 LM7578N 27
42095N	48 LM7579N 27
42096N	48 LM7580N 27
42097N	48 LM7581N 27
42098N	48 LM7582N 27
42099N	48 LM7583N 27
42100N	48 LM7584N 27

SILICON TRANSISTORS

Part	Price
PN4958	27 PN129 26
PN4959	27 PN130 26
PN4960	27 PN131 26
PN4961	27 PN132 26
PN4962	27 PN133 26
PN4963	27 PN134 26
PN4964	27 PN135 26
PN4965	27 PN136 26
PN4966	27 PN137 26
PN4967	27 PN138 26
PN4968	27 PN139 26
PN4969	27 PN140 26
PN4970	27 PN141 26
PN4971	27 PN142 26
PN4972	27 PN143 26
PN4973	27 PN144 26
PN4974	27 PN145 26
PN4975	27 PN146 26
PN4976	27 PN147 26
PN4977	27 PN148 26
PN4978	27 PN149 26
PN4979	27 PN150 26
PN4980	27 PN151 26
PN4981	27 PN152 26
PN4982	27 PN153 26
PN4983	27 PN154 26
PN4984	27 PN155 26
PN4985	27 PN156 26
PN4986	27 PN157 26
PN4987	27 PN158 26
PN4988	27 PN159 26
PN4989	27 PN160 26
PN4990	27 PN161 26
PN4991	27 PN162 26
PN4992	27 PN163 26
PN4993	27 PN164 26
PN4994	27 PN165 26
PN4995	27 PN166 26
PN4996	27 PN167 26
PN4997	27 PN168 26
PN4998	27 PN169 26
PN4999	27 PN170 26
PN5000	27 PN171 26

PANASONIC SUB SERIES

Part	Price
6.3 10,000	PE311 1.97
6.3 15,000	PE312 2.67
6.3 20,000	PE313 3.82
6.3 25,000	PE314 5.07
6.3 30,000	PE315 6.32
6.3 35,000	PE316 7.57
6.3 40,000	PE317 8.82
6.3 45,000	PE318 10.07
6.3 50,000	PE319 11.32
6.3 55,000	PE320 12.57
6.3 60,000	PE321 13.82
6.3 65,000	PE322 15.07
6.3 70,000	PE323 16.32
6.3 75,000	PE324 17.57
6.3 80,000	PE325 18.82
6.3 85,000	PE326 20.07
6.3 90,000	PE327 21.32
6.3 95,000	PE328 22.57
6.3 100,000	PE329 23.82
6.3 105,000	PE330 25.07
6.3 110,000	PE331 26.32
6.3 115,000	PE332 27.57
6.3 120,000	PE333 28.82
6.3 125,000	PE334 30.07
6.3 130,000	PE335 31.32
6.3 135,000	PE336 32.57
6.3 140,000	PE337 33.82
6.3 145,000	PE338 35.07
6.3 150,000	PE339 36.32
6.3 155,000	PE340 37.57
6.3 160,000	PE341 38.82
6.3 165,000	PE342 40.07
6.3 170,000	PE343 41.32
6.3 175,000	PE344 42.57
6.3 180,000	PE345 43.82
6.3 185,000	PE346 45.07
6.3 190,000	PE347 46.32
6.3 195,000	PE348 47.57
6.3 200,000	PE349 48.82

DISC CAPACITORS

Part	Price
PA129	1200 1K 2.25
PA130	1500 1K 2.75
PA131	1800 1K 3.25
PA132	2200 1K 3.75
PA133	2700 1K 4.25
PA134	3300 1K 4.75
PA135	3900 1K 5.25
PA136	4700 1K 5.75
PA137	5600 1K 6.25
PA138	6600 1K 6.75
PA139	7800 1K 7.25
PA140	9300 1K 7.75
PA141	11000 1K 8.25
PA142	13000 1K 8.75
PA143	15300 1K 9.25
PA144	18000 1K 9.75
PA145	21000 1K 10.25
PA146	24300 1K 10.75
PA147	28000 1K 11.25
PA148	33000 1K 11.75
PA149	39000 1K 12.25
PA150	47000 1K 12.75
PA151	56000 1K 13.25
PA152	66000 1K 13.75
PA153	78000 1K 14.25
PA154	93000 1K 14.75
PA155	110000 1K 15.25
PA156	130000 1K 15.75
PA157	153000 1K 16.25
PA158	180000 1K 16.75
PA159	210000 1K 17.25
PA160	243000 1K 17.75
PA161	280000 1K 18.25
PA162	330000 1K 18.75
PA163	390000 1K 19.25
PA164	470000 1K 19.75
PA165	560000 1K 20.25
PA166	660000 1K 20.75
PA167	780000 1K 21.25
PA168	930000 1K 21.75
PA169	1100000 1K 22.25
PA170	1300000 1K 22.75
PA171	1530000 1K 23.25
PA172	1800000 1K 23.75
PA173	2100000 1K 24.25
PA174	2430000 1K 24.75
PA175	2800000 1K 25.25
PA176	3300000 1K 25.75
PA177	3900000 1K 26.25
PA178	4700000 1K 26.75
PA179	5600000 1K 27.25
PA180	6600000 1K 27.75

7400 TTL

Part	Price
7400	74LS129 30
7401	74LS129 30
7402	74LS129 30
7403	74LS129 30
7404	74LS129 30
7405	74LS129 30
7406	74LS129 30
7407	74LS129 30
7408	74LS129 30
7409	74LS129 30
7410	74LS129 30
7411	74LS129 30
7412	74LS129 30
7413	74LS129 30
7414	74LS129 30
7415	74LS129 30
7416	74LS129 30
7417	74LS129 30
7418	74LS129 30
7419	74LS129 30
7420	74LS129 30
7421	74LS129 30
7422	74LS129 30
7423	74LS129 30
7424	74LS129 30
7425	74LS129 30
7426	74LS129 30
7427	74LS129 30
7428	74LS129 30
7429	74LS129 30
7430	74LS129 30
7431	74LS129 30
7432	74LS129 30
7433	74LS129 30
7434	74LS129 30
7435	74LS129 30
7436	74LS129 30
7437	74LS129 30
7438	74LS129 30
7439	74LS129 30
7440	74LS129 30
7441	74LS129 30
7442	74LS129 30
7443	74LS129 30
7444	74LS129 30

antennex

"The Magazine About Antennas"

DO YOU -

- Have a lousy mobile signal on all bands?
- Need an inexpensive beam for 10 meters?
- Unsure about using vert vs horiz antenna?
- Need a low noise antenna for 160 meters?
- Want to design an antenna just for you?
- Need a program for design and plotting?
- Need to solve a unique problem?
- Know the best antenna for hamsats, etc.?
- Need a disguised mobile antenna?
- Want a cheap automatic coupler system?
- Just want to learn more about antennas?

THEN SUBSCRIBE TO - **antennex**
12 MONTHLY ISSUES is only \$15.97 for USA and possessions. \$19.97 foreign.

antennex

P.O. Box 8995 Dept. 19
Corpus Christi, TX 78412

CIRCLE 91 ON FREE INFORMATION CARD

CABLE T.V. CONVERTERS

Jerrold®, Oak, Scientific Atlantic, Zenith, & many others. "New" MTS stereo add-on: mute & volume. Ideal for 400 & 450 owners!

1-800-826-7623

B & B INC.

4030 Beau-D-Rue Drive, Eagan, MN 55122



CABLE-TV BOXES

Descramblers • Converters

FREE CATALOG

TRANS-WORLD CABLE CO.
12062 Southwest 117th Ct., Suite 126
Miami, Florida 33186
800-442-9333

SURVEILLANCE TELEPHONE



This is a normal functioning telephone! EXCEPT it has a secret built in monitor. Only YOU can call and monitor all conversations, using a secret code, and never be detected! Range Unlimited!
\$175.00 - 6 month Warranty - Phone Tap Catalog \$3.00
LISTEN ELECTRONICS, 603 Eglin, Muskogee, OK 74401
1-800-633-TAPS

PICKS UP A WHISPER 50 FEET AWAY!

The model WAT-50 miniature FM transmitter uses a 4-stage circuit NOT to be confused with a simple wireless microphone. Simply snap the unit on top of a 9V battery and you can hear every sound in an entire house up to 1 mile away! Use with any FM radio. Tunes to any frequency from 70mhz - 130mhz. Easy to assemble kit includes all parts and instructions. Only 29.98 tax incl.



The **WIRELESS TELEPHONE TRANSMITTER** model WTT-20 is only about the size of a dime, yet transmits both sides of a telephone conversation to any FM radio with crystal clarity. Completely automatic. Uses power from the telephone line itself - never needs a battery! Up to 1/4 mile range. Tunes from 70mhz - 130mhz. Easy to assemble kit includes all parts and instructions. Only \$29.98 tax incl.

Call or send MO, VISA, MC for immediate delivery. Single kit orders include \$1.50 S&H. FREE SHIPPING on orders of 2 or more. All orders shipped by U.S. Mail. COD add \$4.00. Personal checks allow 21 days.

DECO INDUSTRIES
BOX 607, BEDFORD HILLS, NY 10507
914-232-3878

CIRCLE 90 ON FREE INFORMATION CARD

COMPUTERS

AMIGA - COMMODORE UPGRADES PARTS, ETC; 8364 (PAULA)/\$56.95, 8362 (DENISE)/\$56.95, 8370 (FAT ANGUS)/59.50, 8520A1/\$17.95, 1.3 KICKSTART ROM UPGRADE/\$27.95, 6526/\$12.95, 6567/\$15.95, 6581/\$11.95, PLA/\$12.95, 901 ROMS/\$10.95, A501 UPGRADE MODULE/\$137.50, (and many others) . . . NEW AMIGA UPGRADE-ONE MEGABYTE "FATTER AGNUS" 8372/\$109.50 WITH INSTRUCTIONS . . . JUST OUT—COMMODORE DIAGNOSTICIAN II, A Newly Revised/Updated Version That Locates Faulty Chips on All "64/128" Computers Including 1541 Drives. This Fantastic Tool Has Been Sold to Over 10,000 "Users" and is a Must For People Who Want to Fix Their Own Computers and Save Money/Down Time (Full Page Review of This Product in March 1988 Computer Shopper). Cost is \$6.95 Including Shipping. The Grapevine Group, Inc., 35 Charlotte Drive, Wesley Hills, NY 10977, 1-800-292-7445/(914) 354-4448, (FAX 914-354-6696).

ENGINEERING Software, PC/MSDOS. Hobbyists - Students - Engineers. Circuit Design \$59, FFT Analysis \$69, Mathematics \$49, Logic Simulation \$49, Circuit Analysis \$29. FREE Catalog, (614) 491-0832, **BSOFT SOFTWARE**, 444 Colton Rd., Columbus, OH 43207.

CABLE-MATE, INC.

Are You Tired of Paying
Outrageous Fees?

All makes and models of cable equipment shipped within 24 hrs. Quantity discounts. For free catalog send S.A.S.E. to:
Cable-Mate, Inc., 214 N. Main St., Algonquin, IL 60102

C.O.D. orders accepted

CALL FOR PRICES TODAY!!



(312) 658-2121

*No Illinois orders



Hours-8:00 am-5:00 pm central time

Tab Books at Discount Prices

How to Draw Schematics
& Design PCBs with Your
IBM PC \$12.50

* * *
Computer Disk for above
(5.25in Floppy) \$21.00

* * *
Customize Your Telephone:
15 Elec. Projects \$11.00

* * *
Customize Your Home
Entertainment System
TV/VCR Projects \$14.00

* * *
Plus \$1.25 (S/H)

Steve Sokolowski
P.O. Box 5835
Spring Hill Florida 34606

TECH. "D" CLEANER

POSITIVE ACTION CLEANER, EASY, FAST, LAST YEARS. Excellent for slide type, stacked rotary type switches. CLEAN T.V. TUNERS IN 15 MINUTES. [DOES NOT DETUNE CIRCUITS]. Not a liquid, or pad. (3) simple pictorials shows you how to clean tuners from start to finish, Save \$\$\$\$\$. No special tools needed. PROVEN use for over 20 years by techs. \$5.00 PLUS \$2.95 S.H. CHECK or M.O. NO cash please. Add \$1.95 for c.o.d. Call 1-800-366-9205 PULSE TECH. "D" CLEANER Suite #241, 2464 El CAMINIO REAL, S.C. CA 95051.

CABLE EQUIPMENT

CABLE TV Secrets - the outlaw publication the Cable Companies tried to Ban. HBO, Movie Channel, Showtime, Descramblers, Converters, etc. Suppliers List Included. \$8.95. Cable Facts, Box 711-ME, Pataskala, Ohio 43062.

INVENTORS

INVENTORS! Can you profit from your idea? Call AMERICAN INVENTORS CORPORATION for free information. Over a decade of service, 1-800-338-5656. In Canada call (413) 568-3753.

CABLE TV DESCRAMBLERS

JERROLD, Scientific Atlanta, Zenith, all major brands available. Dealer inquiries welcome. VISA/MC accepted. Call for information 1-800-638-6898. E & O Video Inc., 9691 E. 265th, St. Elko, MN 55020.

CABLE TV EQUIPMENT

CABLE DESCRAMBLER LIQUIDATION. Major makes and models available. Industry pricing! (Example: Hamlin Combo's, \$44 each . . . minimum 10 orders). **DEALERS ONLY!** Call West Coast Electronics, (818) 709-1758.

MISCELLANEOUS

ASIAN LADIES want correspondence for friendship, marriage, SUNSHINE INTERNATIONAL, Dept. TW, Box 5500, Kailua-Kona, HI 96745. (808) 325-7707.

ATTRACTIVE ORIENTAL LADIES seeking correspondence, marriage. Professional introductions since 1984. Asian Experience, Box 1214TZ, Novato, CA 94948. (415) 897-2742.

READ MORE! Speed reading drills, guaranteed effective. Send \$3.00 to J. Litten, 12 Sawbuck Rd., Freehold, NJ 07728.

STRESSED Out? Relaxation technique easily learned with the aid of a simple electronic device. NOT hypnosis! Plans \$9.95. Blue Chip Engineering, P.O. Box 1100, Walnut, CA 91789.

CW Lite is the easiest Morse code training method in the world, bar none! And it is the fastest, too. Just close your eyes and relax. This powerful hypnosis cassette tape does the rest. Subliminals speed you along! Only \$14.95 ppd in US (NY residents add \$1.12 tax). Order today! PASS Publishing, Box 570, Stony Brook, NY 11790.

LETTERS...

(from page 7)

Prentice-Hall book, *How to Read Oscilloscope Waveforms.*)

Robert G. Middleton

Some Caveats

• The "Multiple-Applications Strobe Light" project that appeared in the September 1989 issue should have carried the following caveats: (1) A fuse is *never* optional in an ac-driven project [it's a "must"]; (2) transformerless projects require special caution; (3) newcomers weaned on 5- and 12-volt devices may need to be reminded of the respect the high voltages in this project demand. Please so advise *Modern Electronics* readers.

Leslie Paul Davies
Middle Village, NY

Good points to ponder.—Ed.

Forrest Mims Booster

• I am indebted to Forrest M. Mims III for choosing *Modern Electronics* as the magazine in which to have his column appear. Mr. Mims might be interested to know that I appreciate and read carefully his *Understanding Digital Computers*. Considering that I am 65 years old and my classical educational background provided me with just a general knowledge of mathematics, I fully comprehend his writing, of which I am very grateful.

H. Curumtally
Montreal, Canada

Lend a Helping Hand

• Help! I own and love my Powered Advent Loudspeakers (manufactured circa 1975 by Advent prior to its acquisition by Jensen), but one of the two bi-amplified speakers has blown a few parts and nobody seems to be able to help me get it repaired. Specifically, I need the main circuit board (or parts from it). I'd love to buy one—in fact, I'll buy a whole speaker if I have to—or locate someone who is familiar with the product and what generic parts might work.

Don Freeman
113 Linbrook Dr.

Winston-Salem, NC 27106

If anyone can help, please contact Don directly at the above address—Ed.

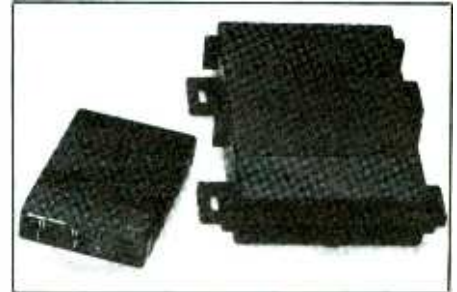
NEW PRODUCTS...

(from page 37)

Wireless Radar Detector

Fox Marketing has an updated version of its Wireless Radar Detector. The MicroFox 2000 detector has been narrowed to fit the under-hood areas of more cars than the original unit. The unit consists of separate sensor and control modules. The latter resembles a pocket pager. Being battery powered, it can be operated from anywhere inside the car in which the detector is installed. It features an audible alerter that sounds when the driver inadvertently leaves power turned on after turning off the ignition. An earphone jack is provided so that motorcyclists can monitor the audible alarm despite background noise.

Other features found on the control module include: alarm and low-battery indicators, a power switch/



volume control, and a highway/city switch. The unit's internal battery can be recharged with either the supplied power cord via the vehicle's electrical system (the module recharges while in operation) or with an optional Fox battery charger. Detection of a radar signal results in both an audible tone alarm and a lighted visual indicator, both of which respond according to the strength of the received signal. \$279.95.

CIRCLE 81 ON FREE INFORMATION CARD

USE YOUR

FREE INFORMATION CARD

*QUALITY PARTS *DISCOUNT PRICES *FAST SHIPPING

ALL ELECTRONICS CORP.

<p>10 AMP SOLID STATE RELAYS ELECTROL# S2181 CONTROL Rated 5.5 to 10 Vdc (will operate on 3-32 Vdc) LOAD 10 amp @ 240 Vac 2 1/4" X 1 3/4" X 7/8" CAT# SRRLY-10B \$9.50 each QUANTITY DISCOUNT 10 for \$85.00 • 25 for \$175.00 50 for \$300.00 • 100 for \$500.00</p>	<p>STROBE KIT Variable rate strobe kit, flashes between 60 to 120 times per minute. Will operate on either 6 or 12 Vdc depending upon how you wire the circuit. Comes complete with P.C. board and instructions for easy assembly CAT# STROBE-1 \$7.50 each</p>	<p>CASSETTE MECHANISM Alpine cassette transport mechanism includes stereo tape head, Mitsubishi # MET-3RF2B 13.2 Vdc motor, belt, pulleys, capstan, fast forward, rewind and eject actuator. Does not include amplifier section. 6 1/2" X 5 1/4" X 1 3/4" CAT# CMEC-5 \$7.50 each 10 for \$65.00</p>																																																																																																																																														
<p>PIEZO WARNING DEVICE Mureka Eng # PWB-A40 High pitched audible alarm. Operates on 5, 20 Vdc @ 20 ma. 1" high x 7/8" dia. P.C. board mount. CAT# PWB-A4 \$1.75 each</p>	<p>TRANSISTORS</p> <table border="1" style="width: 100%; font-size: 0.8em;"> <tr><th>TYPE</th><th>CASE</th><th>PRICE</th></tr> <tr><td>2N4301</td><td>TO-18</td><td>5 for 75¢</td></tr> <tr><td>2N4302</td><td>TO-18</td><td>3 for \$1.00</td></tr> <tr><td>2N4303</td><td>TO-18</td><td>1 for 75¢</td></tr> <tr><td>2N4304</td><td>TO-18</td><td>1 for 75¢</td></tr> <tr><td>2N4305</td><td>TO-18</td><td>1 for 75¢</td></tr> <tr><td>2N4306</td><td>TO-18</td><td>1 for 75¢</td></tr> <tr><td>2N4307</td><td>TO-18</td><td>1 for 75¢</td></tr> <tr><td>2N4308</td><td>TO-18</td><td>1 for 75¢</td></tr> <tr><td>2N4309</td><td>TO-18</td><td>1 for 75¢</td></tr> <tr><td>2N4310</td><td>TO-18</td><td>1 for 75¢</td></tr> <tr><td>2N4311</td><td>TO-18</td><td>1 for 75¢</td></tr> <tr><td>2N4312</td><td>TO-18</td><td>1 for 75¢</td></tr> <tr><td>2N4313</td><td>TO-18</td><td>1 for 75¢</td></tr> <tr><td>2N4314</td><td>TO-18</td><td>1 for 75¢</td></tr> <tr><td>2N4315</td><td>TO-18</td><td>1 for 75¢</td></tr> <tr><td>2N4316</td><td>TO-18</td><td>1 for 75¢</td></tr> <tr><td>2N4317</td><td>TO-18</td><td>1 for 75¢</td></tr> <tr><td>2N4318</td><td>TO-18</td><td>1 for 75¢</td></tr> <tr><td>2N4319</td><td>TO-18</td><td>1 for 75¢</td></tr> <tr><td>2N4320</td><td>TO-18</td><td>1 for 75¢</td></tr> <tr><td>2N4321</td><td>TO-18</td><td>1 for 75¢</td></tr> <tr><td>2N4322</td><td>TO-18</td><td>1 for 75¢</td></tr> <tr><td>2N4323</td><td>TO-18</td><td>1 for 75¢</td></tr> <tr><td>2N4324</td><td>TO-18</td><td>1 for 75¢</td></tr> <tr><td>2N4325</td><td>TO-18</td><td>1 for 75¢</td></tr> <tr><td>2N4326</td><td>TO-18</td><td>1 for 75¢</td></tr> <tr><td>2N4327</td><td>TO-18</td><td>1 for 75¢</td></tr> <tr><td>2N4328</td><td>TO-18</td><td>1 for 75¢</td></tr> <tr><td>2N4329</td><td>TO-18</td><td>1 for 75¢</td></tr> <tr><td>2N4330</td><td>TO-18</td><td>1 for 75¢</td></tr> <tr><td>2N4331</td><td>TO-18</td><td>1 for 75¢</td></tr> <tr><td>2N4332</td><td>TO-18</td><td>1 for 75¢</td></tr> <tr><td>2N4333</td><td>TO-18</td><td>1 for 75¢</td></tr> <tr><td>2N4334</td><td>TO-18</td><td>1 for 75¢</td></tr> <tr><td>2N4335</td><td>TO-18</td><td>1 for 75¢</td></tr> <tr><td>2N4336</td><td>TO-18</td><td>1 for 75¢</td></tr> <tr><td>2N4337</td><td>TO-18</td><td>1 for 75¢</td></tr> <tr><td>2N4338</td><td>TO-18</td><td>1 for 75¢</td></tr> <tr><td>2N4339</td><td>TO-18</td><td>1 for 75¢</td></tr> <tr><td>2N4340</td><td>TO-18</td><td>1 for 75¢</td></tr> </table>	TYPE	CASE	PRICE	2N4301	TO-18	5 for 75¢	2N4302	TO-18	3 for \$1.00	2N4303	TO-18	1 for 75¢	2N4304	TO-18	1 for 75¢	2N4305	TO-18	1 for 75¢	2N4306	TO-18	1 for 75¢	2N4307	TO-18	1 for 75¢	2N4308	TO-18	1 for 75¢	2N4309	TO-18	1 for 75¢	2N4310	TO-18	1 for 75¢	2N4311	TO-18	1 for 75¢	2N4312	TO-18	1 for 75¢	2N4313	TO-18	1 for 75¢	2N4314	TO-18	1 for 75¢	2N4315	TO-18	1 for 75¢	2N4316	TO-18	1 for 75¢	2N4317	TO-18	1 for 75¢	2N4318	TO-18	1 for 75¢	2N4319	TO-18	1 for 75¢	2N4320	TO-18	1 for 75¢	2N4321	TO-18	1 for 75¢	2N4322	TO-18	1 for 75¢	2N4323	TO-18	1 for 75¢	2N4324	TO-18	1 for 75¢	2N4325	TO-18	1 for 75¢	2N4326	TO-18	1 for 75¢	2N4327	TO-18	1 for 75¢	2N4328	TO-18	1 for 75¢	2N4329	TO-18	1 for 75¢	2N4330	TO-18	1 for 75¢	2N4331	TO-18	1 for 75¢	2N4332	TO-18	1 for 75¢	2N4333	TO-18	1 for 75¢	2N4334	TO-18	1 for 75¢	2N4335	TO-18	1 for 75¢	2N4336	TO-18	1 for 75¢	2N4337	TO-18	1 for 75¢	2N4338	TO-18	1 for 75¢	2N4339	TO-18	1 for 75¢	2N4340	TO-18	1 for 75¢	<p>WALL TRANSFORMERS</p> <table border="1" style="width: 100%; font-size: 0.8em;"> <tr><th>VOLTS @ 200 MA</th><th>CAT#</th><th>PRICE</th></tr> <tr><td>115 VAC</td><td>DCT-450</td><td>\$2.25</td></tr> <tr><td>115 VAC</td><td>DCT-475</td><td>\$3.50</td></tr> <tr><td>115 VAC</td><td>DCT-495</td><td>\$2.50</td></tr> <tr><td>12 VAC</td><td>ACT-1200</td><td>\$3.50</td></tr> <tr><td>18 VAC @ 1 AMP</td><td>ACT-1800</td><td>\$3.50</td></tr> </table>	VOLTS @ 200 MA	CAT#	PRICE	115 VAC	DCT-450	\$2.25	115 VAC	DCT-475	\$3.50	115 VAC	DCT-495	\$2.50	12 VAC	ACT-1200	\$3.50	18 VAC @ 1 AMP	ACT-1800	\$3.50	<p>LED'S STANDARD JUMBO DIFFUSED T-1 3/4 size RED CAT# LED-1 10 for \$1.50 • 100 for \$13.00 GREEN CAT# LED-2 10 for \$2.00 • 100 for \$17.00 YELLOW CAT# LED-3 10 for \$2.00 • 100 for \$17.00 BI-POLAR LED with built in flashing circuit operates on 5 volts RED CAT# LED-4 10 for \$2.50 GREEN 10 for \$2.50 CAT# LED-4A 10 for \$2.50 BI-POLAR LED LIGHTS RED one direction, GREEN in other. Two leads CAT# LED-5 2 for \$1.70 LED HOLDER Two piece holder CAT# HED 10 for \$5¢</p>
TYPE	CASE	PRICE																																																																																																																																														
2N4301	TO-18	5 for 75¢																																																																																																																																														
2N4302	TO-18	3 for \$1.00																																																																																																																																														
2N4303	TO-18	1 for 75¢																																																																																																																																														
2N4304	TO-18	1 for 75¢																																																																																																																																														
2N4305	TO-18	1 for 75¢																																																																																																																																														
2N4306	TO-18	1 for 75¢																																																																																																																																														
2N4307	TO-18	1 for 75¢																																																																																																																																														
2N4308	TO-18	1 for 75¢																																																																																																																																														
2N4309	TO-18	1 for 75¢																																																																																																																																														
2N4310	TO-18	1 for 75¢																																																																																																																																														
2N4311	TO-18	1 for 75¢																																																																																																																																														
2N4312	TO-18	1 for 75¢																																																																																																																																														
2N4313	TO-18	1 for 75¢																																																																																																																																														
2N4314	TO-18	1 for 75¢																																																																																																																																														
2N4315	TO-18	1 for 75¢																																																																																																																																														
2N4316	TO-18	1 for 75¢																																																																																																																																														
2N4317	TO-18	1 for 75¢																																																																																																																																														
2N4318	TO-18	1 for 75¢																																																																																																																																														
2N4319	TO-18	1 for 75¢																																																																																																																																														
2N4320	TO-18	1 for 75¢																																																																																																																																														
2N4321	TO-18	1 for 75¢																																																																																																																																														
2N4322	TO-18	1 for 75¢																																																																																																																																														
2N4323	TO-18	1 for 75¢																																																																																																																																														
2N4324	TO-18	1 for 75¢																																																																																																																																														
2N4325	TO-18	1 for 75¢																																																																																																																																														
2N4326	TO-18	1 for 75¢																																																																																																																																														
2N4327	TO-18	1 for 75¢																																																																																																																																														
2N4328	TO-18	1 for 75¢																																																																																																																																														
2N4329	TO-18	1 for 75¢																																																																																																																																														
2N4330	TO-18	1 for 75¢																																																																																																																																														
2N4331	TO-18	1 for 75¢																																																																																																																																														
2N4332	TO-18	1 for 75¢																																																																																																																																														
2N4333	TO-18	1 for 75¢																																																																																																																																														
2N4334	TO-18	1 for 75¢																																																																																																																																														
2N4335	TO-18	1 for 75¢																																																																																																																																														
2N4336	TO-18	1 for 75¢																																																																																																																																														
2N4337	TO-18	1 for 75¢																																																																																																																																														
2N4338	TO-18	1 for 75¢																																																																																																																																														
2N4339	TO-18	1 for 75¢																																																																																																																																														
2N4340	TO-18	1 for 75¢																																																																																																																																														
VOLTS @ 200 MA	CAT#	PRICE																																																																																																																																														
115 VAC	DCT-450	\$2.25																																																																																																																																														
115 VAC	DCT-475	\$3.50																																																																																																																																														
115 VAC	DCT-495	\$2.50																																																																																																																																														
12 VAC	ACT-1200	\$3.50																																																																																																																																														
18 VAC @ 1 AMP	ACT-1800	\$3.50																																																																																																																																														
<p>XENON TUBE 1" long fluoresce with 1/2" red end and black leads. Used for electronic flash or strobe projects. CAT# FLT-3 2 for \$1.00</p>	<p>NICKEL-CAD BATTERIES (RECHARGEABLE)</p> <table border="1" style="width: 100%; font-size: 0.8em;"> <tr><th>TYPE</th><th>PRICE</th></tr> <tr><td>TP30</td><td>1 for 25¢</td></tr> <tr><td>TP31</td><td>1 for 25¢</td></tr> <tr><td>TP32</td><td>1 for 25¢</td></tr> <tr><td>TP33</td><td>1 for 25¢</td></tr> <tr><td>TP34</td><td>1 for 25¢</td></tr> <tr><td>TP35</td><td>1 for 25¢</td></tr> <tr><td>TP36</td><td>1 for 25¢</td></tr> <tr><td>TP37</td><td>1 for 25¢</td></tr> <tr><td>TP38</td><td>1 for 25¢</td></tr> <tr><td>TP39</td><td>1 for 25¢</td></tr> <tr><td>TP40</td><td>1 for 25¢</td></tr> </table>	TYPE	PRICE	TP30	1 for 25¢	TP31	1 for 25¢	TP32	1 for 25¢	TP33	1 for 25¢	TP34	1 for 25¢	TP35	1 for 25¢	TP36	1 for 25¢	TP37	1 for 25¢	TP38	1 for 25¢	TP39	1 for 25¢	TP40	1 for 25¢	<p>SWITCHES ITT PUSH BUTTON Push to close. RATED 0.1 amp switching, 0.25 amp carry current. P.C. mount. CAT# PB-8 60¢ each • 10 for \$6.00 • 100 for \$50.00 10 POSITION MINI-ROTARY 80¢ each • 10 for \$8.00 • 100 for \$80.00 Mini rotary switch. Non-shorting. 1 inch, 10 positions, .100 dia. CAT# MR-10 \$2.50 each shell 3/32" long, .277" behind the panel depth. P.C. pins. CAT# MR-10L \$2.50 each HALL EFFECT SWITCH MICROSWITCH ABES Stainless keyboard switch with hall effect sensor. Square top SFR square chassis hole. Hall effect sensor allows easy from switch and can be used in other applications. CAT# HESW 4 for \$1.00 10 for \$2.00 • 100 for \$10.00</p>																																																																																																																						
TYPE	PRICE																																																																																																																																															
TP30	1 for 25¢																																																																																																																																															
TP31	1 for 25¢																																																																																																																																															
TP32	1 for 25¢																																																																																																																																															
TP33	1 for 25¢																																																																																																																																															
TP34	1 for 25¢																																																																																																																																															
TP35	1 for 25¢																																																																																																																																															
TP36	1 for 25¢																																																																																																																																															
TP37	1 for 25¢																																																																																																																																															
TP38	1 for 25¢																																																																																																																																															
TP39	1 for 25¢																																																																																																																																															
TP40	1 for 25¢																																																																																																																																															
<p>SPECIAL AAA SIZE Lanterned P-18AAA 1.2 volt @ 100 MAH CAT# MCB-AAA \$1.50 each 10 for \$13.50 • 100 for \$125.00</p>	<p>WIDE BAND AMPLIFIER HEC# UPC1801G 1000 MHz @ 3 db Gain, 10dB @ 1000 Hz. 1 volt operation. Small package 5mm dia. X 2.5 mm thick. CAT# UPC-1801 2 for \$1.00 10 for \$4.50 • 100 for \$35.00</p>	<p>SPDT PUSHBUTTON Marquardt 1843 Rated 6 amp @ 125/250 Vac Black plastic pushbutton Switch body, .92" X .54" X .86" CAT# PB-1a \$1.65 each • 10 for \$15.50 each</p>																																																																																																																																														
<p>AA SIZE \$2.00 each 1.20 volts 500 MAH CAT# MCB-AA AA SIZE \$2.20 each WITH SOLDER TABS CAT# MCB-BAA C SIZE \$6.25 EACH 1.2 volts 1200 MAH CAT# MCB-C D SIZE \$4.25 each 1.2 volts 1200 MAH CAT# MCB-D</p>	<p>N-CHANNEL MOSFET RF-611 TO-220 case CAT# RF 611 \$1.00 each • 10 for \$8.00 LARGE QUANTITY AVAILABLE</p>	<p>OPTO SENSOR U shaped package with mounting holes, 1/8" opening, .34" mounting hole for OSU-6 50¢ each 10 for \$4.50 • 100 for \$45.00</p>																																																																																																																																														

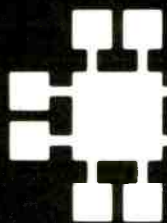
CALL OR WRITE FOR OUR FREE CATALOG OVER 4000 PARTS!

MAIL ORDERS TO:
ALL ELECTRONICS
P.O. BOX 567
VAN NUYS, CA 91408
TWX-51919185 (ALL ELECTRONIC)
OUTSIDE THE U.S.A.
SEND \$2.00 POSTAGE FOR A CATALOG!

ORDER TOLL FREE 800-826-5432
INFO: (818)904-0524
FAX: (818)781-2653
MINIMUM ORDER \$10.00
QUANTITIES LIMITED
CALIF. ADD SALES TAX
USA: \$3.00 SHIPPING
FOREIGN ORDERS
INCLUDE SUFFICIENT SHIPPING. NO C.O.D.

CIRCLE 80 ON FREE INFORMATION CARD
November 1989 / MODERN ELECTRONICS / 79

Say You Saw It In Modern Electronics



JDR Microdevices

MMC
 MICROCOMPUTER
 MARKETING COUNCIL
 of the Direct Marketing Association, Inc.

30 DAY MONEY BACK GUARANTEE • 1 YEAR WARRANTY ON ALL PRODUCTS • TOLL-FREE TECHNICAL SUPPORT

MEMORY

DYNAMIC RAMS

PART#	SIZE	SPEED	PINS	PRICE
4116-150	16384x1	150ns	16	.99
4164-150	65536x1	150ns	16	2.49
4164-120	65536x1	120ns	16	2.89
4164-100	65536x1	100ns	16	3.39
TMS4164-12	65536x4	120ns	16	9.95
41256-150	262144x1	150ns	16	4.49
41256-120	262144x1	120ns	16	4.99
41256-100	262144x1	100ns	16	5.49
41256-80	262144x1	80ns	16	5.99
41256-60	262144x1	60ns	16	7.99
414256-100	262144x4	100ns	20	14.95
414256-80	262144x4	80ns	20	16.95
1 MB-120	1048576x1	120ns	18	13.95
1 MB-100	1048576x1	100ns	18	14.95
1 MB-80	1048576x1	80ns	18	15.95

SIMM MODULES

PART#	SIZE	SPEED	FOR	PRICE
41256A9B-12	256K x 9	120ns	PC	59.95
41256A9B-80	256K x 8	80ns	PC	69.95
421000A8B-10	1MB x 9	100ns	MAC	169.95
421000A9B-10	1MB x 9	100ns	PC	169.95
421000A9B-80	1MB x 9	80ns	PC	179.95

STATIC RAMS

PART#	SIZE	SPEED	PINS	PRICE
TMM2016-150	2048x8	150ns	24	3.25
HM6116LP-2	2048x8	120ns	24	5.49
HM6264LP-15	8192x8	150ns	28	8.95
HM6264LP-12	8192x8	120ns	28	9.95
HM43256LP-15	32768x8	150ns	28	19.95
HM43256LP-12	32768x8	120ns	28	21.95
HM43256LP-10	32768x8	100ns	28	24.95

MATH COPROCESSORS

8-BIT COPROCESSORS

8087	5 MHz	89.95
8087-2	8 MHz	129.95
8087-1	10 MHz	169.95

16-BIT COPROCESSORS

80287	6 MHz	139.95
80287-8	8 MHz	209.95
80287-10	10 MHz	239.95

32-BIT COPROCESSORS

80387-16	16 MHz	359.95
80387-SX	16 MHz	319.95
80387-20	20 MHz	399.95
80387-25	25 MHz	499.95
80387-33	33MHz	649.95

intel 5 YEAR WARRANTY

INCLUDES MANUAL & SOFTWARE GUIDE

74 SERIES LOGIC

7400	.19	74LS32	.18	74LS245	.79
74LS00	.16	74LS73	.29	74LS273	.79
74LS02	.17	7474	.33	74S288	1.69
7404	.19	74LS74	.24	74LS322	3.95
74LS04	.16	74S74	.49	74LS367	.39
74S04	.29	74LS138	.39	74LS373	.79
7406	.29	74LS155	.59	74LS374	.79
7408	.24	74LS163	.39	74LS393	.79
74LS08	.18	74LS240	.69	74LS682	3.20
7432	.29	74LS244	.69	74LS638	2.40

C.P.U.'s

8000

9052AH	BASIC	34.95
8088		5.99
8250		6.95
8251A		1.69
8253-5		1.95
8254		9.95
8255-5		2.49
8741		9.95
8748		7.95
8749		9.95
8755		14.95

6500

65C02		7.95
6522		2.95

V-20

V20		6.95
V20-8		8.95
V20-10		11.95
V30		13.95

MISC

DAC0800	3.29
1793	9.95
COM8116	8.95
MC146818	5.95
MM58167	9.95
INS8250	6.95
NS16450	10.95
LM317T	.69
NE555	.29
LM741	.29
7805T	.49
7812T	.49
75150	1.95
75154	1.95
14411	9.95

CRYSTAL OSCILLATORS

1.0MHz	5.95
1.8432	5.95
20.0	4.95
24.0	4.95

PALS

16L8	2.95
16R4	2.95
16R6	2.95
16R8	2.95
20L8	4.95
20R4	4.95
20R6	4.95
20R8	4.95
20X8	4.95

PAL KIT

AN ENTRY-LEVEL COMPLETE PAL DEVELOPMENT KIT FROM CUPPL FULL SUPPORT FOR 16L8, 16R4, 16R6, 16R8, 20L8, 20R4, 20R6, 20R8, AND 20X8. MOD-MPL-SOFT \$99.95

Derick's HIGH-TECH SPOTLIGHT



Call our BBS: (408) 559-0253 for more info in SIG file "Hitech"

This month's topic is floppy drive compatibility. There are 360K 5-1/4", 720K 3-1/2", 1.2Meg 5-1/4" and 1.44Meg 3-1/2" drives, any of which can be used on most PC's and PC clones. Recent improvements in floppy controllers make using high density drives on 8088-based machines a viable option.

To simplify, we'll eliminate the redundant choices. A 1.2Meg drive can work with both high density 1.2Meg floppies and low density 360K floppies. A high density 3-1/2" 1.44Meg drive can use both the high density 1.44Meg and the low density 720K disks. Unless you know that you will never need high density capability, a good universal standard is one 3-1/2" and one 5-1/4" high density drive.

Now for the bomb! Big Blue uses a different method to distinguish between 720K and 1.44Meg drives. While most of the manufacturers look for and detect the High Density hole in a high density diskette, they read the data to make that determination. This causes a problem when a Low Density disk without the hole is written in the high density mode. So if you get a 3-1/2" disk that a friend says is formatted at 1.44Meg, make sure it has a High Density hole or it probably won't read in your clone.

Derick Moore, Director of Engineering

An infrequent problem can occur when a 360K drive is written in a 1.2Meg drive and is then read in a 360K drive.

EPROMS

PART#	SIZE	SPEED	Vpp	PINS	PRICE
2708	1024x8	450ns	25V	24	4.95
2716	2048x8	450ns	25V	24	3.49
2716-1	2048x8	350ns	25V	24	3.95
2732A	4096x8	250ns	21V	24	3.95
2764	8192x8	450ns	12.5V	28	3.49
2764-250	8192x8	250ns	12.5V	28	3.69
2764-200	8192x8	200ns	12.5V	28	4.25
27C64	8192x8	250ns	12.5V	28	4.95
2712B	16384x8	250ns	12.5V	28	4.25
27128A-200	16384x8	200ns	12.5V	28	5.95
27256	32768x8	250ns	12.5V	28	4.95
27256-200	32768x8	200ns	12.5V	28	5.95
27C256	32768x8	250ns	12.5V	28	5.95
27512	65536x8	250ns	12.5V	28	8.95
27C512	65536x8	250ns	12.5V	28	9.95
27C101-20	131072x8	200ns	12.5V	32	29.95

EPROM ERASERS

DATASE II '39.95

- SHIRT POCKET SIZE!
- ALL SIZES UP TO 4 AT A TIME
- ERASES MOST EPROMS IN 3 MINUTES

DATASE II

SPECTRONICS CORPORATION	Model	Timer	# of Chips	Internally	Unit Cost
PE-140	NO	9	8,000		\$89
PE-140T	YES	9	8,000		\$139
PE-240T	YES	12	9,600		\$189
PL-265T	YES	30	9,600		\$255

POWER SUPPLIES

135 WATT POWER SUPPLY

- UL APPROVED
- +5V @ 15A, +12V @ 4.2A, 5V @ 5A, -12V @ 5A

PS-135 \$59.95

PS-150 150W SUPPLY \$69.95

200 WATT POWER SUPPLY

- UL APPROVED
- +5V @ 20A, +12V @ 7A, 5V @ 5A, -12V @ 5A

PS-200 \$89.95

APPLE TYPE SUPPLY

- WITH APPLE CONNECTOR
- +5V @ 6A, +12V @ 3A, 5V @ 1A, -12V @ 1A

PS-A \$59.95

PROTOTYPE CARDS

FR-4 EPOXY GLASS LAMINATE WITH GOLD PLATED EDGECARD FINGERS AND SILK SCREENED LEGENDS



FOR XT

JDR-PR1	WITH +5V AND GROUND PLANE	27.95
JDR-PR2	ABOVE WITH I/O DECODING LAYOUT	29.95
JDR-PR2-PK	PARTS KIT FOR JDR-PR2 ABOVE	8.95

FOR AT

JDR-PR10	BIT WITH I/O DECODING LAYOUT	34.95
JDR-PR10-PK	PARTS KIT FOR JDR-PR10 ABOVE	12.95

FOR PS/2

JDR-PR32	32 BIT PROTOTYPE CARD	69.95
JDR-PR16	16 BIT WITH I/O DECODING LAYOUT	49.95
JDR-PR16-PK	PARTS KIT FOR JDR-PR16 ABOVE	15.95
JDR-PR16V	16 BIT FOR VIDEO APPLICATIONS	39.95

EXTENDER CARDS

SIMPLIFY PROTOTYPING AND TESTING

EXT-8088	8-BIT FOR 8088 MOTHERBOARDS	29.95
EXT-80286	16-BIT FOR 286/386 MOTHERBOARDS	39.95
EXT-16	MICROCHANNEL 16-BIT	69.95
EXT-32	MICROCHANNEL 32-BIT	99.95

PC BREADBOARD-ON-A-CARD

62 BUS LINES	
USE UP TO 24 14-PIN IC'S	
1940 TIE POINTS	
DB25 D-SUB CONNECT	
PDS-604	\$49.95

SOLDER STATION

- UL APPROVED
- ADJUSTABLE HEAT SETTING
- TIP TEMPERATURE READOUT
- REPLACEMENT TIPS @ \$2.95

168-3C \$59.95

IC SOCKETS/DIP CONNECTORS

SOLDERTAIL	WIREWRAP	ZIF SOCKETS
8 PIN ST .11	8 PIN WW .59	ZIF-14 5.95
14 PIN ST .11	14 PIN WW .69	ZIF-16 5.95
16 PIN ST .12	16 PIN WW .69	ZIF-20 6.95
18 PIN ST .15	18 PIN WW .99	ZIF-24 7.95
20 PIN ST .18	20 PIN WW 1.09	ZIF-28 7.95
24 PIN ST .20	24 PIN WW 1.49	ZIF-40 10.95
28 PIN ST .22	28 PIN WW 1.69	
40 PIN ST .30	40 PIN WW 1.99	

VOLUME DISCOUNTS CALL!

SOLDER-CUP D-SUBS

MALE	FEMALE	IDC'S
DB09P .45	DB09S .49	IDE20 .55
DB15P .59	DB15S .69	IDE34 .89
HDB15P 1.49	HDB15S 1.59	IDS20 .65
DB19P .69	DB19S .75	IDS34 .75
DB25P .99	DB25S .75	IDB09P 1.39
DB37P 1.35	DB37S 1.39	IDB09S 1.45
DB50P 1.95	DB50S 2.29	IDB25P 2.25
		IDB25S 2.35

CABLES AND GENDER CHANGERS

MOLDED; GOLD-PLATED CONTACTS; 100% SHIELDED

CBL-PRINTER	6 FT. PC PRINTER CABLE	9.95
CBL-PRINTR-25	25 FT. PC PRINTER CABLE	15.95
CBL-PRINTR-RM	RIGHT ANGLE PRINTER CABLE	15.95
CBL-DB25-MMA	DB25 MALE-DB25 MALE 6 FT.	9.95
CBL-DB25-MF	DB25 MALE-DB25 FEMALE 6 FT.	9.95
CBL-9-SERIAL	DB9 FEMALE-DB25 MALE 6 FT.	6.95
CBL-KBD-EXT	5 FT. KEYBOARD EXTENSION	7.95
CBL-CNT-MM	36-PIN CENTRONICS-M/M	14.95
CBL-FDC-EXT	37-PIN EXT. FLOPPY CABLE	9.95
CBL-MNT-9	9-PIN MONITOR EXTENSION	6.95
CBL-MNT-15	15-PIN MONITOR EXTENSION CABLE	9.95
CBL-MODEM	MODEM-DB25-DB25 FEMALE	6.95
GENDER-VGA	DB9-DB15 ADAPTOR	4.95
GENDER-9-25	DB9-DB25 SERIAL ADAPTOR	4.95

PARTIAL LISTINGS ONLY—CALL FOR FREE 84-PG CATALOG!

JDR MICRODEVICES AND THE JDR MICRODEVICES LOGO ARE REGISTERED TRADEMARKS OF JDR MICRODEVICES. IBM, AT, PS/2 ARE TRADEMARKS OF INTERNATIONAL BUSINESS MACHINES.

CIRCLE NO. 179 ON FREE INFORMATION CARD (DEALERS: 180)



2400 BAUD MODEM \$99.95



- HAYES COMPATIBILITY
 - AUTO DIAL/ANSWER
 - SELF-TEST ON POWER UP
 - FULL AND HALF DUPLEX
 - TOUCHTONE CR PULSE DIALING • 2ND PHONE JACK
- PRO-241

DFI HANDY SCANNER 3000 PLUS

\$219.95



NEW IMPROVED! NOW WITH PAINT-BRUSH PLUS AND IMAGE TOOLS

- IMPROVED CLARITY, HIGHER SPEED! • SCANS UP TO 4.1" WIDE IMAGES • 100, 200, 300, 400 DPI BOTH DIRECTIONS • B&W & 3 HALF-TONE MODES • 32 LEVELS OF GRAY SCALE • HERCULES, CGA, EGA AND VGA COMPATIBLE
- HS-3000 WITH HALO DPE & IMAGE EDITOR SOFTWARE
OCR-SOFT CHARACTER RECOGNITION SOFTWARE \$99.95

VGA COMPATIBLE PACKAGE \$499



• 720 X 540 MAX RESOLUTION, 640 X 480 IN 16 COLORS, 528 X 480 RESOLUTION IN 256 COLORS • IBM STYLE MONITOR • VGA, EGA, CGA, AND MGA COMPATIBLE

VGA-PKG (INCLUDES VGA CARD AND MONITOR) **\$359**

VGA-MONITOR • 14" ANALOG VGA • GLARE RESISTANT SCREEN • 720 X 480 • TILT/SWIVEL BASE • FRONT MOUNTED POWER SWITCH • TTL-MONITOR

RELISYS MULTISYNCH **\$429**

• FULL FEATURED MULTISCAN MONITOR WITH UNLIMITED COLORS • 1024 X 768 RESOLUTION, 14" NON-GLARE DISPLAY • AUTO SWITCHING • TTL/ANALOG VIDEO INPUT

JDR-MULTI **EGS SPECIAL! CARD & MONITOR—JUST \$479**

- EGA-MONITOR 14" RGB MONITOR \$339.00
- JDR-RGB 14" RGB MONITOR TILT/SWIVEL BASE \$239.95
- JDR-MONO 12" TTL MONOCHROME-GREEN \$69.95
- JDR-AMBER 12" TTL MONOCHROME-AMBER \$69.95

UPRIGHT CASE \$299.95



SPACE SAVING DESIGN HOLDS ALL SIZES OF MOTHERBOARDS AND INCLUDES: • 250W POWER SUPPLY • MOUNTS FOR 3 FLOPPY & 4 HARD DRIVES • TURBO & RESET SWITCH • LED SPEED DISPLAY • POWER & DISK LED'S • ALL HARDWARE, FACEPLATES & SPEAKER

- CASE-100
- CASE-FLIP FOR 8088 MB'S \$39.95
- CASE-SLIDE FOR 8088 MB'S \$39.95
- CASE-70 FOR 286 MB'S \$89.95
- CASE-50 FOR MINI 286 MB'S \$59.95
- CASE-JR MINI-286 W/150W PS \$149.95

QUALITY KEYBOARDS

STANDARD KEYBOARDS:
BTC-5060 AUTOSENSE FOR XT/AT \$59.95
MAX-5060 WITH TACTILE FEEDBACK \$64.95

ENHANCED KEYBOARDS:
BTC-5339 AUTOSENSE FOR XT/AT, AUTOREPEAT \$69.95
K103-A AUDIBLE 'CLICK' STYLE \$84.95
MAX-5339 MAXI-SWITCH W/TACTILE FEEDBACK \$84.95

MODULAR CIRCUIT TECHNOLOGY

DRIVE CONTROLLERS:

- MCT-FDC FLOPPY DISK CONTROLLER \$29.95
- MCT-FDC-HD 1.44MB FLOPPY CONTROLLER \$49.95
- MCT-HDC HARD DISK CONTROLLER \$79.95
- MCT-RLL RLL CONTROLLER \$89.95
- MCT-FH FLOPPY/HARD CONTROLLER \$139.95
- MCT-AFH 286/386 FLOPPY/HARD \$149.95
- MCT-AFH-RLL 286/386 RLL CONTROLLER \$199.95

DISPLAY ADAPTOR CARDS:

- MCT-MGP MONOCHROME GRAPHICS \$59.95
- MCT-CG COLOR GRAPHICS ADAPTOR \$49.95
- MCT-EGA ENHANCED GRAPHICS ADAPTOR \$149.95
- MCT-VGA-8 8-BIT VGA, ANALOG ONLY \$199.95
- MCT-VGA-16 16-BIT VGA, 1024X768 RES. \$329.95
- MCT-MGMIO MONOGRAPHS MULTI I/O \$119.75
- MCT-MGAI0 286/386 MONOGRAPHS I/O \$99.95

MULTIFUNCTION CARDS:

- MCT-MIO MULTI I/O FLOPPY CONTROLLER \$79.95
- MCT-IO MULTI I/O CARD \$59.95
- MCT-AMF 286/386 MULTIFUNCTION \$139.95
- MCT-AIO 286/386 MULTI I/O CARD \$59.95

MEMORY CARDS:

- MCT-RAM 576K RAM CARD \$59.95
- MCT-EMS EXPANDED MEMORY CARD \$129.95
- MCT-AEMS 286/386 EMS CARD \$139.95

DFI SERIAL MOUSE \$39.95



- 3 BUTTON OPTO-MECHANICAL
- 200 D.P.I. • 5-1/2" CABLE
- USES SERIAL PORT COM 1/2
- INCL. SOFTWARE DRIVERS

DMS-200E
MOUSE & HALO-DPE SOFTWARE
DMS-200 \$59.95

LOGITECH MICE



- THREE-BUTTON SERIES 9
- 320 DPI RESOLUTION
- SERIAL PS/2 COMPATIBLE

- LOGIC9 SERIAL MOUSE \$98.95
 - LOGC9-C SERIAL MOUSE \$79.95
 - LOGC9-P SERIAL MOUSE WITH PAINTSHOW \$109.95
 - LOGC9-PC SERIAL MOUSE WITH PAINT/CAD \$154.95
 - LOGB9 BUS MOUSE \$89.95
 - LOGB9-P BUS MOUSE WITH PAINTSHOW \$104.95
 - LOGB9-PC BUS MOUSE WITH PAINT/CAD \$149.95
- *NOT PS/2 COMPATIBLE

HARD DISKS

20 MB \$199
30 MB \$219
40 MB \$319
28 MS \$389
60 MB \$389
80 MB \$569

KITS

20 MB \$249
30 MB \$279

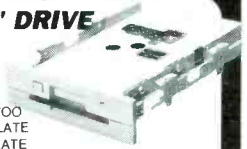


SIZE	MODEL	AVG. SPEED	FORM FACTOR	DRIVE ONLY	XT KIT	AT F/K
20MB	ST-225	65 MS	5-1/4"	\$199	\$249	\$309
20MB	ST-125	40 MS	3-1/2"	\$259	\$299	\$373
30MB	ST-238	65 MS	5-1/4"	\$219	\$279	\$379
30MB RLL	ST-138	40 MS	3-1/2"	\$289	\$339	\$429
40MB	ST-251	40 MS	5-1/4"	\$319	\$369	\$429
40MB	ST-251-1	28 MS	5-1/4"	\$389	\$439	\$499
60MB RLL	ST-277	40 MS	5-1/4"	\$389	\$449	\$549
80MB	ST-4096	28 MS	5-1/4"	\$569	-	\$679

150MB ESDI \$1095 DRIVE KIT

5-1/4" HARD DISK, FLOPPY/HARD CONTROLLER, CABLES, MOUNTING HARDWARE & SOFTWARE 1355-PKG

1.44MB 3-1/2" DRIVE \$99.95



• ULTRA HIGH DENSITY
• READ/WRITE 720K DISKS, TOO
FDD-1.44X BLACK FACEPLATE
FDD-1.44A BEIGE FACEPLATE
FDD-1.44 SOFT SOFTWARE DRIVER \$19.95

1/2 HEIGHT FLOPPY DISK DRIVES:
FD-55B 5-1/4" TEAC DS/DD 360K \$99.95
FD-55G 5-1/4" TEAC DS/HD 1.2M \$129.95
FDD-360 5-1/4" DS/DD 360K \$69.95
FDD-1.2 5-1/4" DS/HD 1.2M \$95.95

MOTHERBOARDS

25MHZ 386 \$1049

UPGRADE YOUR MOTHERBOARD!

- 10/25 MHZ
- 16 MB RAM CAPACITY - 8MB ON-BOARD(O), 8 MB RAM CARD
- USES 256K OR 1MB DRAMS
- 8 SLOTS: 1X32-BIT RAM 2X 8-BIT & 5X 16-BIT
- SHADOW RAM FOR BIOS VIDEO • AMI BIOS
- INTERLEAVED MEMORY • ADJUSTABLE BUS SPEEDS
- MCT-386MB25 10/20MHZ 386 \$849.00
- MCT-386MB20 8MB RAM CARD (O) \$149.95
- MCT-386-M

12MHZ MINI-286

- AT COMPATIBLE • KEYBOARD SELECTABLE 8/12MHZ
- EXPANDABLE TO 4MB ON-BOARD WITH 1MB DRAMS (O)K
- SIX 16-BIT & TWO 8-BIT SLOTS • AMI BIOS • LED SUPPORT

- MCT-M286-12 6/10MHZ MINI-286 \$269.95
- MCT-M286 8/16MHZ 286 \$489.95
- MCT-M286-20 10/20MHZ 286 \$589.00
- MCT-XMB STANDARD 4.77MHZ 8088 \$87.95
- MCT-TURBO 4.77/8MHZ 8088 \$95.95
- MCT-TURBO-10 4.77/10MHZ SINGLE CHIP 8088 \$99.00

EPROM PROGRAMMER \$129.95

- PROGRAMS 27XX AND 27XXX EPROMS UP TO 27512
- SUPPORTS VARIOUS PROGRAMMING FORMATS & VOLTAGES • SPLIT OR COMBINE CONTENTS OF SEVERAL EPROMS OF DIFFERENT SIZES
- READ, WRITE, COPY, BLANK CHECK & VERIFY
- SOFTWARE FOR HEX AND INTEL HEX FORMATS
- MOD-EPROM

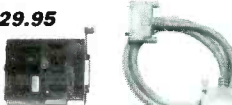


MODULAR PROGRAMMING SYSTEM

INTEGRATED MODULAR SYSTEM EASILY EXPANDS! ALL MODULES USE A COMMON HOST ADAPTOR CARD-USE JUST ONE SLOT TO PROGRAM EPROMS, PROMS, PALS & MORE

HOST ADAPTOR CARD \$29.95

- UNIVERSAL INTERFACE FOR ALL THE PROGRAMMING MODULES!
 - SELECTABLE ADDRESSES PREVENTS CONFLICTS
 - MOLDED CABLE
- MOD-MAC



UNIVERSAL MODULE \$499.95

- PROGRAMS EPROMS, EEPROMS, PALS, BI-PCLAR PROMS, 8748 & 8751 SERIES DEVICES, 16V8 AND 20V8 GAL'S (GENERIC ARRAY LOGIC) FROM LATTICE, NS, SGS
 - TESTS TTL, CMOS, DYNAMIC & STATIC RAMS • LOAD DISK, SAVE DISK, EDIT, BLANK CHECK, PROGRAM, AUTO, READ MASTER, VERIFY AND COMPARE
 - TEXT TOOL SOCKET FOR 3" TO 6" W. IC'S (8-40 PINS)
- MOD-MUP



EPROM MODULE \$119.95

- PROGRAMS 24-32 PIN EPROMS, CMOS EPROMS & EEPROMS FROM 16K TO 1024K • HEX TO OBJ CONVERTER - AUTO, BLANK CHECK/PROGRAM/VERIFY • VPP 5, 12.5, 12.75, 13, 21 & 25 VOLTS
- NORMAL, INTELLIGENT, INTERACTIVE & QUICK PULSE PROGRAMMING ALGORITHMS

MOD-MEP
MOD-MEP-4 4 EPROM PROGRAMMER \$169.95
MOD-MEP-8 8 EPROM PROGRAMMER \$259.95
MOD-MEP-16 16 EPROM PROGRAMMER \$499.95

DIGITAL IC MODULE \$129.95

- TESTS TTL, CMOS, DYNAMIC & STATIC RAM
 - AUTO SEARCH FOR UNKNOWN PART NUMBERS
 - USER-PROGRAMMABLE TEST PROCEDURES
- MOD-MIC

PAL MODULE \$249.95

- PROGRAMS MMI, NS, TI 20 & TI 24 PIN DEVICES
- BLANK CHECK, PROGRAM, AUTO, READMASTER, VERIFY & SECURITY FUSE BLOW

MOD-MPL
CUPL SOFTWARE—ENTRY-LEVEL PAL DEV. KIT \$99.95

JDR MICRODEVICES, 2233 BRANHAM LANE, SAN JOSE 95124
LOCAL (408) 559-1200 FAX (408) 559-0250 TELEX 171-110

RETAIL STORE: 1256 S. BASCOM AVE., SAN JOSE, CA
(408) 947-8881 HOURS: M-F 9-7 SAT. 9-5 SUN. 12-4

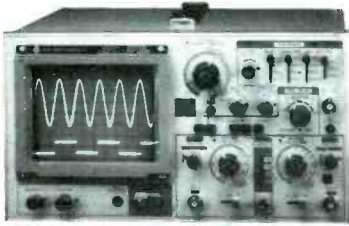


ORDER TOLL FREE 800-538-5000

COPYRIGHT 1989 JDR MICRODEVICES

CIRCLE NO. 179 ON FREE INFORMATION CARD (DEALERS: 180)

**VALUE-PRICED TEST EQUIPMENT
ALL WITH A 2 YEAR WARRANTY!**



35 MHZ DUAL TRACE OSCILLOSCOPE \$499.95

• WIDE BAND WIDTH • VARIABLE HOLDOFF
MODEL-3500 (SHOWN)

20 MHZ DUAL TRACE OSCILLOSCOPE \$389.95

• TV SYNC FILTER • COMPONENTS TESTER
MODEL 2000

THE ULTIMATE 3.5 DIGIT DMM \$79.95

• BASIC DC ACCURACY $\pm 0.25\%$
• 34 RANGES
• TEMP, TRANSISTOR & RESISTANCE FEATURES
DMM-300 (SHOWN)



3.5 DIGIT FULL FUNCTION DMM \$49.95

• BASIC DC ACCURACY $\pm 0.25\%$
• 22 RANGES
DMM-200 \$49.95

3.5 DIGIT POCKET SIZE DMM \$29.95

• BASIC DC ACCURACY $\pm 0.5\%$ • 14 RANGES
DMM-100

3.5 DIGIT PROBE TYPE DMM \$54.95

• AUTORANGING
• AC/DC 2V - 500V,
• RESISTANCE: 2K-2M
DPM-1000 (SHOWN)



HIGH/LOW LOGIC PROBE \$17.95

• DETECTS TTL/CMOS LOGIC STATES
• MEMORY FUNCTION FREEZES DATA FOR LATER USE
LP-2800

PULSER PROBE FOR QUICK DEBUGGING \$19.95

• INJECTS PULSE INTO TEST CIRCUIT-VARIABLE WIDTH
• TTL, DTL, TRL, HTL, HNIL, MOS, & CMOS COMPATIBLE
LP-540



**JIM'S BARGAIN
HUNTERS CORNER**

Jim Wharton
JDR's VP Sales

**DFI SERIAL
MOUSE AND
HALO-DPE SOFTWARE**

\$39.95

REGULARLY \$59.95

- THREE BUTTON OPTO-MECHANICAL MOUSE
- 200 DPI RESOLUTION
- USES SERIAL PORT COM1 OR COM2
- COMPATIBLE WITH MICROSOFT MOUSE AND PC MOUSE
- INCLUDES SOFTWARE MOUSE DRIVERS
- 5-1/2 FT. CABLE WITH FEMALE DB25 CONNECTOR
- INCLUDES HALO-DPE SOFTWARE, A SOPHISTICATED DESKTOP PUBLISHING EDITOR
- IMAGE EDITOR UTILITY PERMITS 90° ROTATION AND ABILITY TO SAVE IN WINDOWS, GEM, HALO AND PC PAINTBRUSH FORMATS

DON'T MISS THIS GREAT VALUE!

DMS-200

EXPIRES 10/31/89

JDR Microdevices
2233 BRANHAM LANE, SAN JOSE, CA 95124

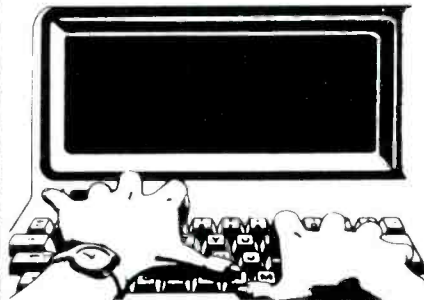
**ORDER TOLL-FREE
800-538-5000**

LOCAL (408) 559-1200 FAX (408) 559-0250 TELEX 171-110

ADVERTISERS' INDEX

RS#		Page #
94	AMC Sales.....	65
88	ARRL.....	4
80	All Electronics.....	79
91	Antennex.....	78
92	Antique Radio Classified.....	76
-	B&B Inc.....	78
95	Banner Technical Books, Inc.....	65
86	C&S Sales.....	59
-	Cable-Mate Inc.....	76
98	Cleveland Institute of Elec. Cov. III	
-	Command Productions.....	36
131	Compuserve.....	3
99	Consolidated Electronics.....	53
35	Contact East.....	61
85	Cook's Institute.....	62
90	Deco Industries.....	78
36	Digi-Key Corp.....	77
100	Electron Processing Inc.....	76
-	Electronics Book Club.....	75
130	Fordham Radio Supply..... Cov. IV	
-	General Technics.....	83
-	Grantham.....	52
38	Heath Co.....	45
7	Information Unlimited.....	61
179	JDR Microdevices..... 80, 81, 82	
82	Jan Crystals.....	6
-	Listen Electronics.....	78
37	MCM Electronics.....	7
-	NRI Schools.....	10, 13
12	OptoElectronics..... Cov. II	
-	Pacific Cable Co., Inc.....	5
97	Parts Express International.....	48
-	Penn Research.....	76
-	Sokolowski, Steve.....	78
-	Trans World Cable Co.....	78
93	Ucando, Inc.....	45
50	Video-Link Ent, Inc.....	76
83, 96	Viejo Publications.....	6, 27
-	Visitec Inc.....	76

We'd like to see your company listed here too. Contact Jonathan Kummer at 516-681-2922 to work out an advertising program tailored to suit your needs.



Free Product Information

Readers can obtain free information on products advertised by the above companies, as well as for some editorially mentioned products. Simply circle the appropriate number printed below an advertisement onto the Modern Electronics "Free Information Service" card bound into this issue. After filling in your name and address, just mail the postpaid card. Your request will be forwarded directly to the advertiser.

NusBus Primer (from page 35)

section of RAM on another processor card and can prevent the local processor from changing any of the data until the entire operation is complete.

Unlike other personal computers, the Macintosh II series of computers does not support DMA on the bus. Rather than defining DMA as a resource supplied by the bus, NuBus board manufacturers and users can customize DMA capabilities to fit the application.

The NuBus specification allows for as many as 16 different devices or slots. A 4-gigabyte physical address space allows all NuBus masters to address all devices on the bus. Slot space is assigned to the top 256 MB of this address space. A technique called geographical addressing assigns a private 16-MB section to each of the 16 possible devices. The remaining 3.75 gigabytes of address space is allotted to the system to be used as desired.

Although the NuBus specification allows up to 16 slots, the Macintosh II and Ix have six open slots plus one device location occupied by the motherboard, and the Macintosh Ixcx has three open slots plus one device location occupied by the motherboard.

Of all the NuBus features, users will appreciate geographical addressing the most. This feature eliminates the need for address jumpers or switches on the plug-in board. Instead, each board has a ROM carrying unique identifying information. Upon power up, the system automatically identifies and configures boards installed in the expansion slots. Thus a user can install boards without worrying about address conflicts with other boards.

IBM COMPATIBLE COMPUTERS

Save \$100's of dollars by assembling your own.

Send for FREE CATALOG.

General Technics
PO Box 2676
Lake Ronkonkoma, NY 11779

Say You Saw It In Modern Electronics

EXPAND YOUR CAREER HORIZONS...



The CIE Microprocessor Trainer helps you to learn how circuits with microprocessors function in computers.

START WITH CIE.

Microprocessor Technology. Satellite Communications. Robotics. Wherever you want to go in electronics... start first with CIE.

Why CIE? Because we're the leader in teaching electronics through independent study. Consider this. We teach over 25,000 students from all over the United States and in over 70 foreign countries. And we've been doing it for over 50 years, helping thousands of men and women get started in electronics careers.

We offer flexible training to meet your needs. You can start at the beginner level or, if you already know something about electronics, you may want to start at a higher level. But wherever you start, you can go as far as you like. You can even earn your Associate in Applied Science Degree in Electronics.

Let us get you started today. Just call toll-free 1-800-321-2155 (in Ohio, 1-800-362-2105) or mail in

CIRCLE NO. 98 ON FREE INFORMATION CARD

the handy reply coupon or card below to:
Cleveland Institute of Electronics,
1776 East 17th Street, Cleveland, Ohio 44114.

CIE World Headquarters

AMO-154

Cleveland Institute of Electronics, Inc.
1776 East 17th Street • Cleveland, Ohio 44114

Please send your independent study catalog.
For your convenience, CIE will try to have a representative contact you — there is no obligation.

Print Name _____

Address _____ Apt. _____

City _____ State _____ Zip _____

Age _____ Area Code/Phone No. _____

Check box for G.I. Bill bulletin on Educational Benefits

Veteran Active Duty **MAIL TODAY!**

Just call toll-free 1-800-321-2155 (in Ohio, 1-800-362-2105)

TROUBLESHOOTERS!

PRECISION HAND-HELD INSTRUMENTS



B & K Precision Test Bench™

- 41 range voltmeter • Ammeter
- Ohmmeter • Frequency counter
- Capacitance meter • Logic probe
- Transistor & diode tester • Extra large LCD display

Model 388-HD
Reg. \$129.95 **\$119⁰⁰**



SCOPE Digital Multimeter

- 11 function, 38 ranges including Logic Level Detector, Audible and Visual Continuity, Capacitance & Conductance measurements

Model DVM-638
Reg. \$87.50 **\$79⁹⁵**



SCOPE 3 1/2 Digit LCD Mini Meter

- 0.5% accuracy • AC/DC Voltage
- DC current • Resistance • Diode test • 300 hrs. battery life
- Overload protection DC 500V, AC 350V, ohms - 250V DC/AC

Model DVM-630
Reg. \$50.00 **\$32⁵⁰**



SCOPE Hand-Held 3 1/2 Digit LCR Meter

- Measure capacitance, resistance and inductance • Overload protection • Includes test leads, test clips, 9V battery and spare fuse

Model LCR-680 **\$119⁹⁵**



SCOPE Pocket Size Audio Signal Generator

- Sine/square wave patterns • 20Hz to 150 KHz • Battery operated
- Frequency accuracy ±3% (or less)
- Output 1.2V rms max. (no load)
- Low battery indicator • Test leads & 9V battery included

Model RC-555
Reg. \$69.95 **\$59⁹⁵**

DUAL TRACE OSCILLOSCOPES



A.W. SPERRY 20 MHz OSCILLOSCOPE

- Built-in component checker
- Z-axis input • Low power consumption • TV Video sync filter
- High-sensitivity XY mode
- Front panel trace rotator
- Includes 2 test probes

Model 620C **\$349⁹⁵**

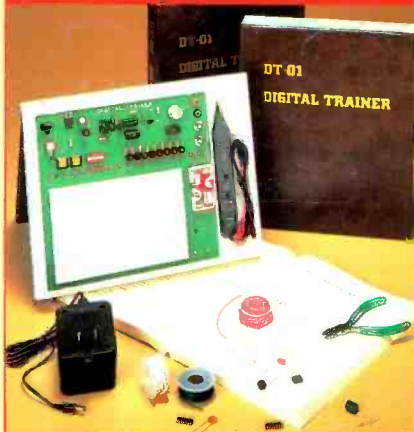
HITACHI 35 MHz OSCILLOSCOPE

- 19 calibrated sweeps • 6" CRT with internal graticule, scale illumination & photographic bezel
- Auto-focus • XY operation • TV sync separation
- Includes 2 probes (10:1 and 1:1)

Model V-355 **\$598⁰⁰**
Reg. \$899.95



TRAINERS AND TOOLS



SCOPE DIGITAL TRAINER

- Learn logic circuits and equipment design • Connects to oscilloscopes, signal generators and more
- Logic probe included • Solderless breadboard and crib sheets help you build almost any circuit
- Runs off 4 "AA" batteries or AC adapter (included)

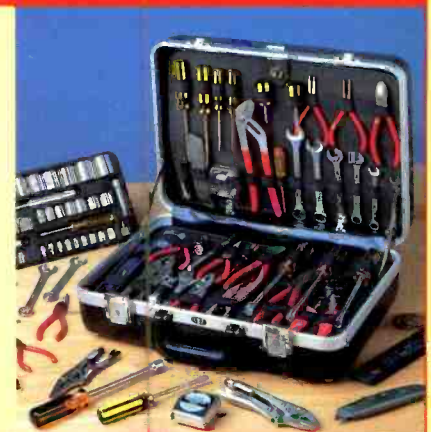
Model DT-01 **\$110⁰⁰**
Reg. \$149.95

ALL PURPOSE 92-PC. TOOL CASE

- Complete kit for home, workshop and auto • Includes 52-pc. socket set with extenders
- 2 tool pallets with roomy rear storage compartments
- Attractive, rugged carry case

Model FTK-28
Reg. \$169.95

\$129⁹⁵



ASK FOR YOUR FREE CATALOG
Fordham TOLL FREE 800-645-9518

260 Motor Parkway
Hauppauge, New York 11788



Money orders, checks accepted
C.O.D.'s require 25% deposit.

Service & Shipping Charge Schedule Continental U.S.A.

FOR ORDERS	ADD
\$25-50	\$4.50
\$51-100	\$5.50
\$101-200	\$7.00
\$201-300	\$8.00
\$301-400	\$9.00
\$401-500	\$10.00
\$501-750	\$12.50
\$751-1000	\$15.00
\$1,001-1,250	\$17.50
\$1,251-1,500	\$20.00
\$1,501-2,000	\$25.00
\$2,001 and up	\$30.00

CIRCLE NO. 130 ON FREE INFORMATION CARD