

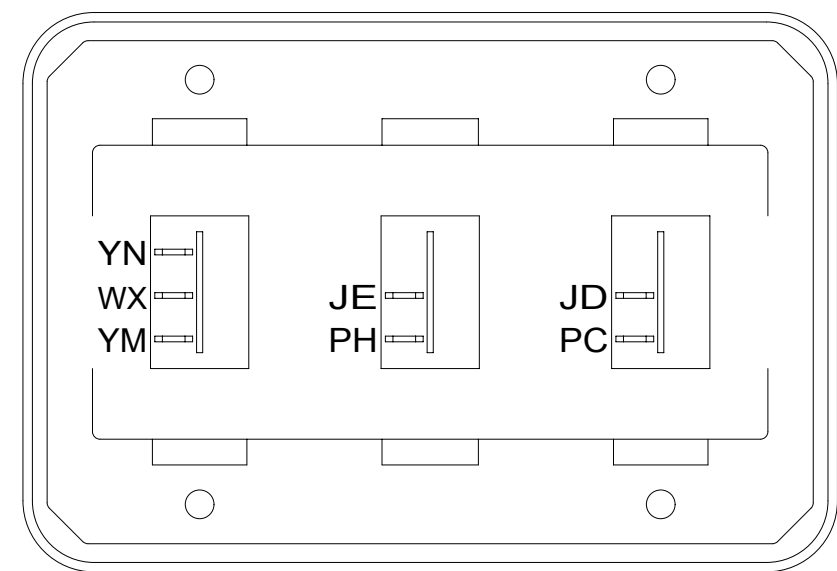
- 9 SEE WIRING INSTL-CHASSIS FOR ADDITIONAL INFORMATION.
- 8 WITHOUT 76E PLACE LIGHT ON BACKWALL OVER THE HOLE.
- 7 CONNECT IN-LINE WITH YELLOW VIDEO CABLE. WRAP BOTH ENDS WITH TAPE 8363-01-000 TO SECURE TO WIRE ASM.
- 6 WIRE PASSES THROUGH FLOOR IN THIS AREA.
- 5 CIRCUIT FROM WIRE ASM-COACH.
- 4 CIRCUIT FROM WIRE ASM-CHASSIS.
- 3 MOUNTED ON EXTERIOR SURFACE OF SIDEWALL.
2. WITH FRONT ENTERTAINMENT CENTER, SEE WIRING INSTL-TV/FRONT FOR ADDITIONAL INFORMATION.
1. AT MINIMUM ALL WIRES TO BE SUPPORTED AND SECURED PER CODE REQUIREMENTS. USE CLAMP 10495 OR 10497 OR WIRE TIE 8343 OR 108046 AND SCREW G67-XX-XXX OR G56-XX-XXX AS APPROPRIATE FOR INSTALLATION.

FOR ELECTRICAL TORQUE SPECIFICATIONS SEE DWG NO. 128783-01-000

FOR ELECTRICAL CALLOUTS SEE DWG NO. 121339-01-000

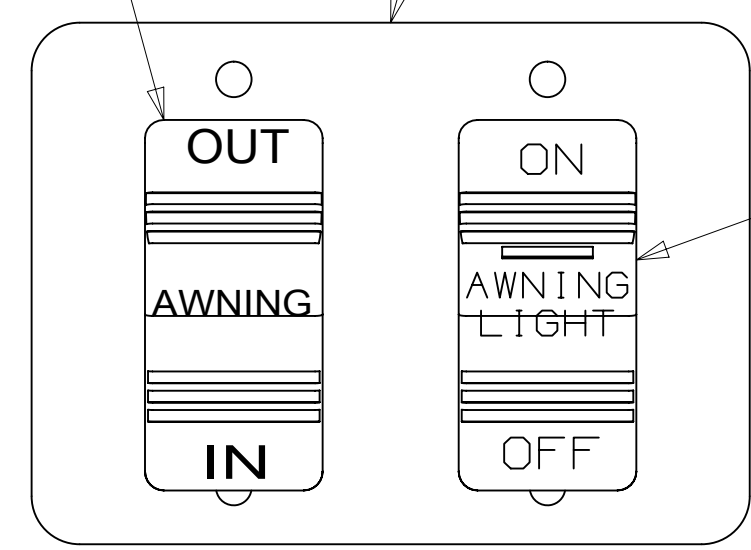
- 76E EXT ENTERTAINMENT SYSTEM
- 265 CODES/STANDARDS-CSA/CMVSS
- 1B1 CODES/STANDARDS USA

DESCRIPTION:		<b>WIRING INSTL-BODY, 12V</b>	
SHEET:	ITEM/PART NO.:	REV:	
2 OF 7	000201046 / 30150601000		



SWITCH-ROCKER  
135740-01-CHT (2)  
135740-02-CHT  
SWITCH-BASE  
135741-03-CHT  
SWITCH-BEZEL  
135742-03-CHT  
SCREW  
G11-08-08U (4)

DETAIL CA

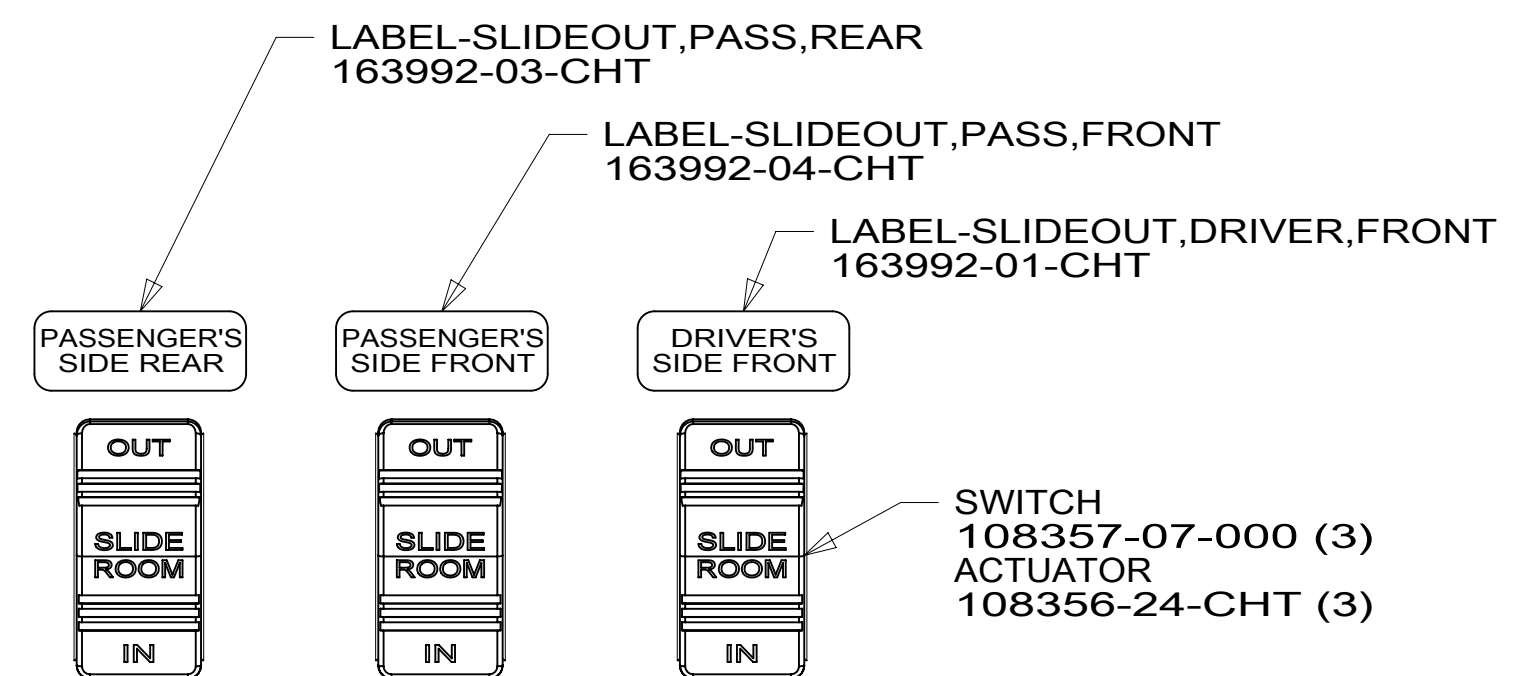


SWITCH-ROCKER  
108357-06-000  
ACTUATOR-SWITCH  
108356-12-CHT

PLATE-SWITCH  
158431-17-CHT  
SCREW  
G11-06-10U (4)

SWITCH-ROCKER  
108357-14-000  
ACTUATOR-SWITCH  
108356-28-CHT

DETAIL CE



LABEL-SLIDEOUT,PASS,REAR  
163992-03-CHT

LABEL-SLIDEOUT,PASS,FRONT  
163992-04-CHT

LABEL-SLIDEOUT,DRIVER,FRONT  
163992-01-CHT

SWITCH  
108357-07-000 (3)  
ACTUATOR  
108356-24-CHT (3)

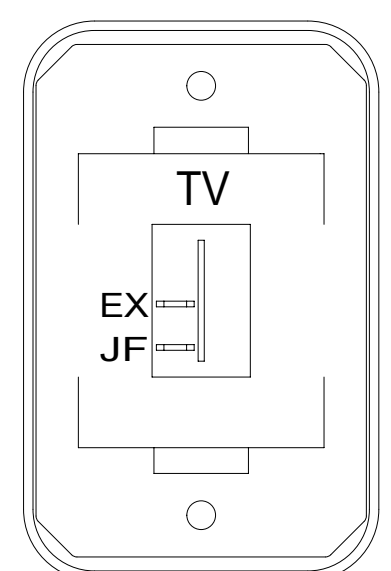
WARNING CRUSH HAZARD. Keep people and objects clear of the inside and the outside of the slideout room when operating. Failure to comply could result in death or serious injury.

LABEL-WARNING, SLIDEOUT  
116549-01-000



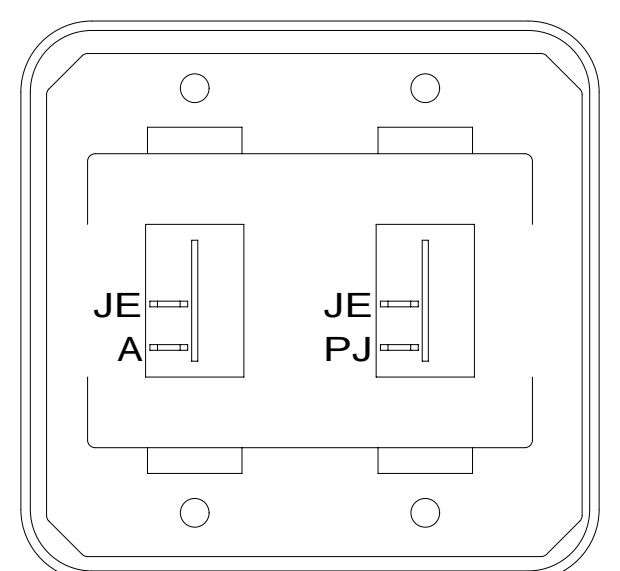
CONTROL-CHARGE,  
SOLAR 30 AMP  
191278-01-000  
SCREW  
G11-08-08U (2)

282



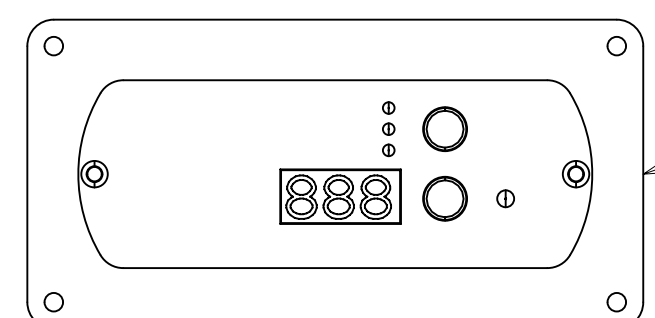
SWITCH-ROCKER  
135740-01-CHT  
SWITCH-BASE  
135741-01-CHT  
SWITCH-BEZEL  
135742-45-CHT  
SCREW  
G11-08-08U (2)

DETAIL CB

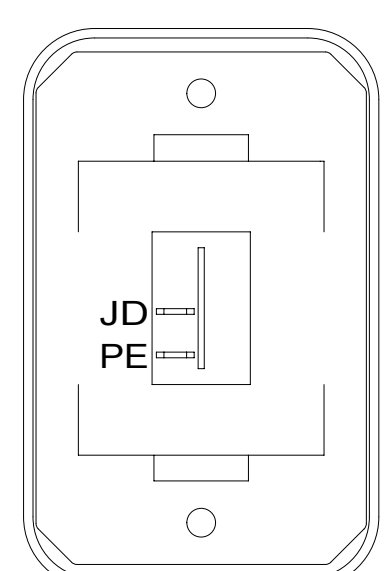


SWITCH-ROCKER  
135740-01-CHT (2)  
SWITCH-BASE  
135741-02-CHT  
SWITCH-BEZEL  
135742-02-CHT  
SCREW  
G11-08-08U (4)

DETAIL CF



REMOTE PANEL-INVERTER  
(SUPPLIED WITH INVERTER)  
MODULE-12V DISC  
173355-01-000



SWITCH-ROCKER  
135740-01-CHT  
SWITCH-BASE  
135741-01-CHT  
SWITCH-BEZEL  
135742-01-CHT  
SCREW  
G11-08-08U (2)

DETAIL CC

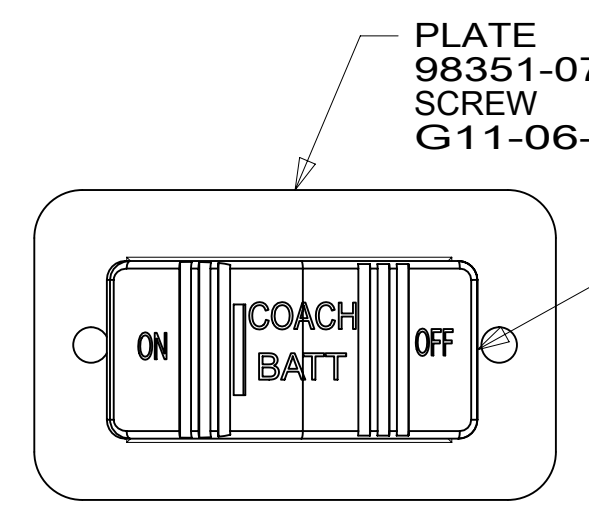
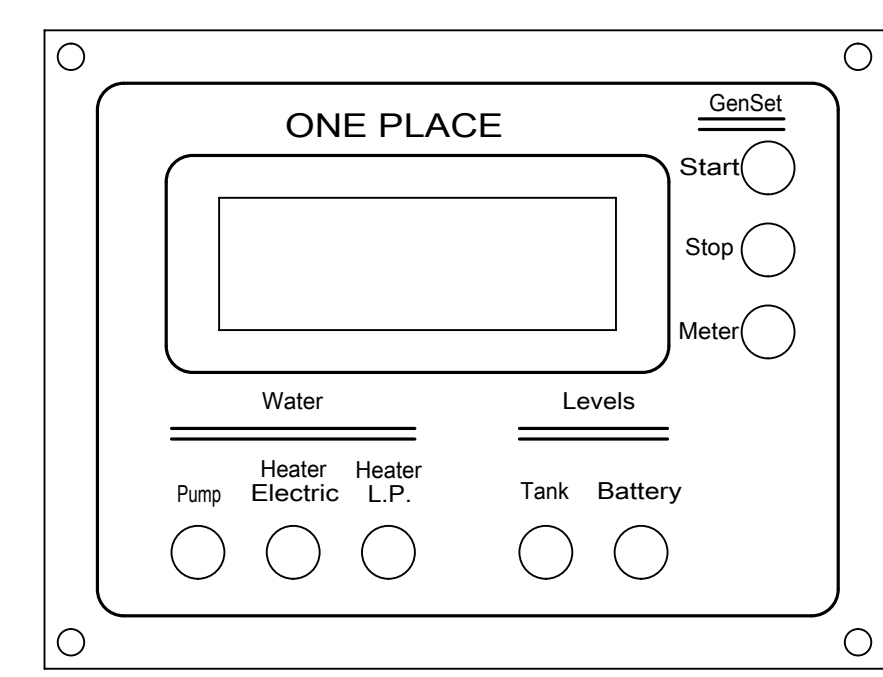


PLATE  
98351-07-CHT  
SCREW  
G11-06-10U (4)

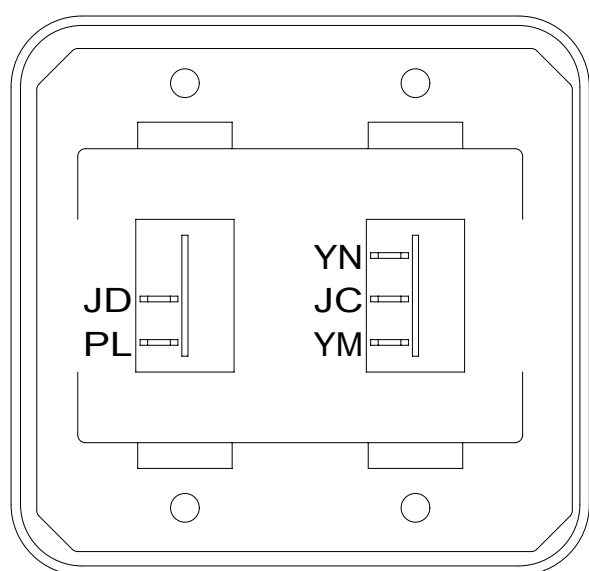
SWITCH-BATT DISC  
108357-18-000  
ACTUATOR  
108356-19-CHT  
(CIRCUITS LH,LJ,  
LG,JP,JA)  
WIRE ASM- THERM.  
186796-01-000

DETAIL CG



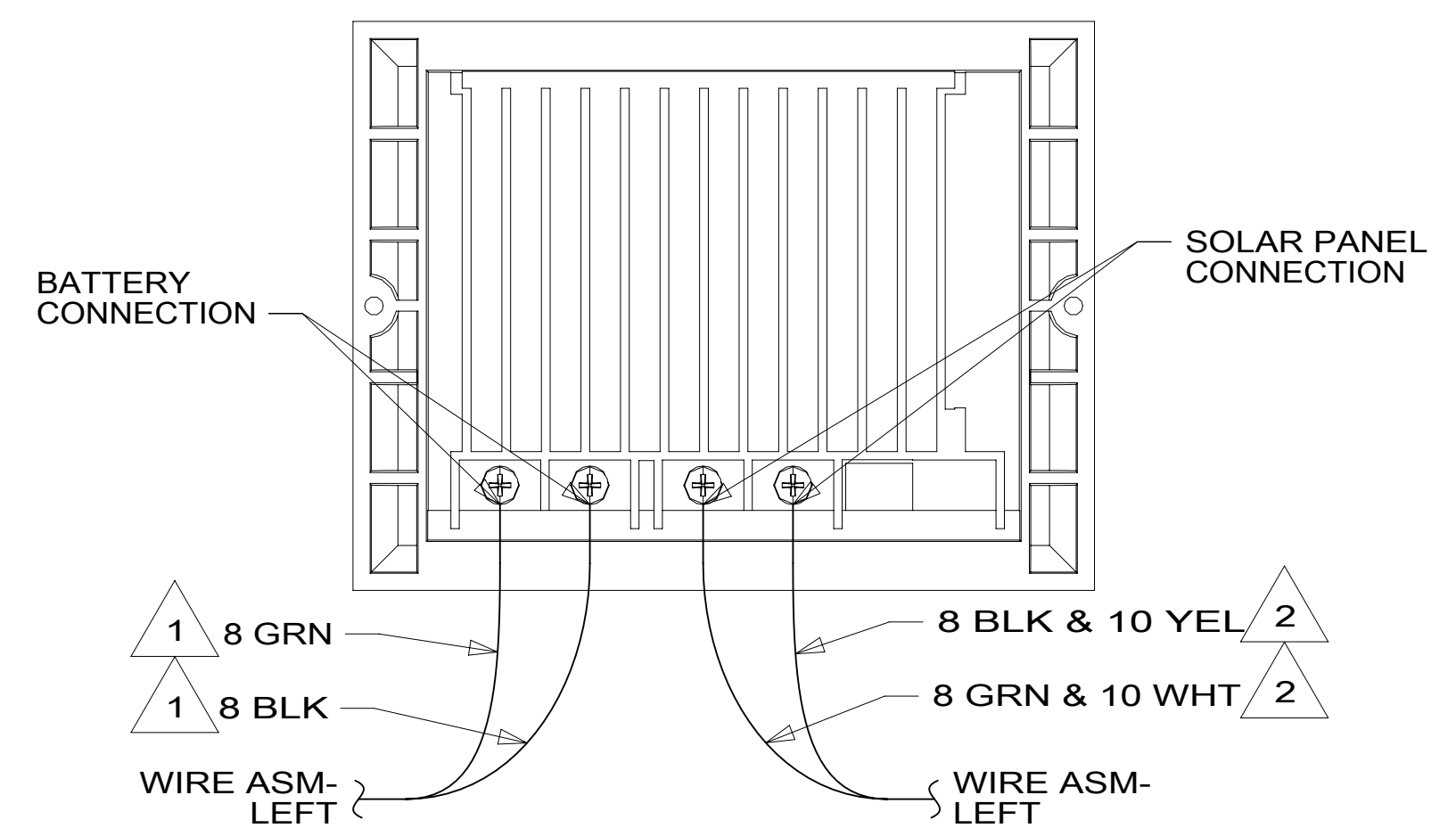
PANEL-MONITOR,LCD  
175724-01-000 (53B)  
175724-04-000 (1BT)  
SCREW  
G11-08-12U (4)

DETAIL CH



SWITCH-ROCKER  
135740-01-CHT  
135740-02-CHT  
SWITCH-BASE  
135741-02-CHT  
SWITCH-BEZEL  
135742-02-CHT  
SCREW  
G11-08-08U (4)

DETAIL CD



1 8 GRN

1 8 BLK

WIRE ASM- LEFT

8 BLK & 10 YEL 2

8 GRN & 10 WHT 2

WIRE ASM- LEFT

DETAIL CJ 282

2 WIRE IS MARKED WITH YELLOW TAPE.

1 WIRE IS MARKED WITH GOLD TAPE.

NOTES:

- 282 SOLAR PANEL - 100 WATT
- 53B WTR HTR-6GAL ELECTRIC/LP GAS
- 1BT WATER HEATER, TANKLESS
- 265 CODES/STANDARDS-CSA/CMVSS
- 1B1 CODES/STANDARDS USA

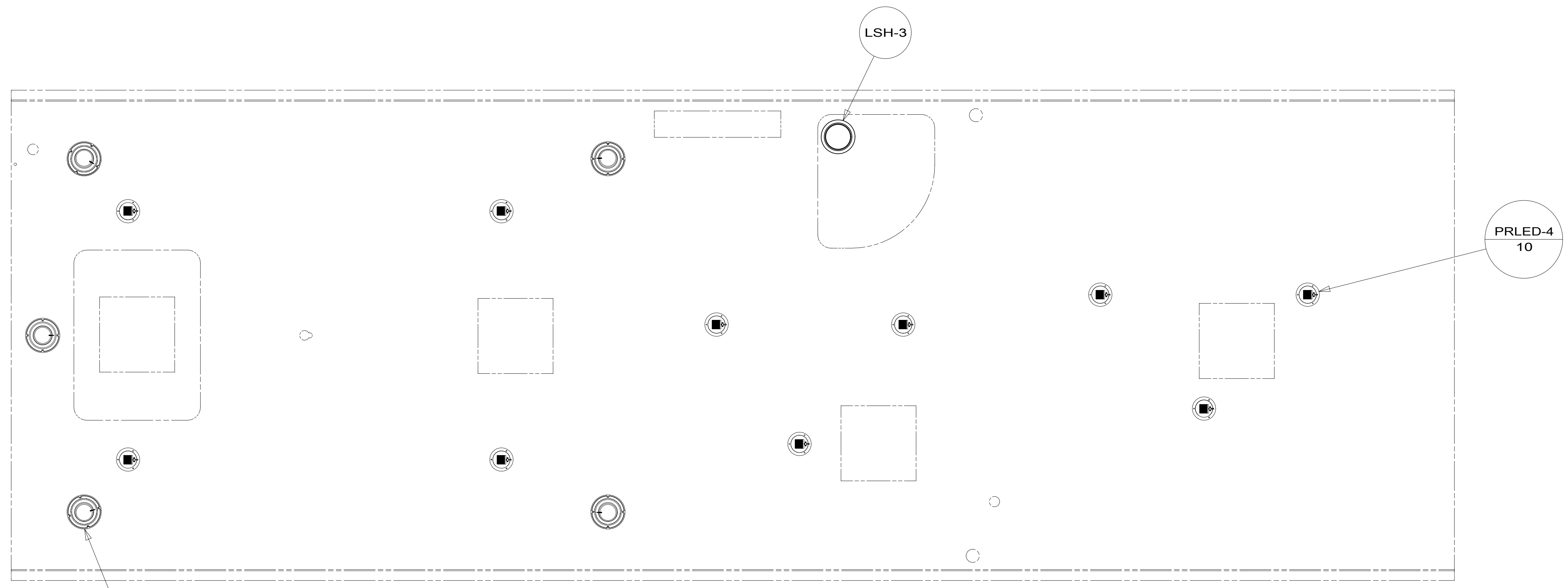
FOR ELECTRICAL  
TORQUE  
SPECIFICATIONS  
SEE DWG NO.  
128783-01-000

FOR  
ELECTRICAL  
CALLOUTS  
SEE DWG NO.  
121339-01-000

DESCRIPTION: <b>WIRING INSTL-BODY, 12V</b>	
SHEET: 3 OF 7	ITEM/PART NO: 000201046 / 30150601000
REV 1 20-Sep-2016	

8 7 6 5 4 3 2 1

D  
C  
B  
A



SPEAKER-ROUND  
179783-01-CHT (5)  
SCREW  
G1208-12-170 (20)

PRLED-4  
10

LSH-3

NOTES:  
1. SEE ROOF ASSEMBLY FOR ADDITIONAL INFORMATION.

FOR ELECTRICAL  
TORQUE  
SPECIFICATIONS  
SEE DWG NO.  
128783-01-000

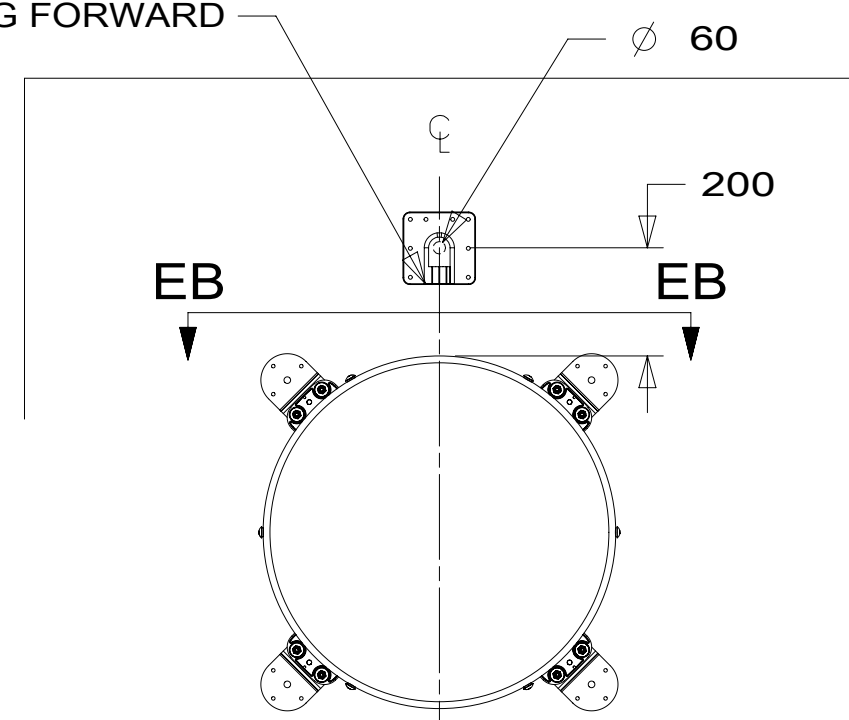
FOR  
ELECTRICAL  
CALLOUTS  
SEE DWG NO.  
121339-01-000

265 CODES/STANDARDS-CSA/CMVSS  
1B1 CODES/STANDARDS USA

DESCRIPTION: <b>WIRING INSTL-BODY, 12V</b>	
SHEET: 4 OF 7	ITEM/PART NO.: 000201046 / 30150601000
REV	

8 7 6 5 4 3 2 1 20-Sep-2016

THE SATELLITE DISH WIRE CONNECTIONS ARE TO BE PLACED ON THE CENTERLINE OF THE MOTORHOME FACING FORWARD



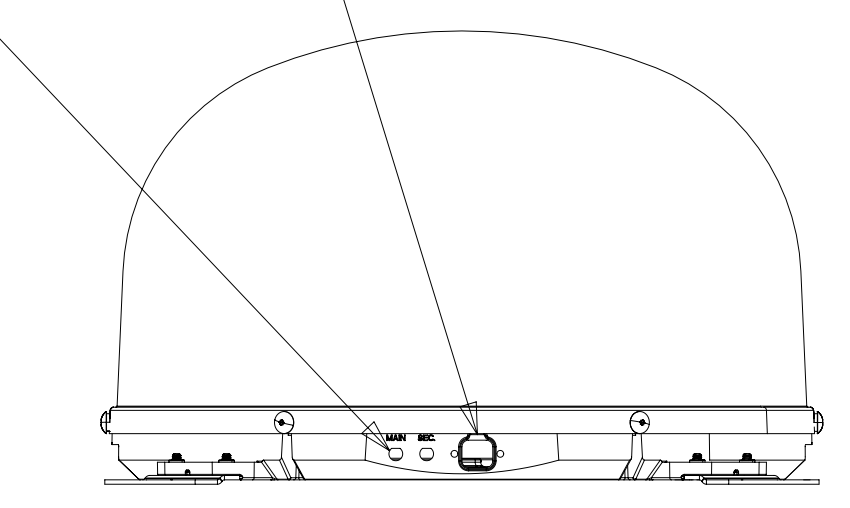
DETAIL EA 1

- ANTENNA-SATELLITE, STATIONARY  
000017113 / 313336-01-CHT
- SCREW  
000G39-08-08U (9)
- CABLE ASM-COAX  
163598-04-000
- ADAPTER  
082134-01-000
- CONDUIT  
041953-06-000 (200 MM)
- SCREW  
000G67-10-12U (10)  
(FOR PLATE SUPPLIED W/ DISH)
- DETAIL EA

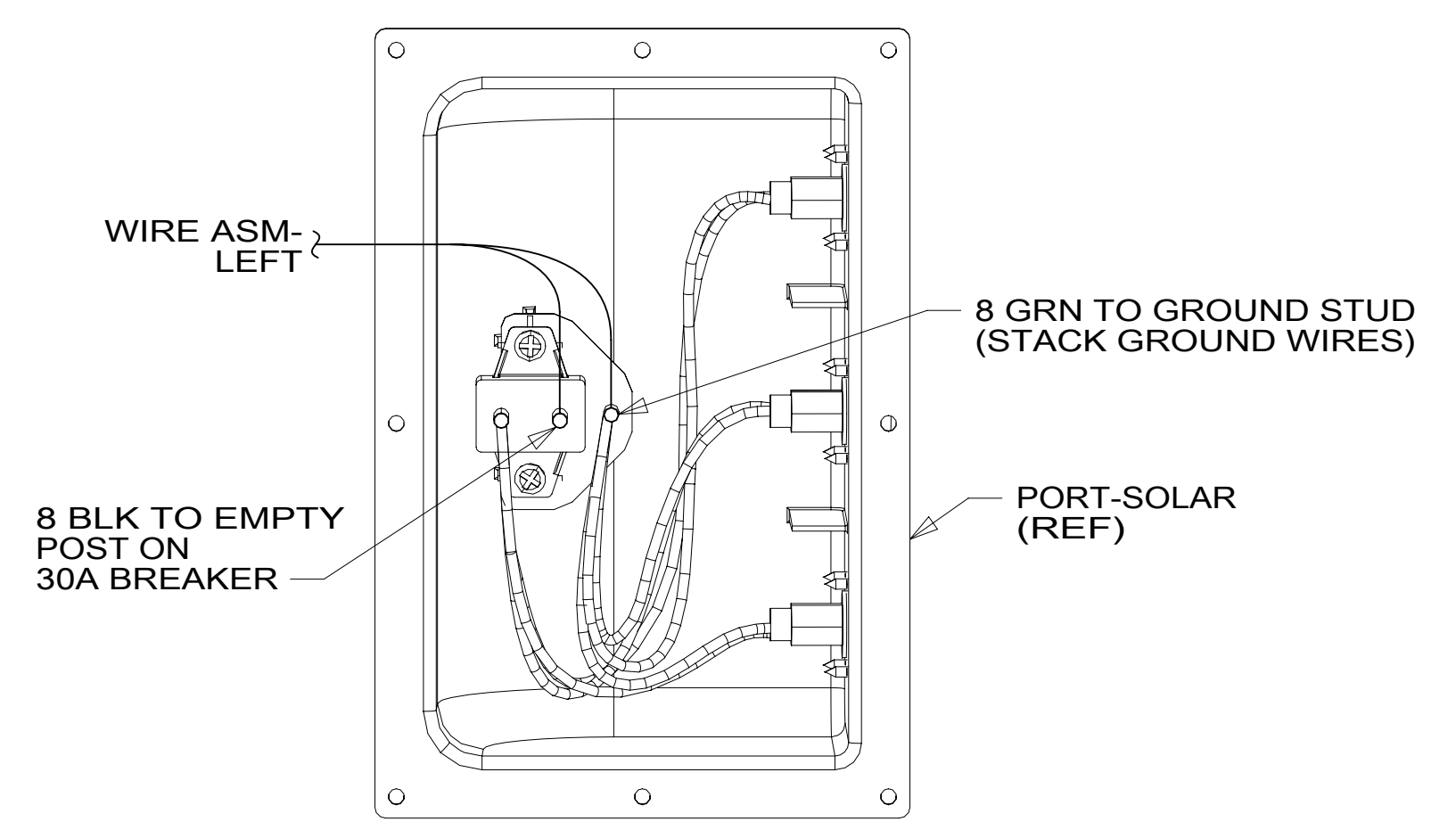
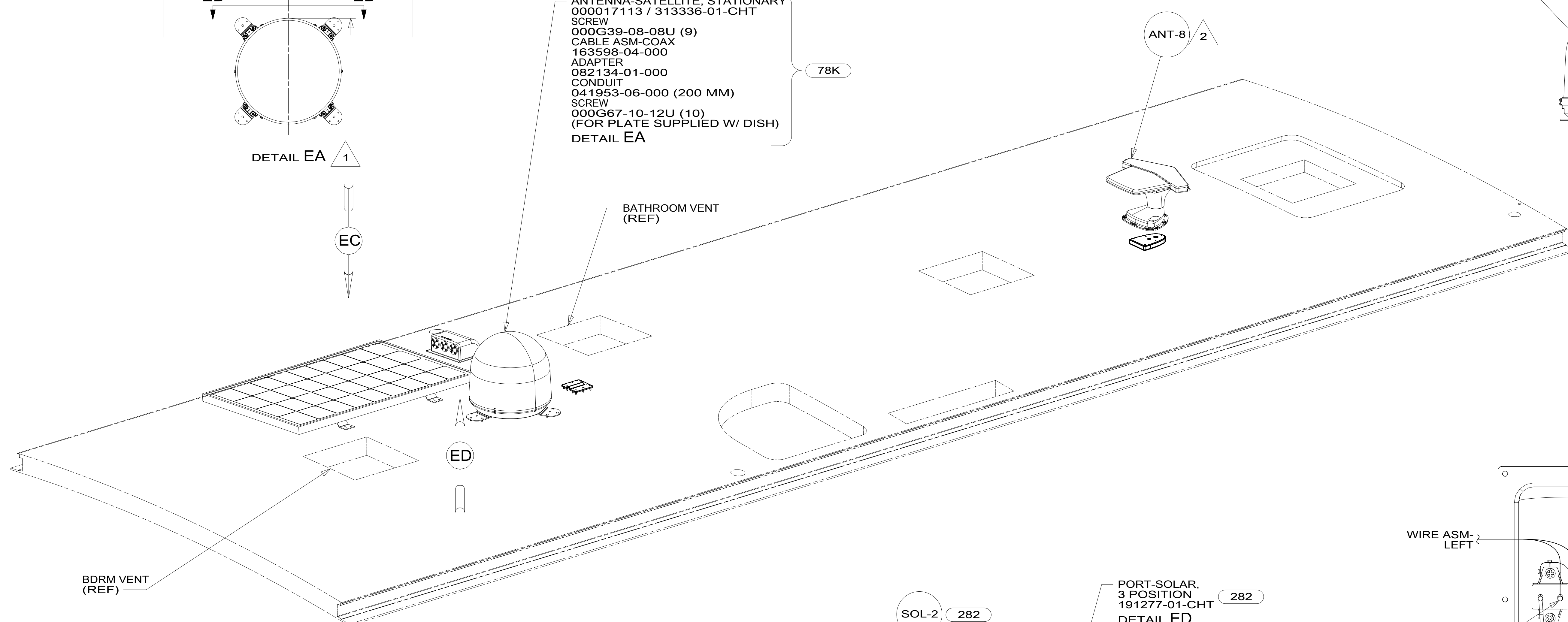
78K

CONNECT 2-PIN HOUSING FROM ROOF ASM TO SATELLITE DISH HERE AND ADD CONVOLUTED TUBING

CONNECT CABLE ASM COAX (ORG) FROM ROOF ASM TO MAIN INPUT ON SATELLITE DISH



VIEW EB-EB



DETAIL ED 282

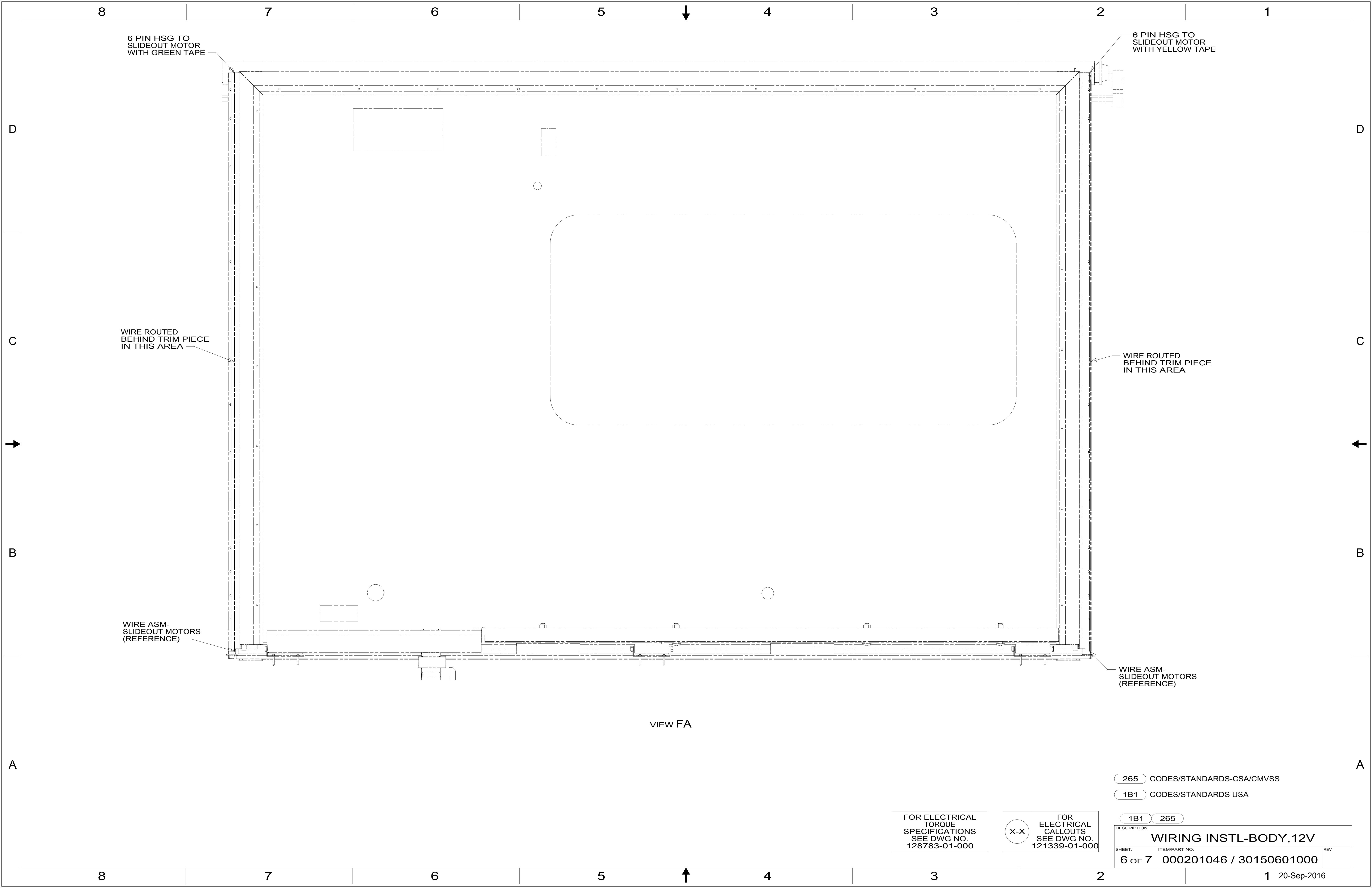
- NOTES:
- 3 ADD COAX CABLE 163598-04-000 & ADAPTOR-COAX 82134-01-000 TO ORG COAX TO MAKE CONNECTION WATER TIGHT.
  - 2 SEE ANTENNA INSTALLATION MANUAL FOR CORRECT INSTALLATION PROCEDURE.
  - 1 REMOVE ALL SHIPPING RESTRAINTS AND FIRMLY INSERT THE SUPPLIED PLUGS INTO THE APPROPRIATE SIZED HOLES AS SPECIFIED IN THE INSTALLATION PROCESS.

FOR ELECTRICAL TORQUE SPECIFICATIONS SEE DWG NO. 128783-01-000

FOR ELECTRICAL CALLOUTS SEE DWG NO. 121339-01-000

- 282 SOLAR PANEL - 100 WATT
- 78K SATELLITE TV SYSTEM AUTO
- 265 CODES/STANDARDS-CSA/CMVSS
- 1B1 CODES/STANDARDS USA

DESCRIPTION:		1B1 265	
<b>WIRING INSTL-BODY, 12V</b>			
SHEET:	ITEM/PART NO.:	REV	
5 OF 7	000201046 / 30150601000		



6 PIN HSG TO  
SLIDEOUT MOTOR  
WITH GREEN TAPE

6 PIN HSG TO  
SLIDEOUT MOTOR  
WITH YELLOW TAPE

WIRE ROUTED  
BEHIND TRIM PIECE  
IN THIS AREA

WIRE ROUTED  
BEHIND TRIM PIECE  
IN THIS AREA

WIRE ASM-  
SLIDEOUT MOTORS  
(REFERENCE)

WIRE ASM-  
SLIDEOUT MOTORS  
(REFERENCE)

VIEW FA

265 CODES/STANDARDS-CSA/CMVSS

1B1 CODES/STANDARDS USA

1B1 265

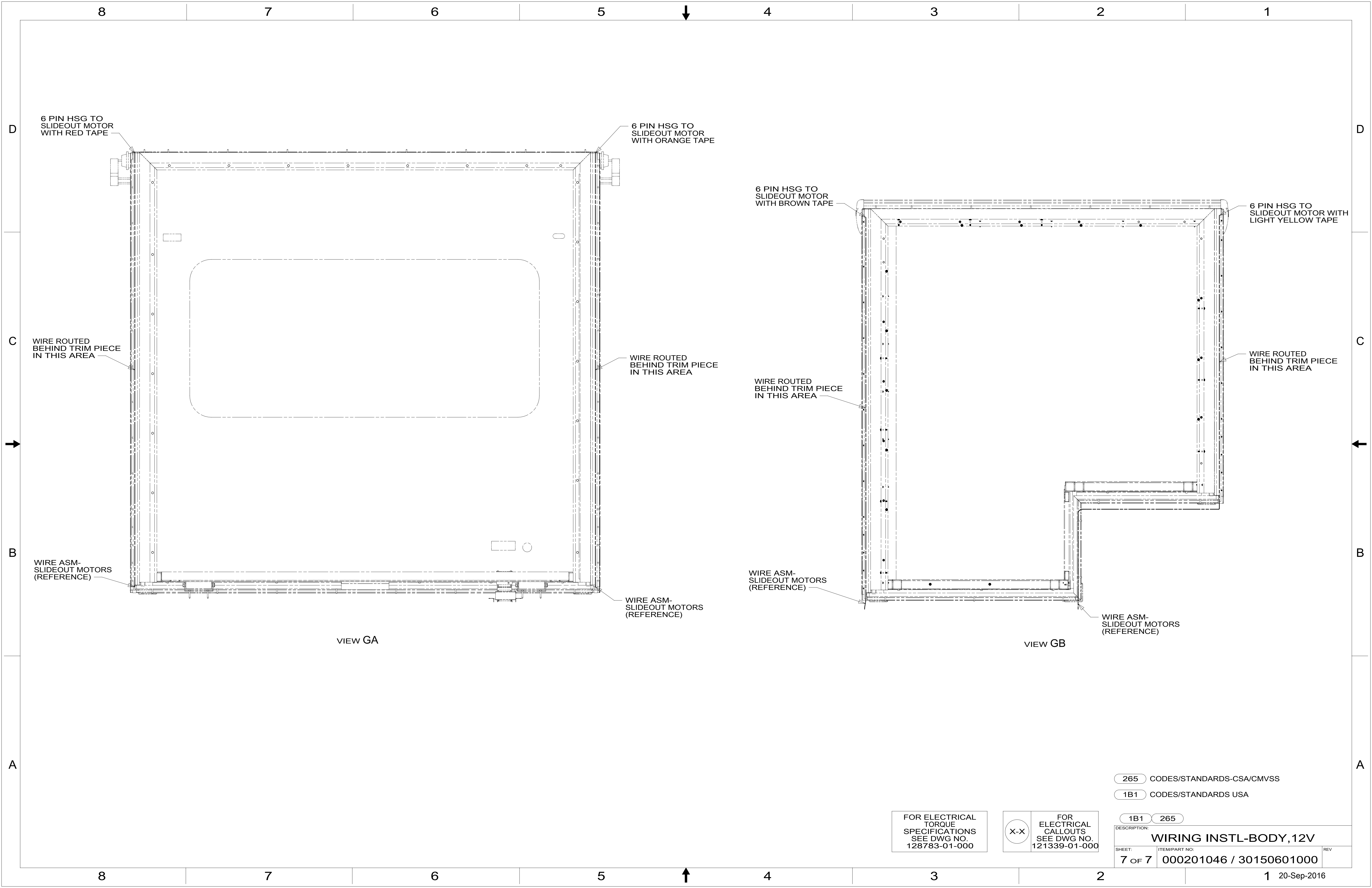
FOR ELECTRICAL  
TORQUE  
SPECIFICATIONS  
SEE DWG NO.  
128783-01-000

X-X

FOR  
ELECTRICAL  
CALLOUTS  
SEE DWG NO.  
121339-01-000

DESCRIPTION:  
**WIRING INSTL-BODY, 12V**

SHEET: 6 OF 7	ITEM/PART NO: 000201046 / 30150601000	REV
------------------	--	-----



6 PIN HSG TO SLIDEOUT MOTOR WITH RED TAPE

6 PIN HSG TO SLIDEOUT MOTOR WITH ORANGE TAPE

WIRE ROUTED BEHIND TRIM PIECE IN THIS AREA

WIRE ROUTED BEHIND TRIM PIECE IN THIS AREA

WIRE ASM-SLIDEOUT MOTORS (REFERENCE)

WIRE ASM-SLIDEOUT MOTORS (REFERENCE)

VIEW GA

6 PIN HSG TO SLIDEOUT MOTOR WITH BROWN TAPE

6 PIN HSG TO SLIDEOUT MOTOR WITH LIGHT YELLOW TAPE

WIRE ROUTED BEHIND TRIM PIECE IN THIS AREA

WIRE ROUTED BEHIND TRIM PIECE IN THIS AREA

WIRE ASM-SLIDEOUT MOTORS (REFERENCE)

WIRE ASM-SLIDEOUT MOTORS (REFERENCE)

VIEW GB

265 CODES/STANDARDS-CSA/CMVSS

1B1 CODES/STANDARDS USA

1B1 265

FOR ELECTRICAL TORQUE SPECIFICATIONS SEE DWG NO. 128783-01-000

FOR ELECTRICAL CALLOUTS SEE DWG NO. 121339-01-000

DESCRIPTION: WIRING INSTL-BODY, 12V

SHEET: 7 OF 7 ITEM/PART NO: 000201046 / 30150601000 REV