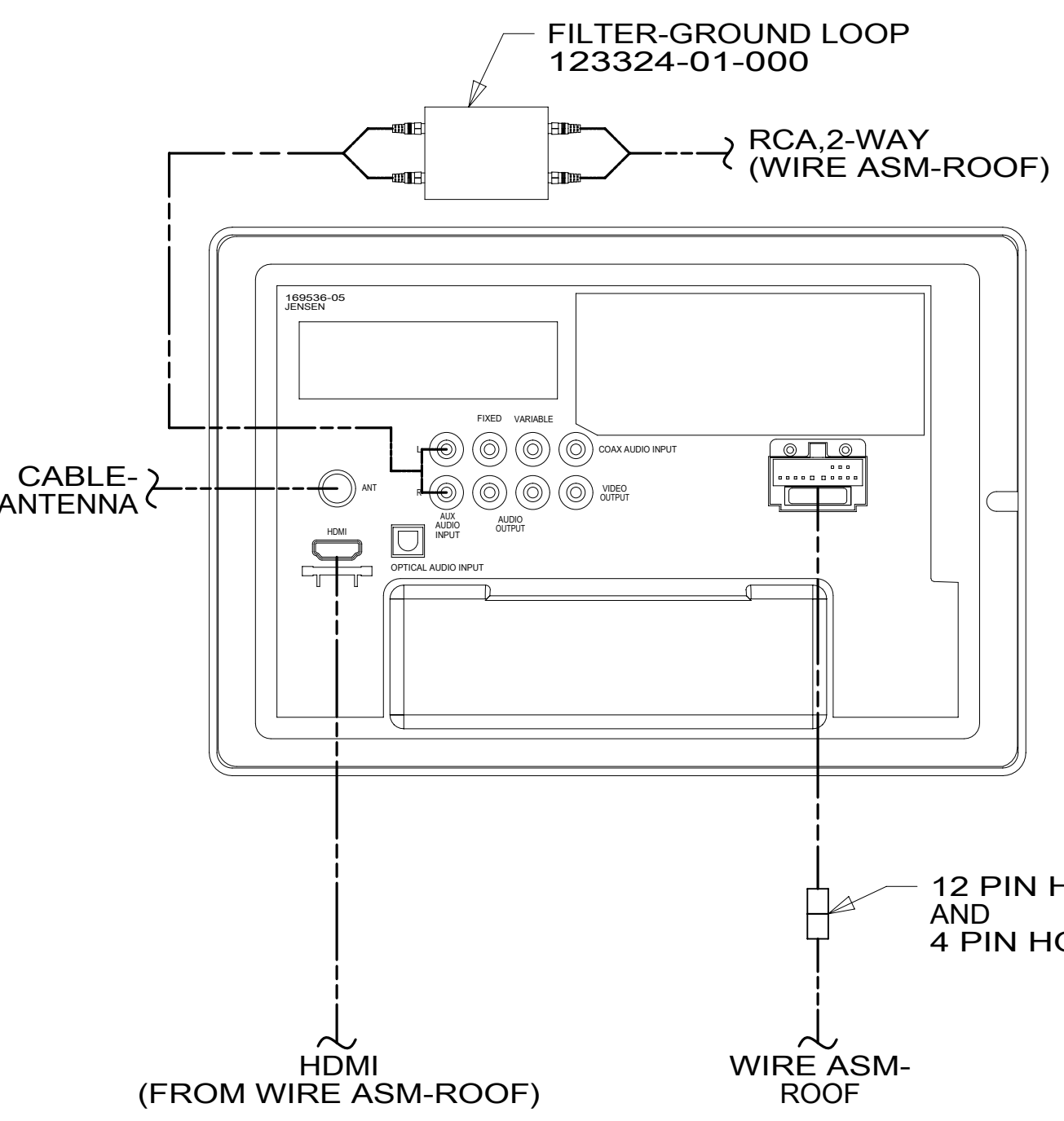


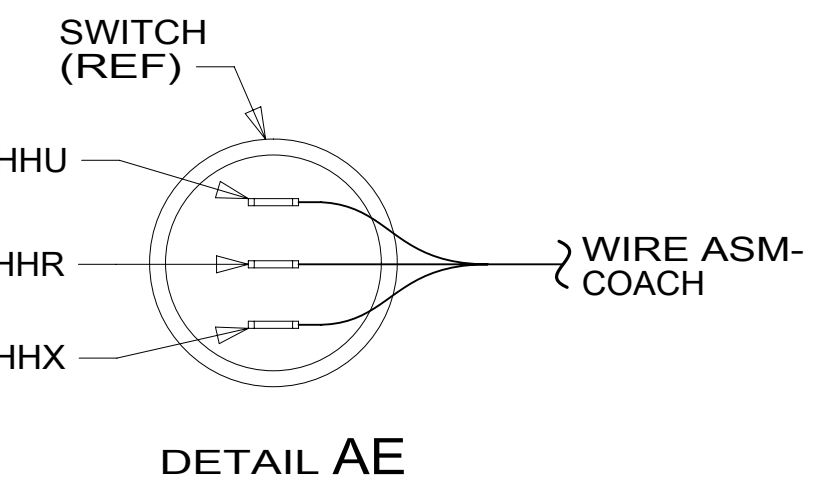
DETAIL AD



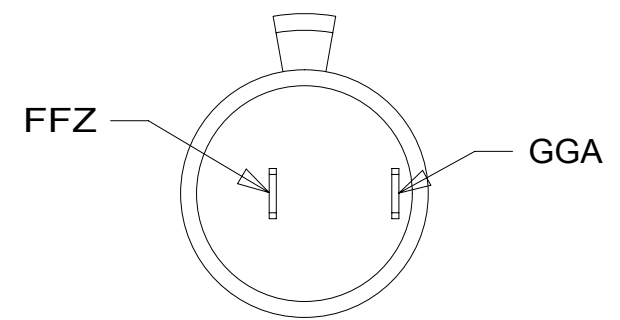
DETAIL AC

- TV-24" FLAT PANEL DLED,HDTV  
 000031269 / 316937-01-000  
 WIRE ASM-TV POWER  
 191991-01-000  
 CABLE-AUDIO  
 160574-01-000  
 ADAPTOR-COAX 90°  
 176986-01-000  
 SCREW  
 OMG02B-04-012 (4)  
 WASHER  
 OME02U-04-071 (4)  
 BRACKET-TV SWING MOUNT  
 179241-01-000  
 BRKT ASM-MNTING.TV.24INSIGNIA  
 000201565 / 302657-01-000  
 NUT  
 D28-10-00U (4)  
 WASHER  
 E13-10-00U (4)  
 CLAMP  
 O10497-10-000 (2)  
 SCREW  
 G39-08-12U (2)  
 DETAIL AD

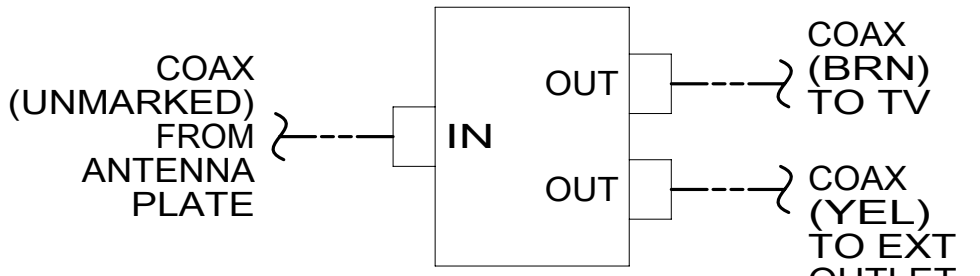
68Y



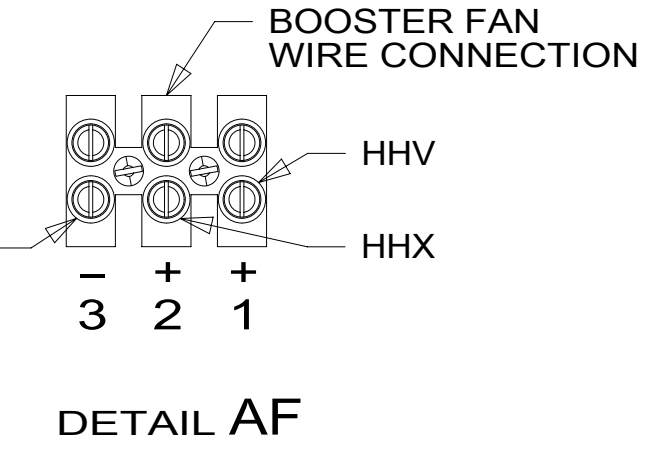
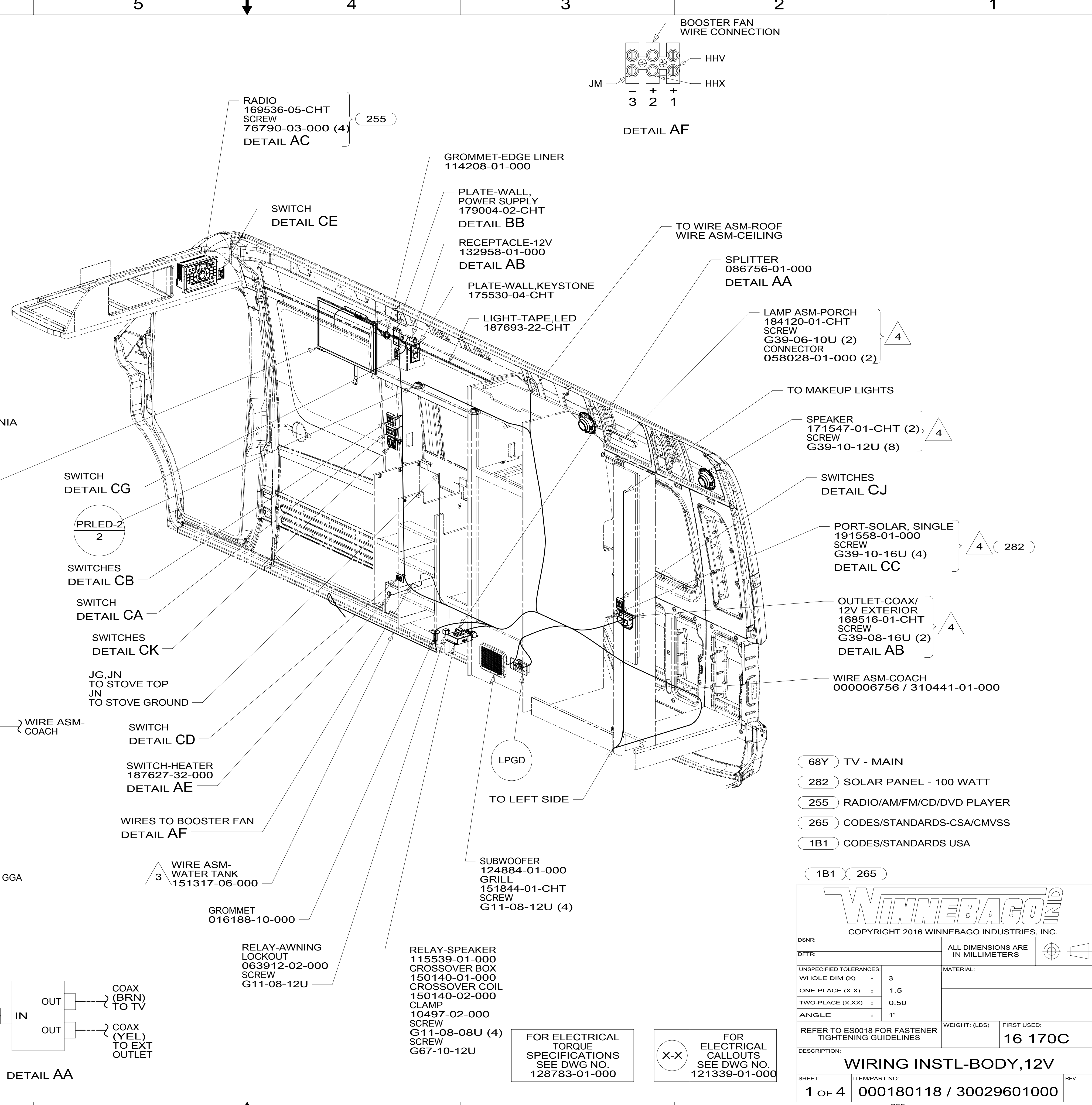
DETAIL AE



DETAIL AB (2 PLACES)



DETAIL AA



DETAIL AF

- 68Y TV - MAIN
- 282 SOLAR PANEL - 100 WATT
- 255 RADIO/AM/FM/CD/DVD PLAYER
- 265 CODES/STANDARDS-CSA/CMVSS
- 1B1 CODES/STANDARDS USA

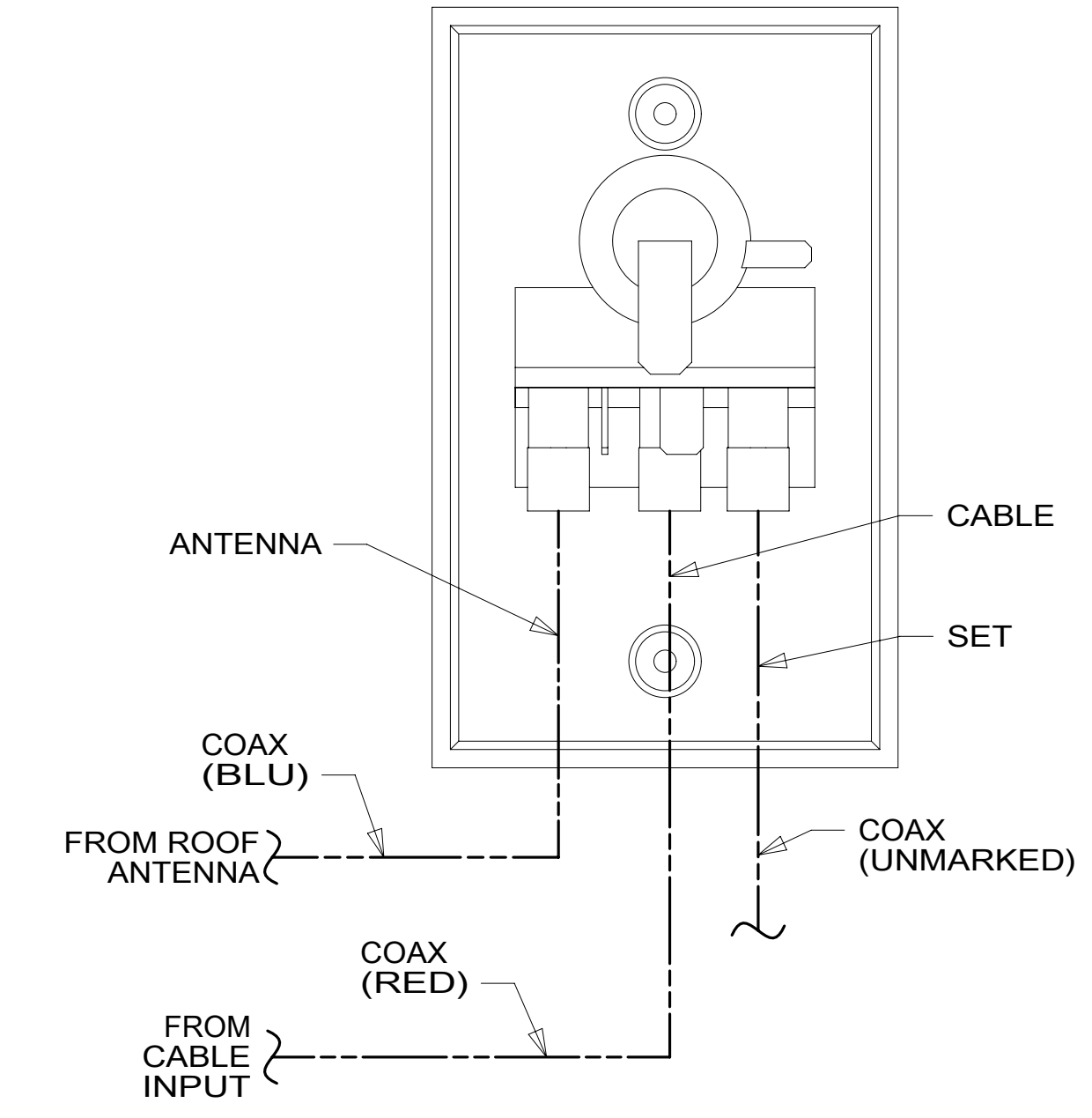
**WINNEBAGO**  
 COPYRIGHT 2016 WINNEBAGO INDUSTRIES, INC.

DSNR:	ALL DIMENSIONS ARE IN MILLIMETERS
DFFR:	
UNSPECIFIED TOLERANCES:	MATERIAL:
WHOLE DIM (X) : 3	
ONE-PLACE (X.X) : 1.5	
TWO-PLACE (X.XX) : 0.50	
ANGLE : 1°	
REFER TO ES0018 FOR FASTENER TIGHTENING GUIDELINES	WEIGHT: (LBS) FIRST USED: 16 170C
DESCRIPTION: WIRING INSTL-BODY, 12V	
SHEET: 1 OF 4	ITEM/PART NO: 000180118 / 30029601000

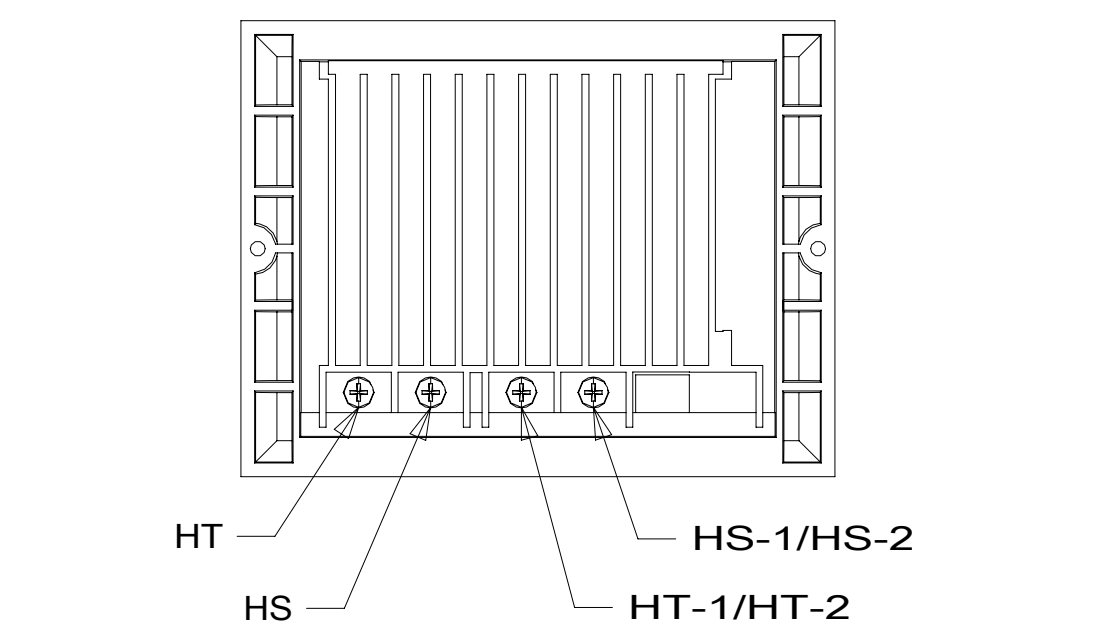
- NOTES:
- 4 MOUNT ON EXTERIOR SURFACE OF VAN SIDEWALL.
  - 3 PLACE CROSS LOCATOR ON SENSORS OVER DIMPLES ON TANK.
  2. ROUTE TANK SENSOR WIRES SO THEY DO NOT PASS OVER SENSORS. USE WIRE TIE MOUNT 155366-01-000 AND WIRE TIE 8343-01-000 AS NEEDED. TANK SURFACE MUST BE CLEANED USING ISOPROPYL ALCOHOL AND PRIMED WITH PRIMER 94.
  1. AT MINIMUM ALL WIRES TO BE SUPPORTED AND SECURED PER CODE REQUIREMENTS. USE CLAMP 10495 OR 10497 OR WIRE TIE 8343 OR 108046 AND SCREW G67-XX-XXX OR G56-XX-XXX AS APPROPRIATE FOR INSTALLATION.

FOR ELECTRICAL TORQUE SPECIFICATIONS SEE DWG NO. 128783-01-000

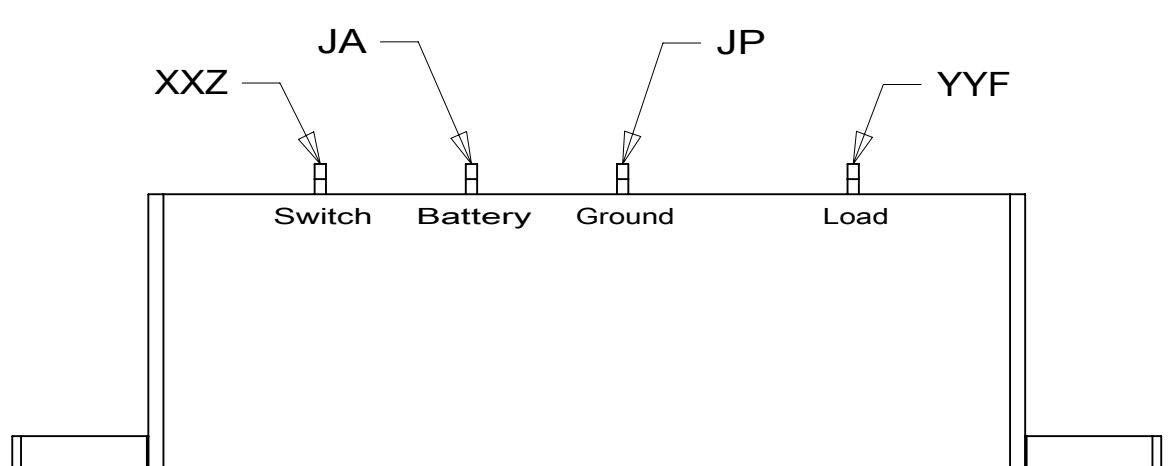
FOR ELECTRICAL CALLOUTS SEE DWG NO. 121339-01-000



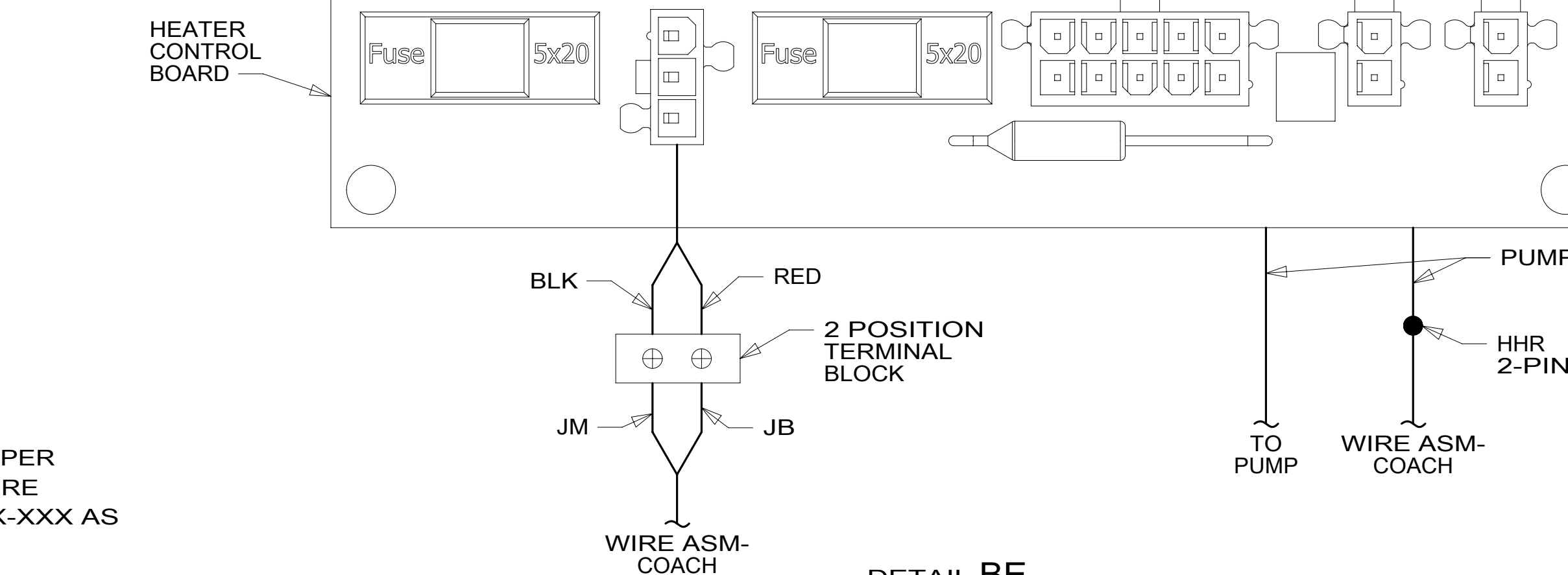
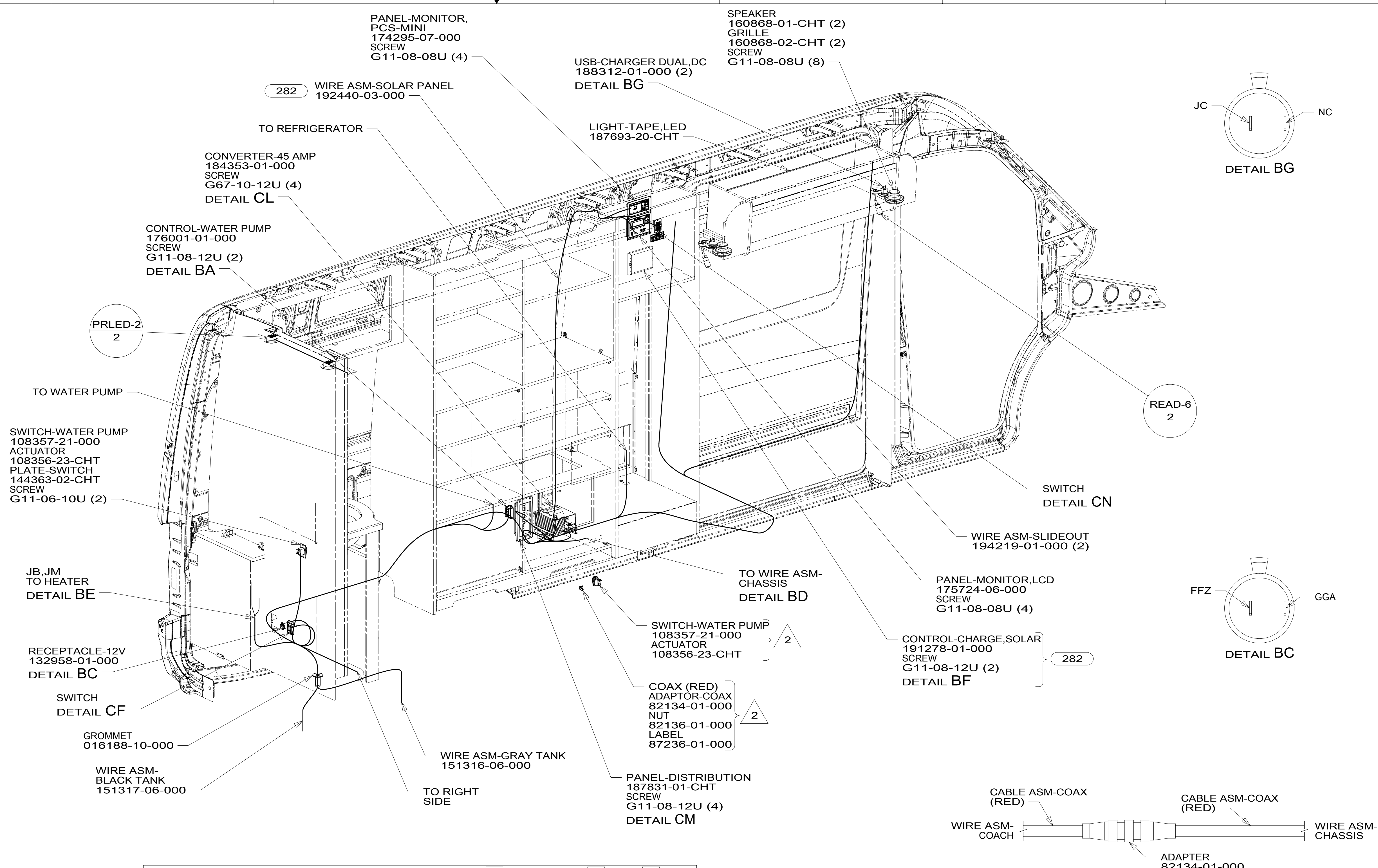
DETAIL BB



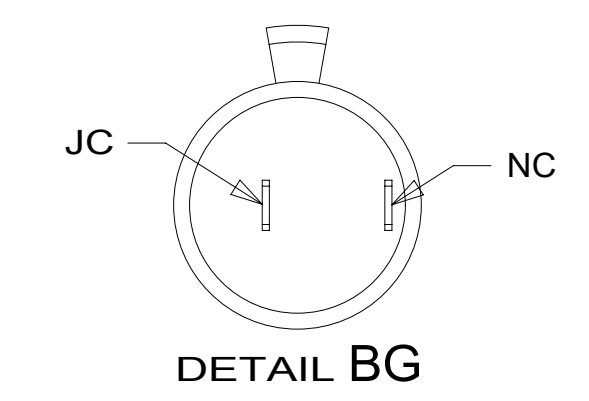
DETAIL BF 3 282



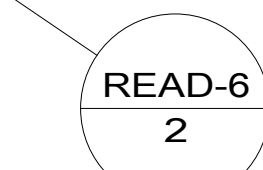
DETAIL BA



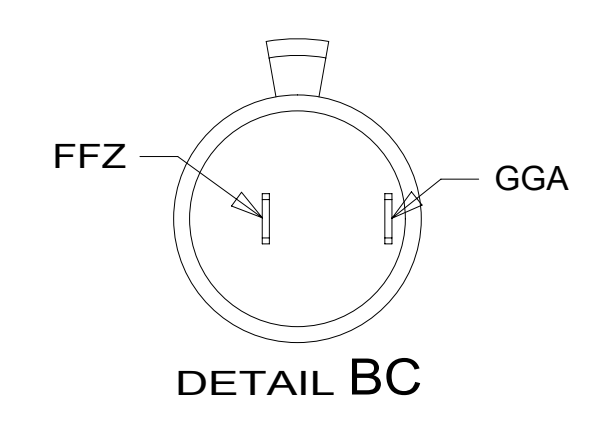
DETAIL BE



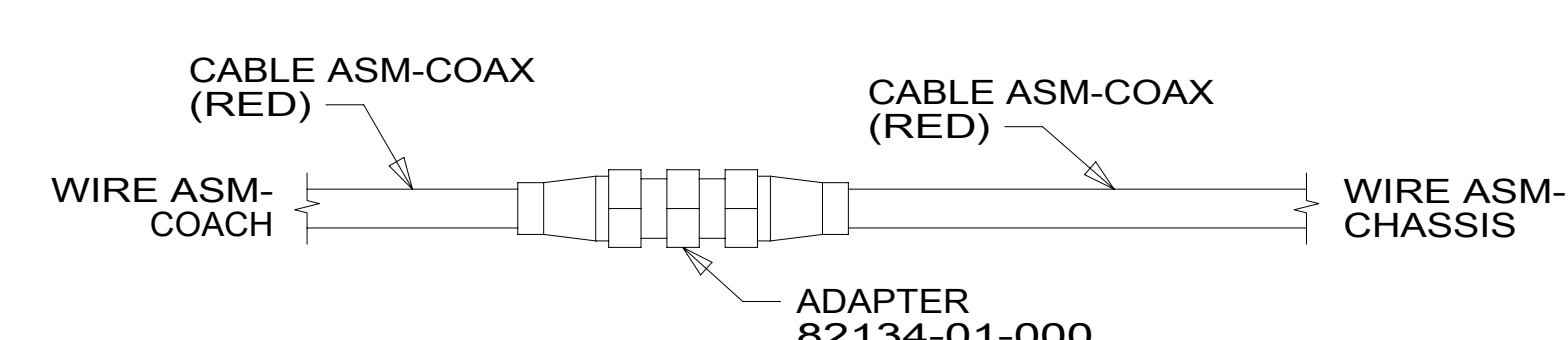
DETAIL BG



READ-6 2



DETAIL BC



DETAIL BD

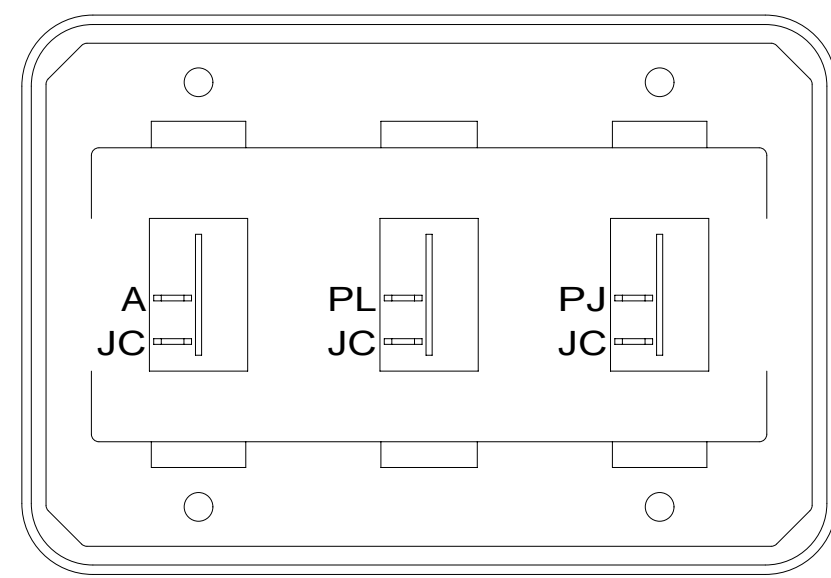
- NOTES:
- 3 SEE WIRE ASM-SOLAR SYSTEM AND WIRE ASM-CHASSIS FOR ADDITIONAL INFORMATION.
  - 2 MOUNTED IN EXTERIOR SERVICE CENTER.
  - 1. AT MINIMUM ALL WIRES TO BE SUPPORTED AND SECURED PER CODE REQUIREMENTS. USE CLAMP 10495 OR 10497 OR WIRE TIE 8343 OR 108046 AND SCREW G67-XX-XXX OR G56-XX-XXX AS APPROPRIATE FOR INSTALLATION.

FOR ELECTRICAL TORQUE SPECIFICATIONS SEE DWG NO. 128783-01-000

FOR ELECTRICAL CALLOUTS SEE DWG NO. 121339-01-000

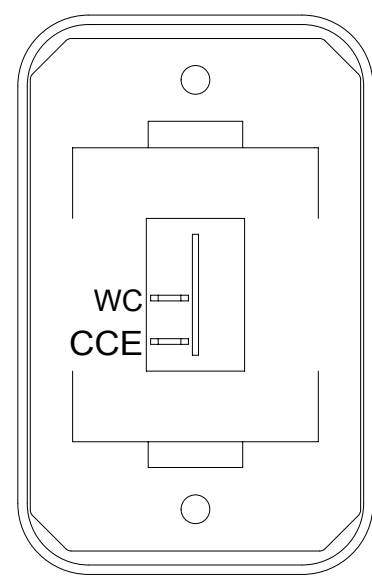
- 282 SOLAR PANEL - 100 WATT
- 265 CODES/STANDARDS-CSA/CMVSS
- 1B1 CODES/STANDARDS USA

DESCRIPTION: <b>WIRING INSTL-BODY, 12V</b>		
SHEET: 2 OF 4	ITEM/PART NO: 000180118 / 30029601000	REV



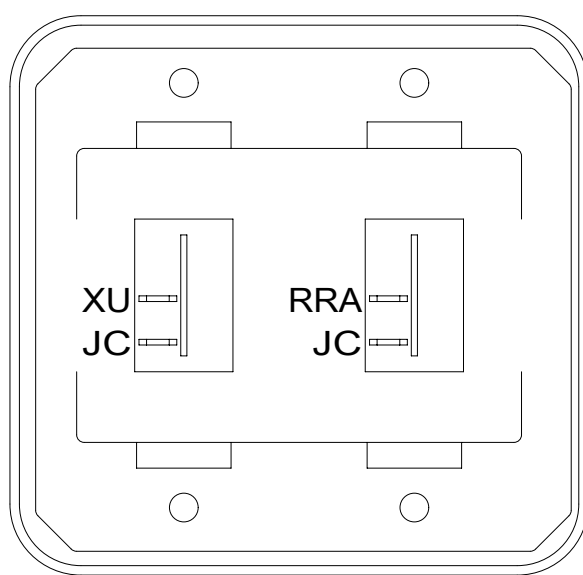
DETAIL CA

SWITCH-ROCKER  
135740-01-CHT (3)  
SWITCH-BASE  
135741-03-CHT  
SWITCH-BEZEL  
135742-03-CHT  
SCREW  
G11-08-08U (2)



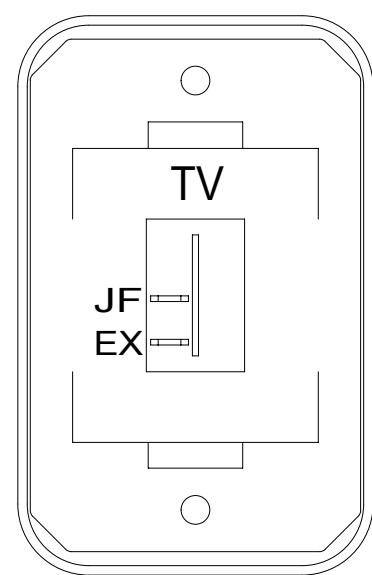
DETAIL CF

SWITCH-ROCKER  
135740-01-CHT  
SWITCH-BASE  
135741-01-CHT  
SWITCH-BEZEL  
135742-01-CHT  
SCREW  
G11-08-08U (2)



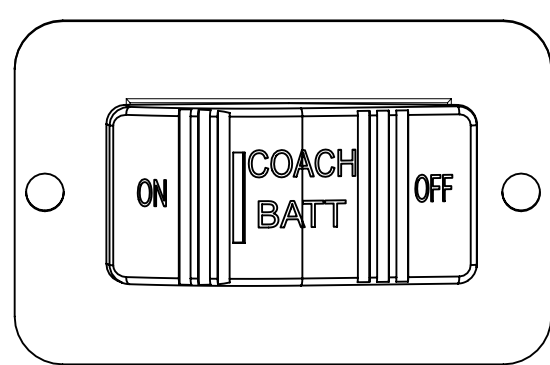
DETAIL CB

SWITCH-ROCKER  
135740-01-CHT (2)  
SWITCH-BASE  
135741-02-CHT  
SWITCH-BEZEL  
135742-02-CHT  
SCREW  
G11-08-08U (4)



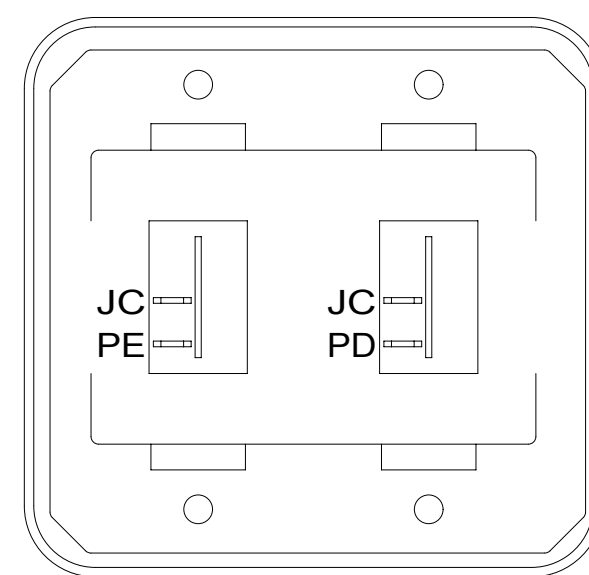
DETAIL CG

SWITCH-ROCKER  
135740-01-CHT  
SWITCH-BASE  
135741-01-CHT  
SWITCH-BEZEL  
135742-45-CHT  
SCREW  
G11-08-08U (2)



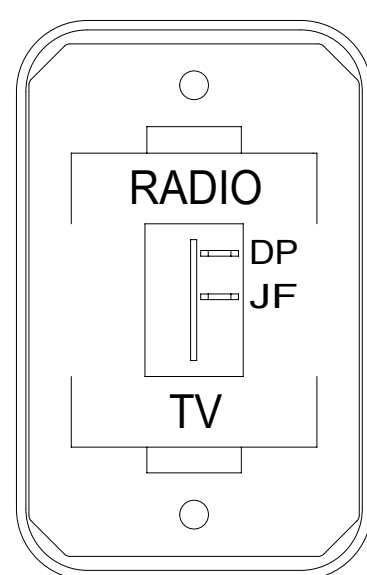
DETAIL CD  
(FRONT SIDE)

SWITCH-ROCKER  
108357-18-000  
ACTUATOR-SWITCH  
108356-19-CHT  
PLATE-SWITCH  
144363-02-CHT  
SCREW  
G11-06-10U (2)  
WIRE ASM-THERMISTOR  
186796-01-000



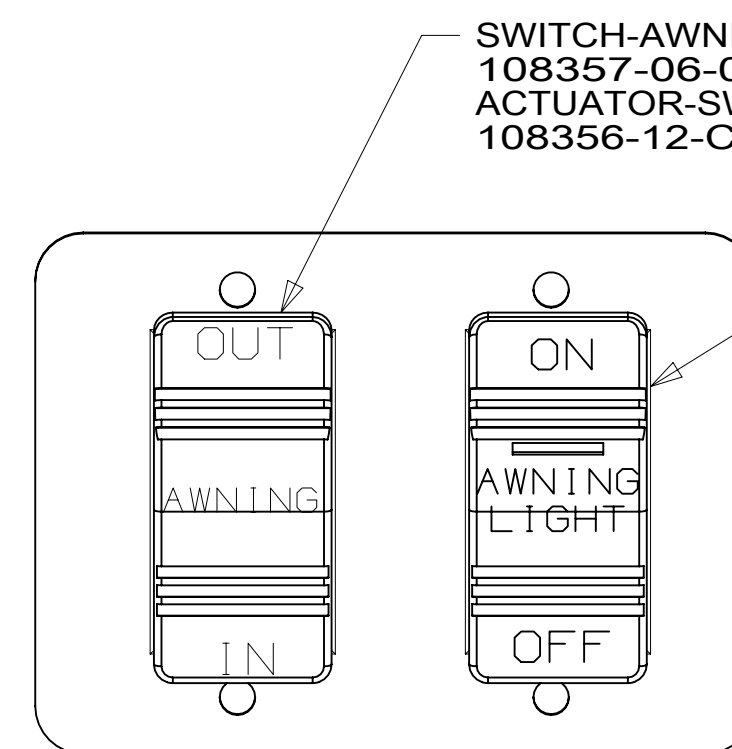
DETAIL CJ

SWITCH-ROCKER  
135740-01-CHT (2)  
SWITCH-BASE  
135741-02-CHT  
SWITCH-BEZEL  
135742-02-CHT  
SCREW  
G11-08-08U (4)



DETAIL CE

SWITCH-ROCKER  
135740-01-CHT  
SWITCH-BASE  
135741-01-CHT  
SWITCH-BEZEL  
135742-40-CHT  
SCREW  
G11-08-08U (2)

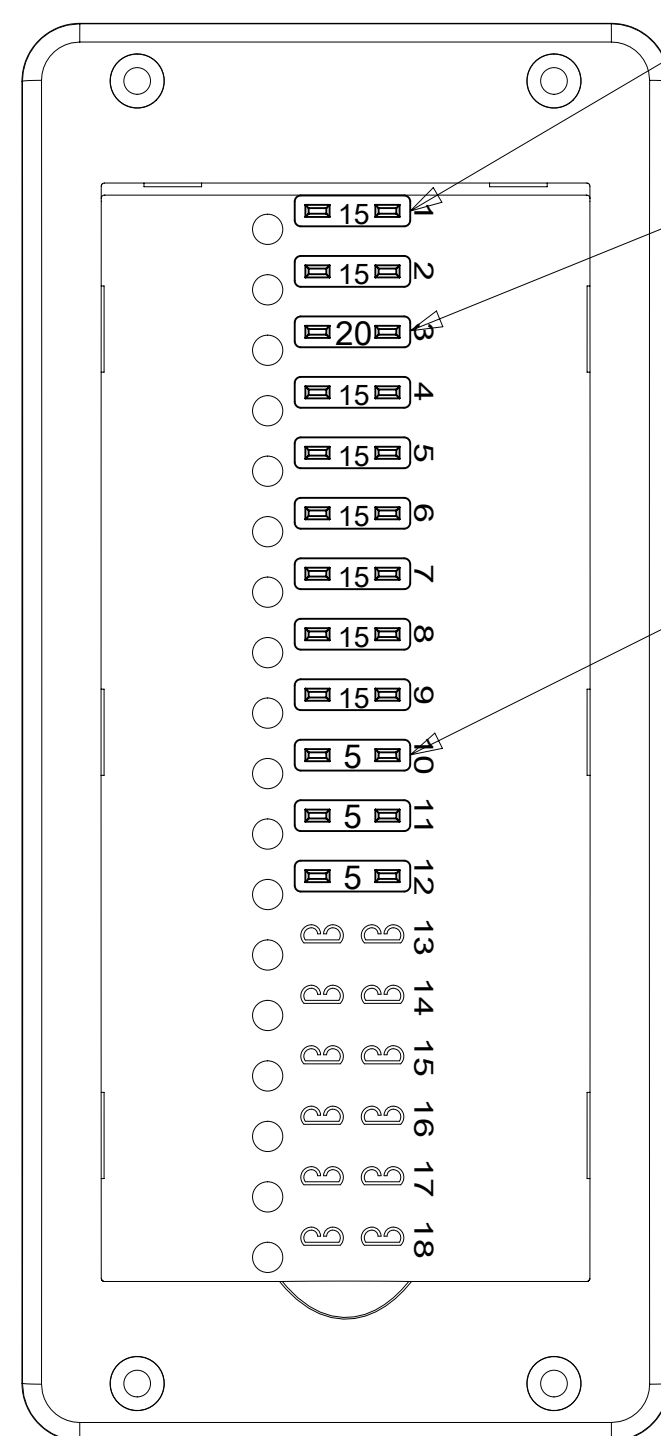


DETAIL CK  
(FRONT SIDE)

SWITCH-AWNING  
108357-06-000  
ACTUATOR-SWITCH  
108356-12-CHT

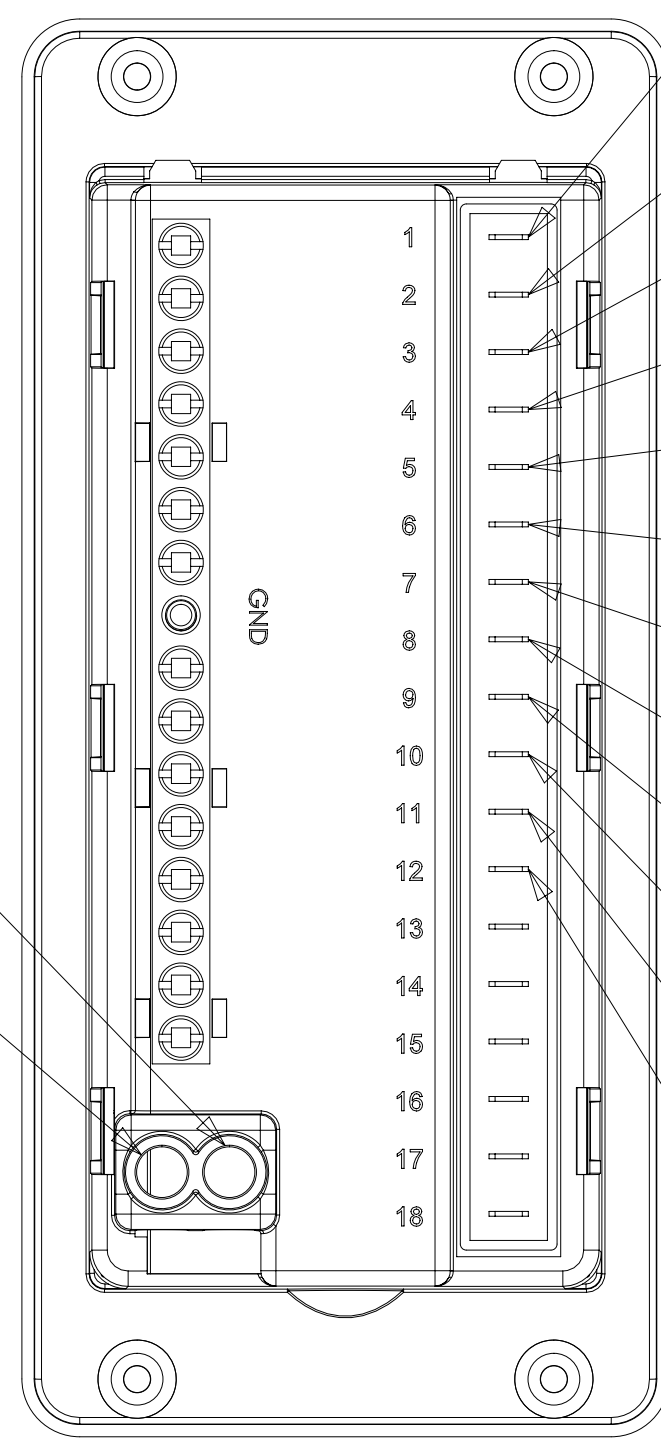
SWITCH-AWNING LIGHT  
108357-14-000  
ACTUATOR-SWITCH  
108356-28-CHT

PLATE-SWITCH  
158431-17-CHT  
SCREW  
G11-06-10U (4)



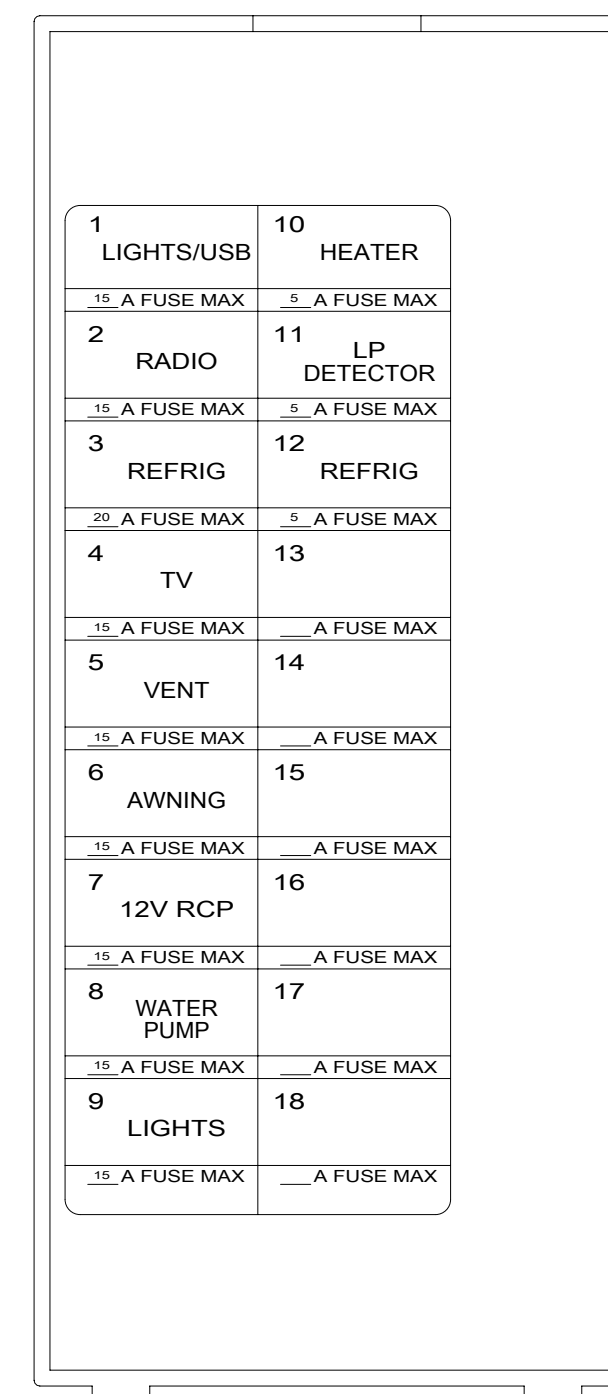
DETAIL CM  
(COVER REMOVED)

FUSE-15 AMP  
062901-05-000 (8)  
FUSE-20 AMP  
062901-06-000  
FUSE-5 AMP  
062901-02-000 (3)

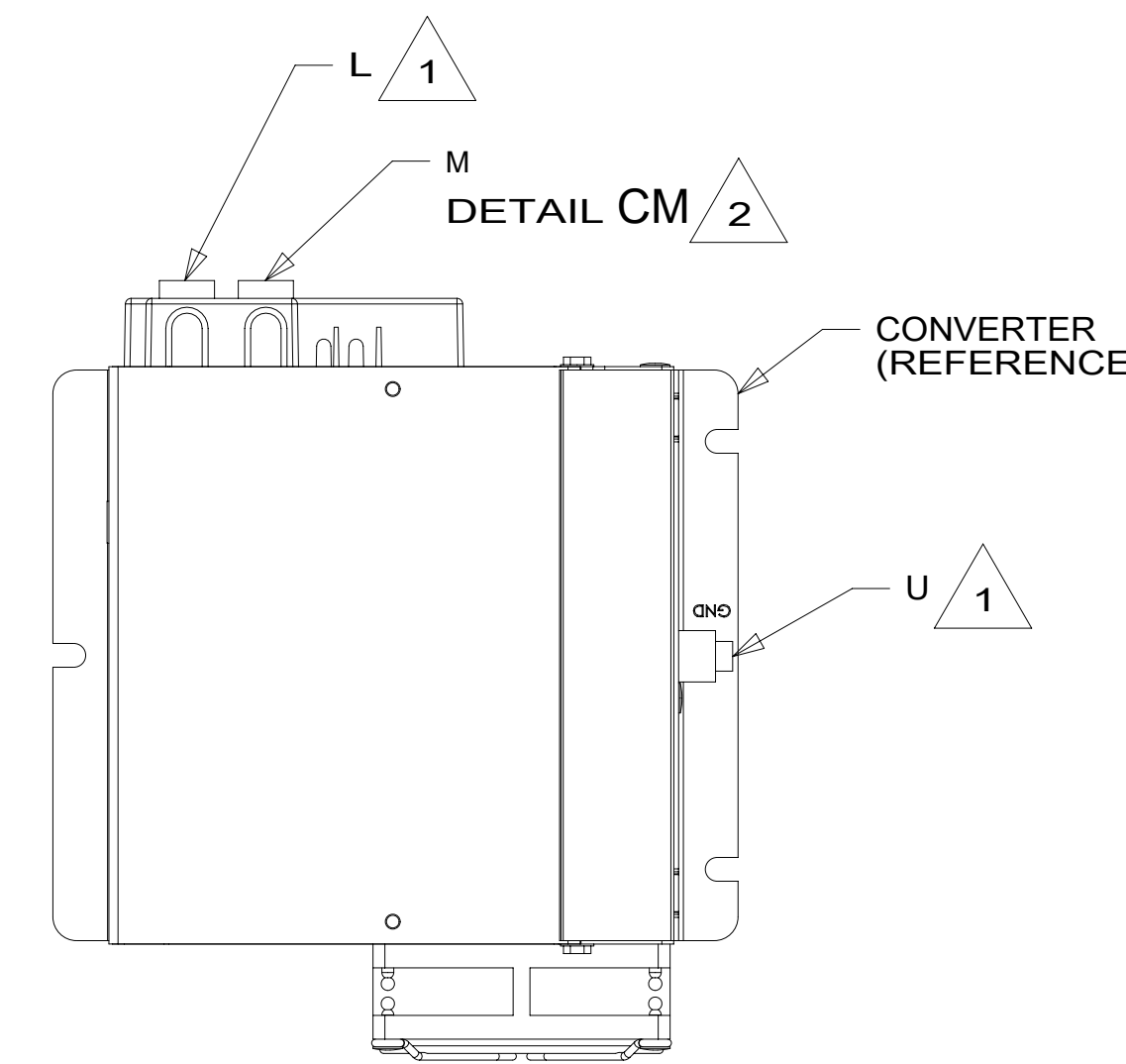


DETAIL CM  
(BACK SIDE)

JC  
14 Y  
(LIGHTS/USB)  
JD  
14 Y  
(RADIO)  
JE  
10 Y  
(REFRIGERATOR)  
JF  
14 Y  
(TV)  
JG  
14 Y  
(VENT)  
NM  
12 Y  
(AWNING)  
FFZ  
14 Y  
(12V RECEPTACLE)  
JA  
12 Y  
(WATER PUMP)  
WC  
14 Y  
(LIGHTS)  
JB  
14 Y  
(HEATER)  
WB  
16 Y  
(LP DETECTOR)  
ET  
16 Y  
(REFRIGERATOR)

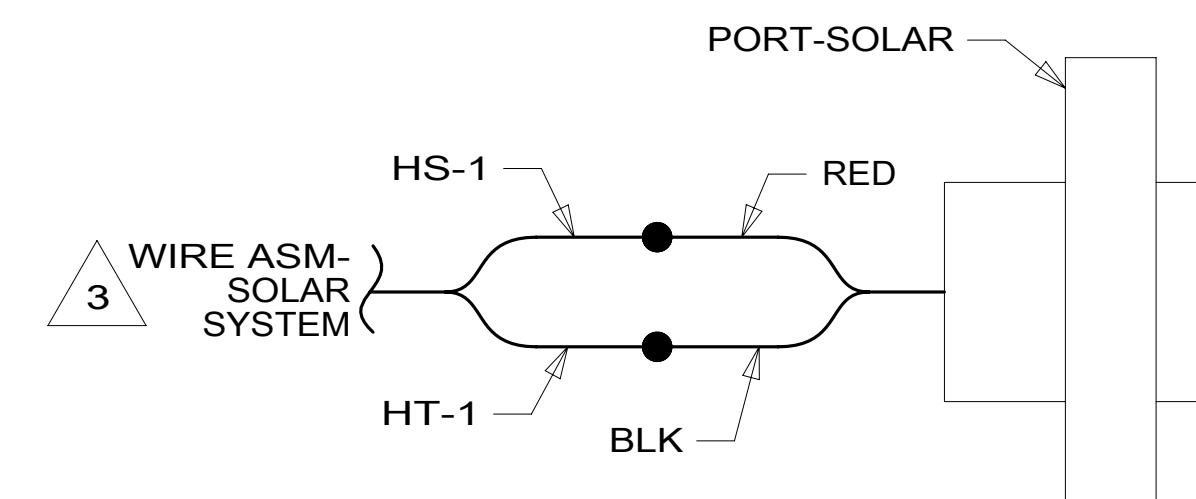


DETAIL CM  
(BACKSIDE  
OF COVER)

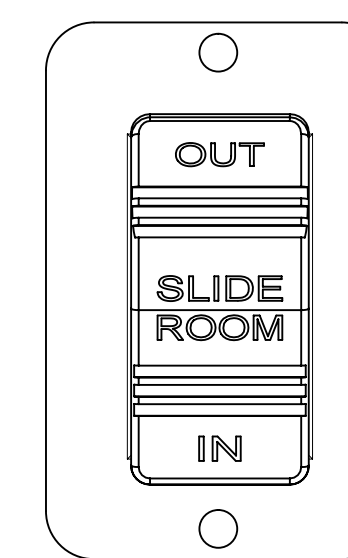


DETAIL CL

CONVERTER  
(REFERENCE)



DETAIL CC (282)



DETAIL CN

SWITCH-ROCKER  
108357-07-000  
ACTUATOR-SWITCH  
108356-24-CHT  
PLATE-SWITCH  
144363-02-CHT  
SCREW  
G11-06-10U (2)

**WARNING**  
CRUSH HAZARD. Keep people and objects clear of the inside and outside of the slideout room when operating. Failure to comply could result in death or serious injury.

LABEL-WARNING,SLIDEOUT  
116549-02-000

- NOTES:
- 3 SEE WIRE ASM-SOLAR SYSTEM AND WIRE ASM-CHASSIS FOR ADDITIONAL INFORMATION.
  - 2 CIRCUIT FROM WIRE ASM-COACH.
  - 1 CIRCUIT FROM WIRE ASM-CHASSIS

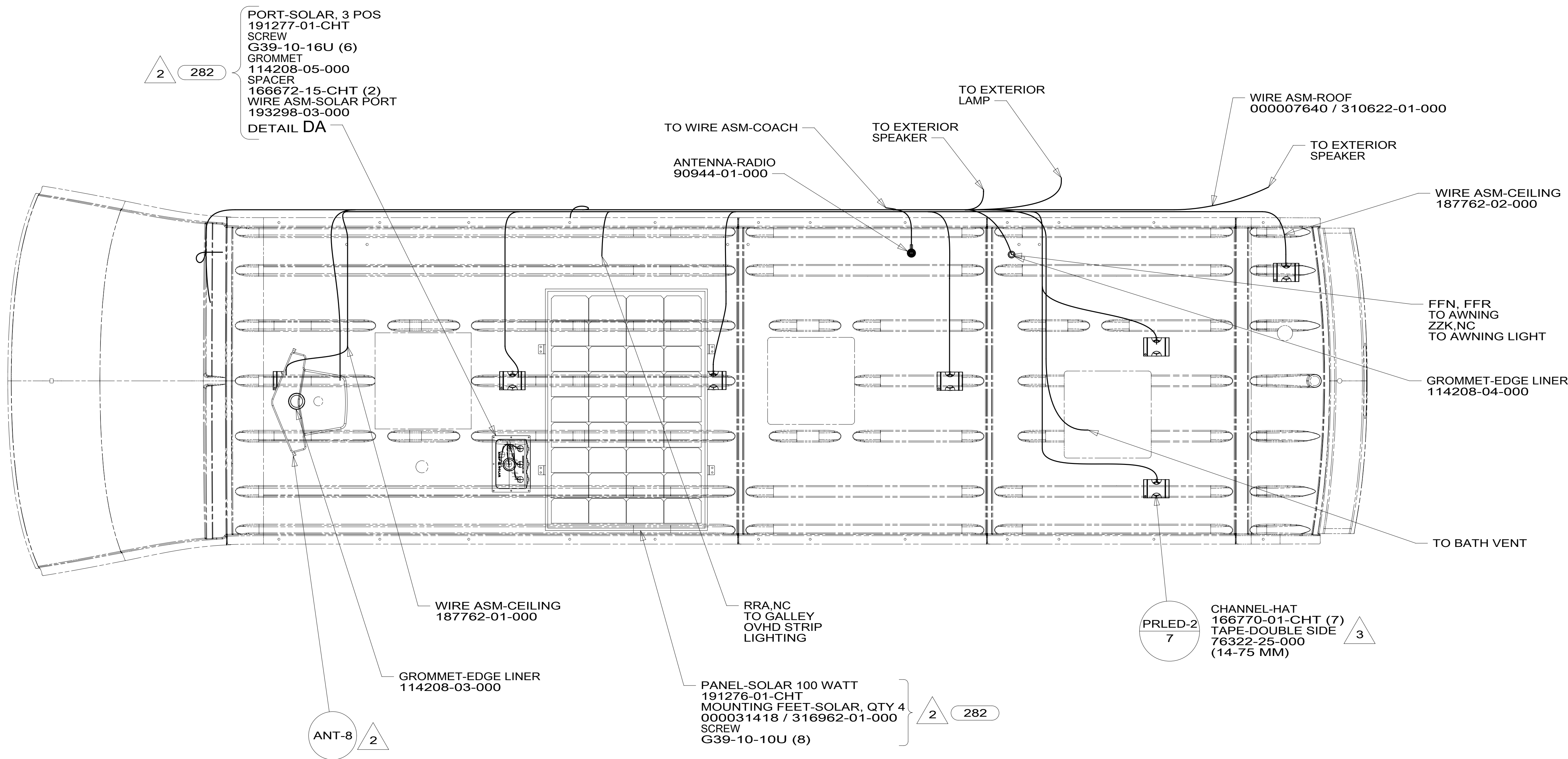
FOR ELECTRICAL TORQUE SPECIFICATIONS SEE DWG NO. 128783-01-000

FOR ELECTRICAL CALLOUTS SEE DWG NO. 121339-01-000

- 282 SOLAR PANEL - 100 WATT
- 265 CODES/STANDARDS-CSA/CMVSS
- 1B1 CODES/STANDARDS USA

DESCRIPTION:  
**WIRING INSTL-BODY, 12V**  
SHEET: 3 OF 4 ITEM/PART NO.: 000180118 / 30029601000 REV

8 7 6 5 4 3 2 1



2 282

PORT-SOLAR, 3 POS  
191277-01-CHT  
SCREW  
G39-10-16U (6)  
GROMMET  
114208-05-000  
SPACER  
166672-15-CHT (2)  
WIRE ASM-SOLAR PORT  
193298-03-000  
DETAIL DA

3

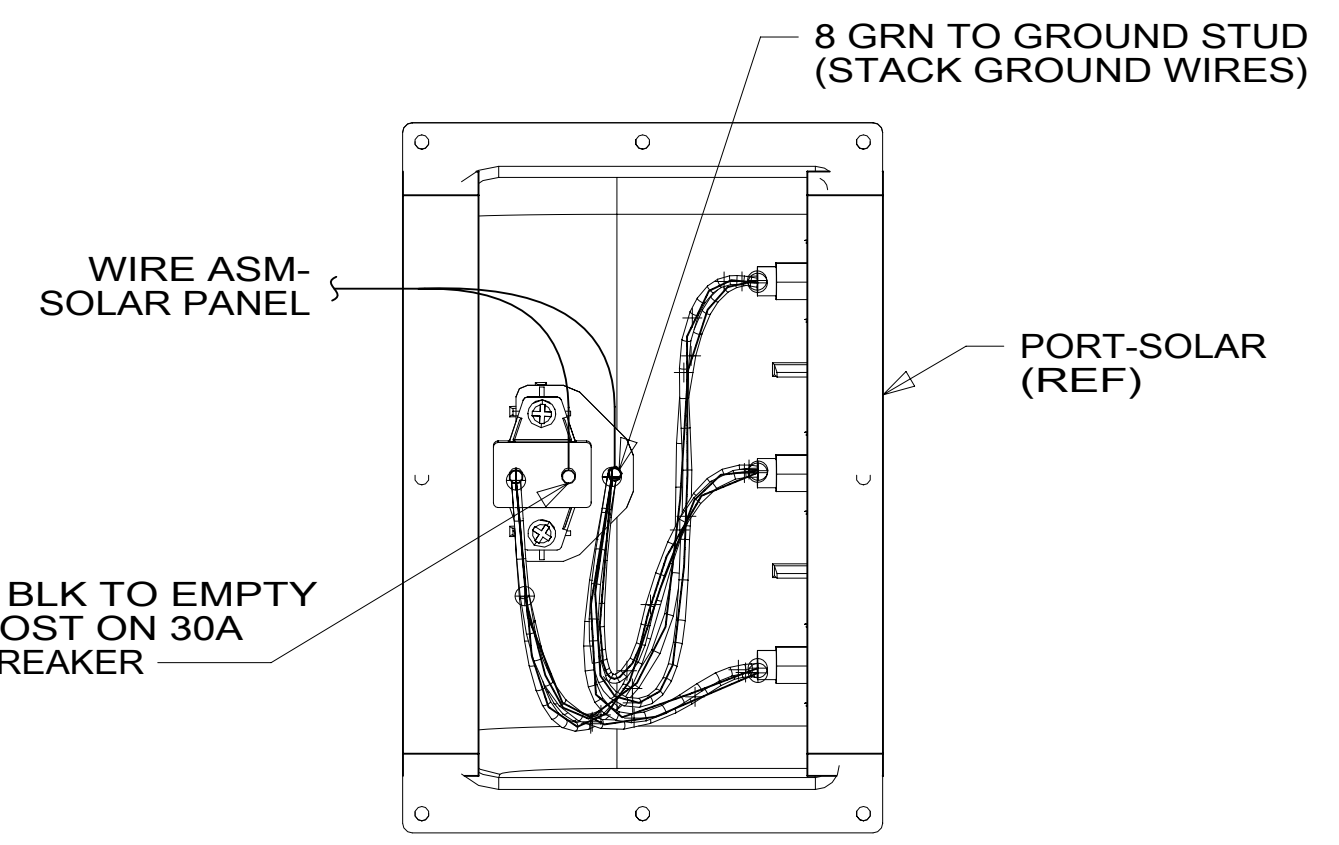
CHANNEL-HAT  
166770-01-CHT (7)  
TAPE-DOUBLE SIDE  
76322-25-000  
(14-75 MM)

2 282

PANEL-SOLAR 100 WATT  
191276-01-CHT  
MOUNTING FEET-SOLAR, QTY 4  
000031418 / 316962-01-000  
SCREW  
G39-10-10U (8)

2

ANT-8



DETAIL DA 282

- 3 MOUNTED TO CEILING PANEL.
- 2 MOUNTED ON EXTERIOR SURFACE OF ROOF.

1. AT MINIMUM ALL WIRES TO BE SUPPORTED AND SECURED PER CODE REQUIREMENTS. USE CLAMP 10495 OR 10497 OR WIRE TIE 8343 OR 108046 AND SCREW G67-XX-XXX OR G56-XX-XXX AS APPROPRIATE FOR INSTALLATION.

NOTES:

- 282 SOLAR PANEL - 100 WATT
- 265 CODES/STANDARDS-CSA/CMVSS
- 1B1 CODES/STANDARDS USA

FOR ELECTRICAL TORQUE SPECIFICATIONS SEE DWG NO. 128783-01-000

FOR ELECTRICAL CALLOUTS SEE DWG NO. 121339-01-000

DESCRIPTION:		1B1 265	
<b>WIRING INSTL-BODY, 12V</b>			
SHEET:	ITEM/PART NO.:	REV	
4 OF 4	000180118 / 30029601000		

8 7 6 5 4 3 2 1 05-Oct-2016