

265 CODES/STANDARDS-CSA/CMVSS

1B1 CODES/STANDARDS USA

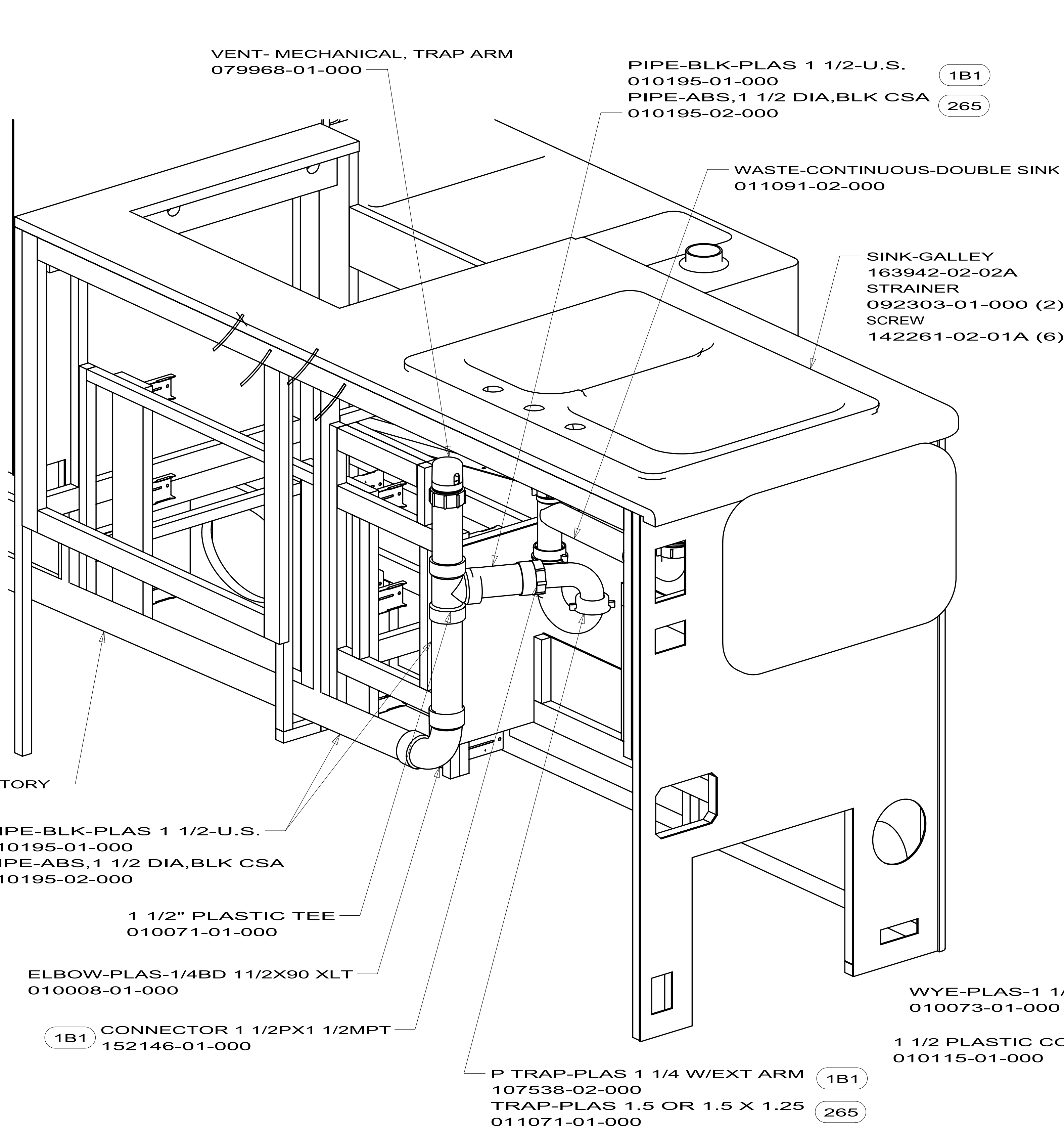
	<p>FOR DRAINAGE CALLOUTS SEE DWG NO 116229-01-000</p>
---	---

ALL PIPE AND FITTINGS TO BE ASSEMBLED WITH SOLVENT 004020-01-000 (US), 004020-02-000 (CAN).

NOTES:

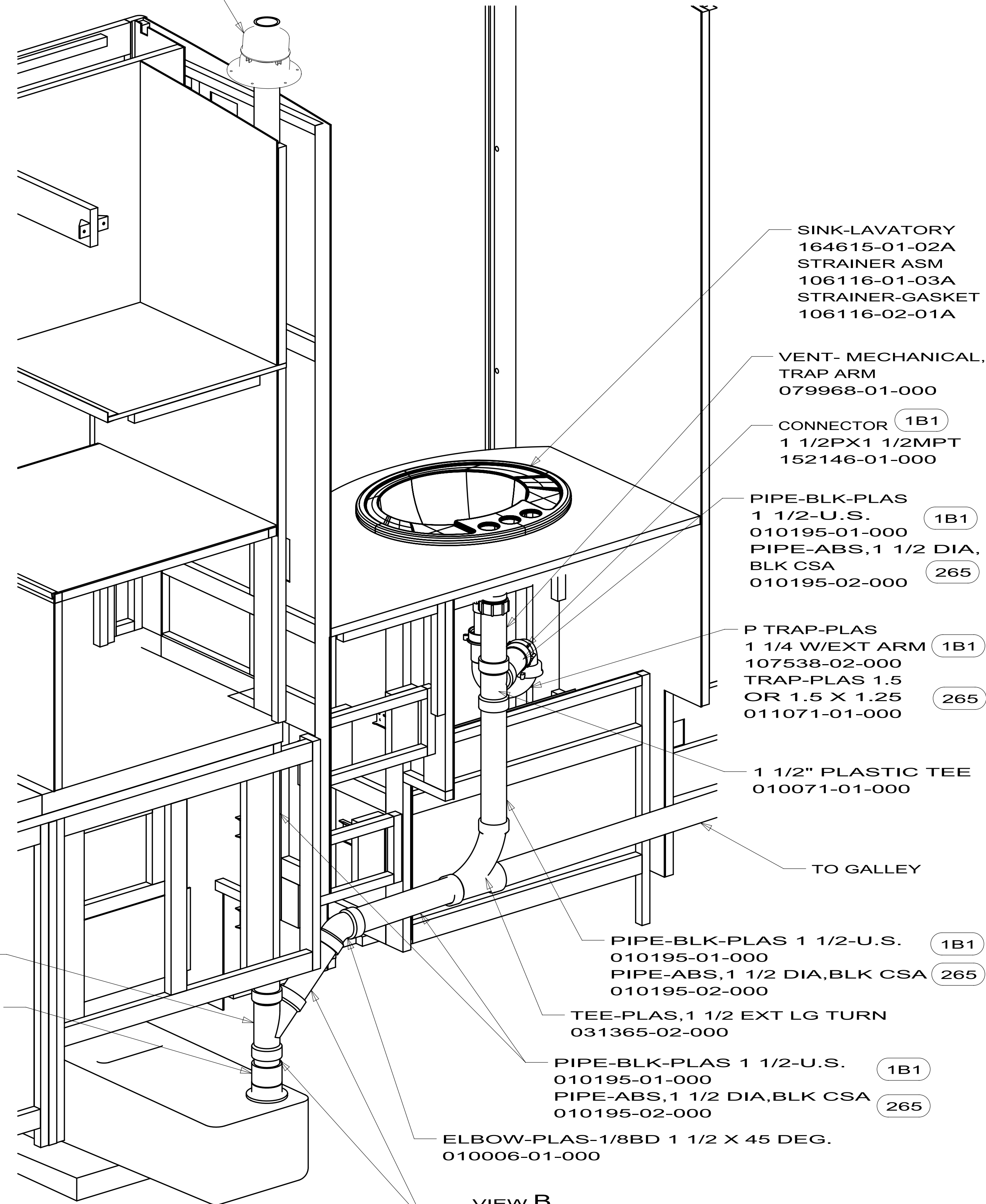
DRAINAGE SYSTEM

1 4 172104



VIEW A

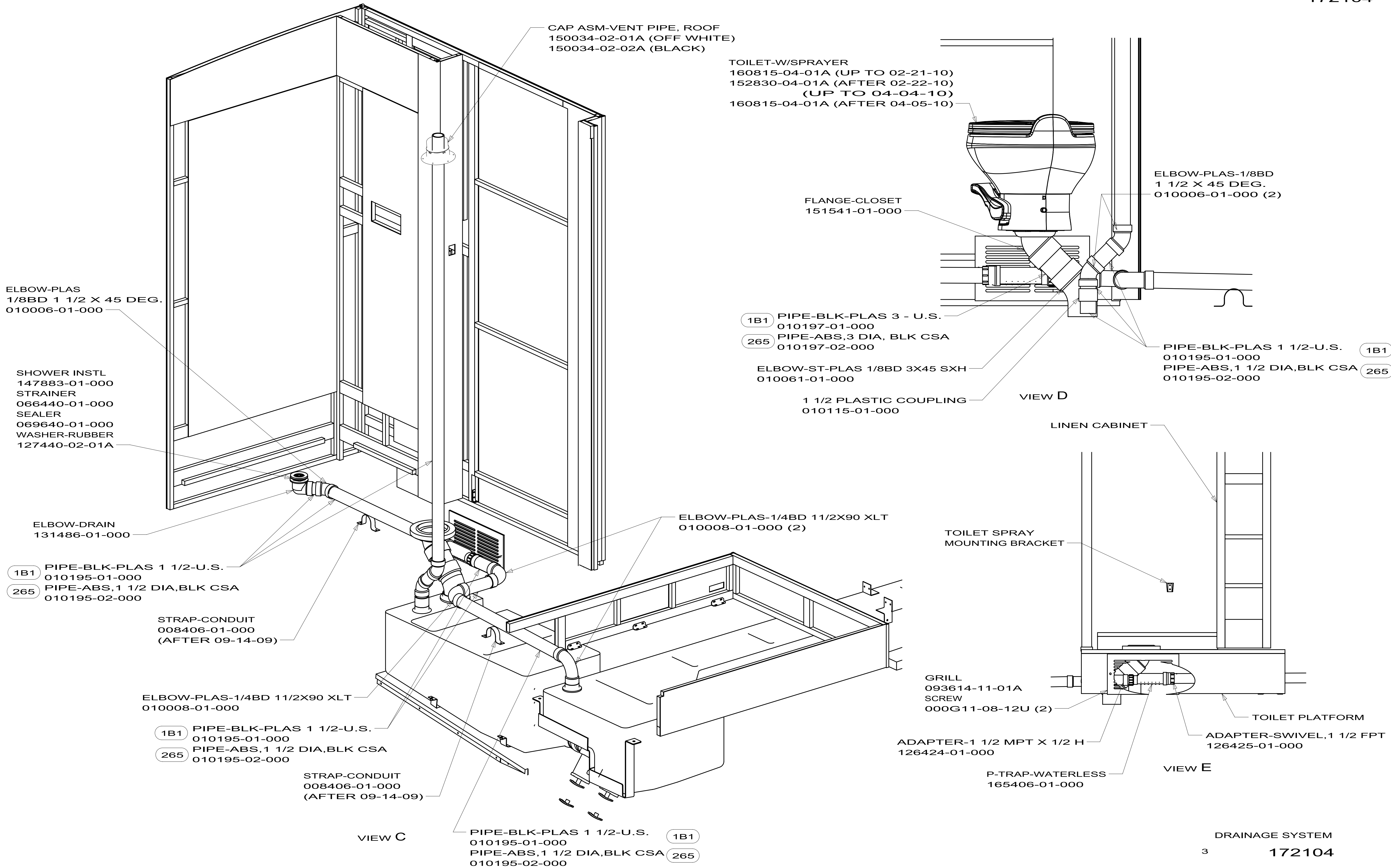
CAP ASM-VENT PIPE, ROOF  
150034-02-01A (OFF WHITE)  
150034-02-02A (BLACK)

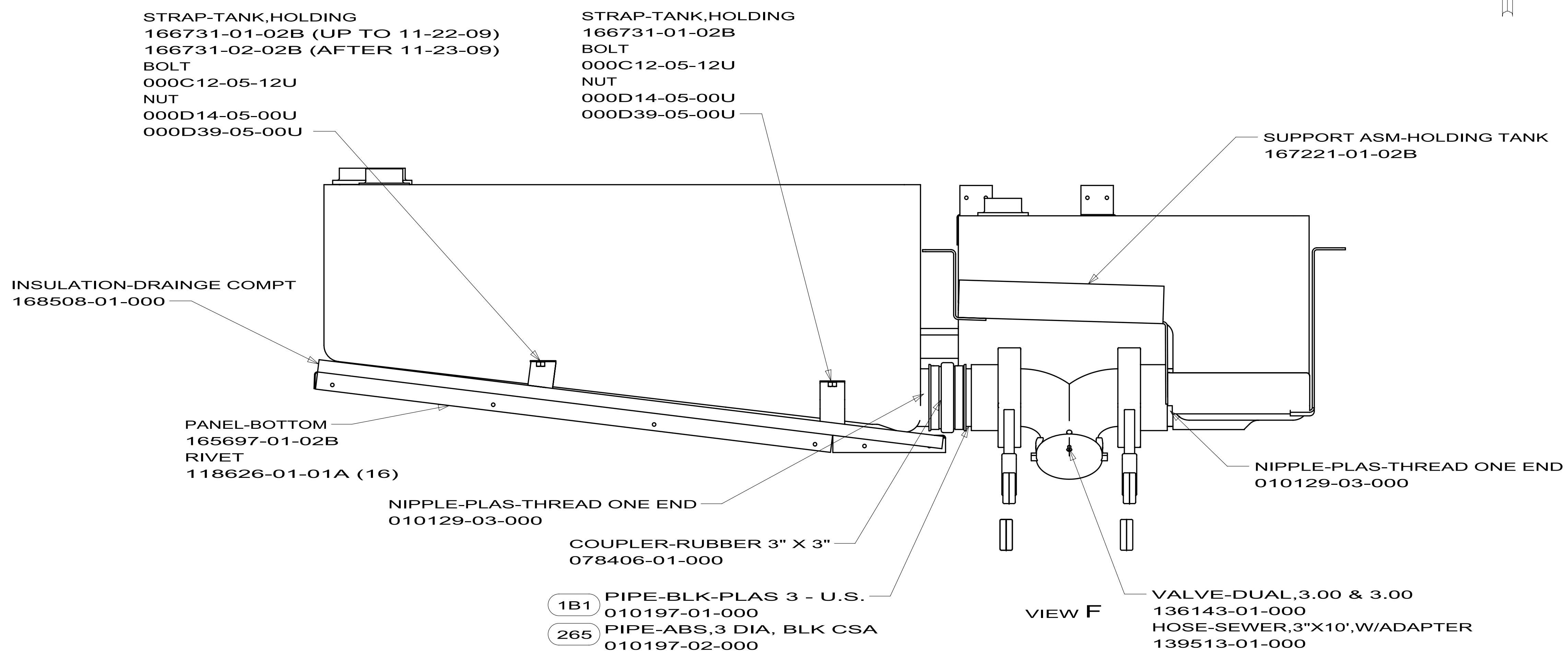


VIEW B

1B1 PIPE-BLK-PLAS 1 1/2-U.S. 010195-01-000  
265 PIPE-ABS, 1 1/2 DIA, BLK CSA 010195-02-000

DRAINAGE SYSTEM



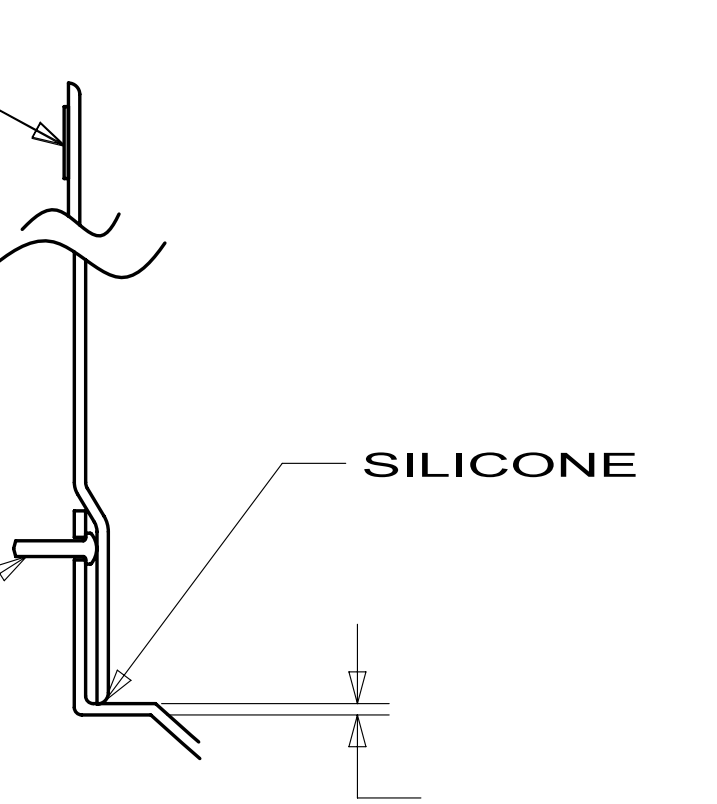
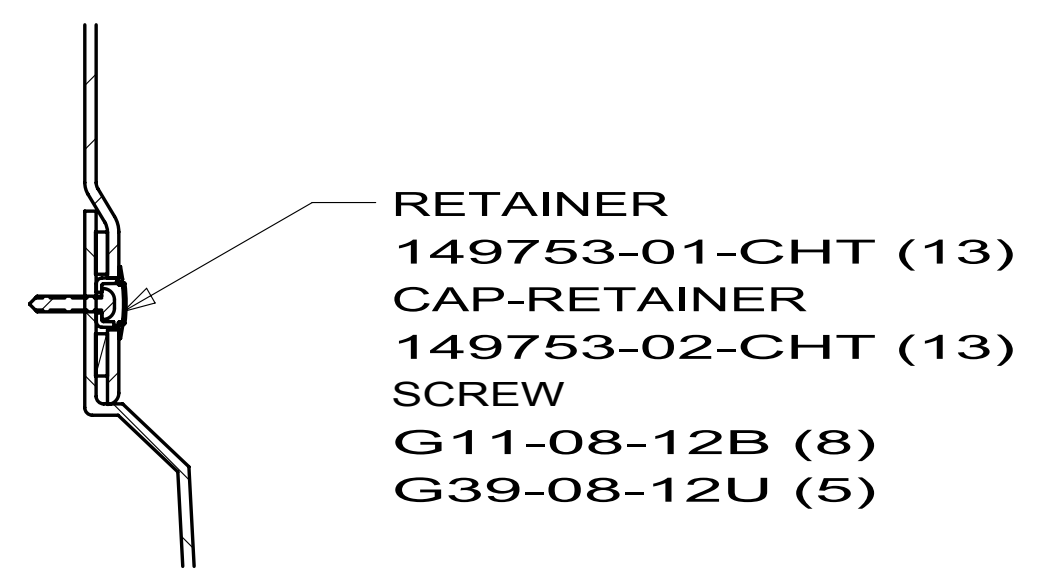
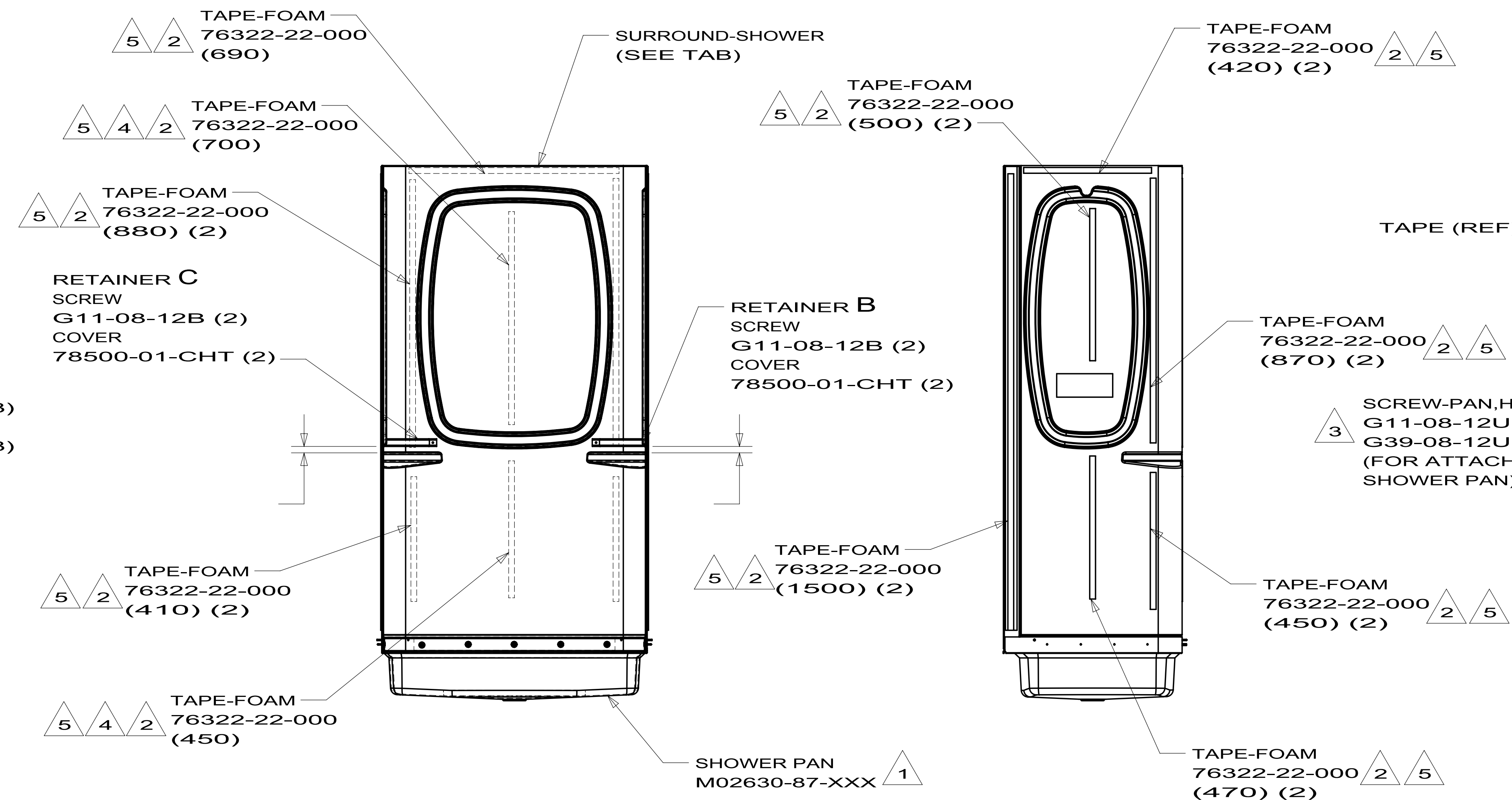
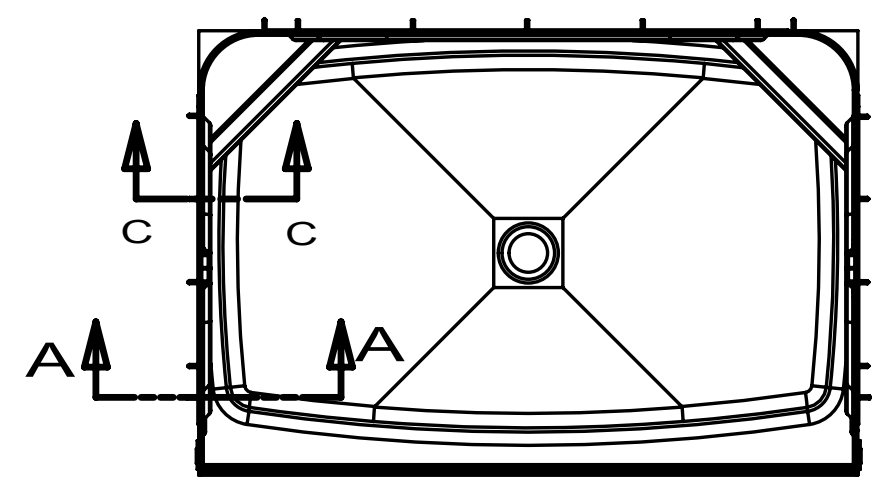


KEY	PART NUMBER	U/M	DESCRIPTION
	070916-01-700	EA	VALVE ONLY

136143-01-000  
VENDOR NO.  
T1003B4

DWG NO	SURROUND	RETAINER B	RETAINER C
147883-01	147677-01-CHT	113714-04-CHT	----
147883-02	NOT USED	----	NOT USED
147883-03	NOT USED	NOT USED	----

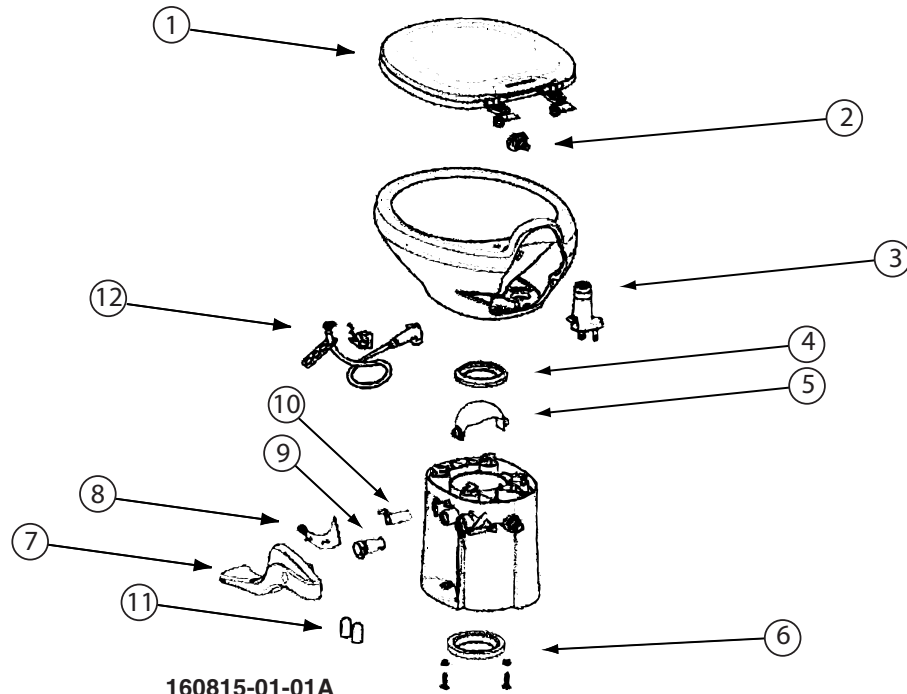
RELEASE	REV DATE	DWG NO	147883
REV ZONE	REVISION RECORD	DATE	DTR-ORIG



- NOTES:
5. DO NOT PLACE TAPE ON RADIUS OR ANY RAISED SURFACE.
  4. VERTICALLY CENTERED (± 100) BETWEEN END/CORNER TAPE STRIPS.
  3. DO NOT SCREW THRU SURROUND-SHOWER.
  2. CLEAN AND APPLY ADHESIVE PROMOTER 87211-01-000 TO BOTH SURFACES AND BOND WITH TAPE.
  1. SHOWER PAN NOT TO BE SUPPORTED BY SCREWS.

**SEE CHART**  
FOR COLOR VARIATIONS  
OF THIS PART

<b>WINNEBAGO INDUSTRIES</b>		COPYRIGHT 2009 WINNEBAGO INDUSTRIES, INC.	
DTR	ORIG. DATE	ALL DIMENSIONS ARE IN MILLIMETERS	
CHKR			
P.E.			
M.E.	FIRST USED		
DSNR		04 322E	
UNSPECIFIED TOLERANCES ARE:		MATERIAL:	
WHOLE DIM (X)	: 1		
ONE-PLACE (X.X)	: 1.5		
TWO-PLACE (X.XX)	: 0.50		
ANGLE	: 1°		
THIRD ANGLE PROJECTION			
<b>DO NOT SCALE DRAWING</b>			
TITLE: <b>SHOWER INSTL-ENCLOSURE</b>			
SHEET 1 of 1	PART NO	<b>147883</b>	REV
REF:			1



**160815-01-01A**

KEY	PART NUMBER	U/M	DESCRIPTION	VENDOR NO.
1	160815-01-700	EA	SEAT & COVER ASSEMBLY	42036
2	152829-01-710	EA	FLUSH NOZZLE - WHITE	34124
3	152829-01-708	EA	VACUUM BREAKER	34122
4	152829-01-707	EA	SEAL - F/WASTE BALL	34120
5	152829-01-706	EA	WASTE BALL - WHITE	34117
6	063740-01-706	EA	BOLT PACKAGE-FLOOR FLANGE	12524 THETFORD
7	160815-01-701	EA	PEDAL - TALL - WHITE	42067
8	160815-01-702	EA	INSERT/PEDAL COVER - WHITE	42080
9	160815-01-703	EA	WATER VALVE	42049
10	160815-01-704	EA	WASTE BALL DRIVE ARM	42048
11	147421-01-707	EA	CAP (UNIVERSAL BOLT) - WHITE	31713
12	132389-01-708	EA	HAND SPRAY KIT-CHROME HEAD	19289

**160815-02-01A**

KEY	PART NUMBER	U/M	DESCRIPTION	VENDOR NO.
1	160815-01-700	EA	SEAT & COVER ASSEMBLY	42036
2	152829-01-710	EA	FLUSH NOZZLE - WHITE	34124
3	152829-01-708	EA	VACUUM BREAKER	34122
4	152829-01-707	EA	SEAL - F/WASTE BALL	34120
5	152829-01-706	EA	WASTE BALL - WHITE	34117
6	063740-01-706	EA	BOLT PACKAGE-FLOOR FLANGE	12524 THETFORD
7	160815-02-700	EA	PEDAL - SHORT - WHITE	42078
8	160815-01-702	EA	INSERT/PEDAL COVER - WHITE	42080
9	160815-01-703	EA	WATER VALVE	42049
10	160815-01-704	EA	WASTE BALL DRIVE ARM	42048
11	147421-01-707	EA	CAP (UNIVERSAL BOLT) - WHITE	31713

**160815-03-01A**

<b>KEY</b>	<b>PART NUMBER</b>	<b>U/M</b>	<b>DESCRIPTION</b>	<b>VENDOR NO.</b>
1	160815-01-700	EA	SEAT & COVER ASSEMBLY	42036
2	152829-01-710	EA	FLUSH NOZZLE - WHITE	34124
3	152829-01-708	EA	VACUUM BREAKER	34122
4	152829-01-707	EA	SEAL - F/WASTE BALL	34120
5	152829-01-706	EA	WASTE BALL - WHITE	34117
6	063740-01-706	EA	BOLT PACKAGE-FLOOR FLANGE	12524 THETFORD
7	160815-01-701	EA	PEDAL - TALL - WHITE	42067
8	160815-01-702	EA	INSERT/PEDAL COVER - WHITE	42080
9	160815-01-703	EA	WATER VALVE	42049
10	160815-01-704	EA	WASTE BALL DRIVE ARM	42048
11	147421-01-707	EA	CAP (UNIVERSAL BOLT) - WHITE	31713

**160815-04-01A**

<b>KEY</b>	<b>PART NUMBER</b>	<b>U/M</b>	<b>DESCRIPTION</b>	<b>VENDOR NO.</b>
1	160815-01-700	EA	SEAT & COVER ASSEMBLY	42036
2	152829-01-710	EA	FLUSH NOZZLE - WHITE	34124
3	152829-01-708	EA	VACUUM BREAKER	34122
4	152829-01-707	EA	SEAL - F/WASTE BALL	34120
5	152829-01-706	EA	WASTE BALL - WHITE	34117
6	160815-01-705	EA	BOLT PACKAGE-FLOOR FLANGE	42115
7	160815-02-700	EA	PEDAL - SHORT - WHITE	42078
8	160815-01-702	EA	INSERT/PEDAL COVER - WHITE	42080
9	160815-01-703	EA	WATER VALVE	42049
10	160815-01-704	EA	WASTE BALL DRIVE ARM	42048
11	160815-02-701	EA	CAP - BOLT - WHITE	42111
12	132389-01-708	EA	HAND SPRAY KIT-CHROME HEAD	19289



N-5	010129-05-000	NIPPLE-PLAS 3" X 10" TOE
N-4	010129-04-000	NIPPLE-PLAS 3" X 7 5/8" TOE
N-3	010129-03-000	NIPPLE-PLAS 3" X 3" TOE
N-2	010129-01-000	NIPPLE-PLAS 3" X 2 5/8" TOE
N-1	102024-01-000	NIPPLE-PLAS 1 1/2" X 2 5/8" TOE
H-2	139513-02-000	HOSE ASM-SEWER 3" ID X 20 FT
H-1	139513-01-000	HOSE ASM-SEWER 3"IDX10FT(062416-01-000ADAPTER
G-2	061607-02-000	GROMMET
G-1	061607-01-000	GROMMET
F-8	116644-02-000	FLANGE-CLOSET 4" X 3"MPT
F-7	116644-01-000	FLANGE-CLOSET 4" X 3"
F-6	148914-01-000	FLANGE-CLOSET 4" X 3" MPT
F-5	063641-01-000	FLANGE-CLOSET 4" X 3"
F-3	024676-01-000	FLANGE-CLOSET 4" X 3"
E-19	170414-01-000	ELBOW-3X3X1 1/2 W/HEEL
E-18	010062-01-000	ELBOW-ST-PLAS 3" X 90° SPIGOT X H
E-17	126589-01-000	ELBOW 1 1/2" X90° ,SLIP BY FEMALE NUT
E-16	125569-01-000	ELBOW 1 1/2" X 90° DBL SLIP
E-15	010005-01-000	ELBOW-PLAS 1/16"DB 1 1/2" X 22 1/2
E-14	010009-01-000	ELBOW-ST-PLAS 1/4"BD 1 1/2" X 90°
E-13	031126-01-000	ELBOW 3" X EXTRA LONG TURN
E-12	037101-01-000	ELBOW 90° SHORT TURN
E-11	041956-01-000	ELBOW 3" X 90° EXTRA LONG TURN
E-10	010061-01-000	ELBOW 3" X 45° S
E-9	010024-01-000	ELBOW 3" X 45°
E-7	010023-01-000	ELBOW-PLAS-ST 1/16"BD 3" X 22.5'
E-6	010008-01-000	ELBOW 1 1/2" X 90° EXTRA LONG TURN
E-5	010051-01-000	ELBOW 1 1/2" X 45° S
E-3	033761-01-000	ELBOW 1 1/2" X 90° EXTRA LONG STREET
E-2	034250-01-000	ELBOW 1 1/2" X 90° LONG TURN
E-1	010006-01-000	ELBOW-PLAS 1/8"DB 1 1/2" X 45° HXH
CP-2	150034-02-CHT	CAP ASM-VENT PIPE, ROOF
CP-1	062415-01-000	CAP-SEWER 3"
C-4	089355-01-000	COUPLER-RUBBER 1 1/2" X 1 1/2"
C-3	010115-01-000	COUPLER 1 1/2" X 1 1/2"
C-2	078406-01-000	COUPLER-RUBBER 3" X 3"
B-3	010122-02-000	BUSHING 1 1/2" X 1 1/4" T CSA
B-2	010122-01-000	BUSHING 1 1/2" X 1 1/4" T
B-1	010123-01-000	BUSHING 2" X 1 1/2"
A-15	152146-01-000	CONNECTOR- 1 1/2 P x 1 1/2 MPT
A-14	130685-03-000	1 1/2" MALE ACME X SPIGOT
A-13	130685-02-000	1 1/2" MALE ACME X SOCKET
A-12	130685-01-000	1 1/2" FEMALE ACME X SOCKET
A-11	126425-02-000	ADAPTER-SWIVEL 1 1/2" FPT X SPIGOT
A-10	126425-01-000	ADAPTER-SWIVEL 1 1/2" FPT X H
A-9	126424-01-000	ADAPTER-1 1/2" MPT X 1/2" H
A-8	109571-01-000	ADAPTER-1 1/2" X 1 1/4" MPT
A-6	062416-01-000	HOSE-ADAPTER 3"
A-4	062417-01-000	ADAPTER-3"
A-2	109450-01-000	ADAPTER-PLASTIC HOSE, SEWER
A-1	062422-01-000	ADAPTER-OFFSET REDUCER 3" X 1 1/2"
NO.	P/N	DESCRIPTION

3	126426-01-000	PIPE-FLEX 1 1/2"
2	010197-01-000	PIPE 3"
	010197-02-000	PIPE 3" BLK CSA
1	010195-01-000	PIPE 1 1/2"
	010195-02-000	PIPE 1 1/2" CSA
Y-1	010073-01-000	WYE 1 1/2" X 45° H X H X H
W-7	127440-02-CHT	WASHER-RUBBER 3.2 THICK
W-6	127440-01-CHT	WASHER-RUBBER 1.5 THICK
W-5	011091-05-000	CONTINUOUS WASTE 1 1/4"
W-2	011091-02-000	CONTINUOUS WASTE 1 1/4"
VM-1	079968-01-000	VENT-MECHANICAL
V-12	136143-02-000	VALVE-DUAL 3" X 3" X SPIGOT
V-11	136143-01-000	VALVE-DUAL 3" X 3"
V-10	062418-03-000	VALVE-DUAL 3", SPIGOT X SPIGOT
V-9	070916-03-000	VALVE-DUAL 3" & 1 1/2"
V-8	070916-02-000	VALVE-DUAL 3" & 1 1/2"
V-7	062418-01-000	VALVE 3" W/HANDLE
V-6	062418-02-000	VALVE 3" W/O HANDLE
V-4	062421-02-000	VALVE 1 1/2" W/O HANDLE
V-3	062421-01-000	VALVE 1 1/2" W/HANDLE
V-1	070916-01-000	VALVE-DUAL 3" & 1 1/2"
SP-7	131786-08-CHT	SPACER TOILET
SP-6	131786-07-CHT	SPACER TOILET .78
SP-5	131786-05-CHT	SPACER-TOILET 1 1/4" (THETFORD)
SP-4	131786-04-CHT	SPACER-TOILET 1 1/4" (AQUA IV)
SP-3	131786-03-CHT	SPACER-TOILET 1 1/4" (SEALAND)
SP-2	131786-02-CHT	SPACER-TOILET (THETFORD AQUA IV)
SP-1	131786-01-CHT	SPACER-TOILET (SEALAND)
T-6	136664-01-000	TEE-PLAS 3" S X H X H
T-5	010065-01-000	TEE-PLAS 3" H X H X H
T-4	031365-02-000	TEE-PLAS 1 1/2" EXTRA LONG TURN
T-3	010071-02-000	TEE-PLAS 1 1/2" W/BAFFLE
T-2	031365-01-000	TEE-PLAS 3" X 3" X 1 1/2" EXT LG TUR
T-1	010071-01-000	TEE 1 1/2" X 1 1/2" X 1 1/2"
S-1	116666-01-CHT	SEAL-VENT PIPE
PL-2	010166-02-000	PLUG 1 1/4" MPT CSA
PL-1	010166-01-000	PLUG 1 1/4" MPT
P-8	126588-03-000	ARM-WASTE 1 1/2" X 9 1/2" SLIP
P-7	126588-02-000	ARM-WASTE 1 1/2" X 20", FEMALE NUT
P-6	126588-01-000	ARM-WASTE 1 1/2" X 9 1/2", FEMALE NUT
P-4	037763-01-000	P-TRAP-PLASTIC 1 1/2"H X H W/UNION
P-3	011071-01-000	P-TRAP 1 1/2" X 1 1/2" OR 1 1/4"-CSA
P-2	107538-01-000	P-TRAP-PLASTIC 1 1/4" W/EXT ARM, US
P-1	107538-02-000	P-TRAP-PLASTIC 1 1/2" W/EXT ARM, US
NO.	P/N	DESCRIPTION

3 PART IS ALSO LISTED ON WATER SYSTEM PART LIST DRAWING #116230.

2 USE WITH SEALAND BRAND TOILETS ONLY.

1 INACTIVE.

**WINNEBAGO INDUSTRIES** COPYRIGHT 2009 WINNEBAGO INDUSTRIES, INC.

ALL DIMENSIONS ARE IN MILLIMETERS

MATERIAL: 95 MH'S

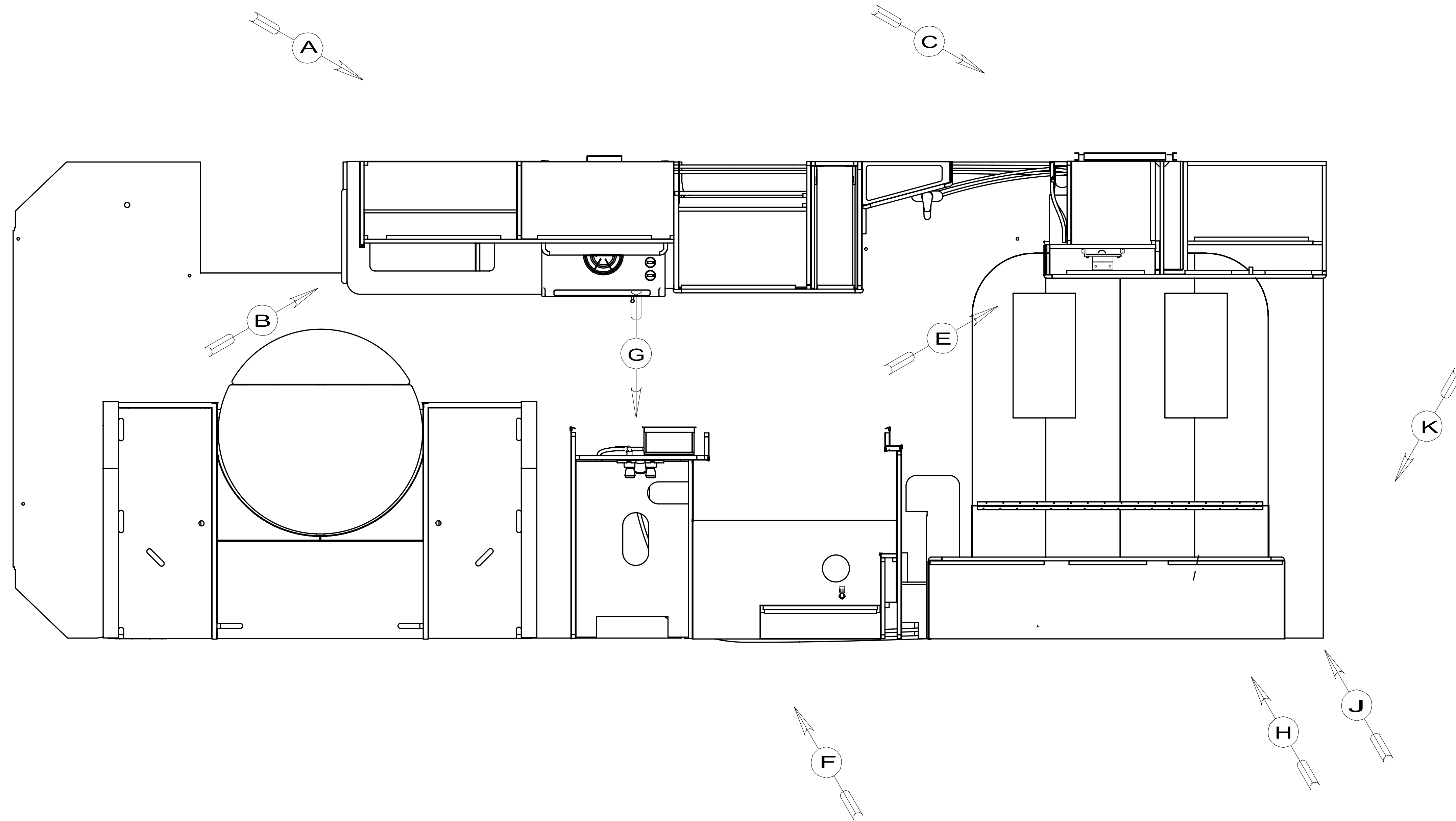
UNSPECIFIED TOLERANCES ARE:  
 WHOLE DIM (X) : 7  
 ONE-PLACE (X.X) :  
 TWO-PLACE (X.XX) :  
 ANGLE :  
 THIRD ANGLE PROJECTION

DO NOT SCALE DRAWING

TITLE: PART LISTING-DRAINAGE SYSTEM

SHEET 1 OF 1 PART NO 116229 REV

REF: 1 10/22/2009

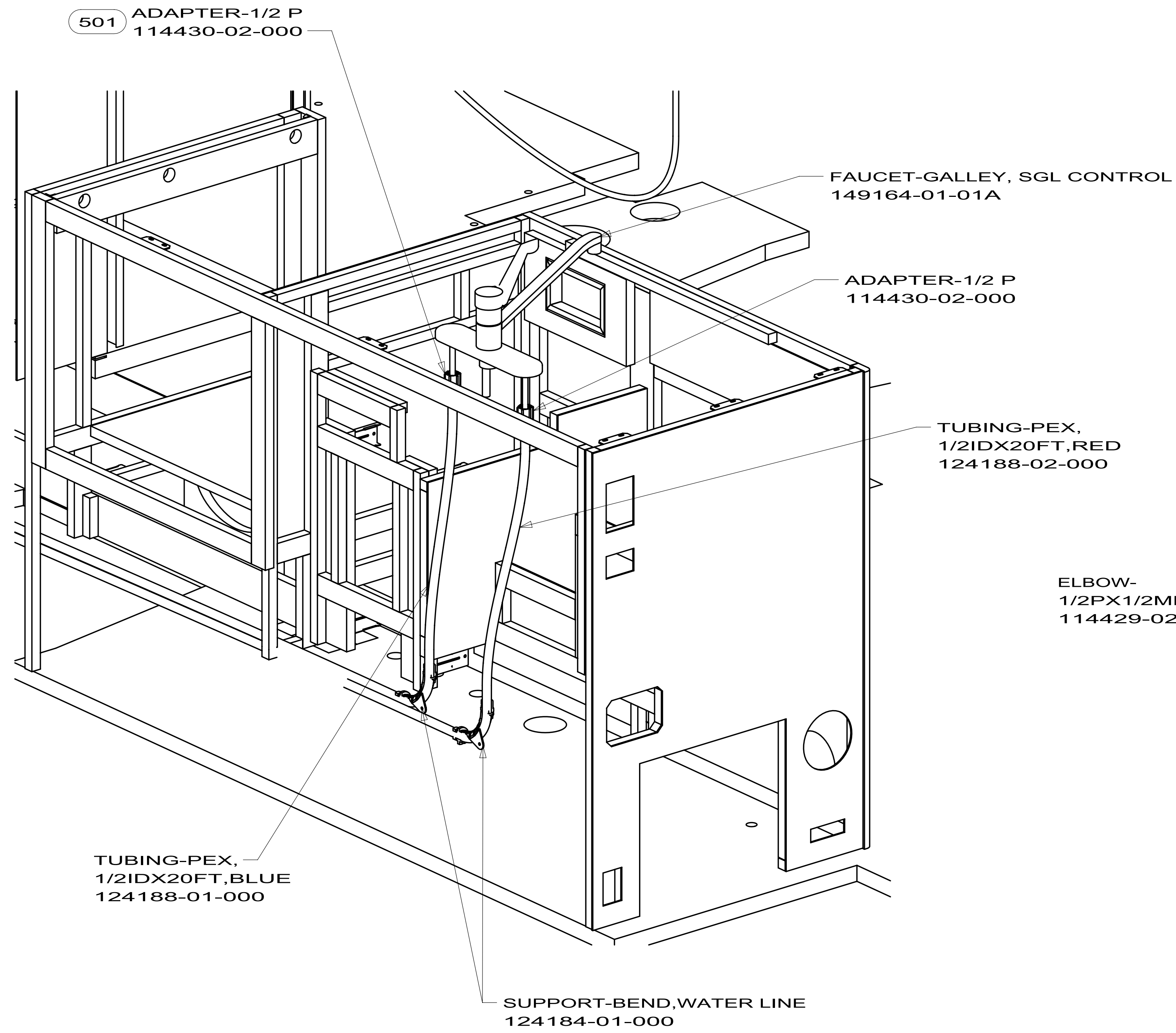


- 53F WATER HEATER-ELEC. IGNITION
- 53B WTR HTR-6 GAL ELECTRIC/LP GAS
- 29B WATER PURIFIER
- 501 WATER PURIFIER-WITHOUT
- 53E WATER SYS WINTERIZATION PKG
- 64R EXTERIOR WASH STATION
- 1J4 EXT WASH STATION-WITHOUT
- 1H6 AIR SPRINGS-WITHOUT

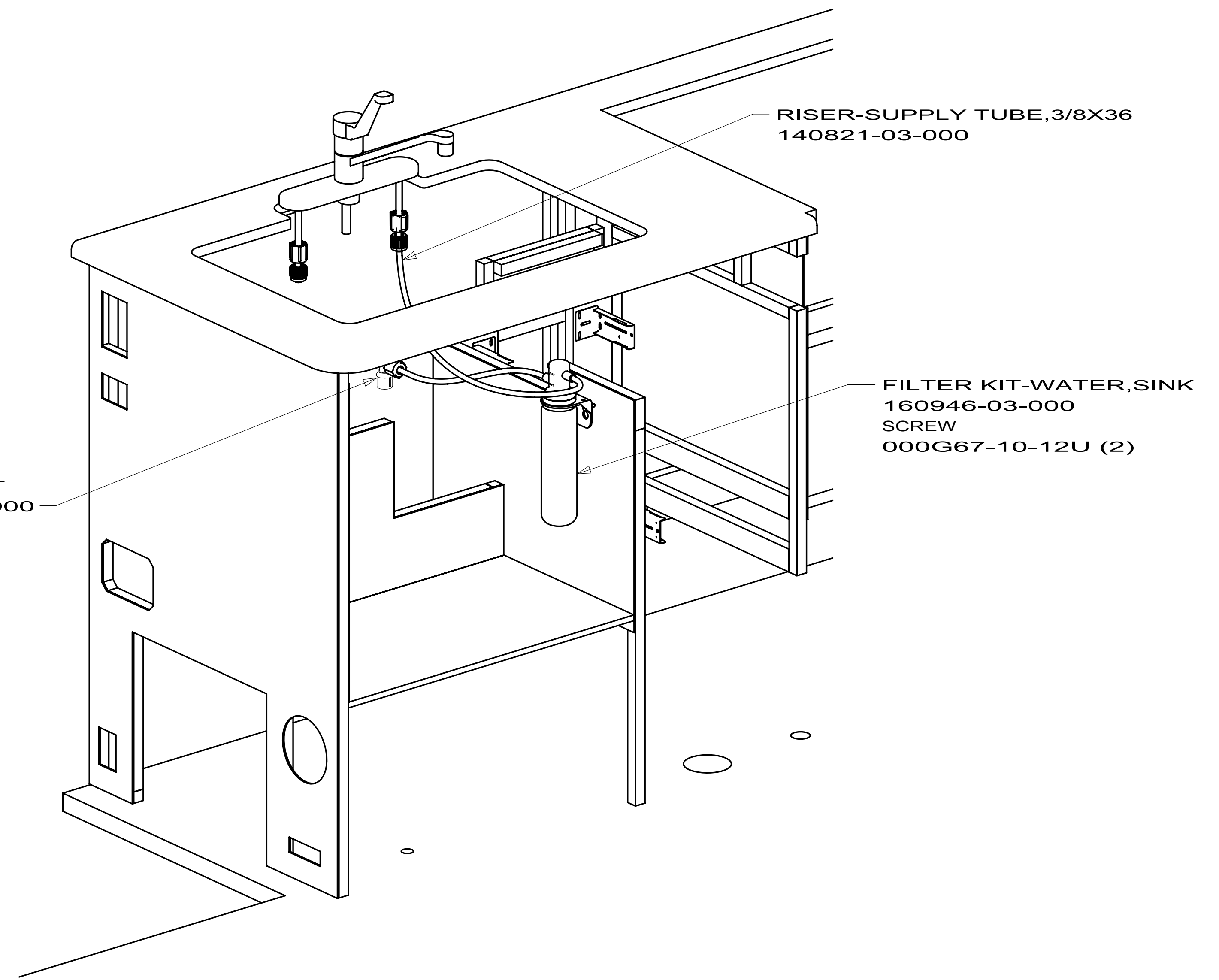
- NOTES:
- 7 ADD PIPE WRAP (LADDER SCRAP 110157-02-000) INSULATION.
  - 6 ADD TEFLON TAPE 010405-03-000.
  - 5 ADD TEFLON TAPE 010405-02-000.
  - 4 ADD TEFLON TAPE 010405-01-000.
  3. ALL TUBING TO BE SECURED AT 1200 INTERVALS MAXIMUM WITH CLAMP 010495-01-000 AND SCREW 000G67-10-12B OR EQUIVALENT.
  2. TUBING TO BE INSTALLED WITH SUFFICIENT SLOPE TO PROVIDE DRAINAGE TO NEAREST VALVE.
  1. PLASTIC FITTINGS TO BE SEALED WITH SEALANT 084456-01-000.

X-X	FOR WATER CALLOUTS SEE DWG NO 116230-01-000
-----	---

09 728B



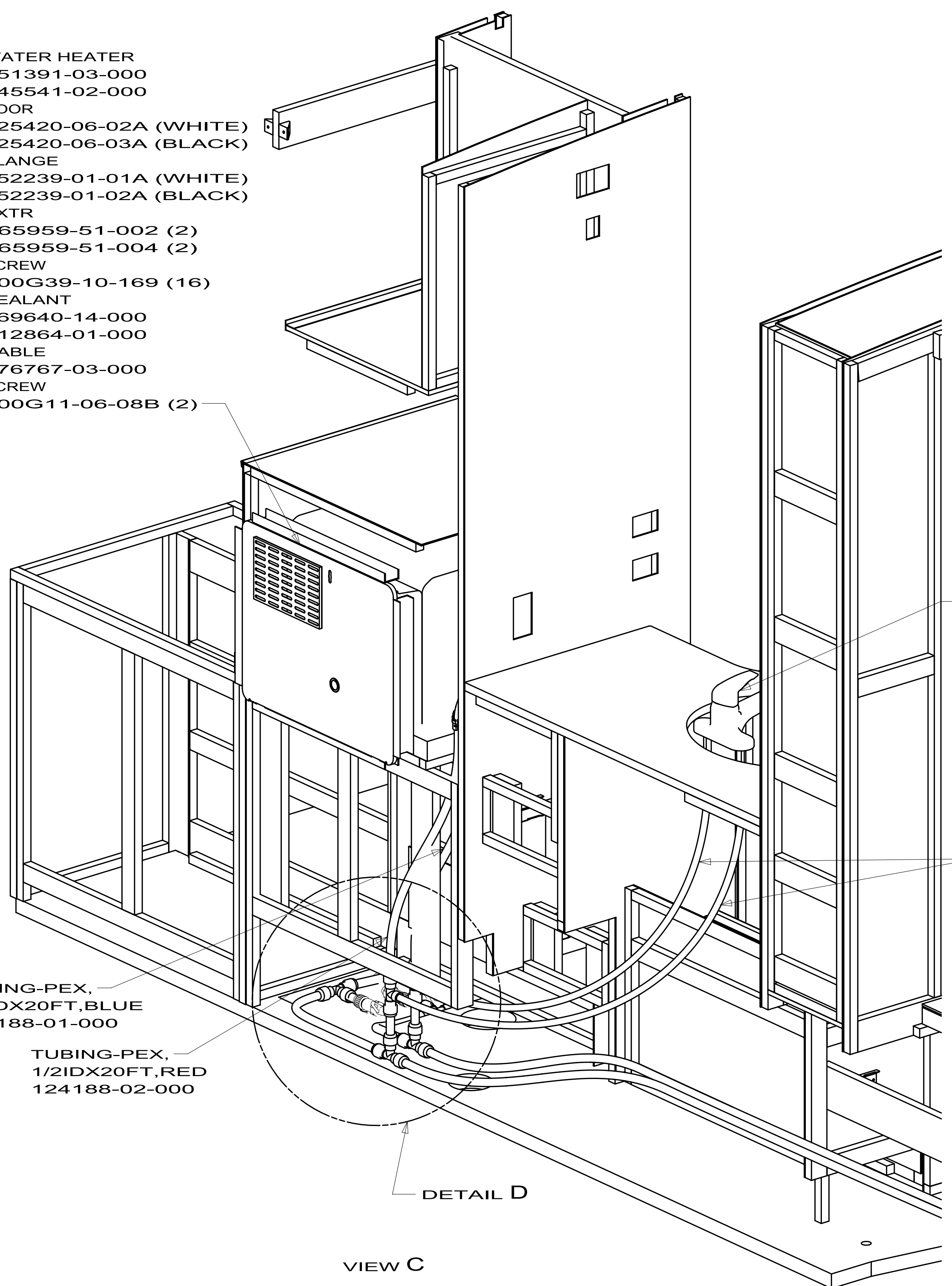
VIEW A



VIEW B

29B

- 53F WATER HEATER  
051391-03-000
- 53B 145541-02-000
- DOOR  
125420-06-02A (WHITE)  
125420-06-03A (BLACK)
- FLANGE  
152239-01-01A (WHITE)  
152239-01-02A (BLACK)
- EXTR  
165959-51-002 (2)  
165959-51-004 (2)
- SCREW  
000G39-10-169 (16)
- SEALANT  
069640-14-000  
112864-01-000
- CABLE  
076767-03-000
- SCREW  
000G11-06-08B (2)



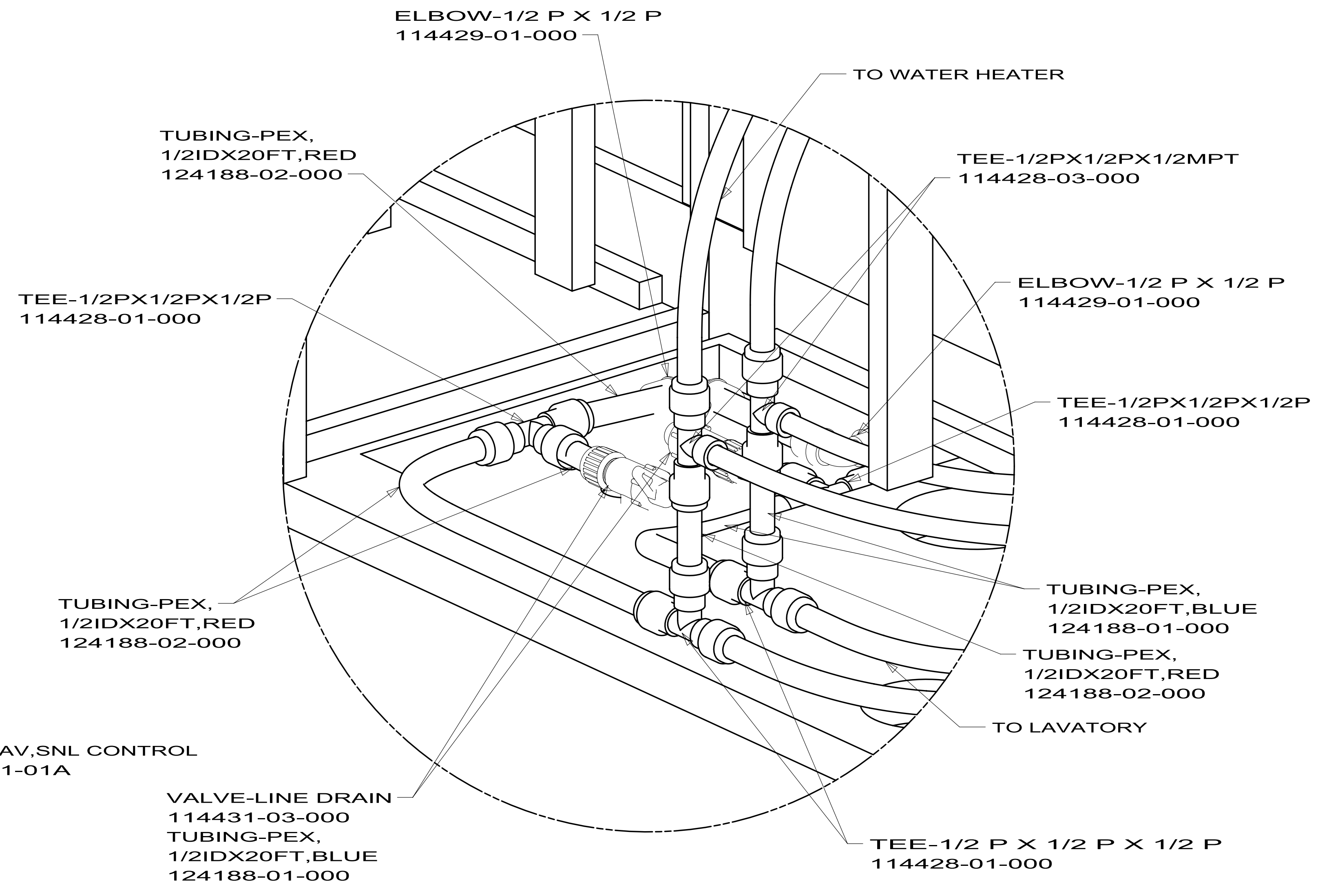
- TUBING-PEX,  
1/2IDX20FT,BLUE  
124188-01-000
- TUBING-PEX,  
1/2IDX20FT,RED  
124188-02-000

VIEW C

DETAIL D

- FAUCET-LAV,SNL CONTROL  
165730-01-01A

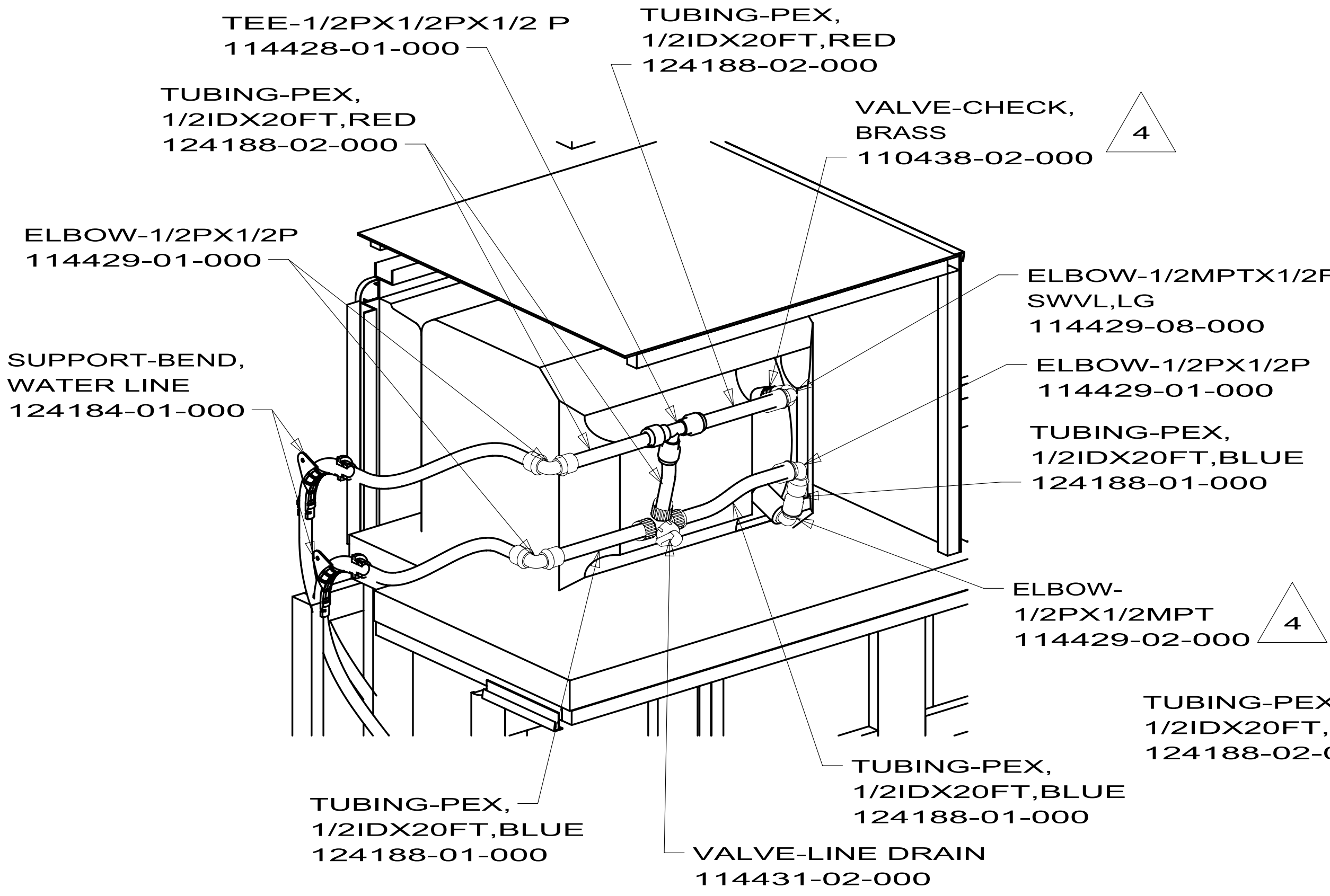
- RISER-SUPPLY TUBE,3/8X48  
140821-04-000



DETAIL D

09 728B

PANEL-SHOWER FAUCET  
167738-02-01A  
SCREW  
000G11-08-12U (4)  
COVER  
166569-01-03A  
NUT-SPEED,U  
040921-05-000 (4)

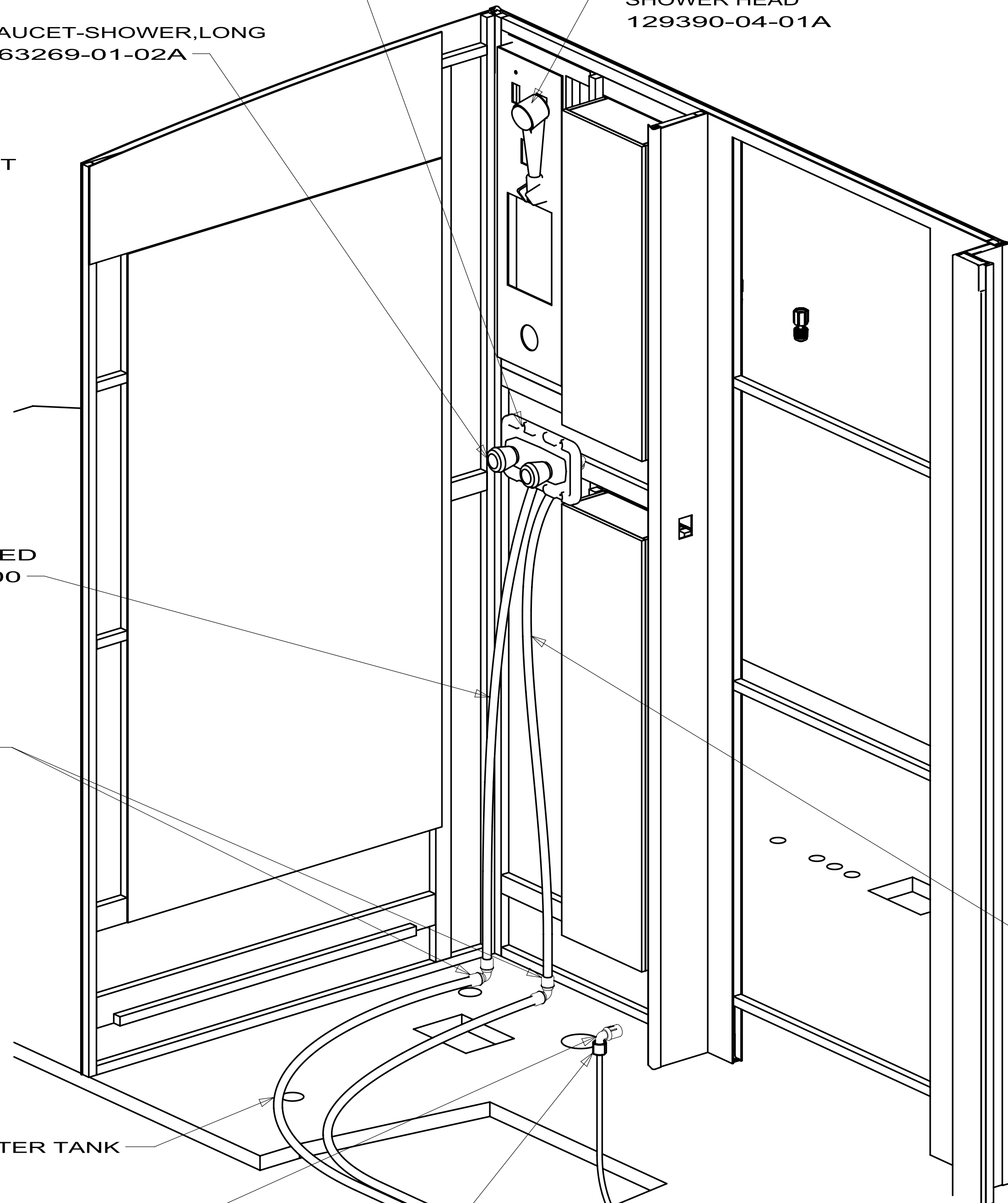


VIEW E

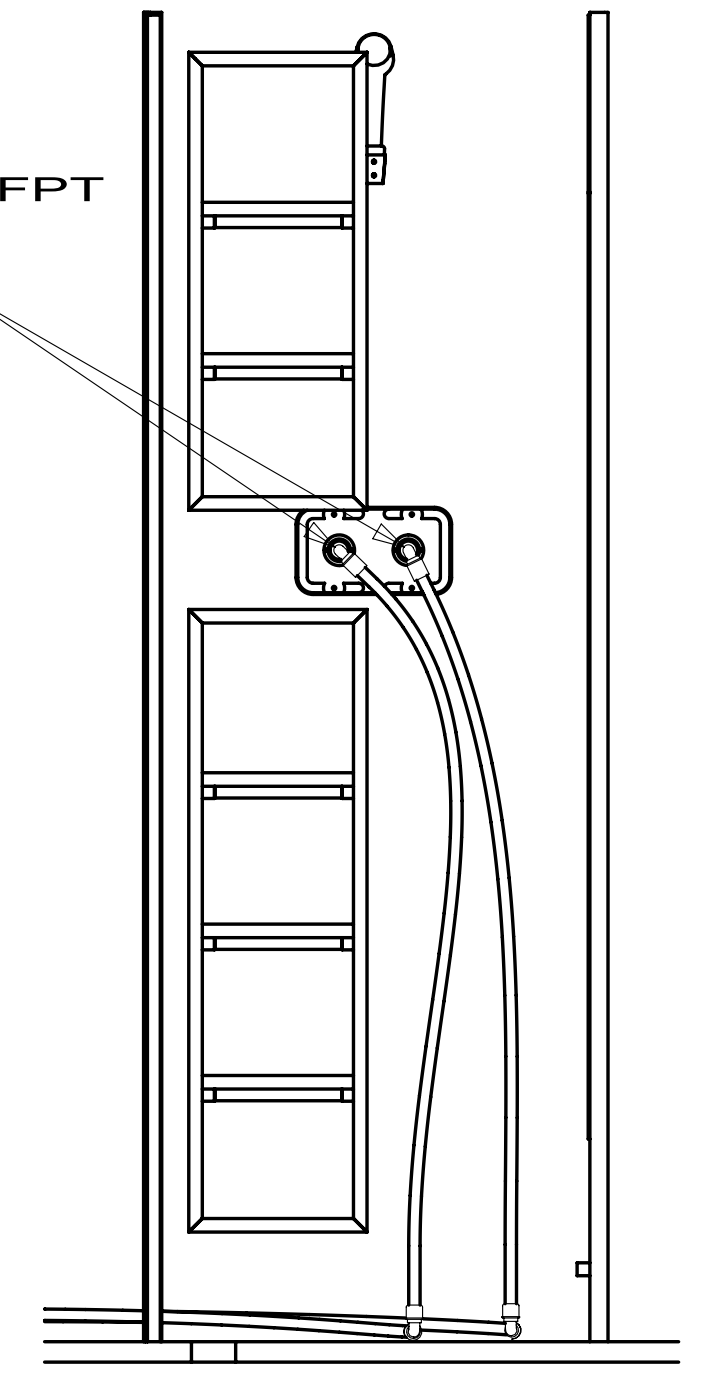
FAUCET-SHOWER, LONG  
163269-01-02A

SHOWER HEAD  
129390-04-01A

ELBOW-1/2MPTX1/2FPT  
SWVL, LG  
114429-08-000



VIEW F



VIEW G

TEE-  
1/2PX1/2PX1/2MPT  
114428-03-000

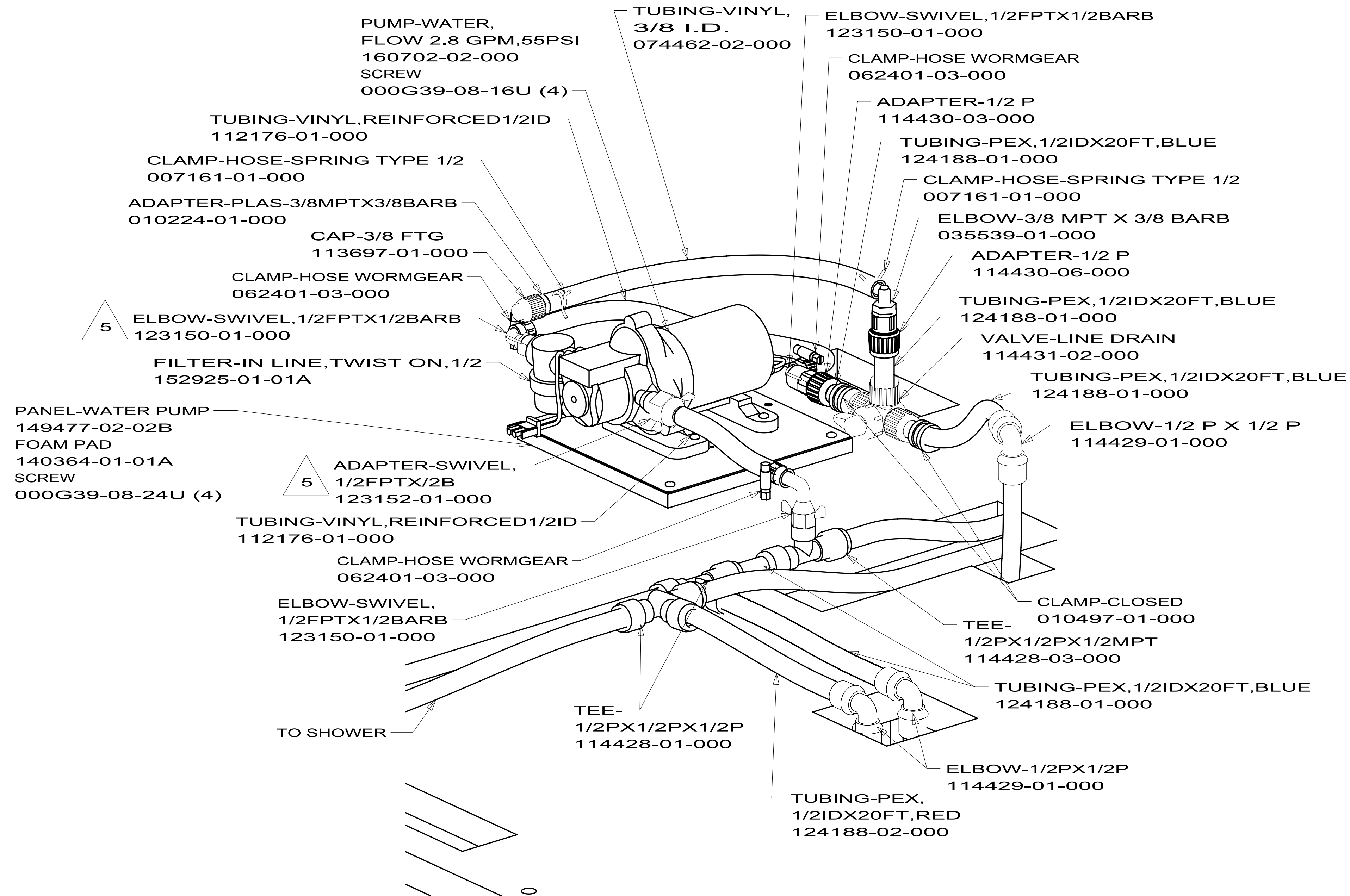
SUPPORT-BEND,  
WATER LINE  
124184-01-000

09 728B

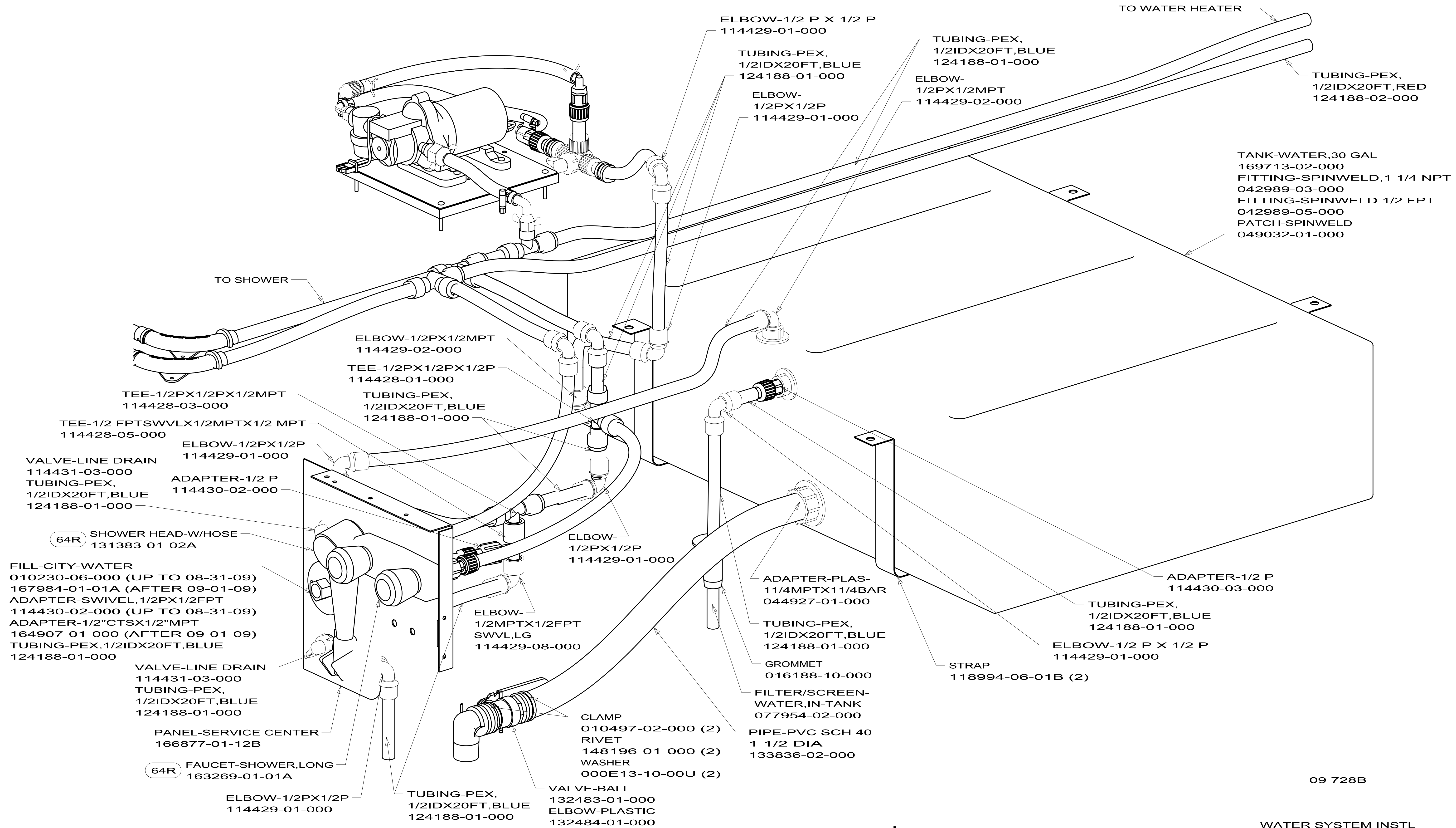
WATER SYSTEM INSTL

4

165328

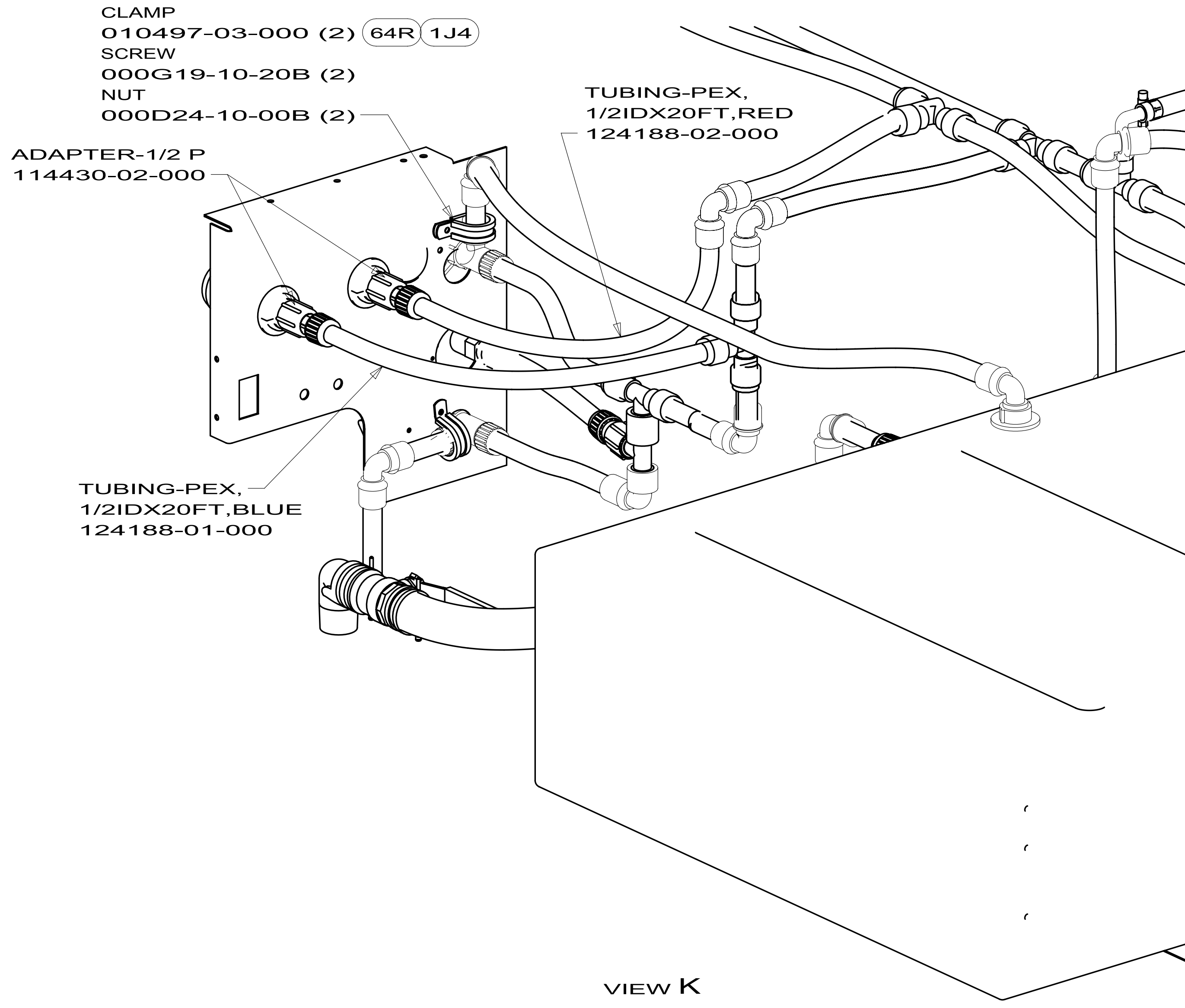


VIEW H



VIEW J

WATER SYSTEM INSTL



- CLAMP  
010497-03-000 (2) 64R 1J4
- SCREW  
000G19-10-20B (2)
- NUT  
000D24-10-00B (2)

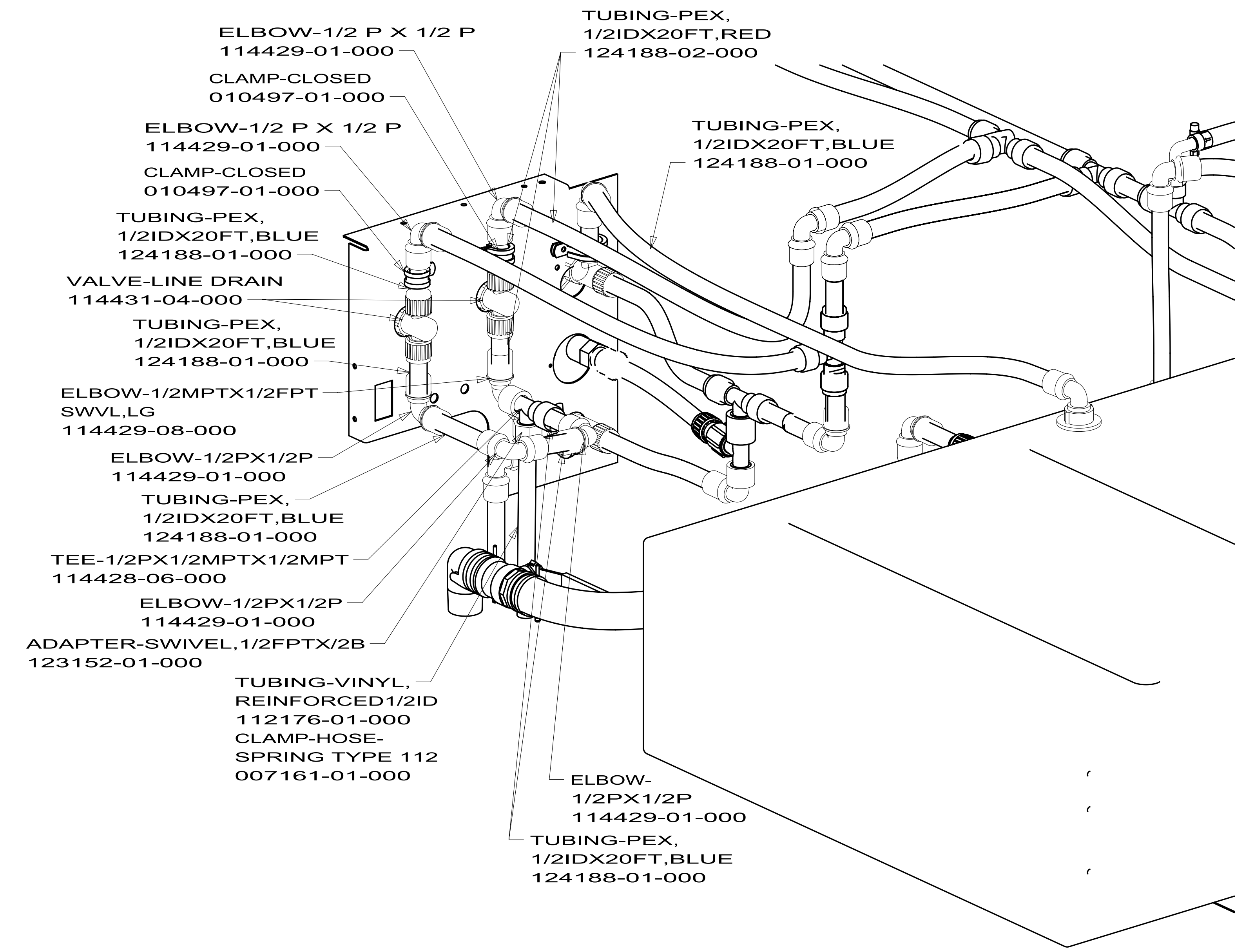
ADAPTER-1/2 P  
114430-02-000

TUBING-PEX,  
1/2IDX20FT,RED  
124188-02-000

TUBING-PEX,  
1/2IDX20FT,BLUE  
124188-01-000

VIEW K

64R



- ELBOW-1/2 P X 1/2 P  
114429-01-000
- CLAMP-CLOSED  
010497-01-000

TUBING-PEX,  
1/2IDX20FT,RED  
124188-02-000

- ELBOW-1/2 P X 1/2 P  
114429-01-000
- CLAMP-CLOSED  
010497-01-000

TUBING-PEX,  
1/2IDX20FT,BLUE  
124188-01-000

- TUBING-PEX,  
1/2IDX20FT,BLUE  
124188-01-000

- VALVE-LINE DRAIN  
114431-04-000

- TUBING-PEX,  
1/2IDX20FT,BLUE  
124188-01-000

- ELBOW-1/2MPTX1/2FPT  
SWVL,LG  
114429-08-000

- ELBOW-1/2PX1/2P  
114429-01-000

- TUBING-PEX,  
1/2IDX20FT,BLUE  
124188-01-000

- TEE-1/2PX1/2MPTX1/2MPT  
114428-06-000

- ELBOW-1/2PX1/2P  
114429-01-000

- ADAPTER-SWIVEL,1/2FPTX/2B  
123152-01-000

- TUBING-VINYL,  
REINFORCED1/2ID  
112176-01-000
- CLAMP-HOSE-  
SPRING TYPE 112  
007161-01-000

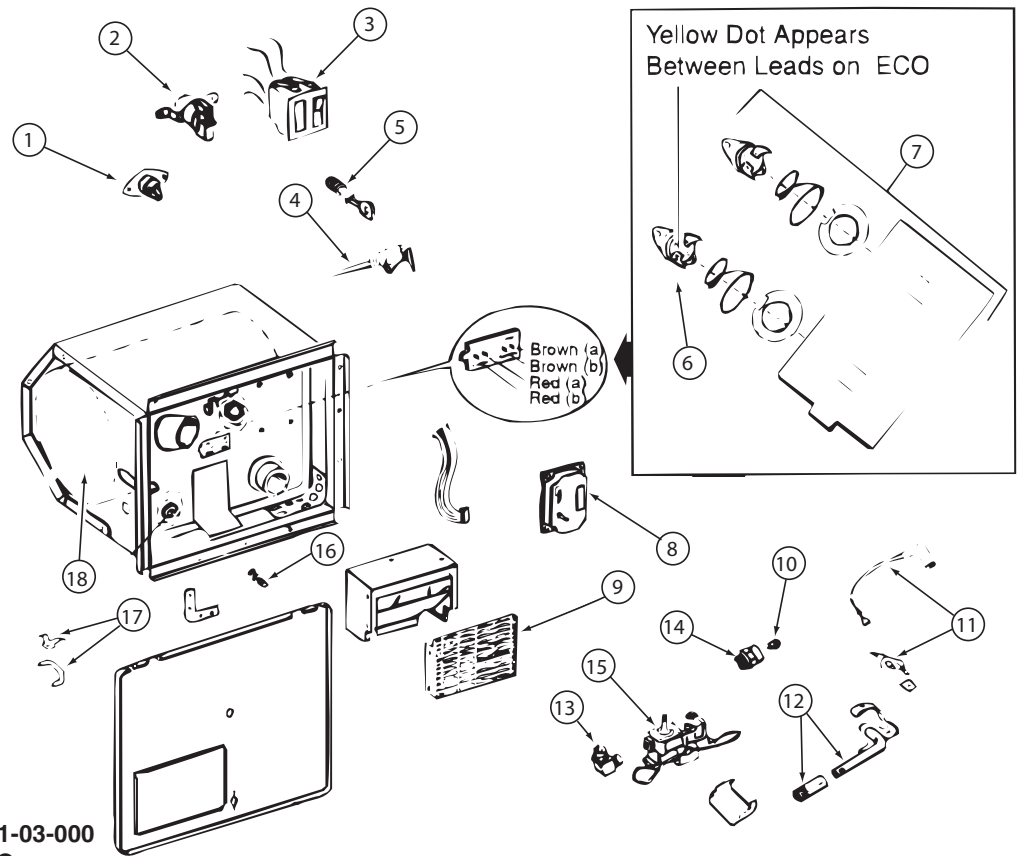
- ELBOW-  
1/2PX1/2P  
114429-01-000

- TUBING-PEX,  
1/2IDX20FT,BLUE  
124188-01-000

VIEW K

1J4





051391-03-000

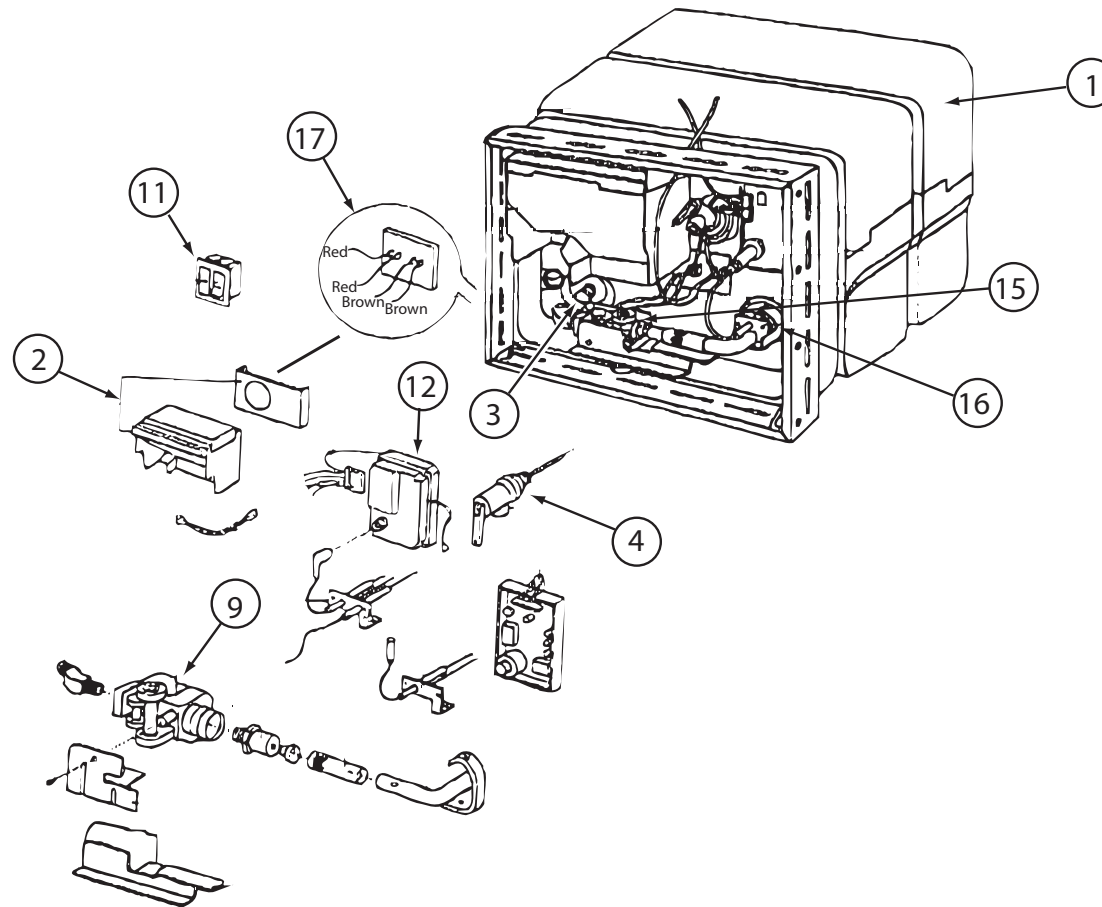
KEY	PART NUMBER	U/M	DESCRIPTION	VENDOR NO.
3	051393-01-701	EA	SWITCH - REMOTE - W/LIGHT	91959
4	051391-01-704	EA	VALVE-RELIEF, 1/2" FITTING	91604
4	051391-03-701	EA	VALVE-RELIEF - 3/4" FITTING	90028
5	051391-01-705	EA	FASTENER-CAMLOCK	92609
6	051391-04-701	EA	THERMOSTAT 12V DC-120 PRESET	91470
7	051393-01-721	EA	THERMOSTAT W/ECO, 140 FRT MT	91447
9	051391-04-707	EA	KIT-EXHAUST, (FLUE & GASKET)	90960
10	051391-01-710	EA	ORIFICE-MAIN BURNER	92742
12	051391-04-703	EA	BURNER-MAIN/ELECTRONIC IG	91638
13	051391-01-714	EA	FITTING-ELBOW 45,3/8F X 3/8	MPT 1044
14	051391-03-700	EA	HOLDER-ORIFICE	91563
16	051391-01-715	EA	PLUG-DRAIN, 1 EA = 2 PER PKG	91857
17	051391-01-700	EA	HINGE KIT, (PIN & CLIP)	92568&92559
18	051391-04-706	EA	TANK-G6A-4E/6E/7E/8E-FRT.MT	91641 - INNER
	051391-01-717	EA	GRILLE-WATER HEATER DOOR	92640
	051393-01-723	EA	SWITCH - THERMAL CUTOUT 2/PK	93866 WAS 93853
	051393-01-724	EA	BOARD-CIRCUIT, SPADE TERMINAL	93865
	051393-01-725	EA	ELECTRODE-SGL SPADE CONNECT.	93868
	051393-01-726	EA	VALVE/SOLENOID - W/O BRACKET	93870
	111129-01-711	EA	BRACKET-CORNER, SET OF FOUR	91928

CONTACT WINNEBAGO PARTS SALES FOR UNLISTED COMPONENT(S)

KEY	PART NUMBER	U/M DESCRIPTION	VENDOR NO.
	051391-01-705	EA FASTENER - CAMLOCK	92609

			<b>129390-03-02A</b>
<b>KEY</b>	<b>PART NUMBER</b>	<b>U/M DESCRIPTION</b>	<b>VENDOR NO.</b>
	129390- 03- 702	EA CONNECTOR-SWIVEL - CHROME	A-4002-CPK
	129390- 03- 703	EA VACUUM BREAKER - CHROME	A-4900C
	129390- 03- 705	EA BRACKET-HANGER/SHOWER HEAD	AS5001PK - CHROME

			<b>129390-04-01A</b>
<b>KEY</b>	<b>PART NUMBER</b>	<b>U/M DESCRIPTION</b>	<b>VENDOR NO.</b>
	129390-04-700	EA CONNECTOR-SWIVEL - WHITE	A-4002PK



145541-02-000

KEY	PART NUMBER	U/M	DESCRIPTION	VENDOR NO.
1	145541-02-700	EA	TANK/SERVICE KIT PCS- 6 GAL	91053
2	051391-04-707	EA	KIT-EXHAUST, (FLUE & GASKET)	90960
3	051391-01-715	EA	PLUG-DRAIN, 1 EA = 2 PER PKG	91857
4	051391-01-704	EA	VALVE-RELIEF, 1/2" FITTING	91604
4	051391-03-701	EA	VALVE-RELIEF - 3/4" FITTING	90028
9	051393-01-726	EA	VALVE-SOLENOID - W/O BRACKET	93870
11	051393-01-701	EA	SWITCH - REMOTE - W/LIGHT	91959
11	145541-01-701	EA	SWITCH - ON/OFF - WHITE	91859
12	145541-01-702	EA	CIRCUIT BOARD	91226
15	145541-01-703	EA	SWITCH - THERMAL CUT OFF	93866
16	051393-01-725	EA	ELECTRODE-SGL SPADE CONNECT.	93868
17	051393-01-721	EA	THERMOSTAT W/ECO, 140 FRT MT	91447
	051391-05-706	EA	ELEMENT-HEATING 1500 WATT	92249 W/GASKET
	145541-01-704	EA	RELAY	90061
	145541-02-701	EA	JUNCTION BOX(PLASTIC) 6 GAL	91222

CONTACT WINNEBAGO PARTS SALES FOR UNLISTED COMPONENT(S)

KEY	PART NUMBER	U/M	DESCRIPTION
	165730-02-700	EA	CARTRIDGE

165730-01-01A, 165730-02-01A  
VENDOR NO.  
CFG-40002

E-37	164906-01-000	ELBOW-1/2"CTS X 1/2"MPT
E-36	163338-02-000	FLOJET ELBOW-PUMP, 1/2"BARB X PART
E-35	114429-11-000	ELBOW-1/2" P X 1/2" FPT
E-34	133837-01-000	ELBOW-PVC 1 1/2" X 90° DBL SLIP
E-33	010009-01-000	ELBOW-ST-PLAS 1/4" BD 1 1/2" X 90°
E-32	111223-04-000	ELBOW 1/2" MPT X 1/2" BARB
E-31	111223-03-000	ELBOW 3/4" MPT X 1/2" BARB
E-30	123150-01-000	ELBOW-SWIVEL 1/2" FPT X 1/2" BARB
E-29	114429-09-000	ELBOW 1/2" P X 1/2" FPT DROPEAR
E-28	111223-02-000	ELBOW 1/2" MPT X 3/8" BARB
E-27	118424-01-000	ELBOW-BRASS 1/4" P X 1/4" P
E-26	065318-02-000	ELBOW-BRASS 90° 3/8" MPT X 3/8" FPT
E-25	114429-06-000	ELBOW-SWIVEL 1/2" P X 3/4" FPT
E-24	114429-05-000	ELBOW 1/2" P X 3/4" MPT
E-23	114429-04-000	ELBOW 1/2" P X 3/8" MPT
E-22	114429-08-000	ELBOW-SWIVEL 1/2" P X 1/2" FPT LONG
E-21	114429-02-000	ELBOW 1/2" P X 1/2" MPT
E-20	114429-01-000	ELBOW 1/2" P X 1/2" P
E-19	114429-03-000	ELBOW-SWIVEL 1/2"P X 1/2" FPT
E-14	010009-01-000	ELBOW-ST-PLAS 1/4" BD X 1 1/4" X 90°
E-12	035539-01-000	ELBOW-PLAS 3/8" MPT X 3/8" BARB
E-11	010219-01-000	ELBOW-PLAS 1 1/4" MPT X 1 1/4" BARB
E-10	039808-03-000	ELBOW 1/2" MPT X 1/2" MPT
E-9	114429-10-000	ELBOW-SWIVEL 1/2" MPT X 1/2" FPT
E-8	142812-01-000	ELBOW-BRASS 1/2" MPT X 1/2" FPT
CU-1	101814-01-000	COUPLING-FEMALE 1/2" FPT X 1/2" FPT
CI-5	116473-01-000	SEAL-SWIVEL
CI-4	114427-03-000	NUT 1/2"
CI-3	113697-01-000	CAP 3/8"
CI-2	114427-02-000	PLUG 1/2" P
CI-1	114427-01-000	CAP 1/2" P
CH-4	062401-04-000	CLAMP-HOSE .63-1
CH-3	062401-03-000	CLAMP-HOSE .22-1
CH-2	007161-01-000	CLAMP-HOSE,SPRING
CH-1	062401-02-000	CLAMP-HOSE 1 1/2" - 2 1/2"
CA-3	155264-03-XXX	COMPARTMENT ASM-SHOWER, EXT
CA-2	155264-01-XXX	COMPARTMENT ASM-SHOWER, EXT
CA-1	106217-01-XXX	COMPARTMENT ASM-SHOWER, EXT
C-7	132148-01-000	CONNECTOR-BRASS 1/2" X 1/2" MPT
C-6	103798-01-000	CONNECTOR 1/4" OD X 3/8" MPT
AC-2	123317-01-000	ACCUMULATOR LARGE
AC-1	123243-01-000	ACCUMULATOR SMALL
A-24	164907-02-000	ADAPTER-1/2"CTS X 1/2"FPT SW
A-23	164907-01-000	ADAPTER-1/2"CTS X 1/2"MPT
A-22	114430-10-000	ADAPTER-NUT, FLEX TUBING
A-21	114430-09-000	ADAPTER 1/2" P X 1/2" FPT
A-20	114430-04-000	ADAPTER 1/2" P X 3/8" MPT
A-19	136333-01-000	ADAPTER-BRASS 1/2" MPT X 1/2" FPT
A-18	133835-01-000	ADAPTER 1 1/2" P X 1 1/4" MPT
A-17	114430-06-000	ADAPTER-PLAS 1/2" P X 3/8" FPT
A-16	118809-02-000	ADAPTER-PLAS 1/2" MPT X 1/2" BARB
A-15	123152-01-000	ADAPTER-SWIVEL 1/2" FPT X 1/2" BARB
A-14	114430-08-000	ADAPTER 1/2" P X 3/4" MPT
A-13	118809-01-000	ADAPTER 1/2" MPT X 3/8" BARB
A-12	114430-03-000	ADAPTER 1/2" P X 1/2" MPT
A-11	114430-02-000	ADAPTER-SWIVEL 1/2" P X 1/2" FPT
A-10	114430-01-000	ADAPTER 1/2" P X 1/2" P
A-6	112177-01-000	ADAPTER-BRASS 1/2" MPT X 1/2" BARB
A-5	010224-01-000	ADAPTER 3/8" MPT X 3/8" BARB
A-4	044927-01-000	ADAPTER 1 1/4" MPT X 1 1/4" BARB
NO.	P/N	DESCRIPTION

TU-14	133836-03-000	PIPE 1 1/2" PVC SCH 40 120mm
TU-13	074462-01-000	TUBING-VINYL 1 1/4" ID, CLEAR
TU-12	133836-02-000	TUBING 1 1/2" PVC SCH 40 60mm
TU-11	133836-01-000	TUBING 1 1/2" PVC SCH 40
TU-10	124188-02-000	TUBING 1/2" ID PEX (RED)
TU-9	124188-01-000	TUBING 1/2" ID PEX (BLUE)
TU-8	112176-01-000	TUBING-FLEX X 1/2" ID
TU-7	039800-05-000	TUBING 5/8" OD (RED)
TU-6	115029-01-000	TUBING 3/8" ID
TU-5	039800-04-000	TUBING 1/4"
TU-4	079381-01-000	TUBING 1 1/4" ID
TU-3	074462-02-000	TUBING 3/8"
TU-2	039800-02-000	TUBING 5/8"
T-26	160949-02-000	TEE 1/2" CTS X 1/2" CTS X 1/2" CTS
T-25	160949-01-000	TEE (CONNECTOR) 1/2" X 1/2" X 1/4" REDUCE
T-24	118423-01-000	TEE-BRASS 1/4" C X 1/4" C X 1/4" C
T-23	114428-04-000	TEE 1/2" P X 1/2" P X 1/8" FPT
T-22	114428-03-000	TEE 1/2" P X 1/2" P X 1/2" MPT
T-21	114428-02-000	TEE-SWIVEL 1/2"P X 1/2"P X 1/2" FPT
T-20	114428-01-000	TEE 1/2" P X 1/2" P X 1/2" P
T-19	114428-07-000	TEE 1/2" P X 1/2" MPT X 1/2" P
T-18	114428-06-000	TEE 1/2" P X 1/2" MPT X 1/2" MPT
T-17	114428-05-000	TEE-SWIVEL 1/2"FPTX1/2"MPTX1/2"MPT
T-1	039798-01-000	TEE 1/2" MPT X 1/2" MPT X 1/2" MPT
SH-1	131383-01-CHT	SHOWER HEAD-W/HOSE & BRKT
S-1	124184-01-000	SUPPORT-BEND
N-2	135386-02-000	NIPPLE 1/2" X 4"
N-1	135386-01-000	NIPPLE 1/2" MPT X 1/2" MPT
PW-4	163338-01-000	FLOJET PUMP-WATER, 2.9 GPM
PW-3	160702-02-000	PUMP-WATER, 2.8 GPM, 55PSI
PW-2	144215-01-000	PUMP-WATER, 5.7 GPM
PW-1	098607-01-000	PUMP-WATER, 2.8 GPM
PL-3	145609-01-000	PLUG-BRASS 1/2" MPT
PL-2	010166-02-000	PLUG 1 1/4" MPT-CSA
PL-1	010166-01-000	PLUG 1 1/4" MPT
I-2	111888-01-000	FERRULE-PLASTIC 1/4" COMP
I-1	111888-02-000	INSERT-BRASS 1/4" COMP
F-13	167984-01-CHT	FILL-CITY WATER, SURF, FPT
F-12	163338-03-000	FLOJET STRAINER-WATER PUMP
F-11	144215-02-000	STRAINER-WATER PUMP
F-10	137169-01-CHT	FILL-WATER,LOCK(138290-03-000 LOCK-CASE)
F-9	152925-01-CHT	FILTER IN-LINE
F-8	131081-03-XXX	DOOR ASM-WATER FILL (KEY ONE)
F-7	163269-02-CHT	FAUCET-SHOWER-SHORT
F-6	010230-XX-000	FILL-CITY WATER, SURF, MPT
F-5	077954-02-000	FILTER/SCREEN-WATER, IN-TANK
F-4	137169-01-CHT	FILL-WATER,GRAVITY (138637-03-000 LOCK)
	137169-02-CHT	WASHER-GRAVITY WATERFILL
F-2	163269-01-CHT	FAUCET-SHOWER-LONG
F-1	103106-01-000	FAUCET-EXTERNAL WATER 90°
E-41	164906-04-000	ELBOW-DROP EAR, 1/2 CTS X FPT
E-40	166212-02-000	ELBOW-HOSE BARB
E-39	164906-03-000	ELBOW-1/2"CTS X 1/2" CTS
E-38	164906-02-000	ELBOW-1/2"CTS X 1/2" FPT SWV
NO.	P/N	DESCRIPTION

W-3	087277-11-000	WASHER-PLASTIC Ø 16.5mm HOLE
W-2	087277-12-000	WASHER-PLASTIC Ø 26.5mm HOLE
W-1	087277-08-000	WASHER-PLASTIC Ø 22.0mm HOLE
V-16	062421-03-000	VALVE 1 1/2" HUB X HUB
V-15	120868-01-000	VALVE-NEEDLE, COMP 1/4" C X 1/4" C
V-14	114431-05-000	VALVE-NEEDLE, COMP 1/8" MPT X 1/4"
V-13	114431-04-000	VALVE-STOP 1/2" P X 1/2" P
V-12	114431-03-000	VALVE 1/2" P X 1/2" P
V-11	114431-02-000	VALVE 1/2" P, BYPASS
V-10	114431-01-000	VALVE-LINE DRAIN 1/2" P
V-7	167737-01-000	VALVE-CHECK,UNION
V-6	110438-02-000	VALVE-CHECK, BRASS
U-2	166212-01-000	UNION-HOSE BARB,CTS X 1/2"
U-1	133889-01-000	UNION-PVC 1 1/2" DBL SLIP
R-11	140821-10-000	RISER-SUPPLY TUBE Ø 1/2" X 48" (1219.2)
R-10	140821-09-000	RISER-SUPPLY TUBE Ø 1/2" X 36" (914.4)
R-9	140821-08-000	RISER-SUPPLY TUBE Ø 1/2" X 24" (609.6)
R-8	140821-07-000	RISER-SUPPLY TUBE Ø 3/8" X 72" (1828.8)
R-7	140821-06-000	RISER-SUPPLY TUBE Ø 3/8" X 60" (1524)
R-6	140821-05-000	RISER-SUPPLY TUBE Ø 3/8" X 54" (1371.6)
R-5	140821-04-000	RISER-SUPPLY TUBE Ø 3/8" X 48" (1219.2)
R-4	140821-03-000	RISER-SUPPLY TUBE Ø 3/8" X 36" (914.4)
R-3	140821-02-000	RISER-SUPPLY TUBE Ø 3/8" X 30" (762)
R-2	140821-01-000	RISER-SUPPLY TUBE Ø 3/8" X 24" (609.6)
NO.	P/N	DESCRIPTION

4. PART IS ALSO LISTED ON THE DRAINAGE SYSTEM PART LIST DRAWING 116229.

3. ALL FITTINGS ON THIS DRAWING ARE APPROVED FOR POTABLE WATER. ANY NEW PARTS MUST BE CERTIFIED FOR POTABLE WATER USE.

2. ATTACH WITH TAPE-DOUBLE 123816-03-000.

1. INACTIVE.

NOTES:

**WINNEBAGO INDUSTRIES** COPYRIGHT 2009 WINNEBAGO INDUSTRIES, INC.

DFT-ORIG	ORIG. DATE
CHKR	ALL DIMENSIONS ARE IN MILLIMETERS
P.E.	
M.E.	FIRST USED
DSNR	95-98 MH'S
UNSPECIFIED TOLERANCES ARE:	
WHOLE DIM (X)	: 7
ONE-PLACE (X.X)	:
TWO-PLACE (X.XX)	:
ANGLE	:
THIRD ANGLE PROJECTION	
DO NOT SCALE DRAWING	
TITLE: PART LISTING-WATER SYSTEM	
SHEET 1 OF 1	PART NO 116230
REF:	1