

- 9. SEE WIRING INSTL-BODY, 12V FOR ELECTRICAL CONNECTION.
- 8. SECURE PIPES TO CABINET USING WIRE TIE 108046-02-000 AND SCREW 000G67-10-12B.
- 7. SECURE VENT TO FLOOR WITH BRACKET 136878-01-01B CLAMP 062401-02-000, SCREW 000G67-10-12B.
- 6. VENT PIPE MUST PROJECT 51 MIN AND 64 MAX ABOVE ROOF FOR PROPER FIT AND FUNCTION.
- 5. SEAL AROUND SHOWER WITH SILICONE.
- 4. INSTALL PER MANUFACTURER'S LABEL.
- 3. ALL PIPE AND FITTINGS TO BE ASSEMBLED WITH SOLVENT 004020-01-000 (US), 004020-02-000 (CAN).
- 2. SLOPE OF TRAP ARM MUST BE 6 PER 305mm.
- 1. SLOPE OF HORIZONTAL PIPING TO BE MIN 6 PER 305 mm.

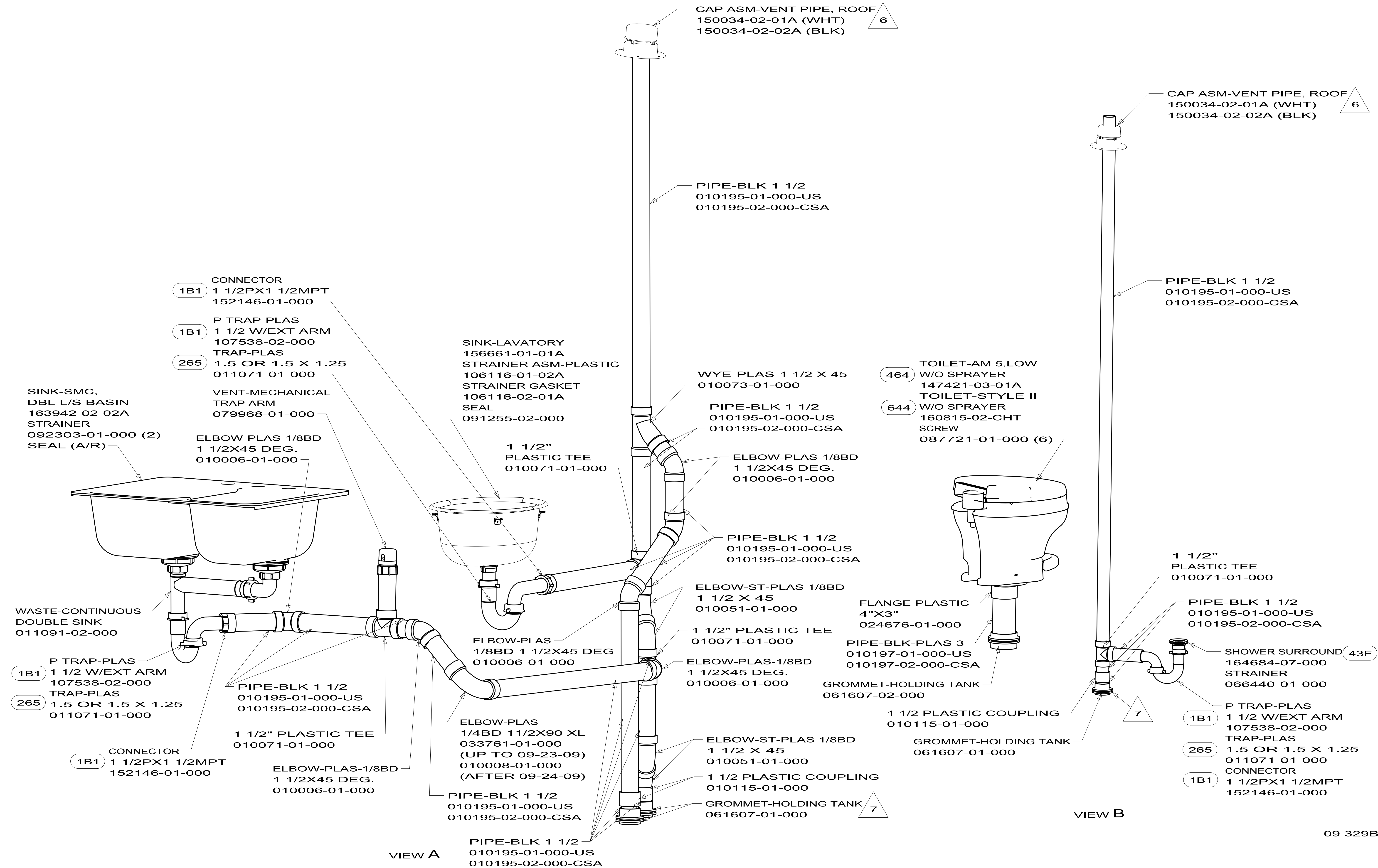
NOTES:

- 1B1 CODES/STANDARDS-USA
- 265 CODES/STANDARDS-CSA,CMVSS
- 43F SHOWER SURROUND
- 464 TOILET
- 644 GREAT ASLASKAN RENTAL PKG

09 329B

FOR DRAINAGE CALLOUTS SEE DWG NO 116229-01-000

DRAINAGE SYSTEM INSTL
1 3 164674



CAP ASM-VENT PIPE, ROOF
150034-02-01A (WHT)
150034-02-02A (BLK)

CAP ASM-VENT PIPE, ROOF
150034-02-01A (WHT)
150034-02-02A (BLK)

PIPE-BLK 1 1/2
010195-01-000-US
010195-02-000-CSA

PIPE-BLK 1 1/2
010195-01-000-US
010195-02-000-CSA

CONNECTOR
1 1/2PX1 1/2MPT
152146-01-000

P TRAP-PLAS
1 1/2 W/EXT ARM
107538-02-000

TRAP-PLAS
1.5 OR 1.5 X 1.25
011071-01-000

SINK-SMC,
DBL L/S BASIN
163942-02-02A
STRAINER
092303-01-000 (2)
SEAL (A/R)

VENT-MECHANICAL
TRAP ARM
079968-01-000

ELBOW-PLAS-1/8BD
1 1/2X45 DEG.
010006-01-000

SINK-LAVATORY
156661-01-01A
STRAINER ASM-PLASTIC
106116-01-02A
STRAINER GASKET
106116-02-01A
SEAL
091255-02-000

1 1/2"
PLASTIC TEE
010071-01-000

WYE-PLAS-1 1/2 X 45
010073-01-000

PIPE-BLK 1 1/2
010195-01-000-US
010195-02-000-CSA

TOILET-AM 5,LOW
W/O SPRAYER
147421-03-01A
TOILET-STYLE II

W/O SPRAYER
160815-02-CHT
SCREW
087721-01-000 (6)

ELBOW-PLAS-1/8BD
1 1/2X45 DEG.
010006-01-000

PIPE-BLK 1 1/2
010195-01-000-US
010195-02-000-CSA

ELBOW-ST-PLAS 1/8BD
1 1/2 X 45
010051-01-000

1 1/2" PLASTIC TEE
010071-01-000

FLANGE-PLASTIC
4"X3"
024676-01-000

PIPE-BLK-PLAS 3
010197-01-000-US
010197-02-000-CSA

GROMMET-HOLDING TANK
061607-02-000

1 1/2"
PLASTIC TEE
010071-01-000

PIPE-BLK 1 1/2
010195-01-000-US
010195-02-000-CSA

SHOWER SURROUND
164684-07-000
STRAINER
066440-01-000

P TRAP-PLAS
1 1/2 W/EXT ARM
107538-02-000

TRAP-PLAS
1.5 OR 1.5 X 1.25
011071-01-000

CONNECTOR
1 1/2PX1 1/2MPT
152146-01-000

P TRAP-PLAS
1 1/2 W/EXT ARM
107538-02-000

TRAP-PLAS
1.5 OR 1.5 X 1.25
011071-01-000

CONNECTOR
1 1/2PX1 1/2MPT
152146-01-000

PIPE-BLK 1 1/2
010195-01-000-US
010195-02-000-CSA

1 1/2" PLASTIC TEE
010071-01-000

ELBOW-PLAS-1/8BD
1 1/2X45 DEG.
010006-01-000

ELBOW-PLAS
1/8BD 1 1/2X45 DEG
010006-01-000

ELBOW-PLAS
1/4BD 1 1/2X90 XL
033761-01-000
(UP TO 09-23-09)
010008-01-000
(AFTER 09-24-09)

PIPE-BLK 1 1/2
010195-01-000-US
010195-02-000-CSA

ELBOW-PLAS-1/8BD
1 1/2X45 DEG.
010006-01-000

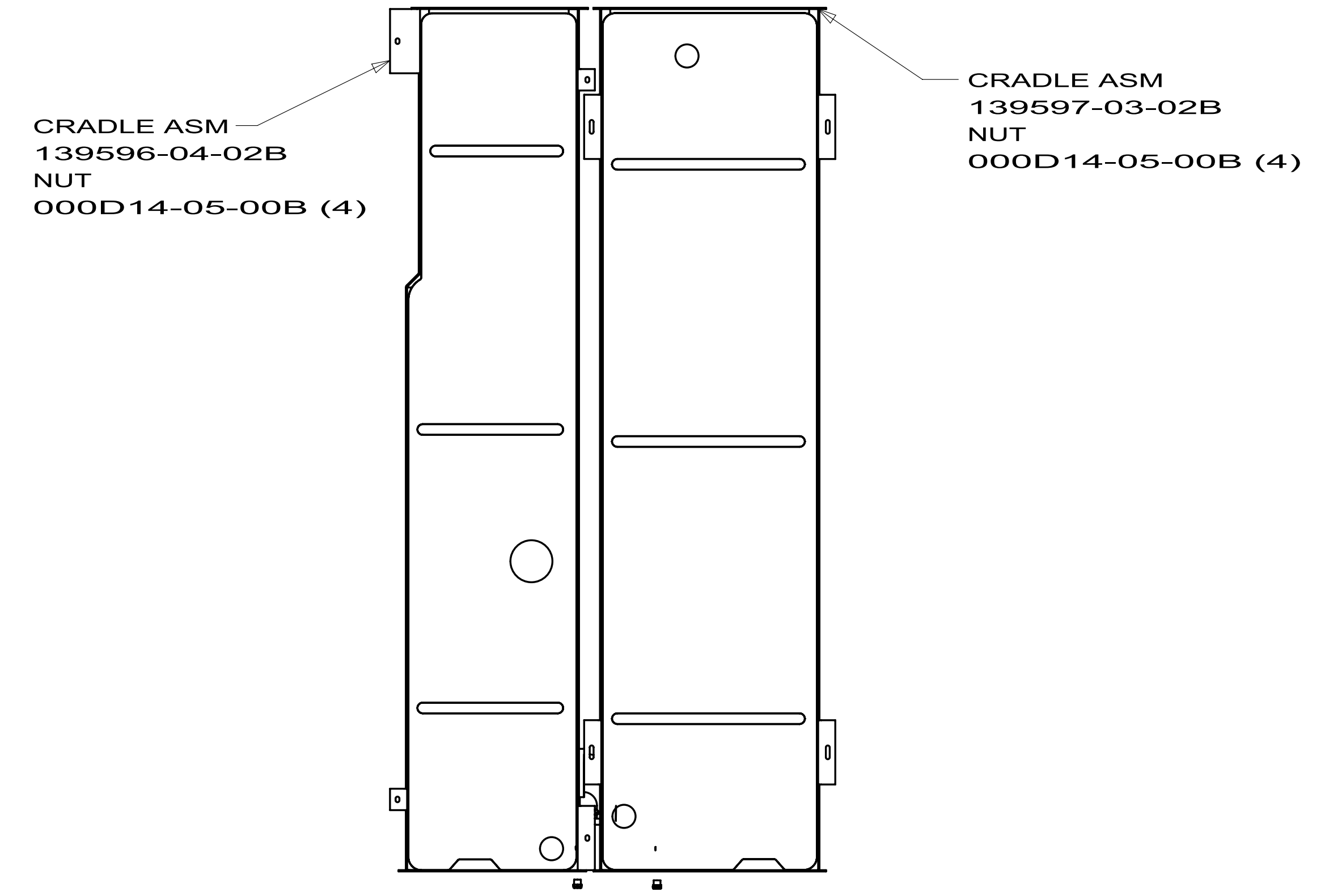
ELBOW-ST-PLAS 1/8BD
1 1/2 X 45
010051-01-000

1 1/2" PLASTIC COUPLING
010115-01-000

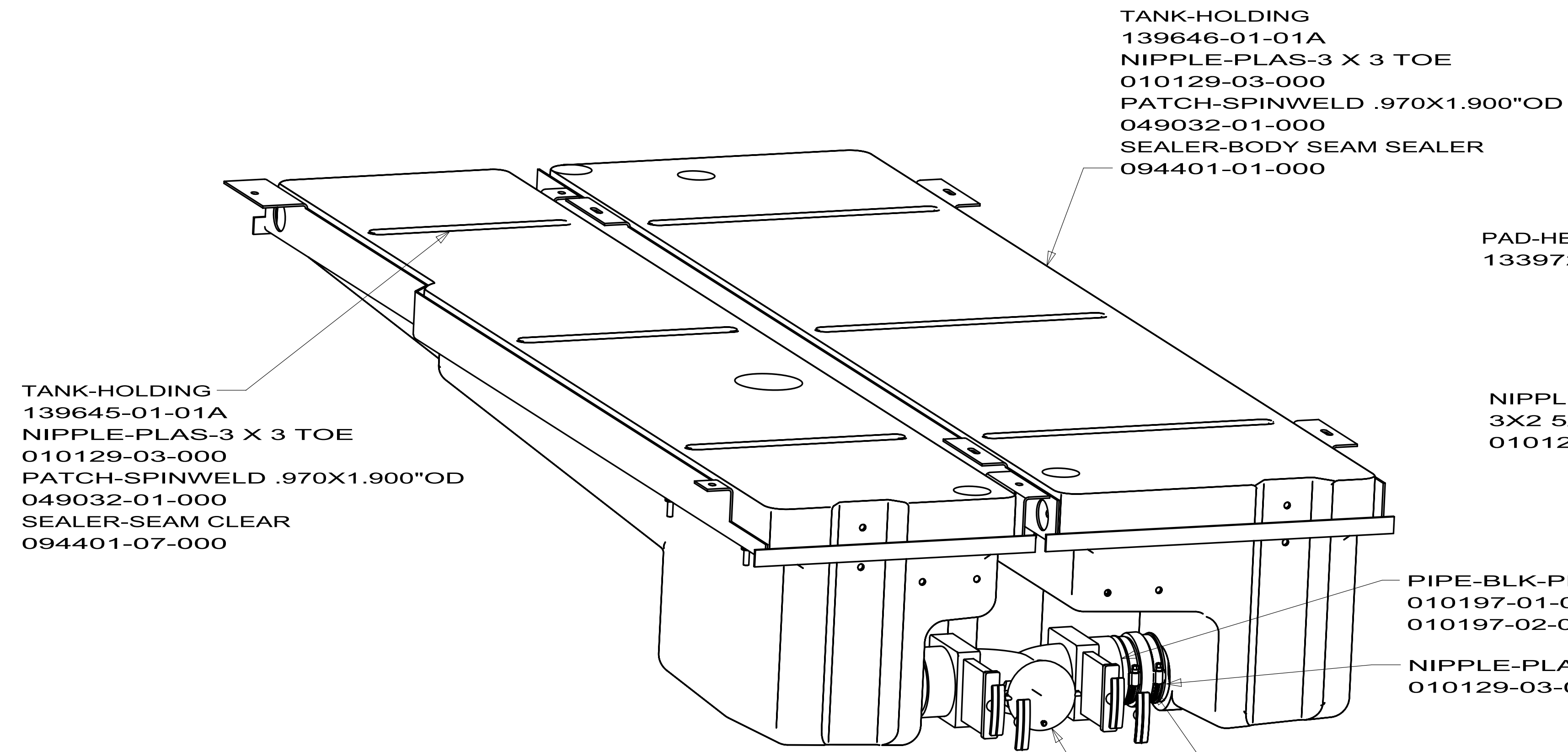
GROMMET-HOLDING TANK
061607-01-000

PIPE-BLK 1 1/2
010195-01-000-US
010195-02-000-CSA

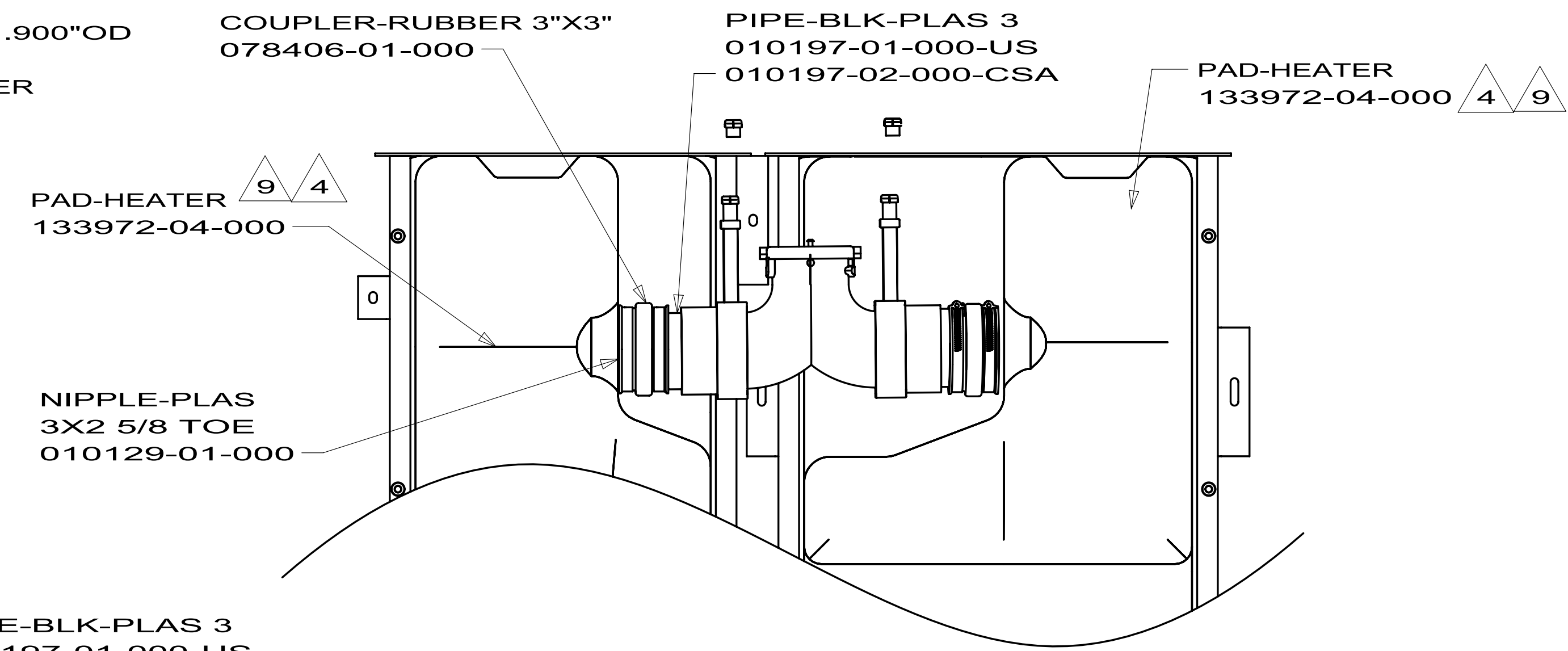
09 329B



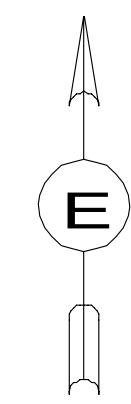
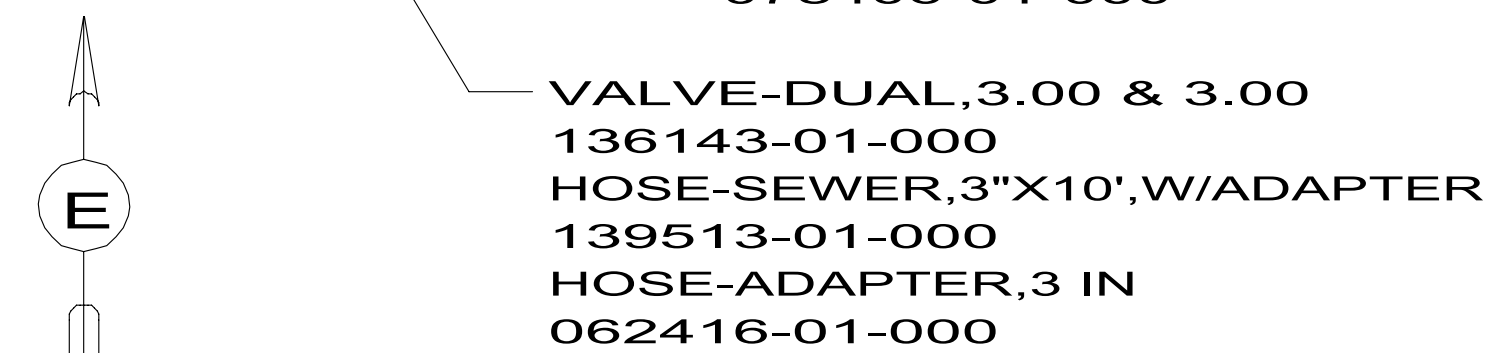
VIEW D



VIEW C



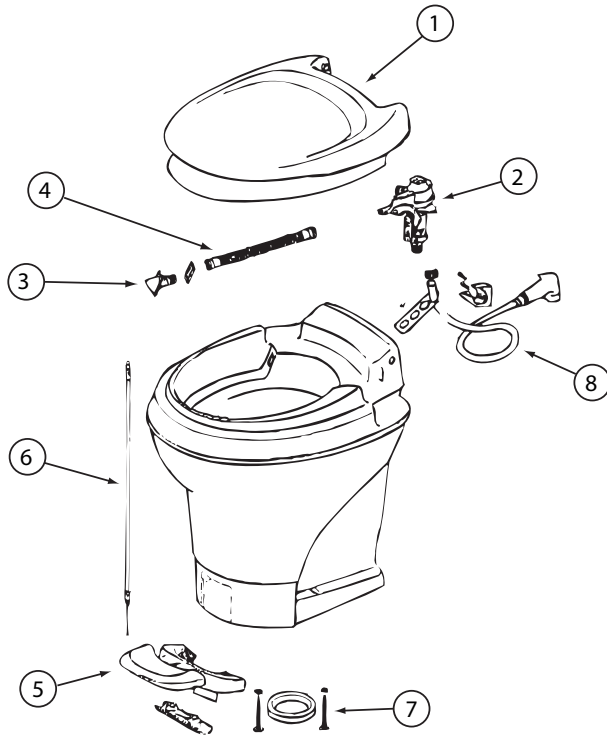
VIEW E



09 329B

KEY	PART NUMBER	U/M	DESCRIPTION
	070916-01-700	EA	VALVE ONLY

136143-01-000
VENDOR NO.
T1003B4



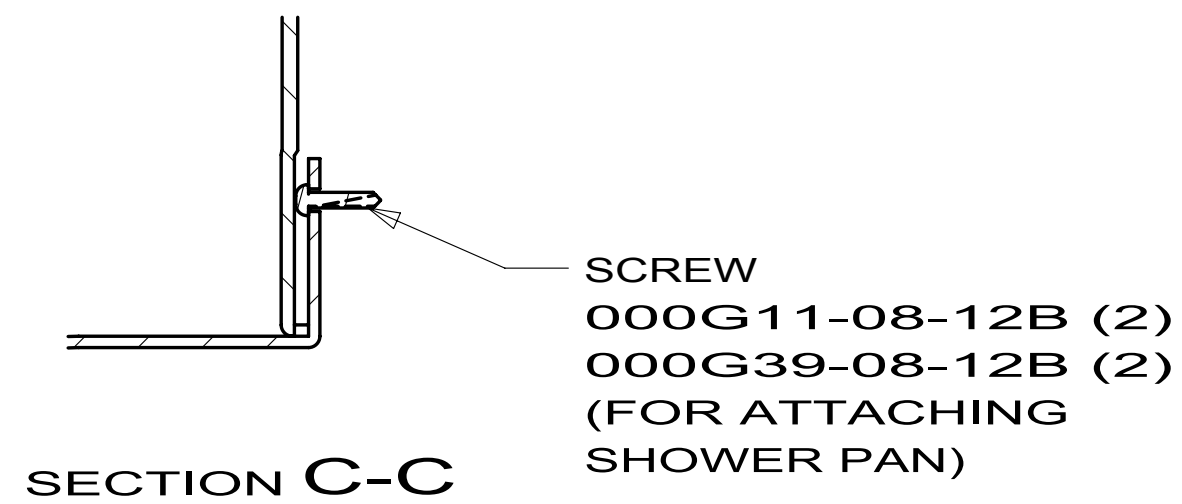
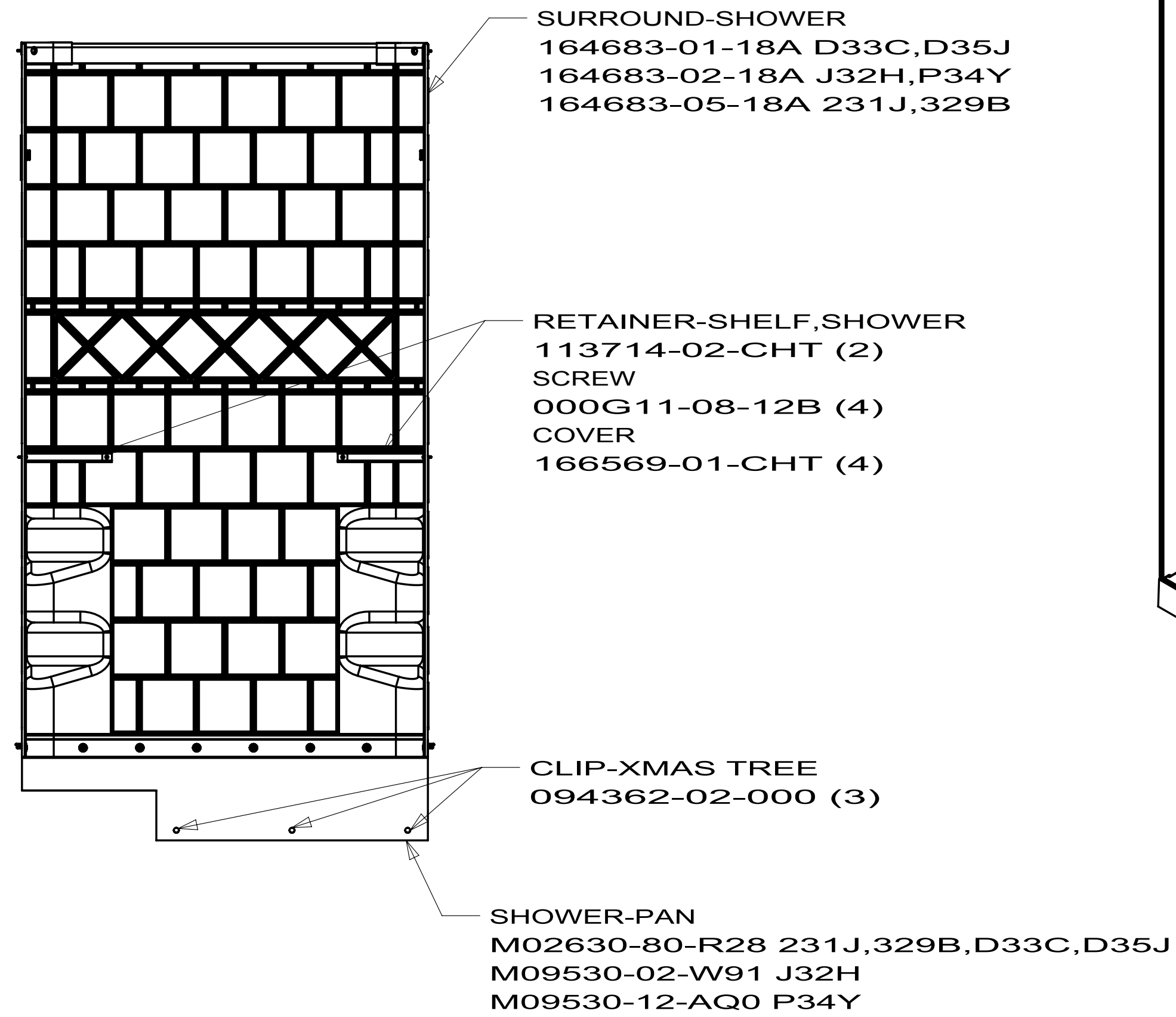
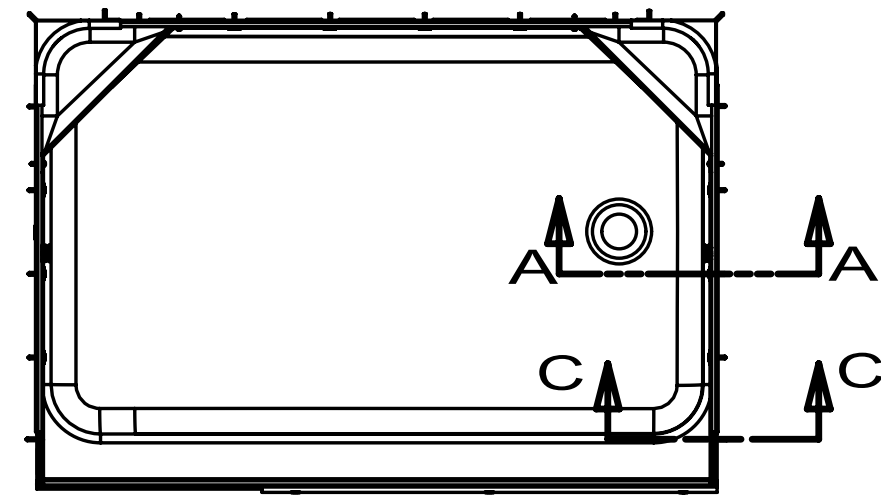
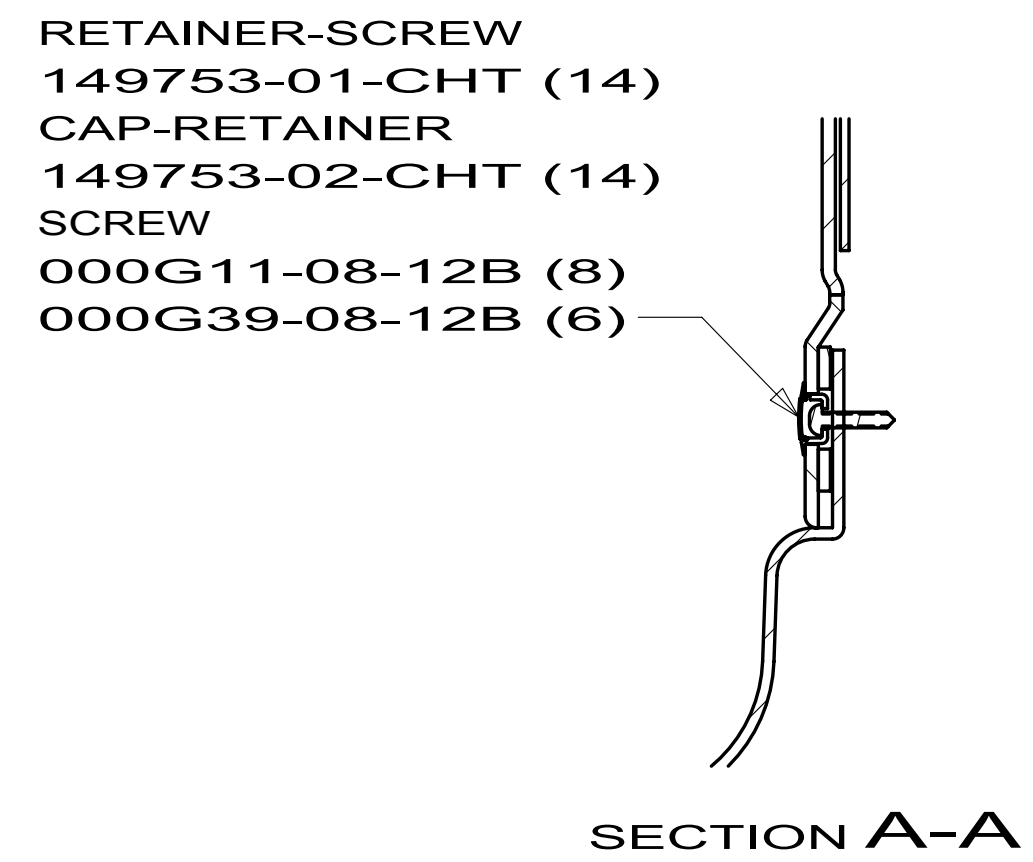
147421-01-01A, 147421-02-01A

KEY	PART NUMBER	U/M	DESCRIPTION	VENDOR NO.
1	147421-01-700	EA	SEAT & COVER ASSEMBLY(WHT)	31703
2	147421-01-701	EA	WATER MODULE ASSEMBLY	31705
3	147421-01-702	EA	NOZZLE ASSEMBLY	31706
4	147421-01-703	EA	LINK - WATER MODULE	31621
5	147421-01-704	EA	PEDAL - WHITE	31709
6	147421-01-705	EA	FOOT CABLE	31711
7	063740-01-706	EA	BOLT PACKAGE-FLOOR FLANGE	12524 THETFORD
8	147421-01-708	EA	HAND SPRAY KIT - WHITE HEAD	33226
	147421-01-706	EA	SEAL - BLADE	31708
	147421-01-707	EA	CAP (UNIVERSAL BOLT) - WHITE	31713

147421-03-01A

KEY	PART NUMBER	U/M	DESCRIPTION	VENDOR NO.
1	147421-01-700	EA	SEAT & COVER ASSEMBLY(WHT)	31703
2	147421-01-701	EA	WATER MODULE ASSEMBLY	31705
3	147421-01-702	EA	NOZZLE ASSEMBLY	31706
4	147421-01-703	EA	LINK - WATER MODULE	31621
5	147421-01-704	EA	PEDAL - WHITE	31709
6	147421-01-705	EA	FOOT CABLE	31711
7	063740-01-706	EA	BOLT PACKAGE-FLOOR FLANGE	12524 THETFORD
	147421-01-706	EA	SEAL - BLADE	31708
	147421-01-707	EA	CAP (UNIVERSAL BOLT) - WHITE	31713

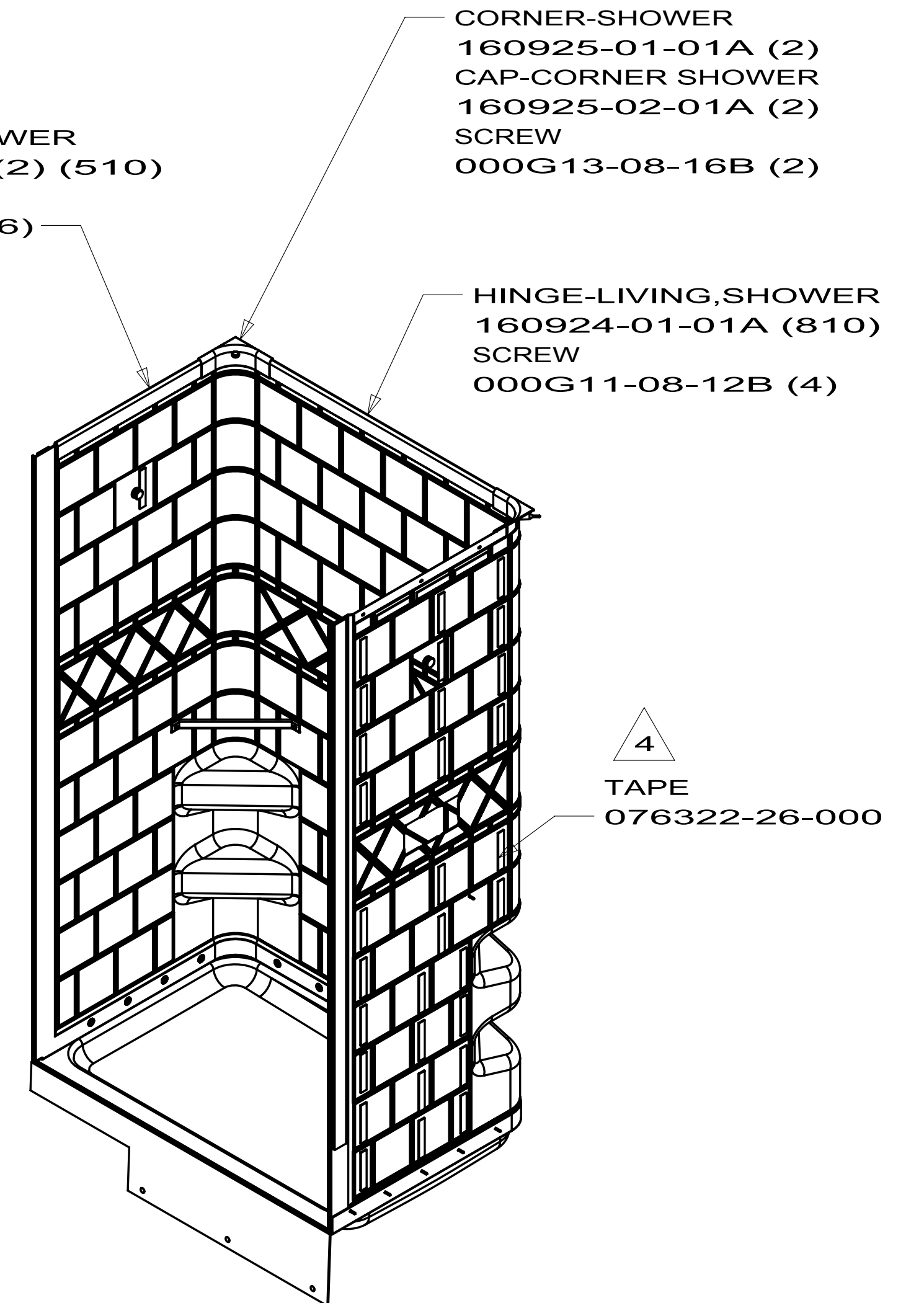
CONTACT WINNEBAGO PART SALES FOR UNLISTED COMPONENT(S)



HINGE-LIVING,SHOWER
160924-01-01A (2) (510)
SCREW
000G39-08-12B (6)

CORNER-SHOWER
160925-01-01A (2)
CAP-CORNER SHOWER
160925-02-01A (2)
SCREW
000G13-08-16B (2)

HINGE-LIVING,SHOWER
160924-01-01A (810)
SCREW
000G11-08-12B (4)



09 MOTORHOMES

4 CLEAN AND APPLY ADHESIVES PROMOTER 087211-01-000 TO BOTH SURFACES AND BOND WITH TAPE 076322-26-000.

NOTES:

SHOWER INSTL-ENCLOSURE
1 1 164684

N-5	010129-05-000	NIPPLE-PLAS 3" X 10" TOE
N-4	010129-04-000	NIPPLE-PLAS 3" X 7 5/8" TOE
N-3	010129-03-000	NIPPLE-PLAS 3" X 3" TOE
N-2	010129-01-000	NIPPLE-PLAS 3" X 2 5/8" TOE
N-1	102024-01-000	NIPPLE-PLAS 1 1/2" X 2 5/8" TOE
H-2	139513-02-000	HOSE ASM-SEWER 3" ID X 20 FT
H-1	139513-01-000	HOSE ASM-SEWER 3"IDX10FT(062416-01-000ADAPTER
G-2	061607-02-000	GROMMET
G-1	061607-01-000	GROMMET
F-8	116644-02-000	FLANGE-CLOSET 4" X 3"MPT
F-7	116644-01-000	FLANGE-CLOSET 4" X 3"
F-6	148914-01-000	FLANGE-CLOSET 4" X 3" MPT
F-5	063641-01-000	FLANGE-CLOSET 4" X 3"
F-3	024676-01-000	FLANGE-CLOSET 4" X 3"
E-19	170414-01-000	ELBOW-3X3X1 1/2 W/HEEL
E-18	010062-01-000	ELBOW-ST-PLAS 3" X 90° SPIGOT X H
E-17	126589-01-000	ELBOW 1 1/2" X90° ,SLIP BY FEMALE NUT
E-16	125569-01-000	ELBOW 1 1/2" X 90° DBL SLIP
E-15	010005-01-000	ELBOW-PLAS 1/16"DB 1 1/2" X 22 1/2
E-14	010009-01-000	ELBOW-ST-PLAS 1/4"BD 1 1/2" X 90°
E-13	031126-01-000	ELBOW 3" X EXTRA LONG TURN
E-12	037101-01-000	ELBOW 90° SHORT TURN
E-11	041956-01-000	ELBOW 3" X 90° EXTRA LONG TURN
E-10	010061-01-000	ELBOW 3" X 45° S
E-9	010024-01-000	ELBOW 3" X 45°
E-7	010023-01-000	ELBOW-PLAS-ST 1/16"BD 3" X 22.5'
E-6	010008-01-000	ELBOW 1 1/2" X 90° EXTRA LONG TURN
E-5	010051-01-000	ELBOW 1 1/2" X 45° S
E-3	033761-01-000	ELBOW 1 1/2" X 90° EXTRA LONG STREET
E-2	034250-01-000	ELBOW 1 1/2" X 90° LONG TURN
E-1	010006-01-000	ELBOW-PLAS 1/8"DB 1 1/2" X 45° HXH
CP-2	150034-02-CHT	CAP ASM-VENT PIPE, ROOF
CP-1	062415-01-000	CAP-SEWER 3"
C-4	089355-01-000	COUPLER-RUBBER 1 1/2" X 1 1/2"
C-3	010115-01-000	COUPLER 1 1/2" X 1 1/2"
C-2	078406-01-000	COUPLER-RUBBER 3" X 3"
B-3	010122-02-000	BUSHING 1 1/2" X 1 1/4" T CSA
B-2	010122-01-000	BUSHING 1 1/2" X 1 1/4" T
B-1	010123-01-000	BUSHING 2" X 1 1/2"
A-15	152146-01-000	CONNECTOR- 1 1/2 P x 1 1/2 MPT
A-14	130685-03-000	1 1/2" MALE ACME X SPIGOT
A-13	130685-02-000	1 1/2" MALE ACME X SOCKET
A-12	130685-01-000	1 1/2" FEMALE ACME X SOCKET
A-11	126425-02-000	ADAPTER-SWIVEL 1 1/2" FPT X SPIGOT
A-10	126425-01-000	ADAPTER-SWIVEL 1 1/2" FPT X H
A-9	126424-01-000	ADAPTER-1 1/2" MPT X 1/2" H
A-8	109571-01-000	ADAPTER-1 1/2" X 1 1/4" MPT
A-6	062416-01-000	HOSE-ADAPTER 3"
A-4	062417-01-000	ADAPTER-3"
A-2	109450-01-000	ADAPTER-PLASTIC HOSE, SEWER
A-1	062422-01-000	ADAPTER-OFFSET REDUCER 3" X 1 1/2"
NO.	P/N	DESCRIPTION

3	126426-01-000	PIPE-FLEX 1 1/2"
2	010197-01-000	PIPE 3"
	010197-02-000	PIPE 3" BLK CSA
1	010195-01-000	PIPE 1 1/2"
	010195-02-000	PIPE 1 1/2" CSA
Y-1	010073-01-000	WYE 1 1/2" X 45° H X H X H
W-7	127440-02-CHT	WASHER-RUBBER 3.2 THICK
W-6	127440-01-CHT	WASHER-RUBBER 1.5 THICK
W-5	011091-05-000	CONTINUOUS WASTE 1 1/4"
W-2	011091-02-000	CONTINUOUS WASTE 1 1/4"
VM-1	079968-01-000	VENT-MECHANICAL
V-12	136143-02-000	VALVE-DUAL 3" X 3" X SPIGOT
V-11	136143-01-000	VALVE-DUAL 3" X 3"
V-10	062418-03-000	VALVE-DUAL 3", SPIGOT X SPIGOT
V-9	070916-03-000	VALVE-DUAL 3" & 1 1/2"
V-8	070916-02-000	VALVE-DUAL 3" & 1 1/2"
V-7	062418-01-000	VALVE 3" W/HANDLE
V-6	062418-02-000	VALVE 3" W/O HANDLE
V-4	062421-02-000	VALVE 1 1/2" W/O HANDLE
V-3	062421-01-000	VALVE 1 1/2" W/HANDLE
V-1	070916-01-000	VALVE-DUAL 3" & 1 1/2"
SP-7	131786-08-CHT	SPACER TOILET
SP-6	131786-07-CHT	SPACER TOILET .78
SP-5	131786-05-CHT	SPACER-TOILET 1 1/4" (THETFORD)
SP-4	131786-04-CHT	SPACER-TOILET 1 1/4" (AQUA IV)
SP-3	131786-03-CHT	SPACER-TOILET 1 1/4" (SEALAND)
SP-2	131786-02-CHT	SPACER-TOILET (THETFORD AQUA IV)
SP-1	131786-01-CHT	SPACER-TOILET (SEALAND)
T-6	136664-01-000	TEE-PLAS 3" S X H X H
T-5	010065-01-000	TEE-PLAS 3" H X H X H
T-4	031365-02-000	TEE-PLAS 1 1/2" EXTRA LONG TURN
T-3	010071-02-000	TEE-PLAS 1 1/2" W/BAFFLE
T-2	031365-01-000	TEE-PLAS 3" X 3" X 1 1/2" EXT LG TUR
T-1	010071-01-000	TEE 1 1/2" X 1 1/2" X 1 1/2"
S-1	116666-01-CHT	SEAL-VENT PIPE
PL-2	010166-02-000	PLUG 1 1/4" MPT CSA
PL-1	010166-01-000	PLUG 1 1/4" MPT
P-8	126588-03-000	ARM-WASTE 1 1/2" X 9 1/2" SLIP
P-7	126588-02-000	ARM-WASTE 1 1/2" X 20", FEMALE NUT
P-6	126588-01-000	ARM-WASTE 1 1/2" X 9 1/2", FEMALE NUT
P-4	037763-01-000	P-TRAP-PLASTIC 1 1/2"H X H W/UNION
P-3	011071-01-000	P-TRAP 1 1/2" X 1 1/2" OR 1 1/4"-CSA
P-2	107538-01-000	P-TRAP-PLASTIC 1 1/4" W/EXT ARM, US
P-1	107538-02-000	P-TRAP-PLASTIC 1 1/2" W/EXT ARM, US
NO.	P/N	DESCRIPTION

3 PART IS ALSO LISTED ON WATER SYSTEM PART LIST DRAWING #116230.

2 USE WITH SEALAND BRAND TOILETS ONLY.

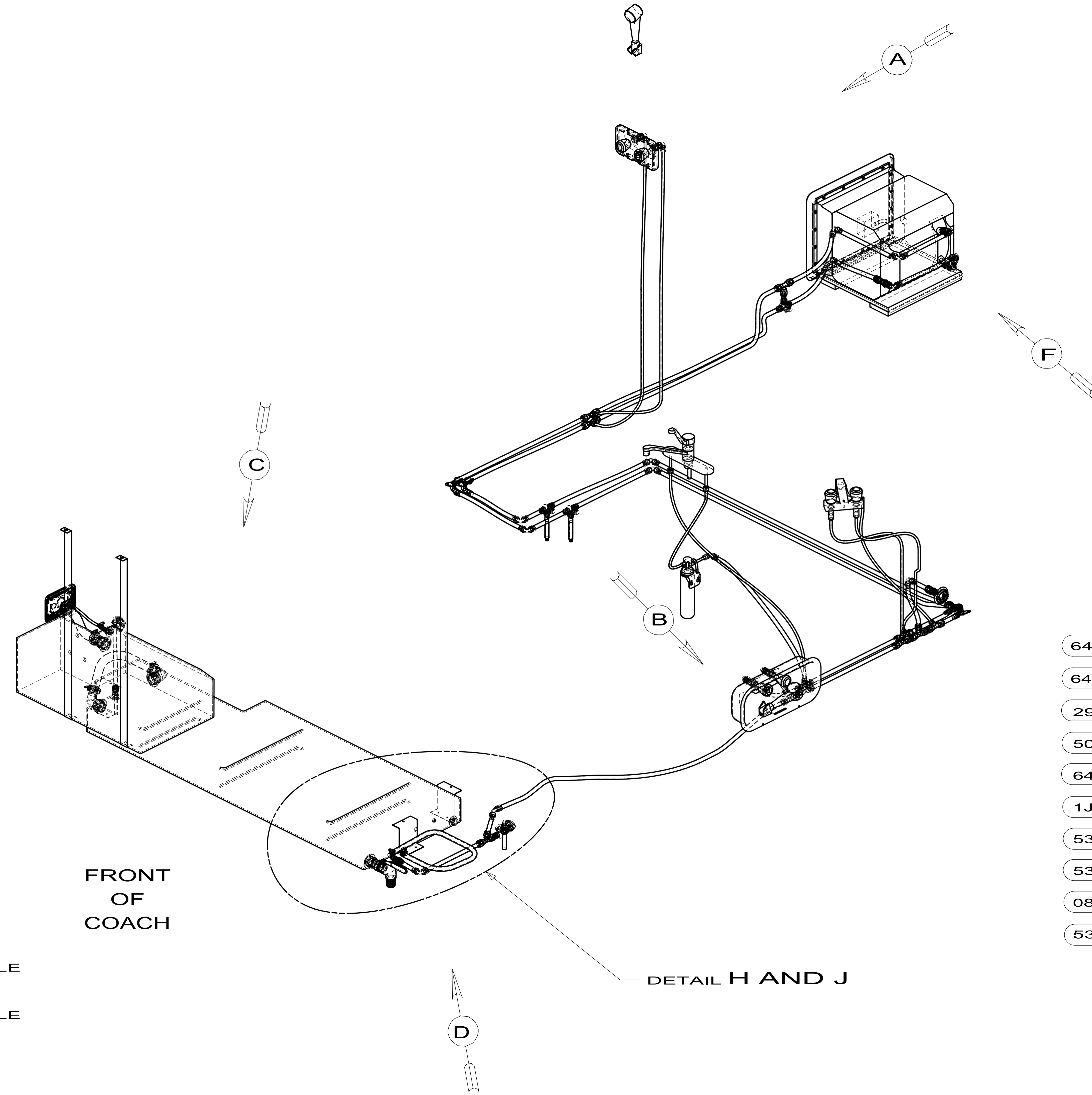
1 INACTIVE.

WINNEBAGO INDUSTRIES

COPYRIGHT 2009 WINNEBAGO INDUSTRIES, INC.

DTR	ORIG. DATE
CHKR	ALL DIMENSIONS ARE IN MILLIMETERS
P.E.	
M.E.	FIRST USED
DSNR	95 MH'S
UNSPECIFIED TOLERANCES ARE:	
WHOLE DIM (X)	: 7
ONE-PLACE (X.X)	:
TWO-PLACE (X.XX)	:
ANGLE	:
THIRD ANGLE PROJECTION	
DO NOT SCALE DRAWING	
TITLE: PART LISTING-DRAINAGE SYSTEM	
SHEET 1 OF 1	PART NO 116229
REF:	1

10/22/2009



- 12 ADD PIPE WRAP (LADDER SCRAP) 110157-02-000 INSULATION, OR CARPET PAD (SCRAP) 075233-06-000.
- 11 LABEL HOT AND COLD SUPPLY LINES.
- 10 TAPE FITTING TO LINE BEFORE CABINET SET TO PREVENT FITTING FROM MOVING.
- 9 BOLTS ON FRONT SIDE OF WATER TANK ARE TO BE INSTALLED WITH HEAD OF BOLT ON TOP SIDE OF FLOOR.
- 8 ATTACH WASHER-PLASTIC 087277-15-000 WITH TAPE-DOUBLE 123816-03-000 ON BOTTOM SIDE OF LOWER FLOOR.
- 7 ATTACH WASHER-PLASTIC 087277-12-000 WITH TAPE-DOUBLE 123816-03-000 ON BOTTOM SIDE OF COMPARTMENT.
- 6 ADD TEFLON TAPE 010405-03-000.
- 5 ADD TEFLON TAPE 010405-02-000.
- 4 ADD TEFLON TAPE 010405-01-000.
- 3. ALL TUBING TO BE SECURED AT 1200 INTERVALS MAXIMUM WITH CLAMP 010495-01-000 AND SCREW 000G67-10-12B OR EQUIVALENT.
- 2. TUBING TO BE INSTALLED WITH SUFFICIENT SLOPE TO PROVIDE DRAINAGE TO NEAREST VALVE.
- 1. PLASTIC FITTINGS TO BE SEALED WITH SEALANT 084456-01-000.

- 64T SIDEWALLS-HIGH GLOSS
- 64V SIDEWALL-PREMIUM HIGH GLOSS
- 29B WATER PURIFIER
- 501 WATER PURIFIER WITHOUT
- 64R EXTERIOR WASH STATION
- 1J4 EXT WASH STATION-WITHOUT
- 53E WATER SYS WINTERIZATION PKG
- 53F WATER HEATER-ELEC IGNITION
- 086 INTERIOR UPGRADE PACKAGE
- 53Z WATER HEATER-6 GAL ELEC IGN/110V/LP.MOTOR/AID/AUTOHEATER

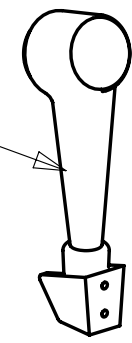
NOTES:

FOR WATER CALLOUTS SEE DWG NO 116230-01-000

WATER SYSTEM INSTL
1 5 164675

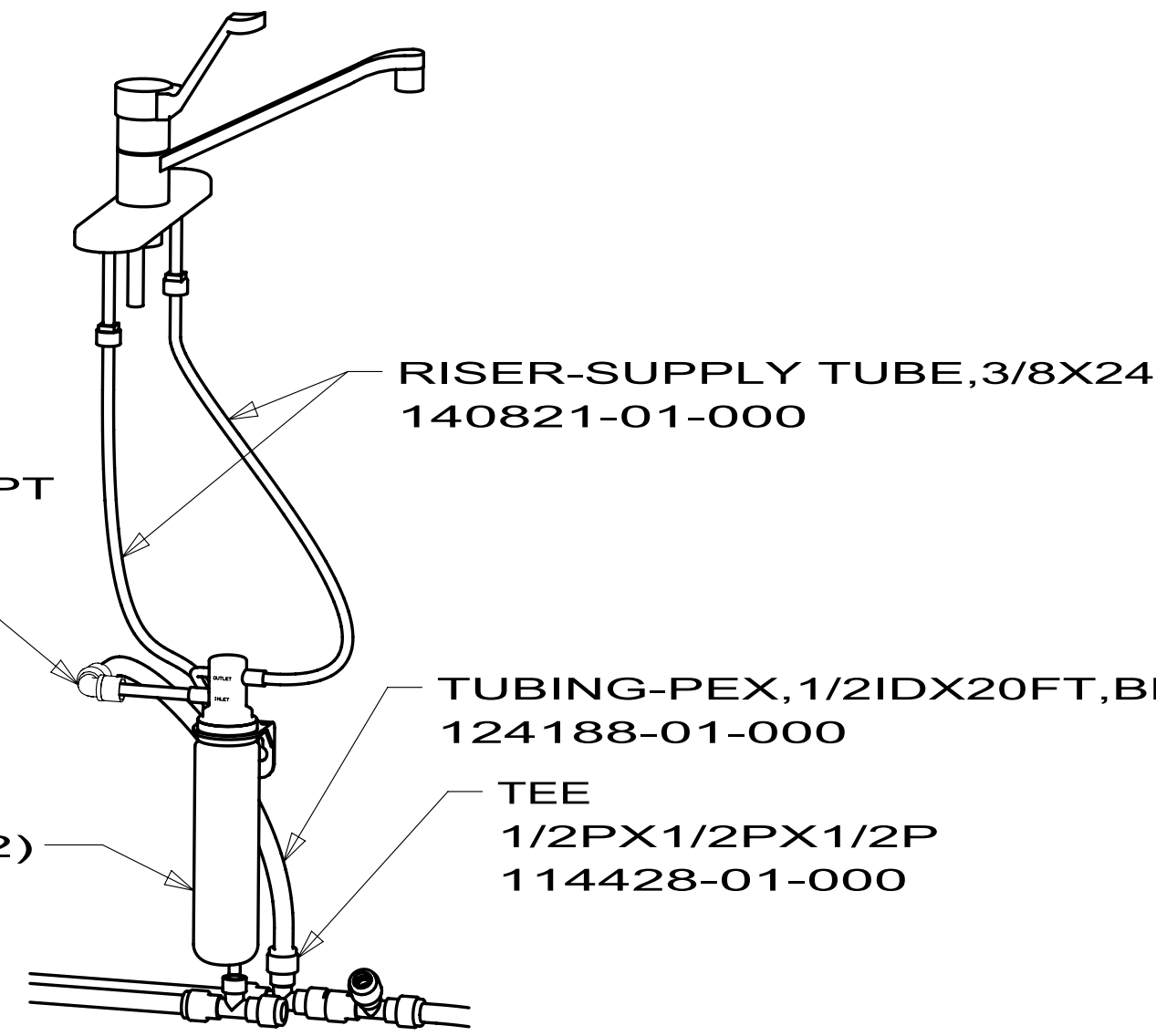
09 329B

SHOWER HEAD-W/HOSE
131383-01-02A
SCREW
000G11-08-16B (2)



ELBOW-1/2PX1/2 MPT
114429-02-000
ELBOW-1/2PX1/2P
114429-01-000

FILTER
160946-03-000
SCREW
000G67-10-12B (2)

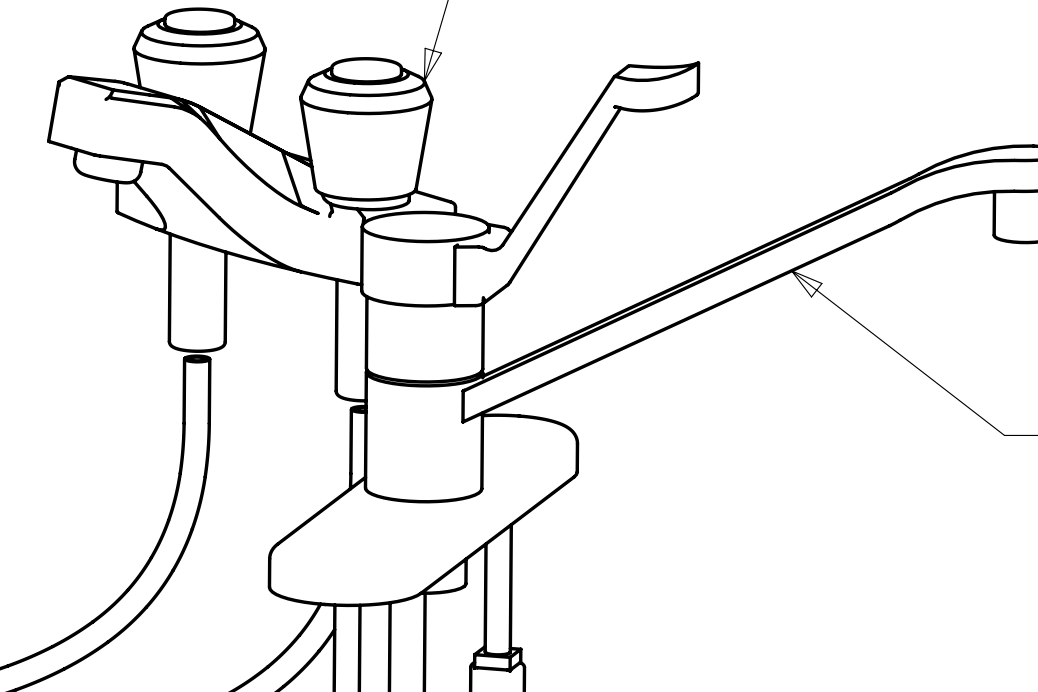


VIEW B

29B

FAUCET
148886-03-01A
165730-01-01A (086)
GASKET
091253-01-000

FAUCET-GALLEY,SGL CONTROL
149164-01-01A



FAUCET-SHOWER
163269-01-02A

PANEL-SHOWER FAUCET
167738-02-01A
SCREW
000G11-08-12B (4)
COVER
166569-01-03A (4)

ELBOW
1/2 MPTX1/2FPTSWVL 6
114429-10-000

FILL-CITY WATER
SURFACE MT
167984-01-01A

ADAPTER
1/2"CTSX1/2"MPT
164907-01-000

TUBING-PEX
1/2IDX20FT,BLUE
124188-01-000

RISER-SUPPLY TUBE
3/8X48
140821-04-000

RISER-SUPPLY TUBE,3/8X36 501 10 11
140821-03-000

RISER-SUPPLY TUBE
3/8X54
140821-05-000

RISER-SUPPLY TUBE
1/2" IDX48
140821-10-000

SUPPORT-BEND
WATER LINE
124184-01-000

TUBING-PEX
1/2IDX20FT,BLUE
124188-01-000

ELBOW-1/2PX1/2P
114429-01-000

TEE
1/2PX1/2PX1/2P
114428-01-000

TUBING-PEX
1/2IDX20FT,BLUE
124188-01-000

TUBING-PEX
1/2IDX20FT,BLUE
124188-01-000

COMPARTMENT ASM
SHOWER,EXT
155264-03-XXX

ELBOW
1/2PX1/2P
114429-01-000

TUBING-PEX
1/2IDX20FT,BLUE
124188-01-000

SUPPORT-BEND
WATER LINE
124184-01-000

TEE
1/2PX1/2PX1/2MPT
114428-03-000

TEE
1/2PX1/2PX1/2MPT
114428-03-000

ELBOW-1/2P X 1/2MPT
114429-02-000

TEE
1/2PX1/2PX1/2MPT
114428-03-000

TUBING-PEX
1/2IDX20FT,RED
124188-02-000

EXTR
113140-51-003 (2)

TUBING
124188-01

TUBING-PEX
1/2IDX20FT,RED
124188-02-000

TUBING-PEX
1/2IDX20FT,BLUE
124188-01-000

TUBING-PEX
1/2IDX20FT,RED
124188-02-000

ELBOW-1/2P X 1/2MPT
114429-02-000

TEE
1/2PX1/2PX1/2MPT
114428-03-000

TUBING-PEX
1/2IDX20FT,RED
124188-02-000

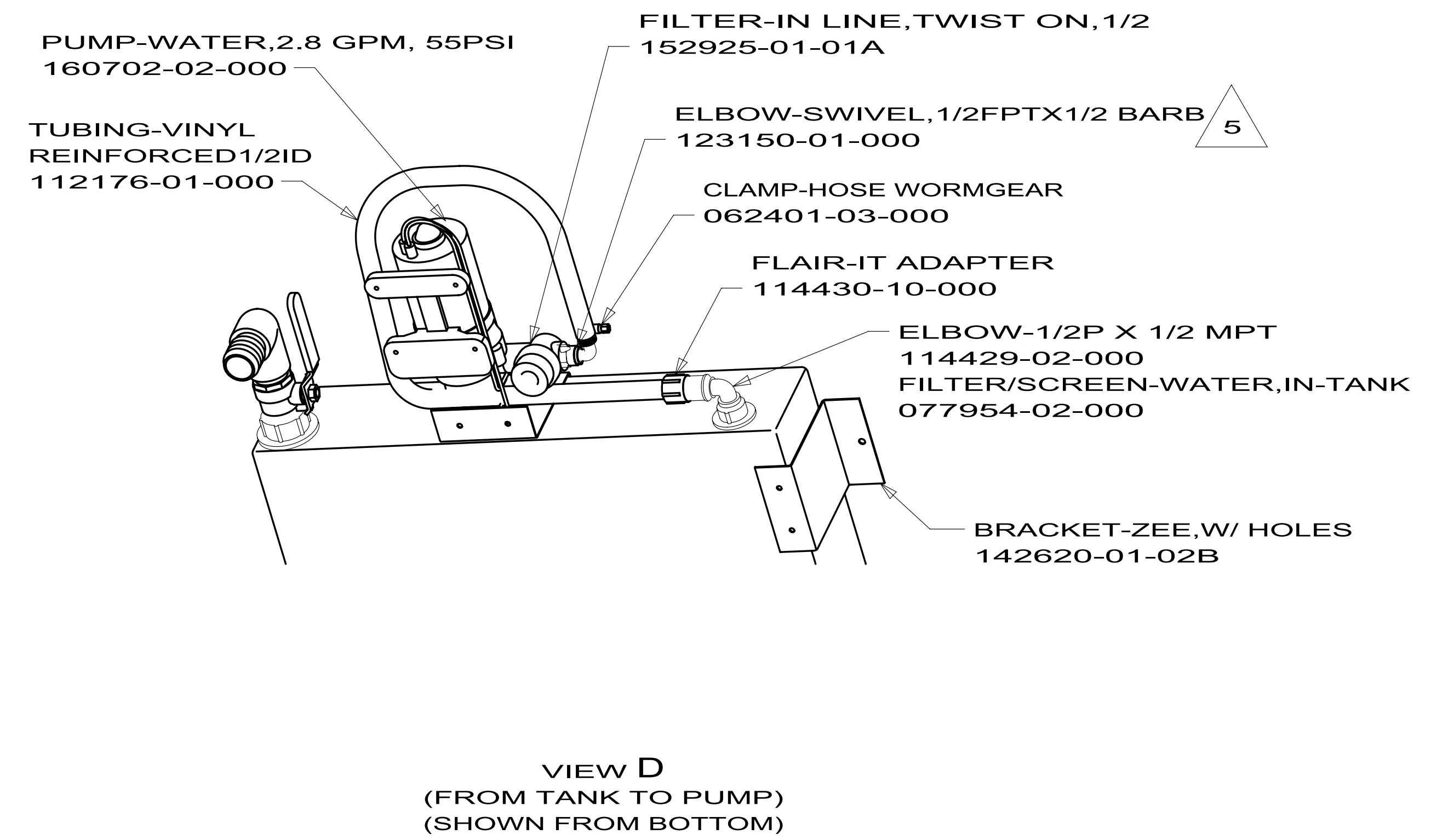
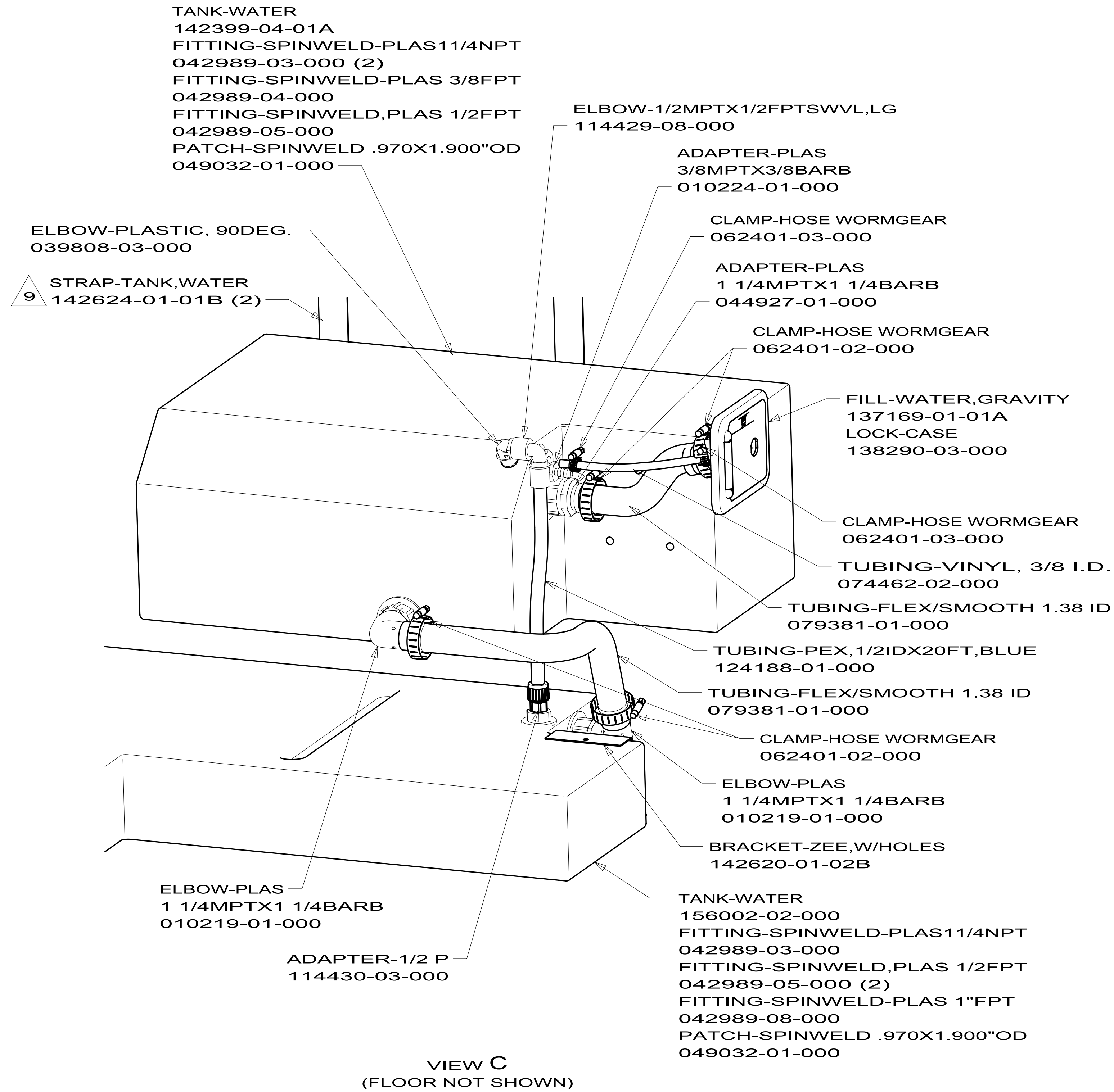
TUBING-PEX
1/2IDX20FT,BLUE
124188-01-000

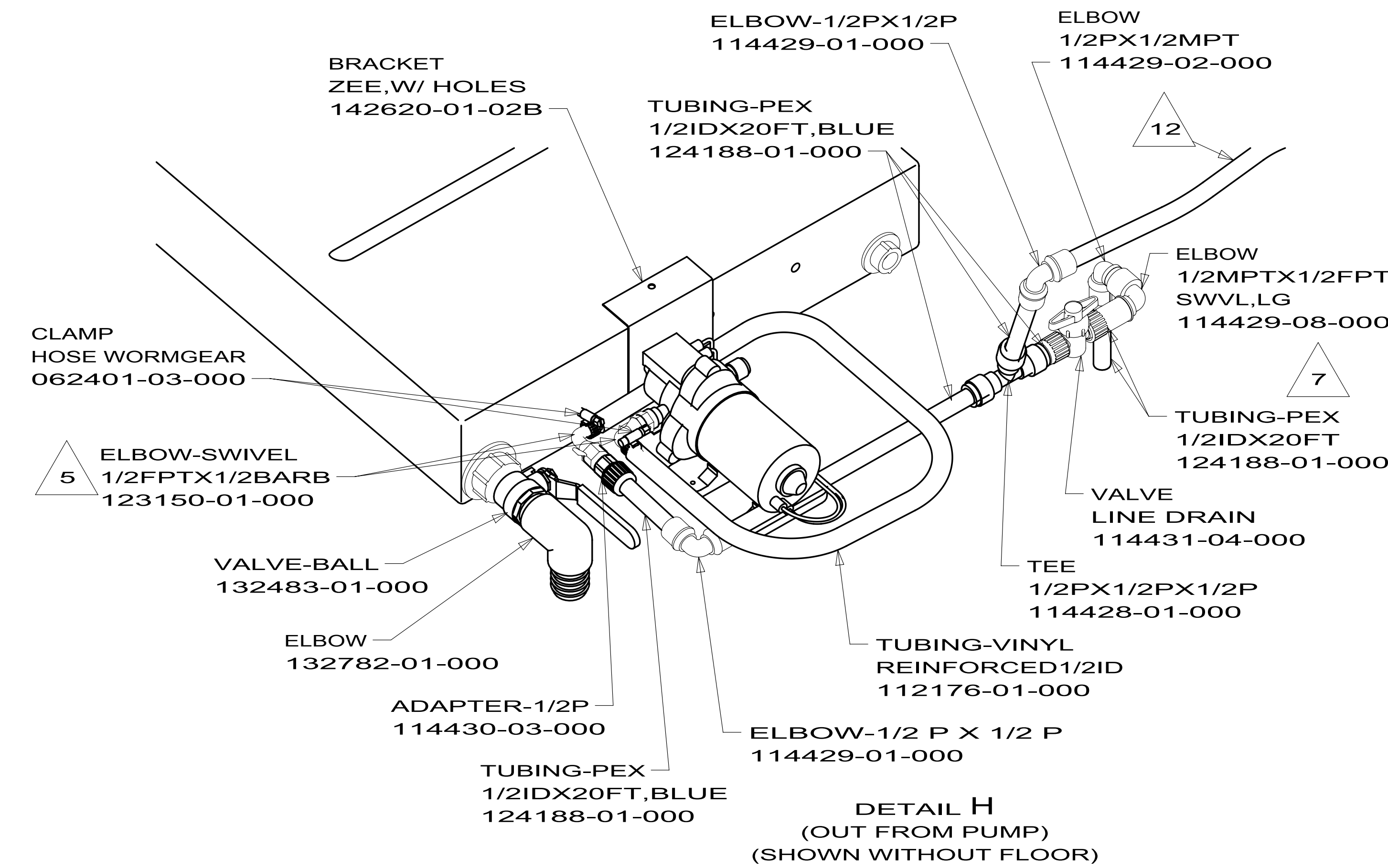
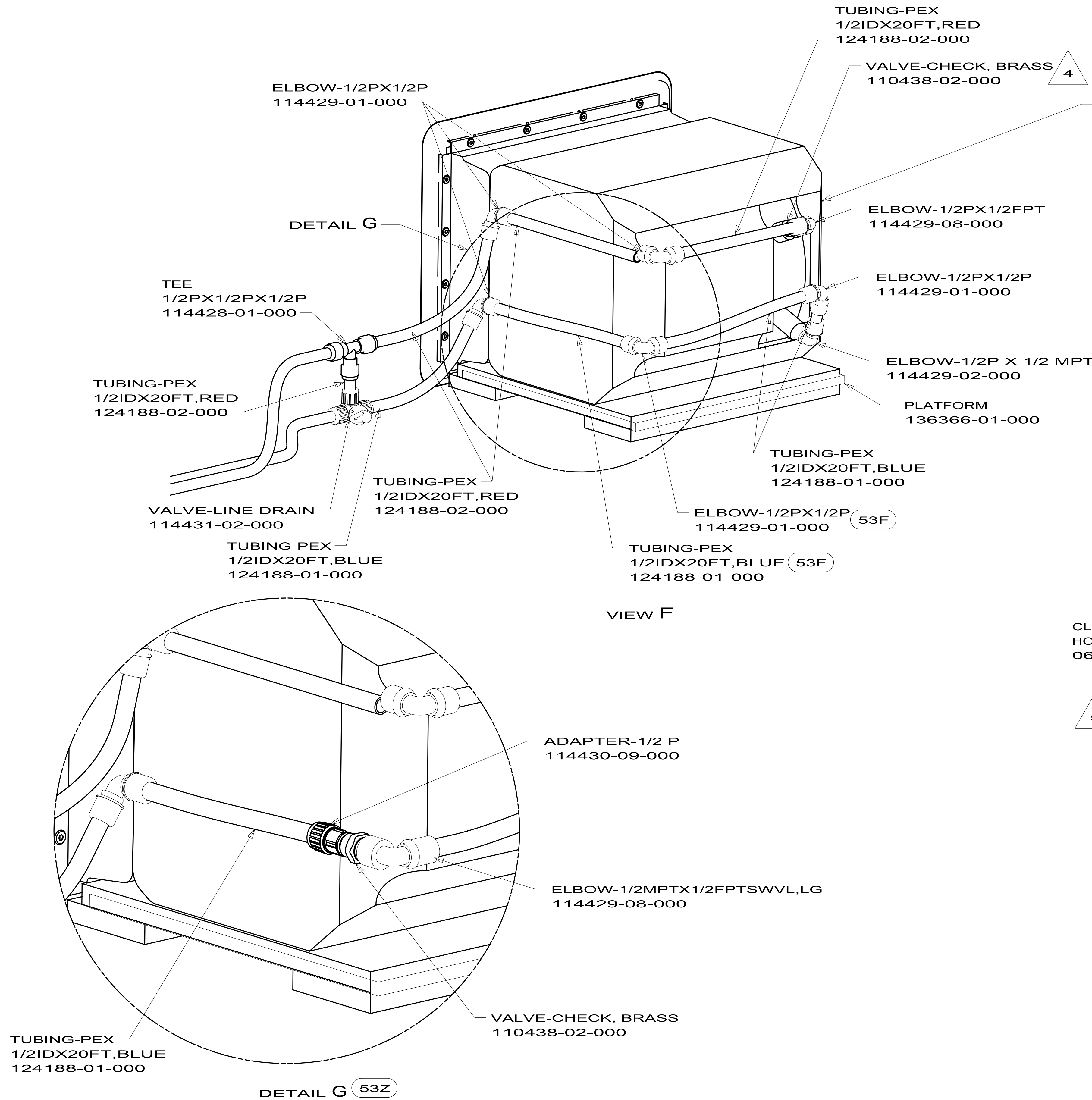
VALVE-LINE DRAIN
114431-01-000
FILTER/SCREEN-WATER,IN-TANK
077954-02-000

VIEW A

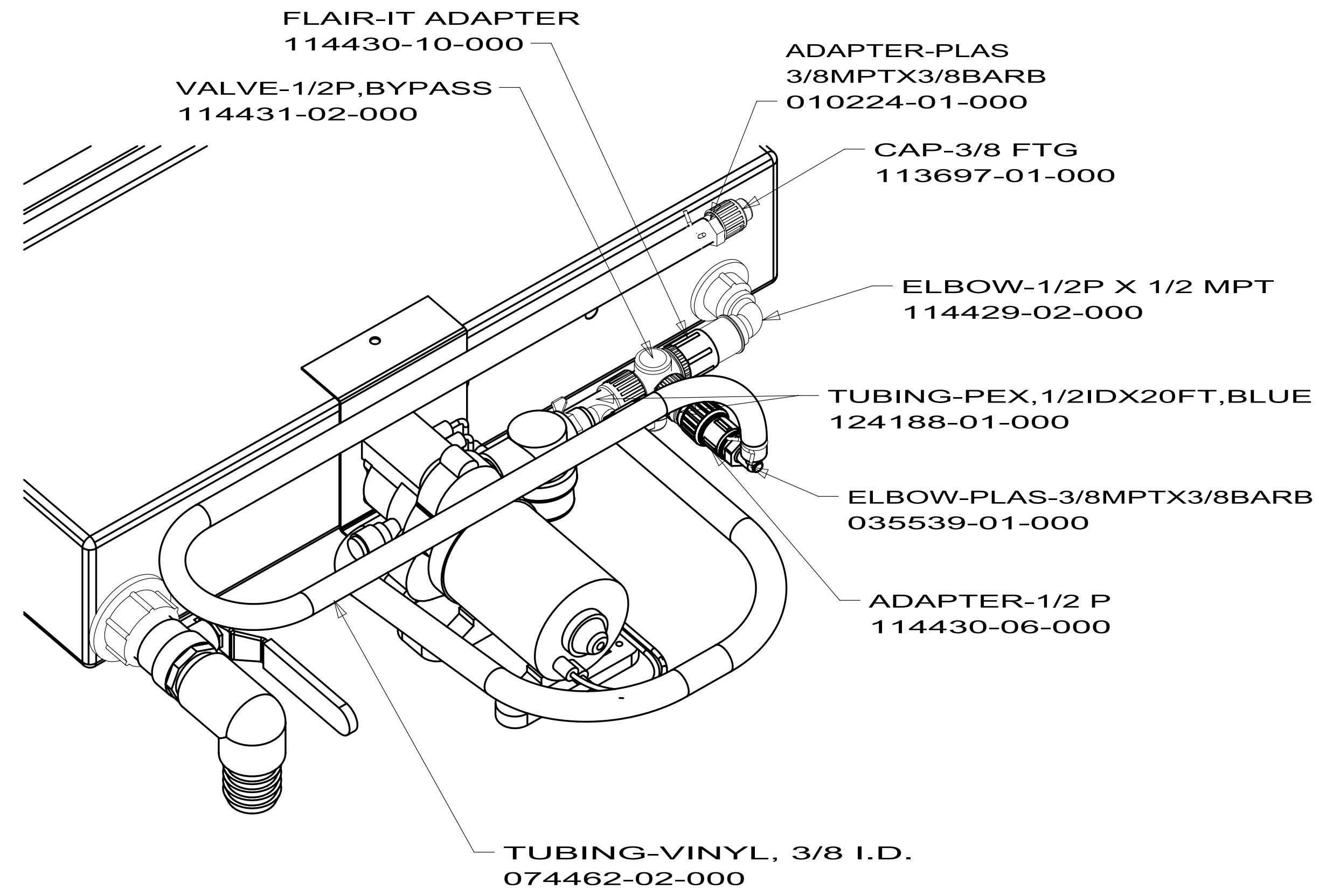
VIEW B

09 329B



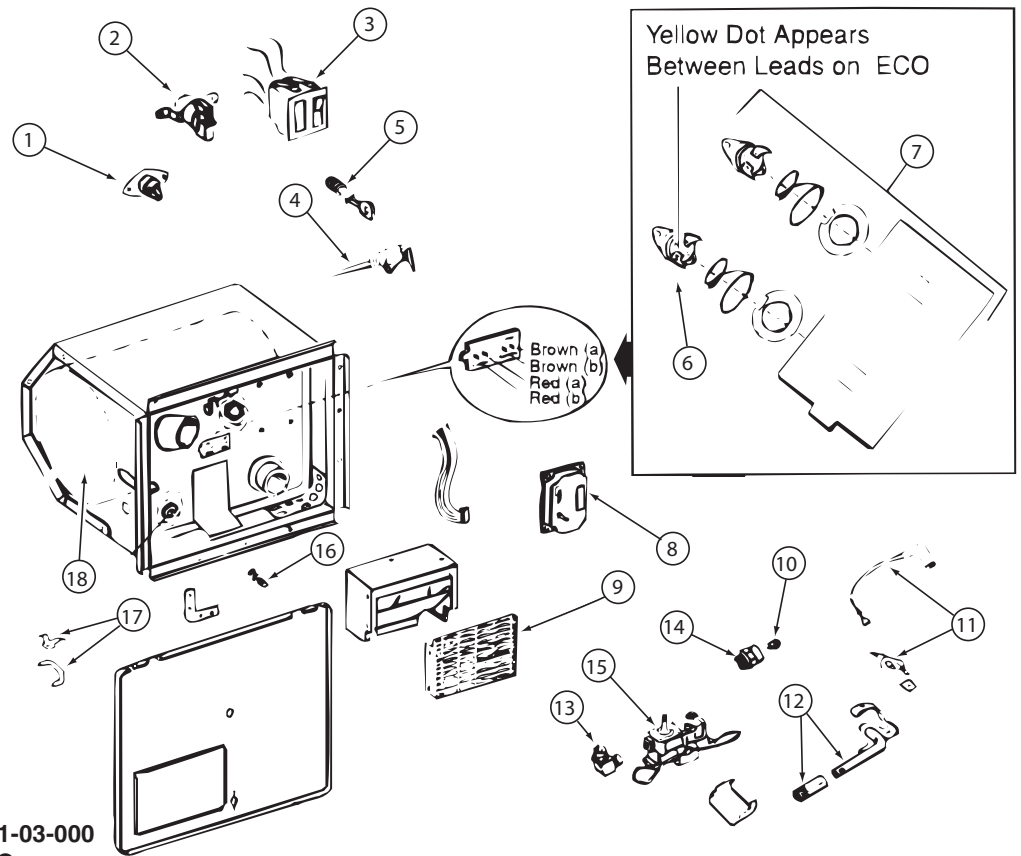


09 329B



DETAIL J 53E
(SHOWN WITHOUT FLOOR)

09 329B



051391-03-000

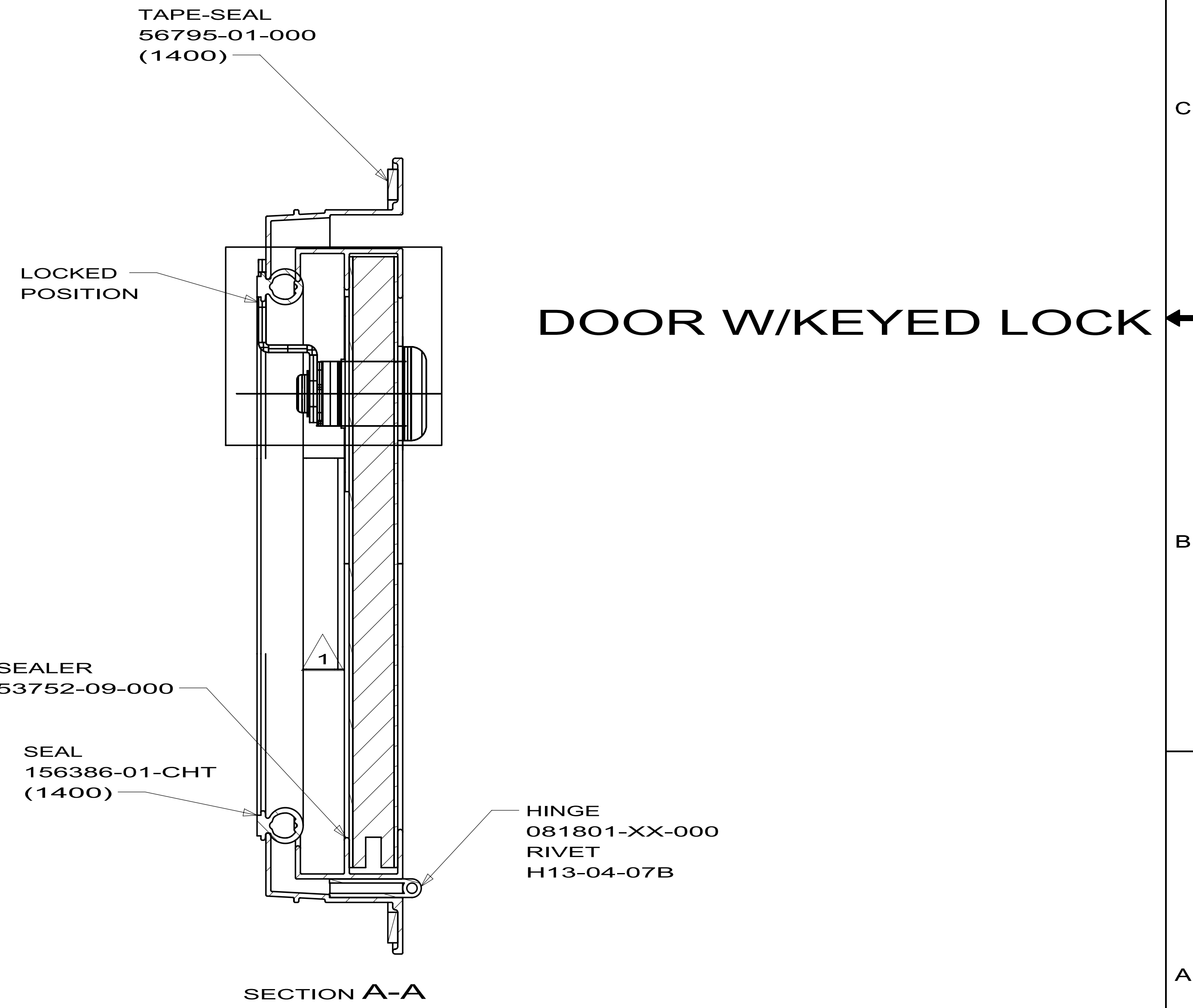
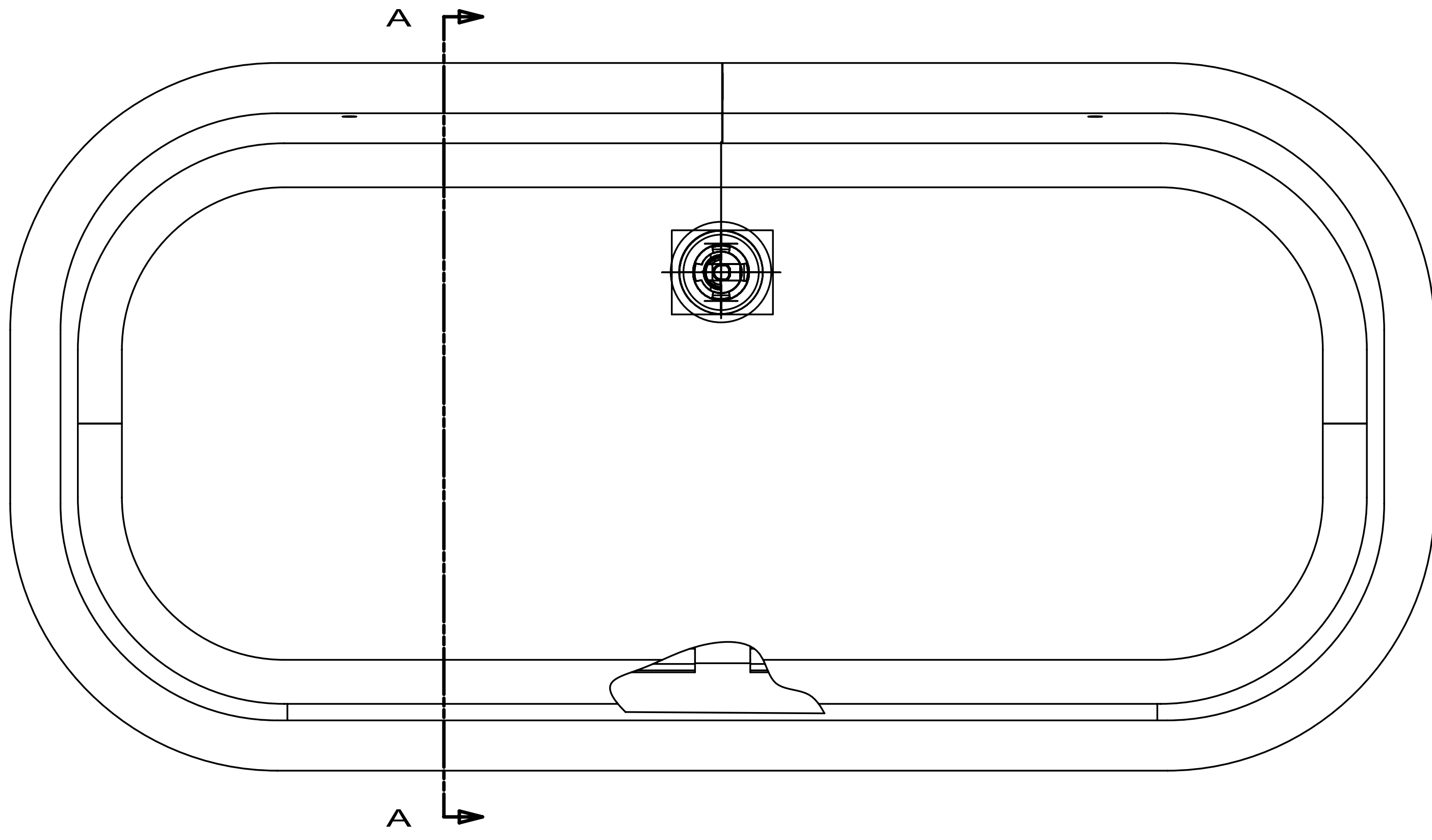
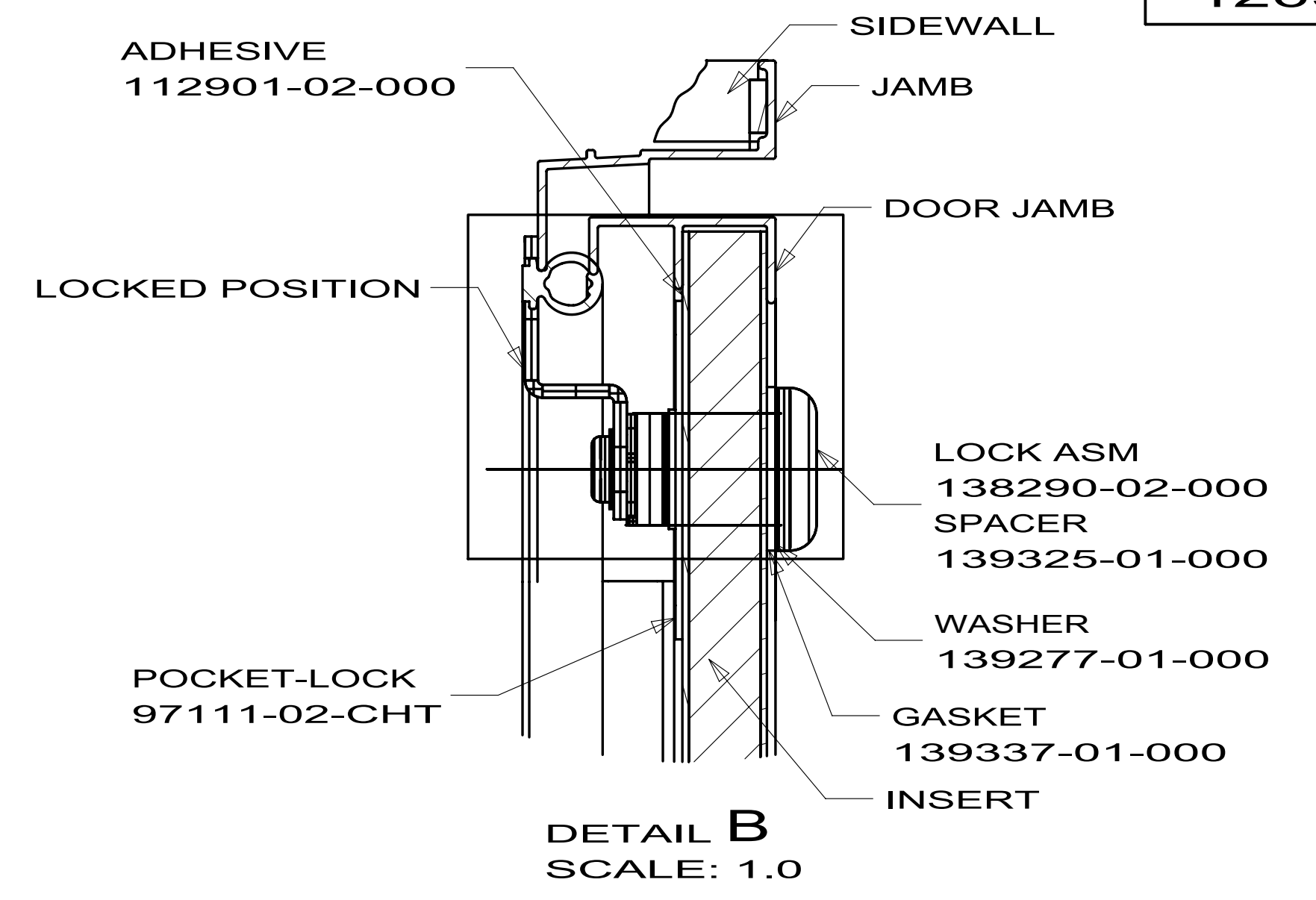
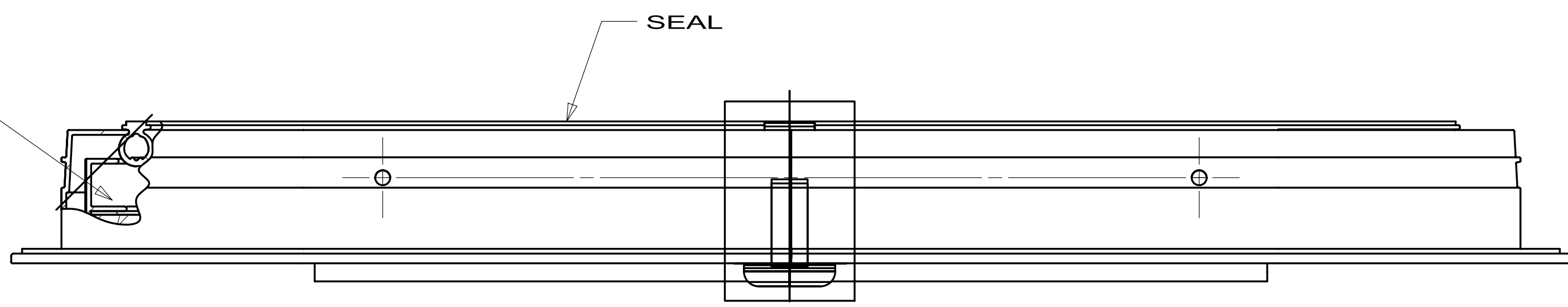
KEY	PART NUMBER	U/M	DESCRIPTION	VENDOR NO.
3	051393-01-701	EA	SWITCH - REMOTE - W/LIGHT	91959
4	051391-01-704	EA	VALVE-RELIEF, 1/2" FITTING	91604
4	051391-03-701	EA	VALVE-RELIEF - 3/4" FITTING	90028
5	051391-01-705	EA	FASTENER-CAMLOCK	92609
6	051391-04-701	EA	THERMOSTAT 12V DC-120 PRESET	91470
7	051393-01-721	EA	THERMOSTAT W/ECO, 140 FRT MT	91447
9	051391-04-707	EA	KIT-EXHAUST, (FLUE & GASKET)	90960
10	051391-01-710	EA	ORIFICE-MAIN BURNER	92742
12	051391-04-703	EA	BURNER-MAIN/ELECTRONIC IG	91638
13	051391-01-714	EA	FITTING-ELBOW 45,3/8F X 3/8	MPT 1044
14	051391-03-700	EA	HOLDER-ORIFICE	91563
16	051391-01-715	EA	PLUG-DRAIN, 1 EA = 2 PER PKG	91857
17	051391-01-700	EA	HINGE KIT, (PIN & CLIP)	92568&92559
18	051391-04-706	EA	TANK-G6A-4E/6E/7E/8E-FRT.MT	91641 - INNER
	051391-01-717	EA	GRILLE-WATER HEATER DOOR	92640
	051393-01-723	EA	SWITCH - THERMAL CUTOUT 2/PK	93866 WAS 93853
	051393-01-724	EA	BOARD-CIRCUIT, SPADE TERMINAL	93865
	051393-01-725	EA	ELECTRODE-SGL SPADE CONNECT.	93868
	051393-01-726	EA	VALVE/SOLENOID - W/O BRACKET	93870
	111129-01-711	EA	BRACKET-CORNER, SET OF FOUR	91928

CONTACT WINNEBAGO PARTS SALES FOR UNLISTED COMPONENT(S)

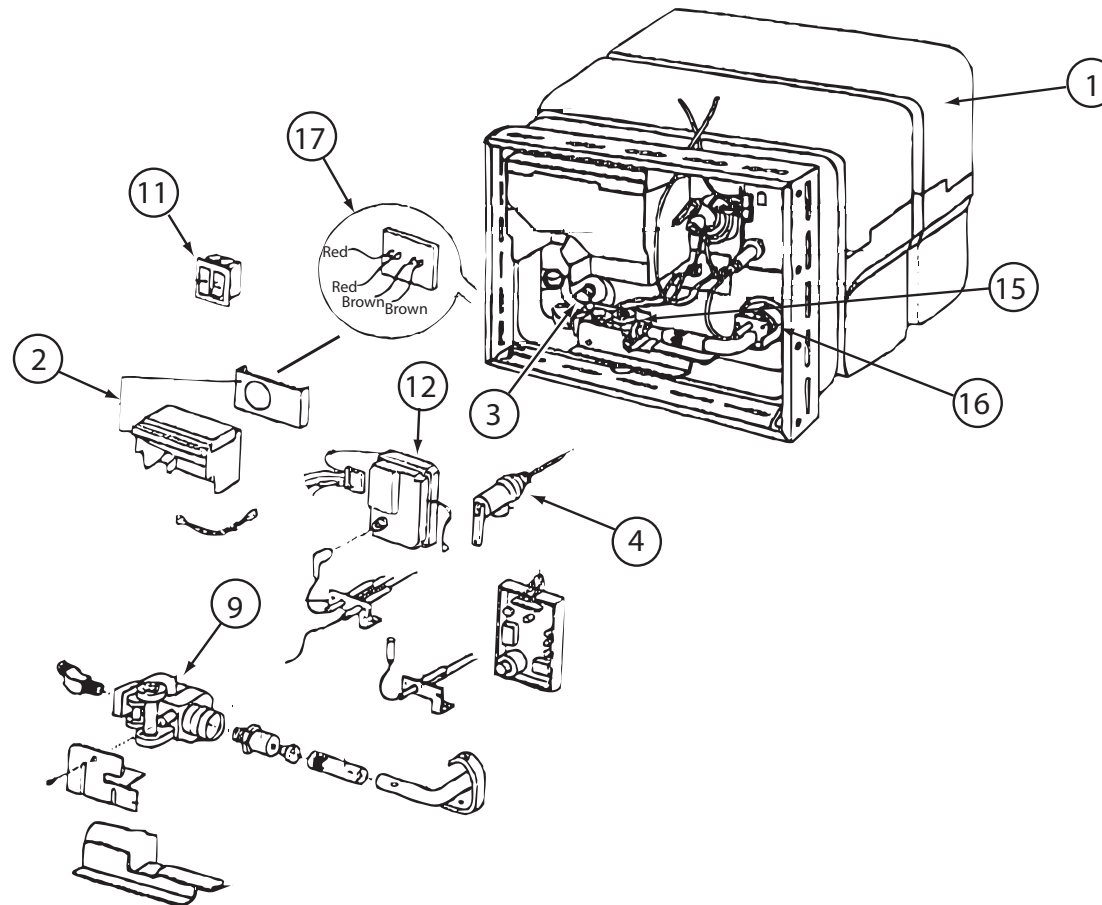
125420-01-03A, 125420-03-03A, 125420-04-03A, 125420-05-03A, 125420-06-02A/03A/04A,

KEY	PART NUMBER	U/M DESCRIPTION	VENDOR NO.
	051391-01-705	EA FASTENER - CAMLOCK	92609

RIVET
H13-04-07B (8)
ANGLE
34154-01-000 (2)



FIRST USED	98 329WC		
TITLE:	DO NOT SCALE DRAWING		
	DOOR ASM-STORAGE		
SHEET 1	PART NO	126945	REV



145541-02-000

KEY	PART NUMBER	U/M	DESCRIPTION	VENDOR NO.
1	145541-02-700	EA	TANK/SERVICE KIT PCS- 6 GAL	91053
2	051391-04-707	EA	KIT-EXHAUST, (FLUE & GASKET)	90960
3	051391-01-715	EA	PLUG-DRAIN, 1 EA = 2 PER PKG	91857
4	051391-01-704	EA	VALVE-RELIEF, 1/2" FITTING	91604
4	051391-03-701	EA	VALVE-RELIEF - 3/4" FITTING	90028
9	051393-01-726	EA	VALVE-SOLENOID - W/O BRACKET	93870
11	051393-01-701	EA	SWITCH - REMOTE - W/LIGHT	91959
11	145541-01-701	EA	SWITCH - ON/OFF - WHITE	91859
12	145541-01-702	EA	CIRCUIT BOARD	91226
15	145541-01-703	EA	SWITCH - THERMAL CUT OFF	93866
16	051393-01-725	EA	ELECTRODE-SGL SPADE CONNECT.	93868
17	051393-01-721	EA	THERMOSTAT W/ECO, 140 FRT MT	91447
	051391-05-706	EA	ELEMENT-HEATING 1500 WATT	92249 W/GASKET
	145541-01-704	EA	RELAY	90061
	145541-02-701	EA	JUNCTION BOX(PLASTIC) 6 GAL	91222

CONTACT WINNEBAGO PARTS SALES FOR UNLISTED COMPONENT(S)

KEY	PART NUMBER	U/M	DESCRIPTION
	075240-05-700	EA	CARTRIDGE - WASHERLESS

148886-01-01A, 148886-02-02A
VENDOR NO.
9-P42

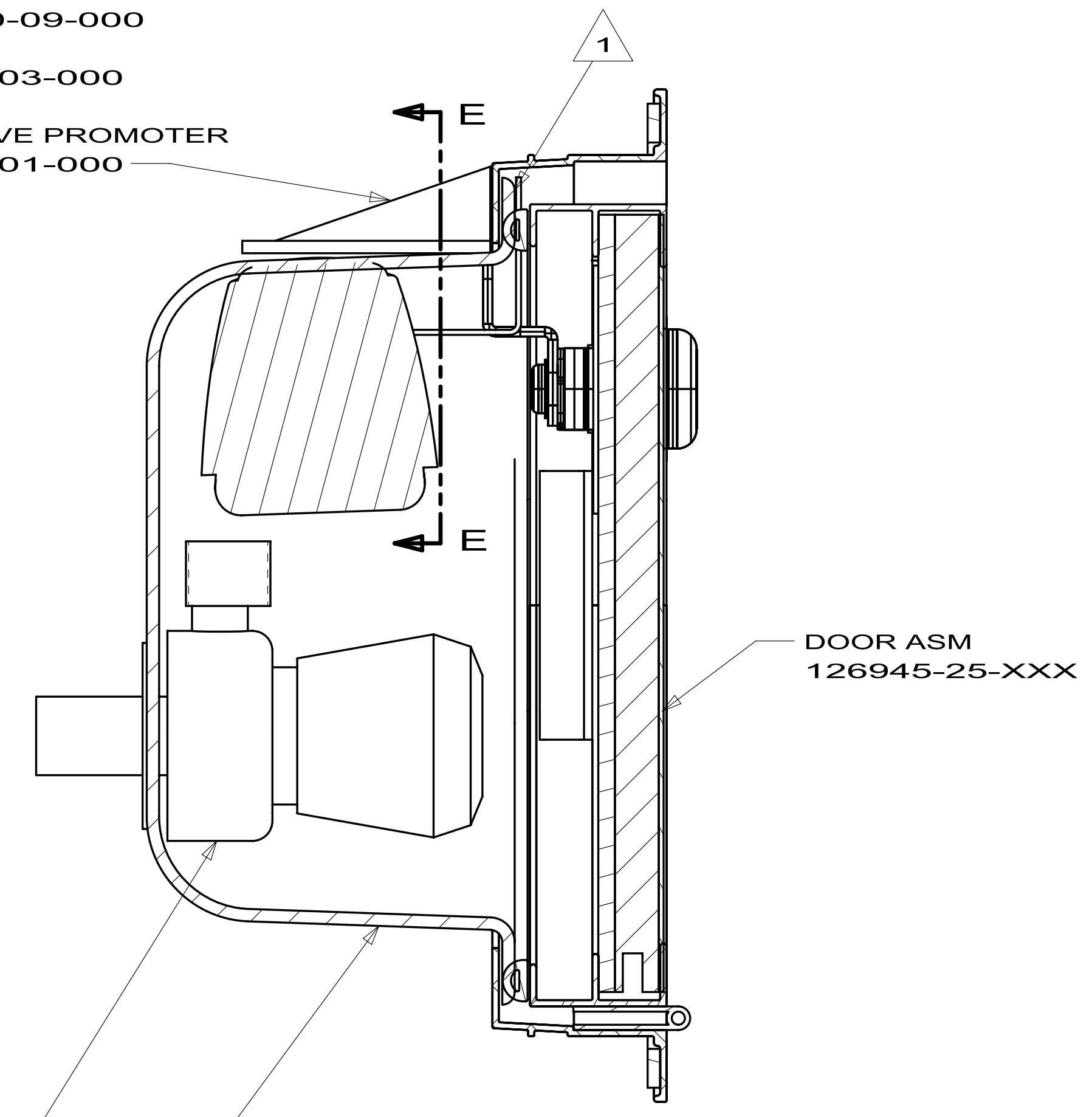
KEY	PART NUMBER	U/M	DESCRIPTION
	140117-02-700	EA	CARTRIDGE
	140117-03-700	EA	HANDLE-LEVER (BLUE)
	140117-03-701	EA	HANDLE-LEVER-(RED)

148886-03-01A
VENDOR NO.
9-40-5-ORLH(PAIR)
T44-9C-1C
T44-9C-1H

149164-01-01A

KEY	PART NUMBER	U/M	DESCRIPTION	VENDOR NO.
	149164-01-700	EA	HANDLE	MO-146781
	149164-01-701	EA	CARTRIDGE	MO-1255
	149164-01-702	EA	NUT-CARTRIDGE	MO-144266
	149164-01-703	EA	SPOUT ASM	MO-146786
	149164-01-704	EA	SPRAY HEAD & HOSE ASM	MO-136103

- 2 4 SUPPORT-DIMMER SWITCH
054250-09-000
- TAPE
76322-03-000
(220)
- ADHESIVE PROMOTER
87211-01-000

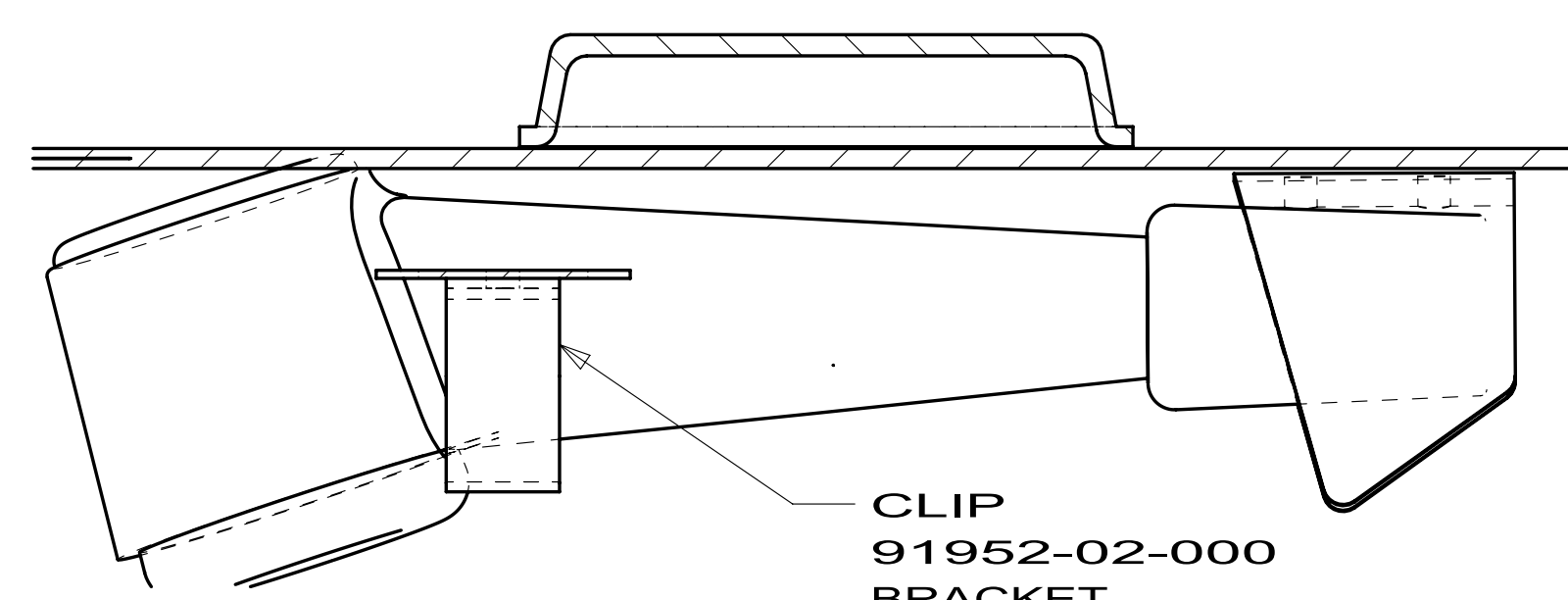


DOOR ASM
126945-25-XXX

COMPARTMENT-SHOWER, EXTERIOR
106208-01-CHT
SCREW
G39-08-08U (4)

SHOWER HEAD-W/HOSE & BRKT
131383-01-CHT
FAUCET
163269-01-CHT

SECTION D-D



CLIP
91952-02-000
BRACKET
131732-01-CHT
SCREW
G39-08-08U (2)
RIVET
H16-06-06R

SECTION E-E

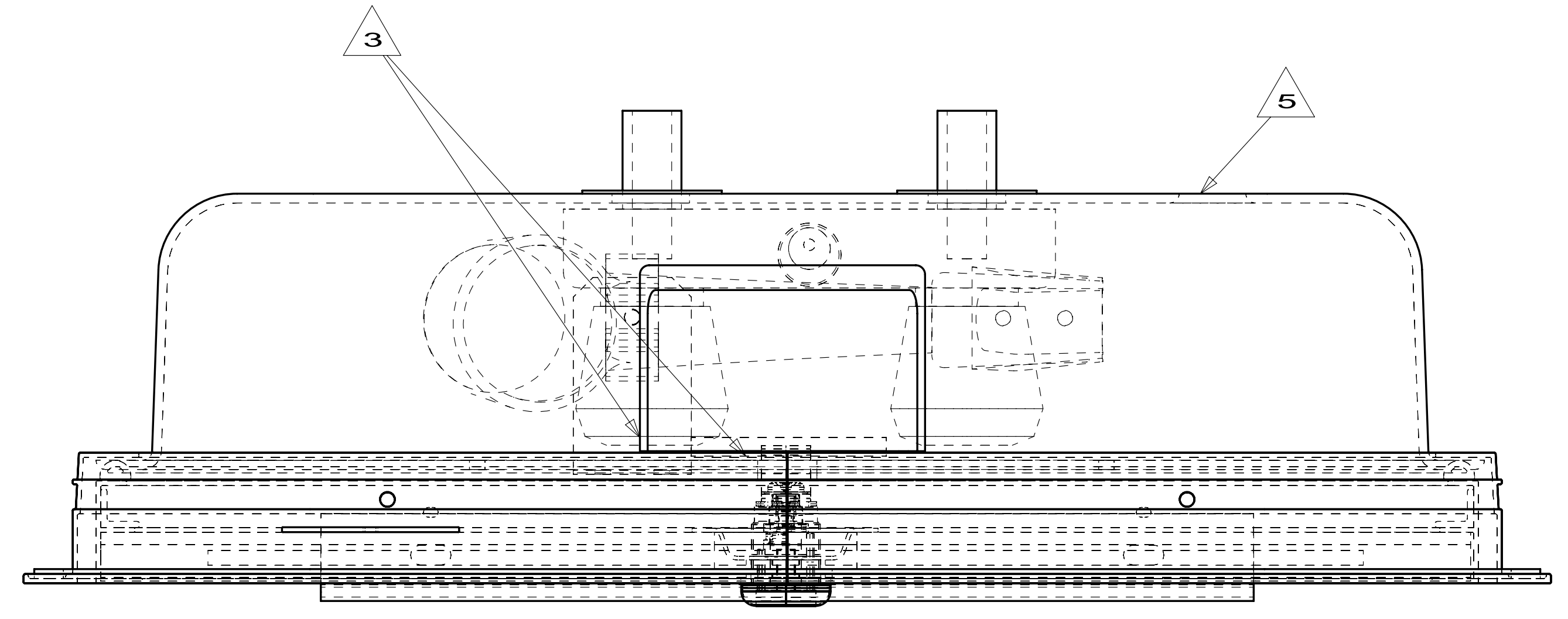
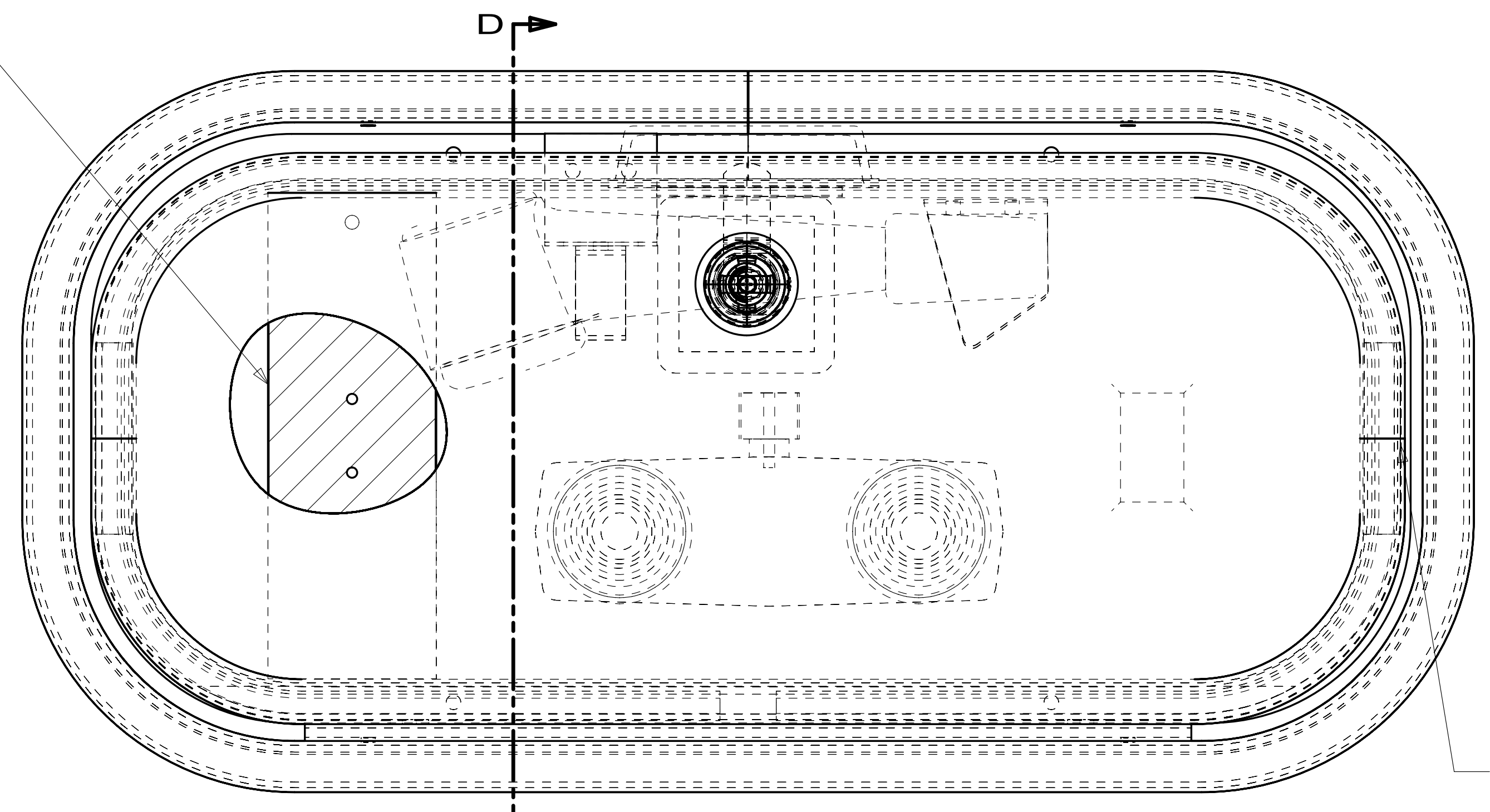


PLATE
121577-04-CHT
TAPE
76322-05-000



SCREW
G39-08-08U (6)

329B
155264-03-XXX

FIRST USED	06 MOTORHOMES		
TITLE:	DO NOT SCALE DRAWING		
COMPARTMENT ASM-SHOWER, EXT			
SHEET 2	PART NO	155264	REV

KEY	PART NUMBER	U/M	DESCRIPTION
	165730-02-700	EA	CARTRIDGE

165730-01-01A, 165730-02-01A
VENDOR NO.
CFG-40002

E-37	164906-01-000	ELBOW-1/2"CTS X 1/2"MPT
E-36	163338-02-000	FLOJET ELBOW-PUMP, 1/2"BARB X PART
E-35	114429-11-000	ELBOW-1/2" P X 1/2" FPT
E-34	133837-01-000	ELBOW-PVC 1 1/2" X 90° DBL SLIP
E-33	010009-01-000	ELBOW-ST-PLAS 1/4" BD 1 1/2" X 90°
E-32	111223-04-000	ELBOW 1/2" MPT X 1/2" BARB
E-31	111223-03-000	ELBOW 3/4" MPT X 1/2" BARB
E-30	123150-01-000	ELBOW-SWIVEL 1/2" FPT X 1/2" BARB
E-29	114429-09-000	ELBOW 1/2" P X 1/2" FPT DROPEAR
E-28	111223-02-000	ELBOW 1/2" MPT X 3/8" BARB
E-27	118424-01-000	ELBOW-BRASS 1/4" P X 1/4" P
E-26	065318-02-000	ELBOW-BRASS 90° 3/8" MPT X 3/8" FPT
E-25	114429-06-000	ELBOW-SWIVEL 1/2" P X 3/4" FPT
E-24	114429-05-000	ELBOW 1/2" P X 3/4" MPT
E-23	114429-04-000	ELBOW 1/2" P X 3/8" MPT
E-22	114429-08-000	ELBOW-SWIVEL 1/2" P X 1/2" FPT LONG
E-21	114429-02-000	ELBOW 1/2" P X 1/2" MPT
E-20	114429-01-000	ELBOW 1/2" P X 1/2" P
E-19	114429-03-000	ELBOW-SWIVEL 1/2"P X 1/2" FPT
E-14	010009-01-000	ELBOW-ST-PLAS 1/4" BD X 1 1/4" X 90°
E-12	035539-01-000	ELBOW-PLAS 3/8" MPT X 3/8" BARB
E-11	010219-01-000	ELBOW-PLAS 1 1/4" MPT X 1 1/4" BARB
E-10	039808-03-000	ELBOW 1/2" MPT X 1/2" MPT
E-9	114429-10-000	ELBOW-SWIVEL 1/2" MPT X 1/2" FPT
E-8	142812-01-000	ELBOW-BRASS 1/2" MPT X 1/2" FPT
CU-1	101814-01-000	COUPLING-FEMALE 1/2" FPT X 1/2" FPT
CI-5	116473-01-000	SEAL-SWIVEL
CI-4	114427-03-000	NUT 1/2"
CI-3	113697-01-000	CAP 3/8"
CI-2	114427-02-000	PLUG 1/2" P
CI-1	114427-01-000	CAP 1/2" P
CH-4	062401-04-000	CLAMP-HOSE .63-1
CH-3	062401-03-000	CLAMP-HOSE .22-1
CH-2	007161-01-000	CLAMP-HOSE,SPRING
CH-1	062401-02-000	CLAMP-HOSE 1 1/2" - 2 1/2"
CA-3	155264-03-XXX	COMPARTMENT ASM-SHOWER, EXT
CA-2	155264-01-XXX	COMPARTMENT ASM-SHOWER, EXT
CA-1	106217-01-XXX	COMPARTMENT ASM-SHOWER, EXT
C-7	132148-01-000	CONNECTOR-BRASS 1/2" X 1/2" MPT
C-6	103798-01-000	CONNECTOR 1/4" OD X 3/8" MPT
AC-2	123317-01-000	ACCUMULATOR LARGE
AC-1	123243-01-000	ACCUMULATOR SMALL
A-24	164907-02-000	ADAPTER-1/2"CTS X 1/2"FPT SW
A-23	164907-01-000	ADAPTER-1/2"CTS X 1/2"MPT
A-22	114430-10-000	ADAPTER-NUT, FLEX TUBING
A-21	114430-09-000	ADAPTER 1/2" P X 1/2" FPT
A-20	114430-04-000	ADAPTER 1/2" P X 3/8" MPT
A-19	136333-01-000	ADAPTER-BRASS 1/2" MPT X 1/2" FPT
A-18	133835-01-000	ADAPTER 1 1/2" P X 1 1/4" MPT
A-17	114430-06-000	ADAPTER-PLAS 1/2" P X 3/8" FPT
A-16	118809-02-000	ADAPTER-PLAS 1/2" MPT X 1/2" BARB
A-15	123152-01-000	ADAPTER-SWIVEL 1/2" FPT X 1/2" BARB
A-14	114430-08-000	ADAPTER 1/2" P X 3/4" MPT
A-13	118809-01-000	ADAPTER 1/2" MPT X 3/8" BARB
A-12	114430-03-000	ADAPTER 1/2" P X 1/2" MPT
A-11	114430-02-000	ADAPTER-SWIVEL 1/2" P X 1/2" FPT
A-10	114430-01-000	ADAPTER 1/2" P X 1/2" P
A-6	112177-01-000	ADAPTER-BRASS 1/2" MPT X 1/2" BARB
A-5	010224-01-000	ADAPTER 3/8" MPT X 3/8" BARB
A-4	044927-01-000	ADAPTER 1 1/4" MPT X 1 1/4" BARB
NO.	P/N	DESCRIPTION

TU-14	133836-03-000	PIPE 1 1/2" PVC SCH 40 120mm
TU-13	074462-01-000	TUBING-VINYL 1 1/4" ID, CLEAR
TU-12	133836-02-000	TUBING 1 1/2" PVC SCH 40 60mm
TU-11	133836-01-000	TUBING 1 1/2" PVC SCH 40
TU-10	124188-02-000	TUBING 1/2" ID PEX (RED)
TU-9	124188-01-000	TUBING 1/2" ID PEX (BLUE)
TU-8	112176-01-000	TUBING-FLEX X 1/2" ID
TU-7	039800-05-000	TUBING 5/8" OD (RED)
TU-6	115029-01-000	TUBING 3/8" ID
TU-5	039800-04-000	TUBING 1/4"
TU-4	079381-01-000	TUBING 1 1/4" ID
TU-3	074462-02-000	TUBING 3/8"
TU-2	039800-02-000	TUBING 5/8"
T-26	160949-02-000	TEE 1/2" CTS X 1/2" CTS X 1/2" CTS
T-25	160949-01-000	TEE (CONNECTOR) 1/2" X 1/2" X 1/4" REDUCE
T-24	118423-01-000	TEE-BRASS 1/4" C X 1/4" C X 1/4" C
T-23	114428-04-000	TEE 1/2" P X 1/2" P X 1/8" FPT
T-22	114428-03-000	TEE 1/2" P X 1/2" P X 1/2" MPT
T-21	114428-02-000	TEE-SWIVEL 1/2"P X 1/2"P X 1/2" FPT
T-20	114428-01-000	TEE 1/2" P X 1/2" P X 1/2" P
T-19	114428-07-000	TEE 1/2" P X 1/2" MPT X 1/2" P
T-18	114428-06-000	TEE 1/2" P X 1/2" MPT X 1/2" MPT
T-17	114428-05-000	TEE-SWIVEL 1/2"FPTX1/2"MPTX1/2"MPT
T-1	039798-01-000	TEE 1/2" MPT X 1/2" MPT X 1/2" MPT
SH-1	131383-01-CHT	SHOWER HEAD-W/HOSE & BRKT
S-1	124184-01-000	SUPPORT-BEND
N-2	135386-02-000	NIPPLE 1/2" X 4"
N-1	135386-01-000	NIPPLE 1/2" MPT X 1/2" MPT
PW-4	163338-01-000	FLOJET PUMP-WATER, 2.9 GPM
PW-3	160702-02-000	PUMP-WATER, 2.8 GPM, 55PSI
PW-2	144215-01-000	PUMP-WATER, 5.7 GPM
PW-1	098607-01-000	PUMP-WATER, 2.8 GPM
PL-3	145609-01-000	PLUG-BRASS 1/2" MPT
PL-2	010166-02-000	PLUG 1 1/4" MPT-CSA
PL-1	010166-01-000	PLUG 1 1/4" MPT
I-2	111888-01-000	FERRULE-PLASTIC 1/4" COMP
I-1	111888-02-000	INSERT-BRASS 1/4" COMP
F-13	167984-01-CHT	FILL-CITY WATER, SURF, FPT
F-12	163338-03-000	FLOJET STRAINER-WATER PUMP
F-11	144215-02-000	STRAINER-WATER PUMP
F-10	137169-01-CHT	FILL-WATER,LOCK(138290-03-000 LOCK-CASE)
F-9	152925-01-CHT	FILTER IN-LINE
F-8	131081-03-XXX	DOOR ASM-WATER FILL (KEY ONE)
F-7	163269-02-CHT	FAUCET-SHOWER-SHORT
F-6	010230-XX-000	FILL-CITY WATER, SURF, MPT
F-5	077954-02-000	FILTER/SCREEN-WATER, IN-TANK
F-4	137169-01-CHT	FILL-WATER,GRAVITY (138637-03-000 LOCK)
	137169-02-CHT	WASHER-GRAVITY WATERFILL
F-2	163269-01-CHT	FAUCET-SHOWER-LONG
F-1	103106-01-000	FAUCET-EXTERNAL WATER 90°
E-41	164906-04-000	ELBOW-DROP EAR, 1/2 CTS X FPT
E-40	166212-02-000	ELBOW-HOSE BARB
E-39	164906-03-000	ELBOW-1/2"CTS X 1/2" CTS
E-38	164906-02-000	ELBOW-1/2"CTS X 1/2" FPT SWV
NO.	P/N	DESCRIPTION

W-3	087277-11-000	WASHER-PLASTIC Ø 16.5mm HOLE
W-2	087277-12-000	WASHER-PLASTIC Ø 26.5mm HOLE
W-1	087277-08-000	WASHER-PLASTIC Ø 22.0mm HOLE
V-16	062421-03-000	VALVE 1 1/2" HUB X HUB
V-15	120868-01-000	VALVE-NEEDLE, COMP 1/4" C X 1/4" C
V-14	114431-05-000	VALVE-NEEDLE, COMP 1/8" MPT X 1/4"
V-13	114431-04-000	VALVE-STOP 1/2" P X 1/2" P
V-12	114431-03-000	VALVE 1/2" P X 1/2" P
V-11	114431-02-000	VALVE 1/2" P, BYPASS
V-10	114431-01-000	VALVE-LINE DRAIN 1/2" P
V-7	167737-01-000	VALVE-CHECK,UNION
V-6	110438-02-000	VALVE-CHECK, BRASS
U-2	166212-01-000	UNION-HOSE BARB,CTS X 1/2"
U-1	133889-01-000	UNION-PVC 1 1/2" DBL SLIP
R-11	140821-10-000	RISER-SUPPLY TUBE Ø 1/2" X 48" (1219.2)
R-10	140821-09-000	RISER-SUPPLY TUBE Ø 1/2" X 36" (914.4)
R-9	140821-08-000	RISER-SUPPLY TUBE 1/2" X 24" (609.6)
R-8	140821-07-000	RISER-SUPPLY TUBE Ø 3/8" X 72" (1828.8)
R-7	140821-06-000	RISER-SUPPLY TUBE Ø 3/8" X 60" (1524)
R-6	140821-05-000	RISER-SUPPLY TUBE Ø 3/8" X 54" (1371.6)
R-5	140821-04-000	RISER-SUPPLY TUBE Ø 3/8" X 48" (1219.2)
R-4	140821-03-000	RISER-SUPPLY TUBE Ø 3/8" X 36" (914.4)
R-3	140821-02-000	RISER-SUPPLY TUBE Ø 3/8" X 30" (762)
R-2	140821-01-000	RISER-SUPPLY TUBE Ø 3/8" X 24" (609.6)
NO.	P/N	DESCRIPTION

4. PART IS ALSO LISTED ON THE DRAINAGE SYSTEM PART LIST DRAWING 116229.

3. ALL FITTINGS ON THIS DRAWING ARE APPROVED FOR POTABLE WATER. ANY NEW PARTS MUST BE CERTIFIED FOR POTABLE WATER USE.

2. ATTACH WITH TAPE-DOUBLE 123816-03-000.

1. INACTIVE.

NOTES:

WINNEBAGO INDUSTRIES COPYRIGHT 2009 WINNEBAGO INDUSTRIES, INC.

ALL DIMENSIONS ARE IN MILLIMETERS

95-98 MH'S

DO NOT SCALE DRAWING

PART LISTING-WATER SYSTEM

SHEET 1 OF 1 PART NO 116230 REV