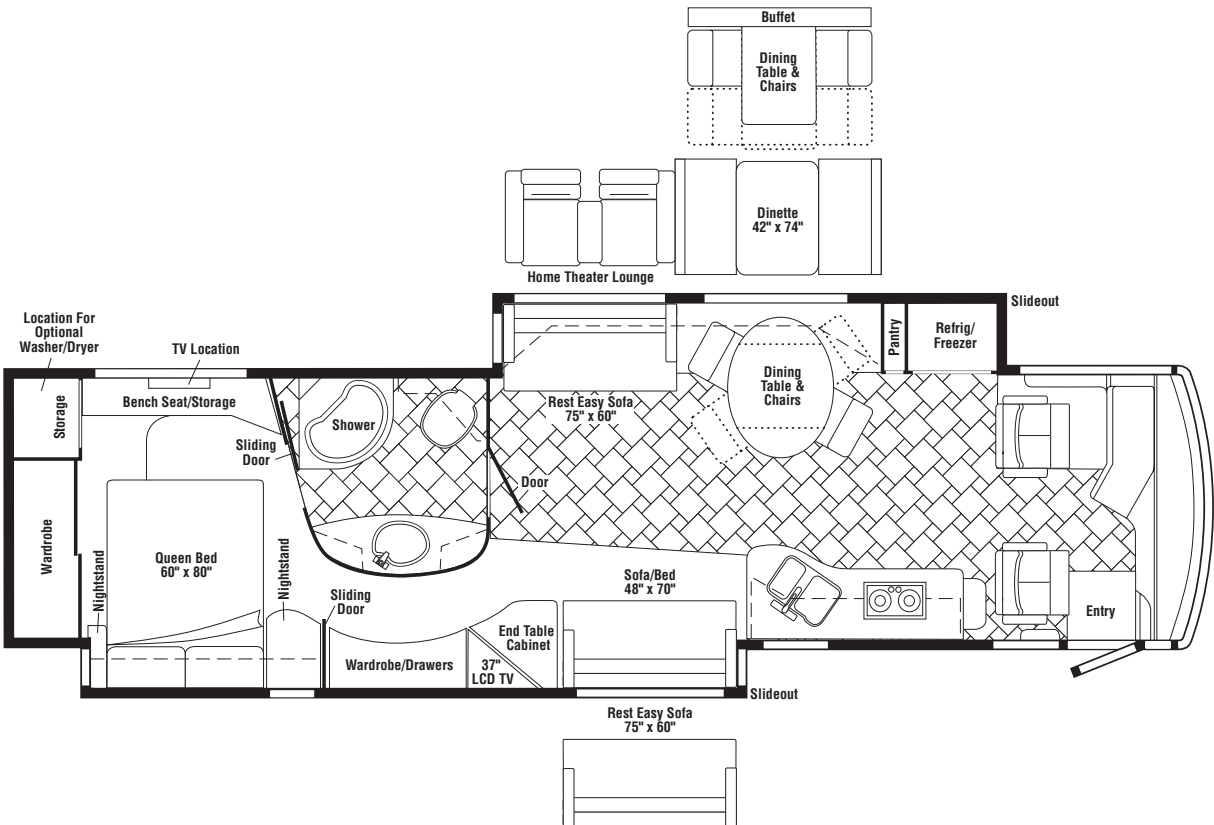


2009
VECTRA
WKS40TD
S-SERIES
CONCERT CHERRY
 YK0 WAKEFIELD
 YK4 WILLOW BEND
 YL0 WOODBRIDGE
HONEY CHERRY
 YK1 WAKEFIELD
 YK5 WILLOW BEND
 YL1 WOODBRIDGE
BELMONT MAPLE
 YK2 WAKEFIELD
 YK6 WILLOW BEND
 YL2 WOODBRIDGE
WASHED MAPLE
 YK3 WAKEFIELD
 YK6 WILLOW BEND
 YL3 WOODBRIDGE
COFFEE GLAZED HONEY CHERRY
 YT0 WAKEFIELD
 YT1 WILLOW BEND
 YT2 WOODBRIDGE



FLOORPLAN

CONTENTS

FLOORPLAN	1
ACCESSORIES GROUP	6
OPERATORS MANUAL	6
AUDIO VIDEO GROUP	7
RADIO SYSTEM	7
REAR MONITOR	8
CABINET & APPLIANCE GROUP	9
CABINET & APPLIANCE LAYOUT	9
COMPONENT PARTS FOR CABINET & APPLIANCE LAYOUT	31
108186-02-000	31
108186-03-000	31
119267-17-01A	31
125242-05-02A	32
140147-04-01A, 140147-04-02A, 140147-04-03A	41
146340-02-01A	41
165267-01-01A	42
166189-01-01A	42
CHASSIS GROUP	43
FRAME	43
FRONT END	45
INSULATION	46
STEPWELL COVER	47
COMPONENT PARTS FOR STEPWELL COVER	48
145122-04-01A, 145122-05-01A	48
EXHAUST	51
HITCH	51
REAR MUD GUARD	51
FUEL	52
HYDRAULIC LEVELING	53
COMPONENT PARTS FOR HYDRAULIC LEVELING	53
100536-47-000	53
107889-12-000, 107889-13-000	53
CURTAIN & CUSHION GROUP	54
CURTAIN, CUSHION LAYOUT	54
BUCKET SEATS	61
SOFA	62
HARDWARE	65
FABRICS	67
DRIVERS COMPARTMENT GROUP	68
DASH	68
FRONT INTERIOR	69
COMPONENT PARTS FOR FRONT INTERIOR	74
091990-10-01A	74
147767-01-000, 147767-02-000	74
CABINETS	75

CONTENTS (CONTINUED)

ELECTRICAL GROUP	78
110V BODY WIRING	78
12V BODY WIRING	81
EXTERIOR LAMPS	91
FRONT END	94
GPS	97
SIDE TV/DVD	98
COMPONENT PARTS FOR WIRING	100
076319-23-000	100
076319-25-000	100
093575-44-01A	100
108354-01-01A	100
123775-01-02A	100
129561-02-01A	101
130672-01-02A	101
133004-05-01A	102
136119-01-000	102
137417-01-01A, 137417-03-01A	103
139134-01-03A	103
144858-03-000	103
146048-01-01A	103
151458-01-000	103
153464-01/02/04/05-01A	103
154474-04-02A	103
160079-02-000	103
163031-01-01A	103
163097-01-000	103
163142-06-000	104
163598-01-02A	104
165074-01-000	104
165170-01-01A	104
166446-01-000	104
165199-01-000	104
168408-01-000	104
168913-01-00	104
169536-01-01A	104
171727-01-000	104
CIRCUIT BREAKERS, FUSES & RELAYS	105
CONVERTER, INVERTER, LOAD CENTERS	106
BOXES & CORDS	107
WIRE ASSEMBLIES	107
CONNECTORS & CONDUIT	108
CHASSIS	111
EXTERIOR BODY GROUP	112
AIR HORN	112
GRAPHICS & PAINT	113
PANELS & TRIMS	115
COMPONENT PARTS FOR PANELS & TRIMS	118
131431-08-02A	118
142721-01-02A, 142721-02-02A	118
151458-02-000	118
FRONT END	119
LADDER	121
STRUCTURAL COMPONENTS	122
AWNINGS	122

CONTENTS (CONTINUED)

EXTERIOR DOORS & COMPARTMENTS GROUP	123
DOOR & COMPARTMENT LAYOUT	123
COMPONENT PARTS FOR DOOR & COMPARTMENT LAYOUT	132
094707-04-01A	132
142226-02-01A	132
COMPARTMENT DOOR PIECE PARTS	133
ENTRY	140
COMPONENT PARTS FOR ENTRY	141
162100-02-01A	141
162100-04-01A	145
EXTERIOR SLIDEOUT GROUP	147
FRONT LEFT	147
COMPONENT PARTS FOR FRONT LEFT	150
153651-04-01A	150
155476-02-000	150
161743-02-000	150
163102-03-000	150
FRONT RIGHT	151
COMPONENT PARTS FOR FRONT RIGHT	154
153651-04-01A	154
155476-02-000	154
155476-03-000	154
163102-02-000	154
163654-01-000	154
163654-02-000	154
GENERATOR GROUP	155
DIESEL	155
COMPONENT PARTS FOR DIESEL	155
130294-04-01A	155
HEATING & A/C GROUP	156
AUTOMOTIVE	156
COMPONENT PARTS FOR AUTOMOTIVE	157
072342-27-000	157
103930-55-000	158
103930-59-000	159
103930-65-000	160
FURNACE	161
COMPONENT PARTS FOR FURNACE	162
139980-01-000	162
143563-08-000	164
CENTRAL	166
COMPONENT PARTS FOR CENTRAL	167
105620-24-000	167
INTERIOR FINISH GROUP	169
MOLDINGS & TRIMS	169
PANELING & LAMINATES	181
INTERIOR TRIM LAYOUT	182
COMPONENT PARTS FOR INTERIOR TRIM LAYOUT	189
164096-01-01A	189
FLOOR COVERINGS	190
HARDWARE	191
LABELS GROUP	197
LP GROUP	202
LP SYSTEM	202
COMPONENT PARTS FOR LP SYSTEM	202
161212-01-000	202
SEALANTS & FASTENERS GROUP	203
SEALANTS & ADHESIVES	203
BOLTS, NUTS AND WASHERS	204
SCREWS	206
CLAMPS, CLIPS, GROMMETS, RIVETS & PLUGS	209
MISCELLANEOUS FASTENERS	210

CONTENTS (CONTINUED)

WATER & SEWAGE GROUP	211
DRAINAGE SYSTEM	211
COMPONENT PARTS FOR DRAINAGE SYSTEM	213
062415-01-000	213
144728-01-000	213
152830-01-01A	213
WATER SYSTEM	214
COMPONENT PARTS FOR WATER SYSTEM	220
125420-01-03A, 125420-03-03A, 125420-04-03A, 125420-05-03A, 125420-06-02A/03A/04A,	220
136915-01-000	220
142675-01-01A	220
144596-01-01A	220
145541-03-000	221
149174-01-01A	221
155482-01-01A	221
WINDOW & VENTS GROUP	222
WINDOW & VENT LAYOUT	222
COMPONENT PARTS FOR WINDOW & VENT LAYOUT	223
123780-21-01A	223
123780-24-01A	224
150648-02-01A, 150648-03-01A/03A	225
150648-07-01A, 150648-22-01A	226
150648-13-01A, 150648-18-01A	226
150648-20-01A, 150648-30-01A	226
150649-05-01A	227
150649-11-01A	227
150649-22-01A	228
150649-30-01A	228
151069-03-01A	229
164973-17-01A	230
WINDSHIELD & WIPER GROUP	231
WINDSHIELD	231
WIPER	232
COMPONENT PARTS FOR WIPER	232
149401-01-000,149401-02-000	232
157512-01-000	232
157531-01-000	232

ACCESSORIES GROUP
OPERATORS MANUAL

KEY	PART NUMBER	U/M	DESCRIPTION
	165115-01-000	DW	TOP LEVEL-S,2009
	158603-09-013	EA	MANUAL/OWNER - SUPPLEMENT - S-SERIES - 2009
	159842-01-01A	EA	CASE - VINYL - F/MANUALS - W/SLEEVES - BLACK
	161500-09-023	EA	MANUAL/OWNER - VECTRA - S SERIES - 2009

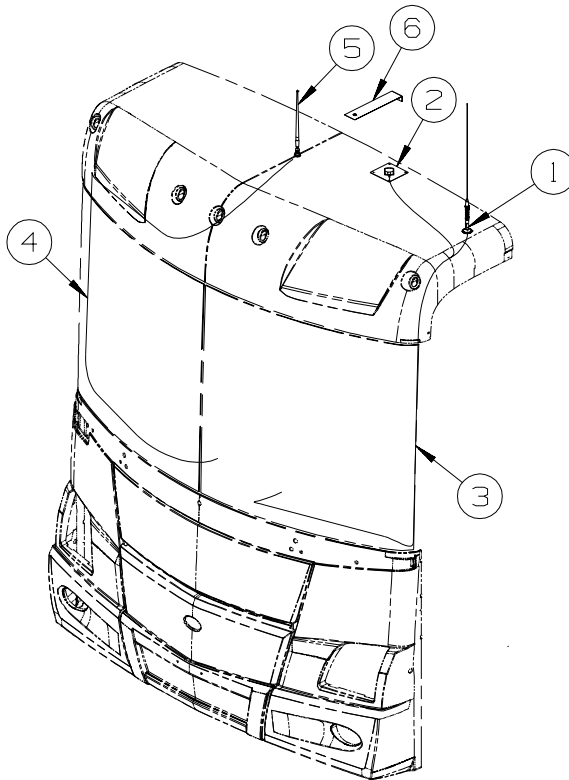
**AUDIO VIDEO GROUP
RADIO SYSTEM**

DASH

KEY	PART NUMBER	U/M	DESCRIPTION
	163142-09-000	EA	REMOTE CONTROL/RADIO (CREDIT CARD SIZE)
	163142-10-000	EA	REMOTE CONTROL/RADIO (STEERING WHEEL MOUNT) FROM: 00-00-00 THRU: 08-05-08
	163142-13-000	EA	REMOTE CONTROL/RADIO (VIP STEERING WHEEL MOUNT) FROM: 08-06-08 THRU: 99-99-99
	163142-08-000	EA	RADIO-AM/FM/CD/WB - SATELLITE READY - W/12 PIN AMP CNCTR FROM: 00-00-00 THRU: 06-26-08
	163142-15-000	EA	RADIO-AM/FM/CD/WB/G3 - SATELLITE READY -W/12 PIN AMP CNCTR FROM: 06-27-08 THRU: 99-99-99
	163142-11-000	EA	RECEIVER (EYE) - INFRARED
	163142-12-000	EA	CABLE/INTERFACE - I-POD

CD CHANGER

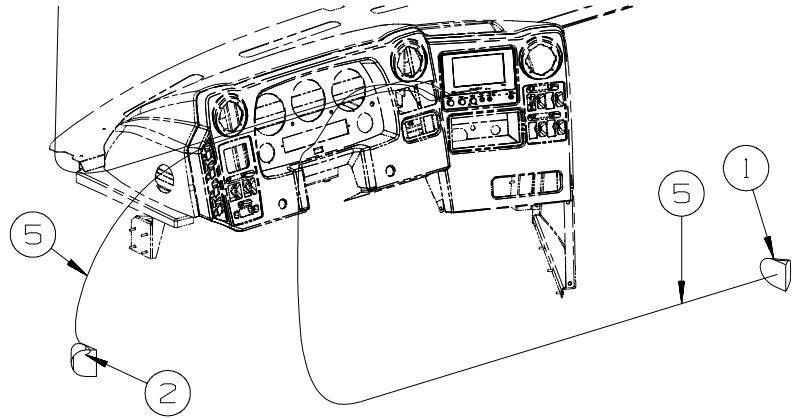
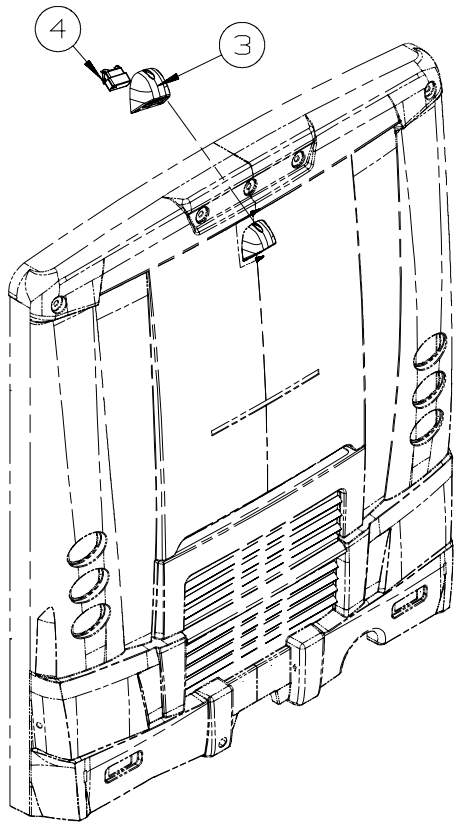
KEY	PART NUMBER	U/M	DESCRIPTION
	163141-01-000	EA	CHANGER - 10 DISC COMPACT - JENSEN MCD10G



KEY	PART NUMBER	U/M	DESCRIPTION
1	123256-01-000	EA	ANTENNA - CB - W/O CABLE - 40C
2	158494-01-000	EA	ANTENNA/SATELLITE - RADIO/SIRIUS
2	158494-02-000	EA	CABLE/ANTENNA - SATELLITE RADIO SIRIUS
3	123256-02-000	EA	CABLE - CB - COAX - 40C
4	090944-03-000	EA	CABLE - ANTENNA
5	090944-02-000	EA	ANTENNA - RADIO - 16" RUBBER - W/O LEAD WIRE
6	140600-06-01B	EA	BRACKET/ANTENNA MOUNT - MILL FINISH

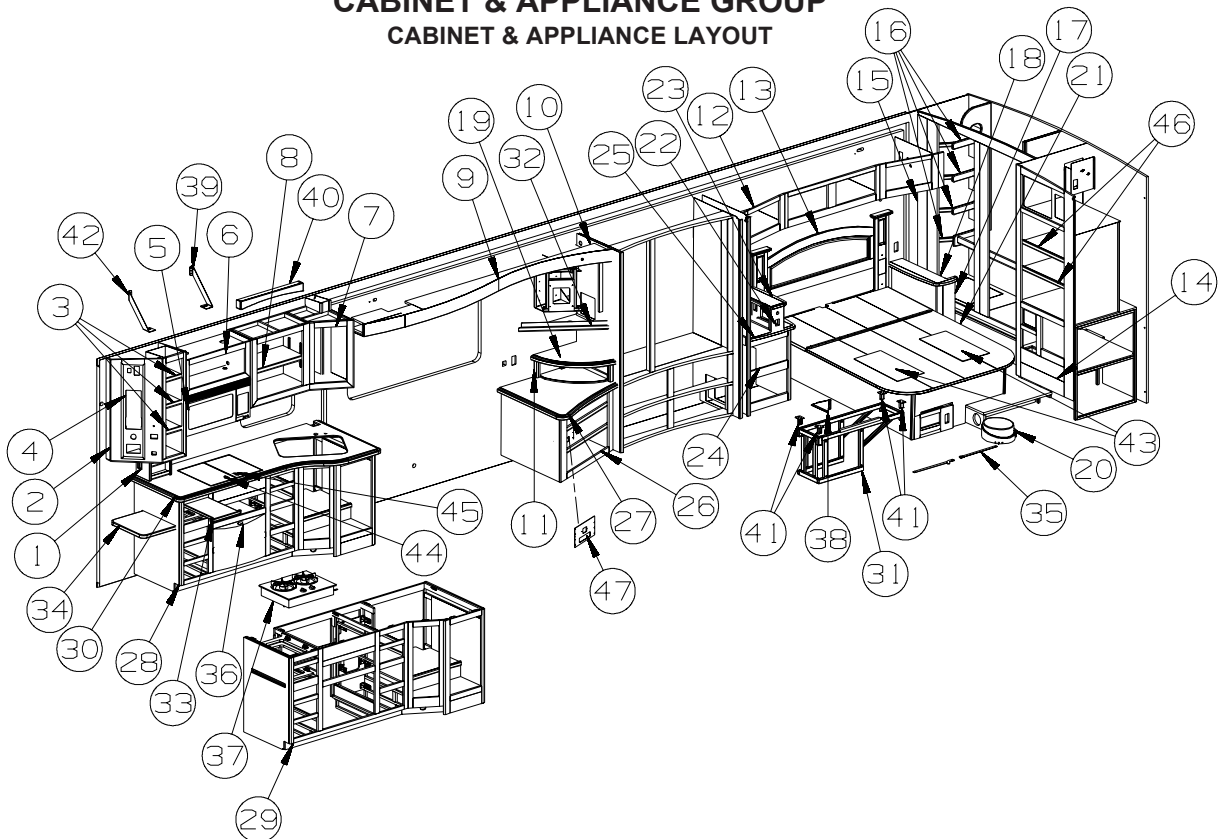
AUDIO VIDEO GROUP (CONTINUED)

REAR MONITOR



KEY	PART NUMBER	U/M	DESCRIPTION
1	156655-07-01A	EA	CAMERA - REAR VIEW/PASSENGER SIDE - BLACK
2	156655-08-01A	EA	CAMERA - REAR VIEW/DRIVER SIDE - BLACK
3	137919-02-02A	EA	SHROUD - CAMERA/OUTER - BLACK
4	160313-03-000	EA	CAMERA/REAR - COLOR - W/BRACKET - SONY VCB-RV2MH
5	156655-04-000	EA	CABLE - MONITOR/CAMERA - 15'(SIDE CAMERA TO VIDEO SWITCH)
6	143363-03-000	EA	CABLE - MONITOR/CAMERA - COLOR - SONY VCB-MHC20
7	160313-01-000	EA	MONITOR/REAR - COLOR - SONY VCB-62MH

CABINET & APPLIANCE GROUP CABINET & APPLIANCE LAYOUT



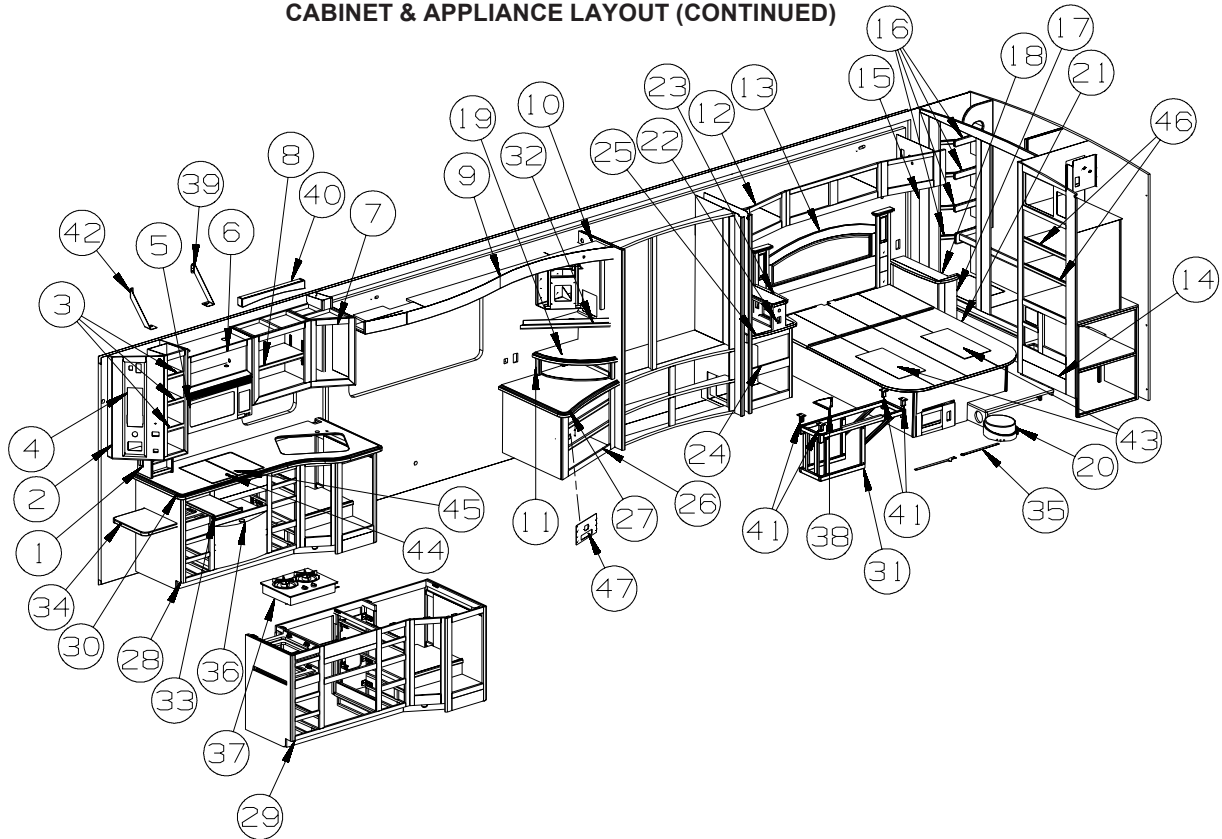
KEY	PART NUMBER	U/M	DESCRIPTION
1	159369-01-UJ1	EA	CABINET - PIPE COVER - CONCERT CHERRY FROM: 00-00-00 THRU: 06-15-08
1	159369-02-YL4	EA	CABINET - PIPE COVER - CONCERT CHERRY FROM: 06-15-08 THRU: 99-99-99
1	159369-01-UJ3	EA	CABINET - PIPE COVER - HONEY CHERRY FROM: 00-00-00 THRU: 06-15-08
1	159369-02-YL5	EA	CABINET - PIPE COVER - HONEY CHERRY FROM: 06-15-08 THRU: 99-99-99
1	159369-01-YG3	EA	CABINET - PIPE COVER - BELMONT MAPLE FROM: 00-00-00 THRU: 06-15-08
1	159369-02-YL6	EA	CABINET - PIPE COVER - BELMONT MAPLE FROM: 06-15-08 THRU: 99-99-99
1	159369-01-UJ2	EA	CABINET - PIPE COVER - WASHED MAPLE FROM: 00-00-00 THRU: 06-15-08
1	159369-02-YL7	EA	CABINET - PIPE COVER - WASHED MAPLE FROM: 06-15-08 THRU: 99-99-99
1	159369-02-YT3	EA	CABINET - PIPE COVER - COFFEE GLAZED HONEY CHERRY FROM: 06-15-08 THRU: 99-99-99
2	167256-01-YL4	EA	CABINET - OVERHEAD/GALLEY - W/O DOORS/HDW - CONCERT CHERRY
2	167256-01-YL5	EA	CABINET - OVERHEAD/GALLEY - W/O DOORS/HDW - HONEY CHERRY
2	167256-01-YL6	EA	CABINET - OVERHEAD/GALLEY - W/O DOORS/HDW - BELMONT MAPLE
2	167256-01-YL7	EA	CABINET - OVERHEAD/GALLEY - W/O DOORS/HDW - WASHED MAPLE
2	167256-01-YT3	EA	CABINET - OVERHEAD/GALLEY - W/O DOORS/HDW - COFFEE GLAZED HONEY CHERRY
2	167256-02-YL4	EA	CABINET - OVERHEAD/GALLEY - W/O DOORS/HDW - CONCERT CHERRY - 39Y
2	167256-02-YL5	EA	CABINET - OVERHEAD/GALLEY - W/O DOORS/HDW - HONEY CHERRY - 39Y
2	167256-02-YL6	EA	CABINET - OVERHEAD/GALLEY - W/O DOORS/HDW - BELMONT MAPLE - 39Y
2	167256-02-YL7	EA	CABINET - OVERHEAD/GALLEY - W/O DOORS/HDW - WASHED MAPLE - 39Y
2	167256-02-YT3	EA	CABINET - OVERHEAD/GALLEY - W/O DOORS/HDW - COFFEE GLAZED HONEY CHERRY - 39Y
3	167256-30-YL4	EA	SHELF - W/WOOD MOLDING - CONCERT CHERRY
3	167256-30-YL5	EA	SHELF - W/WOOD MOLDING - HONEY CHERRY
3	167256-30-YL6	EA	SHELF - W/WOOD MOLDING - BELMONT MAPLE
3	167256-30-YL7	EA	SHELF - W/WOOD MOLDING - WASHED MAPLE
3	167256-30-YT3	EA	SHELF - W/WOOD MOLDING - COFFEE GLAZED HONEY CHERRY

CABINET & APPLIANCE GROUP (CONTINUED)
CABINET & APPLIANCE LAYOUT (CONTINUED)

KEY	PART NUMBER	U/M	DESCRIPTION
4	158117-06-WK0	EA	POCKET - MONITOR PANEL - CONCERT CHERRY FROM: 00-00-00 THRU: 06-15-08
4	158117-A0-YL4	EA	POCKET - MONITOR PANEL - CONCERT CHERRY FROM: 06-16-08 THRU: 99-99-99
4	158117-06-WK2	EA	POCKET - MONITOR PANEL - HONEY CHERRY FROM: 00-00-00 THRU: 06-15-08
4	158117-A0-YL5	EA	POCKET - MONITOR PANEL - HONEY CHERRY FROM: 06-16-08 THRU: 99-99-99
4	158117-06-YG3	EA	POCKET - MONITOR PANEL - BELMONT CHERRY FROM: 00-00-00 THRU: 06-15-08
4	158117-A0-YL6	EA	POCKET - MONITOR PANEL - BELMONT CHERRY FROM: 06-16-08 THRU: 99-99-99
4	158117-06-WK1	EA	POCKET - MONITOR PANEL - WASHED MAPLE FROM: 00-00-00 THRU: 06-15-08
4	158117-A0-YL7	EA	POCKET - MONITOR PANEL - WASHED MAPLE FROM: 06-16-08 THRU: 99-99-99
4	158117-06-YT3	EA	POCKET - MONITOR PANEL - COFFEE GLAZE HONEY CHERRY FROM: 00-00-00 THRU: 06-15-08
4	158117-A0-YT3	EA	POCKET - MONITOR PANEL - COFFEE GLAZE HONEY CHERRY FROM: 06-16-08 THRU: 99-99-99
4	158117-05-WK0	EA	POCKET - MONITOR PANEL - CONCERT CHERRY - 32W FROM: 00-00-00 THRU: 06-15-08
4	158117-A1-YL4	EA	POCKET - MONITOR PANEL - CONCERT CHERRY - 32W FROM: 06-16-08 THRU: 99-99-99
4	158117-05-WK2	EA	POCKET - MONITOR PANEL - HONEY CHERRY - 32W FROM: 00-00-00 THRU: 06-15-08
4	158117-A1-YL5	EA	POCKET - MONITOR PANEL - HONEY CHERRY - 32W FROM: 06-16-08 THRU: 99-99-99
4	158117-05-YG3	EA	POCKET - MONITOR PANEL - BELMONT CHERRY - 32W FROM: 00-00-00 THRU: 06-15-08
4	158117-A1-YL6	EA	POCKET - MONITOR PANEL - BELMONT CHERRY - 32W FROM: 06-16-08 THRU: 99-99-99
4	158117-05-WK1	EA	POCKET - MONITOR PANEL - WASHED MAPLE - 32W FROM: 00-00-00 THRU: 06-15-08
4	158117-A1-YL7	EA	POCKET - MONITOR PANEL - WASHED MAPLE - 32W FROM: 06-16-08 THRU: 99-99-99
4	158117-05-YT3	EA	POCKET - MONITOR PANEL - COFFEE GLAZE HONEY CHERRY - 32W FROM: 00-00-00 THRU: 06-15-08
4	158117-A1-YT3	EA	POCKET - MONITOR PANEL - COFFEE GLAZE HONEY CHERRY - 32W FROM: 06-16-08 THRU: 99-99-99
5*	119267-17-01A	EA	OVEN - MICROWAVE/CONVECTION W/HOOD US - #R-1880LST
5*	140147-04-03A	EA	OVEN/MICROWAVE - 1.4 CU FT - ADVANTIUM/STAINLESS STEEL - 13E
6	159335-02-UK5	EA	CABINET - OVERHEAD/MICROWAVE - W/O DOORS/HDW - CONCERT CHERRY
6	159335-02-UK7	EA	CABINET - OVERHEAD/MICROWAVE - W/O DOORS/HDW - HONEY CHERRY
6	159335-02-YL6	EA	CABINET - OVERHEAD/MICROWAVE - W/O DOORS/HDW - BELMONT MAPLE
6	159335-02-UK6	EA	CABINET - OVERHEAD/MICROWAVE - W/O DOORS/HDW - WASHED MAPLE
6	159335-02-YT3	EA	CABINET - OVERHEAD/MICROWAVE - W/O DOORS/HDW - COFFEE GLAZED HONEY CHERRY
7	162723-02-WL4	EA	CABINET - OVERHEAD/GALLEY/REAR - W/O DOORS/HDW - CONCERT CHERRY
7	162723-02-WL6	EA	CABINET - OVERHEAD/GALLEY/REAR - W/O DOORS/HDW - HONEY CHERRY
7	162723-02-YL6	EA	CABINET - OVERHEAD/GALLEY/REAR - W/O DOORS/HDW - BELMONT MAPLE
7	162723-02-WL5	EA	CABINET - OVERHEAD/GALLEY/REAR - W/O DOORS/HDW - WASHED MAPLE
7	162723-02-YT3	EA	CABINET - OVERHEAD/GALLEY/REAR - W/O DOORS/HDW - COFFEE GLAZED HONEY CHERRY
8	162723-38-YL4	EA	SHELF - W/WOOD MOLDING - CONCERT CHERRY
8	162723-38-YL5	EA	SHELF - W/WOOD MOLDING - HONEY CHERRY
8	162723-38-YL6	EA	SHELF - W/WOOD MOLDING - BELMONT MAPLE
8	162723-38-YL7	EA	SHELF - W/WOOD MOLDING - WASHED MAPLE
8	162723-38-YT3	EA	SHELF - W/WOOD MOLDING - COFFEE GLAZED HONEY CHERRY
9	159603-18-WK0	EA	PANEL ASM (YK0, YK1, YK2, YK3, YT0)
9	159603-18-YK4	EA	PANEL ASM (YK4, YK5, YK6, YK7, YT1)
9	159603-18-YL0	EA	PANEL ASM (YL0, YL1, YL2, YL3, YT2)
10	P59603-01-UJ1	EA	CABINET - OVERHEAD/FRONT/RH HAND - W/O DOORS/HDW - W/VINYL

CABINET & APPLIANCE GROUP (CONTINUED)

CABINET & APPLIANCE LAYOUT (CONTINUED)

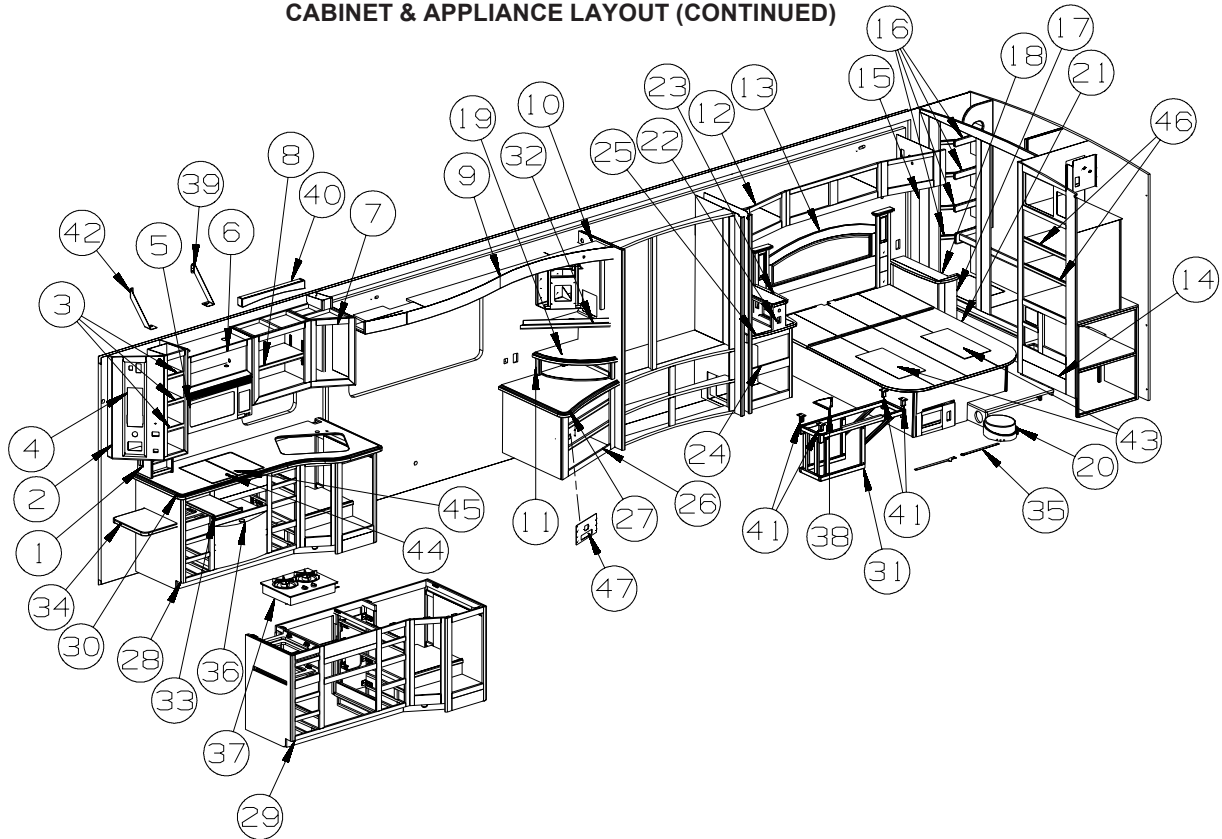


KEY	PART NUMBER	U/M	DESCRIPTION
11	160132-01-UJ1	EA	CABINET/SHELF - TV/CORNER - W/O HDW - CONCERT CHERRY
11	160132-01-UJ3	EA	CABINET/SHELF - TV/CORNER - W/O HDW - HONEY CHERRY
11	160132-01-YL6	EA	CABINET/SHELF - TV/CORNER - W/O HDW - BELMONT MAPLE
11	160132-01-UJ2	EA	CABINET/SHELF - TV/CORNER - W/O HDW - WASHED MAPLE
11	160132-01-YT3	EA	CABINET/SHELF - TV/CORNER - W/O HDW - COFFEE GLAZED HONEY CHERRY
12	162929-02-WL4	EA	CABINET - OVERHEAD/REAR - W/O DOORS/HDW - CONCERT CHERRY
12	162929-02-WL5	EA	CABINET - OVERHEAD/REAR - W/O DOORS/HDW - HONEY CHERRY
12	162929-02-YL6	EA	CABINET - OVERHEAD/REAR - W/O DOORS/HDW - BELMONT MAPLE
12	162929-02-WL6	EA	CABINET - OVERHEAD/REAR - W/O DOORS/HDW - WASHED MAPLE
12	162929-02-YT3	EA	CABINET - OVERHEAD/REAR - W/O DOORS/HDW - COFFEE GLAZED HONEY CHERRY
13	140843-01-N94	EA	CABINET/HEADBOARD - QUEEN - W/O HARDWARE - CONCERT CHERRY
13	140843-01-RW5	EA	CABINET/HEADBOARD - QUEEN - W/O HARDWARE - HONEY CHERRY
13	140843-01-YK2	EA	CABINET/HEADBOARD - QUEEN - W/O HARDWARE - BELMONT MAPLE
13	140843-01-RE0	EA	CABINET/HEADBOARD - QUEEN - W/O HARDWARE - WASHED MAPLE
13	140843-01-YT0	EA	CABINET/HEADBOARD - QUEEN - W/O HARDWARE - COFFEE GLAZED HONEY CHERRY
14	167259-11-YL4	EA	FACE - CABINET/WARDROBE - CONCERT CHERRY
14	167259-11-YL5	EA	FACE - CABINET/WARDROBE - HONEY CHERRY
14	167259-11-YL6	EA	FACE - CABINET/WARDROBE - BELMONT MAPLE
14	167259-11-YL7	EA	FACE - CABINET/WARDROBE - WASHED MAPLE
14	167259-11-YT3	EA	FACE - CABINET/WARDROBE - COFFEE GLAZED HONEY CHERRY
15	167259-26-YL4	EA	HEADER - W/FACE FRAME - CABINET/WARDROBE - CONCERT CHERRY
15	167259-26-YL5	EA	HEADER - W/FACE FRAME - CABINET/WARDROBE - HONEY CHERRY
15	167259-26-YL6	EA	HEADER - W/FACE FRAME - CABINET/WARDROBE - BELMONT MAPLE
15	167259-26-YL7	EA	HEADER - W/FACE FRAME - CABINET/WARDROBE - WASHED MAPLE
15	167259-26-YT3	EA	HEADER - W/FACE FRAME - CABINET/WARDROBE - COFFEE GLAZED HONEY CHERRY
16	167259-33-YL4	EA	SHELF - W/WOOD MOLDING - CONCERT CHERRY
16	167259-33-YL5	EA	SHELF - W/WOOD MOLDING - HONEY CHERRY
16	167259-33-YL6	EA	SHELF - W/WOOD MOLDING - BELMONT MAPLE
16	167259-33-YL7	EA	SHELF - W/WOOD MOLDING - WASHED MAPLE
16	167259-33-YT3	EA	SHELF - W/WOOD MOLDING - COFFEE GLAZED HONEY CHERRY
17	162724-01-WK0	EA	CABINET - NIGHTSTAND/RH - W/O COUNTERTOP/DOORS/DRAWERS/HDW - CONCERT CHERRY
17	162724-01-WK2	EA	CABINET - NIGHTSTAND/RH - W/O COUNTERTOP/DOORS/DRAWERS/HDW - HONEY CHERRY
17	162724-01-YG3	EA	CABINET - NIGHTSTAND/RH - W/O COUNTERTOP/DOORS/DRAWERS/HDW - BELMONT MAPLE
17	162724-01-WK1	EA	CABINET - NIGHTSTAND/RH - W/O COUNTERTOP/DOORS/DRAWERS/HDW - WASHED MAPLE
17	162724-01-YT3	EA	CABINET - NIGHTSTAND/RH - W/O CNTRTP/DRS/DWRS/HDW - COFFEE GLAZED HONEY CHERRY

CABINET & APPLIANCE GROUP (CONTINUED)
CABINET & APPLIANCE LAYOUT (CONTINUED)

KEY	PART NUMBER	U/M	DESCRIPTION
18	149296-24-UJ1	EA	COUNTERTOP - LAMINATED - CONCERT CHERRY
18	149296-24-UJ3	EA	COUNTERTOP - LAMINATED - HONEY CHERRY
18	149296-24-YL6	EA	COUNTERTOP - LAMINATED - BELMONT MAPLE
18	149296-24-UJ2	EA	COUNTERTOP - LAMINATED - WASHED MAPLE
18	149296-24-YT3	EA	COUNTERTOP - LAMINATED - COFFEE GLAZED HONEY CHERRY
19	162743-01-WK0	EA	COUNTERTOP (YK0, YK1, YK2, YK3, YT0)
19	162743-01-WK4	EA	COUNTERTOP (YK4, YK5, YK6, YK7, YT1)
19	162743-01-YM4	EA	COUNTERTOP (YL0, YL1, YL2, YL3, YT2)
20	142411-03-000	EA	AIR PUMP W/CONTROLS - F/SELECT COMFORT MATTRESS - 49M FROM: 00-00-00 THRU: 03-08-09
20	142411-13-000	EA	AIR PUMP - W/REMOTE - F/PREMIER SELECT COMFORT MATTRESS - 49M FROM: 03-09-09 THRU: 99-99-99
21	164767-01-WK0	EA	BEDBOARD - W/HINGE/T-MOLDING - FLIP-UP
22	140452-08-YG0	EA	CABINET - F/RADIO - W/O HARDWARE - CONCERT CHERRY
22	140452-08-YL5	EA	CABINET - F/RADIO - W/O HARDWARE - HONEY CHERRY
22	140452-08-YG3	EA	CABINET - F/RADIO - W/O HARDWARE - BELMONT MAPLE
22	140452-08-YG1	EA	CABINET - F/RADIO - W/O HARDWARE - WASHED MAPLE
22	140452-08-YT3	EA	CABINET - F/RADIO - W/O HARDWARE - COFFEE GLAZED HONEY CHERRY
23	149296-27-UJ1	EA	COUNTERTOP - LAMINATED - CONCERT CHERRY
23	149296-27-UJ3	EA	COUNTERTOP - LAMINATED - HONEY CHERRY
23	149296-27-YL6	EA	COUNTERTOP - LAMINATED - BELMONT MAPLE
23	149296-27-UJ2	EA	COUNTERTOP - LAMINATED - WASHED MAPLE
23	149296-27-YT3	EA	COUNTERTOP - LAMINATED - COFFEE GLAZED HONEY CHERRY
24	159458-01-UJ1	EA	CABINET - NIGHTSTAND/LH - W/O COUNTERTOP/DOORS/DRAWERS/HDW - CONCERT CHERRY
24	159458-01-UJ3	EA	CABINET - NIGHTSTAND/LH - W/O COUNTERTOP/DOORS/DRAWERS/HDW - HONEY CHERRY
24	159458-01-YL6	EA	CABINET - NIGHTSTAND/LH - W/O COUNTERTOP/DOORS/DRAWERS/HDW - BELMONT MAPLE
24	159458-01-UJ2	EA	CABINET - NIGHTSTAND/LH - W/O COUNTERTOP/DOORS/DRAWERS/HDW - WASHED MAPLE
24	159458-01-YT3	EA	CABINET - NIGHTSTAND/LH - W/O CNTRTP/DRS/DWRS/HDW - COFFEE GLAZED HONEY CHERRY
25	149296-26-UJ1	EA	COUNTERTOP - LAMINATED - CONCERT CHERRY
25	149296-26-UJ3	EA	COUNTERTOP - LAMINATED - HONEY CHERRY
25	149296-26-YL6	EA	COUNTERTOP - LAMINATED - BELMONT MAPLE
25	149296-26-UJ2	EA	COUNTERTOP - LAMINATED - WASHED MAPLE
25	149296-26-YT3	EA	COUNTERTOP - LAMINATED - COFFEE GLAZED HONEY CHERRY
26	167260-01-YL4	EA	CABINET/END TABLE - W/O COUNTERTOP/HDW - CONCERT CHERRY
26	167260-01-YL5	EA	CABINET/END TABLE - W/O CNTRTP/HDW - HONEY CHERRY/COFFEE GLAZED HONEY CHERRY
26	167260-01-YL6	EA	CABINET/END TABLE - W/O COUNTERTOP/HDW - BELMONT MAPLE
26	167260-01-YL7	EA	CABINET/END TABLE - W/O COUNTERTOP/HDW - WASHED MAPLE
27	162739-01-WK0	EA	COUNTERTOP (YK0, YK1, YK2, YK3, YT0)
27	162739-01-WK4	EA	COUNTERTOP (YK4, YK5, YK6, YK7, YT1)
27	162739-01-YM4	EA	COUNTERTOP (YL0, YL1, YL2, YL3, YT2)
28	P67257-01-YL4	EA	CABINET - GALLEY - W/O COUNTERTOP/DOORS/DRAWERS/HDW - CONCERT CHERRY
28	P67257-01-YL5	EA	CABINET - GALLEY - W/O COUNTERTOP/DOORS/DRAWERS/HDW - HONEY CHERRY
28	P67257-01-YL6	EA	CABINET - GALLEY - W/O COUNTERTOP/DOORS/DRAWERS/HDW - BELMONT MAPLE
28	P67257-01-YL7	EA	CABINET - GALLEY - W/O COUNTERTOP/DOORS/DRAWERS/HDW - WASHED MAPLE
28	P67257-01-YT3	EA	CABINET - GALLEY - W/O COUNTERTOP/DOORS/DRAWERS/HDW - COFFEE GLAZED HONEY CHERRY
28	P67257-03-YL4	EA	CABINET - GALLEY - W/O CNTRTOP/DRS/DRWRS/HDW - CONCERT CHERRY - 22T
28	P67257-03-YL5	EA	CABINET - GALLEY - W/O CNTRTOP/DRS/DRWRS/HDW - HONEY CHERRY - 22T
28	P67257-03-YL6	EA	CABINET - GALLEY - W/O CNTRTOP/DRS/DRWRS/HDW - BELMONT - 22T
28	P67257-03-YL7	EA	CABINET - GALLEY - W/O CNTRTOP/DRS/DRWRS/HDW - WASHED MAPLE - 22T
28	P67257-03-YT3	EA	CABINET - GALLEY - W/O CNTRTOP/DRS/DRWRS/HDW - COFFEE GLAZED HONEY CHERRY - 22T
29	P67257-02-YL4	EA	CABINET - GALLEY - W/O CNTRTOP/DRS/DRWRS/HDW - CONCERT CHERRY - 214
29	P67257-02-YL5	EA	CABINET - GALLEY - W/O CNTRTOP/DRS/DRWRS/HDW - HONEY CHERRY - 214
29	P67257-02-YL6	EA	CABINET - GALLEY - W/O CNTRTOP/DRS/DRWRS/HDW - BELMONT MAPLE - 214
29	P67257-02-YL7	EA	CABINET - GALLEY - W/O CNTRTOP/DRS/DRWRS/HDW - WASHED MAPLE - 214
29	P67257-02-YT3	EA	CABINET - GALLEY - W/O CNTRTOP/DRS/DRWRS/HDW - COFFEE GLAZED HONEY CHERRY - 214
29	P67257-04-YL4	EA	CABINET - GALLEY - W/O CNTRTOP/DRS/DRWRS - CONCERT CHERRY - 22T/214
29	P67257-04-YL5	EA	CABINET - GALLEY - W/O CNTRTOP/DRS/DRWRS - HONEY CHERRY - 22T/214
29	P67257-04-YL6	EA	CABINET - GALLEY - W/O CNTRTOP/DRS/DRWRS - BELMONT MAPLE - 22T/214
29	P67257-04-YL7	EA	CABINET - GALLEY - W/O CNTRTOP/DRS/DRWRS - WASHED MAPLE - 22T/214
29	P67257-04-YT3	EA	CABINET - GALLEY - W/O CNTRTOP/DRS/DRWRS - COFFEE GLAZED HONEY CHERRY - 22T/214
30	167263-01-11C	EA	COUNTERTOP - GALLEY - 1/2" CORIAN (YK0, YK1, YK2, YK3, YT0)
30	167263-01-10C	EA	COUNTERTOP - GALLEY - 1/2" CORIAN (YK4, YK5, YK6, YK7, YT1)
30	167263-01-12C	EA	COUNTERTOP - GALLEY - 1/2" CORIAN (YL0, YL1, YL2, YL3, YT2)
31	159490-01-02B	EA	FRAME - BED/SLIDEOUT - QUEEN - E-COATED

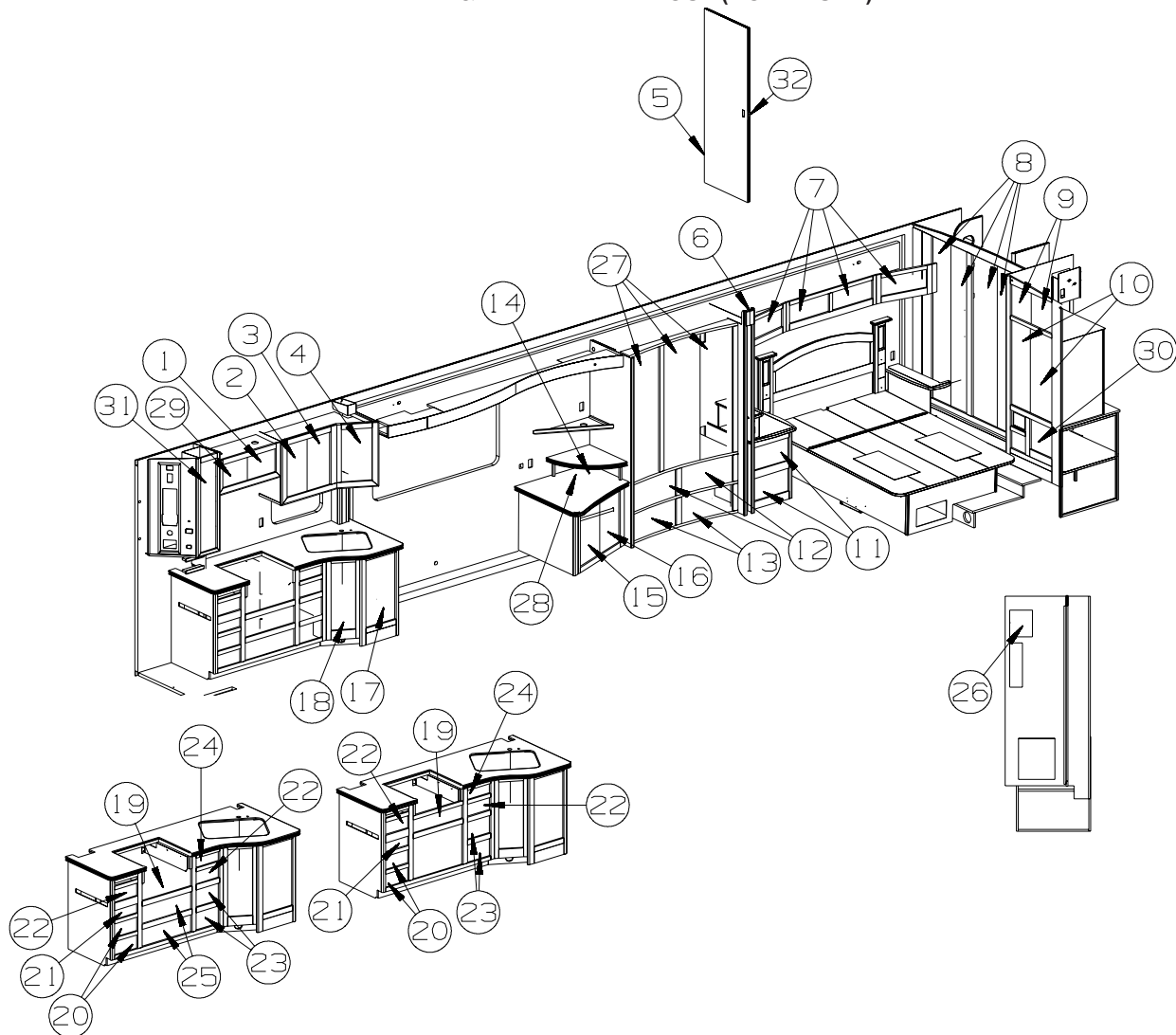
CABINET & APPLIANCE GROUP (CONTINUED)
CABINET & APPLIANCE LAYOUT (CONTINUED)



KEY	PART NUMBER	U/M	DESCRIPTION
	32	EA	CABINET/SHELF - TV - W/O HARDWARE
	33	EA	COUNTERTOP - GALLEY (YK0, YK1, YK2, YK3, YT0)
	33	EA	COUNTERTOP - GALLEY (YK4, YK5, YK6, YK7, YT1)
	33	EA	COUNTERTOP - GALLEY (YL0, YL1, YL2, YL3, YT2)
	34	EA	COUNTERTOP - GALLEY (YK0, YK1, YK2, YK3, YT0)
	34	EA	COUNTERTOP - GALLEY (YK4, YK5, YK6, YK7, YT1)
	34	EA	COUNTERTOP - GALLEY (YL0, YL1, YL2, YL3, YT2)
	35	EA	STRAP - W/16.5" FEMALE STRAP AND 17.7" MALE STRAP
	36*	EA	DISHWASHER - DRAWER STYLE - STAINLESS STEEL FACE
	37*	EA	RANGE TOP - 2 BURNER/GLASS TOP - IGNITION - BLACK
	38	EA	SUPPORT - PANEL - 9.9"/7.6" X 4.7" - SLIDEOUT - E-COATED
	39	EA	BRACKET/SUPPORT - MICROWAVE - E-COATED
	40	EA	CABINET - VALANCE/GALLEY - W/O HDW - CONCERT CHERRY
	40	EA	CABINET - VALANCE/GALLEY - W/O HDW - HONEY CHERRY
	40	EA	CABINET - VALANCE/GALLEY - W/O HDW - BELMONT MAPLE
	40	EA	CABINET - VALANCE/GALLEY - W/O HDW - WASHED MAPLE
	40	EA	CABINET - VALANCE/GALLEY - W/O HDW - COFFEE GLAZED HONEY CHERRY
	41	EA	SUPPORT - ROLLER - SLIDE-OUT ROOM - E-COATED
	128599-03-000	EA	PAD - F/SLIDEOUT - 2" X 2.6"
	42	EA	BRACKET/SUPPORT - MICROWAVE - E-COATED
	43	FT	SLIPNOT - ANTISLIP - 1'WIDE (20' ROLLS) - WHITE
	44	EA	COVER - STOVE TOP - CORIAN (YK0, YK1, YK2, YK3, YT0)
	44	EA	COVER - STOVE TOP - CORIAN (YK4, YK5, YK6, YK7, YT1)
	44	EA	COVER - STOVE TOP - CORIAN (YL0, YL1, YL2, YL3, YT2)
	45	EA	COVER - STOVE TOP - CORIAN (YK0, YK1, YK2, YK3, YT0)
	45	EA	COVER - STOVE TOP - CORIAN (YK4, YK5, YK6, YK7, YT1)
	45	EA	COVER - STOVE TOP - CORIAN (YL0, YL1, YL2, YL3, YT2)
	46	EA	SHELF - W/WOOD MOLDING - CONCERT CHERRY
	46	EA	SHELF - W/WOOD MOLDING - HONEY CHERRY
	46	EA	SHELF - W/WOOD MOLDING - BELMONT MAPLE
	46	EA	SHELF - W/WOOD MOLDING - WASHED MAPLE
	46	EA	SHELF - W/WOOD MOLDING - COFFEE GLAZED HONEY CHERRY
	47	EA	PANEL - VINYL COVERED

*COMPONENT PARTS LISTED LATER IN THIS GROUP

CABINET & APPLIANCE GROUP (CONTINUED)
CABINET & APPLIANCE LAYOUT (CONTINUED)

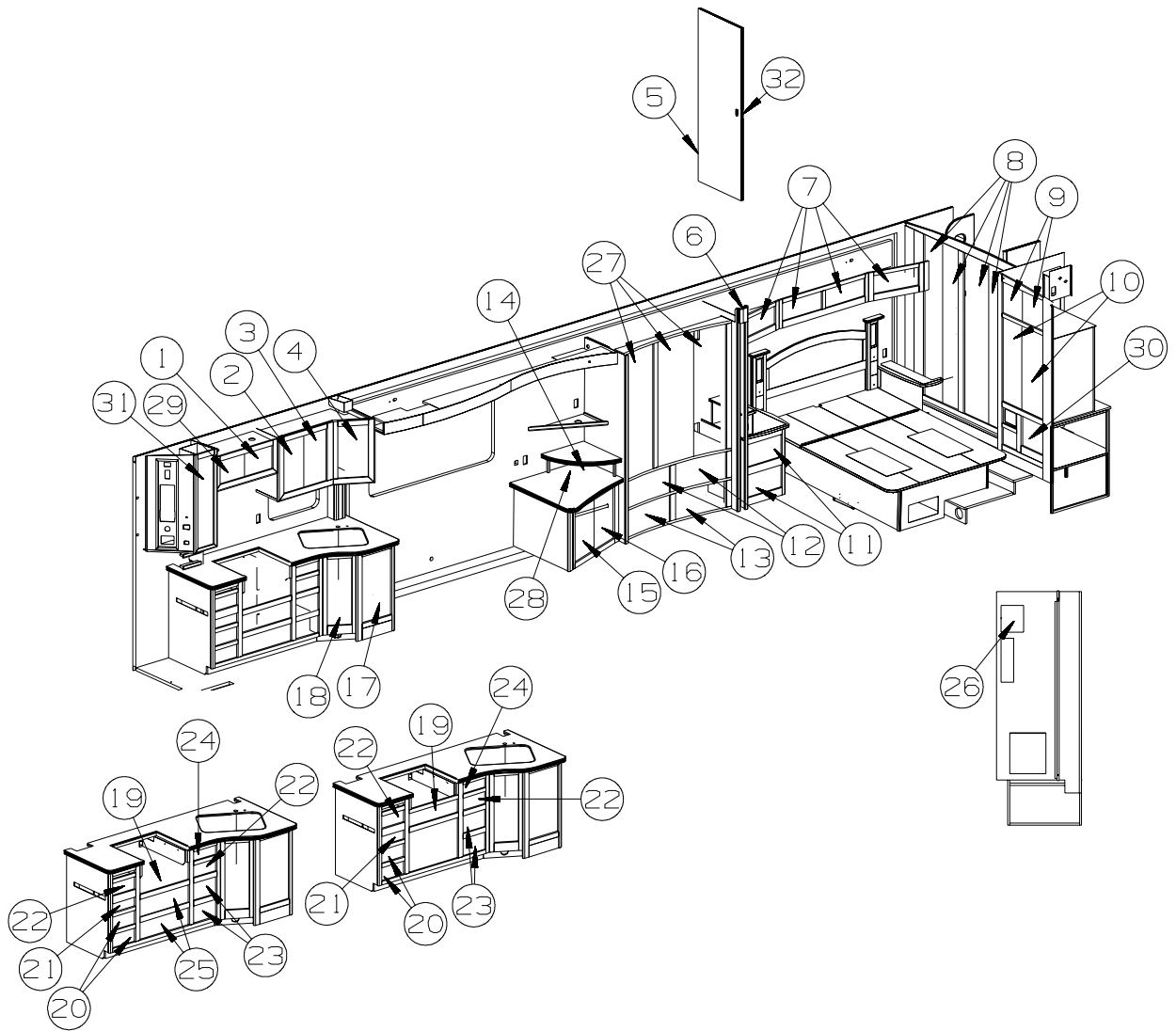


KEY	PART NUMBER	U/M	DESCRIPTION
1	162329-11-YK0	EA	DOOR - DBL FLUTED - W/GLASS - 13" X 10.8" - W/O HDW - CONCERT CHERRY
1	162329-11-YK1	EA	DOOR - DBL FLUTED - W/GLASS - 13" X 10.8" - W/O HDW - HONEY CHERRY
1	162329-11-YK2	EA	DOOR - DBL FLUTED - W/GLASS - 13" X 10.8" - W/O HDW - BELMONT MAPLE
1	162329-11-YK3	EA	DOOR - DBL FLUTED - W/GLASS - 13" X 10.8" - W/O HDW - WASHED MAPLE
1	162329-11-YT0	EA	DOOR - DBL FLUTED - W/GLASS - 13" X 10.8" - W/O HDW - COFFEE GLAZED HONEY CHERRY
2	160269-41-YK0	EA	DOOR - ARCHED/FLUTED/LH HAND - 10.8" X 21.8" - W/O HDW - CONCERT CHERRY
2	160269-41-YK1	EA	DOOR - ARCHED/FLUTED/LH HAND - 10.8" X 21.8" - W/O HDW - HONEY CHERRY
2	160269-41-YK2	EA	DOOR - ARCHED/FLUTED/LH HAND - 10.8" X 21.8" - W/O HDW - BELMONT MAPLE
2	160269-41-YK3	EA	DOOR - ARCHED/FLUTED/LH HAND - 10.8" X 21.8" - W/O HDW - WASHED MAPLE
2	160269-41-YT0	EA	DOOR - ARCHED/FLUTED/LH HAND - 10.8" X 21.8" - W/O HDW - COFFEE GLAZED HONEY CHERRY
3	160270-41-YK0	EA	DOOR - ARCHED/FLUTED/RH HAND - 10.8" X 21.8" - W/O HDW - CONCERT CHERRY
3	160270-41-YK1	EA	DOOR - ARCHED/FLUTED/RH HAND - 10.8" X 21.8" - W/O HDW - HONEY CHERRY
3	160270-41-YK2	EA	DOOR - ARCHED/FLUTED/RH HAND - 10.8" X 21.8" - W/O HDW - BELMONT MAPLE
3	160270-41-YK3	EA	DOOR - ARCHED/FLUTED/RH HAND - 10.8" X 21.8" - W/O HDW - WASHED MAPLE
3	160270-41-YT0	EA	DOOR - ARCHED/FLUTED/RH HAND - 10.8" X 21.8" - W/O HDW - COFFEE GLAZED HONEY CHERRY
4	160270-86-YK0	EA	DOOR - ARCHED/FLUTED/RH HAND - 12.8" X 21.8" - W/O HDW - CONCERT CHERRY
4	160270-86-YK1	EA	DOOR - ARCHED/FLUTED/RH HAND - 12.8" X 21.8" - W/O HDW - HONEY CHERRY
4	160270-86-YK2	EA	DOOR - ARCHED/FLUTED/RH HAND - 12.8" X 21.8" - W/O HDW - BELMONT MAPLE
4	160270-86-YK3	EA	DOOR - ARCHED/FLUTED/RH HAND - 12.8" X 21.8" - W/O HDW - WASHED MAPLE
4	160270-86-YT0	EA	DOOR - ARCHED/FLUTED/RH HAND - 12.8" X 21.8" - W/O HDW - COFFEE GLAZED HONEY CHERRY
5	160087-01-UJ1	EA	DOOR - SLIDING - 25.2" X 68.8" - W/O HDW - CONCERT CHERRY
5	160087-01-UJ3	EA	DOOR - SLIDING - 25.2" X 68.8" - W/O HDW - HONEY CHERRY
5	160087-01-YG3	EA	DOOR - SLIDING - 25.2" X 68.8" - W/O HDW - BELMONT MAPLE
5	160087-01-UJ2	EA	DOOR - SLIDING - 25.2" X 68.8" - W/O HDW - WASHED MAPLE
5	160087-01-YT3	EA	DOOR - SLIDING - 25.2" X 68.8" - W/O HDW - COFFEE GLAZED HONEY CHERRY

CABINET & APPLIANCE GROUP (CONTINUED)
CABINET & APPLIANCE LAYOUT (CONTINUED)

KEY	PART NUMBER	U/M	DESCRIPTION
6	162542-01-UN4	EA	DOOR - FLAP/WOOD - 3.5" X 68.8" - W/HINGE - CONCERT CHERRY
6	162542-01-UJ3	EA	DOOR - FLAP/WOOD - 3.5" X 68.8" - W/HINGE - HONEY CHERRY
6	162542-01-YG3	EA	DOOR - FLAP/WOOD - 3.5" X 68.8" - W/HINGE - BELMONT MAPLE
6	162542-01-UF2	EA	DOOR - FLAP/WOOD - 3.5" X 68.8" - W/HINGE - WASHED MAPLE
6	162542-01-YT3	EA	DOOR - FLAP/WOOD - 3.5" X 68.8" - W/HINGE - COFFEE GLAZED HONEY CHERRY
7	160271-22-YK0	EA	DOOR - ARCHED/FLUTED/HORIZ - 10" X 19.1" - W/O HDW - CONCERT CHERRY
7	160271-22-YK1	EA	DOOR - ARCHED/FLUTED/HORIZ - 10" X 19.1" - W/O HDW - HONEY CHERRY
7	160271-22-YK2	EA	DOOR - ARCHED/FLUTED/HORIZ - 10" X 19.1" - W/O HDW - BELMONT MAPLE
7	160271-22-YK3	EA	DOOR - ARCHED/FLUTED/HORIZ - 10" X 19.1" - W/O HDW - WASHED MAPLE
7	160271-22-YT0	EA	DOOR - ARCHED/FLUTED/HORIZ - 10" X 19.1" - W/O HDW - COFFEE GLAZED HONEY CHERRY
8	147873-11-YK0	EA	DOOR - FLUTED EDGE/MIRRORED - 10.6" X 65.3" - W/O HDW - CONCERT CHERRY
8	147873-11-YK1	EA	DOOR - FLUTED EDGE/MIRRORED - 10.6" X 65.3" - W/O HDW - HONEY CHERRY
8	147873-11-YK2	EA	DOOR - FLUTED EDGE/MIRRORED - 10.6" X 65.3" - W/O HDW - BELMONT MAPLE
8	147873-11-YK3	EA	DOOR - FLUTED EDGE/MIRRORED - 10.6" X 65.3" - W/O HDW - WASHED MAPLE
8	147873-11-YT0	EA	DOOR - FLUTED EDGE/MIRRORED - 10.6" X 65.3" - W/O HDW - COFFEE GLAZED HONEY CHERRY
	140374-86-000	EA	MIRROR - SAFETY GLASS - 6.7" X 61.3"
9	160271-91-YK0	EA	DOOR - ARCHED/FLUTED/HORIZ - 13.6" X 27.1" - W/O HDW - CONERT CHERRY
9	160271-91-YK1	EA	DOOR - ARCHED/FLUTED/HORIZ - 13.6" X 27.1" - W/O HDW - HONEY CHERRY
9	160271-91-YK2	EA	DOOR - ARCHED/FLUTED/HORIZ - 13.6" X 27.1" - W/O HDW - BELMONT MAPLE
9	160271-91-YK3	EA	DOOR - ARCHED/FLUTED/HORIZ - 13.6" X 27.1" - W/O HDW - WASHED MAPLE
9	160271-91-YT0	EA	DOOR - ARCHED/FLUTED/HORIZ - 13.6" X 27.1" - W/O HDW - COFFEE GLAZED HONEY CHERRY
10	160272-E5-YK0	EA	DOOR - RAISED PANEL/DBL FLUTED - 12.4" X 35" - W/O HDW - CONCERT CHERRY
10	160272-E5-YK1	EA	DOOR - RAISED PANEL/DBL FLUTED - 12.4" X 35" - W/O HDW - HONEY CHERRY
10	160272-E5-YK2	EA	DOOR - RAISED PANEL/DBL FLUTED - 12.4" X 35" - W/O HDW - BELMONT MAPLE
10	160272-E5-YK3	EA	DOOR - RAISED PANEL/DBL FLUTED - 12.4" X 35" - W/O HDW - WASHED MAPLE
10	160272-E5-YT0	EA	DOOR - RAISED PANEL/DBL FLUTED - 12.4" X 35" - W/O HDW - COFFEE GLAZED HONEY CHERRY
11	161076-23-WK0	EA	DRAWER - DBL FLUTED EDGE - 16.7"W X 21.6"D -W/O SLIDES/HDW - CONCERT CHERRY
11	161076-23-WK2	EA	DRAWER - DBL FLUTED EDGE - 16.7"W X 21.6"D -W/O SLIDES/HDW - HONEY CHERRY
11	161076-23-YK2	EA	DRAWER - DBL FLUTED EDGE - 16.7"W X 21.6"D -W/O SLIDES/HDW - BELMONT MAPLE
11	161076-23-WK1	EA	DRAWER - DBL FLUTED EDGE - 16.7"W X 21.6"D -W/O SLIDES/HDW - WASHED MAPLE
11	161076-23-YT0	EA	DRAWER - DBL FLUTED EDG - 16.7"W X 21.6"D -W/O SLIDE/HDW - COFFEE GLAZED HONEY CHERRY
12	159933-01-UJ1	EA	DRAWER - CURVED FACE - 21.4"W X 17.9"D - W/O SLIDES/HDW - CONCERT CHERRY
12	159933-01-UJ3	EA	DRAWER - CURVED FACE - 21.4"W X 17.9"D - W/O SLIDES/HDW - HONEY CHERRY
12	159933-01-YG3	EA	DRAWER - CURVED FACE - 21.4"W X 17.9"D - W/O SLIDES/HDW - BELMONT MAPLE
12	159933-01-UJ2	EA	DRAWER - CURVED FACE - 21.4"W X 17.9"D - W/O SLIDES/HDW - WASHED MAPLE
12	159933-01-YT3	EA	DRAWER - CURVED FACE - 21.4"W X 17.9"D - W/O SLIDES/HDW - COFFEE GLAZED HONEY CHERRY
13	159933-02-UJ1	EA	DRAWER - CURVED FACE - 21.4"W X 20.2"D - W/O SLIDES/HDW - CONCERT CHERRY
13	159933-02-UJ3	EA	DRAWER - CURVED FACE - 21.4"W X 20.2"D - W/O SLIDES/HDW - HONEY CHERRY
13	159933-02-YG3	EA	DRAWER - CURVED FACE - 21.4"W X 20.2"D - W/O SLIDES/HDW - BELMONT MAPLE
13	159933-02-UJ2	EA	DRAWER - CURVED FACE - 21.4"W X 20.2"D - W/O SLIDES/HDW - WASHED MAPLE
13	159933-02-YT3	EA	DRAWER - CURVED FACE - 21.4"W X 20.2"D - W/O SLIDES/HDW - COFFEE GLAZED HONEY CHERRY
14	160164-01-YK0	EA	DRAWER - CURVED - 23.2"W X 16.9"D - W/O HDW - CONCERT CHERRY
14	160164-01-YK1	EA	DRAWER - CURVED - 23.2"W X 16.9"D - W/O HDW - HONEY CHERRY
14	160164-01-YK2	EA	DRAWER - CURVED - 23.2"W X 16.9"D - W/O HDW - BELMONT MAPLE
14	160164-01-YK3	EA	DRAWER - CURVED - 23.2"W X 16.9"D - W/O HDW - WASHED MAPLE
14	160164-01-YT0	EA	DRAWER - CURVED - 23.2"W X 16.9"D - W/O HDW - COFFEE GLAZED HONEY CHERRY
15	160272-B9-YK0	EA	DOOR - RAISED PANEL/DBL FLUTED - 14.9" X 21.8" - W/O HDW - CONCERT CHERRY
15	160272-B9-YK1	EA	DOOR - RAISED PANEL/DBL FLUTED - 14.9" X 21.8" - W/O HDW - HONEY CHERRY
15	160272-B9-YK2	EA	DOOR - RAISED PANEL/DBL FLUTED - 14.9" X 21.8" - W/O HDW - BELMONT MAPLE
15	160272-B9-YK3	EA	DOOR - RAISED PANEL/DBL FLUTED - 14.9" X 21.8" - W/O HDW - WASHED MAPLE
15	160272-B9-YT0	EA	DOOR - RAISED PANEL/DBL FLUTED - 14.9" X 21.8" - W/O HDW - COFFEE GLAZED HONEY CHERRY
16	160272-C0-YK0	EA	DOOR - RAISED PANEL/DBL FLUTED - 14.9" X 21.8" - W/O HDW - CONCERT CHERRY
16	160272-C0-YK1	EA	DOOR - RAISED PANEL/DBL FLUTED - 14.9" X 21.8" - W/O HDW - HONEY CHERRY
16	160272-C0-YK2	EA	DOOR - RAISED PANEL/DBL FLUTED - 14.9" X 21.8" - W/O HDW - BELMONT MAPLE
16	160272-C0-YK3	EA	DOOR - RAISED PANEL/DBL FLUTED - 14.9" X 21.8" - W/O HDW - WASHED MAPLE
16	160272-C0-YT0	EA	DOOR - RAISED PANEL/DBL FLUTED - 14.9" X 21.8" - W/O HDW - COFFEE GLAZED HONEY CHERRY
17	160272-C6-YK0	EA	DOOR - RAISED PANEL/DBL FLUTED - 15.5" X 29.5" - W/O HDW - CONCERT CHERRY
17	160272-C6-YK1	EA	DOOR - RAISED PANEL/DBL FLUTED - 15.5" X 29.5" - W/O HDW - HONEY CHERRY
17	160272-C6-YK2	EA	DOOR - RAISED PANEL/DBL FLUTED - 15.5" X 29.5" - W/O HDW - BELMONT MAPLE
17	160272-C6-YK3	EA	DOOR - RAISED PANEL/DBL FLUTED - 15.5" X 29.5" - W/O HDW - WASHED MAPLE
17	160272-C6-YT0	EA	DOOR - RAISED PANEL/DBL FLUTED - 15.5" X 29.5" - W/O HDW - COFFEE GLAZED HONEY CHERRY

CABINET & APPLIANCE GROUP (CONTINUED)
CABINET & APPLIANCE LAYOUT (CONTINUED)

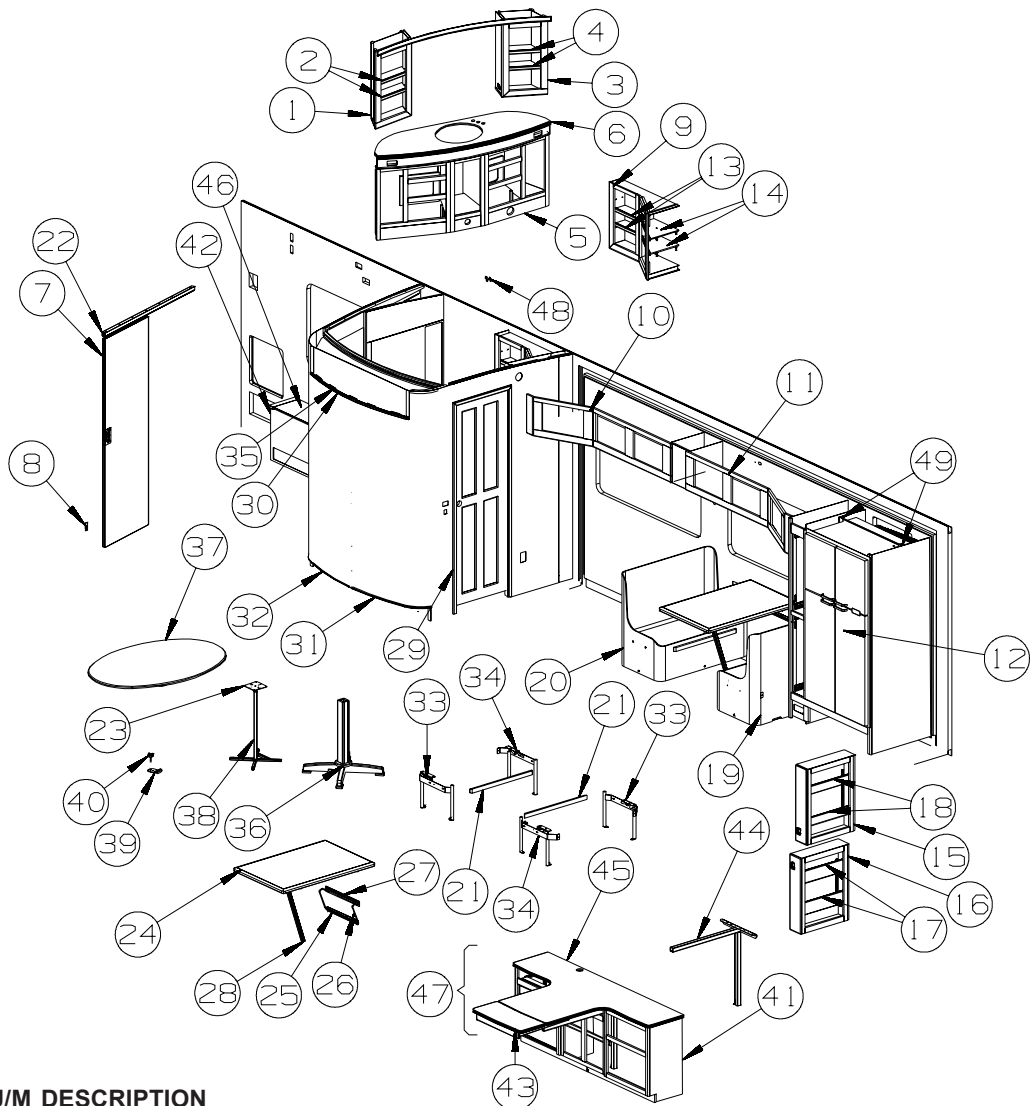


KEY	PART NUMBER	U/M	DESCRIPTION
18	160272-29-YK0	EA	DOOR - RAISED PANEL/DBL FLUTED - 10" X 29.5" - W/O HDW - CONCERT CHERRY
18	160272-29-YK1	EA	DOOR - RAISED PANEL/DBL FLUTED - 10" X 29.5" - W/O HDW - HONEY CHERRY
18	160272-29-YK2	EA	DOOR - RAISED PANEL/DBL FLUTED - 10" X 29.5" - W/O HDW - BELMONT MAPLE
18	160272-29-YK3	EA	DOOR - RAISED PANEL/DBL FLUTED - 10" X 29.5" - W/O HDW - WASHED MAPLE
18	160272-29-YT0	EA	DOOR - RAISED PANEL/DBL FLUTED - 10" X 29.5" - W/O HDW - COFFEE GLAZED HONEY CHERRY
19	161076-40-YK0	EA	DRAWER - DBL FLUTED EDGE - 22.6"W X 21.6"D -W/O SLIDES/HDW - CONCERT CHERRY
19	161076-40-YK1	EA	DRAWER - DBL FLUTED EDGE - 22.6"W X 21.6"D -W/O SLIDES/HDW - HONEY CHERRY
19	161076-40-YK2	EA	DRAWER - DBL FLUTED EDGE - 22.6"W X 21.6"D -W/O SLIDES/HDW - BELMONT MAPLE
19	161076-40-YK3	EA	DRAWER - DBL FLUTED EDGE - 22.6"W X 21.6"D -W/O SLIDES/HDW - WASHED MAPLE
19	161076-40-YT0	EA	DRAWER - DBL FLUTED EDG - 22.6"W X 21.6"D -W/O SLIDE/HDW - COFFEE GLAZED HONEY CHERRY
20	161076-25-WK0	EA	DRAWER - DBL FLUTED EDGE - 10"W X 21.6"D -W/O SLIDES/HDW - CONCERT CHERRY
20	161076-25-WK2	EA	DRAWER - DBL FLUTED EDGE - 10"W X 21.6"D -W/O SLIDES/HDW - HONEY CHERRY
20	161076-25-YK2	EA	DRAWER - DBL FLUTED EDGE - 10"W X 21.6"D -W/O SLIDES/HDW - BELMONT MAPLE
20	161076-25-WK1	EA	DRAWER - DBL FLUTED EDGE - 10"W X 21.6"D -W/O SLIDES/HDW - WASHED MAPLE
20	161076-25-YT0	EA	DRAWER - DBL FLUTED EDGE - 10"W X 21.6"D -W/O SLIDES/HDW - COFFEE GLAZED HONEY CHERRY
21	161076-20-WK0	EA	DRAWER - DBL FLUTED EDGE - 10"W X 21.6"D -W/O SLIDES/HDW - CONCERT CHERRY
21	161076-20-WK2	EA	DRAWER - DBL FLUTED EDGE - 10"W X 21.6"D -W/O SLIDES/HDW - HONEY CHERRY
21	161076-20-YK2	EA	DRAWER - DBL FLUTED EDGE - 10"W X 21.6"D -W/O SLIDES/HDW - BELMONT MAPLE
21	161076-20-WK1	EA	DRAWER - DBL FLUTED EDGE - 10"W X 21.6"D -W/O SLIDES/HDW - WASHED MAPLE
21	161076-20-YT0	EA	DRAWER - DBL FLUTED EDGE - 10"W X 21.6"D -W/O SLIDES/HDW - COFFEE GLAZED HONEY CHERRY
22	161076-21-WK0	EA	DRAWER - DBL FLUTED EDGE - 10"W X 21.6"D -W/O SLIDES/HDW - CONCERT CHERRY
22	161076-21-WK2	EA	DRAWER - DBL FLUTED EDGE - 10"W X 21.6"D -W/O SLIDES/HDW - HONEY CHERRY
22	161076-21-YK2	EA	DRAWER - DBL FLUTED EDGE - 10"W X 21.6"D -W/O SLIDES/HDW - BELMONT MAPLE
22	161076-21-WK1	EA	DRAWER - DBL FLUTED EDGE - 10"W X 21.6"D -W/O SLIDES/HDW - WASHED MAPLE
22	161076-21-YT0	EA	DRAWER - DBL FLUTED EDGE - 10"W X 21.6"D -W/O SLIDES/HDW - COFFEE GLAZED HONEY CHERRY

CABINET & APPLIANCE GROUP (CONTINUED)
CABINET & APPLIANCE LAYOUT (CONTINUED)

KEY	PART NUMBER	U/M	DESCRIPTION
23	161076-22-WK0	EA	DRAWER - DBL FLUTED EDGE - 10"W X 21.6"D -W/O SLIDES/HDW - CONCERT CHERRY
23	161076-22-WK2	EA	DRAWER - DBL FLUTED EDGE - 10"W X 21.6"D -W/O SLIDES/HDW - HONEY CHERRY
23	161076-22-YK2	EA	DRAWER - DBL FLUTED EDGE - 10"W X 21.6"D -W/O SLIDES/HDW - BELMONT MAPLE
23	161076-22-WK1	EA	DRAWER - DBL FLUTED EDGE - 10"W X 21.6"D -W/O SLIDES/HDW - WASHED MAPLE
23	161076-22-YT0	EA	DRAWER - DBL FLUTED EDGE - 10"W X 21.6"D -W/O SLIDES/HDW - COFFEE GLAZED HONEY CHERRY
24	155684-19-WK0	EA	DRAWER - TRAY/SILVERWARE - W/O SLIDES/HDW - CONCERT CHERRY
24	155684-19-WK2	EA	DRAWER - TRAY/SILVERWARE - W/O SLIDES/HDW - HONEY CHERRY
24	155684-19-YK2	EA	DRAWER - TRAY/SILVERWARE - W/O SLIDES/HDW - BELMONT MAPLE
24	155684-19-WK1	EA	DRAWER - TRAY/SILVERWARE - W/O SLIDES/HDW - WASHED MAPLE
24	155684-19-YT0	EA	DRAWER - TRAY/SILVERWARE - W/O SLIDES/HDW - COFFEE GLAZED HONEY CHERRY
25	161076-24-WK0	EA	DRAWER - DBL FLUTED EDGE - 22.6"W X 21.6"D -W/O SLIDES/HDW - CONCERT CHERRY
25	161076-24-WK2	EA	DRAWER - DBL FLUTED EDGE - 22.6"W X 21.6"D -W/O SLIDES/HDW - HONEY CHERRY
25	161076-24-YK2	EA	DRAWER - DBL FLUTED EDGE - 22.6"W X 21.6"D -W/O SLIDES/HDW - BELMONT MAPLE
25	161076-24-WK1	EA	DRAWER - DBL FLUTED EDGE - 22.6"W X 21.6"D -W/O SLIDES/HDW - WASHED MAPLE
25	161076-24-YT0	EA	DRAWER - DBL FLUTED EDG - 22.6"W X 21.6"D -W/O SLIDE/HDW - COFFEE GLAZED HONEY CHERRY
26	160272-28-YK0	EA	DOOR - RAISED PANEL/DBL FLUTED - 10" X 29.5" - W/O HDW - CONCERT CHERRY
26	160272-28-YK1	EA	DOOR - RAISED PANEL/DBL FLUTED - 10" X 29.5" - W/O HDW - HONEY CHERRY
26	160272-28-YK2	EA	DOOR - RAISED PANEL/DBL FLUTED - 10" X 29.5" - W/O HDW - BELMONT MAPLE
26	160272-28-YK3	EA	DOOR - RAISED PANEL/DBL FLUTED - 10" X 29.5" - W/O HDW - WASHED MAPLE
26	160272-28-YT0	EA	DOOR - RAISED PANEL/DBL FLUTED - 10" X 29.5" - W/O HDW - COFFEE GLAZED HONEY CHERRY
27	159961-01-UJ1	EA	DOOR - CURVED/VERTICLE - 15.8"W X 50.5"H - W/O HDW - CONCERT CHERRY
27	159961-01-UJ3	EA	DOOR - CURVED/VERTICLE - 15.8"W X 50.5"H - W/O HDW - HONEY CHERRY
27	159961-01-YG3	EA	DOOR - CURVED/VERTICLE - 15.8"W X 50.5"H - W/O HDW - BELMONT MAPLE
27	159961-01-UJ2	EA	DOOR - CURVED/VERTICLE - 15.8"W X 50.5"H - W/O HDW - WASHED MAPLE
27	159961-01-YT3	EA	DOOR - CURVED/VERTICLE - 15.8"W X 50.5"H - W/O HDW - COFFEE GLAZED HONEY CHERRY
28	160162-01-UJ1	EA	DOOR - CURVED - 6.5" X 27.9" - W/O HDW - CONCERT CHERRY
28	160162-01-UJ3	EA	DOOR - CURVED - 6.5" X 27.9" - W/O HDW - HONEY CHERRY
28	160162-01-YL6	EA	DOOR - CURVED - 6.5" X 27.9" - W/O HDW - BELMONT MAPLE
28	160162-01-UJ2	EA	DOOR - CURVED - 6.5" X 27.9" - W/O HDW - WASHED MAPLE
28	160162-01-YT3	EA	DOOR - CURVED - 6.5" X 27.9" - W/O HDW - COFFEE GLAZED HONEY CHERRY
29	162329-12-YK0	EA	DOOR - DBL FLUTED - W/GLASS - 13" X 10.8" - W/O HDW - CONCERT CHERRY
29	162329-12-YK1	EA	DOOR - DBL FLUTED - W/GLASS - 13" X 10.8" - W/O HDW - HONEY CHERRY
29	162329-12-YK2	EA	DOOR - DBL FLUTED - W/GLASS - 13" X 10.8" - W/O HDW - BELMONT MAPLE
29	162329-12-YK3	EA	DOOR - DBL FLUTED - W/GLASS - 13" X 10.8" - W/O HDW - WASHED MAPLE
29	162329-12-YT0	EA	DOOR - DBL FLUTED - W/GLASS - 13" X 10.8" - W/O HDW - COFFEE GLAZED HONEY CHERRY
30	161081-43-WK0	EA	FACE/DRAWER/DOOR - SOLID PANEL - CONCERT CHERRY
30	161081-43-WK2	EA	FACE/DRAWER/DOOR - SOLID PANEL - HONEY CHERRY
30	161081-43-YK2	EA	FACE/DRAWER/DOOR - SOLID PANEL - BELMONT MAPLE
30	161081-43-WK1	EA	FACE/DRAWER/DOOR - SOLID PANEL - WASHED MAPLE
30	161081-43-YT0	EA	FACE/DRAWER/DOOR - SOLID PANEL - COFFEE GLAZED HONEY CHERRY
31	161081-21-YK0	EA	FACE/DRAWER/DOOR - SOLID PANEL - CONCERT CHERRY
31	161081-21-YK1	EA	FACE/DRAWER/DOOR - SOLID PANEL - HONEY CHERRY
31	161081-21-YK2	EA	FACE/DRAWER/DOOR - SOLID PANEL - BELMONT MAPLE
31	161081-21-YK3	EA	FACE/DRAWER/DOOR - SOLID PANEL - WASHED MAPLE
31	161081-21-YT0	EA	FACE/DRAWER/DOOR - SOLID PANEL - COFFEE GLAZED HONEY CHERRY
32	113130-01-02A	EA	PULL - DOOR POCKET - CHROME

CABINET & APPLIANCE GROUP (CONTINUED)
CABINET & APPLIANCE LAYOUT (CONTINUED)



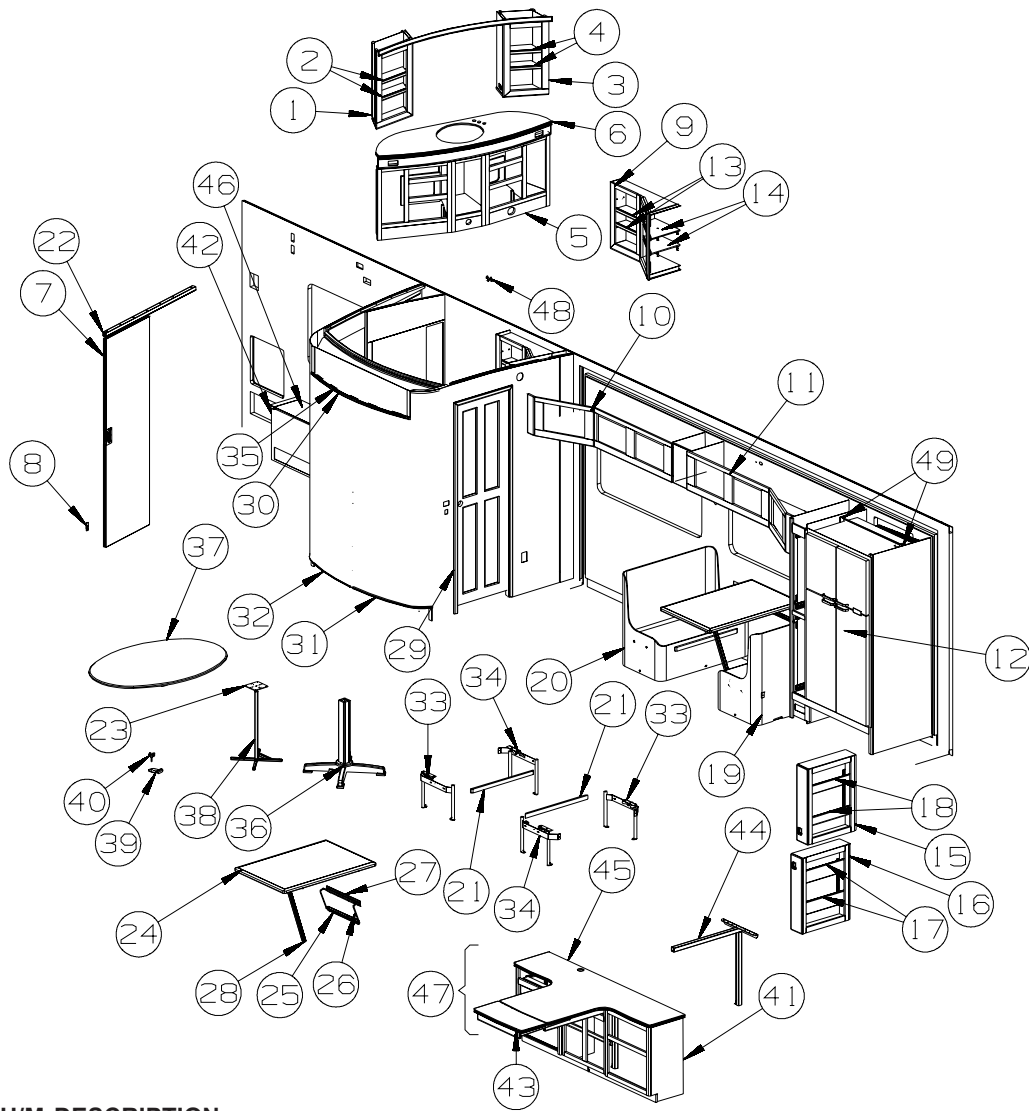
KEY	PART NUMBER	U/M	DESCRIPTION
1	159299-03-UK5	EA	CABINET - OVERHEAD/LAVATORY/LH - W/O DOORS/HDW - CONCERT CHERRY
1	159299-03-YL5	EA	CABINET - OVERHEAD/LAVATORY/LH - W/O DOORS/HDW - HONEY CHERRY
1	159299-03-YL6	EA	CABINET - OVERHEAD/LAVATORY/LH - W/O DOORS/HDW - BELMONT MAPLE
1	159299-03-UK6	EA	CABINET - OVERHEAD/LAVATORY/LH - W/O DOORS/HDW - WASHED MAPLE
1	159299-03-YT3	EA	CABINET - OVERHEAD/LAVATORY/LH - W/O DOORS/HDW - COFFEE GLAZED HONEY CHERRY
2	159299-44-YL4	EA	SHELF - W/WOOD MOLDING - CONCERT CHERRY
2	159299-44-YL5	EA	SHELF - W/WOOD MOLDING - HONEY CHERRY
2	159299-44-YL6	EA	SHELF - W/WOOD MOLDING - BELMONT MAPLE
2	159299-44-YL7	EA	SHELF - W/WOOD MOLDING - WASHED MAPLE
2	159299-44-YT3	EA	SHELF - W/WOOD MOLDING - COFFEE GLAZED HONEY CHERRY
3	159299-04-UK5	EA	CABINET - OVERHEAD/LAVATORY/LH - W/O DOORS/HDW - CONCERT CHERRY
3	159299-04-UK7	EA	CABINET - OVERHEAD/LAVATORY/LH - W/O DOORS/HDW - HONEY CHERRY
3	159299-04-YL6	EA	CABINET - OVERHEAD/LAVATORY/LH - W/O DOORS/HDW - BELMONT MAPLE
3	159299-04-UK6	EA	CABINET - OVERHEAD/LAVATORY/LH - W/O DOORS/HDW - WASHED MAPLE
3	159299-04-YT3	EA	CABINET - OVERHEAD/LAVATORY/LH - W/O DOORS/HDW - COFFEE GLAZED HONEY CHERRY
4	159299-49-YL4	EA	SHELF - W/WOOD MOLDING - CONCERT CHERRY
4	159299-49-YL5	EA	SHELF - W/WOOD MOLDING - HONEY CHERRY
4	159299-49-YL6	EA	SHELF - W/WOOD MOLDING - BELMONT MAPLE
4	159299-49-YL7	EA	SHELF - W/WOOD MOLDING - WASHED MAPLE
4	159299-49-YT3	EA	SHELF - W/WOOD MOLDING - COFFEE GLAZED HONEY CHERRY
5	P63064-01-WK0	EA	CABINET - LAVATORY - W/O COUNTERTOP/DOORS/DRAWERS/HDW - CONCERT CHERRY
5	P63064-01-WK2	EA	CABINET - LAVATORY - W/O COUNTERTOP/DOORS/DRAWERS/HDW - HONEY CHERRY
5	P63064-01-YL6	EA	CABINET - LAVATORY - W/O COUNTERTOP/DOORS/DRAWERS/HDW - BELMONT MAPLE
5	P63064-01-WK1	EA	CABINET - LAVATORY - W/O COUNTERTOP/DOORS/DRAWERS/HDW - WASHED MAPLE
5	P63064-01-YT3	EA	CABINET - LAVATORY - W/O CNTRTP/DOORS/DRAWERS/HDW - COFFEE GLAZED HONEY CHERRY
	167273-01-11C	EA	COUNTERTOP - LAVATORY - 1/2" CORIAN (YK0, YK1, YK2, YK3, YT0)
	167273-01-10C	EA	COUNTERTOP - LAVATORY - 1/2" CORIAN (YK4, YK5, YK6, YK7, YT1)

CABINET & APPLIANCE GROUP (CONTINUED)
CABINET & APPLIANCE LAYOUT (CONTINUED)

KEY	PART NUMBER	U/M	DESCRIPTION
	167273-01-12C	EA	COUNTERTOP - LAVATORY - 1/2" CORIAN (YL0, YL1, YL2, YL3, YT2)
7	157304-02-TG1	EA	DOOR - SLIDING - W/O HARDWARE - CONCERT CHERRY
7	157304-02-TG3	EA	DOOR - SLIDING - W/O HARDWARE - HONEY CHERRY
7	157304-02-YG3	EA	DOOR - SLIDING - W/O HARDWARE - BELMONT MAPLE
7	157304-02-TG2	EA	DOOR - SLIDING - W/O HARDWARE - WASHED MAPLE
7	157304-02-YT3	EA	DOOR - SLIDING - W/O HARDWARE - COFFEE GLAZED HONEY CHERRY
8	149607-03-02B	EA	GUIDE - F/POCKET DOOR - 2.5" BENT ROD - E-COATED
9	159456-02-UK5	EA	CABINET - OVERHEAD/LINEN - W/O DOORS/HDW - CONCERT CHERRY
9	159456-02-YL6	EA	CABINET - OVERHEAD/LINEN - W/O DOORS/HDW - HONEY CHERRY
9	159456-02-UK7	EA	CABINET - OVERHEAD/LINEN - W/O DOORS/HDW - BELMONT MAPLE
9	159456-02-UK6	EA	CABINET - OVERHEAD/LINEN - W/O DOORS/HDW - WASHED MAPLE
9	159456-02-YT3	EA	CABINET - OVERHEAD/LINEN - W/O DOORS/HDW - COFFEE GLAZED HONEY CHERRY
10	159323-02-UK5	EA	CABINET - OVERHEAD/SLIDEOUT - W/O DOORS/HDW - CONCERT CHERRY
10	159323-02-UK7	EA	CABINET - OVERHEAD/SLIDEOUT - W/O DOORS/HDW - HONEY CHERRY
10	159323-02-YL6	EA	CABINET - OVERHEAD/SLIDEOUT - W/O DOORS/HDW - BELMONT MAPLE
10	159323-02-UK6	EA	CABINET - OVERHEAD/SLIDEOUT - W/O DOORS/HDW - WASHED MAPLE
10	159323-02-YT3	EA	CABINET - OVERHEAD/SLIDEOUT - W/O DOORS/HDW - COFFEE GLAZED HONEY CHERRY
11	159322-02-UK5	EA	CABINET - OVERHEAD/SLIDEOUT - W/O DOORS/HDW - CONCERT CHERRY
11	159322-02-UK7	EA	CABINET - OVERHEAD/SLIDEOUT - W/O DOORS/HDW - HONEY CHERRY
11	159322-02-YL6	EA	CABINET - OVERHEAD/SLIDEOUT - W/O DOORS/HDW - BELMONT MAPLE
11	159322-02-UK6	EA	CABINET - OVERHEAD/SLIDEOUT - W/O DOORS/HDW - WASHED MAPLE
11	159322-02-YT3	EA	CABINET - OVERHEAD/SLIDEOUT - W/O DOORS/HDW - COFFEE GLAZED HONEY CHERRY
12*	125242-05-02A	EA	REFRIGERATOR - 4 DOOR - W/ICE MAKER - TITANIUM SST
12*	165267-01-01A	EA	REFRIGERATOR - SIDE/SIDE - W/ICE & WATER IN DOOR - SST - REFRIG W/ICE/WTR DIS
	118871-02-01A	EA	TRAY - REFRIGERATOR - SIDE/SIDE - BLACK - 34.4" LONG
	054450-01-000	EA	LEVEL - REFRIGERATOR
13	159456-32-YL4	EA	SHELF - W/WOOD MOLDING - CONCERT CHERRY
13	159456-32-YL5	EA	SHELF - W/WOOD MOLDING - HONEY CHERRY
13	159456-32-YL6	EA	SHELF - W/WOOD MOLDING - BELMONT MAPLE
13	159456-32-YL7	EA	SHELF - W/WOOD MOLDING - WASHED MAPLE
13	159456-32-YT3	EA	SHELF - W/WOOD MOLDING - COFFEE GLAZED HONEY CHERRY
14	159456-34-YL4	EA	SHELF - W/WOOD MOLDING - CONCERT CHERRY
14	159456-34-YL5	EA	SHELF - W/WOOD MOLDING - HONEY CHERRY
14	159456-34-YL6	EA	SHELF - W/WOOD MOLDING - BELMONT MAPLE
14	159456-34-YL7	EA	SHELF - W/WOOD MOLDING - WASHED MAPLE
14	159456-34-YT3	EA	SHELF - W/WOOD MOLDING - COFFEE GLAZED HONEY CHERRY
15	153343-01-SD1	EA	CABINET - PANTRY/SLIDE - W/O DRS/DRAWERS/HDW - CONCERT CHERRY
15	153343-01-SD3	EA	CABINET - PANTRY/SLIDE - W/O DOORS/DRAWERS/HDW - HONEY CHERRY
15	153343-01-YG3	EA	CABINET - PANTRY/SLIDE - W/O DOORS/DRAWERS/HDW - BELMONT MAPLE
15	153343-01-SD2	EA	CABINET - PANTRY/SLIDE - W/O DOORS/DRAWERS/HDW - WASHED MAPLE
15	153343-01-YT3	EA	CABINET - PANTRY/SLIDE - W/O DOORS/DRAWERS/HDW - COFFEE GLAZED HONEY CHERRY
16	153343-03-SD1	EA	CABINET - PANTRY/SLIDE - W/O DRS/DRAWERS/HD - CONCERT CHERRY
16	153343-03-SD3	EA	CABINET - PANTRY/SLIDE - W/O DOORS/DRAWERS/HD - HONEY CHERRY
16	153343-03-YG3	EA	CABINET - PANTRY/SLIDE - W/O DOORS/DRAWERS/HD - BELMONT MAPLE
16	153343-03-SD2	EA	CABINET - PANTRY/SLIDE - W/O DOORS/DRAWERS/HD - WASHED MAPLE
16	153343-03-YT3	EA	CABINET - PANTRY/SLIDE - W/O DOORS/DRAWERS/HD - COFFEE GLAZED HONEY CHERRY
17	153343-27-SD1	EA	SHELF - W/WOOD MOLDING - CONCERT CHERRY
17	153343-27-SD3	EA	SHELF - W/WOOD MOLDING - HONEY CHERRY
17	153343-27-Y93	EA	SHELF - W/WOOD MOLDING - BELMONT MAPLE
17	153343-27-SD2	EA	SHELF - W/WOOD MOLDING - WASHED MAPLE
17	153343-27-YT3	EA	SHELF - W/WOOD MOLDING - COFFEE GLAZED HONEY CHERRY
18	153343-21-SD1	EA	SHELF - W/WOOD MOLDING - CONCERT CHERRY
18	153343-21-SD3	EA	SHELF - W/WOOD MOLDING - HONEY CHERRY
18	153343-21-Y93	EA	SHELF - W/WOOD MOLDING - BELMONT MAPLE
18	153343-21-SD2	EA	SHELF - W/WOOD MOLDING - WASHED MAPLE
18	153343-21-YT3	EA	SHELF - W/WOOD MOLDING - COFFEE GLAZED HONEY CHERRY
19	161306-26-YK0	EA	CABINET/DINETTE W/BACK(WRAPPED) - W/O DOORS/HDW - 14W
19	161306-26-YK1	EA	CABINET/DINETTE W/BACK(WRAPPED) - W/O DOORS/HDW - 14W
19	161306-26-YK2	EA	CABINET/DINETTE W/BACK(WRAPPED) - W/O DOORS/HDW - 14W
19	161306-26-YK3	EA	CABINET/DINETTE W/BACK(WRAPPED) - W/O DOORS/HDW - 14W
19	161306-26-YK4	EA	CABINET/DINETTE W/BACK(WRAPPED) - W/O DOORS/HDW - 14W
19	161306-26-YK5	EA	CABINET/DINETTE W/BACK(WRAPPED) - W/O DOORS/HDW - 14W
19	161306-26-YK6	EA	CABINET/DINETTE W/BACK(WRAPPED) - W/O DOORS/HDW - 14W
19	161306-26-YK7	EA	CABINET/DINETTE W/BACK(WRAPPED) - W/O DOORS/HDW - 14W

CABINET & APPLIANCE GROUP (CONTINUED)

CABINET & APPLIANCE LAYOUT (CONTINUED)

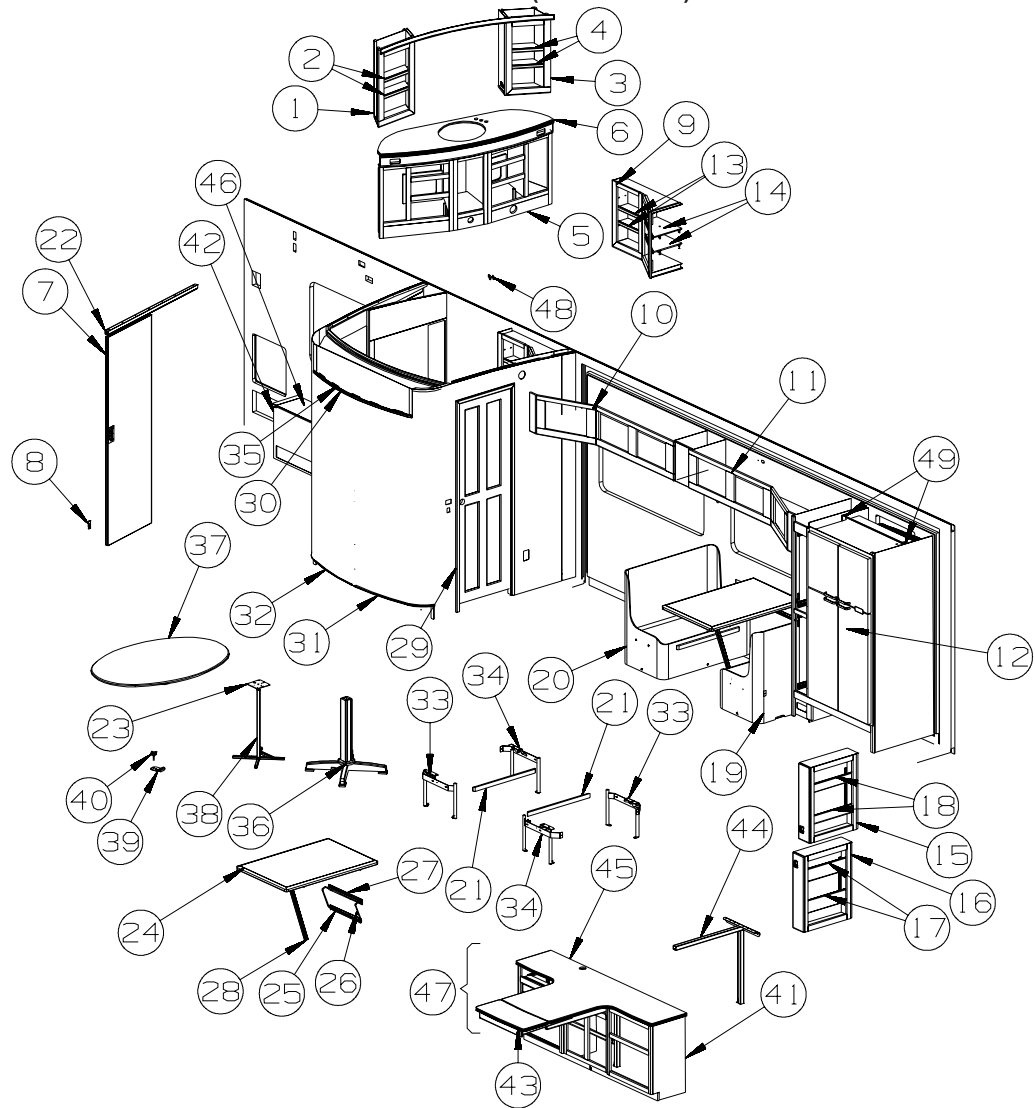


KEY	PART NUMBER	U/M	DESCRIPTION
19	161306-26-YL0	EA	CABINET/DINETTE W/BACK(WRAPPED) - W/O DOORS/HDW - 14W
19	161306-26-YL1	EA	CABINET/DINETTE W/BACK(WRAPPED) - W/O DOORS/HDW - 14W
19	161306-26-YL2	EA	CABINET/DINETTE W/BACK(WRAPPED) - W/O DOORS/HDW - 14W
19	161306-26-YL3	EA	CABINET/DINETTE W/BACK(WRAPPED) - W/O DOORS/HDW - 14W
19	161306-26-YT0	EA	CABINET/DINETTE W/BACK(WRAPPED) - W/O DOORS/HDW - 14W
19	161306-26-YT1	EA	CABINET/DINETTE W/BACK(WRAPPED) - W/O DOORS/HDW - 14W
19	161306-26-YT2	EA	CABINET/DINETTE W/BACK(WRAPPED) - W/O DOORS/HDW - 14W
20	161306-27-YK0	EA	CABINET/DINETTE W/BACK(WRAPPED) - W/O DOORS/HDW - 14W
20	161306-27-YK1	EA	CABINET/DINETTE W/BACK(WRAPPED) - W/O DOORS/HDW - 14W
20	161306-27-YK2	EA	CABINET/DINETTE W/BACK(WRAPPED) - W/O DOORS/HDW - 14W
20	161306-27-YK3	EA	CABINET/DINETTE W/BACK(WRAPPED) - W/O DOORS/HDW - 14W
20	161306-27-YK4	EA	CABINET/DINETTE W/BACK(WRAPPED) - W/O DOORS/HDW - 14W
20	161306-27-YK5	EA	CABINET/DINETTE W/BACK(WRAPPED) - W/O DOORS/HDW - 14W
20	161306-27-YK6	EA	CABINET/DINETTE W/BACK(WRAPPED) - W/O DOORS/HDW - 14W
20	161306-27-YK7	EA	CABINET/DINETTE W/BACK(WRAPPED) - W/O DOORS/HDW - 14W
20	161306-27-YL0	EA	CABINET/DINETTE W/BACK(WRAPPED) - W/O DOORS/HDW - 14W
20	161306-27-YL1	EA	CABINET/DINETTE W/BACK(WRAPPED) - W/O DOORS/HDW - 14W
20	161306-27-YL2	EA	CABINET/DINETTE W/BACK(WRAPPED) - W/O DOORS/HDW - 14W
20	161306-27-YL3	EA	CABINET/DINETTE W/BACK(WRAPPED) - W/O DOORS/HDW - 14W
20	161306-27-YT0	EA	CABINET/DINETTE W/BACK(WRAPPED) - W/O DOORS/HDW - 14W
20	161306-27-YT2	EA	CABINET/DINETTE W/BACK(WRAPPED) - W/O DOORS/HDW - 14W
20	161306-27-YT3	EA	CABINET/DINETTE W/BACK(WRAPPED) - W/O DOORS/HDW - 14W

CABINET & APPLIANCE GROUP (CONTINUED)
CABINET & APPLIANCE LAYOUT (CONTINUED)

KEY	PART NUMBER	U/M	DESCRIPTION
21	081295-13-YA0	EA	SUPPORT - BED/DINETTE - 28" LONG - CONCERT CHERRY - 14W
21	081295-13-YA1	EA	SUPPORT - BED/DINETTE - 28" LONG - HONEY CHERRY - 14W
21	081295-13-YA2	EA	SUPPORT - BED/DINETTE - 28" LONG - BELMONT MAPLE - 14W
21	081295-13-YG1	EA	SUPPORT - BED/DINETTE - 28" LONG - WASHED MAPLE - 14W
21	081295-13-YT3	EA	SUPPORT - BED/DINETTE - 28" LONG - COFFEE GLAZED HONEY CHERRY - 14W
22	145608-04-01A	EA	TRACK - DOOR - 53.3" - OFF WHITE
23	148038-01-02B	EA	PLATE - TABLE TOP - BLACK
24	143257-27-WK0	EA	TABLE - 27.8" X 41.6" - CONCERT CHERRY - 14W
24	143257-27-WK2	EA	TABLE - 27.8" X 41.6" - HONEY CHERRY - 14W
24	143257-27-YL6	EA	TABLE - 27.8" X 41.6" - BELMONT MAPLE - 14W
24	143257-27-WK1	EA	TABLE - 27.8" X 41.6" - WASHED MAPLE - 14W
24	143257-27-YT3	EA	TABLE - 27.8" X 41.6" - COFFE GLAZED HONEY CHERRY - 14W
25	024281-12-000	EA	BRACKET/WALL - TABLE LIFT - 17.1" - ALMOND - DINETTE
26	024275-16-000	EA	ROD - TABLE LIFT - W/ARMS 8" & BASE ROD 18.5" - ALMOND - DINETTE
27	140921-02-02A	EA	BRACKET/TABLE SUPPORT - 18.5" - ALMOND - DINETTE
28	143798-01-02A	EA	CATCH - FLOOR TO TABLE LEG - ALMOND - DINETTE
29	165906-11-YG0	EA	DOOR - BATH - 3 PANEL - W/O JAMB/TRIM/HDW - CONCERT CHERRY
29	165906-11-YL5	EA	DOOR - BATH - 3 PANEL - W/O JAMB/TRIM/HDW - HONEY CHERRY
29	165906-11-YG3	EA	DOOR - BATH - 3 PANEL - W/O JAMB/TRIM/HDW - BELMONT MAPLE
29	165906-11-YG1	EA	DOOR - BATH - 3 PANEL - W/O JAMB/TRIM/HDW - WASHED MAPLE
29	165906-11-YT3	EA	DOOR - BATH - 3 PANEL - W/O JAMB/TRIM/HDW - COFFEE GLAZED HONEY CHERRY
30	158656-01-UJ1	EA	TRIM/MOLDING - BATH/HORIZONTAL/UPPER - 54.8" - CONCERT CHERRY
30	158656-01-UJ3	EA	TRIM/MOLDING - BATH/HORIZONTAL/UPPER - 54.8" - HONEY CHERRY
30	158656-01-YG3	EA	TRIM/MOLDING - BATH/HORIZONTAL/UPPER - 54.8" - BELMONT MAPLE
30	158656-01-UJ2	EA	TRIM/MOLDING - BATH/HORIZONTAL/UPPER - 54.8" - WASHED MAPLE
30	158656-01-YT3	EA	TRIM/MOLDING - BATH/HORIZONTAL/UPPER - 54.8" - COFFEE GLAZED HONEY CHERRY
31	159966-11-UJ1	EA	TRIM/MOLDING - BATH/HORIZ/LOWER/FRONT - 34.2" - CONCERT CHERRY
31	159966-11-UJ3	EA	TRIM/MOLDING - BATH/HORIZ/LOWER/FRONT - 34.2" - HONEY CHERRY
31	159966-11-YG3	EA	TRIM/MOLDING - BATH/HORIZ/LOWER/FRONT - 34.2" - BELMONT MAPLE
31	159966-11-UJ2	EA	TRIM/MOLDING - BATH/HORIZ/LOWER/FRONT - 34.2" - WASHED MAPLE
31	159966-11-YT3	EA	TRIM/MOLDING - BATH/HORIZ/LOWER/FRONT - 34.2" - COFFEE GLAZED HONEY CHERRY
32	159966-12-UJ1	EA	TRIM/MOLDING - BATH/HORIZ/LOWER/REAR - 36.6" - CONCERT CHERRY
32	159966-12-UJ3	EA	TRIM/MOLDING - BATH/HORIZ/LOWER/REAR - 36.6" - HONEY CHERRY
32	159966-12-YG3	EA	TRIM/MOLDING - BATH/HORIZ/LOWER/REAR - 36.6" - BELMONT MAPLE
32	159966-12-UJ2	EA	TRIM/MOLDING - BATH/HORIZ/LOWER/REAR - 36.6" - WASHED MAPLE
32	159966-12-YT3	EA	TRIM/MOLDING - BATH/HORIZ/LOWER/REAR - 36.6" - COFFEE GLAZED HONEY CHERRY
33	161278-02-000	EA	BRACKET - DINETTE - LEFT HAND - DINETTE
34	161278-01-000	EA	BRACKET - DINETTE - RIGHT HAND - DINETTE
35	146514-04-000	EA	CHANNEL/MOUNT - F/ROPE LIGHT
36	149677-28-UJ1	EA	PEDESTAL - TABLE LEG - CONCERT CHERRY
36	149677-28-UJ3	EA	PEDESTAL - TABLE LEG - HONEY CHERRY
36	149677-28-YG3	EA	PEDESTAL - TABLE LEG - BELMONT MAPLE
36	149677-28-UJ2	EA	PEDESTAL - TABLE LEG - WASHED MAPLE
36	149677-28-YT3	EA	PEDESTAL - TABLE LEG - COFFEE GLAZED HONEY CHERRY
37	149677-23-SD1	EA	TABLE TOP ONLY - OVAL DROP LEAF - W/O PEDESTAL - CONCERT CHERRY
37	149677-23-SD3	EA	TABLE TOP ONLY - OVAL DROP LEAF - W/O PEDESTAL - HONEY CHERRY
37	149677-23-YG3	EA	TABLE TOP ONLY - OVAL DROP LEAF - W/O PEDESTAL - BELMONT MAPLE
37	149677-23-SD2	EA	TABLE TOP ONLY - OVAL DROP LEAF - W/O PEDESTAL - WASHED MAPLE
37	149677-23-YT3	EA	TABLE TOP ONLY - OVAL DROP LEAF - W/O PEDESTAL - COFFEE GLAZED HONEY CHERRY
38	149810-01-02B	EA	BASE/FRAME - F/TABLE PEDESTAL - E-COATED
39	134057-04-11B	EA	BRACKET - RECLINER - FLAT BLACK
40	134194-04-01A	EA	KNOB - HOLD DOWN/RECLINER - BLACK
41	P60419-02-WK0	EA	CBNT - STRG/CMPTR - W/O CNTRTPS/DRWRS/HDW - CONCERT CHERRY - 21P FROM: 00-00-00 THRU: 05-26-08
41	P60419-04-YL4	EA	CABINET - TBLE/STRGE - W/O CNTRTPS/DRWRS/HDW - CONCERT CHERRY - 21P FROM: 05-27-08 THRU: 99-99-99
41	P60419-02-WK2	EA	CBNT - STRG/CMPTR - W/O CNTRTPS/DRWRS/HDW - HONEY CHERRY - 21P FROM: 00-00-00 THRU: 05-26-08
41	P60419-04-YL5	EA	CABINET - TBLE/STRGE - W/O CNTRTPS/DRWRS/HDW - HONEY CHERRY - 21P FROM: 05-27-08 THRU: 99-99-99
41	P60419-02-YL6	EA	CBNT - STRG/CMPTR - W/O CNTRTPS/DRWRS/HDW - BELMONT MAPLE - 21P FROM: 00-00-00 THRU: 05-26-08
41	P60419-04-YL6	EA	CABINET - TBLE/STRGE - W/O CNTRTPS/DRWRS/HDW - BELMONT MAPLE - 21P FROM: 05-27-08 THRU: 99-99-99

CABINET & APPLIANCE GROUP (CONTINUED)
CABINET & APPLIANCE LAYOUT (CONTINUED)



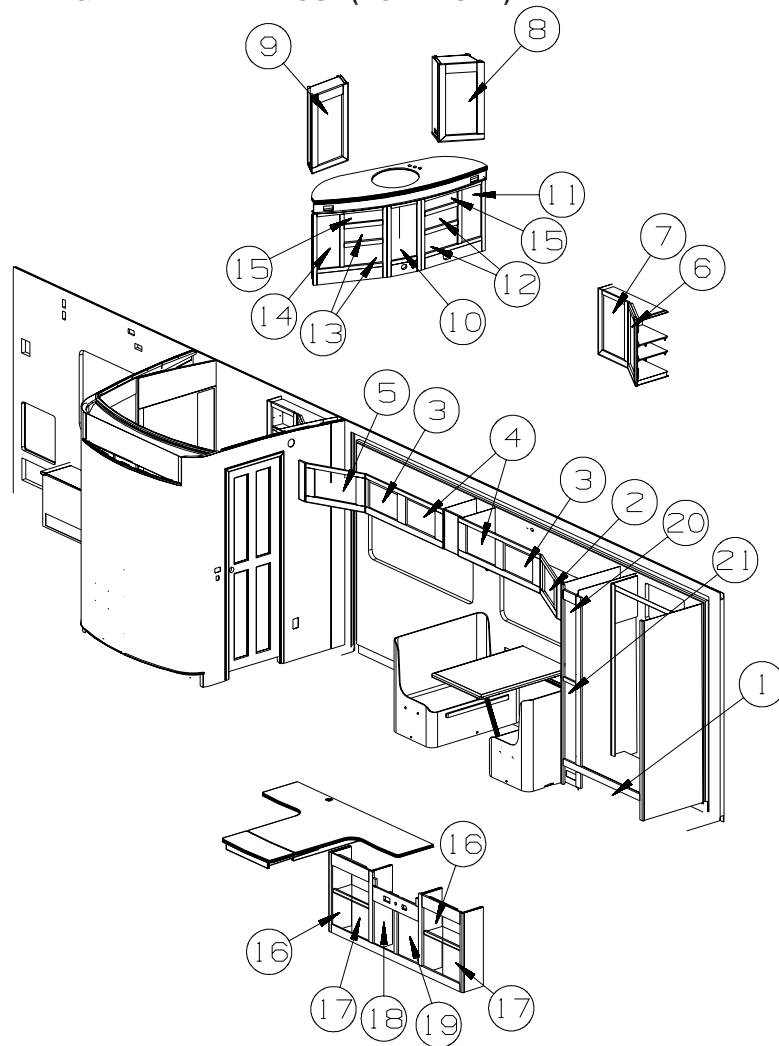
KEY	PART NUMBER	U/M	DESCRIPTION
41	P60419-02-WK1	EA	CBNT - STRG/CMPTR - W/O CNTRTPS/DRWRS/HDW - WASHED MAPLE - 21P FROM: 00-00-00 THRU: 05-26-08
41	P60419-04-YL7	EA	CABINET - TBLE/STRGE - W/O CNTRTPS/DRWRS/HDW - WASHED MAPLE - 21P FROM: 05-27-08 THRU: 99-99-99
41	P60419-04-YT3	EA	CABINET - TBLE/STRGE - W/O CNTRTPS/DRWRS/HDW - COFFEE GLAZED HONEY CHERRY - 21P
42	163007-01-WK0	EA	CABINET - BENCH - W/O TOP/HDW - CONCERT CHERRY
42	163007-01-WK2	EA	CABINET - BENCH - W/O TOP/HDW - HONEY CHERRY
42	163007-01-YL6	EA	CABINET - BENCH - W/O TOP/HDW - BELMONT MAPLE
42	163007-01-WK1	EA	CABINET - BENCH - W/O TOP/HDW - WASHED MAPLE
42	163007-01-YT3	EA	CABINET - BENCH - W/O TOP/HDW - COFFEE GLAZED HONEY CHERRY
42	137943-01-000	EA	SAFE - STEEL - 9.8" X 9.8" FACE / 7.7" X 8.7" X 8.7" R.O.
43	162478-01-WK0	EA	COUNTERTOP (YK0, YK1, YK2, YK3, YT0) - 21P
43	162478-01-WK4	EA	COUNTERTOP (YK4, YK5, YK6, YK7, YT1) - 21P
43	162478-01-YM4	EA	COUNTERTOP (YL0, YL1, YL2, YL3, YT2) - 21P
44	153362-03-02B	EA	SUPPORT - TABLE - E-COATED - 21P
45	162967-01-WK0	EA	COUNTERTOP (YK0, YK1, YK2, YK3, YT0) - 21P
45	162967-01-WK4	EA	COUNTERTOP (YK4, YK5, YK6, YK7, YT1) - 21P
45	162967-01-YM4	EA	COUNTERTOP (YL0, YL1, YL2, YL3, YT2) - 21P
46	145212-32-UJ1	EA	COUNTERTOP - LAMINATED - CONCERT CHERRY
46	145212-32-UJ3	EA	COUNTERTOP - LAMINATED - HONEY CHERRY
46	145212-32-YG3	EA	COUNTERTOP - LAMINATED - BELMONT MAPLE
46	145212-32-UJ2	EA	COUNTERTOP - LAMINATED - WASHED MAPLE
46	145212-32-YT3	EA	COUNTERTOP - LAMINATED - COFFEE GLAZED HONEY CHERRY
47	161851-01-WK0	EA	TABLE - W/FRAME - W/O HDW - 24.8" X 42.6" (YK0)
47	161851-01-WK2	EA	TABLE - W/FRAME - W/O HDW - 24.8" X 42.6" (YK1)
47	161851-01-YK2	EA	TABLE - W/FRAME - W/O HDW - 24.8" X 42.6" (YK2)

CABINET & APPLIANCE GROUP (CONTINUED)
CABINET & APPLIANCE LAYOUT (CONTINUED)

KEY	PART NUMBER	U/M	DESCRIPTION
47	161851-01-WK1	EA	TABLE - W/FRAME - W/O HDW - 24.8" X 42.6" (YK3)
47	161851-01-WK4	EA	TABLE - W/FRAME - W/O HDW - 24.8" X 42.6" (YK4)
47	161851-01-WK6	EA	TABLE - W/FRAME - W/O HDW - 24.8" X 42.6" (YK5)
47	161851-01-YL6	EA	TABLE - W/FRAME - W/O HDW - 24.8" X 42.6" (YK6)
47	161851-01-WK5	EA	TABLE - W/FRAME - W/O HDW - 24.8" X 42.6" (YK7)
47	161851-01-YM4	EA	TABLE - W/FRAME - W/O HDW - 24.8" X 42.6" (YL0)
47	161851-01-YM5	EA	TABLE - W/FRAME - W/O HDW - 24.8" X 42.6" (YL1)
47	161851-01-YM6	EA	TABLE - W/FRAME - W/O HDW - 24.8" X 42.6" (YL2)
47	161851-01-YM7	EA	TABLE - W/FRAME - W/O HDW - 24.8" X 42.6" (YL3)
47	161851-01-YT0	EA	TABLE - W/FRAME - W/O HDW - 24.8" X 42.6" (YT0)
47	161851-01-YT3	EA	TABLE - W/FRAME - W/O HDW - 24.8" X 42.6" (YT1)
47	161851-01-YT5	EA	TABLE - W/FRAME - W/O HDW - 24.8" X 42.6" (YT2)
48	155436-01-01A	EA	STOP - DOOR/BATH - SATIN NICKEL
49			REFRIGERATOR SEALS
	090329-01-000	FT	SEAL - "T" - REFRIGERATOR CABINET

***COMPONENT PARTS LISTED LATER IN THIS GROUP**

CABINET & APPLIANCE GROUP (CONTINUED)
CABINET & APPLIANCE LAYOUT (CONTINUED)



KEY	PART NUMBER	U/M	DESCRIPTION
1	161076-07-WK0	EA	DRAWER - DBL FLUTED EDGE - 31.6"W X 17.7"D -W/O SLIDES/HDW - CONCERT CHERRY
1	161076-07-WK2	EA	DRAWER - DBL FLUTED EDGE - 31.6"W X 17.7"D -W/O SLIDES/HDW - HONEY CHERRY
1	161076-07-YK2	EA	DRAWER - DBL FLUTED EDGE - 31.6"W X 17.7"D -W/O SLIDES/HDW - BELMONT MAPLE
1	161076-07-WK1	EA	DRAWER - DBL FLUTED EDGE - 31.6"W X 17.7"D -W/O SLIDES/HDW - WASHED MAPLE
1	161076-07-YT0	EA	DRAWER - DBL FLUTED EDG - 31.6"W X 17.7"D -W/O SLIDE/HDW - COFFEE GLAZED HONEY CHERRY
2	160270-E8-YK0	EA	DOOR - ARCHED/FLUTED/RH HAND - 17.7" X 12.8" - W/O HDW - CONCERT CHERRY
2	160270-E8-YK1	EA	DOOR - ARCHED/FLUTED/RH HAND - 17.7" X 12.8" - W/O HDW - HONEY CHERRY
2	160270-E8-YK2	EA	DOOR - ARCHED/FLUTED/RH HAND - 17.7" X 12.8" - W/O HDW - BELMONT MAPLE
2	160270-E8-YK3	EA	DOOR - ARCHED/FLUTED/RH HAND - 17.7" X 12.8" - W/O HDW - WASHED MAPLE
2	160270-E8-YT0	EA	DOOR - ARCHED/FLUTED/RH HAND - 17.7" X 12.8" - W/O HDW - COFFEE GLAZED HONEY CHERRY
3	162329-01-YK0	EA	DOOR - DBL FLUTED - W/GLASS - 17.7" X 12.8" - W/O HDW - CONCERT CHERRY
3	162329-01-YK1	EA	DOOR - DBL FLUTED - W/GLASS - 17.7" X 12.8" - W/O HDW - HONEY CHERRY
3	162329-01-YK2	EA	DOOR - DBL FLUTED - W/GLASS - 17.7" X 12.8" - W/O HDW - BELMONT MAPLE
3	162329-01-YK3	EA	DOOR - DBL FLUTED - W/GLASS - 17.7" X 12.8" - W/O HDW - WASHED MAPLE
3	162329-01-YT0	EA	DOOR - DBL FLUTED - W/GLASS - 17.7" X 12.8" - W/O HDW - COFFEE GLAZED HONEY CHERRY
4	162329-02-YK0	EA	DOOR - DBL FLUTED - W/GLASS - 17.7" X 12.8" - W/O HD - CONCERT CHERRY
4	162329-02-YK1	EA	DOOR - DBL FLUTED - W/GLASS - 17.7" X 12.8" - W/O HD - HONEY CHERRY
4	162329-02-YK2	EA	DOOR - DBL FLUTED - W/GLASS - 17.7" X 12.8" - W/O HD - BELMONT MAPLE
4	162329-02-YK3	EA	DOOR - DBL FLUTED - W/GLASS - 17.7" X 12.8" - W/O HD - WASHED MAPLE
4	162329-02-YT0	EA	DOOR - DBL FLUTED - W/GLASS - 17.7" X 12.8" - W/O HD - COFFEE GLAZED HONEY CHERRY
5	160269-E8-YK0	EA	DOOR - ARCHED/FLUTED/LH HAND - 17.7" X 12.8" - W/O HDW - CONCERT CHERRY
5	160269-E8-YK1	EA	DOOR - ARCHED/FLUTED/LH HAND - 17.7" X 12.8" - W/O HDW - HONEY CHERRY
5	160269-E8-YK2	EA	DOOR - ARCHED/FLUTED/LH HAND - 17.7" X 12.8" - W/O HDW - BELMONT MAPLE
5	160269-E8-YK3	EA	DOOR - ARCHED/FLUTED/LH HAND - 17.7" X 12.8" - W/O HDW - WASHED MAPLE
5	160269-E8-YT0	EA	DOOR - ARCHED/FLUTED/LH HAND - 17.7" X 12.8" - W/O HDW - COFFEE GLAZED HONEY CHERRY

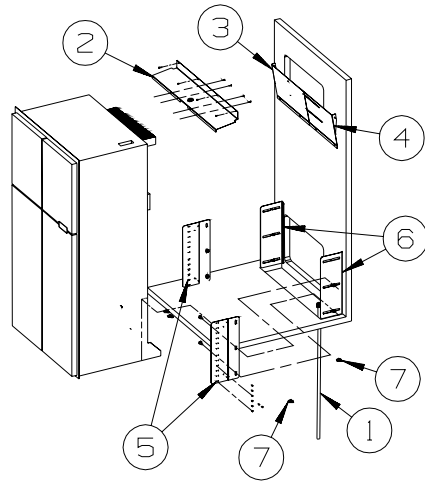
CABINET & APPLIANCE GROUP (CONTINUED)
CABINET & APPLIANCE LAYOUT (CONTINUED)

KEY	PART NUMBER	U/M	DESCRIPTION
6	160270-89-YK0	EA	DOOR - ARCHED/FLUTED/RH HAND - 13.4" X 21.8" - W/O HDW - CONCERT CHERRY
6	160270-89-YK1	EA	DOOR - ARCHED/FLUTED/RH HAND - 13.4" X 21.8" - W/O HDW - HONEY CHERRY
6	160270-89-YK2	EA	DOOR - ARCHED/FLUTED/RH HAND - 13.4" X 21.8" - W/O HDW - BELMONT MAPLE
6	160270-89-YK3	EA	DOOR - ARCHED/FLUTED/RH HAND - 13.4" X 21.8" - W/O HDW - WASHED MAPLE
6	160270-89-YT0	EA	DOOR - ARCHED/FLUTED/RH HAND - 13.4" X 21.8" - W/O HDW - COFFEE GLAZED HONEY CHERRY
7	160269-89-YK0	EA	DOOR - ARCHED/FLUTED/LH HAND - 13.4" X 21.8" - W/O HDW - CONCERT CHERRY
7	160269-89-YK1	EA	DOOR - ARCHED/FLUTED/LH HAND - 13.4" X 21.8" - W/O HDW - HONEY CHERRY
7	160269-89-YK2	EA	DOOR - ARCHED/FLUTED/LH HAND - 13.4" X 21.8" - W/O HDW - BELMONT MAPLE
7	160269-89-YK3	EA	DOOR - ARCHED/FLUTED/LH HAND - 13.4" X 21.8" - W/O HDW - WASHED MAPLE
7	160269-89-YT0	EA	DOOR - ARCHED/FLUTED/LH HAND - 13.4" X 21.8" - W/O HDW - COFFEE GLAZED HONEY CHERRY
8	160270-71-YK0	EA	DOOR - ARCHED/FLUTED/RH HAND - 12" X 25.9" - W/O HDW - CONCERT CHERRY
8	160270-71-YK1	EA	DOOR - ARCHED/FLUTED/RH HAND - 12" X 25.9" - W/O HDW - HONEY CHERRY
8	160270-71-YK2	EA	DOOR - ARCHED/FLUTED/RH HAND - 12" X 25.9" - W/O HDW - BELMONT MAPLE
8	160270-71-YK3	EA	DOOR - ARCHED/FLUTED/RH HAND - 12" X 25.9" - W/O HDW - WASHED MAPLE
8	160270-71-YT0	EA	DOOR - ARCHED/FLUTED/RH HAND - 12" X 25.9" - W/O HDW - COFFEE GLAZED HONEY CHERRY
9	160269-71-YK0	EA	DOOR - ARCHED/FLUTED/LH HAND - 12" X 25.9" - W/O HDW - CONCERT CHERRY
9	160269-71-YK1	EA	DOOR - ARCHED/FLUTED/LH HAND - 12" X 25.9" - W/O HDW - HONEY CHERRY
9	160269-71-YK2	EA	DOOR - ARCHED/FLUTED/LH HAND - 12" X 25.9" - W/O HDW - BELMONT MAPLE
9	160269-71-YK3	EA	DOOR - ARCHED/FLUTED/LH HAND - 12" X 25.9" - W/O HDW - WASHED MAPLE
9	160269-71-YT0	EA	DOOR - ARCHED/FLUTED/LH HAND - 12" X 25.9" - W/O HDW - COFFEE GLAZED HONEY CHERRY
10	160272-41-YK0	EA	DOOR - RAISED PANEL/DBL FLUTED - 10.8" X 21.8" - W/O HDW - CONCERT CHERRY
10	160272-41-YK1	EA	DOOR - RAISED PANEL/DBL FLUTED - 10.8" X 21.8" - W/O HDW - HONEY CHERRY
10	160272-41-YK2	EA	DOOR - RAISED PANEL/DBL FLUTED - 10.8" X 21.8" - W/O HDW - BELMONT MAPLE
10	160272-41-YK3	EA	DOOR - RAISED PANEL/DBL FLUTED - 10.8" X 21.8" - W/O HDW - WASHED MAPLE
10	160272-41-YT0	EA	DOOR - RAISED PANEL/DBL FLUTED - 10.8" X 21.8" - W/O HDW - COFFEE GLAZED HONEY CHERRY
11	160272-09-YK0	EA	DOOR - RAISED PANEL/DBL FLUTED - 9.2" X 21.8" - W/O HDW - CONCERT CHERRY
11	160272-09-YK1	EA	DOOR - RAISED PANEL/DBL FLUTED - 9.2" X 21.8" - W/O HDW - HONEY CHERRY
11	160272-09-YK2	EA	DOOR - RAISED PANEL/DBL FLUTED - 9.2" X 21.8" - W/O HDW - BELMONT MAPLE
11	160272-09-YK3	EA	DOOR - RAISED PANEL/DBL FLUTED - 9.2" X 21.8" - W/O HDW - WASHED MAPLE
11	160272-09-YT0	EA	DOOR - RAISED PANEL/DBL FLUTED - 9.2" X 21.8" - W/O HDW - COFFEE GLAZED HONEY CHERRY
12	161076-19-WK0	EA	DRAWER - DBL FLUTED EDGE - 12.7"W X 11.8"D -W/O SLIDES/HDW - CONCERT CHERRY
12	161076-19-WK2	EA	DRAWER - DBL FLUTED EDGE - 12.7"W X 11.8"D -W/O SLIDES/HDW - HONEY CHERRY
12	161076-19-YK2	EA	DRAWER - DBL FLUTED EDGE - 12.7"W X 11.8"D -W/O SLIDES/HDW - BELMONT MAPLE
12	161076-19-WK1	EA	DRAWER - DBL FLUTED EDGE - 12.7"W X 11.8"D -W/O SLIDES/HDW - WASHED MAPLE
12	161076-19-YT0	EA	DRAWER - DBL FLUTED EDG - 12.7"W X 11.8"D -W/O SLIDE/HDW - COFFEE GLAZED HONEY CHERRY
13	161076-15-WK0	EA	DRAWER - DBL FLUTED EDGE - 12.7"W X 11.8"D -W/O SLIDES/HDW - CONCERT CHERRY
13	161076-15-WK2	EA	DRAWER - DBL FLUTED EDGE - 12.7"W X 11.8"D -W/O SLIDES/HDW - HONEY CHERRY
13	161076-15-YK2	EA	DRAWER - DBL FLUTED EDGE - 12.7"W X 11.8"D -W/O SLIDES/HDW - BELMONT MAPLE
13	161076-15-WK1	EA	DRAWER - DBL FLUTED EDGE - 12.7"W X 11.8"D -W/O SLIDES/HDW - WASHED MAPLE
13	161076-15-YT0	EA	DRAWER - DBL FLUTED EDG - 12.7"W X 11.8"D -W/O SLIDE/HDW - COFFEE GLAZED HONEY CHERRY
14	160272-08-YK0	EA	DOOR - RAISED PANEL/DBL FLUTED - 9.2" X 21.8" - W/O HDW - CONCERT CHERRY
14	160272-08-YK1	EA	DOOR - RAISED PANEL/DBL FLUTED - 9.2" X 21.8" - W/O HDW - HONEY CHERRY
14	160272-08-YK2	EA	DOOR - RAISED PANEL/DBL FLUTED - 9.2" X 21.8" - W/O HDW - BELMONT MAPLE
14	160272-08-YK3	EA	DOOR - RAISED PANEL/DBL FLUTED - 9.2" X 21.8" - W/O HDW - WASHED MAPLE
14	160272-08-YT0	EA	DOOR - RAISED PANEL/DBL FLUTED - 9.2" X 21.8" - W/O HDW - COFFEE GLAZED HONEY CHERRY
15	161076-18-WK0	EA	DRAWER - DBL FLUTED EDGE - 12.7"W X 9.8"D -W/O SLIDES/HDW - CONCERT CHERRY
15	161076-18-WK2	EA	DRAWER - DBL FLUTED EDGE - 12.7"W X 9.8"D -W/O SLIDES/HDW - HONEY CHERRY
15	161076-18-YK2	EA	DRAWER - DBL FLUTED EDGE - 12.7"W X 9.8"D -W/O SLIDES/HDW - BELMONT MAPLE
15	161076-18-WK1	EA	DRAWER - DBL FLUTED EDGE - 12.7"W X 9.8"D -W/O SLIDES/HDW - WASHED MAPLE
15	161076-18-YT0	EA	DRAWER - DBL FLUTED EDG - 12.7"W X 9.8"D -W/O SLIDES/HDW - COFFEE GLAZED HONEY CHERRY
16	160272-44-YK0	EA	DOOR - RAISED PNL/DBL FLUTED - 10.8" X 23.8" - CONCERT CHERRY - 21P
16	160272-44-YK1	EA	DOOR - RAISED PNL/DBL FLUTED - 10.8" X 23.8" - W/O HDW - HONEY CHERRY - 21P
16	160272-44-YK2	EA	DOOR - RAISED PNL/DBL FLUTED - 10.8" X 23.8" - W/O HDW - BELMONT MAPLE - 21P
16	160272-44-YK3	EA	DOOR - RAISED PNL/DBL FLUTED - 10.8" X 23.8" - W/O HDW - WASHED MAPLE - 21P
16	160272-44-YT0	EA	DOOR - RAISED PNL/DBL FLUTED - 10.8" X 23.8" - W/O HDW - COFFEE GLAZED HONEY CHERRY - 21P
17	160272-45-YK0	EA	DOOR - RAISED PNL/DBL FLUTED - 10.8" X 23.8" - CONCERT CHERRY - 21P
17	160272-45-YK1	EA	DOOR - RAISED PNL/DBL FLUTED - 10.8" X 23.8" - W/O HDW- HONEY CHERRY - 21P
17	160272-45-YK2	EA	DOOR - RAISED PNL/DBL FLUTED - 10.8" X 23.8" - W/O HDW - BELMONT MAPLE - 21P
17	160272-45-YK3	EA	DOOR - RAISED PNL/DBL FLUTED - 10.8" X 23.8" - W/O HDW - WASHED MAPLE - 21P
17	160272-45-YT0	EA	DOOR - RAISED PNL/DBL FLTD - 10.8" X 23.8" - W/O HDW - COFFEE GLAZED HONEY CHERRY - 21P

CABINET & APPLIANCE GROUP (CONTINUED)
CABINET & APPLIANCE LAYOUT (CONTINUED)

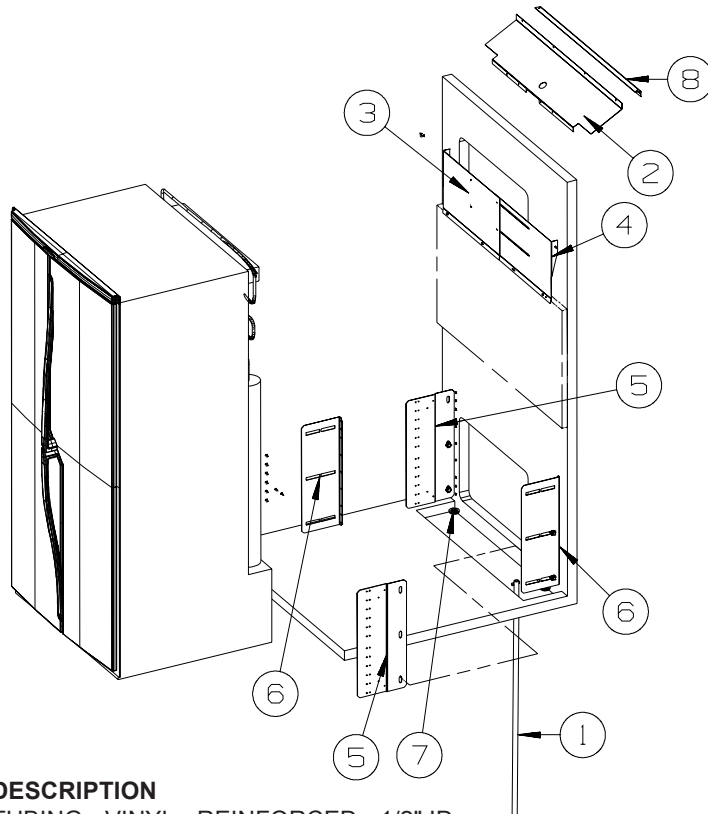
KEY	PART NUMBER	U/M	DESCRIPTION
18	160272-83-YK0	EA	DOOR - RAISED PNL/DBL FLUTED - 12.8" X 17.7" - CONCERT CHERRY - 21P
18	160272-83-YK1	EA	DOOR - RAISED PNL/DBL FLUTED - 12.8" X 17.7" - W/O HDW- HONEY CHERRY - 21P
18	160272-83-YK2	EA	DOOR - RAISED PNL/DBL FLUTED - 12.8" X 17.7" - W/O HDW - BELMONT MAPLE - 21P
18	160272-83-YK3	EA	DOOR - RAISED PNL/DBL FLUTED - 12.8" X 17.7" - W/O HDW - WASHED MAPLE - 21P
18	160272-83-YT0	EA	DOOR - RAISED PNL/DBL FLUTED - 12.8" X 17.7" - W/O HDW - COFFEE GLAZED HONEY CHERRY - 21P
19	160272-84-YK0	EA	DOOR - RAISED PNL/DBL FLUTED - 12.8" X 17.7" - CONCERT CHERRY - 21P
19	160272-84-YK1	EA	DOOR - RAISED PNL/DBL FLUTED - 12.8" X 17.7" - W/O HDW - HONEY CHERRY - 21P
19	160272-84-YK2	EA	DOOR - RAISED PNL/DBL FLUTED - 12.8" X 17.7" - W/O HDW - BELMONT MAPLE - 21P
19	160272-84-YK3	EA	DOOR - RAISED PNL/DBL FLUTED - 12.8" X 17.7" - W/O HDW - WASHED MAPLE - 21P
19	160272-84-YT0	EA	DOOR - RAISED PNL/DBL FLUTED - 12.8" X 17.7" - W/O HDW - COFFEE GLAZED HONEY CHERRY - 21P
20	161081-03-YK0	EA	FACE/DRAWER/DOOR - SOLID PANEL - 7.9" X 30.3" - W/O HDW - CONCERT CHERRY FROM: 00-00-00 THRU: 06-24-08
20	145298-97-YK0	EA	DOOR - SOLID PANEL/FLUTED EDGE - 7.9" X 30.3" - W/O HDW - CONCERT CHERRY FROM: 06-25-08 THRU: 99-99-99
20	161081-03-YK1	EA	FACE/DRAWER/DOOR - SOLID PANEL - 7.9" X 30.3" - W/O HDW - HONEY CHERRY FROM: 00-00-00 THRU: 06-24-08
20	145298-97-YK1	EA	DOOR - SOLID PANEL/FLUTED EDGE - 7.9" X 30.3" - W/O HDW - HONEY CHERRY FROM: 06-25-08 THRU: 99-99-99
20	161081-03-YK2	EA	FACE/DRAWER/DOOR - SOLID PANEL - 7.9" X 30.3" - W/O HDW - BELMONT MAPLE FROM: 00-00-00 THRU: 06-24-08
20	145298-97-YK2	EA	DOOR - SOLID PANEL/FLUTED EDGE - 7.9" X 30.3" - W/O HDW - BELMONT MAPLE FROM: 06-25-08 THRU: 99-99-99
20	161081-03-YK3	EA	FACE/DRAWER/DOOR - SOLID PANEL - 7.9" X 30.3" - W/O HDW - WASHED MAPLE FROM: 00-00-00 THRU: 06-24-08
20	145298-97-YK3	EA	DOOR - SOLID PANEL/FLUTED EDGE - 7.9" X 30.3" - W/O HDW - WASHED MAPLE FROM: 06-25-08 THRU: 99-99-99
20	161081-03-YT0	EA	FACE/DRAWER/DOOR - SOLID PANEL - 7.9" X 30.3" - W/O HDW - COFFEE GLAZED HONEY CHERRY FROM: 00-00-00 THRU: 06-24-08
20	145298-97-YT0	EA	DOOR - SOLID PANEL/FLUTED EDGE - 7.9" X 30.3" - W/O HDW - COFFEE GLAZED HONEY CHERRY FROM: 06-25-08 THRU: 99-99-99
21	161081-04-YK0	EA	FACE/DRAWER/DOOR - SOLID PANEL - 7.9" X 30.3" - W/O HDW - CONCERT CHERRY FROM: 00-00-00 THRU: 06-24-08
21	145298-98-YK0	EA	DOOR - SOLID PANEL/FLUTED EDGE - 7.9" X 30.3" - W/O HDW - CONCERT CHERRY FROM: 06-25-08 THRU: 99-99-999
21	161081-04-YK1	EA	FACE/DRAWER/DOOR - SOLID PANEL - 7.9" X 30.3" - W/O HDW - HONEY CHERRY FROM: 00-00-00 THRU: 06-24-08
21	145298-98-YK1	EA	DOOR - SOLID PANEL/FLUTED EDGE - 7.9" X 30.3" - W/O HDW - HONEY CHERRY FROM: 06-25-08 THRU: 99-99-999
21	161081-04-YK2	EA	FACE/DRAWER/DOOR - SOLID PANEL - 7.9" X 30.3" - W/O HDW - BELMONT MAPLE FROM: 00-00-00 THRU: 06-24-08
21	145298-98-YK2	EA	DOOR - SOLID PANEL/FLUTED EDGE - 7.9" X 30.3" - W/O HDW - BELMONT MAPLE FROM: 06-25-08 THRU: 99-99-999
21	161081-04-YK3	EA	FACE/DRAWER/DOOR - SOLID PANEL - 7.9" X 30.3" - W/O HDW - WASHED MAPLE FROM: 00-00-00 THRU: 06-24-08
21	145298-98-YK3	EA	DOOR - SOLID PANEL/FLUTED EDGE - 7.9" X 30.3" - W/O HDW - WASHED MAPLE FROM: 06-25-08 THRU: 99-99-999
21	161081-04-YT0	EA	FACE/DRAWER/DOOR - SOLID PANEL - 7.9" X 30.3" - W/O HDW - COFFEE GLAZED HONEY CHERRY FROM: 00-00-00 THRU: 06-24-08
21	145298-98-YT0	EA	DOOR - SOLID PANEL/FLUTED EDGE - 7.9" X 30.3" - W/O HDW - COFFEE GLAZED HONEY CHERRY FROM: 06-25-08 THRU: 99-99-999

CABINET & APPLIANCE GROUP (CONTINUED)
CABINET & APPLIANCE LAYOUT (CONTINUED)



**REFRIGERATOR
 INSTALLATION**

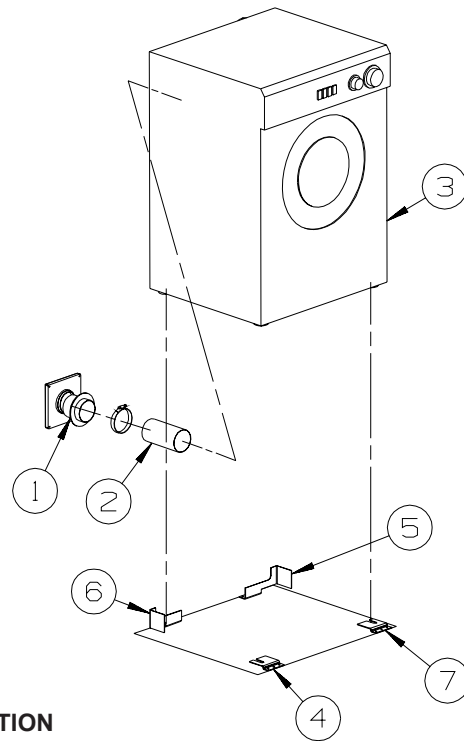
KEY	PART NUMBER	U/M	DESCRIPTION
1	112176-01-000	FT	TUBING - VINYL - REINFORCED - 1/2" ID
2	136966-05-02B	EA	BAFFLE - REFRIGERATOR - E-COATED
3	143195-01-02B	EA	BAFFLE - REFRIGERATOR - E-COATED
4	143195-02-02B	EA	BAFFLE - REFRIGERATOR - E-COATED
5	150740-01-02B	EA	BRACKET - REFRIGERATOR - E-COATED
6	150740-02-02B	EA	BRACKET - REFRIGERATOR - E-COATED
7	152417-01-01A	EA	CLAMP/RATCHET - F/REFRIDGERATOR DRIP TRAY HOSE - BLACK



**15B
 REFRIG W/ICE/WTR
 DISP 2-DOOR**

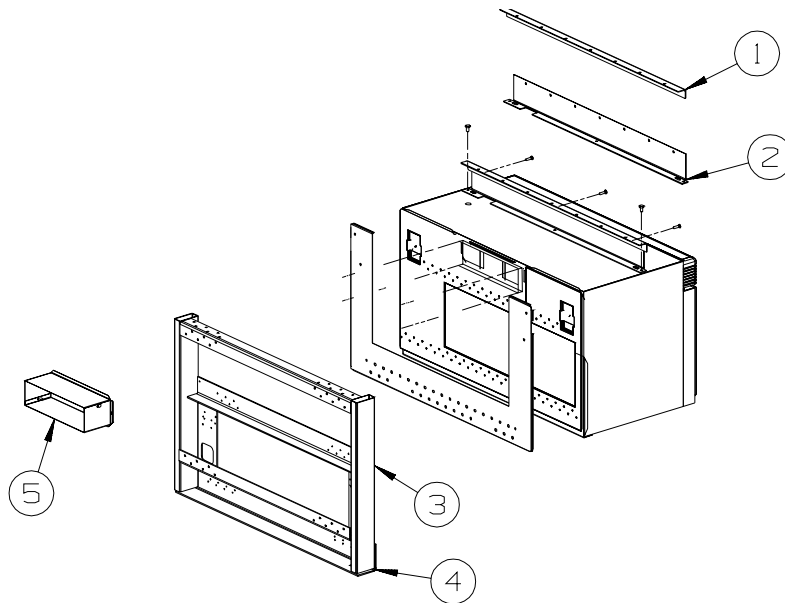
KEY	PART NUMBER	U/M	DESCRIPTION
1	112176-01-000	FT	TUBING - VINYL - REINFORCED - 1/2" ID
2	136966-11-02B	EA	BAFFLE - REFRIGERATOR - E-COATED
3	143195-01-02B	EA	BAFFLE - REFRIGERATOR - E-COATED
4	143195-02-02B	EA	BAFFLE - REFRIGERATOR - E-COATED
5	150740-01-02B	EA	BRACKET - REFRIGERATOR - E-COATED
6	150740-02-02B	EA	BRACKET - REFRIGERATOR - E-COATED
7	152417-01-01A	EA	CLAMP/RATCHET - F/REFRIDGERATOR DRIP TRAY HOSE - BLACK
8	133263-01-02B	EA	BRACKET - SUPPORT - REFRIGERATOR - E-COATED

CABINET & APPLIANCE GROUP (CONTINUED)
CABINET & APPLIANCE LAYOUT (CONTINUED)



54E
WASHER DRYER
INSTALLATION

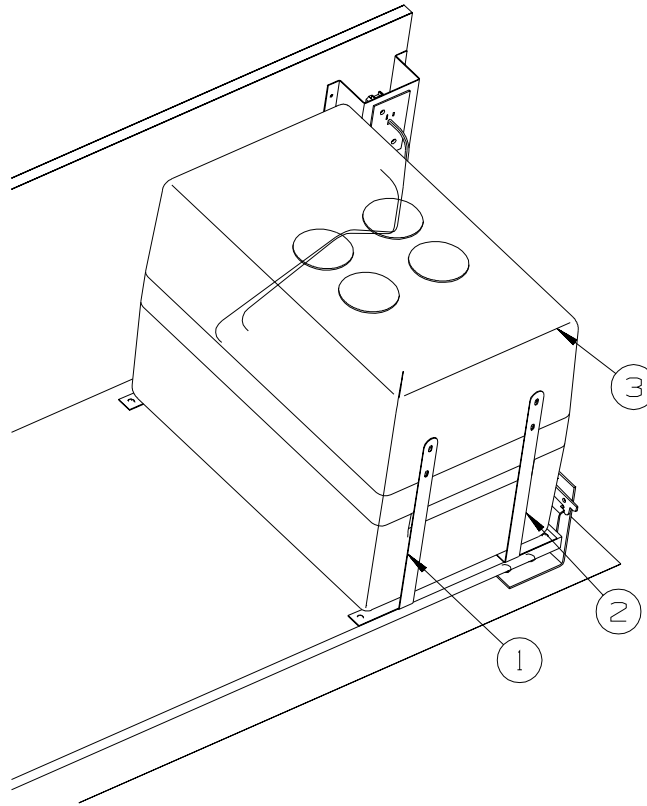
KEY	PART NUMBER	U/M	DESCRIPTION
1	146292-01-02A	EA	COVER - DRYER VENT - BLACK
1	146292-02-02A	EA	DRYER VENT - INNER - BLACK
2	116653-02-000	FT	DUCT - FLEXIBLE - 3' COMPRESSED/8' EXTENDED
3	167453-01-01A	EA	WASHER/DRYER - VENTED - UL/CSA - WHITE
4	111913-02-04B	EA	BRACKET/WASHER - TIE DOWN - BLACK
5	113795-01-02B	EA	BRACKET - WASHER - E-COATED
6	113795-02-02B	EA	BRACKET - WASHER - E-COATED
7	111913-03-04B	EA	BRACKET/WASHER - TIE DOWN - BLACK
	141523-01-01A	EA	LABEL - WASHER/DRYER BRACKETS - BLACK/WHITE



MICROWAVE
INSTALLATION

KEY	PART NUMBER	U/M	DESCRIPTION
1	129836-02-02B	EA	ANGLE - W/HOLES - 1" X .8" X 29.5" - E-COATED
2	129836-01-02B	EA	ANGLE - W/HOLES - 1" X .8" X 29.5" - E-COATED
3	137824-03-02B	EA	BRACKET - MICROWAVE - E-COATED
4	093305-01-01A	FT	TRIM - EDGE C-TYPE - WIRE CARRIER - .35" X .24" - VINYL
5	NOT USED		

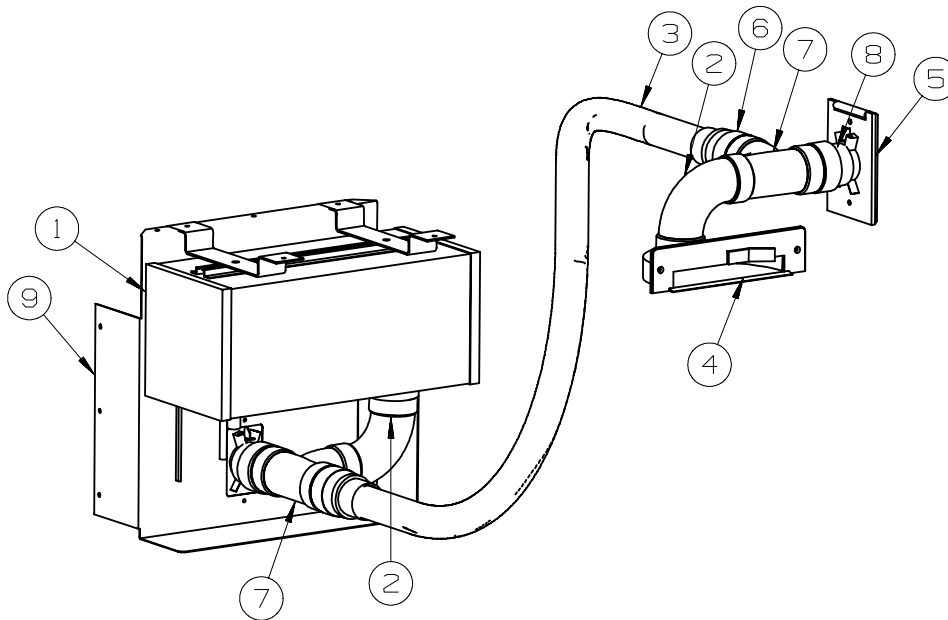
CABINET & APPLIANCE GROUP (CONTINUED)
CABINET & APPLIANCE LAYOUT (CONTINUED)



11E
FREEZER

KEY	PART NUMBER	U/M	DESCRIPTION
1	155324-02-02B	EA	STRAP/TIEDOWN - FREEZER - E-COATED
2	155324-01-02B	EA	STRAP/TIEDOWN - FREEZER - E-COATED
3	155331-01-01A	EA	FREEZER - PORTABLE - 1.51 CU FT - GRAY/DARK GRAY
3	155331-02-000	EA	CORD/POWER - FREEZER - 90 DEGREE END - WAECO/CF-123-573

CABINET & APPLIANCE GROUP (CONTINUED)
CABINET & APPLIANCE LAYOUT (CONTINUED)



**22T
VACUUM
SYSTEM**

KEY	PART NUMBER	U/M	DESCRIPTION
1*	108186-02-000	EA	TOOL SET - VACUUM - W/O POWER BRUSH W/30' HOSE
1*	108186-03-000	EA	VACUUM CLEANER - BUILT IN - W/O HOSE/TOOL KIT
2	108187-02-000	EA	ELBOW - 90 DEGREE STREET - VACUUM SYSTEM - PVC
3	108187-14-000	EA	HOSE - FLEX - 1 1/4" - VACUUM CLEANER
4	142348-02-000	EA	VACPAN - BLACK
5	108187-16-000	EA	VALVE/INLET - VACUUM CLEANER - BLACK
6	108187-15-000	EA	CONNECTOR - FLEX HOSE KIT (3 FITTINGS)
	108187-04-000	EA	COUPLING - STOP - MALE
7	108187-10-000	EA	TEE - 90 DEGREE - TY 2"
8	108187-17-000	EA	ADAPTER - INLET VALVE
9	146946-11-02B	EA	BRACKET - CENTRAL VACUUM - E-COATED
			FROM: 00-00-00 THRU: 09-02-08
9	146946-11-02B	EA	BRACKET - CENTRAL VACUUM - E-COATED
			FROM: 09-03-08 THRU: 99-99-99

***COMPONENT PARTS LISTED LATER IN THIS GROUP**

CABINET & APPLIANCE GROUP (CONTINUED)
COMPONENT PARTS FOR CABINET & APPLIANCE LAYOUT

108186-02-000

KEY	PART NUMBER	U/M	DESCRIPTION	VENDOR NO.
	092304-02-701	EA	TOOL-DUSTING	1142
	092304-02-702	EA	TOOL-RUG	4982
	092304-02-703	EA	TOOL-CREVICE	1141
	092304-02-707	EA	TOOL-UPHOLSTERY	7029
	092304-02-708	EA	WAND-PLASTIC	4978
	092304-02-709	EA	HOSE ASM., 30' COMPLETE	4988-30-G

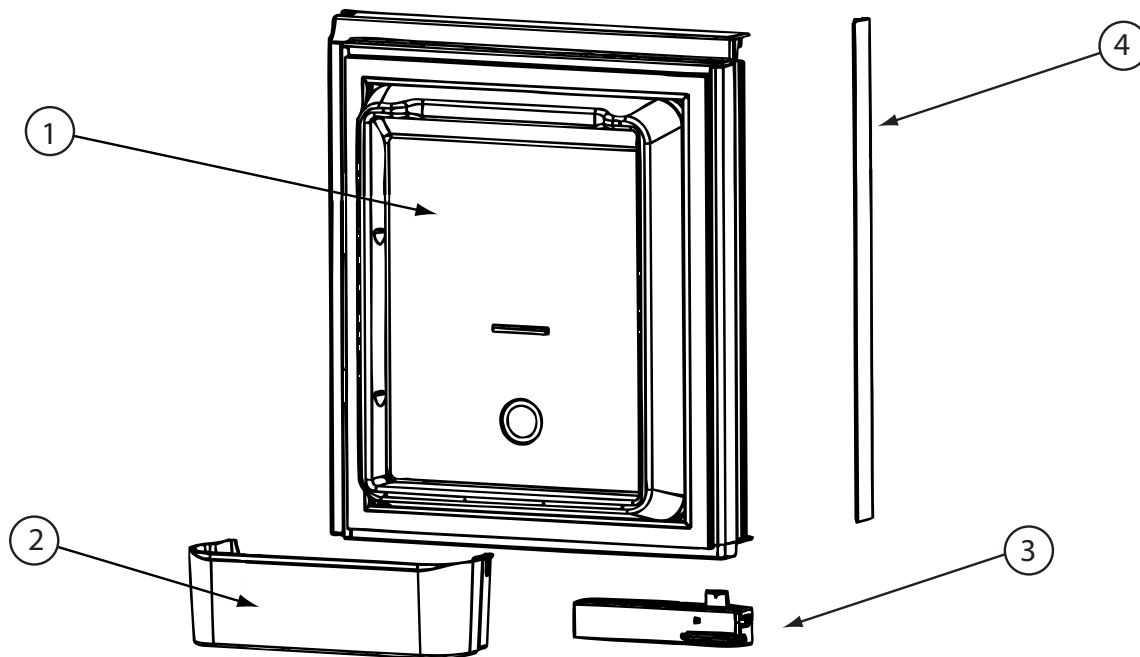
108186-03-000

KEY	PART NUMBER	U/M	DESCRIPTION	VENDOR NO.
	092304-02-700	EA	BRUSH-POWER, VACUUM (RUGRAT)	6970
	092304-02-701	EA	TOOL-DUSTING	1142
	092304-02-702	EA	TOOL-RUG	4982
	092304-02-703	EA	TOOL-CREVICE	1141
	092304-02-707	EA	TOOL-UPHOLSTERY	7029
	092304-02-708	EA	WAND-PLASTIC	4978
	092304-02-709	EA	HOSE ASM., 30' COMPLETE	4988-30-G
	092304-02-710	EA	SECONDARY FILTER	4929
	108186-03-700	EA	PAPER BAG - 3-PKG	7767
	108186-03-701	EA	MOTOR F/RV2000	7756
	108186-03-702	EA	REDUCER	5531
	108186-03-703	EA	VALVE - INLET - WHITE	4935
	108186-03-704	EA	BRUSH - TURBINE (HAND HELD)	7834-B
	108186-03-705	EA	RELAY ASSEMBLY - W/PLATE	7090

119267-17-01A

KEY	PART NUMBER	U/M	DESCRIPTION	VENDOR NO.
	119267-04-700	EA	FILTER-GREASE	BOO2
	119267-04-703	EA	PLATE - MOUNTING	FANGTB003MRY0
	119267-17-700	EA	TURNTABLE-GLASS	NTNT-A114WREZ

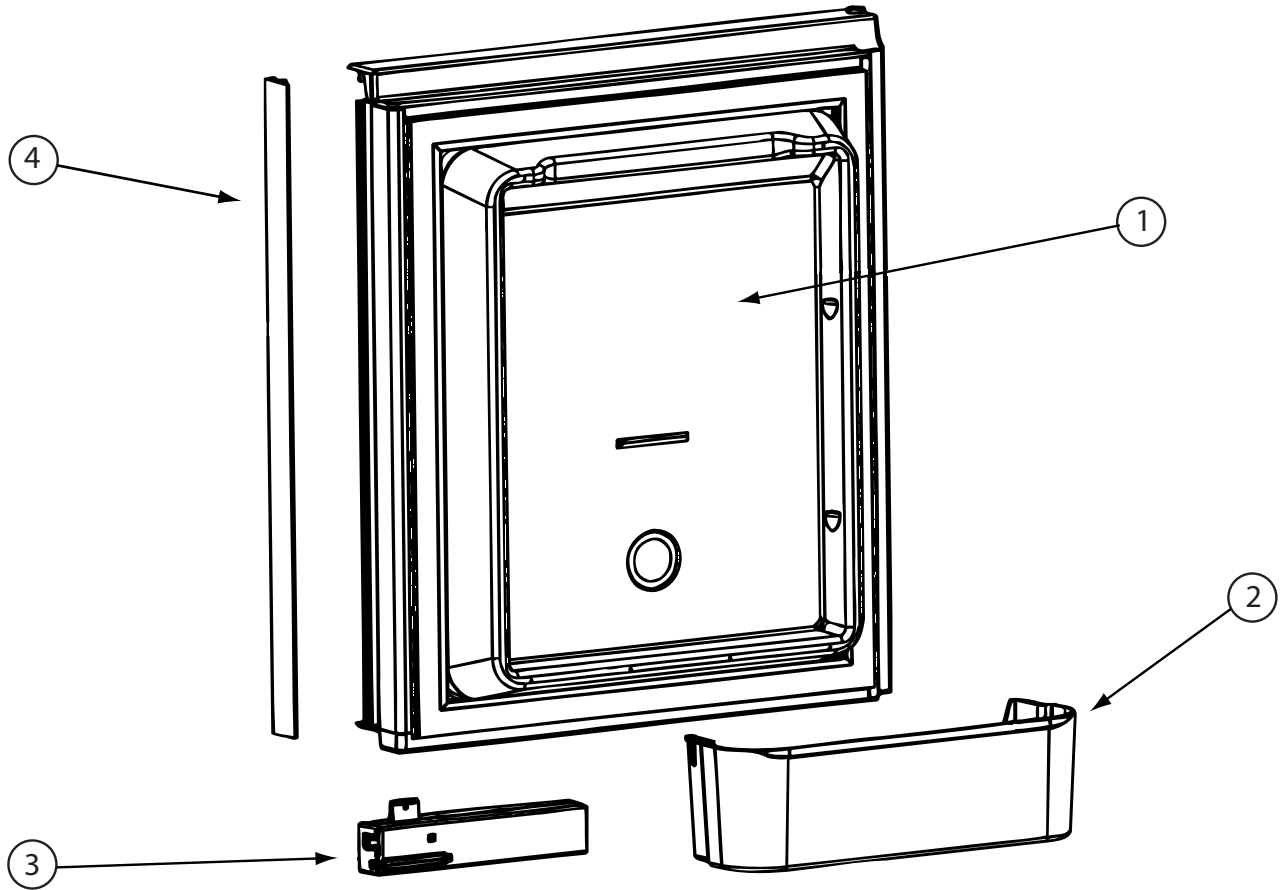
CABINET & APPLIANCE GROUP (CONTINUED)
COMPONENT PARTS FOR CABINET & APPLIANCE LAYOUT (CONTINUED)



125242-05-02A

KEY	PART NUMBER	U/M	DESCRIPTION	VENDOR NO.
1	125242-05-700	EA	LINER-DOOR/UPPER RH/WRP WPM	62913401
2	125242-05-701	EA	BIN - DOOR SHELF	628686
3	125242-02-701	EA	HANDLE(CONTOUR)TOP RH LWR LH	621106
	125242-02-722	EA	LATCH-STORAGE DR/BLK POINTED	619374
CONTACT WINNEBAGO PART SALES FOR UNLISTED COMPONENT(S)				

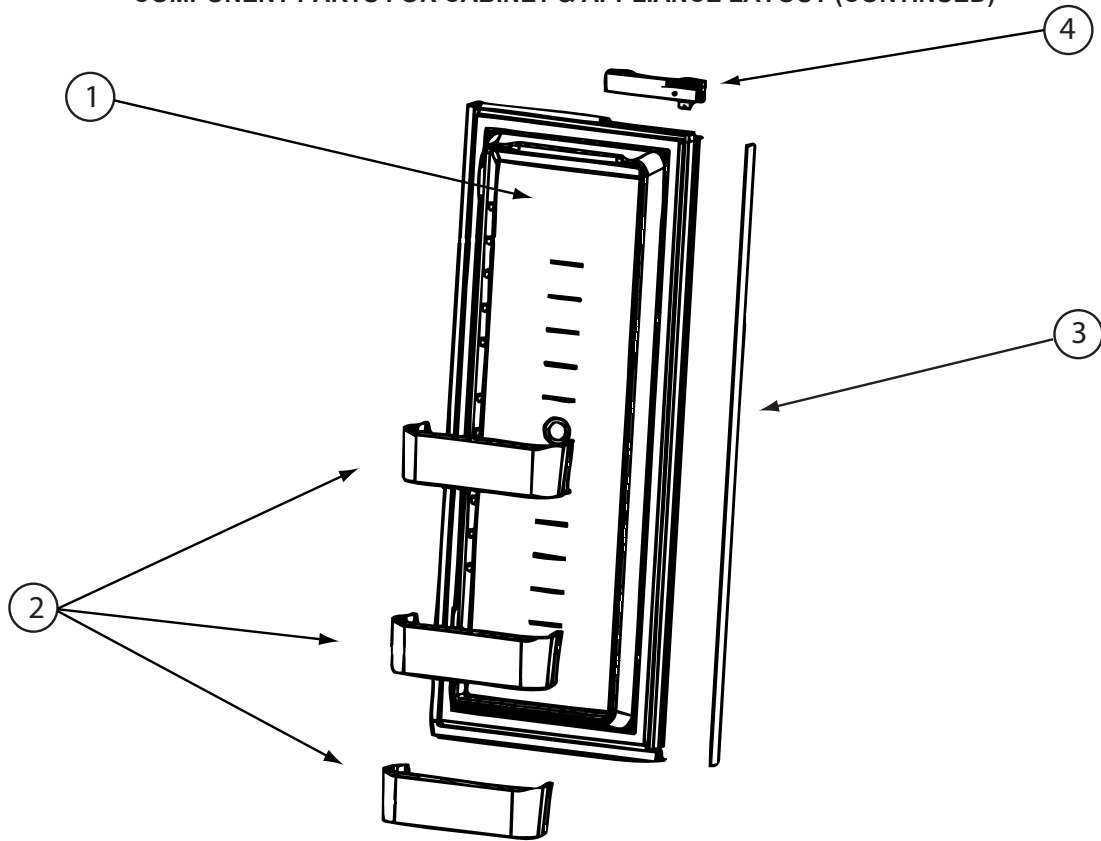
CABINET & APPLIANCE GROUP (CONTINUED)
COMPONENT PARTS FOR CABINET & APPLIANCE LAYOUT (CONTINUED)



125242-05-02A (CONTINUED)

KEY	PART NUMBER	U/M	DESCRIPTION	VENDOR NO.
1	125242-05-702	EA	LINER-DOOR/UPPER LH/WRP WPM	62913301
2	125242-05-701	EA	BIN - DOOR SHELF	628686
3	125242-02-700	EA	HANDLE(CONTOUR)TOP LH BTM RH	621107
	125242-02-722	EA	LATCH-STORAGE DR/BLK POINTED	619374
CONTACT WINNEBAGO PART SALES FOR UNLISTED COMPONENT(S)				

CABINET & APPLIANCE GROUP (CONTINUED)
COMPONENT PARTS FOR CABINET & APPLIANCE LAYOUT (CONTINUED)

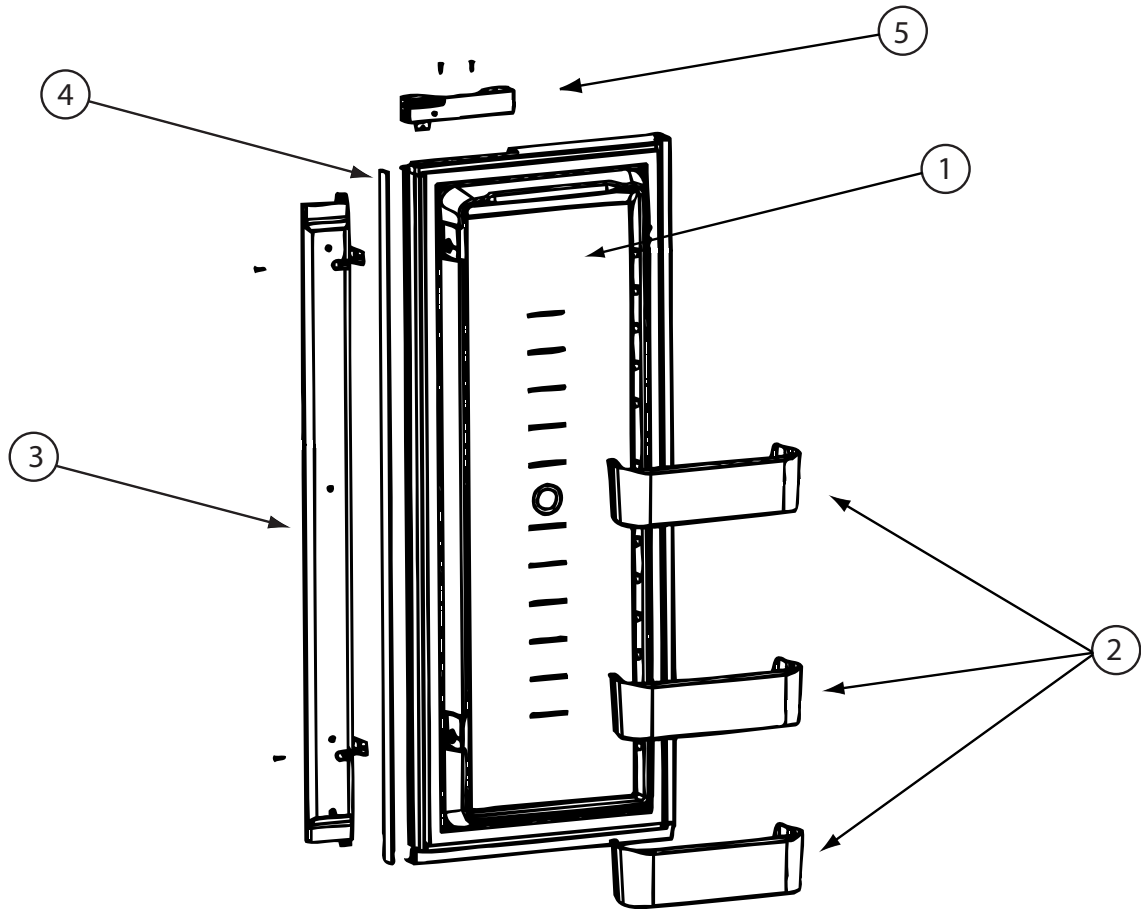


125242-05-02A (CONTINUED)

KEY	PART NUMBER	U/M	DESCRIPTION	VENDOR NO.
1	125242-05-703	EA	LINER-DOOR/LOWER RH/WRP WPM	62913601
2	125242-05-701	EA	BIN - DOOR SHELF	628686
4	125242-02-700	EA	HANDLE(CONTOUR)TOP LH BTM RH	621107
	125242-02-722	EA	LATCH-STORAGE DR/BLK POINTED	619374

CONTACT WINNEBAGO PART SALES FOR UNLISTED COMPONENT(S)

CABINET & APPLIANCE GROUP (CONTINUED)
COMPONENT PARTS FOR CABINET & APPLIANCE LAYOUT (CONTINUED)

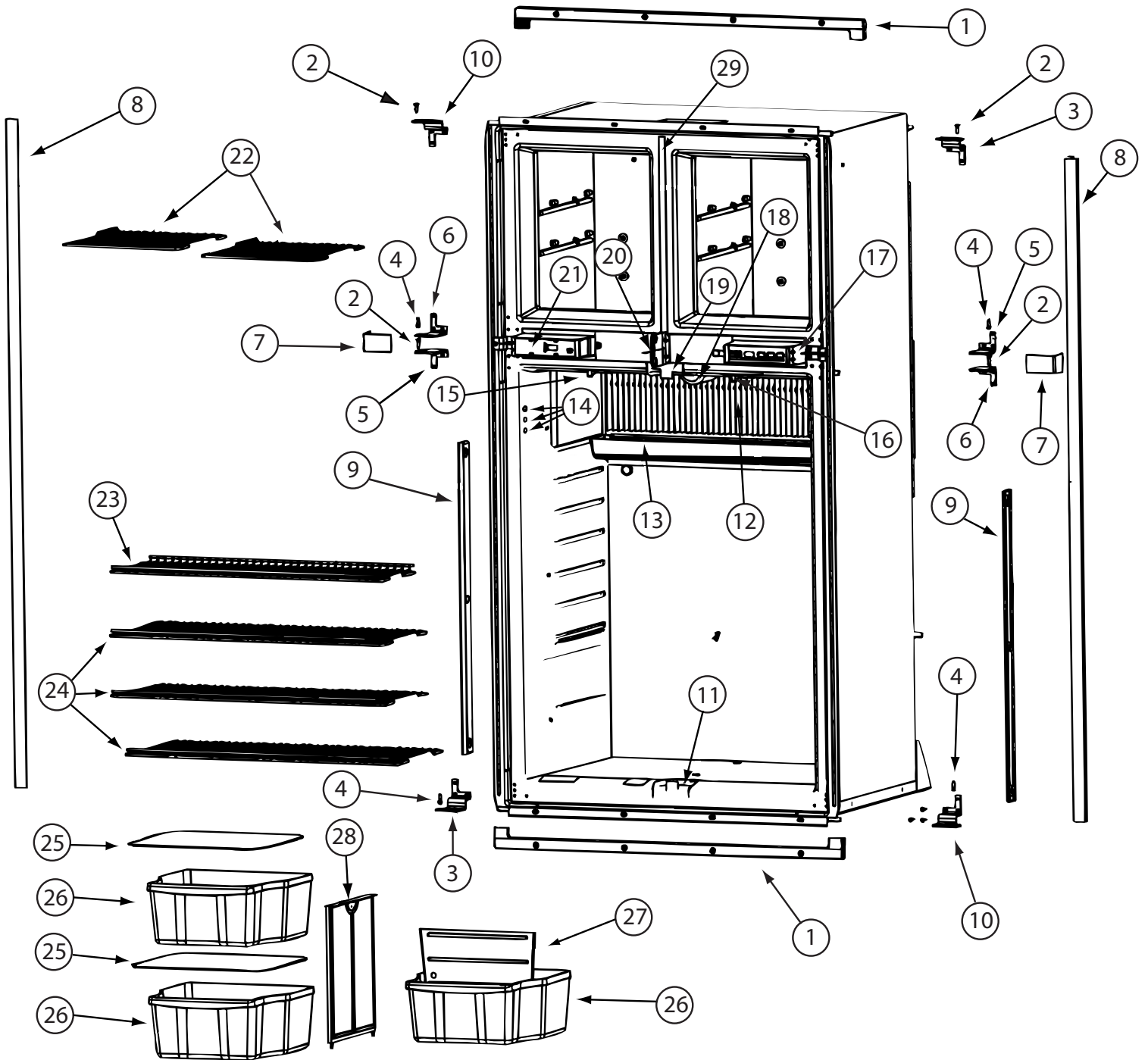


125242-05-02A (CONTINUED)

KEY	PART NUMBER	U/M	DESCRIPTION	VENDOR NO.
1	125242-05-704	EA	LINER-DOOR/LOWER LH/WRP WPM	62913501
2	125242-05-701	EA	BIN - DOOR SHELF	628686
3	125242-05-705	EA	FLAPPER ASM	629049
5	125242-02-701	EA	HANDLE(CONTOUR)TOP RH LWR LH	621106
	125242-02-722	EA	LATCH-STORAGE DR/BLK POINTED	619374

CONTACT WINNEBAGO PART SALES FOR UNLISTED COMPONENT(S)

CABINET & APPLIANCE GROUP (CONTINUED)
COMPONENT PARTS FOR CABINET & APPLIANCE LAYOUT (CONTINUED)



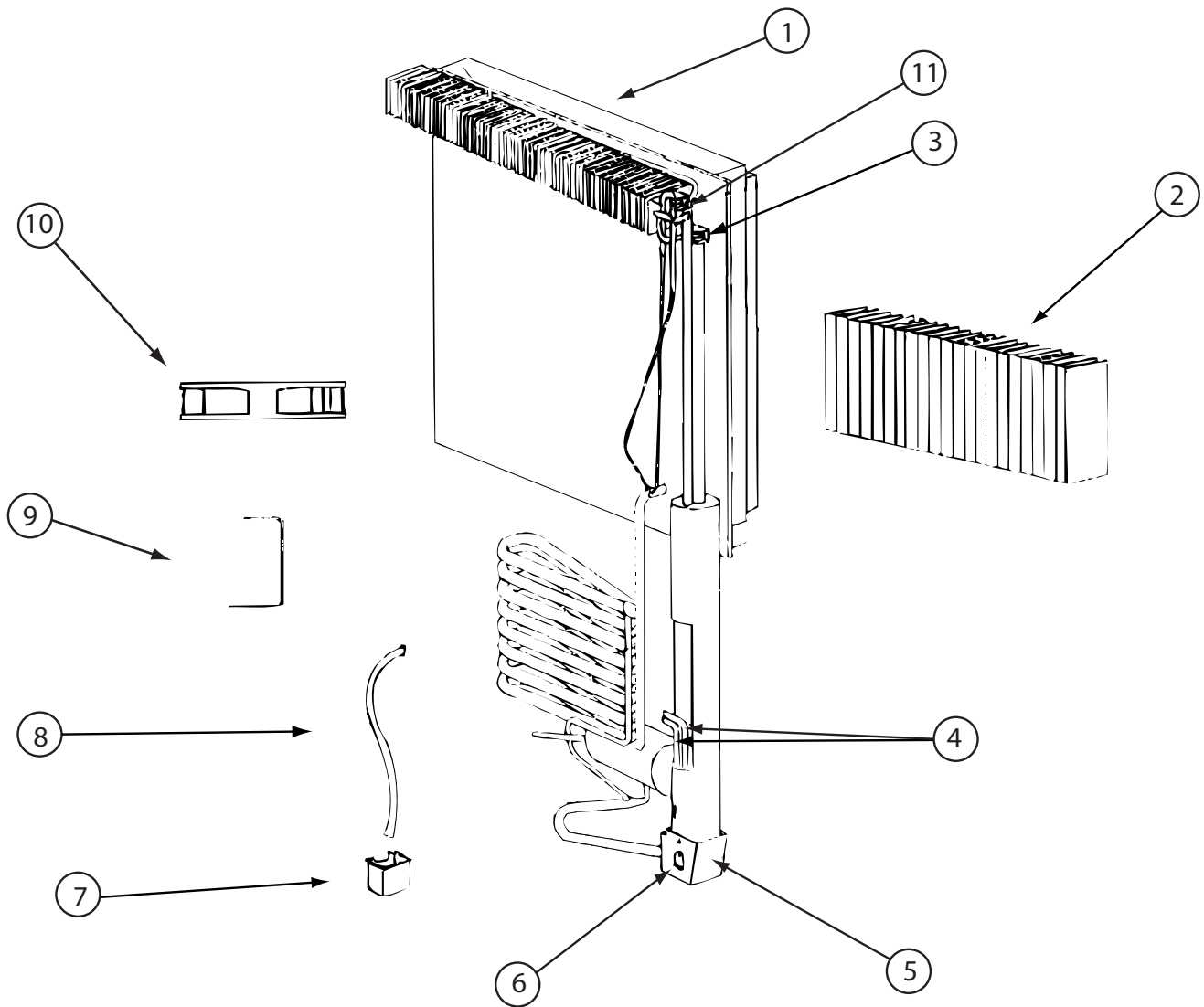
125242-05-02A (CONTINUED)

CABINET & APPLIANCE GROUP (CONTINUED)
COMPONENT PARTS FOR CABINET & APPLIANCE LAYOUT (CONTINUED)

125242-05-02A (CONTINUED)

KEY	PART NUMBER	U/M	DESCRIPTION	VENDOR NO.
1	125242-01-767	EA	KIT INSTALL(U TRIM PCS)HDW	623528
2	125242-03-715	EA	HINGE PIN/UPR-WRAPPED DOORS	623899
3	125242-05-707	EA	HINGE-OUTER/UPPER RH/LWR LH	628946
4	113737-01-710	EA	PIN-HINGE, BOTTOM	61550722
5	125242-05-708	EA	HINGE-INNER/UPPER RH/LWR LH	624363
6	125242-05-709	EA	HINGE-INNER/UPPER LH/LWR RH	624364
7	125242-05-710	EA	COVER - HINGE	627955
8	125242-01-766	EA	TRIM-LT/RT HAND-SCREW ON	623254
9	125242-02-720	EA	RETAINER/SHELF(SER#926685 UP)	622033
10	125242-05-711	EA	HINGE-OUTER/UPPER LH/LWR RH	628945
11	125242-05-712	EA	GUIDE BLOCK-FLAPPER/BTM/BLK	629112
12	125242-05-713	EA	FINS	618785
13	125242-01-712	EA	DRIP TRAY	618774
14	125242-03-706	EA	PROBE - CONTACT/LARGE	620689
15	125242-01-768	EA	SWITCH - DOOR LIGHT	623918
16	125242-02-706	EA	LAMP/WIRE ASM/SER#849677 UP	620871
17	125242-05-706	EA	CONTROL ASM - OPTICAL	629113
18	125242-02-708	EA	COVER/LAMP BRACKET	621827
19	125242-05-714	EA	GUIDE BLOCK-FLAPPER/TOP/BLK	629111
20	125242-05-715	EA	PLATE/STRIKE - BLACK	628473
21	125242-05-716	EA	BOX/FRONT - DUMMY	624366
22	125242-01-725	EA	SHELF-FREEZER (WIRE)	618847
23	125242-01-727	EA	SHELF-WIRE (SHORT)	618849
24	125242-01-726	EA	SHELF-WIRE (LONG)	618848
25	125242-01-706	EA	COVER-CRISPER	618757
26	125242-05-717	EA	BIN - BOTTLE/CRISPER	628688
27	125242-05-718	EA	DIVIDER - BOTTLE/CRISPER	628694
28	125242-01-749	EA	SUPPORT - WALL	618840
29	125242-02-741	EA	STRIP-FREEZER-BLACK	625210 #1291391 &UP
	084880-03-705	EA	BRACKET-LIGHT-INTERIOR	61629722
	084880-03-706	EA	BULB-LAMP	61628922
	120075-01-714	EA	PLUG-HOLE (BLACK)	618170
	125242-05-725	EA	PLATE - F/DUMMY BOX	628460

CABINET & APPLIANCE GROUP (CONTINUED)
COMPONENT PARTS FOR CABINET & APPLIANCE LAYOUT (CONTINUED)

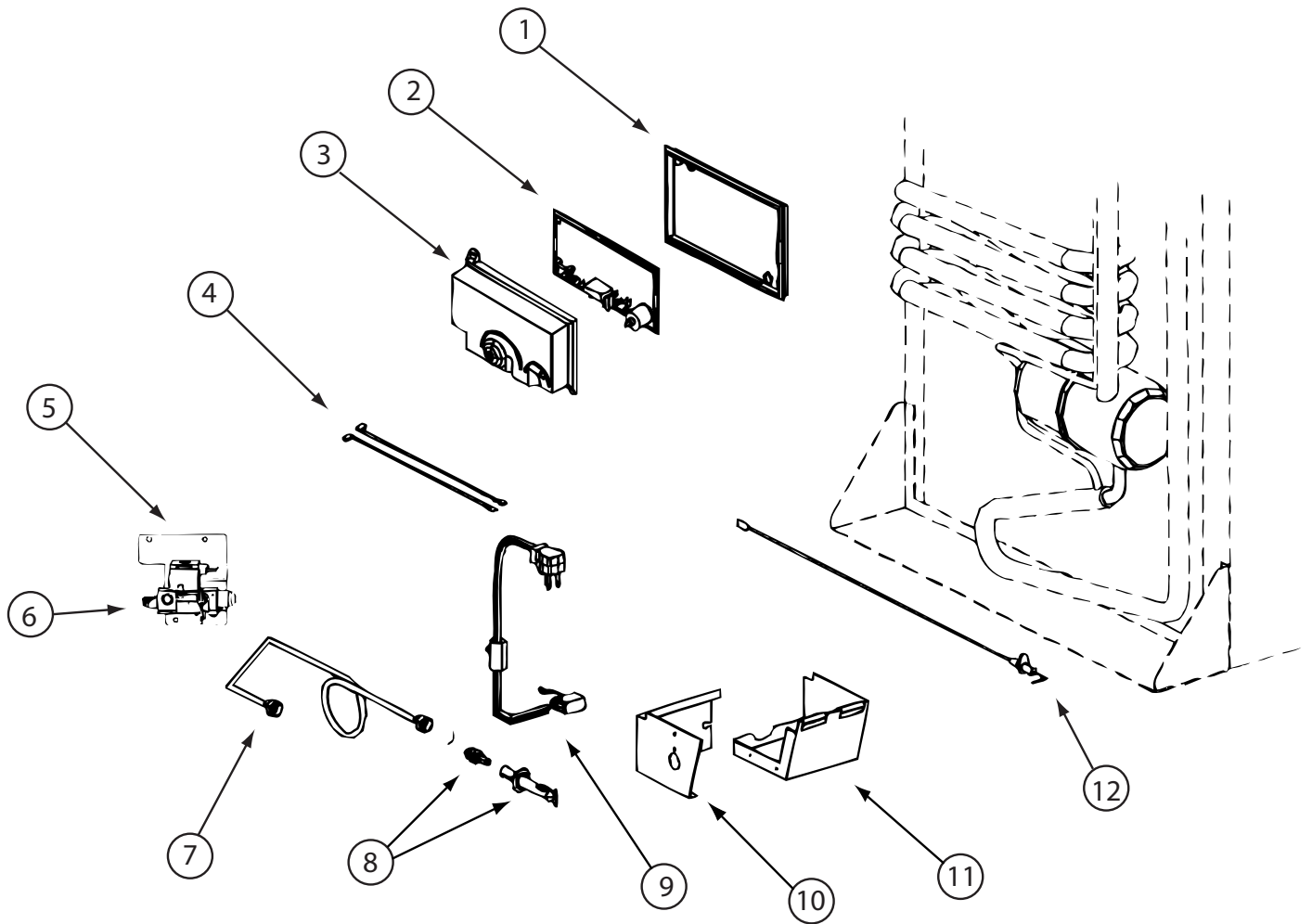


125242-05-02A (CONTINUED)

KEY	PART NUMBER	U/M	DESCRIPTION	VENDOR NO.
1	125242-05-719	EA	COOLING UNIT - SN 8835498 UP	629507
2	125242-05-713	EA	FINS	618785
4	125242-01-732	EA	HEATER AC - 225W/110VAC	618872
5	125242-01-739	EA	BASE-BURNER BOX	618902
6	125242-01-740	EA	COVER-BURNER BOX	618910
9	125242-05-721	EA	BRACKET-DC FAN-SN 914576 UP	628747
10	125242-05-722	EA	FAN-EXTRNL DC-SN 914576 UP	628685
11	113737-01-754	EA	THERMOSTAT (FAN 12V DC)	618093
	125242-01-742	EA	WIRE ASM.-BAFFLE 55.15"	618915
	125242-05-720	EA	SWITCH-THERMAL	628118

CONTACT WINNEBAGO PART SALES FOR UNLISTED COMPONENT(S)

CABINET & APPLIANCE GROUP (CONTINUED)
COMPONENT PARTS FOR CABINET & APPLIANCE LAYOUT (CONTINUED)

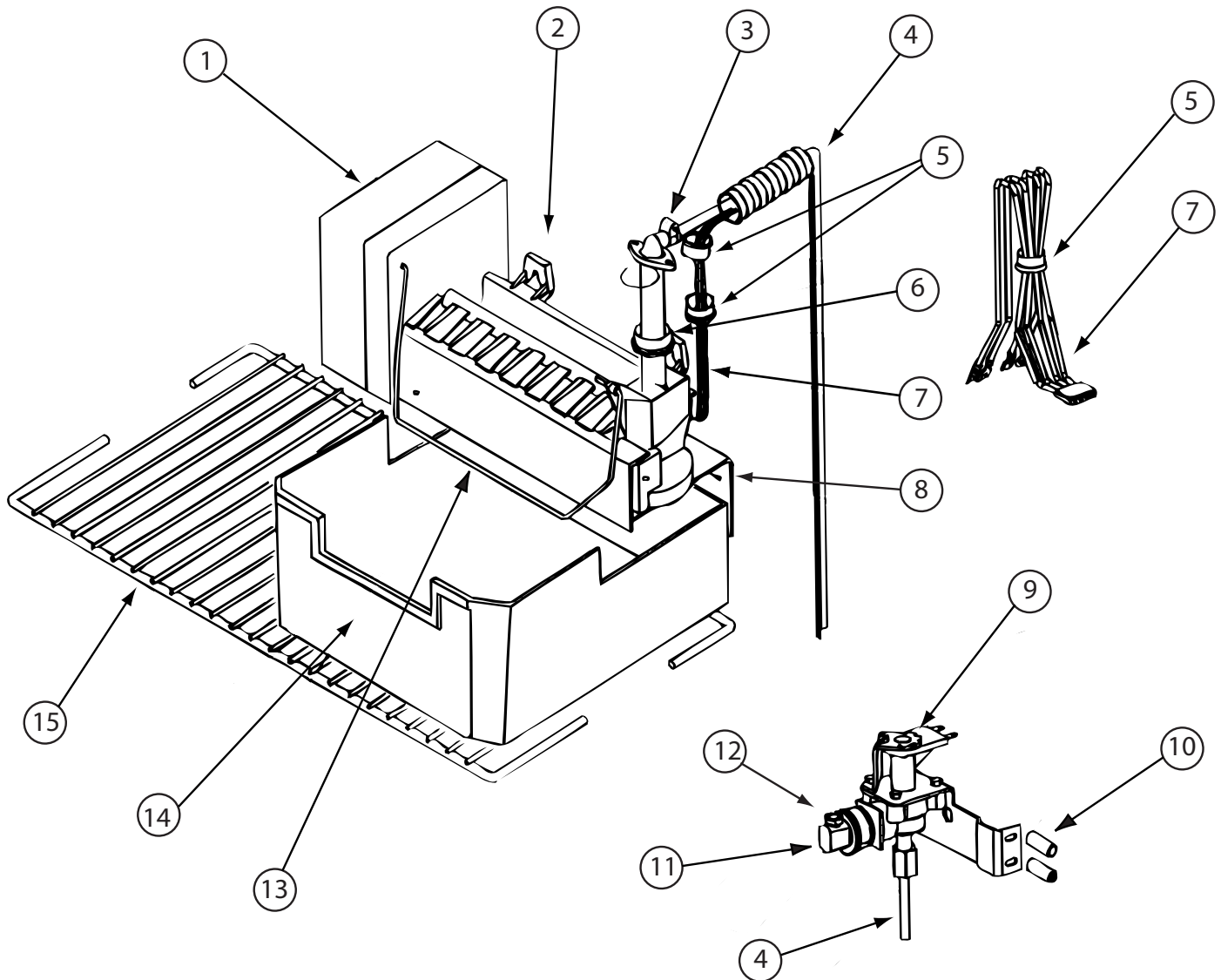


125242-03-02A, 125242-05-02A, 125242-06-01A (CONTINUED)

KEY	PART NUMBER	U/M	DESCRIPTION	VENDOR NO.
1	121569-08-701	EA	BASE - POWER BOARD	628674
2	121568-06-709	EA	BOARD/POWER-N611/N822F/1201	628661
3	121569-08-702	EA	COVER-POWER BOARD	628677
4	125242-02-709	EA	WIRE/WHITE/9"/GAS VALVE	621448
6	121569-08-703	EA	GAS VALVE - SOLENOID	628741
7	125242-05-723	EA	BURNER TUBE	624683
8	125242-02-743	EA	BURNER ORF ADAP-7 SLOT BRNR	629013
9	125242-03-732	EA	CORD - AC POWER- W/ICE MAKER	618406
10	125242-01-740	EA	COVER-BURNER BOX	618910
11	125242-01-739	EA	BASE-BURNER BOX	618902
12	104137-06-715	EA	ELECTRODE-SPARK/SENSOR, SGL	61692222

CONTACT WINNEBAGO PART SALES FOR UNLISTED COMPONENT(S)

CABINET & APPLIANCE GROUP (CONTINUED)
COMPONENT PARTS FOR CABINET & APPLIANCE LAYOUT (CONTINUED)

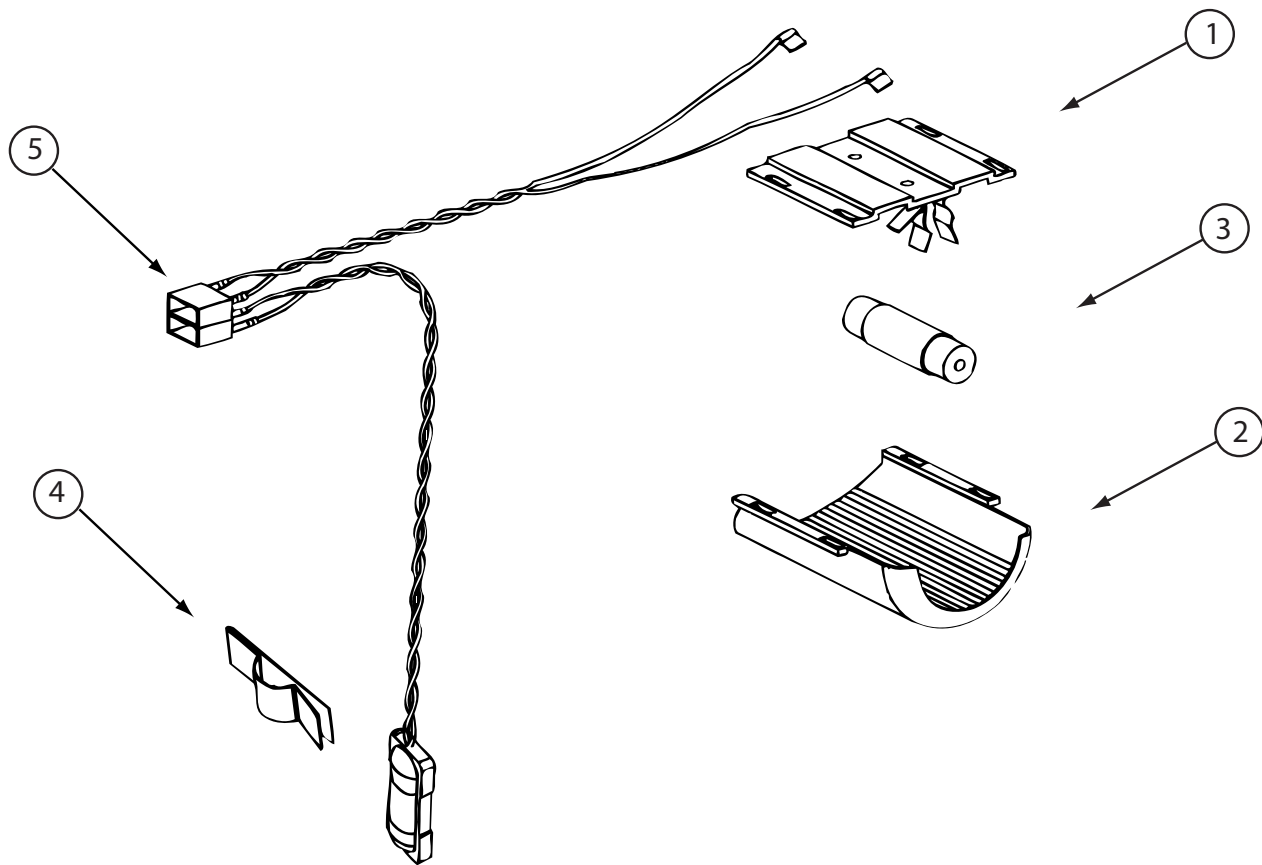


125242-03-02A, 125242-05-02A, 125242-06-01A (CONTINUED)

KEY	PART NUMBER	U/M	DESCRIPTION	VENDOR NO.
2	094039-07-706	EA	ICE MAKER W/O PLATES	61656522
4	125242-05-724	EA	WATER TUBE/HEATER ASM	621429
6	120075-03-706	EA	FITTING WATER LINE	620039
8	125242-01-737	EA	BRACKET-MOUNTING (ICE MAKER)	618894/620890
9	120075-03-701	EA	WATER VALVE - W/BRACKET	618253
11	094039-07-707	EA	GARDEN HOSE ADAP W/BRASS NUT	61679622
12	094039-07-708	EA	NUT - COMPRESSION	622991
13	120075-03-703	EA	ARM-SHUT OFF	61656922
14	125242-01-716	EA	ICE BIN	618803
15	125242-01-725	EA	SHELF-FREEZER (WIRE)	618847
	120075-09-703	EA	THERMOSTAT	620240

CONTACT WINNEBAGO PART SALES FOR UNLISTED COMPONENT(S)

CABINET & APPLIANCE GROUP (CONTINUED)
COMPONENT PARTS FOR CABINET & APPLIANCE LAYOUT (CONTINUED)



125242-03-02A, 125242-05-02A, 125242-06-01A (CONTINUED)

KEY	PART NUMBER	U/M	DESCRIPTION	VENDOR NO.
1	084880-03-705	EA	BRACKET-LIGHT-INTERIOR	61629722
2	125242-02-708	EA	COVER/LAMP BRACKET	621827
3	084880-03-706	EA	BULB-LAMP	61628922
4	084880-01-760	EA	CLIP (THERMISTER)	61689122
5	125242-02-706	EA	LAMP/WIRE ASM/SER#849677 UP	620871

140147-04-01A, 140147-04-02A, 140147-04-03A

KEY	PART NUMBER	U/M	DESCRIPTION	VENDOR NO.
	140147-02-700	EA	TRAY-GLASS	WB49X10074
	140147-02-701	EA	FILTER-GREASE (SOLD AS PAIR)	WB6X10309 - 2/PKG.
	140147-02-702	EA	TRAY-METAL PAN	WB49X10053
	140147-02-704	EA	BULB HALOGEN	WB08X10050

146340-02-01A

KEY	PART NUMBER	U/M	DESCRIPTION	VENDOR NO.
	146340-02-700	EA	FACE - DISHWASHER, DRAWER SST	SST FACE, DS603S

CABINET & APPLIANCE GROUP (CONTINUED)
COMPONENT PARTS FOR CABINET & APPLIANCE LAYOUT (CONTINUED)

165267-01-01A

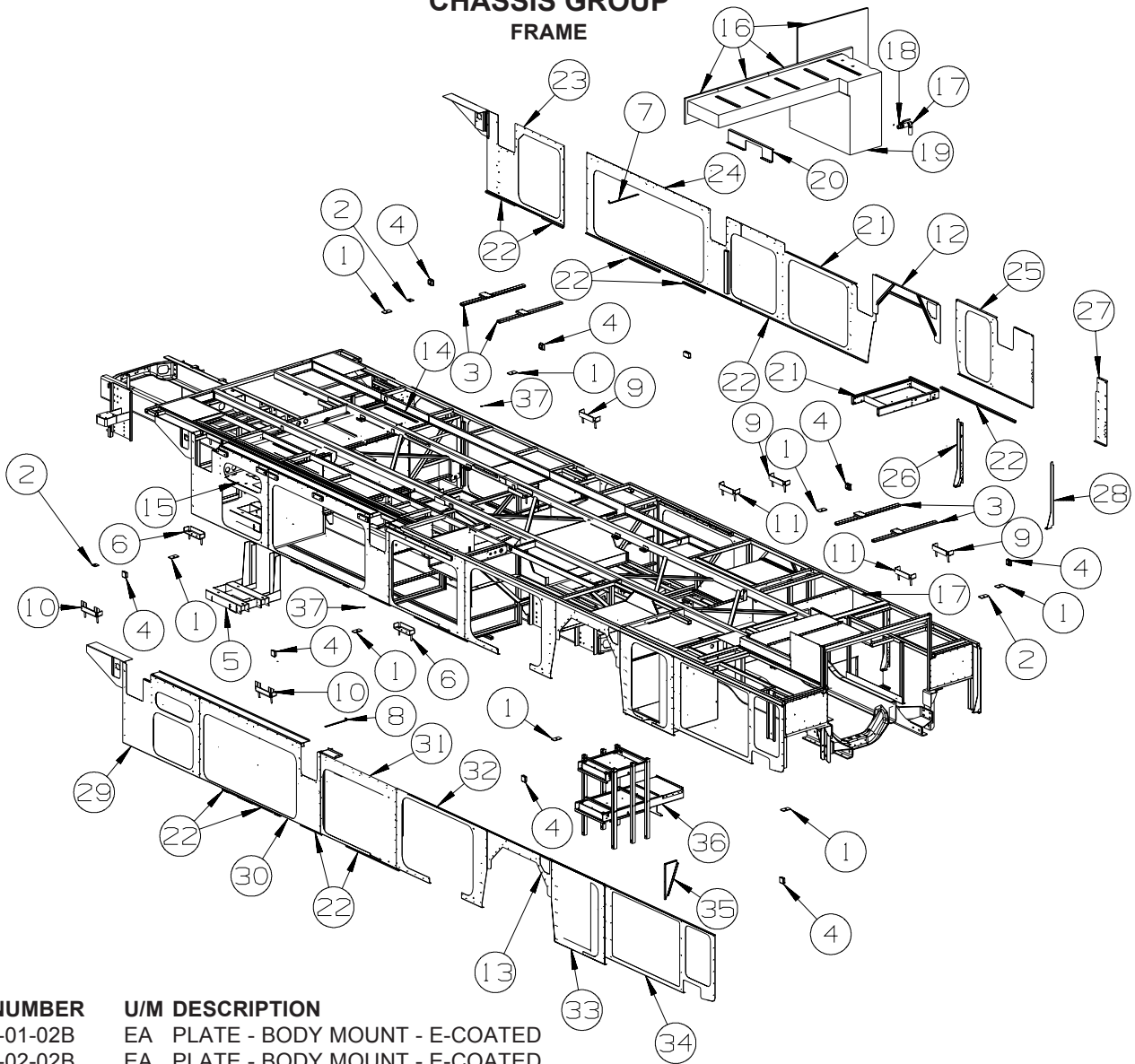
KEY	PART NUMBER	U/M	DESCRIPTION	VENDOR NO.
	165267-01-700	EA	CORD - POWER	2002699110
	165267-01-701	EA	FUSE HOLDER	3850085022
	165267-01-702	EA	TRIM/UPPER CABINET MNT - BLK	3850460019
	165267-01-703	EA	HOLDER - LOCK/UPPER	3850461017
	165267-01-704	EA	CONTROL KNOB - BLACK	3850499017
	165267-01-705	EA	DOOR - REFRIGERATOR - SST	3850426085
	165267-01-706	EA	DOOR - FREEZER - SST	3851124069
	165267-01-707	EA	HANDLE/DOOR - RH/LH - BLACK	3850492012
	165267-01-713	EA	FRONT	3850795018
	165267-01-714	EA	LABEL	3850807029
	165267-01-715	EA	DRIP TRAY BLACK	3850796016
	165267-01-716	EA	BASE COVER - BLACK	2932664093
	165267-01-717	EA	FAN - COOLING	3851183016
	165267-01-718	EA	HEATING ELEMENT WATER DRAIN	3850676010

166189-01-01A

KEY	PART NUMBER	U/M	DESCRIPTION	VENDOR NO.
	166189-01-701	EA	GRATE - BLACK	74007663
	166189-01-702	EA	BURNER HEAD	74003963

CHASSIS GROUP

FRAME



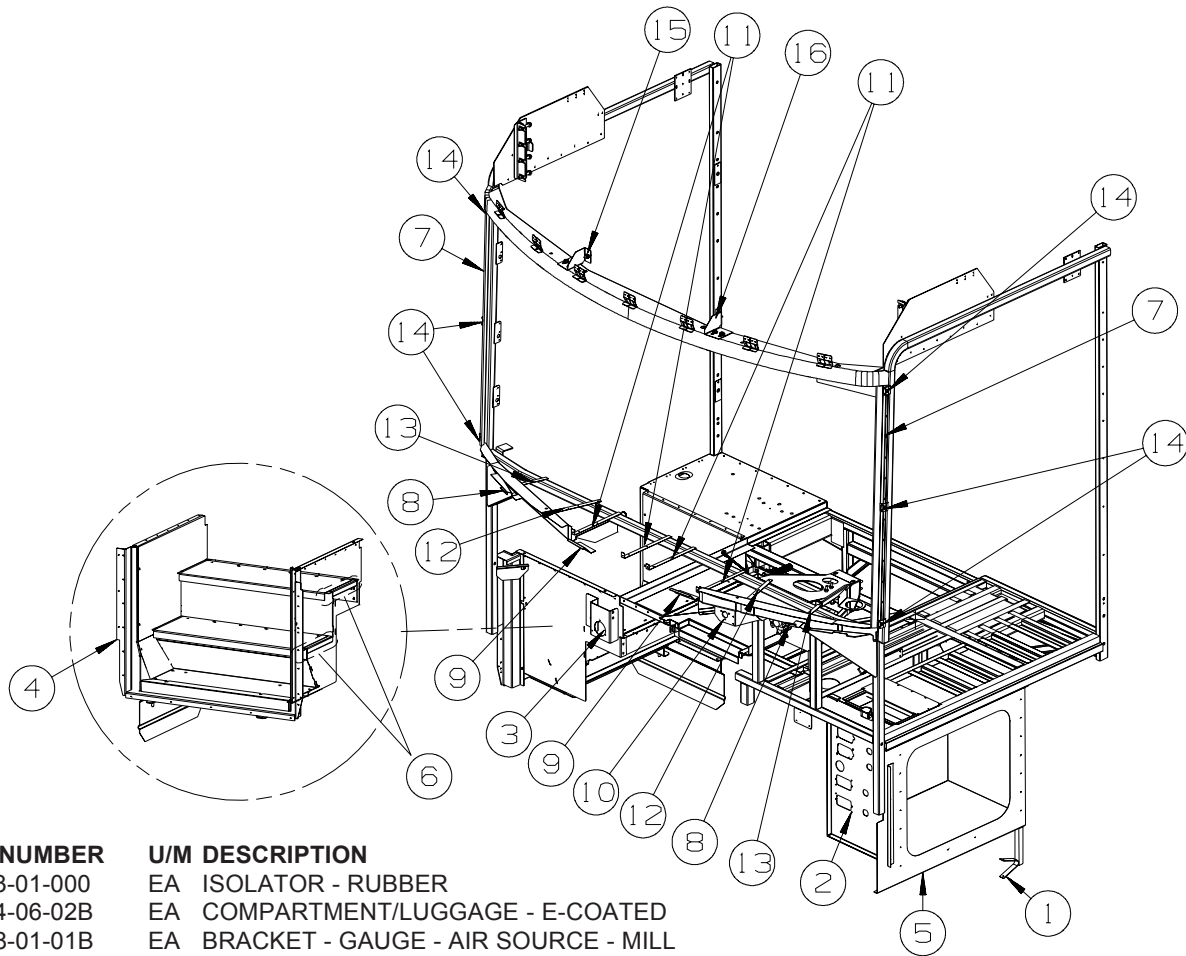
KEY	PART NUMBER	U/M	DESCRIPTION
1	135712-01-02B	EA	PLATE - BODY MOUNT - E-COATED
2	135712-02-02B	EA	PLATE - BODY MOUNT - E-COATED
3	164294-02-02B	EA	BRACKET - CYLINDER/SYNCH - E-COATED
4	119845-01-01A	EA	PLUG/PLASTIC - 1 1/2" SQUARE - BLACK
5	161289-01-02B	EA	HANGER - TANK/LP - E-COATED
6	152558-01-02B	EA	BRACKET/MOUNT - F/SLIDEOUT - E-COATED
7	137047-08-02B	EA	STRAP - DEFROSTER PLENUM - E-COATED
8	137047-05-02B	EA	STRAP - DEFROSTER PLENUM
9	152558-02-02B	EA	BRACKET/MOUNT - F/SLIDEOUT - E-COATED
10	152558-06-02B	EA	BRACKET/MOUNT - F/SLIDEOUT - E-COATED
11	152558-01-02B	EA	BRACKET/MOUNT - F/SLIDEOUT - E-COATED
12	158287-02-02B	EA	PLATE/SEAL PLANE - WHEELWELL - E-COAT
13	160831-02-02B	EA	PANEL/SEAL PLANE - WHEELWELL - E-COATED
14	161187-01-WG4	EA	COMPARTMENT
	105290-01-000	SF	INSULATION - AIR POCKET W/FOIL - 4' WIDE
15	161186-01-WG4	EA	COMPARTMENT
16	100619-16-000	BF	FOAM - EXPANDED POLYSTYRENE - .75" X 48" X 96"-2" DENSITY
17	132781-01-000	EA	ELBOW - 1.3" BARB X 1.3" BARB - 90 DEGREE - PLASTIC
18	132483-01-000	EA	VALVE/BALL - 1" - THREADED ENDS
19	160958-02-000	EA	TANK - WATER - 95 GALLON - W/FITTINGS
	042989-05-000	EA	FITTING - SPINWELD - 1/2"FPT - PLASTIC
	042989-08-000	EA	FITTING - SPINWELD - 1"FPT - PLASTIC
	049032-01-000	EA	PATCH - SPINWELD - 3/8" - PLASTIC
20	161725-01-12B	EA	BRACKET - VALVE/BYPASS - HEATER - BRIGHT WHITE
21	138866-04-01A	EA	SLIDE - BATTERY TRAY
22	126516-01-01A	FT	TRIM - VINYL/EXTRUDED - 8'
23	161226-01-02B	EA	PLATE/SEAL - E-COATED
24	162753-03-02B	EA	PLATE/SEAL PLANE - E-COATED

CHASSIS GROUP (CONTINUED)
FRAME (CONTINUED)

KEY	PART NUMBER	U/M	DESCRIPTION
25	158411-03-02B	EA	PLATE/SEAL PLANE - RIGHT HAND - E-COATED
26	158988-05-02B	EA	BRACKET - A/C - E-COATED
27	141650-04-02B	EA	PLATE/SEAL - E-COATED
28	158987-06-02B	EA	BRACKET - A/C - RIGHT - E-COATED
29	161228-01-02B	EA	SEAL PLANE - E-COATED
30	162781-01-02B	EA	PLATE/SEAL PLANE - E-COATED
31	162769-01-02B	EA	PLATE/SEAL - E-COATED
32	164030-01-02B	EA	PLATE/SEAL PLANE - E-COATED
33	158410-01-02B	EA	PLATE/SEAL PLANE - LEFT HAND - E-COATED
34	144048-03-02B	EA	PLATE/SEAL - E-COATED
35	123440-03-02B	EA	SUPPORT - PANEL - 14.9"/13.4" X 5.9" - E-COATED
36	138866-03-01A	EA	SLIDE - BATTERY TRAY
37	093305-01-01A	FT	TRIM - EDGE C-TYPE - WIRE CARRIER - .35" X .24" - VINYL
	135712-07-02B	EA	PLATE - BODY MOUNT - E-COATED

CHASSIS GROUP (CONTINUED)

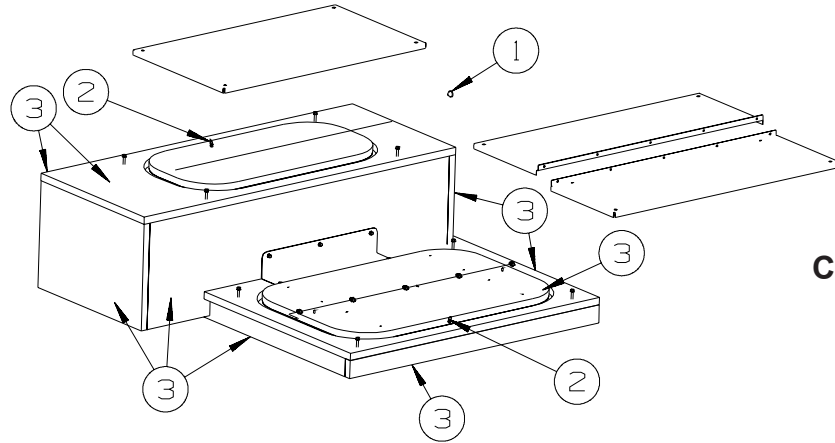
FRONT END



KEY	PART NUMBER	U/M	DESCRIPTION
1	115023-01-000	EA	ISOLATOR - RUBBER
2	123764-06-02B	EA	COMPARTMENT/LUGGAGE - E-COATED
3	142478-01-01B	EA	BRACKET - GAUGE - AIR SOURCE - MILL
4	162109-04-02B	EA	STEP WELL - ENTRANCE DOOR - E-COATED
	009065-03-000	EA	HINGE - ALUMINUM - 2" X 72.5" - UNPAINTED
5	145992-01-02B	EA	PANEL - SEAL - FRONT - E-COATED
6	099418-01-000	FT	SEAL - D-SECTION/ADHESIVE BACK - .44" X .44" - BLK RUBBER
7	121269-13-01B	EA	FRAME-WINDSHIELD,A PILLAR,ML
8	126289-65-01B	EA	ANGLE - FORMED
9	134202-01-01B	EA	REINFORCEMENT - SUPPORT - LOWER WINDSHIELD/MIDDLE
10	156774-03-01B	EA	BRACKET ASM-WIPER MOTOR,MILL
11	137047-04-01B	EA	STRAP - DEFROSTER PLENUM
12	137047-05-01B	EA	STRAP - DEFROSTER PLENUM
13	137047-06-01B	EA	STRAP - DEFROSTER PLENUM
14	148935-01-01B	EA	BRACKET-WINDSHIELD ,MILL
15	153129-02-02B	EA	BRACKET - SUPPORT - TV - E-COATED
16	153129-03-02B	EA	BRACKET - SUPPORT - TV - E-COATED
	156777-02-01B	EA	BRACKET - RESERVOIR - MILL

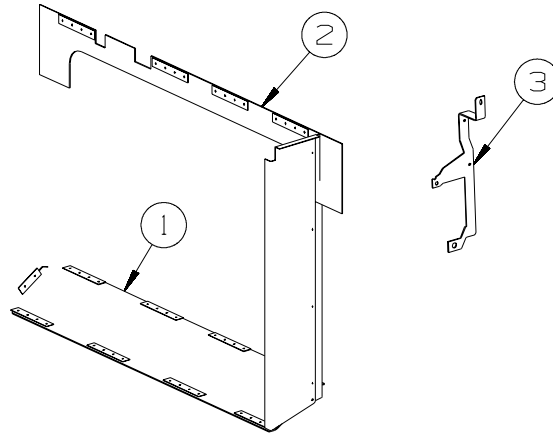
CHASSIS GROUP (CONTINUED)

INSULATION



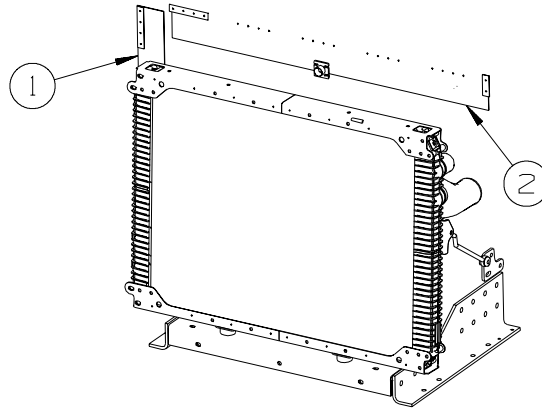
**ENGINE
COMPARTMENT**

KEY	PART NUMBER	U/M DESCRIPTION
1	106648-01-000	EA CAP - STUD - .120 TO .130 DIAMETER
2	039623-01-000	FT SEAL - MOTOR COVER - RUBBER BULB TYPE
3	072877-08-000	EA INSULATION - SOUND BARRIER- 1" X 54" X 48" - ADHESIVE BACK



**CONDENSER
BAFFLE
INSTALLATION**

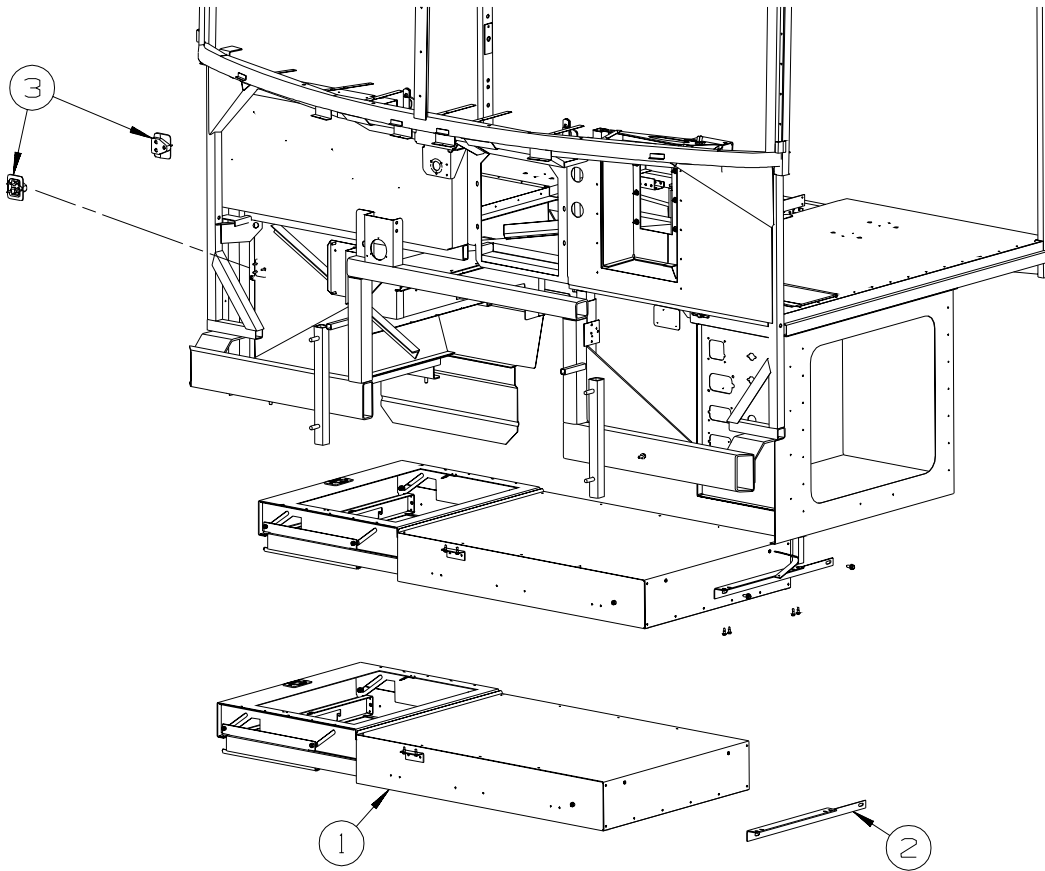
KEY	PART NUMBER	U/M DESCRIPTION
1	149047-02-000	EA BAFFLE - RADIATOR - 43.5" X 8.4"
2	146844-02-000	EA SHEET/RUBBER - 7.9" X 49.9"
3	167066-01-02B	EA SUPPORT - DIPSTICK/FILL - E-COATED



**BAFFLE INSULATION
INSTALLATION**

KEY	PART NUMBER	U/M DESCRIPTION
1	076310-05-000	EA SHEET/RUBBER - RADIATOR BAFFLE - .12" X 4" X 16"
2	076310-08-000	EA SHEET/RUBBER - RADIATOR BAFFLE - .12" X 5" X 48"

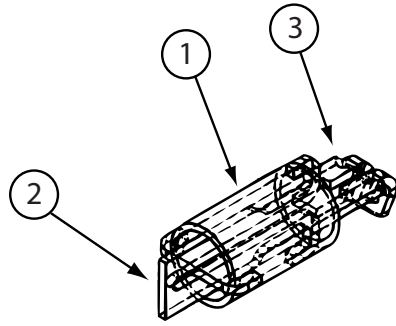
CHASSIS GROUP (CONTINUED) STEPWELL COVER



KEY	PART NUMBER	U/M	DESCRIPTION
1*	145122-04-01A	EA	STEP COVER - SLIDING
2	145661-02-02B	EA	BRACKET - STEP COVER - E-COATED
3	142499-02-01A	EA	BLOCK/SUPPORT (STEP COVER)
	161608-01-02B	EA	SHIM - STEP/COVER - E-COATED

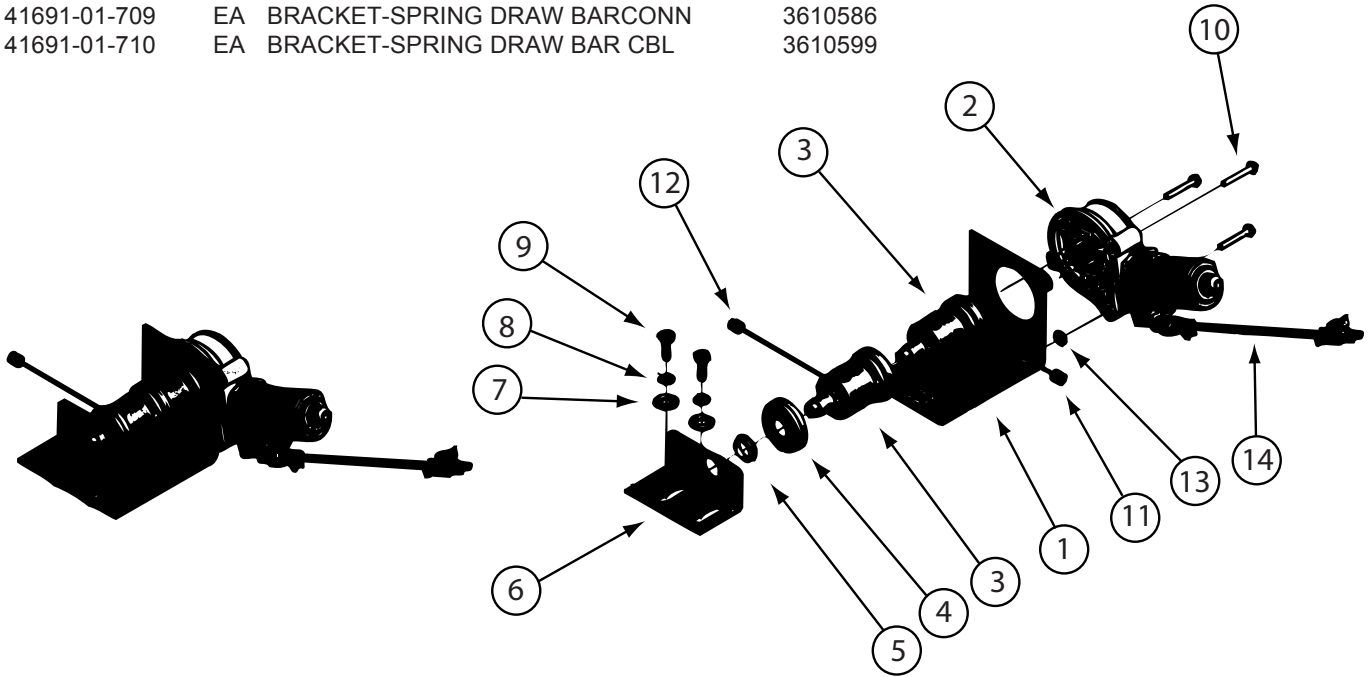
***COMPONENT PARTS LISTED LATER IN THIS GROUP**

CHASSIS GROUP (CONTINUED)
COMPONENT PARTS FOR STEPWELL COVER



145122-04-01A, 145122-05-01A

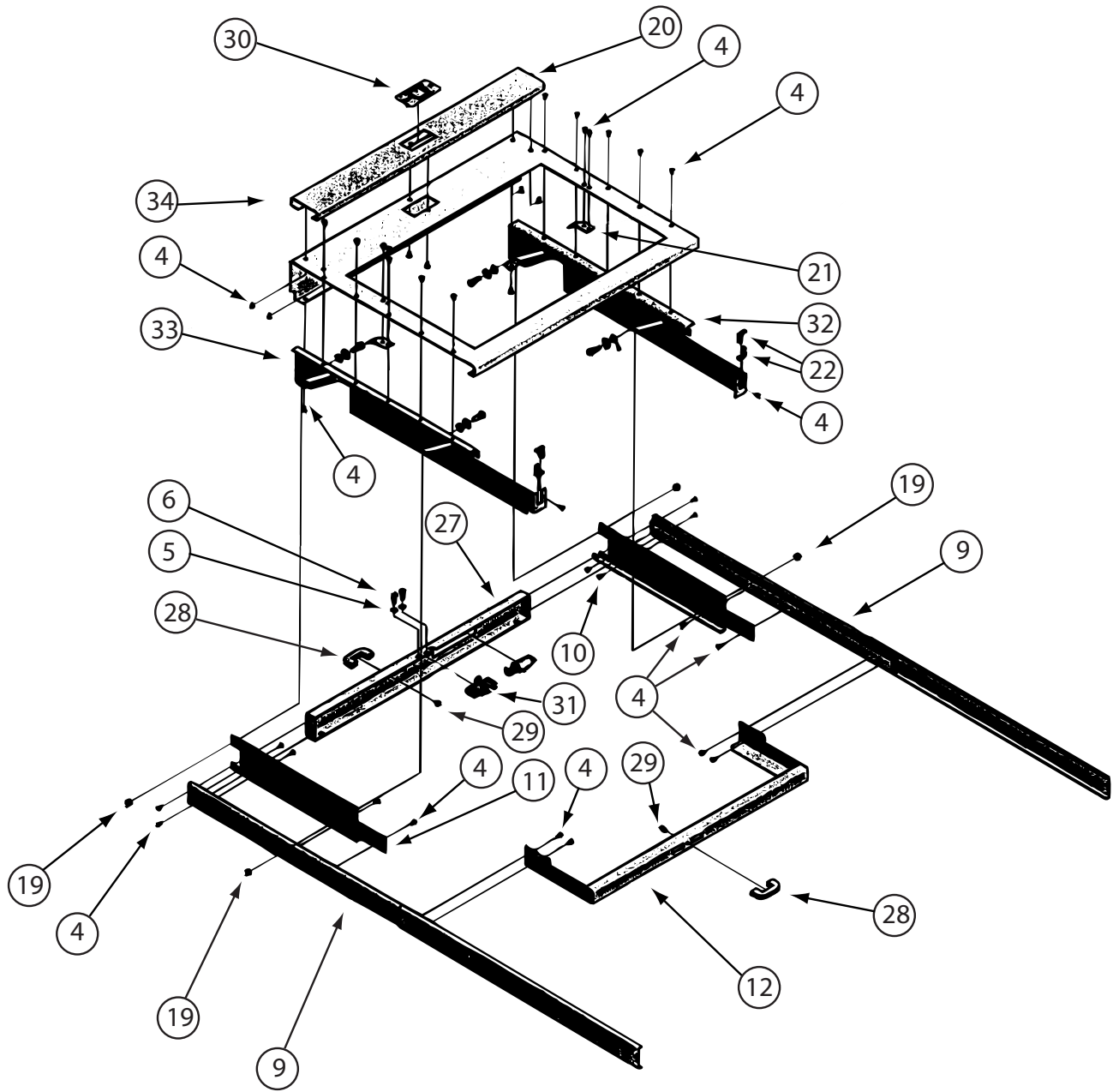
KEY	PART NUMBER	U/M	DESCRIPTION	VENDOR NO.
1	141691-01-704	EA	SPRING - CABLE PRELOAD	1217507
2	141691-01-709	EA	BRACKET-SPRING DRAW BARCONN	3610586
3	141691-01-710	EA	BRACKET-SPRING DRAW BAR CBL	3610599



145122-04-01A, 145122-05-01A (CONTINUED)

KEY	PART NUMBER	U/M	DESCRIPTION	VENDOR NO.
2	141691-01-708	EA	MOTOR W/9 TOOTH PINION	1820122
3	141691-01-711	EA	CAPSTAN/DRUM - CABLE DRIVE	1102211
4	141691-01-705	EA	CAP/END - DRUM	1612535
5	141691-01-706	EA	BUSHING - .625" X .813"	1614003
6	145122-01-710	EA	BRACKET - SUPPORT	3610597
11	145122-01-700	EA	CABLE - 80" W/STOPS	1218753
12	145122-01-701	EA	CABLE - 54" W/STOPS	1218754
14	145122-01-704	EA	HARNESS/ADAPTER	1809938

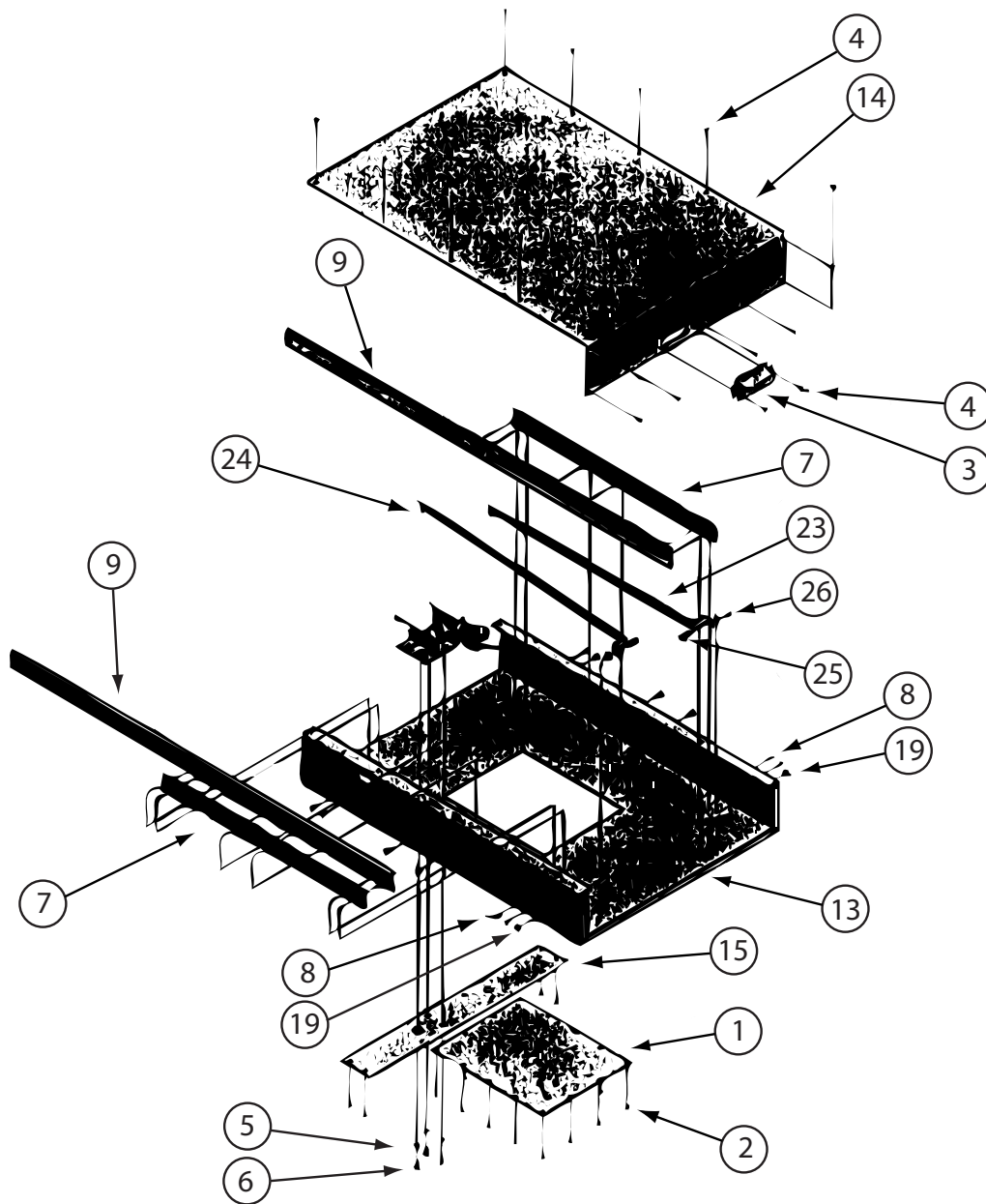
CHASSIS GROUP (CONTINUED)
COMPONENT PARTS FOR STEPWELL COVER (CONTINUED)



145122-04-01A (CONTINUED)

KEY	PART NUMBER	U/M	DESCRIPTION	VENDOR NO.
4	138173-01-701	EA	POP RIVET - SS 3/16"X1/4"	1214630
16	130294-04-701	EA	BOLT - 3/8" X 3/8" SHOULDER	1202300
18	145122-01-709	EA	BUSHING/BRONZE - .38" X .50"	1614007
22	145122-01-708	EA	GUIDE/ARM SLIDE - PLASTIC	1612542
23	145122-05-701	EA	STOP ROD BRACKET - LH	3010000358
24	145122-05-700	EA	STOP ROD BRACKET - RH	3010000359
28	145122-01-707	EA	SHOE/CABLE - PLASTIC	1612533
30	145122-01-706	EA	COVER - EMERGENCY RETRACT	1612532
31	141691-01-703	EA	LATCH - CABLE RELEASE	1912125

CHASSIS GROUP (CONTINUED)
COMPONENT PARTS FOR STEPWELL COVER (CONTINUED)

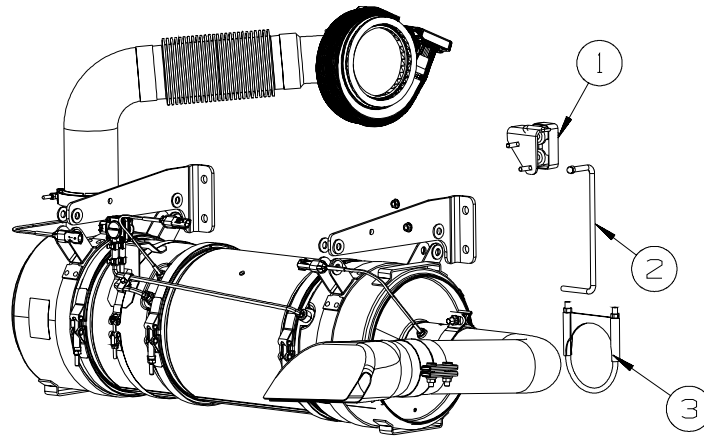


145122-04-01A (CONTINUED)

KEY	PART NUMBER	U/M	DESCRIPTION	VENDOR NO.
4	138173-01-701	EA	POP RIVET - SS 3/16"X1/4"	1214630
16	130294-04-701	EA	BOLT - 3/8" X 3/8" SHOULDER	1202300
18	145122-01-709	EA	BUSHING/BRONZE - .38" X .50"	1614007
22	145122-01-708	EA	GUIDE/ARM SLIDE - PLASTIC	1612542
23	145122-05-701	EA	STOP ROD BRACKET - LH	3010000358
24	145122-05-700	EA	STOP ROD BRACKET - RH	3010000359
28	145122-01-707	EA	SHOE/CABLE - PLASTIC	1612533
30	145122-01-706	EA	COVER - EMERGENCY RETRACT	1612532
31	141691-01-703	EA	LATCH - CABLE RELEASE	1912125

CHASSIS GROUP (CONTINUED)

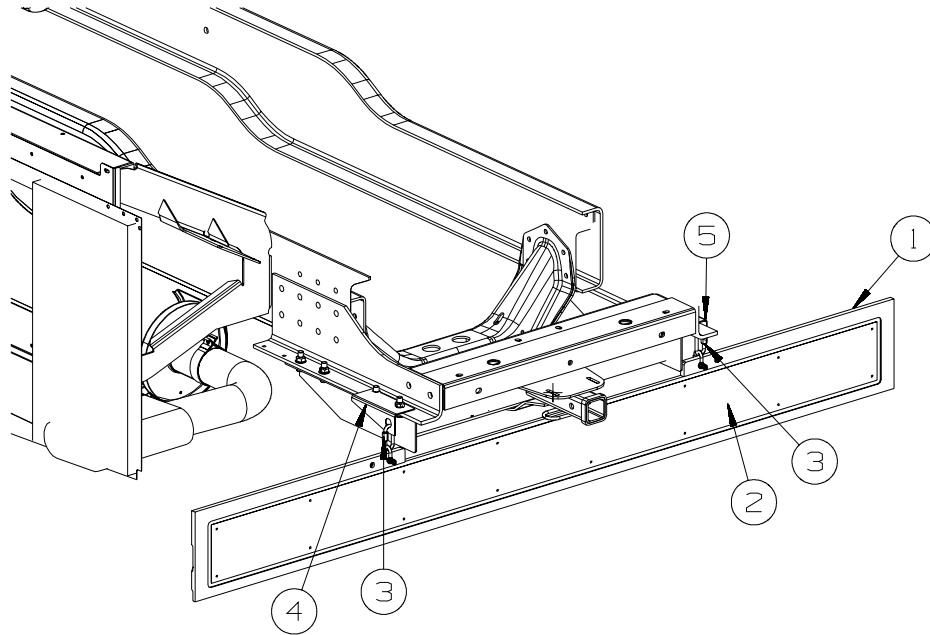
EXHAUST



KEY	PART NUMBER	U/M	DESCRIPTION
1	143811-01-000	EA	HANGER - EXHAUST - FORD F53
2	122392-19-02B	EA	HANGER - TAILPIPE - E-COATED
3	094918-05-000	EA	CLAMP - EXHAUST - 4 7/16" - GUILLOTINE STYLE

HITCH

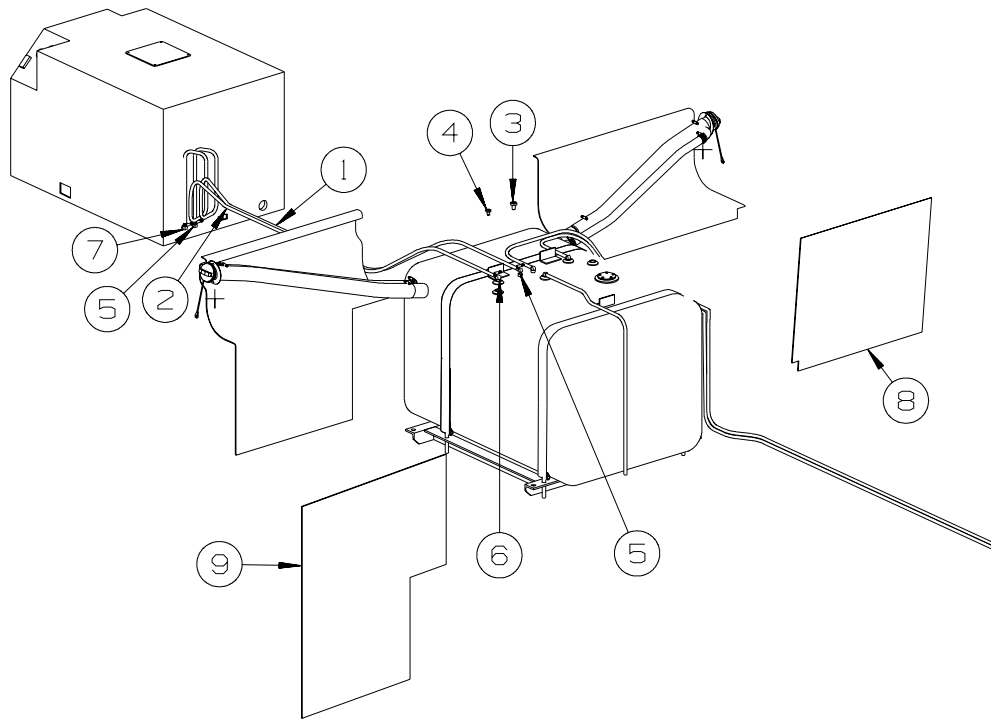
KEY	PART NUMBER	U/M	DESCRIPTION
	170943-02-04B	EA	HITCH/RECEIVER - CLASS 4
	172243-01-01A	EA	LABEL - HITCH RATING - CLASS 3 - 5000/500 - WHT BLK



REAR MUD GUARD

KEY	PART NUMBER	U/M	DESCRIPTION
1	151908-03-01A	EA	MUD FLAP - REAR - BRUSHED ALUMINUM
2	149830-01-01A	EA	LOGO - "VECTRA" - FOR MUDFLAP - CHROME/BLACK
3	139818-01-01A	EA	LINK - QUICK - STAINLESS STEEL
4	163857-04-02B	EA	ANGLE/FORMED - MUDFLAP - E-COATED
5	163857-03-02B	EA	ANGLE/FORMED - MUDFLAP - E-COATED

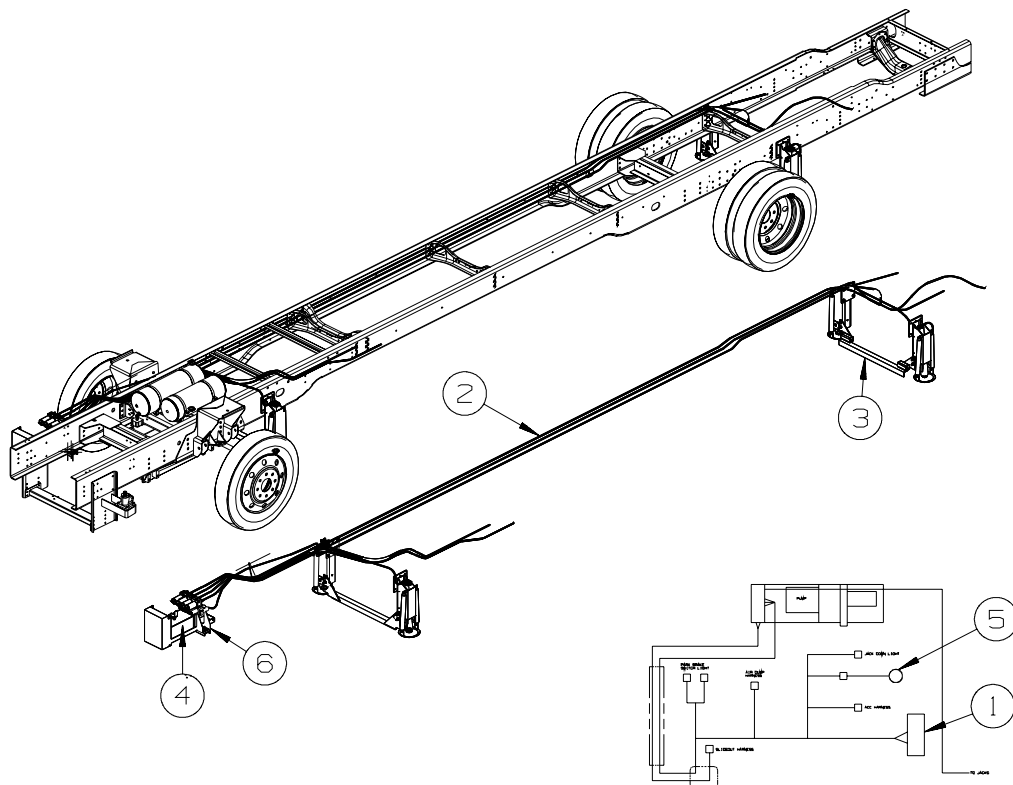
CHASSIS GROUP (CONTINUED)
FUEL



KEY	PART NUMBER	U/M	DESCRIPTION
1	128139-03-000	FT	HOSE - FUEL - LOW PERMEABILITY - 1/4" DIAMETER
2	024138-01-000	FT	HOSE - FUEL - 5/16" ID
3	068382-05-000	EA	BUSHING - 1/2"MPT X 1/8"FPT - BRASS
4	068382-02-000	EA	BUSHING - 3/8"MPT X 1/4"FPT - BRASS
5	114253-01-000	EA	ELBOW - 1/4 SINGLE BARB X 1/8 MPT
6	114253-02-000	EA	ELBOW - 5/16 SINGLE BARB X 1/4 MPT
7	114253-04-000	EA	ELBOW - 5/16 SINGLE BARB X 1/8 MPT
8	118726-07-000	EA	BAFFLE - FUEL FILL - RIGHT HAND
9	118726-08-000	EA	BAFFLE - FUEL FILL - LEFT HAND

CHASSIS GROUP (CONTINUED)

HYDRAULIC LEVELING



KEY	PART NUMBER	U/M	DESCRIPTION
1*	107889-13-000	EA	PANEL - CONTROL - 625 AIR DUMP W/PLUG F/REMOTE - W/HARNES
2*	100536-47-000	EA	HOSE KIT - LEVELING JACKS
3	114748-08-02B	EA	BRACKET - JACKS/REAR - E-COATED
			FROM: 00-00-00 THRU: 05-17-09
3	114748-12-02B	EA	BRACKET - JACKS/REAR - E-COATED
			FROM: 05-18-09 THRU: 99-99-99
4	153452-37-000	EA	LEVELING SYSTEM - 625 SYSTEM W/2 SLIDEOUTS - FREIGHTLINER
5	134092-05-000	EA	CHIME KIT - LEVELING SYSTEM - 325/625
6	144224-03-01A	EA	BRACKET - PUMP/LEVELING - BLACK
			FROM: 00-00-00 THRU: 12-14-08
6	172080-01-02B	EA	BRACKET - PUMP/LEVELING SYSTEM - E-COATED
			FROM: 12-15-08 THRU: 99-99-99

*COMPONENT PARTS LISTED LATER IN THIS GROUP

COMPONENT PARTS FOR HYDRAULIC LEVELING

100536-47-000

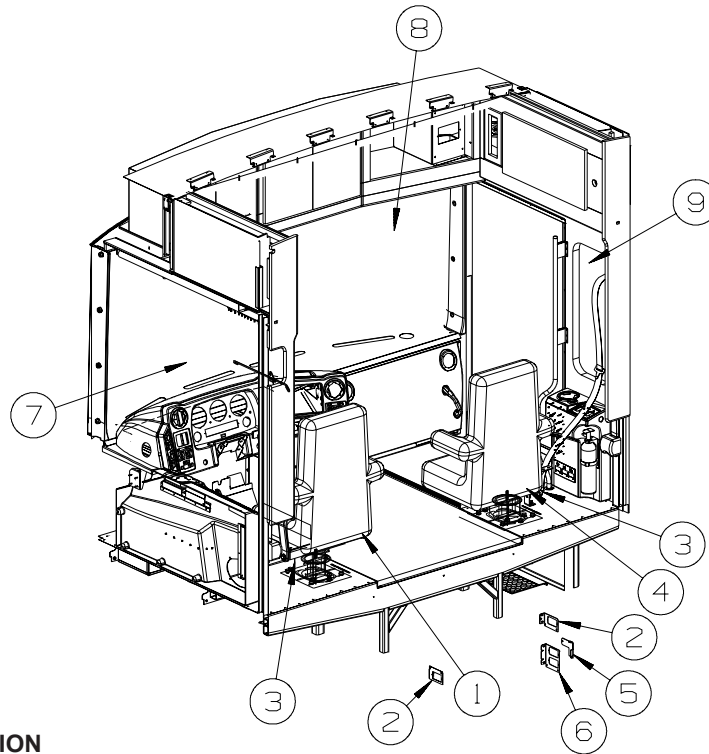
KEY	PART NUMBER	U/M	DESCRIPTION	VENDOR NO.
	100536-31-701	EA	HOSE-HYDRAULIC - 1/4" X 96"	RAP5352/AP5352
	100536-47-700	EA	HOSE-HYDRAULIC - 1/4" X 416"	RAP91507
	100536-47-701	EA	HOSE-HYDRAULIC - 1/4" X 378"	RAP91501
	115767-01-704	EA	HOSE-HYDRAULIC - 1/4" X 146"	RAP90004/AP2443

107889-12-000, 107889-13-000

KEY	PART NUMBER	U/M	DESCRIPTION	VENDOR NO.
	107889-12-700	EA	TOUCH PANEL-625 W/AIR/REMOTE	RAP91862/AP34697

CURTAIN & CUSHION GROUP

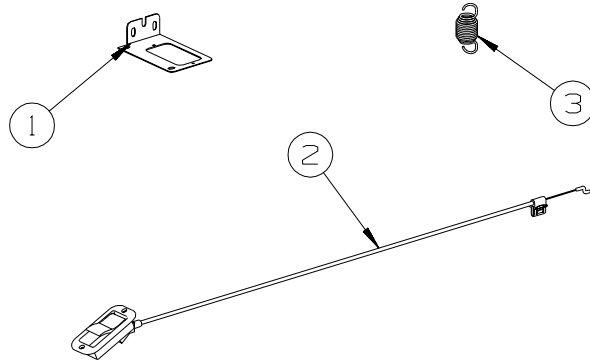
CURTAIN, CUSHION LAYOUT



KEY	PART NUMBER	U/M	DESCRIPTION
1	146707-13-WK0	EA	SEAT - BUCKET - W/LUMBAR/ADJUSTABLE ARMS - LEATHER (YK0, YK1, YK2, YK3, YT0)
1	146707-13-WK4	EA	SEAT - BUCKET - W/LUMBAR/ADJUSTABLE ARMS - LEATHER (YK4, YK5, YK6, YK7, YT1)
1	146707-13-YL4	EA	SEAT - BUCKET - W/LUMBAR/ADJUSTABLE ARMS - LEATHER (YL0, YL1, YL2, YL3, YT2)
1	148630-04-WK0	EA	SKIRT - F/6-WAY POWER - LEATHER (YK0, YK1, YK2, YK3, YT0)
1	148630-04-UJ1	EA	SKIRT - F/6-WAY POWER - LEATHER (YK4, YK5, YK6, YK7, YT1)
1	148630-04-YL4	EA	SKIRT - F/6-WAY POWER - LEATHER (YL0, YL1, YL2, YL3, YT2)
1	108049-02-000	EA	CLIP - CABLE/PEDESTAL
1	108049-04-000	EA	CABLE - W/MINI LEVER ACTION SWITCH - 28" SHEATH/30" CABLE
1	152337-01-000	EA	PROTECTOR - SEAT - CLEAR VINYL
2	127159-01-02B	EA	BRACKET - SEAT RELEASE - SINGLE REMOTE - E-COATED
3	128699-01-02B	EA	BRACKET - SEAT SWITCH - E-COATED
4	146707-13-WK0	EA	SEAT - BUCKET - W/LUMBAR/ADJUSTABLE ARMS - LEATHER (YK0, YK1, YK2, YK3, YT0)
4	146707-13-WK4	EA	SEAT - BUCKET - W/LUMBAR/ADJUSTABLE ARMS - LEATHER (YK4, YK5, YK6, YK7, YT1)
4	146707-13-YL4	EA	SEAT - BUCKET - W/LUMBAR/ADJUSTABLE ARMS - LEATHER (YL0, YL1, YL2, YL3, YT2)
4	154060-02-WK0	EA	FOOTREST - BUCKET SEAT/PASSENGER - LEATHER (YK0, YK1, YK2, YK3, YT0)
4	154060-02-UJ1	EA	FOOTREST - BUCKET SEAT/PASSENGER - LEATHER (YK4, YK5, YK6, YK7, YT1)
4	154060-02-YL4	EA	FOOTREST - BUCKET SEAT/PASSENGER - LEATHER (YL0, YL1, YL2, YL3, YT2)
4	108049-02-000	EA	CLIP - CABLE/PEDESTAL
4	108049-04-000	EA	CABLE - W/MINI LEVER ACTION SWITCH - 28" SHEATH/30" CABLE
4	148630-22-WK0	EA	SKIRT - W/SEAT BELT/FOOTREST SLOTS - LEATHER (YK0, YK1, YK2, YK3, YT0)
4	148630-22-UJ1	EA	SKIRT - W/SEAT BELT/FOOTREST SLOTS - LEATHER (YK4, YK5, YK6, YK7, YT1)
4	148630-22-YL0	EA	SKIRT - W/SEAT BELT/FOOTREST SLOTS - LEATHER (YL0, YL1, YL2, YL3, YT2)
4	148630-24-WK0	EA	SKIRT - POWER - W/SEAT BELT/FOOTRST SLOTS - LEATHER (YK0, YK1, YK2, YK3, YT0) - 64K
4	148630-24-UJ1	EA	SKIRT - POWER - W/SEAT BELT/FOOTRST SLOTS - LEATHER (YK4, YK5, YK6, YK7, YT1) - 64K
4	148630-24-YL4	EA	SKIRT - POWER - W/SEAT BELT/FOOTRST SLOTS - LEATHER (YL0, YL1, YL2, YL3, YT2) - 64K
4	152337-01-000	EA	PROTECTOR - SEAT - CLEAR VINYL
5	117125-01-02B	EA	BRACKET - CABLE MOUNT - ADJUSTER W/LOCK
6	127159-02-02B	EA	BRACKET - SEAT RELEASE - DUAL REMOTE - E-COATED
7	163172-17-WK0	EA	CURTAIN - DRIVER/Front WRAP/PRIVACY - 42.9" X 77.9" (YK0, YK1, YK2, YK3, YT0)
7	163172-17-WH4	EA	CURTAIN - DR/FTWRAP/PRIVACY - 42.9" X 77.9" (YK4, YK5, YK6, YK7, YL0, YL1, YL2, YL3, YT1, YT2)
	165138-01-WK0	EA	TIEBACK - 7" X 20" (YK0, YK1, YK2, YK3, YT0)
	165138-01-WH4	EA	TIEBACK - 7" X 20" (YK4, YK5, YK6, YK7, YL0, YL1, YL2, YL3, YT1, YT2)
8	163172-18-WK0	EA	CURTAIN - PASSENGER/Front WRAP/PRIVACY - 40.9" X 81.8" (YK0, YK1, YK2, YK3, YT0)
8	163172-18-WH4	EA	CURTAIN - PASS/FT WRAP/PRIVACY - 40.9" X 81.8" (YK4, YK5, YK6, YK7, YL0, YL1, YL2, YL3, YT1, YT2)
9	163172-19-WK0	EA	CURTAIN - PASSENGER/REAR WRAP/PRIVACY - 42.9" X 77.9" (YK0, YK1, YK2, YK3, YT0)
9	163172-19-WH4	EA	CURTAIN - PASS/RR WRAP/PRIVACY - 42.9" X 77.9" (YK4, YK5, YK6, YK7, YL0, YL1, YL2, YL3, YT1, YT2)
	165138-01-WK0	EA	TIEBACK - 7" X 20" (YK0, YK1, YK2, YK3, YT0)
	165138-01-WH4	EA	TIEBACK - 7" X 20" (YK4, YK5, YK6, YK7, YL0, YL1, YL2, YL3, YT1, YT2)

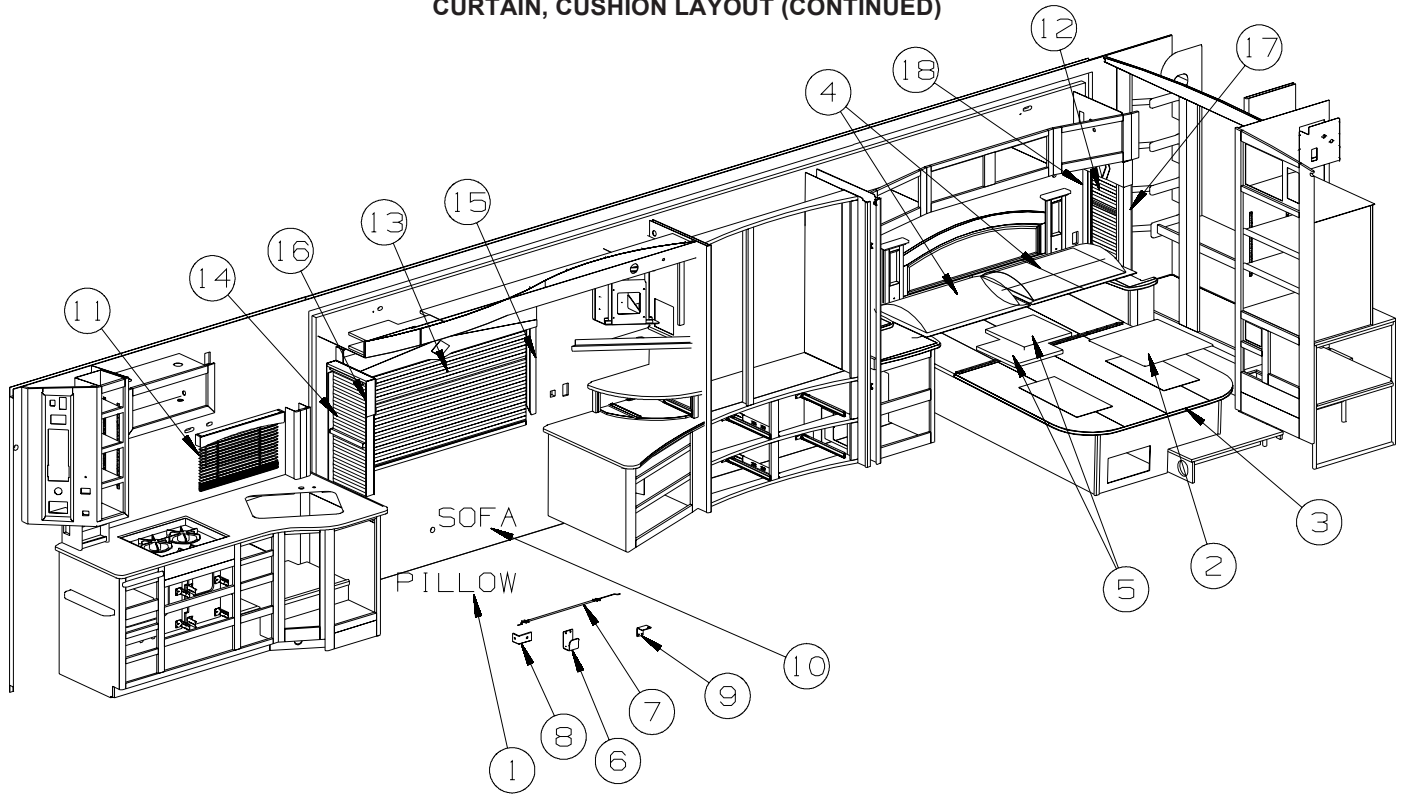
CURTAIN & CUSHION GROUP (CONTINUED)
CURTAIN, CUSHION LAYOUT (CONTINUED)

FOOTREST



KEY	PART NUMBER	U/M	DESCRIPTION
1	127159-01-02B	EA	BRACKET - SEAT RELEASE - SINGLE REMOTE - E-COATED
	131566-07-000	EA	5" DOUBLE LOCKING SLIDE W/TAB
2	153956-02-01A	EA	CABLE - FOOTREST - W/BLACK HANDLE
3	154190-06-000	EA	SPRING/FOOTREST - 2.8"

CURTAIN & CUSHION GROUP (CONTINUED)
CURTAIN, CUSHION LAYOUT (CONTINUED)

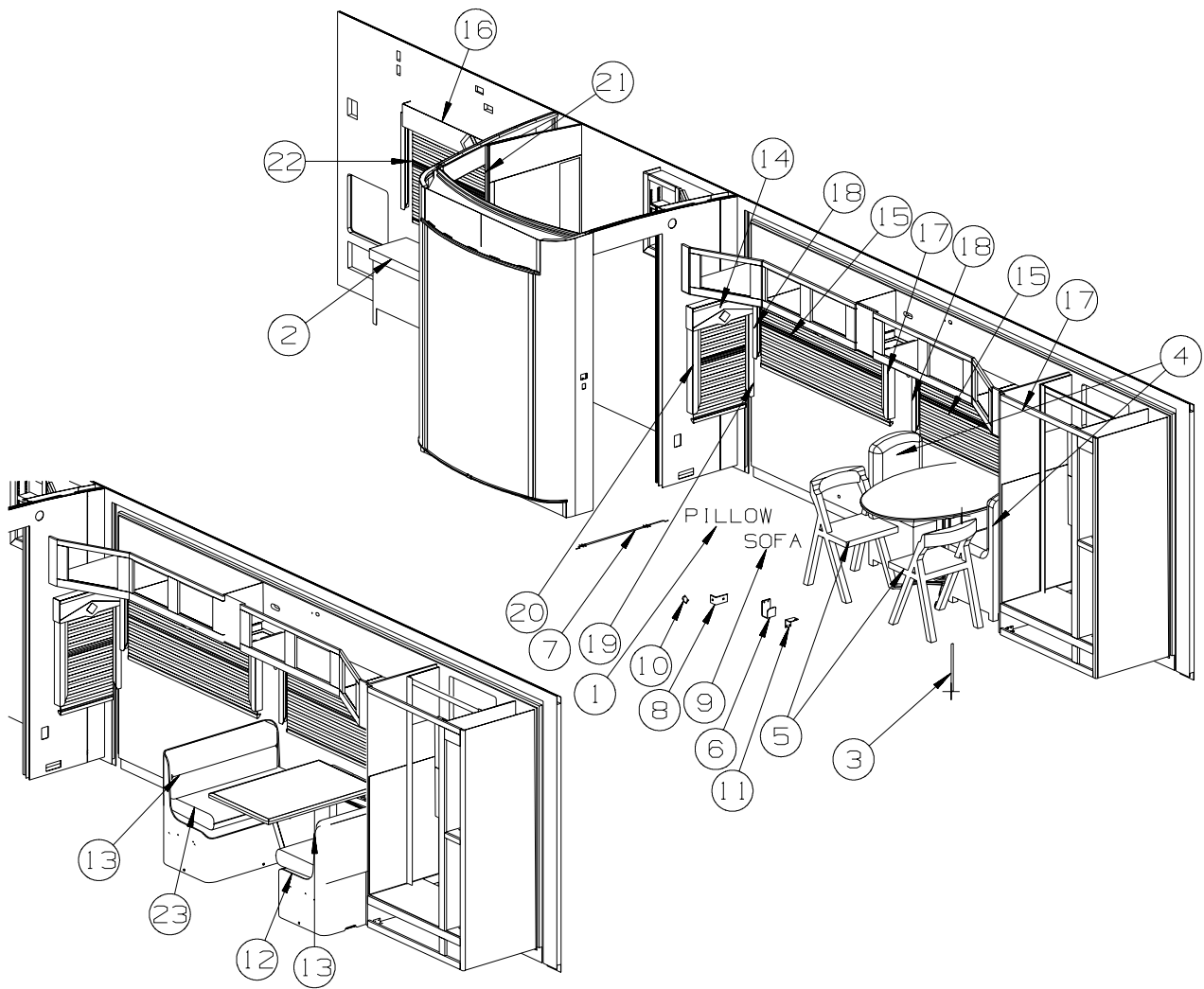


KEY	PART NUMBER	U/M	DESCRIPTION
1	157810-26-YK0	EA	PILLOW - 17" X 17" (YK0, YK1, YK2, YK3, YT0)
1	157810-09-YK4	EA	PILLOW - 17" X 17" (YK4, YK5, YK6, YK7, YT1)
1	157810-08-YL0	EA	PILLOW - 17" X 17" (YL0, YL1, YL2, YL3, YT2)
1	158009-03-YK0	EA	PILLOW - 15" X 23" - W/TRIM (YK0, YK1, YK2, YK3, YT0) - 41Z
1	158009-02-YK4	EA	PILLOW - 15" X 23" - W/CORD TRIM (YK4, YK5, YK6, YK7, YT1) - 41Z
1	158009-04-YL0	EA	PILLOW - 15" X 23" - W/TRIM (YL0, YL1, YL2, YL3, YT2) - 41Z
2	155267-06-YK0	EA	PILLOW - 17" X 17" (YK0, YK1, YK2, YK3, YT0)
2	155267-07-YK4	EA	PILLOW - 17" X 17" (YK4, YK5, YK6, YK7, YT1)
2	155267-07-YL0	EA	PILLOW - 17" X 17" (YL0, YL1, YL2, YL3, YT2)
3	162889-01-YK0	EA	BEDSPREAD - 60" X 80" (YK0, YK1, YK2, YK3, YT0)
3	162889-01-YK4	EA	BEDSPREAD - 60" X 80" (YK4, YK5, YK6, YK7, YT1)
3	162889-01-YL0	EA	BEDSPREAD - 60" X 80" (YL0, YL1, YL2, YL3, YT2)
4	162890-01-YK0	EA	PILLOW SHAM - QUEEN (YK0, YK1, YK2, YK3, YT0)
4	162890-01-YK4	EA	PILLOW SHAM - QUEEN (YK4, YK5, YK6, YK7, YT1)
4	162890-01-YL0	EA	PILLOW SHAM - QUEEN (YL0, YL1, YL2, YL3, YT2)
5	162924-01-YK0	EA	PILLOW - 14" X 14" (YK0, YK1, YK2, YK3, YT0)
5	162924-01-YK4	EA	PILLOW - 14" X 14" (YK4, YK5, YK6, YK7, YT1)
5	162924-01-YL0	EA	PILLOW - 14" X 14" (YL0, YL1, YL2, YL3, YT2)
6	121906-01-02B	EA	BRACKET - KICKBOARD - E-COATED - 41Z
	136534-32-000	EA	BRACKET - DUAL BASE - 41Z
7	148225-01-000	EA	CABLE ONLY - REMOTE - 31.9" W/Z-ENDS - 41Z
8	167329-01-02B	EA	BRACKET/ANGLE - E-COATED - 41Z
9	154316-01-01A	EA	BRACE/ANGLE - W/HOLE - CASHMERE - 41Z
10	157827-05-YK0	EA	SOFA - TUSCAN - 74" - REMOVABLE FRONT PANEL/ARMS-20"FL FLR (YK0, YK1, YK2, YK3, YT0)
10	157827-05-YK4	EA	SOFA - TUSCAN - 74" - REMOVABLE FRONT PANEL/ARMS-20"FL FLR (YK4, YK5, YK6, YK7, YT1)
10	157827-05-YL0	EA	SOFA - TUSCAN - 74" - REMOVABLE FRONT PANEL/ARMS-20"FL FLR (YL0, YL1, YL2, YL3, YT2)
10	157827-06-YK0	EA	SOFA - TUSCAN - 74" - REMOVABLE FT PNL/ARMS-20"FL FLR (YK0, YK1, YK2, YK3, YT0) - 41N
10	157827-06-YK4	EA	SOFA - TUSCAN - 74" - REMOVABLE FT PNL/ARMS-20"FL FLR (YK4, YK5, YK6, YK7, YT1) - 41N
10	157827-06-YL0	EA	SOFA - TUSCAN - 74" - REMOVABLE FT PNL/ARMS-20"FL FLR (YL0, YL1, YL2, YL3, YT2) - 41N
10	164717-02-WK0	EA	SOFA - DUAL CONTROL - #846/#846 (YK0, YK1, YK2, YK3, YT0) - 41Z
10	164717-02-WK4	EA	SOFA - DUAL CONTROL - #846/#846 (YK4, YK5, YK6, YK7, YT1) - 41Z
10	164717-02-YL0	EA	SOFA - DUAL CONTROL - #846/#846 (YL0, YL1, YL2, YL3, YT2) - 41Z
	163559-01-000	EA	SLIDE - RAIL - W/LATCH MECH/PLATES/STIP - 41Z
	163559-04-000	EA	CLIP/RAIL - F/TRUNDLE - 41Z

CURTAIN & CUSHION GROUP (CONTINUED)
CURTAIN, CUSHION LAYOUT (CONTINUED)

KEY	PART NUMBER	U/M	DESCRIPTION
11	111861-20-01A	EA	BLIND - MINI - 26" X 15" - ALABASTER PEARL
	169068-01-01A	EA	BRACKET - (CLEAT TYPE) - F/BLIND HOLDOWN - MILKY WHITE
	109441-01-000	EA	BRACKET/HOOK - BLIND HOLD DOWN - LARGE - CLEAR
	109441-02-000	EA	SPACER/BRACKET - BLIND HOLD DOWN
	162496-01-01A	EA	BRACKET/BLIND - LEFT SIDE WHEN FACING WINDOW - CLEAR
	162496-02-01A	EA	BRACKET/BLIND - RIGHT SIDE WHEN FACING WINDOW - CLEAR
12	162017-09-YK0	EA	VALANCE - RIO - 17" X 7" (YK0, YK1, YK2, YK3, YT0)
12	162017-19-YK4	EA	VALANCE - RIO - 17" X 7" (YK4, YK5, YK6, YK7, YT1)
12	162017-23-YL0	EA	VALANCE - RIO - 17" X 7" (YL0, YL1, YL2, YL3, YT2)
12	140789-A9-YL4	EA	BLIND - DAY/NIGHTER - 13.5" X 32"
	097565-01-000	EA	BRACKET - MOUNTING - PLEATED BLIND
13	162765-16-WK0	EA	VALANCE - 65" X 10" (YK0, YK1, YK2, YK3, YT0)
13	162765-40-YK4	EA	VALANCE - 65" X 10" (YK4, YK5, YK6, YK7, YT1)
13	162765-41-YL0	EA	VALANCE - 65" X 10" (YL0, YL1, YL2, YL3, YT2)
13	140789-53-YL4	EA	BLIND - DAY/NIGHTER - 31" X 37"
	097565-01-000	EA	BRACKET - MOUNTING - PLEATED BLIND
14	162765-19-WK0	EA	VALANCE - 16.5" X 10" (YK0, YK1, YK2, YK3, YT0)
14	162765-38-YK4	EA	VALANCE - 16.5" X 10" (YK4, YK5, YK6, YK7, YT1)
14	162765-39-YL0	EA	VALANCE - 16.5" X 10" (YL0, YL1, YL2, YL3, YT2)
	105648-01-02A	EA	BRACE - VALANCE - 14" - OFF WHITE
14	140789-90-YL4	EA	BLIND - DAY/NIGHTER - 13.5" X 37"
	097565-01-000	EA	BRACKET - MOUNTING - PLEATED BLIND
15	162807-29-WK0	EA	LEG - 32" - W/ANGLE - RH HAND (YK0, YK1, YK2, YK3, YT0)
15	162807-31-YK4	EA	LEG - 32" - W/ANGLE - RH HAND (YK4, YK5, YK6, YK7, YT1)
15	162807-31-YL0	EA	LEG - 32" - W/ANGLE - RH HAND (YL0, YL1, YL2, YL3, YT2)
	154316-01-01A	EA	BRACE/ANGLE - W/HOLE - CASHMERE
16	162807-30-WK0	EA	LEG - 32" - W/ANGLE - LH HAND (YK0, YK1, YK2, YK3, YT0)
16	162807-32-YK4	EA	LEG - 32" - W/ANGLE - LH HAND (YK4, YK5, YK6, YK7, YT1)
16	162807-32-YL0	EA	LEG - 32" - W/ANGLE - LH HAND (YL0, YL1, YL2, YL3, YT2)
	154316-01-01A	EA	BRACE/ANGLE - W/HOLE - CASHMERE
17	162807-35-YK0	EA	LEG - 27" - W/ANGLE - RH HAND (YK0, YK1, YK2, YK3, YT0)
17	162807-37-YK4	EA	LEG - 27" - W/ANGLE - RH HAND (YK4, YK5, YK6, YK7, YT1)
17	162807-37-YL0	EA	LEG - 27" - W/ANGLE - RH HAND (YL0, YL1, YL2, YL3, YT2)
	154316-01-01A	EA	BRACE/ANGLE - W/HOLE - CASHMERE
18	162807-36-YK0	EA	LEG - 27" - W/ANGLE - LH HAND (YK0, YK1, YK2, YK3, YT0)
18	162807-38-YK4	EA	LEG - 27" - W/ANGLE - LH HAND (YK4, YK5, YK6, YK7, YT1)
18	162807-38-YL0	EA	LEG - 27" - W/ANGLE - LH HAND (YL0, YL1, YL2, YL3, YT2)
	154316-01-01A	EA	BRACE/ANGLE - W/HOLE - CASHMERE

CURTAIN & CUSHION GROUP (CONTINUED)
CURTAIN, CUSHION LAYOUT (CONTINUED)

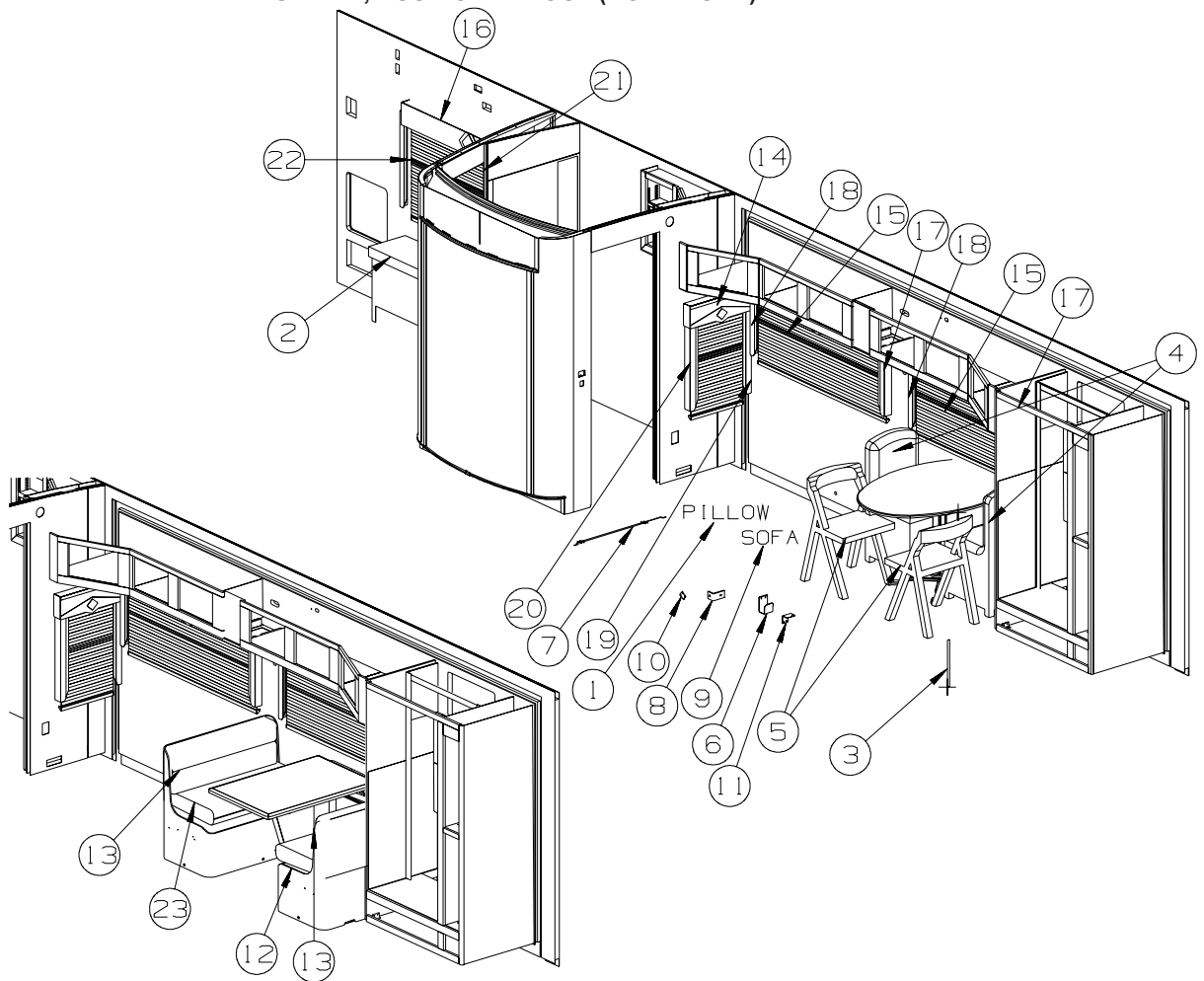


KEY	PART NUMBER	U/M DESCRIPTION
1	158009-03-YK0	EA PILLOW - 15" X 23" - W/TRIM (YK0, YK1, YK2, YK3, YT0)
1	158009-02-YK4	EA PILLOW - 15" X 23" - W/CORD TRIM (YK4, YK5, YK6, YK7, YT1)
1	158009-04-YL0	EA PILLOW - 15" X 23" - W/TRIM (YL0, YL1, YL2, YL3, YT2)
1	157810-26-YK0	EA PILLOW - 17" X 17" (YK0, YK1, YK2, YK3, YT0) - 42Z
1	157810-09-YK4	EA PILLOW - 17" X 17" (YK4, YK5, YK6, YK7, YT1) - 42Z
1	157810-08-YL0	EA PILLOW - 17" X 17" (YL0, YL1, YL2, YL3, YT2) - 42Z
2	160287-08-WK0	EA CUSHION - WINDOW SEAT/RH ANGLE - 13" X 67" X 3" (YK0, YK1, YK2, YK3, YT0)
2	160287-08-YK4	EA CUSHION - WINDOW SEAT/RH ANGLE - 13" X 67" X 3" (YK4, YK5, YK6, YK7, YT1)
2	160287-07-YL0	EA CUSHION - WINDOW SEAT/RH ANGLE - 13" X 67" X 3" (YL0, YL1, YL2, YL3, YT2)
	160287-A8-WK0	EA COVER - CUSHION - WINDOW SEAT/RH ANGLE - 13" X 67" X 3" (YK0, YK1, YK2, YK3, YT0)
	160287-A8-YK4	EA COVER - CUSHION - WINDOW SEAT/RH ANGLE - 13" X 67" X 3" (YK4, YK5, YK6, YK7, YT1)
	160287-A7-YL0	EA COVER - CUSHION - WINDOW SEAT/RH ANGLE - 13" X 67" X 3" (YL0, YL1, YL2, YL3, YT2)
3	099856-13-000	EA STRAP - TIEDOWN - 143.5"
3	099856-12-000	EA STRAP - TIEDOWN - 121.9" - 21P
4	157839-01-WK0	EA CHAIR - DINING (YK0)
4	157839-01-WK2	EA CHAIR - DINING (YK1, YT0)
4	157839-01-YK2	EA CHAIR - DINING (YK2)
4	157839-01-WK1	EA CHAIR - DINING (YK3)
4	157839-02-YK4	EA CHAIR - DINING (YK4)
4	157839-02-YK5	EA CHAIR - DINING (YK5, YT1)
4	157839-02-YK6	EA CHAIR - DINING (YK6)
4	157839-02-YK7	EA CHAIR - DINING (YK7)
4	157839-02-YL0	EA CHAIR - DINING (YL0)
4	157839-02-YL1	EA CHAIR - DINING (YL1, YT2)
4	157839-02-YL2	EA CHAIR - DINING (YL2)
4	157839-02-YL3	EA CHAIR - DINING (YL3)

CURTAIN & CUSHION GROUP (CONTINUED)
CURTAIN, CUSHION LAYOUT (CONTINUED)

KEY	PART NUMBER	U/M	DESCRIPTION
5	168691-01-YK0	EA	CHAIR - FOLDING (YK0)
5	168691-01-YK1	EA	CHAIR - FOLDING (YK1, YT0)
5	168691-01-YK2	EA	CHAIR - FOLDING (YK2)
5	168691-01-YK3	EA	CHAIR - FOLDING (YK3)
5	168691-03-YK4	EA	CHAIR - FOLDING (YK4)
5	168691-03-YK5	EA	CHAIR - FOLDING (YK5, YT1)
5	168691-03-YK6	EA	CHAIR - FOLDING (YK6)
5	168691-03-YK7	EA	CHAIR - FOLDING (YK7)
5	168691-03-YL0	EA	CHAIR - FOLDING (YL0)
5	168691-03-YL1	EA	CHAIR - FOLDING (YL1, YT2)
5	168691-03-YL2	EA	CHAIR - FOLDING (YL2)
5	168691-03-YL3	EA	CHAIR - FOLDING (YL3)
6	121906-01-02B	EA	BRACKET - KICKBOARD - E-COATED
7	148225-01-000	EA	CABLE ONLY - REMOTE - 31.9" W/Z-ENDS
8	167329-01-02B	EA	BRACKET/ANGLE - E-COATED
9	164717-01-WK0	EA	SOFA - DUAL CONTROL - #846/#846 ARMS/SEAT/BACK - FF - LTH (YK0, YK1, YK2, YK3, YT0)
9	164717-01-WK4	EA	SOFA - DUAL CONTROL - #846/#846 ARMS/SEAT/BACK - FF - LTH (YK4, YK5, YK6, YK7, YT1)
9	164717-01-YL0	EA	SOFA - DUAL CONTROL - #846/#846 ARMS/SEAT/BACK - FF - LTH (YL0, YL1, YL2, YL3, YT2)
9	167120-03-YK0	EA	SOFA/THEATER - DUAL - #846 ARMS/SEAT/BACK - RSD - LTH (YK0) - 42Z
9	167120-03-YK1	EA	SOFA/THEATER - DUAL - #846 ARMS/SEAT/BACK - RSD - LTH (YK1, YT0) - 42Z
9	167120-03-YK2	EA	SOFA/THEATER - DUAL - #846 ARMS/SEAT/BACK - RSD - LTH (YK2) - 42Z
9	167120-03-YK3	EA	SOFA/THEATER - DUAL - #846 ARMS/SEAT/BACK - RSD - LTH (YK3) - 42Z
9	167120-03-YK4	EA	SOFA/THEATER - DUAL - #846 ARMS/SEAT/BACK - RSD - LTH (YK4) - 42Z
9	167120-03-YK5	EA	SOFA/THEATER - DUAL - #846 ARMS/SEAT/BACK - RSD - LTH (YK5, YT1) - 42Z
9	167120-03-YK6	EA	SOFA/THEATER - DUAL - #846 ARMS/SEAT/BACK - RSD - LTH (YK6) - 42Z
9	167120-03-YK7	EA	SOFA/THEATER - DUAL - #846 ARMS/SEAT/BACK - RSD - LTH (YK7) - 42Z
9	167120-03-YL0	EA	SOFA/THEATER - DUAL - #846 ARMS/SEAT/BACK - RSD - LTH (YL0) - 42Z
9	167120-03-YL1	EA	SOFA/THEATER - DUAL - #846 ARMS/SEAT/BACK - RSD - LTH (YL1, YT2) - 42Z
9	167120-03-YL2	EA	SOFA/THEATER - DUAL - #846 ARMS/SEAT/BACK - RSD - LTH (YL2) - 42Z
9	167120-03-YL3	EA	SOFA/THEATER - DUAL - #846 ARMS/SEAT/BACK - RSD - LTH (YL3) - 42Z
	136534-32-000	EA	BRACKET - DUAL BASE
10	101926-01-02A	EA	BRACKET - ZEE - 2" - BLACK
11	154316-01-01A	EA	BRACE/ANGLE - W/HOLE - CASHMERE
12	142292-05-WK0	EA	SEAT - DINETTE CUSHION (SPRUNG) - 23" X 38.5" (YK0, YK1, YK2, YK3, YT0)
12	142292-07-YK4	EA	SEAT - DINETTE CUSHION (SPRUNG) - 23" X 38.5" (YK4, YK5, YK6, YK7, YT1)
12	142292-19-YL0	EA	SEAT - DINETTE CUSHION (SPRUNG) - 23" X 38.5" (YM4, YM5, YM6, YM7)
	142292-A5-WK0	EA	COVER/SEAT - DINETTE CUSHION - 23" X 38.5" (YK0, YK1, YK2, YK3, YT0)
	142292-A7-YK4	EA	COVER/SEAT - DINETTE CUSHION - 23" X 38.5" (YK4, YK5, YK6, YK7, YT1)
	142292-B9-YL0	EA	COVER/SEAT - DINETTE CUSHION - 23" X 38.5" (YL0, YL1, YL2, YL3, YT2)
	142366-01-000	EA	FRAME - SPRUNG - DINETTE SEAT
13	165945-01-YK0	EA	BACK - DINETTE CUSHION - 13.5" X 39" (YK0, YK1, YK2, YK3, YT0)
13	165945-02-YK4	EA	BACK - DINETTE CUSHION - 13.5" X 39" (YK4, YK5, YK6, YK7, YT1)
13	165945-03-YL0	EA	BACK - DINETTE CUSHION - 13.5" X 39" (YL0, YL1, YL2, YL3, YT2)
	165945-A1-YK0	EA	COVER/BACK - DINETTE CUSHION - 13.5" X 39" (YK0, YK1, YK2, YK3, YT0)
	165945-A2-YK4	EA	COVER/BACK - DINETTE CUSHION - 13.5" X 39" (YK4, YK5, YK6, YK7, YT1)
	165945-A3-YL0	EA	COVER/BACK - DINETTE CUSHION - 13.5" X 39" (YL0, YL1, YL2, YL3, YT2)
14	162765-01-WK0	EA	VALANCE - 23.5" X 7" (YK0, YK1, YK2, YK3, YT0)
14	162765-36-YK4	EA	VALANCE - 23.5" X 7" (YK4, YK5, YK6, YK7, YT1)
14	162765-37-YL0	EA	VALANCE - 23.5" X 7" (YL0, YL1, YL2, YL3, YT2)
	105648-01-02A	EA	BRACE - VALANCE - 14" - OFF WHITE
14	140789-A6-YG0	EA	BLIND - DAY/NIGHTER - 19.5" X 36"
	097565-01-000	EA	BRACKET - MOUNTING - PLEATED BLIND
15	162765-02-WK0	EA	VALANCE - 62" X 7" (YK0, YK1, YK2, YK3, YT0)
15	162765-31-YK4	EA	VALANCE - 62" X 7" (YK4, YK5, YK6, YK7, YT1)
15	162765-32-YL0	EA	VALANCE - 62" X 7" (YL0, YL1, YL2, YL3, YT2)
15	140789-08-YL4	EA	BLIND - DAY/NIGHTER - 59" X 26.5"
	097565-01-000	EA	BRACKET - MOUNTING - PLEATED BLIND
16	162017-11-YK0	EA	VALANCE - RIO - 62.5" X 7" (YK0, YK1, YK2, YK3, YT0)
16	162017-20-YK4	EA	VALANCE - RIO - 62.5" X 7" (YK4, YK5, YK6, YK7, YT1)
16	162017-22-YL0	EA	VALANCE - RIO - 62.5" X 7" (YL0, YL1, YL2, YL3, YT2)
	105648-01-02A	EA	BRACE - VALANCE - 14" - OFF WHITE
16	140789-33-YL4	EA	BLIND - DAY/NIGHTER - 59" X 36"
	097565-01-000	EA	BRACKET - MOUNTING - PLEATED BLIND

CURTAIN & CUSHION GROUP (CONTINUED)
CURTAIN, CUSHION LAYOUT (CONTINUED)



KEY	PART NUMBER	U/M	DESCRIPTION
17	162807-01-WK0	EA	LEG - 23.4" - W/ANGLE - RH HAND (YK0, YK1, YK2, YK3, YT0)
17	162807-05-YK4	EA	LEG - 23.4" - W/ANGLE - RH HAND (YK4, YK5, YK6, YK7, YT1)
17	162807-05-YL0	EA	LEG - 23.4" - W/ANGLE - RH HAND (YL0, YL1, YL2, YL3, YT2)
	154316-01-01A	EA	BRACE/ANGLE - W/HOLE - CASHMERE
18	162807-02-WK0	EA	LEG - 23.4" - W/ANGLE - LH HAND (YK0, YK1, YK2, YK3, YT0)
18	162807-06-YK4	EA	LEG - 23.4" - W/ANGLE - LH HAND (YK4, YK5, YK6, YK7, YT1)
18	162807-06-YL0	EA	LEG - 23.4" - W/ANGLE - LH HAND (YL0, YL1, YL2, YL3, YT2)
	154316-01-01A	EA	BRACE/ANGLE - W/HOLE - CASHMERE
19	162807-29-WK0	EA	LEG - 32" - W/ANGLE - RH HAND (YK0, YK1, YK2, YK3, YT0)
19	162807-31-YK4	EA	LEG - 32" - W/ANGLE - RH HAND (YK4, YK5, YK6, YK7, YT1)
19	162807-31-YL0	EA	LEG - 32" - W/ANGLE - RH HAND (YL0, YL1, YL2, YL3, YT2)
	154316-01-01A	EA	BRACE/ANGLE - W/HOLE - CASHMERE
20	162807-30-WK0	EA	LEG - 32" - W/ANGLE - LH HAND (YK0, YK1, YK2, YK3, YT0)
20	162807-32-YK4	EA	LEG - 32" - W/ANGLE - LH HAND (YK4, YK5, YK6, YK7, YT1)
20	162807-32-YL0	EA	LEG - 32" - W/ANGLE - LH HAND (YL0, YL1, YL2, YL3, YT2)
	154316-01-01A	EA	BRACE/ANGLE - W/HOLE - CASHMERE
21	162807-47-YK0	EA	LEG - 30" - W/ANGLE - RH HAND (YK0, YK1, YK2, YK3, YT0)
21	162807-49-YK4	EA	LEG - 30" - W/ANGLE - RH HAND (YK4, YK5, YK6, YK7, YT1)
21	162807-49-YL0	EA	LEG - 30" - W/ANGLE - RH HAND (YL0, YL1, YL2, YL3, YT2)
	154316-01-01A	EA	BRACE/ANGLE - W/HOLE - CASHMERE
22	162807-48-YK0	EA	LEG - 30" - W/ANGLE - LH HAND (YK0, YK1, YK2, YK3, YT0)
22	162807-50-YK4	EA	LEG - 30" - W/ANGLE - LH HAND (YK4, YK5, YK6, YK7, YT1)
22	162807-50-YL0	EA	LEG - 30" - W/ANGLE - LH HAND (YL0, YL1, YL2, YL3, YT2)
	154316-01-01A	EA	BRACE/ANGLE - W/HOLE - CASHMERE
23	142292-10-YK0	EA	SEAT - DINETTE CUSHION (SPRUNG) - 23.5" X 38.5" (YK0, YK1, YK2, YK3, YT0)
23	142292-12-YK4	EA	SEAT - DINETTE CUSHION (SPRUNG) - 23.5" X 38.5" (YK4, YK5, YK6, YK7, YT1)
23	142292-32-YL0	EA	SEAT - DINETTE CUSHION (SPRUNG) - 23.5" X 38.5" (YL0, YL1, YL2, YL3, YT2)
	142292-B0-YK0	EA	COVER/SEAT - DINETTE CUSHION - 23" X 38.5" (YK0, YK1, YK2, YK3, YT0)
	142292-B2-YK4	EA	COVER/SEAT - DINETTE CUSHION - 23" X 38.5" (YK4, YK5, YK6, YK7, YT1)
	142292-D2-YK4	EA	COVER/SEAT - DINETTE CUSHION - 23" X 38.5" (YL0, YL1, YL2, YL3, YT2)

CURTAIN & CUSHION GROUP (CONTINUED)
BUCKET SEATS

ART NOT YET AVAILABLE

KEY	PART NUMBER	U/M	DESCRIPTION
1	M05962-W3-WK0	EA	COVER/BACK - LEATHER (YK0, YK1, YK2, YK3, YT0)
1	M05962-W3-UJ1	EA	COVER/BACK - LEATHER (YK4, YK5, YK6, YK7, YT1)
1	M05962-W3-YL4	EA	COVER/BACK - LEATHER (YL0, YL1, YL2, YL3, YT2)
2	M05962-W4-WK0	EA	COVER/SEAT - LEATHER (YK0, YK1, YK2, YK3, YT0)
2	M05962-W4-UJ1	EA	COVER/SEAT - LEATHER (YK4, YK5, YK6, YK7, YT1)
2	M05962-W4-YL4	EA	COVER/SEAT - LEATHER (YL0, YL1, YL2, YL3, YT2)
3	130802-02-000	EA	LEVER - RIGHT HAND
	130802-03-000	EA	SCREW F/LEVER
4	134532-06-000	EA	FRAME - SEAT/HIGH BACK - WIDE
5	148668-01-01A	EA	CUP/TRIM COVER - F/LEVER - BLACK
6	148705-03-WK0	EA	ARMREST - RIGHT - LEATHER (YK0, YK1, YK2, YK3, YT0)
6	148705-03-UJ1	EA	ARMREST - RIGHT - LEATHER (YK4, YK5, YK6, YK7, YT1)
6	148705-03-WG4	EA	ARMREST - RIGHT - LEATHER (YL0, YL1, YL2, YL3, YT2)
	P48705-03-WK0	EA	COVER/ARMREST - RIGHT - LEATHER (YK0, YK1, YK2, YK3, YT0)
	P48705-03-UJ1	EA	COVER/ARMREST - RIGHT - LEATHER (YK4, YK5, YK6, YK7, YT1)
	P48705-03-WG4	EA	COVER/ARMREST - RIGHT - LEATHER (YL0, YL1, YL2, YL3, YT2)
7	148751-01-000	EA	BRACKET - RIGHT (ADJUSTABLE) W/ROLLER
8	148751-03-000	EA	BRACKET - ROLLER TRIM PLATE
9	148705-04-WK0	EA	ARMREST - LEFT - LEATHER (YK0, YK1, YK2, YK3, YT0)
9	148705-04-UJ1	EA	ARMREST - LEFT - LEATHER (YK4, YK5, YK6, YK7, YT1)
9	148705-04-WG4	EA	ARMREST - LEFT - LEATHER (YL0, YL1, YL2, YL3, YT2)
	P48705-04-WK0	EA	COVER/ARMREST - LEFT - LEATHER (YK0, YK1, YK2, YK3, YT0)
	P48705-04-UJ1	EA	COVER/ARMREST - LEFT - LEATHER (YK4, YK5, YK6, YK7, YT1)
	P48705-04-WG4	EA	COVER/ARMREST - LEFT - LEATHER (YL0, YL1, YL2, YL3, YT2)
10	148751-02-000	EA	BRACKET - LEFT (ADJUSTABLE) W/ROLLER
11	166186-01-000	EA	LUMBAR-MANUAL W/FRAME

CURTAIN & CUSHION GROUP (CONTINUED)
SOFA

ART NOT YET AVAILABLE

**42Z
THEATER
SEATING**

KEY	PART NUMBER	U/M	DESCRIPTION
1	136534-33-000	EA	SPRING/ASSIST - 1/2" X 7" W/HOOK ENDS - REST EASY SOFAS
2	151290-37-000	EA	FRAME - BASE - RH/FLAT - 22"
	151290-38-000	EA	FRAME - BASE - LH/FLAT - 22"
3	155647-16-YK0	EA	TRUNDLE - SOFA - 22" (YK0, YK1, YK2, YK3, YT0)
3	155647-16-YK4	EA	TRUNDLE - SOFA - 22" (YK4, YK5, YK6, YK7, YT1)
3	155647-16-YL0	EA	TRUNDLE - SOFA - 22" (YL0, YL1, YL2, YL3, YT2)
	151290-36-000	EA	FRAME - TRUNDLE - 22"
	155647-B6-YK0	EA	COVER/TRUNDLE - SOFA - 22" (YK0, YK1, YK2, YK3, YT0)
	155647-B6-YK4	EA	COVER/TRUNDLE - SOFA - 22" (YK4, YK5, YK6, YK7, YT1)
	155647-B6-YL0	EA	COVER/TRUNDLE - SOFA - 22" (YL0, YL1, YL2, YL3, YT2)
4	157928-32-YK0	EA	PANEL/FRONT KICK - SOFA - 22" (YK0, YK1, YK2, YK3, YT0)
4	157928-32-YK4	EA	PANEL/FRONT KICK - SOFA - 22" (YK4, YK5, YK6, YK7, YT1)
4	157928-32-YL0	EA	PANEL/FRONT KICK - SOFA - 22" (YL0, YL1, YL2, YL3, YT2)
5	164722-03-WK0	EA	ARMREST - SOFA/RH HAND - W/SWITCH - LEATHER (YK0, YK1, YK2, YK3, YT0)
5	164722-03-WK4	EA	ARMREST - SOFA/RH HAND - W/SWITCH - LEATHER (YK4, YK5, YK6, YK7, YT1)
5	164722-03-YL0	EA	ARMREST - SOFA/RH HAND - W/SWITCH - LEATHER (YL0, YL1, YL2, YL3, YT2)
	136118-01-000	EA	SWITCH - SOFA/RECLINER
	164722-A3-WK0	EA	COVER/ARMREST - SOFA/RH HAND - LEATHER (YK0, YK1, YK2, YK3, YT0)
	164722-A3-WK4	EA	COVER/ARMREST - SOFA/RH HAND - LEATHER (YK4, YK5, YK6, YK7, YT1)
	164722-A3-YL0	EA	COVER/ARMREST - SOFA/RH HAND - LEATHER (YL0, YL1, YL2, YL3, YT2)
6	164722-04-WK0	EA	ARMREST - SOFA/LH HAND - W/SWITCH - LEATHER (YK0, YK1, YK2, YK3, YT0)
6	164722-04-WK4	EA	ARMREST - SOFA/LH HAND - W/SWITCH - LEATHER (YK4, YK5, YK6, YK7, YT1)
6	164722-04-YL0	EA	ARMREST - SOFA/LH HAND - W/SWITCH - LEATHER (YL0, YL1, YL2, YL3, YT2)
	136118-01-000	EA	SWITCH - SOFA/RECLINER
	164722-A4-WK0	EA	COVER/ARMREST - SOFA/LH HAND - LEATHER (YK0, YK1, YK2, YK3, YT0)
	164722-A4-WK4	EA	COVER/ARMREST - SOFA/LH HAND - LEATHER (YK4, YK5, YK6, YK7, YT1)
	164722-A4-YL0	EA	COVER/ARMREST - SOFA/LH HAND - LEATHER (YL0, YL1, YL2, YL3, YT2)
7	165294-10-YK0	EA	BACK - SOFA/DUAL - 22" - LEATHER (YK0, YK1, YK2, YK3, YT0)
7	165294-10-YK4	EA	BACK - SOFA/DUAL - 22" - LEATHER (YK4, YK5, YK6, YK7, YT1)
7	165294-10-YL0	EA	BACK - SOFA/DUAL - 22" - LEATHER (YL0, YL1, YL2, YL3, YT2)
	151290-34-000	EA	FRAME - BACK - 16.5" X 22"
	165294-B0-YK0	EA	COVER/BACK - SOFA - LEATHER (YK0, YK1, YK2, YK3, YT0)
	165294-B0-YK4	EA	COVER/BACK - SOFA - LEATHER (YK4, YK5, YK6, YK7, YT1)
	165294-B0-YL0	EA	COVER/BACK - SOFA - LEATHER (YL0, YL1, YL2, YL3, YT2)

CURTAIN & CUSHION GROUP (CONTINUED)
SOFA (CONTINUED)

KEY	PART NUMBER	U/M	DESCRIPTION
8	165295-16-YK0	EA	SEAT - SOFA/DUAL - 22" - LEATHER (YK0, YK1, YK2, YK3, YT0)
8	165295-16-YK4	EA	SEAT - SOFA/DUAL - 22" - LEATHER (YK4, YK5, YK6, YK7, YT1)
8	165295-16-YL0	EA	SEAT - SOFA/DUAL - 22" - LEATHER (YL0, YL1, YL2, YL3, YT2)
	151290-35-000	EA	FRAME - SEAT - 26.5" X 22"
	165295-B6-YK0	EA	COVER/SEAT - SOFA - LEATHER (YK0, YK1, YK2, YK3, YT0)
	165295-B6-YK4	EA	COVER/SEAT - SOFA - LEATHER (YK4, YK5, YK6, YK7, YT1)
	165295-B6-YL0	EA	COVER/SEAT - SOFA - LEATHER (YL0, YL1, YL2, YL3, YT2)
9	166591-01-YK0	EA	CABINET - CONSOLE/THEATER - W/O HDW (YK0)
9	166591-01-YK1	EA	CABINET - CONSOLE/THEATER - W/O HDW (YK1, YT0)
9	166591-01-YK2	EA	CABINET - CONSOLE/THEATER - W/O HDW (YK2)
9	166591-01-YK3	EA	CABINET - CONSOLE/THEATER - W/O HDW (YK3)
9	166591-01-YK4	EA	CABINET - CONSOLE/THEATER - W/O HDW (YK4)
9	166591-01-YK5	EA	CABINET - CONSOLE/THEATER - W/O HDW (YK5, YT1)
9	166591-01-YK6	EA	CABINET - CONSOLE/THEATER - W/O HDW (YK6)
9	166591-01-YK7	EA	CABINET - CONSOLE/THEATER - W/O HDW (YK7)
9	166591-01-YG4	EA	CABINET - CONSOLE/THEATER - W/O HDW (YL0)
9	166591-01-YL1	EA	CABINET - CONSOLE/THEATER - W/O HDW (YL1, YT2)
9	166591-01-YG7	EA	CABINET - CONSOLE/THEATER - W/O HDW (YL2)
9	166591-01-YL3	EA	CABINET - CONSOLE/THEATER - W/O HDW (YL3)
10	166591-27-YK0	EA	PANEL/FILLER - LOWER - FABRIC COVERED (YK0, YK1, YK2, YK3, YT0)
10	166591-27-YK4	EA	PANEL/FILLER - LOWER - FABRIC COVERED (YK4, YK5, YK6, YK7, YT1)
10	166591-27-Y87	EA	PANEL/FILLER - LOWER - FABRIC COVERED (YL0, YL1, YL2, YL3, YT2)
11	166591-28-YK0	EA	PANEL/FILLER - UPPER/REAR - FABRIC COVERED (YK0, YK1, YK2, YK3, YT0)
11	166591-28-YK4	EA	PANEL/FILLER - UPPER/REAR - FABRIC COVERED (YK4, YK5, YK6, YK7, YT1)
11	166591-28-Y87	EA	PANEL/FILLER - UPPER/REAR - FABRIC COVERED (YL0, YL1, YL2, YL3, YT2)
12	166591-29-YK0	EA	PANEL/LID - TOP - FABRIC COVERED (YK0, YK1, YK2, YK3, YT0)
12	166591-29-YK4	EA	PANEL/LID - TOP - FABRIC COVERED (YK4, YK5, YK6, YK7, YT1)
12	166591-29-Y87	EA	PANEL/LID - TOP - FABRIC COVERED (YL0, YL1, YL2, YL3, YT2)
13	166591-30-YK0	EA	PANEL/FILLER - UPPER/FRONT - FABRIC COVERED (YK0, YK1, YK2, YK3, YT0)
13	166591-30-YK4	EA	PANEL/FILLER - UPPER/FRONT - FABRIC COVERED (YK4, YK5, YK6, YK7, YT1)
13	166591-30-Y87	EA	PANEL/FILLER - UPPER/FRONT - FABRIC COVERED (YL0, YL1, YL2, YL3, YT2)
14	166591-32-YK0	EA	PULLOUT TRAY/BEVERAGE - FABRIC COVERED (YK0)
14	166591-32-YK1	EA	PULLOUT TRAY/BEVERAGE - FABRIC COVERED (YK1, YT0)
14	166591-32-YK2	EA	PULLOUT TRAY/BEVERAGE - FABRIC COVERED (YK2)
14	166591-32-YK3	EA	PULLOUT TRAY/BEVERAGE - FABRIC COVERED (YK3)
14	166591-32-YK4	EA	PULLOUT TRAY/BEVERAGE - FABRIC COVERED (YK4)
14	166591-32-YK5	EA	PULLOUT TRAY/BEVERAGE - FABRIC COVERED (YK5, YT1)
14	166591-32-YK6	EA	PULLOUT TRAY/BEVERAGE - FABRIC COVERED (YK6)
14	166591-32-YK7	EA	PULLOUT TRAY/BEVERAGE - FABRIC COVERED (YK7)
14	166591-32-Y88	EA	PULLOUT TRAY/BEVERAGE - FABRIC COVERED (YL0)
14	166591-32-YL1	EA	PULLOUT TRAY/BEVERAGE - FABRIC COVERED (YL1, YT2)
14	166591-32-Y89	EA	PULLOUT TRAY/BEVERAGE - FABRIC COVERED (YL2)
14	166591-32-YL3	EA	PULLOUT TRAY/BEVERAGE - FABRIC COVERED (YL3)
15	164128-02-02A	EA	HOLDER/CUP - TWO STEP - BLACK
16	169293-09-YK0	EA	SHELF - SOFA - 20.4" (YK0, YK1, YK2, YK3, YT0)
16	169293-09-YK4	EA	SHELF - SOFA - 20.4" (YK4, YK5, YK6, YK7, YT1)
16	169293-09-YL0	EA	SHELF - SOFA - 20.4" (YL0, YL1, YL2, YL3, YT2)
17	152034-01-02B	EA	BRACKET - HOLD DOWN/COUCH - E-COATED

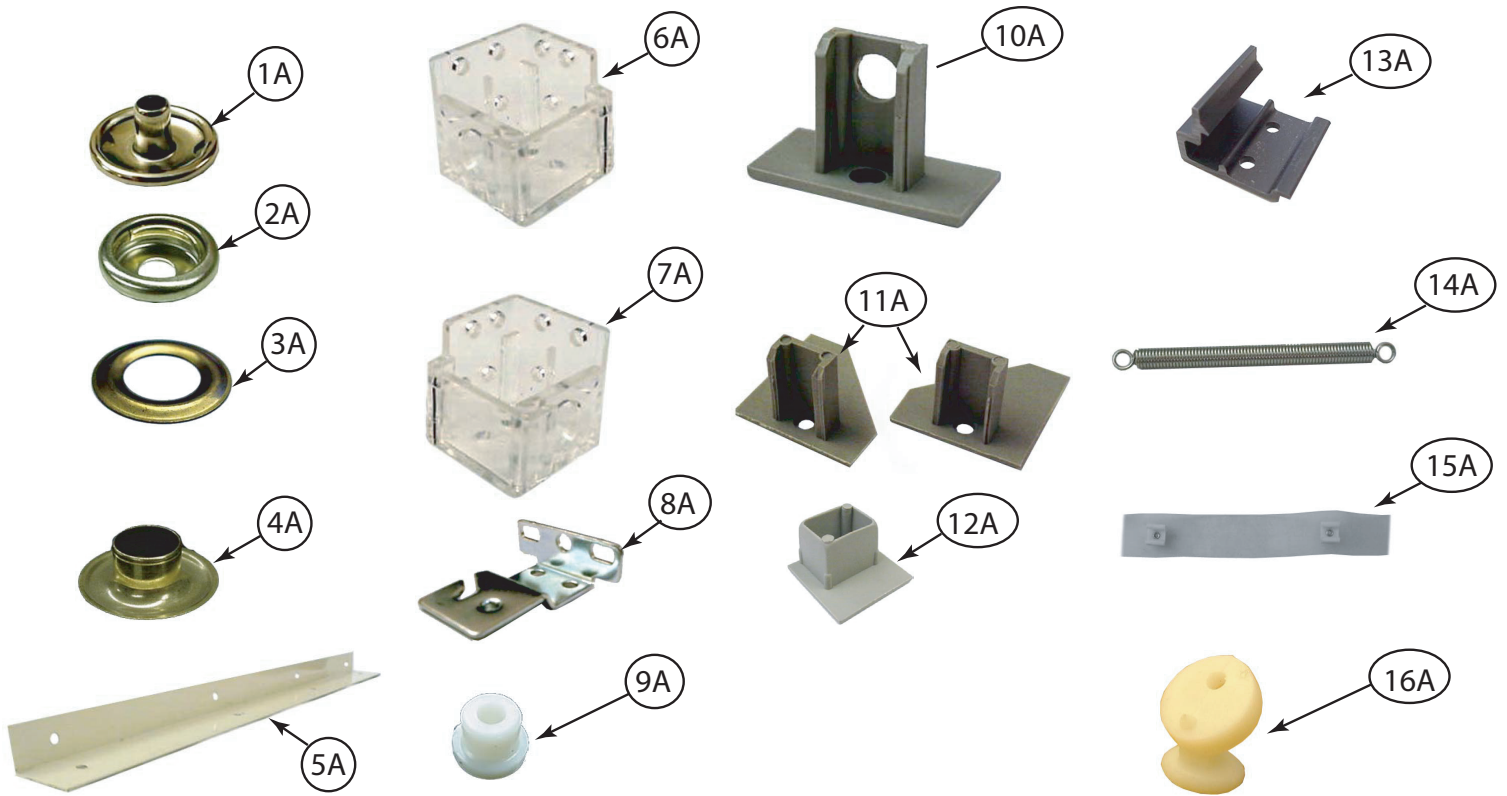
CURTAIN & CUSHION GROUP (CONTINUED)
SOFA (CONTINUED)

ART NOT YET AVAILABLE

**41L OR 41Z
DUAL REST
EASY**

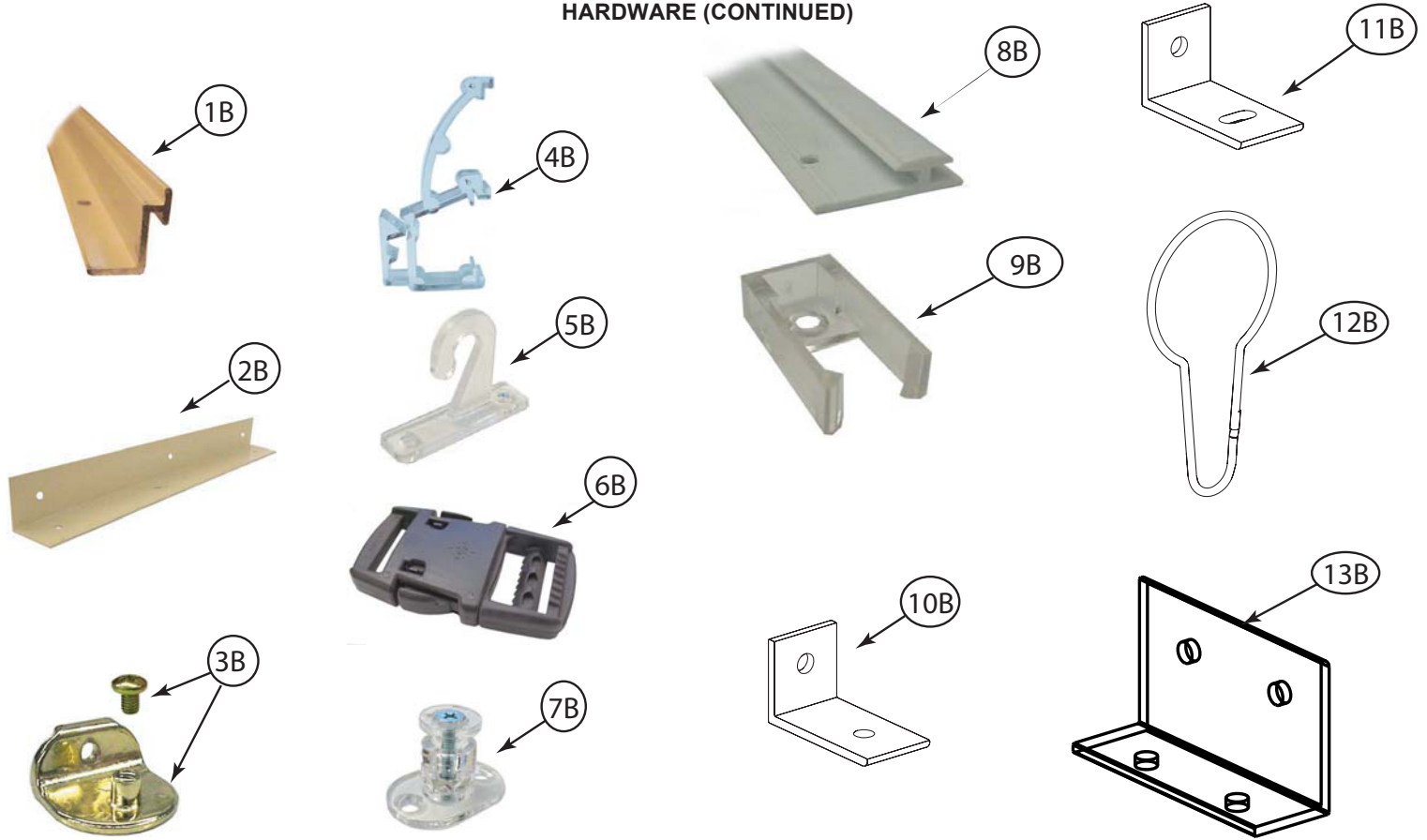
KEY	PART NUMBER	U/M	DESCRIPTION
1	139716-13-WK0	EA	SIGHT SHIELD - DUAL BACK/LEFT HAND (YK0, YK1, YK2, YK3)
1	139716-13-WA4	EA	SIGHT SHIELD - DUAL BACK/LEFT HAND (YK4, YK5, YK2, YK3)
1	139716-13-YL4	EA	SIGHT SHIELD - DUAL BACK/LEFT HAND (YL0, YL1, YL2, YL3)
2	139716-14-WK0	EA	SIGHT SHIELD - DUAL BACK/RIGHT HAND (YK0, YK1, YK2, YK3)
2	139716-14-WA4	EA	SIGHT SHIELD - DUAL BACK/RIGHT HAND (YK4, YK5, YK2, YK3)
2	139716-14-YL4	EA	SIGHT SHIELD - DUAL BACK/RIGHT HAND (YL0, YL1, YL2, YL3)
3	164722-01-WK0	EA	ARMREST - SOFA/RH HAND - W/SWITCH - LEATHER (YK0, YK1, YK2, YK3)
3	164722-01-WK4	EA	ARMREST - SOFA/RH HAND - W/SWITCH - LEATHER (YK4, YK5, YK2, YK3)
3	164722-01-YL0	EA	ARMREST - SOFA/RH HAND - W/SWITCH - LEATHER (YL0, YL1, YL2, YL3)
	136118-01-000	EA	SWITCH - SOFA/RECLINER
	164722-A1-WK0	EA	COVER/ARMREST - SOFA/RH HAND - LEATHER (YK0, YK1, YK2, YK3)
	164722-A1-WK4	EA	COVER/ARMREST - SOFA/RH HAND - LEATHER (YK4, YK5, YK2, YK3)
	164722-A1-YL0	EA	COVER/ARMREST - SOFA/RH HAND - LEATHER (YL0, YL1, YL2, YL3)
4	164722-02-WK0	EA	ARMREST - SOFA/LH HAND - W/SWITCH - LEATHER (YK0, YK1, YK2, YK3)
4	164722-02-WK4	EA	ARMREST - SOFA/LH HAND - W/SWITCH - LEATHER (YK4, YK5, YK2, YK3)
4	164722-02-YL0	EA	ARMREST - SOFA/LH HAND - W/SWITCH - LEATHER (YL0, YL1, YL2, YL3)
	136118-01-000	EA	SWITCH - SOFA/RECLINER
	164722-A2-WK0	EA	COVER/ARMREST - SOFA/LH HAND - LEATHER (YK0, YK1, YK2, YK3)
	164722-A2-WK4	EA	COVER/ARMREST - SOFA/LH HAND - LEATHER (YK4, YK5, YK2, YK3)
	164722-A2-YL0	EA	COVER/ARMREST - SOFA/LH HAND - LEATHER (YL0, YL1, YL2, YL3)
5	151290-14-000	EA	FRAME - BASE - 27.25" X 30" X 10.5" - LEFT
6	151290-15-000	EA	FRAME - BASE - 27.25" X 30" X 10.5" - RIGHT
7	164718-01-WK0	EA	BACK - SOFA/DUAL/RH HAND - LEATHER (YK0, YK1, YK2, YK3)
7	164718-01-WK4	EA	BACK - SOFA/DUAL/RH HAND - LEATHER (YK4, YK5, YK2, YK3)
7	164718-01-YL0	EA	BACK - SOFA/DUAL/RH HAND - LEATHER (YL0, YL1, YL2, YL3)
	136534-25-000	EA	FRAME/BACK - FOR DUAL REST EASY SOFA - ONE SIDE ONLY
	164718-A1-WK0	EA	COVER/BACK - SOFA/DUAL/RH HAND - LEATHER (YK0, YK1, YK2, YK3)
	164718-A1-WK4	EA	COVER/BACK - SOFA/DUAL/RH HAND - LEATHER (YK4, YK5, YK2, YK3)
	164718-A1-YL0	EA	COVER/BACK - SOFA/DUAL/RH HAND - LEATHER (YL0, YL1, YL2, YL3)
8	164718-02-WK0	EA	BACK - SOFA/DUAL/LH HAND - LEATHER (YK0, YK1, YK2, YK3)
8	164718-02-WK4	EA	BACK - SOFA/DUAL/LH HAND - LEATHER (YK4, YK5, YK2, YK3)
8	164718-02-YL0	EA	BACK - SOFA/DUAL/LH HAND - LEATHER (YL0, YL1, YL2, YL3)
	136534-25-000	EA	FRAME/BACK - FOR DUAL REST EASY SOFA - ONE SIDE ONLY
	164718-A2-WK0	EA	COVER/BACK - SOFA/DUAL/LH HAND - LEATHER (YK0, YK1, YK2, YK3)
	164718-A2-WK4	EA	COVER/BACK - SOFA/DUAL/LH HAND - LEATHER (YK4, YK5, YK2, YK3)
	164718-A2-YL0	EA	COVER/BACK - SOFA/DUAL/LH HAND - LEATHER (YL0, YL1, YL2, YL3)
9	164719-01-WK0	EA	SEAT - SOFA/DUAL - LEATHER (YK0, YK1, YK2, YK3)
9	164719-01-WK4	EA	SEAT - SOFA/DUAL - LEATHER (YK4, YK5, YK2, YK3)
9	164719-01-YL0	EA	SEAT - SOFA/DUAL - LEATHER (YL0, YL1, YL2, YL3)
	151290-02-000	EA	FRAME - SEAT - 30"
	164719-A1-WK0	EA	COVER/SEAT - SOFA/DUAL - LEATHER (YK0, YK1, YK2, YK3)
	164719-A1-WK4	EA	COVER/SEAT - SOFA/DUAL - LEATHER (YK4, YK5, YK2, YK3)
	164719-A1-YL0	EA	COVER/SEAT - SOFA/DUAL - LEATHER (YL0, YL1, YL2, YL3)
10	164720-01-WK0	EA	TRUNDLE - SOFA/DUAL - LEATHER (YK0, YK1, YK2, YK3)
10	164720-01-WK4	EA	TRUNDLE - SOFA/DUAL - LEATHER (YK4, YK5, YK2, YK3)
10	164720-01-YL0	EA	TRUNDLE - SOFA/DUAL - LEATHER (YL0, YL1, YL2, YL3)
	151290-27-000	EA	FRAME - TRUNDLE - W/WHEELS - 26"
	164720-A1-WK0	EA	COVER/TRUNDLE - SOFA/DUAL - LEATHER (YK0, YK1, YK2, YK3)
	164720-A1-WK4	EA	COVER/TRUNDLE - SOFA/DUAL - LEATHER (YK4, YK5, YK2, YK3)
	164720-A1-YL0	EA	COVER/TRUNDLE - SOFA/DUAL - LEATHER (YL0, YL1, YL2, YL3)
11	164721-01-WK0	EA	PANEL/FRONT KICK - SOFA/DUAL - LEATHER (YK0, YK1, YK2, YK3)
11	164721-01-WK4	EA	PANEL/FRONT KICK - SOFA/DUAL - LEATHER (YK4, YK5, YK2, YK3)
11	164721-01-YL0	EA	PANEL/FRONT KICK - SOFA/DUAL - LEATHER (YL0, YL1, YL2, YL3)

CURTAIN & CUSHION GROUP (CONTINUED)
HARDWARE



KEY	PART NUMBER	U/M	DESCRIPTION
1A	029155-01-000	EA	CAP - SNAP - 5/32" OUTSIDE DIAMETER OF PIN
2A	029156-01-000	EA	SOCKET - SNAP - 9/16" O.D.
3A	046867-05-000	EA	WASHER - #0
4A	046867-04-000	EA	GROMMET - #0
5A	160457-01-01A	EA	BRACE - VALANCE - L-SHAPED - 20" - OFF WHITE
6A	162496-01-01A	EA	BRACKET/BLIND - LEFT SIDE WHEN FACING WINDOW - CLEAR
7A	162496-02-01A	EA	BRACKET/BLIND - RIGHT SIDE WHEN FACING WINDOW - CLEAR
8A	084434-01-000	EA	BRACKET - MOUNTING - ROLLER SHADE - 1 3/8"
9A	094896-02-000	EA	GROMMET - CORD/PLEATED BLIND - NYLON - GRAY
10A	094907-02-000	EA	END CAP - PLEATED BLIND/TOP - RH/LH - GRAY PLASTIC
11A	094907-04-000	EA	END CAP - PLEATED BLIND/BOTTOM - RH/LH
12A	094907-09-000	EA	END CAP/BLIND - CENTER RAIL - RH/LH
13A	097565-01-000	EA	BRACKET - MOUNTING - PLEATED BLIND
14A	155748-01-000	EA	SPRING - EXTENSION - DAY/NIGHTER BLIND
15A	101031-01-000	YD	TAPE/GLIDE - 4.25" SPACING
16A	169068-01-01A	EA	BRACKET - (CLEAT TYPE) - F/BLIND HOLDOWN - MILKY WHITE

CURTAIN & CUSHION GROUP (CONTINUED)
HARDWARE (CONTINUED)



KEY	PART NUMBER	U/M	DESCRIPTION
1B	105450-14-01A	EA	TRACK - CURTAIN - 90" - OFF WHITE
2B	105648-01-02A	EA	BRACE - VALANCE - 14" - OFF WHITE
2B	105648-02-02A	EA	BRACE - VALANCE - 8.5" - OFF WHITE
3B	106544-01-000	EA	PULL - SHADE/BRASS
3B	106544-01-001	EA	SCREW - SHADE/BRASS
3B	106544-02-000	EA	PULL-SHADE - NICKEL
4B	109353-04-000	EA	CLIP - VALANCE SLAT MOUNTING - CLEAR PLASTIC
5B	109441-01-000	EA	BRACKET/HOOK - BLIND HOLD DOWN - LARGE - CLEAR
5B	109441-02-000	EA	SPACER/BRACKET - BLIND HOLD DOWN
6B	129491-01-000	EA	CATCH - SNAP HOOK - 1"
7B	141634-01-000	EA	BRACKET-(BOBBIN TYPE) 7/8"H HOLDUPBASE(OVAL)-2 HOLE-CLEAR
8B	156172-02-01A	EA	TRACK/WALL - 32" - BONE
8B	156172-03-01A	EA	TRACK/WALL - 21" - BONE
9B	156172-04-01A	EA	END CAP - WALL TRACK - CLEAR
10B	154316-01-01A	EA	BRACE/ANGLE - W/HOLE - CASHMERE
11B	154316-02-01A	EA	BRACE/ANGLE - W/SLOT - CASHMERE
12B	159702-01-01A	EA	HOOK/RING - CURTAIN/SHOWER - NICKEL
13B	156732-01-02A	EA	BRACE - ANGLE - 2.5" - OFF WHITE

CURTAIN & CUSHION GROUP (CONTINUED)

FABRICS

YK0, YK1, YK2, YK3, YT0

113979-10-01A CARPET-HEADLINER
113979-09-02A CARPET-HEADLINER
142523-20-000 FABRIC-EURO CHAIR LIDS
142523-20-000 FABRIC-EURO CHAIR BOXING
142523-20-000 FABRIC-BOXING (ULTRA)
142523-20-000 FABRIC-ULTRA,ACCENT,PLAIN, "B"
142523-20-000 FABRIC-UPHL,ULTRALEATHER, MAIN
148797-AU-000 FABRIC-UPHOSTERY MAIN ONE, MAIN
148797-AX-000 FABRIC-UPHLSTRY,PLAIN ACCENT
148797-AX-000 FABRIC-O/H CABT,DIN/LOUNGE
148797-AX-000 FABRIC-SPEAKER COVER
148797-AX-000 FABRIC-DINETTE WRAP, DINETTES
148797-AX-000 FABRIC-LOUNGE TRIM, UPHOLSTERY
148797-BA-000 FABRIC-UPHOLSTERY ACCENT, PATTERN
156773-52-000 FABRIC-DRAPERY, MAIN
156773-52-000 FABRIC-UPHOSTERY,BEDSPREAD, PATTERN ACCENT A
156773-52-000 FABRIC-O/H CABT,BEDROOM
156773-54-000 FABRIC-BEDSPREAD ACCENT, PATTERN ACCENT "B"
156773-J5-000 FABRIC-UPHOSTERY,BEDSPREAD, MAIN

YK4, YK5, YK6, YK7, YT1

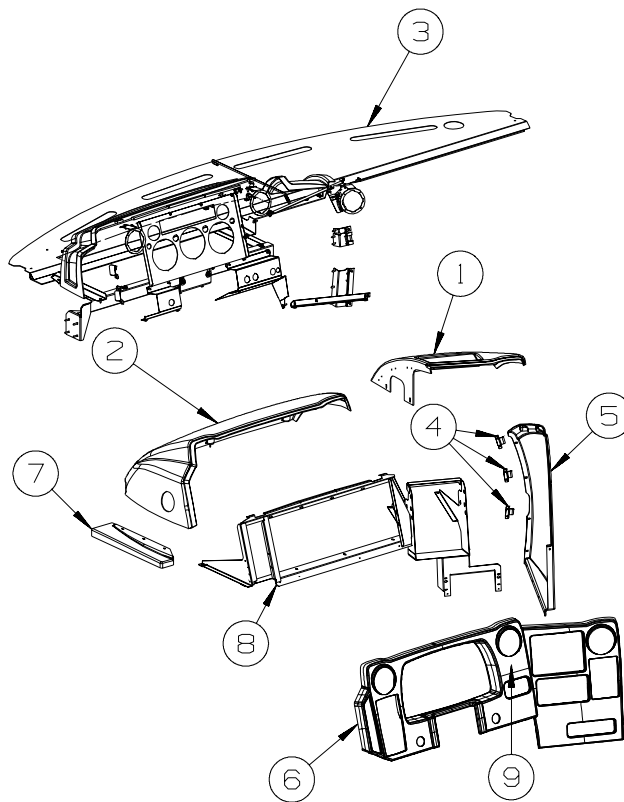
113979-10-01A CARPET-HEADLINER
113979-09-02A CARPET-HEADLINER
142523-17-000 FABRIC-ULTRA,ACCENT,PLAIN, "B"
142523-17-000 FABRIC-BOXING (ULTRA)
142523-17-000 FABRIC-UPHL,ULTRALEATHER, MAIN
142523-17-000 FABRIC-EURO CHAIR LIDS
142523-17-000 FABRIC-EURO CHAIR BOXING
148797-GU-000 FABRIC-UPHOSTERY MAIN ONE, MAIN
148797-GU-000 FABRIC-DINETTE WRAP, DINETTES
148797-GV-000 FABRIC-UPHLSTRY,PLAIN ACCENT
148797-GV-000 FABRIC-LOUNGE TRIM, UPHOLSTERY
148797-GV-000 FABRIC-O/H CABT,DIN/LOUNGE
148797-GV-000 FABRIC-SPEAKER COVER
148797-GW-000 FABRIC-UPHOLSTERY ACCENT, PATTERN
156773-18-000 FABRIC-DRAPERY, MAIN
156773-53-000 FABRIC-O/H CABT,BEDROOM
156773-55-000 FABRIC-BEDSPREAD ACCENT, PATTERN ACCENT "B"
156773-E7-000 FABRIC-UPHOSTERY,BEDSPREAD, MAIN
156773-E6-000 FABRIC-UPHOSTERY,BEDSPREAD, PATTERN ACCENT A

YL0, YL1, YL2, YL3, YT2

113979-10-01A CARPET-HEADLINER
113979-09-02A CARPET-HEADLINER
156773-18-000 FABRIC-DRAPERY, MAIN
148797-GX-000 FABRIC-UPHOSTERY MAIN ONE, MAIN
148797-GY-000 FABRIC-UPHLSTRY,PLAIN ACCENT
148797-HA-000 FABRIC-UPHOLSTERY ACCENT, PATTERN
156773-F3-000 FABRIC-UPHOSTERY,BEDSPREAD, MAIN
142523-22-000 FABRIC-ULTRA,ACCENT,PLAIN, "B"
142523-22-000 FABRIC-BOXING (ULTRA)
142523-22-000 FABRIC-UPHL,ULTRALEATHER, MAIN
156773-F4-000 FABRIC-UPHOSTERY,BEDSPREAD, PATTERN ACCENT A
148797-GX-000 FABRIC-SPEAKER COVER
156773-56-000 FABRIC-BEDSPREAD ACCENT, PATTERN ACCENT "B"
148797-GX-000 FABRIC-O/H CABT,DIN/LOUNGE
156773-30-000 FABRIC-O/H CABT,BEDROOM
148797-GX-000 FABRIC-DINETTE WRAP, DINETTES
148797-GX-000 FABRIC-LOUNGE TRIM, UPHOLSTERY
142523-22-000 FABRIC-EURO CHAIR LIDS
142523-22-000 FABRIC-EURO CHAIR BOXING

DRIVERS COMPARTMENT GROUP

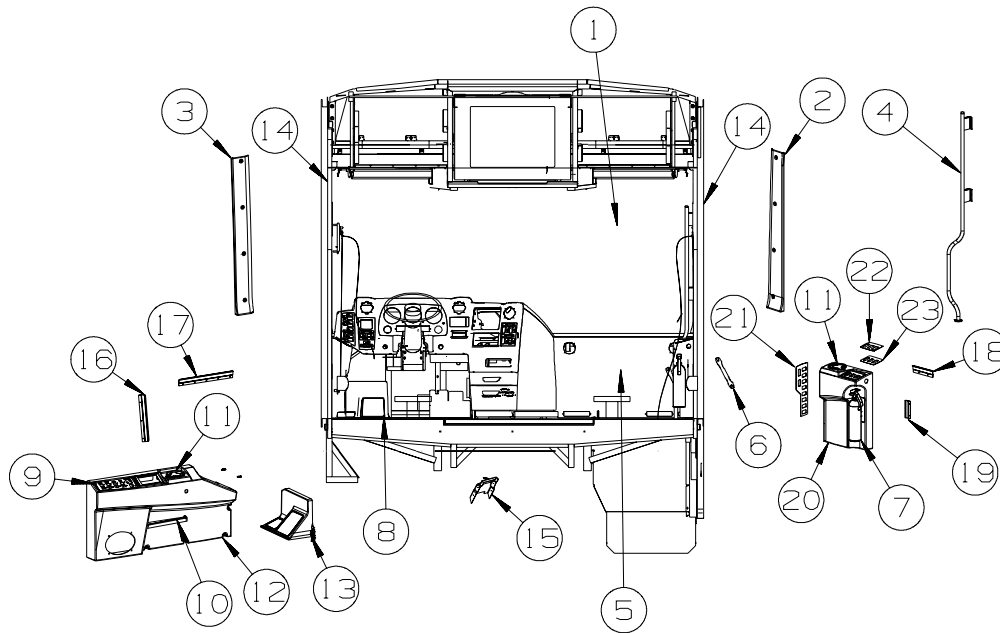
DASH



KEY	PART NUMBER	U/M	DESCRIPTION
1	144235-02-05A	EA	POD - INSTRUMENT PANEL - RIGHT HAND - SADDLE
2	144234-02-05A	EA	POD - INSTRUMENT PANEL - SADDLE
3	118101-15-02B	EA	DASH PANEL/TOP ONLY - E-COATED
3	106569-09-17A	EA	VINYL - LAMINATE - 1/4" X 25" X 100" - SADDLE
3	106569-15-01A	EA	VINYL - LAMINATE - 1/4" X 54" - SPINDRIFT/SEA OYSTER
4	073050-04-000	EA	CLIP/MOUNTING - VALANCE PANEL
5	145041-02-05A	EA	PANEL - CENTER CONSOLE - RIGHT HAND - SADDLE
6	144236-11-06A	EA	BEZEL/POD - INSTRUMENT PANEL - SADDLE - 2008 FREIGHTLINER CHASSIS
6	167568-01-06A	EA	BEZEL/POD - INSTRUMENT PANEL - SADDLE - 2009 FREIGHTLINER CHASSIS
7	145604-02-07A	EA	PANEL/TRIM - DASH/LEFT HAND - SADDLE
8	155178-02-02B	EA	REINFORCEMENT - INSTRUMENT PANEL - E-COATED
9	NOT USED		

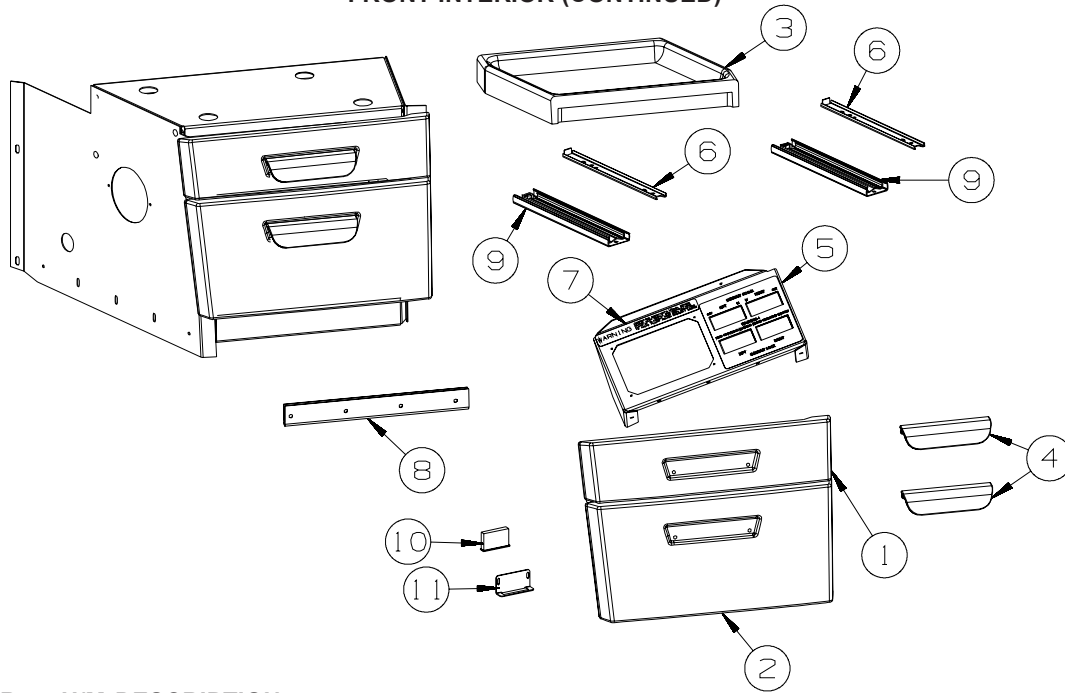
DRIVERS COMPARTMENT GROUP (CONTINUED)

FRONT INTERIOR

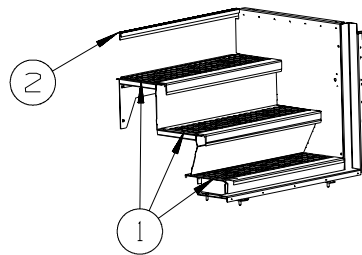


KEY	PART NUMBER	U/M	DESCRIPTION
1	157357-01-000	EA	SUNSCREEN/WINDSHIELD KIT - COMPLETE
1	157357-02-000	EA	TRACK - SUNSCREEN/WINDSHIELD - 96"
2	162000-01-34A	EA	TRIM - A-PILLAR/PASSENGER - INTERIOR - SADDLE
3	153276-01-34A	EA	TRIM - A-PILLAR/DRIVER - INTERIOR - SADDLE
4	123577-01-01A	EA	HANDRAIL - ASSIST - ENTRY
5	161900-03-YG0	EA	PANEL/TRIM - DASH/LOWER RIGHT - SADDLE
6	123246-01-10A	EA	HANDLE - GRAB - SADDLE
7	094499-06-000	EA	EXTINGUISHER/FIRE - DRY - 10BC - W/BRACKET - UL/ULC - WHT
8	153366-01-UJ1	EA	MAT - FLOOR - DRIVER (YK0, YK1, YK2, YK3, YT0)
8	153366-01-UK1	EA	MAT - FLOOR - DRIVER (YK4, YK5, YK6, YK7, YT1)
8	153366-01-UL1	EA	MAT - FLOOR - DRIVER (YL0, YL1, YL2, YL3, YT2)
9	144722-15-07A	EA	APPLIQUE - PANEL - LEFT HAND - SADDLE
	145926-18-02B	EA	INSERT - SWITCH PLATE - 8 HOLE/RELAY SLOT - E-COATED
10	147266-01-08A	EA	SHELF - DRIVER CONSOLE - LEFT HAND - CONCERT CHERRY
10	147266-01-07A	EA	SHELF - DRIVER CONSOLE - LEFT HAND - HONEY CHERRY
10	147266-01-10A	EA	SHELF - DRIVER CONSOLE - LEFT HAND - BELMONT MAPLE
10	147266-01-05A	EA	SHELF - DRIVER CONSOLE - LEFT HAND - WASHED MAPLE
10	147266-01-09A	EA	SHELF - DRIVER CONSOLE - LEFT HAND - COFFEE GLAZED HONEY CHERRY
11	133831-01-01A	EA	HOLDER - CUP W/THREE CENTERLINE RUBBER FINGERS
12	145231-04-06A	EA	PANEL/TRIM - INNER/LEFT HAND - SADDLE
13	151302-01-01A	EA	PANEL/FOOTREST - DRIVER - W/TREAD INSERTS - BLACK
14	161808-01-01A	EA	COVER - ROLL BAR/U-CHANNEL - 66.9" PLASTIC - MED OAK
15	151048-02-01A	EA	COVER - STEERING COLUMN - UPPER/FRONT - BLACK
16	130034-15-02B	EA	CLIP - TRIM - E-COATED
17	130034-10-02B	EA	CLIP - TRIM - E-COATED
18	130034-02-02B	EA	CLIP - TRIM - E-COATED
19	130034-03-02B	EA	CLIP - TRIM - E-COATED
20	145219-05-06A	EA	PANEL/TRIM - INNER/RIGHT HAND - SADDLE
20	145219-07-06A	EA	PANEL/TRIM - INNER/RIGHT HAND - SADDLE - 527
21	145926-24-02B	EA	INSERT - SWITCH PLATE - 10 HOLE - E-COATED
21	144722-22-07A	EA	APPLIQUE - PANEL - RIGHT HAND/LOWER - SADDLE
21	144722-23-07A	EA	APPLIQUE - PANEL - RIGHT HAND/LOWER - SADDLE - 527
22	145926-28-02B	EA	INSERT - SWITCH PLATE - 3 HOLE - E-COATED
22	144722-21-07A	EA	APPLIQUE - PANEL - RIGHT HAND/LOWER - SADDLE
23	145926-02-02B	EA	INSERT - SWITCH PLATE - 3 HOLE - E-COATED
23	144722-04-07A	EA	APPLIQUE - PANEL - RIGHT HAND/UPPER - SADDLE

DRIVERS COMPARTMENT GROUP (CONTINUED) FRONT INTERIOR (CONTINUED)

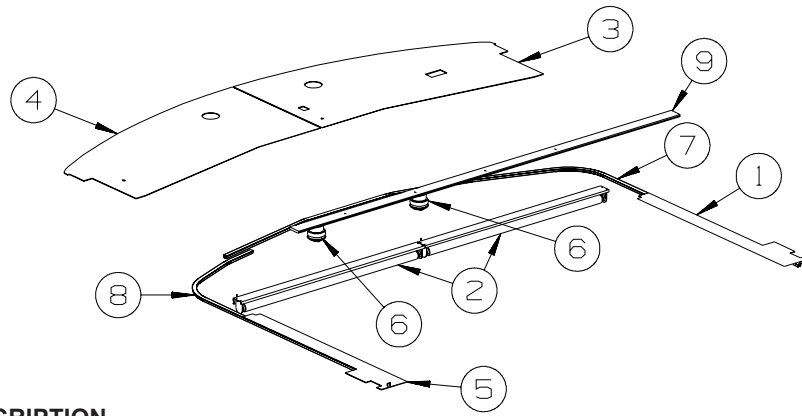


KEY	PART NUMBER	U/M	DESCRIPTION
1	146144-01-10A	EA	PANEL/DRAWER FACE - F/CONSOLE - LAGOONA PEBBLE
2	146144-02-10A	EA	PANEL/DRAWER FACE - F/CONSOLE - LAGOONA PEBBLE
3	146145-01-04A	EA	TRAY - CENTER CONSOLE - LAGOONA PEBBLE
4	074762-01-000	EA	PULL - CABINET - 4.8" X .9" - BLACK PLASTIC
5	132946-09-01A	EA	APPLIQUE - SWITCH - F/SLIDEOUT - BLACK
6	153000-17-01A	EA	SLIDE - DRAWER MOUNT - 7.7"
7	116549-01-000	EA	LABEL - WARNING - SLIDEOUT
8	009065-03-000	EA	HINGE - ALUMINUM - 2" X 72.5" - UNPAINTED
9	153000-16-01A	EA	SLIDE - CABINET MOUNT - 7.9"
10	137018-01-01A	EA	CATCH - MAGNETIC - 1.6"
11	137018-03-01A	EA	BRACKET - MOUNTING - 2"



KEY	PART NUMBER	U/M	DESCRIPTION
1	120231-01-02A	EA	FLOORING - RUBBER - 66.4" X 19.8"
2	139955-19-03A	EA	TRIM - STEP/ENTRY - 29.5" - BLACK

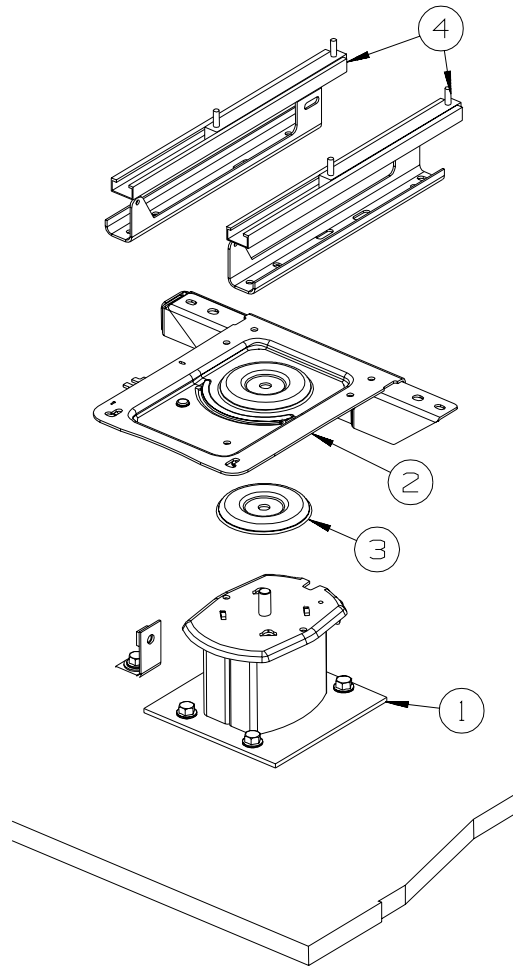
DRIVERS COMPARTMENT GROUP (CONTINUED)
FRONT INTERIOR (CONTINUED)



KEY	PART NUMBER	U/M	DESCRIPTION
1	153339-05-YG0	EA	PANEL - OVERHEAD/RIGHT HAND - SADDLE
2	142380-02-01A	EA	SHADE - POWER - 41.2"W X 19"H
3	154365-05-YL4	EA	PANEL - OVERHEAD/FRONT - BOTTOM/RH HAND
4	154365-06-YL4	EA	PANEL - OVERHEAD/FRONT - BOTTOM/LH HAND
5	153339-06-YG0	EA	PANEL - OVERHEAD/LEFT HAND - SADDLE
6	113244-01-01A	EA	LOUVER - BALL - 3" - BLACK
7	138460-07-06A	EA	TRACK/CURTAIN - PASSENGER - W/BRKT/CARRIER/PULLEY - RIVERSTONE
8	138460-08-06A	EA	TRACK/CURTAIN - DRIVER - W/BRKT/CARRIER/PULLEY - RIVERSTONE
9	133771-06-TG1	EA	MOLDING - CAP - CONCERT CHERRY
9	133771-06-YL5	EA	MOLDING - CAP - HONEY CHERRY
9	133771-06-YG3	EA	MOLDING - CAP - BELMONT MAPLE
9	133771-06-TG2	EA	MOLDING - CAP - WASHED MAPLE
9	133771-06-YT3	EA	MOLDING - CAP - COFFEE GLAZED HONEY CHERRY
	042356-01-000	EA	PLUG - MAHOGANY - 3/8" DOWEL X 1/2" HEAD

DRIVERS COMPARTMENT GROUP (CONTINUED)
FRONT INTERIOR (CONTINUED)

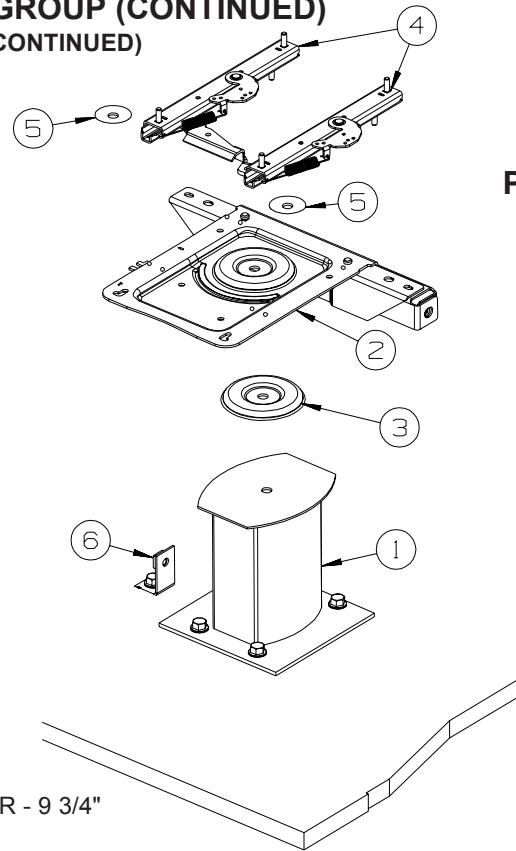
**DRIVER
 SEAT
 PEDESTAL**



KEY	PART NUMBER	U/M	DESCRIPTION
1	133408-05-000	EA	PEDESTAL - SEAT - 5.75"
2	133408-08-000	EA	TOP PLATE - W/BAR
3	107921-06-000	EA	BEARING KIT - PEDESTAL
4*	147767-01-000	EA	SEAT - POWER - 6-WAY - DRIVER

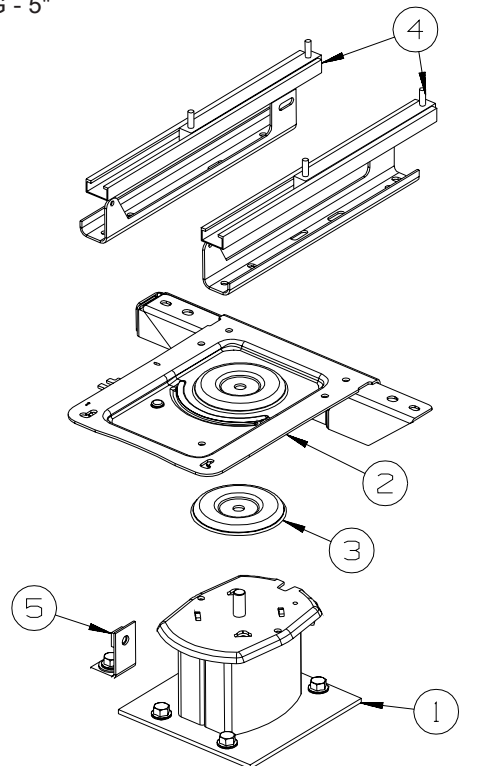
***COMPONENT PARTS LISTED LATER IN THIS GROUP**

DRIVERS COMPARTMENT GROUP (CONTINUED)
FRONT INTERIOR (CONTINUED)



**PASSENGER
 MANUAL
 SEAT
 PEDESTAL**

KEY	PART NUMBER	U/M	DESCRIPTION
1	133408-01-000	EA	PEDESTAL - SEAT - DRIVER/PASSENGER - 9 3/4"
2	133408-20-000	EA	TOP PLATE - PASSENGER - W/ANCHOR
3	107921-06-000	EA	BEARING KIT - PEDESTAL
4	131566-04-000	EA	SLIDE/SEAT - HEAVY DUTY LOCKING - 5"
4	131566-07-000	EA	5" DOUBLE LOCKING SLIDE W/TAB
	131566-06-000	EA	WIRE - LATCH RELEASE - 5"
5	131566-05-000	EA	WASHER - SLIDE SPACER
6	133408-04-000	EA	BRACKET - ANCHOR/FLOOR

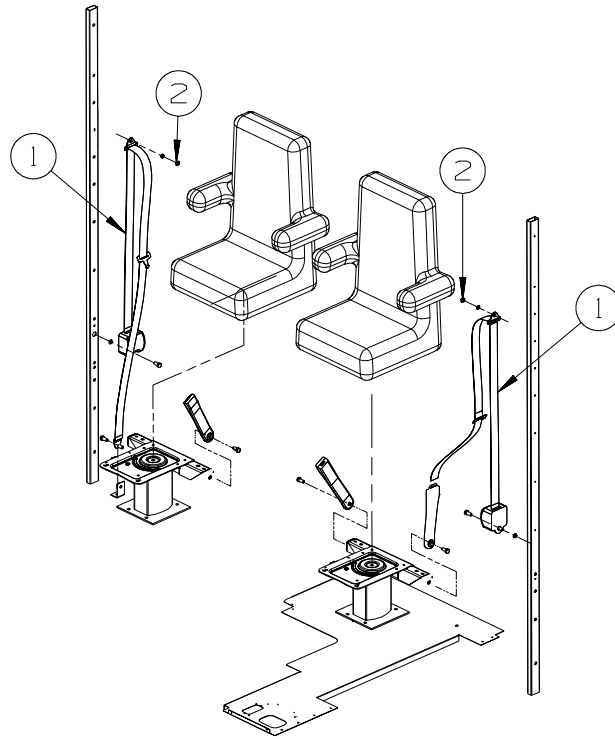


**PASSENGER
 POWERED
 SEAT
 PEDESTAL**

KEY	PART NUMBER	U/M	DESCRIPTION
1	133408-05-000	EA	PEDESTAL - SEAT - 5.75"
2	133408-20-000	EA	TOP PLATE - PASSENGER - W/ANCHOR
3	107921-06-000	EA	BEARING KIT - PEDESTAL
4*	147767-02-000	EA	SEAT - POWER - 6-WAY - PASSENGER
5	133408-04-000	EA	BRACKET - ANCHOR/FLOOR

***COMPONENT PARTS LISTED LATER IN THIS GROUP**

DRIVERS COMPARTMENT GROUP (CONTINUED)
FRONT INTERIOR (CONTINUED)



SEAT BELTS

KEY	PART NUMBER	U/M	DESCRIPTION
1*	091990-10-01A	EA	SEAT BELT - 3 POINT - DUAL SENSITIVE - BLACK
2	109146-01-000	EA	BOLT - SHOULDER/SEAT BELT

*COMPONENT PARTS LISTED LATER IN THIS GROUP

COMPONENT PARTS FOR FRONT INTERIOR

091990-10-01A

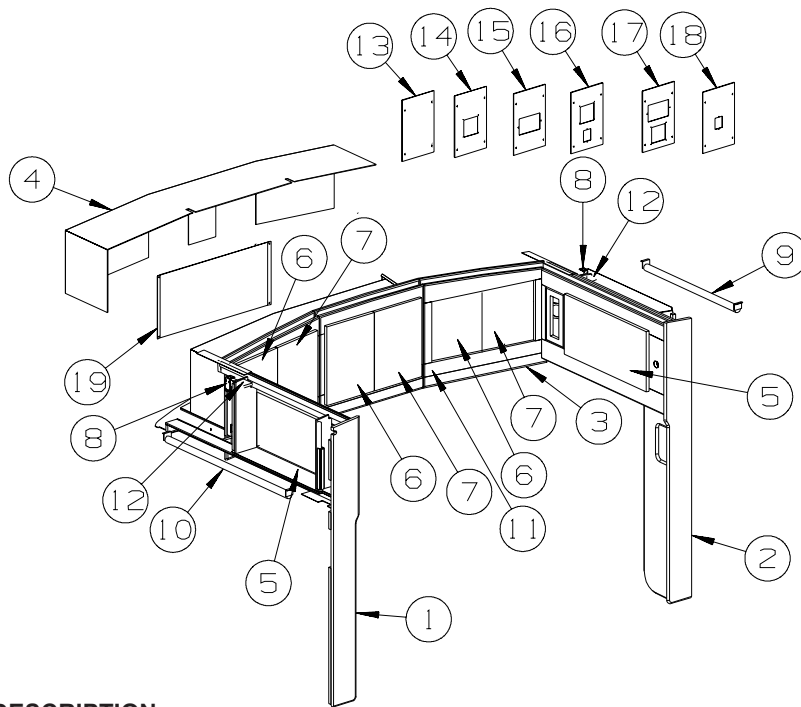
KEY	PART NUMBER	U/M	DESCRIPTION	VENDOR NO.
	091990-05-700	EA	SLEEVE/BUCKLE COVER-PLASTIC	209SER11.5-02

147767-01-000, 147767-02-000

KEY	PART NUMBER	U/M	DESCRIPTION	VENDOR NO
	147767-01-700	EA	SWITCH PLATE	SHROCK-9PT-SWT-PLTE
	147767-01-701	EA	MOTOR - VERTICAL	SHROCK 9PT-M0-VER-0
	147767-01-702	EA	MOTOR - HORIZONTAL	SHROCK 9PT-M0-HOZ-0

DRIVERS COMPARTMENT GROUP (CONTINUED)

CABINETS

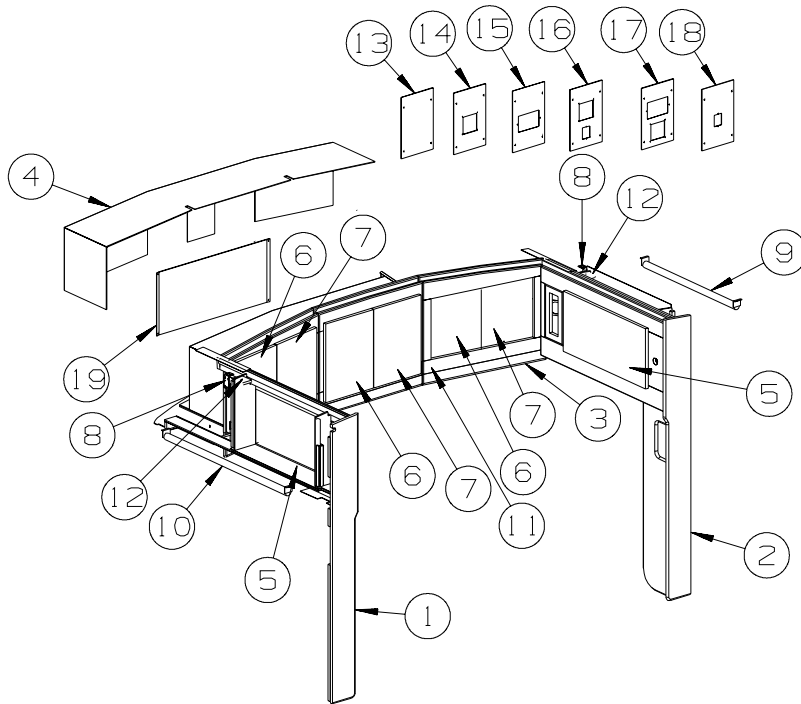


KEY	PART NUMBER	U/M	DESCRIPTION
1	157310-02-WK0	EA	CABINET - OVERHEAD/SIDE/LH HAND - W/O DOORS/HDW (YK0)
1	157310-02-WK2	EA	CABINET - OVERHEAD/SIDE/LH HAND - W/O DOORS/HDW (YK1)
1	157310-02-YK2	EA	CABINET - OVERHEAD/SIDE/LH HAND - W/O DOORS/HDW (YK2)
1	157310-02-WK1	EA	CABINET - OVERHEAD/SIDE/LH HAND - W/O DOORS/HDW (YK3)
1	157310-02-YK4	EA	CABINET - OVERHEAD/SIDE/LH HAND - W/O DOORS/HDW (YK4)
1	157310-02-YK5	EA	CABINET - OVERHEAD/SIDE/LH HAND - W/O DOORS/HDW (YK5)
1	157310-02-YK6	EA	CABINET - OVERHEAD/SIDE/LH HAND - W/O DOORS/HDW (YK6)
1	157310-02-YK7	EA	CABINET - OVERHEAD/SIDE/LH HAND - W/O DOORS/HDW (YK7)
1	157310-02-YL0	EA	CABINET - OVERHEAD/SIDE/LH HAND - W/O DOORS/HDW (YL0)
1	157310-02-YL1	EA	CABINET - OVERHEAD/SIDE/LH HAND - W/O DOORS/HDW (YL1)
1	157310-02-YL2	EA	CABINET - OVERHEAD/SIDE/LH HAND - W/O DOORS/HDW (YL2)
1	157310-02-YL3	EA	CABINET - OVERHEAD/SIDE/LH HAND - W/O DOORS/HDW (YL3)
1	157310-02-YT0	EA	CABINET - OVERHEAD/SIDE/LH HAND - W/O DOORS/HDW (YT0)
1	157310-02-YT1	EA	CABINET - OVERHEAD/SIDE/LH HAND - W/O DOORS/HDW (YT1)
1	157310-02-YT2	EA	CABINET - OVERHEAD/SIDE/LH HAND - W/O DOORS/HDW (YT2)
1	157310-02-WK0	EA	CABINET - OVERHEAD/SIDE/LH HAND - W/O DOORS/HDW (YK0) - 192 FROM: 00-00-00 THRU: 02-12-08
1	157310-07-YK0	EA	CABINET - OVERHEAD/SIDE/LH HAND - W/O DOORS/HDW (YK0) - 192 FROM: 02-12-08 THRU: 99-99-99
1	157310-02-WK2	EA	CABINET - OVERHEAD/SIDE/LH HAND - W/O DOORS/HDW (YK1) - 192 FROM: 00-00-00 THRU: 02-12-08
1	157310-07-YK1	EA	CABINET - OVERHEAD/SIDE/LH HAND - W/O DOORS/HDW (YK1) - 192 FROM: 00-00-00 THRU: 02-12-08
1	157310-02-YK2	EA	CABINET - OVERHEAD/SIDE/LH HAND - W/O DOORS/HDW (YK2) - 192 FROM: 00-00-00 THRU: 02-12-08
1	157310-07-YK2	EA	CABINET - OVERHEAD/SIDE/LH HAND - W/O DOORS/HDW (YK2) - 192 FROM: 02-12-08 THRU: 99-99-99
1	157310-02-WK1	EA	CABINET - OVERHEAD/SIDE/LH HAND - W/O DOORS/HDW (YK3) - 192 FROM: 00-00-00 THRU: 02-12-08
1	157310-07-YK3	EA	CABINET - OVERHEAD/SIDE/LH HAND - W/O DOORS/HDW (YK3) - 192 FROM: 02-12-08 THRU: 99-99-99
1	157310-02-YK4	EA	CABINET - OVERHEAD/SIDE/LH HAND - W/O DOORS/HDW (YK4) - 192 FROM: 00-00-00 THRU: 02-12-08
1	157310-07-YK4	EA	CABINET - OVERHEAD/SIDE/LH HAND - W/O DOORS/HDW (YK4) - 192 FROM: 02-12-08 THRU: 99-99-99
1	157310-02-YK5	EA	CABINET - OVERHEAD/SIDE/LH HAND - W/O DOORS/HDW (YK5) - 192 FROM: 00-00-00 THRU: 02-12-08
1	157310-07-YK5	EA	CABINET - OVERHEAD/SIDE/LH HAND - W/O DOORS/HDW (YK5) - 192 FROM: 02-12-08 THRU: 99-99-99

DRIVERS COMPARTMENT GROUP (CONTINUED)
CABINETS (CONTINUED)

KEY	PART NUMBER	U/M	DESCRIPTION
1	157310-02-YK6	EA	CABINET - OVERHEAD/SIDE/LH HAND - W/O DOORS/HDW (YK6) - 192 FROM: 00-00-00 THRU: 02-12-08
1	157310-07-YK6	EA	CABINET - OVERHEAD/SIDE/LH HAND - W/O DOORS/HDW (YK6) - 192 FROM: 02-12-08 THRU: 99-99-99
1	157310-02-YK7	EA	CABINET - OVERHEAD/SIDE/LH HAND - W/O DOORS/HDW (YK7) - 192 FROM: 00-00-00 THRU: 02-12-08
1	157310-07-YK7	EA	CABINET - OVERHEAD/SIDE/LH HAND - W/O DOORS/HDW (YK7) - 192 FROM: 02-12-08 THRU: 99-99-99
1	157310-02-YL0	EA	CABINET - OVERHEAD/SIDE/LH HAND - W/O DOORS/HDW (YL0) - 192 FROM: 00-00-00 THRU: 02-12-08
1	157310-07-YL0	EA	CABINET - OVERHEAD/SIDE/LH HAND - W/O DOORS/HDW (YL0) - 192 FROM: 02-12-08 THRU: 99-99-99
1	157310-02-YL1	EA	CABINET - OVERHEAD/SIDE/LH HAND - W/O DOORS/HDW (YL1) - 192 FROM: 00-00-00 THRU: 02-12-08
1	157310-07-YL1	EA	CABINET - OVERHEAD/SIDE/LH HAND - W/O DOORS/HDW (YL1) - 192 FROM: 02-12-08 THRU: 99-99-99
1	157310-02-YL2	EA	CABINET - OVERHEAD/SIDE/LH HAND - W/O DOORS/HDW (YL2) - 192 FROM: 00-00-00 THRU: 02-12-08
1	157310-07-YL2	EA	CABINET - OVERHEAD/SIDE/LH HAND - W/O DOORS/HDW (YL2) - 192 FROM: 02-12-08 THRU: 99-99-99
1	157310-02-YL3	EA	CABINET - OVERHEAD/SIDE/LH HAND - W/O DOORS/HDW (YL3) - 192 FROM: 00-00-00 THRU: 02-12-08
1	157310-07-YL3	EA	CABINET - OVERHEAD/SIDE/LH HAND - W/O DOORS/HDW (YL3) - 192 FROM: 02-12-08 THRU: 99-99-99
1	157310-07-YT0	EA	CABINET - OVERHEAD/SIDE/LH HAND - W/O DOORS/HDW (YT0) - 192
1	157310-07-YT1	EA	CABINET - OVERHEAD/SIDE/LH HAND - W/O DOORS/HDW (YT1) - 192
1	157310-07-YT2	EA	CABINET - OVERHEAD/SIDE/LH HAND - W/O DOORS/HDW (YT2) - 192
	146514-04-000	EA	LIGHT - FLEX - ROPE/ROUND - W/STRIP
2	167307-01-WK0	EA	CABINET - OVERHEAD/SIDE/RH HAND - W/O DOORS/HDW (YK0)
2	167307-01-WK2	EA	CABINET - OVERHEAD/SIDE/RH HAND - W/O DOORS/HDW (YK1)
2	167307-01-YK2	EA	CABINET - OVERHEAD/SIDE/RH HAND - W/O DOORS/HDW (YK2)
2	167307-01-WK1	EA	CABINET - OVERHEAD/SIDE/RH HAND - W/O DOORS/HDW (YK3)
2	167307-01-YK4	EA	CABINET - OVERHEAD/SIDE/RH HAND - W/O DOORS/HDW (YK4)
2	167307-01-YK5	EA	CABINET - OVERHEAD/SIDE/RH HAND - W/O DOORS/HDW (YK5)
2	167307-01-YK6	EA	CABINET - OVERHEAD/SIDE/RH HAND - W/O DOORS/HDW (YK6)
2	167307-01-YK7	EA	CABINET - OVERHEAD/SIDE/RH HAND - W/O DOORS/HDW (YK7)
2	167307-01-YL0	EA	CABINET - OVERHEAD/SIDE/RH HAND - W/O DOORS/HDW (YL0)
2	167307-01-YL1	EA	CABINET - OVERHEAD/SIDE/RH HAND - W/O DOORS/HDW (YL1)
2	167307-01-YL2	EA	CABINET - OVERHEAD/SIDE/RH HAND - W/O DOORS/HDW (YL2)
2	167307-01-YL3	EA	CABINET - OVERHEAD/SIDE/RH HAND - W/O DOORS/HDW (YL3)
2	167307-01-YT0	EA	CABINET - OVERHEAD/SIDE/RH HAND - W/O DOORS/HDW (YT0)
2	167307-01-YT1	EA	CABINET - OVERHEAD/SIDE/RH HAND - W/O DOORS/HDW (YT1)
2	167307-01-YT2	EA	CABINET - OVERHEAD/SIDE/RH HAND - W/O DOORS/HDW (YT2)
	146514-04-000	EA	LIGHT - FLEX - ROPE/ROUND - W/STRIP
3	154271-01-TG1	EA	CABINET - OVERHEAD/FRONT - W/O DOORS/HDW - CONCERT CHERRY
3	154271-01-YL5	EA	CABINET - OVERHEAD/FRONT - W/O DOORS/HDW - HONEY CHERRY
3	154271-01-YG3	EA	CABINET - OVERHEAD/FRONT - W/O DOORS/HDW - BELMONT MAPLE
3	154271-01-TG2	EA	CABINET - OVERHEAD/FRONT - W/O DOORS/HDW - WASHED MAPLE
3	154271-01-YT3	EA	CABINET - OVERHEAD/FRONT - W/O DOORS/HDW - COFFEE GLAZED HONEY CHERRY
4	154360-01-YG0	EA	PANEL/CLOSEOUT - OVERHEAD/FRONT
5	160271-91-YK0	EA	DOOR - ARCHED/FLUTED/HORIZ - 13.6" X 27.1" - W/O HDW - CONCERT CHERRY
5	160271-91-YK2	EA	DOOR - ARCHED/FLUTED/HORIZ - 13.6" X 27.1" - W/O HDW - HONEY CHERRY
5	160271-91-YK3	EA	DOOR - ARCHED/FLUTED/HORIZ - 13.6" X 27.1" - W/O HDW - BELMONT MAPLE
5	160271-91-YK1	EA	DOOR - ARCHED/FLUTED/HORIZ - 13.6" X 27.1" - W/O HDW - WASHED MAPLE
5	160271-91-YT0	EA	DOOR - ARCHED/FLUTED/HORIZ - 13.6" X 27.1" - W/O HDW - COFFEE GLAZED HONEY CHERRY
6	160269-83-YK0	EA	DOOR - ARCHED/FLUTED/LH HAND - 12.8" X 17.7" - W/O HDW - CONCERT CHERRY
6	160269-83-YK2	EA	DOOR - ARCHED/FLUTED/LH HAND - 12.8" X 17.7" - W/O HDW - HONEY CHERRY
6	160269-83-YK3	EA	DOOR - ARCHED/FLUTED/LH HAND - 12.8" X 17.7" - W/O HDW - BELMONT MAPLE
6	160269-83-YK1	EA	DOOR - ARCHED/FLUTED/LH HAND - 12.8" X 17.7" - W/O HDW - WASHED MAPLE
6	160269-83-YT0	EA	DOOR - ARCHED/FLUTED/LH HAND - 12.8" X 17.7" - W/O HDW - COFFEE GLAZED HONEY CHERRY

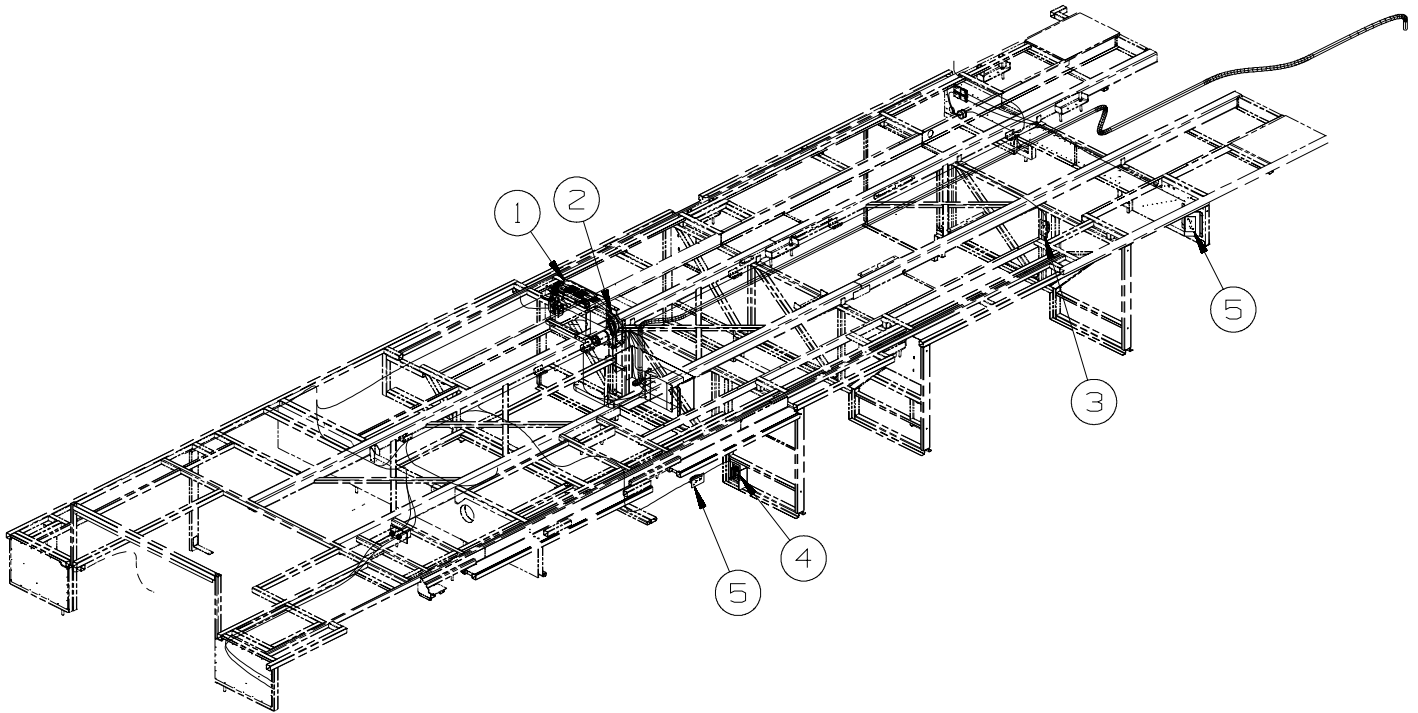
DRIVERS COMPARTMENT GROUP (CONTINUED)
CABINETS (CONTINUED)



KEY	PART NUMBER	U/M	DESCRIPTION
7	160270-83-WK0	EA	DOOR - ARCHED/FLUTED/RH HAND - 12.8" X 17.7" - W/O HDW - CONCERT CHERRY
7	160270-83-WK2	EA	DOOR - ARCHED/FLUTED/RH HAND - 12.8" X 17.7" - W/O HDW - HONEY CHERRY
7	160270-83-YK0	EA	DOOR - ARCHED/FLUTED/RH HAND - 12.8" X 17.7" - W/O HDW - BELMONT MAPLE
7	160270-83-WK1	EA	DOOR - ARCHED/FLUTED/RH HAND - 12.8" X 17.7" - W/O HDW - WASHED MAPLE
7	160270-83-YT0	EA	DOOR - ARCHED/FLUTED/RH HAND - 12.8" X 17.7" - W/O HDW - COFFEE GLAZED HONEY CHERRY
8	140309-05-02B	EA	ANGLE - FURNACE DOOR - E-COATED
9	126841-05-000	EA	SHADE - PULL - CHARCOAL MESH - 30.3" X 60"
			FROM: 00-00-00 THRU: 06-15-08
10	126841-09-000	EA	SHADE - PULL - CHARCOAL MESH - 40.25" X 60"
11	M09492-44-TG1	EA	FACE/FRAME (PICTURE) - OVERHEAD/FRONT - W/O DOORS/HDW - CONCERT CHERRY
11	M09492-44-TG3	EA	FACE/FRAME (PICTURE) - OVERHEAD/FRONT - W/O DOORS/HDW - HONEY CHERRY
11	M09492-44-YG3	EA	FACE/FRAME (PICTURE) - OVERHEAD/FRONT - W/O DOORS/HDW - BELMONT MAPLE
11	M09492-44-TG2	EA	FACE/FRAME (PICTURE) - OVERHEAD/FRONT - W/O DOORS/HDW - WASHED MAPLE
11	M09492-44-YT3	EA	FACE/FRAME (PICTURE) - OVERHEAD/FRONT - W/O DRS/HDW - COFFEE GLAZED HONEY CHERRY
12	133771-08-UF1	EA	MOLDING - CAP - CONCERT CHERRY
12	133771-08-UJ3	EA	MOLDING - CAP - HONEY CHERRY
12	133771-08-YG3	EA	MOLDING - CAP - BELMONT MAPLE
12	133771-08-UF2	EA	MOLDING - CAP - WASHED MAPLE
12	133771-08-YT3	EA	MOLDING - CAP - COFFEE GLAZED HONEY CHERRY
	042356-01-000	EA	PLUG - MAHOGANY - 3/8" DOWEL X 1/2" HEAD
13	155127-01-YG0	EA	PANEL - VINYL COVERED
14	155127-02-YG0	EA	PANEL - VINYL COVERED
			FROM: 00-00-00 THRU: 02-12-08
15	155127-03-YG0	EA	PANEL - VINYL COVERED - 48R
16	155127-12-YG0	EA	PANEL - VINYL COVERED - 78K & 192
			FROM: 00-00-00 THRU: 02-12-08
17	155127-07-YG0	EA	PANEL - VINYL COVERED - 193 & 48R
			FROM: 00-00-00 THRU: 02-12-08
18	155127-10-YG0	EA	PANEL - VINYL COVERED - 78K
19	154360-03-YG0	EA	PANEL/CLOSEOUT - OVERHEAD/FRONT

ELECTRICAL GROUP

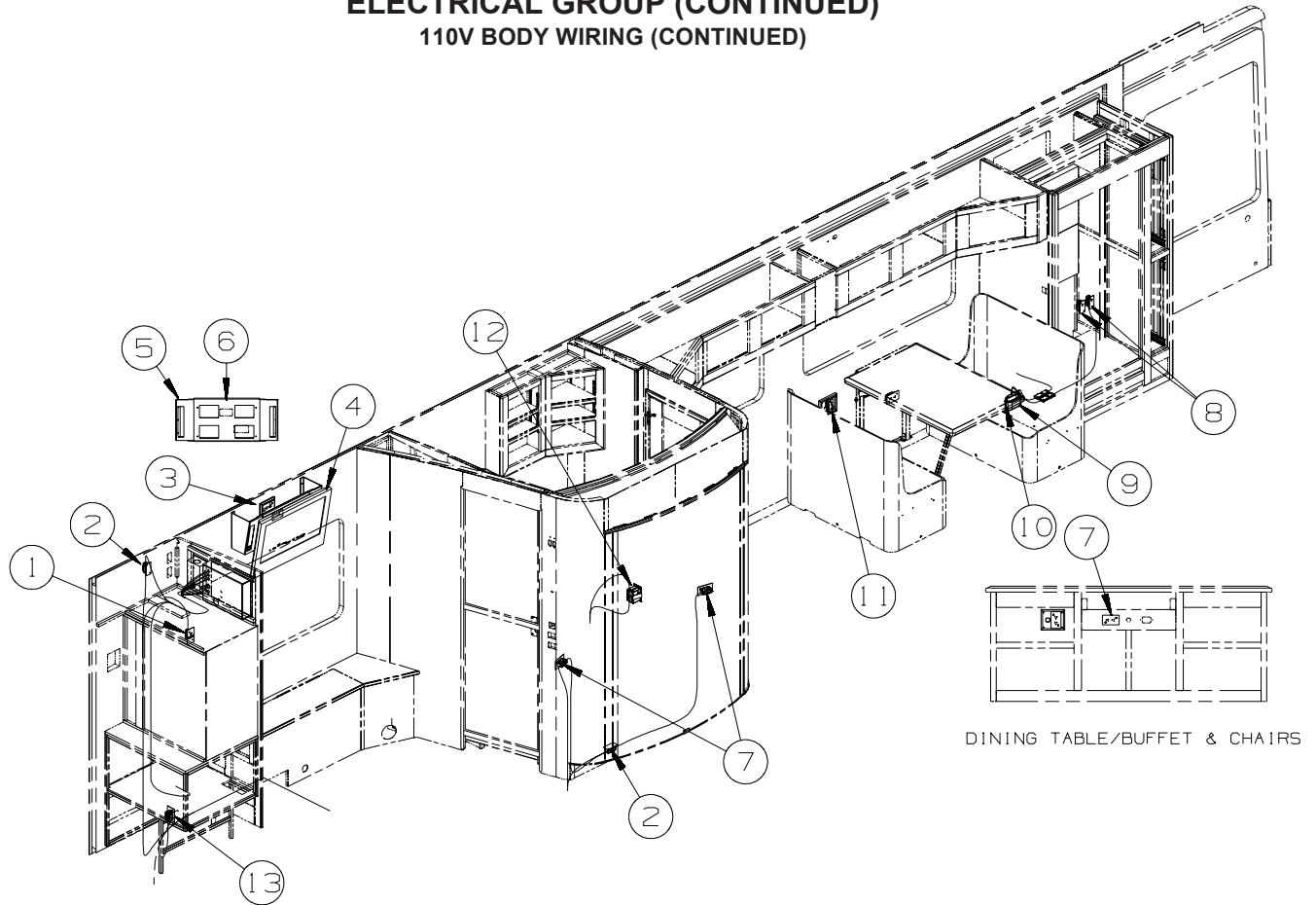
110V BODY WIRING



KEY	PART NUMBER	U/M	DESCRIPTION
1	148254-01-000	EA	INVERTER - CHARGER - 2000W AC FROM: 00-00-00 THRU: 02-01-09
1	172438-01-000	EA	INVERTER - CHARGER - 2000W - W/O REMOTE PANEL FROM: 02-02-09 THRU: 99-99-99
2*	144858-03-000	EA	REEL - POWERED - W/40'-50 AMP PWR CORD - W/MOUNTED SWITCH
3	058708-05-000	EA	RECEPTACLE - ELECTRICAL - SINGLE - BROWN - 22T
4	058708-05-000	EA	RECEPTACLE - ELECTRICAL - SINGLE - BROWN - 11E
5	058708-05-000	EA	RECEPTACLE - ELECTRICAL - SINGLE - BROWN

***COMPONENT PARTS LISTED LATER IN THIS GROUP**

ELECTRICAL GROUP (CONTINUED)
110V BODY WIRING (CONTINUED)



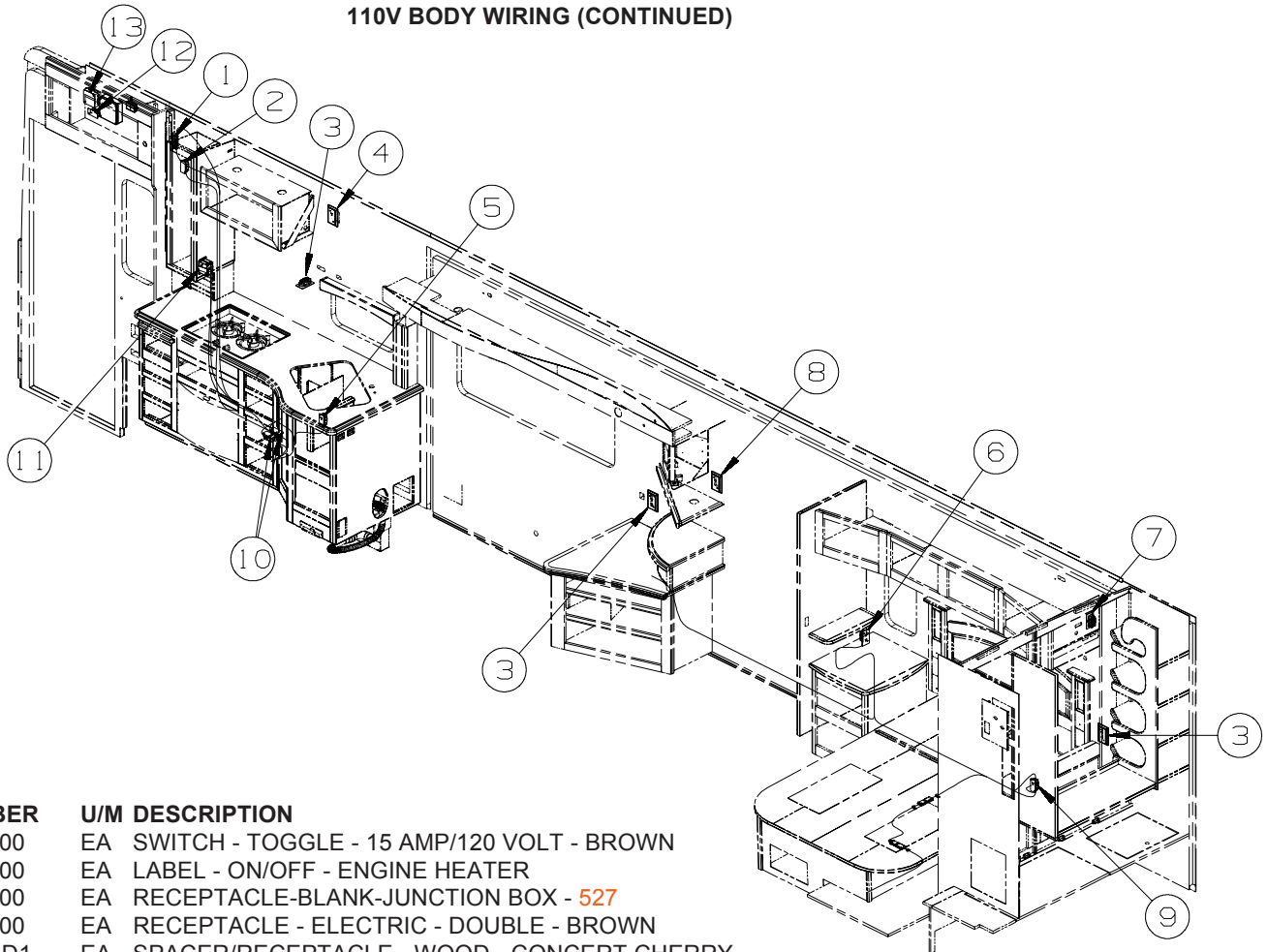
DINING TABLE/BUFFET & CHAIRS

KEY	PART NUMBER	U/M	DESCRIPTION
1	058708-05-000	EA	RECEPTACLE - ELECTRICAL - SINGLE - BROWN
1	158542-01-01A	EA	LABEL - RECEPTACLE - WASHER/DRYER - WHITE/BLACK
2	058707-02-000	EA	RECEPTACLE - BLANK - JUNCTION BOX
3	058708-01-000	EA	RECEPTACLE - ELECTRIC - DOUBLE - BROWN
			FROM: 00-00-00 THRU: 06-08-08
3	058707-01-000	EA	RECEPTACLE - ELECTRIC - SINGLE - BROWN
			FROM: 06-09-08 THRU: 99-99-99
3	133713-20-SD1	EA	SPACER/RECEPTACLE - WOOD - CONCERT CHERRY
			FROM: 00-00-00 THRU: 06-08-08
3	133713-20-SD3	EA	SPACER/RECEPTACLE - WOOD - HONEY CHERRY
			FROM: 00-00-00 THRU: 06-08-08
3	133713-20-YL6	EA	SPACER/RECEPTACLE - WOOD - BELMONT MAPLE
			FROM: 00-00-00 THRU: 06-08-08
3	133713-20-SD2	EA	SPACER/RECEPTACLE - WOOD - WASHED MAPLE
			FROM: 00-00-00 THRU: 06-08-08
4*	166446-01-000	EA	TV - 26" - LCD 16:9 - BOTTOM SPEAKER - JENSEN JE2608
			FROM: 00-00-00 THRU: 11-30-08
4*	171727-01-000	EA	TV - 26" - LCD 16:9 - FRONT BUTTONS - JENSEN JE2608WV
			FROM: 12-01-08 THRU: 99-99-99
5	166615-01-02B	EA	SUPPORT/MOUNTING - TV - E-COATED
6	166617-01-02B	EA	PLATE/MOUNTING - TV - E-COATED
7	058708-01-000	EA	RECEPTACLE - ELECTRIC - DOUBLE - BROWN
8	058707-01-000	EA	RECEPTACLE - ELECTRIC - SINGLE - BROWN
9	153862-02-01A	EA	COVER - WIRE - 5.9" X 3.8" X 2.2" - BLACK
10	155469-01-01A	EA	COVER - WIRE - .9" X 6.3" X 5.6" - BLACK
11	058708-01-000	EA	RECEPTACLE - ELECTRIC - DOUBLE - BROWN
11	133713-23-YL4	EA	SPACER/RECEPTACLE - 110V/12V - WOOD - CONCERT CHERRY
11	133713-23-YL5	EA	SPACER/RECEPTACLE - 110V/12V - WOOD - HONEY CHERRY
11	133713-23-YL6	EA	SPACER/RECEPTACLE - 110V/12V - WOOD - BELMONT MAPLE
11	133713-23-YL7	EA	SPACER/RECEPTACLE - 110V/12V - WOOD - WASHED MAPLE
11	133713-23-YT3	EA	SPACER/RECEPTACLE - 110V/12V - WOOD - COFFEE GLAZED HONEY CHERRY
12	163319-01-02A	EA	RECEPTACLE - GFCI - 15A 125V - BROWN
13	058708-05-000	EA	RECEPTACLE - ELECTRICAL - SINGLE - BROWN

*COMPONENT PARTS LISTED LATER IN THIS GROUP

ELECTRICAL GROUP (CONTINUED)

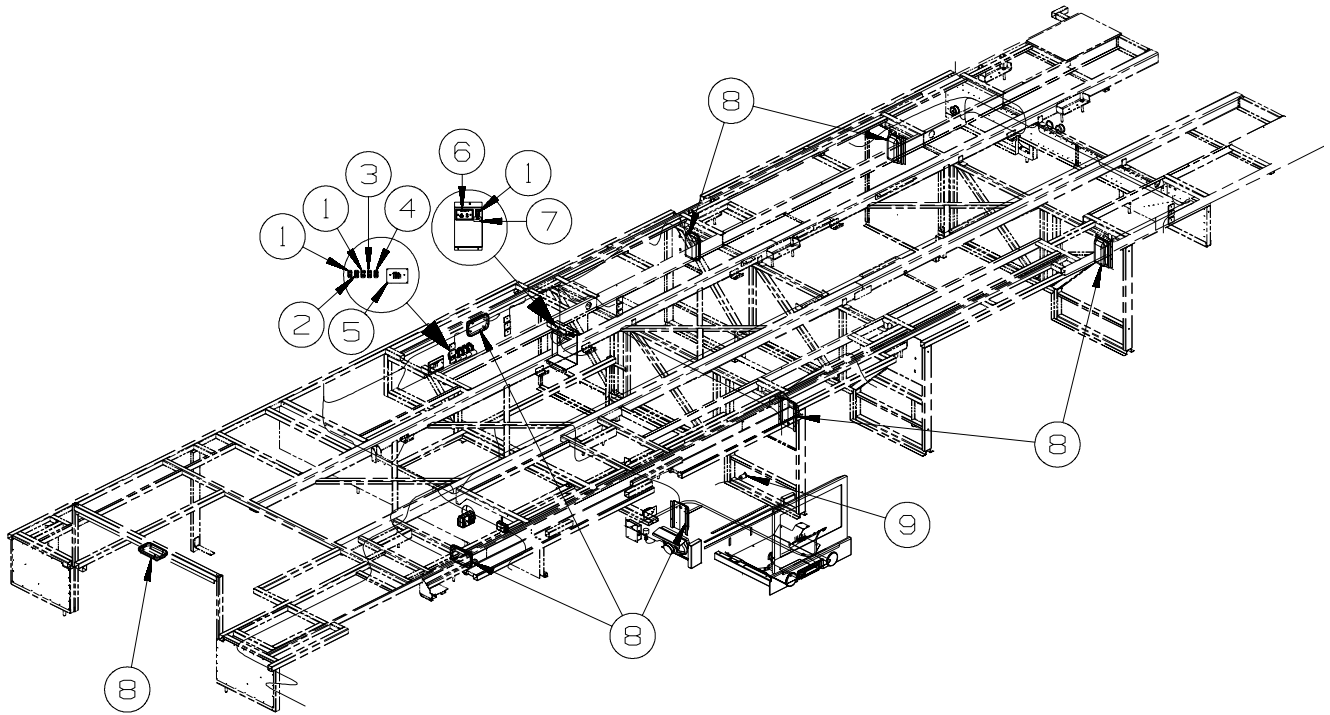
110V BODY WIRING (CONTINUED)



KEY	PART NUMBER	U/M	DESCRIPTION
1	084420-01-000	EA	SWITCH - TOGGLE - 15 AMP/120 VOLT - BROWN
1	083588-02-000	EA	LABEL - ON/OFF - ENGINE HEATER
2	058707-02-000	EA	RECEPTACLE-BLANK-JUNCTION BOX - 527
3	058708-01-000	EA	RECEPTACLE - ELECTRIC - DOUBLE - BROWN
3	133713-20-SD1	EA	SPACER/RECEPTACLE - WOOD - CONCERT CHERRY
3	133713-20-SD3	EA	SPACER/RECEPTACLE - WOOD - HONEY CHERRY
3	133713-20-YL6	EA	SPACER/RECEPTACLE - WOOD - BELMONT MAPLE
3	133713-20-SD2	EA	SPACER/RECEPTACLE - WOOD - WASHED MAPLE
3	133713-20-YT3	EA	SPACER/RECEPTACLE - WOOD - COFFEE GLAZED HONEY CHERRY
4	058708-05-000	EA	RECEPTACLE - ELECTRICAL - SINGLE - BROWN
4	133713-20-SD1	EA	SPACER/RECEPTACLE - WOOD - CONCERT CHERRY
4	133713-20-SD3	EA	SPACER/RECEPTACLE - WOOD - HONEY CHERRY
4	133713-20-YL6	EA	SPACER/RECEPTACLE - WOOD - BELMONT MAPLE
4	133713-20-SD2	EA	SPACER/RECEPTACLE - WOOD - WASHED MAPLE
4	133713-20-YT3	EA	SPACER/RECEPTACLE - WOOD - COFFEE GLAZED HONEY CHERRY
5	058707-01-000	EA	RECEPTACLE - ELECTRIC - SINGLE - BROWN - 214
6	058708-01-000	EA	RECEPTACLE - ELECTRIC - DOUBLE - BROWN
7	058708-01-000	EA	RECEPTACLE - ELECTRIC - DOUBLE - BROWN
7	158542-02-01A	EA	LABEL - RECEPTACLE - ELECTRONICS - WHITE/BLACK - 265
8	058707-01-000	EA	RECEPTACLE - ELECTRIC - SINGLE - BROWN
8	133713-20-SD1	EA	SPACER/RECEPTACLE - WOOD - CONCERT CHERRY
8	133713-20-SD3	EA	SPACER/RECEPTACLE - WOOD - HONEY CHERRY
8	133713-20-YL6	EA	SPACER/RECEPTACLE - WOOD - BELMONT MAPLE
8	133713-20-SD2	EA	SPACER/RECEPTACLE - WOOD - WASHED MAPLE
9	058707-02-000	EA	RECEPTACLE - BLANK - JUNCTION BOX - 44X
9	058707-01-000	EA	RECEPTACLE - ELECTRIC - SINGLE - BROWN - 44X
10	058707-02-000	EA	RECEPTACLE - BLANK - JUNCTION BOX
11	163319-01-02A	EA	RECEPTACLE - GFCI - 15A 125V - BROWN
12	058707-01-000	EA	RECEPTACLE - ELECTRIC - SINGLE - BROWN- 527
13	008289-01-000	EA	BOX - ELECTRIC/STEEL - 4" X 4" - 1/2" & 3/4" KNOCKOUTS
13	008294-01-000	EA	COVER - ELECTRIC BOX - BLANK/STEEL - 4" X 4" - GRAY

ELECTRICAL GROUP (CONTINUED)

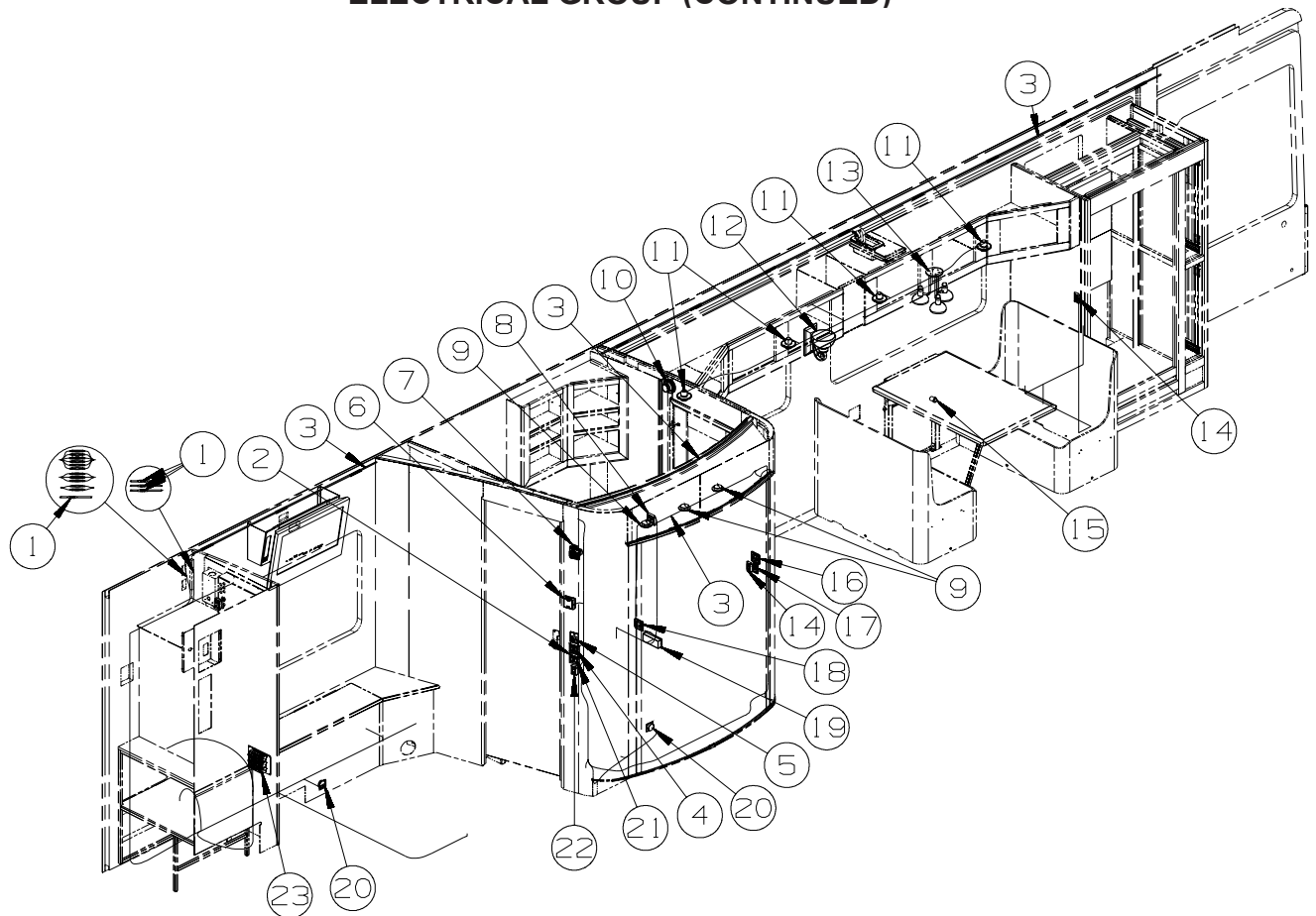
12V BODY WIRING



KEY	PART NUMBER	U/M	DESCRIPTION
1	108357-05-000	EA	SWITCH - ROCKER - SPDT - ON/NONE/ON - 3 TERM - W/O COVER
1	108356-01-01A	EA	COVER/ACTUATOR SWITCH - 3 GROOVES - BLACK
1	108355-01-000	EA	HOUSING - SWITCH
2	108357-15-000	EA	SWITCH - ROCKER - DPDT - ON/NONE/ON - W/LIGHT W/O COVER
2	108356-03-01A	EA	COVER/ACTUATOR SWITCH - 3 GROOVES W/LENS - BLACK
2	108355-01-000	EA	HOUSING - SWITCH
3	108357-09-000	EA	SWITCH - ROCKER - SPDT - ON/NONE/MOM - 3 TERM - W/O COVER
3	108356-01-01A	EA	COVER/ACTUATOR SWITCH - 3 GROOVES - BLACK
3	108355-01-000	EA	HOUSING - SWITCH
4	108357-18-000	EA	SWITCH - ROCKER - DPDT - MOM/OFF/MOM - W/O COVER
4	108356-03-01A	EA	COVER/ACTUATOR SWITCH - 3 GROOVES W/LENS - BLACK
4	108355-01-000	EA	HOUSING - SWITCH
5*	129561-02-01A	EA	PANEL/MONITOR - READ OUT ONLY - HOLDING/WATER TANK
6	149557-03-01A	EA	PLATE/WALL - DUAL COAXIAL/HORIZONTAL - WHITE
7	130170-05-000	EA	LABEL - SWITCH PANEL
8*	137417-01-01A	EA	LIGHT - DOME - SINGLE - W/SWITCH/FROSTED LENS - WHITE
9	132958-01-000	EA	RECEPTACLE - 12 VOLT - MOUNTING FLANGE - BLACK

*COMPONENT PARTS LISTED LATER IN THIS GROUP

ELECTRICAL GROUP (CONTINUED)



KEY	PART NUMBER	U/M	DESCRIPTION
1	082134-01-000	EA	ADAPTER - TV - CABLE TO CABLE
2	135740-02-01A	EA	SWITCH - ROCKER - SPDT - ON/ON - BROWN
2	135741-01-01A	EA	SWITCH - BASE - SINGLE - BROWN
2	135742-07-02A	EA	BEZEL - SWITCH - CEILING - BROWN
3	146514-03-000	FT	LIGHT - FLEX - ROPE/ROUND - W/O MOUNT CHANNEL
3	146514-02-000	EA	CONNECTOR - LIGHT
3	146514-04-000	EA	CHANNEL/MOUNT - F/ROPE LIGHT
4	135740-02-01A	EA	SWITCH - ROCKER - SPDT - ON/ON - BROWN
4	135741-02-01A	EA	SWITCH - BASE - DOUBLE - BROWN
4	135742-13-02A	EA	BEZEL - SWITCH - CEILING/AISLE - BROWN
5	137889-01-000	EA	SWITCH - LIGHT DIMMER
6	115764-01-01A	EA	THERMOSTAT - FURNACE - WHITE
6	115764-01-03A	EA	THERMOSTAT - FURNACE - BLACK
7	163992-03-01A	EA	LABEL - SLIDEOUT - PASSENGER/REAR - BLACK/WHITE
7	144363-09-02B	EA	PLATE - SWITCH - E-COATED
7	108357-06-000	EA	SWITCH - ROCKER - DPDT - MOM/OFF/MOM - 6 TERM - W/O COVER
7	108356-01-01A	EA	COVER/ACTUATOR SWITCH - 3 GROOVES - BLACK
7	108355-01-000	EA	HOUSING - SWITCH
7	116220-01-000	EA	APPLIQUE - SWITCH/SLIDEOUT
7	116220-02-000	EA	APPLIQUE - SWITCH/SLIDEOUT
7	116549-02-000	EA	LABEL - WARNING - SLIDEOUT
8	135740-01-01A	EA	SWITCH - ROCKER - SPST - ON/OFF - BROWN
8	135741-02-01A	EA	SWITCH - BASE - DOUBLE - BROWN
8	135742-33-02A	EA	BEZEL - SWITCH - CEILING/FAN - BROWN
9*	123775-01-02A	EA	LIGHT - HALOGEN - ROUND - SATIN NICKEL
10	160868-01-01A	EA	SPEAKER - ROUND/CEILING - W/O CASE - BLACK
10	160868-02-01A	EA	GRILLE/ROUND - SPEAKER - SILVER
11	132427-01-02A	EA	LIGHT - READING/SWIVEL - ROUND - NICKEL
12	119258-51-01A	EA	LAMP - WALL - W/GLASS SHADE - UL/CSA - ANTIQUE NICKEL
12	067479-01-000	EA	BULB - 12V - #1076 - 1.80 AMP
13*	093575-44-01A	EA	LIGHT - CEILING/DOUBLE - W/GLOBES - ANTIQUE NICKEL
13	067479-01-000	EA	BULB - 12V - #1076 - 1.80 AMP

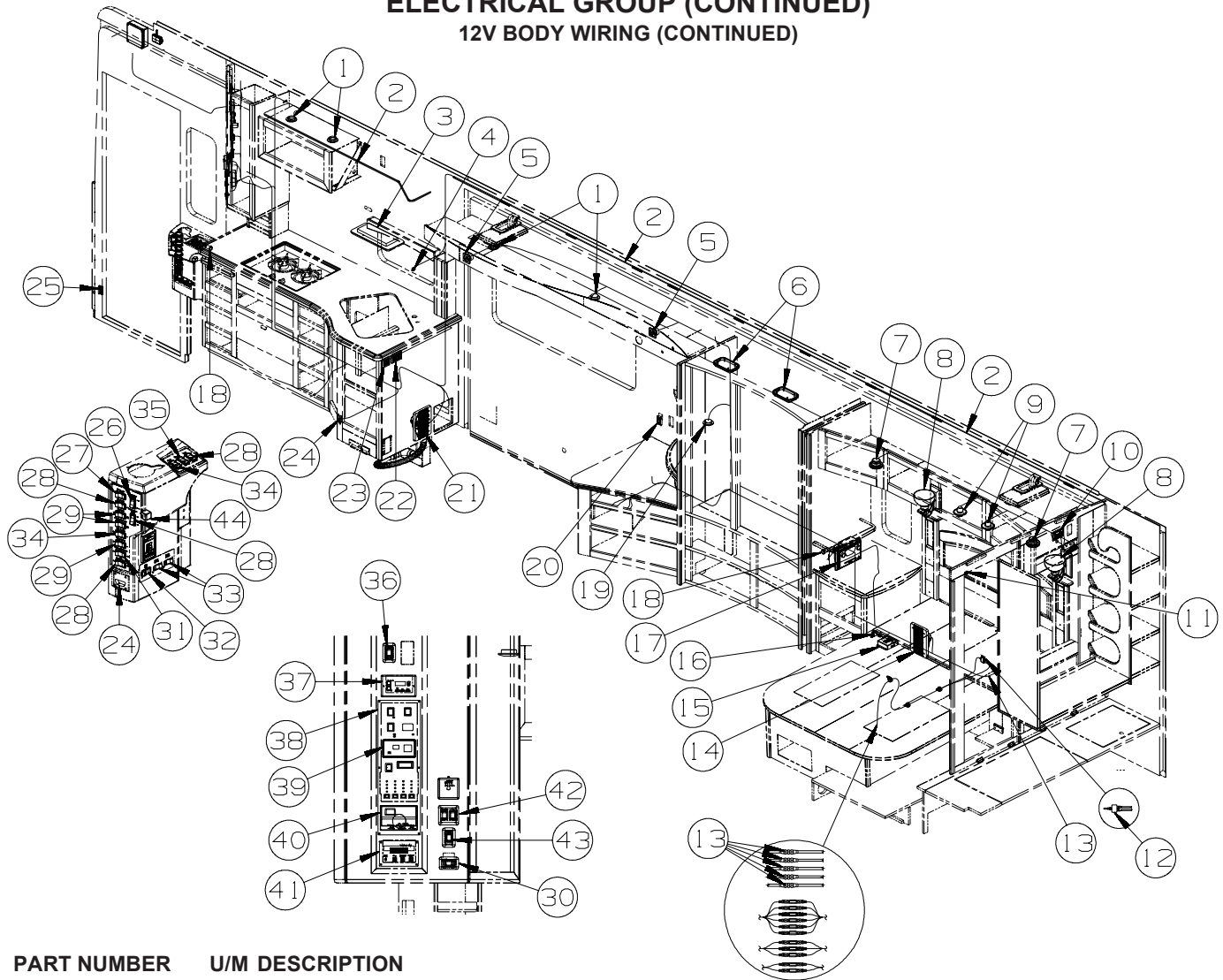
ELECTRICAL GROUP (CONTINUED)
12V BODY WIRING (CONTINUED)

KEY	PART NUMBER	U/M	DESCRIPTION
14	135740-01-01A	EA	SWITCH - ROCKER - SPST - ON/OFF - BROWN
14	135741-01-01A	EA	SWITCH - BASE - SINGLE - BROWN
14	135742-07-02A	EA	BEZEL - SWITCH - CEILING - BROWN
15	132958-01-000	EA	RECEPTACLE - 12 VOLT - MOUNTING FLANGE - BLACK
16	135740-02-01A	EA	SWITCH - ROCKER - SPDT - ON/ON - BROWN
16	135741-02-01A	EA	SWITCH - BASE - DOUBLE - BROWN
16	135742-16-02A	EA	BEZEL - SWITCH - CEILING/HALL - BROWN
17	135740-01-01A	EA	SWITCH - ROCKER - SPST - ON/OFF - BROWN
17	135741-01-01A	EA	SWITCH - BASE - SINGLE - BROWN
17	135742-50-02A	EA	BEZEL - SWITCH - ACCENT - BROWN
18	135740-01-01A	EA	SWITCH - ROCKER - SPST - ON/OFF - BROWN
18	135741-02-01A	EA	SWITCH - BASE - DOUBLE - BROWN
18	135742-46-02A	EA	BEZEL - SWITCH - MAKEUP/ACCENT - BROWN
19	150138-03-02A	EA	DETECTOR - LP GAS - BROWN
20*	108354-01-01A	EA	LIGHT - COURTESY
21	135740-01-01A	EA	SWITCH - ROCKER - SPST - ON/OFF - BROWN
21	135741-02-01A	EA	SWITCH - BASE - DOUBLE - BROWN
21	135742-36-02A	EA	BEZEL - SWITCH - ACCENT/VALANCE - BROWN
22	135740-04-01A	EA	SWITCH - ROCKER - SPDT - ON/OFF/ON - BROWN
22	135741-01-01A	EA	SWITCH - BASE - SINGLE - BROWN
22	135742-12-02A	EA	BEZEL - SWITCH - FAN - BROWN
23	139067-06-02B	EA	PLATE - CIRCUIT BREAKER/HOUSE - E-COATED
23	092547-14-000	EA	LABEL - CIRCUIT BREAKER

***COMPONENT PARTS LISTED LATER IN THIS GROUP**

ELECTRICAL GROUP (CONTINUED)

12V BODY WIRING (CONTINUED)



KEY	PART NUMBER	U/M	DESCRIPTION
1*	123775-01-02A	EA	LIGHT - HALOGEN - ROUND - SATIN NICKEL
2	146514-03-000	FT	LIGHT - FLEX - ROPE/ROUND - W/O MOUNT CHANNEL
2	146514-02-000	EA	CONNECTOR - LIGHT
2	146514-04-000	EA	CHANNEL/MOUNT - F/ROPE LIGHT
3*	153464-05-01A	EA	LIGHT-FLUORESCENT 16.1"- RECESSED/WARM WHT BULB - W/SWITCH
4	105620-23-000	EA	SENSOR - REMOTE TEMPERATURE
5	148026-03-01A	EA	SPEAKER - CUBE - W/O CASE
6*	137417-01-01A	EA	LIGHT - DOME - SINGLE - W/SWITCH/FROSTED LENS - WHITE
7	160868-01-01A	EA	SPEAKER - ROUND/CEILING - W/O CASE - BLACK
7	160868-02-01A	EA	GRILLE/ROUND - SPEAKER - SILVER
8	119258-51-01A	EA	LAMP - WALL - W/GLASS SHADE - UL/CSA - ANTIQUE NICKEL
8	067479-01-000	EA	BULB - 12V - #1076 - 1.80 AMP
9	132427-01-02A	EA	LIGHT - READING/SWIVEL - ROUND - NICKEL
10	149557-08-02A	EA	PLATE-WALL,SINGLE COAX HZ BN
11	056264-01-000	EA	SWITCH - LEAF ACTUATOR
12	086756-01-000	EA	SPLITTER - TV/2 WAY
13	082134-01-000	EA	ADAPTER - TV - CABLE TO CABLE
14	124884-01-000	EA	SPEAKER - 6" X 9" - SUB-WOOFER - W/O GRILLE
14	151844-01-01A	EA	GRILLE - SPEAKER - 6" X 9" - SUB WOOFER - BLACK
15	150140-01-000	EA	CROSSOVER BOX - STANDARD STEREO TO DELUXE SOUND
16	150140-02-000	EA	CROSSOVER COIL - F/SUBWOOFER SPEAKER/LOW FREQUENCY
17*	163031-01-01A	EA	RADIO - WALL MOUNT - DVD/CD - W/ALARM - JENSEN AWM960
			FROM: 00-00-00 THRU: 06-15-08
17*	169536-01-01A	EA	RADIO - WALL MOUNT - DVD/CD - W/ALARM - JENSEN AWM970
			FROM: 06-16-08 THRU: 99-99-99
18	132958-01-000	EA	RECEPTACLE - 12 VOLT - MOUNTING FLANGE - BLACK
19*	123775-01-02A	EA	LIGHT - HALOGEN - ROUND - SATIN NICKEL
19	123775-02-02A	EA	LIGHT - HALOGEN - COLLAR - SATIN NICKEL

ELECTRICAL GROUP (CONTINUED)
12V BODY WIRING (CONTINUED)

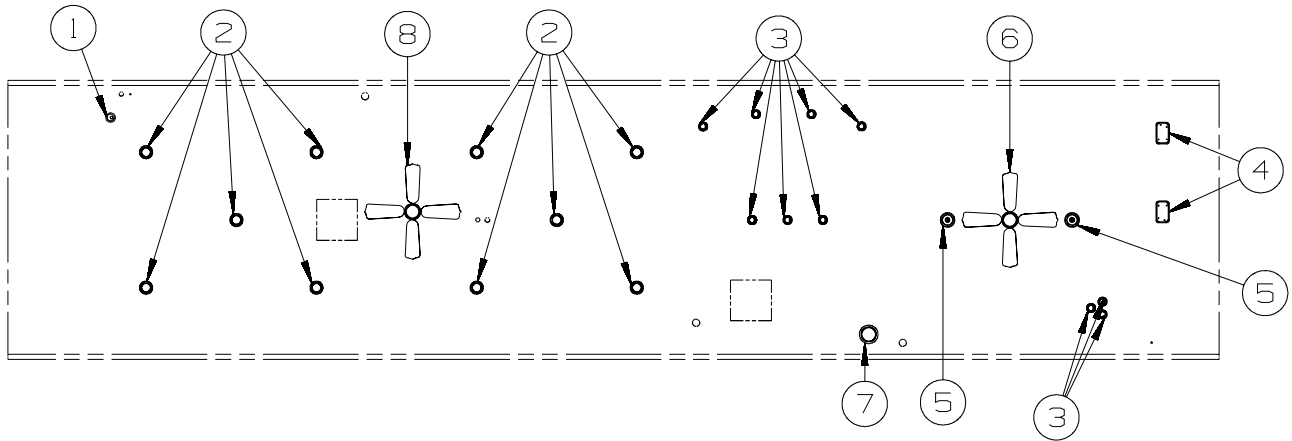
KEY	PART NUMBER	U/M	DESCRIPTION
20	135740-01-01A	EA	SWITCH - ROCKER - SPST - ON/OFF - BROWN
20	135741-01-01A	EA	SWITCH - BASE - SINGLE - BROWN
20	135742-51-02A	EA	BEZEL - SWITCH - READING - BROWN
21	124884-01-000	EA	SPEAKER - 6" X 9" - SUB-WOOFER - W/O GRILLE
21	151844-01-01A	EA	GRILLE - SPEAKER - 6" X 9" - SUB WOOFER - BLACK
22	135740-01-01A	EA	SWITCH - ROCKER - SPST - ON/OFF - BROWN FROM: 00-00-00 THRU: 01-22-08
22	135740-02-01A	EA	SWITCH - ROCKER - SPDT - ON/ON - BROWN FROM: 00-00-00 THRU: 01-22-08
22	135741-03-01A	EA	SWITCH - BASE - TRIPLE - BROWN FROM: 00-00-00 THRU: 01-22-08
22	135742-22-02A	EA	BEZEL - SWITCH - AISLE/VALANCE/CEILING - BROWN FROM: 00-00-00 THRU: 01-22-08
22	135740-01-01A	EA	SWITCH - ROCKER - SPST - ON/OFF - BROWN FROM: 01-23-08 THRU: 99-99-99
22	135740-02-01A	EA	SWITCH - ROCKER - SPDT - ON/ON - BROWN FROM: 01-23-08 THRU: 99-99-99
22	135741-02-01A	EA	SWITCH - BASE - DOUBLE - BROWN FROM: 01-23-08 THRU: 99-99-99
22	135742-13-02A	EA	BEZEL - SWITCH - CEILING/AISLE - BROWN FROM: 01-23-08 THRU: 99-99-99
23	135740-02-01A	EA	SWITCH - ROCKER - SPDT - ON/ON - BROWN
23	135741-02-01A	EA	SWITCH - BASE - DOUBLE - BROWN
23	135742-18-02A	EA	BEZEL - SWITCH - LOUNGE/GALLEY - BROWN
24*	108354-01-01A	EA	LIGHT - COURTESY
25	116995-03-000	EA	SWITCH/MAGNET - ELECTRIC STEP
26	145638-06-01A	EA	SWITCH/ROCKER - SPDT (ON/OFF/ON) - LIGHTED - BLACK
26	108355-02-000	EA	HOUSING - SWITCH - 12 POSITION
27	145638-10-01A	EA	SWITCH/ROCKER - SPDT (ON/ON) - LIGHTED - BLACK
27	108355-02-000	EA	HOUSING - SWITCH - 12 POSITION
28	145638-01-01A	EA	SWITCH/ROCKER - SPST (ON/OFF) - BLACK
28	108355-02-000	EA	HOUSING - SWITCH - 12 POSITION
29	145638-05-01A	EA	SWITCH/ROCKER - SPDT (ON/OFF/ON) - BLACK
29	108355-02-000	EA	HOUSING - SWITCH - 12 POSITION
30	135740-02-01A	EA	SWITCH - ROCKER - SPDT - ON/ON - BROWN
30	135741-02-01A	EA	SWITCH - BASE - DOUBLE - BROWN
30	135742-52-02A	EA	BEZEL - SWITCH - GALLEY WASTE - BROWN
31	145638-03-01A	EA	SWITCH/ROCKER - SPDT (ON/OFF/ON) - BLACK
31	108355-02-000	EA	HOUSING - SWITCH - 12 POSITION
32	145638-16-01A	EA	SWITCH/ROCKER - SPST - STEP SWITCH - BLACK
32	108355-02-000	EA	HOUSING - SWITCH - 12 POSITION
33	145638-15-01A	EA	SWITCH/ROCKER - DPDT (ON/OFF/ON) - W/GREEN LED - BLACK
33	108355-02-000	EA	HOUSING - SWITCH - 12 POSITION
34	145638-09-01A	EA	SWITCH/ROCKER - DPDT (ON/OFF/ON) - BLACK
34	108355-02-000	EA	HOUSING - SWITCH - 12 POSITION
35	145638-12-01A	EA	SWITCH/ROCKER - DPDT (ON/ON/ON) - BLACK
35	108355-02-000	EA	HOUSING - SWITCH - 12 POSITION
36	135740-06-01A	EA	SWITCH - ROCKER - ON/OFF - LIGHTED - RED
36	135741-01-01A	EA	SWITCH - BASE - SINGLE - BROWN
36	135742-35-02A	EA	BEZEL - SWITCH - WATER HEATER/110 VOLT - BROWN
37	158425-01-000	EA	MODULE - AUTO GENERATOR START - ONAN 018-02030 - 32W
38*	133004-05-01A	EA	PANEL/MONITOR-2 TANK-DIGITAL VOLT MT/SOLAR-W/WATER HTR SWT
39	127002-10-000	EA	PANEL/MONITOR - ENERGY MANAGEMENT SYSTEMS - W/3 PIN PLUG
40	105620-21-000	EA	THERMOSTAT - FURNACE-DUAL/HEAT PUMP-A/C-REMOTE TEMP SENSOR
41	148254-05-000	EA	REMOTE/PANEL - INVERTER/CHARGER FROM: 00-00-00 THRU: 02-01-09
41	172438-02-000	EA	REMOTE/PANEL - INVERTER/CHARGER FROM: 02-02-09 THRU: 99-99-99
41	148254-03-000	EA	CABLE/INVERTOR - W/8 PIN MODULAR PHONE JACK - 50'-DIMEN
42	135740-01-01A	EA	SWITCH - ROCKER - SPST - ON/OFF - BROWN
42	135741-02-01A	EA	SWITCH - BASE - DOUBLE - BROWN
42	135742-36-02A	EA	BEZEL - SWITCH - ACCENT/VALANCE - BROWN
43	135740-04-01A	EA	SWITCH - ROCKER - SPDT - ON/OFF/ON - BROWN - 39Y
43	135741-01-01A	EA	SWITCH - BASE - SINGLE - BROWN - 39Y

ELECTRICAL GROUP (CONTINUED)

12V BODY WIRING (CONTINUED)

KEY	PART NUMBER	U/M	DESCRIPTION
43	135742-12-02A	EA	BEZEL - SWITCH - FAN - BROWN - 39Y
44	063912-02-000	EA	RELAY - CANISTER - SPDT

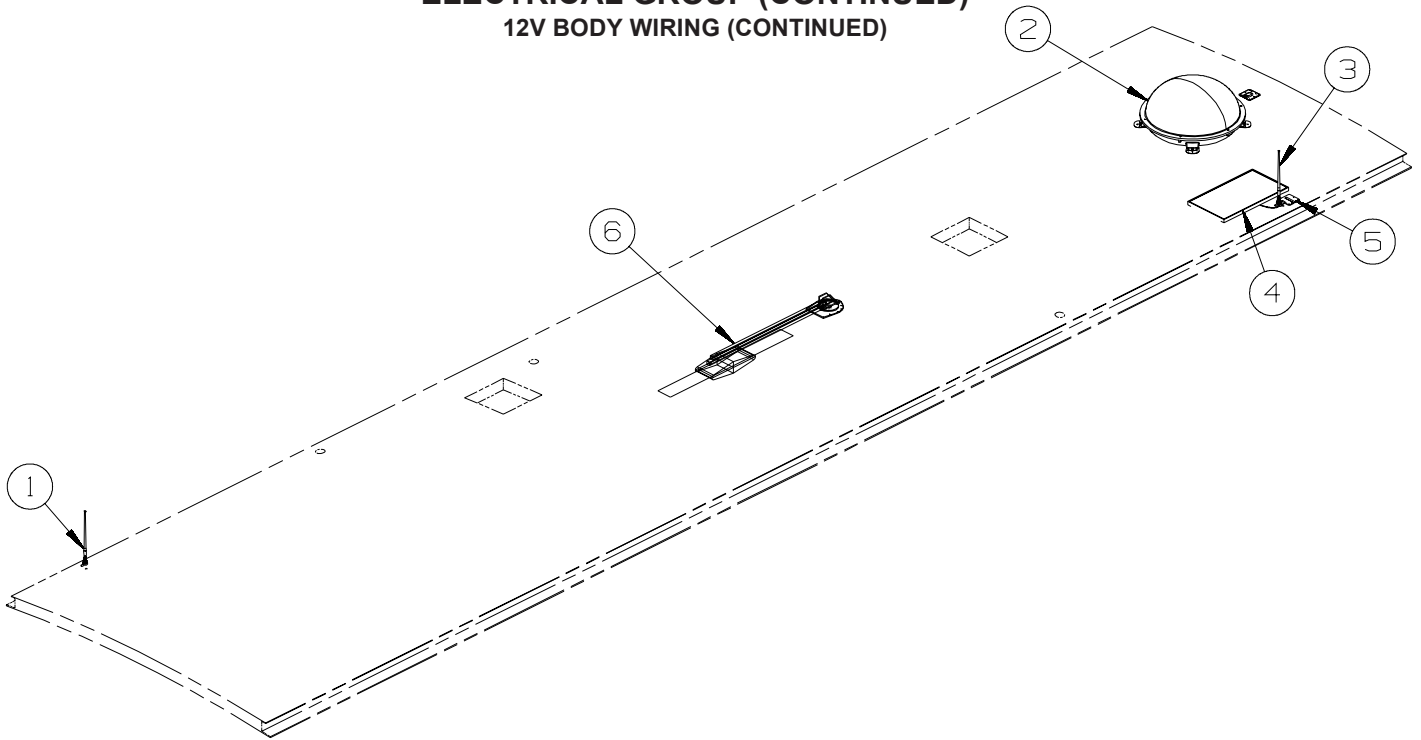
*COMPONENT PARTS LISTED LATER IN THIS GROUP



KEY	PART NUMBER	U/M	DESCRIPTION
1*	146048-01-01A	EA	LIGHT - HALOGEN/ADJUSTABLE - WHITE
2	165643-01-01A	EA	LIGHT - HALOGEN - 4.5" ROUND/GLASS LENS - 20 WATT
3*	165170-01-01A	EA	LIGHT - HALOGEN - ROUND/GLASS LENS - 10 WATT
4*	137417-03-01A	EA	LIGHT - DOME - SINGLE - W/O SWITCH - W/FROSTED LENS-WHITE
5	093575-40-01A	EA	LIGHT - CEILING/ROUND - NICKEL
5	117805-02-000	EA	BULB - 12V - #921 - 1.4 AMPS
6*	139134-01-03A	EA	FAN - CEILING - 35" - NICKEL - W/O SWITCH - #A70052NW
7	164040-01-01A	EA	LIGHT - DOME - SHOWER/RECESSED - GLASS - WHITE
8*	139134-01-03A	EA	FAN - CEILING - 35" - NICKEL - W/O SWITCH - #A70052NW - 39Y

*COMPONENT PARTS LISTED LATER IN THIS GROUP

ELECTRICAL GROUP (CONTINUED)
12V BODY WIRING (CONTINUED)

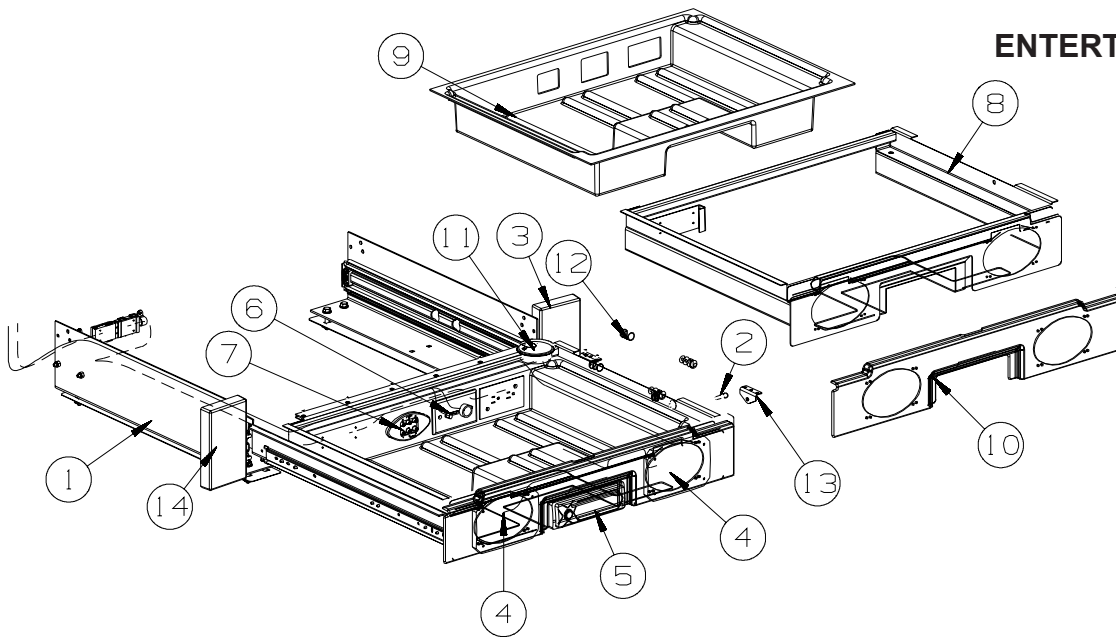


KEY	PART NUMBER	U/M	DESCRIPTION
1	090944-01-000	EA	ANTENNA - RADIO - 16" RUBBER - W/72" LEAD WIRE
1	109889-04-000	EA	EXTENDER - ANTENNA SHAFT - 3.7"
1	147741-01-09B	EA	BRACKET - ANTENNA GROUND - GALVANIZED
2*	154474-04-02A	EA	ANTENNA/SATELLITE - DISH IN DOME/SEARCH IN MOTION - BLACK - 48R
2	146488-03-000	EA	PLATE - ROOF - CABLE ENTRY - QUAD - 48R
2	163598-04-000	EA	CABLE/COAX - SATELLITE - 9" - 48R
2	082134-01-000	EA	ADAPTER - TV - CABLE TO CABLE - 48R
2	154474-02-000	EA	CONTROL/SATELLITE KIT - IDB BOX/IDD BOX-POWER SUPPLY-CABLE - 48R
2	154474-03-000	EA	CABLE - SATELLITE - COAX - 8' W/CONNECTORS - 48R
2*	163598-01-02A	EA	ANTENNA/SATELLITE - DISH IN DOME/AUTOMATIC - BLACK - 78K
2	146488-03-000	EA	PLATE - ROOF - CABLE ENTRY - QUAD - 78K
2	163598-04-000	EA	CABLE/COAX - SATELLITE - 9" - 78K
2	163598-02-000	EA	SWITCH/CONTROL - SATELLITE - 78K
2	163598-03-000	EA	CABLE - SATELLITE CONTROL - 78K
2	082134-01-000	EA	ADAPTER - TV - CABLE TO CABLE - 78K
3	090944-01-000	EA	ANTENNA - RADIO - 16" RUBBER - W/72" LEAD WIRE
3	109889-04-000	EA	EXTENDER - ANTENNA SHAFT - 3.7"
3	147741-01-09B	EA	BRACKET - ANTENNA GROUND - GALVANIZED
4	151647-01-000	EA	PANEL - SOLAR 10 WATT
5	146488-01-000	EA	PLATE - ROOF - CABLE ENTRY
6*	076319-23-000	EA	ANTENNA - TV ROOF MOUNT - 44.5" MAST
6*	076319-25-000	EA	KIT - HARDWARE INTERIOR
6	069726-02-000	EA	BUMPER - .88" OD X .40" THICK - BLACK
6	158270-01-01A	EA	ANT.-TV ROOF MT W/POWER LIFT/TURN-44.5" MAST-GRY/BLK
6	158270-03-01A	EA	WALLPLATE/CONTROLLER-F/ANT.-BLACK -WINEGARD MA-CP4B
6	069726-02-000	EA	BUMPER - .88" OD X .40" THICK - BLACK

*COMPONENT PARTS LISTED LATER IN THIS GROUP

ELECTRICAL GROUP (CONTINUED)
12V BODY WIRING (CONTINUED)

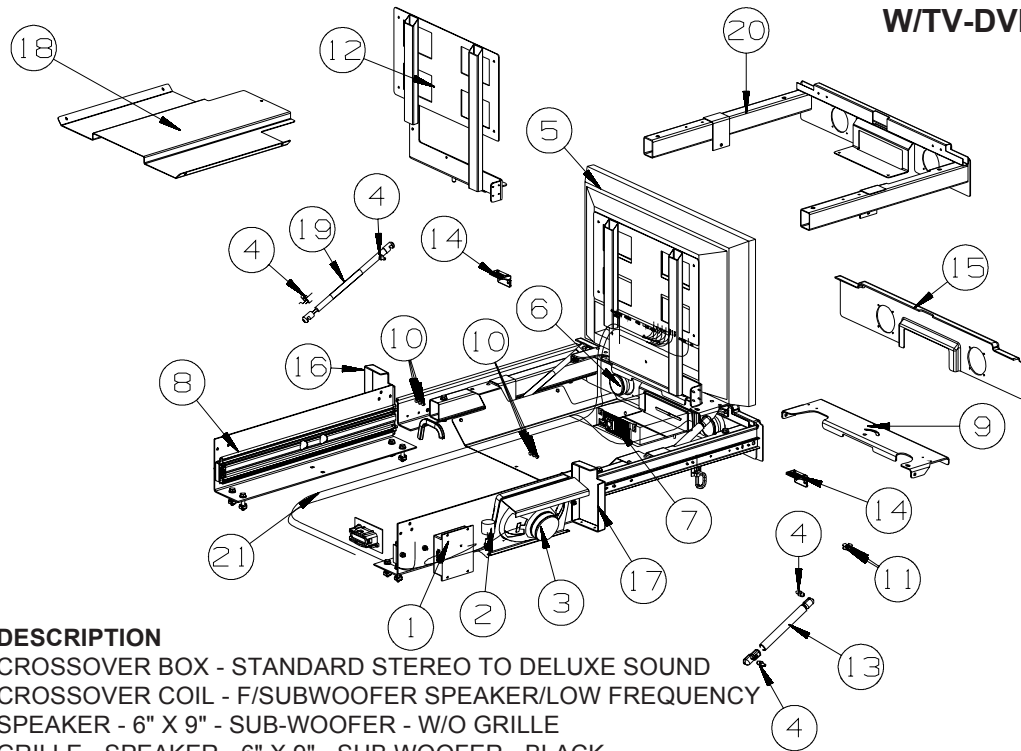
**ENTERTAINMENT CENTER
W/CD**



KEY	PART NUMBER	U/M	DESCRIPTION
1	145663-02-000	EA	SLIDE - TRAY/LUGGAGE - KWIKEE
2	057460-02-000	EA	BALL STUD - F/GAS SPRING .39" - 5/16"-18
3	168181-01-25A	EA	CLOSEOUT - ENTERTAINMENT CNTR/FORMED PLASTIC - SILVER
4	110469-01-000	EA	SPEAKER - 4" X 6" OVAL - COAXIAL
4	110470-01-01A	EA	GRILLE - 4" X 6" - OVAL SPEAKER - BLACK
5	155619-02-000	EA	RADIO - AM/FM CD-W/O REMOTE/WIRE HARNESS-MAGNADYNE M3200CD
	155619-03-000	EA	REMOTE - RADIO
6	073619-09-000	EA	WALLPLATE - TV CABLE RECEPTACLE - SINGLE - BROWN
6	087236-02-000	EA	LABEL - TV OUTLET
7	169065-01-01A	EA	PLATE/WALL - 6-WAY/RCA - BLACK
8	167207-02-02B	EA	BASE - TV - E-COATED
9	168608-01-01A	EA	BIN - TRAY/STORAGE - PLASTIC
10	168128-02-25A	EA	COVER - ENTERTAINMENT CENTER - GLOSS SILVER
11	134908-01-01A	EA	GROMMET - COUNTERTOP - 2 1/2" DIAMETER - BLACK
12	142569-06-000	EA	SPRING/GAS - 25 LB - 14.8" EXTENDED/8.9" COMPRESSED
			FROM: 00-00-00 THRU: 08-17-08
12	142569-31-000	EA	SPRING/GAS - 30 LB - 11.8" EXTENDED/7.3" COMPRESSED
			FROM: 08-18-08 THRU: 99-99-99
13	126263-03-02B	EA	BRACKET - GAS SPRING W/BALL STUD - E/COATED
14	168181-01-25A	EA	CLOSEOUT - ENTERTAINMENT CNTR/FORMED PLASTIC - SILVER
			FROM: 00-00-00 THRU: 09-14-08
14	168181-02-25A	EA	CLOSEOUT - ENTERTAINMENT CNTR/FORMED PLASTIC - SILVER
			FROM: 09-15-08 THRU: 99-99-99

ELECTRICAL GROUP (CONTINUED)
12V BODY WIRING (CONTINUED)

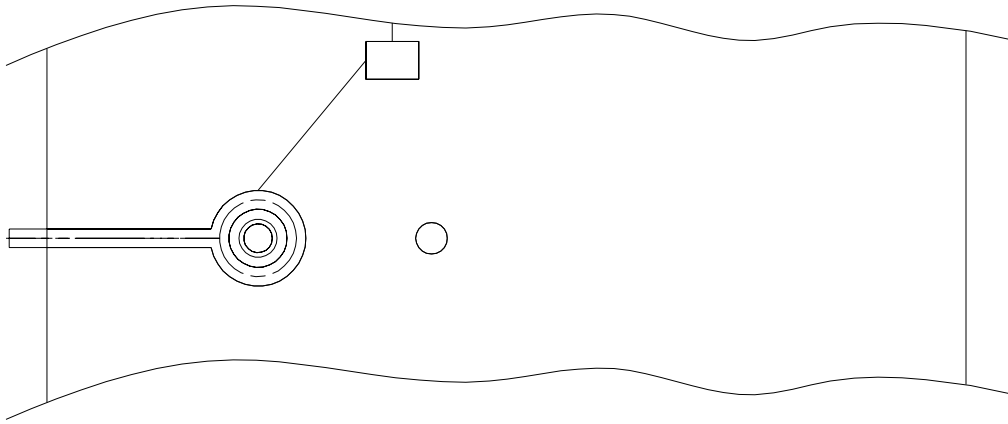
1D3
ENTERTAINMENT CENTER
W/TV-DVD



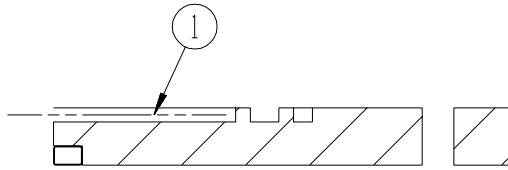
KEY	PART NUMBER	U/M	DESCRIPTION
1	150140-01-000	EA	CROSSOVER BOX - STANDARD STEREO TO DELUXE SOUND
2	150140-02-000	EA	CROSSOVER COIL - F/SUBWOOFER SPEAKER/LOW FREQUENCY
3	124884-01-000	EA	SPEAKER - 6" X 9" - SUB-WOOFER - W/O GRILLE
3	151844-01-01A	EA	GRILLE - SPEAKER - 6" X 9" - SUB WOOFER - BLACK
3	167497-01-02B	EA	PANEL - ENTERTAINMENT CENTER - E-COATED
4	057460-02-000	EA	BALL STUD - F/GAS SPRING .39" - 5/16"-18
5*	166446-01-000	EA	TV - 26" - LCD 16:9 - BOTTOM SPEAKER - JENSEN JE2608
			FROM: 00-00-00 THRU: 11-30-08
5*	171727-01-000	EA	TV - 26" - LCD 16:9 - FRONT BUTTONS - JENSEN JE2608WV
			FROM: 12-01-08 THRU: 99-99-99
6	160868-01-01A	EA	SPEAKER - ROUND/CEILING - W/O CASE - BLACK
6	160868-02-01A	EA	GRILLE/ROUND - SPEAKER - SILVER
7*	168408-01-000	EA	RADIO - AM/FM/CD/DVD - W/REMOTE - JENSEN DV2007WIN
8	145663-02-000	EA	SLIDE - TRAY/LUGGAGE - KWIKEE
9	167214-01-02B	EA	BRACKET/PLATE ONLY - TV - E-COATED
10	081914-02-000	EA	BUMPER - RUBBER - ROUND - 5/16" DIA. X 13/64" THICK
			FROM: 05-03-08 THRU: 99-99-99
11	058716-07-000	EA	WASHER - FLAT/NYLON - .375 X 1" X .062
12	167216-01-02B	EA	MOUNT - TV - E-COATED
13	167776-01-000	EA	DAMPER
14	153191-02-02A	EA	HINGE - FRICTION - 40"LB FORWARD/20"LB REVERSE - NATURAL
15	168128-01-25A	EA	COVER - ENTERTAINMENT CENTER - GLOSS SILVER
16	168181-01-25A	EA	CLOSEOUT - ENTERTAINMENT CNTR/FORMED PLASTIC - SILVER
17	168181-01-25A	EA	CLOSEOUT - ENTERTAINMENT CNTR/FORMED PLASTIC - SILVER
			FROM: 00-00-00 THRU: 09-14-08
17	168181-02-25A	EA	CLOSEOUT - ENTERTAINMENT CNTR/FORMED PLASTIC - SILVER
			FROM: 09-15-08 THRU: 99-99-99
18	167365-02-02B	EA	COVER/DVD - E-COATED
			FROM: 05-12-08 THRU: 99-99-99
19	142569-31-000	EA	SPRING/GAS - 30 LB - 11.8" EXTENDED/7.3" COMPRESSED
			FROM: 00-00-00 THRU: 06-11-08
19	142569-25-000	EA	SPRING/GAS - 60 LB - 12" EXTENDED/8.5" COMPRESSED
			FROM: 06-12-08 THRU: 99-99-99
20	167206-01-02B	EA	BASE - TV - E-COATED
			FROM: 00-00-00 THRU: 05-29-08
20	167207-01-02B	EA	BASE - TV - E-COATED
			FROM: 05-30-08 THRU: 99-99-99
21	167213-02-02B	EA	BRACKET/SUPPORT - TV - E-COATED
			FROM: 05-30-08 THRU: 99-99-99
	167365-02-02B	EA	COVER/DVD - E-COATED
			FROM: 00-00-00 THRU: 04-29-08

*COMPONENT PARTS LISTED LATER IN THIS GROUP

ELECTRICAL GROUP (CONTINUED)
12V BODY WIRING (CONTINUED)



**SATELLITE WIRING DETAIL
ON ROOF**



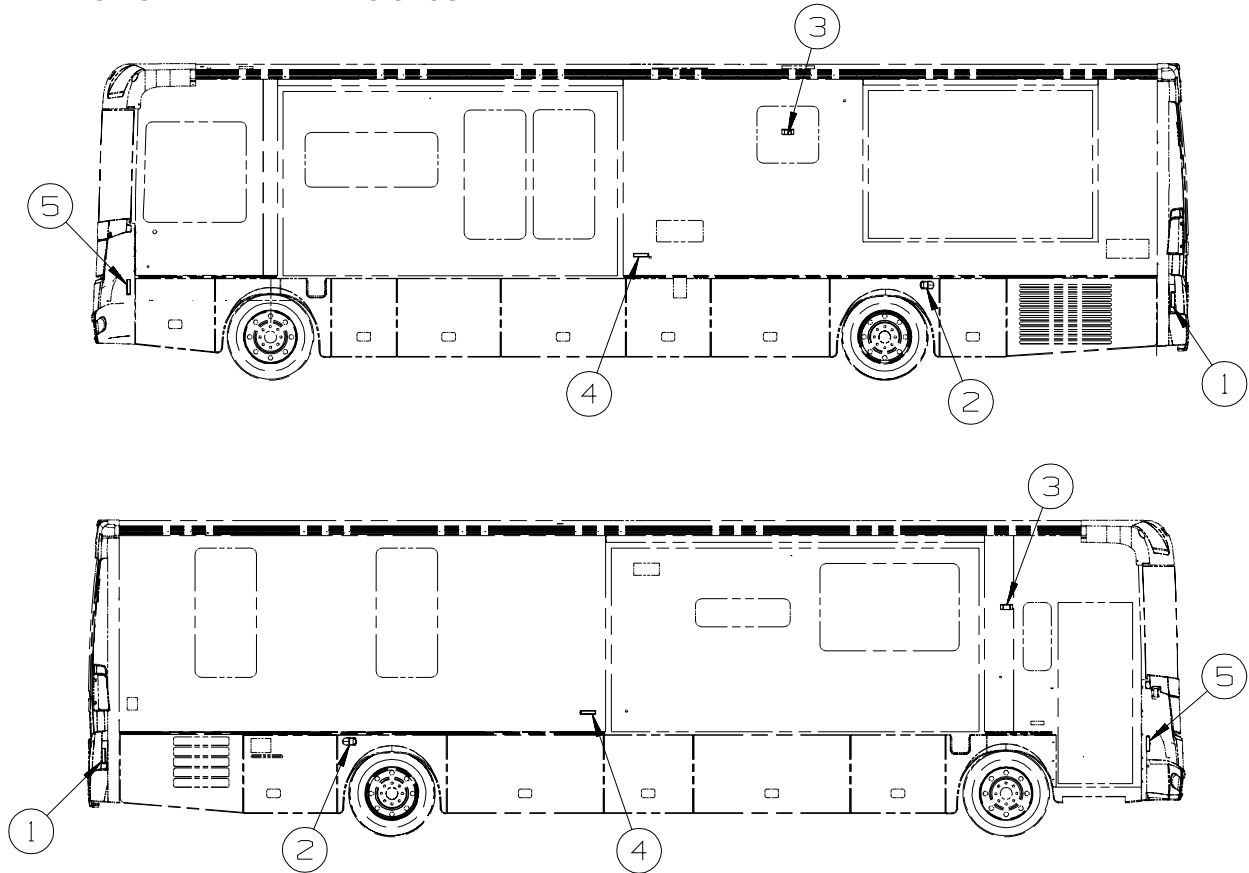
KEY	PART NUMBER	U/M	DESCRIPTION
1	154474-03-000	EA	CABLE - SATELLITE - COAX - 8' W/CONNECTORS - 48Q OR 48R OR 78C OR 78K
1	163598-03-000	EA	CABLE - SATELLITE CONTROL - 48Q OR 48R OR 78C OR 78K

ELECTRICAL GROUP (CONTINUED)

EXTERIOR LAMPS

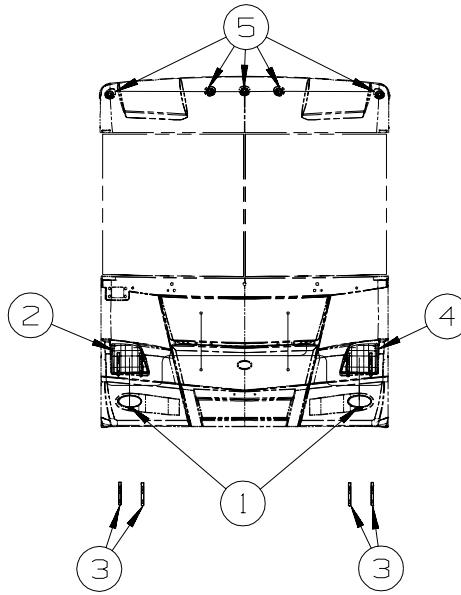
SPOT LIGHT

KEY PART NUMBER U/M DESCRIPTION
 * 130672-01-02A EA SPOTLIGHT - POWER/REMOTE - BLACK
 *COMPONENT PARTS LISTED LATER IN THIS GROUP



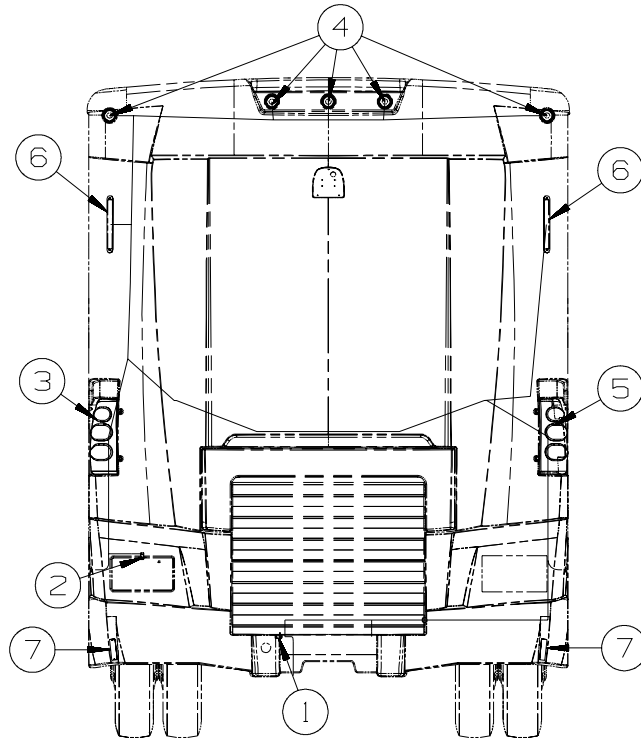
KEY	PART NUMBER	U/M	DESCRIPTION
1	117826-03-000	EA	GASKET/SIDE MARKER LIGHT
1	117826-01-000	EA	LAMP/SIDE MARKER ASSEMBLY - RED
1	036196-01-000	EA	BULB - 12V - #194 - .27 AMP - BAYONETTE
1	067789-02-000	EA	SOCKET - LAMP
2	129746-01-000	EA	LAMP - DOCKING/DRIVING W/MOUNT BRACKET
2	120494-03-02B	EA	SHIM - STRIKER - LUGGAGE DOOR - 3/64"
3	097917-01-08A	EA	LIGHT/PORCH - CHROME
4	111102-01-000	EA	BASE - MARKER LAMP
4	111102-02-000	EA	LENS - AMBER - MARKER LAMP
5	117826-02-000	EA	LAMP/SIDE MARKER ASSEMBLY - AMBER
5	117826-03-000	EA	GASKET/SIDE MARKER LIGHT
5	036196-01-000	EA	BULB - 12V - #194 - .27 AMP - BAYONETTE
5	067789-02-000	EA	SOCKET - LAMP

ELECTRICAL GROUP (CONTINUED)
EXTERIOR LAMPS (CONTINUED)



KEY	PART NUMBER	U/M	DESCRIPTION
1	146087-01-000	EA	LAMP - FOG - CLEAR/OVAL
2	146088-01-000	EA	HEADLAMP - W/PARK&TURN - RIGHT HAND - FORD IL2X-13008-EC
3	144385-01-01A	EA	RETAINER - HEADLAMP - BLACK
3	049359-01-000	EA	SPRING - RETAINER - HEADLAMP - GM #496096
4	146088-02-000	EA	HEADLAMP - W/PARK&TURN - LEFT HAND - FORD IL2X-13008-ED
5	138996-01-000	EA	LAMP - CLEARANCE - AMBER
5	138996-03-000	EA	BRACKET - CLEARANCE LIGHT
5	138996-04-000	EA	CONNECTOR - LAMP

ELECTRICAL GROUP (CONTINUED)
EXTERIOR LAMPS (CONTINUED)

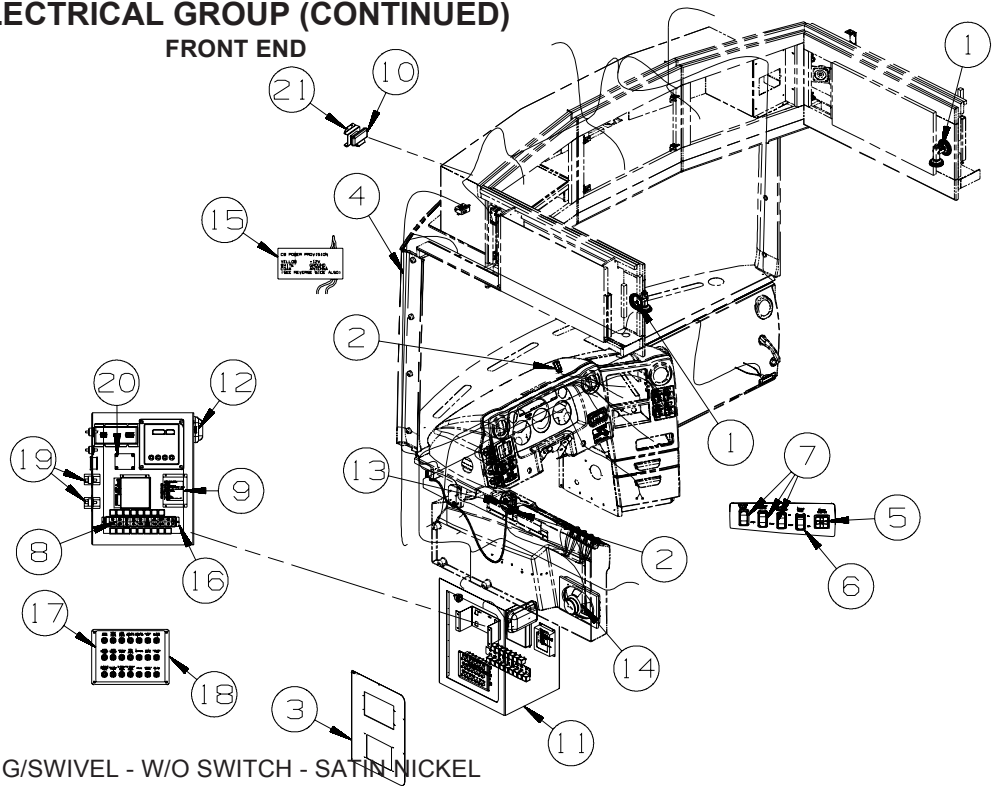


KEY	PART NUMBER	U/M	DESCRIPTION
1	146246-01-000	EA	CONNECTOR/PLUG - TRAILER - 7 PIN
2	087201-01-000	EA	LIGHT - HALF ROUND - 1" X 1.7" - PLASTIC - BLACK OR WHITE
3	154595-02-000	EA	LIGHT - STOP/TURN/TAIL/BACK UP - DRIVER
3	112708-01-000	EA	BULB - 12 VOLT - #3157 - .59/2.10 AMP
3	117805-02-000	EA	BULB - 12V - #921 - 1.4 AMPS
3	120760-01-000	EA	RUBBER BUMPER - CLEAR - .1" THICK X .8" DIAMETER
3	146326-05-000	EA	SOCKET - 2 WIRE - LIGHT GRAY
3	154619-01-000	EA	SOCKET - LIGHT - 3 WIRE
3	139001-02-000	EA	SOCKET ONLY - F/DOCKING LAMP
4	138996-02-000	EA	LAMP - CLEARANCE - RED
4	138996-03-000	EA	BRACKET - CLEARANCE LIGHT
4	138996-04-000	EA	CONNECTOR - LAMP
5	154595-01-000	EA	LIGHT - STOP/TURN/TAIL/BACK UP - PASSENGER
5	112708-01-000	EA	BULB - 12 VOLT - #3157 - .59/2.10 AMP
5	117805-02-000	EA	BULB - 12V - #921 - 1.4 AMPS
5	120760-01-000	EA	RUBBER BUMPER - CLEAR - .1" THICK X .8" DIAMETER
5	146326-05-000	EA	SOCKET - 2 WIRE - LIGHT GRAY
5	154619-01-000	EA	SOCKET - LIGHT - 3 WIRE
5	139001-02-000	EA	SOCKET ONLY - F/DOCKING LAMP
6	151076-01-000	EA	LIGHT - BRAKE - CENTER MOUNT
7	166850-01-000	EA	REFLECTOR - RECTANGULAR/STICK ON - RED

FROM: 06-23-08 THRU: 99-99-99

ELECTRICAL GROUP (CONTINUED)

FRONT END



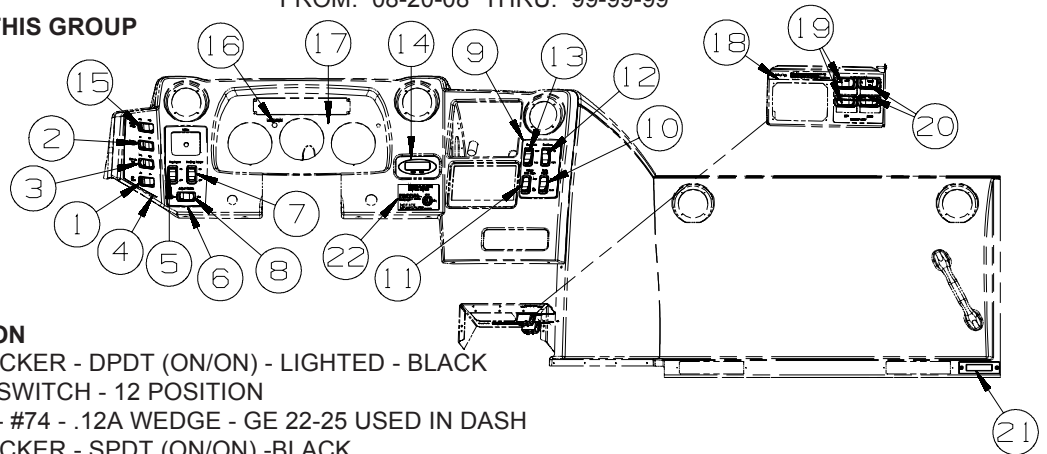
KEY	PART NUMBER	U/M	DESCRIPTION
1	128786-02-02A	EA	LIGHT - READING/SWIVEL - W/O SWITCH - SATIN NICKEL
1	123917-01-000	EA	BULB - 12V - HALOGEN SPOT
2	111414-01-000	EA	RECEPTACLE/SOCKET - 12 VOLT
3	145066-03-02B	EA	DOOR - ELECTRICAL COMPARTMENT - E-COATED
4	158494-02-000	EA	CABLE/ANTENNA - SATELLITE RADIO SIRRUS - 70C
5	088246-01-000	EA	SWITCH/REMOTE MIRROR - W/2PIN & 6 PIN CONNECTORS/PIGTAIL
6	145638-02-01A	EA	SWITCH/ROCKER - SPST (ON/OFF) - LIGHTED - BLACK
6	108355-02-000	EA	HOUSING - SWITCH - 12 POSITION
	103603-01-000	EA	BULB - 12V - #74 - .12A WEDGE - GE 22-25 USED IN DASH
7	145638-12-01A	EA	SWITCH/ROCKER - DPDT (ON/ON/ON) - BLACK
7	108355-02-000	EA	HOUSING - SWITCH - 12 POSITION
	103603-01-000	EA	BULB - 12V - #74 - .12A WEDGE - GE 22-25 USED IN DASH
8	136161-03-01A	EA	LABEL - RELAY - MATTE BLACK/WHITE LETTERS
9*	151458-01-000	EA	KEYLESS ENTRY SYSTEM - ENTRY DOOR & CARGO DOORS - W/REMOTE
10*	163142-06-000	EA	RECEIVER - SATELLITE RADIO - 70C
			FROM: 00-00-00 THRU: 07-13-08
10	163142-18-000	EA	RECEIVER - SATELLITE RADIO - 70C
			FROM: 07-14-08 THRU: 08-19-08
10	163142-16-000	EA	RECEIVER - PORTABLE/PLUG AND PLAY - SATELLITE RADIO - 70C
			FROM: 08-20-08 THRU: 99-99-99
10	163142-17-000	EA	DOCKING STATION - W/18' CABLE/MOUNTING BRACKETS - 70C
			FROM: 08-20-08 THRU: 99-99-99
11	145063-02-02B	EA	PANEL - CLOSEOUT/ELECTRICAL - E-COATED
			FROM: 00-00-00 THRU: 05-04-08
11	145063-04-02B	EA	PANEL - CLOSEOUT/ELECTRICAL - E-COATED
			FROM: 05-05-08 THRU: 99-99-99
12*	137417-01-01A	EA	LIGHT - DOME - SINGLE - W/SWITCH/FROSTED LENS - WHITE
13	151935-01-000	EA	RADIO/CB - 40 CHANNEL - COBRA C75WXST - 40C
14	124884-01-000	EA	SPEAKER - 6" X 9" - SUB-WOOFER - W/O GRILLE
14	151844-01-01A	EA	GRILLE - SPEAKER - 6" X 9" - SUB WOOFER - BLACK
15	104678-01-000	EA	LABEL - CB PREP
16	136120-02-02B	EA	BRACKET - RELAY - E-COATED
17	093236-45-000	EA	LABEL - CIRCUIT BREAKER
18	139067-07-02B	EA	PLATE - CIRCUIT BREAKER/HOUSE - E-COATED
19	118571-03-000	EA	BRACKET - MOUNTING
19	118571-04-000	EA	GASKET
20	128074-02-000	EA	FILTER - NOISE - 12 VOLT DC W/PLUGS
	154851-01-000	EA	BLOWER - 3 SPEED - 12 VOLT/DC POWERED
	113452-01-000	FT	SEAL/TRIM - FRONT - VINYL W/WIRE CARRIER - .020" - TO PROTECT WIRES FROM SHARP EDGES

ELECTRICAL GROUP (CONTINUED) FRONT END (CONTINUED)

KEY PART NUMBER U/M DESCRIPTION

21 168979-03-02B EA BRACKET - RADIO/SATELLITE - E-COATED- 70C
FROM: 08-20-08 THRU: 99-99-99

***COMPONENT PARTS LISTED LATER IN THIS GROUP**

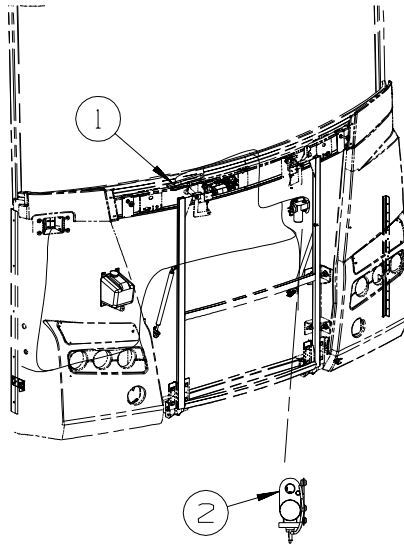


KEY PART NUMBER U/M DESCRIPTION

1	145638-08-01A	EA SWITCH/ROCKER - DPDT (ON/ON) - LIGHTED - BLACK
1	108355-02-000	EA HOUSING - SWITCH - 12 POSITION
1	103603-01-000	EA BULB - 12V - #74 - .12A WEDGE - GE 22-25 USED IN DASH
2	145638-04-01A	EA SWITCH/ROCKER - SPDT (ON/ON) -BLACK
2	108355-02-000	EA HOUSING - SWITCH - 12 POSITION
2	103603-01-000	EA BULB - 12V - #74 - .12A WEDGE - GE 22-25 USED IN DASH
3	145638-03-01A	EA SWITCH/ROCKER - SPDT (ON/OFF/ON) -BLACK
3	108355-02-000	EA HOUSING - SWITCH - 12 POSITION
3	103603-01-000	EA BULB - 12V - #74 - .12A WEDGE - GE 22-25 USED IN DASH
4	144722-08-07A	EA APPLIQUE - BEZEL - LEFT - SADDLE
5	145638-02-01A	EA SWITCH/ROCKER - SPST (ON/OFF) - LIGHTED - BLACK
5	108355-02-000	EA HOUSING - SWITCH - 12 POSITION
5	103603-01-000	EA BULB - 12V - #74 - .12A WEDGE - GE 22-25 USED IN DASH
6	144722-12-07A	EA APPLIQUE - BEZEL - CENTER/LEFT - SADDLE - 2008 FREIGHTLINER CHASSIS
6	144722-24-07A	EA APPLIQUE - BEZEL - CENTER/LEFT - SADDLE - 2009 FREIGHTLINER CHASSIS
7	145638-02-01A	EA SWITCH/ROCKER - SPST (ON/OFF) - LIGHTED - BLACK
7	108355-02-000	EA HOUSING - SWITCH - 12 POSITION
7	103603-01-000	EA BULB - 12V - #74 - .12A WEDGE - GE 22-25 USED IN DASH
8	145638-09-01A	EA SWITCH/ROCKER - DPDT (ON/OFF/ON) - BLACK
8	108355-02-000	EA HOUSING - SWITCH - 12 POSITION
8	103603-01-000	EA BULB - 12V - #74 - .12A WEDGE - GE 22-25 USED IN DASH
9	144722-01-07A	EA APPLIQUE - BEZEL - RIGHT - SADDLE
10	145638-07-01A	EA SWITCH/ROCKER - DPDT (ON/ON) - BLACK
10	108355-02-000	EA HOUSING - SWITCH - 12 POSITION
10	103603-01-000	EA BULB - 12V - #74 - .12A WEDGE - GE 22-25 USED IN DASH
11	145638-05-01A	EA SWITCH/ROCKER - SPDT (ON/OFF/ON) - BLACK
11	108355-02-000	EA HOUSING - SWITCH - 12 POSITION
11	103603-01-000	EA BULB - 12V - #74 - .12A WEDGE - GE 22-25 USED IN DASH
12	145638-01-01A	EA SWITCH/ROCKER - SPST (ON/OFF) - BLACK
12	108355-02-000	EA HOUSING - SWITCH - 12 POSITION
12	103603-01-000	EA BULB - 12V - #74 - .12A WEDGE - GE 22-25 USED IN DASH
13	145638-06-01A	EA SWITCH/ROCKER - SPDT (ON/OFF/ON) - LIGHTED - BLACK
13	108355-02-000	EA HOUSING - SWITCH - 12 POSITION
13	103603-01-000	EA BULB - 12V - #74 - .12A WEDGE - GE 22-25 USED IN DASH
14*	136119-01-000	EA COMPASS/THERMOMETER - ELECTRONIC- 4.5" X 2.3" DISPLAY FACE
15	145638-11-01A	EA SWITCH/ROCKER - DPDT (ON/OFF/ON) - LIGHTED - BLACK
15	108355-02-000	EA HOUSING - SWITCH - 12 POSITION
15	103603-01-000	EA BULB - 12V - #74 - .12A WEDGE - GE 22-25 USED IN DASH
16	150237-01-000	EA LIGHT - INDICATOR - RED
17	144722-17-07A	EA APPLIQUE - BEZEL - INSTRUMENT CLUSTER - SADDLE
18	116549-01-000	EA LABEL - WARNING - SLIDEOUT
19	145638-09-01A	EA SWITCH/ROCKER - DPDT (ON/OFF/ON) - BLACK
19	108355-02-000	EA HOUSING - SWITCH - 12 POSITION
20	145754-01-01A	EA SWITCH - BLANK - BLACK
20	145638-09-01A	EA SWITCH/ROCKER - DPDT (ON/OFF/ON) - BLACK
20	108355-02-000	EA HOUSING - SWITCH - 12 POSITION
21	061424-01-000	EA LIGHT - AISLE - 12 VOLT - RECTANGULAR
	036196-01-000	EA BULB - 12V - #194 - .27 AMP - BAYONETTE
22	163988-02-01A	EA LABEL - SLIDEOUT CONTROL/ELECTRIC - BLACK/WHITE
22*	163097-01-000	EA SWITCH - SPST - KEY ACTIVATED - W/2 KEYS

***COMPONENT PARTS LISTED LATER IN THIS GROUP**

ELECTRICAL GROUP (CONTINUED)
FRONT END (CONTINUED)

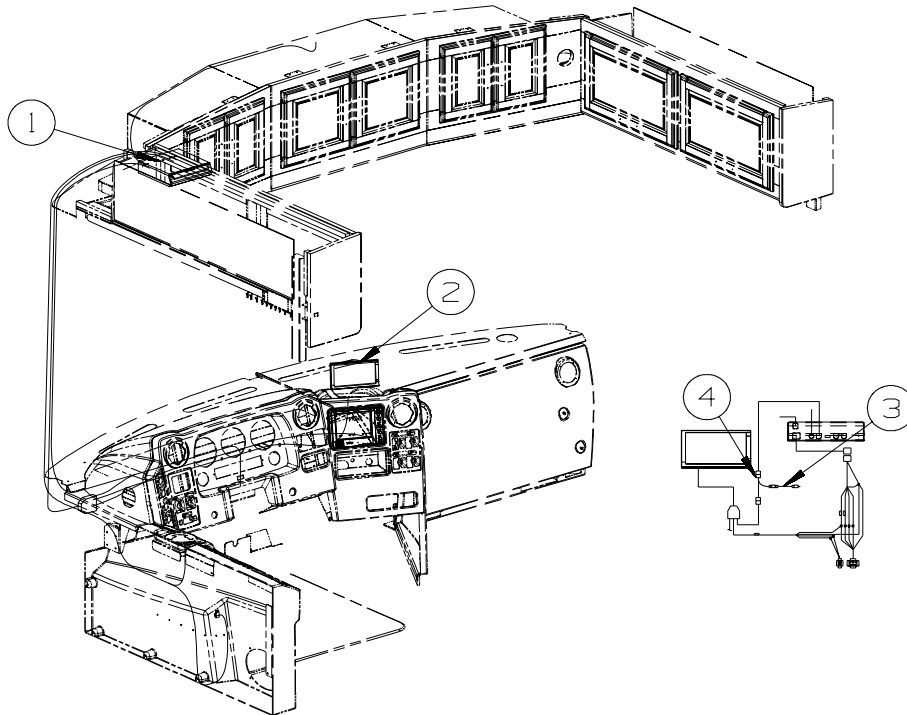


KEY	PART NUMBER	U/M	DESCRIPTION
1*	137417-01-01A	EA	LIGHT - DOME - SINGLE - W/SWITCH/FROSTED LENS - WHITE
2	114802-01-000	EA	PUMP - VACUUM - 12V

***COMPONENT PARTS LISTED LATER IN THIS GROUP**

ELECTRICAL GROUP (CONTINUED)

GPS

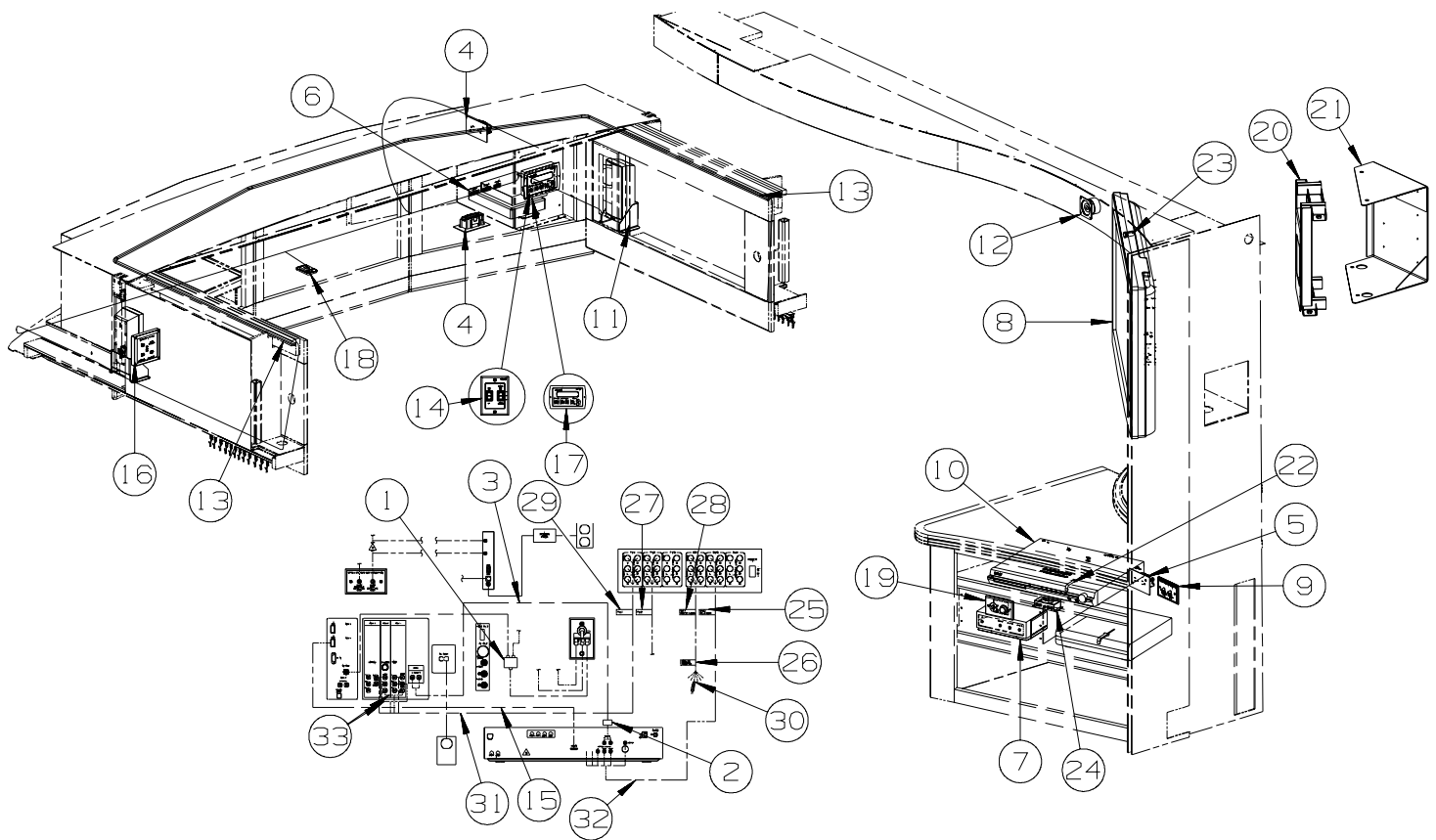


KEY	PART NUMBER	U/M	DESCRIPTION
1*	168913-01-000	EA	GPS - NAVIGATION SYS - W/O MONITOR/REMOTE/DOCKING STATION
1	168913-02-000	EA	DOCKING STATION - F/GPS
	168979-01-02B	EA	BRACKET - GPS - E-COATED
	168979-02-02B	EA	BRACKET - GPS - E-COATED - 15D & 70C
2	137424-09-000	EA	MONITOR/LCD - COLOR - 7" - ALPINE #TME-M740BT
	168104-01-000	EA	BRACKET - MONITOR
3	117420-02-000	EA	CABLE - W/MALE RCA ENDS - SHIELDED - 4"
4	137424-10-000	EA	CABLE/ADAPTER - AUDIO/VIDEO - GPS
5	168913-03-000	EA	REMOTE - F/GPS SYSTEM

*COMPONENT PARTS LISTED LATER IN THIS GROUP

ELECTRICAL GROUP (CONTINUED)

SIDE TV/DVD



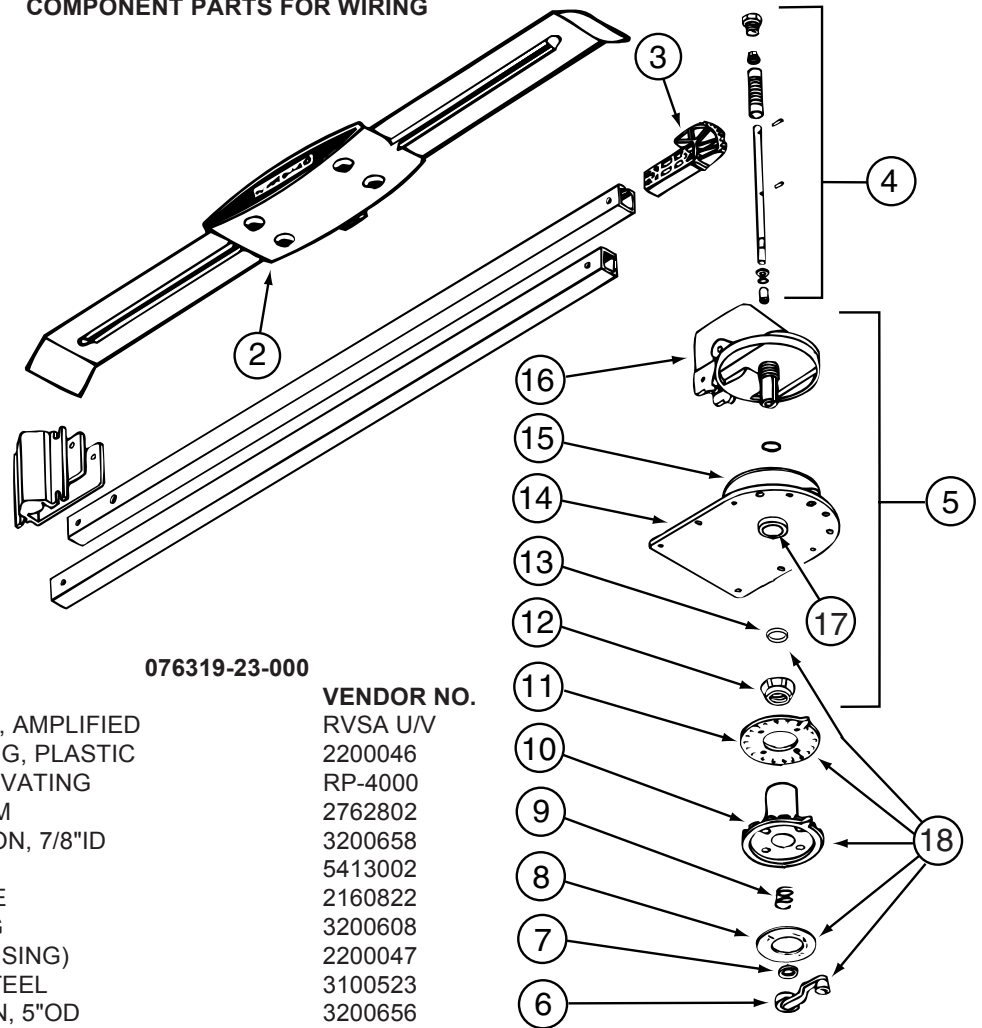
KEY	PART NUMBER	U/M	DESCRIPTION
1	086756-01-000	EA	SPLITTER - TV/2 WAY
2	123324-01-000	EA	FILTER - GROUND LOOP
3	117420-03-000	EA	CABLE - W/MALE RCA ENDS - SHIELDED - 20'
4	058708-01-000	EA	RECEPTACLE - ELECTRIC - DOUBLE - BROWN
5	058708-01-000	EA	RECEPTACLE - ELECTRIC - DOUBLE - BROWN
5	158542-02-01A	EA	LABEL - RECEPTACLE - ELECTRONICS - WHITE/BLACK
6	140062-01-000	EA	SWITCH - SPEAKER - 6 CHANNEL
7	168244-01-000	EA	CONTROL CENTER - SWITCH - AUDIO/VIDEO/AMP/HD
7	156586-03-02B	EA	BRACKET - SWITCH/VIDEO - E-COATED
8*	160079-02-000	EA	TV - 37" - FLAT PANEL/LCD/HDTV - SHARP LC37D43U
9	149557-09-02A	EA	PLATE/WALL - DUAL COAXIAL/HORIZONTAL - BROWN
10*	165199-01-000	EA	DVD - HOME THEATER - W/2 SPEAKERS - SONY DAVDZ120W
11	149422-02-02B	EA	BRACKET/MOUNTING - SPEAKER - E-COATED
12	148026-03-01A	EA	SPEAKER - CUBE - W/O CASE
13	146514-03-000	FT	LIGHT - FLEX - ROPE/ROUND - W/O MOUNT CHANNEL
13	146514-02-000	EA	CONNECTOR - LIGHT
14	163598-02-000	EA	SWITCH/CONTROL - SATELLITE - AUTOMATIC TV SATELLITE SYSTEM
15	165308-01-000	EA	CABLE/HDMI - 12' - MALE/MALE ENDS
16	158270-03-01A	EA	WALLPLATE/CONTROLLER - F/ANTENNA - BLACK -WINEGARD MA-CP4B - 192
17	154474-02-000	EA	CONTROL/SATELLITE KIT - IDB BOX/IDD BOX-POWER SUPPLY-CABLE - 48R
18	135740-01-01A	EA	SWITCH - ROCKER - SPST - ON/OFF - BROWN
18	135741-01-01A	EA	SWITCH - BASE - SINGLE - BROWN
18	135742-50-02A	EA	BEZEL - SWITCH - ACCENT - BROWN
19	086777-02-000	EA	WALLPLATE/TV CABLE W/ANTENNA SWITCH/BOOSTER - 2 TV - BLACK
20	159588-03-02B	EA	MOUNT - TV - E-COATED
21	159612-03-02B	EA	PLATE/MOUNTING - TV - E-COATED
22	149750-03-000	EA	TRANSMITTER - F/INFRA RED RECEIVER
23	149750-01-000	EA	RECEIVER - (INFRA RED SIGNAL) - W/6"LEAD/PLUG
24	149750-04-000	EA	MODULE/INTERFACE - INFRA RED (RECEIVER TO TRANSMITTER)
25	159064-05-01A	EA	LABEL - CABLE/RCA - WHITE ON BLACK
26	159064-02-01A	EA	LABEL - CABLE/RCA - WHITE ON BLACK
27	159064-08-01A	EA	LABEL - CABLE/RCA - WHITE ON BLACK
28	159064-06-01A	EA	LABEL - CABLE/RCA - WHITE ON BLACK

ELECTRICAL GROUP (CONTINUED)
SIDE TV/DVD (CONTINUED)

KEY	PART NUMBER	U/M	DESCRIPTION
29	159064-07-01A	EA	LABEL - CABLE/RCA - WHITE ON BLACK
30	168245-02-000	EA	CABLE/VIDEO - 10' COMPONENT/COMPOSITE-6 CODED ENDS/BOTH
31	168245-03-000	EA	CABLE/VIDEO - 15' COMPONENT/COMPOSITE-6 CODED ENDS/BOTH
32	168245-01-000	EA	CABLE/VIDEO - 6' COMPONENT/COMPOSITE-6 CODED ENDS/BOTH
33	136454-01-000	EA	CABLE - RCA - Y MALE-MALE-FEMALE

***COMPONENT PARTS LISTED LATER IN THIS GROUP**

ELECTRICAL GROUP (CONTINUED)
COMPONENT PARTS FOR WIRING



076319-23-000

KEY	PART NUMBER	U/M	DESCRIPTION	VENDOR NO.
2	076319-01-700	EA	HEAD-ANTENNA, AMPLIFIED	RVSA U/V
3	076319-01-701	EA	GEAR-ELEVATING, PLASTIC	2200046
4	076319-01-702	EA	SHAFT ASM-ELEVATING	RP-4000
5	076319-01-711	EA	BASE & LIFT ASM	2762802
7	076319-01-705	EA	GROMMET-NYLON, 7/8"ID	3200658
8	076319-01-708	EA	DECAL-CRANK	5413002
9	076319-01-707	EA	SPRING-HANDLE	2160822
11	076319-01-712	EA	PLATE - CEILING	3200608
12	076319-01-715	EA	NUT (GEAR HOUSING)	2200047
14	076319-01-713	EA	PLATE-BASE, STEEL	3100523
15	076319-01-703	EA	BEARING-NYLON, 5"OD	3200656
16	076319-01-714	EA	HOUSING, ROTATING GEAR	2200049
17	076319-01-704	EA	BEARING-NYLON, 1.25"OD	3200657
18	076319-01-709	EA	HANDLE-HEAD DIRECTIONAL	200644
	076319-01-716	EA	TUBING, ELEVATING	RP-2900

CONTACT WINNEBAGO PART SALES FOR UNLISTED COMPONENT(S)

076319-25-000

KEY	PART NUMBER	U/M	DESCRIPTION	VENDOR NO.
6	076319-01-706	EA	CRANK-W/SET SCREW UNIV/BEIGE	2750897
6	120233-01-710	EA	HANDLE-CRANK W/SCREW - WHITE	RP-6795
8	076319-01-708	EA	DECAL-CRANK	5413002
10	076319-25-700	EA	DIRECTIONAL HANDLE(WHITE)	3200612
11	076319-25-701	EA	PLATE - CEILING(WHITE)	3200609
13	120233-01-709	EA	WASHER-NYLON	RP-2658

CONTACT WINNEBAGO PART SALES FOR UNLISTED COMPONENT(S)

093575-44-01A

KEY	PART NUMBER	U/M	DESCRIPTION	VENDOR NO.
	157382-01-700	EA	GLOBE	9132

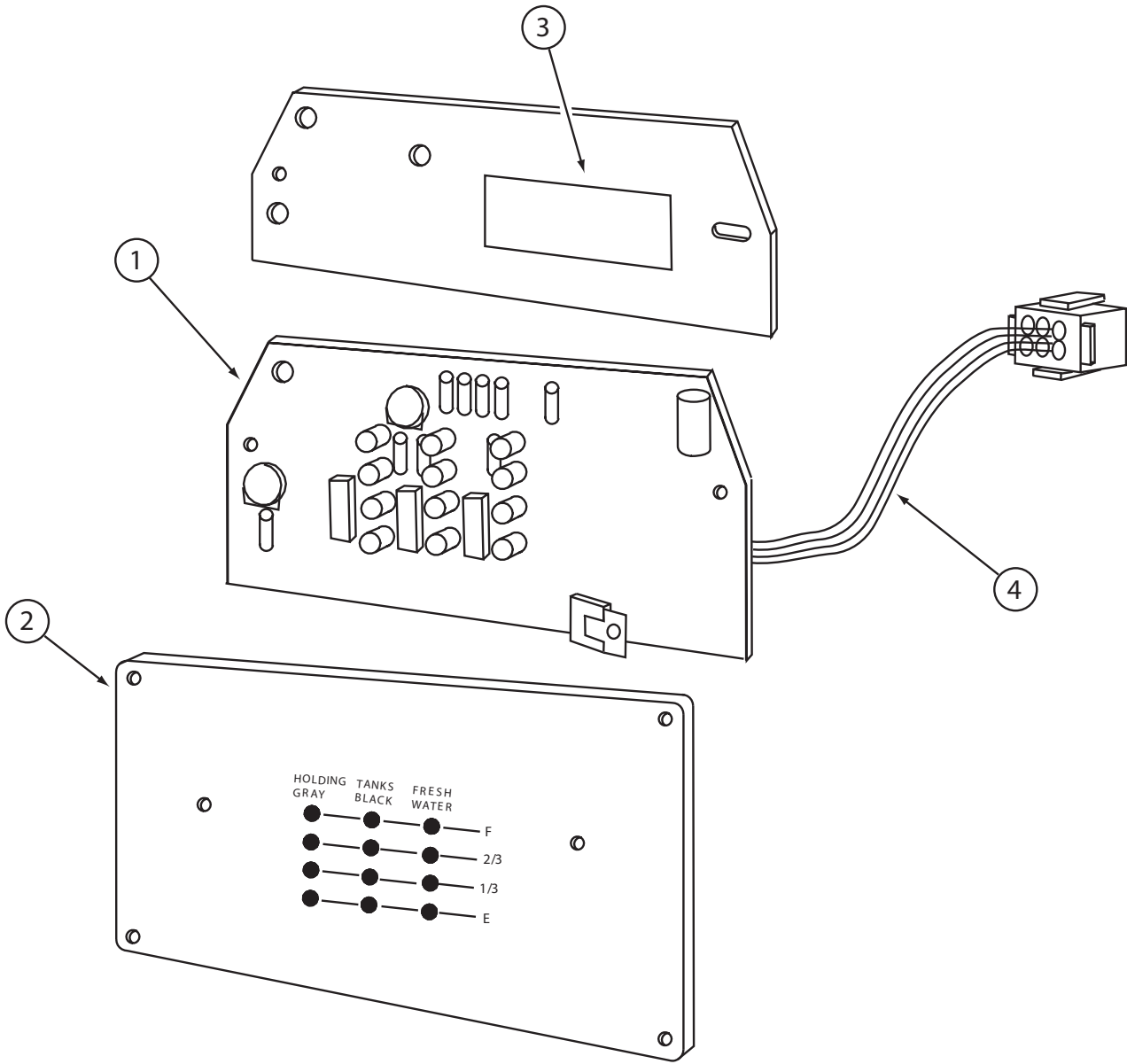
108354-01-01A

KEY	PART NUMBER	U/M	DESCRIPTION	VENDOR NO.
	108354-01-700	EA	BULB-COURTESY LIGHT	395-B

123775-01-02A

KEY	PART NUMBER	U/M	DESCRIPTION	VENDOR NO.
	123775-01-702	EA	BEZEL/LENS - SATIN NICKEL	99 953470

ELECTRICAL GROUP (CONTINUED)
COMPONENT PARTS FOR WIRING (CONTINUED)



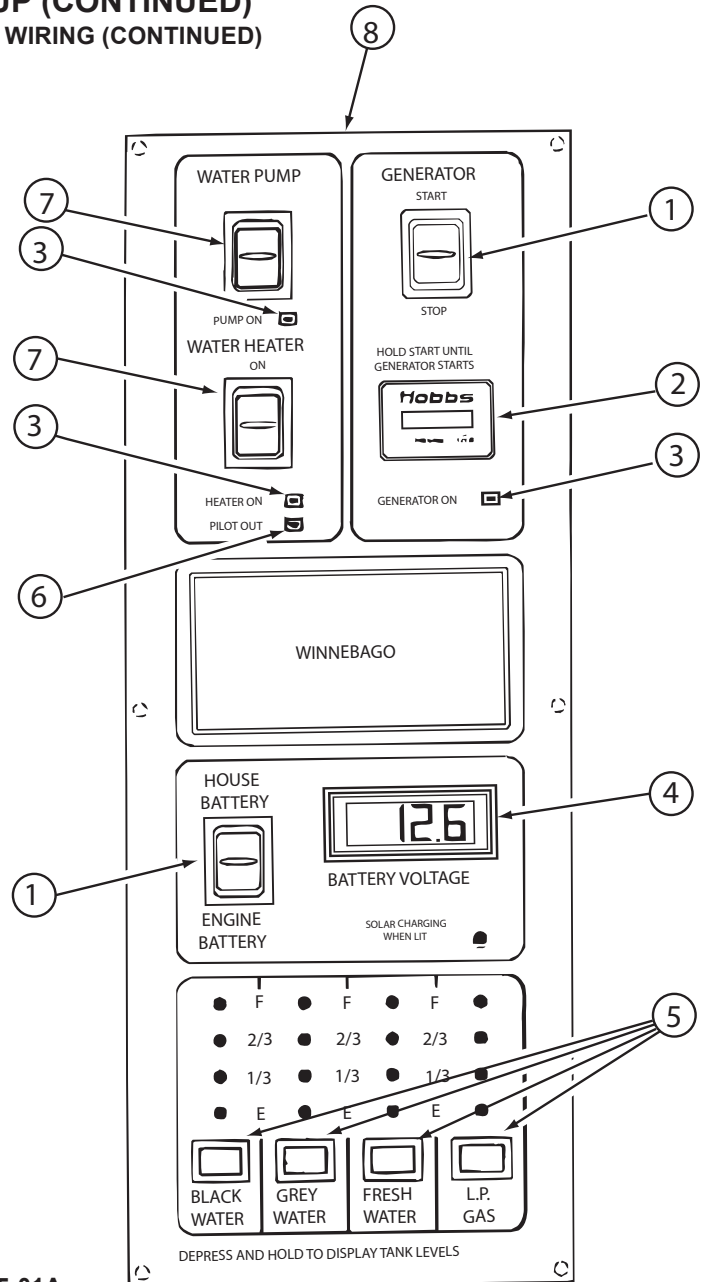
129561-02-01A

KEY	PART NUMBER	U/M	DESCRIPTION	VENDOR NO.
1	129561-02-700	EA	PC BOARD - SENSOR SYSTEM/RED	L5132-02
2	129561-01-701	EA	CHASSIS SCREENED	C00399
4	129561-01-703	EA	HARNESS	L7694-00

130672-01-02A

KEY	PART NUMBER	U/M	DESCRIPTION	VENDOR NO.
	130672-02-700	EA	REMOTE-WHITE BEZEL(GOLIGHT)	7900T
	130672-02-701	EA	HEAD	49250
	130672-02-702	EA	BULB	49000

ELECTRICAL GROUP (CONTINUED)
COMPONENT PARTS FOR WIRING (CONTINUED)



133004-05-01A

KEY	PART NUMBER	U/M DESCRIPTION	VENDOR NO.
1	133004-01-702	EA SWITCH/DPDT MOM=ON-OFF-ON	L1011-00
2	100258-10-701	EA GAUGE-HR METER ONLY (LCD)	L0775-00
3	133004-01-706	EA L.E.D. GREEN-PANEL MOUNT	L0785
4	133004-01-704	EA METER/VOLT-DIGITAL - LCD	L1008-00
5	133004-01-705	EA SWITCH/MOM ON - PUSH BUTTON	L0950-00
6	130004-01-703	EA L.E.D. RED-PANEL MOUNT	L1009-00
7	133004-01-701	EA SWITCH/DPDT ON-ON/MAINTAINED	L1025-00
8	133004-05-700	EA SCREENED CHASSIS	CC0563-00
	133004-05-701	EA BOARD - PC	L5130-02

136119-01-000

KEY	PART NUMBER	U/M DESCRIPTION	VENDOR NO.
	136119-01-700	EA COMPASS SENSOR (BLACK BOX)	AP-SUB-005
	136119-01-701	EA PROBE/TEMPERATURE SENSOR(V1)	AP-SUB-004A
	136119-01-702	EA DISPLAY MODULE-LED (V1)	AP-SUB-004B
	136119-01-703	EA HARNESS - COMPASS POWER	AP-HRN-175
	136119-01-704	EA HARNESS - COMPASS ENGINE	AP-HRN-176
	136119-01-705	EA HRNSS-COMP.TEMP SENSOR V1	AP-HRN-177
	136119-01-706	EA PROBE/TEMPERATURE SENSOR (V2)	AP-SUB-006
	136119-01-707	EA DISPLAY MODULE - VISUAL (V2)	AP-SUB-007
	136119-01-708	EA HARNESS/COMP. COMP/THERM(V2)	AP-HRN-239 W/PACKRD

ELECTRICAL GROUP (CONTINUED)
COMPONENT PARTS FOR WIRING (CONTINUED)

137417-01-01A, 137417-03-01A

KEY	PART NUMBER	U/M	DESCRIPTION	VENDOR NO.
	137417-01-700	EA	LENS - SINGLE (FROSTED)	810868

139134-01-03A

KEY	PART NUMBER	U/M	DESCRIPTION	VENDOR NO.
	139134-01-708	EA	DISC - F/BLADE HOLDER - NICKEL	A70050-3N
	139134-01-709	EA	BALANCING KIT - CLIP/PLATES	70050-21
	139134-01-710	EA	NOISE KIT - WASHERS	NOISE KIT
	139134-01-711	EA	BLADES (36") WHITE MATT	A70050-5W
	139134-01-712	EA	MOTOR	A70050-1
	139134-01-718	EA	HOLDER/BLADE(4 PC SET)NICKEL	70050-4N NICKEL
	139134-01-719	EA	HOUSING/MOTOR - NICKEL	70052-2N NICKEL

144858-03-000

KEY	PART NUMBER	U/M	DESCRIPTION	VENDOR NO.
	144858-01-700	EA	POWER HEAD	04017
	144858-01-702	EA	COLLAR F/POWER CORD	85446
	144858-01-703	EA	MOTOR W/DRIVE GEAR	20409 W/52405
	144858-01-704	EA	CONTAINER F/POWER CORD	85448
	144858-01-705	EA	CAGE/REEL	19700-1
	144858-01-706	EA	HITCH PIN	70405
	144858-01-707	EA	CLEVIS PIN	70406
	144858-01-708	EA	ROLLER	85459 - 1 ONLY
	144858-01-709	EA	POWER SWITCH	19702

146048-01-01A

KEY	PART NUMBER	U/M	DESCRIPTION	VENDOR NO.
	123775-01-700	EA	BULB - 10 WATT - HALOGEN	71-JC10

151458-01-000

KEY	PART NUMBER	U/M	DESCRIPTION	VENDOR NO.
	102756-02-702	EA	BATTERY - 12 VOLT	402-1002
	102756-03-701	EA	REMOTE-KEYLESS ENTRY	412-1115
	102756-03-702	EA	RELAY- 30AMP - SPDT	463-1000
	151458-01-700	EA	MODULE BOARD - 4 FUNCTION	202-3227
	151458-01-701	EA	WIRE HARNESS - KEYLESS ENTRY	203-6908

153464-01/02/04/05-01A

KEY	PART NUMBER	U/M	DESCRIPTION	VENDOR NO.
	091937-09-700	EA	LENS - LIGHT - FLUORESCENT	D-762

154474-04-02A

KEY	PART NUMBER	U/M	DESCRIPTION	VENDOR NO.
	154474-04-702	EA	DOME ONLY-REPLACEMENT-BLACK	1850-B-LP-FS
	154474-04-703	EA	BOARD RF ASSEMBLY N/C	100087
	154474-04-705	EA	CABLE OUT DUAL TOP PCBA N/C	20034-1
	154474-04-706	EA	LNB DUAL EAGLE ASPEN N/C	1863-1

160079-02-000

KEY	PART NUMBER	U/M	DESCRIPTION	VENDOR NO.
	160079-02-700	EA	REMOTE - TV	RRMCGA535WJSA

163031-01-01A

KEY	PART NUMBER	U/M	DESCRIPTION	VENDOR NO.
	163031-01-700	EA	REMOTE	PSVCAWM960

163097-01-000

KEY	PART NUMBER	U/M	DESCRIPTION	VENDOR NO.
	163097-01-700	EA	KEY - #2382 (ILLINOIS LOCK)	2382
	163097-01-701	EA	KEY - #2341 (MILLER DIAL)	PART SALES

ELECTRICAL GROUP (CONTINUED)
COMPONENT PARTS FOR WIRING (CONTINUED)

			163142-06-000		
KEY	PART NUMBER	U/M DESCRIPTION		VENDOR NO.	
	163142-06-700	EA CABLE - DATA		SIRDCBL10	
			163598-01-02A		
KEY	PART NUMBER	U/M DESCRIPTION		VENDOR NO.	
	154474-04-702	EA DOME ONLY-REPLACEMENT-BLACK		1850-B-LP-FS	
	154474-04-706	EA LNB DUAL EAGLE ASPEN N/C		1863-1	
	163598-01-700	EA BOARD CIRCUIT N/C		1990-RF-LP KIT	
	163598-01-701	EA STUFFED PCB,CWIM DVB N/C		438	
			165074-01-000		
KEY	PART NUMBER	U/M DESCRIPTION		VENDOR NO.	
	165074-01-700	EA REMOTE - TV		P301P27FC3408A	
			165170-01-01A		
KEY	PART NUMBER	U/M DESCRIPTION		VENDOR NO.	
	165170-01-700	EA LENS		81230-LENS	
			166446-01-000		
KEY	PART NUMBER	U/M DESCRIPTION		VENDOR NO.	
	166446-01-700	EA REMOTE - TV - GRAY SLIM LINE		PR7ATSC	
			165199-01-000		
KEY	PART NUMBER	U/M DESCRIPTION		VENDOR NO.	
	165199-01-000	EA REMOTE - HOME THEATRE		1-480-004-11	
			168408-01-000		
KEY	PART NUMBER	U/M DESCRIPTION		VENDOR NO.	
	168408-01-700	EA REMOTE		PSVCDV2007 SVC PK	
			168913-01-00		
KEY	PART NUMBER	U/M DESCRIPTION		VENDOR NO.	
	168913-01-700	EA BATTERY - RECHARGEABLE		PMDBAT-1	
			169536-01-01A		
KEY	PART NUMBER	U/M DESCRIPTION		VENDOR NO.	
	169536-01-700	EA REMOTE - SERVICE PACK		PSVCAWM970	
			171727-01-000		
KEY	PART NUMBER	U/M DESCRIPTION		VENDOR NO.	
	171727-01-700	EA REMOTE		PR7ATSC	
	171727-01-701	EA SERVICE PACK-REMOTE&CABLES		PSVCJE2608	

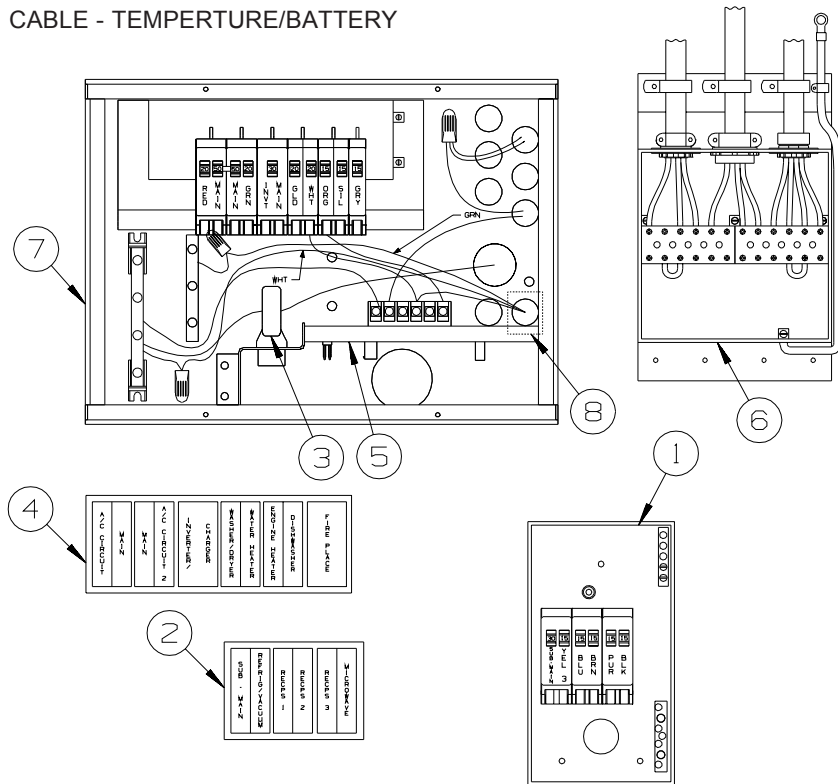
ELECTRICAL GROUP (CONTINUED)
CIRCUIT BREAKERS, FUSES & RELAYS

KEY	PART NUMBER	U/M	DESCRIPTION
	062901-02-000	EA	FUSE - 5 AMP - AUTOMOTIVE
	062901-03-000	EA	FUSE - 7.5 AMP - AUTOMOTIVE
	062901-05-000	EA	FUSE - 15 AMP - AUTOMOTIVE
	062901-06-000	EA	FUSE - 20 AMP - AUTOMOTIVE
	062901-07-000	EA	FUSE - 25 AMP - AUTOMOTIVE
	062901-08-000	EA	FUSE - 30 AMP - AUTOMOTIVE
	063910-01-000	EA	HOUSING - RELAY
	063912-02-000	EA	RELAY - CANISTER - SPDT
	083209-01-000	EA	CIRCUIT BREAKER - 15 AMP - 120 VOLT - CANADIAN
	083209-02-000	EA	CIRCUIT BREAKER - 15/15 AMP - 120 VOLT
	083209-03-000	EA	CIRCUIT BREAKER - 15/20 AMP - 120 VOLT
	083209-04-000	EA	CIRCUIT BREAKER - 30 AMP - 120 VOLT
	083209-05-000	EA	CIRCUIT BREAKER - 20 AMP - 120 VOLT
	083209-06-000	EA	CIRCUIT BREAKER - 30/15 AMP - 120 VOLT
	083209-07-000	EA	CIRCUIT BREAKER - 20/20 AMP - 120 VOLT
	083209-10-000	EA	CIRCUIT BREAKER - 20/30 AMP - 120 VOLT
	083209-11-000	EA	CIRCUIT BREAKER - 20/15 AMP - 120 VOLT
	092786-03-000	EA	BUSS BAR - 6.9" LONG
	092786-06-000	EA	BUSS BAR
	093654-01-000	EA	CIRCUIT BREAKER - 6 AMP - 12 VOLT - PUSH BUTTON - WHITE
	093654-02-000	EA	CIRCUIT BREAKER - 15 AMP - 12 VOLT - PUSH BUTTON - WHITE
	093654-03-000	EA	CIRCUIT BREAKER - 20 AMP - 12 VOLT - PUSH BUTTON - WHITE
	093654-05-000	EA	CIRCUIT BREAKER - 10 AMP - 12 VOLT - PUSH BUTTON - WHITE
	093655-01-000	EA	CIRCUIT BREAKER - 25 AMP - 12 VOLT - PUSH BUTTON - WHITE
	093655-02-000	EA	CIRCUIT BREAKER - 30 AMP - 12 VOLT - PUSH BUTTON - WHITE
	093655-03-000	EA	CIRCUIT BREAKER - 40 AMP - 12 VOLT - PUSH BUTTON - WHITE
	097611-03-000	EA	CIRCUIT BREAKER - 20 AMP
	113482-01-000	EA	CIRCUIT BREAKER - 55 AMP - MANUAL
	115187-01-000	EA	FUSE - 300 AMP - NON-DELAY
	115187-02-000	EA	HOLDER - FUSE
	115187-03-000	EA	FUSE - 150 AMP - NON-DELAY
	122811-01-000	EA	CIRCUIT BREAKER - 20/50/50/20 AMP - 250V
	141789-01-000	EA	SPACER - CIRCUIT BREAKER

ELECTRICAL GROUP (CONTINUED)

CONVERTER, INVERTER, LOAD CENTERS

KEY	PART NUMBER	U/M	DESCRIPTION
	148254-01-000	EA	INVERTER - CHARGER - 2000W AC
	148254-03-000	EA	CABLE/INVERTOR - W/8 PIN MODULAR PHONE JACK - 50'-DIMEN
	148254-05-000	EA	REMOTE/PANEL - INVERTER/CHARGER
	148254-06-000	EA	CABLE - TEMPERTURE/BATTERY



LOAD CENTER

KEY	PART NUMBER	U/M	DESCRIPTION
1	109677-01-000	EA	LOAD CENTER - 120 VOLT - 40 AMP
2	095721-43-000	EA	LABEL - CONTROL CENTER - 50 AMP
3	127002-07-000	EA	SENSOR - CURRENT
4	095721-49-000	EA	LABEL - CONTROL CENTER - 50 AMP
5	127002-11-000	EA	MODULE - EMS CENTER - W/REMOTE SENSOR
6	167050-01-000	EA	SWITCH - AUTOMATIC TRANSFER - PARALLAX ATS501BP
7	141258-01-000	EA	LOAD CENTER - 120/240 - 30/50 AMP
7	141258-02-000	EA	LOAD CENTER - COVER
8	158714-01-000	EA	TRANSFORMER - 120V/16V - 15 WATTS

ELECTRICAL GROUP (CONTINUED)
BOXES & CORDS

KEY	PART NUMBER	U/M	DESCRIPTION
	115832-01-000	FT	CORD - HEAVY DUTY - 14-2 W/GROUND
	133070-01-000	EA	BOX - ELECTRIC/PLASTIC - 3" X 2" X 2.8" - UL
	133070-02-000	EA	BOX - ELECTRIC/PLASTIC - 3" X 2" X 2.8" - CSA

WIRE ASSEMBLIES

KEY	PART NUMBER	U/M	DESCRIPTION
	077069-02-000	EA	CABLE/EXTENSION - RADIO ANTENNA - 96"
	077069-03-000	EA	CABLE/EXTENSION - RADIO ANTENNA - 260"
	117420-03-000	EA	CABLE - W/MALE RCA ENDS - SHIELDED - 20'
	117420-04-000	EA	CABLE - RCA - (MALE/MALE) - 50'
	129560-01-000	EA	WIRE ASM/MONITOR PANEL - 3 WIRES (2 WHT/BRN & SOLID BRN)
	132267-01-000	EA	WIRE ASSEMBLY - DOOR LOCK
	135131-02-000	EA	WIRE LOOM - THERMOSTAT
	135131-03-000	EA	WIRE LOOM - THERMOSTAT
	136860-02-000	EA	CABLE - RCA - SHIELDED - 3 MALE TO MALE CONNECTORS - 50'
	136860-03-000	EA	CABLE - RCA - SHIELDED - 3 MALE TO MALE CONNECTORS - 6'
	136860-04-000	EA	CABLE - RCA - SHIELDED - 3 MALE TO MALE CONNECTORS - 20'
	137135-03-000	EA	WIRE LOOM - DIGITAL ELEVATION SENSOR
	137135-04-000	EA	WIRE HARNESS - POWER - DIGITAL ELEVATION SENSOR
	139297-01-000	EA	RESISTOR - 10 OHM/10W CERAMIC
	139583-01-000	EA	WIRE LOOM - SOFA/DOUBLE REST EASY
	139583-02-000	EA	WIRE LOOM - SOFA/REAR SWITCH
	140167-02-000	EA	WIRE ASM-GPS ADAPTER
	140195-01-000	EA	WIRE LOOM - RESISTOR/FAN
	142258-02-000	EA	WIRE LOOM - VIDEO SWITCH/POWER SUPPLY
	145210-01-000	FT	CABLE - COAXIAL
	149214-02-000	EA	WIRE - WINDSHIELD WIPER/WASHER - F/FL MMDC ELECTRICAL SYST
	149750-02-000	EA	CABLE - (RECEIVER TO MODULE) - 45'
	151316-02-000	EA	WIRE ASM - W/NON CONTACT SENSORS - GREY WATER - 23.6"
	151317-01-000	EA	WIRE ASM-W/NON CONTACT SENSORS-FRESH WATER/BLK TANK-3.9"
	151317-02-000	EA	WIRE ASM-W/NON CONTACT SENSORS-FRESH WATER/BLK TANK-23.6"
	151808-01-000	EA	WIRE ADAPTER W/DIODE PACK - 2/M & 3/F SOCKET - GRAY TANK
	151808-02-000	EA	WIRE ADAPTER W/DIODE PACK-2/F & 3/M SOCKET- WATER/BLK TANK
	155619-05-000	EA	WIRE ASSEMBLY - RADIO - 12 PIN
	158270-02-000	EA	CABLE - ANTENNA/POWER - 3 WIRE
	159064-08-01A	EA	LABEL - CABLE/RCA - WHITE ON BLACK
	159064-09-01A	EA	LABEL - CABLE/RCA - WHITE ON BLACK
	160313-02-000	EA	WIRE - MONITOR - 12V - COLOR - SONY VM-HRN62W
	160365-01-000	EA	WIRE - REAR MONITOR - COLOR
	165308-02-000	EA	CABLE/HDMI - 35' - MALE/MALE ENDS
	165668-01-000	EA	WIRE ASSEMBLY - INSTRUMENT PANEL - MAIN
	168245-02-000	EA	CABLE/VIDEO - 10' COMPONENT/COMPOSITE-6 CODED ENDS/BOTH
	168245-05-000	EA	CABLE/VIDEO - 60' COMPONENT/COMPOSITE-6 CODED ENDS/BOTH
	168245-06-000	EA	CABLE/VIDEO - 40' COMPONENT/COMPOSITE-6 CODED ENDS/BOTH

ELECTRICAL GROUP (CONTINUED)
CONNECTORS & CONDUIT

KEY	PART NUMBER	U/M	DESCRIPTION
	007940-01-000	EA	RECEPTACLE/SLIDE 16 TO 12 AWG - FEMALE END
	007940-02-000	EA	RECEPTACLE/SLIDE 10 AWG
	007954-01-000	EA	RECEPTACLE - HOUSING - 6 POSITION
	007956-05-000	EA	INSULATOR - SHRINK - 1/4"ID X 1 1/2"
	008311-01-000	EA	CONNECTOR - WIRE NUT - INSULATED - RED
	008312-01-000	EA	CONNECTOR - WIRE NUT - INSULATED - BLUE
	008313-01-000	EA	CONNECTOR - WIRE NUT - INSULATED - YELLOW
	008314-01-000	EA	CONNECTOR - WIRE NUT - INSULATED - GRAY
	008328-01-000	EA	TERMINAL - RING - 12/10 WIRE - #10 STUD FIT
	008331-01-000	EA	TERMINAL - RING - TONGUE - #4 WIRE - 3/8" STUD - COPPER
	008348-01-000	EA	TERMINAL - RING - 3/8" STUD 2 GA. WIRE
	008355-01-000	EA	CONNECTOR - CABLE CLAMPING - 3/4"
	008356-01-000	EA	CONNECTOR - PLASTIC - 3/8"
	008356-02-000	EA	CONNECTOR - PLASTIC - 21/32"
	035416-04-000	EA	TERMINAL - RING - #10 STUD FIT - INSULATED BARREL #16/14
	041953-01-000	FT	CONDUIT - CONVOLUTE SLIT - .5" ID - POLYETHYLENE
	041953-02-000	FT	CONDUIT - CONVOLUTE SLIT - .6" ID - POLYETHYLENE
	041953-03-000	FT	CONDUIT - CONVOLUTE SLIT - 1" ID (CLOTHES ROD COVER)
	041953-05-000	FT	CONDUIT - CONVOLUTE SLIT - .62" ID - POLYETHYLENE
	041953-06-000	FT	CONDUIT - CONVOLUTE SLIT - .4" ID - POLYETHYLENE
	041953-07-000	FT	CONDUIT - CONVOLUTE SLIT - .25" ID - POLYETHYLENE
	041953-08-000	FT	CONDUIT - CONVOLUTE SLIT - 1.5" ID - POLYETHYLENE
	041953-09-000	FT	CONDUIT - CONVOLUTE SLIT - .5" ID - NYLON
	041953-10-000	FT	CONDUIT - CONVOLUTE SLIT - .75" ID - NYLON
	041953-11-000	FT	CONDUIT - CONVOLUTE SLIT - 1.06" ID - NYLON
	041953-12-000	FT	CONDUIT - CONVOLUTE SOLID - 1.1" ID - NYLON
	041953-13-000	FT	CONDUIT - CONVOLUTE SLIT - 1.25" ID
	041953-14-000	FT	CONDUIT - CONVOLUTE SLIT - 1.5" ID
	041953-15-000	FT	CONDUIT - CONVOLUTE SLIT - 2"
	041953-16-000	FT	CONDUIT - CONVOLUTE SLIT - 2"
	047441-01-000	EA	TERMINAL-BATTERY, HORIZONTAL LUG
	047443-01-000	EA	TERMINAL - .250 RECEPTACLE FIT - INSULATED - 16/14 AWG
	047443-02-000	EA	TERMINAL - .250 RECEPTACLE FIT - INSULATED - 12/10 AWG
	047443-05-000	EA	TERMINAL - .250 RECEPTACLE FIT - 18GA AWG
	058028-01-000	EA	CONNECTOR - ELECTRICAL PIGTAIL - NYLON - CLEAR
	062036-01-000	EA	TERMINAL - PACK - CON - 12/10 AWG
	076319-12-000	EA	CONNECTOR - COAXIAL - ONE PIECE
	077479-02-000	EA	BOOT - BATTERY TERMINAL - SINGLE CABLE
	080015-02-000	EA	RECEPTACLE - FLAG - .185 - 16/14 GAUGE
	080015-03-000	EA	RECEPTACLE - FLAG - .250 - 14/16 GAUGE
	080015-04-000	EA	RECEPTACLE - FLAG - .187 - 16/14 GAUGE
	082109-01-000	EA	HOUSING - CONNECTOR - PACKARD
	082741-01-000	EA	CONNECTOR BODY - 2 CONNECTOR MALE
	087225-01-000	FT	SLEEVING - 1/2" - TYPE H
	088473-01-000	EA	HOUSING - PIN - 12 CAVITY (3 ROWS OF 4)
	088473-02-000	EA	HOUSING - PIN - 15 CAVITY (3 ROWS OF 5)
	088473-03-000	EA	HOUSING - PIN - 9 CAVITY (3 ROWS OF 3)
	088473-04-000	EA	HOUSING - PIN - 8 CAVITY IN-LINE
	088473-06-000	EA	HOUSING - PIN - 6 CAVITY (2 ROWS OF 3)
	088473-07-000	EA	HOUSING - PIN - 5 CAVITY - IN-LINE
	088473-08-000	EA	HOUSING - PIN - 4 CAVITY - IN-LINE
	088473-09-000	EA	HOUSING - PIN - 3 CAVITY - IN-LINE
	088473-10-000	EA	HOUSING - PIN - 2 CAVITY - IN-LINE
	088473-12-000	EA	HOUSING - PIN - 3 CAVITY - BLUE
	088473-13-000	EA	HOUSING - PIN - 3 CAVITY - GREEN
	088473-14-000	EA	HOUSING - PIN - 3 CAVITY - RED
	088474-01-000	EA	HOUSING - SOCKET - 12 CAVITY
	088474-02-000	EA	HOUSING - SOCKET - 15 CAVITY
	088474-03-000	EA	HOUSING - SOCKET - 9 CAVITY
	088474-06-000	EA	HOUSING - SOCKET - 6 CAVITY
	088474-07-000	EA	HOUSING - SOCKET - 5 CAVITY
	088474-08-000	EA	HOUSING - SOCKET - 4 CAVITY
	088474-09-000	EA	HOUSING - SOCKET - 3 CAVITY

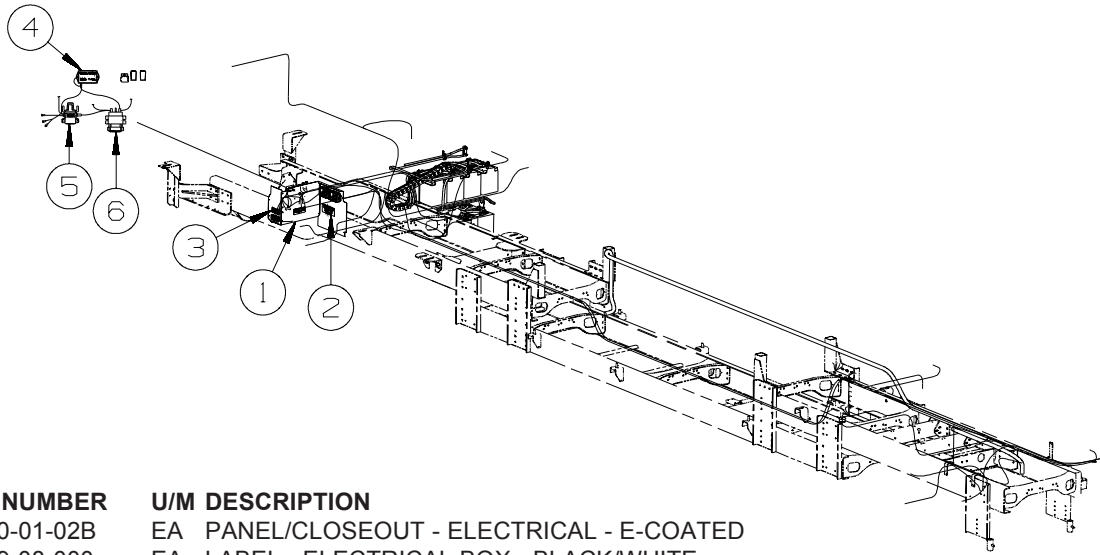
ELECTRICAL GROUP (CONTINUED)
CONNECTORS & CONDUIT (CONTINUED)

KEY	PART NUMBER	U/M	DESCRIPTION
	088474-10-000	EA	HOUSING - SOCKET - 2 CAVITY
	088475-01-000	EA	PIN - CONNECTOR - 14-20 AWG
	088475-02-000	EA	PIN - CONNECTOR - 10-12 AWG
	088476-01-000	EA	TERMINAL - ELECTRICAL
	088476-02-000	EA	SOCKET - CONNECTOR - 12-10 GA - PRE-TIN
	098261-01-000	EA	SOCKET - CONNECTOR - WEATHERPACK - 12 AWG
	098261-02-000	EA	SOCKET - CONNECTOR - WEATHERPACK - 14-18 AWG
	098262-01-000	EA	SEAL - CONNECTOR - WEATHERPACK
	098264-01-000	EA	HOUSING - 2 PIN - WEATHER PACK - MALE W/FEMALE PINS
	098264-02-000	EA	HOUSING - 2 PIN - WEATHER PACK - FEMALE W/MALE PINS
	098265-02-000	EA	PIN - CONNECTOR - WEATHER PACK
	102777-02-000	EA	TERMINAL - RING - #6 STUD - 10 AWG
	103608-01-000	EA	SOCKET - WEDGE BASE W/LEADS
	104100-01-000	EA	HOUSING - 1 POSITION - 75 AMPS
	104100-03-000	EA	TERMINAL - 75 AMP
	106007-02-000	EA	TERMINAL - FEMALE - 10-12 AWG
	110178-01-000	EA	HOUSING - WIPER MOTOR
	112823-01-000	EA	SPLICE - REDUCER - 16-14 TO 18-22
	113135-01-000	EA	TERMINAL - FEMALE - M/P - 14-16 - F/SEALED TERMINAL
	113308-01-000	EA	TERMINAL - FEMALE - M/P - 14-16 - 280
	113308-02-000	EA	TERMINAL - FEMALE - M/P - 14-18 - 280
	113468-01-000	EA	HOUSING - 2 POSITION-FEMALE-USED ON WIPER/WASHER WIRE ASM
	113468-02-000	EA	HOUSING - 2 POSITION - FEMALE
	115932-01-000	EA	CONNECTOR - FEMALE - 30 AMP/120 VOLT
	116811-01-000	EA	TERMINAL - .110 RECEPTACLE - 16-14 AWG
	118571-01-000	EA	CONNECTOR - 3-WAY - MALE/SEALED
	118571-02-000	EA	CONNECTOR - 3-WAY - FEMALE/SEALED
	118571-05-000	EA	LOCK - SECONDARY - FEMALE
	118571-06-000	EA	LOCK - SECONDARY - MALE
	118599-02-000	EA	TERMINAL - MALE - M/P - 280/14-12
	118820-01-000	EA	INSULATOR - TERMINAL
	129233-01-000	EA	HOUSING - 2-POSITION/FEMALE - 280-SERIES
	129233-02-000	EA	HOUSING - 2-POSITION/FEMALE - 280-SERIES
	129233-03-000	EA	HOUSING - 2-POSITION/FEMALE - 280-SERIES
	131681-01-000	EA	CONNECTOR - 3/4" SO CORD - UL/CS
	131681-02-000	EA	CONNECTOR - 3/4" SO CORD - UL/CS
	137207-01-000	EA	HOUSING - PIN - 2 CAVITY/HIGH AMP
	137208-01-000	EA	HOUSING - SOCKET - 2 CAVITY/HIGH AMP
	137209-01-000	EA	PIN - CONNECTOR - 10AWG/HIGH AMP
	137210-01-000	EA	SOCKET - CONNECTOR - 10 AWG/HIGH AMP
	138996-04-000	EA	CONNECTOR - LAMP
	142520-01-000	EA	TERMINAL - FEMALE - MINI-FIT 16
	142522-01-000	EA	HOUSING - 4 PIN/MALE - MINI FIT
	142522-02-000	EA	HOUSING - 6 PIN/MALE - MINI FIT
	142522-03-000	EA	HOUSING - 8 PIN/MALE - MINI FIT
	142522-04-000	EA	HOUSING - 10 PIN/MALE - MINI FIT
	142522-05-000	EA	HOUSING - 12 PIN/MALE - MINI FIT
	142522-06-000	EA	HOUSING - 14 PIN/MALE - MINI FIT
	142524-01-000	EA	HOUSING - 4 PIN/FEMALE - WEATHER PACK
	142524-02-000	EA	HOUSING - 4 PIN/FEMALE - WEATHER PACK
	144283-01-000	EA	CONNECTOR - 110V - F/USE WITH SOW WIRE - BLUE
	144283-02-000	EA	CONNECTOR - 110V - F/USE WITH NM ROMEX WIRE - CLEAR
	145171-01-000	EA	CONNECTOR - COAXIAL
	148335-01-000	EA	HOUSING - 8-POSITION/MALE - 280-GT SERIES
	148335-02-000	EA	HOUSING - 4-POSITION/MALE - 280-GT SERIES
	148335-03-000	EA	HOUSING - 6-POSITION/MALE - 280-GT SERIES
	149683-01-000	EA	HOUSING - F/5 CAVITY RECEPTACLE - W/SQUARE GUIDE PIN
	149683-02-000	EA	HOUSING - F/5 CAVITY RECEPTACLE - W/ROUND GUIDE PIN
	149686-01-000	EA	TERMINAL - .250 RECEPTACLE
	149687-01-000	EA	HOUSING - 2 POSITION/MALE - PACKARD
	149687-02-000	EA	LOCK - F/2 POSITION HOUSING - PACKARD
	149688-01-000	EA	TERMINAL - MALE - 16 GAUGE WIRE
	156035-01-000	EA	HOUSING - 12-POSITION/FEMALE - 280-GT SERIES

ELECTRICAL GROUP (CONTINUED)
CONNECTORS & CONDUIT (CONTINUED)

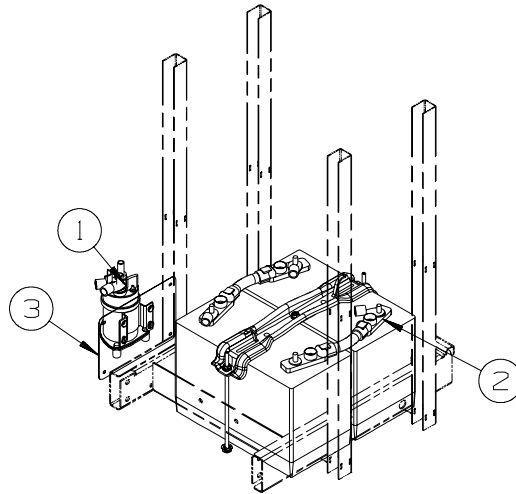
KEY	PART NUMBER	U/M	DESCRIPTION
	156041-01-000	EA	TERMINAL - FEMALE - 16-12 - 280-GT SERIES
	156043-01-000	EA	HOUSING - 2-POSITION/FEMALE - 480-MP SERIES
	156043-02-000	EA	LOCK - F/2 POSITION HOUSING - 480 SERIES
	156044-01-000	EA	TERMINAL - FEMALE - 16-12 - 280-GT - F/SEALED HOUSING
	156045-01-000	EA	HOUSING - 10-POSITION/FEMALE - 280-GT SERIES
	156045-02-000	EA	HOUSING - 4-POSITION/FEMALE - 280-GT SERIES
	156045-03-000	EA	HOUSING - 8-POSITION/FEMALE - 280-GT SERIES
	156045-04-000	EA	HOUSING - 6-POSITION/FEMALE - 280-GT SERIES
	156207-01-000	EA	HOUSING - 6-POSITION/MALE - 150-GT SERIES
	156208-01-000	EA	TERMINAL - MALE - 18-16 - 150-GT SERIES
	157590-01-000	EA	TERMINAL - FEMALE - M/P - 10-12 - 630
	157592-01-000	EA	HOUSING - 7-POSITION/FEMALE - M/P
	157592-02-000	EA	LOCK - SECONDARY - F/7 POSITION HOUSING
	157656-01-01A	EA	CONNECTOR - DASH LIGHT - BLACK
	158357-01-000	EA	HOUSING - 3 PIN/MALE - MINI FIT
	158373-01-000	EA	HOUSING - SOCKET - 16 CAVITY - MINI MATE-N-LOCK
	158374-01-000	EA	SOCKET - 16-20 CAVITY - MINI MATE-N-LOCK
	164685-01-000	EA	HOUSING - PIN - 7-POSITION
	164687-01-000	EA	PIN - CONNECTOR - 16-14
	164689-01-000	EA	SEAL - CONNECTOR
	168450-01-000	EA	CONNECTOR/ADAPTER - COAX

ELECTRICAL GROUP (CONTINUED) CHASSIS



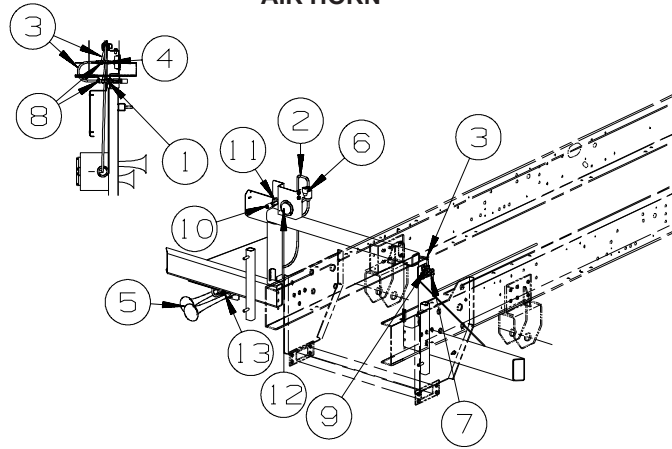
KEY	PART NUMBER	U/M	DESCRIPTION
1	159220-01-02B	EA	PANEL/CLOSEOUT - ELECTRICAL - E-COATED
2	098379-08-000	EA	LABEL - ELECTRICAL BOX - BLACK/WHITE
3	093236-44-000	EA	LABEL - CIRCUIT BREAKER
4	156431-01-000	EA	CHARGER/BATTERY - CHASSIS TO HOUSE
5	086273-01-000	EA	RELAY - BATTERY DISCONNECT
6	008188-02-000	EA	SOLENOID - VENTED - HEAVY DUTY

BATTERY INSTALLATION



KEY	PART NUMBER	U/M	DESCRIPTION
1	086273-02-000	EA	RELAY - BATTERY DISCONNECT
2	143541-04-01A	EA	CARRIER/WIRING - F/SLIDEOUT ROOM
3	168591-02-02B	EA	PLATE/MOUNT - SOLENOID - E-COATED
	172438-04-000	EA	CABLE - BATTERY - W/TEMPERTURE SENSOR - 25 FT - S40TD, S40WD

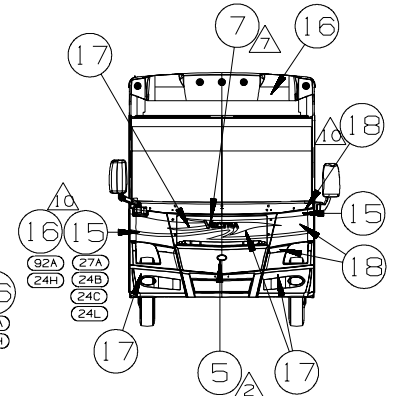
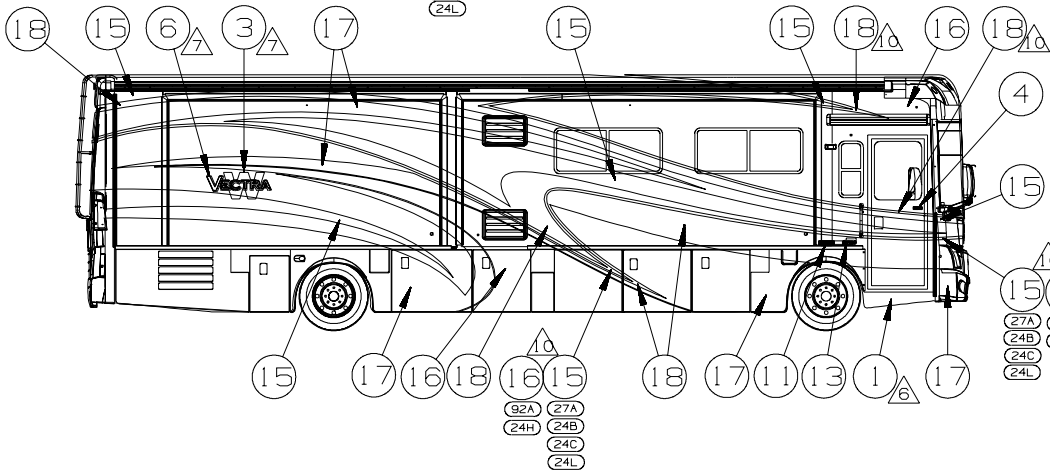
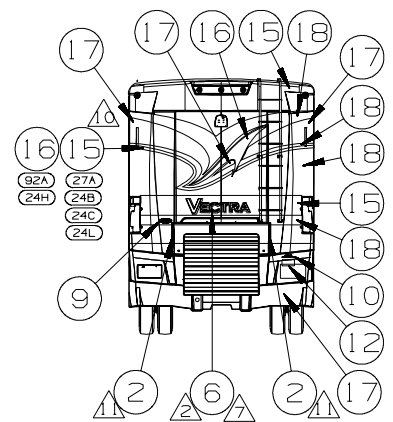
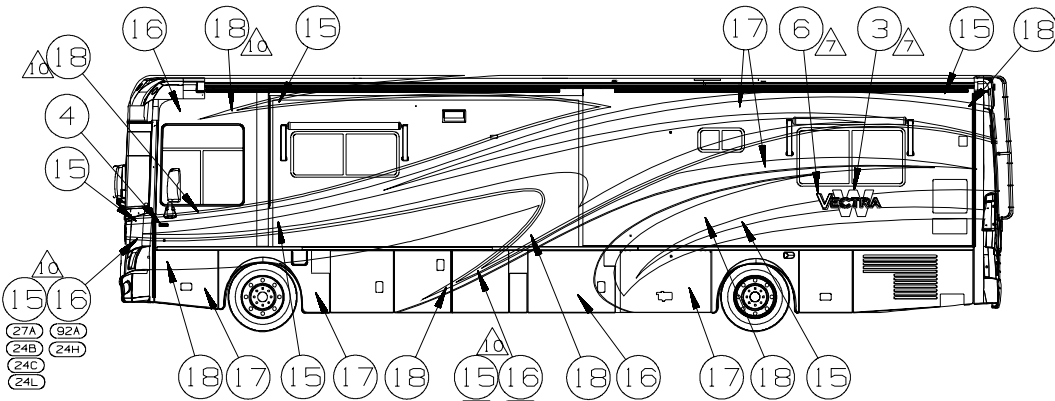
EXTERIOR BODY GROUP AIR HORN



KEY	PART NUMBER	U/M	DESCRIPTION
1	077497-08-000	EA	HORN/AIR - TWIN SHORT - BLACK
2	075155-03-000	EA	COUPLING-PIPE, 1/4 BRASS
3	071390-04-000	FT	TUBING - AIR BRAKE - 1/4" OD-BLK WEATHERHEAD(BRKS & HORN)
4	142609-01-000	EA	GAUGE/AIR - 2.5" MOUNTING FLANGE - 1/4" MPT
5	077497-11-000	EA	SOLENOID - HORN - REMOTE MOUNT
6	086241-01-000	EA	VALVE - AIR - 1/4 MPT X TIRE STEM
7	142570-01-000	EA	TEE - 3/8"T X 1/4"P
8	142571-01-000	EA	CONNECTOR - 3/8"T X 1/4"P
9	142597-01-000	EA	VALVE - BALL - AIR - 1/4"MFPT
10	142595-01-000	EA	COUPLER - QUICK CONNECT - AIR - 1/4"MPT
11	071390-07-000	FT	TUBING - AIR BRAKE - 3/8" - BLACK
12	071374-03-000	EA	FITTING - BULKHEAD - 1/4" X 1/4" MNPT
13	071386-06-000	EA	CONNECTOR - MALE - 1/4" TUBE X 1/4"
	142607-03-000	EA	HOSE - AIR - 50'

EXTERIOR BODY GROUP (CONTINUED)

GRAPHICS & PAINT

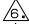



(24C) KEY	PART NUMBER	U/M	DESCRIPTION CHESTNUT
1	109506-01-000	EA	FILM-URETHANE PROTECTANT
2	109506-15-000	EA	FILM-URETHANE PROTECTANT 38 MM X 390 MM
3	120700-12-CHT(01A)	EA	DECAL-LOGO W - FROSTY JACK
4	132664-02-CHT(01A)	EA	DECAL-LOGO DOMED WINNEBAGO - CHROME/RED/BLACK
5	137618-04-CHT(01A)	EA	DECAL-BEZEL DOMED GRILL LOGO - CHROME/RED
6	146735-03-CHT(01A)	EA	DECAL-LOGO DOMED VECTRA LG - CHROME/GOLD/BLACK/WHITE
7	146735-04-CHT(01A)	EA	DECAL-LOGO DOMED VECTRA SML - CHROME/GOLD/BLACK/WHITE
8	150133-01-000	EA	KIT-PAINT PROTECTION
9	151687-01-CHT(01A)	EA	DECAL-BEZEL DOMED NAMEPLATE WINNEBAGO - CHROME/RED
10	158621-05-CHT(01A)	EA	DECAL-HORSEPOWER 425 FLEXSCRIPT - CHROME
11	164596-01-CHT(01A)	EA	DECAL-LOGO MAXUM CHASSIS - CHROME/BLACK/RED
12	EA	PLATE-FREIGHTLINER LG - CHASSIS SUPPLIED
13	EA	PLATE-FREIGHTLINER SML - CHASSIS SUPPLIED
14	EA	PAINT-CLEAR COAT - SHERWIN WILLIAMS
15	GL	PAINT-MOJAVE BEIGE MET - SW #62879
16	GL	PAINT-CHESTNUT PEARL MET - SW #62447-1
17	GL	PAINT-DARK GRAY MET - SW #64255
18	GL	PAINT-RED MAPLE MET - SW #75841
(24B) KEY	PART NUMBER	U/M	DESCRIPTION CADET BLUE
1	109506-01-000	EA	FILM-URETHANE PROTECTANT
2	109506-15-000	EA	FILM-URETHANE PROTECTANT 38 MM X 390 MM
3	120700-12-CHT(01A)	EA	DECAL-LOGO W - FROSTY JACK
4	132664-02-CHT(01A)	EA	DECAL-LOGO DOMED WINNEBAGO - CHROME/RED/BLACK
5	137618-04-CHT(01A)	EA	DECAL-BEZEL DOMED GRILL LOGO - CHROME/RED
6	146735-03-CHT(01A)	EA	DECAL-LOGO DOMED VECTRA LG - CHROME/GOLD/BLACK/WHITE
7	146735-04-CHT(01A)	EA	DECAL-LOGO DOMED VECTRA SML - CHROME/GOLD/BLACK/WHITE
8	150133-01-000	EA	KIT-PAINT PROTECTION
9	151687-01-CHT(01A)	EA	DECAL-BEZEL DOMED NAMEPLATE WINNEBAGO - CHROME/RED
10	158621-05-CHT(01A)	EA	DECAL-HORSEPOWER 425 FLEXSCRIPT - CHROME
11	164596-01-CHT(01A)	EA	DECAL-LOGO MAXUM CHASSIS - CHROME/BLACK/RED
12	EA	PLATE-FREIGHTLINER LG - CHASSIS SUPPLIED
13	EA	PLATE-FREIGHTLINER SML - CHASSIS SUPPLIED
14	EA	PAINT-CLEAR COAT - SHERWIN WILLIAMS
15	GL	PAINT-DARK TOREADOR RED MET - SW #52973-4
16	GL	PAINT-CADET BLUE MET - SW #80717
17	GL	PAINT-BRT PLATINUM MET - SW #48823
18	GL	PAINT-SILVER MET - SW #49680
(24H) KEY	PART NUMBER	U/M	DESCRIPTION BLACK GOLD
1	109506-01-000	EA	FILM-URETHANE PROTECTANT
2	109506-15-000	EA	FILM-URETHANE PROTECTANT 38 MM X 390 MM
3	120700-12-CHT(01A)	EA	DECAL-LOGO W - FROSTY JACK
4	132664-02-CHT(01A)	EA	DECAL-LOGO DOMED WINNEBAGO - CHROME/RED/BLACK
5	137618-04-CHT(01A)	EA	DECAL-BEZEL DOMED GRILL LOGO - CHROME/RED
6	146735-03-CHT(01A)	EA	DECAL-LOGO DOMED VECTRA LG - CHROME/GOLD/BLACK/WHITE
7	146735-04-CHT(01A)	EA	DECAL-LOGO DOMED VECTRA SML - CHROME/GOLD/BLACK/WHITE
8	150133-01-000	EA	KIT-PAINT PROTECTION
9	151687-01-CHT(01A)	EA	DECAL-BEZEL DOMED NAMEPLATE WINNEBAGO - CHROME/RED
10	158621-05-CHT(01A)	EA	DECAL-HORSEPOWER 425 FLEXSCRIPT - CHROME
11	164596-01-CHT(01A)	EA	DECAL-LOGO MAXUM CHASSIS - CHROME/BLACK/RED
12	EA	PLATE-FREIGHTLINER LG - CHASSIS SUPPLIED
13	EA	PLATE-FREIGHTLINER SML - CHASSIS SUPPLIED
14	EA	PAINT-CLEAR COAT - SHERWIN WILLIAMS
15	GL	PAINT-SOLID GOLD MET - SW #64548
16	GL	PAINT-BLACK WIST MET - SW #10888
17	GL	PAINT-GRANIT MET - SW #78001
18	GL	PAINT-POLISHED PEWTER MET - SW #63499
(24L) KEY	PART NUMBER	U/M	DESCRIPTION
1	109506-01-000	EA	FILM-URETHANE PROTECTANT
2	109506-15-000	EA	FILM-URETHANE PROTECTANT 38 MM X 390 MM
3	120700-12-CHT(01A)	EA	DECAL-LOGO W - FROSTY JACK
4	132664-02-CHT(01A)	EA	DECAL-LOGO DOMED WINNEBAGO - CHROME/RED/BLACK
5	137618-04-CHT(01A)	EA	DECAL-BEZEL DOMED GRILL LOGO - CHROME/RED
6	146735-03-CHT(01A)	EA	DECAL-LOGO DOMED VECTRA LG - CHROME/GOLD/BLACK/WHITE
7	146735-04-CHT(01A)	EA	DECAL-LOGO DOMED VECTRA SML - CHROME/GOLD/BLACK/WHITE
8	150133-01-000	EA	KIT-PAINT PROTECTION
9	151687-01-CHT(01A)	EA	DECAL-BEZEL DOMED NAMEPLATE WINNEBAGO - CHROME/RED
10	158621-05-CHT(01A)	EA	DECAL-HORSEPOWER 425 FLEXSCRIPT - CHROME
11	164596-01-CHT(01A)	EA	DECAL-LOGO MAXUM CHASSIS - CHROME/BLACK/RED
12	EA	PLATE-FREIGHTLINER LG - CHASSIS SUPPLIED
13	EA	PLATE-FREIGHTLINER SML - CHASSIS SUPPLIED
14	EA	PAINT-CLEAR COAT - SHERWIN WILLIAMS
15	GL	PAINT-KALAHARI BEIGE MET - SW #64503
16	GL	PAINT-LT BRONZE MET - SW #57066
17	GL	PAINT-WHITE - SW #44126
18	GL	PAINT-PEARL SILVER MET - SW #LM-423

EXTERIOR BODY GROUP (CONTINUED) GRAPHICS & PAINT (CONTINUED)

(27A) KEY	PART NUMBER	U/M	DESCRIPTION METALLIC BLUE
1	109506-01-000	EA	FILM-URETHANE PROTECTANT
2	109506-15-000	EA	FILM-URETHANE PROTECTANT 38 MM X 390 MM
3	120700-12-CHT(O1A)	EA	DECAL-LOGO W - FROSTY JACK
4	132664-02-CHT(O1A)	EA	DECAL-LOGO DOMED WINNEBAGO - CHROME/RED/BLACK
5	137618-04-CHT(O1A)	EA	DECAL/BEZEL DOMED GRILL LOGO - CHROME/RED
6	146735-03-CHT(O1A)	EA	DECAL-LOGO DOMED VECTRA LG - CHROME/GOLD/BLACK/WHITE
7	146735-04-CHT(O1A)	EA	DECAL-LOGO DOMED VECTRA SML - CHROME/GOLD/BLACK/WHITE
8	150133-01-000	EA	KIT-PAINT PROTECTION
9	151687-01-CHT(O1A)	EA	DECAL/BEZEL DOMED NAMEPLATE WINNEBAGO - CHROME/RED
10	156621-05-CHT(O1A)	EA	DECAL-HORSEPOWER 425 FLEXSCRIPT - CHROME
11	164596-01-CHT(O1A)	EA	DECAL-LOGO MAXUM CHASSIS - CHROME/BLACK/RED
12	-----	EA	PLATE-FREIGHTLINER LG - CHASSIS SUPPLIED
13	-----	EA	PLATE-FREIGHTLINER SML - CHASSIS SUPPLIED
14	-----	EA	PAINT-CLEAR COAT - SHERWIN WILLIAMS
15	-----	GL	PAINT-LT GRAY MET - SW #45729
16	-----	GL	PAINT-GUNMETAL MET - SW #3936-1
17	-----	GL	PAINT-BRT PLATINUM MET - 48B23
18	-----	GL	PAINT-SILVER MET - SW #43638

(92A) KEY	PART NUMBER	U/M	DESCRIPTION DARK REDWOOD
1	109506-01-000	EA	FILM-URETHANE PROTECTANT
2	109506-15-000	EA	FILM-URETHANE PROTECTANT 38 MM X 390 MM
3	120700-12-CHT(O1A)	EA	DECAL-LOGO W - FROSTY JACK
4	132664-02-CHT(O1A)	EA	DECAL-LOGO DOMED WINNEBAGO - CHROME/RED/BLACK
5	137618-04-CHT(O1A)	EA	DECAL/BEZEL DOMED GRILL LOGO - CHROME/RED
6	146735-03-CHT(O1A)	EA	DECAL-LOGO DOMED VECTRA LG - CHROME/GOLD/BLACK/WHITE
7	146735-04-CHT(O1A)	EA	DECAL-LOGO DOMED VECTRA SML - CHROME/GOLD/BLACK/WHITE
8	150133-01-000	EA	KIT-PAINT PROTECTION
9	151687-01-CHT(O1A)	EA	DECAL/BEZEL DOMED NAMEPLATE WINNEBAGO - CHROME/RED
10	156621-05-CHT(O1A)	EA	DECAL-HORSEPOWER 425 FLEXSCRIPT - CHROME
11	164596-01-CHT(O1A)	EA	DECAL-LOGO MAXUM CHASSIS - CHROME/BLACK/RED
12	-----	EA	PLATE-FREIGHTLINER LG - CHASSIS SUPPLIED
13	-----	EA	PLATE-FREIGHTLINER SML - CHASSIS SUPPLIED
14	-----	EA	PAINT-CLEAR COAT - SHERWIN WILLIAMS
15	-----	GL	PAINT-HARVEST GOLD MET - SW #57343
16	-----	GL	PAINT-BLACK GARNET MET - SW #64910-1
17	-----	GL	PAINT-DARK BEIGE MET - SW #5776-2
18	-----	GL	PAINT-SILVER PLUM MET - SW #54940-1

 FILM TO PROTECT BOTTOM OF DOOR FROM SCUFF MARKS.

 DIE CUT ACRYLIC FILM USED TO PROTECT FULL BODY PAINTED UNITS.


4. ON FULL BODY PAINTED UNITS, USE 145487-02-000 (100 FT) TO COVER UNSEALED ROOF SEAMS.

 CLEAR COAT TO BE APPLIED ON ENTIRE UNIT TO PROTECT PAINT.

 CENTER ON UNIT.

1. APPLY PROTECTOR 116424-01-000 TO WATER HEATER LATCH.


NOTES:

 START FILM 25MM BACK FROM VERTICAL TANGENT LINE ON INSIDE OF REAR CAP AT TRUNK DOOR OPENING, WRAP AROUND TO COVER CORNER.

 PAINT APPEARS AS BORDER.

9. APPLY SEALER-BODY SEAM CLEAR 94401-04-000 TO HELP SECURE PAINT ON EDGES.

8. END PANELS OF SLIDEOUT ROOM WILL BE PAINTED WITH THE BASE COAT, COLORED DESIGN GRAPHICS AND CLEAR COAT.

 LOGO IS TO BE HELD TO ±1 MM ON A HORIZONTAL PLANE (END TO END).

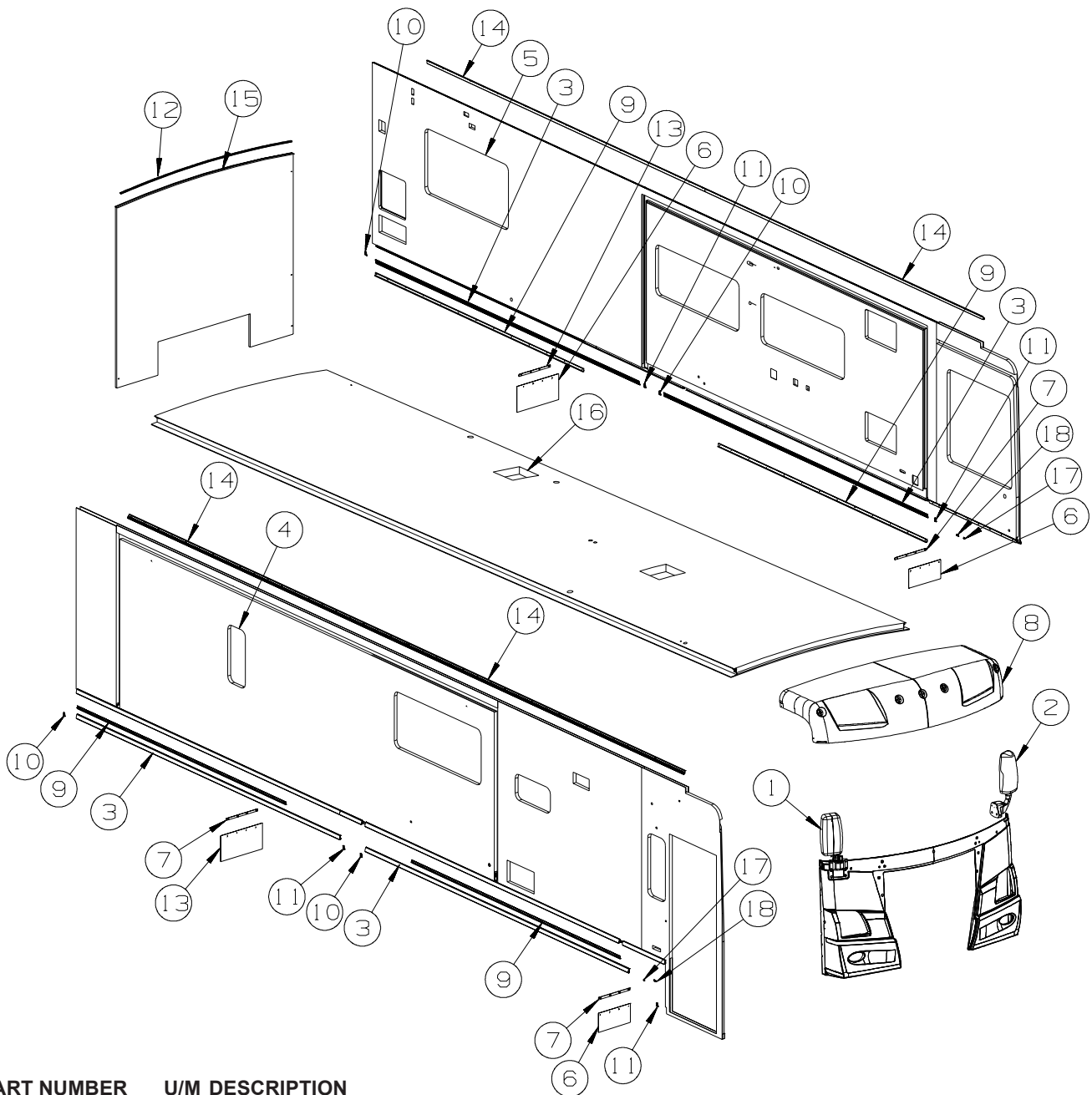
(11P) FRTL 34, 320 425HP 65PD 1F5
 (24P) MASK FRONT EXT PROTECTIVE
 (24L) EXT FULL BODY PAINT PKG # 6
 (24B) EXT FULL BODY PAINT PKG # 5
 (24C) EXT FULL BODY PAINT PKG # 4
 (24D) EXT FULL BODY PAINT PKG # 3
 (92A) EXT FULL BODY PAINT PKG # 2
 (27A) EXT FULL BODY PAINT PKG # 1

KEY PART NUMBER U/M DESCRIPTION
 004308-01-000 EA PAINT - BLACK SPRAY

**DUPONT COLOR CODES ARE NOW FOUND IN THE PAINT CODE MANUAL.
 YOU CAN FIND THIS MANUAL ON YOUR DEALER INDEX WEBPAGE UNDER SERVICE.**

EXTERIOR BODY GROUP (CONTINUED)

PANELS & TRIMS



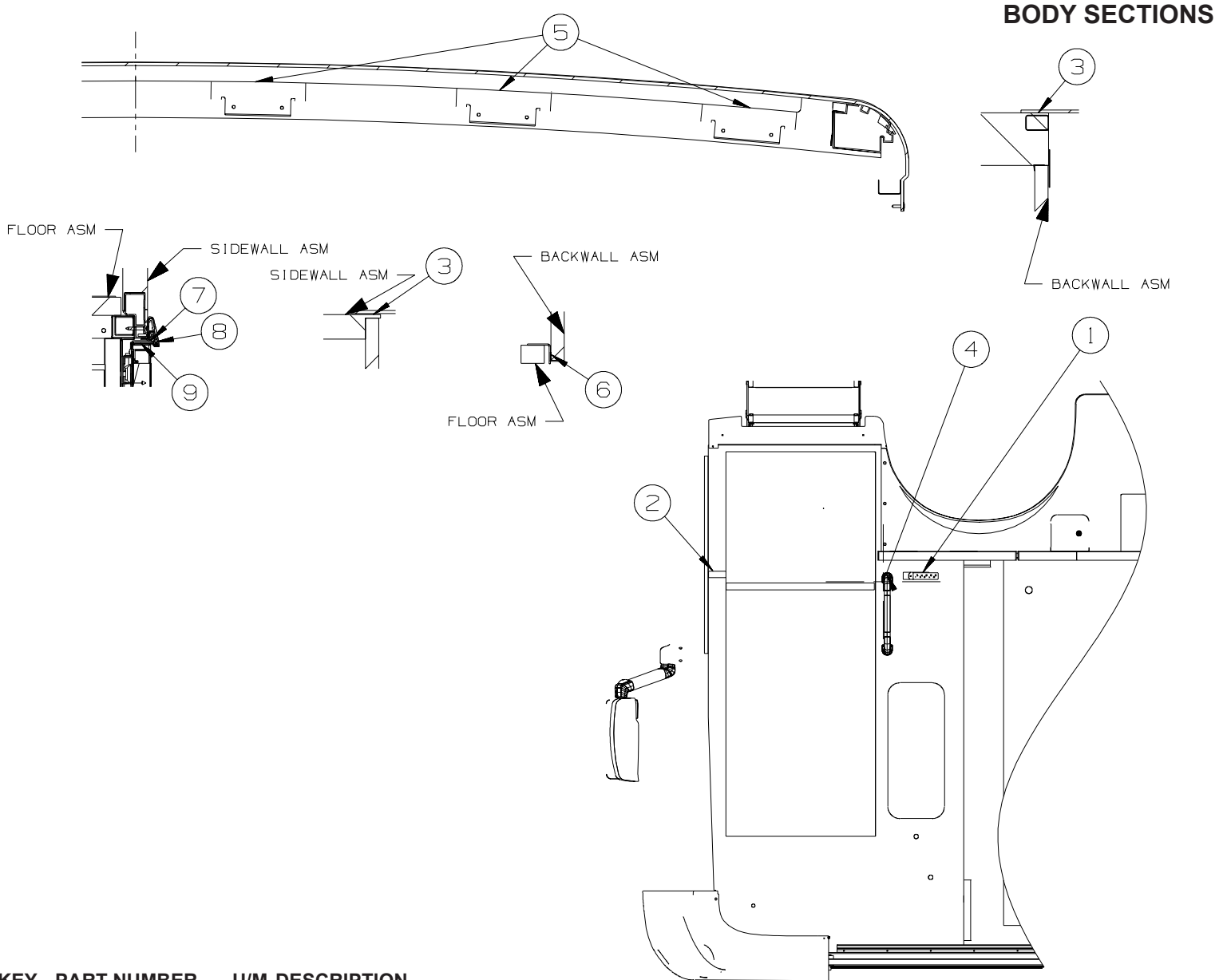
KEY	PART NUMBER	U/M	DESCRIPTION
1*	131431-08-02A	EA	MIRROR - EXTERIOR/REMOTE/HEAT/PASSENGER-W/TURN SIGNAL-CHR
1	108825-03-000	EA	GASKET - MIRROR
1	133379-01-01A	EA	SCREW - MACHINE - 5/16-18 X 2.00 - TORX
2*	142721-02-02A	EA	MIRROR - EXTERIOR REMOTE/HEAT/DRVR - (BREAKAWAY) - CHROME
3	146550-01-02A	EA	TRIM COVER - SIDEWALL - 182" - BLACK
4	166985-01-YK0	EA	SIDEWALL - PASSENGER - W/O WINDOWS/TRIMS (YK0, YK1, YK2, YK3, YT0)
4	166985-01-YK4	EA	SIDEWALL - PASSENGER - W/O WINDOWS/TRIMS (YK4, YK5, YK6, YK7, YL0, YL1, YL2, YL3, YT1, YT2)
5	166986-01-YK0	EA	SIDEWALL - DRIVER - W/O WINDOWS/TRIMS (YK0, YK1, YK2, YK3, YT0)
5	166986-01-YK4	EA	SIDEWALL - DRIVER - W/O WINDOWS/TRIMS (YK4, YK5, YK6, YK7, YL0, YL1, YL2, YL3, YT1, YT2)
5	166986-02-YK0	EA	SIDEWALL - DRIVER - W/O WINDOWS/TRIMS (YK0, YK1, YK2, YK3, YT0) - 15B
5	166986-02-YK4	EA	SIDEWALL - DRIVER (YK4, YK5, YK6, YK7, YL0, YL1, YL2, YL3, YT1, YT2) - 15B
6	017516-05-000	EA	MUD FLAP - 9"H X 18"W - RUBBER - BLACK
7	140922-01-02B	EA	RETAINER - MUD FLAP - 1" X 17.7" - E-COATED/BLACK
8	150436-02-TG0	EA	CAP - ROOF/FRONT - W/O LIGHTS/WIRING
9	146548-01-01A	EA	TRIM - RETAINER - 143.8" - MILL
10	146576-01-02A	EA	END CAP/TRIM - RIGHT HAND - BLACK
11	146576-02-02A	EA	END CAP/TRIM - LEFT HAND - BLACK
12	114248-02-04A	EA	ANGLE - PLASTIC - .7" X .4" X 96.7" - BEIGE
13	017516-09-000	EA	MUD FLAP - 12.2"H X 23.5"W - RUBBER - BLACK
13	017516-07-000	EA	MUD FLAP - 14"H X 23.5"W - RUBBER - BLACK

EXTERIOR BODY GROUP (CONTINUED)

PANELS & TRIMS (CONTINUED)

KEY	PART NUMBER	U/M	DESCRIPTION
14	157284-01-01A	EA	RAIL - AWNING - 192" - BRIGHT WHITE
15	166988-01-YK0	EA	BACKWALL/INNER - W/O REAR CAP (YK0, YK1, YK2, YK3, YT0)
15	166988-01-YK4	EA	BACKWALL/INNER - W/O REAR CAP (YK4, YK5, YK6, YK7, YL0, YL1, YL2, YL3, YT1, YT2)
16	166987-01-YL4	EA	ROOF - W/O LIGHTS/VENTS - W/WIRING
17	143143-01-01A	EA	ANGLE - SUPPORT/TRIM
18	143143-02-01A	EA	ANGLE - SUPPORT/TRIM

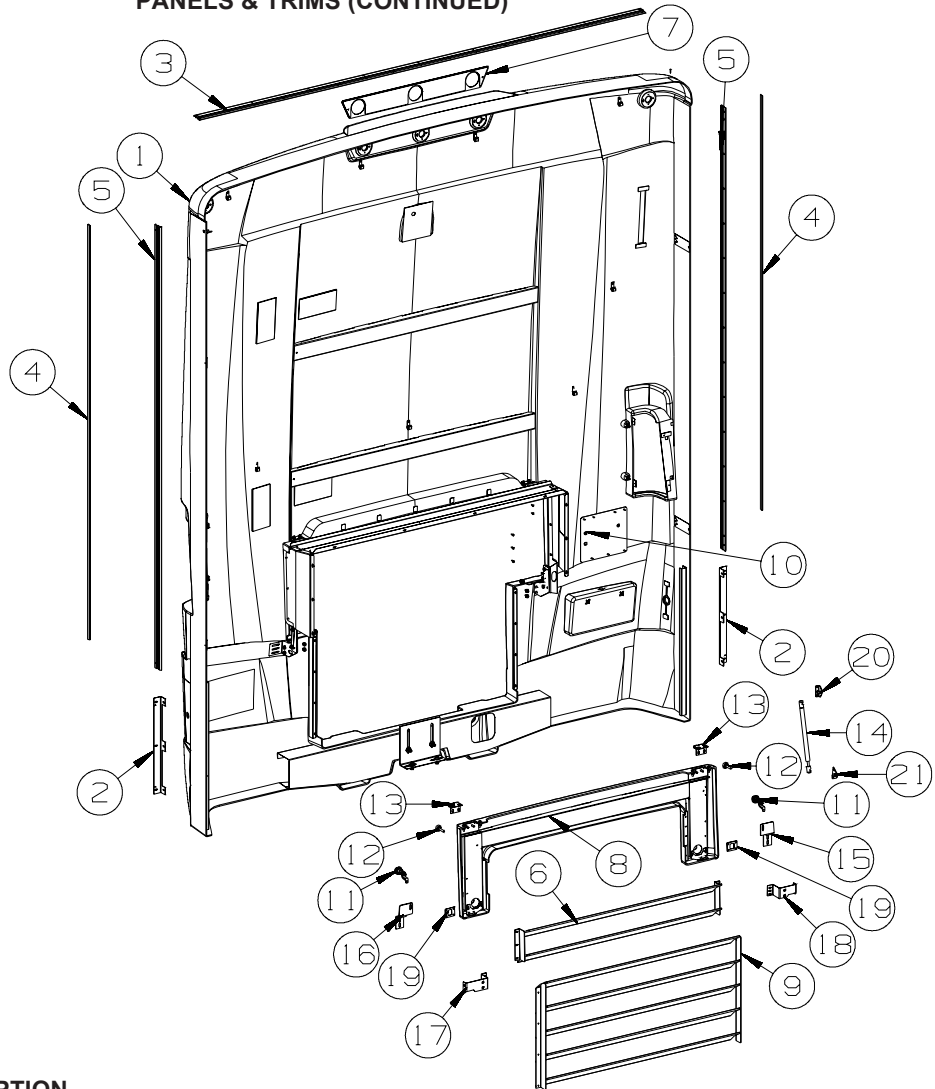
***COMPONENT PARTS LISTED LATER IN THIS GROUP**



KEY	PART NUMBER	U/M	DESCRIPTION
1*	151458-02-000	EA	KEYPAD - ENTRY DOOR/HORIZONTAL
2	093673-01-06A	FT	TRIM/MOLDING - 1.4" WIDE X 8' LONG - BRIGHT WHITE
3	156622-01-01A	FT	SEALER - TAPE - 1/4" THICK X 3"WIDE X 100 FT
4	165309-02-01A	EA	ASSIST HANDLE - 18" - LIGHTED - SST
5	134774-01-02B	EA	BRACKET - CAB ATTACHMENT - E-COATED
6	104692-01-000	EA	SEAL - ADHESIVE BACKED FOAM - 3/4" THICK X 3/4" WIDE X 25'
7	143143-01-01A	EA	ANGLE - SUPPORT/TRIM
8	143143-02-01A	EA	ANGLE - SUPPORT/TRIM
9	099418-01-000	FT	SEAL - D-SECTION/ADHESIVE BACK - .44" X .44" - BLK RUBBER

***COMPONENT PARTS LISTED LATER IN THIS GROUP**

EXTERIOR BODY GROUP (CONTINUED)
PANELS & TRIMS (CONTINUED)



KEY	PART NUMBER	U/M	DESCRIPTION
1	160115-05-WK0	EA	PANEL - REAR CAP - W/O LIGHTS
2	138789-01-02B	EA	ANGLE/MOUNT - WHEEL LIP/BACKWALL - E-COATED
3	083805-23-000	EA	TRIM - ROOF CAP - 92.1" - BRIGHT WHITE
4	091985-01-07A	EA	INSERT - TRIM - REAR CAP TO SIDEWALL - .66" - BRIGHT WHITE
5	092041-01-03A	EA	TRIM - FRONT/REAR CAP (SIDEWALL) - 83.1" - BRIGHT WHITE
6	161595-01-WK0	EA	GRILLE - TRUNK DOOR
7	145389-01-01A	EA	TRIM - LIGHTS - REAR - BRUSHED STAINLESS STEEL
8	160152-06-WK0	EA	DOOR - REAR/ENGINE - W/O HDW
9	161598-01-WK0	EA	GRILLE - ENGINE/REAR/LOWER
10	163331-01-02B	EA	PLATE/MOUNTING - RESERVOIR - E-COATED
FROM: 00-00-00 THRU: 09-09-07			
11	102330-03-000	EA	LATCH - VISE ACTION/KEY OPERATED
	102328-01-000	EA	KEY - BARREL - NICKEL PLATED
12	058786-01-000	EA	BOLT - HOOD ADJUSTMENT - 5/16"-18 X 1.5"-2"- W/BLACK PAD
13	102325-06-07A	EA	HINGE/TRUNK DOOR - 2" - BRIGHT WHITE
14	142569-21-000	EA	SPRING/GAS - 60 LB - 20" EXTENDED/12" COMPRESSED
15	164909-02-02B	EA	LATCH - DOOR/TRUNK/LEFT HAND - E-COATED
16	164909-01-02B	EA	LATCH - DOOR/TRUNK/RIGHT HAND - E-COATED
17	163379-04-02B	EA	BRACKET/SUPPORT - STRIKER - E-COATED
18	163379-06-02B	EA	BRACKET/SUPPORT - STRIKER - E-COATED
19	164912-01-02B	EA	SPACER - LATCH/HOOD - E-COATED
20	126263-03-02B	EA	BRACKET - GAS SPRING W/BALL STUD - E/COATED
21	126263-08-02B	EA	BRACKET - GAS SPRING W/CENTERED BALL STUD - E-COATED

EXTERIOR BODY GROUP (CONTINUED)
COMPONENT PARTS FOR PANELS & TRIMS

131431-08-02A

KEY	PART NUMBER	U/M	DESCRIPTION	VENDOR NO.
	106015-16-700	EA	GLASS/FLAT-W/HEAT ELEMENT	709450
	106015-18-700	EA	GLASS/CONVEX	709650
	106015-18-701	EA	ACTUATOR - CONVEX GLASS	7475410
	106015-18-702	EA	MOTOR - FLAT GLASS	7471180
	106015-18-703	EA	GLASS/CONVEX-ACT/HOUSING	709651 KIT
	106015-19-700	EA	GLASS/FLAT-W/BEZEL/HEAT/ANTI	709645
	131431-03-700	EA	LIGHT/TURN SIGNAL - AMBER	7475510
	131431-07-700	EA	KIT(SCREW CVR BLK)ROUND/OVAL	748344
	131431-08-700	EA	CAP/BASE - BLK - 1 PKG OF 2	Q7095150

142721-01-02A, 142721-02-02A

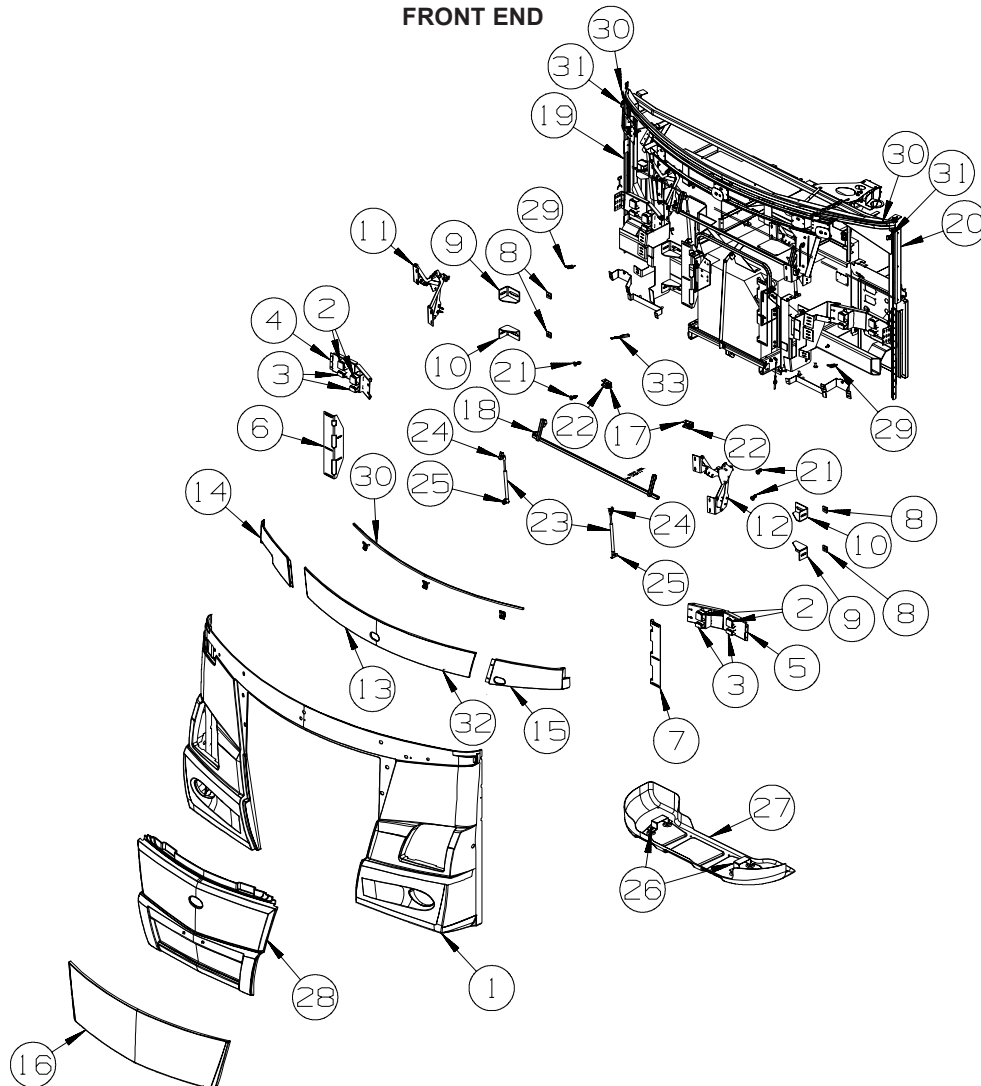
KEY	PART NUMBER	U/M	DESCRIPTION	VENDOR NO.
	106015-16-700	EA	GLASS/FLAT-W/HEAT ELEMENT	709450
	106015-18-700	EA	GLASS/CONVEX	709650
	106015-18-701	EA	ACTUATOR - CONVEX GLASS	7475410
	106015-18-702	EA	MOTOR - FLAT GLASS	7471180
	106015-18-703	EA	GLASS/CONVEX-ACT/HOUSING	709651 KIT
	131431-03-700	EA	LIGHT/TURN SIGNAL - AMBER	7475510
	142721-01-700	EA	COVER/CAP - BOTTOM	Q709678
	142721-01-701	EA	CAP - RECTANGULAR (VELVAC)	709557
	142721-01-702	EA	BRACKET/MOUNT - MIRROR	7096800
	142721-01-703	EA	GASKET/MOUNT - MIRROR	7097400
	142721-01-704	EA	SET SCREW - 5/16"-18 X 1.25"	4082140

151458-02-000

KEY	PART NUMBER	U/M	DESCRIPTION	VENDOR NO.
	151458-02-700	EA	COVERS (2 PER PKG) F/KEY PAD	208-3896
	151458-02-701	EA	GASKET - OUTER - F/KEYPAD	308-2094

EXTERIOR BODY GROUP (CONTINUED)

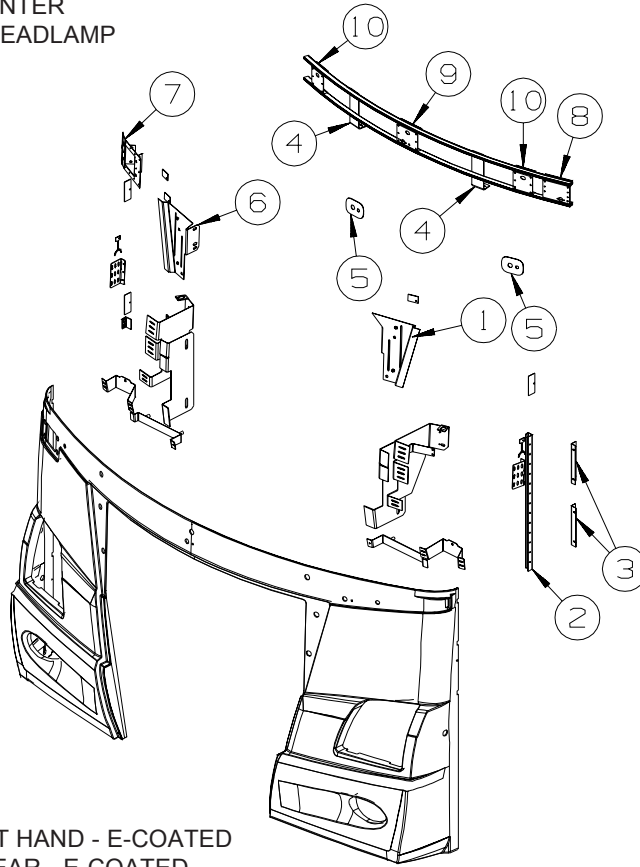
FRONT END



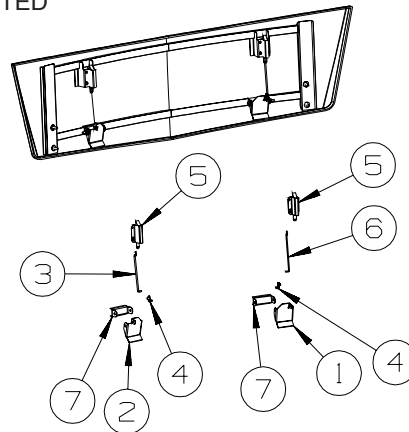
KEY	PART NUMBER	U/M	DESCRIPTION
1	156722-02-UJ1	EA	PANEL - FRONT/LOWER - W/O HOOD/GRILLE/LIGHTS
2	148217-01-01A	EA	PAD - URETHANE FOAM - W/ADHESIVE BACK-1/4"X 2"X 2" - BLACK
3	148217-02-01A	EA	PAD - URETHANE FOAM - W/ADHESIVE BACK-1/4"X 2"X 1" - BLACK
4	144142-01-02B	EA	SUPPORT - HEADLAMP - RIGHT HAND - E-COATED
5	144142-02-02B	EA	SUPPORT - HEADLAMP - LEFT HAND - E-COATED
6	114396-07-02B	EA	ANGLE - BUMPER MOUNT/PASSENGER - E-COATED
7	114396-08-02B	EA	ANGLE - BUMPER MOUNT/DRIVER - E-COATED
8	116617-02-02B	EA	SPACER - BUMPER
9	128455-01-02B	EA	BRACKET - BUMPER - E-COATED
10	128455-02-02B	EA	BRACKET - BUMPER - E-COATED
11	137072-07-01A	EA	HINGE - HOOD - PASSENGER - BLACK
12	137072-08-01A	EA	HINGE - HOOD - DRIVER - BLACK
13	156705-02-UJ1	EA	COWL - WINDSHIELD/CENTER
14	156708-03-UJ1	EA	COWL - WINDSHIELD - PASSENGER
15	156708-04-UJ1	EA	COWL - WINDSHIELD - DRIVER
16	144187-01-R83	EA	HOOD - FRONT
17	144209-01-02B	EA	ANGLE/STRIKER - HOOD - E-COATED
18	144395-01-02B	EA	TUBE/TIMING - HOOD - E-COATED
19	140447-02-02A	EA	TRIM - GRILLE PANEL/SIDEWALL - 47.4" - BLACK
20	140447-01-02A	EA	TRIM - GRILLE PANEL/SIDEWALL - 22" - BLACK
21	058786-01-000	EA	BOLT - HOOD ADJUSTMENT - 5/16"-18 X 1.5"-2"- W/BLACK PAD
22	130053-01-01A	EA	STRIKER - LUGGAGE DOOR - FLUSH - BLACK
23	142569-08-000	EA	SPRING/GAS - 45 LB. - 18.5" EXTENDED/11"COMPRESSED
24	126263-02-02B	EA	BRACKET - GAS SPRING W/BALL STUD - E-COATED
25	126263-03-02B	EA	BRACKET - GAS SPRING W/BALL STUD - E/COATED
26	146357-02-02B	EA	BRACKET/PLATE - SKID - E-COATED
27	146365-02-01A	EA	BELLY PAN - FRONT LOWER - PLASTIC
27	146365-01-01A	EA	BELLY PAN - FRONT LOWER - PLASTIC - BLACK

EXTERIOR BODY GROUP (CONTINUED) FRONT END (CONTINUED)

KEY	PART NUMBER	U/M DESCRIPTION
28	144025-02-R83	EA PANEL/DOOR - GENERATOR - F/CENTER/GRILLE PANEL
29	049359-01-000	EA SPRING - RETAINER - HEADLAMP - GM #496096
30	099418-01-000	FT SEAL - D-SECTION/ADHESIVE BACK - .44" X .44" - BLK RUBBER
31	144170-01-02B	EA ZEE - COWL - OUTSIDE - E-COATED
32	156705-01-01A	EA COWL - WINDSHIELD/CENTER
33	144904-01-01A	EA BOLT - ADJUSTMENT - HEADLAMP

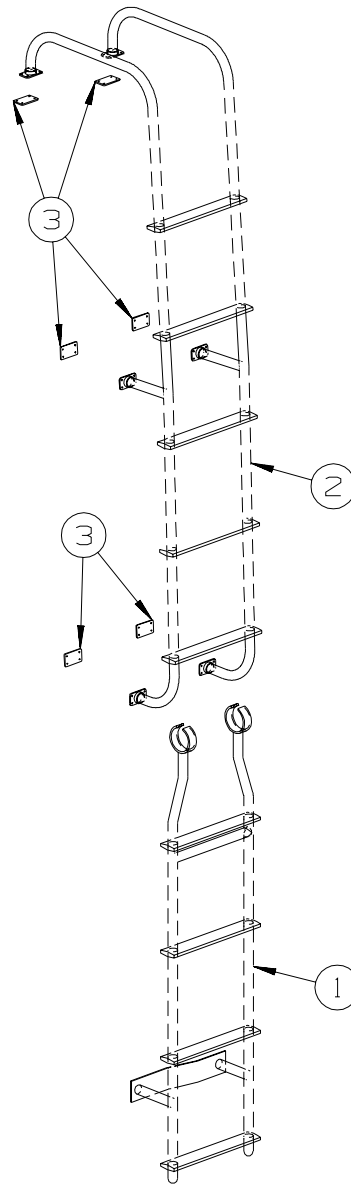


KEY	PART NUMBER	U/M DESCRIPTION
1	144367-04-02B	EA SUPPORT - HINGE - LEFT HAND - E-COATED
2	132071-06-02B	EA BRACKET - BUMPER - REAR - E-COATED
3	113041-16-02B	EA ANGLE/MOUNT - BUMPER - E-COATED
4	144208-01-02B	EA BRACKET/STRIKER - HOOD - E-COATED
5	157080-01-01A	EA BOOT/COWL - NEOPRENE W/ADHESIVE BACK - BLACK
6	144367-03-02B	EA SUPPORT - HINGE - RIGHT HAND - E-COATED
7	120850-04-02B	EA PLATE - SUPPORT/MIRROR - E-COATED
8	157051-02-02B	EA SUPPORT - PIVOT SHAFT - E-COATED
9	157051-04-02B	EA SUPPORT - PIVOT SHAFT - E-COATED
10	157051-05-02B	EA SUPPORT - PIVOT SHAFT - E-COATED



KEY	PART NUMBER	U/M DESCRIPTION
1	147388-01-02B	EA LATCH/PADDLE - E-COAT
2	147388-02-02B	EA LATCH/PADDLE - E-COAT
3	145521-04-01A	EA ROD - HOOD LATCH
4	102265-01-000	EA CLIP/ROD END - 5/32" - BLACK PLASTIC
5	113908-02-000	EA LATCH/PLUNGER - F/HOOD/REAR TRUNK/ENGINE/GENERATOR DOOR
6	145521-03-01A	EA ROD - HOOD LATCH
7	139160-01-01A	EA BRACKET - LATCH - PADDLE - MILL

EXTERIOR BODY GROUP (CONTINUED)
LADDER

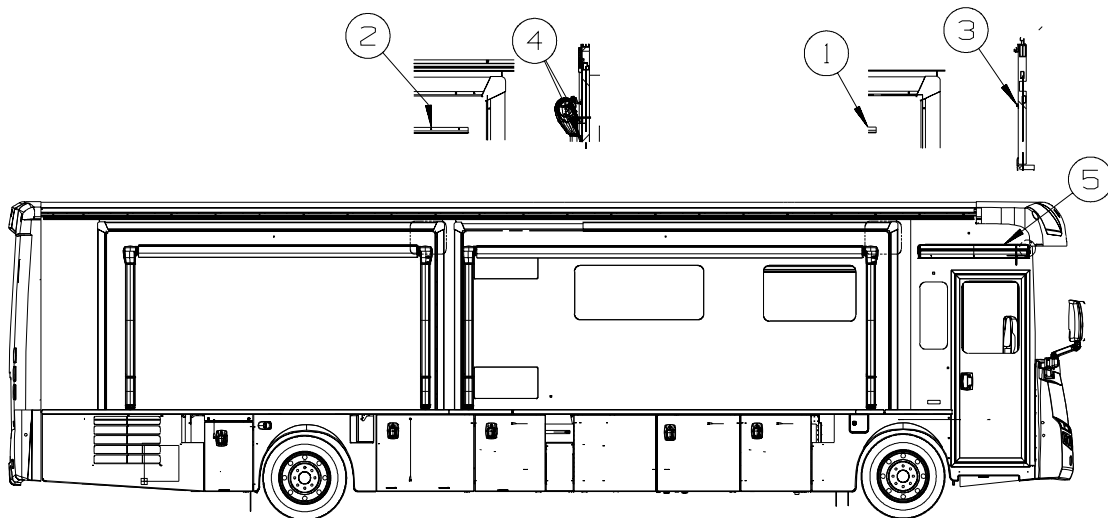


KEY	PART NUMBER	U/M	DESCRIPTION
1	161990-04-01A	EA	LADDER - LOWER - BRUSHED ALUMINUM
2	161113-08-01A	EA	LADDER - 5 STEP - 73.3" - BRUSHED ALUMINUM
3	129375-02-000	EA	SEAL - LADDER BRACKET

EXTERIOR BODY GROUP (CONTINUED)

STRUCTURAL COMPONENTS

KEY	PART NUMBER	U/M	DESCRIPTION
	002726-01-001	EA	GARNISH - U-CHANNEL - 1.38" X 19' - SERRATED
	002754-01-001	EA	ANGLE - EXTRUDED - 3/4" X 3/4" X 16' - MILL ALUMINUM
	002766-01-001	EA	ANGLE - EXTRUDED - 1" X 1 1/2" X 17'
	089297-01-000	SF	PLYWOOD - LUAN - OVERLAY GRADE - 4' X 8'
	089297-03-000	SF	PLYWOOD - LUAN - OVERLAY GRADE - 4' X 8.3'
	100619-01-000	BF	FOAM - EXPANDED POLYSTYRENE - 1.34" X 48" X 96"
	100619-02-000	BF	FOAM - EXPANDED POLYSTYRENE - 1.5" X 48" X 96"
	100619-04-000	BF	FOAM - EXPANDED POLYSTYRENE - .5" X 48" X 96"
	100619-05-000	BF	FOAM - EXPANDED POLYSTYRENE - .75" X 48" X 96"-1.5"DENSITY
	100619-13-000	BF	FOAM - EXPANDED POLYSTYRENE-.34" X 34.7" X 96"-2" DENSITY
	100619-16-000	BF	FOAM - EXPANDED POLYSTYRENE - .75" X 48" X 96"-2" DENSITY
	100619-21-000	BF	FOAM - EXPANDED POLYSTYRENE - .75" X 48" X .143"
	100619-22-000	BF	FOAM - EXPANDED POLYSTYRENE - 1.34" X 48" X 120"
	120107-07-000	EA	FOAM - ROOF COVE
	152490-01-000	EA	FOAM - PLUG - ROOF TUBE
	168391-01-000	EA	FOAM - PLUG - ROOF
	108535-05-03A	SF	FIBERGLASS SHEET - 108" X 500' ROLL - BRIGHT WHITE
	116942-03-01A	LB	ALUMINUM - .7" X 40" X 158"
	162931-28-01A	EA	FIBERGLASS SHEET - 14.5" X 96" - BRIGHT WHITE
	163777-01-01A	EA	FIBERGLASS/LUAN LAMINATED - .2"X85.2"X448.1"-GRAY SAND GEL
	170322-18-02A	EA	FIBERGLASS SHEET - 85.2" X 448.1" - GRAY SAND GEL
			FROM: 00-00-00 THRU: 01-11-09
	170322-30-01A	EA	FIBERGLASS SHEET - 31.1" X 76" - HIGH GLOSS - BRT WHITE
	151523-01-02A	EA	CEILING PANEL - 48" X 97.1" - VINYL/FOAM/LUAN - SPINDRIFT
			FROM: 01-12-09 THRU: 99-99-99



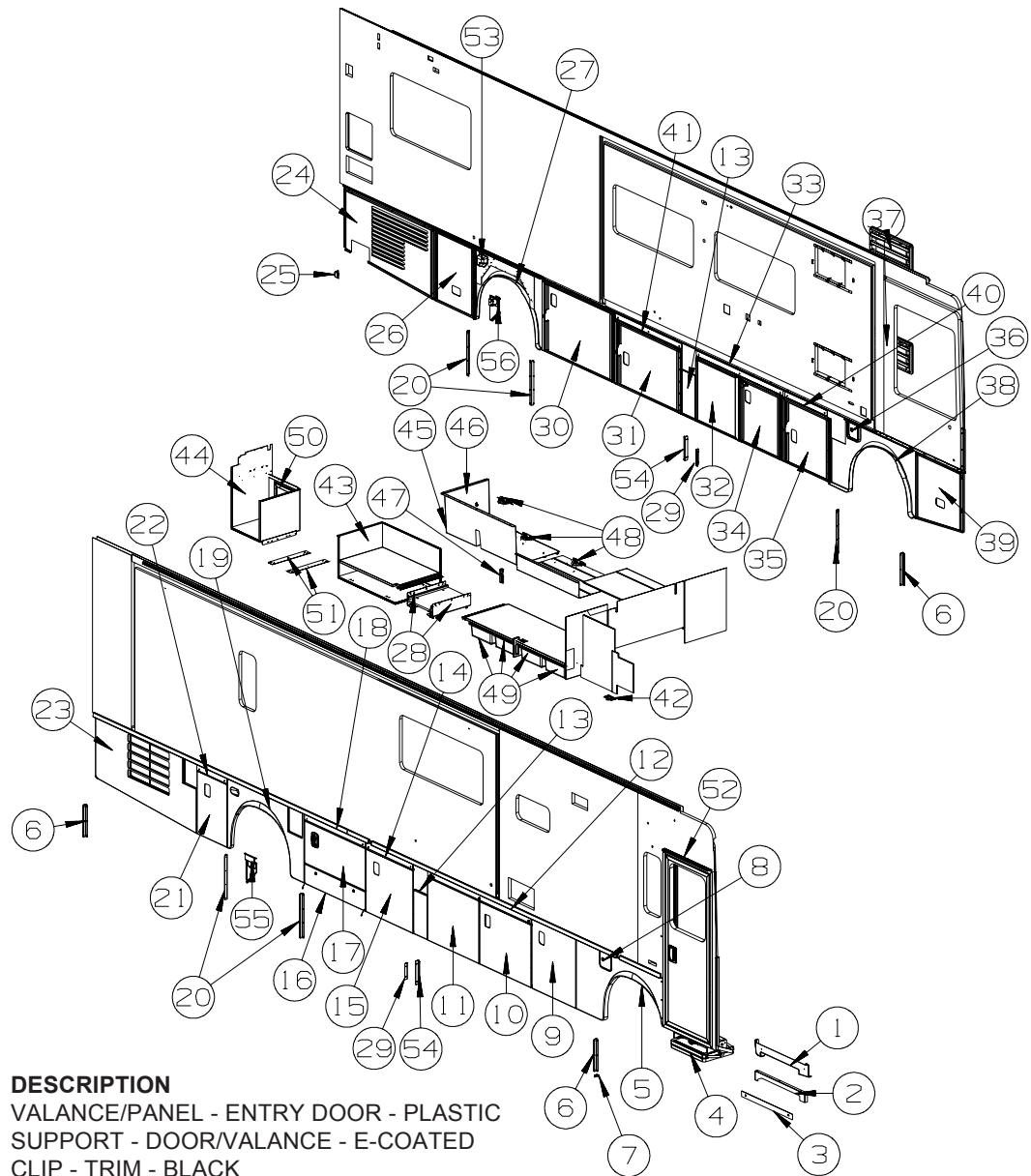
AWNINGS

KEY	PART NUMBER	U/M	DESCRIPTION
1	142123-02-02A	EA	RAIL/AWNING - 232" - BLACK
			FROM: 00-00-00 THRU: 07-13-08
1	142123-01-02A	EA	RAIL/AWNING - 240" - BLACK
			FROM: 07-14-08 THRU: 99-99-99
2	NOT USED	EA	RAIL/AWNING - 123.4" - BLACK
3	165522-02-02A	EA	RAIL - AWNING - 45.1" - BLACK
4	113874-11-01A	EA	SCREW/LAG - AWNING - 1/4" X 1" STAINLESS STEEL
5	NOT USED		

**ORDER AWNINGS & REPAIR PARTS FROM DOMETIC AT #800-366-3842 OR
CAREFREE AT #800-621-2617 OR ONLINE AT WWW.E-CAREFREE.COM.
THE AWNING INFORMATION YOU WILL NEED IS LOCATED ON THE MOTOR HOME NEAR THE TOP
OF THE AWNING RAIL.**

EXTERIOR DOORS & COMPARTMENTS GROUP

DOOR & COMPARTMENT LAYOUT

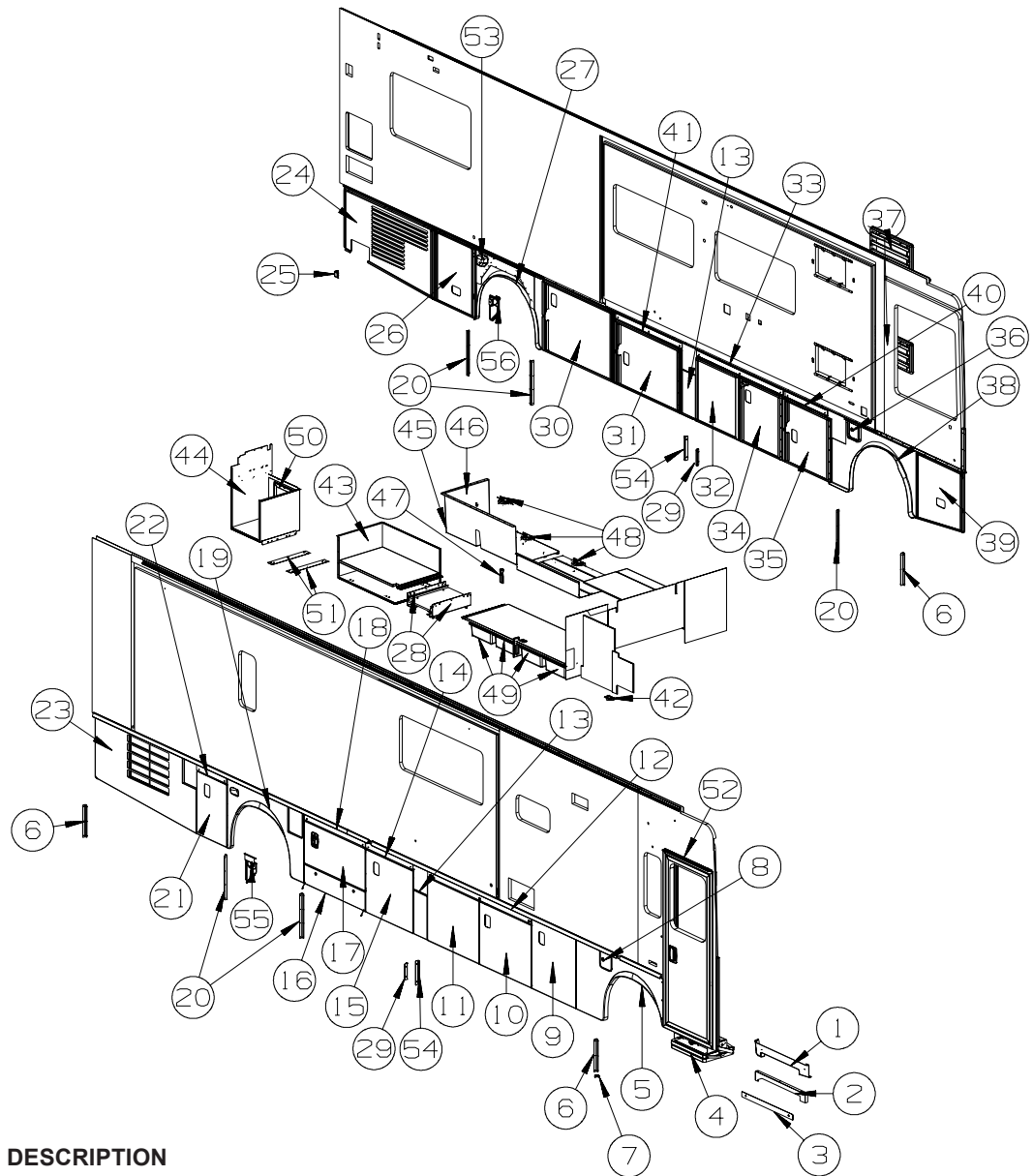


KEY	PART NUMBER	U/M	DESCRIPTION
1	131900-06-WK0	EA	VALANCE/PANEL - ENTRY DOOR - PLASTIC
2	134125-05-02B	EA	SUPPORT - DOOR/VALANCE - E-COATED
3	143362-04-04B	EA	CLIP - TRIM - BLACK
4*	094707-04-01A	EA	STEP - ELECTRIC DOUBLE - KWIKEE
5	161039-02-WK0	EA	PANEL/WHEEL LIP - PASSENGER/FRONT
	139793-03-01A	EA	HINGE - CENTER/VALANCE DOOR - W/O BALL STUD
6	113904-13-02B	EA	ANGLE - ATTACHMENT/WHEEL LIP - 15.7" - E-COAT
7	123512-07-02B	EA	BRACKET - DOOR/VALANCE - E-COATED
8	131905-07-R83	EA	PANEL/DOOR - FUEL FILL - W/O LOCK - BLACK
	138290-01-000	EA	CASE - W/CAM - W/O CYLINDER/KEY
	153306-01-01A	EA	HINGE - PIANO - 1 1/2" X 5" - UNPAINTED
9	149405-07-WH4	EA	DOOR/VALANCE - W/O PADDLE LATCH/HDW - 31.5"W X 33.8"H
	151390-01-01B	EA	ROD - LATCH - 10.6" W/3/4" DOG LEG
	137228-09-02B	EA	HINGE - PIANO - COMPARTMENT DOOR - 27" - E-COATED
	142569-06-000	EA	SPRING/GAS - 25 LB - 14.8" EXTENDED/8.9" COMPRESSED
	126263-02-02B	EA	BRACKET - GAS SPRING W/BALL STUD - E-COATED
	132892-08-01A	FT	SEAL - BULB/SINGLE - W/U CHANNEL - 1" X .8" - BLACK
10	161731-02-WK0	EA	DOOR/VALANCE - W/O PADDLE LATCH/HDW - 36.8"W X 30.7"H
	151390-08-01B	EA	ROD - LATCH - 5.8" W/3/4" DOG LEG
	151390-11-01B	EA	ROD - LATCH - 19.7" W/3/4" DOG LEG
	142569-06-000	EA	SPRING/GAS - 25 LB - 14.8" EXTENDED/8.9" COMPRESSED
	126263-02-02B	EA	BRACKET - GAS SPRING W/BALL STUD - E-COATED

EXTERIOR DOORS & COMPARTMENTS GROUP (CONTINUED)
DOOR & COMPARTMENT LAYOUT (CONTINUED)

KEY	PART NUMBER	U/M	DESCRIPTION
11	161736-02-WK0	EA	DOOR/VALANCE - W/O PADDLE LATCH/HDW - 36.8"W X 30.7"H
	142569-06-000	EA	SPRING/GAS - 25 LB - 14.8" EXTENDED/8.9" COMPRESSED
	126263-02-02B	EA	BRACKET - GAS SPRING W/BALL STUD - E-COATED
	163704-02-01A	EA	SEAL - HOOD/DOOR - LUGGAGE - BLACK
	163673-01-01A	FT	SEAL - DOOR/LUGGAGE - PERIMETER - BLACK
	163672-01-01A	FT	SEAL - DOOR/LUGGAGE - VERTICAL - BLACK
12	159557-21-WH4	EA	PANEL/VALANCE - W/MOUNT CHANNEL - 3.2" X 74.1"
13	161907-01-WH4	EA	PANEL/VALANCE - W/O HDW - 9.6"W X 21.7"H
14	159557-19-WK0	EA	PANEL/VALANCE - W/MOUNT CHANNEL - 3.2" X 33.7"
15	159324-14-WK0	EA	DOOR/VALANCE - W/O PADDLE LATCH/HDW - 33.7" X 30.7"
	151390-01-01B	EA	ROD - LATCH - 10.6" W/3/4" DOG LEG
	137228-09-02B	EA	HINGE - PIANO - COMPARTMENT DOOR - 27" - E-COATED
	149359-01-01A	EA	LATCH - SINGLE ROTOR
	142569-06-000	EA	SPRING/GAS - 25 LB - 14.8" EXTENDED/8.9" COMPRESSED
	126263-02-02B	EA	BRACKET - GAS SPRING W/BALL STUD - E-COATED
	132892-08-01A	FT	SEAL - BULB/SINGLE - W/U CHANNEL - 1" X .8" - BLACK
16	167240-01-YL4	EA	VALANCE/DOOR - W/O PADDLE LATCH/HDW - 43.3"W X 9.6"H
	076767-07-000	EA	CABLE - STAINLESS STEEL - 7.1"
	167277-01-01A	EA	HINGE - PIANO - EXTERIOR - STAINLESS STEEL
	132892-08-01A	FT	SEAL - BULB/SINGLE - W/U CHANNEL - 1" X .8" - BLACK
17	159324-19-YL4	EA	DOOR/VALANCE - W/O PADDLE LATCH/HDW - 43.4" X 20.6"
	151390-01-01B	EA	ROD - LATCH - 10.6" W/3/4" DOG LEG
	137228-18-02B	EA	HINGE - PIANO - COMPARTMENT DOOR - 17" - E-COATED
	149359-01-01A	EA	LATCH - SINGLE ROTOR
	142569-06-000	EA	SPRING/GAS - 25 LB - 14.8" EXTENDED/8.9" COMPRESSED
	126263-02-02B	EA	BRACKET - GAS SPRING W/BALL STUD - E-COATED
	132892-08-01A	FT	SEAL - BULB/SINGLE - W/U CHANNEL - 1" X .8" - BLACK
18	159557-18-WK0	EA	PANEL/VALANCE - W/MOUNT CHANNEL - 3.2" X 43.4"
19	159328-01-UJ1	EA	PANEL/WHEEL LIP - REAR/PASSENGER - W/O LIGHT
	139793-03-01A	EA	HINGE - CENTER/VALANCE DOOR - W/O BALL STUD
20	113904-11-02B	EA	ANGLE - ATTACHMENT/WHEEL LIP - 21.6" - E-COAT
21	159324-04-UJ1	EA	DOOR/VALANCE - W/O PADDLE LATCH/HDW - 21.5" X 30.7"
	151390-01-01B	EA	ROD - LATCH - 10.6" W/3/4" DOG LEG
	137228-04-02B	EA	HINGE - PIANO - COMPARTMENT DOOR - 27" - E-COATED
	149359-01-01A	EA	LATCH - SINGLE ROTOR
	163673-01-01A	FT	SEAL - DOOR/LUGGAGE - PERIMETER - BLACK
	132892-08-01A	FT	SEAL - BULB/SINGLE - W/U CHANNEL - 1" X .8" - BLACK
	142569-06-000	EA	SPRING/GAS - 25 LB - 14.8" EXTENDED/8.9" COMPRESSED
	126263-02-02B	EA	BRACKET - GAS SPRING W/BALL STUD - E-COATED
22	159557-01-UJ1	EA	PANEL/VALANCE - W/MOUNT CHANNEL - 3.2" X 21.5"
23	144442-19-UJ1	EA	VALANCE/DOOR - PASS W/LOUVERS-W/O HDW-34.2"X 72.1" X 29.7"
	139793-03-01A	EA	HINGE - CENTER/VALANCE DOOR - W/O BALL STUD
	107721-07-000	FT	SEAL - ACCESS DOOR - .9"WIDE X 1.1"HIGH
24	144442-20-WK0	EA	VALANCE/DOOR - DRVR W/LOUVERS-W/O HDW-29.7"X 65" X 34.2"
	151390-01-01B	EA	ROD - LATCH - 10.6" W/3/4" DOG LEG
25	140309-03-02B	EA	ANGLE - FURNACE DOOR - E-COATED
	135624-06-01B	EA	ROD - LATCH
	135624-25-01B	EA	ROD - LATCH
	142569-04-000	EA	SPRING/GAS - 67 LB - 21.1" EXTENDED/12.6" COMPRESSED
	126263-02-02B	EA	BRACKET - GAS SPRING W/BALL STUD - E-COATED
	130053-01-01A	EA	STRIKER - LUGGAGE DOOR - FLUSH - BLACK
	143793-01-01A	EA	SHIM - STRIKER - LUGGAGE - 3/64" - BLACK
	120494-04-02B	EA	SHIM - STRIKER - LUGGAGE DOOR - 3/16" - E-COATED
	099418-01-000	FT	SEAL - D-SECTION/ADHESIVE BACK - .44" X .44" - BLK RUBBER
	107721-07-000	FT	SEAL - ACCESS DOOR - .9"WIDE X 1.1"HIGH

EXTERIOR DOORS & COMPARTMENTS GROUP (CONTINUED)
DOOR & COMPARTMENT LAYOUT (CONTINUED)

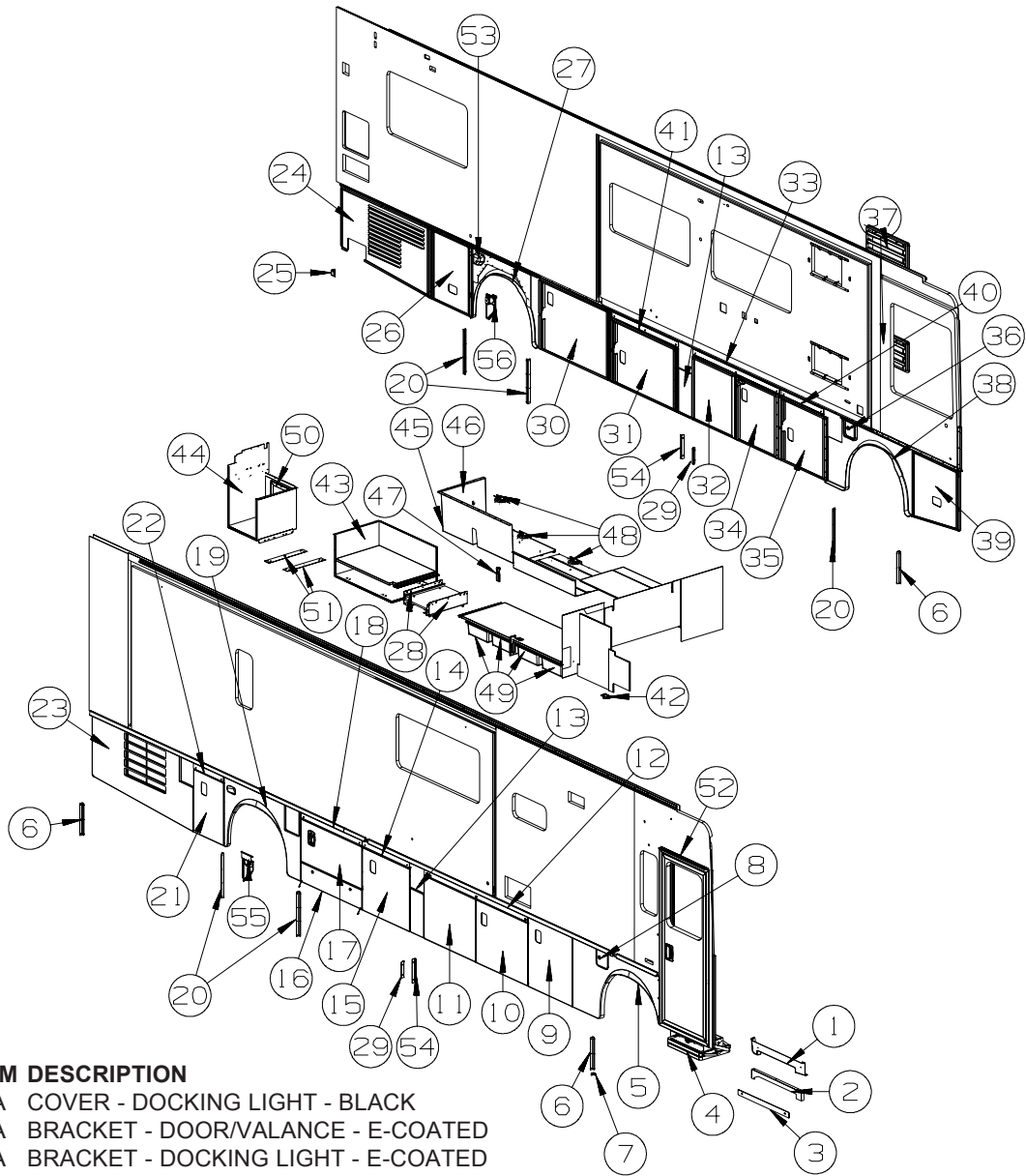


KEY	PART NUMBER	U/M	DESCRIPTION
26	144342-26-UJ1	EA	VALANCE/DOOR - W/O LATCH/HDW - 28.9" X 34.2"
	135624-06-01B	EA	ROD - LATCH
	135624-25-01B	EA	ROD - LATCH
	130053-01-01A	EA	STRIKER - LUGGAGE DOOR - FLUSH - BLACK
	143793-01-01A	EA	SHIM - STRIKER - LUGGAGE - 3/64" - BLACK
	120494-04-02B	EA	SHIM - STRIKER - LUGGAGE DOOR - 3/16" - E-COATED
	107721-07-000	FT	SEAL - ACCESS DOOR - .9"WIDE X 1.1"HIGH
	142569-04-000	EA	SPRING/GAS - 67 LB - 21.1" EXTENDED/12.6" COMPRESSED
	126263-02-02B	EA	BRACKET - GAS SPRING W/BALL STUD - E-COATED
	099418-01-000	FT	SEAL - D-SECTION/ADHESIVE BACK - .44" X .44" - BLK RUBBER
27	144658-06-R83	EA	PANEL/WHEEL LIP - REAR/DRIVER
	139793-03-01A	EA	HINGE - CENTER/VALANCE DOOR - W/O BALL STUD
28	145663-01-000	EA	SLIDE - TRAY/LUGGAGE - KWIKEE
29	164125-02-02B	EA	BRACKET - DOOR/VALANCE - E-COATED
30	159324-06-WK0	EA	DOOR/VALANCE - W/O PADDLE LATCH/HDW - 51.3" X 33.8"
	151390-07-01B	EA	ROD - LATCH - 10" W/3/4" DOG LEG
	137228-06-02B	EA	HINGE - PIANO - COMPARTMENT DOOR - 27" - E-COATED
	149359-04-01A	EA	LATCH - SINGLE ROTOR - MINI/LEFT HAND - ZINC
	142569-06-000	EA	SPRING/GAS - 25 LB - 14.8" EXTENDED/8.9" COMPRESSED
	126263-02-02B	EA	BRACKET - GAS SPRING W/BALL STUD - E-COATED
	107721-07-000	FT	SEAL - ACCESS DOOR - .9"WIDE X 1.1"HIGH

EXTERIOR DOORS & COMPARTMENTS GROUP (CONTINUED)
DOOR & COMPARTMENT LAYOUT (CONTINUED)

KEY	PART NUMBER	U/M	DESCRIPTION
31	159324-12-WK0	EA	DOOR/VALANCE - W/O PADDLE LATCH/HDW - 47.4" X 30.7"
	151390-12-01B	EA	ROD - LATCH - 6.8" W/.6" DOG LEG
	151390-13-01B	EA	ROD - LATCH - 3.9" W/3/4" DOG LEG
	137228-06-02B	EA	HINGE - PIANO - COMPARTMENT DOOR - 27" - E-COATED
	149359-07-01A	EA	LATCH - SINGLE ROTOR - MINI/RIGHT HAND
	155143-03-01A	EA	CABLE - W/ENDS - 6.8" - BLACK
	142569-06-000	EA	SPRING/GAS - 25 LB - 14.8" EXTENDED/8.9" COMPRESSED
	126263-02-02B	EA	BRACKET - GAS SPRING W/BALL STUD - E-COATED
	107721-07-000	FT	SEAL - ACCESS DOOR - .9"WIDE X 1.1"HIGH
32	161783-01-WK0	EA	DOOR/VALANCE - W/O HDW - 32.4"W X 30.7"H
	142569-06-000	EA	SPRING/GAS - 25 LB - 14.8" EXTENDED/8.9" COMPRESSED
	126263-02-02B	EA	BRACKET - GAS SPRING W/BALL STUD - E-COATED
	163673-01-01A	FT	SEAL - DOOR/LUGGAGE - PERIMETER - BLACK
	163704-01-01A	EA	SEAL - HOOD/DOOR - LUGGAGE - BLACK
	163672-01-01A	FT	SEAL - DOOR/LUGGAGE - VERTICAL - BLACK
33	159557-20-WH4	EA	PANEL/VALANCE - W/MOUNT CHANNEL - 3.2" X 61.9"
34	161782-01-WK0	EA	DOOR/VALANCE - W/O PADDLE LATCH/HDW - 30.7"W X 30.7"H
	151390-10-01B	EA	ROD - LATCH - 18.4" W/3/4" DOG LEG
	151390-14-01B	EA	ROD - LATCH - 6" W/3/4" DOG LEG
	141940-03-01A	EA	ROD - PADDLE LATCH
	141940-04-01A	EA	BRACKET - PADDLE LATCH
	142569-06-000	EA	SPRING/GAS - 25 LB - 14.8" EXTENDED/8.9" COMPRESSED
	126263-02-02B	EA	BRACKET - GAS SPRING W/BALL STUD - E-COATED
35	159324-08-WH4	EA	DOOR/VALANCE - W/O PADDLE LATCH/HDW - 34.2" X 30.7"
	151390-12-01B	EA	ROD - LATCH - 6.8" W/.6" DOG LEG
	151390-13-01B	EA	ROD - LATCH - 3.9" W/3/4" DOG LEG
	137228-06-02B	EA	HINGE - PIANO - COMPARTMENT DOOR - 27" - E-COATED
	149359-07-01A	EA	LATCH - SINGLE ROTOR - MINI/RIGHT HAND
	155143-03-01A	EA	CABLE - W/ENDS - 6.8" - BLACK
	142569-06-000	EA	SPRING/GAS - 25 LB - 14.8" EXTENDED/8.9" COMPRESSED
	126263-02-02B	EA	BRACKET - GAS SPRING W/BALL STUD - E-COATED
	132892-08-01A	FT	SEAL - BULB/SINGLE - W/U CHANNEL - 1" X .8" - BLACK
36	131905-05-N70	EA	PANEL/DOOR - FUEL FILL - W/O LOCK - BLACK
	138290-01-000	EA	CASE - W/CAM - W/O CYLINDER/KEY
	153306-01-01A	EA	HINGE - PIANO - 1 1/2" X 5" - UNPAINTED
37	125481-01-02A	EA	DOOR - VENT/REFRIGERATOR - 28.5"W X 13.8"H - BRIGHT WHITE
37	137395-01-01A	EA	DOOR - REFRIGERATOR VENT - 21.5" X 13.8" - BRIGHT WHITE - 15B
38	161039-03-WK0	EA	PANEL/WHEEL LIP - DRIVER/FRONT
	139793-03-01A	EA	HINGE - CENTER/VALANCE DOOR - W/O BALL STUD
39	144442-05-R83	EA	VALANCE/DOOR - PASS W/O LATCH/HDW - 32.3" X 34.4" X 28.7"
	135624-29-01B	EA	ROD - LATCH
	135624-30-01B	EA	ROD - LATCH
	142569-22-000	EA	SPRING/GAS - 90 LB - 17" EXTENDED/11" COMPRESSED
	126263-02-02B	EA	BRACKET - GAS SPRING W/BALL STUD - E-COATED
	130053-01-01A	EA	STRIKER - LUGGAGE DOOR - FLUSH - BLACK
	143793-01-01A	EA	SHIM - STRIKER - LUGGAGE - 3/64" - BLACK
	120494-04-02B	EA	SHIM - STRIKER - LUGGAGE DOOR - 3/16" - E-COATED
	099418-01-000	FT	SEAL - D-SECTION/ADHESIVE BACK - .44" X .44" - BLK RUBBER
	132892-08-01A	FT	SEAL - BULB/SINGLE - W/U CHANNEL - 1" X .8" - BLACK
40	159557-12-WH4	EA	PANEL/VALANCE - W/MOUNT CHANNEL - 3.2" X 31.2"
41	159557-17-WK0	EA	PANEL/VALANCE - W/MOUNT CHANNEL - 3.2" X 47.4"
42	160154-01-01A	EA	HATCH - F/POWER CORD - W/BASE/COVER - BLACK
43	161054-06-YK0	EA	COMPARTMENT
44	158570-02-WK0	EA	COMPARTMENT
	099069-01-000	FT	SEAL - RUBBER - CLOSED SPONGE - .5" WIDE X .12" THICK-BLK
45	162779-01-WK0	EA	COMPARTMENT - DRAINAGE - W/DRAIN TUBE
	112864-01-000	FT	SEAL - FOAM/BUTYL COVERED - 3/8" X 35'
46	162778-01-01A	EA	COMPARTMENT - DRAINAGE
47	130377-02-000	EA	TUBE/DRAIN - KAZOO - 1 1/2" X 4"
48*	142226-02-01A	EA	HATCH - POWER
49	162105-02-01A	EA	STORAGE BOX - 32QT STORAGE - CLEAR PLASTIC
50	145973-01-R83	EA	DOOR/ACCESS - COMPARTMENT - 13.5" X 9.6"
51	147393-06-02B	EA	RETAINER - COMPARTMENT/SLIDE - E-COATED
52	139054-23-02A	EA	CAP - DRIP - JAMB MOUNTED - BLACK

EXTERIOR DOORS & COMPARTMENTS GROUP (CONTINUED)
DOOR & COMPARTMENT LAYOUT (CONTINUED)



KEY	PART NUMBER	U/M	DESCRIPTION
	53	EA	COVER - DOCKING LIGHT - BLACK
	54	EA	BRACKET - DOOR/VALANCE - E-COATED
	55	EA	BRACKET - DOCKING LIGHT - E-COATED
	56	EA	BRACKET - DOCKING LIGHT - E-COATED
	166990-02-01A	EA	TRIM/CORNER - SLIDEOUT - RIGHT - BLACK
			FROM: 00-00-00 THRU: 01-29-09
	166990-01-01A	EA	TRIM/CORNER - SLIDEOUT - LEFT - BLACK
			FROM: 00-00-00 THRU: 01-29-09

ENTRY DOOR LOCK CYLINDERS

138287-11-000	EA	CYLINDER/LOCK - ENTRY DOOR - MASTER W/3M ICON - (3041)
138287-12-000	EA	CYLINDER/LOCK - ENTRY DOOR - MASTER W/3M ICON - (3042)
138287-13-000	EA	CYLINDER/LOCK - ENTRY DOOR - MASTER W/3M ICON - (3043)
138287-14-000	EA	CYLINDER/LOCK - ENTRY DOOR - MASTER W/3M ICON - (3044)
138287-15-000	EA	CYLINDER/LOCK - ENTRY DOOR - MASTER W/3M ICON - (3045)
138287-16-000	EA	CYLINDER/LOCK - ENTRY DOOR - MASTER W/3M ICON - (3046)
138287-17-000	EA	CYLINDER/LOCK - ENTRY DOOR - MASTER W/3M ICON - (3047)
138287-18-000	EA	CYLINDER/LOCK - ENTRY DOOR - MASTER W/3M ICON - (3048)
138287-19-000	EA	CYLINDER/LOCK - ENTRY DOOR - MASTER W/3M ICON - (3049)
138287-20-000	EA	CYLINDER/LOCK - ENTRY DOOR - MASTER W/3M ICON - (3050)
138292-01-000	EA	SEAL - LOCK CYLINDER

EXTERIOR DOORS & COMPARTMENTS GROUP (CONTINUED)
DOOR & COMPARTMENT LAYOUT (CONTINUED)

KEY PART NUMBER U/M DESCRIPTION

VALANCE DOOR, WATER FILL & FUEL FILL DOOR LOCK CYLINDERS

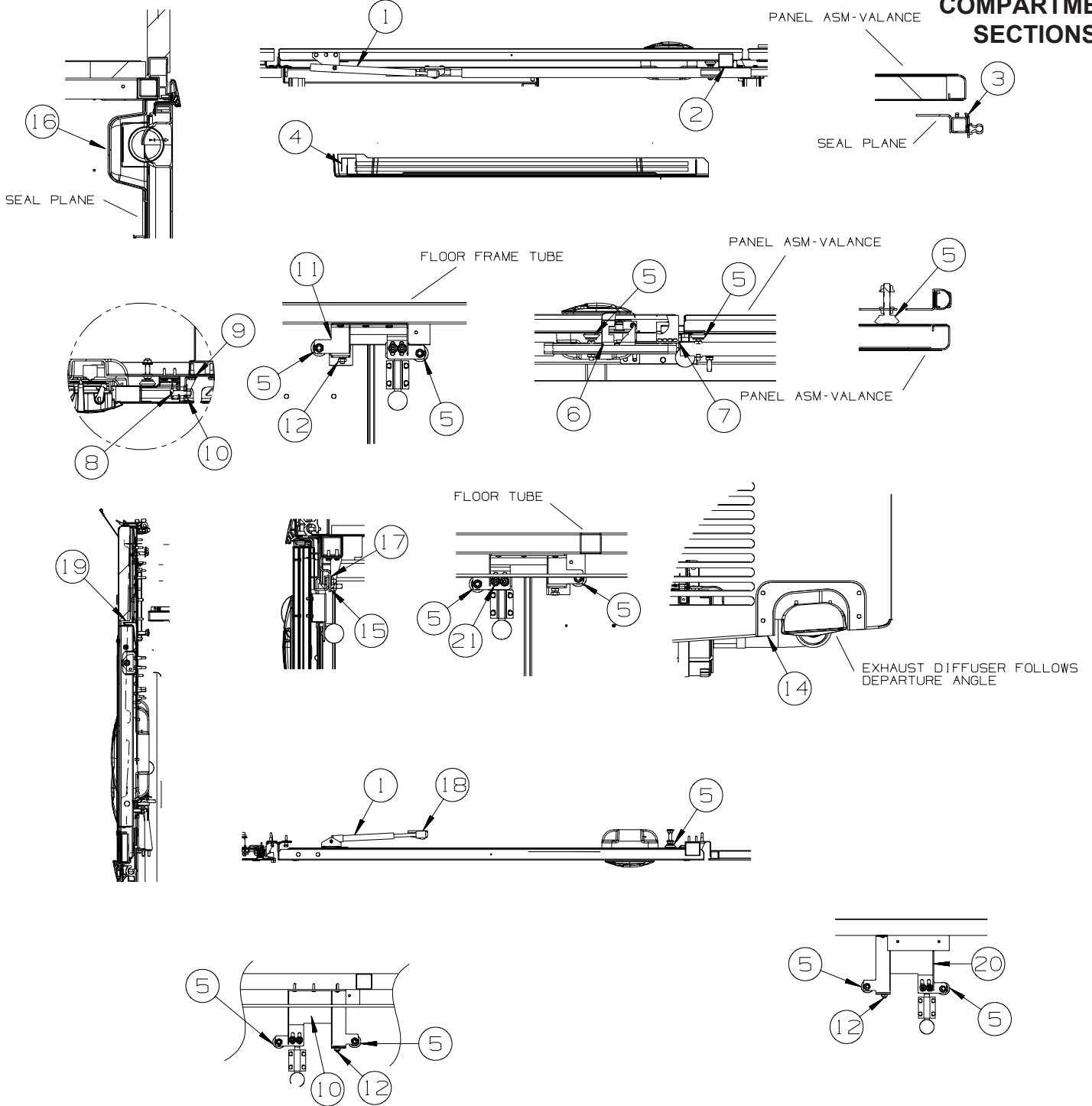
138289-11-000	EA	CYLINDER/LOCK - ACCESS DOORS - REDUCED SENSITIVITY (3041)
138289-12-000	EA	CYLINDER/LOCK - ACCESS DOORS - REDUCED SENSITIVITY (3042)
138289-13-000	EA	CYLINDER/LOCK - ACCESS DOORS - REDUCED SENSITIVITY (3043)
138289-14-000	EA	CYLINDER/LOCK - ACCESS DOORS - REDUCED SENSITIVITY (3044)
138289-15-000	EA	CYLINDER/LOCK - ACCESS DOORS - REDUCED SENSITIVITY (3045)
138289-16-000	EA	CYLINDER/LOCK - ACCESS DOORS - REDUCED SENSITIVITY (3046)
138289-17-000	EA	CYLINDER/LOCK - ACCESS DOORS - REDUCED SENSITIVITY (3047)
138289-18-000	EA	CYLINDER/LOCK - ACCESS DOORS - REDUCED SENSITIVITY (3048)
138289-19-000	EA	CYLINDER/LOCK - ACCESS DOORS - REDUCED SENSITIVITY (3049)
138289-20-000	EA	CYLINDER/LOCK - ACCESS DOORS - REDUCED SENSITIVITY (3050)
138288-11-000	EA	KEY - REVERSIBLE - #3041 - T/M 16169-02-3041
138288-12-000	EA	KEY - REVERSIBLE - #3042 - T/M 16169-02-3042
138288-13-000	EA	KEY - REVERSIBLE - #3043 - T/M 16169-02-3043
138288-14-000	EA	KEY - REVERSIBLE - #3044 - T/M 16169-02-3044
138288-15-000	EA	KEY - REVERSIBLE - #3045 - T/M 16169-02-3045
138288-16-000	EA	KEY - REVERSIBLE - #3046 - T/M 16169-02-3046
138288-17-000	EA	KEY - REVERSIBLE - #3047 - T/M 16169-02-3047
138288-18-000	EA	KEY - REVERSIBLE - #3048 - T/M 16169-02-3048
138288-19-000	EA	KEY - REVERSIBLE - #3049 - T/M 16169-02-3049
138288-20-000	EA	KEY - REVERSIBLE - #3050 - T/M 16169-02-3050

***COMPONENT PARTS LISTED LATER IN THIS GROUP**

EXTERIOR DOORS & COMPARTMENTS GROUP (CONTINUED)

DOOR & COMPARTMENT LAYOUT (CONTINUED)

DOOR & COMPARTMENT SECTIONS

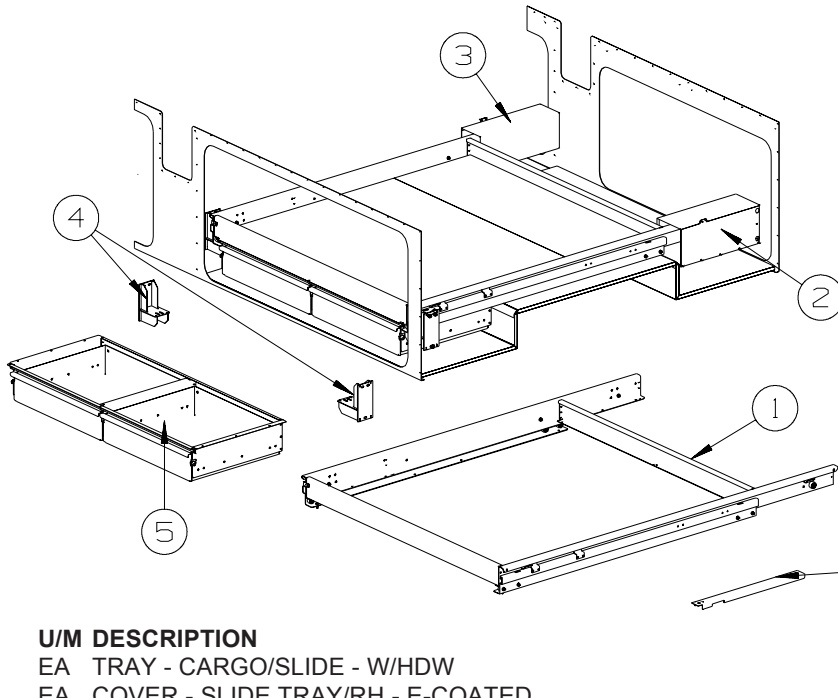


KEY	PART NUMBER	U/M	DESCRIPTION
1	142569-06-000	EA	SPRING/GAS - 25 LB - 14.8" EXTENDED/8.9" COMPRESSED
2	149558-01-01A	EA	SUPPORT - VALANCE DOOR - LOWER - BLACK
3	126263-02-02B	EA	BRACKET - GAS SPRING W/BALL STUD - E-COATED
4	113041-15-02B	EA	ANGLE/MOUNT - BUMPER - E-COATED
5	058786-01-000	EA	BOLT - HOOD ADJUSTMENT - 5/16"-18 X 1.5"-2"- W/BLACK PAD
6	161988-01-02B	EA	CATCH - DOOR/LUGGAGE - BOTTOM - E-COATED
7	162234-01-01A	EA	SUPPORT - DOOR/VALANCE - LOWER - BLACK
8	149358-01-01A	EA	BOLT - STRIKER - .375"DIAMETER
9	149356-01-02B	EA	MOUNTING - F/STRIKER BOLT - E-COATED
10	149357-02-02B	EA	PLATE ASSEMBLY - F/STRIKER BOLT - E-COATED
11	161983-01-02B	EA	SUPPORT - LATCH - E-COATED
12	162238-01-01A	EA	BOLT - STRIKER - BLACK
13	161983-02-02B	EA	SUPPORT - LATCH - E-COATED

EXTERIOR DOORS & COMPARTMENTS GROUP (CONTINUED)
DOOR & COMPARTMENT LAYOUT (CONTINUED)

KEY	PART NUMBER	U/M	DESCRIPTION
14	163769-01-02A	EA	PANEL/TRIM - DIFFUSER - BLACK
15	162001-01-02B	EA	SUPPORT - LATCH/DOOR - E-COATED
16	129301-04-01A	EA	COVER - DOCKING LIGHT - BLACK
17	120494-06-02B	EA	SHIM - STRIKER - LUGGAGE DOOR - 5/64" - E-COATED
18	126263-05-02B	EA	BRACKET - GAS SPRING W/BALL STUD - E-COATED
19	149558-01-01A	EA	SUPPORT-VALANCE DOOR,LWR,BLK
20	161983-03-02B	EA	SUPPORT - LATCH - E-COATED
21	161983-04-02B	EA	SUPPORT - LATCH - E-COATED

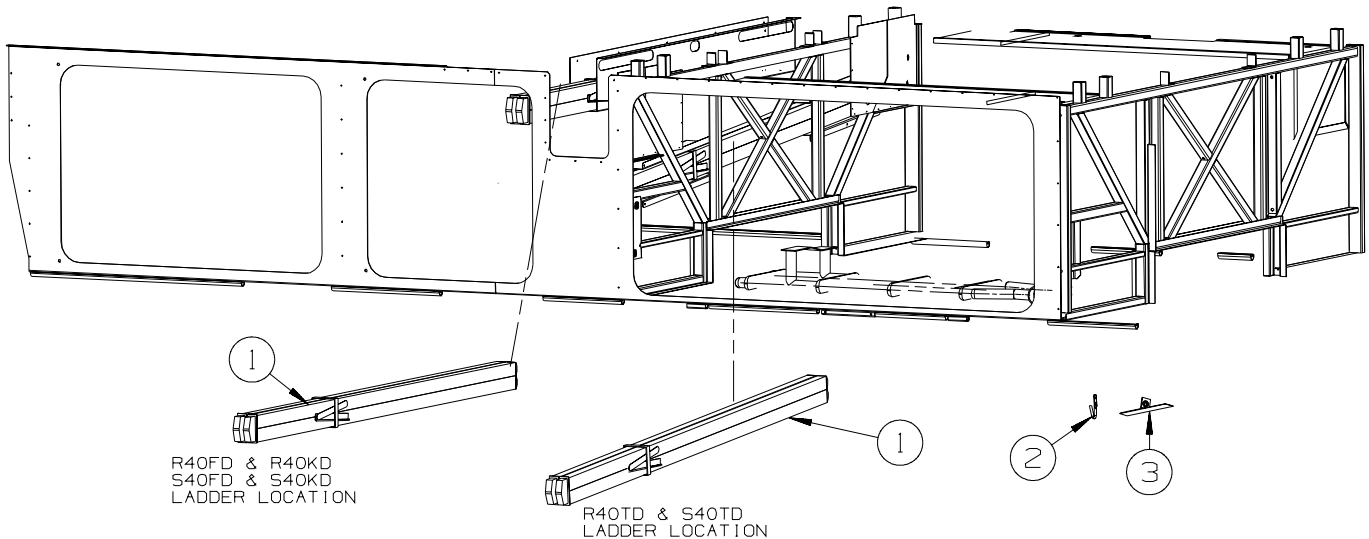
EXTERIOR DOORS & COMPARTMENTS GROUP (CONTINUED)
DOOR & COMPARTMENT LAYOUT (CONTINUED)



SLIDING TRAY

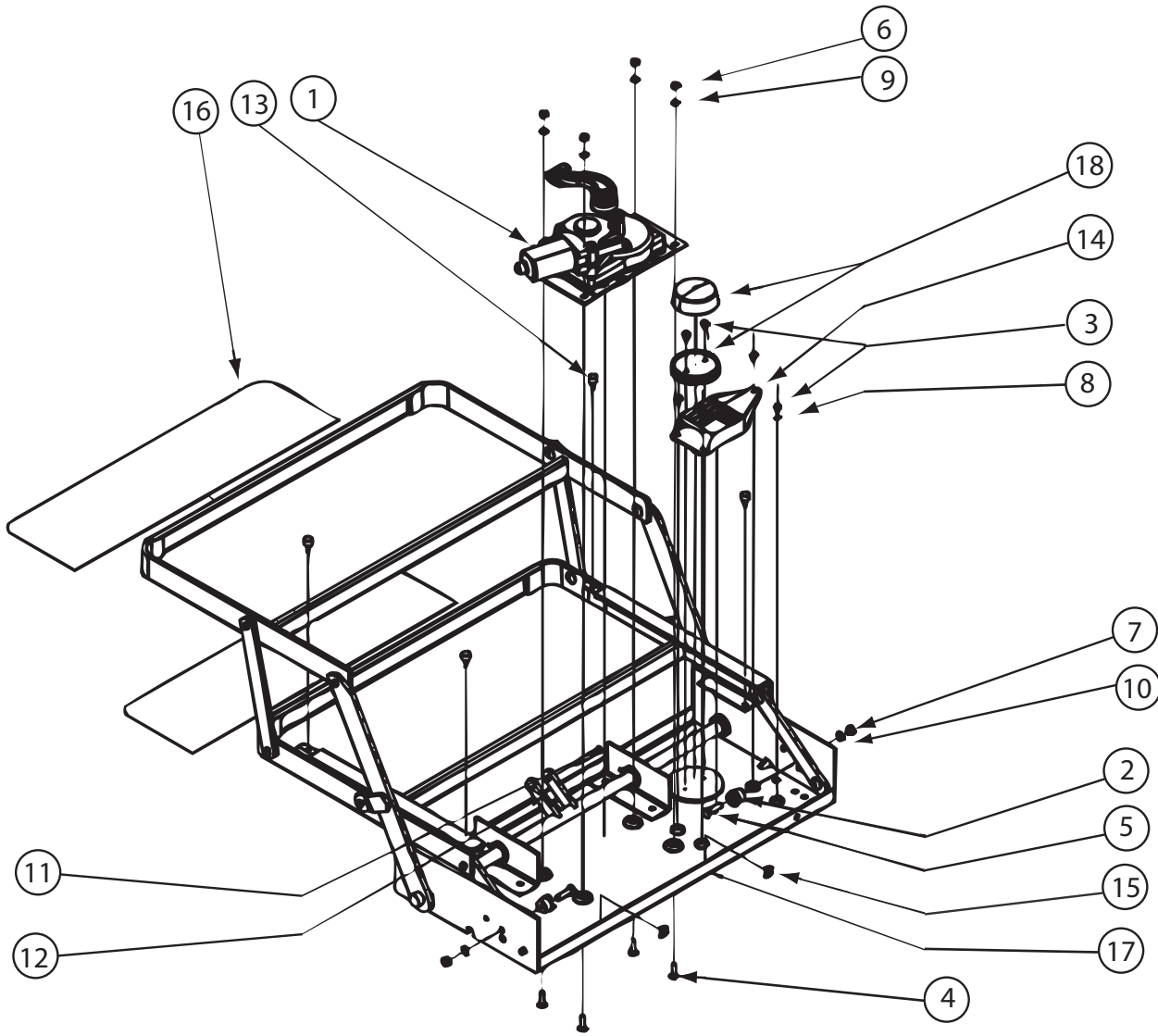
KEY	PART NUMBER	U/M DESCRIPTION
1	163065-01-000	EA TRAY - CARGO/SLIDE - W/HDW
2	162601-01-02B	EA COVER - SLIDE TRAY/RH - E-COATED
3	162601-02-02B	EA COVER - SLIDE TRAY/LH - E-COATED
4	163065-02-000	EA BRACKET/MOUNT - CARGO TRAY
5	163065-03-000	EA DRAWER - CARGO TRAY - DOUBLE
6	147393-03-02B	EA RETAINER - COMPARTMENT/SLIDE - E-COATED

ACCESSORY INSTL.



KEY	PART NUMBER	U/M DESCRIPTION
1	148880-02-01A	EA LADDER/FOLDING - ALUMINUM- FOLDED SIZE 3.5" X 4.5" X 86.5"
2	143506-01-000	EA HOOK - J
3	143505-01-01A	EA STRAP - RETAINING W/VELCRO - BLACK

EXTERIOR DOORS & COMPARTMENTS GROUP (CONTINUED)
COMPONENT PARTS FOR DOOR & COMPARTMENT LAYOUT



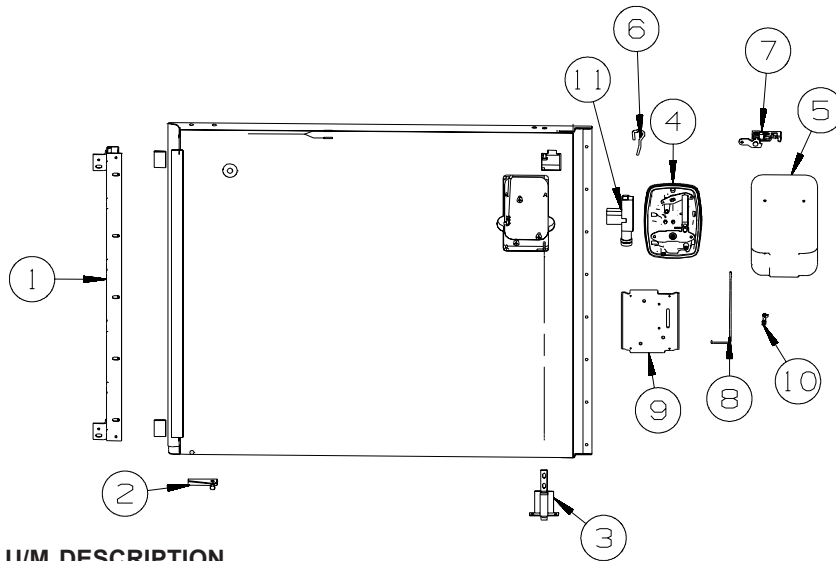
094707-04-01A

KEY	PART NUMBER	U/M	DESCRIPTION	VENDOR NO.
1	094707-04-701	EA	MOTOR "AM 214" F/IMGL STEPS	1101428
1	094707-04-703	EA	GEAR BOX W/LINKAGE-CURVED	1101425
2	143709-01-700	EA	CAM STOP	1102200
10	094707-04-712	EA	HARNES/JUMPER W/DIODE	151000015
12	094707-04-702	EA	COTTOR PIN - W/CLEVIS PIN	905205000
13	143709-01-701	EA	BUMPER - BLACK (RUBBER STOP)	1602000
14	094707-04-700	EA	CONTROL UNIT W/OVERRIDE	909510000
16	143709-01-702	EA	TREAD/NON-SKID 6" X 21" BLK	1915260
17	094707-04-704	EA	FRAME W/DBL STEP-32REINF SRS	3202082
18	088746-01-705	EA	LIGHT-UNDER STEP	9004
	094707-03-701	EA	PLUG - 4-WAY - PACKARD	909306
	094707-04-711	EA	KWIKTEST - W/4-WAY PIGTAIL	909518000
			CONTACT WINNEBAGO PART SALES FOR UNLISTED COMPONENT(S)	

142226-02-01A

KEY	PART NUMBER	U/M	DESCRIPTION	VENDOR NO
	142226-02-700	EA	TAB/LOCKING - ESCAPE (RED)	9667709

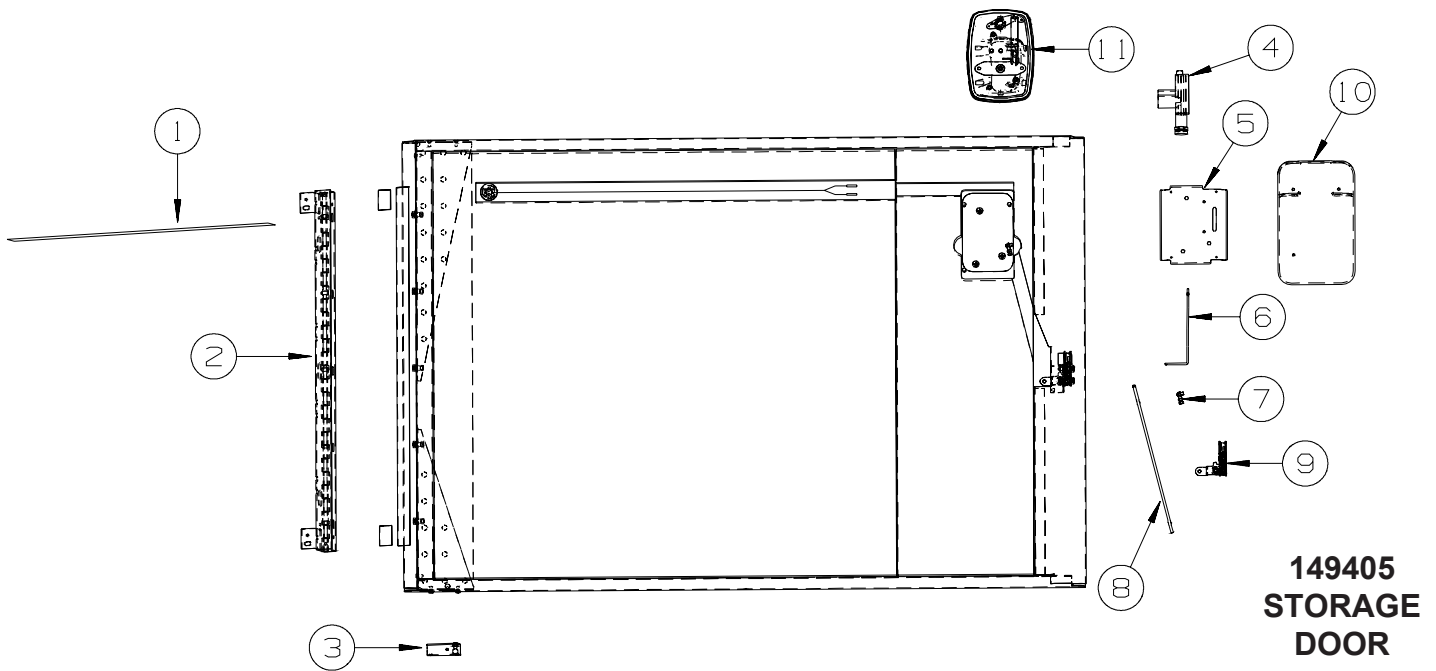
EXTERIOR DOORS & COMPARTMENTS GROUP (CONTINUED)
COMPARTMENT DOOR PIECE PARTS



**161731
 STORAGE
 DOOR**

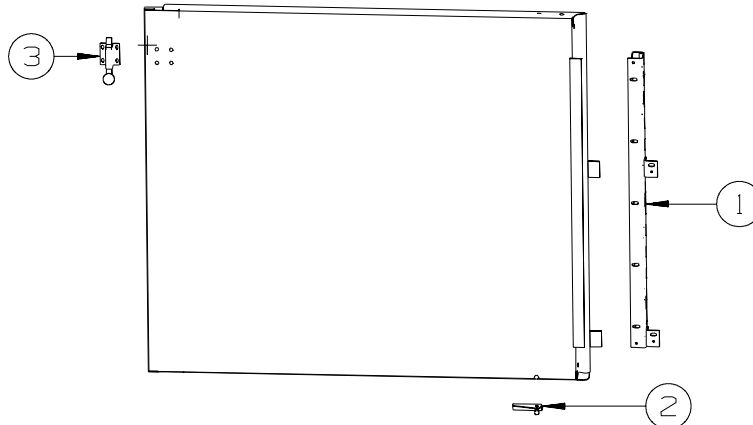
KEY	PART NUMBER	U/M	DESCRIPTION
1	137228-04-02B	EA	HINGE - PIANO - COMPARTMENT DOOR - 27" - E-COATED
2	126263-17-02B	EA	BRACKET - GAS SPRING W/BALL STUD - E-COATED
			FROM: 00-00-00 THRU: 05-31-08
2	168513-01-02B	EA	BRACKET - GAS SPRING/RH - E-COATED
			FROM: 06-01-08 THRU: 99-99-99
3	121947-01-01A	EA	BOLT - SLIDE/LATCH - W/PLASTIC PLUNGER
4	141940-01-01A	EA	LATCH - PADDLE/RH - LOCKING - BLACK
5	144172-01-01A	EA	COVER - LATCH - BRIGHT WHITE
6	132873-01-000	EA	ROD - LATCH (BLANK) - 37.3"
7	149359-08-01A	EA	LATCH - SINGLE ROTOR - MINI/LEFT HAND
8	141940-03-01A	EA	ROD - PADDLE LATCH
9	141940-04-01A	EA	BRACKET - PADDLE LATCH
10	102265-03-000	EA	CLIP/ROD END - LEFT HAND - .18" - METAL
11	138898-01-000	EA	ACTUATOR/LOCK - ELECTRIC

EXTERIOR DOORS & COMPARTMENTS GROUP (CONTINUED)
COMPARTMENT DOOR PIECE PARTS (CONTINUED)



**149405
STORAGE
DOOR**

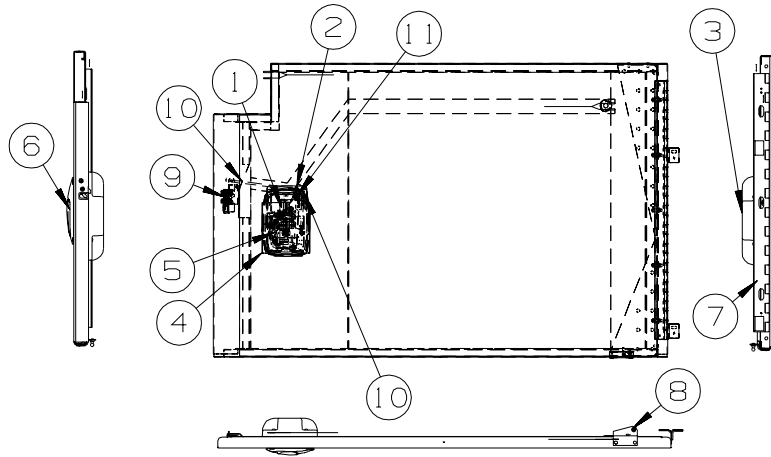
KEY	PART NUMBER	U/M	DESCRIPTION
1	069640-14-000	FT	SEALER - TAPE - 1/16"THICK X 1"WIDE X 100 FT - BLACK
2	137228-04-02B	EA	HINGE - PIANO - COMPARTMENT DOOR - 27" - E-COATED
2	137228-09-02B	EA	HINGE - PIANO - COMPARTMENT DOOR - 27" - E-COATED
3	126263-17-02B	EA	BRACKET - GAS SPRING W/BALL STUD - E-COATED
			FROM: 00-00-00 THRU: 05-31-08
3	168513-01-02B	EA	BRACKET - GAS SPRING/RH - E-COATED
			FROM: 06-01-08 THRU: 99-99-99
4	138898-01-000	EA	ACTUATOR/LOCK - ELECTRIC
5	141940-04-01A	EA	BRACKET - PADDLE LATCH
6	141940-03-01A	EA	ROD - PADDLE LATCH
7	102265-03-000	EA	CLIP/ROD END - LEFT HAND - .18" - METAL
8	151390-01-01B	EA	ROD - LATCH - 10.6" W/3/4" DOG LEG
9	149359-01-01A	EA	LATCH - SINGLE ROTOR
10	144172-01-01A	EA	COVER - LATCH - BRIGHT WHITE
11	141940-01-01A	EA	LATCH - PADDLE/RH - LOCKING - BLACK
11	141940-02-01A	EA	LATCH - PADDLE - NON LOCKING - BLACK



**161736
STORAGE
DOOR**

KEY	PART NUMBER	U/M	DESCRIPTION
1	137228-08-02B	EA	HINGE - PIANO - COMPARTMENT DOOR - 27" - E-COATED
2	126263-17-02B	EA	BRACKET - GAS SPRING W/BALL STUD - E-COATED
			FROM: 00-00-00 THRU: 08-04-08
2	168513-01-02B	EA	BRACKET - GAS SPRING/RH - E-COATED
			FROM: 08-05-08 THRU: 99-99-99
3	113908-03-000	EA	LATCH/PLUNGER - BOLT

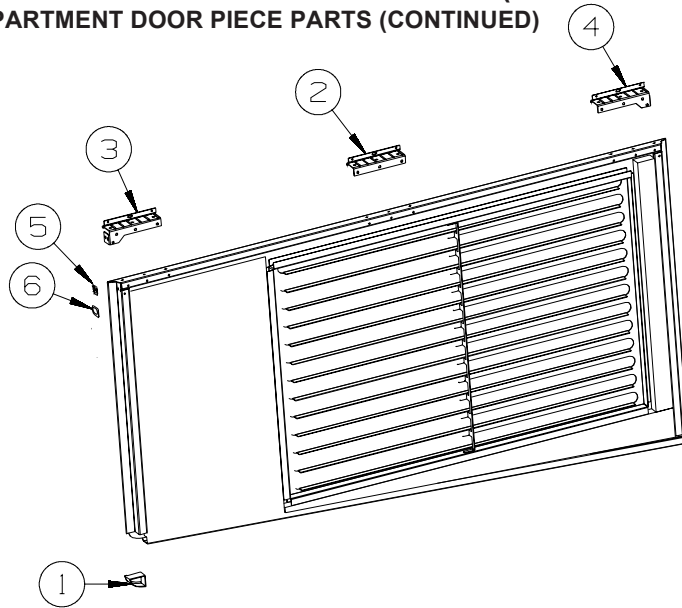
EXTERIOR DOORS & COMPARTMENTS GROUP (CONTINUED)
COMPARTMENT DOOR PIECE PARTS (CONTINUED)



**159324
 STORAGE
 DOOR**

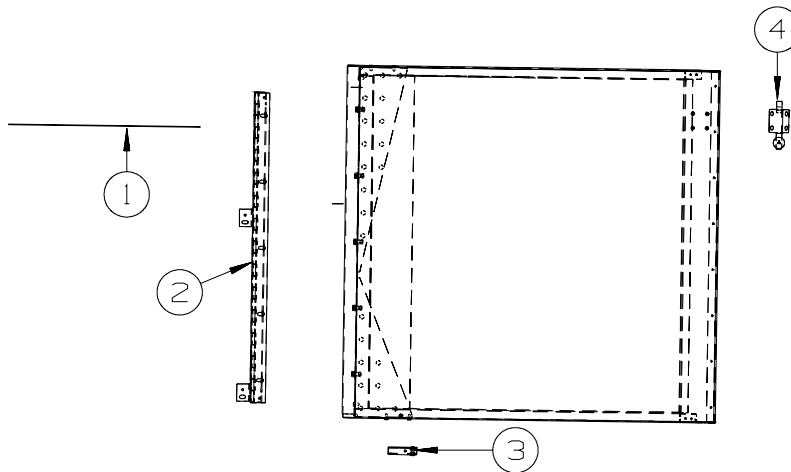
KEY	PART NUMBER	U/M	DESCRIPTION
1	138898-01-000	EA	ACTUATOR/LOCK - ELECTRIC
2	102265-03-000	EA	CLIP/ROD END - LEFT HAND - .18" - METAL
2	102265-02-000	EA	CLIP/ROD END - RIGHT HAND - .18" - METAL
3	144172-01-01A	EA	COVER - LATCH - BRIGHT WHITE
4	141940-04-01A	EA	BRACKET - PADDLE LATCH
4	141940-09-01A	EA	PLATE/MOUNTING - LEFT PADDLE LATCH
5	141940-03-01A	EA	ROD - PADDLE LATCH
5	141940-08-01A	EA	ROD - PADDLE LATCH/LEFT - POWER LOCK
6	141940-01-01A	EA	LATCH - PADDLE/RH - LOCKING - BLACK
6	141940-06-01A	EA	LATCH - PADDLE/LH - LOCKING - BLACK
6	141940-07-01A	EA	LATCH - PADDLE/LEFT - NON LOCKING - BLACK
7	137228-04-02B	EA	HINGE - PIANO - COMPARTMENT DOOR - 27" - E-COATED
7	137228-06-02B	EA	HINGE - PIANO - COMPARTMENT DOOR - 27" - E-COATED
7	137228-09-02B	EA	HINGE - PIANO - COMPARTMENT DOOR - 27" - E-COATED
7	137228-08-02B	EA	HINGE - PIANO - COMPARTMENT DOOR - 27" - E-COATED
7	137228-18-02B	EA	HINGE - PIANO - COMPARTMENT DOOR - 17" - E-COATED
8	126263-17-02B	EA	BRACKET - GAS SPRING W/BALL STUD - E-COATED
			FROM: 00-00-00 THRU: 05-31-08
8	168513-01-02B	EA	BRACKET - GAS SPRING/RH - E-COATED
			FROM: 06-01-08 THRU: 99-99-99
8	168513-02-02B	EA	BRACKET - GAS SPRING/LH - E-COATED
			FROM: 06-01-08 THRU: 99-99-99
9	149359-01-01A	EA	LATCH - SINGLE ROTOR
9	149359-07-01A	EA	LATCH - SINGLE ROTOR - MINI/RIGHT HAND
9	149359-04-01A	EA	LATCH - SINGLE ROTOR - MINI/LEFT HAND
9	149359-08-01A	EA	LATCH - SINGLE ROTOR - MINI/LEFT HAND
10	132873-01-000	EA	ROD - LATCH (BLANK) - 37.3"
10	155143-03-01A	EA	CABLE - W/ENDS - 6.8" - BLACK
11	163715-01-02B	EA	PIVOT/LATCH - E-COATED

EXTERIOR DOORS & COMPARTMENTS GROUP (CONTINUED)
COMPARTMENT DOOR PIECE PARTS (CONTINUED)



**144442
 STORAGE
 DOOR**

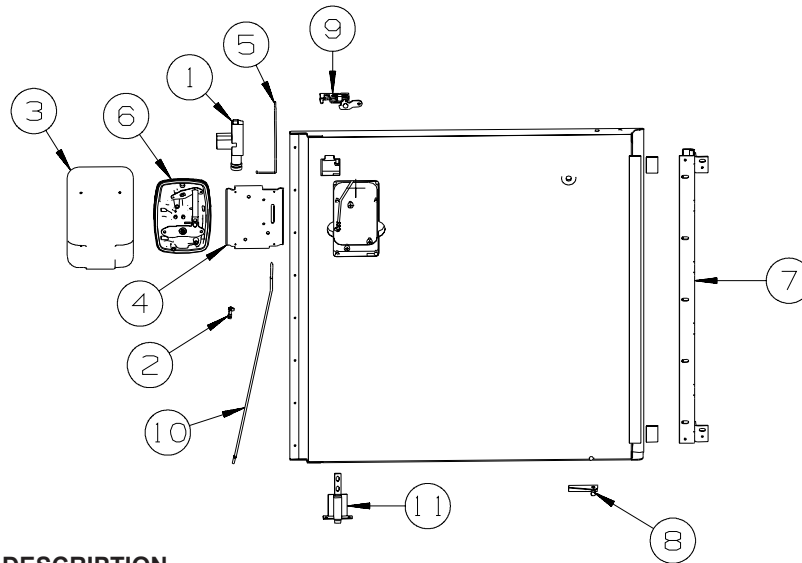
KEY	PART NUMBER	U/M	DESCRIPTION
1	138643-01-01A	EA	CORNER - VAL DOOR, REAR, RH, BLK
1	138643-02-01A	EA	CORNER - VAL DOOR, REAR, LH, BLK
2	139793-03-01A	EA	HINGE - CENTER/VALANCE DOOR - W/O BALL STUD
3	139793-05-01A	EA	HINGE - LEFT HAND/VALANCE DOOR - W/O BALL STUD
4	139793-04-01A	EA	HINGE - RIGHT HAND/VALANCE DOOR - W/O BALL STUD
5	107721-07-000	FT	SEAL - ACCESS DOOR - .9"WIDE X 1.1"HIGH
6	145993-01-000	FT	SEAL - "D SECTION" W/ADHESIVE BACK



**161783
 STORAGE
 DOOR**

KEY	PART NUMBER	U/M	DESCRIPTION
1	069640-14-000	FT	SEALER - TAPE - 1/16"THICK X 1"WIDE X 100 FT - BLACK
2	137228-09-02B	EA	HINGE - PIANO - COMPARTMENT DOOR - 27" - E-COATED
3	126263-17-02B	EA	BRACKET - GAS SPRING W/BALL STUD - E-COATED
			FROM: 00-00-00 THRU: 05-31-08
3	168513-01-02B	EA	BRACKET - GAS SPRING/RH - E-COATED
			FROM: 06-01-08 THRU: 99-99-99
4	113908-03-000	EA	LATCH/PLUNGER - BOLT

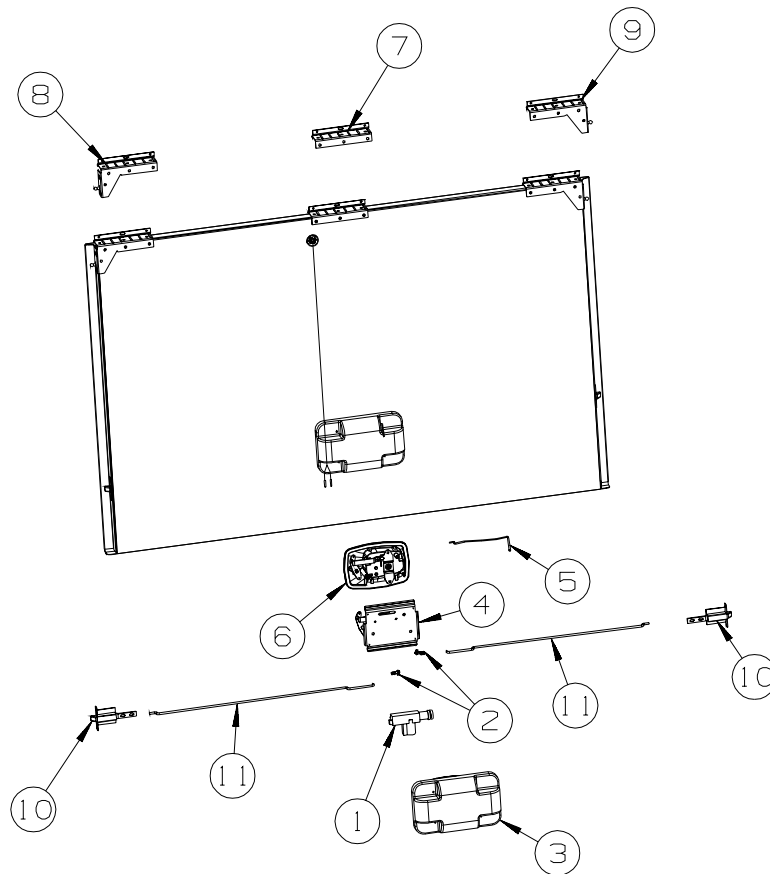
EXTERIOR DOORS & COMPARTMENTS GROUP (CONTINUED)
COMPARTMENT DOOR PIECE PARTS (CONTINUED)



**161782
 STORAGE
 DOOR**

KEY	PART NUMBER	U/M	DESCRIPTION
1	138898-01-000	EA	ACTUATOR/LOCK - ELECTRIC
2	102265-03-000	EA	CLIP/ROD END - LEFT HAND - .18" - METAL
2	102265-02-000	EA	CLIP/ROD END - RIGHT HAND - .18" - METAL
3	144172-01-01A	EA	COVER - LATCH - BRIGHT WHITE
4	141940-04-01A	EA	BRACKET - PADDLE LATCH
4	141940-09-01A	EA	PLATE/MOUNTING - LEFT PADDLE LATCH
5	141940-03-01A	EA	ROD - PADDLE LATCH
5	141940-08-01A	EA	ROD - PADDLE LATCH/LEFT - POWER LOCK
6	141940-01-01A	EA	LATCH - PADDLE/RH - LOCKING - BLACK
6	141940-06-01A	EA	LATCH - PADDLE/LH - LOCKING - BLACK
7	137228-04-02B	EA	HINGE - PIANO - COMPARTMENT DOOR - 27" - E-COATED
8	126263-17-02B	EA	BRACKET - GAS SPRING W/BALL STUD - E-COATED
8	168513-01-02B	EA	BRACKET - GAS SPRING/RH - E-COATED FROM: 00-00-00 THRU: 05-31-08 FROM: 06-01-08 THRU: 99-99-99
9	149359-07-01A	EA	LATCH - SINGLE ROTOR - MINI/RIGHT HAND
10	132873-01-000	EA	ROD - LATCH (BLANK) - 37.3"
11	121947-01-01A	EA	BOLT - SLIDE/LATCH - W/PLASTIC PLUNGER

EXTERIOR DOORS & COMPARTMENTS GROUP (CONTINUED)
COMPARTMENT DOOR PIECE PARTS (CONTINUED)

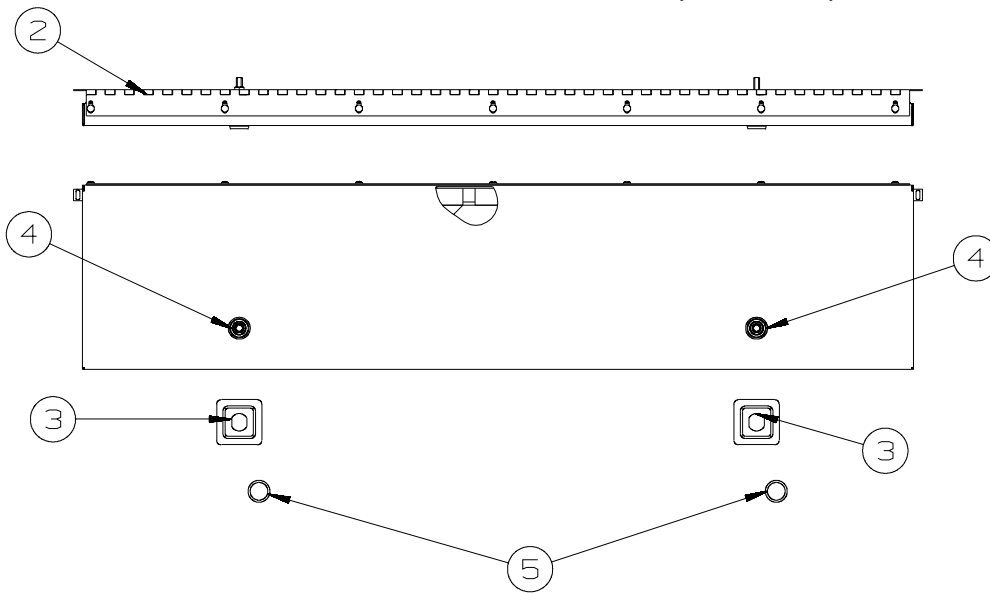


**144342
 STORAGE
 DOOR**

KEY	PART NUMBER	U/M	DESCRIPTION
1	138898-01-000	EA	ACTUATOR/LOCK - ELECTRIC
2	102265-03-000	EA	CLIP/ROD END - LEFT HAND - .18" - METAL
3	144172-01-01A	EA	COVER - LATCH - BRIGHT WHITE
4	141940-04-01A	EA	BRACKET - PADDLE LATCH
5	141940-03-01A	EA	ROD - PADDLE LATCH
6	141940-01-01A	EA	LATCH - PADDLE - BLACK
7	139793-03-01A	EA	HINGE - CENTER/VALANCE DOOR - W/O BALL STUD
8	139793-02-01A	EA	HINGE - LEFT HAND/VALANCE DOOR - W/BALL STUD
8	139793-05-01A	EA	HINGE - LEFT HAND/VALANCE DOOR - W/O BALL STUD
8	147513-02-01A	EA	BALL STUD - LEFT HAND
9	139793-01-01A	EA	HINGE - RIGHT HAND/VALANCE DOOR - W/BALL STUD
9	139793-04-01A	EA	HINGE - RIGHT HAND/VALANCE DOOR - W/O BALL STUD
9	147513-01-01A	EA	BALL STUD - RIGHT HAND
10	121947-01-01A	EA	BOLT - SLIDE/LATCH - W/PLASTIC PLUNGER
11	135624-71-01B	EA	ROD - LATCH (BLANK) - 37.3"

EXTERIOR DOORS & COMPARTMENTS GROUP (CONTINUED)
COMPARTMENT DOOR PIECE PARTS (CONTINUED)

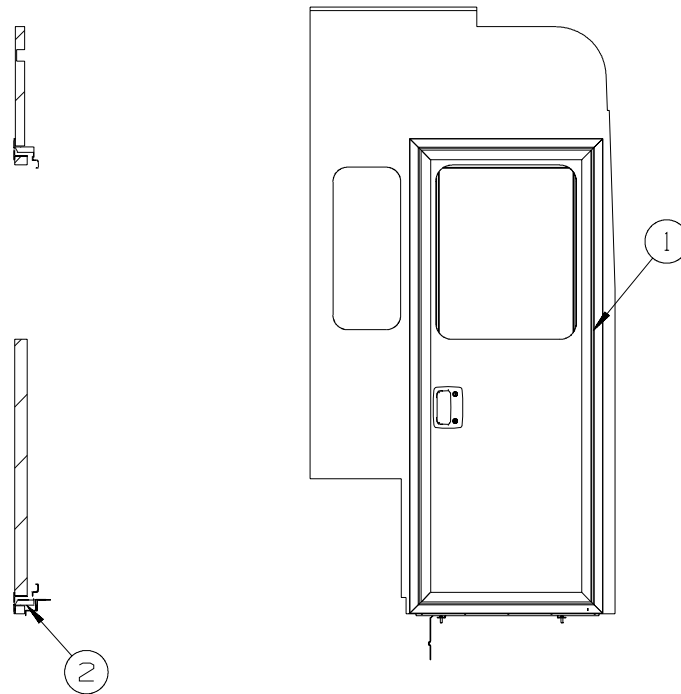
**167240
 STORAGE
 DOOR**



KEY	PART NUMBER	U/M	DESCRIPTION
1	102330-05-000	EA	GASKET - LATCH/ROUND
2	167277-01-04B	EA	HINGE - PIANO - EXTERIOR - BLACK
	167277-01-01A	EA	HINGE - PIANO - EXTERIOR - STAINLESS STEEL
3	160652-01-02B	EA	POCKET - LATCH/TRUNK - E-COATED
4	102330-02-000	EA	LATCH - VISE ACTION/KEY OPERATED
5	102330-04-000	EA	PAWL - LATCH - STRAIGHT - 1.96"

EXTERIOR DOORS & COMPARTMENTS GROUP (CONTINUED)

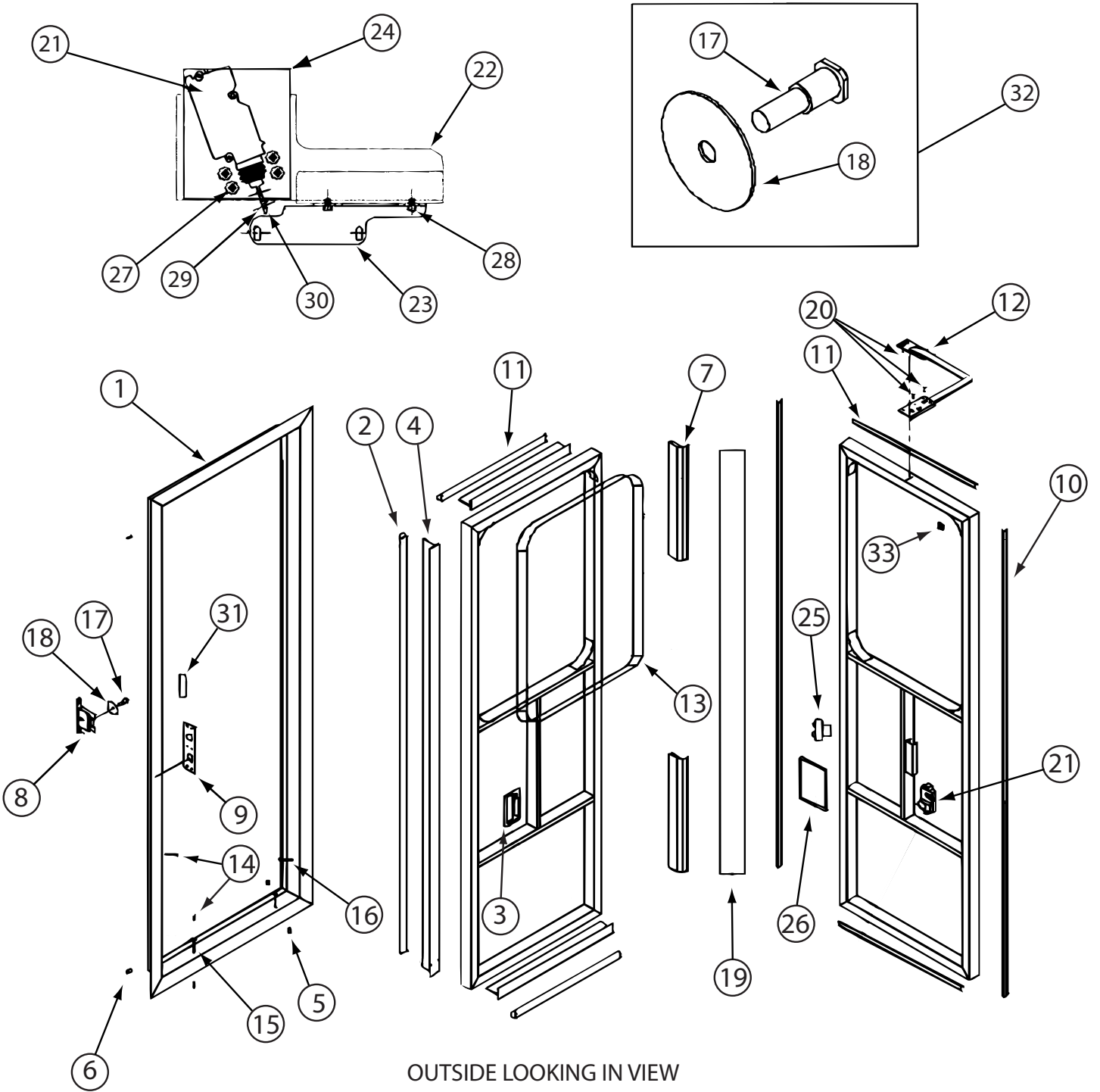
ENTRY



KEY	PART NUMBER	U/M	DESCRIPTION
1*	162100-02-01A	EA	DOOR - ENTRY/FRONT - EBONY-W/PULL DWN SCREEN - NON-SANDED FROM: 00-00-00 THRU: 05-28-08
1*	162100-04-01A	EA	DOOR - ENTRY/FRONT - EBONY-W/PULL DWN SCREEN - NON-SANDED FROM: 05-29-08 THRU: 99-99-99
2	134450-03-01A	EA	TAPE - ANTI SLIP - 2" X 29.9" - BLACK

***COMPONENT PARTS LISTED LATER IN THIS GROUP**

EXTERIOR DOORS & COMPARTMENTS GROUP (CONTINUED)
COMPONENT PARTS FOR ENTRY



162100-02-01A

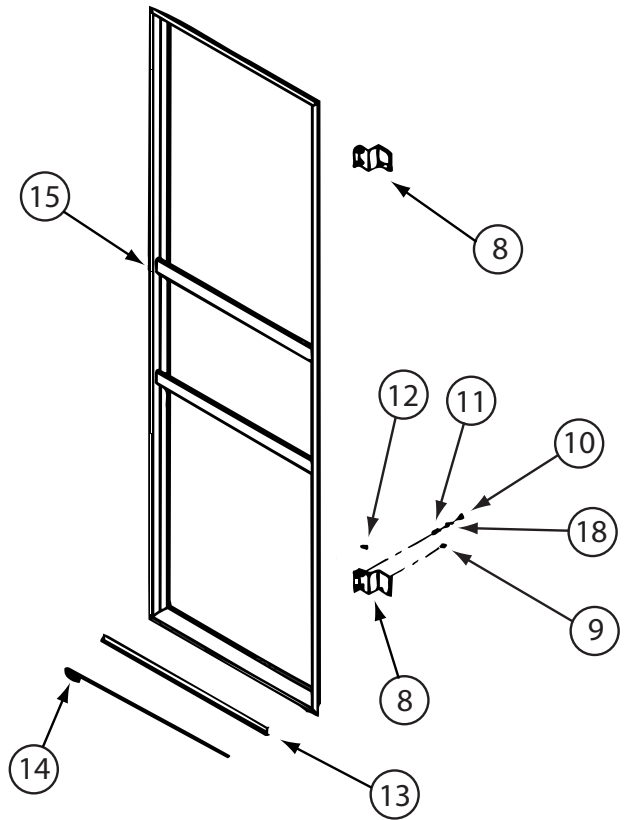
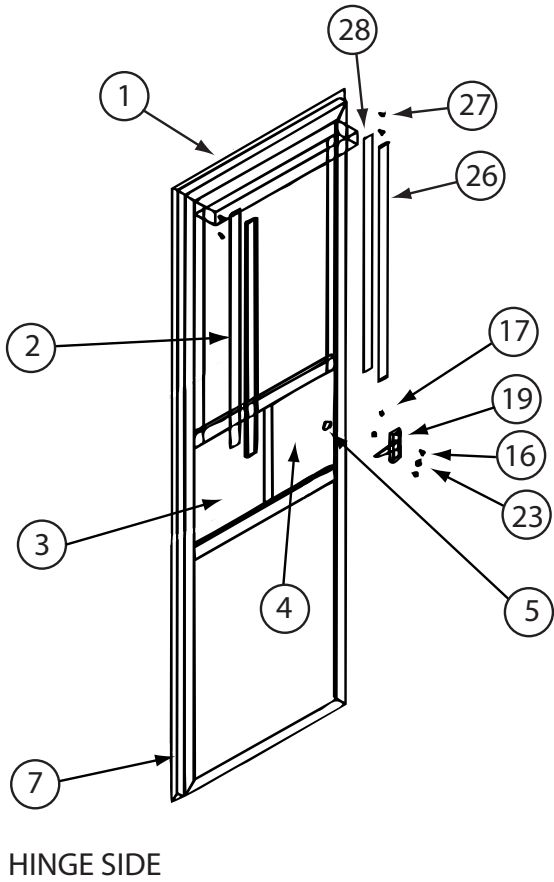
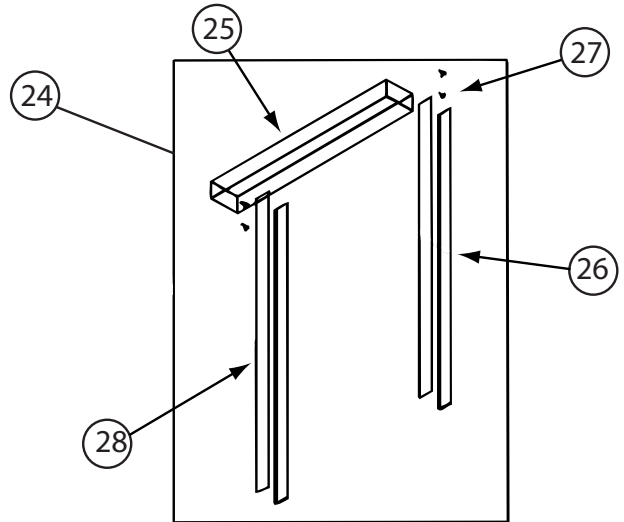
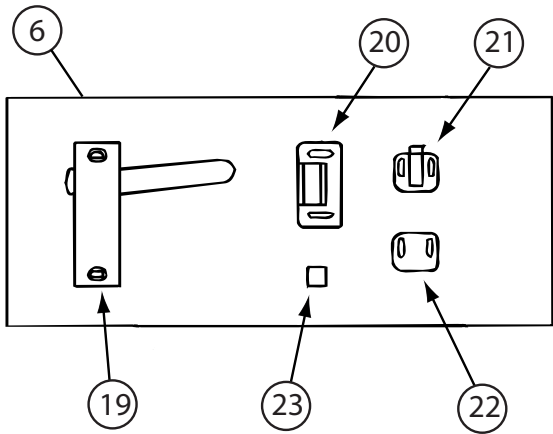
EXTERIOR DOORS & COMPARTMENTS GROUP (CONTINUED)
COMPONENT PARTS FOR ENTRY (CONTINUED)

162100-02-01A (CONTINUED)

KEY	PART NUMBER	U/M	DESCRIPTION	VENDOR NO.
1	162100-01-702	EA	JAMB - ENTRY DOOR/BLK - PTL	003-480
2	162100-01-700	FT	SEAL - "D" - W/HOLES	007-067
3	112782-04-01A	EA	GASKET	T/M 81480
3	112782-05-01A	EA	CAP-VINYL,RED	T/M 80844-99
3	112782-08-01A	EA	SCREW-MOUNTING,PLATE,ZINC	T/M 15553-01
3	112782-18-700	EA	KEY/BLANK- REVERSE/DEADBOLT	16169-20-2000
3	112782-27-700	EA	LATCH-EXT-W/O CYL-W/DEADBOLT	19682-03 BLACK
3	112782-27-701	EA	LATCH - INTERIOR PLATE - BLK	17999-01 F/PTL DR
3	112782-27-702	EA	LATCH-SINGLE ROTOR/PTL DOOR	17999-01
3	138292-01-000	EA	SEAL-LOCK CYLINDER	TRI/MARK 16025-01
7	162100-01-707	EA	HINGE/PIANO-18" - ENTRY DOOR	005-081
8	162100-01-708	EA	MOV-A-BOLT ASSEMBLY	009-041
9	162100-01-709	EA	PLATE/STRIKER - DEADBOLT	009-216
10	162100-01-710	FT	TRIM/CLAMP-INTERIOR-BLK PVC	007-261
11	162100-01-711	EA	ENTRY DOOR - W/O JAMB	001-895
12	162100-01-712	EA	DOOR CHECK ASM - LOCKING	011-523
13	162100-01-713	EA	CLAMP RING - F/WINDOW	023-095
14	162100-01-714	EA	PLUG/PLASTIC - BLACK	035-003
17	162100-01-717	EA	STRIKER BOLT - SHORT	009-097
18	162100-01-718	EA	WASHER - 2" F/MOV-A-BOLT	009-098
19	162100-01-719	FT	TAPE - BLACK HYPALON	007-017
21	162100-01-721	EA	ACTUATOR/ELECTRIC - 45N	027-064
25	162100-01-725	EA	WIRELESS CONTACT - 2 BUTTON	027-020
26	162100-01-726	EA	BEZEL - INSIDE HANDLE	009-210
29	162100-01-729	EA	LINKAGE ROD	001-410
30	162100-01-730	EA	ROD CLIP - 1/8"	009-224
31	162100-01-731	EA	RUBBER FLAP - F/STRIKER BOLT	007-020
33	162100-01-733	EA	BUMPER/RUBBER - LARGE - BLK	007-080

CONTACT WINNEBAGO PART SALES FOR UNLISTED COMPONENT(S)

EXTERIOR DOORS & COMPARTMENTS GROUP (CONTINUED)
COMPONENT PARTS FOR ENTRY (CONTINUED)



INSIDE LOOKING OUT VIEW

OUTSIDE LOOKING IN VIEW

162100-02-01A (CONTINUED)

EXTERIOR DOORS & COMPARTMENTS GROUP (CONTINUED)
COMPONENT PARTS FOR ENTRY (CONTINUED)

162100-02-01A (CONTINUED)

KEY	PART NUMBER	U/M	DESCRIPTION	VENDOR NO.
1	162100-02-700	EA	SCREEN DOOR-W/ROLL DWN SCRN	WIN009
3	162100-02-703	EA	INSERT/ACRYLIC - STATIONARY	023-0783
4	162100-02-704	EA	SLIDER - ACRYLIC GLASS	023-077
5	122759-01-734	EA	KNOB-BLACK W/SCREW	019-018
6	162100-01-701	EA	LATCH ASM - F/SCREEN DOOR	019-068
7	162100-02-707	FT	SPONGE TAPE - 1/8" X 3/4"	007-277
8	162100-02-708	EA	HINGE - SCREEN DOOR - BLACK	005-072
9	162100-02-709	EA	CAP SCREW - BUTTON HEAD	011-053
13	162100-02-713	EA	BRUSH RAIL-W/O SWEEP INSERT	035-032
14	162100-02-714	EA	SWEEP - 1" VINYL - GRAY	007-070
19	162100-02-719	EA	LATCH ONLY - F/SCREEN DOOR	019-065
20	162100-02-720	EA	STRIKE - F/SCREEN LATCH	019-066
21	162100-02-721	EA	KEEPER - F/SCREEN LATCH	019-067
22	162100-02-722	EA	SPACER/STRIKE-F/SCR DR LATCH	019-069
23	162100-02-723	EA	BUMPER/RUBBER - SMALL - BLK	007-081
24	162100-02-724	EA	SCREEN/PULL DWN-COMPLETE ASM,	023-099
25	162100-02-725	EA	SCREEN/PULL DWN W/O SIDES	023-098

CONTACT WINNEBAGO PART SALES FOR UNLISTED COMPONENT(S)

EXTERIOR DOORS & COMPARTMENTS GROUP (CONTINUED)
COMPONENT PARTS FOR ENTRY (CONTINUED)

ART NOT YET AVAILABLE

162100-04-01A
162100-04-01A (CONTINUED)

KEY	PART NUMBER	U/M	DESCRIPTION	VENDOR NO.
1	162100-01-702	EA	JAMB - ENTRY DOOR/BLK - PTL	003-480
2	162100-01-700	FT	SEAL - "D" - W/HOLES	007-067
3	112782-04-01A	EA	GASKET	T/M 81480
3	112782-05-01A	EA	CAP-VINYL,RED	T/M 80844-99
3	112782-08-01A	EA	SCREW-MOUNTING,PLATE,ZINC	T/M 15553-01
3	112782-18-700	EA	KEY/BLANK- REVERSE/DEADBOLT	16169-20-2000
3	112782-27-700	EA	LATCH-EXT-W/O CYL-W/DEADBOLT	19682-03 BLACK
3	112782-27-701	EA	LATCH - INTERIOR PLATE - BLK	17999-01 F/PTL DR
3	112782-27-702	EA	LATCH-SINGLE ROTOR/PTL DOOR	17999-01
3	138292-01-000	EA	SEAL-LOCK CYLINDER	TRI/MARK 16025-01
7	162100-01-707	EA	HINGE/PIANO-18" - ENTRY DOOR	005-081
8	162100-01-708	EA	MOV-A-BOLT ASSEMBLY	009-041
9	162100-01-709	EA	PLATE/STRIKER - DEADBOLT	009-216
10	162100-01-710	FT	TRIM/CLAMP-INTERIOR-BLK PVC	007-261
12	162100-01-712	EA	DOOR CHECK ASM - LOCKING	011-523
13	162100-03-702	EA	WINDOW-W/RETAINER-SGL PANE	023-095
14	162100-01-714	EA	PLUG/PLASTIC - BLACK	035-003
15	162100-01-735	EA	SCREW 2" HEX HEAD FLANGE	011-103
17	162100-03-701	EA	STRIKER BOLT - ROUND	009-099
18	162100-01-718	EA	WASHER - 2" F/MOV-A-BOLT	009-098
19	162100-01-719	FT	TAPE - BLACK HYPALON	007-017
21	162100-01-721	EA	ACTUATOR/ELECTRIC - 45N	027-064
25	162100-01-725	EA	WIRELESS CONTACT - 2 BUTTON	027-020
26	162100-01-726	EA	BEZEL - INSIDE HANDLE	009-210
29	162100-01-729	EA	LINKAGE ROD	001-410
30	162100-01-730	EA	ROD CLIP - 1/8"	009-224
31	162100-01-731	EA	RUBBER FLAP - F/STRIKER BOLT	007-020
33	162100-01-733	EA	BUMPER/RUBBER - LARGE - BLK	007-080

CONTACT WINNEBAGO PART SALES FOR UNLISTED COMPONENT(S)

EXTERIOR DOORS & COMPARTMENTS GROUP (CONTINUED)
COMPONENT PARTS FOR ENTRY (CONTINUED)

ART NOT YET AVAILABLE

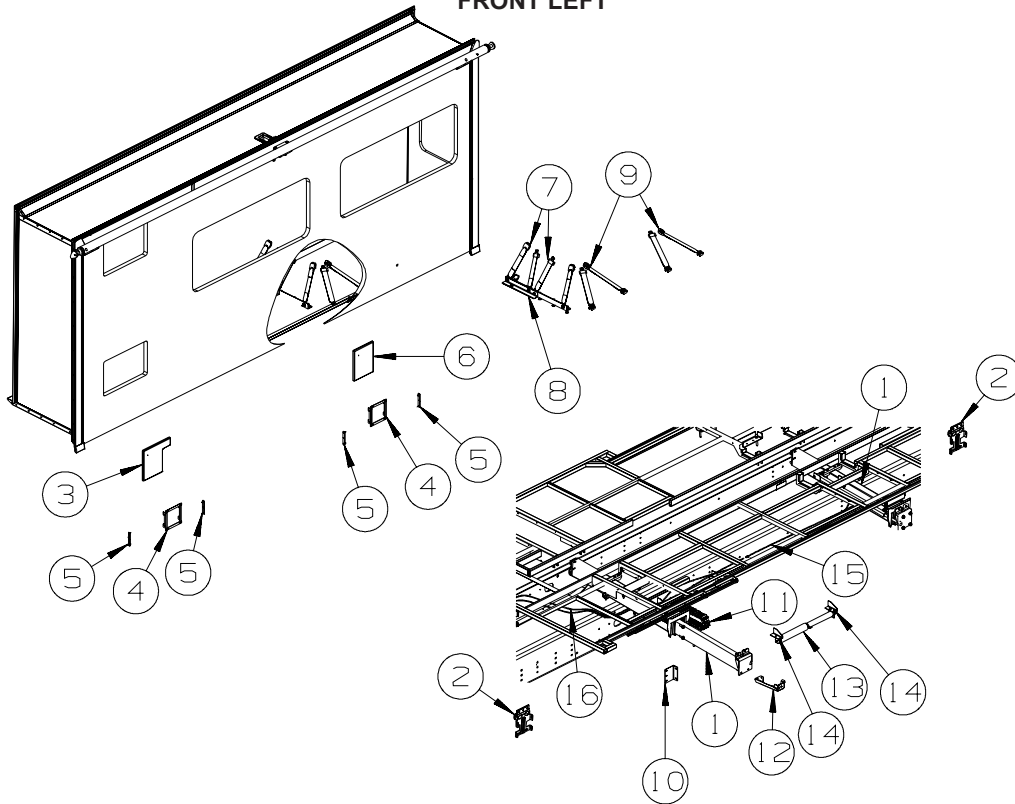
162100-04-01A (CONTINUED)
162100-04-01A (CONTINUED)

KEY	PART NUMBER	U/M	DESCRIPTION	VENDOR NO.
1	162100-04-700	EA	SCREEN DOOR-W/ROLL DWN SCRNR	WIN017
3	162100-02-703	EA	INSERT/ACRYLIC - STATIONARY	023-094
4	162100-02-704	EA	SLIDER - ACRYLIC GLASS	023-093
5	122759-01-734	EA	KNOB-BLACK W/SCREW	019-018
6	162100-01-701	EA	LATCH ASM - F/SCREEN DOOR	019-068
7	162100-02-707	FT	SPONGE TAPE - 1/8" X 3/4"	007-277
8	162100-02-708	EA	HINGE - SCREEN DOOR - BLACK	005-072
9	162100-02-709	EA	CAP SCREW - BUTTON HEAD	011-053
13	162100-02-713	EA	BRUSH RAIL-W/O SWEEP INSERT	035-032
14	162100-02-714	EA	SWEEP - 1" VINYL - GRAY	007-070
19	162100-02-719	EA	LATCH ONLY - F/SCREEN DOOR	019-065
20	162100-02-720	EA	STRIKE - F/SCREEN LATCH	019-067
21	162100-02-721	EA	KEEPER - F/SCREEN LATCH	019-066
22	162100-02-722	EA	SPACER/STRIKE-F/SCR DR LATCH	019-069
23	162100-02-723	EA	BUMPER/RUBBER - SMALL - BLK	007-081
24	162100-02-724	EA	SCREEN/PULL DWN-COMPLETE ASM	023-099
25	162100-02-725	EA	SCREEN/PULL DWN W/O SIDES	023-098
	162100-02-726	EA	STRIP - MAGNETIC	023-097

CONTACT WINNEBAGO PART SALES FOR UNLISTED COMPONENT(S)

EXTERIOR SLIDEOUT GROUP

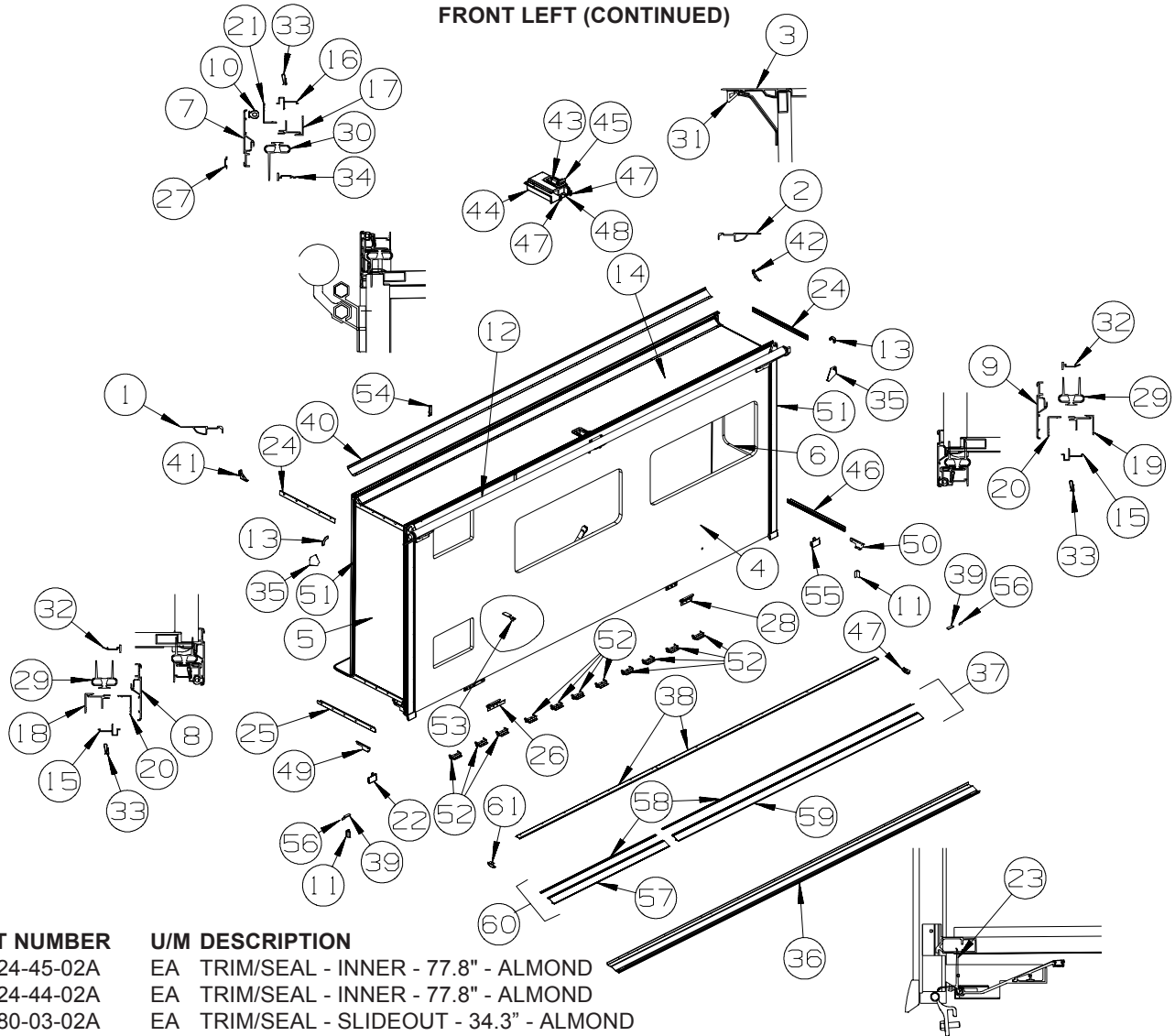
FRONT LEFT



KEY	PART NUMBER	U/M	DESCRIPTION
1*	161743-02-000	EA	SLIDEOUT - HYDRAULIC - 29" - LEFT RETRACT
	143738-01-000	EA	WRENCH - SLIDE ROOM RETRACT - RATCHET - 13/16" X 7/8"
2	152741-04-02B	EA	BRACKET - MOUNT - SLIDEOUT - E-COATED
3	138077-18-WH4	EA	COVER/RAM - 9.4" X 12.2" - W/INNER PLATE
4	161304-01-02B	EA	BRACKET - RAM COVER - E-COATED
5	136995-08-02B	EA	PLATE W/BOLTS - 5.3" X 3/4" W/1/4" X 1" BOLTS
6	138077-32-UN4	EA	COVER/RAM - 9.4" X 12.2" - W/TUBE - BLACK
	138077-05-10A	EA	COVER/RAM - 9.4" X 12.2" - W/O TUBE - BLACK
7	160167-02-01A	EA	SEAT BELT - 2" X 90" - BLACK - 14W
8	151078-01-02B	EA	BRACKET - MOUNTING - SEAT BELT - E-COATED - 14W
9	160167-01-01A	EA	SEAT BELT - 2" X 102" - BLACK
10	161154-01-02B	EA	BRACKET - RAM - E-COATED
11	143541-04-01A	EA	CARRIER/WIRING - F/SLIDEOUT ROOM
12	141019-08-02B	EA	SUPPORT - WIRE - E-COATED
13*	163102-03-000	EA	SLIDEOUT - HYDRAULIC - 29"
14	163324-02-000	EA	BRACKETS/HARDWARE - 24"/29" RAM/SYNCH CYLINDER
15	100536-68-000	EA	HOSE KIT - F/LEVELING JACKS
16*	155476-02-000	EA	HOSE KIT - SLIDEOUT

*COMPONENT PARTS LISTED LATER IN THIS GROUP

EXTERIOR SLIDEOUT GROUP (CONTINUED)
FRONT LEFT (CONTINUED)



KEY	PART NUMBER	U/M	DESCRIPTION
1	139624-45-02A	EA	TRIM/SEAL - INNER - 77.8" - ALMOND
2	139624-44-02A	EA	TRIM/SEAL - INNER - 77.8" - ALMOND
3	154780-03-02A	EA	TRIM/SEAL - SLIDEOUT - 34.3" - ALMOND
3	154780-05-02A	EA	TRIM/SEAL - SLIDEOUT - 162.2" - ALMOND
4	166986-11-YK0	EA	SLUG - F/SLIDEOUT (YK0, YK1, YK2, YK3, YT0)
4	166986-11-YK4	EA	SLUG - F/SLIDEOUT (YK4, YK5, YK6, YK7, YL0, YL1, YL2, YL3, YT1, YT2)
4	166986-12-YK0	EA	SLUG - F/SLIDEOUT (YK0, YK1, YK2, YK3, YT0) - 15B
4	166986-12-YK4	EA	SLUG - F/SLIDEOUT (YK4, YK5, YK6, YK7, YL0, YL1, YL2, YL3, YT1, YT2) - 15B
5	162982-11-YG0	EA	PANEL END - F/SLIDEOUT (YK0, YK1, YK2, YK3, YT0)
5	162982-11-YK4	EA	PANEL END - F/SLIDEOUT (YK4, YK5, YK6, YK7, YL0, YL1, YL2, YL3, YT1, YT2)
6	162982-28-YG0	EA	PANEL END - F/SLIDEOUT (YK0, YK1, YK2, YK3, YT0)
6	162982-28-YK4	EA	PANEL END - F/SLIDEOUT (YK4, YK5, YK6, YK7, YL0, YL1, YL2, YL3, YT1, YT2)
7	162052-41-02A	EA	TRIM/SEAL - W/MITERED ENDS - 138.9" - BLACK
7	162052-45-02A	EA	TRIM/SEAL - W/MITERED ENDS - 55.8" - BLACK
8	162052-28-02A	EA	TRIM/SEAL - W/MITERED ENDS - 80.4" - BLACK
8	162052-33-02A	EA	TRIM/SEAL - W/MITERED ENDS - 80.8" - BLACK FROM: 00-00-00 THRU: 06-01-08
9	162052-29-02A	EA	TRIM/SEAL - W/MITERED ENDS - 80.4" - BLACK FROM: 06-02-08 THRU: 99-99-99
9	162052-32-02A	EA	TRIM/SEAL - W/MITERED ENDS - 80.8" - BLACK FROM: 00-00-00 THRU: 06-01-08
10	158297-01-000	FT	SEAL - BULB - .5" X .7" - ADHESIVE BACK - BLACK
11	156480-01-01A	EA	SEAL/BLOCK - SLIDEOUT - 2.6"W X 1.6"H X 1.6"D - BLACK
12			SLIDEOUT AWNING

**ORDER AWNINGS & REPAIR PARTS FROM DOMETIC AT #800-366-3842 OR
 CAREFREE AT #800-621-2617 OR ONLINE AT WWW.E-CAREFREE.COM.
 THE AWNING INFORMATION YOU WILL NEED IS LOCATED ON THE MOTOR HOME NEAR THE TOP
 OF THE AWNING RAIL.**

EXTERIOR SLIDEOUT GROUP (CONTINUED)
FRONT LEFT (CONTINUED)

KEY	PART NUMBER	U/M	DESCRIPTION
13	160421-01-01A	EA	CORNER TRIM/SLIDEOUT - 3.1" X 3.1" - BLACK
14	167515-01-YL4	EA	ROOF - F/SLIDEOUT
15	142718-38-01A	EA	RETAINER - SIDEWALL/SLIDEOUT - 79"
16	142718-43-01A	EA	RETAINER - SIDEWALL/SLIDEOUT - 195.9"
17	154756-02-02A	EA	TRIM/SIDEWALL - TOP/SLIDEOUT - 113.4" - ALMOND
17	154756-04-02A	EA	TRIM/SIDEWALL - TOP/SLIDEOUT - 84.4" - ALMOND
18	151760-10-02A	EA	TRIM - SIDEWALL/SLIDEOUT - 80.6" - ALMOND
19	151760-11-02A	EA	TRIM - SIDEWALL/SLIDEOUT - 80.6" - ALMOND
20	136824-49-02A	EA	TRIM - SIDEWALL/SLIDEOUT - 80.9" - BLACK
21	154757-02-02A	EA	TRIM/SIDEWALL - TOP/SLIDEOUT - 113.4" - BLACK
21	154757-04-02A	EA	TRIM/SIDEWALL - TOP/SLIDEOUT - 84.5" - BLACK
22	148593-03-02A	EA	CAP - F/SLIDEOUT TRIM - BLACK
23	152446-02-000	FT	SEAL - SLIDEOUT/FLOOR - W/BULB
24	158375-01-02A	EA	TRIM - FEATURE STRIP - 29.6" - BLACK
25	163021-07-02A	EA	TRIM - FEATURE - LOWER - 30.9" - BLACK
26	161368-01-01A	EA	BRACKET/MOUNT - WIRE CARRIER
27	105312-01-13A	FT	INSERT - FEATURE STRIP - VINYL - BLACK
28	153104-01-01A	EA	BRACKET/MOUNT - 1.7" X 3.2" X 5.9"
29	153161-01-01A	FT	SEAL - SLIDEOUT - DOUBLE WIPE LIP - BLACK
30	136978-02-01A	FT	SEAL - SLIDEOUT/TOP - SINGLE WIPE LIP - BLACK
31	146056-01-000	FT	SEAL - TRIANGLE - W/PSA
32	146606-66-02A	EA	TRIM/RETAINER - 75.8" - BLACK
33	142549-01-000	EA	CLIP - "S" TYPE
34	168732-02-02A	EA	TRIM/RETAINER - 110.1" - BLACK
34	168732-03-02A	EA	TRIM/RETAINER - 81.8" - BLACK
35	156151-01-01A	EA	PROTECTOR - CORNER - SLIDEOUT - BLACK
36	160823-11-01A	EA	RAMP - SLIDEOUT - FLOOR/COACH - 193.7" - BRIGHT WHITE
37	162511-04-WK0	EA	COVER - RAMP/FLR/W/SKID - CERAMIC TILE - 3.6" X 131.6"
38	160824-02-01A	EA	SPACER - RAMP - SLIDEOUT FLOOR - 117.9" - BLACK
38	160824-12-01A	EA	SPACER - RAMP - SLIDEOUT FLOOR - 192.6" - BLACK
39	156475-01-000	EA	FILTER/FOAM - DRAIN HOLE COVER/SEAL - 60PPI - 1/4"X1"X3"
40	153114-09-02A	EA	TRIM/RETAINER - 192.2" - BLACK
41	153115-01-01A	EA	COVER - TRIM - SLIDEOUT - INNER/TOP/RH - BLACK
42	153115-02-01A	EA	COVER - TRIM - SLIDEOUT - INNER/TOP/LH - BLACK
43*	153651-04-01A	EA	LOCK/LATCH - TRAVEL/SLIDEOUT - W/MOTOR - LH OR RH - BLACK
44	155194-02-01A	EA	COVER - LATCH/TRAVEL
45	156015-01-01A	EA	TAPE/PROTECTION - .06" X 1.25" X 3.5" - W/PSA - NATURAL WHT
46	163021-08-02A	EA	TRIM - FEATURE - LOWER - 30.9" - BLACK
47	165178-02-01A	EA	CAP - FLOOR TUBE/SLIDEOUT/LH - BLACK
48	155262-01-01A	EA	TUBE/DRAIN - LATCH/TRAVEL/ROOF - BLACK
49	153800-03-02B	EA	BRACKET - CLOSEOUT/RH - SLIDEOUT - E-COATED
50	153800-06-02B	EA	BRACKET - CLOSEOUT - SLIDEOUT - E-COATED
51	093681-39-01A	FT	FILM - 3.1" - FLAT BLACK - FULL BODY PAINT
52	153088-02-01A	EA	ROLLER - W/BRACKET - SLIDEOUT
53	154093-02-01B	EA	BRACKET/HOLD DOWN - CHAIR - W/NUT-SERT - GALVANIZED
54	154930-01-02A	EA	SPLICE - TRIM/SLIDEOUT - BLACK
55	148593-04-02A	EA	CAP - F/SLIDEOUT TRIM - BLACK
56	089275-02-000	FT	STRIP - 3/4" X 84" BLACK POLYETHYLENE
57	162510-02-01A	EA	COVER - RAMP/FLOOR - CERAMIC TILE - 3.9" X 61.9" - BRT WHT
58	158814-01-01A	EA	BAR/SKID - SLIDEOUT - 8' - POLYETHYLENE
59	162510-04-01A	EA	COVER - RAMP/FLOOR - CERAMIC TILE - 3.9" X 131.6"-BRT WHT
60	162511-02-WK0	EA	COVER - RAMP/FLR/W/SKID - CERAMIC TILE - 3.6" X 61.9"
61	165178-01-01A	EA	CAP - FLOOR TUBE/SLIDEOUT/RH - BLACK

***COMPONENT PARTS LISTED LATER IN THIS GROUP**

EXTERIOR SLIDEOUT GROUP (CONTINUED)
COMPONENT PARTS FOR FRONT LEFT

153651-04-01A

KEY	PART NUMBER	U/M DESCRIPTION	VENDOR NO.
	153651-01-701	EA LIMIT SWITCH	1812996
	153651-02-700	EA MOTOR "R" - F/LH TRAVEL LOCK	1820131
	153651-02-701	EA BRACKET/MOUNTING - MOTOR	1102223
	153651-04-700	EA COVER/BOOT - SEAL	1612012
	153651-04-701	EA BEZEL F/MAIN HOUSING	1612567

155476-02-000

KEY	PART NUMBER	U/M DESCRIPTION	VENDOR NO.
	100536-10-701	EA HOSE-HYDRAULIC - 1/4" X 116"	RAP90349/AP5384
	137196-01-700	EA HOSE-HYDRAULIC - 1/8" X 120"	RAP90428/AP24642

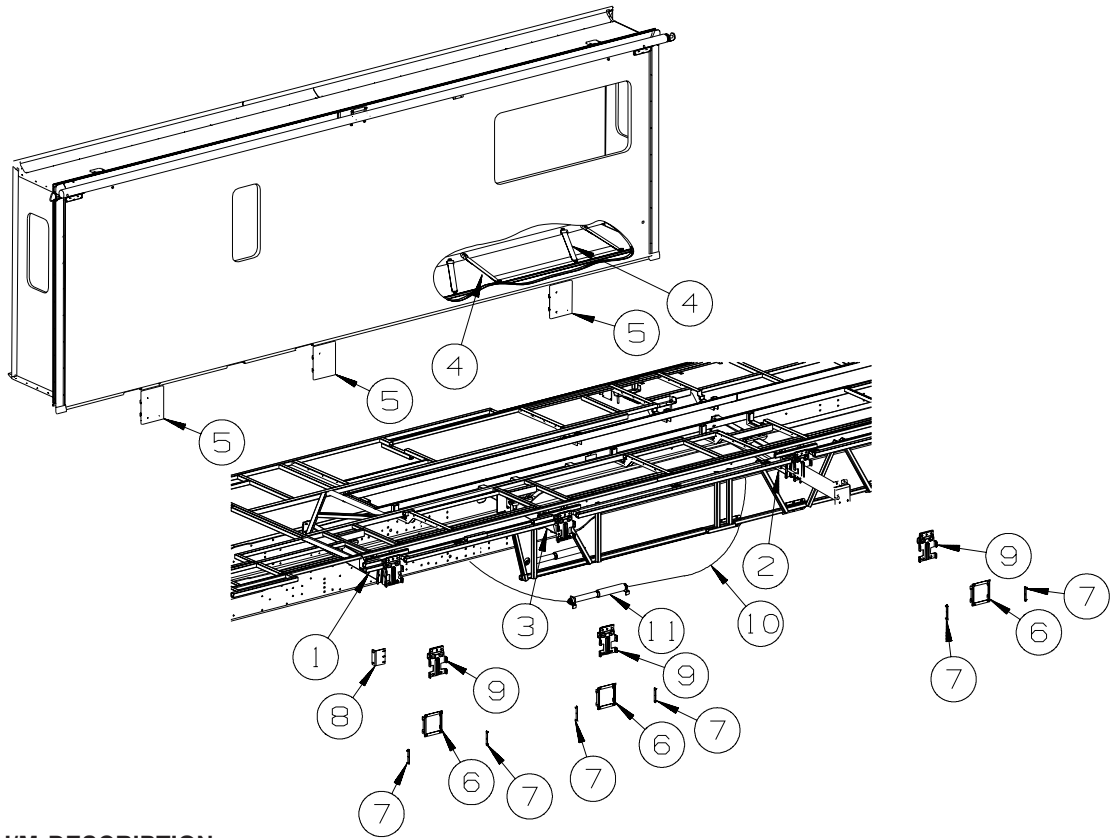
161743-02-000

KEY	PART NUMBER	U/M DESCRIPTION	VENDOR NO.
	161743-02-700	EA TUBE/FLUID RETURN 1/4" X 36"	RAP90658

163102-03-000

KEY	PART NUMBER	U/M DESCRIPTION	VENDOR NO.
	163102-03-700	EA SYNCRONIZING CYLINDER	RAP92128/AP39279

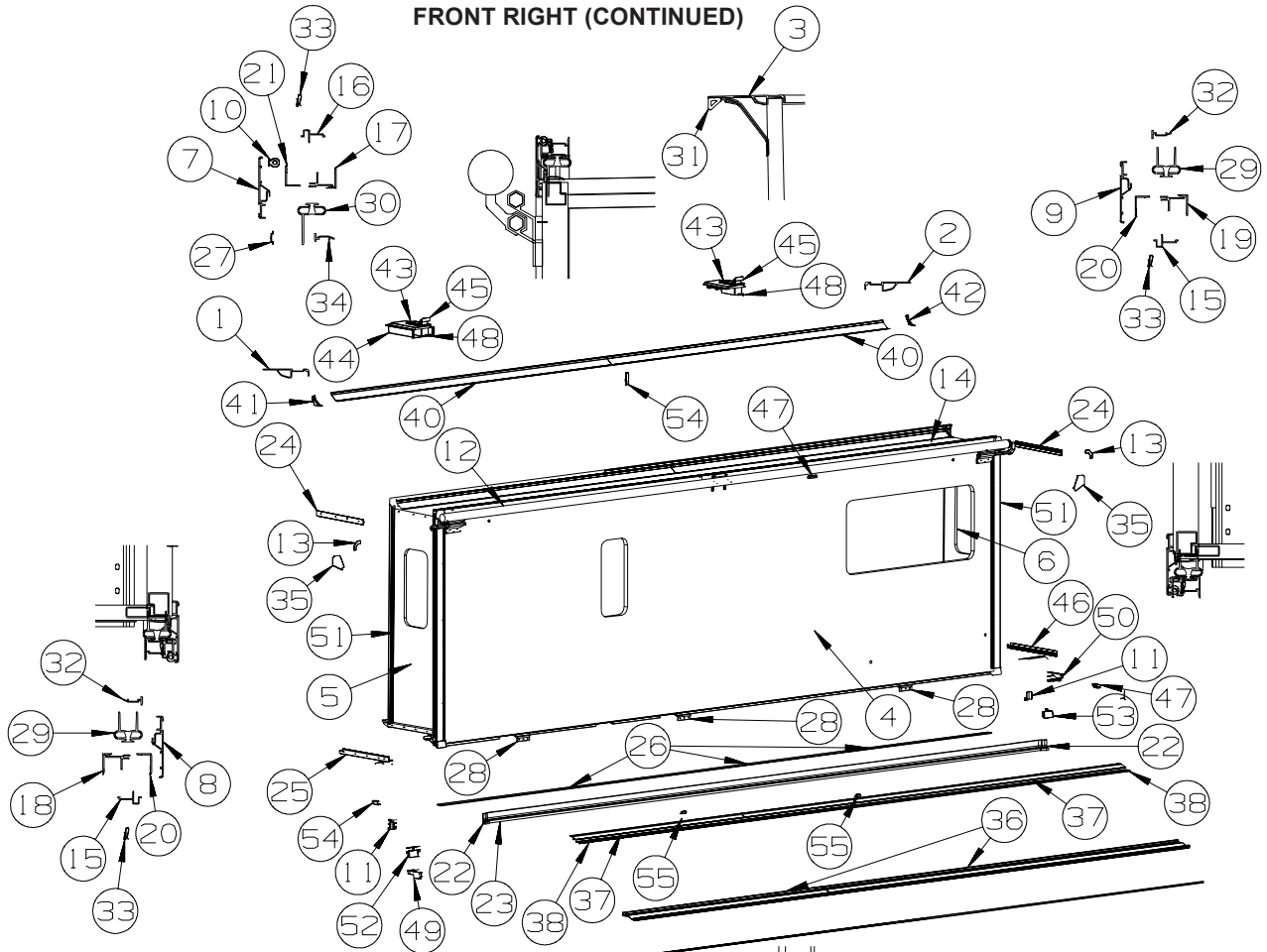
EXTERIOR SLIDEOUT GROUP (CONTINUED)
FRONT RIGHT



KEY	PART NUMBER	U/M	DESCRIPTION
1*	163654-01-000	EA	SLIDEOUT - HYDRAULIC - 24" RAM - RIGHT HAND
	143738-01-000	EA	WRENCH - SLIDE ROOM RETRACT - RATCHET - 13/16" X 7/8"
2*	163654-02-000	EA	SLIDEOUT - HYDRAULIC - 24" RAM - LEFT HAND
	143738-01-000	EA	WRENCH - SLIDE ROOM RETRACT - RATCHET - 13/16" X 7/8"
3	157103-04-000	EA	SLIDEOUT - HYDRAULIC - 24" - W/O CYLINDER/RETRACT ROD
	143738-01-000	EA	WRENCH - SLIDE ROOM RETRACT - RATCHET - 13/16" X 7/8"
4	160167-01-01A	EA	SEAT BELT - 2" X 102" - BLACK
5	138077-32-UN4	EA	COVER/RAM - 9.4" X 12.2" - W/TUBE
	138077-05-10A	EA	COVER/RAM - 9.4" X 12.2" - W/O TUBE - BLACK
6	161304-01-02B	EA	BRACKET - RAM COVER - E-COATED
7	136995-08-02B	EA	PLATE W/BOLTS - 5.3" X 3/4" W/1/4" X 1" BOLTS
8	161154-01-02B	EA	BRACKET - RAM - E-COATED
9	152741-04-02B	EA	BRACKET - MOUNT - SLIDEOUT - E-COATED
10*	155476-03-000	EA	HOSE KIT - SLIDEOUT
			FROM: 00-00-00 THRU: 04-27-08
10*	155476-02-000	EA	HOSE KIT - SLIDEOUT
			FROM: 04-28-08 THRU: 99-99-99
11*	163102-02-000	EA	SLIDEOUT - HYDRAULIC - 24"
	163324-02-000	EA	BRACKETS/HARDWARE - 24"/29" RAM/SYNCH CYLINDER

***COMPONENT PARTS LISTED LATER IN THIS GROUP**

EXTERIOR SLIDEOUT GROUP (CONTINUED)
FRONT RIGHT (CONTINUED)



KEY	PART NUMBER	U/M	DESCRIPTION
1	139624-45-02A	EA	TRIM/SEAL - INNER - 77.8" - ALMOND
2	139624-44-02A	EA	TRIM/SEAL - INNER - 77.8" - ALMOND
3	154780-06-02A	EA	TRIM/SEAL - SLIDEOUT - 94.5" - ALMOND
3	154780-05-02A	EA	TRIM/SEAL - SLIDEOUT - 162.2" - ALMOND
4	166985-11-YK0	EA	SLUG - F/SLIDEOUT (YK0, YK1, YK2, YK3, YT0 , YT0)
4	166985-11-YK4	EA	SLUG - F/SLIDEOUT (YK4, YK5, YK6, YK7, YT1, YT1, YL0, YL1, YL2, YL3, YT2, YT2)
5	162981-05-YK0	EA	PANEL END - F/SLIDEOUT (YK0, YK1, YK2, YK3, YT0 , YT0)
5	162981-05-YK4	EA	PANEL END - F/SLIDEOUT (YK4, YK5, YK6, YK7, YT1, YT1, YL0, YL1, YL2, YL3, YT2, YT2)
6	162981-03-YK0	EA	PANEL END - F/SLIDEOUT (YK0, YK1, YK2, YK3, YT0 , YT0)
6	162981-03-YK4	EA	PANEL END - F/SLIDEOUT (YK4, YK5, YK6, YK7, YT1, YT1, YL0, YL1, YL2, YL3, YT2, YT2)
7	162052-41-02A	EA	TRIM/SEAL - W/MITERED ENDS - 138.9" - BLACK
7	162052-46-02A	EA	TRIM/SEAL - W/MITERED ENDS - 121.9" - BLACK
8	162052-33-02A	EA	TRIM/SEAL - W/MITERED ENDS - 80.8" - BLACK
9	162052-32-02A	EA	TRIM/SEAL - W/MITERED ENDS - 80.8" - BLACK
10	158297-01-000	FT	SEAL - BULB - .5" X .7" - ADHESIVE BACK - BLACK
11	156480-01-01A	EA	SEAL/BLOCK - SLIDEOUT - 2.6"W X 1.6"H X 1.6"D - BLACK
12			SLIDEOUT AWNING

**ORDER AWNINGS & REPAIR PARTS FROM DOMETIC AT #800-366-3842 OR
 CAREFREE AT #800-621-2617 OR ONLINE AT WWW.E-CAREFREE.COM.**

**THE AWNING INFORMATION YOU WILL NEED IS LOCATED ON THE MOTOR HOME NEAR THE TOP
 OF THE AWNING RAIL.**

13	160421-01-01A	EA	CORNER TRIM/SLIDEOUT - 3.1" X 3.1" - BLACK
14	157171-01-UJ1	EA	ROOF - F/SLIDEOUT
15	142718-38-01A	EA	RETAINER - SIDEWALL/SLIDEOUT - 79"
16	142718-44-01A	EA	RETAINER - SIDEWALL/SLIDEOUT - 262"
17	154756-01-02A	EA	TRIM/SIDEWALL - TOP/SLIDEOUT - 101.6" - ALMOND
17	154756-03-02A	EA	TRIM/SIDEWALL - TOP/SLIDEOUT - 162.3" - ALMOND
18	151760-10-02A	EA	TRIM - SIDEWALL/SLIDEOUT - 80.6" - ALMOND
19	151760-11-02A	EA	TRIM - SIDEWALL/SLIDEOUT - 80.6" - ALMOND

EXTERIOR SLIDEOUT GROUP (CONTINUED)
FRONT RIGHT (CONTINUED)

KEY	PART NUMBER	U/M	DESCRIPTION
20	136824-49-02A	EA	TRIM - SIDEWALL/SLIDEOUT - 80.9" - BLACK
21	154757-01-02A	EA	TRIM/SIDEWALL - TOP/SLIDEOUT - 101.7" - BLACK
21	154757-03-02A	EA	TRIM/SIDEWALL - TOP/SLIDEOUT - 162.4" - BLACK
22	089275-02-000	FT	STRIP - 3/4" X 84" BLACK POLYETHYLENE
23	152446-02-000	FT	SEAL - SLIDEOUT/FLOOR - W/BULB
24	158375-04-02A	EA	TRIM - FEATURE STRIP - 24.6" - BLACK
25	163021-11-02A	EA	TRIM - FEATURE - LOWER - 25.8" - BLACK
26	152641-01-000	EA	SKID/GLIDE - SLIDEOUT ROOM - 1/4"X2"X95.5" - POLYETHYLENE
27	105312-01-13A	FT	INSERT - FEATURE STRIP - VINYL - BLACK
28	153104-01-01A	EA	BRACKET/MOUNT - 1.7" X 3.2" X 5.9"
29	153161-01-01A	FT	SEAL - SLIDEOUT - DOUBLE WIPE LIP - BLACK
30	136978-02-01A	FT	SEAL - SLIDEOUT/TOP - SINGLE WIPE LIP - BLACK
31	146056-01-000	FT	SEAL - TRIANGLE - W/PSA
32	146606-66-02A	EA	TRIM/RETAINER - 75.8" - BLACK
33	142549-01-000	EA	CLIP - "S" TYPE
34	168732-08-02A	EA	TRIM/RETAINER - 82.9" - BLACK
34	168732-04-02A	EA	TRIM/RETAINER - 175.3" - BLACK
35	156151-01-01A	EA	PROTECTOR - CORNER - SLIDEOUT - BLACK
36	160823-05-01A	EA	RAMP - SLIDEOUT - FLOOR/COACH - 167.4" - BRT WHITE
36	160823-13-01A	EA	RAMP - SLIDEOUT - FLOOR/COACH - 92.9" - BRIGHT WHITE
37	162509-01-01A	EA	COVER - RAMP/FLOOR - VINYL/CARPET - 3.3" X 178.3"
37	162509-08-01A	EA	COVER - RAMP/FLOOR - VINYL/CARPET - 3.3" X 79.4"
38	160824-02-01A	EA	SPACER - RAMP - SLIDEOUT FLOOR - 117.9" - BLACK
38	160824-08-01A	EA	SPACER - RAMP - SLIDEOUT FLOOR - 139.9" - BLACK
39	156475-01-000	EA	FILTER/FOAM - DRAIN HOLE COVER/SEAL - 60PPI - 1/4"X1"X3"
40	153114-10-02A	EA	TRIM/RETAINER - 129.3" - BLACK
41	153115-01-01A	EA	COVER - TRIM - SLIDEOUT - INNER/TOP/RH - BLACK
42	153115-02-01A	EA	COVER - TRIM - SLIDEOUT - INNER/TOP/LH - BLACK
43*	153651-04-01A	EA	LOCK/LATCH - TRAVEL/SLIDEOUT - W/MOTOR - LH OR RH - BLACK
44	155194-01-01A	EA	COVER - LATCH/TRAVEL - PLASTIC - BLACK
45	156015-01-01A	EA	TAPE/PROTECTION - .06" X 1.25" X 3.5" - W/PSA - NATURAL WHT
46	163021-12-02A	EA	TRIM - FEATURE - LOWER - 25.8" - BLACK
47	165178-02-01A	EA	CAP - FLOOR TUBE/SLIDEOUT/LH - BLACK
48	155262-01-01A	EA	TUBE/DRAIN - LATCH/TRAVEL/ROOF - BLACK
49	153800-03-02B	EA	BRACKET - CLOSEOUT/RH - SLIDEOUT - E-COATED
50	153800-04-02B	EA	BRACKET - CLOSEOUT/LH - SLIDEOUT - E-COATED
51	093681-39-01A	FT	FILM - 3.1" - FLAT BLACK
52	148593-03-02A	EA	CAP - F/SLIDEOUT TRIM - BLACK
53	148593-04-02A	EA	CAP - F/SLIDEOUT TRIM - BLACK
54	165178-01-01A	EA	CAP - FLOOR TUBE/SLIDEOUT/RH - BLACK
55	016604-10-000	EA	BRACE - ANGLE - 2 1/2" - BLACK

*COMPONENT PARTS LISTED LATER IN THIS GROUP

EXTERIOR SLIDEOUT GROUP (CONTINUED)
COMPONENT PARTS FOR FRONT RIGHT

153651-04-01A

KEY	PART NUMBER	U/M	DESCRIPTION	VENDOR NO.
	153651-01-701	EA	LIMIT SWITCH	1812996
	153651-02-700	EA	MOTOR "R" - F/LH TRAVEL LOCK	1820131
	153651-02-701	EA	BRACKET/MOUNTING - MOTOR	1102223
	153651-04-700	EA	COVER/BOOT - SEAL	1612012
	153651-04-701	EA	BEZEL F/MAIN HOUSING	1612567

155476-02-000

KEY	PART NUMBER	U/M	DESCRIPTION	VENDOR NO.
	100536-10-701	EA	HOSE-HYDRAULIC - 1/4" X 116"	RAP90349/AP5384
	137196-01-700	EA	HOSE-HYDRAULIC - 1/8" X 120"	RAP90428/AP24642

155476-03-000

KEY	PART NUMBER	U/M	DESCRIPTION	VENDOR NO.
	100536-42-701	EA	HOSE-HYDRAULIC - 1/4" X 175"	RAP90350/AP7358
	122359-01-701	EA	HOSE - HYDRAULIC 1/8" X 180"	RAP90322/AP24651

163102-02-000

KEY	PART NUMBER	U/M	DESCRIPTION	VENDOR NO.
	163102-02-700	EA	SYNC CYLINDER	RAP92275

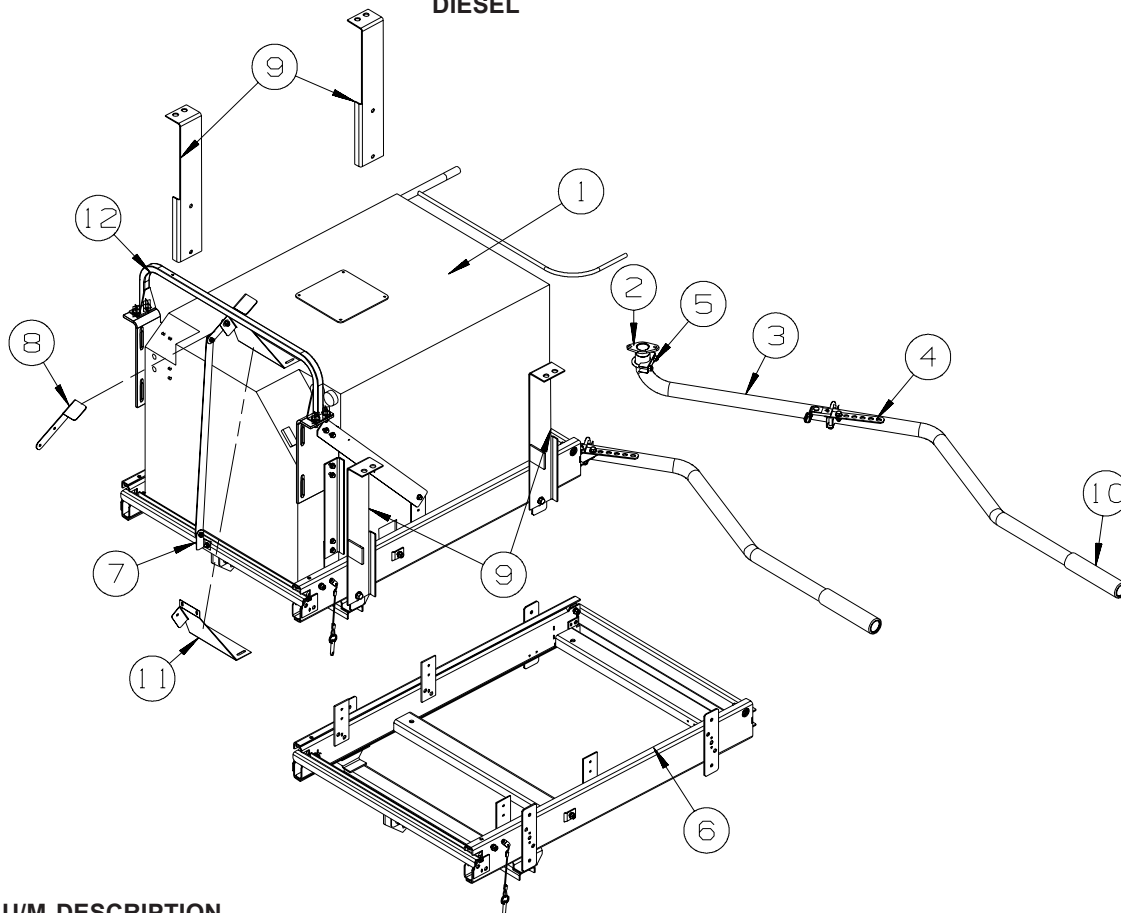
163654-01-000

KEY	PART NUMBER	U/M	DESCRIPTION	VENDOR NO.
	163654-02-705	EA	KIT - ROOM RETRACTING BOLT	RAP91357

163654-02-000

KEY	PART NUMBER	U/M	DESCRIPTION	VENDOR NO.
	163654-02-705	EA	KIT - ROOM RETRACTING BOLT	RAP91357

GENERATOR GROUP DIESEL



KEY	PART NUMBER	U/M	DESCRIPTION
1	158258-01-000	EA	GENERATOR - 8.0KW DIESEL - ONAN #HDKAK/1145
2	106235-01-000	EA	ADAPTOR - GENERATOR EXHAUST
3	116381-14-000	EA	PIPE - EXHAUST - GENERATOR
4	007131-01-000	EA	HANGER - TAILPIPE - 6 SLOTS
5	007125-03-000	EA	CLAMP - MUFFLER - 1.5" DIAMETER
6*	130294-04-01A	EA	SLIDE - GENERATOR - MANUAL
7	131696-02-02B	EA	BRACKET - GENERATOR - E-COATED
8	131696-01-02B	EA	BRACKET - GENERATOR - E-COATED
9	123141-07-02B	EA	BRACKET/HANGER - GENERATOR - E-COATED
10	138246-01-01A	EA	EXTENSION - TAILPIPE - 1.6"ID X 7.7" - STAINLESS STEEL
11	131507-01-02B	EA	BRACKET - GENERATOR - E-COATE
12	114169-02-02B	EA	HANDLE - BUMPER MOUNT - E-COATED

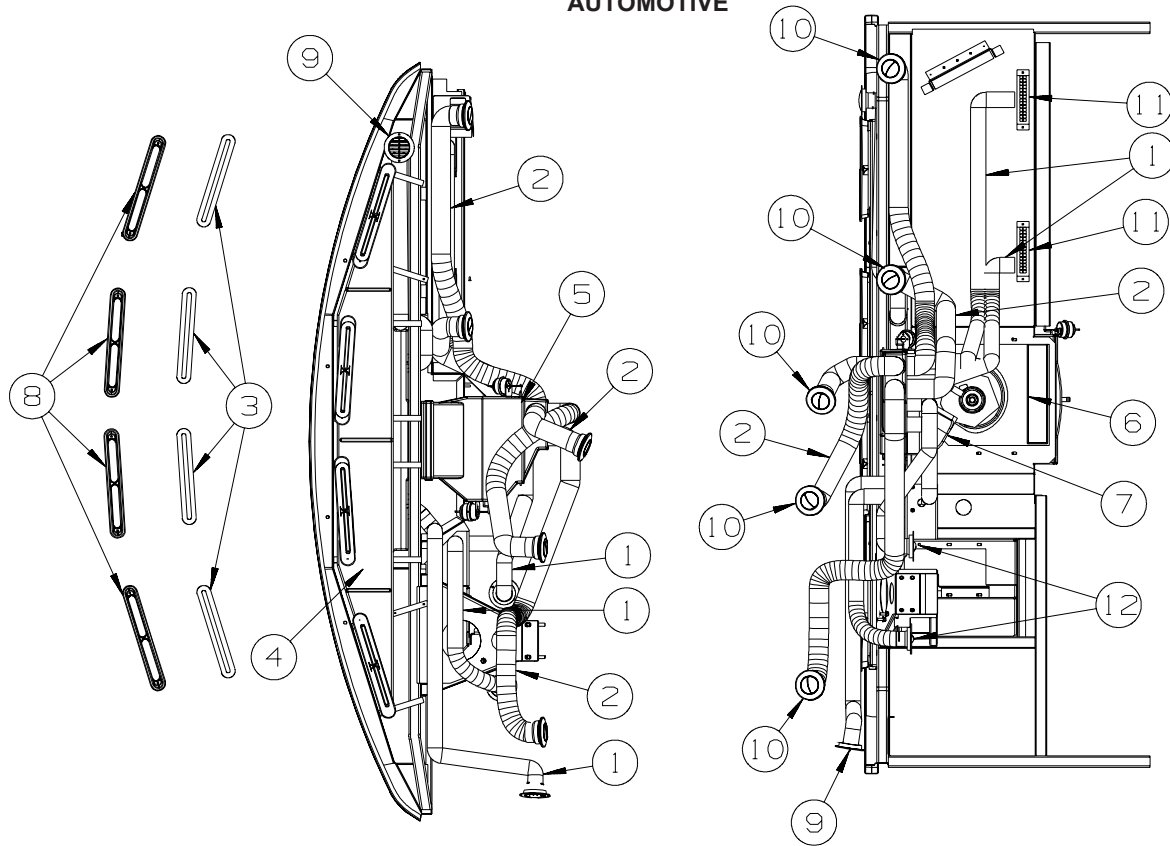
*COMPONENT PARTS LISTED LATER IN THIS GROUP

COMPONENT PARTS FOR DIESEL

130294-04-01A

KEY	PART NUMBER	U/M	DESCRIPTION	VENDOR NO.
	130294-02-700	EA	PIN/QUICK RELEASE	1213100
	130294-04-700	EA	SCREW - 5/16" X 1 1/2"	1202060
	130294-04-701	EA	BOLT - 3/8" X 3/8" SHOULDER	1202300
	130294-04-702	EA	BOLT/SHOULDER - 3/8" X 3/8"	1202735
	130294-04-703	EA	GUIDE BUTTON - POP-IN	1612690
	130294-04-704	EA	HANDLE ASM - PAINTED	3624650
	131682-01-700	EA	ROLLER - (BEARING)	1912040
	131682-01-702	EA	SPRING - (LEFT HAND)	1217901
	131682-01-703	EA	SPRING - (RIGHT HAND)	1217911
	143709-01-701	EA	BUMPER - BLACK (RUBBER STOP)	1602000

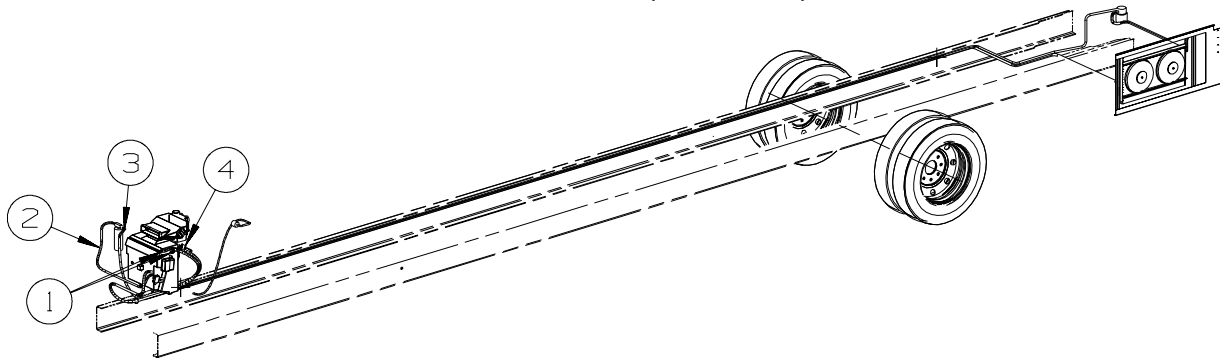
HEATING & A/C GROUP AUTOMOTIVE



KEY	PART NUMBER	U/M	DESCRIPTION
1	007076-01-000	EA	HOSE - FLEXIBLE PVC - 2" ID - INCREMENTS OF 50'
2	007281-01-000	EA	HOSE - FLEXIBLE PVC - 2 1/2" ID X 50'
3	077075-01-000	EA	GASKET - INSTRUMENT PANEL/DEFROSTER PLENUM - .6" X 10.2"
4	103017-03-000	EA	PLENUM - DEFROSTER
5*	103930-65-000	EA	CONTROL/PLENUM - LARGE ROTARY
6*	103930-55-000	EA	EVAPORATOR/HEATER - NONCHARGED - SINGLE OUTPUT
7	134275-01-01A	EA	PLENUM - TRANSITION
8	135265-01-11A	EA	VENT - DEFROSTER - PLASTIC - SADDLE
9	157225-01-09A	EA	OUTLET - DEFROSTER - W/SWIVEL - 2" SLEEVE/4"OD - SADDLE
10	146504-01-01A	EA	LOUVER - ROUND 2.5" - BLACK
11	146505-01-01A	EA	LOUVER - RECTANGULAR - 1.5" X 8" - BLACK
12	157225-01-01A	EA	OUTLET - DEFROSTER - W/SWIVEL - 2" SLEEVE/4"OD - BLACK
	113452-02-000	FT	SEAL/TRIM - FRONT - VINYL W/WIRE CARRIER - .027" - WHERE HOSES CROSS METAL

***COMPONENT PARTS LISTED LATER IN THIS GROUP**

HEATING & A/C GROUP (CONTINUED)
AUTOMOTIVE (CONTINUED)



KEY	PART NUMBER	U/M	DESCRIPTION
1	007108-01-000	FT	HOSE - HEATER - 5/8"ID - HI-TEMP
2*	072342-27-000	EA	HOSE - #6-DRIER TO EVAP - 48"-PRESSURE SWITCH W/CONNECTOR
3*	103930-59-000	EA	HOSE/#12 - 80" LONG (EVAPORATOR TO COMPRESSOR)
4	103930-24-000	EA	VALVE/WATER CONTROL - 4 PORT/VACUUM CONTROLLED
	113452-02-000	FT	SEAL/TRIM - FRONT - VINYL W/WIRE CARRIER - .027" - WHERE WIRES & HOSES CROSS METAL

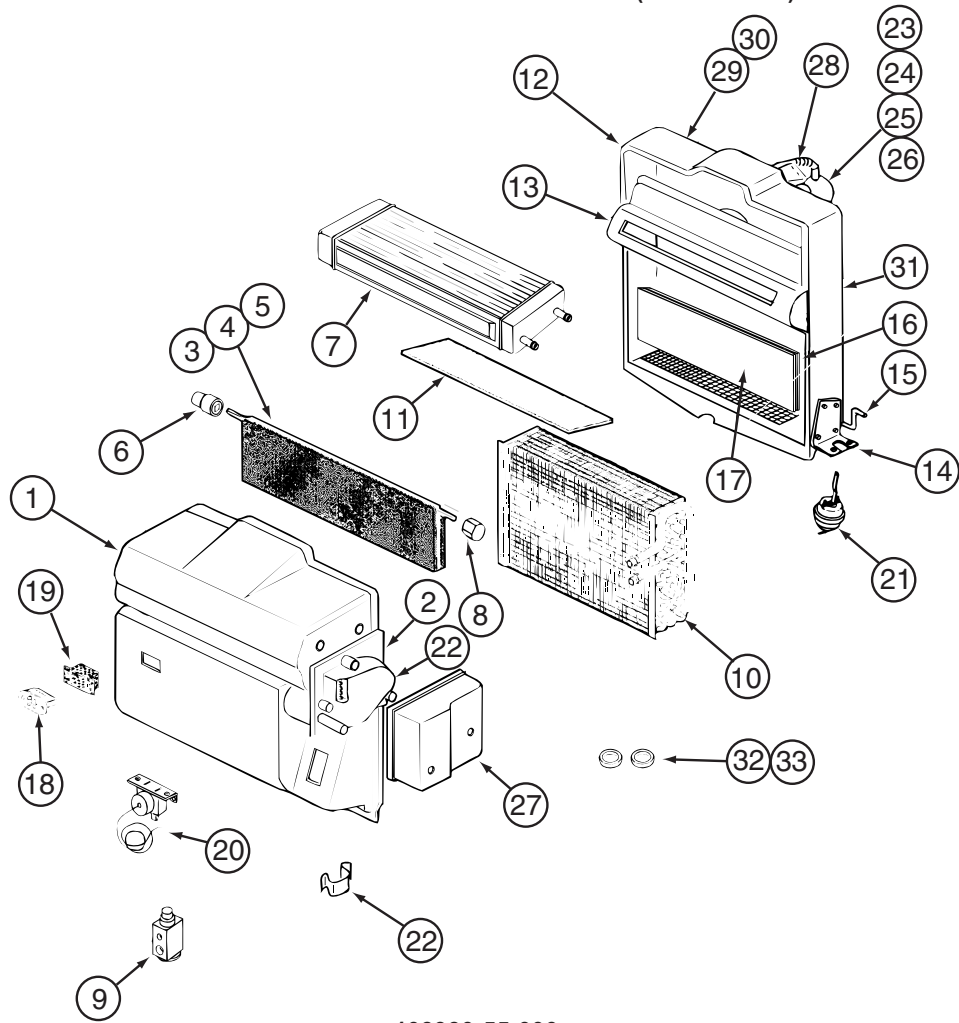
***COMPONENT PARTS LISTED LATER IN THIS GROUP**

COMPONENT PARTS FOR AUTOMOTIVE

072342-27-000

KEY	PART NUMBER	U/M	DESCRIPTION	VENDOR NO.
	072342-27-700	EA	HOSE - #6 DRIER/EVAPORATOR	085-00622
	103930-01-716	EA	SWITCH-PRESSURE/COND. FAN	032-0036
	103930-12-708	EA	SWITCH-BINARY-HI/LOW CUTOUT	032-00048
	103930-12-709	EA	FITTING-QUICK CONNECT	050-0120
	110279-02-702	EA	O'RING #12	045-0125
	113245-01-711	EA	O'RING #6	045-0129

HEATING & A/C GROUP (CONTINUED)
COMPONENT PARTS FOR AUTOMOTIVE (CONTINUED)



103930-55-000

KEY	PART NUMBER	U/M	DESCRIPTION	VENDOR NO.
1	103930-55-701	EA	CASE - FRONT	062-0658
2	103930-30-701	EA	PLATE - MOTOR MOUNT	062-0544
3	103930-55-705	EA	DOOR - BLEND AIR	071-0892
6	103930-30-702	EA	BUSHING/DRIVE (BLEND DOOR)	062-0168
7	103930-55-706	EA	CORE - HEATER - W/GASKET	084-0271
8	103930-30-709	EA	COUPLING - BLEND DOOR SHAFT	062-0634
9	103930-20-700	EA	VALVE-EXPANSION-BLOCK, 2 TON	034-0032
10	103930-55-700	EA	CORE-EVAPORATOR	041-00168
12	103930-55-702	EA	CASE-REAR	062-0657
14	103930-01-708	EA	BRACKET-VACUUM MOTOR	070-0113
15	103930-20-704	EA	ROD-DOOR-RECIRCULATING	073-0018
16	103930-55-707	EA	DOOR - RECIRCULATION	071-0891
18	103930-01-710	EA	RESISTOR-FUSED, A/C 4 TERM	035-0006
20	103930-01-711	EA	THERMOSTAT	033-0003
21	103930-02-708	EA	MOTOR-VACUUM SERVO, A/C	030-0025
22	103930-30-703	EA	MOTOR - SERVO	030-0104
23	103930-20-707	EA	HOUSING-BLOWER	062-0145
24	103930-55-703	EA	MOTOR - BLOWER W/O PIGTAIL	030-0137
25	103930-01-717	EA	WHEEL-BLOWER, CLOCKWISE	062-0010
26	103930-20-708	EA	CLIP-MOTOR SHAFT	022-0001
27	103930-30-704	EA	COVER - SERVO	062-0545
32	113245-01-707	EA	O'RING #8	045-0126
33	103930-17-702	EA	O'RING #10	045-0127
	103930-55-704	EA	CORE-HEATER	042-0059
	110279-01-703	EA	HOSE-VENT F/BLOWER MOTOR	051-0034

CONTACT WINNEBAGO PART SALES FOR UNLISTED COMPONENT(S)

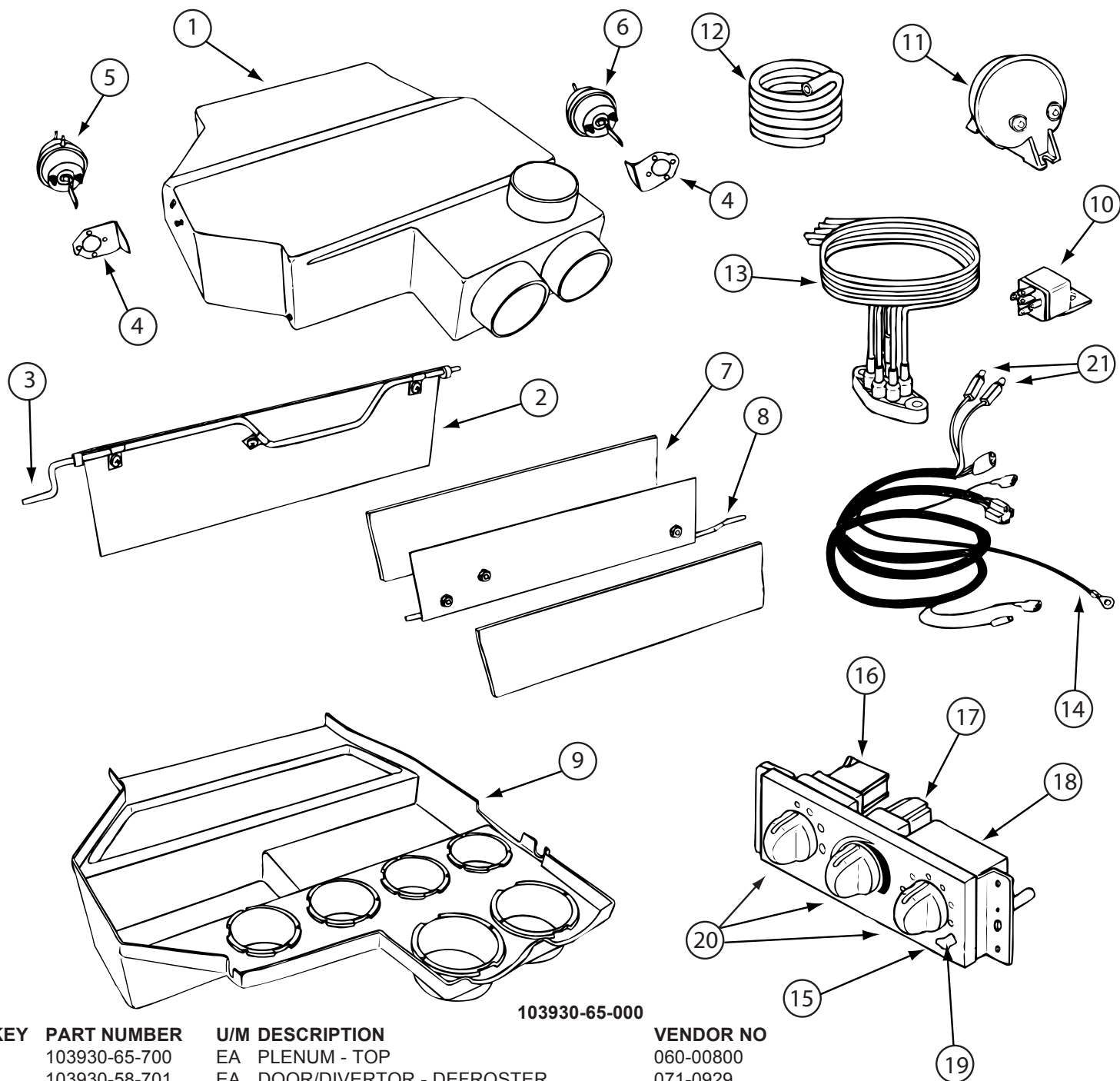
HEATING & A/C GROUP (CONTINUED)
COMPONENT PARTS FOR AUTOMOTIVE (CONTINUED)

103930-59-000

KEY	PART NUMBER	U/M	DESCRIPTION	VENDOR NO
	103930-17-702	EA	O'RING #10	045-0127
	103930-59-700	EA	HOSE - A/C-#12EVAP/COMP 80"	085-0574
	113245-01-710	EA	O'RING, #12	045-0128

HEATING & A/C GROUP (CONTINUED)

COMPONENT PARTS FOR AUTOMOTIVE (CONTINUED)

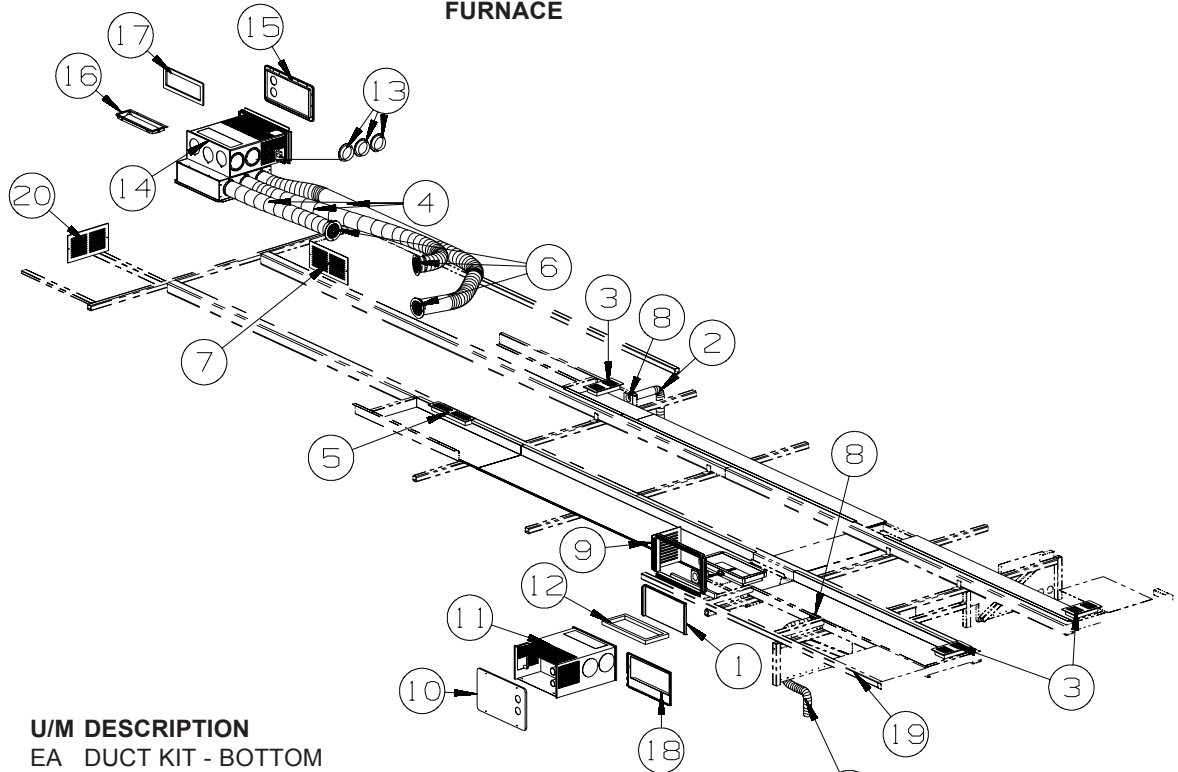


103930-65-000

KEY	PART NUMBER	U/M	DESCRIPTION	VENDOR NO
1	103930-65-700	EA	PLENUM - TOP	060-00800
2	103930-58-701	EA	DOOR/DIVERTOR - DEFROSTER	071-0929
3	103930-58-702	EA	ROD - DEFROSTER DIVERTOR DR	073-0080
4	103930-65-703	EA	BRACKET-VACUUM MOTOR	070-00782
5	103930-33-701	EA	MOTOR - VACUUM, 3 STAGE	030-0105
6	103930-02-708	EA	MOTOR-VACUUM SERVO, A/C	030-0025
7	103930-58-703	EA	DOOR/DIVERTOR - A/C-HEAT	071-0930
8	103930-58-704	EA	ROD - A/C-HEAT DOOR	073-0079
9	103930-65-701	EA	PLENUM - BOTTOM	060-00801
10	103930-02-707	EA	RELAY-BOSCH W/RESISTER	031-0001
11	103930-02-710	EA	CANISTER-VACUUM	054-0002
13	103930-33-703	EA	VACUUM HARNESS	036-0466
14	103930-49-701	EA	HARNESS - WIRE W/BULBS	036-0557
16	103930-49-704	EA	SWITCH - BLOWER	032-0332
17	103930-49-705	EA	POTENTIOMETER	032-0182
18	103930-49-706	EA	SWITCH - VACUUM	032-0185
19	103930-49-707	EA	DECAL CONTROL PANEL-N/RECESS	058-0144
20	103930-61-706	EA	KNOB - CONTROL	062-00723

HEATING & A/C GROUP (CONTINUED)

FURNACE

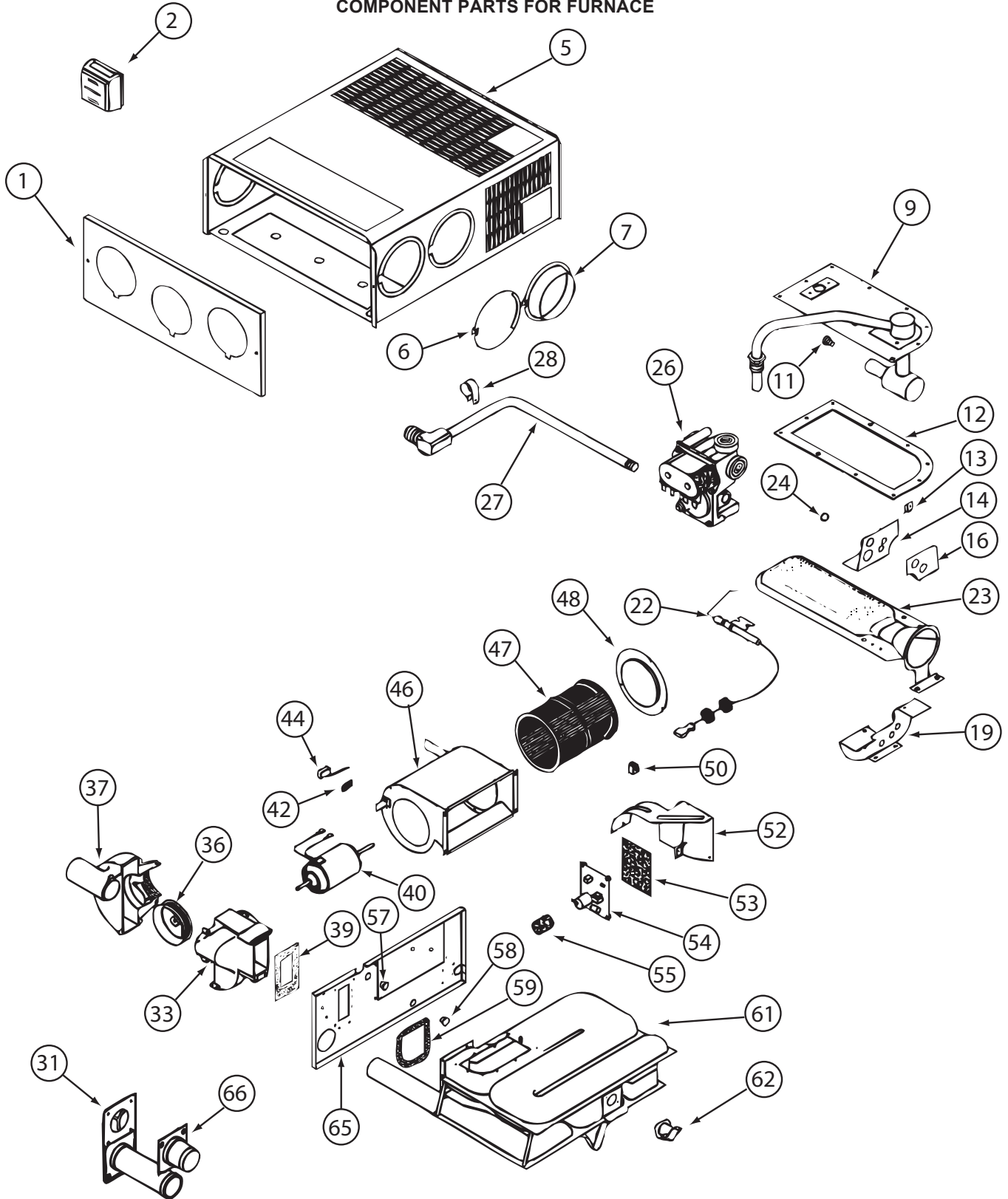


KEY	PART NUMBER	U/M	DESCRIPTION
1	143563-06-000	EA	DUCT KIT - BOTTOM
2	009198-02-000	FT	DUCT - HEAT - FLEXIBLE - 2" ID X 25'
3	137965-09-02A	EA	REGISTER - 9.5" X 5.3"(7.8" X 3.8"R/O) W/O DAMPER-ANT PWTR
4	009198-01-000	FT	DUCT - HEAT - FLEXIBLE - 4" ID X 25'
5	137965-06-02A	EA	REGISTER - 15.3" X 3.6"(13.9"X2.1"R/O) W/O DAMPER-ANT PWTR
6	173191-02-02A	EA	REGISTER W/O DAMPER - 4" DIAMETER - PLASTIC - BEIGE
7	093614-01-02A	EA	GRILLE - AIR RETURN - 15.9" X 7.9" - BEIGE
8	092776-01-000	EA	ADAPTER - DUCT - 2"
9	093614-02-02A	EA	GRILLE - AIR RETURN - 9.9" X 9.9" - BEIGE
10	143563-03-02A	EA	DOOR/ACCESS - FURNACE - W/FRAME - BLACK
11*	143563-08-000	EA	FURNACE - 40000 BTU DUAL QUIET - SUBURBAN SHD-2542
12	143563-05-000	EA	GASKET - FIBERGLASS - SUBURBAN #071018
13	069636-02-000	EA	CONNECTOR - DUCT - 4" ID
14*	139980-01-000	EA	FURNACE - 25000 BTU - SF QUIET - SUBURBAN SF-25 2320J
15	098668-23-000	EA	DOOR - ACCESS - FURNACE - BRIGHT WHITE
			FROM: 00-00-00 THRU: 05-07-08
15	139980-10-02A	EA	DOOR - ACCESS/FURNACE - BRIGHT WHITE
			FROM: 05-08-08 THRU: 99-99-99
16	139980-07-000	EA	ADAPTOR - VENT BOTTOM SF-30/35
17	139980-08-000	EA	GASKET - BOTTOM VENT SF-30/35
18	143563-04-000	EA	PLATE END - COLLAR
19	107721-07-000	EA	SEAL - ACCESS DOOR - .9"WIDE X 1.1"HIGH
20	093614-11-01A	EA	GRILLE - AIR RETURN - 13.9" X 7.9" - BEIGE
	009200-01-000	EA	TAPE - FURNACE - 1 1/2"

***COMPONENT PARTS LISTED LATER IN THIS GROUP**

HEATING & A/C GROUP (CONTINUED)

COMPONENT PARTS FOR FURNACE



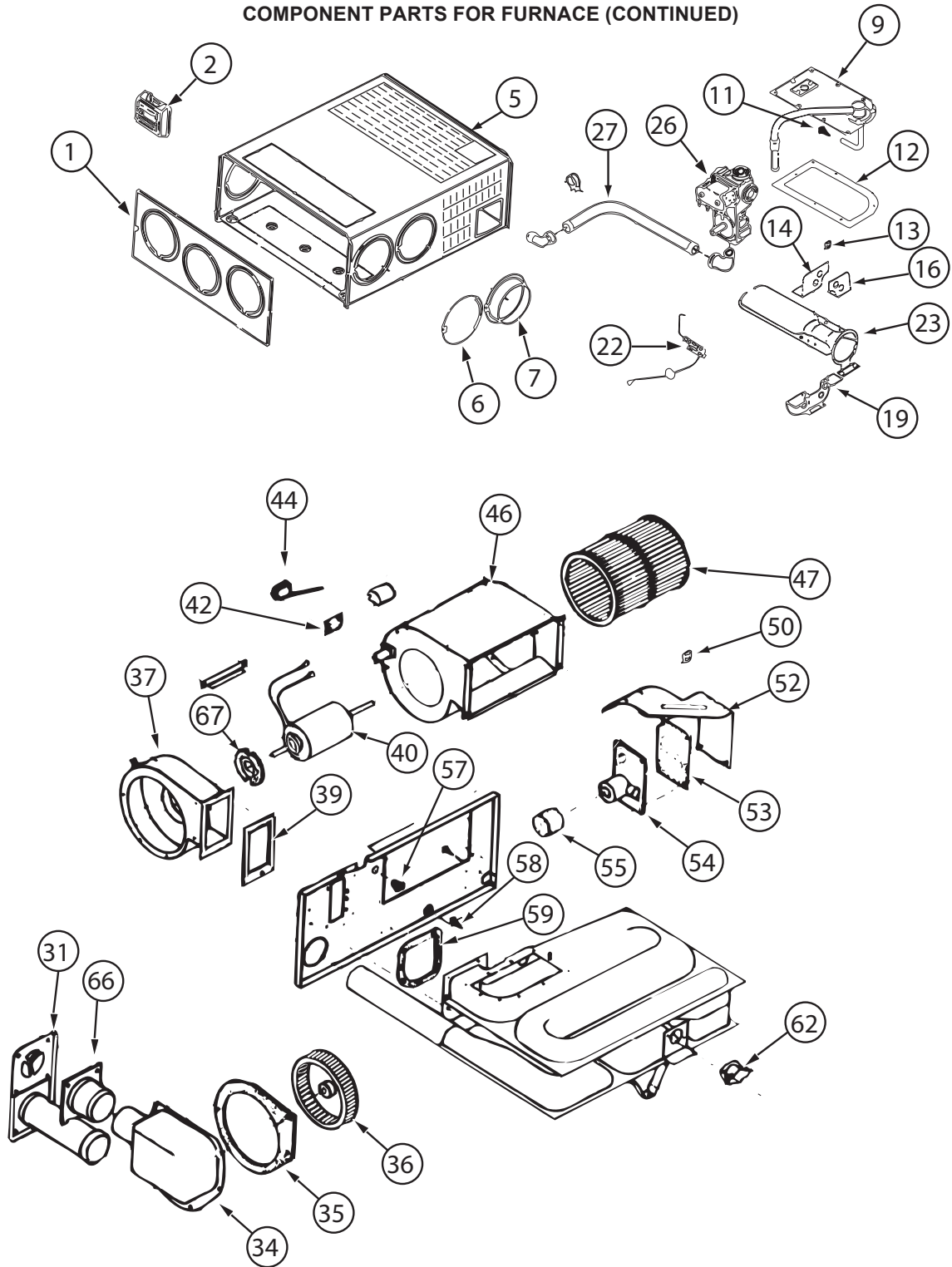
139980-01-000

HEATING & A/C GROUP (CONTINUED)
COMPONENT PARTS FOR FURNACE (CONTINUED)

139980-01-000 (CONTINUED)

KEY	PART NUMBER	U/M	DESCRIPTION	VENDOR NO.
9	139980-01-700	EA	MANIFOLD ASSEMBLY	171571
11	090039-01-703	EA	ORIFICE-MAIN BURNER	180193
12	098668-22-703	EA	GASKET - BURNER ACCESS COVER	070811
22	139980-01-701	EA	ELECTRODE	232286
23	098668-01-703	EA	BURNER ASSEMBLY	010762
26	098668-01-718	EA	VALVE-GAS SF S.N.974903079	161122
27	139980-01-702	EA	PIPE ASSEMBLY/GAS INLET	171574
31	098668-01-707	EA	TUBE ASSEMBLY, EXHAUST W/CAP	260231
33	139980-01-703	EA	HOUSING/COMB. - FRONT/HALF	390852
36	098668-01-706	EA	WHEEL-COMBUSTION AIR	350184
37	139980-01-704	EA	HOUSING/COMB. - REAR/HALF	390848
39	139980-01-705	EA	GASKET/FIREWALL-COMB AIR	071084
40	139980-01-706	EA	MOTOR ASSEMBLY W/GASKET	232682
42	101990-01-714	EA	GASKET-MICROSWITCH	230877
44	098668-21-700	EA	SWITCH-MICRO-W/O FLAG 3 1/4"	232261
46	139980-01-708	EA	BLOWER ASSEMBLY - ROOM AIR	390739BK
47	098668-01-711	EA	WHEEL-BLOWER, ROOM AIR	350129
48	139980-01-709	EA	ORFICE RING	390696
50	139980-01-710	EA	SWITCH - ON/OFF	232351
52	139980-01-711	EA	PANEL ASSEMBLY-MODULE BD	101663
53	139980-01-712	EA	INSULATOR - MODULE BD	070807
54	098668-22-705	EA	MODULE BD W/RELAY TIME DELAY	520820
55	139980-01-713	EA	CAP/INSULATOR-MODULE BD	070973
57	139980-01-714	EA	BUSHING - UNIVERSAL	070362
58	139980-01-715	EA	BUSHING - STRAIN RELIEF	231809
59	098668-01-716	EA	GASKET-FIREWALL,CHAMBER SIDE	070808
61	139980-01-716	EA	CHAMBER ASSEMBLY - FINAL	021149BK
62	098668-21-701	EA	SWITCH - LIMIT	232504
66	098668-01-713	EA	TUBE ASSEMBLY, INTAKE	051248
	098668-19-700	EA	DOOR/CABINET ACCESS	101888
	139980-02-700	EA	BLOWER ASM-1/2 HOUSING/OUTER	390851
	139980-02-701	EA	BLOWER ASM-1/2 HOUSING/INNER	390872
			CONTACT WINNEBAGO PART SALES FOR UNLISTED COMPONENT(S)	

HEATING & A/C GROUP (CONTINUED)
COMPONENT PARTS FOR FURNACE (CONTINUED)



143563-08-000

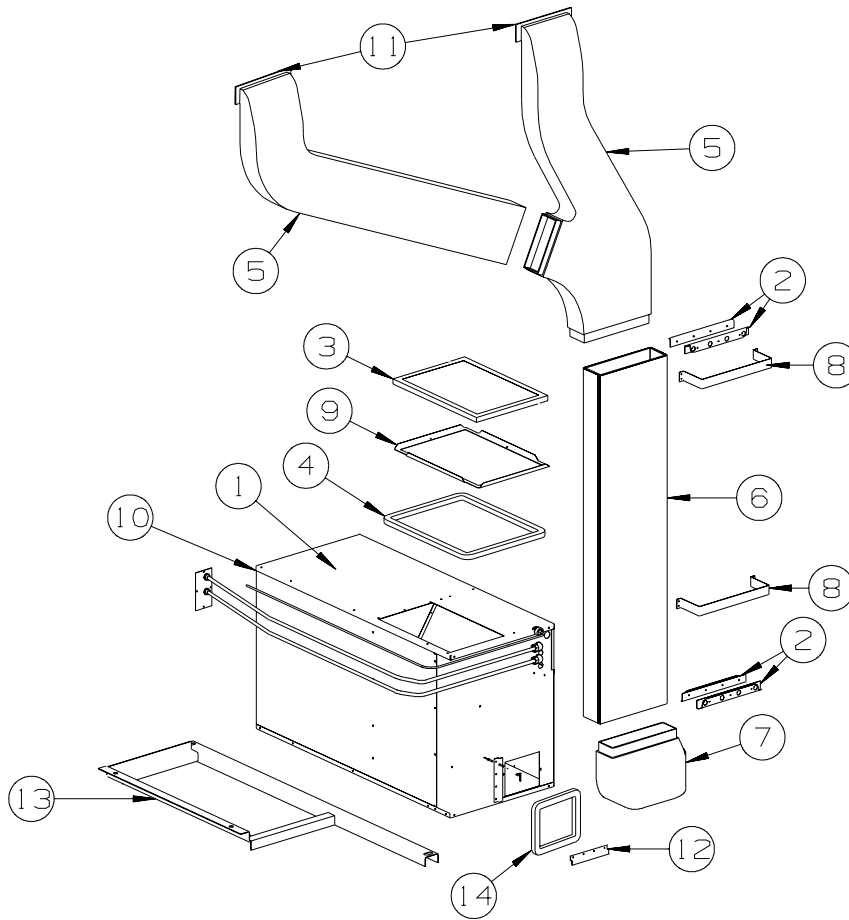
HEATING & A/C GROUP (CONTINUED)
COMPONENT PARTS FOR FURNACE (CONTINUED)

143563-08-000 (CONTINUED)

KEY	PART NUMBER	U/M	DESCRIPTION	VENDOR NO.
1	143563-01-700	EA	CABINET - FRONT	101907
5	143563-08-700	EA	CABINET	102102
7	075696-02-703	EA	COLLAR - DUCT	050715
9	143563-08-701	EA	MANIFOLD ASSEMBLY	171638
11	143563-02-701	EA	ORFICE - MAIN BURNER	180309
12	098668-22-703	EA	GASKET - BURNER ACCESS COVER	070811
14	143563-02-702	EA	PLATE - SECONDARY AIR/TOP BACK	063198
16	143563-02-703	EA	PLATE - SECONDARY AIR/TOP FRT	062933
19	143563-02-704	EA	PLATE - SECONDARY AIR/BOTTOM	062935
22	139980-01-701	EA	ELECTRODE	232286
23	098668-11-701	EA	BURNER ASSEMBLY, SF-42F	010799
26	143563-08-702	EA	VALVE-GAS	161192
27	143563-08-703	EA	PIPE ASSEMBLY (GAS INLET)	171655
31	098668-01-707	EA	TUBE ASSEMBLY, EXHAUST W/CAP	260231
32	098668-01-713	EA	TUBE ASSEMBLY, INTAKE	051248
34	139980-01-703	EA	HOUSING/COMB. - FRONT/HALF	390852
37	139980-01-704	EA	HOUSING/COMB. - REAR/HALF	390848
38	098668-22-702	EA	WHEEL-COMBUSTION AIR	350183
39	139980-01-705	EA	GASKET/FIREWALL-COMB AIR	071084
40	143563-08-704	EA	MOTOR ASSEMBLY W/GASKET	232850
42	143563-08-705	EA	BLOWER ASM(Room Air)FRONT1/2	390873
44	143563-08-706	EA	BLOWER ASM(Room Air)REAR 1/2	390921
45	143563-08-707	EA	SWITCH-SAIL	232868
48	139980-01-710	EA	SWITCH - ON/OFF	232351
49	139980-01-712	EA	INSULATOR - MODULE BD	070807
50	098668-22-705	EA	MODULE BD W/RELAY TIME DELAY	520820
51	139980-01-713	EA	CAP/INSULATOR-MODULE BD	070973
52	098668-01-711	EA	WHEEL-BLOWER, ROOM AIR	350129
54	139980-01-714	EA	BUSHING - UNIVERSAL	070362
56	143563-08-708	EA	BUSHING - STRAIN RELIEF	230216
57	098668-01-716	EA	GASKET-FIREWALL,CHAMBER SIDE	070808
58	143563-02-707	EA	CHAMBER ASM. - FINAL	021172BK
59	098668-22-706	EA	SWITCH/LIMIT-195 TRIP TEMP	232505
65	143563-05-709	EA	PANEL ASSEMBLY-MODULE BD	102078
67	143563-08-710	EA	MODULE BOARD - DUAL CONTROL	232806

CONTACT WINNEBAGO PART SALES FOR UNLISTED COMPONENT(S)

HEATING & A/C GROUP (CONTINUED) CENTRAL



KEY	PART NUMBER	U/M	DESCRIPTION
1*	105620-24-000	EA	A/C - CENTRAL - HEAT PUMP - TOP RETURN
2	160755-01-02B	EA	U-CHANNEL-W/HOLES
3	109050-01-000	EA	FILTER/FURNACE-AC - FIBERGLASS - 1" X 16" X 20"
4	134588-04-000	EA	GASKET - DUCT - 13.9" X 18.2" IS - 15.9" X 20.2" OS
5	M09204-01-000	EA	DUCT/AC - UPPER RIGHT HAND/LEFT HAND
5	105290-01-000	SF	INSULATION - AIR POCKET W/FOIL - 4' WIDE'
6	159404-08-000	EA	PLENUM-A/C
7	P47621-01-000	EA	DUCT - CENTRAL AIR/FORCED - LOWER
7	105290-01-000	SF	INSULATION - AIR POCKET W/FOIL - 4' WIDE
8	129047-01-02B	EA	STRAP/MOUNTING - AIR DUCT - E-COATED
9	139757-02-02B	EA	PANEL - TRAY - A/C FILTER - E-COATED
10	107721-07-000	FT	SEAL - ACCESS DOOR - .9"WIDE X 1.1"HIGH
11	104692-01-000	FT	SEAL - ADHESIVE BACKED FOAM - 3/4" THICK X 3/4" WIDE X 25'
12	130481-01-01A	EA	BRACKET - ZEE W/HOLES - 7"
13	158964-02-02B	EA	CRADLE - A/C - E-COATED
14	134588-02-000	EA	GASKET - DUCT - 13.9" X 18.2" IS - 15.9" X 20.2" OS

***COMPONENT PARTS LISTED LATER IN THIS GROUP**

HEATING & A/C GROUP (CONTINUED)
COMPONENT PARTS FOR CENTRAL (CONTINUED)

105620-24-000 (CONTINUED)

KEY	PART NUMBER	U/M	DESCRIPTION	VENDOR NO.
10	105620-01-733	EA	ISOLATOR-HIGH VOLTAGE	6795-117
12	105620-19-701	EA	CONDENSER COIL	1452-173
13	105620-19-702	EA	EVAPORATOR COIL	1452-172
14	105620-24-700	EA	DRAIN PAN	6538-114
15	105620-12-703	EA	VALVE - DRAIN	6795-200
16	105620-24-701	EA	COMPRESSOR	1450-2339
17	105620-24-702	EA	OVERLOAD	1450-0181
18	105620-01-706	EA	MOUNTING PKG.,COMP., 3 PER	6759-3081
19	105620-24-703	EA	REVERSING VALVE	6538-532
20	105620-12-708	EA	COIL - SOLENOID	1460-1081
21	105620-24-704	EA	LIQUID LINE W/EXP VLV-CRCT 1	6538-552
21	105620-24-705	EA	LIQUID LINE W/EXP VLV-CRCT 2	6538-553
23	105620-24-706	EA	FAN BLADE - O.D.	1472-5031
27	105620-24-707	EA	MOTOR/FAN - O.D.	1468-3339
28	093763-01-704	EA	CAPACITOR-FAN (ID/OD MOTOR)	1499-5461
29	105620-10-715	EA	RUBBER CAPACITOR BOOT	1499-951
30	105620-10-701	EA	BEARING/PILLOW BLOCK-O/S AIR	6536-3011
31	105620-11-701	EA	BLOWER WHEEL/INSIDE AIR	1472-1151
32	105620-12-715	EA	BLOWER VENTURI/INSIDE AIR	6535A287
33	105620-01-723	EA	MOUNT-BLOWER MOTOR - I/S AIR	6795-302
34	105620-19-705	EA	MOTOR-BLOWER-INSIDE AIR-REV.	1468A3219
35	105620-19-706	EA	BLOWER HOUSING/INSIDE AIR	6537A590
36	105620-01-729	EA	RELAY-COMPRESSOR -4 TERMINAL	1460-1131
37	105620-12-725	EA	COMPRESSOR RUN CAPACITOR	1499-5731
38	105620-16-708	EA	BOARD/TERMINAL- HIGH VOLTAGE	6795-3151
39	105620-10-723	EA	GROUND PLUG	1216228
40	108889-02-702	EA	CAPACITOR-START	1497-0891
41	105620-12-727	EA	CIRCUIT BD(6535 C SERIES)	6535C3201
43	091225-01-709	EA	RELAY-START	1497-4131
	105620-12-719	EA	COIL SENSOR	7330A3231

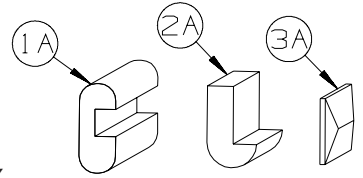
CONTACT WINNEBAGO PART SALES FOR UNLISTED COMPONENTS

INTERIOR FINISH GROUP

MOLDINGS & TRIMS

CONCERT CHERRY, HONEY CHERRY, BELMONT MAPLE, WASHED MAPLE, COFFEE GLAZE HONEY CHERRY

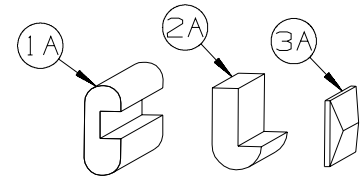
KEY	PART NUMBER	U/M	DESCRIPTION
1A	M09412-62-M52	EA	MOLDING/SHELF EDGE - .6" X 1.3" X 96" - CONCERT CHERRY
1A	M09412-62-M62	EA	MOLDING/SHELF EDGE - .6" X 1.3" X 96" - WASHED MAPLE
1A	M09412-62-RC3	EA	MOLDING/SHELF EDGE - .6" X 1.3" X 96" - HONEY CHERRY
1A	M09412-62-SA3	EA	MOLDING/SHELF EDGE - .6" X 1.3" X 96" - SIERRA MAPLE
1A	M09412-62-Y93	EA	MOLDING/SHELF EDGE - .6" X 1.3" X 96" - BELMONT MAPLE
2A	M09525-80-UM1	EA	MOLDING - TRIM - W/NOTCH - .8" X 1.4" X 86.5" - CONCERT CHERRY
2A	M09525-80-U91	EA	MOLDING - TRIM - W/NOTCH - .8" X 1.4" X 86.5" - WASHED MAPLE
2A	M09525-80-U92	EA	MOLDING - TRIM - W/NOTCH - .8" X 1.4" X 86.5" - SIERRA MAPLE
2A	M09525-80-Y92	EA	MOLDING - TRIM - W/NOTCH - .8" X 1.4" X 86.5" - HONEY CHERRY
2A	M09525-80-Y93	EA	MOLDING - TRIM - W/NOTCH - .8" X 1.4" X 86.5" - BELMONT MAPLE
2A	M09511-44-T78	EA	MOLDING - TRIM - W/NOTCH - 1" X 86.4" - CONCERT CHERRY
2A	M09511-44-T79	EA	MOLDING - TRIM - W/NOTCH - 1" X 86.4" - WASHED MAPLE
2A	M09511-44-T80	EA	MOLDING - TRIM - W/NOTCH - 1" X 86.4" - HONEY CHERRY
2A	M09577-47-YA0	EA	MOLDING - TRIM - W/NOTCH - 1" X 86.4" - CONCERT CHERRY
2A	M09577-47-YA1	EA	MOLDING - TRIM - W/NOTCH - 1" X 86.4" - HONEY CHERRY
2A	M09577-47-YA2	EA	MOLDING - TRIM - W/NOTCH - 1" X 86.4" - BELMONT MAPLE
2A	M09515-72-TD1	EA	MOLDING/TRIM - .8" X 2.2" X 86.1" - CONCERT CHERRY
2A	M09515-72-TD2	EA	MOLDING/TRIM - .8" X 2.2" X 86.1" - WASHED MAPLE
2A	M09515-72-TD3	EA	MOLDING/TRIM - .8" X 2.2" X 86.1" - SIERRA MAPLE
2A	M09553-87-YP2	EA	MOLDING/TRIM - .8" X 2.2" X 86.14" - BELMONT MAPLE
3A	M09568-37-YK0	EA	MOLDING - TRIM/VEE - .2" X 1" X 80.2" - CONCERT CHERRY
3A	M09568-37-YK1	EA	MOLDING - TRIM/VEE - .2" X 1" X 80.2" - HONEY CHERRY
3A	M09568-37-YK2	EA	MOLDING - TRIM/VEE - .2" X 1" X 80.2" - BELMONT MAPLE
3A	M09568-37-YK3	EA	MOLDING - TRIM/VEE - .2" X 1" X 80.2" - WASHED MAPLE
3A	M09568-40-YK0	EA	MOLDING - TRIM/VEE - .2" X 1" X 76.3" - CONCERT CHERRY
3A	M09568-40-YK1	EA	MOLDING - TRIM/VEE - .2" X 1" X 76.3" - HONEY CHERRY
3A	M09568-40-YK2	EA	MOLDING - TRIM/VEE - .2" X 1" X 76.3" - BELMONT MAPLE
3A	M09568-40-YK3	EA	MOLDING - TRIM/VEE - .2" X 1" X 76.3" - WASHED MAPLE
3A	M09568-41-YK0	EA	MOLDING - TRIM/VEE - .2" X 1" X 73.9" - CONCERT CHERRY
3A	M09568-41-YK1	EA	MOLDING - TRIM/VEE - .2" X 1" X 73.9" - HONEY CHERRY
3A	M09568-41-YK2	EA	MOLDING - TRIM/VEE - .2" X 1" X 73.9" - BELMONT MAPLE
3A	M09568-41-YK3	EA	MOLDING - TRIM/VEE - .2" X 1" X 73.9" - WASHED MAPLE
3A	M09568-42-YK0	EA	MOLDING - TRIM/VEE - .2" X 1" X 40.1" - CONCERT CHERRY
3A	M09568-42-YK1	EA	MOLDING - TRIM/VEE - .2" X 1" X 40.1" - HONEY CHERRY
3A	M09568-42-YK2	EA	MOLDING - TRIM/VEE - .2" X 1" X 40.1" - BELMONT MAPLE
3A	M09568-42-YK3	EA	MOLDING - TRIM/VEE - .2" X 1" X 40.1" - WASHED MAPLE
3A	M09568-44-YK0	EA	MOLDING - TRIM/VEE - .2" X 1" X 64.5" - CONCERT CHERRY
3A	M09568-44-YK1	EA	MOLDING - TRIM/VEE - .2" X 1" X 64.5" - HONEY CHERRY
3A	M09568-44-YK2	EA	MOLDING - TRIM/VEE - .2" X 1" X 64.5" - BELMONT MAPLE
3A	M09568-44-YK3	EA	MOLDING - TRIM/VEE - .2" X 1" X 64.5" - WASHED MAPLE
3A	M09501-30-SD1	EA	MOLDING - TRIM/VEE - .2" X 1" X 35.1" - CONCERT CHERRY
3A	M09501-30-SD2	EA	MOLDING - TRIM/VEE - .2" X 1" X 35.1" - WASHED MAPLE
3A	M09501-30-SD3	EA	MOLDING - TRIM/VEE - .2" X 1" X 35.1" - HONEY CHERRY
3A	M09515-97-WL4	EA	MOLDING - TRIM/VEE - .2" X 1" X 32.6" - CONCERT CHERRY
3A	M09515-97-WL5	EA	MOLDING - TRIM/VEE - .2" X 1" X 32.6" - WASHED MAPLE
3A	M09515-97-WL6	EA	MOLDING - TRIM/VEE - .2" X 1" X 32.6" - HONEY CHERRY
3A	M09515-97-YL6	EA	MOLDING - TRIM/VEE - .2" X 1" X 32.6" - BELMONT MAPLE
3A	M09566-11-YL4	EA	MOLDING - TRIM/VEE - .2" X 1" X 25.9" - CONCERT CHERRY
3A	M09566-11-YL5	EA	MOLDING - TRIM/VEE - .2" X 1" X 25.9" - HONEY CHERRY
3A	M09566-11-YL6	EA	MOLDING - TRIM/VEE - .2" X 1" X 25.9" - BELMONT MAPLE
3A	M09566-11-YL7	EA	MOLDING - TRIM/VEE - .2" X 1" X 25.9" - WASHED MAPLE
3A	M09534-17-UF3	EA	MOLDING - TRIM/VEE - .2" X 1" X 20.1" - SIERRA MAPLE
3A	M09534-17-UJ1	EA	MOLDING - TRIM/VEE - .2" X 1" X 20.1" - CONCERT CHERRY
3A	M09534-17-UJ2	EA	MOLDING - TRIM/VEE - .2" X 1" X 20.1" - WASHED MAPLE
3A	M09534-17-UJ3	EA	MOLDING - TRIM/VEE - .2" X 1" X 20.1" - HONEY CHERRY
3A	M09534-17-YG3	EA	MOLDING - TRIM/VEE - .2" X 1" X 20.1" - BELMONT MAPLE
3A	M09477-88-S34	EA	MOLDING - TRIM/VEE - .2" X 1" X 19.9" - WASHED MAPLE
3A	M09477-88-S35	EA	MOLDING - TRIM/VEE - .2" X 1" X 19.9" - SIERRA MAPLE
3A	M09477-88-YA0	EA	MOLDING - TRIM/VEE - .2" X 1" X 19.9" - CONCERT CHERRY
3A	M09477-88-Y37	EA	MOLDING - TRIM/VEE - .2" X 1" X 19.9" - HONEY CHERRY
3A	M09477-88-Y38	EA	MOLDING - TRIM/VEE - .2" X 1" X 19.9" - BELMONT MAPLE
3A	M09568-43-YK0	EA	MOLDING - TRIM/VEE - .2" X 1" X 18.5" - CONCERT CHERRY



INTERIOR FINISH GROUP (CONTINUED)
MOLDINGS & TRIMS (CONTINUED)

KEY	PART NUMBER	U/M	DESCRIPTION
3A	M09568-43-YK1	EA	MOLDING - TRIM/VEE - .2" X 1" X 18.5" - HONEY CHERRY
3A	M09568-43-YK2	EA	MOLDING - TRIM/VEE - .2" X 1" X 18.5" - BELMONT MAPLE
3A	M09568-43-YK3	EA	MOLDING - TRIM/VEE - .2" X 1" X 18.5" - WASHED MAPLE
3A	M09515-71-Y37	EA	MOLDING - TRIM/VEE - .2" X 1" X 14.9" - HONEY CHERRY
3A	M09515-71-Y38	EA	MOLDING - TRIM/VEE - .2" X 1" X 14.9" - BELMONT MAPLE
3A	M09583-16-Y65	EA	MOLDING - TRIM/VEE - .2" X 1" X 13.3" - HONEY CHERRY
3A	M09583-16-YP0	EA	MOLDING - TRIM/VEE - .2" X 1" X 13.3" - SIERRA MAPLE
3A	M09583-16-YP1	EA	MOLDING - TRIM/VEE - .2" X 1" X 13.3" - CONCERT CHERRY
3A	M09583-16-YP2	EA	MOLDING - TRIM/VEE - .2" X 1" X 13.3" - BELMONT MAPLE
3A	M09566-04-YB0	EA	MOLDING - TRIM/VEE - .2" X 1" X 8.9" - CONCERT CHERRY
3A	M09566-04-WD3	EA	MOLDING - TRIM/VEE - .2" X 1" X 8.9" - HONEY CHERRY
3A	M09553-29-WH4	EA	MOLDING - TRIM/VEE - .4" X 1" X 94.4" - CONCERT CHERRY
3A	M09553-29-WH5	EA	MOLDING - TRIM/VEE - .4" X 1" X 94.4" - WASHED MAPLE
3A	M09553-29-WH6	EA	MOLDING - TRIM/VEE - .4" X 1" X 94.4" - SIERRA MAPLE
3A	M09553-29-YH7	EA	MOLDING - TRIM/VEE - .4" X 1" X 94.4" - BELMONT MAPLE
3A	M09553-29-YR3	EA	MOLDING - TRIM/VEE - .4" X 1" X 94.4" - HONEY CHERRY
3A	M09565-04-WH4	EA	MOLDING - TRIM/VEE - .4" X 1" X 89.5" - CONCERT CHERRY
3A	M09565-04-WH5	EA	MOLDING - TRIM/VEE - .4" X 1" X 89.5" - WASHED MAPLE
3A	M09565-04-WH6	EA	MOLDING - TRIM/VEE - .4" X 1" X 89.5" - SIERRA MAPLE
3A	M09565-04-YH7	EA	MOLDING - TRIM/VEE - .4" X 1" X 89.5" - BELMONT MAPLE
3A	M09565-04-YR3	EA	MOLDING - TRIM/VEE - .4" X 1" X 89.5" - HONEY CHERRY
3A	M09544-86-W37	EA	MOLDING - TRIM/VEE - .4" X 1" X 88.1" - SIERRA MAPLE
3A	M09544-86-W38	EA	MOLDING - TRIM/VEE - .4" X 1" X 88.1" - WASHED MAPLE
3A	M09538-39-U67	EA	MOLDING - TRIM/VEE - .4" X 1" X 82.6" - WASHED MAPLE
3A	M09538-39-U68	EA	MOLDING - TRIM/VEE - .4" X 1" X 82.6" - SIERRA MAPLE
3A	M09538-39-Y80	EA	MOLDING - TRIM/VEE - .4" X 1" X 82.6" - CONCERT CHERRY
3A	M09538-39-Y81	EA	MOLDING - TRIM/VEE - .4" X 1" X 82.6" - BELMONT MAPLE
3A	M09553-62-WH4	EA	MOLDING - TRIM/VEE - .4" X 1" X 81.4" - CONCERT CHERRY
3A	M09553-62-WH5	EA	MOLDING - TRIM/VEE - .4" X 1" X 81.4" - WASHED MAPLE
3A	M09553-62-WH6	EA	MOLDING - TRIM/VEE - .4" X 1" X 81.4" - SIERRA MAPLE
3A	M09553-62-YH7	EA	MOLDING - TRIM/VEE - .4" X 1" X 81.4" - BELMONT MAPLE
3A	M09553-62-YR3	EA	MOLDING - TRIM/VEE - .4" X 1" X 81.4" - HONEY CHERRY
3A	M09568-67-YL4	EA	MOLDING - TRIM/VEE - .4" X 1" X 81" - CONCERT CHERRY
3A	M09568-67-YL5	EA	MOLDING - TRIM/VEE - .4" X 1" X 81" - HONEY CHERRY
3A	M09568-67-YL6	EA	MOLDING - TRIM/VEE - .4" X 1" X 81" - BELMONT MAPLE
3A	M09568-67-YL7	EA	MOLDING - TRIM/VEE - .4" X 1" X 81" - WASHED MAPLE
3A	M09577-98-WH4	EA	MOLDING - TRIM/VEE - .4" X 1" X 80.2" - CONCERT CHERRY
3A	M09577-98-WH5	EA	MOLDING - TRIM/VEE - .4" X 1" X 80.2" - WASHED MAPLE
3A	M09577-98-WH6	EA	MOLDING - TRIM/VEE - .4" X 1" X 80.2" - SIERRA MAPLE
3A	M09577-98-YL5	EA	MOLDING - TRIM/VEE - .4" X 1" X 80.2" - HONEY CHERRY
3A	M09577-98-YL6	EA	MOLDING - TRIM/VEE - .4" X 1" X 80.2" - BELMONT MAPLE
3A	M09583-06-YL4	EA	MOLDING - TRIM/VEE - .4" X 1" X 79.3" - CONCERT CHERRY
3A	M09583-06-YL5	EA	MOLDING - TRIM/VEE - .4" X 1" X 79.3" - HONEY CHERRY
3A	M09583-06-YL6	EA	MOLDING - TRIM/VEE - .4" X 1" X 79.3" - BELMONT MAPLE
3A	M09583-06-YL7	EA	MOLDING - TRIM/VEE - .4" X 1" X 79.3" - WASHED MAPLE
3A	M09538-37-U67	EA	MOLDING - TRIM/VEE - .4" X 1" X 77.5" - WASHED MAPLE
3A	M09538-37-U68	EA	MOLDING - TRIM/VEE - .4" X 1" X 77.5" - SIERRA MAPLE
3A	M09538-37-Y80	EA	MOLDING - TRIM/VEE - .4" X 1" X 77.5" - CONCERT CHERRY
3A	M09538-37-Y81	EA	MOLDING - TRIM/VEE - .4" X 1" X 77.5" - BELMONT MAPLE
3A	M09553-65-WH4	EA	MOLDING - TRIM/VEE - .4" X 1" X 77" - CONCERT CHERRY
3A	M09553-65-WH5	EA	MOLDING - TRIM/VEE - .4" X 1" X 77" - WASHED MAPLE
3A	M09553-65-WH6	EA	MOLDING - TRIM/VEE - .4" X 1" X 77" - SIERRA MAPLE
3A	M09553-65-YH7	EA	MOLDING - TRIM/VEE - .4" X 1" X 77" - BELMONT MAPLE
3A	M09553-65-YR3	EA	MOLDING - TRIM/VEE - .4" X 1" X 77" - HONEY CHERRY
3A	M09553-64-WH4	EA	MOLDING - TRIM/VEE - .4" X 1" X 76.7" - CONCERT CHERRY
3A	M09553-64-WH5	EA	MOLDING - TRIM/VEE - .4" X 1" X 76.7" - WASHED MAPLE
3A	M09553-64-WH6	EA	MOLDING - TRIM/VEE - .4" X 1" X 76.7" - SIERRA MAPLE
3A	M09553-64-YH7	EA	MOLDING - TRIM/VEE - .4" X 1" X 76.7" - BELMONT MAPLE
3A	M09553-64-YR3	EA	MOLDING - TRIM/VEE - .4" X 1" X 76.7" - HONEY CHERRY
3A	M09577-14-Y79	EA	MOLDING - TRIM/VEE - .4" X 1" X 76.2" - SIERRA MAPLE
3A	M09577-14-Y80	EA	MOLDING - TRIM/VEE - .4" X 1" X 76.2" - CONCERT CHERRY
3A	M09577-14-Y81	EA	MOLDING - TRIM/VEE - .4" X 1" X 76.2" - BELMONT MAPLE
3A	M09583-63-Y91	EA	MOLDING - TRIM/VEE - .4" X 1" X 75.3" - CONCERT CHERRY
3A	M09583-63-Y92	EA	MOLDING - TRIM/VEE - .4" X 1" X 75.3" - HONEY CHERRY

INTERIOR FINISH GROUP (CONTINUED)
MOLDINGS & TRIMS (CONTINUED)

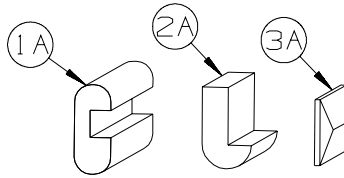


KEY	PART NUMBER	U/M	DESCRIPTION
3A	M09583-63-Y93	EA	MOLDING - TRIM/VEE - .4" X 1" X 75.3" - BELMONT MAPLE
3A	M09503-75-T78	EA	MOLDING - TRIM/VEE - .4" X 1" X 81" - CONCERT CHERRY
3A	M09503-75-YL5	EA	MOLDING - TRIM/VEE - .4" X 1" X 81" - HONEY CHERRY
3A	M09503-75-YL6	EA	MOLDING - TRIM/VEE - .4" X 1" X 81" - BELMONT MAPLE
3A	M09503-75-T79	EA	MOLDING - TRIM/VEE - .4" X 1" X 81" - WASHED MAPLE
3A	M09553-26-WH4	EA	MOLDING - TRIM/VEE - .4" X 1" X 74.1" - CONCERT CHERRY
3A	M09553-26-WH5	EA	MOLDING - TRIM/VEE - .4" X 1" X 74.1" - WASHED MAPLE
3A	M09553-26-WH6	EA	MOLDING - TRIM/VEE - .4" X 1" X 74.1" - SIERRA MAPLE
3A	M09553-26-YH7	EA	MOLDING - TRIM/VEE - .4" X 1" X 74.1" - BELMONT MAPLE
3A	M09553-26-YR3	EA	MOLDING - TRIM/VEE - .4" X 1" X 74.1" - HONEY CHERRY
3A	M09538-91-WH4	EA	MOLDING - TRIM/VEE - .4" X 1" X 73.8" - CONCERT CHERRY
3A	M09538-91-WH5	EA	MOLDING - TRIM/VEE - .4" X 1" X 73.8" - WASHED MAPLE
3A	M09538-91-WH6	EA	MOLDING - TRIM/VEE - .4" X 1" X 73.8" - SIERRA MAPLE
3A	M09538-91-YH7	EA	MOLDING - TRIM/VEE - .4" X 1" X 73.8" - BELMONT MAPLE
3A	M09538-91-YR3	EA	MOLDING - TRIM/VEE - .4" X 1" X 73.8" - HONEY CHERRY
3A	M09583-62-Y91	EA	MOLDING - TRIM/VEE - .4" X 1" X 73" - CONCERT CHERRY
3A	M09583-62-Y92	EA	MOLDING - TRIM/VEE - .4" X 1" X 73" - HONEY CHERRY
3A	M09583-62-Y93	EA	MOLDING - TRIM/VEE - .4" X 1" X 73" - BELMONT MAPLE
3A	M09568-71-YL4	EA	MOLDING - TRIM/VEE - .4" X 1" X 72.7" - CONCERT CHERRY
3A	M09568-71-YL5	EA	MOLDING - TRIM/VEE - .4" X 1" X 72.7" - HONEY CHERRY
3A	M09568-71-YL6	EA	MOLDING - TRIM/VEE - .4" X 1" X 72.7" - BELMONT MAPLE
3A	M09568-71-YL7	EA	MOLDING - TRIM/VEE - .4" X 1" X 72.7" - WASHED MAPLE
3A	M09565-97-WH4	EA	MOLDING - TRIM/VEE - .4" X 1" X 72.6" - CONCERT CHERRY
3A	M09565-97-WH5	EA	MOLDING - TRIM/VEE - .4" X 1" X 72.6" - WASHED MAPLE
3A	M09565-97-WH6	EA	MOLDING - TRIM/VEE - .4" X 1" X 72.6" - SIERRA MAPLE
3A	M09565-97-YH7	EA	MOLDING - TRIM/VEE - .4" X 1" X 72.6" - BELMONT MAPLE
3A	M09565-97-YR3	EA	MOLDING - TRIM/VEE - .4" X 1" X 72.6" - HONEY CHERRY
3A	M09568-12-WH4	EA	MOLDING - TRIM/VEE - .4" X 1" X 71.9" - CONCERT CHERRY
3A	M09568-12-WH5	EA	MOLDING - TRIM/VEE - .4" X 1" X 71.9" - WASHED MAPLE
3A	M09568-12-WH6	EA	MOLDING - TRIM/VEE - .4" X 1" X 71.9" - SIERRA MAPLE
3A	M09568-12-YH7	EA	MOLDING - TRIM/VEE - .4" X 1" X 71.9" - BELMONT MAPLE
3A	M09568-12-YR3	EA	MOLDING - TRIM/VEE - .4" X 1" X 71.9" - HONEY CHERRY
3A	M09565-01-WH4	EA	MOLDING - TRIM/VEE - .4" X 1" X 71.7" - CONCERT CHERRY
3A	M09565-01-WH5	EA	MOLDING - TRIM/VEE - .4" X 1" X 71.7" - WASHED MAPLE
3A	M09565-01-WH6	EA	MOLDING - TRIM/VEE - .4" X 1" X 71.7" - SIERRA MAPLE
3A	M09565-01-YH7	EA	MOLDING - TRIM/VEE - .4" X 1" X 71.7" - BELMONT MAPLE
3A	M09565-01-YR3	EA	MOLDING - TRIM/VEE - .4" X 1" X 71.7" - HONEY CHERRY
3A	M09544-15-WB4	EA	MOLDING - TRIM/VEE - .4" X 1" X 64.5" - CONCERT CHERRY
3A	M09544-15-WB5	EA	MOLDING - TRIM/VEE - .4" X 1" X 64.5" - WASHED MAPLE
3A	M09544-15-WB6	EA	MOLDING - TRIM/VEE - .4" X 1" X 64.5" - SIERRA MAPLE
3A	M09544-15-Y92	EA	MOLDING - TRIM/VEE - .4" X 1" X 64.5" - HONEY CHERRY
3A	M09544-15-Y93	EA	MOLDING - TRIM/VEE - .4" X 1" X 64.5" - BELMONT MAPLE
3A	M09538-94-WH4	EA	MOLDING - TRIM/VEE - .4" X 1" X 71.1" - CONCERT CHERRY
3A	M09538-94-WH5	EA	MOLDING - TRIM/VEE - .4" X 1" X 71.1" - WASHED MAPLE
3A	M09538-94-WH6	EA	MOLDING - TRIM/VEE - .4" X 1" X 71.1" - SIERRA MAPLE
3A	M09538-94-YH7	EA	MOLDING - TRIM/VEE - .4" X 1" X 71.1" - BELMONT MAPLE
3A	M09538-94-YR3	EA	MOLDING - TRIM/VEE - .4" X 1" X 71.1" - HONEY CHERRY
3A	M09565-78-WH4	EA	MOLDING - TRIM/VEE - .4" X 1" X 70.2" - CONCERT CHERRY
3A	M09565-78-WH5	EA	MOLDING - TRIM/VEE - .4" X 1" X 70.2" - WASHED MAPLE
3A	M09565-78-WH6	EA	MOLDING - TRIM/VEE - .4" X 1" X 70.2" - SIERRA MAPLE
3A	M09565-78-YH7	EA	MOLDING - TRIM/VEE - .4" X 1" X 70.2" - BELMONT MAPLE
3A	M09565-78-YR3	EA	MOLDING - TRIM/VEE - .4" X 1" X 70.2" - HONEY CHERRY
3A	M09501-92-T78	EA	MOLDING - TRIM/VEE - .4" X 1" X 70" - CONCERT CHERRY
3A	M09501-92-T79	EA	MOLDING - TRIM/VEE - .4" X 1" X 70" - WASHED MAPLE
3A	M09501-92-T80	EA	MOLDING - TRIM/VEE - .4" X 1" X 70" - SIERRA MAPLE
3A	M09501-92-Y81	EA	MOLDING - TRIM/VEE - .4" X 1" X 70" - BELMONT MAPLE
3A	M09538-27-WH4	EA	MOLDING - TRIM/VEE - .4" X 1" X 71.1" - CONCERT CHERRY
3A	M09538-27-U67	EA	MOLDING - TRIM/VEE - .4" X 1" X 71.1" - WASHED MAPLE
3A	M09538-27-U68	EA	MOLDING - TRIM/VEE - .4" X 1" X 71.1" - SIERRA MAPLE
3A	M09538-27-Y81	EA	MOLDING - TRIM/VEE - .4" X 1" X 71.1" - BELMONT MAPLE
3A	M09538-27-YR3	EA	MOLDING - TRIM/VEE - .4" X 1" X 71.1" - HONEY CHERRY
3A	M09568-08-Y91	EA	MOLDING - TRIM/VEE - .4" X 1" X 66.9" - CONCERT CHERRY

INTERIOR FINISH GROUP (CONTINUED)
MOLDINGS & TRIMS (CONTINUED)

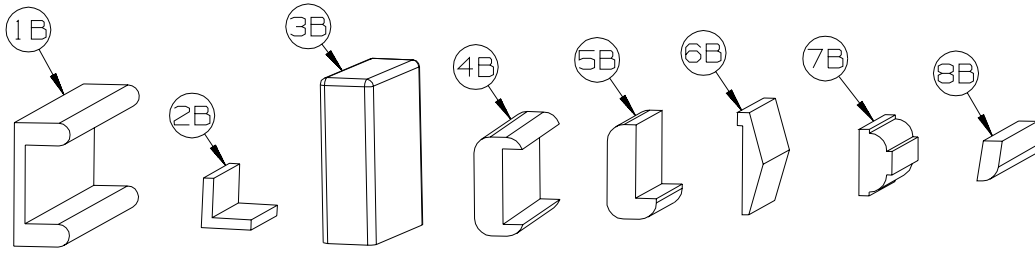
KEY	PART NUMBER	U/M	DESCRIPTION
3A	M09568-08-Y92	EA	MOLDING - TRIM/VEE - .4" X 1" X 66.9" - HONEY CHERRY
3A	M09568-08-Y93	EA	MOLDING - TRIM/VEE - .4" X 1" X 66.9" - BELMONT MAPLE
3A	M09553-03-WH4	EA	MOLDING - TRIM/VEE - .4" X 1" X 66.7" - CONCERT CHERRY
3A	M09553-03-WH5	EA	MOLDING - TRIM/VEE - .4" X 1" X 66.7" - WASHED MAPLE
3A	M09553-03-WH6	EA	MOLDING - TRIM/VEE - .4" X 1" X 66.7" - SIERRA MAPLE
3A	M09553-03-YH7	EA	MOLDING - TRIM/VEE - .4" X 1" X 66.7" - BELMONT MAPLE
3A	M09553-03-YR3	EA	MOLDING - TRIM/VEE - .4" X 1" X 66.7" - HONEY CHERRY
3A	M09538-93-WH4	EA	MOLDING - TRIM/VEE - .4" X 1" X 66.6" - CONCERT CHERRY
3A	M09538-93-WH5	EA	MOLDING - TRIM/VEE - .4" X 1" X 66.6" - WASHED MAPLE
3A	M09538-93-WH6	EA	MOLDING - TRIM/VEE - .4" X 1" X 66.6" - SIERRA MAPLE
3A	M09538-93-YH7	EA	MOLDING - TRIM/VEE - .4" X 1" X 66.6" - BELMONT MAPLE
3A	M09538-93-YR3	EA	MOLDING - TRIM/VEE - .4" X 1" X 66.6" - HONEY CHERRY
3A	M09544-33-W37	EA	MOLDING - TRIM/VEE - .4" X 1" X 66.5" - SIERRA MAPLE
3A	M09544-33-W38	EA	MOLDING - TRIM/VEE - .4" X 1" X 66.5" - WASHED MAPLE
3A	M09553-02-WH4	EA	MOLDING - TRIM/VEE - .4" X 1" X 66.4" - CONCERT CHERRY
3A	M09553-02-WH5	EA	MOLDING - TRIM/VEE - .4" X 1" X 66.4" - WASHED MAPLE
3A	M09553-02-WH6	EA	MOLDING - TRIM/VEE - .4" X 1" X 66.4" - SIERRA MAPLE
3A	M09553-02-YH7	EA	MOLDING - TRIM/VEE - .4" X 1" X 66.4" - BELMONT MAPLE
3A	M09553-02-YR3	EA	MOLDING - TRIM/VEE - .4" X 1" X 66.4" - HONEY CHERRY
3A	M09544-14-WB4	EA	MOLDING - TRIM/VEE - .4" X 1" X 64.5" - CONCERT CHERRY
3A	M09544-14-WB5	EA	MOLDING - TRIM/VEE - .4" X 1" X 64.5" - WASHED MAPLE
3A	M09544-14-WB6	EA	MOLDING - TRIM/VEE - .4" X 1" X 64.5" - SIERRA MAPLE
3A	M09544-14-Y92	EA	MOLDING - TRIM/VEE - .4" X 1" X 64.5" - HONEY CHERRY
3A	M09544-14-Y93	EA	MOLDING - TRIM/VEE - .4" X 1" X 64.5" - BELMONT MAPLE
3A	M09515-78-T78	EA	MOLDING - TRIM/VEE - .4" X 1" X 64.1" - CONCERT CHERRY
3A	M09515-78-T79	EA	MOLDING - TRIM/VEE - .4" X 1" X 64.1" - WASHED MAPLE
3A	M09515-78-T80	EA	MOLDING - TRIM/VEE - .4" X 1" X 64.1" - SIERRA MAPLE
3A	M09515-78-Y81	EA	MOLDING - TRIM/VEE - .4" X 1" X 64.1" - BELMONT MAPLE
3A	M09501-91-T78	EA	MOLDING - TRIM/VEE - .4" X 1" X 63.3" - CONCERT CHERRY
3A	M09501-91-T79	EA	MOLDING - TRIM/VEE - .4" X 1" X 63.3" - WASHED MAPLE
3A	M09501-91-T80	EA	MOLDING - TRIM/VEE - .4" X 1" X 63.3" - SIERRA MAPLE
3A	M09501-91-Y92	EA	MOLDING - TRIM/VEE - .4" X 1" X 63.3" - HONEY CHERRY
3A	M09501-91-Y93	EA	MOLDING - TRIM/VEE - .4" X 1" X 63.3" - BELMONT MAPLE
3A	M09503-91-T78	EA	MOLDING - TRIM/VEE - .4" X 1" X 63.1" - CONCERT CHERRY
3A	M09503-91-T79	EA	MOLDING - TRIM/VEE - .4" X 1" X 63.1" - WASHED MAPLE
3A	M09503-91-T80	EA	MOLDING - TRIM/VEE - .4" X 1" X 63.1" - SIERRA MAPLE
3A	M09503-91-Y92	EA	MOLDING - TRIM/VEE - .4" X 1" X 63.1" - HONEY CHERRY
3A	M09503-91-Y93	EA	MOLDING - TRIM/VEE - .4" X 1" X 63.1" - BELMONT MAPLE
3A	M09568-73-YL4	EA	MOLDING - TRIM/VEE - .4" X 1" X 62.3" - CONCERT CHERRY
3A	M09568-73-YL5	EA	MOLDING - TRIM/VEE - .4" X 1" X 62.3" - HONEY CHERRY
3A	M09568-73-YL6	EA	MOLDING - TRIM/VEE - .4" X 1" X 62.3" - BELMONT MAPLE
3A	M09568-73-YL7	EA	MOLDING - TRIM/VEE - .4" X 1" X 62.3" - WASHED MAPLE
3A	M09544-22-WB4	EA	MOLDING - TRIM/VEE - .4" X 1" X 61.7" - CONCERT CHERRY
3A	M09544-22-WB5	EA	MOLDING - TRIM/VEE - .4" X 1" X 61.7" - WASHED MAPLE
3A	M09544-22-WB6	EA	MOLDING - TRIM/VEE - .4" X 1" X 61.7" - SIERRA MAPLE
3A	M09544-22-YL5	EA	MOLDING - TRIM/VEE - .4" X 1" X 61.7" - HONEY CHERRY
3A	M09544-22-YL6	EA	MOLDING - TRIM/VEE - .4" X 1" X 61.7" - BELMONT MAPLE
3A	M09583-41-WH4	EA	MOLDING - TRIM/VEE - .4" X 1" X 61" - CONCERT CHERRY
3A	M09583-41-WH5	EA	MOLDING - TRIM/VEE - .4" X 1" X 61" - WASHED MAPLE
3A	M09583-41-WH6	EA	MOLDING - TRIM/VEE - .4" X 1" X 61" - SIERRA MAPLE
3A	M09583-41-YH7	EA	MOLDING - TRIM/VEE - .4" X 1" X 61" - BELMONT MAPLE
3A	M09583-41-YR3	EA	MOLDING - TRIM/VEE - .4" X 1" X 61" - HONEY CHERRY
3A	M09566-15-Y79	EA	MOLDING - TRIM/VEE - .4" X 1" X 60.2" - SIERRA MAPLE
3A	M09566-15-Y80	EA	MOLDING - TRIM/VEE - .4" X 1" X 60.2" - CONCERT CHERRY
3A	M09566-15-Y81	EA	MOLDING - TRIM/VEE - .4" X 1" X 60.2" - BELMONT MAPLE
3A	M09568-72-YL4	EA	MOLDING - TRIM/VEE - .4" X 1" X 58.8" - CONCERT CHERRY
3A	M09568-72-YL5	EA	MOLDING - TRIM/VEE - .4" X 1" X 58.8" - HONEY CHERRY
3A	M09568-72-YL6	EA	MOLDING - TRIM/VEE - .4" X 1" X 58.8" - BELMONT MAPLE
3A	M09568-72-YL7	EA	MOLDING - TRIM/VEE - .4" X 1" X 58.8" - WASHED MAPLE
3A	M09565-49-WH4	EA	MOLDING - TRIM/VEE - .4" X 1" X 58.7" - CONCERT CHERRY
3A	M09565-49-WH5	EA	MOLDING - TRIM/VEE - .4" X 1" X 58.7" - WASHED MAPLE
3A	M09565-49-WH6	EA	MOLDING - TRIM/VEE - .4" X 1" X 58.7" - SIERRA MAPLE
3A	M09565-49-YH7	EA	MOLDING - TRIM/VEE - .4" X 1" X 58.7" - BELMONT MAPLE
3A	M09565-49-YR3	EA	MOLDING - TRIM/VEE - .4" X 1" X 58.7" - HONEY CHERRY

INTERIOR FINISH GROUP (CONTINUED)
MOLDINGS & TRIMS (CONTINUED)



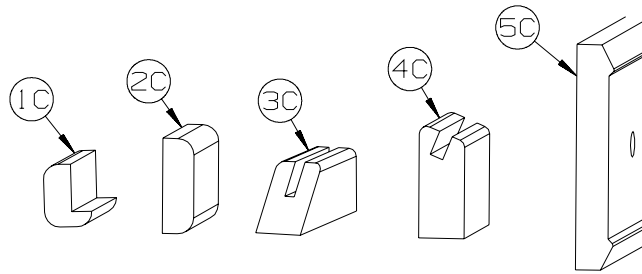
KEY	PART NUMBER	U/M	DESCRIPTION
3A	M09553-85-WB4	EA	MOLDING - TRIM/VEE - .4" X 1" X 43.4" - CONCERT CHERRY
3A	M09553-85-WB5	EA	MOLDING - TRIM/VEE - .4" X 1" X 43.4" - WASHED MAPLE
3A	M09553-85-WB6	EA	MOLDING - TRIM/VEE - .4" X 1" X 43.4" - SIERRA MAPLE
3A	M09553-85-Y92	EA	MOLDING - TRIM/VEE - .4" X 1" X 43.4" - HONEY CHERRY
3A	M09553-85-Y93	EA	MOLDING - TRIM/VEE - .4" X 1" X 43.4" - BELMONT MAPLE
3A	M09553-28-WH4	EA	MOLDING - TRIM/VEE - .4" X 1" X 48" - CONCERT CHERRY
3A	M09553-28-WH5	EA	MOLDING - TRIM/VEE - .4" X 1" X 48" - WASHED MAPLE
3A	M09553-28-WH6	EA	MOLDING - TRIM/VEE - .4" X 1" X 48" - SIERRA MAPLE
3A	M09553-28-YH7	EA	MOLDING - TRIM/VEE - .4" X 1" X 48" - BELMONT MAPLE
3A	M09553-28-YR3	EA	MOLDING - TRIM/VEE - .4" X 1" X 48" - HONEY CHERRY
3A	M09544-24-WB4	EA	MOLDING - TRIM/VEE - .4" X 1" X 46.2" - CONCERT CHERRY
3A	M09544-24-WB5	EA	MOLDING - TRIM/VEE - .4" X 1" X 46.2" - WASHED MAPLE
3A	M09544-24-WB6	EA	MOLDING - TRIM/VEE - .4" X 1" X 46.2" - SIERRA MAPLE
3A	M09544-24-Y92	EA	MOLDING - TRIM/VEE - .4" X 1" X 46.2" - HONEY CHERRY
3A	M09544-24-Y93	EA	MOLDING - TRIM/VEE - .4" X 1" X 46.2" - BELMONT MAPLE
3A	M09565-77-WH4	EA	MOLDING - TRIM/VEE - .4" X 1" X 42.5" - CONCERT CHERRY
3A	M09565-77-WH5	EA	MOLDING - TRIM/VEE - .4" X 1" X 42.5" - WASHED MAPLE
3A	M09565-77-WH6	EA	MOLDING - TRIM/VEE - .4" X 1" X 42.5" - SIERRA MAPLE
3A	M09565-77-YH7	EA	MOLDING - TRIM/VEE - .4" X 1" X 42.5" - BELMONT MAPLE
3A	M09565-77-YR3	EA	MOLDING - TRIM/VEE - .4" X 1" X 42.5" - HONEY CHERRY
3A	M09544-56-WB4	EA	MOLDING - TRIM/VEE - .4" X 1" X 6.1" - CONCERT CHERRY
3A	M09544-56-WB5	EA	MOLDING - TRIM/VEE - .4" X 1" X 6.1" - WASHED MAPLE
3A	M09544-56-WB6	EA	MOLDING - TRIM/VEE - .4" X 1" X 6.1" - SIERRA MAPLE
3A	M09538-70-Y91	EA	MOLDING - TRIM/VEE - .4" X 1" X 63.9" - CONCERT CHERRY
3A	M09538-70-U68	EA	MOLDING - TRIM/VEE - .4" X 1" X 63.9" - SIERRA MAPLE
3A	M09538-70-U67	EA	MOLDING - TRIM/VEE - .4" X 1" X 63.9" - WASHED MAPLE
3A	M09538-70-Y92	EA	MOLDING - TRIM/VEE - .4" X 1" X 63.9" - HONEY CHERRY
3A	M09538-70-Y93	EA	MOLDING - TRIM/VEE - .4" X 1" X 63.9" - BELMONT MAPLE

INTERIOR FINISH GROUP (CONTINUED)
MOLDINGS & TRIMS (CONTINUED)



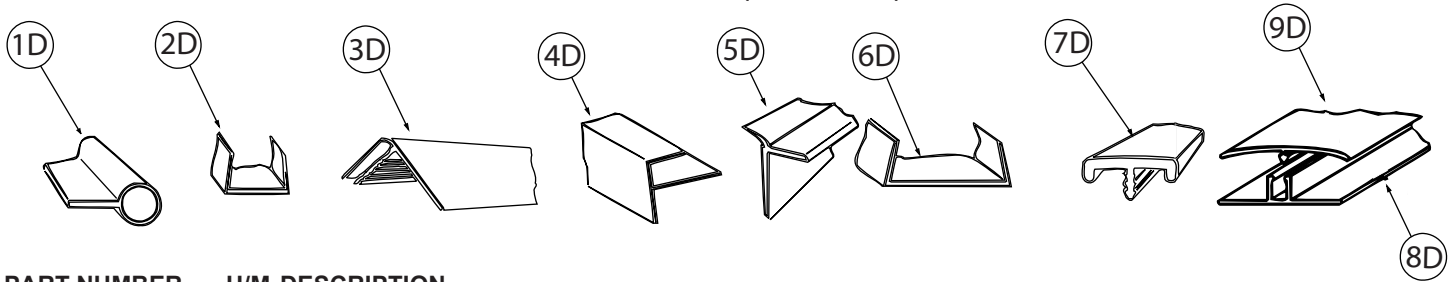
KEY	PART NUMBER	U/M	DESCRIPTION
1B	M09501-84-TG1	EA	MOLDING/TRIM - CAP/WALL - 2.2" X 85.9" - CONCERT CHERRY
1B	M09501-84-TG2	EA	MOLDING/TRIM - CAP/WALL - 2.2" X 85.9" - WASHED MAPLE
1B	M09501-84-TG3	EA	MOLDING/TRIM - CAP/WALL - 2.2" X 85.9" - HONEY CHERRY
1B	M09520-04-TD3	EA	MOLDING/TRIM - CAP/WALL - 2.2" X 80.5" - SIERRA MAPLE
1B	M09534-34-Y93	EA	MOLDING/TRIM - CAP/WALL - 2.2" X 80.5" - BELMONT MAPLE
2B	M09511-81-TA1	EA	MOLDING/TRIM - L SHAPE - .8"X .8"X 80.2" - CONCERT CHERRY
2B	M09511-81-TA2	EA	MOLDING/TRIM - L SHAPE - .8"X .8"X 80.2" - WASHED MAPLE
2B	M09511-81-TA3	EA	MOLDING/TRIM - L SHAPE - .8"X .8"X 80.2" - SIERRA MAPLE
2B	M09565-21-YL5	EA	MOLDING/TRIM - L SHAPE - .8"X .8"X 47.7" - HONEY CHERRY
2B	M09565-21-YL6	EA	MOLDING/TRIM - L SHAPE - .8"X .8"X 47.7" - BELMONT MAPLE
3B	M09515-81-T01	EA	MOLDING/HARDWOOD STRAIGHT - 74.3" - WASHED MAPLE
3B	M09515-81-T02	EA	MOLDING/HARDWOOD STRAIGHT - 74.3" - HONEY CHERRY
4B	M09511-42-T78	EA	MOLDING - TRIM - W/NOTCH - 1.5" X 86.4" - CONCERT CHERRY
4B	M09511-42-T79	EA	MOLDING - TRIM - W/NOTCH - 1.5" X 86.4" - WASHED MAPLE
4B	M09511-42-T80	EA	MOLDING - TRIM - W/NOTCH - 1.5" X 86.4" - SIERRA MAPLE
4B	M09511-42-W66	EA	MOLDING - TRIM - W/NOTCH - 1.5" X 86.4" - HONEY CHERRY
4B	M09511-42-YN2	EA	MOLDING - TRIM - W/NOTCH - 1.5" X 86.4" - BELMONT MAPLE
5B	M09515-18-T78	EA	MOLDING - HARDWOOD-W/NOTCH - 1.4"X 86.2" - CONCERT CHERRY
5B	M09553-66-U22	EA	MOLDING - HARDWOOD-W/NOTCH - 1.4"X 96" - WASHED MAPLE
5B	M09515-18-T80	EA	MOLDING - HARDWOOD-W/NOTCH - 1.4"X 86.2" - SIERRA MAPLE
5B	M09553-66-U21	EA	MOLDING - HARDWOOD-W/NOTCH - 1.4"X 96" - HONEY CHERRY
5B	M09515-12-YG3	EA	MOLDING - HARDWOOD-W/NOTCH - 1.4"X 86.14" - BELMONT MAPLE
6B	M09568-36-YK0	EA	MOLDING - TRIM/VEE - 1.5" X 76.3" - CONCERT CHERRY
6B	M09568-36-YK1	EA	MOLDING - TRIM/VEE - 1.5" X 76.3" - HONEY CHERRY
6B	M09568-36-YK2	EA	MOLDING - TRIM/VEE - 1.5" X 76.3" - BELMONT MAPLE
6B	M09568-36-YK3	EA	MOLDING - TRIM/VEE - 1.5" X 76.3" - WASHED MAPLE
6B	M09553-53-WH6	EA	MOLDING - TRIM/VEE - NOTCHED - 1.5" X 20.6" - SIERRA MAPLE
7B	Y00076-32-438	EA	MOLDING/TRIM - .5" X 1" X 96" - CHERRY (UNSTAINED)
7B	Y00076-22-438	EA	MOLDING/TRIM - .5" X 1" X 96" - MAPLE (UNSTAINED)
8B	M09525-92-T78	EA	MOLDING/TRIM - .5" X 1" X 75.6" - CONCERT CHERRY
8B	M09525-92-T79	EA	MOLDING/TRIM - .5" X 1" X 75.6" - WASHED MAPLE
8B	M09525-92-T80	EA	MOLDING/TRIM - .5" X 1" X 75.6" - SIERRA MAPLE
8B	M09525-92-Y92	EA	MOLDING/TRIM - .5" X 1" X 75.6" - HONEY CHERRY
8B	M09525-92-Y93	EA	MOLDING/TRIM - .5" X 1" X 75.6" - BELMONT MAPLE
8B	Y00086-D2-438	EA	MOLDING - VINYL WRAP - .7" X 1.6" X 96" - CONCERT CHERRY
8B	Y00086-A2-438	EA	MOLDING - VINYL WRAP - .7" X 1.6" X 96" - WASHED MAPLE
8B	Y00086-92-438	EA	MOLDING - VINYL WRAP - .7" X 1.6" X 96" - SIERRA MAPLE
8B	Y00086-82-438	EA	MOLDING - VINYL WRAP - .7" X 1.6" X 96" - HONEY CHERRY
8B	Y00086-E2-438	EA	MOLDING - VINYL WRAP - .7" X 1.6" X 96" - BELMONT MAPLE
8B	Y00087-D2-438	EA	MOLDING - VINYL WRAP - .7" X 2.9" X 96" - CONCERT CHERRY
8B	Y00087-A2-438	EA	MOLDING - VINYL WRAP - .7" X 2.9" X 96" - WASHED MAPLE
8B	Y00087-92-438	EA	MOLDING - VINYL WRAP - .7" X 2.9" X 96" - SIERRA MAPLE
8B	Y00087-82-438	EA	MOLDING - VINYL WRAP - .7" X 2.9" X 96" - HONEY CHERRY
8B	Y00087-E2-438	EA	MOLDING - VINYL WRAP - .7" X 2.9" X 96" - BELMONT MAPLE

INTERIOR FINISH GROUP (CONTINUED)
MOLDINGS & TRIMS (CONTINUED)



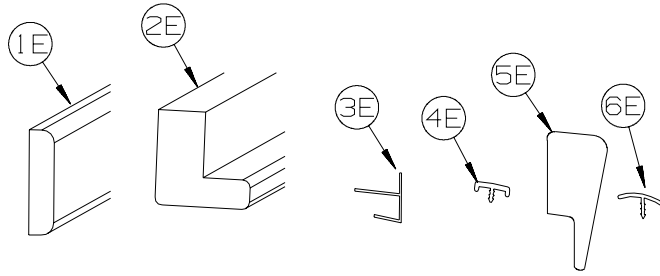
KEY	PART NUMBER	U/M	DESCRIPTION
1C	M09520-19-TD1	EA	MOLDING - TRIM - W/NOTCH - 1" X 86.3" - CONCERT CHERRY
1C	M09520-19-TD2	EA	MOLDING - TRIM - W/NOTCH - 1" X 86.3" - WASHED MAPLE
1C	M09520-19-TD3	EA	MOLDING - TRIM - W/NOTCH - 1" X 86.3" - HONEY CHERRY
1C	M09534-07-YG3	EA	MOLDING - TRIM - W/NOTCH - 1" X 85.7" - BELMONT MAPLE
1C	M09583-98-Y79	EA	MOLDING - HARDWOOD - .75" X 1.4" X 86.6" - SIERRA MAPLE
1C	M09583-98-Y80	EA	MOLDING - HARDWOOD - .75" X 1.4" X 86.6" - CONCERT CHERRY
1C	M09583-98-WH6	EA	MOLDING - HARDWOOD - .75" X 1.4" X 86.6" - BELMONT MAPLE
1C	M09565-68-YL5	EA	MOLDING - HARDWOOD - .75" X 1.4" X 81.9" - HONEY CHERRY
1C	M09565-68-WH5	EA	MOLDING - HARDWOOD - .75" X 1.4" X 81.9" - WASHED MAPLE
2C	M09511-46-T78	EA	MOLDING/TRIM - .5" X 1.5" X 86.5" - CONCERT CHERRY
2C	M09511-46-T79	EA	MOLDING/TRIM - .5" X 1.5" X 86.5" - WASHED MAPLE
2C	M09511-46-T80	EA	MOLDING/TRIM - .5" X 1.5" X 86.5" - SIERRA MAPLE
2C	M09515-13-YG3	EA	MOLDING/TRIM - .5" X 1.5" X 86.06" - BELMONT MAPLE
2C	M09553-82-YR0	EA	MOLDING/TRIM - .5" X 1.5" X 86" - HONEY CHERRY
3C	Y00223-22-438	EA	MOLDING - HARDWOOD/MAPLE - .7" X 1" X 96" - UNSTAINED MAPLE
3C	Y00223-32-438	EA	MOLDING - HARDWOOD/CHERRY - .7" X 1" X 96" - UNSTAINED CHERRY
3C	Y00223-42-438	EA	MOLDING - HARDWOOD/CHERRY - .7" X 1" X 96" - UNSTAINED OAK
4C	Y00054-A2-438	EA	MOLDING - VINYL - W/SLOT - .7"X 1.9"X 96" - WASHED MAPLE
4C	Y00054-D2-438	EA	MOLDING - VINYL - W/SLOT - .7"X 1.9"X 96" - CONCERT CHERRY
4C	Y00054-E2-438	EA	MOLDING - VINYL - W/SLOT - .7"X 1.9"X 96" - BELMONT MAPLE
4C	Y00054-22-438	EA	MOLDING - VINYL - W/SLOT - .7"X 1.9"X 96" - WASHED MAPLE
4C	Y00054-82-438	EA	MOLDING - VINYL - W/SLOT - .7"X 1.9"X 96" - HONEY CHERRY
4C	Y00054-92-438	EA	MOLDING - VINYL - W/SLOT - .7"X 1.9"X 96" - SIERRA MAPLE
4C	Y00276-A2-438	EA	MOLDING - VINYL - W/SLOT - .7"X 1.9"X 96" - WASHED MAPLE
4C	Y00276-D2-438	EA	MOLDING - VINYL - W/SLOT - .7"X 1.9"X 96" - CONCERT CHERRY
4C	Y00276-E2-438	EA	MOLDING - VINYL - W/SLOT - .7"X 1.9"X 96" - BELMONT MAPLE
4C	Y00276-82-438	EA	MOLDING - VINYL - W/SLOT - .7"X 1.9"X 96" - HONEY CHERRY
4C	Y00276-92-438	EA	MOLDING - VINYL - W/SLOT - .7"X 1.9"X 96" - SIERRA MAPLE
5C	Y00152-A2-438	EA	MOLDING/TRIM - VINYL - .6" X 3.5" X 96" - WASHED MAPLE
5C	Y00152-D2-438	EA	MOLDING/TRIM - VINYL - .6" X 3.5" X 96" - CONCERT CHERRY
5C	Y00152-E2-438	EA	MOLDING/TRIM - VINYL - .6" X 3.5" X 96" - BELMONT MAPLE
5C	Y00152-22-438	EA	MOLDING/TRIM - VINYL - .6" X 3.5" X 96" - WASHED MAPLE
5C	Y00152-92-438	EA	MOLDING/TRIM - VINYL - .6" X 3.5" X 96" - SIERRA MAPLE

INTERIOR FINISH GROUP (CONTINUED)
MOLDINGS & TRIMS (CONTINUED)



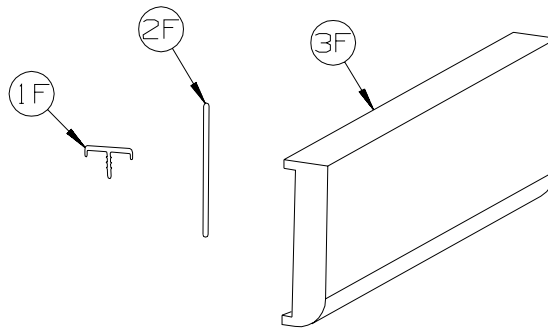
KEY	PART NUMBER	U/M	DESCRIPTION
1D	009767-12-000	FT	WELTING - ANTIQUE WHITE
2D	009778-25-000	FT	U-CHANNEL - 1" - BEIGE ILLUSION
2D	009778-26-000	FT	U-CHANNEL - 1 1/4" - BEIGE ILLUSION
2D	009778-38-000	FT	U-CHANNEL - 1" - BONE
2D	009778-34-000	FT	U-CHANNEL - 1" - CONCERT CHERRY
2D	009778-27-000	FT	U-CHANNEL - 1" - WASHED MAPLE
2D	009778-35-000	FT	U-CHANNEL - 1" - HONEY CHERRY
2D	009778-36-000	FT	U-CHANNEL - 1" - SIERRA MAPLE
2D	009778-39-000	FT	U-CHANNEL - 1" - BELMONT MAPLE
3D	009809-30-000	EA	MOLDING - CORNER - OUTSIDE - 1" X 84" - BEIGE ILLUSION
3D	009809-37-000	EA	MOLDING - CORNER - OUTSIDE - 1" X 84" - BONE
3D	009809-33-000	EA	MOLDING - CORNER - OUTSIDE - 1" X 84" - CONCERT CHERRY
3D	009809-31-000	EA	MOLDING - CORNER - OUTSIDE - 1" X 84" - WASHED MAPLE
3D	009809-35-000	EA	MOLDING - CORNER - OUTSIDE - 1" X 84" - SIERRA MAPLE
4D	009812-31-000	EA	MOLDING - CORNER - 1/2" W/1/4"CHAN X 84" - BEIGE ILLUSION
4D	009812-40-000	EA	MOLDING - CORNER - 1/2" W/1/4"CHAN X 84" - BONE
4D	009812-36-000	EA	MOLDING - CORNER - 1/2" W/1/4"CHAN X 84" - CONCERT CHERRY
4D	009812-33-000	EA	MOLDING - CORNER - 1/2" W/1/4"CHAN X 84" - WASHED MAPLE
4D	009812-37-000	EA	MOLDING - CORNER - 1/2" W/1/4"CHAN X 84" - HONEY CHERRY
4D	009812-38-000	EA	MOLDING - CORNER - 1/2" W/1/4"CHAN X 84" - SIERRA MAPLE
4D	009812-41-000	EA	MOLDING - CORNER - 1/2" W/1/4"CHAN X 84" - BELMONT MAPLE
5D	168943-01-01A	FT	MOLDING - REVERSE COVE - T-SHAPED - BRIGHT WHITE
5D	168943-01-02A	FT	MOLDING - REVERSE COVE - T-SHAPED - BONE
6D	070504-42-000	FT	U-CHANNEL - PLASTIC - .13" X 84" - BEIGE ILLUSION
6D	070504-69-000	FT	U-CHANNEL - PLASTIC - .13" X 84" - BONE
6D	070504-43-000	FT	U-CHANNEL - PLASTIC - .9" X 96" - BEIGE ILLUSION
6D	070504-70-000	FT	U-CHANNEL - PLASTIC - .8" X 84" - BONE
6D	070504-60-000	FT	U-CHANNEL - PLASTIC - .13" X 84" - CONCERT CHERRY
6D	070504-61-000	FT	U-CHANNEL - PLASTIC - .9" X 84" - CONCERT CHERRY
6D	070504-50-000	FT	U-CHANNEL - PLASTIC - .13" X 96" - WASHED MAPLE
6D	070504-51-000	FT	U-CHANNEL - PLASTIC - .9" X 96" - WASHED MAPLE
6D	070504-62-000	FT	U-CHANNEL - PLASTIC - 1.65" X 84" - HONEY CHERRY
6D	070504-63-000	FT	U-CHANNEL - PLASTIC - .9" X 84" - HONEY CHERRY
6D	070504-65-000	FT	U-CHANNEL - PLASTIC - .07" X 96" - SIERRA MAPLE
6D	070504-66-000	FT	U-CHANNEL - PLASTIC - .8" X 84" - SIERRA MAPLE
7D	083620-25-000	FT	MOLDING-T - W/EDGE LIP - 7/8" FACE - BONE
7D	083620-19-000	FT	MOLDING-T - W/EDGE LIP - 7/8" FACE - WASHED MAPLE
7D	083620-24-000	FT	MOLDING-T - W/EDGE LIP - 7/8" FACE - HONEY CHERRY
7D	083620-22-000	FT	MOLDING-T - W/EDGE LIP - 7/8" FACE - SIERRA MAPLE
8D	086229-01-000	EA	RETAINER - BATTEN - .75" X 92.1" - ANY COLOR
9D	086229-12-000	EA	BATTEN - 1.5" OFFSET X 96.8" - MODERN IVORY
9D	086229-20-000	EA	BATTEN - 1" X 96" - BEIGE

INTERIOR FINISH GROUP (CONTINUED)
MOLDINGS & TRIMS (CONTINUED)



KEY	PART NUMBER	U/M	DESCRIPTION
1E	100818-01-23A	EA	MOLDING - VINYL WRPPD - 1.6" X .4" X 84" - CONCERT CHERRY
1E	100818-01-21A	EA	MOLDING - VINYL WRAPPED - 1.6" X .4" X 84" - WASHED MAPLE
1E	100818-01-14A	EA	MOLDING - VINYL WRAPPED - 1.6" X .4" X 84" - HONEY CHERRY
1E	100818-01-22A	EA	MOLDING - VINYL WRAPPED - 1.6" X .4" X 84" - SIERRA MAPLE
2E	100819-01-23A	EA	MOLDING - VYL WRPPD-L-SHPD-1.5"X1.5"X84" - CONCERT CHERRY
2E	100819-01-21A	EA	MOLDING - VINYL WRAPPED-L-SHAPED-1.5"X1.5"X84" - WASHED MAPLE
2E	100819-01-14A	EA	MOLDING - VINYL WRAPPED-L-SHAPED-1.5"X1.5"X84" - HONEY CHERRY
2E	100819-01-22A	EA	MOLDING - VINYL WRAPPED-L-SHAPED-1.5"X1.5"X84" - SIERRA MAPLE
3E	103186-01-07A	FT	MOLDING/PLASTIC - 3/8" U-CHANNEL-3/4" FACE - BEIGE ILLUSION
3E	103186-01-10A	FT	MOLDING/PLASTIC - 3/8" U-CHANNEL-3/4" FACE - CONCERT CHERRY
3E	103186-01-08A	FT	MOLDING/PLASTIC - 3/8" U-CHANNEL-3/4" FACE- 8' - WASHED MAPLE
3E	103186-01-11A	FT	MOLDING/PLASTIC - 3/8" U-CHANNEL-3/4" FACE - HONEY CHERRY
3E	103186-01-12A	FT	MOLDING/PLASTIC - 3/8" U-CHANNEL-3/4" FACE - SIERRA MAPLE
3E	103186-01-14A	FT	MOLDING/PLASTIC - 3/8" U-CHANNEL-3/4" FACE - BELMONT MAPLE
3E	103186-02-07A	FT	MOLDING/PLASTIC-1" U-CHANNEL-1 3/8" FACE - BEIGE ILLUSION
3E	103186-02-10A	FT	MOLDING/PLASTIC - 1" U-CHANNEL-1 3/8" FACE - CONCERT CHERRY
3E	103186-02-08A	FT	MOLDING/PLASTIC - 1" U-CHANNEL-1 3/8" FACE - WASHED MAPLE
3E	103186-02-11A	FT	MOLDING/PLASTIC - 1" U-CHANNEL-1 3/8" FACE - HONEY CHERRY
3E	103186-02-12A	FT	MOLDING/PLASTIC - 1" U-CHANNEL-1 3/8" FACE - SIERRA MAPLE
4E	104676-02-14A	FT	MOLDING-T - W/EDGE LIP - 11/16" FACE - BELMONT MAPLE
5E	105004-01-21A	EA	MOLDING - VINYL WRAP - 1" X 96" - WASHED MAPLE
5E	105004-01-24A	EA	MOLDING - VINYL WRAP - 1" X 96" - HONEY CHERRY
5E	105004-01-22A	EA	MOLDING - VINYL WRAP - 1" X 96" - SIERRA MAPLE
6E	105709-02-000	FT	MOLDING-T - 1" FACE - 5/16" BARB - BEIGE ILLUSION

INTERIOR FINISH GROUP (CONTINUED)
MOLDINGS & TRIMS (CONTINUED)

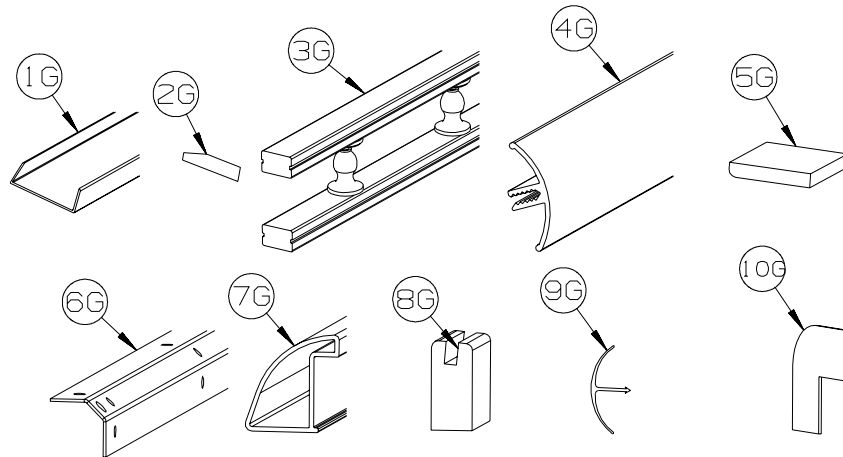


KEY	PART NUMBER	U/M	DESCRIPTION
1F	119520-01-01A	FT	MOLDING-T - OFFSET W/EDGE LIP - 1.3" FACE - OFF WHITE
1F	119520-03-02A	FT	MOLDING-T - OFFSET W/EDGE LIP - 1" FACE - CONCERT CHERRY
1F	119520-03-03A	FT	MOLDING-T - OFFSET W/EDGE LIP - 1" FACE - WASHED MAPLE
1F	119520-03-05A	FT	MOLDING-T - OFFSET W/EDGE LIP - 1" FACE - SIERRA MAPLE
1F	119520-03-06A	FT	MOLDING-T - OFFSET W/EDGE LIP - 1" FACE - HONEY CHERRY
1F	119520-03-07A	FT	MOLDING-T - OFFSET W/EDGE LIP - 1" FACE - BELMONT MAPLE
2F	127842-01-01A	FT	SEAL - SIGHT SHIELD - 2" BLACK
	160300-A2-438	EA	LUMBER - VINYL WRAPPED - .7" X .75" X 96" - CONCERT CHERRY
	160300-D2-438	EA	LUMBER - VINYL WRAPPED - .7" X 1.5" X 96" - CONCERT CHERRY
	160300-E2-438	EA	LUMBER - VINYL WRAPPED - .7" X 2" X 96" - CONCERT CHERRY
	160300-F2-438	EA	LUMBER - VINYL WRAPPED - .7" X 2.5" X 96" - CONCERT CHERRY
	160300-G2-438	EA	LUMBER - VINYL WRAPPED - .7" X 3" X 96" - CONCERT CHERRY
	160300-H2-438	EA	LUMBER - VINYL WRAPPED - .7" X 3.5" X 96" - CONCERT CHERRY
	160300-J2-438	EA	LUMBER - VINYL WRAPPED - .7" X 5.5" X 96" - CONCERT CHERRY
	160300-K2-438	EA	LUMBER - VINYL WRAPPED - .7" X 3.9" X 96" - CONCERT CHERRY
	160300-R2-438	EA	LUMBER - VINYL WRAPPED - .7" X 3" X 96" - CONCERT CHERRY
3F	160301-D2-134	EA	MOLDING - VINYL WRAPPED - .7" X 1.6" X 84" - CONCERT CHERRY
3F	160301-D2-743	EA	MOLDING - VINYL WRAPPED - .7" X 1.6" X 108" - CONCERT CHERRY
3F	160301-F2-134	EA	MOLDING - VINYL WRAPPED - .7" X 2.5" X 84" - CONCERT CHERRY
3F	160301-F2-743	EA	MOLDING - VINYL WRAPPED - .7" X 2.5" X 108" - CONCERT CHERRY
3F	160301-F2-438	EA	MOLDING - VINYL WRAPPED - .7" X 2.5" X 96" - CONCERT CHERRY
	146419-A2-438	EA	LUMBER - VINYL WRAPPED - .7" X .75" X 96" - HONEY CHERRY
	146419-D2-438	EA	LUMBER - VINYL WRAPPED - .7" X 1.5" X 96" - HONEY CHERRY
	146419-E2-438	EA	LUMBER - VINYL WRAPPED - .7" X 2" X 96" - HONEY CHERRY
	146419-F2-438	EA	LUMBER - VINYL WRAPPED - .7" X 2.5" X 96" - HONEY CHERRY
	146419-G2-438	EA	LUMBER - VINYL WRAPPED - .7" X 3" X 96" - HONEY CHERRY
	146419-H2-438	EA	LUMBER - VINYL WRAPPED - .7" X 3.5" X 96" - HONEY CHERRY
	146419-J2-438	EA	LUMBER - VINYL WRAPPED - .7" X 5.5" X 96" - HONEY CHERRY
	146419-J2-743	EA	LUMBER - VINYL WRAPPED - .7" X 5.5" X 108" - HONEY CHERRY
	146419-K2-438	EA	LUMBER - VINYL WRAPPED - .7" X 3.9" X 96" - HONEY CHERRY

INTERIOR FINISH GROUP (CONTINUED)
MOLDINGS & TRIMS (CONTINUED)

KEY	PART NUMBER	U/M	DESCRIPTION
	146419-R2-438	EA	LUMBER - VINYL WRAPPED - .7" X 3" X 96" - HONEY CHERRY
	146419-S2-438	EA	LUMBER - VINYL WRAPPED/FULL - .7"X 3.5"X 96" - HONEY CHERRY
	146419-T2-438	EA	LUMBER - VINYL WRAPPED/FULL - .7"X 5.5"X 96" - HONEY CHERRY
3F	146425-D2-134	EA	MOLDING - VINYL WRAPPED - .7" X 1.6" X 83.9" - HONEY CHERRY
3F	146425-F2-438	EA	MOLDING - VINYL WRAPPED - .7" X 2.6" X 96" - HONEY CHERRY
	149325-A2-438	EA	LUMBER - VINYL WRAPPED - .7" X .75" X 96" - WASHED MAPLE
	149325-D2-438	EA	LUMBER - VINYL WRAPPED - .7" X 1.5" X 96" - WASHED MAPLE
	149325-E2-438	EA	LUMBER - VINYL WRAPPED - .7" X 2" X 96" - WASHED MAPLE
	149325-F2-438	EA	LUMBER - VINYL WRAPPED - .7" X 2.5" X 96" - WASHED MAPLE
	149325-G2-438	EA	LUMBER - VINYL WRAPPED - .7" X 3" X 96" - WASHED MAPLE
	149325-H2-438	EA	LUMBER - VINYL WRAPPED - .7" X 3.5" X 96" - WASHED MAPLE
	149325-J2-438	EA	LUMBER - VINYL WRAPPED - .7" X 5.5" X 96" - WASHED MAPLE
	149325-J2-743	EA	LUMBER - VINYL WRAPPED - .7" X 5.5" X 108" - WASHED MAPLE
	149325-K2-438	EA	LUMBER - VINYL WRAPPED - .7" X 3.9" X 96" - WASHED MAPLE
	149325-R2-438	EA	LUMBER - VINYL WRAPPED - .7" X 3" X 96" - WASHED MAPLE
3F	149326-D2-134	EA	MOLDING - VINYL WRAPPED - .7" X 1.5" X 83.9" - WASHED MAPLE
3F	149326-D2-743	EA	MOLDING - VINYL WRAPPED - .7" X 1.5" X 108" - WASHED MAPLE
3F	149326-F2-134	EA	MOLDING - VINYL WRAPPED - .7" X 2.5" X 83.9" - WASHED MAPLE
3F	149326-F2-438	EA	MOLDING - VINYL WRAPPED - .7" X 2.5" X 96" - WASHED MAPLE
3F	149326-F2-743	EA	MOLDING - VINYL WRAPPED - .7" X 2.5" X 108" - WASHED MAPLE
	149330-A2-438	EA	LUMBER - VINYL WRAPPED - .7" X .75" X 96" - SIERRA MAPLE
	149330-D2-438	EA	LUMBER - VINYL WRAPPED - .7" X 1.5" X 96" - SIERRA MAPLE
	149330-E2-438	EA	LUMBER - VINYL WRAPPED - .7" X 2" X 96" - SIERRA MAPLE
	149330-F2-438	EA	LUMBER - VINYL WRAPPED - .7" X 2.5" X 96" - SIERRA MAPLE
	149330-G2-438	EA	LUMBER - VINYL WRAPPED - .7" X 3" X 96" - SIERRA MAPLE
	149330-H2-438	EA	LUMBER - VINYL WRAPPED - .7" X 3.5" X 96" - SIERRA MAPLE
	149330-J2-438	EA	LUMBER - VINYL WRAPPED - .7" X 5.5" X 96" - SIERRA MAPLE
	149330-J2-743	EA	LUMBER - VINYL WRAPPED - .7" X 5.5" X 108" - SIERRA MAPLE
	149330-K2-438	EA	LUMBER - VINYL WRAPPED - .7" X 3.9" X 96" - SIERRA MAPLE
	149330-R2-438	EA	LUMBER - VINYL WRAPPED - .7" X 3" X 96" - SIERRA MAPLE
3F	166208-D2-134	EA	MOLDING - VINYL WRAP - .7" X 1.5" X 84" - BELMONT MAPLE
3F	166208-D2-743	EA	MOLDING - VINYL WRAP - .7" X 1.5" X 108" - BELMONT MAPLE
3F	166208-F2-134	EA	MOLDING - VINYL WRAP - .7" X 2.5" X 84" - BELMONT MAPLE
3F	166208-F2-438	EA	MOLDING - VINYL WRAP - .7" X 2.5" X 96" - BELMONT MAPLE
3F	166208-F2-743	EA	MOLDING - VINYL WRAP - .7" X 2.5" X 108" - BELMONT MAPLE
	166206-A2-438	EA	LUMBER - VINYL WRAPPED - .7" X .75" X 96" - BELMONT MAPLE
	166206-D2-438	EA	LUMBER - VINYL WRAPPED - .7" X 1.5" X 96" - BELMONT MAPLE
	166206-E2-438	EA	LUMBER - VINYL WRAPPED - .7" X 2" X 96" - BELMONT MAPLE
	166206-F2-438	EA	LUMBER - VINYL WRAPPED - .7" X 2.5" X 96" - BELMONT MAPLE
	166206-G2-438	EA	LUMBER - VINYL WRAPPED - .7" X 3" X 96" - BELMONT MAPLE
	166206-H2-438	EA	LUMBER - VINYL WRAPPED - .7" X 3.5" X 96" - BELMONT MAPLE
	166206-J2-438	EA	LUMBER - VINYL WRAPPED - .7" X 5.5" X 96" - BELMONT MAPLE
	166206-K2-438	EA	LUMBER - VINYL WRAPPED - .7" X 3.9" X 96" - BELMONT MAPLE
	166206-R2-438	EA	LUMBER - VINYL WRAPPED - .7" X 3" X 96" - BELMONT MAPLE

INTERIOR FINISH GROUP (CONTINUED)
MOLDINGS & TRIMS (CONTINUED)



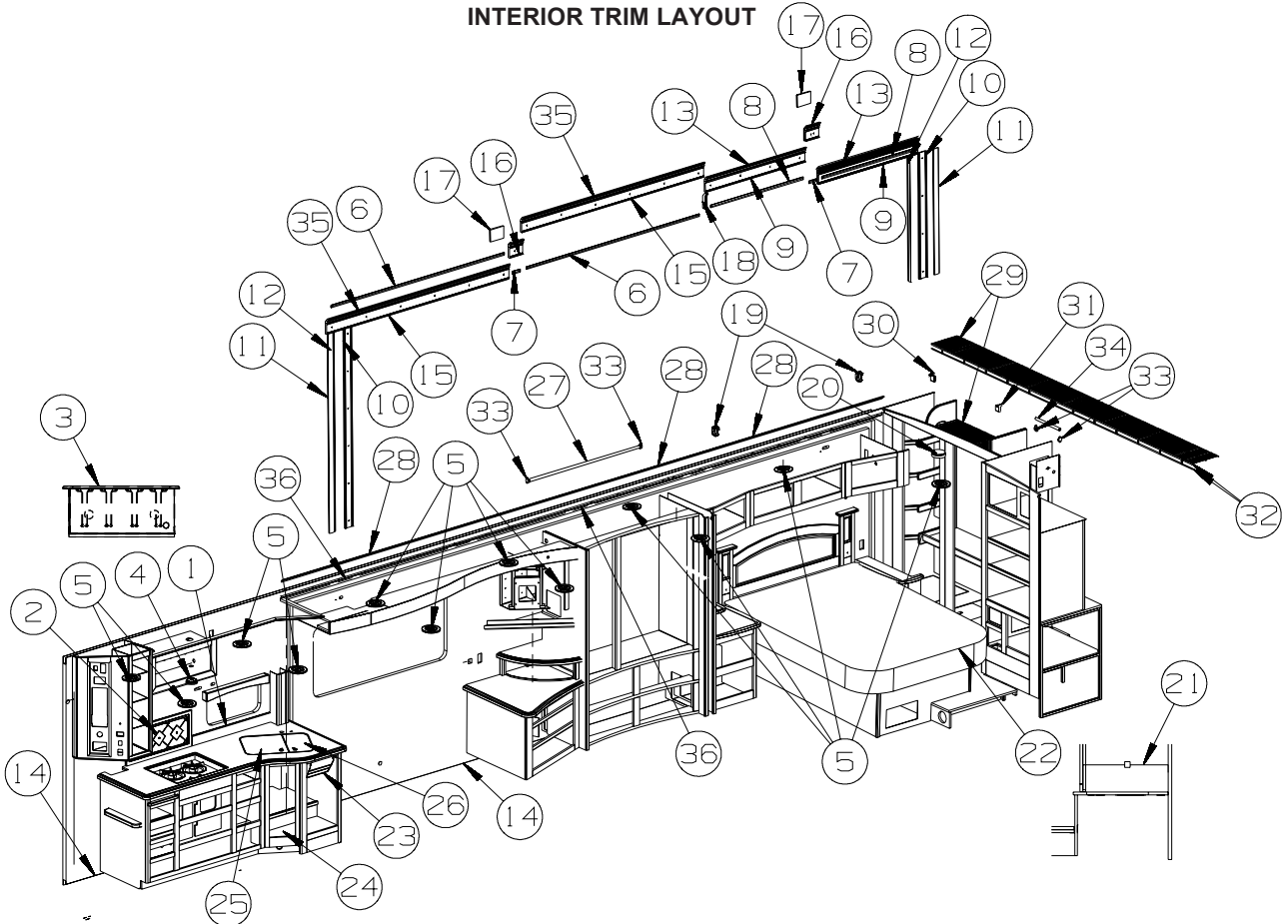
KEY	PART NUMBER	U/M	DESCRIPTION
1G	141260-01-01A	FT	U-CHANNEL - 1" - VILLAGE OAK
1G	141260-01-02A	FT	U-CHANNEL - 1" - GRADY BROWN
2G	146306-01-01A	FT	TRANSITION - CARPET/TILE
3G	150167-01-03A	EA	RAIL - DECORATIVE - 96" - WASHED MAPLE
3G	150167-01-08A	EA	RAIL - DECORATIVE - 96" - HONEY CHERRY
3G	150167-01-09A	EA	RAIL - DECORATIVE - 96" - SIERRA MAPLE
3G	150167-01-10A	EA	RAIL - DECORATIVE - 96" - BELMONT MAPLE
4G	151653-10-02A	EA	TRIM/RADIUS - CABINET CORNER - 79.6" - DULL METALLIC
4G	151653-13-02A	EA	TRIM/RADIUS - CABINET CORNER - 79.8" - DULL METALLIC
5G	M09568-04-Y91	EA	MOLDING/TRIM - .3" X 1.5" X 73.6" - CONCERT CHERRY
5G	M09568-04-W80	EA	MOLDING/TRIM - .3" X 1.5" X 73.6" - SIERRA MAPLE
5G	M09568-04-W79	EA	MOLDING/TRIM - .3" X 1.5" X 73.6" - WASHED MAPLE
6G	151861-01-02B	EA	ANGLE - SUPPORT/CORNER - 1.4" X 12.5" - E-COATED
6G	151861-02-02B	EA	ANGLE - SUPPORT/CORNER - 1.4" X 20.1" - E-COATED
6G	151861-03-02B	EA	ANGLE - SUPPORT/CORNER - 1.4" X 26.7" - E-COATED
6G	151861-04-02B	EA	ANGLE - SUPPORT/CORNER - 1.4" X 32.7" - E-COATED
6G	151861-05-02B	EA	ANGLE - SUPPORT/CORNER - 1.4" X 78.6" - E-COATED
6G	151861-06-02B	EA	ANGLE - SUPPORT/CORNER - 1.4" X 59" - E-COATED
6G	151861-08-02B	EA	ANGLE - SUPPORT/CORNER - 1.4" X 22.2" - E-COATED
6G	151861-09-02B	EA	ANGLE - SUPPORT/CORNER - 1.4" X 14.9" - E-COATED
7G	151893-01-02A	EA	TRIM/RADIUS - CABINET BOTTOM - 72.6" - DULL METALLIC
8G	Y00419-D2-438	EA	MOLDING - VINYL/BEVELED W/SLOT - 1.6"X 96" - CONCERT CHERRY
8G	Y00419-E2-438	EA	MOLDING - VINYL/BEVELED W/SLOT - 1.6"X 96" - BELMONT MAPLE
8G	Y00419-92-438	EA	MOLDING - VINYL/BEVELED W/SLOT - 1.6"X 96" - SIERRA MAPLE
9G	156464-01-01A	FT	MOLDING - CORNER - RADIUS/PLASTIC - 8' - HONEY CHERRY
9G	156464-01-02A	FT	MOLDING - CORNER - RADIUS/PLASTIC - 8' - WASHED MAPLE
9G	156464-01-04A	FT	MOLDING - CORNER - RADIUS/PLASTIC - 8' - BELMONT MAPLE
9G	156464-01-05A	FT	MOLDING - CORNER - RADIUS/PLASTIC - 8' - SIERRA MAPLE
9G	156464-01-06A	FT	MOLDING - CORNER - RADIUS/PLASTIC - 8' - CONCERT CHERRY
9G	156464-03-03A	FT	MOLDING - CORNER - RADIUS/PLASTIC - 8' - BONE
	081521-02-007	EA	MOUNT - METAL MOLDING - F/RADIUS CORNER MOLDING - 151.5"
10G	160989-01-06A	FT	CAP - CORNER - RADIUS MOLDING - PLASTIC - WASHED MAPLE
10G	160989-01-07A	FT	CAP - CORNER - RADIUS MOLDING - PLASTIC - HONEY CHERRY
10G	160989-01-10A	FT	CAP - CORNER - RADIUS MOLDING - PLASTIC - BELMONT MAPLE

INTERIOR FINISH GROUP (CONTINUED)
PANELING & LAMINATES

KEY	PART NUMBER	U/M	DESCRIPTION
	000885-B8-000	SF	PARTICLE BOARD - 3/8" X 4' X 8' - 2 SIDED - CONCERT CHERRY
	000885-B9-000	SF	PARTICLE BOARD - 3/8" X 4' X 8' - 1 SIDED - CONCERT CHERRY
	000885-C0-000	SF	PARTICLE BOARD - 3/4" X 4' X 8' - 2 SIDED - CONCERT CHERRY
	000885-A7-000	SF	PARTICLE BOARD - 3/4" X 4' X 8' - 2 SIDED - HONEY CHERRY/COFFEE GLAZED HONEY CHERRY
	000885-A8-000	SF	PARTICLE BOARD - 3/8" X 4' X 8' - 1 SIDED - HONEY CHERRY/COFFEE GLAZED HONEY CHERRY
	000885-A9-000	SF	PARTICLE BOARD - 3/8" X 4' X 8' - 2 SIDED - HONEY CHERRY/COFFEE GLAZED HONEY CHERRY
	000885-C4-000	SF	PARTICLE BOARD - 3/8" X 4' X 8' - 1 SIDED - BELMONT MAPLE
	000885-C5-000	SF	PARTICLE BOARD - 3/4" X 4' X 8' - 2 SIDED - BELMONT MAPLE
	000885-C6-000	SF	PARTICLE BOARD - 3/8" X 4' X 8' - 2 SIDED - BELMONT MAPLE
	000885-B4-000	SF	PARTICLE BOARD - 3/8" X 4' X 8' - 2 SIDED - WASHED MAPLE
	000885-B5-000	SF	PARTICLE BOARD - 3/8" X 4' X 8' - 1 SIDED - WASHED MAPLE
	000885-B6-000	SF	PARTICLE BOARD - 3/4" X 4' X 8' - 2 SIDED - WASHED MAPLE
	000885-A9-000	SF	PARTICLE BOARD - 3/8" X 4' X 8' - 2 SIDED - HONEY CHERRY
	000885-C3-000	SF	PARTICLE BOARD - 3/8" X 4' X 8' - WHITE THATCH EMB-1 SIDED
	074497-50-000	SF	PANELING - 1/8" X 4' X 8' - CONCERT CHERRY
	074497-47-000	SF	PANELING - 1/8" X 4' X 8' - HONEY CHERRY/COFFEE GLAZED HONEY CHERRY
	074497-53-000	SF	PANELING - 1/8" X 4' X 8' - BELMONT MAPLE
	074497-49-000	SF	PANELING - 1/8" X 4' X 8' - WASHED MAPLE
	076773-21-000	SF	PANELING - 2 SIDED - 1/8" X 4' X 8' - CONCERT CHERRY
	076773-18-000	SF	PANELING - 2 SIDED - 1/8" X 4' X 8' - HONEY CHERRY/COFFEE GLAZED HONEY CHERRY
	076773-27-000	SF	PANELING - 2 SIDED - 1/8" X 4' X 8' - BELMONT MAPLE
	076773-20-000	SF	PANELING - 2 SIDED - 1/8" X 4' X 8' - WASHED MAPLE
	074497-48-000	SF	PANELING - SIERRA MAPLE - 1/8" X 4' X 8'
	079666-03-000	SF	PANELING - CLOSET - CEDAR - 4' X 7'
	079666-04-000	SF	PANELING - CLOSET - CEDAR - 4' X 8'
	088272-M9-000	SF	PANELING - WHITE THATCHED - 4' X 8'
	088272-P4-000	SF	PANELING - TAUPE - 4' X 7.4' (YK0, YK1, YK2, YK3, YT0) FROM: 00-00-00 THRU: 03-09-08
	088272-P3-000	SF	PANELING - GLACIER - 4' X 7.4' (YK0, YK1, YK2, YK3, YT0) FROM: 03-10-08 THRU: 99-99-99
	088272-P2-000	SF	PANELING - SANIBEL/MARBLE - 4' X 7.4' (YK4, YK5, YK6, YK7, YL0, YL1, YL2, YL3, YT1, YT2)
	074498-C2-000	SF	LAMINATE - PLASTIC - SHAKER CHERRY - 5' X 8' - CONCERT CHERRY
	074498-A7-000	SF	LAMINATE - PLASTIC - GRAND ISLE - 5' X 8' - HONEY CHERRY/COFFEE GLAZED HONEY CHERRY
	074498-C6-000	SF	LAMINATE - PLASTIC - 5' X 8' - BELMONT MAPLE
	074498-A6-000	SF	LAMINATE - PLASTIC - HARDROCK MAPLE - 5' X 8'-WASHED MAPLE
	085284-J7-000	SF	BATT TAPE - ADHESIVE BACKED - WOODGRAINED/CONCERT CHERRY
	085284-J6-000	SF	BATT TAPE - ADHESIVE BACKED - WDGRND/HONEY CHERRY/COFFEE GLAZED HONEY CHERRY
	085284-M5-000	SF	BATT TAPE - ADHESIVE BACKED - WOODGRAINED/BELMONT MAPLE
	085284-J5-000	SF	BATT TAPE - ADHESIVE BACKED -WOODGRAINED/NEAT/WASHED MAPLE
	085284-M3-000	FT	BATT TAPE - ADHESIVE BACKED - DECORATIVE - TAUPE (YK0, YK1, YK2, YK3, YT0) FROM: 00-00-00 THRU: 03-09-08
	085284-M2-000	FT	BATT TAPE - ADHESIVE BACKED - DECORATIVE - GLACIER (YK0, YK1, YK2, YK3, YT0) FROM: 03-10-08 THRU: 99-99-99
	085284-M1-000	FT	BATT TAPE - ADHS BACKED - SANIBEL/MARBLE (YK4, YK5, YK6, YK7, YL0, YL1, YL2, YL3, YT1, YT2)
	088263-J3-000	EA	BATT STRIP - DECORATIVE - CONCERT CHERRY
	088263-L5-000	EA	BATT STRIP - DECORATIVE - HONEY CHERRY/COFFEE GLAZED HONEY CHERRY
	088263-J2-000	EA	BATT STRIP - DECORATIVE - NEAT/WASHED MAPLE
	088263-M0-000	EA	BATT STRIP - DECORATIVE - TAUPE (YK0, YK1, YK2, YK3, YT0) FROM: 00-00-00 THRU: 03-09-08
	088263-L9-000	EA	BATT STRIP - DECORATIVE - GLACIER (YK0, YK1, YK2, YK3, YT0) FROM: 03-10-08 THRU: 99-99-99
	088263-L8-000	EA	BATT STRIP - DECORATIVE - SANIBEL/MARBLE (YK4, YK5, YK6, YK7, YL0, YL1, YL2, YL3, YT1, YT2)
	165409-16-000	SF	PANELING - FLEXIBLE - 4' X 8' - CONCERT CHERRY
	165409-14-000	SF	PANELING - FLEXIBLE - 4' X 8' - HONEY CHERRY/COFFEE GLAZED HONEY CHERRY
	165409-13-000	SF	PANELING - FLEXIBLE - 4' X 8' - BELMONT MAPLE
	165409-15-000	SF	PANELING - FLEXIBLE - 4' X 8' - WASHED MAPLE
	165409-11-000	SF	PANELING - FLEXIBLE - TAUPE - 4' X 8' (YK0, YK1, YK2, YK3, YT0) FROM: 00-00-00 THRU: 03-09-08
	165409-10-000	SF	PANELING - FLEXIBLE - GLACIER - 4' X 8' (YK0, YK1, YK2, YK3, YT0) FROM: 03-10-08 THRU: 99-99-99
	165409-09-000	SF	PANELING - FLEXIBLE - SANIBEL/MARBLE - 4' X 8' (YK4, YK5, YK6, YK7, YL0, YL1, YL2, YL3, YT1, YT2)

INTERIOR FINISH GROUP (CONTINUED)

INTERIOR TRIM LAYOUT

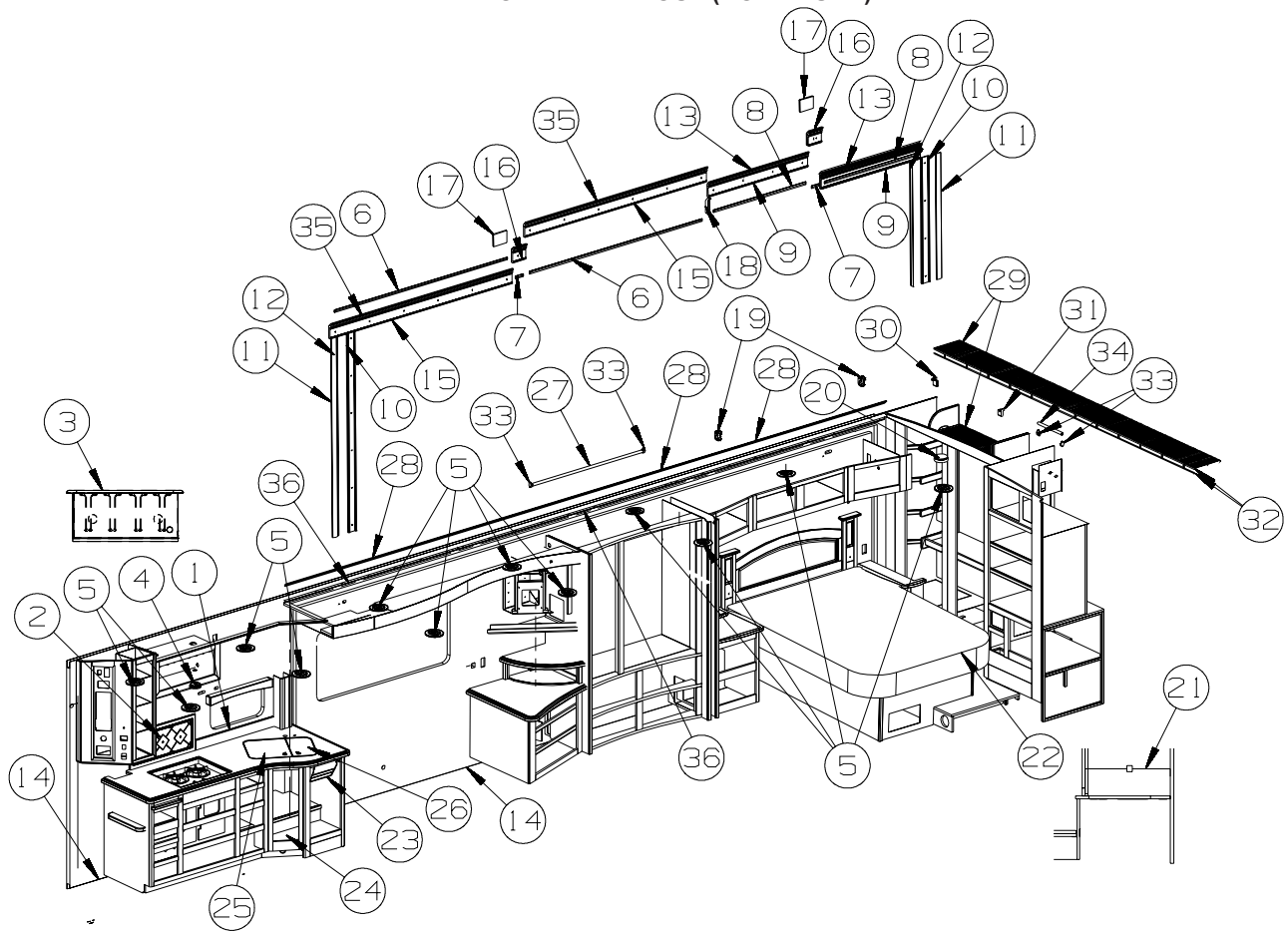


KEY	PART NUMBER	U/M	DESCRIPTION
1	162669-03-WK0	EA	BACKSPLASH - CORIAN (YK0, YK1, YK2, YK3, YT0)
1	162669-03-WK4	EA	BACKSPLASH - CORIAN (YK4, YK5, YK6, YK7, YT1)
1	162669-03-YM4	EA	BACKSPLASH - CORIAN (YL0, YL1, YL2, YL3, YT2)
2	161798-12-WK0	EA	BACKSPLASH - W/ACCENTS - STOVE - CORIAN (YK0, YK1, YK2, YK3, YT0)
2	161798-12-WK4	EA	BACKSPLASH - W/ACCENTS - STOVE - CORIAN (YK4, YK5, YK6, YK7, YT1)
2	161798-12-YL0	EA	BACKSPLASH - W/ACCENTS - STOVE - CORIAN (YL0, YL1, YL2, YL3, YT2)
3	159480-01-01A	EA	RACK - GLASS/STEMWARE HANGER - 10" - CHROME
4	072852-01-000	EA	DETECTOR - SMOKE - W/9 VOLT BATTERY
4	072852-02-000	EA	DETECTOR - SMOKE - W/9 VOLT BATTERY - 265
	077956-01-000	EA	LABEL - WARNING/SMOKE DETECTOR
5	120134-01-02A	EA	REGISTER - W/DAMPER - 4" PIPE/6.4" O.D. FACE - WHITE
5	120134-02-01A	EA	REGISTER - TRIM RING - WHITE
6	M09577-61-YK0	EA	MOLDING - TRIM/VEE - .2" X 1" X 77.7" - CONCERT CHERRY
6	M09577-61-YK1	EA	MOLDING - TRIM/VEE - .2" X 1" X 77.7" - HONEY CHERRY
6	M09577-61-YK2	EA	MOLDING - TRIM/VEE - .2" X 1" X 77.7" - BELMONT MAPLE
6	M09577-61-YK3	EA	MOLDING - TRIM/VEE - .2" X 1" X 77.7" - WASHED MAPLE
6	M09577-61-YT0	EA	MOLDING - TRIM/VEE - .2" X 1" X 77.7" - COFFEE GLAZED HONEY CHERRY
7	M09454-62-P55	EA	MOLDING - TRIM/VEE - .2" X 1" X 3.5" - CONCERT CHERRY
7	M09454-62-RE0	EA	MOLDING - TRIM/VEE - .2" X 1" X 3.5" - HONEY CHERRY
7	M09454-62-YK2	EA	MOLDING - TRIM/VEE - .2" X 1" X 3.5" - BELMONT MAPLE
7	M09454-62-P56	EA	MOLDING - TRIM/VEE - .2" X 1" X 3.5" - WASHED MAPLE
7	M09454-62-YT0	EA	MOLDING - TRIM/VEE - .2" X 1" X 3.5" - COFFEE GLAZED HONEY CHERRY
8	M09577-62-YK0	EA	MOLDING - TRIM/VEE - .2" X 1" X 41.6" - CONCERT CHERRY
8	M09577-62-YK1	EA	MOLDING - TRIM/VEE - .2" X 1" X 41.6" - HONEY CHERRY
8	M09577-62-YK2	EA	MOLDING - TRIM/VEE - .2" X 1" X 41.6" - BELMONT MAPLE
8	M09577-62-YK3	EA	MOLDING - TRIM/VEE - .2" X 1" X 41.6" - WASHED MAPLE
8	M09577-62-YT0	EA	MOLDING - TRIM/VEE - .2" X 1" X 41.6" - COFFEE GLAZED HONEY CHERRY
9	153117-28-YK0	EA	MOLDING - F/SLIDEOUT - 44.7" - CONCERT CHERRY
9	153117-28-YK1	EA	MOLDING - F/SLIDEOUT - 44.7" - HONEY CHERRY
9	153117-28-YK2	EA	MOLDING - F/SLIDEOUT - 44.7" - BELMONT MAPLE
9	153117-28-YK3	EA	MOLDING - F/SLIDEOUT - 44.7" - WASHED MAPLE
9	153117-28-YT0	EA	MOLDING - F/SLIDEOUT - 44.7" - COFFEE GLAZED HONEY CHERRY

INTERIOR FINISH GROUP (CONTINUED)
INTERIOR TRIM LAYOUT (CONTINUED)

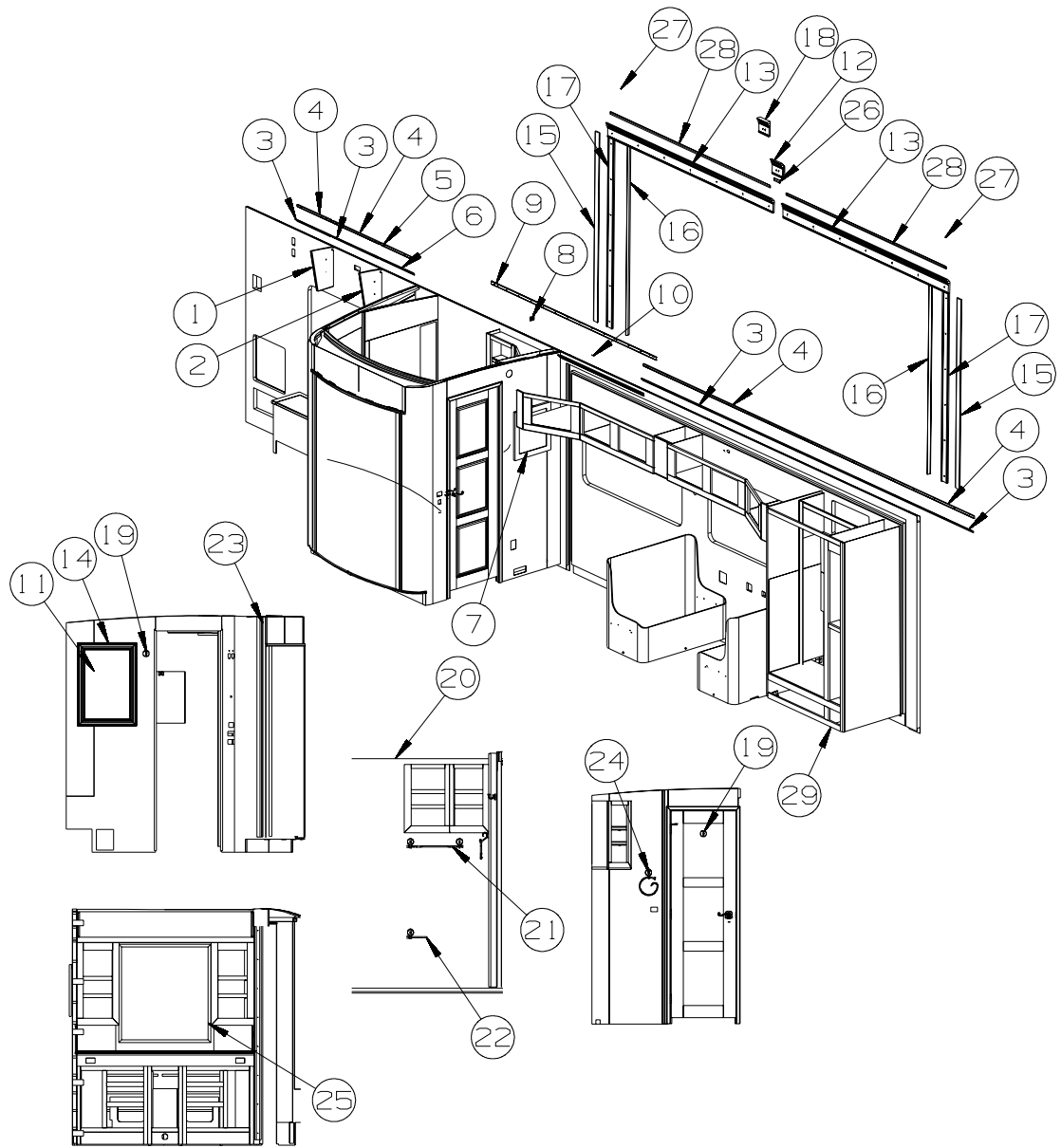
KEY	PART NUMBER	U/M	DESCRIPTION
10	M09525-82-UJ1	EA	MOLDING/TRIM - 2.4" X 74.7" - CONCERT CHERRY
10	M09525-82-YK2	EA	MOLDING/TRIM - 2.4" X 74.7" - BELMONT MAPLE
10	M09525-82-UJ3	EA	MOLDING/TRIM - 2.4" X 74.7" - HONEY CHERRY
10	M09525-82-UJ2	EA	MOLDING/TRIM - 2.4" X 74.7" - WASHED MAPLE
10	M09525-82-YT0	EA	MOLDING/TRIM - 2.4" X 74.7" - COFFEE GLAZED HONEY CHERRY
11	M09525-83-UJ1	EA	MOLDING/TRIM - 3.5" X 74.7" - CONCERT CHERRY
11	M09525-83-UJ3	EA	MOLDING/TRIM - 3.5" X 74.7" - HONEY CHERRY
11	M09525-83-YK2	EA	MOLDING/TRIM - 3.5" X 74.7" - BELMONT MAPLE
11	M09525-83-UJ2	EA	MOLDING/TRIM - 3.5" X 74.7" - WASHED MAPLE
11	M09525-83-YT0	EA	MOLDING/TRIM - 3.5" X 74.7" - COFFEE GLAZED HONEY CHERRY
12	M09525-81-UJ1	EA	MOLDING - TRIM/VEE - 1.5" X 74.7" - CONCERT CHERRY
12	M09525-81-UJ3	EA	MOLDING - TRIM/VEE - 1.5" X 74.7" - HONEY CHERRY
12	M09525-81-YL6	EA	MOLDING - TRIM/VEE - 1.5" X 74.7" - BELMONT MAPLE
12	M09525-81-UJ2	EA	MOLDING - TRIM/VEE - 1.5" X 74.7" - WASHED MAPLE
12	M09525-81-YT3	EA	MOLDING - TRIM/VEE - 1.5" X 74.7" - COFFEE GLAZED HONEY CHERRY
13	153117-28-YK0	EA	MOLDING - F/SLIDEOUT - 44.7" - CONCERT CHERRY
13	153117-28-YK1	EA	MOLDING - F/SLIDEOUT - 44.7" - HONEY CHERRY
13	153117-28-YK2	EA	MOLDING - F/SLIDEOUT - 44.7" - BELMONT MAPLE
13	153117-28-YK3	EA	MOLDING - F/SLIDEOUT - 44.7" - WASHED MAPLE
13	153117-28-YT0	EA	MOLDING - F/SLIDEOUT - 44.7" - COFFEE GLAZED HONEY CHERRY
14	M09471-79-R39	EA	MOLDING - TRIM/COVE - .8" X .8" X 96" - CONCERT CHERRY
14	M09471-79-RE0	EA	MOLDING - TRIM/COVE - .8" X .8" X 96" - HONEY CHERRY
14	M09471-79-YG3	EA	MOLDING - TRIM/COVE - .8" X .8" X 96" - BELMONT MAPLE
14	M09471-79-R46	EA	MOLDING - TRIM/COVE - .8" X .8" X 96" - WASHED MAPLE
14	M09471-79-YT3	EA	MOLDING - TRIM/COVE - .8" X .8" X 96" - COFFEE GLAZED HONEY CHERRY
15	153117-29-YK0	EA	MOLDING - F/SLIDEOUT - 81.6" - CONCERT CHERRY
15	153117-29-YK1	EA	MOLDING - F/SLIDEOUT - 81.6" - HONEY CHERRY
15	153117-29-YK2	EA	MOLDING - F/SLIDEOUT - 81.6" - BELMONT MAPLE
15	153117-29-YK3	EA	MOLDING - F/SLIDEOUT - 81.6" - WASHED MAPLE
15	153117-29-YT0	EA	MOLDING - F/SLIDEOUT - 81.6" - COFFEE GLAZED HONEY CHERRY
16	168112-12-YK0	EA	MOLDING/BLOCK - TOP - CONCERT CHERRY
16	168112-12-YK1	EA	MOLDING/BLOCK - TOP - HONEY CHERRY
16	168112-12-YK2	EA	MOLDING/BLOCK - TOP - BELMONT MAPLE
16	168112-12-YK3	EA	MOLDING/BLOCK - TOP - WASHED MAPLE
16	168112-12-YT0	EA	MOLDING/BLOCK - TOP - COFFEE GLAZED HONEY CHERRY
17	153117-02-TG1	EA	MOLDING - F/SLIDEOUT - 5.9" - CONCERT CHERRY
17	153117-02-TG3	EA	MOLDING - F/SLIDEOUT - 5.9" - HONEY CHERRY
17	153117-02-YK2	EA	MOLDING - F/SLIDEOUT - 5.9" - BELMONT MAPLE
17	153117-02-TG2	EA	MOLDING - F/SLIDEOUT - 5.9" - WASHED MAPLE
17	153117-02-YT0	EA	MOLDING - F/SLIDEOUT - 5.9" - COFFEE GLAZED HONEY CHERRY
18	168112-14-YK0	EA	MOLDING/DIVIDER - SLIDEOUT/TOP - CONCERT CHERRY
18	168112-14-YK1	EA	MOLDING/DIVIDER - SLIDEOUT/TOP - HONEY CHERRY
18	168112-14-YK2	EA	MOLDING/DIVIDER - SLIDEOUT/TOP - BELMONT MAPLE
18	168112-14-YK3	EA	MOLDING/DIVIDER - SLIDEOUT/TOP - WASHED MAPLE
18	168112-14-YT0	EA	MOLDING/DIVIDER - SLIDEOUT/TOP - COFFEE GLAZED HONEY CHERRY
19	142411-05-000	EA	HOLDER - F/CONTROL (SELECT COMFORT) - 49M FROM: 00-00-00 THRU: 03-08-09
20	125136-02-000	EA	DETECTOR/CO - GAS MODEL - 9 VOLT
21	099717-05-000	EA	STRAP - W/16.5" FEMALE STRAP AND 17.7" MALE STRAP
22	166796-01-000	EA	MATTRESS - MEMORY FOAM - 60" X 80" - 2 RADIUS CUT CORNERS
22	142411-10-000	EA	MATTRESS/AIR - 60" X 80" - W/RADIUS CORNERS-SELECT COMFORT - 49M FROM: 00-00-00 THRU: 03-08-09
22	142411-18-000	EA	MATTRESS/AIR - 60" X 80" W/RADIUS CORNERS - PREMIER - 49M FROM: 03-09-09 THRU: 99-99-99
23	093605-02-01A	EA	RACK - TOWEL/WIRE - ALMOND
24	159032-01-01A	EA	CONTAINER - WASTEBASKET - 14.3 QT - WHITE
25	168722-01-11C	EA	COVER - SINK - RECESSED (YK0, YK1, YK2, YK3, YT0)
25	168722-01-10C	EA	COVER - SINK - RECESSED (YK4, YK5, YK6, YK7, YT1)
25	168722-01-12C	EA	COVER - SINK - RECESSED (YL0, YL1, YL2, YL3, YT2)
26	168722-02-11C	EA	COVER - SINK - RECESSED (YK0, YK1, YK2, YK3, YT0)
26	168722-02-10C	EA	COVER - SINK - RECESSED (YK4, YK5, YK6, YK7, YT1)
26	168722-02-12C	EA	COVER - SINK - RECESSED (YL0, YL1, YL2, YL3, YT2)
27	102075-24-03A	EA	ROD - SHOWER CURTAIN - 50.7" - MILL

INTERIOR FINISH GROUP (CONTINUED)
INTERIOR TRIM LAYOUT (CONTINUED)



KEY	PART NUMBER	U/M DESCRIPTION
28	M09525-04-UJ1	EA MOLDING/TRIM - ANGLED - 1" X 1" X 96" - CONCERT CHERRY
28	M09525-04-UJ3	EA MOLDING/TRIM - ANGLED - 1" X 1" X 96" - HONEY CHERRY
28	M09525-04-YG3	EA MOLDING/TRIM - ANGLED - 1" X 1" X 96" - BELMONT MAPLE
28	M09525-04-UJ2	EA MOLDING/TRIM - ANGLED - 1" X 1" X 96" - WASHED MAPLE
28	M09525-04-YT3	EA MOLDING/TRIM - ANGLED - 1" X 1" X 96" - COFFEE GLAZED HONEY CHERRY
29	136891-01-01A	EA SHELF & ROD - 12" X 143.8" - W/O ENDS
30	136891-50-01A	EA BRACKET/END - F/SHELF
31	136891-53-01A	EA BRACKET - U/CLAMP MOUNTING - F/SHELF
32	136891-52-01A	EA END CAP - SMALL - F/SHELF
33	152301-01-01A	EA FLANGE - PLASTIC - 1" CLOTHES ROD HOLDER - WHITE
34	102075-27-03A	EA ROD - SHOWER CURTAIN - 13.2" - MILL
35	168112-13-YK0	EA MOLDING - F/SLIDEOUT - 96" - CONCERT CHERRY
35	168112-13-YK1	EA MOLDING - F/SLIDEOUT - 96" - HONEY CHERRY
35	168112-13-YK2	EA MOLDING - F/SLIDEOUT - 96" - BELMONT MAPLE
35	168112-13-YK3	EA MOLDING - F/SLIDEOUT - 96" - WASHED MAPLE
35	168112-13-YT0	EA MOLDING - F/SLIDEOUT - 96" - COFFEE GLAZED HONEY CHERRY
36	M09525-03-UJ1	EA MOLDING/TRIM - .6" X 1" X 96" - CONCERT CHERRY
36	M09525-03-UJ3	EA MOLDING/TRIM - .6" X 1" X 96" - HONEY CHERRY
36	M09525-03-YG3	EA MOLDING/TRIM - .6" X 1" X 96" - BELMONT MAPLE
36	M09525-03-UJ2	EA MOLDING/TRIM - .6" X 1" X 96" - WASHED MAPLE
36	M09525-03-YT3	EA MOLDING/TRIM - .6" X 1" X 96" - COFFEE GLAZED HONEY CHERRY

INTERIOR FINISH GROUP (CONTINUED)
INTERIOR TRIM LAYOUT (CONTINUED)

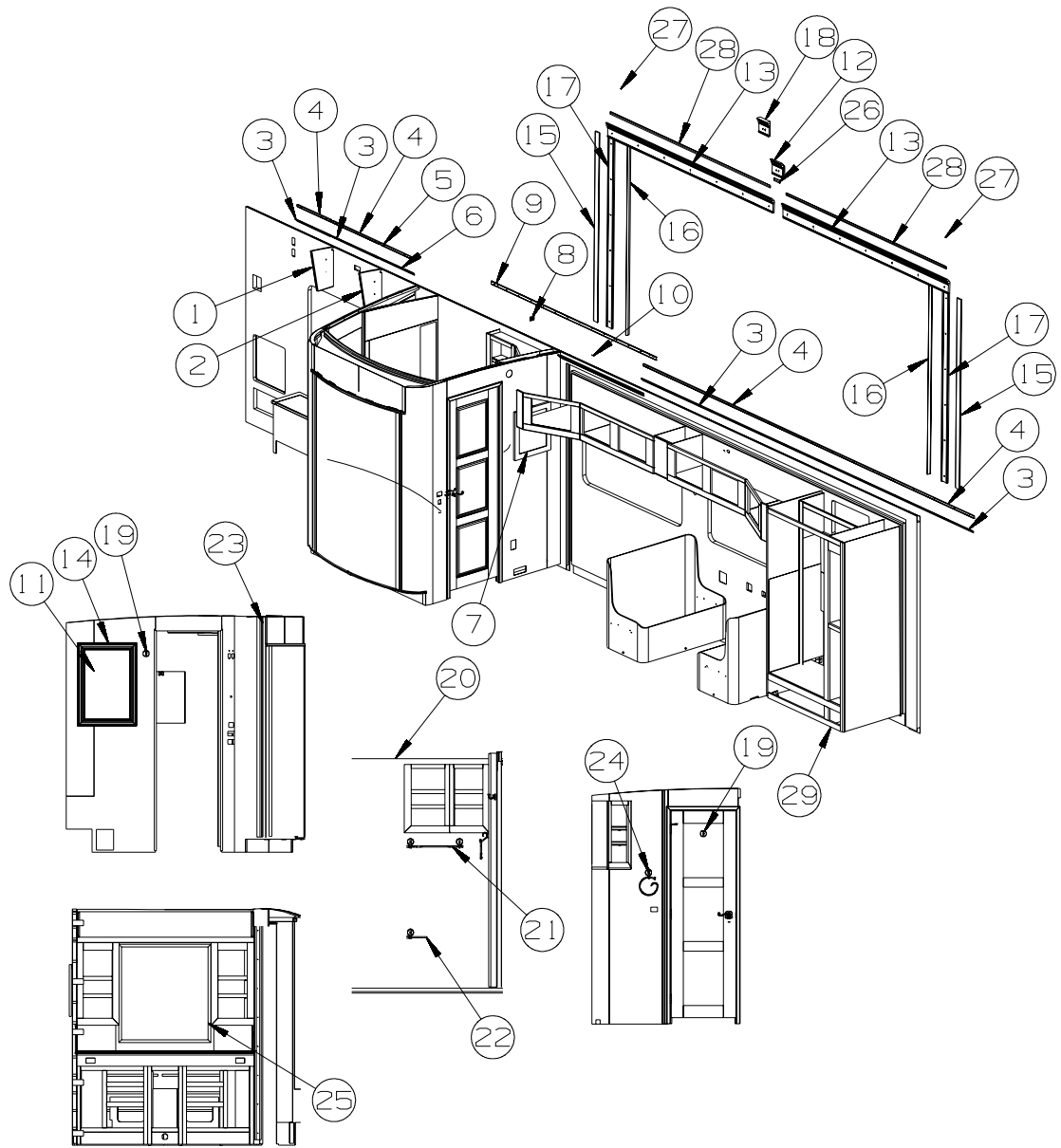


KEY	PART NUMBER	U/M	DESCRIPTION
1	159284-12-WK0	EA	END CAP - OVERHEAD/CABINET - CONCERT CHERRY
1	159284-12-WK2	EA	END CAP - OVERHEAD/CABINET - HONEY CHERRY
1	159284-12-YL6	EA	END CAP - OVERHEAD/CABINET - BELMONT MAPLE
1	159284-12-WK1	EA	END CAP - OVERHEAD/CABINET - WASHED MAPLE
1	159284-12-YT3	EA	END CAP - OVERHEAD/CABINET - COFFEE GLAZED HONEY CHERRY
2	159284-15-WK0	EA	END CAP - OVERHEAD/CABINET - CONCERT CHERRY
2	159284-15-WK2	EA	END CAP - OVERHEAD/CABINET - HONEY CHERRY
2	159284-15-YL6	EA	END CAP - OVERHEAD/CABINET - BELMONT MAPLE
2	159284-15-WK1	EA	END CAP - OVERHEAD/CABINET - WASHED MAPLE
2	159284-15-YT3	EA	END CAP - OVERHEAD/CABINET - COFFEE GLAZED HONEY CHERRY
3	M09525-03-UJ1	EA	MOLDING/TRIM - .6" X 1" X 96" - CONCERT CHERRY
3	M09525-03-UJ3	EA	MOLDING/TRIM - .6" X 1" X 96" - HONEY CHERRY
3	M09525-03-YG3	EA	MOLDING/TRIM - .6" X 1" X 96" - BELMONT MAPLE
3	M09525-03-UJ2	EA	MOLDING/TRIM - .6" X 1" X 96" - WASHED MAPLE
3	M09525-03-YT3	EA	MOLDING/TRIM - .6" X 1" X 96" - COFFEE GLAZED HONEY CHERRY
4	M09525-04-UJ1	EA	MOLDING/TRIM - ANGLED - 1" X 1" X 96" - CONCERT CHERRY
4	M09525-04-UJ3	EA	MOLDING/TRIM - ANGLED - 1" X 1" X 96" - HONEY CHERRY
4	M09525-04-YG3	EA	MOLDING/TRIM - ANGLED - 1" X 1" X 96" - BELMONT MAPLE
4	M09525-04-UJ2	EA	MOLDING/TRIM - ANGLED - 1" X 1" X 96" - WASHED MAPLE
4	M09525-04-YT3	EA	MOLDING/TRIM - ANGLED - 1" X 1" X 96" - COFFEE GLAZED HONEY CHERRY

INTERIOR FINISH GROUP (CONTINUED)
INTERIOR TRIM LAYOUT (CONTINUED)

KEY	PART NUMBER	U/M	DESCRIPTION
5	159756-02-WK0	EA	TRIM - SIDEWALL/ROOF - W/MITER - CONCERT CHERRY
5	159756-02-WK2	EA	TRIM - SIDEWALL/ROOF - W/MITER - HONEY CHERRY
5	159756-02-YG3	EA	TRIM - SIDEWALL/ROOF - W/MITER - BELMONT MAPLE
5	159756-02-WK1	EA	TRIM - SIDEWALL/ROOF - W/MITER - WASHED MAPLE
5	159756-02-YT3	EA	TRIM - SIDEWALL/ROOF - W/MITER - COFFEE GLAZED HONEY CHERRY
6	159757-02-WK0	EA	TRIM - SIDEWALL/ROOF - W/MITER - CONCERT CHERRY
6	159757-02-WK2	EA	TRIM - SIDEWALL/ROOF - W/MITER - HONEY CHERRY
6	159757-02-YG3	EA	TRIM - SIDEWALL/ROOF - W/MITER - BELMONT MAPLE
6	159757-02-WK1	EA	TRIM - SIDEWALL/ROOF - W/MITER - WASHED MAPLE
6	159757-02-YT3	EA	TRIM - SIDEWALL/ROOF - W/MITER - COFFEE GLAZED HONEY CHERRY
7	131493-02-38A	EA	PICTURE - DECORATIVE - 13" X 15" - ROSETTE II (YK0, YK1, YK2, YK3, YK4) FROM: 00-00-00 THRU: 06-01-08
7	131493-17-01A	EA	PICTURE - DECO. - 11.5" X 22" - GOLDEN BRANCH (YK0, YK1, YK2, YK3, YK4) FROM: 06-02-08 THRU: 99-99-99
7	131493-02-38A	EA	PICTURE - DECORATIVE - 13" X 15" - ROSETTE II (YL0, YL1, YL2, YL3) FROM: 00-00-00 THRU: 06-01-08
7	163954-07-01A	EA	PICTURE - DECORATIVE - 17 1/2" X 29 1/2" - BLK/GOLD (YL0, YL1, YL2, YL3) FROM: 06-02-08 THRU: 99-99-99
7	131493-01-06A	EA	PICTURE - DECORATIVE - 10" X 16" - PARADISE (YK4, YK5, YK6, YK7) FROM: 00-00-00 THRU: 06-01-08
7	163954-06-01A	EA	PICTURE - DECORATIVE - 17" X 19" - DRAGON FLY IV (YK4, YK5, YK6, YK7) FROM: 06-02-08 THRU: 99-99-99
7	131493-17-01A	EA	PICTURE - DECO. - 11.5" X 22" - GOLDEN BRANCH (YT0, YT1, YT2)
8	130120-01-01A	EA	BRACKET/MOUNTING - MIRROR
9	138359-01-01A	FT	COVER - ROOF BREAK - PEARL CREAM/PLASTIC - 96"
10	138403-01-01A	EA	TRIM - ROOF - MILL
11	140374-51-000	EA	MIRROR - SAFETY GLASS - 19.2" X 26.5"
12	159691-11-UJ1	EA	MOLDING/BLOCK - CENTER/TOP - 5.9" - CONCERT CHERRY
12	159691-11-UJ3	EA	MOLDING/BLOCK - CENTER/TOP - 5.9" - HONEY CHERRY
12	159691-11-YK2	EA	MOLDING/BLOCK - CENTER/TOP - 5.9" - BELMONT MAPLE
12	159691-11-UJ2	EA	MOLDING/BLOCK - CENTER/TOP - 5.9" - WASHED MAPLE
12	159691-11-YT0	EA	MOLDING/BLOCK - CENTER/TOP - 5.9" - COFFEE GLAZED HONEY CHERRY
13	159691-12-UJ1	EA	MOLDING - SLIDEOUT/TOP - 96" - CONCERT CHERRY
13	159691-12-UJ3	EA	MOLDING - SLIDEOUT/TOP - 96" - HONEY CHERRY
13	159691-12-YK2	EA	MOLDING - SLIDEOUT/TOP - 96" - BELMONT MAPLE
13	159691-12-UJ2	EA	MOLDING - SLIDEOUT/TOP - 96" - WASHED MAPLE
13	159691-12-YT0	EA	MOLDING - SLIDEOUT/TOP - 96" - COFFEE GLAZED HONEY CHERRY
14	150825-02-SD1	EA	FRAME/MIRROR - 30.5" X 21.7" - CONCERT CHERRY
14	150825-02-SD3	EA	FRAME/MIRROR - 30.5" X 21.7" - HONEY CHERRY
14	150825-02-YG3	EA	FRAME/MIRROR - 30.5" X 21.7" - BELMONT MAPLE
14	150825-02-SD2	EA	FRAME/MIRROR - 30.5" X 21.7" - WASHED MAPLE
14	150825-02-YT3	EA	FRAME/MIRROR - 30.5" X 21.7" - COFFEE GLAZED HONEY CHERRY
15	M09525-82-UJ1	EA	MOLDING/TRIM - 2.4" X 74.7" - CONCERT CHERRY
15	M09525-82-UJ3	EA	MOLDING/TRIM - 2.4" X 74.7" - HONEY CHERRY
15	M09525-82-YK2	EA	MOLDING/TRIM - 2.4" X 74.7" - BELMONT MAPLE
15	M09525-82-UJ2	EA	MOLDING/TRIM - 2.4" X 74.7" - WASHED MAPLE
15	M09525-82-YT0	EA	MOLDING/TRIM - 2.4" X 74.7" - COFFEE GLAZED HONEY CHERRY
16	M09525-81-UJ1	EA	MOLDING - TRIM/VEE - 1.5" X 74.7" - CONCERT CHERRY
16	M09525-81-UJ3	EA	MOLDING - TRIM/VEE - 1.5" X 74.7" - HONEY CHERRY
16	M09525-81-YL6	EA	MOLDING - TRIM/VEE - 1.5" X 74.7" - BELMONT MAPLE
16	M09525-81-UJ2	EA	MOLDING - TRIM/VEE - 1.5" X 74.7" - WASHED MAPLE
16	M09525-81-YT3	EA	MOLDING - TRIM/VEE - 1.5" X 74.7" - COFFEE GLAZED HONEY CHERRY
17	M09525-83-UJ1	EA	MOLDING/TRIM - 3.5" X 74.7" - CONCERT CHERRY
17	M09525-83-UJ3	EA	MOLDING/TRIM - 3.5" X 74.7" - HONEY CHERRY
17	M09525-83-YK2	EA	MOLDING/TRIM - 3.5" X 74.7" - BELMONT MAPLE
17	M09525-83-UJ2	EA	MOLDING/TRIM - 3.5" X 74.7" - WASHED MAPLE
17	M09525-83-YT0	EA	MOLDING/TRIM - 3.5" X 74.7" - COFFEE GLAZED HONEY CHERRY
18	153117-02-TG1	EA	MOLDING - F/SLIDEOUT - 5.9" - CONCERT CHERRY
18	153117-02-TG3	EA	MOLDING - F/SLIDEOUT - 5.9" - HONEY CHERRY
18	153117-02-YK2	EA	MOLDING - F/SLIDEOUT - 5.9" - BELMONT MAPLE
18	153117-02-TG2	EA	MOLDING - F/SLIDEOUT - 5.9" - WASHED MAPLE
18	153117-02-YT0	EA	MOLDING - F/SLIDEOUT - 5.9" - COFFEE GLAZED HONEY CHERRY
19	145849-03-03A	EA	HOOK - ROBE - BRUSHED NICKEL
20*	164096-01-01A	EA	DOOR - SHOWER - CURVED - BRUSHED NICKEL/RAIN GLASS

INTERIOR FINISH GROUP (CONTINUED)
INTERIOR TRIM LAYOUT (CONTINUED)



KEY	PART NUMBER	U/M	DESCRIPTION
21	140849-01-03A	EA	BAR - TOWEL - 18" - BRUSHED NICKEL
22	140973-01-03A	EA	HOLDER - TOILET TISSUE - BRUSHED NICKEL
23	160388-01-14A	EA	TRIM - SIGHT SHIELD - YELLOWSTONE/GLACIER (YK0, YK1, YK2, YK3, YT0)
23	160388-01-19A	EA	TRIM - SIGHT SHIELD - SANIBEL/MARBLE (YK4, YK5, YK6, YK7, YL0, YL1, YL2, YL3, YT1, YT2)
24	132046-03-03A	EA	RING - TOWEL - BRUSHED NICKEL
25	113195-03-01A	EA	MIRROR - BEVELED SAFETY GLASS - CLEAR - 33.6" X 36"
26	M09454-62-P55	EA	MOLDING - TRIM/VEE - .2" X 1" X 3.5" - CONCERT CHERRY
26	M09454-62-RE0	EA	MOLDING - TRIM/VEE - .2" X 1" X 3.5" - HONEY CHERRY
26	M09454-62-YK2	EA	MOLDING - TRIM/VEE - .2" X 1" X 3.5" - BELMONT MAPLE
26	M09454-62-P56	EA	MOLDING - TRIM/VEE - .2" X 1" X 3.5" - WASHED MAPLE
26	M09454-62-YT0	EA	MOLDING - TRIM/VEE - .2" X 1" X 3.5" - COFFEE GLAZED HONEY CHERRY
27	153117-19-UJ1	EA	MOLDING - F/SLIDEOUT - 96" - CONCERT CHERRY
27	153117-19-UJ3	EA	MOLDING - F/SLIDEOUT - 96" - HONEY CHERRY
27	153117-19-YK2	EA	MOLDING - F/SLIDEOUT - 96" - BELMONT MAPLE
27	153117-19-UJ2	EA	MOLDING - F/SLIDEOUT - 96" - WASHED MAPLE
27	153117-19-YT0	EA	MOLDING - F/SLIDEOUT - 96" - COFFEE GLAZED HONEY CHERRY
28	M09434-72-UJ1	EA	MOLDING - TRIM/VEE - .2" X 1" X 3.5" - CONCERT CHERRY
28	M09434-72-UJ3	EA	MOLDING - TRIM/VEE - .2" X 1" X 3.5" - HONEY CHERRY
28	M09434-72-YK2	EA	MOLDING - TRIM/VEE - .2" X 1" X 3.5" - BELMONT MAPLE
28	M09434-72-UJ2	EA	MOLDING - TRIM/VEE - .2" X 1" X 3.5" - WASHED MAPLE
28	M09434-72-YT0	EA	MOLDING - TRIM/VEE - .2" X 1" X 3.5" - COFFEE GLAZED HONEY CHERRY

INTERIOR FINISH GROUP (CONTINUED)
INTERIOR TRIM LAYOUT (CONTINUED)

KEY	PART NUMBER	U/M	DESCRIPTION
29	M09471-79-R39	EA	MOLDING - TRIM/COVE - .8" X .8" X 96" - CONCERT CHERRY
29	M09471-79-RE0	EA	MOLDING - TRIM/COVE - .8" X .8" X 96" - HONEY CHERRY
29	M09471-79-YG3	EA	MOLDING - TRIM/COVE - .8" X .8" X 96" - BELMONT MAPLE
29	M09471-79-R46	EA	MOLDING - TRIM/COVE - .8" X .8" X 96" - WASHED MAPLE
29	M09471-79-YT3	EA	MOLDING - TRIM/COVE - .8" X .8" X 96" - COFFEE GLAZED HONEY CHERRY

***COMPONENT PARTS LISTED LATER IN THIS GROUP**

INTERIOR FINISH GROUP (CONTINUED)
COMPONENT PARTS FOR INTERIOR TRIM LAYOUT

ART NOT YET AVAILABLE

164096-01-01A

KEY	PART NUMBER	U/M	DESCRIPTION	VENDOR NO.
1	164096-01-701	EA	HEADER/SILL-(PAIR) NICKEL	975N
2	164096-01-702	EA	JAMB - WALL - NICKEL	970N
3	164096-01-708	EA	WING PANEL ONLY - RH/LH	WBC3434N-P62WP
9	164096-01-707	EA	DOOR PANEL-RH CURVED	WBC3434N-P62RDP
9	164096-01-709	EA	DOOR PANEL-LH CURVED	WBC3434N-P62LDP
12	164096-01-703	EA	STRIP - MAGNETIC	98-47
13	164096-01-700	EA	ROLLER ASM.	PN970
14	164096-01-704	EA	PULL/HANDLE	KTBTB
16	164096-01-705	EA	PLUG/DOOR PANEL - UPR OR LWR	CP978B
17	164096-01-706	EA	TRAVEL LATCH - W/HOOK/CATCH	CP976B
19	158076-02-701	EA	SCREW - ADJUSTMENT - NICKEL	638PHPT-N
21	115011-01-714	EA	BUMPER - RATTLE/SHOWER DOOR	5168S

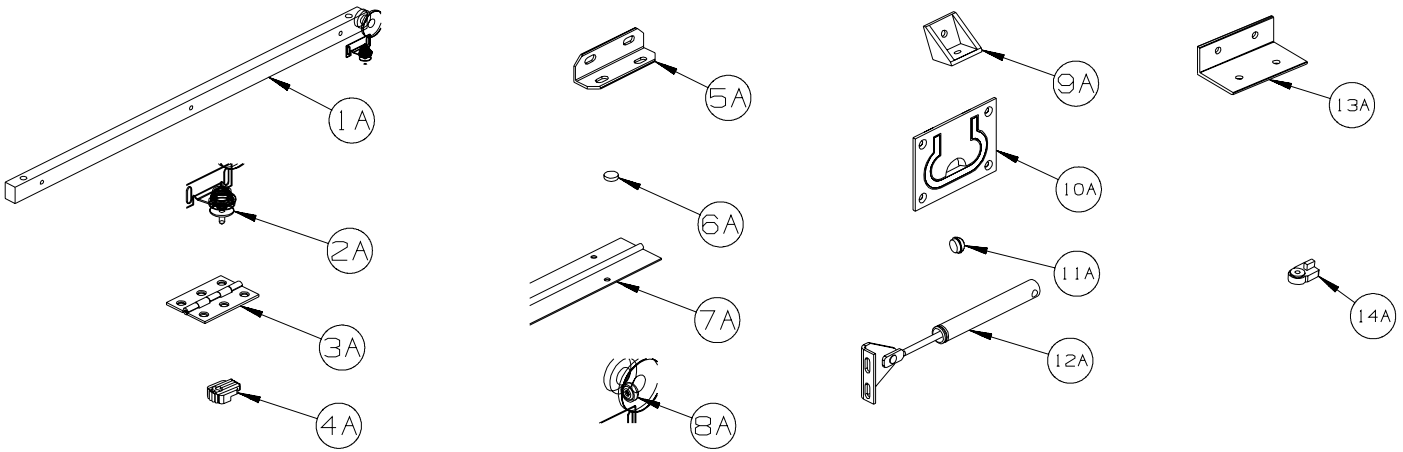
CONTACT WINNEBAGO PART SALES FOR UNLISTED COMPONENT(S)

INTERIOR FINISH GROUP (CONTINUED)
FLOOR COVERINGS

KEY	PART NUMBER	U/M	DESCRIPTION
	075233-01-000	SY	PAD - CARPET - 3/8" X 6'W ROLL - SOLD BY THE SQUARE YARD
	093486-01-000	SY	CARPET - COMPARTMENT - 72" WIDE - DARK GRAY
	123994-08-04A	EA	TILE - FLOOR - CERAMIC - 6" X 6" - SORANO BROWN
	123994-09-04A	EA	TILE - FLOOR - CERAMIC - 12" X 12" - SORANO BROWN
	123994-10-02A	EA	GROUT - TILE FLOOR - 945 LIGHT BUFF-CHAMOIS
	152251-11-01A	SY	CARPET - 4 SQUARE YARD INCREMENTS - TEMECU (YK0, YK1, YK2, YK3, YT0)
	152251-11-03A	SY	CARPET - 4 SQUARE YARD INCREMENTS - CIGAR (YK4, YK5, YK6, YK7, YT1)
	152251-11-04A	SY	CARPET - 4 SQUARE YARD INCREMENTS - FIRE FLY (YL0, YL1, YL2, YL3, YT2)
	156855-01-03A	YD	CARPET BINDING - TAPE (YK0, YK1, YK2, YK3, YT0, YL0, YL1, YL2, YL3, YT2)
	156855-01-01A	YD	CARPET BINDING - TAPE (YK4, YK5, YK6, YK7, YT1)

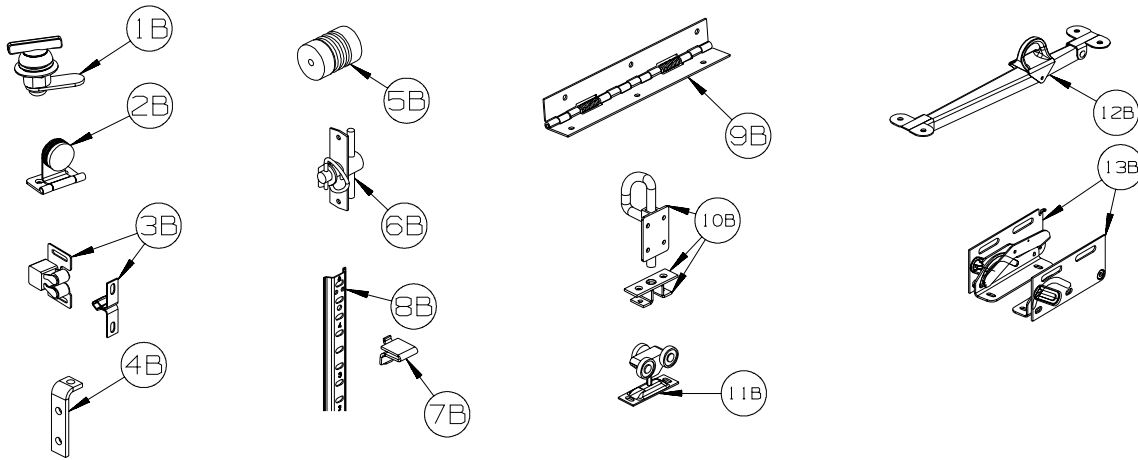
INTERIOR FINISH GROUP (CONTINUED)

HARDWARE



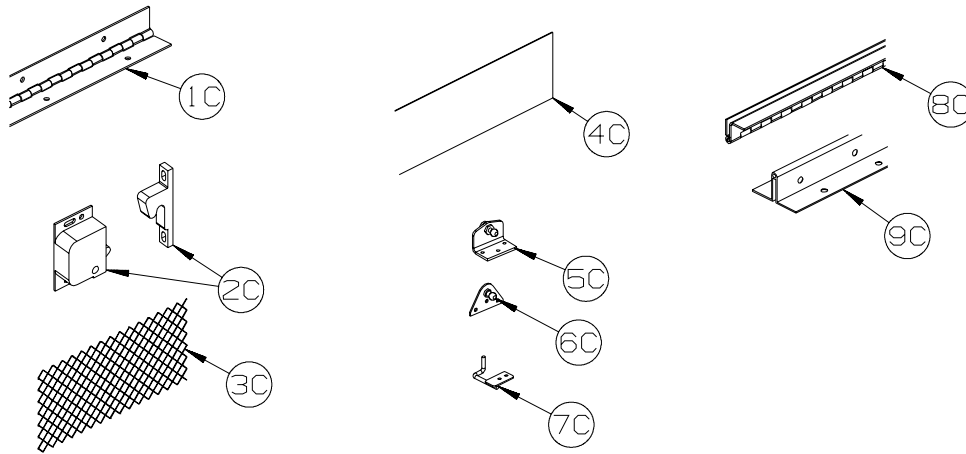
KEY	PART NUMBER	U/M	DESCRIPTION
1A	P34509-01-P14	EA	RAIL END - RH/LH - TOWEL RACK - CONCERT CHERRY
1A	P34509-01-J70	EA	RAIL END - RH/LH - TOWEL RACK - WASHED MAPLE
1A	P34509-01-RE0	EA	RAIL END - RH/LH - TOWEL RACK - HONEY CHERRY
1A	P34509-01-SA3	EA	RAIL END - RH/LH - TOWEL RACK - SIERRA MAPLE
2A	009013-01-000	EA	CATCH - BULLDOG - MALE/FEMALE
3A	009059-03-000	EA	HINGE - BRASS - 1.75"
3A	009059-04-000	EA	HINGE - 2" - ZINC
4A	009089-01-000	EA	CLIP - MIRROR
5A	016604-01-000	EA	BRACE - ANGLE - 2 1/2" - UNPAINTED METAL
5A	016604-05-000	EA	BRACE - ANGLE - 2 1/2" - OFF WHITE METAL
5A	016604-10-000	EA	BRACE - ANGLE - 2 1/2" - BLACK
6A	023320-01-000	EA	PAD - FELT 3/8" DIAMETER - ADHESIVE BACK - BROWN
6A	167370-01-01A	EA	PAD - FELT 1/2" DIAMETER - ADHESIVE BACK - GRAY
7A	041389-19-000	EA	HINGE - PIANO - 1 1/2" X 71.9" - UNPAINTED
7A	041389-25-000	EA	HINGE - PIANO - 1 1/2" X 55" - UNPAINTED
7A	041389-32-000	EA	HINGE - PIANO - 68" - OFF WHITE
8A	166569-01-01A	EA	COVER - SCREW - #8 - ANTIQUE WHITE
8A	166569-01-02A	EA	COVER - SCREW - #8 - BRIGHT WHITE
8A	166569-01-03A	EA	COVER - SCREW - #8 - SOFT WHITE
8A	166569-01-04A	EA	COVER - SCREW - #8 - CREAM
8A	166569-01-05A	EA	COVER - SCREW - #8 - BLACK
9A	065740-01-000	EA	BRACE - CABINET/CORNER - PLASTIC
10A	072871-01-000	EA	PULL - FLUSH - CHROME
11A	074045-08-000	EA	PLUG - 3/8" DOWEL-1/2" HEAD - OAK/SALEM CHERRY - CONCERT CHERRY
11A	074045-12-000	EA	PLUG - 3/8" DOWEL-1/2" HEAD - WASHED MAPLE
11A	074045-14-000	EA	PLUG - 3/8" DOWEL-1/2" HEAD - HONEY CHERRY
11A	074045-15-000	EA	PLUG - 3/8" DOWEL-1/2" HEAD - SIERRA MAPLE
11A	074045-16-000	EA	PLUG - 3/8" DOWEL-1/2" HEAD - BELMONT MAPLE
12A	074493-02-000	EA	SUPPORT/PISTON SPRING - CABINET DOOR - 26 LBS
12A	074493-03-000	EA	SUPPORT/PISTON SPRING - CABINET DOOR - 12 LBS
13A	156732-01-01A	EA	BRACE - ANGLE - 2.5" - MILL
13A	156732-01-02A	EA	BRACE - ANGLE - 2.5" - OFF WHITE
13A	156732-03-01A	EA	BRACE - ANGLE - BLACK
14A	083204-03-000	EA	BUTTON - RETAINING MIRROR 5/16" TIP

INTERIOR FINISH GROUP (CONTINUED)
HARDWARE (CONTINUED)



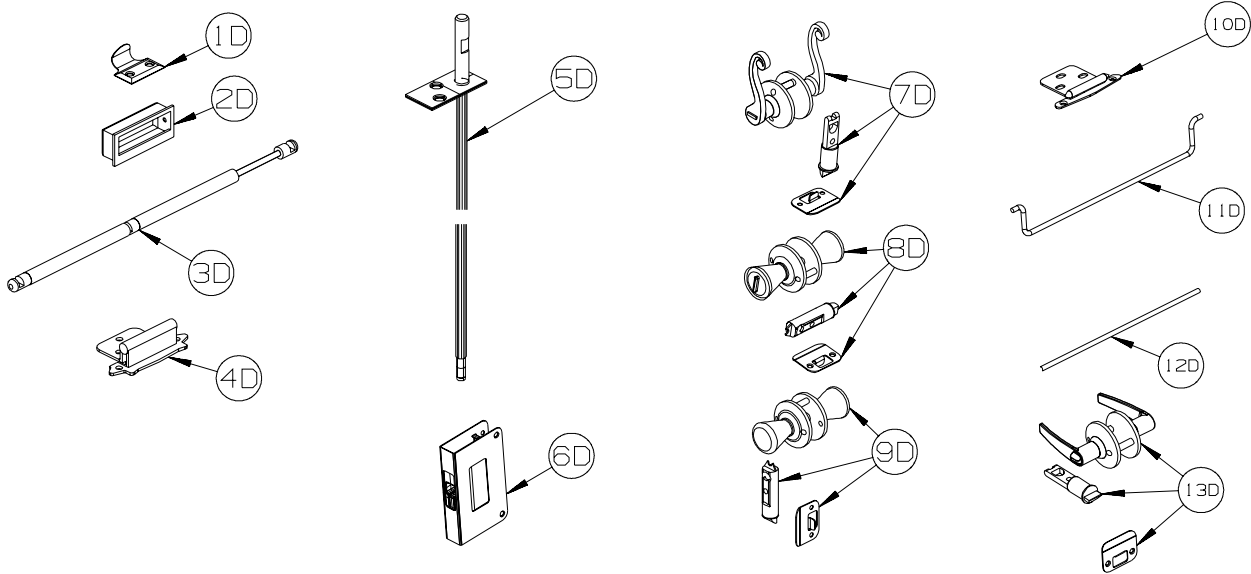
KEY	PART NUMBER	U/M	DESCRIPTION
1B	100710-01-02A	EA	LOCK - GLASS DOOR/TWIST TYPE - NICKEL
2B	100711-01-02A	EA	HINGE - GLASS DOOR - BLACK
3B	093586-06-000	EA	CATCH - W/STRIKE - SPRING ROLLER .236"/SPRINT STEEL .943"
4B	096826-01-01A	EA	BRACE - CABINET - 2" - E-COATED
4B	096826-02-01A	EA	BRACE - CABINET - 1" - E-COATED
5B	097872-04-000	EA	DOWEL - WOOD - 1" DIAMETER X 1.38" LONG - UNFINISHED
6B	098196-01-000	EA	LATCH - 1/4 TURN - T-BAR
7B	098979-01-000	EA	CLIP - ADJUSTABLE SHELF
8B	098980-01-000	EA	PILASTER - ADJUSTABLE SHELF - 18"
8B	098980-02-000	EA	PILASTER - ADJUSTABLE SHELF - 12"
8B	098980-03-000	EA	PILASTER - ADJUSTABLE SHELF - 9"
8B	098980-04-000	EA	PILASTER - ADJUSTABLE SHELF - 48"
8B	098980-05-000	EA	PILASTER - ADJUSTABLE SHELF - 15"
8B	098980-06-000	EA	PILASTER - ADJUSTABLE SHELF - 24"
9B	102920-01-02A	EA	HINGE - SPRING LOADED - NICKEL
9B	129753-01-01A	EA	HINGE - SPRING LOADED - 19" X 19" - BLACK
10B	103256-01-000	EA	LATCH COMPLETE (SLIDE)
11B	103874-01-000	EA	HANGER - SLIDING DOOR
12B	104181-01-01A	EA	SUPPORT - LEAF 5.3" EXTENDS TO 7.5" - SAFETY RING - METAL
13B	108126-01-000	EA	TRAY HINGE SET (QTY. 2 PER SET)

INTERIOR FINISH GROUP (CONTINUED)
HARDWARE (CONTINUED)



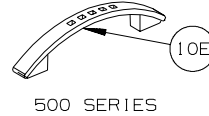
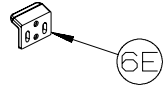
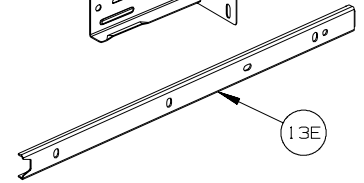
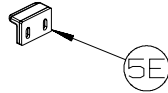
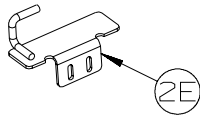
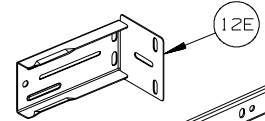
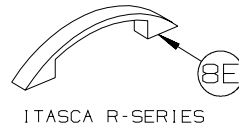
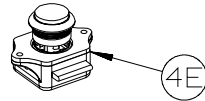
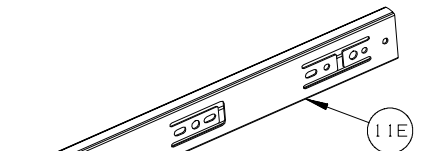
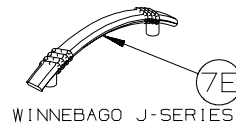
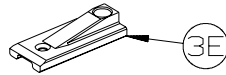
KEY	PART NUMBER	U/M	DESCRIPTION
1C	110496-01-02A	EA	HINGE - NICKEL - 2" X 32"
1C	110496-06-02A	EA	HINGE - NICKEL - 2" X 9.5"
1C	158921-01-04B	EA	HINGE - PIANO - TRUNK DOOR - 2" X 21.9" - BLACK
2C	117095-02-01A	EA	LATCH - DOOR - GRABBER W/KEEPER - BLACK - 10 LB PULL
2C	117095-03-01A	EA	LATCH - DOOR - GRABBER W/KEEPER - PLASTIC - BLK-15 LB PULL
3C	118200-01-01A	SF	MESH - PLASTIC 1/2" - 48" X LENGTH = SF - BLACK
4C	122717-06-01A	FT	PAD - NON-SKID - PSA - 5"W
5C	126263-02-02B	EA	BRACKET - GAS SPRING W/BALL STUD - E-COATED
5C	126263-06-02B	EA	BRACKET - GAS SPRING W/INSIDE BALL STUD - E-COATED
6C	126263-05-02B	EA	BRACKET - GAS SPRING W/BALL STUD - E-COATED
6C	126263-08-02B	EA	BRACKET - GAS SPRING W/CENTERED BALL STUD - E-COATED
7C	130798-01-02B	EA	GUIDE - POCKET DOOR - E-COATED
8C	134099-01-02A	EA	HINGE - PIANO - WRAP AROUND - 15.7" - NICKEL PLATED
9C	135538-03-02A	EA	HINGE - PIANO - FULL WRAP - 15.7" - CHROME

INTERIOR FINISH GROUP (CONTINUED)
HARDWARE (CONTINUED)



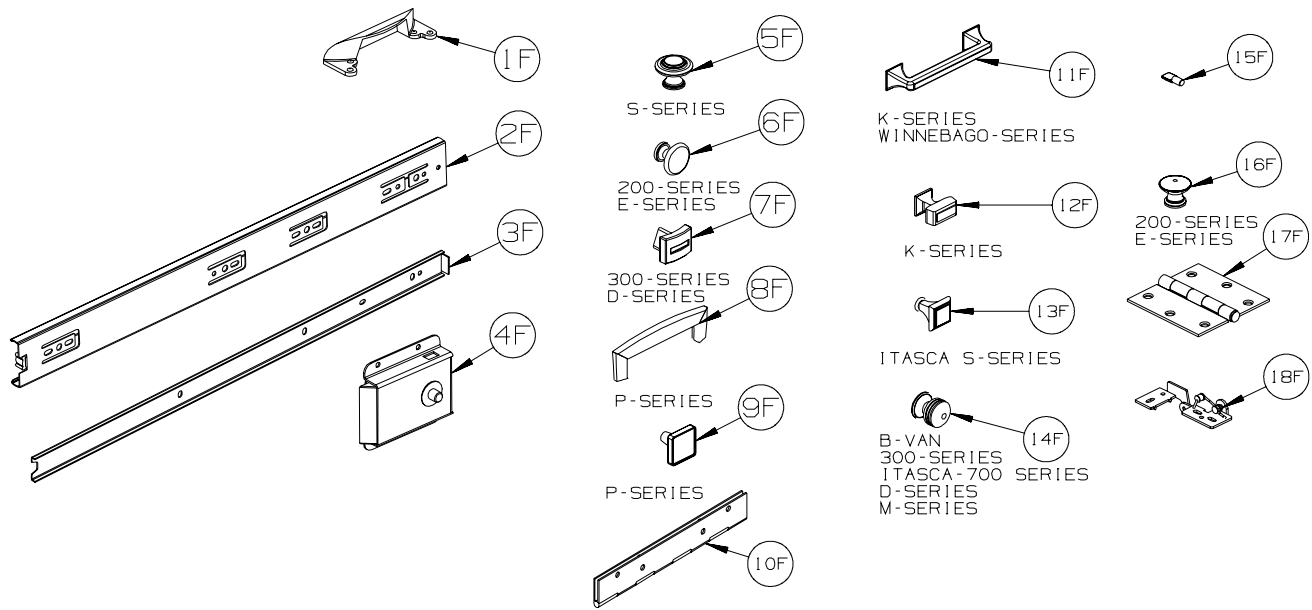
KEY	PART NUMBER	U/M	DESCRIPTION
1D	137463-01-02A	EA	LIFT - HOOK - PEWTER
2D	139136-02-02A	EA	HANDLE - .35" RECESSED - PEWTER
3D	142569-07-000	EA	SPRING/GAS - 20 LB - 20" EXTENDED/12" COMPRESSED
3D	142569-15-000	EA	SPRING/GAS - 120 LB - 20" EXTENDED/12" COMPRESSED
3D	142569-16-000	EA	SPRING/GAS - 90 LB - 20" EXTENDED/12" COMPRESSED
3D	142569-29-000	EA	SPRING/GAS - 20 LB - 9.9" EXTENDED/5.9" COMPRESSED
3D	142569-31-000	EA	SPRING/GAS - 30 LB - 11.8" EXTENDED/7.3" COMPRESSED
4D	143468-02-03A	EA	HINGE - SELF CLOSING - SATIN NICKEL
4D	143468-02-04A	EA	HINGE - SELF CLOSING - OIL RUBBED BRONZE
5D	145939-05-02A	EA	ROD/LATCH - AISLE DOOR - NICKEL
6D	145939-04-02A	EA	LATCH/SLIDE - AISLE DOOR(1" THICK DOOR)-NICKEL/BLACK SLIDE
6D	145939-04-03A	EA	LATCH/SLIDE - AISLE DOOR(1" THICK DOOR)-OIL RUBBED BRONZE
7D	146064-01-02A	EA	LOCK/PRIVACY (LOCKING) LEVER STYLE - SATIN PEWTER
7D	146064-02-02A	EA	LOCK/PASSAGE (NON LOCKING) LEVER STYLE - PEWTER
8D	146064-05-01A	EA	LOCK/PRIVACY (LOCKING) "TULIP" STYLE KNOB - SATIN NICKEL
9D	146064-06-01A	EA	LOCK/PASSAGE (NON LOCKING) "TULIP" STYLE KNOB-SATIN NICKEL
10D	146553-01-03A	EA	HINGE - CABINET DOOR - SATIN NICKEL
11D	146801-01-02A	EA	ROD/TOWEL BAR (OFFSET) - PEWTER
12D	146840-03-02A	EA	ROD - .25" X 11.7" - PEWTER
12D	146840-04-02A	EA	ROD - .25" X 13.1" - PEWTER
13D	146064-08-01A	EA	LOCK/PASSAGE (NON LOCKING) LEVER STYLE - SATIN NICKEL
13D	146064-07-01A	EA	LOCK/PRIVACY (LOCKING) LEVER STYLE - SATIN NICKEL

INTERIOR FINISH GROUP (CONTINUED) HARDWARE (CONTINUED)



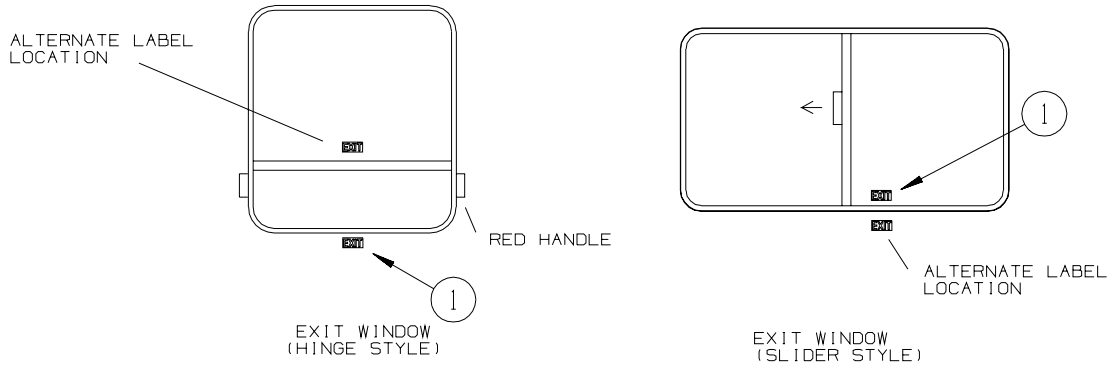
KEY	PART NUMBER	U/M	DESCRIPTION
1E	148816-01-02A	EA	PULL - CABT DR- NICKEL - ASPECT 700-SERIES, DESTINATION & LATITUDE M-SERIES TRADITIONAL
2E	149607-01-02B	EA	GUIDE - F/POCKET DOOR - 1.6" BENT ROD - E-COATED
2E	149607-03-02B	EA	GUIDE - F/POCKET DOOR - 2.9" BENT ROD - E-COATED
3E	150983-01-01A	EA	STRIKE/BLOCK - WEDGE STYLE - F/SLIDE DOOR - 3" X 1.2" - BLACK
4E	151380-01-01A	EA	LATCH - CABINET DOOR - PUSH BUTTON - SILVER
4E	151380-01-02A	EA	LATCH - CABINET DOOR - PUSH BUTTON - BLACK
5E	151380-02-01A	EA	STRIKE - CABINET DOOR LATCH - W/SPACER
6E	151380-03-01A	EA	STRIKE - CABINET DOOR LATCH - W/SPACER
7E	152302-01-01A	EA	PULL - CABINET DOOR - SATIN NICKEL - ADVENTURER J-SERIES
8E	152304-01-01A	EA	PULL - CABINET DOOR - BRONZE- ELLIPSE R-SERIES
9E	152305-01-01A	EA	KNOB - DOOR/DRAWER - BRONZE - ELLIPSE R-SERIES
10E	152950-01-01A	EA	PULL - DOOR/DRAWER - BRUSHED NICKEL - VIEW & NAVION 500-SERIES
11E	153000-01-01A	EA	SLIDE - CABINET MOUNT - 11.8"
11E	153000-03-01A	EA	SLIDE - CABINET MOUNT - 13.8"
11E	153000-05-01A	EA	SLIDE - CABINET MOUNT - 15.7"
11E	153000-07-01A	EA	SLIDE - CABINET MOUNT - 17.7"
11E	153000-09-01A	EA	SLIDE - CABINET MOUNT - 19.7"
11E	153000-11-01A	EA	SLIDE - CABINET MOUNT - 21.6"
11E	153000-14-01A	EA	SLIDE - CABINET MOUNT - 23.6"
11E	153000-16-01A	EA	SLIDE - CABINET MOUNT - 7.9"
11E	153000-18-01A	EA	SLIDE - CABINET MOUNT - 9.8"
11E	153000-20-01A	EA	SLIDE - CABINET MOUNT - 25.6"
12E	153000-13-01A	EA	BACKSOCKET - DRAWER SLIDE
13E	153000-02-01A	EA	SLIDE - DRAWER MOUNT - 11.8"
13E	153000-04-01A	EA	SLIDE - DRAWER MOUNT - 13.8"
13E	153000-06-01A	EA	SLIDE - DRAWER MOUNT - 15.7"
13E	153000-08-01A	EA	SLIDE - DRAWER MOUNT - 17.7"
13E	153000-10-01A	EA	SLIDE - DRAWER MOUNT - 19.7"
13E	153000-12-01A	EA	SLIDE - DRAWER MOUNT - 21.6"
13E	153000-15-01A	EA	SLIDE - DRAWER MOUNT - 23.4"
13E	153000-17-01A	EA	SLIDE - DRAWER MOUNT - 7.7"
13E	153000-19-01A	EA	SLIDE - DRAWER MOUNT - 9.6"
13E	153000-21-01A	EA	SLIDE - DRAWER MOUNT - 25.4"

INTERIOR FINISH GROUP (CONTINUED) HARDWARE (CONTINUED)

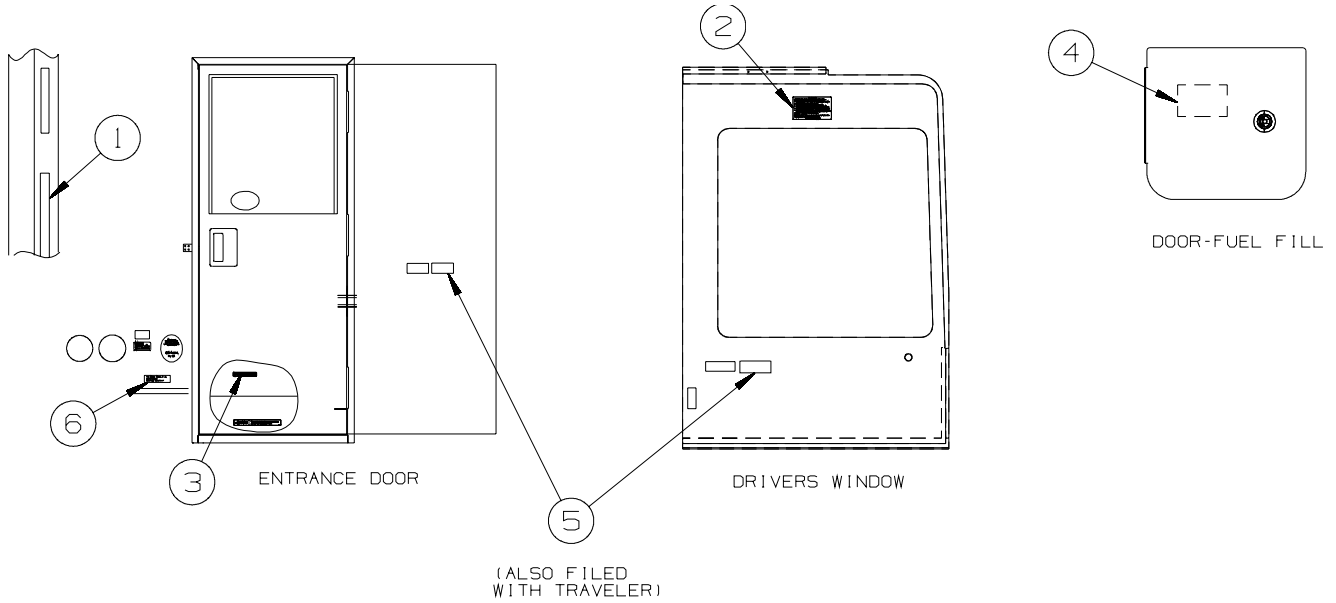


KEY	PART NUMBER	U/M	DESCRIPTION
1F	153308-01-01A	EA	PULL - VANITY STOOL - SATIN NICKEL
2F	153352-01-01A	EA	SLIDE - PANTRY - 19.7" - CABINET MOUNT
3F	153352-02-01A	EA	SLIDE - PANTRY - 19.5" - DRAWER MOUNT
4F	153353-01-01A	EA	LATCH - SLIDING/FLUSH - BLACK
5F	155803-01-01A	EA	KNOB CABINET DOOR - WROUGHT IRON - VECTRA S-SERIES
5F	155803-01-02A	EA	KNOB - CABINET DOOR - SATIN NICKEL - HORIZON S-SERIES
6F	155925-01-01A	EA	KNOB - DOOR/DRW - SATIN NICKEL - ACCESS & IMPULSE 200-SERIES/ VISTA & SUNSTAR E-SERIES
7F	156579-01-01A	EA	KNOB - DOOR/DRW - PEWTER - OUTLOOK & SPIRIT 300-SERIES/ SIGHTSEER & SUNOVA D-SERIES
8F	157246-01-01A	EA	PULL - CABINET DOOR/DRAWER - SATIN NICKEL - JOURNEY & MERIDIAN P-SERIES
9F	157246-02-01A	EA	KNOB - CABINET DOOR/DRAWER-SATIN NICKEL - JOURNEY & MERIDIAN P-SERIES
10F	158982-01-04B	EA	HINGE - CONTINUOUS - 2" X 8" - BLACK
10F	158982-01-01A	EA	HINGE - CONTINUOUS - 2" X 8" - ZINC
11F	162033-01-01A	EA	PULL - CABINET DOOR - BRUSHED NICKEL - SUNCRUISER K-SERIES, TOUR R-SERIES
12F	162033-02-01A	EA	KNOB - CABINET DOOR - BRUSHED NICKEL - SUNCRUISER K-SERIES
13F	162518-01-01A	EA	KNOB - DOOR/DRAWER - SATIN NICKEL - HORIZON S-SERIES
14F	163095-01-01A	EA	KNOB - CABINET DOOR - SATIN NICKEL - B-VAN, 300, ITASCA 700, D, M-SERIES
15F	154385-01-02A	EA	PIN - SUPPORT/GLASS DOOR - 1/4" - NICKEL
16F	165915-01-01A	EA	KNOB - DOOR/DRAWER - SATIN NICKEL - ACCESS/IMPULSE 200-SERIES, VISTA/SUNSTAR E-SERIES
17F	166114-01-01A	EA	HINGE - DOOR - 1/4" RADIUS CORNERS - SATIN NICKEL
18F	166474-01-01A	EA	HINGE - CABINET/CONCEALED - ANTIQUE BRASS
18F	166474-01-02A	EA	HINGE - CABINET/CONCEALED - CHROME

LABELS GROUP

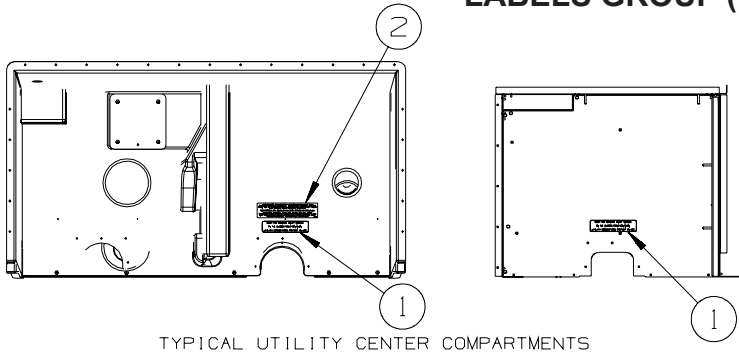


KEY	PART NUMBER	U/M DESCRIPTION
1	039290-01-000	EA LABEL - WARNING - EXIT

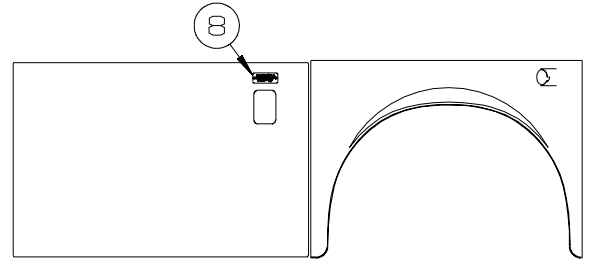


KEY	PART NUMBER	U/M DESCRIPTION
1	135869-01-02A	EA LABEL - MERCURY CONTENT - WHITE ON CLEAR
1	135869-01-01A	EA LABEL - MERCURY CONTENT - BLACK ON CLEAR
2	056259-01-000	EA LABEL - SAFETY CHECK LIST
3	065748-01-000	EA LABEL - WARNING - BATTERY CHARGING - UL
3	065748-02-000	EA LABEL - WARNING - BATTERY CHARGING -CSA - 265
4	163993-01-01A	EA LABEL - DIESEL/LOW SULFER
5	168454-01-01A	EA LABEL - OCCUPANT/CCC - BLACK ON YELLOW
6	099509-01-000	EA LABEL - AWNING INSTALLATION

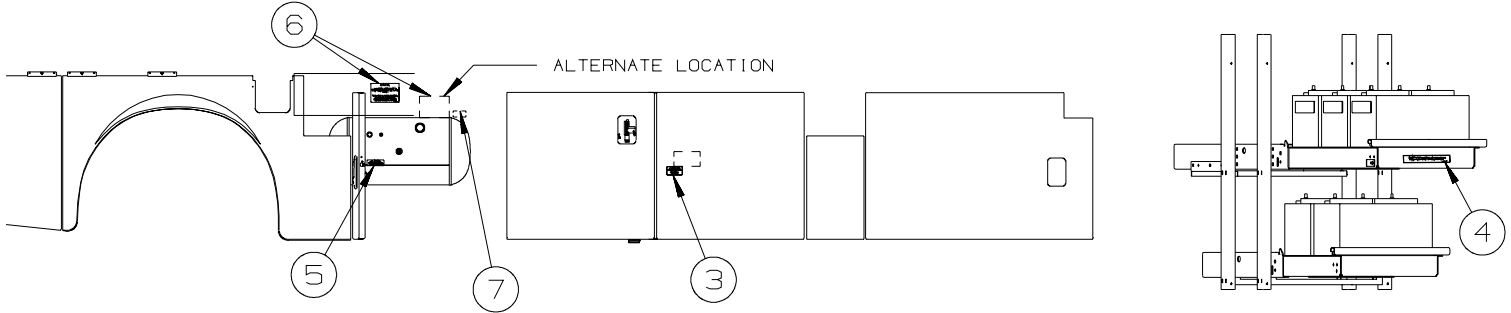
LABELS GROUP (CONTINUED)



TYPICAL UTILITY CENTER COMPARTMENTS

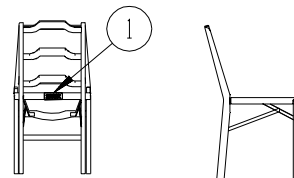
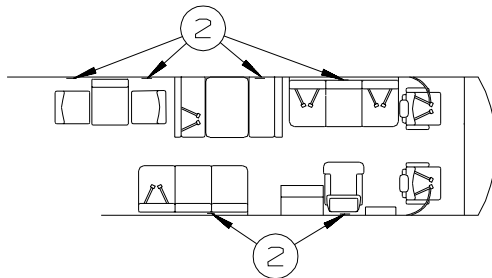


S40TD ONLY



KEY	PART NUMBER	U/M DESCRIPTION
1	123562-01-000	EA LABEL - SERVICE/UTILITY ACCESS
2	147845-01-01A	EA LABEL - DRIP VALVE
3	125306-04-01A	EA LABEL - ELECTRICAL ENTRANCE-120/20V 50 AMP-BLACK ON CLEAR
3	125306-04-02A	EA LABEL - ELECTRICAL ENTRANCE-120/240V 50 AMP-WHITE ON CLEAR
4	065748-01-000	EA LABEL - WARNING - BATTERY CHARGING - UL
4	065748-02-000	EA LABEL - WARNING - BATTERY CHARGING - CSA - 265
5	079965-01-000	EA LABEL - LPG - 80% CAPACITY
6	124520-01-02A	EA LABEL - LP GAS ONLY - WHITE ON CLEAR
6	124520-01-01A	EA LABEL - LP GAS ONLY - BLACK ON CLEAR
6	023769-01-000	EA LABEL - WARNING - LPG - CANADIAN - 265
7	124519-01-02A	EA LABEL - WARNING/REFUELING - WHITE ON CLEAR
7	124519-01-01A	EA LABEL - WARNING/REFUELING - BLACK ON CLEAR
7	124519-02-02A	EA LABEL - WARNING/REFUELING - WHITE ON CLEAR - 265
7	124519-02-01A	EA LABEL - WARNING/REFUELING - BLACK ON CLEAR - 265
8	160384-01-01A	EA LABEL - SLIDEOUT - DOOR CLOSED - BLACK/CLEAR

TYPICAL SEAT AND BELT CONFIGURATIONS

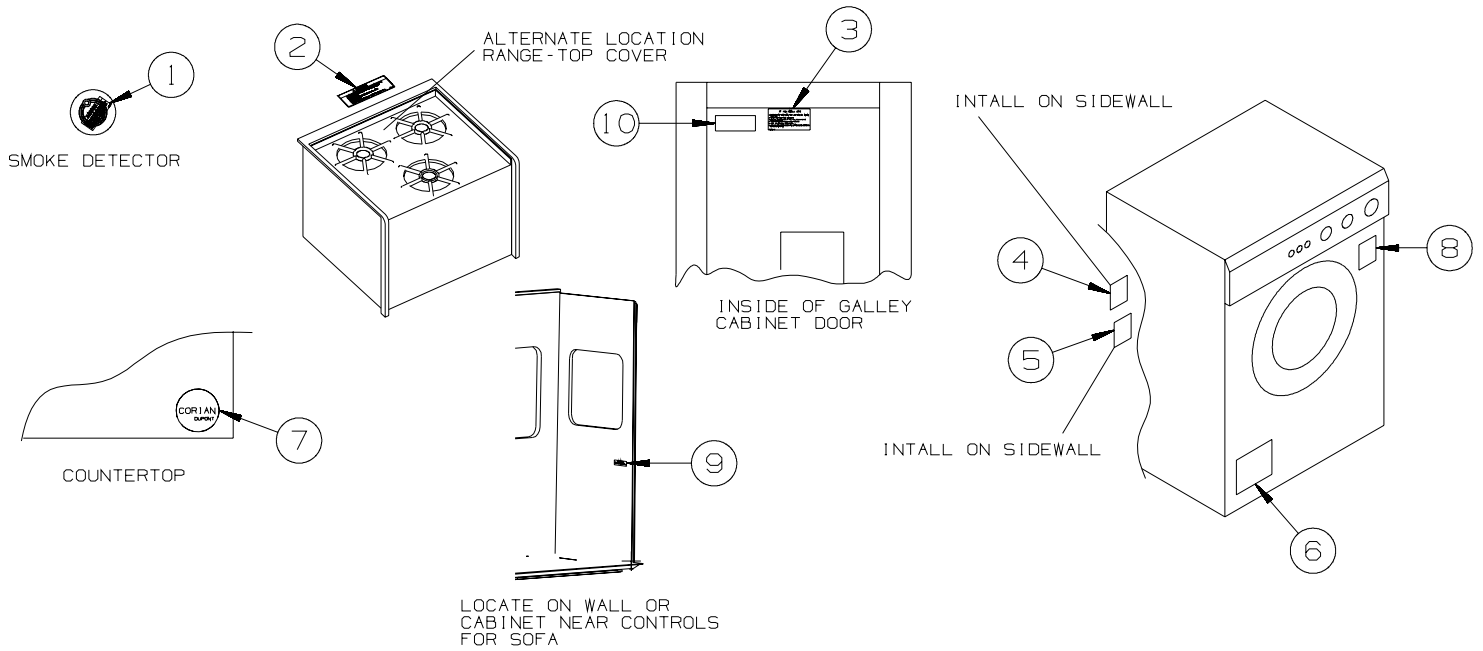


FOLDING CHAIRS

ATTACH LABEL ON OR NEXT TO:
 *ANY SINGLE CHAIR WITHOUT BELTS.
 *ANY DINETTE SEAT WITHOUT BELTS.
 *ANY COUCH WITHOUT BELTS OR ANY SEATING POSITION ON THAT COUCH.
 DO NOT ATTACH LABEL IF:
 *DINETTE SEAT HAS AT LEAST ONE SET OF BELTS INSTALLED.

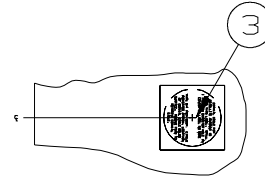
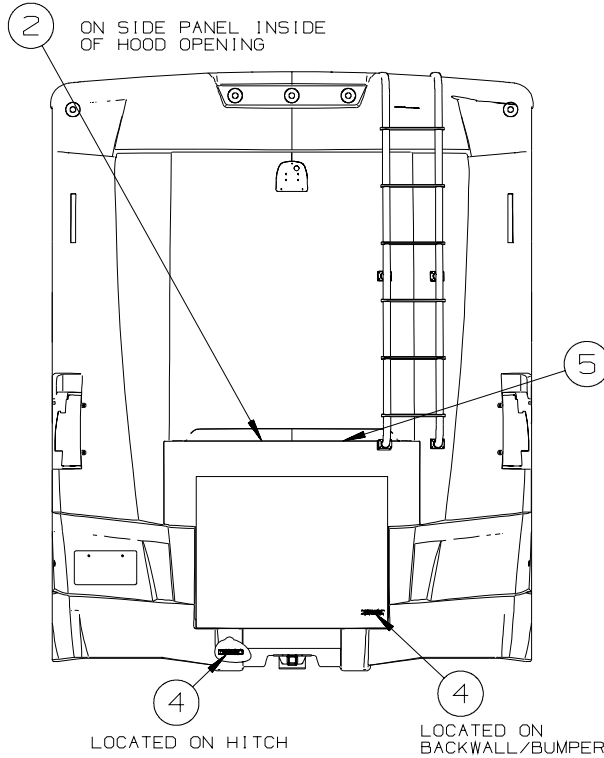
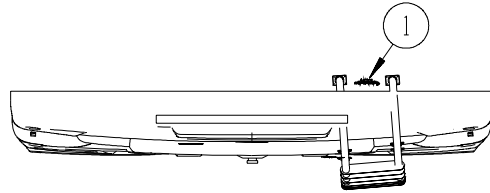
KEY	PART NUMBER	U/M DESCRIPTION
1	134537-01-01A	EA LABEL - OCCUPANCY - CHAIR - US
1	134537-02-01A	EA LABEL - OCCUPANCY - CHAIR - CSA - 265
2	134538-01-01A	EA LABEL - OCCUPANCY - NO SEAT BELT - BLACK ON CLEAR - US
2	134538-02-01A	EA LABEL - OCCUPANCY - NO SEAT BELT - BLACK ON CLEAR - CSA - 265

LABELS GROUP (CONTINUED)



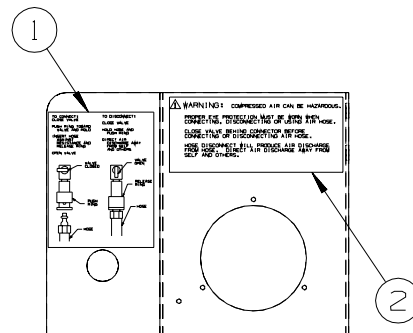
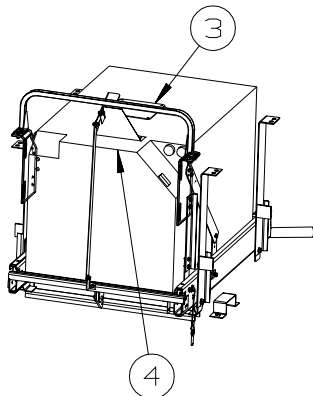
KEY	PART NUMBER	U/M	DESCRIPTION
1	077956-01-000	EA	LABEL - WARNING/SMOKE DETECTOR
2	134539-01-01A	EA	LABEL - WARNING - STOVE/HEATING - US - BLACK ON CLEAR
2	134540-01-01A	EA	LABEL - WARNING - STOVE/HEATING - CSA - BLACK ON CLEAR - 265
3	073998-01-000	EA	LABEL - LPG/ODOR WARNING
4	147525-01-000	EA	LABEL - DRYER VENT CUTOUT
5	147524-01-000	EA	LABEL - DRYER VENTING
6	130670-01-01A	EA	LABEL - CAUTION DRYER VENTING - BLACK ON CLEAR - 54E
7	144040-02-02A	EA	MEDALLION/ROUND - COUNTERTOP/CORIAN - NICKEL
8	153640-01-01A	EA	LABEL - WINTERIZATION - WASHER DRYER - 54E
9	137260-01-01A	EA	LABEL - WARNING - REST EASY SOFA - BLACK ON CLEAR
9	137260-01-02A	EA	LABEL - WARNING - REST EASY SOFA - WHITE ON CLEAR
10	099689-01-000	EA	LABEL - WARNING - CANCER/TOXICITY

LABELS GROUP (CONTINUED)



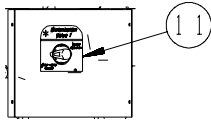
KEY	PART NUMBER	U/M DESCRIPTION
1	128218-01-01A	EA LABEL - WARNING - SLIPPERY ROOF
2	116756-03-000	EA LABEL - WARNING - ETHER/STARTING - RED W/WHITE BACKGROUND
3	120431-01-000	EA LABEL - LOCATION - COAXIAL CABLE/SATELLITE ANTENNA
4	129669-02-01A	EA LABEL - HITCH/VEHICLE RATE - 500 - WHITE ON CLEAR
4	129669-02-02A	EA LABEL - HITCH/VEHICLE RATE - 500 - BLACK ON CLEAR
5	156213-01-01A	EA LABEL - CHASSIS BATTERY DISCONNECT - WHITE/BLACK

FROM: 00-00-00 THRU: 12-16-07

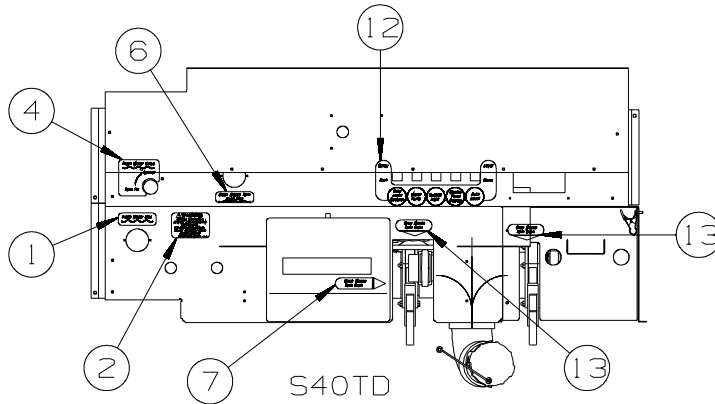


KEY	PART NUMBER	U/M DESCRIPTION
1	142773-01-01A	EA LABEL - CONNECT/COMPRESSED AIR - WHITE LETTERING ON CLEAR
2	142771-01-01A	EA LABEL - WARNING/COMPRESSED AIR - WHITE LETTERING ON CLEAR
3	116273-01-000	EA LABEL - WARNING - GENERATOR
4	131779-01-01A	EA LABEL - GENERATOR

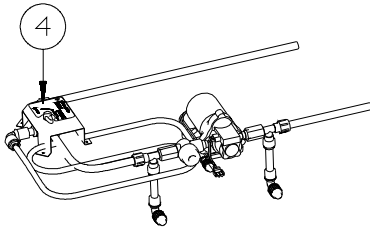
LABELS GROUP (CONTINUED)



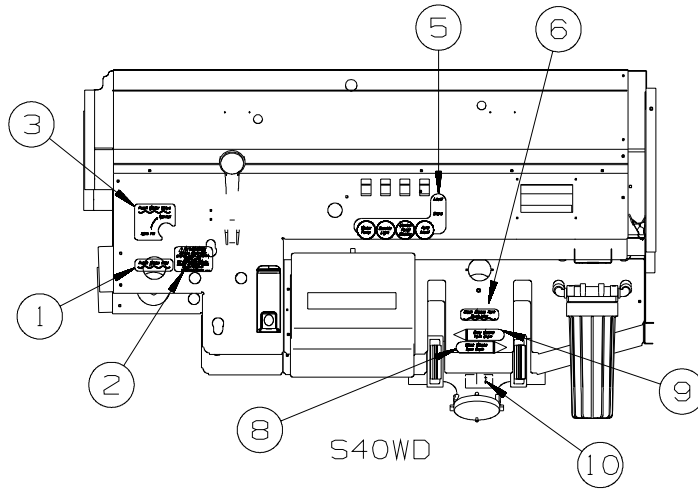
S40TD



S40TD



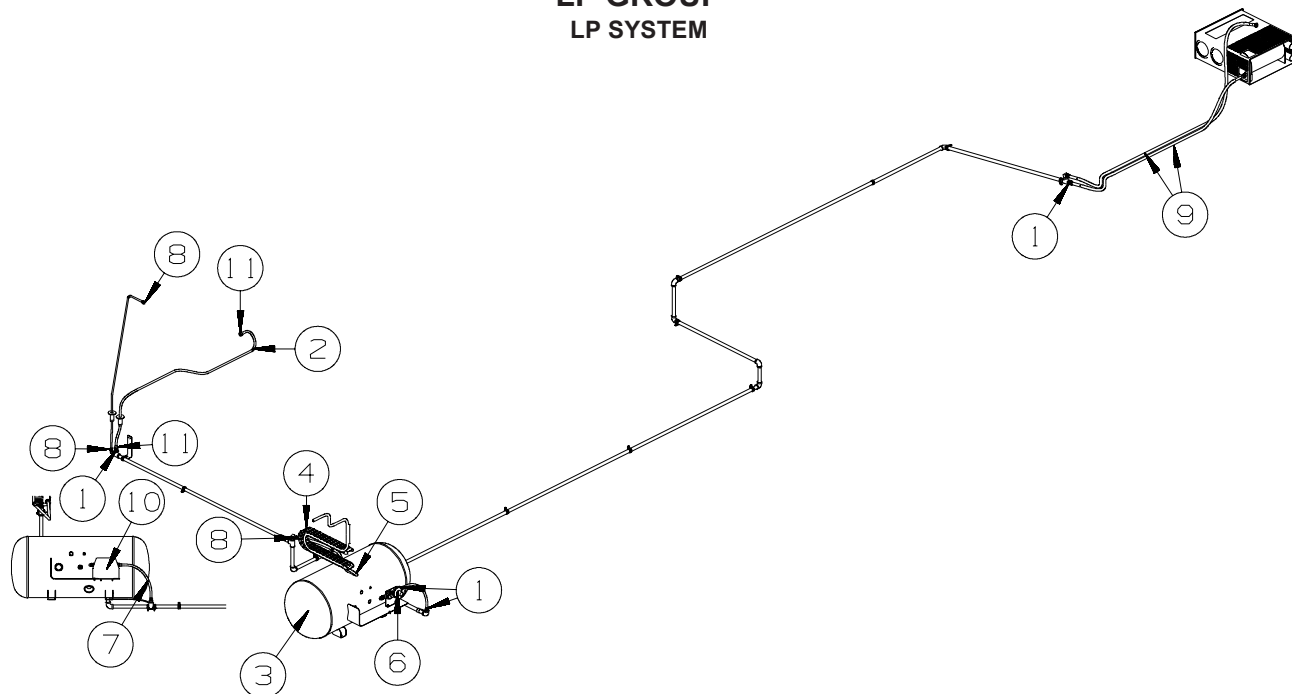
S40WD



S40WD

KEY	PART NUMBER	U/M	DESCRIPTION
1	152538-02-01A	EA	LABEL - FRESH WATER - PANTONE/CLEAR
2	128725-02-01A	EA	LABEL - POTABLE WATER ONLY - BLACK ON CLEAR
3	152548-01-01A	EA	LABEL - VALVE/FRESH
4	152545-01-01A	EA	LABEL - WINTERIZATION
5	152544-09-01A	EA	LABEL - SWITCHES - WTR PMP/LT/MNT/AUTO LVL-W/LVL/STORE UP
6	152546-02-01A	EA	LABEL - TANK FLUSH - PANTONE/CLEAR
7	152543-02-01A	EA	LABEL - BLACK WASTE
8	152543-01-01A	EA	LABEL - BLACK WASTE - BLACK/CLEAR
9	152541-02-01A	EA	LABEL - GRAY WASTE - COOL GRAY/CLEAR
10	144649-01-01A	EA	LABEL - ADJUSTABLE VALVE - WHITE ON CLEAR
11	152539-01-01A	EA	LABEL - BYPASS
12	152544-10-01A	EA	LABEL - SWITCHES - 9 FUNCTION
13	152541-03-01A	EA	LABEL - GRAY WASTE

**LP GROUP
LP SYSTEM**



KEY	PART NUMBER	U/M	DESCRIPTION
1	010329-01-000	EA	ADAPTER - 1/2"F X 1/2"MPT - BRASS
2	045703-29-000	EA	HOSE - LP - 3/8"ID X 79.7"-1/2"F SWIVEL X1/2"F SWVL US/CSA
3*	161212-01-000	EA	TANK - LP - 100 LB - 16" DIAMETER X 36" LONG
	040440-03-000	EA	TRANSMITTER - DIAL/SNAP-ON - 0-90 OHM 2 TERM(POWER/GROUND)
4	143541-01-01A	EA	CARRIER/WIRING - F/SLIDEOUT ROOM - 29 LINKS
5	045703-14-000	EA	HOSE - LP - 3/8"ID X 157.5" - 1/2"F SWIVEL X 3/8"F SWIVEL
6	106150-05-000	EA	REGULATOR - TWO STAGE
7	045703-03-000	EA	HOSE - LP - 3/8"ID X 18" - 3/8"MPT X 1/2"F SWIVEL - US
7	045703-12-000	EA	HOSE - LP - 3/8"ID X 18" - 3/8"MPT X 1/2"F SWIVEL - CSA - 265
8	010377-02-000	EA	NUT - 3/8" FLARE - FORGED - BRASS
9	045703-19-000	EA	HOSE - LP - 3/8"ID X 102" - 1/2"F SWIVELX3/8"F SWVL US/CSA
10	144485-01-000	EA	COVER - LP REGULATOR
11	010380-02-000	EA	NUT - 1/2" FLARE - FORGED - BRASS

*COMPONENT PARTS LISTED LATER IN THIS GROUP

COMPONENT PARTS FOR LP SYSTEM

161212-01-000

KEY	PART NUMBER	U/M	DESCRIPTION	VENDOR NO
	040421-01-700	EA	VALVE-LIQUID LEVEL, 20%	V20058/V21199/G1013
	040421-01-712	EA	VALVE-SERV. W/O VAPOR RELIEF	V20373/V21202
	040421-01-714	EA	VALVE RELIEF 3/4"W/SPRING 7"	V20479/V21201/LVRF2
	088253-01-702	EA	FLOAT/SCREW IN-SNAP ON DIAL	G13063/SG16C0001442
	144116-01-701	EA	VALVE/FILL 80 % W/YELLOW CAP	V13414

SEALANTS & FASTENERS GROUP
SEALANTS & ADHESIVES

KEY	PART NUMBER	U/M	DESCRIPTION
	010405-02-000	EA	TAPE - THREAD SEALING - 3/8"
	064075-07-000	FT	SEAL - BULB - W/WIRED U CHANNEL - .3" X .5" CHANNEL-BLACK
	067788-01-000	EA	ADHESIVE - SPRAY - 3M - 19.5 OZ AEROSOL CAN
	069640-01-000	FT	SEALER - RIBBON - 1/4"DIAMETER X 30 FT - BLACK OR GRAY
	069640-02-000	FT	SEALER - TAPE - 1/8"THICK X 1/2"WIDE X 60 FT - GRAY
	069640-03-000	FT	SEALER - TAPE - 1/8"THICK X 3/4"WIDE X 60 FT - BLACK
	069640-07-000	FT	SEALER - TAPE - 3/32"THICK X 2"WIDE X 45 FT - GRAY
	069640-09-000	FT	SEALER - TAPE - 1/32"THICK X 2 1/2"WIDE X 80 FT - BRT WHT
	069640-10-000	FT	SEALER - TAPE - 1/32"THICK X 1 1/2"WIDE X 90 FT - GRAY
	069640-11-000	FT	SEALER - TAPE - 3/16"THICK X 3/8"WIDE X 40 FT - BLACK
	069640-13-000	FT	SEALER - TAPE - 3/32"THICK X 2"WIDE X 45 FT - BLACK
	069640-14-000	FT	SEALER - TAPE - 1/16"THICK X 1"WIDE X 100 FT - BLACK
	069640-15-000	FT	SEALER - TAPE - 1/16"THICK X 3/8"WIDE X 100 FT - BRT WHT
	069640-17-000	FT	SEALER - TAPE - 1/32"THICK X 1"WIDE X 150 FT - GRAY
	069640-18-000	FT	SEALER - TAPE - 1/8"THICK X 1/2"WIDE X 60 FT - BRT WHT
	069640-19-000	FT	SEALER - TAPE - 1/8"THICK X 3/4"WIDE X 60 FT - BRT WHT
	069640-20-000	FT	SEALER - TAPE - 1/8"THICK X 1/2"WIDE X 60 FT - BLACK
	069640-21-000	FT	SEALER - TAPE - 1/16"THICK X 1/2"WIDE X 100 FT - BRT WHT
	069640-22-000	FT	SEALER - TAPE - 1/32"THICK X 1/4"WIDE X 200 FT - BRT WHT
	069640-23-000	FT	SEALER - TAPE - 1/16"THICK X 3/4"WIDE X 100 FT - BRT WHT
	069640-27-000	FT	SEALER - TAPE - 1/16"THICK X 2 1/4"WIDE X 50 FT - BRT WHT
	069640-28-000	FT	SEALER - TAPE - 1/32"THICK X 1 7/8"WIDE X 90 FT - GRAY
	069640-30-000	FT	SEALER - TAPE - 1/32"THICK X 5/8"WIDE X 50 FT - GRAY
	069640-31-000	FT	SEALER - TAPE - 1/4"THICK X 3/4"WIDE X 15 FT - BLACK
	069640-32-000	FT	SEALER - TAPE - 1/16"THICK X 3/8"WIDE X 100 FT - BLACK
	069640-33-000	FT	SEALER - RIBBON - 3/8"DIAMETER X 20 FT - BLACK
	069640-34-000	FT	SEALER - RIBBON - 1/4"DIAMETER X 30 FT - BRIGHT WHITE
	069640-36-000	FT	SEALER - TAPE - 1/16"THICK X 1/2"WIDE X 100 FT - BLACK
	069640-37-000	FT	SEALER - TAPE - 1/16"THICK X 3/4"WIDE X 100 FT - BLACK
	069640-38-000	FT	SEALER - TAPE - 1/16"THICK X 3/4"WIDE X 100 FT - BRT WHT
	069640-39-000	FT	SEALER - TAPE - 1/16"THICK X 3"WIDE X 50 FT - BRT WHT
	069640-40-000	FT	SEALER - TAPE - 1/16"THICK X 3"WIDE X 50 FT - BRT WHT
	072889-28-000	EA	SEALANT/URETHANE-10 OZ TUBE W/NOZZLE-SELF LEVELING-BRT WHT
	072889-31-000	EA	SEALANT/URETHANE-10 OZ TUBE W/NOZZLE-SELF LEVELING - BLACK
	076322-02-000	FT	TAPE-DOUBLE COATED/ADHESIVE BK-.05"THK X 1"W X 108' - WHT
	076322-03-000	FT	TAPE-DOUBLE COATED/ADHESIVE BK-.05"THK X .5"W X 108' - WHT
	076322-05-000	FT	TAPE-DOUBLE COATED/ADHESIVE BK-.05"THK X .8"W X 108' - WHT
	076322-07-000	FT	TAPE-DOUBLE COATED/ADHESIVE BK-.05"THK X .5"W X 200' - BLK
	076322-13-000	FT	TAPE - FOAM/DOUBLE COATED - .020"THK X .75"W - CLEAR
	076322-21-000	FT	TAPE - FOAM/DOUBLE COATED - .045"THK X .50"W
	076322-22-000	FT	TAPE - FOAM/DOUBLE COATED - .045"THK X .75"W
	076322-23-000	FT	TAPE - FOAM/DOUBLE COATED - .045"THK X 1"W
	076322-25-000	FT	TAPE - FOAM/DOUBLE COATED - .025"THK X .5"W
	086276-01-000	EA	TAPE - DOUBLE SIDED - 1/2" WIDE X 108' LONG (SOLD BY ROLL)
	088479-01-000	EA	TAPE - ALUMINUM - 3"
	090340-01-000	FT	SEAL - FOAM - CLOSED CELL - 1/4" X 1/2" X 50'
	090340-02-000	FT	SEAL - FOAM - CLOSED CELL - 3/8" X 1/2" X 50'
	091255-02-000	FT	SEAL - ADHESIVE BACKED/FOAM - 3/64"THICK X 3/16"W X 1000'
	091255-03-000	FT	SEAL - ADHESIVE BACKED/FOAM - 1/4" THICK X 1/4"W X 1000'
	094401-01-000	EA	SEALER - BODY SEAM - FLEXICLEAR
	094401-04-000	EA	SEALER - BODY SEAM - CLEAR
	094401-05-000	EA	SEALER - BODY SEAM - 20OZ BLACK
	094401-06-000	EA	SEALER - BODY SEAM - 12OZ BLACK
	094401-07-000	EA	SEALER - BODY SEAM - CLEAR
	098408-01-000	FT	SEAL - SPONGE RUBBER - CLOSED CELL
	099069-01-000	FT	SEAL - RUBBER - CLOSED SPONGE - .5" WIDE X .12" THICK-BLK
	099418-01-000	FT	SEAL - D-SECTION/ADHESIVE BACK - .44" X .44" - BLK RUBBER
	100128-02-000	FT	SEAL - FOAM/ADHESIVE BACK - .37" WIDE X .37" THICK X 60'
	104692-01-000	FT	SEAL - ADHESIVE BACKED FOAM - 3/4" THICK X 3/4" WIDE X 25'
	107721-07-000	FT	SEAL - ACCESS DOOR - .9"WIDE X 1.1"HIGH
	112864-01-000	FT	SEAL - FOAM/BUTYL COVERED - 3/8" X 35'
	112864-02-000	FT	SEAL - FOAM/BUTYL COVERED - 5/16" X 44'
	112864-05-000	FT	SEAL - FOAM/BUTYL COVERED - 1/2" X 3/16"
	112901-02-000	EA	ADHESIVE - PLEXUS - MA330 - 50ML - GRAY

SEALANTS & FASTENERS GROUP (CONTINUED)

SEALANTS & ADHESIVES (CONTINUED)

KEY	PART NUMBER	U/M	DESCRIPTION
	112901-03-000	EA	ADHESIVE - PLEXUS - MA300 - 50ML - WHITE
	112902-03-000	EA	MIXER NOZZLE - F/GUN #00400102000 - SCOTCH-WELD & PLEXUS
	112902-04-000	EA	NOZZLE - ELEMENT - 1/4" X 3.5"
	113452-01-000	FT	SEAL/TRIM - FRONT - VINYL W/WIRE CARRIER - .020"
	113452-02-000	FT	SEAL/TRIM - FRONT - VINYL W/WIRE CARRIER - .027"
	113366-01-000	EA	ADHESIVE - INSTANT - 1 OZ
	115870-01-000	FT	SEAL/EDGE - TRIM
	120074-02-03A	EA	SILICONE - TUBE - W/O NOZZLE - LOW ODOR - SMOKEY WHITE
	120534-01-01A	EA	TAPE - SCOTCH - 3M - 1/2" FINE LINE
	123655-01-000	FT	SEAL - CLOSED CELL/FOAM
	123816-01-000	FT	TAPE - DOUBLE SIDED - 1" X .020" X 200' - CLEAR
	123816-02-000	FT	TAPE - DOUBLE SIDED - 1/2" X .035" X 200' - CLEAR
	123816-03-000	FT	TAPE - DOUBLE SIDED - 1/2" X .020" X 200' - CLEAR
	123816-04-000	FT	TAPE - DOUBLE SIDED - 6" X .0035" X 750' - CLEAR
	123816-06-000	FT	TAPE - DOUBLE SIDED - 3/4" X 3/4" X 200' - CLEAR
	123816-07-000	FT	TAPE - DOUBLE SIDED - 1 3/4" X 200' - CLEAR
	126427-01-000	EA	ADHESIVE - ALL PURPOSE - ABS/PVC
	126427-02-000	EA	PRIMER - CLEANER - FLEX PIPING
	131264-01-12A	EA	SILICONE - TUBE - W/NOZZLE - BONE
	131264-01-13A	EA	SILICONE - TUBE - W/NOZZLE - TRANSLUCENT
	131264-03-01A	EA	SILICONE - TUBE - W/O NOZZLE - SELF LEVELING -BRIGHT WHITE
	131264-04-02A	EA	SILICONE/SEALANT/ADHESIVE-FAST CURE F/GLASS/VINYL-SOFT WHT
	131264-05-01A	EA	SILICONE/SEALANT - ODORLESS - TUBE - W/NOZZLE - BLACK
	131264-05-02A	EA	SILICONE/SEALANT - ODORLESS - TUBE - W/NOZZLE - CLEAR
	131384-01-000	EA	ADHESIVE - JET WELD - 10 OZ CARTRIDGE
	132892-07-01A	FT	SEAL - BULB/SINGLE - W/U CHANNEL - .5" X 1" - BLACK
	152038-01-01A	EA	TAPE - PRESERVATION SEAL - 2" X 36YD ROLL - BLACK
	154585-01-01A	FT	SEAL - FOAM TAPE - ADHESIVE BACK - 3/8" X 3/8" - BLACK
	154585-02-01A	FT	SEAL - FOAM TAPE - ADHESIVE BACK - 3/4" X 1/2" - BLACK
	154585-03-01A	FT	SEAL - FOAM TAPE - ADHESIVE 2 SIDED - 1/8" X 3/4" - BLACK
	154585-04-01A	FT	SEAL - FOAM TAPE - ADHESIVE BACK - 5/8" X 1/8" - WHITE
	156622-01-01A	FT	SEALER - TAPE - 1/4"THICK X 3"WIDE X 100 FT - WHITE
	156622-02-01A	FT	SEALER - TAPE - 1/4"THICK X 2"WIDE X 100 FT - WHITE

BOLTS, NUTS AND WASHERS

KEY	PART NUMBER	U/M	DESCRIPTION
	0MD54F-06-000	EA	NUT - HEX W/SERATED FLANGE
	000C12-04-08B	EA	BOLT - HEX - 1/4-20 X 1/2 - GRADE #5 - ZINC
	000C12-04-12A	EA	BOLT - HEX - 1/4-20 X 3/4 - PLAIN 5
	000C12-04-40B	EA	BOLT - HEX - 1/4-20 X 2 1/2 - GRADE #5 ZINC
	000C12-05-16B	EA	BOLT - HEX - 5/16 - 18X1 - GRADE #5 - ZINC
	000C12-05-40B	EA	BOLT - HEX - 5/16"-18 X 2.5" - GRADE #5 - ZINC
	000C12-06-28B	EA	BOLT-HEX-3/8-16X13/4 ZN 5 - 5185-01
	000C12-08-24B	EA	BOLT - HEX - 1/2-13 X 1 1/2 - GRADE #5 - ZINC
	000C12-08-28B	EA	BOLT - HEX - 1/2-13 X 1 3/4 - GRADE #5 - ZINC
	000C12-08-44B	EA	BOLT - HEX - 1/2-13 X 2 3/4 - GRADE #5 - ZINC
	000C13-07-40B	EA	BOLT - HEX - 7/16-20 X 2 1/2 - GRADE #5 - ZINC
	000C13-07-48B	EA	BOLT - HEX - 7/16-20 X 3 - GRADE #5 - ZINC
	000C14-10-32B	EA	BOLT - HEX - 5/8-11 X 2.0 - GRADE #8 - ZINC
	000C18-05-40A	EA	BOLT - ELEVATOR - 5/16-18 X 2 1/2 - PL
	000C26-04-10B	EA	BOLT - HEX - SERRATED FLANGE - 1/4-20 X 5/8 - ZINC
	000C26-04-12F	EA	BOLT - HEX - SERRATED FLANGE -1/4-20 X 3/4-STAINLESS STEEL
	000C26-04-14B	EA	BOLT - HEX - SERRATED FLANGE - 1/4-20 X 7/8 - ZINC
	000C26-04-18B	EA	BOLT - HEX - SERRATED FLANGE - 1/4-20 X 1 1/8 - ZINC
	000C26-05-12B	EA	BOLT - HEX - SERRATED FLANGE - 5/16-18 X 3/4 - ZINC
	000C26-06-12B	EA	BOLT - HEX - SERRATED FLANGE - 3/8-16 X 3/4 - ZINC
	000C26-06-20B	EA	BOLT - HEX - SERRATED FLANGE - 3/8-16 X 1 1/4 - ZINC
	000C26-06-28B	EA	BOLT - HEX - SERRATED FLANGE - 3/8-16 X 1 3/4 - ZINC
	000C26-06-40B	EA	BOLT - HEX - SERRATED FLANGE - 3/8-16 X 2 1/2 - ZINC
	000C26-08-24B	EA	BOLT - HEX - SERRATED FLANGE - 1/2-13 X 1 1/2 - ZINC
	000C26-08-28B	EA	BOLT - HEX - SERRATED FLANGE - 1/2-13 X 1 3/4 - ZINC
	000C27-08-48B	EA	BOLT-CARR 1/2-13X3.00 GR5 - 97 M-SERIES
	000D24-10-00B	EA	NUT - HEX - SELF LOCKING - 10-32 - ZINC

SEALANTS & FASTENERS GROUP (CONTINUED)
BOLTS, NUTS AND WASHERS (CONTINUED)

KEY	PART NUMBER	U/M	DESCRIPTION
	000D27-05-00B	EA	NUT - HEX LOCK - 5-40 - ZINC
	000D28-10-00B	EA	NUT - HEX - W/NYLON LOCK - 10-32 - ZINC
	000D29-04-00B	EA	NUT - HEX - SELF LOCKING - 1/4 X 20 - ZINC
	000D29-04-00F	EA	NUT - HEX - SELF LOCKING - 1/4 X 20 - STAINLESS STEEL
	000D29-06-00B	EA	NUT - HEX - W/NYLON LOCK - 3/8-16 - ZINC
	000D29-09-00B	EA	NUT - HEX - SELF LOCKING - 9/16-12 - ZINC
	000D34-04-00B	EA	NUT - HEX - LOCKING - 1/4-20 - ZINC
	000D34-06-00B	EA	NUT - HEX - LOCKING - 3/8-16 GRADE C - ZINC
	000D39-04-00B	EA	NUT - HEX - LOCKING W/SERRATED FLANGE - 1/4-20 - ZINC
	000D39-05-00B	EA	NUT - HEX - LOCKING W/SERRATED FLANGE - 5/16-18 - ZINC
	000D39-06-00B	EA	NUT - HEX - LOCKING W/SERRATED FLANGE - 3/8-18 - ZINC
	000D39-06-00D	EA	NUT - HEX - LOCKING W/SERRATED FLANGE - 3/8"-16 BLACK
	000D39-07-00B	EA	NUT - HEX - LOCKING W/SERRATED FLANGE - 7/16-14 - ZINC
	000D39-08-00B	EA	NUT - HEX - LOCKING W/SERRATED FLANGE - 1/2-13 - ZINC
	000D44-07-00B	EA	NUT - HEX - LOCKING W/SERRATED FLANGE - 7/16-20 - ZINC
	000D44-08-00B	EA	NUT - HEX - LOCKING W/SERRATED FLANGE - 1/2-20 - ZINC
	000D46-04-00A	EA	NUT - HEX - WELD - 1/4-20 - PLAIN
	000D65-08-00B	EA	NUT - HEX - LOCKING W/SERRATED FLANGE - 8-32 - ZINC
	000D73-08-00C	EA	NUT - HEX FLANGE - 1/2-13
	000D75-09-00B	EA	NUT - HEX LOCKING - 9/16-12 - ZINC
	000D76-06-00B	EA	NUT - HEX FLANGE - 3/8-16
	000E11-04-00F	EA	WASHER - LOCKING - 1/4 MED SPLIT - STAINLESS STEEL
	000E11-07-00B	EA	WASHER - LOCKING - 7/16 MED SPLIT - ZINC
	000E11-08-00B	EA	WASHER - LOCKING - 1/2 MED SPLIT - ZINC
	000E13-17-00B	EA	WASHER - FLAT - 3/8 AR - ZINC
	000E13-18-00B	EA	WASHER - FLAT - 3/8 WIDE - ZINC
	000E13-20-00B	EA	WASHER - FLAT - 7/16 WIDE - ZINC
	000E13-22-00B	EA	WASHER - FLAT - 1/2 WIDE - ZINC
	000E13-26-00B	EA	WASHER - FLAT - 5/8 WIDE - ZINC
	000E14-10-00B	EA	WASHER - LOCKING - #10 EXTERNAL TOOTH - ZINC
	000E16-10-00B	EA	WASHER - HARDENED - 5/8 - FLAT - ZINC
	000G45-05-16B	EA	BOLT - LAG - 5/16-9 X 1 - ZINC
	039715-01-000	EA	NUT-SERT - 1/4" DIAMETER - 20 THREADS
	040921-01-000	EA	NUT - SPEED - U TYPE - #10-24 - BLACK
	040921-03-000	EA	NUT - SPEED - U TYPE - #10
	040921-04-000	EA	NUT - SPEED - U TYPE - #8-.59" LENGTH X .44" WIDTH
	040921-05-000	EA	NUT - SPEED - U-TYPE - 8-.67" X .44" WIDE
	040921-11-000	EA	NUT - SPEED - U-TYPE - 8-.59" LENGTH X .44" WIDTH - BLACK
	041322-01-000	EA	WASHER - FLANGE - 15/32"ID X 2 3/8"OD - F/SEAT BELT MTG
	044364-02-000	EA	NUT - SPEED - FLAT - ROUND
	044533-01-000	EA	WASHER - 1 3/8"OD - FOR BUTTONS - PLASTIC
	051387-06-000	EA	BOLT - CARRIAGE W/O HOLE - 5/16-18 X 9 1/2 - ZINC
	058716-02-000	EA	WASHER - FLAT NYLON
	064081-03-000	EA	NUT - WING 3/8-16 - W/WELD NUT
	077071-01-000	EA	WASHER - FENDER - 3/16"ID X 1"OD
	087234-01-000	EA	NUT - JACK - 1/4 X 20 THD - MOLLY
	088787-12-000	EA	STUD - WELD - 1/4 - 20 X 1.0 LG - MN
	106956-03-000	EA	BOLT - HEX TAP - 1/2-13NC X 3 - GRADE 5 - FULL THREAD/ZINC
	106956-10-000	EA	BOLT - HEX TAP - 9/16-12NC X 3 5/8 -GRD 5-FULL THREAD/ZINC
	106956-11-000	EA	BOLT - HEX TAP - 1/2-13NC X 2 1/2 - GRD 5-FULL THREAD/ZINC
	106956-13-000	EA	BOLT - HEX TAP - 1/2-20 X 2 1/2 - GRD 5-FULL THREAD/ZINC
	107397-01-000	EA	WASHER - FENDER - 3/4"ID X 1"OD
	108067-03-000	EA	STUD - WELD - 1/4 - 20 X 1/2 CD
	109917-01-000	EA	WASHER - 1.5" X 1.25"
	109917-03-000	EA	WASHER - 1" X .50"
	109917-04-000	EA	WASHER - 1" X .75"
	128444-01-000	EA	WASHER - SPRING - CONICAL
	135092-02-01A	EA	BOLT - HEX - SERRATED FLANGE - 1/2-20 X 2 1/2-GRADE 5 ZINC
	135092-05-01A	EA	BOLT - HEX - SERRATED FLANGE - 1/2-20 X 1 - GRADE 5 ZINC
	143399-01-01A	EA	NUT/RETAINING - 3/8"- 24 NFT
	147284-02-000	EA	NUT/SELF RETAINING - 5/16"-18
	148817-01-000	EA	WASHER/SPUR - LOCKING

SEALANTS & FASTENERS GROUP (CONTINUED)

SCREWS

KEY	PART NUMBER	U/M	DESCRIPTION
	0G1208-12-170	EA	SCREW - 8-18 X 3/4 POH - BRIGHT WHITE
	0G3908-08-170	EA	SCREW - SF/DR - 8-18 X 1/2 PPH - BRIGHT WHITE
	0G3908-16-170	EA	SCREW - SF/DR - 8-18 X 1 PPH - BRIGHT WHITE
	0G3908-24-170	EA	SCREW - SF/DR - 8-18 X 1 1/2 PPH - BRIGHT WHITE
	0G3910-10-420	EA	SCREW - SF/DR - 10-16 X .62 PPH - BRIARWOOD
	0G3910-12-170	EA	SCREW - SF/DR - 10-16 X 3/4 PPH - BRIGHT WHITE
	0G3910-24-170	EA	SCREW - SF/DR - 10-16 X 1 1/2 PPH - BRIGHT WHITE
	0G5508-08-370	EA	SCREW - SF/DR - 8-18 X .5 PWH - RIVERSTONE
	0G5508-08-380	EA	SCREW - SF/DR - 8-18 X .5 PWH - CASHMERE
	0G5508-08-420	EA	SCREW - SF/DR - 8-18 X .5 PWH - BRIARWOOD
	0G5508-08-440	EA	SCREW - SF/DR - 8-18 X .5 PWH - CAMEL
	0G5508-08-450	EA	SCREW - SF/DR - 8-18 X .5 PWH - SADDLE
	0G5508-12-170	EA	SCREW - SF/DR - 8-18 X 3/4 PWH - BRIGHT WHITE
	0G5508-12-330	EA	SCREW - SF/DR - 8-18 X 3/4 PWH - PUTTY
	0G5508-12-380	EA	SCREW - SF/DR - 8-18 X 3/4 PWH - CASHMERE
	0G5508-12-320	EA	SCREW - SF/DR - 8-18 X 3/4 PWH - GLACIER
	0G5508-12-450	EA	SCREW - SF/DR - 8-18 X 3/4 PWH - SADDLE
	0G5508-16-330	EA	SCREW - SF/DR - 8-18 X 1 PWH - PUTTY
	0G5508-16-370	EA	SCREW - SF/DR - 8-18 X 1 PWH - RIVERSTONE
	0G5508-16-380	EA	SCREW - SF/DR - 8-18 X 1 PWH - CASHMERE
	0G5508-16-440	EA	SCREW - SF/DR - 8-18 X 1 PWH - CAMEL
	0G5508-16-450	EA	SCREW - SF/DR - 8-18 X 1 PWH - SADDLE
	0G6008-16-170	EA	SCREW - SF/DR - 8-18 X 1 POH - BRIGHT WHITE
	0G6012-32-170	EA	SCREW - SF/DR - 12-14 X 2 POH - BRIGHT WHITE
	0G6710-08-170	EA	SCREW - 10-12 X 1/2 PPH - BRIGHT WHITE
	0G6710-12-170	EA	SCREW - 10-12 X 3/4 PPH - BRIGHT WHITE
	0G6806-16-170	EA	SCREW - 6-18 X 1 POH - BRIGHT WHITE
	0G6810-24-280	EA	SCREW - 10-12 X 1 1/2 POH - SOFT WHITE
	000C20-06-24T	EA	SCREW - 3/8-16 X 1 1/2 - FLAT SOCKET
	000G11-06-08B	EA	SCREW - 6-20 X 1/2 PPH - ZINC
	000G11-06-10B	EA	SCREW - 6-20 X 5/8 PPH - ZINC
	000G11-06-10J	EA	SCREW - 6-20 X 5/8 PPH - BRASS
	000G11-07-08B	EA	SCREW - 7-19 X 1/2 PPH - ZINC
	000G11-08-06B	EA	SCREW - 8-18 X 3/8 PPH - ZINC
	000G11-08-08T	EA	SCREW - 8-18 X 1/2 PPH - FLUOROCARBON COATING
	000G11-08-12B	EA	SCREW - 8-18 X 3/4 PPH - ZINC
	000G11-08-12P	EA	SCREW - 8-18 X 3/4 PPH - DARK BROWN
	000G11-08-12S	EA	SCREW - 8-18 X 3/4 PPH - OFF WHITE
	000G11-08-12T	EA	SCREW - 8-18 X 3/4 PPH - BLACK MAGNESIUM
	000G11-08-20B	EA	SCREW - 8-18 X 1 1/4 PPH - ZINC
	000G11-08-20G	EA	SCREW - 8-18 X 1 1/4 - ANTIQUE BRASS
	000G11-10-12D	EA	SCREW - 10-16 X 3/4 PPH - BLACK
	000G11-10-32P	EA	SCREW-10,16X2.00 PPH DK BRN
	000G12-06-08T	EA	SCREW - 6-20 X 1/2 POH - BLACK
	000G12-10-16F	EA	SCREW - 10-16 X 1 POH - STAINLESS STEEL
	000G13-05-10B	EA	SCREW - 5-12 X 5/8 PFH - ZINC
	000G13-06-06I	EA	SCREW - 6-20 X 3/8 PFH - BLACK ZINC
	000G13-06-08B	EA	SCREW - 6-20 X 1/2 PFH - ZINC
	000G13-06-08G	EA	SCREW - 6-20 X 1/2 PFH - ANTIQUE BRASS
	000G13-06-10G	EA	SCREW - 6-20 X 5/8 PFH - ANTIQUE BRASS
	000G13-06-16E	EA	SCREW - 6-20 X 1 PFH - CHROME
	000G13-06-16J	EA	SCREW - 6-20 X 1 PFH - BRASS
	000G13-06-24J	EA	SCREW - 6-20 X 1 1/2 PFH - BRASS
	000G13-07-10H	EA	SCREW - 7-19 X 5/8 PFH - BLACK
	000G13-07-12B	EA	SCREW - 7-19 X 3/4 PFH - ZINC
	000G11-08-08B	EA	SCREW - 8-18 X 1/2 PPH - ZINC
	000G13-08-10B	EA	SCREW - 8-18 X 5/8 PFH - ZINC
	000G13-08-109	EA	SCREW - 8-18 X 5/8 PFH
	000G13-08-16B	EA	SCREW - 8-18 X 1 PFH - ZINC
	000G13-08-24B	EA	SCREW - 8-18 X 1 1/2 PFH - ZINC
	000G13-08-28I	EA	SCREW - 8-18 X 1.75 PFH BLACK
	000G16-04-24B	EA	SCREW - MACHINE - 1/4-20 X 1 1/2 PPH
	000G18-08-16B	EA	SCREW - MACHINE - 8-32 X 1 PPH - ZINC
	000G18-08-22B	EA	SCREW - MACHINE - 8-32 X 1 3/8 PPH - ZINC

SEALANTS & FASTENERS GROUP (CONTINUED)
SCREWS (CONTINUED)

KEY	PART NUMBER	U/M	DESCRIPTION
	000G18-08-24B	EA	SCREW - MACHINE - 8-32 X 1 1/2 PPH - ZINC
	000G19-10-08B	EA	SCREW - MACHINE - 10-32 X 1/2 PPH - ZINC
	000G19-10-10B	EA	SCREW - MACHINE - 10-32 X 5/8 - PPH - ZINC
	000G19-10-12F	EA	SCREW - MACHINE - 10-32 X 3/4 PPH - STAINLESS STEEL
	000G19-10-20B	EA	SCREW - MACHINE - 10-32 X 1 1/2 PPH - ZINC
	000G32-10-06B	EA	SCREW - 10-32 X 3/8 PPH - ZINC
	000G34-05-12B	EA	SCREW - HEX HEAD TAPPING - 5/16 X 3/4 LONG
	000G39-06-10T	EA	SCREW - SF/DR - 6-20 X 5/8 PPH - BLACK
	000G39-06-16T	EA	SCREW - SF/DR - 6-20 X 1 PPH - BLACK
	000G39-08-06B	EA	SCREW - SF/DR - 8-18 X 3/8 PPH - ZINC
	000G39-08-08B	EA	SCREW - SF/DR - 8-18 X 1/2 PPH - ZINC
	000G39-08-08S	EA	SCREW - SF/DR - 8-18 X 1/2 PPH - OFF WHITE
	000G39-08-08T	EA	SCREW - SF/DR - 8-18 X 1/2 PPH - BLACK
	000G39-08-12T	EA	SCREW - SF/DR - 8-18 X 3/4 PPH - BLACK
	000G39-08-16B	EA	SCREW - SF/DR - 8-18 X 1 PPH - ZINC
	000G39-08-16T	EA	SCREW - SF/DR - 6-20 X 1 PPH - BLACK
	000G39-08-24B	EA	SCREW - SF/DR - 8-18 X 1 1/2 PPH - ZINC
	000G39-08-24T	EA	SCREW - SF/DR - 8-18 X 1 1/2 PPH - BLACK
	000G39-08-32B	EA	SCREW - SF/DR - 8-18 X 2 PPH - ZINC
	000G39-08-169	EA	SCREW-SF/DR,8-18X1.00 PPH - FLUROCARBON SILVER
	000G39-10-08B	EA	SCREW - SF/DR - 10-16 X 1/2 PPH - ZINC
	000G39-10-10B	EA	SCREW - SF/DR - 10-16 X 5/8 PPH - ZINC
	000G39-10-12B	EA	SCREW - SF/DR - 10-16 X 3/4 PPH - ZINC
	000G39-10-12S	EA	SCREW - SF/DR - 10-16 X 3/4 PPH - OFF WHITE
	000G39-10-129	EA	SCREW - SF/DR - 10-16 X 3/4 PPH - FLUOROCARBON SILVER
	000G39-10-169	EA	SCREW - SF/DR - 10-16 X 1 PPH - FLUOROCARBON SILVER
	000G39-10-20B	EA	SCREW - SF/DR - 10-16 X 1 1/4 PPH - ZINC
	000G39-10-20T	EA	SCREW - SF/DR - 10-16 X 1 1/4 PPH - BLACK
	000G39-10-24B	EA	SCREW - SF/DR - 10-16 X 1 1/2 PPH - ZINC
	000G39-10-24T	EA	SCREW - SF/DR - 10-16 X 1 1/2" PPH - BLACK
	000G39-10-32B	EA	SCREW - SF/DR - 10-16 X 2 - PPH - ZINC
	000G39-10-48B	EA	SCREW - SF/DR - 10-16 X 3 - PPH - ZINC
	000G39-10-48T	EA	SCREW - SF/DR - 10-16 X 3 PPH - BLACK
	000G42-04-16B	EA	SCREW - SF/DR - 1/4-14 X 1 HWH - ZINC
	000G42-04-24B	EA	SCREW - SF/DR - 1/4-14 X 1 1/2 - ZINC
	000G52-06-05B	EA	SCREW - MACHINE - 6-32 X 5/16 PTH - ZINC
	000G52-06-06B	EA	SCREW - MACHINE - 6-32 X 3/8 PTH - ZINC
	000G54-04-14B	EA	SCREW - 1/4-20 X 7/8 PTH - TYPE 23 - ZINC PLATED
	000G55-08-12T	EA	SCREW - SF/DR - 8-18 X 3/4 PWH - BLACK
	000G55-08-16S	EA	SCREW - SF/DR - 8-18 X 1.00 PWH - OFF WHITE
	000G55-08-16T	EA	SCREW - SF/DR - 8-18 X 1 PWH - BLACK
	000G56-12-48B	EA	SCREW - WOOD - 12-11 X 3 POH - SPECIAL HARDENED
	000G60-08-16E	EA	SCREW - SF/DR - 8-1 X 1 POH - CHROME
	000G60-08-20F	EA	SCREW - SF/DR - 8-19X1.25 POH
	000G60-08-22B	EA	SCREW - SF/DR - 8-18 X 1.38 POH - ZINC
	000G60-10-20B	EA	SCREW - SF/DR - 10-16 X 1 1/4 POH - ZINC
	000G60-10-209	EA	SCREW - SF/DR - 10-16 X 1 1/4 POH - SILVER STALGAARD
	000G60-10-28T	EA	SCREW - SF/DR - 10-16 X 1 3/4 - BLACK
	000G62-06-12B	EA	SCREW-SF/DR,6-20X.75 PFH - ZINC
	000G62-06-249	EA	SCREW - SF/DR - 8-18 X 1.5 PPH - SILVER
	000G62-08-24B	EA	SCREW - SF/DR - 8-18 X 1 1/2 PFH
	000G62-08-24T	EA	SCREW - SF/DR - 8-18 X 1 1/2 PFH - BLACK
	000G67-08-32B	EA	SCREW - 8-15 X 2 PPH - ZINC
	000G67-10-08B	EA	SCREW - 10-12 X 1/2 PPH - ZINC
	000G67-10-08S	EA	SCREW - 10-12 X 1/2 PPH - OFF WHITE
	000G67-10-10B	EA	SCREW - 10-12 X 5/8 PPH - ZINC - TYPE A
	000G67-10-10D	EA	SCREW - 10-12 X 5/8 PPH - BLACK - TYPE A
	000G67-10-10P	EA	SCREW - 10-12 X 5/8 PPH - DARK BROWN
	000G67-10-10S	EA	SCREW - 10-12 X 5/8 PPH - OFF WHITE
	000G67-10-10T	EA	SCREW - 10-12 X 5/8 PPH - BLACK
	000G67-10-10V	EA	SCREW-10-12X5/8 PPH ZN O/W - TYPE A
	000G67-10-12P	EA	SCREW - 10-12 X 3/4 PPH - DARK BROWN
	000G67-10-24B	EA	SCREW - 10-12 X 1 1/2 PPH - ZINC
	000G68-06-10J	EA	SCREW - 6-18 X 5/8 POH - BRASS

SEALANTS & FASTENERS GROUP (CONTINUED)
SCREWS (CONTINUED)

KEY	PART NUMBER	U/M	DESCRIPTION
	000G68-06-12B	EA	SCREW - 6-18 X 3/4 POH - ZINC & CLEAR
	000G68-06-12S	EA	SCREW - 6-18 X 3/4 POH
	029130-01-000	EA	SCREW - SNAP STUD - #8-16 X 5/8" LONG
	029130-02-000	EA	SCREW - SNAP STUD - #8-16 X 1 1/2" LONG
	029130-03-000	EA	SCREW - SNAP STUD - #8-16 X 1" LONG
	049465-03-000	EA	SCREW - 10-16 X 1 POH W/WASHER - OFF WHITE
	049465-17-000	EA	SCREW - 10-16 X 1 POH W/WASHER - BRIGHT WHITE
	054434-02-000	EA	SCREW - SF/DR - 10-16 X 2 - ZINC
	054434-03-000	EA	SCREW - SF/DR - 10-16 X 2 - PWH - ZINC
	075908-01-000	EA	SCREW - MACHINE - 10-32 X .56 PTH - EXTERNAL TOOTH - ZINC
	076790-01-000	EA	SCREW - 6-20 X 1 1/4 PPH - BLACK
	076790-05-000	EA	SCREW - 6-20 X 1/2 PPH - BLACK - THREAD CUTTING/WOOD
	087721-01-000	EA	SCREW - FLAT HEAD - TAPPING - 1/4" X 1 1/4" LONG - ZINC
	093249-01-000	EA	CAP/SCREW - MOLDED/VINYL - BLACK
	095772-01-000	EA	SOCKET-SNAP FASTNER1" SF/DR - SELF DRIVER
	097974-01-000	EA	SCREW - PARTICLE BOARD - 7-9 X 3/4 PPH
	101618-01-000	EA	SCREW - 1/4-20 X 3/4 HEX - TAPPING - STALGARD TYPE F
	113563-01-01A	EA	SCREW - 8 X 5/8 LONG SHOULDER/WASHER HEAD
	113563-01-02A	EA	SCREW - 8 X 5/8 LONG SHOULDER/WASHER HEAD - BRIGHT WHITE
	118383-01-12A	EA	RETAINER/RECESSED - F/.22" SCREW - RIVERSTONE
	118383-01-14A	EA	RETAINER/RECESSED - F/.22" SCREW - PEWTER
	118383-01-15A	EA	RETAINER/RECESSED - F/.22" SCREW - BRIARWOOD
	118383-02-13A	EA	RETAINER/RECESSED - F/.27" SCREW - OFF WHITE
	118383-04-04A	EA	CAP - F/RECESSED RETAINER - BRIGHT WHITE
	118383-04-10A	EA	CAP - F/RECESSED RETAINER - RIVERSTONE
	118383-04-13A	EA	CAP - F/RECESSED RETAINER - OFF WHITE
	118383-04-14A	EA	CAP - F/RECESSED RETAINER - PEWTER
	118383-04-15A	EA	CAP - F/RECESSED RETAINER - BRIARWOOD
	134126-01-01A	EA	SCREW/NAIL - HEX HEAD - 3/4"
	140040-01-000	EA	SCREW - 1/4-20 X 1 - BUTTON HEAD/SOCKET - W/LOCTITE
	149753-01-01A	EA	RETAINER/RECESSED - F/.22" SCREW - BLACK
	149753-01-02A	EA	RETAINER/RECESSED - F/.22" SCREW - BRIGHT WHITE
	149753-02-01A	EA	CAP - F/RECESSED RETAINER - BLACK
	149753-02-02A	EA	CAP - F/RECESSED RETAINER - BRIGHT WHITE
	154938-01-01A	EA	SCREW - SF/DR - 10-16 X 3/4 PPH - W/SELF SEAL - BRIGHT WHITE
	154938-01-02A	EA	SCREW - SF/DR - 10-16 X 3/4 PPH - W/SELF SEAL - BLACK
	154938-02-01A	EA	SCREW - SF/DR - 8-18 X 1 PFH - W/SELF SEAL - BRIGHT WHITE
	154938-02-02A	EA	SCREW - SF/DR - 8-18 X 1 PFH - W/SELF SEAL - BLACK
	154938-02-03A	EA	SCREW - SF/DR - 8-18 X 1 PFH - W/SELF SEAL - SILVER
	154938-03-02A	EA	SCREW - SF/DR - 8-18 X 5/8 PFH - W/SELF SEAL - BLACK
	154938-04-01A	EA	SCREW - SF/DR - 10-16 X 1" TPH - W/SELF SEAL - BRT WHT
	154938-04-02A	EA	SCREW - SF/DR - 10-16 X 1" TPH - W/SELF SEAL - BLACK
	154938-05-03A	EA	SCREW - SF/DR - 8-18 X 1.25" PFH - W/SELF SEAL - SILVER

SEALANTS & FASTENERS GROUP (CONTINUED)

CLAMPS, CLIPS, GROMMETS, RIVETS & PLUGS

KEY	PART NUMBER	U/M	DESCRIPTION
	000H14-06-03R	EA	RIVET - MANDREL BLIND - 3/16 ALUMINUM
	000H16-04-06R	EA	RIVET - POP ALUMINUM - 1/8 X .313 - .375
	007161-01-000	EA	CLAMP - HOSE - SPRING TYPE - 1/2"
	008386-01-000	EA	GROMMET - SNAP - 3/8" DIAMETER - NYLON
	010495-01-000	EA	CLAMP - CABLE - 9/16"ID - BLACK
	010495-02-000	EA	CLAMP - CABLE - 3/8"ID - BLACK
	010495-04-000	EA	CLAMP - CABLE - 11/16"ID - WHITE
	010497-01-000	EA	CLAMP - CLOSED - 5/8"ID
	010497-02-000	EA	CLAMP - CLOSED - 1.5"ID
	010497-03-000	EA	CLAMP - CLOSED - 1"ID - CUSHIONED
	010497-04-000	EA	CLAMP - CLOSED - 1 5/8"ID
	010497-05-000	EA	CLAMP - CLOSED - 1/2"ID
	010497-07-000	EA	CLAMP - CLOSED - 3/8"ID
	010497-09-000	EA	CLAMP - CLOSED - 5/16"ID
	010497-10-000	EA	CLAMP - CLOSED - 7/8"ID
	010499-01-000	EA	CLAMP - CLOSED - 3/8"ID
	016188-03-000	EA	GROMMET - LP LINE - 3/8"HOLE X 2 1/2"LONG - RUBBER
	016188-04-000	EA	GROMMET - LP LINE - 1/2"HOLE X 2 1/2"LONG - RUBBER
	016188-05-000	EA	GROMMET - LP LINE - 3/8"HOLE X 1 1/4"LONG - RUBBER
	016188-06-000	EA	GROMMET - LP LINE - 3/8"HOLE X 3 1/4"LONG - RUBBER
	016188-07-000	EA	GROMMET - L/P LINE - 1/2"HOLE X 3 1/4"LONG
	016188-08-000	EA	GROMMET - LP LINE - 1/2"HOLE X 1 1/4"LONG - RUBBER
	016188-09-000	EA	GROMMET - LP LINE - .68"HOLE X 1 1/4"LONG - RUBBER
	016188-10-000	EA	GROMMET - LP GAS - .68" X 2.5"
	023942-01-000	EA	GROMMET - RUBBER - 2"OD
	041930-11-000	EA	RIVET - POP ALUMINUM - 1/8 X .188 - .250 - BRIGHT WHITE
	061420-04-000	EA	PLUG/PLASTIC - 1 1/4" DIAMETER
	061420-05-000	EA	PLUG/PLASTIC - 1 1/2" DIAMETER
	061420-09-000	EA	PLUG/PLASTIC - 1.00" DIAMETER
	061420-12-000	EA	PLUG/PLASTIC - 1.50" DIAMETER - RED
	061420-13-000	EA	PLUG/PLASTIC - 3/8" - FLUSH
	061420-14-000	EA	PLUG/PLASTIC - 7/8" DIAMETER - BLACK
	061420-15-000	EA	PLUG/PLASTIC - 2" DIAMETER - BLACK
	061420-16-000	EA	PLUG/PLASTIC - 2 1/8" DIAMETER - BLACK
	061420-18-000	EA	PLUG/PLASTIC - 1 3/4" DIAMETER - BLACK
	062401-01-000	EA	CLAMP - HOSE - WORMGEAR - .25" - 1"
	062401-02-000	EA	CLAMP - HOSE - WORMGEAR - 1.56" - 2.5" ID
	062401-03-000	EA	CLAMP - HOSE - WORMGEAR - .22" - 1" ID
	062401-04-000	EA	CLAMP - HOSE - WORMGEAR - .69" - 1.25" ID
	062401-06-000	EA	CLAMP - HOSE - WORMGEAR - .22" - .62" ID
	062401-09-000	EA	CLAMP - HOSE - WORMGEAR - 2.8" - 3.75" ID
	062401-11-000	EA	CLAMP - HOSE - WORMGEAR - 3.50" - 4.50" ID
	062401-13-000	EA	CLAMP - HOSE - WORMGEAR
	071015-11-000	EA	GROMMET - RUBBER - 1"ID FITS .12 MATERIAL - BLACK
	071015-13-000	EA	GROMMET - RUBBER - .62"ID X 1"OD W/.09" GROOVE - BLACK
	071015-20-000	EA	GROMMET - .38 ID FITS .06 MTL
	071015-22-000	EA	GROMMET - RUBBER - .62"ID X 1.12"OD W/.19" GROOVE - BLACK
	071015-26-000	EA	GROMMET - RUBBER - 1.5"ID X 2.1"OD W/.06" GROOVE - BLACK
	071015-29-000	EA	GROMMET - RUBBER - .3"ID X 1.3"OD W/.12" GROOVE - BLACK
	071015-30-000	EA	GROMMET - RUBBER - .3"ID X .81"OD W/.12" GROOVE - BLACK
	071015-39-000	EA	GROMMET - .75 ID FITS .06 MTL
	071015-41-000	EA	GROMMET - .125 ID FITS .188 MTL
	071015-42-000	EA	GROMMET - .25 ID FITS .06 MTL
	071015-43-000	EA	GROMMET-.25 ID,FITS .07 MATL, MINOR Z-4139
	071015-44-000	EA	GROMMET - .31 ID FITS .25 MTL
	075148-02-000	EA	CLAMP - GROUNDING - BRONZE SCREWS
	077955-01-000	EA	CLIP/J - 3/8" - VINYL COATED
	081211-03-000	EA	PLUG - PLASTIC - .50"DIAMETER - TRUSS HEAD - BLACK
	081211-04-000	EA	PLUG - PLASTIC - .46"DIAMETER - TRUSS HEAD - BLACK
	081211-06-000	EA	PLUG-PLASTIC,.468DIA,BLACK , HEYCO 1669
	083609-01-000	EA	CLAMP - WIRE - DUAL - EQUAL DIAMETERS - 5/8"
	083610-01-000	EA	CLAMP - WIRE - DUAL - UNEQUAL DIAMETERS - 3/4" & 1 1/4"
	083610-02-000	EA	CLAMP - WIRE - DUAL - UNEQUAL DIAMETERS - 3/4" & 2"
	083610-03-000	EA	CLAMP - WIRE - DUAL - EQUAL DIAMETERS - 2"

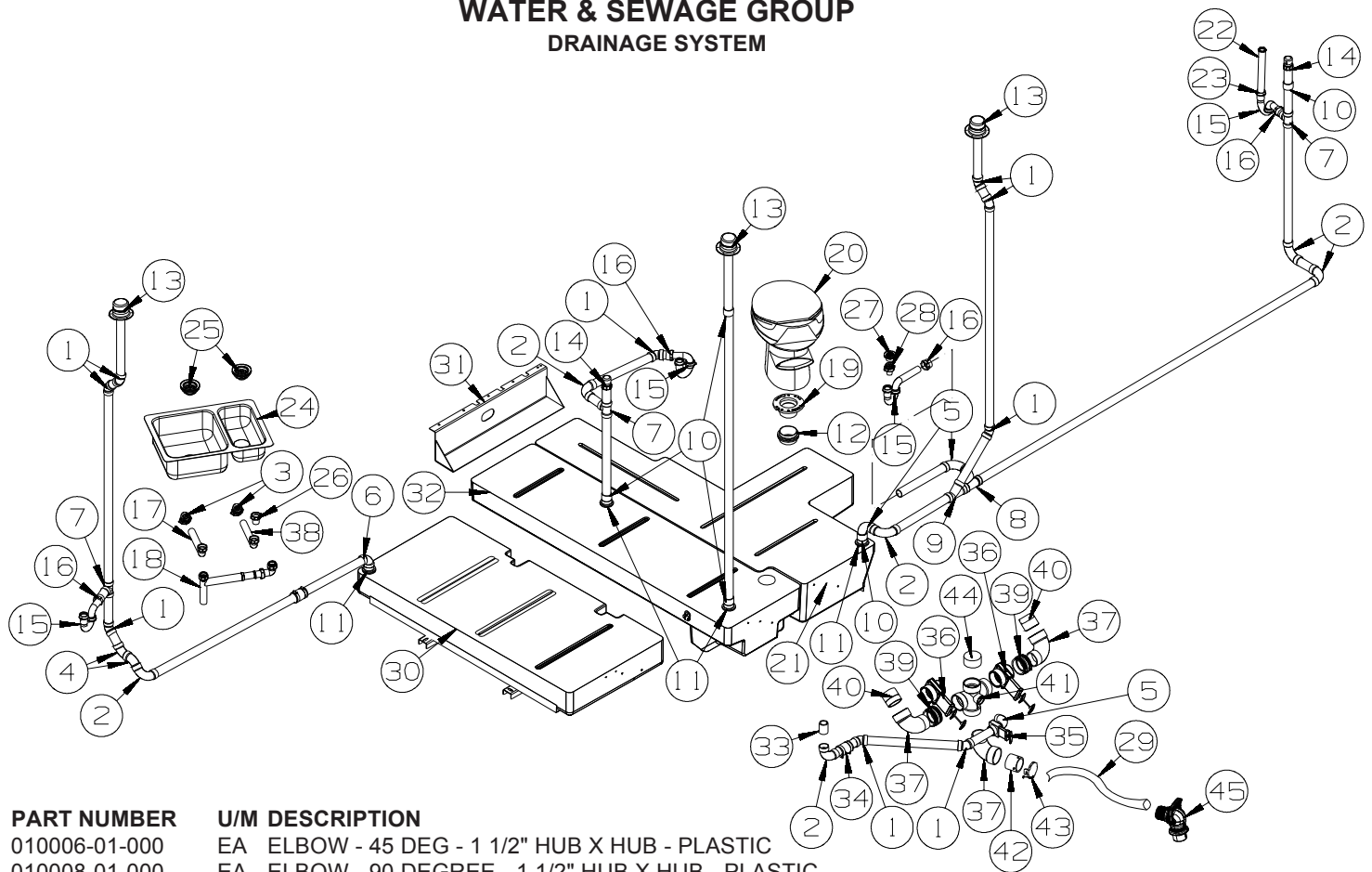
SEALANTS & FASTENERS GROUP (CONTINUED)
CLAMPS, CLIPS, GROMMETS, RIVETS & PLUGS (CONTINUED)

KEY	PART NUMBER	U/M	DESCRIPTION
	083610-02-000	EA	CLAMP - WIRE - DUAL - UNEQUAL DIAMETERS - 3/4" & 2"
	083610-03-000	EA	CLAMP - WIRE - DUAL - EQUAL DIAMETERS - 2"
	088756-01-000	EA	GROMMET - WEB - 1 1/8"ID
	089329-02-000	EA	CLIP - SPRING
	091952-01-000	EA	CLIP - GRIPPER - 1" - BLACK VINYL COATED
	091952-02-000	EA	CLIP - GRIPPER - 3/4" - BLACK VINYL COATED
	091952-03-000	EA	CLIP - GRIPPER - 1/2" - BLACK VINYL COATED
	094362-02-000	EA	CLIP - XMAS TREE - BINDER HEAD - .9" LONG/ANY COLOR
	113133-02-01A	EA	RIVET - POP - ALUMINUM - 3/16 X .252 - .504 - BLACK
	114208-05-000	EA	GROMMET - EDGE LINER - FITS 2"
	118626-01-01A	EA	RIVET/POP - ALUMINUM - 3/16 X 1.2"(GRIP RANGE .1"-.4")
	118626-01-02A	EA	RIVET/POP - ALUMINUM - 3/16 X .08 - .375
	118626-02-01A	EA	RIVET/POP - ALUMINUM - 3/16 X .500 - .750
	118626-03-01A	EA	RIVET/POP - STAINLESS STEEL - 3/16 X .500 - .750
	137014-01-01A	EA	GROMMET - CABLE - ALMOND
	139118-02-01A	EA	GROMMET - SCREW - PLASTIC
	155498-01-01A	EA	CLAMP - CLOSED - 7/8"ID - VINYL DIP/GALVONIZED - BLACK

MISCELLANEOUS FASTENERS

KEY	PART NUMBER	U/M	DESCRIPTION
	008343-01-000	EA	TIE - WIRE - 6"
	008343-02-000	EA	TIE - WIRE - 14"
	008343-03-000	EA	TIE - WIRE - 7 1/2" - BLACK
	029094-04-000	YD	VELCRO TAPE/LOOP - 1"WIDE - W/ADHESIVE BACK - BLACK
	029096-03-000	YD	VELCRO TAPE/HOOK - 1"WIDE - BLACK
	029096-04-000	YD	VELCRO TAPE/HOOK - 1"WIDE - BLACK - W/ADHESIVE BACK (PSA)
	048394-02-000	YD	VELCRO TAPE - HOOK - ADHESIVE BACK - 3/4" WIDE - BEIGE
	085774-01-000	FT	FASTENER - DUAL LOCK - 1" WIDE - ADHESIVE BACK - BLACK
	085774-02-000	FT	FASTENER - DUAL HOOK - 1" WIDE - ADHESIVE BACK - BLACK
	088792-02-000	YD	VELCRO TAPE - LOOP - 3/4" - ADHESIVE BACK - BEIGE
	088792-04-000	YD	VELCRO TAPE - HOOK - 5/8" - NON-ADHESIVE BACK - WHITE
	088792-05-000	YD	VELCRO TAPE - LOOP - 5/8" - NON-ADHESIVE BACK - WHITE
	108046-02-000	EA	CABLE TIE - SCREW MOUNT 15"

WATER & SEWAGE GROUP DRAINAGE SYSTEM

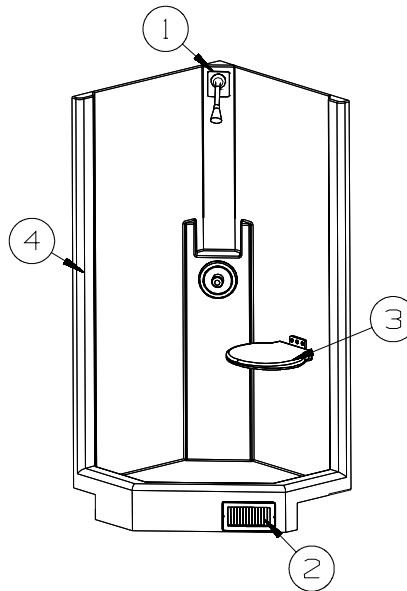


KEY	PART NUMBER	U/M	DESCRIPTION
1	010006-01-000	EA	ELBOW - 45 DEG - 1 1/2" HUB X HUB - PLASTIC
2	010008-01-000	EA	ELBOW - 90 DEGREE - 1 1/2" HUB X HUB - PLASTIC
3	125569-01-000	EA	ELBOW - 1 1/2" X 90 DEGREE - DOUBLE SLIP
4	010051-01-000	EA	ELBOW - 45 DEGREE - 1 1/2" SPIGOT X HUB - PLASTIC
5	033761-01-000	EA	ELBOW - 90 DEGREE - TURN - 1 1/2" HUB X 1 1/2" SPIGOT
6	034250-01-000	EA	ELBOW - 90 DEGREE - LONG TURN - 1 1/2" HUB X HUB - ABS
7	010071-01-000	EA	TEE - SANITARY - 1 1/2" HUB X HUB X HUB - PLASTIC
8	031365-02-000	EA	TEE - 1 1/2" EXTRA LONG TURN - PLASTIC
9	010073-01-000	EA	WYE - 45 DEGREE - 1 1/2" HUB X HUB X HUB - PLASTIC
10	010115-01-000	EA	COUPLING - 1 1/2" HUB X HUB - PLASTIC
11	061607-01-000	EA	GROMMET - HOLDING TANK - 1 1/2" NPS
12	061607-02-000	EA	GROMMET - HOLDING TANK - 3" NPS
13	083558-03-000	EA	VENT - W/COVER - F/PLUMBING STACK - OFF WHITE
13	083558-08-000	EA	VENT - W/COVER - F/PLUMBING STACK - BLACK
14	079968-01-000	EA	VENT - MECHANICAL/TRAP ARM - ANTI-SIPHON-2" X 7.3" PLASTIC
15	107538-02-000	EA	P-TRAP - PLASTIC - 1 1/2" W/EXTENSION ARM
15	011071-01-000	EA	P-TRAP - 1 1/2" - CSA - PLASTIC - 265
16	152146-01-000	EA	CONNECTOR - 1 1/2"P X 1 1/2"MPT
17	126588-01-000	EA	ARM - WASTE - 1 1/2" X 9 1/2" - FEMALE
18	011091-02-000	EA	WASTE - CONTINUOUS - DOUBLE SINK
18	011091-04-000	EA	WASTE - CONTINUOUS - DOUBLE SINK - 214
19	024676-01-000	EA	FLANGE/CLOSET - 4" X 3" - BLACK PLASTIC
20*	152830-01-01A	EA	TOILET/AQUA MAGIC STYLE PLUS - 20"TALL - W/O SPRAY - WHITE
21	163063-01-700	EA	TANK - HOLDING - 67 GALLON - W/3" SPINWELD FITTING
	049032-01-000	EA	PATCH - SPINWELD - 3/8" - PLASTIC
22	126588-02-000	EA	ARM - WASTE - 1 1/2" X 20" - FEMALE
23	061420-10-000	EA	PLUG/PLASTIC - 1 1/2" DIAMETER - BLACK
24	144445-01-01A	EA	SINK - DOUBLE BOWL - 25" X 18" - STAINLESS STEEL
25	092303-01-000	EA	STRAINER - W/BASKET - GALLEY SINK - 4" OD
26	011069-03-000	EA	TAILPIECE - TUB/SHOWER - 1 1/2" X 1 3/4" - PLASTIC
	130403-01-000	EA	NUT - SLIP - W/WINGS 1 1/2"
27	066440-01-000	EA	STRAINER - SHOWER DRAIN - W/RUBBER WASHER
	127440-02-01A	EA	WASHER - RUBBER - 1.8" X .1"
28	011069-06-000	EA	TAILPIECE - 1 1/2" X 1 1/4" X 2 1/2" - BRASS
	130403-01-000	EA	NUT - SLIP - W/WINGS 1 1/2"

WATER & SEWAGE GROUP (CONTINUED)
DRAINAGE SYSTEM (CONTINUED)

KEY	PART NUMBER	U/M	DESCRIPTION
29	139513-02-000	EA	HOSE - SEWER - 3" X 20' - W/BAYONET TYPE ADAPTER
30	163061-01-700	EA	TANK - HOLDING - 50 GALLON - W/3" NIPPLE - W/O FITTINGS
	049032-01-000	EA	PATCH - SPINWELD - 3/8" - PLASTIC
31	158968-02-02B	EA	BRACKET - TANK DRAIN - E-COATED
32	163062-01-700	EA	TANK - HOLDING - 52 GALLON - W/3" NIPPLE - W/O FITTINGS
	125697-02-000	EA	NOZZLE - WELD-A-FLUSH
	049032-01-000	EA	PATCH - SPINWELD - 3/8" - PLASTIC
33	102024-01-000	EA	NIPPLE - PLASTIC - 1.5" X 2.62" TOE
34	089355-01-000	EA	COUPLER - RUBBER - 1 1/2" X 1 1/2"
35	062421-01-000	EA	VALVE/DUMP W/HANDLE - 1 1/2" HUB X 1 1/2" SPIGOT
36	062418-01-000	EA	VALVE - DUMP - W/HANDLE - 3" - PLASTIC/BLACK
			FROM: 00-00-00 THRU: 09-14-08
36	062418-03-000	EA	VALVE- 3" SPIGOT X 3" SPIGOT
			FROM: 09-15-08 THRU: 99-99-99
37	010062-01-000	EA	ELBOW - 3 90 SPIGOT X HUB - PLASTIC
38	126588-03-000	EA	ARM - WASTE - 1 1/2" X 91/2" SLIP
39	078406-01-000	EA	COUPLER - 3" X 3" W/CLAMPS - RUBBER
40	010129-03-000	EA	NIPPLE - 3" X 3" TOE - PLASTIC
41	155751-01-000	EA	TEE - DOUBLE 3" - W/SIDE INLET
42	109450-01-000	EA	ADAPTER - SEWER HOSE - PLASTIC
43*	062415-01-000	EA	CAP - SEWER - 3" DIAMETER
44	155752-01-000	EA	CAP - 3"
45*	144728-01-000	EA	VALVE - SEWER HOSE - 3"

***COMPONENT PARTS LISTED LATER IN THIS GROUP**



KEY	PART NUMBER	U/M	DESCRIPTION
1	143218-01-02A	EA	PLATE/COVER - SHOWER HEAD - SOFT WHITE
2	137965-07-02A	EA	REGISTER - 9.5" X 5.3"(7.8" X 3.8"R/O) W/O DAMPER-ANT PWTR
3	N/A	EA	SEAT - SHOWER/FOLDING - ALMOND - 43K
4	164126-01-01A	EA	SHOWER - CURVED/FIBERGLASS - WHITE

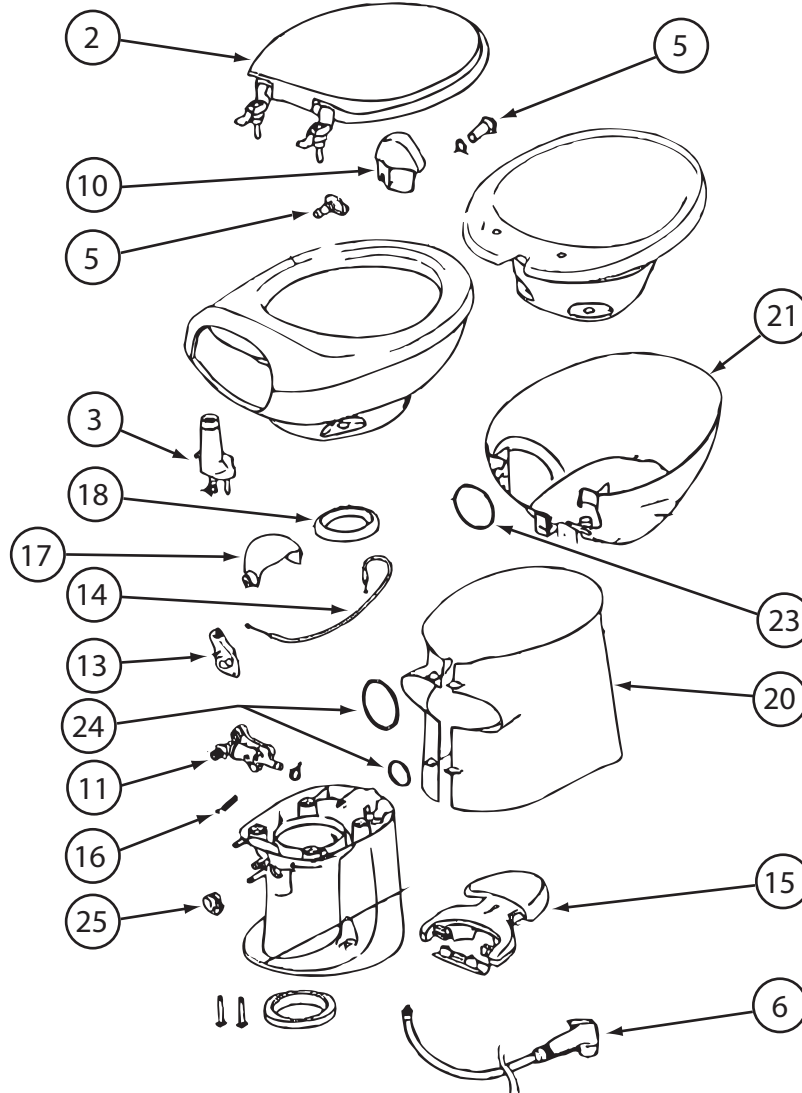
WATER & SEWAGE GROUP (CONTINUED)
COMPONENT PARTS FOR DRAINAGE SYSTEM

062415-01-000

KEY	PART NUMBER	U/M	DESCRIPTION	VENDOR NO.
	062415-01-700	EA	STRING-SEWER CAP	V#SV7 STRAP

144728-01-000

KEY	PART NUMBER	U/M	DESCRIPTION	VENDOR NO.
	144728-01-700	EA	GASKET-RUBBER, INSIDE VALVE	9667310-11
	144728-01-701	EA	GASKET-RUBBER, OUTSIDE	9667310-10



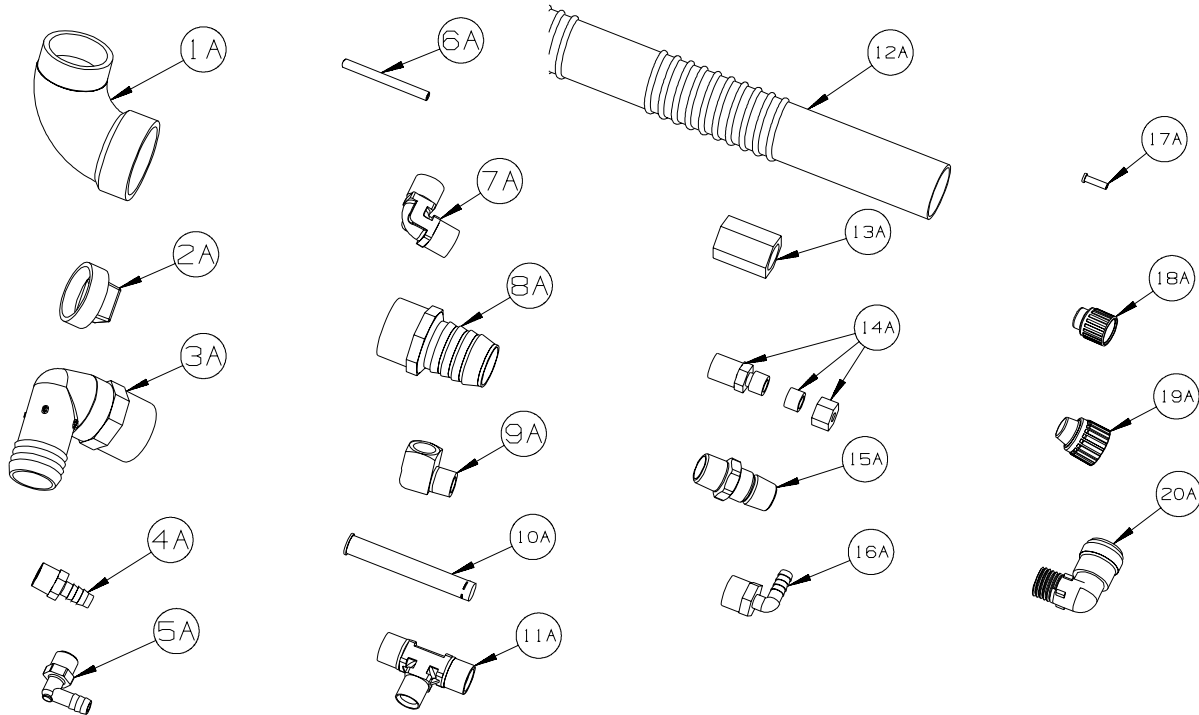
152830-01-01A

KEY	PART NUMBER	U/M	DESCRIPTION	VENDOR NO.
2	152829-01-700	EA	SEAT/COVER ASSEMBLY - WHITE	34144
3	152829-01-708	EA	VACUUM BREAKER	34122
5	152830-01-701	EA	FLUSH NOZZLE - WHITE	34127
11	152829-01-701	EA	WATER VALVE	34100
13	152829-01-703	EA	WATER VALVE DRIVE ARM	34104
14	152829-01-704	EA	CABLE - F/PEDAL	34106
15	152830-01-700	EA	PEDAL PACKAGE - WHITE	34114
16	152829-01-705	EA	SPRING/RETURN-F/WATER VALVE	34110
17	152829-01-706	EA	WASTE BALL - WHITE	34117
18	152829-01-707	EA	SEAL - F/WASTE BALL	34120
20	152830-01-703	EA	SHROUD - TALL/WHITE	34138
24	152830-01-702	EA	O-RING PKG - F/SHROUD	34136
25	152829-01-702	EA	WASTE BALL DRIVE ARM	34102

CONTACT WINNEBAGO PART SALES FOR UNLISTED COMPONENT(S)

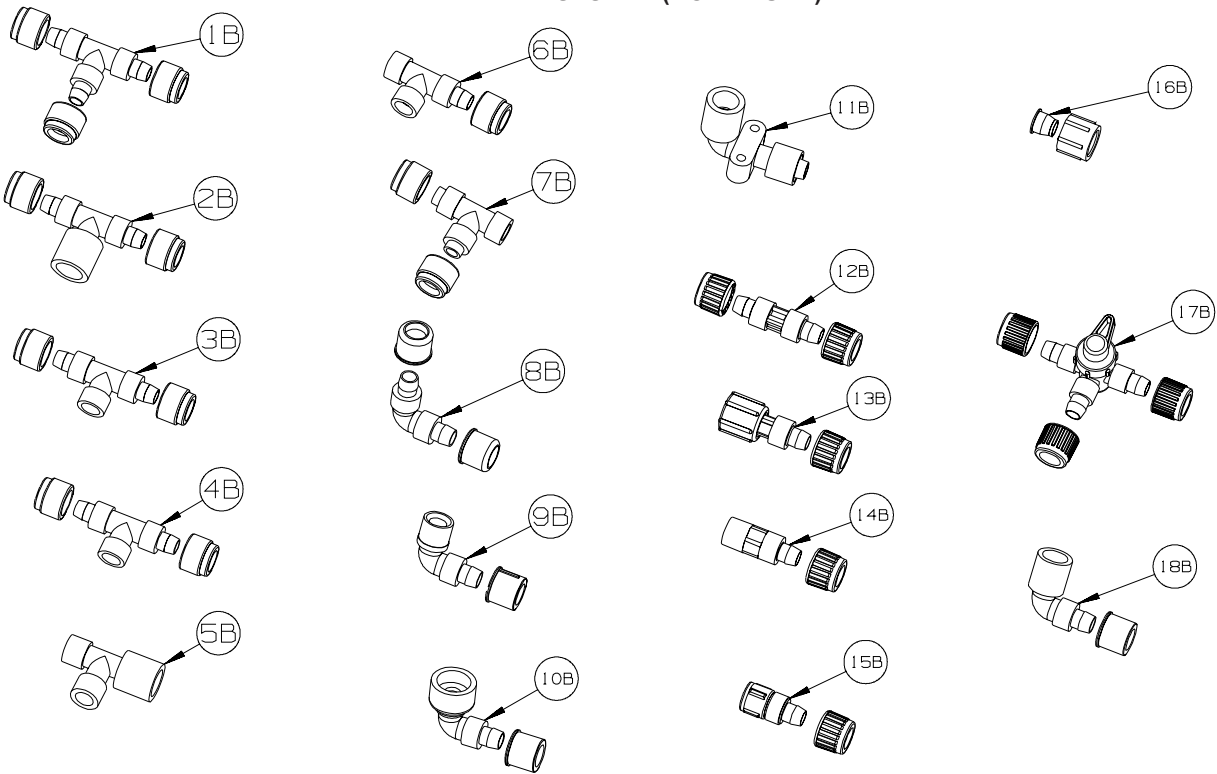
WATER & SEWAGE GROUP (CONTINUED)

WATER SYSTEM



KEY	PART NUMBER	U/M	DESCRIPTION
1A	010009-01-000	EA	ELBOW - 90 DEGREE - 1/4 BEND - 1 1/2" PLASTIC
2A	010166-01-000	EA	PLUG/THREADED - 1 1/4"MPT - PLASTIC - BLACK - UL
3A	010219-01-000	EA	ELBOW - 1 1/4 MPT X 1 1/4 BARB - WATER FILL - PLASTIC
4A	010224-01-000	EA	ADAPTER - HOSE TO PIPE - 3/8 MPT X 3/8 BARB - PLASTIC
5A	035539-01-000	EA	ELBOW - 3/8 MPT X 3/8 BARB - PLASTIC
6A	039800-04-000	FT	TUBING - POLYBUTYL - 1/4"OD
6A	074462-02-000	FT	TUBING - VINYL - 3/8 ID X 20' - CLEAR
6A	112176-01-000	FT	TUBING - VINYL - REINFORCED - 1/2" ID
6A	124188-01-000	FT	TUBING - PEX - 1/2" ID X 20' - BLUE(COLD)
6A	124188-02-000	FT	TUBING - PEX - 1/2" ID X 20' - RED(HOT)
7A	039808-03-000	EA	ELBOW - 1/2" MPT X 1/2" MPT - PLASTIC
8A	044927-01-000	EA	ADAPTER - HOSE TO PIPE-1 1/4 MPTX1 1/4 BARB-BLACK PLASTIC
9A	065318-02-000	EA	ELBOW - 90 DEGREE - 3/8" MPT TO 3/8" FPT
10A	077954-02-000	EA	FILTER - WATER TANK - W/SCREEN IN TANK
11A	039798-01-000	EA	TEE - 1/2"MPT X 1/2"MPT X 1/2"MPT - PLASTIC
12A	079381-01-000	FT	TUBING - RIBBED FLEXIBLE/WATER FILL - 10 FT = 1EA-1.38ID
13A	101814-01-000	EA	COUPLING - FEMALE - 1/2" X 1/2" FPT - GRAY
14A	103798-01-000	EA	CONNECTOR - 1/4 OD X 3/8 MPT
15A	110438-02-000	EA	VALVE - CHECK - 1/2"MPT X 1/2"MPT - BRASS
16A	111223-02-000	EA	ELBOW - 1/2" MPT X 3/8" BARB - PLASTIC
16A	111223-04-000	EA	ELBOW - 1/2" MPT X 1/2" BARB - PLASTIC
16A	111888-01-000	EA	FERRULE - PLASTIC - .250 ID X .375 OD
17A	111888-02-000	EA	INSERT - BRASS - 1/4 COMP
18A	113697-01-000	EA	CAP - 3/8"P
19A	114427-01-000	EA	CAP - 1/2"P
20A	164906-01-000	EA	ELBOW - 90 DEGREE - 1/2" QUICK CONNECT X 1/2"MPT

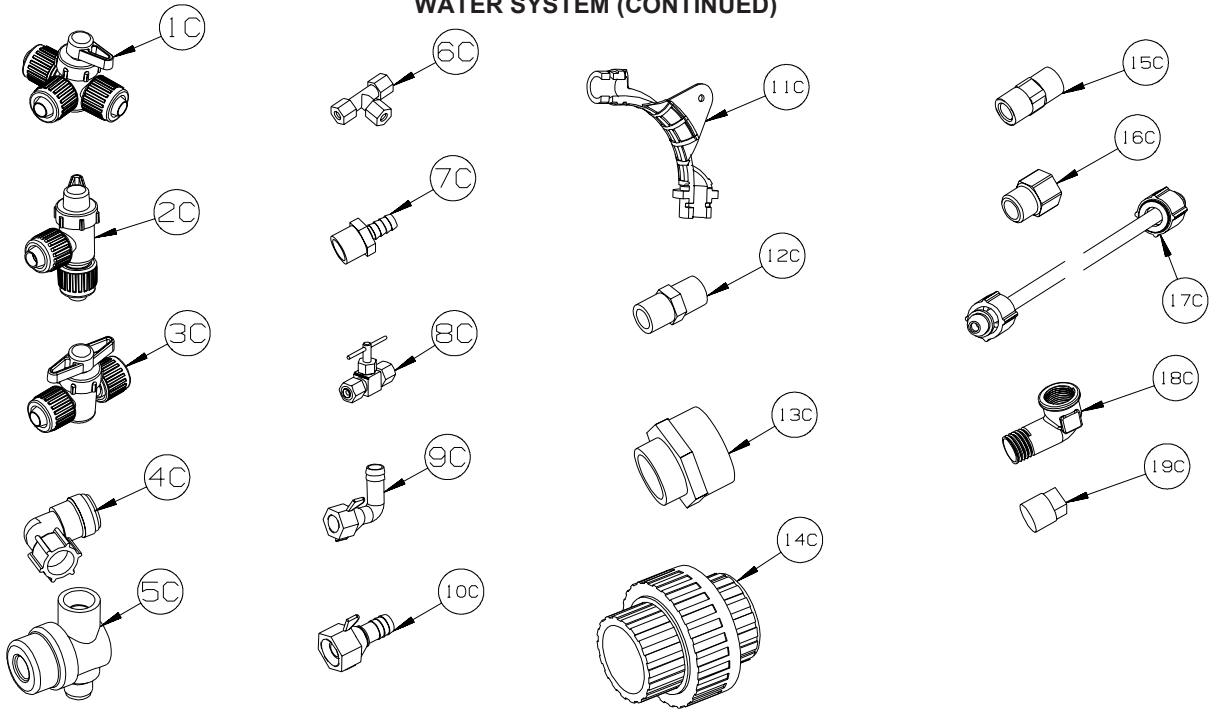
WATER & SEWAGE GROUP (CONTINUED)
WATER SYSTEM (CONTINUED)



KEY	PART NUMBER	U/M	DESCRIPTION
1B	114428-01-000	EA	TEE - 1/2"P X 1/2"P X 1/2"P
2B	114428-02-000	EA	TEE - SWIVEL - 1/2"P X 1/2"P X 1/2"FPT
3B	114428-03-000	EA	TEE - 1/2"P X 1/2"P X 1/2"MPT
4B	114428-04-000	EA	TEE - 1/2"P X 1/2"P X 1/8"FPT
5B	114428-05-000	EA	TEE - 1/2" SWIVEL X 1/2" MPT X 1/2" MPT
6B	114428-06-000	EA	TEE - 1/2" P X 1/2" MPT X 1/2" MPT
7B	114428-07-000	EA	TEE - 1/2" P X 1/2" MPT X 1/2" P
8B	114429-01-000	EA	ELBOW - 1/2"P X 1/2"P
9B	114429-02-000	EA	ELBOW - 1/2"P X 1/2"MPT
9B	114429-04-000	EA	ELBOW - 1/2"P X 3/8"MPT
9B	114429-10-000	EA	ELBOW - SWIVEL - 1/2"MPT X 1/2"FPT
10B	114429-08-000	EA	ELBOW - SWIVEL - 1/2"P X 1/2"FPT
11B	114429-09-000	EA	ELBOW - 1/2"P X 1/2"FPT DROP EAR
12B	114430-01-000	EA	ADAPTER - 1/2"P X 1/2"P
13B	114430-02-000	EA	ADAPTER - SWIVEL - 1/2"P X 1/2"FPT
13B	114430-04-000	EA	ADAPTER - SWIVEL - 1/2"P X 3/8"MPT
14B	114430-03-000	EA	ADAPTER - 1/2"P X 1/2"MPT
15B	114430-06-000	EA	ADAPTER - 1/2"P X 3/8"FPT
15B	114430-09-000	EA	ADAPTER - 1/2"P X 1/2"FPT
16B	114430-10-000	EA	ADAPTER - NUT - PIPE CONNECTION - 1/2"
17B	114431-01-000	EA	VALVE - 180 DEGREE/CENTER DRAIN - 1/2"P - THREE WAY
18B	114429-11-000	EA	ELBOW - 1/2"P X 1/2"FPT

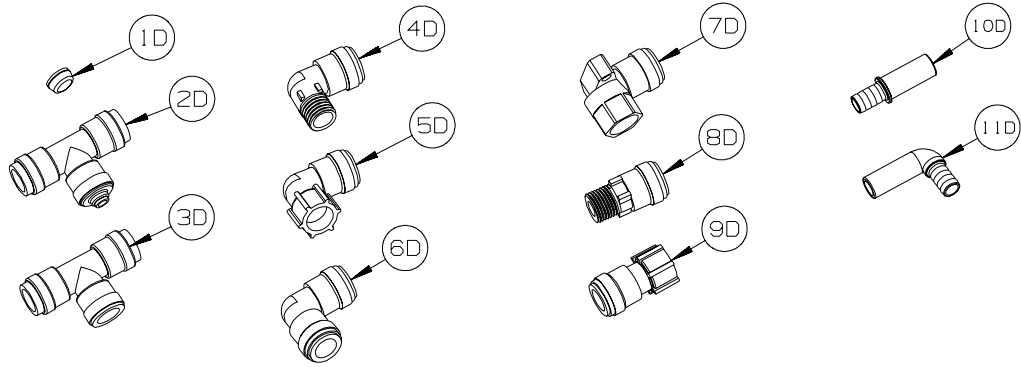
WATER & SEWAGE GROUP (CONTINUED)

WATER SYSTEM (CONTINUED)



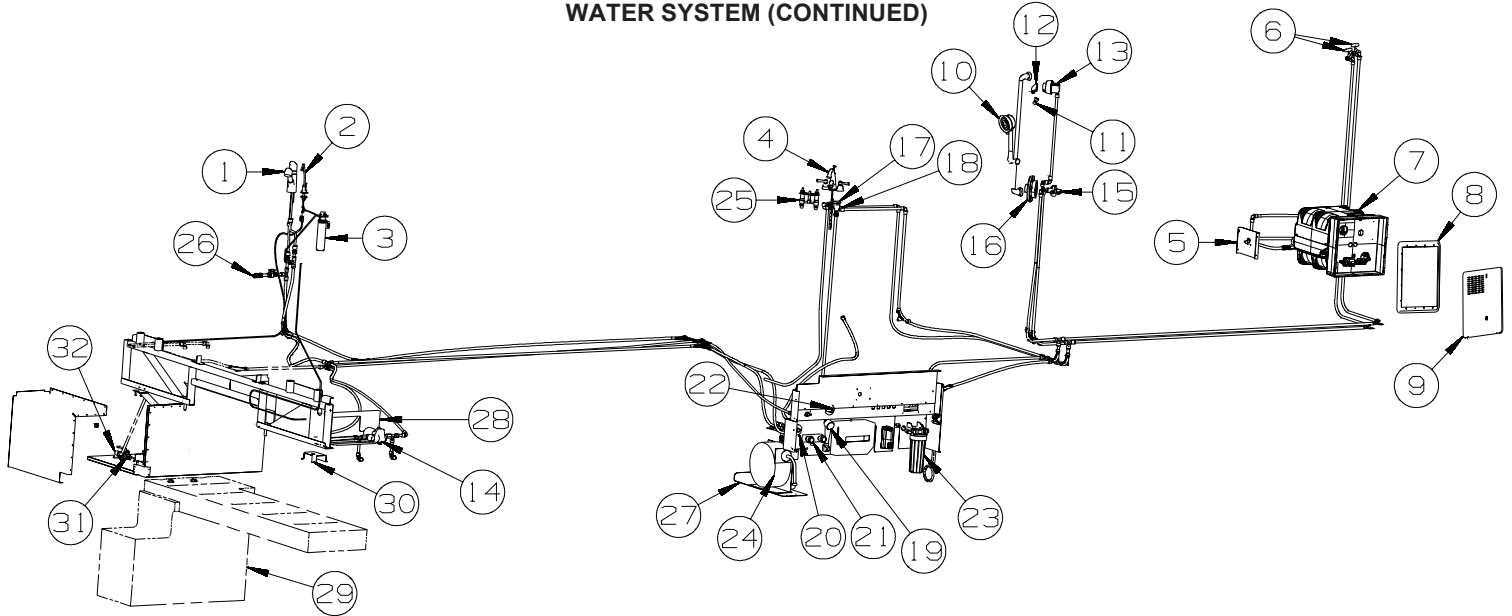
KEY	PART NUMBER	U/M	DESCRIPTION
1C	114431-02-000	EA	VALVE - WATER BYPASS - 1/2"P - THREE WAY (WATER HEATER)
2C	114431-03-000	EA	VALVE - 90 DEGREE DRAIN - 1/2"P
3C	114431-04-000	EA	VALVE - "INLINE SHUT-OFF" - 1/2"P
4C	164906-02-000	EA	ELBOW - 90 DEGREE - 1/2" QUICK CONNECT X 1/2"MPT - SWIVEL
5C	152925-01-01A	EA	FILTER - IN LINE - TWIST ON - 1/2" - BLACK
6C	118423-01-000	EA	FITTING - BRASS-TEE - 1/4C X 1/4C X 1/4C
7C	118809-01-000	EA	ADAPTER - 1/2" MPT X 3/8" BARB - PLASTIC
7C	118809-02-000	EA	ADAPTER - 1/2" MPT X 1/2" BARB - PLASTIC
8C	120868-01-000	EA	VALVE - NEEDLE - 1/4" COMPRESSION X 1/4" COMPRESSION
9C	123150-01-000	EA	ELBOW - 1/2 FPT X 1/2 BARB - SWIVEL
10C	123152-01-000	EA	ADAPTER - 1/2 FPT X 1/2 BARB - SWIVEL
11C	124184-01-000	EA	SUPPORT - WATER LINE - BEND
12C	132148-01-000	EA	CONNECTOR - 1/2" X 1/2"MPT - BRASS
13C	133835-01-000	EA	ADAPTER - REDUCING - 1 1/2" X 1 1/4"
14C	133889-01-000	EA	UNION - 1 1/2 DOUBLE SLIP - PVC
15C	135386-01-000	EA	NIPPLE - 1/2"
16C	136333-01-000	EA	ADAPTER - BRASS - 1/2"MPT X 1/2"FPT
17C	140821-01-000	EA	TUBE - WATER SUPPLY - 3/8" X 24"
17C	140821-02-000	EA	TUBE - WATER SUPPLY - 3/8" X 30"
17C	140821-03-000	EA	TUBE - WATER SUPPLY - 3/8" X 36"
17C	140821-04-000	EA	TUBE - WATER SUPPLY - 3/8" X 48"
17C	140821-05-000	EA	TUBE - WATER SUPPLY - 3/8" X 54"
17C	140821-06-000	EA	TUBE - WATER SUPPLY - 3/8" X 60"
17C	140821-07-000	EA	TUBE - WATER SUPPLY - 3/8" X 72"
17C	140821-08-000	EA	TUBE - WATER SUPPLY - 1/2" X 24"
17C	140821-09-000	EA	TUBE - WATER SUPPLY - 1/2" X 36"
17C	140821-10-000	EA	TUBE - WATER SUPPLY - 1/2" X 48"
18C	142812-01-000	EA	ELBOW - BRASS - 1/2"MPT X 1/2"FPT
19C	145609-01-000	EA	PLUG - BRASS - 1/2" MPT/HEX HEAD

WATER & SEWAGE GROUP (CONTINUED)
WATER SYSTEM (CONTINUED)



KEY	PART NUMBER	U/M	DESCRIPTION
1D	116473-01-000	EA	FERRIL - RUBBER SEALING - WATER LINE
2D	160949-01-000	EA	CONNECTOR - 1/2" X 1/2" X 1/4" REDUCER
3D	160949-02-000	EA	CONNECTOR - 1/2"CTS X 1/2"CTS X 1/2"CTS
4D	164906-01-000	EA	ELBOW - 90 DEGREE - 1/2" QUICK CONNECT X 1/2"MPT
5D	164906-02-000	EA	ELBOW - 90 DEGREE - 1/2" QUICK CONNECT X 1/2"FPT - SWIVEL
6D	164906-03-000	EA	ELBOW - 90 DEGREE - 1/2" X 1/2" QUICK CONNECTS
7D	164906-04-000	EA	ELBOW - 90 DEGREE - 1/2"CTS X 1/2"FPT
8D	164907-01-000	EA	ADAPTER - STRAIGHT - 1/2" QUICK CONNECT X 1/2"MPT
9D	164907-02-000	EA	ADAPTER - STRAIGHT - 1/2" QUICK CONNECT X 1/2"FPT/SWIVEL
10D	166212-01-000	EA	UNION - HOSE/BARB - CTS X 1/2"B - SEA TECH #3511-1008
11D	166212-02-000	EA	ELBOW - HOSE/BARB - CTS X 1/2"B - SEA TECH #3512-1008

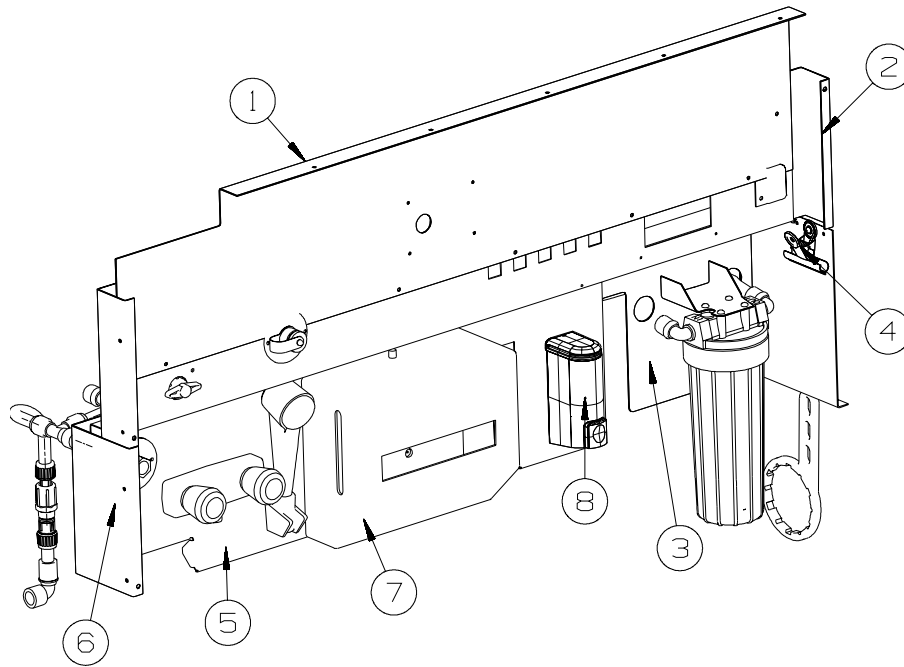
WATER & SEWAGE GROUP (CONTINUED)
WATER SYSTEM (CONTINUED)



KEY	PART NUMBER	U/M	DESCRIPTION
1	141682-01-02A	EA	FAUCET - GALLEY - W/PULLOUT SPOUT - STAINLESS
2	157212-01-01A	EA	FAUCET - WATER PURIFIER - NICKEL
3	160946-01-000	EA	FILTER - WATER PURIFICATION - SINK
4	155715-01-02A	EA	FAUCET - LAVATORY - DUAL CONTROL - BRUSHED NICKEL
5	159640-01-02B	EA	PLATE/MOUNTING - VALVE/BYPASS - E-COATED
6	098419-01-000	EA	FAUCET - 90 DEGREE
7*	145541-03-000	EA	WATER HEATER/MOTOR AID-GAS/ELECT IGN/110V-GEH16EXT-10 GAL
8	152239-02-02A	EA	FLANGE/MOUNTING/RECESSED - 19.3" X 19.1" - BLACK
9*	125420-05-03A	EA	DOOR - WATER HEATER - 18" X 17.7" - BLACK
	076767-03-000	EA	CABLE - STAINLESS STEEL - 18.5"
10	162646-01-01A	EA	SHOWER/HAND HELD-4 FUNCTION-W/SLIDE BAR/HOSE-BRUSHED NKL
11	128974-01-04A	EA	VALVE - SHOWER HEAD/WATER SAVER (ON/OFF) - SATIN NICKEL
12	135028-02-03A	EA	DROP ELL - F/HAND HELD SHOWER HEAD/OVAL - W/1/2"IPS-NICKEL
12	130041-03-19A	EA	SPACER/SHOWER HEAD - RIVERSTONE
13	143101-01-01A	EA	BRACKET - SHOWER HEAD
14	160702-01-000	EA	PUMP - WATER - 3.0 GPM - W/1/2" MPT
14	160702-02-000	EA	PUMP - WATER - 2.8 GPM/55 PSI - 12 VOLT - #2088-422-175 FROM: 00-00-000 THRU: 05-28-08 FROM: 05-29-08 THRU: 99-99-99
15*	144596-01-01A	EA	VALVE ONLY - FAUCET/SHOWER - W/TEMP LIMIT STOP(MOEN 62300)
16	162643-01-01A	EA	TRIM KIT/SHOWER - LEVER/PLATE - POSI-TEMP - BRUSHED NICKEL
17	125697-04-000	EA	BREAKER/VACUUM - F/FLUSHING SYSTEM
18	125697-03-000	EA	CHECK VALVE - F/FLUSHING SYSTEM
19	131383-01-02A	EA	SHOWER HEAD - W/60" HOSE & BRACKET - WHITE
20	010230-06-000	EA	FILL - CITY WATER - W/CHECK VALVE - MPT - BRUSHED ALUM
21	163269-01-01A	EA	FAUCET/SHOWER -.5"MPT W/1.9" INLET PIPES- EXTERIOR/BRT WHT
22	125697-05-000	EA	INLET/WATER - F/FLUSHING SYSTEM
23*	155482-01-01A	EA	PREFILTER/WATER SYSTEM - HOUSING/FILTER CARTRIDGE/WRENCH
24*	142675-01-01A	EA	HOSE REEL/WATER - POWERED - RETRIEVAL/STORAGE - 505
25*	149174-01-01A	EA	VALVE/WATER - W/DRAIN VALVE - F/LAVATORY
26	146297-01-000	EA	CONNECTOR - BRASS - 3/8" X 1/2"MPT - 214
27	145758-01-02B	EA	BRACKET - HOSE REEL - WATER - E-COATED - 505
28	161725-01-12B	EA	BRACKET - VALVE/BYPASS - HEATER - BRIGHT WHITE
29	160958-02-000	EA	TANK - WATER - 95 GALLON - W/FITTINGS
	042989-05-000	EA	FITTING - SPINWELD - 1/2"FPT - PLASTIC
	042989-08-000	EA	FITTING - SPINWELD - 1"FPT - PLASTIC
	049032-01-000	EA	PATCH - SPINWELD - 3/8" - PLASTIC
30	138618-03-12B	EA	COVER - VALVE - BYPASS - BRIGHT WHITE
31	132483-01-000	EA	VALVE/BALL - 1" - THREADED ENDS
32	132781-01-000	EA	ELBOW - 1.3" BARB X 1.3" BARB - 90 DEGREE - PLASTIC

*COMPONENT PARTS LISTED LATER IN THIS GROUP

WATER & SEWAGE GROUP (CONTINUED)
WATER SYSTEM (CONTINUED)



SERVICE CENTER

KEY	PART NUMBER	U/M	DESCRIPTION
1	163267-01-12B	EA	PANEL - SERVICE CENTER/UPPER - BRIGHT WHITE
2	160433-02-12B	EA	PANEL - SERVICE CENTER/FRONT - BRIGHT WHITE
3	163263-01-12B	EA	PANEL - SERVICE CENTER - BRIGHT WHITE
4	156695-01-01A	EA	CLIP - BULL DOG - SILVER/NICKEL
5	163266-01-12B	EA	PANEL - SERVICE CENTER - BRIGHT WHITE
6	160433-01-12B	EA	PANEL - SERVICE CENTER/FRONT - BRIGHT WHITE
7*	136915-01-000	EA	DISPENSER - TOWEL/PAPER - 9"H X 10.8"L X 4.8"D - WHITE
8	149894-01-01A	EA	DISPENSER/LIQUID SOAP - 200 ML - WHITE

***COMPONENT PARTS LISTED LATER IN THIS GROUP**

WATER & SEWAGE GROUP (CONTINUED)

COMPONENT PARTS FOR WATER SYSTEM

125420-01-03A, 125420-03-03A, 125420-04-03A, 125420-05-03A, 125420-06-02A/03A/04A,

KEY	PART NUMBER	U/M DESCRIPTION	VENDOR NO.
	051391-01-705	EA FASTENER - CAMLOCK	92609

136915-01-000

KEY	PART NUMBER	U/M DESCRIPTION	VENDOR NO.
	136915-01-700	EA TOWEL - PAPER/FOLDING PKG.	1999

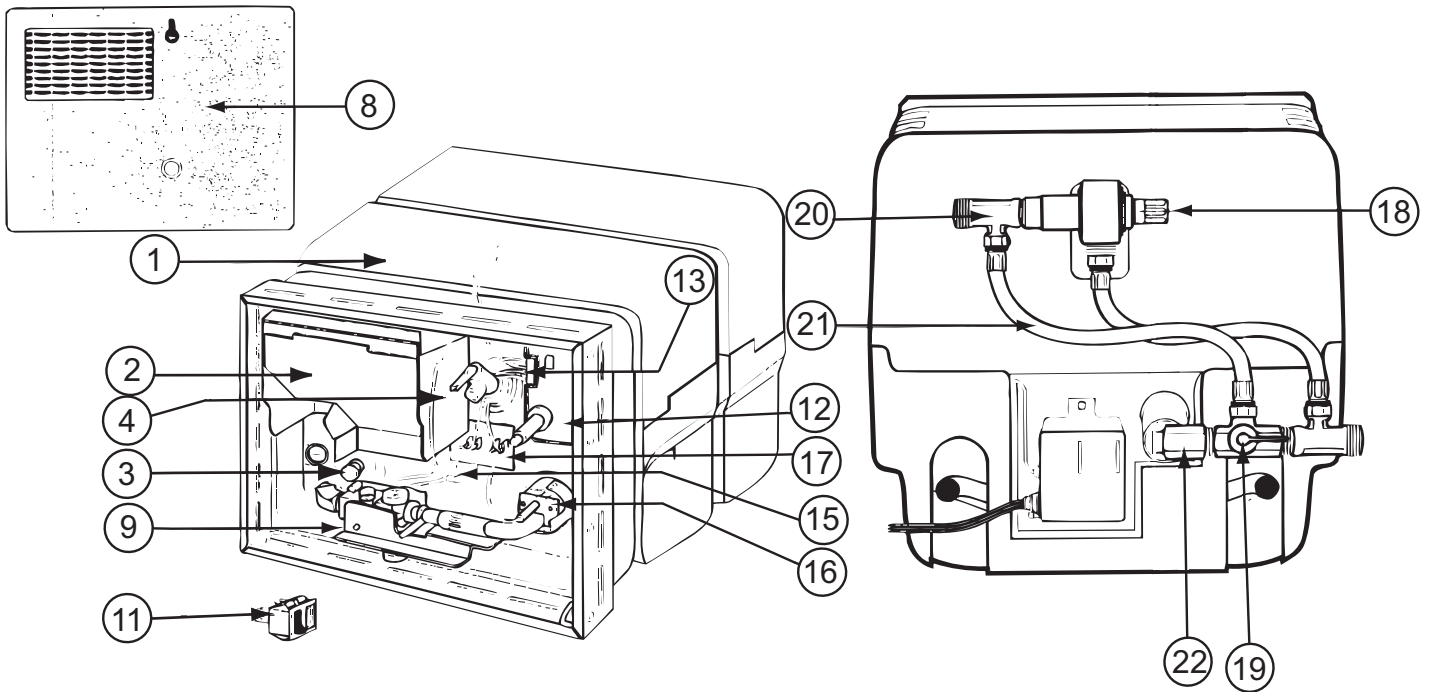
142675-01-01A

KEY	PART NUMBER	U/M DESCRIPTION	VENDOR NO.
	142675-01-700	EA SWITCH ASM - HOSE REEL	19553- 1GLENDINNING
	142675-01-701	EA HOSE WHEEL ASM W/35" HOSE	19551 GLENDINNING
	142675-01-702	EA MOTOR W/DRIVE GEAR	WP150
	142675-01-703	EA MOTOR F/HOSE REEL-SILVER	20550 + 52553

144596-01-01A

KEY	PART NUMBER	U/M DESCRIPTION	VENDOR NO.
	144596-01-700	EA CARTRIDGE (REPLACEMENT)	1222

WATER & SEWAGE GROUP (CONTINUED)
COMPONENT PARTS FOR WATER SYSTEM (CONTINUED)



145541-03-000

KEY	PART NUMBER	U/M	DESCRIPTION	VENDOR NO.
1	145541-03-706	EA	TANK - INNER	91229
2	051391-04-707	EA	KIT-EXHAUST, (FLUE & GASKET)	90960
3	051391-01-715	EA	PLUG-DRAIN, 1 EA = 2 PER PKG	91857
4	051391-01-704	EA	VALVE-RELIEF, 1/2" FITTING	91604
9	051393-01-726	EA	VALVE/SOLENOID - W/O BRACKET	93870
11	051393-01-701	EA	SWITCH - REMOTE - W/LIGHT	91959
11	145541-01-701	EA	SWITCH - ON/OFF - WHITE	91859
12	145541-01-702	EA	CIRCUIT BOARD	91226
15	051393-01-723	EA	SWITCH - THERMAL CUTOUT 2/PK	93866 WAS 93853
16	051393-01-725	EA	ELECTRODE-SGL SPADE CONNECT	93868
17	145541-03-700	EA	THERMOSTAT	90063
18	145541-03-701	EA	MIXING VALVE	91569
19	145541-03-702	EA	BYPASS VALVE	91568
20	145541-03-703	EA	TEE	91556
21	145541-03-704	EA	HOSE F/MIXING VALVE	91576
22	145541-03-705	EA	ELBOW	91567
	145541-01-704	EA	RELAY	90061
	145541-01-705	EA	JUNCTION BOX(PLASTIC) 10 GAL	91224
	051391-05-706	EA	ELEMENT-HEATING 1500 WATT	92249 W/GASKET
			CONTACT WINNEBAGO PARTS SALES FOR UNLISTED COMPONENT(S)	

149174-01-01A

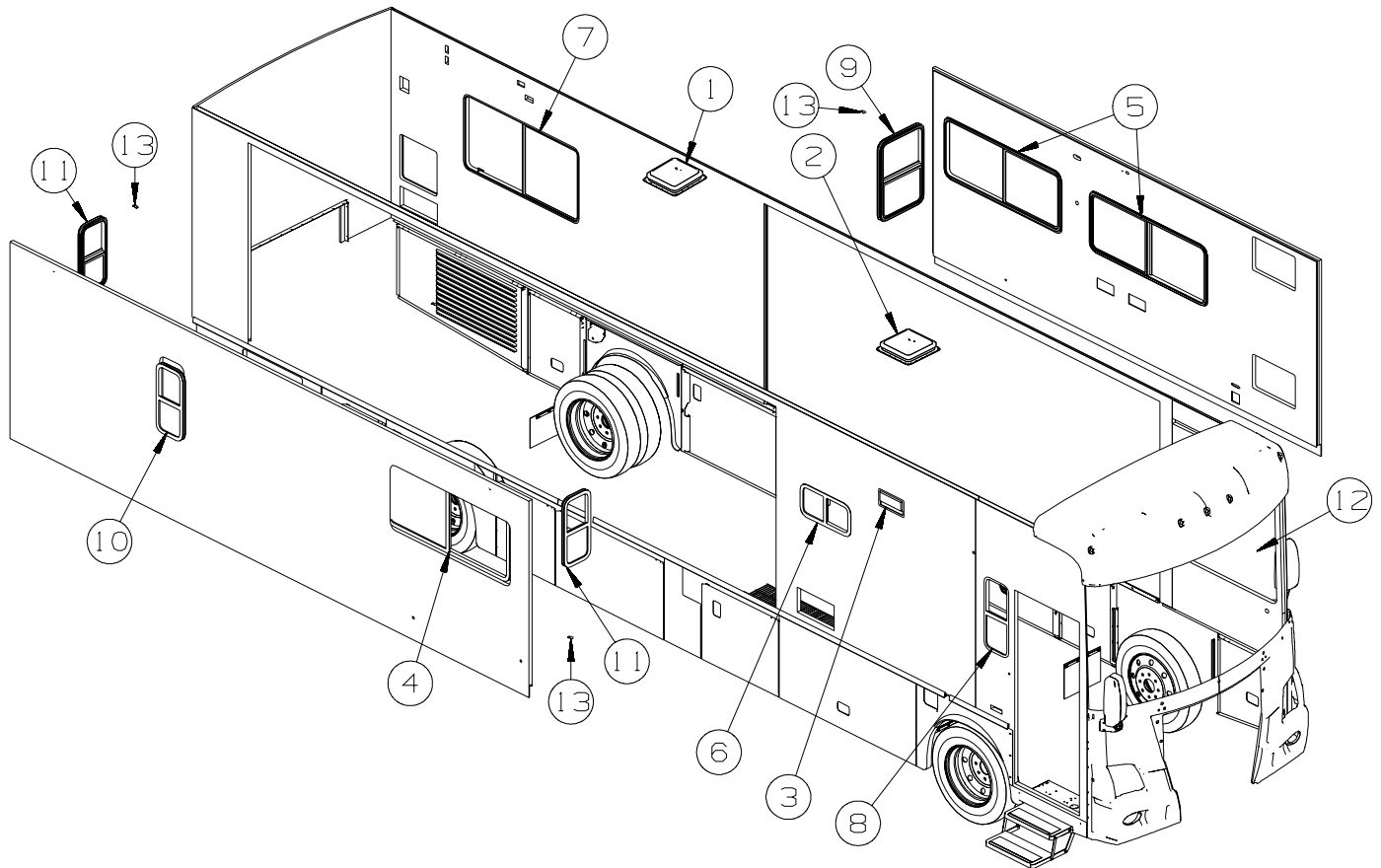
KEY	PART NUMBER	U/M	DESCRIPTION	VENDOR NO.
	132410-01-700	EA	CARTRIDGE F/DBL HDLE FAUCET	1224

155482-01-01A

KEY	PART NUMBER	U/M	DESCRIPTION	VENDOR NO.
	155482-01-700	EA	O-RING - F/WATER FILTER	94-178-09

WINDOW & VENTS GROUP

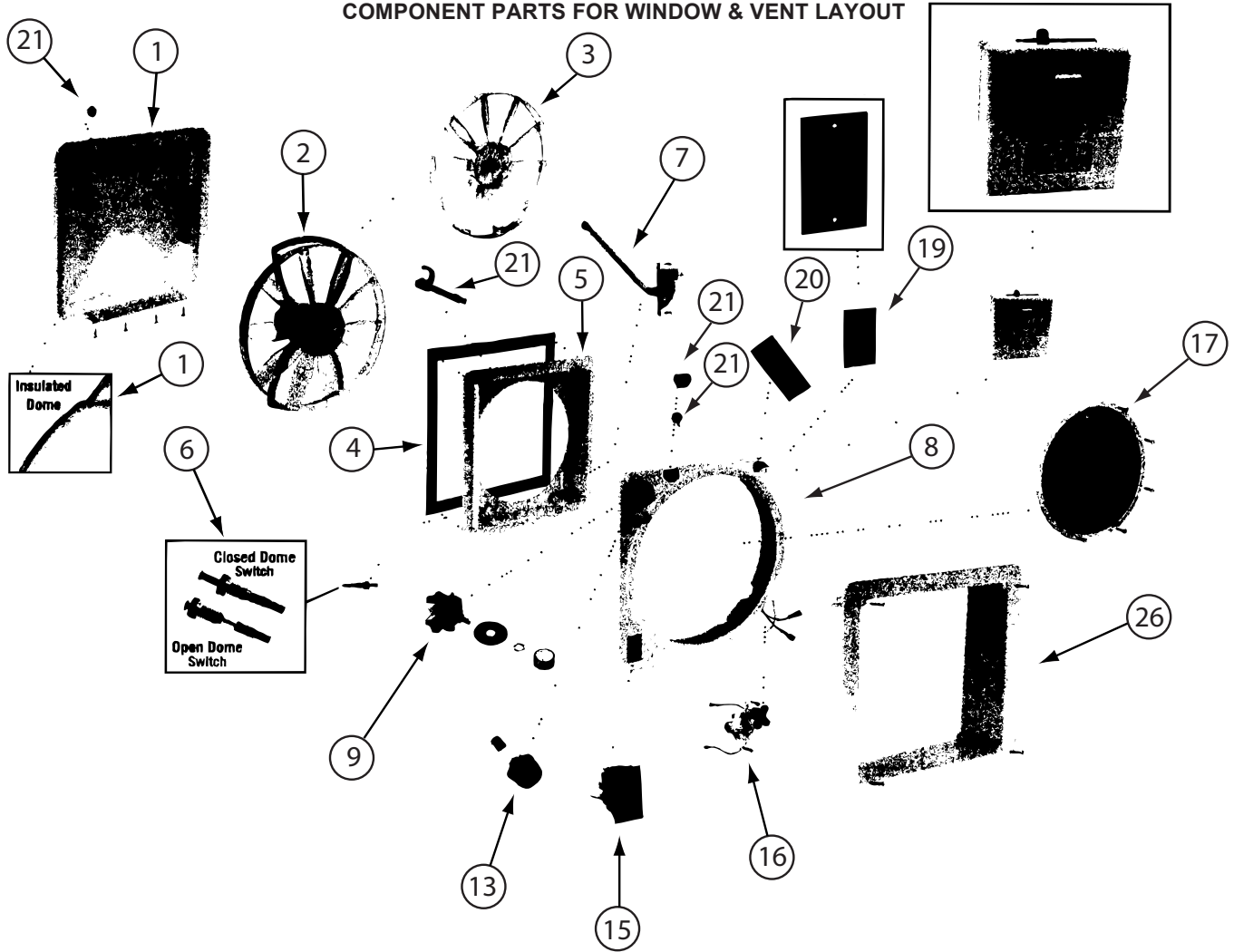
WINDOW & VENT LAYOUT



KEY	PART NUMBER	U/M	DESCRIPTION
1*	123780-21-01A	EA	FANTASTIC VENT-4"ROOF-W/FAN/PWR LIFT/DBL DOME-W/O THERM
2*	123780-24-01A	EA	FANTASTIC VENT-4"ROOF-W/FAN/PWR LIFT/DBL DOME/THERM-WHT
3	138983-01-02A	EA	VENT - MICROWAVE/OUTER - BLACK
3	138983-03-01A	EA	COVER - VENT MICROWAVE/OUTER - BRIGHT WHITE
4*	150648-03-01A	EA	WINDOW-HORIZ SLIDER/FLUSH/THERMO/RH - 26.3" X 59.9" - BLK
5*	150648-07-01A	EA	WINDOW-HORIZ SLIDER/FLUSH/THERMO/LH - 23.8" X 57.7"
6*	150648-18-01A	EA	WINDOW-HORIZ SLIDER/FLUSH/THERMO/RH - 12.2" X 24.2"
7*	150648-20-01A	EA	WINDOW-HORIZ SLIDER/FLUSH/THERMO/LH - 30.7" X 57.7"
8*	150649-05-01A	EA	WINDOW - VERT SLIDER/FLUSH/THERMO - 29.6" X 12.3"
			FROM: 00-00-00 THRU: 05-27-08
8*	164973-17-01A	EA	WINDOW - RAISED SLIDER - 29.6"H X 12.3"W - BLK/BLK
			FROM: 05-28-08 THRU: 99-99-99
9*	150649-30-01A	EA	WINDOW - VERT SLIDER/FLUSH/THERMO - 31.7" X 18.9"
10*	150649-11-01A	EA	WINDOW - VERT SLIDER/FLUSH/THERMO - 27.2" X 12.2"
11*	150649-22-01A	EA	WINDOW - VERT SLIDER/FLUSH/THERMO - 27.2" X 12.2"
12*	151069-03-01A	EA	WINDOW - CAB/LEFT HAND/FLUSH/THERMO - 43.6" X 44.9"/43.6"
			FROM: 00-00-00 THRU: 05-27-08
12	169283-03-01A	EA	WINDOW - CAB/DRIVER - SLIDER - 43.6" X 44.9" X 44" - BLACK
			FROM: 05-28-08 THRU: 99-99-99
13	151905-01-01A	EA	CLIP/BRACKET - SCREEN RETAINER - BLACK

*COMPONENT PARTS LISTED LATER IN THIS GROUP

WINDOW & VENTS GROUP (CONTINUED)
COMPONENT PARTS FOR WINDOW & VENT LAYOUT

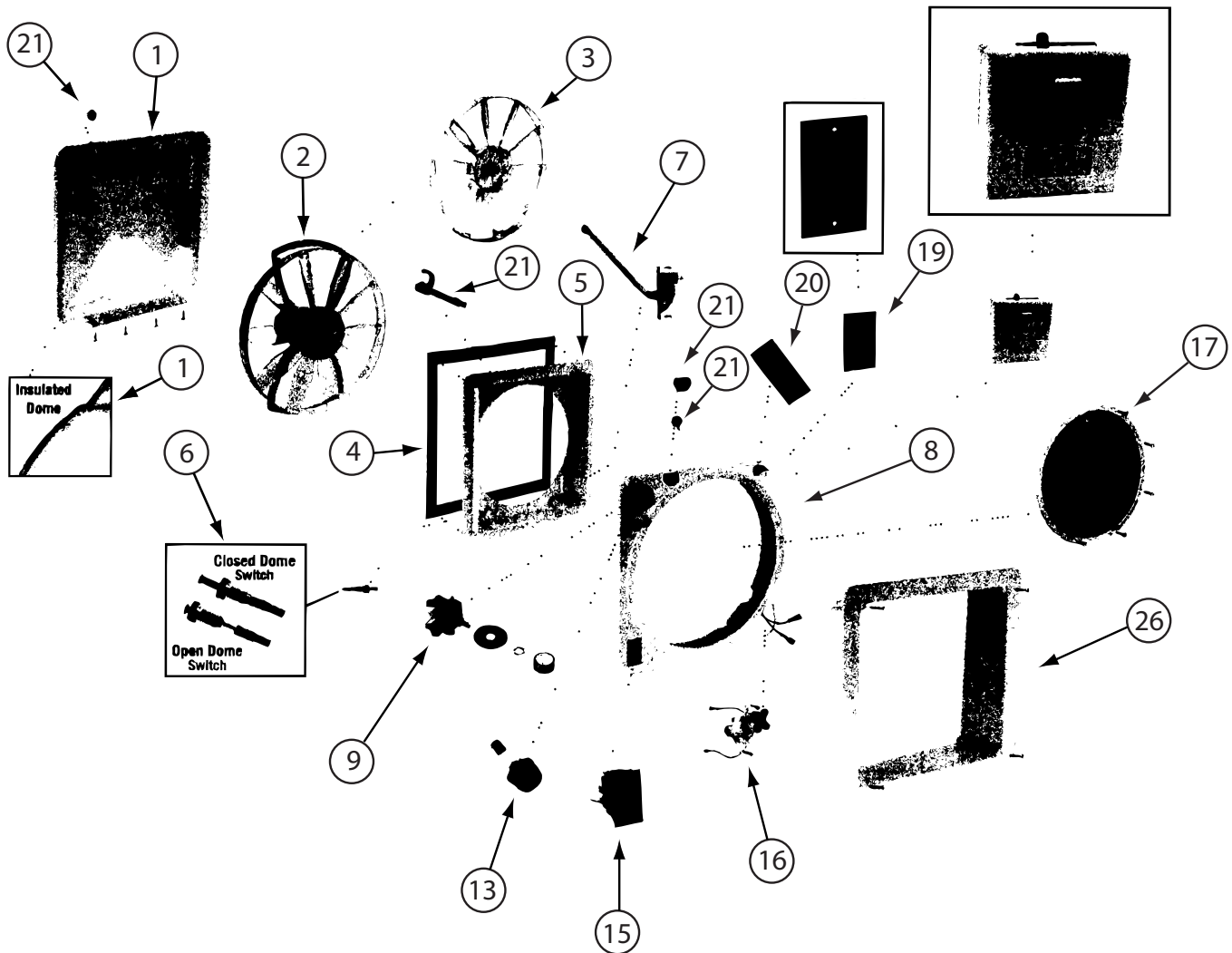


123780-21-01A

KEY	PART NUMBER	U/M	DESCRIPTION	VENDOR NO.
1	123780-23-700	EA	DOME/DBL-W/SLIDE/HINGE-WHITE	K2020-81
2	123780-26-700	EA	MOTOR & FAN BLADE W/BRACKET	XK8017-03 PANCAKE
3	084079-01-704	EA	BLADE-FAN	1138-00
4	123780-22-701	EA	SEAL/RUBBER-4 1/2' W/GLUE	K1144-09
5	123780-21-701	EA	BASE/MAIN-W/MICRO SWTCH/SEAL	K4010-81
6	084079-01-707	EA	SWITCH - SAFETY	1122-05
7	084079-11-701	EA	ARM-LIFT ASSEMBLY, AUTOMATIC	2011-05
8	123780-21-703	EA	SCREEN KIT W/RING/CRCT BRD	K1030-81
9	084079-01-709	EA	SWITCH - MAIN - 3 SPEED	1031-05
13	123780-21-700	EA	FUSE HOLDER W/4 AMP FUSE	K9018-09
15	123780-16-702	EA	SWITCH-ROCKER-OFF/ON BLACK	9023-09
16	084079-11-707	EA	MOTOR-AUTO LIFT-WHT CAP/EXT	6050-81 NS
17	123780-21-703	EA	SCREEN - POP N LOCK	2035-81
19	123780-21-702	EA	SWITCH - UP/DOWN (DM SERIES)	9033-09
20	123780-21-704	EA	CIRCUIT BOARD 102C	9025-90
21	123780-22-704	EA	TRAVEL LOCK ASSEMBLY	4021-09
26	123780-22-705	EA	GARNISH-3 1/2"CLAMP STY-WHT	XK2040-81

CONTACT WINNEBAGO PART SALES FOR UNLISTED COMPONENT(S)

WINDOW & VENTS GROUP (CONTINUED)
COMPONENT PARTS FOR WINDOW & VENT LAYOUT (CONTINUED)

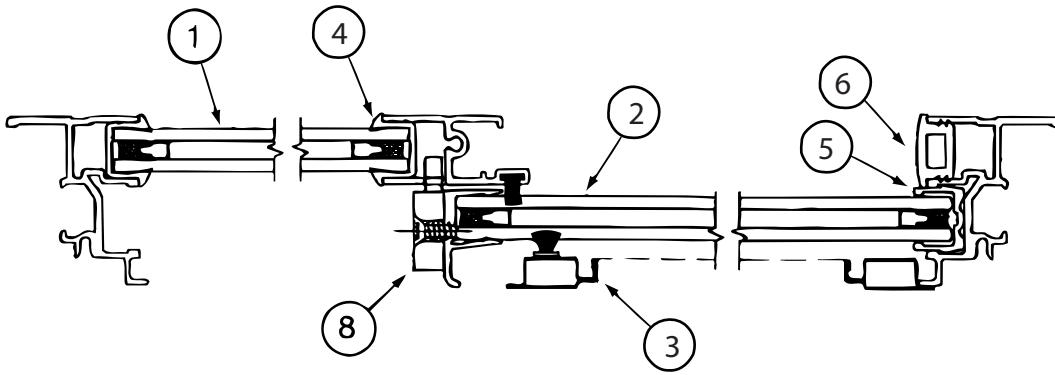


123780-24-01A

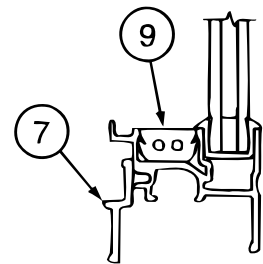
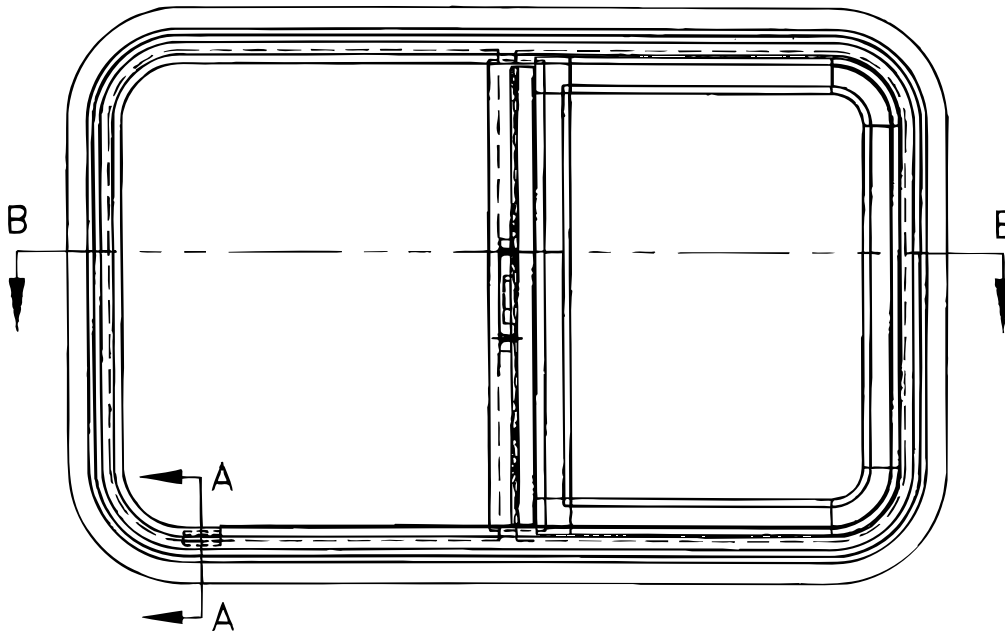
KEY	PART NUMBER	U/M	DESCRIPTION	VENDOR NO.
1	123780-23-700	EA	DOME/DBL-W/SLIDE/HINGE-WHITE	K2020-81
2	123780-26-700	EA	MOTOR & FAN BLADE W/BRACKET	XK8017-03 PANCAKE
3	084079-01-704	EA	BLADE-FAN	1138-00
4	123780-22-701	EA	SEAL/RUBBER-4 1/2' W/GLUE	K1144-09
5	123780-21-701	EA	BASE/MAIN-W/MICRO SWTCH/SEAL	K4010-81
6	084079-01-707	EA	SWITCH - SAFETY	1122-05
7	084079-11-701	EA	ARM-LIFT ASSEMBLY, AUTOMATIC	2011-05
8	123780-21-703	EA	SCREEN KIT W/RING/CRCT BRD	K1030-81
9	084079-01-709	EA	SWITCH - MAIN - 3 SPEED	1031-05
13	123780-21-700	EA	FUSE HOLDER W/4 AMP FUSE	K9018-09
15	123780-16-702	EA	SWITCH-ROCKER-OFF/ON BLACK	9023-09
16	084079-11-707	EA	MOTOR-AUTO LIFT-WHT CAP/EXT	6050-81 NS
17	123780-21-703	EA	SCREEN - POP N LOCK	2035-81
18	084079-01-710	EA	THERMOSTAT(WALL MT)ANY COLOR	9988-81
20	123780-21-704	EA	CIRCUIT BOARD 102C	9025-90
21	123780-22-704	EA	TRAVEL LOCK ASSEMBLY	4021-09
26	123780-22-705	EA	GARNISH-3 1/2"CLAMP STY-WHT	XK2040-81

CONTACT WINNEBAGO PART SALES FOR UNLISTED COMPONENT(S)

WINDOW & VENTS GROUP (CONTINUED)
COMPONENT PARTS FOR WINDOW & VENT LAYOUT (CONTINUED)



CROSS SECTION B-B



CROSS SECTION
A-A

150648-02-01A, 150648-03-01A/03A

KEY	PART NUMBER	U/M	DESCRIPTION	VENDOR NO
1	112795-68-700	EA	GLASS - STATIONARY	390-028353
2	150648-02-700	EA	GLASS-SLIDING W/SASH & LATCH	DH287G8
3	150648-19-700	EA	SCREEN ASM	410-035332
4	112795-01-705	FT	VINYL - GLAZING	132-027331
5	151069-01-700	FT	CHANNEL-RUN, SLIDING	122-030627
6	150648-01-703	FT	PLUG - FILLER	132-030308
7	098647-22-701	EA	RETAINER - TRIM	H287-67
8	150648-01-700	EA	LATCH-HORIZONTAL SLIDE-BLK	FH3000-CK
8	150648-01-701	EA	LATCH-HORIZONTAL SLIDE-RED	FH3003-CK
9	150648-01-704	EA	SLIDE STOP	132-030866
	150649-05-702	FT	FIN SEAL-F/LOCKING RAIL-BLK	171-062348

WINDOW & VENTS GROUP (CONTINUED)
COMPONENT PARTS FOR WINDOW & VENT LAYOUT (CONTINUED)

150648-07-01A, 150648-22-01A

KEY	PART NUMBER	U/M	DESCRIPTION	VENDOR NO
1	150648-07-701	EA	GLASS - STATIONARY	390-028314
2	150648-07-700	EA	GLASS-SLIDING W/SASH & LATCH	FH3000G8
3	150648-01-702	EA	SCREEN ASM	410-031156
4	112795-01-705	FT	VINYL - GLAZING	132-027331
5	151069-01-700	FT	CHANNEL-RUN, SLIDING	122-030627
6	150648-01-703	FT	PLUG - FILLER	132-030308
7	150648-01-707	EA	RETAINER - TRIM	H493-67
8	150648-01-700	EA	LATCH-HORIZONTAL SLIDE-BLK	FH3000-CK
8	150648-01-701	EA	LATCH-HORIZONTAL SLIDE-RED	FH3003-CK
9	150648-01-704	EA	SLIDE STOP	132-030866
	150649-05-702	FT	FIN SEAL-F/LOCKING RAIL-BLK	171-062348

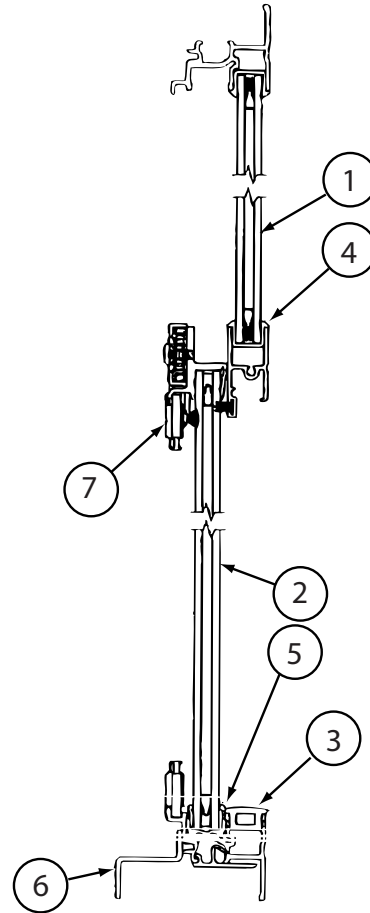
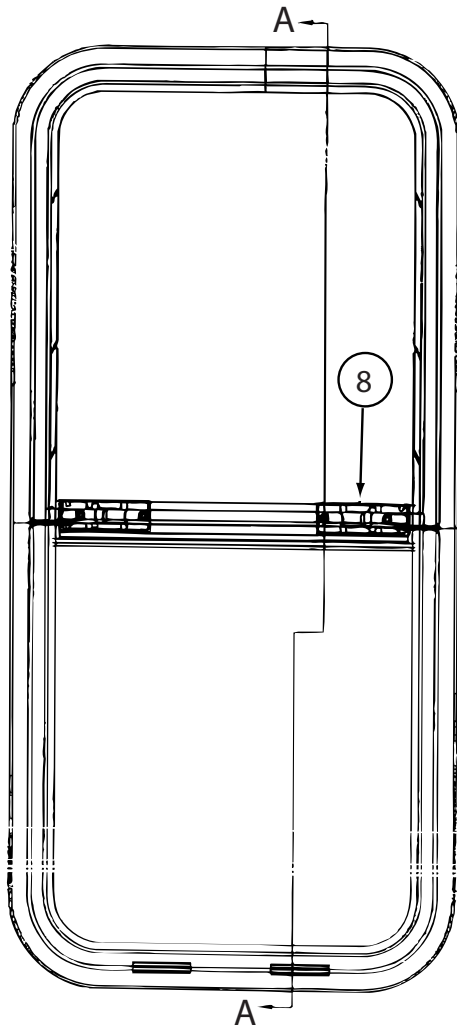
150648-13-01A, 150648-18-01A

KEY	PART NUMBER	U/M	DESCRIPTION	VENDOR NO
1	150648-13-700	EA	GLASS - STATIONARY	390-036159
2	150648-13-701	EA	GLASS-SLIDING W/SASH & LATCH	FH3005G8
3	150648-13-702	EA	SCREEN ASM	410-035328
4	112795-01-705	FT	VINYL - GLAZING	132-027331
5	151069-01-700	FT	CHANNEL-RUN, SLIDING	122-030627
6	150648-01-703	FT	PLUG - FILLER	132-030308
7	150648-13-703	EA	RETAINER - TRIM	B951-67
8	150648-01-700	EA	LATCH-HORIZONTAL SLIDE-BLK	FH3000-CK
8	150648-01-701	EA	LATCH-HORIZONTAL SLIDE-RED	FH3003-CK
9	150648-01-704	EA	SLIDE STOP	132-030866
	150649-05-702	FT	FIN SEAL-F/LOCKING RAIL-BLK	171-062348

150648-20-01A, 150648-30-01A

KEY	PART NUMBER	U/M	DESCRIPTION	VENDOR NO
1	112795-76-700	EA	GLASS - STATIONARY	390-028347
2	150648-20-700	EA	GLASS-SLIDING W/SASH & LATCH	FH3014G8
3	150648-20-701	EA	SCREEN ASM	410-035331
4	112795-01-705	FT	VINYL - GLAZING	132-027331
5	151069-01-700	FT	CHANNEL-RUN, SLIDING	122-030627
6	150648-01-703	FT	PLUG - FILLER	132-030308
7	098647-01-704	EA	RETAINER - TRIM	H112-67
8	150648-01-701	EA	LATCH-HORIZONTAL SLIDE-RED	FH3003-CK
8	150658-01-700	EA	LATCH-HORIZONTAL SLIDE-BLK	FH3000-CK
9	150648-01-704	EA	SLIDE STOP	132-030866
	150649-05-702	FT	FIN SEAL-F/LOCKING RAIL-BLK	171-062348

WINDOW & VENTS GROUP (CONTINUED)
COMPONENT PARTS FOR WINDOW & VENT LAYOUT (CONTINUED)



CROSS SECTION A-A

150649-05-01A

KEY	PART NUMBER	U/M	DESCRIPTION	VENDOR NO
1	150649-05-704	EA	GLASS - STATIONARY	390-035648
2	150649-05-705	EA	GLASS-SLIDING W/PULL & LATCH	FH3054A9
3	150648-01-703	EA	PLUG - FILLER	132-030308
4	112795-01-705	FT	VINYL-GLAZING	132-027331
5	151069-01-700	EA	CHANNEL-RUN, SLIDING	122-030627
6	150649-05-700	EA	RETAINER - TRIM	H754-67
7	150649-05-703	EA	SCREEN ASM	410-035633
8	150649-01-700	EA	LATCH KIT - F/VERTICAL SLIDE - BLACK	FH3016-CK
	150649-05-702	EA	FIN SEAL-F/LOCKING RAIL-BLK	171-062348

150649-11-01A

KEY	PART NUMBER	U/M	DESCRIPTION	VENDOR NO
1	150649-11-700	EA	GLASS - STATIONARY	390-035486
2	150649-11-701	EA	GLASS-SLIDING W/PULL & LATCH	FH3055G8
3	150648-01-703	EA	PLUG - FILLER	132-030308
4	112795-01-705	FT	VINYL-GLAZING	132-027331
5	151069-01-700	EA	CHANNEL-RUN, SLIDING	122-030627
6	098644-03-704	EA	RETAINER - TRIM	H298-66
7	150649-11-702	EA	SCREEN ASM	410-035634
8	150649-01-700	EA	LATCH KIT - F/VERTICAL SLIDE - BLACK	FH3016-CK

WINDOW & VENTS GROUP (CONTINUED)
COMPONENT PARTS FOR WINDOW & VENT LAYOUT (CONTINUED)

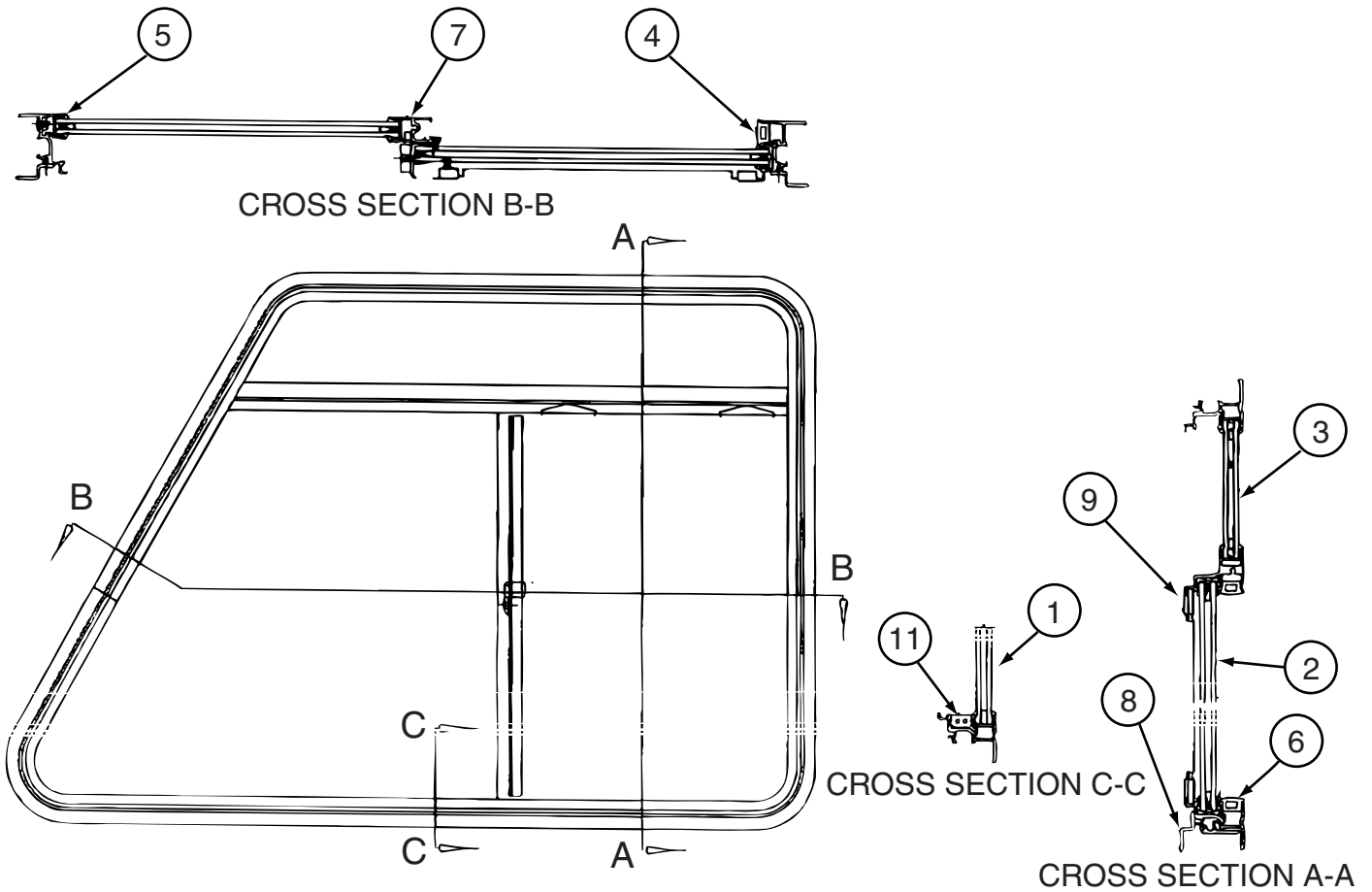
150649-22-01A

KEY	PART NUMBER	U/M	DESCRIPTION	VENDOR NO
1	150649-11-700	EA	GLASS - STATIONARY	390-035486
2	150649-11-701	EA	GLASS-SLIDING W/PULL & LATCH	FH3055G8
3	150648-01-703	EA	PLUG - FILLER	132-030308
4	112795-01-705	FT	VINYL-GLAZING	132-027331
5	151069-01-700	EA	FIN CHANNEL-RUN, SLIDING	122-030627
6	150649-20-700	EA	RETAINER - TRIM	H298-61
7	150649-11-702	EA	SCREEN ASM	410-035634
8	150649-01-700	EA	LATCH-VERTICLE SLIDE-BLK	FH3016-CK

150649-30-01A

KEY	PART NUMBER	U/M	DESCRIPTION	VENDOR NO
1	150649-30-701	EA	GLASS - STATIONARY	390037745
2	150649-30-702	EA	GLASS-SLIDING W/PULL & LATCH	FH3112G8
3	150648-01-703	EA	PLUG - FILLER	132-030308
4	112795-01-705	FT	VINYL-GLAZING	132-027331
5	151069-01-700	EA	CHANNEL-RUN, SLIDING	122-030627
6	150649-30-704	EA	RETAINER - TRIM - BLACK	H311261
7	150649-30-703	EA	SCREEN ASM	410037746
8	150649-01-700	EA	LATCH-VERTICLE SLIDE-BLK	FH3016-CK

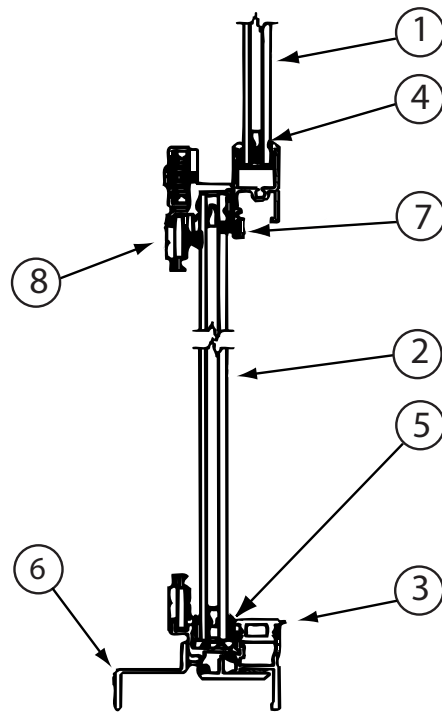
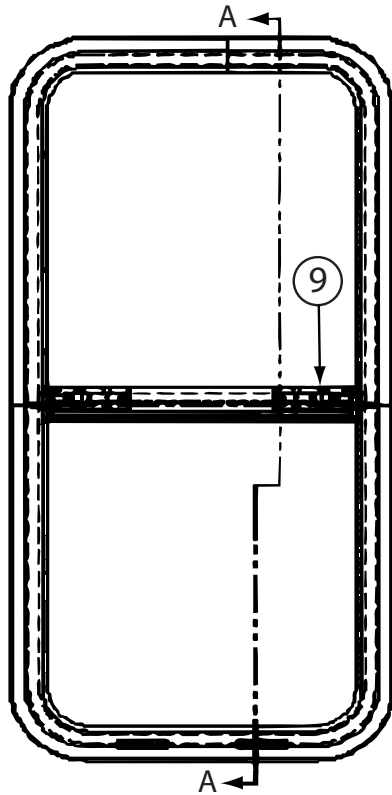
WINDOW & VENTS GROUP (CONTINUED)
COMPONENT PARTS FOR WINDOW & VENT LAYOUT (CONTINUED)



151069-03-01A

KEY	PART NUMBER	U/M	DESCRIPTION	VENDOR NO
1	151069-03-702	EA	GLASS - STATIONARY - LOWER	390-027478
2	151069-03-701	EA	GLASS-SLIDING W/SASH & LATCH	FH3041A9L
3	151069-03-703	EA	GLASS - STATIONARY - UPPER	390-035508
4	150648-01-703	FT	PLUG - FILLER	132-030308
5	151069-03-705	EA	VINYL GLAZING - F/STATIONARY	DH567-12 MITER/WELD
5	151069-03-706	EA	VINYL GLAZING - F/STATIONARY	DH373-12 MITER/WELD
6	151069-01-700	FT	CHANNEL-RUN, SLIDING	122-030627
7	098644-01-706	FT	WEATHERSTRIP - GLASS	171-010668
8	151069-03-704	EA	RETAINER - TRIM	H671-67L
9	151069-03-700	EA	SCREEN ASM	410-035962
10	150648-01-700	EA	LATCH-HORIZONTAL SLIDE-BLK	FH3000-CK
11	112795-01-701	EA	SLIDE-STOP	132-019092
	151069-01-703	EA	COVER - DRAIN SLOT - LH	130-030398 LEFT

WINDOW & VENTS GROUP (CONTINUED)
COMPONENT PARTS FOR WINDOW & VENT LAYOUT (CONTINUED)

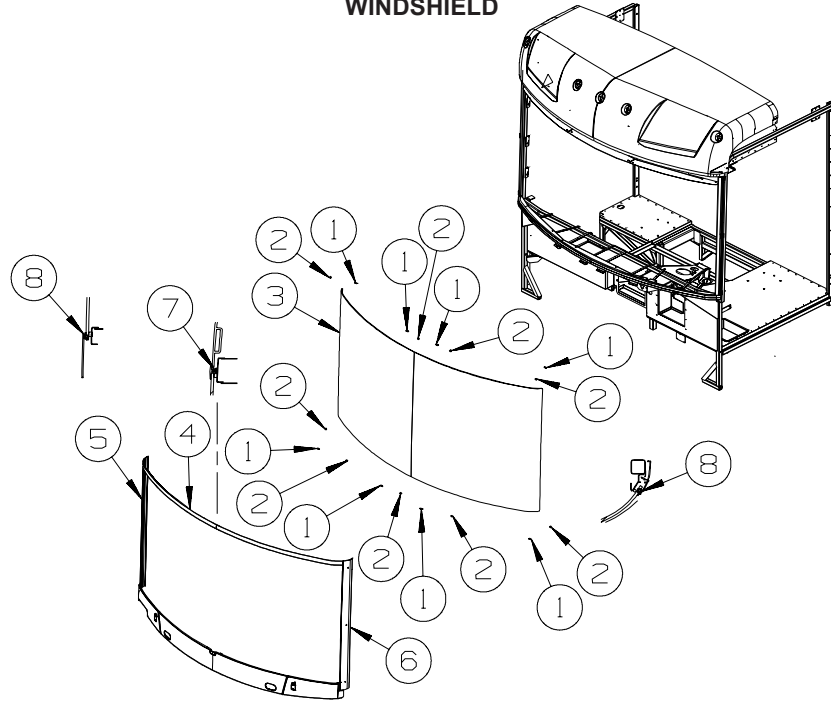


164973-17-01A

KEY	PART NUMBER	U/M	DESCRIPTION	VENDOR NO.
1	164973-17-701	EA	GLASS - STATIONARY	106038619
2	164973-17-702	EA	GLASS-SLIDING-W/LATCH/HANDLE	H755A9
3	098644-01-716	FT	PLUG - FILLER	132-014470
4	098644-01-705	FT	GLAZING - STRIP	132-010231
5	098644-01-708	FT	CHANNEL - RUN PIERCED	122-016543
6	113733-13-701	EA	RETAINER - TRIM	H754-66
7	098644-01-706	FT	WEATHERSTRIP-GLASS(FIN SEAL)	171-010668
8	112898-27-702	EA	SCREEN ASM W/SEALS & CLIPS	410-029193
9	098644-01-700	EA	LATCH - REPAIR KIT (BLACK)	B801-CK
	098644-01-710	FT	TRACK - SCREEN SPACER 12'	132-017135
	098644-01-711	FT	WEATHERSTRIP-SCRN(FUZZY)BLK	171-017245/016965
	098644-01-717	FT	SPLINE - SCREEN	132-004716
	112898-04-703	EA	VERTICAL LATCH/HOLD UP/OPEN	DH343-CK

WINDSHIELD & WIPER GROUP

WINDSHIELD



KEY	PART NUMBER	U/M	DESCRIPTION
1	002328-03-000	EA	BLOCK - WINDSHIELD - .125" X .5" X .98"
2	081914-02-000	EA	BUMPER - RUBBER - ROUND - 5/16" DIA. X 13/64" THICK
3	154704-01-000	EA	WINDSHIELD - SOLID/1 PIECE - 63"W X 49.4"H
4	120533-01-000	FT	MOLDING - REVEAL - WINDSHIELD
5	144054-03-02A	EA	TRIM - WINDSHIELD - A PILLAR - RIGHT HAND - BLACK
			FROM: 00-00-00 THRU: 03-31-08
5	163165-03-02A	EA	TRIM - WINDSHIELD - A PILLAR - RIGHT HAND - BLACK
			FROM: 04-01-08 THRU: 99-99-99
6	144054-04-02A	EA	TRIM - WINDSHIELD - A PILLAR - LEFT HAND - BLACK
			FROM: 00-00-00 THRU: 03-31-08
6	163165-04-02A	EA	TRIM - WINDSHIELD - A PILLAR - LEFT HAND - BLACK
			FROM: 04-01-08 THRU: 99-99-99
7	127862-01-000	EA	CARRIER/REVEAL - WINDSHIELD - 47.2"
8	158297-01-000	FT	SEAL - BULB - .5" X .7" - ADHESIVE BACK - BLACK

