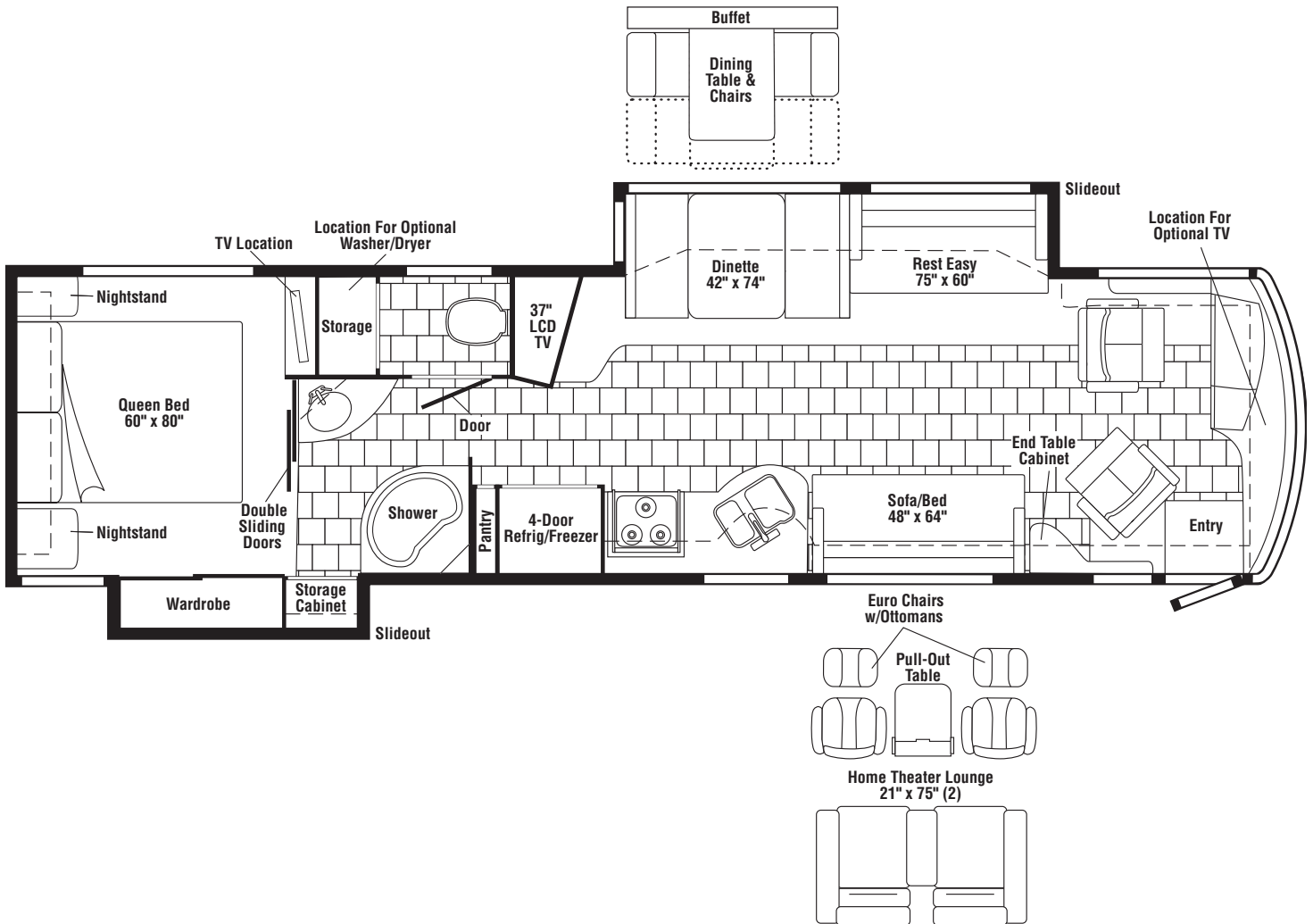


2009 JOURNEY WKP37H

CONCERT CHERRY
YA0 ROUNDABOUT
YA3 COPPERFIELD
YA6 COURTYARD
HONEY CHERRY
YA1 ROUNDABOUT
YA4 COPPERFIELD
YA7 COURTYARD
BELMONT MAPLE
YA2 ROUNDABOUT
YA5 COPPERFIELD
YA8 COURTYARD



FLOORPLAN

CONTENTS

FLOORPLAN	1
ACCESSORIES GROUP	6
OPERATORS MANUAL	6
AUDIO VIDEO GROUP	7
RADIO SYSTEM	7
CD CHANGER	7
REAR MONITOR	8
COMPONENT PARTS FOR REAR MONITOR	8
144677-10-02A, 144677-11-02A	8
CABINET & APPLIANCE GROUP	9
CABINET & APPLIANCE LAYOUT	9
COMPONENT PARTS FOR CABINET & APPLIANCE LAYOUT	31
119267-17-01A	31
125242-05-02A	31
135065-03-01A, 135065-03-03A, 135065-04-01A	41
CHASSIS GROUP	43
FRAME	43
FRONT END	46
EXHAUST	47
HITCH	47
REAR MUD GUARD	47
FUEL	48
HYDRAULIC LEVELING	49
COMPONENT PARTS FOR HYDRAULIC LEVELING	50
164877-02-000	50
165119-01-000	50
165119-02-000	50
165179-02-000	50
CURTAIN & CUSHION GROUP	51
CURTAIN, CUSHION LAYOUT	51
BUCKET SEATS	57
SOFA	58
COMPONENT PARTS FOR SOFA	66
136534-02-000, 136534-03-000, 136534-13-000, 136534-15-000	66
HARDWARE	67
FABRICS	69
DRIVERS COMPARTMENT GROUP	70
DASH	70
FRONT INTERIOR	71
COMPONENT PARTS FOR FRONT INTERIOR	80
091990-10-01A	80
147767-01-000, 147767-02-000	80

CONTENTS (CONTINUED)

ELECTRICAL GROUP	81
110V BODY WIRING	81
12V BODY WIRING	84
EXTERIOR LAMPS	94
FRONT END	96
SIDE TV/DVD	99
COMPONENT PARTS FOR WIRING	101
076319-23-000	101
076319-25-000	101
091206-04-000	101
108354-01-01A	101
123775-01-02A	101
133004-05-01A	102
137417-01-01A, 137417-03-01A	102
137417-02-01A	102
137417-06-01A	102
137424-08-000	103
151458-01-000	103
154474-04-02A	103
163031-01-01A	103
163097-01-000	103
163598-01-02A	103
164270-01-000	103
164495-01-000	103
166446-01-000	103
169151-01-000, 169151-02-000	103
CIRCUIT BREAKERS, FUSES & RELAYS	104
CONVERTER, INVERTER, LOAD CENTERS	105
BOXES & CORDS	106
WIRE ASSEMBLIES	106
CONNECTORS & CONDUIT	107
CHASSIS	109
EXTERIOR BODY GROUP	111
AIR HORN	111
GRAPHICS & PAINT	112
PANELS & TRIMS	114
COMPONENT PARTS FOR PANELS & TRIMS	117
142721-01-02A, 142721-02-02A	117
166256-01-01A	117
FRONT END	118
LADDER	118
STRUCTURAL COMPONENTS	119
AWNINGS	119
EXTERIOR DOORS & COMPARTMENTS GROUP	120
DOOR & COMPARTMENT LAYOUT	120
COMPONENT PARTS FOR DOOR & COMPARTMENT LAYOUT	126
094707-04-01A	126
COMPARTMENT DOOR PIECE PARTS	127
ENTRY	131
COMPONENT PARTS FOR ENTRY	132
162100-01-01A	132

CONTENTS (CONTINUED)

EXTERIOR SLIDEOUT GROUP	136
FRONT LEFT	136
COMPONENT PARTS FOR FRONT LEFT	138
153651-04-01A	138
161298-01-000	138
RIGHT REAR	139
COMPONENT PARTS FOR RIGHT REAR SLIDEOUT	141
162408-01-000	141
GENERATOR GROUP	142
DIESEL	142
HEATING & A/C GROUP	143
AUTOMOTIVE	143
COMPONENT PARTS FOR AUTOMOTIVE	145
072342-15-000	145
072342-17-000	145
072342-26-000	145
103930-51-000	146
103930-55-000	146
103930-61-000	147
FURNACE	148
COMPONENT PARTS FOR FURNACE	149
143563-02-000	149
CENTRAL	151
COMPONENT PARTS FOR CENTRAL	152
105620-19-000	152
INTERIOR FINISH GROUP	154
MOLDINGS & TRIMS	154
PANELING & LAMINATES	165
INTERIOR TRIM LAYOUT	166
COMPONENT PARTS FOR INTERIOR TRIM LAYOUT	169
166197-01-01A, 166197-02-01A	169
FLOOR COVERINGS	170
HARDWARE	171
LABELS GROUP	177
LP GROUP	182
LP SYSTEM	182
COMPONENT PARTS FOR LP SYSTEM	182
151784-03-000	182
SEALANTS & FASTENERS GROUP	183
SEALANTS & ADHESIVES	183
BOLTS, NUTS AND WASHERS	184
SCREWS	186
CLAMPS, CLIPS, GROMMETS, RIVETS & PLUGS	189
MISCELLANEOUS FASTENERS	190

CONTENTS (CONTINUED)

WATER & SEWAGE GROUP	191
DRAINAGE SYSTEM	191
COMPONENT PARTS FOR DRAINAGE SYSTEM	193
136143-01-000	193
144728-01-000	193
160815-01-01A	193
WATER SYSTEM	194
COMPONENT PARTS FOR WATER SYSTEM	200
103635-01-000	200
123744-03-01A	200
129390-03-02A	200
145541-01-000	200
152311-02-01A	201
155482-01-01A	201
WINDOW & VENTS GROUP	202
WINDOW & VENT LAYOUT	202
COMPONENT PARTS FOR WINDOW & VENT LAYOUT	203
122882-04-01A	203
122882-05-01A	203
123780-27-01A	204
150648-02-01A, 150648-03-01A/03A	205
150648-04-01A, 150648-05-01A	206
150648-27-01A, 150648-34-01A	206
150649-05-01A	207
150649-08-01A	207
164973-17-01A	208
WINDSHIELD & WIPER GROUP	209
WINDSHIELD	209
WIPER	210
COMPONENT PARTS FOR WIPER	210
149401-01-000,149401-02-000	210
157512-01-000	210
157531-01-000	210

ACCESSORIES GROUP
OPERATORS MANUAL

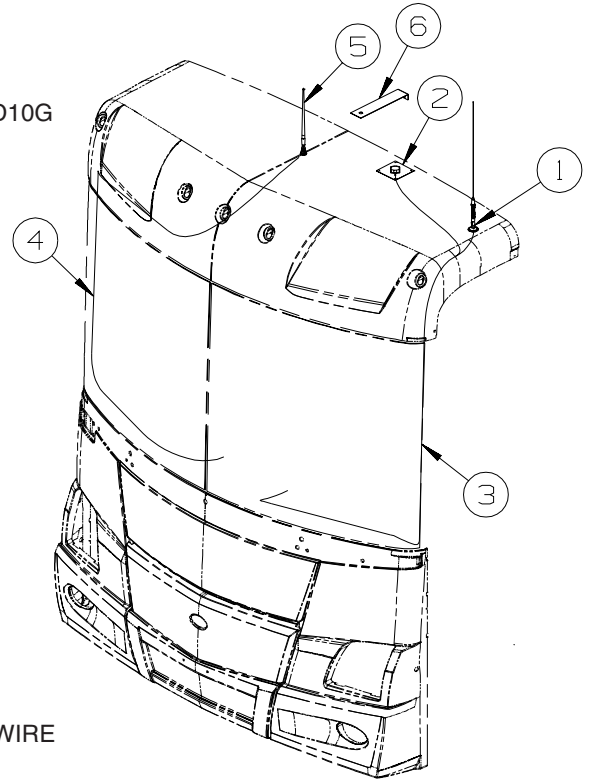
KEY	PART NUMBER	U/M	DESCRIPTION
	166542-01-000	DW	TOP LEVEL-P,2009
	159842-01-01A	EA	CASE - VINYL - F/MANUALS - W/SLEEVES - BLACK
	158603-09-011	EA	MANUAL/OWNER - SUPPLEMENT - P-SERIES - 2009
	161500-09-019	EA	MANUAL/OWNER - JOURNEY - P SERIES - 2009

AUDIO VIDEO GROUP RADIO SYSTEM

KEY	PART NUMBER	U/M	DESCRIPTION
	163142-09-000	EA	REMOTE CONTROL/RADIO (CREDIT CARD SIZE)
	163142-10-000	EA	REMOTE CONTROL/RADIO (STEERING WHEEL MOUNT) FROM: 00-00-00 THRU: 08-05-08
	163142-13-000	EA	REMOTE CONTROL/RADIO (VIP STEERING WHEEL MOUNT) FROM: 08-06-08 THRU: 99-99-99
	163142-08-000	EA	RADIO-AM/FM/CD/WB - SATELLITE READY - W/12 PIN AMP CNCTR FROM: 00-00-00 THRU: 06-26-08
	163142-15-000	EA	RADIO-AM/FM/CD/WB/G3 - SATELLITE READY -W/12 PIN AMP CNCTR FROM: 06-27-08 THRU: 99-99-99
	163142-11-000	EA	RECEIVER (EYE) - INFRARED
	163142-12-000	EA	CABLE/INTERFACE - I-POD

CD CHANGER

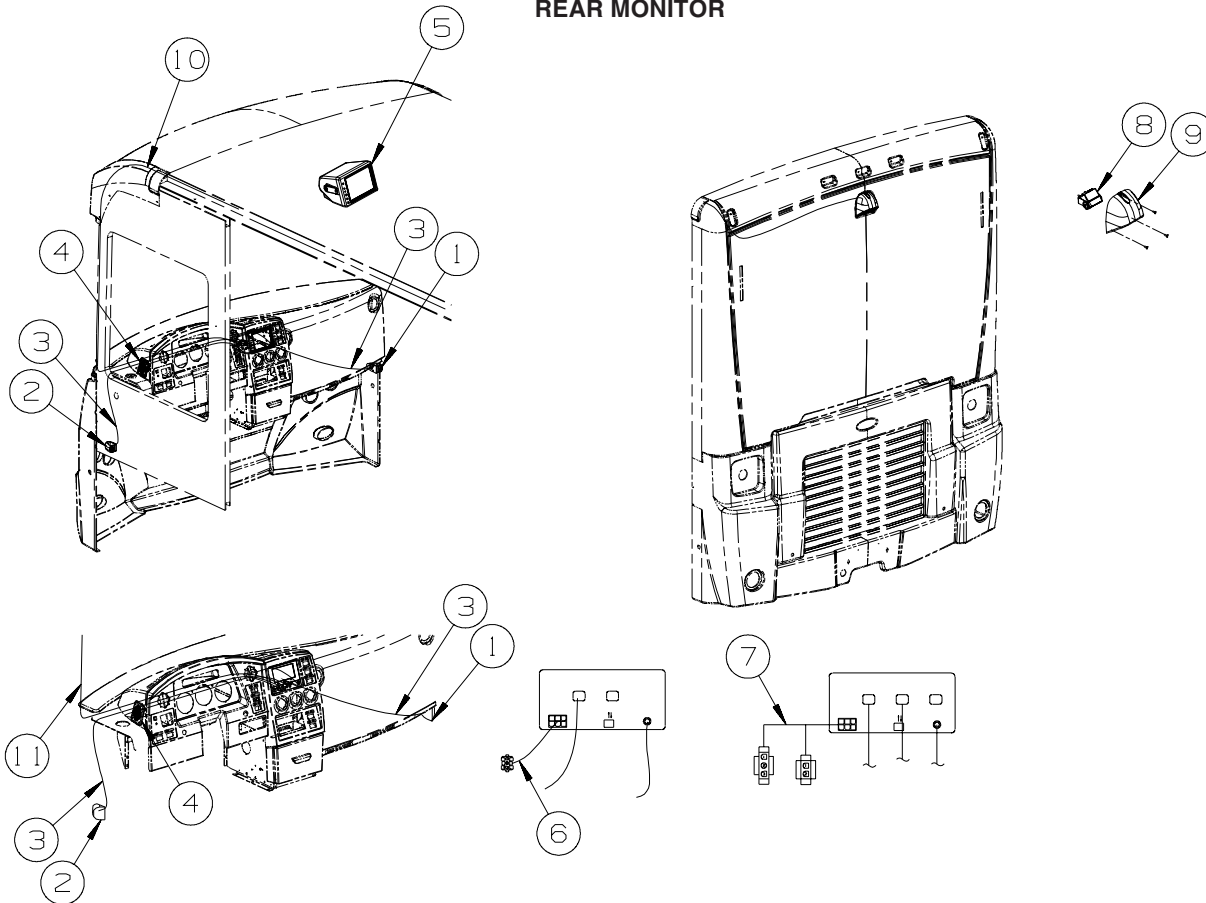
KEY	PART NUMBER	U/M	DESCRIPTION
	163141-01-000	EA	CHANGER - 10 DISC COMPACT - JENSEN MCD10G



KEY	PART NUMBER	U/M	DESCRIPTION
1	123256-01-000	EA	ANTENNA - CB - W/O CABLE - 40C
2	158494-01-000	EA	ANTENNA/SATELLITE - RADIO/SIRIUS
2	158494-02-000	EA	CABLE/ANTENNA - SATELLITE RADIO SIRIUS
3	123256-02-000	EA	CABLE - CB - COAX - 40C
4	090944-03-000	EA	CABLE - ANTENNA
5	090944-02-000	EA	ANTENNA - RADIO - 16" RUBBER - W/O LEAD WIRE
6	140600-06-01B	EA	BRACKET/ANTENNA MOUNT - MILL FINISH

AUDIO VIDEO GROUP (CONTINUED)

REAR MONITOR



KEY	PART NUMBER	U/M	DESCRIPTION
1*	144677-10-02A	EA	CAMERA - REAR VIEW - WALL MOUNT/RIGHT - PRIMED - 74C
1	156655-07-01A	EA	CAMERA - REAR VIEW/PASSENGER SIDE - BLACK - 74L
2*	144677-11-02A	EA	CAMERA - REAR VIEW - WALL MOUNT/LEFT - PRIMED - 74C
2	156655-08-01A	EA	CAMERA - REAR VIEW/DRIVER SIDE - BLACK - 74L
3	144677-12-000	EA	CABLE - MONITOR/CAMERA - 12' - 74C
3	156655-04-000	EA	CABLE-MONITOR/CAMERA-15'(SIDE CAM. TO VIDEO SWITCH) - 74L
4	098819-01-000	EA	SPEAKER - 4" - 2 WATT - 8 OHM
4	093214-01-01A	EA	GRILLE - SPEAKER - 4" - BLACK
5	144677-06-000	EA	MONITOR/BLACK & WHITE - 7"-3 PIN/MECH CONTROLS-RESIZED
5	144677-08-000	EA	MON./BLK & WHT-7"-W/O SIDE CAM./WIRE ASM/CABLE - 74C
6	144677-07-000	EA	WIRE - MONITOR - POWER - 3 PIN TO 6 PIN (3 WIRE)
7	144677-09-000	EA	WIRE - MONITOR - POWER - 3 PIN/2 PIN
8	144677-14-02A	EA	CAMERA - REAR VIEW W/BRACKET - BLACK - VBCS150B
8	160313-03-000	EA	CAMERA/REAR - COLOR - W/BRACKET - SONY VCB-RV2MH - 74L
9	137919-02-01A	EA	SHROUD - CAMERA/OUTER - BRIGHT WHITE
10	136514-02-000	EA	CABLE - MONITOR/CAMERA
11	143363-03-000	EA	CABLE - MONITOR/CAMERA - COLOR - SONY VCB-MHC20

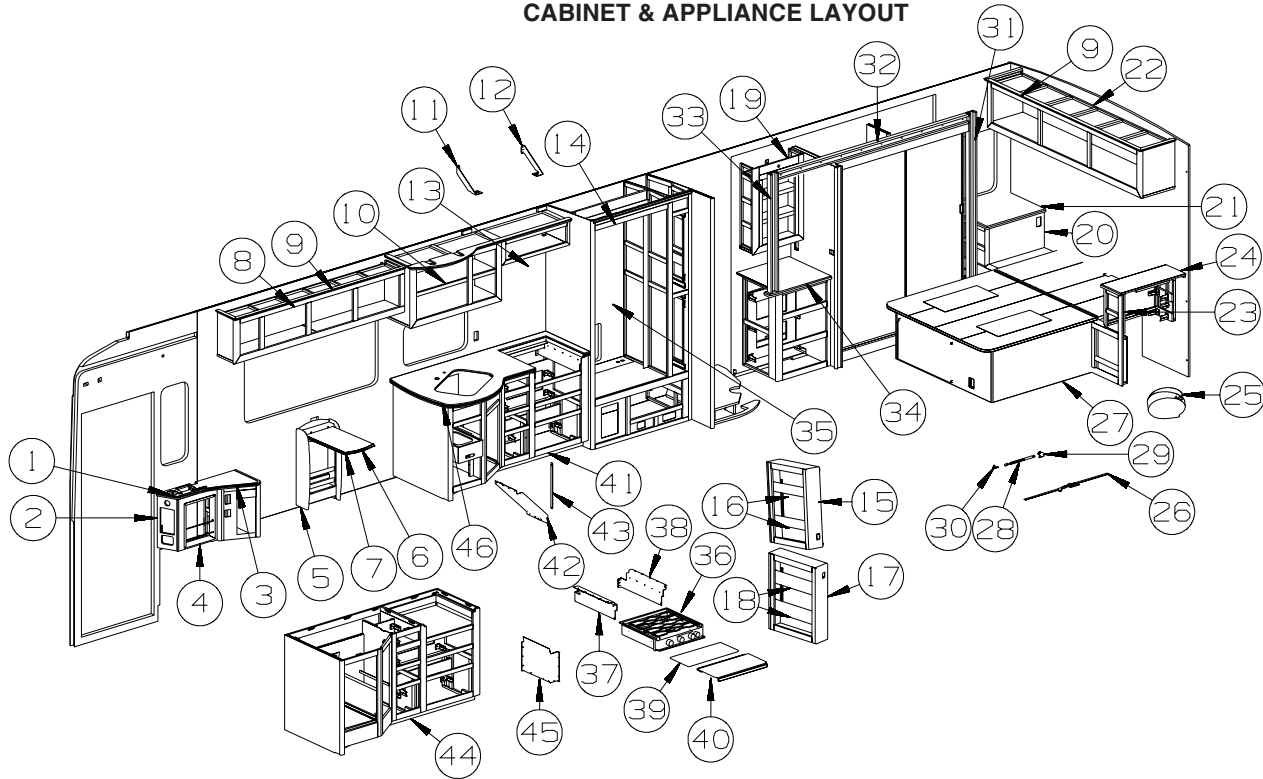
*COMPONENT PARTS LISTED LATER IN THIS GROUP

COMPONENT PARTS FOR REAR MONITOR

144677-10-02A, 144677-11-02A

KEY	PART NUMBER	U/M	DESCRIPTION	VENDOR NO.
	144677-10-701	EA	HOUSING/CAMERA-RT/LT-PRIMED	SIDHSGGTR

CABINET & APPLIANCE GROUP CABINET & APPLIANCE LAYOUT



02R

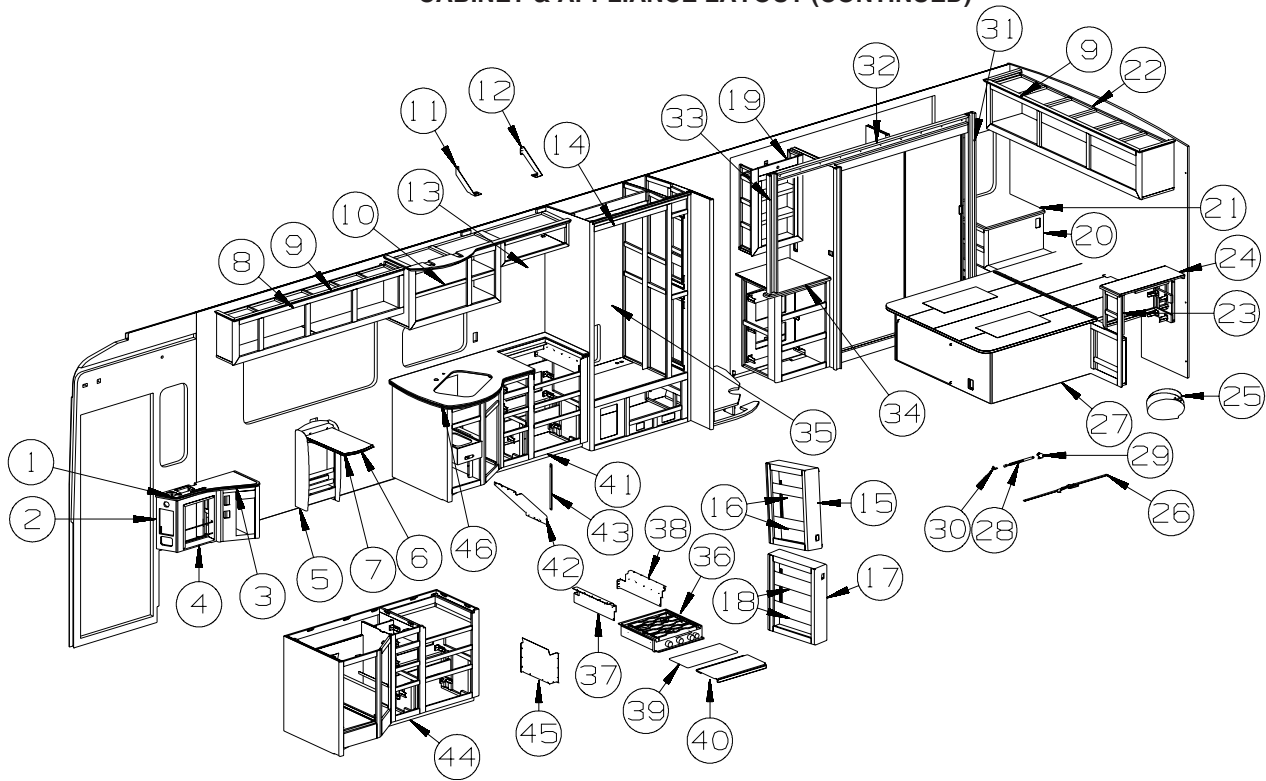
KEY	PART NUMBER	U/M	DESCRIPTION
1	164128-02-02A	EA	HOLDER/CUP - TWO STEP - BLACK
2	166258-02-YA0	EA	CABINET - END TABLE - W/O COUNTERTOPS/MAGAZINE RACK/HDW - CONCERT CHERRY
2	166258-02-YA1	EA	CABINET - END TABLE - W/O COUNTERTOPS/MAGAZINE RACK/HDW - HONEY CHERRY
2	166258-02-YA2	EA	CABINET - END TABLE - W/O COUNTERTOPS/MAGAZINE RACK/HDW - BELMONT MAPLE
3	149296-31-YA0	EA	COUNTERTOP - LAMINATED - CONCERT CHERRY
3	149296-31-WD3	EA	COUNTERTOP - LAMINATED - HONEY CHERRY
3	149296-31-YA2	EA	COUNTERTOP - LAMINATED - BELMONT MAPLE
4	137602-N1-YB0	EA	POCKET - MAGAZINE - CONCERT CHERRY
4	137602-N1-WD3	EA	POCKET - MAGAZINE - HONEY CHERRY
4	137602-N1-YB2	EA	POCKET - MAGAZINE - BELMONT MAPLE
5	149044-01-YB0	EA	CABINET - W/PULLOUT TABLE - CONCERT CHERRY - 14E
5	149044-01-YB1	EA	CABINET - W/PULLOUT TABLE - HONEY CHERRY - 14E
5	149044-01-YB2	EA	CABINET - W/PULLOUT TABLE - BELMONT MAPLE - 14E
6	156162-01-02A	EA	PULL-RECESSED 1 1/4X4,MAPLE
7	149044-21-S65	EA	TABLE - F/PULLOUT CABINET - CONCERT CHERRY
7	149044-21-WD3	EA	TABLE - F/PULLOUT CABINET - HONEY CHERRY
7	149044-21-YB2	EA	TABLE - F/PULLOUT CABINET - BELMONT MAPLE
8	168826-01-YA0	EA	CABINET - OVERHEAD/LOUNGE - W/O DOORS/HDW - CONCERT CHERRY
8	168826-01-YA1	EA	CABINET - OVERHEAD/LOUNGE - W/O DOORS/HDW - HONEY CHERRY
8	168826-01-YA2	EA	CABINET - OVERHEAD/LOUNGE - W/O DOORS/HDW - BELMONT MAPLE
9	Y00193-32-438	EA	MOLDING/TRIM - .75" X 1.6" X 96" - UNSTAINED CHERRY (YA0, YA1, YA3, YA4, YA6, YA7)
9	Y00193-22-438	EA	MOLDING/TRIM - .75" X 1.6" X 96" - UNSTAINED MAPLE (YA2, YA5, YA8)
10	168719-01-YA0	EA	CABINET - OVERHEAD/GALLEY - W/O DOORS/HDW - CONCERT CHERRY
10	168719-01-YA1	EA	CABINET - OVERHEAD/GALLEY - W/O DOORS/HDW - HONEY CHERRY
10	168719-01-YA2	EA	CABINET - OVERHEAD/GALLEY - W/O DOORS/HDW - BELMONT MAPLE
11	165388-02-02B	EA	BRACKET - MICROWAVE - E-COATED
12	165388-01-02B	EA	BRACKET - MICROWAVE - E-COATED
13*	119267-17-01A	EA	OVEN - MICROWAVE/CONVECTION W/HOOD US - #R-1880LS
14			REFRIGERATOR CABINET SEALS
	090329-01-000	FT	SEAL - "T" - REFRIGERATOR CABINET
	100128-02-000	FT	SEAL - FOAM/ADHESIVE BACK - .37" WIDE X .37" THICK X 60'
	154585-02-01A	FT	SEAL - FOAM TAPE - ADHESIVE BACK - 3/4" X 1/2" - BLACK
15	153343-01-SD1	EA	CABINET - PANTRY/SLIDE - W/O DOORS/DRAWERS/HDW - CONCERT CHERRY
15	153343-01-SD3	EA	CABINET - PANTRY/SLIDE - W/O DOORS/DRAWERS/HDW - HONEY CHERRY
15	153343-01-YG3	EA	CABINET - PANTRY/SLIDE - W/O DOORS/DRAWERS/HDW - BELMONT MAPLE

CABINET & APPLIANCE GROUP (CONTINUED)

CABINET & APPLIANCE LAYOUT (CONTINUED)

KEY	PART NUMBER	U/M	DESCRIPTION
16	153343-21-SD1	EA	SHELF - W/WOOD MOLDING - CONCERT CHERRY
16	153343-21-SD3	EA	SHELF - W/WOOD MOLDING - HONEY CHERRY
16	153343-21-Y93	EA	SHELF - W/WOOD MOLDING - BELMONT MAPLE
17	153343-03-SD1	EA	CABINET - PANTRY/SLIDE - W/O DOORS/DRAWERS/HDW - CONCERT CHERRY
17	153343-03-SD3	EA	CABINET - PANTRY/SLIDE - W/O DOORS/DRAWERS/HDW - HONEY CHERRY
17	153343-03-YG3	EA	CABINET - PANTRY/SLIDE - W/O DOORS/DRAWERS/HDW - BELMONT MAPLE
18	153343-27-SD1	EA	SHELF - W/WOOD MOLDING - CONCERT CHERRY
18	153343-27-SD3	EA	SHELF - W/WOOD MOLDING - HONEY CHERRY
18	153343-27-Y93	EA	SHELF - W/WOOD MOLDING - BELMONT MAPLE
19	163024-01-YN1	EA	CABINET - OVERHEAD/MEDICINE - W/O DOORS/HDW - CONCERT CHERRY
19	163024-01-W66	EA	CABINET - OVERHEAD/MEDICINE - W/O DOORS/HDW - HONEY CHERRY
19	163024-01-YN2	EA	CABINET - OVERHEAD/MEDICINE - W/O DOORS/HDW - BELMONT MAPLE
20	168139-01-YN1	EA	CABINET - NIGHTSTAND/RH - W/O COUNTERTOP/DOORS/DRAWERS/HDW - CONCERT CHERRY
20	168139-01-Y65	EA	CABINET - NIGHTSTAND/RH - W/O COUNTERTOP/DOORS/DRAWERS/HDW - HONEY CHERRY
20	168139-01-YN2	EA	CABINET - NIGHTSTAND/RH - W/O COUNTERTOP/DOORS/DRAWERS/HDW - BELMONT MAPLE
21	145182-56-YN1	EA	COUNTERTOP - LAMINATED - CONCERT CHERRY
21	145182-56-YN2	EA	COUNTERTOP - LAMINATED - HONEY CHERRY
21	145182-56-WF3	EA	COUNTERTOP - LAMINATED - BELMONT MAPLE
22	167688-03-YA0	EA	CABINET - OVERHEAD/REAR - W/O DOORS/HDW - CONCERT CHERRY
22	167688-03-YA1	EA	CABINET - OVERHEAD/REAR - W/O DOORS/HDW - HONEY CHERRY
22	167688-03-YA2	EA	CABINET - OVERHEAD/REAR - W/O DOORS/HDW - BELMONT MAPLE
22	167688-04-YA0	EA	CABINET - OVERHEAD/REAR - W/O DOORS/HDW - CONCERT CHERRY - 25D
22	167688-04-YA1	EA	CABINET - OVERHEAD/REAR - W/O DOORS/HDW - HONEY CHERRY - 25D
22	167688-04-YA2	EA	CABINET - OVERHEAD/REAR - W/O DOORS/HDW - BELMONT MAPLE - 25D
23	168138-01-YN1	EA	CABINET - NIGHTSTAND/LH - W/O COUNTERTOP/DOORS/DRAWERS/HDW - CONCERT CHERRY
23	168138-01-Y65	EA	CABINET - NIGHTSTAND/LH - W/O COUNTERTOP/DOORS/DRAWERS/HDW - HONEY CHERRY
23	168138-01-YN2	EA	CABINET - NIGHTSTAND/LH - W/O COUNTERTOP/DOORS/DRAWERS/HDW - BELMONT MAPLE
24	145182-57-YN1	EA	COUNTERTOP - LAMINATED - CONCERT CHERRY
24	145182-57-YN2	EA	COUNTERTOP - LAMINATED - HONEY CHERRY
24	145182-57-WF3	EA	COUNTERTOP - LAMINATED - BELMONT MAPLE
25	142411-03-000	EA	AIR PUMP W/CONTROLS - F/SELECT COMFORT MATTRESS
			FROM: 00-00-00 THRU: 03-08-09
25	142411-13-000	EA	AIR PUMP - W/REMOTE - F/PREMIER SELECT COMFORT MATTRESS
			FROM: 03-09-09 THRU: 99-99-99
26	099717-05-000	EA	STRAP - W/16.5" FEMALE STRAP AND 17.7" MALE STRAP
27	137406-10-W66	EA	BEDBOARD - W/HINGE/T-MOLDING - FLIP-UP
28	142569-15-000	EA	SPRING/GAS - 120 LB - 20" EXTENDED/12" COMPRESSED
29	126263-06-02B	EA	BRACKET - GAS SPRING W/BALL STUD - E-COATED
30	126263-08-02B	EA	BRACKET - GAS SPRING W/CENTERED BALL STUD - E-COATED
31	168700-19-YN1	EA	TRIM/MOLDING - CABINET/WARDROBE - CONCERT CHERRY
31	168700-19-Y65	EA	TRIM/MOLDING - CABINET/WARDROBE - HONEY CHERRY
31	168700-19-YN2	EA	TRIM/MOLDING - CABINET/WARDROBE - BELMONT MAPLE
32	168700-21-YN1	EA	TRIM/HEADER - CABINET/WARDROBE - CONCERT CHERRY
32	168700-21-Y65	EA	TRIM/HEADER - CABINET/WARDROBE - HONEY CHERRY
32	168700-21-YN2	EA	TRIM/HEADER - CABINET/WARDROBE - BELMONT MAPLE
33	168700-35-YN1	EA	TRIM/MOLDING - CABINET/WARDROBE - CONCERT CHERRY
33	168700-35-Y65	EA	TRIM/MOLDING - CABINET/WARDROBE - HONEY CHERRY
33	168700-35-YN2	EA	TRIM/MOLDING - CABINET/WARDROBE - BELMONT MAPLE
34	145182-58-YN1	EA	COUNTERTOP - LAMINATED - CONCERT CHERRY
34	145182-58-YN2	EA	COUNTERTOP - LAMINATED - HONEY CHERRY
34	145182-58-WF3	EA	COUNTERTOP - LAMINATED - BELMONT MAPLE
35*	125242-05-02A	EA	REFRIGERATOR - 4 DOOR - W/ICE MAKER - TITANIUM SST
	054450-01-000	EA	LEVEL - REFRIGERATOR
	118871-02-01A	EA	TRAY - REFRIGERATOR - SIDE/SIDE - BLACK - 34.4" LONG
36*	135065-03-03A	EA	RANGE-3 BURNER (SEALED)-W/O OVEN-NEW STYLE KNOBS-STAINLESS
36*	135065-04-01A	EA	RANGE - 3 BURNER (SEALED) - W/O OVEN - CSA - BLACK TOP - CANADIAN
37	106936-79-02B	EA	BRACKET - TIEDOWN - RANGE/FRONT - E-COATED
38	106936-80-02B	EA	BRACKET - TIEDOWN - RANGE/FRONT - E-COATED
39	161674-09-WD7	EA	COVER - STOVE TOP - CORIAN (YA0, YA1, YA2, YA6, YA7, YA8)
			FROM: 00-00-00 THRU: 07-27-08
39	161674-13-YS3	EA	COVER - STOVE TOP - CORIAN (YA0, YA1, YA2, YA6, YA7, YA8)
			FROM: 07-28-08 THRU: 99-99-99
39	161674-09-WE3	EA	COVER - STOVE TOP - CORIAN (YA3, YA4, YA5)
			FROM: 00-00-00 THRU: 07-27-08

CABINET & APPLIANCE GROUP (CONTINUED)
CABINET & APPLIANCE LAYOUT (CONTINUED)

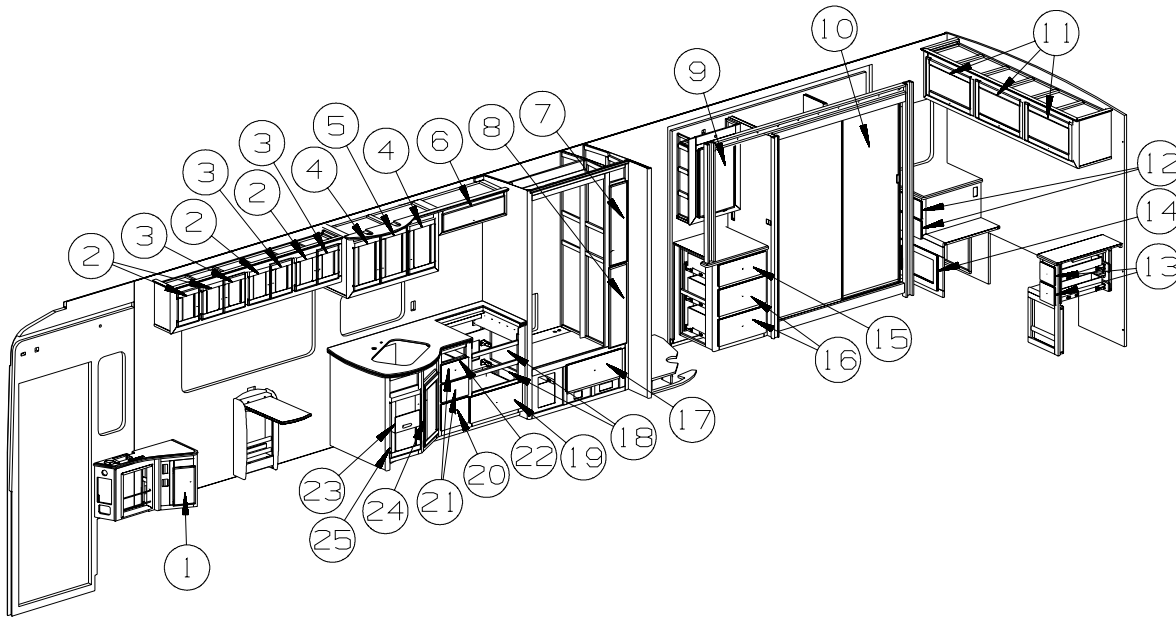


02R

KEY	PART NUMBER	U/M	DESCRIPTION
39	161674-13-YP6	EA	COVER - STOVE TOP - CORIAN (YA3, YA4, YA5) FROM: 07-28-08 THRU: 99-99-99
40	161674-10-WA4	EA	COVER - STOVE TOP - CORIAN (YA0, YA1, YA2, YA6, YA7, YA8) FROM: 00-00-00 THRU: 07-27-08
40	161674-11-YS3	EA	COVER - STOVE TOP - CORIAN (YA0, YA1, YA2, YA6, YA7, YA8) FROM: 07-28-08 THRU: 99-99-99
40	161674-10-WB0	EA	COVER - STOVE TOP - CORIAN (YA3, YA4, YA5) FROM: 00-00-00 THRU: 07-27-08
40	161674-11-YP6	EA	COVER - STOVE TOP - CORIAN (YA3, YA4, YA5) FROM: 07-28-08 THRU: 99-99-99
41	P68674-01-YA0	EA	CABINET - GALLEY - W/O COUNTERTOP/DOORS/DRAWERS/HDW - CONCERT CHERRY
41	P68674-01-YA1	EA	CABINET - GALLEY - W/O COUNTERTOP/DOORS/DRAWERS/HDW - HONEY CHERRY
41	P68674-01-YA2	EA	CABINET - GALLEY - W/O COUNTERTOP/DOORS/DRAWERS/HDW - BELMONT MAPLE
42	166512-01-02B	EA	GUIDE - WATER LINE - E-COATED
43	057534-08-000	EA	TIEBACK - CLEAR PLASTIC - 17"
44	P69515-01-YA0	EA	CABINET - GALLEY - W/O COUNTERTOP/DOORS/DRAWERS/HDW - CONCERT CHERRY - 1D3
44	P69515-01-YA1	EA	CABINET - GALLEY - W/O COUNTERTOP/DOORS/DRAWERS/HDW - HONEY CHERRY - 1D3
44	P69515-01-YA2	EA	CABINET - GALLEY - W/O COUNTERTOP/DOORS/DRAWERS/HDW - BELMONT MAPLE - 1D3
45	166512-03-02B	EA	GUIDE - WATER LINE - E-COATED - 1D3 FROM: 00-00-00 THRU: 07-13-08
45	169302-02-12B	EA	GUIDE - WATER LINE - E-COATED - 1D3 FROM: 07-14-08 THRU: 99-99-99
46	165068-01-WD7	EA	COUNTERTOP - GALLEY (YA0, YA1, YA2, YA6, YA7, YA8) FROM: 00-00-00 THRU: 07-27-08
46	165068-03-YA0	EA	COUNTERTOP - GALLEY (YA0, YA1, YA2, YA6, YA7, YA8) FROM: 07-28-08 THRU: 99-99-99
46	165068-01-WE3	EA	COUNTERTOP - GALLEY (YA3, YA4, YA5) FROM: 00-00-00 THRU: 07-27-08
46	165068-03-YA3	EA	COUNTERTOP - GALLEY (YA3, YA4, YA5) FROM: 07-28-08 THRU: 99-99-99

***COMPONENT PARTS LISTED LATER IN THIS GROUP**

CABINET & APPLIANCE GROUP (CONTINUED)
CABINET & APPLIANCE LAYOUT (CONTINUED)



02R

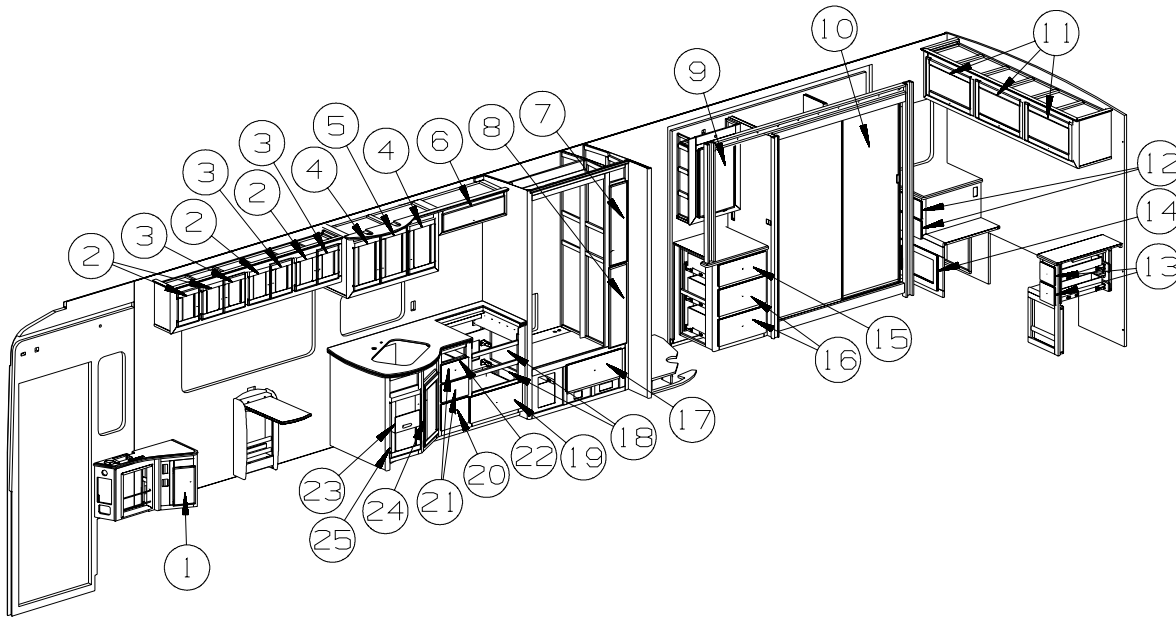
KEY	PART NUMBER	U/M	DESCRIPTION
1	161081-52-YA0	EA	FACE ASM-DRAWER - CONCERT CHERRY
1	161081-52-YA1	EA	FACE ASM-DRAWER - HONEY CHERRY
1	161081-52-YA2	EA	FACE ASM-DRAWER - BELMONT MAPLE
2	167633-15-YB0	EA	DOOR - RAISED/DBL FLUTED - 9.8" X 13" - W/O HDW - CONCERT CHERRY FROM: 00-00-00 THRU: 09-28-08
2	167633-13-YB0	EA	DOOR - RAISED/DBL FLUTED - 9.8" X 13" - W/O HDW - CONCERT CHERRY FROM: 09-29-08 THRU: 99-99-99
2	167633-15-YB1	EA	DOOR - RAISED/DBL FLUTED - 9.8" X 13" - W/O HDW - HONEY CHERRY FROM: 00-00-00 THRU: 09-28-08
2	167633-13-YB1	EA	DOOR - RAISED/DBL FLUTED - 9.8" X 13" - W/O HDW - HONEY CHERRY FROM: 09-29-08 THRU: 99-99-99
2	167633-15-YB2	EA	DOOR - RAISED/DBL FLUTED - 9.8" X 13" - W/O HDW - BELMONT MAPLE FROM: 00-00-00 THRU: 09-28-08
2	167633-13-YB2	EA	DOOR - RAISED/DBL FLUTED - 9.8" X 13" - W/O HDW - BELMONT MAPLE FROM: 09-29-08 THRU: 99-99-99
3	167633-14-YB0	EA	DOOR - RAISED/DBL FLUTED - 9.8" X 13" - W/O HDW - CONCERT CHERRY FROM: 00-00-00 THRU: 09-28-08
3	167633-13-YB0	EA	DOOR - RAISED/DBL FLUTED - 9.8" X 13" - W/O HDW - CONCERT CHERRY FROM: 09-29-08 THRU: 99-99-99
3	167633-14-YB1	EA	DOOR - RAISED/DBL FLUTED - 9.8" X 13" - W/O HDW - HONEY CHERRY FROM: 00-00-00 THRU: 09-28-08
3	167633-13-YB1	EA	DOOR - RAISED/DBL FLUTED - 9.8" X 13" - W/O HDW - HONEY CHERRY FROM: 09-29-08 THRU: 99-99-99
3	167633-14-YB2	EA	DOOR - RAISED/DBL FLUTED - 9.8" X 13" - W/O HDW - BELMONT MAPLE FROM: 00-00-00 THRU: 09-28-08
3	167633-13-YB2	EA	DOOR - RAISED/DBL FLUTED - 9.8" X 13" - W/O HDW - BELMONT MAPLE FROM: 09-29-08 THRU: 99-99-99
4	167633-66-YA0	EA	DOOR - RAISED/DBL FLUTED - 12" X 18.7" - W/O HDW - CONCERT CHERRY
4	167633-66-YA1	EA	DOOR - RAISED/DBL FLUTED - 12" X 18.7" - W/O HDW - HONEY CHERRY
4	167633-66-YA2	EA	DOOR - RAISED/DBL FLUTED - 12" X 18.7" - W/O HDW - BELMONT MAPLE
5	167633-65-YA0	EA	DOOR - RAISED/DBL FLUTED - 12" X 18.7" - W/O HDW - CONCERT CHERRY
5	167633-65-YA1	EA	DOOR - RAISED/DBL FLUTED - 12" X 18.7" - W/O HDW - HONEY CHERRY
5	167633-65-YA2	EA	DOOR - RAISED/DBL FLUTED - 12" X 18.7" - W/O HDW - BELMONT MAPLE
6	161081-51-YA0	EA	FACE ASM-DRAWER - CONCERT CHERRY
6	161081-51-YA1	EA	FACE ASM-DRAWER - HONEY CHERRY
6	161081-51-YA2	EA	FACE ASM-DRAWER - BELMONT MAPLE
7	161081-03-YB0	EA	FACE/DRAWER/DOOR - SOLID PANEL - 7.9" X 30.3" - W/O HDW - CONCERT CHERRY
7	161081-03-YB1	EA	FACE/DRAWER/DOOR - SOLID PANEL - 7.9" X 30.3" - W/O HDW - HONEY CHERRY
7	161081-03-YB2	EA	FACE/DRAWER/DOOR - SOLID PANEL - 7.9" X 30.3" - W/O HDW - BELMONT MAPLE
8	161081-04-YB0	EA	FACE/DRAWER/DOOR - SOLID PANEL - 7.9" X 30.3" - W/O HDW - CONCERT CHERRY
8	161081-04-YB1	EA	FACE/DRAWER/DOOR - SOLID PANEL - 7.9" X 30.3" - W/O HDW - HONEY CHERRY
8	161081-04-YB2	EA	FACE/DRAWER/DOOR - SOLID PANEL - 7.9" X 30.3" - W/O HDW - BELMONT MAPLE

CABINET & APPLIANCE GROUP (CONTINUED)

CABINET & APPLIANCE LAYOUT (CONTINUED)

KEY	PART NUMBER	U/M	DESCRIPTION
9	145576-C3-YN1	EA	DOOR - MIRRORED - 16" X 25.9" - W/O HARDWARE - CONCERT CHERRY
9	145576-C3-Y65	EA	DOOR - MIRRORED - 16" X 25.9" - W/O HARDWARE - HONEY CHERRY
9	145576-C3-YN2	EA	DOOR - MIRRORED - 16" X 25.9" - W/O HARDWARE - BELMONT MAPLE
	093606-36-000	EA	MIRROR - BEVELED EDGE - 16" X 26"
	076767-04-000	EA	CABLE - STAINLESS STEEL - 5.9"
10			SEE BREAKDOWN OF MIRRORED WARDROBE DOORS ON FOLLOWING PAGES
11	167633-A9-YA0	EA	DOOR - RAISED/DBL FLUTED - 14.3" X 26.7" - W/O HDW - CONCERT CHERRY
11	167633-A9-YA1	EA	DOOR - RAISED/DBL FLUTED - 14.3" X 26.7" - W/O HDW - HONEY CHERRY
11	167633-A9-YA2	EA	DOOR - RAISED/DBL FLUTED - 14.3" X 26.7" - W/O HDW - BELMONT MAPLE
12	167686-29-YA0	EA	DRAWER - DBL FLUTED - 10.8"W X 19.7"D - W/O SLIDES/HDW - CONCERT CHERRY
12	167686-29-YA1	EA	DRAWER - DBL FLUTED - 10.8"W X 19.7"D - W/O SLIDES/HDW - HONEY CHERRY
12	167686-29-YA2	EA	DRAWER - DBL FLUTED - 10.8"W X 19.7"D - W/O SLIDES/HDW - BELMONT MAPLE
13	167686-30-YA0	EA	DRAWER - DBL FLUTED - 5.7"W X 19.7"D - W/O SLIDES/HDW - CONCERT CHERRY
13	167686-30-YA1	EA	DRAWER - DBL FLUTED - 5.7"W X 19.7"D - W/O SLIDES/HDW - HONEY CHERRY
13	167686-30-YA2	EA	DRAWER - DBL FLUTED - 5.7"W X 19.7"D - W/O SLIDES/HDW - BELMONT MAPLE
14	162693-01-YN1	EA	DOOR/PANEL - RETURN AIR - W/GRILLE - CONCERT CHERRY
14	162693-01-W64	EA	DOOR/PANEL - RETURN AIR - W/GRILLE - HONEY CHERRY
14	162693-01-YN2	EA	DOOR/PANEL - RETURN AIR - W/GRILLE - BELMONT MAPLE
	140594-03-01A	EA	GRILL - RETURN AIR - 19.7" X 11.8" - BLACK
15	167686-27-YA0	EA	DRAWER - DBL FLUTED - 19"W X 17.7"D - W/O SLIDES/HDW - CONCERT CHERRY
15	167686-27-YA1	EA	DRAWER - DBL FLUTED - 19"W X 17.7"D - W/O SLIDES/HDW - HONEY CHERRY
15	167686-27-YA2	EA	DRAWER - DBL FLUTED - 19"W X 17.7"D - W/O SLIDES/HDW - BELMONT MAPLE
16	167686-28-YA0	EA	DRAWER - DBL FLUTED - 19"W X 17.7"D - W/O SLIDES/HDW - CONCERT CHERRY
16	167686-28-YA1	EA	DRAWER - DBL FLUTED - 19"W X 17.7"D - W/O SLIDES/HDW - HONEY CHERRY
16	167686-28-YA2	EA	DRAWER - DBL FLUTED - 19"W X 17.7"D - W/O SLIDES/HDW - BELMONT MAPLE
17	167686-26-YA0	EA	DRAWER - DBL FLUTED - 22.6"W X 19.7"D - W/O SLIDES/HDW - CONCERT CHERRY
17	167686-26-YA1	EA	DRAWER - DBL FLUTED - 22.6"W X 19.7"D - W/O SLIDES/HDW - HONEY CHERRY
17	167686-26-YA2	EA	DRAWER - DBL FLUTED - 22.6"W X 19.7"D - W/O SLIDES/HDW - BELMONT MAPLE
18	167686-21-YA0	EA	DRAWER - DBL FLUTED - 19.8"W X 17.7"D - W/O SLIDES/HDW - CONCERT CHERRY
18	167686-21-YA1	EA	DRAWER - DBL FLUTED - 19.8"W X 17.7"D - W/O SLIDES/HDW - HONEY CHERRY
18	167686-21-YA2	EA	DRAWER - DBL FLUTED - 19.8"W X 17.7"D - W/O SLIDES/HDW - BELMONT MAPLE
19	167686-22-YA0	EA	DRAWER - DBL FLUTED - 19.8"W X 13.8"D - W/O SLIDES/HDW - CONCERT CHERRY
19	167686-22-YA1	EA	DRAWER - DBL FLUTED - 19.8"W X 13.8"D - W/O SLIDES/HDW - HONEY CHERRY
19	167686-22-YA2	EA	DRAWER - DBL FLUTED - 19.8"W X 13.8"D - W/O SLIDES/HDW - BELMONT MAPLE
20	167686-25-YA0	EA	DRAWER - DBL FLUTED - 10"W X 17.7"D - W/O SLIDES/HDW - CONCERT CHERRY
20	167686-25-YA1	EA	DRAWER - DBL FLUTED - 10"W X 17.7"D - W/O SLIDES/HDW - HONEY CHERRY
20	167686-25-YA2	EA	DRAWER - DBL FLUTED - 10"W X 17.7"D - W/O SLIDES/HDW - BELMONT MAPLE
20	167686-39-YA0	EA	DRAWER - DBL FLUTED - 10"W X 13.8"D - W/O SLIDES/HDW - CONCERT CHERRY - 1D3
20	167686-39-YA1	EA	DRAWER - DBL FLUTED - 10"W X 13.8"D - W/O SLIDES/HDW - HONEY CHERRY - 1D3
20	167686-39-YA2	EA	DRAWER - DBL FLUTED - 10"W X 13.8"D - W/O SLIDES/HDW - BELMONT MAPLE - 1D3
21	167686-24-YA0	EA	DRAWER - DBL FLUTED - 10"W X 17.7"D - W/O SLIDES/HDW - CONCERT CHERRY
21	167686-24-YA1	EA	DRAWER - DBL FLUTED - 10"W X 17.7"D - W/O SLIDES/HDW - HONEY CHERRY
21	167686-24-YA2	EA	DRAWER - DBL FLUTED - 10"W X 17.7"D - W/O SLIDES/HDW - BELMONT MAPLE
21	167686-38-YA0	EA	DRAWER - DBL FLUTED - 10"W X 13.8"D - W/O SLIDES/HDW - CONCERT CHERRY - 1D3
21	167686-38-YA1	EA	DRAWER - DBL FLUTED - 10"W X 13.8"D - W/O SLIDES/HDW - HONEY CHERRY - 1D3
21	167686-38-YA2	EA	DRAWER - DBL FLUTED - 10"W X 13.8"D - W/O SLIDES/HDW - BELMONT MAPLE - 1D3
22	167686-23-YA0	EA	DRAWER - DBL FLUTED - 10"W X 17.7"D - W/O SLIDES/HDW - CONCERT CHERRY
22	167686-23-YA1	EA	DRAWER - DBL FLUTED - 10"W X 17.7"D - W/O SLIDES/HDW - HONEY CHERRY
22	167686-23-YA2	EA	DRAWER - DBL FLUTED - 10"W X 17.7"D - W/O SLIDES/HDW - BELMONT MAPLE
22	167686-37-YA0	EA	DRAWER - DBL FLUTED - 10"W X 13.8"D - W/O SLIDES/HDW - CONCERT CHERRY - 1D3
22	167686-37-YA1	EA	DRAWER - DBL FLUTED - 10"W X 13.8"D - W/O SLIDES/HDW - HONEY CHERRY - 1D3
22	167686-37-YA2	EA	DRAWER - DBL FLUTED - 10"W X 13.8"D - W/O SLIDES/HDW - BELMONT MAPLE - 1D3
23	164958-01-YA0	EA	DRAWER - RECYCLE - 10.9"W X 30"D - W/O SLIDES/HDW - CONCERT CHERRY
23	164958-01-WD3	EA	DRAWER - RECYCLE - 10.9"W X 30"D - W/O SLIDES/HDW - HONEY CHERRY
23	164958-01-YA2	EA	DRAWER - RECYCLE - 10.9"W X 30"D - W/O SLIDES/HDW - BELMONT MAPLE
23	169593-01-YA0	EA	DRAWER - RECYCLE - 13.6"W X 21.6"D - W/O SLIDES/HDW - CONCERT CHERRY - 1D3
23	169593-01-YA1	EA	DRAWER - RECYCLE - 13.6"W X 21.6"D - W/O SLIDES/HDW - HONEY CHERRY - 1D3
23	169593-01-YA2	EA	DRAWER - RECYCLE - 13.6"W X 21.6"D - W/O SLIDES/HDW - BELMONT MAPLE - 1D3
24	167633-99-YA0	EA	DOOR - RAISED/DBL FLUTED - 13.8" X 23.2" - W/O HDW - CONCERT CHERRY
24	167633-99-YA1	EA	DOOR - RAISED/DBL FLUTED - 13.8" X 23.2" - W/O HDW - HONEY CHERRY
24	167633-99-YA2	EA	DOOR - RAISED/DBL FLUTED - 13.8" X 23.2" - W/O HDW - BELMONT MAPLE
24	167633-E8-YA0	EA	DOOR - RAISED/DBL FLUTED - 15.7" X 27.9" - W/O HDW - CONCERT CHERRY - 1D3
24	167633-E8-YA1	EA	DOOR - RAISED/DBL FLUTED - 15.7" X 27.9" - W/O HDW - HONEY CHERRY - 1D3
24	167633-E8-YA2	EA	DOOR - RAISED/DBL FLUTED - 15.7" X 27.9" - W/O HDW - BELMONT MAPLE - 1D3

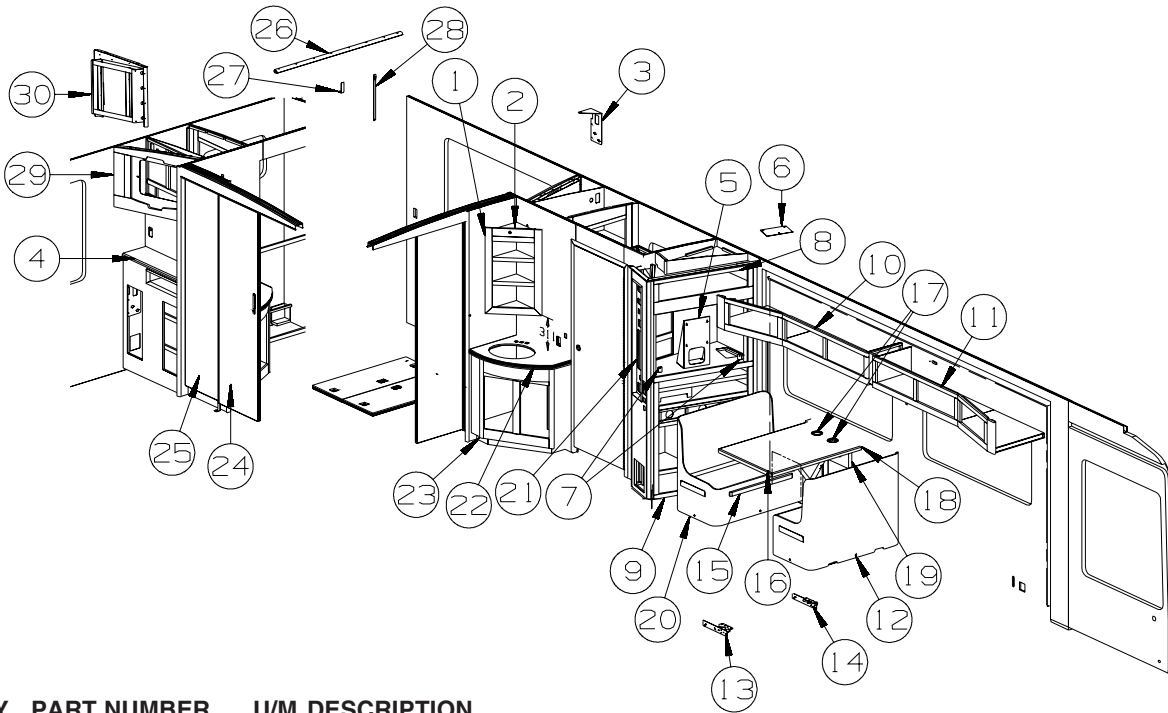
CABINET & APPLIANCE GROUP (CONTINUED)
CABINET & APPLIANCE LAYOUT (CONTINUED)



02R

KEY	PART NUMBER	U/M	DESCRIPTION
25	167633-98-YA0	EA	DOOR - RAISED/DBL FLUTED - 13.8" X 23.2" - W/O HDW - CONCERT CHERRY
25	167633-98-YA1	EA	DOOR - RAISED/DBL FLUTED - 13.8" X 23.2" - W/O HDW - HONEY CHERRY
25	167633-98-YA2	EA	DOOR - RAISED/DBL FLUTED - 13.8" X 23.2" - W/O HDW - BELMONT MAPLE
25	167646-11-YA0	EA	DOOR - RAISED/DBL FLUTED - 12.2" X 27.9" - W/O HDW - CONCERT CHERRY - 1D3
25	167646-11-YA1	EA	DOOR - RAISED/DBL FLUTED - 12.2" X 27.9" - W/O HDW - HONEY CHERRY - 1D3
25	167646-11-YA2	EA	DOOR - RAISED/DBL FLUTED - 12.2" X 27.9" - W/O HDW - BELMONT MAPLE - 1D3

CABINET & APPLIANCE GROUP (CONTINUED)
CABINET & APPLIANCE LAYOUT (CONTINUED)



02R

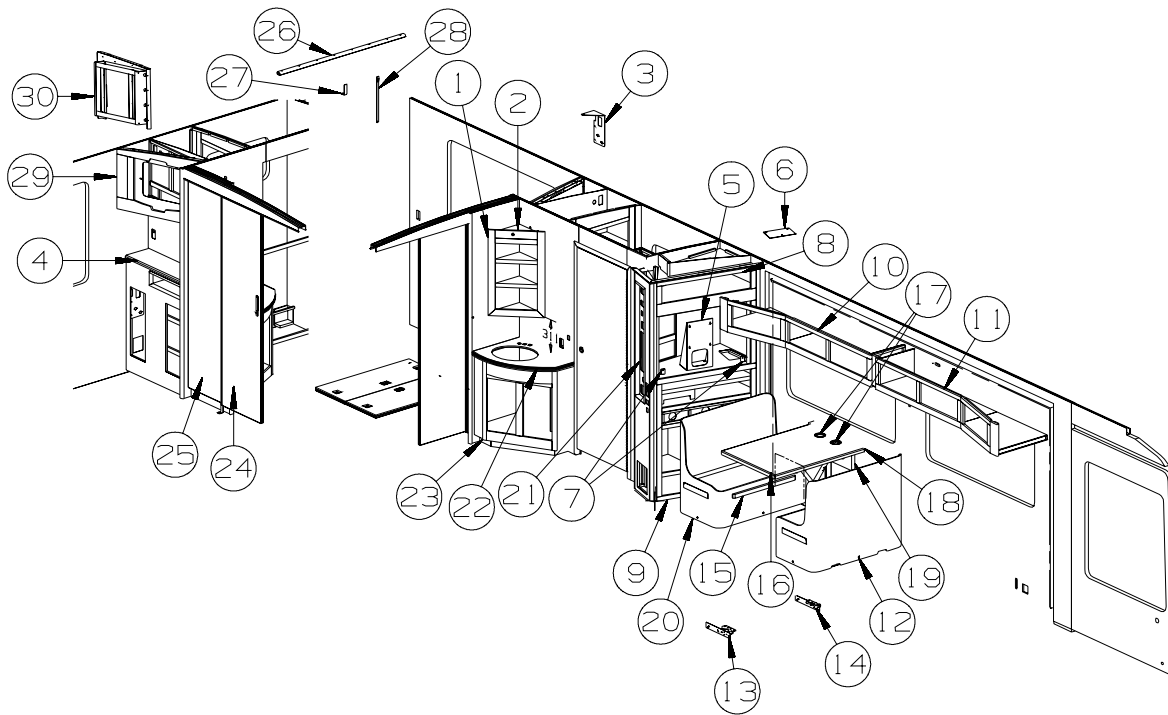
KEY	PART NUMBER	U/M	DESCRIPTION
1	161708-02-YA0	EA	CABINET - OVERHEAD/CORNER - W/O DOORS/HDW - CONCERT CHERRY
1	161708-02-YA1	EA	CABINET - OVERHEAD/CORNER - W/O DOORS/HDW - HONEY CHERRY
1	161708-02-YA2	EA	CABINET - OVERHEAD/CORNER - W/O DOORS/HDW - BELMONT MAPLE
2	Y00193-32-438	EA	MOLDING/TRIM - .75" X 1.6" X 96" - UNSTAINED CHERRY (YA0, YA1, YA3, YA4, YA6, YA7)
2	Y00193-22-438	EA	MOLDING/TRIM - .75" X 1.6" X 96" - UNSTAINED MAPLE (YA2, YA5, YA8)
3	162583-01-02B	EA	BRACKET - FAUCET - WASHER/DRYER - E-COATED
4	145182-59-YN1	EA	COUNTERTOP - LAMINATED - CONCERT CHERRY
4	145182-59-WD3	EA	COUNTERTOP - LAMINATED - HONEY CHERRY
4	145182-59-YN2	EA	COUNTERTOP - LAMINATED - BELMONT MAPLE
5	169240-01-02B	EA	BRACKET - TV - E-COATED
6	169264-01-02B	EA	BRACKET/MOUNTING - TV - E-COATED
7	147994-03-02B	EA	BRACKET - TV - E-COATED
8	127842-01-01A	FT	SEAL - SIGHT SHIELD - 2" BLACK
9	168825-11-YA0	EA	FACE/FRAME - TV CABINET - W/O DOOR/HDW - CONCERT CHERRY
9	168825-11-YA1	EA	FACE/FRAME - TV CABINET - W/O DOOR/HDW - HONEY CHERRY
9	168825-11-YA2	EA	FACE/FRAME - TV CABINET - W/O DOOR/HDW - BELMONT MAPLE
10	168498-01-YB0	EA	CABINET - OVERHEAD/DINETTE - W/O DOORS/HDW - CONCERT CHERRY
10	168498-01-YB1	EA	CABINET - OVERHEAD/DINETTE - W/O DOORS/HDW - HONEY CHERRY
10	168498-01-YB2	EA	CABINET - OVERHEAD/DINETTE - W/O DOORS/HDW - BELMONT MAPLE
11	168497-01-YA0	EA	CABINET - OVERHEAD/COUCH - W/O DOORS/HDW
11	168497-01-YA1	EA	CABINET - OVERHEAD/COUCH - W/O DOORS/HDW
11	168497-01-YA2	EA	CABINET - OVERHEAD/COUCH - W/O DOORS/HDW
11	168497-01-YA3	EA	CABINET - OVERHEAD/COUCH - W/O DOORS/HDW
11	168497-01-YA4	EA	CABINET - OVERHEAD/COUCH - W/O DOORS/HDW
11	168497-01-YA5	EA	CABINET - OVERHEAD/COUCH - W/O DOORS/HDW
11	168497-01-YA6	EA	CABINET - OVERHEAD/COUCH - W/O DOORS/HDW
11	168497-01-YA7	EA	CABINET - OVERHEAD/COUCH - W/O DOORS/HDW
11	168497-01-YA8	EA	CABINET - OVERHEAD/COUCH - W/O DOORS/HDW

CABINET & APPLIANCE GROUP (CONTINUED)

CABINET & APPLIANCE LAYOUT (CONTINUED)

KEY	PART NUMBER	U/M	DESCRIPTION
12	161306-26-YA0	EA	CABINET/DINETTE W/BACK(WRAPPED) - W/O DOORS/HDW - 14W
12	161306-26-YA1	EA	CABINET/DINETTE W/BACK(WRAPPED) - W/O DOORS/HDW - 14W
12	161306-26-YA2	EA	CABINET/DINETTE W/BACK(WRAPPED) - W/O DOORS/HDW - 14W
12	161306-26-YA3	EA	CABINET/DINETTE W/BACK(WRAPPED) - W/O DOORS/HDW - 14W
12	161306-26-YA4	EA	CABINET/DINETTE W/BACK(WRAPPED) - W/O DOORS/HDW - 14W
12	161306-26-YA5	EA	CABINET/DINETTE W/BACK(WRAPPED) - W/O DOORS/HDW - 14W
12	161306-26-YA6	EA	CABINET/DINETTE W/BACK(WRAPPED) - W/O DOORS/HDW - 14W
12	161306-26-YA7	EA	CABINET/DINETTE W/BACK(WRAPPED) - W/O DOORS/HDW - 14W
12	161306-26-YA8	EA	CABINET/DINETTE W/BACK(WRAPPED) - W/O DOORS/HDW - 14W
13	161278-01-000	EA	BRACKET/HINGE - DINETTE - 14W
14	161278-02-000	EA	BRACKET/HINGE - DINETTE - 14W
15	081295-01-M52	EA	SUPPORT - BED/DINETTE - 28" LONG - CONCERT CHERRY - 14W FROM: 00-00-00 THRU: 04-27-08
15	081295-13-YA0	EA	SUPPORT - BED/DINETTE - 28" LONG - CONCERT CHERRY - 14W FROM: 04-28-08 THRU: 99-99-99
15	081295-01-T02	EA	SUPPORT - BED/DINETTE - 28" LONG - HONEY CHERRY - 14W FROM: 00-00-00 THRU: 04-27-08
15	081295-13-YA1	EA	SUPPORT - BED/DINETTE - 28" LONG - HONEY CHERRY - 14W FROM: 04-28-08 THRU: 99-99-99
15	081295-01-Y93	EA	SUPPORT - BED/DINETTE - 28" LONG - BELMONT MAPLE - 14W FROM: 00-00-00 THRU: 04-27-08
15	081295-13-YA2	EA	SUPPORT - BED/DINETTE - 28" LONG - BELMONT MAPLE - 14W FROM: 04-28-08 THRU: 99-99-99
16	166017-01-YB0	EA	TABLE/DINETTE - 29.7"X40.3" - W/O WALL MOLDING/CUPHLDR/HDW - CONCERT CHERRY - 14W
16	166017-01-YB1	EA	TABLE/DINETTE - 29.7"X40.3" - W/O WALL MOLDING/CUPHLDR/HDW - HONEY CHERRY - 14W
16	166017-01-YB2	EA	TABLE/DINETTE - 29.7"X40.3" - W/O WALL MOLDING/CUPHLDR/HDW - BELMONT MAPLE - 14W
17	164128-02-02A	EA	HOLDER/CUP - TWO STEP - BLACK - 14W
18	167749-01-Y91	EA	TRIM/COVER - TABLE/WALL - W/O HDW - CONCERT CHERRY - 14W
18	167749-01-Y92	EA	TRIM/COVER - TABLE/WALL - W/O HDW - HONEY CHERRY - 14W
18	167749-01-Y93	EA	TRIM/COVER - TABLE/WALL - W/O HDW - BELMONT MAPLE - 14W
19	165719-01-01A	EA	BRACKET/MOUNTING - MECHANISM/DINETTE - TAN - 14W
20	161306-27-YA0	EA	CABINET/DINETTE W/BACK(WRAPPED) - W/O DOORS/HDW - 14W
20	161306-27-YA1	EA	CABINET/DINETTE W/BACK(WRAPPED) - W/O DOORS/HDW - 14W
20	161306-27-YA2	EA	CABINET/DINETTE W/BACK(WRAPPED) - W/O DOORS/HDW - 14W
20	161306-27-YA3	EA	CABINET/DINETTE W/BACK(WRAPPED) - W/O DOORS/HDW - 14W
20	161306-27-YA4	EA	CABINET/DINETTE W/BACK(WRAPPED) - W/O DOORS/HDW - 14W
20	161306-27-YA5	EA	CABINET/DINETTE W/BACK(WRAPPED) - W/O DOORS/HDW - 14W
20	161306-27-YA6	EA	CABINET/DINETTE W/BACK(WRAPPED) - W/O DOORS/HDW - 14W
20	161306-27-YA7	EA	CABINET/DINETTE W/BACK(WRAPPED) - W/O DOORS/HDW - 14W
20	161306-27-YA8	EA	CABINET/DINETTE W/BACK(WRAPPED) - W/O DOORS/HDW - 14W
21	158117-10-YA0	EA	POCKET - MONITOR PANEL - CONCERT CHERRY
21	158117-10-WD3	EA	POCKET - MONITOR PANEL - HONEY CHERRY
21	158117-10-YA2	EA	POCKET - MONITOR PANEL - BELMONT MAPLE
21	158117-09-YA0	EA	POCKET - MONITOR PANEL - CONCERT CHERRY - 32W
21	158117-09-WD3	EA	POCKET - MONITOR PANEL - HONEY CHERRY - 32W
21	158117-09-YA2	EA	POCKET - MONITOR PANEL - BELMONT MAPLE - 32W
22	168861-01-YA0	EA	COUNTERTOP - LAVATORY (YA0, YA1, YA2, YA6, YA7, YA8)
22	168861-01-YA3	EA	COUNTERTOP - LAVATORY (YA3, YA4, YA5)
23	167728-01-YP1	EA	CABINET - LAVATORY - W/O COUNTERTOP/DOORS/DRAWERS/HDW (YA0)
23	167728-01-YA1	EA	CABINET - LAVATORY - W/O COUNTERTOP/DOORS/DRAWERS/HDW (YA1)
23	167728-01-YP2	EA	CABINET - LAVATORY - W/O COUNTERTOP/DOORS/DRAWERS/HDW (YA2)
23	167728-01-YN7	EA	CABINET - LAVATORY - W/O COUNTERTOP/DOORS/DRAWERS/HDW (YA3)
23	167728-01-YA4	EA	CABINET - LAVATORY - W/O COUNTERTOP/DOORS/DRAWERS/HDW (YA4)
23	167728-01-YN8	EA	CABINET - LAVATORY - W/O COUNTERTOP/DOORS/DRAWERS/HDW (YA5)
23	167728-01-YA6	EA	CABINET - LAVATORY - W/O COUNTERTOP/DOORS/DRAWERS/HDW (YA6)
23	167728-01-YA7	EA	CABINET - LAVATORY - W/O COUNTERTOP/DOORS/DRAWERS/HDW (YA7)
23	167728-01-YA8	EA	CABINET - LAVATORY - W/O COUNTERTOP/DOORS/DRAWERS/HDW (YA8)
24	137421-42-YN1	EA	PANEL - SLIDING DOOR - W/O HANGER - CONCERT CHERRY
24	137421-42-W66	EA	PANEL - SLIDING DOOR - W/O HANGER - HONEY CHERRY
24	137421-42-YN2	EA	PANEL - SLIDING DOOR - W/O HANGER - BELMONT MAPLE
25	137421-45-YN1	EA	PANEL - SLIDING DOOR - W/O HANGER - CONCERT CHERRY
25	137421-45-W66	EA	PANEL - SLIDING DOOR - W/O HANGER - HONEY CHERRY
25	137421-45-YN2	EA	PANEL - SLIDING DOOR - W/O HANGER - BELMONT MAPLE
26	137422-07-01A	EA	TRACK - DOOR - 56.4" - OFF WHITE

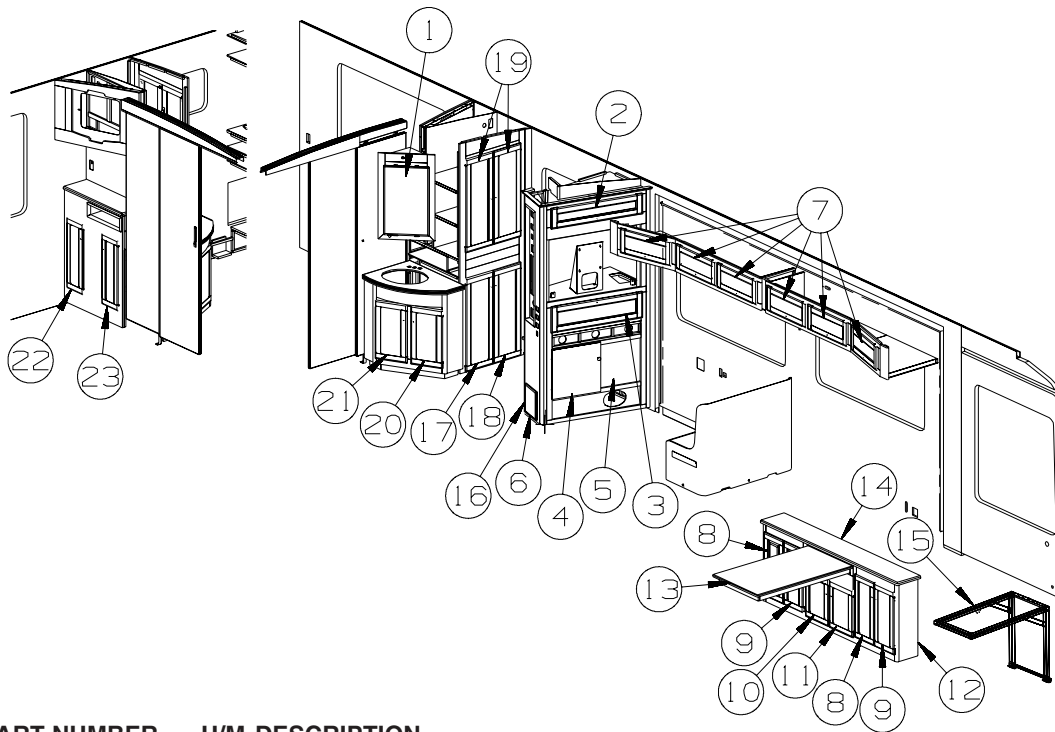
CABINET & APPLIANCE GROUP (CONTINUED)
CABINET & APPLIANCE LAYOUT (CONTINUED)



02R

KEY	PART NUMBER	U/M	DESCRIPTION
27	138136-06-02B	EA	GUIDE - DOOR - E-COATED
28	057534-08-000	EA	TIEBACK - CLEAR PLASTIC - 17"
29	166639-01-YN1	EA	CABINET - OVERHEAD/TV - W/O BOTTOM PANEL/HDW - CONCERT CHERRY FROM: 00-00-00 THRU: 11-30-08
29	166639-02-YA0	EA	CABINET - OVERHEAD/TV - W/O BOTTOM PANEL/HDW - CONCERT CHERRY FROM: 12-01-08 THRU: 99-99-99
29	166639-01-WD3	EA	CABINET - OVERHEAD/TV - W/O BOTTOM PANEL/HDW - HONEY CHERRY FROM: 00-00-00 THRU: 11-30-08
29	166639-02-YA1	EA	CABINET - OVERHEAD/TV - W/O BOTTOM PANEL/HDW - HONEY CHERRY FROM: 12-01-08 THRU: 99-99-99
29	166639-01-YN2	EA	CABINET - OVERHEAD/TV - W/O BOTTOM PANEL/HDW - BELMONT MAPLE FROM: 00-00-00 THRU: 11-30-08
29	166639-02-YA2	EA	CABINET - OVERHEAD/TV - W/O BOTTOM PANEL/HDW - BELMONT MAPLE FROM: 12-01-08 THRU: 99-99-99
30	166638-01-02B	EA	BRACKET - TV/OVERHEAD - E-COATED

CABINET & APPLIANCE GROUP (CONTINUED)
CABINET & APPLIANCE LAYOUT (CONTINUED)



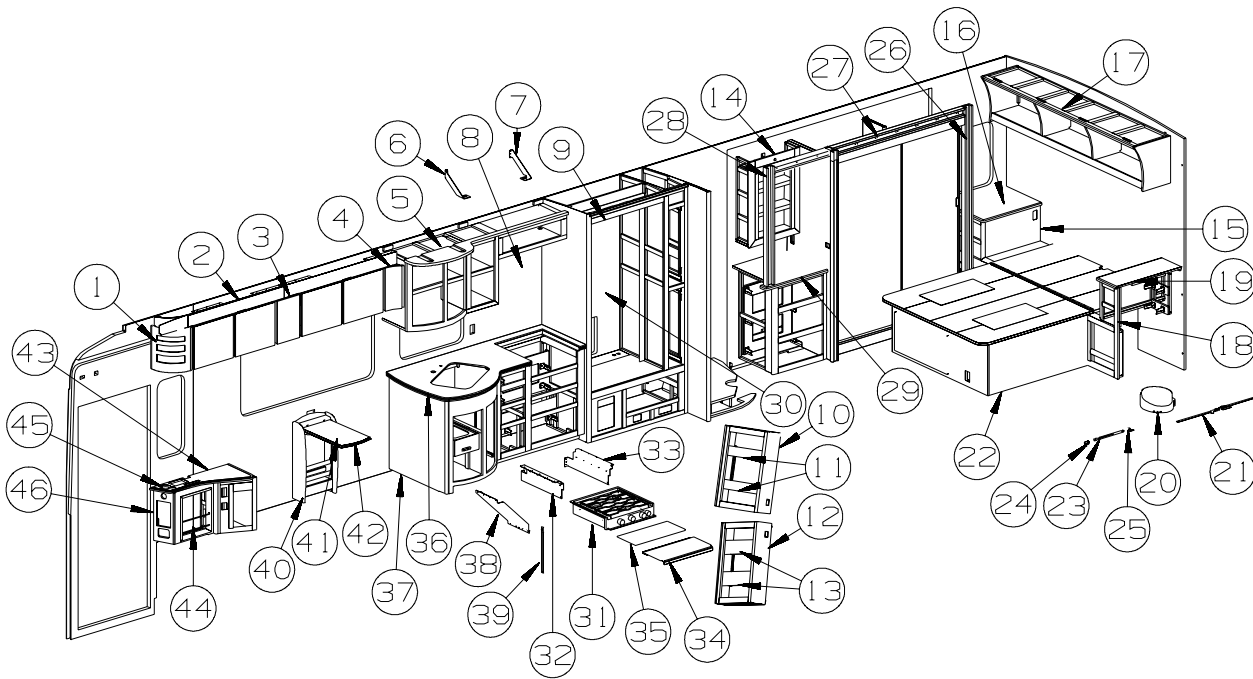
02R

KEY	PART NUMBER	U/M	DESCRIPTION
1	145576-C3-YN1	EA	DOOR - MIRRORED - 16" X 25.9" - W/O HARDWARE - CONCERT CHERRY
1	145576-C3-Y65	EA	DOOR - MIRRORED - 16" X 25.9" - W/O HARDWARE - HONEY CHERRY
1	145576-C3-YN2	EA	DOOR - MIRRORED - 16" X 25.9" - W/O HARDWARE - BELMONT MAPLE
1	093606-36-000	EA	MIRROR - BEVELED EDGE - 16" X 26"
1	076767-04-000	EA	CABLE - STAINLESS STEEL - 5.9"
2	162329-30-YB0	EA	DOOR - DBL FLUTED - W/GLASS - 7.7" X 34.8" - W/O HDW - CONCERT CHERRY
2	162329-30-YB1	EA	DOOR - DBL FLUTED - W/GLASS - 7.7" X 34.8" - W/O HDW - HONEY CHERRY
2	162329-30-YB2	EA	DOOR - DBL FLUTED - W/GLASS - 7.7" X 34.8" - W/O HDW - BELMONT MAPLE
3	162329-29-YB0	EA	DOOR - DBL FLUTED - W/GLASS - 9.8" X 34.8" - W/O HDW - CONCERT CHERRY
3	162329-29-YB1	EA	DOOR - DBL FLUTED - W/GLASS - 9.8" X 34.8" - W/O HDW - HONEY CHERRY
3	162329-29-YB2	EA	DOOR - DBL FLUTED - W/GLASS - 9.8" X 34.8" - W/O HDW - BELMONT MAPLE
3	076767-04-000	EA	CABLE - STAINLESS STEEL - 5.9"
4	167646-08-YB0	EA	DOOR - RAISED/DBL FLUTED - 17.3" X 16.9" - W/O HDW - CONCERT CHERRY
4	167646-08-YB1	EA	DOOR - RAISED/DBL FLUTED - 17.3" X 16.9" - W/O HDW - HONEY CHERRY
4	167646-08-YB2	EA	DOOR - RAISED/DBL FLUTED - 17.3" X 16.9" - W/O HDW - BELMONT MAPLE
5	167646-09-YB0	EA	DOOR - RAISED/DBL FLUTED - 17.3" X 16.9" - W/O HDW - CONCERT CHERRY
5	167646-09-YB1	EA	DOOR - RAISED/DBL FLUTED - 17.3" X 16.9" - W/O HDW - HONEY CHERRY
5	167646-09-YB2	EA	DOOR - RAISED/DBL FLUTED - 17.3" X 16.9" - W/O HDW - BELMONT MAPLE
6	161081-54-YA0	EA	FACE/DRAWER/DOOR - SOLID PANEL - 7.9" X 7.9" - W/O HDW - CONCERT CHERRY
6	161081-54-YA1	EA	FACE/DRAWER/DOOR - SOLID PANEL - 7.9" X 7.9" - W/O HDW - HONEY CHERRY
6	161081-54-YA2	EA	FACE/DRAWER/DOOR - SOLID PANEL - 7.9" X 7.9" - W/O HDW - BELMONT MAPLE
7	167633-07-YB0	EA	DOOR - RAISED/DBL FLUTED - 9.2" X 21.8" - W/O HDW - CONCERT CHERRY
7	167633-07-YB1	EA	DOOR - RAISED/DBL FLUTED - 9.2" X 21.8" - W/O HDW - HONEY CHERRY
7	167633-07-YB2	EA	DOOR - RAISED/DBL FLUTED - 9.2" X 21.8" - W/O HDW - BELMONT MAPLE
8	167633-44-YB0	EA	DOOR - RAISED/DBL FLUTED - 10.8" X 23.8" - W/O HDW - CONCERT CHERRY - 21P
8	167633-44-YB1	EA	DOOR - RAISED/DBL FLUTED - 10.8" X 23.8" - W/O HDW - HONEY CHERRY - 21P
8	167633-44-YB2	EA	DOOR - RAISED/DBL FLUTED - 10.8" X 23.8" - W/O HDW - BELMONT MAPLE - 21P
9	167633-45-YB0	EA	DOOR - RAISED/DBL FLUTED - 10.8" X 23.8" - W/O HDW - CONCERT CHERRY - 21P
9	167633-45-YB1	EA	DOOR - RAISED/DBL FLUTED - 10.8" X 23.8" - W/O HDW - HONEY CHERRY - 21P
9	167633-45-YB2	EA	DOOR - RAISED/DBL FLUTED - 10.8" X 23.8" - W/O HDW - BELMONT MAPLE - 21P
10	167633-83-YB0	EA	DOOR - RAISED/DBL FLUTED - 12.8" X 17.7" - W/O HDW - CONCERT CHERRY - 21P
10	167633-83-YB1	EA	DOOR - RAISED/DBL FLUTED - 12.8" X 17.7" - W/O HDW - HONEY CHERRY - 21P
10	167633-83-YB2	EA	DOOR - RAISED/DBL FLUTED - 12.8" X 17.7" - W/O HDW - BELMONT MAPLE - 21P

CABINET & APPLIANCE GROUP (CONTINUED)
CABINET & APPLIANCE LAYOUT (CONTINUED)

KEY	PART NUMBER	U/M	DESCRIPTION
11	167633-84-YB0	EA	DOOR - RAISED/DBL FLUTED - 12.8" X 17.7" - W/O HDW - CONCERT CHERRY - 21P
11	167633-84-YB1	EA	DOOR - RAISED/DBL FLUTED - 12.8" X 17.7" - W/O HDW - HONEY CHERRY - 21P
11	167633-84-YB2	EA	DOOR - RAISED/DBL FLUTED - 12.8" X 17.7" - W/O HDW - BELMONT MAPLE - 21P
12	P60419-03-YB0	EA	CABINET - TABLE/STORAGE - W/O COUNTERTOPS/DRAWERS/HDW - CONCERT CHERRY - 21P
12	P60419-03-YB1	EA	CABINET - TABLE/STORAGE - W/O COUNTERTOPS/DRAWERS/HDW - HONEY CHERRY - 21P
12	P60419-03-YB2	EA	CABINET - TABLE/STORAGE - W/O COUNTERTOPS/DRAWERS/HDW - BELMONT MAPLE - 21P
13	167199-02-YB0	EA	TABLE - DINING - W/FRAME - W/O HDW - CONCERT CHERRY - 21P
13	167199-02-WD3	EA	TABLE - DINING - W/FRAME - W/O HDW - HONEY CHERRY - 21P
13	167199-02-YB2	EA	TABLE - DINING - W/FRAME - W/O HDW - BELMONT MAPLE - 21P
14	140889-59-YB0	EA	COUNTERTOP - LAMINATED - CONCERT CHERRY - 21P
14	140889-59-WD3	EA	COUNTERTOP - LAMINATED - HONEY CHERRY - 21P
14	140889-59-YB2	EA	COUNTERTOP - LAMINATED - BELMONT MAPLE - 21P
15	153362-03-02B	EA	SUPPORT - TABLE - E-COATED - 21P
16	153095-03-T78	EA	DOOR - BATH - 27.5" X 75.7" - W/O FRAME(PICTURE)TRIM/HDW - CONCERT CHERRY
16	153095-03-W66	EA	DOOR - BATH - 27.5" X 75.7" - W/O FRAME(PICTURE)TRIM/HDW - HONEY CHERRY
16	153095-03-Y93	EA	DOOR - BATH - 27.5" X 75.7" - W/O FRAME(PICTURE)TRIM/HDW - BELMONT MAPLE
17	167633-E6-YA0	EA	DOOR - RAISED/DBL FLUTED - 12.4" X 35" - W/O HDW - CONCERT CHERRY
17	167633-E6-YA1	EA	DOOR - RAISED/DBL FLUTED - 12.4" X 35" - W/O HDW - HONEY CHERRY
17	167633-E6-YA2	EA	DOOR - RAISED/DBL FLUTED - 12.4" X 35" - W/O HDW - BELMONT MAPLE
18	167633-E7-YA0	EA	DOOR - RAISED/DBL FLUTED - 12.4" X 35" - W/O HDW - CONCERT CHERRY
18	167633-E7-YA1	EA	DOOR - RAISED/DBL FLUTED - 12.4" X 35" - W/O HDW - HONEY CHERRY
18	167633-E7-YA2	EA	DOOR - RAISED/DBL FLUTED - 12.4" X 35" - W/O HDW - BELMONT MAPLE
19	167633-E5-YB0	EA	DOOR - RAISED/DBL FLUTED - 12.4" X 35" - W/O HDW - CONCERT CHERRY
19	167633-E5-YB1	EA	DOOR - RAISED/DBL FLUTED - 12.4" X 35" - W/O HDW - HONEY CHERRY
19	167633-E5-YB2	EA	DOOR - RAISED/DBL FLUTED - 12.4" X 35" - W/O HDW - BELMONT MAPLE
20	167633-69-YA0	EA	DOOR - RAISED/DBL FLUTED - 12" X 21.8" - W/O HDW - CONCERT CHERRY
20	167633-69-YA1	EA	DOOR - RAISED/DBL FLUTED - 12" X 21.8" - W/O HDW - HONEY CHERRY
20	167633-69-YA2	EA	DOOR - RAISED/DBL FLUTED - 12" X 21.8" - W/O HDW - BELMONT MAPLE
21	167633-68-YA0	EA	DOOR - RAISED/DBL FLUTED - 12" X 21.8" - W/O HDW - CONCERT CHERRY
21	167633-68-YA1	EA	DOOR - RAISED/DBL FLUTED - 12" X 21.8" - W/O HDW - HONEY CHERRY
21	167633-68-YA2	EA	DOOR - RAISED/DBL FLUTED - 12" X 21.8" - W/O HDW - BELMONT MAPLE
22	167633-05-YA0	EA	DOOR - RAISED/DBL FLUTED - 9" X 26.5" - W/O HDW - CONCERT CHERRY
22	167633-05-YA1	EA	DOOR - RAISED/DBL FLUTED - 9" X 26.5" - W/O HDW - HONEY CHERRY
22	167633-05-YA2	EA	DOOR - RAISED/DBL FLUTED - 9" X 26.5" - W/O HDW - BELMONT MAPLE
23	167633-06-YA0	EA	DOOR - RAISED/DBL FLUTED - 9" X 26.5" - W/O HDW - CONCERT CHERRY
23	167633-06-YA1	EA	DOOR - RAISED/DBL FLUTED - 9" X 26.5" - W/O HDW - HONEY CHERRY
23	167633-06-YA2	EA	DOOR - RAISED/DBL FLUTED - 9" X 26.5" - W/O HDW - BELMONT MAPLE

CABINET & APPLIANCE GROUP (CONTINUED)
CABINET & APPLIANCE LAYOUT (CONTINUED)



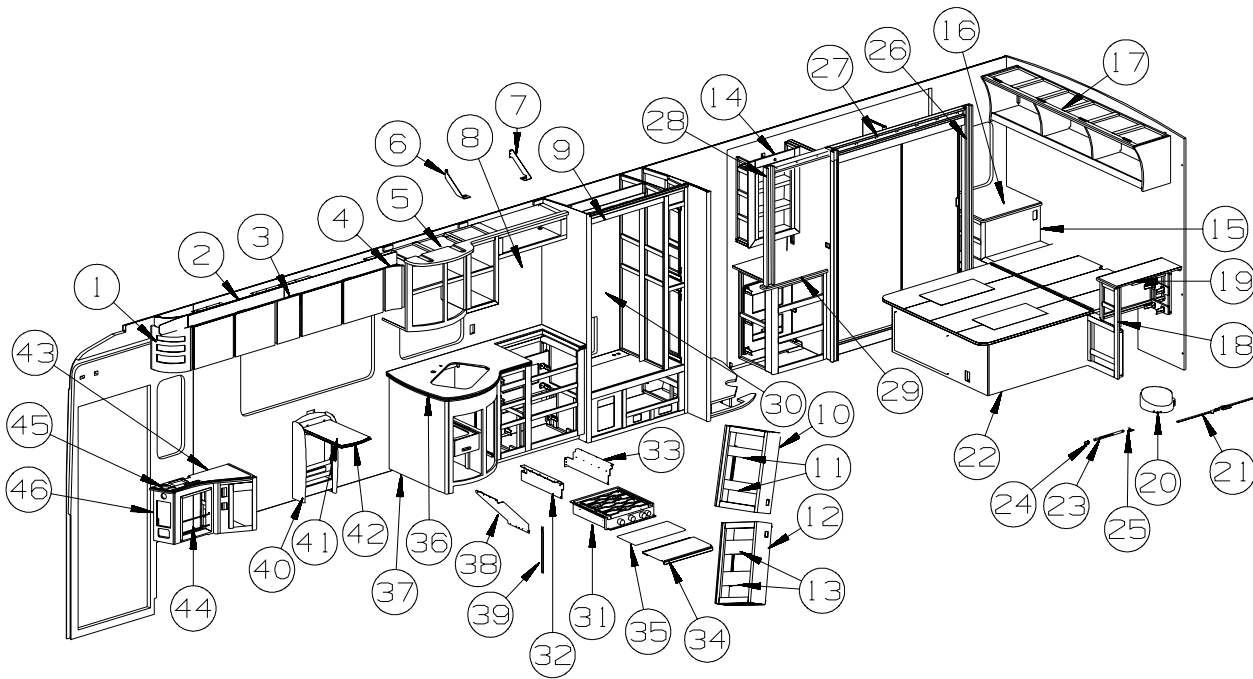
021

KEY	PART NUMBER	U/M	DESCRIPTION
1	164471-01-YB0	EA	END CAP - OVERHEAD CABINET - CONCERT CHERRY
1	164471-01-WD3	EA	END CAP - OVERHEAD CABINET - HONEY CHERRY
2	164619-01-YA0	EA	CABINET - OVERHEAD/LOUNGE - W/O DOORS/HDW - CONCERT CHERRY
2	164619-01-WD3	EA	CABINET - OVERHEAD/LOUNGE - W/O DOORS/HDW - HONEY CHERRY
3	164619-31-YA0	EA	PANEL - CONCERT CHERRY
3	164619-31-WD3	EA	PANEL - HONEY CHERRY
4	164446-04-YA0	EA	FACE-OVHD,FRONT - CONCERT CHERRY
4	164446-04-WD3	EA	FACE-OVHD,FRONT - HONEY CHERRY
5	165198-01-YA0	EA	CABINET - OVERHEAD/GALLEY - W/O DOORS/HDW - CONCERT CHERRY
5	165198-01-WD3	EA	CABINET - OVERHEAD/GALLEY - W/O DOORS/HDW - HONEY CHERRY
6	165388-02-02B	EA	BRACKET - MICROWAVE - E-COATED
7	165388-01-02B	EA	BRACKET - MICROWAVE - E-COATED
8*	119267-17-01A	EA	OVEN - MICROWAVE/CONVECTION W/HOOD US - #R-1880LS
9			REFRIGERATOR CABINET SEALS
	090329-01-000	FT	SEAL - "T" - REFRIGERATOR CABINET
	100128-02-000	FT	SEAL - FOAM/ADHESIVE BACK - .37" WIDE X .37" THICK X 60'
	154585-02-01A	FT	SEAL - FOAM TAPE - ADHESIVE BACK - 3/4" X 1/2" - BLACK
10	153343-01-SD1	EA	CABINET - PANTRY/SLIDE - W/O DOORS/DRAWERS/HDW - CONCERT CHERRY
10	153343-01-SD3	EA	CABINET - PANTRY/SLIDE - W/O DOORS/DRAWERS/HDW - HONEY CHERRY
11	153343-21-SD1	EA	SHELF - W/WOOD MOLDING - CONCERT CHERRY
11	153343-21-SD3	EA	SHELF - W/WOOD MOLDING - HONEY CHERRY
12	153343-03-SD1	EA	CABINET - PANTRY/SLIDE - W/O DOORS/DRAWERS/HDW - CONCERT CHERRY
12	153343-03-SD3	EA	CABINET - PANTRY/SLIDE - W/O DOORS/DRAWERS/HDW - HONEY CHERRY
13	153343-27-SD1	EA	SHELF - W/WOOD MOLDING - CONCERT CHERRY
13	153343-27-SD3	EA	SHELF - W/WOOD MOLDING - HONEY CHERRY
14	163024-01-YN1	EA	CABINET - OVERHEAD/MEDICINE - W/O DOORS/HDW - CONCERT CHERRY
14	163024-01-W66	EA	CABINET - OVERHEAD/MEDICINE - W/O DOORS/HDW - HONEY CHERRY
15	168139-01-YN1	EA	CABINET - NIGHTSTAND/RH - W/O COUNTERTOP/DOORS/DRAWERS/HDW - CONCERT CHERRY
15	168139-01-Y65	EA	CABINET - NIGHTSTAND/RH - W/O COUNTERTOP/DOORS/DRAWERS/HDW - HONEY CHERRY
16	145182-56-YN1	EA	COUNTERTOP - LAMINATED - CONCERT CHERRY
16	145182-56-YN2	EA	COUNTERTOP - LAMINATED - HONEY CHERRY

CABINET & APPLIANCE GROUP (CONTINUED)
CABINET & APPLIANCE LAYOUT (CONTINUED)

KEY	PART NUMBER	U/M	DESCRIPTION
17	162933-01-YA0	EA	CABINET - OVERHEAD/REAR - W/O DOORS/HDW - CONCERT CHERRY
17	162933-01-W66	EA	CABINET - OVERHEAD/REAR - W/O DOORS/HDW - HONEY CHERRY
17	162933-02-YA0	EA	CABINET - OVERHEAD/REAR - W/O DOORS/HDW - CONCERT CHERRY - 25D
17	162933-02-W66	EA	CABINET - OVERHEAD/REAR - W/O DOORS/HDW - HONEY CHERRY - 25D
18	168138-01-YN1	EA	CABINET - NIGHTSTAND/LH - W/O COUNTERTOP/DOORS/DRAWERS/HDW - CONCERT CHERRY
18	168138-01-Y65	EA	CABINET - NIGHTSTAND/LH - W/O COUNTERTOP/DOORS/DRAWERS/HDW - HONEY CHERRY
19	145182-57-YN1	EA	COUNTERTOP - LAMINATED - CONCERT CHERRY
19	145182-57-YN2	EA	COUNTERTOP - LAMINATED - HONEY CHERRY
20	142411-03-000	EA	AIR PUMP W/CONTROLS - F/SELECT COMFORT MATTRESS FROM: 00-00-00 THRU: 03-08-09
20	142411-13-000	EA	AIR PUMP - W/REMOTE - F/PREMIER SELECT COMFORT MATTRESS FROM: 03-09-09 THRU: 99-99-99
21	099717-05-000	EA	STRAP - W/16.5" FEMALE STRAP AND 17.7" MALE STRAP
22	137406-10-W66	EA	BEDBOARD - W/HINGE/T-MOLDING - FLIP-UP
23	142569-15-000	EA	SPRING/GAS - 120 LB - 20" EXTENDED/12" COMPRESSED
24	126263-06-02B	EA	BRACKET - GAS SPRING W/BALL STUD - E-COATED
25	126263-08-02B	EA	BRACKET - GAS SPRING W/CENTERED BALL STUD - E-COATED
26	168700-19-YN1	EA	TRIM/MOLDING - CABINET/WARDROBE - CONCERT CHERRY
26	168700-19-Y65	EA	TRIM/MOLDING - CABINET/WARDROBE - HONEY CHERRY
27	168700-21-YN1	EA	TRIM/HEADER - CABINET/WARDROBE - CONCERT CHERRY
27	168700-21-Y65	EA	TRIM/HEADER - CABINET/WARDROBE - HONEY CHERRY
28	168700-35-YN1	EA	TRIM/MOLDING - CABINET/WARDROBE - CONCERT CHERRY
28	168700-35-Y65	EA	TRIM/MOLDING - CABINET/WARDROBE - HONEY CHERRY
29	145182-58-YN1	EA	COUNTERTOP - LAMINATED - CONCERT CHERRY
29	145182-58-YN2	EA	COUNTERTOP - LAMINATED - HONEY CHERRY
30*	125242-05-02A	EA	REFRIGERATOR - 4 DOOR - W/ICE MAKER - TITANIUM SST
	054450-01-000	EA	LEVEL - REFRIGERATOR
	118871-02-01A	EA	TRAY - REFRIGERATOR - SIDE/SIDE - BLACK - 34.4" LONG
31*	135065-03-03A	EA	RANGE-3 BURNER (SEALED)-W/O OVEN-NEW STYLE KNOBS-STAINLESS
31*	135065-04-01A	EA	RANGE - 3 BURNER (SEALED) - W/O OVEN - CSA - BLACK TOP - 265
32	106936-79-02B	EA	BRACKET - TIEDOWN - RANGE/FRONT - E-COATED
33	106936-80-02B	EA	BRACKET - TIEDOWN - RANGE/FRONT - E-COATED
34	161674-09-WD7	EA	COVER - STOVE TOP - CORIAN (YA0, YA1, YA6, YA7) FROM: 00-00-00 THRU: 07-27-08
34	161674-13-YS3	EA	COVER - STOVE TOP - CORIAN (YA0, YA1, YA6, YA7) FROM: 07-28-08 THRU: 99-99-99
34	161674-09-WE3	EA	COVER - STOVE TOP - CORIAN (YA3, YA4) FROM: 00-00-00 THRU: 07-27-08
34	161674-13-YP6	EA	COVER - STOVE TOP - CORIAN (YA3, YA4) FROM: 07-28-08 THRU: 99-99-99
35	161674-10-WA4	EA	COVER - STOVE TOP - CORIAN (YA0, YA1, YA6, YA7) FROM: 00-00-00 THRU: 07-27-08
35	161674-11-YS3	EA	COVER - STOVE TOP - CORIAN (YA0, YA1, YA6, YA7) FROM: 07-28-08 THRU: 99-99-99
35	161674-10-WB0	EA	COVER - STOVE TOP - CORIAN (YA3, YA4) FROM: 00-00-00 THRU: 07-27-08
35	161674-11-YP6	EA	COVER - STOVE TOP - CORIAN (YA3, YA4) FROM: 07-28-08 THRU: 99-99-99
36	165068-01-WD7	EA	COUNTERTOP - GALLEY (YA0, YA1, YA6, YA7) FROM: 00-00-00 THRU: 07-27-08
36	165068-03-YA0	EA	COUNTERTOP - GALLEY (YA0, YA1, YA6, YA7) FROM: 07-28-08 THRU: 99-99-99
36	165068-01-WE3	EA	COUNTERTOP - GALLEY (YA3, YA4) FROM: 00-00-00 THRU: 07-27-08
36	165068-03-YA3	EA	COUNTERTOP - GALLEY (YA3, YA4) FROM: 07-28-08 THRU: 99-99-99
37	P64613-01-YA0	EA	CABINET - GALLEY - W/O COUNTERTOP/DOORS/DRAWERS/HDW - CONCERT CHERRY
37	P64613-01-WD3	EA	CABINET - GALLEY - W/O COUNTERTOP/DOORS/DRAWERS/HDW - HONEY CHERRY
38	166512-01-02B	EA	GUIDE - WATER LINE - E-COATED
39	057534-08-000	EA	TIEBACK - CLEAR PLASTIC - 17"
40	149044-01-YB0	EA	CABINET - W/PULLOUT TABLE - CONCERT CHERRY
40	149044-01-YB1	EA	CABINET - W/PULLOUT TABLE - HONEY CHERRY
41	149044-21-S65	EA	TABLE - F/PULLOUT CABINET - CONCERT CHERRY
41	149044-21-WD3	EA	TABLE - F/PULLOUT CABINET - HONEY CHERRY

CABINET & APPLIANCE GROUP (CONTINUED)
CABINET & APPLIANCE LAYOUT (CONTINUED)

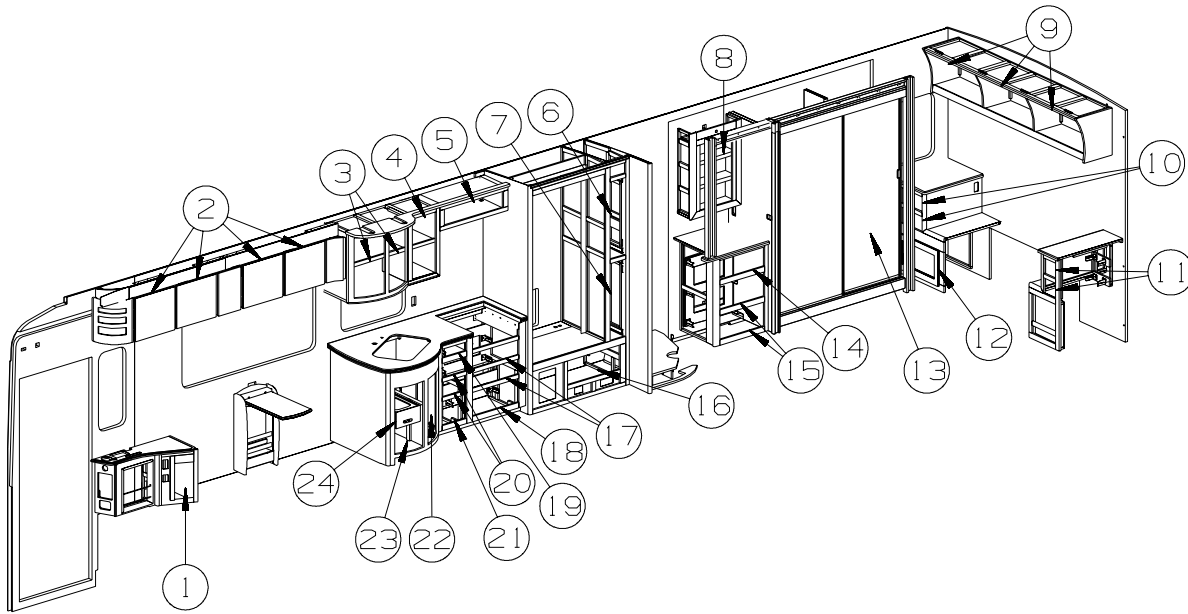


021

KEY	PART NUMBER	U/M	DESCRIPTION
42	156162-01-02A	EA	PULL-RECESSED 1 1/4X4,MAPLE
43	149296-31-YA0	EA	COUNTERTOP - LAMINATED - CONCERT CHERRY
43	149296-31-WD3	EA	COUNTERTOP - LAMINATED - HONEY CHERRY
44	137602-N1-YB0	EA	POCKET - MAGAZINE - CONCERT CHERRY
44	137602-N1-WD3	EA	POCKET - MAGAZINE - HONEY CHERRY
45	164128-02-02A	EA	HOLDER/CUP - TWO STEP - BLACK
46	166258-02-YA0	EA	CABINET - END TABLE - W/O COUNTERTOPS/MAGAZINE RACK/HDW - CONCERT CHERRY
46	166258-02-YA1	EA	CABINET - END TABLE - W/O COUNTERTOPS/MAGAZINE RACK/HDW - HONEY CHERRY

***COMPONENT PARTS LISTED LATER IN THIS GROUP**

CABINET & APPLIANCE GROUP (CONTINUED)
CABINET & APPLIANCE LAYOUT (CONTINUED)



021

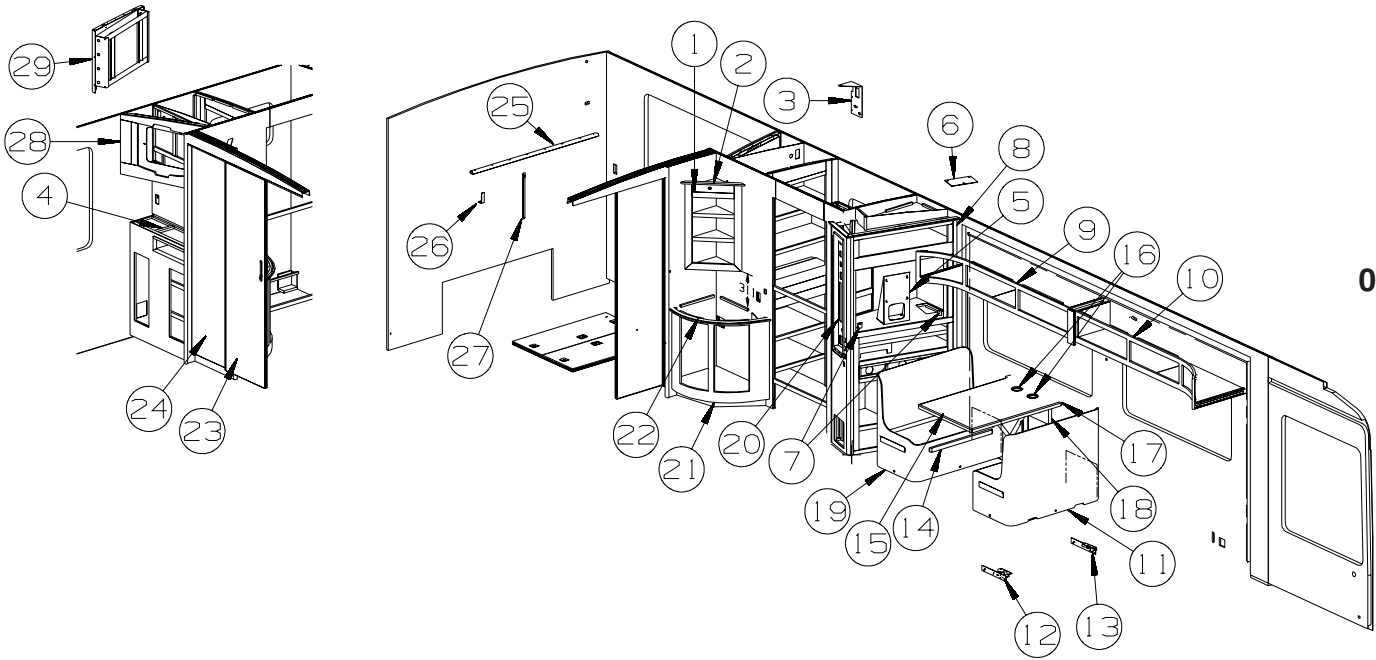
KEY	PART NUMBER	U/M	DESCRIPTION
1	160256-C8-YA0	EA	DOOR - FLAT/SQUARE EDGE - 14.4" X 7.9" - W/O HDW - CONCERT CHERRY
1	160256-C8-WD3	EA	DOOR - FLAT/SQUARE EDGE - 14.4" X 7.9" - W/O HDW - HONEY CHERRY
2	160256-42-YB0	EA	DOOR - FLAT/SQUARE EDGE - 16.1" X 17.7" - W/O HDW - CONCERT CHERRY
2	160256-42-Y71	EA	DOOR - FLAT/SQUARE EDGE - 16.1" X 17.7" - W/O HDW - HONEY CHERRY
3	160252-19-YA0	EA	DOOR - CURVED - 25.9" X 12.7" - W/O HDW - CONCERT CHERRY
3	160252-19-WD3	EA	DOOR - CURVED - 25.9" X 12.7" - W/O HDW - HONEY CHERRY
4	160256-C4-YA0	EA	DOOR - FLAT/SQUARE EDGE - 25.9" X 12" - W/O HDW - CONCERT CHERRY
4	160256-C4-WD3	EA	DOOR - FLAT/SQUARE EDGE - 25.9" X 12" - W/O HDW - HONEY CHERRY
5	160256-C5-YA0	EA	DOOR - FLAT/SQUARE EDGE - 27.9" X 7.1" - W/O HDW - CONCERT CHERRY
5	160256-C5-WD3	EA	DOOR - FLAT/SQUARE EDGE - 27.9" X 7.1" - W/O HDW - HONEY CHERRY
6	160256-90-YN1	EA	DOOR - FLAT/SQUARE EDGE - 30.3" X 7.9" - W/O HDW - CONCERT CHERRY
6	160256-90-Y65	EA	DOOR - FLAT/SQUARE EDGE - 30.3" X 7.9" - W/O HDW - HONEY CHERRY
7	160256-89-YN1	EA	DOOR - FLAT/SQUARE EDGE - 30.3" X 7.9" - W/O HDW - CONCERT CHERRY
7	160256-89-Y65	EA	DOOR - FLAT/SQUARE EDGE - 30.3" X 7.9" - W/O HDW - HONEY CHERRY
8	145576-C3-YN1	EA	DOOR - MIRRORED - 16" X 25.9" - W/O HARDWARE - CONCERT CHERRY
8	145576-C3-YN2	EA	DOOR - MIRRORED - 16" X 25.9" - W/O HARDWARE - HONEY CHERRY
8	076767-04-000	EA	CABLE - STAINLESS STEEL - 5.9"
9	163145-01-YA0	EA	DOOR - CURVED - 27.5" X 18.3" - W/O HDW - CONCERT CHERRY
9	163145-01-WD3	EA	DOOR - CURVED - 27.5" X 18.3" - W/O HDW - HONEY CHERRY
10	161079-36-YA0	EA	DRAWER - BROKEN EDGE - 10.9"W X 19.7"D - W/O SLIDES/HDW - CONCERT CHERRY
10	161079-36-WD3	EA	DRAWER - BROKEN EDGE - 10.9"W X 19.7"D - W/O SLIDES/HDW - HONEY CHERRY
11	161079-37-YA0	EA	DRAWER - BROKEN EDGE - 5.7"W X 19.7"D - W/O SLIDES/HDW - CONCERT CHERRY
11	161079-37-WD3	EA	DRAWER - BROKEN EDGE - 5.7"W X 19.7"D - W/O SLIDES/HDW - HONEY CHERRY
12	162693-01-YN1	EA	DOOR/PANEL - RETURN AIR - W/GRILLE - CONCERT CHERRY
12	162693-01-YN2	EA	DOOR/PANEL - RETURN AIR - W/GRILLE - HONEY CHERRY
12	140594-03-01A	EA	GRILL - RETURN AIR - 19.7" X 11.8" - BLACK
13			SEE BREAKDOWN OF MIRRORED WARDROBE DOORS ON FOLLOWING PAGES
14	161079-34-YA0	EA	DRAWER - BROKEN EDGE - 19"W X 17.7"D - W/O SLIDES/HDW - CONCERT CHERRY
14	161079-34-WD3	EA	DRAWER - BROKEN EDGE - 19"W X 17.7"D - W/O SLIDES/HDW - HONEY CHERRY
15	161079-35-YA0	EA	DRAWER - BROKEN EDGE - 19"W X 17.7"D - W/O SLIDES/HDW - CONCERT CHERRY
15	161079-35-WD3	EA	DRAWER - BROKEN EDGE - 19"W X 17.7"D - W/O SLIDES/HDW - HONEY CHERRY
16	161079-33-YA0	EA	DRAWER - BROKEN EDGE - 22.6"W X 19.7"D - W/O SLIDES/HDW - CONCERT CHERRY
16	161079-33-WD3	EA	DRAWER - BROKEN EDGE - 22.6"W X 19.7"D - W/O SLIDES/HDW - HONEY CHERRY
17	161079-38-YA0	EA	DRAWER - BROKEN EDGE - 21"W X 17.7"D - W/O SLIDES/HDW - CONCERT CHERRY
17	161079-38-WD3	EA	DRAWER - BROKEN EDGE - 21"W X 17.7"D - W/O SLIDES/HDW - HONEY CHERRY
18	161079-39-YA0	EA	DRAWER - BROKEN EDGE - 19.8"W X 13.8"D - W/O SLIDES/HDW - CONCERT CHERRY
18	161079-39-WD3	EA	DRAWER - BROKEN EDGE - 19.8"W X 13.8"D - W/O SLIDES/HDW - HONEY CHERRY

CABINET & APPLIANCE GROUP (CONTINUED)

CABINET & APPLIANCE LAYOUT (CONTINUED)

KEY	PART NUMBER	U/M	DESCRIPTION
19	161079-29-YA0	EA	DRAWER - BROKEN EDGE - 10"W X 17.7"D - W/O SLIDES/HDW - CONCERT CHERRY
19	161079-29-WD3	EA	DRAWER - BROKEN EDGE - 10"W X 17.7"D - W/O SLIDES/HDW - HONEY CHERRY
20	161079-30-YA0	EA	DRAWER - BROKEN EDGE - 10"W X 17.7"D - W/O SLIDES/HDW - CONCERT CHERRY
20	161079-30-WD3	EA	DRAWER - BROKEN EDGE - 10"W X 17.7"D - W/O SLIDES/HDW - HONEY CHERRY
21	161079-31-YA0	EA	DRAWER - BROKEN EDGE - 10"W X 17.7"D - W/O SLIDES/HDW - CONCERT CHERRY
21	161079-31-WD3	EA	DRAWER - BROKEN EDGE - 10"W X 17.7"D - W/O SLIDES/HDW - HONEY CHERRY
22	161981-01-YA0	EA	DOOR - CURVED - 25.9" X 13.2" - W/O HDW - CONCERT CHERRY
22	161981-01-WD3	EA	DOOR - CURVED - 25.9" X 13.2" - W/O HDW - HONEY CHERRY
23	161981-02-YA0	EA	DOOR - CURVED - 25.9" X 13.2" - W/O HDW - CONCERT CHERRY
23	161981-02-WD3	EA	DOOR - CURVED - 25.9" X 13.2" - W/O HDW - HONEY CHERRY
24	164958-01-YA0	EA	DRAWER - RECYCLE - 10.9"W X 30"D - W/O SLIDES/HDW - CONCERT CHERRY
24	164958-01-WD3	EA	DRAWER - RECYCLE - 10.9"W X 30"D - W/O SLIDES/HDW - HONEY CHERRY

CABINET & APPLIANCE GROUP (CONTINUED)
CABINET & APPLIANCE LAYOUT (CONTINUED)



021

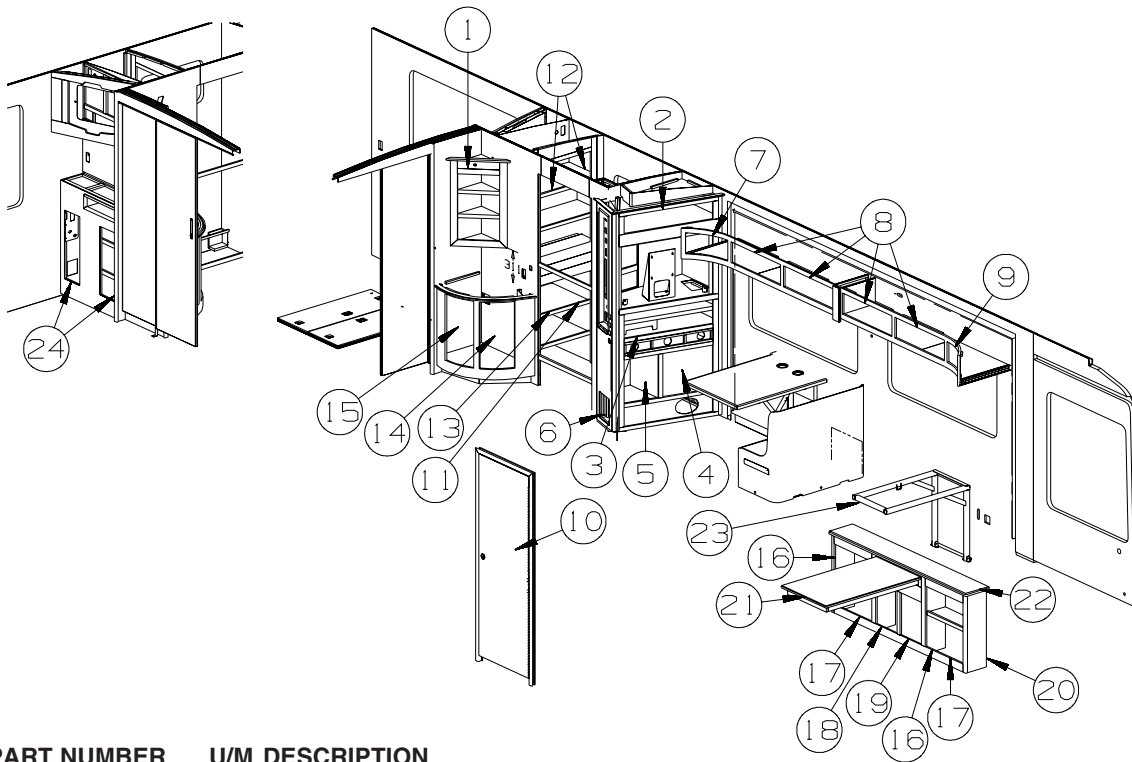
KEY	PART NUMBER	U/M	DESCRIPTION
1	162708-01-YN1	EA	CABINET - OVERHEAD/CORNER - W/O DOORS/HDW - CONCERT CHERRY
1	162708-01-W66	EA	CABINET - OVERHEAD/CORNER - W/O DOORS/HDW - HONEY CHERRY
2	161453-15-01A	EA	MOLDING - OVERHEAD - CONCERT CHERRY
2	161453-15-05A	EA	MOLDING - OVERHEAD - HONEY CHERRY
3	162583-01-02B	EA	BRACKET - FAUCET - WASHER/DRYER - E-COATED
4	145182-59-YN1	EA	COUNTERTOP - LAMINATED - CONCERT CHERRY
4	145182-59-YN2	EA	COUNTERTOP - LAMINATED - HONEY CHERRY
5	169240-01-02B	EA	BRACKET - TV - E-COATED
6	169264-01-02B	EA	BRACKET/MOUNTING - TV - E-COATED
7	147994-03-02B	EA	BRACKET - TV - E-COATED
8	168825-11-YA0	EA	FACE/FRAME - TV CABINET - W/O DOOR/HDW - CONCERT CHERRY
8	168825-11-YA1	EA	FACE/FRAME - TV CABINET - W/O DOOR/HDW - HONEY CHERRY
9	163774-01-YB0	EA	CABINET - OVERHEAD/DINETTE - W/O DOORS/HDW - CONCERT CHERRY
9	163774-01-WD3	EA	CABINET - OVERHEAD/DINETTE - W/O DOORS/HDW - HONEY CHERRY
10	163773-01-YA0	EA	CABINET - OVERHEAD/COUCH - W/O DOORS/HDW
10	163773-01-YA1	EA	CABINET - OVERHEAD/COUCH - W/O DOORS/HDW
10	163773-01-YA3	EA	CABINET - OVERHEAD/COUCH - W/O DOORS/HDW
10	163773-01-YA4	EA	CABINET - OVERHEAD/COUCH - W/O DOORS/HDW
10	163773-01-YA6	EA	CABINET - OVERHEAD/COUCH - W/O DOORS/HDW
10	163773-01-YA7	EA	CABINET - OVERHEAD/COUCH - W/O DOORS/HDW
11	161306-26-YA0	EA	CABINET/DINETTE W/BACK(WRAPPED) - W/O DOORS/HDW
11	161306-26-YA1	EA	CABINET/DINETTE W/BACK(WRAPPED) - W/O DOORS/HDW
11	161306-26-YA3	EA	CABINET/DINETTE W/BACK(WRAPPED) - W/O DOORS/HDW
11	161306-26-YA4	EA	CABINET/DINETTE W/BACK(WRAPPED) - W/O DOORS/HDW
11	161306-26-YA6	EA	CABINET/DINETTE W/BACK(WRAPPED) - W/O DOORS/HDW
11	161306-26-YA7	EA	CABINET/DINETTE W/BACK(WRAPPED) - W/O DOORS/HDW
12	161278-01-000	EA	BRACKET/HINGE - DINETTE
13	161278-02-000	EA	BRACKET/HINGE - DINETTE
14	081295-01-M52	EA	SUPPORT - BED/DINETTE - 28" LONG - CONCERT CHERRY FROM: 00-00-00 THRU: 04-27-08
14	081295-13-YA0	EA	SUPPORT - BED/DINETTE - 28" LONG - CONCERT CHERRY FROM: 04-28-08 THRU: 99-99-99
14	081295-01-T02	EA	SUPPORT - BED/DINETTE - 28" LONG - HONEY CHERRY FROM: 00-00-00 THRU: 04-27-08
14	081295-13-YA1	EA	SUPPORT - BED/DINETTE - 28" LONG - HONEY CHERRY FROM: 04-28-08 THRU: 99-99-99

CABINET & APPLIANCE GROUP (CONTINUED)

CABINET & APPLIANCE LAYOUT (CONTINUED)

KEY	PART NUMBER	U/M	DESCRIPTION
15	166017-01-YB0	EA	TABLE/DINETTE - 29.7"X40.3" - W/O WALL MOLDING/CUPHLDR/HDW - CONCERT CHERRY
15	166017-01-YB1	EA	TABLE/DINETTE - 29.7"X40.3" - W/O WALL MOLDING/CUPHLDR/HDW - HONEY CHERRY
16	164128-02-02A	EA	HOLDER/CUP - TWO STEP - BLACK
17	167749-01-Y91	EA	TRIM/COVER - TABLE/WALL - W/O HDW - CONCERT CHERRY
17	167749-01-Y92	EA	TRIM/COVER - TABLE/WALL - W/O HDW - HONEY CHERRY
18	165719-01-01A	EA	BRACKET/MOUNTING - MECHANISM/DINETTE - TAN
19	161306-27-YA0	EA	CABINET/DINETTE W/BACK(WRAPPED) - W/O DOORS/HDW
19	161306-27-YA1	EA	CABINET/DINETTE W/BACK(WRAPPED) - W/O DOORS/HDW
19	161306-27-YA3	EA	CABINET/DINETTE W/BACK(WRAPPED) - W/O DOORS/HDW
19	161306-27-YA4	EA	CABINET/DINETTE W/BACK(WRAPPED) - W/O DOORS/HDW
19	161306-27-YA6	EA	CABINET/DINETTE W/BACK(WRAPPED) - W/O DOORS/HDW
19	161306-27-YA7	EA	CABINET/DINETTE W/BACK(WRAPPED) - W/O DOORS/HDW
20	158117-10-YA0	EA	POCKET - MONITOR PANEL - CONCERT CHERRY
20	158117-10-WD3	EA	POCKET - MONITOR PANEL - HONEY CHERRY
20	158117-09-YA0	EA	POCKET - MONITOR PANEL - CONCERT CHERRY - 32W
20	158117-09-WD3	EA	POCKET - MONITOR PANEL - HONEY CHERRY - 32W
21	P62659-01-YA0	EA	CABINET - LAVATORY - W/O COUNTERTOP/DOORS/DRAWERS/HDW - CONCERT CHERRY
21	P62659-01-W66	EA	CABINET - LAVATORY - W/O COUNTERTOP/DOORS/DRAWERS/HDW - HONEY CHERRY
22	165127-01-WD7	EA	COUNTERTOP - LAVATORY (YA0, YA1, YA6, YA7)
22	165127-01-WE3	EA	COUNTERTOP - LAVATORY (YA3, YA4)
23	137421-42-YN1	EA	PANEL - SLIDING DOOR - W/O HANGER - CONCERT CHERRY
23	137421-42-YN2	EA	PANEL - SLIDING DOOR - W/O HANGER - HONEY CHERRY
24	137421-45-YN1	EA	PANEL - SLIDING DOOR - W/O HANGER - CONCERT CHERRY
24	137421-45-YN2	EA	PANEL - SLIDING DOOR - W/O HANGER - HONEY CHERRY
25	137422-07-01A	EA	TRACK - DOOR - 56.4" - OFF WHITE
26	138136-06-02B	EA	GUIDE - DOOR - E-COATED
27	057534-08-000	EA	TIEBACK - CLEAR PLASTIC - 17"
28	166639-01-YN1	EA	CABINET - OVERHEAD/TV - W/O BOTTOM PANEL/HDW - CONCERT CHERRY FROM: 00-00-00 THRU: 11-30-08
28	166639-02-YA0	EA	CABINET - OVERHEAD/TV - W/O BOTTOM PANEL/HDW - CONCERT CHERRY FROM: 12-01-08 THRU: 99-99-99
28	166639-01-YN2	EA	CABINET - OVERHEAD/TV - W/O BOTTOM PANEL/HDW - HONEY CHERRY FROM: 00-00-00 THRU: 11-30-08
28	166639-02-YA1	EA	CABINET - OVERHEAD/TV - W/O BOTTOM PANEL/HDW - HONEY CHERRY FROM: 12-01-08 THRU: 99-99-99
29	166638-01-02B	EA	BRACKET - TV/OVERHEAD - E-COATED

CABINET & APPLIANCE GROUP (CONTINUED)
CABINET & APPLIANCE LAYOUT (CONTINUED)



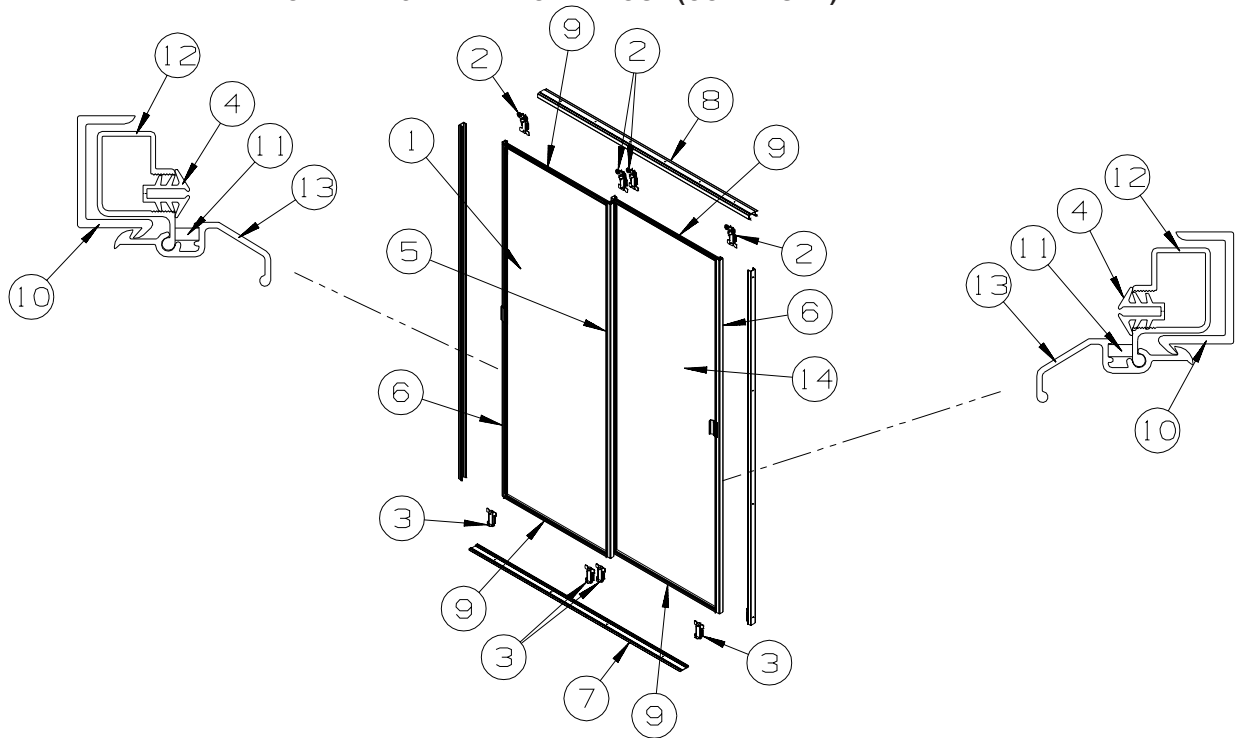
021

KEY	PART NUMBER	U/M	DESCRIPTION
1	145576-C3-YN1	EA	DOOR - MIRRORRED - 16" X 25.9" - W/O HARDWARE - CONCERT CHERRY
1	145576-C3-Y65	EA	DOOR - MIRRORRED - 16" X 25.9" - W/O HARDWARE - HONEY CHERRY
1	093606-36-000	EA	MIRROR - BEVELED EDGE - 16" X 26"
1	076767-04-000	EA	CABLE - STAINLESS STEEL - 5.9"
2	159204-11-YB0	EA	DOOR - DECORATIVE INSERT - 7.7" X 34.8" - W/O HDW - CONCERT CHERRY
2	159204-11-YB1	EA	DOOR - DECORATIVE INSERT - 7.7" X 34.8" - W/O HDW - HONEY CHERRY
3	159204-10-YB0	EA	DOOR - DECORATIVE INSERT - 9.8" X 34.8" - W/O HDW - CONCERT CHERRY
3	159204-10-YB1	EA	DOOR - DECORATIVE INSERT - 9.8" X 34.8" - W/O HDW - HONEY CHERRY
3	076767-04-000	EA	CABLE - STAINLESS STEEL - 5.9"
4	160256-59-YA0	EA	DOOR - FLAT/SQUARE EDGE - 18.5" X 18.5" - W/O HDW - CONCERT CHERRY
4	160256-59-WD3	EA	DOOR - FLAT/SQUARE EDGE - 18.5" X 18.5" - W/O HDW - HONEY CHERRY
5	160256-58-YA0	EA	DOOR - FLAT/SQUARE EDGE - 18.5" X 18.5" - W/O HDW - CONCERT CHERRY
5	160256-58-WD3	EA	DOOR - FLAT/SQUARE EDGE - 18.5" X 18.5" - W/O HDW - HONEY CHERRY
6	160256-62-YP1	EA	DOOR - FLAT/SQUARE EDGE - 10.6" X 9.2" - W/O HDW - CONCERT CHERRY
6	160256-62-Y71	EA	DOOR - FLAT/SQUARE EDGE - 10.6" X 9.2" - W/O HDW - HONEY CHERRY
7	160252-07-YB0	EA	DOOR - CURVED - 11.4" X 16.6" - W/O HDW - CONCERT CHERRY
7	160252-07-Y71	EA	DOOR - CURVED - 11.4" X 16.6" - W/O HDW - HONEY CHERRY
8	160256-95-YB0	EA	DOOR - FLAT/SQUARE EDGE - 28.1" X 11.4" - W/O HDW - CONCERT CHERRY
8	160256-95-YB1	EA	DOOR - FLAT/SQUARE EDGE - 28.1" X 11.4" - W/O HDW - HONEY CHERRY
9	160256-95-YB0	EA	DOOR - FLAT/SQUARE EDGE - 28.1" X 11.4" - W/O HDW - CONCERT CHERRY
9	160256-95-YB1	EA	DOOR - FLAT/SQUARE EDGE - 28.1" X 11.4" - W/O HDW - HONEY CHERRY
10	153095-03-T78	EA	DOOR - BATH - 27.5" X 75.7" - W/O FRAME(PICTURE)TRIM/HDW - CONCERT CHERRY
10	153095-03-W66	EA	DOOR - BATH - 27.5" X 75.7" - W/O FRAME(PICTURE)TRIM/HDW - HONEY CHERRY
11	160256-54-YA0	EA	DOOR - FLAT/SQUARE EDGE - 35" X 12.4" - W/O HDW - CONCERT CHERRY
11	160256-54-WD3	EA	DOOR - FLAT/SQUARE EDGE - 35" X 12.4" - W/O HDW - HONEY CHERRY
12	160256-74-YB0	EA	DOOR - FLAT/SQUARE EDGE - 35" X 12.4" - W/O HDW - CONCERT CHERRY
12	160256-74-YB1	EA	DOOR - FLAT/SQUARE EDGE - 35" X 12.4" - W/O HDW - HONEY CHERRY
13	160256-55-YA0	EA	DOOR - FLAT/SQUARE EDGE - 35" X 12.4" - W/O HDW - CONCERT CHERRY
13	160256-55-WD3	EA	DOOR - FLAT/SQUARE EDGE - 35" X 12.4" - W/O HDW - HONEY CHERRY
14	160252-10-YA0	EA	DOOR - CURVED - 25.9" X 13.2" - W/O HDW - CONCERT CHERRY
14	160252-10-WD3	EA	DOOR - CURVED - 25.9" X 13.2" - W/O HDW - HONEY CHERRY

CABINET & APPLIANCE GROUP (CONTINUED)
CABINET & APPLIANCE LAYOUT (CONTINUED)

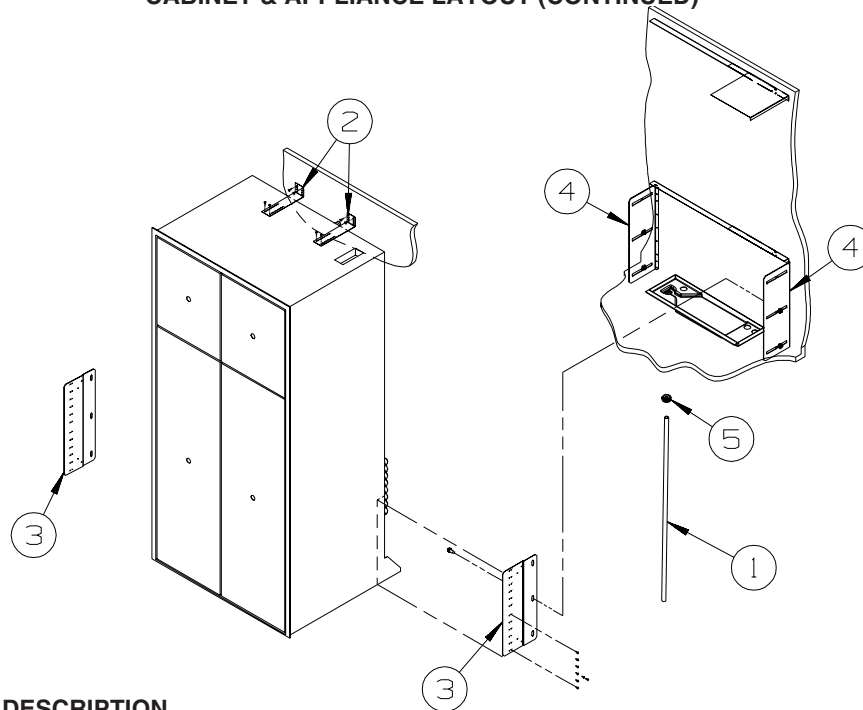
KEY	PART NUMBER	U/M	DESCRIPTION
15	160252-09-YA0	EA	DOOR - CURVED - 25.9" X 13.2" - W/O HDW - CONCERT CHERRY
15	160252-09-WD3	EA	DOOR - CURVED - 25.9" X 13.2" - W/O HDW - HONEY CHERRY
16	160256-A3-YB0	EA	DOOR - FLAT/SQUARE EDGE - 23.8" X 10.8" - W/O HDW - CONCERT CHERRY
16	160256-A3-YB1	EA	DOOR - FLAT/SQUARE EDGE - 23.8" X 10.8" - W/O HDW - HONEY CHERRY
17	160256-A4-YB0	EA	DOOR - FLAT/SQUARE EDGE - 23.8" X 10.8" - W/O HDW - CONCERT CHERRY
17	160256-A4-YB1	EA	DOOR - FLAT/SQUARE EDGE - 23.8" X 10.8" - W/O HDW - HONEY CHERRY
18	160256-A6-YB0	EA	DOOR - FLAT/SQUARE EDGE - 17.7" X 12.8" - W/O HDW - CONCERT CHERRY
18	160256-A6-YB1	EA	DOOR - FLAT/SQUARE EDGE - 17.7" X 12.8" - W/O HDW - HONEY CHERRY
19	160256-A7-YB0	EA	DOOR - FLAT/SQUARE EDGE - 17.7" X 12.8" - W/O HDW - CONCERT CHERRY
19	160256-A7-YB1	EA	DOOR - FLAT/SQUARE EDGE - 17.7" X 12.8" - W/O HDW - HONEY CHERRY
20	P60419-03-YB0	EA	CABINET - TABLE/STORAGE - W/O COUNTERTOPS/DRAWERS/HDW - CONCERT CHERRY
20	P60419-03-YB1	EA	CABINET - TABLE/STORAGE - W/O COUNTERTOPS/DRAWERS/HDW - HONEY CHERRY
21	167199-02-YB0	EA	TABLE - DINING - W/FRAME - W/O HDW - CONCERT CHERRY
21	167199-02-WD3	EA	TABLE - DINING - W/FRAME - W/O HDW - HONEY CHERRY
22	140889-59-YB0	EA	COUNTERTOP - LAMINATED - CONCERT CHERRY
22	140889-59-WD3	EA	COUNTERTOP - LAMINATED - HONEY CHERRY
23	153362-03-02B	EA	SUPPORT - TABLE - E-COATED
24	160256-75-YA0	EA	DOOR - FLAT/SQUARE EDGE - 26.5" X 9" - W/O HDW - CONCERT CHERRY
24	160256-75-Y65	EA	DOOR - FLAT/SQUARE EDGE - 26.5" X 9" - W/O HDW - HONEY CHERRY

CABINET & APPLIANCE GROUP (CONTINUED)
CABINET & APPLIANCE LAYOUT (CONTINUED)



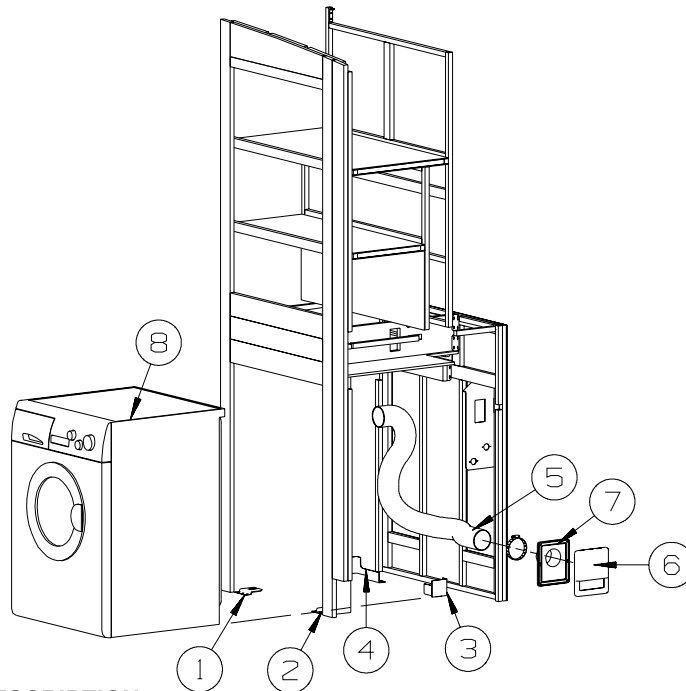
KEY	PART NUMBER	U/M	DESCRIPTION
1	136681-28-W66	EA	DOOR - MIRRORED/WARDROBE - LH - W/HANGERS/GUIDES/LATCH
	140374-90-000	EA	MIRROR - SAFETY GLASS - 31.7" X 68.7"
2	107390-02-000	EA	CORNER HANGER (DOUBLE ROLLER W/BACKET) (SOLD AS 1 EACH)
3	107391-01-000	EA	GUIDE - BOTTOM - BY-PASS (4 USED PER DOOR)
4	111575-01-01A	FT	CHANNEL - GLAZING - SWING DOOR
5	114104-19-01A	EA	STILE - DOOR - SLIDING - 69.4" - TERRATONE
6	114104-20-01A	EA	STILE - DOOR - SLIDING - 69.4" - TERRATONE
7	114105-27-01A	EA	TRACK - SLIDING DOOR - LOWER - 59.4" - TERRATONE
8	114106-27-01A	EA	TRACK - SLIDING DOOR - UPPER - 59.4" - TERRATONE
9	114107-17-01A	EA	RAIL - DOOR/SLIDING - UPPER/LOWER - 31.2" - TERRATONE
10	115538-01-01A	EA	JAMB - DOOR - WARDROBE/MIRRORED - 76.3" - BLACK
11	115541-01-000	EA	SPRING - DOOR - SLIDING
12	123655-01-000	FT	SEAL - CLOSED CELL/FOAM
13	158158-01-01A	EA	LATCH - WARDROBE DOOR - MIRRORED - TERRA COTTA
14	136680-28-W66	EA	DOOR - MIRRORED/WARDROBE - RH - W/HANGERS/GUIDES/LATCH
	140374-90-000	EA	MIRROR - SAFETY GLASS - 31.7" X 68.7"

CABINET & APPLIANCE GROUP (CONTINUED)
CABINET & APPLIANCE LAYOUT (CONTINUED)



**REFRIGERATOR
INSTALLATION**

KEY	PART NUMBER	U/M	DESCRIPTION
1	112176-01-000	FT	TUBING - VINYL - REINFORCED - 1/2" ID
2	145445-02-02B	EA	STRAP - REFRIGERATOR - E-COATED
3	150740-01-02B	EA	BRACKET/TIEDOWN - REFRIGERATOR - E-COATED
4	150740-02-02B	EA	BRACKET-TIEDOWN - REFRIGERATOR - E-COATED
5	152417-01-01A	EA	CLAMP/RATCHET - F/REFRIGERATOR DRIP TRAY HOSE - BLACK



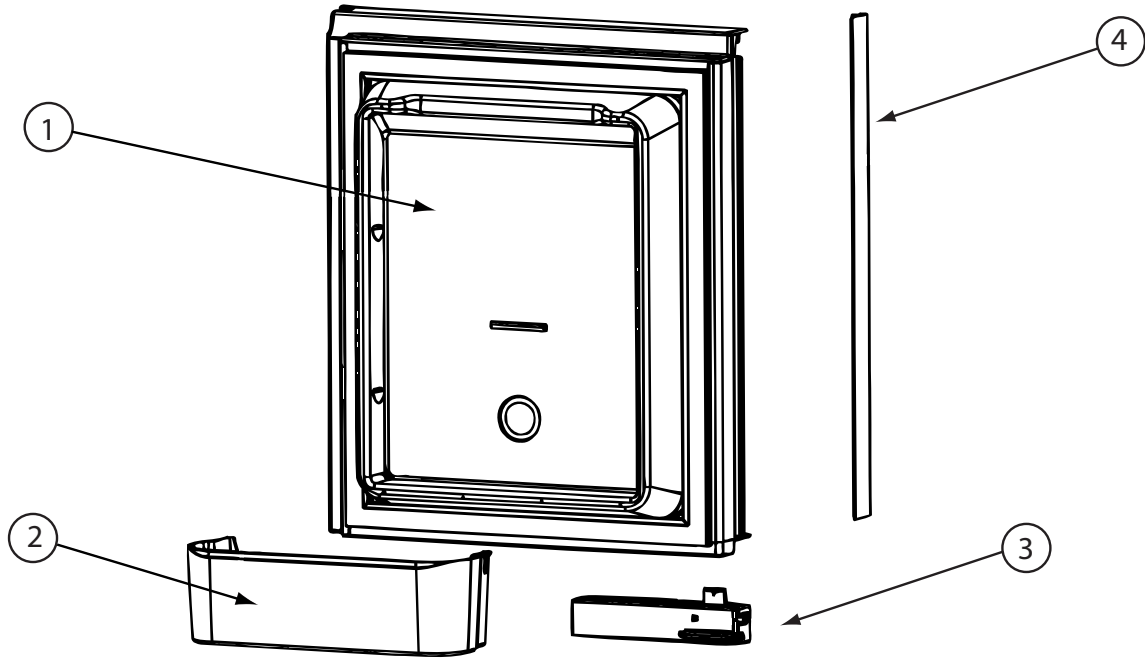
**WASHER DRYER
INSTALLATION**

KEY	PART NUMBER	U/M	DESCRIPTION
1	111913-02-04B	EA	BRACKET/WASHER - TIE DOWN - BLACK
2	111913-03-04B	EA	BRACKET/WASHER - TIE DOWN - BLACK
3	113795-01-02B	EA	BRACKET - WASHER - E-COATED
4	113795-02-02B	EA	BRACKET - WASHER - E-COATED
5	116653-02-000	FT	DUCT - FLEXIBLE - 3' COMPRESSED/8' EXTENDED
6	146292-01-02A	EA	COVER - DRYER VENT - BLACK
7	146292-02-02A	EA	DRYER VENT - INNER - BLACK
8	167453-01-01A	EA	WASHER/DRYER - VENTED - UL/CSA - WHITE
	141523-01-01A	EA	LABEL - WASHER/DRYER BRACKETS - BLACK/WHITE

CABINET & APPLIANCE GROUP (CONTINUED)
COMPONENT PARTS FOR CABINET & APPLIANCE LAYOUT

119267-17-01A

KEY	PART NUMBER	U/M	DESCRIPTION	VENDOR NO.
	119267-04-700	EA	FILTER-GREASE	BOO2
	119267-04-703	EA	PLATE - MOUNTING	FANGTB003MRY0
	119267-17-700	EA	TURNTABLE-GLASS	NTNT-A114WREZ

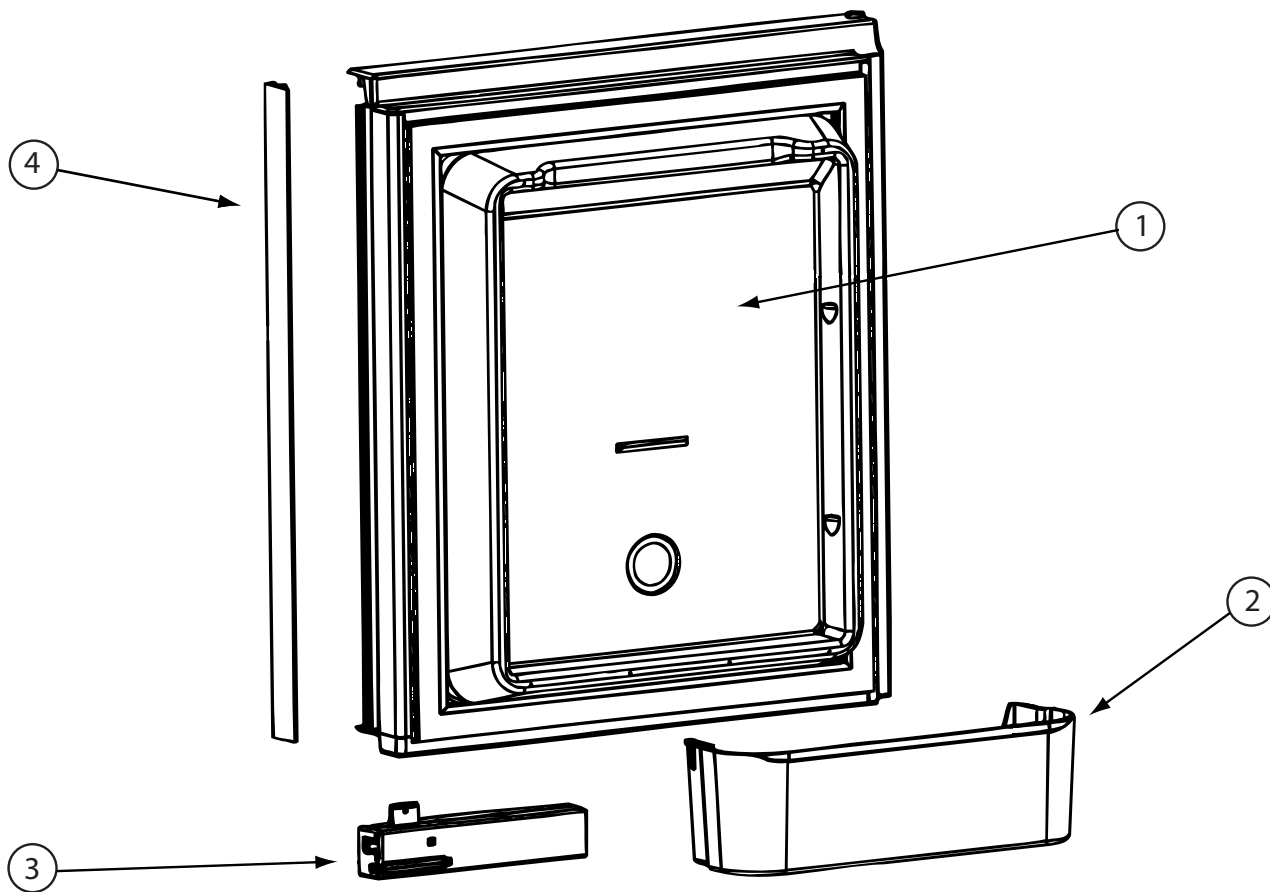


125242-05-02A

KEY	PART NUMBER	U/M	DESCRIPTION	VENDOR NO.
1	125242-05-700	EA	LINER-DOOR/UPPER RH/WRP WPM	62913401
2	125242-05-701	EA	BIN - DOOR SHELF	628686
3	125242-02-701	EA	HANDLE(CONTOUR)TOP RH LWR LH	621106
	125242-02-722	EA	LATCH-STORAGE DR/BLK POINTED	619374

CONTACT WINNEBAGO PART SALES FOR UNLISTED COMPONENT(S)

CABINET & APPLIANCE GROUP (CONTINUED)
COMPONENT PARTS FOR CABINET & APPLIANCE LAYOUT (CONTINUED)

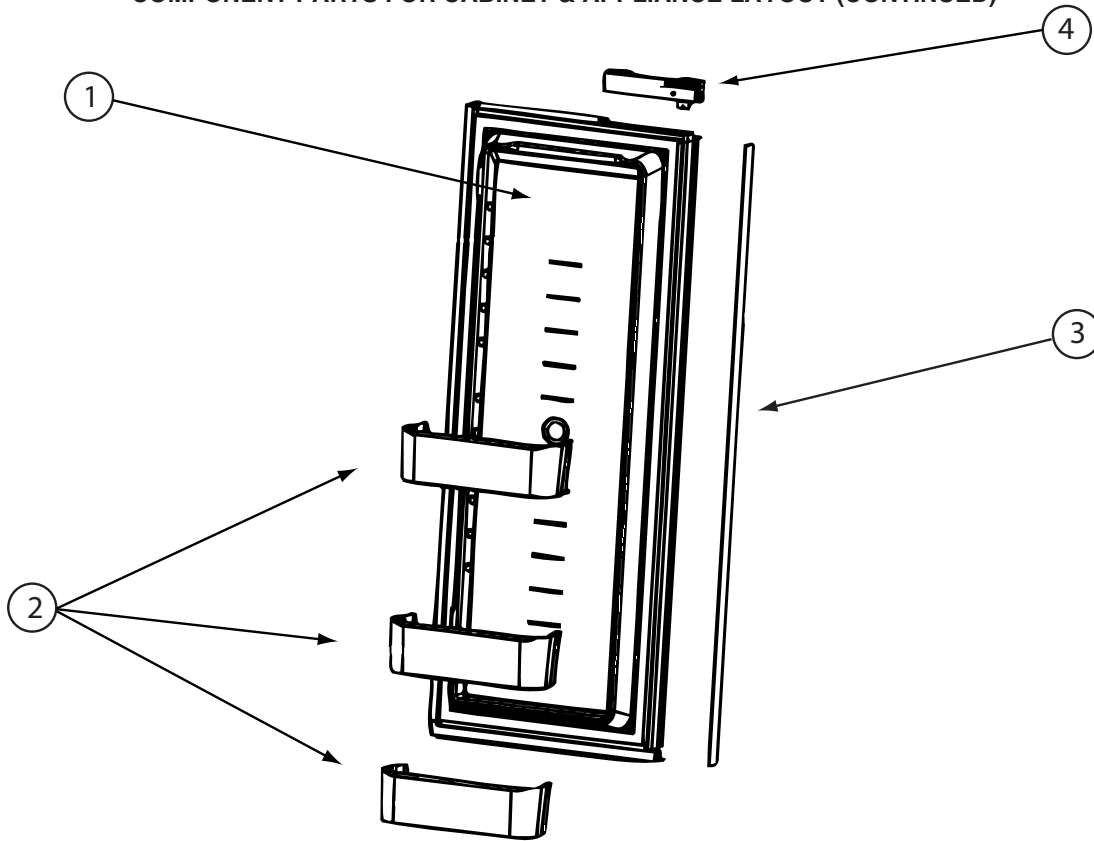


125242-05-02A (CONTINUED)

KEY	PART NUMBER	U/M	DESCRIPTION	VENDOR NO.
1	125242-05-702	EA	LINER-DOOR/UPPER LH/WRP WPM	62913301
2	125242-05-701	EA	BIN - DOOR SHELF	628686
3	125242-02-700	EA	HANDLE(CONTOUR)TOP LH BTM RH	621107
	125242-02-722	EA	LATCH-STORAGE DR/BLK POINTED	619374

CONTACT WINNEBAGO PART SALES FOR UNLISTED COMPONENT(S)

CABINET & APPLIANCE GROUP (CONTINUED)
COMPONENT PARTS FOR CABINET & APPLIANCE LAYOUT (CONTINUED)

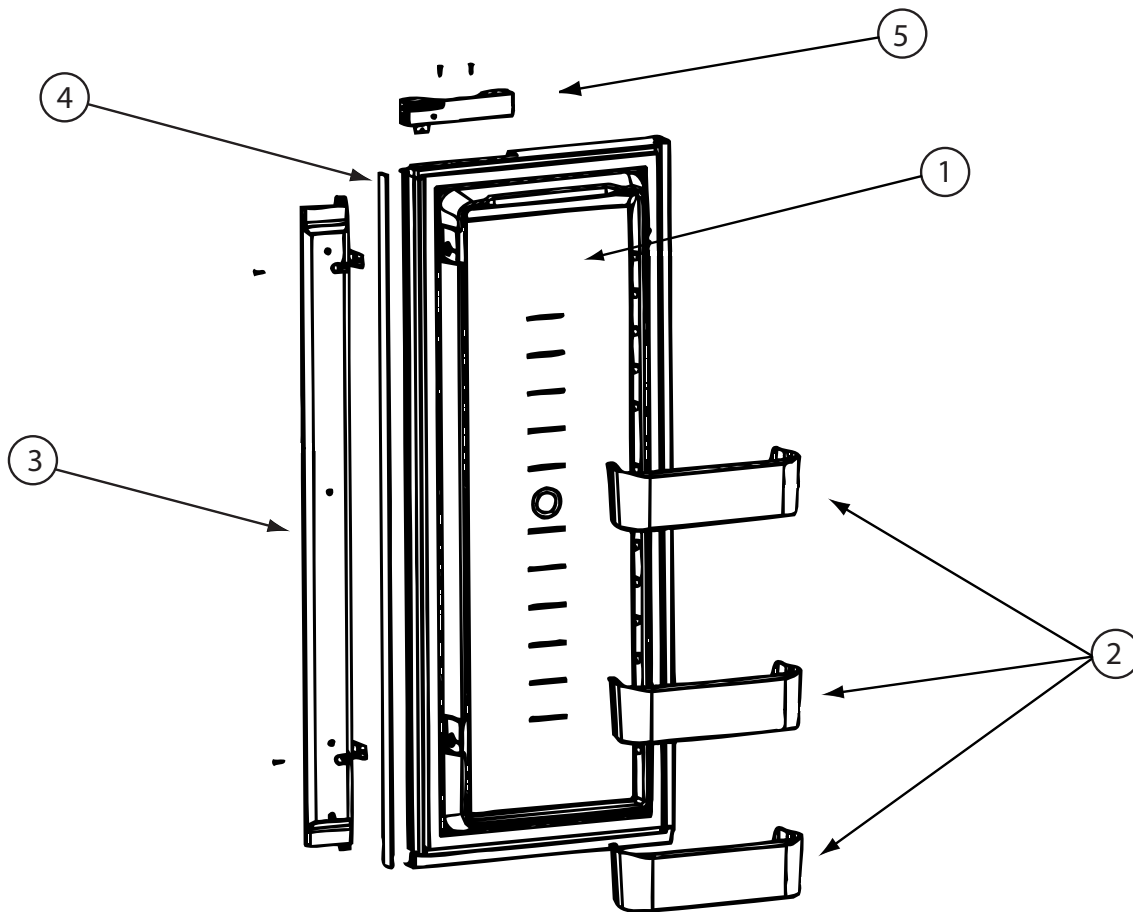


125242-05-02A (CONTINUED)

KEY	PART NUMBER	U/M	DESCRIPTION	VENDOR NO.
1	125242-05-703	EA	LINER-DOOR/LOWER RH/WRP WPM	62913601
2	125242-05-701	EA	BIN - DOOR SHELF	628686
4	125242-02-700	EA	HANDLE(CONTOUR)TOP LH BTM RH	621107
	125242-02-722	EA	LATCH-STORAGE DR/BLK POINTED	619374

CONTACT WINNEBAGO PART SALES FOR UNLISTED COMPONENT(S)

CABINET & APPLIANCE GROUP (CONTINUED)
COMPONENT PARTS FOR CABINET & APPLIANCE LAYOUT (CONTINUED)

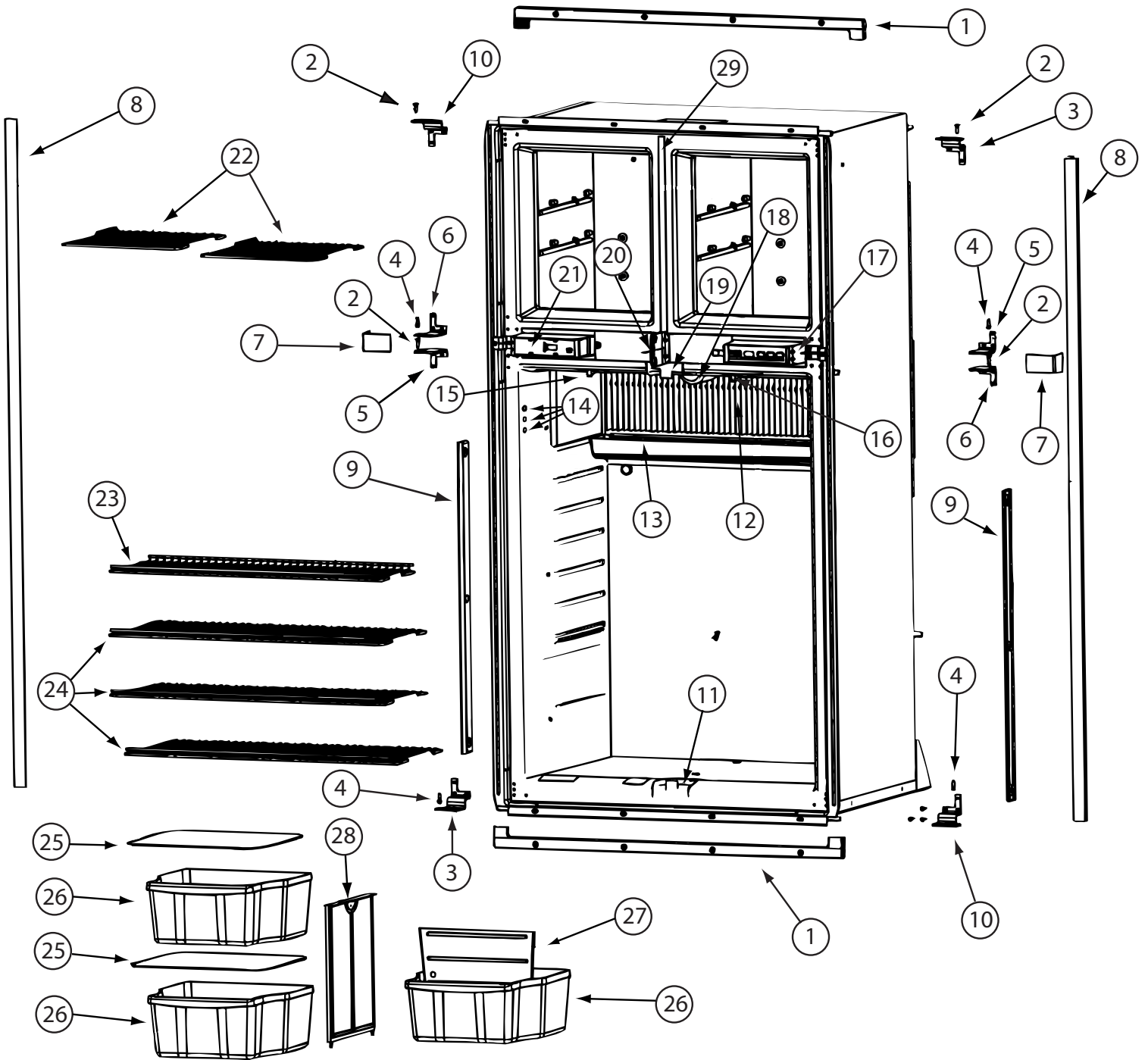


125242-05-02A (CONTINUED)

KEY	PART NUMBER	U/M	DESCRIPTION	VENDOR NO.
1	125242-05-704	EA	LINER-DOOR/LOWER LH/WRP WPM	62913501
2	125242-05-701	EA	BIN - DOOR SHELF	628686
3	125242-05-705	EA	FLAPPER ASM	629049
5	125242-02-701	EA	HANDLE(CONTOUR)TOP RH LWR LH	621106
	125242-02-722	EA	LATCH-STORAGE DR/BLK POINTED	619374

CONTACT WINNEBAGO PART SALES FOR UNLISTED COMPONENT(S)

CABINET & APPLIANCE GROUP (CONTINUED)
COMPONENT PARTS FOR CABINET & APPLIANCE LAYOUT (CONTINUED)



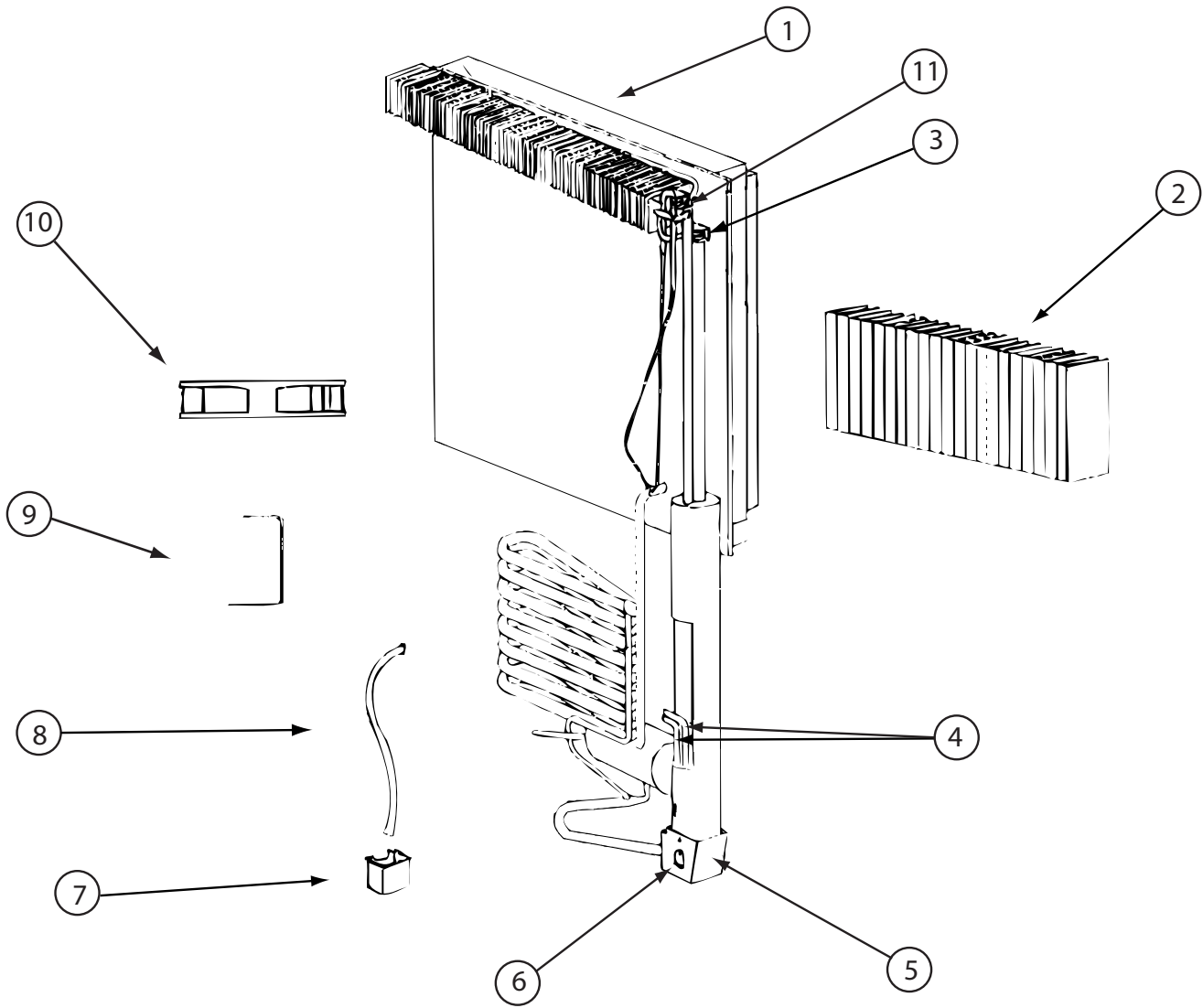
125242-05-02A (CONTINUED)

CABINET & APPLIANCE GROUP (CONTINUED)
COMPONENT PARTS FOR CABINET & APPLIANCE LAYOUT (CONTINUED)

125242-05-02A (CONTINUED)

KEY	PART NUMBER	U/M	DESCRIPTION	VENDOR NO.
1	125242-01-767	EA	KIT INSTALL(U TRIM PCS)HDW	623528
2	125242-03-715	EA	HINGE PIN/UPR-WRAPPED DOORS	623899
3	125242-05-707	EA	HINGE-OUTER/UPPER RH/LWR LH	628946
4	113737-01-710	EA	PIN-HINGE, BOTTOM	61550722
5	125242-05-708	EA	HINGE-INNER/UPPER RH/LWR LH	624363
6	125242-05-709	EA	HINGE-INNER/UPPER LH/LWR RH	624364
7	125242-05-710	EA	COVER - HINGE	627955
8	125242-01-766	EA	TRIM-LT/RT HAND-SCREW ON	623254
9	125242-02-720	EA	RETAINER/SHELF(SER#926685 UP)	622033
10	125242-05-711	EA	HINGE-OUTER/UPPER LH/LWR RH	628945
11	125242-05-712	EA	GUIDE BLOCK-FLAPPER/BTM/BLK	629112
12	125242-05-713	EA	FINS	618785
13	125242-01-712	EA	DRIP TRAY	618774
14	125242-03-706	EA	PROBE - CONTACT/LARGE	620689
15	125242-01-768	EA	SWITCH - DOOR LIGHT	623918
16	125242-02-706	EA	LAMP/WIRE ASM/SER#849677 UP	620871
17	125242-05-706	EA	CONTROL ASM - OPTICAL	629113
18	125242-02-708	EA	COVER/LAMP BRACKET	621827
19	125242-05-714	EA	GUIDE BLOCK-FLAPPER/TOP/BLK	629111
20	125242-05-715	EA	PLATE/STRIKE - BLACK	628473
21	125242-05-716	EA	BOX/FRONT - DUMMY	624366
22	125242-01-725	EA	SHELF-FREEZER (WIRE)	618847
23	125242-01-727	EA	SHELF-WIRE (SHORT)	618849
24	125242-01-726	EA	SHELF-WIRE (LONG)	618848
25	125242-01-706	EA	COVER-CRISPER	618757
26	125242-05-717	EA	BIN - BOTTLE/CRISPER	628688
27	125242-05-718	EA	DIVIDER - BOTTLE/CRISPER	628694
28	125242-01-749	EA	SUPPORT - WALL	618840
29	125242-02-741	EA	STRIP-FREEZER-BLACK	625210 #1291391 &UP
	084880-03-705	EA	BRACKET-LIGHT-INTERIOR	61629722
	084880-03-706	EA	BULB-LAMP	61628922
	120075-01-714	EA	PLUG-HOLE (BLACK)	618170
	125242-05-725	EA	PLATE - F/DUMMY BOX	628460

CABINET & APPLIANCE GROUP (CONTINUED)
COMPONENT PARTS FOR CABINET & APPLIANCE LAYOUT (CONTINUED)

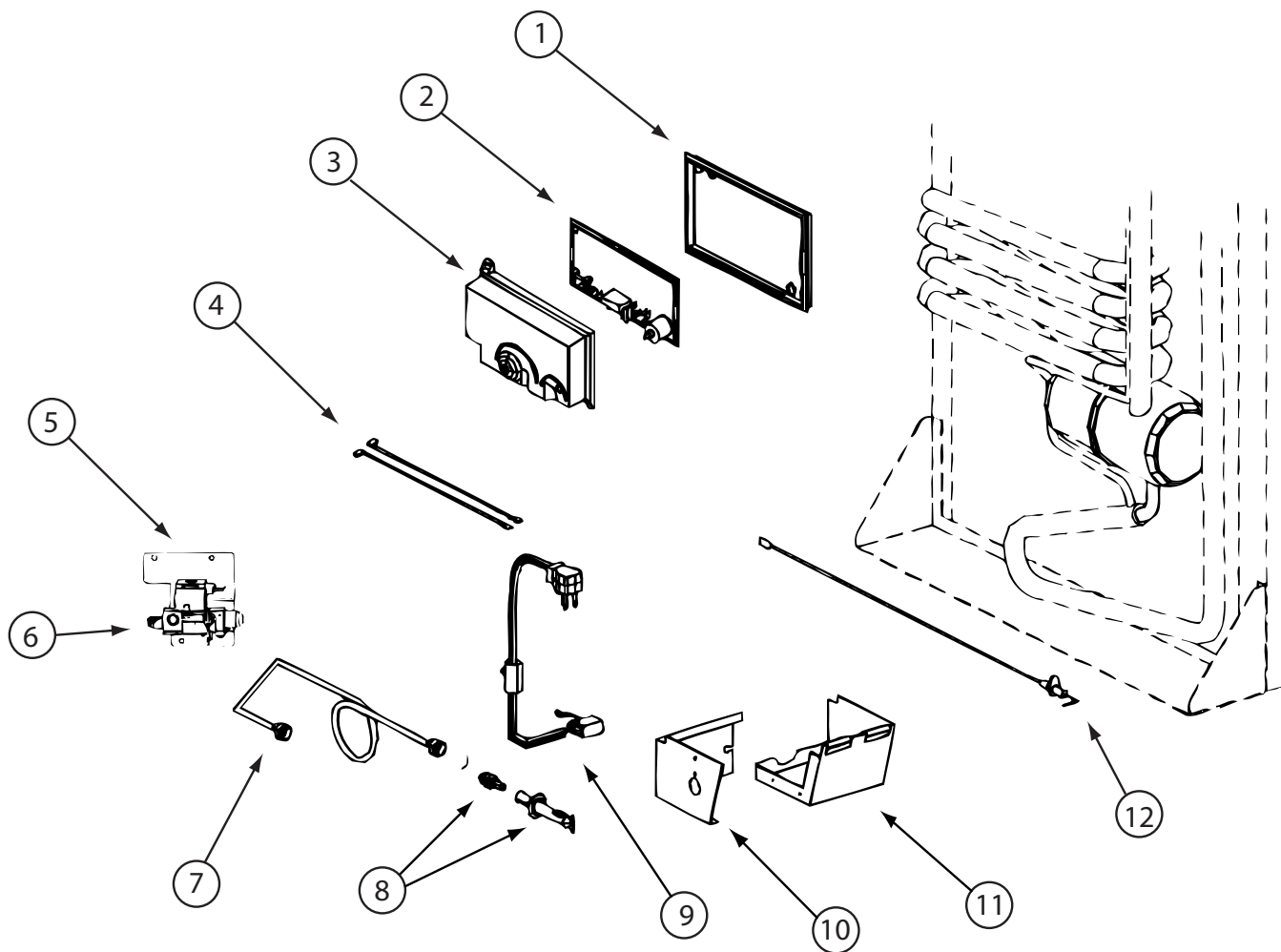


125242-05-02A (CONTINUED)

KEY	PART NUMBER	U/M	DESCRIPTION	VENDOR NO.
1	125242-05-719	EA	COOLING UNIT - SN 8835498 UP	629507
2	125242-05-713	EA	FINS	618785
4	125242-01-732	EA	HEATER AC - 225W/110VAC	618872
5	125242-01-739	EA	BASE-BURNER BOX	618902
6	125242-01-740	EA	COVER-BURNER BOX	618910
9	125242-05-721	EA	BRACKET-DC FAN-SN 914576 UP	628747
10	125242-05-722	EA	FAN-EXTRNL DC-SN 914576 UP	628685
11	113737-01-754	EA	THERMOSTAT (FAN 12V DC)	618093
	125242-01-742	EA	WIRE ASM.-BAFFLE 55.15"	618915
	125242-05-720	EA	SWITCH-THERMAL	628118

CONTACT WINNEBAGO PART SALES FOR UNLISTED COMPONENT(S)

CABINET & APPLIANCE GROUP (CONTINUED)
COMPONENT PARTS FOR CABINET & APPLIANCE LAYOUT (CONTINUED)

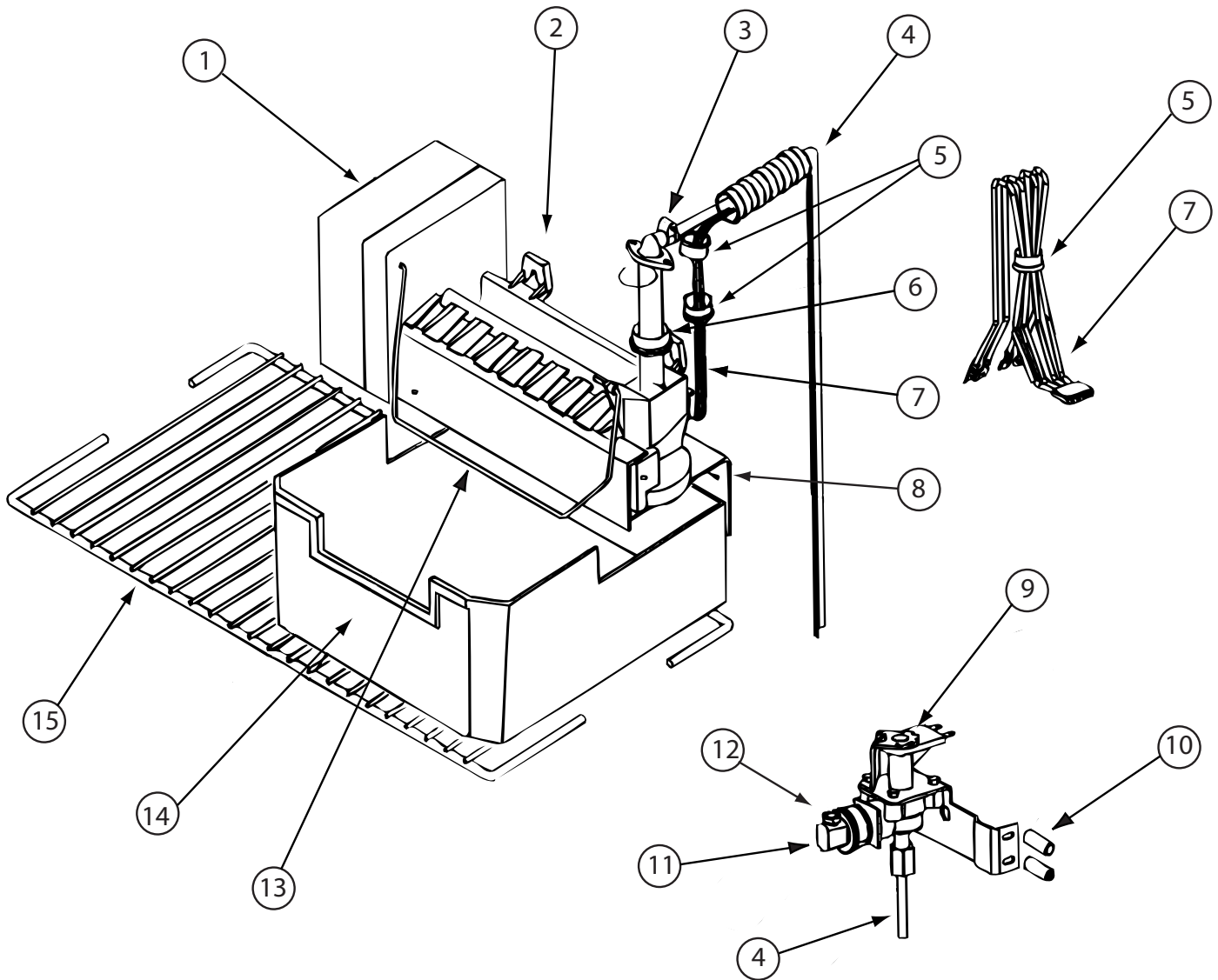


125242-03-02A, 125242-05-02A, 125242-06-01A (CONTINUED)

KEY	PART NUMBER	U/M	DESCRIPTION	VENDOR NO.
1	121569-08-701	EA	BASE - POWER BOARD	628674
2	121568-06-709	EA	BOARD/POWER-N611/N822F/1201	628661
3	121569-08-702	EA	COVER-POWER BOARD	628677
4	125242-02-709	EA	WIRE/WHITE/9"/GAS VALVE	621448
6	121569-08-703	EA	GAS VALVE - SOLENOID	628741
7	125242-05-723	EA	BURNER TUBE	624683
8	125242-02-743	EA	BURNER ORF ADAP-7 SLOT BRNR	629013
9	125242-03-732	EA	CORD - AC POWER- W/ICE MAKER	618406
10	125242-01-740	EA	COVER-BURNER BOX	618910
11	125242-01-739	EA	BASE-BURNER BOX	618902
12	104137-06-715	EA	ELECTRODE-SPARK/SENSOR, SGL	61692222

CONTACT WINNEBAGO PART SALES FOR UNLISTED COMPONENT(S)

CABINET & APPLIANCE GROUP (CONTINUED)
COMPONENT PARTS FOR CABINET & APPLIANCE LAYOUT (CONTINUED)

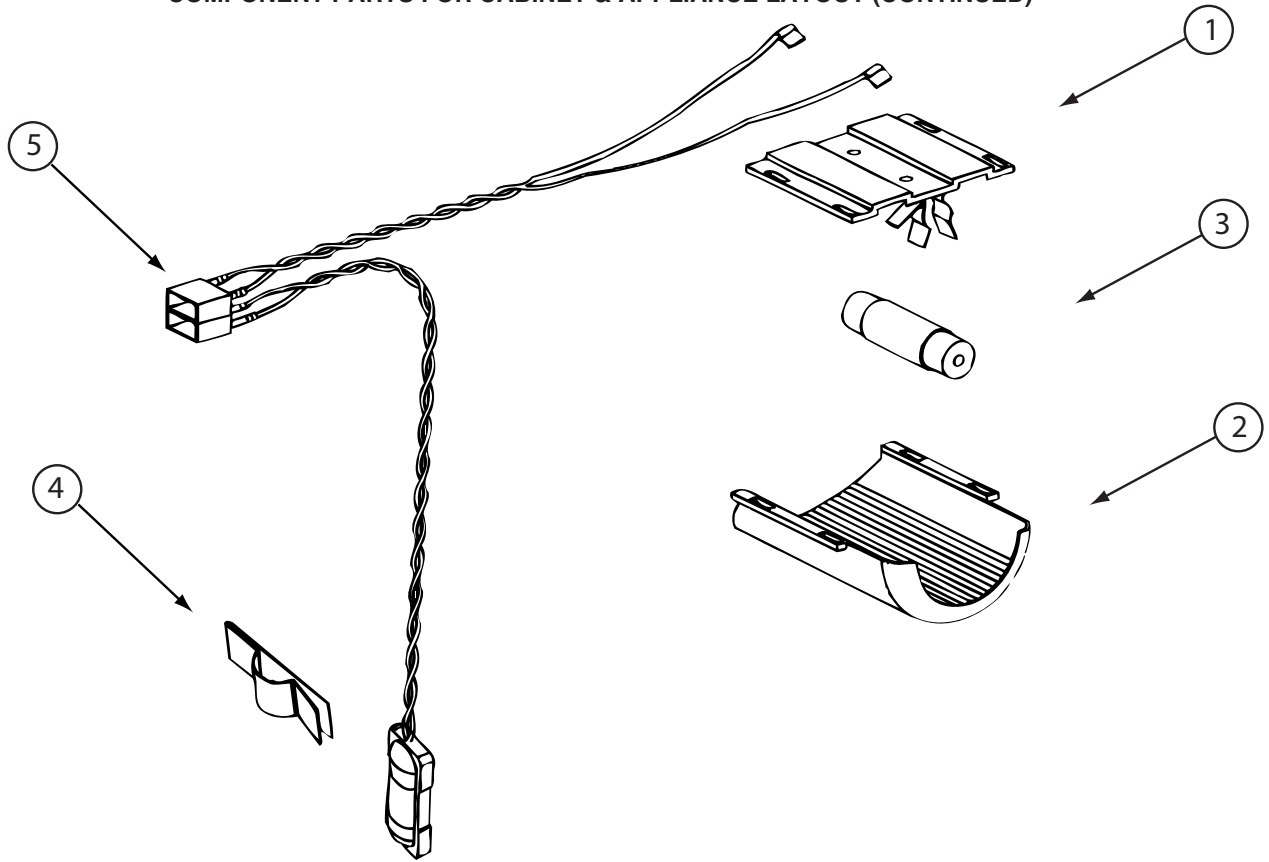


125242-03-02A, 125242-05-02A, 125242-06-01A (CONTINUED)

KEY	PART NUMBER	U/M	DESCRIPTION	VENDOR NO.
2	094039-07-706	EA	ICE MAKER W/O PLATES	61656522
4	125242-05-724	EA	WATER TUBE/HEATER ASM	621429
6	120075-03-706	EA	FITTING WATER LINE	620039
8	125242-01-737	EA	BRACKET-MOUNTING (ICE MAKER)	618894/620890
9	120075-03-701	EA	WATER VALVE - W/BRACKET	618253
11	094039-07-707	EA	GARDEN HOSE ADAP W/BRASS NUT	61679622
12	094039-07-708	EA	NUT - COMPRESSION	622991
13	120075-03-703	EA	ARM-SHUT OFF	61656922
14	125242-01-716	EA	ICE BIN	618803
15	125242-01-725	EA	SHELF-FREEZER (WIRE)	618847
	120075-09-703	EA	THERMOSTAT	620240

CONTACT WINNEBAGO PART SALES FOR UNLISTED COMPONENT(S)

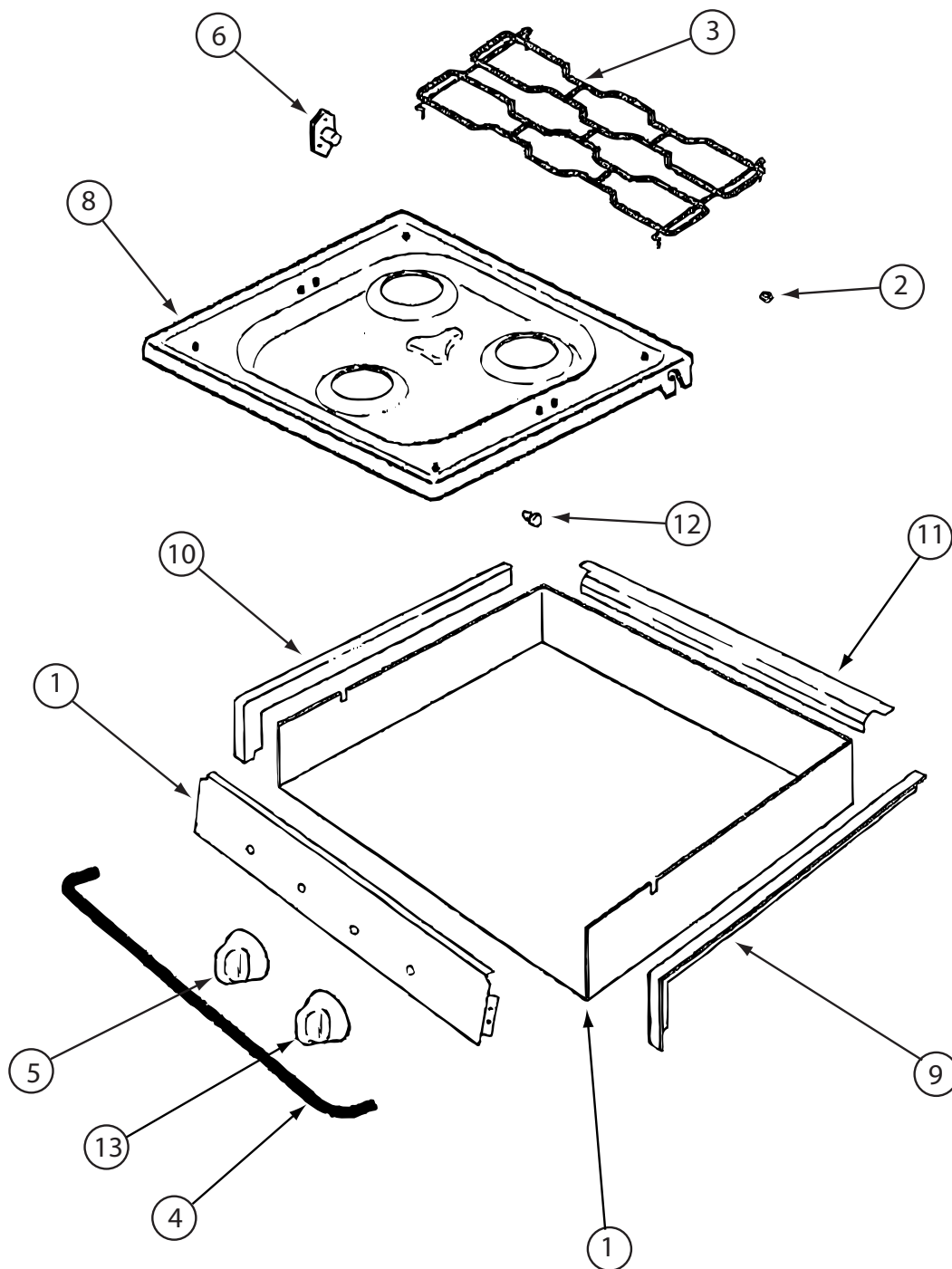
CABINET & APPLIANCE GROUP (CONTINUED)
COMPONENT PARTS FOR CABINET & APPLIANCE LAYOUT (CONTINUED)



125242-03-02A, 125242-05-02A, 125242-06-01A (CONTINUED)

KEY	PART NUMBER	U/M	DESCRIPTION	VENDOR NO.
1	084880-03-705	EA	BRACKET-LIGHT-INTERIOR	61629722
2	125242-02-708	EA	COVER/LAMP BRACKET	621827
3	084880-03-706	EA	BULB-LAMP	61628922
4	084880-01-760	EA	CLIP (THERMISTER)	61689122
5	125242-02-706	EA	LAMP/WIRE ASM/SER#849677 UP	620871

CABINET & APPLIANCE GROUP (CONTINUED)
COMPONENT PARTS FOR CABINET & APPLIANCE LAYOUT (CONTINUED)

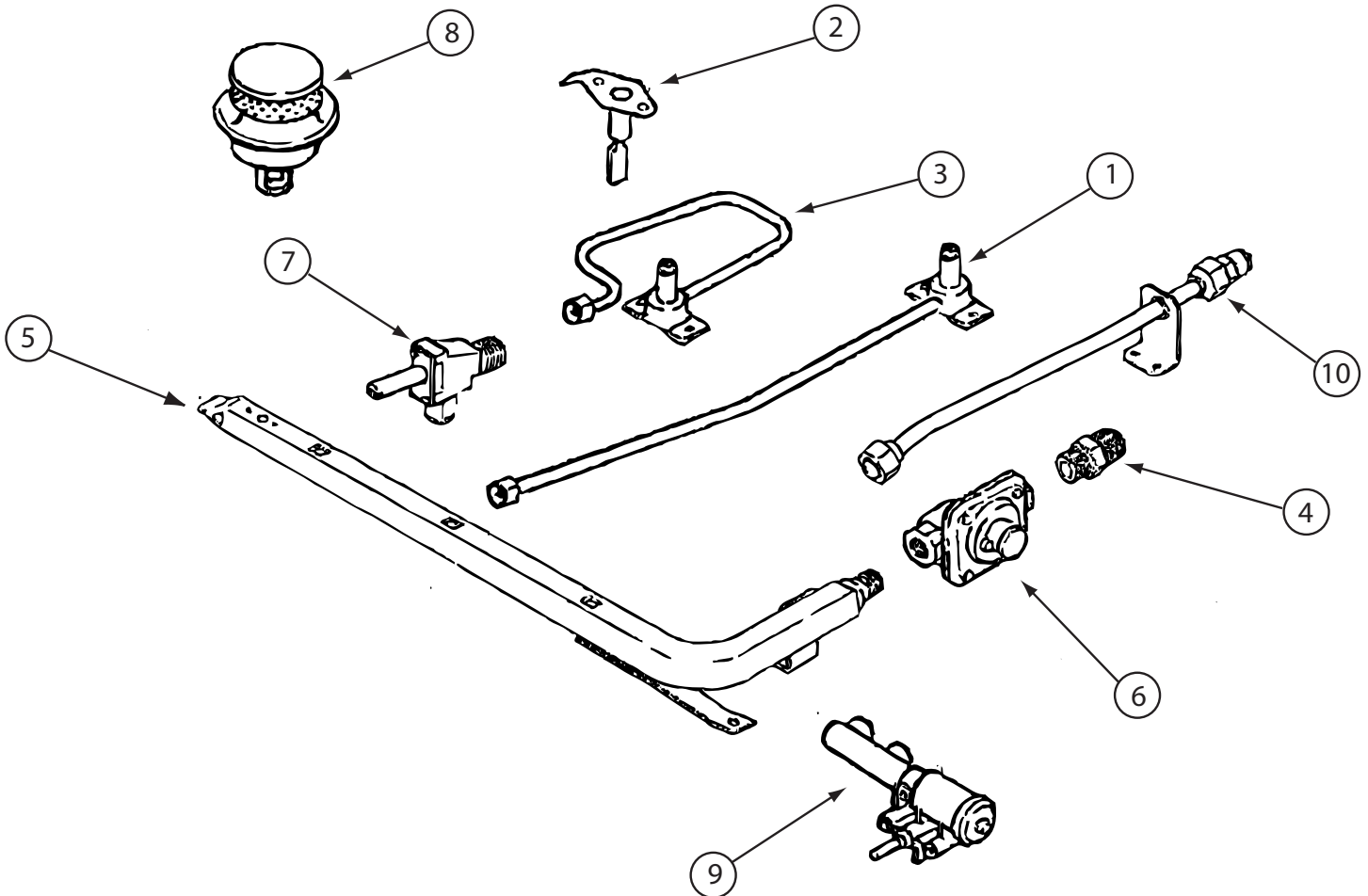


135065-03-01A, 135065-03-03A, 135065-04-01A

KEY	PART NUMBER	U/M	DESCRIPTION	VENDOR NO.
2	102020-01-709	EA	BUMPER-GRATE	8007P020-60
3	135065-03-703	EA	GRATE - BLACK(SEALED BURNER)	74007304
4	114030-02-700	EA	GUARD/FABRIC - TOWEL BAR	3609F006-70
5	128728-01-701	EA	KNOB - BURNER - REAR	74003941 (1 PER)
5	128728-01-702	EA	KNOB - BURNER - FRONT	74003942
6	128728-01-703	EA	PIN/T-NUT F/HINGE	7103P109-60
7	135065-03-704	EA	PANEL - MANIFOLD (BLACK)	74007330
8	128728-01-705	EA	TOP - MAIN - BLACK	74003928
8	135065-03-715	EA	TOP - MAIN - STAINLESS STEEL	74007299
9	114030-01-704	EA	TRIM - RIGHT/BLACK TEXTURED	74002839
10	114030-01-705	EA	TRIM - LEFT/BLACK TEXTURED	74002840
11	114030-01-706	EA	TRIM - REAR/BLACK TEXTURED	74002841
12	102020-01-724	EA	BUMPER-MAIN TOP	8003P008-60
13	128728-01-707	EA	KNOB - IGNITOR	74003944

CONTACT WINNEBAGO PART SALES FOR UNLISTED COMPONENT(S)

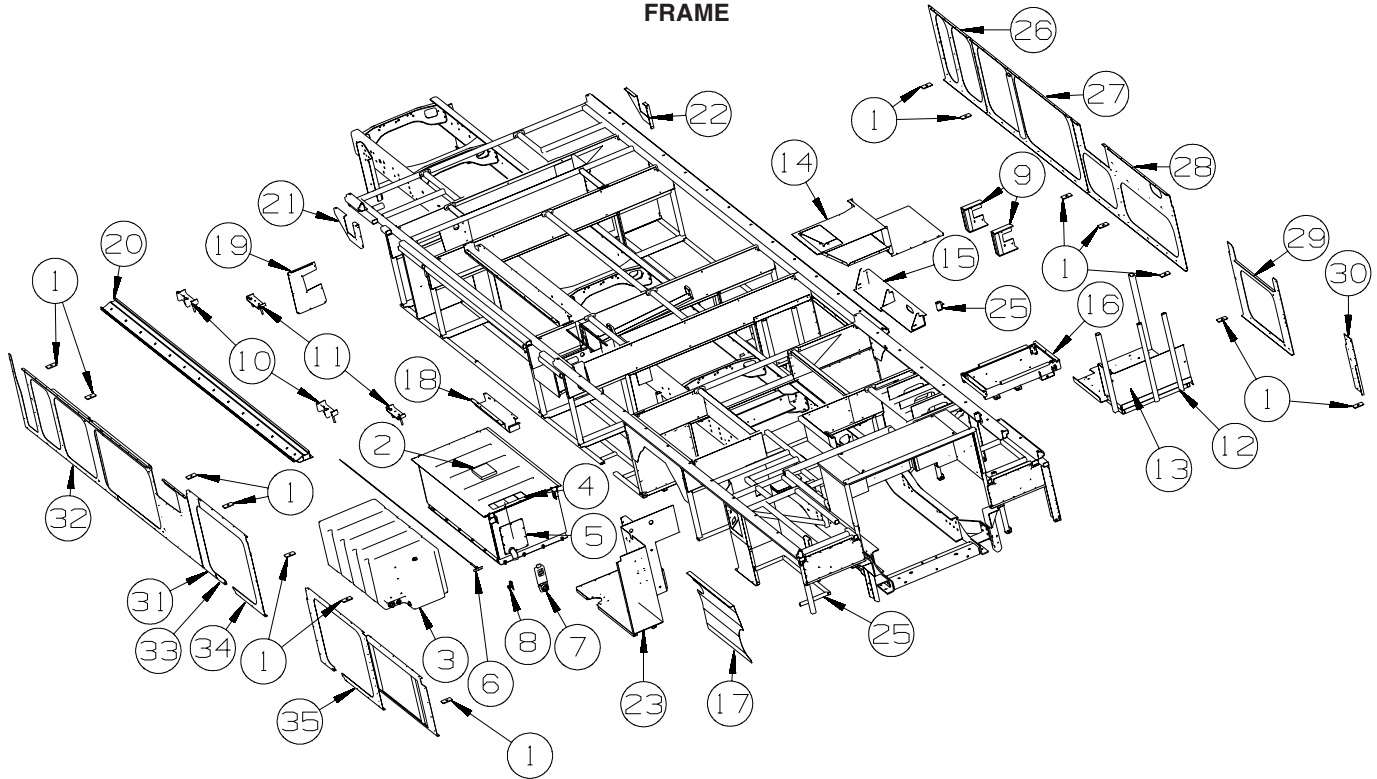
CABINET & APPLIANCE GROUP (CONTINUED)
COMPONENT PARTS FOR CABINET & APPLIANCE LAYOUT (CONTINUED)



135065-03-01A, 135065-03-03A, 135065-04-01A (CONTINUED)

KEY	PART NUMBER	U/M	DESCRIPTION	VENDOR NO.
1	128728-01-708	EA	FITTING W/ORFICE/TUBE - REAR	74003931
2	135065-01-701	EA	IGNITOR/PORCELAIN-TOP BURNER	74004053
3	128728-01-710	EA	FITTING W/ORFICE/TUBE - FRT	74003930
4	135065-03-700	EA	FITTING - HALF UNION	74004234
5	135065-01-702	EA	PIPE/MANIFOLD	74004642
6	126023-02-703	EA	REGULATOR - PRESSURE	74004235
7	135065-01-703	EA	VALVE/BURNER - REAR	74004643
7	135065-01-704	EA	VALVE/BURNER-FRT-HI	74004644
7	135065-03-701	EA	SCREW - VALVE	71003231
8	135065-03-702	EA	SEALED BURNER ASM.(BLACK) RV	74003967
9	128728-01-716	EA	IGNITOR - F/BURNERS	74003946
9	128728-01-717	EA	WIRES - IGNITOR	74003947

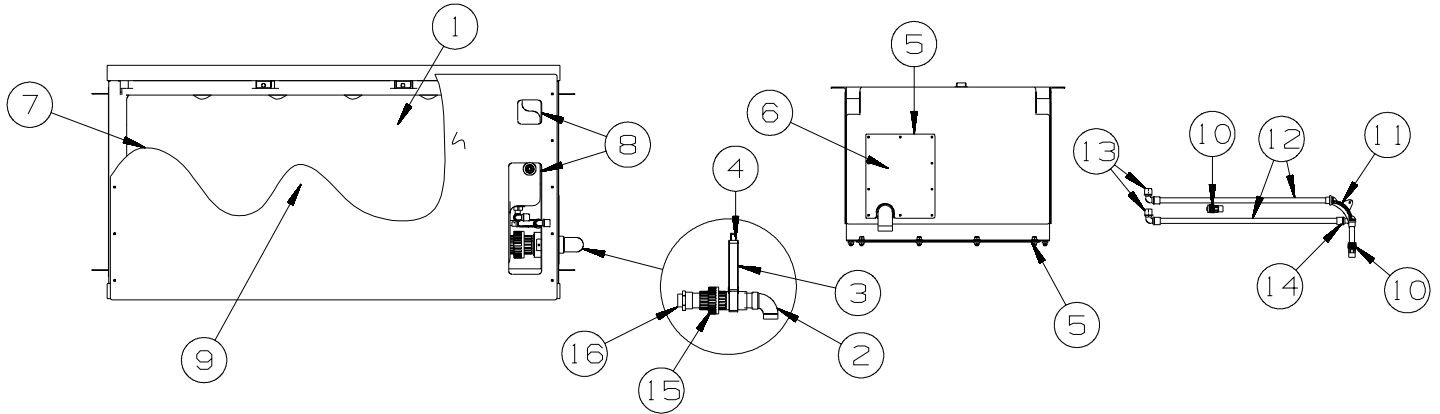
CHASSIS GROUP FRAME



KEY	PART NUMBER	U/M	DESCRIPTION
1	135712-01-02B	EA	PLATE - BODY MOUNT - E-COATED
2	072877-08-000	EA	INSULATION - SOUND BARRIER- 1" X 54" X 48" - ADHESIVE BACK
3	132678-04-000	EA	TANK - WATER - 82 GALLON - W/FITTINGS
	042989-03-000	EA	FITTING - SPINWELD - 1 1/4"NPT - PLASTIC
	042989-04-000	EA	FITTING - SPINWELD - 3/8"FPT - PLASTIC
	042989-05-000	EA	FITTING - SPINWELD - 1/2"FPT - PLASTIC
4	112091-01-000	FT	SEAL/D - NEOPRENE - HEAT ACTIVE ADHESIVE - .9" X .7"
5	133352-01-02B	EA	PANEL - ACCESS - WATER TANK - E-COATED
6	062421-08-000	EA	CABLE/ROD - F/DUMP VALVE - W/HANDLE - 108"
7	062421-03-000	EA	VALVE/DUMP W/O HANDLE - 1 1/2" X 1 1/2" HUB
8	124184-01-000	EA	SUPPORT - WATER LINE - BEND
9	120867-01-02B	EA	MOUNT - LP TANK - E-COAT
10	152558-10-02B	EA	BRACKET/MOUNT - F/SLIDEOUT - E-COATED
11	152558-11-02B	EA	BRACKET/MOUNT - F/SLIDEOUT - E-COATED
12	161207-02-02B	EA	TRAY - BATTERY - E-COATED
13	167106-04-02B	EA	SHIELD - BATTERY TRAY - E-COATED
14	161049-02-02B	EA	COMPARTMENT - FURNACE - E-COATED
15	161170-03-02B	EA	BRACKET/SUPPORT - TANK - E-COATED
16	167783-01-01A	EA	SLIDE - BATTERY TRAY
17	139420-04-02B	EA	SHIELD - A/C CONDENSOR - E-COATED
18	163282-02-02B	EA	CHANNEL/BOTTOM - WIRE PATH - E-COATED
19	163884-01-02B	EA	PANEL/ACCESS - RAM - E-COATED
20	160878-01-01A	EA	RAMP - SLIDEOUT - FLOOR/COACH - 155.7" - BLACK
21	158521-09-02B	EA	PANEL - FUEL FILL - E-COATED
22	158521-10-02B	EA	PANEL - FUEL FILL/RH - E-COATED
23	167151-01-02B	EA	COMPARTMENT - POWERCORD - E-COATED
			FROM: 00-00-00 THRU: 06-01-08
23	167151-03-02B	EA	COMPARTMENT - POWERCORD - E-COATED
			FROM: 06-02-08 THRU: 99-99-99

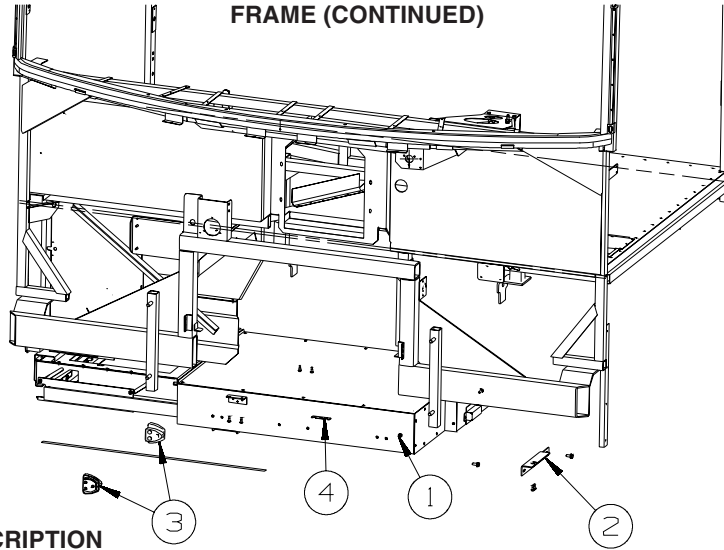
CHASSIS GROUP (CONTINUED) FRAME (CONTINUED)

KEY	PART NUMBER	U/M	DESCRIPTION
24	134225-01-02B	EA	SUPPORT - CONDENSOR SHIELD - E-COATED
25	136780-03-02B	EA	ADJUSTER - SLIDE - E-COATED
26	168337-01-02B	EA	PLATE/SEAL - E-COATED
27	162467-01-02B	EA	SEAL PLANE - E-COATED
28	162464-01-02B	EA	PLATE/SEAL - E-COATED
29	162604-01-02B	EA	PLATE/SEAL - E-COATED
30	161191-01-02B	EA	PLATE/SEAL - E-COATED
31	161194-02-02B	EA	PLATE/SEAL - E-COATED
32	161197-02-02B	EA	SEAL PLANE - E-COATED
33	161194-05-02B	EA	PLATE/SEAL - E-COATED
34	161194-04-02B	EA	PLATE/SEAL - E-COATED
35	161188-01-02B	EA	SEAL PLANE - E-COATED



KEY	PART NUMBER	U/M	DESCRIPTION
1	132678-04-000	EA	TANK - WATER - 82 GALLON - W/FITTINGS
	042989-03-000	EA	FITTING - SPINWELD - 1 1/4"NPT - PLASTIC
	042989-04-000	EA	FITTING - SPINWELD - 3/8"FPT - PLASTIC
	042989-05-000	EA	FITTING - SPINWELD - 1/2"FPT - PLASTIC
	049032-01-000	EA	PATCH - SPINWELD - 3/8" - PLASTIC
2	010009-01-000	EA	ELBOW - 90 DEGREE - 1/4 BEND - 1 1/2" - PLASTIC
3	062421-03-000	EA	VALVE/DUMP W/O HANDLE - 1 1/2" X 1 1/2" HUB
4	062421-08-000	EA	CABLE/ROD - F/DUMP VALVE - W/HANDLE - 108"
4	127170-01-000	EA	LABEL - WATER TANK DRAIN
4	143994-02-12B	EA	BRACKET/MOUNTING - VALVE - BRIGHT WHITE
5	099069-01-000	FT	SEAL - RUBBER - CLOSED SPONGE - .5" WIDE X .12" THICK-BLK
6	133352-01-02B	EA	PANEL - ACCESS - WATER TANK - E-COATED
7	098408-01-000	FT	SEAL - SPONGE RUBBER - CLOSED CELL
8	112091-01-000	FT	SEAL/D - NEOPRENE - HEAT ACTIVE ADHESIVE - .9" X .7"
9	072877-03-000	EA	INSULATION - SOUND BARRIER- 1" X 36" X 57" - ADHESIVE BACK

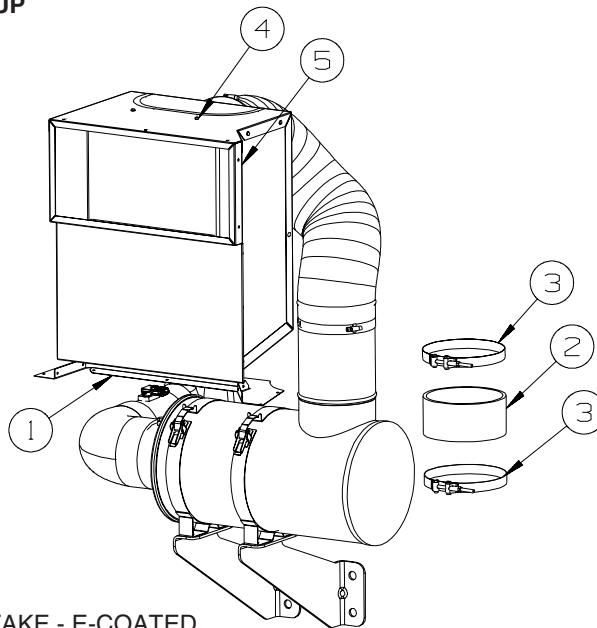
CHASSIS GROUP (CONTINUED)
FRAME (CONTINUED)



KEY	PART NUMBER	U/M	DESCRIPTION
1*	145122-05-01A	EA	STEP COVER - SLIDING
2	145661-04-02B	EA	BRACKET - STEP COVER - E-COATED
3	142499-02-01A	EA	BLOCK/SUPPORT (STEP COVER)
	161608-01-02B	EA	SHIM - STEP/COVER - E-COATED
4	120494-09-02B	EA	SHIM - STEP/COVER - E-COATED

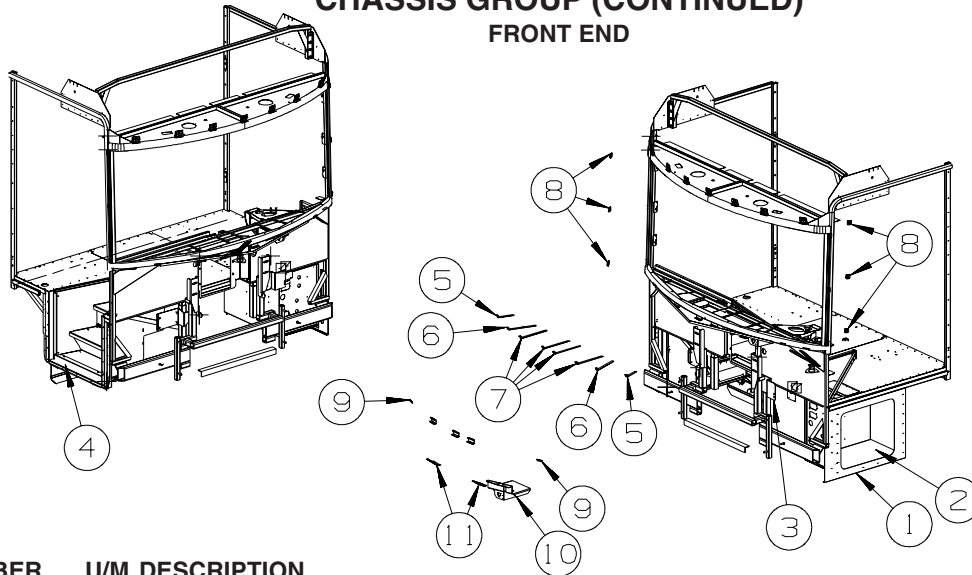
FROM: 01-05-09 THRU: 99-99-99

*COMPONENT PARTS LISTED LATER IN THIS GROUP



KEY	PART NUMBER	U/M	DESCRIPTION
1	168125-01-02B	EA	PLATE/SEAL - AIR INTAKE - E-COATED
2	124497-02-000	EA	SLEEVE - RUBBER - 6"ID X 3"L
3	125083-01-01A	EA	CLAMP - T BOLT - 6"
4	166785-01-02B	EA	PANEL/TOP - AIR INTAKE - E-COATED
5	166777-01-02B	EA	BOX/AIR - INTAKE/ENGINE - E-COATED

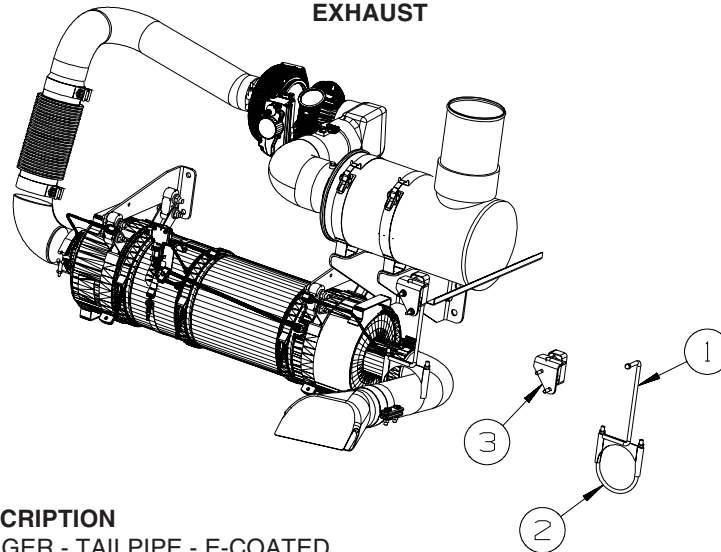
CHASSIS GROUP (CONTINUED) FRONT END



KEY	PART NUMBER	U/M	DESCRIPTION
1	160480-01-02B	EA	PANEL/SEAL PLANE - FRONT - E-COATED
2	160481-05-02B	EA	COMPARTMENT - LUGGAGE - E-COATED
3	142478-02-01B	EA	BRACKET - VALVE - AIR SOURCE - MILL
4	162109-04-02B	EA	STEP WELL - ENTRANCE DOOR - E-COATED
4	169007-01-02B	EA	STEP WELL - ENTRANCE DOOR - E-COATED FROM: 00-00-00 THRU: 06-08-08 FROM: 06-09-08 THRU: 99-99-99
5	163979-03-01B	EA	STRAP/PLENUM - DEFROSTER
6	163979-02-01B	EA	STRAP/PLENUM - DEFROSTER
7	163979-01-01B	EA	STRAP/PLENUM - DEFROSTER
8	148935-01-01B	EA	BRACKET - WINDSHIELD - MILL
9	126289-65-01B	EA	ANGLE - FORMED
10	156774-03-01B	EA	BRACKET - WIPER MOTOR
11	134202-01-01B	EA	REINFORCEMENT - SUPPORT - LOWER WINDSHIELD/MIDDLE

CHASSIS GROUP (CONTINUED)

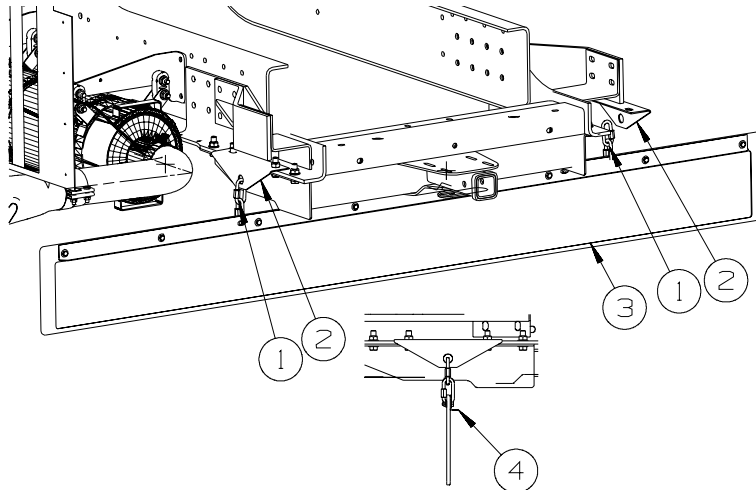
EXHAUST



KEY	PART NUMBER	U/M DESCRIPTION
1	122392-19-02B	EA HANGER - TAILPIPE - E-COATED
2	094918-05-000	EA CLAMP - EXHAUST - 4 7/16" - GUILLOTINE STYLE
3	143811-01-000	EA HANGER - EXHAUST - FORD F53

HITCH

KEY	PART NUMBER	U/M DESCRIPTION
	170943-02-04B	EA HITCH/RECEIVER - CLASS 4
	172243-01-01A	EA LABEL - HITCH RATING - CLASS 3 - 5000/500 - WHT BLK

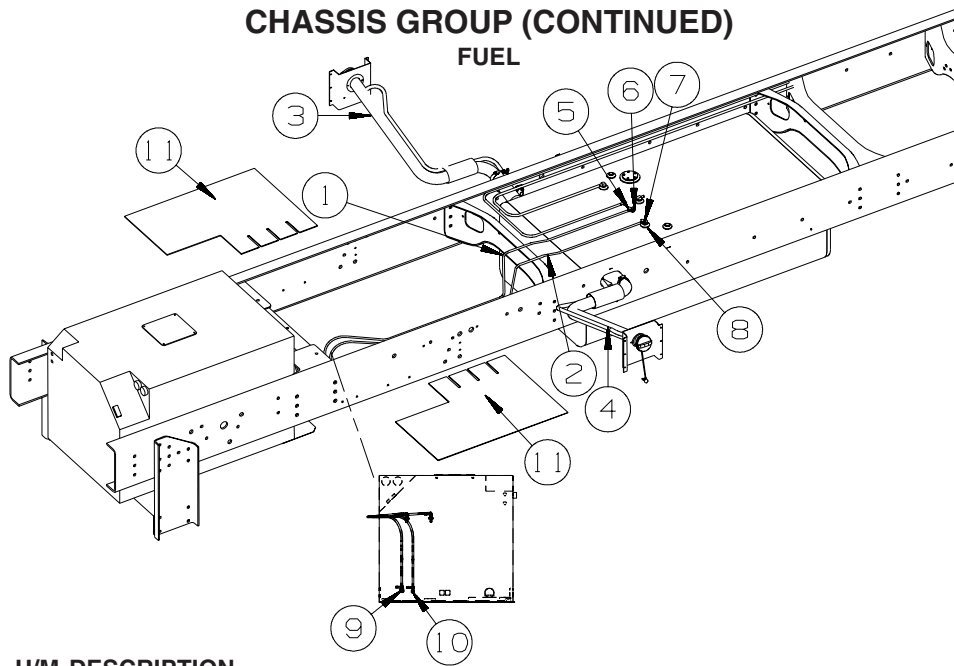


REAR MUD GUARD

KEY	PART NUMBER	U/M DESCRIPTION
1	139818-01-01A	EA LINK - QUICK - STAINLESS STEEL
2	163857-01-02B	EA ANGLE/FORMED - MUDFLAP - E-COATED
3	139635-02-01A	EA MUD FLAP - FULL WIDTH - BLACK
4	139417-01-02B	EA ANGLE - FORMED - MUDFLAP - E-COATED

CHASSIS GROUP (CONTINUED)

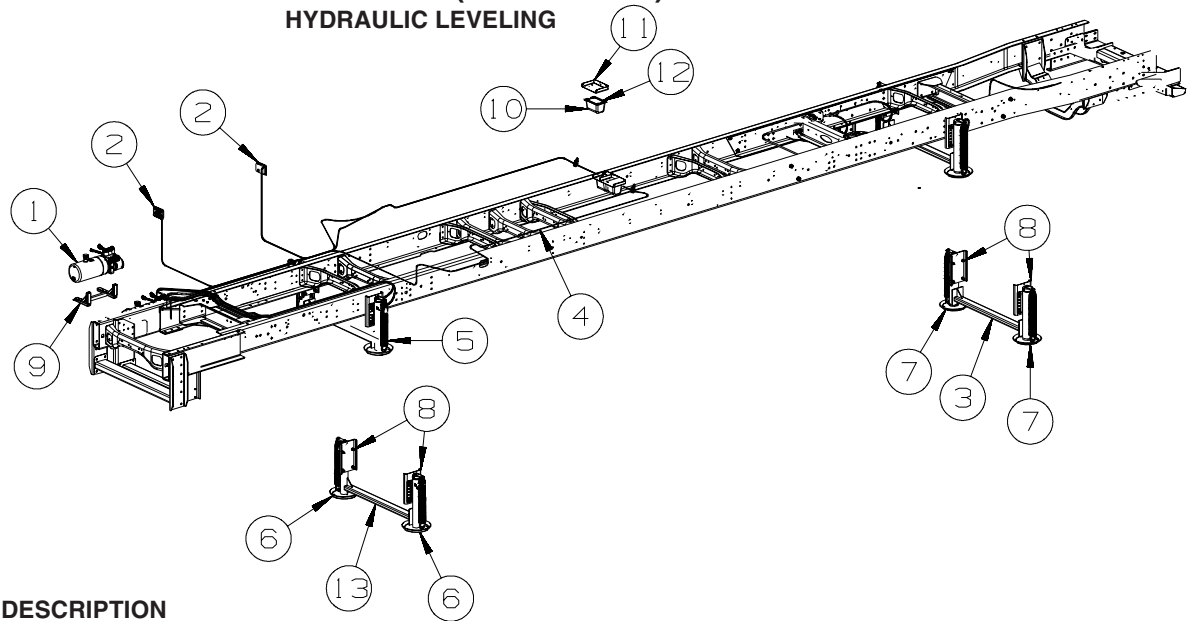
FUEL



KEY	PART NUMBER	U/M	DESCRIPTION
1	128139-03-000	FT	HOSE - FUEL - LOW PERMEABILITY - 1/4" DIAMETER
2	024138-01-000	FT	HOSE - FUEL - 5/16" ID
3	162243-02-000	EA	NECK - FUEL FILL - RIGHT HAND
4	162243-01-000	EA	NECK - FUEL FILL - LEFT HAND
5	114253-01-000	EA	ELBOW - 1/4 SINGLE BARB X 1/8 MPT
6	068382-06-000	EA	BUSHING - 3/8"MPT X 1/8"FPT - BRASS
7	114253-02-000	EA	ELBOW - 5/16 SINGLE BARB X 1/4 MPT
8	068382-02-000	EA	BUSHING - 3/8"MPT X 1/4"FPT - BRASS
9	114253-04-000	EA	ELBOW - 5/16 SINGLE BARB X 1/8 MPT
10	114253-01-000	EA	ELBOW - 1/4 SINGLE BARB X 1/8 MPT
11	118726-09-000	EA	BAFFLE - FUEL FILL

CHASSIS GROUP (CONTINUED)

HYDRAULIC LEVELING



KEY	PART NUMBER	U/M	DESCRIPTION
1*	165120-02-000	EA	PUMP - LEVELING SYSTEM/HORIZONTAL MOUNT FROM: 00-00-00 THRU: 10-24-08
1	165120-04-000	EA	PUMP - LEVELING SYSTEM/HORIZONTAL MOUNT FROM: 10-25-08 THRU: 99-99-99
2	164881-01-000	EA	TOUCH PAD/LEVEL CONTROL
3	165448-01-000	EA	CROSSMEMBER - JACKS/LEVELING - FRONT/REAR
4*	165179-02-000	EA	HOSE KIT - LEVELING JACKS
5*	164877-02-000	EA	LEVELING SYSTEM - W/O PUMP/JACKS/CONTROL MODULE-W/HARNESS - M39, P39
5	164877-03-000	EA	LEVELING SYSTEM - W/O PUMP/JACKS/CONTROL MODULE-W/HARNESS - M37, P37
6*	165119-01-000	EA	JACK/LEVELING - 8000 LB/FRONT
7*	165119-02-000	EA	JACK/LEVELING - 13000 LB/REAR
8	165037-10-02B	EA	BRACKET - LEVELING JACK - E-COATED
8	165037-11-02B	EA	BRACKET - LEVELING JACK - E-COATED - 1PB FRONT
9	165720-01-02B	EA	BRACKET - PUMP/LEVELING - E-COATED
10	165075-01-01A	EA	COVER - ELECTRICAL BOX/LEVELING SYSTEM
11	164971-03-02B	EA	BRACKET - CONTROL MODULE/LEVELING SYSTEM - E-COATED
12	165121-01-000	EA	CONTROL MODULE - LEVELING SYSTEM
13	165448-01-000	EA	CROSSMEMBER - JACKS/LEVELING - FRONT/REAR FROM: 00-00-00 THRU: 08-10-08
13	170687-01-04B	EA	CROSSMEMBER ASM-JACKS,L,E-CT FROM: 08-11-08 THRU: 99-99-99
13	165448-02-000	EA	CROSSMEMBER - JACKS/LEVELING - FRONT - 1PB FROM: 00-00-00 THRU: 08-10-08
13	170687-02-04B	EA	CROSSMEMBER ASM-JACKS,L,E-CT - 1PB FROM: 08-11-08 THRU: 99-99-99

*COMPONENT PARTS LISTED LATER IN THIS GROUP

CHASSIS GROUP (CONTINUED)
COMPONENT PARTS FOR HYDRAULIC LEVELING

164877-02-000

KEY	PART NUMBER	U/M	DESCRIPTION	VENDOR NO.
	164877-01-700	EA	PUMP HARNESS - 252"	1510000065
	164877-02-700	EA	INTERCONNECT HARNESS - 21'	1510000073

165119-01-000

KEY	PART NUMBER	U/M	DESCRIPTION	VENDOR NO.
	165119-01-700	EA	SPRING KIT - 2.5" X 17"	500094
	165119-01-701	EA	CONE/THREADED - F/SPRING	500085
	165119-01-702	EA	REBUILD KIT (SEALS)	800138S

165119-02-000

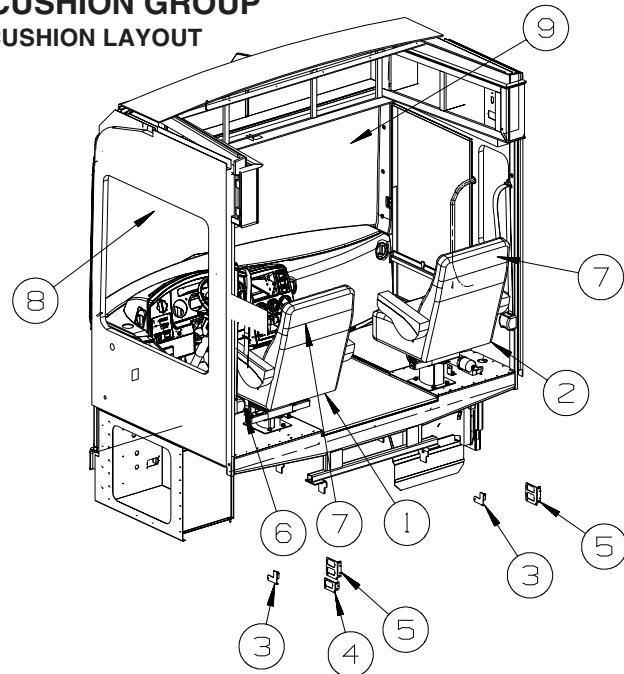
KEY	PART NUMBER	U/M	DESCRIPTION	VENDOR NO.
	165119-01-700	EA	SPRING KIT - 2.5" X 17"	500094
	165119-01-701	EA	CONE/THREADED - F/SPRING	500085
	165119-02-700	EA	REBUILD KIT (SEALS)	800199S

165179-02-000

KEY	PART NUMBER	U/M	DESCRIPTION	VENDOR NO.
	165179-02-700	EA	HOSE - 432" - ROADSIDE REAR	080-AA432WSTRR
	165179-02-701	EA	HOSE - 384" - CURBSIDE REAR	080-AA432WSTCR
	165179-02-702	EA	HOSE - 168" - ROADSIDE FRONT	080-AA168WSTRF
	165179-02-703	EA	HOSE - 120" - CURBSIDE FRONT	A080-AA120WSTCF

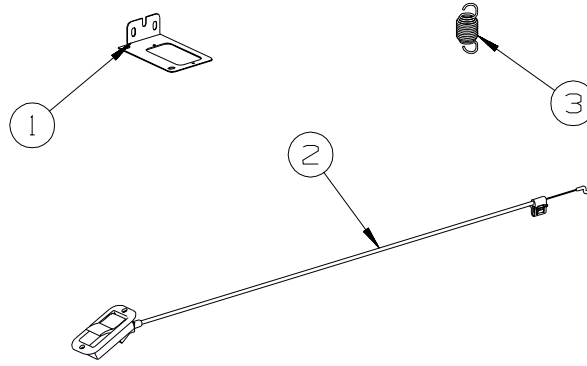
CURTAIN & CUSHION GROUP

CURTAIN, CUSHION LAYOUT



KEY	PART NUMBER	U/M	DESCRIPTION
1	162621-02-YA0	EA	SEAT - DRIVER/PASSENGER - W/LUMBAR/ADJUSTABLE ARMS-LEATHER (YA0, YA1, YA2)
1	162621-02-YA3	EA	SEAT - DRIVER/PASSENGER - W/LUMBAR/ADJUSTABLE ARMS-LEATHER (YA3, YA4, YA5)
1	162621-02-WD7	EA	SEAT - DRIVER/PASSENGER - W/LUMBAR/ADJUSTABLE ARMS-LEATHER (YA6, YA7, YA8)
1	148630-16-YJ0	EA	SKIRT - F/6-WAY POWER - LEATHER (YA0, YA1, YA2)
			FROM: 00-00-00 THRU: 10-05-08
1	148630-16-YA0	EA	SKIRT - F/6-WAY POWER - LEATHER (YA0, YA1, YA2)
			FROM: 10-06-08 THRU: 99-99-99
1	148630-16-WA0	EA	SKIRT - F/6-WAY POWER - LEATHER (YA3, YA4, YA5)
1	148630-16-WA4	EA	SKIRT - F/6-WAY POWER - LEATHER (YA6, YA7, YA8)
2	162621-02-YA0	EA	SEAT - DRIVER/PASSENGER - W/LUMBAR/ADJUSTABLE ARMS-LEATHER (YA0, YA1, YA2)
2	162621-02-YA3	EA	SEAT - DRIVER/PASSENGER - W/LUMBAR/ADJUSTABLE ARMS-LEATHER (YA3, YA4, YA5)
2	162621-02-WD7	EA	SEAT - DRIVER/PASSENGER - W/LUMBAR/ADJUSTABLE ARMS-LEATHER (YA6, YA7, YA8)
2	148630-25-YA0	EA	SKIRT - W/SEAT BELT/FOOTREST SLOTS - LEATHER (YA0, YA1, YA2)
2	148630-25-W87	EA	SKIRT - W/SEAT BELT/FOOTREST SLOTS - LEATHER (YA3, YA4, YA5)
2	148630-25-WD7	EA	SKIRT - W/SEAT BELT/FOOTREST SLOTS - LEATHER (YA6, YA7, YA8)
2	148630-26-YA0	EA	SKIRT - POWER - W/SEAT BELT/FOOTREST SLOTS - LEATHER (YA0, YA1, YA2) - 64K
2	148630-26-YA3	EA	SKIRT - POWER - W/SEAT BELT/FOOTREST SLOTS - LEATHER (YA3, YA4, YA5) - 64K
2	148630-26-YA6	EA	SKIRT - POWER - W/SEAT BELT/FOOTREST SLOTS - LEATHER (YA6, YA7, YA8) - 64K
2	154060-03-YJ0	EA	FOOTREST - BUCKET SEAT/PASSENGER - LEATHER (YA0, YA1, YA2)
			FROM: 00-00-00 THRU: 10-05-08
2	154060-03-YA0	EA	FOOTREST - BUCKET SEAT/PASSENGER - LEATHER (YA0, YA1, YA2)
			FROM: 10-06-08 THRU: 99-99-99
2	154060-03-WG0	EA	FOOTREST - BUCKET SEAT/PASSENGER - LEATHER (YA3, YA4, YA5)
2	154060-03-WD7	EA	FOOTREST - BUCKET SEAT/PASSENGER - LEATHER (YA6, YA7, YA8)
	108049-02-000	EA	CLIP - CABLE/PEDESTAL
	108049-04-000	EA	CABLE - W/MINI LEVER ACTION SWITCH - 28" SHEATH/30" CABLE
3	117125-01-02B	EA	BRACKET - CABLE MOUNT - ADJUSTER W/LOCK
4	127159-01-02B	EA	BRACKET - SEAT RELEASE - SINGLE REMOTE - E-COATED - 64Q
5	127159-02-02B	EA	BRACKET - SEAT RELEASE - DUAL REMOTE - E-COATED
6	128699-01-02B	EA	BRACKET - SEAT SWITCH - E-COATED
	107921-06-000	EA	BEARING KIT - PEDESTAL
7	152337-01-000	EA	PROTECTOR - SEAT - CLEAR VINYL
8	163172-15-YA0	EA	CURTAIN - FRONT WRAP/PRIVACY - 44.9" X 114.8" (YA0, YA1, YA2)
8	163172-15-WD7	EA	CURTAIN - FRONT WRAP/PRIVACY - 44.9" X 114.8" (YA3, YA4, YA5)
8	163172-15-YA6	EA	CURTAIN - FRONT WRAP/PRIVACY - 44.9" X 114.8" (YA6, YA7, YA8)
	165138-01-YA0	EA	TIEBACK - 7" X 20" (YA0, YA1, YA2)
	165138-01-WG0	EA	TIEBACK - 7" X 20" (YA3, YA4, YA5)
	165138-01-YA6	EA	TIEBACK - 7" X 20" (YA6, YA7, YA8)
9	163172-16-YA0	EA	CURTAIN - FRONT WRAP/PRIVACY - 42.9" X 57.9" (YA0, YA1, YA2)
9	163172-16-WD7	EA	CURTAIN - FRONT WRAP/PRIVACY - 42.9" X 57.9" (YA3, YA4, YA5)
9	163172-16-YA6	EA	CURTAIN - FRONT WRAP/PRIVACY - 42.9" X 57.9" (YA6, YA7, YA8)
	165138-03-YA0	EA	TIEBACK - 2" X 14" (YA0, YA1, YA2)
	165138-03-WD7	EA	TIEBACK - 2" X 14" (YA3, YA4, YA5)
	165138-03-YA6	EA	TIEBACK - 2" X 14" (YA6, YA7, YA8)

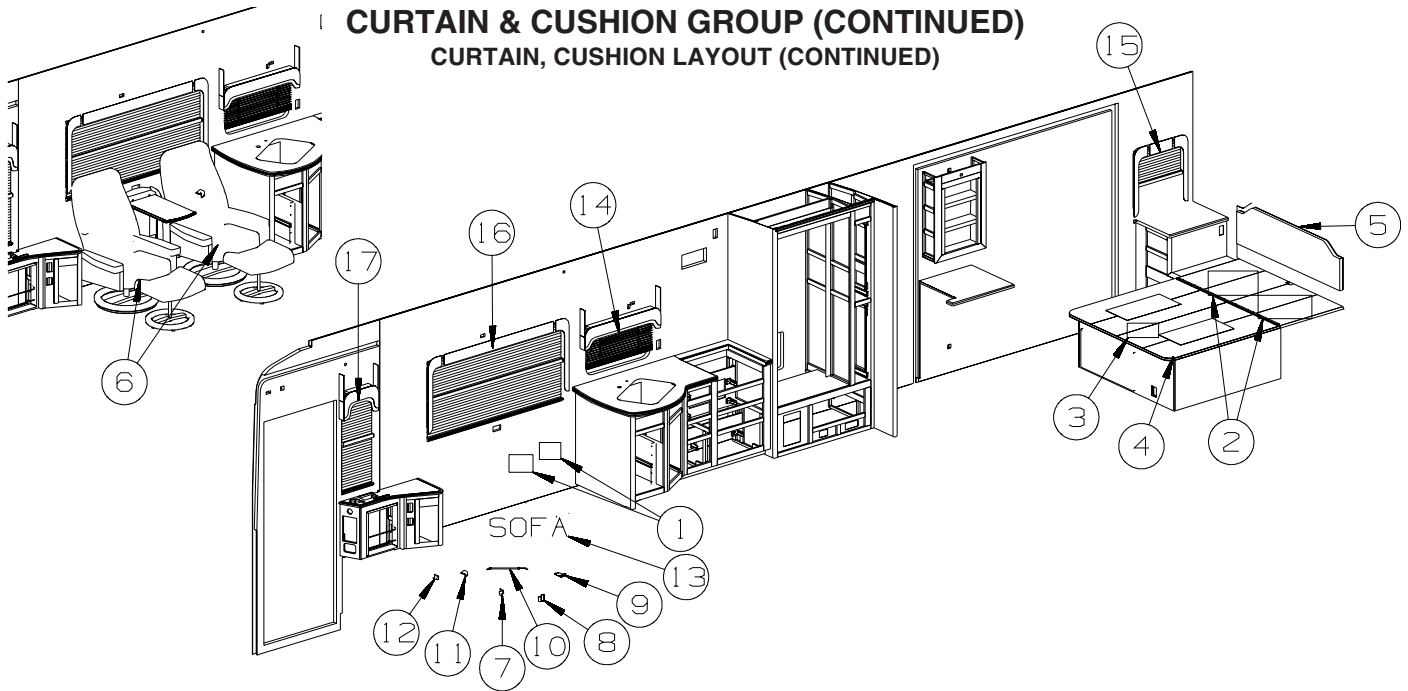
CURTAIN & CUSHION GROUP (CONTINUED)
CURTAIN, CUSHION LAYOUT (CONTINUED)



FOOTREST

KEY	PART NUMBER	U/M	DESCRIPTION
1	127159-01-02B	EA	BRACKET - SEAT RELEASE - SINGLE REMOTE - E-COATED
	131566-07-000	EA	5" DOUBLE LOCKING SLIDE W/TAB
2	153956-02-01A	EA	CABLE - FOOTREST - W/BLACK HANDLE
3	154190-06-000	EA	SPRING/FOOTREST - 2.8"

CURTAIN & CUSHION GROUP (CONTINUED)
CURTAIN, CUSHION LAYOUT (CONTINUED)



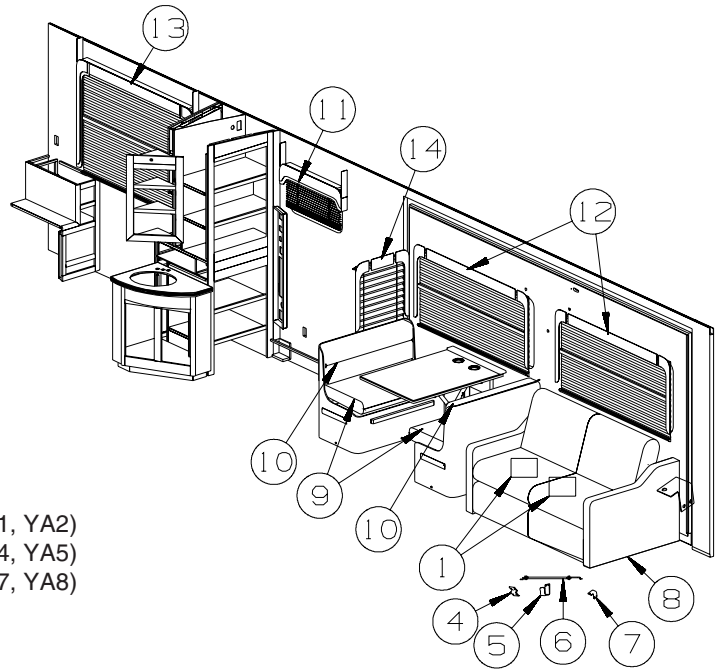
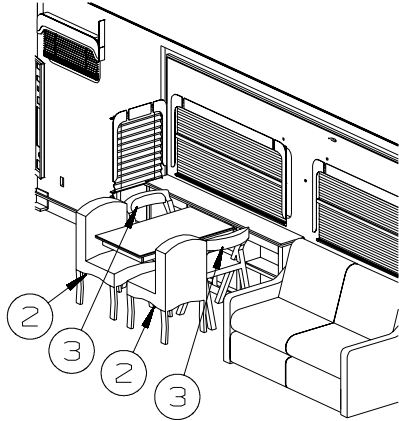
KEY	PART NUMBER	U/M	DESCRIPTION
1	149993-07-YA0	EA	PILLOW - 18" - W/FRINGE (YA0, YA1, YA2)
1	149993-03-YA3	EA	PILLOW - 18" - W/FRINGE (YA3, YA4, YA5)
1	149993-06-YA6	EA	PILLOW - 18" - W/FRINGE (YA6, YA7, YA8)
2	150709-09-YA0	EA	PILLOW - 15" X 24" (YA0, YA1, YA2)
2	150709-09-YA3	EA	PILLOW - 15" X 24" (YA3, YA4, YA5)
2	150709-09-YA6	EA	PILLOW - 15" X 24" (YA6, YA7, YA8)
3	155275-15-YA0	EA	PILLOW SHAM (YA0, YA1, YA2)
3	155275-23-YA3	EA	PILLOW SHAM (YA3, YA4, YA5)
3	155275-15-YA6	EA	PILLOW SHAM (YA6, YA7, YA8)
4	162699-25-YA0	EA	BEDSPREAD/CAP - 60" X 80" (YA0, YA1, YA2)
4	162699-25-YA3	EA	BEDSPREAD/CAP - 60" X 80" (YA3, YA4, YA5)
4	162699-16-YA6	EA	BEDSPREAD/CAP - 60" X 80" (YA6, YA7, YA8)
5	168098-07-YA0	EA	HEADBOARD - QUEEN (YA0, YA1, YA2)
5	168098-08-YA3	EA	HEADBOARD - QUEEN (YA3, YA4, YA5)
5	168098-09-YA6	EA	HEADBOARD - QUEEN (YA6, YA7, YA8)
5	164606-09-YA0	EA	HEADBOARD - QUEEN (YA0, YA1, YA2) - 021
5	164606-09-YA3	EA	HEADBOARD - QUEEN (YA3, YA4, YA5) - 021
5	164606-10-YA6	EA	HEADBOARD - QUEEN (YA6, YA7, YA8) - 021
6	165316-02-W66	EA	CHAIR - EURO/PALERMO - W/OTTOMAN (YA0, YA1, YA2)
			FROM: 00-00-00 THRU: 10-05-08
6	165316-02-WB4	EA	CHAIR - EURO/PALERMO - W/OTTOMAN (YA0, YA1, YA2)
			FROM: 10-06-08 THRU: 99-99-99
6	165316-02-WB4	EA	CHAIR - EURO/PALERMO - W/OTTOMAN (YA6, YA7, YA8)
6	165316-02-W99	EA	CHAIR - EURO/PALERMO - W/OTTOMAN (YA3, YA4, YA5)
7	101926-01-02A	EA	BRACKET - ZEE - 2" - BLACK
8	121906-01-02B	EA	BRACKET - KICKBOARD - E-COATED
9	152034-01-02B	EA	BRACKET - HOLD DOWN/COUCH - E-COATED
10	148225-01-000	EA	CABLE ONLY - REMOTE - 31.9" W/Z-ENDS
11	167329-01-02B	EA	BRACKET/ANGLE - E-COATED
12	156732-01-02A	EA	BRACE - ANGLE - 2.5" - OFF WHITE
	136534-32-000	EA	BRACKET - DUAL BASE - 42Z
13	164625-15-YA0	EA	SOFA - 64" - #944/#844 ARMS/SEAT/BACK - FLAT FLOOR (YA0, YA1, YA2)
13	164625-18-YA3	EA	SOFA - 64" - #944/#844 ARMS/SEAT/BACK - FLAT FLOOR (YA3, YA4, YA5)
13	164625-16-YA6	EA	SOFA - 64" - #944/#844 ARMS/SEAT/BACK - FLAT FLOOR (YA6, YA7, YA8)
13	164625-17-YA0	EA	SOFA - 64" - #944/#844 ARMS/SEAT/BACK - FLAT FLOOR - LTH (YA0, YA1, YA2)
			FROM: 00-00-00 THRU: 10-05-08
13	164625-17-YA6	EA	SOFA - 64" - #944/#844 ARMS/SEAT/BACK - FLAT FLOOR - LTH (YA0, YA1, YA2)
			FROM: 10-06-08 THRU: 99-99-99
13	164625-07-WD3	EA	SOFA - 64" - #944/#844 ARMS/SEAT/BACK - FLAT FLOOR - LTH (YA3, YA4, YA5)
			FROM: 00-00-00 THRU: 06-01-08
13	164625-17-YA3	EA	SOFA - 64" - #944/#844 ARMS/SEAT/BACK - FLAT FLOOR - LTH (YA3, YA4, YA5)
			FROM: 06-02-08 THRU: 99-99-99
13	164625-17-YA6	EA	SOFA - 64" - #944/#844 ARMS/SEAT/BACK - FLAT FLOOR - LTH (YA6, YA7, YA8)

CURTAIN & CUSHION GROUP (CONTINUED)

CURTAIN, CUSHION LAYOUT (CONTINUED)

KEY	PART NUMBER	U/M	DESCRIPTION
13	166571-11-YA0	EA	SOFA/THEATER - DUAL - #844 ARMS/SEAT/BACK - LTH (YA0) FROM: 00-00-00 THRU: 10-05-08
13	166571-11-YA6	EA	SOFA/THEATER - DUAL - #844 ARMS/SEAT/BACK - LTH (YA0) FROM: 10-06-08 THRU: 99-99-99
13	166571-11-YA1	EA	SOFA/THEATER - DUAL - #844 ARMS/SEAT/BACK - LTH (YA1) FROM: 00-00-00 THRU: 10-05-08
13	166571-11-YA7	EA	SOFA/THEATER - DUAL - #844 ARMS/SEAT/BACK - LTH (YA1) FROM: 10-06-08 THRU: 99-99-99
13	166571-11-YA2	EA	SOFA/THEATER - DUAL - #844 ARMS/SEAT/BACK - LTH (YA2) FROM: 00-00-00 THRU: 10-05-08
13	166571-11-YA8	EA	SOFA/THEATER - DUAL - #844 ARMS/SEAT/BACK - LTH (YA2) FROM: 10-06-08 THRU: 99-99-99
13	166571-11-YA3	EA	SOFA/THEATER - DUAL - #844 ARMS/SEAT/BACK - LTH (YA3)
13	166571-11-YA4	EA	SOFA/THEATER - DUAL - #844 ARMS/SEAT/BACK - LTH (YA4)
13	166571-11-YA5	EA	SOFA/THEATER - DUAL - #844 ARMS/SEAT/BACK - LTH (YA5)
13	166571-11-YA6	EA	SOFA/THEATER - DUAL - #844 ARMS/SEAT/BACK - LTH (YA6)
13	166571-11-YA7	EA	SOFA/THEATER - DUAL - #844 ARMS/SEAT/BACK - LTH (YA7)
13	166571-11-YA8	EA	SOFA/THEATER - DUAL - #844 ARMS/SEAT/BACK - LTH (YA8)
	163559-04-000	EA	CLIP/RAIL - F/TRUNDLE - 42Z
	163559-05-000	EA	SLIDE RAIL-W/LATCH MECH/PLATES/STOP-TRUNDLE-F/20" FLT FLR - 42Z
14	168065-22-YA0	EA	VALANCE - 34" X 7" (YA0, YA1, YA2)
14	168065-23-YA3	EA	VALANCE - 34" X 7" (YA3, YA4, YA5)
14	168065-24-YA6	EA	VALANCE - 34" X 7" (YA6, YA7, YA8)
14	164289-34-YA0	EA	VALANCE - 34" X 8" (YA0, YA1, YA2) - 021
14	164289-35-YA3	EA	VALANCE - 34" X 8" (YA3, YA4, YA5) - 021
14	164289-36-YA6	EA	VALANCE - 34" X 8" (YA6, YA7, YA8) - 021
14	109041-97-01A	EA	BLIND - MINI - 32" X 17"
	109353-04-000	EA	CLIP - VALANCE SLAT MOUNTING - CLEAR PLASTIC
	109441-01-000	EA	BRACKET/HOOK - BLIND HOLD DOWN - LARGE - CLEAR
	162496-01-01A	EA	BRACKET/BLIND - LEFT SIDE WHEN FACING WINDOW - CLEAR
	162496-02-01A	EA	BRACKET/BLIND - RIGHT SIDE WHEN FACING WINDOW - CLEAR
	169068-01-01A	EA	BRACKET - (CLEAT TYPE) - F/BLIND HOLDDOWN - MILKY WHITE
15	168065-31-YA0	EA	VALANCE - 24" X 26.5" (YA0, YA1, YA2)
15	168065-32-YA3	EA	VALANCE - 24" X 26.5" (YA3, YA4, YA5)
15	168065-33-YA6	EA	VALANCE - 24" X 26.5" (YA6, YA7, YA8)
15	164289-43-YA0	EA	VALANCE - 24" X 26.5" (YA0, YA1, YA2) - 021
15	164289-44-YA3	EA	VALANCE - 24" X 26.5" (YA3, YA4, YA5) - 021
15	164289-45-YA6	EA	VALANCE - 24" X 26.5" (YA6, YA7, YA8) - 021
	105648-01-02A	EA	BRACE - VALANCE - 14" - OFF WHITE
15	140789-A0-WH4	EA	BLIND - DAY/NIGHTER - 21" X 27" FROM: 00-00-00 THRU: 05-25-08
15	140789-A0-YA0	EA	BLIND - DAY/NIGHTER - 21" X 27" FROM: 05-26-08 THRU: 99-99-99
	097565-01-000	EA	BRACKET - MOUNTING - PLEATED BLIND
16	168065-19-YA0	EA	VALANCE - 63" X 28" (YA0, YA1, YA2)
16	168065-20-YA3	EA	VALANCE - 63" X 28" (YA3, YA4, YA5)
16	168065-21-YA6	EA	VALANCE - 63" X 28" (YA6, YA7, YA8)
16	164289-31-YA0	EA	VALANCE - 62.9" X 28" (YA0, YA1, YA2) - 021
16	164289-32-YA3	EA	VALANCE - 62.9" X 28" (YA3, YA4, YA5) - 021
16	164289-33-YA6	EA	VALANCE - 62.9" X 28" (YA6, YA7, YA8) - 021
	154316-01-01A	EA	BRACE/ANGLE - W/HOLE - CASHMERE
16	140789-B8-WD3	EA	BLIND - DAY/NIGHTER - 60" X 30" FROM: 00-00-00 THRU: 05-25-08
16	140789-B8-YA0	EA	BLIND - DAY/NIGHTER - 60" X 30" FROM: 05-26-08 THRU: 99-99-99
	097565-01-000	EA	BRACKET - MOUNTING - PLEATED BLIND
17	168065-03-YA0	EA	VALANCE - 15.5" X 7" (YA0, YA1, YA2)
17	168065-06-YA3	EA	VALANCE - 15.5" X 7" (YA3, YA4, YA5)
17	168065-10-YA6	EA	VALANCE - 15.5" X 7" (YA6, YA7, YA8)
17	164289-13-YA0	EA	VALANCE - 15.5" X 10" (YA0, YA1, YA2) - 021
17	164289-15-YA3	EA	VALANCE - 15.5" X 10" (YA3, YA4, YA5) - 021
17	164289-17-YA6	EA	VALANCE - 15.5" X 10" (YA6, YA7, YA8) - 021
	105648-01-02A	EA	BRACE - VALANCE - 14" - OFF WHITE
17	140789-90-YB0	EA	BLIND - DAY/NIGHTER - 13.5" X 37"
	097565-01-000	EA	BRACKET - MOUNTING - PLEATED BLIND

CURTAIN & CUSHION GROUP (CONTINUED)
CURTAIN, CUSHION LAYOUT (CONTINUED)



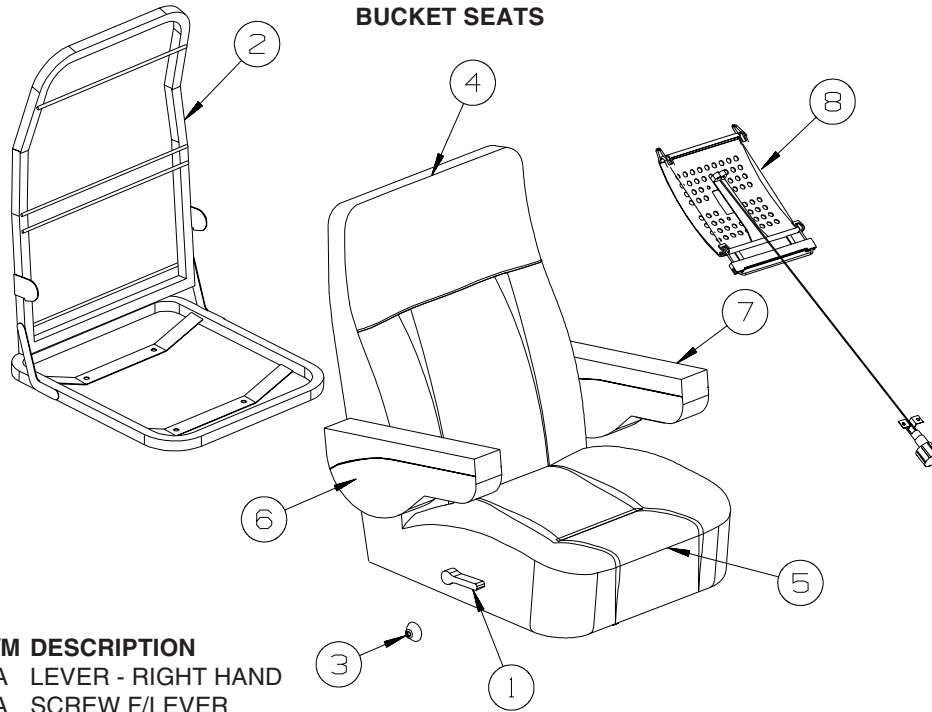
KEY	PART NUMBER	U/M	DESCRIPTION
1	149993-07-YA0	EA	PILLOW - 18" - W/FRINGE (YA0, YA1, YA2)
1	149993-03-YA3	EA	PILLOW - 18" - W/FRINGE (YA3, YA4, YA5)
1	149993-06-YA6	EA	PILLOW - 18" - W/FRINGE (YA6, YA7, YA8)
2	162618-02-YA0	EA	CHAIR - DINING
2	162618-02-YA1	EA	CHAIR - DINING
2	162618-02-YA2	EA	CHAIR - DINING
2	162618-01-YA3	EA	CHAIR - DINING
2	162618-01-YA4	EA	CHAIR - DINING
2	162618-01-YA5	EA	CHAIR - DINING
2	162618-03-YA6	EA	CHAIR - DINING
2	162618-03-YA7	EA	CHAIR - DINING
2	162618-03-YA8	EA	CHAIR - DINING
	099856-12-000	EA	STRAP - TIEDOWN - 121.9"
3	168691-01-YA0	EA	CHAIR - FOLDING
3	168691-01-YA1	EA	CHAIR - FOLDING
3	168691-01-YA2	EA	CHAIR - FOLDING
3	168691-03-YA3	EA	CHAIR - FOLDING
3	168691-03-YA4	EA	CHAIR - FOLDING
3	168691-03-YA5	EA	CHAIR - FOLDING
3	168691-02-YA6	EA	CHAIR - FOLDING
3	168691-02-YA7	EA	CHAIR - FOLDING
3	168691-02-YA8	EA	CHAIR - FOLDING
4	101926-01-02A	EA	BRACKET - ZEE - 2" - BLACK
5	121906-01-02B	EA	BRACKET - KICKBOARD - E-COATED
6	148225-01-000	EA	CABLE ONLY - REMOTE - 31.9" W/Z-ENDS
7	167329-01-02B	EA	BRACKET/ANGLE - E-COATED
	136534-32-000	EA	BRACKET - DUAL BASE - 41L
8	158298-01-YA0	EA	SOFA/SLEEPER - MULTI POSITION - #844/#844 ARMS - 30"FF (YA0, YA1, YA2)
8	158298-01-YA3	EA	SOFA/SLEEPER - MULTI POSITION - #844/#844 ARMS - 30"FF (YA3, YA4, YA5)
8	158298-01-YA6	EA	SOFA/SLEEPER - MULTI POSITION - #844/#844 ARMS - 30"FF (YA6, YA7, YA8)
8	158298-18-YA0	EA	SOFA/SLEEPER - MULTI POSITION - #844/#844 ARMS-FLT FLR-LTH (YA0, YA1, YA2) - 41H FROM: 00-00-00 THRU: 10-05-08
8	158298-18-YA6	EA	SOFA/SLEEPER - MULTI POSITION - #844/#844 ARMS-FLT FLR-LTH (YA0, YA1, YA2) - 41H FROM: 10-06-08 THRU: 99-99-99
8	158298-18-YA3	EA	SOFA/SLEEPER - MULTI POSITION - #844/#844 ARMS - 30"FF-LTH (YA3, YA4, YA5) - 41H
8	158298-18-YA6	EA	SOFA/SLEEPER - MULTI POSITION - #844/#844 ARMS - 30"FF-LTH (YA6, YA7, YA8) - 41H
8	158298-04-YA0	EA	SOFA/SLEEPER - REST EASY/DUAL- #844/844 ARMS-30"FF (YA0, YA1, YA2) - 41L FROM: 00-00-00 THRU: 06-01-08
8	158298-19-YA0	EA	SOFA/SLEEPER - REST EASY/DUAL- #844/844 ARMS-30"FF (YA0, YA1, YA2) - 41L FROM: 06-02-08 THRU: 10-05-08
8	158298-19-YA6	EA	SOFA/SLEEPER - MULTI POSITION/DUAL - #844/#844 ARMS-FF-LTH (YA0, YA1, YA2) - 41Z FROM: 10-06-08 THRU: 99-99-99
8	158298-04-YA3	EA	SOFA/SLEEPER - REST EASY/DUAL- #844/844 ARMS-30"FF (YA3, YA4, YA5) - 41L FROM: 00-00-00 THRU: 06-01-08
8	158298-19-YA3	EA	SOFA/SLEEPER - REST EASY/DUAL- #844/844 ARMS-30"FF (YA3, YA4, YA5) - 41L FROM: 06-02-08 THRU: 99-99-99
8	158298-04-YA6	EA	SOFA/SLEEPER - REST EASY/DUAL- #844/844 ARMS-30"FF (YA6, YA7, YA8) - 41L FROM: 00-00-00 THRU: 06-01-08

CURTAIN & CUSHION GROUP (CONTINUED)
CURTAIN, CUSHION LAYOUT (CONTINUED)

KEY	PART NUMBER	U/M	DESCRIPTION
8	158298-19-YA6	EA	SOFA/SLEEPER - REST EASY/DUAL- #844/844 ARMS-30"FF (YA6, YA7, YA8) - 41L FROM: 06-02-08 THRU: 99-99-99
	163559-01-000	EA	SLIDE RAIL - W/LATCH MECH/PLATES/STOP F/TRUNDLE-FLAT FLOOR
	163559-04-000	EA	CLIP/RAIL - F/TRUNDLE
9	142292-05-YA0	EA	SEAT - DINETTE CUSHION (SPRUNG) - 23" X 38.5" (YA0, YA1, YA2)
9	142292-07-YA3	EA	SEAT - DINETTE CUSHION (SPRUNG) - 23" X 38.5" (YA3, YA4, YA5)
9	142292-07-YA6	EA	SEAT - DINETTE CUSHION (SPRUNG) - 23" X 38.5" (YA6, YA7, YA8)
	142292-A5-YA0	EA	COVER/SEAT - DINETTE CUSHION - 23.5" X 38.5" (YA0, YA1, YA2)
	142292-A7-YA3	EA	COVER/SEAT - DINETTE CUSHION - 23" X 38.5" (YA3, YA4, YA5)
	142292-A7-YA6	EA	COVER/SEAT - DINETTE CUSHION - 23" X 38.5" (YA6, YA7, YA8)
	142366-01-000	EA	FRAME - SPRUNG - DINETTE SEAT
10	165945-01-YA0	EA	CUSHION - BACK - 13.5" X 39" (YA0, YA1, YA2)
10	165945-02-YA3	EA	CUSHION - BACK - 13.5" X 39" (YA3, YA4, YA5)
10	165945-02-YA6	EA	CUSHION - BACK - 13.5" X 39" (YA6, YA7, YA8)
	165945-A1-YA0	EA	COVER/BACK - 13.5" X 39" (YA0, YA1, YA2)
	165945-A2-YA3	EA	COVER/BACK - 13.5" X 39" (YA3, YA4, YA5)
	165945-A2-YA6	EA	COVER/BACK - 13.5" X 39" (YA6, YA7, YA8)
11	168065-34-YA0	EA	VALANCE - 34" X 7" (YA0, YA1, YA2)
11	168065-35-YA3	EA	VALANCE - 34" X 7" (YA3, YA4, YA5)
11	168065-36-YA6	EA	VALANCE - 34" X 7" (YA6, YA7, YA8)
11	164289-46-YA0	EA	VALANCE - 34" X 7" (YA0, YA1, YA2) - 021
11	164289-47-YA3	EA	VALANCE - 34" X 7" (YA3, YA4, YA5) - 021
11	164289-48-YA6	EA	VALANCE - 34" X 7" (YA6, YA7, YA8) - 021
11	109041-97-01A	EA	BLIND - MINI - 32" X 17"
	109441-01-000	EA	BRACKET/HOOK - BLIND HOLD DOWN - LARGE - CLEAR
	162496-01-01A	EA	BRACKET/BLIND - LEFT SIDE WHEN FACING WINDOW - CLEAR
	162496-02-01A	EA	BRACKET/BLIND - RIGHT SIDE WHEN FACING WINDOW - CLEAR
	169068-01-01A	EA	BRACKET - (CLEAT TYPE) - F/BLIND HOLD DOWN - MILKY WHITE
12	168065-19-YA0	EA	VALANCE - 63" X 29" (YA0, YA1, YA2)
12	168065-20-YA3	EA	VALANCE - 63" X 29" (YA3, YA4, YA5)
12	168065-21-YA6	EA	VALANCE - 63" X 29" (YA6, YA7, YA8)
12	164289-31-YA0	EA	VALANCE - 63" X 29" (YA0, YA1, YA2) - 021
12	164289-32-YA3	EA	VALANCE - 63" X 29" (YA3, YA4, YA5) - 021
12	164289-33-YA6	EA	VALANCE - 63" X 29" (YA6, YA7, YA8) - 021
	154316-01-01A	EA	BRACE/ANGLE - W/HOLE - CASHMERE
12	140789-B8-WD3	EA	BLIND - DAY/NIGHTER - 60" X 30" FROM: 00-00-00 THRU: 05-25-08
12	140789-B8-YA0	EA	BLIND - DAY/NIGHTER - 60" X 30" FROM: 05-26-08 THRU: 99-99-99
	097565-01-000	EA	BRACKET - MOUNTING - PLEATED BLIND
13	168065-28-YA0	EA	VALANCE - 64" X 40" (YA0, YA1, YA2)
13	168065-29-YA3	EA	VALANCE - 64" X 40" (YA3, YA4, YA5)
13	168065-30-YA6	EA	VALANCE - 64" X 40" (YA6, YA7, YA8)
13	164289-40-YA0	EA	VALANCE - 63.9" X 40" (YA0, YA1, YA2) - 021
13	164289-41-YA3	EA	VALANCE - 63.9" X 40" (YA3, YA4, YA5) - 021
13	164289-42-YA6	EA	VALANCE - 63.9" X 40" (YA6, YA7, YA8) - 021
	154316-01-01A	EA	BRACE/ANGLE - W/HOLE - CASHMERE
13	140789-13-WD3	EA	BLIND - DAY/NIGHTER - 61" X 42" FROM: 00-00-00 THRU: 05-25-08
13	140789-13-YA0	EA	BLIND - DAY/NIGHTER - 61" X 42" FROM: 05-26-08 THRU: 99-99-99
	097565-01-000	EA	BRACKET - MOUNTING - PLEATED BLIND
14	168065-25-YA0	EA	VALANCE - 24" X 25" (YA0, YA1, YA2)
14	168065-26-YA3	EA	VALANCE - 24" X 25" (YA3, YA4, YA5)
14	168065-27-YA6	EA	VALANCE - 24" X 25" (YA6, YA7, YA8)
14	164289-37-YA0	EA	VALANCE - 24" X 25.4" (YA0, YA1, YA2) - 021
14	164289-38-YA3	EA	VALANCE - 24" X 25.4" (YA3, YA4, YA5) - 021
14	164289-39-YA6	EA	VALANCE - 24" X 25.4" (YA6, YA7, YA8) - 021
	105648-01-02A	EA	BRACE - VALANCE - 14" - OFF WHITE
	154316-01-01A	EA	BRACE/ANGLE - W/HOLE - CASHMERE
14	157506-34-WA0	EA	BLIND - PLEATED - 21" X 29"
	097565-01-000	EA	BRACKET - MOUNTING - PLEATED BLIND

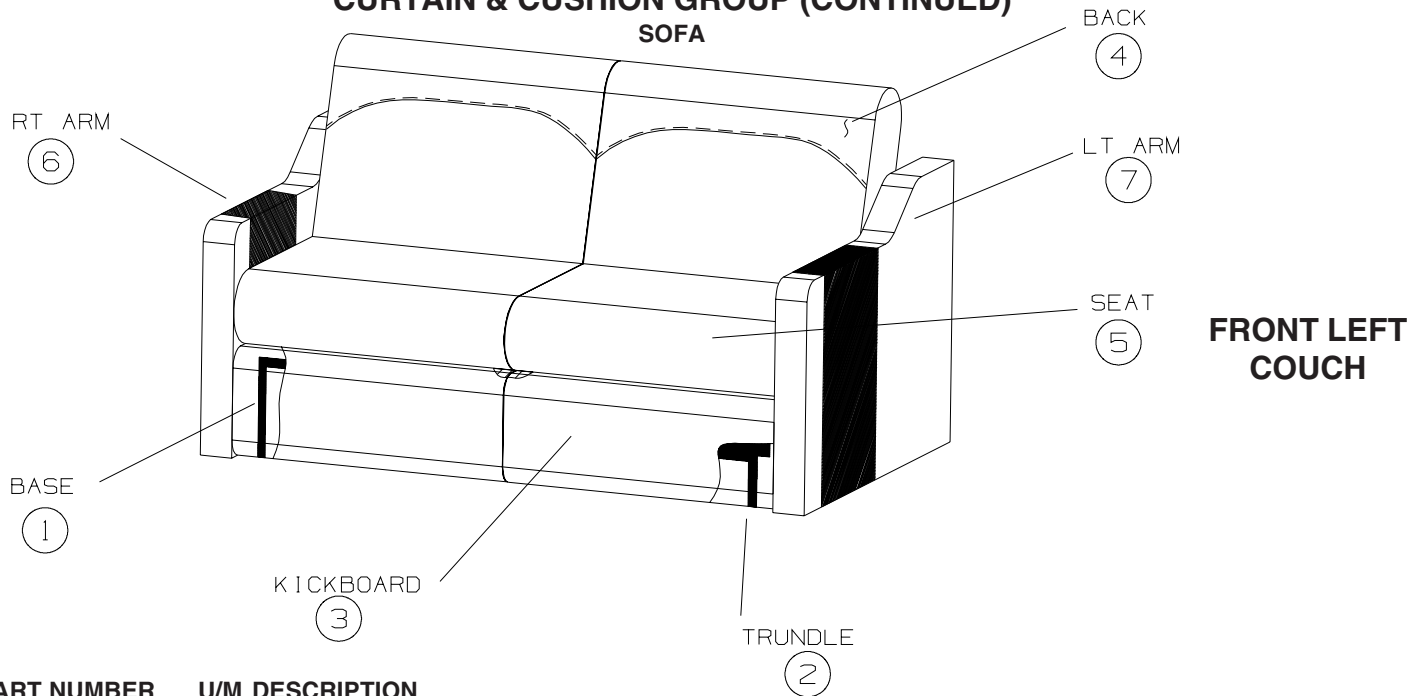
CURTAIN & CUSHION GROUP (CONTINUED)

BUCKET SEATS



KEY	PART NUMBER	U/M	DESCRIPTION
1	130802-02-000	EA	LEVER - RIGHT HAND
	130802-03-000	EA	SCREW F/LEVER
2	134532-06-000	EA	FRAME - SEAT/HIGH BACK - WIDE
3	148668-01-01A	EA	CUP/TRIM COVER - F/LEVER - BLACK
4	162621-A1-YA0	EA	COVER/BACK - LEATHER (YA0, YA1, YA2)
4	162621-A1-YA3	EA	COVER/BACK - LEATHER (YA3, YA4, YA5)
4	162621-A1-WD7	EA	COVER/BACK - LEATHER (YA6, YA7, YA8)
5	162621-A2-YA0	EA	COVER/SEAT - LEATHER (YA0, YA1, YA2)
5	162621-A2-YA3	EA	COVER/SEAT - LEATHER (YA3, YA4, YA5)
5	162621-A2-WD7	EA	COVER/SEAT - LEATHER (YA6, YA7, YA8)
6	163455-01-YA0	EA	ARMREST - RIGHT HAND (YA0, YA1, YA2)
6	163455-01-YA3	EA	ARMREST - RIGHT HAND (YA3, YA4, YA5)
6	163455-01-WD7	EA	ARMREST - RIGHT HAND (YA6, YA7, YA8)
	148751-01-000	EA	BRACKET - RIGHT (ADJUSTABLE) W/ROLLER
	148751-03-000	EA	BRACKET - ROLLER TRIM PLATE
	163455-A1-YA0	EA	COVER - ARMREST/RIGHT HAND (YA0, YA1, YA2)
	163455-A1-YA3	EA	COVER - ARMREST/RIGHT HAND (YA3, YA4, YA5)
	163455-A1-WD7	EA	COVER - ARMREST/RIGHT HAND (YA6, YA7, YA8)
7	163455-02-YA0	EA	ARMREST - LEFT HAND (YA0, YA1, YA2)
7	163455-02-YA3	EA	ARMREST - LEFT HAND (YA3, YA4, YA5)
7	163455-02-WD7	EA	ARMREST - LEFT HAND (YA6, YA7, YA8)
	148751-02-000	EA	BRACKET - LEFT (ADJUSTABLE) W/ROLLER
	148751-03-000	EA	BRACKET - ROLLER TRIM PLATE
	163455-A2-YA0	EA	COVER - ARMREST/LEFT HAND (YA0, YA1, YA2)
	163455-A2-YA3	EA	COVER - ARMREST/LEFT HAND (YA3, YA4, YA5)
	163455-A2-WD7	EA	COVER - ARMREST/LEFT HAND (YA6, YA7, YA8)
8	166186-01-000	EA	LUMBAR - MANUAL W/FRAME

CURTAIN & CUSHION GROUP (CONTINUED)



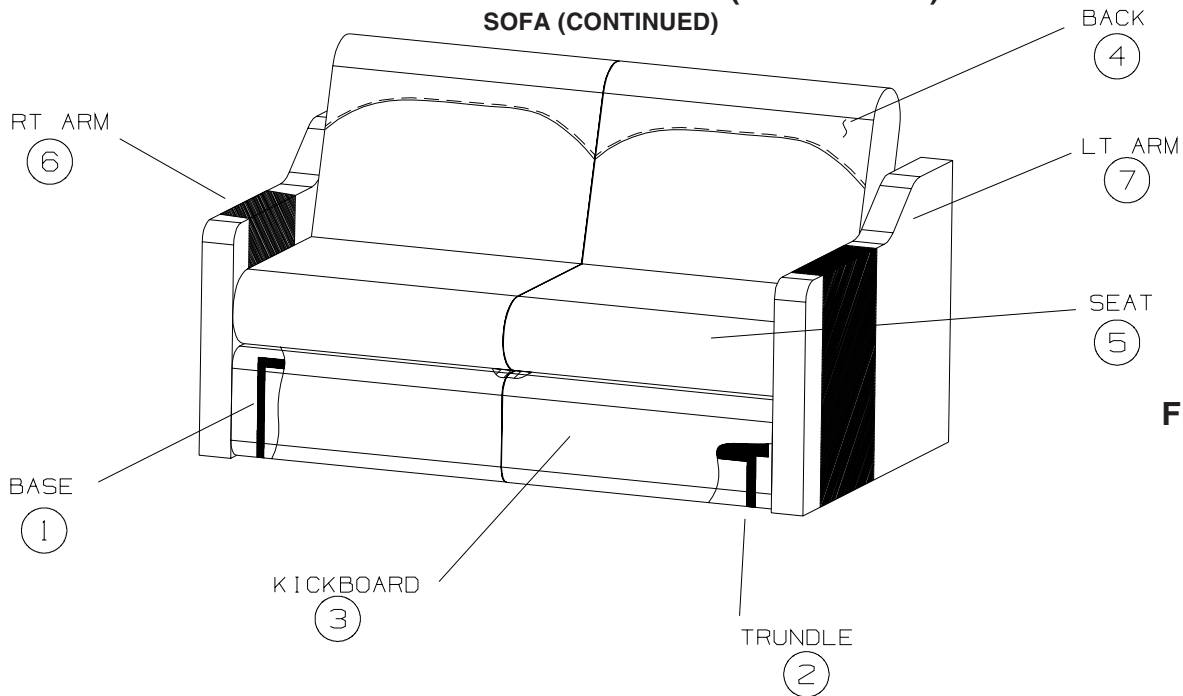
KEY	PART NUMBER	U/M	DESCRIPTION
1*	136534-15-000	EA	BASE - 27.5" X 60" - POWERED CL - W/10.5" OVERHANG
	136534-33-000	EA	SPRING/ASSIST - 1/2" X 7" W/HOOK ENDS - REST EASY SOFAS
2	155647-01-YA0	EA	TRUNDLE - SOFA/SLEEPER - 60" (YA0, YA1, YA2)
2	155647-01-YA3	EA	TRUNDLE - SOFA/SLEEPER - 60" (YA3, YA4, YA5)
2	155647-01-YA6	EA	TRUNDLE - SOFA/SLEEPER - 60" (YA6, YA7, YA8)
2	155647-02-YA0	EA	TRUNDLE - SOFA/SLEEPER - 60" - LEATHER (YA0, YA1, YA2) - 41H FROM: 00-00-00 THRU: 10-05-08
2	155647-02-WA4	EA	TRUNDLE - SOFA/SLEEPER - 60" - LEATHER (YA0, YA1, YA2) - 41H FROM: 10-06-08 THRU: 99-99-99
2	155647-02-WA0	EA	TRUNDLE - SOFA/SLEEPER - 60" - LEATHER (YA3, YA4, YA5) - 41H
2	155647-02-WA4	EA	TRUNDLE - SOFA/SLEEPER - 60" - LEATHER (YA6, YA7, YA8) - 41H
	151290-26-000	EA	FRAME - TRUNDLE - W/WHEEL - 55.5"
	155647-A1-YA0	EA	COVER/TRUNDLE - SOFA/SLEEPER - 60" (YA0, YA1, YA2)
	155647-A1-YA3	EA	COVER/TRUNDLE - SOFA/SLEEPER - 60" (YA3, YA4, YA5)
	155647-A1-YA6	EA	COVER/TRUNDLE - SOFA/SLEEPER - 60" (YA6, YA7, YA8)
	155647-A2-YA0	EA	COVER/TRUNDLE - SOFA/SLEEPER - 60" - LEATHER (YA0, YA1, YA2) - 41H FROM: 00-00-00 THRU: 10-05-08
	155647-A2-WA4	EA	COVER/TRUNDLE - SOFA/SLEEPER - 60" - LEATHER (YA0, YA1, YA2) - 41H FROM: 10-06-08 THRU: 99-99-99
	155647-A2-WA0	EA	COVER/TRUNDLE - SOFA/SLEEPER - 60" - LEATHER (YA3, YA4, YA5) - 41H
	155647-A2-WA4	EA	COVER/TRUNDLE - SOFA/SLEEPER - 60" - LEATHER (YA6, YA7, YA8) - 41H
3	157928-30-YA0	EA	PANEL/FRONT KICK - SOFA - 11" X 59.5" (YA0, YA1, YA2)
3	157928-30-YA3	EA	PANEL/FRONT KICK - SOFA - 11" X 59.5" (YA3, YA4, YA5)
3	157928-30-YA6	EA	PANEL/FRONT KICK - SOFA - 11" X 59.5" (YA6, YA7, YA8)
3	157928-49-YA0	EA	PANEL/FRONT KICK - SOFA - 59.5" - LEATHER (YA0, YA1, YA2) - 41H FROM: 00-00-00 THRU: 10-05-08
3	157928-49-YA6	EA	PANEL/FRONT KICK - SOFA - 59.5" - LEATHER (YA0, YA1, YA2) - 41H FROM: 10-06-08 THRU: 99-99-99
3	157928-49-YA3	EA	PANEL/FRONT KICK - SOFA - 59.5" - LEATHER (YA3, YA4, YA5) - 41H
3	157928-49-YA6	EA	PANEL/FRONT KICK - SOFA - 59.5" - LEATHER (YA6, YA7, YA8) - 41H
4	158299-01-YA0	EA	BACK - SOFA - 60" (YA0, YA1, YA2)
4	158299-01-YA3	EA	BACK - SOFA - 60" (YA3, YA4, YA5)
4	158299-01-YA6	EA	BACK - SOFA - 60" (YA6, YA7, YA8)
4	158299-02-YA0	EA	BACK - SOFA - 60" - LEATHER (YA0, YA1, YA2) - 41H FROM: 00-00-00 THRU: 10-05-08
4	158299-02-WB4	EA	BACK - SOFA - 60" - LEATHER (YA0, YA1, YA2) - 41H FROM: 10-06-08 THRU: 99-99-99
4	158299-02-WC0	EA	BACK - SOFA - 60" - LEATHER (YA6, YA7, YA8) - 41H
4	158299-02-WB4	EA	BACK - SOFA - 60" - LEATHER (YA3, YA4, YA5) - 41H
	136534-18-000	EA	FRAME/BACK - 16.5" X 60"
	158299-A1-YA0	EA	COVER/BACK - SOFA - 60" (YA0, YA1, YA2)
	158299-A1-YA3	EA	COVER/BACK - SOFA - 60" (YA3, YA4, YA5)

CURTAIN & CUSHION GROUP (CONTINUED)
SOFA (CONTINUED)

KEY	PART NUMBER	U/M	DESCRIPTION
	158299-A1-YA6	EA	COVER/BACK - SOFA - 60" (YA6, YA7, YA8)
	158299-A2-YA0	EA	COVER/BACK - SOFA - 60" - LEATHER (YA0, YA1, YA2) - 41H FROM: 00-00-00 THRU: 10-05-08
	158299-A2-WB4	EA	COVER/BACK - SOFA - 60" - LEATHER (YA0, YA1, YA2) - 41H FROM: 10-06-08 THRU: 99-99-99
	158299-A2-WC0	EA	COVER/BACK - SOFA - 60" - LEATHER (YA6, YA7, YA8) - 41H
	158299-A2-WB4	EA	COVER/BACK - SOFA - 60" - LEATHER (YA3, YA4, YA5) - 41H
5	158300-01-YA0	EA	SEAT - SOFA/SLEEPER (YA0, YA1, YA2)
5	158300-01-YA3	EA	SEAT - SOFA/SLEEPER (YA3, YA4, YA5)
5	158300-01-YA6	EA	SEAT - SOFA/SLEEPER (YA6, YA7, YA8)
5	158300-02-YA0	EA	SEAT - SOFA/SLEEPER - LEATHER (YA0, YA1, YA2) - 41H FROM: 00-00-00 THRU: 10-05-08
5	158300-02-WB4	EA	SEAT - SOFA/SLEEPER - LEATHER (YA0, YA1, YA2) - 41H FROM: 10-06-08 THRU: 99-99-99
5	158300-02-WC0	EA	SEAT - SOFA/SLEEPER - LEATHER (YA3, YA4, YA5) - 41H
5	158300-02-WB4	EA	SEAT - SOFA/SLEEPER - LEATHER (YA6, YA7, YA8) - 41H
	151290-04-000	EA	FRAME - SEAT - 60"
	158300-A1-YA0	EA	COVER/SEAT - SOFA/SLEEPER (YA0, YA1, YA2)
	158300-A1-YA3	EA	COVER/SEAT - SOFA/SLEEPER (YA3, YA4, YA5)
	158300-A1-YA6	EA	COVER/SEAT - SOFA/SLEEPER (YA6, YA7, YA8)
	158300-A2-YA0	EA	COVER/SEAT - SOFA/SLEEPER - LEATHER (YA0, YA1, YA2) - 41H FROM: 00-00-00 THRU: 10-05-08
	158300-A2-WB4	EA	COVER/SEAT - SOFA/SLEEPER - LEATHER (YA0, YA1, YA2) - 41H FROM: 10-06-08 THRU: 99-99-99
	158300-A2-WC0	EA	COVER/SEAT - SOFA/SLEEPER - LEATHER (YA3, YA4, YA5) - 41H
	158300-A2-WB4	EA	COVER/SEAT - SOFA/SLEEPER - LEATHER (YA6, YA7, YA8) - 41H
6	158332-01-YA0	EA	ARMREST - SOFA - RIGHT HAND - W/SWITCH (YA0, YA1, YA2)
6	158332-01-YA3	EA	ARMREST - SOFA - RIGHT HAND - W/SWITCH (YA3, YA4, YA5)
6	158332-01-YA6	EA	ARMREST - SOFA - RIGHT HAND - W/SWITCH (YA6, YA7, YA8)
6	158332-55-YA0	EA	ARMREST - SOFA - RIGHT HAND - W/SWITCH - LEATHER (YA0, YA1, YA2) - 41H FROM: 00-00-00 THRU: 10-05-08
6	158332-55-YA6	EA	ARMREST - SOFA - RIGHT HAND - W/SWITCH - LEATHER (YA0, YA1, YA2) - 41H FROM: 10-06-08 THRU: 99-99-99
6	158332-55-YA3	EA	ARMREST - SOFA - RIGHT HAND - W/SWITCH - LEATHER (YA3, YA4, YA5) - 41H
6	158332-55-YA6	EA	ARMREST - SOFA - RIGHT HAND - W/SWITCH - LEATHER (YA6, YA7, YA8) - 41H
	136118-01-000	EA	SWITCH - SOFA/RECLINER
	158332-A1-YA0	EA	COVER/ARMREST - SOFA/RIGHT HAND (YA0, YA1, YA2)
	158332-A1-YA3	EA	COVER/ARMREST - SOFA/RIGHT HAND (YA3, YA4, YA5)
	158332-A1-YA6	EA	COVER/ARMREST - SOFA/RIGHT HAND (YA6, YA7, YA8)
	158332-C5-YA0	EA	COVER/ARMREST - SOFA/RIGHT HAND - LEATHER (YA0, YA1, YA2) - 41H FROM: 00-00-00 THRU: 10-05-08
	158332-C5-YA6	EA	COVER/ARMREST - SOFA/RIGHT HAND - LEATHER (YA0, YA1, YA2) - 41H FROM: 10-06-08 THRU: 99-99-99
	158332-C5-YA3	EA	COVER/ARMREST - SOFA/RIGHT HAND - LEATHER (YA3, YA4, YA5) - 41H
	158332-C5-YA6	EA	COVER/ARMREST - SOFA/RIGHT HAND - LEATHER (YA6, YA7, YA8) - 41H
7	158332-02-YA0	EA	ARMREST - SOFA - LEFT HAND (YA0, YA1, YA2)
7	158332-02-YA3	EA	ARMREST - SOFA - LEFT HAND (YA3, YA4, YA5)
7	158332-02-YA6	EA	ARMREST - SOFA - LEFT HAND (YA6, YA7, YA8)
7	158332-56-YA0	EA	ARMREST - SOFA - LEFT HAND - LEATHER (YA0, YA1, YA2) - 41H FROM: 00-00-00 THRU: 10-05-08
7	158332-56-YA6	EA	ARMREST - SOFA - LEFT HAND - LEATHER (YA0, YA1, YA2) - 41H FROM: 10-06-08 THRU: 99-99-99
7	158332-56-YA3	EA	ARMREST - SOFA - LEFT HAND - LEATHER (YA3, YA4, YA5) - 41H
7	158332-56-YA6	EA	ARMREST - SOFA - LEFT HAND - LEATHER (YA6, YA7, YA8) - 41H
	158332-A2-YA0	EA	COVER/ARMREST - SOFA/LEFT HAND (YA0, YA1, YA2)
	158332-A2-YA3	EA	COVER/ARMREST - SOFA/LEFT HAND (YA3, YA4, YA5)
	158332-A2-YA6	EA	COVER/ARMREST - SOFA/LEFT HAND (YA6, YA7, YA8)
	158332-C6-YA0	EA	COVER/ARMREST - SOFA/LEFT HAND - LEATHER (YA0, YA1, YA2) - 41H FROM: 00-00-00 THRU: 10-05-08
	158332-C6-YA6	EA	COVER/ARMREST - SOFA/LEFT HAND - LEATHER (YA0, YA1, YA2) - 41H FROM: 10-06-08 THRU: 99-99-99
	158332-C6-YA3	EA	COVER/ARMREST - SOFA/LEFT HAND - LEATHER (YA3, YA4, YA5) - 41H
	158332-C6-YA6	EA	COVER/ARMREST - SOFA/LEFT HAND - LEATHER (YA6, YA7, YA8) - 41H

*COMPONENT PARTS LISTED LATER IN THIS GROUP

CURTAIN & CUSHION GROUP (CONTINUED)
SOFA (CONTINUED)



**41L
FRONT LEFT
SEATING**

KEY	PART NUMBER	U/M	DESCRIPTION
	136534-33-000	EA	SPRING/ASSIST - 1/2" X 7" W/HOOK ENDS - REST EASY SOFAS
	139716-17-YJ0	EA	SIGHT SHIELD - DUAL BACK/LEFT HAND (YA0, YA1, YA2) FROM: 00-00-00 THRU: 10-05-08
	139716-17-WB4	EA	SIGHT SHIELD - DUAL BACK/LEFT HAND (YA0, YA1, YA2) FROM: 10-06-08 THRU: 99-99-99
	139716-17-WC0	EA	SIGHT SHIELD - DUAL BACK/LEFT HAND (YA3, YA4, YA5)
	139716-17-WB4	EA	SIGHT SHIELD - DUAL BACK/LEFT HAND (YA6, YA7, YA8)
	139716-18-YJ0	EA	SIGHT SHIELD - DUAL BACK/RIGHT HAND (YA0, YA1, YA2) FROM: 00-00-00 THRU: 10-05-08
	139716-18-WB4	EA	SIGHT SHIELD - DUAL BACK/RIGHT HAND (YA0, YA1, YA2) FROM: 10-06-08 THRU: 99-99-99
	139716-18-WC0	EA	SIGHT SHIELD - DUAL BACK/RIGHT HAND (YA3, YA4, YA5)
	139716-18-WB4	EA	SIGHT SHIELD - DUAL BACK/RIGHT HAND (YA6, YA7, YA8)
1	151290-15-000	EA	FRAME - BASE - 27.25" X 30" X 10.5" - RIGHT
	151290-14-000	EA	FRAME - BASE - 27.25" X 30" X 10.5" - LEFT
2	155647-08-YA0	EA	TRUNDLE - SOFA/SLEEPER - DUAL CONTROLLED - LEATHER (YA0, YA1, YA2) FROM: 00-00-00 THRU: 10-05-08
2	155647-08-WA4	EA	TRUNDLE - SOFA/SLEEPER - DUAL CONTROLLED - LEATHER (YA0, YA1, YA2) FROM: 10-06-08 THRU: 99-99-99
2	155647-08-WA0	EA	TRUNDLE - SOFA/SLEEPER - DUAL CONTROLLED - LEATHER (YA3, YA4, YA5)
2	155647-08-WA4	EA	TRUNDLE - SOFA/SLEEPER - DUAL CONTROLLED - LEATHER (YA6, YA7, YA8)
	151290-27-000	EA	FRAME - TRUNDLE - W/WHEELS - 26"
	155647-A8-YA0	EA	COVER/TRUNDLE - SOFA/SLEEPER - DUAL - LEATHER (YA0, YA1, YA2) FROM: 00-00-00 THRU: 10-05-08
	155647-A8-WA4	EA	COVER/TRUNDLE - SOFA/SLEEPER - DUAL - LEATHER (YA0, YA1, YA2) FROM: 10-06-08 THRU: 99-99-99
	155647-A8-WA0	EA	COVER/TRUNDLE - SOFA/SLEEPER - DUAL - LEATHER (YA3, YA4, YA5)
	155647-A8-WA4	EA	COVER/TRUNDLE - SOFA/SLEEPER - DUAL - LEATHER (YA6, YA7, YA8)
3	157928-46-YA0	EA	PANEL/FRONT KICK - SOFA/DUAL - 11" X 30" - LEATHER (YA0, YA1, YA2) FROM: 00-00-00 THRU: 10-05-08
3	157928-46-YA6	EA	PANEL/FRONT KICK - SOFA/DUAL - 11" X 30" - LEATHER (YA0, YA1, YA2) FROM: 10-06-08 THRU: 99-99-99
3	157928-46-YA3	EA	PANEL/FRONT KICK - SOFA/DUAL - 11" X 30" - LEATHER (YA3, YA4, YA5)
3	157928-46-YA6	EA	PANEL/FRONT KICK - SOFA/DUAL - 11" X 30" - LEATHER (YA6, YA7, YA8)
4	158299-04-YA0	EA	BACK - SOFA/DUAL - LEATHER (YA0, YA1, YA2) FROM: 00-00-00 THRU: 10-05-08
4	158299-04-YA6	EA	BACK - SOFA/DUAL - LEATHER (YA0, YA1, YA2) FROM: 10-06-08 THRU: 99-99-99
4	158299-04-WC0	EA	BACK - SOFA/DUAL - LEATHER (YA3, YA4, YA5)
4	158299-04-WB4	EA	BACK - SOFA/DUAL - LEATHER (YA6, YA7, YA8)
	136534-25-000	EA	FRAME/BACK - FOR DUAL REST EASY SOFA - ONE SIDE ONLY

CURTAIN & CUSHION GROUP (CONTINUED)
SOFA (CONTINUED)

KEY	PART NUMBER	U/M	DESCRIPTION
	158299-A4-YA0	EA	COVER/BACK - DUAL SOFA - LEATHER (YA0, YA1, YA2) FROM: 00-00-00 THRU: 10-05-08
	158299-A4-WB4	EA	COVER/BACK - DUAL SOFA - LEATHER (YA0, YA1, YA2) FROM: 10-06-08 THRU: 99-99-99
	158299-A4-WC0	EA	COVER/BACK - DUAL SOFA - LEATHER (YA3, YA4, YA5)
	158299-A4-WB4	EA	COVER/BACK - DUAL SOFA - LEATHER (YA6, YA7, YA8)
5	158300-04-YA0	EA	SEAT - SOFA/SLEEPER - DUAL CONTROLS - LEATHER (YA0, YA1, YA2) FROM: 00-00-00 THRU: 10-05-08
5	158300-04-WB4	EA	SEAT - SOFA/SLEEPER - DUAL CONTROLS - LEATHER (YA0, YA1, YA2) FROM: 10-06-08 THRU: 99-99-99
5	158300-04-WC0	EA	SEAT - SOFA/SLEEPER - DUAL CONTROLS - LEATHER (YA3, YA4, YA5)
5	158300-04-WB4	EA	SEAT - SOFA/SLEEPER - DUAL CONTROLS - LEATHER (YA6, YA7, YA8)
	151290-02-000	EA	FRAME - SEAT - 30"
	158300-A4-YA0	EA	COVER/SEAT - SOFA/DUAL - LEATHER (YA0, YA1, YA2) FROM: 00-00-00 THRU: 10-05-08
	158300-A4-WB4	EA	COVER/SEAT - SOFA/DUAL - LEATHER (YA0, YA1, YA2) FROM: 10-06-08 THRU: 99-99-99
	158300-A4-WC0	EA	COVER/SEAT - SOFA/DUAL - LEATHER (YA3, YA4, YA5)
	158300-A4-WB4	EA	COVER/SEAT - SOFA/DUAL - LEATHER (YA6, YA7, YA8)
6	158332-41-YA0	EA	ARMREST - SOFA/DUAL - RIGHT HAND - W/SWITCH - LEATHER (YA0, YA1, YA2) FROM: 00-00-00 THRU: 10-05-08
6	158332-41-YA6	EA	ARMREST - SOFA/DUAL - RIGHT HAND - W/SWITCH - LEATHER (YA0, YA1, YA2) FROM: 10-06-08 THRU: 99-99-99
6	158332-41-YA3	EA	ARMREST - SOFA/DUAL - RIGHT HAND - W/SWITCH - LEATHER (YA3, YA4, YA5)
6	158332-41-YA6	EA	ARMREST - SOFA/DUAL - RIGHT HAND - W/SWITCH - LEATHER (YA6, YA7, YA8)
	136118-01-000	EA	SWITCH - SOFA/RECLINER
	158332-C5-YA0	EA	COVER/ARMREST - SOFA/RIGHT HAND - LEATHER (YA0, YA1, YA2) FROM: 00-00-00 THRU: 10-05-08
	158332-C5-YA6	EA	COVER/ARMREST - SOFA/RIGHT HAND - LEATHER (YA0, YA1, YA2) FROM: 10-06-08 THRU: 99-99-99
	158332-C5-YA3	EA	COVER/ARMREST - SOFA/RIGHT HAND - LEATHER (YA3, YA4, YA5)
	158332-C5-YA6	EA	COVER/ARMREST - SOFA/RIGHT HAND - LEATHER (YA6, YA7, YA8)
7	158332-42-YA0	EA	ARMREST - SOFA/DUAL - LEFT HAND - W/SWITCH - LEATHER (YA0, YA1, YA2) FROM: 00-00-00 THRU: 10-05-08
7	158332-42-YA6	EA	ARMREST - SOFA/DUAL - LEFT HAND - W/SWITCH - LEATHER (YA0, YA1, YA2) FROM: 10-06-08 THRU: 99-99-99
7	158332-42-YA3	EA	ARMREST - SOFA/DUAL - LEFT HAND - W/SWITCH - LEATHER (YA3, YA4, YA5)
7	158332-42-YA6	EA	ARMREST - SOFA/DUAL - LEFT HAND - W/SWITCH - LEATHER (YA6, YA7, YA8)
	136118-01-000	EA	SWITCH - SOFA/RECLINER
	158332-C6-YA0	EA	COVER/ARMREST - SOFA/LEFT HAND - LEATHER (YA0, YA1, YA2) FROM: 00-00-00 THRU: 10-05-08
	158332-C6-YA6	EA	COVER/ARMREST - SOFA/LEFT HAND - LEATHER (YA0, YA1, YA2) FROM: 10-06-08 THRU: 99-99-99
	158332-C6-YA3	EA	COVER/ARMREST - SOFA/LEFT HAND - LEATHER (YA3, YA4, YA5)
	158332-C6-YA6	EA	COVER/ARMREST - SOFA/LEFT HAND - LEATHER (YA6, YA7, YA8)

CURTAIN & CUSHION GROUP (CONTINUED)
SOFA (CONTINUED)

**FRONT
RIGHT
SEATING**

ART NOT YET AVAILABLE

KEY	PART NUMBER	U/M	DESCRIPTION
	127335-12-000	EA	LEG - SOFA/BED - 10"
	151290-19-000	EA	FRAME - BASE - 27.25" X 64"
1	158299-11-YA0	EA	BACK - SOFA - 64" (YA0, YA1, YA2)
1	158299-17-YA3	EA	BACK - SOFA - 64" (YA3, YA4, YA5)
1	158299-12-YA6	EA	BACK - SOFA - 64" (YA6, YA7, YA8)
1	158299-13-YA0	EA	BACK - SOFA - 64" - LEATHER (YA0, YA1, YA2) - 41N FROM: 00-00-00 THRU: 10-05-08
1	158299-13-WD7	EA	BACK - SOFA - 64" - LEATHER (YA0, YA1, YA2) - 41N FROM: 10-06-08 THRU: 99-99-99
1	158299-13-WD3	EA	BACK - SOFA - 64" - LEATHER (YA6, YA7, YA8) - 41N
1	158299-13-WD7	EA	BACK - SOFA - 64" - LEATHER (YA3, YA4, YA5) - 41N
	151290-18-000	EA	FRAME - BACK - 14.5" X 64"
	158299-B1-YA0	EA	COVER/BACK - SOFA - 64" (YA0, YA1, YA2)
	158299-B7-YA3	EA	COVER/BACK - SOFA - 64" (YA3, YA4, YA5)
	158299-B2-YA6	EA	COVER/BACK - SOFA - 64" (YA6, YA7, YA8)
	158299-B3-YA0	EA	COVER/BACK - SOFA - 64" - LEATHER (YA0, YA1, YA2) - 41N FROM: 00-00-00 THRU: 10-05-08
	158299-B3-WD7	EA	COVER/BACK - SOFA - 64" - LEATHER (YA0, YA1, YA2) - 41N FROM: 10-06-08 THRU: 99-99-99
	158299-B3-WD3	EA	COVER/BACK - SOFA - 64" - LEATHER (YA6, YA7, YA8) - 41N
	158299-B3-WD7	EA	COVER/BACK - SOFA - 64" - LEATHER (YA3, YA4, YA5) - 41N
2	158300-11-YA0	EA	SEAT - SOFA/SLEEPER (YA0, YA1, YA2)
2	158300-17-YA3	EA	SEAT - SOFA - 64" (YA3, YA4, YA5)
2	158300-12-YA6	EA	SEAT - SOFA - 64" (YA6, YA7, YA8)
2	158300-13-YA0	EA	SEAT - SOFA/SLEEPER - LEATHER (YA0, YA1, YA2) - 41N FROM: 00-00-00 THRU: 10-05-08
2	158300-13-WD7	EA	SEAT - SOFA/SLEEPER - LEATHER (YA0, YA1, YA2) - 41N FROM: 10-06-08 THRU: 99-99-99
2	158300-13-WD3	EA	SEAT - SOFA/SLEEPER - LEATHER (YA6, YA7, YA8) - 41N
2	158300-13-WD7	EA	SEAT - SOFA/SLEEPER - LEATHER (YA3, YA4, YA5) - 41N
	151290-17-000	EA	FRAME - SEAT - 26.5" X 64"
	158300-B1-YA0	EA	COVER/SEAT - SOFA - 64" (YA0, YA1, YA2)
	158300-B7-YA3	EA	COVER/SEAT - SOFA - 64" (YA3, YA4, YA5)
	158300-B2-YA6	EA	COVER/SEAT - SOFA - 64" (YA6, YA7, YA8)
	158300-B3-YA0	EA	COVER/SEAT - SOFA/SLEEPER - LEATHER (YA0, YA1, YA2) - 41N FROM: 00-00-00 THRU: 10-05-08
	158300-B3-WD7	EA	COVER/SEAT - SOFA/SLEEPER - LEATHER (YA0, YA1, YA2) - 41N FROM: 10-06-08 THRU: 99-99-99
	158300-B3-WD3	EA	COVER/SEAT - SOFA/SLEEPER - LEATHER (YA6, YA7, YA8) - 41N
	158300-B3-WD7	EA	COVER/SEAT - SOFA/SLEEPER - LEATHER (YA3, YA4, YA5) - 41N

CURTAIN & CUSHION GROUP (CONTINUED)
SOFA (CONTINUED)

KEY	PART NUMBER	U/M	DESCRIPTION
3	158332-47-YA0	EA	ARMREST - SOFA - RIGHT HAND (YA0, YA1, YA2)
3	158332-49-YA3	EA	ARMREST - SOFA - RIGHT HAND (YA3, YA4, YA5)
3	158332-51-YA6	EA	ARMREST - SOFA - RIGHT HAND (YA6, YA7, YA8)
3	158332-53-YA0	EA	ARMREST - SOFA - RIGHT HAND (YA0, YA1, YA2) - 41N FROM: 00-00-00 THRU: 10-05-08
3	158332-53-YA6	EA	ARMREST - SOFA - RIGHT HAND (YA0, YA1, YA2) - 41N FROM: 10-06-08 THRU: 99-99-99
3	158332-53-YA3	EA	ARMREST - SOFA - RIGHT HAND (YA3, YA4, YA5) - 41N
3	158332-53-YA6	EA	ARMREST - SOFA - RIGHT HAND (YA6, YA7, YA8) - 41N
	158332-B7-YA0	EA	COVER/ARMREST - SOFA/RIGHT HAND (YA0, YA1, YA2)
	158332-C7-YA3	EA	COVER/ARMREST - SOFA/RIGHT HAND (YA3, YA4, YA5)
	158332-B9-YA6	EA	COVER/ARMREST - SOFA/RIGHT HAND (YA6, YA7, YA8)
	158332-C1-YA0	EA	COVER/ARMREST - SOFA/RIGHT HAND (YA0, YA1, YA2) - 41N FROM: 00-00-00 THRU: 10-05-08
	158332-C1-WD7	EA	COVER/ARMREST - SOFA/RIGHT HAND (YA0, YA1, YA2) - 41N FROM: 10-06-08 THRU: 99-99-99
	158332-C1-WD3	EA	COVER/ARMREST - SOFA/RIGHT HAND (YA3, YA4, YA5) - 41N
	158332-C1-WD7	EA	COVER/ARMREST - SOFA/RIGHT HAND (YA6, YA7, YA8) - 41N
4	158332-48-YA0	EA	ARMREST - SOFA - LEFT HAND (YA0, YA1, YA2)
4	158332-50-YA3	EA	ARMREST - SOFA - LEFT HAND (YA3, YA4, YA5)
4	158332-52-YA6	EA	ARMREST - SOFA - LEFT HAND (YA6, YA7, YA8)
4	158332-54-YA0	EA	ARMREST - SOFA - LEFT HAND (YA0, YA1, YA2) - 41N FROM: 00-00-00 THRU: 10-05-08
4	158332-54-YA6	EA	ARMREST - SOFA - LEFT HAND (YA0, YA1, YA2) - 41N FROM: 10-06-08 THRU: 99-99-99
4	158332-54-YA3	EA	ARMREST - SOFA - LEFT HAND (YA3, YA4, YA5) - 41N
4	158332-54-YA6	EA	ARMREST - SOFA - LEFT HAND (YA6, YA7, YA8) - 41N
	158332-B8-YA0	EA	COVER/ARMREST - SOFA/LEFT HAND (YA0, YA1, YA2)
	158332-C8-YA3	EA	COVER/ARMREST - SOFA/LEFT HAND (YA3, YA4, YA5)
	158332-C0-YA6	EA	COVER/ARMREST - SOFA/LEFT HAND (YA6, YA7, YA8)
	158332-C2-YA0	EA	COVER/ARMREST - SOFA/LEFT HAND - LEATHER (YA0, YA1, YA2) - 41N FROM: 00-00-00 THRU: 10-05-08
	158332-C2-WD7	EA	COVER/ARMREST - SOFA/LEFT HAND - LEATHER (YA0, YA1, YA2) - 41N FROM: 10-06-08 THRU: 99-99-99
	158332-C2-WD3	EA	COVER/ARMREST - SOFA/LEFT HAND - LEATHER (YA3, YA4, YA5) - 41N
	158332-C2-WD7	EA	COVER/ARMREST - SOFA/LEFT HAND - LEATHER (YA6, YA7, YA8) - 41N
5	169794-20-YA0	EA	PANEL/FRONT KICK - SOFA (YA0, YA1, YA2)
5	169794-21-YA3	EA	PANEL/FRONT KICK - SOFA (YA3, YA4, YA5)
5	169794-22-YA6	EA	PANEL/FRONT KICK - SOFA (YA6, YA7, YA8)
5	169794-23-YA0	EA	PANEL/FRONT KICK - SOFA - 70.4" X 11" (YA0, YA1, YA2) - 41N FROM: 00-00-00 THRU: 10-05-08
5	169794-23-YA6	EA	PANEL/FRONT KICK - SOFA - 70.4" X 11" (YA0, YA1, YA2) - 41N FROM: 10-06-08 THRU: 99-99-99
5	169794-23-YA3	EA	PANEL/FRONT KICK - SOFA - 70.4" X 11" (YA3, YA4, YA5) - 41N
5	169794-23-YA6	EA	PANEL/FRONT KICK - SOFA - 70.4" X 11" (YA6, YA7, YA8) - 41N

CURTAIN & CUSHION GROUP (CONTINUED)

SOFA (CONTINUED)



**42Z
FRONT
RIGHT
SEATING**

KEY	PART NUMBER	U/M	DESCRIPTION
1	136534-33-000	EA	SPRING/ASSIST - 1/2" X 7" W/HOOK ENDS - REST EASY SOFAS
2	151290-38-000	EA	FRAME - BASE - LH/FLAT - 22"
	151290-37-000	EA	FRAME - BASE - RH/FLAT - 22"
3	155647-16-YJ0	EA	TRUNDLE - SOFA - 22" (YA0, YA1, YA2)
			FROM: 00-00-00 THRU: 10-05-08
3	155647-16-YJ4	EA	TRUNDLE - SOFA - 22" (YA0, YA1, YA2)
			FROM: 10-06-08 THRU: 99-99-99
3	155647-16-YG0	EA	TRUNDLE - SOFA - 22" (YA3, YA4, YA5)
3	155647-16-YJ4	EA	TRUNDLE - SOFA - 22" (YA6, YA7, YA8)
	151290-36-000	EA	FRAME - TRUNDLE - 22"
	155647-B6-YJ0	EA	COVER/TRUNDLE - SOFA - 22" (YA0, YA1, YA2)
			FROM: 00-00-00 THRU: 10-05-08
	155647-B6-YJ4	EA	COVER/TRUNDLE - SOFA - 22" (YA0, YA1, YA2)
			FROM: 10-06-08 THRU: 99-99-99
	155647-B6-YG0	EA	COVER/TRUNDLE - SOFA - 22" (YA3, YA4, YA5)
	155647-B6-YJ4	EA	COVER/TRUNDLE - SOFA - 22" (YA6, YA7, YA8)
4	157928-32-YJ0	EA	PANEL/FRONT KICK - SOFA - 22" (YA0, YA1, YA2)
			FROM: 00-00-00 THRU: 10-05-08
4	157928-32-YJ4	EA	PANEL/FRONT KICK - SOFA - 22" (YA0, YA1, YA2)
			FROM: 10-06-08 THRU: 99-99-99
4	157928-32-YH4	EA	PANEL/FRONT KICK - SOFA - 22" (YA3, YA4, YA5)
4	157928-32-YJ4	EA	PANEL/FRONT KICK - SOFA - 22" (YA6, YA7, YA8)
5	158332-41-YA0	EA	ARMREST - SOFA - RIGHT HAND - W/SWITCH (YA0, YA1, YA2)
			FROM: 00-00-00 THRU: 10-05-08
5	158332-41-YA6	EA	ARMREST - SOFA - RIGHT HAND - W/SWITCH (YA0, YA1, YA2)
			FROM: 10-06-08 THRU: 99-99-99
5	158332-41-YA3	EA	ARMREST - SOFA - RIGHT HAND - W/SWITCH (YA3, YA4, YA5)
5	158332-41-YA6	EA	ARMREST - SOFA - RIGHT HAND - W/SWITCH (YA6, YA7, YA8)
	158332-C5-YA0	EA	COVER/ARMREST - SOFA - RIGHT HAND (YA0, YA1, YA2)
			FROM: 00-00-00 THRU: 10-05-08
	158332-C5-YA6	EA	COVER/ARMREST - SOFA - RIGHT HAND (YA0, YA1, YA2)
			FROM: 10-06-08 THRU: 99-99-99
	158332-C5-YA3	EA	COVER/ARMREST - SOFA - RIGHT HAND (YA3, YA4, YA5)
	158332-C5-YA6	EA	COVER/ARMREST - SOFA - RIGHT HAND (YA6, YA7, YA8)
	158332-42-YA3	EA	ARMREST - SOFA - LEFT HAND - W/SWITCH (YA0, YA1, YA2)
			FROM: 00-00-00 THRU: 10-05-08
	158332-42-YA6	EA	ARMREST - SOFA - LEFT HAND - W/SWITCH (YA0, YA1, YA2)
			FROM: 10-06-08 THRU: 99-99-99
	158332-42-YA3	EA	ARMREST - SOFA - LEFT HAND - W/SWITCH (YA3, YA4, YA5)
	158332-42-YA6	EA	ARMREST - SOFA - LEFT HAND - W/SWITCH (YA6, YA7, YA8)
	158332-C6-YA0	EA	COVER/ARMREST - SOFA - LEFT HAND (YA0, YA1, YA2)
			FROM: 00-00-00 THRU: 10-05-08
	158332-C6-YA6	EA	COVER/ARMREST - SOFA - LEFT HAND (YA0, YA1, YA2)
			FROM: 10-06-08 THRU: 99-99-99
	158332-C6-YA3	EA	COVER/ARMREST - SOFA - LEFT HAND (YA3, YA4, YA5)
	158332-C6-YA6	EA	COVER/ARMREST - SOFA - LEFT HAND (YA6, YA7, YA8)
6	136118-01-000	EA	SWITCH - SOFA/RECLINER

CURTAIN & CUSHION GROUP (CONTINUED)
SOFA (CONTINUED)

KEY	PART NUMBER	U/M	DESCRIPTION
7	165295-16-YJ0	EA	SEAT - SOFA/DUAL (YA0, YA1, YA2) FROM: 00-00-00 THRU: 10-05-08
7	165295-16-YJ4	EA	SEAT - SOFA/DUAL (YA0, YA1, YA2) FROM: 10-06-08 THRU: 99-99-99
7	165295-16-YH4	EA	SEAT - SOFA/DUAL (YA3, YA4, YA5)
7	165295-16-YJ4	EA	SEAT - SOFA/DUAL (YA6, YA7, YA8)
	151290-35-000	EA	FRAME - SEAT - 26.5" X 22"
	165295-B6-YJ0	EA	COVER/SEAT - SOFA/DUAL (YA0, YA1, YA2) FROM: 00-00-00 THRU: 10-05-08
	165295-B6-YJ4	EA	COVER/SEAT - SOFA/DUAL (YA0, YA1, YA2) FROM: 10-06-08 THRU: 99-99-99
	165295-B6-YH4	EA	COVER/SEAT - SOFA/DUAL (YA3, YA4, YA5)
	165295-B6-YJ4	EA	COVER/SEAT - SOFA/DUAL (YA6, YA7, YA8)
8	166260-10-YJ0	EA	BACK - SOFA/DUAL (YA0, YA1, YA2) FROM: 00-00-00 THRU: 10-05-08
8	166260-10-YJ4	EA	BACK - SOFA/DUAL (YA0, YA1, YA2) FROM: 10-06-08 THRU: 99-99-99
8	166260-10-YH4	EA	BACK - SOFA/DUAL (YA3, YA4, YA5)
8	166260-10-YJ4	EA	BACK - SOFA/DUAL (YA6, YA7, YA8)
	151290-34-000	EA	FRAME - BACK - 16.5" X 22"
	166260-B0-YJ0	EA	COVER/BACK - SOFA/DUAL (YA0, YA1, YA2) FROM: 00-00-00 THRU: 10-05-08
	166260-B0-YJ4	EA	COVER/BACK - SOFA/DUAL (YA0, YA1, YA2) FROM: 10-06-08 THRU: 99-99-99
	166260-B0-YH4	EA	COVER/BACK - SOFA/DUAL (YA3, YA4, YA5)
	166260-B0-YJ4	EA	COVER/BACK - SOFA/DUAL (YA6, YA7, YA8)
9	166591-01-YA0	EA	CABINET - CONSOLE/THEATER - W/O HDW (YA0) FROM: 00-00-00 THRU: 10-05-08
9	166591-01-YK4	EA	CABINET - CONSOLE/THEATER - W/O HDW (YA0) FROM: 10-06-08 THRU: 99-99-99
9	166591-01-YA1	EA	CABINET - CONSOLE/THEATER - W/O HDW (YA1) FROM: 00-00-00 THRU: 10-05-08
9	166591-01-YK5	EA	CABINET - CONSOLE/THEATER - W/O HDW (YA1) FROM: 10-06-08 THRU: 99-99-99
9	166591-01-YA2	EA	CABINET - CONSOLE/THEATER - W/O HDW (YA2) FROM: 00-00-00 THRU: 10-05-08
9	166591-01-YK6	EA	CABINET - CONSOLE/THEATER - W/O HDW (YA2) FROM: 10-06-08 THRU: 99-99-99
9	166591-01-Y84	EA	CABINET - CONSOLE/THEATER - W/O HDW (YA3)
9	166591-01-YA4	EA	CABINET - CONSOLE/THEATER - W/O HDW (YA4)
9	166591-01-Y85	EA	CABINET - CONSOLE/THEATER - W/O HDW (YA5)
9	166591-01-YK4	EA	CABINET - CONSOLE/THEATER - W/O HDW (YA6)
9	166591-01-YK5	EA	CABINET - CONSOLE/THEATER - W/O HDW (YA7)
9	166591-01-YK6	EA	CABINET - CONSOLE/THEATER - W/O HDW (YA8)
10	166591-27-YJ0	EA	PANEL/FILLER - LOWER - FABRIC COVERED (YA0, YA1, YA2) FROM: 00-00-00 THRU: 10-05-08
10	166591-27-YK4	EA	PANEL/FILLER - LOWER - FABRIC COVERED (YA0, YA1, YA2) FROM: 10-06-08 THRU: 99-99-99
10	166591-27-Y83	EA	PANEL/FILLER - LOWER - FABRIC COVERED (YA3, YA4, YA5)
10	166591-27-YK4	EA	PANEL/FILLER - LOWER - FABRIC COVERED (YA6, YA7, YA8)
11	166591-28-YJ0	EA	PANEL/FILLER - UPPER/REAR - FABRIC COVERED (YA0, YA1, YA2) FROM: 00-00-00 THRU: 10-05-08
11	166591-28-YK4	EA	PANEL/FILLER - UPPER/REAR - FABRIC COVERED (YA0, YA1, YA2) FROM: 10-06-08 THRU: 99-99-99
11	166591-28-Y83	EA	PANEL/FILLER - UPPER/REAR - FABRIC COVERED (YA3, YA4, YA5)
11	166591-28-YK4	EA	PANEL/FILLER - UPPER/REAR - FABRIC COVERED (YA6, YA7, YA8)
12	166591-29-YJ0	EA	PANEL/LID - TOP - FABRIC COVERED (YA0, YA1, YA2) FROM: 00-00-00 THRU: 10-05-08
12	166591-29-YK4	EA	PANEL/LID - TOP - FABRIC COVERED (YA0, YA1, YA2) FROM: 10-06-08 THRU: 99-99-99
12	166591-29-Y83	EA	PANEL/LID - TOP - FABRIC COVERED (YA3, YA4, YA5)
12	166591-29-YK4	EA	PANEL/LID - TOP - FABRIC COVERED (YA6, YA7, YA8)

CURTAIN & CUSHION GROUP (CONTINUED)
SOFA (CONTINUED)



**42Z
FRONT
RIGHT
SEATING**

KEY	PART NUMBER	U/M	DESCRIPTION
13	166591-30-YJ0	EA	PANEL/FILLER - UPPER/FRONT - FABRIC COVERED (YA0, YA1, YA2) FROM: 00-00-00 THRU: 10-05-08
13	166591-30-YK4	EA	PANEL/FILLER - UPPER/FRONT - FABRIC COVERED (YA0, YA1, YA2) FROM: 10-06-08 THRU: 99-99-99
13	166591-30-Y83	EA	PANEL/FILLER - UPPER/FRONT - FABRIC COVERED (YA3, YA4, YA5)
13	166591-30-YK4	EA	PANEL/FILLER - UPPER/FRONT - FABRIC COVERED (YA6, YA7, YA8)
14	166591-32-YA0	EA	PULLOUT TRAY/BEVERAGE - FABRIC COVERED (YA0) FROM: 00-00-00 THRU: 10-05-08
14	166591-32-YK4	EA	PULLOUT TRAY/BEVERAGE - FABRIC COVERED (YA0) FROM: 10-06-08 THRU: 99-99-99
14	166591-32-YA1	EA	PULLOUT TRAY/BEVERAGE - FABRIC COVERED (YA1) FROM: 00-00-00 THRU: 10-05-08
14	166591-32-YK5	EA	PULLOUT TRAY/BEVERAGE - FABRIC COVERED (YA1) FROM: 10-06-08 THRU: 99-99-99
14	166591-32-YA2	EA	PULLOUT TRAY/BEVERAGE - FABRIC COVERED (YA2) FROM: 00-00-00 THRU: 10-05-08
14	166591-32-YK6	EA	PULLOUT TRAY/BEVERAGE - FABRIC COVERED (YA2) FROM: 10-06-08 THRU: 99-99-99
14	166591-32-Y84	EA	PULLOUT TRAY/BEVERAGE - FABRIC COVERED (YA3)
14	166591-32-YA4	EA	PULLOUT TRAY/BEVERAGE - FABRIC COVERED (YA4)
14	166591-32-Y85	EA	PULLOUT TRAY/BEVERAGE - FABRIC COVERED (YA5)
14	166591-32-YK4	EA	PULLOUT TRAY/BEVERAGE - FABRIC COVERED (YA6)
14	166591-32-YK5	EA	PULLOUT TRAY/BEVERAGE - FABRIC COVERED (YA7)
14	166591-32-YK6	EA	PULLOUT TRAY/BEVERAGE - FABRIC COVERED (YA8)
15	164128-02-02A	EA	HOLDER/CUP - TWO STEP - BLACK
16	169293-09-YJ0	EA	SHELF - SOFA - 20.4" (YA0, YA1, YA2) FROM: 00-00-00 THRU: 10-05-08
16	169293-09-YJ4	EA	SHELF - SOFA - 20.4" (YA0, YA1, YA2) FROM: 10-06-08 THRU: 99-99-99
16	169293-09-YH4	EA	SHELF - SOFA - 20.4" (YA3, YA4, YA5)
16	169293-09-YJ4	EA	SHELF - SOFA - 20.4" (YA6, YA7, YA8)

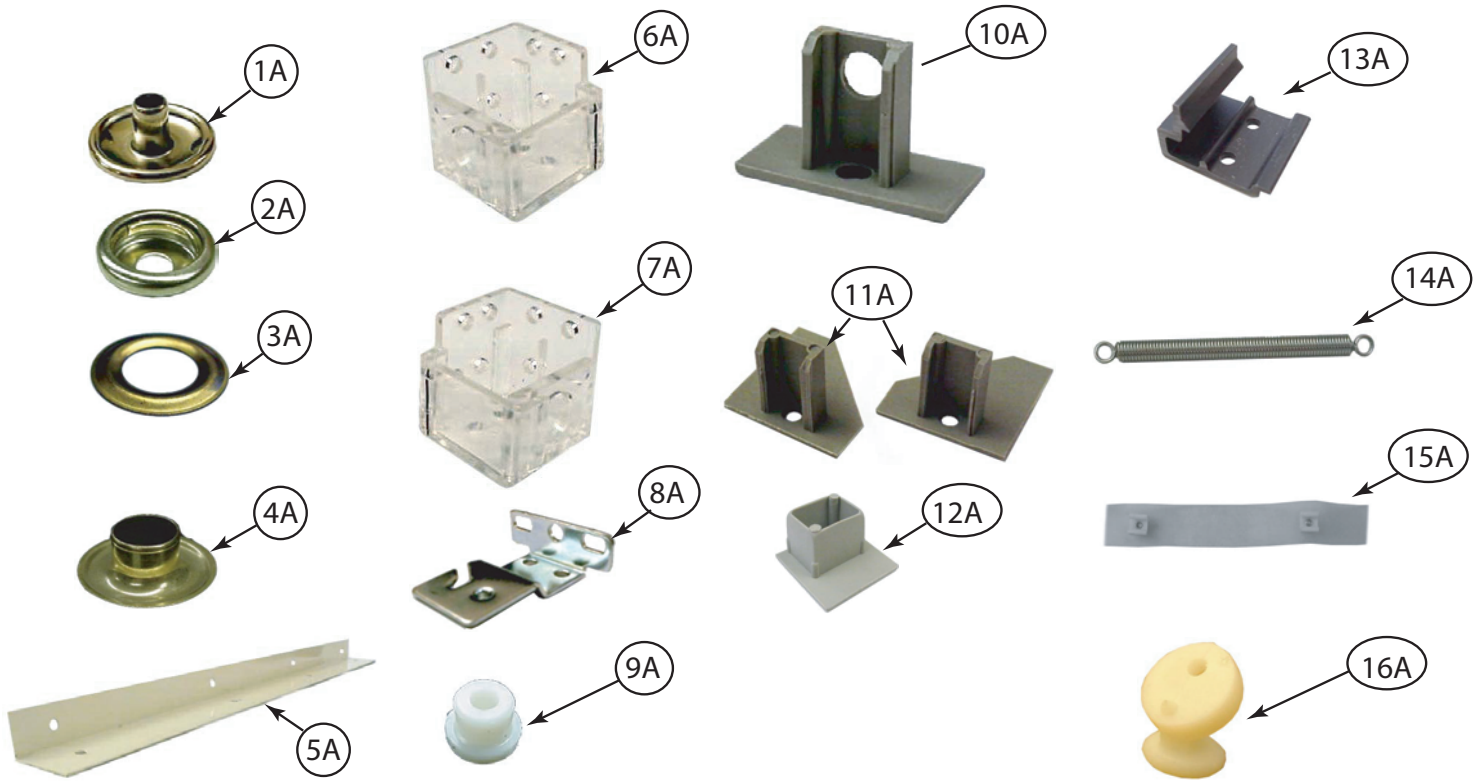
COMPONENT PARTS FOR SOFA

136534-02-000, 136534-03-000, 136534-13-000, 136534-15-000

KEY	PART NUMBER	U/M	DESCRIPTION	VENDOR NO.
	136534-02-700	EA	MOTOR	9PL-MO-W/T-1
	136534-02-701	EA	CABLE/DRV MTR-REST EASY SOFA	9PL-FCA27.75

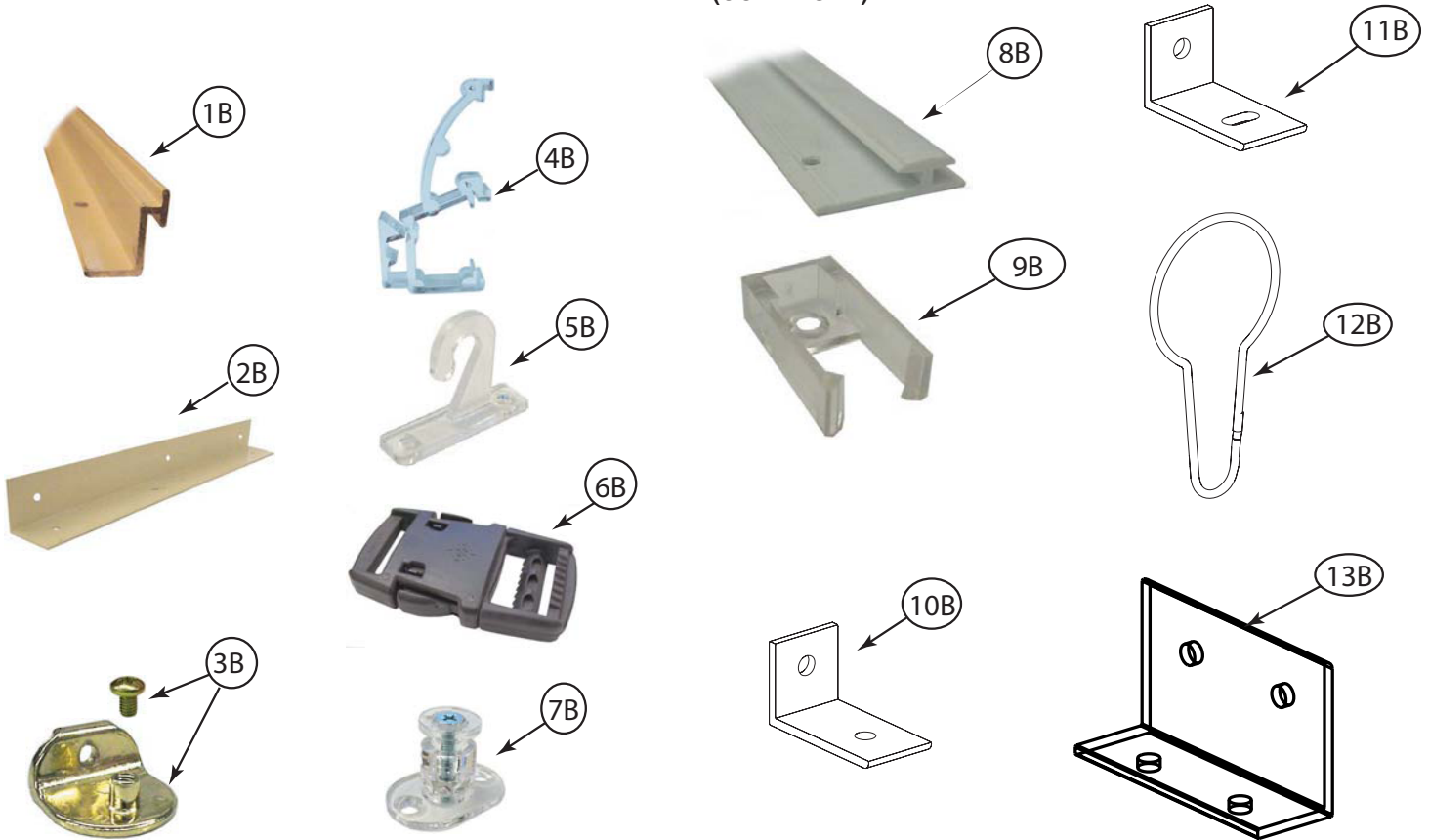
CURTAIN & CUSHION GROUP (CONTINUED)

HARDWARE



KEY	PART NUMBER	U/M	DESCRIPTION
1A	029155-01-000	EA	CAP - SNAP - 5/32" OUTSIDE DIAMETER OF PIN
2A	029156-01-000	EA	SOCKET - SNAP - 9/16" O.D.
3A	046867-05-000	EA	WASHER - #0
4A	046867-04-000	EA	GROMMET - #0
5A	160457-01-01A	EA	BRACE - VALANCE - L-SHAPED - 20" - OFF WHITE
6A	162496-01-01A	EA	BRACKET/BLIND - LEFT SIDE WHEN FACING WINDOW - CLEAR
7A	162496-02-01A	EA	BRACKET/BLIND - RIGHT SIDE WHEN FACING WINDOW - CLEAR
8A	084434-01-000	EA	BRACKET - MOUNTING - ROLLER SHADE - 1 3/8"
9A	094896-02-000	EA	GROMMET - CORD/PLEATED BLIND - NYLON - GRAY
10A	094907-02-000	EA	END CAP - PLEATED BLIND/TOP - RH/LH - GRAY PLASTIC
11A	094907-04-000	EA	END CAP - PLEATED BLIND/BOTTOM - RH/LH
12A	094907-09-000	EA	END CAP/BLIND - CENTER RAIL - RH/LH
13A	097565-01-000	EA	BRACKET - MOUNTING - PLEATED BLIND
14A	155748-01-000	EA	SPRING - EXTENSION - DAY/NIGHTER BLIND
15A	101031-01-000	YD	TAPE/GLIDE - 4.25" SPACING
16A	169068-01-01A	EA	BRACKET - (CLEAT TYPE) - F/BLIND HOLDOWN - MILKY WHITE

CURTAIN & CUSHION GROUP (CONTINUED)
HARDWARE (CONTINUED)



KEY	PART NUMBER	U/M	DESCRIPTION
1B	105450-14-01A	EA	TRACK - CURTAIN - 90" - OFF WHITE
2B	105648-01-02A	EA	BRACE - VALANCE - 14" - OFF WHITE
2B	105648-02-02A	EA	BRACE - VALANCE - 8.5" - OFF WHITE
3B	106544-01-000	EA	PULL - SHADE/BRASS
3B	106544-01-001	EA	SCREW - SHADE/BRASS
3B	106544-02-000	EA	PULL-SHADE - NICKEL
4B	109353-04-000	EA	CLIP - VALANCE SLAT MOUNTING - CLEAR PLASTIC
5B	109441-01-000	EA	BRACKET/HOOK - BLIND HOLD DOWN - LARGE - CLEAR
	109441-02-000	EA	SPACER/BRACKET - BLIND HOLD DOWN
6B	129491-01-000	EA	CATCH - SNAP HOOK - 1"
7B	141634-01-000	EA	BRACKET-(BOBBIN TYPE) 7/8"H HOLDUPBASE(OVAL)-2 HOLE-CLEAR
8B	156172-02-01A	EA	TRACK/WALL - 32" - BONE
8B	156172-03-01A	EA	TRACK/WALL - 21" - BONE
9B	156172-04-01A	EA	END CAP - WALL TRACK - CLEAR
10B	154316-01-01A	EA	BRACE/ANGLE - W/HOLE - CASHMERE
11B	154316-02-01A	EA	BRACE/ANGLE - W/SLOT - CASHMERE
12B	159702-01-01A	EA	HOOK/RING - CURTAIN/SHOWER - NICKEL
13B	156732-01-02A	EA	BRACE - ANGLE - 2.5" - OFF WHITE

CURTAIN & CUSHION GROUP (CONTINUED)
FABRICS

YA0, YA1, YA2

106569-15-01A CARPET - HEADLINER - CEILING
113979-09-02A CARPET - SHELF LINER
156773-G8-000 FABRIC-DRAPERY, MAIN
148797-HT-000 FABRIC-UPHOSTERY MAIN ONE, MAIN
148797-HW-000 FABRIC-UPHOLSTERY,PLAIN ACCENT
148797-JA-000 FABRIC-UPHOLSTERY ACCENT, PATTERN
156773-G5-000 FABRIC-UPHOSTERY,BEDSPREAD, MAIN
148797-HW-000 FABRIC-VALANCE & TIEBACKS
142523-11-000 FABRIC-ULTRALEATHER, ACCENT, PLAIN
FROM: 00-00-00 THRU: 10-05-08
142523-17-000 FABRIC-ULTRALEATHER, ACCENT, PLAIN
FROM: 10-06-08 THRU: 99-99-99
142523-11-000 FABRIC-UPHOSTERY, ULTRALEATHER, MAIN
FROM: 00-00-00 THRU: 10-05-08
142523-17-000 FABRIC-UPHOSTERY, ULTRALEATHER, MAIN
FROM: 10-06-08 THRU: 99-99-99
156773-G8-000 FABRIC-UPHOSTERY,BEDSPREAD, PATTERN ACCENT A
072333-98-000 FABRIC - SPEAKER COVER
148797-HW-000 FABRIC-O/H CABT,DIN/LOUNGE
156773-G5-000 FABRIC-O/H CABT,BEDROOM
148797-HW-000 FABRIC-DINETTE WRAP, DINETTES
142523-11-000 FABRIC-EURO CHAIR LIDS
FROM: 00-00-00 THRU: 10-05-08
142523-17-000 FABRIC-EURO CHAIR LIDS
FROM: 10-06-08 THRU: 99-99-99
142523-21-000 VINYL-FRONT OVERHEAD W/O PADS

YA3, YA4, YA5

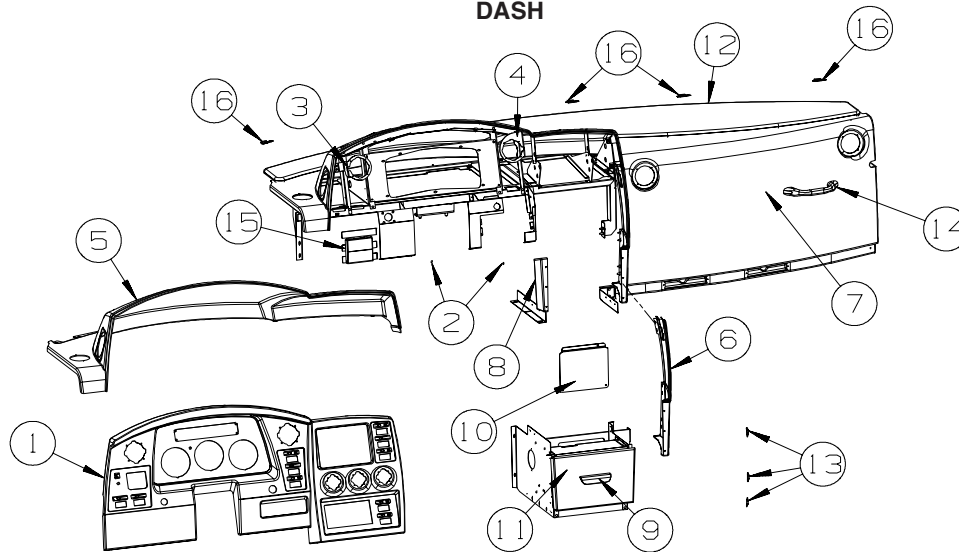
106569-15-01A CARPET - HEADLINER - CEILING
113979-09-02A CARPET - SHELF LINER
156773-33-000 FABRIC-DRAPERY, MAIN
148797-HU-000 FABRIC-UPHOSTERY MAIN ONE, MAIN
148797-HX-000 FABRIC-UPHOLSTERY,PLAIN ACCENT
148797-JB-000 FABRIC-UPHOLSTERY ACCENT, PATTERN
156773-G6-000 FABRIC-UPHOSTERY,BEDSPREAD, MAIN
148797-HX-000 FABRIC-VALANCE & TIEBACKS
142523-17-000 FABRIC-ULTRALEATHER, ACCENT, PLAIN
142523-07-000 FABRIC-UPHOSTERY, ULTRALEATHER, MAIN
156773-G9-000 FABRIC-UPHOSTERY,BEDSPREAD, PATTERN ACCENT A
072333-98-000 FABRIC - SPEAKER COVER
148797-HX000 FABRIC-O/H CABT,DIN/LOUNGE
156773-G6-000 FABRIC-O/H CABT,BEDROOM
148797-HX-000 FABRIC-DINETTE WRAP, DINETTES
142523-07-000 FABRIC-EURO CHAIR LIDS
142523-21-000 VINYL-FRONT OVERHEAD W/O PADS

YA6, YA7, YA8

106569-15-01A CARPET - HEADLINER - CEILING
113979-09-02A CARPET - SHELF LINER
156773-H0-000 FABRIC-DRAPERY, MAIN
148797-HV-000 FABRIC-UPHOSTERY MAIN ONE, MAIN
148797-HY-000 FABRIC-UPHOLSTERY,PLAIN ACCENT
148797-JC-000 FABRIC-UPHOLSTERY ACCENT, PATTERN
156773-G7-000 FABRIC-UPHOSTERY,BEDSPREAD, MAIN
148797-HV-000 FABRIC-VALANCE & TIEBACKS
142523-23-000 FABRIC-ULTRALEATHER, ACCENT, PLAIN
142523-17-000 FABRIC-UPHOSTERY, ULTRALEATHER, MAIN
156773-H0-000 FABRIC-UPHOSTERY,BEDSPREAD, PATTERN ACCENT A
072333-98-000 FABRIC - SPEAKER COVER
148797-HY-000 FABRIC-O/H CABT,DIN/LOUNGE
156773-G7-000 FABRIC-O/H CABT,BEDROOM
148797-HV-000 FABRIC-DINETTE WRAP, DINETTES
142523-17-000 FABRIC-EURO CHAIR LIDS
142523-21-000 VINYL-FRONT OVERHEAD W/O PADS

DRIVERS COMPARTMENT GROUP

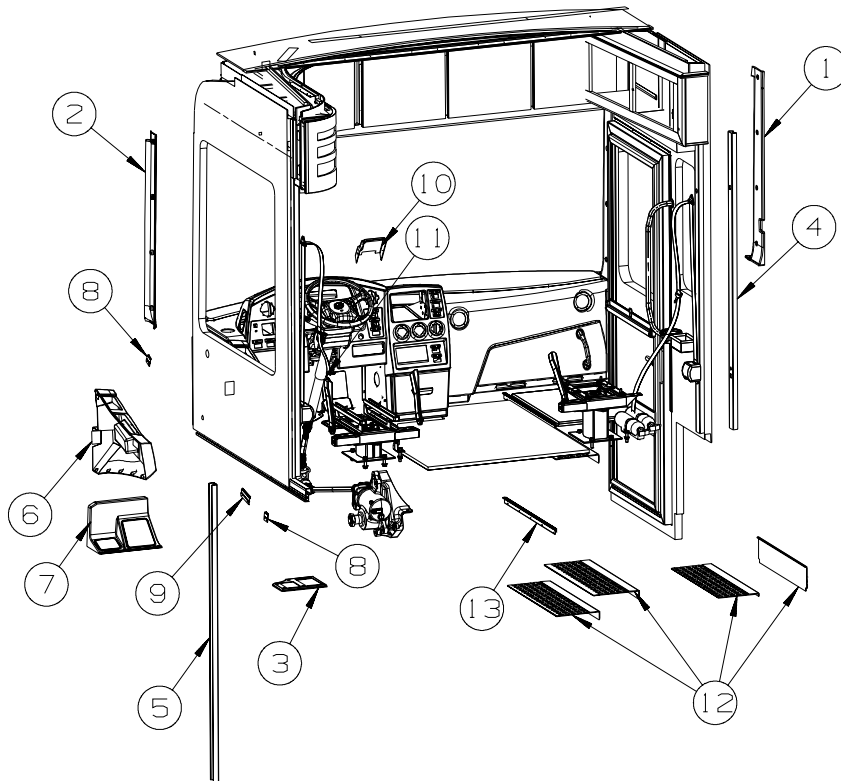
DASH



KEY	PART NUMBER	U/M	DESCRIPTION
1	158976-01-06A	EA	BEZEL - INSTRUMENT PANEL - SLATE - 2008 FREIGHTLINER CHASSIS
1	158976-03-06A	EA	BEZEL - INSTRUMENT PANEL - SLATE - 2009 FREIGHTLINER CHASSIS
2	110530-01-000	FT	SEAL - SPONGE - .31" X .62"
3	156255-02-02B	EA	RETAINER - LOUVER/LEFT - E-COATED
4	156255-03-02B	EA	RETAINER - LOUVER - E-COATED
5	158974-01-28A	EA	POD - INSTRUMENT PANEL - SLATE
6	159011-04-WD3	EA	PANEL - CONSOLE/CENTER - PASSENGER
	159011-01-28A	EA	PANEL - CONSOLE/CENTER - PASSENGER - SLATE
7	166249-02-WD3	EA	PANEL/TRIM - DASH/LOWER RIGHT
8	159719-01-28A	EA	PANEL/CONSOLE - CENTER/LEFT - SLATE
9	074762-01-000	EA	PULL - CABINET - 4.8" X .9" - BLACK PLASTIC
10	161526-01-02B	EA	PANEL/ACCESS - BLOWER - E-COATED
	115870-01-000	FT	SEAL/EDGE - TRIM
11	162866-01-W66	EA	DRAWER - CONSOLE/CENTER - 10.7"W X 8.5"D - W/O HDW
12	158973-01-WD3	EA	PANEL - DASH/FRONT
	106569-14-14A	YD	VINYL - LAMINATE - 1/4" X 54" - GREYSTONE
13	073050-04-000	EA	CLIP/MOUNTING - VALANCE PANEL
14	123246-01-09A	EA	HANDLE - GRAB - SLATE
15	118718-01-01A	EA	HOLDER/DRINK - COLLAPSIBLE MUG - BLACK PLASTIC
16	073050-04-000	EA	CLIP/MOUNTING - VALANCE PANEL

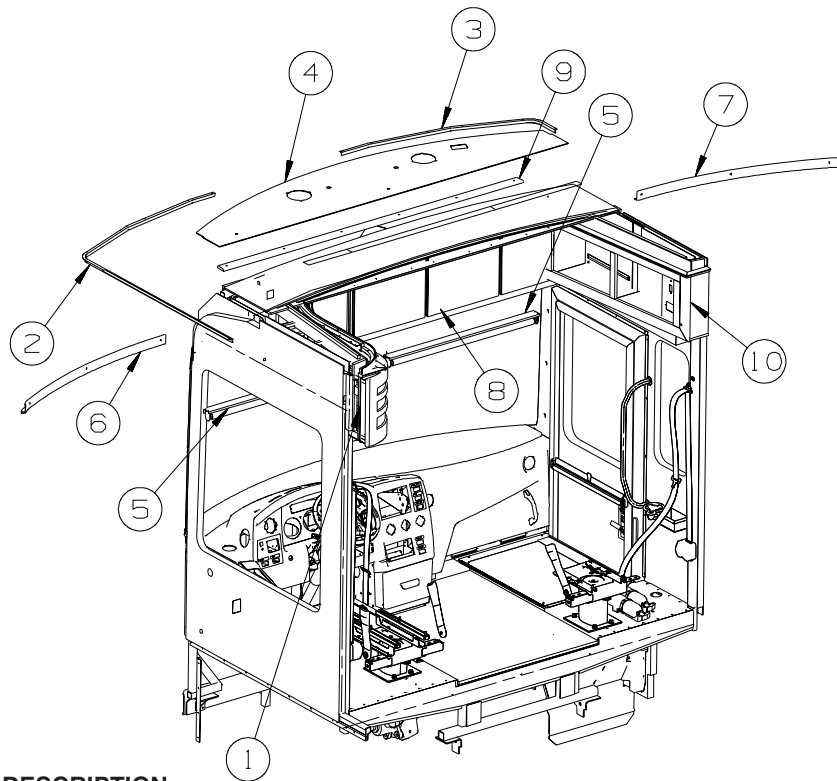
DRIVERS COMPARTMENT GROUP (CONTINUED)

FRONT INTERIOR



KEY	PART NUMBER	U/M	DESCRIPTION
1	159851-03-28A	EA	TRIM - A-PILLAR/PASSENGER - INTERIOR - SLATE
2	159851-02-28A	EA	TRIM - A-PILLAR/DRIVER - INTERIOR - SLATE
3	116993-01-01A	EA	COVER - PEDALS - BLACK
4	161808-01-01A	EA	COVER - ROLL BAR/U-CHANNEL - 66.9" PLASTIC - MED OAK
5	161808-02-01A	EA	COVER - ROLL BAR/U-CHANNEL - 12.3" PLASTIC - MED OAK
6	159062-02-W66	EA	PANEL/TRIM - DRIVER PANEL
7	151302-01-01A	EA	PANEL/FOOTREST - DRIVER - W/TREAD INSERTS - BLACK
8	130034-07-02B	EA	CLIP - TRIM - E-COATED
9	130034-03-02B	EA	CLIP - TRIM - E-COATED
10	151048-02-28A	EA	COVER - STEERING COLUMN - UPPER/FRONT - SLATE
11	095933-07-000	EA	STOP/TILT - STEERING COLUMN
12	120231-01-02A	EA	FLOORING - RUBBER - 63.4" X 19.8"
13	139955-19-03A	EA	TRIM - STEP/ENTRY - 29.5" - BLACK

DRIVERS COMPARTMENT GROUP (CONTINUED)
FRONT INTERIOR (CONTINUED)



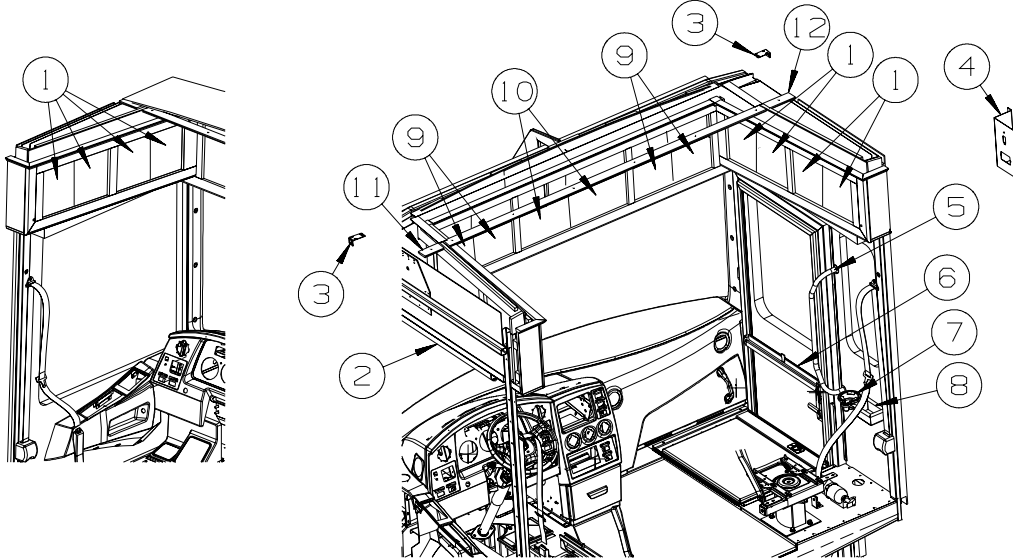
02R

KEY	PART NUMBER	U/M	DESCRIPTION
1	167982-01-YP1	EA	CABINET - OVERHEAD/FRONT/LH HAND - W/O DOORS/HDW - CONCERT CHERRY
1	167982-01-Y65	EA	CABINET - OVERHEAD/FRONT/LH HAND - W/O DOORS/HDW - HONEYCHERRY
1	167982-01-YP2	EA	CABINET - OVERHEAD/FRONT/LH HAND - W/O DOORS/HDW - BELMONT MAPLE
1	167982-02-YP1	EA	CABINET - OVERHEAD/FRONT/LH HAND - W/O DOORS/HDW - CONCERT CHERRY - P34Y ONLY
1	167982-02-Y65	EA	CABINET - OVERHEAD/FRONT/LH HAND - W/O DOORS/HDW - HONEYCHERRY - P34Y ONLY
1	167982-02-YP2	EA	CABINET - OVERHEAD/FRONT/LH HAND - W/O DOORS/HDW - BELMONT MAPLE - P34Y ONLY
2	126456-07-06A	EA	TRACK/WRAPAROUND - DRIVER - BLACK
	162691-01-01A	EA	SPACER - CURTAIN TRACK
3	126456-08-06A	EA	TRACK/WRAPAROUND - PASSENGER - BLACK
4	134146-A0-W66	EA	PANEL - OVERHEAD/FRONT - BOTTOM
5	142380-02-01A	EA	SHADE - POWER - 41.2"W X 19"H
6	159957-02-28A	EA	TRIM - WINDSHIELD - INTERIOR/TOP/DRIVER
7	159957-01-28A	EA	TRIM - WINDSHIELD - INTERIOR/TOP/PASSENGER
8	167777-01-YP1	EA	CABINET - OVERHEAD/FRONT - W/O DOORS/HDW - CONCERT CHERRY
8	167777-01-Y65	EA	CABINET - OVERHEAD/FRONT - W/O DOORS/HDW - HONEYCHERRY
8	167777-01-YP2	EA	CABINET - OVERHEAD/FRONT - W/O DOORS/HDW - BELMONT MAPLE
8	167777-03-YP0	EA	CABINET - OVERHEAD/FRONT - W/O DOORS/HDW - CONCERT CHERRY - 15D, 70C
8	167777-03-YP1	EA	CABINET - OVERHEAD/FRONT - W/O DOORS/HDW - HONEYCHERRY - 15D, 70C
8	167777-03-YP2	EA	CABINET - OVERHEAD/FRONT - W/O DOORS/HDW - BELMONT MAPLE - 15D, 70C
8	167777-02-YP1	EA	CABINET - OVERHEAD/FRONT - W/O DRS/HDW - CONCERT CHERRY - 61E
			FROM: 00-00-00 THRU: 06-22-08
8	169336-01-YA0	EA	CABINET - OVERHEAD/FRONT - W/O DRS/HDW - CONCERT CHERRY - 61E
			FROM: 06-23-08 THRU: 99-99-99
8	167777-02-YP2	EA	CABINET - OVERHEAD/FRONT - W/O DRS/HDW - HONEYCHERRY - 61E
			FROM: 00-00-00 THRU: 06-22-08
8	169336-01-YA1	EA	CABINET - OVERHEAD/FRONT - W/O DRS/HDW - HONEYCHERRY - 61E
			FROM: 06-23-08 THRU: 99-99-99
8	167777-02-Y65	EA	CABINET - OVERHEAD/FRONT - W/O DRS/HDW - BELMONT MAPLE - 61E
			FROM: 00-00-00 THRU: 06-22-08
8	169336-01-YA2	EA	CABINET - OVERHEAD/FRONT - W/O DRS/HDW - BELMONT MAPLE - 61E
			FROM: 06-23-08 THRU: 99-99-99
8	169336-02-YA0	EA	CABINET - OVERHEAD/FRONT - W/O DOORS/HDW - CONCERT CHERRY - 61E, 15D, 70C
8	169336-02-YA1	EA	CABINET - OVERHEAD/FRONT - W/O DOORS/HDW - HONEYCHERRY - 61E, 15D, 70C
8	169336-02-YA2	EA	CABINET - OVERHEAD/FRONT - W/O DOORS/HDW - BELMONT MAPLE - 61E, 15D, 70C
9	133771-11-YB0	EA	MOLDING - CAP - CONCERT CHERRY
9	133771-11-YB1	EA	MOLDING - CAP - HONEYCHERRY
9	133771-11-YB2	EA	MOLDING - CAP - BELMONT MAPLE
	042356-01-000	EA	PLUG - MAHOGANY - 3/8" DOWEL X 1/2" HEAD

DRIVERS COMPARTMENT GROUP (CONTINUED)

FRONT INTERIOR (CONTINUED)

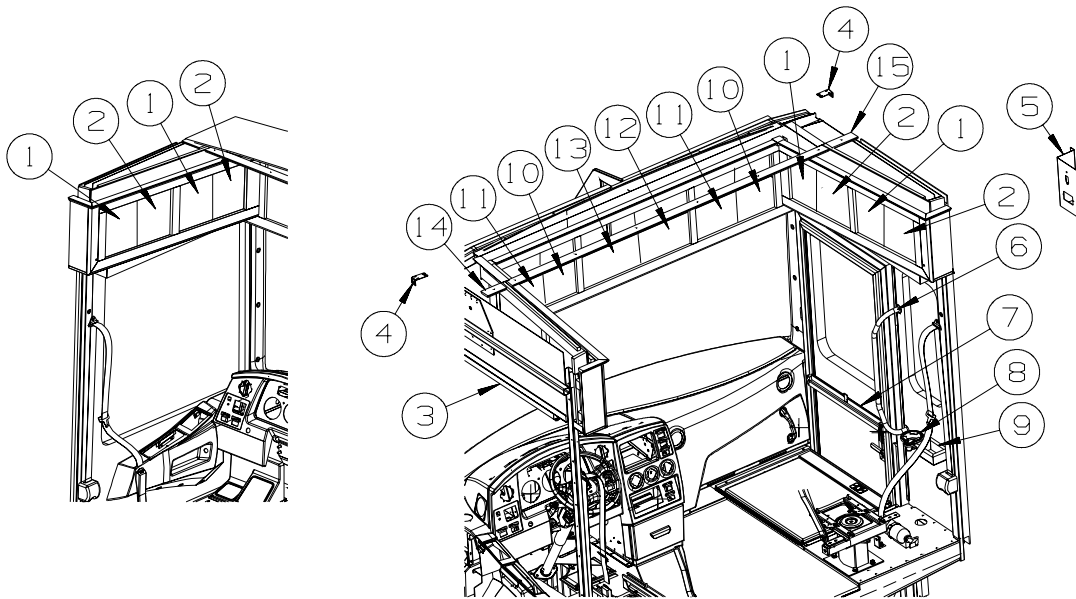
KEY	PART NUMBER	U/M	DESCRIPTION
10	168086-01-YB0	EA	CABINET - OVERHEAD/FRONT/RH HAND - W/O DOORS/HDW - CONCERT CHERRY
10	168086-01-YB1	EA	CABINET - OVERHEAD/FRONT/RH HAND - W/O DOORS/HDW - HONEYCHERRY
10	168086-01-YB2	EA	CABINET - OVERHEAD/FRONT/RH HAND - W/O DOORS/HDW - BELMONT MAPLE
10	168086-02-YB0	EA	CABINET - OVERHEAD/FRONT/RH HAND - W/O DOORS/HDW - CONCERT CHERRY - P34Y ONLY
10	168086-02-YB1	EA	CABINET - OVERHEAD/FRONT/RH HAND - W/O DOORS/HDW - HONEYCHERRY - P34Y ONLY
10	168086-02-YB2	EA	CABINET - OVERHEAD/FRONT/RH HAND - W/O DOORS/HDW - BELMONT MAPLE - P34Y ONLY



02R
FROM: 00-00-00
THRU: 06-27-08

KEY	PART NUMBER	U/M	DESCRIPTION
1	167633-10-YB0	EA	DOOR - RAISED/DBL FLUTED - 9.8" X 12" - W/O HDW - CONCERT CHERRY
1	167633-10-YB1	EA	DOOR - RAISED/DBL FLUTED - 9.8" X 12" - W/O HDW - HONEYCHERRY
1	167633-10-YB2	EA	DOOR - RAISED/DBL FLUTED - 9.8" X 12" - W/O HDW - BELMONT MAPLE
2	126841-09-000	EA	SHADE - PULL - CHARCOAL MESH - 40.25" X 60"
	084434-01-000	EA	BRACKET - MOUNTING - ROLLER SHADE - 1 3/8"
3	140309-05-02B	EA	ANGLE - FURNACE DOOR - E-COATED
4	168143-01-02B	EA	BRACKET - SWITCH/SLIDEOUT - E-COATED - P34 ONLY
5	137605-02-01A	EA	HAND RAIL - INTERIOR ENTRY DOOR - BLACK
6	144628-06-02A	EA	SHADE - SCREEN DOOR - 24.6" X 39.3" - BLACK
7	133831-01-01A	EA	HOLDER - CUP W/THREE CENTERLINE RUBBER FINGERS
8	137602-N6-YB0	EA	POCKET - CONSOLE/PASSENGER - CONCERT CHERRY
8	137602-N6-WD3	EA	POCKET - CONSOLE/PASSENGER - HONEYCHERRY
8	137602-N6-YB2	EA	POCKET - CONSOLE/PASSENGER - BELMONT MAPLE
9	162329-28-YB0	EA	DOOR - DBL FLUTED - W/GLASS - 10.6" X 14.4" - W/O HDW - CONCERT CHERRY
9	162329-28-YB1	EA	DOOR - DBL FLUTED - W/GLASS - 10.6" X 14.4" - W/O HDW - HONEYCHERRY
9	162329-28-YB2	EA	DOOR - DBL FLUTED - W/GLASS - 10.6" X 14.4" - W/O HDW - BELMONT MAPLE
10	162329-22-YB0	EA	DOOR - DBL FLUTED - W/GLASS - 14.4" X 14.4" - W/O HDW - CONCERT CHERRY - 1H5
10	162329-22-YB1	EA	DOOR - DBL FLUTED - W/GLASS - 14.4" X 14.4" - W/O HDW - HONEYCHERRY - 1H5
10	162329-22-YB2	EA	DOOR - DBL FLUTED - W/GLASS - 14.4" X 14.4" - W/O HDW - BELMONT MAPLE - 1H5
11	133771-13-YP1	EA	MOLDING - CAP - CONCERT CHERRY
11	133771-13-YA1	EA	MOLDING - CAP - HONEYCHERRY
11	133771-13-YP2	EA	MOLDING - CAP - BELMONT MAPLE
12	133771-14-YP1	EA	MOLDING - CAP - CONCERT CHERRY
12	133771-14-YA1	EA	MOLDING - CAP - HONEYCHERRY
12	133771-14-YP2	EA	MOLDING - CAP - BELMONT MAPLE

DRIVERS COMPARTMENT GROUP (CONTINUED)
FRONT INTERIOR (CONTINUED)



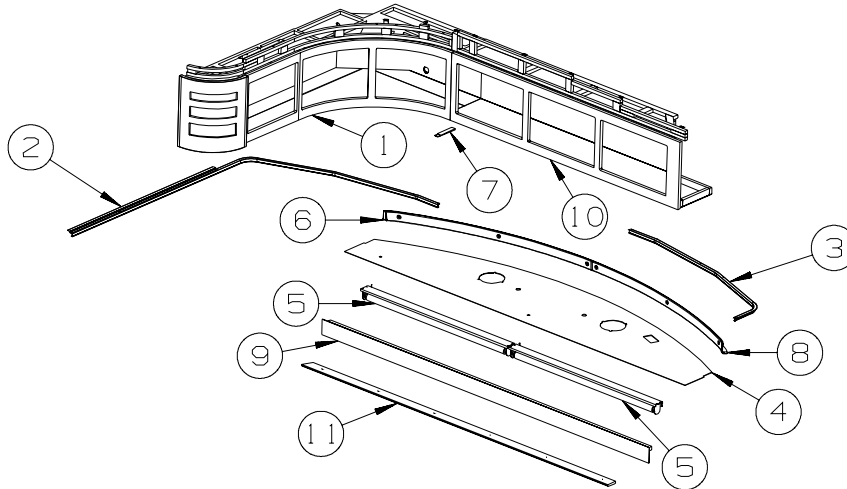
02R
FROM: 06-28-08
THRU: 99-99-99

KEY	PART NUMBER	U/M	DESCRIPTION
1	167633-11-YB0	EA	DOOR - RAISED/DBL FLUTED - 9.8" X 12" - W/O HDW - CONCERT CHERRY FROM: 00-00-00 THRU: 09-28-08
1	167633-10-YB0	EA	DOOR - RAISED/DBL FLUTED - 9.8" X 12" - W/O HDW - CONCERT CHERRY FROM: 09-29-08 THRU: 99-99-99
1	167633-11-YB1	EA	DOOR - RAISED/DBL FLUTED - 9.8" X 12" - W/O HDW - HONEYCHERRY FROM: 00-00-00 THRU: 09-28-08
1	167633-10-YB1	EA	DOOR - RAISED/DBL FLUTED - 9.8" X 12" - W/O HDW - HONEYCHERRY FROM: 09-29-08 THRU: 99-99-99
1	167633-11-YB2	EA	DOOR - RAISED/DBL FLUTED - 9.8" X 12" - W/O HDW - BELMONT MAPLE FROM: 00-00-00 THRU: 09-28-08
1	167633-10-YB2	EA	DOOR - RAISED/DBL FLUTED - 9.8" X 12" - W/O HDW - BELMONT MAPLE FROM: 09-29-08 THRU: 99-99-99
	076767-04-000	EA	CABLE - STAINLESS STEEL - 5.9"
2	167633-12-YB0	EA	DOOR - RAISED/DBL FLUTED - 9.8" X 12" - W/O HDW - CONCERT CHERRY FROM: 00-00-00 THRU: 09-28-08
2	167633-10-YB0	EA	DOOR - RAISED/DBL FLUTED - 9.8" X 12" - W/O HDW - CONCERT CHERRY FROM: 09-29-08 THRU: 99-99-99
2	167633-12-YB1	EA	DOOR - RAISED/DBL FLUTED - 9.8" X 12" - W/O HDW - HONEYCHERRY FROM: 00-00-00 THRU: 09-28-08
2	167633-10-YB1	EA	DOOR - RAISED/DBL FLUTED - 9.8" X 12" - W/O HDW - HONEYCHERRY FROM: 09-29-08 THRU: 99-99-99
2	167633-12-YB2	EA	DOOR - RAISED/DBL FLUTED - 9.8" X 12" - W/O HDW - BELMONT MAPLE FROM: 00-00-00 THRU: 09-28-08
2	167633-10-YB2	EA	DOOR - RAISED/DBL FLUTED - 9.8" X 12" - W/O HDW - BELMONT MAPLE FROM: 09-29-08 THRU: 99-99-99
3	126841-09-000	EA	SHADE - PULL - CHARCOAL MESH - 40.25" X 60"
	084434-01-000	EA	BRACKET - MOUNTING - ROLLER SHADE - 1 3/8"
4	140309-05-02B	EA	ANGLE - FURNACE DOOR - E-COATED
5	168143-01-02B	EA	BRACKET - SWITCH/SLIDEOUT - E-COATED - P34 ONLY
6	137605-02-01A	EA	HAND RAIL - INTERIOR ENTRY DOOR - BLACK
7	144628-06-02A	EA	SHADE - SCREEN DOOR - 24.6" X 39.3" - BLACK
8	133831-01-01A	EA	HOLDER - CUP W/THREE CENTERLINE RUBBER FINGERS
9	137602-N6-YB0	EA	POCKET - CONSOLE/PASSENGER - CONCERT CHERRY
9	137602-N6-WD3	EA	POCKET - CONSOLE/PASSENGER - HONEYCHERRY
9	137602-N6-YB2	EA	POCKET - CONSOLE/PASSENGER - BELMONT MAPLE

DRIVERS COMPARTMENT GROUP (CONTINUED)
FRONT INTERIOR (CONTINUED)

KEY	PART NUMBER	U/M	DESCRIPTION
10	162329-34-YB0	EA	DOOR - DBL FLUTED - W/GLASS - 10.6" X 14.4" - W/O HDW - CONCERT CHERRY FROM: 00-00-00 THRU: 09-28-08
10	162329-28-YB0	EA	DOOR - DBL FLUTED - W/GLASS - 10.6" X 14.4" - W/O HDW FROM: 09-29-08 THRU: 99-99-99
10	162329-34-YB1	EA	DOOR - DBL FLUTED - W/GLASS - 10.6" X 14.4" - W/O HDW - HONEYCHERRY FROM: 00-00-00 THRU: 09-28-08
10	162329-28-YB1	EA	DOOR - DBL FLUTED - W/GLASS - 10.6" X 14.4" - W/O HDW FROM: 09-29-08 THRU: 99-99-99
10	162329-34-YB2	EA	DOOR - DBL FLUTED - W/GLASS - 10.6" X 14.4" - W/O HDW - BELMONT MAPLE FROM: 00-00-00 THRU: 09-28-08
10	162329-28-YB2	EA	DOOR - DBL FLUTED - W/GLASS - 10.6" X 14.4" - W/O HDW FROM: 09-29-08 THRU: 99-99-99
11	162329-33-YB0	EA	DOOR - DBL FLUTED - W/GLASS - 10.6" X 14.4" - W/O HDW - CONCERT CHERRY FROM: 00-00-00 THRU: 09-28-08
11	162329-28-YB0	EA	DOOR - DBL FLUTED - W/GLASS - 10.6" X 14.4" - W/O HDW FROM: 09-29-08 THRU: 99-99-99
11	162329-33-YB1	EA	DOOR - DBL FLUTED - W/GLASS - 10.6" X 14.4" - W/O HDW - HONEYCHERRY FROM: 00-00-00 THRU: 09-28-08
11	162329-28-YB1	EA	DOOR - DBL FLUTED - W/GLASS - 10.6" X 14.4" - W/O HDW FROM: 09-29-08 THRU: 99-99-99
11	162329-33-YB2	EA	DOOR - DBL FLUTED - W/GLASS - 10.6" X 14.4" - W/O HDW - BELMONT MAPLE FROM: 00-00-00 THRU: 09-28-08
11	162329-28-YB2	EA	DOOR - DBL FLUTED - W/GLASS - 10.6" X 14.4" - W/O HDW FROM: 09-29-08 THRU: 99-99-99
12	162329-32-YB0	EA	DOOR - DBL FLUTED - W/GLASS - 14.4" X 14.4" - W/O HDW - CONCERT CHERRY - 1H5 FROM: 00-00-00 THRU: 09-28-08
12	162329-22-YB0	EA	DOOR - DBL FLUTED - W/GLASS - 14.4" X 14.4" - W/O HDW - CONCERT CHERRY - 1H5 FROM: 09-29-08 THRU: 99-99-99
12	162329-32-YB1	EA	DOOR - DBL FLUTED - W/GLASS - 14.4" X 14.4" - W/O HDW - HONEYCHERRY - 1H5 FROM: 00-00-00 THRU: 09-28-08
12	162329-22-YB1	EA	DOOR - DBL FLUTED - W/GLASS - 14.4" X 14.4" - W/O HDW - HONEYCHERRY - 1H5 FROM: 09-29-08 THRU: 99-99-99
12	162329-32-YB2	EA	DOOR - DBL FLUTED - W/GLASS - 14.4" X 14.4" - W/O HDW - BELMONT MAPLE - 1H5 FROM: 00-00-00 THRU: 09-28-08
12	162329-22-YB2	EA	DOOR - DBL FLUTED - W/GLASS - 14.4" X 14.4" - W/O HDW - BELMONT MAPLE - 1H5 FROM: 09-29-08 THRU: 99-99-99
13	162329-31-YB0	EA	DOOR - DBL FLUTED - W/GLASS - 14.4" X 14.4" - W/O HDW - CONCERT CHERRY - 1H5 FROM: 00-00-00 THRU: 09-28-08
13	162329-22-YB0	EA	DOOR - DBL FLUTED - W/GLASS - 14.4" X 14.4" - W/O HDW - CONCERT CHERRY - 1H5 FROM: 09-29-08 THRU: 99-99-99
13	162329-31-YB1	EA	DOOR - DBL FLUTED - W/GLASS - 14.4" X 14.4" - W/O HDW - HONEYCHERRY - 1H5 FROM: 00-00-00 THRU: 09-28-08
13	162329-22-YB1	EA	DOOR - DBL FLUTED - W/GLASS - 14.4" X 14.4" - W/O HDW - HONEYCHERRY - 1H5 FROM: 09-29-08 THRU: 99-99-99
13	162329-31-YB2	EA	DOOR - DBL FLUTED - W/GLASS - 14.4" X 14.4" - W/O HDW - BELMONT MAPLE - 1H5 FROM: 00-00-00 THRU: 09-28-08
13	162329-22-YB2	EA	DOOR - DBL FLUTED - W/GLASS - 14.4" X 14.4" - W/O HDW - BELMONT MAPLE - 1H5 FROM: 09-29-08 THRU: 99-99-99
14	133771-13-YP1	EA	MOLDING - CAP - CONCERT CHERRY
14	133771-13-YA1	EA	MOLDING - CAP - HONEYCHERRY
14	133771-13-YP2	EA	MOLDING - CAP - BELMONT MAPLE
15	133771-14-YP1	EA	MOLDING - CAP - CONCERT CHERRY
15	133771-14-YA1	EA	MOLDING - CAP - HONEYCHERRY
15	133771-14-YP2	EA	MOLDING - CAP - BELMONT MAPLE

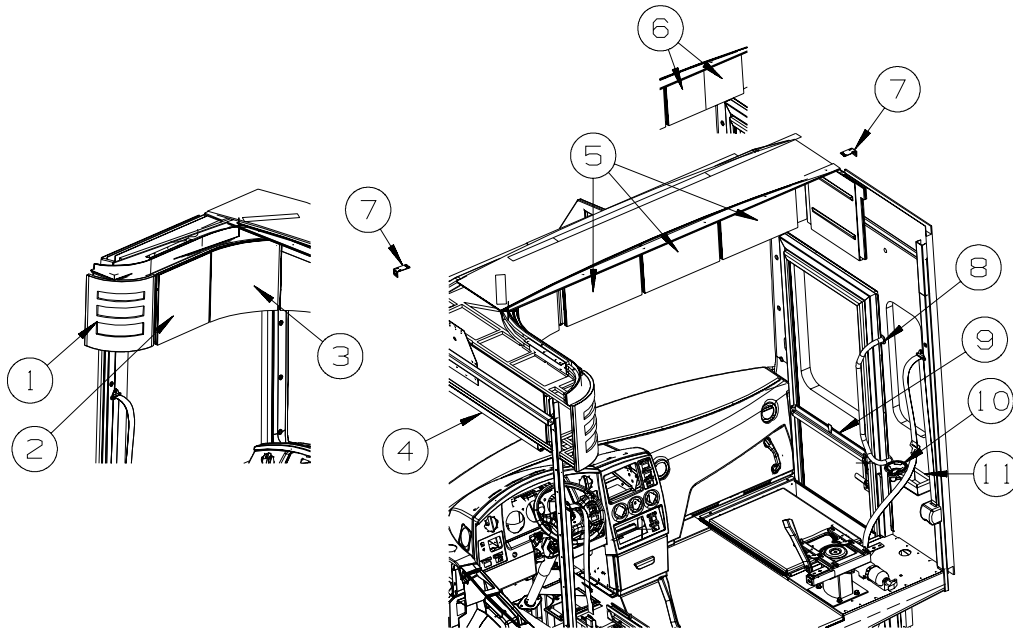
DRIVERS COMPARTMENT GROUP (CONTINUED)
FRONT INTERIOR (CONTINUED)



021

KEY	PART NUMBER	U/M	DESCRIPTION
1	163466-01-YB0	EA	CABINET - OVERHEAD/FRONT/LH HAND - W/O DOORS/HDW - CONCERT CHERRY
1	163466-01-WD3	EA	CABINET - OVERHEAD/FRONT/LH HAND - W/O DOORS/HDW - HONEYCHERRY
2	126456-07-06A	EA	TRACK/WRAPAROUND - DRIVER - BLACK
	162691-01-01A	EA	SPACER - CURTAIN TRACK
3	126456-08-06A	EA	TRACK/WRAPAROUND - PASSENGER - BLACK
4	134146-A0-W66	EA	PANEL - OVERHEAD/FRONT - BOTTOM
5	142380-02-01A	EA	SHADE - POWER - 41.2"W X 19"H
6	159957-02-28A	EA	TRIM - WINDSHIELD - INTERIOR/TOP/DRIVER
7	163914-04-YB0	EA	MOLDING - TRIM/VEE - .2" X 1" X 5.3" - CONCERT CHERRY
7	163914-04-WD3	EA	MOLDING - TRIM/VEE - .2" X 1" X 5.3" - HONEYCHERRY
8	159957-01-28A	EA	TRIM - WINDSHIELD - INTERIOR/TOP/PASSENGER
9	164582-01-WD3	EA	COVER - VISOR/MOTION SHADE - 90.2" X 3.5" - VINYL WRAPPED
10	163467-01-YB0	EA	CABINET - OVERHEAD/FRONT - W/O DOORS/HDW - CONCERT CHERRY
10	163467-01-WD3	EA	CABINET - OVERHEAD/FRONT - W/O DOORS/HDW - HONEYCHERRY
10	169175-01-YA0	EA	CABINET - OVHD/FRONT/RH - W/O DRS/HDW - CONCERT CHERRY- 61E
10	169175-01-YA1	EA	CABINET - OVHD/FRONT/RH - W/O DRS/HDW - HONEYCHERRY - 61E
11	133771-09-YB0	EA	MOLDING - CAP - CONCERT CHERRY
11	133771-09-WD3	EA	MOLDING - CAP - HONEYCHERRY
	042356-01-000	EA	PLUG - MAHOGANY - 3/8" DOWEL X 1/2" HEAD

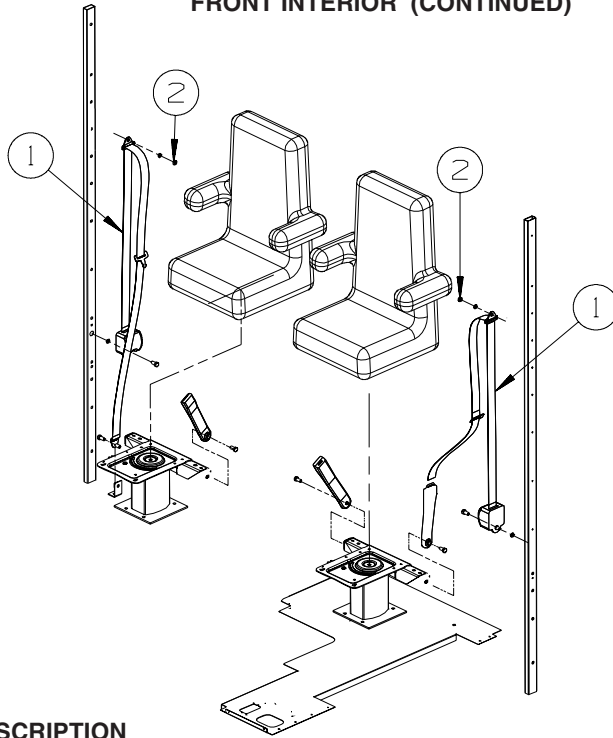
DRIVERS COMPARTMENT GROUP (CONTINUED)
FRONT INTERIOR (CONTINUED)



021

KEY	PART NUMBER	U/M	DESCRIPTION
1	164471-01-YB0	EA	END CAP - OVERHEAD CABINET - CONCERT CHERRY
1	164471-01-WD3	EA	END CAP - OVERHEAD CABINET - HONEYCHERRY
2	160256-A8-YA0	EA	DOOR - FLAT/SQUARE EDGE - 16.1" X 16.1" - W/O HDW - CONCERT CHERRY
2	160256-A8-WD3	EA	DOOR - FLAT/SQUARE EDGE - 16.1" X 16.1" - W/O HDW - HONEYCHERRY
3	160252-17-YB0	EA	DOOR - CURVED - 16.1" X 15.6" - W/O HDW - CONCERT CHERRY
3	160252-17-WD3	EA	DOOR - CURVED - 16.1" X 15.6" - W/O HDW - HONEYCHERRY
4	126841-09-000	EA	SHADE - PULL - CHARCOAL MESH - 40.25" X 60"
	084434-01-000	EA	BRACKET - MOUNTING - ROLLER SHADE - 1 3/8"
5	160256-A9-YA0	EA	DOOR - FLAT/SQUARE EDGE - 16.1" X 19.5" - W/O HDW - CONCERT CHERRY
5	160256-A9-WD3	EA	DOOR - FLAT/SQUARE EDGE - 16.1" X 19.5" - W/O HDW - HONEYCHERRY
6	160256-A8-YA0	EA	DR-FLAT/SQUARE EDGE-16.1"X16.1"-W/O HDW - CONCERT CHERRY - 61E
6	160256-A8-WD3	EA	DR-FLAT/SQUARE EDGE-16.1"X16.1"-W/O HDW - HONEYCHERRY - 61E
7	140309-05-02B	EA	ANGLE - FURNACE DOOR - E-COATED
8	137605-02-01A	EA	HAND RAIL - INTERIOR ENTRY DOOR - BLACK
9	144628-06-02A	EA	SHADE - SCREEN DOOR - 24.6" X 39.3" - BLACK
10	133831-01-01A	EA	HOLDER - CUP W/THREE CENTERLINE RUBBER FINGERS
11	137602-N6-YB0	EA	POCKET - CONSOLE/PASSENGER - CONCERT CHERRY
11	137602-N6-WD3	EA	POCKET - CONSOLE/PASSENGER - HONEYCHERRY

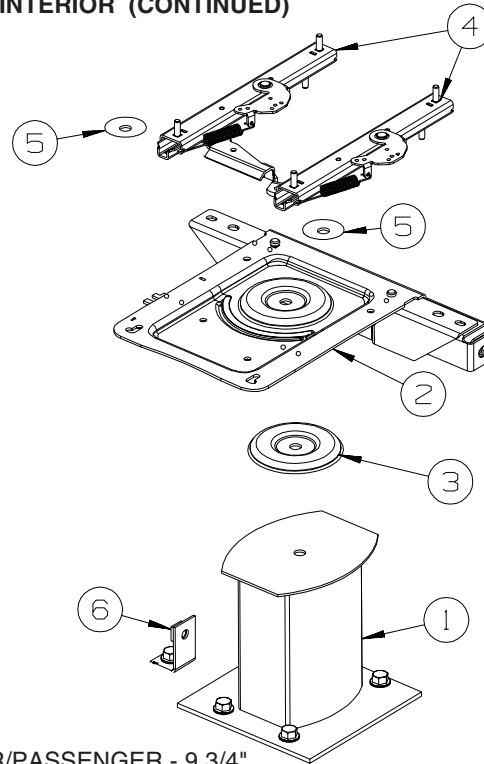
DRIVERS COMPARTMENT GROUP (CONTINUED)
FRONT INTERIOR (CONTINUED)



KEY	PART NUMBER	U/M	DESCRIPTION
1*	091990-10-01A	EA	SEAT BELT - 3 POINT - DUAL SENSITIVE - BLACK
2	109146-01-000	EA	BOLT - SHOULDER/SEAT BELT

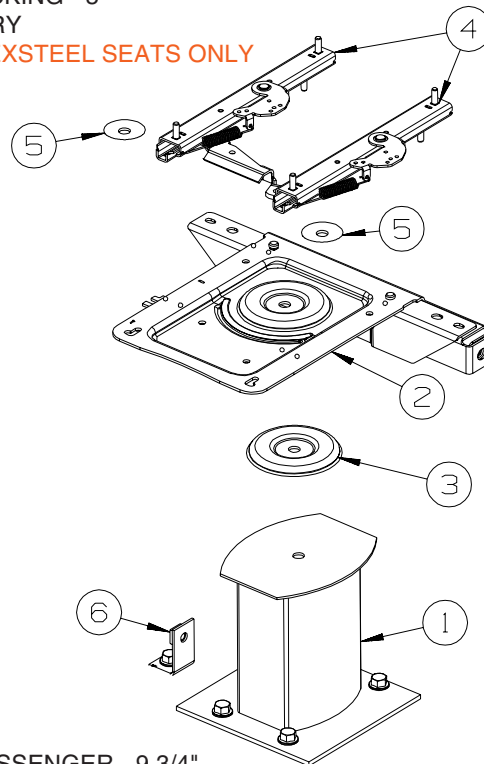
***COMPONENT PARTS LISTED LATER IN THIS GROUP**

DRIVERS COMPARTMENT GROUP (CONTINUED)
FRONT INTERIOR (CONTINUED)



PASSENGER
FROM: 00-00-00
THRU: 04-08-08

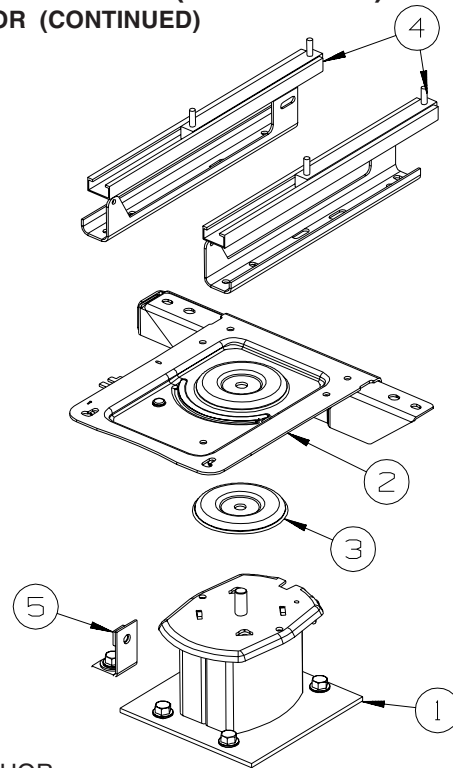
KEY	PART NUMBER	U/M	DESCRIPTION
1	133408-01-000	EA	PEDESTAL - SEAT - DRIVER/PASSENGER - 9 3/4"
2	133408-20-000	EA	TOP PLATE - PASSENGER - W/ANCHOR
3	107921-06-000	EA	BEARING KIT - PEDESTAL
4	131566-04-000	EA	SLIDE/SEAT - HEAVY DUTY LOCKING - 5"
	119952-07-000	EA	WIRE - LATCH RELEASE/ROTARY
5	131566-05-000	EA	WASHER - SLIDE SPACER - FLEXSTEEL SEATS ONLY
6	133408-04-000	EA	BRACKET - ANCHOR/FLOOR



PASSENGER
FROM: 00-00-00
THRU: 04-09-08

KEY	PART NUMBER	U/M	DESCRIPTION
1	133408-01-000	EA	PEDESTAL - SEAT - DRIVER/PASSENGER - 9 3/4"
2	133408-20-000	EA	TOP PLATE - PASSENGER - W/ANCHOR
3	107921-06-000	EA	BEARING KIT - PEDESTAL
4	131566-04-000	EA	SLIDE/SEAT - HEAVY DUTY LOCKING - 5"
4	131566-07-000	EA	5" DOUBLE LOCKING SLIDE W/TAB
	131566-06-000	EA	WIRE - LATCH RELEASE - 5"
5	131566-05-000	EA	WASHER - SLIDE SPACER
6	133408-04-000	EA	BRACKET - ANCHOR/FLOOR

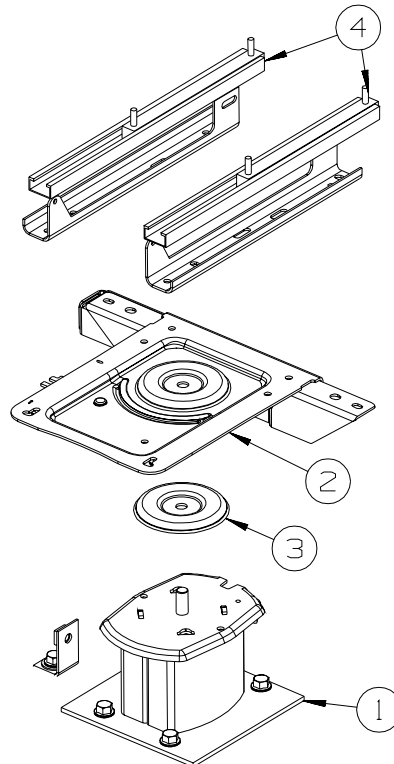
DRIVERS COMPARTMENT GROUP (CONTINUED)
FRONT INTERIOR (CONTINUED)



**PASSENGER
POWER ASSIST**

KEY	PART NUMBER	U/M	DESCRIPTION
1	133408-05-000	EA	PEDESTAL - SEAT - 5.75"
2	133408-20-000	EA	TOP PLATE - PASSENGER - W/ANCHOR
3	107921-06-000	EA	BEARING KIT - PEDESTAL
4*	147767-02-000	EA	SEAT - POWER - 6-WAY - PASSENGER
5	133408-04-000	EA	BRACKET - ANCHOR/FLOOR

***COMPONENT PARTS LISTED LATER IN THIS GROUP**



DRIVER

KEY	PART NUMBER	U/M	DESCRIPTION
1	133408-05-000	EA	PEDESTAL - SEAT - 5.75"
2	133408-08-000	EA	TOP PLATE - W/BAR
3	107921-06-000	EA	BEARING KIT - PEDESTAL
4*	147767-01-000	EA	SEAT - POWER - 6-WAY - DRIVER

***COMPONENT PARTS LISTED LATER IN THIS GROUP**

COMPONENT PARTS FOR FRONT INTERIOR

091990-10-01A

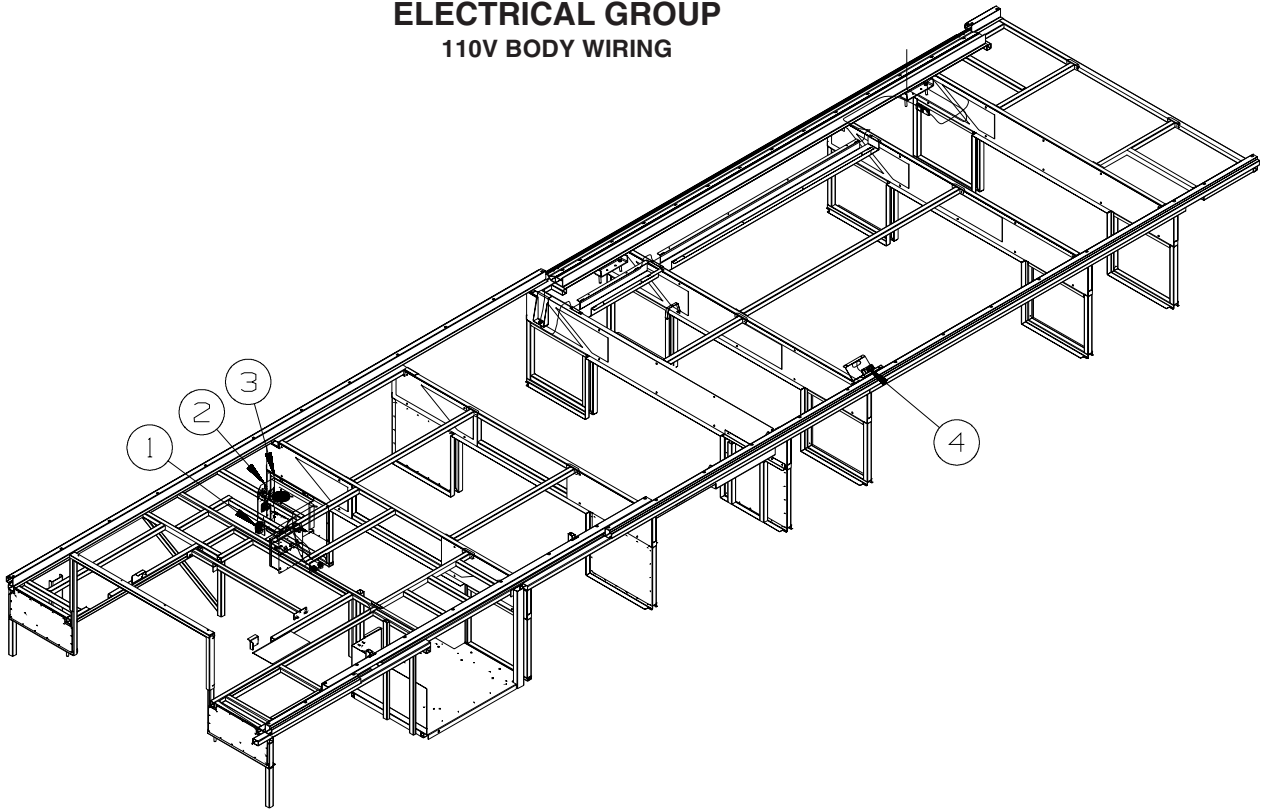
KEY	PART NUMBER	U/M	DESCRIPTION	VENDOR NO.
	091990-05-700	EA	SLEEVE/BUCKLE COVER-PLASTIC	209SER11.5-02

147767-01-000, 147767-02-000

KEY	PART NUMBER	U/M	DESCRIPTION	VENDOR NO
	147767-01-700	EA	SWITCH PLATE	SHROCK-9PT-SWT-PLTE
	147767-01-701	EA	MOTOR - VERTICAL	SHROCK 9PT-M0-VER-0
	147767-01-702	EA	MOTOR - HORIZONTAL	SHROCK 9PT-M0-HOZ-0

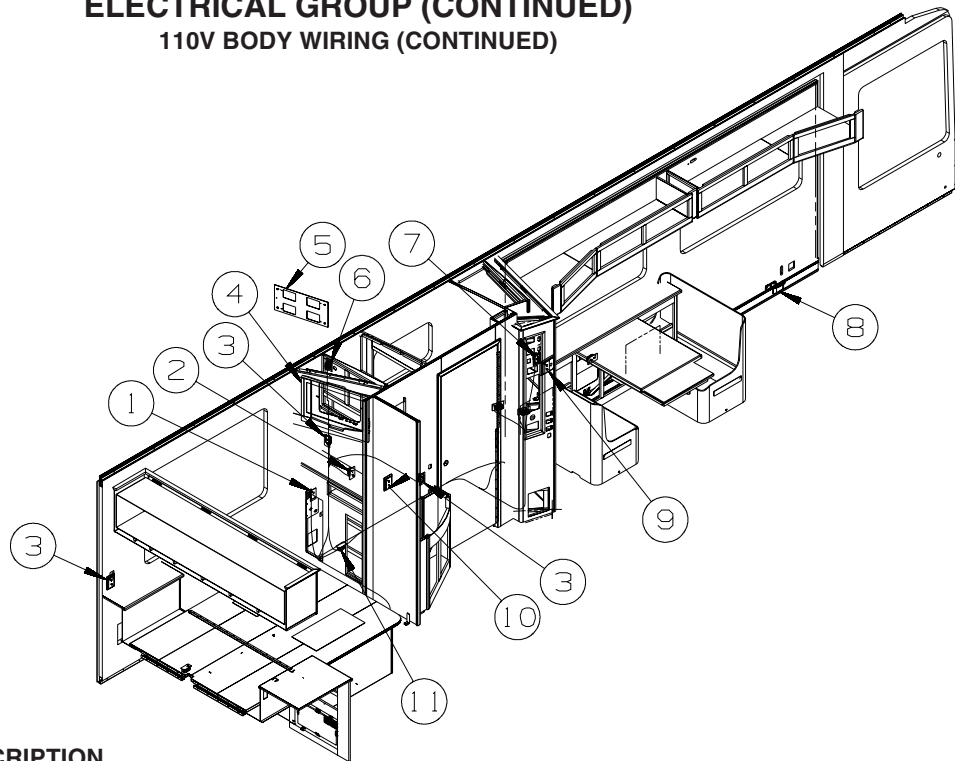
ELECTRICAL GROUP

110V BODY WIRING



KEY	PART NUMBER	U/M	DESCRIPTION
1	058708-05-000	EA	RECEPTACLE - ELECTRICAL - SINGLE - BROWN
1	158542-05-01A	EA	LABEL - RECEPTACLE - ENGINE HEAT - WHITE/BLACK
2	148254-01-000	EA	INVERTER - CHARGER - 2000W AC
			FROM: 00-00-00 THRU: 02-01-09
2	172438-01-000	EA	INVERTER - CHARGER - 2000W - W/O REMOTE PANEL
			FROM: 02-02-09 THRU: 99-99-99
3	162373-03-02B	EA	BRACKET - INVERTER - E-COATED
4	058708-01-000	EA	RECEPTACLE - ELECTRIC - DOUBLE - BROWN

ELECTRICAL GROUP (CONTINUED)
110V BODY WIRING (CONTINUED)

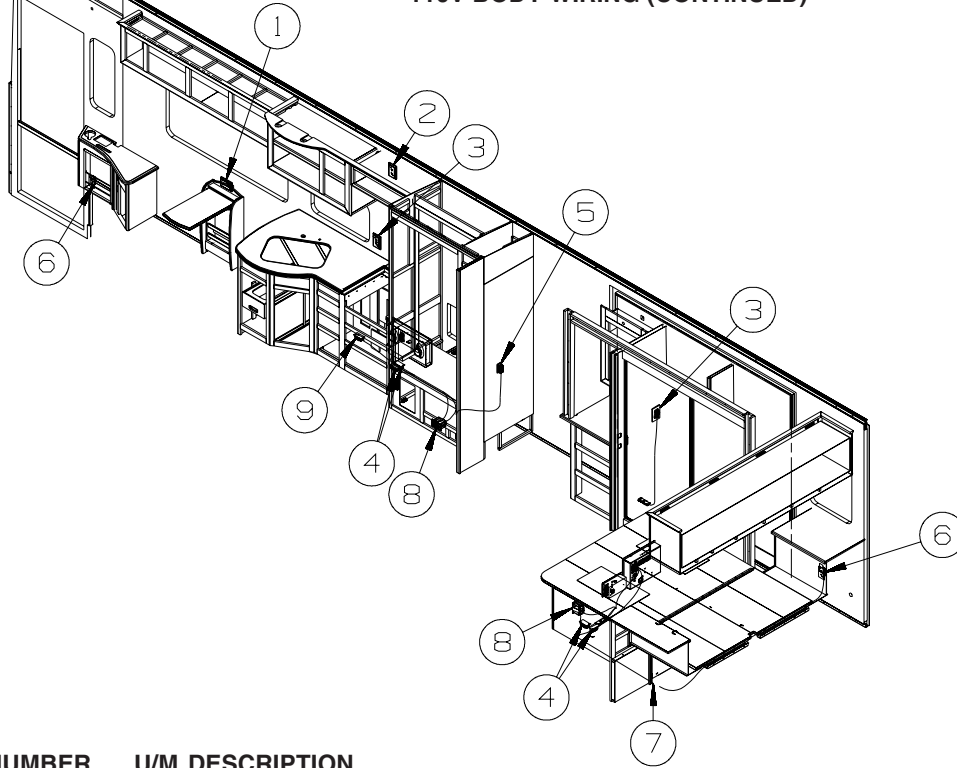


KEY	PART NUMBER	U/M	DESCRIPTION
1	058708-05-000	EA	RECEPTACLE - ELECTRICAL - SINGLE - BROWN
1	158542-01-01A	EA	LABEL - RECEPTACLE - WASHER/DRYER - WHITE/BLACK - 265/21M
2	058708-01-000	EA	RECEPTACLE - ELECTRIC - DOUBLE - BROWN
2	158542-02-01A	EA	LABEL - RECEPTACLE - ELECTRONICS - WHITE/BLACK - 265
3	058708-01-000	EA	RECEPTACLE - ELECTRIC - DOUBLE - BROWN
4*	166446-01-000	EA	TV - 26" - LCD 16:9 - BOTTOM SPEAKER - JENSEN JE2608 - 61K
4	171727-01-000	EA	TV - 26" - LCD 16:9 - FRONT BUTTONS - JENSEN JE2608WV - 61K
			FROM: 00-00-00 THRU: 11-30-08
			FROM: 12-01-08 THRU: 99-99-99
5	166655-02-02B	EA	PLATE - TV - E-COATED - 61K
6	058708-05-000	EA	RECEPTACLE - ELECTRICAL - SINGLE - BROWN
7	084420-01-000	EA	SWITCH - TOGGLE - 15 AMP/120 VOLT - BROWN
7	083588-02-000	EA	LABEL - ON/OFF - ENGINE HEATER
8	153862-02-01A	EA	COVER - WIRE - 5.9" X 3.8" X 2.2" - BLACK
9	058708-01-000	EA	RECEPTACLE - ELECTRIC - DOUBLE - BROWN - 14W
9	133713-04-25A	EA	SPACER/RECEPTACLE - VINYL - CONCERT CHERRY - 14W
9	133713-04-23A	EA	SPACER/RECEPTACLE - VINYL - HONEY CHERRY - 14W
9	133713-04-26A	EA	SPACER/RECEPTACLE - VINYL - BELMONT MAPLE - 14W
10	058708-01-000	EA	RECEPTACLE - ELECTRIC - DOUBLE - BROWN
10	133713-01-25A	EA	SPACER/RECEPTACLE - VINYL - SAKAE CONCERT CHERRY
10	133713-01-23A	EA	SPACER/RECEPTACLE - VINYL - HONEY CHERRY
10	133713-01-26A	EA	SPACER/RECEPTACLE - VINYL - BELMONT MAPLE
11	058707-02-000	EA	RECEPTACLE - BLANK - JUNCTION BOX

*COMPONENT PARTS LISTED LATER IN THIS GROUP

ELECTRICAL GROUP (CONTINUED)

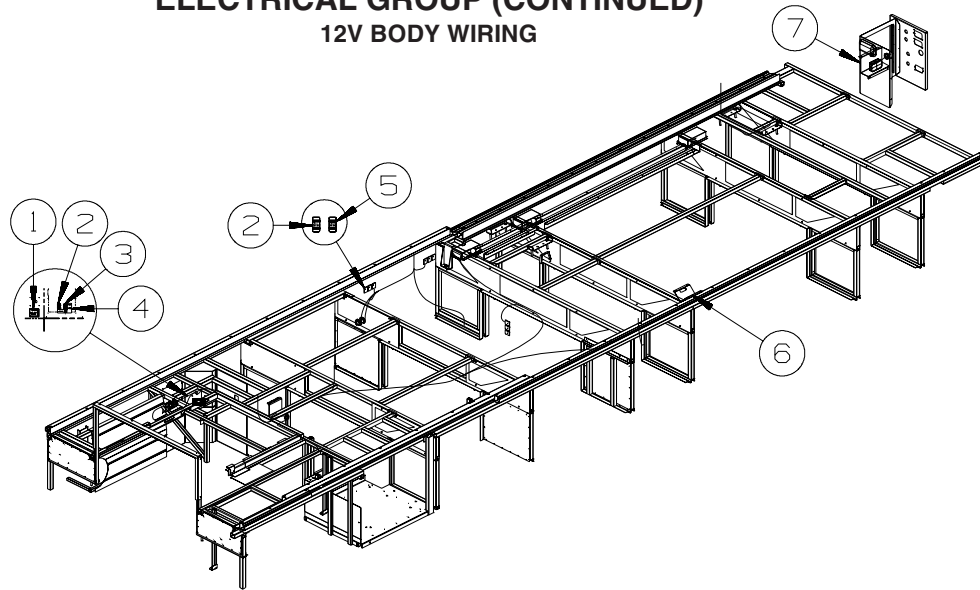
110V BODY WIRING (CONTINUED)



KEY	PART NUMBER	U/M	DESCRIPTION
1	058708-01-000	EA	RECEPTACLE - ELECTRIC - DOUBLE - BROWN - 42Z
1	133713-01-25A	EA	SPACER/RECEPTACLE - VINYL - SAKAE CONCERT CHERRY - 42Z
1	133713-01-23A	EA	SPACER/RECEPTACLE - VINYL - HONEY CHERRY - 42Z
1	133713-01-26A	EA	SPACER/RECEPTACLE - VINYL - BELMONT MAPLE - 42Z
2	058708-05-000	EA	RECEPTACLE - ELECTRICAL - SINGLE - BROWN
2	133713-01-25A	EA	SPACER/RECEPTACLE - VINYL - SAKAE CONCERT CHERRY
2	133713-01-23A	EA	SPACER/RECEPTACLE - VINYL - HONEY CHERRY
2	133713-01-26A	EA	SPACER/RECEPTACLE - VINYL - BELMONT MAPLE
3	058708-01-000	EA	RECEPTACLE - ELECTRIC - DOUBLE - BROWN
3	133713-01-25A	EA	SPACER/RECEPTACLE - VINYL - SAKAE CONCERT CHERRY
3	133713-01-23A	EA	SPACER/RECEPTACLE - VINYL - HONEY CHERRY
3	133713-01-26A	EA	SPACER/RECEPTACLE - VINYL - BELMONT MAPLE
4	058707-02-000	EA	RECEPTACLE - BLANK - JUNCTION BOX
5	058707-01-000	EA	RECEPTACLE - ELECTRIC - SINGLE - BROWN
6	058708-01-000	EA	RECEPTACLE - ELECTRIC - DOUBLE - BROWN
7	058707-01-000	EA	RECEPTACLE - ELECTRIC - SINGLE - BROWN - 49M
8	163319-01-02A	EA	RECEPTACLE - GFCI - 15A 125V - BROWN
9	058707-01-000	EA	RECEPTACLE - ELECTRIC - SINGLE - BROWN - 1D3

ELECTRICAL GROUP (CONTINUED)

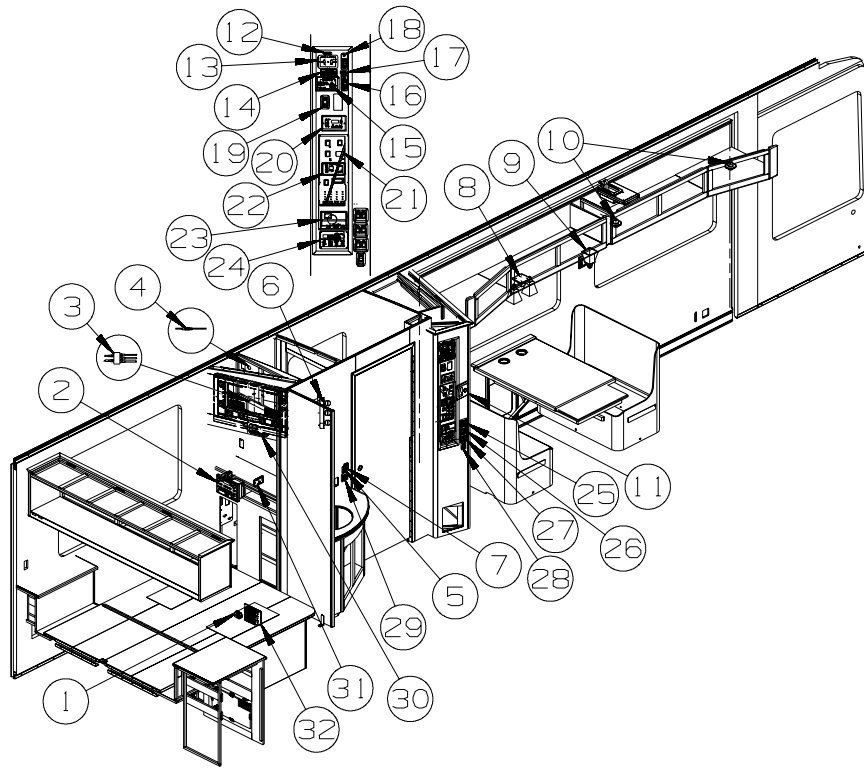
12V BODY WIRING



KEY	PART NUMBER	U/M	DESCRIPTION
1	149557-03-01A	EA	PLATE/WALL - DUAL COAXIAL/HORIZONTAL - WHITE
2	108357-05-000	EA	SWITCH - ROCKER - SPDT - ON/NONE/ON - 3 TERM - W/O COVER
2	108356-01-01A	EA	COVER/ACTUATOR SWITCH - 3 GROOVES - BLACK
2	108355-01-000	EA	HOUSING - SWITCH
3	108357-18-000	EA	SWITCH - ROCKER - DPDT - MOM/OFF/MOM - W/O COVER
3	108356-03-01A	EA	COVER/ACTUATOR SWITCH - 3 GROOVES W/LENS - BLACK
3	108355-01-000	EA	HOUSING - SWITCH
4	117628-05-000	EA	LABEL - SWITCH - AUTO LVL/LIGHTS - WHITE ON CLEAR
5	108357-15-000	EA	SWITCH - ROCKER - DPDT - ON/NONE/ON - W/LIGHT W/O COVER
5	108356-03-01A	EA	COVER/ACTUATOR SWITCH - 3 GROOVES W/LENS - BLACK
5	108355-01-000	EA	HOUSING - SWITCH
6	082134-01-000	EA	ADAPTER - TV - CABLE TO CABLE
6	082136-01-000	EA	NUT - HEX JAM - 3/8-32
6	157486-01-02A	EA	LABEL - TV/EXTERIOR
7	168766-02-02B	EA	COVER - CONTROLS/AWNING - E-COATED
			FROM: 00-00-00 THRU: 06-06-08
7	168766-02-04B	EA	COVER - CONTROLS/AWNING - E-COATED
			FROM: 06-07-08 THRU: 99-99-99

ELECTRICAL GROUP (CONTINUED)

12V BODY WIRING (CONTINUED)



KEY	PART NUMBER	U/M	DESCRIPTION
1	063912-02-000	EA	RELAY - CANISTER - SPDT
2*	163031-01-01A	EA	RADIO - WALL MOUNT - DVD/CD - W/ALARM - JENSEN AWM960 - 25D FROM: 00-00-00 THRU: 07-13-08
2	169536-01-01A	EA	RADIO - WALL MOUNT - DVD/CD - W/ALARM - JENSEN AWM970 - 25D FROM: 07-14-08 THRU: 99-99-99
3	086756-03-000	EA	SPLITTER - TV/4 WAY
4	082134-01-000	EA	ADAPTER - TV - CABLE TO CABLE
5	135740-01-01A	EA	SWITCH - ROCKER - SPST - ON/OFF - BROWN
5	135741-01-01A	EA	SWITCH - BASE - SINGLE - BROWN
5	135742-07-02A	EA	BEZEL - SWITCH - CEILING - BROWN
6	166329-01-01A	EA	LIGHT - MAKE UP - 3 BULB - NICKEL
7	135740-01-01A	EA	SWITCH - ROCKER - SPST - ON/OFF - BROWN
7	135741-01-01A	EA	SWITCH - BASE - SINGLE - BROWN
7	135742-08-02A	EA	BEZEL - SWITCH - MAKEUP - BROWN
8	093575-54-01A	EA	LIGHT - CEILING/DOUBLE - UL/CSA - SATIN NICKEL
8	067479-01-000	EA	BULB - 12V - #1076 - 1.80 AMP
9	119258-64-01A	EA	LAMP - WALL - UL/CSA - NICKEL
9	067479-01-000	EA	BULB - 12V - #1076 - 1.80 AMP
10	132427-01-02A	EA	LIGHT - READING/SWIVEL - ROUND - NICKEL
11	132958-01-000	EA	RECEPTACLE - 12 VOLT - MOUNTING FLANGE - BLACK
12	163992-01-01A	EA	LABEL - SLIDEOUT - DRIVER/Front - BLACK/WHITE
13	138173-04-000	EA	CONTROL PANEL (TOUCH PAD) - ELECTRIC SLIDEOUT - #1802931
14	116549-02-000	EA	LABEL - WARNING - 1.5" X 3.4" - SLIDEOUT
15	163988-02-01A	EA	LABEL - SLIDEOUT CONTROL/ELECTRIC - BLACK/WHITE
15*	163097-01-000	EA	SWITCH - SPST - KEY ACTIVATED - W/2 KEYS
16	144363-09-02B	EA	PLATE - SWITCH - E-COATED
16	108357-06-000	EA	SWITCH - ROCKER - DPDT - MOM/OFF/MOM - 6 TERM - W/O COVER
16	108356-01-01A	EA	COVER/ACTUATOR SWITCH - 3 GROOVES - BLACK
16	108355-01-000	EA	HOUSING - SWITCH
17	163992-03-01A	EA	LABEL - SLIDEOUT - PASSENGER/REAR - BLACK/WHITE
18	144363-09-02B	EA	PLATE - SWITCH - E-COATED
18	108357-06-000	EA	SWITCH - ROCKER - DPDT - MOM/OFF/MOM - 6 TERM - W/O COVER
18	108356-01-01A	EA	COVER/ACTUATOR SWITCH - 3 GROOVES - BLACK
18	108355-01-000	EA	HOUSING - SWITCH
18	116220-02-000	EA	APPLIQUE - SWITCH/SLIDEOUT

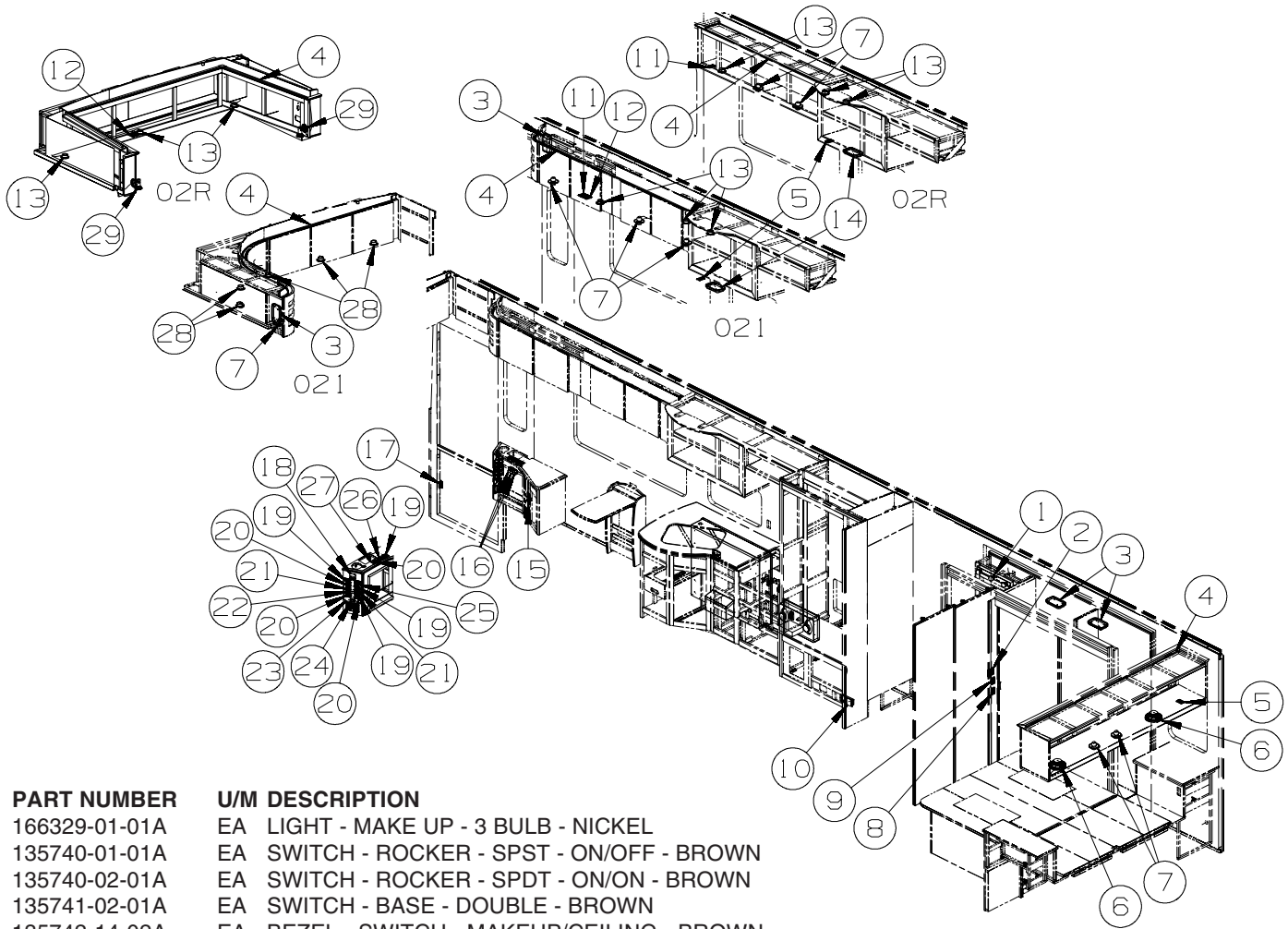
ELECTRICAL GROUP (CONTINUED)
12V BODY WIRING (CONTINUED)

KEY	PART NUMBER	U/M	DESCRIPTION
19	135740-06-01A	EA	SWITCH - ROCKER - ON/OFF - LIGHTED - RED
19	135741-01-01A	EA	SWITCH - BASE - SINGLE - BROWN
19	135742-35-02A	EA	BEZEL - SWITCH - WATER HEATER/110 VOLT - BROWN
20	158425-01-000	EA	MODULE - AUTO GENERATOR START - ONAN 018-02030 - 32W
21*	133004-05-01A	EA	PANEL/MONITOR-2 TANK-DIGITAL VOLT MT/SOLAR-W/WATER HTR SWT
22	127002-10-000	EA	PANEL/MONITOR - ENERGY MANAGEMENT SYSTEMS - W/3 PIN PLUG
23	105620-17-000	EA	THERMOSTAT - FURNACE-2 STAGE/HEAT PUMP-A/C -W/CHOKE MODULE
24	148254-05-000	EA	REMOTE/PANEL - INVERTER/CHARGER
			FROM: 00-00-00 THRU: 02-01-09
24	172438-02-000	EA	REMOTE/PANEL - INVERTER/CHARGER
			FROM: 02-02-09 THRU: 99-99-99
24	148254-03-000	EA	CABLE/INVERTOR - W/8 PIN MODULAR PHONE JACK - 50'-DIMEN
25	135740-01-01A	EA	SWITCH - ROCKER - SPST - ON/OFF - BROWN
25	135740-02-01A	EA	SWITCH - ROCKER - SPDT - ON/ON - BROWN
25	135741-02-01A	EA	SWITCH - BASE - DOUBLE - BROWN
25	135742-18-02A	EA	BEZEL - SWITCH - LOUNGE/GALLEY - BROWN
26	135740-01-01A	EA	SWITCH - ROCKER - SPST - ON/OFF - BROWN
26	135740-02-01A	EA	SWITCH - ROCKER - SPDT - ON/ON - BROWN
26	135741-02-01A	EA	SWITCH - BASE - DOUBLE - BROWN
26	135742-16-02A	EA	BEZEL - SWITCH - CEILING/HALL - BROWN
27	135740-01-01A	EA	SWITCH - ROCKER - SPST - ON/OFF - BROWN
27	135741-02-01A	EA	SWITCH - BASE - DOUBLE - BROWN
27	135742-49-02A	EA	BEZEL - SWITCH - ACCENT/FAN - BROWN
28	135740-01-01A	EA	SWITCH - ROCKER - SPST - ON/OFF - BROWN
28	135741-01-01A	EA	SWITCH - BASE - SINGLE - BROWN
28	135742-30-02A	EA	BEZEL - SWITCH - MONITOR - BROWN
29	135740-01-01A	EA	SWITCH - ROCKER - SPST - ON/OFF - BROWN
29	135740-03-01A	EA	SWITCH - ROCKER - DPDT - MOM/OFF/MOM - BROWN
29	135741-02-01A	EA	SWITCH - BASE - DOUBLE - BROWN
29	135742-17-02A	EA	BEZEL - SWITCH - UP/DOWN FAN - BROWN
30*	137417-02-01A	EA	LIGHT - DOME - SINGLE - W/SWITCH/OPTIC LENS - WHITE
31	149557-08-02A	EA	PLATE/WALL - SINGLE COAXIAL/HORIZONTAL - BROWN
31	159064-02-01A	EA	LABEL - CABLE/RCA - HDMI - WHITE ON BLACK
32	139067-06-02B	EA	PLATE - CIRCUIT BREAKER/HOUSE - E-COATED
32	092547-14-000	EA	LABEL - CIRCUIT BREAKER

*COMPONENT PARTS LISTED LATER IN THIS GROUP

ELECTRICAL GROUP (CONTINUED)

12V BODY WIRING (CONTINUED)



KEY	PART NUMBER	U/M	DESCRIPTION
1	166329-01-01A	EA	LIGHT - MAKE UP - 3 BULB - NICKEL
2	135740-01-01A	EA	SWITCH - ROCKER - SPST - ON/OFF - BROWN
2	135740-02-01A	EA	SWITCH - ROCKER - SPDT - ON/ON - BROWN
2	135741-02-01A	EA	SWITCH - BASE - DOUBLE - BROWN
2	135742-14-02A	EA	BEZEL - SWITCH - MAKEUP/CEILING - BROWN
3*	137417-03-01A	EA	LIGHT - DOME - SINGLE - W/O SWITCH - W/FROSTED LENS-WHITE
4	146514-03-000	FT	LIGHT - FLEX - ROPE/ROUND - W/O MOUNT CHANNEL
4	146514-02-000	EA	CONNECTOR - LIGHT
4	146514-04-000	EA	CHANNEL/MOUNT - F/ROPE LIGHT
5	135740-01-01A	EA	SWITCH - ROCKER - SPST - ON/OFF - BROWN
5	135741-01-01A	EA	SWITCH - BASE - SINGLE - BROWN
5	135742-50-02A	EA	BEZEL - SWITCH - ACCENT - BROWN
6	094097-01-000	EA	SPEAKER - RADIO/TV - W/O GRILLE - 5.25" DIAMETER - 25D
6	159430-01-01A	EA	GRILLE - SPEAKER - 6" ROUND - CASHMERE - 25D
7	132427-01-02A	EA	LIGHT - READING/SWIVEL - ROUND - NICKEL
8	135740-01-01A	EA	SWITCH - ROCKER - SPST - ON/OFF - BROWN
8	135741-01-01A	EA	SWITCH - BASE - SINGLE - BROWN
8	135742-01-01A	EA	BEZEL - SWITCH - SINGLE - BROWN
9	135740-01-01A	EA	SWITCH - ROCKER - SPST - ON/OFF - BROWN
9	135741-01-01A	EA	SWITCH - BASE - SINGLE - BROWN
9	135742-07-02A	EA	BEZEL - SWITCH - CEILING - BROWN
10	150138-03-02A	EA	DETECTOR - LP GAS - BROWN
11	135740-01-01A	EA	SWITCH - ROCKER - SPST - ON/OFF - BROWN
11	135741-01-01A	EA	SWITCH - BASE - SINGLE - BROWN
11	135742-51-02A	EA	BEZEL - SWITCH - READING - BROWN
12	135740-01-01A	EA	SWITCH - ROCKER - SPST - ON/OFF - BROWN
12	135741-02-01A	EA	SWITCH - BASE - DOUBLE - BROWN
12	135742-36-02A	EA	BEZEL - SWITCH - ACCENT/VALANCE - BROWN
13	165170-01-01A	EA	LIGHT - HALOGEN - ROUND/GLASS LENS - 10 WATT

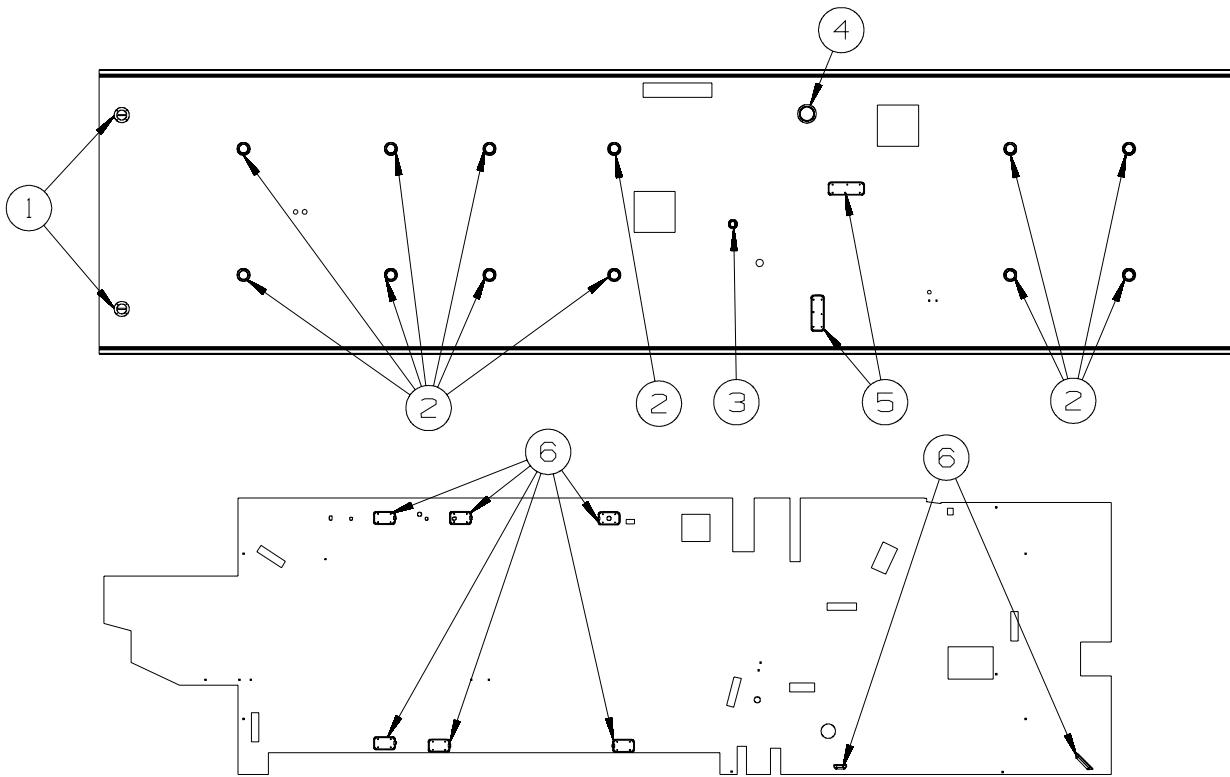
ELECTRICAL GROUP (CONTINUED)

12V BODY WIRING (CONTINUED)

KEY	PART NUMBER	U/M	DESCRIPTION
14*	137417-02-01A	EA	LIGHT - DOME - SINGLE - W/SWITCH/OPTIC LENS - WHITE
15	076319-09-000	EA	WALLPLATE - TV CABLE RECEPTACLE - SINGLE - BROWN
16	063912-02-000	EA	RELAY - CANISTER - SPDT
17	116995-03-000	EA	SWITCH/MAGNET - ELECTRIC STEP
18*	108354-01-01A	EA	LIGHT - COURTESY
19	145638-01-01A	EA	SWITCH/ROCKER - SPST (ON/OFF) - BLACK
19	108355-02-000	EA	HOUSING - SWITCH - 12 POSITION
20	145638-09-01A	EA	SWITCH/ROCKER - DPDT (ON/OFF/ON) - BLACK
20	108355-02-000	EA	HOUSING - SWITCH - 12 POSITION
21	145638-05-01A	EA	SWITCH/ROCKER - SPDT (ON/OFF/ON) - BLACK
21	108355-02-000	EA	HOUSING - SWITCH - 12 POSITION
22	145638-03-01A	EA	SWITCH/ROCKER - SPDT (ON/OFF/ON) - BLACK
22	108355-02-000	EA	HOUSING - SWITCH - 12 POSITION
23	164352-04-02B	EA	PLATE - SWITCH - E-COATED
23	159671-13-01A	EA	APPLIQUE - PANEL/RH - PASSENGER - SILVER
24	145638-16-01A	EA	SWITCH/ROCKER - SPST - STEP SWITCH - BLACK
24	108355-02-000	EA	HOUSING - SWITCH - 12 POSITION
25	145638-10-01A	EA	SWITCH/ROCKER - SPDT (ON/ON) - LIGHTED - BLACK
25	108355-02-000	EA	HOUSING - SWITCH - 12 POSITION
26	145638-12-01A	EA	SWITCH/ROCKER - DPDT (ON/ON/ON) - BLACK
26	108355-02-000	EA	HOUSING - SWITCH - 12 POSITION
27	164352-03-02B	EA	PLATE - SWITCH - E-COATED
27	159671-12-01A	EA	APPLIQUE - PANEL/RH - PASSENGER - SILVER
28*	123775-01-02A	EA	LIGHT - HALOGEN - ROUND - SATIN NICKEL
29	128786-02-02A	EA	LIGHT - READING/SWIVEL - W/O SWITCH - SATIN NICKEL
29	123917-01-000	EA	BULB - 12V - HALOGEN SPOT

*COMPONENT PARTS LISTED LATER IN THIS GROUP

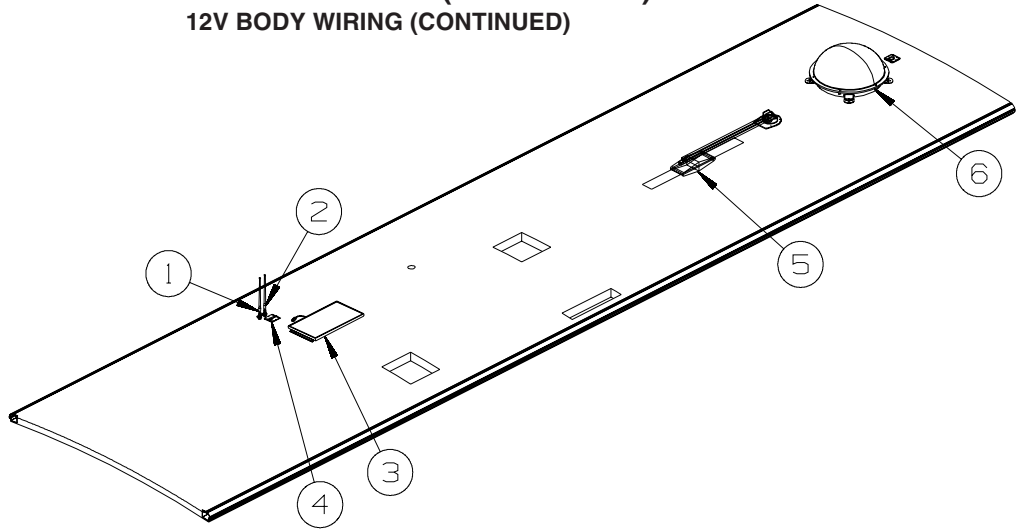
ELECTRICAL GROUP (CONTINUED)
12V BODY WIRING (CONTINUED)



KEY	PART NUMBER	U/M	DESCRIPTION
1	160867-01-01A	EA	SPEAKER - ROUND/CEILING - CREAM - MAGNADYNE - LS3EYC-WN
2	165643-01-01A	EA	LIGHT - HALOGEN - 4.5" ROUND/GLASS LENS - 20 WATT
3	165170-01-01A	EA	LIGHT - HALOGEN - ROUND/GLASS LENS - 10 WATT
4	164040-01-01A	EA	LIGHT - DOME - SHOWER/RECESSED - GLASS - WHITE
5*	137417-06-01A	EA	LIGHT - DOME - DOUBLE - W/O SWITCH - W/FROSTED LENS-WHITE
6*	137417-01-01A	EA	LIGHT - DOME - SINGLE - W/SWITCH/FROSTED LENS - WHITE

***COMPONENT PARTS LISTED LATER IN THIS GROUP**

ELECTRICAL GROUP (CONTINUED)
12V BODY WIRING (CONTINUED)

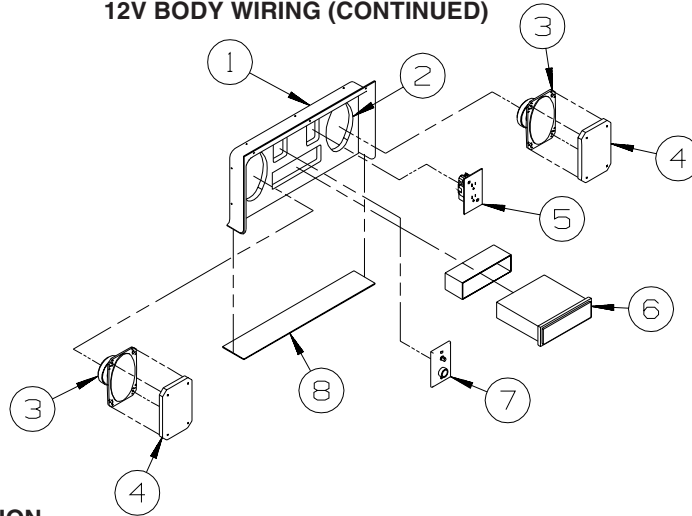


KEY	PART NUMBER	U/M	DESCRIPTION
1	090944-01-000	EA	ANTENNA - RADIO - 16" RUBBER - W/72" LEAD WIRE - 25D
1	109889-04-000	EA	EXTENDER - ANTENNA SHAFT - 3.7" - 25D
1	147741-01-09B	EA	BRACKET - ANTENNA GROUND - GALVANIZED - 25D
2	090944-01-000	EA	ANTENNA - RADIO - 16" RUBBER - W/72" LEAD WIRE - 1D3 OR 1D5
2	109889-04-000	EA	EXTENDER - ANTENNA SHAFT - 3.7" - 1D3 OR 1D5
2	147741-01-09B	EA	BRACKET - ANTENNA GROUND - GALVANIZED - 1D3 OR 1D5
3	151647-01-000	EA	PANEL - SOLAR 10 WATT
4	146488-01-000	EA	PLATE - ROOF - CABLE ENTRY
5*	076319-23-000	EA	ANTENNA - TV ROOF MOUNT - 44.5" MAST
5*	076319-25-000	EA	KIT - HARDWARE INTERIOR
5	069726-02-000	EA	BUMPER - .88" OD X .40" THICK - BLACK
6*	163598-01-02A	EA	ANTENNA/SATELLITE - DISH IN DOME/AUTOMATIC - BLACK - 78K
6	146488-03-000	EA	PLATE - ROOF - CABLE ENTRY - QUAD - 78K
6	163598-02-000	EA	SWITCH/CONTROL - SATELLITE - 78K
6	163598-03-000	EA	CABLE - SATELLITE CONTROL - 78K
6	163598-04-000	EA	CABLE/COAX - SATELLITE - 9" - 78K
6	082134-01-000	EA	ADAPTER - TV - CABLE TO CABLE - 78K
6*	154474-04-02A	EA	ANTENNA/SATELLITE - DISH IN DOME/SEARCH IN MOTION - BLACK - 48R
6	154474-02-000	EA	CONTROL/SATELLITE KIT - IDB BOX/IDD BOX-POWER SUPPLY-CABLE - 48R
6	163598-04-000	EA	CABLE/COAX - SATELLITE - 9" - 48R
6	146488-03-000	EA	PLATE - ROOF - CABLE ENTRY - QUAD - 48R
6	082134-01-000	EA	ADAPTER - TV - CABLE TO CABLE - 48R

*COMPONENT PARTS LISTED LATER IN THIS GROUP

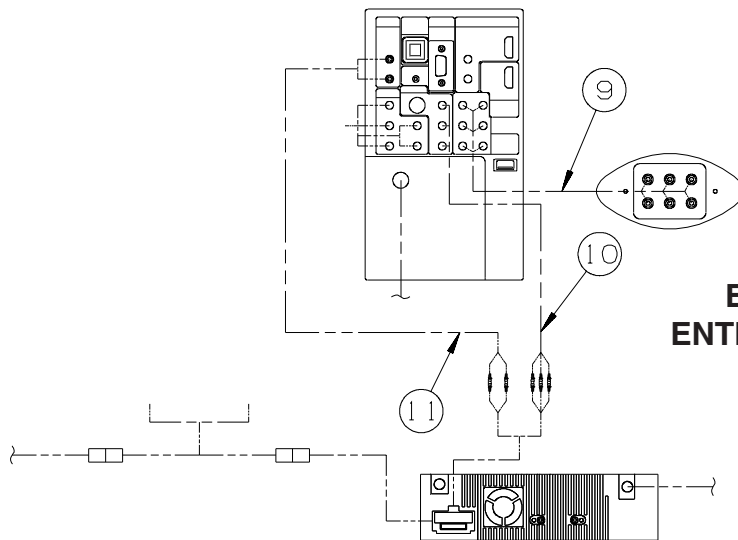
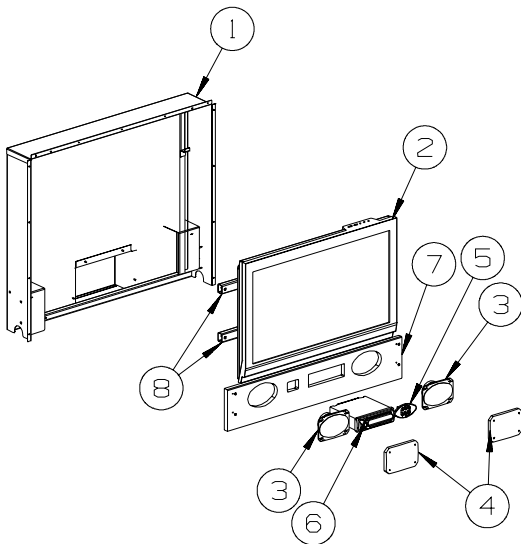
ELECTRICAL GROUP (CONTINUED)

12V BODY WIRING (CONTINUED)



**EXTERIOR
ENTERTAINMENT**

KEY	PART NUMBER	U/M	DESCRIPTION
1	124696-02-01A	EA	BOX-ENTERTAINMENT CTR/EXT-19.4"W X 10"H X 2.5"D - BRT WHT
	124696-01-01A	EA	BOX-ENTERTAINMENT CTR/EXT-19.4"W X 10"H X 10.2"D W/CUTOUTS
2	127409-03-U89	EA	PLATE - RADIO MOUNTING
3	110469-01-000	EA	SPEAKER - 4" X 6" OVAL - COAXIAL
4	110470-01-01A	EA	GRILLE - 4" X 6" - OVAL SPEAKER - BLACK
5	172839-01-01A	EA	RECEPTACLE - ELECTRICAL - DOUBLE - BROWN
6	155619-02-000	EA	RADIO - AM/FM CD-W/O REMOTE/WIRE HARNESS-MAGNADYNE M3200CD
	155619-03-000	EA	REMOTE - RADIO
7	132958-01-000	EA	RECEPTACLE - 12 VOLT - MOUNTING FLANGE - BLACK
8	104898-01-02A	EA	PLATE - PLASTIC BOTTOM - BRIGHT WHITE

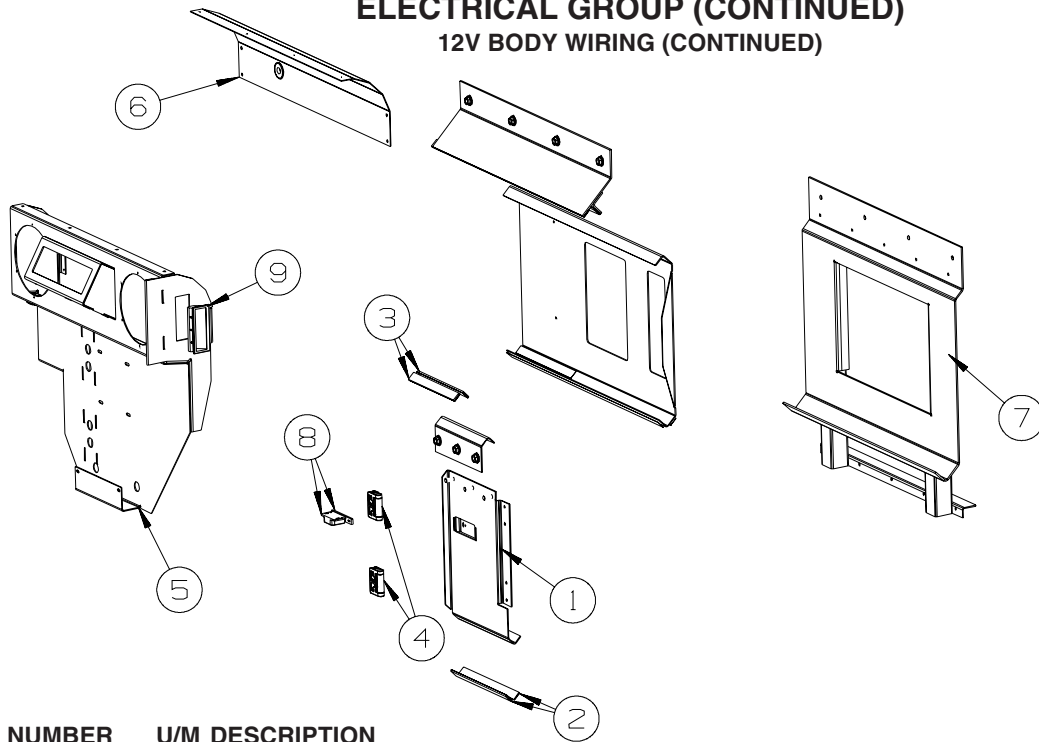


**EXTERIOR
ENTERTAINMENT**

KEY	PART NUMBER	U/M	DESCRIPTION
1	169395-01-02B	EA	PANEL - CLOSEOUT HOUSING - E-COATED
2*	169151-01-000	EA	TV - 32" - FLAT PANEL/LCD/HDTV - SHARP LC32SB24U FROM: 00-00-00 THRU: 10-05-08
2*	169151-02-000	EA	TV - 32" - FLAT PANEL/LCD/HDTV - SHARP LC32D44U FROM: 10-06-08 THRU: 99-99-99
3	110469-01-000	EA	SPEAKER - 4" X 6" OVAL - COAXIAL
4	110470-01-01A	EA	GRILLE - 4" X 6" - OVAL SPEAKER - BLACK
5	169065-01-01A	EA	PLATE/WALL - 6-WAY/RCA - BLACK
6	168408-01-000	EA	RADIO - AM/FM/CD/DVD - W/REMOTE - JENSEN DV2007WIN
7	158891-12-05A	EA	FACE - ENTERTAINMENT CENTER - VINYL WRAPPED-SEAGRASS BLACK
8	169396-01-01B	EA	TUBE - W/HOLES
9	168245-01-000	EA	CABLE/VIDEO - 6' COMPONENT/COMPOSITE-6 CODED ENDS/BOTH
10	136860-03-000	EA	CABLE - RCA - SHIELDED - 3 MALE TO MALE CONNECTORS - 6' FROM: 00-00-00 THRU: 09-14-08
11	117420-02-000	EA	CABLE - W/MALE RCA ENDS - SHIELDED - 4'

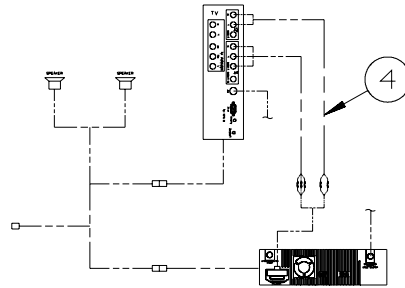
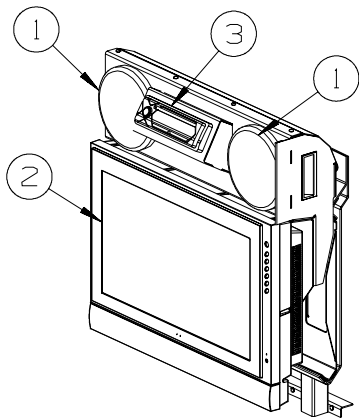
*COMPONENT PARTS LISTED LATER IN THIS GROUP

ELECTRICAL GROUP (CONTINUED)
12V BODY WIRING (CONTINUED)



**EXTERIOR
ENTERTAINMENT
TV/DVD**

KEY	PART NUMBER	U/M	DESCRIPTION
1	167458-01-04B	EA	PANEL/SLIDING - ENTERTAINMENT CENTER - BLACK
2	113797-14-01A	EA	STRIP - BLACK PLASTIC W/SELF ADHESIVE- .13" X .7" X 8"
3	113797-13-01A	EA	STRIP - BLACK PLASTIC W/SELF ADHESIVE- .13" X .7" X 6.6"
4	153191-01-01A	EA	HINGE - FRICTION - 16" - BLACK
5	167471-01-04B	EA	PANEL/MOUNT - RADIO/TV - BLACK
6	167456-01-04B	EA	PANEL/COVER - ENTERTAINMENT CENTER - BLACK
7	167475-01-04B	EA	SUPPORT/BASE - TV - BLACK
8	117095-03-01A	EA	LATCH - DOOR - GRABBER W/KEEPER - PLASTIC - BLK-15 LB PULL
9	167480-01-01A	EA	HANDLE/PULL - POCKET

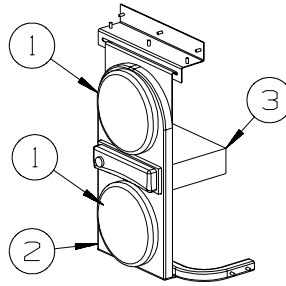


**EXTERIOR
ENTERTAINMENT
TV/DVD**

KEY	PART NUMBER	U/M	DESCRIPTION
1	094097-01-000	EA	SPEAKER - RADIO/TV - W/O GRILLE - 5.25" DIAMETER
1	159430-01-02A	EA	GRILLE - SPEAKER - 6" ROUND - BLACK
2*	164495-01-000	EA	TV - 19" - LCD 16:9 - BOTTOM SPEAKER - JENSEN JE1907DC
3	168408-01-000	EA	RADIO - AM/FM/CD/DVD - W/REMOTE - JENSEN DV2007WIN
4	117420-02-000	EA	CABLE - W/MALE RCA ENDS - SHIELDED - 4'

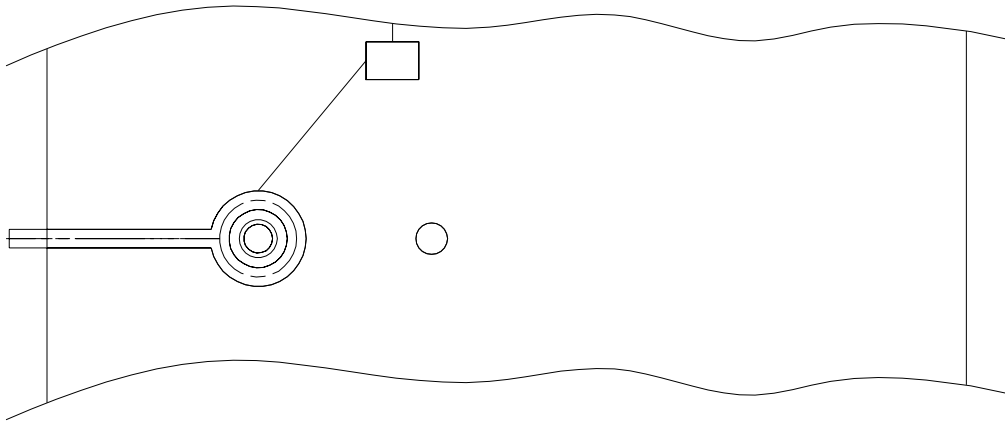
***COMPONENT PARTS LISTED LATER IN THIS GROUP**

ELECTRICAL GROUP (CONTINUED)
12V BODY WIRING (CONTINUED)

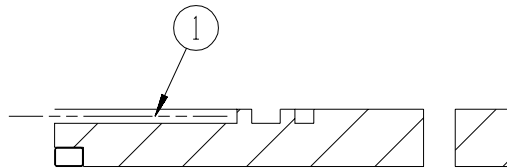


**EXTERIOR
ENTERTAINMENT**

KEY	PART NUMBER	U/M	DESCRIPTION
1	094097-01-000	EA	SPEAKER - RADIO/TV - W/O GRILLE - 5.25" DIAMETER
1	159430-01-02A	EA	GRILLE - SPEAKER - 6" ROUND - BLACK
2	158891-10-05A	EA	FACE - ENTERTAINMENT CENTER - VINYL WRAPPED-SEAGRASS BLACK
3	155619-02-000	EA	RADIO - AM/FM CD-W/O REMOTE/WIRE HARNESS-MAGNADYNE M3200CD
3	155619-03-000	EA	REMOTE - RADIO



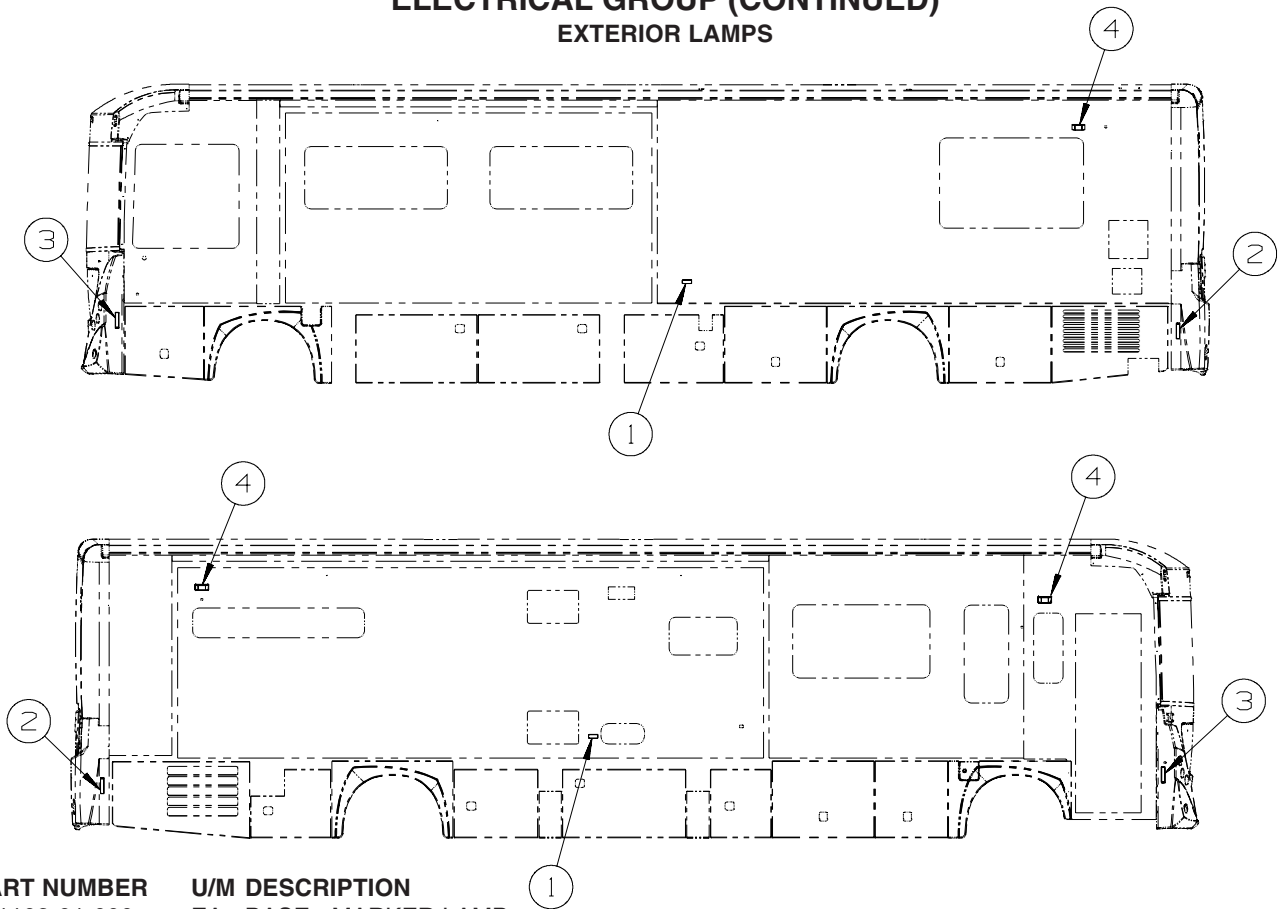
**SATELLITE WIRING DETAIL
ON ROOF**



KEY	PART NUMBER	U/M	DESCRIPTION
1	154474-03-000	EA	CABLE - SATELLITE - COAX - 8' W/CONNECTORS - 48Q OR 48R OR 78C OR 78K
1	163598-03-000	EA	CABLE - SATELLITE CONTROL - 48Q OR 48R OR 78C OR 78K

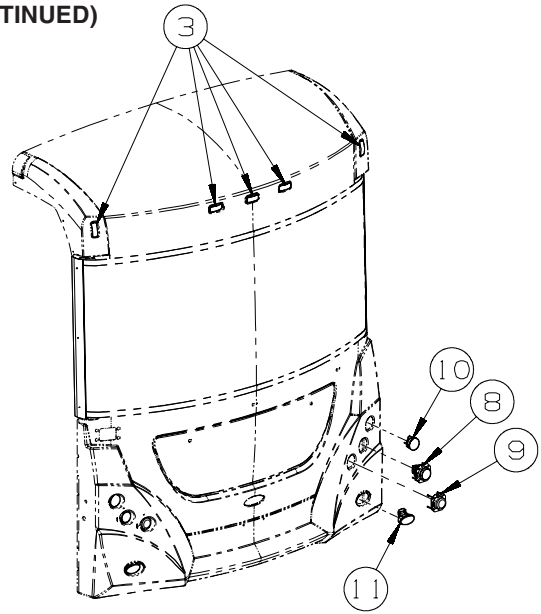
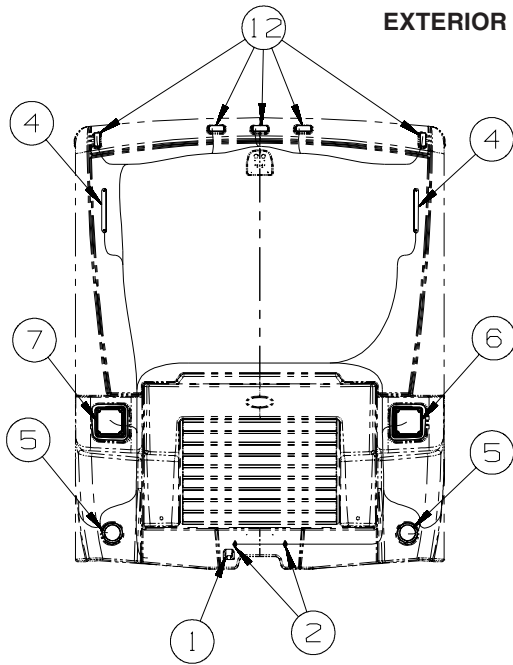
ELECTRICAL GROUP (CONTINUED)

EXTERIOR LAMPS



KEY	PART NUMBER	U/M	DESCRIPTION
1	111102-01-000	EA	BASE - MARKER LAMP
1	111102-02-000	EA	LENS - AMBER - MARKER LAMP
2	117826-01-000	EA	LAMP/SIDE MARKER ASSEMBLY - RED
2	117826-03-000	EA	GASKET/SIDE MARKER LIGHT
2	067789-02-000	EA	SOCKET - LAMP
2	036196-01-000	EA	BULB - 12V - #194 - .27 AMP - BAYONETTE
3	117826-02-000	EA	LAMP/SIDE MARKER ASSEMBLY - AMBER
3	117826-03-000	EA	GASKET/SIDE MARKER LIGHT
3	067789-02-000	EA	SOCKET - LAMP
3	036196-01-000	EA	BULB - 12V - #194 - .27 AMP - BAYONETTE
4	097917-01-08A	EA	LIGHT/PORCH - CHROME

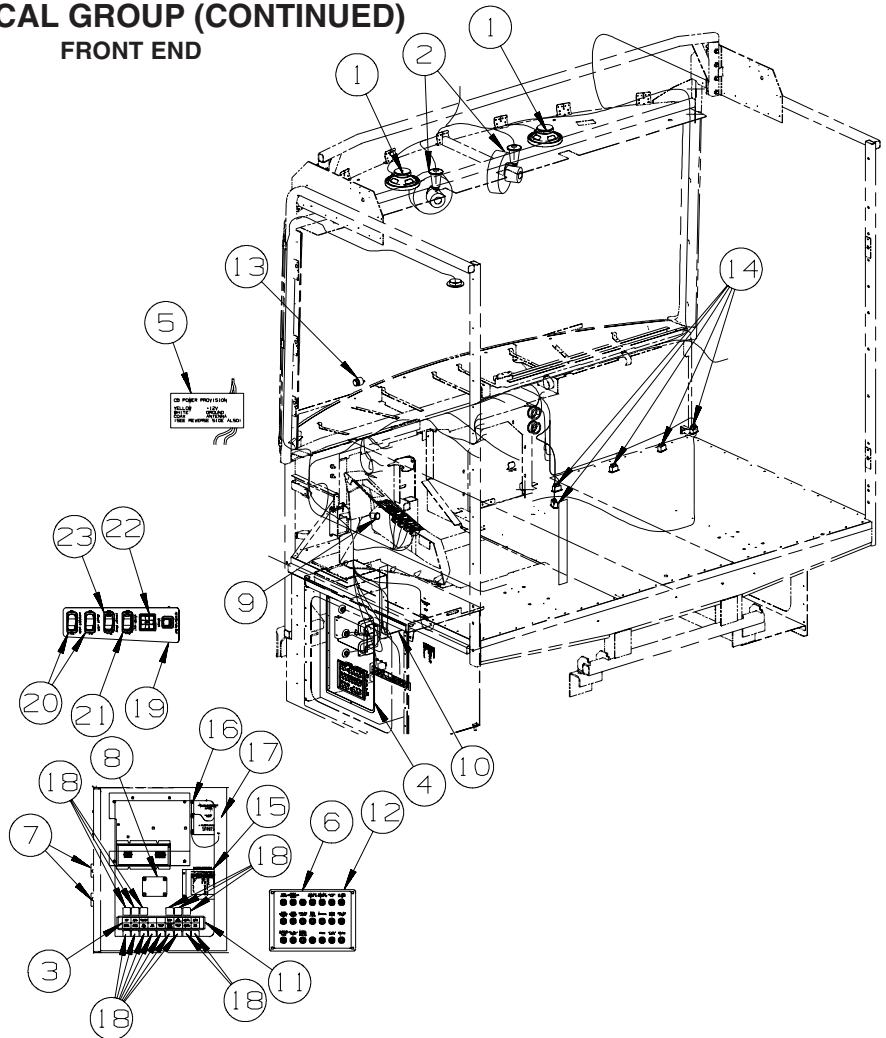
ELECTRICAL GROUP (CONTINUED)
EXTERIOR LAMPS (CONTINUED)



KEY	PART NUMBER	U/M	DESCRIPTION
1	146246-01-000	EA	CONNECTOR/PLUG - TRAILER - 7 PIN
2	087201-01-000	EA	LIGHT - HALF ROUND - 1" X 1.7" - PLASTIC - BLACK OR WHITE
3	111102-01-000	EA	BASE - MARKER LAMP
3	111102-02-000	EA	LENS - AMBER - MARKER LAMP
4	151076-01-000	EA	LIGHT - BRAKE - CENTER MOUNT
5	138441-02-000	EA	LAMP - BACKUP - 4 1/2" ROUND
5	138441-03-000	EA	CONNECTOR - LAMP - 2 CIRCUIT
6	161238-01-01A	EA	LAMP - STOP/TURN/TAIL - LED - RED
6	164956-01-10A	EA	POD - TAILLIGHT/PASSENGER - 9" X 9" - BLACK
7	161238-01-01A	EA	LAMP - STOP/TURN/TAIL - LED - RED
7	164956-02-10A	EA	POD - TAILLIGHT/DRIVER - 9" X 9" - BLACK
8	146527-01-000	EA	HEADLAMP - LOW BEAM
8	147103-01-000	EA	HOUSING/CONNECTOR - HEADLAMP - W/PIGTAIL
9	146527-02-000	EA	HEADLAMP - HIGH BEAM
9	147103-01-000	EA	HOUSING/CONNECTOR - HEADLAMP - W/PIGTAIL
10	146560-03-000	EA	LAMP - PARK/TURN - AMBER
10	112708-01-000	EA	BULB - 12 VOLT - #3157 - .59/2.10 AMP
10	146560-02-000	EA	SOCKET - LAMP - 3 WIRE
11	162085-01-000	EA	LAMP/FOG - OVAL - BLUE - HAMSAR #83041A
12	111102-01-000	EA	BASE - MARKER LAMP
12	111102-03-000	EA	LENS - RED - MARKER LAMP

ELECTRICAL GROUP (CONTINUED)

FRONT END



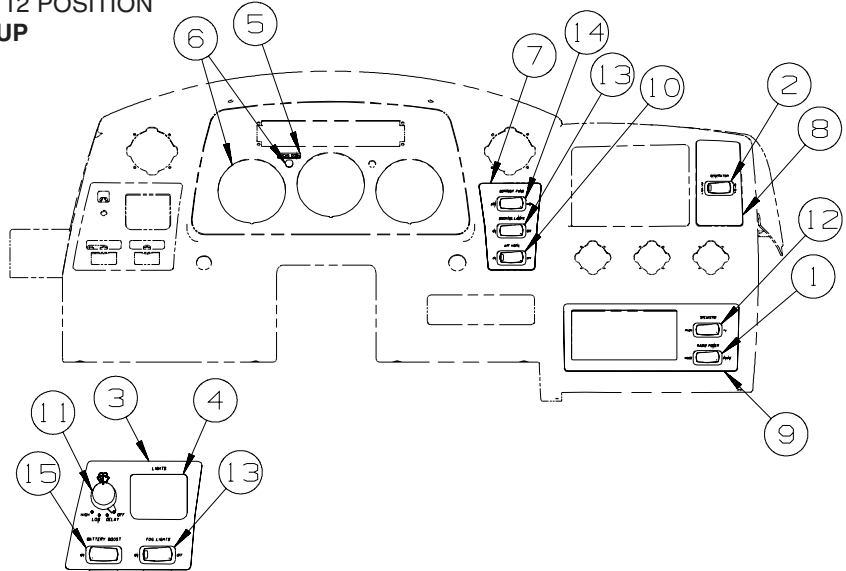
KEY	PART NUMBER	U/M	DESCRIPTION
1	094097-01-000	EA	SPEAKER - RADIO/TV - W/O GRILLE - 5.25" DIAMETER
1	159430-01-02A	EA	GRILLE - SPEAKER - 6" ROUND - BLACK
2	122856-01-01A	EA	FAN-DEFROSTER-2 SPEED W/SWIVEL BASE/NON-OSCILLATING-CHROME
3	136161-05-01A	EA	LABEL - RELAY - MATTE BLACK/WHITE LETTERS
4	145066-03-02B	EA	DOOR - ELECTRICAL COMPARTMENT - E-COATED
5	104678-01-000	EA	LABEL - CB PREP
6	093236-48-000	EA	LABEL - CIRCUIT BREAKER
7	118571-03-000	EA	BRACKET - MOUNTING
7	118571-04-000	EA	GASKET
8	128074-02-000	EA	FILTER - NOISE - 12 VOLT DC W/PLUGS
9	111414-01-000	EA	RECEPTACLE/SOCKET - 12 VOLT
10*	137417-01-01A	EA	LIGHT - DOME - SINGLE - W/SWITCH/FROSTED LENS - WHITE
11	136120-02-02B	EA	BRACKET - RELAY - E-COATED
12	139067-07-02B	EA	PLATE - CIRCUIT BREAKER/HOUSE - E-COATED
13	160876-01-000	EA	ALARM - JACKS DOWN
14	157655-01-01A	EA	LIGHT - DASH/SWITCH - 2 LAMP INCANDESCENT - BLACK HOUSING
15*	151458-01-000	EA	KEYLESS ENTRY SYSTEM-ENTRY/CARGO DOORS-W/REMOTE-W/O KEYPAD
16	158494-02-000	EA	CABLE/ANTENNA - SATELLITE RADIO SIRRUS
17	163142-06-000	EA	RECEIVER - SATELLITE RADIO - 70C
			FROM: 00-00-00 THRU: 06-26-08
17	163142-18-000	EA	RECEIVER - SATELLITE RADIO - 70C
			FROM: 06-27-08 THRU: 08-20-08
	163142-16-000	EA	RECEIVER - PORTABLE/PLUG AND PLAY - SATELLITE RADIO - LOCATED OVHD CABT - 70C
			FROM: 08-21-08 THRU: 99-99-99
	163142-17-000	EA	DOCKING STATION - W/18' CABLE/MOUNTING BRACKETS - LOCATED OVHD CABT - 70C
			FROM: 08-21-08 THRU: 99-99-99
	168979-03-02B	EA	BRACKET - RADIO/SATELLITE - E-COATED - LOCATED OVHD CABT - 70C
			FROM: 08-21-08 THRU: 99-99-99
	113452-02-000	FT	SEAL/TRIM - FRONT - VINYL W/WIRE CARRIER - .027" - WHERE HOSES CROSS METAL
18	063912-02-000	EA	RELAY - CANISTER - SPDT
19	145926-20-02B	EA	INSERT - SWITCH PLATE - 4 HOLE/RELAY SLOT - E-COATED
19	159671-06-01A	EA	APPLIQUE - PANEL/LH - SILVER

ELECTRICAL GROUP (CONTINUED)

FRONT END (CONTINUED)

KEY	PART NUMBER	U/M	DESCRIPTION
20	145638-12-01A	EA	SWITCH/ROCKER - DPDT (ON/ON/ON) - BLACK
20	103603-01-000	EA	BULB - 12V - #74 - .12A WEDGE - GE 22-25 USED IN DASH
20	108355-02-000	EA	HOUSING - SWITCH - 12 POSITION
21	145638-02-01A	EA	SWITCH/ROCKER - SPST (ON/OFF) - LIGHTED - BLACK
21	103603-01-000	EA	BULB - 12V - #74 - .12A WEDGE - GE 22-25 USED IN DASH
21	108355-02-000	EA	HOUSING - SWITCH - 12 POSITION
22	088246-01-000	EA	SWITCH/REMOTE MIRROR - W/2PIN & 6 PIN CONNECTORS/PIGTAIL
23	145638-08-01A	EA	SWITCH/ROCKER - DPDT (ON/ON) - LIGHTED - BLACK
23	103603-01-000	EA	BULB - 12V - #74 - .12A WEDGE - GE 22-25 USED IN DASH
23	108355-02-000	EA	HOUSING - SWITCH - 12 POSITION

*COMPONENT PARTS LISTED LATER IN THIS GROUP

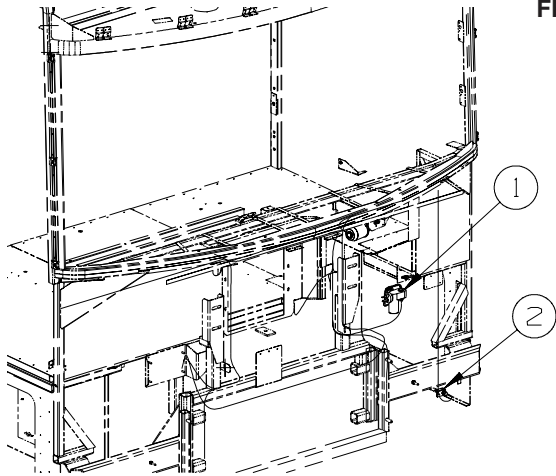


KEY	PART NUMBER	U/M	DESCRIPTION
1	145638-07-01A	EA	SWITCH/ROCKER - DPDT (ON/ON) - BLACK
1	103603-01-000	EA	BULB - 12V - #74 - .12A WEDGE - GE 22-25 USED IN DASH
1	108355-02-000	EA	HOUSING - SWITCH - 12 POSITION
2	145638-06-01A	EA	SWITCH/ROCKER - SPDT (ON/OFF/ON) - LIGHTED - BLACK
2	103603-01-000	EA	BULB - 12V - #74 - .12A WEDGE - GE 22-25 USED IN DASH
2	108355-02-000	EA	HOUSING - SWITCH - 12 POSITION
3	159671-02-01A	EA	APPLIQUE - DRIVERS/LH - SILVER - 2008 FREIGHTLINER CHASSIS
3	159671-14-01A	EA	APPLIQUE - BEZEL/DRIVERS/LH - SILVER - 2009 FRIEGHTLINER CHASSIS
4	160192-01-02B	EA	MOUNT - HEADLAMP SWITCH/RH - E-COATED - 2008 FREIGHTLINER CHASSIS
4	167563-03-02B	EA	MOUNT - SWITCH/HEADLAMP/RH - E-COATED - 2009 FRIEGHTLINER CHASSIS
4	160192-02-02B	EA	MOUNT - HEADLAMP SWITCH/LH - E-COATED - 2008 FREIGHTLINER CHASSIS
4	167563-04-02B	EA	MOUNT - SWITCH/HEADLAMP/LH - E-COATED - 2009 FRIEGHTLINER CHASSIS
5	133533-01-01A	EA	LABEL - JACKS DOWN - CLEAR W/WHITE LETTERING
6	150237-01-000	EA	LIGHT - INDICATOR - RED
7	159671-07-01A	EA	APPLIQUE - DRIVERS/RH - SILVER
8	159671-03-01A	EA	APPLIQUE - PASSENGER - SILVER
9	159671-04-01A	EA	APPLIQUE - BEZEL/RADIO - SILVER
10	145638-08-01A	EA	SWITCH/ROCKER - DPDT (ON/ON) - LIGHTED - BLACK
10	103603-01-000	EA	BULB - 12V - #74 - .12A WEDGE - GE 22-25 USED IN DASH
10	108355-02-000	EA	HOUSING - SWITCH - 12 POSITION
11*	091206-04-000	EA	MODULE KIT - WIPER CONTROL - DYNAMIC PARK
12	145638-01-01A	EA	SWITCH/ROCKER - SPST (ON/OFF) - BLACK
12	103603-01-000	EA	BULB - 12V - #74 - .12A WEDGE - GE 22-25 USED IN DASH
12	108355-02-000	EA	HOUSING - SWITCH - 12 POSITION
13	145638-02-01A	EA	SWITCH/ROCKER - SPST (ON/OFF) - LIGHTED - BLACK
13	103603-01-000	EA	BULB - 12V - #74 - .12A WEDGE - GE 22-25 USED IN DASH
13	108355-02-000	EA	HOUSING - SWITCH - 12 POSITION
14	145638-03-01A	EA	SWITCH/ROCKER - SPDT (ON/OFF/ON) - BLACK
14	103603-01-000	EA	BULB - 12V - #74 - .12A WEDGE - GE 22-25 USED IN DASH
14	108355-02-000	EA	HOUSING - SWITCH - 12 POSITION
15	145638-04-01A	EA	SWITCH/ROCKER - SPDT (ON/ON) - BLACK
15	103603-01-000	EA	BULB - 12V - #74 - .12A WEDGE - GE 22-25 USED IN DASH
15	108355-02-000	EA	HOUSING - SWITCH - 12 POSITION

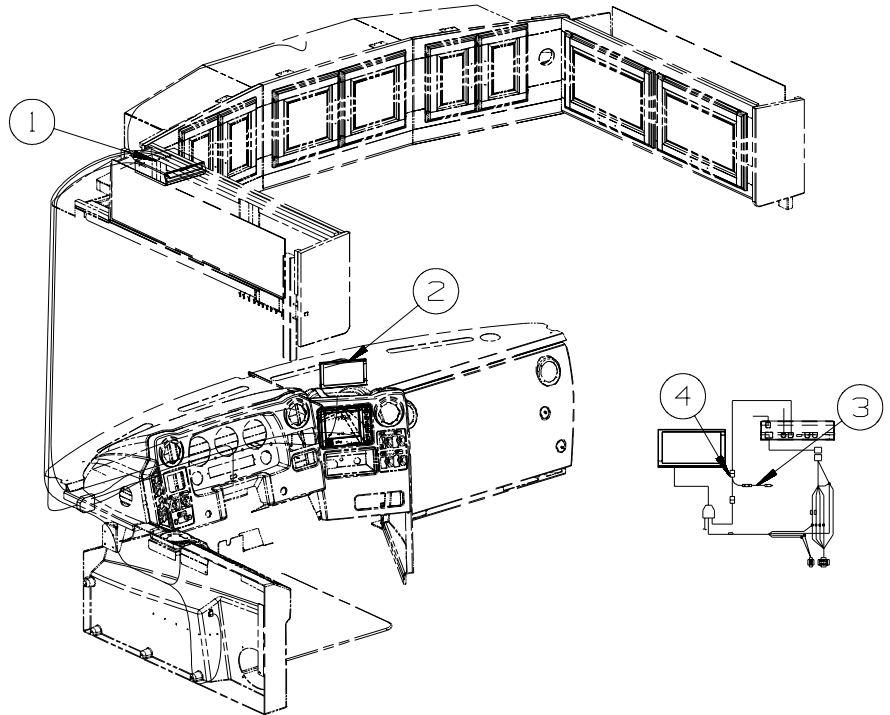
*COMPONENT PARTS LISTED LATER IN THIS GROUP

ELECTRICAL GROUP (CONTINUED)

FRONT END (CONTINUED)



KEY	PART NUMBER	U/M	DESCRIPTION
1	114802-01-000	EA	PUMP - VACUUM - 12V
2	147428-01-02B	EA	BRACKET/ZEE - F/TEMPERATURE SENSOR - E-COATED - 1PB

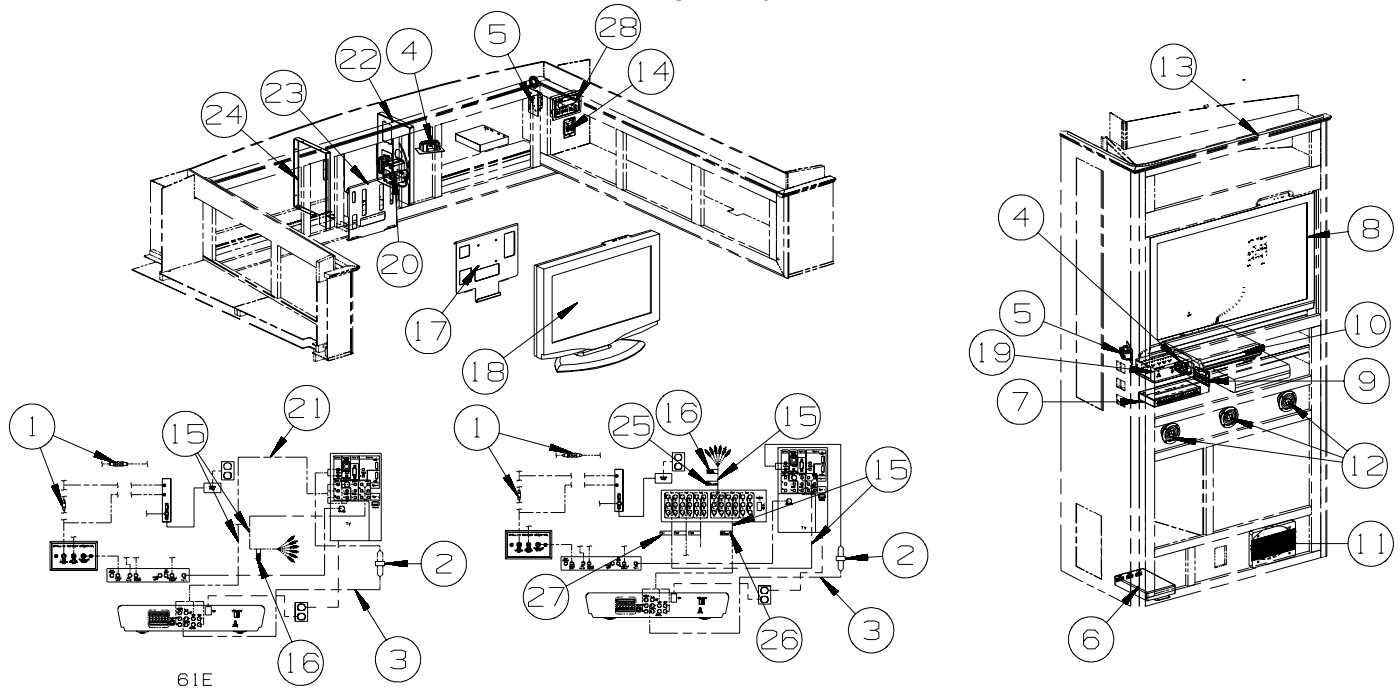


KEY	PART NUMBER	U/M	DESCRIPTION
1*	137424-08-000	EA	GPS-NAVIGATION SYS-W/DVD DIVIT/MAPS/GPS ANT/WIRE HARNESS FROM: 00-00-00 THRU: 03-12-08
1	168913-01-000	EA	GPS - NAVIGATION SYS - W/O MONITOR/REMOTE/DOCKING STATION FROM: 03-13-08 THRU: 99-99-99
	168913-03-000	EA	REMOTE - F/GPS SYSTEM FROM: 03-13-08 THRU: 99-99-99
1	168913-02-000	EA	DOCKING STATION - F/GPS FROM: 03-13-08 THRU: 99-99-99
2	137424-09-000	EA	MONITOR/LCD - COLOR - 7" - ALPINE #TME-M740BT
	137424-04-000	EA	BRACKET - MONITOR FROM: 00-00-00 THRU: 01-13-08
	168104-01-000	EA	BRACKET - MONITOR FROM: 01-14-08 THRU: 03-12-08
	168979-01-02B	EA	BRACKET - GPS - E-COATED FROM: 03-13-08 THRU: 99-99-99
3	148591-01-000	EA	CABLE - RCA MALE/RCA MALE - RIVER PARK 55-862-1 FROM: 03-13-08 THRU: 99-99-99
4	137424-10-000	EA	CABLE/ADAPTER - AUDIO/VIDEO - GPS FROM: 03-13-08 THRU: 99-99-99

*COMPONENT PARTS LISTED LATER IN THIS GROUP

ELECTRICAL GROUP (CONTINUED)

SIDE TV/DVD



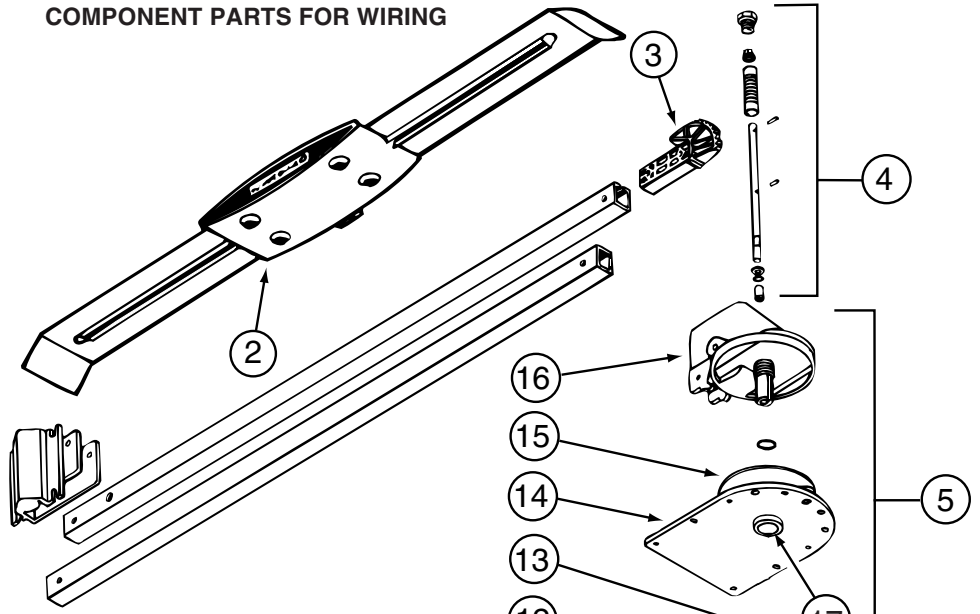
KEY	PART NUMBER	U/M	DESCRIPTION
1	082134-01-000	EA	ADAPTER - TV - CABLE TO CABLE
2	123324-01-000	EA	FILTER - GROUND LOOP
3	117420-05-000	EA	CABLE - W/MALE RCA ENDS - SHIELDED - 10'
4	058708-01-000	EA	RECEPTACLE - ELECTRIC - DOUBLE - BROWN
5	058708-01-000	EA	RECEPTACLE - ELECTRIC - DOUBLE - BROWN
5	158542-02-01A	EA	LABEL - RECEPTACLE - ELECTRONICS - WHITE/BLACK - 265
6	140062-01-000	EA	SWITCH - SPEAKER - 6 CHANNEL
7	142258-01-000	EA	SWITCH - VIDEO/ANTENNA POWER SUPPLY
8	166337-01-000	EA	TV - 37" - FLAT PANEL/LCD/HDTV - RCA L37WD23
8*	169154-01-000	EA	TV - 37" - FLAT PANEL/LCD/HDTV - SHARP LC37D44U FROM: 00-00-00 THRU: 04-28-08
8	169154-02-000	EA	TV - 37" - FLAT PANEL/LCD/HDTV - SHARP LC37S24U FROM: 04-29-08 THRU: 06-22-08
8*	169154-01-000	EA	TV - 37" - FLAT PANEL/LCD/HDTV - SHARP LC37D44U FROM: 06-23-08 THRU: 10-05-08
9	149557-04-01A	EA	PLATE/WALL - TRIPLE COAXIAL/HORIZONTAL - WHITE
10*	164270-01-000	EA	DVD - HOME THEATER - W/O SPEAKERS - MEMOREX STS2891-R
11	124884-01-000	EA	SPEAKER - 6" X 9" - SUB-WOOFER - W/O GRILLE
11	151844-01-01A	EA	GRILLE - SPEAKER - 6" X 9" - SUB WOOFER - BLACK
12	160868-01-01A	EA	SPEAKER - ROUND/CEILING - W/O CASE - BLACK
13	146514-03-000	FT	LIGHT - FLEX - ROPE/ROUND - W/O MOUNT CHANNEL
13	146514-02-000	EA	CONNECTOR - LIGHT
13	146514-04-000	EA	CHANNEL/MOUNT - F/ROPE LIGHT
14	163598-02-000	EA	SWITCH/CONTROL - SATELLITE
15	168245-01-000	EA	CABLE/VIDEO - 6' COMPONENT/COMPOSITE-6 CODED ENDS/BOTH
16	159064-02-01A	EA	LABEL - CABLE/RCA - HDMI - WHITE ON BLACK
17	166789-01-02B	EA	BRACKET - TV - E-COATED - 61E
17	169584-01-02B	EA	BRACKET - TV - E-COATED - 61E
17	169584-01-02B	EA	BRACKET - TV - E-COATED - 61E
18*	166446-01-000	EA	TV - 26" - LCD 16:9 - BOTTOM SPEAKER - JENSEN JE2608 - 61E
18	169487-01-000	EA	TV - 26" - FLAT PANEL/LCD/HDTV - SHARP LC26D43U - 61E
18	169487-01-000	EA	TV - 26" - FLAT PANEL/LCD/HDTV - SHARP LC26D43U - 61E
19	168244-01-000	EA	CONTROL CENTER - SWITCH - AUDIO/VIDEO/AMP/HD - 61E
19	156586-03-02B	EA	BRACKET - SWITCH/VIDEO - E-COATED - 61E
20	156676-01-000	EA	CONTROLLER/OUTLET - POWER/TV - AUTO SHUTOFF W/IGNITION - 61E
21	168245-01-000	EA	CABLE/VIDEO - 6' COMPONENT/COMPOSITE-6 CODED ENDS/BOTH - 61E

ELECTRICAL GROUP (CONTINUED)
SIDE TV/DVD (CONTINUED)

KEY	PART NUMBER	U/M	DESCRIPTION
22	162936-06-02B	EA	PANEL - ELECTRICAL - E-COATED - 61E/02R FROM: 00-00-00 THRU: 07-14-08
22	162936-10-02B	EA	PANEL - ELECTRICAL - E-COATED - 61E/02R FROM: 07-15-08 THRU: 99-99-99
22	162936-08-02B	EA	PANEL - ELECTRICAL - E-COATED - 61E/021
23	168341-02-02B	EA	BRACKET/SUPPORT - TV - E-COATED
23	168341-01-02B	EA	BRACKET/SUPPORT - TV - E-COATED - 61E/02R FROM: 00-00-00 THRU: 07-14-08
23	168341-03-02B	EA	BRACKET/SUPPORT - TV - E-COATED - 61E/02R FROM: 07-15-08 THRU: 99-99-99
24	162936-09-02B	EA	PANEL - ELECTRICAL - E-COATED - 61E/021
24	162936-07-02B	EA	PANEL - ELECTRICAL - E-COATED - 61E/02R
25	159064-06-01A	EA	LABEL - CABLE/RCA - WHITE ON BLACK
26	159064-05-01A	EA	LABEL - CABLE/RCA - WHITE ON BLACK
27	159064-07-01A	EA	LABEL - CABLE/RCA - WHITE ON BLACK
28	154474-02-000	EA	CONTROL/SATELLITE KIT - IDB BOX/IDD BOX-POWER SUPPLY-CABLE - 48R

***COMPONENT PARTS LISTED LATER IN THIS GROUP**

ELECTRICAL GROUP (CONTINUED)
COMPONENT PARTS FOR WIRING



076319-23-000

KEY	PART NUMBER	U/M	DESCRIPTION	VENDOR NO.
2	076319-01-700	EA	HEAD-ANTENNA, AMPLIFIED	RVSA U/V
3	076319-01-701	EA	GEAR-ELEVATING, PLASTIC	2200046
4	076319-01-702	EA	SHAFT ASM-ELEVATING	RP-4000
5	076319-01-711	EA	BASE & LIFT ASM	2762802
7	076319-01-705	EA	GROMMET-NYLON, 7/8"ID	3200658
8	076319-01-708	EA	DECAL-CRANK	5413002
9	076319-01-707	EA	SPRING-HANDLE	2160822
11	076319-01-712	EA	PLATE - CEILING	3200608
12	076319-01-715	EA	NUT (GEAR HOUSING)	2200047
14	076319-01-713	EA	PLATE-BASE, STEEL	3100523
15	076319-01-703	EA	BEARING-NYLON, 5"OD	3200656
16	076319-01-714	EA	HOUSING, ROTATING GEAR	2200049
17	076319-01-704	EA	BEARING-NYLON, 1.25"OD	3200657
18	076319-01-709	EA	HANDLE-HEAD DIRECTIONAL	200644
	076319-01-716	EA	TUBING, ELEVATING	RP-2900

CONTACT WINNEBAGO PART SALES FOR UNLISTED COMPONENT(S)

076319-25-000

KEY	PART NUMBER	U/M	DESCRIPTION	VENDOR NO.
6	076319-01-706	EA	CRANK-W/SET SCREW UNIV/BEIGE	2750897
6	120233-01-710	EA	HANDLE-CRANK W/SCREW - WHITE	RP-6795
8	076319-01-708	EA	DECAL-CRANK	5413002
10	076319-25-700	EA	DIRECTIONAL HANDLE(WHITE)	3200612
11	076319-25-701	EA	PLATE - CEILING(WHITE)	3200609
13	120233-01-709	EA	WASHER-NYLON	RP-2658

CONTACT WINNEBAGO PART SALES FOR UNLISTED COMPONENT(S)

091206-04-000

KEY	PART NUMBER	U/M	DESCRIPTION	VENDOR NO.
	091206-02-700	EA	KNOB-INNER	66C-00019
	091206-02-701	EA	KNOB-OUTER	66C-00020
	091206-04-700	EA	SWITCH ASSEM. ONLY	250-6623
	102362-03-700	EA	MODULE-WIPER CONT., DYNAMIC	66D-00093

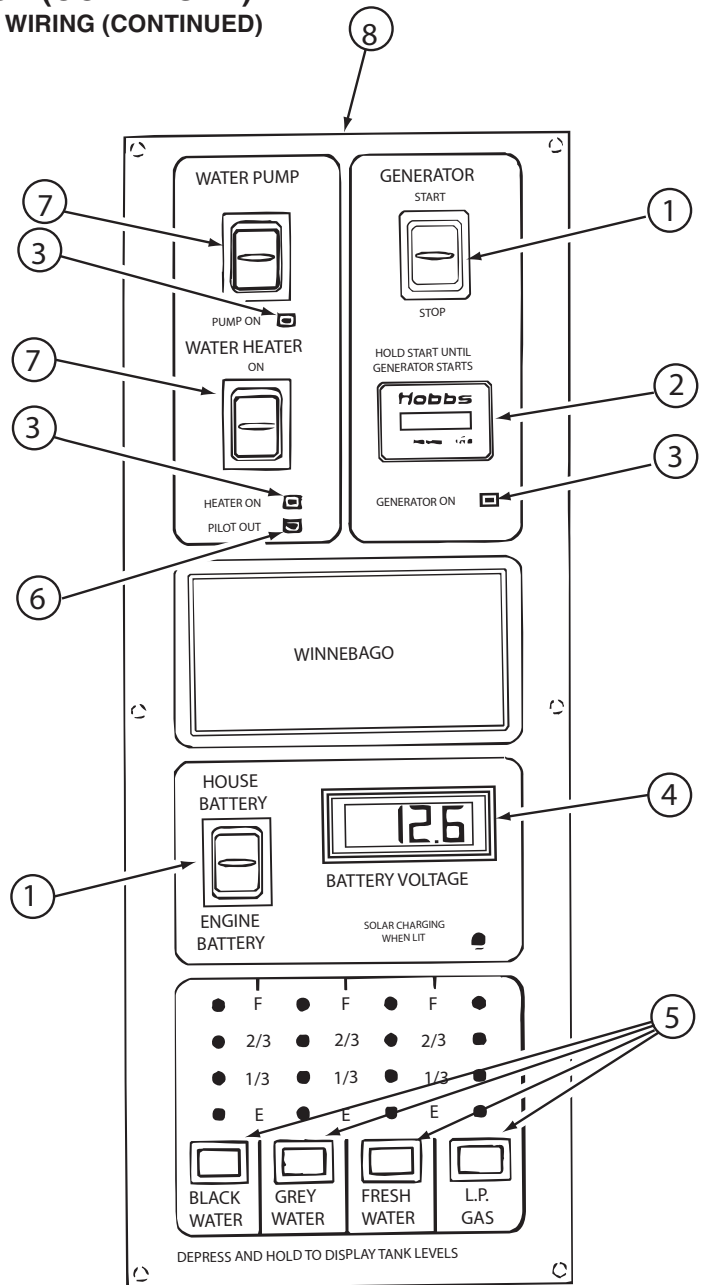
108354-01-01A

KEY	PART NUMBER	U/M	DESCRIPTION	VENDOR NO.
	108354-01-700	EA	BULB-COURTESY LIGHT	395-B

123775-01-02A

KEY	PART NUMBER	U/M	DESCRIPTION	VENDOR NO.
	123775-01-702	EA	BEZEL/LENS - SATIN NICKEL	99 953470

ELECTRICAL GROUP (CONTINUED)
COMPONENT PARTS FOR WIRING (CONTINUED)



133004-05-01A

KEY	PART NUMBER	U/M	DESCRIPTION	VENDOR NO.
1	133004-01-702	EA	SWITCH/DPDT MOM=ON-OFF-ON	L1011-00
2	100258-10-701	EA	GAUGE-HR METER ONLY (LCD)	L0775-00
3	133004-01-706	EA	L.E.D. GREEN-PANEL MOUNT	L0785
4	133004-01-704	EA	METER/VOLT-DIGITAL - LCD	L1008-00
5	133004-01-705	EA	SWITCH/MOM ON - PUSH BUTTON	L0950-00
6	130004-01-703	EA	L.E.D. RED-PANEL MOUNT	L1009-00
7	133004-01-701	EA	SWITCH/DPDT ON-ON/MAINTAINED	L1025-00
8	133004-05-700	EA	SCREENED CHASSIS	CC0563-00
	133004-05-701	EA	BOARD - PC	L5130-02

137417-01-01A, 137417-03-01A

KEY	PART NUMBER	U/M	DESCRIPTION	VENDOR NO.
	137417-01-700	EA	LENS - SINGLE (FROSTED)	810868

137417-02-01A

KEY	PART NUMBER	U/M	DESCRIPTION	VENDOR NO.
	137417-02-700	EA	LENS - SINGLE OPTIC	810844

137417-06-01A

KEY	PART NUMBER	U/M	DESCRIPTION	VENDOR NO.
	137417-06-700	EA	LENS - DOUBLE WHITE	810867

ELECTRICAL GROUP (CONTINUED)
COMPONENT PARTS FOR WIRING (CONTINUED)

137424-08-000

KEY	PART NUMBER	U/M	DESCRIPTION	VENDOR NO.
	137424-08-700	EA	REMOTE	RUE-4140

151458-01-000

KEY	PART NUMBER	U/M	DESCRIPTION	VENDOR NO.
	102756-02-702	EA	BATTERY - 12 VOLT	402-1002
	102756-03-701	EA	REMOTE-KEYLESS ENTRY	412-1115
	102756-03-702	EA	RELAY- 30AMP - SPDT	463-1000
	151458-01-700	EA	MODULE BOARD - 4 FUNCTION	202-3227
	151458-01-701	EA	WIRE HARNESS - KEYLESS ENTRY	203-6908

154474-04-02A

KEY	PART NUMBER	U/M	DESCRIPTION	VENDOR NO.
	154474-04-702	EA	DOME ONLY-REPLACEMENT-BLACK	1850-B-LP-FS
	154474-04-703	EA	BOARD RF ASSEMBLY N/C	100087
	154474-04-705	EA	CABLE OUT DUAL TOP PCBA N/C	20034-1
	154474-04-706	EA	LNB DUAL EAGLE ASPEN N/C	1863-1

163031-01-01A

KEY	PART NUMBER	U/M	DESCRIPTION	VENDOR NO.
	163031-01-700	EA	REMOTE	PSVCAWM960

163097-01-000

KEY	PART NUMBER	U/M	DESCRIPTION	VENDOR NO.
	163097-01-700	EA	KEY - #2382 (ILLINOIS LOCK)	2382
	163097-01-701	EA	KEY - #2341 (MILLER DIAL)	PART SALES

163598-01-02A

KEY	PART NUMBER	U/M	DESCRIPTION	VENDOR NO.
	154474-04-702	EA	DOME ONLY-REPLACEMENT-BLACK	1850-B-LP-FS
	154474-04-706	EA	LNB DUAL EAGLE ASPEN N/C	1863-1
	163598-01-700	EA	BOARD CIRCUIT N/C	1990-RF-LP KIT
	163598-01-701	EA	STUFFED PCB,CWIM DVB N/C	438

164270-01-000

KEY	PART NUMBER	U/M	DESCRIPTION	VENDOR NO.
	164270-01-700	EA	REMOTE	STS2891REM

164495-01-000

KEY	PART NUMBER	U/M	DESCRIPTION	VENDOR NO.
	164495-01-700	EA	REMOTE - TV	P301P19HS3409A

166446-01-000

KEY	PART NUMBER	U/M	DESCRIPTION	VENDOR NO.
	166446-01-700	EA	REMOTE - TV - GRAY SLIM LINE	PR7ATSC

169151-01-000, 169151-02-000

KEY	PART NUMBER	U/M	DESCRIPTION	VENDOR NO.
	169154-01-700	EA	REMOTE - TV	RRMCGA667WJSA

ELECTRICAL GROUP (CONTINUED)
CIRCUIT BREAKERS, FUSES & RELAYS

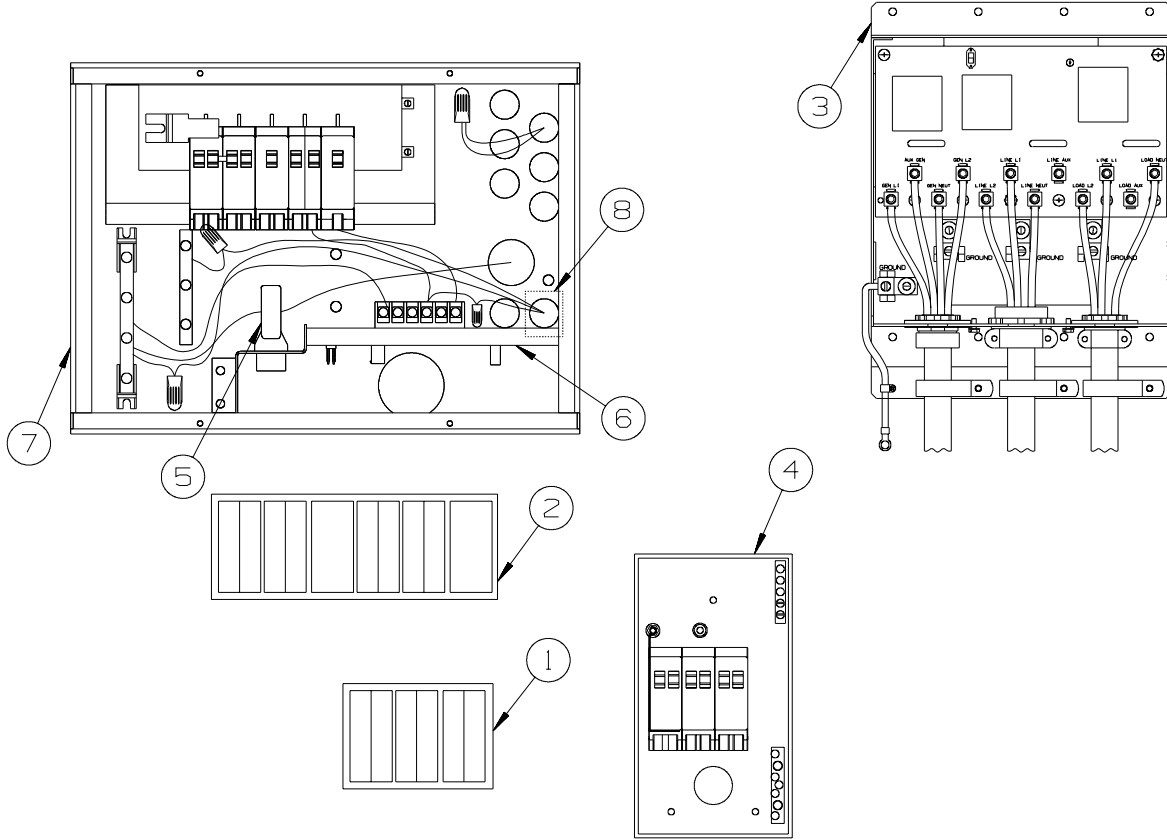
KEY	PART NUMBER	U/M	DESCRIPTION
	062901-02-000	EA	FUSE - 5 AMP - AUTOMOTIVE
	062901-03-000	EA	FUSE - 7.5 AMP - AUTOMOTIVE
	062901-05-000	EA	FUSE - 15 AMP - AUTOMOTIVE
	062901-06-000	EA	FUSE - 20 AMP - AUTOMOTIVE
	062901-07-000	EA	FUSE - 25 AMP - AUTOMOTIVE
	062901-08-000	EA	FUSE - 30 AMP - AUTOMOTIVE
	063910-01-000	EA	HOUSING - RELAY
	063912-02-000	EA	RELAY - CANISTER - SPDT
	083209-01-000	EA	CIRCUIT BREAKER - 15 AMP - 120 VOLT - CANADIAN
	083209-02-000	EA	CIRCUIT BREAKER - 15/15 AMP - 120 VOLT
	083209-03-000	EA	CIRCUIT BREAKER - 15/20 AMP - 120 VOLT
	083209-04-000	EA	CIRCUIT BREAKER - 30 AMP - 120 VOLT
	083209-05-000	EA	CIRCUIT BREAKER - 20 AMP - 120 VOLT
	083209-06-000	EA	CIRCUIT BREAKER - 30/15 AMP - 120 VOLT
	083209-07-000	EA	CIRCUIT BREAKER - 20/20 AMP - 120 VOLT
	083209-10-000	EA	CIRCUIT BREAKER - 20/30 AMP - 120 VOLT
	083209-11-000	EA	CIRCUIT BREAKER - 20/15 AMP - 120 VOLT
	092786-03-000	EA	BUSS BAR - 6.9" LONG
	092786-06-000	EA	BUSS BAR
	093654-01-000	EA	CIRCUIT BREAKER - 6 AMP - 12 VOLT - PUSH BUTTON - WHITE
	093654-02-000	EA	CIRCUIT BREAKER - 15 AMP - 12 VOLT - PUSH BUTTON - WHITE
	093654-03-000	EA	CIRCUIT BREAKER - 20 AMP - 12 VOLT - PUSH BUTTON - WHITE
	093654-05-000	EA	CIRCUIT BREAKER - 10 AMP - 12 VOLT - PUSH BUTTON - WHITE
	093655-01-000	EA	CIRCUIT BREAKER - 25 AMP - 12 VOLT - PUSH BUTTON - WHITE
	093655-02-000	EA	CIRCUIT BREAKER - 30 AMP - 12 VOLT - PUSH BUTTON - WHITE
	093655-03-000	EA	CIRCUIT BREAKER - 40 AMP - 12 VOLT - PUSH BUTTON - WHITE
	097611-03-000	EA	CIRCUIT BREAKER - 20 AMP
	113482-01-000	EA	CIRCUIT BREAKER - 55 AMP - MANUAL
	115187-01-000	EA	FUSE - 300 AMP - NON-DELAY
	115187-02-000	EA	HOLDER - FUSE
	115187-03-000	EA	FUSE - 150 AMP - NON-DELAY
	122811-01-000	EA	CIRCUIT BREAKER - 20/50/50/20 AMP - 250V
	141789-01-000	EA	SPACER - CIRCUIT BREAKER

ELECTRICAL GROUP (CONTINUED)

CONVERTER, INVERTER, LOAD CENTERS

KEY	PART NUMBER	U/M	DESCRIPTION
	148254-01-000	EA	INVERTER - CHARGER - 2000W AC
	148254-03-000	EA	CABLE/INVERTOR - W/8 PIN MODULAR PHONE JACK - 50'-DIMEN
	148254-05-000	EA	REMOTE/PANEL - INVERTER/CHARGER
	148254-06-000	EA	CABLE - TEMPERTURE/BATTERY
	172438-04-000	EA	CABLE - BATTERY - W/TEMPERTURE SENSOR - 25 FT

FROM: 00-00-00 THRU: 02-01-09
FROM: 02-02-09 THRU: 99-99-99



LOAD CENTER

KEY	PART NUMBER	U/M	DESCRIPTION
1	095721-43-000	EA	LABEL - CONTROL CENTER - 50 AMP
2	095721-49-000	EA	LABEL - CONTROL CENTER - 50 AMP
3	167050-01-000	EA	SWITCH - AUTOMATIC TRANSFER - PARALLAX ATS501BP
4	109677-01-000	EA	LOAD CENTER - 120 VOLT - 40 AMP
5	127002-07-000	EA	SENSOR - CURRENT
6	127002-11-000	EA	MODULE - EMS CENTER - W/O REMOTE SENSOR/MONITOR PANEL
7	141258-01-000	EA	LOAD CENTER - 120/240 - 30/50 AMP
7	141258-02-000	EA	LOAD CENTER - COVER
8	158714-01-000	EA	TRANSFORMER - 120V/16V - 15 WATTS

ELECTRICAL GROUP (CONTINUED)

BOXES & CORDS

KEY	PART NUMBER	U/M	DESCRIPTION
	108934-02-000	EA	CORD - POWER - 50 AMP - 4-WIRE - 36'
	115832-01-000	FT	CORD - HEAVY DUTY - 14-2 W/GROUND
	133070-01-000	EA	BOX - ELECTRIC/PLASTIC - 3" X 2" X 2.8" - UL
	133070-02-000	EA	BOX - ELECTRIC/PLASTIC - 3" X 2" X 2.8" - CSA

WIRE ASSEMBLIES

KEY	PART NUMBER	U/M	DESCRIPTION
	077069-02-000	EA	CABLE/EXTENSION - RADIO ANTENNA - 96"
	077069-03-000	EA	CABLE/EXTENSION - RADIO ANTENNA - 260"
	114870-01-000	EA	PLUG - AUDIO W/LEADS - 48.5" - REARVIEW MONITOR SYS
	125853-04-000	EA	WIRE LOOM - ENTERTAINMENT CENTER
	125853-07-000	EA	WIRE LOOM - ENTERTAINMENT CENTER
	132267-01-000	EA	WIRE ASSEMBLY - DOOR LOCK
	135131-02-000	EA	WIRE LOOM - THERMOSTAT
	136028-01-000	EA	WIRE ASM-SOFA,REST EASY
	136860-02-000	EA	CABLE - RCA - SHIELDED - 3 MALE TO MALE CONNECTORS - 50'
	137135-03-000	EA	WIRE LOOM - DIGITAL ELEVATION SENSOR
	137135-04-000	EA	WIRE HARNESS - POWER - DIGITAL ELEVATION SENSOR
	139583-01-000	EA	WIRE LOOM - SOFA/DOUBLE REST EASY
	139583-02-000	EA	WIRE LOOM - SOFA/REAR SWITCH
	140167-02-000	EA	WIRE ASM-GPS ADAPTER
	142258-02-000	EA	WIRE LOOM - VIDEO SWITCH/POWER SUPPLY
	144677-07-000	EA	WIRE - MONITOR - POWER - 3 PIN TO 6 PIN (3 WIRE)
	144677-09-000	EA	WIRE - MONITOR - POWER - 3 PIN/2 PIN
	145210-01-000	FT	CABLE - COAXIAL
	151316-02-000	EA	WIRE ASM - W/NON CONTACT SENSORS - GREY WATER - 23.6"
	151317-02-000	EA	WIRE ASM-W/NON CONTACT SENSORS-FRESH WATER/BLK TANK-23.6"
	151317-03-000	EA	WIRE ASM-W/NON CONTACT SENSORS-FRESH WATER/BLK TANK-43.2"
	155619-05-000	EA	WIRE ASSEMBLY - RADIO - 12 PIN
	160313-02-000	EA	WIRE - MONITOR - 12V - COLOR - SONY VM-HRN62W
	160365-01-000	EA	WIRE - REAR MONITOR - COLOR
	165669-01-000	EA	WIRE ASSEMBLY - INSTRUMENT PANEL - MAIN

ELECTRICAL GROUP (CONTINUED)
CONNECTORS & CONDUIT

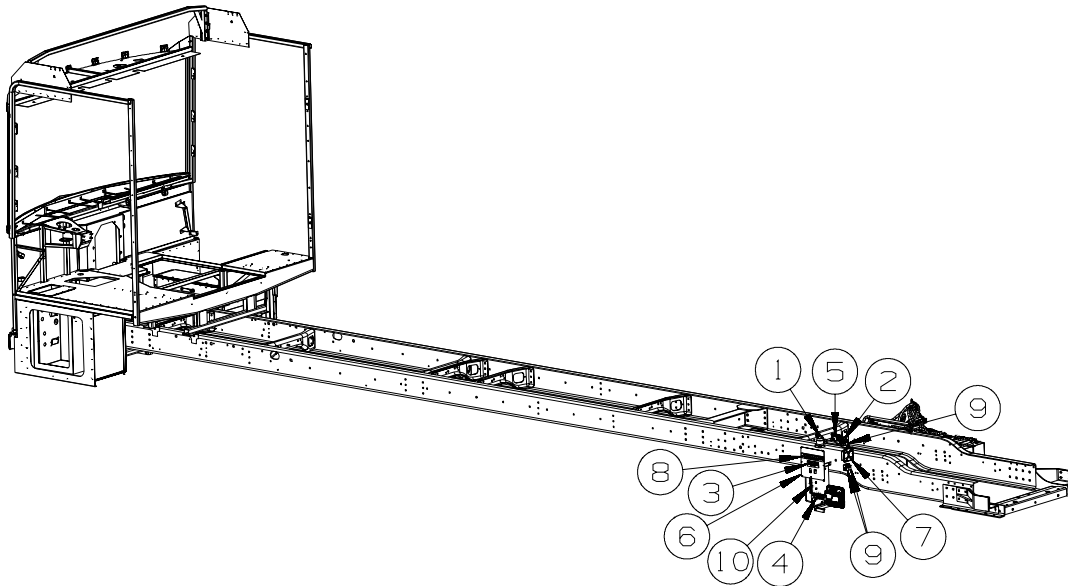
KEY	PART NUMBER	U/M	DESCRIPTION
	007940-01-000	EA	RECEPTACLE/SLIDE 16 TO 12 AWG - FEMALE END
	007940-02-000	EA	RECEPTACLE/SLIDE 10 AWG
	007954-01-000	EA	RECEPTACLE - HOUSING - 6 POSITION
	007956-05-000	EA	INSULATOR - SHRINK - 1/4"ID X 1 1/2"
	008311-01-000	EA	CONNECTOR - WIRE NUT - INSULATED - RED
	008312-01-000	EA	CONNECTOR - WIRE NUT - INSULATED - BLUE
	008313-01-000	EA	CONNECTOR - WIRE NUT - INSULATED - YELLOW
	008314-01-000	EA	CONNECTOR - WIRE NUT - INSULATED - GRAY
	008328-01-000	EA	TERMINAL - RING - 12/10 WIRE - #10 STUD FIT
	008331-01-000	EA	TERMINAL - RING - TONGUE - #4 WIRE - 3/8" STUD - COPPER
	008348-01-000	EA	TERMINAL - RING - 3/8" STUD 2 GA. WIRE
	008355-01-000	EA	CONNECTOR - CABLE CLAMPING - 3/4"
	008356-01-000	EA	CONNECTOR - PLASTIC - 3/8"
	008356-02-000	EA	CONNECTOR - PLASTIC - 21/32"
	035416-04-000	EA	TERMINAL - RING - #10 STUD FIT - INSULATED BARREL #16/14
	041953-01-000	FT	CONDUIT - CONVOLUTE SLIT - .5" ID - POLYETHYLENE
	041953-02-000	FT	CONDUIT - CONVOLUTE SLIT - .6" ID - POLYETHYLENE
	041953-03-000	FT	CONDUIT - CONVOLUTE SLIT - 1" ID (CLOTHES ROD COVER)
	041953-05-000	FT	CONDUIT - CONVOLUTE SLIT - .62" ID - POLYETHYLENE
	041953-06-000	FT	CONDUIT - CONVOLUTE SLIT - .4" ID - POLYETHYLENE
	041953-07-000	FT	CONDUIT - CONVOLUTE SLIT - .25" ID - POLYETHYLENE
	041953-08-000	FT	CONDUIT - CONVOLUTE SLIT - 1.5" ID - POLYETHYLENE
	041953-09-000	FT	CONDUIT - CONVOLUTE SLIT - .5" ID - NYLON
	041953-10-000	FT	CONDUIT - CONVOLUTE SLIT - .75" ID - NYLON
	041953-11-000	FT	CONDUIT - CONVOLUTE SLIT - 1.06" ID - NYLON
	041953-12-000	FT	CONDUIT - CONVOLUTE SOLID - 1.1" ID - NYLON
	041953-13-000	FT	CONDUIT - CONVOLUTE SLIT - 1.25" ID
	041953-14-000	FT	CONDUIT - CONVOLUTE SLIT - 1.5" ID
	041953-15-000	FT	CONDUIT - CONVOLUTE SLIT - 2"
	041953-16-000	FT	CONDUIT - CONVOLUTE SLIT - 2"
	047441-01-000	EA	TERMINAL-BATTERY, HORIZONTAL LUG
	047443-01-000	EA	TERMINAL - .250 RECEPTACLE FIT - INSULATED - 16/14 AWG
	047443-02-000	EA	TERMINAL - .250 RECEPTACLE FIT - INSULATED - 12/10 AWG
	047443-05-000	EA	TERMINAL - .250 RECEPTACLE FIT - 18GA AWG
	058028-01-000	EA	CONNECTOR - ELECTRICAL PIGTAIL - NYLON - CLEAR
	062036-01-000	EA	TERMINAL - PACK - CON - 12/10 AWG
	076319-12-000	EA	CONNECTOR - COAXIAL - ONE PIECE
	077479-02-000	EA	BOOT - BATTERY TERMINAL - SINGLE CABLE
	080015-02-000	EA	RECEPTACLE - FLAG - .185 - 16/14 GAUGE
	080015-03-000	EA	RECEPTACLE - FLAG - .250 - 14/16 GAUGE
	080015-04-000	EA	RECEPTACLE - FLAG - .187 - 16/14 GAUGE
	082109-01-000	EA	HOUSING - CONNECTOR - PACKARD
	082741-01-000	EA	CONNECTOR BODY - 2 CONNECTOR MALE
	087225-01-000	FT	SLEEVING - 1/2" - TYPE H
	088473-01-000	EA	HOUSING - PIN - 12 CAVITY (3 ROWS OF 4)
	088473-02-000	EA	HOUSING - PIN - 15 CAVITY (3 ROWS OF 5)
	088473-03-000	EA	HOUSING - PIN - 9 CAVITY (3 ROWS OF 3)
	088473-04-000	EA	HOUSING - PIN - 8 CAVITY IN-LINE
	088473-06-000	EA	HOUSING - PIN - 6 CAVITY (2 ROWS OF 3)
	088473-07-000	EA	HOUSING - PIN - 5 CAVITY - IN-LINE
	088473-08-000	EA	HOUSING - PIN - 4 CAVITY - IN-LINE
	088473-09-000	EA	HOUSING - PIN - 3 CAVITY - IN-LINE
	088473-10-000	EA	HOUSING - PIN - 2 CAVITY - IN-LINE
	088473-12-000	EA	HOUSING - PIN - 3 CAVITY - BLUE
	088473-13-000	EA	HOUSING - PIN - 3 CAVITY - GREEN
	088473-14-000	EA	HOUSING - PIN - 3 CAVITY - RED
	088474-01-000	EA	HOUSING - SOCKET - 12 CAVITY
	088474-02-000	EA	HOUSING - SOCKET - 15 CAVITY
	088474-03-000	EA	HOUSING - SOCKET - 9 CAVITY
	088474-06-000	EA	HOUSING - SOCKET - 6 CAVITY
	088474-07-000	EA	HOUSING - SOCKET - 5 CAVITY
	088474-08-000	EA	HOUSING - SOCKET - 4 CAVITY
	088474-09-000	EA	HOUSING - SOCKET - 3 CAVITY

ELECTRICAL GROUP (CONTINUED)
CONNECTORS & CONDUIT (CONTINUED)

KEY	PART NUMBER	U/M	DESCRIPTION
	088474-10-000	EA	HOUSING - SOCKET - 2 CAVITY
	088475-01-000	EA	PIN - CONNECTOR - 14-20 AWG
	088475-02-000	EA	PIN - CONNECTOR - 10-12 AWG
	088476-01-000	EA	TERMINAL - ELECTRICAL
	088476-02-000	EA	SOCKET - CONNECTOR - 12-10 GA - PRE-TIN
	098261-01-000	EA	SOCKET - CONNECTOR - WEATHERPACK - 12 AWG
	098261-02-000	EA	SOCKET - CONNECTOR - WEATHERPACK - 14-18 AWG
	098262-01-000	EA	SEAL - CONNECTOR - WEATHERPACK
	098264-01-000	EA	HOUSING - 2 PIN - WEATHER PACK - MALE W/FEMALE PINS
	098264-02-000	EA	HOUSING - 2 PIN - WEATHER PACK - FEMALE W/MALE PINS
	098265-02-000	EA	PIN - CONNECTOR - WEATHER PACK
	102777-02-000	EA	TERMINAL - RING - #6 STUD - 10 AWG
	103608-01-000	EA	SOCKET - WEDGE BASE W/LEADS
	104100-01-000	EA	HOUSING - 1 POSITION - 75 AMPS
	104100-03-000	EA	TERMINAL - 75 AMP
	106007-02-000	EA	TERMINAL - FEMALE - 10-12 AWG
	110178-01-000	EA	HOUSING - WIPER MOTOR
	112823-01-000	EA	SPLICE - REDUCER - 16-14 TO 18-22
	113135-01-000	EA	TERMINAL - FEMALE - M/P - 14-16 - F/SEALED TERMINAL
	113308-01-000	EA	TERMINAL - FEMALE - M/P - 14-16 - 280
	113308-02-000	EA	TERMINAL - FEMALE - M/P - 14-18 - 280
	113468-01-000	EA	HOUSING - 2 POSITION-FEMALE-USED ON WIPER/WASHER WIRE ASM
	113468-02-000	EA	HOUSING - 2 POSITION - FEMALE
	115932-01-000	EA	CONNECTOR - FEMALE - 30 AMP/120 VOLT
	116811-01-000	EA	TERMINAL - .110 RECEPTACLE - 16-14 AWG
	118571-01-000	EA	CONNECTOR - 3-WAY - MALE/SEALED
	118571-02-000	EA	CONNECTOR - 3-WAY - FEMALE/SEALED
	118571-05-000	EA	LOCK - SECONDARY - FEMALE
	118571-06-000	EA	LOCK - SECONDARY - MALE
	118599-02-000	EA	TERMINAL - MALE - M/P - 280/14-12
	118820-01-000	EA	INSULATOR - TERMINAL
	129233-01-000	EA	HOUSING - 2-POSITION/FEMALE - 280-SERIES
	129233-02-000	EA	HOUSING - 2-POSITION/FEMALE - 280-SERIES
	129233-03-000	EA	HOUSING - 2-POSITION/FEMALE - 280-SERIES
	131681-01-000	EA	CONNECTOR - 3/4" SO CORD - UL/CS
	131681-02-000	EA	CONNECTOR - 3/4" SO CORD - UL/CS
	137207-01-000	EA	HOUSING - PIN - 2 CAVITY/HIGH AMP
	137208-01-000	EA	HOUSING - SOCKET - 2 CAVITY/HIGH AMP
	137209-01-000	EA	PIN - CONNECTOR - 10AWG/HIGH AMP
	137210-01-000	EA	SOCKET - CONNECTOR - 10 AWG/HIGH AMP
	138996-04-000	EA	CONNECTOR - LAMP
	142520-01-000	EA	TERMINAL - FEMALE - MINI-FIT 16
	142522-01-000	EA	HOUSING - 4 PIN/MALE - MINI FIT
	142522-02-000	EA	HOUSING - 6 PIN/MALE - MINI FIT
	142522-03-000	EA	HOUSING - 8 PIN/MALE - MINI FIT
	142522-04-000	EA	HOUSING - 10 PIN/MALE - MINI FIT
	142522-05-000	EA	HOUSING - 12 PIN/MALE - MINI FIT
	142522-06-000	EA	HOUSING - 14 PIN/MALE - MINI FIT
	142524-01-000	EA	HOUSING - 4 PIN/FEMALE - WEATHER PACK
	142524-02-000	EA	HOUSING - 4 PIN/FEMALE - WEATHER PACK
	144283-01-000	EA	CONNECTOR - 110V - F/USE WITH SOW WIRE - BLUE
	144283-02-000	EA	CONNECTOR - 110V - F/USE WITH NM ROMEX WIRE - CLEAR
	145171-01-000	EA	CONNECTOR - COAXIAL
	148335-01-000	EA	HOUSING - 8-POSITION/MALE - 280-GT SERIES
	148335-02-000	EA	HOUSING - 4-POSITION/MALE - 280-GT SERIES
	148335-03-000	EA	HOUSING - 6-POSITION/MALE - 280-GT SERIES
	149683-01-000	EA	HOUSING - F/5 CAVITY RECEPTACLE - W/SQUARE GUIDE PIN
	149683-02-000	EA	HOUSING - F/5 CAVITY RECEPTACLE - W/ROUND GUIDE PIN
	149686-01-000	EA	TERMINAL - .250 RECEPTACLE
	149687-01-000	EA	HOUSING - 2 POSITION/MALE - PACKARD
	149687-02-000	EA	LOCK - F/2 POSITION HOUSING - PACKARD
	149688-01-000	EA	TERMINAL - MALE - 16 GAUGE WIRE
	156035-01-000	EA	HOUSING - 12-POSITION/FEMALE - 280-GT SERIES

ELECTRICAL GROUP (CONTINUED)
CONNECTORS & CONDUIT (CONTINUED)

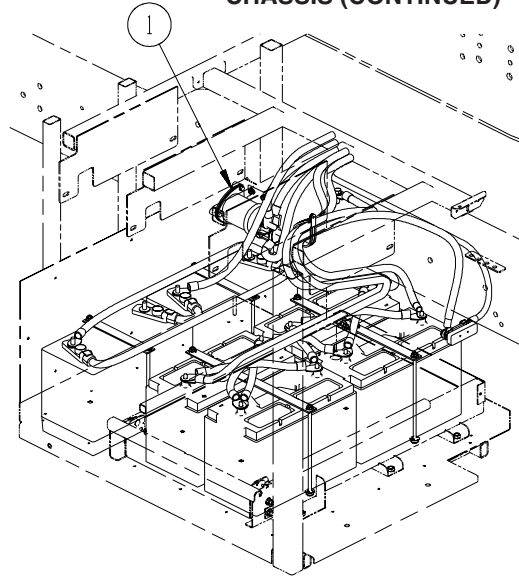
KEY	PART NUMBER	U/M	DESCRIPTION
	156041-01-000	EA	TERMINAL - FEMALE - 16-12 - 280-GT SERIES
	156043-01-000	EA	HOUSING - 2-POSITION/FEMALE - 480-MP SERIES
	156043-02-000	EA	LOCK - F/2 POSITION HOUSING - 480 SERIES
	156044-01-000	EA	TERMINAL - FEMALE - 16-12 - 280-GT - F/SEALED HOUSING
	156045-01-000	EA	HOUSING - 10-POSITION/FEMALE - 280-GT SERIES
	156045-02-000	EA	HOUSING - 4-POSITION/FEMALE - 280-GT SERIES
	156045-03-000	EA	HOUSING - 8-POSITION/FEMALE - 280-GT SERIES
	156045-04-000	EA	HOUSING - 6-POSITION/FEMALE - 280-GT SERIES
	156207-01-000	EA	HOUSING - 6-POSITION/MALE - 150-GT SERIES
	156208-01-000	EA	TERMINAL - MALE - 18-16 - 150-GT SERIES
	157590-01-000	EA	TERMINAL - FEMALE - M/P - 10-12 - 630
	157592-01-000	EA	HOUSING - 7-POSITION/FEMALE - M/P
	157592-02-000	EA	LOCK - SECONDARY - F/7 POSITION HOUSING
	157656-01-01A	EA	CONNECTOR - DASH LIGHT - BLACK
	158357-01-000	EA	HOUSING - 3 PIN/MALE - MINI FIT
	158373-01-000	EA	HOUSING - SOCKET - 16 CAVITY - MINI MATE-N-LOCK
	158374-01-000	EA	SOCKET - 16-20 CAVITY - MINI MATE-N-LOCK
	164685-01-000	EA	HOUSING - PIN - 7-POSITION
	164687-01-000	EA	PIN - CONNECTOR - 16-14
	164689-01-000	EA	SEAL - CONNECTOR
	168450-01-000	EA	CONNECTOR/ADAPTER - COAX



CHASSIS

KEY	PART NUMBER	U/M	DESCRIPTION
1	008188-02-000	EA	SOLENOID - VENTED - HEAVY DUTY
2	086273-01-000	EA	RELAY - BATTERY DISCONNECT
3	098379-04-000	EA	LABEL - ELECTRICAL BOX - SIDE
4	098379-06-000	EA	LABEL - ELECTRICAL BOX - BLACK/WHITE
5	156431-01-000	EA	CHARGER/BATTERY - CHASSIS TO HOUSE
6	139067-12-02B	EA	PLATE - CIRCUIT BREAKER/HOUSE - E-COATED
7	161298-03-000	EA	CONTROL - SLIDEOUT/DIGISYNC 30"
			FROM: 00-00-00 THRU: 11-09-08
7	171064-02-000	EA	CONTROL/MODULE - SLIDE/DUAL/HIGH SPEED
			FROM: 11-10-08 THRU: 99-99-99
8	093236-56-000	EA	LABEL - CIRCUIT BREAKER
9	063912-02-000	EA	RELAY - CANISTER - SPDT
10	098379-07-000	EA	LABEL - ELECTRICAL BOX - BLACK/WHITE

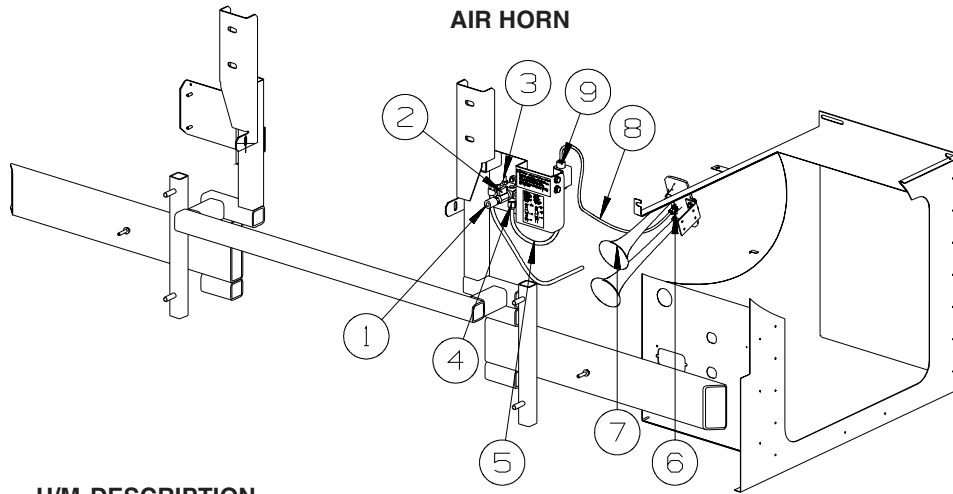
ELECTRICAL GROUP (CONTINUED)
CHASSIS (CONTINUED)



**BATTERY
INSTALLATION**

KEY	PART NUMBER	U/M	DESCRIPTION
1	086273-02-000	EA	RELAY - BATTERY DISCONNECT

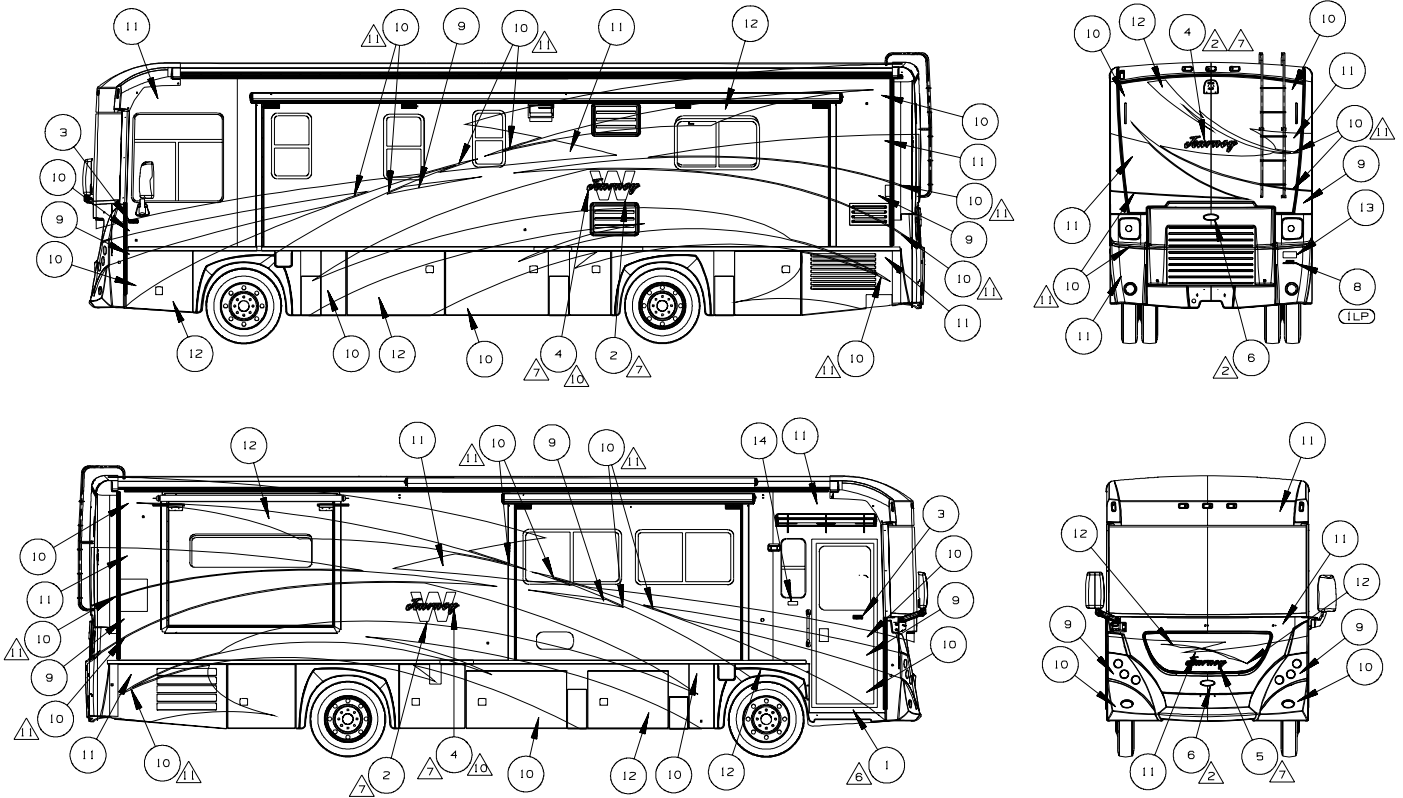
EXTERIOR BODY GROUP AIR HORN



KEY	PART NUMBER	U/M	DESCRIPTION
1	142595-01-000	EA	COUPLER - QUICK CONNECT - AIR - 1/4"MPT
2	142597-01-000	EA	VALVE - BALL - AIR - 1/4"MFPT
3	086241-01-000	EA	VALVE - AIR - 1/4 MPT X TIRE STEM
4	142571-01-000	EA	CONNECTOR - 3/8"T X 1/4"P
5	071390-07-000	FT	TUBING - AIR BRAKE - 3/8" - BLACK
6	071386-06-000	EA	CONNECTOR - MALE - 1/4" TUBE X 1/4"
7	077497-08-000	EA	HORN/AIR - TWIN SHORT - BLACK
8	071390-04-000	FT	TUBING - AIR BRAKE - 1/4" OD-BLK WEATHERHEAD(BRKS & HORN)
9	077497-11-000	EA	SOLENOID - HORN - REMOTE MOUNT

EXTERIOR BODY GROUP (CONTINUED)

GRAPHICS & PAINT



KEY	PART NUMBER	U/M	DESCRIPTION SILVER BILLET
27A → 1	109506-01-000	EA	FILM-URETHANE PROTECTANT
2 → 2	120700-12-CHT(O1A)	EA	DECAL-LOGO W - FROSTY JACK
3 → 3	132664-02-CHT(O1A)	EA	DECAL-LOGO DOMED WINNEBAGO - CHROME/RED/BLACK
4 → 4	151309-01-CHT(O1A)	EA	DECAL-LOGO JOURNEY DOMED LG - CHROME/BLACK/UMBRA
5 → 5	151309-02-CHT(O1A)	EA	DECAL-LOGO JOURNEY DOMED SML - CHROME/BLACK/UMBRA
6 → 6	151687-01-CHT(O1A)	EA	DECAL/BEZEL DOMED NAMEPLATE WINNEBAGO - CHROME/RED
7 → 7	164115-01-000	EA	KIT-PAINT PROTECTION
8 → 8	158621-02-CHT(O1A)	EA	DECAL-HORSEPOWER 350 FLEXSCRIPT - CHROME
9 → 9	GL	PAINT-DARK TOREADOR RED MET - SW #52973-4
10 → 10	GL	PAINT-PEWTER MET - SW #54690
11 → 11	GL	PAINT-DARK BRONZEMIST MET - SW #57074-1
12 → 12	GL	PAINT-WHITE DIAMOND PEARL - SW #84003-5
13 → 13	EA	PLATE-FREIGHTLINER LG - CHASSIS SUPPLIED
14 → 14	EA	PLATE-FREIGHTLINER SML - CHASSIS SUPPLIED
15 → 15	GL	PAINT-CLEAR COAT - SHERWIN WILLIAMS

KEY	PART NUMBER	U/M	DESCRIPTION GRANITE
27A → 1	109506-01-000	EA	FILM-URETHANE PROTECTANT
2 → 2	120700-12-CHT(O1A)	EA	DECAL-LOGO W - FROSTY JACK
3 → 3	132664-02-CHT(O1A)	EA	DECAL-LOGO DOMED WINNEBAGO - CHROME/RED/BLACK
4 → 4	151309-01-CHT(O1A)	EA	DECAL-LOGO JOURNEY DOMED LG - CHROME/BLACK/UMBRA
5 → 5	151309-02-CHT(O1A)	EA	DECAL-LOGO JOURNEY DOMED SML - CHROME/BLACK/UMBRA
6 → 6	151687-01-CHT(O1A)	EA	DECAL/BEZEL DOMED NAMEPLATE WINNEBAGO - CHROME/RED
7 → 7	164115-01-000	EA	KIT-PAINT PROTECTION
8 → 8	158621-02-CHT(O1A)	EA	DECAL-HORSEPOWER 350 FLEXSCRIPT - CHROME
9 → 9	GL	PAINT-BLACK MIST MET - SW #40888
10 → 10	GL	PAINT-MED GRAPHITE MET - SW #50311
11 → 11	GL	PAINT-DARK GRAY MET - SW #64255
12 → 12	GL	PAINT-DESERT SAND MICA MET - SW #60451-2
13 → 13	EA	PLATE-FREIGHTLINER LG - CHASSIS SUPPLIED
14 → 14	EA	PLATE-FREIGHTLINER SML - CHASSIS SUPPLIED
15 → 15	GL	PAINT-CLEAR COAT - SHERWIN WILLIAMS

KEY	PART NUMBER	U/M	DESCRIPTION WINEBERRY
27A → 1	109506-01-000	EA	FILM-URETHANE PROTECTANT
2 → 2	120700-12-CHT(O1A)	EA	DECAL-LOGO W - FROSTY JACK
3 → 3	132664-02-CHT(O1A)	EA	DECAL-LOGO DOMED WINNEBAGO - CHROME/RED/BLACK
4 → 4	151309-01-CHT(O1A)	EA	DECAL-LOGO JOURNEY DOMED LG - CHROME/BLACK/UMBRA
5 → 5	151309-02-CHT(O1A)	EA	DECAL-LOGO JOURNEY DOMED SML - CHROME/BLACK/UMBRA
6 → 6	151687-01-CHT(O1A)	EA	DECAL/BEZEL DOMED NAMEPLATE WINNEBAGO - CHROME/RED
7 → 7	164115-01-000	EA	KIT-PAINT PROTECTION
8 → 8	158621-02-CHT(O1A)	EA	DECAL-HORSEPOWER 350 FLEXSCRIPT - CHROME
9 → 9	GL	PAINT-BLACK GARNET MET - SW #64010-1
10 → 10	GL	PAINT-RED MAPLE MET - SW #51293-3
11 → 11	GL	PAINT-IRON GRAY MET - SW #61766
12 → 12	GL	PAINT-SHORE MIST MET - SW #60796
13 → 13	EA	PLATE-FREIGHTLINER LG - CHASSIS SUPPLIED
14 → 14	EA	PLATE-FREIGHTLINER SML - CHASSIS SUPPLIED
15 → 15	GL	PAINT-CLEAR COAT - SHERWIN WILLIAMS

- △ LOGO IS TO BE HELD TO ±1 MM ON A HORIZONTAL PLANE (END TO END).
- △ FILM TO PROTECT BOTTOM OF DOOR FROM SCUFF MARKS.
- △ DIE CUT ACRYLIC FILM TO PROTECT FULL BODY PAINTED UNITS.
- 4. ON FULL BODY PAINTED UNITS, USE 145487-02-000 (100 FT) TO COVER UNSEALED ROOF SEAMS.
- △ CLEAR COAT TO BE APPLIED ON ENTIRE UNIT TO PROTECT PAINT.
- △ CENTER ON UNIT.
- 1. APPLY PROTECTOR 116424-01-000 TO WATER HEATER LATCH.

- △ PAINT APPEARS LIKE BORDER.
- △ LOGO TO BE CENTERED ON "W".
- 9. APPLY SEALER BODY SEAM CLEAR 94401-04-000 TO HELP SECURE PAINT ON EDGES.
- 8. END PANELS OF SLIDEOUT ROOMS WILL BE PAINTED WITH BASECOAT AND CLEAR COAT ONLY. THERE WILL BE NO COLORED DESIGN GRAPHICS ELEMENTS PAINTED ON THE END PANELS.

- (ILP) FRTL 29,410 350 6.7L 6 SPEED
- (24P) MASK FRONT EXT PROTECTIVE
- (24B) EXT FULL BODY PAINT PKG # 5
- (24C) EXT FULL BODY PAINT PKG # 4
- (24C) EXT FULL BODY PAINT PKG # 3
- (92A) EXT FULL BODY PAINT PKG # 2
- (27A) EXT FULL BODY PAINT PKG # 1

NOTES:

**EXTERIOR BODY GROUP (CONTINUED)
GRAPHICS & PAINT (CONTINUED)**

(24B) KEY	PART NUMBER	U/M	DESCRIPTION PLATINUM
△6 → 1	109506-01-000	EA	FILM-URETHANE PROTECTANT
2	120700-12-CHT(01A)	EA	DECAL-LOGO W - FROSTY JACK
3	132664-02-CHT(01A)	EA	DECAL-LOGO DOMED WINNEBAGO - CHROME/RED/BLACK
4	151309-01-CHT(01A)	EA	DECAL-LOGO JOURNEY DOMED LG - CHROME/BLACK/UMBRA
5	151309-02-CHT(01A)	EA	DECAL-LOGO JOURNEY DOMED SML - CHROME/BLACK/UMBRA
6	151687-01-CHT(01A)	EA	DECAL/BEZEL DOMED NAMEPLATE WINNEBAGO - CHROME/RED
1LP (24P) ← △5 → 7	164115-01-000	EA	KIT-PAINT PROTECTION
8	158621-02-CHT(01A)	EA	DECAL-HORSEPOWER 350 FLEXSCRIPT - CHROME
9	-----	GL	PAINT-RADIANT RUBY PEARL MET - SW #64037
10	-----	GL	PAINT-BRT PLATINUM MET - SW #48823
11	-----	GL	PAINT-SILVER MET - SW #43638
12	-----	GL	PAINT-BLACK MIST MET - SW #40888
13	-----	EA	PLATE-FREIGHTLINER LG - CHASSIS SUPPLIED
14	-----	EA	PLATE-FREIGHTLINER SML - CHASSIS SUPPLIED
△3 → 15	-----	GL	PAINT-CLEAR COAT - SHERWIN WILLIAMS

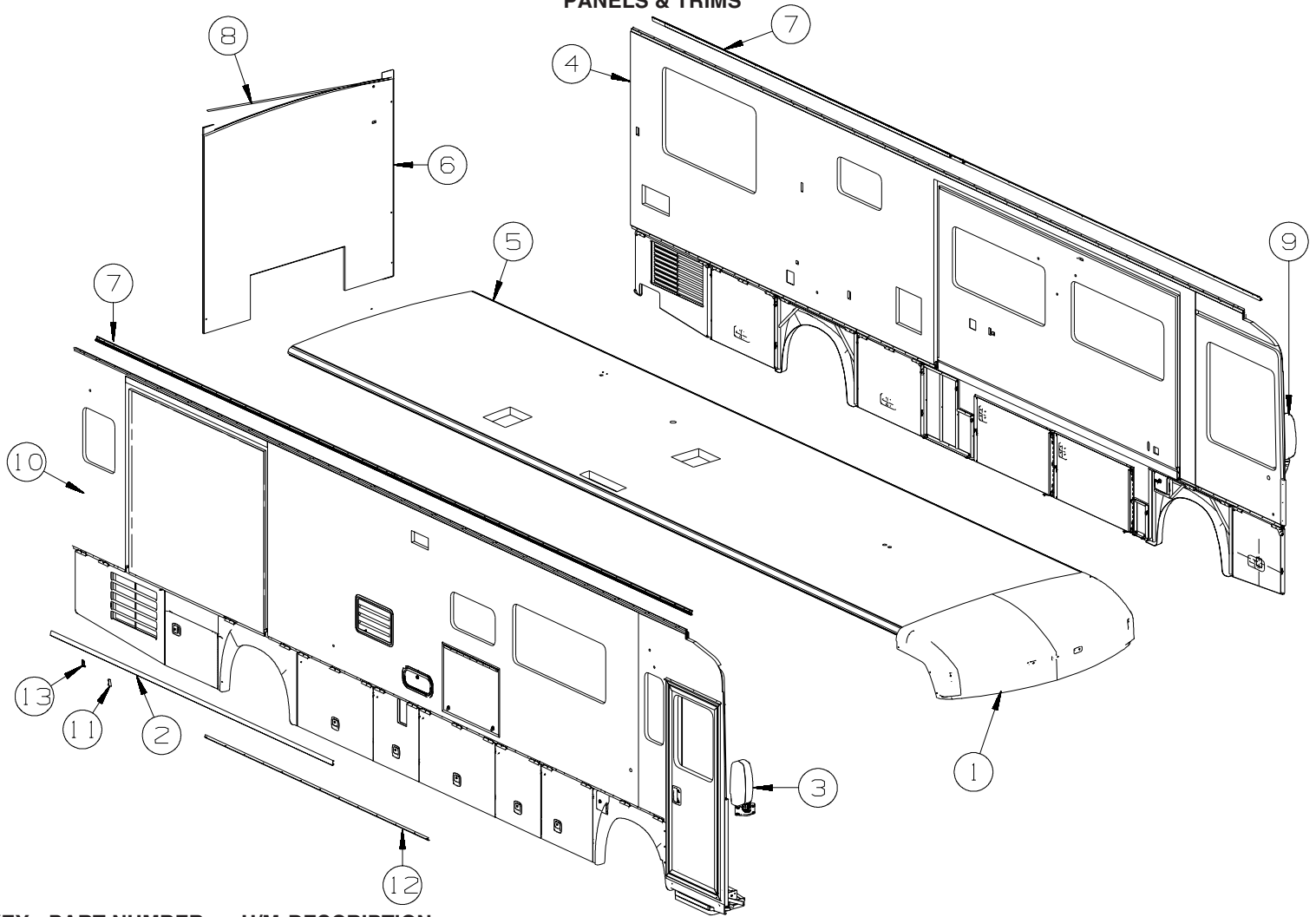
(24H) KEY	PART NUMBER	U/M	DESCRIPTION ASPE GOLD
△6 → 1	109506-01-000	EA	FILM-URETHANE PROTECTANT
2	120700-12-CHT(01A)	EA	DECAL-LOGO W - FROSTY JACK
3	132664-02-CHT(01A)	EA	DECAL-LOGO DOMED WINNEBAGO - CHROME/RED/BLACK
4	151309-01-CHT(01A)	EA	DECAL-LOGO JOURNEY DOMED LG - CHROME/BLACK/UMBRA
5	151309-02-CHT(01A)	EA	DECAL-LOGO JOURNEY DOMED SML - CHROME/BLACK/UMBRA
6	151687-01-CHT(01A)	EA	DECAL/BEZEL DOMED NAMEPLATE WINNEBAGO - CHROME/RED
1LP (24P) ← △5 → 7	164115-01-000	EA	KIT-PAINT PROTECTION
8	158621-02-CHT(01A)	EA	DECAL-HORSEPOWER 350 FLEXSCRIPT - CHROME
9	-----	GL	PAINT-LT BRONZEMIST MET - SW #57066
10	-----	GL	PAINT-SPRUCE GREEN MET - SW #53876
11	-----	GL	PAINT-BLACK MIST MET - SW #40888
12	-----	GL	PAINT-LT GOLD MET - SW #51076
13	-----	EA	PLATE-FREIGHTLINER LG - CHASSIS SUPPLIED
14	-----	EA	PLATE-FREIGHTLINER SML - CHASSIS SUPPLIED
△3 → 15	-----	GL	PAINT-CLEAR COAT - SHERWIN WILLIAMS

KEY	PART NUMBER	U/M	DESCRIPTION
	072882-01-000	EA	PAINT - LOW BAKE - OFF WHITE
	004308-01-000	EA	PAINT - BLACK SPRAY
	116242-01-000	EA	PROTECTOR - LATCH - WATER HEATER

**DUPONT COLOR CODES ARE NOW FOUND IN THE PAINT CODE MANUAL.
YOU CAN FIND THIS MANUAL ON YOUR DEALER INDEX WEBPAGE UNDER SERVICE.**

EXTERIOR BODY GROUP (CONTINUED)

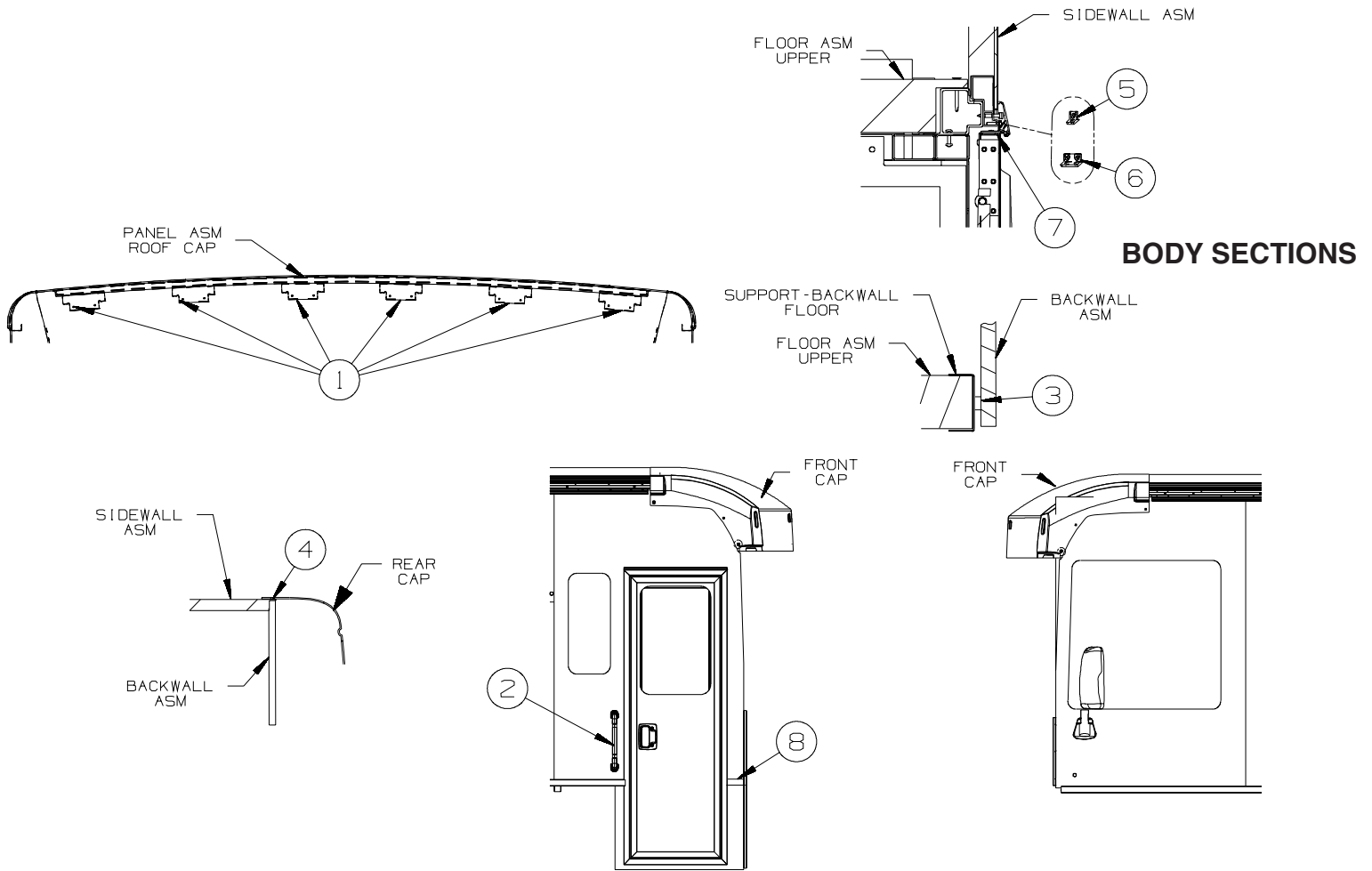
PANELS & TRIMS



KEY	PART NUMBER	U/M	DESCRIPTION
1	159888-02-W66	EA	CAP - ROOF/FRONT SECTION - W/O LIGHTS
2	146550-01-02A	EA	TRIM COVER - SIDEWALL - 182" - BLACK
3*	166256-01-01A	EA	MIRROR - EXTERIOR/REMOTE/HEAT/PASS-W/TURN SIGNAL-BLK/CHR
	108825-03-000	EA	GASKET - MIRROR
	133379-01-01A	EA	SCREW - MACHINE - 5/16-18 X 2.00 - TORX
4	167892-01-YA0	EA	SIDEWALL - DRIVER - W/O WINDOWS/TRIMS (YA0, YA1, YA2)
4	167892-01-YA3	EA	SIDEWALL - DRIVER - W/O WINDOWS/TRIMS (YA3, YA4, YA5)
4	167892-01-YA6	EA	SIDEWALL - DRIVER - W/O WINDOWS/TRIMS (YA6, YA7, YA8)
5	167894-01-YA0	EA	ROOF - W/O LIGHTS/VENTS - W/WIRING
6	162327-02-Y65	EA	BACKWALL/INNER - W/O REAR CAP (YA0, YA1, YA2)
6	162327-02-Y69	EA	BACKWALL/INNER - W/O REAR CAP (YA3, YA4, YA5)
6	162327-02-YA6	EA	BACKWALL/INNER - W/O REAR CAP (YA6, YA7, YA8)
7	157284-01-01A	EA	RAIL - AWNING - 192" - BRIGHT WHITE
8	114248-02-04A	EA	ANGLE - PLASTIC - .7" X .4" X 96.7" - BEIGE
9*	142721-02-02A	EA	MIRROR - EXTERIOR REMOTE/HEAT/DRVR - (BREAKAWAY) - CHROME
10	167893-01-YA0	EA	SIDEWALL - PASSENGER - W/O WINDOWS/TRIMS (YA0, YA1, YA2)
10	167893-01-YA3	EA	SIDEWALL - PASSENGER - W/O WINDOWS/TRIMS (YA3, YA4, YA5)
10	167893-01-YA6	EA	SIDEWALL - PASSENGER - W/O WINDOWS/TRIMS (YA6, YA7, YA8)
11	146576-02-02A	EA	END CAP/TRIM - LEFT HAND - BLACK
12	146548-01-01A	EA	TRIM - RETAINER - 143.8" - MILL
13	146576-01-02A	EA	END CAP/TRIM - RIGHT HAND - BLACK

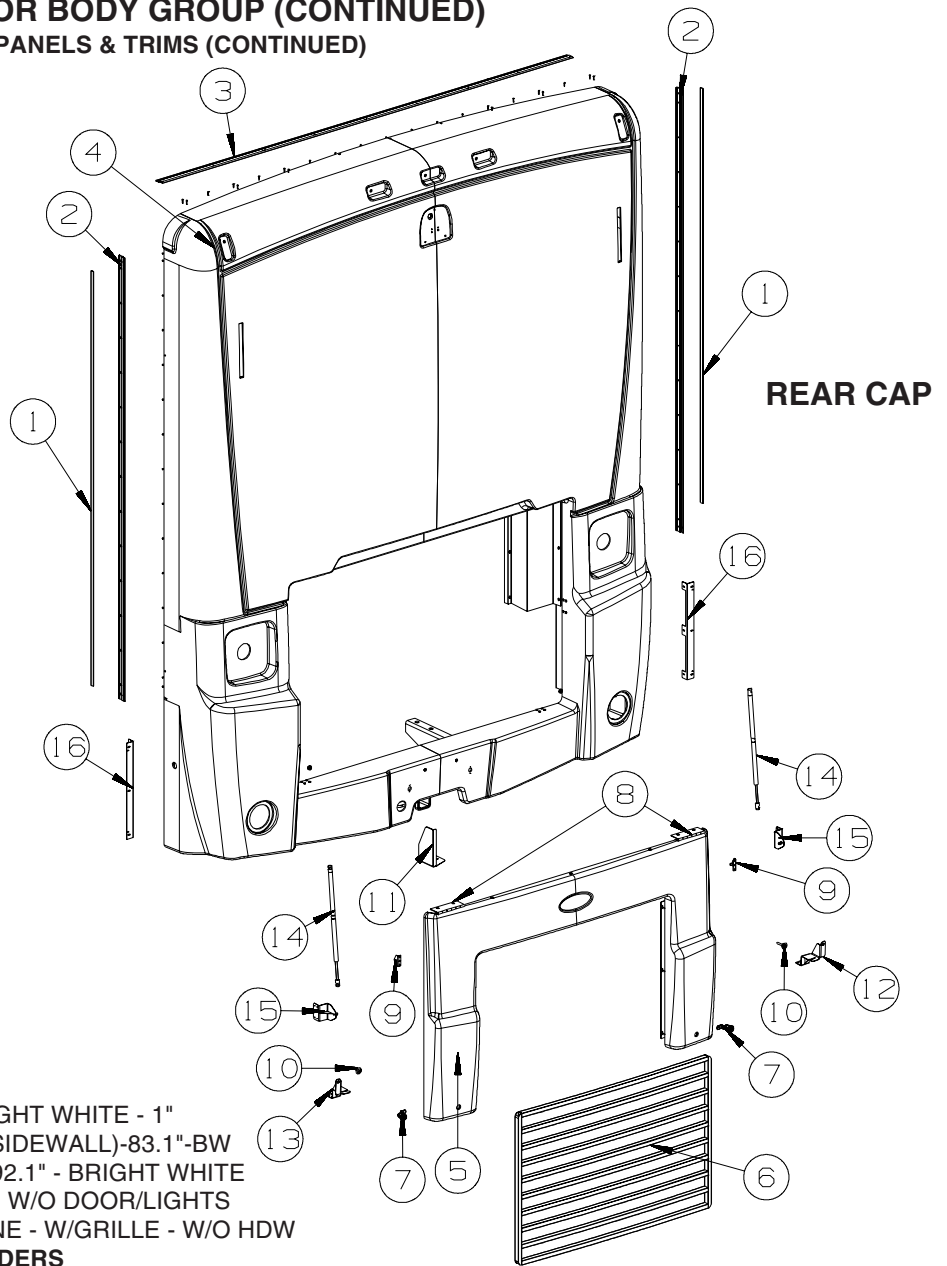
*COMPONENT PARTS LISTED LATER IN THIS GROUP

EXTERIOR BODY GROUP (CONTINUED) PANELS & TRIMS (CONTINUED)



KEY	PART NUMBER	U/M	DESCRIPTION
1	134774-01-02B	EA	BRACKET - CAB ATTACHMENT - E-COATED
2	165309-01-01A	EA	ASSIST HANDLE - 18" - NON-LIGHTED - SST
3	104692-01-000	FT	SEAL - ADHESIVE BACKED FOAM - 3/4" THICK X 3/4" WIDE X 25"
4	156622-01-01A	FT	SEALER - TAPE - 1/4" THICK X 3" WIDE X 100 FT
5	143143-01-01A	EA	ANGLE - SUPPORT/TRIM
6	143143-02-01A	EA	ANGLE - SUPPORT/TRIM
7	099418-01-000	FT	SEAL - D-SECTION/ADHESIVE BACK - .44" X .44" - BLK RUBBER
8	093673-01-06A	FT	TRIM/MOLDING - 1.4" WIDE X 8' LONG - BRIGHT WHITE

EXTERIOR BODY GROUP (CONTINUED)
PANELS & TRIMS (CONTINUED)



KEY	PART NUMBER	U/M	DESCRIPTION
1	091985-01-07A	FT	INSERT - TRIM - BRIGHT WHITE - 1"
2	092041-01-03A	EA	TRIM-FRT/RR CAP (SIDEWALL)-83.1"-BW
3	083805-23-000	EA	TRIM - ROOF CAP - 92.1" - BRIGHT WHITE
4	159018-02-W72	EA	PANEL - REAR CAP - W/O DOOR/LIGHTS
5	159019-02-WD3	EA	DOOR - REAR ENGINE - W/GRILLE - W/O HDW

VALANCE DOOR & FUEL FILL DOOR LOCK CYLINDERS

	138289-11-000	EA	CYLINDER/LOCK - ACCESS DOORS - REDUCED SENSITIVITY (3041)
	138289-12-000	EA	CYLINDER/LOCK - ACCESS DOORS - REDUCED SENSITIVITY (3042)
	138289-13-000	EA	CYLINDER/LOCK - ACCESS DOORS - REDUCED SENSITIVITY (3043)
	138289-14-000	EA	CYLINDER/LOCK - ACCESS DOORS - REDUCED SENSITIVITY (3044)
	138289-15-000	EA	CYLINDER/LOCK - ACCESS DOORS - REDUCED SENSITIVITY (3045)
	138289-16-000	EA	CYLINDER/LOCK - ACCESS DOORS - REDUCED SENSITIVITY (3046)
	138289-17-000	EA	CYLINDER/LOCK - ACCESS DOORS - REDUCED SENSITIVITY (3047)
	138289-18-000	EA	CYLINDER/LOCK - ACCESS DOORS - REDUCED SENSITIVITY (3048)
	138289-19-000	EA	CYLINDER/LOCK - ACCESS DOORS - REDUCED SENSITIVITY (3049)
	138289-20-000	EA	CYLINDER/LOCK - ACCESS DOORS - REDUCED SENSITIVITY (3050)
6	159145-02-WD3	EA	GRILLE - TRUNK/REAR ENGINE DOOR
7	138290-02-000	EA	CASE - W/CAM - W/O CYLINDER/KEY
8	102325-05-07A	EA	HINGE/TRUNK DOOR - 6" - OFF SET - BRIGHT WHITE
9	126263-03-02B	EA	BRACKET - GAS SPRING W/BALL STUD - E/COATED
10	058786-01-000	EA	BOLT - HOOD ADJUSTMENT - 5/16"-18 X 1.5"-2"- W/BLACK PAD
11	162519-01-02B	EA	BRACKET - BUMPER/HITCH - E-COATED
12	161691-01-02B	EA	BRACKET/STRIKE - LATCH - RH HAND - E-COATED
13	161691-02-02B	EA	BRACKET/STRIKE - LATCH - LH HAND - E-COATED
14	142569-04-000	EA	SPRING/GAS - 67 LB - 21.1" EXTENDED/12.6" COMPRESSED
15	161693-01-02B	EA	BRACKET - GAS SPRING - E-COATED
16	138789-01-02B	EA	ANGLE/MOUNT - WHEEL LIP/BACKWALL - E-COATED

EXTERIOR BODY GROUP (CONTINUED)

COMPONENT PARTS FOR PANELS & TRIMS

142721-01-02A, 142721-02-02A

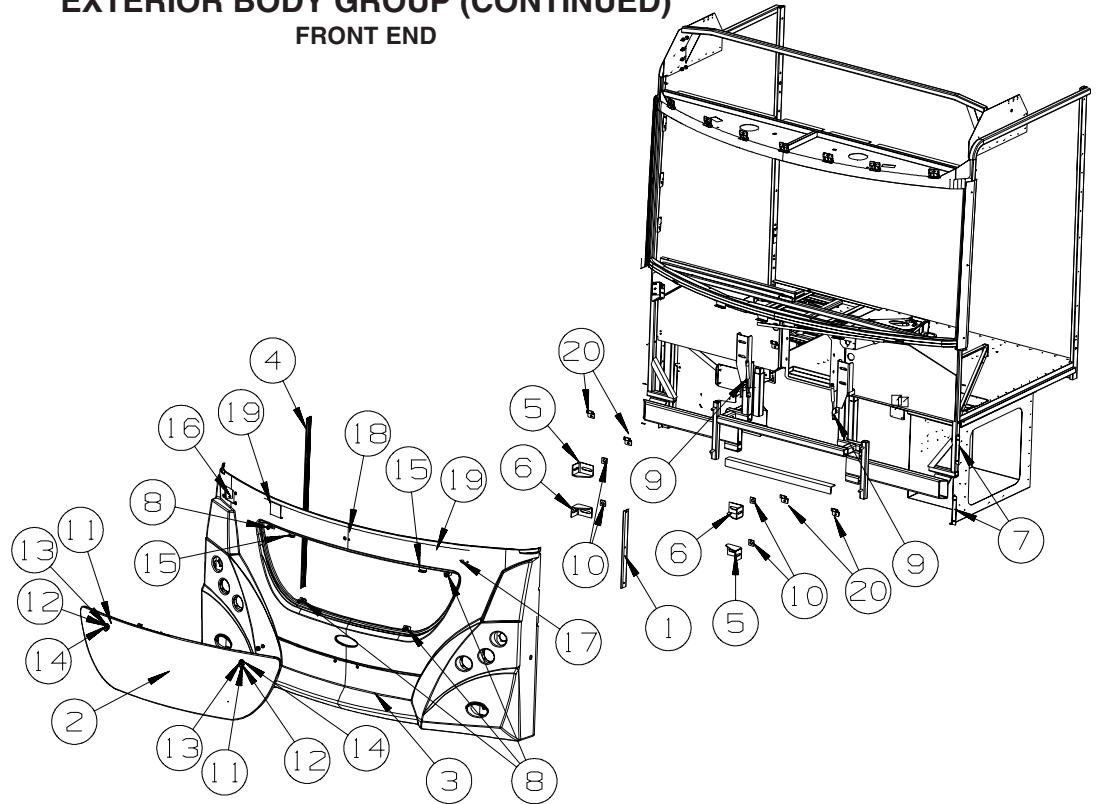
KEY	PART NUMBER	U/M	DESCRIPTION	VENDOR NO.
	106015-16-700	EA	GLASS/FLAT-W/HEAT ELEMENT	709450
	106015-18-700	EA	GLASS/CONVEX	709650
	106015-18-701	EA	ACTUATOR - CONVEX GLASS	7475410
	106015-18-702	EA	MOTOR - FLAT GLASS	7471180
	106015-18-703	EA	GLASS/CONVEX-ACT/HOUSING	709651 KIT
	131431-03-700	EA	LIGHT/TURN SIGNAL - AMBER	7475510
	142721-01-700	EA	COVER/CAP - BOTTOM	Q709678
	142721-01-701	EA	CAP - RECTANGULAR (VELVAC)	709557
	142721-01-702	EA	BRACKET/MOUNT - MIRROR	7096800
	142721-01-703	EA	GASKET/MOUNT - MIRROR	7097400
	142721-01-704	EA	SET SCREW - 5/16"-18 X 1.25"	4082140

166256-01-01A

KEY	PART NUMBER	U/M	DESCRIPTION	VENDOR NO.
	106015-16-700	EA	GLASS/FLAT-W/HEAT ELEMENT	709450
	106015-18-700	EA	GLASS/CONVEX	709650
	106105-18-703	EA	GLASS/CONVEX-ACT/HOUSING	709651 KIT
	131431-03-700	EA	LIGHT/TURN SIGNAL - AMBER	7475510
	131431-07-700	EA	KIT(SCREW CVR BLK)ROUND/OVAL	748344
	131431-08-700	EA	CAP/BASE - BLK - 1 PKG OF 2	Q7095150
	166256-01-700	EA	MOTOR	747673

EXTERIOR BODY GROUP (CONTINUED)

FRONT END



KEY	PART NUMBER	U/M	DESCRIPTION
1	140447-07-01A	EA	TRIM - GRILLE PANEL/SIDEWALL - 21.5" - BRIGHT WHITE
2	160829-01-WD3	EA	HOOD - FRONT - W/O HDW - NON-PRIMED
	102328-01-000	EA	KEY - BARREL - NICKEL PLATED
3	160646-02-WD3	EA	PANEL - FRONT/LOWER - W/O HOOD/GRILLE/LIGHTS
4	140447-08-01A	EA	TRIM - GRILLE PANEL/SIDEWALL - 47.2" - BRIGHT WHITE
5	128455-01-02B	EA	BRACKET - BUMPER - E-COATED
6	128455-02-02B	EA	BRACKET - BUMPER - E-COATED
7	113041-16-02B	EA	ANGLE/MOUNT - BUMPER - E-COATED
			FROM: 00-00-00 THRU: 06-01-08
7	113041-65-02B	EA	ANGLE/MOUNT - BUMPER - E-COATED
			FROM: 06-02-08 THRU: 99-99-99
8	058786-04-000	EA	BOLT - HOOD ADJUSTMENT - 5/16"-18 X 2"-2.5" - W/BLACK PAD
9	142569-30-000	EA	SPRING/GAS - 90 LB - 9.6" EXTENDED/6.5" COMPRESSED
10	116617-02-02B	EA	SPACER - BUMPER
11	102330-02-000	EA	LATCH - VISE ACTION/KEY OPERATED
12	131664-01-01A	EA	PULL-LOCK, BLACK
13	164283-01-02B	EA	RETAINER - LATCH/HOOD - E-COATED
14	164282-01-02B	EA	SPACER - LATCH/HOOD - E-COATED
15	160247-02-02B	EA	LATCH - HOOD/FRONT END - E-COATED
16	120850-04-02B	EA	PLATE - SUPPORT/MIRROR - E-COATED
17	157051-02-02B	EA	SUPPORT - PIVOT SHAFT - E-COATED
18	157051-04-02B	EA	SUPPORT - PIVOT SHAFT - E-COATED
19	157051-05-02B	EA	SUPPORT - PIVOT SHAFT - E-COATED
20	160210-02-02B	EA	BRACKET - BUMPER/HOOD - E-COATED

LADDER

KEY	PART NUMBER	U/M	DESCRIPTION
	129375-02-000	EA	SEAL - LADDER BRACKET
	161113-06-01A	EA	LADDER - 5 STEP - 71" - BRUSHED ALUMINUM
	161990-05-01A	EA	LADDER - LOWER - BRUSHED ALUMINUM - 1PB
	161990-01-01A	EA	LADDER - LOWER - BRUSHED ALUMINUM - 1LT

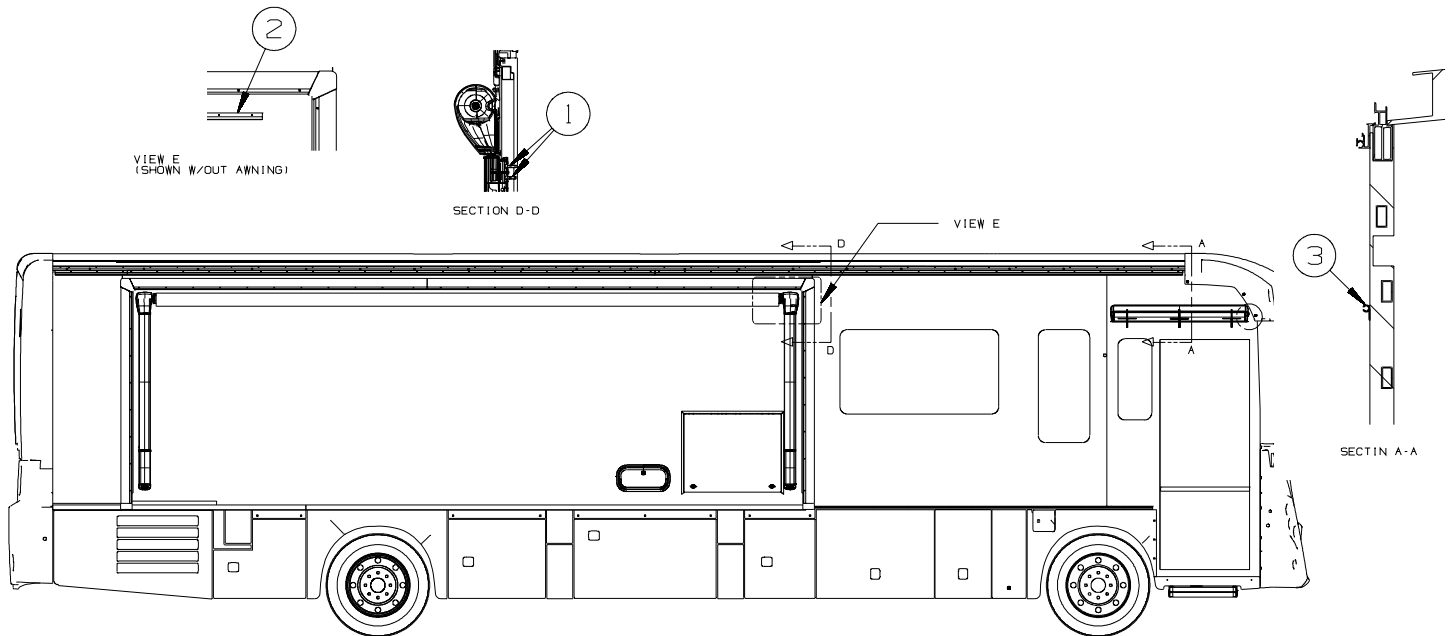
EXTERIOR BODY GROUP (CONTINUED)

STRUCTURAL COMPONENTS

KEY	PART NUMBER	U/M	DESCRIPTION
	089297-01-000	SF	PLYWOOD - LUAN - OVERLAY GRADE - 4' X 8'
	089297-05-000	SF	PLYWOOD - LUAN - OVERLAY GRADE - 3.4MM X 4' X 8'
	100619-01-000	BF	FOAM - EXPANDED POLYSTYRENE - 1.34" X 48" X 96"
	100619-04-000	BF	FOAM - EXPANDED POLYSTYRENE - .5" X 48" X 96"
	100619-05-000	BF	FOAM - EXPANDED POLYSTYRENE - .75" X 48" X 96"-1.5"DENSITY
	100619-13-000	BF	FOAM - EXPANDED POLYSTYRENE-.34" X 34.7" X 96"-2" DENSITY
	100619-16-000	BF	FOAM - EXPANDED POLYSTYRENE - .75" X 48" X 96"-2" DENSITY
	120107-07-000	EA	FOAM - ROOF COVE
	152490-01-000	EA	FOAM - PLUG - ROOF TUBE
	108535-05-03A	SF	FIBERGLASS SHEET - 108" X 500' ROLL - BRIGHT WHITE
	128782-18-01A	EA	FIBERGLASS SHEET - 85.2" X 448.1" - HIGH GLOSS - BRT WHITE FROM: 00-00-00 THRU: 11-09-08
	116942-03-01A	LB	ALUMINUM - .7" X 40" X 158"
	151523-01-02A	EA	CEILING PANEL - 48" X 97.1" - VINYL/FOAM/LUAN - SPINDRIFT
	168391-01-000	EA	FOAM - PLUG - ROOF
	170322-18-02A	EA	FIBERGLASS SHEET - 85.2" X 448.1" - GRAY SAND GEL FROM: 11-10-08 THRU: 99-99-99

AWNINGS

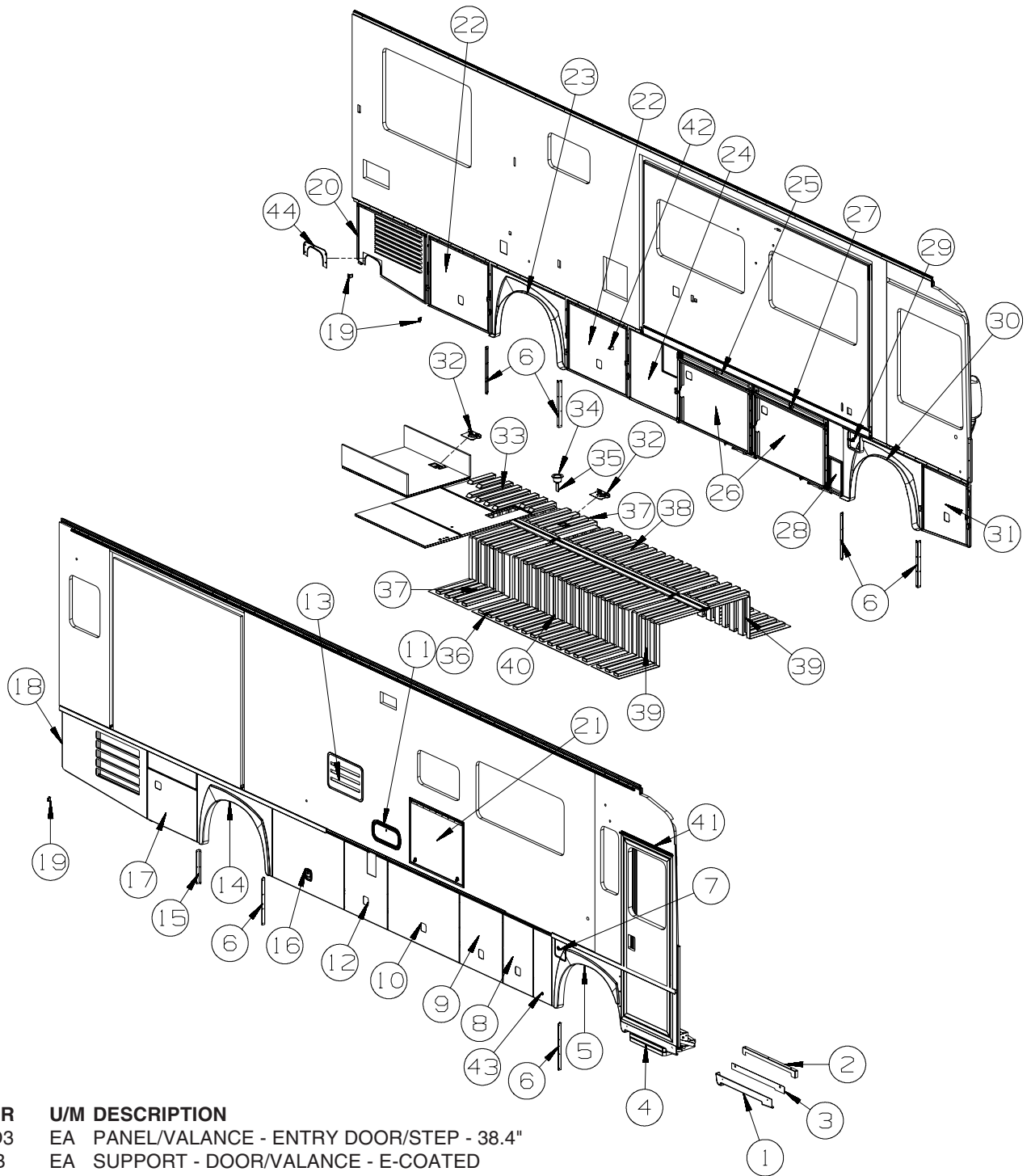
ORDER AWNINGS & REPAIR PARTS FROM DOMETIC AT #800-366-3842 OR CAREFREE AT #800-621-2617 OR ONLINE AT WWW.E-CAREFREE.COM. THE AWNING INFORMATION YOU WILL NEED IS LOCATED ON THE MOTOR HOME NEAR THE TOP OF THE AWNING RAIL.



KEY	PART NUMBER	U/M	DESCRIPTION
1	113874-11-01A	EA	SCREW/LAG - AWNING - 1/4" X 1" STAINLESS STEEL
2	142123-07-02A	EA	RAIL/AWNING - 226" - BLACK
3	165522-02-02A	EA	RAIL - AWNING - 45.1" - BLACK

EXTERIOR DOORS & COMPARTMENTS GROUP

DOOR & COMPARTMENT LAYOUT

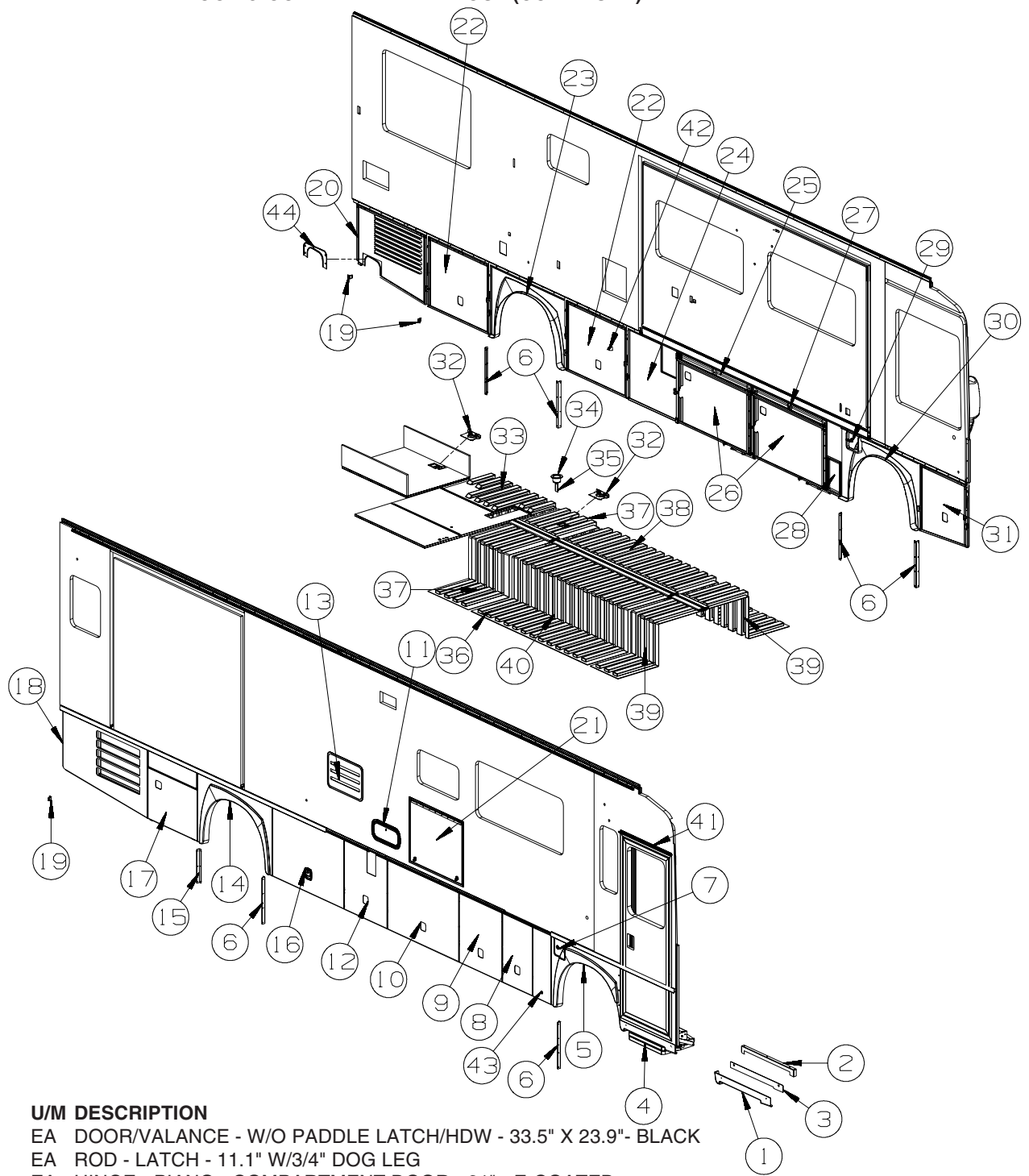


KEY	PART NUMBER	U/M	DESCRIPTION
1	166220-02-WD3	EA	PANEL/VALANCE - ENTRY DOOR/STEP - 38.4"
2	134125-06-02B	EA	SUPPORT - DOOR/VALANCE - E-COATED
3	143362-05-02B	EA	CLIP - TRIM - E-COATED
4*	094707-04-01A	EA	STEP - ELECTRIC DOUBLE - KWIKEE
5	166240-02-YB0	EA	PANEL/WHEEL LIP - PASSENGER/FRONT
	139793-03-01A	EA	HINGE - CENTER/VALANCE DOOR - W/O BALL STUD
6	113904-11-02B	EA	ANGLE - ATTACHMENT/WHEEL LIP - 21.6" - E-COAT
7	160260-04-WD3	EA	PANEL/DOOR - FUEL FILL - W/O LOCK
	148817-01-000	EA	WASHER/SPUR - LOCKING
	138290-01-000	EA	CASE - W/CAM - W/O CYLINDER/KEY
	153306-02-01A	EA	HINGE - PIANO - 1 1/2" X 3.9" - UNPAINTED

EXTERIOR DOORS & COMPARTMENTS GROUP (CONTINUED)
DOOR & COMPARTMENT LAYOUT (CONTINUED)

KEY	PART NUMBER	U/M	DESCRIPTION
8	161136-13-AA1	EA	DOOR/VALANCE - W/O PADDLE LATCH/HDW - 20.4"W X 32.2"H - BLACK FROM: 00-00-00 THRU: 09-30-08
	132873-95-000	EA	ROD - LATCH - 4" W/3/4" DOG LEG
	135624-94-01B	EA	ROD - LATCH
	142569-27-000	EA	SPRING/GAS - 112 LB - 17" EXTENDED/11" COMPRESSED
	126263-02-02B	EA	BRACKET - GAS SPRING W/BALL STUD - E-COATED
	130053-01-01A	EA	STRIKER - LUGGAGE DOOR - FLUSH - BLACK
	143793-01-01A	EA	SHIM - STRIKER - LUGGAGE - 3/64" - BLACK
	099418-01-000	FT	SEAL - D-SECTION/ADHESIVE BACK - .44" X .44" - BLK RUBBER
	132892-08-01A	FT	SEAL - BULB/SINGLE - W/U CHANNEL - 1" X .8" - BLACK
8	161136-18-AA1	EA	DOOR/VALANCE - W/O PADDLE LATCH/HDW - 33.1"W X 32.2"H FROM: 10-01-08 THRU: 99-99-99
	132873-95-000	EA	ROD - LATCH - 4" W/3/4" DOG LEG
	135624-94-01B	EA	ROD - LATCH
	142569-21-000	EA	SPRING/GAS - 60 LB - 20" EXTENDED/12" COMPRESSED
	126263-02-02B	EA	BRACKET - GAS SPRING W/BALL STUD - E-COATED
	130053-01-01A	EA	STRIKER - LUGGAGE DOOR - FLUSH - BLACK
	143793-01-01A	EA	SHIM - STRIKER - LUGGAGE - 3/64" - BLACK
	099418-01-000	FT	SEAL - D-SECTION/ADHESIVE BACK - .44" X .44" - BLK RUBBER
	132892-08-01A	FT	SEAL - BULB/SINGLE - W/U CHANNEL - 1" X .8" - BLACK
9	161136-06-AA1	EA	DOOR/VALANCE - W/O PADDLE LATCH/HDW - 29.3"W X 32.2"H - BLACK
	132873-J4-000	EA	ROD - LATCH - 8.7" W/3/4" DOG LEG
	135624-C7-01B	EA	ROD - LATCH
	142569-21-000	EA	SPRING/GAS - 60 LB - 20" EXTENDED/12" COMPRESSED
	126263-02-02B	EA	BRACKET - GAS SPRING W/BALL STUD - E-COATED
	130053-01-01A	EA	STRIKER - LUGGAGE DOOR - FLUSH - BLACK
	143793-01-01A	EA	SHIM - STRIKER - LUGGAGE - 3/64" - BLACK
	099418-01-000	FT	SEAL - D-SECTION/ADHESIVE BACK - .44" X .44" - BLK RUBBER
	132892-08-01A	FT	SEAL - BULB/SINGLE - W/U CHANNEL - 1" X .8" - BLACK
10	161136-07-AA1	EA	DOOR/VALANCE - W/O PADDLE LATCH/HDW - 48.6"W X 32.2"H - BLACK
	132873-J5-000	EA	ROD - LATCH - 18.3" W/3/4" DOG LEG
	135624-C8-01B	EA	ROD - LATCH
	142569-21-000	EA	SPRING/GAS - 60 LB - 20" EXTENDED/12" COMPRESSED
	126263-02-02B	EA	BRACKET - GAS SPRING W/BALL STUD - E-COATED
	130053-01-01A	EA	STRIKER - LUGGAGE DOOR - FLUSH - BLACK
	143793-01-01A	EA	SHIM - STRIKER - LUGGAGE - 3/64" - BLACK
	099418-01-000	FT	SEAL - D-SECTION/ADHESIVE BACK - .44" X .44" - BLK RUBBER
	132892-08-01A	FT	SEAL - BULB/SINGLE - W/U CHANNEL - 1" X .8" - BLACK
11	126945-09-R38	EA	DOOR/STORAGE - W/O HARDWARE - 18.3" X 9.9" - BLACK
	076767-07-000	EA	CABLE - STAINLESS STEEL - 7.1"
	056795-01-000	FT	TAPE/SEAL - 1/8" X 3/8" WIDE - PRESS ON
12	161136-10-AA1	EA	DOOR/VALANCE - W/O PADDLE LATCH/HDW - 29.3"W X 32.2"H - BLACK
	132873-J4-000	EA	ROD - LATCH - 8.7" W/3/4" DOG LEG
	135624-C7-01B	EA	ROD - LATCH
	142569-21-000	EA	SPRING/GAS - 60 LB - 20" EXTENDED/12" COMPRESSED
	126263-02-02B	EA	BRACKET - GAS SPRING W/BALL STUD - E-COATED
	130053-01-01A	EA	STRIKER - LUGGAGE DOOR - FLUSH - BLACK
	143793-01-01A	EA	SHIM - STRIKER - LUGGAGE - 3/64" - BLACK
	099418-01-000	FT	SEAL - D-SECTION/ADHESIVE BACK - .44" X .44" - BLK RUBBER
	132892-08-01A	FT	SEAL - BULB/SINGLE - W/U CHANNEL - 1" X .8" - BLACK
13	137395-01-01A	EA	DOOR - REFRIGERATOR VENT - 21.5" X 13.8" - BRIGHT WHITE
14	160944-03-WD3	EA	PANEL/WHEEL LIP - PASSENGER/REAR
	139793-03-01A	EA	HINGE - CENTER/VALANCE DOOR - W/O BALL STUD
15	113904-13-02B	EA	ANGLE - ATTACHMENT/WHEEL LIP - 15.7" - E-COAT
16	161136-09-AA1	EA	DOOR/VALANCE - W/O PADDLE LATCH/HDW - 48.6"W X 32.2"H - BLACK
	132873-J5-000	EA	ROD - LATCH - 18.3" W/3/4" DOG LEG
	135624-C8-01B	EA	ROD - LATCH
	142569-21-000	EA	SPRING/GAS - 60 LB - 20" EXTENDED/12" COMPRESSED
	126263-02-02B	EA	BRACKET - GAS SPRING W/BALL STUD - E-COATED
	130053-01-01A	EA	STRIKER - LUGGAGE DOOR - FLUSH - BLACK
	143793-01-01A	EA	SHIM - STRIKER - LUGGAGE - 3/64" - BLACK
	099418-01-000	FT	SEAL - D-SECTION/ADHESIVE BACK - .44" X .44" - BLK RUBBER
	132892-08-01A	FT	SEAL - BULB/SINGLE - W/U CHANNEL - 1" X .8" - BLACK

EXTERIOR DOORS & COMPARTMENTS GROUP (CONTINUED)
DOOR & COMPARTMENT LAYOUT (CONTINUED)



KEY	PART NUMBER	U/M	DESCRIPTION
17	160939-07-AA1	EA	DOOR/VALANCE - W/O PADDLE LATCH/HDW - 33.5" X 23.9"- BLACK
	151390-03-01B	EA	ROD - LATCH - 11.1" W/3/4" DOG LEG
	137228-14-02B	EA	HINGE - PIANO - COMPARTMENT DOOR - 21" - E-COATED
	149359-01-01A	EA	LATCH - SINGLE ROTOR
	132892-08-01A	FT	SEAL - BULB/SINGLE - W/U CHANNEL - 1" X .8" - BLACK
18	161136-08-AA1	EA	DOOR/VALANCE - W/LOUVER - W/O HDW - 57.6"WX32.2"HX27.3"H - BLACK
	145993-01-000	FT	SEAL - "D SECTION" W/ADHESIVE BACK
	113904-11-02B	EA	ANGLE - ATTACHMENT/WHEEL LIP - 21.6" - E-COAT
19	140309-03-02B	EA	ANGLE - FURNACE DOOR - E-COATED
20	161136-11-AA1	EA	DOOR/VALANCE - W/LOUVER - W/O HDW - 48.6"WX28.6"HX30.9"H - BLACK
21	169370-01-AA1	EA	VALANCE/DOOR - ENTERTAINMENT CENTER - 35.1" X 28.5" - BLACK - 1D3
	142569-21-0000	EA	SPRING/GAS - 60 LB - 20" EXTENDED/12" COMPRESSED
	126263-03-02B	EA	BRACKET - GAS SPRING W/BALL STUD - E/COATED
22	161136-01-AA1	EA	DOOR/VALANCE - W/O PADDLE LATCH/HDW - 42.9"W X 32.2"H - BLACK
	132873-J6-000	EA	ROD - LATCH - 15.3" W/3/4" DOG LEG
	135624-C9-01B	EA	ROD - LATCH
	142569-21-000	EA	SPRING/GAS - 60 LB - 20" EXTENDED/12" COMPRESSED

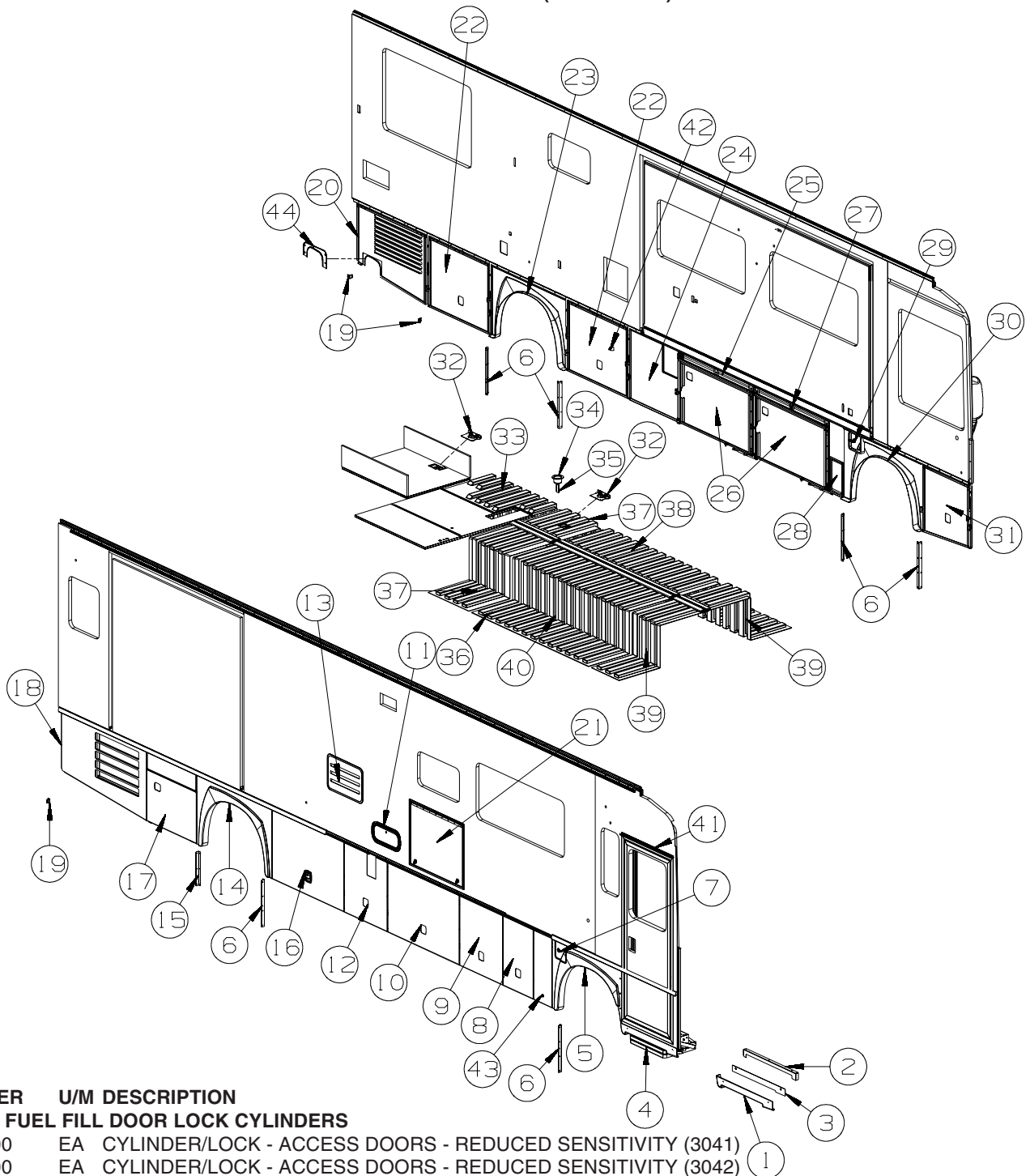
EXTERIOR DOORS & COMPARTMENTS GROUP (CONTINUED)
DOOR & COMPARTMENT LAYOUT (CONTINUED)

KEY	PART NUMBER	U/M	DESCRIPTION
	126263-02-02B	EA	BRACKET - GAS SPRING W/BALL STUD - E-COATED
	130053-01-01A	EA	STRIKER - LUGGAGE DOOR - FLUSH - BLACK
	143793-01-01A	EA	SHIM - STRIKER - LUGGAGE - 3/64" - BLACK
	099418-01-000	FT	SEAL - D-SECTION/ADHESIVE BACK - .44" X .44" - BLK RUBBER
	107721-07-000	FT	SEAL - ACCESS DOOR - .9"WIDE X 1.1"HIGH
23	160944-04-WD3	EA	PANEL/WHEEL LIP - DRIVER/REAR
	139793-03-01A	EA	HINGE - CENTER/VALANCE DOOR - W/O BALL STUD
24	162732-01-AA1	EA	VALANCE/PANEL - W/O HDW - 31.8"W X 32.4"H - BLACK
25	161442-03-AA1	EA	PANEL/VALANCE - W/MOUNT CHANNEL - 3.2" X 50.9" - BLACK
			FROM: 06-02-08 THRU: 99-99-99
26	160939-05-AA1	EA	DOOR/VALANCE - W/O PADDLE LATCH/HDW - 50.9" X 28.7"- BLACK
	151390-04-01B	EA	ROD - LATCH - 10.5" W/3/4" DOG LEG
	137228-04-02B	EA	HINGE - PIANO - COMPARTMENT DOOR - 27" - E-COATED
	149359-04-01A	EA	LATCH - SINGLE ROTOR - MINI/LEFT HAND - ZINC
	132892-08-01A	FT	SEAL - BULB/SINGLE - W/U CHANNEL - 1" X .8" - BLACK
27	159557-05-AA1	EA	PANEL/VALANCE - W/MOUNT CHANNEL - 3.2" X 50.9"
28	160988-02-AA1	EA	PANEL/VALANCE - W/O HDW - 9.4"W X 15.9"H - BLACK
29	160260-02-WD3	EA	PANEL/DOOR - FUEL FILL - W/O LOCK
	138290-01-000	EA	CASE - W/CAM - W/O CYLINDER/KEY
	148817-01-000	EA	WASHER/SPUR - LOCKING
	153306-02-01A	EA	HINGE - PIANO - 1 1/2" X 3.9" - UNPAINTED
30	160944-02-WD3	EA	PANEL/WHEEL LIP - DRIVER/FRONT
	139793-03-01A	EA	HINGE - CENTER/VALANCE DOOR - W/O BALL STUD
31	161136-02-AA1	EA	DOOR/VALANCE - W/O PADDLE LATCH/HDW - 33.1"WX28.6"HX30.9"H - BLACK
	132873-J3-000	EA	ROD - LATCH - 10.5" W/3/4" DOG LEG
	135624-D0-01B	EA	ROD - LATCH
	130053-01-01A	EA	STRIKER - LUGGAGE DOOR - FLUSH - BLACK
	143793-01-01A	EA	SHIM - STRIKER - LUGGAGE - 3/64" - BLACK
	142569-27-000	EA	SPRING/GAS - 112 LB - 17" EXTENDED/11" COMPRESSED
	126263-02-02B	EA	BRACKET - GAS SPRING W/BALL STUD - E-COATED
	099418-01-000	FT	SEAL - D-SECTION/ADHESIVE BACK - .44" X .44" - BLK RUBBER
	132892-08-01A	FT	SEAL - BULB/SINGLE - W/U CHANNEL - 1" X .8" - BLACK
32*	142226-02-01A	EA	HATCH - POWER
33	159762-11-01A	EA	COMPARTMENT - LUGGAGE
	159762-01-01A	EA	COMPARTMENT - LUGGAGE
34	164974-01-01A	EA	POCKET - RECESSED/ROUND - PLASTIC
35	130377-02-000	EA	TUBE/DRAIN - KAZOO - 1 1/2" X 4"
36	160154-01-01A	EA	HATCH - F/POWER CORD - W/BASE/COVER - BLACK
37	164972-02-01A	EA	COMPARTMENT - LUGGAGE
38	160895-02-01A	EA	COMPARTMENT - LUGGAGE
	160895-01-01A	EA	COMPARTMENT - LUGGAGE
39	164972-03-01A	EA	COMPARTMENT - LUGGAGE
40	160895-03-01A	EA	COMPARTMENT - LUGGAGE
	160895-01-01A	EA	COMPARTMENT - LUGGAGE
41	139054-25-02A	EA	CAP - DRIP - JAMB MOUNTED - BLACK
42	131383-03-02A	EA	BRACKET - SHOWER HEAD - WHITE
43	167769-01-AA1	EA	VALANCE/DOOR - W/O PADDLE LATCH/HDW - 12.4"W X 32.2"H-BLK
			FROM: 00-00-00 THRU: 09-30-08
44	163769-03-02A	EA	PANEL/TRIM - DIFFUSER - ALUMINUM/BLACK
	132892-08-01A	FT	SEAL - BULB/SINGLE - W/U CHANNEL - 1" X .8" - BLACK
	142569-27-000	EA	SPRING/GAS - 112 LB - 17" EXTENDED/11" COMPRESSED
	126263-02-02B	EA	BRACKET - GAS SPRING W/BALL STUD - E-COATED
	099418-01-000	FT	SEAL - D-SECTION/ADHESIVE BACK - .44" X .44" - BLK RUBBER

ENTRY DOOR LOCK CYLINDERS

	138287-11-000	EA	CYLINDER/LOCK - ENTRY DOOR - MASTER W/3M ICON - (3041)
	138287-12-000	EA	CYLINDER/LOCK - ENTRY DOOR - MASTER W/3M ICON - (3042)
	138287-13-000	EA	CYLINDER/LOCK - ENTRY DOOR - MASTER W/3M ICON - (3043)
	138287-14-000	EA	CYLINDER/LOCK - ENTRY DOOR - MASTER W/3M ICON - (3044)
	138287-15-000	EA	CYLINDER/LOCK - ENTRY DOOR - MASTER W/3M ICON - (3045)
	138287-16-000	EA	CYLINDER/LOCK - ENTRY DOOR - MASTER W/3M ICON - (3046)
	138287-17-000	EA	CYLINDER/LOCK - ENTRY DOOR - MASTER W/3M ICON - (3047)
	138287-18-000	EA	CYLINDER/LOCK - ENTRY DOOR - MASTER W/3M ICON - (3048)
	138287-19-000	EA	CYLINDER/LOCK - ENTRY DOOR - MASTER W/3M ICON - (3049)
	138287-20-000	EA	CYLINDER/LOCK - ENTRY DOOR - MASTER W/3M ICON - (3050)
	138292-01-000	EA	SEAL - LOCK CYLINDER

EXTERIOR DOORS & COMPARTMENTS GROUP (CONTINUED)
DOOR & COMPARTMENT LAYOUT (CONTINUED)



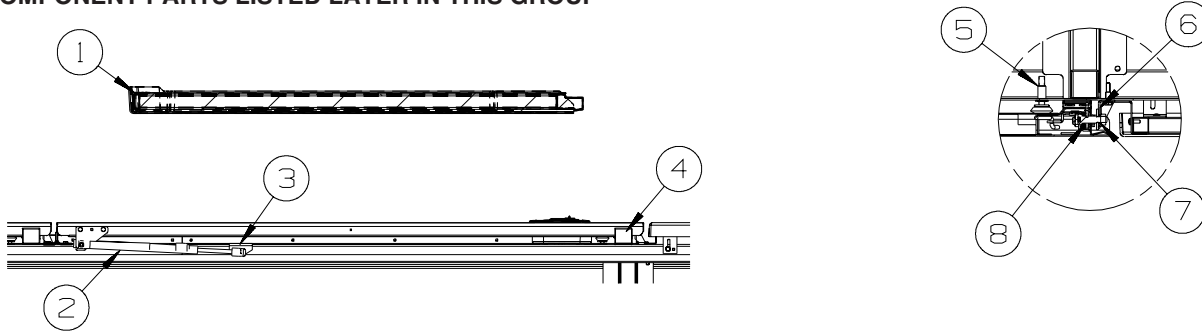
KEY PART NUMBER U/M DESCRIPTION
VALANCE DOOR & FUEL FILL DOOR LOCK CYLINDERS

138289-11-000	EA	CYLINDER/LOCK - ACCESS DOORS - REDUCED SENSITIVITY (3041)
138289-12-000	EA	CYLINDER/LOCK - ACCESS DOORS - REDUCED SENSITIVITY (3042)
138289-13-000	EA	CYLINDER/LOCK - ACCESS DOORS - REDUCED SENSITIVITY (3043)
138289-14-000	EA	CYLINDER/LOCK - ACCESS DOORS - REDUCED SENSITIVITY (3044)
138289-15-000	EA	CYLINDER/LOCK - ACCESS DOORS - REDUCED SENSITIVITY (3045)
138289-16-000	EA	CYLINDER/LOCK - ACCESS DOORS - REDUCED SENSITIVITY (3046)
138289-17-000	EA	CYLINDER/LOCK - ACCESS DOORS - REDUCED SENSITIVITY (3047)
138289-18-000	EA	CYLINDER/LOCK - ACCESS DOORS - REDUCED SENSITIVITY (3048)
138289-19-000	EA	CYLINDER/LOCK - ACCESS DOORS - REDUCED SENSITIVITY (3049)
138289-20-000	EA	CYLINDER/LOCK - ACCESS DOORS - REDUCED SENSITIVITY (3050)
138288-11-000	EA	KEY - REVERSIBLE - #3041 - T/M 16169-02-3041
138288-12-000	EA	KEY - REVERSIBLE - #3042 - T/M 16169-02-3042
138288-13-000	EA	KEY - REVERSIBLE - #3043 - T/M 16169-02-3043
138288-14-000	EA	KEY - REVERSIBLE - #3044 - T/M 16169-02-3044
138288-15-000	EA	KEY - REVERSIBLE - #3045 - T/M 16169-02-3045
138288-16-000	EA	KEY - REVERSIBLE - #3046 - T/M 16169-02-3046
138288-17-000	EA	KEY - REVERSIBLE - #3047 - T/M 16169-02-3047

EXTERIOR DOORS & COMPARTMENTS GROUP (CONTINUED)
DOOR & COMPARTMENT LAYOUT (CONTINUED)

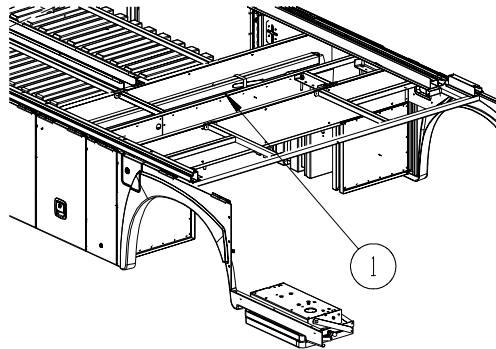
KEY	PART NUMBER	U/M DESCRIPTION
	138288-18-000	EA KEY - REVERSIBLE - #3048 - T/M 16169-02-3048
	138288-19-000	EA KEY - REVERSIBLE - #3049 - T/M 16169-02-3049
	138288-20-000	EA KEY - REVERSIBLE - #3050 - T/M 16169-02-3050

*COMPONENT PARTS LISTED LATER IN THIS GROUP



**DOOR &
COMPARTMENT
SECTIONS**

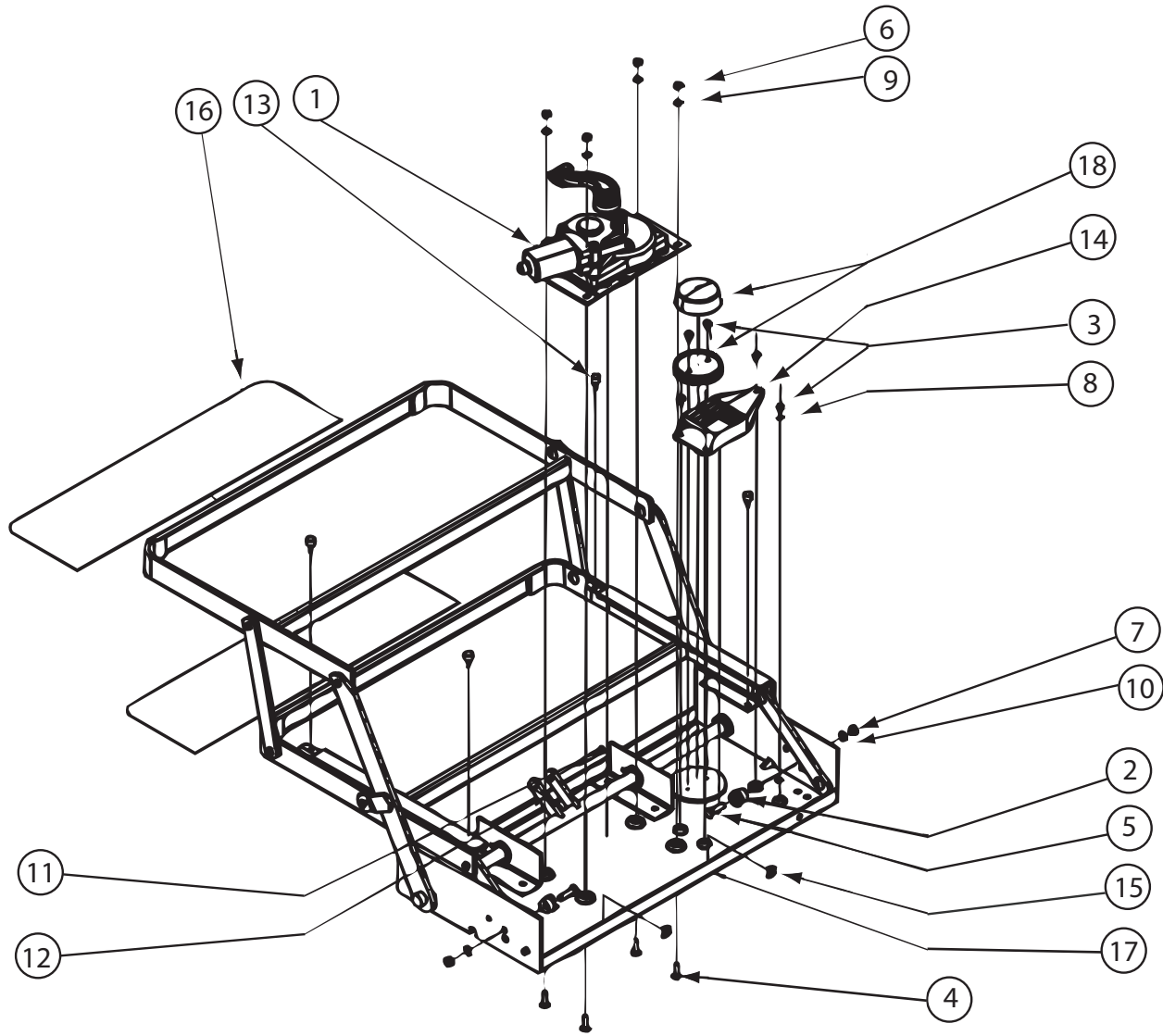
KEY	PART NUMBER	U/M DESCRIPTION
1	113041-15-02B	EA ANGLE/MOUNT - BUMPER - E-COATED
2	142569-06-000	EA SPRING/GAS - 25 LB - 14.8" EXTENDED/8.9" COMPRESSED
3	126263-02-02B	EA BRACKET - GAS SPRING W/BALL STUD - E-COATED
4	149558-01-01A	EA SUPPORT-VALANCE DOOR,LWR,BLK
5	058786-01-000	EA BOLT - HOOD ADJUSTMENT - 5/16"-18 X 1.5"-2" - W/BLACK PAD
6	149356-02-02B	EA MOUNTING - F/STRIKER BOLT - E-COATED
7	149357-02-02B	EA PLATE ASSEMBLY - F/STRIKER BOLT - E-COATED
8	149358-01-01A	EA BOLT - STRIKER - .375"DIAMETER



**ACCESSORY
INSTALLATION**

KEY	PART NUMBER	U/M DESCRIPTION
1	148880-02-01A	EA LADDER/FOLDING - ALUMINUM- FOLDED SIZE 3.5" X 4.5" X 86.5"

EXTERIOR DOORS & COMPARTMENTS GROUP (CONTINUED)
COMPONENT PARTS FOR DOOR & COMPARTMENT LAYOUT

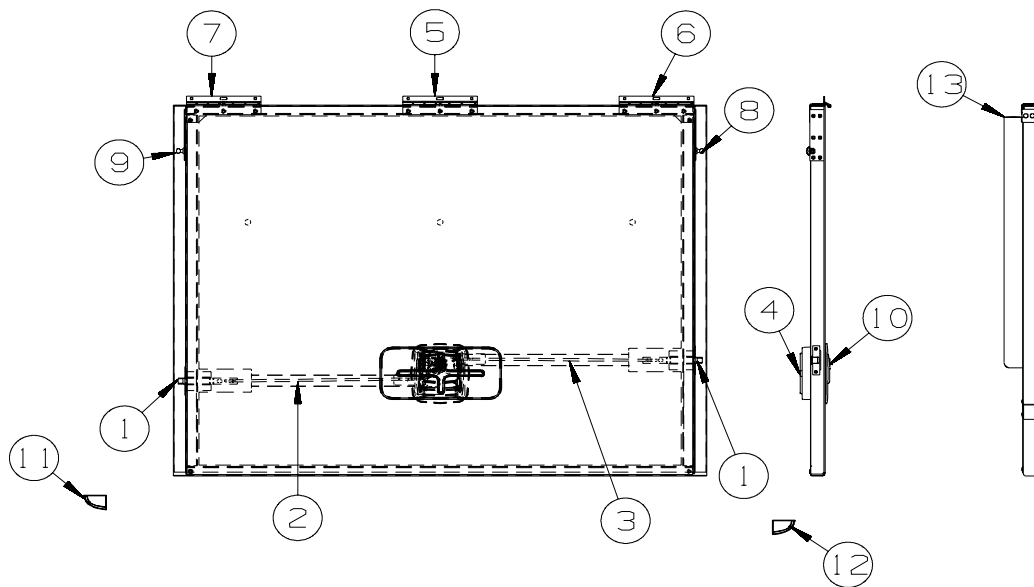


094707-04-01A

KEY	PART NUMBER	U/M	DESCRIPTION	VENDOR NO.
1	094707-04-701	EA	MOTOR "AM 214" F/IMGL STEPS	1101428
1	094707-04-703	EA	GEAR BOX W/LINKAGE-CURVED	1101425
2	143709-01-700	EA	CAM STOP	1102200
10	094707-04-712	EA	HARNESS/JUMPER W/DIODE	151000015
12	094707-04-702	EA	COTTOR PIN - W/CLEVIS PIN	905205000
13	143709-01-701	EA	BUMPER - BLACK (RUBBER STOP)	1602000
14	094707-04-700	EA	CONTROL UNIT W/OVERRIDE	909510000
16	143709-01-702	EA	TREAD/NON-SKID 6" X 21" BLK	1915260
17	094707-04-704	EA	FRAME W/DBL STEP-32REINF SRS	3202082
18	088746-01-705	EA	LIGHT-UNDER STEP	9004
	094707-03-701	EA	PLUG - 4-WAY - PACKARD	909306
	094707-04-711	EA	KWIKTEST - W/4-WAY PIGTAIL	909518000
			CONTACT WINNEBAGO PART SALES FOR UNLISTED COMPONENT(S)	

EXTERIOR DOORS & COMPARTMENTS GROUP (CONTINUED)

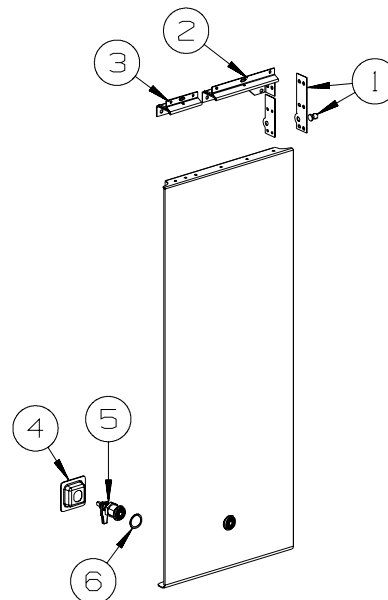
COMPARTMENT DOOR PIECE PARTS



**161136
STORAGE
DOOR**

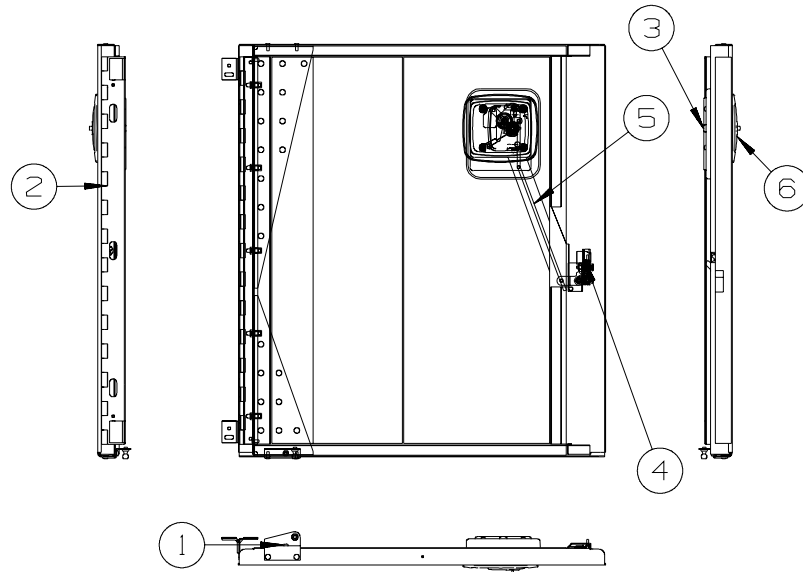
KEY	PART NUMBER	U/M	DESCRIPTION
1	121947-01-01A	EA	BOLT - SLIDE/LATCH - W/PLASTIC PLUNGER
2	132873-01-000	EA	ROD - LATCH (BLANK) - 37.3"
3	135624-71-01B	EA	ROD - LATCH (BLANK) - 37.3"
4	137359-01-01A	EA	COVER - LATCH - WHITE
4	137359-02-01A	EA	COVER - LATCH - BRIGHT WHITE
5	139793-03-01A	EA	HINGE - CENTER/VALANCE DOOR - W/O BALL STUD
6	139793-04-01A	EA	HINGE - VALANCE DOOR - W/O BALL STUD
6	139793-01-01A	EA	HINGE - VALANCE DOOR - W/BALL STUD
7	139793-05-01A	EA	HINGE - VALANCE DOOR - W/O BALL STUD
7	139793-02-01A	EA	HINGE - VALANCE DOOR - W/BALL STUD
8	147513-01-01A	EA	BALL STUD
9	147513-02-01A	EA	BALL STUD
10	154900-01-01A	EA	LATCH/PADDLE - LOCKING - COMPT DOOR - KEY ONE - BLACK
10	154900-01-02A	EA	LATCH/PADDLE - LOCKING - COMPT DOOR - KEY ONE - WHITE
10	154900-02-01A	EA	LATCH/PADDLE - NON LOCKING - COMPT DOOR - BLACK
11	138643-02-01A	EA	CORNER-VAL DOOR,REAR,LH,BLK
12	138643-01-01A	EA	CORNER-VAL DOOR,REAR,RH,BLK
13	145993-01-000	FT	SEAL - "D SECTION" W/ADHESIVE BACK

KEY	PART NUMBER	U/M	DESCRIPTION
1	147513-02-01A	EA	BALL STUD
2	139793-05-01A	EA	HINGE - VALANCE DOOR - W/O BALL STUD
3	139793-10-01A	EA	HINGE - VALANCE DOOR - CENTER
4	160652-01-02B	EA	POCKET - LATCH/TRUNK - E-COATED
5	102330-02-000	EA	LATCH - VISE ACTION/KEY OPERATED
6	102330-05-000	EA	GASKET - LATCH/ROUND



**167769
STORAGE
DOOR**

EXTERIOR DOORS & COMPARTMENTS GROUP (CONTINUED)
COMPARTMENT DOOR PIECE PARTS (CONTINUED)

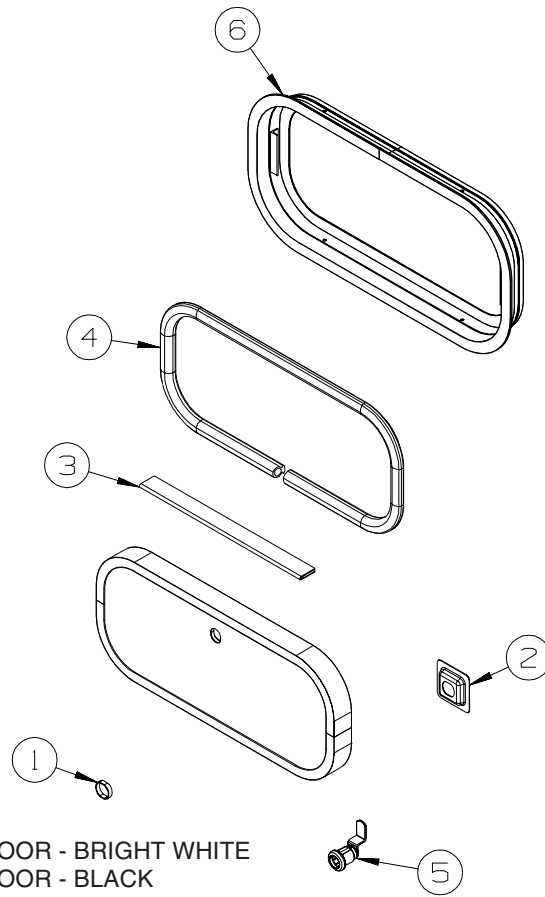


**160939
 STORAGE
 DOOR**

KEY	PART NUMBER	U/M	DESCRIPTION
1	168513-01-02B	EA	BRACKET - GAS SPRING/RH - E-COATED
2	137228-04-02B	EA	HINGE - PIANO - COMPARTMENT DOOR - 27" - E-COATED
2	137228-08-02B	EA	HINGE - PIANO - COMPARTMENT DOOR - 27" - E-COATED
2	137228-09-02B	EA	HINGE - PIANO - COMPARTMENT DOOR - 27" - E-COATED
2	137228-14-02B	EA	HINGE - PIANO - COMPARTMENT DOOR - 21" - E-COATED
2	137228-21-02B	EA	HINGE - PIANO - COMPARTMENT DOOR - 27" - E-COATED
3	137359-02-01A	EA	COVER - LATCH - BRIGHT WHITE
4	149359-01-01A	EA	LATCH - SINGLE ROTOR
4	149359-04-01A	EA	LATCH - SINGLE ROTOR - MINI/LEFT HAND - ZINC
4	149359-07-01A	EA	LATCH - SINGLE ROTOR - MINI/RIGHT HAND
4	149359-08-01A	EA	LATCH - SINGLE ROTOR - MINI/LEFT HAND
5	132873-01-000	EA	ROD - LATCH (BLANK) - 37.3"
6	154900-03-01A	EA	LATCH/PADDLE - LOCKING - COMPT DOOR - KEY ONE - BLACK
6	154900-03-02A	EA	LATCH/PADDLE - LOCKING - COMPT DOOR - KEY ONE - WHITE
6	154900-04-01A	EA	LATCH/PADDLE - NON LOCKING - COMPT DOOR - BLACK

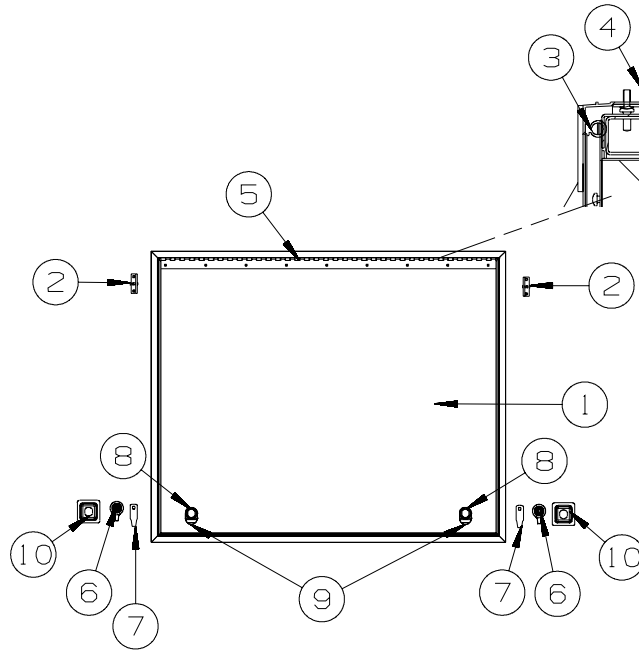
EXTERIOR DOORS & COMPARTMENTS GROUP (CONTINUED)
COMPARTMENT DOOR PIECE PARTS (CONTINUED)

**126945
 STORAGE
 DOOR**



KEY	PART NUMBER	U/M DESCRIPTION
1	139325-01-000	EA SPACER - LOCK - 6MM
	139337-01-000	EA GASKET - LOCK
2	097111-02-05A	EA POCKET - LOCK - REAR DOOR - BRIGHT WHITE
2	097111-02-04A	EA POCKET - LOCK - REAR DOOR - BLACK
3	081801-V3-000	EA HINGE - DOOR - PIANO - 2" X 96" - BRIGHT WHITE
3	081801-FN-000	EA HINGE - DOOR - PIANO - 2" X 96" - BLACK
4	156386-01-01A	FT SEAL - BULB - .4" X .5" - W/ADHESIVE BACK
4	112160-02-000	FT SEAL - D SECTION - .2 X .3" - FOAM RUBBER - NOT ILLUSTRATED
5	138290-02-000	EA CASE - W/CAM - W/O CYLINDER/KEY
6	056795-01-000	FT TAPE/SEAL - 1/8" X 3/8" WIDE - PRESS ON

EXTERIOR DOORS & COMPARTMENTS GROUP (CONTINUED)
COMPARTMENT DOOR PIECE PARTS (CONTINUED)

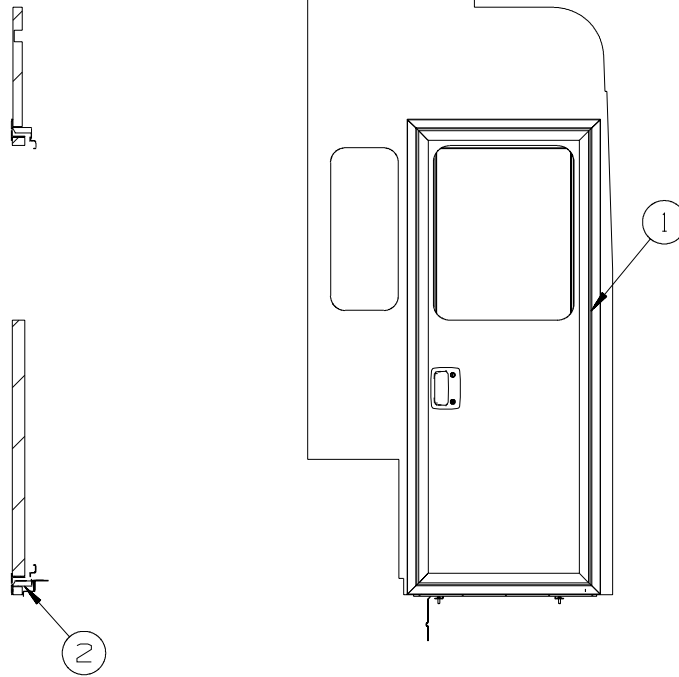


169389
STORAGE
DOOR

KEY	PART NUMBER	U/M	DESCRIPTION
1	169370-01-AA1	EA	VALANCE/DOOR - ENTERTAINMENT CENTER - 35.1" X 28.5"
2	126263-03-02B	EA	BRACKET - GAS SPRING W/BALL STUD - E/COATED
3	156386-01-01A	FT	SEAL - BULB - .4" X .5" - W/ADHESIVE BACK
4	056795-01-000	FT	TAPE/SEAL - 1/8" X 3/8" WIDE - PRESS ON
5	158921-05-01A	EA	HINGE - PIANO - TRUNK DOOR - 2" X 34.9" - MILL FINISH
5	158921-05-04B	EA	HINGE - PIANO - TRUNK DOOR - 2" X 34.9" - BLACK
6	102330-02-000	EA	LATCH - VISE ACTION/KEY OPERATED
7	154066-14-000	EA	HARDWARE KIT - W/PAWL/CAM - OFFSET
			FROM: 00-00-00 THRU: 06-18-08
7	102330-04-000	EA	PAWL - LATCH - STRAIGHT - 1.96"
			FROM: 06-19-08 THRU: 99-99-99
8	154066-01-01A	EA	LATCH - VISE ACTION/LOCKING-W/O CYLINDER/KEYS/HDW KIT-BLK
			FROM: 00-00-00 THRU: 06-18-08
8	102330-05-000	EA	GASKET - LATCH/ROUND
			FROM: 06-19-08 THRU: 99-99-99
9	131664-01-01A	EA	PULL-LOCK,BLACK
10	160652-01-02B	EA	POCKET - LATCH/TRUNK - E-COATED

EXTERIOR DOORS & COMPARTMENTS GROUP (CONTINUED)

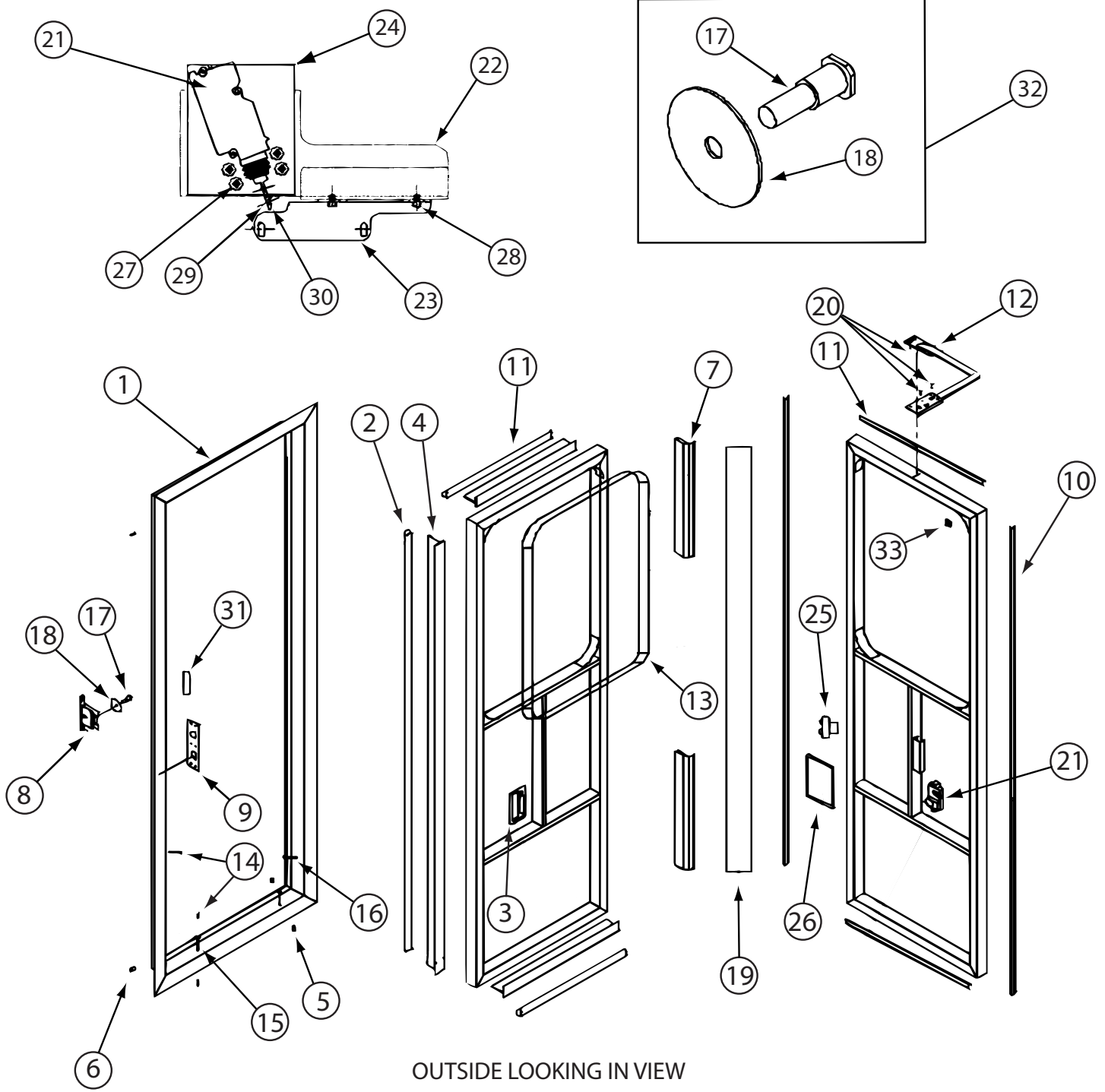
ENTRY



KEY	PART NUMBER	U/M	DESCRIPTION
1*	162100-01-01A	EA	DOOR - ENTRY/FRONT - EBONY VINYL INTERIOR - BLACK FRAME FROM: 00-00-00 THRU: 05-28-08
1*	162100-03-01A	EA	DOOR - ENTRY/FRONT - EBONY - VINYL INTERIOR - NON-SANDED FROM: 05-29-08 THRU: 99-99-9
2	134450-03-01A	EA	TAPE - ANTI SLIP - 2" X 29.9" - BLACK

***COMPONENT PARTS LISTED LATER IN THIS GROUP**

EXTERIOR DOORS & COMPARTMENTS GROUP (CONTINUED)
COMPONENT PARTS FOR ENTRY



OUTSIDE LOOKING IN VIEW

INSIDE LOOKING OUT VIEW

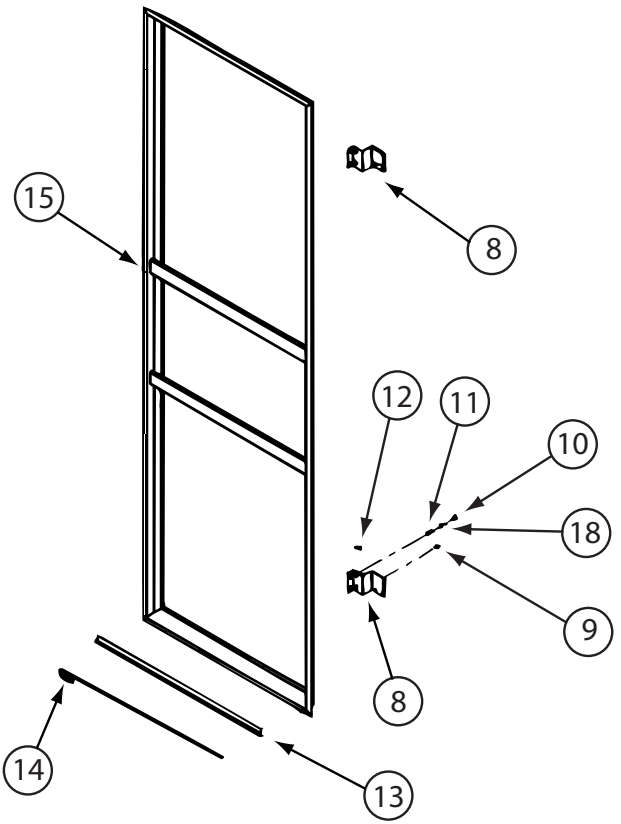
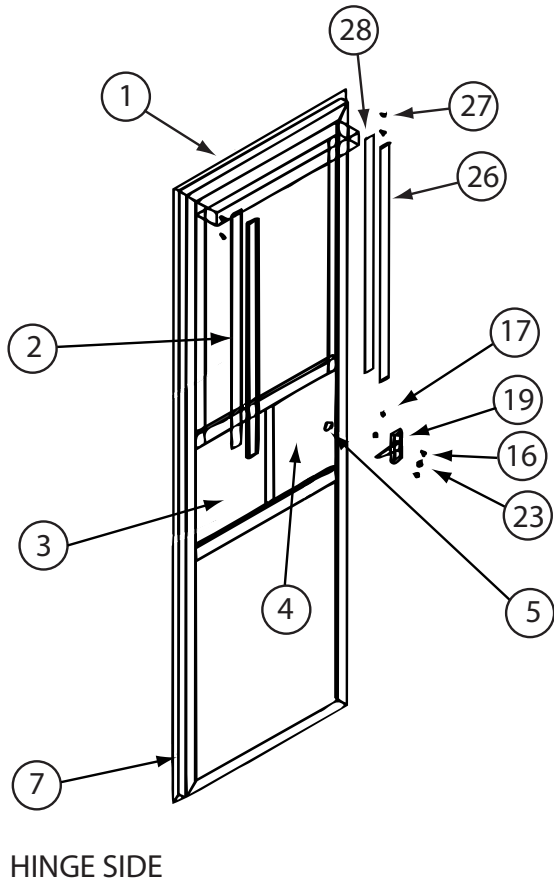
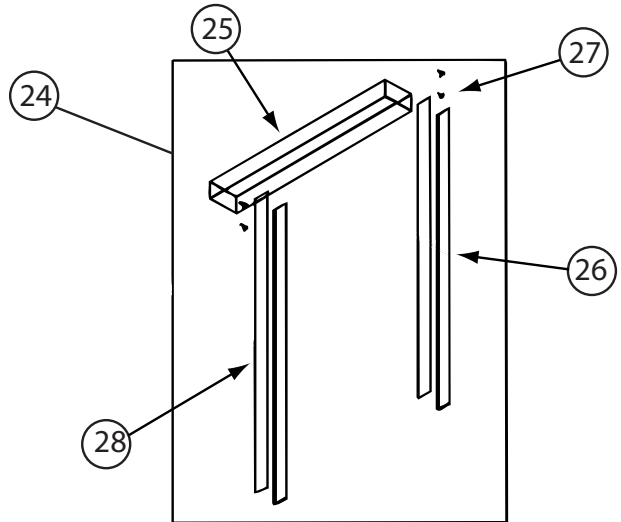
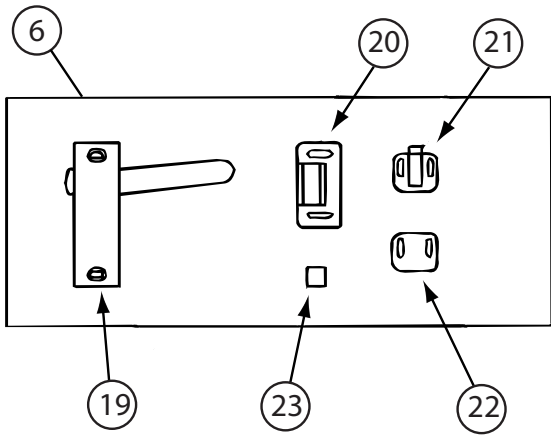
162100-01-01A

EXTERIOR DOORS & COMPARTMENTS GROUP (CONTINUED)
COMPONENT PARTS FOR ENTRY (CONTINUED)

162100-01-01A (CONTINUED)

KEY	PART NUMBER	U/M	DESCRIPTION	VENDOR NO.
1	162100-01-702	EA	JAMB - ENTRY DOOR/BLK - PTL	003-480
2	162100-01-700	FT	SEAL - "D" - W/HOLES	007-067
3	112782-04-01A	EA	GASKET	T/M 81480
3	112782-05-01A	EA	CAP-VINYL,RED	T/M 80844-99
3	112782-08-01A	EA	SCREW-MOUNTING,PLATE,ZINC	T/M 15553-01
3	112782-18-700	EA	KEY/BLANK- REVERSE/DEADBOLT	16169-20-2000
3	112782-27-700	EA	LATCH-EXT-W/O CYL-W/DEADBOLT	19682-03 BLACK
3	112782-27-701	EA	LATCH - INTERIOR PLATE - BLK	17999-01 F/PTL DR
3	112782-27-702	EA	LATCH-SINGLE ROTOR/PTL DOOR	17999-01
3	138292-01-000	EA	SEAL-LOCK CYLINDER	TRI/MARK 16025-01
7	162100-01-707	EA	HINGE/PIANO-18" - ENTRY DOOR	005-081
8	162100-01-708	EA	MOV-A-BOLT ASSEMBLY	009-041
9	162100-01-709	EA	PLATE/STRIKER - DEADBOLT	009-216
10	162100-01-710	FT	TRIM/CLAMP-INTERIOR-BLK PVC	007-261
11	162100-01-711	EA	ENTRY DOOR - W/O JAMB	001-895
12	162100-01-712	EA	DOOR CHECK ASM - LOCKING	011-523
13	162100-01-713	EA	CLAMP RING - F/WINDOW	023-095
14	162100-01-714	EA	PLUG/PLASTIC - BLACK	035-003
15	162100-01-735	EA	SCREW 2" HEX HEAD FLANGE	011-103
17	162100-01-717	EA	STRIKER BOLT - SHORT	009-097
18	162100-01-718	EA	WASHER - 2" F/MOV-A-BOLT	009-098
19	162100-01-719	FT	TAPE - BLACK HYPALON	007-017
21	162100-01-721	EA	ACTUATOR/ELECTRIC - 45N	027-064
25	162100-01-725	EA	WIRELESS CONTACT - 2 BUTTON	027-020
26	162100-01-726	EA	BEZEL - INSIDE HANDLE	009-210
29	162100-01-729	EA	LINKAGE ROD	001-410
30	162100-01-730	EA	ROD CLIP - 1/8"	009-224
31	162100-01-731	EA	RUBBER FLAP - F/STRIKER BOLT	007-020
33	162100-01-733	EA	BUMPER/RUBBER - LARGE - BLK	007-080
			CONTACT WINNEBAGO PART SALES FOR UNLISTED COMPONENT(S)	

EXTERIOR DOORS & COMPARTMENTS GROUP (CONTINUED)
COMPONENT PARTS FOR ENTRY (CONTINUED)



INSIDE LOOKING OUT VIEW

OUTSIDE LOOKING IN VIEW

162100-01-01A (CONTINUED)

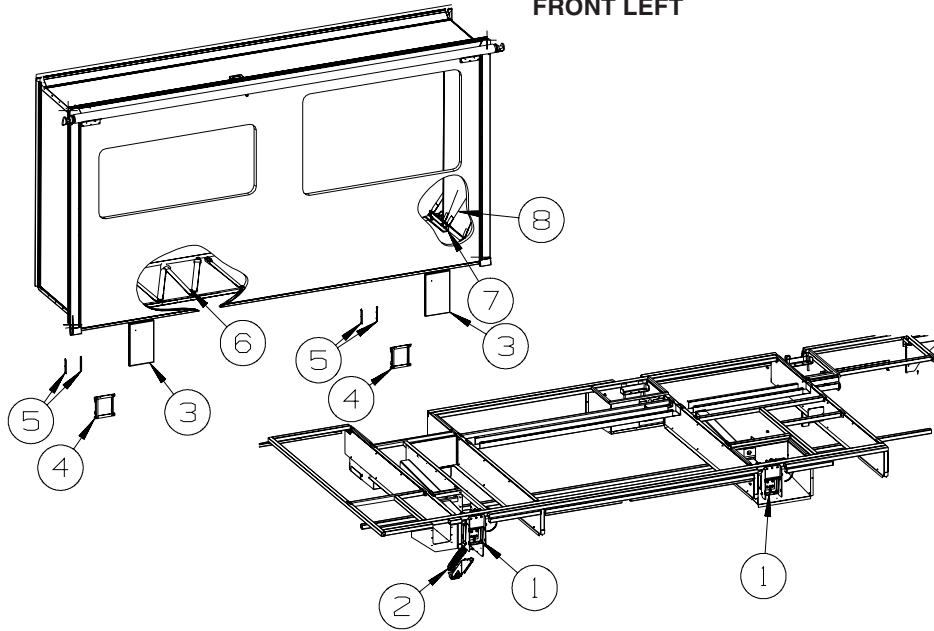
EXTERIOR DOORS & COMPARTMENTS GROUP (CONTINUED)
COMPONENT PARTS FOR ENTRY (CONTINUED)

162100-01-01A (CONTINUED)

KEY	PART NUMBER	U/M	DESCRIPTION	VENDOR NO.
1	162100-01-703	EA	SCREEN DOOR ASM	WIN007
3	162100-02-703	EA	INSERT/ACRYLIC - STATIONARY	023-0783
4	162100-02-704	EA	SLIDER - ACRYLIC GLASS	023-077
5	122759-01-734	EA	KNOB-BLACK W/SCREW	019-018
6	162100-01-701	EA	LATCH ASM - F/SCREEN DOOR	019-068
7	162100-02-707	FT	SPONGE TAPE - 1/8" X 3/4"	007-277
8	162100-02-708	EA	HINGE - SCREEN DOOR - BLACK	005-072
9	162100-02-709	EA	CAP SCREW - BUTTON HEAD	011-053
13	162100-02-713	EA	BRUSH RAIL-W/O SWEEP INSERT	035-032
14	162100-02-714	EA	SWEEP - 1" VINYL - GRAY	007-070
19	162100-02-719	EA	LATCH ONLY - F/SCREEN DOOR	019-065
20	162100-02-720	EA	STRIKE - F/SCREEN LATCH	019-066
21	162100-02-721	EA	KEEPER - F/SCREEN LATCH	019-067
22	162100-02-722	EA	SPACER/STRIKE-F/SCR DR LATCH	019-069
23	162100-02-723	EA	BUMPER/RUBBER - SMALL - BLK	007-081
24	NOT USED			
25	NOT USED			
26	NOT USED			
27	NOT USED			
28	NOT USED			

CONTACT WINNEBAGO PART SALES FOR UNLISTED COMPONENT(S)

EXTERIOR SLIDEOUT GROUP FRONT LEFT

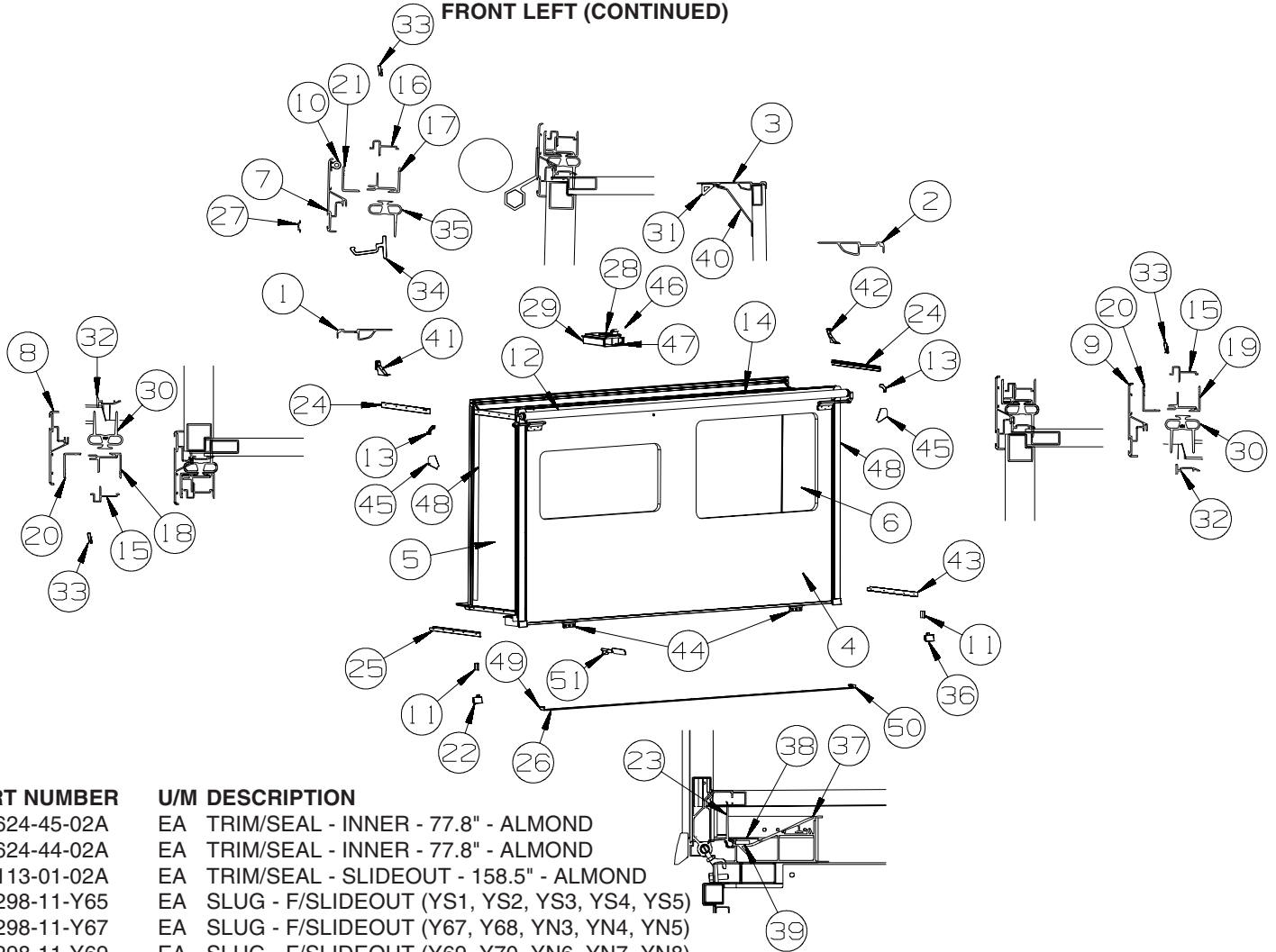


KEY	PART NUMBER	U/M	DESCRIPTION
1*	161298-01-000	EA	SLIDEOUT - ELECTRIC 30" - RIGHT HAND
2	143541-04-01A	EA	CARRIER/WIRING - F/SLIDEOUT ROOM
3	138077-31-AA1	EA	COVER/RAM - 9.4" X 15.9" - W/TUBE - BLACK
4	161304-02-02B	EA	BRACKET - RAM COVER - E-COATED
5	136995-08-02B	EA	PLATE W/BOLTS - 5.3" X 3/4" W/1/4" X 1" BOLTS
6	160167-01-01A	EA	SEAT BELT - 2" X 102" - BLACK
7	151078-01-02B	EA	BRACKET - MOUNTING - SEATBELT - E-COATED
8	160167-02-01A	EA	SEAT BELT - 2" X 90" - BLACK
9	138077-32-UN4	EA	COVER/RAM - 9.4" X 12.2" - W/TUBE - BLACK
	138077-05-10A	EA	COVER/RAM - 9.4" X 12.2" - W/O TUBE - BLACK

*COMPONENT PARTS LISTED LATER IN THIS GROUP

EXTERIOR SLIDEOUT GROUP (CONTINUED)

FRONT LEFT (CONTINUED)



KEY	PART NUMBER	U/M	DESCRIPTION
1	139624-45-02A	EA	TRIM/SEAL - INNER - 77.8" - ALMOND
2	139624-44-02A	EA	TRIM/SEAL - INNER - 77.8" - ALMOND
3	153113-01-02A	EA	TRIM/SEAL - SLIDEOUT - 158.5" - ALMOND
4	167298-11-Y65	EA	SLUG - F/SLIDEOUT (YS1, YS2, YS3, YS4, YS5)
4	167298-11-Y67	EA	SLUG - F/SLIDEOUT (Y67, Y68, YN3, YN4, YN5)
4	167298-11-Y69	EA	SLUG - F/SLIDEOUT (Y69, Y70, YN6, YN7, YN8)
5	162982-33-YB6	EA	PANEL END - F/SLIDEOUT - W/O FIBERGLASS (YS1, YS2, YS3, YS4, YS5)
5	162982-33-Y67	EA	PANEL END - F/SLIDEOUT - W/O FIBERGLASS (Y67, Y68, YN3, YN4, YN5)
5	162982-33-Y69	EA	PANEL END - F/SLIDEOUT - W/O FIBERGLASS (Y69, Y70, YN6, YN7, YN8)
6	162982-35-YA2	EA	PANEL END - F/SLIDEOUT - W/O FIBERGLASS (YS1, YS2, YS3, YS4, YS5)
6	162982-35-Y67	EA	PANEL END - F/SLIDEOUT - W/O FIBERGLASS (Y67, Y68, YN3, YN4, YN5)
6	162982-35-Y69	EA	PANEL END - F/SLIDEOUT - W/O FIBERGLASS (Y69, Y70, YN6, YN7, YN8)
7	162052-08-02A	EA	TRIM/SEAL - W/MITERED ENDS - 156.5" - BLACK
8	162052-28-02A	EA	TRIM/SEAL - W/MITERED ENDS - 80.4" - BLACK
9	162052-29-02A	EA	TRIM/SEAL - W/MITERED ENDS - 80.4" - BLACK
10	158297-01-000	FT	SEAL - D-SECTION/BULB/TEE - ADHESIVE BACK - BLACK
11	156480-01-01A	EA	SEAL/BLOCK - SLIDEOUT - 2.6"W X 1.6"H X 1.6"D - BLACK
12			SLIDEOUT AWNING

ORDER AWNINGS & REPAIR PARTS FROM DOMETIC AT #800-366-3842 OR CAREFREE AT #800-621-2617 OR ONLINE AT WWW.E-CAREFREE.COM.

THE AWNING INFORMATION YOU WILL NEED IS LOCATED ON THE MOTOR HOME NEAR THE TOP OF THE AWNING RAIL.

13	160421-01-01A	EA	CORNER TRIM/SLIDEOUT - 3.1" X 3.1" - BLACK
14	161277-04-Y71	EA	ROOF - F/SLIDEOUT
15	142718-38-01A	EA	RETAINER - SIDEWALL/SLIDEOUT - 79"
16	142718-09-01A	EA	RETAINER - SIDEWALL/SLIDEOUT - 157.6"
17	151761-04-02A	EA	TRIM - SIDEWALL/SLIDEOUT/TOP - 159.5" - ALMOND
18	151760-10-02A	EA	TRIM - SIDEWALL/SLIDEOUT - 80.6" - ALMOND
19	151760-11-02A	EA	TRIM - SIDEWALL/SLIDEOUT - 80.6" - ALMOND
20	136824-49-02A	EA	TRIM - SIDEWALL/SLIDEOUT - 80.9" - BLACK
21	136824-11-02A	EA	TRIM - SIDEWALL/SLIDEOUT - 159.8" - BLACK
22	148593-03-02A	EA	CAP - F/SLIDEOUT TRIM - BLACK
23	152446-02-000	FT	SEAL - SLIDEOUT/FLOOR - W/BULB
24	158375-01-02A	EA	TRIM - FEATURE STRIP - 29.6" - BLACK

EXTERIOR SLIDEOUT GROUP (CONTINUED)
FRONT LEFT (CONTINUED)

KEY	PART NUMBER	U/M	DESCRIPTION
25	163021-07-02A	EA	TRIM - FEATURE - LOWER - 30.9" - BLACK
26	152641-01-000	EA	SKID/GLIDE - SLIDEOUT ROOM - 1/4"X2"X95.5" - POLYETHYLENE
27	105312-01-13A	FT	INSERT - FEATURE STRIP - VINYL - BLACK
28*	153651-04-01A	EA	LOCK/LATCH - TRAVEL/SLIDEOUT - W/MOTOR - LEFT HAND - BLACK
29	155194-02-01A	EA	COVER - LATCH/TRAVEL- PLASTIC - BLACK
30	153161-01-01A	FT	SEAL - SLIDEOUT - DOUBLE WIPE LIP - BLACK
31	146056-01-000	FT	SEAL - TRIANGLE - W/PSA
32	146606-66-02A	EA	TRIM/RETAINER - 75.8" - BLACK
33	142549-01-000	EA	CLIP - "S" TYPE
34	168732-01-02A	EA	TRIM/RETAINER - 153.5" - BLACK
35	136978-02-01A	FT	SEAL - SLIDEOUT/TOP - SINGLE WIPE LIP - BLACK
36	148593-04-02A	EA	CAP - F/SLIDEOUT TRIM - BLACK
37	153106-17-01A	EA	COVER - RAMP/FLOOR - VINYL/CARPET - 3.2" X 157" - BRT WHT
38	160824-18-01A	EA	SPACER - RAMP - SLIDEOUT FLOOR - 154.5" - MILL
39	156475-01-000	EA	FILTER/FOAM - DRAIN HOLE COVER/SEAL - 60PPI - 1/4"X1"X3"
40	153114-01-02A	EA	TRIM/RETAINER - 154.1" - BLACK
41	153115-01-01A	EA	COVER - TRIM - SLIDEOUT - INNER/TOP/RH - BLACK
42	153115-02-01A	EA	COVER - TRIM - SLIDEOUT - INNER/TOP/LH - BLACK
43	163021-08-02A	EA	TRIM - FEATURE - LOWER - 30.9" - BLACK
44	153104-01-01A	EA	BRACKET/MOUNT - 1.7" X 3.2" X 5.9"
45	156151-01-01A	EA	PROTECTOR - CORNER - SLIDEOUT - BLACK
46	156015-01-01A	EA	TAPE/PROTECTION - .06" X 1.25" X 3.5" - W/PSA - NATURAL WHT
47	155262-01-01A	EA	TUBE/DRAIN - LATCH/TRAVEL/ROOF - BLACK
48	093681-39-01A	FT	FILM - 3.1" - FLAT BLACK
49	165178-01-01A	EA	CAP - FLOOR TUBE/SLIDEOUT/RH - BLACK
50	165178-02-01A	EA	CAP - FLOOR TUBE/SLIDEOUT/LH - BLACK
51	154093-02-01B	EA	BRACKET/HOLD DOWN - CHAIR - W/NUT-SERT - MILL FINISH

*COMPONENT PARTS LISTED LATER IN THIS GROUP

COMPONENT PARTS FOR FRONT LEFT
153651-04-01A

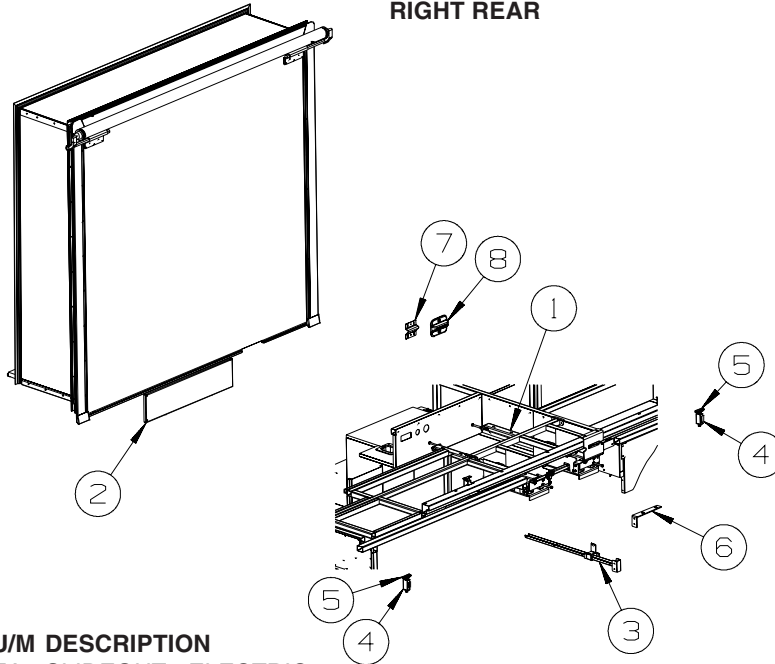
KEY	PART NUMBER	U/M	DESCRIPTION	VENDOR NO.
	153651-01-701	EA	LIMIT SWITCH	1812996
	153651-02-700	EA	MOTOR "R" - F/LH TRAVEL LOCK	1820131
	153651-02-701	EA	BRACKET/MOUNTING - MOTOR	1102223
	153651-04-700	EA	COVER/BOOT - SEAL	1612012
	153651-04-701	EA	BEZEL F/MAIN HOUSING	1612567

161298-01-000

KEY	PART NUMBER	U/M	DESCRIPTION	VENDOR NO.
	161662-01-700	EA	ROL PIN - 1/8" X 1 1/4"	18-1036
	161662-01-701	EA	CLIP PIN - 1/8"	18-1032
	161662-01-702	EA	BOLT/SHOULDER -1/2" X 7/8"	15-1378
	161662-01-703	EA	ROLLER - 2"	510022
	161662-01-704	EA	PAD/WEAR	DN10936
	161662-01-705	EA	BEARING/FLANGE - 3/4" X 1"	201000049
	161662-01-706	EA	GEAR/SPUR - 3/4"ID X 2"OD	3010000400
	161662-01-707	EA	KEY/WOODRUFF - #606	521336
	161662-01-708	EA	SHAFT W/COUPLER- 3/4 X 6 7/8	1010000402
	161662-01-709	EA	WEAR PAD - ROUND	320-0056
	161662-01-710	EA	MOTOR ASM - RH	1010000211
	161662-01-711	EA	ROLLER/PLASTIC - 3/4" X 2.9"	3010000401
	161662-01-712	EA	SPACER	531164

EXTERIOR SLIDEOUT GROUP (CONTINUED)

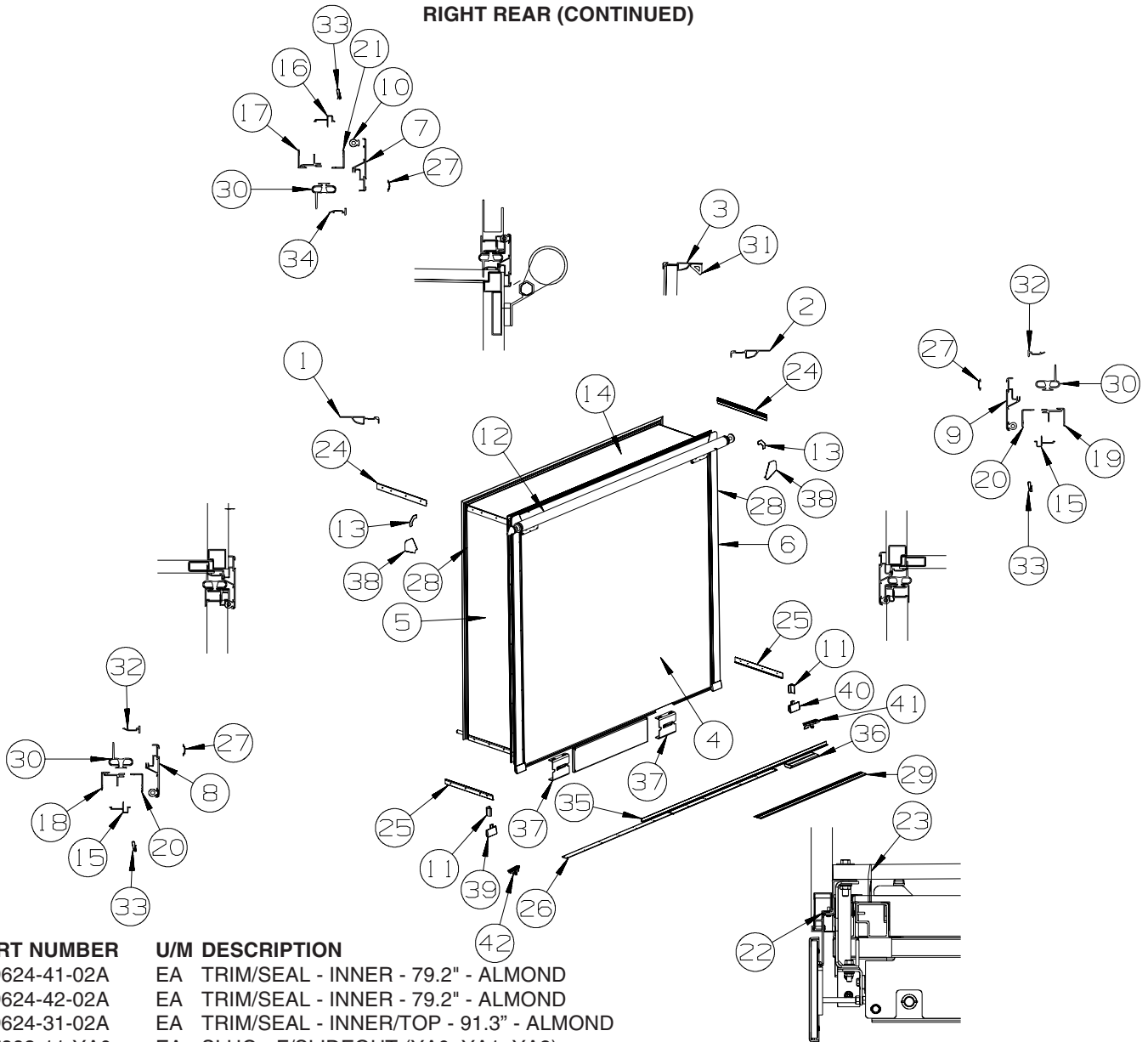
RIGHT REAR



KEY	PART NUMBER	U/M	DESCRIPTION
1*	162408-01-000	EA	SLIDEOUT - ELECTRIC
2	138077-28-AA1	EA	COVER/RAM - 33.6" X 8" - W/INNER FRAME - BLACK
3	141019-04-02B	EA	SUPPORT - WIRE - E-COATED
4	126313-09-02B	EA	SUPPORT - ROLLER - SLIDE-OUT ROOM - E-COATED
5	134855-01-000	EA	BEARING PAD - NARROW
6	127828-09-02B	EA	BRACKET - SLIDEOUT - E-COATED
7	148706-01-02B	EA	BRACKET/RETAINING - F/SLIDEOUT - E-COATED
8	148707-01-01A	EA	COVER/BRACKET - F/SLIDEOUT

***COMPONENT PARTS LISTED LATER IN THIS GROUP**

EXTERIOR SLIDEOUT GROUP (CONTINUED)
RIGHT REAR (CONTINUED)



KEY	PART NUMBER	U/M	DESCRIPTION
1	139624-41-02A	EA	TRIM/SEAL - INNER - 79.2" - ALMOND
2	139624-42-02A	EA	TRIM/SEAL - INNER - 79.2" - ALMOND
3	139624-31-02A	EA	TRIM/SEAL - INNER/TOP - 91.3" - ALMOND
4	167893-11-YA0	EA	SLUG - F/SLIDEOUT (YA0, YA1, YA2)
4	167893-11-YA3	EA	SLUG - F/SLIDEOUT (YA3, YA4, YA5)
4	167893-11-YA6	EA	SLUG - F/SLIDEOUT (YA6, YA7, YA8)
5	162980-12-Y65	EA	PANEL END - F/SLIDEOUT (YA0, YA1, YA2)
5	162980-12-Y69	EA	PANEL END - F/SLIDEOUT (YA3, YA4, YA5)
5	162980-12-YA6	EA	PANEL END - F/SLIDEOUT (YA6, YA7, YA8)
6	162980-11-Y65	EA	PANEL END - F/SLIDEOUT (YA0, YA1, YA2)
6	162980-11-Y69	EA	PANEL END - F/SLIDEOUT (YA3, YA4, YA5)
6	162980-11-YA6	EA	PANEL END - F/SLIDEOUT (YA6, YA7, YA8)
7	162052-43-02A	EA	TRIM/SEAL - W/MITERED ENDS - 89.6" - BLACK
8	162052-33-02A	EA	TRIM/SEAL - W/MITERED ENDS - 80.8" - BLACK
9	162052-32-02A	EA	TRIM/SEAL - W/MITERED ENDS - 80.8" - BLACK
10	158297-01-000	FT	SEAL - D-SECTION/BULB/TEE - ADHESIVE BACK - BLACK
11	156480-01-01A	EA	SEAL/BLOCK - SLIDEOUT - 2.6"W X 1.6"H X 1.6"D - BLACK
12			SLIDEOUT AWNING

**ORDER AWNINGS & REPAIR PARTS FROM DOMETIC AT #800-366-3842 OR
 CAREFREE AT #800-621-2617 OR ONLINE AT WWW.E-CAREFREE.COM.**

**THE AWNING INFORMATION YOU WILL NEED IS LOCATED ON THE MOTOR HOME NEAR THE TOP
 OF THE AWNING RAIL.**

13	160421-01-01A	EA	CORNER TRIM/SLIDEOUT - 3.1" X 3.1" - BLACK
14	163039-01-W66	EA	ROOF - F/SLIDEOUT
15	142718-38-01A	EA	RETAINER - SIDEWALL/SLIDEOUT - 79"
16	142718-30-01A	EA	RETAINER - SIDEWALL/SLIDEOUT - 90.6"

EXTERIOR SLIDEOUT GROUP (CONTINUED)
RIGHT REAR (CONTINUED)

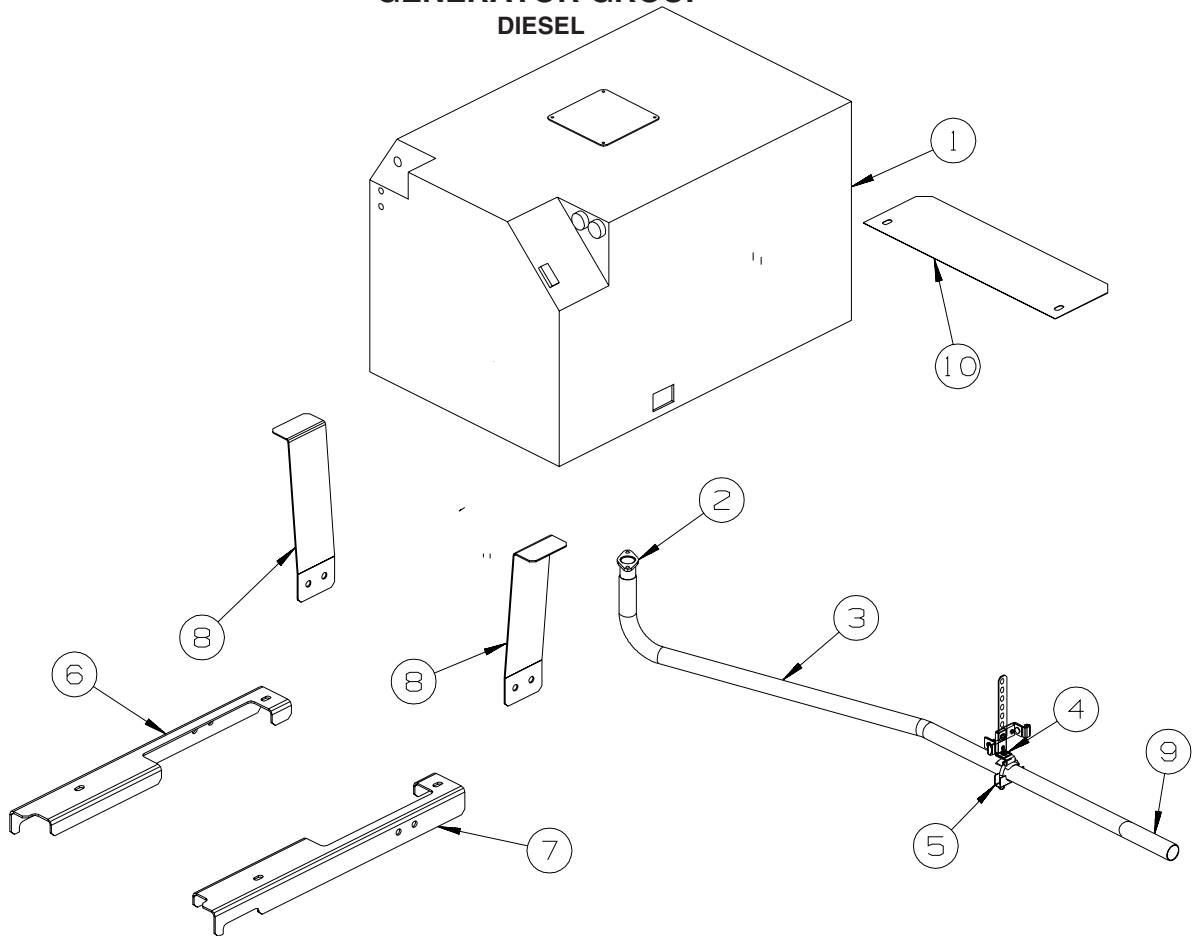
KEY	PART NUMBER	U/M	DESCRIPTION
17	151761-17-02A	EA	TRIM - SIDEWALL/SLIDEOUT/TOP - 92.5" - ALMOND
18	151760-22-02A	EA	TRIM - SIDEWALL/SLIDEOUT - 81.1" - ALMOND
19	151760-23-02A	EA	TRIM - SIDEWALL/SLIDEOUT - 81.1" - ALMOND
20	136824-60-02A	EA	TRIM - SIDEWALL/SLIDEOUT - 80.9" - BLACK
21	136824-42-02A	EA	TRIM - SIDEWALL/SLIDEOUT - 92.6" - BLACK
22	128621-56-01A	EA	BRACKET/ZEE - SLIDEOUT - 85.5" - MILL
23	115075-03-000	FT	SEAL - WIPE - .25" X 2.9"
24	158375-03-02A	EA	TRIM - FEATURE STRIP - 20.6" - BLACK
25	163020-06-02A	EA	TRIM - FEATURE STRIP/LOWER - 2.3" X 19.8" - BLACK
26	152641-01-000	EA	SKID/GLIDE - SLIDEOUT ROOM - 1/4"X2"X95.5" - POLYETHYLENE
27	105312-01-13A	FT	INSERT - FEATURE STRIP - VINYL - BLACK
28	093681-39-01A	FT	FILM - 3.1" - MATTE BLACK
29	134837-01-01A	EA	RAMP - SLIDEOUT - BLACK PVC
30	136978-01-01A	FT	SEAL - SLIDEOUT - SINGLE WIPE LIP - BLACK
31	146056-01-000	FT	SEAL - TRIANGLE - W/PSA
32	146606-66-02A	EA	TRIM/RETAINER - 75.8" - BLACK
33	142549-01-000	EA	CLIP - "S" TYPE
34	146606-50-02A	EA	TRIM/RETAINER - 86.9" - BLACK
35	151282-11-01A	EA	TRIM - CARPET EDGE/F-ANGLE - 83.7" - BLACK
36	134756-09-W66	EA	RAMP - FABRIC COVERED - F/SLIDEOUT - 12"
37	127030-11-02B	EA	BRACKET - MOUNT - SLIDEOUT - E-COATED
38	156151-01-01A	EA	PROTECTOR - CORNER - SLIDEOUT - BLACK
39	148593-03-02A	EA	CAP - F/SLIDEOUT TRIM - BLACK
40	148593-04-02A	EA	CAP - F/SLIDEOUT TRIM - BLACK
41	160471-01-01A	EA	PAN/DRAIN - FLOOR/RH SLIDEOUT - BLACK
42	160472-02-01A	EA	PAN/DRAIN - FLOOR/LH SLIDEOUT - BLACK

COMPONENT PARTS FOR RIGHT REAR SLIDEOUT

162408-01-000

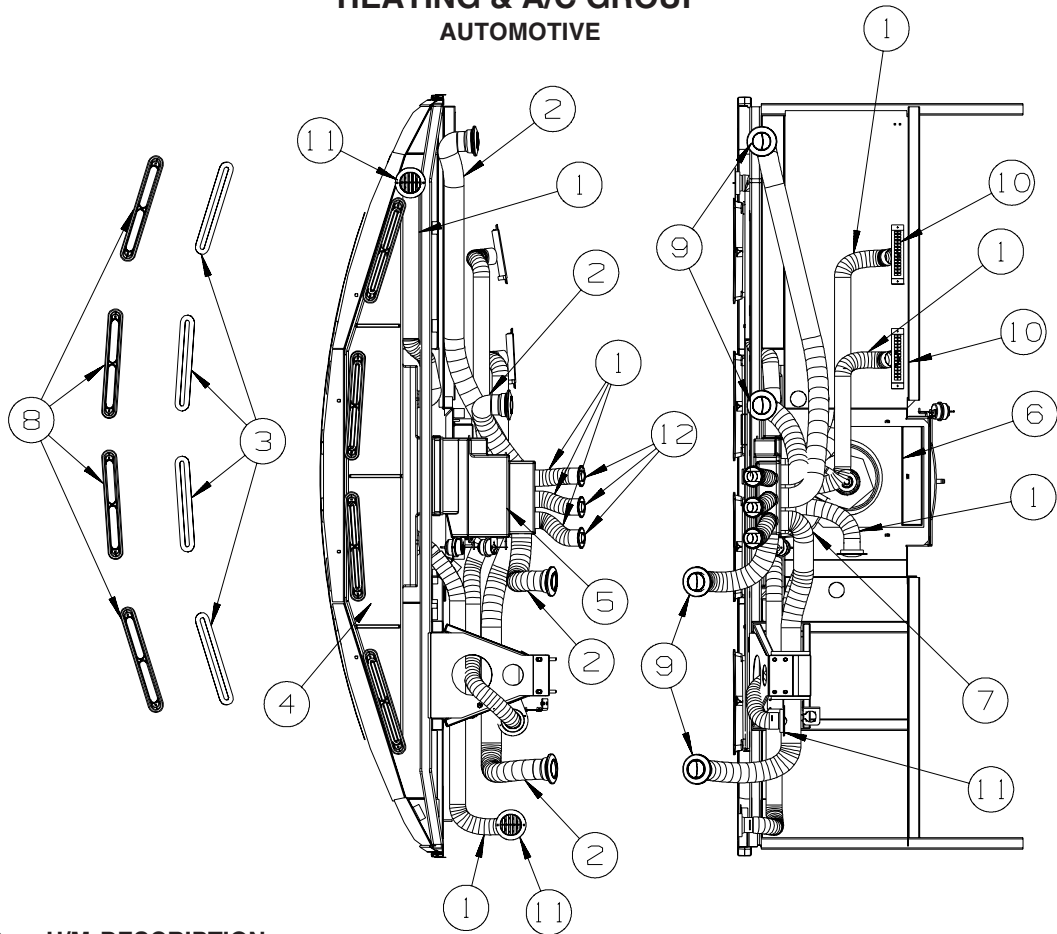
KEY	PART NUMBER	U/M	DESCRIPTION	VENDOR NO.
	161662-01-700	EA	ROL PIN - 1/8" X 1 1/4"	18-1036
	161662-01-707	EA	KEY/WOODRUFF - #606	521336
	161662-01-709	EA	WEAR PAD - ROUND	320-0056
	162408-01-700	EA	BUSHING/BRONZE - .75" ID	190-1046
	162408-01-701	EA	MOTOR & GEAR BOX W/PIGTAIL	524789
	162408-01-702	EA	SHAFT W/COUPLER - 5.56" LONG	524522
	162408-01-703	EA	GEAR/SPUR - 30 TOOTH	521395
	162408-01-704	EA	ROLLER - .50 ID	521296
	162408-01-705	EA	SHAFT - 5.56" LONG	260-0012
	162408-01-706	EA	DRIVE SHAFT W/COUPLER	1010000242

GENERATOR GROUP DIESEL



KEY	PART NUMBER	U/M	DESCRIPTION
1	158258-01-000	EA	GENERATOR - 8.0KW DIESEL - ONAN #HDKAK/1145
2	106235-01-000	EA	ADAPTOR - GENERATOR EXHAUST
3	137330-03-000	EA	PIPE - EXHAUST - GENERATOR/DIESEL
4	007131-01-000	EA	HANGER - TAILPIPE - 6 SLOTS
5	007125-03-000	EA	CLAMP - MUFFLER - 1.5" DIAMETER
6	137328-02-02B	EA	SUPPORT - GENERATOR - LH - E-COATED
7	137328-01-02B	EA	SUPPORT - GENERATOR - RH - E-COATED
8	137329-02-02B	EA	BRACKET - HANGAR/GENERATOR - E-COATED
9	138246-01-01A	EA	EXTENSION - TAILPIPE - 1.6"ID X 7.7" - STAINLESS STEEL
10	156768-01-02B	EA	SHIELD/HEAT - GENERATOR - E-COATED

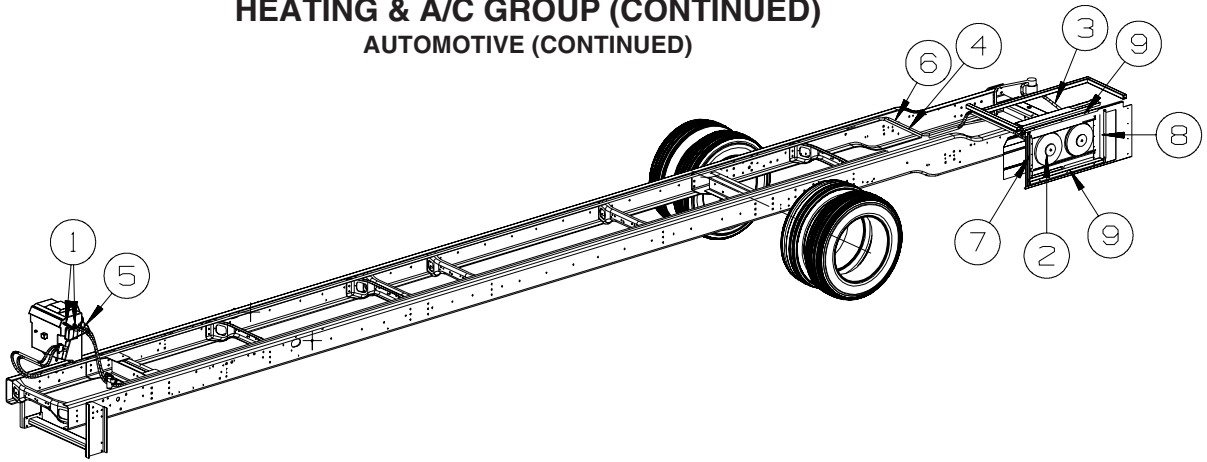
HEATING & A/C GROUP AUTOMOTIVE



KEY	PART NUMBER	U/M	DESCRIPTION
1	007076-01-000	EA	HOSE - FLEXIBLE PVC - 2" ID - INCREMENTS OF 50'
2	007281-01-000	EA	HOSE - FLEXIBLE PVC - 2 1/2" ID X 50'
3	077075-01-000	EA	GASKET - INSTRUMENT PANEL/DEFROSTER PLENUM - .6" X 10.2"
4	103017-03-000	EA	PLENUM - DEFROSTER
5*	103930-61-000	EA	CONTROL/PLENUM - LARGE ROTARY
6*	103930-55-000	EA	EVAPORATOR/HEATER - NONCHARGED - SINGLE OUTPUT
7	134275-01-01A	EA	PLENUM - TRANSITION
8	135265-01-09A	EA	VENT - DEFROSTER - PLASTIC - BLACK
9	146504-01-01A	EA	LOUVER - ROUND 2.5" - BLACK
10	146505-01-01A	EA	LOUVER - RECTANGULAR - 1.5" X 8" - BLACK
11	157225-01-01A	EA	OUTLET - DEFROSTER - W/SWIVEL - 2" SLEEVE/4"OD - BLACK
12	158174-01-01A	EA	LOUVER - ROUND - 2" HOSE - BLACK
	113452-02-000	FT	SEAL/TRIM - FRONT - VINYL W/WIRE CARRIER - .027" - WHERE WIRES & HOSES CROSS METAL

***COMPONENT PARTS LISTED LATER IN THIS GROUP**

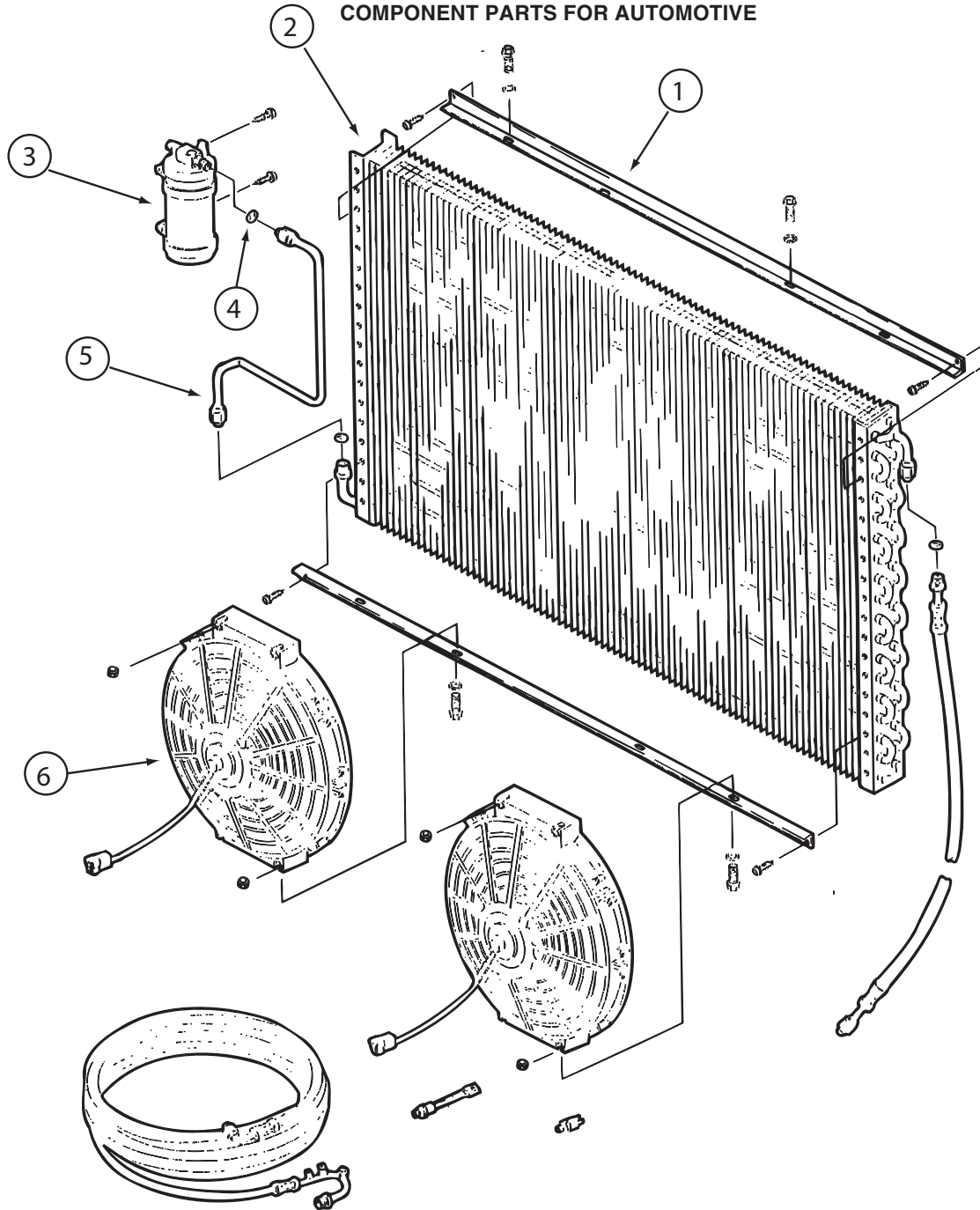
HEATING & A/C GROUP (CONTINUED)
AUTOMOTIVE (CONTINUED)



KEY	PART NUMBER	U/M	DESCRIPTION
1	007108-01-000	FT	HOSE - HEATER - 5/8"ID - HI-TEMP
2*	072342-15-000	EA	CONDENSER - W/FAN ON SIDE - NO HOSE
3*	072342-17-000	EA	HOSE - #8 - CONDENSER/COMPRESSOR - 98.3" - W/90 DEGREE END
4*	072342-26-000	EA	HOSE - #6 - REC DRIER/EVAPORATOR - 42.8' LONG W/SWITCHES
5	103930-24-000	EA	VALVE/WATER CONTROL - 4 PORT/VACUUM CONTROLLED
6*	103930-51-000	EA	HOSE KIT - #12 - COMPRESSOR/EVAPORATOR - 41.5' W/90 DEGREE
7	158038-01-02B	EA	BRACKET - CONDENSOR/SIDE - E-COATED
8	158038-02-02B	EA	BRACKET - CONDENSOR/SIDE - E-COATED
9	158039-01-02B	EA	BRACKET - CONDENSOR - E-COATED

***COMPONENT PARTS LISTED LATER IN THIS GROUP**

HEATING & A/C GROUP (CONTINUED)
COMPONENT PARTS FOR AUTOMOTIVE



072342-15-000

KEY	PART NUMBER	U/M	DESCRIPTION	VENDOR NO.
	072342-13-700	EA	BRACKET - CONDENSER FAN	070-0148
	072342-12-700	EA	COIL-CONDENSER	040-0027
	072342-12-703	EA	RECEIVER DRIER	054-0001
	113245-01-711	EA	O'RING #6	045-0129
	072342-13-703	EA	TUBE ASM. #6	052-0040
	072342-08-703	EA	FAN BLADE/MOTOR & SHROUD 11"	062-0097

072342-17-000

KEY	PART NUMBER	U/M	DESCRIPTION	VENDOR NO.
	072342-12-701	EA	HOSE ASM #8 CONDENSER/COMP	085-0142
	113245-01-707	EA	O'RING #8	045-0126

072342-26-000

KEY	PART NUMBER	U/M	DESCRIPTION	VENDOR NO.
	072342-26-700	EA	SWITCH-BINARY W/PACKARD CONN	032-00384
	072342-26-701	EA	HOSE ASM. - #6 DRIER/EVAP	085-00623
	103930-01-716	EA	SWITCH-PRESSURE/COND. FAN	032-0036
	113245-01-711	EA	O'RING #6	045-0129

HEATING & A/C GROUP (CONTINUED)

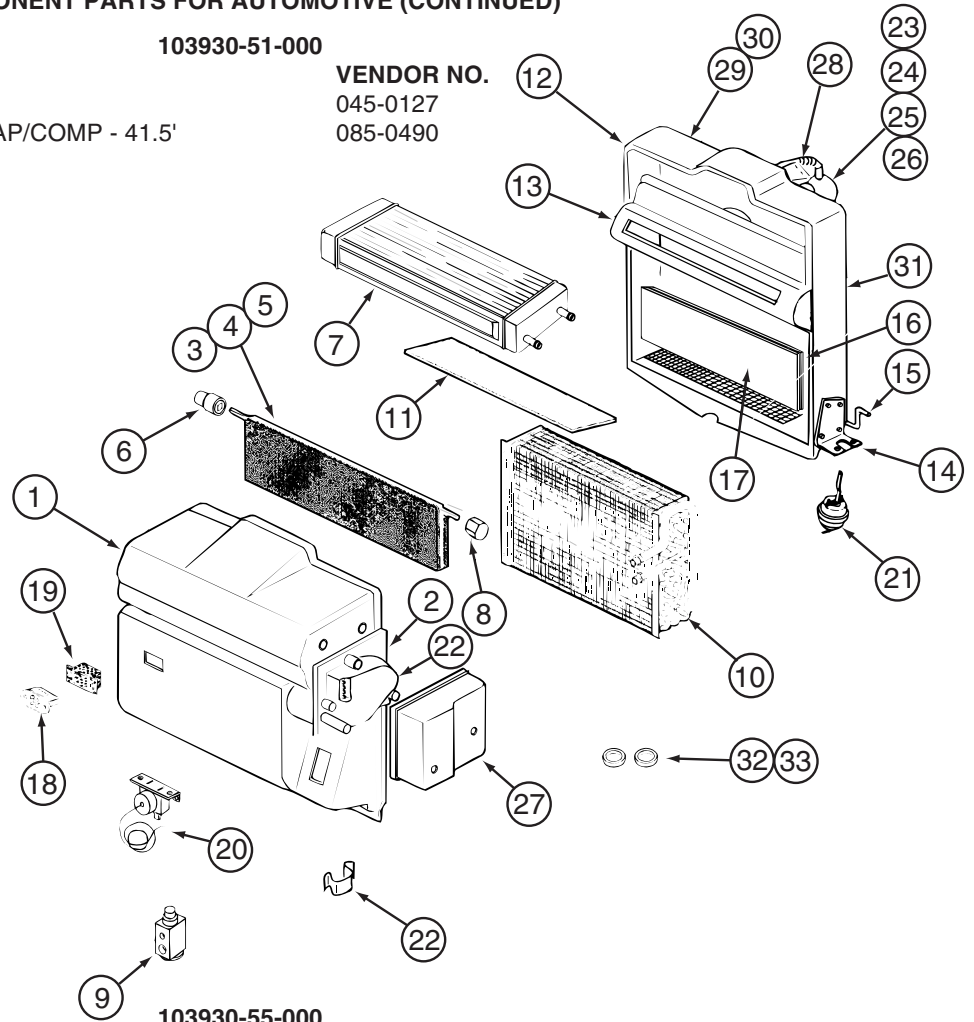
COMPONENT PARTS FOR AUTOMOTIVE (CONTINUED)

103930-51-000

KEY	PART NUMBER
	103930-17-702
	103930-51-700

U/M	DESCRIPTION
EA	O'RING #10
EA	HOSE - #12 EVAP/COMP - 41.5'

VENDOR NO.
045-0127
085-0490



103930-55-000

KEY	PART NUMBER
1	103930-55-701
2	103930-30-701
3	103930-55-705
6	103930-30-702
7	103930-55-706
8	103930-30-709
9	103930-20-700
10	103930-55-700
12	103930-55-702
14	103930-01-708
15	103930-20-704
16	103930-55-707
18	103930-01-710
20	103930-01-711
21	103930-02-708
22	103930-30-703
23	103930-20-707
24	103930-55-703
25	103930-01-717
26	103930-20-708
27	103930-30-704
32	113245-01-707
33	103930-17-702
	103930-55-704
	110279-01-703

U/M	DESCRIPTION
EA	CASE - FRONT
EA	PLATE - MOTOR MOUNT
EA	DOOR - BLEND AIR
EA	BUSHING/DRIVE (BLEND DOOR)
EA	CORE - HEATER - W/GASKET
EA	COUPLING - BLEND DOOR SHAFT
EA	VALVE-EXPANSION-BLOCK, 2 TON
EA	CORE-EVAPORATOR
EA	CASE-REAR
EA	BRACKET-VACUUM MOTOR
EA	ROD-DOOR-RECIRCULATING
EA	DOOR - RECIRCULATION
EA	RESISTOR-FUSED, A/C 4 TERM
EA	THERMOSTAT
EA	MOTOR-VACUUM SERVO, A/C
EA	MOTOR - SERVO
EA	HOUSING-BLOWER
EA	MOTOR - BLOWER W/O PIGTAIL
EA	WHEEL-BLOWER, CLOCKWISE
EA	CLIP-MOTOR SHAFT
EA	COVER - SERVO
EA	O'RING #8
EA	O'RING #10
EA	CORE-HEATER
EA	HOSE-VENT F/BLOWER MOTOR

VENDOR NO.
062-0658
062-0544
071-0892
062-0168
084-0271
062-0634
034-0032
041-00168
062-0657
070-0113
073-0018
071-0891
035-0006
033-0003
030-0025
030-0104
062-0145
030-0137
062-0010
022-0001
062-0545
045-0126
045-0127
042-0059
051-0034

CONTACT WINNEBAGO PART SALES FOR UNLISTED COMPONENT(S)

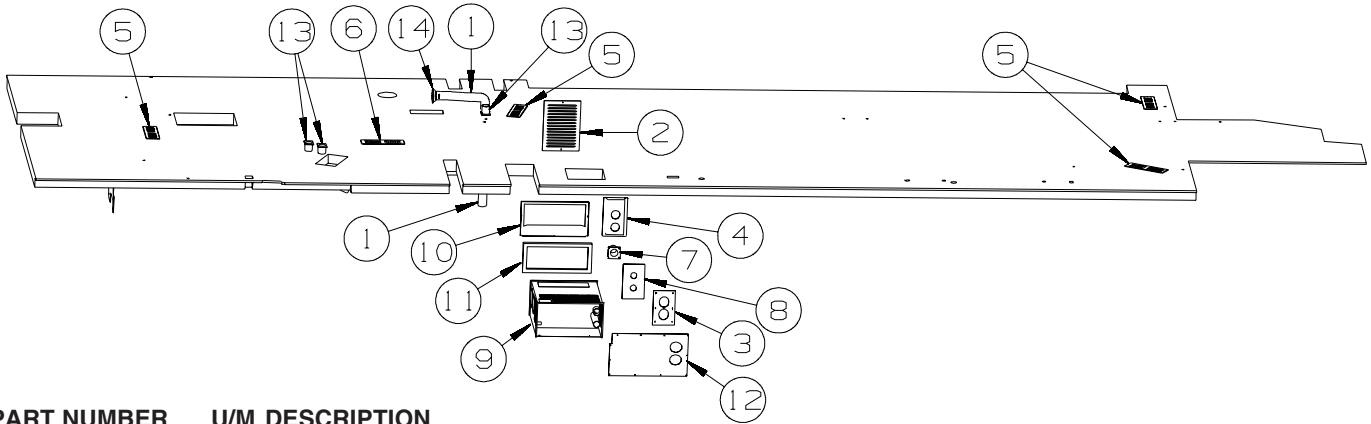
HEATING & A/C GROUP (CONTINUED)
COMPONENT PARTS FOR AUTOMOTIVE (CONTINUED)

103930-61-000

KEY	PART NUMBER	U/M	DESCRIPTION	VENDOR NO.
	103930-02-707	EA	RELAY-BOSCH W/RESISTER	031-0001
	103930-02-708	EA	MOTOR-VACUUM SERVO, A/C	030-0025
	103930-02-710	EA	CANISTER-VACUUM	054-0002
	103930-33-701	EA	MOTOR - VACUUM, 3 STAGE	030-0105
	103930-33-703	EA	VACUUM HARNESS	036-0466
	103930-49-701	EA	HARNESS - WIRE W/BULBS	036-0557
	103930-49-704	EA	SWITCH - BLOWER	032-0332
	103930-49-705	EA	POTENTIOMETER	032-0182
	103930-49-706	EA	SWITCH - VACUUM	032-0185
	103930-49-707	EA	DECAL CONTROL PANEL-N/RECESS	058-0144
	103930-61-700	EA	PLENUM - TOP CASE	060-00787
	103930-61-701	EA	PLENUM - LOWER CASE	060-00788
	103930-61-702	EA	DOOR - HEAT/VENT	071-01054
	103930-61-703	EA	ROD - DEF/HEAT DOOR	073-00086
	103930-61-704	EA	DOOR - DEF/HEAT	071-01053
	103930-61-705	EA	HOUSING ONLY - CONTROL PANEL	062-00615
	103930-61-706	EA	KNOB - CONTROL	062-00723
	103930-65-702	EA	CONTROL PANEL W/SWITCHES	083-00308

HEATING & A/C GROUP (CONTINUED)

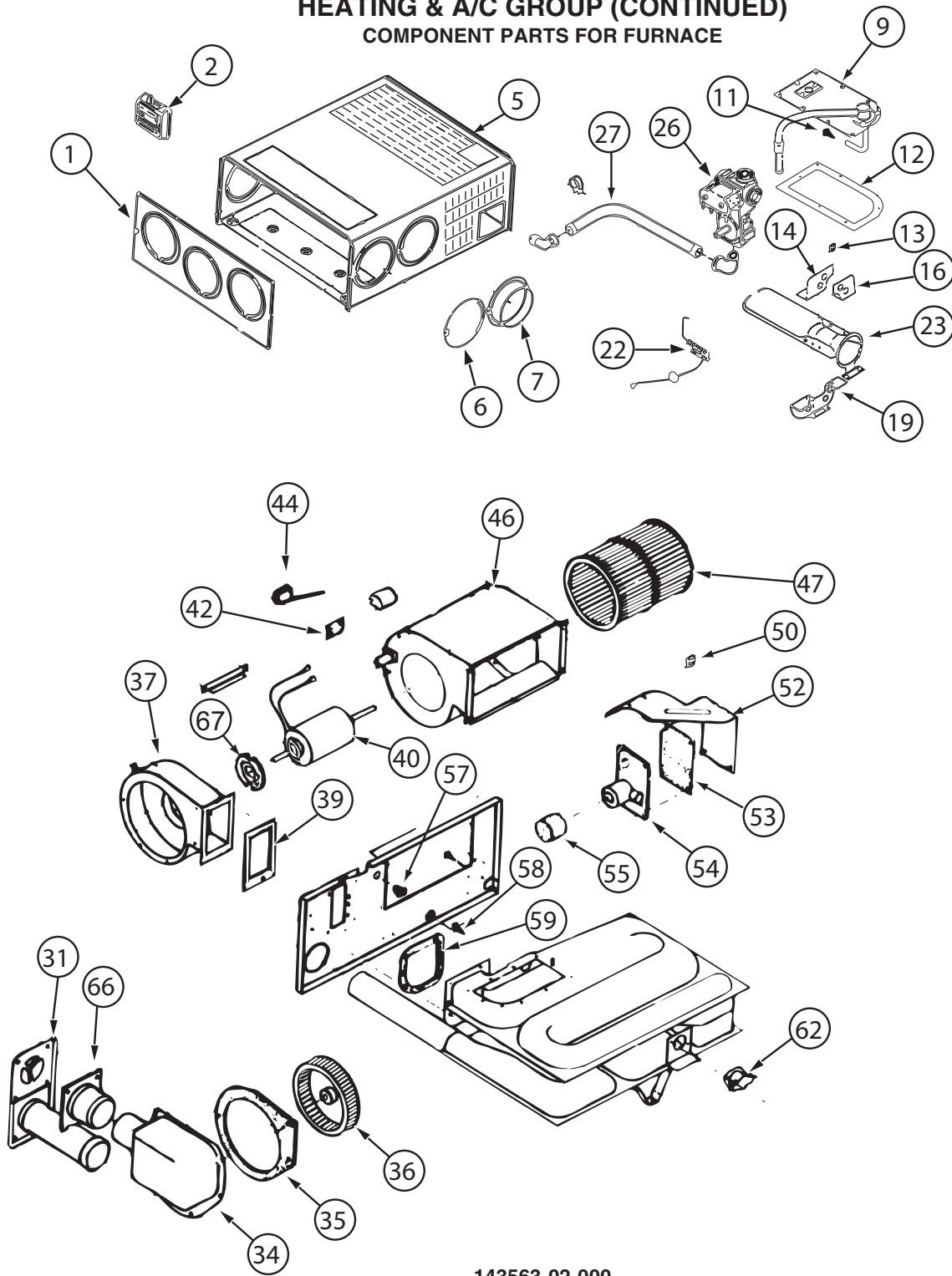
FURNACE



KEY	PART NUMBER	U/M	DESCRIPTION
1	009198-01-000	FT	DUCT - HEAT - FLEXIBLE - 4" ID X 25'
2	093614-08-02A	EA	GRILLE - AIR RETURN - 9.8" X 13.9" - BEIGE
3	126693-05-02B	EA	PANEL - EXHAUST/FURNACE - E-COATED
4	133323-03-01A	EA	SHROUD - FURNACE - UNFINISHED
5	137965-01-02A	EA	REGISTER - 11.2" X 3.6"(9.7 X 2.1"R/O) W/O DAMPER-ANT PWTR
6	137965-03-02A	EA	REGISTER - 11.2" X 3.6"(9.7 X 2.1"R/O) W/O DAMPER-ANT PWTR
7	139980-13-000	EA	VENT - INTAKE
8	141337-01-01A	EA	GASKET - FURNACE
9*	143563-02-000	EA	FURNACE - 40000 BTU HIGH QUIET - SUBURBAN SH-42 2346A
10	143563-04-000	EA	PLATE END - COLLAR
11	143563-05-000	EA	GASKET - FIBERGLASS - SUBURBAN #071018
12	145895-06-02B	EA	PANEL - CLOSEOUT - FURNACE - E-COATED
13	092776-01-000	EA	ADAPTER - DUCT - 2"
14	157225-01-01A	EA	OUTLET - DEFROSTER - W/SWIVEL - 2" SLEEVE/4"OD - BLACK

***COMPONENT PARTS LISTED LATER IN THIS GROUP**

HEATING & A/C GROUP (CONTINUED)
COMPONENT PARTS FOR FURNACE



143563-02-000

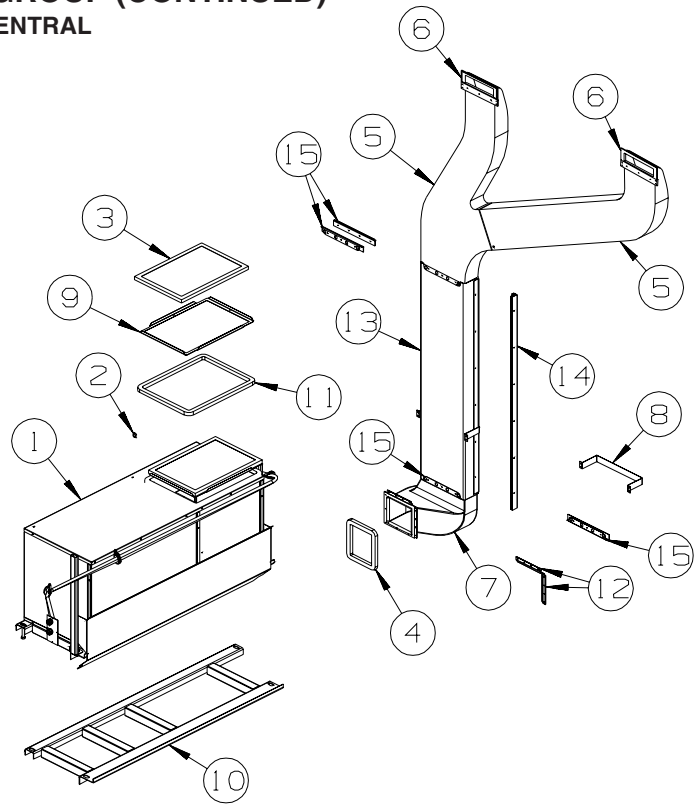
HEATING & A/C GROUP (CONTINUED)
COMPONENT PARTS FOR FURNACE (CONTINUED)

143563-02-000 (CONTINUED)

KEY	PART NUMBER	U/M	DESCRIPTION	VENDOR NO.
1	143563-01-700	EA	CABINET - FRONT	101907
2			SEE 12 VOLT WIRING AREAS FOR CORRECT THERMOSTAT	
5	143563-02-700	EA	CABINET	101915
7	075696-02-703	EA	COLLAR - DUCT	050715
9	143563-01-702	EA	MANIFOLD ASSEMBLY	171599
11	143563-02-701	EA	ORFICE - MAIN BURNER	180309
12	098668-22-703	EA	GASKET - BURNER ACCESS COVER	070811
14	143563-02-702	EA	PLATE - SECONDARY AIR/TOP BACK	063198
16	143563-02-703	EA	PLATE - SECONDARY AIR/TOP FRT	062933
19	143563-02-704	EA	PLATE - SECONDARY AIR/BOTTOM	062935
22	139980-01-701	EA	ELECTRODE	232286
23	098668-11-701	EA	BURNER ASSEMBLY, SF-42F	010799
26	098668-01-718	EA	VALVE-GAS SF S.N.974903079	161122
27	143563-01-707	EA	PIPE ASSEMBLY (GAS INLET)	171603
31	098668-01-707	EA	TUBE ASSEMBLY, EXHAUST W/CAP	260231
34	143563-01-708	EA	BOX ASM (COMB. AIR INTAKE)	051430BK
35	143563-01-709	EA	GASKET (COMB. AIR HOUSING)	071108
36	143563-01-710	EA	WHEEL (COMBUSTION AIR)	350199
37	143563-01-711	EA	HOUSING (COMBUSTION AIR)	390862BK
39	143563-01-715	EA	GASKET-FIREWALL/COMB. AIR	071107
40	143563-02-705	EA	MOTOR ASSEMBLY	232726
42	101990-01-714	EA	GASKET-MICROSWITCH	230877
44	098668-21-700	EA	SWITCH-MICRO-W/O FLAG 3 1/4"	232261
46	143563-01-713	EA	BLOWER ASSEMBLY(ROOM AIR)	390867BK
47	143563-01-714	EA	WHEEL - ROOM AIR	350198
50	139980-01-710	EA	SWITCH - ON/OFF	232351
52	139980-01-711	EA	PANEL ASSEMBLY-MODULE BD	101663
53	139980-01-712	EA	INSULATOR - MODULE BD	070807
54	098668-22-705	EA	MODULE BD W/RELAY TIME DELAY	520820
55	139980-01-713	EA	CAP/INSULATOR-MODULE BD	070973
57	139980-01-714	EA	BUSHING - UNIVERSAL	070362
58	139980-01-715	EA	BUSHING - STRAIN RELIEF	231809
59	098668-01-716	EA	GASKET-FIREWALL,CHAMBER SIDE	070808
62	143563-02-706	EA	SWITCH - LIMIT	232735
66	098668-01-713	EA	TUBE ASSEMBLY, INTAKE	051248
67	075697-07-703	EA	GASKET - MOTOR	070448
	143563-02-707	EA	CHAMBER ASM. - FINAL	021172BK
			CONTACT WINNEBAGO PART SALES FOR UNLISTED COMPONENT(S)	

HEATING & A/C GROUP (CONTINUED)

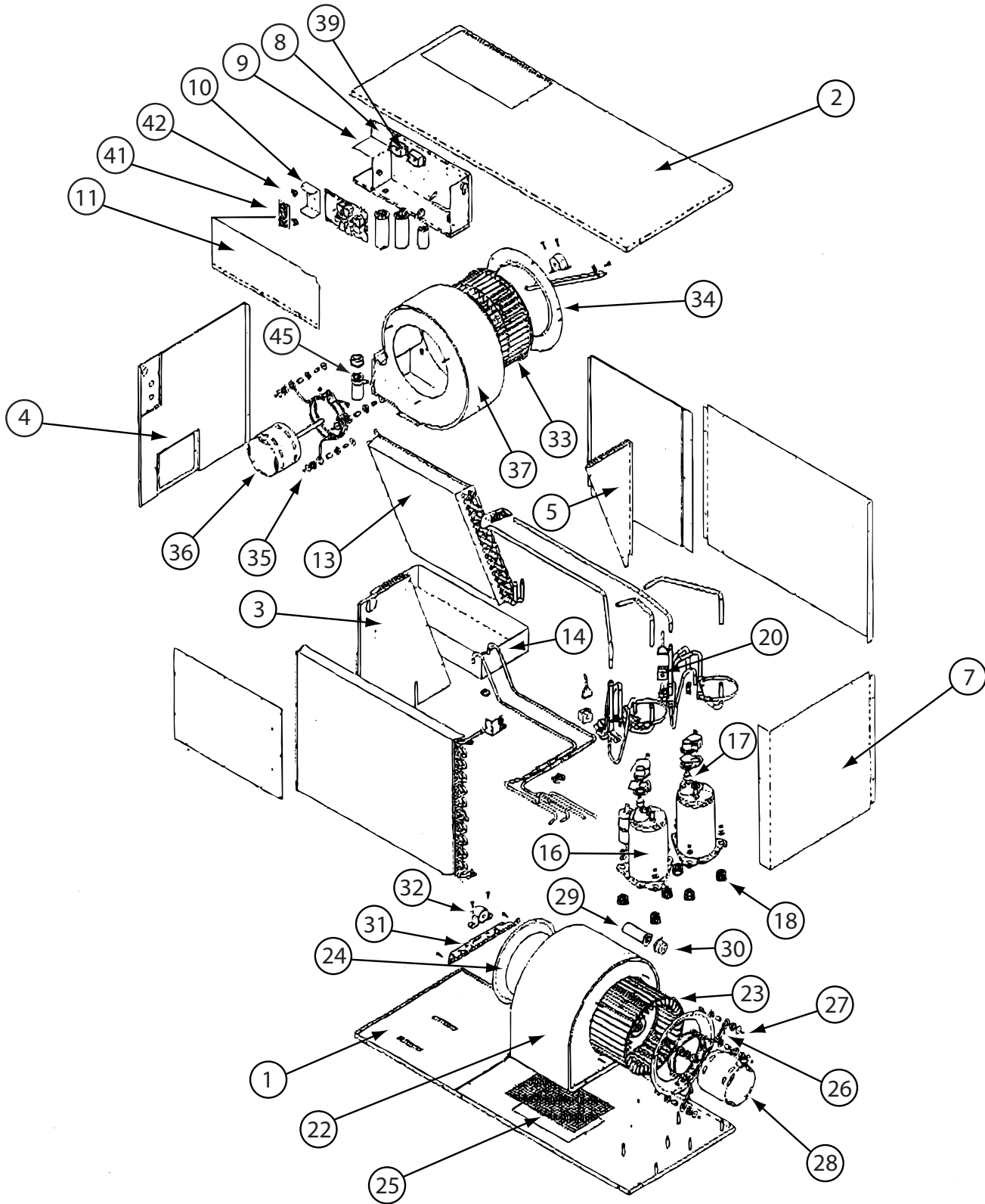
CENTRAL



KEY	PART NUMBER	U/M	DESCRIPTION
1*	105620-24-000	EA	A/C - CENTRAL - HEAT PUMP - TOP RETURN
1*	105620-19-000	EA	A/C - CENTRAL - HEAT PUMP - TOP RETURN - P34Y ONLY FROM: 00-00-00 THRU: 08-19-08
1*	105620-24-000	EA	A/C - CENTRAL - HEAT PUMP - TOP RETURN - P34Y ONLY FROM: 08-20-08 THRU: 99-99-99
2	107721-07-000	FT	SEAL - ACCESS DOOR - .9"WIDE X 1.1"HIGH
3	109050-01-000	EA	FILTER/FURNACE-AC - FIBERGLASS - 1" X 16" X 20"
4	134588-02-000	EA	GASKET - DUCT - 13.9" X 18.2" IS - 15.9" X 20.2" OS
5	M09204-01-000	EA	DUCT/AC - UPPER RIGHT HAND/LEFT HAND
5	105290-01-000	SF	INSULATION - AIR POCKET W/FOIL
6	104692-01-000	FT	SEAL - ADHESIVE BACKED FOAM - 3/4" THICK X 3/4" WIDE X 25'
7	P47621-01-000	EA	DUCT - CENTRAL AIR/FORCED - LOWER
7	105290-01-000	SF	INSULATION - AIR POCKET W/FOIL
8	129047-01-02B	EA	STRAP/MOUNTING - AIR DUCT - E-COATED
9	139757-02-02B	EA	PANEL - TRAY - A/C FILTER - E-COATED
10	158964-01-02B	EA	CRADLE - A/C - E-COATED
11	134588-04-000	EA	GASKET - DUCT - 13.9" X 18.2" IS - 15.9" X 20.2" OS
12	130481-01-01A	EA	BRACKET - ZEE W/HOLES - 7"
13	159404-07-000	EA	PLENUM - A/C
14	159408-07-01A	EA	CORNER-W/HOLES,MILL, 1100 MM
15	160755-01-02B	EA	U-CHANNEL-W/HOLES

***COMPONENT PARTS LISTED LATER IN THIS GROUP**

HEATING & A/C GROUP (CONTINUED)
COMPONENT PARTS FOR CENTRAL



105620-19-000

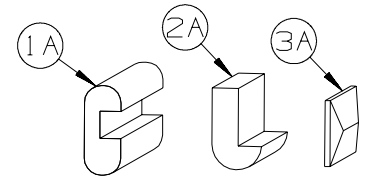
HEATING & A/C GROUP (CONTINUED)
COMPONENT PARTS FOR CENTRAL (CONTINUED)

105620-19-000 (CONTINUED)

KEY	PART NUMBER	U/M	DESCRIPTION	VENDOR NO.
12	105620-19-701	EA	CONDENSER COIL	1452-173
13	105620-19-702	EA	EVAPORATOR COIL	1452-172
14	105620-19-703	EA	DRAIN PAN	6538-314
15	105620-12-703	EA	VALVE - DRAIN	6795-200
16	105620-12-704	EA	COMPRESSOR (TECHUMSEH)	1450-2149
17	105620-12-705	EA	OVERLOAD	1450-0081
18	105620-01-706	EA	MOUNTING PKG.,COMP., 3 PER	6759-3081
20	105620-12-708	EA	COIL - SOLENOID	1460-1081
21	105620-19-704	EA	BY-FLOW RESTRICTOR	1454-259
22	105620-19-700	EA	BLOWER HOUSING/OUTSIDE AIR	6536A515
23	105620-01-713	EA	WHEEL-BLOWER/OUTSIDE AIR	1472-1611
24	105620-01-714	EA	VENTURI-BLOWER/OUTSIDE AIR	6795A150
25	105620-16-706	EA	SCREEN/SAFETY	6795B313
26	105620-01-715	EA	MOUNT-BLOWER/OUTSIDE AIR	6795A3011
27	105620-01-716	EA	SLEEVE & GROMMET, 4 PER PKG	6795A3031
28	105620-10-721	EA	MOTOR/BLOWER-8 3/4" SHAFT	1468A3029
29	105620-01-718	EA	CAPACITOR-FAN(OUTDOOR MOTOR)	1499-5631
30	105620-10-715	EA	RUBBER CAPACITOR BOOT	1499-951
31	105620-01-700	EA	BEARING BRACKET/OUTSIDE AIR	6536-514
32	105620-10-701	EA	BEARING/PILLOW BLOCK-O/S AIR	6536-3011
33	105620-11-701	EA	BLOWER WHEEL/INSIDE AIR	1472-1151
34	105620-12-715	EA	BLOWER VENTURI/INSIDE AIR	6535A287
35	105620-01-723	EA	MOUNT-BLOWER MOTOR - I/S AIR	6795-302
36	105620-19-705	EA	MOTOR-BLOWER-INSIDE AIR-REV.	1468A3219
37	105620-19-706	EA	BLOWER HOUSING/INSIDE AIR	6537A590
38	105620-01-729	EA	RELAY-COMPRESSOR -4 TERMINAL	1460-1131
39	126859-01-703	EA	CAPACITOR - RUN	1499-5671
40	105620-16-708	EA	BOARD/TERMINAL- HIGH VOLTAGE	6795-3151
41	105620-01-723	EA	GROUND PLUG	1216228
42	105620-10-705	EA	PTCR (START DEVICE) - W/CAP.	8333A9021
43	105620-12-727	EA	CIRCUIT BD(6535 C SERIES)	6535C3201
44	093763-01-704	EA	CAPACITOR-FAN (INDOOR MOTOR)	1499-5461
	105620-12-719	EA	COIL SENSOR	7330A3231

CONTACT WINNEBAGO PART SALES FOR UNLISTED COMPONENTS

INTERIOR FINISH GROUP
MOLDINGS & TRIMS
CONCERT CHERRY, HONEY CHERRY, BELMONT MAPLE



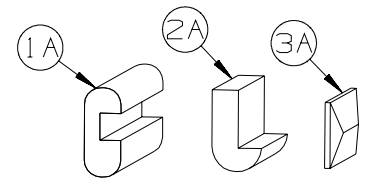
KEY	PART NUMBER	U/M	DESCRIPTION
1A	M09412-62-M52	EA	MOLDING/SHELF EDGE - .6" X 1.3" X 96" - CONCERT CHERRY
1A	M09412-62-M62	EA	MOLDING/SHELF EDGE - .6" X 1.3" X 96" - WASHED MAPLE
1A	M09412-62-RC3	EA	MOLDING/SHELF EDGE - .6" X 1.3" X 96" - HONEY CHERRY
1A	M09412-62-SA3	EA	MOLDING/SHELF EDGE - .6" X 1.3" X 96" - SIERRA MAPLE
1A	M09412-62-Y93	EA	MOLDING/SHELF EDGE - .6" X 1.3" X 96" - BELMONT MAPLE
2A	M09525-80-UM1	EA	MOLDING - TRIM - W/NOTCH - .8" X 1.4" X 86.5" - CONCERT CHERRY
2A	M09525-80-U91	EA	MOLDING - TRIM - W/NOTCH - .8" X 1.4" X 86.5" - WASHED MAPLE
2A	M09525-80-U92	EA	MOLDING - TRIM - W/NOTCH - .8" X 1.4" X 86.5" - SIERRA MAPLE
2A	M09525-80-Y92	EA	MOLDING - TRIM - W/NOTCH - .8" X 1.4" X 86.5" - HONEY CHERRY
2A	M09525-80-Y93	EA	MOLDING - TRIM - W/NOTCH - .8" X 1.4" X 86.5" - BELMONT MAPLE
2A	M09511-44-T78	EA	MOLDING - TRIM - W/NOTCH - 1" X 86.4" - CONCERT CHERRY
2A	M09511-44-T79	EA	MOLDING - TRIM - W/NOTCH - 1" X 86.4" - WASHED MAPLE
2A	M09511-44-T80	EA	MOLDING - TRIM - W/NOTCH - 1" X 86.4" - HONEY CHERRY
2A	M09577-47-YA0	EA	MOLDING - TRIM - W/NOTCH - 1" X 86.4" - CONCERT CHERRY
2A	M09577-47-YA1	EA	MOLDING - TRIM - W/NOTCH - 1" X 86.4" - HONEY CHERRY
2A	M09577-47-YA2	EA	MOLDING - TRIM - W/NOTCH - 1" X 86.4" - BELMONT MAPLE
2A	M09515-72-TD1	EA	MOLDING/TRIM - .8" X 2.2" X 86.1" - CONCERT CHERRY
2A	M09515-72-TD2	EA	MOLDING/TRIM - .8" X 2.2" X 86.1" - WASHED MAPLE
2A	M09515-72-TD3	EA	MOLDING/TRIM - .8" X 2.2" X 86.1" - SIERRA MAPLE
2A	M09553-87-YP2	EA	MOLDING/TRIM - .8" X 2.2" X 86.14" - BELMONT MAPLE
3A	M09568-37-YK0	EA	MOLDING - TRIM/VEE - .2" X 1" X 80.2" - CONCERT CHERRY
3A	M09568-37-YK1	EA	MOLDING - TRIM/VEE - .2" X 1" X 80.2" - HONEY CHERRY
3A	M09568-37-YK2	EA	MOLDING - TRIM/VEE - .2" X 1" X 80.2" - BELMONT MAPLE
3A	M09568-37-YK3	EA	MOLDING - TRIM/VEE - .2" X 1" X 80.2" - WASHED MAPLE
3A	M09568-40-YK0	EA	MOLDING - TRIM/VEE - .2" X 1" X 76.3" - CONCERT CHERRY
3A	M09568-40-YK1	EA	MOLDING - TRIM/VEE - .2" X 1" X 76.3" - HONEY CHERRY
3A	M09568-40-YK2	EA	MOLDING - TRIM/VEE - .2" X 1" X 76.3" - BELMONT MAPLE
3A	M09568-40-YK3	EA	MOLDING - TRIM/VEE - .2" X 1" X 76.3" - WASHED MAPLE
3A	M09568-41-YK0	EA	MOLDING - TRIM/VEE - .2" X 1" X 73.9" - CONCERT CHERRY
3A	M09568-41-YK1	EA	MOLDING - TRIM/VEE - .2" X 1" X 73.9" - HONEY CHERRY
3A	M09568-41-YK2	EA	MOLDING - TRIM/VEE - .2" X 1" X 73.9" - BELMONT MAPLE
3A	M09568-41-YK3	EA	MOLDING - TRIM/VEE - .2" X 1" X 73.9" - WASHED MAPLE
3A	M09568-42-YK0	EA	MOLDING - TRIM/VEE - .2" X 1" X 40.1" - CONCERT CHERRY
3A	M09568-42-YK1	EA	MOLDING - TRIM/VEE - .2" X 1" X 40.1" - HONEY CHERRY
3A	M09568-42-YK2	EA	MOLDING - TRIM/VEE - .2" X 1" X 40.1" - BELMONT MAPLE
3A	M09568-42-YK3	EA	MOLDING - TRIM/VEE - .2" X 1" X 40.1" - WASHED MAPLE
3A	M09568-44-YK0	EA	MOLDING - TRIM/VEE - .2" X 1" X 64.5" - CONCERT CHERRY
3A	M09568-44-YK1	EA	MOLDING - TRIM/VEE - .2" X 1" X 64.5" - HONEY CHERRY
3A	M09568-44-YK2	EA	MOLDING - TRIM/VEE - .2" X 1" X 64.5" - BELMONT MAPLE
3A	M09568-44-YK3	EA	MOLDING - TRIM/VEE - .2" X 1" X 64.5" - WASHED MAPLE
3A	M09501-30-SD1	EA	MOLDING - TRIM/VEE - .2" X 1" X 35.1" - CONCERT CHERRY
3A	M09501-30-SD2	EA	MOLDING - TRIM/VEE - .2" X 1" X 35.1" - WASHED MAPLE
3A	M09501-30-SD3	EA	MOLDING - TRIM/VEE - .2" X 1" X 35.1" - HONEY CHERRY
3A	M09515-97-WL4	EA	MOLDING - TRIM/VEE - .2" X 1" X 32.6" - CONCERT CHERRY
3A	M09515-97-WL5	EA	MOLDING - TRIM/VEE - .2" X 1" X 32.6" - WASHED MAPLE
3A	M09515-97-WL6	EA	MOLDING - TRIM/VEE - .2" X 1" X 32.6" - HONEY CHERRY
3A	M09515-97-YL6	EA	MOLDING - TRIM/VEE - .2" X 1" X 32.6" - BELMONT MAPLE
3A	M09566-11-YL4	EA	MOLDING - TRIM/VEE - .2" X 1" X 25.9" - CONCERT CHERRY
3A	M09566-11-YL5	EA	MOLDING - TRIM/VEE - .2" X 1" X 25.9" - HONEY CHERRY
3A	M09566-11-YL6	EA	MOLDING - TRIM/VEE - .2" X 1" X 25.9" - BELMONT MAPLE
3A	M09566-11-YL7	EA	MOLDING - TRIM/VEE - .2" X 1" X 25.9" - WASHED MAPLE
3A	M09534-17-UF3	EA	MOLDING - TRIM/VEE - .2" X 1" X 20.1" - SIERRA MAPLE
3A	M09534-17-UJ1	EA	MOLDING - TRIM/VEE - .2" X 1" X 20.1" - CONCERT CHERRY
3A	M09534-17-UJ2	EA	MOLDING - TRIM/VEE - .2" X 1" X 20.1" - WASHED MAPLE
3A	M09534-17-UJ3	EA	MOLDING - TRIM/VEE - .2" X 1" X 20.1" - HONEY CHERRY
3A	M09534-17-YG3	EA	MOLDING - TRIM/VEE - .2" X 1" X 20.1" - BELMONT MAPLE
3A	M09477-88-S34	EA	MOLDING - TRIM/VEE - .2" X 1" X 19.9" - WASHED MAPLE
3A	M09477-88-S35	EA	MOLDING - TRIM/VEE - .2" X 1" X 19.9" - SIERRA MAPLE
3A	M09477-88-YA0	EA	MOLDING - TRIM/VEE - .2" X 1" X 19.9" - CONCERT CHERRY
3A	M09477-88-Y37	EA	MOLDING - TRIM/VEE - .2" X 1" X 19.9" - HONEY CHERRY
3A	M09477-88-Y38	EA	MOLDING - TRIM/VEE - .2" X 1" X 19.9" - BELMONT MAPLE
3A	M09568-43-YK0	EA	MOLDING - TRIM/VEE - .2" X 1" X 18.5" - CONCERT CHERRY

INTERIOR FINISH GROUP (CONTINUED)
MOLDINGS & TRIMS (CONTINUED)

KEY	PART NUMBER	U/M	DESCRIPTION
3A	M09568-43-YK1	EA	MOLDING - TRIM/VEE - .2" X 1" X 18.5" - HONEY CHERRY
3A	M09568-43-YK2	EA	MOLDING - TRIM/VEE - .2" X 1" X 18.5" - BELMONT MAPLE
3A	M09568-43-YK3	EA	MOLDING - TRIM/VEE - .2" X 1" X 18.5" - WASHED MAPLE
3A	M09515-71-Y37	EA	MOLDING - TRIM/VEE - .2" X 1" X 14.9" - HONEY CHERRY
3A	M09515-71-Y38	EA	MOLDING - TRIM/VEE - .2" X 1" X 14.9" - BELMONT MAPLE
3A	M09583-16-Y65	EA	MOLDING - TRIM/VEE - .2" X 1" X 13.3" - HONEY CHERRY
3A	M09583-16-YP0	EA	MOLDING - TRIM/VEE - .2" X 1" X 13.3" - SIERRA MAPLE
3A	M09583-16-YP1	EA	MOLDING - TRIM/VEE - .2" X 1" X 13.3" - CONCERT CHERRY
3A	M09583-16-YP2	EA	MOLDING - TRIM/VEE - .2" X 1" X 13.3" - BELMONT MAPLE
3A	M09566-04-YB0	EA	MOLDING - TRIM/VEE - .2" X 1" X 8.9" - CONCERT CHERRY
3A	M09566-04-WD3	EA	MOLDING - TRIM/VEE - .2" X 1" X 8.9" - HONEY CHERRY
3A	M09553-29-WH4	EA	MOLDING - TRIM/VEE - .4" X 1" X 94.4" - CONCERT CHERRY
3A	M09553-29-WH5	EA	MOLDING - TRIM/VEE - .4" X 1" X 94.4" - WASHED MAPLE
3A	M09553-29-WH6	EA	MOLDING - TRIM/VEE - .4" X 1" X 94.4" - SIERRA MAPLE
3A	M09553-29-YH7	EA	MOLDING - TRIM/VEE - .4" X 1" X 94.4" - BELMONT MAPLE
3A	M09553-29-YR3	EA	MOLDING - TRIM/VEE - .4" X 1" X 94.4" - HONEY CHERRY
3A	M09565-04-WH4	EA	MOLDING - TRIM/VEE - .4" X 1" X 89.5" - CONCERT CHERRY
3A	M09565-04-WH5	EA	MOLDING - TRIM/VEE - .4" X 1" X 89.5" - WASHED MAPLE
3A	M09565-04-WH6	EA	MOLDING - TRIM/VEE - .4" X 1" X 89.5" - SIERRA MAPLE
3A	M09565-04-YH7	EA	MOLDING - TRIM/VEE - .4" X 1" X 89.5" - BELMONT MAPLE
3A	M09565-04-YR3	EA	MOLDING - TRIM/VEE - .4" X 1" X 89.5" - HONEY CHERRY
3A	M09544-86-W37	EA	MOLDING - TRIM/VEE - .4" X 1" X 88.1" - SIERRA MAPLE
3A	M09544-86-W38	EA	MOLDING - TRIM/VEE - .4" X 1" X 88.1" - WASHED MAPLE
3A	M09538-39-U67	EA	MOLDING - TRIM/VEE - .4" X 1" X 82.6" - WASHED MAPLE
3A	M09538-39-U68	EA	MOLDING - TRIM/VEE - .4" X 1" X 82.6" - SIERRA MAPLE
3A	M09538-39-Y80	EA	MOLDING - TRIM/VEE - .4" X 1" X 82.6" - CONCERT CHERRY
3A	M09538-39-Y81	EA	MOLDING - TRIM/VEE - .4" X 1" X 82.6" - BELMONT MAPLE
3A	M09553-62-WH4	EA	MOLDING - TRIM/VEE - .4" X 1" X 81.4" - CONCERT CHERRY
3A	M09553-62-WH5	EA	MOLDING - TRIM/VEE - .4" X 1" X 81.4" - WASHED MAPLE
3A	M09553-62-WH6	EA	MOLDING - TRIM/VEE - .4" X 1" X 81.4" - SIERRA MAPLE
3A	M09553-62-YH7	EA	MOLDING - TRIM/VEE - .4" X 1" X 81.4" - BELMONT MAPLE
3A	M09553-62-YR3	EA	MOLDING - TRIM/VEE - .4" X 1" X 81.4" - HONEY CHERRY
3A	M09568-67-YL4	EA	MOLDING - TRIM/VEE - .4" X 1" X 81" - CONCERT CHERRY
3A	M09568-67-YL5	EA	MOLDING - TRIM/VEE - .4" X 1" X 81" - HONEY CHERRY
3A	M09568-67-YL6	EA	MOLDING - TRIM/VEE - .4" X 1" X 81" - BELMONT MAPLE
3A	M09568-67-YL7	EA	MOLDING - TRIM/VEE - .4" X 1" X 81" - WASHED MAPLE
3A	M09577-98-WH4	EA	MOLDING - TRIM/VEE - .4" X 1" X 80.2" - CONCERT CHERRY
3A	M09577-98-WH5	EA	MOLDING - TRIM/VEE - .4" X 1" X 80.2" - WASHED MAPLE
3A	M09577-98-WH6	EA	MOLDING - TRIM/VEE - .4" X 1" X 80.2" - SIERRA MAPLE
3A	M09577-98-YL5	EA	MOLDING - TRIM/VEE - .4" X 1" X 80.2" - HONEY CHERRY
3A	M09577-98-YL6	EA	MOLDING - TRIM/VEE - .4" X 1" X 80.2" - BELMONT MAPLE
3A	M09583-06-YL4	EA	MOLDING - TRIM/VEE - .4" X 1" X 79.3" - CONCERT CHERRY
3A	M09583-06-YL5	EA	MOLDING - TRIM/VEE - .4" X 1" X 79.3" - HONEY CHERRY
3A	M09583-06-YL6	EA	MOLDING - TRIM/VEE - .4" X 1" X 79.3" - BELMONT MAPLE
3A	M09583-06-YL7	EA	MOLDING - TRIM/VEE - .4" X 1" X 79.3" - WASHED MAPLE
3A	M09538-37-U67	EA	MOLDING - TRIM/VEE - .4" X 1" X 77.5" - WASHED MAPLE
3A	M09538-37-U68	EA	MOLDING - TRIM/VEE - .4" X 1" X 77.5" - SIERRA MAPLE
3A	M09538-37-Y80	EA	MOLDING - TRIM/VEE - .4" X 1" X 77.5" - CONCERT CHERRY
3A	M09538-37-Y81	EA	MOLDING - TRIM/VEE - .4" X 1" X 77.5" - BELMONT MAPLE
3A	M09553-65-WH4	EA	MOLDING - TRIM/VEE - .4" X 1" X 77" - CONCERT CHERRY
3A	M09553-65-WH5	EA	MOLDING - TRIM/VEE - .4" X 1" X 77" - WASHED MAPLE
3A	M09553-65-WH6	EA	MOLDING - TRIM/VEE - .4" X 1" X 77" - SIERRA MAPLE
3A	M09553-65-YH7	EA	MOLDING - TRIM/VEE - .4" X 1" X 77" - BELMONT MAPLE
3A	M09553-65-YR3	EA	MOLDING - TRIM/VEE - .4" X 1" X 77" - HONEY CHERRY
3A	M09553-64-WH4	EA	MOLDING - TRIM/VEE - .4" X 1" X 76.7" - CONCERT CHERRY
3A	M09553-64-WH5	EA	MOLDING - TRIM/VEE - .4" X 1" X 76.7" - WASHED MAPLE
3A	M09553-64-WH6	EA	MOLDING - TRIM/VEE - .4" X 1" X 76.7" - SIERRA MAPLE
3A	M09553-64-YH7	EA	MOLDING - TRIM/VEE - .4" X 1" X 76.7" - BELMONT MAPLE
3A	M09553-64-YR3	EA	MOLDING - TRIM/VEE - .4" X 1" X 76.7" - HONEY CHERRY
3A	M09577-14-Y79	EA	MOLDING - TRIM/VEE - .4" X 1" X 76.2" - SIERRA MAPLE
3A	M09577-14-Y80	EA	MOLDING - TRIM/VEE - .4" X 1" X 76.2" - CONCERT CHERRY
3A	M09577-14-Y81	EA	MOLDING - TRIM/VEE - .4" X 1" X 76.2" - BELMONT MAPLE
3A	M09583-63-Y91	EA	MOLDING - TRIM/VEE - .4" X 1" X 75.3" - CONCERT CHERRY
3A	M09583-63-Y92	EA	MOLDING - TRIM/VEE - .4" X 1" X 75.3" - HONEY CHERRY

INTERIOR FINISH GROUP (CONTINUED)
MOLDINGS & TRIMS (CONTINUED)

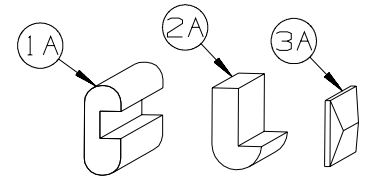
KEY	PART NUMBER	U/M	DESCRIPTION
3A	M09583-63-Y93	EA	MOLDING - TRIM/VEE - .4" X 1" X 75.3" - BELMONT MAPLE
3A	M09503-75-T78	EA	MOLDING - TRIM/VEE - .4" X 1" X 81" - CONCERT CHERRY
3A	M09503-75-YL5	EA	MOLDING - TRIM/VEE - .4" X 1" X 81" - HONEY CHERRY
3A	M09503-75-YL6	EA	MOLDING - TRIM/VEE - .4" X 1" X 81" - BELMONT MAPLE
3A	M09503-75-T79	EA	MOLDING - TRIM/VEE - .4" X 1" X 81" - WASHED MAPLE
3A	M09553-26-WH4	EA	MOLDING - TRIM/VEE - .4" X 1" X 74.1" - CONCERT CHERRY
3A	M09553-26-WH5	EA	MOLDING - TRIM/VEE - .4" X 1" X 74.1" - WASHED MAPLE
3A	M09553-26-WH6	EA	MOLDING - TRIM/VEE - .4" X 1" X 74.1" - SIERRA MAPLE
3A	M09553-26-YH7	EA	MOLDING - TRIM/VEE - .4" X 1" X 74.1" - BELMONT MAPLE
3A	M09553-26-YR3	EA	MOLDING - TRIM/VEE - .4" X 1" X 74.1" - HONEY CHERRY
3A	M09538-91-WH4	EA	MOLDING - TRIM/VEE - .4" X 1" X 73.8" - CONCERT CHERRY
3A	M09538-91-WH5	EA	MOLDING - TRIM/VEE - .4" X 1" X 73.8" - WASHED MAPLE
3A	M09538-91-WH6	EA	MOLDING - TRIM/VEE - .4" X 1" X 73.8" - SIERRA MAPLE
3A	M09538-91-YH7	EA	MOLDING - TRIM/VEE - .4" X 1" X 73.8" - BELMONT MAPLE
3A	M09538-91-YR3	EA	MOLDING - TRIM/VEE - .4" X 1" X 73.8" - HONEY CHERRY
3A	M09583-62-Y91	EA	MOLDING - TRIM/VEE - .4" X 1" X 73" - CONCERT CHERRY
3A	M09583-62-Y92	EA	MOLDING - TRIM/VEE - .4" X 1" X 73" - HONEY CHERRY
3A	M09583-62-Y93	EA	MOLDING - TRIM/VEE - .4" X 1" X 73" - BELMONT MAPLE
3A	M09568-71-YL4	EA	MOLDING - TRIM/VEE - .4" X 1" X 72.7" - CONCERT CHERRY
3A	M09568-71-YL5	EA	MOLDING - TRIM/VEE - .4" X 1" X 72.7" - HONEY CHERRY
3A	M09568-71-YL6	EA	MOLDING - TRIM/VEE - .4" X 1" X 72.7" - BELMONT MAPLE
3A	M09568-71-YL7	EA	MOLDING - TRIM/VEE - .4" X 1" X 72.7" - WASHED MAPLE
3A	M09565-97-WH4	EA	MOLDING - TRIM/VEE - .4" X 1" X 72.6" - CONCERT CHERRY
3A	M09565-97-WH5	EA	MOLDING - TRIM/VEE - .4" X 1" X 72.6" - WASHED MAPLE
3A	M09565-97-WH6	EA	MOLDING - TRIM/VEE - .4" X 1" X 72.6" - SIERRA MAPLE
3A	M09565-97-YH7	EA	MOLDING - TRIM/VEE - .4" X 1" X 72.6" - BELMONT MAPLE
3A	M09565-97-YR3	EA	MOLDING - TRIM/VEE - .4" X 1" X 72.6" - HONEY CHERRY
3A	M09568-12-WH4	EA	MOLDING - TRIM/VEE - .4" X 1" X 71.9" - CONCERT CHERRY
3A	M09568-12-WH5	EA	MOLDING - TRIM/VEE - .4" X 1" X 71.9" - WASHED MAPLE
3A	M09568-12-WH6	EA	MOLDING - TRIM/VEE - .4" X 1" X 71.9" - SIERRA MAPLE
3A	M09568-12-YH7	EA	MOLDING - TRIM/VEE - .4" X 1" X 71.9" - BELMONT MAPLE
3A	M09568-12-YR3	EA	MOLDING - TRIM/VEE - .4" X 1" X 71.9" - HONEY CHERRY
3A	M09565-01-WH4	EA	MOLDING - TRIM/VEE - .4" X 1" X 71.7" - CONCERT CHERRY
3A	M09565-01-WH5	EA	MOLDING - TRIM/VEE - .4" X 1" X 71.7" - WASHED MAPLE
3A	M09565-01-WH6	EA	MOLDING - TRIM/VEE - .4" X 1" X 71.7" - SIERRA MAPLE
3A	M09565-01-YH7	EA	MOLDING - TRIM/VEE - .4" X 1" X 71.7" - BELMONT MAPLE
3A	M09565-01-YR3	EA	MOLDING - TRIM/VEE - .4" X 1" X 71.7" - HONEY CHERRY
3A	M09544-15-WB4	EA	MOLDING - TRIM/VEE - .4" X 1" X 64.5" - CONCERT CHERRY
3A	M09544-15-WB5	EA	MOLDING - TRIM/VEE - .4" X 1" X 64.5" - WASHED MAPLE
3A	M09544-15-WB6	EA	MOLDING - TRIM/VEE - .4" X 1" X 64.5" - SIERRA MAPLE
3A	M09544-15-Y92	EA	MOLDING - TRIM/VEE - .4" X 1" X 64.5" - HONEY CHERRY
3A	M09544-15-Y93	EA	MOLDING - TRIM/VEE - .4" X 1" X 64.5" - BELMONT MAPLE
3A	M09538-94-WH4	EA	MOLDING - TRIM/VEE - .4" X 1" X 71.1" - CONCERT CHERRY
3A	M09538-94-WH5	EA	MOLDING - TRIM/VEE - .4" X 1" X 71.1" - WASHED MAPLE
3A	M09538-94-WH6	EA	MOLDING - TRIM/VEE - .4" X 1" X 71.1" - SIERRA MAPLE
3A	M09538-94-YH7	EA	MOLDING - TRIM/VEE - .4" X 1" X 71.1" - BELMONT MAPLE
3A	M09538-94-YR3	EA	MOLDING - TRIM/VEE - .4" X 1" X 71.1" - HONEY CHERRY
3A	M09565-78-WH4	EA	MOLDING - TRIM/VEE - .4" X 1" X 70.2" - CONCERT CHERRY
3A	M09565-78-WH5	EA	MOLDING - TRIM/VEE - .4" X 1" X 70.2" - WASHED MAPLE
3A	M09565-78-WH6	EA	MOLDING - TRIM/VEE - .4" X 1" X 70.2" - SIERRA MAPLE
3A	M09565-78-YH7	EA	MOLDING - TRIM/VEE - .4" X 1" X 70.2" - BELMONT MAPLE
3A	M09565-78-YR3	EA	MOLDING - TRIM/VEE - .4" X 1" X 70.2" - HONEY CHERRY
3A	M09501-92-T78	EA	MOLDING - TRIM/VEE - .4" X 1" X 70" - CONCERT CHERRY
3A	M09501-92-T79	EA	MOLDING - TRIM/VEE - .4" X 1" X 70" - WASHED MAPLE
3A	M09501-92-T80	EA	MOLDING - TRIM/VEE - .4" X 1" X 70" - SIERRA MAPLE
3A	M09501-92-Y81	EA	MOLDING - TRIM/VEE - .4" X 1" X 70" - BELMONT MAPLE
3A	M09538-27-WH4	EA	MOLDING - TRIM/VEE - .4" X 1" X 71.1" - CONCERT CHERRY
3A	M09538-27-U67	EA	MOLDING - TRIM/VEE - .4" X 1" X 71.1" - WASHED MAPLE
3A	M09538-27-U68	EA	MOLDING - TRIM/VEE - .4" X 1" X 71.1" - SIERRA MAPLE
3A	M09538-27-Y81	EA	MOLDING - TRIM/VEE - .4" X 1" X 71.1" - BELMONT MAPLE
3A	M09538-27-YR3	EA	MOLDING - TRIM/VEE - .4" X 1" X 71.1" - HONEY CHERRY
3A	M09568-08-Y91	EA	MOLDING - TRIM/VEE - .4" X 1" X 66.9" - CONCERT CHERRY



INTERIOR FINISH GROUP (CONTINUED)
MOLDINGS & TRIMS (CONTINUED)

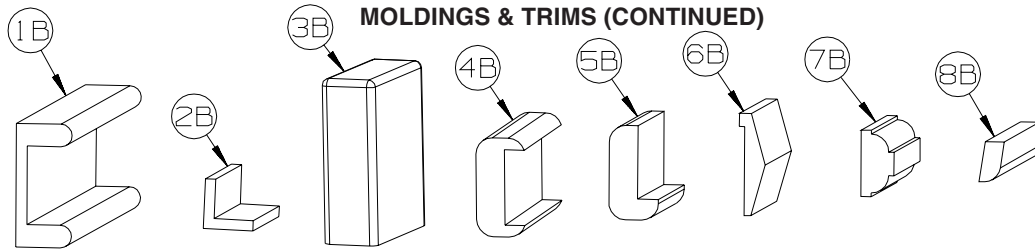
KEY	PART NUMBER	U/M	DESCRIPTION
3A	M09568-08-Y92	EA	MOLDING - TRIM/VEE - .4" X 1" X 66.9" - HONEY CHERRY
3A	M09568-08-Y93	EA	MOLDING - TRIM/VEE - .4" X 1" X 66.9" - BELMONT MAPLE
3A	M09553-03-WH4	EA	MOLDING - TRIM/VEE - .4" X 1" X 66.7" - CONCERT CHERRY
3A	M09553-03-WH5	EA	MOLDING - TRIM/VEE - .4" X 1" X 66.7" - WASHED MAPLE
3A	M09553-03-WH6	EA	MOLDING - TRIM/VEE - .4" X 1" X 66.7" - SIERRA MAPLE
3A	M09553-03-YH7	EA	MOLDING - TRIM/VEE - .4" X 1" X 66.7" - BELMONT MAPLE
3A	M09553-03-YR3	EA	MOLDING - TRIM/VEE - .4" X 1" X 66.7" - HONEY CHERRY
3A	M09538-93-WH4	EA	MOLDING - TRIM/VEE - .4" X 1" X 66.6" - CONCERT CHERRY
3A	M09538-93-WH5	EA	MOLDING - TRIM/VEE - .4" X 1" X 66.6" - WASHED MAPLE
3A	M09538-93-WH6	EA	MOLDING - TRIM/VEE - .4" X 1" X 66.6" - SIERRA MAPLE
3A	M09538-93-YH7	EA	MOLDING - TRIM/VEE - .4" X 1" X 66.6" - BELMONT MAPLE
3A	M09538-93-YR3	EA	MOLDING - TRIM/VEE - .4" X 1" X 66.6" - HONEY CHERRY
3A	M09544-33-W37	EA	MOLDING - TRIM/VEE - .4" X 1" X 66.5" - SIERRA MAPLE
3A	M09544-33-W38	EA	MOLDING - TRIM/VEE - .4" X 1" X 66.5" - WASHED MAPLE
3A	M09553-02-WH4	EA	MOLDING - TRIM/VEE - .4" X 1" X 66.4" - CONCERT CHERRY
3A	M09553-02-WH5	EA	MOLDING - TRIM/VEE - .4" X 1" X 66.4" - WASHED MAPLE
3A	M09553-02-WH6	EA	MOLDING - TRIM/VEE - .4" X 1" X 66.4" - SIERRA MAPLE
3A	M09553-02-YH7	EA	MOLDING - TRIM/VEE - .4" X 1" X 66.4" - BELMONT MAPLE
3A	M09553-02-YR3	EA	MOLDING - TRIM/VEE - .4" X 1" X 66.4" - HONEY CHERRY
3A	M09544-14-WB4	EA	MOLDING - TRIM/VEE - .4" X 1" X 64.5" - CONCERT CHERRY
3A	M09544-14-WB5	EA	MOLDING - TRIM/VEE - .4" X 1" X 64.5" - WASHED MAPLE
3A	M09544-14-WB6	EA	MOLDING - TRIM/VEE - .4" X 1" X 64.5" - SIERRA MAPLE
3A	M09544-14-Y92	EA	MOLDING - TRIM/VEE - .4" X 1" X 64.5" - HONEY CHERRY
3A	M09544-14-Y93	EA	MOLDING - TRIM/VEE - .4" X 1" X 64.5" - BELMONT MAPLE
3A	M09515-78-T78	EA	MOLDING - TRIM/VEE - .4" X 1" X 64.1" - CONCERT CHERRY
3A	M09515-78-T79	EA	MOLDING - TRIM/VEE - .4" X 1" X 64.1" - WASHED MAPLE
3A	M09515-78-T80	EA	MOLDING - TRIM/VEE - .4" X 1" X 64.1" - SIERRA MAPLE
3A	M09515-78-Y81	EA	MOLDING - TRIM/VEE - .4" X 1" X 64.1" - BELMONT MAPLE
3A	M09501-91-T78	EA	MOLDING - TRIM/VEE - .4" X 1" X 63.3" - CONCERT CHERRY
3A	M09501-91-T79	EA	MOLDING - TRIM/VEE - .4" X 1" X 63.3" - WASHED MAPLE
3A	M09501-91-T80	EA	MOLDING - TRIM/VEE - .4" X 1" X 63.3" - SIERRA MAPLE
3A	M09501-91-Y92	EA	MOLDING - TRIM/VEE - .4" X 1" X 63.3" - HONEY CHERRY
3A	M09501-91-Y93	EA	MOLDING - TRIM/VEE - .4" X 1" X 63.3" - BELMONT MAPLE
3A	M09503-91-T78	EA	MOLDING - TRIM/VEE - .4" X 1" X 63.1" - CONCERT CHERRY
3A	M09503-91-T79	EA	MOLDING - TRIM/VEE - .4" X 1" X 63.1" - WASHED MAPLE
3A	M09503-91-T80	EA	MOLDING - TRIM/VEE - .4" X 1" X 63.1" - SIERRA MAPLE
3A	M09503-91-Y92	EA	MOLDING - TRIM/VEE - .4" X 1" X 63.1" - HONEY CHERRY
3A	M09503-91-Y93	EA	MOLDING - TRIM/VEE - .4" X 1" X 63.1" - BELMONT MAPLE
3A	M09568-73-YL4	EA	MOLDING - TRIM/VEE - .4" X 1" X 62.3" - CONCERT CHERRY
3A	M09568-73-YL5	EA	MOLDING - TRIM/VEE - .4" X 1" X 62.3" - HONEY CHERRY
3A	M09568-73-YL6	EA	MOLDING - TRIM/VEE - .4" X 1" X 62.3" - BELMONT MAPLE
3A	M09568-73-YL7	EA	MOLDING - TRIM/VEE - .4" X 1" X 62.3" - WASHED MAPLE
3A	M09544-22-WB4	EA	MOLDING - TRIM/VEE - .4" X 1" X 61.7" - CONCERT CHERRY
3A	M09544-22-WB5	EA	MOLDING - TRIM/VEE - .4" X 1" X 61.7" - WASHED MAPLE
3A	M09544-22-WB6	EA	MOLDING - TRIM/VEE - .4" X 1" X 61.7" - SIERRA MAPLE
3A	M09544-22-YL5	EA	MOLDING - TRIM/VEE - .4" X 1" X 61.7" - HONEY CHERRY
3A	M09544-22-YL6	EA	MOLDING - TRIM/VEE - .4" X 1" X 61.7" - BELMONT MAPLE
3A	M09583-41-WH4	EA	MOLDING - TRIM/VEE - .4" X 1" X 61" - CONCERT CHERRY
3A	M09583-41-WH5	EA	MOLDING - TRIM/VEE - .4" X 1" X 61" - WASHED MAPLE
3A	M09583-41-WH6	EA	MOLDING - TRIM/VEE - .4" X 1" X 61" - SIERRA MAPLE
3A	M09583-41-YH7	EA	MOLDING - TRIM/VEE - .4" X 1" X 61" - BELMONT MAPLE
3A	M09583-41-YR3	EA	MOLDING - TRIM/VEE - .4" X 1" X 61" - HONEY CHERRY
3A	M09566-15-Y79	EA	MOLDING - TRIM/VEE - .4" X 1" X 60.2" - SIERRA MAPLE
3A	M09566-15-Y80	EA	MOLDING - TRIM/VEE - .4" X 1" X 60.2" - CONCERT CHERRY
3A	M09566-15-Y81	EA	MOLDING - TRIM/VEE - .4" X 1" X 60.2" - BELMONT MAPLE
3A	M09568-72-YL4	EA	MOLDING - TRIM/VEE - .4" X 1" X 58.8" - CONCERT CHERRY
3A	M09568-72-YL5	EA	MOLDING - TRIM/VEE - .4" X 1" X 58.8" - HONEY CHERRY
3A	M09568-72-YL6	EA	MOLDING - TRIM/VEE - .4" X 1" X 58.8" - BELMONT MAPLE
3A	M09568-72-YL7	EA	MOLDING - TRIM/VEE - .4" X 1" X 58.8" - WASHED MAPLE
3A	M09565-49-WH4	EA	MOLDING - TRIM/VEE - .4" X 1" X 58.7" - CONCERT CHERRY
3A	M09565-49-WH5	EA	MOLDING - TRIM/VEE - .4" X 1" X 58.7" - WASHED MAPLE
3A	M09565-49-WH6	EA	MOLDING - TRIM/VEE - .4" X 1" X 58.7" - SIERRA MAPLE
3A	M09565-49-YH7	EA	MOLDING - TRIM/VEE - .4" X 1" X 58.7" - BELMONT MAPLE
3A	M09565-49-YR3	EA	MOLDING - TRIM/VEE - .4" X 1" X 58.7" - HONEY CHERRY

INTERIOR FINISH GROUP (CONTINUED)
MOLDINGS & TRIMS (CONTINUED)



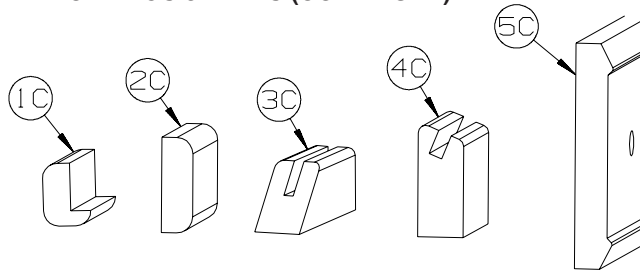
KEY	PART NUMBER	U/M	DESCRIPTION
3A	M09553-85-WB4	EA	MOLDING - TRIM/VEE - .4" X 1" X 43.4" - CONCERT CHERRY
3A	M09553-85-WB5	EA	MOLDING - TRIM/VEE - .4" X 1" X 43.4" - WASHED MAPLE
3A	M09553-85-WB6	EA	MOLDING - TRIM/VEE - .4" X 1" X 43.4" - SIERRA MAPLE
3A	M09553-85-Y92	EA	MOLDING - TRIM/VEE - .4" X 1" X 43.4" - HONEY CHERRY
3A	M09553-85-Y93	EA	MOLDING - TRIM/VEE - .4" X 1" X 43.4" - BELMONT MAPLE
3A	M09553-28-WH4	EA	MOLDING - TRIM/VEE - .4" X 1" X 48" - CONCERT CHERRY
3A	M09553-28-WH5	EA	MOLDING - TRIM/VEE - .4" X 1" X 48" - WASHED MAPLE
3A	M09553-28-WH6	EA	MOLDING - TRIM/VEE - .4" X 1" X 48" - SIERRA MAPLE
3A	M09553-28-YH7	EA	MOLDING - TRIM/VEE - .4" X 1" X 48" - BELMONT MAPLE
3A	M09553-28-YR3	EA	MOLDING - TRIM/VEE - .4" X 1" X 48" - HONEY CHERRY
3A	M09544-24-WB4	EA	MOLDING - TRIM/VEE - .4" X 1" X 46.2" - CONCERT CHERRY
3A	M09544-24-WB5	EA	MOLDING - TRIM/VEE - .4" X 1" X 46.2" - WASHED MAPLE
3A	M09544-24-WB6	EA	MOLDING - TRIM/VEE - .4" X 1" X 46.2" - SIERRA MAPLE
3A	M09544-24-Y92	EA	MOLDING - TRIM/VEE - .4" X 1" X 46.2" - HONEY CHERRY
3A	M09544-24-Y93	EA	MOLDING - TRIM/VEE - .4" X 1" X 46.2" - BELMONT MAPLE
3A	M09565-77-WH4	EA	MOLDING - TRIM/VEE - .4" X 1" X 42.5" - CONCERT CHERRY
3A	M09565-77-WH5	EA	MOLDING - TRIM/VEE - .4" X 1" X 42.5" - WASHED MAPLE
3A	M09565-77-WH6	EA	MOLDING - TRIM/VEE - .4" X 1" X 42.5" - SIERRA MAPLE
3A	M09565-77-YH7	EA	MOLDING - TRIM/VEE - .4" X 1" X 42.5" - BELMONT MAPLE
3A	M09565-77-YR3	EA	MOLDING - TRIM/VEE - .4" X 1" X 42.5" - HONEY CHERRY
3A	M09544-56-WB4	EA	MOLDING - TRIM/VEE - .4" X 1" X 6.1" - CONCERT CHERRY
3A	M09544-56-WB5	EA	MOLDING - TRIM/VEE - .4" X 1" X 6.1" - WASHED MAPLE
3A	M09544-56-WB6	EA	MOLDING - TRIM/VEE - .4" X 1" X 6.1" - SIERRA MAPLE
3A	M09538-70-Y91	EA	MOLDING - TRIM/VEE - .4" X 1" X 63.9" - CONCERT CHERRY
3A	M09538-70-U68	EA	MOLDING - TRIM/VEE - .4" X 1" X 63.9" - SIERRA MAPLE
3A	M09538-70-U67	EA	MOLDING - TRIM/VEE - .4" X 1" X 63.9" - WASHED MAPLE
3A	M09538-70-Y92	EA	MOLDING - TRIM/VEE - .4" X 1" X 63.9" - HONEY CHERRY
3A	M09538-70-Y93	EA	MOLDING - TRIM/VEE - .4" X 1" X 63.9" - BELMONT MAPLE

INTERIOR FINISH GROUP (CONTINUED)



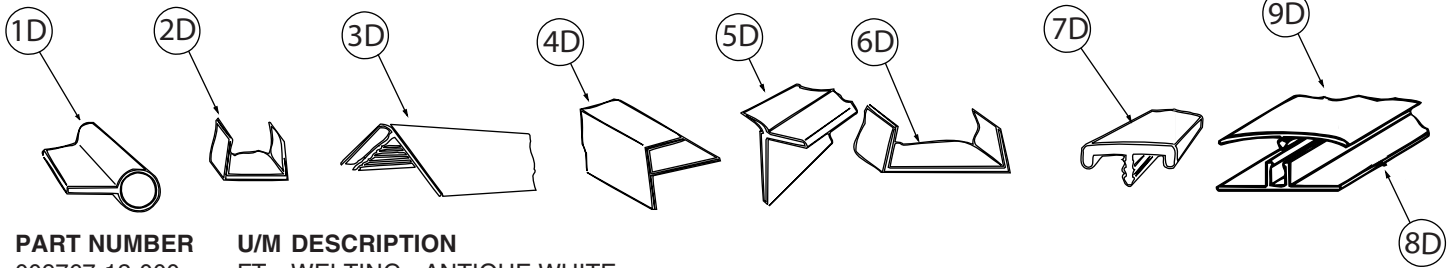
KEY	PART NUMBER	U/M	DESCRIPTION
1B	M09501-84-TG1	EA	MOLDING/TRIM - CAP/WALL - 2.2" X 85.9" - CONCERT CHERRY
1B	M09501-84-TG2	EA	MOLDING/TRIM - CAP/WALL - 2.2" X 85.9" - WASHED MAPLE
1B	M09501-84-TG3	EA	MOLDING/TRIM - CAP/WALL - 2.2" X 85.9" - HONEY CHERRY
1B	M09520-04-TD3	EA	MOLDING/TRIM - CAP/WALL - 2.2" X 80.5" - SIERRA MAPLE
1B	M09534-34-Y93	EA	MOLDING/TRIM - CAP/WALL - 2.2" X 80.5" - BELMONT MAPLE
2B	M09511-81-TA1	EA	MOLDING/TRIM - L SHAPE - .8"X .8"X 80.2" - CONCERT CHERRY
2B	M09511-81-TA2	EA	MOLDING/TRIM - L SHAPE - .8"X .8"X 80.2" - WASHED MAPLE
2B	M09511-81-TA3	EA	MOLDING/TRIM - L SHAPE - .8"X .8"X 80.2" - SIERRA MAPLE
2B	M09565-21-YL5	EA	MOLDING/TRIM - L SHAPE - .8"X .8"X 47.7" - HONEY CHERRY
2B	M09565-21-YL6	EA	MOLDING/TRIM - L SHAPE - .8"X .8"X 47.7" - BELMONT MAPLE
3B	M09515-81-T01	EA	MOLDING/HARDWOOD STRAIGHT - 74.3" - WASHED MAPLE
3B	M09515-81-T02	EA	MOLDING/HARDWOOD STRAIGHT - 74.3" - HONEY CHERRY
4B	M09511-42-T78	EA	MOLDING - TRIM - W/NOTCH - 1.5" X 86.4" - CONCERT CHERRY
4B	M09511-42-T79	EA	MOLDING - TRIM - W/NOTCH - 1.5" X 86.4" - WASHED MAPLE
4B	M09511-42-T80	EA	MOLDING - TRIM - W/NOTCH - 1.5" X 86.4" - SIERRA MAPLE
4B	M09511-42-W66	EA	MOLDING - TRIM - W/NOTCH - 1.5" X 86.4" - HONEY CHERRY
4B	M09511-42-YN2	EA	MOLDING - TRIM - W/NOTCH - 1.5" X 86.4" - BELMONT MAPLE
5B	M09515-18-T78	EA	MOLDING - HARDWOOD-W/NOTCH - 1.4"X 86.2" - CONCERT CHERRY
5B	M09553-66-U22	EA	MOLDING - HARDWOOD-W/NOTCH - 1.4"X 96" - WASHED MAPLE
5B	M09515-18-T80	EA	MOLDING - HARDWOOD-W/NOTCH - 1.4"X 86.2" - SIERRA MAPLE
5B	M09553-66-U21	EA	MOLDING - HARDWOOD-W/NOTCH - 1.4"X 96" - HONEY CHERRY
5B	M09515-12-YG3	EA	MOLDING - HARDWOOD-W/NOTCH - 1.4"X 86.14" - BELMONT MAPLE
6B	M09568-36-YK0	EA	MOLDING - TRIM/VEE - 1.5" X 76.3" - CONCERT CHERRY
6B	M09568-36-YK1	EA	MOLDING - TRIM/VEE - 1.5" X 76.3" - HONEY CHERRY
6B	M09568-36-YK2	EA	MOLDING - TRIM/VEE - 1.5" X 76.3" - BELMONT MAPLE
6B	M09568-36-YK3	EA	MOLDING - TRIM/VEE - 1.5" X 76.3" - WASHED MAPLE
6B	M09553-53-WH6	EA	MOLDING - TRIM/VEE - NOTCHED - 1.5" X 20.6" - SIERRA MAPLE
7B	Y00076-32-438	EA	MOLDING/TRIM - .5" X 1" X 96" - CHERRY (UNSTAINED)
7B	Y00076-22-438	EA	MOLDING/TRIM - .5" X 1" X 96" - MAPLE (UNSTAINED)
8B	M09525-92-T78	EA	MOLDING/TRIM - .5" X 1" X 75.6" - CONCERT CHERRY
8B	M09525-92-T79	EA	MOLDING/TRIM - .5" X 1" X 75.6" - WASHED MAPLE
8B	M09525-92-T80	EA	MOLDING/TRIM - .5" X 1" X 75.6" - SIERRA MAPLE
8B	M09525-92-Y92	EA	MOLDING/TRIM - .5" X 1" X 75.6" - HONEY CHERRY
8B	M09525-92-Y93	EA	MOLDING/TRIM - .5" X 1" X 75.6" - BELMONT MAPLE
8B	Y00086-D2-438	EA	MOLDING - VINYL WRAP - .7" X 1.6" X 96" - CONCERT CHERRY
8B	Y00086-A2-438	EA	MOLDING - VINYL WRAP - .7" X 1.6" X 96" - WASHED MAPLE
8B	Y00086-92-438	EA	MOLDING - VINYL WRAP - .7" X 1.6" X 96" - SIERRA MAPLE
8B	Y00086-82-438	EA	MOLDING - VINYL WRAP - .7" X 1.6" X 96" - HONEY CHERRY
8B	Y00086-E2-438	EA	MOLDING - VINYL WRAP - .7" X 1.6" X 96" - BELMONT MAPLE
8B	Y00087-D2-438	EA	MOLDING - VINYL WRAP - .7" X 2.9" X 96" - CONCERT CHERRY
8B	Y00087-A2-438	EA	MOLDING - VINYL WRAP - .7" X 2.9" X 96" - WASHED MAPLE
8B	Y00087-92-438	EA	MOLDING - VINYL WRAP - .7" X 2.9" X 96" - SIERRA MAPLE
8B	Y00087-82-438	EA	MOLDING - VINYL WRAP - .7" X 2.9" X 96" - HONEY CHERRY
8B	Y00087-E2-438	EA	MOLDING - VINYL WRAP - .7" X 2.9" X 96" - BELMONT MAPLE

INTERIOR FINISH GROUP (CONTINUED)
MOLDINGS & TRIMS (CONTINUED)



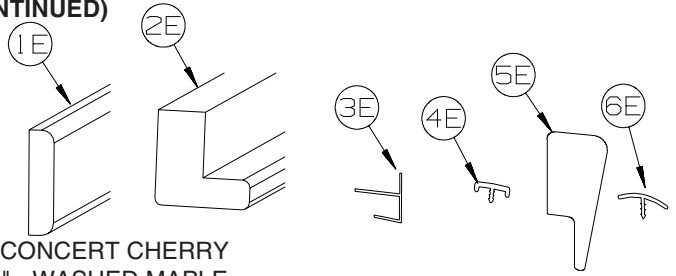
KEY	PART NUMBER	U/M	DESCRIPTION
1C	M09520-19-TD1	EA	MOLDING - TRIM - W/NOTCH - 1" X 86.3" - CONCERT CHERRY
1C	M09520-19-TD2	EA	MOLDING - TRIM - W/NOTCH - 1" X 86.3" - WASHED MAPLE
1C	M09520-19-TD3	EA	MOLDING - TRIM - W/NOTCH - 1" X 86.3" - HONEY CHERRY
1C	M09534-07-YG3	EA	MOLDING - TRIM - W/NOTCH - 1" X 85.7" - BELMONT MAPLE
1C	M09583-98-Y79	EA	MOLDING - HARDWOOD - .75" X 1.4" X 86.6" - SIERRA MAPLE
1C	M09583-98-Y80	EA	MOLDING - HARDWOOD - .75" X 1.4" X 86.6" - CONCERT CHERRY
1C	M09583-98-WH6	EA	MOLDING - HARDWOOD - .75" X 1.4" X 86.6" - BELMONT MAPLE
1C	M09565-68-YL5	EA	MOLDING - HARDWOOD - .75" X 1.4" X 81.9" - HONEY CHERRY
1C	M09565-68-WH5	EA	MOLDING - HARDWOOD - .75" X 1.4" X 81.9" - WASHED MAPLE
2C	M09511-46-T78	EA	MOLDING/TRIM - .5" X 1.5" X 86.5" - CONCERT CHERRY
2C	M09511-46-T79	EA	MOLDING/TRIM - .5" X 1.5" X 86.5" - WASHED MAPLE
2C	M09511-46-T80	EA	MOLDING/TRIM - .5" X 1.5" X 86.5" - SIERRA MAPLE
2C	M09515-13-YG3	EA	MOLDING/TRIM - .5" X 1.5" X 86.06" - BELMONT MAPLE
2C	M09553-82-YR0	EA	MOLDING/TRIM - .5" X 1.5" X 86" - HONEY CHERRY
3C	Y00223-22-438	EA	MOLDING - HARDWOOD/MAPLE - .7" X 1" X 96" - UNSTAINED MAPLE
3C	Y00223-32-438	EA	MOLDING - HARDWOOD/CHERRY - .7" X 1" X 96" - UNSTAINED CHERRY
3C	Y00223-42-438	EA	MOLDING - HARDWOOD/CHERRY - .7" X 1" X 96" - UNSTAINED OAK
4C	Y00054-A2-438	EA	MOLDING - VINYL - W/SLOT - .7"X 1.9"X 96" - WASHED MAPLE
4C	Y00054-D2-438	EA	MOLDING - VINYL - W/SLOT - .7"X 1.9"X 96" - CONCERT CHERRY
4C	Y00054-E2-438	EA	MOLDING - VINYL - W/SLOT - .7"X 1.9"X 96" - BELMONT MAPLE
4C	Y00054-22-438	EA	MOLDING - VINYL - W/SLOT - .7"X 1.9"X 96" - WASHED MAPLE
4C	Y00054-82-438	EA	MOLDING - VINYL - W/SLOT - .7"X 1.9"X 96" - HONEY CHERRY
4C	Y00054-92-438	EA	MOLDING - VINYL - W/SLOT - .7"X 1.9"X 96" - SIERRA MAPLE
4C	Y00276-A2-438	EA	MOLDING - VINYL - W/SLOT - .7"X 1.9"X 96" - WASHED MAPLE
4C	Y00276-D2-438	EA	MOLDING - VINYL - W/SLOT - .7"X 1.9"X 96" - CONCERT CHERRY
4C	Y00276-E2-438	EA	MOLDING - VINYL - W/SLOT - .7"X 1.9"X 96" - BELMONT MAPLE
4C	Y00276-82-438	EA	MOLDING - VINYL - W/SLOT - .7"X 1.9"X 96" - HONEY CHERRY
4C	Y00276-92-438	EA	MOLDING - VINYL - W/SLOT - .7"X 1.9"X 96" - SIERRA MAPLE
5C	Y00152-A2-438	EA	MOLDING/TRIM - VINYL - .6" X 3.5" X 96" - WASHED MAPLE
5C	Y00152-D2-438	EA	MOLDING/TRIM - VINYL - .6" X 3.5" X 96" - CONCERT CHERRY
5C	Y00152-E2-438	EA	MOLDING/TRIM - VINYL - .6" X 3.5" X 96" - BELMONT MAPLE
5C	Y00152-22-438	EA	MOLDING/TRIM - VINYL - .6" X 3.5" X 96" - WASHED MAPLE
5C	Y00152-92-438	EA	MOLDING/TRIM - VINYL - .6" X 3.5" X 96" - SIERRA MAPLE

INTERIOR FINISH GROUP (CONTINUED)
MOLDINGS & TRIMS (CONTINUED)

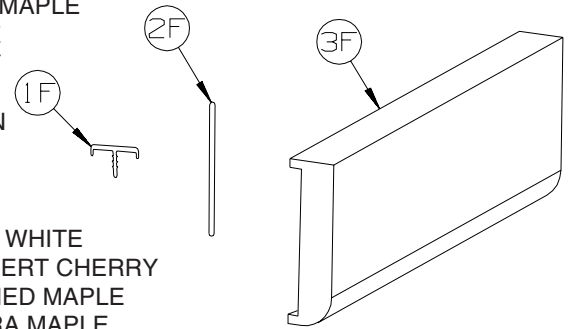


KEY	PART NUMBER	U/M	DESCRIPTION
1D	009767-12-000	FT	WELTING - ANTIQUE WHITE
2D	009778-25-000	FT	U-CHANNEL - 1" - BEIGE ILLUSION
2D	009778-26-000	FT	U-CHANNEL - 1 1/4" - BEIGE ILLUSION
2D	009778-38-000	FT	U-CHANNEL - 1" - BONE
2D	009778-34-000	FT	U-CHANNEL - 1" - CONCERT CHERRY
2D	009778-27-000	FT	U-CHANNEL - 1" - WASHED MAPLE
2D	009778-35-000	FT	U-CHANNEL - 1" - HONEY CHERRY
2D	009778-36-000	FT	U-CHANNEL - 1" - SIERRA MAPLE
2D	009778-39-000	FT	U-CHANNEL - 1" - BELMONT MAPLE
3D	009809-30-000	EA	MOLDING - CORNER - OUTSIDE - 1" X 84" - BEIGE ILLUSION
3D	009809-37-000	EA	MOLDING - CORNER - OUTSIDE - 1" X 84" - BONE
3D	009809-33-000	EA	MOLDING - CORNER - OUTSIDE - 1" X 84" - CONCERT CHERRY
3D	009809-31-000	EA	MOLDING - CORNER - OUTSIDE - 1" X 84" - WASHED MAPLE
3D	009809-35-000	EA	MOLDING - CORNER - OUTSIDE - 1" X 84" - SIERRA MAPLE
4D	009812-31-000	EA	MOLDING - CORNER - 1/2" W/1/4"CHAN X 84" - BEIGE ILLUSION
4D	009812-40-000	EA	MOLDING - CORNER - 1/2" W/1/4"CHAN X 84" - BONE
4D	009812-36-000	EA	MOLDING - CORNER - 1/2" W/1/4"CHAN X 84" - CONCERT CHERRY
4D	009812-33-000	EA	MOLDING - CORNER - 1/2" W/1/4"CHAN X 84" - WASHED MAPLE
4D	009812-37-000	EA	MOLDING - CORNER - 1/2" W/1/4"CHAN X 84" - HONEY CHERRY
4D	009812-38-000	EA	MOLDING - CORNER - 1/2" W/1/4"CHAN X 84" - SIERRA MAPLE
4D	009812-41-000	EA	MOLDING - CORNER - 1/2" W/1/4"CHAN X 84" - BELMONT MAPLE
5D	168943-01-01A	FT	MOLDING - REVERSE COVE - T-SHAPED - BRIGHT WHITE
5D	168943-01-02A	FT	MOLDING - REVERSE COVE - T-SHAPED - BONE
6D	070504-42-000	FT	U-CHANNEL - PLASTIC - .13" X 84" - BEIGE ILLUSION
6D	070504-69-000	FT	U-CHANNEL - PLASTIC - .13" X 84" - BONE
6D	070504-43-000	FT	U-CHANNEL - PLASTIC - .9" X 96" - BEIGE ILLUSION
6D	070504-70-000	FT	U-CHANNEL - PLASTIC - .8" X 84" - BONE
6D	070504-60-000	FT	U-CHANNEL - PLASTIC - .13" X 84" - CONCERT CHERRY
6D	070504-61-000	FT	U-CHANNEL - PLASTIC - .9" X 84" - CONCERT CHERRY
6D	070504-50-000	FT	U-CHANNEL - PLASTIC - .13" X 96" - WASHED MAPLE
6D	070504-51-000	FT	U-CHANNEL - PLASTIC - .9" X 96" - WASHED MAPLE
6D	070504-62-000	FT	U-CHANNEL - PLASTIC - 1.65" X 84" - HONEY CHERRY
6D	070504-63-000	FT	U-CHANNEL - PLASTIC - .9" X 84" - HONEY CHERRY
6D	070504-65-000	FT	U-CHANNEL - PLASTIC - .07" X 96" - SIERRA MAPLE
6D	070504-66-000	FT	U-CHANNEL - PLASTIC - .8" X 84" - SIERRA MAPLE
7D	083620-25-000	FT	MOLDING-T - W/EDGE LIP - 7/8" FACE - BONE
7D	083620-19-000	FT	MOLDING-T - W/EDGE LIP - 7/8" FACE - WASHED MAPLE
7D	083620-24-000	FT	MOLDING-T - W/EDGE LIP - 7/8" FACE - HONEY CHERRY
7D	083620-22-000	FT	MOLDING-T - W/EDGE LIP - 7/8" FACE - SIERRA MAPLE
8D	086229-01-000	EA	RETAINER - BATTEN - .75" X 92.1" - ANY COLOR
9D	086229-12-000	EA	BATTEN - 1.5" OFFSET X 96.8" - MODERN IVORY
9D	086229-20-000	EA	BATTEN - 1" X 96" - BEIGE

INTERIOR FINISH GROUP (CONTINUED)
MOLDINGS & TRIMS (CONTINUED)



KEY	PART NUMBER	U/M	DESCRIPTION
1E	100818-01-23A	EA	MOLDING - VINYL WRPPD - 1.6" X .4" X 84" - CONCERT CHERRY
1E	100818-01-21A	EA	MOLDING - VINYL WRAPPED - 1.6" X .4" X 84" - WASHED MAPLE
1E	100818-01-14A	EA	MOLDING - VINYL WRAPPED - 1.6" X .4" X 84" - HONEY CHERRY
1E	100818-01-22A	EA	MOLDING - VINYL WRAPPED - 1.6" X .4" X 84" - SIERRA MAPLE
2E	100819-01-23A	EA	MOLDING - VYL WRPPD-L-SHPD-1.5"X1.5"X84" - CONCERT CHERRY
2E	100819-01-21A	EA	MOLDING - VINYL WRAPPED-L-SHAPED-1.5"X1.5"X84" - WASHED MAPLE
2E	100819-01-14A	EA	MOLDING - VINYL WRAPPED-L-SHAPED-1.5"X1.5"X84" - HONEY CHERRY
2E	100819-01-22A	EA	MOLDING - VINYL WRAPPED-L-SHAPED-1.5"X1.5"X84" - SIERRA MAPLE
3E	103186-01-07A	FT	MOLDING/PLASTIC - 3/8" U-CHANNEL-3/4" FACE - BEIGE ILLUSION
3E	103186-01-10A	FT	MOLDING/PLASTIC - 3/8" U-CHANNEL-3/4" FACE - CONCERT CHERRY
3E	103186-01-08A	FT	MOLDING/PLASTIC - 3/8" U-CHANNEL-3/4" FACE- 8' - WASHED MAPLE
3E	103186-01-11A	FT	MOLDING/PLASTIC - 3/8" U-CHANNEL-3/4" FACE - HONEY CHERRY
3E	103186-01-12A	FT	MOLDING/PLASTIC - 3/8" U-CHANNEL-3/4" FACE - SIERRA MAPLE
3E	103186-01-14A	FT	MOLDING/PLASTIC - 3/8" U-CHANNEL-3/4" FACE - BELMONT MAPLE
3E	103186-02-07A	FT	MOLDING/PLASTIC-1" U-CHANNEL-1 3/8" FACE - BEIGE ILLUSION
3E	103186-02-10A	FT	MOLDING/PLASTIC - 1" U-CHANNEL-1 3/8" FACE - CONCERT CHERRY
3E	103186-02-08A	FT	MOLDING/PLASTIC - 1" U-CHANNEL-1 3/8" FACE - WASHED MAPLE
3E	103186-02-11A	FT	MOLDING/PLASTIC - 1" U-CHANNEL-1 3/8" FACE - HONEY CHERRY
3E	103186-02-12A	FT	MOLDING/PLASTIC - 1" U-CHANNEL-1 3/8" FACE - SIERRA MAPLE
4E	104676-02-14A	FT	MOLDING-T - W/EDGE LIP - 11/16" FACE - BELMONT MAPLE
5E	105004-01-21A	EA	MOLDING - VINYL WRAP - 1" X 96" - WASHED MAPLE
5E	105004-01-24A	EA	MOLDING - VINYL WRAP - 1" X 96" - HONEY CHERRY
5E	105004-01-22A	EA	MOLDING - VINYL WRAP - 1" X 96" - SIERRA MAPLE
6E	105709-02-000	FT	MOLDING-T - 1" FACE - 5/16" BARB - BEIGE ILLUSION

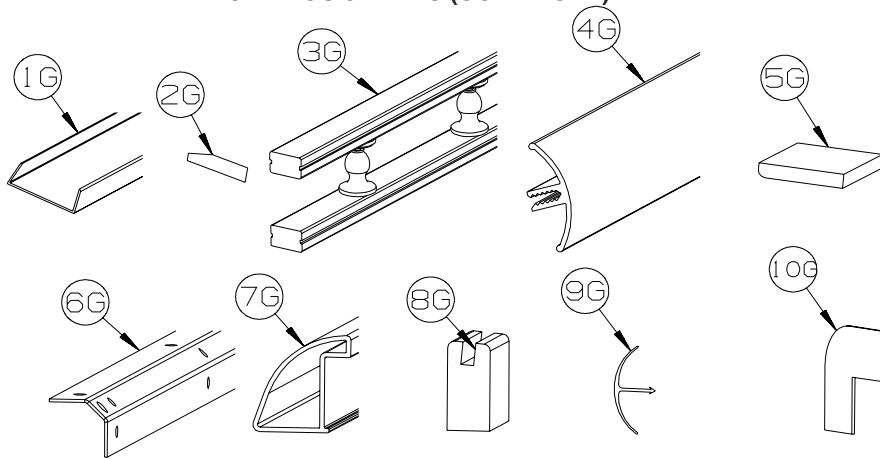


KEY	PART NUMBER	U/M	DESCRIPTION
1F	119520-01-01A	FT	MOLDING-T - OFFSET W/EDGE LIP - 1.3" FACE - OFF WHITE
1F	119520-03-02A	FT	MOLDING-T - OFFSET W/EDGE LIP - 1" FACE - CONCERT CHERRY
1F	119520-03-03A	FT	MOLDING-T - OFFSET W/EDGE LIP - 1" FACE - WASHED MAPLE
1F	119520-03-05A	FT	MOLDING-T - OFFSET W/EDGE LIP - 1" FACE - SIERRA MAPLE
1F	119520-03-06A	FT	MOLDING-T - OFFSET W/EDGE LIP - 1" FACE - HONEY CHERRY
1F	119520-03-07A	FT	MOLDING-T - OFFSET W/EDGE LIP - 1" FACE - BELMONT MAPLE
2F	127842-01-01A	FT	SEAL - SIGHT SHIELD - 2" BLACK
	160300-A2-438	EA	LUMBER - VINYL WRAPPED - .7" X .75" X 96" - CONCERT CHERRY
	160300-D2-438	EA	LUMBER - VINYL WRAPPED - .7" X 1.5" X 96" - CONCERT CHERRY
	160300-E2-438	EA	LUMBER - VINYL WRAPPED - .7" X 2" X 96" - CONCERT CHERRY
	160300-F2-438	EA	LUMBER - VINYL WRAPPED - .7" X 2.5" X 96" - CONCERT CHERRY
	160300-G2-438	EA	LUMBER - VINYL WRAPPED - .7" X 3" X 96" - CONCERT CHERRY
	160300-H2-438	EA	LUMBER - VINYL WRAPPED - .7" X 3.5" X 96" - CONCERT CHERRY
	160300-J2-438	EA	LUMBER - VINYL WRAPPED - .7" X 5.5" X 96" - CONCERT CHERRY
	160300-K2-438	EA	LUMBER - VINYL WRAPPED - .7" X 3.9" X 96" - CONCERT CHERRY
	160300-R2-438	EA	LUMBER - VINYL WRAPPED - .7" X 3" X 96" - CONCERT CHERRY
3F	160301-D2-134	EA	MOLDING - VINYL WRAPPED - .7" X 1.6" X 84" - CONCERT CHERRY
3F	160301-D2-743	EA	MOLDING - VINYL WRAPPED - .7" X 1.6" X 108" - CONCERT CHERRY
3F	160301-F2-134	EA	MOLDING - VINYL WRAPPED - .7" X 2.5" X 84" - CONCERT CHERRY
3F	160301-F2-743	EA	MOLDING - VINYL WRPPD - .7" X 2.5" X 108" - CONCERT CHERRY
3F	160301-F2-438	EA	MOLDING - VINYL WRPPD - .7" X 2.5" X 96" - CONCERT CHERRY
	146419-A2-438	EA	LUMBER - VINYL WRAPPED - .7" X .75" X 96" - HONEY CHERRY
	146419-D2-438	EA	LUMBER - VINYL WRAPPED - .7" X 1.5" X 96" - HONEY CHERRY
	146419-E2-438	EA	LUMBER - VINYL WRAPPED - .7" X 2" X 96" - HONEY CHERRY
	146419-F2-438	EA	LUMBER - VINYL WRAPPED - .7" X 2.5" X 96" - HONEY CHERRY
	146419-G2-438	EA	LUMBER - VINYL WRAPPED - .7" X 3" X 96" - HONEY CHERRY
	146419-H2-438	EA	LUMBER - VINYL WRAPPED - .7" X 3.5" X 96" - HONEY CHERRY
	146419-J2-438	EA	LUMBER - VINYL WRAPPED - .7" X 5.5" X 96" - HONEY CHERRY
	146419-J2-743	EA	LUMBER - VINYL WRAPPED - .7" X 5.5" X 108" - HONEY CHERRY
	146419-K2-438	EA	LUMBER - VINYL WRAPPED - .7" X 3.9" X 96" - HONEY CHERRY

INTERIOR FINISH GROUP (CONTINUED)
MOLDINGS & TRIMS (CONTINUED)

KEY	PART NUMBER	U/M	DESCRIPTION
	146419-R2-438	EA	LUMBER - VINYL WRAPPED - .7" X 3" X 96" - HONEY CHERRY
	146419-S2-438	EA	LUMBER - VINYL WRAPPED/FULL - .7"X 3.5"X 96" - HONEY CHERRY
	146419-T2-438	EA	LUMBER - VINYL WRAPPED/FULL - .7"X 5.5"X 96" - HONEY CHERRY
3F	146425-D2-134	EA	MOLDING - VINYL WRAPPED - .7" X 1.6" X 83.9" - HONEY CHERRY
3F	146425-F2-438	EA	MOLDING - VINYL WRAPPED - .7" X 2.6" X 96" - HONEY CHERRY
	149325-A2-438	EA	LUMBER - VINYL WRAPPED - .7" X .75" X 96" - WASHED MAPLE
	149325-D2-438	EA	LUMBER - VINYL WRAPPED - .7" X 1.5" X 96" - WASHED MAPLE
	149325-E2-438	EA	LUMBER - VINYL WRAPPED - .7" X 2" X 96" - WASHED MAPLE
	149325-F2-438	EA	LUMBER - VINYL WRAPPED - .7" X 2.5" X 96" - WASHED MAPLE
	149325-G2-438	EA	LUMBER - VINYL WRAPPED - .7" X 3" X 96" - WASHED MAPLE
	149325-H2-438	EA	LUMBER - VINYL WRAPPED - .7" X 3.5" X 96" - WASHED MAPLE
	149325-J2-438	EA	LUMBER - VINYL WRAPPED - .7" X 5.5" X 96" - WASHED MAPLE
	149325-J2-743	EA	LUMBER - VINYL WRAPPED - .7" X 5.5" X 108" - WASHED MAPLE
	149325-K2-438	EA	LUMBER - VINYL WRAPPED - .7" X 3.9" X 96" - WASHED MAPLE
	149325-R2-438	EA	LUMBER - VINYL WRAPPED - .7" X 3" X 96" - WASHED MAPLE
3F	149326-D2-134	EA	MOLDING - VINYL WRAPPED - .7" X 1.5" X 83.9" - WASHED MAPLE
3F	149326-D2-743	EA	MOLDING - VINYL WRAPPED - .7" X 1.5" X 108" - WASHED MAPLE
3F	149326-F2-134	EA	MOLDING - VINYL WRAPPED - .7" X 2.5" X 83.9" - WASHED MAPLE
3F	149326-F2-438	EA	MOLDING - VINYL WRAPPED - .7" X 2.5" X 96" - WASHED MAPLE
3F	149326-F2-743	EA	MOLDING - VINYL WRAPPED - .7" X 2.5" X 108" - WASHED MAPLE
	149330-A2-438	EA	LUMBER - VINYL WRAPPED - .7" X .75" X 96" - SIERRA MAPLE
	149330-D2-438	EA	LUMBER - VINYL WRAPPED - .7" X 1.5" X 96" - SIERRA MAPLE
	149330-E2-438	EA	LUMBER - VINYL WRAPPED - .7" X 2" X 96" - SIERRA MAPLE
	149330-F2-438	EA	LUMBER - VINYL WRAPPED - .7" X 2.5" X 96" - SIERRA MAPLE
	149330-G2-438	EA	LUMBER - VINYL WRAPPED - .7" X 3" X 96" - SIERRA MAPLE
	149330-H2-438	EA	LUMBER - VINYL WRAPPED - .7" X 3.5" X 96" - SIERRA MAPLE
	149330-J2-438	EA	LUMBER - VINYL WRAPPED - .7" X 5.5" X 96" - SIERRA MAPLE
	149330-J2-743	EA	LUMBER - VINYL WRAPPED - .7" X 5.5" X 108" - SIERRA MAPLE
	149330-K2-438	EA	LUMBER - VINYL WRAPPED - .7" X 3.9" X 96" - SIERRA MAPLE
	149330-R2-438	EA	LUMBER - VINYL WRAPPED - .7" X 3" X 96" - SIERRA MAPLE
3F	166208-D2-134	EA	MOLDING - VINYL WRAP - .7" X 1.5" X 84" - BELMONT MAPLE
3F	166208-D2-743	EA	MOLDING - VINYL WRAP - .7" X 1.5" X 108" - BELMONT MAPLE
3F	166208-F2-134	EA	MOLDING - VINYL WRAP - .7" X 2.5" X 84" - BELMONT MAPLE
3F	166208-F2-438	EA	MOLDING - VINYL WRAP - .7" X 2.5" X 96" - BELMONT MAPLE
3F	166208-F2-743	EA	MOLDING - VINYL WRAP - .7" X 2.5" X 108" - BELMONT MAPLE
	166206-A2-438	EA	LUMBER - VINYL WRAPPED - .7" X .75" X 96" - BELMONT MAPLE
	166206-D2-438	EA	LUMBER - VINYL WRAPPED - .7" X 1.5" X 96" - BELMONT MAPLE
	166206-E2-438	EA	LUMBER - VINYL WRAPPED - .7" X 2" X 96" - BELMONT MAPLE
	166206-F2-438	EA	LUMBER - VINYL WRAPPED - .7" X 2.5" X 96" - BELMONT MAPLE
	166206-G2-438	EA	LUMBER - VINYL WRAPPED - .7" X 3" X 96" - BELMONT MAPLE
	166206-H2-438	EA	LUMBER - VINYL WRAPPED - .7" X 3.5" X 96" - BELMONT MAPLE
	166206-J2-438	EA	LUMBER - VINYL WRAPPED - .7" X 5.5" X 96" - BELMONT MAPLE
	166206-K2-438	EA	LUMBER - VINYL WRAPPED - .7" X 3.9" X 96" - BELMONT MAPLE
	166206-R2-438	EA	LUMBER - VINYL WRAPPED - .7" X 3" X 96" - BELMONT MAPLE

INTERIOR FINISH GROUP (CONTINUED)
MOLDINGS & TRIMS (CONTINUED)



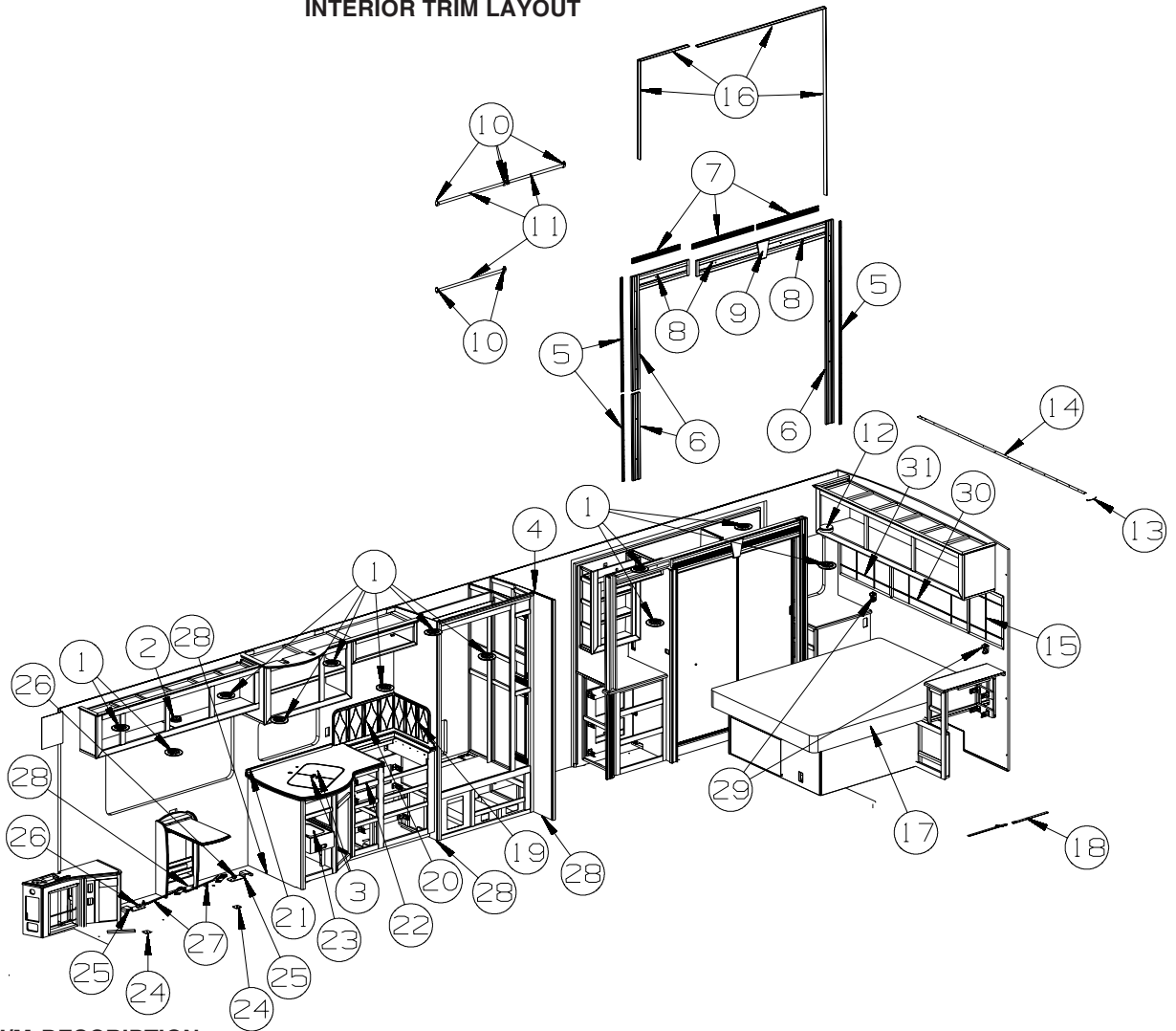
KEY	PART NUMBER	U/M	DESCRIPTION
1G	141260-01-01A	FT	U-CHANNEL - 1" - VILLAGE OAK
1G	141260-01-02A	FT	U-CHANNEL - 1" - GRADY BROWN
2G	146306-01-01A	FT	TRANSITION - CARPET/TILE
3G	150167-01-03A	EA	RAIL - DECORATIVE - 96" - WASHED MAPLE
3G	150167-01-08A	EA	RAIL - DECORATIVE - 96" - HONEY CHERRY
3G	150167-01-09A	EA	RAIL - DECORATIVE - 96" - SIERRA MAPLE
3G	150167-01-10A	EA	RAIL - DECORATIVE - 96" - BELMONT MAPLE
4G	151653-10-02A	EA	TRIM/RADIUS - CABINET CORNER - 79.6" - DULL METALLIC
4G	151653-13-02A	EA	TRIM/RADIUS - CABINET CORNER - 79.8" - DULL METALLIC
5G	M09568-04-Y91	EA	MOLDING/TRIM - .3" X 1.5" X 73.6" - CONCERT CHERRY
5G	M09568-04-W80	EA	MOLDING/TRIM - .3" X 1.5" X 73.6" - SIERRA MAPLE
5G	M09568-04-W79	EA	MOLDING/TRIM - .3" X 1.5" X 73.6" - WASHED MAPLE
6G	151861-01-02B	EA	ANGLE - SUPPORT/CORNER - 1.4" X 12.5" - E-COATED
6G	151861-02-02B	EA	ANGLE - SUPPORT/CORNER - 1.4" X 20.1" - E-COATED
6G	151861-03-02B	EA	ANGLE - SUPPORT/CORNER - 1.4" X 26.7" - E-COATED
6G	151861-04-02B	EA	ANGLE - SUPPORT/CORNER - 1.4" X 32.7" - E-COATED
6G	151861-05-02B	EA	ANGLE - SUPPORT/CORNER - 1.4" X 78.6" - E-COATED
6G	151861-06-02B	EA	ANGLE - SUPPORT/CORNER - 1.4" X 59" - E-COATED
6G	151861-08-02B	EA	ANGLE - SUPPORT/CORNER - 1.4" X 22.2" - E-COATED
6G	151861-09-02B	EA	ANGLE - SUPPORT/CORNER - 1.4" X 14.9" - E-COATED
7G	151893-01-02A	EA	TRIM/RADIUS - CABINET BOTTOM - 72.6" - DULL METALLIC
8G	Y00419-D2-438	EA	MOLDING - VINYL/BEVELED W/SLOT - 1.6"X 96" - CONCERT CHERRY
8G	Y00419-E2-438	EA	MOLDING - VINYL/BEVELED W/SLOT - 1.6"X 96" - BELMONT MAPLE
8G	Y00419-92-438	EA	MOLDING - VINYL/BEVELED W/SLOT - 1.6"X 96" - SIERRA MAPLE
9G	156464-01-01A	FT	MOLDING - CORNER - RADIUS/PLASTIC - 8' - HONEY CHERRY
9G	156464-01-02A	FT	MOLDING - CORNER - RADIUS/PLASTIC - 8' - WASHED MAPLE
9G	156464-01-04A	FT	MOLDING - CORNER - RADIUS/PLASTIC - 8' - BELMONT MAPLE
9G	156464-01-05A	FT	MOLDING - CORNER - RADIUS/PLASTIC - 8' - SIERRA MAPLE
9G	156464-01-06A	FT	MOLDING - CORNER - RADIUS/PLASTIC - 8' - CONCERT CHERRY
9G	156464-03-03A	FT	MOLDING - CORNER - RADIUS/PLASTIC - 8' - BONE
	081521-02-007	EA	MOUNT - METAL MOLDING - F/RADIUS CORNER MOLDING - 151.5"
10G	160989-01-06A	FT	CAP - CORNER - RADIUS MOLDING - PLASTIC - WASHED MAPLE
10G	160989-01-07A	FT	CAP - CORNER - RADIUS MOLDING - PLASTIC - HONEY CHERRY
10G	160989-01-10A	FT	CAP - CORNER - RADIUS MOLDING - PLASTIC - BELMONT MAPLE

INTERIOR FINISH GROUP (CONTINUED)
PANELING & LAMINATES

KEY	PART NUMBER	U/M	DESCRIPTION
	000885-B8-000	SF	PARTICLE BOARD - 3/8" X 4' X 8'- NEW CONC CHERRY - 2 SIDED
	000885-B9-000	SF	PARTICLE BOARD - 3/8" X 4' X 8'- NEW CONC CHERRY - 1 SIDED
	000885-C0-000	SF	PARTICLE BOARD - 3/4" X 4' X 8'- NEW CONC CHERRY - 2 SIDED
	000885-A7-000	SF	PARTICLE BOARD - 3/4" X 4' X 8' - HONEY CHERRY - 2 SIDED
	000885-A8-000	SF	PARTICLE BOARD - 3/8" X 4' X 8' - HONEY CHERRY - 1 SIDED
	000885-A9-000	SF	PARTICLE BOARD - 3/8" X 4' X 8' - HONEY CHERRY - 2 SIDED
	000885-C4-000	SF	PARTICLE BOARD - 3/8" X 4' X 8'- BELMONT MAPLE - 1 SIDED
	000885-C5-000	SF	PARTICLE BOARD - 3/4" X 4' X 8'- BELMONT MAPLE - 2 SIDED
	000885-C6-000	SF	PARTICLE BOARD - 3/8" X 4' X 8'- BELMONT MAPLE - 2 SIDED
	000885-C3-000	SF	PARTICLE BOARD - 3/8" X 4' X 8' - WHITE THATCH EMB-1 SIDED
	057882-06-000	SF	TAMBOUR - 48" X 96" SHEET - UNFINISHED'
	074497-50-000	SF	PANELING - NEW CONCERT CHERRY - 1/8" X 4' X 8'
	074497-47-000	SF	PANELING - HONEY CHERRY - 1/8" X 4' X 8'
	074497-53-000	SF	PANELING - BELMONT MAPLE - 1/8" X 4' X 8'
	076773-21-000	SF	PANELING - 2 SIDED/NEW CONC CHERRY - 1/8" X 4' X 8'
	076773-18-000	SF	PANELING - 2 SIDED/HONEY CHERRY - 1/8" X 4' X 8'
	076773-27-000	SF	PANELING - 2 SIDED/BELMONT MAPLE - 1/8" X 4' X 8'
	088272-M9-000	SF	PANELING - WHITE THATCHED - 4' X 8'
	088272-P2-000	SF	PANELING - SANIBEL/MARBLE - 4' X 7.4' (YA0, YA1, YA2)
	088272-P3-000	SF	PANELING - GLACIER - 4' X 7.4' (YA3, YA4, YA5)
	088272-P0-000	SF	PANELING - FAUX - 4' X 7.4' (YA6, YA7, YA8)
	165409-09-000	SF	PANELING - FLEXIBLE - SANIBEL/MARBLE - 4' X 8' (YA0, YA1, YA2)
	165409-10-000	SF	PANELING - FLEXIBLE - GLACIER - 4' X 8' (YA3, YA4, YA5)
	165409-07-000	SF	PANELING - FLEXIBLE - FAUX - 4' X 8' (YA6, YA7, YA8)
	088263-L8-000	FT	BATT STRIP - DECORATIVE - SANIBEL/MARBLE (YA0, YA1, YA2)
	088263-L9-000	FT	BATT STRIP - DECORATIVE - GLACIER (YA3, YA4, YA5)
	088263-L6-000	FT	BATT STRIP - DECORATIVE - FAUX (YA6, YA7, YA8)
	085284-M1-000	FT	BATT TAPE - ADHESIVE BACKED - DECORATIVE - SANIBEL/MARBLE (YA0, YA1, YA2)
	085284-M2-000	FT	BATT TAPE - ADHESIVE BACKED - DECORATIVE - GLACIER (YA3, YA4, YA5)
	085284-L9-000	FT	BATT TAPE - ADHESIVE BACKED - DECORATIVE - FAUX (YA6, YA7, YA8)
	085284-J7-000	FT	BATT TAPE - ADHESIVE BACKED - WOODGRAINED/CONCERT CHERRY
	085284-J6-000	FT	BATT TAPE - ADHESIVE BACKED - WOODGRAINED/HONEY CHERRY
	085284-M5-000	FT	BATT TAPE - ADHESIVE BACKED - WOODGRAINED/BELMONT MAPLE
	085284-F7-000	FT	TAPE/STRIP- TRUE GRIP - 1 1/2" WIDE - ADHESIVE BACKED
	074498-C2-000	SF	LAMINATE - PLASTIC - SHAKER CHERRY - 5'X 8'-CONCERT CHERRY
	074498-A7-000	SF	LAMINATE - PLASTIC - GRAND ISLE - 5' X 8' - HONEY CHERRY
	074498-C6-000	SF	LAMINATE - PLASTIC - BELMONT MAPLE - 5' X 8' - BELMONT MAPLE

INTERIOR FINISH GROUP (CONTINUED)

INTERIOR TRIM LAYOUT



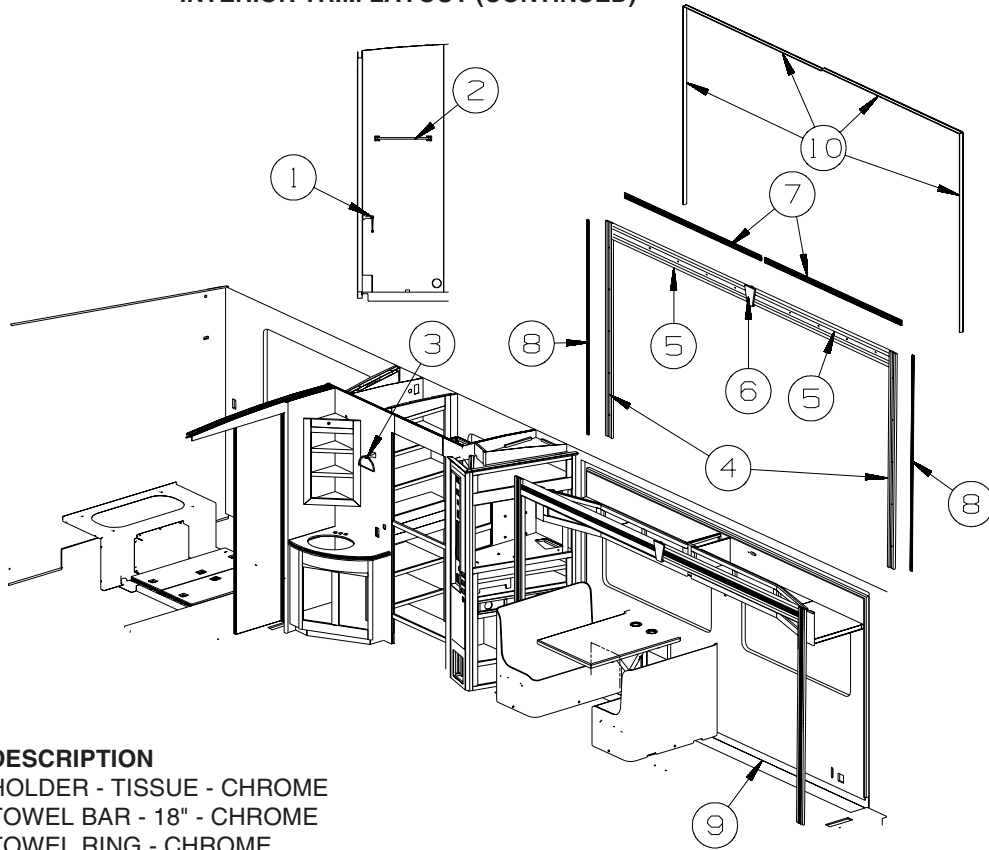
KEY	PART NUMBER	U/M	DESCRIPTION
1	120134-01-02A	EA	REGISTER - W/DAMPER - 4" PIPE/6.4" O.D. FACE - WHITE
1	120134-02-01A	EA	REGISTER - TRIM RING - WHITE
2	072852-01-000	EA	DETECTOR - SMOKE - W/9 VOLT BATTERY - US
2	072852-02-000	EA	DETECTOR - SMOKE - W/9 VOLT BATTERY - 265
3	157048-05-WD7	EA	COVER - RECESSED SINK - 11.1" X 14.9" (YA0, YA1, YA2, YA6, YA7, YA8)
3	157048-05-WE3	EA	COVER - RECESSED SINK - 11.1" X 14.9" (YA3, YA4, YA5)
4*	166197-02-01A	EA	DOOR - SHOWER - NEO ROUND - 71" TALL - PLATINUM/AQUA
5	M09553-69-YB0	EA	MOLDING/DECORATIVE - 1" X 74.7" - CONCERT CHERRY
5	M09553-69-WD3	EA	MOLDING/DECORATIVE - 1" X 74.7" - HONEY CHERRY
5	M09553-69-YB2	EA	MOLDING/DECORATIVE - 1" X 74.7" - BELMONT MAPLE
6	Y00399-D2-438	EA	MOLDING - SLIDEOUT/VINYL WRAP - 3.5"X 96" - CONCERT CHERRY
6	Y00399-82-438	EA	MOLDING - SLIDEOUT/VINYL WRAP - 3.5"X 96" - HONEY CHERRY
6	Y00399-E2-438	EA	MOLDING - SLIDEOUT/VINYL WRAP - 3.5"X 96" - BELMONT MAPLE
7	M09577-75-YA0	EA	MOLDING/DECORATIVE - 2" X 84" - CONCERT CHERRY
7	M09577-75-YA1	EA	MOLDING/DECORATIVE - 2" X 84" - HONEY CHERRY
7	M09577-75-YA2	EA	MOLDING/DECORATIVE - 2" X 84" - BELMONT MAPLE
8	Y00398-82-438	EA	MOLDING - SLIDEOUT/VINYL WRAP - 5.9"X 96" - HONEY CHERRY
9	164293-01-YB0	EA	MOLDING/BLOCK - TOP - 5.5"W X 6.1"H - CONCERT CHERRY
9	164293-01-WD3	EA	MOLDING/BLOCK - TOP - 5.5"W X 6.1"H - HONEY CHERRY
9	164293-01-YB2	EA	MOLDING/BLOCK - TOP - 5.5"W X 6.1"H - BELMONT MAPLE
10	152301-01-01A	EA	FLANGE - PLASTIC - 1" CLOTHES ROD HOLDER - WHITE
11	Y00136-21-218	EA	DOWEL - WOOD - CLOTHES ROD - 1"DIAMETER X 4'
12	125136-02-000	EA	DETECTOR/CO - GAS MODEL - 9 VOLT
13	138359-01-01A	FT	COVER - ROOF BREAK - PEARL CREAM/PLASTIC - 96"
14	138403-01-01A	EA	TRIM - ROOF - MILL
15	147282-01-01A	EA	MIRROR - BEVELED W/V-GROOVES - 20" X 21"
	009089-01-000	EA	CLIP - MIRROR

INTERIOR FINISH GROUP (CONTINUED)
INTERIOR TRIM LAYOUT (CONTINUED)

KEY	PART NUMBER	U/M	DESCRIPTION
16	M09577-72-YA0	EA	MOLDING/DECORATIVE - 1.5" X 84" - CONCERT CHERRY
16	M09577-72-YA1	EA	MOLDING/DECORATIVE - 1.5" X 84" - HONEY CHERRY
16	M09577-72-YA2	EA	MOLDING/DECORATIVE - 1.5" X 84" - BELMONT MAPLE
17	159853-03-000	EA	MATTRESS - INNERSPRING - 60" X 80" - QUILTED
17	142411-08-000	EA	MATTRESS/AIR - 60" X 80" - SELECT COMFORT - 49M FROM: 00-00-00 THRU: 03-08-09
17	142411-16-000	EA	MATTRESS/AIR - 60" X 80" - PREMIER SELECT COMFORT - 49M FROM: 03-09-09 THRU: 99-99-99
18	099717-05-000	EA	STRAP - W/16.5" FEMALE STRAP AND 17.7" MALE STRAP
19	164564-10-YA0	EA	BACKSPLASH - W/INSERTS - CORIAN (YA0, YA1, YA2, YA6, YA7, YA8)
19	164564-10-YA3	EA	BACKSPLASH - W/INSERTS - CORIAN (YA3, YA4, YA5)
	164573-01-01A	EA	INSERT/DECORATIVE - ARC ACCENT LINER - 1.5" X 12" - SST
20	164564-08-YA0	EA	BACKSPLASH - W/INSERTS - CORIAN (YA0, YA1, YA2, YA6, YA7, YA8)
20	164564-08-YA3	EA	BACKSPLASH - W/INSERTS - CORIAN (YA3, YA4, YA5)
	164573-01-01A	EA	INSERT/DECORATIVE - ARC ACCENT LINER - 1.5" X 12" - SST
21	164583-04-WD7	EA	BACKSPLASH - CORIAN (YA0, YA1, YA2, YA6, YA7, YA8)
21	164583-04-WE3	EA	BACKSPLASH - CORIAN (YA3, YA4, YA5)
	164573-01-01A	EA	INSERT/DECORATIVE - ARC ACCENT LINER - 1.5" X 12" - SST
22	100081-01-01A	EA	TRAY - SILVERWARE - 9" X 13.3" RUBBERMAID ALMOND PLASTIC
23	159032-01-01A	EA	CONTAINER - WASTEBASKET - 14.3 QT - WHITE
24	134128-02-02B	EA	PLATE - W/HOLES - W/WELDNUT - E-COATED - 14E
25	143956-03-04B	EA	BRACKET/TIEDOWN - EURO CHAIR - BLACK -14E
26	137598-01-01A	EA	KNOB - HOLD DOWN - RECLINER - 14E
27	160167-01-01A	EA	SEAT BELT - 2" X 102" - BLACK
28	M09471-79-R39	EA	MOLDING - TRIM/COVE - .8" X .8" X 96" - CONCERT CHERRY
28	M09471-79-RE0	EA	MOLDING - TRIM/COVE - .8" X .8" X 96" - HONEY CHERRY
28	M09471-79-YG3	EA	MOLDING - TRIM/COVE - .8" X .8" X 96" - BELMONT MAPLE
29	142411-05-000	EA	HOLDER - F/CONTROL (SELECT COMFORT) FROM: 00-00-00 THRU: 03-08-09
30	147282-02-01A	EA	MIRROR - BEVELED W/V-GROOVES - 44.4" X 21"
	009089-01-000	EA	CLIP - MIRROR
31	147282-03-01A	EA	MIRROR - BEVELED W/V-GROOVES - 30" X 21"
	009089-01-000	EA	CLIP - MIRROR

***COMPONENT PARTS LISTED LATER IN THIS GROUP**

INTERIOR FINISH GROUP (CONTINUED)
INTERIOR TRIM LAYOUT (CONTINUED)



KEY	PART NUMBER	U/M	DESCRIPTION
1	159767-01-01A	EA	HOLDER - TISSUE - CHROME
2	159766-01-01A	EA	TOWEL BAR - 18" - CHROME
3	159765-01-01A	EA	TOWEL RING - CHROME
4	Y00399-D2-438	EA	MOLDING - SLIDEOUT/VINYL WRAP - 3.5"X 96" - CONCERT CHERRY
4	Y00399-82-438	EA	MOLDING - SLIDEOUT/VINYL WRAP - 3.5"X 96" - HONEY CHERRY
4	Y00399-E2-438	EA	MOLDING - SLIDEOUT/VINYL WRAP - 3.5"X 96" - BELMONT MAPLE
5	Y00398-D2-438	EA	MOLDING - SLIDEOUT/VINYL WRAP - 5.9"X 96" - CONCERT CHERRY
5	Y00398-82-438	EA	MOLDING - SLIDEOUT/VINYL WRAP - 5.9"X 96" - HONEY CHERRY
5	Y00398-E2-438	EA	MOLDING - SLIDEOUT/VINYL WRAP - 5.9"X 96" - BELMONT MAPLE
6	164293-01-YB0	EA	MOLDING/BLOCK - TOP - 5.5"W X 6.1"H - CONCERT CHERRY
6	164293-01-WD3	EA	MOLDING/BLOCK - TOP - 5.5"W X 6.1"H - HONEY CHERRY
6	164293-01-YB2	EA	MOLDING/BLOCK - TOP - 5.5"W X 6.1"H - BELMONT MAPLE
7	M09577-75-YA0	EA	MOLDING/DECORATIVE - 2" X 84" - CONCERT CHERRY
7	M09577-75-YA1	EA	MOLDING/DECORATIVE - 2" X 84" - HONEY CHERRY
7	M09577-75-YA2	EA	MOLDING/DECORATIVE - 2" X 84" - BELMONT MAPLE
8	M09553-69-YB0	EA	MOLDING/DECORATIVE - 1" X 74.7" - CONCERT CHERRY
8	M09553-69-WD3	EA	MOLDING/DECORATIVE - 1" X 74.7" - HONEY CHERRY
8	M09553-69-YB2	EA	MOLDING/DECORATIVE - 1" X 74.7" - BELMONT MAPLE
9	M09471-79-R39	EA	MOLDING - TRIM/COVE - .8" X .8" X 96" - CONCERT CHERRY
9	M09471-79-RE0	EA	MOLDING - TRIM/COVE - .8" X .8" X 96" - HONEY CHERRY
9	M09471-79-YG3	EA	MOLDING - TRIM/COVE - .8" X .8" X 96" - BELMONT MAPLE
10	M09577-72-YA0	EA	MOLDING/DECORATIVE - 1.5" X 84" - CONCERT CHERRY
10	M09577-72-YA1	EA	MOLDING/DECORATIVE - 1.5" X 84" - HONEY CHERRY
10	M09577-72-YA2	EA	MOLDING/DECORATIVE - 1.5" X 84" - BELMONT MAPLE

INTERIOR FINISH GROUP (CONTINUED)
COMPONENT PARTS FOR INTERIOR TRIM LAYOUT

ART NOT YET AVAILABLE

				166197-01-01A, 166197-02-01A	
KEY	PART NUMBER	U/M	DESCRIPTION		VENDOR NO.
1	164096-02-700	EA	JAMB/WALL - SATIN PLATINUM		970SP
2	164096-02-701	EA	SILL - SATIN PLATINUM		701SP
3	164096-02-702	EA	HEADER - SATIN PLATINUM		702SP
11	164096-02-703	EA	VINYL - EDGE		C712C
12	164096-02-704	EA	DOOR GUIDE - BOTTOM		CP506
13	164096-02-705	EA	SCREW - F/BOTTOM DOOR GUIDE		638THS-SP
14	164096-02-706	EA	WASHER - F/BOTTOM DOOR GUIDE		062WASHER
15	164096-02-707	EA	ROLLER		PN707
16	164096-02-708	EA	SCREW - F/ROLLER		83212HEX-SP
17	164096-02-712	EA	ROLLER BUSHING		FW8-125
18	164096-02-709	EA	VINYL - PANEL CONNECTING		C710C
19	164096-02-713	EA	FLOATING MAGNET - 6'		98-48
21	164096-02-710	EA	SCREW/ATTACHMENT - PLATINUM		638PHPT-SP
23	164096-02-711	EA	BUMPER		5171C
24	166194-01-700	EA	STRAP/TRAVEL - W/SNAP-CLEAR		C234C

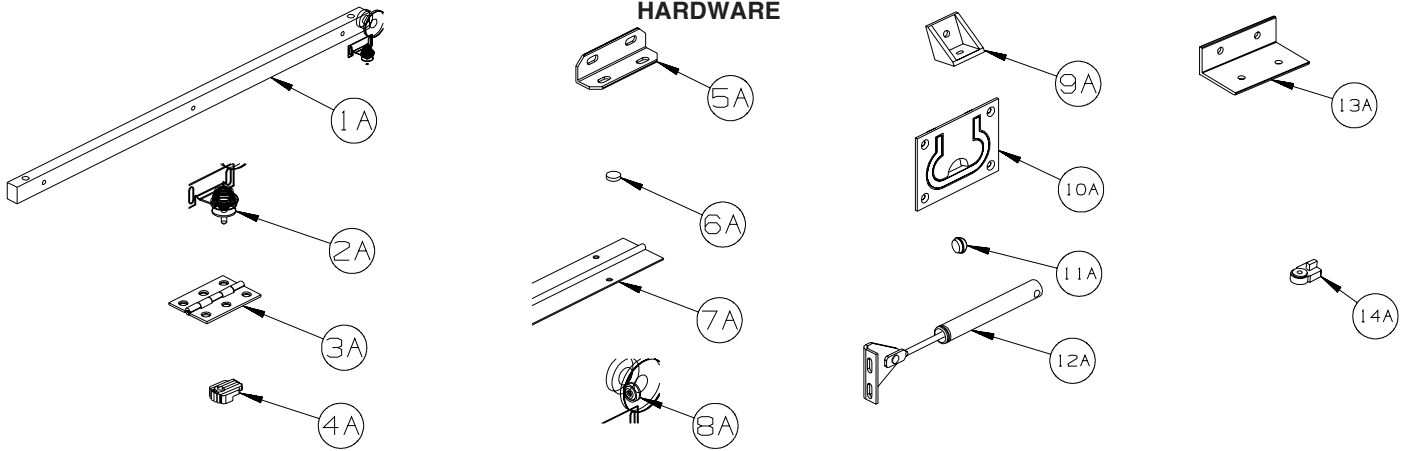
CONTACT WINNEBAGO PART SALES FOR UNLISTED COMPONENT(S)

INTERIOR FINISH GROUP (CONTINUED)
FLOOR COVERINGS

KEY	PART NUMBER	U/M	DESCRIPTION
	075233-01-000	SY	PAD - CARPET - 3/8" X 6'W ROLL - SOLD BY THE SQUARE YARD
	093486-01-000	SY	CARPET - COMPARTMENT - 72" WIDE - DARK GRAY
	131711-03-02A	EA	TILE/FLOOR - VINYL - 16" X 16" - MOSSY STONE (YA0, YA1, YA2, YA6, YA7, YA8)
	131711-03-01A	EA	TILE/FLOOR - VINYL - 16" X 16" - CLOUDED EBONY (YA3, YA4, YA5)
	152251-12-02A	SY	CARPET - 4 SQUARE YARD INCREMENTS - #571 LANDSCAPER (YA0, YA1, YA2)
	152251-12-01A	SY	CARPET - 4 SQUARE YARD INCREMENTS - #581 ACORN (YA3, YA4, YA5)
	152251-12-03A	SY	CARPET - 4 SQUARE YARD INCREMENTS - #586 BRIAR PATCH (YA6, YA7, YA8)
	156855-01-03A	SY	CARPET BINDING - TAPE (YA0, YA1, YA2)
	156855-01-07A	SY	CARPET BINDING - TAPE (YA3, YA4, YA5)
	156855-01-01A	SY	CARPET BINDING - TAPE (YA6, YA7, YA8)

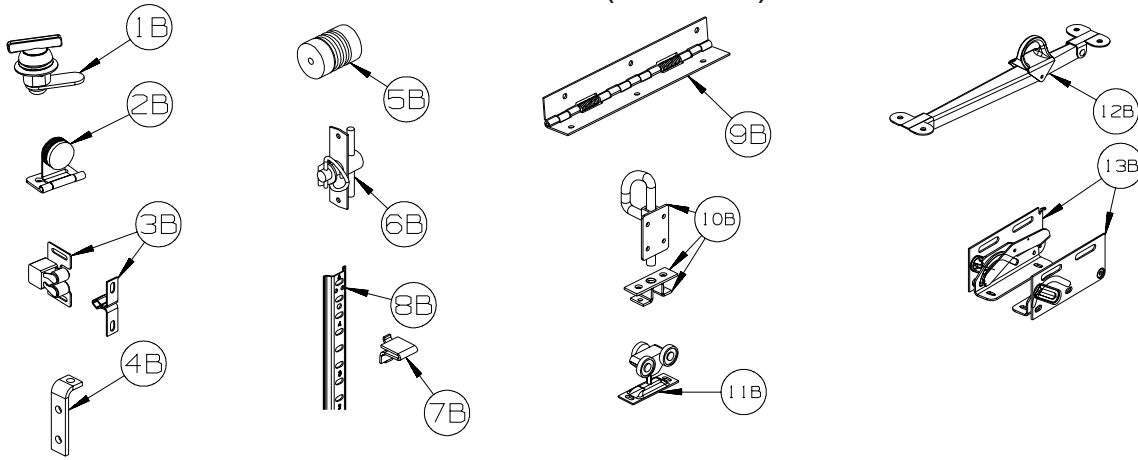
INTERIOR FINISH GROUP (CONTINUED)

HARDWARE



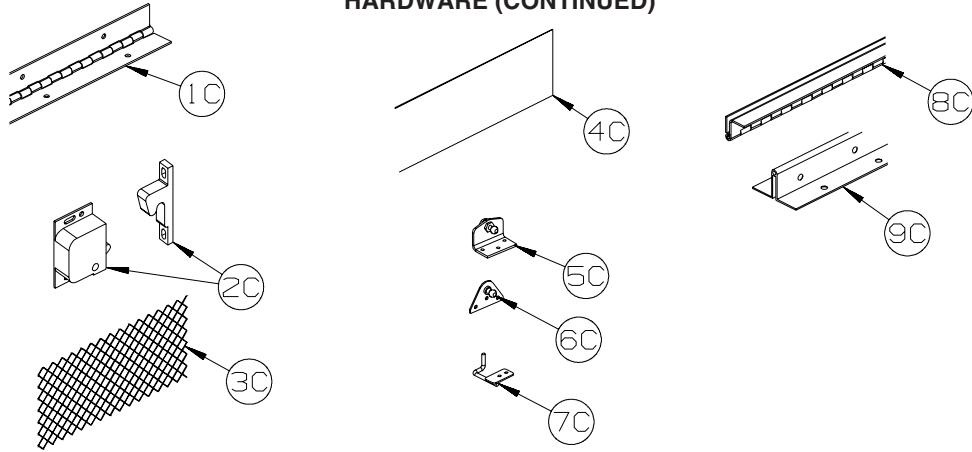
KEY	PART NUMBER	U/M	DESCRIPTION
1A	P34509-01-P14	EA	RAIL END - RH/LH - TOWEL RACK - CONCERT CHERRY
1A	P34509-01-J70	EA	RAIL END - RH/LH - TOWEL RACK - WASHED MAPLE
1A	P34509-01-RE0	EA	RAIL END - RH/LH - TOWEL RACK - HONEY CHERRY
1A	P34509-01-SA3	EA	RAIL END - RH/LH - TOWEL RACK - SIERRA MAPLE
2A	009013-01-000	EA	CATCH - BULLDOG - MALE/FEMALE
3A	009059-03-000	EA	HINGE - BRASS - 1.75"
3A	009059-04-000	EA	HINGE - 2" - ZINC
4A	009089-01-000	EA	CLIP - MIRROR
5A	016604-01-000	EA	BRACE - ANGLE - 2 1/2" - UNPAINTED METAL
5A	016604-05-000	EA	BRACE - ANGLE - 2 1/2" - OFF WHITE METAL
5A	016604-10-000	EA	BRACE - ANGLE - 2 1/2" - BLACK
6A	023320-01-000	EA	PAD - FELT 3/8" DIAMETER - ADHESIVE BACK - BROWN
6A	167370-01-01A	EA	PAD - FELT 1/2" DIAMETER - ADHESIVE BACK - GRAY
7A	041389-19-000	EA	HINGE - PIANO - 1 1/2" X 71.9" - UNPAINTED
7A	041389-25-000	EA	HINGE - PIANO - 1 1/2" X 55" - UNPAINTED
7A	041389-32-000	EA	HINGE - PIANO - 68" - OFF WHITE
8A	166569-01-01A	EA	COVER - SCREW - #8 - ANTIQUE WHITE
8A	166569-01-02A	EA	COVER - SCREW - #8 - BRIGHT WHITE
8A	166569-01-03A	EA	COVER - SCREW - #8 - SOFT WHITE
8A	166569-01-04A	EA	COVER - SCREW - #8 - CREAM
8A	166569-01-05A	EA	COVER - SCREW - #8 - BLACK
9A	065740-01-000	EA	BRACE - CABINET/CORNER - PLASTIC
10A	072871-01-000	EA	PULL - FLUSH - CHROME
11A	074045-08-000	EA	PLUG - 3/8" DOWEL-1/2" HEAD - OAK/SALEM CHERRY - CONCERT CHERRY
11A	074045-12-000	EA	PLUG - 3/8" DOWEL-1/2" HEAD - WASHED MAPLE
11A	074045-14-000	EA	PLUG - 3/8" DOWEL-1/2" HEAD - HONEY CHERRY
11A	074045-15-000	EA	PLUG - 3/8" DOWEL-1/2" HEAD - SIERRA MAPLE
11A	074045-16-000	EA	PLUG - 3/8" DOWEL-1/2" HEAD - BELMONT MAPLE
12A	074493-02-000	EA	SUPPORT/PISTON SPRING - CABINET DOOR - 26 LBS
12A	074493-03-000	EA	SUPPORT/PISTON SPRING - CABINET DOOR - 12 LBS
13A	156732-01-01A	EA	BRACE - ANGLE - 2.5" - MILL
13A	156732-01-02A	EA	BRACE - ANGLE - 2.5" - OFF WHITE
13A	156732-03-01A	EA	BRACE - ANGLE - BLACK
14A	083204-03-000	EA	BUTTON - RETAINING MIRROR 5/16" TIP

INTERIOR FINISH GROUP (CONTINUED)
HARDWARE (CONTINUED)



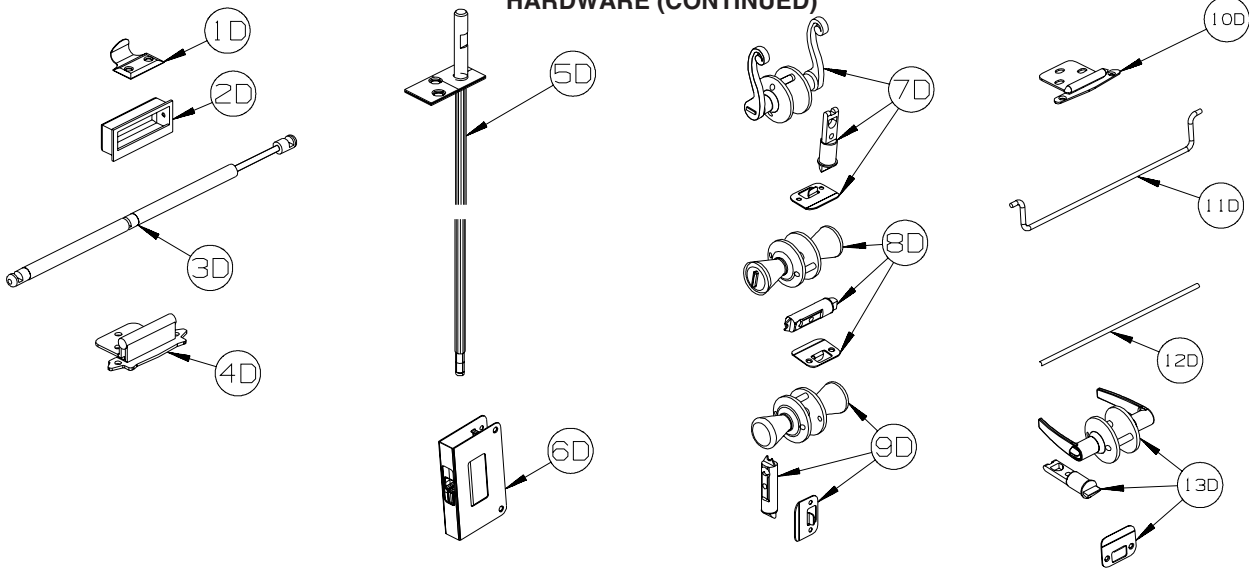
KEY	PART NUMBER	U/M	DESCRIPTION
1B	100710-01-02A	EA	LOCK - GLASS DOOR/TWIST TYPE - NICKEL
2B	100711-01-02A	EA	HINGE - GLASS DOOR - BLACK
3B	093586-06-000	EA	CATCH - W/STRIKE - SPRING ROLLER .236"/SPRINT STEEL .943"
4B	096826-01-01A	EA	BRACE - CABINET - 2" - E-COATED
4B	096826-02-01A	EA	BRACE - CABINET - 1" - E-COATED
5B	097872-04-000	EA	DOWEL - WOOD - 1" DIAMETER X 1.38" LONG - UNFINISHED
6B	098196-01-000	EA	LATCH - 1/4 TURN - T-BAR
7B	098979-01-000	EA	CLIP - ADJUSTABLE SHELF
8B	098980-01-000	EA	PILASTER - ADJUSTABLE SHELF - 18"
8B	098980-02-000	EA	PILASTER - ADJUSTABLE SHELF - 12"
8B	098980-03-000	EA	PILASTER - ADJUSTABLE SHELF - 9"
8B	098980-04-000	EA	PILASTER - ADJUSTABLE SHELF - 48"
8B	098980-05-000	EA	PILASTER - ADJUSTABLE SHELF - 15"
8B	098980-06-000	EA	PILASTER - ADJUSTABLE SHELF - 24"
9B	102920-01-02A	EA	HINGE - SPRING LOADED - NICKEL
9B	129753-01-01A	EA	HINGE - SPRING LOADED - 19" X 19" - BLACK
10B	103256-01-000	EA	LATCH COMPLETE (SLIDE)
11B	103874-01-000	EA	HANGER - SLIDING DOOR
12B	104181-01-01A	EA	SUPPORT - LEAF 5.3" EXTENDS TO 7.5" - SAFETY RING - METAL
13B	108126-01-000	EA	TRAY HINGE SET (QTY. 2 PER SET)

INTERIOR FINISH GROUP (CONTINUED)
HARDWARE (CONTINUED)



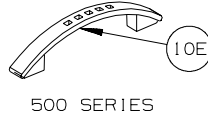
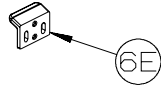
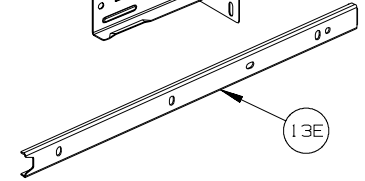
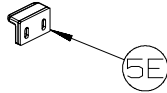
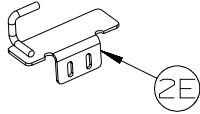
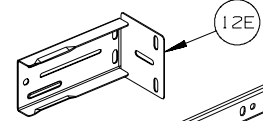
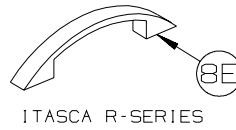
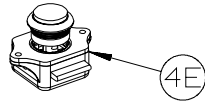
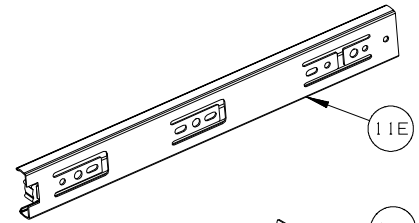
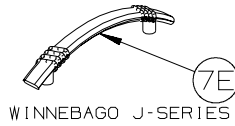
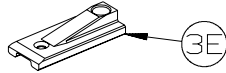
KEY	PART NUMBER	U/M	DESCRIPTION
1C	110496-01-02A	EA	HINGE - NICKEL - 2" X 32"
1C	110496-06-02A	EA	HINGE - NICKEL - 2" X 9.5"
1C	158921-01-04B	EA	HINGE - PIANO - TRUNK DOOR - 2" X 21.9" - BLACK
2C	117095-02-01A	EA	LATCH - DOOR - GRABBER W/KEEPER - BLACK - 10 LB PULL
2C	117095-03-01A	EA	LATCH - DOOR - GRABBER W/KEEPER - PLASTIC - BLK-15 LB PULL
3C	118200-01-01A	SF	MESH - PLASTIC 1/2" - 48" X LENGTH = SF - BLACK
4C	122717-06-01A	FT	PAD - NON-SKID - PSA - 5"W
5C	126263-02-02B	EA	BRACKET - GAS SPRING W/BALL STUD - E-COATED
5C	126263-06-02B	EA	BRACKET - GAS SPRING W/INSIDE BALL STUD - E-COATED
6C	126263-05-02B	EA	BRACKET - GAS SPRING W/BALL STUD - E-COATED
6C	126263-08-02B	EA	BRACKET - GAS SPRING W/CENTERED BALL STUD - E-COATED
7C	130798-01-02B	EA	GUIDE - POCKET DOOR - E-COATED
8C	134099-01-02A	EA	HINGE - PIANO - WRAP AROUND - 15.7" - NICKEL PLATED
9C	135538-03-02A	EA	HINGE - PIANO - FULL WRAP - 15.7" - CHROME

INTERIOR FINISH GROUP (CONTINUED)
HARDWARE (CONTINUED)



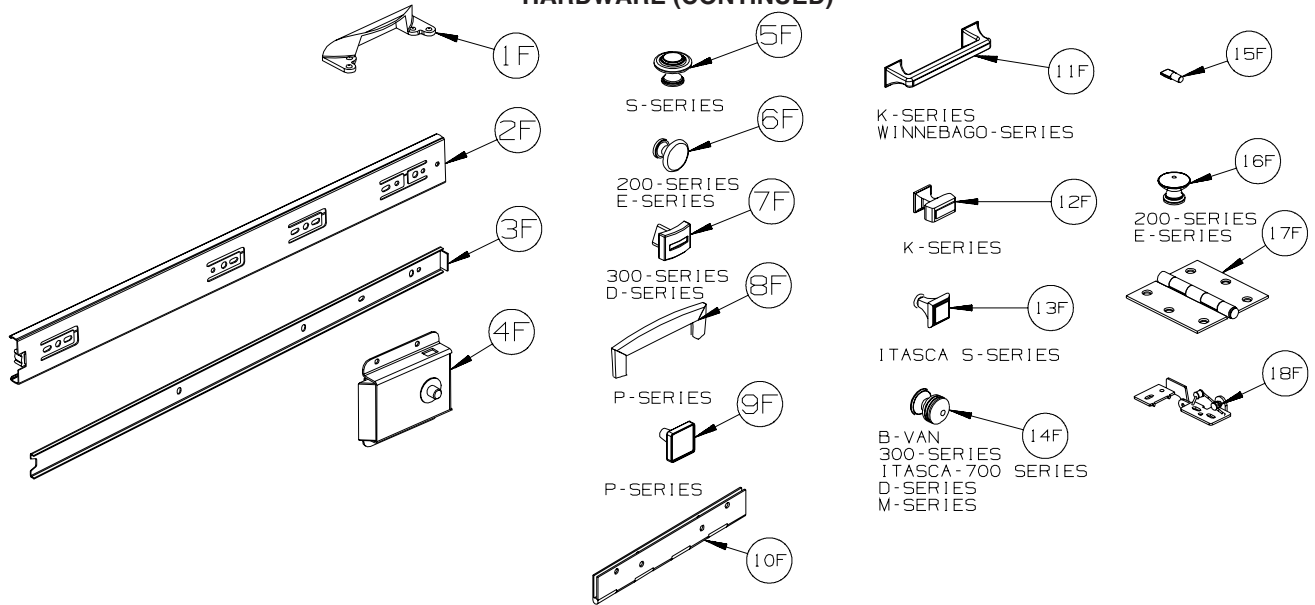
KEY	PART NUMBER	U/M	DESCRIPTION
1D	137463-01-02A	EA	LIFT - HOOK - PEWTER
2D	139136-02-02A	EA	HANDLE - .35" RECESSED - PEWTER
3D	142569-07-000	EA	SPRING/GAS - 20 LB - 20" EXTENDED/12" COMPRESSED
3D	142569-15-000	EA	SPRING/GAS - 120 LB - 20" EXTENDED/12" COMPRESSED
3D	142569-16-000	EA	SPRING/GAS - 90 LB - 20" EXTENDED/12" COMPRESSED
3D	142569-29-000	EA	SPRING/GAS - 20 LB - 9.9" EXTENDED/5.9" COMPRESSED
3D	142569-31-000	EA	SPRING/GAS - 30 LB - 11.8" EXTENDED/7.3" COMPRESSED
4D	143468-02-03A	EA	HINGE - SELF CLOSING - SATIN NICKEL
4D	143468-02-04A	EA	HINGE - SELF CLOSING - OIL RUBBED BRONZE
5D	145939-05-02A	EA	ROD/LATCH - AISLE DOOR - NICKEL
6D	145939-04-02A	EA	LATCH/SLIDE - AISLE DOOR(1" THICK DOOR)-NICKEL/BLACK SLIDE
6D	145939-04-03A	EA	LATCH/SLIDE - AISLE DOOR(1" THICK DOOR)-OIL RUBBED BRONZE
7D	146064-01-02A	EA	LOCK/PRIVACY (LOCKING) LEVER STYLE - SATIN PEWTER
7D	146064-02-02A	EA	LOCK/PASSAGE (NON LOCKING) LEVER STYLE - PEWTER
8D	146064-05-01A	EA	LOCK/PRIVACY (LOCKING) "TULIP" STYLE KNOB - SATIN NICKEL
9D	146064-06-01A	EA	LOCK/PASSAGE (NON LOCKING) "TULIP" STYLE KNOB-SATIN NICKEL
10D	146553-01-03A	EA	HINGE - CABINET DOOR - SATIN NICKEL
11D	146801-01-02A	EA	ROD/TOWEL BAR (OFFSET) - PEWTER
12D	146840-03-02A	EA	ROD - .25" X 11.7" - PEWTER
12D	146840-04-02A	EA	ROD - .25" X 13.1" - PEWTER
13D	146064-08-01A	EA	LOCK/PASSAGE (NON LOCKING) LEVER STYLE - SATIN NICKEL
13D	146064-07-01A	EA	LOCK/PRIVACY (LOCKING) LEVER STYLE - SATIN NICKEL

INTERIOR FINISH GROUP (CONTINUED) HARDWARE (CONTINUED)



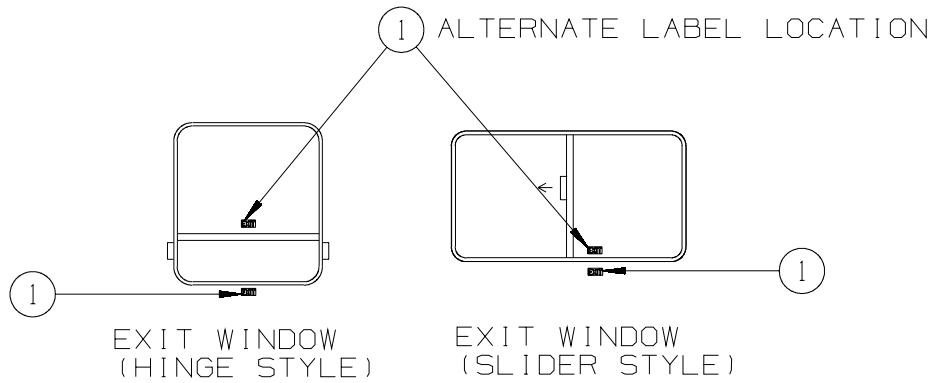
KEY	PART NUMBER	U/M	DESCRIPTION
1E	148816-01-02A	EA	PULL - CABT DR- NICKEL - ASPECT 700-SERIES, DESTINATION & LATITUDE M-SERIES TRADITIONAL
2E	149607-01-02B	EA	GUIDE - F/POCKET DOOR - 1.6" BENT ROD - E-COATED
2E	149607-03-02B	EA	GUIDE - F/POCKET DOOR - 2.9" BENT ROD - E-COATED
3E	150983-01-01A	EA	STRIKE/BLOCK - WEDGE STYLE - F/SLIDE DOOR - 3" X 1.2" - BLACK
4E	151380-01-01A	EA	LATCH - CABINET DOOR - PUSH BUTTON - SILVER
4E	151380-01-02A	EA	LATCH - CABINET DOOR - PUSH BUTTON - BLACK
5E	151380-02-01A	EA	STRIKE - CABINET DOOR LATCH - W/SPACER
6E	151380-03-01A	EA	STRIKE - CABINET DOOR LATCH - W/SPACER
7E	152302-01-01A	EA	PULL - CABINET DOOR - SATIN NICKEL - ADVENTURER J-SERIES
8E	152304-01-01A	EA	PULL - CABINET DOOR - BRONZE- ELLIPSE R-SERIES
9E	152305-01-01A	EA	KNOB - DOOR/DRAWER - BRONZE - ELLIPSE R-SERIES
10E	152950-01-01A	EA	PULL - DOOR/DRAWER - BRUSHED NICKEL - VIEW & NAVION 500-SERIES
11E	153000-01-01A	EA	SLIDE - CABINET MOUNT - 11.8"
11E	153000-03-01A	EA	SLIDE - CABINET MOUNT - 13.8"
11E	153000-05-01A	EA	SLIDE - CABINET MOUNT - 15.7"
11E	153000-07-01A	EA	SLIDE - CABINET MOUNT - 17.7"
11E	153000-09-01A	EA	SLIDE - CABINET MOUNT - 19.7"
11E	153000-11-01A	EA	SLIDE - CABINET MOUNT - 21.6"
11E	153000-14-01A	EA	SLIDE - CABINET MOUNT - 23.6"
11E	153000-16-01A	EA	SLIDE - CABINET MOUNT - 7.9"
11E	153000-18-01A	EA	SLIDE - CABINET MOUNT - 9.8"
11E	153000-20-01A	EA	SLIDE - CABINET MOUNT - 25.6"
12E	153000-13-01A	EA	BACKSOCKET - DRAWER SLIDE
13E	153000-02-01A	EA	SLIDE - DRAWER MOUNT - 11.8"
13E	153000-04-01A	EA	SLIDE - DRAWER MOUNT - 13.8"
13E	153000-06-01A	EA	SLIDE - DRAWER MOUNT - 15.7"
13E	153000-08-01A	EA	SLIDE - DRAWER MOUNT - 17.7"
13E	153000-10-01A	EA	SLIDE - DRAWER MOUNT - 19.7"
13E	153000-12-01A	EA	SLIDE - DRAWER MOUNT - 21.6"
13E	153000-15-01A	EA	SLIDE - DRAWER MOUNT - 23.4"
13E	153000-17-01A	EA	SLIDE - DRAWER MOUNT - 7.7"
13E	153000-19-01A	EA	SLIDE - DRAWER MOUNT - 9.6"
13E	153000-21-01A	EA	SLIDE - DRAWER MOUNT - 25.4"

INTERIOR FINISH GROUP (CONTINUED)
HARDWARE (CONTINUED)

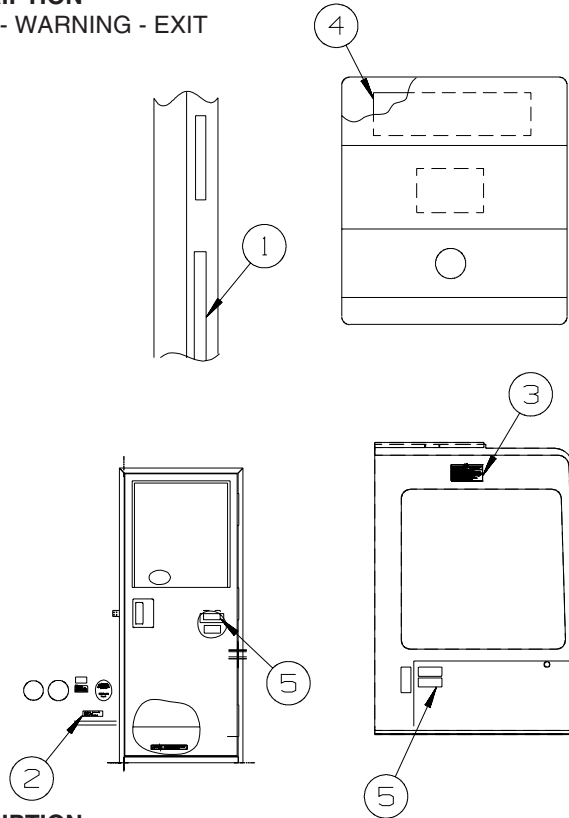


KEY	PART NUMBER	U/M	DESCRIPTION
1F	153308-01-01A	EA	PULL - VANITY STOOL - SATIN NICKEL
2F	153352-01-01A	EA	SLIDE - PANTRY - 19.7" - CABINET MOUNT
3F	153352-02-01A	EA	SLIDE - PANTRY - 19.5" - DRAWER MOUNT
4F	153353-01-01A	EA	LATCH - SLIDING/FLUSH - BLACK
5F	155803-01-01A	EA	KNOB CABINET DOOR - WROUGHT IRON - VECTRA S-SERIES
5F	155803-01-02A	EA	KNOB - CABINET DOOR - SATIN NICKEL - HORIZON S-SERIES
6F	155925-01-01A	EA	KNOB - DOOR/DRW - SATIN NICKEL - ACCESS & IMPULSE 200-SERIES/ VISTA & SUNSTAR E-SERIES
7F	156579-01-01A	EA	KNOB - DOOR/DRW - PEWTER - OUTLOOK & SPIRIT 300-SERIES/ SIGHTSEER & SUNOVA D-SERIES
8F	157246-01-01A	EA	PULL - CABINET DOOR/DRAWER - SATIN NICKEL - JOURNEY & MERIDIAN P-SERIES
9F	157246-02-01A	EA	KNOB - CABINET DOOR/DRAWER-SATIN NICKEL - JOURNEY & MERIDIAN P-SERIES
10F	158982-01-04B	EA	HINGE - CONTINUOUS - 2" X 8" - BLACK
10F	158982-01-01A	EA	HINGE - CONTINUOUS - 2" X 8" - ZINC
11F	162033-01-01A	EA	PULL - CABINET DOOR - BRUSHED NICKEL - SUNCRUISER K-SERIES, TOUR R-SERIES
12F	162033-02-01A	EA	KNOB - CABINET DOOR - BRUSHED NICKEL - SUNCRUISER K-SERIES
13F	162518-01-01A	EA	KNOB - DOOR/DRAWER - SATIN NICKEL - HORIZON S-SERIES
14F	163095-01-01A	EA	KNOB - CABINET DOOR - SATIN NICKEL - B-VAN, 300, ITASCA 700, D, M-SERIES
15F	154385-01-02A	EA	PIN - SUPPORT/GLASS DOOR - 1/4" - NICKEL
16F	165915-01-01A	EA	KNOB - DOOR/DRAWER - SATIN NICKEL - ACCESS/IMPULSE 200-SERIES, VISTA/SUNSTAR E-SERIES
17F	166114-01-01A	EA	HINGE - DOOR - 1/4" RADIUS CORNERS - SATIN NICKEL
18F	166474-01-01A	EA	HINGE - CABINET/CONCEALED - ANTIQUE BRASS
18F	166474-01-02A	EA	HINGE - CABINET/CONCEALED - CHROME

LABELS GROUP

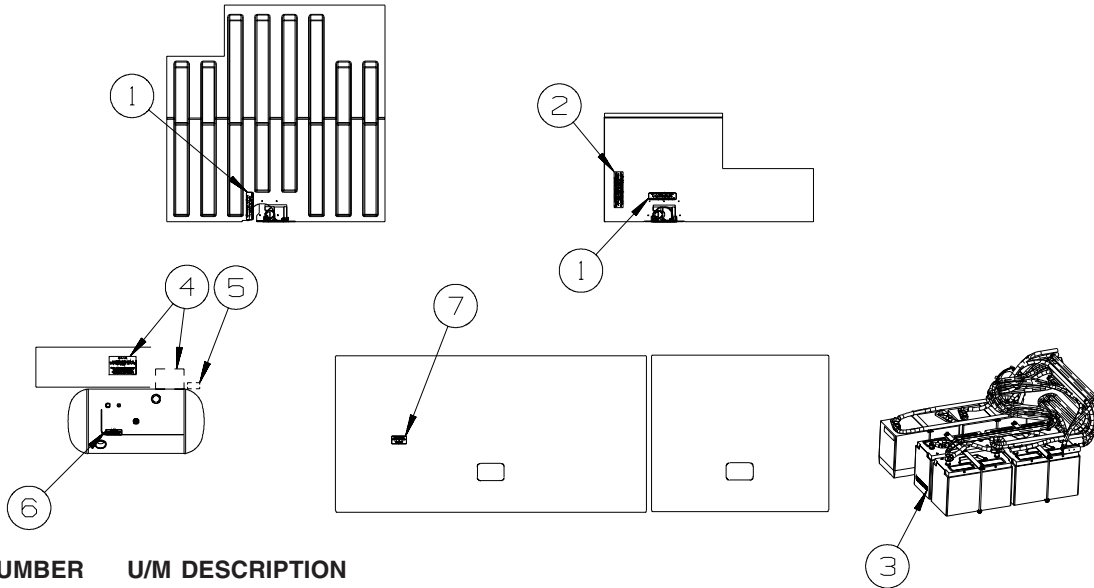


KEY	PART NUMBER	U/M DESCRIPTION
1	039290-01-000	EA LABEL - WARNING - EXIT



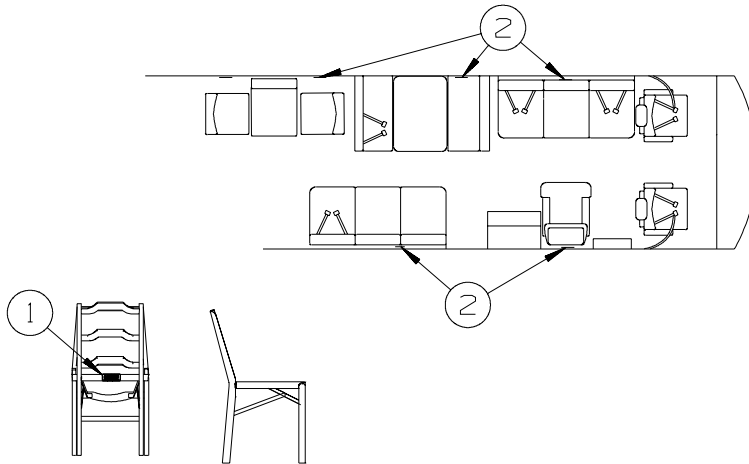
KEY	PART NUMBER	U/M DESCRIPTION
1	135869-01-02A	EA LABEL - MERCURY CONTENT - WHITE ON CLEAR
2	099509-01-000	EA LABEL - AWNING INSTALLATION
3	056259-01-000	EA LABEL - SAFETY CHECK LIST
4	124519-01-02A	EA LABEL - WARNING/REFUELING - WHITE ON CLEAR
4	124519-02-02A	EA LABEL - WARNING/REFUELING - WHITE ON CLEAR - CSA
5	168454-01-01A	EA LABEL - OCCUPANT/CCC - BLACK ON YELLOW

LABELS GROUP (CONTINUED)



KEY	PART NUMBER	U/M	DESCRIPTION
1	123562-01-000	EA	LABEL - SERVICE/UTILITY ACCESS
2	147845-01-01A	EA	LABEL - DRIP VALVE
3	065748-01-000	EA	LABEL - WARNING - BATTERY CHARGING - UL
4	124520-01-02A	EA	LABEL - LP GAS ONLY - WHITE ON CLEAR
4	023769-01-000	EA	LABEL - WARNING - LPG - CANADIAN
5	124519-01-02A	EA	LABEL - WARNING/REFUELING - WHITE ON CLEAR
5	124519-02-02A	EA	LABEL - WARNING/REFUELING - WHITE ON CLEAR - CSA
6	079965-01-000	EA	LABEL - LPG - 80% CAPACITY
7	125306-04-02A	EA	LABEL - ELECTRICAL ENTRANCE-120/240V 50 AMP-WHITE ON CLEAR

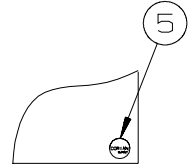
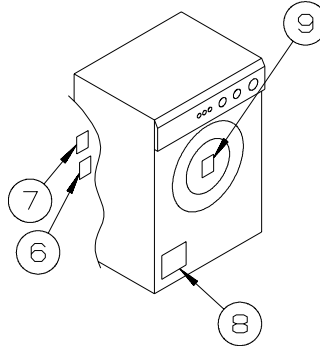
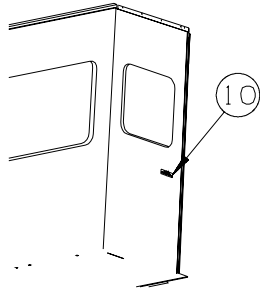
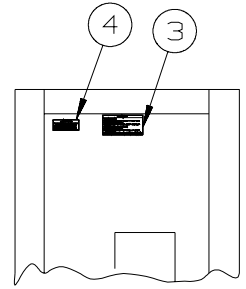
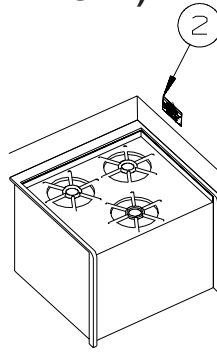
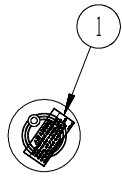
TYPICAL SEAT AND BELT CONFIGURATIONS



FOLDING CHAIRS

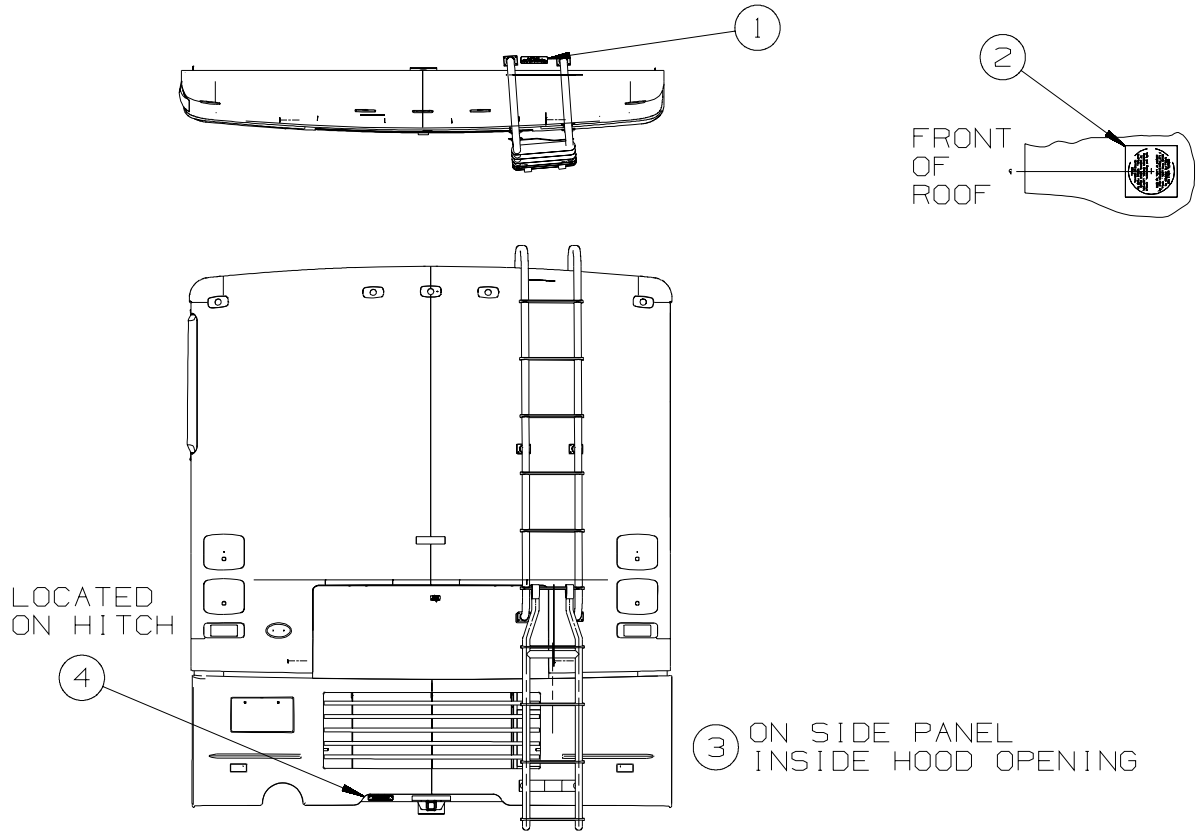
KEY	PART NUMBER	U/M	DESCRIPTION
1	134537-01-01A	EA	LABEL - OCCUPANCY - CHAIR - US
1	134537-02-01A	EA	LABEL - OCCUPANCY - CHAIR - CSA
2	134538-01-01A	EA	LABEL - OCCUPANCY - NO SEAT BELT - BLACK ON CLEAR - US
2	134538-02-01A	EA	LABEL - OCCUPANCY - NO SEAT BELT - BLACK ON CLEAR - CSA

LABELS GROUP (CONTINUED)



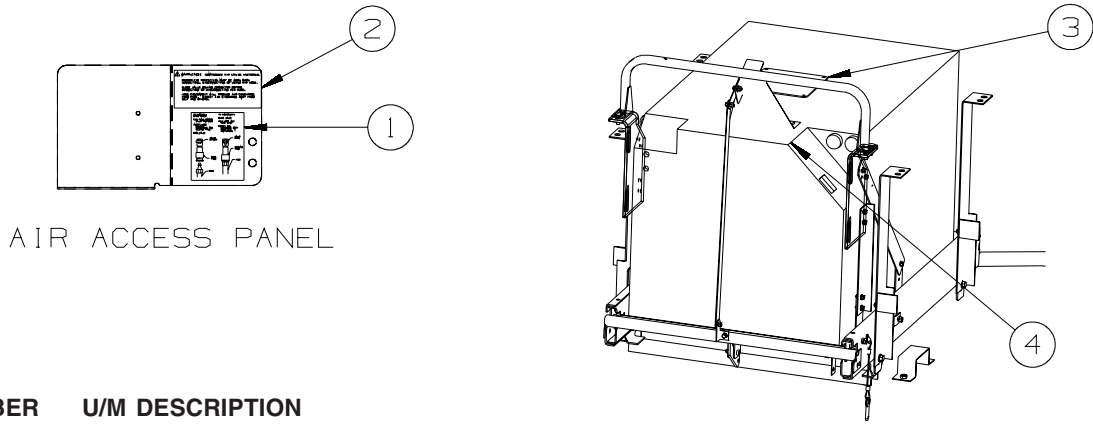
KEY	PART NUMBER	U/M	DESCRIPTION
1	077956-01-000	EA	LABEL - WARNING/SMOKE DETECTOR
2	134539-01-01A	EA	LABEL - WARNING - STOVE/HEATING - US - BLACK ON CLEAR
2	134540-01-01A	EA	LABEL - WARNING - STOVE/HEATING - CSA - BLACK ON CLEAR
3	073998-01-000	EA	LABEL - LPG/ODOR WARNING
4	099689-01-000	EA	LABEL - WARNING - CANCER/TOXICITY
5	144040-02-02A	EA	MEDALLION/ROUND - COUNTERTOP/CORIAN - NICKEL
6	147525-01-000	EA	LABEL - DRYER VENT CUTOUT
7	147524-01-000	EA	LABEL - DRYER VENTING
8	130670-01-01A	EA	LABEL - CAUTION DRYER VENTING - BLACK ON CLEAR
9	153640-01-01A	EA	LABEL - WINTERIZATION - WASHER/DRYER
10	137260-01-01A	EA	LABEL - WARNING - REST EASY SOFA - BLACK ON CLEAR

LABELS GROUP (CONTINUED)



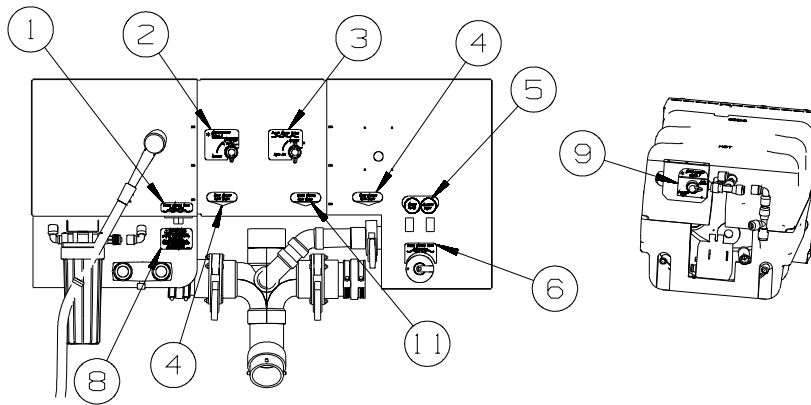
KEY	PART NUMBER	U/M	DESCRIPTION
1	163705-01-01A	EA	LABEL - WARNING - ROOF SLIPPERY - BLACK ON WHITE
2	120431-01-000	EA	LABEL - LOCATION - COAXIAL CABLE/SATELLITE ANTENNA
3	116756-03-000	EA	LABEL - WARNING - ETHER/STARTING - RED W/WHITE BACKGROUND
4	129669-02-01A	EA	LABEL - HITCH/VEHICLE RATE - 500 - WHITE ON CLEAR

LABELS GROUP (CONTINUED)

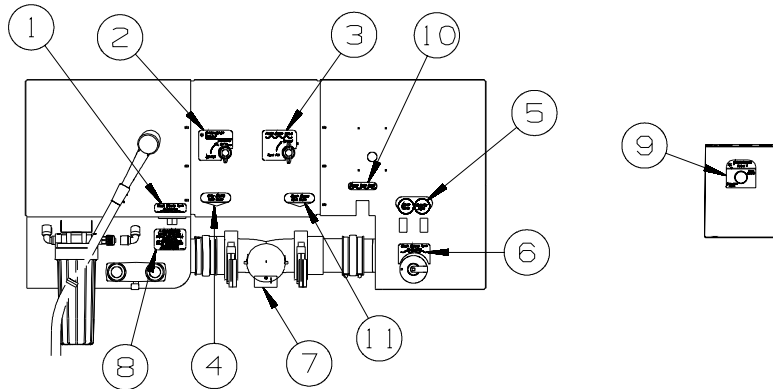


AIR ACCESS PANEL

KEY	PART NUMBER	U/M DESCRIPTION
1	142773-01-01A	EA LABEL - CONNECT/COMPRESSED AIR - WHITE LETTERING ON CLEAR
2	142771-01-01A	EA LABEL - WARNING/COMPRESSED AIR - WHITE LETTERING ON CLEAR
3	116273-01-000	EA LABEL - WARNING - GENERATOR
4	131779-01-01A	EA LABEL - GENERATOR



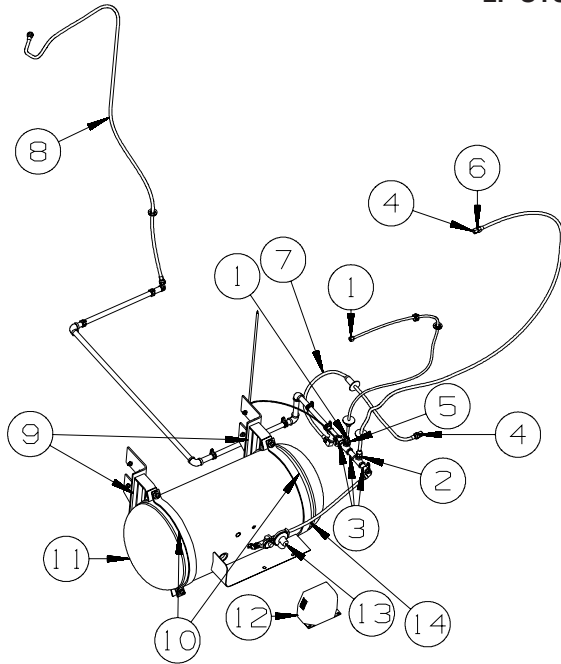
P39



P34/P37

KEY	PART NUMBER	U/M DESCRIPTION
1	152538-02-01A	EA LABEL - FRESH WATER - PANTONE/CLEAR
2	152545-01-01A	EA LABEL - WINTERIZATION
3	152548-01-01A	EA LABEL - VALVE/FRESH
4	152541-03-01A	EA LABEL - GRAY WASTE
5	152544-02-01A	EA LABEL - SWITCHES - WATER PUMP/OUTSIDE LIGHT
6	152546-01-01A	EA LABEL - TANK FLUSH - PANTONE/CLEAR
7	144649-01-01A	EA LABEL - ADJUSTABLE VALVE - WHITE ON CLEAR
8	128725-02-01A	EA LABEL - POTABLE WATER ONLY - BLACK ON CLEAR
9	152539-01-01A	EA LABEL - BYPASS
10	152547-01-01A	EA LABEL - TANK DRAIN
11	152543-03-01A	EA LABEL - BLACK WASTE

**LP GROUP
LP SYSTEM**



KEY	PART NUMBER	U/M	DESCRIPTION
1	010377-02-000	EA	NUT - 3/8" FLARE - FORGED - BRASS
2	010329-01-000	EA	ADAPTER - BRASS - 1/2"F X 1/2"MPT
3	010589-03-000	EA	NIPPLE - PIPE - 1/2" X 2 1/2" - BLACK
4	010326-01-000	EA	ADAPTER - FLARE - W/CONE GASKET - 3/8"F X 1/2"F
5	010323-01-000	EA	ADAPTER - 3/8"F X 1/2"MPT - BRASS
6	010380-02-000	EA	NUT - 1/2" FLARE - FORGED - BRASS
7	045703-22-000	EA	HOSE - LP - 3/8"ID X 60" - 1/2"F SWIVEL X 1/2"F SWVL US/CSA
8	045703-19-000	EA	HOSE - LP - 3/8"ID X 102" - 1/2"F SWIVEL X 3/8"F SWVL US/CSA
9	151786-01-01A	EA	BRACKET - LP TANK MOUNTING
10	151786-02-01A	EA	STRAP - LP TANK MOUNTING - 1.5" WIDE
11*	151784-03-000	EA	TANK - LP - 100 LB - 16"D X 36"L - VAPOR DRAW - W/O CRADLE
11	040440-03-000	EA	TRANSMITTER - DIAL/SNAP-ON - 0-90 OHM 2 TERM(POWER/GROUND)
12	144485-01-000	EA	COVER - LP REGULATOR
13	106150-05-000	EA	REGULATOR - TWO STAGE
14	045703-01-000	EA	HOSE - LP - 3/8"ID X 24" - 3/8"MPT X 1/2"F SWIVEL - US
14	045703-02-000	EA	HOSE - LP - 3/8"ID X 24" - 3/8"MPT X 1/2"F SWIVEL - CSA

***COMPONENT PARTS LISTED LATER IN THIS GROUP**

**COMPONENT PARTS FOR LP SYSTEM
151784-03-000**

KEY	PART NUMBER	U/M	DESCRIPTION	VENDOR NO.
	040421-01-700	EA	VALVE-LIQUID LEVEL, 20%	V20058/V21199/G1013
	040421-01-712	EA	VALVE-SERV. W/O VAPOR RELIEF	V20373/V21202
	040421-01-713	EA	VALVE-RELIEF 1" W/SPRING 7"	V12560/V21207
	088253-01-702	EA	FLOAT/SCREW IN-SNAP ON DIAL	G13063/SG16C0001442
	144116-01-701	EA	VALVE/FILL 80 % W/YELLOW CAP	V13414

SEALANTS & FASTENERS GROUP
SEALANTS & ADHESIVES

KEY	PART NUMBER	U/M	DESCRIPTION
	010405-02-000	EA	TAPE - THREAD SEALING - 3/8"
	064075-07-000	FT	SEAL - BULB - W/WIRED U CHANNEL - .3" X .5" CHANNEL-BLACK
	067788-01-000	EA	ADHESIVE - SPRAY - 3M - 19.5 OZ AEROSOL CAN
	069640-01-000	FT	SEALER - RIBBON - 1/4"DIAMETER X 30 FT - BLACK OR GRAY
	069640-02-000	FT	SEALER - TAPE - 1/8"THICK X 1/2"WIDE X 60 FT - GRAY
	069640-03-000	FT	SEALER - TAPE - 1/8"THICK X 3/4"WIDE X 60 FT - BLACK
	069640-07-000	FT	SEALER - TAPE - 3/32"THICK X 2"WIDE X 45 FT - GRAY
	069640-09-000	FT	SEALER - TAPE - 1/32"THICK X 2 1/2"WIDE X 80 FT - BRT WHT
	069640-10-000	FT	SEALER - TAPE - 1/32"THICK X 1 1/2"WIDE X 90 FT - GRAY
	069640-11-000	FT	SEALER - TAPE - 3/16"THICK X 3/8"WIDE X 40 FT - BLACK
	069640-13-000	FT	SEALER - TAPE - 3/32"THICK X 2"WIDE X 45 FT - BLACK
	069640-14-000	FT	SEALER - TAPE - 1/16"THICK X 1"WIDE X 100 FT - BLACK
	069640-15-000	FT	SEALER - TAPE - 1/16"THICK X 3/8"WIDE X 100 FT - BRT WHT
	069640-17-000	FT	SEALER - TAPE - 1/32"THICK X 1"WIDE X 150 FT - GRAY
	069640-18-000	FT	SEALER - TAPE - 1/8"THICK X 1/2"WIDE X 60 FT - BRT WHT
	069640-19-000	FT	SEALER - TAPE - 1/8"THICK X 3/4"WIDE X 60 FT - BRT WHT
	069640-20-000	FT	SEALER - TAPE - 1/8"THICK X 1/2"WIDE X 60 FT - BLACK
	069640-21-000	FT	SEALER - TAPE - 1/16"THICK X 1/2"WIDE X 100 FT - BRT WHT
	069640-22-000	FT	SEALER - TAPE - 1/32"THICK X 1/4"WIDE X 200 FT - BRT WHT
	069640-23-000	FT	SEALER - TAPE - 1/16"THICK X 3/4"WIDE X 100 FT - BRT WHT
	069640-27-000	FT	SEALER - TAPE - 1/16"THICK X 2 1/4"WIDE X 50 FT - BRT WHT
	069640-28-000	FT	SEALER - TAPE - 1/32"THICK X 1 7/8"WIDE X 90 FT - GRAY
	069640-30-000	FT	SEALER - TAPE - 1/32"THICK X 5/8"WIDE X 50 FT - GRAY
	069640-31-000	FT	SEALER - TAPE - 1/4"THICK X 3/4"WIDE X 15 FT - BLACK
	069640-32-000	FT	SEALER - TAPE - 1/16"THICK X 3/8"WIDE X 100 FT - BLACK
	069640-33-000	FT	SEALER - RIBBON - 3/8"DIAMETER X 20 FT - BLACK
	069640-34-000	FT	SEALER - RIBBON - 1/4"DIAMETER X 30 FT - BRIGHT WHITE
	069640-36-000	FT	SEALER - TAPE - 1/16"THICK X 1/2"WIDE X 100 FT - BLACK
	069640-37-000	FT	SEALER - TAPE - 1/16"THICK X 3/4"WIDE X 100 FT - BLACK
	069640-38-000	FT	SEALER - TAPE - 1/16"THICK X 3/4"WIDE X 100 FT - BRT WHT
	069640-39-000	FT	SEALER - TAPE - 1/16"THICK X 3"WIDE X 50 FT - BRT WHT
	069640-40-000	FT	SEALER - TAPE - 1/16"THICK X 3"WIDE X 50 FT - BRT WHT
	072889-28-000	EA	SEALANT/URETHANE-10 OZ TUBE W/NOZZLE-SELF LEVELING-BRT WHT
	072889-31-000	EA	SEALANT/URETHANE-10 OZ TUBE W/NOZZLE-SELF LEVELING - BLACK
	076322-02-000	FT	TAPE-DOUBLE COATED/ADHESIVE BK-.05"THK X 1"W X 108' - WHT
	076322-03-000	FT	TAPE-DOUBLE COATED/ADHESIVE BK-.05"THK X .5"W X 108' - WHT
	076322-05-000	FT	TAPE-DOUBLE COATED/ADHESIVE BK-.05"THK X .8"W X 108' - WHT
	076322-07-000	FT	TAPE-DOUBLE COATED/ADHESIVE BK-.05"THK X .5"W X 200' - BLK
	076322-13-000	FT	TAPE - FOAM/DOUBLE COATED - .020"THK X .75"W - CLEAR
	076322-21-000	FT	TAPE - FOAM/DOUBLE COATED - .045"THK X .50"W
	076322-22-000	FT	TAPE - FOAM/DOUBLE COATED - .045"THK X .75"W
	076322-23-000	FT	TAPE - FOAM/DOUBLE COATED - .045"THK X 1"W
	076322-25-000	FT	TAPE - FOAM/DOUBLE COATED - .025"THK X .5"W
	086276-01-000	EA	TAPE - DOUBLE SIDED - 1/2" WIDE X 108' LONG (SOLD BY ROLL)
	088479-01-000	EA	TAPE - ALUMINUM - 3"
	090340-01-000	FT	SEAL - FOAM - CLOSED CELL - 1/4" X 1/2" X 50'
	090340-02-000	FT	SEAL - FOAM - CLOSED CELL - 3/8" X 1/2" X 50'
	091255-02-000	FT	SEAL - ADHESIVE BACKED/FOAM - 3/64"THICK X 3/16"W X 1000'
	091255-03-000	FT	SEAL - ADHESIVE BACKED/FOAM - 1/4" THICK X 1/4"W X 1000'
	094401-01-000	EA	SEALER - BODY SEAM - FLEXICLEAR
	094401-04-000	EA	SEALER - BODY SEAM - CLEAR
	094401-05-000	EA	SEALER - BODY SEAM - 20OZ BLACK
	094401-06-000	EA	SEALER - BODY SEAM - 12OZ BLACK
	094401-07-000	EA	SEALER - BODY SEAM - CLEAR
	098408-01-000	FT	SEAL - SPONGE RUBBER - CLOSED CELL
	099069-01-000	FT	SEAL - RUBBER - CLOSED SPONGE - .5" WIDE X .12" THICK-BLK
	099418-01-000	FT	SEAL - D-SECTION/ADHESIVE BACK - .44" X .44" - BLK RUBBER
	100128-02-000	FT	SEAL - FOAM/ADHESIVE BACK - .37" WIDE X .37" THICK X 60'
	104692-01-000	FT	SEAL - ADHESIVE BACKED FOAM - 3/4" THICK X 3/4" WIDE X 25'
	107721-07-000	FT	SEAL - ACCESS DOOR - .9"WIDE X 1.1"HIGH
	112864-01-000	FT	SEAL - FOAM/BUTYL COVERED - 3/8" X 35'
	112864-02-000	FT	SEAL - FOAM/BUTYL COVERED - 5/16" X 44'
	112864-05-000	FT	SEAL - FOAM/BUTYL COVERED - 1/2" X 3/16"
	112901-02-000	EA	ADHESIVE - PLEXUS - MA330 - 50ML - GRAY

SEALANTS & FASTENERS GROUP (CONTINUED)
SEALANTS & ADHESIVES (CONTINUED)

KEY	PART NUMBER	U/M	DESCRIPTION
	112901-03-000	EA	ADHESIVE - PLEXUS - MA300 - 50ML - WHITE
	112902-03-000	EA	MIXER NOZZLE - F/GUN #00400102000 - SCOTCH-WELD & PLEXUS
	112902-04-000	EA	NOZZLE - ELEMENT - 1/4" X 3.5"
	113452-01-000	FT	SEAL/TRIM - FRONT - VINYL W/WIRE CARRIER - .020"
	113452-02-000	FT	SEAL/TRIM - FRONT - VINYL W/WIRE CARRIER - .027"
	113366-01-000	EA	ADHESIVE - INSTANT - 1 OZ
	115870-01-000	FT	SEAL/EDGE - TRIM
	120074-02-03A	EA	SILICONE - TUBE - W/O NOZZLE - LOW ODOR - SMOKEY WHITE
	120534-01-01A	EA	TAPE - SCOTCH - 3M - 1/2" FINE LINE
	123655-01-000	FT	SEAL - CLOSED CELL/FOAM
	123816-01-000	FT	TAPE - DOUBLE SIDED - 1" X .020" X 200' - CLEAR
	123816-02-000	FT	TAPE - DOUBLE SIDED - 1/2" X .035" X 200' - CLEAR
	123816-03-000	FT	TAPE - DOUBLE SIDED - 1/2" X .020" X 200' - CLEAR
	123816-04-000	FT	TAPE - DOUBLE SIDED - 6" X .0035" X 750' - CLEAR
	123816-06-000	FT	TAPE - DOUBLE SIDED - 3/4" X 3/4" X 200' - CLEAR
	123816-07-000	FT	TAPE - DOUBLE SIDED - 1 3/4" X 200' - CLEAR
	126427-01-000	EA	ADHESIVE - ALL PURPOSE - ABS/PVC
	126427-02-000	EA	PRIMER - CLEANER - FLEX PIPING
	131264-01-12A	EA	SILICONE - TUBE - W/NOZZLE - BONE
	131264-01-13A	EA	SILICONE - TUBE - W/NOZZLE - TRANSLUCENT
	131264-03-01A	EA	SILICONE - TUBE - W/O NOZZLE - SELF LEVELING -BRIGHT WHITE
	131264-04-02A	EA	SILICONE/SEALANT/ADHESIVE-FAST CURE F/GLASS/VINYL-SOFT WHT
	131264-05-01A	EA	SILICONE/SEALANT - ODORLESS - TUBE - W/NOZZLE - BLACK
	131264-05-02A	EA	SILICONE/SEALANT - ODORLESS - TUBE - W/NOZZLE - CLEAR
	131384-01-000	EA	ADHESIVE - JET WELD - 10 OZ CARTRIDGE
	132892-07-01A	FT	SEAL - BULB/SINGLE - W/U CHANNEL - .5" X 1" - BLACK
	152038-01-01A	EA	TAPE - PRESERVATION SEAL - 2" X 36YD ROLL - BLACK
	154585-01-01A	FT	SEAL - FOAM TAPE - ADHESIVE BACK - 3/8" X 3/8" - BLACK
	154585-02-01A	FT	SEAL - FOAM TAPE - ADHESIVE BACK - 3/4" X 1/2" - BLACK
	154585-03-01A	FT	SEAL - FOAM TAPE - ADHESIVE 2 SIDED - 1/8" X 3/4" - BLACK
	154585-04-01A	FT	SEAL - FOAM TAPE - ADHESIVE BACK - 5/8" X 1/8" - WHITE
	156622-01-01A	FT	SEALER - TAPE - 1/4"THICK X 3"WIDE X 100 FT - WHITE
	156622-02-01A	FT	SEALER - TAPE - 1/4"THICK X 2"WIDE X 100 FT - WHITE

BOLTS, NUTS AND WASHERS

KEY	PART NUMBER	U/M	DESCRIPTION
	0MD54F-06-000	EA	NUT - HEX W/SERATED FLANGE
	000C12-04-08B	EA	BOLT - HEX - 1/4-20 X 1/2 - GRADE #5 - ZINC
	000C12-04-12A	EA	BOLT - HEX - 1/4-20 X 3/4 - PLAIN 5
	000C12-04-40B	EA	BOLT - HEX - 1/4-20 X 2 1/2 - GRADE #5 ZINC
	000C12-05-16B	EA	BOLT - HEX - 5/16 - 18X1 - GRADE #5 - ZINC
	000C12-05-40B	EA	BOLT - HEX - 5/16"-18 X 2.5" - GRADE #5 - ZINC
	000C12-06-28B	EA	BOLT-HEX-3/8-16X13/4 ZN 5 - 5185-01
	000C12-08-24B	EA	BOLT - HEX - 1/2-13 X 1 1/2 - GRADE #5 - ZINC
	000C12-08-28B	EA	BOLT - HEX - 1/2-13 X 1 3/4 - GRADE #5 - ZINC
	000C12-08-44B	EA	BOLT - HEX - 1/2-13 X 2 3/4 - GRADE #5 - ZINC
	000C13-07-40B	EA	BOLT - HEX - 7/16-20 X 2 1/2 - GRADE #5 - ZINC
	000C13-07-48B	EA	BOLT - HEX - 7/16-20 X 3 - GRADE #5 - ZINC
	000C14-10-32B	EA	BOLT - HEX - 5/8-11 X 2.0 - GRADE #8 - ZINC
	000C18-05-40A	EA	BOLT - ELEVATOR - 5/16-18 X 2 1/2 - PL
	000C26-04-10B	EA	BOLT - HEX - SERRATED FLANGE - 1/4-20 X 5/8 - ZINC
	000C26-04-12F	EA	BOLT - HEX - SERRATED FLANGE -1/4-20 X 3/4-STAINLESS STEEL
	000C26-04-14B	EA	BOLT - HEX - SERRATED FLANGE - 1/4-20 X 7/8 - ZINC
	000C26-04-18B	EA	BOLT - HEX - SERRATED FLANGE - 1/4-20 X 1 1/8 - ZINC
	000C26-05-12B	EA	BOLT - HEX - SERRATED FLANGE - 5/16-18 X 3/4 - ZINC
	000C26-06-12B	EA	BOLT - HEX - SERRATED FLANGE - 3/8-16 X 3/4 - ZINC
	000C26-06-20B	EA	BOLT - HEX - SERRATED FLANGE - 3/8-16 X 1 1/4 - ZINC
	000C26-06-28B	EA	BOLT - HEX - SERRATED FLANGE - 3/8-16 X 1 3/4 - ZINC
	000C26-06-40B	EA	BOLT - HEX - SERRATED FLANGE - 3/8-16 X 2 1/2 - ZINC
	000C26-08-24B	EA	BOLT - HEX - SERRATED FLANGE - 1/2-13 X 1 1/2 - ZINC
	000C26-08-28B	EA	BOLT - HEX - SERRATED FLANGE - 1/2-13 X 1 3/4 - ZINC
	000C27-08-48B	EA	BOLT-CARR 1/2-13X3.00 GR5 - 97 M-SERIES
	000D24-10-00B	EA	NUT - HEX - SELF LOCKING - 10-32 - ZINC

SEALANTS & FASTENERS GROUP (CONTINUED)
BOLTS, NUTS AND WASHERS (CONTINUED)

KEY	PART NUMBER	U/M	DESCRIPTION
	000D27-05-00B	EA	NUT - HEX LOCK - 5-40 - ZINC
	000D28-10-00B	EA	NUT - HEX - W/NYLON LOCK - 10-32 - ZINC
	000D29-04-00B	EA	NUT - HEX - SELF LOCKING - 1/4 X 20 - ZINC
	000D29-04-00F	EA	NUT - HEX - SELF LOCKING - 1/4 X 20 - STAINLESS STEEL
	000D29-06-00B	EA	NUT - HEX - W/NYLON LOCK - 3/8-16 - ZINC
	000D29-09-00B	EA	NUT - HEX - SELF LOCKING - 9/16-12 - ZINC
	000D34-04-00B	EA	NUT - HEX - LOCKING - 1/4-20 - ZINC
	000D34-06-00B	EA	NUT - HEX - LOCKING - 3/8-16 GRADE C - ZINC
	000D39-04-00B	EA	NUT - HEX - LOCKING W/SERRATED FLANGE - 1/4-20 - ZINC
	000D39-05-00B	EA	NUT - HEX - LOCKING W/SERRATED FLANGE - 5/16-18 - ZINC
	000D39-06-00B	EA	NUT - HEX - LOCKING W/SERRATED FLANGE - 3/8-18 - ZINC
	000D39-06-00D	EA	NUT - HEX - LOCKING W/SERRATED FLANGE - 3/8"-16 BLACK
	000D39-07-00B	EA	NUT - HEX - LOCKING W/SERRATED FLANGE - 7/16-14 - ZINC
	000D39-08-00B	EA	NUT - HEX - LOCKING W/SERRATED FLANGE - 1/2-13 - ZINC
	000D44-07-00B	EA	NUT - HEX - LOCKING W/SERRATED FLANGE - 7/16-20 - ZINC
	000D44-08-00B	EA	NUT - HEX - LOCKING W/SERRATED FLANGE - 1/2-20 - ZINC
	000D46-04-00A	EA	NUT - HEX - WELD - 1/4-20 - PLAIN
	000D65-08-00B	EA	NUT - HEX - LOCKING W/SERRATED FLANGE - 8-32 - ZINC
	000D73-08-00C	EA	NUT - HEX FLANGE - 1/2-13
	000D75-09-00B	EA	NUT - HEX LOCKING - 9/16-12 - ZINC
	000D76-06-00B	EA	NUT - HEX FLANGE - 3/8-16
	000E11-04-00F	EA	WASHER - LOCKING - 1/4 MED SPLIT - STAINLESS STEEL
	000E11-07-00B	EA	WASHER - LOCKING - 7/16 MED SPLIT - ZINC
	000E11-08-00B	EA	WASHER - LOCKING - 1/2 MED SPLIT - ZINC
	000E13-17-00B	EA	WASHER - FLAT - 3/8 AR - ZINC
	000E13-18-00B	EA	WASHER - FLAT - 3/8 WIDE - ZINC
	000E13-20-00B	EA	WASHER - FLAT - 7/16 WIDE - ZINC
	000E13-22-00B	EA	WASHER - FLAT - 1/2 WIDE - ZINC
	000E13-26-00B	EA	WASHER - FLAT - 5/8 WIDE - ZINC
	000E14-10-00B	EA	WASHER - LOCKING - #10 EXTERNAL TOOTH - ZINC
	000E16-10-00B	EA	WASHER - HARDENED - 5/8 - FLAT - ZINC
	000G45-05-16B	EA	BOLT - LAG - 5/16-9 X 1 - ZINC
	039715-01-000	EA	NUT-SERT - 1/4" DIAMETER - 20 THREADS
	040921-01-000	EA	NUT - SPEED - U TYPE - #10-24 - BLACK
	040921-03-000	EA	NUT - SPEED - U TYPE - #10
	040921-04-000	EA	NUT - SPEED - U TYPE - #8-.59" LENGTH X .44" WIDTH
	040921-05-000	EA	NUT - SPEED - U-TYPE - 8-.67" X .44" WIDE
	040921-11-000	EA	NUT - SPEED - U-TYPE - 8-.59" LENGTH X .44" WIDTH - BLACK
	041322-01-000	EA	WASHER - FLANGE - 15/32"ID X 2 3/8"OD - F/SEAT BELT MTG
	044364-02-000	EA	NUT - SPEED - FLAT - ROUND
	044533-01-000	EA	WASHER - 1 3/8"OD - FOR BUTTONS - PLASTIC
	051387-06-000	EA	BOLT - CARRIAGE W/O HOLE - 5/16-18 X 9 1/2 - ZINC
	058716-02-000	EA	WASHER - FLAT NYLON
	064081-03-000	EA	NUT - WING 3/8-16 - W/WELD NUT
	077071-01-000	EA	WASHER - FENDER - 3/16"ID X 1"OD
	087234-01-000	EA	NUT - JACK - 1/4 X 20 THD - MOLLY
	088787-12-000	EA	STUD - WELD - 1/4 - 20 X 1.0 LG - MN
	106956-03-000	EA	BOLT - HEX TAP - 1/2-13NC X 3 - GRADE 5 - FULL THREAD/ZINC
	106956-10-000	EA	BOLT - HEX TAP - 9/16-12NC X 3 5/8 -GRD 5-FULL THREAD/ZINC
	106956-11-000	EA	BOLT - HEX TAP - 1/2-13NC X 2 1/2 - GRD 5-FULL THREAD/ZINC
	106956-13-000	EA	BOLT - HEX TAP - 1/2-20 X 2 1/2 - GRD 5-FULL THREAD/ZINC
	107397-01-000	EA	WASHER - FENDER - 3/4"ID X 1"OD
	108067-03-000	EA	STUD - WELD - 1/4 - 20 X 1/2 CD
	109917-01-000	EA	WASHER - 1.5" X 1.25"
	109917-03-000	EA	WASHER - 1" X .50"
	109917-04-000	EA	WASHER - 1" X .75"
	128444-01-000	EA	WASHER - SPRING - CONICAL
	135092-02-01A	EA	BOLT - HEX - SERRATED FLANGE - 1/2-20 X 2 1/2-GRADE 5 ZINC
	135092-05-01A	EA	BOLT - HEX - SERRATED FLANGE - 1/2-20 X 1 - GRADE 5 ZINC
	143399-01-01A	EA	NUT/RETAINING - 3/8"- 24 NFT
	147284-02-000	EA	NUT/SELF RETAINING - 5/16"-18
	148817-01-000	EA	WASHER/SPUR - LOCKING

SEALANTS & FASTENERS GROUP (CONTINUED)

SCREWS

KEY	PART NUMBER	U/M	DESCRIPTION
	0G1208-12-170	EA	SCREW - 8-18 X 3/4 POH - BRIGHT WHITE
	0G3908-08-170	EA	SCREW - SF/DR - 8-18 X 1/2 PPH - BRIGHT WHITE
	0G3908-16-170	EA	SCREW - SF/DR - 8-18 X 1 PPH - BRIGHT WHITE
	0G3908-24-170	EA	SCREW - SF/DR - 8-18 X 1 1/2 PPH - BRIGHT WHITE
	0G3910-10-420	EA	SCREW - SF/DR - 10-16 X .62 PPH - BRIARWOOD
	0G3910-12-170	EA	SCREW - SF/DR - 10-16 X 3/4 PPH - BRIGHT WHITE
	0G3910-24-170	EA	SCREW - SF/DR - 10-16 X 1 1/2 PPH - BRIGHT WHITE
	0G5508-08-370	EA	SCREW - SF/DR - 8-18 X .5 PWH - RIVERSTONE
	0G5508-08-380	EA	SCREW - SF/DR - 8-18 X .5 PWH - CASHMERE
	0G5508-08-420	EA	SCREW - SF/DR - 8-18 X .5 PWH - BRIARWOOD
	0G5508-08-440	EA	SCREW - SF/DR - 8-18 X .5 PWH - CAMEL
	0G5508-08-450	EA	SCREW - SF/DR - 8-18 X .5 PWH - SADDLE
	0G5508-12-170	EA	SCREW - SF/DR - 8-18 X 3/4 PWH - BRIGHT WHITE
	0G5508-12-330	EA	SCREW - SF/DR - 8-18 X 3/4 PWH - PUTTY
	0G5508-12-380	EA	SCREW - SF/DR - 8-18 X 3/4 PWH - CASHMERE
	0G5508-12-320	EA	SCREW - SF/DR - 8-18 X 3/4 PWH - GLACIER
	0G5508-12-450	EA	SCREW - SF/DR - 8-18 X 3/4 PWH - SADDLE
	0G5508-16-330	EA	SCREW - SF/DR - 8-18 X 1 PWH - PUTTY
	0G5508-16-370	EA	SCREW - SF/DR - 8-18 X 1 PWH - RIVERSTONE
	0G5508-16-380	EA	SCREW - SF/DR - 8-18 X 1 PWH - CASHMERE
	0G5508-16-440	EA	SCREW - SF/DR - 8-18 X 1 PWH - CAMEL
	0G5508-16-450	EA	SCREW - SF/DR - 8-18 X 1 PWH - SADDLE
	0G6008-16-170	EA	SCREW - SF/DR - 8-18 X 1 POH - BRIGHT WHITE
	0G6012-32-170	EA	SCREW - SF/DR - 12-14 X 2 POH - BRIGHT WHITE
	0G6710-08-170	EA	SCREW - 10-12 X 1/2 PPH - BRIGHT WHITE
	0G6710-12-170	EA	SCREW - 10-12 X 3/4 PPH - BRIGHT WHITE
	0G6806-16-170	EA	SCREW - 6-18 X 1 POH - BRIGHT WHITE
	0G6810-24-280	EA	SCREW - 10-12 X 1 1/2 POH - SOFT WHITE
	000C20-06-24T	EA	SCREW - 3/8-16 X 1 1/2 - FLAT SOCKET
	000G11-06-08B	EA	SCREW - 6-20 X 1/2 PPH - ZINC
	000G11-06-10B	EA	SCREW - 6-20 X 5/8 PPH - ZINC
	000G11-06-10J	EA	SCREW - 6-20 X 5/8 PPH - BRASS
	000G11-07-08B	EA	SCREW - 7-19 X 1/2 PPH - ZINC
	000G11-08-06B	EA	SCREW - 8-18 X 3/8 PPH - ZINC
	000G11-08-08T	EA	SCREW - 8-18 X 1/2 PPH - FLUOROCARBON COATING
	000G11-08-12B	EA	SCREW - 8-18 X 3/4 PPH - ZINC
	000G11-08-12P	EA	SCREW - 8-18 X 3/4 PPH - DARK BROWN
	000G11-08-12S	EA	SCREW - 8-18 X 3/4 PPH - OFF WHITE
	000G11-08-12T	EA	SCREW - 8-18 X 3/4 PPH - BLACK MAGNESIUM
	000G11-08-20B	EA	SCREW - 8-18 X 1 1/4 PPH - ZINC
	000G11-08-20G	EA	SCREW - 8-18 X 1 1/4 - ANTIQUE BRASS
	000G11-10-12D	EA	SCREW - 10-16 X 3/4 PPH - BLACK
	000G11-10-32P	EA	SCREW-10,16X2.00 PPH DK BRN
	000G12-06-08T	EA	SCREW - 6-20 X 1/2 POH - BLACK
	000G12-10-16F	EA	SCREW - 10-16 X 1 POH - STAINLESS STEEL
	000G13-05-10B	EA	SCREW - 5-12 X 5/8 PFH - ZINC
	000G13-06-06I	EA	SCREW - 6-20 X 3/8 PFH - BLACK ZINC
	000G13-06-08B	EA	SCREW - 6-20 X 1/2 PFH - ZINC
	000G13-06-08G	EA	SCREW - 6-20 X 1/2 PFH - ANTIQUE BRASS
	000G13-06-10G	EA	SCREW - 6-20 X 5/8 PFH - ANTIQUE BRASS
	000G13-06-16E	EA	SCREW - 6-20 X 1 PFH - CHROME
	000G13-06-16J	EA	SCREW - 6-20 X 1 PFH - BRASS
	000G13-06-24J	EA	SCREW - 6-20 X 1 1/2 PFH - BRASS
	000G13-07-10H	EA	SCREW - 7-19 X 5/8 PFH - BLACK
	000G13-07-12B	EA	SCREW - 7-19 X 3/4 PFH - ZINC
	000G11-08-08B	EA	SCREW - 8-18 X 1/2 PPH - ZINC
	000G13-08-10B	EA	SCREW - 8-18 X 5/8 PFH - ZINC
	000G13-08-109	EA	SCREW - 8-18 X 5/8 PFH
	000G13-08-16B	EA	SCREW - 8-18 X 1 PFH - ZINC
	000G13-08-24B	EA	SCREW - 8-18 X 1 1/2 PFH - ZINC
	000G13-08-28I	EA	SCREW - 8-18 X 1.75 PFH BLACK
	000G16-04-24B	EA	SCREW - MACHINE - 1/4-20 X 1 1/2 PPH
	000G18-08-16B	EA	SCREW - MACHINE - 8-32 X 1 PPH - ZINC
	000G18-08-22B	EA	SCREW - MACHINE - 8-32 X 1 3/8 PPH - ZINC

SEALANTS & FASTENERS GROUP (CONTINUED)
SCREWS (CONTINUED)

KEY	PART NUMBER	U/M	DESCRIPTION
	000G18-08-24B	EA	SCREW - MACHINE - 8-32 X 1 1/2 PPH - ZINC
	000G19-10-08B	EA	SCREW - MACHINE - 10-32 X 1/2 PPH - ZINC
	000G19-10-10B	EA	SCREW - MACHINE - 10-32 X 5/8 - PPH - ZINC
	000G19-10-12F	EA	SCREW - MACHINE - 10-32 X 3/4 PPH - STAINLESS STEEL
	000G19-10-20B	EA	SCREW - MACHINE - 10-32 X 1 1/2 PPH - ZINC
	000G32-10-06B	EA	SCREW - 10-32 X 3/8 PPH - ZINC
	000G34-05-12B	EA	SCREW - HEX HEAD TAPPING - 5/16 X 3/4 LONG
	000G39-06-10T	EA	SCREW - SF/DR - 6-20 X 5/8 PPH - BLACK
	000G39-06-16T	EA	SCREW - SF/DR - 6-20 X 1 PPH - BLACK
	000G39-08-06B	EA	SCREW - SF/DR - 8-18 X 3/8 PPH - ZINC
	000G39-08-08B	EA	SCREW - SF/DR - 8-18 X 1/2 PPH - ZINC
	000G39-08-08S	EA	SCREW - SF/DR - 8-18 X 1/2 PPH - OFF WHITE
	000G39-08-08T	EA	SCREW - SF/DR - 8-18 X 1/2 PPH - BLACK
	000G39-08-12T	EA	SCREW - SF/DR - 8-18 X 3/4 PPH - BLACK
	000G39-08-16B	EA	SCREW - SF/DR - 8-18 X 1 PPH - ZINC
	000G39-08-16T	EA	SCREW - SF/DR - 6-20 X 1 PPH - BLACK
	000G39-08-24B	EA	SCREW - SF/DR - 8-18 X 1 1/2 PPH - ZINC
	000G39-08-24T	EA	SCREW - SF/DR - 8-18 X 1 1/2 PPH - BLACK
	000G39-08-32B	EA	SCREW - SF/DR - 8-18 X 2 PPH - ZINC
	000G39-08-169	EA	SCREW-SF/DR,8-18X1.00 PPH - FLUROCARBON SILVER
	000G39-10-08B	EA	SCREW - SF/DR - 10-16 X 1/2 PPH - ZINC
	000G39-10-10B	EA	SCREW - SF/DR - 10-16 X 5/8 PPH - ZINC
	000G39-10-12B	EA	SCREW - SF/DR - 10-16 X 3/4 PPH - ZINC
	000G39-10-12S	EA	SCREW - SF/DR - 10-16 X 3/4 PPH - OFF WHITE
	000G39-10-129	EA	SCREW - SF/DR - 10-16 X 3/4 PPH - FLUOROCARBON SILVER
	000G39-10-169	EA	SCREW - SF/DR - 10-16 X 1 PPH - FLUOROCARBON SILVER
	000G39-10-20B	EA	SCREW - SF/DR - 10-16 X 1 1/4 PPH - ZINC
	000G39-10-20T	EA	SCREW - SF/DR - 10-16 X 1 1/4 PPH - BLACK
	000G39-10-24B	EA	SCREW - SF/DR - 10-16 X 1 1/2 PPH - ZINC
	000G39-10-24T	EA	SCREW - SF/DR - 10-16 X 1 1/2" PPH - BLACK
	000G39-10-32B	EA	SCREW - SF/DR - 10-16 X 2 - PPH - ZINC
	000G39-10-48B	EA	SCREW - SF/DR - 10-16 X 3 - PPH - ZINC
	000G39-10-48T	EA	SCREW - SF/DR - 10-16 X 3 PPH - BLACK
	000G42-04-16B	EA	SCREW - SF/DR - 1/4-14 X 1 HWH - ZINC
	000G42-04-24B	EA	SCREW - SF/DR - 1/4-14 X 1 1/2 - ZINC
	000G52-06-05B	EA	SCREW - MACHINE - 6-32 X 5/16 PTH - ZINC
	000G52-06-06B	EA	SCREW - MACHINE - 6-32 X 3/8 PTH - ZINC
	000G54-04-14B	EA	SCREW - 1/4-20 X 7/8 PTH - TYPE 23 - ZINC PLATED
	000G55-08-12T	EA	SCREW - SF/DR - 8-18 X 3/4 PWH - BLACK
	000G55-08-16S	EA	SCREW - SF/DR - 8-18 X 1.00 PWH - OFF WHITE
	000G55-08-16T	EA	SCREW - SF/DR - 8-18 X 1 PWH - BLACK
	000G56-12-48B	EA	SCREW - WOOD - 12-11 X 3 POH - SPECIAL HARDENED
	000G60-08-16E	EA	SCREW - SF/DR - 8-1 X 1 POH - CHROME
	000G60-08-20F	EA	SCREW - SF/DR - 8-19X1.25 POH
	000G60-08-22B	EA	SCREW - SF/DR - 8-18 X 1.38 POH - ZINC
	000G60-10-20B	EA	SCREW - SF/DR - 10-16 X 1 1/4 POH - ZINC
	000G60-10-209	EA	SCREW - SF/DR - 10-16 X 1 1/4 POH - SILVER STALGAARD
	000G60-10-28T	EA	SCREW - SF/DR - 10-16 X 1 3/4 - BLACK
	000G62-06-12B	EA	SCREW-SF/DR,6-20X.75 PFH - ZINC
	000G62-06-249	EA	SCREW - SF/DR - 8-18 X 1.5 PPH - SILVER
	000G62-08-24B	EA	SCREW - SF/DR - 8-18 X 1 1/2 PFH
	000G62-08-24T	EA	SCREW - SF/DR - 8-18 X 1 1/2 PFH - BLACK
	000G67-08-32B	EA	SCREW - 8-15 X 2 PPH - ZINC
	000G67-10-08B	EA	SCREW - 10-12 X 1/2 PPH - ZINC
	000G67-10-08S	EA	SCREW - 10-12 X 1/2 PPH - OFF WHITE
	000G67-10-10B	EA	SCREW - 10-12 X 5/8 PPH - ZINC - TYPE A
	000G67-10-10D	EA	SCREW - 10-12 X 5/8 PPH - BLACK - TYPE A
	000G67-10-10P	EA	SCREW - 10-12 X 5/8 PPH - DARK BROWN
	000G67-10-10S	EA	SCREW - 10-12 X 5/8 PPH - OFF WHITE
	000G67-10-10T	EA	SCREW - 10-12 X 5/8 PPH - BLACK
	000G67-10-10V	EA	SCREW-10-12X5/8 PPH ZN O/W - TYPE A
	000G67-10-12P	EA	SCREW - 10-12 X 3/4 PPH - DARK BROWN
	000G67-10-24B	EA	SCREW - 10-12 X 1 1/2 PPH - ZINC
	000G68-06-10J	EA	SCREW - 6-18 X 5/8 POH - BRASS

SEALANTS & FASTENERS GROUP (CONTINUED)
SCREWS (CONTINUED)

KEY	PART NUMBER	U/M	DESCRIPTION
	000G68-06-12B	EA	SCREW - 6-18 X 3/4 POH - ZINC & CLEAR
	000G68-06-12S	EA	SCREW - 6-18 X 3/4 POH
	029130-01-000	EA	SCREW - SNAP STUD - #8-16 X 5/8" LONG
	029130-02-000	EA	SCREW - SNAP STUD - #8-16 X 1 1/2" LONG
	029130-03-000	EA	SCREW - SNAP STUD - #8-16 X 1" LONG
	049465-03-000	EA	SCREW - 10-16 X 1 POH W/WASHER - OFF WHITE
	049465-17-000	EA	SCREW - 10-16 X 1 POH W/WASHER - BRIGHT WHITE
	054434-02-000	EA	SCREW - SF/DR - 10-16 X 2 - ZINC
	054434-03-000	EA	SCREW - SF/DR - 10-16 X 2 - PWH - ZINC
	075908-01-000	EA	SCREW - MACHINE - 10-32 X .56 PTH - EXTERNAL TOOTH - ZINC
	076790-01-000	EA	SCREW - 6-20 X 1 1/4 PPH - BLACK
	076790-05-000	EA	SCREW - 6-20 X 1/2 PPH - BLACK - THREAD CUTTING/WOOD
	087721-01-000	EA	SCREW - FLAT HEAD - TAPPING - 1/4" X 1 1/4" LONG - ZINC
	093249-01-000	EA	CAP/SCREW - MOLDED/VINYL - BLACK
	095772-01-000	EA	SOCKET-SNAP FASTNER1" SF/DR - SELF DRIVER
	097974-01-000	EA	SCREW - PARTICLE BOARD - 7-9 X 3/4 PPH
	101618-01-000	EA	SCREW - 1/4-20 X 3/4 HEX - TAPPING - STALGARD TYPE F
	113563-01-01A	EA	SCREW - 8 X 5/8 LONG SHOULDER/WASHER HEAD
	113563-01-02A	EA	SCREW - 8 X 5/8 LONG SHOULDER/WASHER HEAD - BRIGHT WHITE
	118383-01-12A	EA	RETAINER/RECESSED - F/.22" SCREW - RIVERSTONE
	118383-01-14A	EA	RETAINER/RECESSED - F/.22" SCREW - PEWTER
	118383-01-15A	EA	RETAINER/RECESSED - F/.22" SCREW - BRIARWOOD
	118383-02-13A	EA	RETAINER/RECESSED - F/.27" SCREW - OFF WHITE
	118383-04-04A	EA	CAP - F/RECESSED RETAINER - BRIGHT WHITE
	118383-04-10A	EA	CAP - F/RECESSED RETAINER - RIVERSTONE
	118383-04-13A	EA	CAP - F/RECESSED RETAINER - OFF WHITE
	118383-04-14A	EA	CAP - F/RECESSED RETAINER - PEWTER
	118383-04-15A	EA	CAP - F/RECESSED RETAINER - BRIARWOOD
	134126-01-01A	EA	SCREW/NAIL - HEX HEAD - 3/4"
	140040-01-000	EA	SCREW - 1/4-20 X 1 - BUTTON HEAD/SOCKET - W/LOCTITE
	149753-01-01A	EA	RETAINER/RECESSED - F/.22" SCREW - BLACK
	149753-01-02A	EA	RETAINER/RECESSED - F/.22" SCREW - BRIGHT WHITE
	149753-02-01A	EA	CAP - F/RECESSED RETAINER - BLACK
	149753-02-02A	EA	CAP - F/RECESSED RETAINER - BRIGHT WHITE
	154938-01-01A	EA	SCREW - SF/DR - 10-16 X 3/4 PPH - W/SELF SEAL - BRIGHT WHITE
	154938-01-02A	EA	SCREW - SF/DR - 10-16 X 3/4 PPH - W/SELF SEAL - BLACK
	154938-02-01A	EA	SCREW - SF/DR - 8-18 X 1 PFH - W/SELF SEAL - BRIGHT WHITE
	154938-02-02A	EA	SCREW - SF/DR - 8-18 X 1 PFH - W/SELF SEAL - BLACK
	154938-02-03A	EA	SCREW - SF/DR - 8-18 X 1 PFH - W/SELF SEAL - SILVER
	154938-03-02A	EA	SCREW - SF/DR - 8-18 X 5/8 PFH - W/SELF SEAL - BLACK
	154938-04-01A	EA	SCREW - SF/DR - 10-16 X 1" TPH - W/SELF SEAL - BRT WHT
	154938-04-02A	EA	SCREW - SF/DR - 10-16 X 1" TPH - W/SELF SEAL - BLACK
	154938-05-03A	EA	SCREW - SF/DR - 8-18 X 1.25" PFH - W/SELF SEAL - SILVER

SEALANTS & FASTENERS GROUP (CONTINUED)
CLAMPS, CLIPS, GROMMETS, RIVETS & PLUGS

KEY	PART NUMBER	U/M	DESCRIPTION
	000H14-06-03R	EA	RIVET - MANDREL BLIND - 3/16 ALUMINUM
	000H16-04-06R	EA	RIVET - POP ALUMINUM - 1/8 X .313 - .375
	007161-01-000	EA	CLAMP - HOSE - SPRING TYPE - 1/2"
	008386-01-000	EA	GROMMET - SNAP - 3/8" DIAMETER - NYLON
	010495-01-000	EA	CLAMP - CABLE - 9/16"ID - BLACK
	010495-02-000	EA	CLAMP - CABLE - 3/8"ID - BLACK
	010495-04-000	EA	CLAMP - CABLE - 11/16"ID - WHITE
	010497-01-000	EA	CLAMP - CLOSED - 5/8"ID
	010497-02-000	EA	CLAMP - CLOSED - 1.5"ID
	010497-03-000	EA	CLAMP - CLOSED - 1"ID - CUSHIONED
	010497-04-000	EA	CLAMP - CLOSED - 1 5/8"ID
	010497-05-000	EA	CLAMP - CLOSED - 1/2"ID
	010497-07-000	EA	CLAMP - CLOSED - 3/8"ID
	010497-09-000	EA	CLAMP - CLOSED - 5/16"ID
	010497-10-000	EA	CLAMP - CLOSED - 7/8"ID
	010499-01-000	EA	CLAMP - CLOSED - 3/8"ID
	016188-03-000	EA	GROMMET - LP LINE - 3/8"HOLE X 2 1/2"LONG - RUBBER
	016188-04-000	EA	GROMMET - LP LINE - 1/2"HOLE X 2 1/2"LONG - RUBBER
	016188-05-000	EA	GROMMET - LP LINE - 3/8"HOLE X 1 1/4"LONG - RUBBER
	016188-06-000	EA	GROMMET - LP LINE - 3/8"HOLE X 3 1/4"LONG - RUBBER
	016188-07-000	EA	GROMMET - L/P LINE - 1/2"HOLE X 3 1/4"LONG
	016188-08-000	EA	GROMMET - LP LINE - 1/2"HOLE X 1 1/4"LONG - RUBBER
	016188-09-000	EA	GROMMET - LP LINE - .68"HOLE X 1 1/4"LONG - RUBBER
	016188-10-000	EA	GROMMET - LP GAS - .68" X 2.5"
	023942-01-000	EA	GROMMET - RUBBER - 2"OD
	041930-11-000	EA	RIVET - POP ALUMINUM - 1/8 X .188 - .250 - BRIGHT WHITE
	061420-04-000	EA	PLUG/PLASTIC - 1 1/4" DIAMETER
	061420-05-000	EA	PLUG/PLASTIC - 1 1/2" DIAMETER
	061420-09-000	EA	PLUG/PLASTIC - 1.00" DIAMETER
	061420-12-000	EA	PLUG/PLASTIC - 1.50" DIAMETER - RED
	061420-13-000	EA	PLUG/PLASTIC - 3/8" - FLUSH
	061420-14-000	EA	PLUG/PLASTIC - 7/8" DIAMETER - BLACK
	061420-15-000	EA	PLUG/PLASTIC - 2" DIAMETER - BLACK
	061420-16-000	EA	PLUG/PLASTIC - 2 1/8" DIAMETER - BLACK
	061420-18-000	EA	PLUG/PLASTIC - 1 3/4" DIAMETER - BLACK
	062401-01-000	EA	CLAMP - HOSE - WORMGEAR - .25" - 1"
	062401-02-000	EA	CLAMP - HOSE - WORMGEAR - 1.56" - 2.5" ID
	062401-03-000	EA	CLAMP - HOSE - WORMGEAR - .22" - 1" ID
	062401-04-000	EA	CLAMP - HOSE - WORMGEAR - .69" - 1.25" ID
	062401-06-000	EA	CLAMP - HOSE - WORMGEAR - .22" - .62" ID
	062401-09-000	EA	CLAMP - HOSE - WORMGEAR - 2.8" - 3.75" ID
	062401-11-000	EA	CLAMP - HOSE - WORMGEAR - 3.50" - 4.50" ID
	062401-13-000	EA	CLAMP - HOSE - WORMGEAR
	071015-11-000	EA	GROMMET - RUBBER - 1"ID FITS .12 MATERIAL - BLACK
	071015-13-000	EA	GROMMET - RUBBER - .62"ID X 1"OD W/.09" GROOVE - BLACK
	071015-20-000	EA	GROMMET - .38 ID FITS .06 MTL
	071015-22-000	EA	GROMMET - RUBBER - .62"ID X 1.12"OD W/.19" GROOVE - BLACK
	071015-26-000	EA	GROMMET - RUBBER - 1.5"ID X 2.1"OD W/.06" GROOVE - BLACK
	071015-29-000	EA	GROMMET - RUBBER - .3"ID X 1.3"OD W/.12" GROOVE - BLACK
	071015-30-000	EA	GROMMET - RUBBER - .3"ID X .81"OD W/.12" GROOVE - BLACK
	071015-39-000	EA	GROMMET - .75 ID FITS .06 MTL
	071015-41-000	EA	GROMMET - .125 ID FITS .188 MTL
	071015-42-000	EA	GROMMET - .25 ID FITS .06 MTL
	071015-43-000	EA	GROMMET-.25 ID,FITS .07 MATL, MINOR Z-4139
	071015-44-000	EA	GROMMET - .31 ID FITS .25 MTL
	075148-02-000	EA	CLAMP - GROUNDING - BRONZE SCREWS
	077955-01-000	EA	CLIP/J - 3/8" - VINYL COATED
	081211-03-000	EA	PLUG - PLASTIC - .50"DIAMETER - TRUSS HEAD - BLACK
	081211-04-000	EA	PLUG - PLASTIC - .46"DIAMETER - TRUSS HEAD - BLACK
	081211-06-000	EA	PLUG-PLASTIC,.468DIA,BLACK , HEYCO 1669
	083609-01-000	EA	CLAMP - WIRE - DUAL - EQUAL DIAMETERS - 5/8"
	083610-01-000	EA	CLAMP - WIRE - DUAL - UNEQUAL DIAMETERS - 3/4" & 1 1/4"
	083610-02-000	EA	CLAMP - WIRE - DUAL - UNEQUAL DIAMETERS - 3/4" & 2"
	083610-03-000	EA	CLAMP - WIRE - DUAL - EQUAL DIAMETERS - 2"

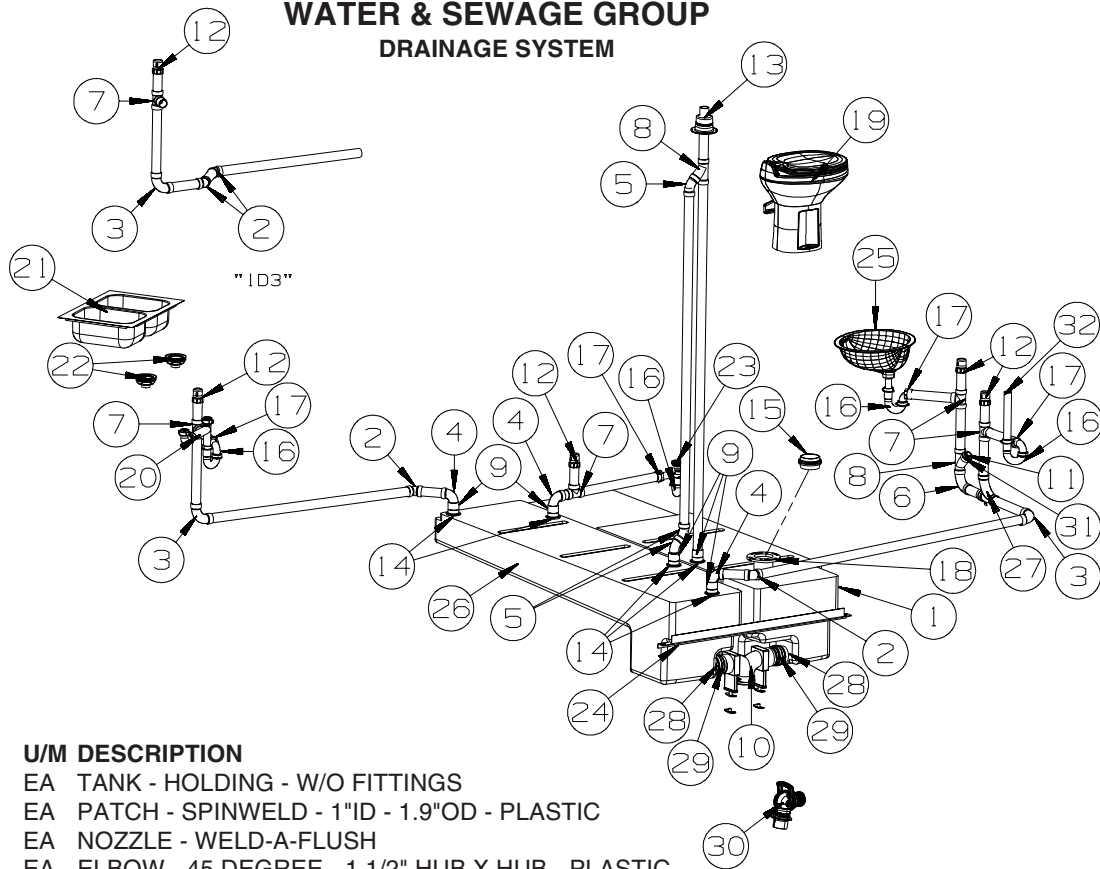
SEALANTS & FASTENERS GROUP (CONTINUED)
CLAMPS, CLIPS, GROMMETS, RIVETS & PLUGS (CONTINUED)

KEY	PART NUMBER	U/M	DESCRIPTION
	083610-02-000	EA	CLAMP - WIRE - DUAL - UNEQUAL DIAMETERS - 3/4" & 2"
	083610-03-000	EA	CLAMP - WIRE - DUAL - EQUAL DIAMETERS - 2"
	088756-01-000	EA	GROMMET - WEB - 1 1/8"ID
	089329-02-000	EA	CLIP - SPRING
	091952-01-000	EA	CLIP - GRIPPER - 1" - BLACK VINYL COATED
	091952-02-000	EA	CLIP - GRIPPER - 3/4" - BLACK VINYL COATED
	091952-03-000	EA	CLIP - GRIPPER - 1/2" - BLACK VINYL COATED
	094362-02-000	EA	CLIP - XMAS TREE - BINDER HEAD - .9" LONG/ANY COLOR
	113133-02-01A	EA	RIVET - POP - ALUMINUM - 3/16 X .252 - .504 - BLACK
	114208-05-000	EA	GROMMET - EDGE LINER - FITS 2"
	118626-01-01A	EA	RIVET/POP - ALUMINUM - 3/16 X 1.2"(GRIP RANGE .1"-.4")
	118626-01-02A	EA	RIVET/POP - ALUMINUM - 3/16 X .08 - .375
	118626-02-01A	EA	RIVET/POP - ALUMINUM - 3/16 X .500 - .750
	118626-03-01A	EA	RIVET/POP - STAINLESS STEEL - 3/16 X .500 - .750
	137014-01-01A	EA	GROMMET - CABLE - ALMOND
	139118-02-01A	EA	GROMMET - SCREW - PLASTIC
	155498-01-01A	EA	CLAMP - CLOSED - 7/8"ID - VINYL DIP/GALVONIZED - BLACK

MISCELLANEOUS FASTENERS

KEY	PART NUMBER	U/M	DESCRIPTION
	008343-01-000	EA	TIE - WIRE - 6"
	008343-02-000	EA	TIE - WIRE - 14"
	008343-03-000	EA	TIE - WIRE - 7 1/2" - BLACK
	029094-04-000	YD	VELCRO TAPE/LOOP - 1"WIDE - W/ADHESIVE BACK - BLACK
	029096-03-000	YD	VELCRO TAPE/HOOK - 1"WIDE - BLACK
	029096-04-000	YD	VELCRO TAPE/HOOK - 1"WIDE - BLACK - W/ADHESIVE BACK (PSA)
	048394-02-000	YD	VELCRO TAPE - HOOK - ADHESIVE BACK - 3/4" WIDE - BEIGE
	085774-01-000	FT	FASTENER - DUAL LOCK - 1" WIDE - ADHESIVE BACK - BLACK
	085774-02-000	FT	FASTENER - DUAL HOOK - 1" WIDE - ADHESIVE BACK - BLACK
	088792-02-000	YD	VELCRO TAPE - LOOP - 3/4" - ADHESIVE BACK - BEIGE
	088792-04-000	YD	VELCRO TAPE - HOOK - 5/8" - NON-ADHESIVE BACK - WHITE
	088792-05-000	YD	VELCRO TAPE - LOOP - 5/8" - NON-ADHESIVE BACK - WHITE
	108046-02-000	EA	CABLE TIE - SCREW MOUNT 15"

WATER & SEWAGE GROUP DRAINAGE SYSTEM

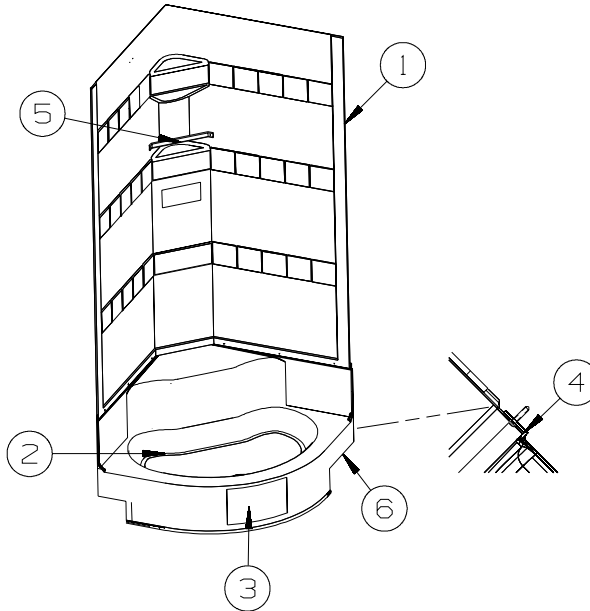


KEY	PART NUMBER	U/M	DESCRIPTION
1	160952-01-01A	EA	TANK - HOLDING - W/O FITTINGS
	049032-01-000	EA	PATCH - SPINWELD - 1"ID - 1.9"OD - PLASTIC
	125697-02-000	EA	NOZZLE - WELD-A-FLUSH
2	010006-01-000	EA	ELBOW - 45 DEGREE - 1 1/2" HUB X HUB - PLASTIC
3	010008-01-000	EA	ELBOW - 90 DEGREE - 1 1/2" HUB X HUB - PLASTIC
4	010009-01-000	EA	ELBOW - 90 DEGREE - 1/4 BEND - 1 1/2" - PLASTIC
5	010051-01-000	EA	ELBOW - 45 DEGREE - 1 1/2" SPIGOT X HUB - PLASTIC
6	033761-01-000	EA	ELBOW - 90 DEGREE - TURN - 1 1/2" HUB X 1 1/2" SPIGOT
7	010071-01-000	EA	TEE - SANITARY - 1 1/2" HUB X HUB X HUB - PLASTIC
8	010073-01-000	EA	WYE - 45 DEGREE - 1 1/2" HUB X HUB X HUB - PLASTIC
9	010115-01-000	EA	COUPLING - 1 1/2" HUB X HUB - PLASTIC
10*	136143-01-000	EA	VALVE - DUAL - 3" X 3"
	139513-01-000	EA	HOSE - SEWER - 3" X 10' - W/BAYONET TYPE ADAPTER
	062416-01-000	EA	ADAPTER - SEWER HOSE TO 3" PIPE
11	010166-01-000	EA	PLUG/THREADED - 1 1/4"MPT - PLASTIC - BLACK - UL
12	079968-01-000	EA	VENT - MECHANICAL/TRAP ARM - ANTI-SIPHON-2" X 7.3" PLASTIC
13	083558-03-000	EA	VENT - W/COVER - F/PLUMBING STACK - OFF WHITE
			FROM: 00-00-00 THRU: 07-13-08
13	083558-08-000	EA	VENT - W/COVER - F/PLUMBING STACK - BLACK
			FROM: 07-14-08 THRU: 99-99-99
14	061607-01-000	EA	GROMMET - HOLDING TANK - 1 1/2" NPS
15	061607-02-000	EA	GROMMET - HOLDING TANK - 3" NPS
16	107538-02-000	EA	P-TRAP - PLASTIC - 1 1/2" W/EXTENSION ARM
16	011071-01-000	EA	P-TRAP - 1 1/2" - CSA - PLASTIC - 265
17	152146-01-000	EA	CONNECTOR - 1 1/2"P X 1 1/2"MPT
18	024676-01-000	EA	FLANGE/CLOSET - 4" X 3" - BLACK PLASTIC
19*	160815-01-01A	EA	TOILET - STYLE II (TALL) - W/SPRAY - WHITE
20	011091-02-000	EA	WASTE - CONTINUOUS - DOUBLE SINK
21	104113-01-000	EA	SINK/STAINLESS STEEL/DOUBLE 17.2" X 25.2" X 5.9" CNTR DROP
22	092303-01-000	EA	STRAINER - W/BASKET - GALLEY SINK - 4" OD
23	066440-01-000	EA	STRAINER - SHOWER DRAIN - W/RUBBER WASHER
	127440-02-01A	EA	WASHER - RUBBER - 1.8" X .1"
	011069-06-000	EA	TAILPIECE - 1 1/2" X 1 1/4" X 2 1/2" - BRASS
24	161534-02-02B	EA	BRACKET - HOLDING TANK - E-COATED
25	155318-01-01A	EA	SINK - LAVATORY - OVAL - 19.5" X 16" X 6.1" - CREAM
26	162347-01-01A	EA	TANK - HOLDING - W/O FITTINGS
	049032-01-000	EA	PATCH - SPINWELD - 1"ID - 1.9"OD - PLASTIC
	010232-01-000	EA	FITTING - SPINWELD - PLASTIC 3FPT
27	031365-02-000	EA	TEE - 1 1/2" EXTRA LONG TURN - PLASTIC
28	010129-03-000	EA	NIPPLE - 3" X 3" TOE - PLASTIC
29	078406-01-000	EA	COUPLER - 3" X 3" W/CLAMPS - RUBBER

WATER & SEWAGE GROUP (CONTINUED)
DRAINAGE SYSTEM (CONTINUED)

KEY	PART NUMBER	U/M	DESCRIPTION
30*	144728-01-000	EA	VALVE - SEWER HOSE - 3"
31	010122-01-000	EA	BUSHING/PLASTIC - REDUCER - 1 1/2"SMTH X 1 1/4"THD - BLACK
32	126588-02-000	EA	ARM - WASTE - 1 1/2" X 20" - FEMALE

***COMPONENT PARTS LISTED LATER IN THIS GROUP**



KEY	PART NUMBER	U/M	DESCRIPTION
1	166575-02-02A	EA	SURROUND/SHOWER - 34" X 62" - IVORY MARBLE
2	166574-01-01A	EA	SHOWER PAN - 34" X 34" - W/SEAT - SOFT WHITE
2	166574-01-03A	EA	SHOWER PAN - 34" X 34" - W/SEAT - WHITE
			FROM: 00-00-00 THRU: 09-22-08
3	166574-02-01A	EA	PANEL/ACCESS - SHOWER BASE - SOFT WHITE
			FROM: 00-00-00 THRU: 09-22-08
3	166574-02-03A	EA	PANEL/ACCESS - SHOWER BASE - WHITE
			FROM: 09-23-08 THRU: 99-99-99
4	154585-03-01A	FT	SEAL - FOAM TAPE - ADHESIVE 2 SIDED - 1/8" X 3/4" - BLACK
			FROM: 00-00-00 THRU: 10-22-08
5	113714-02-30A	EA	RETAINER - SHELF/SHOWER - 10.6" - IVORY MARBLE
6	089326-02-000	EA	GRILLE - FLOOR - HEATING - 9.3" X 5.3" - SOFT WHITE

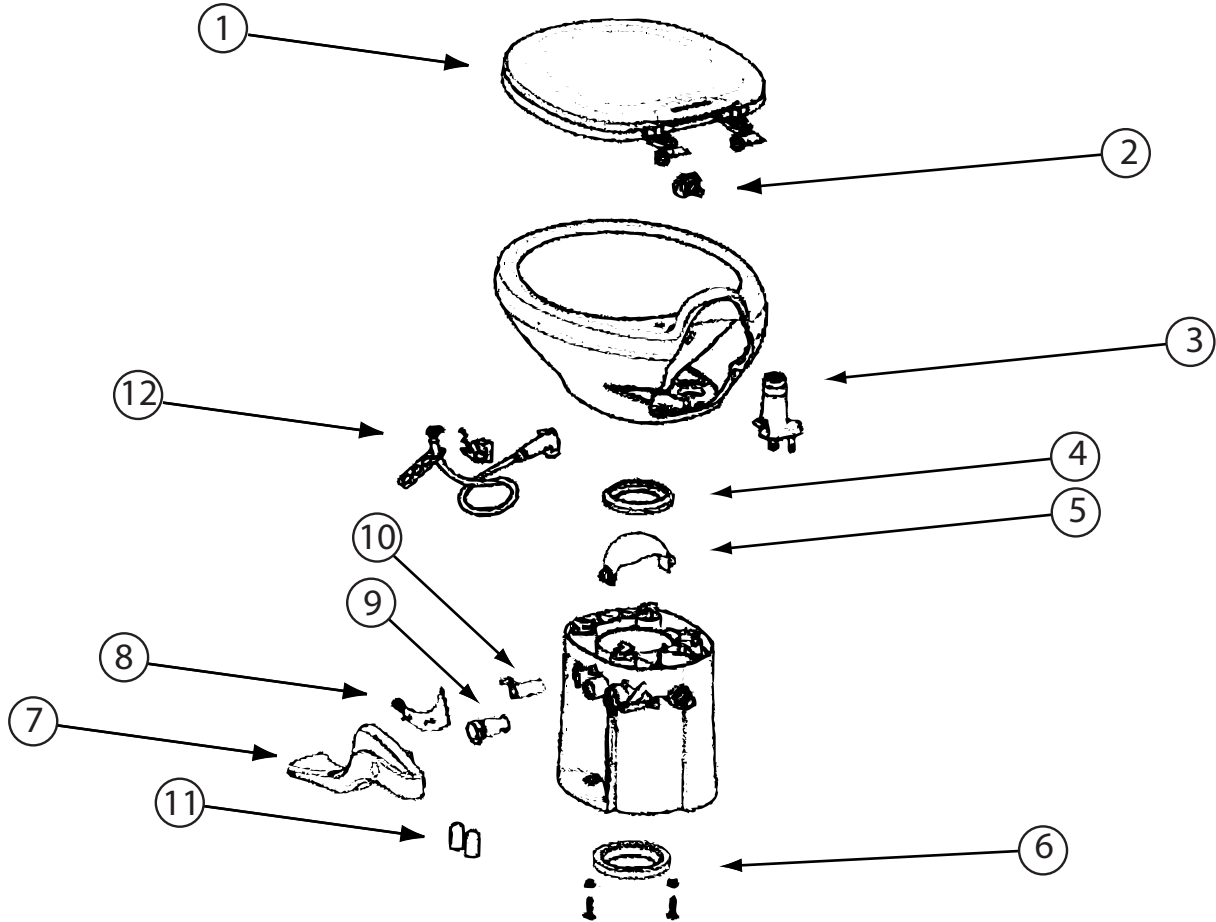
WATER & SEWAGE GROUP (CONTINUED)
COMPONENT PARTS FOR DRAINAGE SYSTEM

136143-01-000

KEY	PART NUMBER	U/M	DESCRIPTION	VENDOR NO.
	070916-01-700	EA	VALVE ONLY (WASTE) 3"	T1003BU

144728-01-000

KEY	PART NUMBER	U/M	DESCRIPTION	VENDOR NO.
	144728-01-700	EA	GASKET-RUBBER, INSIDE VALVE	9667310-11
	144728-01-701	EA	GASKET-RUBBER, OUTSIDE	9667310-10

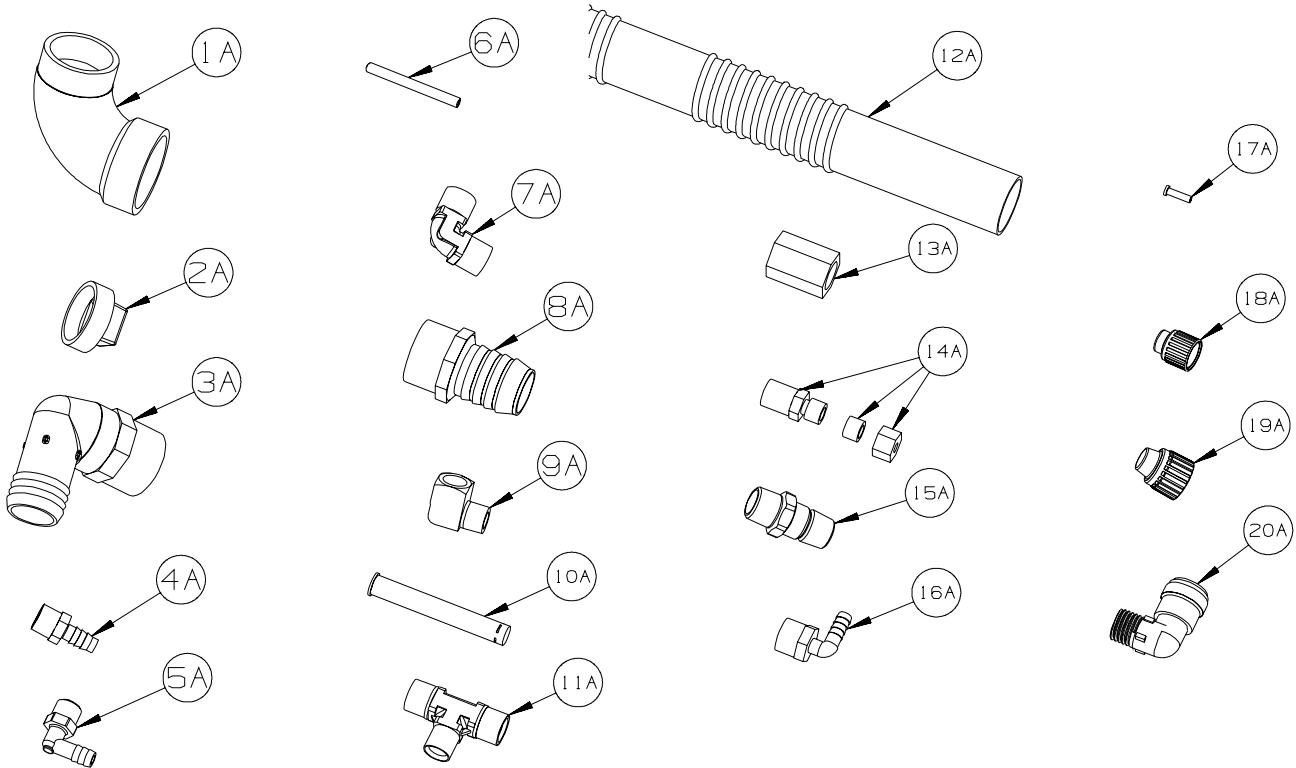


160815-01-01A

KEY	PART NUMBER	U/M	DESCRIPTION	VENDOR NO.
1	160815-01-700	EA	SEAT & COVER ASSEMBLY	42036
2	152829-01-710	EA	FLUSH NOZZLE - WHITE	34124
3	152829-01-708	EA	VACUUM BREAKER	34122
4	152829-01-707	EA	SEAL - F/WASTE BALL	34120
5	152829-01-706	EA	WASTE BALL - WHITE	34117
6	063740-01-706	EA	BOLT PACKAGE-FLOOR FLANGE	12524 THETFORD
7	160815-01-701	EA	PEDAL - TALL - WHITE	42067
8	160815-01-702	EA	INSERT/PEDAL COVER - WHITE	42080
9	160815-01-703	EA	WATER VALVE	42049
10	160815-01-704	EA	WASTE BALL DRIVE ARM	42048
11	147421-01-707	EA	CAP (UNIVERSAL BOLT) - WHITE	31713
12	132389-01-708	EA	HAND SPRAY KIT-CHROME HEAD	19289

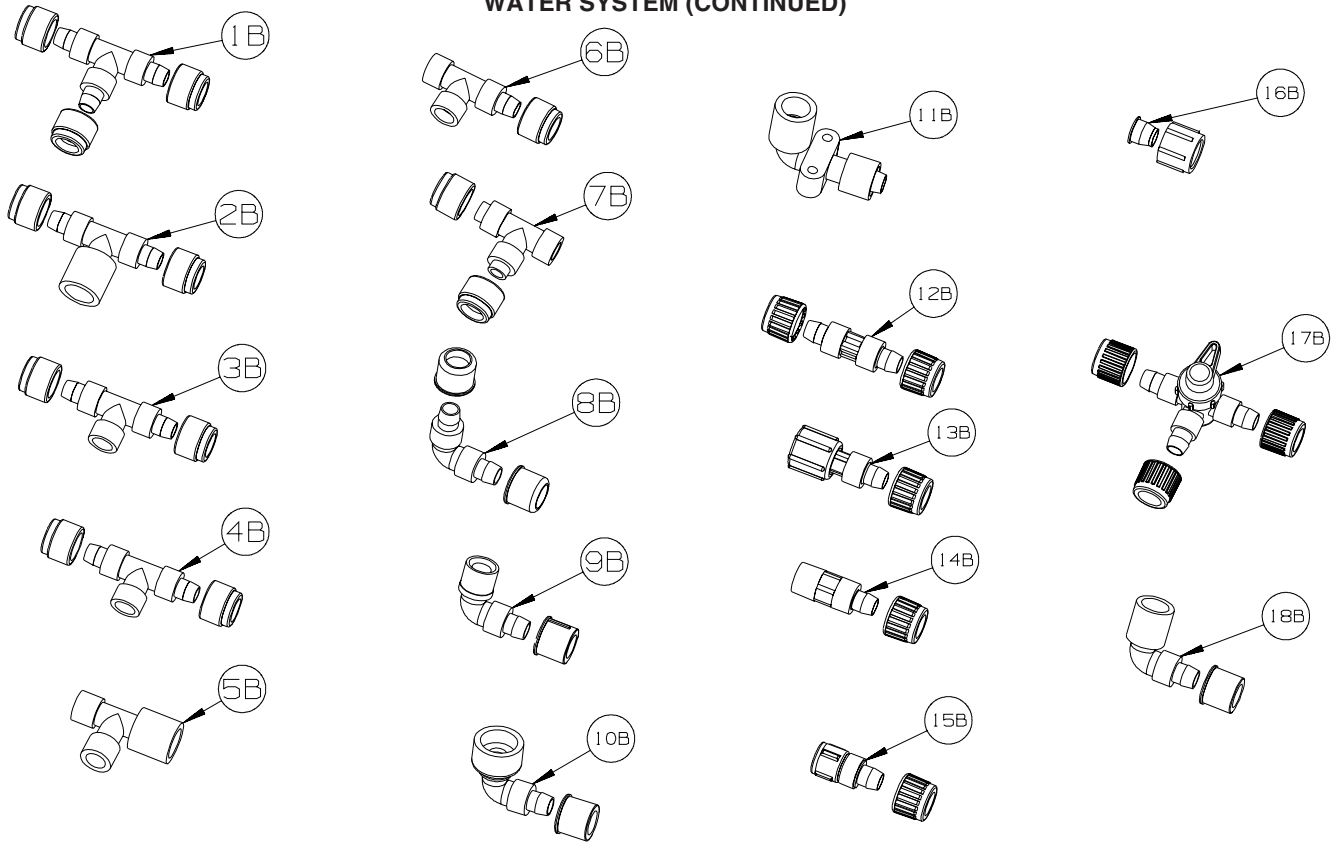
WATER & SEWAGE GROUP (CONTINUED)

WATER SYSTEM



KEY	PART NUMBER	U/M	DESCRIPTION
1A	010009-01-000	EA	ELBOW - 90 DEGREE - 1/4 BEND - 1 1/2" PLASTIC
2A	010166-01-000	EA	PLUG/THREADED - 1 1/4"MPT - PLASTIC - BLACK - UL
3A	010219-01-000	EA	ELBOW - 1 1/4 MPT X 1 1/4 BARB - WATER FILL - PLASTIC
4A	010224-01-000	EA	ADAPTER - HOSE TO PIPE - 3/8 MPT X 3/8 BARB - PLASTIC
5A	035539-01-000	EA	ELBOW - 3/8 MPT X 3/8 BARB - PLASTIC
6A	039800-04-000	FT	TUBING - POLYBUTYL - 1/4"OD
6A	074462-02-000	FT	TUBING - VINYL - 3/8 ID X 20' - CLEAR
6A	112176-01-000	FT	TUBING - VINYL - REINFORCED - 1/2" ID
6A	124188-01-000	FT	TUBING - PEX - 1/2" ID X 20' - BLUE(COLD)
6A	124188-02-000	FT	TUBING - PEX - 1/2" ID X 20' - RED(HOT)
7A	039808-03-000	EA	ELBOW - 1/2" MPT X 1/2" MPT - PLASTIC
8A	044927-01-000	EA	ADAPTER - HOSE TO PIPE-1 1/4 MPTX1 1/4 BARB-BLACK PLASTIC
9A	065318-02-000	EA	ELBOW - 90 DEGREE - 3/8" MPT TO 3/8" FPT
10A	077954-02-000	EA	FILTER - WATER TANK - W/SCREEN IN TANK
11A	039798-01-000	EA	TEE - 1/2"MPT X 1/2"MPT X 1/2"MPT - PLASTIC
12A	079381-01-000	FT	TUBING - RIBBED FLEXIBLE/WATER FILL - 10 FT = 1EA-1.38ID
13A	101814-01-000	EA	COUPLING - FEMALE - 1/2" X 1/2" FPT - GRAY
14A	103798-01-000	EA	CONNECTOR - 1/4 OD X 3/8 MPT
15A	110438-02-000	EA	VALVE - CHECK - 1/2"MPT X 1/2"MPT - BRASS
16A	111223-02-000	EA	ELBOW - 1/2" MPT X 3/8" BARB - PLASTIC
16A	111223-04-000	EA	ELBOW - 1/2" MPT X 1/2" BARB - PLASTIC
16A	111888-01-000	EA	FERRULE - PLASTIC - .250 ID X .375 OD
17A	111888-02-000	EA	INSERT - BRASS - 1/4 COMP
18A	113697-01-000	EA	CAP - 3/8"P
19A	114427-01-000	EA	CAP - 1/2"P
20A	164906-01-000	EA	ELBOW - 90 DEGREE - 1/2" QUICK CONNECT X 1/2"MPT

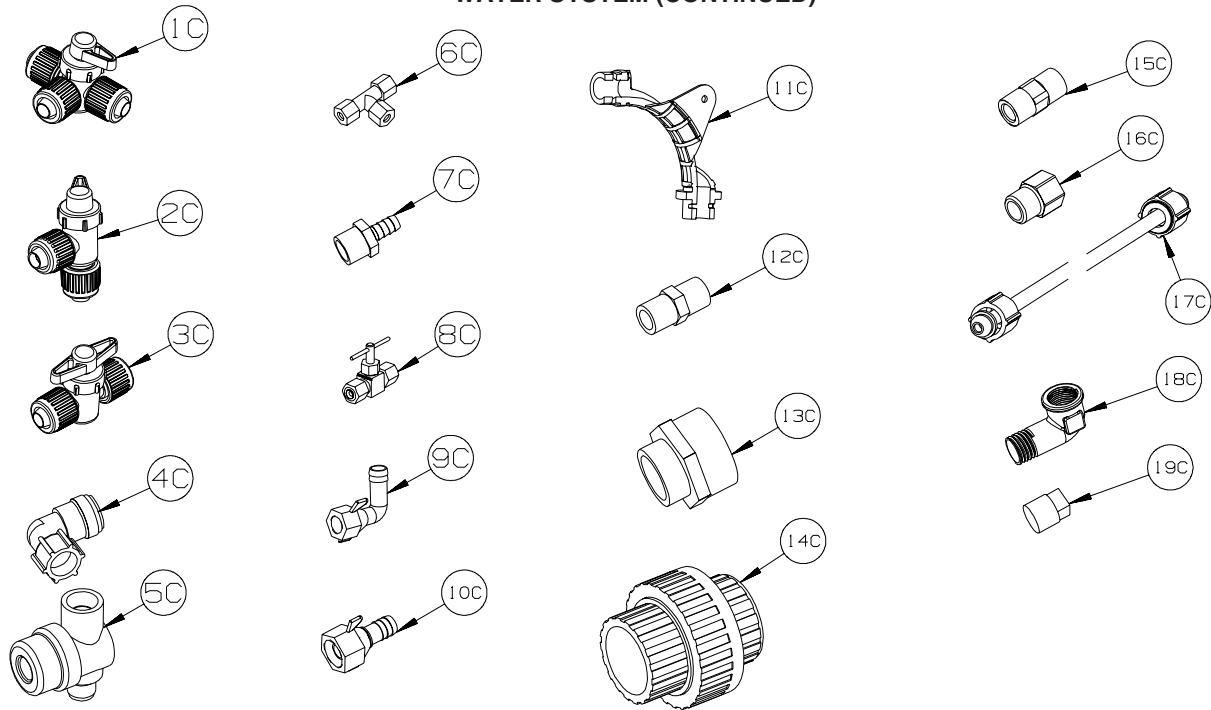
WATER & SEWAGE GROUP (CONTINUED)
WATER SYSTEM (CONTINUED)



KEY	PART NUMBER	U/M	DESCRIPTION
1B	114428-01-000	EA	TEE - 1/2"P X 1/2"P X 1/2"P
2B	114428-02-000	EA	TEE - SWIVEL - 1/2"P X 1/2"P X 1/2"FPT
3B	114428-03-000	EA	TEE - 1/2"P X 1/2"P X 1/2"MPT
4B	114428-04-000	EA	TEE - 1/2"P X 1/2"P X 1/8"FPT
5B	114428-05-000	EA	TEE - 1/2" SWIVEL X 1/2" MPT X 1/2" MPT
6B	114428-06-000	EA	TEE - 1/2" P X 1/2" MPT X 1/2" MPT
7B	114428-07-000	EA	TEE - 1/2" P X 1/2" MPT X 1/2" P
8B	114429-01-000	EA	ELBOW - 1/2"P X 1/2"P
9B	114429-02-000	EA	ELBOW - 1/2"P X 1/2"MPT
9B	114429-04-000	EA	ELBOW - 1/2"P X 3/8"MPT
9B	114429-10-000	EA	ELBOW - SWIVEL - 1/2"MPT X 1/2"FPT
10B	114429-08-000	EA	ELBOW - SWIVEL - 1/2"P X 1/2"FPT
11B	114429-09-000	EA	ELBOW - 1/2"P X 1/2"FPT DROP EAR
12B	114430-01-000	EA	ADAPTER - 1/2"P X 1/2"P
13B	114430-02-000	EA	ADAPTER - SWIVEL - 1/2"P X 1/2"FPT
13B	114430-04-000	EA	ADAPTER - SWIVEL - 1/2"P X 3/8"MPT
14B	114430-03-000	EA	ADAPTER - 1/2"P X 1/2"MPT
15B	114430-06-000	EA	ADAPTER - 1/2"P X 3/8"FPT
15B	114430-09-000	EA	ADAPTER - 1/2"P X 1/2"FPT
16B	114430-10-000	EA	ADAPTER - NUT - PIPE CONNECTION - 1/2"
17B	114431-01-000	EA	VALVE - 180 DEGREE/CENTER DRAIN - 1/2"P - THREE WAY
18B	114429-11-000	EA	ELBOW - 1/2"P X 1/2"FPT

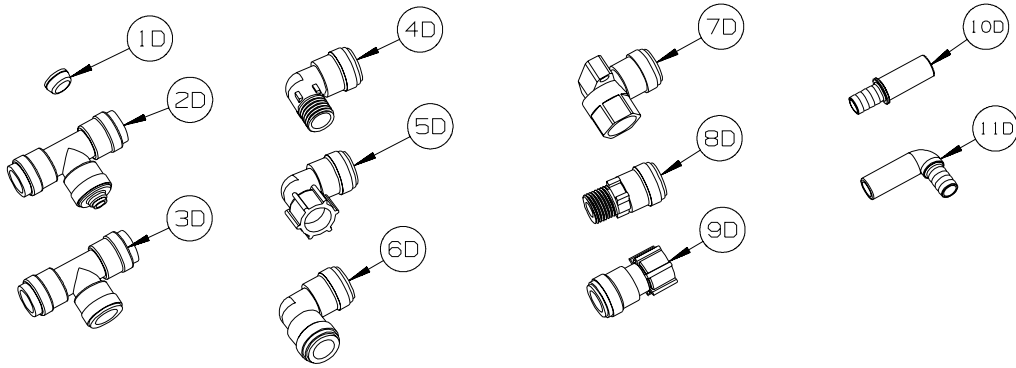
WATER & SEWAGE GROUP (CONTINUED)

WATER SYSTEM (CONTINUED)



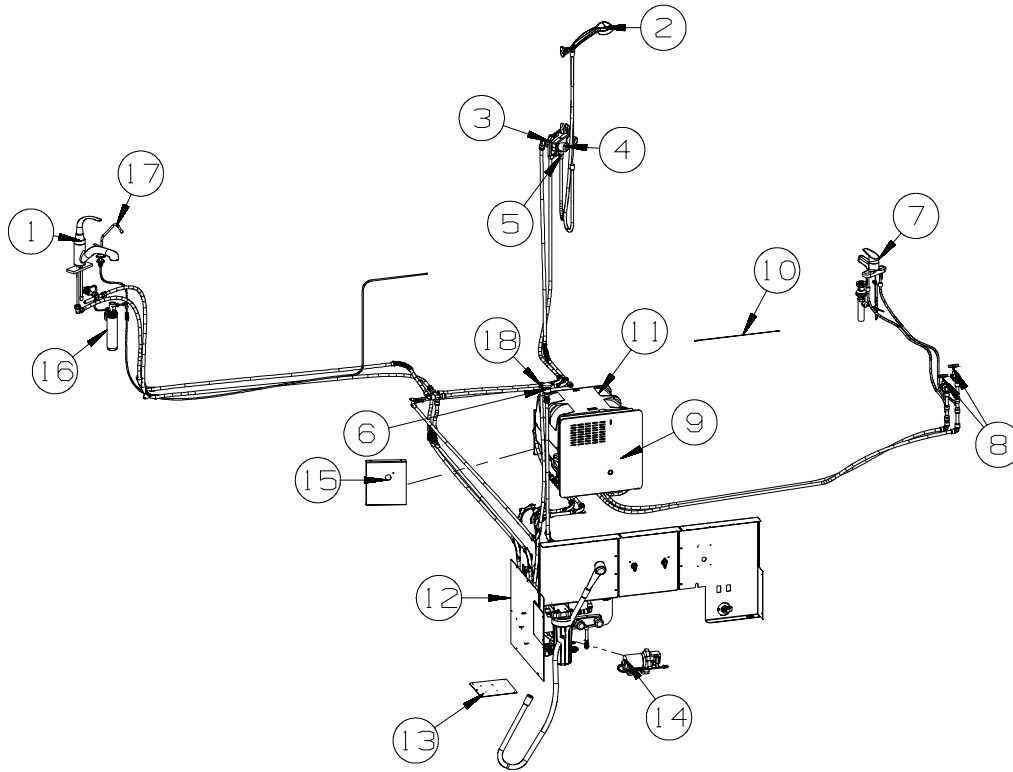
KEY	PART NUMBER	U/M	DESCRIPTION
1C	114431-02-000	EA	VALVE - WATER BYPASS - 1/2"P - THREE WAY (WATER HEATER)
2C	114431-03-000	EA	VALVE - 90 DEGREE DRAIN - 1/2"P
3C	114431-04-000	EA	VALVE - "INLINE SHUT-OFF" - 1/2"P
4C	164906-02-000	EA	ELBOW - 90 DEGREE - 1/2" QUICK CONNECT X 1/2"MPT - SWIVEL
5C	152925-01-01A	EA	FILTER - IN LINE - TWIST ON - 1/2" - BLACK
6C	118423-01-000	EA	FITTING - BRASS-TEE - 1/4C X 1/4C X 1/4C
7C	118809-01-000	EA	ADAPTER - 1/2" MPT X 3/8" BARB - PLASTIC
7C	118809-02-000	EA	ADAPTER - 1/2" MPT X 1/2" BARB - PLASTIC
8C	120868-01-000	EA	VALVE - NEEDLE - 1/4" COMPRESSION X 1/4" COMPRESSION
9C	123150-01-000	EA	ELBOW - 1/2 FPT X 1/2 BARB - SWIVEL
10C	123152-01-000	EA	ADAPTER - 1/2 FPT X 1/2 BARB - SWIVEL
11C	124184-01-000	EA	SUPPORT - WATER LINE - BEND
12C	132148-01-000	EA	CONNECTOR - 1/2" X 1/2"MPT - BRASS
13C	133835-01-000	EA	ADAPTER - REDUCING - 1 1/2" X 1 1/4"
14C	133889-01-000	EA	UNION - 1 1/2 DOUBLE SLIP - PVC
15C	135386-01-000	EA	NIPPLE - 1/2"
16C	136333-01-000	EA	ADAPTER - BRASS - 1/2"MPT X 1/2"FPT
17C	140821-01-000	EA	TUBE - WATER SUPPLY - 3/8" X 24"
17C	140821-02-000	EA	TUBE - WATER SUPPLY - 3/8" X 30"
17C	140821-03-000	EA	TUBE - WATER SUPPLY - 3/8" X 36"
17C	140821-04-000	EA	TUBE - WATER SUPPLY - 3/8" X 48"
17C	140821-05-000	EA	TUBE - WATER SUPPLY - 3/8" X 54"
17C	140821-06-000	EA	TUBE - WATER SUPPLY - 3/8" X 60"
17C	140821-07-000	EA	TUBE - WATER SUPPLY - 3/8" X 72"
17C	140821-08-000	EA	TUBE - WATER SUPPLY - 1/2" X 24"
17C	140821-09-000	EA	TUBE - WATER SUPPLY - 1/2" X 36"
17C	140821-10-000	EA	TUBE - WATER SUPPLY - 1/2" X 48"
18C	142812-01-000	EA	ELBOW - BRASS - 1/2"MPT X 1/2"FPT
19C	145609-01-000	EA	PLUG - BRASS - 1/2" MPT/HEX HEAD

WATER & SEWAGE GROUP (CONTINUED)
WATER SYSTEM (CONTINUED)



KEY	PART NUMBER	U/M	DESCRIPTION
1D	116473-01-000	EA	FERRIL - RUBBER SEALING - WATER LINE
2D	160949-01-000	EA	CONNECTOR - 1/2" X 1/2" X 1/4" REDUCER
3D	160949-02-000	EA	CONNECTOR - 1/2"CTS X 1/2"CTS X 1/2"CTS
4D	164906-01-000	EA	ELBOW - 90 DEGREE - 1/2" QUICK CONNECT X 1/2"MPT
5D	164906-02-000	EA	ELBOW - 90 DEGREE - 1/2" QUICK CONNECT X 1/2"FPT - SWIVEL
6D	164906-03-000	EA	ELBOW - 90 DEGREE - 1/2" X 1/2" QUICK CONNECTS
7D	164906-04-000	EA	ELBOW - 90 DEGREE - 1/2"CTS X 1/2"FPT
8D	164907-01-000	EA	ADAPTER - STRAIGHT - 1/2" QUICK CONNECT X 1/2"MPT
9D	164907-02-000	EA	ADAPTER - STRAIGHT - 1/2" QUICK CONNECT X 1/2"FPT/SWIVEL
10D	166212-01-000	EA	UNION - HOSE/BARB - CTS X 1/2"B - SEA TECH #3511-1008
11D	166212-02-000	EA	ELBOW - HOSE/BARB - CTS X 1/2"B - SEA TECH #3512-1008

WATER & SEWAGE GROUP (CONTINUED)
WATER SYSTEM (CONTINUED)

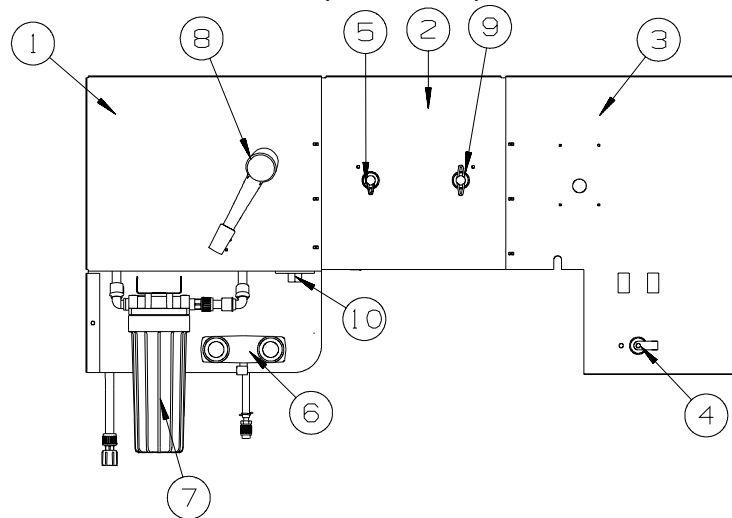


KEY	PART NUMBER	U/M	DESCRIPTION
1*	123744-03-01A	EA	FAUCET - GALLEY/SINGLE CONTROL W/SPRAYER HEAD - CHROME
2*	129390-03-02A	EA	SHOWER HEAD - W/HOSE & BRACKET - CHROME
3	075606-04-000	EA	PANEL - PLASTIC - FAUCET BACK - IVORY MARBLE
4	163269-01-02A	EA	FAUCET/SHOWER -.5"MPT W/1.9" INLET PIPES - CHROME
5	128974-01-02A	EA	VALVE - SHOWER HEAD/WATER SAVER (ON/OFF) - CHROME
6	125697-04-000	EA	BREAKER/VACUUM - F/FLUSHING SYSTEM
7	152311-02-01A	EA	FAUCET - LAVATORY - SINGLE CONTROL - W/WASTE - CHROME
	105218-01-01A	EA	SPACER - FAUCET/LAVATORY SINK - 2" X 5.9" - ABS PLASTIC
8	098419-01-000	EA	FAUCET - 90 DEGREE
9	125420-05-03A	EA	DOOR - WATER HEATER - 18" X 17.7" - BLACK
10	076767-03-000	EA	CABLE - STAINLESS STEEL - 18.5"
11*	145541-01-000	EA	WATER HEATER/MOTOR AID-GAS/ELECT IGN - GCH10A-4E - 10 GAL
12	163371-01-02B	EA	PLATE - WATER SYSTEM - E-COATED
13	149477-02-02B	EA	PANEL - WATER PUMP - E-COATED
14	160702-01-000	EA	PUMP - WATER - 2.8 GPM - W/1/2" MPT - #2088-422-174
			FROM: 00-00-00 THRU: 05-28-08
14	160702-02-000	EA	PUMP - WATER - 2.8 GPM - 12 VOLT
			FROM: 05-29-08 THRU: 99-99-99
15	151245-02-02B	EA	BRACKET - VALVE/BYPASS - HEATER - E-COATED
16	160946-01-000	EA	FILTER SYSTEM - WATER PURIFICATION - W/FILTER MDL "A"
17*	103635-01-000	EA	FAUCET - SINGLE CONTROL/DRINKING WATER
18	125697-03-000	EA	CHECK VALVE - F/FLUSHING SYSTEM

***COMPONENT PARTS LISTED LATER IN THIS GROUP**

WATER & SEWAGE GROUP (CONTINUED)
WATER SYSTEM (CONTINUED)

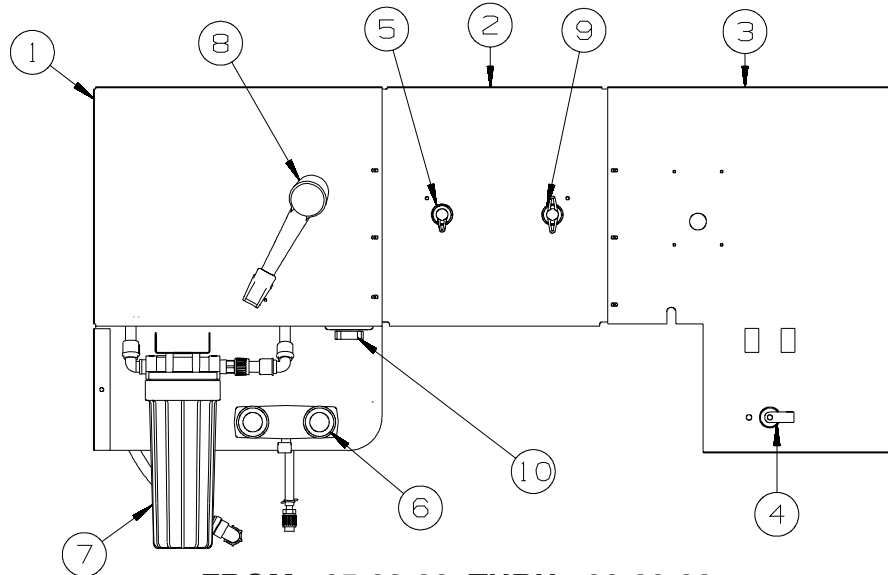
WATER CENTER



FROM: 00-00-00 THRU: 05-21-08

KEY	PART NUMBER	U/M DESCRIPTION
1	161728-01-12B	EA PANEL - SERVICE CENTER - BRIGHT WHITE
2	162481-01-12B	EA PANEL - SERVICE CENTER - BRIGHT WHITE
3	161713-02-12B	EA PANEL - SERVICE CENTER - BRIGHT WHITE
4	125697-05-000	EA INLET/WATER - F/FLUSHING SYSTEM
5	114431-02-000	EA VALVE - WATER BYPASS - 1/2"P - THREE WAY (WATER HEATER)
6	163269-01-01A	EA FAUCET/SHOWER -.5"MPT W/1.9" INLET PIPES- EXTERIOR/BRT WHT
7*	155482-01-01A	EA PREFILTER/WATER SYSTEM - HOUSING/FILTER CARTRIDGE/WRENCH
8	131383-01-02A	EA SHOWER HEAD - W/60" HOSE & BRACKET - WHITE
9	114431-04-000	EA VALVE - "INLINE SHUT-OFF" - 1/2"P
10	010230-06-000	EA FILL - CITY WATER - W/CHECK VALVE - MPT - BRUSHED ALUM

***COMPONENT PARTS LISTED LATER IN THIS GROUP**



FROM: 05-22-08 THRU: 99-99-99

KEY	PART NUMBER	U/M DESCRIPTION
1	161728-01-12B	EA PANEL - SERVICE CENTER - BRIGHT WHITE
2	162481-01-12B	EA PANEL - SERVICE CENTER - BRIGHT WHITE
3	161713-02-12B	EA PANEL - SERVICE CENTER - BRIGHT WHITE
4	125697-05-000	EA INLET/WATER - F/FLUSHING SYSTEM
5	114431-02-000	EA VALVE - WATER BYPASS - 1/2"P - THREE WAY (WATER HEATER)
6	163269-01-01A	EA FAUCET/SHOWER -.5"MPT W/1.9" INLET PIPES- EXTERIOR/BRT WHT
7*	155482-01-01A	EA PREFILTER/WATER SYSTEM - HOUSING/FILTER CARTRIDGE/WRENCH
8	131383-01-02A	EA SHOWER HEAD - W/60" HOSE & BRACKET - WHITE
9	114431-04-000	EA VALVE - "INLINE SHUT-OFF" - 1/2"P
10	167984-01-01A	EA FILL - CITY WATER - SURFACE MOUNT/METAL FLANGE - SILVER

***COMPONENT PARTS LISTED LATER IN THIS GROUP**

WATER & SEWAGE GROUP (CONTINUED)

COMPONENT PARTS FOR WATER SYSTEM

103635-01-000

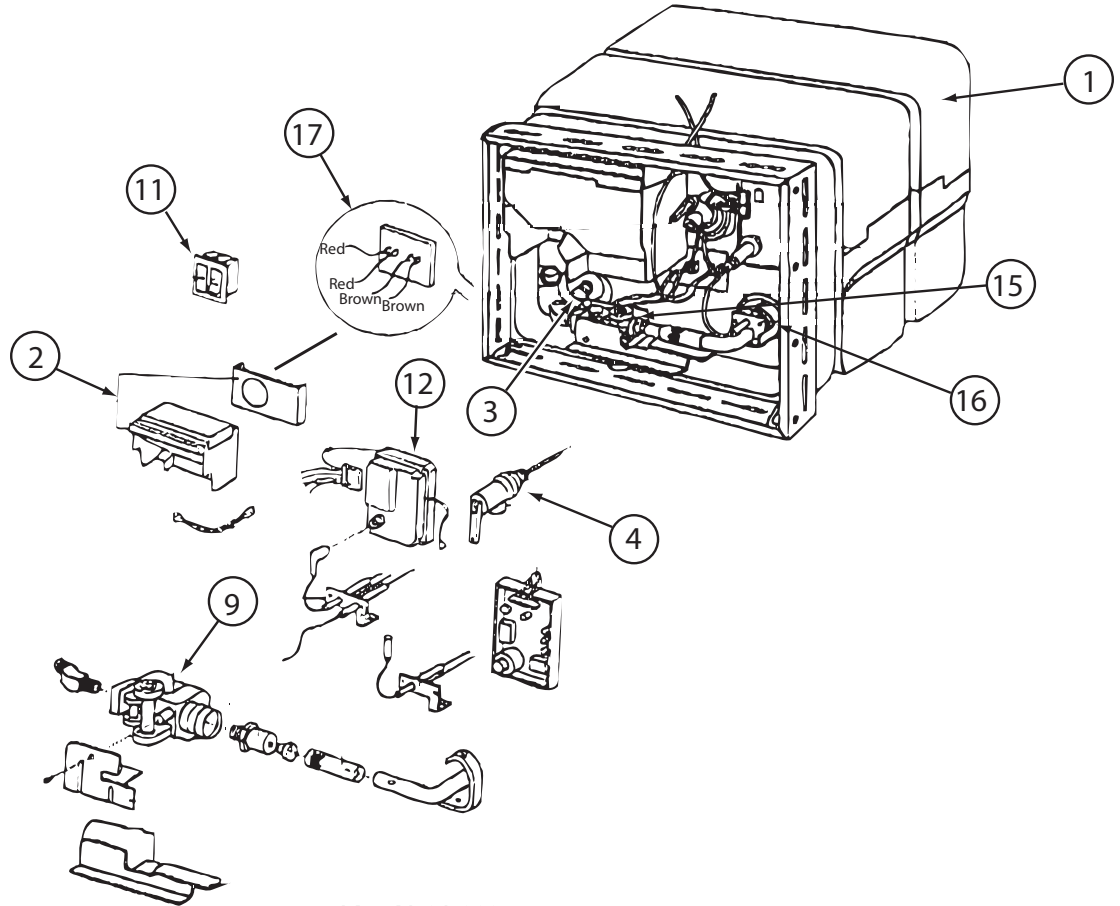
KEY	PART NUMBER	U/M DESCRIPTION	VENDOR NO.
	103635-01-703	EA CARTRIDGE - 10"	ADC-959201

123744-03-01A

KEY	PART NUMBER	U/M DESCRIPTION	VENDOR NO.
	135027-01-700	EA CLIP - RETAINER	883
	135027-01-705	EA CARTRIDGE F/SGL LEVER FAUCET	1225

129390-03-02A

KEY	PART NUMBER	U/M DESCRIPTION	VENDOR NO.
	129390- 03-702	EA CONNECTOR-SWIVEL - CHROME	A-4002-CPK
	129390- 03-703	EA VACUUM BREAKER - CHROME	A-4900C
	129390- 03-705	EA BRACKET-HANGER/SHOWER HEAD	AS5001PK - CHROME



145541-01-000

KEY	PART NUMBER	U/M DESCRIPTION	VENDOR NO.
1	145541-01-700	EA TANK - W/INSULATION - 10 GAL	91028
2	051391-04-707	EA KIT-EXHAUST, (FLUE & GASKET)	90960
3	051391-01-715	EA PLUG-DRAIN, 1 EA = 2 PER PKG	91857
4	051391-01-704	EA VALVE-RELIEF, 1/2" FITTING	91604
9	051393-01-726	EA VALVE/SOLENOID - W/O BRACKET	93870
11	145541-01-701	EA SWITCH - ON/OFF - WHITE	91859
12	145541-01-702	EA CIRCUIT BOARD	91226
15	145541-01-703	EA SWITCH - THERMAL CUT OFF	93866
16	051393-01-725	EA ELECTRODE-SGL SPADE CONNECT.	93868
17	051393-01-721	EA THERMOSTAT W/ECO, 140 FRT MT	91447
	051391-05-706	EA ELEMENT-HEATING 1500 WATT	92249 W/GASKET
	051393-01-701	EA SWITCH - REMOTE - W/LIGHT	91959
	145541-01-704	EA RELAY	90061
	145541-01-705	EA JUNCTION BOX(PLASTIC) 10 GAL	91224

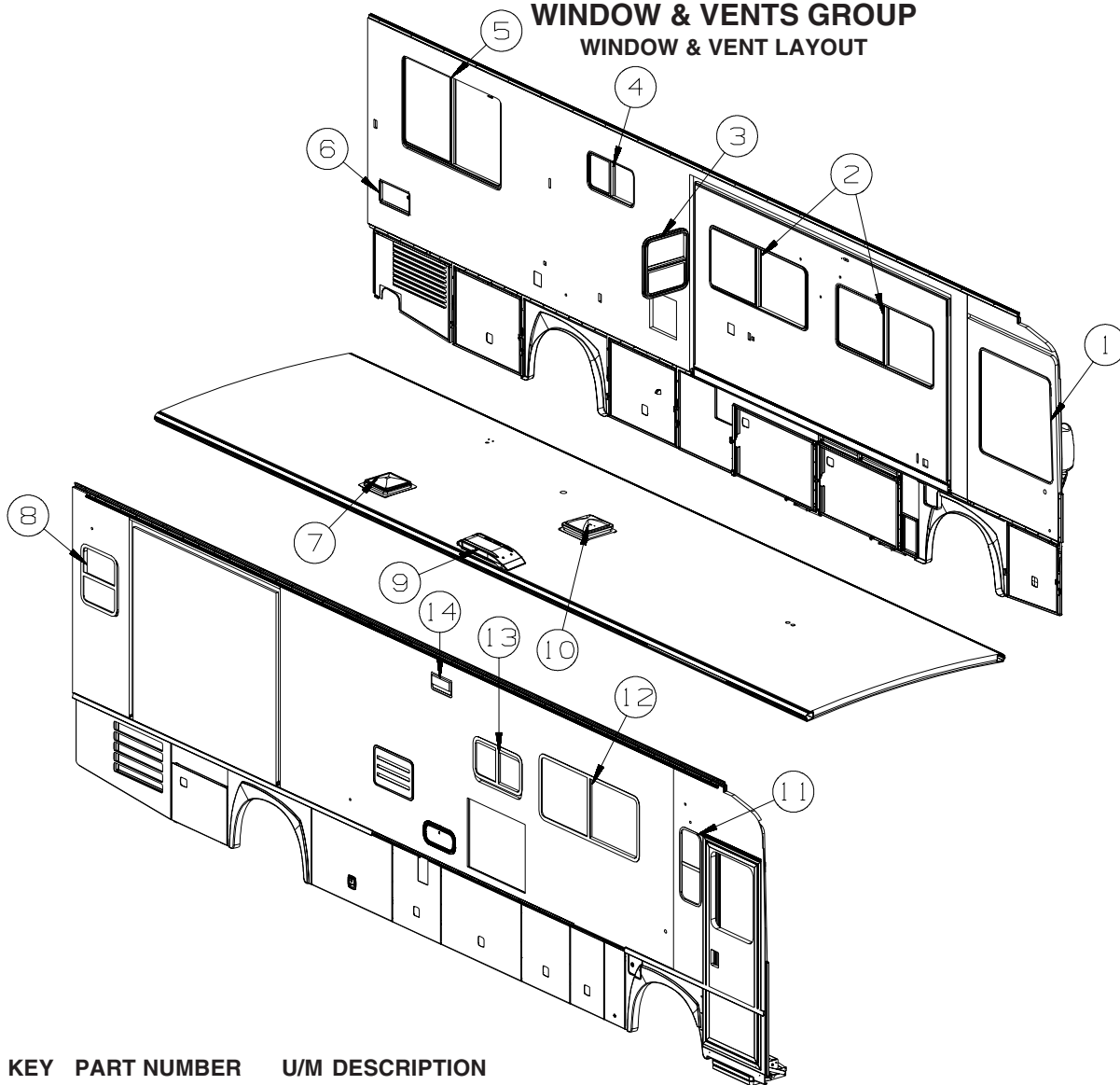
CONTACT WINNEBAGO PARTS SALES FOR UNLISTED COMPONENT(S)

WATER & SEWAGE GROUP (CONTINUED)
COMPONENT PARTS FOR WATER SYSTEM (CONTINUED)

		152311-02-01A		
KEY	PART NUMBER	U/M	DESCRIPTION	VENDOR NO.
	152311-01-701	EA	BUTTON-HOT/COLD	
	152311-02-700	EA	WASTE ASM.	AF-BP1000-01
	152311-02-701	EA	CARTRIDGE (KIT)	
		155482-01-01A		
KEY	PART NUMBER	U/M	DESCRIPTION	VENDOR NO.
	155482-01-700	EA	O-RING - F/WATER FILTER	94-178-09

WINDOW & VENTS GROUP

WINDOW & VENT LAYOUT



KEY	PART NUMBER	U/M	DESCRIPTION
1	151069-07-01A	EA	WINDOW - CAB/LEFT HAND/FLUSH/THERMO - 43.6" X 44.9"/43.6" FROM: 00-00-00 THRU: 05-27-08
1	169283-03-01A	EA	WINDOW - CAB/DRIVER - SLIDER - 43.6" X 44.9" X 44" - BLACK FROM: 05-28-08 THRU: 99-99-99
2*	150648-02-01A	EA	WINDOW-HORIZ SLIDER/FLUSH/THERMO/LH - 26.3" X 59.9"
3*	150649-08-01A	EA	WINDOW - VERT SLIDER/FLUSH/THERMO - 23.8" X 20.8"
3	151905-01-01A	EA	CLIP/BRACKET - SCREEN RETAINER - BLACK
4*	150648-05-01A	EA	WINDOW-HORIZ SLIDER/FLUSH/THERMO/LH - 16" X 28.7"-BLK/BLK
5*	150648-34-01A	EA	WINDOW-HORIZ SLIDER/EXIT/FLUSH/THERMO/LH - 37.9" X 60.4"
6	167971-01-01A	EA	GRILL - INTAKE/AIR - PRIMED/BLACK
7*	122882-04-01A	EA	VENT - ROOF - W/FAN/POWER LIFT - W/O INSIDE GARNISH - UL
7*	122882-05-01A	EA	VENT - ROOF - W/FAN/POWER LIFT - W/O INSIDE GARNISH - CSA - 265
	048648-01-000	EA	MOTOR/ROOF VENT - W/RESISTER - 1/8"SHAFT - 12VOLT
	048649-01-000	EA	FAN BLADE - ROOF VENT - 6 BLADED - 6"RADIUS
7	122882-07-01A	EA	GARNISH - ROOF VENT - 2.5" TO 4.1"
8*	150649-31-01A	EA	WINDOW - VERT SLIDER/FLUSH/THERMO - 23.8" X 20.8"-BLK/BLK
9	149508-01-03A	EA	CAP - ROOF/REFRIGERATOR VENT - BLACK
9	149508-02-01A	EA	BASE - ROOF/REFRIGERATOR VENT - BLACK
10*	123780-27-01A	EA	FANTASTIC VENT-4"ROOF- W/FAN/DBL DOME-W/O THERM/PWR LIFT - 41M
11*	150649-05-01A	EA	WINDOW - VERT SLIDER/FLUSH/THERMO - 29.6" X 12.3" FROM: 00-00-00 THRU: 05-27-08
11*	164973-17-01A	EA	WINDOW - RAISED SLIDER - 29.6"H X 12.3"W - BLK/BLK FROM: 05-28-08 THRU: 99-99-99
12*	150648-03-01A	EA	WINDOW-HORIZ SLIDER/FLUSH/THERMO/RH - 26.3"X 59.9"-BLK/BLK
13*	150648-04-01A	EA	WINDOW-HORIZ SLIDER/FLUSH/THERMO/RH - 16" X 28.7"
14	138983-01-02A	EA	VENT - MICROWAVE/OUTER - BLACK
14	138983-03-01A	EA	COVER - VENT MICROWAVE/OUTER - BRIGHT WHITE

*COMPONENT PARTS LISTED LATER IN THIS GROUP

WINDOW & VENTS GROUP (CONTINUED)
COMPONENT PARTS FOR WINDOW & VENT LAYOUT

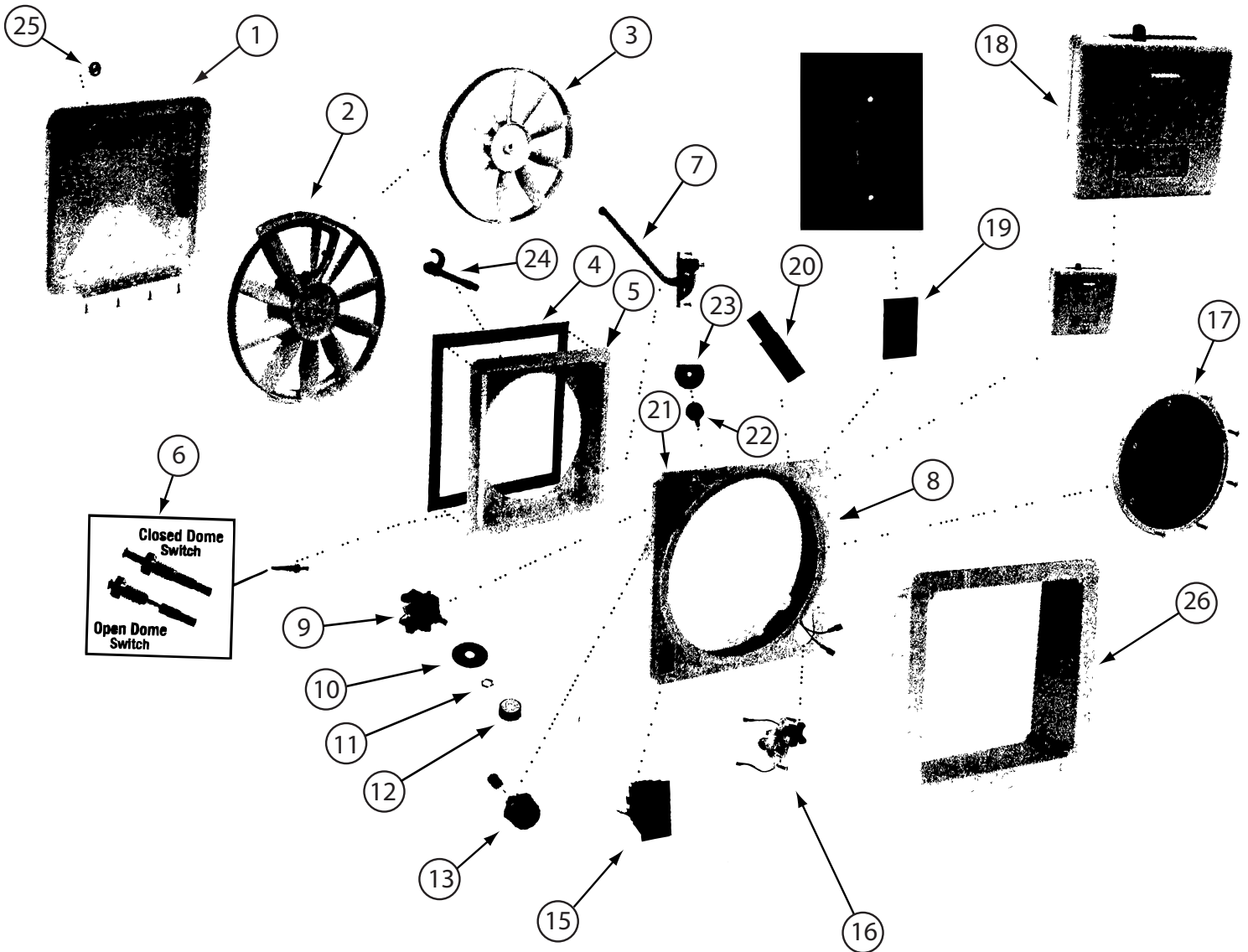
122882-04-01A

KEY	PART NUMBER	U/M	DESCRIPTION	VENDOR NO.
	064469-03-708	EA	GEAR-DRIVE	RP-1024-.50 PC SIZE
	064470-01-700	EA	COVER - VENT	J7291
	064470-01-701	EA	SLIDE BAR - VENT LID	JRP1291B
	110051-07-701	EA	MOTOR-LIFT, W/BRKT-GEAR 3/16	JRP1099B
	122882-01-703	EA	SEAL - DOME - 48"	JRP2111B
	122882-04-700	EA	SCREEN	J29-670-01A

122882-05-01A

KEY	PART NUMBER	U/M	DESCRIPTION	VENDOR NO.
	064469-03-708	EA	GEAR-DRIVE	RP-1024-.50 PC SIZE
	064469-03-709	EA	GEAR-PINION F/LIFT MOTOR	RP-1025 - DIME SIZE
	064470-01-700	EA	COVER - VENT	J7291
	064470-01-701	EA	SLIDE BAR - VENT LID	JRP1291B
	110051-07-701	EA	MOTOR-LIFT, W/BRKT-GEAR 3/16	JRP1099B
	122882-04-700	EA	SCREEN	J29-670-01A

WINDOW & VENTS GROUP (CONTINUED)
COMPONENT PARTS FOR WINDOW & VENT LAYOUT (CONTINUED)

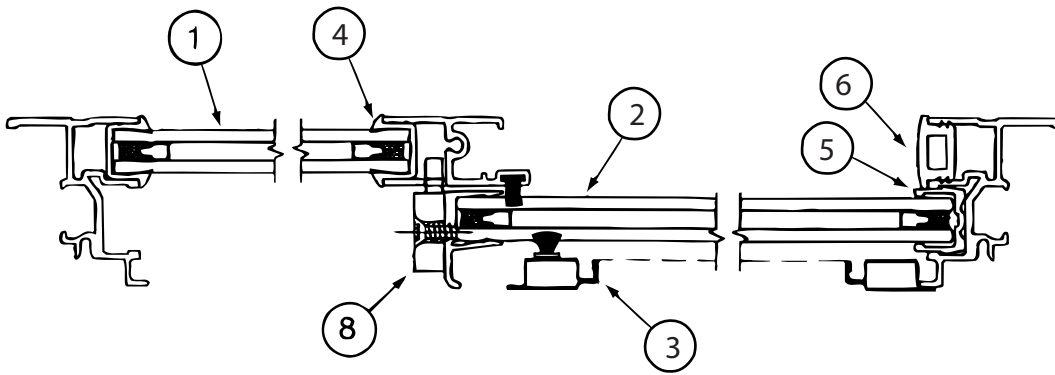


123780-27-01A

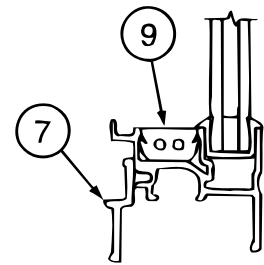
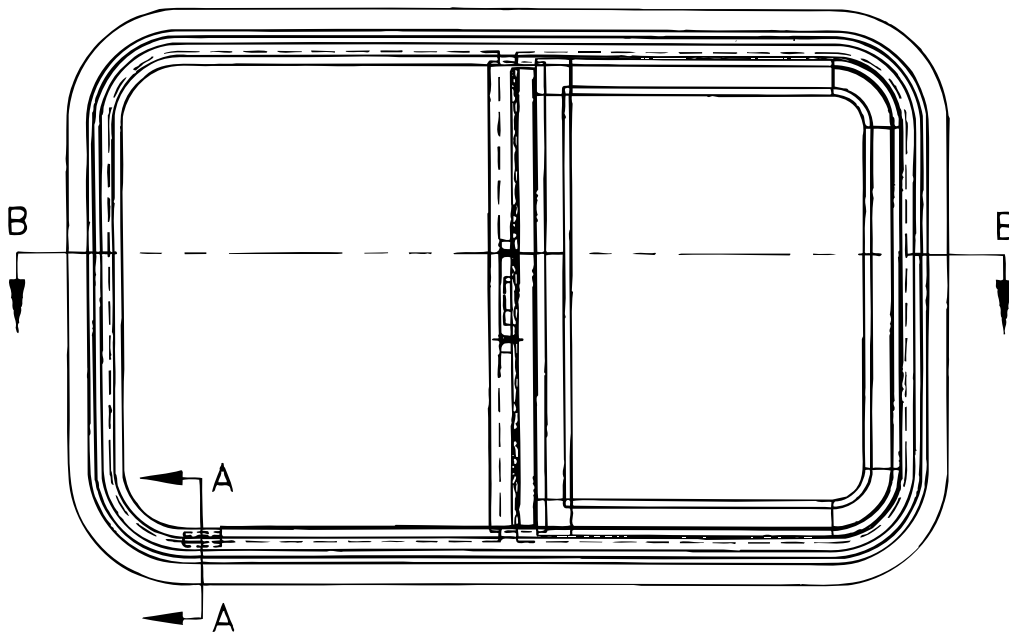
KEY	PART NUMBER	U/M	DESCRIPTION	VENDOR NO.
1	123780-22-700	EA	COVER - VENT W/HINGE & SLIDE	K8020-81
2	123780-26-700	EA	MOTOR & FAN BLADE W/BRACKET	XK8017-03 PANCAKE
3	123780-26-701	EA	BLADE/FAN - 12" OPAQUE WHT	8138-81 - 7MM
4	123780-22-701	EA	SEAL/RUBBER-4 1/2' W/GLUE	K1144-09
5	123780-22-702	EA	BASE/MAIN - W/LOCK/SEAL/ARM	XK8010-81 CLAMP STY
6	084079-01-707	EA	SWITCH - SAFETY	1122-05
7	084079-11-701	EA	ARM-LIFT ASSEMBLY, AUTOMATIC	2011-05
9	084079-01-709	EA	SWITCH - MAIN - 3 SPEED	1031-05
13	123780-21-700	EA	FUSE HOLDER W/4AMP FUSE/KNOB	K9018-09 NEW STYLE
15	123780-16-700	EA	KNOB-BLK/AUTOMATIC LIFT MTR	K1140-09
16	084079-11-707	EA	MOTOR-AUTO LIFT-WHT CAP/EXT	6050-81 NS
17	123780-21-703	EA	SCREEN - POP N LOCK	2035-81
19	123780-27-700	EA	SWITCH - UP/DOWN (DM SERIES)	9024-09
21	123780-22-704	EA	TRAVEL LOCK ASSEMBLY	4021-09
26	123780-22-705	EA	GARNISH-3 1/2"CLAMP STY-WHT	XK2040-81
	123780-21-704	EA	CIRCUIT BOARD 102C/103J	9025-90 / MC103JKIB

CONTACT WINNEBAGO PART SALES FOR UNLISTED COMPONENT(S)

WINDOW & VENTS GROUP (CONTINUED)
COMPONENT PARTS FOR WINDOW & VENT LAYOUT (CONTINUED)



CROSS SECTION B-B



CROSS SECTION
A-A

150648-02-01A, 150648-03-01A/03A

KEY	PART NUMBER	U/M	DESCRIPTION	VENDOR NO
1	112795-68-700	EA	GLASS - STATIONARY	390-028353
2	150648-02-700	EA	GLASS-SLIDING W/SASH & LATCH	DH287G8
3	150648-19-700	EA	SCREEN ASM	410-035332
4	112795-01-705	FT	VINYL - GLAZING	132-027331
5	151069-01-700	FT	CHANNEL-RUN, SLIDING	122-030627
6	150648-01-703	FT	PLUG - FILLER	132-030308
7	098647-22-701	EA	RETAINER - TRIM	H287-67
8	150648-01-700	EA	LATCH-HORIZONTAL SLIDE-BLK	FH3000-CK
8	150648-01-701	EA	LATCH-HORIZONTAL SLIDE-RED	FH3003-CK
9	150648-01-704	EA	SLIDE STOP	132-030866
	150649-05-702	FT	FIN SEAL-F/LOCKING RAIL-BLK	171-062348

WINDOW & VENTS GROUP (CONTINUED)
COMPONENT PARTS FOR WINDOW & VENT LAYOUT (CONTINUED)

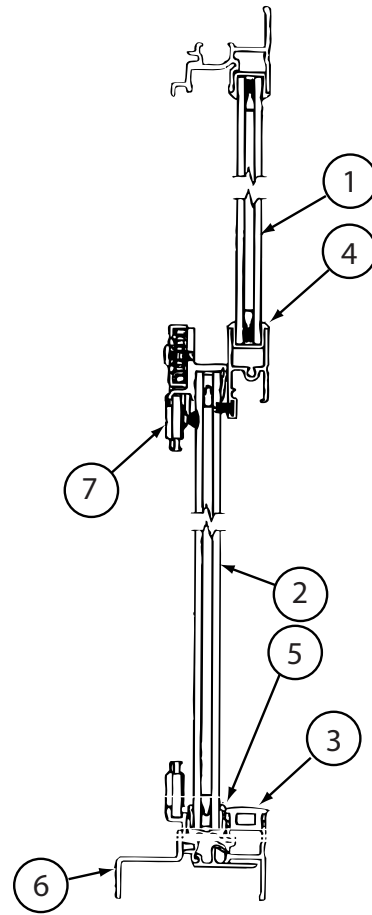
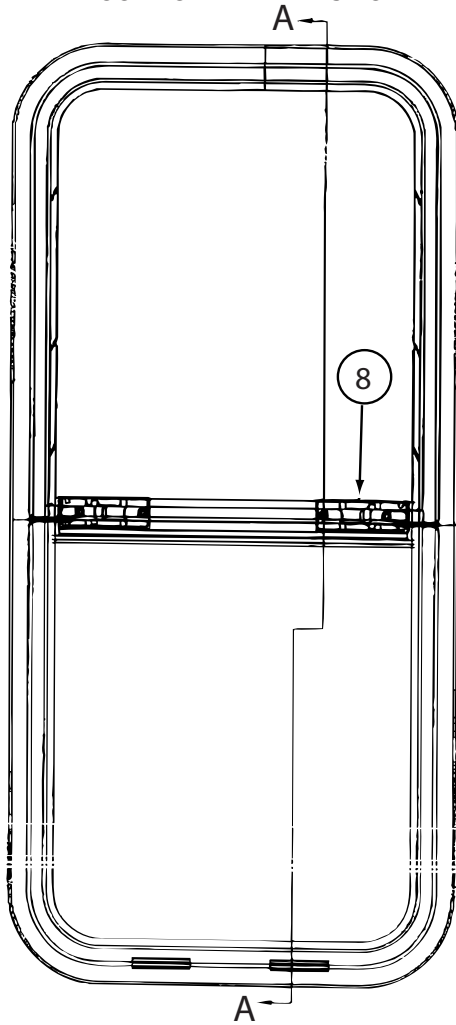
150648-04-01A, 150648-05-01A

KEY	PART NUMBER	U/M	DESCRIPTION	VENDOR NO
1	112795-72-700	EA	GLASS - STATIONARY	390-028307
2	150648-04-700	EA	GLASS-SLIDING W/SASH & LATCH	FH3002G8
3	150648-05-700	EA	SCREEN ASM	410-031158
4	112795-01-705	FT	VINYL - GLAZING	132-027331
5	151069-01-700	FT	CHANNEL-RUN, SLIDING	122-030627
6	150648-01-703	FT	PLUG - FILLER	132-030308
7	150648-05-701	EA	RETAINER - TRIM	CH29-67
8	150648-01-700	EA	LATCH-HORIZONTAL SLIDE-BLK	FH3000-CK
8	150648-01-701	EA	LATCH-HORIZONTAL SLIDE-RED	FH3003-CK
9	150648-01-704	EA	SLIDE STOP	132-030866
	150649-05-702	FT	FIN SEAL-F/LOCKING RAIL-BLK	171-062348

150648-27-01A, 150648-34-01A

KEY	PART NUMBER	U/M	DESCRIPTION	VENDOR NO
1	150648-14-701	EA	GLASS - STATIONARY	390-036160
2	150648-14-702	EA	GLASS-SLIDING W/SASH & LATCH	FH3010G8
3	150648-14-700	EA	SCREEN ASM	410-035333
4	112795-01-705	FT	VINYL - GLAZING	132-027331
5	151069-01-700	FT	CHANNEL-RUN, SLIDING	122-030627
6	150648-01-703	FT	PLUG - FILLER	132-030308
7	150648-14-703	EA	RETAINER - TRIM	H442-67
8	150648-01-700	EA	LATCH-HORIZONTAL SLIDE-BLK	FH3000-CK
8	150648-01-701	EA	LATCH-HORIZONTAL SLIDE-RED	FH3003-CK
9	150648-01-704	EA	SLIDE STOP	132-030866
	150649-05-702	FT	FIN SEAL-F/LOCKING RAIL-BLK	171-062348

WINDOW & VENTS GROUP (CONTINUED)
COMPONENT PARTS FOR WINDOW & VENT LAYOUT (CONTINUED)



CROSS SECTION A-A

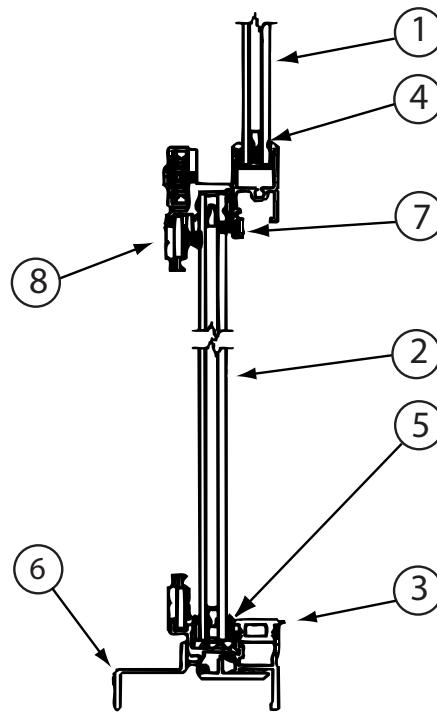
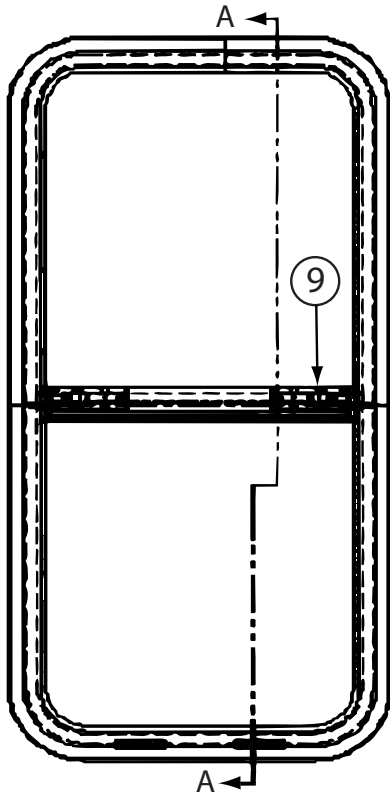
150649-05-01A

KEY	PART NUMBER	U/M	DESCRIPTION	VENDOR NO
1	150649-05-704	EA	GLASS - STATIONARY	390-035648
2	150649-05-705	EA	GLASS-SLIDING W/PULL & LATCH	FH3054A9
3	150648-01-703	EA	PLUG - FILLER	132-030308
4	112795-01-705	FT	VINYL-GLAZING	132-027331
5	151069-01-700	EA	CHANNEL-RUN, SLIDING	122-030627
6	150649-05-700	EA	RETAINER - TRIM	H754-67
7	150649-05-703	EA	SCREEN ASM	410-035633
8	150649-01-700	EA	LATCH KIT - F/VERTICAL SLIDE - BLACK	FH3016-CK
	150649-05-702	EA	FIN SEAL-F/LOCKING RAIL-BLK	171-062348

150649-08-01A

KEY	PART NUMBER	U/M	DESCRIPTION	VENDOR NO
1	150649-08-700	EA	GLASS - STATIONARY	390-035202
2	150649-08-701	EA	GLASS-SLIDING W/PULL & LATCH	FH3029G8
3	150648-01-703	FT	PLUG - FILLER	132-030308
4	112795-01-705	FT	VINYL-GLAZING	132-027331
5	151069-01-700	FT	CHANNEL-RUN, SLIDING	122-030627
6	150649-08-702	EA	RETAINER - TRIM	H908-61
7	150649-07-701	EA	SCREEN ASM	410-035475
8	150649-01-700	EA	LATCH-VERTICLE SLIDE-BLK	FH3016-CK

WINDOW & VENTS GROUP (CONTINUED)
COMPONENT PARTS FOR WINDOW & VENT LAYOUT (CONTINUED)

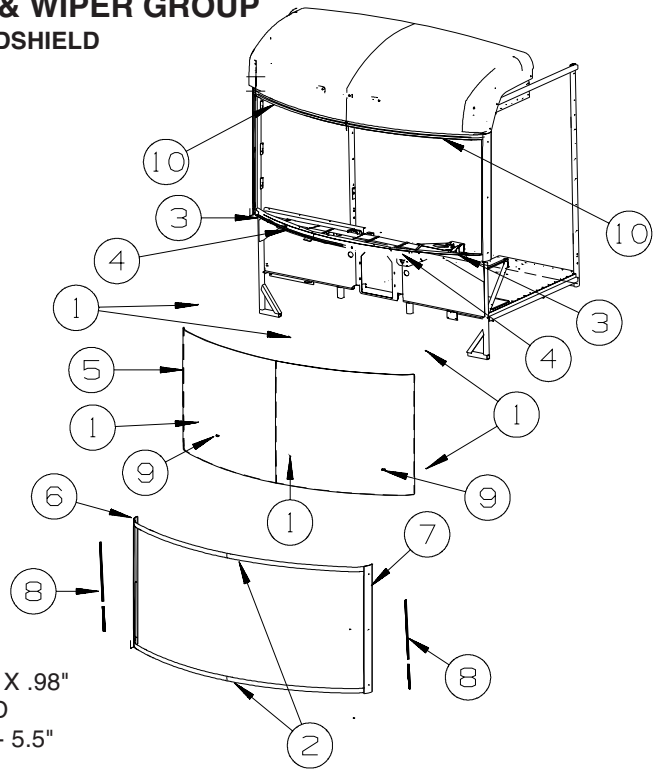


164973-17-01A

KEY	PART NUMBER	U/M	DESCRIPTION	VENDOR NO.
1	164973-17-701	EA	GLASS - STATIONARY	106038619
2	164973-17-702	EA	GLASS-SLIDING-W/LATCH/HANDLE	H755A9
3	098644-01-716	FT	PLUG - FILLER	132-014470
4	098644-01-705	FT	GLAZING - STRIP	132-010231
5	098644-01-708	FT	CHANNEL - RUN PIERCED	122-016543
6	113733-13-701	EA	RETAINER - TRIM	H754-66
7	098644-01-706	FT	WEATHERSTRIP-GLASS(FIN SEAL)	171-010668
8	112898-27-702	EA	SCREEN ASM W/SEALS & CLIPS	410-029193
9	098644-01-700	EA	LATCH - REPAIR KIT (BLACK)	B801-CK
	098644-01-710	FT	TRACK - SCREEN SPACER 12'	132-017135
	098644-01-711	FT	WEATHERSTRIP-SCRN(FUZZY)BLK	171-017245/016965
	098644-01-717	FT	SPLINE - SCREEN	132-004716
	112898-04-703	EA	VERTICAL LATCH/HOLD UP/OPEN	DH343-CK

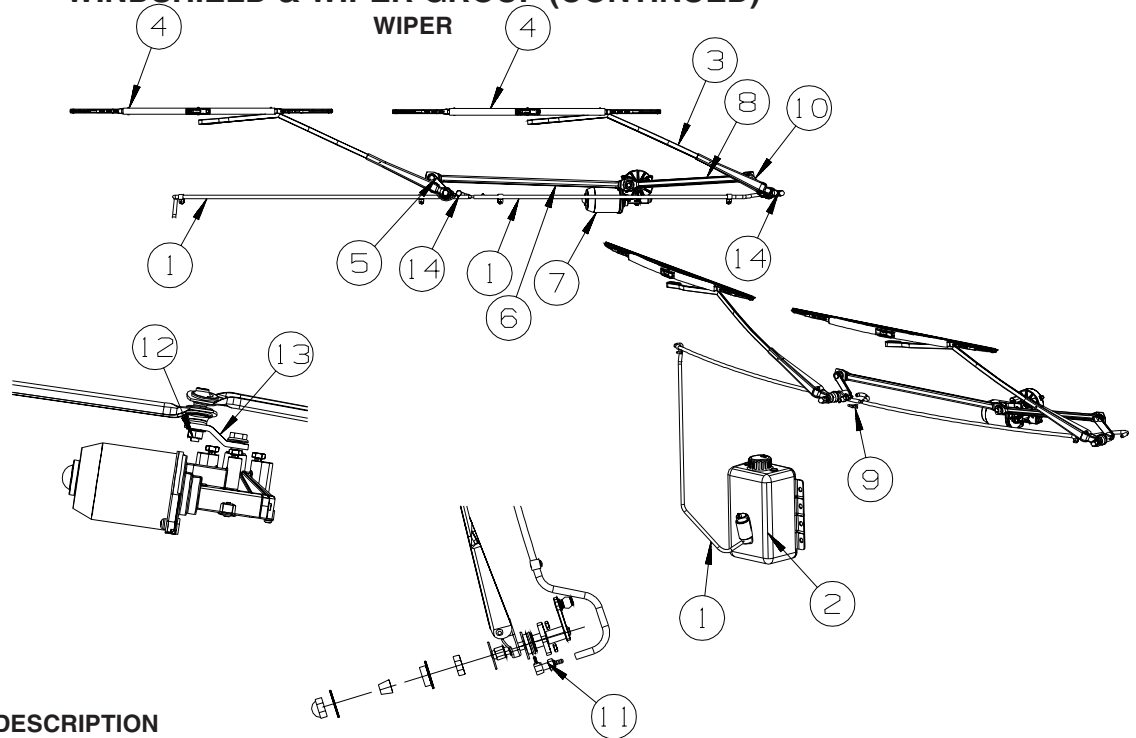
WINDSHIELD & WIPER GROUP

WINDSHIELD



KEY	PART NUMBER	U/M	DESCRIPTION
1	002328-03-000	EA	BLOCK - WINDSHIELD - .125" X .5" X .98"
2	120533-01-000	FT	MOLDING - REVEAL - WINDSHIELD
3	132375-01-000	EA	CARRIER/REVEAL - WINDSHIELD - 5.5"
4	117335-06-000	EA	CARRIER/REVEAL - 29.8"
			FROM: 00-00-00 THRU: 04-08-08
4	132375-04-000	EA	CARRIER/REVEAL - WINDSHIELD - 29.8"
			FROM: 04-09-08 THRU: 99-99-99
5	159448-01-000	EA	WINDSHIELD - SOLID/1 PIECE - 98.7"W X 44.7"H
6	144054-05-02A	EA	TRIM - WINDSHIELD - A PILLAR - RIGHT HAND - BLACK
			FROM: 00-00-00 THRU: 04-06-08
6	163165-05-02A	EA	TRIM - WINDSHIELD - A PILLAR - RIGHT HAND - BLACK
			FROM: 04-07-08 THRU: 99-99-99
7	144054-06-02A	EA	TRIM - WINDSHIELD - A PILLAR - LEFT HAND - BLACK
			FROM: 00-00-00 THRU: 04-06-08
7	163165-06-02A	EA	TRIM - WINDSHIELD - A PILLAR - LEFT HAND - BLACK
			FROM: 04-07-08 THRU: 99-99-99
8	158297-01-000	FT	SEAL - BULB - .5" X .7" - ADHESIVE BACK - BLACK
9	081914-02-000	EA	BUMPER - RUBBER - ROUND - 5/16" DIA. X 13/64" THICK
10	127862-01-000	EA	CARRIER/REVEAL - WINDSHIELD - 47.2"

WINDSHIELD & WIPER GROUP (CONTINUED)



KEY	PART NUMBER	U/M	DESCRIPTION
1	045794-01-000	FT	HOSE - WINDSHIELD WASHER - 5/32"ID - BLACK
2	157507-01-000	EA	RESERVOIR/PUMP - WINDSHIELD WASHER
3*	157531-01-000	EA	ARM - WIPER - RADIAL - 28"
4	157532-01-000	EA	BLADE - WINDSHIELD WIPER - 28"
5*	157512-01-000	EA	SHAFT/PIVOT - WINDSHIELD WIPER - DRIVER/PASSENGER
			FROM: 00-00-00 THRU: 06-15-08
5	157512-02-000	EA	SHAFT/PIVOT - WINDSHIELD WIPER - DRIVER/PASSENGER
			FROM: 06-16-08 THRU: 99-99-99
6	157521-02-000	EA	LINK/WIPER - CONNECTING - PASSENGER
7	157508-01-000	EA	WIPER MOTOR - WINDSHIELD
8	157521-01-000	EA	LINK/WIPER - CONNECTING - DRIVER
9	146486-01-000	EA	TEE - PLASTIC - 5/32" X 5/32" X 5/32"
10*	149401-02-000	EA	SHAFT/PIVOT - WINDSHIELD WIPER - 4.1" OVERALL
11	157533-02-000	EA	FITTING/WIPER - COWL/TALL
12	149395-01-000	EA	STUD/DOUBLE BALL CRANK - WIPER MOTOR
13	157578-01-000	EA	ARM/DRIVE - WIPER MOTOR
14	110742-03-000	EA	GASKET - WIPER ADAPTER SHAFT

*COMPONENT PARTS LISTED LATER IN THIS GROUP

COMPONENT PARTS FOR WIPER

149401-01-000,149401-02-000

KEY	PART NUMBER	U/M	DESCRIPTION	VENDOR NO.
	096505-02-703	EA	NUT/ACORN - HD W/.687 BRL	51065-40-NT27WC
	149401-01-700	EA	HARDWARE PKG - F/SHAFT&PIVOT	PSHWKIT
	149401-01-701	EA	SEAL CAP/RUBBER GROMMET	300749

157512-01-000

KEY	PART NUMBER	U/M	DESCRIPTION	VENDOR NO.
	096505-02-703	EA	NUT/ACORN - HD W/.687 BRL	51065-40-NT27WC
	149401-01-700	EA	HARDWARE PKG - F/SHAFT&PIVOT	PSHWKIT

157531-01-000

KEY	PART NUMBER	U/M	DESCRIPTION	VENDOR NO.
	157531-01-700	EA	WASHER NOZZLE KIT W/HDW	19475