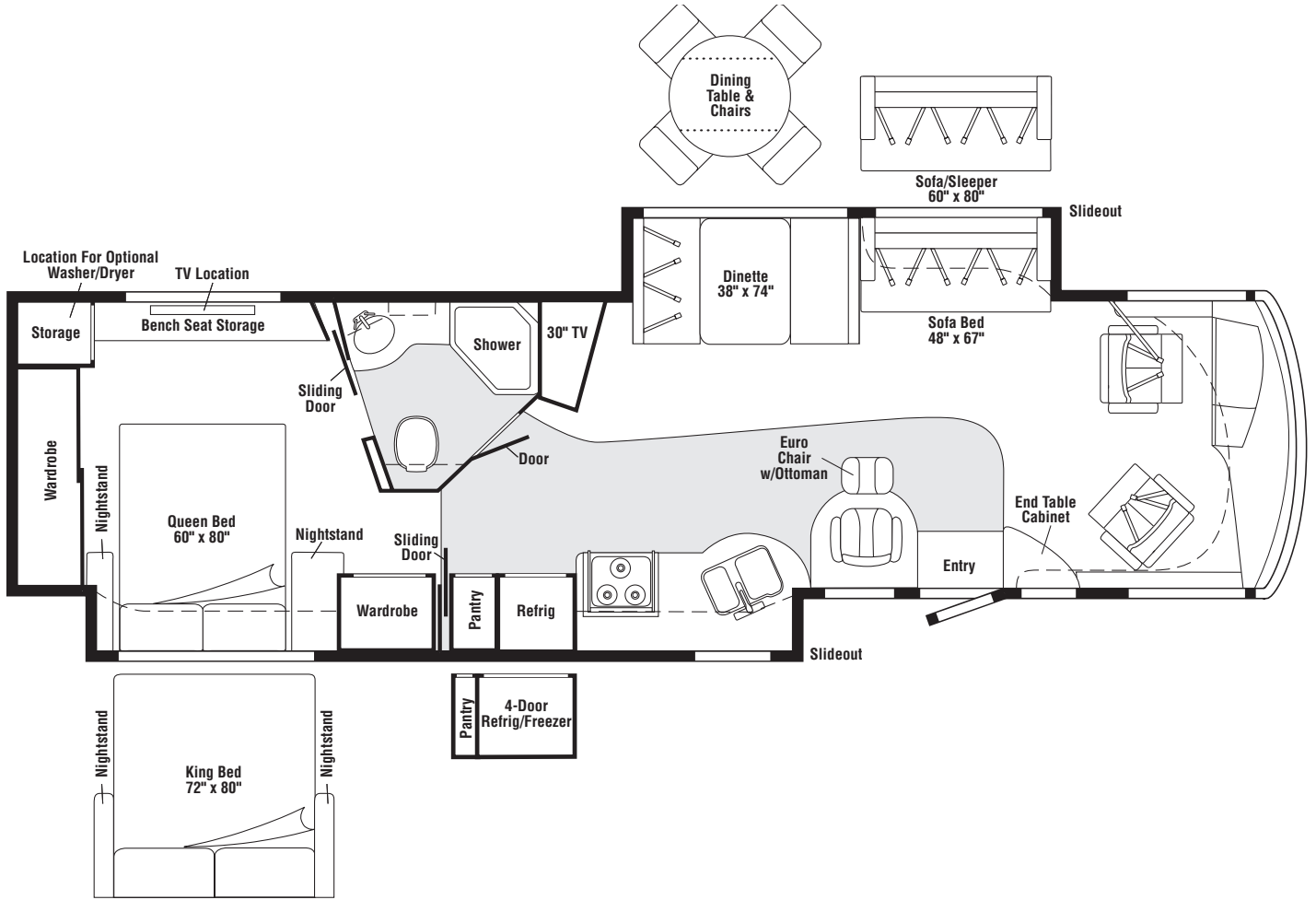


2008  
**ADVENTURER**  
**WPG39WL**  
**G-SERIES**  
**SIERRA MAPLE**  
**WL8 COCOA PECAN**  
**WL9 LOG CABIN**



**FLOORPLAN**

# CONTENTS

|  |           |
|--|-----------|
| <b>FLOORPLAN</b> .....   | <b>1</b>  |
| <b>ACCESSORIES GROUP</b> .....                                   | <b>5</b>  |
| OPERATORS MANUAL .....   | 5         |
| <b>AUDIO VIDEO GROUP</b> .....                                   | <b>6</b>  |
| RADIO SYSTEM .....   | 6         |
| REAR MONITOR .....   | 7         |
| COMPONENT PARTS FOR REAR MONITOR .....                           | 7         |
| 144677-10-02A, 144677-11-02A .....                               | 7         |
| <b>CABINET &amp; APPLIANCE GROUP</b> .....                       | <b>8</b>  |
| CABINET & APPLIANCE LAYOUT .....                                 | 8         |
| COMPONENT PARTS FOR CABINET & APPLIANCE LAYOUT .....             | 16        |
| 119267-17-01A .....  | 16        |
| 125242-05-02A .....  | 16        |
| 135065-03-01A, 135065-03-03A, 135065-04-01A .....                | 24        |
| <b>CHASSIS GROUP</b> .....                                       | <b>26</b> |
| FRAME .....  | 26        |
| FRONT END .....  | 29        |
| EXHAUST .....  | 30        |
| FUEL .....   | 31        |
| HYDRAULIC LEVELING .....   | 32        |
| COMPONENT PARTS FOR HYDRAULIC LEVELING .....                     | 32        |
| 165119-01-000 .....  | 32        |
| 165119-02-000 .....  | 32        |
| 165120-02-000 .....  | 32        |
| 165179-02-000 .....  | 32        |
| WHEEL, TIRE, COVERS &/OR LINERS .....                            | 33        |
| COMPONENT PARTS FOR WHEEL, TIRE, COVERS &/OR LINERS .....        | 33        |
| 145580-07-000 .....  | 33        |
| <b>CURTAIN &amp; CUSHION GROUP</b> .....                         | <b>34</b> |
| CURTAIN, CUSHION LAYOUT .....                                    | 34        |
| SOFA .....   | 38        |
| COMPONENT PARTS FOR SOFA .....                                   | 39        |
| 136534-02-000, 136534-03-000, 136534-13-000, 136534-15-000 ..... | 39        |
| HARDWARE .....   | 40        |
| ACCESSORIES .....  | 41        |
| FABRICS .....  | 42        |
| <b>DRIVERS COMPARTMENT GROUP</b> .....                           | <b>43</b> |
| DASH .....   | 43        |
| FRONT INTERIOR .....   | 44        |
| CABINETS .....   | 46        |

# CONTENTS (CONTINUED)

|  |           |
|--|-----------|
| <b>ELECTRICAL GROUP</b> .....                        | <b>47</b> |
| 110V BODY WIRING .....                               | 47        |
| 12V BODY WIRING .....                                | 48        |
| EXTERIOR LAMPS .....                                 | 54        |
| FRONT END .....                                      | 56        |
| COMPONENT PARTS FOR WIRING .....                     | 60        |
| 076319-23-000 .....                                  | 60        |
| 076319-25-000 .....                                  | 60        |
| 087694-01-000 .....                                  | 60        |
| 091206-04-000 .....                                  | 60        |
| 108354-01-01A .....                                  | 60        |
| 134940-08-01A .....                                  | 61        |
| 137417-01-01A, 137417-03-01A .....                   | 61        |
| 137417-02-01A .....                                  | 61        |
| 137417-06-01A .....                                  | 61        |
| 158836-01-000 .....                                  | 61        |
| 160363-01-000 & 160363-02-000 .....                  | 62        |
| 163031-01-01A .....                                  | 62        |
| 163097-01-000 .....                                  | 62        |
| 163598-01-02A .....                                  | 62        |
| 164270-01-000 .....                                  | 62        |
| 164598-01-000 .....                                  | 62        |
| CIRCUIT BREAKERS, FUSES & RELAYS .....               | 63        |
| CONVERTER, INVERTER, LOAD CENTERS .....              | 64        |
| BOXES & CORDS .....                                  | 64        |
| WIRE ASSEMBLIES .....                                | 64        |
| CONNECTORS & CONDUIT .....                           | 65        |
| CHASSIS .....  | 68        |
| <b>EXTERIOR BODY GROUP</b> .....                     | <b>69</b> |
| GRAPHICS & PAINT .....                               | 69        |
| PANELS & TRIMS .....                                 | 70        |
| FRONT END .....                                      | 73        |
| LADDER .....   | 75        |
| STRUCTURAL COMPONENTS .....                          | 75        |
| AWNINGS .....  | 75        |
| <b>EXTERIOR DOORS &amp; COMPARTMENTS GROUP</b> ..... | <b>76</b> |
| DOOR & COMPARTMENT LAYOUT .....                      | 76        |
| COMPONENT PARTS FOR DOOR & COMPARTMENT LAYOUT .....  | 82        |
| 142226-02-01A .....                                  | 82        |
| 143709-02-01A .....                                  | 82        |
| COMPARTMENT DOOR PIECE PARTS .....                   | 83        |
| ENTRY .....  | 85        |
| SCREEN .....   | 86        |
| LATCH .....  | 87        |
| <b>EXTERIOR SLIDEOUT GROUP</b> .....                 | <b>88</b> |
| FRONT LEFT .....                                     | 88        |
| COMPONENT PARTS FOR FRONT LEFT .....                 | 90        |
| 153651-04-01A .....                                  | 90        |
| RIGHT REAR .....                                     | 91        |
| COMPONENT PARTS FOR RIGHT REAR .....                 | 94        |
| 153651-04-01A .....                                  | 94        |
| 161662-01-000 .....                                  | 94        |
| 161662-02-000 .....                                  | 94        |
| <b>GENERATOR GROUP</b> .....                         | <b>95</b> |

# CONTENTS (CONTINUED)

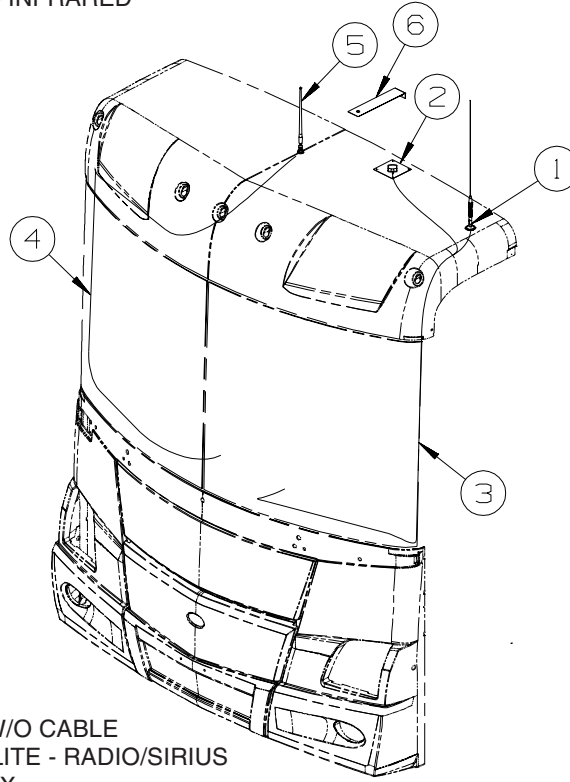
|   |            |
|---|------------|
| <b>HEATING &amp; A/C GROUP</b> .....              | <b>96</b>  |
| AUTOMOTIVE .....                                  | 96         |
| COMPONENT PARTS FOR AUTOMOTIVE .....              | 98         |
| 072342-15-000 .....                               | 98         |
| 072342-28-000 .....                               | 98         |
| 072342-29-000 .....                               | 98         |
| 103930-55-000 .....                               | 99         |
| 103930-61-000 .....                               | 100        |
| 103930-62-000 .....                               | 100        |
| FURNACE .....                                     | 101        |
| COMPONENT PARTS FOR FURNACE .....                 | 102        |
| 143563-02-000 .....                               | 102        |
| CENTRAL .....                                     | 104        |
| <b>INTERIOR FINISH GROUP</b> .....                | <b>105</b> |
| MOLDINGS & TRIMS .....                            | 105        |
| PANELING & LAMINATES .....                        | 115        |
| INTERIOR TRIM LAYOUT .....                        | 116        |
| COMPONENT PARTS FOR INTERIOR TRIM LAYOUT .....    | 118        |
| 158076-03-01A .....                               | 118        |
| FLOOR COVERINGS .....                             | 119        |
| HARDWARE .....                                    | 119        |
| <b>LABELS GROUP</b> .....                         | <b>125</b> |
| <b>LP GROUP</b> .....                             | <b>129</b> |
| LP SYSTEM .....                                   | 129        |
| COMPONENT PARTS FOR LP SYSTEM .....               | 129        |
| 151784-03-000 .....                               | 129        |
| <b>SEALANTS &amp; FASTENERS GROUP</b> .....       | <b>130</b> |
| SEALANTS & ADHESIVES .....                        | 130        |
| BOLTS, NUTS AND WASHERS .....                     | 131        |
| SCREWS .....                                      | 133        |
| CLAMPS, CLIPS, GROMMETS, RIVETS & PLUGS .....     | 136        |
| MISCELLANEOUS FASTENERS .....                     | 137        |
| <b>WATER &amp; SEWAGE GROUP</b> .....             | <b>138</b> |
| DRAINAGE SYSTEM .....                             | 138        |
| COMPONENT PARTS FOR DRAINAGE SYSTEM .....         | 140        |
| 062415-01-000 .....                               | 140        |
| 160815-01-01A .....                               | 140        |
| WATER SYSTEM .....                                | 141        |
| COMPONENT PARTS FOR WATER SYSTEM .....            | 146        |
| 129390-03-02A .....                               | 146        |
| 145541-01-000 .....                               | 146        |
| 151678-01-01A .....                               | 146        |
| 155482-01-01A .....                               | 146        |
| <b>WINDOW &amp; VENTS GROUP</b> .....             | <b>147</b> |
| WINDOW & VENT LAYOUT .....                        | 147        |
| COMPONENT PARTS FOR WINDOW & VENT LAYOUT .....    | 148        |
| 122882-04-01A .....                               | 148        |
| 122882-05-01A .....                               | 148        |
| 123780-27-01A .....                               | 149        |
| 150648-02-01A, 150648-03-01A/3A .....             | 150        |
| 150648-04-01A, 150648-05-01A .....                | 151        |
| 150648-14-01A, 150648-27-01A, 150648-34-01A ..... | 152        |
| 150649-27-01A .....                               | 153        |
| 151069-06-01A .....                               | 154        |
| 150651-07-01A .....                               | 155        |
| <b>WINDSHIELD &amp; WIPER GROUP</b> .....         | <b>156</b> |
| WINDSHIELD .....                                  | 156        |
| WIPER .....                                       | 157        |
| COMPONENT PARTS FOR WIPER .....                   | 157        |
| 149401-01-000,149401-02-000 .....                 | 157        |
| 157512-01-000 .....                               | 157        |
| 157531-01-000 .....                               | 157        |

**ACCESSORIES GROUP**  
**OPERATORS MANUAL**

| <b>KEY</b> | <b>PART NUMBER</b> | <b>U/M</b> | <b>DESCRIPTION</b>                                  |
|------------|--------------------|------------|---|
|            | 160864-01-000      | DW         | TOP LEVEL-G, 2008                                   |
|            | 158603-08-018      | EA         | MANUAL/OWNER - SUPPLEMENT - G-SERIES LIMITED - 2008 |
|            | 159842-01-01A      | EA         | CASE - VINYL - F/MANUALS - W/SLEEVES - BLACK        |
|            | 161500-08-031      | EA         | MANUAL/OWNER - ADVENTURER LIMITED - G SERIES - 2008 |

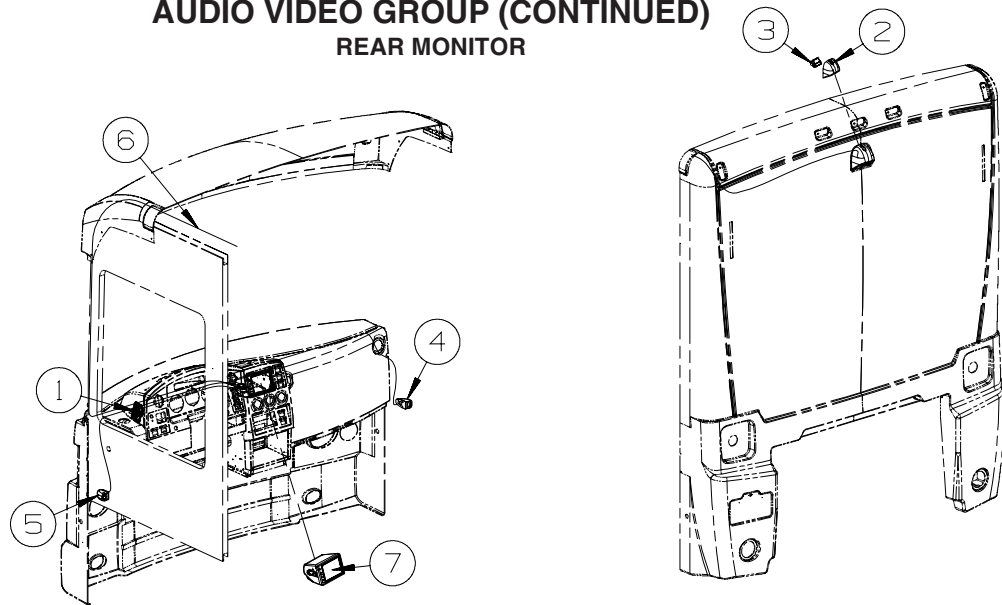
## AUDIO VIDEO GROUP RADIO SYSTEM

| KEY | PART NUMBER   | U/M | DESCRIPTION  |
|-----|---------------|-----|--|
|     | 163142-09-000 | EA  | REMOTE CONTROL/RADIO (CREDIT CARD SIZE)                  |
|     | 163142-10-000 | EA  | REMOTE CONTROL/RADIO (STEERING WHEEL MOUNT)              |
|     | 163142-08-000 | EA  | RADIO-AM/FM/CD/WB - SATELLITE READY - W/12 PIN AMP CNCTR |
|     | 163142-11-000 | EA  | RECEIVER (EYE) - INFRARED                                |



| KEY | PART NUMBER   | U/M | DESCRIPTION                                  |
|-----|---------------|-----|--|
| 1   | NA            | EA  | ANTENNA - CB - W/O CABLE                     |
| 2   | NA            | EA  | ANTENNA/SATELLITE - RADIO/SIRIUS             |
| 3   | NA            | EA  | CABLE - CB - COAX                            |
| 4   | 090944-03-000 | EA  | CABLE - ANTENNA                              |
| 5   | 090944-02-000 | EA  | ANTENNA - RADIO - 16" RUBBER - W/O LEAD WIRE |
| 6   | 140600-06-01B | EA  | BRACKET/ANTENNA MOUNT - MILL FINISH          |

**AUDIO VIDEO GROUP (CONTINUED)**  
**REAR MONITOR**



| KEY | PART NUMBER   | U/M | DESCRIPTION  |
|-----|---------------|-----|--|
| 1   | 098819-01-000 | EA  | SPEAKER - 4" - 2 WATT - 8 OHM  |
| 1   | 093214-01-01A | EA  | GRILLE - SPEAKER - 4" - BLACK  |
| 2   | 137919-02-01A | EA  | SHROUD - CAMERA/OUTER - BRIGHT WHITE   |
| 3   | 144677-14-01A | EA  | CAMERA - REAR VIEW W/BRACKET - WHITE - VBCS150                                   |
| 3   | 144677-14-02A | EA  | CAMERA - REAR VIEW W/BRACKET - BLACK - VBCS150B                                  |
| 4*  | 144677-10-02A | EA  | CAMERA - REAR VIEW - BLK/WHT - WALL MOUNT/RH - PRIMED - VIDEO CAMERA SYSTEM      |
|     | 144677-12-000 | EA  | CABLE - MONITOR/CAMERA - 12' - VIDEO CAMERA SYSTEM                               |
| 5*  | 144677-11-02A | EA  | CAMERA - REAR VIEW - BLK/WHT - WALL MOUNT/LH - PRIMED - VIDEO CAMERA SYSTEM      |
|     | 144677-12-000 | EA  | CABLE - MONITOR/CAMERA - 12' - VIDEO CAMERA SYSTEM                               |
| 6   | 136514-02-000 | EA  | CABLE - MONITOR/CAMERA   |
| 7   | 144677-06-000 | EA  | MONITOR/BLACK & WHITE - 7" - 3 PIN/MECH CONTROLS - RESIZED                       |
| 7   | 144677-08-000 | EA  | MONITOR/BLACK & WHITE- 7" -W/O SIDE CAMERAS/WIRE ASM/CABLE - VIDEO CAMERA SYSTEM |

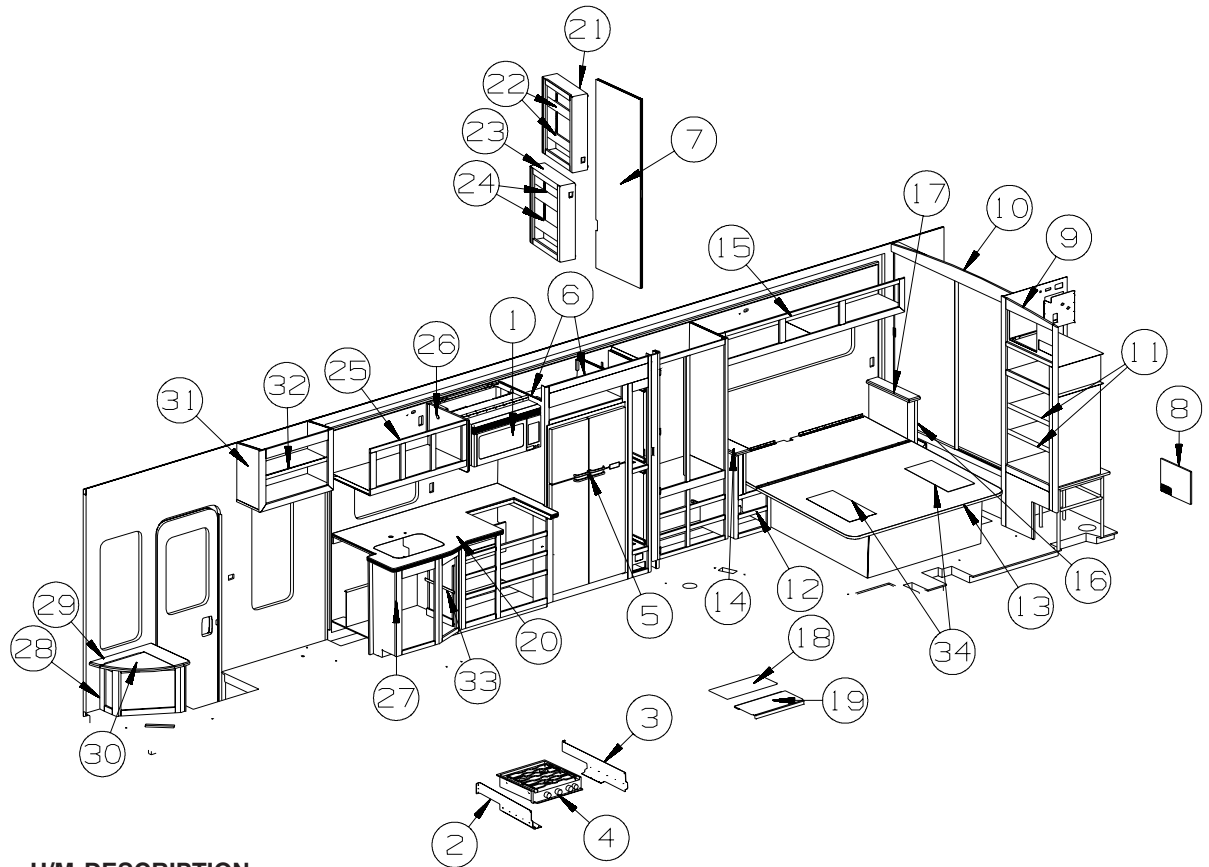
\*COMPONENT PARTS LISTED LATER IN THIS GROUP

**COMPONENT PARTS FOR REAR MONITOR**

| KEY | PART NUMBER   | U/M | DESCRIPTION                 | 144677-10-02A, 144677-11-02A | VENDOR NO. |
|-----|---------------|-----|-----------------------------|------------------------------|------------|
|     | 144677-10-701 | EA  | HOUSING/CAMERA-RT/LT-PRIMED |                              | SIDHSGGTR  |

# CABINET & APPLIANCE GROUP

## CABINET & APPLIANCE LAYOUT



| KEY | PART NUMBER   | U/M | DESCRIPTION  |
|-----|---------------|-----|--|
| 1*  | 119267-17-01A | EA  | OVEN - MICROWAVE/CONVECTION W/HOOD US - #R-1880LS          |
| 2   | 106936-77-02B | EA  | BRACKET - TIEDOWN - RANGE/FRONT - E-COATED                 |
| 3   | 106936-78-02B | EA  | BRACKET - TIEDOWN - RANGE/FRONT - E-COATED                 |
| 4*  | 135065-03-03A | EA  | RANGE-3 BURNER (SEALED)-W/O OVEN-NEW STYLE KNOBS-STAINLESS |
| 4*  | 135065-04-01A | EA  | RANGE - 3 BURNER (SEALED) - W/O OVEN - CSA - BLACK TOP     |
| 5*  | 125242-05-02A | EA  | REFRIGERATOR - 4 DOOR - W/ICE MAKER - TITANIUM SST         |
|     | 145670-03-10A | EA  | TRAY - REFRIGERATOR - BLACK                                |
|     | 054450-01-000 | EA  | LEVEL - REFRIGERATOR                                       |
| 6   | 090329-01-000 | FT  | SEAL - "T" - REFRIGERATOR CABINET                          |
| 7   | 161245-11-YP0 | EA  | DOOR - SLIDING - W/O HARDWARE                              |
|     | 113130-01-02A | EA  | PULL - DOOR POCKET - CHROME                                |
| 8   | 140594-32-01A | EA  | GRILL - RETURN AIR - 9.6" X 15.5" - BLACK                  |
| 9   | 165939-11-YP0 | EA  | FACE - CABINET/WARDROBE                                    |
| 10  | 165939-17-YP0 | EA  | HEADER - CABINET/WARDROBE                                  |
| 11  | 165939-36-YP0 | EA  | SHELF - W/WOOD MOLDING                                     |
| 12  | 161068-01-YP0 | EA  | CABINET - NIGHTSTAND/LH/KING - W/O CNTRTP/DOOR/DRWR/HDW    |
| 13  | 161071-01-W66 | EA  | BEDBOARD - KING - W/HINGE/T-MOLDING - FLIP-UP              |
| 14  | 145182-51-YP0 | EA  | COUNTERTOP - LAMINATED                                     |
| 15  | 167526-02-YP0 | EA  | CABINET - OVERHEAD/REAR - W/O DOORS/HDW                    |
| 16  | 161067-01-YP0 | EA  | CABINET - NIGHTSTAND/RH/KING - W/O CNTRTP/DOOR/DRWR/HDW    |
| 17  | 145182-52-YP0 | EA  | COUNTERTOP - LAMINATED                                     |
| 18  | 161674-09-WD7 | EA  | COVER - STOVE TOP - CORIAN (WL8)                           |
| 18  | 161674-09-WE3 | EA  | COVER - STOVE TOP - CORIAN (WL9)                           |
| 19  | 161674-10-WA4 | EA  | COVER - STOVE TOP - CORIAN (WL8)                           |
| 19  | 161674-10-WB0 | EA  | COVER - STOVE TOP - CORIAN (WL9)                           |
| 20  | 164135-02-YP0 | EA  | COUNTERTOP - GALLEY (WL8)                                  |
| 20  | 164135-02-WL9 | EA  | COUNTERTOP - GALLEY (WL9)                                  |
| 21  | 153343-01-S67 | EA  | CABINET - PANTRY/SLIDE - W/O DOORS/DRAWERS/HDW             |
| 22  | 153343-21-S67 | EA  | SHELF - W/WOOD MOLDING                                     |
| 23  | 153343-03-S67 | EA  | CABINET - PANTRY/SLIDE - W/O DOORS/DRAWERS/HDW             |
| 24  | 153343-27-S67 | EA  | SHELF - W/WOOD MOLDING                                     |
| 25  | 167519-01-YP0 | EA  | CABINET - OVERHEAD/GALLEY - W/O DOORS/HDW                  |
| 26  | 145517-56-YP0 | EA  | END CAP - OVERHEAD CABINET                                 |

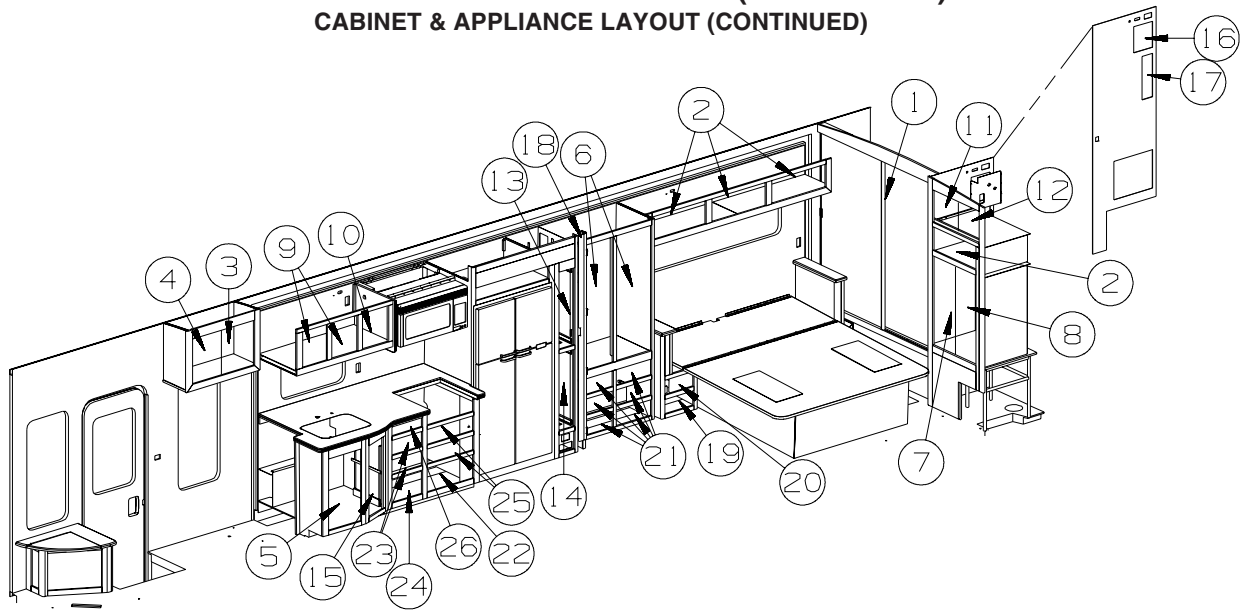


## CABINET & APPLIANCE GROUP (CONTINUED)

### CABINET & APPLIANCE LAYOUT (CONTINUED)

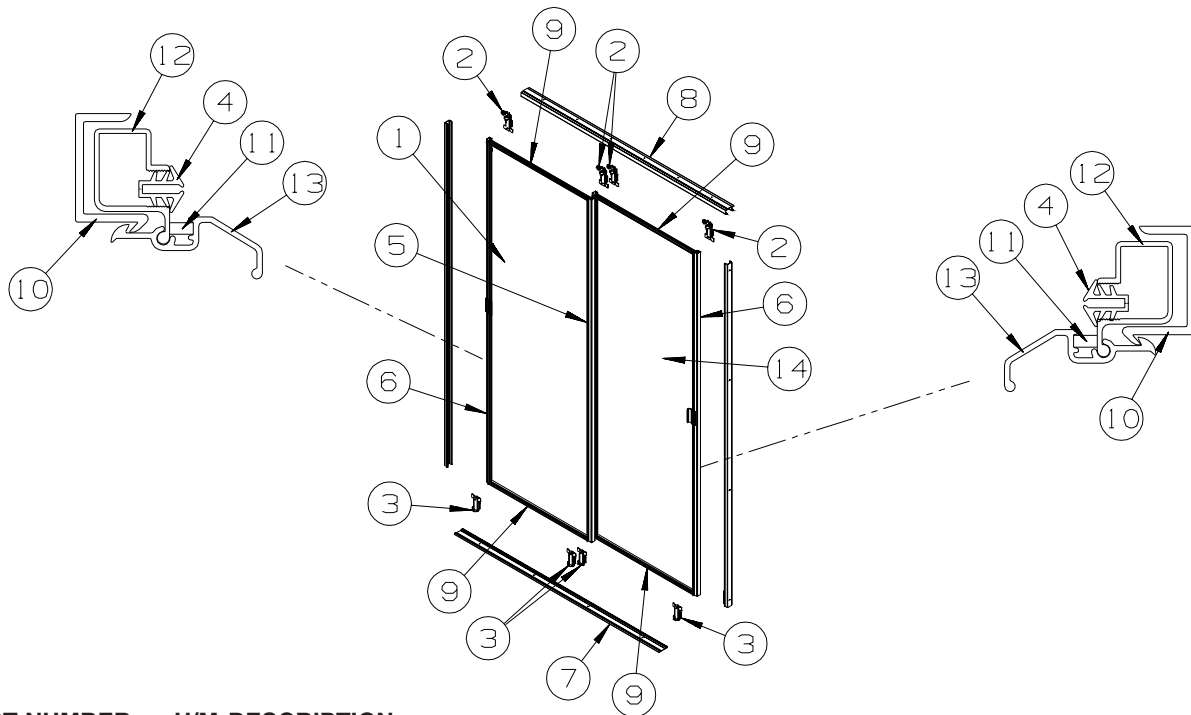
| KEY | PART NUMBER   | U/M | DESCRIPTION   |
|-----|---------------|-----|---|
| 27  | P67581-01-YP0 | EA  | CABINET - GALLEY - W/O COUNTERTOP/DOORS/DRAWERS/HDW |
| 28  | 161812-02-WL8 | EA  | CABINET - END TABLE - W/O COUNTERTOPS/DOORS/HDW     |
| 29  | 166697-03-YN0 | EA  | COUNTERTOP - END TABLE WITH HINGED LID              |
| 30  | 166697-04-YN0 | EA  | COUNTERTOP - END TABLE, HINGED SECTION ONLY         |
| 31  | 167512-01-YP0 | EA  | CABINET - OVERHEAD/FRONT - W/O DOORS/HDW            |
| 32  | 167512-15-YP0 | EA  | SHELF - W/PLASTIC EDGE MOLDING                      |
| 33  | 057534-08-000 | EA  | TIEBACK - CLEAR PLASTIC - 17"                       |
| 34  | 096764-02-000 | FT  | SLIPNOT - ANTISLIP - 1'WIDE (20' ROLLS) - WHITE     |

**CABINET & APPLIANCE GROUP (CONTINUED)**  
**CABINET & APPLIANCE LAYOUT (CONTINUED)**



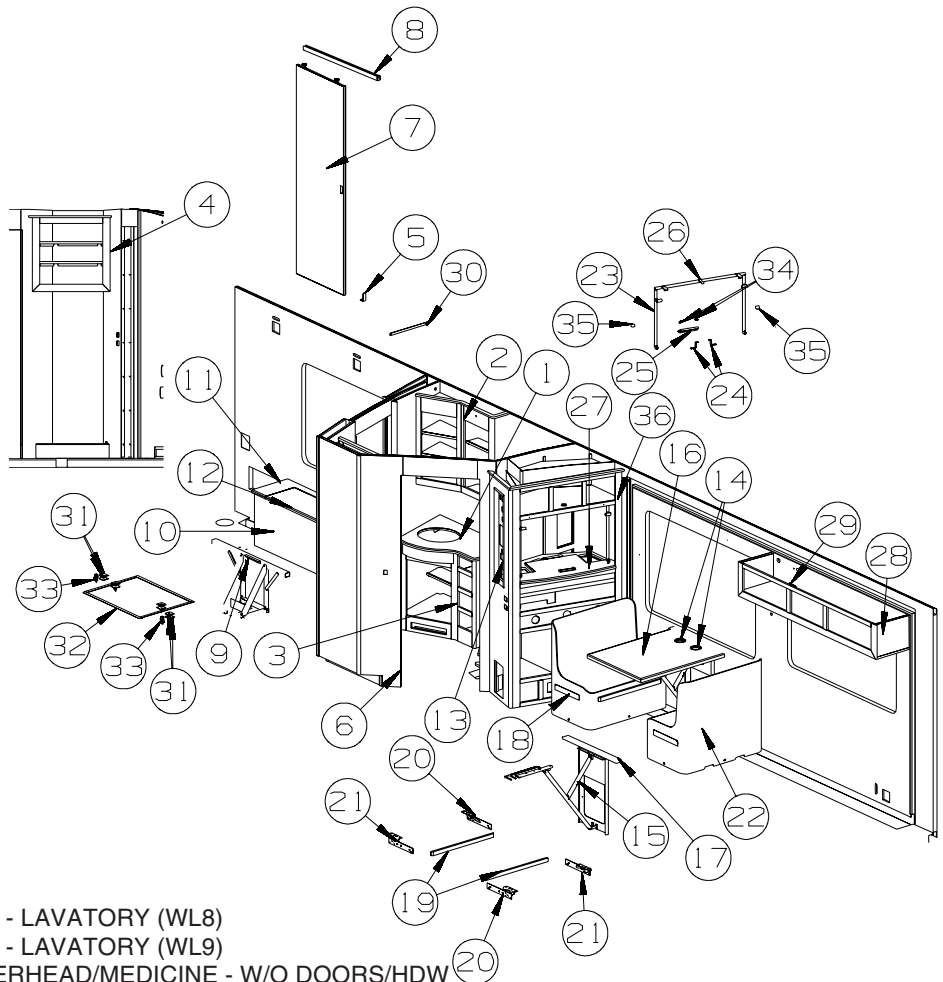
| KEY | PART NUMBER   | U/M | DESCRIPTION  |
|-----|---------------|-----|--|
| 1   |               |     | WARDROBE DOORS (SEE FOLLOWING PAGE)                      |
| 2   | 167627-25-YP0 | EA  | DOOR - RAISED/PENCIL EDGE - 10" X 25.2" - W/O HDW        |
| 3   | 167627-A4-YP0 | EA  | DOOR - RAISED/PENCIL EDGE - 14.3" X 17.9" - W/O HDW      |
| 4   | 167627-A5-YP0 | EA  | DOOR - RAISED/PENCIL EDGE - 14.3" X 17.9" - W/O HDW      |
| 5   | 167627-D4-YP0 | EA  | DOOR - RAISED/PENCIL EDGE - 15.7" X 27.9" - W/O HDW      |
| 6   | 167627-D9-YP0 | EA  | DOOR - RAISED/PENCIL EDGE - 16.7" X 48" - W/O HDW        |
| 7   | 167627-E6-YP0 | EA  | DOOR - RAISED/PENCIL EDGE - 12.4" X 35" - W/O HDW        |
| 8   | 167627-E7-YP0 | EA  | DOOR - RAISED/PENCIL EDGE - 12.4" X 35" - W/O HDW        |
| 9   | 167627-80-YP0 | EA  | DOOR - RAISED/PENCIL EDGE - 12.4" X 14.4" - W/O HDW      |
| 10  | 167627-81-YP0 | EA  | DOOR - RAISED/PENCIL EDGE - 12.4" X 14.4" - W/O HDW      |
| 11  | 167720-03-YP0 | EA  | DOOR - RAISED/PENCIL EDGE - 12.4" X 13.2" - W/O HDW      |
| 12  | 167720-04-YP0 | EA  | DOOR - RAISED/PENCIL EDGE - 12.4" X 13.2" - W/O HDW      |
| 13  | 154289-16-YP0 | EA  | DOOR - RAISED PANEL/PENCIL EDGE - 7.9" X 30.3" - W/O HDW |
| 14  | 154289-17-YP0 | EA  | DOOR - RAISED PANEL/PENCIL EDGE - 7.9" X 30.3" - W/O HDW |
| 15  | 167627-48-YP0 | EA  | DOOR - RAISED/PENCIL EDGE - 10.8" X 27.9" - W/O HDW      |
| 16  | 160256-62-YP0 | EA  | DOOR - FLAT/SQUARE EDGE - 10.6" X 9.2" - W/O HDW         |
| 17  | 160256-63-YP0 | EA  | DOOR - FLAT/SQUARE EDGE - 17.1" X 5.5" - W/O HDW         |
| 18  | 162542-02-YP0 | EA  | DOOR - FLAP/WOOD - 3.1" X 72.7" - W/HINGE                |
| 19  | 161075-D0-YP0 | EA  | DRAWER - PENCIL EDGE - 12"W X 15.7"D - W/O SLIDES/HDW    |
| 20  | 161075-D1-YP0 | EA  | DRAWER - PENCIL EDGE - 12"W X 19.7"D - W/O SLIDES/HDW    |
| 21  | 161075-D3-YP0 | EA  | DRAWER - PENCIL EDGE - 14.7"W X 13.8"D - W/O SLIDES/HDW  |
| 22  | 161075-D4-YP0 | EA  | DRAWER - PENCIL EDGE - 19.8"W X 21.6"D - W/O SLIDES/HDW  |
| 23  | 161075-D5-YP0 | EA  | DRAWER - PENCIL EDGE - 12.7"W X 23.6"D - W/O SLIDES/HDW  |
| 24  | 161075-D6-YP0 | EA  | DRAWER - PENCIL EDGE - 12.7"W X 23.6"D - W/O SLIDES/HDW  |
| 25  | 161075-95-WG2 | EA  | DRAWER - PENCIL EDGE - 19.8"W X 23.6"D - W/O SLIDES/HDW  |
| 26  | 161075-E2-YP0 | EA  | DRAWER - PENCIL EDGE - 19.8"W X 23.6"D - W/O SLIDES/HDW  |

**CABINET & APPLIANCE GROUP (CONTINUED)**  
**CABINET & APPLIANCE LAYOUT (CONTINUED)**



| KEY | PART NUMBER   | U/M | DESCRIPTION  |
|-----|---------------|-----|--|
| 1   | 136681-24-TD0 | EA  | DOOR - MİRRORED/WARDROBE - LH - W/HANGERS/GUIDES/LATCH   |
|     | 140374-77-000 | EA  | MIRROR - SAFETY GLASS - 34.7" X 63.4"                    |
| 2   | 107390-02-000 | EA  | CORNER HANGER (DOUBLE ROLLER W/BRACKET) (SOLD AS 1 EACH) |
| 3   | 107391-01-000 | EA  | GUIDE - BOTTOM - BY-PASS (4 USED PER DOOR)               |
| 4   | 111575-01-01A | FT  | CHANNEL - GLAZING - SWING DOOR                           |
| 5   | 114104-25-01A | EA  | STILE - DOOR - SLIDING - 64.2" - TERRATONE               |
| 6   | 114104-26-01A | EA  | STILE - DOOR - SLIDING - 64.2" - TERRATONE               |
| 7   | 114105-26-01A | EA  | TRACK - SLIDING DOOR - LOWER - 65.5" - TERRATONE         |
| 8   | 114106-26-01A | EA  | TRACK - SLIDING DOOR - UPPER - 65.5" - TERRATONE         |
| 9   | 114107-18-01A | EA  | RAIL - DOOR/SLIDING - UPPER/LOWER - 33.2" - TERRATONE    |
| 10  | 115538-13-01A | EA  | JAMB - DOOR - WARDROBE/MİRRORED - 64.9" - BLACK          |
| 11  | 115541-01-000 | EA  | SPRING - DOOR - SLIDING                                  |
| 12  | 123655-01-000 | FT  | SEAL - CLOSED CELL/FOAM                                  |
| 13  | 158158-01-01A | EA  | LATCH - WARDROBE DOOR - MİRRORED - TERRA COTTA           |
| 14  | 136680-24-TD0 | EA  | DOOR - MİRRORED/WARDROBE - RH - W/HANGERS/GUIDES/LATCH   |
|     | 140374-77-000 | EA  | MIRROR - SAFETY GLASS - 34.7" X 63.4"                    |

**CABINET & APPLIANCE GROUP (CONTINUED)**  
**CABINET & APPLIANCE LAYOUT (CONTINUED)**

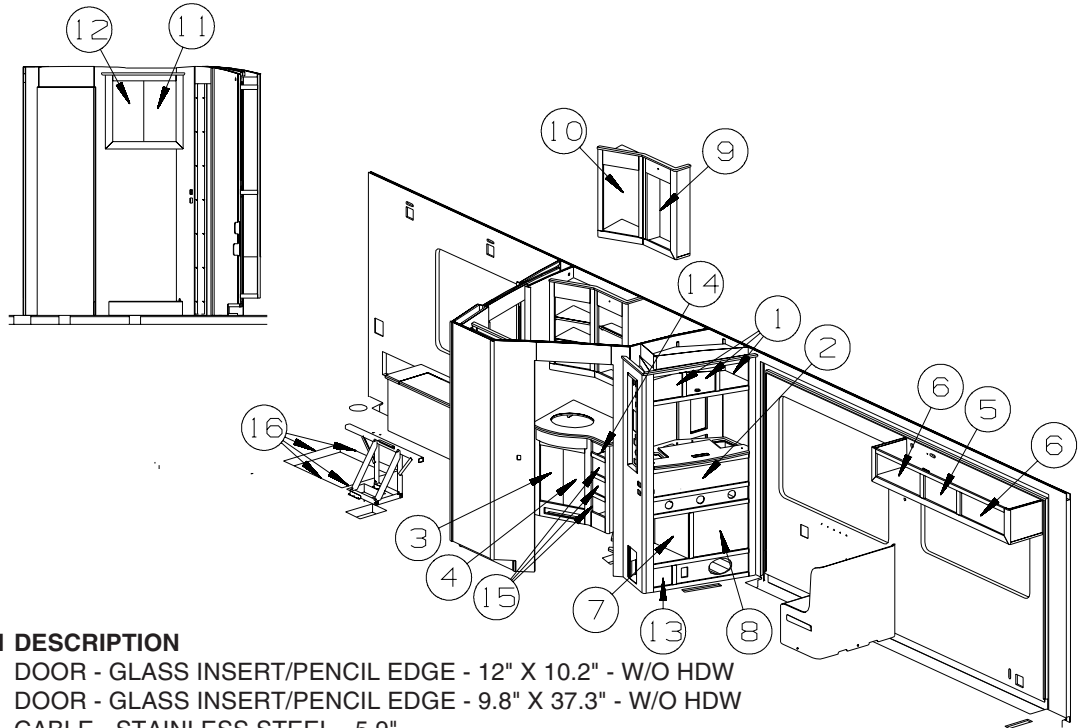


| KEY | PART NUMBER   | U/M | DESCRIPTION  |
|-----|---------------|-----|--|
| 1   | 166697-01-YP0 | EA  | COUNTERTOP - LAVATORY (WL8)                                |
| 1   | 166697-01-WL9 | EA  | COUNTERTOP - LAVATORY (WL9)                                |
| 2   | 161402-01-WL8 | EA  | CABINET - OVERHEAD/MEDICINE - W/O DOORS/HDW                |
| 3   | P61072-01-WL8 | EA  | CABINET - LAVATORY - W/O COUNTERTOP/DOORS/DRAWERS/HDW      |
| 4   | 163384-01-WL8 | EA  | CABINET - OVERHEAD/LINEN - W/O DOORS/HDW                   |
| 5   | 138136-05-02B | EA  | GUIDE - DOOR - E-COATED                                    |
| 6   | 153095-01-T80 | EA  | DOOR - BATH - 25.6" X 75.7" - W/O FRAME(PICTURE)TRIM/HDW   |
| 7   | 140629-A0-WL8 | EA  | DOOR - SLIDING - W/O HARDWARE                              |
| 8   | 145608-23-01A | EA  | TRACK - DOOR - 46.4" - OFF WHITE                           |
| 9   | 161646-02-02B | EA  | FRAME - BED/SLIDEOUT - KING - E-COATED                     |
| 10  | 160986-01-YP0 | EA  | CABINET - BENCH - W/O TOP/HDW                              |
| 11  | 145182-53-YP0 | EA  | COUNTERTOP - LAMINATED - STATIONARY - W/O HINGE            |
| 12  | 145182-54-YP0 | EA  | COUNTERTOP - LAMINATED - LID - W/O HINGE                   |
| 13  | 137602-L4-WL8 | EA  | POCKET - MONITOR PANEL                                     |
| 14  | 164128-02-03A | EA  | HOLDER/CUP - TWO STEP - ALMOND                             |
| 15  | 165719-01-01A | EA  | BRACKET/MOUNTING - MECHANISM/DINETTE - TAN                 |
| 16  | 166017-03-WL8 | EA  | TABLE/DINETTE - 29.7"X37.7" - W/O WALL MOLDING/CUPHLDR/HDW |
| 17  | 167749-01-Y79 | EA  | TRIM - HARDWOOD, DINETTE TABLE                             |
| 18  | 161306-33-WL8 | EA  | CABINET/DINETTE W/BACK(WRAPPED) - W/O DOORS/HDW            |
| 18  | 161306-33-WL9 | EA  | CABINET/DINETTE W/BACK(WRAPPED) - W/O DOORS/HDW            |
| 19  | 081295-01-T02 | EA  | SUPPORT - BED/DINETTE - 28" LONG                           |
| 20  | 161278-01-000 | EA  | BRACKET - DINETTE - RIGHT HAND                             |
| 21  | 161278-02-000 | EA  | BRACKET - DINETTE - LEFT HAND                              |
| 22  | 161306-32-WL8 | EA  | CABINET/DINETTE W/BACK(WRAPPED) - W/O DOORS/HDW            |
| 22  | 161306-32-WL9 | EA  | CABINET/DINETTE W/BACK(WRAPPED) - W/O DOORS/HDW            |
| 23  | 151954-08-02B | EA  | BRACKET/HOLD DOWN - TV - E-COATED                          |
| 24  | 146791-02-02B | EA  | BRACKET/ZEE - TV - E-COATED                                |
| 25  | 151829-03-02B | EA  | HOLD DOWN/Z - F/TV - E-COATED                              |
| 26  | 164778-01-02B | EA  | BRACKET - ZEE/TV - E-COATED                                |
| 27  | 166697-06-WL8 | EA  | COUNTERTOP - TV  |
| 28  | 167476-01-YP0 | EA  | CABINET - OVERHEAD/COUCH - W/O DOORS/HDW                   |
| 29  | 022756-03-000 | EA  | COVER - A/C - OFF WHITE PLASTIC                            |
|     | 076725-06-000 | EA  | COVER - ACCESS - BLACK                                     |
| 30  | 057534-08-000 | EA  | TIEBACK - CLEAR PLASTIC - 17"                              |

## CABINET & APPLIANCE GROUP (CONTINUED)

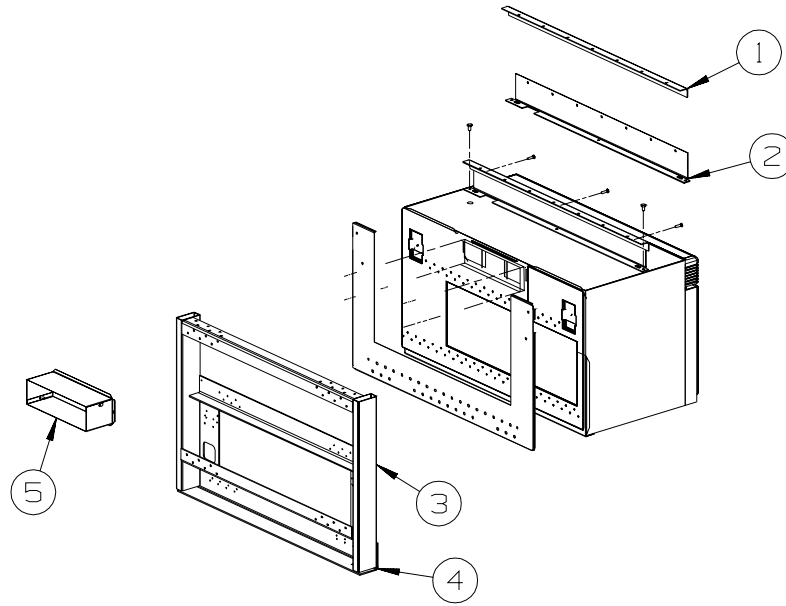
### CABINET & APPLIANCE LAYOUT (CONTINUED)

| KEY | PART NUMBER   | U/M | DESCRIPTION                                  |
|-----|---------------|-----|--|
| 31  | 097111-02-04A | EA  | POCKET - LOCK - REAR DOOR - BLACK            |
| 32  | 098408-01-000 | FT  | SEAL - SPONGE RUBBER - CLOSED CELL           |
| 33  | 102330-01-000 | EA  | LATCH - VISE ACTION/KEY OPERATED             |
| 34  | 142913-01-000 | EA  | J-CLIP - F/TV HOLD DOWN                      |
| 35  | 152665-01-01A | EA  | CAP - TUBE - 3/4" X 3/4" X 1" - RUBBER/BLACK |
| 36  | 165941-11-WL8 | EA  | FACE/FRAME - TV CABINET - W/O DOOR/HDW       |
| 36  | 165941-11-WL9 | EA  | FACE/FRAME - TV CABINET - W/O DOOR/HDW       |



| KEY | PART NUMBER   | U/M | DESCRIPTION  |
|-----|---------------|-----|--|
| 1   | 146028-F0-YP0 | EA  | DOOR - GLASS INSERT/PENCIL EDGE - 12" X 10.2" - W/O HDW  |
| 2   | 146028-F1-YP0 | EA  | DOOR - GLASS INSERT/PENCIL EDGE - 9.8" X 37.3" - W/O HDW |
|     | 076767-04-000 | EA  | CABLE - STAINLESS STEEL - 5.9"                           |
| 3   | 167627-08-YP0 | EA  | DOOR - RAISED/PENCIL EDGE - 9.2" X 21.8" - W/O HDW       |
| 4   | 167627-09-YP0 | EA  | DOOR - RAISED/PENCIL EDGE - 9.2" X 21.8" - W/O HDW       |
| 5   | 167627-22-YP0 | EA  | DOOR - RAISED/PENCIL EDGE - 10" X 19.1" - W/O HDW        |
| 6   | 167627-25-YP0 | EA  | DOOR - RAISED/PENCIL EDGE - 10" X 25.2" - W/O HDW        |
| 7   | 167720-01-YP0 | EA  | DOOR - RAISED/PENCIL EDGE - 18.5" X 18.5" - W/O HDW      |
| 8   | 167720-02-YP0 | EA  | DOOR - RAISED/PENCIL EDGE - 18.5" X 18.5" - W/O HDW      |
| 9   | 145576-C1-WA2 | EA  | DOOR - MIRRORED - 14.5" X 25.9" - W/O HARDWARE           |
|     | 093606-30-000 | EA  | MIRROR - BEVELED EDGE - 14.5" X 25.9"                    |
|     | 076767-04-000 | EA  | CABLE - STAINLESS STEEL - 5.9"                           |
| 10  | 145576-C2-YP0 | EA  | DOOR - MIRRORED - 14.5" X 25.9" - W/O HARDWARE           |
|     | 093606-30-000 | EA  | MIRROR - BEVELED EDGE - 14.5" X 25.9"                    |
| 11  | 167627-59-YP0 | EA  | DOOR - RAISED/PENCIL EDGE - 11.4" X 21.8" - W/O HDW      |
| 12  | 167627-60-YP0 | EA  | DOOR - RAISED/PENCIL EDGE - 11.4" X 21.8" - W/O HDW      |
| 13  | 159211-B1-YP0 | EA  | FACE - DRAWER  |
| 14  | 161075-E0-YP0 | EA  | DRAWER - PENCIL EDGE - 6.8"W X 9.8"D - W/O SLIDES/HDW    |
| 15  | 161075-E1-YP0 | EA  | DRAWER - PENCIL EDGE - 6.8"W X 9.8" - W/O SLIDES/HDW     |
| 16  | 098408-01-000 | FT  | SEAL - SPONGE RUBBER - CLOSED CELL                       |

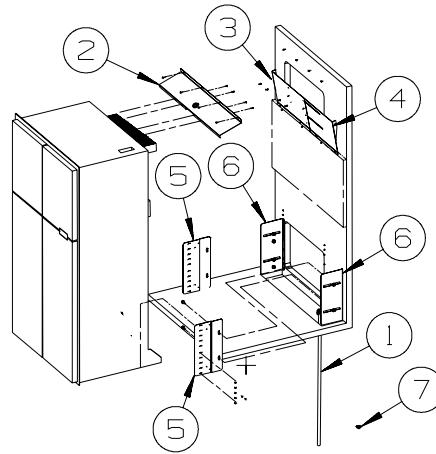
**CABINET & APPLIANCE GROUP (CONTINUED)**  
**CABINET & APPLIANCE LAYOUT (CONTINUED)**



**MICROWAVE  
INSTALLATION**

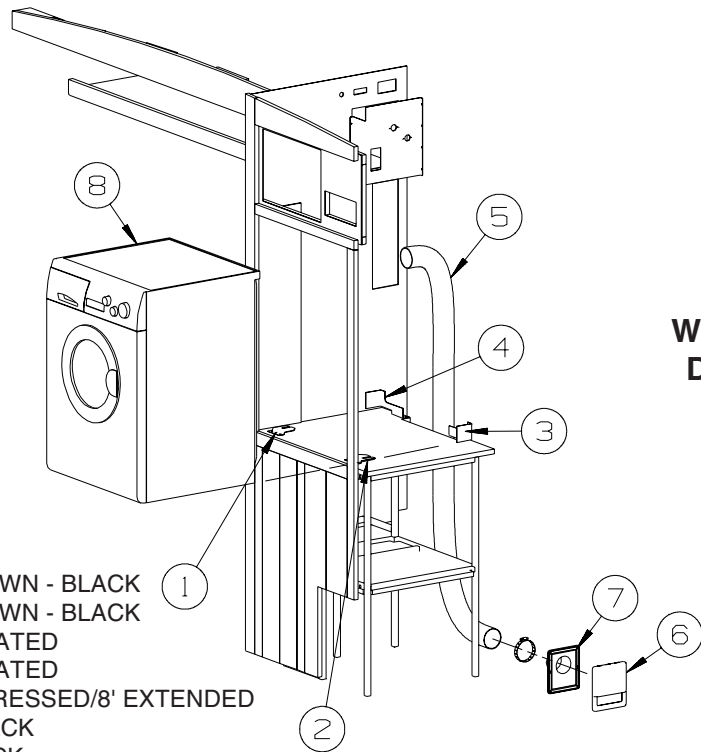
| KEY | PART NUMBER   | U/M | DESCRIPTION   |
|-----|---------------|-----|---|
| 1   | 129836-02-02B | EA  | ANGLE - W/HOLES - 1" X .8" X 29.5" - E-COATED           |
| 2   | 129836-01-02B | EA  | ANGLE - W/HOLES - 1" X .8" X 29.5" - E-COATED           |
| 3   | 137824-03-02B | EA  | BRACKET - MICROWAVE - E-COATED                          |
| 4   | 093305-01-01A | FT  | TRIM - EDGE C-TYPE - WIRE CARRIER - .35" X .24" - VINYL |
| 5   | NOT USED      |     |   |

**CABINET & APPLIANCE GROUP (CONTINUED)**  
**CABINET & APPLIANCE LAYOUT (CONTINUED)**



**4 DOOR  
REFRIGERATOR**

| KEY | PART NUMBER   | U/M | DESCRIPTION  |
|-----|---------------|-----|--|
| 1   | 112176-01-000 | FT  | TUBING - VINYL - REINFORCED - 1/2" ID                  |
| 2   | 136966-05-02B | EA  | BAFFLE - REFRIGERATOR - E-COATED                       |
| 3   | 143195-01-02B | EA  | BAFFLE - REFRIGERATOR - E-COATED                       |
| 4   | 143195-02-02B | EA  | BAFFLE - REFRIGERATOR - E-COATED                       |
| 5   | 164032-01-02B | EA  | BRACKET/TIEDOWN - REFRIGERATOR - E-COATED              |
| 6   | 164032-02-02B | EA  | BRACKET/TIEDOWN - REFRIGERATOR - E-COATED              |
| 7   | 152417-01-01A | EA  | CLAMP/RATCHET - F/REFRIDGERATOR DRIP TRAY HOSE - BLACK |



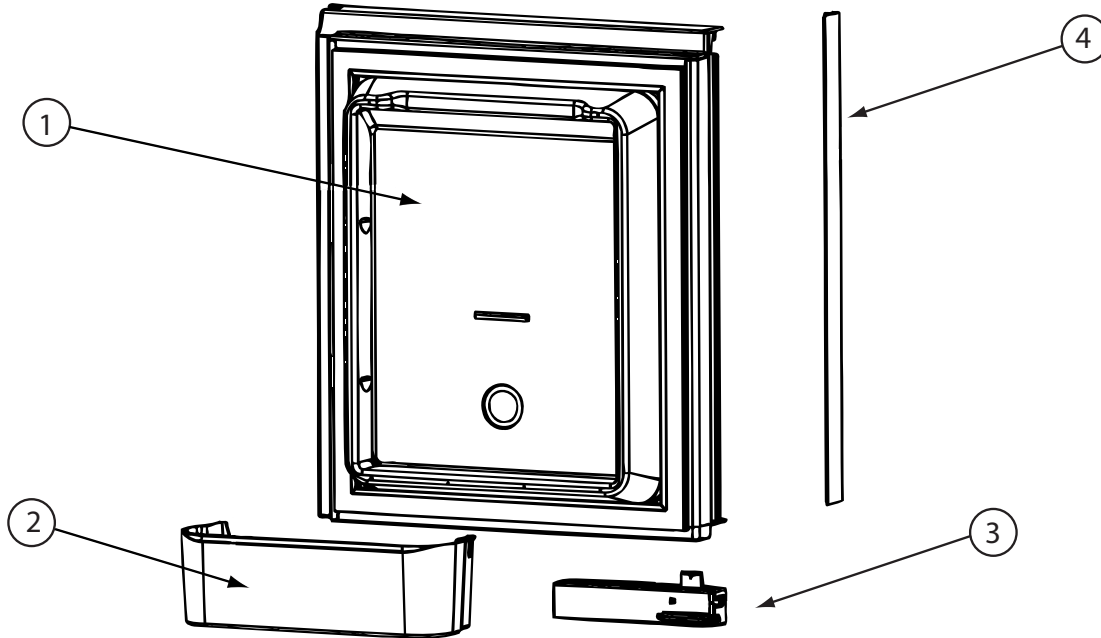
**WASHER  
DRYER**

| KEY | PART NUMBER   | U/M | DESCRIPTION                                 |
|-----|---------------|-----|---|
| 1   | 111913-02-04B | EA  | BRACKET/WASHER - TIE DOWN - BLACK           |
| 2   | 111913-03-04B | EA  | BRACKET/WASHER - TIE DOWN - BLACK           |
| 3   | 113795-01-02B | EA  | BRACKET - WASHER - E-COATED                 |
| 4   | 113795-02-02B | EA  | BRACKET - WASHER - E-COATED                 |
| 5   | 116653-02-000 | FT  | DUCT - FLEXIBLE - 3' COMPRESSED/8' EXTENDED |
| 6   | 146292-01-02A | EA  | COVER - DRYER VENT - BLACK                  |
| 7   | 146292-02-02A | EA  | DRYER VENT - INNER - BLACK                  |
| 8   | 153204-01-01A | EA  | WASHER/DRYER - VENTED - UL/CSA - WHITE      |
|     |               |     | FROM: 00-00-00 THRU: 12-02-07               |
| 8   | 167453-01-01A | EA  | WASHER/DRYER - VENTED - UL/CSA - WHITE      |
|     |               |     | FROM: 12-03-07 THRU: 99-99-99               |
|     | 141523-01-01A | EA  | LABEL - WASHER/DRYER BRACKETS - BLACK/WHITE |

**CABINET & APPLIANCE GROUP (CONTINUED)**  
**COMPONENT PARTS FOR CABINET & APPLIANCE LAYOUT**

119267-17-01A

| KEY | PART NUMBER   | U/M | DESCRIPTION      | VENDOR NO.    |
|-----|---------------|-----|------------------|---------------|
|     | 119267-04-700 | EA  | FILTER-GREASE    | BOO2          |
|     | 119267-04-703 | EA  | PLATE - MOUNTING | FANGTB003MRY0 |
|     | 119267-17-700 | EA  | TURNTABLE-GLASS  | NTNT-A114WREZ |



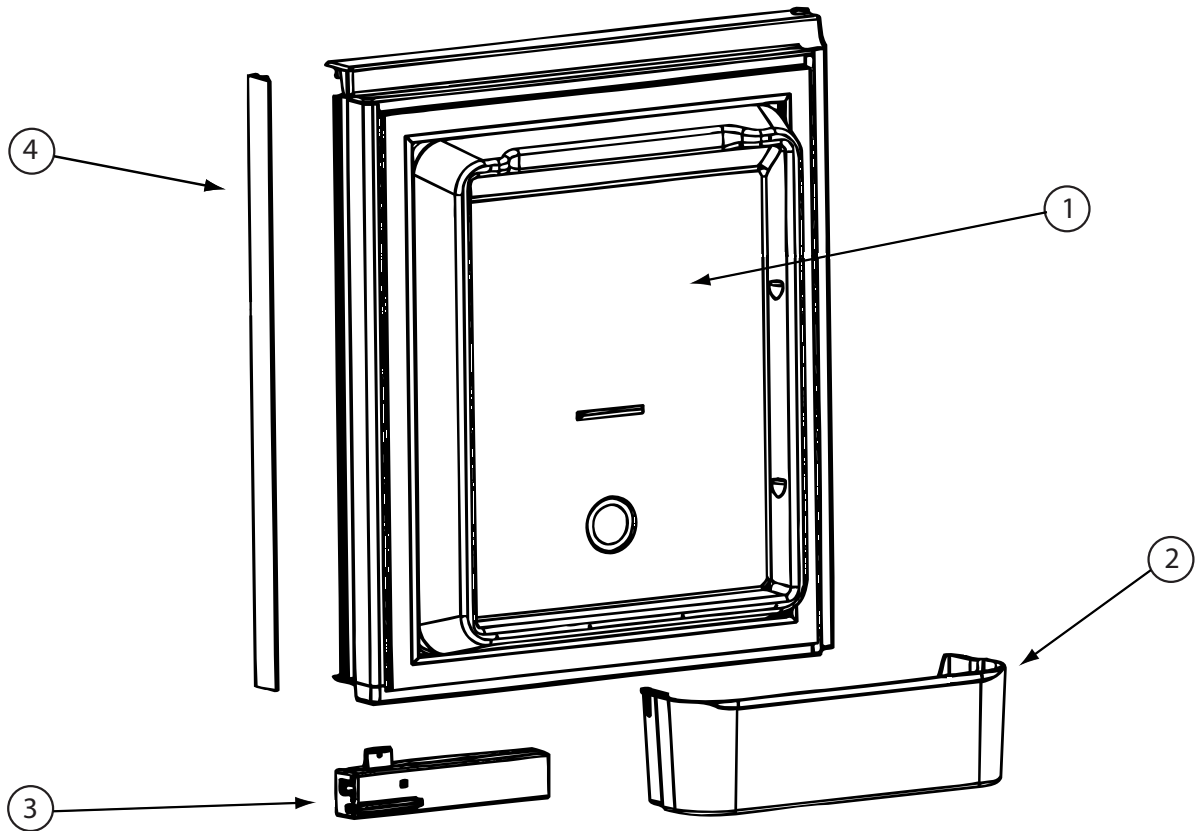
125242-05-02A

| KEY | PART NUMBER   | U/M | DESCRIPTION                  | VENDOR NO. |
|-----|---------------|-----|------------------------------|------------|
| 1   | 125242-05-700 | EA  | LINER-DOOR/UPPER RH/WRP WPM  | 62913401   |
| 2   | 125242-05-701 | EA  | BIN - DOOR SHELF             | 628686     |
| 3   | 125242-02-701 | EA  | HANDLE(CONTOUR)TOP RH LWR LH | 621106     |
|     | 125242-02-722 | EA  | LATCH-STORAGE DR/BLK POINTED | 619374     |

CONTACT WINNEBAGO PART SALES FOR UNLISTED COMPONENT(S)



**CABINET & APPLIANCE GROUP (CONTINUED)**  
**COMPONENT PARTS FOR CABINET & APPLIANCE LAYOUT (CONTINUED)**

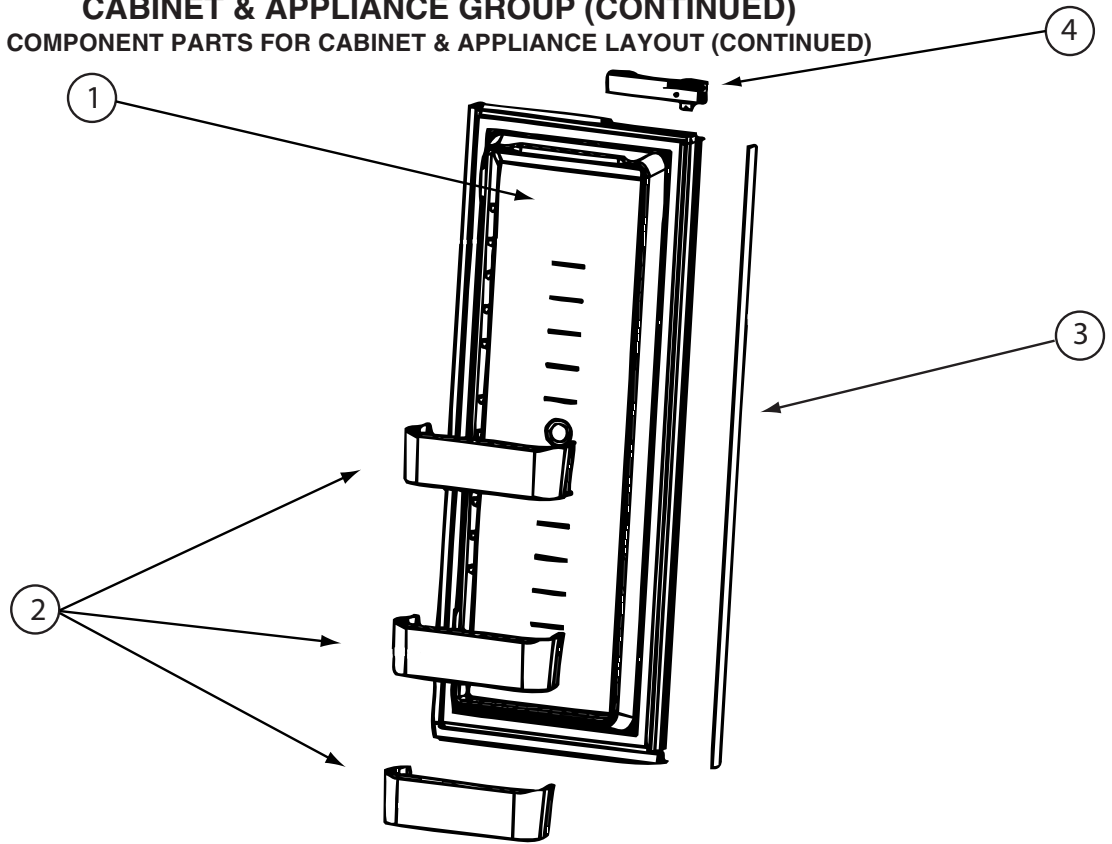


125242-05-02A (CONTINUED)

| KEY | PART NUMBER   | U/M | DESCRIPTION                  | VENDOR NO. |
|-----|---------------|-----|------------------------------|------------|
| 1   | 125242-05-702 | EA  | LINER-DOOR/UPPER LH/WRP WPM  | 62913301   |
| 2   | 125242-05-701 | EA  | BIN - DOOR SHELF             | 628686     |
| 3   | 125242-02-700 | EA  | HANDLE(CONTOUR)TOP LH BTM RH | 621107     |
|     | 125242-02-722 | EA  | LATCH-STORAGE DR/BLK POINTED | 619374     |

CONTACT WINNEBAGO PART SALES FOR UNLISTED COMPONENT(S)

**CABINET & APPLIANCE GROUP (CONTINUED)**  
**COMPONENT PARTS FOR CABINET & APPLIANCE LAYOUT (CONTINUED)**

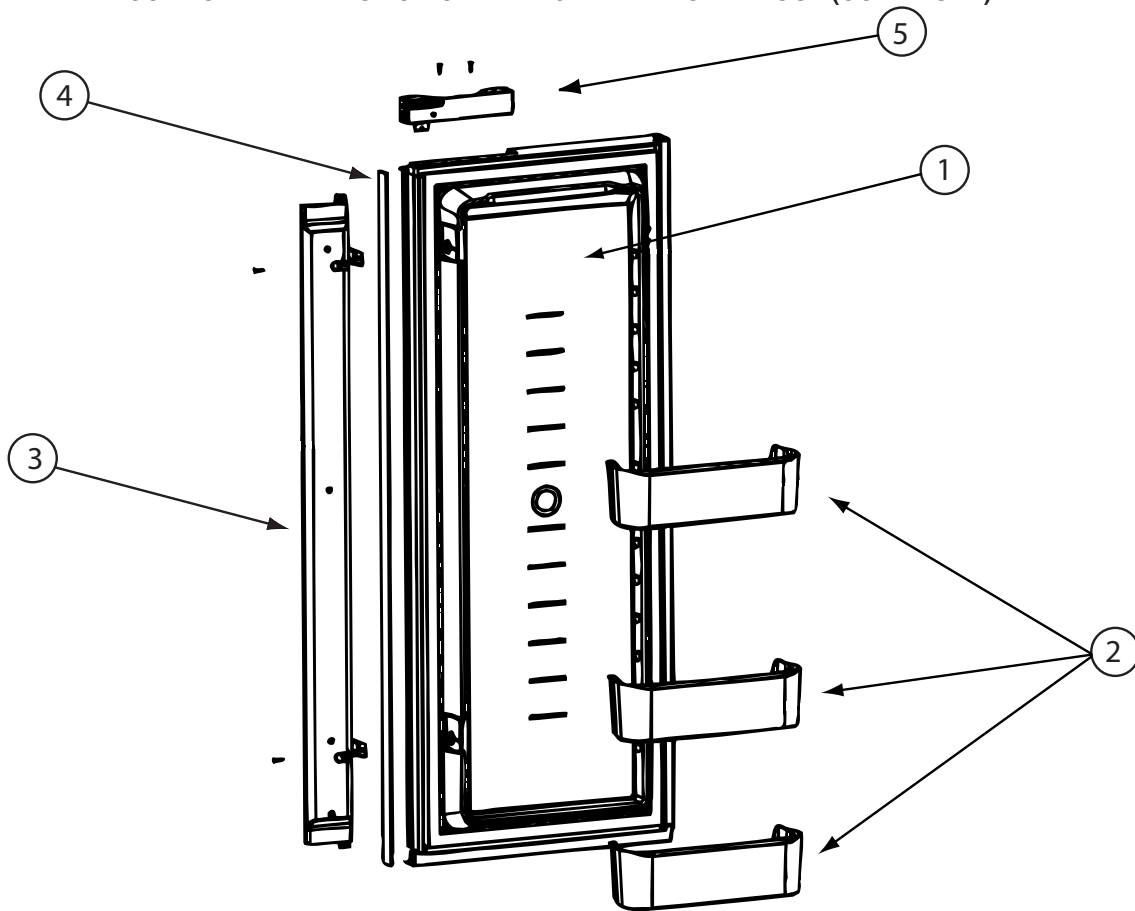


**125242-05-02A (CONTINUED)**

| KEY | PART NUMBER   | U/M | DESCRIPTION                  | VENDOR NO. |
|-----|---------------|-----|------------------------------|------------|
| 1   | 125242-05-703 | EA  | LINER-DOOR/LOWER RH/WRP WPM  | 62913601   |
| 2   | 125242-05-701 | EA  | BIN - DOOR SHELF             | 628686     |
| 4   | 125242-02-700 | EA  | HANDLE(CONTOUR)TOP LH BTM RH | 621107     |
|     | 125242-02-722 | EA  | LATCH-STORAGE DR/BLK POINTED | 619374     |

CONTACT WINNEBAGO PART SALES FOR UNLISTED COMPONENT(S)

**CABINET & APPLIANCE GROUP (CONTINUED)**  
**COMPONENT PARTS FOR CABINET & APPLIANCE LAYOUT (CONTINUED)**

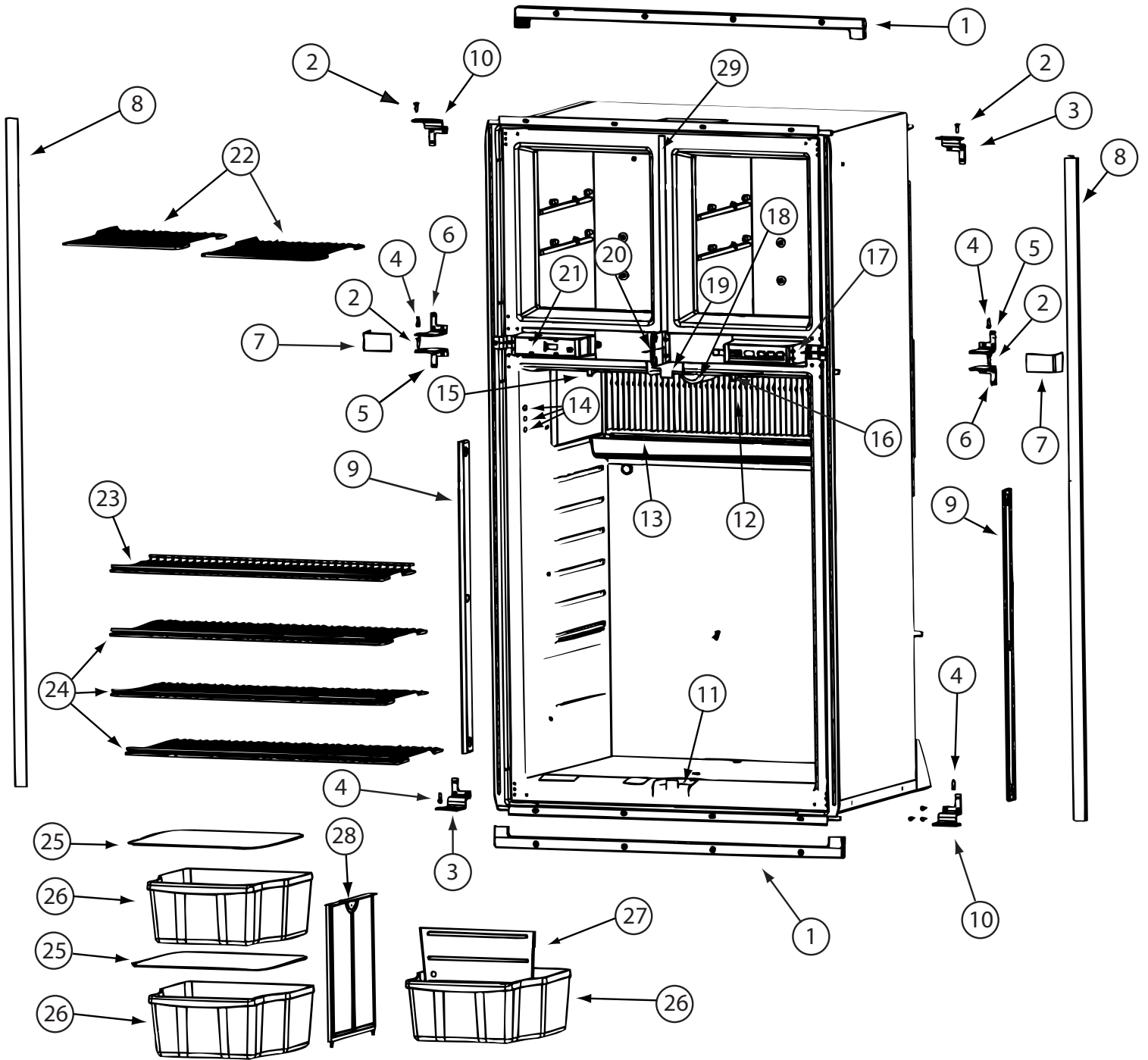


**125242-05-02A (CONTINUED)**

| KEY | PART NUMBER   | U/M | DESCRIPTION                  | VENDOR NO. |
|-----|---------------|-----|------------------------------|------------|
| 1   | 125242-05-704 | EA  | LINER-DOOR/LOWER LH/WRP WPM  | 62913501   |
| 2   | 125242-05-701 | EA  | BIN - DOOR SHELF             | 628686     |
| 3   | 125242-05-705 | EA  | FLAPPER ASM                  | 629049     |
| 5   | 125242-02-701 | EA  | HANDLE(CONTOUR)TOP RH LWR LH | 621106     |
|     | 125242-02-722 | EA  | LATCH-STORAGE DR/BLK POINTED | 619374     |

CONTACT WINNEBAGO PART SALES FOR UNLISTED COMPONENT(S)

**CABINET & APPLIANCE GROUP (CONTINUED)**  
**COMPONENT PARTS FOR CABINET & APPLIANCE LAYOUT (CONTINUED)**



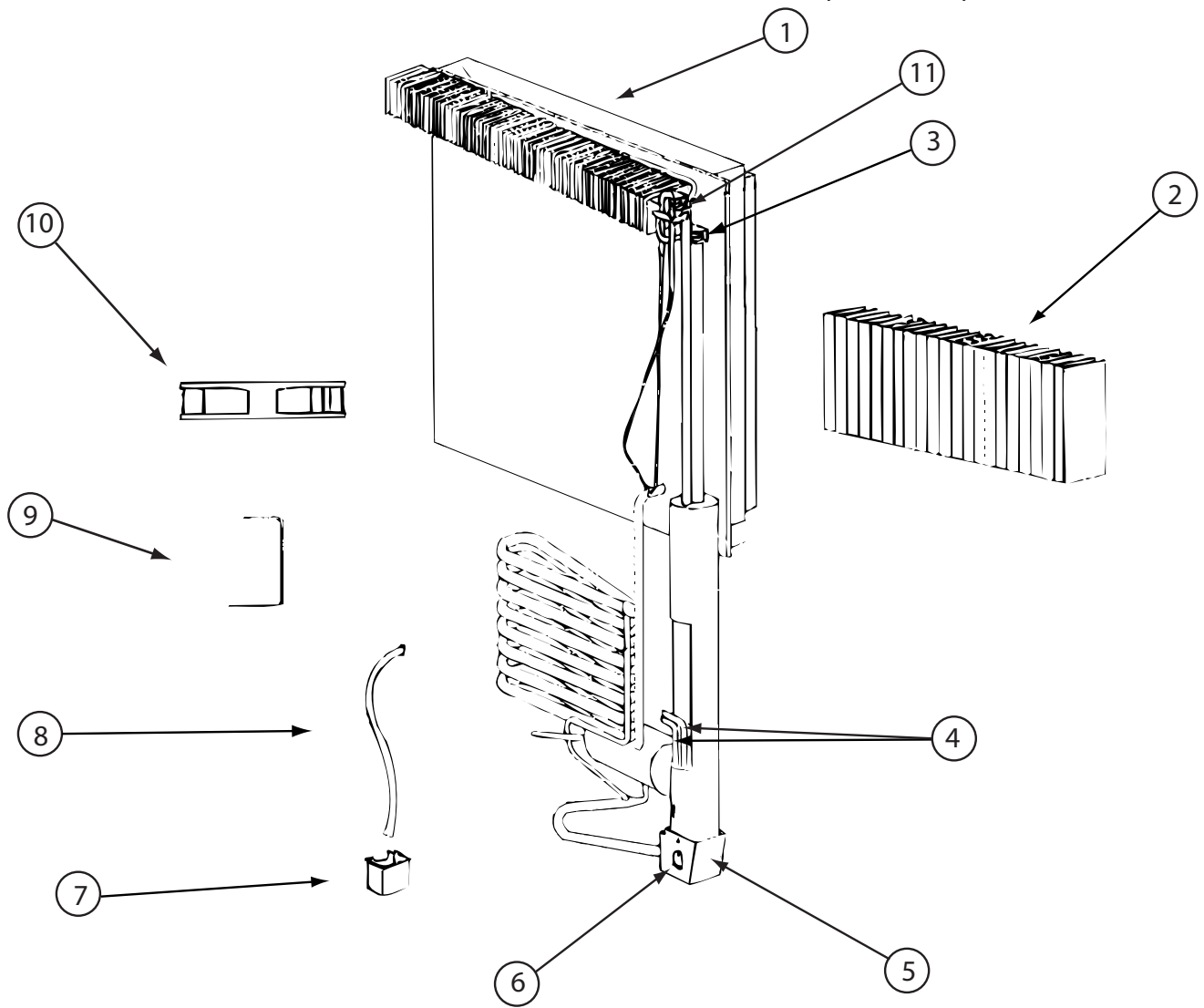
125242-05-02A (CONTINUED)

**CABINET & APPLIANCE GROUP (CONTINUED)**  
**COMPONENT PARTS FOR CABINET & APPLIANCE LAYOUT (CONTINUED)**

**125242-05-02A (CONTINUED)**

| <b>KEY</b> | <b>PART NUMBER</b> | <b>U/M</b> | <b>DESCRIPTION</b>            | <b>VENDOR NO.</b>   |
|------------|--------------------|------------|-------------------------------|---------------------|
| 1          | 125242-01-767      | EA         | KIT INSTALL(U TRIM PCS)HDW    | 623528              |
| 2          | 125242-03-715      | EA         | HINGE PIN/UPR-WRAPPED DOORS   | 623899              |
| 3          | 125242-05-707      | EA         | HINGE-OUTER/UPPER RH/LWR LH   | 628946              |
| 4          | 113737-01-710      | EA         | PIN-HINGE, BOTTOM             | 61550722            |
| 5          | 125242-05-708      | EA         | HINGE-INNER/UPPER RH/LWR LH   | 624363              |
| 6          | 125242-05-709      | EA         | HINGE-INNER/UPPER LH/LWR RH   | 624364              |
| 7          | 125242-05-710      | EA         | COVER - HINGE                 | 627955              |
| 8          | 125242-01-766      | EA         | TRIM-LT/RT HAND-SCREW ON      | 623254              |
| 9          | 125242-02-720      | EA         | RETAINER/SHELF(SER#926685 UP) | 622033              |
| 10         | 125242-05-711      | EA         | HINGE-OUTER/UPPER LH/LWR RH   | 628945              |
| 11         | 125242-05-712      | EA         | GUIDE BLOCK-FLAPPER/BTM/BLK   | 629112              |
| 12         | 125242-05-713      | EA         | FINS                          | 618785              |
| 13         | 125242-01-712      | EA         | DRIP TRAY                     | 618774              |
| 14         | 125242-03-706      | EA         | PROBE - CONTACT/LARGE         | 620689              |
| 15         | 125242-01-768      | EA         | SWITCH - DOOR LIGHT           | 623918              |
| 16         | 125242-02-706      | EA         | LAMP/WIRE ASM/SER#849677 UP   | 620871              |
| 17         | 125242-05-706      | EA         | CONTROL ASM - OPTICAL         | 629113              |
| 18         | 125242-02-708      | EA         | COVER/LAMP BRACKET            | 621827              |
| 19         | 125242-05-714      | EA         | GUIDE BLOCK-FLAPPER/TOP/BLK   | 629111              |
| 20         | 125242-05-715      | EA         | PLATE/STRIKE - BLACK          | 628473              |
| 21         | 125242-05-716      | EA         | BOX/FRONT - DUMMY             | 624366              |
| 22         | 125242-01-725      | EA         | SHELF-FREEZER (WIRE)          | 618847              |
| 23         | 125242-01-727      | EA         | SHELF-WIRE (SHORT)            | 618849              |
| 24         | 125242-01-726      | EA         | SHELF-WIRE (LONG)             | 618848              |
| 25         | 125242-01-706      | EA         | COVER-CRISPER                 | 618757              |
| 26         | 125242-05-717      | EA         | BIN - BOTTLE/CRISPER          | 628688              |
| 27         | 125242-05-718      | EA         | DIVIDER - BOTTLE/CRISPER      | 628694              |
| 28         | 125242-01-749      | EA         | SUPPORT - WALL                | 618840              |
| 29         | 125242-02-741      | EA         | STRIP-FREEZER-BLACK           | 625210 #1291391 &UP |
|            | 084880-03-705      | EA         | BRACKET-LIGHT-INTERIOR        | 61629722            |
|            | 084880-03-706      | EA         | BULB-LAMP                     | 61628922            |
|            | 120075-01-714      | EA         | PLUG-HOLE (BLACK)             | 618170              |
|            | 125242-05-725      | EA         | PLATE - F/DUMMY BOX           | 628460              |

**CABINET & APPLIANCE GROUP (CONTINUED)**  
**COMPONENT PARTS FOR CABINET & APPLIANCE LAYOUT (CONTINUED)**

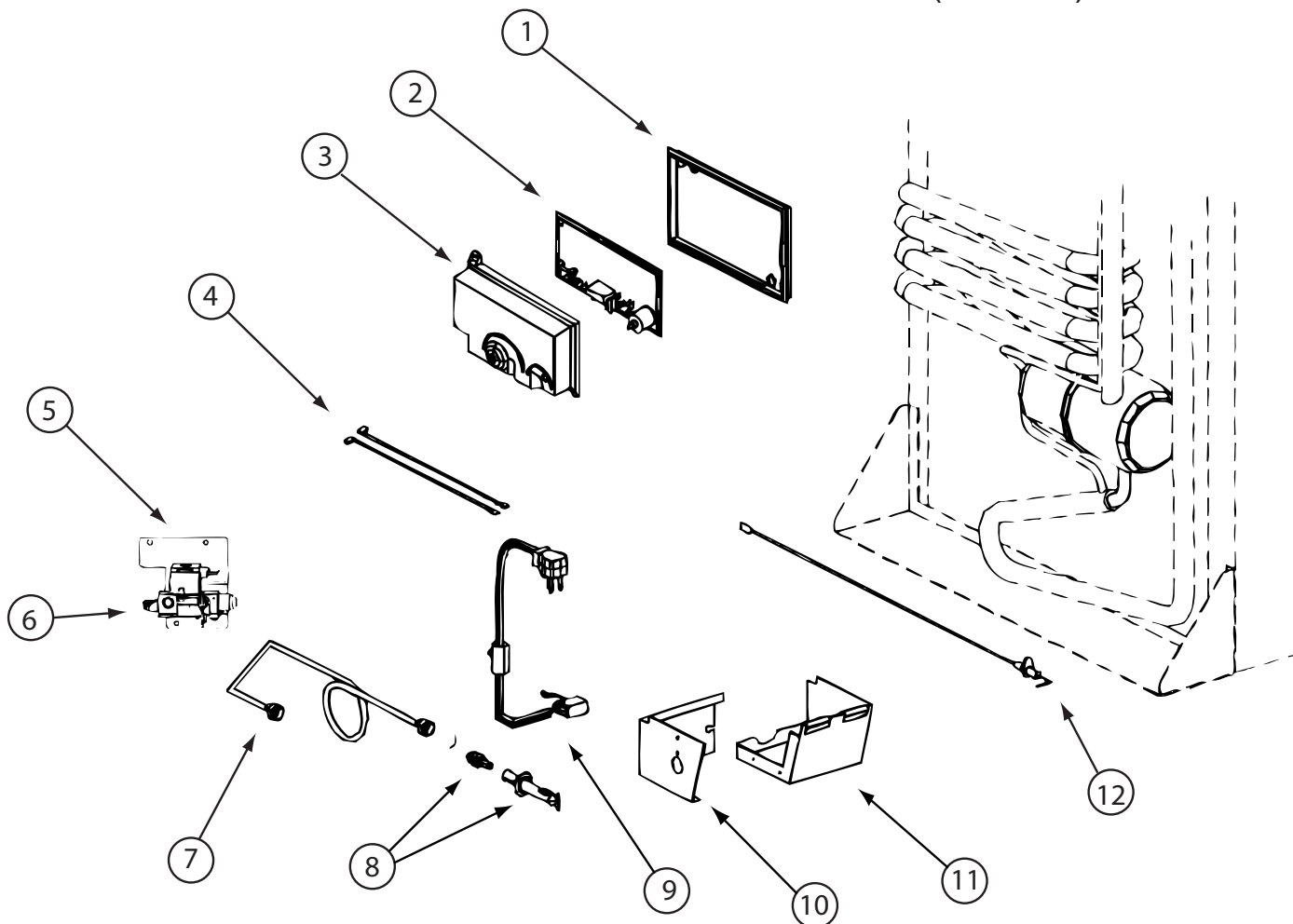


**125242-05-02A (CONTINUED)**

| KEY | PART NUMBER   | U/M | DESCRIPTION                  | VENDOR NO. |
|-----|---------------|-----|------------------------------|------------|
| 1   | 125242-05-719 | EA  | COOLING UNIT - SN 8835498 UP | 629507     |
| 2   | 125242-05-713 | EA  | FINS                         | 618785     |
| 4   | 125242-01-732 | EA  | HEATER AC - 225W/110VAC      | 618872     |
| 5   | 125242-01-739 | EA  | BASE-BURNER BOX              | 618902     |
| 6   | 125242-01-740 | EA  | COVER-BURNER BOX             | 618910     |
| 9   | 125242-05-721 | EA  | BRACKET-DC FAN-SN 9144576 UP | 628747     |
| 10  | 125242-05-722 | EA  | FAN-EXTRNL DC-SN 9144576 UP  | 628685     |
| 11  | 113737-01-754 | EA  | THERMOSTAT (FAN 12V DC)      | 618093     |
|     | 125242-01-742 | EA  | WIRE ASM.-BAFFLE 55.15"      | 618915     |
|     | 125242-05-720 | EA  | SWITCH-THERMAL               | 628118     |

CONTACT WINNEBAGO PART SALES FOR UNLISTED COMPONENT(S)

**CABINET & APPLIANCE GROUP (CONTINUED)**  
**COMPONENT PARTS FOR CABINET & APPLIANCE LAYOUT (CONTINUED)**

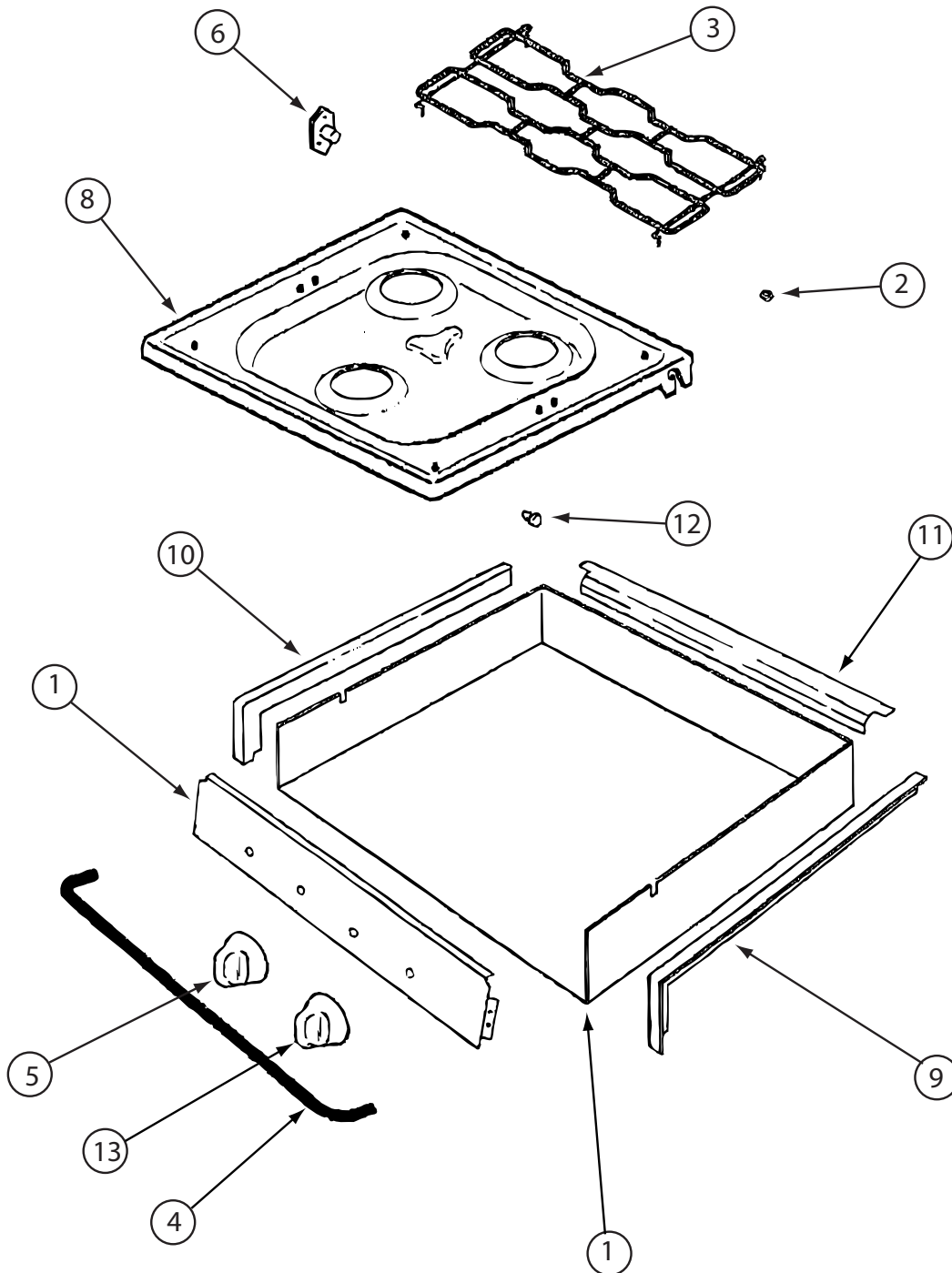


125242-03-02A, 125242-05-02A, 125242-06-01A (CONTINUED)

| KEY | PART NUMBER   | U/M | DESCRIPTION                  | VENDOR NO. |
|-----|---------------|-----|------------------------------|------------|
| 1   | 121569-08-701 | EA  | BASE - POWER BOARD           | 628674     |
| 2   | 121568-06-709 | EA  | BOARD/POWER-N611/N822F/1201  | 628661     |
| 3   | 121569-08-702 | EA  | COVER-POWER BOARD            | 628677     |
| 4   | 125242-02-709 | EA  | WIRE/WHITE/9"/GAS VALVE      | 621448     |
| 6   | 121569-08-703 | EA  | GAS VALVE - SOLENOID         | 628741     |
| 7   | 125242-05-723 | EA  | BURNER TUBE                  | 624683     |
| 8   | 125242-02-743 | EA  | BURNER ORF ADAP-7 SLOT BRNR  | 629013     |
| 9   | 121569-05-732 | EA  | CORD - AC POWER- W/ICE MAKER | 618406     |
| 10  | 125242-01-740 | EA  | COVER-BURNER BOX             | 618910     |
| 11  | 125242-01-739 | EA  | BASE-BURNER BOX              | 618902     |
| 12  | 104137-06-715 | EA  | ELECTRODE-SPARK/SENSOR, SGL  | 61692222   |

CONTACT WINNEBAGO PART SALES FOR UNLISTED COMPONENT(S)

**CABINET & APPLIANCE GROUP (CONTINUED)**  
**COMPONENT PARTS FOR CABINET & APPLIANCE LAYOUT (CONTINUED)**



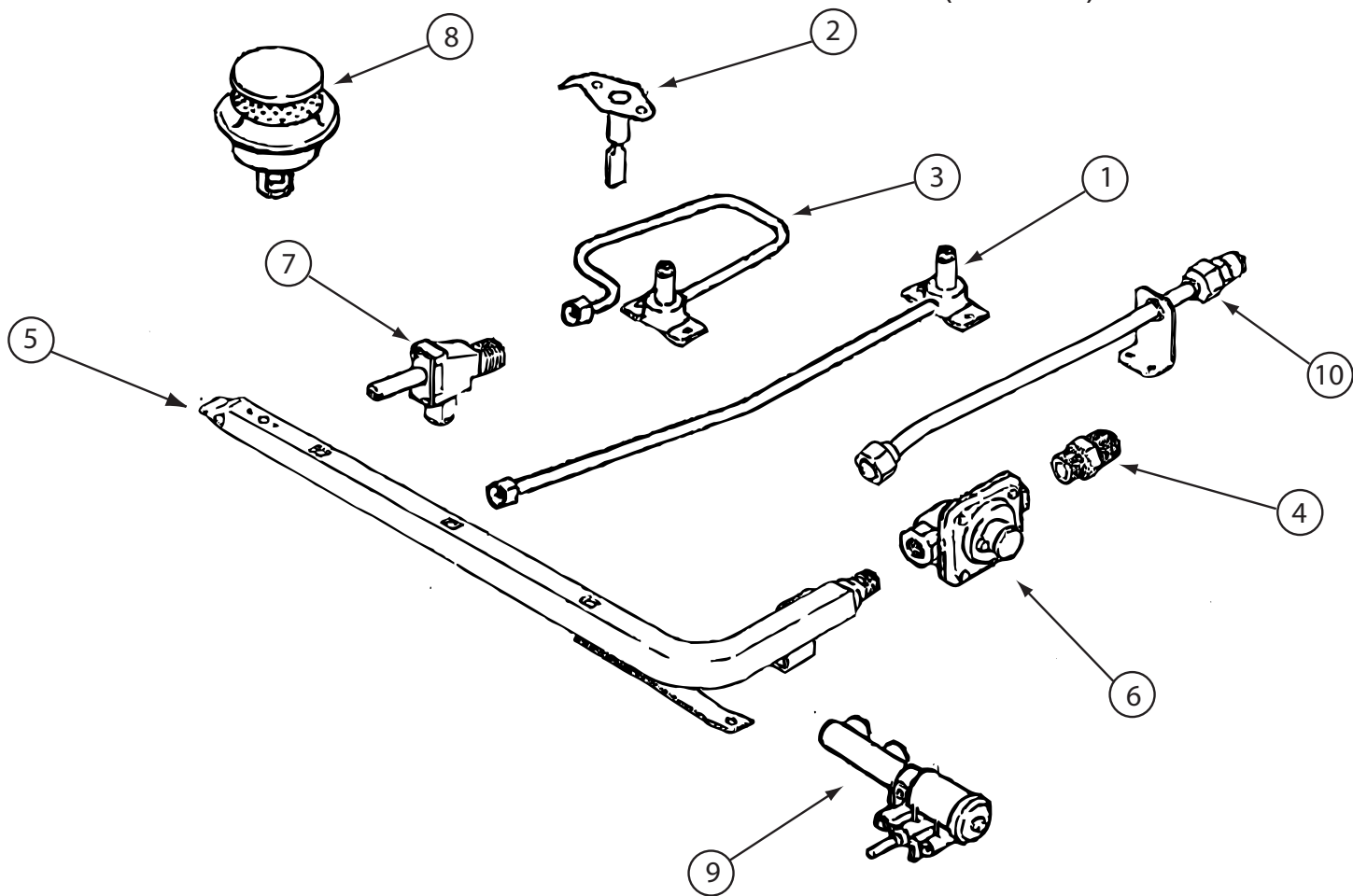
135065-03-01A, 135065-03-03A, 135065-04-01A

| KEY | PART NUMBER   | U/M | DESCRIPTION                  | VENDOR NO.   |
|-----|---------------|-----|------------------------------|--------------|
| 2   | 102020-01-709 | EA  | BUMPER-GRATE                 | 8007-P020-60 |
| 3   | 135065-03-703 | EA  | GRATE - BLACK(SEALED BURNER) | 74007304     |
| 4   | 114030-02-700 | EA  | GUARD/FABRIC - TOWEL BAR     | 3609F006-70  |
| 5   | 128728-01-701 | EA  | KNOB - BURNER - REAR         | 74003941     |
| 5   | 128728-01-702 | EA  | KNOB - BURNER - FRONT        | 74003942     |
| 6   | 128728-01-703 | EA  | PIN/T-NUT F/HINGE            | 7103P109-60  |
| 7   | 135065-03-704 | EA  | PANEL - MANIFOLD (BLACK)     | 74007330     |
| 8   | 128728-01-705 | EA  | TOP - MAIN - BLACK           | 74003928     |
| 8   | 135065-03-715 | EA  | TOP - MAIN - STAINLESS STEEL | 74007299     |
| 9   | 114030-01-704 | EA  | TRIM - RIGHT/BLACK TEXTURED  | 74002839     |
| 10  | 114030-01-705 | EA  | TRIM - LEFT/BLACK TEXTURED   | 74002840     |
| 11  | 114030-01-706 | EA  | TRIM - REAR/BLACK TEXTURED   | 74002841     |
| 12  | 102020-01-724 | EA  | BUMPER-MAIN TOP              | 8003P008-60  |
| 13  | 128728-01-707 | EA  | KNOB - IGNITOR               | 74003944     |

CONTACT WINNEBAGO PART SALES FOR UNLISTED COMPONENT(S)



**CABINET & APPLIANCE GROUP (CONTINUED)**  
**COMPONENT PARTS FOR CABINET & APPLIANCE LAYOUT (CONTINUED)**

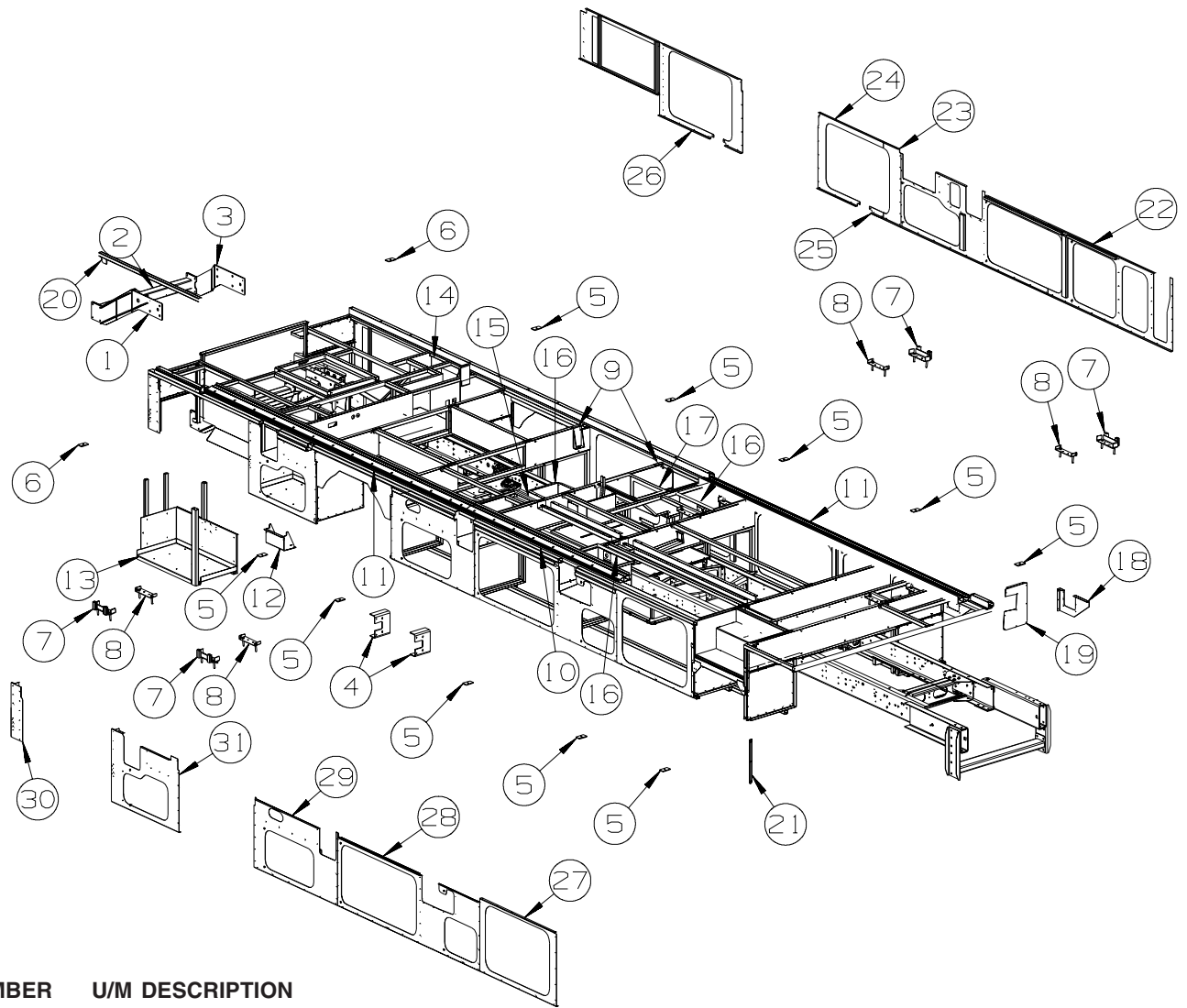


**135065-03-01A, 135065-03-03A, 135065-04-01A (CONTINUED)**

| KEY | PART NUMBER   | U/M | DESCRIPTION                  | VENDOR NO. |
|-----|---------------|-----|------------------------------|------------|
| 1   | 128728-01-708 | EA  | FITTING W/ORFICE/TUBE - REAR | 74003931   |
| 2   | 135065-01-701 | EA  | IGNITOR/PORCELAIN-TOP BURNER | 74004053   |
| 3   | 128728-01-710 | EA  | FITTING W/ORFICE/TUBE - FRT  | 74003930   |
| 4   | 135065-03-700 | EA  | FITTING - HALF UNION         | 74004234   |
| 5   | 135065-01-702 | EA  | PIPE/MANIFOLD                | 74004642   |
| 6   | 126023-02-703 | EA  | REGULATOR - PRESSURE         | 74004235   |
| 7   | 135065-01-703 | EA  | VALVE/BURNER - REAR          | 74004643   |
| 7   | 135065-01-704 | EA  | VALVE/BURNER-FRT-HI          | 74004644   |
| 7   | 135065-03-701 | EA  | SCREW - VALVE                | 71003231   |
| 8   | 135065-03-702 | EA  | SEALED BURNER ASM.(BLACK) RV | 74003967   |
| 9   | 128728-01-716 | EA  | BURNER - IGNITOR             | 74003946   |
| 9   | 128728-01-717 | EA  | WIRES - IGNITOR              | 74003947   |

# CHASSIS GROUP

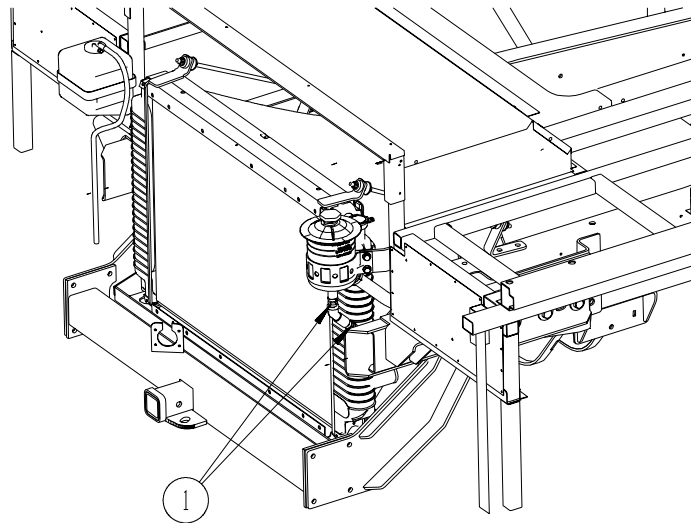
## FRAME



| KEY | PART NUMBER   | U/M | DESCRIPTION  |
|-----|---------------|-----|--|
| 1   | 161761-02-04B | EA  | BRACKET - F/HITCH/RH HAND - BLACK                          |
| 2   | 161761-01-04B | EA  | RECEIVER/HITCH - CLASS 4 - BLACK - WORKHORSE               |
| 3   | 161761-03-04B | EA  | BRACKET - F/HITCH/LH HAND - BLACK                          |
|     | 161761-04-000 | EA  | FASTENERS/HARDWARE - HITCH                                 |
| 4   | 120867-01-02B | EA  | MOUNT - LP TANK - E-COAT                                   |
| 5   | 135712-01-02B | EA  | PLATE - BODY MOUNT - E-COATED                              |
| 6   | 135712-02-02B | EA  | PLATE - BODY MOUNT - E-COATED                              |
| 7   | 152558-10-02B | EA  | BRACKET/MOUNT - F/SLIDEOUT - E-COATED                      |
| 8   | 152558-11-02B | EA  | BRACKET/MOUNT - F/SLIDEOUT - E-COATED                      |
| 9   | 161173-05-02B | EA  | BRACKET/SUPPORT - TANK - E-COATED                          |
| 10  | 160878-02-01A | EA  | RAMP - SLIDEOUT - FLOOR/COACH - 53.5" - BRIGHT WHITE       |
| 11  | 160878-01-01A | EA  | RAMP - SLIDEOUT - FLOOR/COACH - 193.8" - BRIGHT WHITE      |
| 12  | 161170-04-02B | EA  | BRACKET/SUPPORT - TANK - E-COATED                          |
| 13  | 161207-01-02B | EA  | TRAY - BATTERY - E-COATED                                  |
| 14  | 161018-02-02B | EA  | COMPARTMENT - POWERCORD - E-COATED                         |
| 15  | 163282-01-02B | EA  | CHANNEL/BOTTOM - WIRE PATH - E-COATED                      |
| 16  | 104692-01-000 | FT  | SEAL - ADHESIVE BACKED FOAM - 3/4" THICK X 3/4" WIDE X 25' |
| 17  | 161049-01-02B | EA  | COMPARTMENT - FURNACE - E-COATED                           |
| 18  | 158521-09-02B | EA  | PANEL - FUEL FILL - E-COATED                               |

**CHASSIS GROUP (CONTINUED)**  
**FRAME (CONTINUED)**

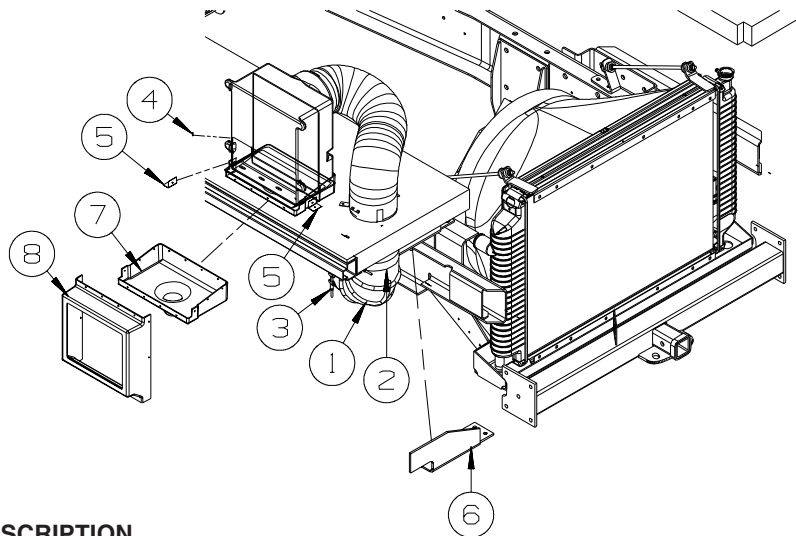
| KEY | PART NUMBER   | U/M | DESCRIPTION                                   |
|-----|---------------|-----|---|
| 19  | 163884-01-02B | EA  | PANEL/ACCESS - RAM - E-COATED                 |
| 20  | 161707-01-02B | EA  | BRACKET - RESERVOIR/POWER STEERING - E-COATED |
| 21  | 113904-12-02B | EA  | ANGLE - ATTACHMENT/WHEEL LIP - 17.7" - E-COAT |
| 22  | 161197-01-02B | EA  | SEAL PLANE - E-COATED                         |
| 23  | 161194-02-02B | EA  | PLATE/SEAL - E-COATED                         |
| 24  | 161194-04-02B | EA  | PLATE/SEAL - E-COATED                         |
| 25  | 161194-05-02B | EA  | PLATE/SEAL - E-COATED                         |
| 26  | 161188-01-02B | EA  | SEAL PLANE - E-COATED                         |
| 27  | 161202-01-02B | EA  | PLATE/SEAL PLANE - E-COATED                   |
| 28  | 161202-02-02B | EA  | PLATE/SEAL PLANE - E-COATED                   |
| 29  | 161199-01-02B | EA  | SEAL PLANE - E-COATED                         |
| 30  | 161191-01-02B | EA  | PLATE/SEAL - E-COATED                         |
| 31  | 161193-01-02B | EA  | PLATE/SEAL - E-COATED                         |



**POWER  
STEERING  
RESERVIOR**

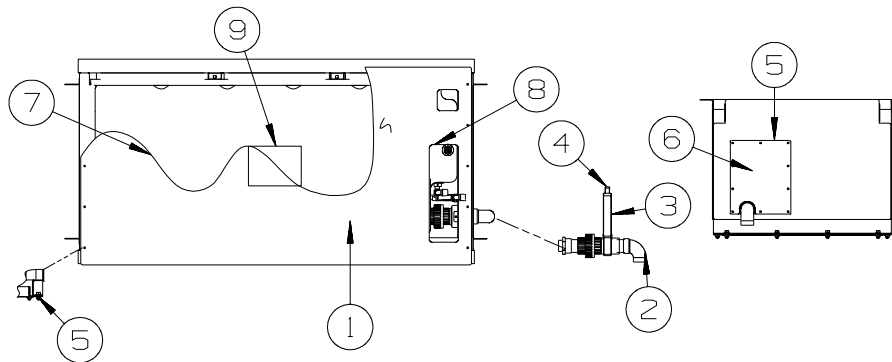
| KEY | PART NUMBER   | U/M | DESCRIPTION                                 |
|-----|---------------|-----|---|
| 1   | 090338-03-000 | EA  | FITTING - HOSE - 3/4"ID - 2" LENGTH - BRASS |

## CHASSIS GROUP (CONTINUED) FRAME (CONTINUED)



### AIR INTAKE

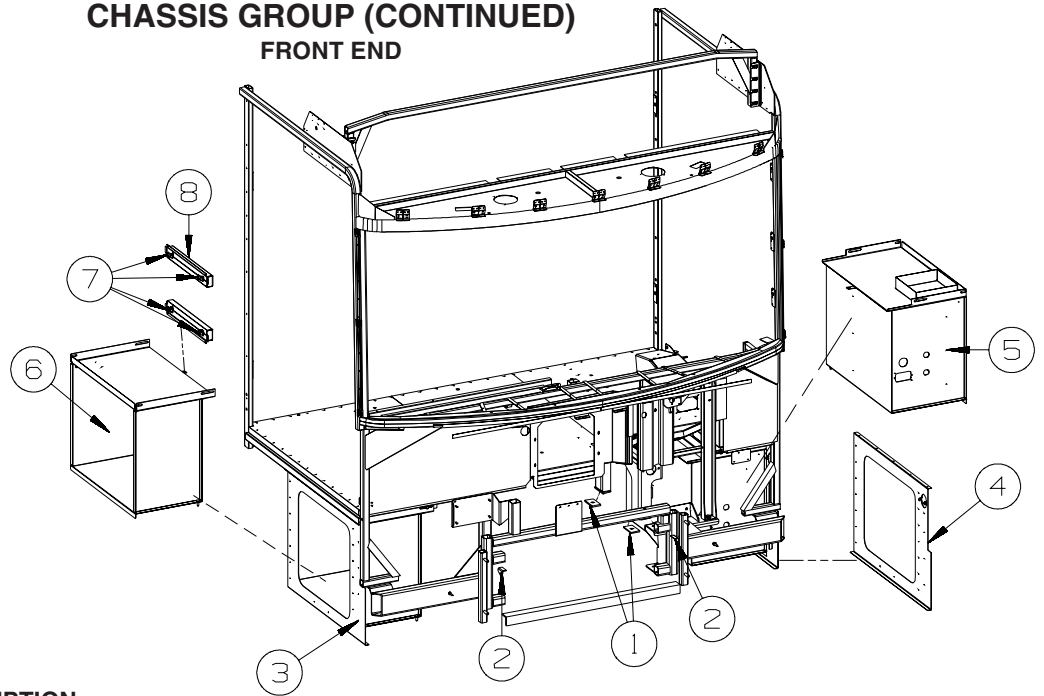
| KEY | PART NUMBER   | U/M | DESCRIPTION   |
|-----|---------------|-----|---|
| 1   | 123362-04-000 | EA  | ELBOW - AIR INTAKE - RUBBER - 90 DEGREE 6" ID             |
| 2   | 125083-01-01A | EA  | CLAMP - T BOLT - 6"                                       |
| 3   | 125083-04-01A | EA  | CLAMP - T BOLT - 5.5"                                     |
| 4   | 099069-01-000 | FT  | SEAL - RUBBER - CLOSED SPONGE - .5" WIDE X .12" THICK-BLK |
| 5   | 161806-01-02B | EA  | ANGLE - W/HOLES - 1" X 4" X 3" - E-COATED                 |
| 6   | 161275-01-02B | EA  | BRACKET - AIR FILTER                                      |
|     |               |     | FROM: 00-00-00 THRU: 07-08-07                             |
| 6   | 161275-02-02B | EA  | BRACKET - AIR FILTER - BLACK                              |
|     |               |     | FROM: 00-00-00 THRU: 05-18-07                             |
| 7   | 163998-01-01A | EA  | COVER - AIR INTAKE/DRAIN                                  |
| 8   | 163999-01-01A | EA  | COVER - AIR INTAKE/INLET                                  |
|     |               |     | FROM: 05-19-07 THRU: 99-99-99                             |



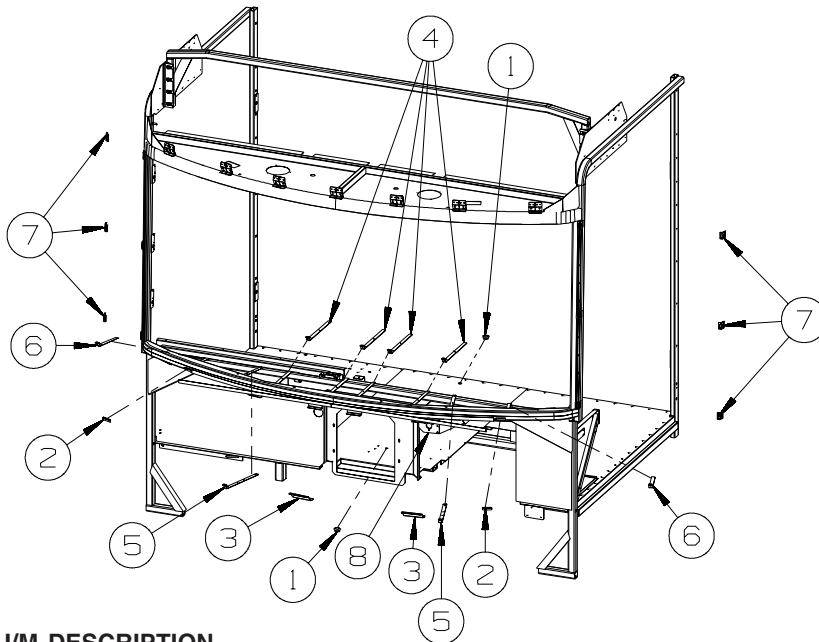
### WATER TANK COMPARTMENT

| KEY | PART NUMBER   | U/M | DESCRIPTION  |
|-----|---------------|-----|--|
| 1   | 132678-04-000 | EA  | TANK - WATER - 82 GALLON - W/FITTINGS                      |
|     | 042989-03-000 | EA  | FITTING - SPINWELD - 1 1/4"NPT - PLASTIC                   |
|     | 042989-04-000 | EA  | FITTING - SPINWELD - 3/8"FPT - PLASTIC                     |
|     | 042989-05-000 | EA  | FITTING - SPINWELD - 1/2"FPT - PLASTIC                     |
|     | 049032-01-000 | EA  | PATCH - SPINWELD - 3/8" - PLASTIC                          |
| 2   | 010009-01-000 | EA  | ELBOW - 90 DEGREE - 1/4 BEND - 1 1/2" - PLASTIC            |
| 3   | 062421-03-000 | EA  | VALVE/DUMP W/O HANDLE - 1 1/2" X 1 1/2" HUB                |
| 4   | 062421-08-000 | EA  | CABLE/ROD - F/DUMP VALVE - W/HANDLE - 108"                 |
| 4   | 127170-01-000 | EA  | LABEL - WATER TANK DRAIN                                   |
| 4   | 143994-02-12B | EA  | BRACKET/MOUNTING - VALVE - BRIGHT WHITE                    |
| 5   | 099069-01-000 | FT  | SEAL - RUBBER - CLOSED SPONGE - .5" WIDE X .12" THICK-BLK  |
| 6   | 133352-01-02B | EA  | PANEL - ACCESS - WATER TANK - E-COATED                     |
| 7   | 098408-01-000 | FT  | SEAL - SPONGE RUBBER - CLOSED CELL                         |
| 8   | 112091-01-000 | FT  | SEAL/D - NEOPRENE - HEAT ACTIVE ADHESIVE - .9" X .7"       |
| 9   | 072877-03-000 | EA  | INSULATION - SOUND BARRIER- 1" X 36" X 57" - ADHESIVE BACK |

## CHASSIS GROUP (CONTINUED) FRONT END



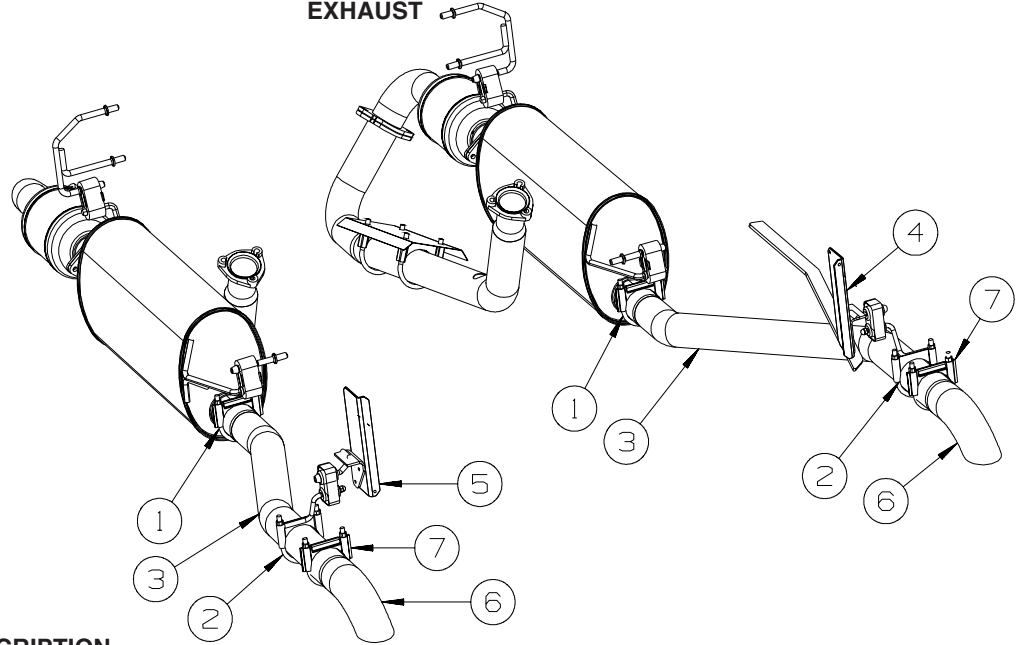
| KEY | PART NUMBER   | U/M | DESCRIPTION   |
|-----|---------------|-----|---|
| 1   | 135712-01-02B | EA  | PLATE - BODY MOUNT - E-COATED                             |
| 2   | 154981-02-02B | EA  | BRACKET - BALL STUD - E-COATED                            |
| 3   | 160480-02-02B | EA  | PANEL/SEAL PLANE - FRONT - E-COATED                       |
| 4   | 160480-03-02B | EA  | PANEL/SEAL PLANE - FRONT - E-COATED                       |
| 5   | 160481-03-02B | EA  | COMPARTMENT - LUGGAGE - E-COATED                          |
| 6   | 160481-04-02B | EA  | COMPARTMENT - LUGGAGE - E-COATED                          |
| 7   | 098196-01-000 | EA  | LATCH - 1/4 TURN - T-BAR                                  |
| 8   | 099418-01-000 | FT  | SEAL - D-SECTION/ADHESIVE BACK - .44" X .44" - BLK RUBBER |



| KEY | PART NUMBER   | U/M | DESCRIPTION  |
|-----|---------------|-----|--|
| 1   | 081211-03-000 | EA  | PLUG - PLASTIC - .50"DIAMETER - TRUSS HEAD - BLACK |
| 2   | 126289-65-01B | EA  | ANGLE - FORMED                                     |
| 3   | 134202-01-01B | EA  | REINFORCEMENT - SUPPORT - LOWER WINDSHIELD/MIDDLE  |
| 4   | 163979-01-01B | EA  | STRAP - DEFROSTER PLENUM                           |
| 5   | 163979-02-01B | EA  | STRAP - DEFROSTER PLENUM                           |
| 6   | 163979-03-01B | EA  | STRAP - DEFROSTER PLENUM                           |
| 7   | 148935-01-01B | EA  | BRACKET-WINDSHIELD ,MILL                           |
| 8   | 156774-03-01B | EA  | BRACKET ASM-WIPER MOTOR,MILL                       |

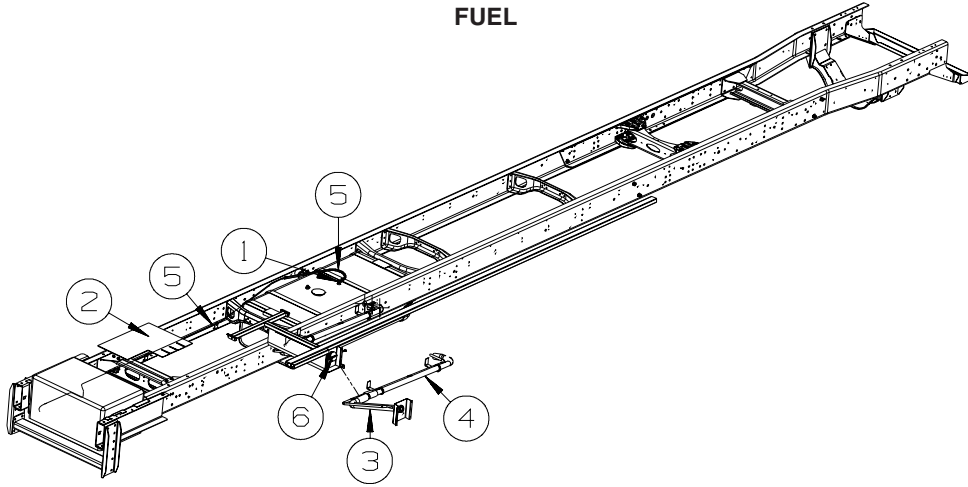
## CHASSIS GROUP (CONTINUED)

### EXHAUST



| KEY | PART NUMBER   | U/M | DESCRIPTION  |
|-----|---------------|-----|--|
|     | 094918-01-000 | EA  | CLAMP - EXHAUST - 3" - GUILLOTINE STYLE<br>FROM: 00-00-00 THRU: 12-17-06 |
|     | 161209-01-02B | EA  | BRACKET/HANGER - EXHAUST - E-COATED<br>FROM: 00-00-00 THRU: 12-17-06     |
|     | 007131-01-000 | EA  | HANGER - TAILPIPE - 6 SLOTS<br>FROM: 00-00-00 THRU: 12-17-06             |
| 1   | 094918-06-000 | EA  | CLAMP - EXHAUST - 3" - HEAVY DUTY  |
| 2   | 122392-18-02B | EA  | HANGER - TAILPIPE - FRONT - E-COATED<br>FROM: 12-18-06 THRU: 99-99-99    |
| 3   | 129726-05-000 | EA  | PIPE - EXHAUST   |
| 3   | 129726-06-000 | EA  | PIPE - EXHAUST - <b>FULL BODY PAINT</b>                                  |
| 4   | 163518-01-02B | EA  | HANGER - TAILPIPE - E-COATED<br>FROM: 12-18-06 THRU: 99-99-99            |
| 5   | 163518-02-02B | EA  | HANGER - TAILPIPE - E-COATED<br>FROM: 12-18-06 THRU: 99-99-99            |
| 6   | 116425-05-000 | EA  | EXTENSION - EXHAUST - CHROMED - 3" - <b>FULL BODY PAINT</b>              |
| 7   | 094918-06-000 | EA  | CLAMP - EXHAUST - 3" - HEAVY DUTY - <b>FULL BODY PAINT</b>               |

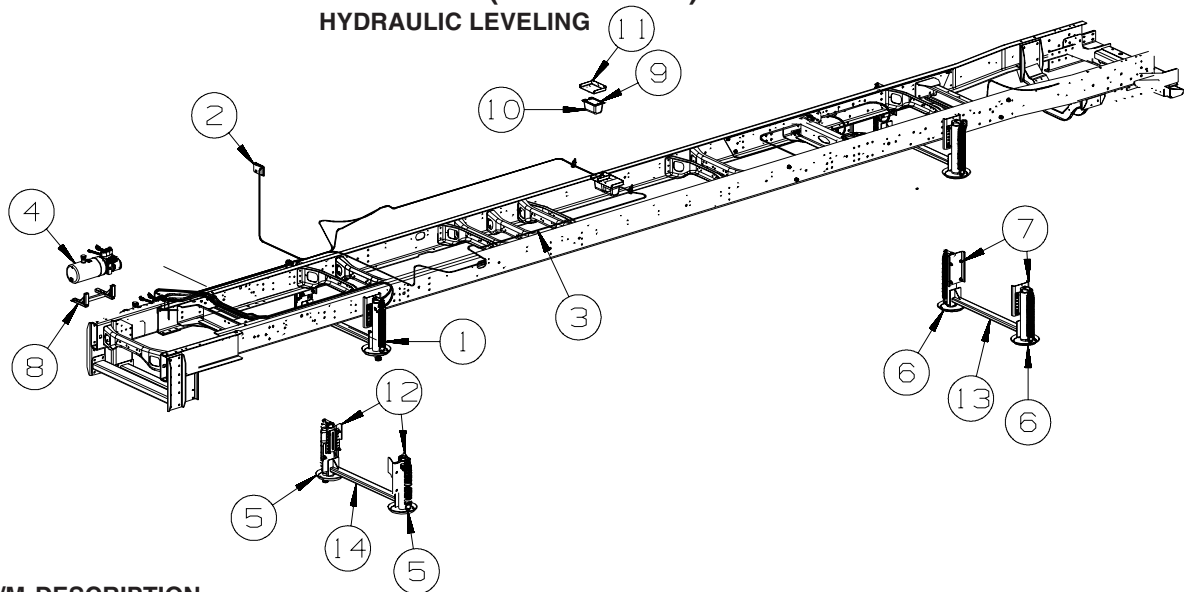
**CHASSIS GROUP (CONTINUED)**  
**FUEL**



| KEY | PART NUMBER   | U/M | DESCRIPTION                                    |
|-----|---------------|-----|--|
| 1   | 114254-01-000 | EA  | ADAPTER - 1/4" BARB X 1/8" MPT                 |
| 1   | 068382-06-000 | EA  | BUSHING - 3/8" MPT X 1/8" FPT - BRASS          |
| 2   | 118726-09-000 | EA  | BAFFLE - FUEL FILL                             |
| 3   | 162244-01-000 | EA  | NECK - FUEL FILL - LEFT HAND                   |
| 4   | 162245-01-000 | EA  | TUBE - FUEL FILL                               |
| 5   | 128139-03-000 | FT  | HOSE - FUEL - LOW PERMEABILITY - 1/4" DIAMETER |
| 6   | 163743-01-000 | FT  | CAP - FUEL FILL - 1/4 TURN - WORKHORSE         |

## CHASSIS GROUP (CONTINUED)

### HYDRAULIC LEVELING



| KEY | PART NUMBER   | U/M | DESCRIPTION  |
|-----|---------------|-----|--|
| 1   | 164877-03-000 | EA  | LEVELING SYSTEM - W/O PUMP/JACKS/CONTROL MODULE-W/HARNES |
| 2   | 164881-01-000 | EA  | TOUCH PAD/LEVEL CONTROL                                  |
| 3*  | 165179-02-000 | EA  | HOSE KIT - LEVELING JACKS                                |
| 4*  | 165120-02-000 | EA  | PUMP - LEVELING SYSTEM/HORIZONTAL MOUNT                  |
| 5*  | 165119-01-000 | EA  | JACK/LEVELING - 8000 LB/Front                            |
| 6*  | 165119-02-000 | EA  | JACK/LEVELING - 13000 LB/REAR                            |
| 7   | 165037-04-02B | EA  | BRACKET - LEVELING JACK - E-COATED                       |
| 8   | 165720-01-02B | EA  | BRACKET - PUMP/LEVELING - E-COATED                       |
| 9   | 165121-01-000 | EA  | CONTROL MODULE - LEVELING SYSTEM                         |
| 10  | 165075-01-01A | EA  | COVER - ELECTRICAL BOX/LEVELING SYSTEM                   |
| 11  | 164971-03-02B | EA  | BRACKET - CONTROL MODULE/LEVELING SYSTEM - E-COATED      |
| 12  | 165037-05-02B | EA  | BRACKET - LEVELING JACK - E-COATED                       |
| 13  | 165448-01-000 | EA  | CROSSMEMBER - JACKS/LEVELING - FRONT/REAR                |
| 14  | 165448-02-000 | EA  | CROSSMEMBER - JACKS/LEVELING - FRONT                     |

\*COMPONENT PARTS LISTED LATER IN THIS GROUP

### COMPONENT PARTS FOR HYDRAULIC LEVELING

| 165119-01-000 |               |     |                              |                 |
|---------------|---------------|-----|------------------------------|-----------------|
| KEY           | PART NUMBER   | U/M | DESCRIPTION                  | VENDOR NO.      |
|               | 165119-01-700 | EA  | SPRING - 8K/13K - 2.5" X 17" | 31-1029         |
|               | 165119-01-701 | EA  | CONE/THREADED - F/SPRING     | 500085          |
|               | 165119-01-702 | EA  | REBUILD KIT (SEALS)          | 800138S         |
| 165119-02-000 |               |     |                              |                 |
| KEY           | PART NUMBER   | U/M | DESCRIPTION                  | VENDOR NO.      |
|               | 165119-01-700 | EA  | SPRING - 8K/13K - 2.5" X 17" | 31-1029         |
|               | 165119-01-701 | EA  | CONE/THREADED - F/SPRING     | 500085          |
|               | 165119-02-700 | EA  | REBUILD KIT (SEALS)          | 800199S         |
| 165120-02-000 |               |     |                              |                 |
| KEY           | PART NUMBER   | U/M | DESCRIPTION                  | VENDOR NO.      |
|               | 165120-01-701 | EA  | HARNES - HYDRAILIC LEVEL     | 1510000064      |
|               | 165120-01-702 | EA  | O-RING                       | 01-1029         |
|               | 165120-01-703 | EA  | SOLENOID KIT                 | 500568          |
|               | 165120-02-700 | EA  | SWITCH/FLOAT - HORIZONTAL    | 1510000070      |
|               | 165120-02-701 | EA  | MANIFOLD - HORIZONTAL SYST   | 1010000991      |
|               | 165120-02-702 | EA  | MOTOR/PUMP ASM. - HORIZONTAL | 130-1293        |
| 165179-02-000 |               |     |                              |                 |
| KEY           | PART NUMBER   | U/M | DESCRIPTION                  | VENDOR NO.      |
|               | 165179-02-700 | EA  | HOSE - 432" - ROADSIDE REAR  | 080-AA432WSTRR  |
|               | 165179-02-701 | EA  | HOSE - 384" - CURBSIDE REAR  | 080-AA432WSTCR  |
|               | 165179-02-702 | EA  | HOSE - 168" - ROADSIDE FRONT | 080-AA168WSTRF  |
|               | 165179-02-703 | EA  | HOSE - 120" - CURBSIDE FRONT | A080-AA120WSTCF |



**CHASSIS GROUP (CONTINUED)**  
**WHEEL, TIRE, COVERS &/OR LINERS**

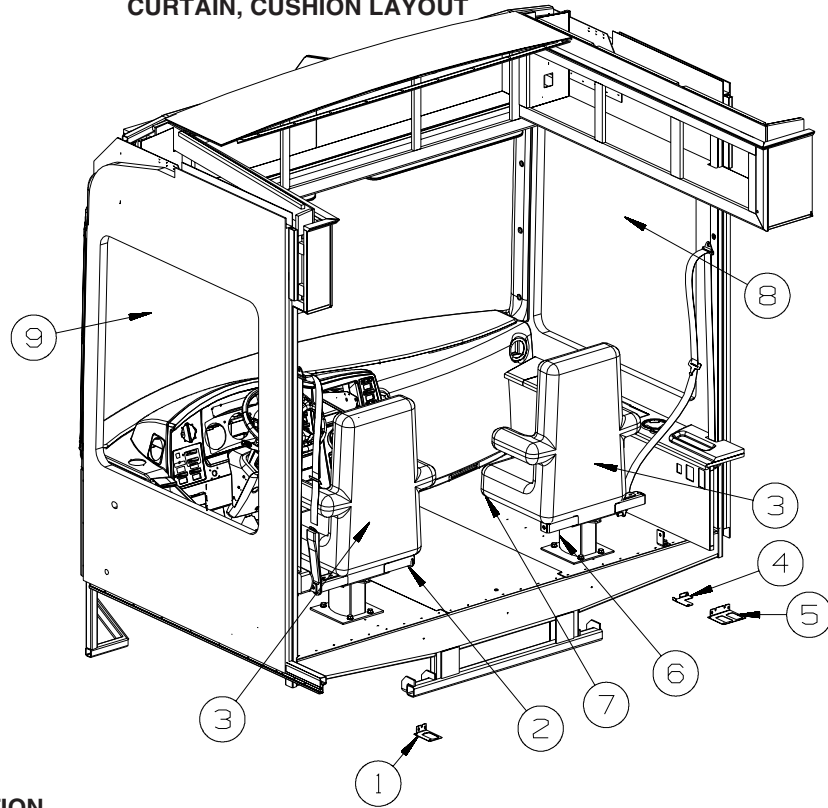
| KEY | PART NUMBER   | U/M | DESCRIPTION                              |
|-----|---------------|-----|--|
|     | 077030-10-000 | EA  | EXTENSION - VALVE STEM - .50"            |
|     | 095012-08-000 | EA  | STABILIZER/VALVE EXTENSION - LIVE - 4.7" |
|     | 095012-09-000 | EA  | EXTENSION/VALVE STEM - LIVE - 7.7"       |
| *   | 145580-07-000 | EA  | LINER - WHEEL(SET OF 4) - 22.5"          |

**\*COMPONENT PARTS LISTED LATER IN THIS GROUP**

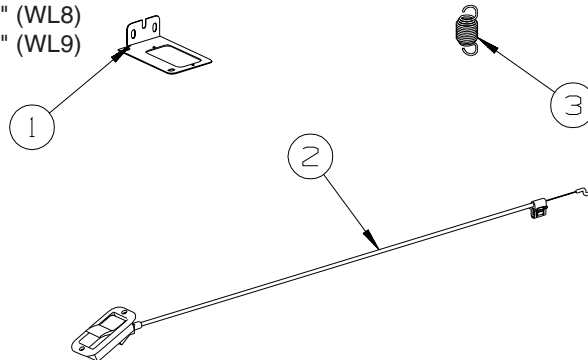
**COMPONENT PARTS FOR WHEEL, TIRE, COVERS &/OR LINERS**

| KEY | PART NUMBER   | U/M | DESCRIPTION                 | 145580-07-000 | VENDOR NO. |
|-----|---------------|-----|-----------------------------|---------------|------------|
|     | 110435-05-700 | EA  | CAP-CENTER 4.50"D W/O DECAL |               | V22510-POC |
|     | 110435-14-702 | EA  | DECAL-CENTER CAP-2 3/4"     |               | 2 3/4"     |
|     | 145580-01-702 | EA  | COVER-LUG NUT/JAM NUT 22M   |               | V19582-EJN |
|     | 145580-01-703 | EA  | TOOL-INSTALLATION           |               | V22501-TOL |
|     | 145580-07-700 | EA  | LINER - WHEEL/FRONT - 1EA=1 |               | V22553-FWC |
|     | 145580-07-701 | EA  | LINER - WHEEL/REAR - 1EA=1  |               | V22553-RWC |
|     | 145580-07-702 | EA  | SPACER                      |               | V160D8-SPA |

## CURTAIN & CUSHION GROUP CURTAIN, CUSHION LAYOUT



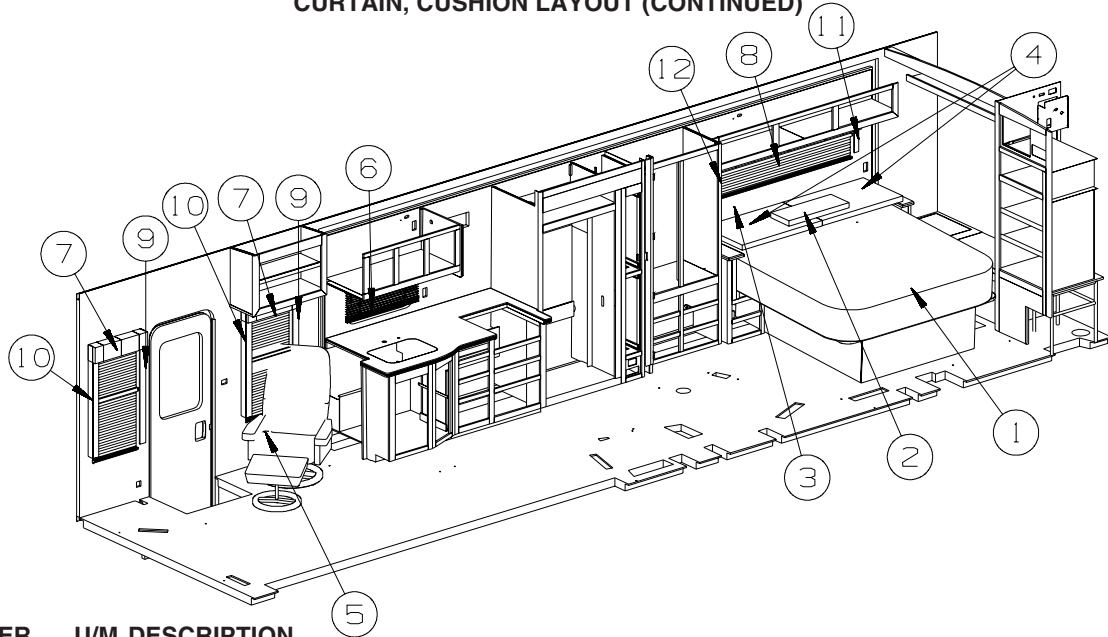
| KEY | PART NUMBER   | U/M | DESCRIPTION  |
|-----|---------------|-----|--|
| 1   | 127159-01-02B | EA  | BRACKET - SEAT RELEASE - SINGLE REMOTE - E-COATED          |
| 2   | 128699-01-02B | EA  | BRACKET - SEAT SWITCH - E-COATED                           |
| 2   | 148630-16-WA4 | EA  | SKIRT - F/6-WAY POWER - LEATHER (WL8)                      |
| 2   | 148630-16-WB0 | EA  | SKIRT - F/6-WAY POWER - LEATHER (WL9)                      |
| 3   | 162490-05-WL8 | EA  | SEAT - DRIVER/PASSENGER - W/LUMBAR/ADJUSTABLE ARMS-LEATHER |
| 3   | 162490-05-WL9 | EA  | SEAT - DRIVER/PASSENGER - W/LUMBAR/ADJUSTABLE ARMS-LEATHER |
|     | 108049-02-000 | EA  | CLIP - CABLE/PEDESTAL                                      |
|     | 108049-04-000 | EA  | CABLE - W/MINI LEVER ACTION SWITCH - 28" SHEATH/30" CABLE  |
| 4   | 117125-01-02B | EA  | BRACKET - CABLE MOUNT - ADJUSTER W/LOCK                    |
| 5   | 127159-02-02B | EA  | BRACKET - SEAT RELEASE - DUAL REMOTE - E-COATED            |
| 6   | 148630-17-WL8 | EA  | SKIRT - W/SEAT BELT/FOOTREST SLOTS - LEATHER (WL8)         |
| 6   | 148630-17-WJ0 | EA  | SKIRT - W/SEAT BELT/FOOTREST SLOTS - LEATHER (WL9)         |
| 7   | 154060-03-WD7 | EA  | FOOTREST - BUCKET SEAT/PASSENGER - LEATHER (WL8)           |
| 7   | 154060-03-WJ0 | EA  | FOOTREST - BUCKET SEAT/PASSENGER - LEATHER (WL9)           |
| 8   | 161724-18-WL8 | EA  | CURTAIN - TAPE TOP - 47" X 110" - PASSENGER                |
| 8   | 161724-18-WL9 | EA  | CURTAIN - TAPE TOP - 47" X 110" - PASSENGER                |
|     | 165138-01-WA4 | EA  | TIEBACK - 7" X 20" (WL8)                                   |
|     | 165138-01-WB0 | EA  | TIEBACK - 7" X 20" (WL9)                                   |
| 9   | 161724-19-WL8 | EA  | CURTAIN - TAPE TOP - 47" X 110" - DRIVER                   |
| 9   | 161724-19-WL9 | EA  | CURTAIN - TAPE TOP - 47" X 110" - DRIVER                   |
|     | 165138-01-WA4 | EA  | TIEBACK - 7" X 20" (WL8)                                   |
|     | 165138-01-WB0 | EA  | TIEBACK - 7" X 20" (WL9)                                   |



### FOOTREST

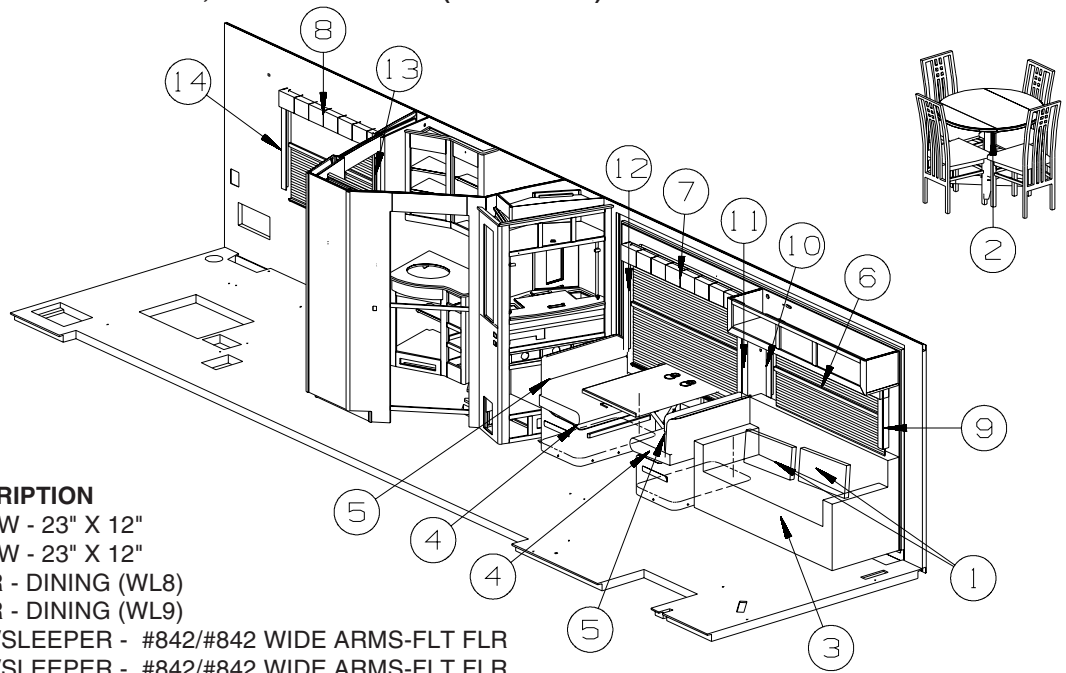
| KEY | PART NUMBER   | U/M | DESCRIPTION                                       |
|-----|---------------|-----|---|
| 1   | 127159-01-02B | EA  | BRACKET - SEAT RELEASE - SINGLE REMOTE - E-COATED |
|     | 131566-07-000 | EA  | 5" DOUBLE LOCKING SLIDE W/TAB                     |
| 2   | 153956-02-01A | EA  | CABLE - FOOTREST - W/BLACK HANDLE                 |
| 3   | 154190-06-000 | EA  | SPRING/FOOTREST - 2.8"                            |

**CURTAIN & CUSHION GROUP (CONTINUED)**  
**CURTAIN, CUSHION LAYOUT (CONTINUED)**



| KEY | PART NUMBER   | U/M | DESCRIPTION  |
|-----|---------------|-----|--|
| 1   | 162699-19-WL8 | EA  | BEDSPREAD/CAP - 72" X 80"                              |
| 1   | 162699-19-WL9 | EA  | BEDSPREAD/CAP - 72" X 80"                              |
| 2   | 166396-07-WL8 | EA  | PILLOW - 27" X 10"                                     |
| 2   | 166396-07-WL9 | EA  | PILLOW - 27" X 10"                                     |
| 3   | 166432-02-WL8 | EA  | HEADBOARD - KING BED                                   |
| 3   | 166432-02-WL9 | EA  | HEADBOARD - KING BED                                   |
| 4   | 166471-02-WL8 | EA  | PILLOW SHAM - KING                                     |
| 4   | 166471-02-WL9 | EA  | PILLOW SHAM - KING                                     |
| 5   | 165316-02-WB4 | EA  | CHAIR - EURO/PALERMO - W/OTTOMAN (WL8)                 |
| 5   | 165316-02-W68 | EA  | CHAIR - EURO/PALERMO - W/OTTOMAN (WL9)                 |
| 6   | 109041-92-01A | EA  | BLIND - MINI - 32" X 19"                               |
|     | 102555-03-000 | EA  | BRACKET - (CLEAT TYPE) - F/BLIND HOLDOWN - MILKY WHITE |
|     | 109353-04-000 | EA  | CLIP - VALANCE SLAT MOUNTING - CLEAR PLASTIC           |
|     | 109441-01-000 | EA  | BRACKET/HOOK - BLIND HOLD DOWN - LARGE - CLEAR         |
|     | 162496-01-01A | EA  | BRACKET/BLIND - LEFT SIDE WHEN FACING WINDOW - CLEAR   |
|     | 162496-02-01A | EA  | BRACKET/BLIND - RIGHT SIDE WHEN FACING WINDOW - CLEAR  |
| 7   | 166381-13-WL8 | EA  | VALANCE - 23.5" X 6"                                   |
| 7   | 166381-14-WL9 | EA  | VALANCE - 23.5" X 6"                                   |
|     | 105648-01-02A | EA  | BRACE - VALANCE - 14" - OFF WHITE                      |
| 7   | 140789-C3-WL8 | EA  | BLIND - DAY/NIGHTER - 19.5" X 45"                      |
|     | 097565-01-000 | EA  | BRACKET - MOUNTING - PLEATED BLIND                     |
| 8   | 166381-15-WL8 | EA  | VALANCE - 65" X 6"                                     |
| 8   | 166381-15-WL9 | EA  | VALANCE - 65" X 6"                                     |
| 8   | 140789-C4-WL8 | EA  | BLIND - DAY/NIGHTER - 61" X 18"                        |
|     | 097565-01-000 | EA  | BRACKET - MOUNTING - PLEATED BLIND                     |
| 9   | 162664-57-WL8 | EA  | LEG - RIGHT - 42"                                      |
| 9   | 162664-63-WL9 | EA  | LEG - RIGHT - 42"                                      |
|     | 154316-01-01A | EA  | BRACE/ANGLE - W/HOLE - CASHMERE                        |
| 10  | 162664-58-WL8 | EA  | LEG - LEFT - 42"                                       |
| 10  | 162664-64-WL9 | EA  | LEG - LEFT - 42"                                       |
|     | 154316-01-01A | EA  | BRACE/ANGLE - W/HOLE - CASHMERE                        |
| 11  | 162664-69-WL8 | EA  | LEG - RIGHT - 15"                                      |
| 11  | 162664-69-WL9 | EA  | LEG - RIGHT - 15"                                      |
|     | 154316-01-01A | EA  | BRACE/ANGLE - W/HOLE - CASHMERE                        |
| 12  | 162664-70-WL8 | EA  | LEG - LEFT - 15"                                       |
| 12  | 162664-70-WL9 | EA  | LEG - LEFT - 15"                                       |
|     | 154316-01-01A | EA  | BRACE/ANGLE - W/HOLE - CASHMERE                        |

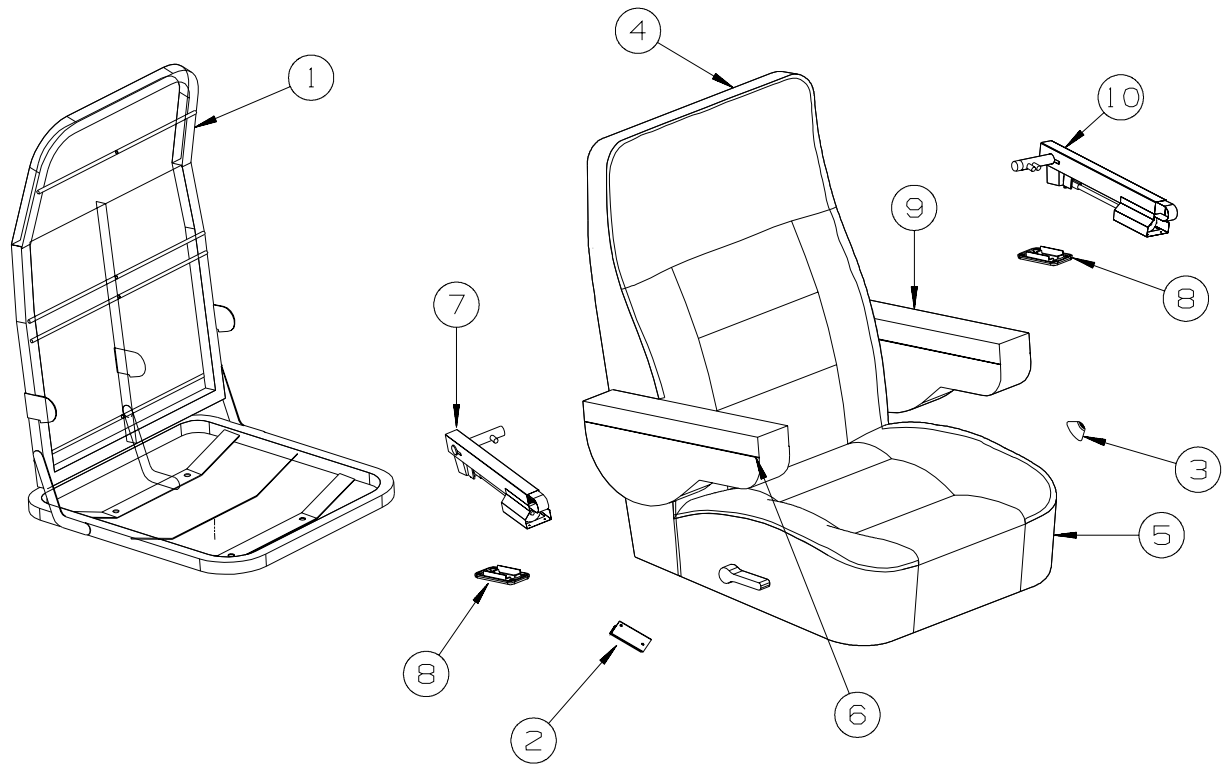
**CURTAIN & CUSHION GROUP (CONTINUED)**  
**CURTAIN, CUSHION LAYOUT (CONTINUED)**



| KEY | PART NUMBER   | U/M | DESCRIPTION                                   |
|-----|---------------|-----|---|
| 1   | 166396-05-WL8 | EA  | PILLOW - 23" X 12"                            |
| 1   | 166396-06-WL9 | EA  | PILLOW - 23" X 12"                            |
| 2   | 162617-02-WA6 | EA  | CHAIR - DINING (WL8)                          |
| 2   | 162617-01-WB2 | EA  | CHAIR - DINING (WL9)                          |
| 3   | 157915-52-WL8 | EA  | SOFA/SLEEPER - #842/#842 WIDE ARMS-FLT FLR    |
| 3   | 157915-52-WL9 | EA  | SOFA/SLEEPER - #842/#842 WIDE ARMS-FLT FLR    |
| 4   | 142292-21-WL8 | EA  | SEAT - DINETTE CUSHION (SPRUNG) - 23" X 33.5" |
| 4   | 142292-14-WL9 | EA  | SEAT - DINETTE CUSHION (SPRUNG) - 23" X 33.5" |
|     | 142292-C1-WL8 | EA  | COVER/SEAT - DINETTE CUSHION - 23" X 33.5"    |
|     | 142292-B4-WL9 | EA  | COVER/SEAT - DINETTE CUSHION - 23" X 33.5"    |
|     | 142366-01-000 | EA  | FRAME - SPRUNG - DINETTE SEAT                 |
| 5   | 165945-07-WL8 | EA  | CUSHION - BACK - 13.5" X 35" (WL8)            |
| 5   | 165945-08-WL9 | EA  | CUSHION - BACK - 13.5" X 35" (WL9)            |
|     | 165945-A7-WL8 | EA  | COVER/BACK - 13.5" X 35" (WL8)                |
|     | 165945-A8-WL9 | EA  | COVER/BACK - 13.5" X 35" (WL9)                |
| 6   | 166381-11-WL8 | EA  | VALANCE - 63.9" X 6"                          |
| 6   | 166381-12-WL9 | EA  | VALANCE - 63.9" X 6"                          |
|     | 160457-01-01A | EA  | BRACE - VALANCE - L-SHAPED - 20" - OFF WHITE  |
| 6   | 140789-B8-WD3 | EA  | BLIND - DAY/NIGHTER - 60" X 30"               |
|     | 097565-01-000 | EA  | BRACKET - MOUNTING - PLEATED BLIND            |
| 7   | 166381-09-WL8 | EA  | VALANCE - 65" X 6"                            |
| 7   | 166381-10-WL9 | EA  | VALANCE - 65" X 6"                            |
|     | 160457-01-01A | EA  | BRACE - VALANCE - L-SHAPED - 20" - OFF WHITE  |
| 7   | 140789-67-WA0 | EA  | BLIND - DAY/NIGHTER - 61" X 46"               |
|     | 097565-01-000 | EA  | BRACKET - MOUNTING - PLEATED BLIND            |
| 8   | 166381-15-WL8 | EA  | VALANCE - 65" X 6"                            |
| 8   | 166381-15-WL9 | EA  | VALANCE - 65" X 6"                            |
|     | 160457-01-01A | EA  | BRACE - VALANCE - L-SHAPED - 20" - OFF WHITE  |
| 8   | 140789-13-WD3 | EA  | BLIND - DAY/NIGHTER - 61" X 42"               |
|     | 097565-01-000 | EA  | BRACKET - MOUNTING - PLEATED BLIND            |
| 9   | 162664-73-WL8 | EA  | LEG - RIGHT - 25"                             |
| 9   | 162664-75-WL9 | EA  | LEG - RIGHT - 25"                             |
|     | 154316-01-01A | EA  | BRACE/ANGLE - W/HOLE - CASHMERE               |
| 10  | 162664-74-WL8 | EA  | LEG - LEFT - 25"                              |
| 10  | 162664-76-WL9 | EA  | LEG - LEFT - 25"                              |
|     | 154316-01-01A | EA  | BRACE/ANGLE - W/HOLE - CASHMERE               |
| 11  | 162664-55-WL8 | EA  | LEG - RIGHT - 40"                             |
| 11  | 162664-61-WL9 | EA  | LEG - RIGHT - 40"                             |
|     | 154316-01-01A | EA  | BRACE/ANGLE - W/HOLE - CASHMERE               |
| 12  | 162664-56-WL8 | EA  | LEG - LEFT - 40"                              |
| 12  | 162664-62-WL9 | EA  | LEG - LEFT - 40"                              |
|     | 154316-01-01A | EA  | BRACE/ANGLE - W/HOLE - CASHMERE               |
| 13  | 162664-71-WL8 | EA  | LEG - RIGHT - 37"                             |
| 13  | 162664-71-WL9 | EA  | LEG - RIGHT - 37"                             |
|     | 154316-01-01A | EA  | BRACE/ANGLE - W/HOLE - CASHMERE               |
| 14  | 162664-72-WL8 | EA  | LEG - LEFT - 37"                              |
| 14  | 162664-72-WL9 | EA  | LEG - LEFT - 37"                              |
|     | 154316-01-01A | EA  | BRACE/ANGLE - W/HOLE - CASHMERE               |

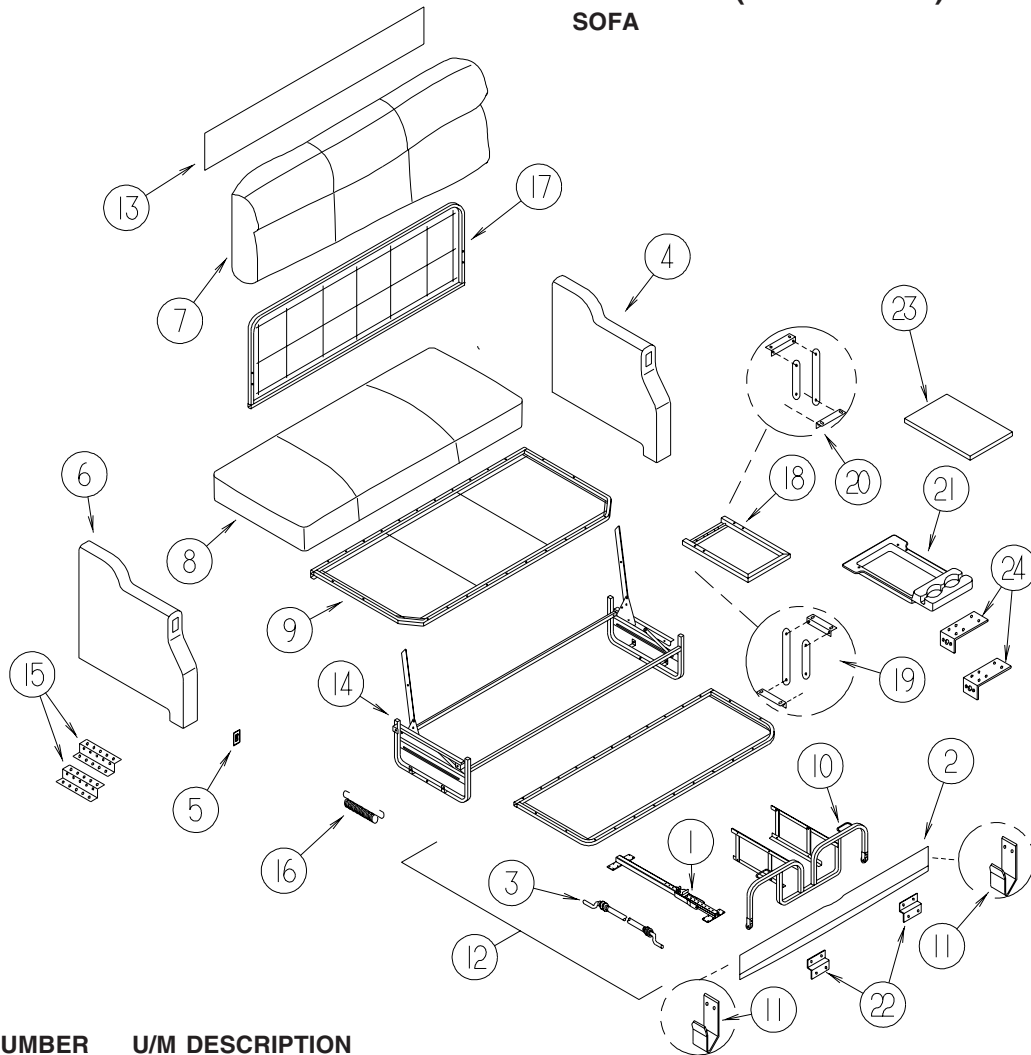
## CURTAIN & CUSHION GROUP (CONTINUED)

### BUCKET SEAT



| KEY | PART NUMBER   | U/M | DESCRIPTION                           |
|-----|---------------|-----|---------------------------------------|
| 1   | 134532-06-000 | EA  | FRAME - SEAT/HIGH BACK - WIDE         |
|     | 130802-02-000 | EA  | LEVER - RIGHT HAND                    |
|     | 130802-03-000 | EA  | SCREW F/LEVER                         |
|     | 166186-01-000 | EA  | LUMBAR - W/LEVER                      |
| 3   | 148668-01-01A | EA  | CUP/TRIM COVER - F/LEVER - BLACK      |
| 4   | 162490-A6-WL8 | EA  | COVER/BACK                            |
|     | 162490-A6-WL9 | EA  | COVER/BACK                            |
| 5   | 162490-A4-WA4 | EA  | COVER/SEAT (WL8)                      |
|     | 162490-A4-WB0 | EA  | COVER/SEAT (WL9)                      |
| 6   | 162623-03-WA4 | EA  | ARMREST - RIGHT HAND (WL8)            |
|     | 162623-03-WB0 | EA  | ARMREST - RIGHT HAND (WL9)            |
|     | 162623-A3-WA4 | EA  | COVER/ARMREST - RIGHT HAND (WL8)      |
|     | 162623-A3-WB0 | EA  | COVER/ARMREST - RIGHT HAND (WL9)      |
| 7   | 148751-01-000 | EA  | BRACKET - RIGHT (ADJUSTABLE) W/ROLLER |
| 8   | 148751-03-000 | EA  | BRACKET - ROLLER TRIM PLATE           |
| 9   | 162623-04-WL8 | EA  | ARMREST - LEFT HAND                   |
|     | 162623-04-WL9 | EA  | ARMREST - LEFT HAND                   |
|     | 162623-A4-WL8 | EA  | COVER/ARMREST - LEFT HAND             |
|     | 162623-A4-WL9 | EA  | COVER/ARMREST - LEFT HAND             |
| 10  | 148751-02-000 | EA  | BRACKET - LEFT (ADJUSTABLE) W/ROLLER  |

**CURTAIN & CUSHION GROUP (CONTINUED)**  
**SOFA**



**REST EASY**

| KEY | PART NUMBER   | U/M | DESCRIPTION  |
|-----|---------------|-----|--|
| 1   | 163559-01-000 | EA  | SLIDE RAIL - W/LATCH MECH/PLATES/STOP F/TRUNDLE-FLAT FLOOR |
| 2   | 157928-02-WA4 | EA  | PANEL/FRONT KICK - SOFA - 56.5" - LEATHER (WL8)            |
| 2   | 157928-02-WB0 | EA  | PANEL/FRONT KICK - SOFA - 56.5" - LEATHER (WL9)            |
| 3   | 148225-01-000 | EA  | CABLE ONLY - REMOTE - 31.9" W/Z-ENDS                       |
| 4   | 157922-04-WA4 | EA  | ARMREST - LEFT HAND/WIDE - LEATHER (WL8)                   |
| 4   | 157922-04-WB0 | EA  | ARMREST - LEFT HAND/WIDE - LEATHER (WL9)                   |
|     | 157922-A4-WA4 | EA  | COVER/ARMREST - SOFA - LEFT HAND/WIDE - LEATHER (WL8)      |
|     | 157922-A4-WB0 | EA  | COVER/ARMREST - SOFA - LEFT HAND/WIDE - LEATHER (WL9)      |
| 5   | 136118-01-000 | EA  | SWITCH - SOFA/RECLINER                                     |
| 6   | 157922-03-WA4 | EA  | ARMREST - RIGHT HAND/WIDE - W/SWITCH - LEATHER (WL8)       |
| 6   | 157922-03-WB0 | EA  | ARMREST - RIGHT HAND/WIDE - W/SWITCH - LEATHER (WL9)       |
|     | 157922-A3-WA4 | EA  | COVER/ARMREST - SOFA - RIGHT HAND/WIDE - LEATHER (WL8)     |
|     | 157922-A3-WB0 | EA  | COVER/ARMREST - SOFA - RIGHT HAND/WIDE - LEATHER (WL9)     |
| 7   | 157916-27-WL8 | EA  | BACK - SOFA - LEATHER                                      |
| 7   | 157916-27-WL9 | EA  | BACK - SOFA - LEATHER                                      |
|     | 157916-C7-WL8 | EA  | COVER/BACK - SOFA - LEATHER                                |
|     | 157916-C7-WL9 | EA  | COVER/BACK - SOFA - LEATHER                                |
| 8   | 157917-18-WL8 | EA  | SEAT - SOFA - LEATHER                                      |
| 8   | 157917-18-WL9 | EA  | SEAT - SOFA - LEATHER                                      |
|     | 157917-B8-WL8 | EA  | COVER/SEAT - SOFA - LEATHER                                |
|     | 157917-B8-WL9 | EA  | COVER/SEAT - SOFA - LEATHER                                |
| 9   | 151290-04-000 | EA  | FRAME - SEAT - 60"   |
| 10  | 151290-26-000 | EA  | FRAME - TRUNDLE - W/WHEEL - 55.5"                          |
| 11  | 121906-01-02B | EA  | BRACKET - KICKBOARD - E-COATED                             |
| 12  | 155647-03-WL8 | EA  | TRUNDLE - SOFA/SLEEPER - 60" - LEATHER (WL8)               |
| 12  | 155647-03-WJ0 | EA  | TRUNDLE - SOFA/SLEEPER - 60" - LEATHER (WL9)               |
|     | 155647-A3-WL8 | EA  | COVER/TRUNDLE - SOFA/SLEEPER - 60" - LEATHER (WL8)         |
|     | 155647-A3-WJ0 | EA  | COVER/TRUNDLE - SOFA/SLEEPER - 60" - LEATHER (WL9)         |
| 3   | NOT USED      |     |  |

**CURTAIN & CUSHION GROUP (CONTINUED)**  
**SOFA (CONTINUED)**

| <b>KEY</b> | <b>PART NUMBER</b> | <b>U/M</b> | <b>DESCRIPTION</b>                                      |
|------------|--------------------|------------|---|
| 14*        | 136534-15-000      | EA         | BASE - 27.5" X 60" - POWERED CL - W/10.5" OVERHANG      |
| 15         | NOT USED           |            |   |
| 16         | 136534-33-000      | EA         | SPRING/ASSIST - 1/2" X 7" W/HOOK ENDS - REST EASY SOFAS |
| 17         | 136534-18-000      | EA         | FRAME/BACK - 16.5" X 60"                                |
| 18         | NOT USED           |            |   |
| 19         | NOT USED           |            |   |
| 20         | NOT USED           |            |   |
| 21         | NOT USED           |            |   |
| 22         | 101926-01-02A      | EA         | BRACKET - ZEE - 2" - BLACK                              |
| 23         | NOT USED           |            |   |
| 24         | NOT USED           |            |   |

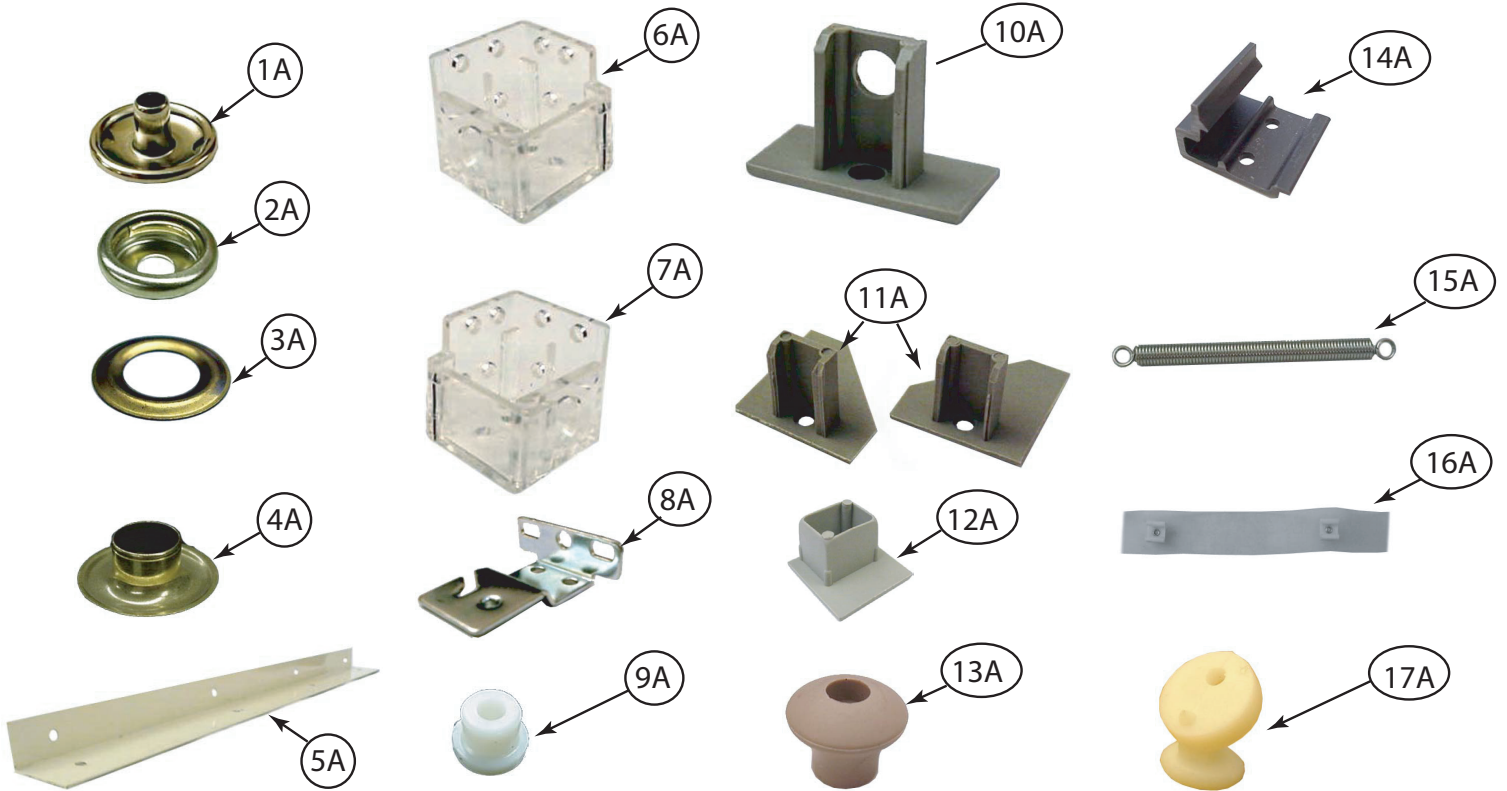
**\*COMPONENT PARTS LISTED LATER IN THIS GROUP**

**COMPONENT PARTS FOR SOFA**

| <b>KEY</b> | <b>PART NUMBER</b> | <b>U/M</b> | <b>DESCRIPTION</b>  | <b>VENDOR NO.</b> |
|------------|--------------------|------------|---|-------------------|
|            |                    |            | <b>136534-02-000, 136534-03-000, 136534-13-000, 136534-15-000</b> |                   |
|            | 136534-02-700      | EA         | MOTOR   | 9PL-MO-W/T-1      |
|            | 136534-02-701      | EA         | CABLE/DRV MTR-REST EASY SOFA                                      | 9PL-FCA27.75      |

## CURTAIN & CUSHION GROUP (CONTINUED)

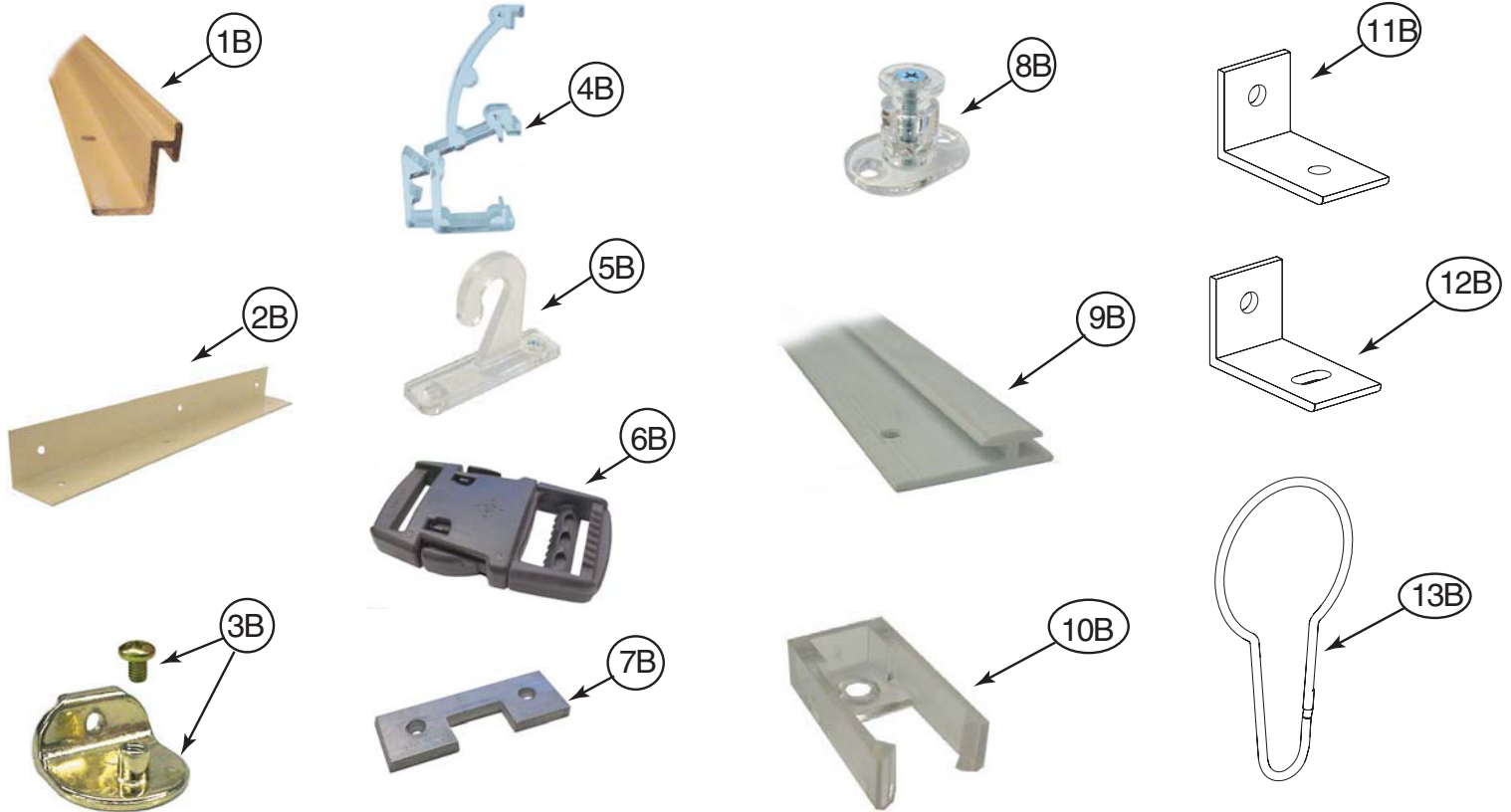
### HARDWARE



| KEY | PART NUMBER   | U/M | DESCRIPTION  |
|-----|---------------|-----|--|
| 1A  | 029155-01-000 | EA  | CAP - SNAP - 5/32" OUTSIDE DIAMETER OF PIN             |
| 2A  | 029156-01-000 | EA  | SOCKET - SNAP - 9/16" O.D.                             |
| 3A  | 046867-05-000 | EA  | WASHER - #0  |
| 4A  | 046867-04-000 | EA  | GROMMET - #0   |
| 5A  | 160457-01-01A | EA  | BRACE - VALANCE - L-SHAPED - 20" - OFF WHITE           |
| 6A  | 162496-01-01A | EA  | BRACKET/BLIND - LEFT SIDE WHEN FACING WINDOW - CLEAR   |
| 7A  | 162496-02-01A | EA  | BRACKET/BLIND - RIGHT SIDE WHEN FACING WINDOW - CLEAR  |
| 8A  | 084434-01-000 | EA  | BRACKET - MOUNTING - ROLLER SHADE - 1 3/8"             |
| 9A  | 094896-02-000 | EA  | GROMMET - CORD/PLEATED BLIND - NYLON - GRAY            |
| 10A | 094907-02-000 | EA  | END CAP - PLEATED BLIND/TOP - RH/LH - GRAY PLASTIC     |
| 11A | 094907-04-000 | EA  | END CAP - PLEATED BLIND/BOTTOM - RH/LH                 |
| 12A | 094907-09-000 | EA  | END CAP/BLIND - CENTER RAIL - RH/LH                    |
| 13A | 097564-03-000 | EA  | HANDLE - KNOB - E-Z LIFT SHADE - TAN                   |
| 14A | 097565-01-000 | EA  | BRACKET - MOUNTING - PLEATED BLIND                     |
| 15A | 155748-01-000 | EA  | SPRING - EXTENSION - DAY/NIGHTER BLIND                 |
| 16A | 101031-01-000 | YD  | TAPE/GLIDE - 4.25" SPACING                             |
| 17A | 102555-03-000 | EA  | BRACKET - (CLEAT TYPE) - F/BLIND HOLDOWN - MILKY WHITE |



**CURTAIN & CUSHION GROUP (CONTINUED)**  
**HARDWARE (CONTINUED)**



| KEY | PART NUMBER   | U/M | DESCRIPTION   |
|-----|---------------|-----|---|
| 1B  | 105450-14-01A | EA  | TRACK - CURTAIN - 90" - OFF WHITE                         |
| 2B  | 105648-01-02A | EA  | BRACE - VALANCE - 14" - OFF WHITE                         |
| 2B  | 105648-02-02A | EA  | BRACE - VALANCE - 8.5" - OFF WHITE                        |
| 3B  | 106544-01-000 | EA  | PULL - SHADE/BRASS  |
| 3B  | 106544-01-001 | EA  | SCREW - SHADE/BRASS                                       |
| 3B  | 106544-02-000 | EA  | PULL-SHADE - NICKEL                                       |
| 4B  | 109353-04-000 | EA  | CLIP - VALANCE SLAT MOUNTING - CLEAR PLASTIC              |
| 5B  | 109441-01-000 | EA  | BRACKET/HOOK - BLIND HOLD DOWN - LARGE - CLEAR            |
|     | 109441-02-000 | EA  | SPACER/BRACKET - BLIND HOLD DOWN                          |
| 6B  | 129491-01-000 | EA  | CATCH - SNAP HOOK - 1"                                    |
| 7B  | 130549-01-01A | EA  | STOP - CURTAIN TRACK                                      |
| 8B  | 141634-01-000 | EA  | BRACKET-(BOBBIN TYPE) 7/8"H HOLDUPBASE(OVAL)-2 HOLE-CLEAR |
| 9B  | 156172-02-01A | EA  | TRACK/WALL - 32" - BONE                                   |
| 9B  | 156172-03-01A | EA  | TRACK/WALL - 21" - BONE                                   |
| 10B | 156172-04-01A | EA  | END CAP - WALL TRACK - CLEAR                              |
| 11B | 154316-01-01A | EA  | BRACE/ANGLE - W/HOLE - CASHMERE                           |
| 12B | 154316-02-01A | EA  | BRACE/ANGLE - W/SLOT - CASHMERE                           |
| 13B | 159702-01-01A | EA  | HOOK/RING - CURTAIN/SHOWER - NICKEL                       |

**ACCESSORIES**

| KEY | PART NUMBER   | U/M | DESCRIPTION                            |
|-----|---------------|-----|--|
|     | 159676-11-WL8 | EA  | BUTTON - #65 - SQUARE - FABRIC COVERED |
|     | 159676-11-WL9 | EA  | BUTTON - #65 - SQUARE - FABRIC COVERED |
|     | 159676-13-WL8 | EA  | BUTTON - #65 - SQUARE - FABRIC COVERED |
|     | 159676-15-WL9 | EA  | BUTTON - #65 - SQUARE - FABRIC COVERED |

## CURTAIN & CUSHION GROUP (CONTINUED)

### FABRICS

#### WL8

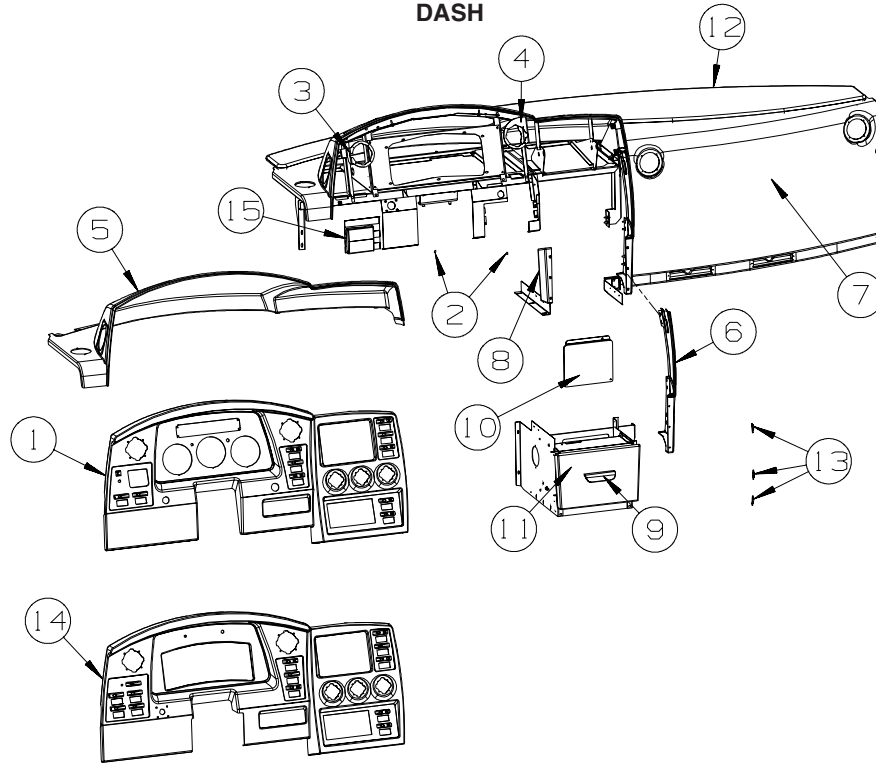
106569-15-01A VINYL - LAMINATE - 1/4" X 54" - SPINDRIFT/SEA OYSTER  
156773-71-000 FABRIC - DRAPERY, MAIN  
148797-BY-000 FABRIC - UPHOLSTERY , MAIN  
148797-N2-000 FABRIC - UPHOLSTRY, PLAIN ACCENT  
148797-BZ-000 FABRIC - UPHOLSTERY, ACCENT PATTERN  
156773-71-000 FABRIC - UPHOLSTERY, BEDSPREAD, MAIN  
142523-23-000 FABRIC - UPHOLSTERY, ULTRALEATHER ACCENT  
142523-17-000 FABRIC - UPHOLSTERY, ULTRALEATHER  
156773-74-000 FABRIC - UPHOLSTERY, BEDSPREAD, PATTERN ACCENT  
148797-BZ-000 FABRIC - SPEAKER COVER  
148797-BZ-000 FABRIC - OVERHEAD CABINET, DINETTE & LOUNGE  
156773-71-000 FABRIC - OVERHEAD CABINET, BEDROOM  
148797-N2-000 FABRIC - DINETTE WRAP  
148797-BZ-000 FABRIC - UPHOLSTERY, LOUNGE TRIM  
142523-17-000 FABRIC - EURO CHAIR LIDS

#### WL9

106569-15-01A VINYL - LAMINATE - 1/4" X 54" - SPINDRIFT/SEA OYSTER  
156773-72-000 FABRIC - DRAPERY, MAIN  
148797-CA-000 FABRIC - UPHOLSTERY , MAIN  
148797-AR-000 FABRIC - UPHOLSTRY, PLAIN ACCENT  
148797-JE-000 FABRIC - UPHOLSTERY, ACCENT PATTERN  
156773-72-000 FABRIC - UPHOLSTERY, BEDSPREAD, MAIN  
142523-20-000 FABRIC - UPHOLSTERY, ULTRALEATHER ACCENT  
142523-19-000 FABRIC - UPHOLSTERY, ULTRALEATHER  
156773-80-000 FABRIC - UPHOLSTERY, BEDSPREAD, PATTERN ACCENT  
148797-AR-000 FABRIC - SPEAKER COVER  
156773-72-000 FABRIC - OVERHEAD CABINET, DINETTE & LOUNGE  
156773-72-000 FABRIC - OVERHEAD CABINET, BEDROOM  
148797-AR-000 FABRIC - DINETTE WRAP  
148797-AR-000 FABRIC - UPHOLSTERY, LOUNGE TRIM  
142523-19-000 FABRIC - EURO CHAIR LIDS

# DRIVERS COMPARTMENT GROUP

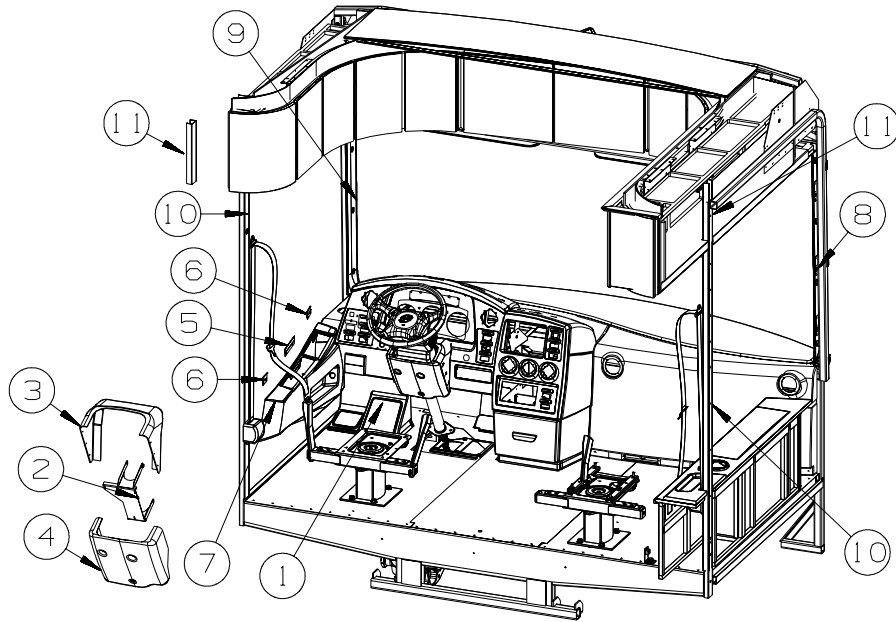
## DASH



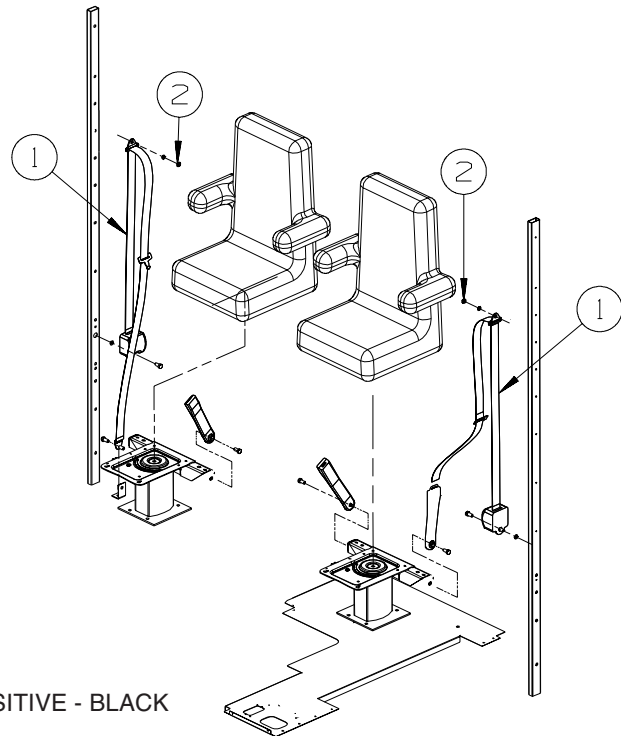
| KEY | PART NUMBER   | U/M | DESCRIPTION  |
|-----|---------------|-----|--|
| 1   | 158976-01-06A | EA  | BEZEL - INSTRUMENT PANEL - SLATE - <b>FREIGHTLINER</b> |
| 2   | 110530-01-000 | FT  | SEAL - SPONGE - .31" X .62"                            |
| 3   | 156255-02-02B | EA  | RETAINER - LOUVER/LEFT - E-COATED                      |
| 4   | 156255-03-02B | EA  | RETAINER - LOUVER - E-COATED                           |
| 5   | 158974-01-28A | EA  | POD - INSTRUMENT PANEL - SLATE                         |
| 6   | 159011-02-W66 | EA  | PANEL - CONSOLE/CENTER - PASSENGER                     |
|     | 159011-01-28A | EA  | PANEL - CONSOLE/CENTER - PASSENGER - SLATE             |
| 7   | 159718-02-W66 | EA  | PANEL/TRIM - DASH/LOWER RIGHT                          |
| 8   | 159719-01-28A | EA  | PANEL/CONSOLE - CENTER/LEFT - SLATE                    |
| 9   | 074762-01-000 | EA  | PULL - CABINET - 4.8" X .9" - BLACK PLASTIC            |
| 10  | 161526-01-02B | EA  | PANEL/ACCESS - BLOWER - E-COATED                       |
|     | 115870-01-000 | FT  | SEAL/EDGE - TRIM                                       |
| 11  | 162866-01-W66 | EA  | DRAWER - CONSOLE/CENTER - 10.7"W X 8.5"D - W/O HDW     |
| 12  | 158973-01-W66 | EA  | PANEL - DASH/FRONT                                     |
|     | 106569-14-13A | YD  | VINYL - LAMINATE - 1/4" X 54" - SLATE                  |
| 13  | 073050-04-000 | EA  | CLIP/MOUNTING - VALANCE PANEL                          |
| 14  | 158976-02-06A | EA  | BEZEL - INSTRUMENT PANEL - SLATE - <b>WORKHORSE</b>    |
| 15  | 118718-01-01A | EA  | HOLDER/DRINK - COLLAPSIBLE MUG - BLACK PLASTIC         |

## DRIVERS COMPARTMENT GROUP (CONTINUED)

### FRONT INTERIOR

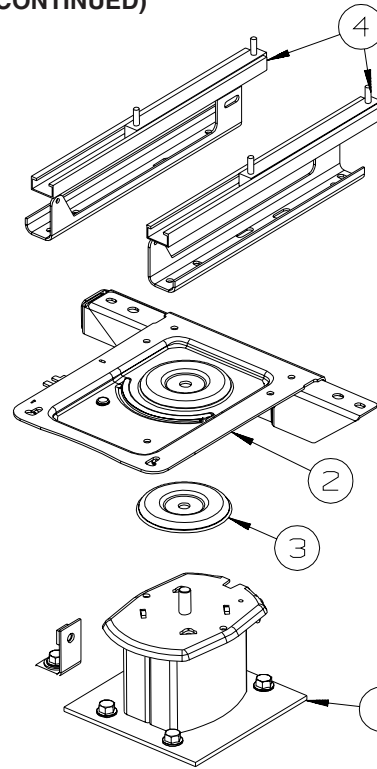


| KEY | PART NUMBER   | U/M DESCRIPTION   |
|-----|---------------|---|
| 1   | 151302-01-01A | EA PANEL/FOOTREST - DRIVER - W/TREAD INSERTS - BLACK    |
| 2   | 148806-01-02B | EA MOUNT ASM-STEERING COVE,E-CT                         |
| 3   | 160466-01-28A | EA COVER - STEERING COMUMN - UPPER - SLATE              |
| 4   | 160467-01-28A | EA COVER - STEERING COMUMN - LOWER - SLATE              |
| 5   | 130034-03-02B | EA CLIP - TRIM - E-COATED                               |
| 6   | 130034-07-02B | EA CLIP - TRIM - E-COATED                               |
| 7   | 159062-04-W66 | EA PANEL/TRIM - DRIVER PANEL                            |
| 8   | 159851-01-28A | EA TRIM - A-PILLAR/PASSENGER - INTERIOR - SLATE         |
| 9   | 159851-02-28A | EA TRIM - A-PILLAR/DRIVER - INTERIOR - SLATE            |
| 10  | 161808-01-01A | EA COVER - ROLL BAR/U-CHANNEL - 66.9" PLASTIC - MED OAK |
| 11  | 161808-02-01A | EA COVER - ROLL BAR/U-CHANNEL - 12.3" PLASTIC - MED OAK |



| KEY | PART NUMBER   | U/M DESCRIPTION                                 |
|-----|---------------|---|
| 1   | 091990-10-01A | EA SEAT BELT - 3 POINT - DUAL SENSITIVE - BLACK |
| 2   | 109146-01-000 | EA BOLT - SHOULDER/SEAT BELT                    |

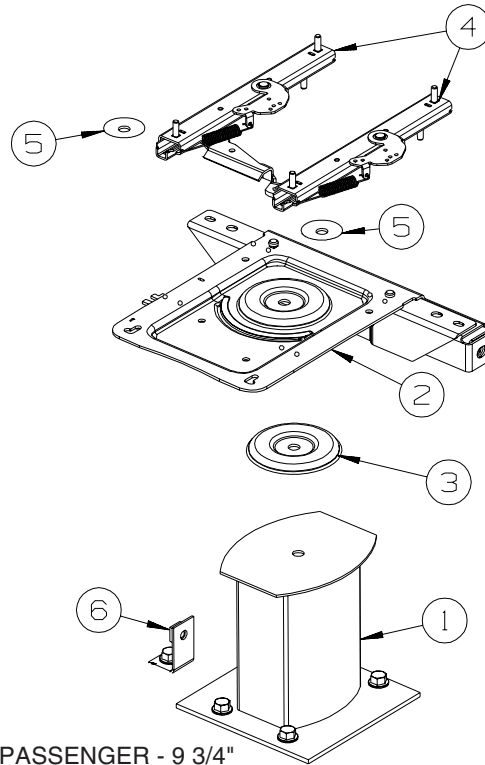
**DRIVERS COMPARTMENT GROUP (CONTINUED)**  
**FRONT INTERIOR (CONTINUED)**



**DRIVERS**

| KEY | PART NUMBER   | U/M | DESCRIPTION                   |
|-----|---------------|-----|-------------------------------|
| 1   | 133408-05-000 | EA  | PEDESTAL - SEAT - 5.75"       |
| 2   | 133408-08-000 | EA  | TOP PLATE - W/BAR             |
| 3   | 107921-06-000 | EA  | BEARING KIT - PEDESTAL        |
| 4*  | 147767-01-000 | EA  | SEAT - POWER - 6-WAY - DRIVER |

\*COMPONENT PARTS LISTED LATER IN THIS GROUP

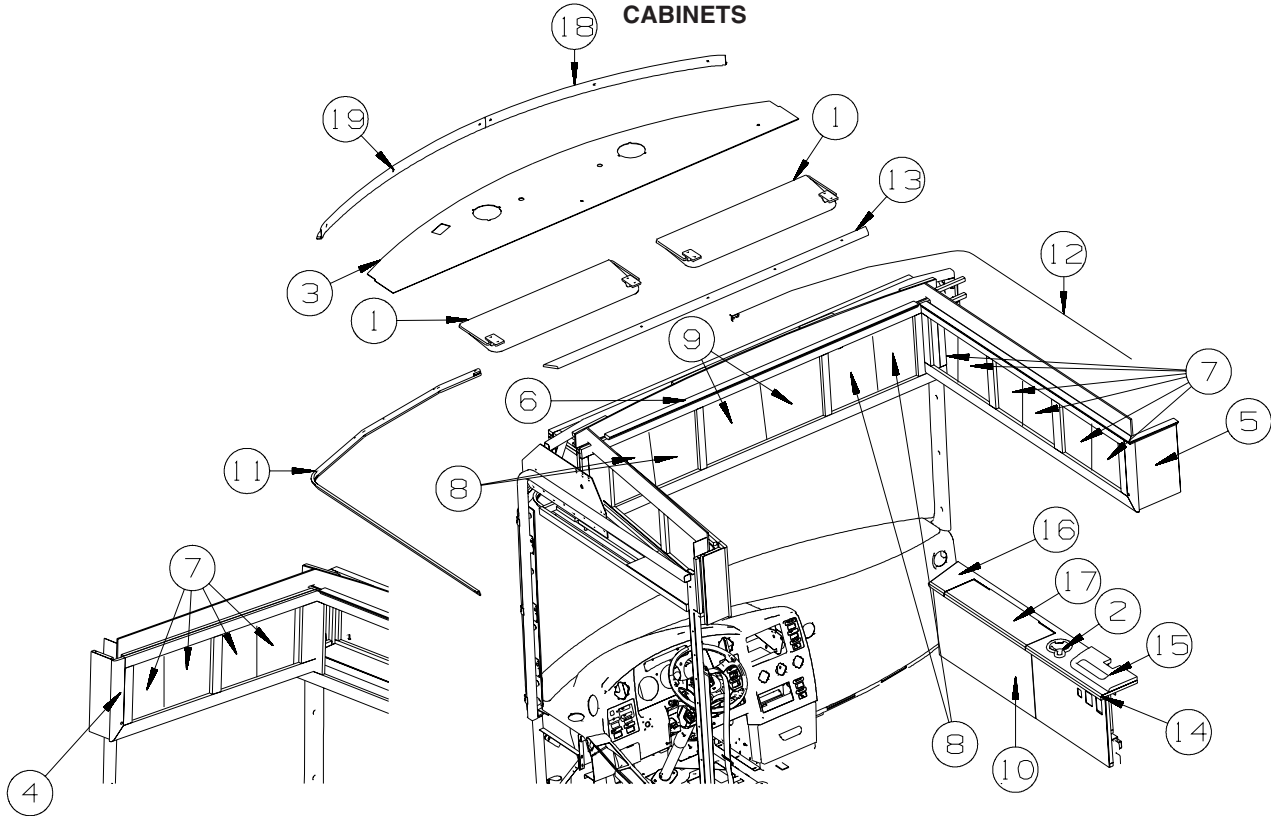


**PASSENGER**

| KEY | PART NUMBER   | U/M | DESCRIPTION                                 |
|-----|---------------|-----|---|
| 1   | 133408-01-000 | EA  | PEDESTAL - SEAT - DRIVER/PASSENGER - 9 3/4" |
| 2   | 133408-20-000 | EA  | TOP PLATE - PASSENGER - W/ANCHOR            |
| 3   | 107921-06-000 | EA  | BEARING KIT - PEDESTAL                      |
| 4   | 131566-04-000 | EA  | SLIDE/SEAT - HEAVY DUTY LOCKING - 5"        |
|     | 119952-07-000 | EA  | WIRE - LATCH RELEASE/ROTARY                 |
| 5   | 131566-05-000 | EA  | WASHER - SLIDE SPACER                       |
| 6   | 133408-04-000 | EA  | BRACKET - ANCHOR/FLOOR                      |

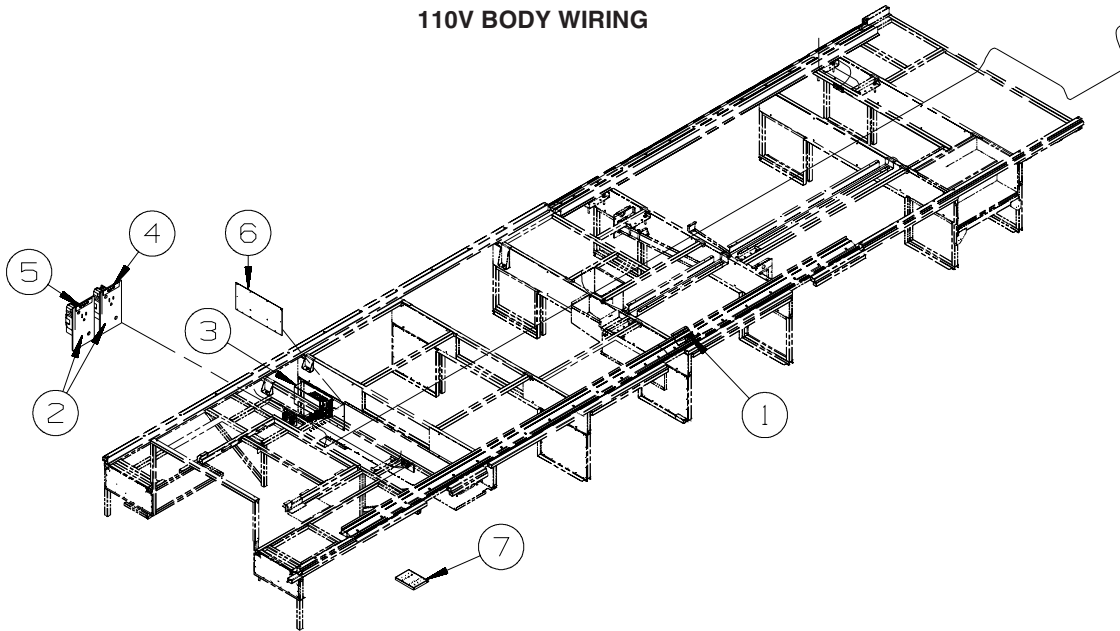
## DRIVERS COMPARTMENT GROUP (CONTINUED)

### CABINETS

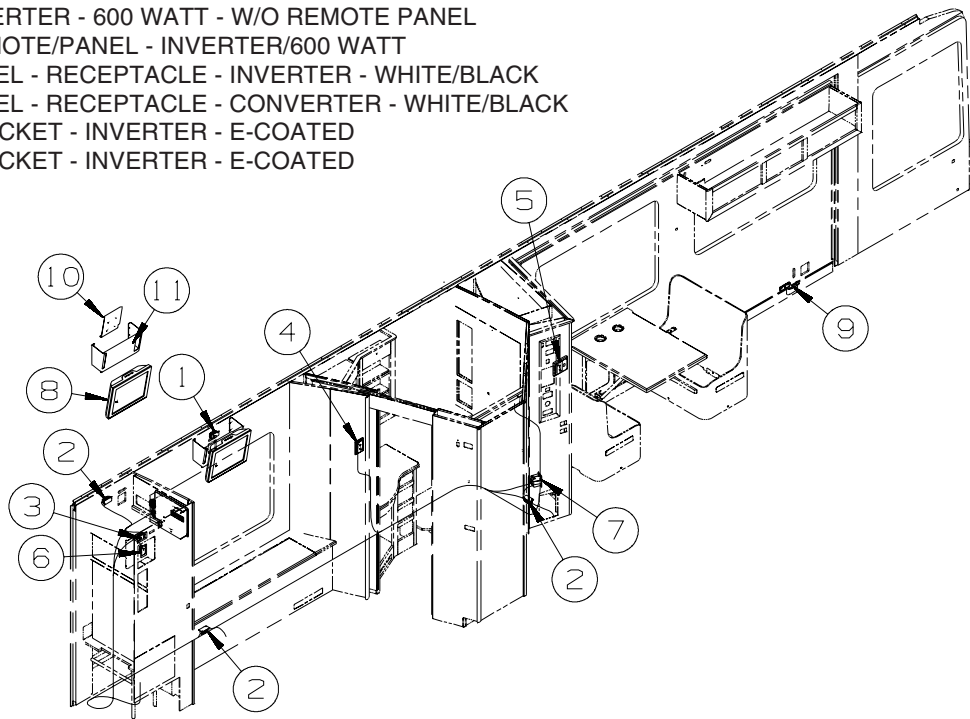


| KEY | PART NUMBER   | U/M | DESCRIPTION   |
|-----|---------------|-----|---|
| 1   | 123298-06-11A | EA  | SUNVISOR - 8" X 30.5" - SLATE                             |
| 2   | 133831-01-01A | EA  | HOLDER - CUP W/THREE CENTERLINE RUBBER FINGERS            |
| 3   | 134146-A0-W66 | EA  | PANEL - OVERHEAD/FRONT - BOTTOM                           |
| 4   | 167982-01-YP0 | EA  | CABINET - OVERHEAD/FRONT/LH HAND - W/O DOORS/HDW          |
| 5   | 167993-01-YP0 | EA  | CABINET - OVERHEAD/FRONT/RH HAND - W/O DOORS/HDW          |
| 6   | 167777-01-YP0 | EA  | CABINET - OVERHEAD/FRONT - W/O DOORS/HDW                  |
| 7   | 167627-10-YP0 | EA  | DOOR - RAISED/PENCIL EDGE - 9.8" X 12" - W/O HDW          |
| 8   | 146028-F3-YP0 | EA  | DOOR - GLASS INSERT/PENCIL EDGE - 10.8" X 14.4" - W/O HDW |
| 9   | 146028-F4-YP0 | EA  | DOOR - GLASS INSERT/PENCIL EDGE - 14.4" X 14.4" - W/O HDW |
| 10  | 166728-02-WL8 | EA  | CABINET - STORAGE/FRONT/RIGHT - W/O COUNTERTOP/DOORS/HDW  |
| 11  | 127254-15-06A | EA  | TRACK/WRAPAROUND - DRIVER - BLACK                         |
|     | 162691-01-01A | EA  | SPACER - CURTAIN TRACK                                    |
| 12  | 127254-16-06A | EA  | TRACK/WRAPAROUND - PASSENGER - BLACK                      |
|     | 162691-01-01A | EA  | SPACER - CURTAIN TRACK                                    |
| 13  | 133771-12-YP0 | EA  | MOLDING - CAP   |
|     | 042356-01-000 | EA  | PLUG - MAHOGANY - 3/8" DOWEL X 1/2" HEAD                  |
| 14  | 166845-01-YP0 | EA  | COUNTERTOP - W/FLAP DOOR                                  |
| 15  | 166891-01-YP0 | EA  | COUNTERTOP - WOOD   |
| 16  | 145182-61-YP0 | EA  | COUNTERTOP - LAMINATED                                    |
| 17  | 145182-62-YP0 | EA  | COUNTERTOP - LAMINATED                                    |
| 18  | 159957-01-28A | EA  | TRIM - WINDSHIELD - INTERIOR/TOP/PASSENGER                |
| 19  | 159957-02-28A | EA  | TRIM - WINDSHIELD - INTERIOR/TOP/DRIVER                   |

## ELECTRICAL GROUP 110V BODY WIRING



| KEY | PART NUMBER   | U/M | DESCRIPTION                                  |
|-----|---------------|-----|--|
| 1   | 058708-01-000 | EA  | RECEPTACLE - ELECTRIC - DOUBLE - BROWN       |
| 2   | 058708-05-000 | EA  | RECEPTACLE - ELECTRICAL - SINGLE - BROWN     |
| 3   | 154511-01-000 | EA  | INVERTER - 600 WATT - W/O REMOTE PANEL       |
|     | 154511-02-000 | EA  | REMOTE/PANEL - INVERTER/600 WATT             |
| 4   | 158542-03-01A | EA  | LABEL - RECEPTACLE - INVERTER - WHITE/BLACK  |
| 5   | 158542-04-01A | EA  | LABEL - RECEPTACLE - CONVERTER - WHITE/BLACK |
| 6   | 162373-02-02B | EA  | BRACKET - INVERTER - E-COATED                |
| 7   | 155223-04-02B | EA  | BRACKET - INVERTER - E-COATED                |

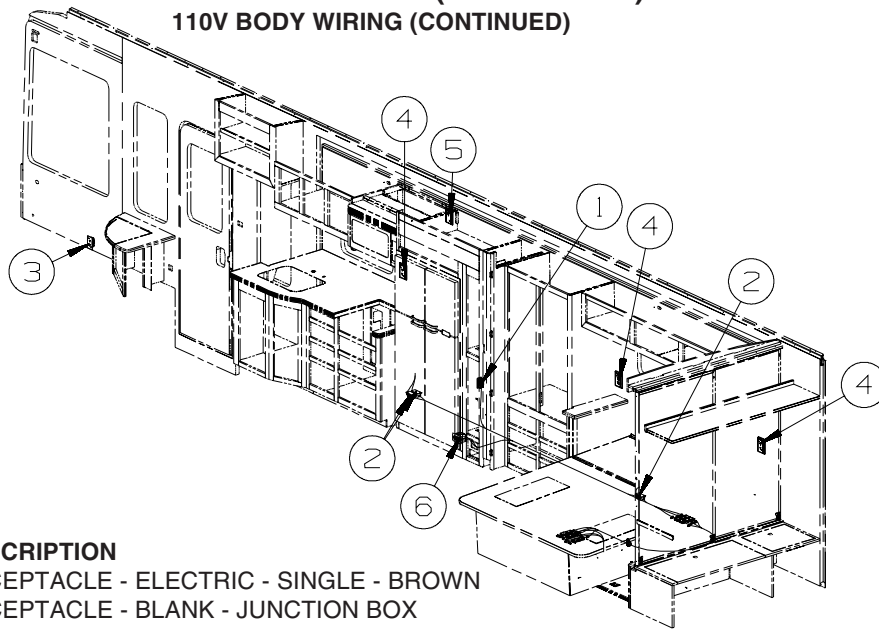


| KEY | PART NUMBER   | U/M | DESCRIPTION                                      |
|-----|---------------|-----|--|
| 1   | 058707-01-000 | EA  | RECEPTACLE - ELECTRIC - SINGLE - BROWN           |
| 2   | 058707-02-000 | EA  | RECEPTACLE - BLANK - JUNCTION BOX                |
| 3   | 058708-01-000 | EA  | RECEPTACLE - ELECTRIC - DOUBLE - BROWN           |
| 3   | 158542-02-01A | EA  | LABEL - RECEPTACLE - ELECTRONICS - WHITE/BLACK   |
| 4   | 058708-01-000 | EA  | RECEPTACLE - ELECTRIC - DOUBLE - BROWN           |
| 4   | 133713-01-22A | EA  | SPACER/RECEPTACLE - VINYL - SIERRA MAPLE         |
| 5   | 058708-01-000 | EA  | RECEPTACLE - ELECTRIC - DOUBLE - BROWN           |
| 5   | 133713-06-22A | EA  | SPACER/RECEPTACLE - VINYL - SIERRA MAPLE         |
| 6   | 058708-05-000 | EA  | RECEPTACLE - ELECTRICAL - SINGLE - BROWN         |
| 6   | 158542-01-01A | EA  | LABEL - RECEPTACLE - WASHER/DRYER - WHITE/BLACK  |
| 7   | 163319-01-02A | EA  | RECEPTACLE - GFCI - 15A 125V - BROWN             |
| 8*  | 164598-01-000 | EA  | TV - 20" FLAT PANEL/LCD/STEREO - SHARP LC-20SH7U |
| 9   | 153862-02-01A | EA  | COVER - WIRE - 5.9" X 3.8" X 2.2" - BLACK        |
| 10  | 162355-02-02B | EA  | PLATE/MOUNTING - TV - E-COATED                   |
| 11  | 131914-29-02B | EA  | BRACKET - TV - E-COATED                          |

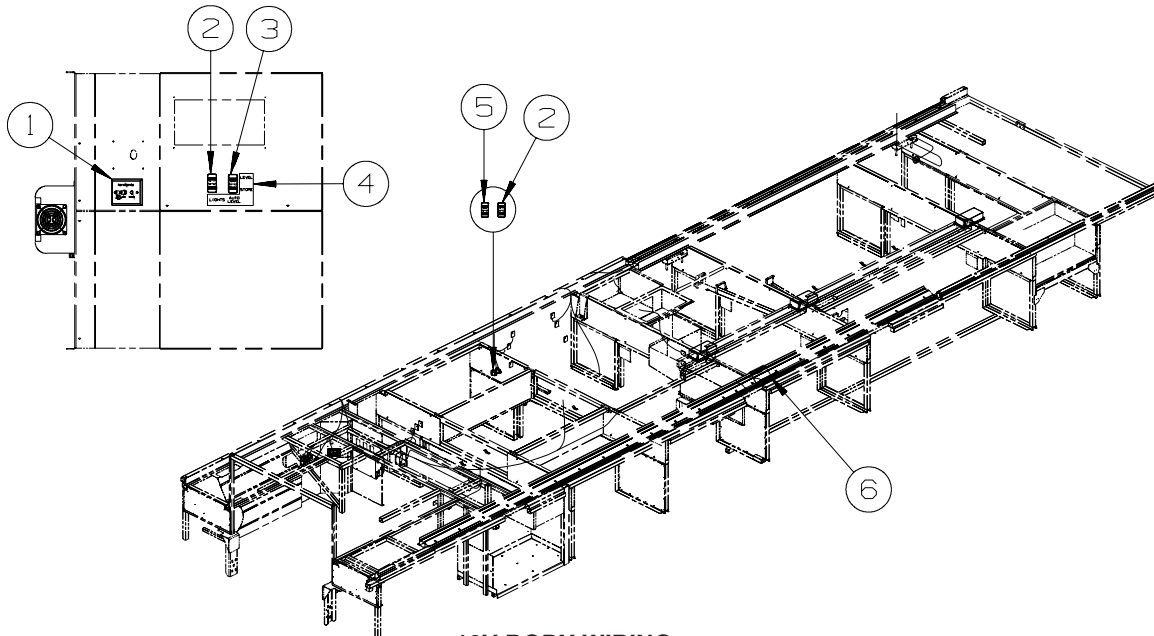
\*COMPONENT PARTS LISTED LATER IN THIS GROUP

## ELECTRICAL GROUP (CONTINUED)

### 110V BODY WIRING (CONTINUED)



| KEY | PART NUMBER   | U/M | DESCRIPTION                              |
|-----|---------------|-----|--|
| 1   | 058707-01-000 | EA  | RECEPTACLE - ELECTRIC - SINGLE - BROWN   |
| 2   | 058707-02-000 | EA  | RECEPTACLE - BLANK - JUNCTION BOX        |
| 3   | 058708-01-000 | EA  | RECEPTACLE - ELECTRIC - DOUBLE - BROWN   |
| 4   | 058708-01-000 | EA  | RECEPTACLE - ELECTRIC - DOUBLE - BROWN   |
| 4   | 133713-01-22A | EA  | SPACER/RECEPTACLE - VINYL - SIERRA MAPLE |
| 5   | 058708-05-000 | EA  | RECEPTACLE - ELECTRICAL - SINGLE - BROWN |
| 5   | 133713-01-22A | EA  | SPACER/RECEPTACLE - VINYL - SIERRA MAPLE |
| 6   | 163319-01-02A | EA  | RECEPTACLE - GFCI - 15A 125V - BROWN     |



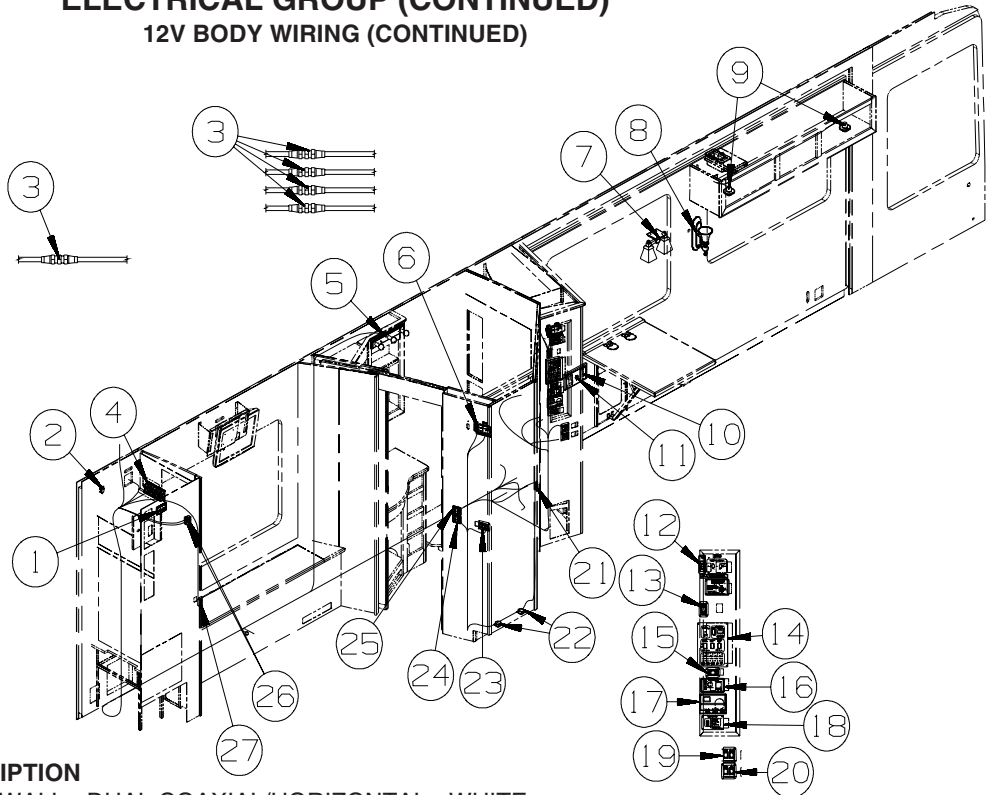
### 12V BODY WIRING

| KEY | PART NUMBER   | U/M | DESCRIPTION  |
|-----|---------------|-----|--|
| 1   | 149557-02-01A | EA  | PLATE/WALL - PHONE/DUAL COAXIAL/HORIZONTAL - WHITE       |
| 2   | 108357-05-000 | EA  | SWITCH - ROCKER - SPDT - ON/NONE/ON - 3 TERM - W/O COVER |
| 2   | 108356-01-01A | EA  | COVER/ACTUATOR SWITCH - 3 GROOVES - BLACK                |
| 2   | 108355-01-000 | EA  | HOUSING - SWITCH   |
| 3   | 108357-18-000 | EA  | SWITCH - ROCKER - DPDT - MOM/OFF/MOM - W/O COVER         |
| 3   | 108356-03-01A | EA  | COVER/ACTUATOR SWITCH - 3 GROOVES W/LENS - BLACK         |
| 3   | 108355-01-000 | EA  | HOUSING - SWITCH   |
| 4   | 117628-05-000 | EA  | LABEL - SWITCH - AUTO LVL/LIGHTS - WHITE ON CLEAR        |
| 5   | 108357-15-000 | EA  | SWITCH - ROCKER - DPDT - ON/NONE/ON - W/LIGHT W/O COVER  |
| 5   | 108356-03-01A | EA  | COVER/ACTUATOR SWITCH - 3 GROOVES W/LENS - BLACK         |
| 5   | 108355-01-000 | EA  | HOUSING - SWITCH   |
| 6   | 082134-01-000 | EA  | ADAPTER - TV - CABLE TO CABLE                            |
| 6   | 082136-01-000 | EA  | NUT - HEX JAM - 3/8-32                                   |
| 6   | 157486-01-02A | EA  | LABEL - TV/EXTERIOR                                      |



## ELECTRICAL GROUP (CONTINUED)

### 12V BODY WIRING (CONTINUED)



| KEY | PART NUMBER   | U/M | DESCRIPTION   |
|-----|---------------|-----|---|
| 1   | 149557-05-01A | EA  | PLATE/WALL - DUAL COAXIAL/HORIZONTAL - WHITE              |
| 2   | 086756-02-000 | EA  | SPLITTER - TV/3 WAY                                       |
| 3   | 082134-01-000 | EA  | ADAPTER - TV - CABLE TO CABLE                             |
| 4   | 139067-03-02B | EA  | PLATE - CIRCUIT BREAKER/HOUSE - E-COATED                  |
| 4   | 092547-12-000 | EA  | LABEL - CIRCUIT BREAKER                                   |
| 5   | 162371-01-01A | EA  | LIGHT - MAKE UP - 3 BULB/RECTANGULAR - BRUSHED NICKEL     |
| 6   | 163992-03-01A | EA  | LABEL - SLIDEOUT - PASSENGER/REAR - BLACK/WHITE           |
| 6   | 144363-09-02B | EA  | PLATE - SWITCH - E-COATED                                 |
| 6   | 108357-06-000 | EA  | SWITCH - ROCKER - DPDT - MOM/OFF/MOM - 6 TERM - W/O COVER |
| 6   | 108356-01-01A | EA  | COVER/ACTUATOR SWITCH - 3 GROOVES - BLACK                 |
| 6   | 108355-01-000 | EA  | HOUSING - SWITCH  |
| 6   | 116220-02-000 | EA  | APPLIQUE - SWITCH/SLIDEOUT                                |
| 6   | 138173-04-000 | EA  | CONTROL PANEL (TOUCH PAD) - ELECTRIC SLIDEOUT - #1802931  |
| 6   | 116549-01-000 | EA  | LABEL - WARNING - SLIDEOUT                                |
| 7   | 093575-46-01A | EA  | LIGHT - CEILING/DOUBLE - BRUSHED NICKEL                   |
| 8   | 119258-53-01A | EA  | LAMP - WALL - UL/CSA - BRUSHED NICKEL                     |
| 9   | 132427-01-02A | EA  | LIGHT - READING/SWIVEL - ROUND - NICKEL                   |
| 10  | 093253-01-02A | EA  | PLATE - WALL - TELEPHONE - BROWN                          |
| 11  | 132958-01-000 | EA  | RECEPTACLE - 12 VOLT - MOUNTING FLANGE - BLACK            |
| 12  | 144363-09-02B | EA  | PLATE - SWITCH - E-COATED                                 |
| 12  | 108357-06-000 | EA  | SWITCH - ROCKER - DPDT - MOM/OFF/MOM - 6 TERM - W/O COVER |
| 12  | 108356-01-01A | EA  | COVER/ACTUATOR SWITCH - 3 GROOVES - BLACK                 |
| 12  | 108355-01-000 | EA  | HOUSING - SWITCH  |
| 12  | 116220-02-000 | EA  | APPLIQUE - SWITCH/SLIDEOUT                                |
| 12  | 138173-04-000 | EA  | CONTROL PANEL (TOUCH PAD) - ELECTRIC SLIDEOUT - #1802931  |
| 12  | 116549-01-000 | EA  | LABEL - WARNING - SLIDEOUT                                |
| 12  | 163992-01-01A | EA  | LABEL - SLIDEOUT - DRIVER/FRONT - BLACK/WHITE             |
| 12* | 163097-01-000 | EA  | SWITCH - SPST - KEY ACTIVATED - W/2 KEYS                  |
| 12  | 163988-02-01A | EA  | LABEL - SLIDEOUT CONTROL/ELECTRIC - BLACK/WHITE           |
| 13  | 135740-06-01A | EA  | SWITCH - ROCKER - ON/OFF - LIGHTED - RED                  |
| 13  | 135741-01-01A | EA  | SWITCH - BASE - SINGLE - BROWN                            |
| 13  | 135742-35-02A | EA  | BEZEL - SWITCH - WATER HEATER/110 VOLT - BROWN            |
| 14* | 134940-08-01A | EA  | PANEL - MONITOR - 2 TANK-W/GENERATOR SWITCH/SOLAR CHARGER |
| 15  | 135740-02-01A | EA  | SWITCH - ROCKER - SPDT - ON/ON - BROWN                    |
| 15  | 135741-01-01A | EA  | SWITCH - BASE - SINGLE - BROWN                            |
| 15  | 135742-52-02A | EA  | BEZEL - SWITCH - GALLEY WASTE - BROWN                     |
| 16  | 127002-10-000 | EA  | PANEL/MONITOR - ENERGY MANAGEMENT SYSTEMS CTRL - W/3 PLUG |
| 17  | 105620-18-000 | EA  | THERMOSTAT - FURNACE/HEAT PUMP-A/C                        |
| 18  | 154511-02-000 | EA  | REMOTE/PANEL - INVERTER/600 WATT                          |
| 18  | 148254-03-000 | EA  | CABLE/INVERTOR - W/8 PIN MODULAR PHONE JACK - 50'-DIMEN   |

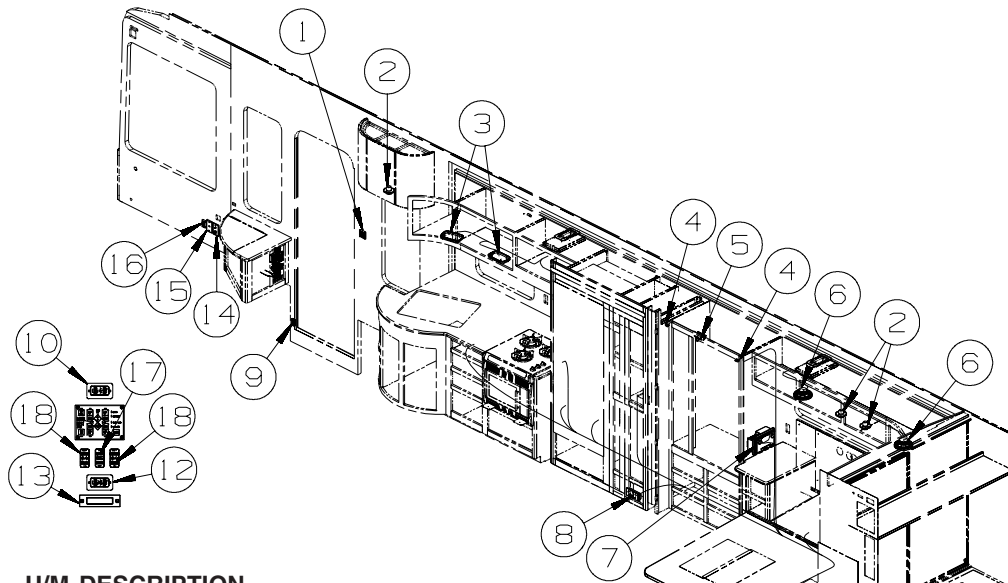
**ELECTRICAL GROUP (CONTINUED)**  
**12V BODY WIRING (CONTINUED)**

| <b>KEY</b> | <b>PART NUMBER</b> | <b>U/M</b> | <b>DESCRIPTION</b>                           |
|------------|--------------------|------------|--|
| 19         | 135740-01-01A      | EA         | SWITCH - ROCKER - SPST - ON/OFF - BROWN      |
| 19         | 135741-02-01A      | EA         | SWITCH - BASE - DOUBLE - BROWN               |
| 19         | 135742-18-02A      | EA         | BEZEL - SWITCH - LOUNGE/GALLEY - BROWN       |
| 20         | 135740-01-01A      | EA         | SWITCH - ROCKER - SPST - ON/OFF - BROWN      |
| 20         | 135741-02-01A      | EA         | SWITCH - BASE - DOUBLE - BROWN               |
| 20         | 135742-49-02A      | EA         | BEZEL - SWITCH - ACCENT/FAN - BROWN          |
| 21         | 135740-01-01A      | EA         | SWITCH - ROCKER - SPST - ON/OFF - BROWN      |
| 21         | 135741-01-01A      | EA         | SWITCH - BASE - SINGLE - BROWN               |
| 21         | 135742-07-02A      | EA         | BEZEL - SWITCH - CEILING - BROWN             |
| 22*        | 108354-01-01A      | EA         | LIGHT - COURTESY                             |
| 23         | 135740-01-01A      | EA         | SWITCH - ROCKER - SPST - ON/OFF - BROWN      |
| 23         | 135740-02-01A      | EA         | SWITCH - ROCKER - SPDT - ON/ON - BROWN       |
| 23         | 135741-03-01A      | EA         | SWITCH - BASE - TRIPLE - BROWN               |
| 23         | 135742-25-02A      | EA         | BEZEL - SWITCH - CEILING/AISLE/HALL - BROWN  |
| 24         | 135740-01-01A      | EA         | SWITCH - ROCKER - SPST - ON/OFF - BROWN      |
| 24         | 135740-03-01A      | EA         | SWITCH - ROCKER - DPDT - MOM/OFF/MOM - BROWN |
| 24         | 135741-02-01A      | EA         | SWITCH - BASE - DOUBLE - BROWN               |
| 24         | 135742-17-02A      | EA         | BEZEL - SWITCH - UP/DOWN FAN - BROWN         |
| 25         | 135740-01-01A      | EA         | SWITCH - ROCKER - SPST - ON/OFF - BROWN      |
| 25         | 135741-02-01A      | EA         | SWITCH - BASE - DOUBLE - BROWN               |
| 25         | 135742-14-02A      | EA         | BEZEL - SWITCH - MAKEUP/CEILING - BROWN      |
| 26         | 063912-02-000      | EA         | RELAY - CANISTER - SPDT                      |
| 27         | 135740-01-01A      | EA         | SWITCH - ROCKER - SPST - ON/OFF - BROWN      |
| 27         | 135741-01-01A      | EA         | SWITCH - BASE - SINGLE - BROWN               |
| 27         | 135742-01-01A      | EA         | BEZEL - SWITCH - SINGLE - BROWN              |

**\*COMPONENT PARTS LISTED LATER IN THIS GROUP**

## ELECTRICAL GROUP (CONTINUED)

### 12V BODY WIRING (CONTINUED)

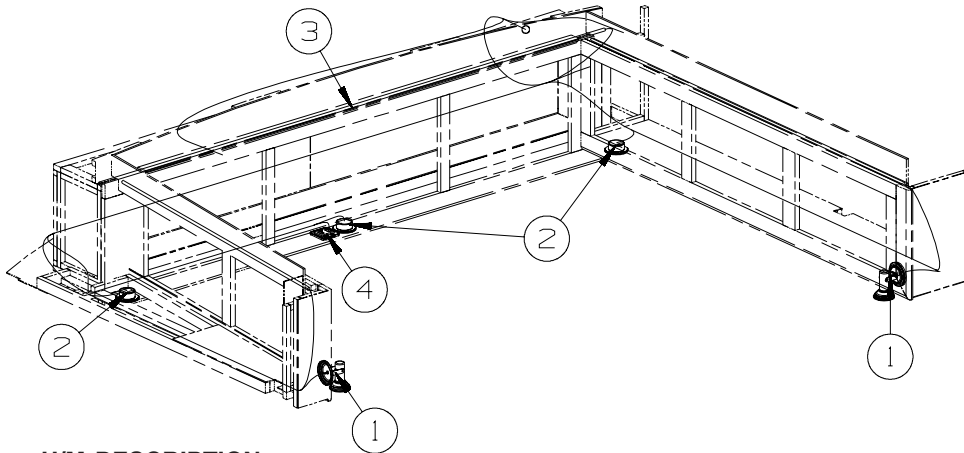


| KEY | PART NUMBER   | U/M | DESCRIPTION   |
|-----|---------------|-----|---|
| 1   | 135740-01-01A | EA  | SWITCH - ROCKER - SPST - ON/OFF - BROWN                   |
| 1   | 135741-02-01A | EA  | SWITCH - BASE - DOUBLE - BROWN                            |
| 1   | 135742-19-02A | EA  | BEZEL - SWITCH - CEILING/PORCH - BROWN                    |
| 2   | 132427-01-02A | EA  | LIGHT - READING/SWIVEL - ROUND - NICKEL                   |
| 3*  | 137417-02-01A | EA  | LIGHT - DOME - SINGLE - W/SWITCH/OPTIC LENS - WHITE       |
| 4   | 056264-01-000 | EA  | SWITCH - LEAF ACTUATOR                                    |
| 5*  | 087694-01-000 | EA  | LIGHT - WARDROBE/CLOSET - W/SWITCH                        |
| 6   | 094097-01-000 | EA  | SPEAKER - RADIO/TV - W/O GRILLE - 5.25" DIAMETER          |
| 6   | 159430-01-01A | EA  | GRILLE - SPEAKER - 6" ROUND - CASHMERE                    |
| 7*  | 163031-01-01A | EA  | RADIO - WALL MOUNT - DVD/CD - W/ALARM - JENSEN AWM960     |
|     | 165161-01-000 | EA  | FILTER - GROUND LOOP/VIDEO                                |
| 8   | 150138-01-02A | EA  | DETECTOR - LP GAS - BROWN                                 |
| 9   | 116995-03-000 | EA  | SWITCH/MAGNET - ELECTRIC STEP                             |
| 10  | 108357-01-000 | EA  | SWITCH - ROCKER - SPST - ON/OFF - 2 TERMINAL - W/O COVER  |
| 10  | 108356-18-01A | EA  | COVER/ACTUATOR SWITCH - 3 GROOVES - STEP - BLACK          |
| 10  | 108355-01-000 | EA  | HOUSING - SWITCH  |
| 10  | 098351-07-02A | EA  | PLATE/SWITCH - 1 GANG - CHROME - GENERATOR SWITCH         |
| 11  | 108357-01-000 | EA  | SWITCH - ROCKER - SPST - ON/OFF - 2 TERMINAL - W/O COVER  |
| 11  | 108356-14-01A | EA  | COVER/ACTUATOR SWITCH - 3 GROOVES - COMPT LIGHTS          |
| 11  | 108355-01-000 | EA  | HOUSING - SWITCH  |
| 11  | 098351-07-02A | EA  | PLATE/SWITCH - 1 GANG - CHROME - GENERATOR SWITCH         |
| 12  | 108357-06-000 | EA  | SWITCH - ROCKER - DPDT - MOM/OFF/MOM - 6 TERM - W/O COVER |
| 12  | 108356-17-01A | EA  | COVER/ACTUATOR SWITCH - 3 GROOVES - AUX BATT - BLACK      |
| 12  | 108355-01-000 | EA  | HOUSING - SWITCH  |
| 12  | 098351-07-02A | EA  | PLATE/SWITCH - 1 GANG - CHROME - GENERATOR SWITCH         |
| 13  | 061424-01-000 | EA  | LIGHT - AISLE - 12 VOLT - RECTANGULAR                     |
| 14  | 076319-09-000 | EA  | WALLPLATE - TV CABLE RECEPTACLE - SINGLE - BROWN          |
| 15  | 093253-01-02A | EA  | PLATE - WALL - TELEPHONE - BROWN                          |
| 16  | 135740-01-01A | EA  | SWITCH - ROCKER - SPST - ON/OFF - BROWN                   |
| 16  | 135741-01-01A | EA  | SWITCH - BASE - SINGLE - BROWN                            |
| 16  | 135742-01-01A | EA  | BEZEL - SWITCH - SINGLE - BROWN                           |
| 17  | 108357-01-000 | EA  | SWITCH - ROCKER - SPST - ON/OFF - 2 TERMINAL - W/O COVER  |
| 17  | 108356-14-01A | EA  | COVER/ACTUATOR SWITCH - 3 GROOVES - COMPT LIGHTS          |
| 17  | 108355-01-000 | EA  | HOUSING - SWITCH  |
| 18  | 108357-07-000 | EA  | SWITCH - ROCKER - SPDT - MOM/OFF/MOM - 3 TERM - W/O COVER |
| 18  | 108356-12-01A | EA  | COVER/ACTUATOR SWITCH - 3 GROOVES - AWNING/IN/OUT         |
| 18  | 108355-01-000 | EA  | HOUSING - SWITCH  |
| 18  | 098351-23-02A | EA  | PLATE/SWITCH - 3 GANG - CHROME                            |
| 18  | 108357-01-000 | EA  | SWITCH - ROCKER - SPST - ON/OFF - 2 TERMINAL - W/O COVER  |
| 18  | 108356-14-01A | EA  | COVER/ACTUATOR SWITCH - 3 GROOVES - COMPT LIGHTS          |
| 18  | 108355-01-000 | EA  | HOUSING - SWITCH  |

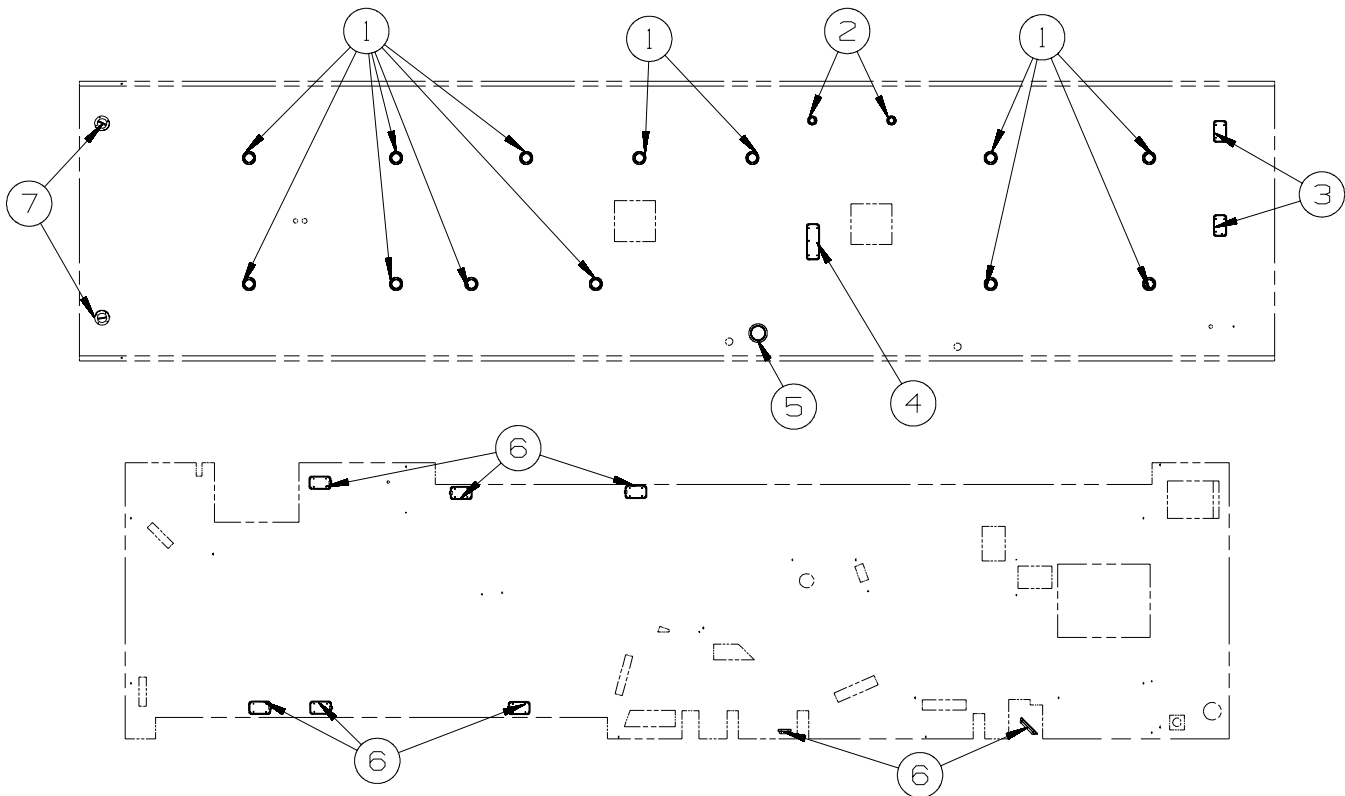
\*COMPONENT PARTS LISTED LATER IN THIS GROUP

## ELECTRICAL GROUP (CONTINUED)

### 12V BODY WIRING (CONTINUED)



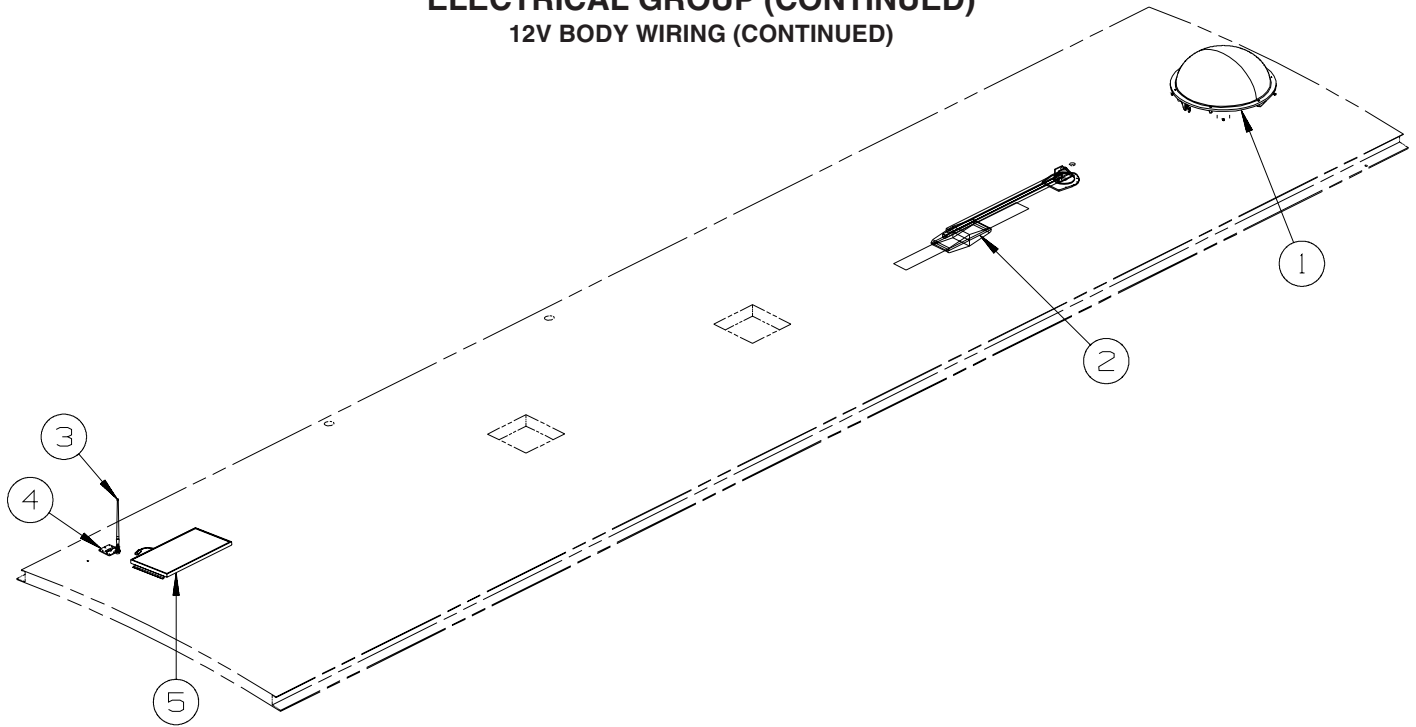
| KEY | PART NUMBER   | U/M | DESCRIPTION  |
|-----|---------------|-----|--|
| 1   | 128786-02-02A | EA  | LIGHT - READING/SWIVEL - W/O SWITCH - SATIN NICKEL |
| 1   | 123917-01-000 | EA  | BULB - 12V - HALOGEN SPOT                          |
| 2   | 165170-01-01A | EA  | LIGHT - HALOGEN - ROUND/GLASS LENS - 10 WATT       |
| 3   | 146514-02-000 | EA  | CONNECTOR - LIGHT                                  |
| 3   | 146514-03-000 | FT  | LIGHT - FLEX - ROPE/ROUND - W/O MOUNT CHANNEL      |
| 4   | 135740-01-01A | EA  | SWITCH - ROCKER - SPST - ON/OFF - BROWN            |
| 4   | 135741-02-01A | EA  | SWITCH - BASE - DOUBLE - BROWN                     |
| 4   | 135742-36-02A | EA  | BEZEL - SWITCH - ACCENT/VALANCE - BROWN            |



| KEY | PART NUMBER   | U/M | DESCRIPTION   |
|-----|---------------|-----|---|
| 1   | 165643-01-01A | EA  | LIGHT - HALOGEN - 4.5" ROUND/GLASS LENS - 20 WATT         |
| 2   | 165170-01-01A | EA  | LIGHT - HALOGEN - ROUND/GLASS LENS - 10 WATT              |
| 3*  | 137417-03-01A | EA  | LIGHT - DOME - SINGLE - W/O SWITCH - W/FROSTED LENS-WHITE |
| 4*  | 137417-06-01A | EA  | LIGHT - DOME - DOUBLE - W/O SWITCH - W/FROSTED LENS-WHITE |
| 5   | 164040-01-01A | EA  | LIGHT - DOME - SHOWER/RECESSED - GLASS - WHITE            |
| 6*  | 137417-01-01A | EA  | LIGHT - DOME - SINGLE - W/SWITCH/FROSTED LENS - WHITE     |
| 7   | 160867-01-01A | EA  | SPEAKER - ROUND/CEILING - CREAM - MAGNADYNE - LS3EYC-WN   |

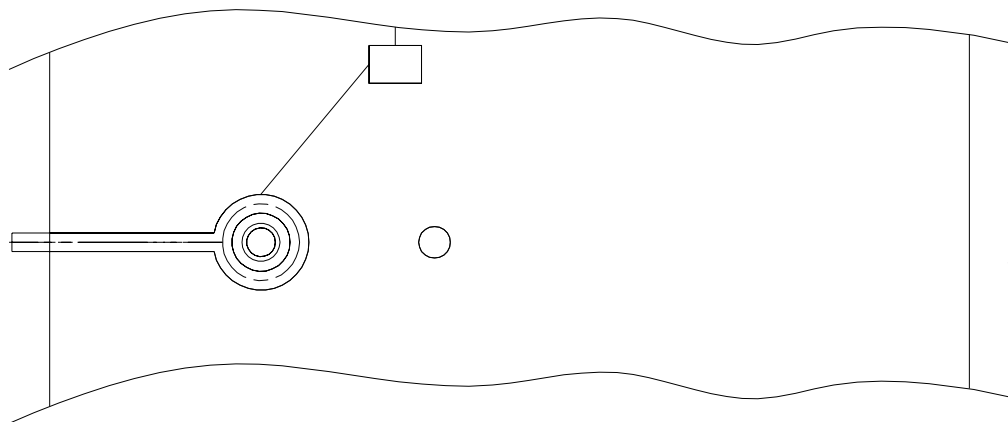
\*COMPONENT PARTS LISTED LATER IN THIS GROUP

**ELECTRICAL GROUP (CONTINUED)**  
**12V BODY WIRING (CONTINUED)**

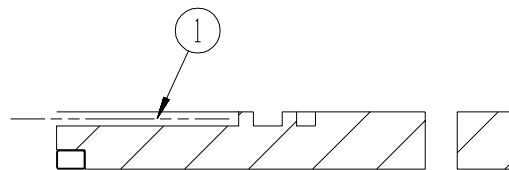


| KEY | PART NUMBER   | U/M | DESCRIPTION  |
|-----|---------------|-----|--|
| 1*  | 163598-01-02A | EA  | ANTENNA/SATELLITE - DISH IN DOME/AUTOMATIC - BLACK |
| 1   | 146488-03-000 | EA  | PLATE - ROOF - CABLE ENTRY - QUAD                  |
| 1   | 163598-04-000 | EA  | CABLE/COAX - SATELLITE - 9"                        |
| 2*  | 076319-23-000 | EA  | ANTENNA - TV ROOF MOUNT - 44.5" MAST               |
| 2*  | 076319-25-000 | EA  | KIT - HARDWARE INTERIOR                            |
| 2   | 069726-02-000 | EA  | BUMPER - .88" OD X .40" THICK - BLACK              |
| 3   | 090944-01-000 | EA  | ANTENNA - RADIO - 16" RUBBER - W/72" LEAD WIRE     |
| 3   | 109889-04-000 | EA  | EXTENDER - ANTENNA SHAFT - 3.7"                    |
| 3   | 147741-01-09B | EA  | BRACKET - ANTENNA GROUND - GALVANIZED              |
| 4   | 146488-01-000 | EA  | PLATE - ROOF - CABLE ENTRY                         |
| 5   | 151647-01-000 | EA  | PANEL - SOLAR 10 WATT                              |

**\*COMPONENT PARTS LISTED LATER IN THIS GROUP**

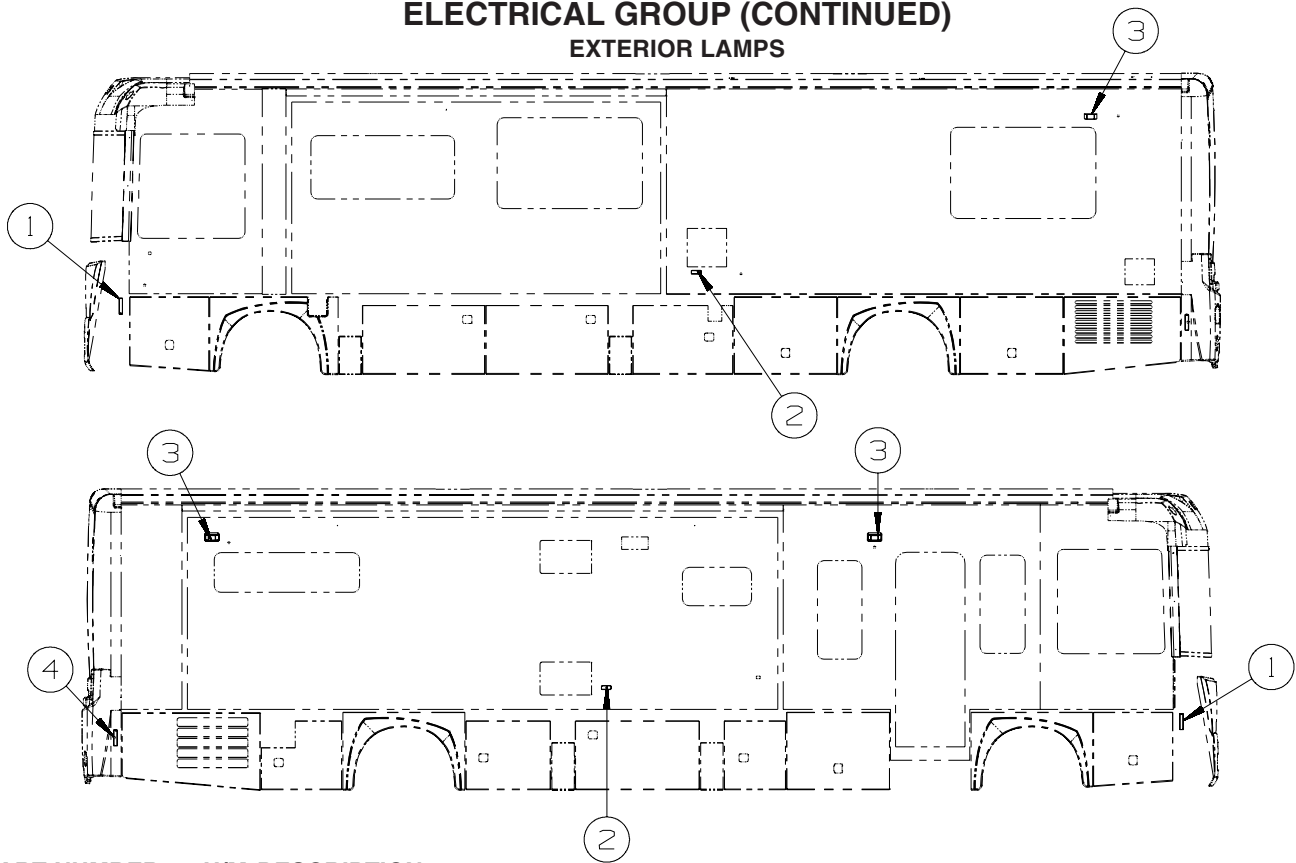


**SATELLITE WIRING  
 DETAIL**



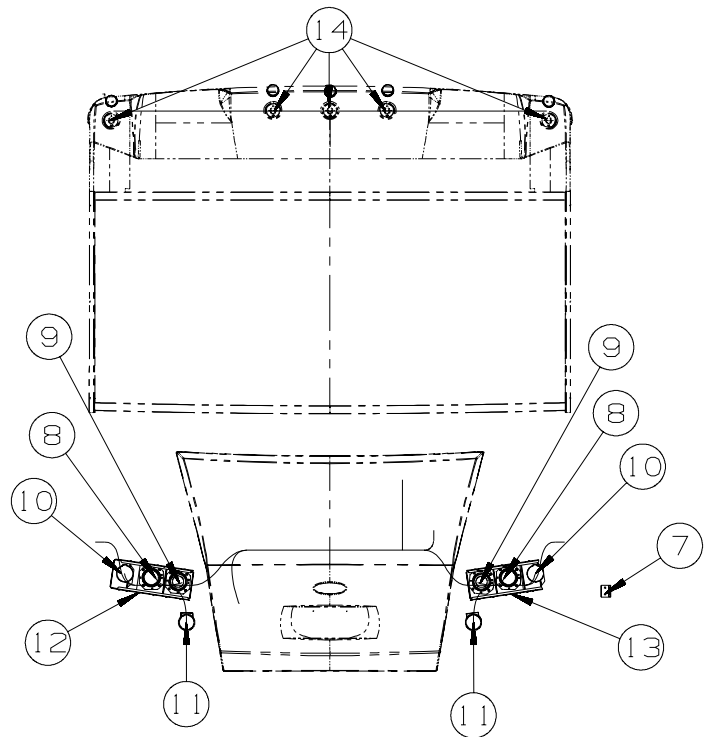
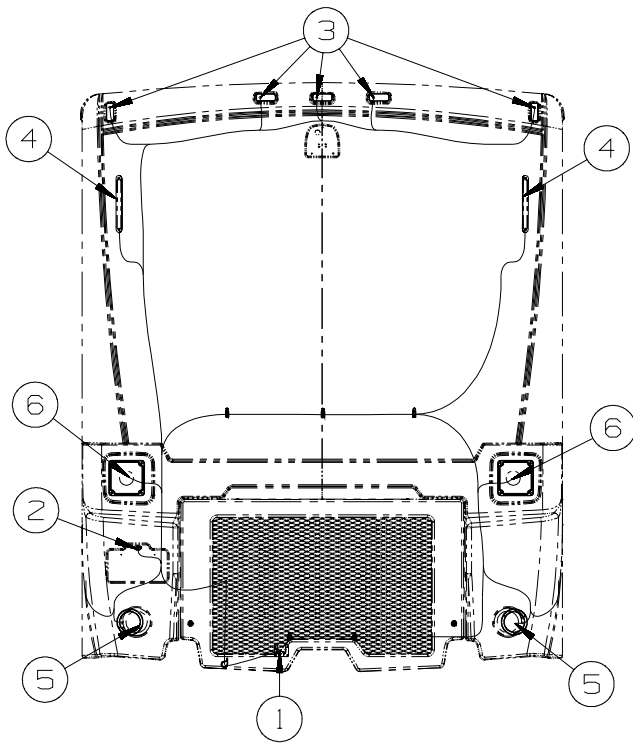
| KEY | PART NUMBER   | U/M | DESCRIPTION   |
|-----|---------------|-----|---|
| 1   | 154474-03-000 | EA  | CABLE - SATELLITE - COAX - 8' W/CONNECTORS - <b>AUTOMATIC SATELLITE DISH</b>                    |
| 1   | 141454-04-000 | EA  | WIRE - SATELLITE - AUTOMATIC - <b>AUTOMATIC SATELLITE DISH</b><br>FROM: 00-00-00 THRU: 01-28-07 |
| 1   | 163598-03-000 | EA  | CABLE - SATELLITE CONTROL - <b>AUTOMATIC SATELLITE DISH</b><br>FROM: 01-29-07 THRU: 99-99-99    |

**ELECTRICAL GROUP (CONTINUED)**  
**EXTERIOR LAMPS**



| KEY | PART NUMBER   | U/M | DESCRIPTION                             |
|-----|---------------|-----|---|
| 1   | 117826-02-000 | EA  | LAMP/SIDE MARKER ASSEMBLY - AMBER       |
| 1   | 117826-03-000 | EA  | GASKET/SIDE MARKER LIGHT                |
| 1   | 067789-02-000 | EA  | SOCKET - LAMP                           |
| 1   | 036196-01-000 | EA  | BULB - 12V - #194 - .27 AMP - BAYONETTE |
| 2   | 111102-01-000 | EA  | BASE - MARKER LAMP                      |
| 2   | 111102-02-000 | EA  | LENS - AMBER - MARKER LAMP              |
| 2   | 067789-02-000 | EA  | SOCKET - LAMP                           |
| 3   | 097917-01-08A | EA  | LIGHT/PORCH - CHROME                    |
| 4   | 117826-01-000 | EA  | LAMP/SIDE MARKER ASSEMBLY - RED         |
| 4   | 117826-03-000 | EA  | GASKET/SIDE MARKER LIGHT                |
| 4   | 067789-02-000 | EA  | SOCKET - LAMP                           |
| 4   | 036196-01-000 | EA  | BULB - 12V - #194 - .27 AMP - BAYONETTE |

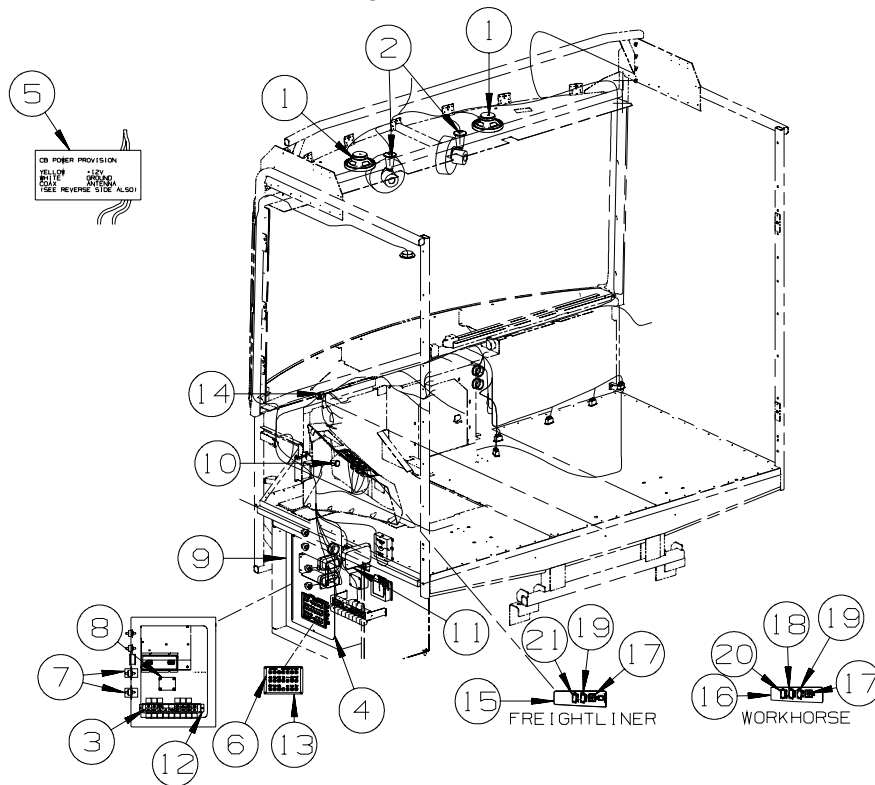
**ELECTRICAL GROUP (CONTINUED)**  
**EXTERIOR LAMPS (CONTINUED)**



| KEY | PART NUMBER   | U/M | DESCRIPTION   |
|-----|---------------|-----|---|
| 1   | 146246-01-000 | EA  | CONNECTOR/PLUG - TRAILER - 7 PIN                          |
| 1   | 157593-01-000 | EA  | CONNECTOR - PLUG - TRAILER - 7 SOCKET                     |
| 2   | 087201-01-000 | EA  | LIGHT - HALF ROUND - 1" X 1.7" - PLASTIC - BLACK OR WHITE |
| 3   | 111102-01-000 | EA  | BASE - MARKER LAMP  |
| 3   | 111102-03-000 | EA  | LENS - RED - MARKER LAMP                                  |
| 4   | 151076-01-000 | EA  | LIGHT - BRAKE - CENTER MOUNT                              |
| 5   | 138441-02-000 | EA  | LAMP - BACKUP - 4 1/2" ROUND                              |
| 5   | 138441-03-000 | EA  | CONNECTOR - LAMP - 2 CIRCUIT                              |
| 6   | 153658-02-01A | EA  | LAMP - STOP/TURN/TAIL - CHROME                            |
| 7   | 139686-01-02B | EA  | ANGLE - MOUNT - FOG LAMP - E-COATED                       |
| 8   | 146527-01-000 | EA  | HEADLAMP - LOW BEAM                                       |
| 8   | 147103-01-000 | EA  | HOUSING/CONNECTOR - HEADLAMP - W/PIGTAIL                  |
| 9   | 146527-02-000 | EA  | HEADLAMP - HIGH BEAM                                      |
| 9   | 147103-01-000 | EA  | HOUSING/CONNECTOR - HEADLAMP - W/PIGTAIL                  |
| 10  | 146560-01-000 | EA  | LAMP - PARK/TURN - CLEAR                                  |
| 10  | 112708-02-000 | EA  | BULB - 12 VOLT - #3157NA                                  |
| 10  | 146560-02-000 | EA  | SOCKET - LAMP - 3 WIRE                                    |
| 11  | 151421-01-000 | EA  | LAMP - FOG - CLEAR/ROUND - HAMSAR - W/PACKARD CONNECTOR   |
| 12  | 152430-01-02B | EA  | SUPPORT - HEADLAMP - PASSENGER - E-COATED                 |
| 13  | 152430-02-02B | EA  | SUPPORT - HEADLAMP - PASSENGER - E-COATED                 |
| 14  | 138996-01-000 | EA  | LAMP - CLEARANCE - AMBER                                  |
| 14  | 138996-03-000 | EA  | BRACKET - CLEARANCE LIGHT                                 |

# ELECTRICAL GROUP (CONTINUED)

## FRONT END

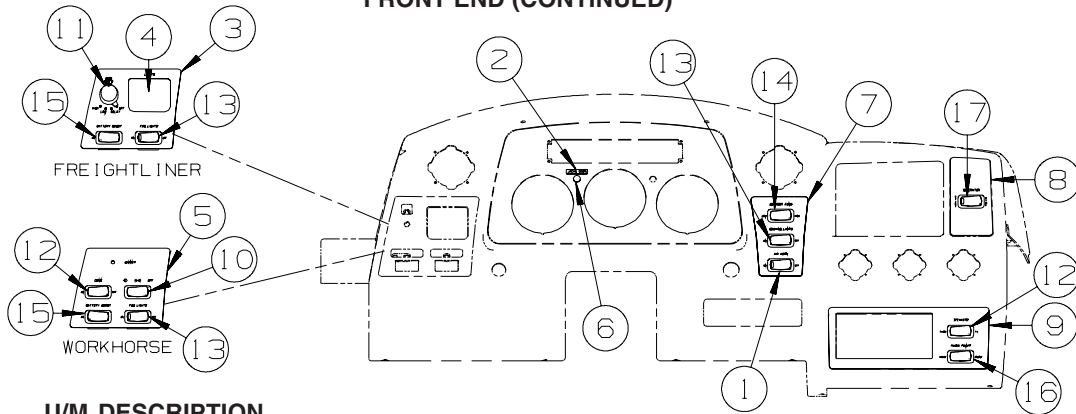


| KEY | PART NUMBER   | U/M | DESCRIPTION   |
|-----|---------------|-----|---|
| 1   | 094097-01-000 | EA  | SPEAKER - RADIO/TV - W/O GRILLE - 5.25" DIAMETER                                  |
| 1   | 159430-01-02A | EA  | GRILLE - SPEAKER - 6" ROUND - BLACK   |
| 2   | 122856-01-01A | EA  | FAN-DEFROSTER-2 SPEED W/SWIVEL BASE/NON-OSCILLATING-CHROME                        |
| 3   | 136161-05-01A | EA  | LABEL - RELAY - MATTE BLACK/WHITE LETTERS   |
| 3   | 136161-04-01A | EA  | LABEL - RELAY - MATTE BLACK/WHITE LETTERS - <b>FREIGHTLINER CHASSIS</b>           |
| 4   | 145066-04-02B | EA  | DOOR - ELECTRICAL COMPARTMENT - E-COATED  |
| 4   | 145066-03-02B | EA  | DOOR - ELECTRICAL COMPARTMENT - E-COATED - <b>FREIGHTLINER CHASSIS</b>            |
| 5   | 104678-01-000 | EA  | LABEL - CB PREP   |
| 6   | 093236-48-000 | EA  | LABEL - CIRCUIT BREAKER   |
| 7   | 118571-03-000 | EA  | BRACKET - MOUNTING  |
| 7   | 118571-04-000 | EA  | GASKET  |
| 8   | 128074-02-000 | EA  | FILTER - NOISE - 12 VOLT DC W/PLUGS   |
| 9   | 145063-03-02B | EA  | PANEL - CLOSEOUT/ELECTRICAL - E-COATED  |
| 10  | 111414-01-000 | EA  | RECEPTACLE/SOCKET - 12 VOLT   |
| 11* | 137417-03-01A | EA  | LIGHT - DOME - SINGLE - W/O SWITCH - W/FROSTED LENS-WHITE                         |
| 12  | 136120-02-02B | EA  | BRACKET - RELAY - E-COATED  |
| 13  | 139067-07-02B | EA  | PLATE - CIRCUIT BREAKER/HOUSE - E-COATED  |
| 14  | 160876-01-000 | EA  | ALARM - JACKS DOWN  |
|     | 113452-02-000 | FT  | SEAL/TRIM - FRONT - VINYL W/WIRE CARRIER - .027" - <b>WHERE HOSES CROSS METAL</b> |
| 15  | 145926-20-02B | EA  | INSERT - SWITCH PLATE - 4 HOLE/RELAY SLOT - E-COATED                              |
| 15  | 159671-05-01A | EA  | APPLIQUE - PANEL/LH - SILVER - <b>FREIGHTLINER CHASSIS</b>                        |
| 16  | 145926-20-02B | EA  | INSERT - SWITCH PLATE - 4 HOLE/RELAY SLOT - E-COATED                              |
| 16  | 159671-08-01A | EA  | APPLIQUE - PANEL/LH - SILVER  |
| 17  | 088246-01-000 | EA  | SWITCH/REMOTE MIRROR - W/2PIN & 6 PIN CONNECTORS/PIGTAIL                          |
| 18  | 145638-01-01A | EA  | SWITCH/ROCKER - SPST (ON/OFF) - BLACK   |
| 18  | 108355-02-000 | EA  | HOUSING - SWITCH - 12 POSITION  |
| 18  | 103603-01-000 | EA  | BULB - 12V - #74 - .12A WEDGE - GE 22-25 USED IN DASH                             |
| 19  | 145638-02-01A | EA  | SWITCH/ROCKER - SPST (ON/OFF) - LIGHTED - BLACK                                   |
| 19  | 108355-02-000 | EA  | HOUSING - SWITCH - 12 POSITION  |
| 19  | 103603-01-000 | EA  | BULB - 12V - #74 - .12A WEDGE - GE 22-25 USED IN DASH                             |
| 20  | 145638-05-01A | EA  | SWITCH/ROCKER - SPDT (ON/OFF/ON) - BLACK  |
| 20  | 108355-02-000 | EA  | HOUSING - SWITCH - 12 POSITION  |
| 20  | 103603-01-000 | EA  | BULB - 12V - #74 - .12A WEDGE - GE 22-25 USED IN DASH                             |
| 21  | 145638-08-01A | EA  | SWITCH/ROCKER - DPDT (ON/ON) - LIGHTED - BLACK                                    |
| 21  | 108355-02-000 | EA  | HOUSING - SWITCH - 12 POSITION  |
| 21  | 103603-01-000 | EA  | BULB - 12V - #74 - .12A WEDGE - GE 22-25 USED IN DASH                             |

\*COMPONENT PARTS LISTED LATER IN THIS GROUP



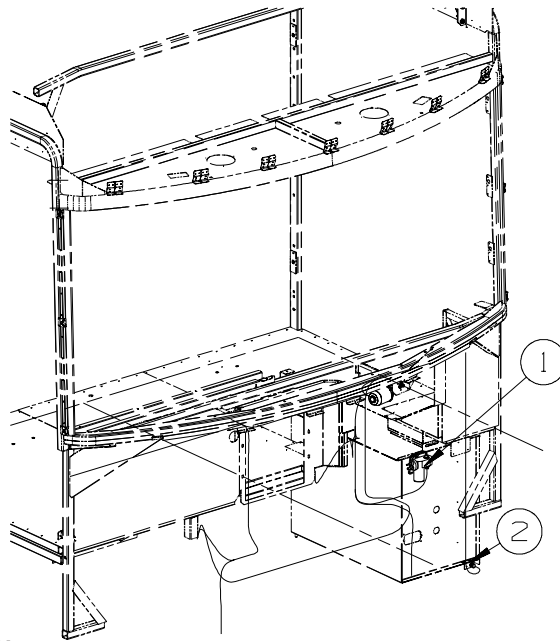
## ELECTRICAL GROUP (CONTINUED) FRONT END (CONTINUED)



| KEY | PART NUMBER   | U/M | DESCRIPTION   |
|-----|---------------|-----|---|
| 1   | 145638-08-01A | EA  | SWITCH/ROCKER - DPDT (ON/ON) - LIGHTED - BLACK                          |
| 1   | 108355-02-000 | EA  | HOUSING - SWITCH - 12 POSITION  |
| 1   | 103603-01-000 | EA  | BULB - 12V - #74 - .12A WEDGE - GE 22-25 USED IN DASH                   |
| 2   | 133533-01-01A | EA  | LABEL - JACKS DOWN - CLEAR W/WHITE LETTERING                            |
| 3   | 159671-02-01A | EA  | APPLIQUE - DRIVERS/LH - SILVER - <b>FREIGHTLINER CHASSIS</b>            |
| 4   | 160192-01-02B | EA  | MOUNT - HEADLAMP SWITCH/RH - E-COATED - <b>FREIGHTLINER CHASSIS</b>     |
| 4   | 160192-02-02B | EA  | MOUNT - HEADLAMP SWITCH/LH - E-COATED - <b>FREIGHTLINER CHASSIS</b>     |
| 5   | 159671-09-01A | EA  | APPLIQUE - BEZEL/DRIVERS/LH - SILVER                                    |
| 6   | 150237-01-000 | EA  | LIGHT - INDICATOR - RED   |
| 7   | 159671-01-01A | EA  | APPLIQUE - DRIVERS/RH - SILVER  |
| 7   | 159671-07-01A | EA  | APPLIQUE - DRIVERS/RH - SILVER - <b>AIR HORNS</b>                       |
| 8   | 159671-03-01A | EA  | APPLIQUE - PASSENGER - SILVER   |
| 9   | 159671-04-01A | EA  | APPLIQUE - BEZEL/RADIO - SILVER   |
| 10  | 145638-14-01A | EA  | SWITCH/ROCKER - DPDT (ON/OFF/ON) - BLACK                                |
| 10  | 108355-02-000 | EA  | HOUSING - SWITCH - 12 POSITION  |
| 10  | 103603-01-000 | EA  | BULB - 12V - #74 - .12A WEDGE - GE 22-25 USED IN DASH                   |
| 11* | 091206-04-000 | EA  | MODULE KIT - WIPER CONTROL - DYNAMIC PARK - <b>FREIGHTLINER CHASSIS</b> |
| 12  | 145638-01-01A | EA  | SWITCH/ROCKER - SPST (ON/OFF) - BLACK                                   |
| 12  | 108355-02-000 | EA  | HOUSING - SWITCH - 12 POSITION  |
| 12  | 103603-01-000 | EA  | BULB - 12V - #74 - .12A WEDGE - GE 22-25 USED IN DASH                   |
| 13  | 145638-02-01A | EA  | SWITCH/ROCKER - SPST (ON/OFF) - LIGHTED - BLACK                         |
| 13  | 108355-02-000 | EA  | HOUSING - SWITCH - 12 POSITION  |
| 13  | 103603-01-000 | EA  | BULB - 12V - #74 - .12A WEDGE - GE 22-25 USED IN DASH                   |
| 14  | 145638-03-01A | EA  | SWITCH/ROCKER - SPDT (ON/OFF/ON) - BLACK                                |
| 14  | 108355-02-000 | EA  | HOUSING - SWITCH - 12 POSITION  |
| 14  | 103603-01-000 | EA  | BULB - 12V - #74 - .12A WEDGE - GE 22-25 USED IN DASH                   |
| 15  | 145638-04-01A | EA  | SWITCH/ROCKER - SPDT (ON/ON) - BLACK                                    |
| 15  | 108355-02-000 | EA  | HOUSING - SWITCH - 12 POSITION  |
| 15  | 103603-01-000 | EA  | BULB - 12V - #74 - .12A WEDGE - GE 22-25 USED IN DASH                   |
| 16  | 145638-07-01A | EA  | SWITCH/ROCKER - DPDT (ON/ON) - BLACK                                    |
| 16  | 108355-02-000 | EA  | HOUSING - SWITCH - 12 POSITION  |
| 16  | 103603-01-000 | EA  | BULB - 12V - #74 - .12A WEDGE - GE 22-25 USED IN DASH                   |
| 17  | 145638-06-01A | EA  | SWITCH/ROCKER - SPDT (ON/OFF/ON) - LIGHTED - BLACK                      |
| 17  | 108355-02-000 | EA  | HOUSING - SWITCH - 12 POSITION  |
| 17  | 103603-01-000 | EA  | BULB - 12V - #74 - .12A WEDGE - GE 22-25 USED IN DASH                   |

\*COMPONENT PARTS LISTED LATER IN THIS GROUP

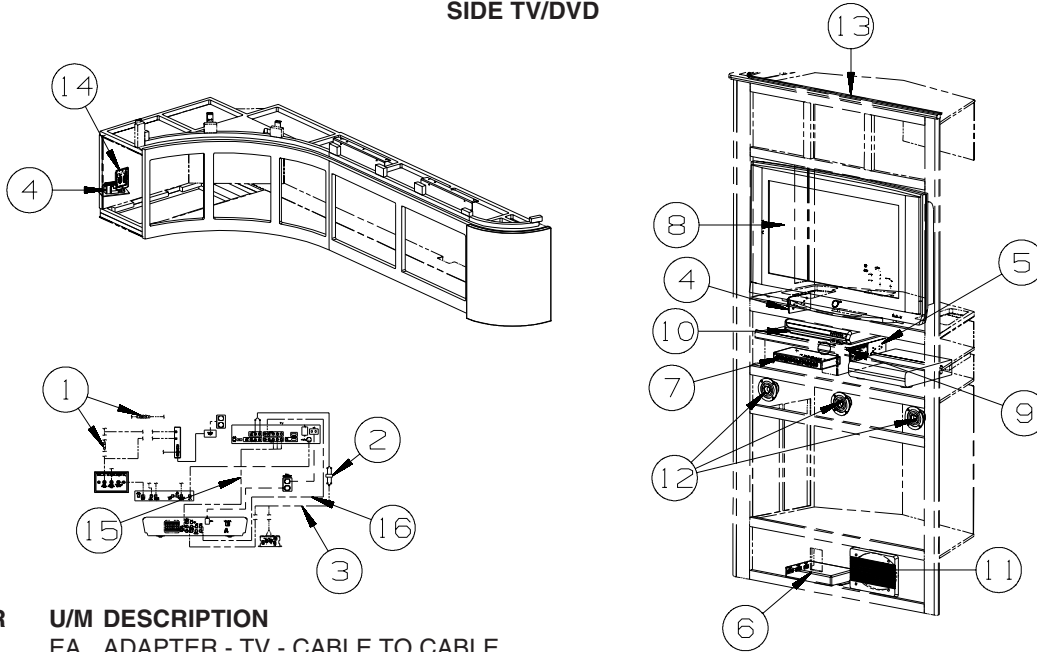
**ELECTRICAL GROUP (CONTINUED)**  
**FRONT END (CONTINUED)**



| <b>KEY</b> | <b>PART NUMBER</b> | <b>U/M</b> | <b>DESCRIPTION</b>                            |
|------------|--------------------|------------|---|
| 1          | 114802-01-000      | EA         | PUMP - VACUUM - 12V                           |
| 2          | 147428-01-02B      | EA         | BRACKET/ZEE - F/TEMPERATURE SENSOR - E-COATED |

## ELECTRICAL GROUP (CONTINUED)

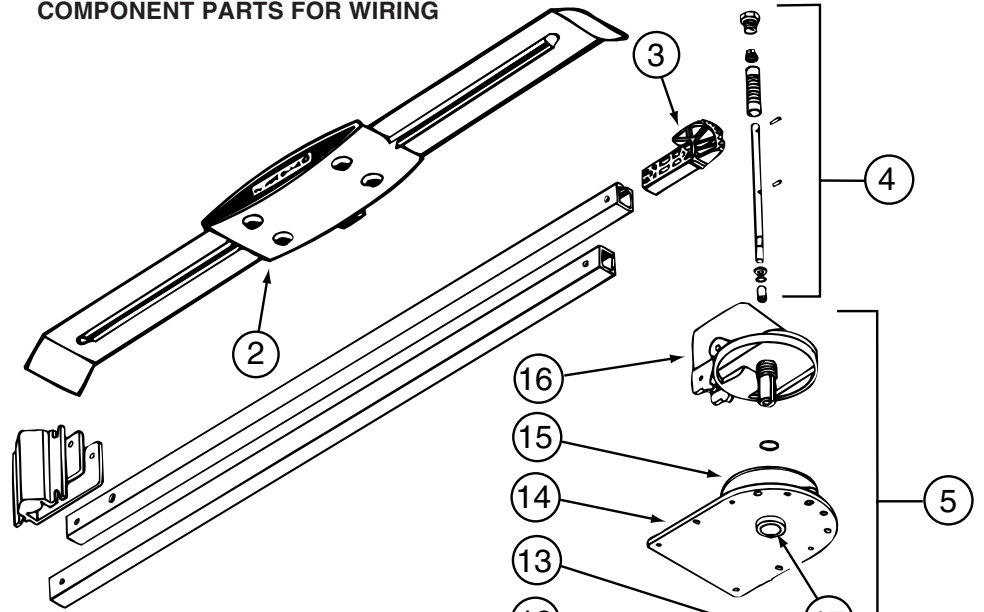
### SIDE TV/DVD



| KEY | PART NUMBER   | U/M | DESCRIPTION  |
|-----|---------------|-----|--|
| 1   | 082134-01-000 | EA  | ADAPTER - TV - CABLE TO CABLE  |
| 2   | 123324-01-000 | EA  | FILTER - GROUND LOOP   |
| 3   | 117420-03-000 | EA  | CABLE - W/MALE RCA ENDS - SHIELDED - 20'   |
| 4   | 058708-01-000 | EA  | RECEPTACLE - ELECTRIC - DOUBLE - BROWN   |
| 5   | 058708-01-000 | EA  | RECEPTACLE - ELECTRIC - DOUBLE - BROWN   |
| 5   | 158542-02-01A | EA  | LABEL - RECEPTACLE - ELECTRONICS - WHITE/BLACK   |
| 6   | 140062-01-000 | EA  | SWITCH - SPEAKER - 6 CHANNEL   |
| 7   | 142258-01-000 | EA  | SWITCH - VIDEO/ANTENNA POWER SUPPLY  |
| 8*  | 160363-01-000 | EA  | TV - 30" - HDTV W/DIGITAL TUNER/SIDE SPEAKERS -TXS3082WH<br>FROM: 00-00-00 THRU: 04-25-07          |
| 8*  | 160363-02-000 | EA  | TV - 30" - HDTV W/DIGITAL TUNER/SIDE SPEAKERS -TXS3093WH<br>FROM: 04-26-07 THRU: 99-99-99          |
| 9   | 149557-04-01A | EA  | PLATE/WALL - TRIPLE COAXIAL/HORIZONTAL - WHITE   |
| 10* | 158836-01-000 | EA  | DVD - HOME THEATER - W/O SPEAKERS - MEMOREX STS71E-R<br>FROM: 00-00-00 THRU: 06-10-07              |
| 10* | 164270-01-000 | EA  | DVD - HOME THEATER - W/O SPEAKERS - MEMOREX STS2891-R<br>FROM: 06-11-07 THRU: 99-99-99             |
| 11  | 124884-01-000 | EA  | SPEAKER - 6" X 9" - SUB-WOOFER - W/O GRILLE  |
| 11  | 151844-01-01A | EA  | GRILLE - SPEAKER - 6" X 9" - SUB WOOFER - BLACK  |
| 12  | 160868-01-01A | EA  | SPEAKER - ROUND/CEILING - W/O CASE - BLACK   |
| 13  | 146514-03-000 | FT  | LIGHT - FLEX - ROPE/ROUND - W/O MOUNT CHANNEL  |
| 13  | 146514-02-000 | EA  | CONNECTOR - LIGHT  |
| 14  | 163598-02-000 | EA  | SWITCH/CONTROL - SATELLITE - <b>AUTOMATIC TV SATELLITE SYSTEM</b><br>FROM: 01-29-07 THRU: 99-99-99 |
| 14  | 163598-03-000 | EA  | CABLE - SATELLITE CONTROL  |
| 15  | 155845-01-000 | EA  | CABLE - RCA - 12' - 3 RCA MALE CONNECTORS - BOTH ENDS  |
| 16  | 136860-03-000 | EA  | CABLE - RCA - SHIELDED - 3 MALE TO MALE CONNECTORS - 6'  |

\*COMPONENT PARTS LISTED LATER IN THIS GROUP

**ELECTRICAL GROUP (CONTINUED)**  
**COMPONENT PARTS FOR WIRING**



**076319-23-000**

| KEY  | PART NUMBER   | U/M | DESCRIPTION             | VENDOR NO. |
|--|---------------|-----|-------------------------|------------|
| 2  | 076319-01-700 | EA  | HEAD-ANTENNA, AMPLIFIED | RVSA U/V   |
| 3  | 076319-01-701 | EA  | GEAR-ELEVATING, PLASTIC | 2200046    |
| 4  | 076319-01-702 | EA  | SHAFT ASM-ELEVATING     | RP-4000    |
| 5  | 076319-01-711 | EA  | BASE & LIFT ASM         | 2762802    |
| 7  | 076319-01-705 | EA  | GROMMET-NYLON, 7/8"ID   | 3200658    |
| 8  | 076319-01-708 | EA  | DECAL-CRANK             | 5413002    |
| 9  | 076319-01-707 | EA  | SPRING-HANDLE           | 2160822    |
| 11   | 076319-01-712 | EA  | PLATE - CEILING         | 3200608    |
| 12   | 076319-01-715 | EA  | NUT (GEAR HOUSING)      | 2200047    |
| 14   | 076319-01-713 | EA  | PLATE-BASE, STEEL       | 3100523    |
| 15   | 076319-01-703 | EA  | BEARING-NYLON, 5"OD     | 3200656    |
| 16   | 076319-01-714 | EA  | HOUSING, ROTATING GEAR  | 2200049    |
| 17   | 076319-01-704 | EA  | BEARING-NYLON, 1.25"OD  | 3200657    |
| 18   | 076319-01-709 | EA  | HANDLE-HEAD DIRECTIONAL | 200644     |
|  | 076319-01-716 | EA  | TUBING, ELEVATING       | RP-2900    |
| CONTACT WINNEBAGO PART SALES FOR UNLISTED COMPONENT(S) |               |     |                         |            |

**076319-25-000**

| KEY  | PART NUMBER   | U/M | DESCRIPTION                  | VENDOR NO. |
|--|---------------|-----|------------------------------|------------|
| 6  | 076319-01-706 | EA  | CRANK-W/SET SCREW UNIV/BEIGE | 2750897    |
| 6  | 120233-01-710 | EA  | HANDLE-CRANK W/SCREW - WHITE | RP-6795    |
| 8  | 076319-01-708 | EA  | DECAL-CRANK                  | 5413002    |
| 10   | 076319-25-700 | EA  | DIRECTIONAL HANDLE(WHITE)    | 3200612    |
| 11   | 076319-25-701 | EA  | PLATE - CEILING(WHITE)       | 3200609    |
| 13   | 120233-01-709 | EA  | WASHER-NYLON                 | RP-2658    |
| CONTACT WINNEBAGO PART SALES FOR UNLISTED COMPONENT(S) |               |     |                              |            |

**087694-01-000**

| KEY | PART NUMBER   | U/M | DESCRIPTION | VENDOR NO. |
|-----|---------------|-----|-------------|------------|
|     | 087694-01-700 | EA  | BULB        | GE561      |

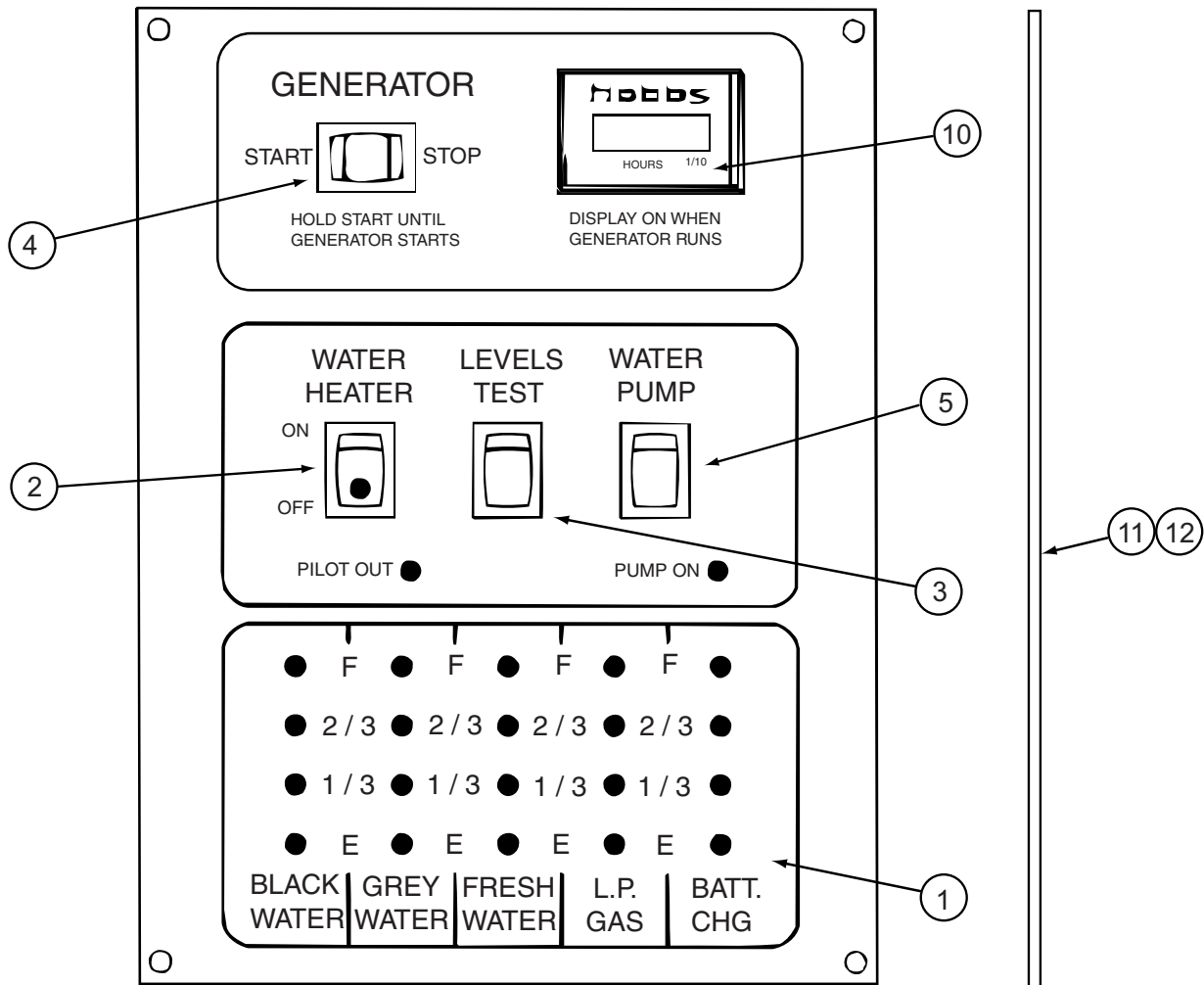
**091206-04-000**

| KEY | PART NUMBER   | U/M | DESCRIPTION                 | VENDOR NO. |
|-----|---------------|-----|-----------------------------|------------|
|     | 091206-02-700 | EA  | KNOB-INNER                  | 66C-00019  |
|     | 091206-02-701 | EA  | KNOB-OUTER                  | 66C-00020  |
|     | 091206-04-700 | EA  | SWITCH ASSEM. ONLY          | 250-6623   |
|     | 102362-03-700 | EA  | MODULE-WIPER CONT., DYNAMIC | 66D-00093  |

**108354-01-01A**

| KEY | PART NUMBER   | U/M | DESCRIPTION         | VENDOR NO. |
|-----|---------------|-----|---------------------|------------|
|     | 108354-01-700 | EA  | BULB-COURTESY LIGHT | 395-B      |

**ELECTRICAL GROUP (CONTINUED)**  
**COMPONENT PARTS FOR WIRING (CONTINUED)**



**134940-08-01A**

| KEY | PART NUMBER   | U/M | DESCRIPTION                  | VENDOR NO. |
|-----|---------------|-----|------------------------------|------------|
| 1   | 134940-04-700 | EA  | CHASSIS - SILKSCREENED       | CE0136-00  |
| 2   | 134940-01-701 | EA  | SWITCH-SPST/ON-OFF/BLK W/LGT | L0109      |
| 3   | 096983-01-701 | EA  | SWITCH - SPST/MOM 2 TERMINAL | L0111-00   |
| 4   | 096983-01-702 | EA  | SWITCH - MOM/OFF/MOM/3 TERM  | L0112-00   |
| 5   | 096983-01-703 | EA  | SWITCH - ON/ON               | L0115-00   |
| 10  | 100258-10-701 | EA  | GAUGE-HR METER ONLY (LCD)    | L0775-00   |
| 11  | 134940-06-700 | EA  | PC BOARD - SENSOR SYSTEM/RED | L5131-02   |
| 12  | 134940-04-701 | EA  | BOARD - PC - SOLAR LIGHT     | L5121-01   |

CONTACT WINNEBAGO PART SALES FOR UNLISTED COMPONENT(S)

**137417-01-01A, 137417-03-01A**

| KEY | PART NUMBER   | U/M | DESCRIPTION             | VENDOR NO. |
|-----|---------------|-----|-------------------------|------------|
|     | 137417-01-700 | EA  | LENS - SINGLE (FROSTED) | 810868     |

**137417-02-01A**

| KEY | PART NUMBER   | U/M | DESCRIPTION         | VENDOR NO. |
|-----|---------------|-----|---------------------|------------|
|     | 137417-02-700 | EA  | LENS - SINGLE OPTIC | 810844     |

**137417-06-01A**

| KEY | PART NUMBER   | U/M | DESCRIPTION         | VENDOR NO. |
|-----|---------------|-----|---------------------|------------|
|     | 137417-06-700 | EA  | LENS - DOUBLE WHITE | 810867     |

**158836-01-000**

| KEY | PART NUMBER   | U/M | DESCRIPTION | VENDOR NO. |
|-----|---------------|-----|-------------|------------|
|     | 158836-01-700 | EA  | REMOTE      | STS71WREM  |

**ELECTRICAL GROUP (CONTINUED)**  
**COMPONENT PARTS FOR WIRING (CONTINUED)**

**160363-01-000 & 160363-02-000**

| <b>KEY</b> | <b>PART NUMBER</b> | <b>U/M</b> | <b>DESCRIPTION</b> | <b>VENDOR NO.</b> |
|------------|--------------------|------------|--------------------|-------------------|
|            | 160363-01-700      | EA         | REMOTE - TV        | AA59-00356H       |

**163031-01-01A**

| <b>KEY</b> | <b>PART NUMBER</b> | <b>U/M</b> | <b>DESCRIPTION</b> | <b>VENDOR NO.</b> |
|------------|--------------------|------------|--------------------|-------------------|
|            | 163031-01-700      | EA         | REMOTE             | PSVCAWM960        |

**163097-01-000**

| <b>KEY</b> | <b>PART NUMBER</b> | <b>U/M</b> | <b>DESCRIPTION</b>          | <b>VENDOR NO.</b> |
|------------|--------------------|------------|-----------------------------|-------------------|
|            | 163097-01-700      | EA         | KEY - #2382 (ILLINOIS LOCK) | 2382              |
|            | 163097-01-701      | EA         | KEY - #2341 (MILLER DIAL)   | PART SALES        |

**163598-01-02A**

| <b>KEY</b> | <b>PART NUMBER</b> | <b>U/M</b> | <b>DESCRIPTION</b>          | <b>VENDOR NO.</b> |
|------------|--------------------|------------|-----------------------------|-------------------|
|            | 154474-04-702      | EA         | DOME ONLY-REPLACEMENT-BLACK | 1850-B-LP-FS      |
|            | 154474-04-706      | EA         | LNB DUAL EAGLE ASPEN N/C    | 1863-1            |
|            | 163598-01-700      | EA         | BOARD CIRCUIT N/C           | 1990-RF-LP KIT    |
|            | 163598-01-701      | EA         | STUFFED PCB,CWIM DVB N/C    | 438               |

**164270-01-000**

| <b>KEY</b> | <b>PART NUMBER</b> | <b>U/M</b> | <b>DESCRIPTION</b> | <b>VENDOR NO.</b> |
|------------|--------------------|------------|--------------------|-------------------|
|            | 164270-01-700      | EA         | REMOTE             | STS2891REM        |

**164598-01-000**

| <b>KEY</b> | <b>PART NUMBER</b> | <b>U/M</b> | <b>DESCRIPTION</b> | <b>VENDOR NO.</b> |
|------------|--------------------|------------|--------------------|-------------------|
|            | 164598-01-700      | EA         | REMOTE             | RRMCGA546WJSA     |

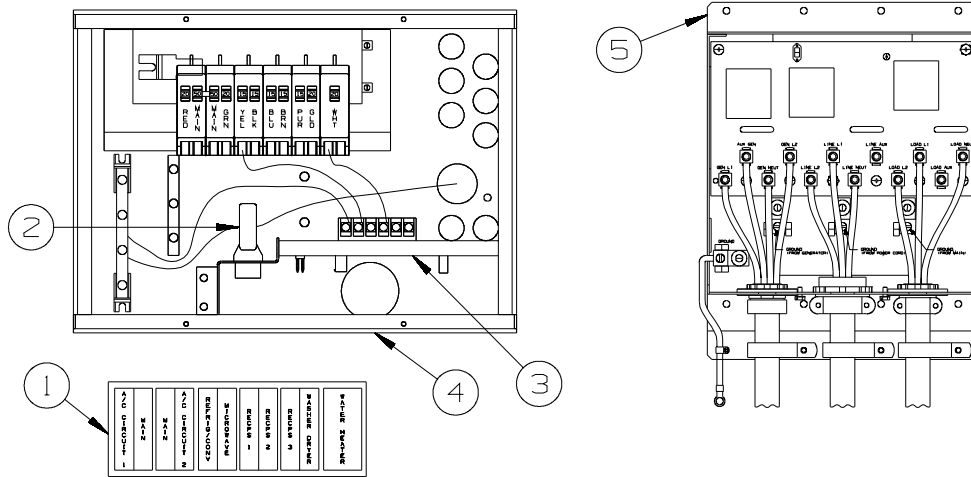
**ELECTRICAL GROUP (CONTINUED)**  
**CIRCUIT BREAKERS, FUSES & RELAYS**

| <b>KEY</b> | <b>PART NUMBER</b> | <b>U/M</b> | <b>DESCRIPTION</b>                                       |
|------------|--------------------|------------|--|
|            | 062901-02-000      | EA         | FUSE - 5 AMP - AUTOMOTIVE                                |
|            | 062901-05-000      | EA         | FUSE - 15 AMP - AUTOMOTIVE                               |
|            | 062901-07-000      | EA         | FUSE - 25 AMP - AUTOMOTIVE                               |
|            | 062901-08-000      | EA         | FUSE - 30 AMP - AUTOMOTIVE                               |
|            | 063910-01-000      | EA         | HOUSING - RELAY  |
|            | 063912-02-000      | EA         | RELAY - CANISTER - SPDT                                  |
|            | 083209-01-000      | EA         | CIRCUIT BREAKER - 15 AMP - 120 VOLT - CANADIAN           |
|            | 083209-02-000      | EA         | CIRCUIT BREAKER - 15/15 AMP - 120 VOLT                   |
|            | 083209-03-000      | EA         | CIRCUIT BREAKER - 15/20 AMP - 120 VOLT                   |
|            | 083209-04-000      | EA         | CIRCUIT BREAKER - 30 AMP - 120 VOLT                      |
|            | 083209-05-000      | EA         | CIRCUIT BREAKER - 20 AMP - 120 VOLT                      |
|            | 083209-06-000      | EA         | CIRCUIT BREAKER - 30/15 AMP - 120 VOLT                   |
|            | 083209-07-000      | EA         | CIRCUIT BREAKER - 20/20 AMP - 120 VOLT                   |
|            | 083209-10-000      | EA         | CIRCUIT BREAKER - 20/30 AMP - 120 VOLT                   |
|            | 083209-11-000      | EA         | CIRCUIT BREAKER - 20/15 AMP - 120 VOLT                   |
|            | 092786-03-000      | EA         | BUSS BAR - 6.9" LONG                                     |
|            | 092786-06-000      | EA         | BUSS BAR   |
|            | 093654-01-000      | EA         | CIRCUIT BREAKER - 6 AMP - 12 VOLT - PUSH BUTTON - WHITE  |
|            | 093654-02-000      | EA         | CIRCUIT BREAKER - 15 AMP - 12 VOLT - PUSH BUTTON - WHITE |
|            | 093654-03-000      | EA         | CIRCUIT BREAKER - 20 AMP - 12 VOLT - PUSH BUTTON - WHITE |
|            | 093654-05-000      | EA         | CIRCUIT BREAKER - 10 AMP - 12 VOLT - PUSH BUTTON - WHITE |
|            | 093655-01-000      | EA         | CIRCUIT BREAKER - 25 AMP - 12 VOLT - PUSH BUTTON - WHITE |
|            | 093655-02-000      | EA         | CIRCUIT BREAKER - 30 AMP - 12 VOLT - PUSH BUTTON - WHITE |
|            | 093655-03-000      | EA         | CIRCUIT BREAKER - 40 AMP - 12 VOLT - PUSH BUTTON - WHITE |
|            | 100341-01-000      | EA         | FUSE HOLDER - IN LINE TYPE                               |
|            | 113482-01-000      | EA         | CIRCUIT BREAKER - 55 AMP - MANUAL                        |
|            | 115187-01-000      | EA         | FUSE - 300 AMP - NON-DELAY                               |
|            | 115187-02-000      | EA         | HOLDER - FUSE  |
|            | 115187-03-000      | EA         | FUSE - 60 AMP - NON-DELAY                                |
|            | 122811-01-000      | EA         | CIRCUIT BREAKER - 20/50/50/20 AMP - 250V                 |
|            | 141789-01-000      | EA         | SPACER - CIRCUIT BREAKER                                 |

## ELECTRICAL GROUP (CONTINUED)

### CONVERTER, INVERTER, LOAD CENTERS

| KEY | PART NUMBER   | U/M | DESCRIPTION  |
|-----|---------------|-----|--|
|     | 123058-01-000 | EA  | CONVERTER - 55 AMP - ELECTRONIC - 4 1/8"H X 7"W X 12 3/8"L |
|     | 148254-03-000 | EA  | CABLE/INVERTOR - W/8 PIN MODULAR PHONE JACK - 50'-DIMEN    |
|     | 154511-01-000 | EA  | INVERTER - 600 WATT - W/O REMOTE PANEL                     |
|     | 154511-02-000 | EA  | REMOTE/PANEL - INVERTER/600 WATT                           |
|     | 162373-02-02B | EA  | BRACKET - INVERTER - E-COATED                              |



| KEY | PART NUMBER   | U/M | DESCRIPTION                                     |
|-----|---------------|-----|---|
| 1   | 095721-33-000 | EA  | LABEL - CONTROL CENTER - 50 AMP - US            |
| 2   | 127002-07-000 | EA  | SENSOR - CURRENT                                |
| 3   | 127002-11-000 | EA  | MODULE - EMS CENTER - W/REMOTE SENSOR           |
| 4   | 141258-01-000 | EA  | LOAD CENTER - 120/240 - 30/50 AMP               |
| 4   | 141258-02-000 | EA  | LOAD CENTER - COVER                             |
| 5   | 167050-01-000 | EA  | SWITCH - AUTOMATIC TRANSFER - PARALLAX ATS501BP |

### BOXES & CORDS

| KEY | PART NUMBER   | U/M | DESCRIPTION  |
|-----|---------------|-----|--|
|     | 008289-01-000 | EA  | BOX - ELECTRIC/STEEL - 4" X 4" - 1/2" & 3/4" KNOCKOUTS   |
|     | 008294-01-000 | EA  | COVER - ELECTRIC BOX - BLANK/STEEL - 4" X 4" - GRAY      |
|     | 108934-02-000 | EA  | CORD - POWER - 50 AMP - 4-WIRE - 36'                     |
|     | 115832-01-000 | FT  | CORD - HEAVY DUTY - 14-2 W/GROUND                        |
|     | 131679-01-000 | EA  | BOX/ELECTRIC-WATERPROOF-4" X 4" - W/4 3/4"OUTLETS-UL/CSA |
|     | 131680-01-000 | EA  | COVER - F/ELECTRIC BOX W/GASKET 4" X 4" - UL/CSA         |
|     | 133070-01-000 | EA  | BOX - ELECTRIC/PLASTIC - 3" X 2" X 2.8" - UL             |
|     | 133070-02-000 | EA  | BOX - ELECTRIC/PLASTIC - 3" X 2" X 2.8" - CSA            |

### WIRE ASSEMBLIES

| KEY | PART NUMBER   | U/M | DESCRIPTION   |
|-----|---------------|-----|---|
|     | 114870-01-000 | EA  | PLUG - AUDIO W/LEADS - 48.5" - REARVIEW MONITOR SYS         |
|     | 135131-01-000 | EA  | WIRE LOOM - THERMOSTAT                                      |
|     | 136028-01-000 | EA  | WIRE ASM-SOFA,REST EASY                                     |
|     | 136860-02-000 | EA  | CABLE - RCA - SHIELDED - 3 MALE TO MALE CONNECTORS - 50'    |
|     | 137135-03-000 | EA  | WIRE LOOM - DIGITAL ELEVATION SENSOR                        |
|     | 137135-04-000 | EA  | WIRE HARNESS - POWER - DIGITAL ELEVATION SENSOR             |
|     | 142258-02-000 | EA  | WIRE LOOM - VIDEO SWITCH/POWER SUPPLY                       |
|     | 144677-09-000 | EA  | WIRE - MONITOR - POWER - 3 PIN/2 PIN - REARVIEW MONITOR SYS |
|     | 145210-01-000 | FT  | CABLE - COAXIAL   |
|     | 147313-01-000 | EA  | WIRE - OUTSIDE TEMP SENSOR - W/O SENSOR                     |
|     | 151316-02-000 | EA  | WIRE ASM - W/NON CONTACT SENSORS - GREY WATER - 23.6"       |
|     | 151317-02-000 | EA  | WIRE ASM-W/NON CONTACT SENSORS-FRESH WATER/BLK TANK-23.6"   |
|     | 151317-03-000 | EA  | WIRE ASM-W/NON CONTACT SENSORS-FRESH WATER/BLK TANK-43.2"   |
|     | 151422-01-000 | EA  | PIGTAIL - F/FOG LIGHT                                       |



**ELECTRICAL GROUP (CONTINUED)**  
**CONNECTORS & CONDUIT**

| KEY | PART NUMBER   | U/M | DESCRIPTION  |
|-----|---------------|-----|--|
|     | 007940-01-000 | EA  | RECEPTACLE/SLIDE 16 TO 12 AWG - FEMALE END               |
|     | 007940-02-000 | EA  | RECEPTACLE/SLIDE 10 AWG                                  |
|     | 007954-01-000 | EA  | RECEPTACLE - HOUSING - 6 POSITION                        |
|     | 007956-05-000 | EA  | INSULATOR - SHRINK - 1/4"ID X 1 1/2"                     |
|     | 008311-01-000 | EA  | CONNECTOR - WIRE NUT - INSULATED - RED                   |
|     | 008312-01-000 | EA  | CONNECTOR - WIRE NUT - INSULATED - BLUE                  |
|     | 008313-01-000 | EA  | CONNECTOR - WIRE NUT - INSULATED - YELLOW                |
|     | 008314-01-000 | EA  | CONNECTOR - WIRE NUT - INSULATED - GRAY                  |
|     | 008328-01-000 | EA  | TERMINAL - RING - 12/10 WIRE - #10 STUD FIT              |
|     | 008331-01-000 | EA  | TERMINAL - RING - TONGUE - #4 WIRE - 3/8" STUD - COPPER  |
|     | 008348-01-000 | EA  | TERMINAL - RING - 3/8" STUD 2 GA. WIRE                   |
|     | 008355-01-000 | EA  | CONNECTOR - CABLE CLAMPING - 3/4"                        |
|     | 008356-01-000 | EA  | CONNECTOR - PLASTIC - 3/8"                               |
|     | 008356-02-000 | EA  | CONNECTOR - PLASTIC - 21/32"                             |
|     | 035416-04-000 | EA  | TERMINAL - RING - #10 STUD FIT - INSULATED BARREL #16/14 |
|     | 041953-01-000 | FT  | CONDUIT - CONVOLUTE SLIT - .5" ID - POLYETHYLENE         |
|     | 041953-02-000 | FT  | CONDUIT - CONVOLUTE SLIT - .6" ID - POLYETHYLENE         |
|     | 041953-03-000 | FT  | CONDUIT - CONVOLUTE SLIT - 1" ID (CLOTHES ROD COVER)     |
|     | 041953-05-000 | FT  | CONDUIT - CONVOLUTE SLIT - .62" ID - POLYETHYLENE        |
|     | 041953-06-000 | FT  | CONDUIT - CONVOLUTE SLIT - .4" ID - POLYETHYLENE         |
|     | 041953-07-000 | FT  | CONDUIT - CONVOLUTE SLIT - .25" ID - POLYETHYLENE        |
|     | 041953-08-000 | FT  | CONDUIT - CONVOLUTE SLIT - 1.5" ID - POLYETHYLENE        |
|     | 041953-09-000 | FT  | CONDUIT - CONVOLUTE SLIT - .5" ID - NYLON                |
|     | 041953-10-000 | FT  | CONDUIT - CONVOLUTE SLIT - .75" ID - NYLON               |
|     | 041953-11-000 | FT  | CONDUIT - CONVOLUTE SLIT - 1.06" ID - NYLON              |
|     | 041953-12-000 | FT  | CONDUIT - CONVOLUTE SOLID - 1.1" ID - NYLON              |
|     | 041953-13-000 | FT  | CONDUIT - CONVOLUTE SLIT - 1.25" ID                      |
|     | 041953-14-000 | FT  | CONDUIT - CONVOLUTE SLIT - 1.5" ID                       |
|     | 041953-15-000 | FT  | CONDUIT - CONVOLUTE SLIT - 2"                            |
|     | 041953-16-000 | FT  | CONDUIT - CONVOLUTE SLIT - 2"                            |
|     | 047441-01-000 | EA  | TERMINAL-BATTERY, HORIZONTAL LUG                         |
|     | 047443-01-000 | EA  | TERMINAL - .250 RECEPTACLE FIT - INSULATED - 16/14 AWG   |
|     | 047443-02-000 | EA  | TERMINAL - .250 RECEPTACLE FIT - INSULATED - 12/10 AWG   |
|     | 047443-05-000 | EA  | TERMINAL - .250 RECEPTACLE FIT - 18GA AWG                |
|     | 058028-01-000 | EA  | CONNECTOR - ELECTRICAL PIGTAIL - NYLON - CLEAR           |
|     | 062036-01-000 | EA  | TERMINAL - PACK - CON - 12/10 AWG                        |
|     | 076319-12-000 | EA  | CONNECTOR - COAXIAL - ONE PIECE                          |
|     | 077479-02-000 | EA  | BOOT - BATTERY TERMINAL - SINGLE CABLE                   |
|     | 080015-02-000 | EA  | RECEPTACLE - FLAG - .185 - 16/14 GAUGE                   |
|     | 080015-03-000 | EA  | RECEPTACLE - FLAG - .250 - 14/16 GAUGE                   |
|     | 080015-04-000 | EA  | RECEPTACLE - FLAG - .187 - 16/14 GAUGE                   |
|     | 082109-01-000 | EA  | HOUSING - CONNECTOR - PACKARD                            |
|     | 082741-01-000 | EA  | CONNECTOR BODY - 2 CONNECTOR MALE                        |
|     | 087225-01-000 | FT  | SLEEVING - 1/2" - TYPE H                                 |
|     | 088473-01-000 | EA  | HOUSING - PIN - 12 CAVITY (3 ROWS OF 4)                  |
|     | 088473-02-000 | EA  | HOUSING - PIN - 15 CAVITY (3 ROWS OF 5)                  |
|     | 088473-03-000 | EA  | HOUSING - PIN - 9 CAVITY (3 ROWS OF 3)                   |
|     | 088473-04-000 | EA  | HOUSING - PIN - 8 CAVITY IN-LINE                         |
|     | 088473-06-000 | EA  | HOUSING - PIN - 6 CAVITY (2 ROWS OF 3)                   |
|     | 088473-07-000 | EA  | HOUSING - PIN - 5 CAVITY - IN-LINE                       |
|     | 088473-08-000 | EA  | HOUSING - PIN - 4 CAVITY - IN-LINE                       |
|     | 088473-09-000 | EA  | HOUSING - PIN - 3 CAVITY - IN-LINE                       |
|     | 088473-10-000 | EA  | HOUSING - PIN - 2 CAVITY - IN-LINE                       |
|     | 088473-12-000 | EA  | HOUSING - PIN - 3 CAVITY - BLUE                          |
|     | 088473-13-000 | EA  | HOUSING - PIN - 3 CAVITY - GREEN                         |
|     | 088473-14-000 | EA  | HOUSING - PIN - 3 CAVITY - RED                           |
|     | 088474-01-000 | EA  | HOUSING - SOCKET - 12 CAVITY                             |
|     | 088474-02-000 | EA  | HOUSING - SOCKET - 15 CAVITY                             |
|     | 088474-03-000 | EA  | HOUSING - SOCKET - 9 CAVITY                              |
|     | 088474-06-000 | EA  | HOUSING - SOCKET - 6 CAVITY                              |
|     | 088474-07-000 | EA  | HOUSING - SOCKET - 5 CAVITY                              |
|     | 088474-08-000 | EA  | HOUSING - SOCKET - 4 CAVITY                              |
|     | 088474-09-000 | EA  | HOUSING - SOCKET - 3 CAVITY                              |

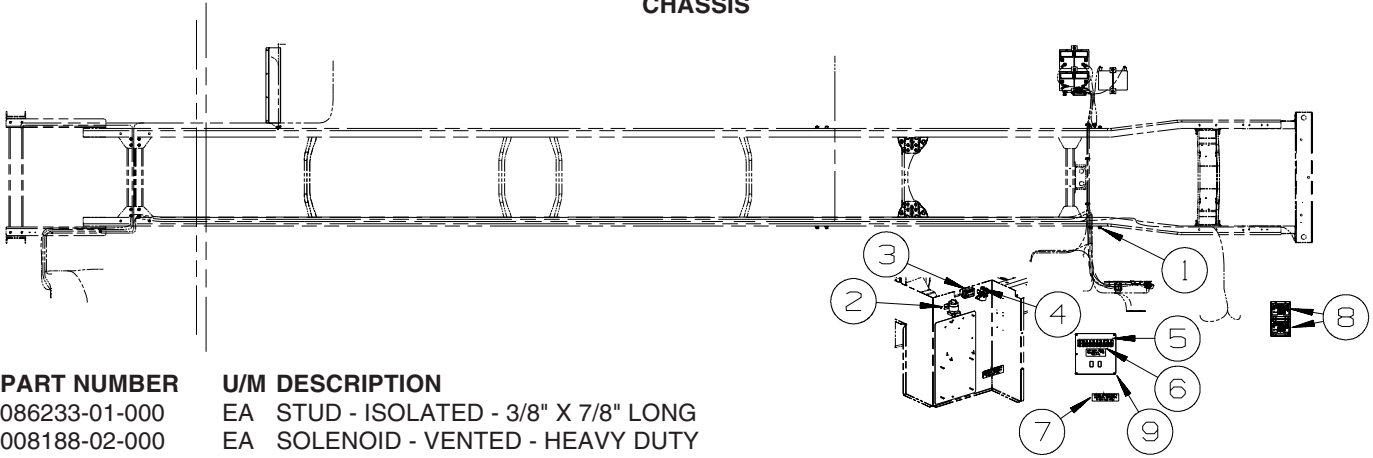
**ELECTRICAL GROUP (CONTINUED)**  
**CONNECTORS & CONDUIT (CONTINUED)**

| KEY | PART NUMBER   | U/M | DESCRIPTION   |
|-----|---------------|-----|---|
|     | 088474-10-000 | EA  | HOUSING - SOCKET - 2 CAVITY                               |
|     | 088474-12-000 | EA  | HOUSING - SOCKET - 2 CAVITY - RED                         |
|     | 088475-01-000 | EA  | PIN - CONNECTOR - 14-20 AWG                               |
|     | 088475-02-000 | EA  | PIN - CONNECTOR - 10-12 AWG                               |
|     | 088476-01-000 | EA  | TERMINAL - ELECTRICAL                                     |
|     | 088476-02-000 | EA  | SOCKET - CONNECTOR - 12-10 GA - PRE-TIN                   |
|     | 098261-01-000 | EA  | SOCKET - CONNECTOR - WEATHERPACK - 12 AWG                 |
|     | 098261-02-000 | EA  | SOCKET - CONNECTOR - WEATHERPACK - 14-18 AWG              |
|     | 098262-01-000 | EA  | SEAL - CONNECTOR - WEATHERPACK                            |
|     | 098264-01-000 | EA  | HOUSING - 2 PIN - WEATHER PACK - MALE W/FEMALE PINS       |
|     | 098264-02-000 | EA  | HOUSING - 2 PIN - WEATHER PACK - FEMALE W/MALE PINS       |
|     | 098265-02-000 | EA  | PIN - CONNECTOR - WEATHER PACK                            |
|     | 102777-02-000 | EA  | TERMINAL - RING - #6 STUD - 10 AWG                        |
|     | 103608-01-000 | EA  | SOCKET - WEDGE BASE W/LEADS                               |
|     | 104100-01-000 | EA  | HOUSING - 1 POSITION - 75 AMPS                            |
|     | 104100-03-000 | EA  | TERMINAL - 75 AMP   |
|     | 106007-02-000 | EA  | TERMINAL - FEMALE - 10-12 AWG                             |
|     | 110178-01-000 | EA  | HOUSING - WIPER MOTOR                                     |
|     | 112823-01-000 | EA  | SPLICE - REDUCER - 16-14 TO 18-22                         |
|     | 113135-01-000 | EA  | TERMINAL - FEMALE - M/P - 14-16 - F/SEALED TERMINAL       |
|     | 113308-01-000 | EA  | TERMINAL - FEMALE - M/P - 14-16 - 280                     |
|     | 113308-02-000 | EA  | TERMINAL - FEMALE - M/P - 14-18 - 280                     |
|     | 113468-01-000 | EA  | HOUSING - 2 POSITION-FEMALE-USED ON WIPER/WASHER WIRE ASM |
|     | 113468-02-000 | EA  | HOUSING - 2 POSITION - FEMALE                             |
|     | 116811-01-000 | EA  | TERMINAL - .110 RECEPTACLE - 16-14 AWG                    |
|     | 118571-01-000 | EA  | CONNECTOR - 3-WAY - MALE/SEALED                           |
|     | 118571-02-000 | EA  | CONNECTOR - 3-WAY - FEMALE/SEALED                         |
|     | 118571-05-000 | EA  | LOCK - SECONDARY - FEMALE                                 |
|     | 118571-06-000 | EA  | LOCK - SECONDARY - MALE                                   |
|     | 118599-02-000 | EA  | TERMINAL - MALE - M/P - 280/14-12                         |
|     | 118820-01-000 | EA  | INSULATOR - TERMINAL                                      |
|     | 129233-01-000 | EA  | HOUSING - 2-POSITION/FEMALE - 280-SERIES                  |
|     | 129233-02-000 | EA  | HOUSING - 2-POSITION/FEMALE - 280-SERIES                  |
|     | 129233-03-000 | EA  | HOUSING - 2-POSITION/FEMALE - 280-SERIES                  |
|     | 131681-01-000 | EA  | CONNECTOR - 3/4" SO CORD - UL/CS                          |
|     | 137207-01-000 | EA  | HOUSING - PIN - 2 CAVITY/HIGH AMP                         |
|     | 137208-01-000 | EA  | HOUSING - SOCKET - 2 CAVITY/HIGH AMP                      |
|     | 137209-01-000 | EA  | PIN - CONNECTOR - 10AWG/HIGH AMP                          |
|     | 137210-01-000 | EA  | SOCKET - CONNECTOR - 10 AWG/HIGH AMP                      |
|     | 138996-04-000 | EA  | CONNECTOR - LAMP  |
|     | 142520-01-000 | EA  | TERMINAL - FEMALE - MINI-FIT 16                           |
|     | 142522-01-000 | EA  | HOUSING - 4 PIN/MALE - MINI FIT                           |
|     | 142522-02-000 | EA  | HOUSING - 6 PIN/MALE - MINI FIT                           |
|     | 142522-03-000 | EA  | HOUSING - 8 PIN/MALE - MINI FIT                           |
|     | 142522-04-000 | EA  | HOUSING - 10 PIN/MALE - MINI FIT                          |
|     | 142522-05-000 | EA  | HOUSING - 12 PIN/MALE - MINI FIT                          |
|     | 142522-06-000 | EA  | HOUSING - 14 PIN/MALE - MINI FIT                          |
|     | 142524-01-000 | EA  | HOUSING - 4 PIN/FEMALE - WEATHER PACK                     |
|     | 142524-02-000 | EA  | HOUSING - 4 PIN/FEMALE - WEATHER PACK                     |
|     | 144283-01-000 | EA  | CONNECTOR - 110V - F/USE WITH SOW WIRE - BLUE             |
|     | 144283-02-000 | EA  | CONNECTOR - 110V - F/USE WITH NM ROMEX WIRE - CLEAR       |
|     | 145171-01-000 | EA  | CONNECTOR - COAXIAL                                       |
|     | 148335-01-000 | EA  | HOUSING - 8-POSITION/MALE - 280-GT SERIES                 |
|     | 148335-02-000 | EA  | HOUSING - 4-POSITION/MALE - 280-GT SERIES                 |
|     | 148335-03-000 | EA  | HOUSING - 6-POSITION/MALE - 280-GT SERIES                 |
|     | 149683-01-000 | EA  | HOUSING - F/5 CAVITY RECEPTACLE - W/SQUARE GUIDE PIN      |
|     | 149683-02-000 | EA  | HOUSING - F/5 CAVITY RECEPTACLE - W/ROUND GUIDE PIN       |
|     | 149686-01-000 | EA  | TERMINAL - .250 RECEPTACLE                                |
|     | 149687-01-000 | EA  | HOUSING - 2 POSITION/MALE - PACKARD                       |
|     | 149687-02-000 | EA  | LOCK - F/2 POSITION HOUSING - PACKARD                     |
|     | 149688-01-000 | EA  | TERMINAL - MALE - 16 GAUGE WIRE                           |
|     | 156035-01-000 | EA  | HOUSING - 12-POSITION/FEMALE - 280-GT SERIES              |
|     | 156041-01-000 | EA  | TERMINAL - FEMALE - 16-12 - 280-GT SERIES                 |

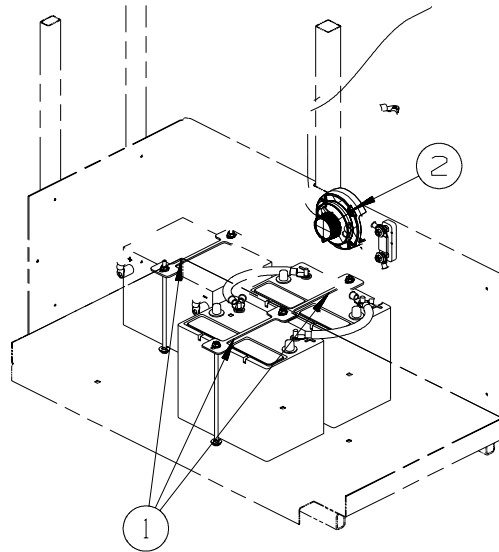
**ELECTRICAL GROUP (CONTINUED)**  
**CONNECTORS & CONDUIT (CONTINUED)**

| <b>KEY</b> | <b>PART NUMBER</b> | <b>U/M</b> | <b>DESCRIPTION</b>                                    |
|------------|--------------------|------------|---|
|            | 156043-01-000      | EA         | HOUSING - 2-POSITION/FEMALE - 480-MP SERIES           |
|            | 156043-02-000      | EA         | LOCK - F/2 POSITION HOUSING - 480 SERIES              |
|            | 156044-01-000      | EA         | TERMINAL - FEMALE - 16-12 - 280-GT - F/SEALED HOUSING |
|            | 156045-01-000      | EA         | HOUSING - 10-POSITION/FEMALE - 280-GT SERIES          |
|            | 156045-02-000      | EA         | HOUSING - 4-POSITION/FEMALE - 280-GT SERIES           |
|            | 156045-03-000      | EA         | HOUSING - 8-POSITION/FEMALE - 280-GT SERIES           |
|            | 156045-04-000      | EA         | HOUSING - 6-POSITION/FEMALE - 280-GT SERIES           |
|            | 156207-01-000      | EA         | HOUSING - 6-POSITION/MALE - 150-GT SERIES             |
|            | 156208-01-000      | EA         | TERMINAL - MALE - 18-16 - 150-GT SERIES               |
|            | 157590-01-000      | EA         | TERMINAL - FEMALE - M/P - 10-12 - 630                 |
|            | 157592-01-000      | EA         | HOUSING - 7-POSITION/FEMALE - M/P                     |
|            | 157592-02-000      | EA         | LOCK - SECONDARY - F/7 POSITION HOUSING               |
|            | 157656-01-01A      | EA         | CONNECTOR - DASH LIGHT - BLACK                        |
|            | 158357-01-000      | EA         | HOUSING - 3 PIN/MALE - MINI FIT                       |
|            | 158373-01-000      | EA         | HOUSING - SOCKET - 16 CAVITY - MINI MATE-N-LOCK       |
|            | 158374-01-000      | EA         | SOCKET - 16-20 CAVITY - MINI MATE-N-LOCK              |
|            | 164687-01-000      | EA         | PIN - CONNECTOR - 16-14                               |
|            | 164685-01-000      | EA         | HOUSING - PIN - 7-POSITION                            |
|            | 164689-01-000      | EA         | SEAL - CONNECTOR                                      |
|            | 168450-01-000      | EA         | CONNECTOR/ADAPTER - COAX                              |

## ELECTRICAL GROUP (CONTINUED) CHASSIS



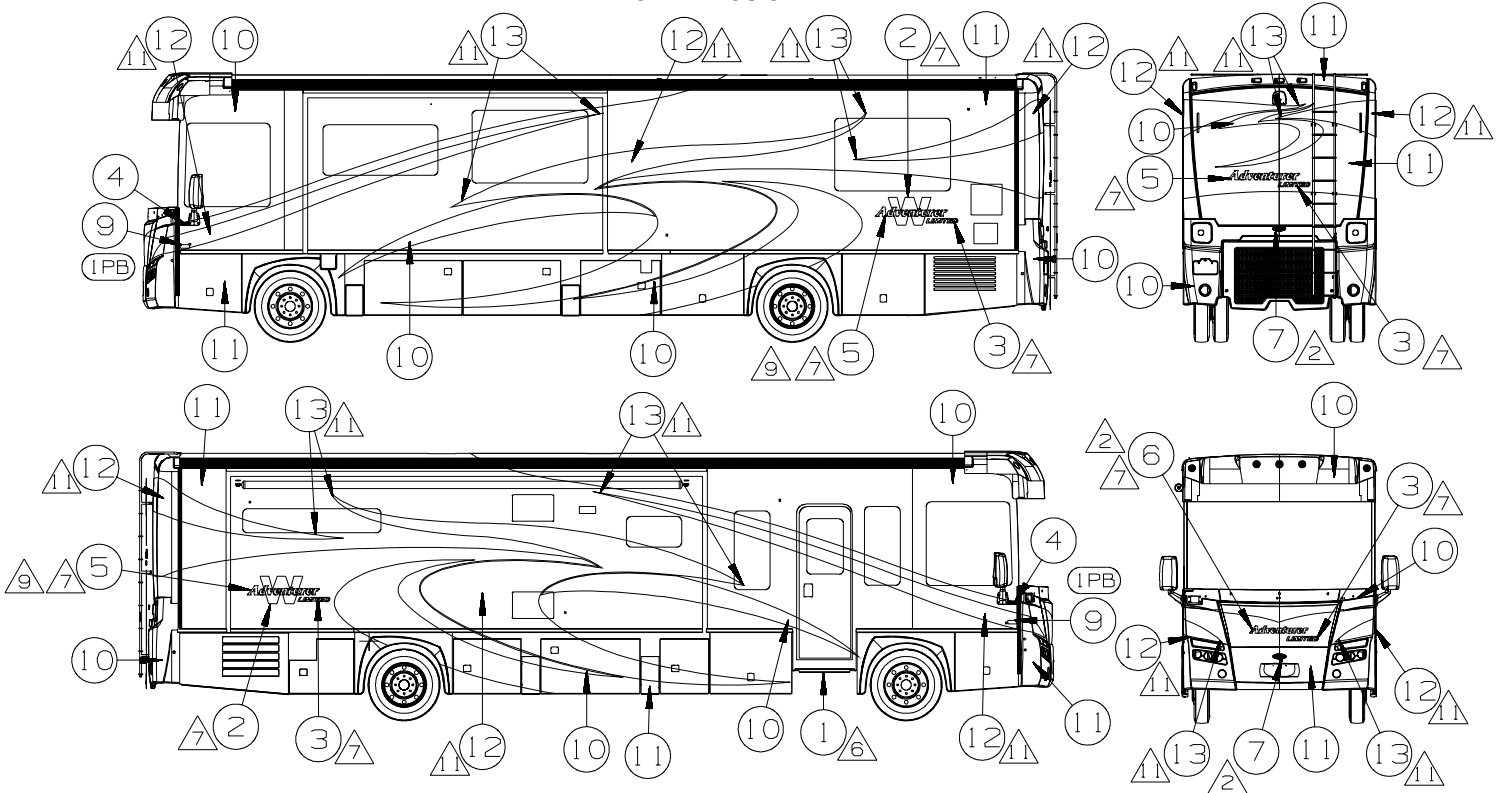
| KEY | PART NUMBER   | U/M | DESCRIPTION   |
|-----|---------------|-----|---|
| 1   | 086233-01-000 | EA  | STUD - ISOLATED - 3/8" X 7/8" LONG                                |
| 2   | 008188-02-000 | EA  | SOLENOID - VENTED - HEAVY DUTY                                    |
| 3   | 156431-01-000 | EA  | CHARGER/BATTERY - CHASSIS TO HOUSE                                |
| 4   | 086273-01-000 | EA  | RELAY - BATTERY DISCONNECT  |
| 5   | 093236-49-000 | EA  | LABEL - CIRCUIT BREAKER   |
| 6   | 098379-04-000 | EA  | LABEL - ELECTRICAL BOX - SIDE                                     |
| 7   | 098379-06-000 | EA  | LABEL - ELECTRICAL BOX - BLACK/WHITE                              |
| 8   | 161298-03-000 | EA  | CONTROL - SLIDEOUT/DIGISYNC 30"                                   |
| 9   | 139067-04-02B | EA  | PLATE - CIRCUIT BREAKER/HOUSE - E-COATED - <b>NOT ILLUSTRATED</b> |
|     |               |     | FROM: 00-00-00 THRU: 07-22-07                                     |
| 9   | 139067-11-02B | EA  | PLATE - CIRCUIT BREAKER/HOUSE - E-COATED                          |
|     |               |     | FROM: 07-23-07 THRU: 99-99-99                                     |



### BATTERY INSTL

| KEY | PART NUMBER   | U/M | DESCRIPTION                  |
|-----|---------------|-----|------------------------------|
| 1   | 160014-01-02B | EA  | TIEDOWN - BATTERY - E-COATED |
| 2   | 162364-01-000 | EA  | SWITCH - BATTERY DISCONNECT  |

# EXTERIOR BODY GROUP GRAPHICS & PAINT



| (27A) KEY | PART NUMBER        | U/M | DESCRIPTION DUSK  |
|-----------|--------------------|-----|---|
| 1         | 109506-01-000      | EA  | FILM-URETHANE PROTECTANT                                  |
| 2         | 120700-12-CHT(O1A) | EA  | DECAL-LOGO W - FROSTY JACK                                |
| 3         | 166758-01-CHT(O1A) | EA  | DECAL-LIMITED   |
| 4         | 132664-02-CHT(O1A) | EA  | DECAL-LOGO DOMED WINNEBAGO - CHROME/RED/BLACK             |
| 5         | 149889-03-CHT(O1A) | EA  | DECAL-LOGO DOMED ADVENTURER LG - BLACK/CHROME/MED SILVER  |
| 6         | 149889-04-CHT(O1A) | EA  | DECAL-LOGO DOMED ADVENTURER SML - BLACK/CHROME/MED SILVER |
| 7         | 151687-01-CHT(O1A) | EA  | DECAL/BEZEL DOMED NAMEPLATE WINNEBAGO - CHROME/RED        |
| 8         | 157891-01-000      | EA  | KIT-PAINT PROTECTION                                      |
| 9         | .....              | EA  | DECAL-EMBLEM - CHASSIS SUPPLIED                           |
| 10        | .....              | GL  | PAINT-MED MARBLEHEAD MET - SW #50228                      |
| 11        | .....              | GL  | PAINT-IRON GRAY MET - SW #61766                           |
| 12        | .....              | GL  | PAINT-COOL BEIGE MET - SW #62261                          |
| 13        | .....              | GL  | PAINT-BLACK MET - SW #40888                               |
| 14        | .....              | GL  | PAINT-CLEAR COAT - SHERWIN WILLIAMS                       |

| (24C) KEY | PART NUMBER        | U/M | DESCRIPTION MOCHA FROST                                   |
|-----------|--------------------|-----|---|
| 1         | 109506-01-000      | EA  | FILM-URETHANE PROTECTANT                                  |
| 2         | 120700-12-CHT(O1A) | EA  | DECAL-LOGO W - FROSTY JACK                                |
| 3         | 166758-01-CHT(O1A) | EA  | DECAL-LIMITED   |
| 4         | 132664-02-CHT(O1A) | EA  | DECAL-LOGO DOMED WINNEBAGO - CHROME/RED/BLACK             |
| 5         | 149889-03-CHT(O1A) | EA  | DECAL-LOGO DOMED ADVENTURER LG - BLACK/CHROME/MED SILVER  |
| 6         | 149889-04-CHT(O1A) | EA  | DECAL-LOGO DOMED ADVENTURER SML - BLACK/CHROME/MED SILVER |
| 7         | 151687-01-CHT(O1A) | EA  | DECAL/BEZEL DOMED NAMEPLATE WINNEBAGO - CHROME/RED        |
| 8         | 157891-01-000      | EA  | KIT-PAINT PROTECTION                                      |
| 9         | .....              | EA  | DECAL-EMBLEM - CHASSIS SUPPLIED                           |
| 10        | .....              | GL  | PAINT-MOCHA FROST MET - SW #71332                         |
| 11        | .....              | GL  | PAINT-LT AUTUMNWOOD MET - SW #48507                       |
| 12        | .....              | GL  | PAINT-SAND MICA - SW #50381                               |
| 13        | .....              | GL  | PAINT-BLACK GARNET MET - SW #64010-1                      |
| 14        | .....              | GL  | PAINT-CLEAR COAT - SHERWIN WILLIAMS                       |

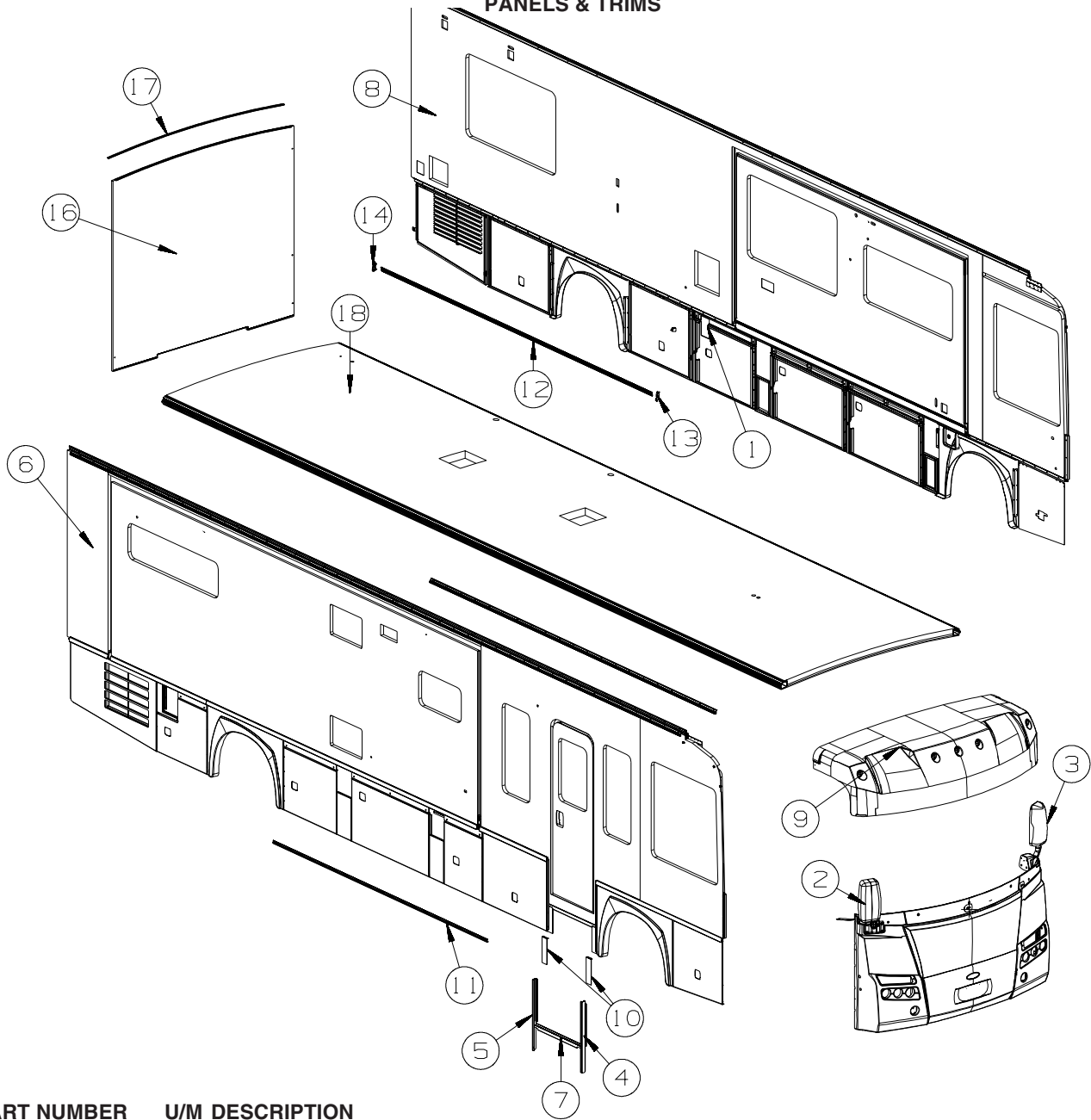
- 11. PAINT FADES BETWEEN COLORS PER DESIGN.
  - 10. APPLY SEALER BODY SEAM CLEAR 94401-04-000 TO HELP SECURE PAINT ON EDGES.
  - (A) CENTER VERTICALL AND HORIZONTALLY ON DECAL.
  - 8. END PANELS OF SLIDEOUT ROOMS WILL BE PAINTED WITH BASE COAT AND CLEAR COAT ONLY. THERE WILL BE NO COLORED DESIGN GRAPHICS ELEMENTS PAINTED ON THE END PANELS.
  - (A) LOGO IS TO BE ±1 MM ON A HORIZONTAL PLANE (END TO END).
  - (A) FILM TO PROTECT BOTTOM OF DOOR FROM SCUFF MARKS.
  - (A) DIE CUT ACRYLIC FILM, USED TO PROTECT FULL BODY PAINTED UNITS.
  - 4. ON FULL BODY PAINTED UNITS, USE 145487-02-000 (100 FT) TO COVER UNSEALED ROOF SEAMS.
  - (A) CLEAR COAT TO BE APPLIED ON ENTIRE UNIT TO PROTECT PAINT.
  - (A) CENTER ON UNIT
  - 1. APPLY PROTECTOR 116424-01-000 TO WATER HEATER DOOR LATCH.
- NOTES:
- (IPB) WORKHORSE PUSHER - 26,000\*
  - (24P) MASK FRONT EXT PROTECTIVE
  - (24C) EXT FULL BODY PAINT PKG # 3
  - (27A) EXT FULL BODY PAINT PKG #1

**DUPONT COLOR CODES ARE NOW FOUND IN THE PAINT CODE MANUAL.  
YOU CAN FIND THIS MANUAL ON YOUR DEALER INDEX WEBPAGE UNDER SERVICE.**

| KEY | PART NUMBER   | U/M | DESCRIPTION                                      |
|-----|---------------|-----|--|
|     | 093681-39-01A | FT  | FILM - 3.1" - FLAT BLACK - <b>SLIDEOUT ROOMS</b> |
|     | 093681-40-01A | FT  | FILM - 2" - FLAT BLACK - <b>DRIVERS DOOR</b>     |
|     | 072882-01-000 | EA  | PAINT - 16 OUNCE SPRAY - OFF WHITE               |

## EXTERIOR BODY GROUP (CONTINUED)

### PANELS & TRIMS

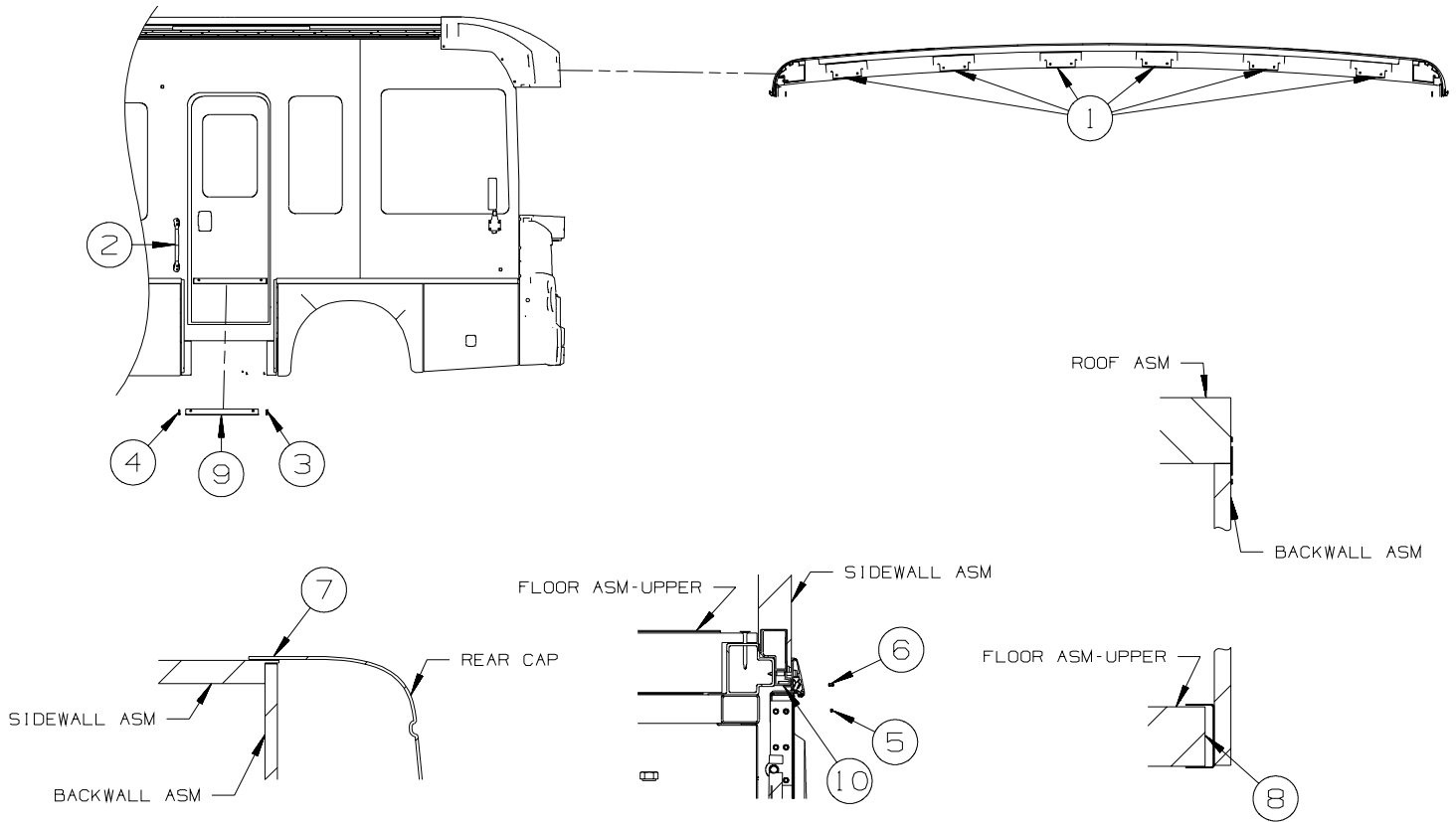


| KEY | PART NUMBER   | U/M | DESCRIPTION   |
|-----|---------------|-----|---|
| 1   | 105290-01-000 | SF  | INSULATION - AIR POCKET W/FOIL - 4' WIDE                  |
| 2*  | 131431-08-02A | EA  | MIRROR - EXTERIOR/REMOTE/HEAT/PASSENGER-W/TURN SIGNAL-CHR |
|     | 108825-03-000 | EA  | GASKET - MIRROR   |
|     | 133379-01-01A | EA  | SCREW - MACHINE - 5/16-18 X 2.00 - TORX                   |
| 3*  | 142721-02-02A | EA  | MIRROR - EXTERIOR REMOTE/HEAT/DRVR - (BREAKAWAY) - CHROME |
| 4   | 133100-12-01A | EA  | TRIM - SIDEWALL - 32.5" - RH - BLACK                      |
| 5   | 133100-13-01A | EA  | TRIM - SIDEWALL - 32.5" - LH - BLACK                      |
| 6   | 160045-02-WL8 | EA  | SIDEWALL - PASSENGER - W/O WINDOWS/TRIMS                  |
| 7   | 163628-01-01A | EA  | TRIM - SIDEWALL/ENTRY STEP - 33.1" - BLACK                |
| 8   | 160044-03-WL8 | EA  | SIDEWALL - DRIVER - W/O WINDOWS/TRIMS                     |
| 9   | 151638-02-TD0 | EA  | CAP - ROOF/FRONT - W/O LIGHTS/WIRING                      |
| 10  | 121117-12-02B | EA  | ANGLE - W/SLOTS - 11.9" X 3.3" - E-COATED                 |
| 11  | 146548-01-01A | EA  | TRIM - RETAINER - 143.8" - MILL                           |
| 12  | 146550-01-02A | EA  | TRIM COVER - SIDEWALL - 182" - BLACK                      |
| 13  | 146576-01-02A | EA  | END CAP/TRIM - RIGHT HAND - BLACK                         |
| 14  | 146576-02-02A | EA  | END CAP/TRIM - LEFT HAND - BLACK                          |
| 15  | 157284-01-01A | EA  | RAIL - AWNING - 192" - BRIGHT WHITE                       |
| 16  | 160046-03-WL8 | EA  | BACKWALL/INNER - W/O REAR CAP                             |
| 17  | 114248-02-04A | EA  | ANGLE - PLASTIC - .7" X .4" X 96.7" - BEIGE               |
| 18  | 165930-02-WL8 | EA  | ROOF - W/O LIGHTS/VENTS - W/WIRING                        |

\*COMPONENT PARTS LISTED LATER IN THIS GROUP

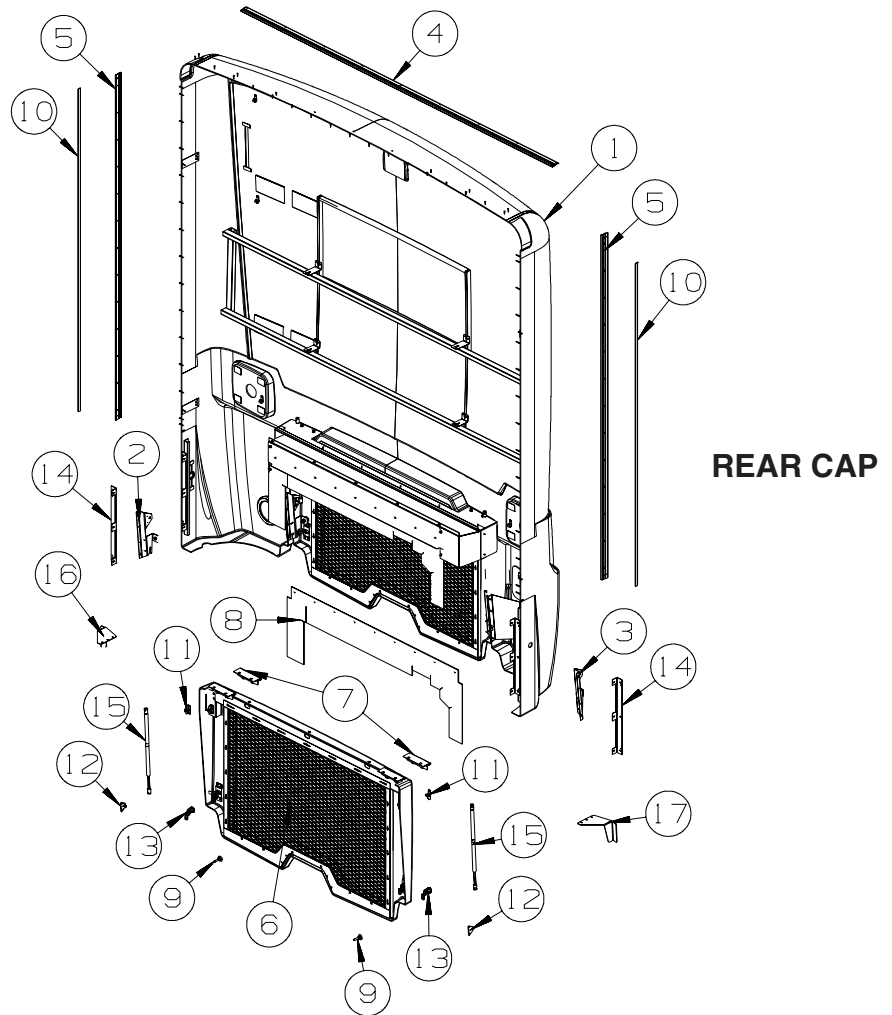
## EXTERIOR BODY GROUP (CONTINUED)

### PANELS & TRIMS (CONTINUED)



| KEY | PART NUMBER   | U/M | DESCRIPTION  |
|-----|---------------|-----|--|
| 1   | 134774-01-02B | EA  | BRACKET - CAB ATTACHMENT - E-COATED                        |
| 2   | 165309-01-01A | EA  | ASSIST HANDLE - 18" - NON-LIGHTED - SST                    |
| 3   | 146576-01-02A | EA  | END CAP/TRIM - RIGHT HAND - BLACK                          |
| 4   | 146576-02-02A | EA  | END CAP/TRIM - LEFT HAND - BLACK                           |
| 5   | 143143-01-01A | EA  | ANGLE - SUPPORT/TRIM                                       |
| 6   | 143143-02-01A | EA  | ANGLE - SUPPORT/TRIM                                       |
| 7   | 156622-01-01A | FT  | SEALER - TAPE - 1/4"THICK X 3"WIDE X 100 FT                |
| 8   | 104692-01-000 | FT  | SEAL - ADHESIVE BACKED FOAM - 3/4" THICK X 3/4" WIDE X 25' |
| 9   | 149822-01-02A | EA  | TRIM - SIDEWALL/ENTRY DOOR - 25.3" - BLACK                 |
| 10  | 099418-01-000 | FT  | SEAL - D-SECTION/ADHESIVE BACK - .44" X .44" - BLK RUBBER  |

**EXTERIOR BODY GROUP (CONTINUED)**  
**PANELS & TRIMS (CONTINUED)**

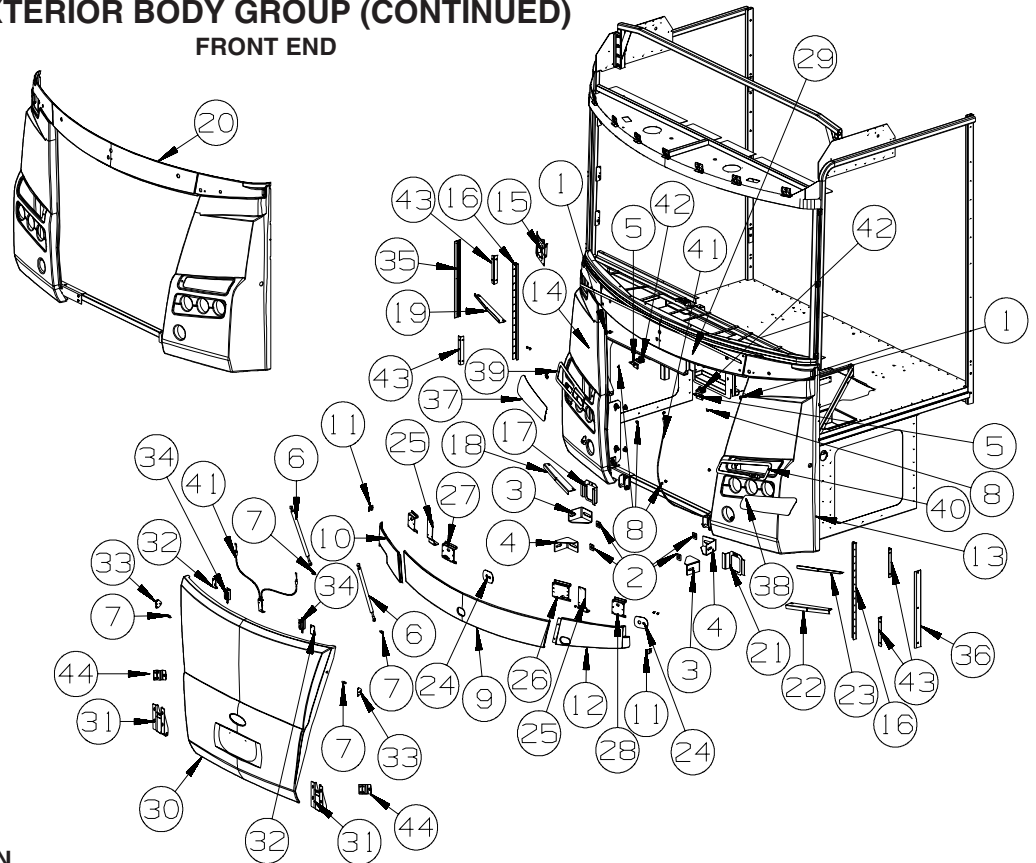


| KEY | PART NUMBER   | U/M | DESCRIPTION  |
|-----|---------------|-----|--|
| 1   | 160491-02-W72 | EA  | CAP - REAR - W/O LIGHTS/VENTS - W/WIRING - GRAY            |
| 1   | 160491-02-W66 | EA  | CAP - REAR - W/O LIGHTS/VENTS - W/WIRING - BRIGHT WHITE    |
| 2   | 161162-02-02B | EA  | STRIKE - DOOR LATCH - RIGHT HAND - E-COATED                |
| 3   | 161162-04-02B | EA  | STRIKE - DOOR LATCH - LEFT HAND - E-COATED                 |
| 4   | 083805-23-000 | EA  | TRIM - ROOF CAP - 92.1" - BRIGHT WHITE                     |
| 5   | 092041-01-03A | EA  | TRIM - FRONT/REAR CAP (SIDEWALL) - 83.1" - BRIGHT WHITE    |
| 6   | 160493-01-W72 | EA  | DOOR - REAR ENGINE - W/GRILLE - W/O HDW - GRAY             |
| 6   | 160493-01-W66 | EA  | DOOR - REAR ENGINE - W/GRILLE - W/O HDW - BRIGHT WHITE     |
|     | 138289-11-000 | EA  | CYLINDER/LOCK - ACCESS DOORS - REDUCED SENSITIVITY (3041)  |
|     | 138289-12-000 | EA  | CYLINDER/LOCK - ACCESS DOORS - REDUCED SENSITIVITY (3042)  |
|     | 138289-13-000 | EA  | CYLINDER/LOCK - ACCESS DOORS - REDUCED SENSITIVITY (3043)  |
|     | 138289-14-000 | EA  | CYLINDER/LOCK - ACCESS DOORS - REDUCED SENSITIVITY (3044)  |
|     | 138289-15-000 | EA  | CYLINDER/LOCK - ACCESS DOORS - REDUCED SENSITIVITY (3045)  |
|     | 138289-16-000 | EA  | CYLINDER/LOCK - ACCESS DOORS - REDUCED SENSITIVITY (3046)  |
|     | 138289-17-000 | EA  | CYLINDER/LOCK - ACCESS DOORS - REDUCED SENSITIVITY (3047)  |
|     | 138289-18-000 | EA  | CYLINDER/LOCK - ACCESS DOORS - REDUCED SENSITIVITY (3048)  |
|     | 138289-19-000 | EA  | CYLINDER/LOCK - ACCESS DOORS - REDUCED SENSITIVITY (3049)  |
|     | 138289-20-000 | EA  | CYLINDER/LOCK - ACCESS DOORS - REDUCED SENSITIVITY (3050)  |
| 7   | 102325-05-07A | EA  | HINGE/TRUNK DOOR - 6" - OFF SET - BRIGHT WHITE             |
| 8   | 163181-01-000 | EA  | SHEET/RUBBER - BAFFLE/ENGINE                               |
| 9   | 058786-01-000 | EA  | BOLT - HOOD ADJUSTMENT - 5/16"-18 X 1.5"-2" - W/BLACK PAD  |
| 10  | 091985-01-07A | FT  | INSERT - TRIM - REAR CAP TO SIDEWALL - .66" - BRIGHT WHITE |
| 11  | 126263-03-02B | EA  | BRACKET - GAS SPRING W/BALL STUD - E/COATED                |
| 12  | 126263-08-02B | EA  | BRACKET - GAS SPRING W/CENTERED BALL STUD - E-COATED       |
| 13  | 138290-02-000 | EA  | CASE - W/CAM - W/O CYLINDER/KEY                            |
| 14  | 138789-01-02B | EA  | ANGLE/MOUNT - WHEEL LIP/BACKWALL - E-COATED                |
| 15  | 142569-21-000 | EA  | SPRING/GAS - 60 LB - 20" EXTENDED/12" COMPRESSED           |
| 16  | 164742-01-02B | EA  | BRACKET - DOOR LATCH/RIGHT - E-COATED                      |
| 17  | 164742-02-02B | EA  | BRACKET - DOOR LATCH/LEFT - E-COATED                       |



## EXTERIOR BODY GROUP (CONTINUED)

### FRONT END



| KEY | PART NUMBER   | U/M | DESCRIPTION   |
|-----|---------------|-----|---|
| 1   | 058786-04-000 | EA  | BOLT - HOOD ADJUSTMENT - 5/16"-18 X 2"-2.5" - W/BLACK PAD |
| 2   | 116617-02-02B | EA  | SPACER - BUMPER   |
| 3   | 128455-11-02B | EA  | BRACKET - BUMPER - E-COATED                               |
| 4   | 128455-12-02B | EA  | BRACKET - BUMPER - E-COATED                               |
| 5   | 144209-01-02B | EA  | ANGLE/STRIKER - HOOD - E-COATED                           |
| 6   | 154973-01-000 | EA  | SPRING/GAS - HOOD - W/O BALL STUD/SAFETY CLIP             |
| 7   | 154990-01-01A | EA  | BALL STUD - 13MM X 5/16-18 THD - F/HOOD DAMPER            |
| 8   | 154991-01-01A | EA  | CLIP/SAFETY - F/BALL STUD                                 |
| 9   | 156705-02-UJ1 | EA  | COWL - WINDSHIELD/CENTER                                  |
|     | 156705-01-01A | EA  | COWL - WINDSHIELD/CENTER                                  |
| 10  | 156708-03-UJ1 | EA  | COWL - WINDSHIELD - PASSENGER                             |
| 11  | 144170-01-02B | EA  | ZEE - COWL - OUTSIDE - E-COATED                           |
| 12  | 156708-04-UJ1 | EA  | COWL - WINDSHIELD - DRIVER                                |
| 13  | 151780-12-WL8 | EA  | PANEL - FRONT/LOWER - DRIVER - W/O LIGHTS                 |
| 14  | 151780-10-WL8 | EA  | PANEL - FRONT/LOWER - PASSENGER - W/O LIGHTS              |
| 15  | 120850-04-02B | EA  | PLATE - SUPPORT/MIRROR - E-COATED                         |
| 16  | 132071-06-02B | EA  | BRACKET - BUMPER - REAR - E-COATED                        |
| 17  | 139685-26-02B | EA  | SUPPORT - FOG LAMP - PASSENGER - E-COATED                 |
| 18  | 152435-01-02B | EA  | SUPPORT - HEADLAMP - LOWER/PASSENGER - E-COATED           |
| 19  | 152436-01-02B | EA  | SUPPORT - HEADLAMP - UPPER/PASSENGER - E-COATED           |
| 20  | 160621-02-WL8 | EA  | PANEL - FRONT/LOWER - W/O HDW                             |
| 21  | 139685-28-02B | EA  | SUPPORT - FOG LAMP - DRIVER - E-COATED                    |
| 22  | 152435-02-02B | EA  | SUPPORT - HEADLAMP - LOWER/DRIVER - E-COATED              |
| 23  | 152436-02-02B | EA  | SUPPORT - HEADLAMP - UPPER/DRIVER - E-COATED              |
| 24  | 157080-01-01A | EA  | BOOT/COWL - NEOPRENE W/ADHESIVE BACK - BLACK              |
| 25  | 155902-02-02B | EA  | BRACKET/STRIKER - HOOD - E-COATED                         |
| 26  | 157051-02-02B | EA  | SUPPORT - PIVOT SHAFT - E-COATED                          |
| 27  | 157051-04-02B | EA  | SUPPORT - PIVOT SHAFT - E-COATED                          |
| 28  | 157051-05-02B | EA  | SUPPORT - PIVOT SHAFT - E-COATED                          |
| 29  | 160945-02-UN4 | EA  | PANEL - CENTER/FRONT - W/O HDW                            |
| 30  | 160635-01-UN4 | EA  | HOOD - FRONT - W/O HARDWARE                               |
| 31  | 152672-01-02B | EA  | BRACKET - HINGE/HOOD - E-COATED                           |
| 32  | 154936-02-02B | EA  | BRACKET - CABLE/SUPPORT - E-COATED                        |
| 33  | 154981-01-02B | EA  | BRACKET - BALL STUD - E-COATED                            |
| 34  | 113908-02-000 | EA  | LATCH/PLUNGER - F/HOOD/REAR TRUNK/ENGINE/GENERATOR DOOR   |
| 35  | 140447-06-01A | EA  | TRIM - GRILLE PANEL/SIDEWALL - 21.5" - BRIGHT WHITE       |

**EXTERIOR BODY GROUP (CONTINUED)**  
**FRONT END (CONTINUED)**

| <b>KEY</b> | <b>PART NUMBER</b> | <b>U/M</b> | <b>DESCRIPTION</b>                                       |
|------------|--------------------|------------|--|
| 36         | 140447-07-01A      | EA         | TRIM - GRILLE PANEL/SIDEWALL - 21.5" - BRIGHT WHITE      |
| 37         | 152685-01-01A      | EA         | PANEL - TRIM - FRONT END/RIGHT - POLISHED/STAINLESS      |
| 38         | 152685-02-01A      | EA         | PANEL - TRIM - FRONT END/LEFT - POLISHED/STAINLESS       |
| 39         | 155091-01-01A      | EA         | GASKET - HEADLIGHT COVER/RIGHT - W/ADHESIVE BACK - BLACK |
| 40         | 155091-02-01A      | EA         | GASKET - HEADLIGHT COVER/LEFT - W/ADHESIVE BACK - BLACK  |
| 41         | 155143-02-01A      | EA         | CABLE - W/PADDLE - 86.5" - BLACK                         |
| 42         | 130053-01-01A      | EA         | STRIKER - LUGGAGE DOOR - FLUSH - BLACK                   |
| 43         | 113041-16-02B      | EA         | ANGLE/MOUNT - BUMPER - E-COATED                          |
| 44         | 160210-04-02B      | EA         | BRACKET - BUMPER/HOOD - E-COATED                         |

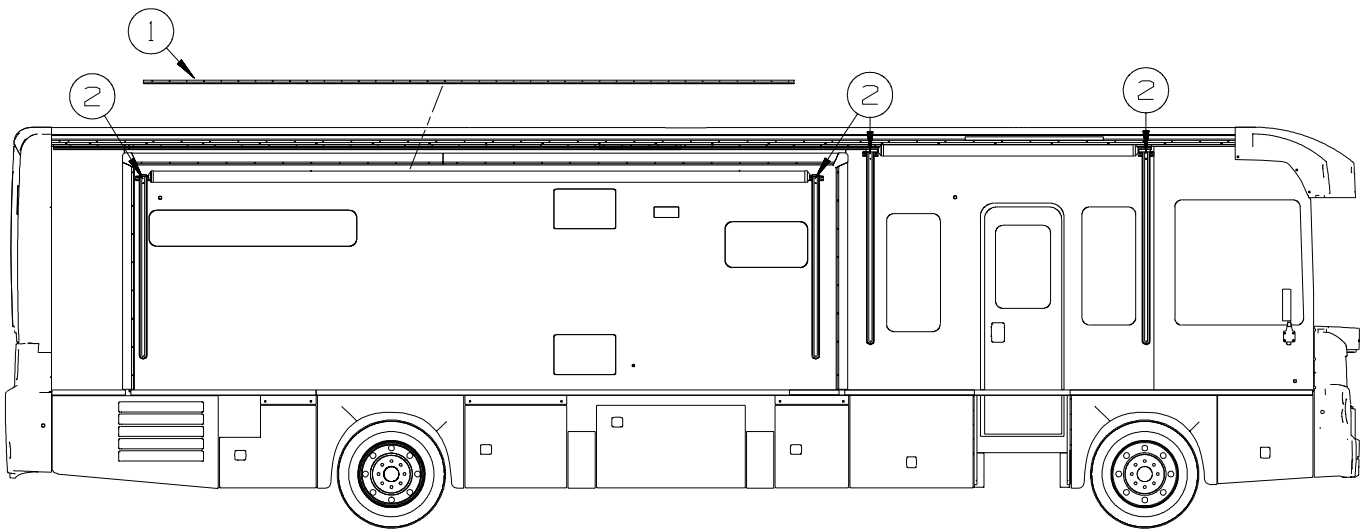
## EXTERIOR BODY GROUP (CONTINUED)

### LADDER

| KEY | PART NUMBER   | U/M | DESCRIPTION   |
|-----|---------------|-----|---|
|     | 129375-02-000 | EA  | SEAL - LADDER BRACKET   |
|     | 161113-06-01A | EA  | LADDER - 5 STEP - 71" - BRUSHED ALUMINUM                        |
|     | 161990-05-01A | EA  | LADDER - LOWER - BRUSHED ALUMINUM                               |
|     | 161990-01-01A | EA  | LADDER - LOWER - BRUSHED ALUMINUM - <b>FREIGHTLINER CHASSIS</b> |

### STRUCTURAL COMPONENTS

| KEY | PART NUMBER   | U/M | DESCRIPTION  |
|-----|---------------|-----|--|
|     | 089297-01-000 | SF  | PLYWOOD - LUAN - OVERLAY GRADE - 4' X 8'                   |
|     | 089297-03-000 | SF  | PLYWOOD - LUAN - OVERLAY GRADE - 4' X 8.3'                 |
|     | 100619-01-000 | BF  | FOAM - EXPANDED POLYSTYRENE - 1.34" X 48" X 96"            |
|     | 100619-04-000 | BF  | FOAM - EXPANDED POLYSTYRENE - .5" X 48" X 96"              |
|     | 100619-05-000 | BF  | FOAM - EXPANDED POLYSTYRENE - .75" X 48" X 96"-1.5"DENSITY |
|     | 100619-13-000 | BF  | FOAM - EXPANDED POLYSTYRENE-.34" X 34.7" X 96"-2" DENSITY  |
|     | 100619-16-000 | BF  | FOAM - EXPANDED POLYSTYRENE - .75" X 48" X 96"-2" DENSITY  |
|     | 108535-05-03A | SF  | FIBERGLASS SHEET - 108" X 500' ROLL - BRIGHT WHITE         |
|     | 116942-03-01A | LB  | ALUMINUM - .7" X 40" X 158"                                |
|     | 120107-07-000 | EA  | FOAM - ROOF COVE   |
|     | 128782-07-01A | EA  | FIBERGLASS SHEET - 78.9" X 456" - HIGH GLOSS - BRT WHITE   |
|     | 128782-18-01A | EA  | FIBERGLASS SHEET - 85.2" X 448.1" - HIGH GLOSS - BRT WHITE |
|     | 128782-21-01A | EA  | FIBERGLASS SHEET - 31.1" X 75" - HIGH GLOSS - BRT WHITE    |
|     | 151523-01-02A | EA  | CEILING PANEL - 48" X 97.1" - VINYL/FOAM/LUAN - SPINDRIFT  |
|     | 152490-01-000 | EA  | FOAM - PLUG - ROOF TUBE                                    |



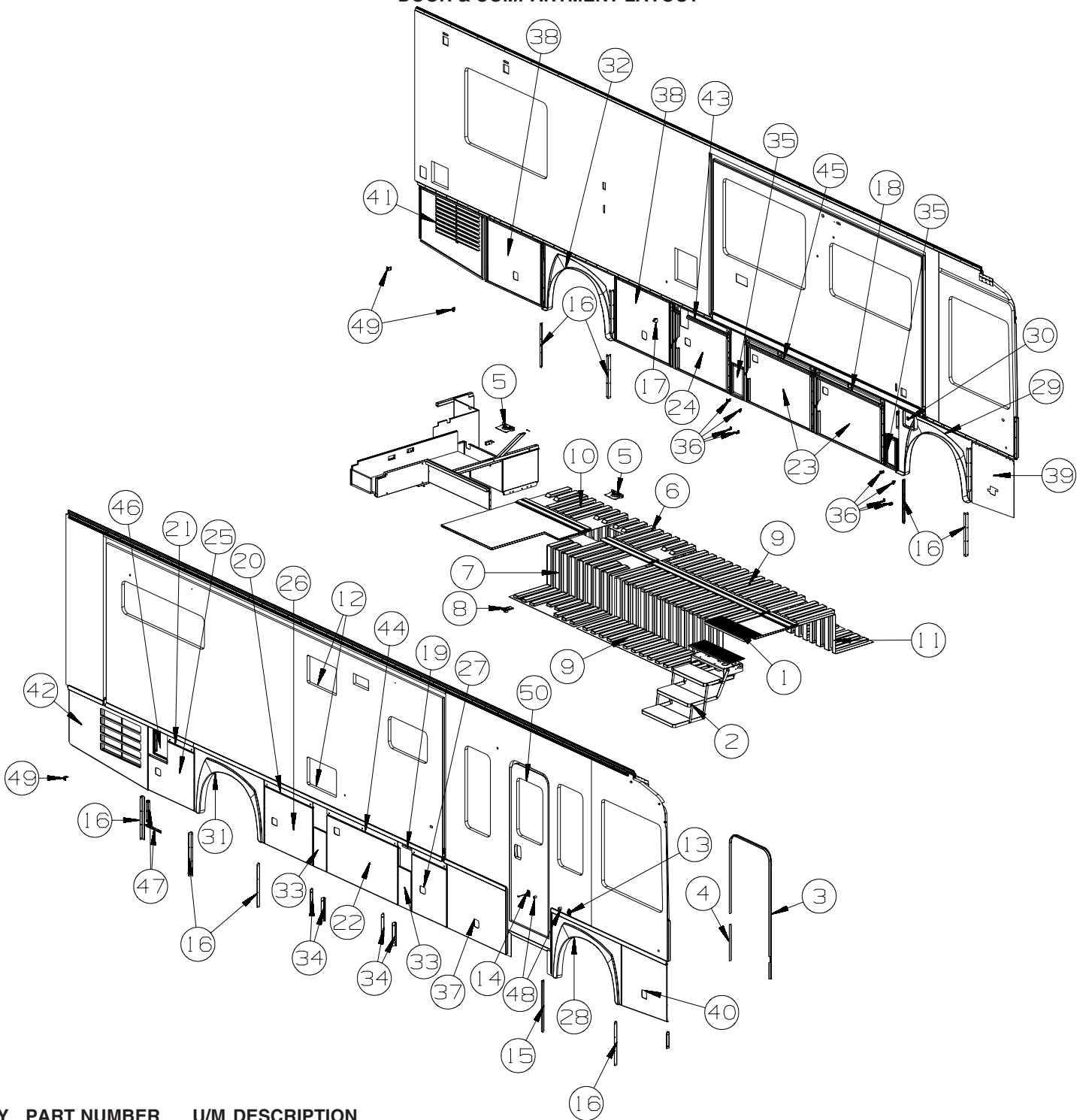
### AWNINGS

| KEY | PART NUMBER   | U/M | DESCRIPTION  |
|-----|---------------|-----|--|
| 1   | 142123-07-02A | EA  | RAIL/AWNING - 226"                                 |
| 2   | 113874-12-01A | EA  | SCREW/LAG - AWNING - 1/4" X 2 3/4" STAINLESS STEEL |

**ORDER AWNINGS & REPAIR PARTS FROM DOMETIC. CALL #800-366-3842.**  
**THE DOMETIC AWNING INFORMATION YOU WILL NEED IS LOCATED ON THE MOTOR HOME NEAR THE TOP OF THE AWNING RAIL.**

# EXTERIOR DOORS & COMPARTMENTS GROUP

## DOOR & COMPARTMENT LAYOUT

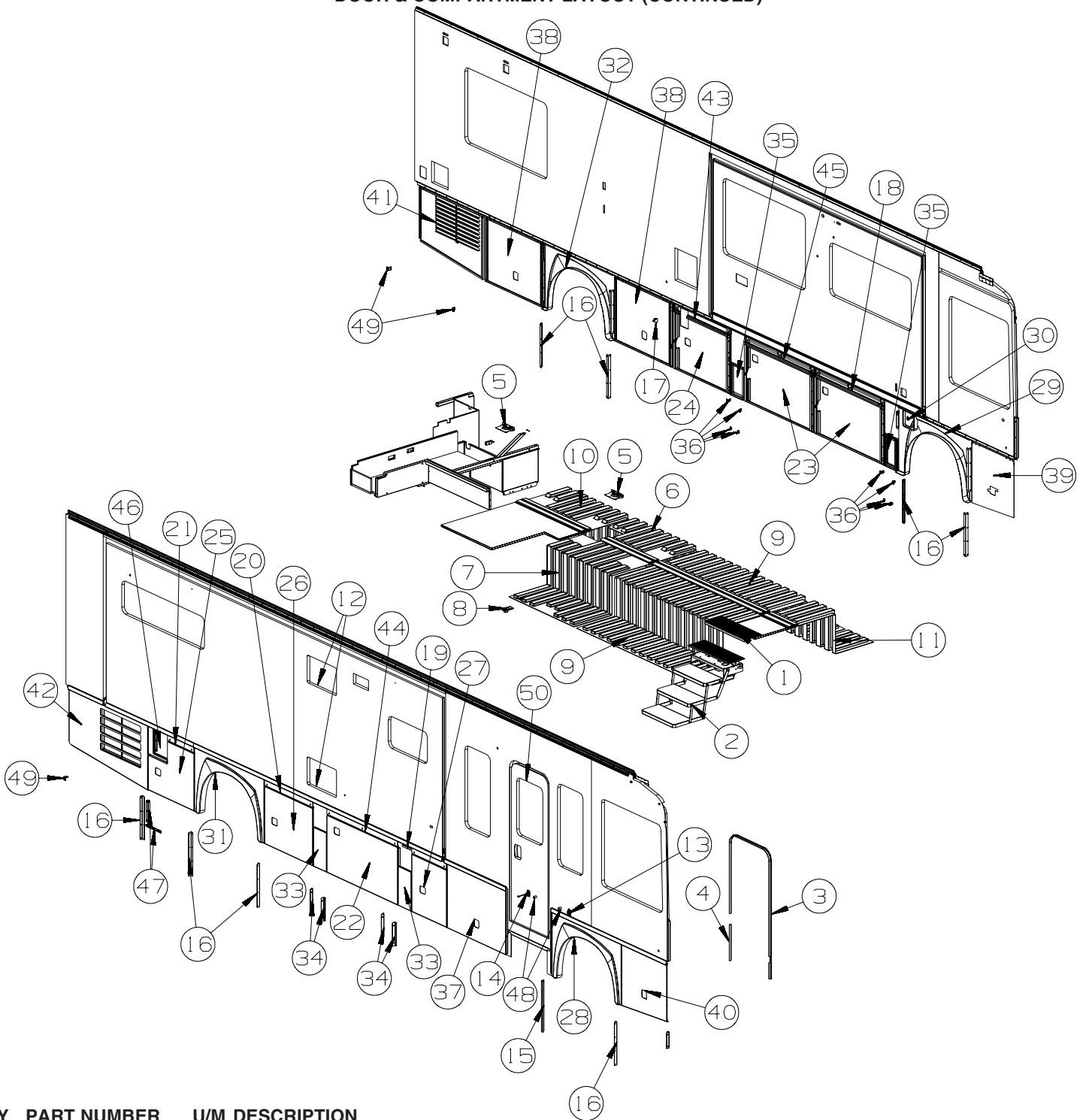


| KEY | PART NUMBER   | U/M | DESCRIPTION  |
|-----|---------------|-----|--|
| 1   | 133114-06-01A | EA  | TREAD - STEP/RUBBER - W/LIP - 29.3" X 9.8" - TAUPE |
| 2*  | 143709-02-01A | EA  | STEP - ELECTRIC - TRIPLE - BLACK                   |
| 3   | 139100-01-02A | EA  | GARNISH/RADIUS - ENTRY DOOR - BLACK                |
| 4   | 139101-01-02A | EA  | GARNISH/STRAIGHT - ENTRY DOOR - BLACK              |
| 5*  | 142226-02-01A | EA  | HATCH - POWER                                      |
| 6   | 159762-03-01A | EA  | COMPARTMENT - LUGGAGE                              |
|     | 159762-01-01A | EA  | COMPARTMENT - LUGGAGE                              |
|     | 112864-01-000 | FT  | SEAL - FOAM/BUTYL COVERED - 3/8" X 35'             |
| 7   | 159762-04-01A | EA  | COMPARTMENT - LUGGAGE                              |
|     | 159762-01-01A | EA  | COMPARTMENT - LUGGAGE                              |
| 8   | 160154-01-01A | EA  | HATCH - F/POWER CORD - W/BASE/COVER - BLACK        |
| 9   | 160895-02-01A | EA  | COMPARTMENT - LUGGAGE                              |
|     | 160895-01-01A | EA  | COMPARTMENT - LUGGAGE                              |
|     | 112864-01-000 | FT  | SEAL - FOAM/BUTYL COVERED - 3/8" X 35'             |

**EXTERIOR DOORS & COMPARTMENTS GROUP (CONTINUED)**  
**DOOR & COMPARTMENT LAYOUT (CONTINUED)**

| KEY | PART NUMBER   | U/M | DESCRIPTION   |
|-----|---------------|-----|---|
| 10  | 159762-02-01A | EA  | COMPARTMENT - LUGGAGE                                   |
|     | 159762-01-01A | EA  | COMPARTMENT - LUGGAGE                                   |
|     | 112864-01-000 | FT  | SEAL - FOAM/BUTYL COVERED - 3/8" X 35'                  |
| 11  | 164972-03-01A | EA  | COMPARTMENT - LUGGAGE                                   |
|     | 112864-01-000 | FT  | SEAL - FOAM/BUTYL COVERED - 3/8" X 35'                  |
| 12  | 137395-01-01A | EA  | DOOR - REFRIGERATOR VENT - 21.5" X 13.8" - BRIGHT WHITE |
| 13  | 104099-02-05A | EA  | CATCH/RETAINER - DOOR HOLDER - BLACK                    |
| 14  | 104099-03-05A | EA  | CATCH - DOOR HOLDER - STRIKE - 6" - BLACK               |
| 15  | 113041-19-02B | EA  | ANGLE/MOUNT - BUMPER - E-COATED                         |
| 16  | 113904-11-02B | EA  | ANGLE - ATTACHMENT/WHEEL LIP - 21.6" - E-COAT           |
| 17  | 131383-03-02A | EA  | BRACKET - SHOWER HEAD - WHITE                           |
| 18  | 159557-05-AA1 | EA  | PANEL/VALANCE - W/MOUNT CHANNEL - 3.2" X 50.9"          |
| 19  | 159557-06-AA1 | EA  | PANEL/VALANCE - W/MOUNT CHANNEL - 3.2" X 25.5"          |
| 20  | 159557-08-AA1 | EA  | PANEL/VALANCE - W/MOUNT CHANNEL - 3.2" X 35.3"          |
| 21  | 159557-09-AA1 | EA  | PANEL/VALANCE - W/MOUNT CHANNEL - 3.2" X 19.4"          |
| 22  | 160939-02-AA1 | EA  | DOOR/VALANCE - W/O PADDLE LATCH/HDW - 51.7" X 28.7"-BLK |
|     | 137228-09-02B | EA  | HINGE - PIANO - COMPARTMENT DOOR - 27" - E-COATED       |
|     | 151390-03-01B | EA  | ROD - LATCH - 11.1" W/3/4" DOG LEG                      |
|     | 132892-08-01A | FT  | SEAL - BULB/SINGLE - W/U CHANNEL - 1" X .8" - BLACK     |
| 23  | 160939-05-AA1 | EA  | DOOR/VALANCE - W/O PADDLE LATCH/HDW - 50.9" X 28.7"-BLK |
|     | 137228-04-02B | EA  | HINGE - PIANO - COMPARTMENT DOOR - 27" - E-COATED       |
|     | 151390-04-01B | EA  | ROD - LATCH - 10.5" W/3/4" DOG LEG                      |
|     | 132892-08-01A | FT  | SEAL - BULB/SINGLE - W/U CHANNEL - 1" X .8" - BLACK     |
| 24  | 160939-06-AA1 | EA  | DOOR/VALANCE - W/O PADDLE LATCH/HDW - 41.7" X 28.7"-BLK |
|     | 137228-08-02B | EA  | HINGE - PIANO - COMPARTMENT DOOR - 27" - E-COATED       |
|     | 151390-05-01B | EA  | ROD - LATCH - 7.4" W/3/4" DOG LEG                       |
|     | 132892-08-01A | FT  | SEAL - BULB/SINGLE - W/U CHANNEL - 1" X .8" - BLACK     |
| 25  | 160939-08-AA1 | EA  | DOOR/VALANCE - W/O PADDLE LATCH/HDW - 33.6" X 28.7"-BLK |
|     | 137228-04-02B | EA  | HINGE - PIANO - COMPARTMENT DOOR - 27" - E-COATED       |
|     | 151390-06-01B | EA  | ROD - LATCH - 7.4" W/3/4" DOG LEG                       |
|     | 132892-08-01A | FT  | SEAL - BULB/SINGLE - W/U CHANNEL - 1" X .8" - BLACK     |
| 26  | 160939-09-AA1 | EA  | DOOR/VALANCE - W/O PADDLE LATCH/HDW - 35.3" X 28.7"-BLK |
|     | 137228-09-02B | EA  | HINGE - PIANO - COMPARTMENT DOOR - 27" - E-COATED       |
|     | 151390-06-01B | EA  | ROD - LATCH - 7.4" W/3/4" DOG LEG                       |
|     | 132892-08-01A | FT  | SEAL - BULB/SINGLE - W/U CHANNEL - 1" X .8" - BLACK     |
| 27  | 160939-10-AA1 | EA  | DOOR/VALANCE - W/O PADDLE LATCH/HDW - 25.5" X 28.7"-BLK |
|     | 137228-04-02B | EA  | HINGE - PIANO - COMPARTMENT DOOR - 27" - E-COATED       |
|     | 151390-15-01B | EA  | ROD - LATCH - 5.9" W/3/4" DOG LEG                       |
|     | 107721-07-000 | FT  | SEAL - ACCESS DOOR - .9"WIDE X 1.1"HIGH                 |
| 28  | 160944-01-WD3 | EA  | PANEL/WHEEL LIP - PASSENGER/FRONT                       |
|     | 139793-03-01A | EA  | HINGE - CENTER/VALANCE DOOR - W/O BALL STUD             |
| 29  | 160944-02-WD3 | EA  | PANEL/WHEEL LIP - DRIVER/FRONT                          |
|     | 139793-03-01A | EA  | HINGE - CENTER/VALANCE DOOR - W/O BALL STUD             |
| 30  | 160260-02-WD3 | EA  | PANEL/DOOR - FUEL FILL - W/O LOCK                       |
|     | 138290-01-000 | EA  | CASE - W/CAM - W/O CYLINDER/KEY                         |
|     | 153306-02-01A | EA  | HINGE - PIANO - 1 1/2" X 3.9" - UNPAINTED               |
| 31  | 160944-03-WD3 | EA  | PANEL/WHEEL LIP - PASSENGER/REAR                        |
|     | 139793-03-01A | EA  | HINGE - CENTER/VALANCE DOOR - W/O BALL STUD             |
| 32  | 160944-04-WD3 | EA  | PANEL/WHEEL LIP - DRIVER/REAR                           |
|     | 139793-03-01A | EA  | HINGE - CENTER/VALANCE DOOR - W/O BALL STUD             |
| 33  | 160988-01-AA1 | EA  | PANEL/VALANCE - W/O HDW - 9.4"W X 19.7"H - BLACK        |
| 34  | 164125-01-02B | EA  | BRACKET - DOOR/VALANCE - E-COATED                       |
| 35  | 160988-02-AA1 | EA  | PANEL/VALANCE - W/O HDW - 9.4"W X 15.9"H - BLACK        |
| 36  | 123512-06-02B | EA  | BRACKET - DOOR/VALANCE - E-COATED                       |
| 37  | 161136-01-AA1 | EA  | DOOR/VALANCE - W/O PADDLE LATCH/HDW - 42.9"W X 32.2"H   |
|     | 132873-J6-000 | EA  | ROD - LATCH - 15.3" W/3/4" DOG LEG                      |
|     | 135624-C9-01B | EA  | ROD - LATCH   |
|     | 139793-03-01A | EA  | HINGE - CENTER/VALANCE DOOR - W/O BALL STUD             |
|     | 139793-04-01A | EA  | HINGE - VALANCE DOOR - W/O BALL STUD                    |
|     | 139793-05-01A | EA  | HINGE - VALANCE DOOR - W/O BALL STUD                    |
|     | 130053-01-01A | EA  | STRIKER - LUGGAGE DOOR - FLUSH - BLACK                  |
|     | 143793-01-01A | EA  | SHIM/STRIKER - LUGGAGE - 1.5" - BLACK                   |
|     | 142569-21-000 | EA  | SPRING/GAS - 60 LB - 20" EXTENDED/12" COMPRESSED        |
|     | 126263-02-02B | EA  | BRACKET - GAS SPRING W/BALL STUD - E-COATED             |

**EXTERIOR DOORS & COMPARTMENTS GROUP (CONTINUED)**  
**DOOR & COMPARTMENT LAYOUT (CONTINUED)**



| KEY | PART NUMBER   | U/M | DESCRIPTION   |
|-----|---------------|-----|---|
|     | 132892-08-01A | FT  | SEAL - BULB/SINGLE - W/U CHANNEL - 1" X .8" - BLACK       |
|     | 099418-01-000 | FT  | SEAL - D-SECTION/ADHESIVE BACK - .44" X .44" - BLK RUBBER |
| 38  | 161136-01-AA1 | EA  | DOOR/VALANCE - W/O PADDLE LATCH/HDW - 42.9"W X 32.2"H     |
|     | 132873-J6-000 | EA  | ROD - LATCH - 15.3" W/3/4" DOG LEG                        |
|     | 135624-C9-01B | EA  | ROD - LATCH   |
|     | 139793-03-01A | EA  | HINGE - CENTER/VALANCE DOOR - W/O BALL STUD               |
|     | 139793-04-01A | EA  | HINGE - VALANCE DOOR - W/O BALL STUD                      |
|     | 139793-05-01A | EA  | HINGE - VALANCE DOOR - W/O BALL STUD                      |
|     | 130053-01-01A | EA  | STRIKER - LUGGAGE DOOR - FLUSH - BLACK                    |
|     | 143793-01-01A | EA  | SHIM/STRIKER - LUGGAGE - 1.5" - BLACK                     |
|     | 142569-21-000 | EA  | SPRING/GAS - 60 LB - 20" EXTENDED/12" COMPRESSED          |
|     | 126263-02-02B | EA  | BRACKET - GAS SPRING W/BALL STUD - E-COATED               |
|     | 107721-07-000 | FT  | SEAL - ACCESS DOOR - .9"WIDE X 1.1"HIGH                   |
|     | 099418-01-000 | FT  | SEAL - D-SECTION/ADHESIVE BACK - .44" X .44" - BLK RUBBER |

**EXTERIOR DOORS & COMPARTMENTS GROUP (CONTINUED)**  
**DOOR & COMPARTMENT LAYOUT (CONTINUED)**

| <b>KEY</b> | <b>PART NUMBER</b> | <b>U/M</b> | <b>DESCRIPTION</b>   |
|------------|--------------------|------------|--|
| 39         | 161136-02-AA1      | EA         | DOOR/VALANCE - W/O PADDLE LATCH/HDW - 33.1"WX28.6"HX30.9"H |
|            | 132873-J3-000      | EA         | ROD - LATCH - 10.5" W/3/4" DOG LEG                         |
|            | 135624-D0-01B      | EA         | ROD - LATCH  |
|            | 139793-01-01A      | EA         | HINGE - VALANCE DOOR - W/BALL STUD                         |
|            | 139793-05-01A      | EA         | HINGE - VALANCE DOOR - W/O BALL STUD                       |
|            | 130053-01-01A      | EA         | STRIKER - LUGGAGE DOOR - FLUSH - BLACK                     |
|            | 143793-01-01A      | EA         | SHIM/STRIKER - LUGGAGE - 1.5" - BLACK                      |
|            | 142569-27-000      | EA         | SPRING/GAS - 112 LB - 17" EXTENDED/11" COMPRESSED          |
|            | 126263-02-02B      | EA         | BRACKET - GAS SPRING W/BALL STUD - E-COATED                |
|            | 132892-08-01A      | FT         | SEAL - BULB/SINGLE - W/U CHANNEL - 1" X .8" - BLACK        |
|            | 099418-01-000      | FT         | SEAL - D-SECTION/ADHESIVE BACK - .44" X .44" - BLK RUBBER  |
| 40         | 161136-03-AA1      | EA         | DOOR/VALANCE - W/O PADDLE LATCH/HDW - 33.1"WX30.9"HX28.6"H |
|            | 132873-J3-000      | EA         | ROD - LATCH - 10.5" W/3/4" DOG LEG                         |
|            | 135624-D0-01B      | EA         | ROD - LATCH  |
|            | 139793-02-01A      | EA         | HINGE - VALANCE DOOR - W/BALL STUD                         |
|            | 139793-04-01A      | EA         | HINGE - VALANCE DOOR - W/O BALL STUD                       |
|            | 130053-01-01A      | EA         | STRIKER - LUGGAGE DOOR - FLUSH - BLACK                     |
|            | 143793-01-01A      | EA         | SHIM/STRIKER - LUGGAGE - 1.5" - BLACK                      |
|            | 142569-27-000      | EA         | SPRING/GAS - 112 LB - 17" EXTENDED/11" COMPRESSED          |
|            | 126263-02-02B      | EA         | BRACKET - GAS SPRING W/BALL STUD - E-COATED                |
|            | 132892-08-01A      | FT         | SEAL - BULB/SINGLE - W/U CHANNEL - 1" X .8" - BLACK        |
|            | 099418-01-000      | FT         | SEAL - D-SECTION/ADHESIVE BACK - .44" X .44" - BLK RUBBER  |
| 41         | 161136-04-AA1      | EA         | DOOR/VALANCE - W/GRILLE - W/O HDW - 48.6"WX32.2"HX27.3"H   |
|            | 139793-04-01A      | EA         | HINGE - VALANCE DOOR - W/O BALL STUD                       |
|            | 139793-05-01A      | EA         | HINGE - VALANCE DOOR - W/O BALL STUD                       |
| 42         | 161136-08-AA1      | EA         | DOOR/VALANCE - W/LOUVER - W/O HDW - 57.6"WX32.2"HX27.3"H   |
|            | 139793-03-01A      | EA         | HINGE - CENTER/VALANCE DOOR - W/O BALL STUD                |
|            | 139793-04-01A      | EA         | HINGE - VALANCE DOOR - W/O BALL STUD                       |
| 43         | 161442-01-W66      | EA         | PANEL/VALANCE - W/MOUNT CHANNEL - 3.2" X 41.7"             |
| 44         | 161442-02-AA1      | EA         | PANEL/VALANCE - W/MOUNT CHANNEL - 3.2" X 51.7" - BLACK     |
| 45         | 161442-03-AA1      | EA         | PANEL/VALANCE - W/MOUNT CHANNEL - 3.2" X 50.9" - BLACK     |
| 46         | 163008-01-WD3      | EA         | PANEL/VALANCE - W/FRAME                                    |
| 47         | 113904-10-02B      | EA         | ANGLE - ATTACHMENT/WHEEL LIP - E-COATED                    |
| 48         | 120863-02-000      | EA         | BUMPER - RUBBER/RADIUS TOP - 1" X 1 1/2"                   |
| 49         | 140309-03-02B      | EA         | ANGLE - FURNACE DOOR - E-COATED                            |
| 50         | M09563-17-W87      | EA         | DOOR - ENTRY W/SCREEN DOOR - W/O WINDOW/LATCH              |

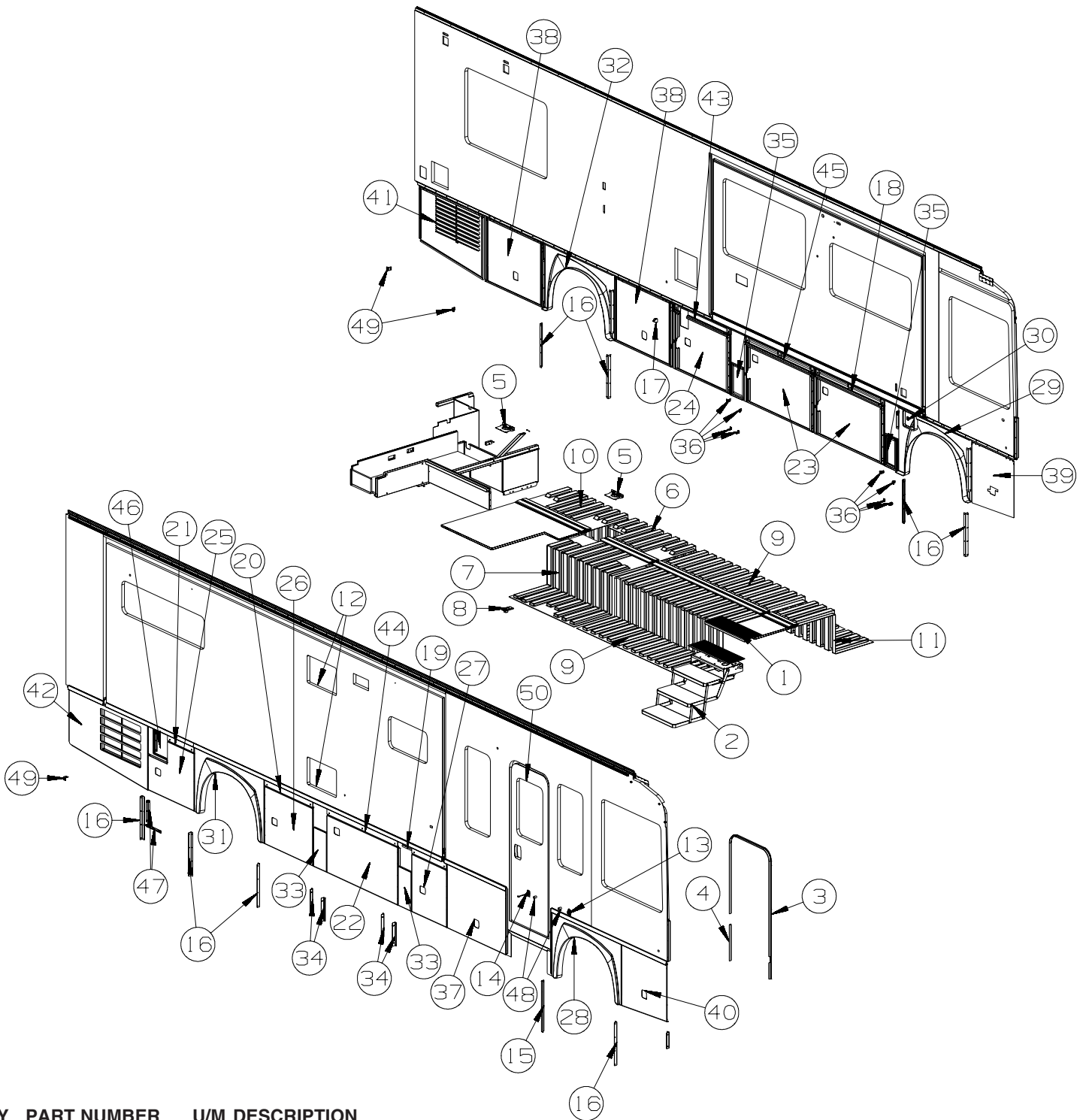
**ENTRY DOOR LOCK CYLINDERS**

|               |    |  |
|---------------|----|--|
| 138287-11-000 | EA | CYLINDER/LOCK - ENTRY DOOR - MASTER W/3M ICON - (3041) |
| 138287-12-000 | EA | CYLINDER/LOCK - ENTRY DOOR - MASTER W/3M ICON - (3042) |
| 138287-13-000 | EA | CYLINDER/LOCK - ENTRY DOOR - MASTER W/3M ICON - (3043) |
| 138287-14-000 | EA | CYLINDER/LOCK - ENTRY DOOR - MASTER W/3M ICON - (3044) |
| 138287-15-000 | EA | CYLINDER/LOCK - ENTRY DOOR - MASTER W/3M ICON - (3045) |
| 138287-16-000 | EA | CYLINDER/LOCK - ENTRY DOOR - MASTER W/3M ICON - (3046) |
| 138287-17-000 | EA | CYLINDER/LOCK - ENTRY DOOR - MASTER W/3M ICON - (3047) |
| 138287-18-000 | EA | CYLINDER/LOCK - ENTRY DOOR - MASTER W/3M ICON - (3048) |
| 138287-19-000 | EA | CYLINDER/LOCK - ENTRY DOOR - MASTER W/3M ICON - (3049) |
| 138287-20-000 | EA | CYLINDER/LOCK - ENTRY DOOR - MASTER W/3M ICON - (3050) |

**VALANCE DOOR & FUEL FILL DOOR LOCK CYLINDERS**

|               |    |   |
|---------------|----|---|
| 138289-11-000 | EA | CYLINDER/LOCK - ACCESS DOORS - REDUCED SENSITIVITY (3041) |
| 138289-12-000 | EA | CYLINDER/LOCK - ACCESS DOORS - REDUCED SENSITIVITY (3042) |
| 138289-13-000 | EA | CYLINDER/LOCK - ACCESS DOORS - REDUCED SENSITIVITY (3043) |
| 138289-14-000 | EA | CYLINDER/LOCK - ACCESS DOORS - REDUCED SENSITIVITY (3044) |
| 138289-15-000 | EA | CYLINDER/LOCK - ACCESS DOORS - REDUCED SENSITIVITY (3045) |
| 138289-16-000 | EA | CYLINDER/LOCK - ACCESS DOORS - REDUCED SENSITIVITY (3046) |
| 138289-17-000 | EA | CYLINDER/LOCK - ACCESS DOORS - REDUCED SENSITIVITY (3047) |
| 138289-18-000 | EA | CYLINDER/LOCK - ACCESS DOORS - REDUCED SENSITIVITY (3048) |
| 138289-19-000 | EA | CYLINDER/LOCK - ACCESS DOORS - REDUCED SENSITIVITY (3049) |
| 138289-20-000 | EA | CYLINDER/LOCK - ACCESS DOORS - REDUCED SENSITIVITY (3050) |

**EXTERIOR DOORS & COMPARTMENTS GROUP (CONTINUED)**  
**DOOR & COMPARTMENT LAYOUT (CONTINUED)**

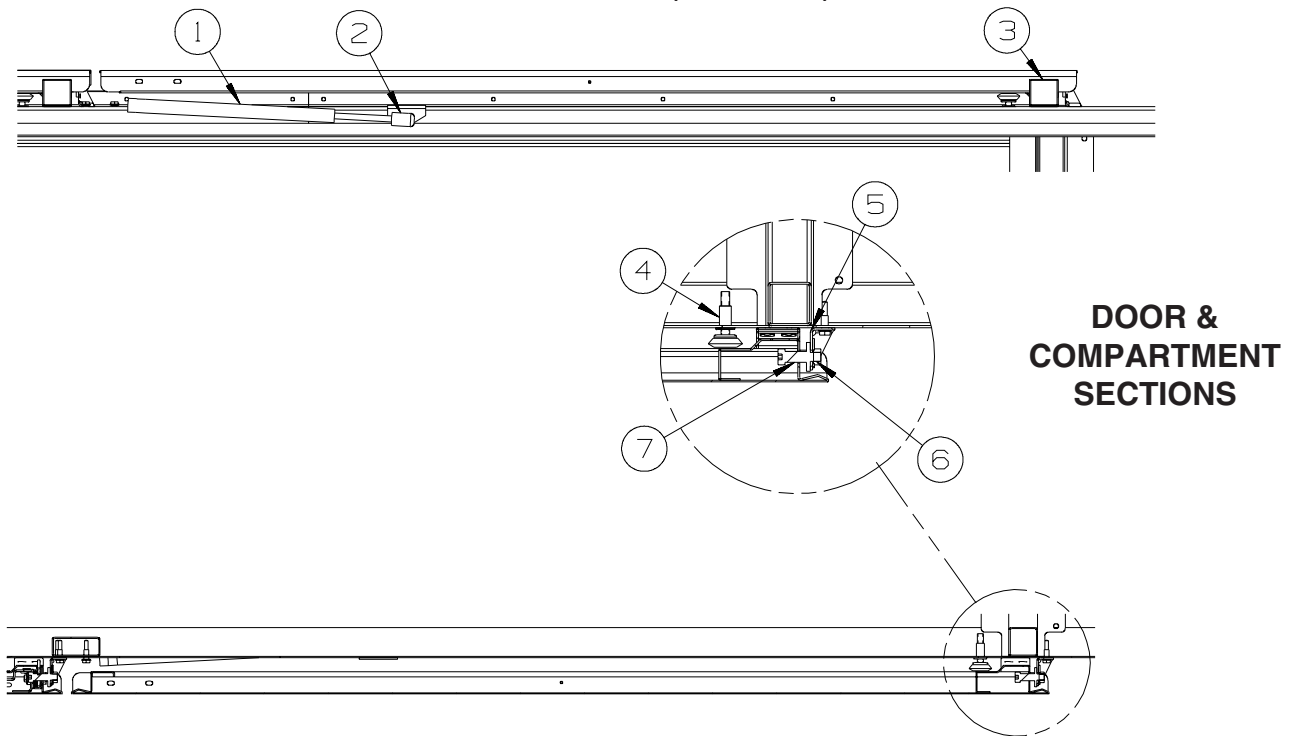


| KEY | PART NUMBER   | U/M | DESCRIPTION                                  |
|-----|---------------|-----|--|
|     | 138292-01-000 | EA  | SEAL - LOCK CYLINDER                         |
|     | 138288-11-000 | EA  | KEY - REVERSIBLE - #3041 - T/M 16169-02-3041 |
|     | 138288-12-000 | EA  | KEY - REVERSIBLE - #3042 - T/M 16169-02-3042 |
|     | 138288-13-000 | EA  | KEY - REVERSIBLE - #3043 - T/M 16169-02-3043 |
|     | 138288-14-000 | EA  | KEY - REVERSIBLE - #3044 - T/M 16169-02-3044 |
|     | 138288-15-000 | EA  | KEY - REVERSIBLE - #3045 - T/M 16169-02-3045 |
|     | 138288-16-000 | EA  | KEY - REVERSIBLE - #3046 - T/M 16169-02-3046 |
|     | 138288-17-000 | EA  | KEY - REVERSIBLE - #3047 - T/M 16169-02-3047 |
|     | 138288-18-000 | EA  | KEY - REVERSIBLE - #3048 - T/M 16169-02-3048 |
|     | 138288-19-000 | EA  | KEY - REVERSIBLE - #3049 - T/M 16169-02-3049 |
|     | 138288-20-000 | EA  | KEY - REVERSIBLE - #3050 - T/M 16169-02-3050 |

**\*COMPONENT PARTS LISTED LATER IN THIS GROUP**



**EXTERIOR DOORS & COMPARTMENTS GROUP (CONTINUED)**  
**DOOR & COMPARTMENT LAYOUT (CONTINUED)**



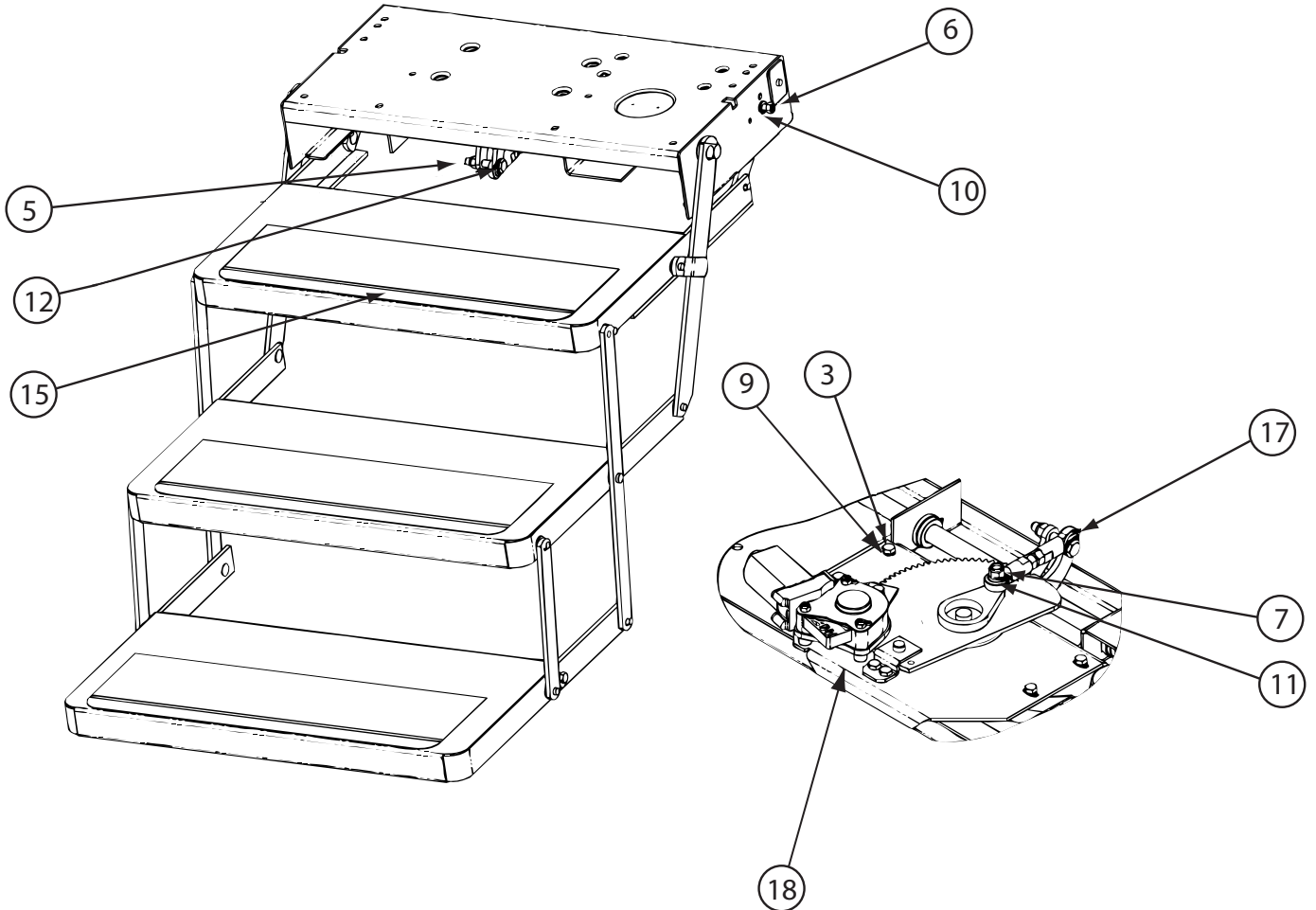
**DOOR &  
 COMPARTMENT  
 SECTIONS**

| KEY | PART NUMBER   | U/M | DESCRIPTION  |
|-----|---------------|-----|--|
| 1   | 142569-06-000 | EA  | SPRING/GAS - 25 LB - 14.8" EXTENDED/8.9" COMPRESSED      |
| 2   | 126263-02-02B | EA  | BRACKET - GAS SPRING W/BALL STUD - E-COATED              |
| 3   | 149558-01-01A | EA  | SUPPORT-VALANCE DOOR,LWR,BLK                             |
| 4   | 058786-01-000 | EA  | BOLT - HOOD ADJUSTMENT - 5/16"-18 X 1.5"-2"- W/BLACK PAD |
| 5   | 149356-02-02B | EA  | MOUNTING - F/STRIKER BOLT - E-COATED                     |
| 6   | 149357-02-02B | EA  | PLATE ASSEMBLY - F/STRIKER BOLT - E-COATED               |
| 7   | 149358-01-01A | EA  | BOLT - STRIKER - .375"DIAMETER                           |

**EXTERIOR DOORS & COMPARTMENTS GROUP (CONTINUED)**  
**COMPONENT PARTS FOR DOOR & COMPARTMENT LAYOUT**

142226-02-01A

| KEY | PART NUMBER   | U/M DESCRIPTION               | VENDOR NO |
|-----|---------------|-------------------------------|-----------|
|     | 142226-02-700 | EA TAB/LOCKING - ESCAPE (RED) | 9667709   |

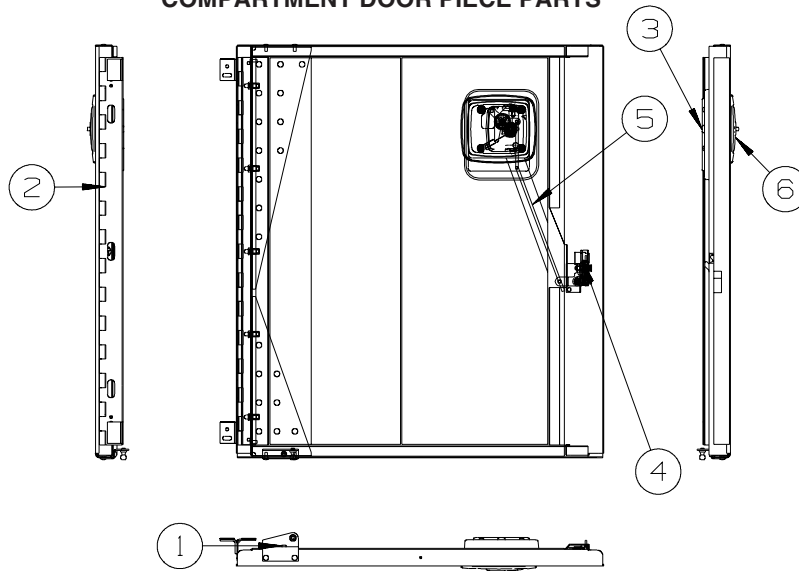


143709-02-01A

| KEY | PART NUMBER   | U/M DESCRIPTION                 | VENDOR NO. |
|-----|---------------|---------------------------------|------------|
|     | 143709-01-700 | EA CAM STOP                     | 1102200    |
|     | 143709-01-701 | EA BUMPER - BLACK (RUBBER STOP) | 1602000    |
| 15  | 143709-01-702 | EA TREAD/NON-SKID _6" X 21" BLK | 1915260    |
|     | 143709-01-703 | EA FRAME ONLY PAINTED BLACK 25  | 908025000  |
| 17  | 143709-02-700 | EA LINK/ASSEMBLY 24/25 SERIES   | 3380050    |
| 18  | 143709-02-701 | EA MOTOR ASM W/TABLE 24/25 STEP | 3392152    |
| 18  | 143709-02-702 | EA MOTOR "AM 214" F/IMGL TRIPLE | 1820124    |
|     | 088746-01-705 | EA LIGHT-UNDER STEP             | 9004       |
|     | 094707-03-701 | EA PLUG - 4-WAY - PACKARD       | 909306     |
|     | 094707-04-700 | EA CONTROL UNIT W/OVERRIDE      | 909510000  |
|     | 094707-04-711 | EA KWIKTEST - W/4-WAY PIGTAIL   | 909518000  |

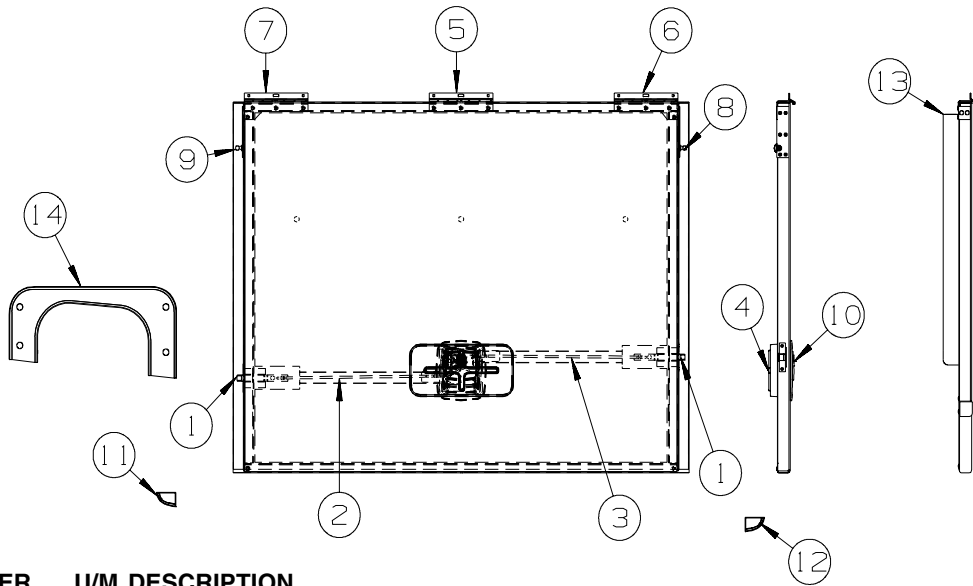
CONTACT WINNEBAGO PART SALES FOR UNLISTED COMPONENT(S)

**EXTERIOR DOORS & COMPARTMENTS GROUP (CONTINUED)**  
**COMPARTMENT DOOR PIECE PARTS**



| KEY | PART NUMBER   | U/M | DESCRIPTION  |
|-----|---------------|-----|--|
| 1   | 126263-17-02B | EA  | BRACKET - GAS SPRING W/BALL STUD - E-COATED<br>FROM: 00-00-00 THRU: 05-31-08 |
| 1   | 168513-01-02B | EA  | BRACKET - GAS SPRING/RH - E-COATED<br>FROM: 06-01-08 THRU: 99-99-99          |
| 2   | 137228-04-02B | EA  | HINGE - PIANO - COMPARTMENT DOOR - 27" - E-COATED                            |
| 2   | 137228-08-02B | EA  | HINGE - PIANO - COMPARTMENT DOOR - 27" - E-COATED                            |
| 2   | 137228-09-02B | EA  | HINGE - PIANO - COMPARTMENT DOOR - 27" - E-COATED                            |
| 2   | 137228-14-02B | EA  | HINGE - PIANO - COMPARTMENT DOOR - 21" - E-COATED                            |
| 3   | 137359-02-01A | EA  | COVER - LATCH - BRIGHT WHITE   |
| 4   | 149359-01-01A | EA  | LATCH - SINGLE ROTOR   |
| 4   | 149359-04-01A | EA  | LATCH - SINGLE ROTOR - MINI/LEFT HAND - ZINC                                 |
| 4   | 149359-07-01A | EA  | LATCH - SINGLE ROTOR - MINI/RIGHT HAND                                       |
| 4   | 149359-08-01A | EA  | LATCH - SINGLE ROTOR - MINI/LEFT HAND  |
| 5   | 132873-01-000 | EA  | ROD - LATCH (BLANK) - 37.3"  |
| 6   | 154900-03-01A | EA  | LATCH/PADDLE - LOCKING - COMPT DOOR - KEY ONE - BLACK                        |
| 6   | 154900-03-02A | EA  | LATCH/PADDLE - LOCKING - COMPT DOOR - KEY ONE - WHITE                        |
| 6   | 154900-04-01A | EA  | LATCH/PADDLE - NON LOCKING - COMPT DOOR - BLACK                              |

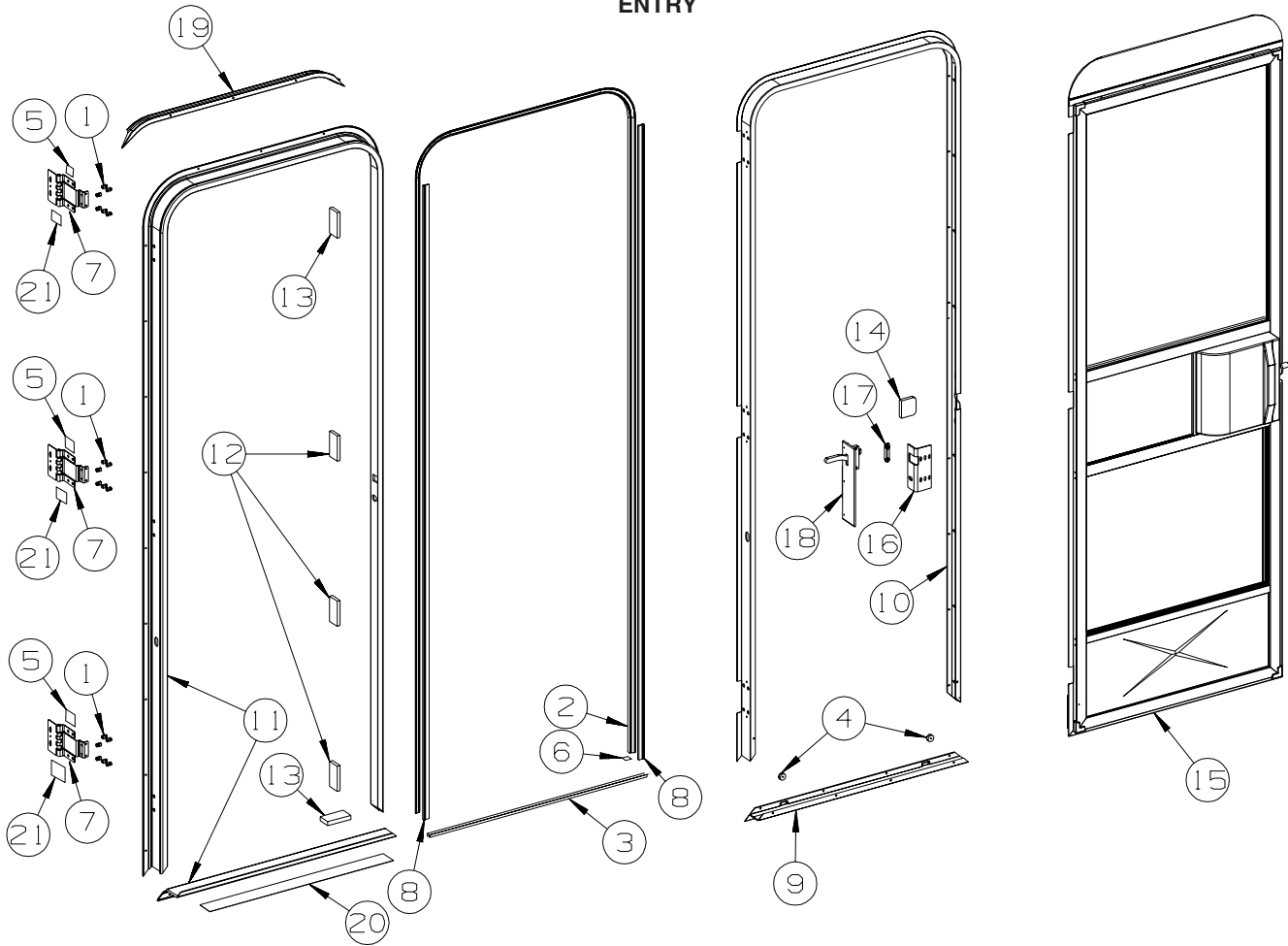
**EXTERIOR DOORS & COMPARTMENTS GROUP (CONTINUED)**  
**COMPARTMENT DOOR PIECE PARTS (CONTINUED)**



| KEY | PART NUMBER   | U/M | DESCRIPTION   |
|-----|---------------|-----|---|
| 1   | 121947-01-01A | EA  | BOLT - SLIDE/LATCH - W/PLASTIC PLUNGER                |
| 2   | 132873-01-000 | EA  | ROD - LATCH (BLANK) - 37.3"                           |
| 3   | 135624-71-01B | EA  | ROD - LATCH (BLANK) - 37.3"                           |
| 4   | 137359-01-01A | EA  | COVER - LATCH - WHITE                                 |
| 5   | 139793-03-01A | EA  | HINGE - CENTER/VALANCE DOOR - W/O BALL STUD           |
| 6   | 139793-04-01A | EA  | HINGE - VALANCE DOOR - W/O BALL STUD                  |
| 6   | 139793-01-01A | EA  | HINGE - VALANCE DOOR - W/BALL STUD                    |
| 7   | 139793-05-01A | EA  | HINGE - VALANCE DOOR - W/O BALL STUD                  |
| 7   | 139793-02-01A | EA  | HINGE - VALANCE DOOR - W/BALL STUD                    |
| 8   | 147513-01-01A | EA  | BALL STUD   |
| 9   | 147513-02-01A | EA  | BALL STUD   |
| 10  | 154900-01-01A | EA  | LATCH/PADDLE - LOCKING - COMPT DOOR - KEY ONE - BLACK |
| 10  | 154900-01-02A | EA  | LATCH/PADDLE - LOCKING - COMPT DOOR - KEY ONE - WHITE |
| 11  | 138643-02-01A | EA  | CORNER-VAL DOOR,REAR,LH,BLK                           |
| 12  | 138643-01-01A | EA  | CORNER-VAL DOOR,REAR,RH,BLK                           |
| 13  | 145993-01-000 | FT  | SEAL - "D SECTION" W/ADHESIVE BACK                    |
| 14  | 163769-03-02A | EA  | PANEL/TRIM - DIFFUSER - ALUMINUM/BLACK                |
| 14  | 163769-03-03A | EA  | PANEL/TRIM - DIFFUSER - ALUMINUM/BRIGHT WHITE         |

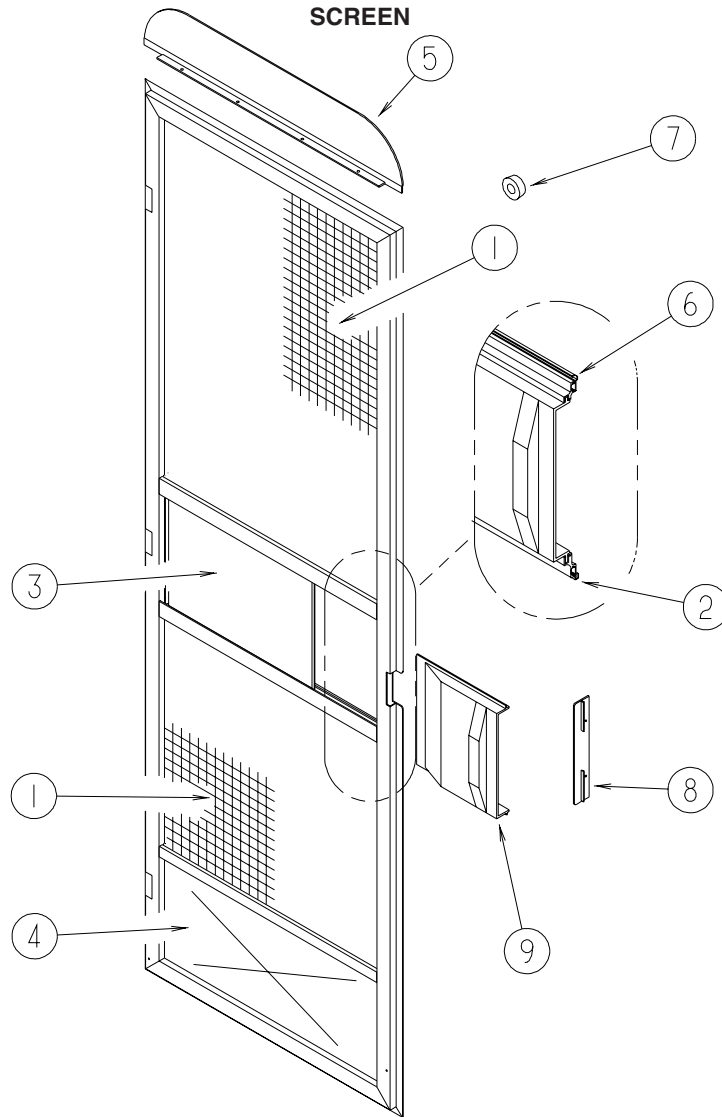
# EXTERIOR DOORS & COMPARTMENTS GROUP (CONTINUED)

## ENTRY



| KEY | PART NUMBER   | U/M | DESCRIPTION  |
|-----|---------------|-----|--|
| 1   | 039715-01-000 | EA  | NUT-SERT - 1/4" DIAMETER - 20 THREADS                      |
| 2   | 075671-04-000 | FT  | SEAL - SPONGE - LAZY T - W/ADHESIVE STRIP - .5" WIDE       |
| 3   | 075673-05-000 | FT  | SEAL/PILE - .5" HIGH W/ADHESIVE BACK - BLACK               |
| 4   | 081914-02-000 | EA  | BUMPER - RUBBER - ROUND - 5/16" DIA. X 13/64" THICK        |
| 5   | 100128-02-000 | FT  | SEAL - FOAM/ADHESIVE BACK - .37" WIDE X .37" THICK         |
| 6   | 104692-01-000 | FT  | SEAL - ADHESIVE BACKED FOAM - 3/4" THICK X 3/4" WIDE X 25' |
| 7   | 106719-01-05A | EA  | HINGE - ENTRY DOOR - BRIGHT WHITE                          |
| 8   | 118929-01-01A | FT  | SEAL - PILE - PUSH ON                                      |
| 9   | 121893-03-02A | EA  | FRAME - ENTRY DOOR/LOWER - BRIGHT WHITE                    |
| 9   | 121893-03-03A | EA  | FRAME - ENTRY DOOR/LOWER - BLACK                           |
| 10  | 121894-27-01A | EA  | FRAME - ENTRY DOOR - BRIGHT WHITE                          |
| 10  | 121894-27-02A | EA  | FRAME - ENTRY DOOR - BLACK                                 |
| 11  | 121898-14-01A | EA  | JAMB - DOOR/ENTRANCE - BRIGHT WHITE                        |
| 11  | 121898-14-02A | EA  | JAMB - DOOR/ENTRANCE - BLACK                               |
| 12  | 125724-01-000 | EA  | SHIM - DOOR, ENTRANCE                                      |
| 13  | 125724-02-000 | EA  | SHIM - DOOR, ENTRANCE                                      |
| 14  | 130096-05-000 | EA  | FOAM - SCREEN DOOR, RETAINER                               |
| 15  | P32208-02-L32 | EA  | DOOR - SCREEN - W/O HARDWARE - BRIGHT WHITE                |
| 16  | 137401-01-03B | EA  | BRACKET - DOOR ANGLE - OFF WHITE                           |
| 17  | 148364-01-12B | EA  | STRIKE - SCREEN DOOR - BRIGHT WHITE                        |
| 17  | 148364-01-04B | EA  | STRIKE - SCREEN DOOR - BLACK                               |
| 18  | 132915-01-01A | EA  | LATCH - SCREEN DOOR - BLACK                                |
| 19  | 139054-19-01A | EA  | CAP - DRIP - JAMB MOUNTED - BRIGHT WHITE                   |
| 20  | 038327-01-000 | EA  | TAPE - ANTI-SLIP - 2" X 60'                                |
| 21  | 154585-01-01A | FT  | SEAL - FOAM TAPE - ADHESIVE BACK - 3/8" X 3/8" - BLACK     |

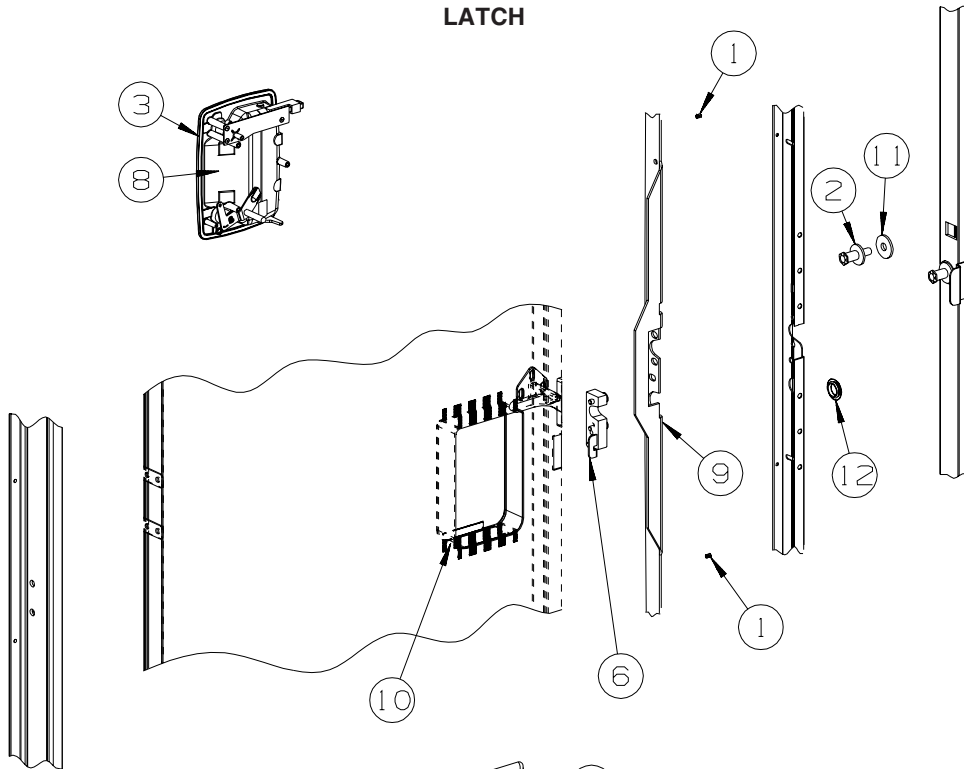
## EXTERIOR DOORS & COMPARTMENTS GROUP (CONTINUED)



| KEY | PART NUMBER   | U/M | DESCRIPTION  |
|-----|---------------|-----|--|
| 1   | 002293-02-000 | SF  | SCREEN - 26" - CHARCOAL                            |
| 2   | 002294-01-000 | FT  | SPLINE - SCREENING - .13" X .14"                   |
| 3   | 016454-18-000 | EA  | INSERT/CENTER - SCREEN DOOR                        |
| 4   | 078552-09-000 | EA  | INSERT - SCREEN DOOR - LOWER                       |
| 5   | 078595-03-000 | EA  | PLATE - SCREEN DOOR                                |
| 6   | 078777-08-000 | FT  | CHANNEL - SLIDER - 4 FOOT INCREMENTS               |
| 7   | 120863-09-000 | EA  | BUMPER - RUBBER/RADIUS TOP - 3/4" X 3/8" - LT GRAY |
| 8   | 132081-01-01A | EA  | STRIKE - SLIDER - SCREEN DOOR - BRIGHT WHITE       |
| 8   | 132081-01-03A | EA  | STRIKE - SLIDER - SCREEN DOOR - BLACK              |
| 9   | 132082-01-01A | EA  | SLIDER - SCREEN DOOR - BRIGHT WHITE                |
| 9   | 132082-01-03A | EA  | SLIDER - SCREEN DOOR - BLACK                       |

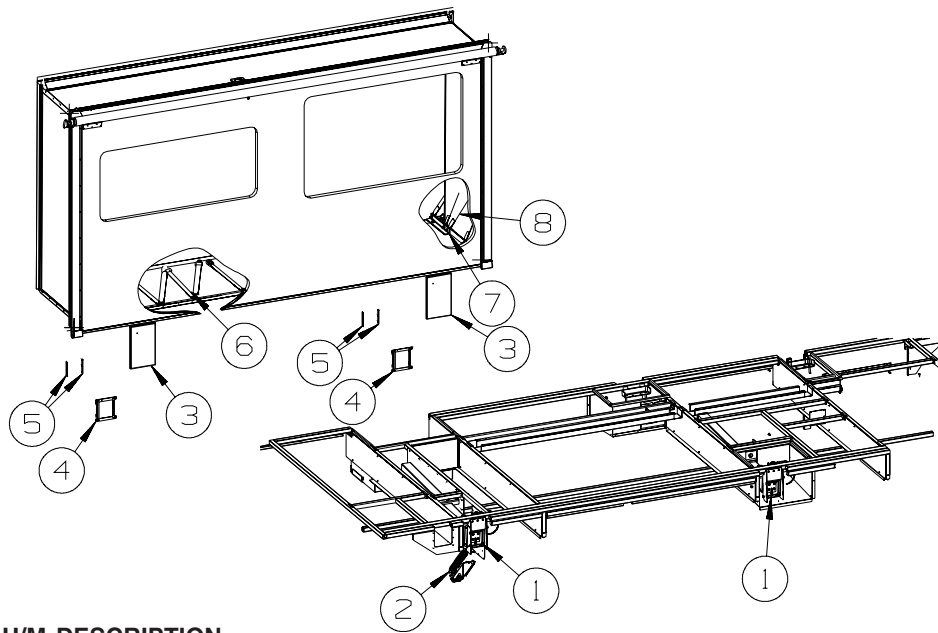
# EXTERIOR DOORS & COMPARTMENTS GROUP (CONTINUED)

## LATCH



| KEY | PART NUMBER   | U/M | DESCRIPTION  |
|-----|---------------|-----|--|
| 1   | 072893-04-000 | EA  | NUTSERT - 10-32  |
| 2   | 092927-20-000 | EA  | STRIKER - BOLT   |
| 3   | 112782-04-01A | EA  | GASKET   |
| 4   | 112782-05-01A | EA  | CAP - VINYL - RED  |
| 5   | 112782-08-01A | EA  | SCREW - MOUNTING/PLATE - ZINC                              |
| 6   | 112782-22-01A | EA  | LATCH - SINGLE ROTOR                                       |
| 7   | 112782-27-01A | EA  | LATCH - INTERIOR PLATE - WHITE                             |
| 8   | 112782-20-01A | EA  | LATCH - EXTERIOR - W/O LOCK CYLINDER W/ICON-REVERSIBLE KEY |
| 9   | 132207-01-02B | EA  | STIFFENER/DOOR - FORMED - E-COATED                         |
| 10  | 137230-01-01A | EA  | SPACER - NOTCHED, MILL                                     |
| 11  | 147900-01-01A | EA  | SPACER - STRIKE BOLT, MILL                                 |
| 12  | 061420-14-000 | EA  | PLUG/PLASTIC - 7/8" DIAMETER - BLACK                       |

## EXTERIOR SLIDEOUT GROUP FRONT LEFT



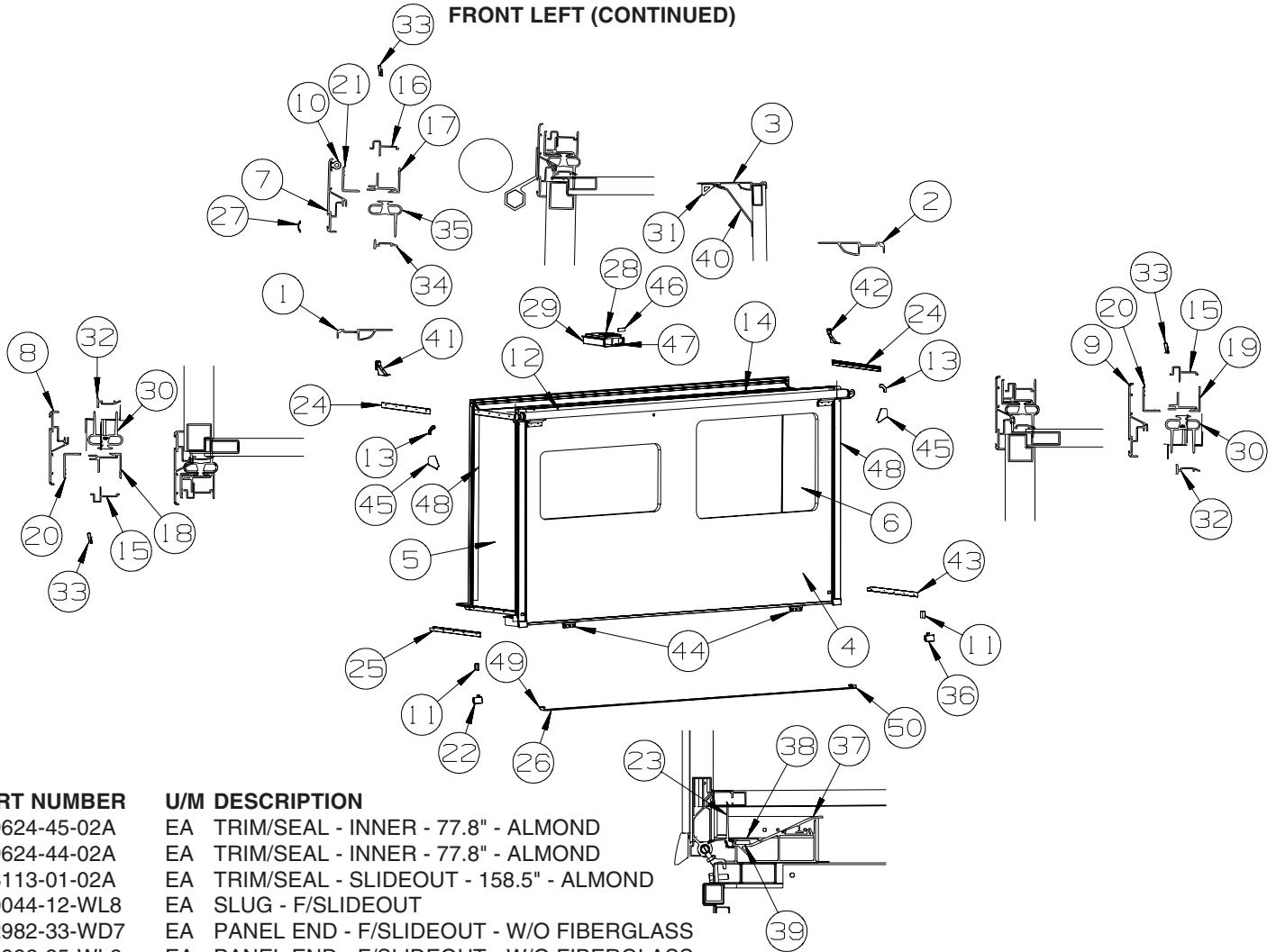
| KEY | PART NUMBER   | U/M | DESCRIPTION                                   |
|-----|---------------|-----|---|
| 1*  | 161298-01-000 | EA  | SLIDEOUT - ELECTRIC 30" - RIGHT HAND          |
| 2   | 143541-04-01A | EA  | CARRIER/WIRING - F/SLIDEOUT ROOM              |
| 3   | 138077-31-AA1 | EA  | COVER/RAM - 9.4" X 15.9" - W/TUBE - BLACK     |
| 4   | 161304-02-02B | EA  | BRACKET - RAM COVER - E-COATED                |
| 5   | 136995-08-02B | EA  | PLATE W/BOLTS - 5.3" X 3/4" W/1/4" X 1" BOLTS |
| 6   | 160167-01-01A | EA  | SEAT BELT - 2" X 102" - BLACK                 |
| 7   | 151078-01-02B | EA  | BRACKET - MOUNTING - SEATBELT - E-COATED      |
| 8   | 160167-02-01A | EA  | SEAT BELT - 2" X 90" - BLACK                  |

**\*COMPONENT PARTS LISTED LATER IN THIS GROUP**



## EXTERIOR SLIDEOUT GROUP (CONTINUED)

### FRONT LEFT (CONTINUED)



| KEY | PART NUMBER   | U/M | DESCRIPTION   |
|-----|---------------|-----|---|
| 1   | 139624-45-02A | EA  | TRIM/SEAL - INNER - 77.8" - ALMOND                    |
| 2   | 139624-44-02A | EA  | TRIM/SEAL - INNER - 77.8" - ALMOND                    |
| 3   | 153113-01-02A | EA  | TRIM/SEAL - SLIDEOUT - 158.5" - ALMOND                |
| 4   | 160044-12-WL8 | EA  | SLUG - F/SLIDEOUT                                     |
| 5   | 162982-33-WD7 | EA  | PANEL END - F/SLIDEOUT - W/O FIBERGLASS               |
| 6   | 162982-35-WL8 | EA  | PANEL END - F/SLIDEOUT - W/O FIBERGLASS               |
| 7   | 162052-08-02A | EA  | TRIM/SEAL - W/MITERED ENDS - 156.5" - BLACK           |
| 8   | 162052-28-02A | EA  | TRIM/SEAL - W/MITERED ENDS - 80.4" - BLACK            |
| 9   | 162052-29-02A | EA  | TRIM/SEAL - W/MITERED ENDS - 80.4" - BLACK            |
| 10  | 158297-01-000 | FT  | SEAL - D-SECTION/BULB/TEE - ADHESIVE BACK - BLACK     |
| 11  | 156480-01-01A | EA  | SEAL/BLOCK - SLIDEOUT - 2.6"W X 1.6"H X 1.6"D - BLACK |
| 12  |               |     | SLIDEOUT AWNING                                       |

**ORDER AWNINGS & REPAIR PARTS FROM DOMETIC. CALL #800-366-3842.**

**THE DOMETIC AWNING INFORMATION YOU WILL NEED IS LOCATED ON THE MOTOR HOME NEAR THE TOP OF THE AWNING RAIL.**

|     |               |    |  |
|-----|---------------|----|--|
| 13  | 160421-01-01A | EA | CORNER TRIM/SLIDEOUT - 3.1" X 3.1" - BLACK                 |
| 14  | 161277-03-W72 | EA | ROOF - F/SLIDEOUT  |
| 15  | 142718-38-01A | EA | RETAINER - SIDEWALL/SLIDEOUT - 79"                         |
| 16  | 142718-09-01A | EA | RETAINER - SIDEWALL/SLIDEOUT - 157.6"                      |
| 17  | 151761-04-02A | EA | TRIM - SIDEWALL/SLIDEOUT/TOP - 159.5" - ALMOND             |
| 18  | 151760-10-02A | EA | TRIM - SIDEWALL/SLIDEOUT - 80.6" - ALMOND                  |
| 19  | 151760-11-02A | EA | TRIM - SIDEWALL/SLIDEOUT - 80.6" - ALMOND                  |
| 20  | 136824-49-02A | EA | TRIM - SIDEWALL/SLIDEOUT - 80.9" - BLACK                   |
| 21  | 136824-11-02A | EA | TRIM - SIDEWALL/SLIDEOUT - 159.8" - BLACK                  |
| 22  | 148593-03-02A | EA | CAP - F/SLIDEOUT TRIM - BLACK                              |
| 23  | 152446-02-000 | FT | SEAL - SLIDEOUT/FLOOR - W/BULB                             |
| 24  | 158375-01-02A | EA | TRIM - FEATURE STRIP - 29.6" - BLACK                       |
| 25  | 163021-07-02A | EA | TRIM - FEATURE - LOWER - 30.9" - BLACK                     |
| 26  | 152641-01-000 | EA | SKID/GLIDE - SLIDEOUT ROOM - 1/4"X2"X95.5" - POLYETHYLENE  |
| 27  | 105312-01-13A | FT | INSERT - FEATURE STRIP - VINYL - BLACK                     |
| 28* | 153651-04-01A | EA | LOCK/LATCH - TRAVEL/SLIDEOUT - W/MOTOR - LEFT HAND - BLACK |
| 29  | 155194-02-01A | EA | COVER - LATCH/TRAVEL- PLASTIC - BLACK                      |
| 30  | 153161-01-01A | FT | SEAL - SLIDEOUT - DOUBLE WIPE LIP - BLACK                  |

**EXTERIOR SLIDEOUT GROUP (CONTINUED)**  
**FRONT LEFT (CONTINUED)**

| <b>KEY</b> | <b>PART NUMBER</b> | <b>U/M</b> | <b>DESCRIPTION</b>  |
|------------|--------------------|------------|---|
| 31         | 146056-01-000      | FT         | SEAL - TRIANGLE - W/PSA                                     |
| 32         | 146606-66-02A      | EA         | TRIM/RETAINER - 75.8" - BLACK                               |
| 33         | 142549-01-000      | EA         | CLIP - "S" TYPE   |
| 34         | 146606-01-02A      | EA         | TRIM/RETAINER - 153.5" - BLACK                              |
| 35         | 136978-02-01A      | FT         | SEAL - SLIDEOUT/TOP - SINGLE WIPE LIP - BLACK               |
| 36         | 148593-04-02A      | EA         | CAP - F/SLIDEOUT TRIM - BLACK                               |
| 37         | 153106-17-01A      | EA         | COVER - RAMP/FLOOR - VINYL/CARPET - 3.2" X 157" - BRT WHT   |
| 38         | 160824-18-01A      | EA         | SPACER - RAMP - SLIDEOUT FLOOR - 154.5" - MILL              |
| 39         | 156475-01-000      | EA         | FILTER/FOAM - DRAIN HOLE COVER/SEAL - 60PPI - 1/4"X1"X3"    |
| 40         | 153114-01-02A      | EA         | TRIM/RETAINER - 154.1" - BLACK                              |
| 41         | 153115-01-01A      | EA         | COVER - TRIM - SLIDEOUT - INNER/TOP/RH - BLACK              |
| 42         | 153115-02-01A      | EA         | COVER - TRIM - SLIDEOUT - INNER/TOP/LH - BLACK              |
| 43         | 163021-08-02A      | EA         | TRIM - FEATURE - LOWER - 30.9" - BLACK                      |
| 44         | 153104-01-01A      | EA         | BRACKET/MOUNT - 1.7" X 3.2" X 5.9"                          |
| 45         | 156151-01-01A      | EA         | PROTECTOR - CORNER - SLIDEOUT - BLACK                       |
| 46         | 156015-01-01A      | EA         | TAPE/PROTECTION - .06" X 1.25" X 3.5" - W/PSA - NATURAL WHT |
| 47         | 155262-01-01A      | EA         | TUBE/DRAIN - LATCH/TRAVEL/ROOF - BLACK                      |
| 48         | 093681-39-01A      | FT         | FILM - 3.1" - FLAT BLACK                                    |
| 49         | 165178-01-01A      | EA         | CAP - FLOOR TUBE/SLIDEOUT/RH - BLACK                        |
| 50         | 165178-02-01A      | EA         | CAP - FLOOR TUBE/SLIDEOUT/LH - BLACK                        |

**\*COMPONENT PARTS LISTED LATER IN THIS GROUP**

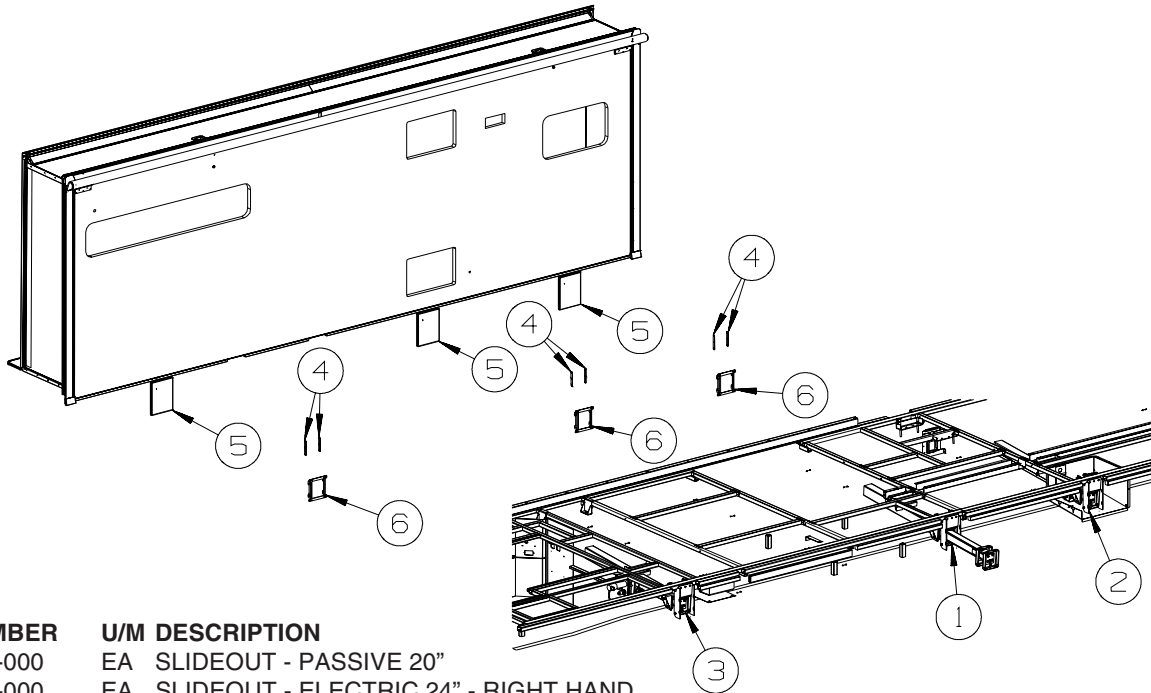
**COMPONENT PARTS FOR FRONT LEFT**

**153651-04-01A**

| <b>KEY</b> | <b>PART NUMBER</b> | <b>U/M</b> | <b>DESCRIPTION</b>           | <b>VENDOR NO.</b> |
|------------|--------------------|------------|------------------------------|-------------------|
|            | 153651-01-701      | EA         | LIMIT SWITCH                 | 1812996           |
|            | 153651-02-700      | EA         | MOTOR "R" - F/LH TRAVEL LOCK | 1820131           |
|            | 153651-02-701      | EA         | BRACKET/MOUNTING - MOTOR     | 1102223           |
|            | 153651-04-700      | EA         | COVER/BOOT - SEAL            | 1612012           |

## EXTERIOR SLIDEOUT GROUP (CONTINUED)

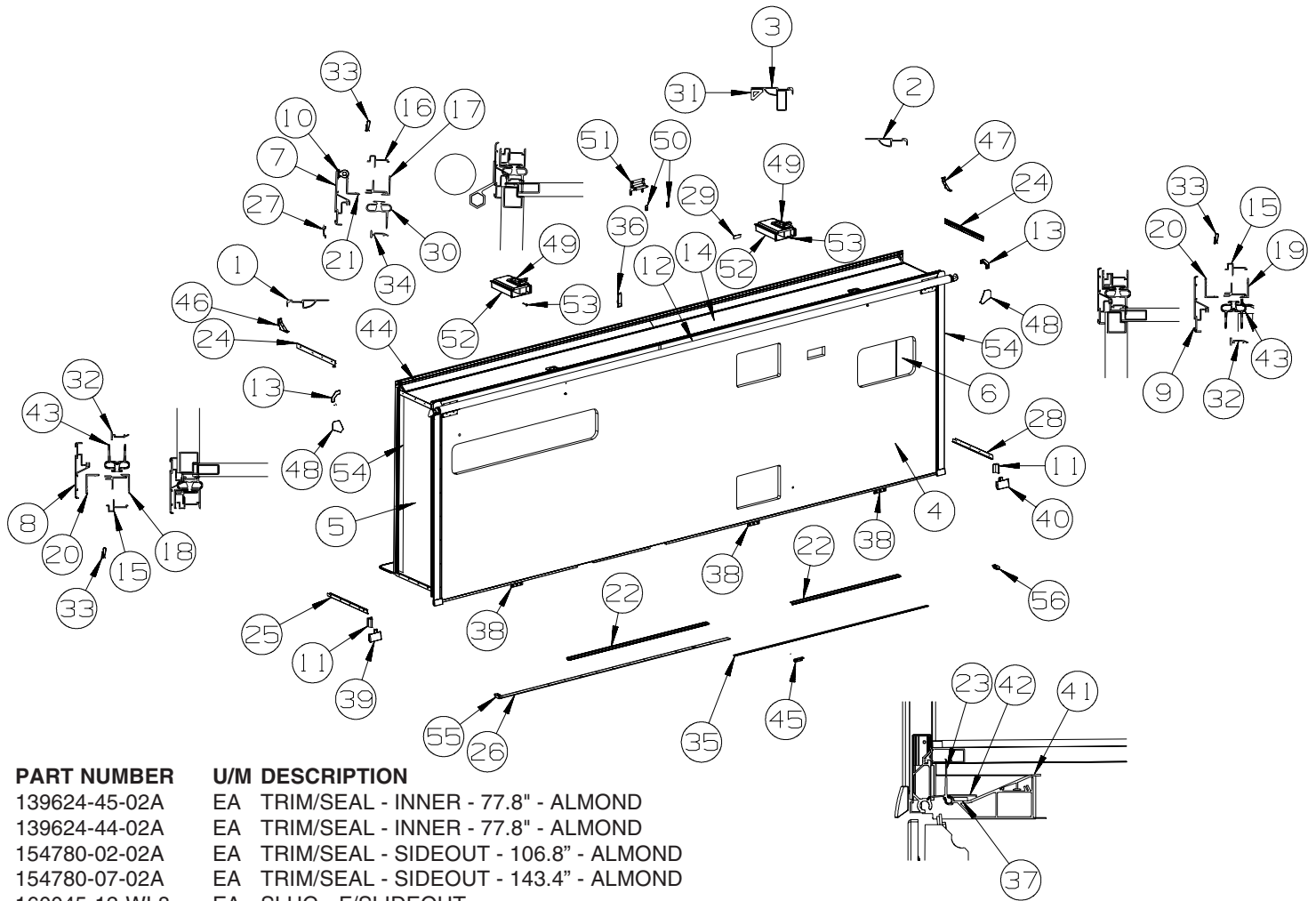
### RIGHT REAR



| KEY | PART NUMBER   | U/M | DESCRIPTION   |
|-----|---------------|-----|---|
| 1*  | 161036-01-000 | EA  | SLIDEOUT - PASSIVE 20"                                  |
| 2*  | 161662-01-000 | EA  | SLIDEOUT - ELECTRIC 24" - RIGHT HAND                    |
| 3*  | 161662-02-000 | EA  | SLIDEOUT - ELECTRIC 24" - LEFT HAND                     |
| 4   | 136995-08-02B | EA  | PLATE W/BOLTS - 5.3" X 3/4" W/1/4" X 1" BOLTS           |
| 5   | 138077-14-UJ1 | EA  | COVER/RAM - 9.4" X 12.2" - W/INNER PLATE - BLACK        |
| 5   | 138077-14-W66 | EA  | COVER/RAM - 9.4" X 12.2" - W/INNER PLATE - BRIGHT WHITE |
|     | 138077-05-01A | EA  | COVER/RAM - 9.4" X 12.2" - W/O TUBE - BRIGHT WHITE      |
|     | 138077-05-10A | EA  | COVER/RAM - 9.4" X 12.2" - W/O TUBE - BLACK             |
| 6   | 161304-02-02B | EA  | BRACKET - RAM COVER - E-COATED                          |

**\*COMPONENT PARTS LISTED LATER IN THIS GROUP**

**EXTERIOR SLIDEOUT GROUP (CONTINUED)**  
**RIGHT REAR (CONTINUED)**



| KEY | PART NUMBER   | U/M | DESCRIPTION   |
|-----|---------------|-----|---|
| 1   | 139624-45-02A | EA  | TRIM/SEAL - INNER - 77.8" - ALMOND                    |
| 2   | 139624-44-02A | EA  | TRIM/SEAL - INNER - 77.8" - ALMOND                    |
| 3   | 154780-02-02A | EA  | TRIM/SEAL - SIDEOUT - 106.8" - ALMOND                 |
| 3   | 154780-07-02A | EA  | TRIM/SEAL - SIDEOUT - 143.4" - ALMOND                 |
| 4   | 160045-12-WL8 | EA  | SLUG - F/SLIDEOUT                                     |
| 5   | 162981-09-WD7 | EA  | PANEL END - F/SLIDEOUT                                |
| 6   | 162981-08-WD7 | EA  | PANEL END - F/SLIDEOUT                                |
| 7   | 162052-50-02A | EA  | TRIM/SEAL - W/MITERED ENDS - 109.6" - BLACK           |
| 7   | 162052-41-02A | EA  | TRIM/SEAL - W/MITERED ENDS - 138.9" - BLACK           |
| 8   | 162052-28-02A | EA  | TRIM/SEAL - W/MITERED ENDS - 80.4" - BLACK            |
| 9   | 162052-29-02A | EA  | TRIM/SEAL - W/MITERED ENDS - 80.4" - BLACK            |
| 10  | 158297-01-000 | FT  | SEAL - D-SECTION/BULB/TEE - ADHESIVE BACK - BLACK     |
| 11  | 156480-01-01A | EA  | SEAL/BLOCK - SLIDEOUT - 2.6"W X 1.6"H X 1.6"D - BLACK |
| 12  |               |     | SLIDEOUT AWNING                                       |

**ORDER AWNINGS & REPAIR PARTS FROM DOMETIC. CALL #800-366-3842.**

**THE DOMETIC AWNING INFORMATION YOU WILL NEED IS LOCATED ON THE MOTOR HOME NEAR THE TOP OF THE AWNING RAIL.**

|                               |               |    |  |
|-------------------------------|---------------|----|--|
| 13                            | 160421-01-01A | EA | CORNER TRIM/SLIDEOUT - 3.1" X 3.1" - BLACK     |
| 14                            | 161349-02-WD3 | EA | ROOF - F/SLIDEOUT                              |
| 15                            | 142718-38-01A | EA | RETAINER - SIDEWALL/SLIDEOUT - 79"             |
| 16                            | 142718-48-01A | EA | RETAINER - SIDEWALL/SLIDEOUT - 249.5"          |
| 17                            | 154756-01-02A | EA | TRIM/SIDEWALL - TOP/SLIDEOUT - 101.6" - ALMOND |
| 17                            | 154756-06-02A | EA | TRIM/SIDEWALL - TOP/SLIDEOUT - 149.9" - ALMOND |
| 18                            | 151760-10-02A | EA | TRIM - SIDEWALL/SLIDEOUT - 81.1" - ALMOND      |
| 19                            | 151760-11-02A | EA | TRIM - SIDEWALL/SLIDEOUT - 81.1" - ALMOND      |
| 20                            | 136824-49-02A | EA | TRIM - SIDEWALL/SLIDEOUT - 80.9" - BLACK       |
| 21                            | 154757-01-02A | EA | TRIM/SIDEWALL - TOP/SLIDEOUT - 101.7" - BLACK  |
| 21                            | 154757-06-02A | EA | TRIM/SIDEWALL - TOP/SLIDEOUT - 149.9" - BLACK  |
| 22                            | NOT USED      | EA | RAMP - FABRIC COVERED - F/SLIDEOUT - 53.1"     |
| FROM: 00-00-00 THRU: 09-16-07 |               |    |  |
| 23                            | 152446-02-000 | FT | SEAL - SLIDEOUT/FLOOR - W/BULB                 |
| 24                            | 158375-04-02A | EA | TRIM - FEATURE STRIP - 24.6" - BLACK           |
| 25                            | 163021-11-02A | EA | TRIM - FEATURE - LOWER - 25.8" - BLACK         |

**EXTERIOR SLIDEOUT GROUP (CONTINUED)**  
**RIGHT REAR (CONTINUED)**

| KEY | PART NUMBER   | U/M | DESCRIPTION   |
|-----|---------------|-----|---|
| 26  | 152641-01-000 | EA  | SKID/GLIDE - SLIDEOUT ROOM - 1/4"X2"X95.5" - POLYETHYLENE   |
| 27  | 105312-01-13A | FT  | INSERT - FEATURE STRIP - VINYL - BLACK                      |
| 28  | 163021-12-02A | EA  | TRIM - FEATURE - LOWER - 25.8" - BLACK                      |
| 29  | 156015-01-01A | EA  | TAPE/PROTECTION - .06" X 1.25" X 3.5" - W/PSA - NATURAL WHT |
| 30  | 136978-02-01A | FT  | SEAL - SLIDEOUT/TOP - SINGLE WIPE LIP - BLACK               |
| 31  | 146056-01-000 | FT  | SEAL - TRIANGLE - W/PSA                                     |
| 32  | 146606-66-02A | EA  | TRIM/RETAINER - 75.8" - BLACK                               |
| 33  | 142549-01-000 | EA  | CLIP - "S" TYPE   |
| 34  | 146606-42-02A | EA  | TRIM/RETAINER - 70.9" - BLACK                               |
| 34  | 146606-45-02A | EA  | TRIM/RETAINER - 175.4" - BLACK                              |
| 35  | 153088-02-01A | EA  | ROLLER - W/BACKET - SLIDEOUT - <b>NOT ILLUSTRATED</b>       |
| 36  | 154930-01-02A | EA  | SPLICE - TRIM/SLIDEOUT - BLACK                              |
| 37  | 156475-01-000 | EA  | FILTER/FOAM - DRAIN HOLE COVER/SEAL - 60PP1 - 1/4"X1"X3"    |
| 38  | 153104-01-01A | EA  | BRACKET/MOUNT - 1.7" X 3.2" X 5.9"                          |
| 39  | 148593-03-02A | EA  | CAP - F/SLIDEOUT TRIM - BLACK                               |
| 40  | 148593-04-02A | EA  | CAP - F/SLIDEOUT TRIM - BLACK                               |
| 41  | 153106-20-01A | EA  | COVER - RAMP/FLOOR - VINYL CARPET - 3.2" X 125.6"-BRT WHT   |
| 42  | 160824-17-01A | EA  | SPACER - RAMP - SLIDEOUT FLOOR - 123.2" - MILL              |
| 43  | 153161-01-01A | FT  | SEAL - SLIDEOUT - DOUBLE WIPE LIP - BLACK                   |
| 44  | 153114-11-02A | EA  | TRIM/RETAINER - 123" - BLACK                                |
| 45  | 016604-01-000 | EA  | BRACE - ANGLE - 2 1/2" - UNPAINTED METAL                    |
| 46  | 153115-01-01A | EA  | COVER - TRIM - SLIDEOUT - INNER/TOP/RH - BLACK              |
| 47  | 153115-02-01A | FT  | COVER - TRIM - SLIDEOUT - INNER/TOP/LH - BLACK              |
| 48  | 156151-01-01A | EA  | PROTECTOR - CORNER - SLIDEOUT - BLACK                       |
| 49* | 153651-04-01A | EA  | LOCK/LATCH - TRAVEL/SLIDEOUT - W/MOTOR - LEFT HAND - BLACK  |
| 50  | 150962-02-02A | EA  | SPACER - AWNING - SLIDE COVER - 3/4" X 2" - BLACK           |
| 51  |               |     | CRADLE KIT - SLIDEOUT AWNING                                |
| 52  | 155194-01-01A | EA  | COVER - LATCH/TRAVEL  |
| 53  | 155262-01-01A | EA  | TUBE/DRAIN - LATCH/TRAVEL/ROOF - BLACK                      |
| 54  | 093681-39-01A | FT  | FILM - 3.1" - MATTE BLACK                                   |
| 55  | 165178-01-01A | EA  | CAP - FLOOR TUBE/SLIDEOUT/RH - BLACK                        |
| 56  | 165178-02-01A | EA  | CAP - FLOOR TUBE/SLIDEOUT/LH - BLACK                        |

**\*COMPONENT PARTS LISTED LATER IN THIS GROUP**

**EXTERIOR SLIDEOUT GROUP (CONTINUED)**  
**COMPONENT PARTS FOR RIGHT REAR**

**153651-04-01A**

| <b>KEY</b> | <b>PART NUMBER</b> | <b>U/M</b> | <b>DESCRIPTION</b>           | <b>VENDOR NO.</b> |
|------------|--------------------|------------|------------------------------|-------------------|
|            | 153651-01-701      | EA         | LIMIT SWITCH                 | 1812996           |
|            | 153651-02-700      | EA         | MOTOR "R" - F/LH TRAVEL LOCK | 1820131           |
|            | 153651-02-701      | EA         | BRACKET/MOUNTING - MOTOR     | 1102223           |
|            | 153651-04-700      | EA         | COVER/BOOT - SEAL            | 1612012           |

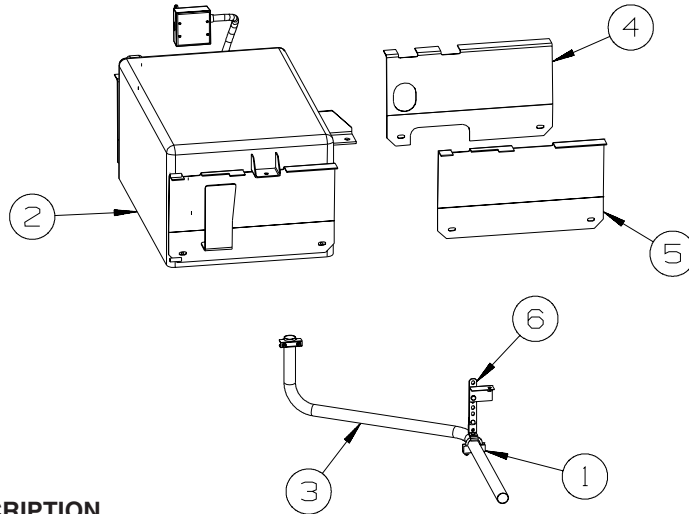
**161662-01-000**

| <b>KEY</b> | <b>PART NUMBER</b> | <b>U/M</b> | <b>DESCRIPTION</b>            | <b>VENDOR NO.</b> |
|------------|--------------------|------------|-------------------------------|-------------------|
|            | 161662-01-700      | EA         | ROL PIN - 1/8" X 1 1/4"       | 18-1036           |
|            | 161662-01-701      | EA         | CLIP PIN - 1/8"               | 18-1032           |
|            | 161662-01-702      | EA         | BOLT/SHOULDER -1/2" X 7/8"    | 15-1378           |
|            | 161662-01-703      | EA         | ROLLER - 2"                   | 510022            |
|            | 161662-01-704      | EA         | PAD/WEAR                      | DN10936           |
|            | 161662-01-705      | EA         | BEARING/FLANGE - 3/4" X 1"    | 2010000049        |
|            | 161662-01-706      | EA         | GEAR/SPUR - 3/4"ID X 2"OD     | 3010000400        |
|            | 161662-01-707      | EA         | KEY/WOODRUFF - #606           | 521336            |
|            | 161662-01-708      | EA         | SHAFT W/COUPLER- 3/4 X 6 7/8, | 1010000402        |
|            | 161662-01-709      | EA         | WEAR PAD - ROUND              | 320-0056          |
|            | 161662-01-710      | EA         | MOTOR ASM - RH                | 1010000211        |
|            | 161662-01-711      | EA         | ROLLER/PLASTIC - 3/4" X 2.9"  | 3010000401        |
|            | 161662-01-712      | EA         | SPACER                        | 531164            |

**161662-02-000**

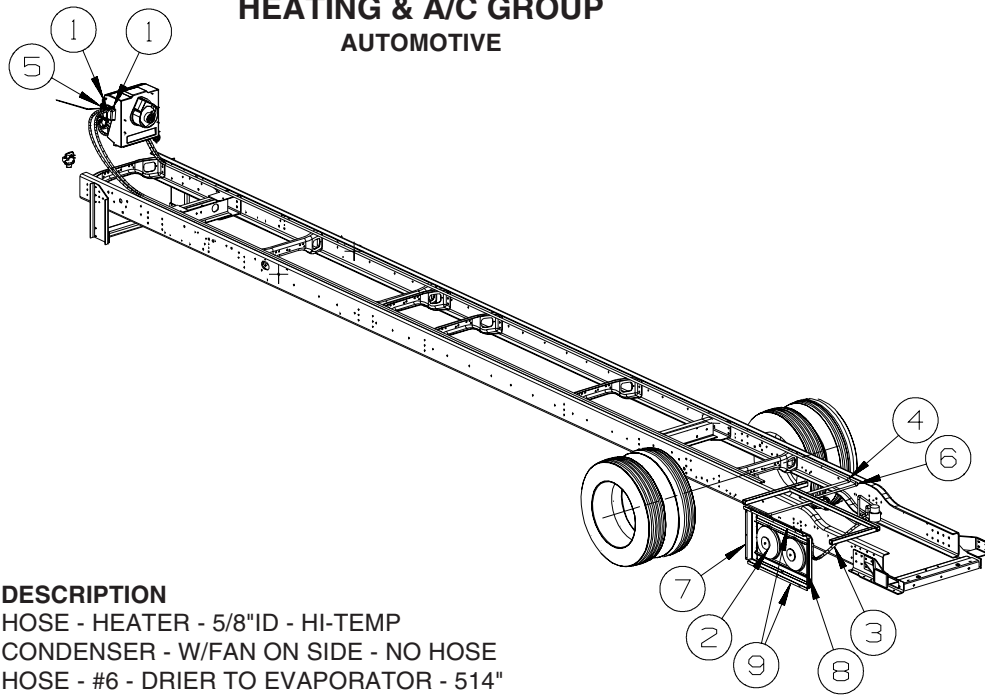
| <b>KEY</b> | <b>PART NUMBER</b> | <b>U/M</b> | <b>DESCRIPTION</b>            | <b>VENDOR NO.</b> |
|------------|--------------------|------------|-------------------------------|-------------------|
|            | 161662-01-700      | EA         | ROL PIN - 1/8" X 1 1/4"       | 18-1036           |
|            | 161662-01-701      | EA         | CLIP PIN - 1/8"               | 18-1032           |
|            | 161662-01-702      | EA         | BOLT/SHOULDER -1/2" X 7/8"    | 15-1378           |
|            | 161662-01-703      | EA         | ROLLER - 2"                   | 510022            |
|            | 161662-01-704      | EA         | PAD/WEAR                      | DN10936           |
|            | 161662-01-705      | EA         | BEARING/FLANGE - 3/4" X 1"    | 2010000049        |
|            | 161662-01-706      | EA         | GEAR/SPUR - 3/4"ID X 2"OD     | 3010000400        |
|            | 161662-01-707      | EA         | KEY/WOODRUFF - #606           | 521336            |
|            | 161662-01-708      | EA         | SHAFT W/COUPLER- 3/4 X 6 7/8, | 1010000402        |
|            | 161662-01-709      | EA         | WEAR PAD - ROUND              | 320-0056          |
|            | 161662-01-711      | EA         | ROLLER/PLASTIC - 3/4" X 2.9"  | 3010000401        |
|            | 161662-01-712      | EA         | SPACER                        | 531164            |
|            | 161662-02-700      | EA         | MOTOR ASM - LH                | 1010000037        |

## GENERATOR GROUP



| KEY | PART NUMBER   | U/M | DESCRIPTION                                  |
|-----|---------------|-----|--|
| 1   | 007125-03-000 | EA  | CLAMP - MUFFLER - 1.5"DIAMETER               |
| 2   | 135707-06-000 | EA  | GENERATOR - 5.5 - 30/30 - GAS - MARQUIS GOLD |
| 3   | 137330-04-000 | EA  | PIPE - EXHAUST - GENERATOR                   |
| 4   | 160475-01-02B | EA  | SUPPORT - GENERATOR - RH HAND - E-COATED     |
| 5   | 160475-02-02B | EA  | SUPPORT - GENERATOR - LH HAND - E-COATED     |
| 6   | 007131-01-000 | EA  | HANGER - TAILPIPE - 6 SLOTS                  |

## HEATING & A/C GROUP AUTOMOTIVE

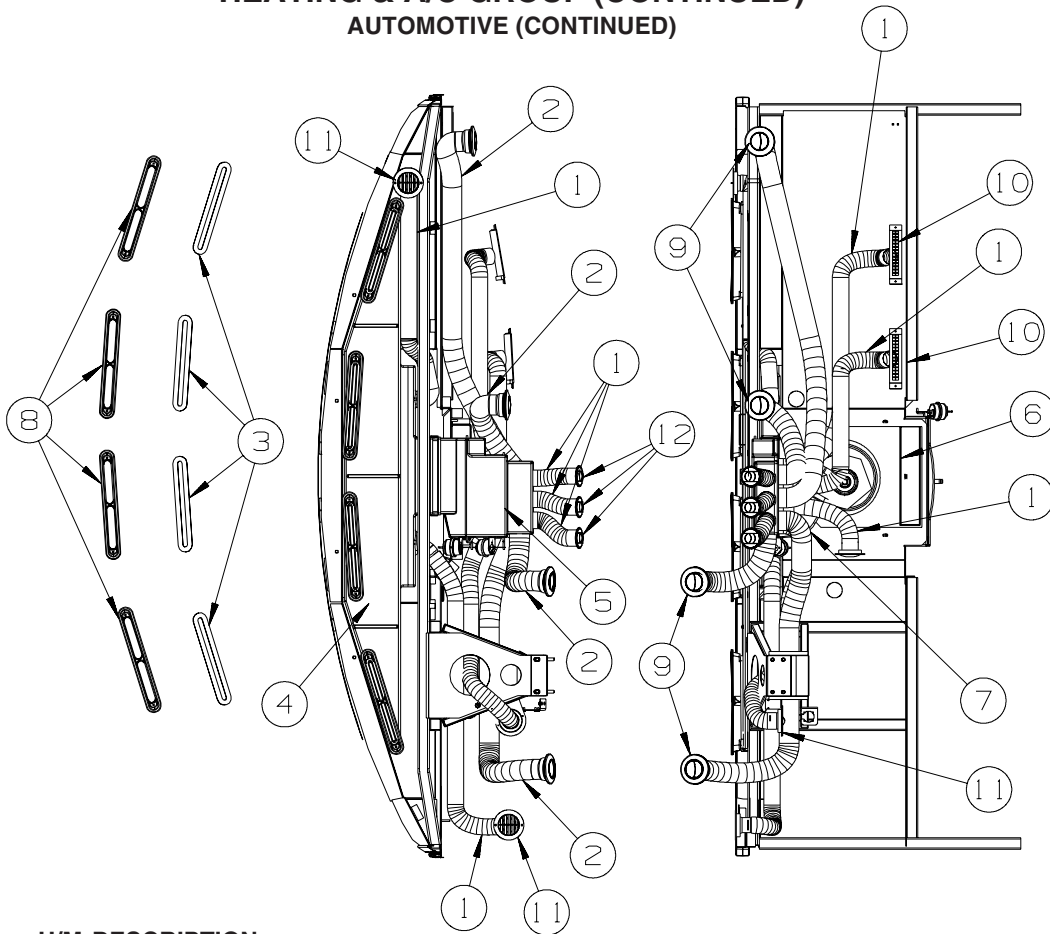


| KEY | PART NUMBER   | U/M | DESCRIPTION  |
|-----|---------------|-----|--|
| 1   | 007108-01-000 | FT  | HOSE - HEATER - 5/8"ID - HI-TEMP   |
| 2*  | 072342-15-000 | EA  | CONDENSER - W/FAN ON SIDE - NO HOSE  |
| 3*  | 072342-29-000 | EA  | HOSE - #6 - DRIER TO EVAPORATOR - 514"   |
| 4*  | 072342-28-000 | EA  | HOSE - #8 - CONDENSER/COMPRESSOR - 95" - W/90 DEGREE END                           |
| 5   | 103930-24-000 | EA  | VALVE/WATER CONTROL - 4 PORT/VACUUM CONTROLLED                                     |
| 6*  | 103930-62-000 | EA  | HOSE KIT - #12 -COMPRESSOR/EVAPORATOR-41.3' W/90 DEGREE-GM                         |
| 7   | 158038-01-02B | EA  | BRACKET - CONDENSOR/SIDE - E-COATED  |
| 8   | 158038-02-02B | EA  | BRACKET - CONDENSOR/SIDE - E-COATED  |
| 9   | 158039-01-02B | EA  | BRACKET - CONDENSOR - E-COATED   |
|     | 113452-02-000 | FT  | SEAL/TRIM - FRONT - VINYL W/WIRE CARRIER - .027" - WHERE WIRES & HOSES CROSS METAL |

**\*COMPONENT PARTS LISTED LATER IN THIS GROUP**



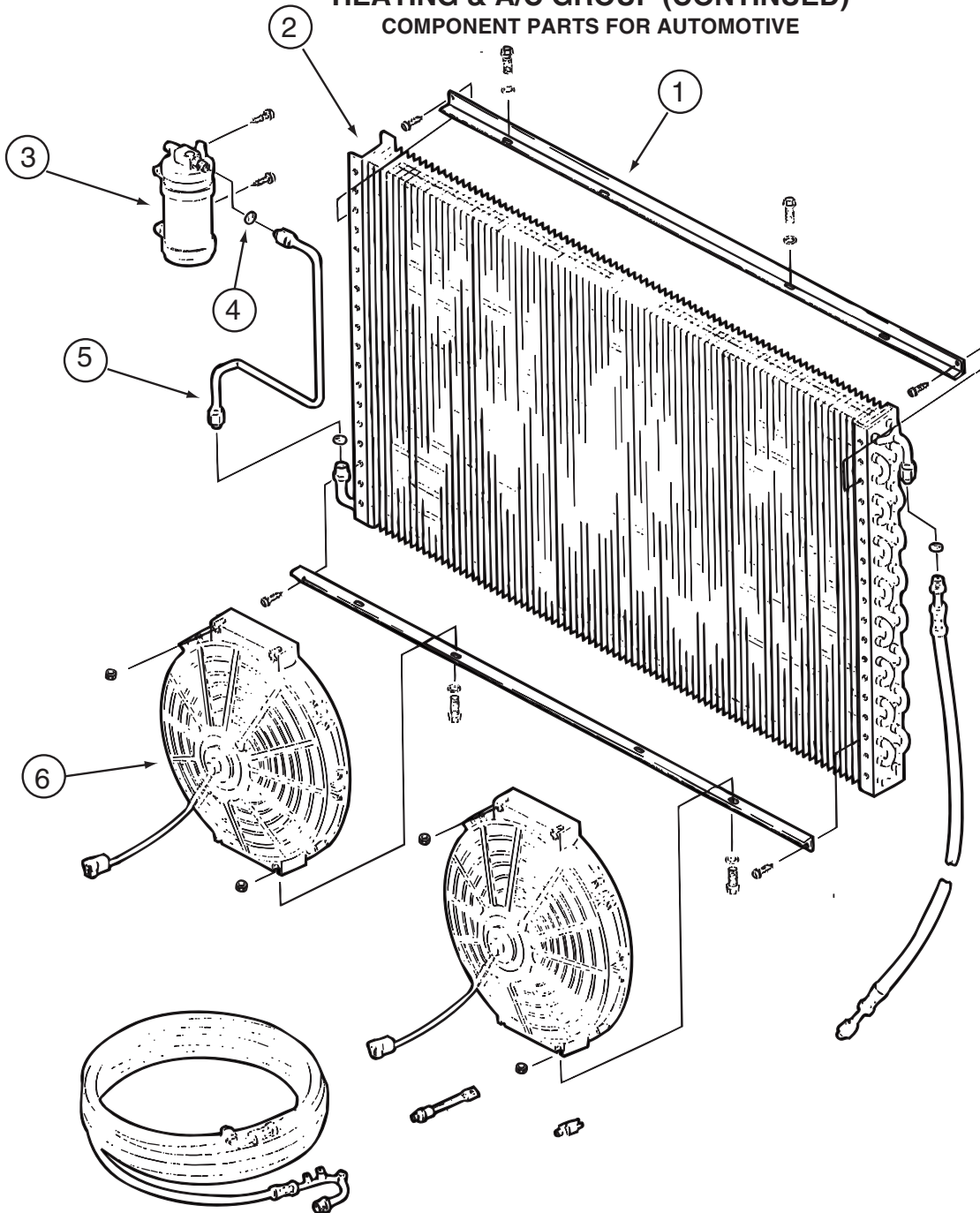
## HEATING & A/C GROUP (CONTINUED) AUTOMOTIVE (CONTINUED)



| KEY | PART NUMBER   | U/M | DESCRIPTION  |
|-----|---------------|-----|--|
| 1   | 007076-01-000 | EA  | HOSE - FLEXIBLE PVC - 2" ID - INCREMENTS OF 50'                                    |
| 2   | 007281-01-000 | EA  | HOSE - FLEXIBLE PVC - 2 1/2" ID X 50'  |
| 3   | 077075-01-000 | EA  | GASKET - INSTRUMENT PANEL/DEFROSTER PLENUM - .6" X 10.2"                           |
| 4   | 103017-03-000 | EA  | PLENUM - DEFROSTER   |
| 5*  | 103930-61-000 | EA  | CONTROL/PLENUM - LARGE ROTARY  |
| 6*  | 103930-55-000 | EA  | EVAPORATOR/HEATER - NONCHARGED - SINGLE OUTPUT                                     |
| 7   | 134275-01-01A | EA  | PLENUM - TRANSITION  |
| 8   | 135265-01-09A | EA  | VENT - DEFROSTER - PLASTIC - BLACK   |
| 9   | 146504-01-01A | EA  | LOUVER - ROUND 2.5" - BLACK  |
| 10  | 146505-01-01A | EA  | LOUVER - RECTANGULAR - 1.5" X 8" - BLACK   |
| 11  | 157225-01-01A | EA  | OUTLET - DEFROSTER - W/SWIVEL - 2" SLEEVE/4"OD - BLACK                             |
| 12  | 158174-01-01A | EA  | LOUVER - ROUND - 2" HOSE - BLACK   |
|     | 113452-02-000 | FT  | SEAL/TRIM - FRONT - VINYL W/WIRE CARRIER - .027" - WHERE WIRES & HOSES CROSS METAL |

**\*COMPONENT PARTS LISTED LATER IN THIS GROUP**

**HEATING & A/C GROUP (CONTINUED)**  
**COMPONENT PARTS FOR AUTOMOTIVE**



**072342-15-000**

| KEY | PART NUMBER   | U/M | DESCRIPTION                  | VENDOR NO. |
|-----|---------------|-----|------------------------------|------------|
| 1   | 072342-13-700 | EA  | BRACKET - CONDENSER FAN      | 070-0148   |
| 2   | 072342-12-700 | EA  | COIL-CONDENSER               | 040-0027   |
| 3   | 072342-12-703 | EA  | RECEIVER DRIER               | 054-0001   |
| 4   | 113245-01-711 | EA  | O'RING #6                    | 045-0129   |
| 5   | 072342-13-703 | EA  | TUBE ASM. #6                 | 052-0040   |
| 6   | 072342-08-703 | EA  | FAN BLADE/MOTOR & SHROUD 11" | 062-0097   |

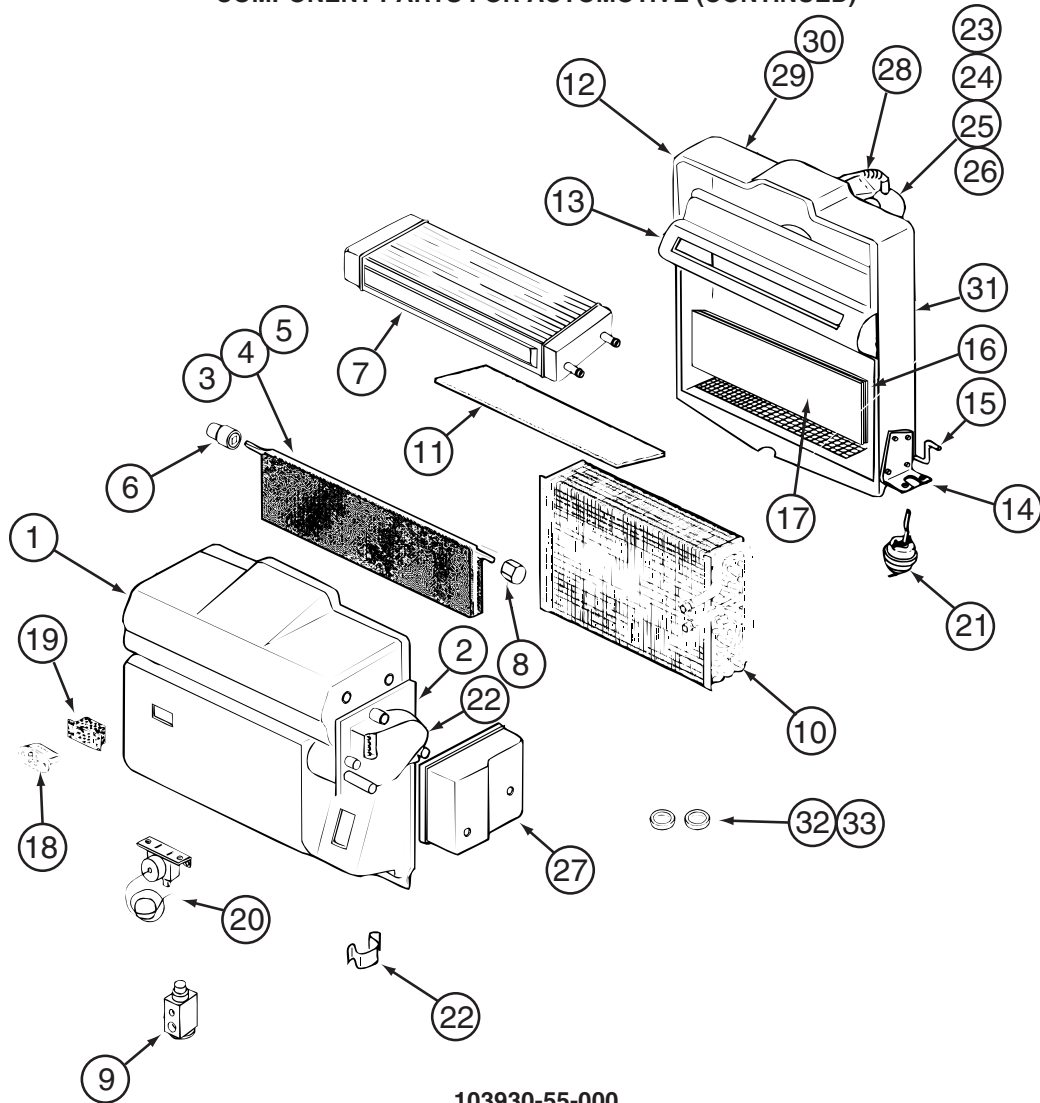
**072342-28-000**

| KEY | PART NUMBER   | U/M | DESCRIPTION              | VENDOR NO. |
|-----|---------------|-----|--------------------------|------------|
|     | 072342-28-700 | EA  | HOSE - #8 COMP/CONDENSER | 085-00626  |
|     | 113245-01-707 | EA  | O'RING #8                | 045-0126   |

**072342-29-000**

| KEY | PART NUMBER   | U/M | DESCRIPTION                | VENDOR NO. |
|-----|---------------|-----|----------------------------|------------|
|     | 072342-29-700 | EA  | HOSE - #6 DRIER/EVAPORATOR | 085-00634  |
|     | 103930-01-716 | EA  | SWITCH-PRESSURE/COND. FAN  | 032-0036   |
|     | 113245-01-711 | EA  | O'RING #6                  | 045-0129   |

**HEATING & A/C GROUP (CONTINUED)**  
**COMPONENT PARTS FOR AUTOMOTIVE (CONTINUED)**



103930-55-000

| KEY | PART NUMBER   | U/M | DESCRIPTION                  | VENDOR NO. |
|-----|---------------|-----|------------------------------|------------|
| 1   | 103930-55-701 | EA  | CASE - FRONT                 | 062-0658   |
| 2   | 103930-30-701 | EA  | PLATE - MOTOR MOUNT          | 062-0544   |
| 3   | 103930-55-705 | EA  | DOOR - BLEND AIR             | 071-0892   |
| 6   | 103930-30-702 | EA  | BUSHING/DRIVE (BLEND DOOR)   | 062-0168   |
| 7   | 103930-55-706 | EA  | CORE - HEATER - W/GASKET     | 084-0271   |
| 8   | 103930-30-709 | EA  | COUPLING - BLEND DOOR SHAFT  | 062-0634   |
| 9   | 103930-20-700 | EA  | VALVE-EXPANSION-BLOCK, 2 TON | 034-0032   |
| 10  | 103930-55-700 | EA  | CORE-EVAPORATOR              | 041-00168  |
| 12  | 103930-55-702 | EA  | CASE-REAR                    | 062-0657   |
| 14  | 103930-01-708 | EA  | BRACKET-VACUUM MOTOR         | 070-0113   |
| 15  | 103930-20-704 | EA  | ROD-DOOR-RECIRCULATING       | 073-0018   |
| 16  | 103930-55-707 | EA  | DOOR - RECIRCULATION         | 071-0891   |
| 18  | 103930-01-710 | EA  | RESISTOR-FUSED, A/C 4 TERM   | 035-0006   |
| 20  | 103930-01-711 | EA  | THERMOSTAT                   | 033-0003   |
| 21  | 103930-02-708 | EA  | MOTOR-VACUUM SERVO, A/C      | 030-0025   |
| 22  | 103930-30-703 | EA  | MOTOR - SERVO                | 030-0104   |
| 23  | 103930-20-707 | EA  | HOUSING-BLOWER               | 062-0145   |
| 24  | 103930-55-703 | EA  | MOTOR-BLOWER W/O PIGTAIL     | 030-0137   |
| 25  | 103930-01-717 | EA  | WHEEL-BLOWER, CLOCKWISE      | 062-0010   |
| 26  | 103930-20-708 | EA  | CLIP-MOTOR SHAFT             | 022-0001   |
| 27  | 103930-30-704 | EA  | COVER - SERVO                | 062-0545   |
| 32  | 113245-01-707 | EA  | O'RING #8                    | 045-0126   |
| 33  | 103930-17-702 | EA  | O'RING #10                   | 045-0127   |
|     | 103930-55-704 | EA  | CORE-HEATER                  | 042-0059   |
|     | 110279-01-703 | EA  | HOSE-VENT F/BLOWER MOTOR     | 051-0034   |

CONTACT WINNEBAGO PART SALES FOR UNLISTED COMPONENT(S)

**HEATING & A/C GROUP (CONTINUED)**  
**COMPONENT PARTS FOR AUTOMOTIVE (CONTINUED)**

**103930-61-000**

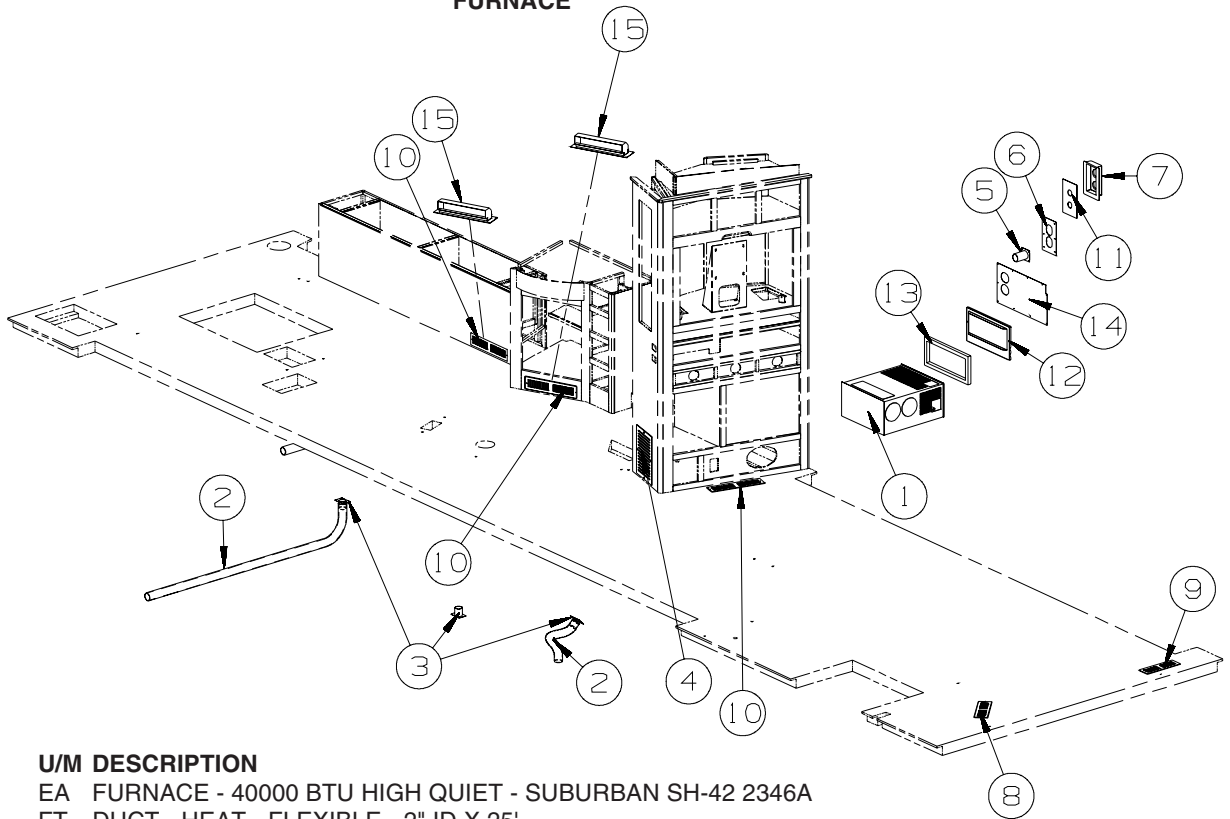
| <b>KEY</b> | <b>PART NUMBER</b> | <b>U/M</b> | <b>DESCRIPTION</b>           | <b>VENDOR NO.</b> |
|------------|--------------------|------------|------------------------------|-------------------|
|            | 103930-02-707      | EA         | RELAY-BOSCH W/RESISTER       | 031-0001          |
|            | 103930-02-708      | EA         | MOTOR-VACUUM SERVO, A/C      | 030-0025          |
|            | 103930-02-710      | EA         | CANISTER-VACUUM              | 054-0002          |
|            | 103930-33-701      | EA         | MOTOR - VACUUM, 3 STAGE      | 030-0105          |
|            | 103930-33-703      | EA         | VACUUM HARNESS               | 036-0466          |
|            | 103930-49-701      | EA         | HARNESS - WIRE W/BULBS       | 036-0557          |
|            | 103930-49-704      | EA         | SWITCH - BLOWER              | 032-0332          |
|            | 103930-49-705      | EA         | POTENTIOMETER                | 032-0182          |
|            | 103930-49-706      | EA         | SWITCH - VACUUM              | 032-0185          |
|            | 103930-49-707      | EA         | DECAL CONTROL PANEL-N/RECESS | 058-0144          |
|            | 103930-61-700      | EA         | PLENUM - TOP CASE            | 060-00787         |
|            | 103930-61-701      | EA         | PLENUM - LOWER CASE          | 060-00788         |
|            | 103930-61-702      | EA         | DOOR - HEAT/VENT             | 071-01054         |
|            | 103930-61-703      | EA         | ROD - DEF/HEAT DOOR          | 073-00086         |
|            | 103930-61-704      | EA         | DOOR - DEF/HEAT              | 071-01053         |
|            | 103930-61-705      | EA         | HOUSING ONLY - CONTROL PANEL | 062-00615         |
|            | 103930-61-706      | EA         | KNOB - CONTROL               | 062-00723         |
|            | 103930-65-702      | EA         | CONTROL PANEL W/SWITCHES     | 083-00308         |

**103930-62-000**

| <b>KEY</b> | <b>PART NUMBER</b> | <b>U/M</b> | <b>DESCRIPTION</b>          | <b>VENDOR NO.</b> |
|------------|--------------------|------------|-----------------------------|-------------------|
|            | 103930-17-702      | EA         | O'RING #10                  | 045-0127          |
|            | 103930-62-700      | EA         | HOSE - #12 DRIER/EVAPORATOR | 085-00628         |

# HEATING & A/C GROUP (CONTINUED)

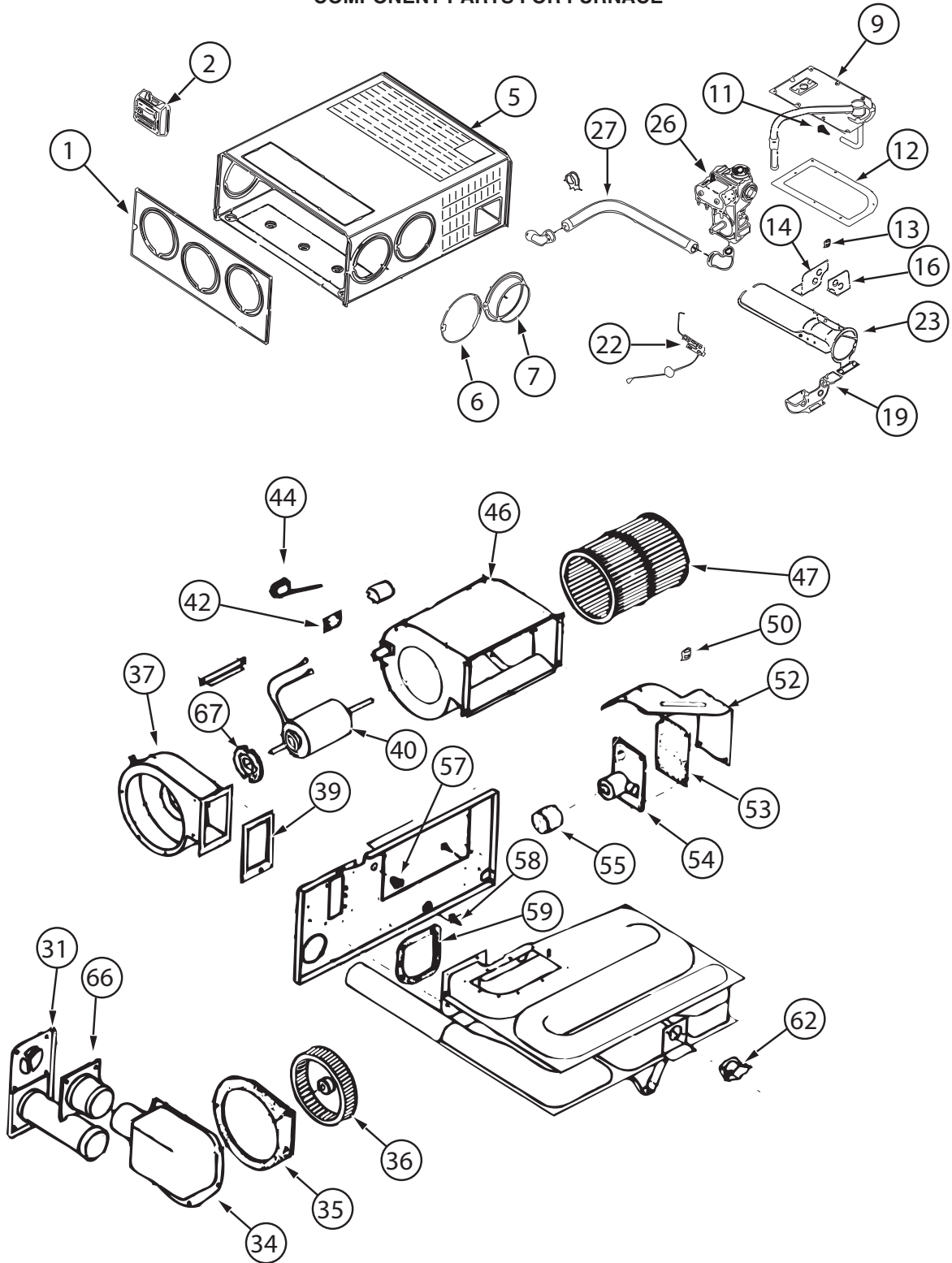
## FURNACE



| KEY | PART NUMBER   | U/M | DESCRIPTION   |
|-----|---------------|-----|---|
| 1*  | 143563-02-000 | EA  | FURNACE - 40000 BTU HIGH QUIET - SUBURBAN SH-42 2346A                                     |
| 2   | 009198-02-000 | FT  | DUCT - HEAT - FLEXIBLE - 2" ID X 25'  |
|     | 090340-01-000 | FT  | SEAL - FOAM - CLOSED CELL - 1/4" X 1/2" X 50' - <b>ON ALL SURFACES THAT CONTACT FLOOR</b> |
| 3   | 092776-01-000 | EA  | ADAPTER - DUCT - 2"   |
| 4   | 093614-08-02A | EA  | GRILLE - AIR RETURN - 9.8" X 13.9" - BEIGE  |
| 5   | 139980-13-000 | EA  | VENT - INTAKE   |
| 6   | 126693-05-02B | EA  | PANEL - EXHAUST/FURNACE - E-COATED  |
| 7   | 133323-01-01A | EA  | SHROUD - FURNACE - BRIGHT WHITE   |
| 8   | 137965-01-02A | EA  | REGISTER - 11.2" X 3.6" (9.7 X 2.1"R/O) W/O DAMPER-ANT PWTR                               |
| 9   | 137965-03-02A | EA  | REGISTER - 11.2" X 3.6" (9.7 X 2.1"R/O) W/O DAMPER-ANT PWTR                               |
| 10  | 137965-06-02A | EA  | REGISTER - 15.3" X 3.6" (13.9"X2.1"R/O) W/O DAMPER-ANT PWTR                               |
| 11  | 141337-01-01A | EA  | GASKET - FURNACE  |
| 12  | 143563-04-000 | EA  | PLATE END - COLLAR  |
| 13  | 143563-05-000 | EA  | GASKET - FIBERGLASS - SUBURBAN #071018  |
| 14  | 145895-06-02B | EA  | PANEL - CLOSEOUT - FURNACE - E-COATED   |
| 15  | 158710-01-000 | EA  | ELBOW/DUCT - 2 1/4" X 14"   |

\*COMPONENT PARTS LISTED LATER IN THIS GROUP

**HEATING & A/C GROUP (CONTINUED)**  
**COMPONENT PARTS FOR FURNACE**



143563-02-000

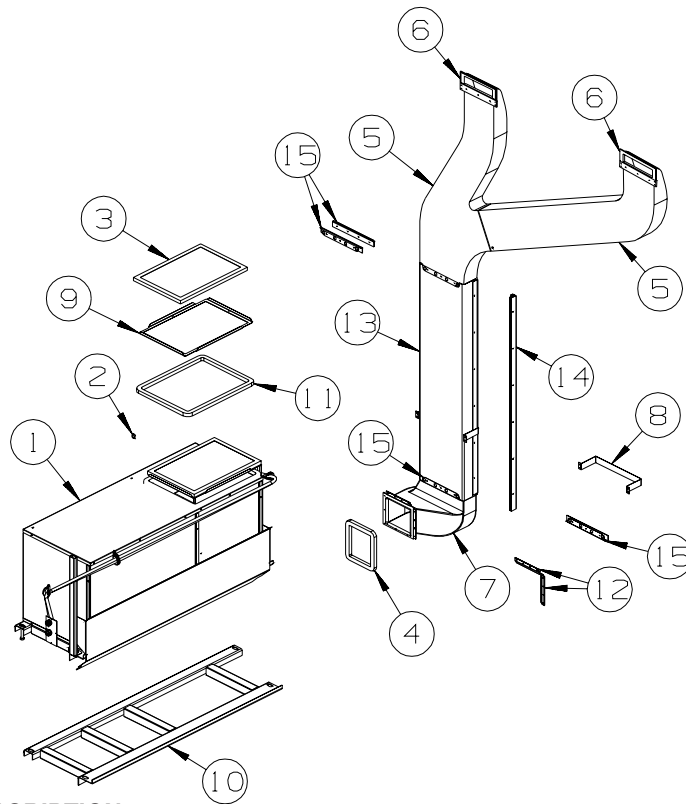
**HEATING & A/C GROUP (CONTINUED)**  
**COMPONENT PARTS FOR FURNACE (CONTINUED)**

**143563-02-000 (CONTINUED)**

| <b>KEY</b> | <b>PART NUMBER</b> | <b>U/M</b> | <b>DESCRIPTION</b>                                     | <b>VENDOR NO.</b> |
|------------|--------------------|------------|--|-------------------|
| 1          | 143563-01-700      | EA         | CABINET - FRONT  | 101907            |
| 2          |                    |            | SEE 12 VOLT WIRING AREAS FOR CORRECT THERMOSTAT        |                   |
| 5          | 143563-02-700      | EA         | CABINET  | 101915            |
| 7          | 075696-02-703      | EA         | COLLAR - DUCT  | 050715            |
| 9          | 143563-01-702      | EA         | MANIFOLD ASSEMBLY                                      | 171599            |
| 11         | 143563-02-701      | EA         | ORFICE - MAIN BURNER                                   | 180309            |
| 12         | 098668-22-703      | EA         | GASKET - BURNER ACCESS COVER                           | 070811            |
| 14         | 143563-02-702      | EA         | PLATE - SECONDARY AIR/TOP BACK                         | 063198            |
| 16         | 143563-02-703      | EA         | PLATE - SECONDARY AIR/TOP FRT                          | 062933            |
| 19         | 143563-02-704      | EA         | PLATE - SECONDARY AIR/BOTTOM                           | 062935            |
| 22         | 139980-01-701      | EA         | ELECTRODE  | 232286            |
| 23         | 098668-11-701      | EA         | BURNER ASSEMBLY, SF-42F                                | 010799            |
| 26         | 098668-01-718      | EA         | VALVE-GAS SF S.N.974903079                             | 161122            |
| 27         | 143563-01-707      | EA         | PIPE ASSEMBLY (GAS INLET)                              | 171603            |
| 31         | 098668-01-707      | EA         | TUBE ASSEMBLY, EXHAUST W/CAP                           | 260231            |
| 34         | 143563-01-708      | EA         | BOX ASM (COMB. AIR INTAKE)                             | 051430BK          |
| 35         | 143563-01-709      | EA         | GASKET (COMB. AIR HOUSING)                             | 071108            |
| 36         | 143563-01-710      | EA         | WHEEL (COMBUSTION AIR)                                 | 350199            |
| 37         | 143563-01-711      | EA         | HOUSING (COMBUSTION AIR)                               | 390862BK          |
| 39         | 143563-01-715      | EA         | GASKET-FIREWALL/COMB. AIR                              | 071107            |
| 40         | 143563-02-705      | EA         | MOTOR ASSEMBLY   | 232726            |
| 42         | 101990-01-714      | EA         | GASKET-MICROSWITCH                                     | 230877            |
| 44         | 098668-21-700      | EA         | SWITCH-MICRO-W/O FLAG 3 1/4"                           | 232261            |
| 46         | 143563-01-713      | EA         | BLOWER ASSEMBLY(Room Air)                              | 390867BK          |
| 47         | 143563-01-714      | EA         | WHEEL - ROOM AIR                                       | 350198            |
| 50         | 139980-01-710      | EA         | SWITCH - ON/OFF  | 232351            |
| 52         | 139980-01-711      | EA         | PANEL ASSEMBLY-MODULE BD                               | 101663            |
| 53         | 139980-01-712      | EA         | INSULATOR - MODULE BD                                  | 070807            |
| 54         | 098668-22-705      | EA         | MODULE BD W/RELAY TIME DELAY                           | 520820            |
| 55         | 139980-01-713      | EA         | CAP/INSULATOR-MODULE BD                                | 070973            |
| 57         | 139980-01-714      | EA         | BUSHING - UNIVERSAL                                    | 070362            |
| 58         | 139980-01-715      | EA         | BUSHING - STRAIN RELIEF                                | 231809            |
| 59         | 098668-01-716      | EA         | GASKET-FIREWALL,CHAMBER SIDE                           | 070808            |
| 62         | 143563-02-706      | EA         | SWITCH - LIMIT   | 232735            |
| 66         | 098668-01-713      | EA         | TUBE ASSEMBLY, INTAKE                                  | 051248            |
| 67         | 075697-07-703      | EA         | GASKET - MOTOR   | 070448            |
|            | 143563-02-707      | EA         | CHAMBER ASM. - FINAL                                   | 021172BK          |
|            |                    |            | CONTACT WINNEBAGO PART SALES FOR UNLISTED COMPONENT(S) |                   |

## HEATING & A/C GROUP (CONTINUED)

### CENTRAL

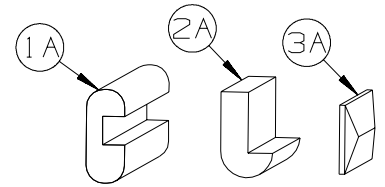


| KEY | PART NUMBER   | U/M | DESCRIPTION  |
|-----|---------------|-----|--|
| 1*  | 105620-19-000 | EA  | A/C - CENTRAL - RIGHT HAND/HEAT PUMP - TOP RETURN - <b>CENTRAL A/C HEAT PUMP</b> |
| 1   | 105620-20-000 | EA  | A/C - CENTRAL - RIGHT HAND/TOP RETURN - COOLING ONLY - <b>CENTRAL A/C</b>        |
| 2   | 107721-07-000 | FT  | SEAL - ACCESS DOOR - .9"WIDE X 1.1"HIGH  |
| 3   | 109050-02-000 | EA  | FILTER/FURNACE-AC - FIBERGLASS - 1" X 14" X 20"                                  |
| 4   | 134588-02-000 | EA  | GASKET - DUCT - 13.9" X 18.2" IS - 15.9" X 20.2" OS                              |
| 5   | M09204-01-000 | EA  | DUCT/AC - UPPER RIGHT HAND/LEFT HAND   |
| 5   | 105290-01-000 | SF  | INSULATION - AIR POCKET W/FOIL   |
| 6   | 104692-01-000 | FT  | SEAL - ADHESIVE BACKED FOAM - 3/4" THICK X 3/4" WIDE X 25'                       |
| 7   | P47621-01-000 | EA  | DUCT - CENTRAL AIR/FORCED - LOWER  |
| 7   | 105290-01-000 | SF  | INSULATION - AIR POCKET W/FOIL   |
| 8   | 129047-01-02B | EA  | STRAP/MOUNTING - AIR DUCT - E-COATED   |
| 9   | 139757-01-02B | EA  | PANEL - TRAY - A/C FILTER - E-COATED   |
| 10  | 158964-01-02B | EA  | CRADLE - A/C - E-COATED  |
| 11  | 134588-04-000 | EA  | GASKET - DUCT - 13.9" X 18.2" IS - 15.9" X 20.2" OS                              |
| 12  | 130481-01-01A | EA  | BRACKET - ZEE W/HOLES - 7"   |
| 13  | 159404-07-000 | EA  | PLENUM - A/C   |
| 14  | 159408-07-01A | EA  | CORNER-W/HOLES,MILL, 1100 MM   |
| 15  | 160755-01-02B | EA  | U-CHANNEL-W/HOLES  |

\*COMPONENT PARTS LISTED LATER IN THIS GROUP



**INTERIOR FINISH GROUP**  
**MOLDINGS & TRIMS**  
**HONEY CHERRY, WASHED MAPLE**



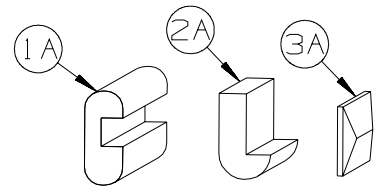
| KEY | PART NUMBER   | U/M | DESCRIPTION  |
|-----|---------------|-----|--|
| 1A  | M09412-62-N42 | EA  | MOLDING/SHELF EDGE - .6" X 1.3" X 96" - PORTSMOUTH OAK         |
| 1A  | M09412-62-M52 | EA  | MOLDING/SHELF EDGE - .6" X 1.3" X 96" - CONCERT CHERRY         |
| 1A  | M09412-62-M62 | EA  | MOLDING/SHELF EDGE - .6" X 1.3" X 96" - WASHED MAPLE           |
| 1A  | M09412-62-RC3 | EA  | MOLDING/SHELF EDGE - .6" X 1.3" X 96" - HONEY CHERRY           |
| 1A  | M09412-62-SA3 | EA  | MOLDING/SHELF EDGE - .6" X 1.3" X 96" - SIERRA MAPLE           |
| 2A  | M09511-43-T77 | EA  | MOLDING - TRIM - W/NOTCH - .8" X 1.4" X 86.3" - PORTSMOUT OAK  |
| 2A  | M09525-80-UM1 | EA  | MOLDING - TRIM - W/NOTCH - .8" X 1.4" X 86.5" - CONCERT CHERRY |
| 2A  | M09525-80-U91 | EA  | MOLDING - TRIM - W/NOTCH - .8" X 1.4" X 86.5" - WASHED MAPLE   |
| 2A  | M09525-80-U92 | EA  | MOLDING - TRIM - W/NOTCH - .8" X 1.4" X 86.5" - SIERRA MAPLE   |
| 2A  | M09525-80-Y92 | EA  | MOLDING - TRIM - W/NOTCH - .8" X 1.4" X 86.5" - HONEY CHERRY   |
| 2A  | M09501-85-TG3 | EA  | MOLDING/TRIM - W/NOTCH - 4" X 86.06" - HONEY CHERRY            |
| 2A  | M09501-32-TG1 | EA  | MOLDING/TRIM - W/NOTCH - .8" X 2.5" X 86.2" - CONCERT CHERRY   |
| 2A  | M09501-32-TG2 | EA  | MOLDING/TRIM - W/NOTCH - .8" X 2.5" X 86.2" - WASHED MAPLE     |
| 2A  | M09501-32-TD3 | EA  | MOLDING/TRIM - W/NOTCH - .8" X 2.5" X 86.2" - SIERRA MAPLE     |
| 2A  | M09501-32-TG3 | EA  | MOLDING/TRIM - W/NOTCH - .8" X 2.5" X 86.2" - HONEY CHERRY     |
| 2A  | M09515-72-TD0 | EA  | MOLDING/TRIM - .8" X 2.2" X 86.1" - PORTSMOUTH OAK             |
| 2A  | M09515-72-TD1 | EA  | MOLDING/TRIM - .8" X 2.2" X 86.1" - CONCERT CHERRY             |
| 2A  | M09515-72-TD2 | EA  | MOLDING/TRIM - .8" X 2.2" X 86.1" - WASHED MAPLE               |
| 2A  | M09515-72-TD3 | EA  | MOLDING/TRIM - .8" X 2.2" X 86.1" - SIERRA MAPLE               |
| 2A  | M09511-44-T77 | EA  | MOLDING - TRIM - W/NOTCH - 1" X 86.4" - PORTSMOUTH OAK         |
| 2A  | M09511-44-T78 | EA  | MOLDING - TRIM - W/NOTCH - 1" X 86.4" - CONCERT CHERRY         |
| 2A  | M09511-44-T79 | EA  | MOLDING - TRIM - W/NOTCH - 1" X 86.4" - WASHED MAPLE           |
| 2A  | M09511-44-T80 | EA  | MOLDING - TRIM - W/NOTCH - 1" X 86.4" - HONEY CHERRY           |
| 2A  | M09438-25-RA3 | EA  | MOLDING - HARDWOOD-W/NOTCH - 1.4"X 80.2" - HONEY CHERRY        |
| 3A  | M09477-63-S46 | EA  | MOLDING - TRIM/VEE-W/CUT ENDS - 1"X 64.1" - PORTSMOUTH OAK     |
| 3A  | M09477-63-S47 | EA  | MOLDING - TRIM/VEE-W/CUT ENDS - 1"X 64.1" - CONCERT CHERRY     |
| 3A  | M09477-63-S48 | EA  | MOLDING - TRIM/VEE-W/CUT ENDS - 1"X 64.1" - WASHED MAPLE       |
| 3A  | M09477-63-W51 | EA  | MOLDING - TRIM/VEE-W/CUT ENDS - 1"X 64.1" - HONEY CHERRY       |
| 3A  | M09477-64-S46 | EA  | MOLDING - TRIM/VEE-W/CUT ENDS - 1"X 14.9" - PORTSMOUTH OAK     |
| 3A  | M09477-64-S47 | EA  | MOLDING - TRIM/VEE-W/CUT ENDS - 1"X 14.9" - CONCERT CHERRY     |
| 3A  | M09477-64-S48 | EA  | MOLDING - TRIM/VEE-W/CUT ENDS - 1"X 14.9" - WASHED MAPLE       |
| 3A  | M09477-64-W51 | EA  | MOLDING - TRIM/VEE-W/CUT ENDS - 1"X 14.9" - HONEY CHERRY       |
| 3A  | M09501-30-SD0 | EA  | MOLDING - TRIM/VEE - .2" X 1" X 35.1" - PORTSMOUTH OAK         |
| 3A  | M09501-30-SD1 | EA  | MOLDING - TRIM/VEE - .2" X 1" X 35.1" - CONCERT CHERRY         |
| 3A  | M09501-30-SD2 | EA  | MOLDING - TRIM/VEE - .2" X 1" X 35.1" - WASHED MAPLE           |
| 3A  | M09501-30-SD3 | EA  | MOLDING - TRIM/VEE - .2" X 1" X 35.1" - HONEY CHERRY           |
| 3A  | M09515-97-WL4 | EA  | MOLDING - TRIM/VEE - .2" X 1" X 32.6" - CONCERT CHERRY         |
| 3A  | M09515-97-WL5 | EA  | MOLDING - TRIM/VEE - .2" X 1" X 32.6" - WASHED MAPLE           |
| 3A  | M09515-97-WL6 | EA  | MOLDING - TRIM/VEE - .2" X 1" X 32.6" - HONEY CHERRY           |
| 3A  | M09534-17-UF3 | EA  | MOLDING - TRIM/VEE - .2" X 1" X 20.1" - SIERRA MAPLE           |
| 3A  | M09534-17-UJ1 | EA  | MOLDING - TRIM/VEE - .2" X 1" X 20.1" - CONCERT CHERRY         |
| 3A  | M09534-17-UJ2 | EA  | MOLDING - TRIM/VEE - .2" X 1" X 20.1" - WASHED MAPLE           |
| 3A  | M09534-17-UJ3 | EA  | MOLDING - TRIM/VEE - .2" X 1" X 20.1" - HONEY CHERRY           |
| 3A  | M09477-88-S34 | EA  | MOLDING - TRIM/VEE - .2" X 1" X 19.9" - WASHED MAPLE           |
| 3A  | M09477-88-S35 | EA  | MOLDING - TRIM/VEE - .2" X 1" X 19.9" - SIERRA MAPLE           |
| 3A  | M09568-03-W51 | EA  | MOLDING - TRIM/VEE - .2" X 1" X 19.8" - HONEY CHERRY           |
| 3A  | M09568-03-W52 | EA  | MOLDING - TRIM/VEE - .2" X 1" X 19.8" - WASHED MAPLE           |
| 3A  | M09565-51-W51 | EA  | MOLDING - TRIM/VEE - .2" X 1" X 19.4" - HONEY CHERRY           |
| 3A  | M09565-51-W52 | EA  | MOLDING - TRIM/VEE - .2" X 1" X 19.4" - WASHED MAPLE           |
| 3A  | M09553-79-W66 | EA  | MOLDING - TRIM/VEE - .2" X 1" X 15.6" - HONEY CHERRY           |
| 3A  | M09515-10-W66 | EA  | MOLDING - TRIM/VEE - .2" X 1" X 15.4" - HONEY CHERRY           |
| 3A  | M09501-63-T78 | EA  | MOLDING - TRIM/VEE - .2" X 1" X 15" - CONCERT CHERRY           |
| 3A  | M09501-63-T79 | EA  | MOLDING - TRIM/VEE - .2" X 1" X 15" - WASHED MAPLE             |
| 3A  | M09501-63-T80 | EA  | MOLDING - TRIM/VEE - .2" X 1" X 15" - SIERRA MAPLE             |
| 3A  | M09501-63-W66 | EA  | MOLDING - TRIM/VEE - .2" X 1" X 15" - HONEY CHERRY             |
| 3A  | M09553-09-W66 | EA  | MOLDING - TRIM/VEE - .2" X 1" X 13.4" - HONEY CHERRY           |
| 3A  | M09566-04-WD3 | EA  | MOLDING - TRIM/VEE - .2" X 1" X 8.9" - HONEY CHERRY            |
| 3A  | M09553-29-WH4 | EA  | MOLDING - TRIM/VEE - .4" X 1" X 94.4" - CONCERT CHERRY         |
| 3A  | M09553-29-WH5 | EA  | MOLDING - TRIM/VEE - .4" X 1" X 94.4" - WASHED MAPLE           |
| 3A  | M09553-29-WH6 | EA  | MOLDING - TRIM/VEE - .4" X 1" X 94.4" - SIERRA MAPLE           |
| 3A  | M09565-04-WH4 | EA  | MOLDING - TRIM/VEE - .4" X 1" X 89.5" - CONCERT CHERRY         |

**INTERIOR FINISH GROUP (CONTINUED)**  
**MOLDINGS & TRIMS (CONTINUED)**

| KEY | PART NUMBER   | U/M | DESCRIPTION  |
|-----|---------------|-----|--|
| 3A  | M09565-04-WH5 | EA  | MOLDING - TRIM/VEE - .4" X 1" X 89.5" - WASHED MAPLE   |
| 3A  | M09565-04-WH6 | EA  | MOLDING - TRIM/VEE - .4" X 1" X 89.5" - SIERRA MAPLE   |
| 3A  | M09544-86-W37 | EA  | MOLDING - TRIM/VEE - .4" X 1" X 88.1" - WASHED MAPLE   |
| 3A  | M09544-86-W38 | EA  | MOLDING - TRIM/VEE - .4" X 1" X 88.1" - SIERRA MAPLE   |
| 3A  | M09538-39-U67 | EA  | MOLDING - TRIM/VEE - .4" X 1" X 82.6" - WASHED MAPLE   |
| 3A  | M09538-39-U68 | EA  | MOLDING - TRIM/VEE - .4" X 1" X 82.6" - SIERRA MAPLE   |
| 3A  | M09553-62-WH4 | EA  | MOLDING - TRIM/VEE - .4" X 1" X 81.4" - CONCERT CHERRY |
| 3A  | M09553-62-WH5 | EA  | MOLDING - TRIM/VEE - .4" X 1" X 81.4" - WASHED MAPLE   |
| 3A  | M09553-62-WH6 | EA  | MOLDING - TRIM/VEE - .4" X 1" X 81.4" - SIERRA MAPLE   |
| 3A  | M09577-98-WH4 | EA  | MOLDING - TRIM/VEE - .4" X 1" X 80.2" - CONCERT CHERRY |
| 3A  | M09577-98-WH5 | EA  | MOLDING - TRIM/VEE - .4" X 1" X 80.2" - WASHED MAPLE   |
| 3A  | M09577-98-WH6 | EA  | MOLDING - TRIM/VEE - .4" X 1" X 80.2" - SIERRA MAPLE   |
| 3A  | M09544-37-W37 | EA  | MOLDING - TRIM/VEE - .4" X 1" X 78.8" - WASHED MAPLE   |
| 3A  | M09544-37-W38 | EA  | MOLDING - TRIM/VEE - .4" X 1" X 78.8" - SIERRA MAPLE   |
| 3A  | M09544-34-W37 | EA  | MOLDING - TRIM/VEE - .4" X 1" X 78.7" - WASHED MAPLE   |
| 3A  | M09544-34-W38 | EA  | MOLDING - TRIM/VEE - .4" X 1" X 78.7" - SIERRA MAPLE   |
| 3A  | M09538-37-U67 | EA  | MOLDING - TRIM/VEE - .4" X 1" X 77.5" - WASHED MAPLE   |
| 3A  | M09538-37-U68 | EA  | MOLDING - TRIM/VEE - .4" X 1" X 77.5" - SIERRA MAPLE   |
| 3A  | M09553-65-WH4 | EA  | MOLDING - TRIM/VEE - .4" X 1" X 77" - CONCERT CHERRY   |
| 3A  | M09553-65-WH5 | EA  | MOLDING - TRIM/VEE - .4" X 1" X 77" - WASHED MAPLE     |
| 3A  | M09553-65-WH6 | EA  | MOLDING - TRIM/VEE - .4" X 1" X 77" - SIERRA MAPLE     |
| 3A  | M09553-64-WH4 | EA  | MOLDING - TRIM/VEE - .4" X 1" X 76.7" - CONCERT CHERRY |
| 3A  | M09553-64-WH5 | EA  | MOLDING - TRIM/VEE - .4" X 1" X 76.7" - WASHED MAPLE   |
| 3A  | M09553-64-WH6 | EA  | MOLDING - TRIM/VEE - .4" X 1" X 76.7" - SIERRA MAPLE   |
| 3A  | M09565-75-WH4 | EA  | MOLDING - TRIM/VEE - .4" X 1" X 75.9" - CONCERT CHERRY |
| 3A  | M09565-75-WH5 | EA  | MOLDING - TRIM/VEE - .4" X 1" X 75.9" - WASHED MAPLE   |
| 3A  | M09565-75-WH6 | EA  | MOLDING - TRIM/VEE - .4" X 1" X 75.9" - SIERRA MAPLE   |
| 3A  | M09565-02-WH4 | EA  | MOLDING - TRIM/VEE - .4" X 1" X 75.1" - CONCERT CHERRY |
| 3A  | M09565-02-WH5 | EA  | MOLDING - TRIM/VEE - .4" X 1" X 75.1" - WASHED MAPLE   |
| 3A  | M09565-02-WH6 | EA  | MOLDING - TRIM/VEE - .4" X 1" X 75.1" - SIERRA MAPLE   |
| 3A  | M09553-26-WH4 | EA  | MOLDING - TRIM/VEE - .4" X 1" X 74.1" - CONCERT CHERRY |
| 3A  | M09553-26-WH5 | EA  | MOLDING - TRIM/VEE - .4" X 1" X 74.1" - WASHED MAPLE   |
| 3A  | M09553-26-WH6 | EA  | MOLDING - TRIM/VEE - .4" X 1" X 74.1" - SIERRA MAPLE   |
| 3A  | M09538-91-WH4 | EA  | MOLDING - TRIM/VEE - .4" X 1" X 73.8" - CONCERT CHERRY |
| 3A  | M09538-91-WH5 | EA  | MOLDING - TRIM/VEE - .4" X 1" X 73.8" - WASHED MAPLE   |
| 3A  | M09538-91-WH6 | EA  | MOLDING - TRIM/VEE - .4" X 1" X 73.8" - SIERRA MAPLE   |
| 3A  | M09553-22-WH4 | EA  | MOLDING - TRIM/VEE - .4" X 1" X 73.2" - CONCERT CHERRY |
| 3A  | M09553-22-WH5 | EA  | MOLDING - TRIM/VEE - .4" X 1" X 73.2" - WASHED MAPLE   |
| 3A  | M09553-22-WH6 | EA  | MOLDING - TRIM/VEE - .4" X 1" X 73.2" - SIERRA MAPLE   |
| 3A  | M09565-97-WH4 | EA  | MOLDING - TRIM/VEE - .4" X 1" X 72.6" - CONCERT CHERRY |
| 3A  | M09565-97-WH5 | EA  | MOLDING - TRIM/VEE - .4" X 1" X 72.6" - WASHED MAPLE   |
| 3A  | M09565-97-WH6 | EA  | MOLDING - TRIM/VEE - .4" X 1" X 72.6" - SIERRA MAPLE   |
| 3A  | M09568-12-WH4 | EA  | MOLDING - TRIM/VEE - .4" X 1" X 71.9" - CONCERT CHERRY |
| 3A  | M09568-12-WH5 | EA  | MOLDING - TRIM/VEE - .4" X 1" X 71.9" - WASHED MAPLE   |
| 3A  | M09568-12-WH6 | EA  | MOLDING - TRIM/VEE - .4" X 1" X 71.9" - SIERRA MAPLE   |
| 3A  | M09565-01-WH4 | EA  | MOLDING - TRIM/VEE - .4" X 1" X 71.7" - CONCERT CHERRY |
| 3A  | M09565-01-WH5 | EA  | MOLDING - TRIM/VEE - .4" X 1" X 71.7" - WASHED MAPLE   |
| 3A  | M09565-01-WH6 | EA  | MOLDING - TRIM/VEE - .4" X 1" X 71.7" - SIERRA MAPLE   |
| 3A  | M09565-01-YR3 | EA  | MOLDING - TRIM/VEE - .4" X 1" X 71.7" - HONEY CHERRY   |
| 3A  | M09544-15-WB4 | EA  | MOLDING - TRIM/VEE - .4" X 1" X 64.5" - CONCERT CHERRY |
| 3A  | M09544-15-WB5 | EA  | MOLDING - TRIM/VEE - .4" X 1" X 64.5" - WASHED MAPLE   |
| 3A  | M09544-15-WB6 | EA  | MOLDING - TRIM/VEE - .4" X 1" X 64.5" - SIERRA MAPLE   |
| 3A  | M09538-94-WH4 | EA  | MOLDING - TRIM/VEE - .4" X 1" X 71.1" - CONCERT CHERRY |
| 3A  | M09538-94-WH5 | EA  | MOLDING - TRIM/VEE - .4" X 1" X 71.1" - WASHED MAPLE   |
| 3A  | M09538-94-WH6 | EA  | MOLDING - TRIM/VEE - .4" X 1" X 71.1" - SIERRA MAPLE   |
| 3A  | M09565-78-WH4 | EA  | MOLDING - TRIM/VEE - .4" X 1" X 70.2" - CONCERT CHERRY |
| 3A  | M09565-78-WH5 | EA  | MOLDING - TRIM/VEE - .4" X 1" X 70.2" - WASHED MAPLE   |
| 3A  | M09565-78-WH6 | EA  | MOLDING - TRIM/VEE - .4" X 1" X 70.2" - SIERRA MAPLE   |
| 3A  | M09553-21-WH4 | EA  | MOLDING - TRIM/VEE - .4" X 1" X 70.1" - CONCERT CHERRY |
| 3A  | M09553-21-WH5 | EA  | MOLDING - TRIM/VEE - .4" X 1" X 70.1" - WASHED MAPLE   |
| 3A  | M09553-21-WH6 | EA  | MOLDING - TRIM/VEE - .4" X 1" X 70.1" - SIERRA MAPLE   |
| 3A  | M09501-92-T77 | EA  | MOLDING - TRIM/VEE - .4" X 1" X 70" - PORTSMOUTH OAK   |
| 3A  | M09501-92-T78 | EA  | MOLDING - TRIM/VEE - .4" X 1" X 70" - CONCERT CHERRY   |
| 3A  | M09501-92-T79 | EA  | MOLDING - TRIM/VEE - .4" X 1" X 70" - WASHED MAPLE     |

**INTERIOR FINISH GROUP (CONTINUED)**  
**MOLDINGS & TRIMS (CONTINUED)**

| KEY | PART NUMBER   | U/M | DESCRIPTION  |
|-----|---------------|-----|--|
| 3A  | M09501-92-T80 | EA  | MOLDING - TRIM/VEE - .4" X 1" X 70" - SIERRA MAPLE     |
| 3A  | M09538-27-WH4 | EA  | MOLDING - TRIM/VEE - .4" X 1" X 71.1" - CONCERT CHERRY |
| 3A  | M09538-27-U67 | EA  | MOLDING - TRIM/VEE - .4" X 1" X 71.1" - WASHED MAPLE   |
| 3A  | M09538-27-U68 | EA  | MOLDING - TRIM/VEE - .4" X 1" X 71.1" - SIERRA MAPLE   |
| 3A  | M09544-10-WH4 | EA  | MOLDING - TRIM/VEE - .4" X 1" X 68.2" - CONCERT CHERRY |
| 3A  | M09544-10-W91 | EA  | MOLDING - TRIM/VEE - .4" X 1" X 68.2" - WASHED MAPLE   |
| 3A  | M09544-10-W92 | EA  | MOLDING - TRIM/VEE - .4" X 1" X 68.2" - SIERRA MAPLE   |
| 3A  | M09553-03-WH4 | EA  | MOLDING - TRIM/VEE - .4" X 1" X 66.7" - CONCERT CHERRY |
| 3A  | M09553-03-WH5 | EA  | MOLDING - TRIM/VEE - .4" X 1" X 66.7" - WASHED MAPLE   |
| 3A  | M09553-03-WH6 | EA  | MOLDING - TRIM/VEE - .4" X 1" X 66.7" - SIERRA MAPLE   |
| 3A  | M09553-03-YR3 | EA  | MOLDING - TRIM/VEE - .4" X 1" X 66.7" - HONEY CHERRY   |
| 3A  | M09538-93-WH4 | EA  | MOLDING - TRIM/VEE - .4" X 1" X 66.6" - CONCERT CHERRY |
| 3A  | M09538-93-WH5 | EA  | MOLDING - TRIM/VEE - .4" X 1" X 66.6" - WASHED MAPLE   |
| 3A  | M09538-93-WH6 | EA  | MOLDING - TRIM/VEE - .4" X 1" X 66.6" - SIERRA MAPLE   |
| 3A  | M09544-33-W37 | EA  | MOLDING - TRIM/VEE - .4" X 1" X 66.5" - SIERRA MAPLE   |
| 3A  | M09544-33-W38 | EA  | MOLDING - TRIM/VEE - .4" X 1" X 66.5" - WASHED MAPLE   |
| 3A  | M09553-02-WH4 | EA  | MOLDING - TRIM/VEE - .4" X 1" X 66.4" - CONCERT CHERRY |
| 3A  | M09553-02-WH5 | EA  | MOLDING - TRIM/VEE - .4" X 1" X 66.4" - WASHED MAPLE   |
| 3A  | M09553-02-WH6 | EA  | MOLDING - TRIM/VEE - .4" X 1" X 66.4" - SIERRA MAPLE   |
| 3A  | M09544-14-WB4 | EA  | MOLDING - TRIM/VEE - .4" X 1" X 64.5" - CONCERT CHERRY |
| 3A  | M09544-14-WB5 | EA  | MOLDING - TRIM/VEE - .4" X 1" X 64.5" - WASHED MAPLE   |
| 3A  | M09544-14-WB6 | EA  | MOLDING - TRIM/VEE - .4" X 1" X 64.5" - SIERRA MAPLE   |
| 3A  | M09515-78-T77 | EA  | MOLDING - TRIM/VEE - .4" X 1" X 64.1" - PORTSMOUTH OAK |
| 3A  | M09515-78-T78 | EA  | MOLDING - TRIM/VEE - .4" X 1" X 64.1" - CONCERT CHERRY |
| 3A  | M09515-78-T79 | EA  | MOLDING - TRIM/VEE - .4" X 1" X 64.1" - WASHED MAPLE   |
| 3A  | M09515-78-T80 | EA  | MOLDING - TRIM/VEE - .4" X 1" X 64.1" - SIERRA MAPLE   |
| 3A  | M09501-91-T77 | EA  | MOLDING - TRIM/VEE - .4" X 1" X 63.3" - PORTSMOUTH OAK |
| 3A  | M09501-91-T78 | EA  | MOLDING - TRIM/VEE - .4" X 1" X 63.3" - CONCERT CHERRY |
| 3A  | M09501-91-T79 | EA  | MOLDING - TRIM/VEE - .4" X 1" X 63.3" - WASHED MAPLE   |
| 3A  | M09501-91-T80 | EA  | MOLDING - TRIM/VEE - .4" X 1" X 63.3" - SIERRA MAPLE   |
| 3A  | M09503-91-T77 | EA  | MOLDING - TRIM/VEE - .4" X 1" X 63.1" - PORTSMOUTH OAK |
| 3A  | M09503-91-T78 | EA  | MOLDING - TRIM/VEE - .4" X 1" X 63.1" - CONCERT CHERRY |
| 3A  | M09503-91-T79 | EA  | MOLDING - TRIM/VEE - .4" X 1" X 63.1" - WASHED MAPLE   |
| 3A  | M09503-91-T80 | EA  | MOLDING - TRIM/VEE - .4" X 1" X 63.1" - SIERRA MAPLE   |
| 3A  | M09544-22-WB4 | EA  | MOLDING - TRIM/VEE - .4" X 1" X 61.7" - CONCERT CHERRY |
| 3A  | M09544-22-WB5 | EA  | MOLDING - TRIM/VEE - .4" X 1" X 61.7" - WASHED MAPLE   |
| 3A  | M09544-22-WB6 | EA  | MOLDING - TRIM/VEE - .4" X 1" X 61.7" - SIERRA MAPLE   |
| 3A  | M09583-41-WH4 | EA  | MOLDING - TRIM/VEE - .4" X 1" X 61" - CONCERT CHERRY   |
| 3A  | M09583-41-WH5 | EA  | MOLDING - TRIM/VEE - .4" X 1" X 61" - WASHED MAPLE     |
| 3A  | M09583-41-WH6 | EA  | MOLDING - TRIM/VEE - .4" X 1" X 61" - SIERRA MAPLE     |
| 3A  | M09565-49-WH4 | EA  | MOLDING - TRIM/VEE - .4" X 1" X 58.7" - CONCERT CHERRY |
| 3A  | M09565-49-WH5 | EA  | MOLDING - TRIM/VEE - .4" X 1" X 58.7" - WASHED MAPLE   |
| 3A  | M09565-49-WH6 | EA  | MOLDING - TRIM/VEE - .4" X 1" X 58.7" - SIERRA MAPLE   |
| 3A  | M09544-36-W37 | EA  | MOLDING - TRIM/VEE - .4" X 1" X 52.6" - WASHED MAPLE   |
| 3A  | M09544-36-W38 | EA  | MOLDING - TRIM/VEE - .4" X 1" X 52.6.5" - SIERRA MAPLE |
| 3A  | M09553-85-WB4 | EA  | MOLDING - TRIM/VEE - .4" X 1" X 43.4" - CONCERT CHERRY |
| 3A  | M09553-85-WB5 | EA  | MOLDING - TRIM/VEE - .4" X 1" X 43.4" - WASHED MAPLE   |
| 3A  | M09553-85-WB6 | EA  | MOLDING - TRIM/VEE - .4" X 1" X 43.4" - SIERRA MAPLE   |
| 3A  | M09553-28-WH4 | EA  | MOLDING - TRIM/VEE - .4" X 1" X 48" - CONCERT CHERRY   |
| 3A  | M09553-28-WH5 | EA  | MOLDING - TRIM/VEE - .4" X 1" X 48" - WASHED MAPLE     |
| 3A  | M09553-28-WH6 | EA  | MOLDING - TRIM/VEE - .4" X 1" X 48" - SIERRA MAPLE     |
| 3A  | M09553-60-WH4 | EA  | MOLDING - TRIM/VEE - .4" X 1" X 47.2" - CONCERT CHERRY |
| 3A  | M09553-60-WH5 | EA  | MOLDING - TRIM/VEE - .4" X 1" X 47.2" - WASHED MAPLE   |
| 3A  | M09553-60-WH6 | EA  | MOLDING - TRIM/VEE - .4" X 1" X 47.2" - SIERRA MAPLE   |
| 3A  | M09544-24-WB4 | EA  | MOLDING - TRIM/VEE - .4" X 1" X 46.2" - CONCERT CHERRY |
| 3A  | M09544-24-WB5 | EA  | MOLDING - TRIM/VEE - .4" X 1" X 46.2" - WASHED MAPLE   |
| 3A  | M09544-24-WB6 | EA  | MOLDING - TRIM/VEE - .4" X 1" X 46.2" - SIERRA MAPLE   |
| 3A  | M09565-77-WH4 | EA  | MOLDING - TRIM/VEE - .4" X 1" X 42.5" - CONCERT CHERRY |
| 3A  | M09565-77-WH5 | EA  | MOLDING - TRIM/VEE - .4" X 1" X 42.5" - WASHED MAPLE   |
| 3A  | M09565-77-WH6 | EA  | MOLDING - TRIM/VEE - .4" X 1" X 42.5" - SIERRA MAPLE   |
| 3A  | M09544-35-W37 | EA  | MOLDING - TRIM/VEE - .4" X 1" X 66.5" - SIERRA MAPLE   |
| 3A  | M09544-35-W38 | EA  | MOLDING - TRIM/VEE - .4" X 1" X 66.5" - WASHED MAPLE   |

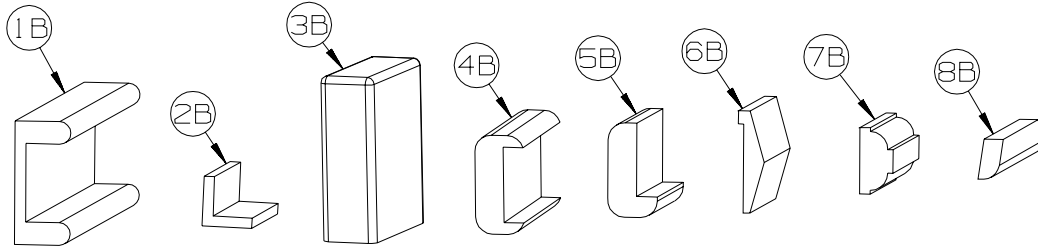
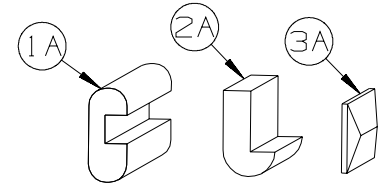


**INTERIOR FINISH GROUP (CONTINUED)**  
**MOLDINGS & TRIMS (CONTINUED)**

| KEY | PART NUMBER   | U/M | DESCRIPTION  |
|-----|---------------|-----|--|
| 3A  | M09544-38-W37 | EA  | MOLDING - TRIM/VEE - .4" X 1" X 66.5" - SIERRA MAPLE   |
| 3A  | M09544-38-W38 | EA  | MOLDING - TRIM/VEE - .4" X 1" X 66.5" - WASHED MAPLE   |
| 3A  | M09565-03-WH4 | EA  | MOLDING - TRIM/VEE - .4" X 1" X 44.2" - CONCERT CHERRY |
| 3A  | M09565-03-WH5 | EA  | MOLDING - TRIM/VEE - .4" X 1" X 44.2" - WASHED MAPLE   |
| 3A  | M09565-03-WH6 | EA  | MOLDING - TRIM/VEE - .4" X 1" X 44.2" - SIERRA MAPLE   |
| 3A  | M09565-20-WH4 | EA  | MOLDING - TRIM/VEE - .4" X 1" X 43.2" - CONCERT CHERRY |
| 3A  | M09565-20-WH5 | EA  | MOLDING - TRIM/VEE - .4" X 1" X 43.2" - WASHED MAPLE   |
| 3A  | M09565-20-WH6 | EA  | MOLDING - TRIM/VEE - .4" X 1" X 43.2" - SIERRA MAPLE   |
| 3A  | M09553-24-WH4 | EA  | MOLDING - TRIM/VEE - .4" X 1" X 43" - CONCERT CHERRY   |
| 3A  | M09553-24-WH5 | EA  | MOLDING - TRIM/VEE - .4" X 1" X 43" - WASHED MAPLE     |
| 3A  | M09553-24-WH6 | EA  | MOLDING - TRIM/VEE - .4" X 1" X 43" - SIERRA MAPLE     |
| 3A  | M09565-77-WH4 | EA  | MOLDING - TRIM/VEE - .4" X 1" X 42.5" - CONCERT CHERRY |
| 3A  | M09565-77-WH5 | EA  | MOLDING - TRIM/VEE - .4" X 1" X 42.5" - WASHED MAPLE   |
| 3A  | M09565-77-WH6 | EA  | MOLDING - TRIM/VEE - .4" X 1" X 42.5" - SIERRA MAPLE   |
| 3A  | M09565-50-WH4 | EA  | MOLDING - TRIM/VEE - .4" X 1" X 40.9" - CONCERT CHERRY |
| 3A  | M09565-50-WH5 | EA  | MOLDING - TRIM/VEE - .4" X 1" X 40.9" - WASHED MAPLE   |
| 3A  | M09565-50-WH6 | EA  | MOLDING - TRIM/VEE - .4" X 1" X 40.9" - SIERRA MAPLE   |
| 3A  | M09583-43-WH4 | EA  | MOLDING - TRIM/VEE - .4" X 1" X 40.1" - CONCERT CHERRY |
| 3A  | M09583-43-WH5 | EA  | MOLDING - TRIM/VEE - .4" X 1" X 40.1" - WASHED MAPLE   |
| 3A  | M09583-43-WH6 | EA  | MOLDING - TRIM/VEE - .4" X 1" X 40.1" - SIERRA MAPLE   |
| 3A  | M09565-76-WH4 | EA  | MOLDING - TRIM/VEE - .4" X 1" X 39.4" - CONCERT CHERRY |
| 3A  | M09565-76-WH5 | EA  | MOLDING - TRIM/VEE - .4" X 1" X 39.4" - WASHED MAPLE   |
| 3A  | M09565-76-WH6 | EA  | MOLDING - TRIM/VEE - .4" X 1" X 39.4" - SIERRA MAPLE   |
| 3A  | M09565-47-WH4 | EA  | MOLDING - TRIM/VEE - .4" X 1" X 38.9" - CONCERT CHERRY |
| 3A  | M09565-47-WH5 | EA  | MOLDING - TRIM/VEE - .4" X 1" X 38.9" - WASHED MAPLE   |
| 3A  | M09565-47-WH6 | EA  | MOLDING - TRIM/VEE - .4" X 1" X 38.9" - SIERRA MAPLE   |
| 3A  | M09553-27-WH4 | EA  | MOLDING - TRIM/VEE - .4" X 1" X 38.8" - CONCERT CHERRY |
| 3A  | M09553-27-WH5 | EA  | MOLDING - TRIM/VEE - .4" X 1" X 38.8" - WASHED MAPLE   |
| 3A  | M09553-27-WH6 | EA  | MOLDING - TRIM/VEE - .4" X 1" X 38.8" - SIERRA MAPLE   |
| 3A  | M09568-77-WH4 | EA  | MOLDING - TRIM/VEE - .4" X 1" X 37.5" - CONCERT CHERRY |
| 3A  | M09568-77-WH5 | EA  | MOLDING - TRIM/VEE - .4" X 1" X 37.5" - WASHED MAPLE   |
| 3A  | M09568-77-WH6 | EA  | MOLDING - TRIM/VEE - .4" X 1" X 37.5" - SIERRA MAPLE   |
| 3A  | M09553-23-WH4 | EA  | MOLDING - TRIM/VEE - .4" X 1" X 37" - CONCERT CHERRY   |
| 3A  | M09553-23-WH5 | EA  | MOLDING - TRIM/VEE - .4" X 1" X 37" - WASHED MAPLE     |
| 3A  | M09553-23-WH6 | EA  | MOLDING - TRIM/VEE - .4" X 1" X 37" - SIERRA MAPLE     |
| 3A  | M09553-47-WB4 | EA  | MOLDING - TRIM/VEE - .4" X 1" X 35.9" - CONCERT CHERRY |
| 3A  | M09553-47-WB5 | EA  | MOLDING - TRIM/VEE - .4" X 1" X 35.9" - WASHED MAPLE   |
| 3A  | M09553-47-WB6 | EA  | MOLDING - TRIM/VEE - .4" X 1" X 35.9" - SIERRA MAPLE   |
| 3A  | M09553-47-W66 | EA  | MOLDING - TRIM/VEE - .4" X 1" X 35.9" - HONEY CHERRY   |
| 3A  | M09568-48-U67 | EA  | MOLDING - TRIM/VEE - .4" X 1" X 35.4" - WASHED MAPLE   |
| 3A  | M09568-48-U68 | EA  | MOLDING - TRIM/VEE - .4" X 1" X 35.4" - SIERRA MAPLE   |
| 3A  | M09553-63-WH4 | EA  | MOLDING - TRIM/VEE - .4" X 1" X 35.1" - CONCERT CHERRY |
| 3A  | M09553-63-WH5 | EA  | MOLDING - TRIM/VEE - .4" X 1" X 35.1" - WASHED MAPLE   |
| 3A  | M09553-63-WH6 | EA  | MOLDING - TRIM/VEE - .4" X 1" X 35.1" - SIERRA MAPLE   |
| 3A  | M09553-63-W51 | EA  | MOLDING - TRIM/VEE - .4" X 1" X 35.1" - HONEY CHERRY   |
| 3A  | M09565-94-WH4 | EA  | MOLDING - TRIM/VEE - .4" X 1" X 34.4" - CONCERT CHERRY |
| 3A  | M09565-94-WH5 | EA  | MOLDING - TRIM/VEE - .4" X 1" X 34.4" - WASHED MAPLE   |
| 3A  | M09565-94-WH6 | EA  | MOLDING - TRIM/VEE - .4" X 1" X 34.4" - SIERRA MAPLE   |
| 3A  | M09553-04-WH4 | EA  | MOLDING - TRIM/VEE - .4" X 1" X 34.2" - CONCERT CHERRY |
| 3A  | M09553-04-WH5 | EA  | MOLDING - TRIM/VEE - .4" X 1" X 34.2" - WASHED MAPLE   |
| 3A  | M09553-04-WH6 | EA  | MOLDING - TRIM/VEE - .4" X 1" X 34.2" - SIERRA MAPLE   |
| 3A  | M09566-02-U68 | EA  | MOLDING - TRIM/VEE - .4" X 1" X 32.7" - SIERRA MAPLE   |
| 3A  | M09566-02-W51 | EA  | MOLDING - TRIM/VEE - .4" X 1" X 32.7" - HONEY CHERRY   |
| 3A  | M09566-02-W52 | EA  | MOLDING - TRIM/VEE - .4" X 1" X 32.7" - WASHED MAPLE   |
| 3A  | M09511-86-T77 | EA  | MOLDING - TRIM/VEE - .4" X 1" X 28.3" - PORTSMOUTH OAK |
| 3A  | M09511-86-T78 | EA  | MOLDING - TRIM/VEE - .4" X 1" X 28.3" - CONCERT CHERRY |
| 3A  | M09511-86-T79 | EA  | MOLDING - TRIM/VEE - .4" X 1" X 28.3" - WASHED MAPLE   |
| 3A  | M09511-86-T80 | EA  | MOLDING - TRIM/VEE - .4" X 1" X 28.3" - SIERRA MAPLE   |
| 3A  | M09553-61-WH4 | EA  | MOLDING - TRIM/VEE - .4" X 1" X 19.9" - CONCERT CHERRY |
| 3A  | M09553-61-WH5 | EA  | MOLDING - TRIM/VEE - .4" X 1" X 19.9" - WASHED MAPLE   |
| 3A  | M09553-61-WH6 | EA  | MOLDING - TRIM/VEE - .4" X 1" X 19.9" - SIERRA MAPLE   |
| 3A  | M09565-71-WH4 | EA  | MOLDING - TRIM/VEE - .4" X 1" X 11.4" - CONCERT CHERRY |
| 3A  | M09565-71-WH5 | EA  | MOLDING - TRIM/VEE - .4" X 1" X 11.4" - WASHED MAPLE   |
| 3A  | M09565-71-WH6 | EA  | MOLDING - TRIM/VEE - .4" X 1" X 11.4" - SIERRA MAPLE   |

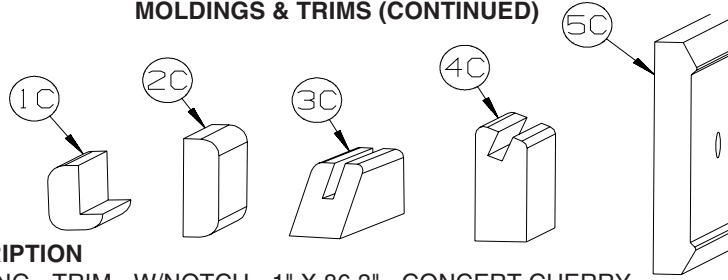
**INTERIOR FINISH GROUP (CONTINUED)  
MOLDINGS & TRIMS (CONTINUED)**

| KEY | PART NUMBER   | U/M | DESCRIPTION   |
|-----|---------------|-----|---|
| 3A  | M09583-42-WH4 | EA  | MOLDING - TRIM/VEE - .4" X 1" X 8.3" - CONCERT CHERRY |
| 3A  | M09583-42-WH5 | EA  | MOLDING - TRIM/VEE - .4" X 1" X 8.3" - WASHED MAPLE   |
| 3A  | M09583-42-WH6 | EA  | MOLDING - TRIM/VEE - .4" X 1" X 8.3" - SIERRA MAPLE   |
| 3A  | M09544-55-WB4 | EA  | MOLDING - TRIM/VEE - .4" X 1" X 6.5" - CONCERT CHERRY |
| 3A  | M09544-55-WB5 | EA  | MOLDING - TRIM/VEE - .4" X 1" X 6.5" - WASHED MAPLE   |
| 3A  | M09544-55-WB6 | EA  | MOLDING - TRIM/VEE - .4" X 1" X 6.5" - SIERRA MAPLE   |
| 3A  | M09544-56-WB4 | EA  | MOLDING - TRIM/VEE - .4" X 1" X 6.1" - CONCERT CHERRY |
| 3A  | M09544-56-WB5 | EA  | MOLDING - TRIM/VEE - .4" X 1" X 6.1" - WASHED MAPLE   |
| 3A  | M09544-56-WB6 | EA  | MOLDING - TRIM/VEE - .4" X 1" X 6.1" - SIERRA MAPLE   |
| 3A  | M09538-70-U68 | EA  | MOLDING - TRIM/VEE - .4" X 1" X 63.9" - SIERRA MAPLE  |
| 3A  | M09538-70-U67 | EA  | MOLDING - TRIM/VEE - .4" X 1" X 63.9" - WASHED MAPLE  |



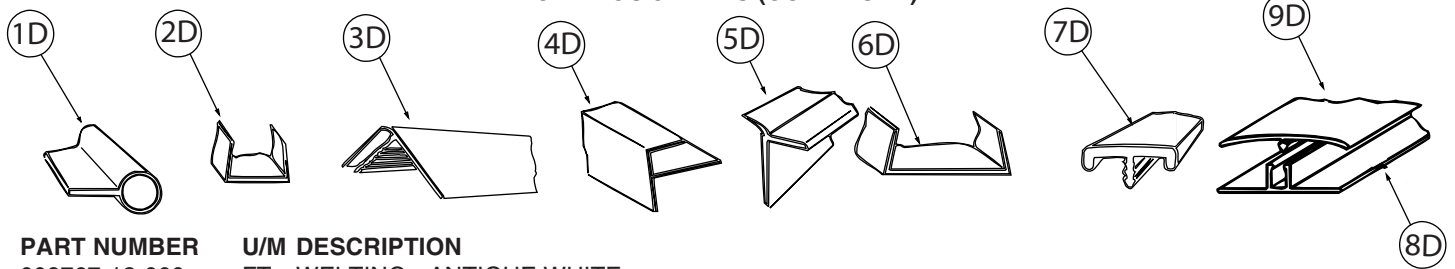
| KEY | PART NUMBER   | U/M | DESCRIPTION  |
|-----|---------------|-----|--|
| 1B  | M09501-84-TG0 | EA  | MOLDING/TRIM - CAP/WALL - 2.2" X 85.9" - PORTSMOUTH OAK    |
| 1B  | M09501-84-TG1 | EA  | MOLDING/TRIM - CAP/WALL - 2.2" X 85.9" - CONCERT CHERRY    |
| 1B  | M09501-84-TG2 | EA  | MOLDING/TRIM - CAP/WALL - 2.2" X 85.9" - WASHED MAPLE      |
| 1B  | M09501-84-TG3 | EA  | MOLDING/TRIM - CAP/WALL - 2.2" X 85.9" - HONEY CHERRY      |
| 1B  | M09520-04-TD3 | EA  | MOLDING/TRIM - CAP/WALL - 2.2" X 80.5" - SIERRA MAPLE      |
| 2B  | M09511-81-TA0 | EA  | MOLDING/TRIM - L SHAPE - .8"X .8"X 80.2" - PORTSMOUTH OAK  |
| 2B  | M09511-81-TA1 | EA  | MOLDING/TRIM - L SHAPE - .8"X .8"X 80.2" - CONCERT CHERRY  |
| 2B  | M09511-81-TA2 | EA  | MOLDING/TRIM - L SHAPE - .8"X .8"X 80.2" - WASHED MAPLE    |
| 2B  | M09511-81-TA3 | EA  | MOLDING/TRIM - L SHAPE - .8"X .8"X 80.2" - SIERRA MAPLE    |
| 3B  | M09515-81-T01 | EA  | MOLDING/HARDWOOD STRAIGHT - 74.3" - WASHED MAPLE           |
| 3B  | M09515-81-T02 | EA  | MOLDING/HARDWOOD STRAIGHT - 74.3" - HONEY CHERRY           |
| 4B  | M09511-42-T77 | EA  | MOLDING - TRIM - W/NOTCH - 1.5" X 86.4" - PORTSMOUTH OAK   |
| 4B  | M09511-42-T78 | EA  | MOLDING - TRIM - W/NOTCH - 1.5" X 86.4" - CONCERT CHERRY   |
| 4B  | M09511-42-T79 | EA  | MOLDING - TRIM - W/NOTCH - 1.5" X 86.4" - WASHED MAPLE     |
| 4B  | M09511-42-T80 | EA  | MOLDING - TRIM - W/NOTCH - 1.5" X 86.4" - SIERRA MAPLE     |
| 4B  | M09511-42-W66 | EA  | MOLDING - TRIM - W/NOTCH - 1.5" X 86.4" - HONEY CHERRY     |
| 5B  | M09515-18-T77 | EA  | MOLDING - HARDWOOD-W/NOTCH - 1.4"X 86.2" - PORTSMOUTH OAK  |
| 5B  | M09515-18-T78 | EA  | MOLDING - HARDWOOD-W/NOTCH - 1.4"X 86.2" - CONCERT CHERRY  |
| 5B  | M09553-66-U22 | EA  | MOLDING - HARDWOOD-W/NOTCH - 1.4"X 96" - WASHED MAPLE      |
| 5B  | M09515-18-T80 | EA  | MOLDING - HARDWOOD-W/NOTCH - 1.4"X 86.2" - SIERRA MAPLE    |
| 5B  | M09553-66-U21 | EA  | MOLDING - HARDWOOD-W/NOTCH - 1.4"X 96" - HONEY CHERRY      |
| 6B  | M09515-53-TG0 | EA  | MOLDING - TRIM/VEE - 1.5" X 73.9" - PORTSMOUTH OAK         |
| 6B  | M09525-81-UJ1 | EA  | MOLDING - TRIM/VEE - 1.5" X 74.7" - CONCERT CHERRY         |
| 6B  | M09525-81-UJ2 | EA  | MOLDING - TRIM/VEE - 1.5" X 74.7" - WASHED MAPLE           |
| 6B  | M09552-81-UJ3 | EA  | MOLDING - TRIM/VEE - 1.5" X 74.7" - HONEY CHERRY           |
| 6B  | M09553-53-WH6 | EA  | MOLDING - TRIM/VEE - NOTCHED - 1.5" X 20.6" - SIERRA MAPLE |
| 7B  | Y00076-32-438 | EA  | MOLDING/TRIM - .5" X 1" X 96" - CHERRY (UNSTAINED)         |
| 7B  | Y00076-22-438 | EA  | MOLDING/TRIM - .5" X 1" X 96" - MAPLE (UNSTAINED)          |
| 8B  | M09525-92-T77 | EA  | MOLDING/TRIM - .5" X 1" X 75.6" - PORTSMOUTH OAK           |
| 8B  | M09525-92-T78 | EA  | MOLDING/TRIM - .5" X 1" X 75.6" - CONCERT CHERRY           |
| 8B  | M09525-92-T79 | EA  | MOLDING/TRIM - .5" X 1" X 75.6" - WASHED MAPLE             |
| 8B  | M09525-92-T80 | EA  | MOLDING/TRIM - .5" X 1" X 75.6" - SIERRA MAPLE             |
| 8B  | Y00086-72-438 | EA  | MOLDING - VINYL WRAP - .7" X 1.6" X 96" - PORTSMOUTH OAK   |
| 8B  | Y00086-D2-438 | EA  | MOLDING - VINYL WRAP - .7" X 1.6" X 96" - CONCERT CHERRY   |
| 8B  | Y00086-A2-438 | EA  | MOLDING - VINYL WRAP - .7" X 1.6" X 96" - WASHED MAPLE     |
| 8B  | Y00086-92-438 | EA  | MOLDING - VINYL WRAP - .7" X 1.6" X 96" - SIERRA MAPLE     |
| 8B  | Y00086-82-438 | EA  | MOLDING - VINYL WRAP - .7" X 1.6" X 96" - HONEY CHERRY     |
| 8B  | Y00087-72-438 | EA  | MOLDING - VINYL WRAP - .7" X 2.9" X 96" - PORTSMOUTH OAK   |
| 8B  | Y00087-D2-438 | EA  | MOLDING - VINYL WRAP - .7" X 2.9" X 96" - CONCERT CHERRY   |
| 8B  | Y00087-A2-438 | EA  | MOLDING - VINYL WRAP - .7" X 2.9" X 96" - WASHED MAPLE     |
| 8B  | Y00087-92-438 | EA  | MOLDING - VINYL WRAP - .7" X 2.9" X 96" - SIERRA MAPLE     |
| 8B  | Y00087-82-438 | EA  | MOLDING - VINYL WRAP - .7" X 2.9" X 96" - HONEY CHERRY     |

**INTERIOR FINISH GROUP (CONTINUED)**  
**MOLDINGS & TRIMS (CONTINUED)**



| KEY | PART NUMBER   | U/M | DESCRIPTION   |
|-----|---------------|-----|---|
| 1C  | M09520-19-TD1 | EA  | MOLDING - TRIM - W/NOTCH - 1" X 86.3" - CONCERT CHERRY        |
| 1C  | M09520-19-TD2 | EA  | MOLDING - TRIM - W/NOTCH - 1" X 86.3" - WASHED MAPLE          |
| 1C  | M09520-19-TD3 | EA  | MOLDING - TRIM - W/NOTCH - 1" X 86.3" - HONEY CHERRY          |
| 1C  | M09565-68-WH4 | EA  | MOLDING - HARDWOOD - .75" X 1.4" X 81.9" - CONCERT CHERRY     |
| 1C  | M09565-68-WH5 | EA  | MOLDING - HARDWOOD - .75" X 1.4" X 81.9" - WASHED MAPLE       |
| 1C  | M09565-68-WH6 | EA  | MOLDING - HARDWOOD - .75" X 1.4" X 81.9" - SIERRA MAPLE       |
| 2C  | M09511-46-T77 | EA  | MOLDING/TRIM - .5" X 1.5" X 86.5" - PORTSMOUTH OAK            |
| 2C  | M09511-46-T78 | EA  | MOLDING/TRIM - .5" X 1.5" X 86.5" - CONCERT CHERRY            |
| 2C  | M09511-46-T79 | EA  | MOLDING/TRIM - .5" X 1.5" X 86.5" - WASHED MAPLE              |
| 2C  | M09511-46-T80 | EA  | MOLDING/TRIM - .5" X 1.5" X 86.5" - SIERRA MAPLE              |
| 3C  | Y00223-22-438 | EA  | MOLDING - HARDWOOD/MAPLE - .7" X 1" X 96" - UNSTAINED MAPLE   |
| 3C  | Y00223-32-438 | EA  | MOLDING - HARDWOOD/CHERRY - .7" X 1" X 96" - UNSTAINED CHERRY |
| 3C  | Y00223-42-438 | EA  | MOLDING - HARDWOOD/CHERRY - .7" X 1" X 96" - UNSTAINED OAK    |
| 4C  | Y00054-A2-438 | EA  | MOLDING - VINYL - W/SLOT - .7"X 1.9"X 96" - WASHED MAPLE      |
| 4C  | Y00054-D2-438 | EA  | MOLDING - VINYL - W/SLOT - .7"X 1.9"X 96" - CONCERT CHERRY    |
| 4C  | Y00054-22-438 | EA  | MOLDING - VINYL - W/SLOT - .7"X 1.9"X 96" - WASHED MAPLE      |
| 4C  | Y00054-72-438 | EA  | MOLDING - VINYL - W/SLOT - .7"X 1.9"X 96" - PORTSMOUTH OAK    |
| 4C  | Y00054-82-438 | EA  | MOLDING - VINYL - W/SLOT - .7"X 1.9"X 96" - HONEY CHERRY      |
| 4C  | Y00054-92-438 | EA  | MOLDING - VINYL - W/SLOT - .7"X 1.9"X 96" - SIERRA MAPLE      |
| 4C  | Y00276-A2-438 | EA  | MOLDING - VINYL - W/SLOT - .7"X 1.9"X 96" - WASHED MAPLE      |
| 4C  | Y00276-D2-438 | EA  | MOLDING - VINYL - W/SLOT - .7"X 1.9"X 96" - CONCERT CHERRY    |
| 4C  | Y00276-72-438 | EA  | MOLDING - VINYL - W/SLOT - .7"X 1.9"X 96" - PORTSMOUTH OAK    |
| 4C  | Y00276-82-438 | EA  | MOLDING - VINYL - W/SLOT - .7"X 1.9"X 96" - HONEY CHERRY      |
| 4C  | Y00276-92-438 | EA  | MOLDING - VINYL - W/SLOT - .7"X 1.9"X 96" - SIERRA MAPLE      |
| 5C  | Y00152-A2-438 | EA  | MOLDING/TRIM - VINYL - .6" X 3.5" X 96" - WASHED MAPLE        |
| 5C  | Y00152-D2-438 | EA  | MOLDING/TRIM - VINYL - .6" X 3.5" X 96" - CONCERT CHERRY      |
| 5C  | Y00152-22-438 | EA  | MOLDING/TRIM - VINYL - .6" X 3.5" X 96" - WASHED MAPLE        |
| 5C  | Y00152-72-438 | EA  | MOLDING/TRIM - VINYL - .6" X 3.5" X 96" - PORTSMOUTH OAK      |
| 5C  | Y00152-92-438 | EA  | MOLDING/TRIM - VINYL - .6" X 3.5" X 96" - SIERRA MAPLE        |

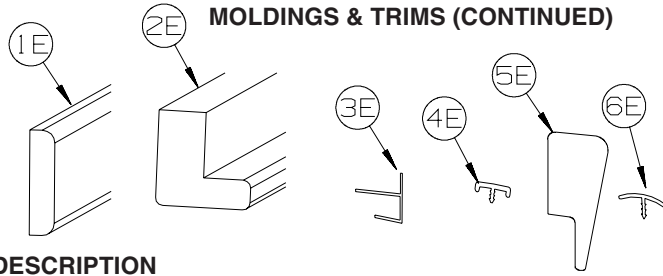
**INTERIOR FINISH GROUP (CONTINUED)**  
**MOLDINGS & TRIMS (CONTINUED)**



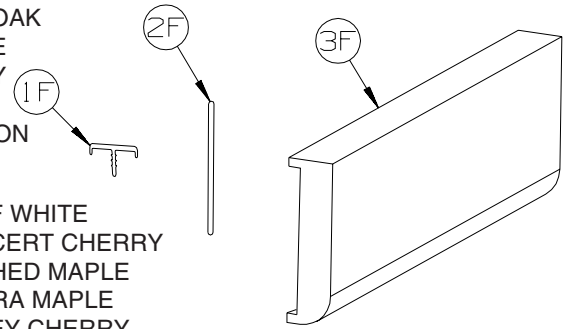
| KEY | PART NUMBER   | U/M | DESCRIPTION   |
|-----|---------------|-----|---|
| 1D  | 009767-12-000 | FT  | WELTING - ANTIQUE WHITE                                   |
| 2D  | 009778-25-000 | FT  | U-CHANNEL - 1" - BEIGE ILLUSION                           |
| 2D  | 009778-26-000 | FT  | U-CHANNEL - 1 1/4" - BEIGE ILLUSION                       |
| 2D  | 009778-38-000 | FT  | U-CHANNEL - 1" - BONE                                     |
| 2D  | 009778-32-000 | FT  | U-CHANNEL - 1" - PORTSMOUTH OAK                           |
| 2D  | 009778-34-000 | FT  | U-CHANNEL - 1" - CONCERT CHERRY                           |
| 2D  | 009778-27-000 | FT  | U-CHANNEL - 1" - WASHED MAPLE                             |
| 2D  | 009778-35-000 | FT  | U-CHANNEL - 1" - HONEY CHERRY                             |
| 2D  | 009778-36-000 | FT  | U-CHANNEL - 1" - SIERRA MAPLE                             |
| 3D  | 009809-30-000 | EA  | MOLDING - CORNER - OUTSIDE - 1" X 84" - BEIGE ILLUSION    |
| 3D  | 009809-37-000 | EA  | MOLDING - CORNER - OUTSIDE - 1" X 84" - BONE              |
| 3D  | 009809-33-000 | EA  | MOLDING - CORNER - OUTSIDE - 1" X 84" - CONCERT CHERRY    |
| 3D  | 009809-31-000 | EA  | MOLDING - CORNER - OUTSIDE - 1" X 84" - WASHED MAPLE      |
| 3D  | 009809-35-000 | EA  | MOLDING - CORNER - OUTSIDE - 1" X 84" - SIERRA MAPLE      |
| 4D  | 009812-31-000 | EA  | MOLDING - CORNER - 1/2" W/1/4"CHAN X 84" - BEIGE ILLUSION |
| 4D  | 009812-40-000 | EA  | MOLDING - CORNER - 1/2" W/1/4"CHAN X 84" - BONE           |
| 4D  | 009812-35-000 | EA  | MOLDING - CORNER - 1/2" W/1/4"CHAN X 84" - PORTSMOUTH OAK |
| 4D  | 009812-36-000 | EA  | MOLDING - CORNER - 1/2" W/1/4"CHAN X 84" - CONCERT CHERRY |
| 4D  | 009812-33-000 | EA  | MOLDING - CORNER - 1/2" W/1/4"CHAN X 84" - WASHED MAPLE   |
| 4D  | 009812-37-000 | EA  | MOLDING - CORNER - 1/2" W/1/4"CHAN X 84" - HONEY CHERRY   |
| 4D  | 009812-38-000 | EA  | MOLDING - CORNER - 1/2" W/1/4"CHAN X 84" - SIERRA MAPLE   |
| 5D  | 022992-11-000 | FT  | MOLDING - REVERSE COVE - T-SHAPED - IVORY                 |
| 5D  | 022992-14-000 | FT  | MOLDING - REVERSE COVE - T-SHAPED - BRIGHT WHITE          |
| 5D  | 022992-18-000 | FT  | MOLDING - REVERSE COVE - T-SHAPED - BONE                  |
| 6D  | 070504-42-000 | FT  | U-CHANNEL - PLASTIC - .13" X 84" - BEIGE ILLUSION         |
| 6D  | 070504-43-000 | FT  | U-CHANNEL - PLASTIC - .9" X 96" - BEIGE ILLUSION          |
| 6D  | 070504-69-000 | FT  | U-CHANNEL - PLASTIC - .13" X 84" - BONE                   |
| 6D  | 070504-70-000 | FT  | U-CHANNEL - PLASTIC - .8" X 84" - BONE                    |
| 6D  | 070504-57-000 | FT  | U-CHANNEL - PLASTIC - .13" X 96" - PORTSMOUTH OAK         |
| 6D  | 070504-58-000 | FT  | U-CHANNEL - PLASTIC - .9" X 96" - PORTSMOUTH OAK          |
| 6D  | 070504-60-000 | FT  | U-CHANNEL - PLASTIC - .13" X 84" - CONCERT CHERRY         |
| 6D  | 070504-61-000 | FT  | U-CHANNEL - PLASTIC - .9" X 84" - CONCERT CHERRY          |
| 6D  | 070504-50-000 | FT  | U-CHANNEL - PLASTIC - .13" X 96" - WASHED MAPLE           |
| 6D  | 070504-51-000 | FT  | U-CHANNEL - PLASTIC - .9" X 96" - WASHED MAPLE            |
| 6D  | 070504-62-000 | FT  | U-CHANNEL - PLASTIC - 1.65" X 84" - HONEY CHERRY          |
| 6D  | 070504-63-000 | FT  | U-CHANNEL - PLASTIC - .9" X 84" - HONEY CHERRY            |
| 6D  | 070504-65-000 | FT  | U-CHANNEL - PLASTIC - .07" X 96" - SIERRA MAPLE           |
| 6D  | 070504-66-000 | FT  | U-CHANNEL - PLASTIC - .8" X 84" - SIERRA MAPLE            |
| 7D  | 083620-25-000 | FT  | MOLDING-T - W/EDGE LIP - 7/8" FACE - BONE                 |
| 7D  | 083620-20-000 | FT  | MOLDING-T - W/EDGE LIP - 7/8" FACE - PORTSMOUTH OAK       |
| 7D  | 083620-19-000 | FT  | MOLDING-T - W/EDGE LIP - 7/8" FACE - WASHED MAPLE         |
| 7D  | 083620-24-000 | FT  | MOLDING-T - W/EDGE LIP - 7/8" FACE - HONEY CHERRY         |
| 7D  | 083620-22-000 | FT  | MOLDING-T - W/EDGE LIP - 7/8" FACE - SIERRA MAPLE         |
| 8D  | 086229-01-000 | EA  | RETAINER - BATTEN - .75" X 92.1" - ANY COLOR              |
| 9D  | 086229-12-000 | EA  | BATTEN - 1.5" OFFSET X 96.8" - MODERN IVORY               |
| 9D  | 086229-20-000 | EA  | BATTEN - 1" X 96" - BEIGE                                 |

# INTERIOR FINISH GROUP (CONTINUED)

## MOLDINGS & TRIMS (CONTINUED)



| KEY | PART NUMBER   | U/M | DESCRIPTION   |
|-----|---------------|-----|---|
| 1E  | 100818-01-12A | EA  | MOLDING - VINYL WRAPPED - 1.6" X .4" X 84" - PORTSMOUTH OAK   |
| 1E  | 100818-01-23A | EA  | MOLDING - VINYL WRPPD - 1.6" X .4" X 84" - CONCERT CHERRY     |
| 1E  | 100818-01-21A | EA  | MOLDING - VINYL WRAPPED - 1.6" X .4" X 84" - WASHED MAPLE     |
| 1E  | 100818-01-14A | EA  | MOLDING - VINYL WRAPPED - 1.6" X .4" X 84" - HONEY CHERRY     |
| 1E  | 100818-01-22A | EA  | MOLDING - VINYL WRAPPED - 1.6" X .4" X 84" - SIERRA MAPLE     |
| 2E  | 100819-01-23A | EA  | MOLDING - VYL WRPPD-L-SHPD-1.5"X1.5"X84" - CONCERT CHERRY     |
| 2E  | 100819-01-21A | EA  | MOLDING - VINYL WRAPPED-L-SHAPED-1.5"X1.5"X84" - WASHED MAPLE |
| 2E  | 100819-01-14A | EA  | MOLDING - VINYL WRAPPED-L-SHAPED-1.5"X1.5"X84" - HONEY CHERRY |
| 2E  | 100819-01-22A | EA  | MOLDING - VINYL WRAPPED-L-SHAPED-1.5"X1.5"X84" - SIERRA MAPLE |
| 3E  | 103186-01-07A | FT  | MOLDING/PLASTIC - 3/8" U-CHANNEL-3/4" FACE - BEIGE ILLUSION   |
| 3E  | 103186-01-09A | FT  | MOLDING/PLASTIC - 3/8" U-CHANNEL-3/4" FACE - PORTSMOUTH OAK   |
| 3E  | 103186-01-10A | FT  | MOLDING/PLASTIC - 3/8" U-CHANNEL-3/4" FACE - CONCERT CHERRY   |
| 3E  | 103186-01-08A | FT  | MOLDING/PLASTIC - 3/8" U-CHANNEL-3/4" FACE- 8' - WASHED MAPLE |
| 3E  | 103186-01-11A | FT  | MOLDING/PLASTIC - 3/8" U-CHANNEL-3/4" FACE - HONEY CHERRY     |
| 3E  | 103186-01-12A | FT  | MOLDING/PLASTIC - 3/8" U-CHANNEL-3/4" FACE - SIERRA MAPLE     |
| 3E  | 103186-02-07A | FT  | MOLDING/PLASTIC-1" U-CHANNEL-1 3/8" FACE - BEIGE ILLUSION     |
| 3E  | 103186-02-09A | FT  | MOLDING/PLASTIC - 1" U-CHANNEL-1 3/8" FACE - PORTSMOUTH OAK   |
| 3E  | 103186-02-10A | FT  | MOLDING/PLASTIC - 1" U-CHANNEL-1 3/8" FACE - CONCERT CHERRY   |
| 3E  | 103186-02-08A | FT  | MOLDING/PLASTIC - 1" U-CHANNEL-1 3/8" FACE - WASHED MAPLE     |
| 3E  | 103186-02-11A | FT  | MOLDING/PLASTIC - 1" U-CHANNEL-1 3/8" FACE - HONEY CHERRY     |
| 3E  | 103186-02-12A | FT  | MOLDING/PLASTIC - 1" U-CHANNEL-1 3/8" FACE - SIERRA MAPLE     |
| 4E  | 104676-02-08A | FT  | MOLDING-T - W/EDGE LIP - 11/16" FACE - PORTSMOUTH OAK         |
| 4E  | 104676-02-12A | FT  | MOLDING-T - W/EDGE LIP - 11/16" FACE - SIERRA MAPLE           |
| 5E  | 105004-01-12A | EA  | MOLDING - VINYL WRAP - 1" X 96" - PORTSMOUTH OAK              |
| 5E  | 105004-01-21A | EA  | MOLDING - VINYL WRAP - 1" X 96" - WASHED MAPLE                |
| 5E  | 105004-01-24A | EA  | MOLDING - VINYL WRAP - 1" X 96" - HONEY CHERRY                |
| 5E  | 105004-01-22A | EA  | MOLDING - VINYL WRAP - 1" X 96" - SIERRA MAPLE                |
| 6E  | 105709-02-000 | FT  | MOLDING-T - W/EDGE LIP 3/4" FACE - BEIGE ILLUSION             |



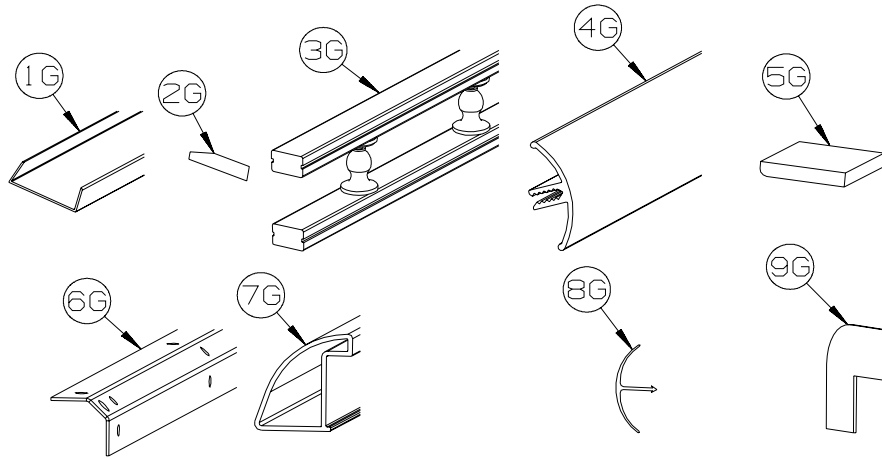
| KEY | PART NUMBER   | U/M | DESCRIPTION  |
|-----|---------------|-----|--|
| 1F  | 119520-01-01A | FT  | MOLDING-T - OFFSET W/EDGE LIP - 1.3" FACE - OFF WHITE        |
| 1F  | 119520-03-02A | FT  | MOLDING-T - OFFSET W/EDGE LIP - 1" FACE - CONCERT CHERRY     |
| 1F  | 119520-03-03A | FT  | MOLDING-T - OFFSET W/EDGE LIP - 1" FACE - WASHED MAPLE       |
| 1F  | 119520-03-05A | FT  | MOLDING-T - OFFSET W/EDGE LIP - 1" FACE - SIERRA MAPLE       |
| 1F  | 119520-03-06A | FT  | MOLDING-T - OFFSET W/EDGE LIP - 1" FACE - HONEY CHERRY       |
| 2F  | 127842-01-01A | FT  | SEAL - SIGHT SHIELD - 2" BLACK                               |
|     | 160300-A2-438 | EA  | LUMBER - VINYL WRAPPED - .7" X .75" X 96" - CONCERT CHERRY   |
|     | 160300-D2-438 | EA  | LUMBER - VINYL WRAPPED - .7" X 1.5" X 96" - CONCERT CHERRY   |
|     | 160300-E2-438 | EA  | LUMBER - VINYL WRAPPED - .7" X 2" X 96" - CONCERT CHERRY     |
|     | 160300-F2-438 | EA  | LUMBER - VINYL WRAPPED - .7" X 2.5" X 96" - CONCERT CHERRY   |
|     | 160300-G2-438 | EA  | LUMBER - VINYL WRAPPED - .7" X 3" X 96" - CONCERT CHERRY     |
|     | 160300-H2-438 | EA  | LUMBER - VINYL WRAPPED - .7" X 3.5" X 96" - CONCERT CHERRY   |
|     | 160300-J2-438 | EA  | LUMBER - VINYL WRAPPED - .7" X 5.5" X 96" - CONCERT CHERRY   |
|     | 160300-K2-438 | EA  | LUMBER - VINYL WRAPPED - .7" X 3.9" X 96" - CONCERT CHERRY   |
|     | 160300-R2-438 | EA  | LUMBER - VINYL WRAPPED - .7" X 3" X 96" - CONCERT CHERRY     |
| 3F  | 160301-D2-134 | EA  | MOLDING - VINYL WRAPPED - .7" X 1.6" X 84" - CONCERT CHERRY  |
| 3F  | 160301-D2-743 | EA  | MOLDING - VINYL WRAPPED - .7" X 1.6" X 108" - CONCERT CHERRY |
| 3F  | 160301-F2-134 | EA  | MOLDING - VINYL WRAPPED - .7" X 2.5" X 84" - CONCERT CHERRY  |
| 3F  | 160301-F2-743 | EA  | MOLDING - VINYL WRPPD - .7" X 2.5" X 108" - CONCERT CHERRY   |
| 3F  | 160301-F2-438 | EA  | MOLDING - VINYL WRPPD - .7" X 2.5" X 96" - CONCERT CHERRY    |
|     | 137894-A2-438 | EA  | LUMBER - VINYL WRAPPED - .7" X .75" X 96" - PORTSMOUTH OAK   |
|     | 137894-D2-438 | EA  | LUMBER - VINYL WRAPPED - .7" X 1.5" X 96" - PORTSMOUTH OAK   |
|     | 137894-E2-438 | EA  | LUMBER - VINYL WRAPPED - .7" X 2" X 96" - PORTSMOUTH OAK     |
|     | 137894-F2-438 | EA  | LUMBER - VINYL WRAPPED - .7" X 2.5" X 96" - PORTSMOUTH OAK   |
|     | 137894-G2-438 | EA  | LUMBER - VINYL WRAPPED - .7" X 3" X 96" - PORTSMOUTH OAK     |
|     | 137894-H2-438 | EA  | LUMBER - VINYL WRAPPED - .7" X 3.5" X 96" - PORTSMOUTH OAK   |
|     | 137894-J2-438 | EA  | LUMBER - VINYL WRAPPED - .7" X 5.5" X 96" - PORTSMOUTH OAK   |



**INTERIOR FINISH GROUP (CONTINUED)**  
**MOLDINGS & TRIMS (CONTINUED)**

| KEY | PART NUMBER   | U/M | DESCRIPTION   |
|-----|---------------|-----|---|
|     | 137894-J2-743 | EA  | LUMBER - VINYL WRAPPED - .7" X 5.5" X 108" - PORTSMOUTH OAK   |
|     | 137894-K2-438 | EA  | LUMBER - VINYL WRAPPED - .7" X 3.9" X 96" - PORTSMOUTH OAK    |
|     | 137894-R2-438 | EA  | LUMBER - VINYL WRAPPED - .7" X 3" X 96" - PORTSMOUTH OAK      |
| 3F  | 137895-D2-134 | EA  | MOLDING - VINYL WRAP - .7" X 1.6" X 84" - PORTSMOUTH OAK      |
| 3F  | 137895-D2-743 | EA  | MOLDING - VINYL WRAP - .7" X 1.6" X 108" - PORTSMOUTH OAK     |
| 3F  | 137895-F2-134 | EA  | MOLDING - VINYL WRAP - .7" X 2.5" X 84" - PORTSMOUTH OAK      |
| 3F  | 137895-F2-438 | EA  | MOLDING - VINYL WRAP - .7" X 2.5" X 96" - PORTSMOUTH OAK      |
| 3F  | 137895-F2-743 | EA  | MOLDING - VINYL WRAP - .7" X 2.5" X 108" - PORTSMOUTH OAK     |
|     | 146419-A2-438 | EA  | LUMBER - VINYL WRAPPED - .7" X .75" X 96" - HONEY CHERRY      |
|     | 146419-D2-438 | EA  | LUMBER - VINYL WRAPPED - .7" X 1.5" X 96" - HONEY CHERRY      |
|     | 146419-E2-438 | EA  | LUMBER - VINYL WRAPPED - .7" X 2" X 96" - HONEY CHERRY        |
|     | 146419-F2-438 | EA  | LUMBER - VINYL WRAPPED - .7" X 2.5" X 96" - HONEY CHERRY      |
|     | 146419-G2-438 | EA  | LUMBER - VINYL WRAPPED - .7" X 3" X 96" - HONEY CHERRY        |
|     | 146419-H2-438 | EA  | LUMBER - VINYL WRAPPED - .7" X 3.5" X 96" - HONEY CHERRY      |
|     | 146419-J2-438 | EA  | LUMBER - VINYL WRAPPED - .7" X 5.5" X 96" - HONEY CHERRY      |
|     | 146419-J2-743 | EA  | LUMBER - VINYL WRAPPED - .7" X 5.5" X 108" - HONEY CHERRY     |
|     | 146419-K2-438 | EA  | LUMBER - VINYL WRAPPED - .7" X 3.9" X 96" - HONEY CHERRY      |
|     | 146419-R2-438 | EA  | LUMBER - VINYL WRAPPED - .7" X 3" X 96" - HONEY CHERRY        |
|     | 146419-S2-438 | EA  | LUMBER - VINYL WRAPPED/FULL - .7" X 3.5" X 96" - HONEY CHERRY |
|     | 146419-T2-438 | EA  | LUMBER - VINYL WRAPPED/FULL - .7" X 5.5" X 96" - HONEY CHERRY |
| 3F  | 146425-D2-134 | EA  | MOLDING - VINYL WRAPPED - .7" X 1.6" X 83.9" - HONEY CHERRY   |
| 3F  | 146425-F2-438 | EA  | MOLDING - VINYL WRAPPED - .7" X 2.6" X 96" - HONEY CHERRY     |
|     | 149325-A2-438 | EA  | LUMBER - VINYL WRAPPED - .7" X .75" X 96" - WASHED MAPLE      |
|     | 149325-D2-438 | EA  | LUMBER - VINYL WRAPPED - .7" X 1.5" X 96" - WASHED MAPLE      |
|     | 149325-E2-438 | EA  | LUMBER - VINYL WRAPPED - .7" X 2" X 96" - WASHED MAPLE        |
|     | 149325-F2-438 | EA  | LUMBER - VINYL WRAPPED - .7" X 2.5" X 96" - WASHED MAPLE      |
|     | 149325-G2-438 | EA  | LUMBER - VINYL WRAPPED - .7" X 3" X 96" - WASHED MAPLE        |
|     | 149325-H2-438 | EA  | LUMBER - VINYL WRAPPED - .7" X 3.5" X 96" - WASHED MAPLE      |
|     | 149325-J2-438 | EA  | LUMBER - VINYL WRAPPED - .7" X 5.5" X 96" - WASHED MAPLE      |
|     | 149325-J2-743 | EA  | LUMBER - VINYL WRAPPED - .7" X 5.5" X 108" - WASHED MAPLE     |
|     | 149325-K2-438 | EA  | LUMBER - VINYL WRAPPED - .7" X 3.9" X 96" - WASHED MAPLE      |
|     | 149325-R2-438 | EA  | LUMBER - VINYL WRAPPED - .7" X 3" X 96" - WASHED MAPLE        |
| 3F  | 149326-D2-134 | EA  | MOLDING - VINYL WRAPPED - .7" X 1.5" X 83.9" - WASHED MAPLE   |
| 3F  | 149326-D2-743 | EA  | MOLDING - VINYL WRAPPED - .7" X 1.5" X 108" - WASHED MAPLE    |
| 3F  | 149326-F2-134 | EA  | MOLDING - VINYL WRAPPED - .7" X 2.5" X 83.9" - WASHED MAPLE   |
| 3F  | 149326-F2-438 | EA  | MOLDING - VINYL WRAPPED - .7" X 2.5" X 96" - WASHED MAPLE     |
| 3F  | 149326-F2-743 | EA  | MOLDING - VINYL WRAPPED - .7" X 2.5" X 108" - WASHED MAPLE    |
|     | 149330-A2-438 | EA  | LUMBER - VINYL WRAPPED - .7" X .75" X 96" - SIERRA MAPLE      |
|     | 149330-D2-438 | EA  | LUMBER - VINYL WRAPPED - .7" X 1.5" X 96" - SIERRA MAPLE      |
|     | 149330-E2-438 | EA  | LUMBER - VINYL WRAPPED - .7" X 2" X 96" - SIERRA MAPLE        |
|     | 149330-F2-438 | EA  | LUMBER - VINYL WRAPPED - .7" X 2.5" X 96" - SIERRA MAPLE      |
|     | 149330-G2-438 | EA  | LUMBER - VINYL WRAPPED - .7" X 3" X 96" - SIERRA MAPLE        |
|     | 149330-H2-438 | EA  | LUMBER - VINYL WRAPPED - .7" X 3.5" X 96" - SIERRA MAPLE      |
|     | 149330-J2-438 | EA  | LUMBER - VINYL WRAPPED - .7" X 5.5" X 96" - SIERRA MAPLE      |
|     | 149330-J2-743 | EA  | LUMBER - VINYL WRAPPED - .7" X 5.5" X 108" - SIERRA MAPLE     |
|     | 149330-K2-438 | EA  | LUMBER - VINYL WRAPPED - .7" X 3.9" X 96" - SIERRA MAPLE      |
|     | 149330-R2-438 | EA  | LUMBER - VINYL WRAPPED - .7" X 3" X 96" - SIERRA MAPLE        |
| 3F  | 149331-D2-134 | EA  | MOLDING - VINYL WRAP - .7" X 1.5" X 83.9" - SIERRA MAPLE      |
| 3F  | 149331-D2-743 | EA  | MOLDING - VINYL WRAP - .7" X 1.5" X 108" - SIERRA MAPLE       |
| 3F  | 149331-F2-134 | EA  | MOLDING - VINYL WRAP - .7" X 2.5" X 83.9" - SIERRA MAPLE      |
| 3F  | 149331-F2-438 | EA  | MOLDING - VINYL WRAP - .7" X 2.5" X 96" - SIERRA MAPLE        |
| 3F  | 149331-F2-743 | EA  | MOLDING - VINYL WRAP - .7" X 2.5" X 108" - SIERRA MAPLE       |

**INTERIOR FINISH GROUP (CONTINUED)**  
**MOLDINGS & TRIMS (CONTINUED)**



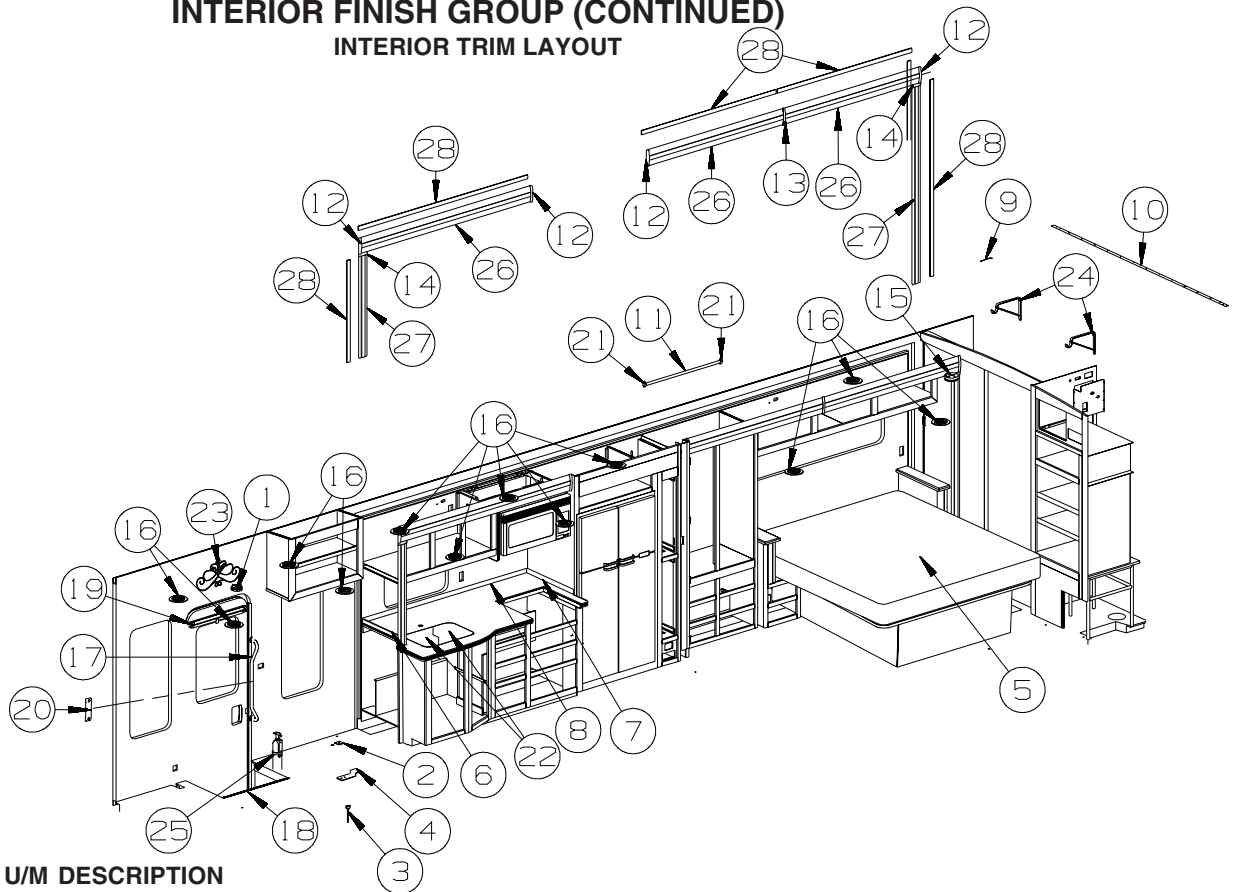
| KEY | PART NUMBER   | U/M | DESCRIPTION  |
|-----|---------------|-----|--|
| 1G  | 141260-01-01A | FT  | U-CHANNEL - 1" - VILLAGE OAK                             |
| 1G  | 141260-01-02A | FT  | U-CHANNEL - 1" - GRADY BROWN                             |
| 2G  | 146306-01-01A | FT  | TRANSITION - CARPET/TILE                                 |
| 3G  | 150167-01-03A | EA  | RAIL - DECORATIVE - 96" - WASHED MAPLE                   |
| 3G  | 150167-01-07A | EA  | RAIL - DECORATIVE - 96" - PORTSMOUTH OAK                 |
| 3G  | 150167-01-08A | EA  | RAIL - DECORATIVE - 96" - HONEY CHERRY                   |
| 3G  | 150167-01-09A | EA  | RAIL - DECORATIVE - 96" - SIERRA MAPLE                   |
| 4G  | 151653-10-02A | EA  | TRIM/RADIUS - CABINET CORNER - 79.6" - DULL METALLIC     |
| 4G  | 151653-13-02A | EA  | TRIM/RADIUS - CABINET CORNER - 79.8" - DULL METALLIC     |
| 5G  | M09568-04-W80 | EA  | MOLDING/TRIM - .3" X 1.5" X 73.6" - SIERRA MAPLE         |
| 5G  | M09568-04-W79 | EA  | MOLDING/TRIM - .3" X 1.5" X 73.6" - WASHED MAPLE         |
| 6G  | 151861-01-02B | EA  | ANGLE - SUPPORT/CORNER - 1.4" X 12.5" - E-COATED         |
| 6G  | 151861-02-02B | EA  | ANGLE - SUPPORT/CORNER - 1.4" X 20.1" - E-COATED         |
| 6G  | 151861-03-02B | EA  | ANGLE - SUPPORT/CORNER - 1.4" X 26.7" - E-COATED         |
| 6G  | 151861-04-02B | EA  | ANGLE - SUPPORT/CORNER - 1.4" X 32.7" - E-COATED         |
| 6G  | 151861-05-02B | EA  | ANGLE - SUPPORT/CORNER - 1.4" X 78.6" - E-COATED         |
| 6G  | 151861-06-02B | EA  | ANGLE - SUPPORT/CORNER - 1.4" X 59" - E-COATED           |
| 6G  | 151861-08-02B | EA  | ANGLE - SUPPORT/CORNER - 1.4" X 22.2" - E-COATED         |
| 6G  | 151861-09-02B | EA  | ANGLE - SUPPORT/CORNER - 1.4" X 14.9" - E-COATED         |
| 7G  | 151893-01-02A | EA  | TRIM/RADIUS - CABINET BOTTOM - 72.6" - DULL METALLIC     |
| 8G  | 156464-01-01A | FT  | MOLDING - CORNER - RADIUS/PLASTIC - 8' - HONEY CHERRY    |
| 8G  | 156464-01-02A | FT  | MOLDING - CORNER - RADIUS/PLASTIC - 8' - WASHED MAPLE    |
| 8G  | 156464-01-05A | FT  | MOLDING - CORNER - RADIUS/PLASTIC - 8' - SIERRA MAPLE    |
| 8G  | 156464-01-06A | FT  | MOLDING - CORNER - RADIUS/PLASTIC - 8' - CONCERT CHERRY  |
| 8G  | 156464-03-03A | FT  | MOLDING - CORNER - RADIUS/PLASTIC - 8' - BONE            |
|     | 081521-02-007 | EA  | MOUNT - METAL MOLDING - F/RADIUS CORNER MOLDING - 151.5" |
| 9G  | 160989-01-06A | FT  | CAP - CORNER - RADIUS MOLDING - PLASTIC - WASHED MAPLE   |
| 9G  | 160989-01-07A | FT  | CAP - CORNER - RADIUS MOLDING - PLASTIC - HONEY CHERRY   |

**INTERIOR FINISH GROUP (CONTINUED)**  
**PANELING & LAMINATES**

| <b>KEY</b> | <b>PART NUMBER</b> | <b>U/M</b> | <b>DESCRIPTION</b>  |
|------------|--------------------|------------|---|
|            | 000885-C3-000      | SF         | PARTICLE BOARD - 3/8" X 4' X 8' - WHITE THATCH EMB-1 SIDED              |
|            | 000885-B1-000      | SF         | PARTICLE BOARD - 3/8" X 4' X 8' - SIERRA MAPLE - 1-SIDED - SIERRA MAPLE |
|            | 000885-B0-000      | SF         | PARTICLE BOARD - 3/8" X 4' X 8' - SIERRA MAPLE - 2-SIDED - SIERRA MAPLE |
|            | 000885-B3-000      | SF         | PARTICLE BOARD - 1/2" X 4' X 8' - SIERRA MAPLE - 2-SIDED - SIERRA MAPLE |
|            | 000885-B2-000      | SF         | PARTICLE BOARD - 3/4" X 4' X 8' - SIERRA MAPLE - 2-SIDED - SIERRA MAPLE |
|            | 074497-48-000      | SF         | PANELING - SIERRA MAPLE - 1/8" X 4' X 8' - SIERRA MAPLE                 |
|            | 074498-B7-000      | SF         | LAMINATE - PLASTIC - HOUSE ROCK - 5' X 8' (WL8)                         |
|            | 074498-B9-000      | SF         | LAMINATE - PLASTIC - SUNSTONE - 5' X 8' (WL9)                           |
|            | 074498-A8-000      | SF         | LAMINATE - PLASTIC - SUEDE/HONEY MAPLE - 5' X 8' - SIERRA MAPLE         |
|            | 076325-83-000      | FT         | MOLDING - EDGE BAND - .93" X .024" - SIERRA MAPLE                       |
|            | 076773-19-000      | SF         | PANELING - 2 SIDED/SIERRA MAPLE - 1/8" X 4' X 8' - SIERRA MAPLE         |
|            | 076773-24-000      | SF         | PANELING - 1 SIDE/SIERRA MAPLE - 1/8" X 4' X 7' - SIERRA MAPLE          |
|            | 079666-03-000      | SF         | PANELING - CLOSET - CEDAR - 4' X 7'                                     |
|            | 085284-F7-000      | FT         | TAPE/STRIP - TRUE GRIP - 1 1/2" WIDE - ADHESIVE BACKED                  |
|            | 085284-J4-000      | FT         | BATT TAPE - ADHESIVE BACKED - DECORATIVE - SIERRA MAPLE                 |
|            | 085284-L7-000      | FT         | BATT TAPE - ADHESIVE BACKED - DECORATIVE - MOROCCO SAND                 |
|            | 085284-L7-000      | FT         | BATT TAPE - ADHESIVE BACKED - DECORATIVE - MOROCCO SAND                 |
|            | 088263-L3-000      | SF         | BATT STRIP - DECORATIVE - MOROCCO SAND                                  |
|            | 088272-M9-000      | SF         | PANELING - WHITE THATCHED - 4' X 8'                                     |
|            | 088272-N8-000      | SF         | PANELING - MOROCCO SAND - 4' X 7.4'                                     |
|            | 154735-19-000      | SF         | PANELING - FLEXIBLE MOROCCO SAND- 4' X 8'                               |

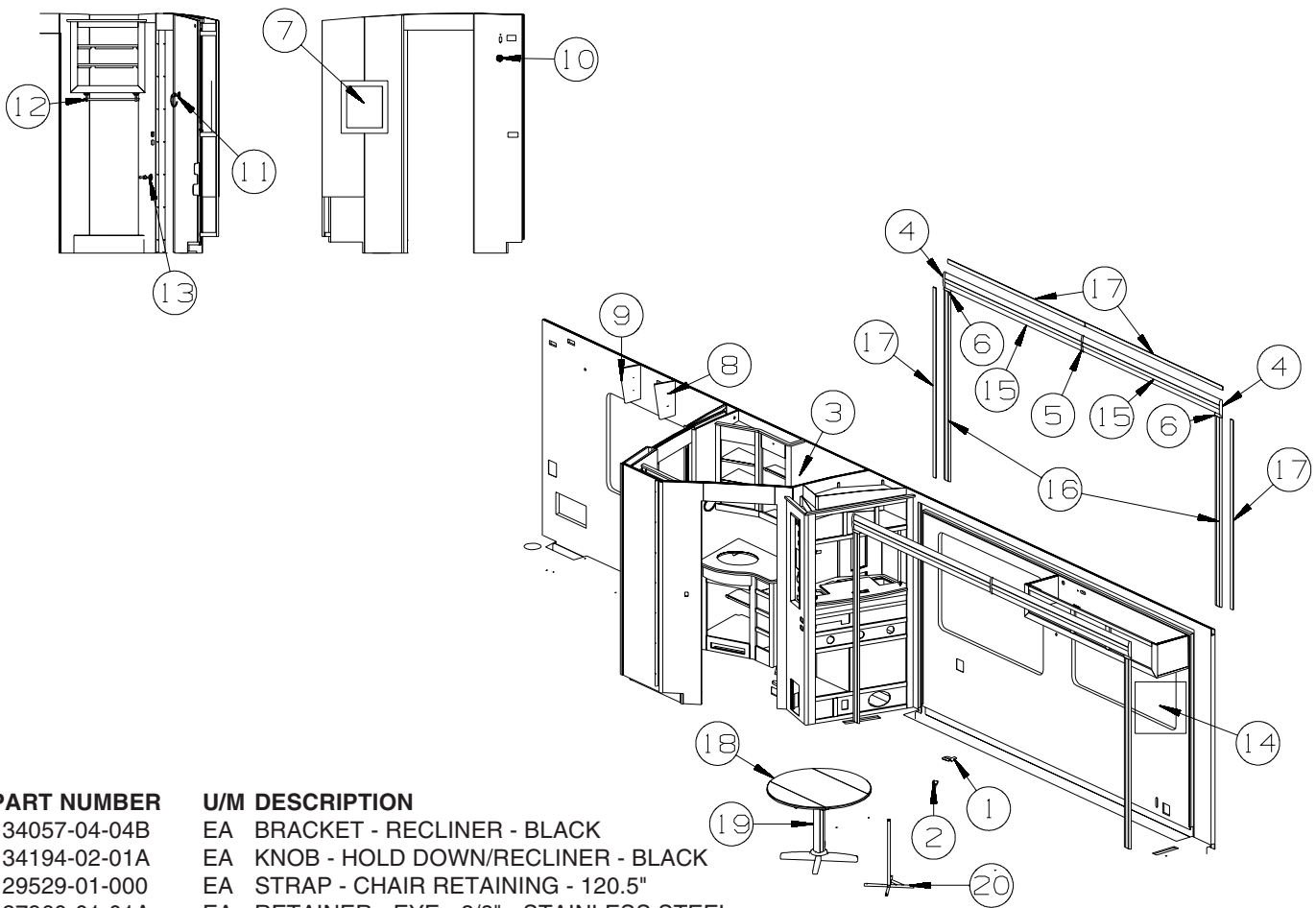
## INTERIOR FINISH GROUP (CONTINUED)

### INTERIOR TRIM LAYOUT



| KEY | PART NUMBER   | U/M | DESCRIPTION   |
|-----|---------------|-----|---|
| 1   | 072852-01-000 | EA  | DETECTOR - SMOKE - W/9 VOLT BATTERY - US                  |
| 1   | 072852-02-000 | EA  | DETECTOR - SMOKE - W/9 VOLT BATTERY - <b>CANADIAN</b>     |
| 2   | 134128-02-02B | EA  | PLATE - W/HOLES - W/WELDNUT - E-COATED                    |
| 3   | 137598-01-01A | EA  | KNOB - HOLD DOWN - RECLINER                               |
| 4   | 143956-03-04B | EA  | BRACKET/TIEDOWN - EURO CHAIR - BLACK                      |
| 5   | 154430-04-000 | EA  | MATTRESS - INNERSPRING - 72" X 79.5"                      |
| 6   | 164583-02-WD7 | EA  | BACKSPLASH - CORIAN (WL8)                                 |
| 6   | 164583-02-WE3 | EA  | BACKSPLASH - CORIAN (WL9)                                 |
| 7   | 164583-05-Y71 | EA  | BACKSPLASH - CORIAN (WL8)                                 |
| 7   | 164583-05-WL9 | EA  | BACKSPLASH - CORIAN (WL9)                                 |
| 7   | 113195-50-01A | EA  | MIRROR - BEVELED SAFETY GLASS - 15.7" X 23.6"             |
| 8   | 164583-06-Y71 | EA  | BACKSPLASH - CORIAN (WL8)                                 |
| 8   | 164583-06-WL9 | EA  | BACKSPLASH - CORIAN (WL9)                                 |
| 8   | 113195-49-01A | EA  | MIRROR - BEVELED SAFETY GLASS - 15.7" X 27.5"             |
| 9   | 138359-01-01A | FT  | COVER - ROOF BREAK - PEARL CREAM/PLASTIC - 96"            |
| 10  | 138403-01-01A | EA  | TRIM - ROOF - MILL  |
| 11  | Y00136-21-218 | EA  | DOWEL - WOOD - CLOTHES ROD - 1"DIAMETER X 4'              |
| 12  | 156636-08-YP0 | EA  | MOLDING/BLOCK - .9" X 5.9"                                |
| 13  | 156636-10-YP0 | EA  | MOLDING/BLOCK - .9" X 6.1"                                |
| 14  | 156636-12-YP0 | EA  | MOLDING/BLOCK - .9" X 3.7"                                |
| 15  | 125136-02-000 | EA  | DETECTOR/CO - GAS MODEL - 9 VOLT                          |
| 16  | 120134-01-02A | EA  | REGISTER - W/DAMPER - 4" PIPE/6.4" O.D. FACE - WHITE      |
| 16  | 120134-02-01A | EA  | REGISTER - TRIM RING - WHITE                              |
| 17  | 137605-02-01A | EA  | HAND RAIL - INTERIOR ENTRY DOOR - BLACK                   |
| 18  | 139955-06-02A | EA  | TRIM - STEP/ENTRY - 29.3" - TITANIUM                      |
| 19  | 144628-02-02A | EA  | SHADE - SCREEN DOOR - 22.3" X 33.4" - BLACK               |
| 20  | 148362-01-02A | EA  | COVER - BRACKET/STRIKE - MEDIUM OAK                       |
|     | 140151-02-03A | EA  | COVER - SCREW - MEDIUM OAK                                |
| 21  | 152301-01-01A | EA  | FLANGE - PLASTIC - 1" CLOTHES ROD HOLDER - WHITE          |
| 22  | 157048-05-WD7 | EA  | COVER - RECESSED SINK - 11.1" X 14.9" (WL8)               |
| 22  | 157048-05-WE3 | EA  | COVER - RECESSED SINK - 11.1" X 14.9" (WL9)               |
| 23  | 161083-03-01A | EA  | ART/METAL - DECORATIVE/TOPPER - 20" X 11"                 |
| 24  | 162073-01-01A | EA  | SUPPORT/SHELF - CLOTHES ROD - WHITE                       |
| 25  | 094499-06-000 | EA  | EXTINGUISHER/FIRE - DRY - 10BC - W/BRACKET - UL/ULC - WHT |
| 26  | Y00388-92-438 | EA  | MOLDING - VINYL/CURVED - 5.9" X 96" - SIERRA MAPLE        |
| 27  | Y00390-92-438 | EA  | MOLDING - VINYL/CURVED - 3.5" X 96" - SIERRA MAPLE        |
| 28  | M09494-46-SB7 | EA  | MOLDING - TRIM/FLUTED - 1.5" X 78.8" - SIERRA MAPLE       |

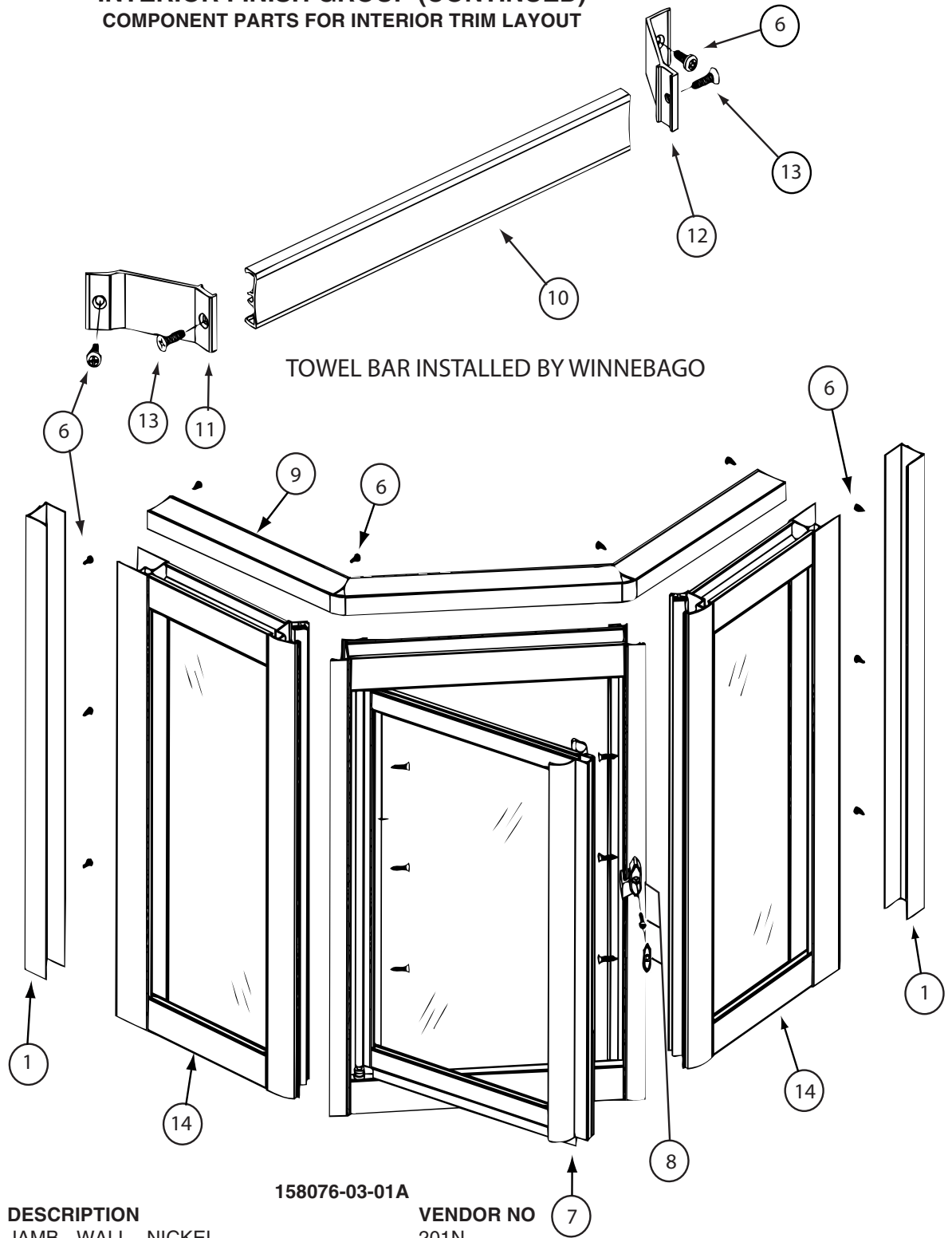
**INTERIOR FINISH GROUP (CONTINUED)**  
**INTERIOR TRIM LAYOUT (CONTINUED)**



| KEY | PART NUMBER   | U/M | DESCRIPTION   |
|-----|---------------|-----|---|
| 1   | 134057-04-04B | EA  | BRACKET - RECLINER - BLACK                              |
| 2   | 134194-02-01A | EA  | KNOB - HOLD DOWN/RECLINER - BLACK                       |
|     | 129529-01-000 | EA  | STRAP - CHAIR RETAINING - 120.5"                        |
|     | 127960-01-01A | EA  | RETAINER - EYE - 3/8" - STAINLESS STEEL                 |
| 3*  | 158076-03-01A | EA  | DOOR - SHOWER - NEO ANGLE - 66.4" TALL - NICKEL/AQUA    |
|     | 158076-05-01A | EA  | LATCH KIT - TRAVEL/SAFETY - RIGHT HINGED                |
| 4   | 156636-08-YP0 | EA  | MOLDING/BLOCK - .9" X 5.9"                              |
| 5   | 156636-10-YP0 | EA  | MOLDING/BLOCK - .9" X 6.1"                              |
| 6   | 156636-12-YP0 | EA  | MOLDING/BLOCK - .9" X 3.7"                              |
| 7   | 131493-17-02A | EA  | PICTURE - DECORATIVE - 11.5" X 22" - ZEN PANEL #4 (WL8) |
| 7   | 131493-17-03A | EA  | PICTURE - DECORATIVE - 11.5" X 22" - ZEN PANEL #2 (WL9) |
| 8   | 159284-05-YP0 | EA  | END CAP - OVERHEAD/CABINET                              |
| 9   | 159284-06-YP0 | EA  | END CAP - OVERHEAD/CABINET                              |
| 10  | 159601-01-01A | EA  | HOOK - ROBE - SINGLE - BRUSHED NICKEL                   |
| 11  | 159602-01-01A | EA  | TOWEL RING - BRUSHED NICKEL                             |
| 12  | 159604-01-01A | EA  | TOWEL BAR - 18" - BRUSHED NICKEL                        |
| 13  | 159605-01-01A | EA  | HOLDER - PAPER - W/O LID - BRUSHED NICKEL               |
| 14  | 163560-01-01A | EA  | ART/METAL - 14.9" X 14.9" - 4 PER PACKAGE               |
| 15  | Y00388-92-438 | EA  | MOLDING - VINYL/CURVED - 5.9" X 96" - SIERRA MAPLE      |
| 16  | Y00390-92-438 | EA  | MOLDING - VINYL/CURVED - 3.5" X 96" - SIERRA MAPLE      |
| 17  | M09494-46-SB7 | EA  | MOLDING - TRIM/FLUTED - 1.5" X 78.8" - SIERRA MAPLE     |
| 18  | 149677-11-T00 | EA  | TABLE TOP ONLY - ROUND DROP LEAF - W/O PEDESTAL         |
| 19  | 149677-13-S67 | EA  | PEDESTAL - TABLE LEG - SIERRA MAPLE                     |
| 20  | 149810-01-02B | EA  | BASE/FRAME - F/TABLE PEDESTAL - E-COATED                |

**\*COMPONENT PARTS LISTED LATER IN THIS GROUP**

**INTERIOR FINISH GROUP (CONTINUED)**  
**COMPONENT PARTS FOR INTERIOR TRIM LAYOUT**



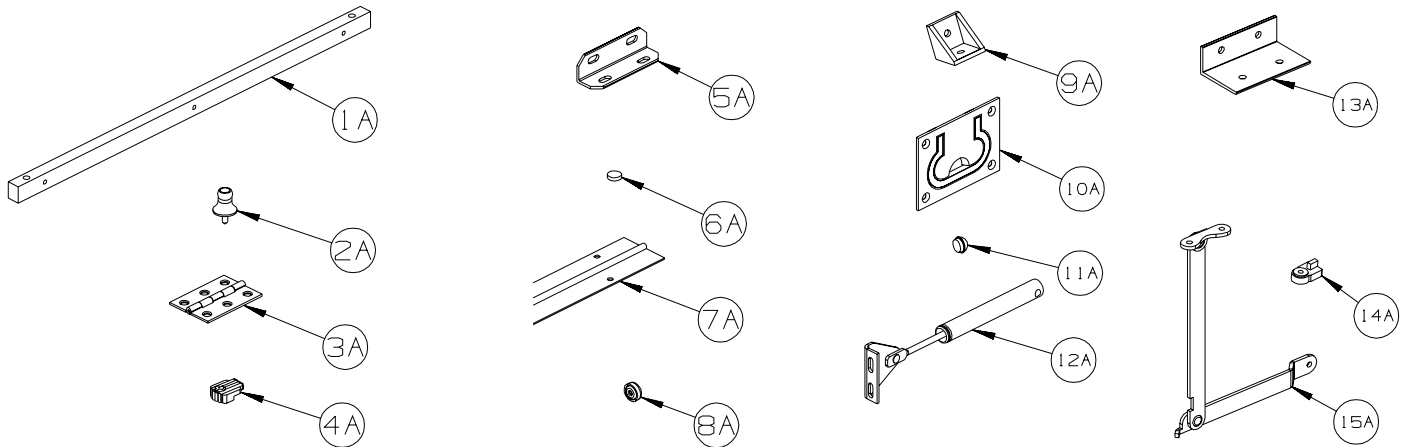
158076-03-01A

| KEY | PART NUMBER   | U/M | DESCRIPTION                  | VENDOR NO  |
|-----|---------------|-----|------------------------------|------------|
| 1   | 158076-03-700 | EA  | JAMB - WALL - NICKEL         | 201N       |
| 6   | 158076-02-701 | EA  | SCREW - ADJUSTMENT - NICKEL  | 638PHPT-N  |
| 7   | 158076-03-704 | FT  | VINYL SWEEP                  | C176B      |
| 8   | 089318-01-707 | EA  | LATCH/CATCH-TURN-SAFETY-BLK  | 9730N      |
| 9   | 158076-03-705 | EA  | HEADER CAP                   | 247N       |
| 10  | 115011-03-714 | EA  | TOWEL BAR - NICKEL           | 136N       |
| 11  | 158076-03-706 | EA  | BRACKET/TOWEL BAR-LH/FACING  | 246N       |
| 12  | 158076-03-707 | EA  | BRACKET/TOWEL BAR-RH/FACING  | 199N       |
| 13  | 115011-03-716 | EA  | SCREW F/TOWEL BAR - NICKEL   | 612F-N     |
| 14  | 158076-03-708 | EA  | WING PNL-RT/LT-FRAMED GLASS  | WB383N-AWP |
|     | 158076-03-701 | EA  | PIVOT PIN                    | CP201      |
|     | 158076-03-702 | EA  | PIVOT BUSHING                | CP209      |
|     | 158076-03-703 | EA  | PIVOT WASHER - PLASTIC       | FW 10-093  |
|     | 139047-01-709 | EA  | STRIP/MAGNETIC- 55" (NARROW) | 98-42      |

## INTERIOR FINISH GROUP (CONTINUED)

### FLOOR COVERINGS

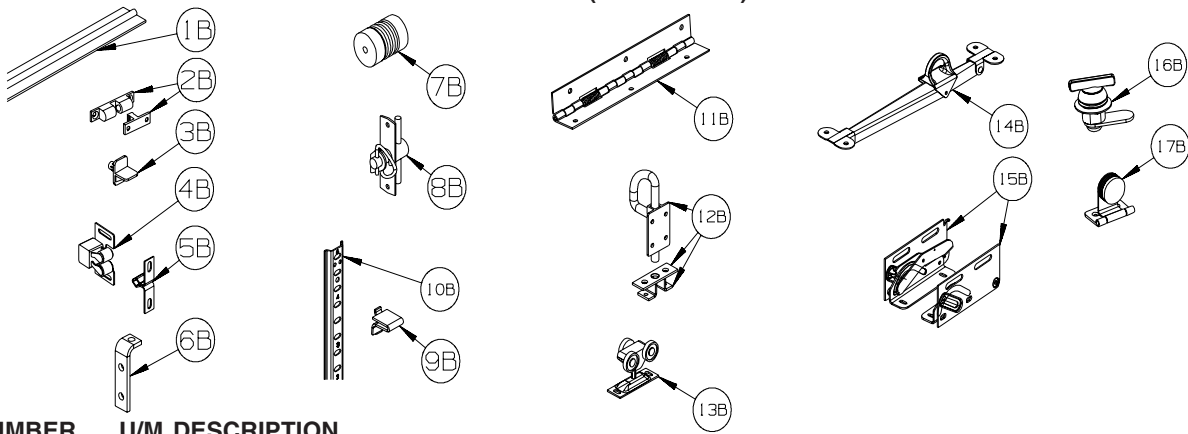
| KEY | PART NUMBER   | U/M | DESCRIPTION  |
|-----|---------------|-----|--|
|     | 075233-01-000 | SY  | PAD - CARPET - 3/8" X 6'W ROLL - SOLD BY THE SQUARE YARD |
|     | 089275-02-000 | FT  | STRIP - 3/4" X 84" BLACK POLYETHYLENE                    |
|     | 093486-01-000 | SY  | CARPET - COMPARTMENT - 72" WIDE - DARK GRAY              |
|     | 042720-36-000 | SY  | VINYL - FLOOR COVERING - 7.5' WIDE - CAMEL               |
|     | 152251-12-01A | SY  | CARPET - 4 SQUARE YARD INCREMENTS - #581 ACORN           |



### HARDWARE

| KEY | PART NUMBER   | U/M | DESCRIPTION   |
|-----|---------------|-----|---|
| 1A  | P34509-01-P14 | EA  | RAIL END - RH/LH - TOWEL RACK - CONCERT CHERRY                  |
| 1A  | P34509-01-J70 | EA  | RAIL END - RH/LH - TOWEL RACK - WASHED MAPLE                    |
| 1A  | P34509-01-RE0 | EA  | RAIL END - RH/LH - TOWEL RACK - HONEY CHERRY                    |
| 1A  | P34509-01-SA3 | EA  | RAIL END - RH/LH - TOWEL RACK - SIERRA MAPLE                    |
| 2A  | 009013-01-000 | EA  | CATCH - BULLDOG - MALE/FEMALE                                   |
| 3A  | 009059-01-000 | EA  | HINGE - DOOR - 2" X 1.4" - BRASS                                |
| 3A  | 009059-02-000 | EA  | HINGE - DOOR - 2" X 2.7" - BRASS                                |
| 3A  | 009059-03-000 | EA  | HINGE - BRASS - 1.75"   |
| 3A  | 009059-04-000 | EA  | HINGE - 2" - ZINC   |
| 4A  | 009089-01-000 | EA  | CLIP - MIRROR   |
| 5A  | 016604-01-000 | EA  | BRACE - ANGLE - 2 1/2" - UNPAINTED METAL                        |
| 5A  | 016604-05-000 | EA  | BRACE - ANGLE - 2 1/2" - OFF WHITE METAL                        |
| 5A  | 016604-10-000 | EA  | BRACE - SEAT ANGLE - 2.5" - BLACK                               |
| 6A  | 023320-01-000 | EA  | PAD - FELT 3/8" DIAMETER  |
| 7A  | 041389-19-000 | EA  | HINGE - PIANO - 1 1/2" X 71.9" - UNPAINTED                      |
| 7A  | 041389-25-000 | EA  | HINGE - PIANO - 1 1/2" X 55" - UNPAINTED                        |
| 7A  | 041389-32-000 | EA  | HINGE - PIANO - 68" - OFF WHITE                                 |
| 8A  | 166569-01-02A | EA  | COVER - SCREW - #8 - BRIGHT WHITE                               |
| 8A  | 166569-01-03A | EA  | COVER - SCREW - #8 - SOFT WHITE                                 |
| 8A  | 166569-01-04A | EA  | COVER - SCREW - #8 - CREAM                                      |
| 9A  | 065740-01-000 | EA  | BRACE - CABINET/CORNER - PLASTIC                                |
| 10A | 072871-01-000 | EA  | PULL - FLUSH - CHROME   |
| 11A | 074045-13-000 | EA  | PLUG - 3/8" DOWEL-1/2" HEAD - PORTSMOUTH OAK                    |
| 11A | 074045-08-000 | EA  | PLUG - 3/8" DOWEL-1/2" HEAD - OAK/SALEM CHERRY - CONCERT CHERRY |
| 11A | 074045-12-000 | EA  | PLUG - 3/8" DOWEL-1/2" HEAD - WASHED MAPLE                      |
| 11A | 074045-14-000 | EA  | PLUG - 3/8" DOWEL-1/2" HEAD - HONEY CHERRY                      |
| 11A | 074045-15-000 | EA  | PLUG - 3/8" DOWEL-1/2" HEAD - SIERRA MAPLE                      |
| 12A | 074493-02-000 | EA  | SUPPORT/PISTON SPRING - CABINET DOOR - 26 LBS                   |
| 12A | 074493-03-000 | EA  | SUPPORT/PISTON SPRING - CABINET DOOR - 12 LBS                   |
| 13A | 156732-01-01A | EA  | BRACE - ANGLE/COUCH - 2.5" - MILL                               |
| 13A | 156732-01-02A | EA  | BRACE - ANGLE/COUCH - 2.5" - OFF WHITE                          |
| 13A | 156732-03-01A | EA  | BRACE - ANGLE/COUCH - BLACK                                     |
| 14A | 083204-03-000 | EA  | BUTTON - RETAINING MIRROR 5/16" TIP                             |
| 15A | 084412-01-000 | EA  | SUPPORT/HINGE KIT (LEFT & RIGHT HINGES)                         |

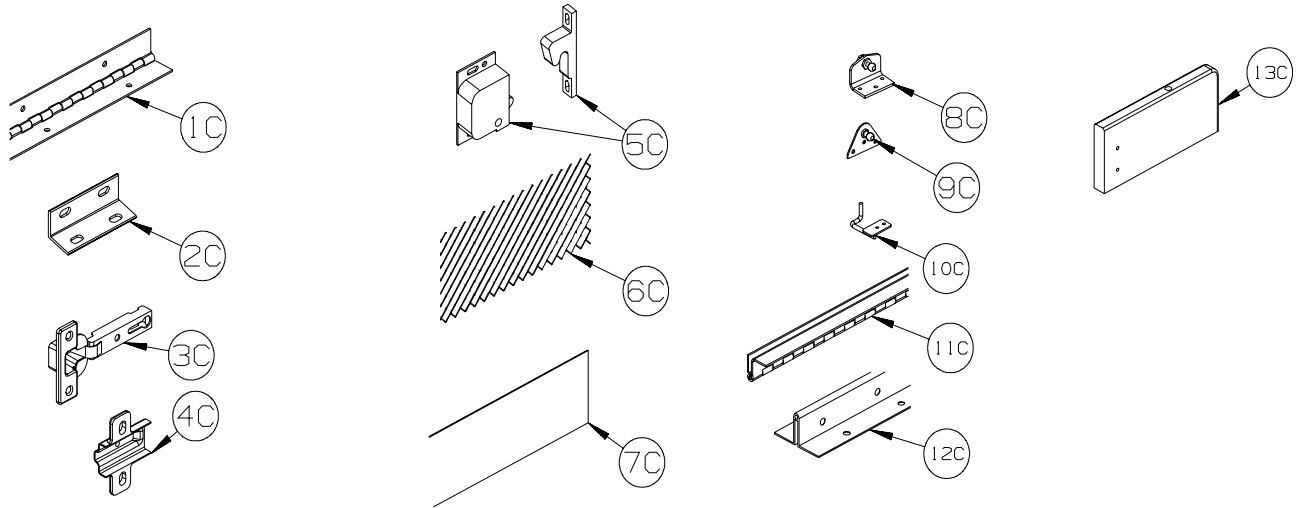
**INTERIOR FINISH GROUP (CONTINUED)**  
**HARDWARE (CONTINUED)**



| KEY | PART NUMBER   | U/M | DESCRIPTION   |
|-----|---------------|-----|---|
| 1B  | 084413-01-000 | EA  | HINGE - 1" X 72" - ALUMINUM - W/HOLES                     |
| 2B  | 084451-01-000 | EA  | CATCH & LATCH - 1.7" - BRASS                              |
| 3B  | 092907-01-000 | EA  | SUPPORT - SHELF - PIN - 1/4" - CLEAR PLASTIC              |
| 4B  | 093586-03-000 | EA  | CATCH - SPRING ROLLER - .377"                             |
| 4B  | 093586-06-000 | EA  | CATCH - W/STRIKE - SPRING ROLLER .236"/SPRINT STEEL .943" |
| 5B  | 093586-04-000 | EA  | STRIKE - SPRING STEEL - 1.14"                             |
| 6B  | 096826-01-01A | EA  | BRACE - CABINET - 2" - E-COATED                           |
| 6B  | 096826-02-01A | EA  | BRACE - CABINET - 1" - E-COATED                           |
| 7B  | 097872-04-000 | EA  | DOWEL - WOOD - 1" DIAMETER X 1.38" LONG - UNFINISHED      |
| 8B  | 098196-01-000 | EA  | LATCH - 1/4 TURN - T-BAR                                  |
| 9B  | 098979-01-000 | EA  | CLIP - ADJUSTABLE SHELF                                   |
| 10B | 098980-01-000 | EA  | PILASTER - ADJUSTABLE SHELF - 18"                         |
| 10B | 098980-02-000 | EA  | PILASTER - ADJUSTABLE SHELF - 12"                         |
| 10B | 098980-03-000 | EA  | PILASTER - ADJUSTABLE SHELF - 9"                          |
| 10B | 098980-04-000 | EA  | PILASTER - ADJUSTABLE SHELF - 48"                         |
| 10B | 098980-05-000 | EA  | PILASTER - ADJUSTABLE SHELF - 15"                         |
| 10B | 098980-06-000 | EA  | PILASTER - ADJUSTABLE SHELF - 24"                         |
| 11B | 102920-01-02A | EA  | HINGE - SPRING LOADED - NICKEL                            |
| 11B | 129753-01-01A | EA  | HINGE - SPRING LOADED - 19" X 19" - BLACK                 |
| 12B | 103256-01-000 | EA  | LATCH COMPLETE (SLIDE)                                    |
| 13B | 103874-01-000 | EA  | HANGER - SLIDING DOOR                                     |
| 14B | 104181-01-01A | EA  | SUPPORT - LEAF 5.3" EXTENDS TO 7.5" - SAFETY RING - METAL |
| 15B | 108126-01-000 | EA  | TRAY HINGE SET (QTY. 2 PER SET)                           |
| 16B | 100710-01-02A | EA  | LOCK - GLASS DOOR/TWIST TYPE - NICKEL                     |
| 17B | 100711-01-02A | EA  | HINGE - GLASS DOOR - BLACK                                |

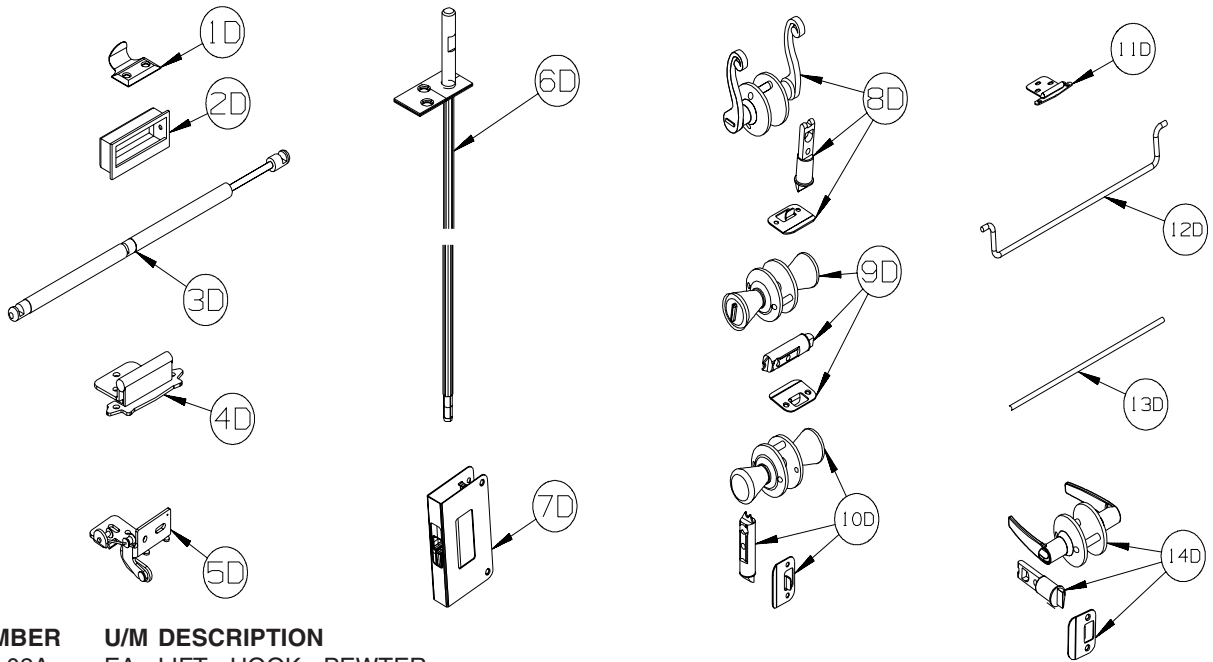


**INTERIOR FINISH GROUP (CONTINUED)**  
**HARDWARE (CONTINUED)**



| KEY | PART NUMBER   | U/M | DESCRIPTION  |
|-----|---------------|-----|--|
| 1C  | 110496-01-02A | EA  | HINGE - NICKEL - 2" X 32"                                  |
| 1C  | 110496-06-02A | EA  | HINGE - NICKEL - 2" X 9.5"                                 |
| 1C  | 158921-01-04B | EA  | HINGE - PIANO - TRUNK DOOR - 2" X 21.9" - BLACK            |
| 2C  | 111866-01-02A | EA  | BRACE - SEAT - ANGLE - OFF WHITE                           |
| 3C  | 114443-02-01A | EA  | HINGE - CABINET DOOR - W/O CLIP - SILVER                   |
| 4C  | 114443-03-01A | EA  | CLIP - HINGE/CABINET DOOR - SILVER                         |
| 5C  | 117095-02-01A | EA  | LATCH - DOOR - GRABBER W/KEEPER - PLASTIC - BLK-10 LB PULL |
| 5C  | 117095-03-01A | EA  | LATCH - DOOR - GRABBER W/KEEPER - PLASTIC - BLK-15 LB PULL |
| 6C  | 118200-01-01A | SF  | MESH - PLASTIC 1/2" - 48" X LENGTH = SF - BLACK            |
| 7C  | 122717-06-01A | FT  | PAD - NON-SKID - PSA - 5"W                                 |
| 8C  | 126263-06-02B | EA  | BRACKET - GAS SPRING W/INSIDE BALL STUD - E-COATED         |
| 9C  | 126263-05-02B | EA  | BRACKET - GAS SPRING W/BALL STUD - E-COATED                |
| 9C  | 126263-08-02B | EA  | BRACKET - GAS SPRING W/CENTERED BALL STUD - E-COATED       |
| 10C | 130798-01-02B | EA  | GUIDE - POCKET DOOR - E-COATED                             |
| 11C | 134099-01-02A | EA  | HINGE - PIANO - WRAP AROUND - 15.7" - NICKEL PLATED        |
| 12C | 135538-03-02A | EA  | HINGE - PIANO - FULL WRAP - 15.7" - CHROME                 |
| 12C | 135538-07-02A | EA  | HINGE - PIANO - FULL WRAP - 9.8" - CHROME                  |
| 13C | 137445-03-T78 | EA  | STOP - F/SLIDING DOOR - CONCERT CHERRY                     |
| 13C | 137445-03-T79 | EA  | STOP - F/SLIDING DOOR - WASHED MAPLE                       |
| 13C | 137445-03-T80 | EA  | STOP - F/SLIDING DOOR - SIERRA MAPLE                       |

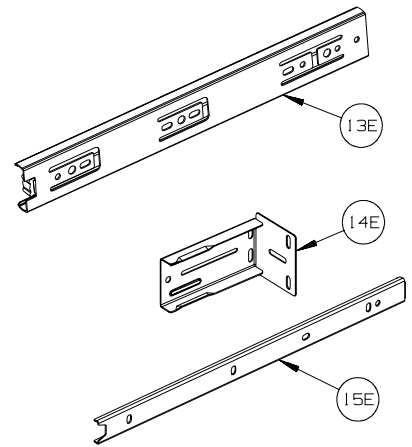
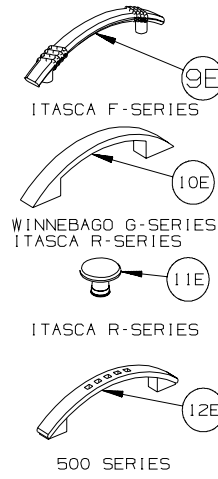
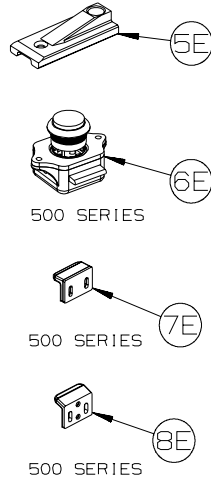
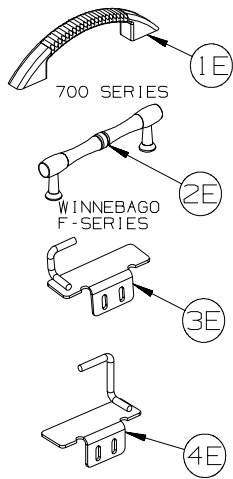
**INTERIOR FINISH GROUP (CONTINUED)**  
**HARDWARE (CONTINUED)**



| KEY | PART NUMBER   | U/M | DESCRIPTION  |
|-----|---------------|-----|--|
| 1D  | 137463-01-02A | EA  | LIFT - HOOK - PEWTER                                       |
| 2D  | 139136-02-02A | EA  | HANDLE - .35" RECESSED - PEWTER                            |
| 3D  | 142569-07-000 | EA  | SPRING/GAS - 20 LB - 20" EXTENDED/12" COMPRESSED           |
| 3D  | 142569-15-000 | EA  | SPRING/GAS - 120 LB - 20" EXTENDED/12" COMPRESSED          |
| 3D  | 142569-16-000 | EA  | SPRING/GAS - 90 LB - 20" EXTENDED/12" COMPRESSED           |
| 3D  | 142569-29-000 | EA  | SPRING/GAS - 20 LB - 9.9" EXTENDED/5.9" COMPRESSED         |
| 3D  | 142569-31-000 | EA  | SPRING/GAS - 30 LB - 11.8" EXTENDED/7.3" COMPRESSED        |
| 4D  | 143468-02-03A | EA  | HINGE - SELF CLOSING - SATIN NICKEL                        |
| 4D  | 143468-02-04A | EA  | HINGE - SELF CLOSING - OIL RUBBED BRONZE                   |
| 4D  | 143468-02-05A | EA  | HINGE - SELF CLOSING - RUSTIC BRASS                        |
| 5D  | 144488-01-01A | EA  | HINGE - CABINET - ANTIQUE BRASS                            |
| 5D  | 144488-01-02A | EA  | HINGE - CABINET - NICKEL                                   |
| 6D  | 145939-05-02A | EA  | ROD/LATCH - AISLE DOOR - NICKEL                            |
| 7D  | 145939-04-02A | EA  | LATCH/SLIDE - AISLE DOOR(1" THICK DOOR)-NICKEL/BLACK SLIDE |
| 7D  | 145939-04-03A | EA  | LATCH/SLIDE - AISLE DOOR(1" THICK DOOR)-OIL RUBBED BRONZE  |
| 8D  | 146064-01-02A | EA  | LOCK/PRIVACY (LOCKING) LEVER STYLE - SATIN PEWTER          |
| 8D  | 146064-02-02A | EA  | LOCK/PASSAGE (NON LOCKING) LEVER STYLE - PEWTER            |
| 9D  | 146064-05-01A | EA  | LOCK/PRIVACY (LOCKING) "TULIP" STYLE KNOB - SATIN NICKEL   |
| 10D | 146064-06-01A | EA  | LOCK/PASSAGE (NON LOCKING) "TULIP" STYLE KNOB-SATIN NICKEL |
| 11D | 146553-01-03A | EA  | HINGE - CABINET DOOR - SATIN NICKEL                        |
| 12D | 146801-01-02A | EA  | ROD/TOWEL BAR (OFFSET) - PEWTER                            |
| 13D | 146840-03-02A | EA  | ROD - .25" X 11.7" - PEWTER                                |
| 13D | 146840-04-02A | EA  | ROD - .25" X 13.1" - PEWTER                                |
| 14D | 146064-08-01A | EA  | LOCK/PASSAGE (NON LOCKING) LEVER STYLE - SATIN NICKEL      |
| 14D | 146064-07-01A | EA  | LOCK/PRIVACY (LOCKING) LEVER STYLE - SATIN NICKEL          |

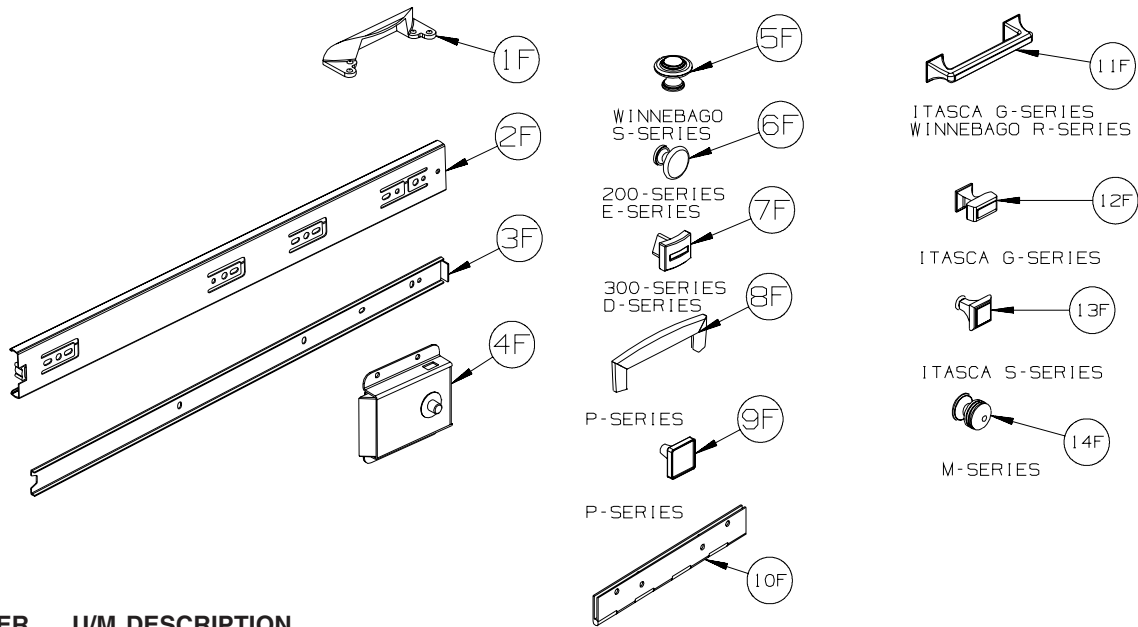
## INTERIOR FINISH GROUP (CONTINUED)

### HARDWARE (CONTINUED)



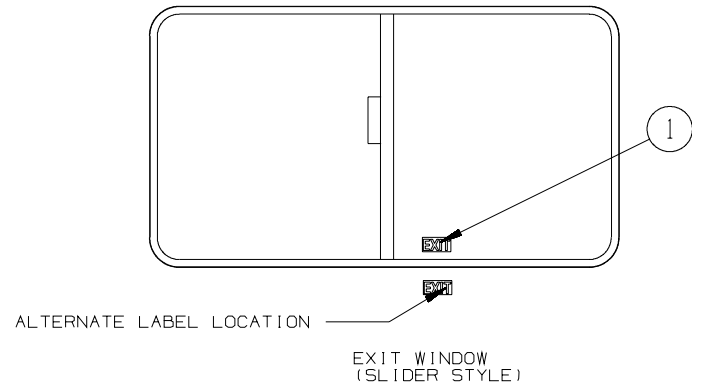
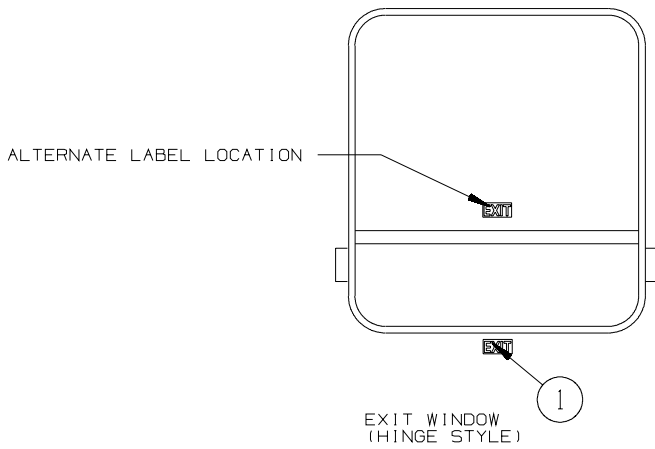
| KEY | PART NUMBER   | U/M | DESCRIPTION   |
|-----|---------------|-----|---|
| 1E  | 148816-01-02A | EA  | PULL - CABINET DOOR - NICKEL - <b>ASPECT, CAMBRIA 700-SERIES/ADVENTURER LIMITED EDITION</b> |
| 2E  | 149090-01-02A | EA  | PULL - CABINET DOOR - NICKEL - <b>VOYAGE F-SERIES</b>                                       |
| 3E  | 149607-01-02B | EA  | GUIDE - F/POCKET DOOR - 1.6" BENT ROD - E-COATED  |
| 3E  | 149607-03-02B | EA  | GUIDE - F/POCKET DOOR - 2.9" BENT ROD - E-COATED  |
| 4E  | 149607-04-02B | EA  | GUIDE - F/POCKET DOOR - E-COATED  |
| 5E  | 150983-01-01A | EA  | STRIKE/BLOCK - WEDGE STYLE - F/SLIDE DOOR - 3" X 1.2" - BLACK                               |
| 6E  | 151380-01-01A | EA  | LATCH - CBNT DR - PUSH BTN - <b>VIEW &amp; NAVION 500-SERIES</b>                            |
| 6E  | 151380-01-02A | EA  | LATCH - CABINET DOOR - PUSH BUTTON - BLACK - <b>TOUR &amp; ELLIPSE R-SERIES</b>             |
| 7E  | 151380-02-01A | EA  | STRIKE - CABINET DOOR - <b>VIEW &amp; NAVION 500-SERIES</b>                                 |
| 8E  | 151380-03-01A | EA  | STRIKE - CABINET DOOR - <b>VIEW &amp; NAVION 500-SERIES</b>                                 |
| 9E  | 152302-01-01A | EA  | PULL - CABINET DOOR - SATIN NICKEL - <b>SUNRISE F-SERIES</b>                                |
| 10E | 152304-01-01A | EA  | PULL - CABINET DOOR - BRONZE- <b>ADVENTURER G-SERIES, ELLIPSE R-SERIES</b>                  |
| 11E | 152305-01-01A | EA  | KNOB - DOOR/DRAWER - BRONZE - <b>ELLIPSE R-SERIES</b>                                       |
| 12E | 152950-01-01A | EA  | PULL - DOOR/DRAWER - BRUSHED NICKEL - <b>VIEW &amp; NAVION 500-SERIES</b>                   |
| 13E | 153000-01-01A | EA  | SLIDE - CABINET MOUNT - 11.8"   |
| 13E | 153000-03-01A | EA  | SLIDE - CABINET MOUNT - 13.8"   |
| 13E | 153000-05-01A | EA  | SLIDE - CABINET MOUNT - 15.7"   |
| 13E | 153000-07-01A | EA  | SLIDE - CABINET MOUNT - 17.7"   |
| 13E | 153000-09-01A | EA  | SLIDE - CABINET MOUNT - 19.7"   |
| 13E | 153000-11-01A | EA  | SLIDE - CABINET MOUNT - 21.6"   |
| 13E | 153000-14-01A | EA  | SLIDE - CABINET MOUNT - 23.6"   |
| 13E | 153000-16-01A | EA  | SLIDE - CABINET MOUNT - 7.9"  |
| 13E | 153000-18-01A | EA  | SLIDE - CABINET MOUNT - 9.8"  |
| 13E | 153000-20-01A | EA  | SLIDE - CABINET MOUNT - 25.6"   |
| 14E | 153000-13-01A | EA  | BACKSOCKET - DRAWER SLIDE   |
| 15E | 153000-02-01A | EA  | SLIDE - DRAWER MOUNT - 11.8"  |
| 15E | 153000-04-01A | EA  | SLIDE - DRAWER MOUNT - 13.8"  |
| 15E | 153000-06-01A | EA  | SLIDE - DRAWER MOUNT - 15.7"  |
| 15E | 153000-08-01A | EA  | SLIDE - DRAWER MOUNT - 17.7"  |
| 15E | 153000-10-01A | EA  | SLIDE - DRAWER MOUNT - 19.7"  |
| 15E | 153000-12-01A | EA  | SLIDE - DRAWER MOUNT - 21.6"  |
| 15E | 153000-15-01A | EA  | SLIDE - DRAWER MOUNT - 23.4"  |
| 15E | 153000-17-01A | EA  | SLIDE - DRAWER MOUNT - 7.7"   |
| 15E | 153000-19-01A | EA  | SLIDE - DRAWER MOUNT - 9.6"   |
| 15E | 153000-21-01A | EA  | SLIDE - DRAWER MOUNT - 25.4"  |

## INTERIOR FINISH GROUP (CONTINUED) HARDWARE (CONTINUED)

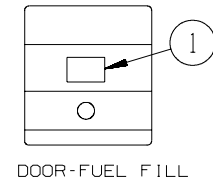
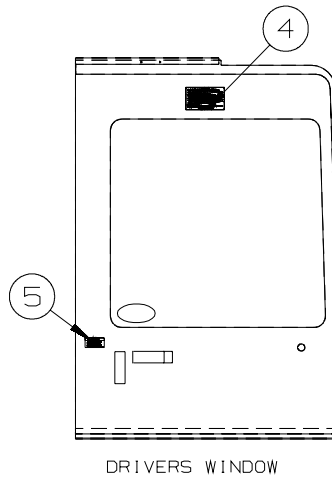
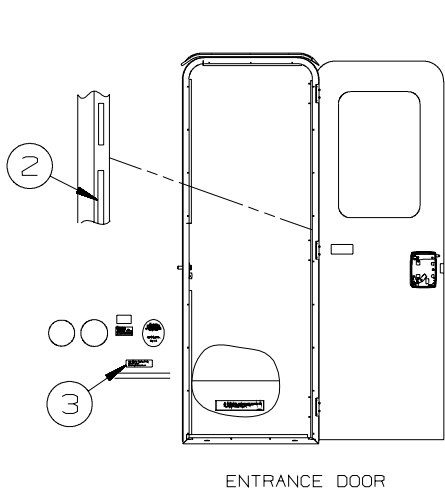


| KEY | PART NUMBER   | U/M | DESCRIPTION   |
|-----|---------------|-----|---|
| 1F  | 153308-01-01A | EA  | PULL - VANITY STOOL - SATIN NICKEL  |
| 2F  | 153352-01-01A | EA  | SLIDE - PANTRY - 19.7" - CABINET MOUNT  |
| 3F  | 153352-02-01A | EA  | SLIDE - PANTRY - 19.5" - DRAWER MOUNT   |
| 4F  | 153353-01-01A | EA  | LATCH - SLIDING/FLUSH - BLACK   |
| 5F  | 155803-01-01A | EA  | KNOB CABINET DOOR - WROUGHT IRON - <b>VECTRA S-SERIES</b>   |
| 6F  | 155925-01-01A | EA  | KNOB - DOOR/DRW - SATIN NICKEL - <b>ACCESS &amp; IMPULSE 200-SERIES/ VISTA &amp; SUNSTAR E-SERIES</b> |
| 7F  | 156579-01-01A | EA  | KNOB - DOOR/DRW - PEWTER - <b>OUTLOOK &amp; SPIRIT 300-SERIES/ SIGHTSEER &amp; SUNOVA D-SERIES</b>    |
| 8F  | 157246-01-01A | EA  | PULL - CABINET DOOR/DRAWER - SATIN NICKEL - <b>JOURNEY &amp; MERIDIAN P-SERIES</b>                    |
| 9F  | 157246-02-01A | EA  | KNOB - CABINET DOOR/DRAWER-SATIN NICKEL - <b>JOURNEY &amp; MERIDIAN P-SERIES</b>                      |
| 10F | 158982-01-04B | EA  | HINGE - CONTINUOUS - 2" X 8" - BLACK  |
| 10F | 158982-01-01A | EA  | HINGE - CONTINUOUS - 2" X 8" - ZINC   |
| 11F | 162033-01-01A | EA  | PULL - CABINET DOOR - BRUSHED NICKEL - <b>SUNCRUISER G-SERIES, TOUR R-SERIES</b>                      |
| 12F | 162033-02-01A | EA  | KNOB - CABINET DOOR - BRUSHED NICKEL - <b>SUNCRUISER G-SERIES</b>                                     |
| 13F | 162518-01-01A | EA  | KNOB - DOOR/DRAWER - SATIN NICKEL - <b>HORIZON S-SERIES</b>   |
| 14F | 163095-01-01A | EA  | KNOB - CABINET DOOR - SATIN NICKEL - <b>DESTINATION &amp; LATTITUDE M-SERIES</b>                      |

## LABELS GROUP

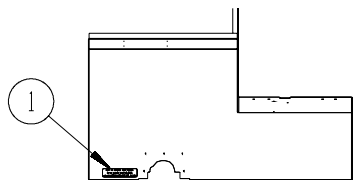
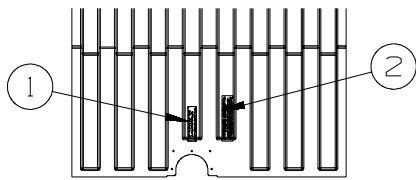


| KEY | PART NUMBER   | U/M | DESCRIPTION            |
|-----|---------------|-----|------------------------|
| 1   | 039290-01-000 | EA  | LABEL - WARNING - EXIT |

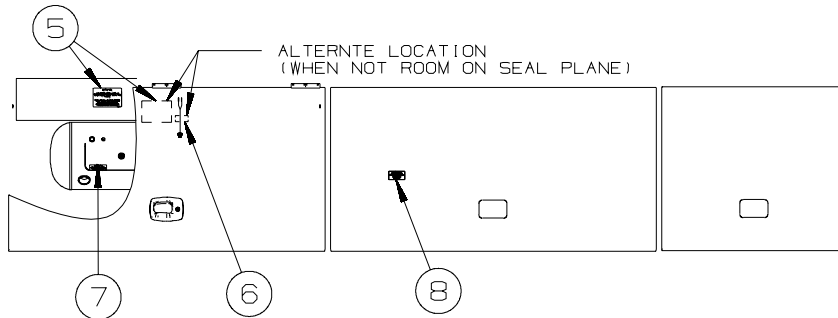
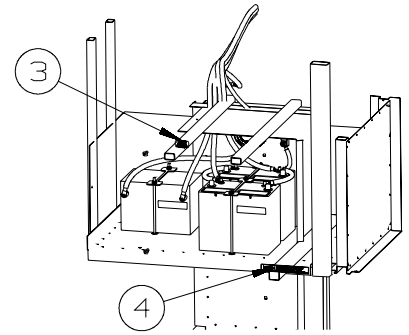


| KEY | PART NUMBER   | U/M | DESCRIPTION                                      |
|-----|---------------|-----|--|
| 1   | 124519-01-02A | EA  | LABEL - WARNING/REFUELING - WHITE ON CLEAR       |
| 1   | 124519-02-02A | EA  | LABEL - WARNING/REFUELING - WHITE ON CLEAR - CSA |
| 2   | 135869-01-02A | EA  | LABEL - MERCURY CONTENT - WHITE ON CLEAR         |
| 3   | 099509-01-000 | EA  | LABEL - AWNING INSTALLATION                      |
| 4   | 056259-01-000 | EA  | LABEL - SAFETY CHECK LIST                        |
| 5   | 099689-01-000 | EA  | LABEL - WARNING - CANCER/TOXICITY                |

## LABELS GROUP (CONTINUED)

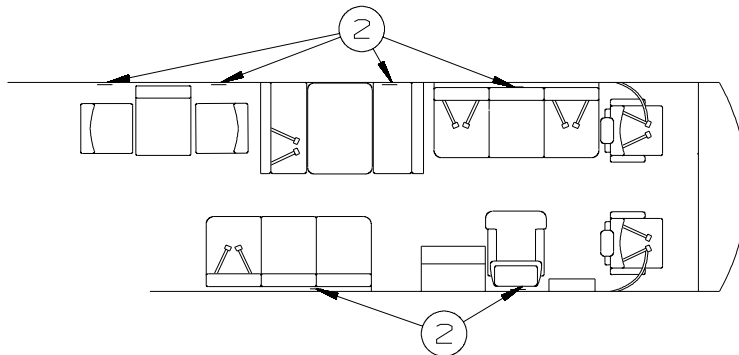
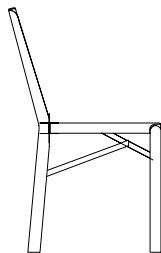
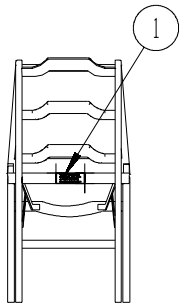


TYPICAL UTILITY ACCESS



| KEY | PART NUMBER   | U/M | DESCRIPTION  |
|-----|---------------|-----|--|
| 1   | 123562-01-000 | EA  | LABEL - SERVICE/UTILITY ACCESS                             |
| 2   | 147845-01-01A | EA  | LABEL - DRIP VALVE   |
| 3   | 156213-01-01A | EA  | LABEL - CHASSIS BATTERY DISCONNECT - WHITE/BLACK           |
| 4   | 065748-01-000 | EA  | LABEL - WARNING - BATTERY CHARGING - UL                    |
| 5   | 124520-01-02A | EA  | LABEL - LP GAS ONLY - WHITE ON CLEAR                       |
| 5   | 023769-01-000 | EA  | LABEL - WARNING - LPG - CANADIAN                           |
| 6   | 124519-01-02A | EA  | LABEL - WARNING/REFUELING - WHITE ON CLEAR                 |
| 6   | 124519-02-02A | EA  | LABEL - WARNING/REFUELING - WHITE ON CLEAR - CSA           |
| 7   | 079965-01-000 | EA  | LABEL - LPG - 80% CAPACITY                                 |
| 8   | 125306-04-02A | EA  | LABEL - ELECTRICAL ENTRANCE-120/240V 50 AMP-WHITE ON CLEAR |

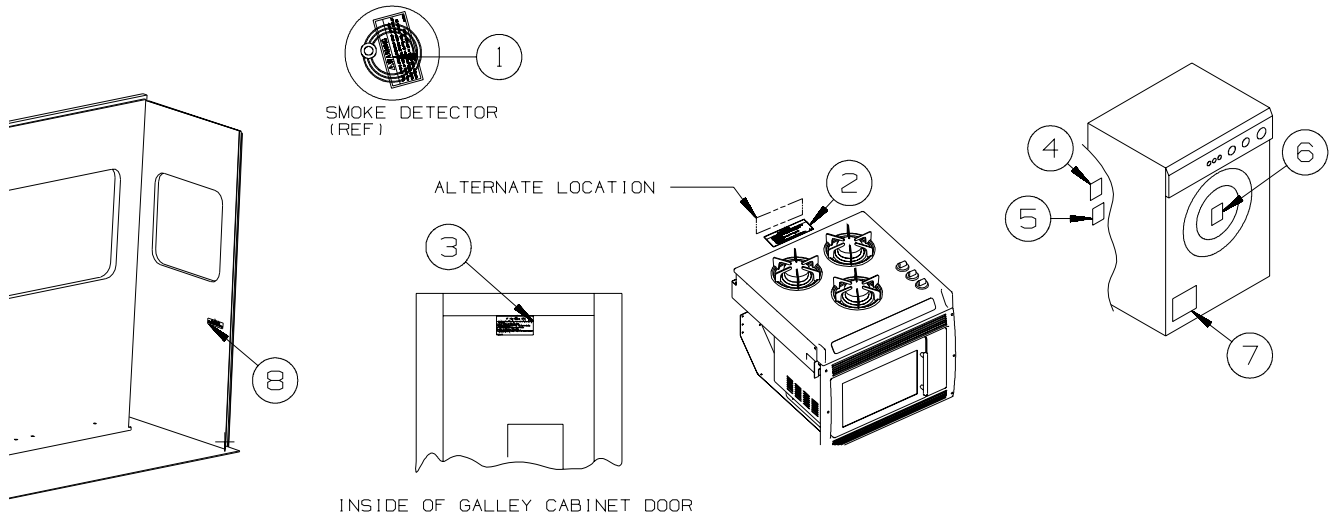
TYPICAL SEAT AND BELT CONFIGURATIONS



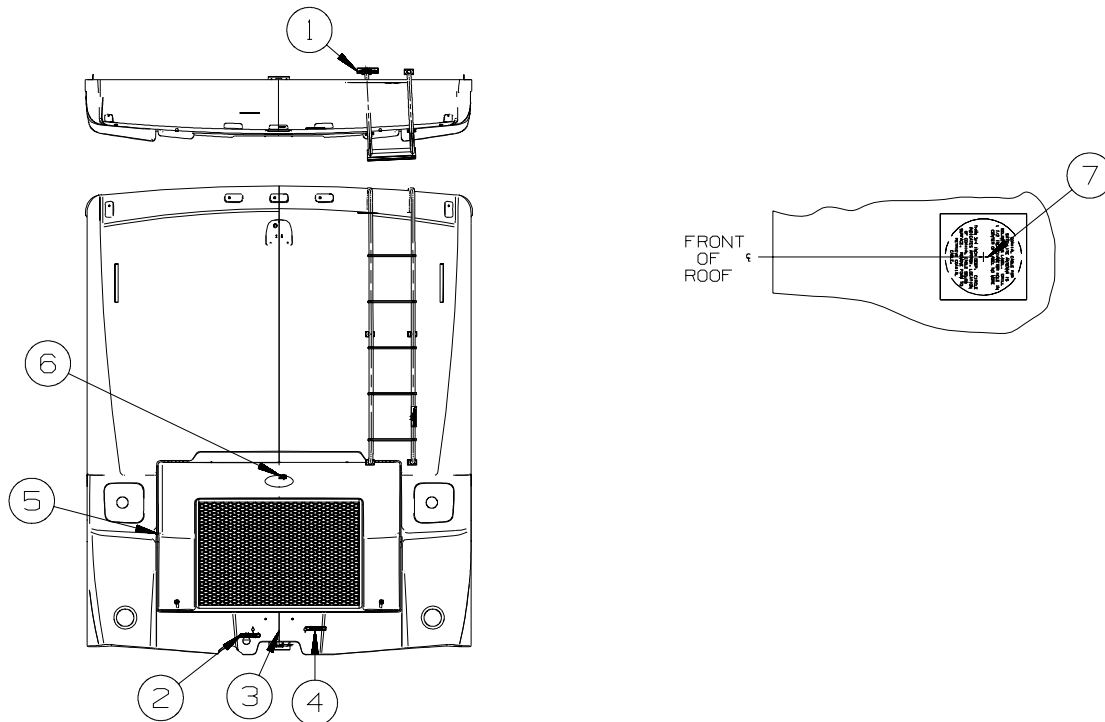
ATTACH LABEL ON OR NEXT TO:  
 +ANY SINGLE CHAIR WITHOUT BELTS.  
 +ANY DINETTE SEAT WITHOUT BELTS.  
 +ANY COUCH WITHOUT BELTS OR ANY SEATING POSITION ON THAT COUCH.  
 DO NOT ATTACH LABEL IF:  
 +DINETTE SEAT HAS AT LEAST ONE SET OF BELTS INSTALLED.

| KEY | PART NUMBER   | U/M | DESCRIPTION   |
|-----|---------------|-----|---|
| 1   | 134537-01-01A | EA  | LABEL - OCCUPANCY - CHAIR - US                          |
| 1   | 134537-02-01A | EA  | LABEL - OCCUPANCY - CHAIR - CSA                         |
| 2   | 134538-01-01A | EA  | LABEL - OCCUPANCY - NO SEAT BELT - BLACK ON CLEAR - US  |
| 2   | 134538-02-01A | EA  | LABEL - OCCUPANCY - NO SEAT BELT - BLACK ON CLEAR - CSA |

## LABELS GROUP (CONTINUED)

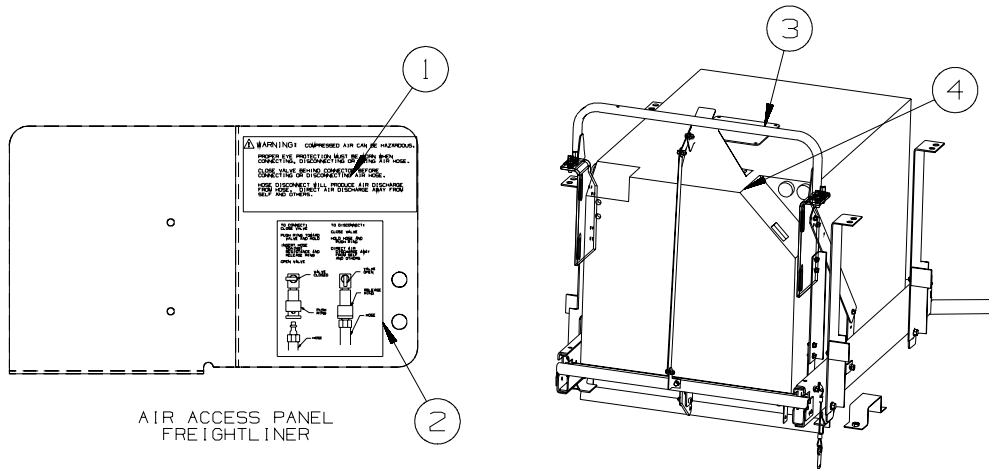


| KEY | PART NUMBER   | U/M DESCRIPTION   |
|-----|---------------|---|
| 1   | 077956-01-000 | EA LABEL - WARNING/SMOKE DETECTOR                         |
| 2   | 134539-01-01A | EA LABEL - WARNING - STOVE/HEATING - US - BLACK ON CLEAR  |
| 2   | 134540-01-01A | EA LABEL - WARNING - STOVE/HEATING - CSA - BLACK ON CLEAR |
| 3   | 073998-01-000 | EA LABEL - LPG/ODOR WARNING                               |
| 4   | 147525-01-000 | EA LABEL - DRYER VENT CUTOUT - <b>WASHER/DRYER PREP</b>   |
| 5   | 147524-01-000 | EA LABEL - DRYER VENTING - <b>WASHER/DRYER PREP</b>       |
| 6   | 153640-01-01A | EA LABEL - WINTERIZATION - WASHER/DRYER                   |
| 7   | 130670-01-01A | EA LABEL - CAUTION DRYER VENTING - BLACK ON CLEAR         |
| 8   | 137260-01-01A | EA LABEL - WARNING - REST EASY SOFA - BLACK ON CLEAR      |

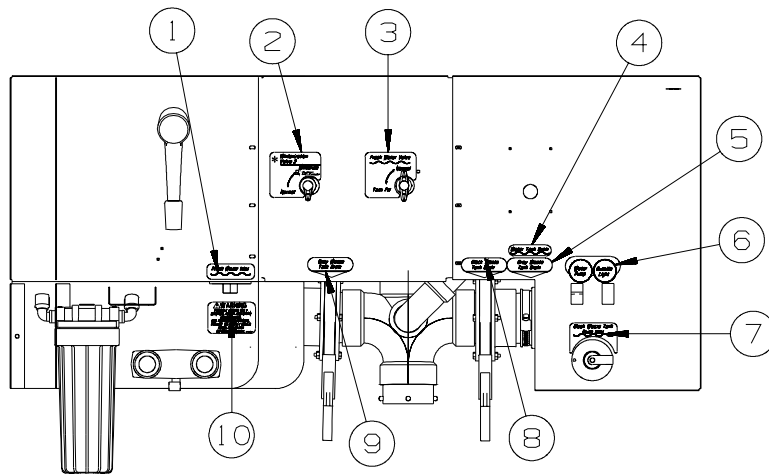


| KEY | PART NUMBER   | U/M DESCRIPTION  |
|-----|---------------|--|
| 1   | 163705-01-01A | EA LABEL - WARNING - ROOF SLIPPERY - BLACK ON WHITE                                |
| 2   | 129669-02-01A | EA LABEL - HITCH/VEHICLE RATE - 500 - WHITE ON CLEAR - <b>WORKHORSE</b>            |
| 2   | 161761-05-01A | EA DECAL - HITCH - <b>FREIGHTLINER</b>   |
| 3   | 161761-05-01A | EA DECAL - HITCH - <b>FREIGHTLINER</b>   |
| 4   | 129669-02-01A | EA LABEL - HITCH/VEHICLE RATE - 500 - WHITE ON CLEAR - <b>WORKHORSE</b>            |
| 5   | 116756-03-000 | EA LABEL - WARNING - ETHER/STARTING - RED W/WHITE BACKGROUND - <b>FREIGHTLINER</b> |
| 6   | 156213-01-01A | EA LABEL - CHASSIS BATTERY DISCONNECT - WHITE/BLACK - <b>FREIGHTLINER</b>          |
| 7   | 120431-01-000 | EA LABEL - LOCATION - COAXIAL CABLE/SATELLITE ANTENNA                              |

## LABELS GROUP (CONTINUED)



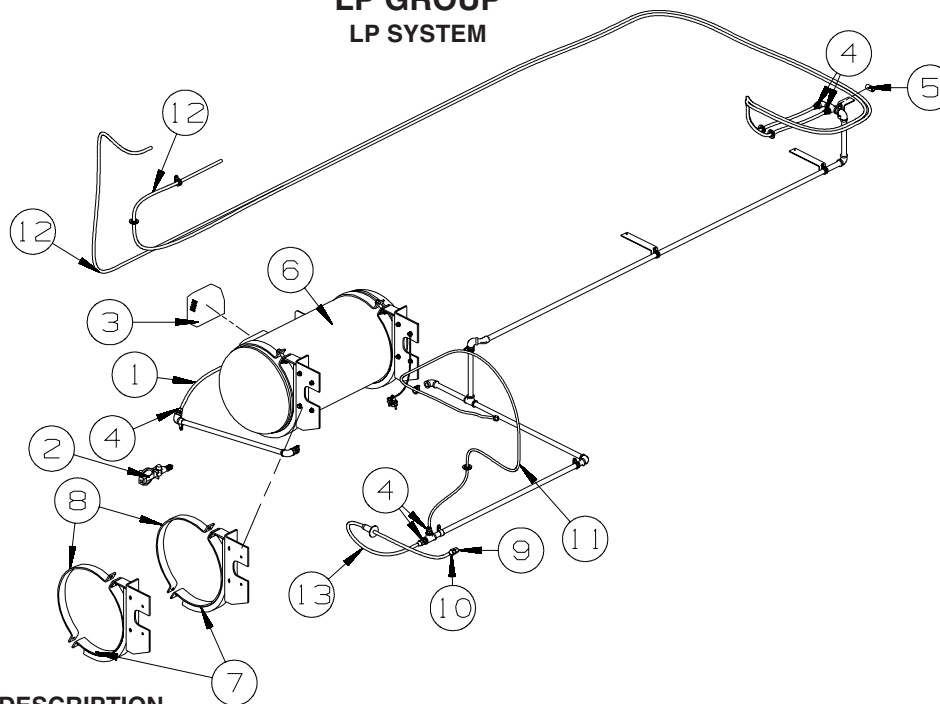
| KEY | PART NUMBER   | U/M | DESCRIPTION   |
|-----|---------------|-----|---|
| 1   | 142771-01-01A | EA  | LABEL - WARNING/COMPRESSED AIR - WHITE LETTERING ON CLEAR |
| 2   | 142773-01-01A | EA  | LABEL - CONNECT/COMPRESSED AIR - WHITE LETTERING ON CLEAR |
| 3   | 116273-01-000 | EA  | LABEL - WARNING - GENERATOR                               |
| 4   | 131779-01-01A | EA  | LABEL - GENERATOR   |



| KEY | PART NUMBER   | U/M | DESCRIPTION                                 |
|-----|---------------|-----|---|
| 1   | 152538-02-01A | EA  | LABEL - FRESH WATER - PANTONE/CLEAR         |
| 2   | 152545-01-01A | EA  | LABEL - WINTERIZATION                       |
| 3   | 152548-01-01A | EA  | LABEL - VALVE/FRESH                         |
| 4   | 152547-01-01A | EA  | LABEL - TANK DRAIN - M37G                   |
| 5   | 152541-03-01A | EA  | LABEL - GRAY WASTE - M39W                   |
| 6   | 152544-02-01A | EA  | LABEL - SWITCHES - WATER PUMP/OUTSIDE LIGHT |
| 7   | 152546-01-01A | EA  | LABEL - TANK FLUSH - PANTONE/CLEAR          |
| 8   | 152543-03-01A | EA  | LABEL - BLACK WASTE                         |
| 9   | 152541-03-01A | EA  | LABEL - GRAY WASTE                          |
| 10  | 128725-02-01A | EA  | LABEL - POTABLE WATER ONLY - BLACK ON CLEAR |



**LP GROUP  
LP SYSTEM**



| KEY | PART NUMBER   | U/M | DESCRIPTION  |
|-----|---------------|-----|--|
| 1   | 045703-03-000 | EA  | HOSE - LP - 3/8"ID X 18" - 3/8"MPT X 1/2"F SWIVEL - US       |
| 1   | 045703-12-000 | EA  | HOSE - LP - 3/8"ID X 18" - 3/8"MPT X 1/2"F SWIVEL - CSA      |
| 2   | 106150-05-000 | EA  | REGULATOR - TWO STAGE  |
| 3   | 144485-01-000 | EA  | COVER - LP REGULATOR   |
| 4   | 010329-01-000 | EA  | ADAPTER - 1/2"F X 1/2"MPT - BRASS                            |
| 5   | 010589-01-000 | EA  | NIPPLE - PIPE - 1/2" X 1 1/2" - BLACK                        |
| 6*  | 151784-03-000 | EA  | TANK - LP - 100 LB - 16"D X 36"L - VAPOR DRAW - W/O CRADLE   |
|     | 040440-03-000 | EA  | TRANSMITTER - DIAL/SNAP-ON - 0-90 OHM 2 TERM(POWER/GROUND)   |
| 7   | 151786-01-01A | EA  | BRACKET - LP TANK MOUNTING                                   |
| 8   | 151786-02-01A | EA  | STRAP - LP TANK MOUNTING - 1.5" WIDE                         |
| 9   | 010326-01-000 | EA  | ADAPTER - FLARE - W/CONE GASKET - 3/8"F X 1/2"F              |
| 10  | 010380-02-000 | EA  | NUT - 1/2" FLARE - FORGED - BRASS                            |
| 11  | 045703-19-000 | EA  | HOSE - LP - 3/8"ID X 102" - 1/2"F SWIVEL X 3/8"F SWVL US/CSA |
| 12  | 045703-32-000 | EA  | HOSE - LP - 3/8"ID X 295" - 1/2"F SWIVEL X 3/8"F SWVL US/CSA |
| 13  | 045703-29-000 | EA  | HOSE - LP - 3/8"ID X 79.7"-1/2"F SWIVEL X 1/2"F SWVL US/CSA  |

\*COMPONENT PARTS LISTED LATER IN THIS GROUP

**COMPONENT PARTS FOR LP SYSTEM**

151784-03-000

| KEY | PART NUMBER   | U/M | DESCRIPTION                  | VENDOR NO.          |
|-----|---------------|-----|------------------------------|---------------------|
|     | 040421-01-700 | EA  | VALVE-LIQUID LEVEL, 20%      | V20058/V21199/G1013 |
|     | 040421-01-712 | EA  | VALVE-SERV. W/O VAPOR RELIEF | V20373/V21202       |
|     | 040421-01-713 | EA  | VALVE-RELIEF 1" W/SPRING 7"  | V12560/V21207       |
|     | 088253-01-702 | EA  | FLOAT/SCREW IN-SNAP ON DIAL  | G13063/SG16C0001442 |
|     | 144116-01-701 | EA  | VALVE/FILL 80 % W/YELLOW CAP | V13414              |

**SEALANTS & FASTENERS GROUP**  
**SEALANTS & ADHESIVES**

| KEY | PART NUMBER   | U/M | DESCRIPTION  |
|-----|---------------|-----|--|
|     | 010405-02-000 | EA  | TAPE - THREAD SEALING - 3/8"                               |
|     | 064075-07-000 | FT  | SEAL - BULB - W/WIRED U CHANNEL - .3" X .5" CHANNEL-BLACK  |
|     | 067788-01-000 | EA  | ADHESIVE - SPRAY - 3M - 19.5 OZ AEROSOL CAN                |
|     | 069640-01-000 | FT  | SEALER - RIBBON - 1/4"DIAMETER X 30 FT - BLACK OR GRAY     |
|     | 069640-02-000 | FT  | SEALER - TAPE - 1/8"THICK X 1/2"WIDE X 60 FT - GRAY        |
|     | 069640-03-000 | FT  | SEALER - TAPE - 1/8"THICK X 3/4"WIDE X 60 FT - BLACK       |
|     | 069640-07-000 | FT  | SEALER - TAPE - 3/32"THICK X 2"WIDE X 45 FT - GRAY         |
|     | 069640-09-000 | FT  | SEALER - TAPE - 1/32"THICK X 2 1/2"WIDE X 80 FT - BRT WHT  |
|     | 069640-10-000 | FT  | SEALER - TAPE - 1/32"THICK X 1 1/2"WIDE X 90 FT - GRAY     |
|     | 069640-11-000 | FT  | SEALER - TAPE - 3/16"THICK X 3/8"WIDE X 40 FT - BLACK      |
|     | 069640-13-000 | FT  | SEALER - TAPE - 3/32"THICK X 2"WIDE X 45 FT - BLACK        |
|     | 069640-14-000 | FT  | SEALER - TAPE - 1/16"THICK X 1"WIDE X 100 FT - BLACK       |
|     | 069640-15-000 | FT  | SEALER - TAPE - 1/16"THICK X 3/8"WIDE X 100 FT - BRT WHT   |
|     | 069640-17-000 | FT  | SEALER - TAPE - 1/32"THICK X 1"WIDE X 150 FT - GRAY        |
|     | 069640-18-000 | FT  | SEALER - TAPE - 1/8"THICK X 1/2"WIDE X 60 FT - BRT WHT     |
|     | 069640-19-000 | FT  | SEALER - TAPE - 1/8"THICK X 3/4"WIDE X 60 FT - BRT WHT     |
|     | 069640-20-000 | FT  | SEALER - TAPE - 1/8"THICK X 1/2"WIDE X 60 FT - BLACK       |
|     | 069640-21-000 | FT  | SEALER - TAPE - 1/16"THICK X 1/2"WIDE X 100 FT - BRT WHT   |
|     | 069640-22-000 | FT  | SEALER - TAPE - 1/32"THICK X 1/4"WIDE X 200 FT - BRT WHT   |
|     | 069640-23-000 | FT  | SEALER - TAPE - 1/16"THICK X 3/4"WIDE X 100 FT - BRT WHT   |
|     | 069640-27-000 | FT  | SEALER - TAPE - 1/16"THICK X 2 1/4"WIDE X 50 FT - BRT WHT  |
|     | 069640-28-000 | FT  | SEALER - TAPE - 1/32"THICK X 1 7/8"WIDE X 90 FT - GRAY     |
|     | 069640-30-000 | FT  | SEALER - TAPE - 1/32"THICK X 5/8"WIDE X 50 FT - GRAY       |
|     | 069640-31-000 | FT  | SEALER - TAPE - 1/4"THICK X 3/4"WIDE X 15 FT - BLACK       |
|     | 069640-32-000 | FT  | SEALER - TAPE - 1/16"THICK X 3/8"WIDE X 100 FT - BLACK     |
|     | 069640-33-000 | FT  | SEALER - RIBBON - 3/8"DIAMETER X 20 FT - BLACK             |
|     | 069640-34-000 | FT  | SEALER - RIBBON - 1/4"DIAMETER X 30 FT - BRIGHT WHITE      |
|     | 069640-36-000 | EA  | SEALER - TAPE - 1/16"THICK X 1/2"WIDE X 100 FT - BLACK     |
|     | 069640-37-000 | FT  | SEALER - TAPE - 1/16"THICK X 3/4"WIDE X 100 FT - BLACK     |
|     | 069640-38-000 | FT  | SEALER - TAPE - 1/16"THICK X 3/4"WIDE X 100 FT - BRT WHT   |
|     | 069640-39-000 | FT  | SEALER - TAPE - 1/16"THICK X 3"WIDE X 50 FT - BRT WHT      |
|     | 069640-40-000 | FT  | SEALER - TAPE - 1/16"THICK X 3"WIDE X 50 FT - BRT WHT      |
|     | 072889-28-000 | EA  | SEALANT/URETHANE-10 OZ TUBE W/NOZZLE-SELF LEVELING-BRT WHT |
|     | 072889-31-000 | EA  | SEALANT/URETHANE-10 OZ TUBE W/NOZZLE-SELF LEVELING - BLACK |
|     | 076322-02-000 | FT  | TAPE-DOUBLE COATED/ADHESIVE BK-.05"THK X 1"W X 108' - WHT  |
|     | 076322-03-000 | FT  | TAPE-DOUBLE COATED/ADHESIVE BK-.05"THK X .5"W X 108' - WHT |
|     | 076322-05-000 | FT  | TAPE-DOUBLE COATED/ADHESIVE BK-.05"THK X .8"W X 108' - WHT |
|     | 076322-07-000 | FT  | TAPE-DOUBLE COATED/ADHESIVE BK-.05"THK X .5"W X 200' - BLK |
|     | 076322-13-000 | FT  | TAPE - FOAM/DOUBLE COATED - .020"THK X .75"W - CLEAR       |
|     | 076322-21-000 | FT  | TAPE - FOAM/DOUBLE COATED - .045"THK X .50"W               |
|     | 076322-22-000 | FT  | TAPE - FOAM/DOUBLE COATED - .045"THK X .75"W               |
|     | 076322-23-000 | FT  | TAPE - FOAM/DOUBLE COATED - .045"THK X 1"W                 |
|     | 076322-25-000 | FT  | TAPE - FOAM/DOUBLE COATED - .025"THK X .5"W                |
|     | 086276-01-000 | EA  | TAPE - DOUBLE SIDED - 1/2" WIDE X 108' LONG (SOLD BY ROLL) |
|     | 088479-01-000 | EA  | TAPE - ALUMINUM - 3"                                       |
|     | 090340-01-000 | FT  | SEAL - FOAM - CLOSED CELL - 1/4" X 1/2" X 50'              |
|     | 090340-02-000 | FT  | SEAL - FOAM - CLOSED CELL - 3/8" X 1/2" X 50'              |
|     | 091255-02-000 | FT  | SEAL - ADHESIVE BACKED/FOAM - 3/64"THICK X 3/16"W X 1000'  |
|     | 091255-03-000 | FT  | SEAL - ADHESIVE BACKED/FOAM - 1/4" THICK X 1/4"W X 1000'   |
|     | 094401-01-000 | EA  | SEALER - BODY SEAM - FLEXICLEAR                            |
|     | 094401-04-000 | EA  | SEALER - BODY SEAM - CLEAR                                 |
|     | 094401-05-000 | EA  | SEALER - BODY SEAM - 20OZ BLACK                            |
|     | 094401-06-000 | EA  | SEALER - BODY SEAM - 12OZ BLACK                            |
|     | 094401-07-000 | EA  | SEALER - BODY SEAM - CLEAR                                 |
|     | 098408-01-000 | FT  | SEAL - SPONGE RUBBER - CLOSED CELL                         |
|     | 099069-01-000 | FT  | SEAL - RUBBER - CLOSED SPONGE - .5" WIDE X .12" THICK-BLK  |
|     | 099418-01-000 | FT  | SEAL - D-SECTION/ADHESIVE BACK - .44" X .44" - BLK RUBBER  |
|     | 100128-02-000 | FT  | SEAL - FOAM/ADHESIVE BACK - .37" WIDE X .37" THICK X 60'   |
|     | 104692-01-000 | FT  | SEAL - ADHESIVE BACKED FOAM - 3/4" THICK X 3/4" WIDE X 25' |
|     | 107721-07-000 | FT  | SEAL - ACCESS DOOR - .9"WIDE X 1.1"HIGH                    |
|     | 112864-01-000 | FT  | SEAL - FOAM/BUTYL COVERED - 3/8" X 35'                     |
|     | 112864-02-000 | FT  | SEAL - FOAM/BUTYL COVERED - 5/16" X 44'                    |
|     | 112864-05-000 | FT  | SEAL - FOAM/BUTYL COVERED - 1/2" X 3/16"                   |
|     | 112901-02-000 | EA  | ADHESIVE - PLEXUS - MA330 - 50ML - GRAY                    |

**SEALANTS & FASTENERS GROUP (CONTINUED)**  
**SEALANTS & ADHESIVES (CONTINUED)**

| KEY | PART NUMBER   | U/M | DESCRIPTION  |
|-----|---------------|-----|--|
|     | 112901-03-000 | EA  | ADHESIVE - PLEXUS - MA300 - 50ML - WHITE                   |
|     | 112902-03-000 | EA  | MIXER NOZZLE - F/GUN #00400102000 - SCOTCH-WELD & PLEXUS   |
|     | 112902-04-000 | EA  | NOZZLE - ELEMENT - 1/4" X 3.5"                             |
|     | 113452-01-000 | FT  | SEAL/TRIM - FRONT - VINYL W/WIRE CARRIER - .020"           |
|     | 113452-02-000 | FT  | SEAL/TRIM - FRONT - VINYL W/WIRE CARRIER - .027"           |
|     | 113366-01-000 | EA  | ADHESIVE - INSTANT - 1 OZ                                  |
|     | 115870-01-000 | FT  | SEAL/EDGE - TRIM   |
|     | 120074-02-03A | EA  | SILICONE - TUBE - W/O NOZZLE - LOW ODOR - SMOKEY WHITE     |
|     | 120534-01-01A | EA  | TAPE - SCOTCH - 3M - 1/2" FINE LINE                        |
|     | 123655-01-000 | FT  | SEAL - CLOSED CELL/FOAM                                    |
|     | 123816-01-000 | FT  | TAPE - DOUBLE SIDED - 1" X .020" X 200' - CLEAR            |
|     | 123816-02-000 | FT  | TAPE - DOUBLE SIDED - 1/2" X .035" X 200' - CLEAR          |
|     | 123816-03-000 | FT  | TAPE - DOUBLE SIDED - 1/2" X .020" X 200' - CLEAR          |
|     | 123816-04-000 | FT  | TAPE - DOUBLE SIDED - 6" X .0035" X 750' - CLEAR           |
|     | 123816-06-000 | FT  | TAPE - DOUBLE SIDED - 3/4" X 3/4" X 200' - CLEAR           |
|     | 123816-07-000 | FT  | TAPE - DOUBLE SIDED - 1 3/4" X 200' - CLEAR                |
|     | 126427-01-000 | EA  | ADHESIVE - ALL PURPOSE - ABS/PVC                           |
|     | 126427-02-000 | EA  | PRIMER - CLEANER - FLEX PIPING                             |
|     | 131264-01-12A | EA  | SILICONE - TUBE - W/NOZZLE - BONE                          |
|     | 131264-01-13A | EA  | SILICONE - TUBE - W/NOZZLE - TRANSLUCENT                   |
|     | 131264-03-01A | EA  | SILICONE - TUBE - W/O NOZZLE - SELF LEVELING -BRIGHT WHITE |
|     | 131264-04-02A | EA  | SILICONE/SEALANT/ADHESIVE-FAST CURE F/GLASS/VINYL-SOFT WHT |
|     | 131264-05-01A | EA  | SILICONE/SEALANT - ODORLESS - TUBE - W/NOZZLE - BLACK      |
|     | 131264-05-02A | EA  | SILICONE/SEALANT - ODORLESS - TUBE - W/NOZZLE - CLEAR      |
|     | 131384-01-000 | EA  | ADHESIVE - JET WELD - 10 OZ CARTRIDGE                      |
|     | 132892-07-01A | FT  | SEAL - BULB/SINGLE - W/U CHANNEL - .5" X 1" - BLACK        |
|     | 152038-01-01A | EA  | TAPE - PRESERVATION SEAL - 2" X 36YD ROLL - BLACK          |
|     | 154585-01-01A | FT  | SEAL - FOAM TAPE - ADHESIVE BACK - 3/8" X 3/8" - BLACK     |
|     | 154585-02-01A | FT  | SEAL - FOAM TAPE - ADHESIVE BACK - 3/4" X 1/2" - BLACK     |
|     | 154585-03-01A | FT  | SEAL - FOAM TAPE - ADHESIVE 2 SIDED - 1/8" X 3/4" - BLACK  |
|     | 154585-04-01A | FT  | SEAL - FOAM TAPE - ADHESIVE BACK - 5/8" X 1/8" - WHITE     |
|     | 156622-01-01A | FT  | SEALER - TAPE - 1/4"THICK X 3"WIDE X 100 FT - WHITE        |
|     | 156622-02-01A | FT  | SEALER - TAPE - 1/4"THICK X 2"WIDE X 100 FT - WHITE        |

**BOLTS, NUTS AND WASHERS**

| KEY | PART NUMBER   | U/M | DESCRIPTION  |
|-----|---------------|-----|--|
|     | 0MD54F-06-000 | EA  | NUT - HEX W/SERATED FLANGE                                 |
|     | 000C12-04-08B | EA  | BOLT - HEX - 1/4-20 X 1/2 - GRADE #5 - ZINC                |
|     | 000C12-04-12A | EA  | BOLT - HEX - 1/4-20 X 3/4 - PLAIN 5                        |
|     | 000C12-04-40B | EA  | BOLT - HEX - 1/4-20 X 2 1/2 - GRADE #5 ZINC                |
|     | 000C12-05-16B | EA  | BOLT - HEX - 5/16 - 18X1 - GRADE #5 - ZINC                 |
|     | 000C12-05-40B | EA  | BOLT - HEX - 5/16"-18 X 2.5" - GRADE #5 - ZINC             |
|     | 000C12-06-28B | EA  | BOLT-HEX-3/8-16X13/4 ZN 5 - 5185-01                        |
|     | 000C12-08-24B | EA  | BOLT - HEX - 1/2-13 X 1 1/2 - GRADE #5 - ZINC              |
|     | 000C12-08-28B | EA  | BOLT - HEX - 1/2-13 X 1 3/4 - GRADE #5 - ZINC              |
|     | 000C12-08-44B | EA  | BOLT - HEX - 1/2-13 X 2 3/4 - GRADE #5 - ZINC              |
|     | 000C13-07-40B | EA  | BOLT - HEX - 7/16-20 X 2 1/2 - GRADE #5 - ZINC             |
|     | 000C13-07-48B | EA  | BOLT - HEX - 7/16-20 X 3 - GRADE #5 - ZINC                 |
|     | 000C14-10-32B | EA  | BOLT - HEX - 5/8-11 X 2.0 - GRADE #8 - ZINC                |
|     | 000C18-05-40A | EA  | BOLT - ELEVATOR - 5/16-18 X 2 1/2 - PL                     |
|     | 000C26-04-10B | EA  | BOLT - HEX - SERRATED FLANGE - 1/4-20 X 5/8 - ZINC         |
|     | 000C26-04-12F | EA  | BOLT - HEX - SERRATED FLANGE -1/4-20 X 3/4-STAINLESS STEEL |
|     | 000C26-04-14B | EA  | BOLT - HEX - SERRATED FLANGE - 1/4-20 X 7/8 - ZINC         |
|     | 000C26-04-18B | EA  | BOLT - HEX - SERRATED FLANGE - 1/4-20 X 1 1/8 - ZINC       |
|     | 000C26-05-12B | EA  | BOLT - HEX - SERRATED FLANGE - 5/16-18 X 3/4 - ZINC        |
|     | 000C26-06-12B | EA  | BOLT - HEX - SERRATED FLANGE - 3/8-16 X 3/4 - ZINC         |
|     | 000C26-06-20B | EA  | BOLT - HEX - SERRATED FLANGE - 3/8-16 X 1 1/4 - ZINC       |
|     | 000C26-06-28B | EA  | BOLT - HEX - SERRATED FLANGE - 3/8-16 X 1 3/4 - ZINC       |
|     | 000C26-06-40B | EA  | BOLT - HEX - SERRATED FLANGE - 3/8-16 X 2 1/2 - ZINC       |
|     | 000C26-08-24B | EA  | BOLT - HEX - SERRATED FLANGE - 1/2-13 X 1 1/2 - ZINC       |
|     | 000C26-08-28B | EA  | BOLT - HEX - SERRATED FLANGE - 1/2-13 X 1 3/4 - ZINC       |
|     | 000C27-08-48B | EA  | BOLT-CARR 1/2-13X3.00 GR5 - 97 M-SERIES                    |
|     | 000D24-10-00B | EA  | NUT - HEX - SELF LOCKING - 10-32 - ZINC                    |

**SEALANTS & FASTENERS GROUP (CONTINUED)**  
**BOLTS, NUTS AND WASHERS (CONTINUED)**

| KEY | PART NUMBER   | U/M | DESCRIPTION  |
|-----|---------------|-----|--|
|     | 000D27-05-00B | EA  | NUT - HEX LOCK - 5-40 - ZINC                                 |
|     | 000D28-10-00B | EA  | NUT - HEX - W/NYLON LOCK - 10-32 - ZINC                      |
|     | 000D29-04-00B | EA  | NUT - HEX - SELF LOCKING - 1/4 X 20 - ZINC                   |
|     | 000D29-04-00F | EA  | NUT - HEX - SELF LOCKING - 1/4 X 20 - STAINLESS STEEL        |
|     | 000D29-06-00B | EA  | NUT - HEX - W/NYLON LOCK - 3/8-16 - ZINC                     |
|     | 000D29-09-00B | EA  | NUT - HEX - SELF LOCKING - 9/16-12 - ZINC                    |
|     | 000D34-04-00B | EA  | NUT - HEX - LOCKING - 1/4-20 - ZINC                          |
|     | 000D34-06-00B | EA  | NUT - HEX - LOCKING - 3/8-16 GRADE C - ZINC                  |
|     | 000D39-04-00B | EA  | NUT - HEX - LOCKING W/SERRATED FLANGE - 1/4-20 - ZINC        |
|     | 000D39-05-00B | EA  | NUT - HEX - LOCKING W/SERRATED FLANGE - 5/16-18 - ZINC       |
|     | 000D39-06-00B | EA  | NUT - HEX - LOCKING W/SERRATED FLANGE - 3/8-18 - ZINC        |
|     | 000D39-06-00D | EA  | NUT - HEX - LOCKING W/SERRATED FLANGE - 3/8"-16 BLACK        |
|     | 000D39-07-00B | EA  | NUT - HEX - LOCKING W/SERRATED FLANGE - 7/16-14 - ZINC       |
|     | 000D39-08-00B | EA  | NUT - HEX - LOCKING W/SERRATED FLANGE - 1/2-13 - ZINC        |
|     | 000D44-07-00B | EA  | NUT - HEX - LOCKING W/SERRATED FLANGE - 7/16-20 - ZINC       |
|     | 000D44-08-00B | EA  | NUT - HEX - LOCKING W/SERRATED FLANGE - 1/2-20 - ZINC        |
|     | 000D46-04-00A | EA  | NUT - HEX - WELD - 1/4-20 - PLAIN                            |
|     | 000D65-08-00B | EA  | NUT - HEX - LOCKING W/SERRATED FLANGE - 8-32 - ZINC          |
|     | 000D73-08-00C | EA  | NUT - HEX FLANGE - 1/2-13                                    |
|     | 000D75-09-00B | EA  | NUT - HEX LOCKING - 9/16-12 - ZINC                           |
|     | 000D76-06-00B | EA  | NUT - HEX FLANGE - 3/8-16                                    |
|     | 000E11-04-00F | EA  | WASHER - LOCKING - 1/4 MED SPLIT - STAINLESS STEEL           |
|     | 000E11-07-00B | EA  | WASHER - LOCKING - 7/16 MED SPLIT - ZINC                     |
|     | 000E11-08-00B | EA  | WASHER - LOCKING - 1/2 MED SPLIT - ZINC                      |
|     | 000E13-17-00B | EA  | WASHER - FLAT - 3/8 AR - ZINC                                |
|     | 000E13-18-00B | EA  | WASHER - FLAT - 3/8 WIDE - ZINC                              |
|     | 000E13-20-00B | EA  | WASHER - FLAT - 7/16 WIDE - ZINC                             |
|     | 000E13-22-00B | EA  | WASHER - FLAT - 1/2 WIDE - ZINC                              |
|     | 000E13-26-00B | EA  | WASHER - FLAT - 5/8 WIDE - ZINC                              |
|     | 000E14-10-00B | EA  | WASHER - LOCKING - #10 EXTERNAL TOOTH - ZINC                 |
|     | 000E16-10-00B | EA  | WASHER - HARDENED - 5/8 - FLAT - ZINC                        |
|     | 000G45-05-16B | EA  | BOLT - LAG - 5/16-9 X 1 - ZINC                               |
|     | 039715-01-000 | EA  | NUT-SERT - 1/4" DIAMETER - 20 THREADS                        |
|     | 040921-01-000 | EA  | NUT - SPEED - U TYPE - #10-24 - BLACK                        |
|     | 040921-03-000 | EA  | NUT - SPEED - U TYPE - #10                                   |
|     | 040921-04-000 | EA  | NUT - SPEED - U TYPE - #8-.59" LENGTH X .44" WIDTH           |
|     | 040921-05-000 | EA  | NUT - SPEED - U-TYPE - 8-.67" X .44" WIDE                    |
|     | 040921-11-000 | EA  | NUT - SPEED - U-TYPE - 8-.59" LENGTH X .44" WIDTH - BLACK    |
|     | 041322-01-000 | EA  | WASHER - FLANGE - 15/32"ID X 2 3/8"OD - F/SEAT BELT MTG      |
|     | 044364-02-000 | EA  | NUT - SPEED - FLAT - ROUND                                   |
|     | 044533-01-000 | EA  | WASHER - 1 3/8"OD - FOR BUTTONS - PLASTIC                    |
|     | 051387-06-000 | EA  | BOLT - CARRIAGE W/O HOLE - 5/16-18 X 9 1/2 - ZINC            |
|     | 058716-02-000 | EA  | WASHER - FLAT NYLON  |
|     | 064081-03-000 | EA  | NUT - WING 3/8-16 - W/WELD NUT                               |
|     | 077071-01-000 | EA  | WASHER - FENDER - 3/16"ID X 1"OD                             |
|     | 087234-01-000 | EA  | NUT - JACK - 1/4 X 20 THD - MOLLY                            |
|     | 088787-12-000 | EA  | STUD - WELD - 1/4 - 20 X 1.0 LG - MN                         |
|     | 106956-03-000 | EA  | BOLT - HEX TAP - 1/2-13NC X 3 - GRADE 5 - FULL THREAD/ZINC   |
|     | 106956-10-000 | EA  | BOLT - HEX TAP - 9/16-12NC X 3 5/8 -GRD 5-FULL THREAD/ZINC   |
|     | 106956-11-000 | EA  | BOLT - HEX TAP - 1/2-13NC X 2 1/2 - GRD 5-FULL THREAD/ZINC   |
|     | 106956-13-000 | EA  | BOLT - HEX TAP - 1/2-20 X 2 1/2 - GRD 5-FULL THREAD/ZINC     |
|     | 106956-14-000 | EA  | BOLT - HEX TAP - 5/16 -18NC X 1 1/2 - GRD 5-FULL THREAD/ZINC |
|     | 107397-01-000 | EA  | WASHER - FENDER - 3/4"ID X 1"OD                              |
|     | 108067-03-000 | EA  | STUD - WELD - 1/4 - 20 X 1/2 CD                              |
|     | 109917-01-000 | EA  | WASHER - 1.5" X 1.25"  |
|     | 109917-03-000 | EA  | WASHER - 1" X .50"   |
|     | 109917-04-000 | EA  | WASHER - 1" X .75"   |
|     | 128444-01-000 | EA  | WASHER - SPRING - CONICAL                                    |
|     | 135092-02-01A | EA  | BOLT - HEX - SERRATED FLANGE - 1/2-20 X 2 1/2-GRADE 5 ZINC   |
|     | 135092-05-01A | EA  | BOLT - HEX - SERRATED FLANGE - 1/2-20 X 1 - GRADE 5 ZINC     |
|     | 143399-01-01A | EA  | NUT/RETAINING - 3/8"- 24 NFT                                 |
|     | 147284-02-000 | EA  | NUT/SELF RETAINING - 5/16"-18                                |
|     | 148817-01-000 | EA  | WASHER/SPUR - LOCKING  |

## SEALANTS & FASTENERS GROUP (CONTINUED)

### SCREWS

| KEY | PART NUMBER   | U/M | DESCRIPTION   |
|-----|---------------|-----|---|
|     | 0G1208-12-170 | EA  | SCREW - 8-18 X 3/4 POH - BRIGHT WHITE               |
|     | 0G3908-08-170 | EA  | SCREW - SF/DR - 8-18 X 1/2 PPH - BRIGHT WHITE       |
|     | 0G3908-16-170 | EA  | SCREW - SF/DR - 8-18 X 1 PPH - BRIGHT WHITE         |
|     | 0G3908-24-170 | EA  | SCREW - SF/DR - 8-18 X 1 1/2 PPH - BRIGHT WHITE     |
|     | 0G3910-10-420 | EA  | SCREW - SF/DR - 10-16 X .62 PPH - BRIARWOOD         |
|     | 0G3910-12-170 | EA  | SCREW - SF/DR - 10-16 X 3/4 PPH - BRIGHT WHITE      |
|     | 0G3910-24-170 | EA  | SCREW - SF/DR - 10-16 X 1 1/2 PPH - BRIGHT WHITE    |
|     | 0G5508-08-370 | EA  | SCREW - SF/DR - 8-18 X .5 PWH - RIVERSTONE          |
|     | 0G5508-08-380 | EA  | SCREW - SF/DR - 8-18 X .5 PWH - CASHMERE            |
|     | 0G5508-08-420 | EA  | SCREW - SF/DR - 8-18 X .5 PWH - BRIARWOOD           |
|     | 0G5508-08-450 | EA  | SCREW - SF/DR - 8-18 X .5 PWH - SADDLE              |
|     | 0G5508-12-170 | EA  | SCREW - SF/DR - 8-18 X 3/4 PWH - BRIGHT WHITE       |
|     | 0G5508-12-330 | EA  | SCREW - SF/DR - 8-18 X 3/4 PWH - PUTTY              |
|     | 0G5508-12-380 | EA  | SCREW - SF/DR - 8-18 X 3/4 PWH - CASHMERE           |
|     | 0G5508-12-450 | EA  | SCREW - SF/DR - 8-18 X 3/4 PWH - SADDLE             |
|     | 0G5508-16-330 | EA  | SCREW - SF/DR - 8-18 X 1 PWH - PUTTY                |
|     | 0G5508-16-370 | EA  | SCREW - SF/DR - 8-18 X 1 PWH - RIVERSTONE           |
|     | 0G5508-16-380 | EA  | SCREW - SF/DR - 8-18 X 1 PWH - CASHMERE             |
|     | 0G5508-16-450 | EA  | SCREW - SF/DR - 8-18 X 1 PWH - SADDLE               |
|     | 0G6008-16-170 | EA  | SCREW - SF/DR - 8-18 X 1 POH - BRIGHT WHITE         |
|     | 0G6012-32-170 | EA  | SCREW - SF/DR - 12-14 X 2 POH - BRIGHT WHITE        |
|     | 0G6710-08-170 | EA  | SCREW - 10-12 X 1/2 PPH - BRIGHT WHITE              |
|     | 0G6710-12-170 | EA  | SCREW - 10-12 X 3/4 PPH - BRIGHT WHITE              |
|     | 0G6806-16-170 | EA  | SCREW - 6-18 X 1 POH - BRIGHT WHITE                 |
|     | 0G6810-24-280 | EA  | SCREW - 10-12 X 1 1/2 POH - SOFT WHITE              |
|     | 000C20-06-24T | EA  | SCREW - 3/8-16 X 1 1/2 - FLAT SOCKET                |
|     | 000G11-06-08B | EA  | SCREW - 6-20 X 1/2 PPH - ZINC                       |
|     | 000G11-06-10B | EA  | SCREW - 6-20 X 5/8 PPH - ZINC                       |
|     | 000G11-06-10J | EA  | SCREW - 6-20 X 5/8 PPH - BRASS                      |
|     | 000G11-07-08B | EA  | SCREW - 7-19 X 1/2 PPH - ZINC                       |
|     | 000G11-08-06B | EA  | SCREW - 8-18 X 3/8 PPH - ZINC                       |
|     | 000G11-08-08T | EA  | SCREW - 8-18 X 1/2 PPH - FLUOROCARBON COATING       |
|     | 000G11-08-12B | EA  | SCREW - 8-18 X 3/4 PPH - ZINC                       |
|     | 000G11-08-12P | EA  | SCREW - 8-18 X 3/4 PPH - DARK BROWN                 |
|     | 000G11-08-12S | EA  | SCREW - 8-18 X 3/4 PPH - OFF WHITE                  |
|     | 000G11-08-12T | EA  | SCREW - 8-18 X 3/4 PPH - BLACK MAGNESIUM            |
|     | 000G11-08-20B | EA  | SCREW - 8-18 X 1 1/4 PPH - ZINC                     |
|     | 000G11-08-20G | EA  | SCREW - 8-18 X 1 1/4 - ANTIQUE BRASS                |
|     | 000G11-10-12D | EA  | SCREW - 10-16 X 3/4 PPH - BLACK                     |
|     | 000G11-10-32P | EA  | SCREW-10,16X2.00 PPH DK BRN                         |
|     | 000G12-06-08T | EA  | SCREW - 6-20 X 1/2 POH - BLACK                      |
|     | 000G12-10-16F | EA  | SCREW - 10-16 X 1 POH - STAINLESS STEEL             |
|     | 000G13-05-10B | EA  | SCREW - 5-12 X 5/8 PFH - ZINC                       |
|     | 000G13-06-06I | EA  | SCREW - 6-20 X 3/8 PFH - BLACK ZINC                 |
|     | 000G13-06-08B | EA  | SCREW - 6-20 X 1/2 PFH - ZINC                       |
|     | 000G13-06-08G | EA  | SCREW - 6-20 X 1/2 PFH - ANTIQUE BRASS              |
|     | 000G13-06-10G | EA  | SCREW - 6-20 X 5/8 PFH - ANTIQUE BRASS              |
|     | 000G13-06-16E | EA  | SCREW - 6-20 X 1 PFH - CHROME                       |
|     | 000G13-06-16J | EA  | SCREW - 6-20 X 1 PFH - BRASS                        |
|     | 000G13-06-24J | EA  | SCREW - 6-20 X 1 1/2 PFH - BRASS                    |
|     | 000G13-07-10H | EA  | SCREW - 7-19 X 5/8 PFH - BLACK                      |
|     | 000G13-07-12B | EA  | SCREW - 7-19 X 3/4 PFH - ZINC                       |
|     | 000G11-08-08B | EA  | SCREW - 8-18 X 1/2 PPH - ZINC                       |
|     | 000G13-08-10B | EA  | SCREW - 8-18 X 5/8 PFH - ZINC                       |
|     | 000G13-08-109 | EA  | SCREW - 8-18 X 5/8 PFH                              |
|     | 000G13-08-16B | EA  | SCREW - 8-18 X 1 PFH - ZINC                         |
|     | 000G13-08-24B | EA  | SCREW - 8-18 X 1 1/2 PFH - ZINC                     |
|     | 000G16-04-24B | EA  | SCREW - MACHINE - 1/4-20 X 1 1/2 PPH                |
|     | 000G18-08-16B | EA  | SCREW - MACHINE - 8-32 X 1 PPH - ZINC               |
|     | 000G18-08-22B | EA  | SCREW - MACHINE - 8-32 X 1 3/8 PPH - ZINC           |
|     | 000G18-08-24B | EA  | SCREW - MACHINE - 8-32 X 1 1/2 PPH - ZINC           |
|     | 000G19-10-08B | EA  | SCREW - MACHINE - 10-32 X 1/2 PPH - ZINC            |
|     | 000G19-10-10B | EA  | SCREW - MACHINE - 10-32 X 5/8 - PPH - ZINC          |
|     | 000G19-10-12F | EA  | SCREW - MACHINE - 10-32 X 3/4 PPH - STAINLESS STEEL |

**SEALANTS & FASTENERS GROUP (CONTINUED)**  
**SCREWS (CONTINUED)**

| KEY | PART NUMBER   | U/M | DESCRIPTION   |
|-----|---------------|-----|---|
|     | 000G19-10-20B | EA  | SCREW - MACHINE - 10-32 X 1 1/2 PPH - ZINC            |
|     | 000G32-10-06B | EA  | SCREW - 10-32 X 3/8 PPH - ZINC                        |
|     | 000G34-05-12B | EA  | SCREW - HEX HEAD TAPPING - 5/16 X 3/4 LONG            |
|     | 000G39-06-10T | EA  | SCREW - SF/DR - 6-20 X 5/8 PPH - BLACK                |
|     | 000G39-06-16T | EA  | SCREW - SF/DR - 6-20 X 1 PPH - BLACK                  |
|     | 000G39-08-06B | EA  | SCREW - SF/DR - 8-18 X 3/8 PPH - ZINC                 |
|     | 000G39-08-08B | EA  | SCREW - SF/DR - 8-18 X 1/2 PPH - ZINC                 |
|     | 000G39-08-08S | EA  | SCREW - SF/DR - 8-18 X 1/2 PPH - OFF WHITE            |
|     | 000G39-08-08T | EA  | SCREW - SF/DR - 8-18 X 1/2 PPH - BLACK                |
|     | 000G39-08-12T | EA  | SCREW - SF/DR - 8-18 X 3/4 PPH - BLACK                |
|     | 000G39-08-16B | EA  | SCREW - SF/DR - 8-18 X 1 PPH - ZINC                   |
|     | 000G39-08-16T | EA  | SCREW - SF/DR - 6-20 X 1 PPH - BLACK                  |
|     | 000G39-08-24B | EA  | SCREW - SF/DR - 8-18 X 1 1/2 PPH - ZINC               |
|     | 000G39-08-24T | EA  | SCREW - SF/DR - 8-18 X 1 1/2 PPH - BLACK              |
|     | 000G39-08-32B | EA  | SCREW - SF/DR - 8-18 X 2 PPH - ZINC                   |
|     | 000G39-08-169 | EA  | SCREW-SF/DR,8-18X1.00 PPH - FLUROCARBON SILVER        |
|     | 000G39-10-08B | EA  | SCREW - SF/DR - 10-16 X 1/2 PPH - ZINC                |
|     | 000G39-10-10B | EA  | SCREW - SF/DR - 10-16 X 5/8 PPH - ZINC                |
|     | 000G39-10-12B | EA  | SCREW - SF/DR - 10-16 X 3/4 PPH - ZINC                |
|     | 000G39-10-12S | EA  | SCREW - SF/DR - 10-16 X 3/4 PPH - OFF WHITE           |
|     | 000G39-10-129 | EA  | SCREW - SF/DR - 10-16 X 3/4 PPH - FLUOROCARBON SILVER |
|     | 000G39-10-169 | EA  | SCREW - SF/DR - 10-16 X 1 PPH - FLUOROCARBON SILVER   |
|     | 000G39-10-20B | EA  | SCREW - SF/DR - 10-16 X 1 1/4 PPH - ZINC              |
|     | 000G39-10-20T | EA  | SCREW - SF/DR - 10-16 X 1 1/4 PPH - BLACK             |
|     | 000G39-10-24B | EA  | SCREW - SF/DR - 10-16 X 1 1/2 PPH - ZINC              |
|     | 000G39-10-24T | EA  | SCREW - SF/DR - 10-16 X 1 1/2" PPH - BLACK            |
|     | 000G39-10-32B | EA  | SCREW - SF/DR - 10-16 X 2 - PPH - ZINC                |
|     | 000G39-10-48B | EA  | SCREW - SF/DR - 10-16 X 3 - PPH - ZINC                |
|     | 000G39-10-48T | EA  | SCREW - SF/DR - 10-16 X 3 PPH - BLACK                 |
|     | 000G42-04-16B | EA  | SCREW - SF/DR - 1/4-14 X 1 HWH - ZINC                 |
|     | 000G42-04-24B | EA  | SCREW - SF/DR - 1/4-14 X 1 1/2 - ZINC                 |
|     | 000G52-06-05B | EA  | SCREW - MACHINE - 6-32 X 5/16 PTH - ZINC              |
|     | 000G52-06-06B | EA  | SCREW - MACHINE - 6-32 X 3/8 PTH - ZINC               |
|     | 000G54-04-14B | EA  | SCREW - 1/4-20 X 7/8 PTH - TYPE 23 - ZINC PLATED      |
|     | 000G55-08-12T | EA  | SCREW - SF/DR - 8-18 X 3/4 PWH - BLACK                |
|     | 000G55-08-16S | EA  | SCREW - SF/DR - 8-18 X 1.00 PWH - OFF WHITE           |
|     | 000G55-08-16T | EA  | SCREW - SF/DR - 8-18 X 1 PWH - BLACK                  |
|     | 000G56-12-48B | EA  | SCREW - WOOD - 12-11 X 3 POH - SPECIAL HARDENED       |
|     | 000G60-08-16E | EA  | SCREW - SF/DR - 8-1 X 1 POH - CHROME                  |
|     | 000G60-08-20F | EA  | SCREW - SF/DR - 8-19X1.25 POH                         |
|     | 000G60-08-22B | EA  | SCREW - SF/DR - 8-18 X 1.38 POH - ZINC                |
|     | 000G60-10-20B | EA  | SCREW - SF/DR - 10-16 X 1 1/4 POH - ZINC              |
|     | 000G60-10-209 | EA  | SCREW - SF/DR - 10-16 X 1 1/4 POH - SILVER STALGAARD  |
|     | 000G60-10-28T | EA  | SCREW - SF/DR - 10-16 X 1 3/4 - BLACK                 |
|     | 000G62-06-12B | EA  | SCREW-SF/DR,6-20X.75 PFH - ZINC                       |
|     | 000G62-06-249 | EA  | SCREW - SF/DR - 8-18 X 1.5 PPH - SILVER               |
|     | 000G62-08-24B | EA  | SCREW - SF/DR - 8-18 X 1 1/2 PFH                      |
|     | 000G62-08-24T | EA  | SCREW - SF/DR - 8-18 X 1 1/2 PFH - BLACK              |
|     | 000G67-08-32B | EA  | SCREW - 8-15 X 2 PPH - ZINC                           |
|     | 000G67-10-08B | EA  | SCREW - 10-12 X 1/2 PPH - ZINC                        |
|     | 000G67-10-08S | EA  | SCREW - 10-12 X 1/2 PPH - OFF WHITE                   |
|     | 000G67-10-10B | EA  | SCREW - 10-12 X 5/8 PPH - ZINC - TYPE A               |
|     | 000G67-10-10D | EA  | SCREW - 10-12 X 5/8 PPH - BLACK - TYPE A              |
|     | 000G67-10-10P | EA  | SCREW - 10-12 X 5/8 PPH - DARK BROWN                  |
|     | 000G67-10-10S | EA  | SCREW - 10-12 X 5/8 PPH - OFF WHITE                   |
|     | 000G67-10-10T | EA  | SCREW - 10-12 X 5/8 PPH - BLACK                       |
|     | 000G67-10-10V | EA  | SCREW-10-12X5/8 PPH ZN O/W - TYPE A                   |
|     | 000G67-10-12P | EA  | SCREW - 10-12 X 3/4 PPH - DARK BROWN                  |
|     | 000G67-10-24B | EA  | SCREW - 10-12 X 1 1/2 PPH - ZINC                      |
|     | 000G68-06-10J | EA  | SCREW - 6-18 X 5/8 POH - BRASS                        |
|     | 000G68-06-12B | EA  | SCREW - 6-18 X 3/4 POH - ZINC & CLEAR                 |
|     | 000G68-06-12S | EA  | SCREW - 6-18 X 3/4 POH                                |
|     | 029130-01-000 | EA  | SCREW - SNAP STUD - #8-16 X 5/8" LONG                 |
|     | 029130-02-000 | EA  | SCREW - SNAP STUD - #8-16 X 1 1/2" LONG               |

**SEALANTS & FASTENERS GROUP (CONTINUED)**  
**SCREWS (CONTINUED)**

| <b>KEY</b> | <b>PART NUMBER</b> | <b>U/M</b> | <b>DESCRIPTION</b>   |
|------------|--------------------|------------|--|
|            | 029130-03-000      | EA         | SCREW - SNAP STUD - #8-16 X 1" LONG                          |
|            | 049465-03-000      | EA         | SCREW - 10-16 X 1 POH W/WASHER - OFF WHITE                   |
|            | 049465-17-000      | EA         | SCREW - 10-16 X 1 POH W/WASHER - BRIGHT WHITE                |
|            | 049465-18-000      | EA         | SCREW - 10-16 X 1 POH W/WASHER - VW GRAY                     |
|            | 054434-02-000      | EA         | SCREW - SF/DR - 10-16 X 2 - ZINC                             |
|            | 054434-03-000      | EA         | SCREW - SF/DR - 10-16 X 2 - PWH - ZINC                       |
|            | 075908-01-000      | EA         | SCREW - MACHINE - 10-32 X .56 PTH - EXTERNAL TOOTH - ZINC    |
|            | 076790-01-000      | EA         | SCREW - 6-20 X 1 1/4 PPH - BLACK                             |
|            | 076790-05-000      | EA         | SCREW - 6-20 X 1/2 PPH - BLACK - THREAD CUTTING/WOOD         |
|            | 083554-01-000      | EA         | SCREW - DRYWALL - 8 X 1 1/4                                  |
|            | 087721-01-000      | EA         | SCREW - FLAT HEAD - TAPPING - 1/4" X 1 1/4" LONG - ZINC      |
|            | 093249-01-000      | EA         | CAP/SCREW - MOLDED/VINYL - BLACK                             |
|            | 095772-01-000      | EA         | SOCKET-SNAP FASTNER1" SF/DR - SELF DRIVER                    |
|            | 097974-01-000      | EA         | SCREW - PARTICLE BOARD - 7-9 X 3/4 PPH                       |
|            | 101618-01-000      | EA         | SCREW - 1/4-20 X 3/4 HEX - TAPPING - STALGARD TYPE F         |
|            | 113563-01-01A      | EA         | SCREW - 8 X 5/8 LONG SHOULDER/WASHER HEAD                    |
|            | 113563-01-02A      | EA         | SCREW - 8 X 5/8 LONG SHOULDER/WASHER HEAD - BRIGHT WHITE     |
|            | 118383-01-12A      | EA         | RETAINER/RECESSED - F/.22" SCREW - RIVERSTONE                |
|            | 118383-01-14A      | EA         | RETAINER/RECESSED - F/.22" SCREW - PEWTER                    |
|            | 118383-01-15A      | EA         | RETAINER/RECESSED - F/.22" SCREW - BRIARWOOD                 |
|            | 118383-02-13A      | EA         | RETAINER/RECESSED - F/.27" SCREW - OFF WHITE                 |
|            | 118383-04-04A      | EA         | CAP - F/RECESSED RETAINER - BRIGHT WHITE                     |
|            | 118383-04-10A      | EA         | CAP - F/RECESSED RETAINER - RIVERSTONE                       |
|            | 118383-04-13A      | EA         | CAP - F/RECESSED RETAINER - OFF WHITE                        |
|            | 118383-04-14A      | EA         | CAP - F/RECESSED RETAINER - PEWTER                           |
|            | 118383-04-15A      | EA         | CAP - F/RECESSED RETAINER - BRIARWOOD                        |
|            | 134126-01-01A      | EA         | SCREW/NAIL - HEX HEAD - 3/4"                                 |
|            | 140040-01-000      | EA         | SCREW - 1/4-20 X 1 - BUTTON HEAD/SOCKET - W/LOCTITE          |
|            | 149753-01-01A      | EA         | RETAINER/RECESSED - F/.22" SCREW - BLACK                     |
|            | 149753-01-02A      | EA         | RETAINER/RECESSED - F/.22" SCREW - BRIGHT WHITE              |
|            | 149753-02-01A      | EA         | CAP - F/RECESSED RETAINER - BLACK                            |
|            | 149753-02-02A      | EA         | CAP - F/RECESSED RETAINER - BRIGHT WHITE                     |
|            | 154938-01-01A      | EA         | SCREW - SF/DR - 10-16 X 3/4 PPH - W/SELF SEAL - BRIGHT WHITE |
|            | 154938-01-02A      | EA         | SCREW - SF/DR - 10-16 X 3/4 PPH - W/SELF SEAL - BLACK        |
|            | 154938-02-01A      | EA         | SCREW - SF/DR - 8-18 X 1 PFH - W/SELF SEAL - BRIGHT WHITE    |
|            | 154938-02-02A      | EA         | SCREW - SF/DR - 8-18 X 1 PFH - W/SELF SEAL - BLACK           |
|            | 154938-02-03A      | EA         | SCREW - SF/DR - 8-18 X 1 PFH - W/SELF SEAL - SILVER          |
|            | 154938-03-01A      | EA         | SCREW - SF/DR - 8-18 X 5/8 PFH - W/SELF SEAL - BRT WHT       |
|            | 154938-03-02A      | EA         | SCREW - SF/DR - 8-18 X 5/8 PFH - W/SELF SEAL - BLACK         |
|            | 154938-04-01A      | EA         | SCREW - SF/DR - 10-16 X 1" TPH - W/SELF SEAL - BRT WHT       |
|            | 154938-04-02A      | EA         | SCREW - SF/DR - 10-16 X 1" TPH - W/SELF SEAL - BLACK         |
|            | 154938-05-03A      | EA         | SCREW - SF/DR - 8-18 X 1.25" PFH - W/SELF SEAL - SILVER      |

**SEALANTS & FASTENERS GROUP (CONTINUED)**  
**CLAMPS, CLIPS, GROMMETS, RIVETS & PLUGS**

| KEY | PART NUMBER   | U/M | DESCRIPTION   |
|-----|---------------|-----|---|
|     | 000H14-06-03R | EA  | RIVET - MANDREL BLIND - 3/16 ALUMINUM                     |
|     | 000H16-04-06R | EA  | RIVET - POP ALUMINUM - 1/8 X .313 - .375                  |
|     | 000H16-06-10R | EA  | RIVET - POP ALUMINUM - 3/16 X .501 - .625                 |
|     | 007161-01-000 | EA  | CLAMP - HOSE - SPRING TYPE - 1/2"                         |
|     | 008386-01-000 | EA  | GROMMET - SNAP - 3/8" DIAMETER - NYLON                    |
|     | 010495-01-000 | EA  | CLAMP - CABLE - 9/16"ID - BLACK                           |
|     | 010495-02-000 | EA  | CLAMP - CABLE - 3/8"ID - BLACK                            |
|     | 010495-04-000 | EA  | CLAMP - CABLE - 11/16"ID - WHITE                          |
|     | 010497-01-000 | EA  | CLAMP - CLOSED - 5/8"ID                                   |
|     | 010497-02-000 | EA  | CLAMP - CLOSED - 1.5"ID                                   |
|     | 010497-03-000 | EA  | CLAMP - CLOSED - 1"ID - CUSHIONED                         |
|     | 010497-04-000 | EA  | CLAMP - CLOSED - 1 5/8"ID                                 |
|     | 010497-05-000 | EA  | CLAMP - CLOSED - 1/2"ID                                   |
|     | 010497-07-000 | EA  | CLAMP - CLOSED - 3/8"ID                                   |
|     | 010497-09-000 | EA  | CLAMP - CLOSED - 5/16"ID                                  |
|     | 010497-10-000 | EA  | CLAMP - CLOSED - 7/8"ID                                   |
|     | 010499-01-000 | EA  | CLAMP - CLOSED - 3/8"ID                                   |
|     | 016188-03-000 | EA  | GROMMET - LP LINE - 3/8"HOLE X 2 1/2"LONG - RUBBER        |
|     | 016188-04-000 | EA  | GROMMET - LP LINE - 1/2"HOLE X 2 1/2"LONG - RUBBER        |
|     | 016188-05-000 | EA  | GROMMET - LP LINE - 3/8"HOLE X 1 1/4"LONG - RUBBER        |
|     | 016188-06-000 | EA  | GROMMET - LP LINE - 3/8"HOLE X 3 1/4"LONG - RUBBER        |
|     | 016188-07-000 | EA  | GROMMET - L/P LINE - 1/2"HOLE X 3 1/4"LONG                |
|     | 016188-08-000 | EA  | GROMMET - LP LINE - 1/2"HOLE X 1 1/4"LONG - RUBBER        |
|     | 016188-09-000 | EA  | GROMMET - LP LINE - .68"HOLE X 1 1/4"LONG - RUBBER        |
|     | 016188-10-000 | EA  | GROMMET - LP GAS - .68" X 2.5"                            |
|     | 023942-01-000 | EA  | GROMMET - RUBBER - 2"OD                                   |
|     | 041930-11-000 | EA  | RIVET - POP ALUMINUM - 1/8 X .188 - .250 - BRIGHT WHITE   |
|     | 061420-04-000 | EA  | PLUG/PLASTIC - 1 1/4" DIAMETER                            |
|     | 061420-05-000 | EA  | PLUG/PLASTIC - 1 1/2" DIAMETER                            |
|     | 061420-09-000 | EA  | PLUG/PLASTIC - 1.00" DIAMETER                             |
|     | 061420-10-000 | EA  | PLUG/PLASTIC - 1 1/2" DIAMETER - BLACK                    |
|     | 061420-12-000 | EA  | PLUG/PLASTIC - 1.50" DIAMETER - RED                       |
|     | 061420-13-000 | EA  | PLUG/PLASTIC - 3/8" - FLUSH                               |
|     | 061420-14-000 | EA  | PLUG/PLASTIC - 7/8" DIAMETER - BLACK                      |
|     | 061420-15-000 | EA  | PLUG/PLASTIC - 2" DIAMETER - BLACK                        |
|     | 061420-16-000 | EA  | PLUG/PLASTIC - 2 1/8" DIAMETER - BLACK                    |
|     | 061420-18-000 | EA  | PLUG/PLASTIC - 1 3/4" DIAMETER - BLACK                    |
|     | 062401-01-000 | EA  | CLAMP - HOSE - WORMGEAR - .25" - 1"                       |
|     | 062401-02-000 | EA  | CLAMP - HOSE - WORMGEAR - 1.56" - 2.5" ID                 |
|     | 062401-03-000 | EA  | CLAMP - HOSE - WORMGEAR - .22" - 1" ID                    |
|     | 062401-04-000 | EA  | CLAMP - HOSE - WORMGEAR - .69" - 1.25" ID                 |
|     | 062401-06-000 | EA  | CLAMP - HOSE - WORMGEAR - .22" - .62" ID                  |
|     | 062401-09-000 | EA  | CLAMP - HOSE - WORMGEAR - 2.8" - 3.75" ID                 |
|     | 062401-11-000 | EA  | CLAMP - HOSE - WORMGEAR - 3.50" - 4.50" ID                |
|     | 062401-13-000 | EA  | CLAMP - HOSE - WORMGEAR                                   |
|     | 071015-11-000 | EA  | GROMMET - RUBBER - 1"ID FITS .12 MATERIAL - BLACK         |
|     | 071015-13-000 | EA  | GROMMET - RUBBER - .62"ID X 1"OD W/.09" GROOVE - BLACK    |
|     | 071015-20-000 | EA  | GROMMET - .38 ID FITS .06 MTL                             |
|     | 071015-22-000 | EA  | GROMMET - RUBBER - .62"ID X 1.12"OD W/.19" GROOVE - BLACK |
|     | 071015-26-000 | EA  | GROMMET - RUBBER - 1.5"ID X 2.1"OD W/.06" GROOVE - BLACK  |
|     | 071015-29-000 | EA  | GROMMET - RUBBER - .3"ID X 1.3"OD W/.12" GROOVE - BLACK   |
|     | 071015-30-000 | EA  | GROMMET - RUBBER - .3"ID X .81"OD W/.12" GROOVE - BLACK   |
|     | 071015-39-000 | EA  | GROMMET - .75 ID FITS .06 MTL                             |
|     | 071015-41-000 | EA  | GROMMET - .125 ID FITS .188 MTL                           |
|     | 071015-42-000 | EA  | GROMMET - .25 ID FITS .06 MTL                             |
|     | 071015-43-000 | EA  | GROMMET-.25 ID,FITS .07 MATL, MINOR Z-4139                |
|     | 071015-44-000 | EA  | GROMMET - .31 ID FITS .25 MTL                             |
|     | 075148-02-000 | EA  | CLAMP - GROUNDING - BRONZE SCREWS                         |
|     | 077955-01-000 | EA  | CLIP/J - 3/8" - VINYL COATED                              |
|     | 081211-03-000 | EA  | PLUG - PLASTIC - .50"DIAMETER - TRUSS HEAD - BLACK        |
|     | 081211-04-000 | EA  | PLUG - PLASTIC - .46"DIAMETER - TRUSS HEAD - BLACK        |
|     | 081211-06-000 | EA  | PLUG-PLASTIC,.468DIA,BLACK , HEYCO 1669                   |
|     | 083609-01-000 | EA  | CLAMP - WIRE - DUAL - EQUAL DIAMETERS - 5/8"              |
|     | 083610-01-000 | EA  | CLAMP - WIRE - DUAL - UNEQUAL DIAMETERS - 3/4" & 1 1/4"   |



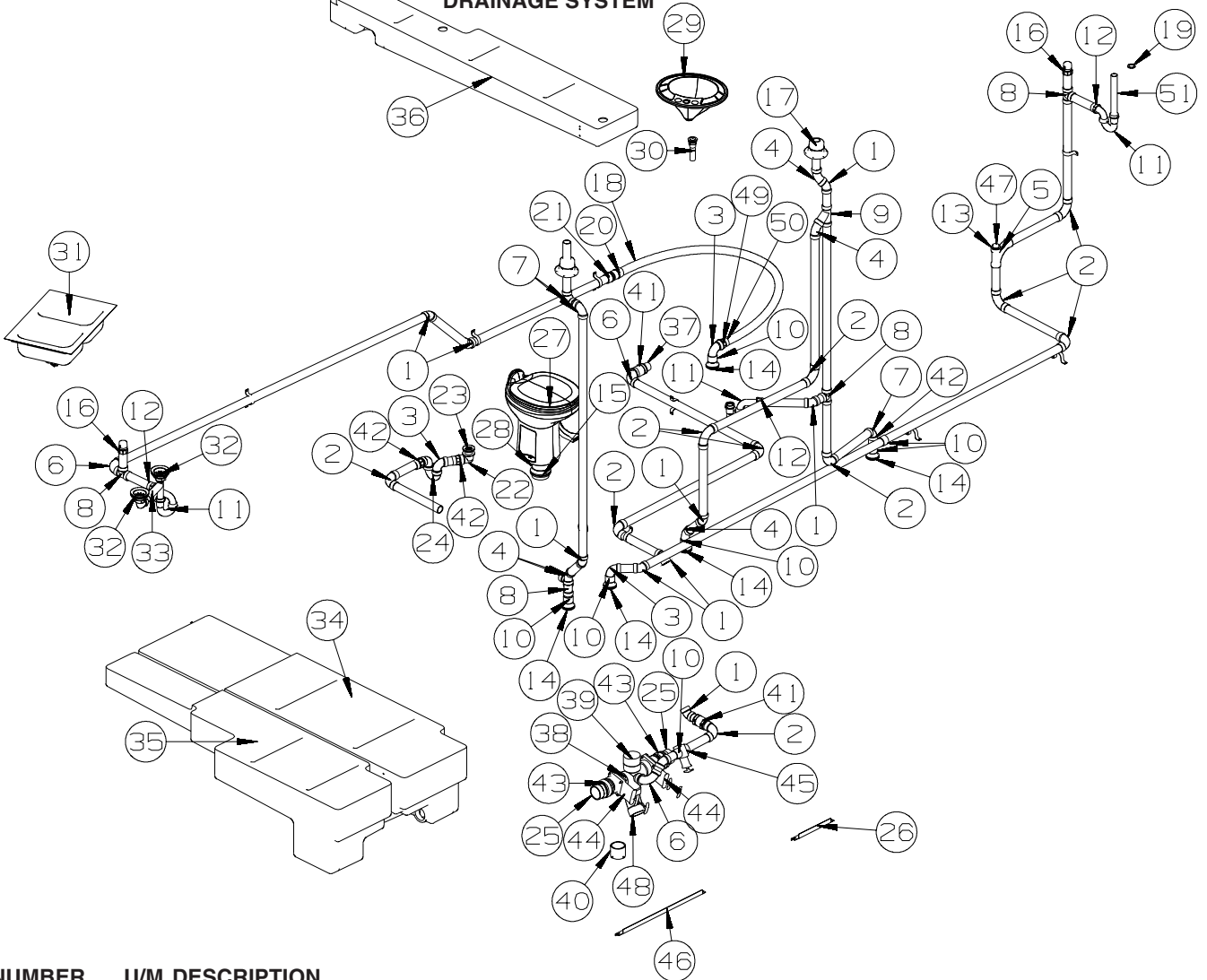
**SEALANTS & FASTENERS GROUP (CONTINUED)**  
**CLAMPS, CLIPS, GROMMETS, RIVETS & PLUGS (CONTINUED)**

| KEY | PART NUMBER   | U/M | DESCRIPTION  |
|-----|---------------|-----|--|
|     | 083610-02-000 | EA  | CLAMP - WIRE - DUAL - UNEQUAL DIAMETERS - 3/4" & 2"    |
|     | 083610-03-000 | EA  | CLAMP - WIRE - DUAL - EQUAL DIAMETERS - 2"             |
|     | 083610-02-000 | EA  | CLAMP - WIRE - DUAL - UNEQUAL DIAMETERS - 3/4" & 2"    |
|     | 083610-03-000 | EA  | CLAMP - WIRE - DUAL - EQUAL DIAMETERS - 2"             |
|     | 088756-01-000 | EA  | GROMMET - WEB - 1 1/8"ID                               |
|     | 089329-02-000 | EA  | CLIP - SPRING  |
|     | 091952-01-000 | EA  | CLIP - GRIPPER - 1" - BLACK VINYL COATED               |
|     | 091952-02-000 | EA  | CLIP - GRIPPER - 3/4" - BLACK VINYL COATED             |
|     | 091952-03-000 | EA  | CLIP - GRIPPER - 1/2" - BLACK VINYL COATED             |
|     | 094362-02-000 | EA  | CLIP - XMAS TREE - BINDER HEAD - .9" LONG/ANY COLOR    |
|     | 113133-02-01A | EA  | RIVET - POP - ALUMINUM - 3/16 X .252 - .504 - BLACK    |
|     | 114208-05-000 | EA  | GROMMET - EDGE LINER - FITS 2"                         |
|     | 118626-01-01A | EA  | RIVET/POP - ALUMINUM - 3/16 X 1.2"(GRIP RANGE .1"-.4") |
|     | 118626-01-02A | EA  | RIVET/POP - ALUMINUM - 3/16 X .08 - .375               |
|     | 118626-02-01A | EA  | RIVET/POP - ALUMINUM - 3/16 X .500 - .750              |
|     | 118626-03-01A | EA  | RIVET/POP - STAINLESS STEEL - 3/16 X .500 - .750       |
|     | 137014-01-01A | EA  | GROMMET - CABLE - ALMOND                               |
|     | 139118-02-01A | EA  | GROMMET - SCREW - PLASTIC                              |
|     | 155498-01-01A | EA  | CLAMP - CLOSED - 7/8"ID - VINYL DIP/GALVONIZED - BLACK |

**MISCELLANEOUS FASTENERS**

| KEY | PART NUMBER   | U/M | DESCRIPTION   |
|-----|---------------|-----|---|
|     | 008343-01-000 | EA  | TIE - WIRE - 6"   |
|     | 008343-02-000 | EA  | TIE - WIRE - 14"  |
|     | 008343-03-000 | EA  | TIE - WIRE - 7 1/2" - BLACK                               |
|     | 029094-04-000 | YD  | VELCRO TAPE/LOOP - 1"WIDE - W/ADHESIVE BACK - BLACK       |
|     | 029096-03-000 | YD  | VELCRO TAPE/HOOK - 1"WIDE - BLACK                         |
|     | 029096-04-000 | YD  | VELCRO TAPE/HOOK - 1"WIDE - BLACK - W/ADHESIVE BACK (PSA) |
|     | 048394-02-000 | YD  | VELCRO TAPE - HOOK - ADHESIVE BACK - 3/4" WIDE - BEIGE    |
|     | 085774-01-000 | FT  | FASTENER - DUAL LOCK - 1" WIDE - ADHESIVE BACK - BLACK    |
|     | 085774-02-000 | FT  | FASTENER - DUAL HOOK - 1" WIDE - ADHESIVE BACK - BLACK    |
|     | 088792-02-000 | YD  | VELCRO TAPE - LOOP - 3/4" - ADHESIVE BACK - BEIGE         |
|     | 088792-04-000 | YD  | VELCRO TAPE - HOOK - 5/8" - NON-ADHESIVE BACK - WHITE     |
|     | 088792-05-000 | YD  | VELCRO TAPE - LOOP - 5/8" - NON-ADHESIVE BACK - WHITE     |
|     | 108046-02-000 | EA  | CABLE TIE - SCREW MOUNT 15"                               |

## WATER & SEWAGE GROUP DRAINAGE SYSTEM

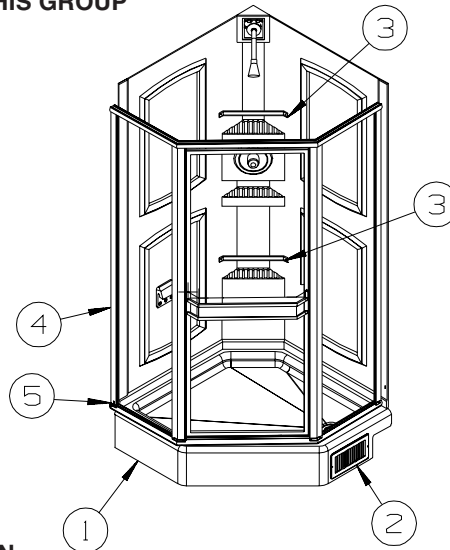


| KEY | PART NUMBER   | U/M | DESCRIPTION  |
|-----|---------------|-----|--|
| 1   | 010006-01-000 | EA  | ELBOW - 45 DEGREE - 1 1/2" HUB X HUB - PLASTIC             |
| 2   | 010008-01-000 | EA  | ELBOW - 90 DEGREE - 1 1/2" HUB X HUB - PLASTIC             |
| 3   | 010009-01-000 | EA  | ELBOW - 90 DEGREE - 1/4 BEND - 1 1/2" - PLASTIC            |
| 4   | 010051-01-000 | EA  | ELBOW - 45 DEGREE - 1 1/2" SPIGOT X HUB - PLASTIC          |
| 5   | 031365-02-000 | EA  | TEE - 1 1/2" EXTRA LONG TURN - PLASTIC                     |
| 6   | 033761-01-000 | EA  | ELBOW - 90 DEGREE - TURN - 1 1/2" HUB X 1 1/2" SPIGOT      |
| 7   | 034250-01-000 | EA  | ELBOW - 90 DEGREE - LONG TURN - 1 1/2" HUB X HUB - ABS     |
| 8   | 010071-01-000 | EA  | TEE - SANITARY - 1 1/2" HUB X HUB X HUB - PLASTIC          |
| 9   | 010073-01-000 | EA  | WYE - 45 DEGREE - 1 1/2" HUB X HUB X HUB - PLASTIC         |
| 10  | 010115-01-000 | EA  | COUPLING - 1 1/2" HUB X HUB - PLASTIC                      |
| 11  | 107538-02-000 | EA  | P-TRAP - PLASTIC - 1 1/2" W/EXTENSION ARM                  |
| 11  | 011071-01-000 | EA  | P-TRAP - 1 1/2" - CSA - PLASTIC - <b>CANADIAN</b>          |
| 12  | 152146-01-000 | EA  | CONNECTOR - 1 1/2"P X 1 1/2"MPT                            |
| 13  | 010122-02-000 | EA  | BUSHING/PLASTIC - REDUCER - 1 1/4" X 1 1/4"THD - RED       |
| 14  | 061607-01-000 | EA  | GROMMET - HOLDING TANK - 1 1/2" NPS                        |
| 15  | 061607-02-000 | EA  | GROMMET - HOLDING TANK - 3" NPS                            |
| 16  | 079968-01-000 | EA  | VENT - MECHANICAL/TRAP ARM - ANTI-SIPHON-2" X 7.3" PLASTIC |
| 17  | 083558-03-000 | EA  | VENT - W/COVER - F/PLUMBING STACK - OFF WHITE              |
| 18  | 126426-01-000 | FT  | PIPE - 1 1/2" FLEXIBLE                                     |
| 19  | 061420-10-000 | EA  | PLUG/PLASTIC - 1 1/2" DIAMETER - BLACK                     |
| 20  | 130685-01-000 | EA  | ADAPTER - 1 7/8" FEMALE SLIP X 1 1/2" FEMALE THREAD/O-RING |
| 21  | 130685-02-000 | EA  | ADAPTER - 1 7/8 FEMALE SLIP X 1 1/2" MALE THREAD/O-RING    |
| 22  | 131486-01-000 | EA  | ELBOW - DRAIN 1 1/2" - LOW PROFILE - TUB DRAIN             |
| 23  | 066440-01-000 | EA  | STRAINER - SHOWER DRAIN - W/RUBBER WASHER                  |
| 24  | 037763-01-000 | EA  | P-TRAP - PLASTIC - 1 1/2 HXH W/UNION                       |
| 25  | 010129-03-000 | EA  | NIPPLE - 3" X 3" TOE - PLASTIC                             |
| 26  | 161534-01-02B | EA  | BRACKET - HOLDING TANK - E-COATED                          |
| 27* | 160815-01-01A | EA  | TOILET/AQUA MAGIC STYLE LITE - TALL - W/SPRAY - WHITE      |

**WATER & SEWAGE GROUP (CONTINUED)**  
**DRAINAGE SYSTEM (CONTINUED)**

| KEY | PART NUMBER   | U/M | DESCRIPTION  |
|-----|---------------|-----|--|
| 28  | 024676-01-000 | EA  | FLANGE/CLOSET - 4" X 3" - BLACK PLASTIC                    |
| 29  | 164615-02-01A | EA  | SINK - LAVATORY - OVAL - 14" X 17" - BRUSHED NICKEL        |
| 30  | 106116-01-03A | EA  | STRAINER/PLASTIC - STOPPER/TAILPIECE/GASKET & NUT-LAVATORY |
| 31  | 104113-01-000 | EA  | SINK/STAINLESS STEEL/DOUBLE 17.2" X 25.2" X 5.9" CNTR DROP |
| 32  | 092303-01-000 | EA  | STRAINER - W/BASKET - GALLEY SINK - 4" OD                  |
| 33  | 011091-02-000 | EA  | WASTE - CONTINUOUS - DOUBLE SINK                           |
| 34  | 160952-01-700 | EA  | TANK - HOLDING - W/SPINWELD - W/O FITTINGS - BLACK WATER   |
|     | 010232-01-000 | EA  | FITTING - SPINWELD - PLASTIC 3FPT                          |
|     | 049032-01-000 | EA  | PATCH - SPINWELD - 3/8" - PLASTIC                          |
|     | 125697-02-000 | EA  | NOZZLE - WELD-A-FLUSH                                      |
| 35  | 160953-01-700 | EA  | TANK - HOLDING - W/SPINWELD - W/O FITTINGS - GRAY WATER    |
|     | 010232-01-000 | EA  | FITTING - SPINWELD - PLASTIC 3FPT                          |
|     | 049032-01-000 | EA  | PATCH - SPINWELD - 3/8" - PLASTIC                          |
| 36  | 163555-01-700 | EA  | TANK - HOLDING - W/SPINWELD - W/O FITTINGS - GRAY WATER    |
|     | 010232-01-000 | EA  | FITTING - SPINWELD - PLASTIC 3FPT                          |
|     | 049032-01-000 | EA  | PATCH - SPINWELD - 3/8" - PLASTIC                          |
| 37  | 102024-01-000 | EA  | NIPPLE - PLASTIC - 1.5" X 2.62" TOE                        |
| 38  | 155751-01-000 | EA  | TEE - DOUBLE 3" - W/SIDE INLET                             |
| 39  | 155752-01-000 | EA  | CAP - 3"   |
| 40  | 062416-01-000 | EA  | ADAPTER - SEWER HOSE TO 3" PIPE                            |
| *   | 062415-01-000 | EA  | CAP - SEWER - 3" DIAMETER                                  |
|     | 139513-01-000 | EA  | HOSE - SEWER - 3" X 10' - W/BAYONET TYPE ADAPTER           |
|     | 109450-01-000 | EA  | ADAPTER - SEWER HOSE - PLASTIC                             |
| 41  | 089355-01-000 | EA  | COUPLER - RUBBER - 1 1/2" X 1 1/2"                         |
| 42  | 127440-02-01A | EA  | WASHER - RUBBER - 1.8" X .1"                               |
| 43  | 078406-01-000 | EA  | COUPLER - 3" X 3" W/CLAMPS - RUBBER                        |
| 44  | 062418-01-000 | EA  | VALVE - DUMP - W/HANDLE - 3" - PLASTIC/BLACK               |
| 45  | 062421-01-000 | EA  | VALVE/DUMP W/HANDLE - 1 1/2" HUB X 1 1/2" SPIGOT           |
| 46  | 161534-02-02B | EA  | BRACKET - HOLDING TANK - E-COATED                          |
| 47  | 010166-01-000 | EA  | PLUG/THREADED - 1 1/4"MPT - PLASTIC - BLACK - UL           |
| 48  | 010061-01-000 | EA  | ELBOW - 45 DEGREE ST - 3" SPIGOT & HUB - PLASTIC           |
| 49  | 126425-02-000 | EA  | ADAPTER - SWIVEL - 1 1/2 FPT X SPIGOT                      |
| 50  | 126424-01-000 | EA  | ADAPTER - 1 1/2" MPT X 1 1/2" HUB                          |
| 51  | 010122-01-000 | EA  | BUSHING/PLASTIC - REDUCER - 1 1/2"SMTH X 1 1/4"THD - BLAC  |

**\*COMPONENT PARTS LISTED LATER IN THIS GROUP**

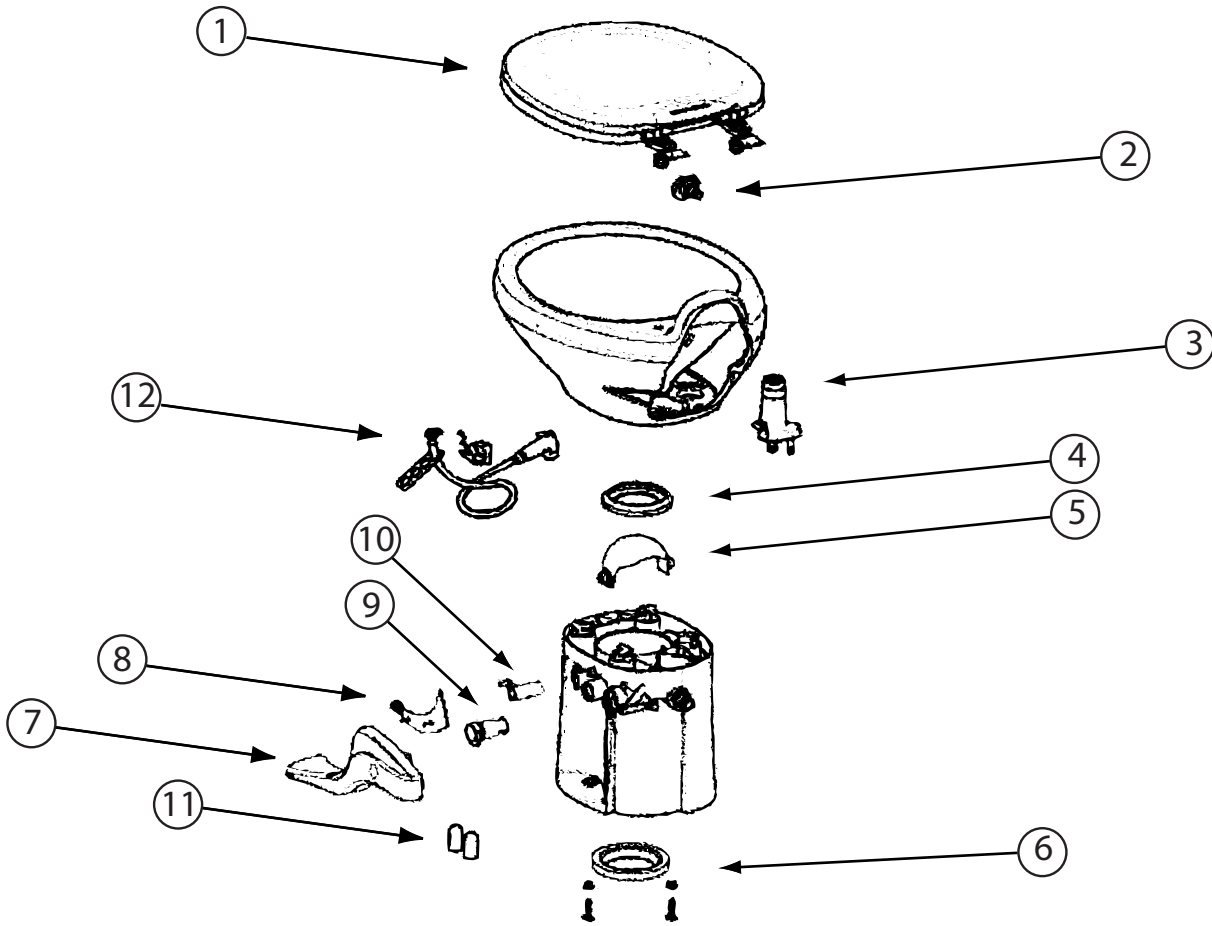


| KEY | PART NUMBER   | U/M | DESCRIPTION  |
|-----|---------------|-----|--|
| 1   | M02630-95-T77 | EA  | SHOWER PAN - W/STRAINER                                |
| 2   | 089326-02-000 | EA  | GRILLE - FLOOR - HEATING - 9.3" X 5.3" - SOFT WHITE    |
| 3   | 113714-02-02A | EA  | RETAINER - SHELF/SHOWER - 10.6" - SOFT WHITE           |
| 4   | 147575-04-18A | EA  | ENCLOSURE - SHOWER - SIDES/BACK - 1 PIECE - SOFT WHITE |
| 5   | 154585-03-01A | FT  | SEAL - FOAM TAPE - ADHESIVE BACK - 1/8" X 3/4"         |

**WATER & SEWAGE GROUP (CONTINUED)**  
**COMPONENT PARTS FOR DRAINAGE SYSTEM**

062415-01-000

| KEY | PART NUMBER   | U/M DESCRIPTION     | VENDOR NO.  |
|-----|---------------|---------------------|-------------|
|     | 062415-01-700 | EA STRING-SEWER CAP | V#SV7 STRAP |

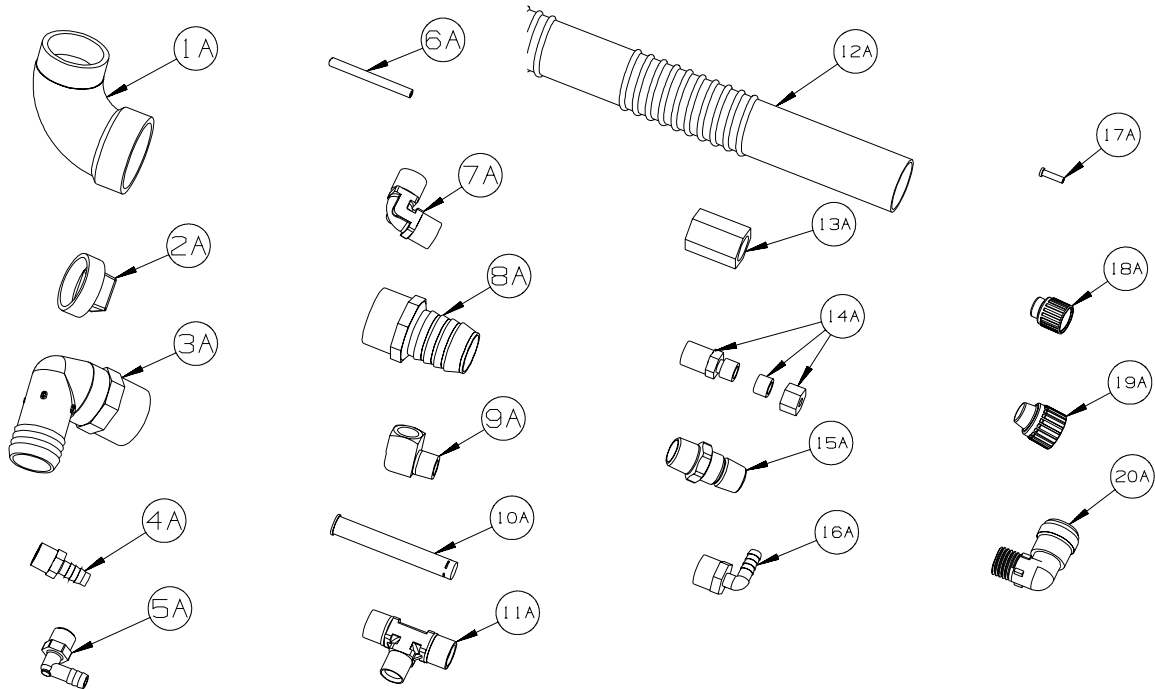


160815-01-01A

| KEY | PART NUMBER   | U/M DESCRIPTION                 | VENDOR NO.     |
|-----|---------------|---------------------------------|----------------|
| 1   | 160815-01-700 | EA SEAT & COVER ASSEMBLY        | 42036          |
| 2   | 152829-01-710 | EA FLUSH NOZZLE - WHITE         | 34124          |
| 3   | 152829-01-708 | EA VACUUM BREAKER               | 34122          |
| 4   | 152829-01-707 | EA SEAL - F/WASTE BALL          | 34120          |
| 5   | 152829-01-706 | EA WASTE BALL - WHITE           | 34117          |
| 6   | 063740-01-706 | EA BOLT PACKAGE-FLOOR FLANGE    | 12524 THETFORD |
| 7   | 160815-01-701 | EA PEDAL - TALL - WHITE         | 42067          |
| 8   | 160815-01-702 | EA INSERT/PEDAL COVER - WHITE   | 42080          |
| 9   | 160815-01-703 | EA WATER VALVE                  | 42049          |
| 10  | 160815-01-704 | EA WASTE BALL DRIVE ARM         | 42048          |
| 11  | 147421-01-707 | EA CAP (UNIVERSAL BOLT) - WHITE | 31713          |
| 12  | 132389-01-708 | EA HAND SPRAY KIT-CHROME HEAD   | 19289          |

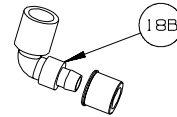
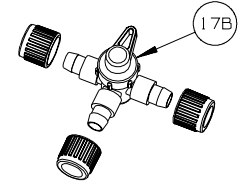
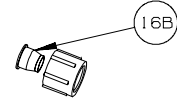
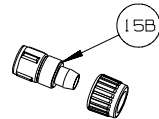
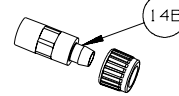
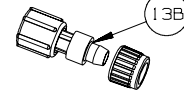
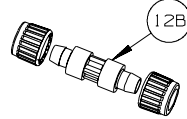
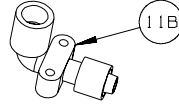
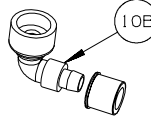
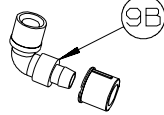
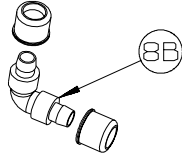
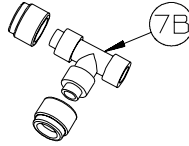
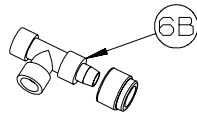
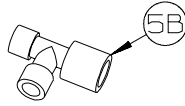
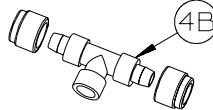
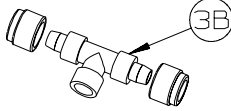
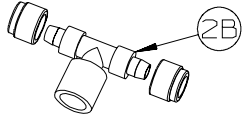
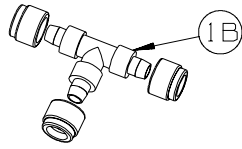
## WATER & SEWAGE GROUP (CONTINUED)

### WATER SYSTEM



| KEY | PART NUMBER   | U/M | DESCRIPTION   |
|-----|---------------|-----|---|
| 1A  | 010009-01-000 | EA  | ELBOW - 90 DEGREE - 1/4 BEND - 1 1/2" PLASTIC             |
| 2A  | 010166-01-000 | EA  | PLUG/THREADED - 1 1/4"MPT - PLASTIC - BLACK - UL          |
| 3A  | 010219-01-000 | EA  | ELBOW - 1 1/4 MPT X 1 1/4 BARB - WATER FILL - PLASTIC     |
| 4A  | 010224-01-000 | EA  | ADAPTER - HOSE TO PIPE - 3/8 MPT X 3/8 BARB - PLASTIC     |
| 5A  | 035539-01-000 | EA  | ELBOW - 3/8 MPT X 3/8 BARB - PLASTIC                      |
| 6A  | 039800-04-000 | FT  | TUBING - POLYBUTYL - 1/4"OD                               |
| 6A  | 074462-02-000 | FT  | TUBING - VINYL - 3/8 ID X 20' - CLEAR                     |
| 6A  | 112176-01-000 | FT  | TUBING - VINYL - REINFORCED - 1/2" ID                     |
| 6A  | 124188-01-000 | FT  | TUBING - PEX - 1/2" ID X 20' - BLUE(COLD)                 |
| 6A  | 124188-02-000 | FT  | TUBING - PEX - 1/2" ID X 20' - RED(HOT)                   |
| 7A  | 039808-03-000 | EA  | ELBOW - 1/2" MPT X 1/2" MPT - PLASTIC                     |
| 8A  | 044927-01-000 | EA  | ADAPTER - HOSE TO PIPE-1 1/4 MPTX1 1/4 BARB-BLACK PLASTIC |
| 9A  | 065318-02-000 | EA  | ELBOW - 90 DEGREE - 3/8" MPT TO 3/8" FPT                  |
| 10A | 077954-02-000 | EA  | FILTER - WATER TANK - W/SCREEN IN TANK                    |
| 11A | 039798-01-000 | EA  | TEE - 1/2"MPT X 1/2"MPT X 1/2"MPT - PLASTIC               |
| 12A | 079381-01-000 | FT  | TUBING - RIBBED FLEXIBLE/WATER FILL - 10 FT = 1EA-1.38ID  |
| 13A | 101814-01-000 | EA  | COUPLING - FEMALE - 1/2" X 1/2" FPT - GRAY                |
| 14A | 103798-01-000 | EA  | CONNECTOR - 1/4 OD X 3/8 MPT                              |
| 15A | 110438-02-000 | EA  | VALVE - CHECK - 1/2"MPT X 1/2"MPT - BRASS                 |
| 16A | 111223-02-000 | EA  | ELBOW - 1/2" MPT X 3/8" BARB - PLASTIC                    |
| 16A | 111223-04-000 | EA  | ELBOW - 1/2" MPT X 1/2" BARB - PLASTIC                    |
| 16A | 111888-01-000 | EA  | FERRULE - PLASTIC - .250 ID X .375 OD                     |
| 17A | 111888-02-000 | EA  | INSERT - BRASS - 1/4 COMP                                 |
| 18A | 113697-01-000 | EA  | CAP - 3/8"P   |
| 19A | 114427-01-000 | EA  | CAP - 1/2"P   |
| 20A | 164906-01-000 | EA  | ELBOW - 90 DEGREE - 1/2" QUICK CONNECT X 1/2"MPT          |

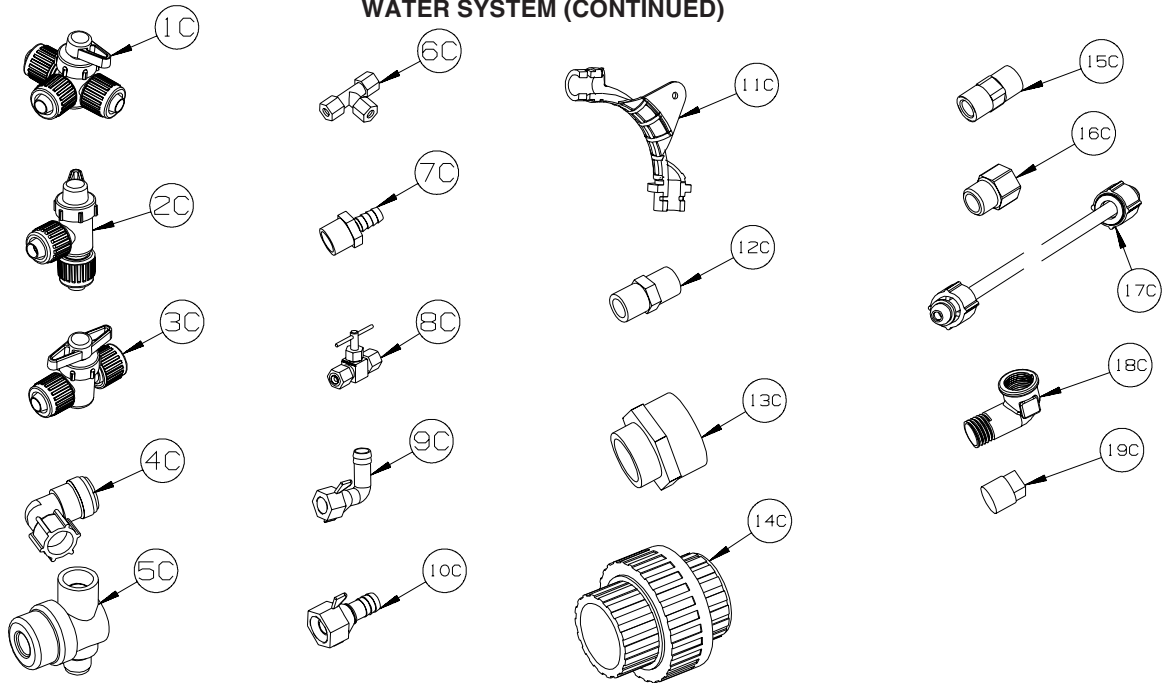
**WATER & SEWAGE GROUP (CONTINUED)**  
**WATER SYSTEM (CONTINUED)**



| KEY | PART NUMBER   | U/M | DESCRIPTION   |
|-----|---------------|-----|---|
| 1B  | 114428-01-000 | EA  | TEE - 1/2"P X 1/2"P X 1/2"P                         |
| 2B  | 114428-02-000 | EA  | TEE - SWIVEL - 1/2"P X 1/2"P X 1/2"FPT              |
| 3B  | 114428-03-000 | EA  | TEE - 1/2"P X 1/2"P X 1/2"MPT                       |
| 4B  | 114428-04-000 | EA  | TEE - 1/2"P X 1/2"P X 1/8"FPT                       |
| 5B  | 114428-05-000 | EA  | TEE - 1/2" SWIVEL X 1/2" MPT X 1/2" MPT             |
| 6B  | 114428-06-000 | EA  | TEE - 1/2" P X 1/2" MPT X 1/2" MPT                  |
| 7B  | 114428-07-000 | EA  | TEE - 1/2" P X 1/2" MPT X 1/2" P                    |
| 8B  | 114429-01-000 | EA  | ELBOW - 1/2"P X 1/2"P                               |
| 9B  | 114429-02-000 | EA  | ELBOW - 1/2"P X 1/2"MPT                             |
| 9B  | 114429-04-000 | EA  | ELBOW - 1/2"P X 3/8"MPT                             |
| 9B  | 114429-10-000 | EA  | ELBOW - SWIVEL - 1/2"MPT X 1/2"FPT                  |
| 10B | 114429-08-000 | EA  | ELBOW - SWIVEL - 1/2"P X 1/2"FPT                    |
| 11B | 114429-09-000 | EA  | ELBOW - 1/2"P X 1/2"FPT DROP EAR                    |
| 12B | 114430-01-000 | EA  | ADAPTER - 1/2"P X 1/2"P                             |
| 13B | 114430-02-000 | EA  | ADAPTER - SWIVEL - 1/2"P X 1/2"FPT                  |
| 13B | 114430-04-000 | EA  | ADAPTER - SWIVEL - 1/2"P X 3/8"MPT                  |
| 14B | 114430-03-000 | EA  | ADAPTER - 1/2"P X 1/2"MPT                           |
| 15B | 114430-06-000 | EA  | ADAPTER - 1/2"P X 3/8"FPT                           |
| 15B | 114430-09-000 | EA  | ADAPTER - 1/2"P X 1/2"FPT                           |
| 16B | 114430-10-000 | EA  | ADAPTER - NUT - PIPE CONNECTION - 1/2"              |
| 17B | 114431-01-000 | EA  | VALVE - 180 DEGREE/CENTER DRAIN - 1/2"P - THREE WAY |
| 18B | 114429-11-000 | EA  | ELBOW - 1/2"P X 1/2"FPT                             |

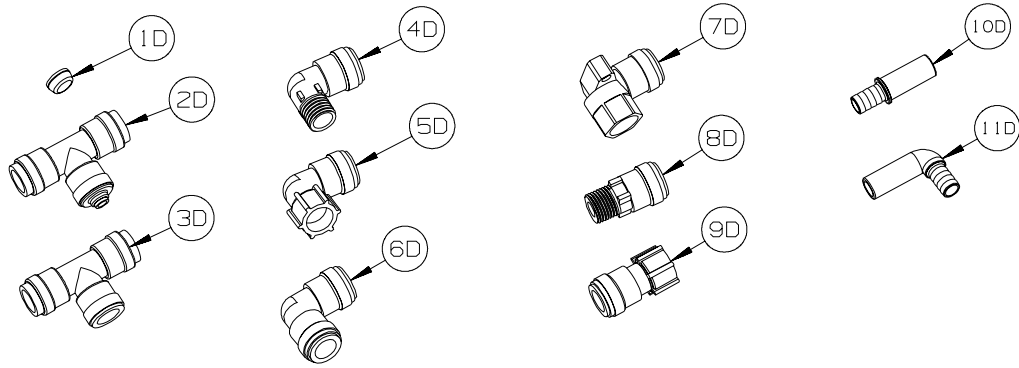
## WATER & SEWAGE GROUP (CONTINUED)

### WATER SYSTEM (CONTINUED)



| KEY | PART NUMBER   | U/M | DESCRIPTION   |
|-----|---------------|-----|---|
| 1C  | 114431-02-000 | EA  | VALVE - WATER BYPASS - 1/2"P - THREE WAY (WATER HEATER)   |
| 2C  | 114431-03-000 | EA  | VALVE - 90 DEGREE DRAIN - 1/2"P                           |
| 3C  | 114431-04-000 | EA  | VALVE - "INLINE SHUT-OFF" - 1/2"P                         |
| 4C  | 164906-02-000 | EA  | ELBOW - 90 DEGREE - 1/2" QUICK CONNECT X 1/2"MPT - SWIVEL |
| 5C  | 152925-01-01A | EA  | FILTER - IN LINE - TWIST ON - 1/2" - BLACK                |
| 6C  | 118423-01-000 | EA  | FITTING - BRASS-TEE - 1/4C X 1/4C X 1/4C                  |
| 7C  | 118809-01-000 | EA  | ADAPTER - 1/2" MPT X 3/8" BARB - PLASTIC                  |
| 7C  | 118809-02-000 | EA  | ADAPTER - 1/2" MPT X 1/2" BARB - PLASTIC                  |
| 8C  | 120868-01-000 | EA  | VALVE - NEEDLE - 1/4" COMPRESSION X 1/4" COMPRESSION      |
| 9C  | 123150-01-000 | EA  | ELBOW - 1/2 FPT X 1/2 BARB - SWIVEL                       |
| 10C | 123152-01-000 | EA  | ADAPTER - 1/2 FPT X 1/2 BARB - SWIVEL                     |
| 11C | 124184-01-000 | EA  | SUPPORT - WATER LINE - BEND                               |
| 12C | 132148-01-000 | EA  | CONNECTOR - 1/2" X 1/2"MPT - BRASS                        |
| 13C | 133835-01-000 | EA  | ADAPTER - REDUCING - 1 1/2" X 1 1/4"                      |
| 14C | 133889-01-000 | EA  | UNION - 1 1/2 DOUBLE SLIP - PVC                           |
| 15C | 135386-01-000 | EA  | NIPPLE - 1/2"   |
| 16C | 136333-01-000 | EA  | ADAPTER - BRASS - 1/2"MPT X 1/2"FPT                       |
| 17C | 140821-01-000 | EA  | TUBE - WATER SUPPLY - 3/8" X 24"                          |
| 17C | 140821-02-000 | EA  | TUBE - WATER SUPPLY - 3/8" X 30"                          |
| 17C | 140821-03-000 | EA  | TUBE - WATER SUPPLY - 3/8" X 36"                          |
| 17C | 140821-04-000 | EA  | TUBE - WATER SUPPLY - 3/8" X 48"                          |
| 17C | 140821-05-000 | EA  | TUBE - WATER SUPPLY - 3/8" X 54"                          |
| 17C | 140821-06-000 | EA  | TUBE - WATER SUPPLY - 3/8" X 60"                          |
| 17C | 140821-07-000 | EA  | TUBE - WATER SUPPLY - 3/8" X 72"                          |
| 17C | 140821-08-000 | EA  | TUBE - WATER SUPPLY - 1/2" X 24"                          |
| 17C | 140821-09-000 | EA  | TUBE - WATER SUPPLY - 1/2" X 36"                          |
| 17C | 140821-10-000 | EA  | TUBE - WATER SUPPLY - 1/2" X 48"                          |
| 18C | 142812-01-000 | EA  | ELBOW - BRASS - 1/2"MPT X 1/2"FPT                         |
| 19C | 145609-01-000 | EA  | PLUG - BRASS - 1/2" MPT/HEX HEAD                          |

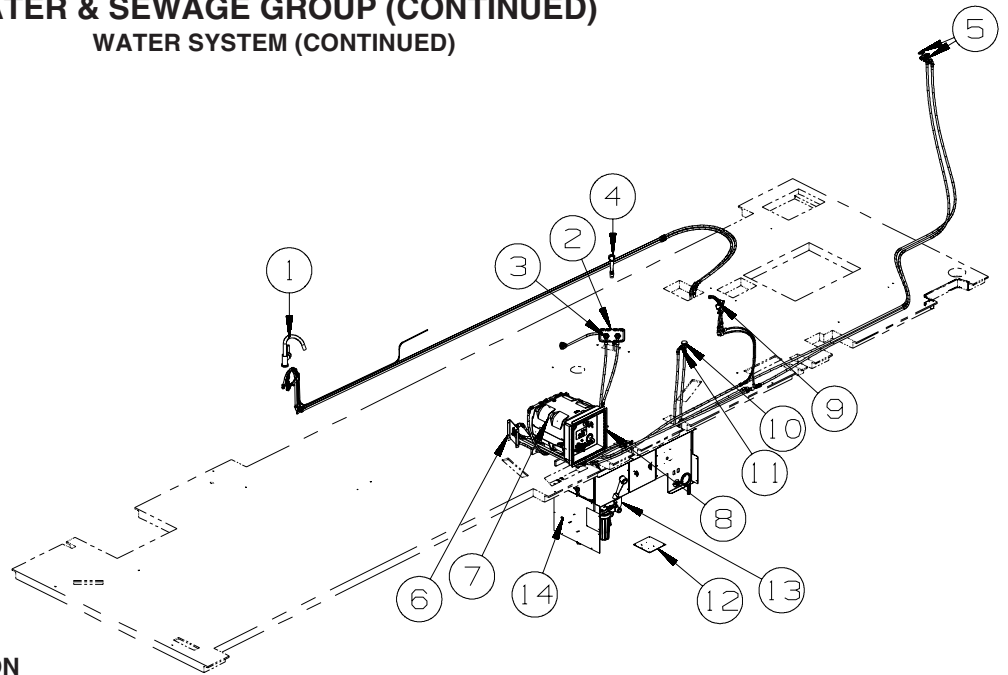
**WATER & SEWAGE GROUP (CONTINUED)**  
**WATER SYSTEM (CONTINUED)**



| KEY | PART NUMBER   | U/M | DESCRIPTION   |
|-----|---------------|-----|---|
| 1D  | 116473-01-000 | EA  | FERRIL - RUBBER SEALING - WATER LINE                      |
| 2D  | 160949-01-000 | EA  | CONNECTOR - 1/2" X 1/2" X 1/4" REDUCER                    |
| 3D  | 160949-02-000 | EA  | CONNECTOR - 1/2"CTS X 1/2"CTS X 1/2"CTS                   |
| 4D  | 164906-01-000 | EA  | ELBOW - 90 DEGREE - 1/2" QUICK CONNECT X 1/2"MPT          |
| 5D  | 164906-02-000 | EA  | ELBOW - 90 DEGREE - 1/2" QUICK CONNECT X 1/2"FPT - SWIVEL |
| 6D  | 164906-03-000 | EA  | ELBOW - 90 DEGREE - 1/2" X 1/2" QUICK CONNECTS            |
| 7D  | 164906-04-000 | EA  | ELBOW - 90 DEGREE - 1/2"CTS X 1/2"FPT                     |
| 8D  | 164907-01-000 | EA  | ADAPTER - STRAIGHT - 1/2" QUICK CONNECT X 1/2"MPT         |
| 9D  | 164907-02-000 | EA  | ADAPTER - STRAIGHT - 1/2" QUICK CONNECT X 1/2"FPT/SWIVEL  |
| 10D | 166212-01-000 | EA  | UNION - HOSE/BARB - CTS X 1/2"B - SEA TECH #3511-1008     |
| 11D | 166212-02-000 | EA  | ELBOW - HOSE/BARB - CTS X 1/2"B - SEA TECH #3512-1008     |

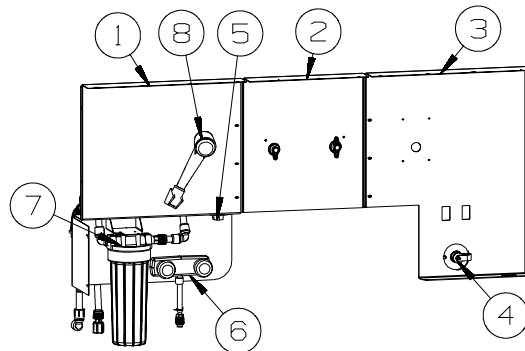


**WATER & SEWAGE GROUP (CONTINUED)**  
**WATER SYSTEM (CONTINUED)**



| KEY | PART NUMBER   | U/M | DESCRIPTION  |
|-----|---------------|-----|--|
| 1   | 161758-01-01A | EA  | FAUCET - GALLEY - TALL SPOUT - CHROME                      |
| 2   | 075606-03-000 | EA  | PANEL - PLASTIC - FAUCET BACK - SOFT WHITE                 |
| 3   | 163269-01-02A | EA  | FAUCET/SHOWER - .5"MPT W/1.9" INLET PIPES- EXTERIOR/CHROME |
| 4*  | 129390-03-02A | EA  | SHOWER HEAD - W/HOSE & BRACKET - CHROME                    |
| 5   | 098419-01-000 | EA  | FAUCET - 90 DEGREE   |
| 6   | 151245-03-02B | EA  | BRACKET - VALVE/BYPASS - HEATER - E-COATED                 |
| 7*  | 145541-01-000 | EA  | WATER HEATER/MOTOR AID-GAS/ELECT IGN - GCH10A-4E - 10 GAL  |
| 8   | 125420-05-03A | EA  | DOOR - WATER HEATER - 18" X 17.7" - BLACK                  |
|     | 076767-03-000 | EA  | CABLE - STAINLESS STEEL - 18.5"                            |
| 9*  | 151680-01-01A | EA  | FAUCET - LAVATORY/DUAL CONTROL - CHROME/BRASS              |
| 10  | 125697-04-000 | EA  | BREAKER/VACUUM - F/FLUSHING SYSTEM                         |
| 11  | 125697-03-000 | EA  | CHECK VALVE - F/FLUSHING SYSTEM                            |
| 12  | 149477-02-02B | EA  | PANEL - WATER PUMP - E-COATED                              |
| 13  | 160702-01-000 | EA  | PUMP - WATER - 3.0 GPM - W/1/2" MPT                        |
| 14  | 163371-01-02B | EA  | PLATE - WATER SYSTEM - E-COATED                            |

**\*COMPONENT PARTS LISTED LATER IN THIS GROUP**



**WATER CENTER**

| KEY | PART NUMBER   | U/M | DESCRIPTION   |
|-----|---------------|-----|---|
| 1   | 161728-01-12B | EA  | PANEL - SERVICE CENTER - BRIGHT WHITE                       |
| 2   | 162481-01-12B | EA  | PANEL - SERVICE CENTER - BRIGHT WHITE                       |
| 3   | 161713-01-12B | EA  | PANEL - SERVICE CENTER - BRIGHT WHITE                       |
| 4   | 125697-05-000 | EA  | INLET/WATER - F/FLUSHING SYSTEM                             |
| 5   | 010230-06-000 | EA  | FILL - CITY WATER - W/CHECK VALVE - MPT - BRUSHED ALUM      |
| 6   | 163269-01-01A | EA  | FAUCET/SHOWER - .5"MPT W/1.9" INLET PIPES- EXTERIOR/BRT WHT |
| 7*  | 155482-01-01A | EA  | PREFILTER/WATER SYSTEM - HOUSING/FILTER CARTRIDGE/WRENCH    |
| 8   | 131383-01-02A | EA  | SHOWER HEAD - W/60" HOSE & BRACKET - WHITE                  |

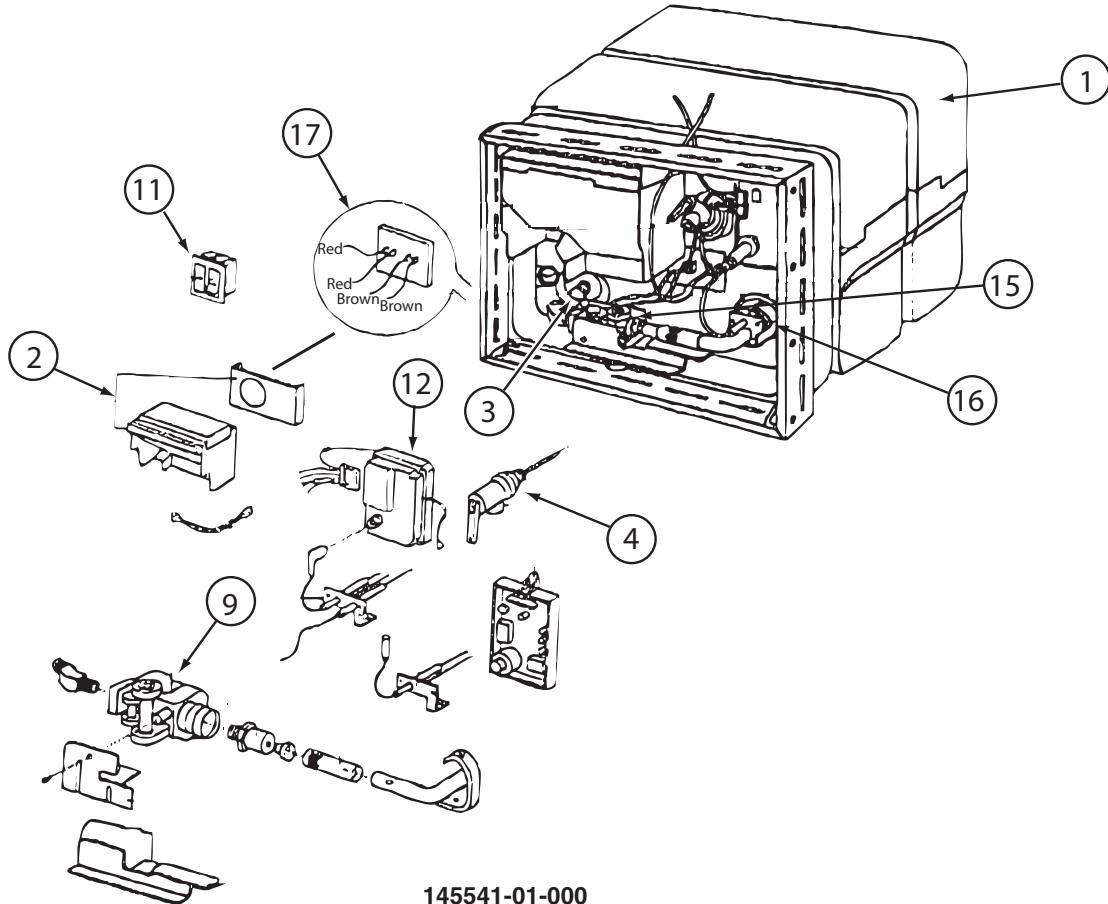
**\*COMPONENT PARTS LISTED LATER IN THIS GROUP**

## WATER & SEWAGE GROUP (CONTINUED)

### COMPONENT PARTS FOR WATER SYSTEM

129390-03-02A

| KEY | PART NUMBER     | U/M | DESCRIPTION                | VENDOR NO.        |
|-----|-----------------|-----|----------------------------|-------------------|
|     | 129390- 03- 702 | EA  | CONNECTOR-SWIVEL - CHROME  | A-4002-CPK        |
|     | 129390- 03- 703 | EA  | VACUUM BREAKER - CHROME    | A-4900C           |
|     | 129390- 03- 705 | EA  | BRACKET-HANGER/SHOWER HEAD | AS5001PK - CHROME |



145541-01-000

| KEY | PART NUMBER   | U/M | DESCRIPTION                  | VENDOR NO.     |
|-----|---------------|-----|------------------------------|----------------|
| 1   | 145541-01-700 | EA  | TANK - W/INSULATION - 10 GAL | 91028          |
| 2   | 051391-04-707 | EA  | KIT-EXHAUST, (FLUE & GASKET) | 90960          |
| 3   | 051391-01-715 | EA  | PLUG-DRAIN, 1 EA = 2 PER PKG | 91857          |
| 4   | 051391-01-704 | EA  | VALVE-RELIEF, 1/2" FITTING   | 91604          |
| 9   | 051393-01-726 | EA  | VALVE/SOLENOID - W/O BRACKET | 93870          |
| 11  | 145541-01-701 | EA  | SWITCH - ON/OFF - WHITE      | 91859          |
| 12  | 145541-01-702 | EA  | CIRCUIT BOARD                | 91226          |
| 15  | 145541-01-703 | EA  | SWITCH - THERMAL CUT OFF     | 93866          |
| 16  | 051393-01-725 | EA  | ELECTRODE-SGL SPADE CONNECT. | 93868          |
| 17  | 051393-01-721 | EA  | THERMOSTAT W/ECO, 140 FRT MT | 91447          |
|     | 051391-05-706 | EA  | ELEMENT-HEATING 1500 WATT    | 92249 W/GASKET |
|     | 051393-01-701 | EA  | SWITCH - REMOTE - W/LIGHT    | 91959          |
|     | 145541-01-704 | EA  | RELAY                        | 90061          |
|     | 145541-01-705 | EA  | JUNCTION BOX(PLASTIC) 10 GAL | 91224          |

CONTACT WINNEBAGO PARTS SALES FOR UNLISTED COMPONENT(S)

151678-01-01A

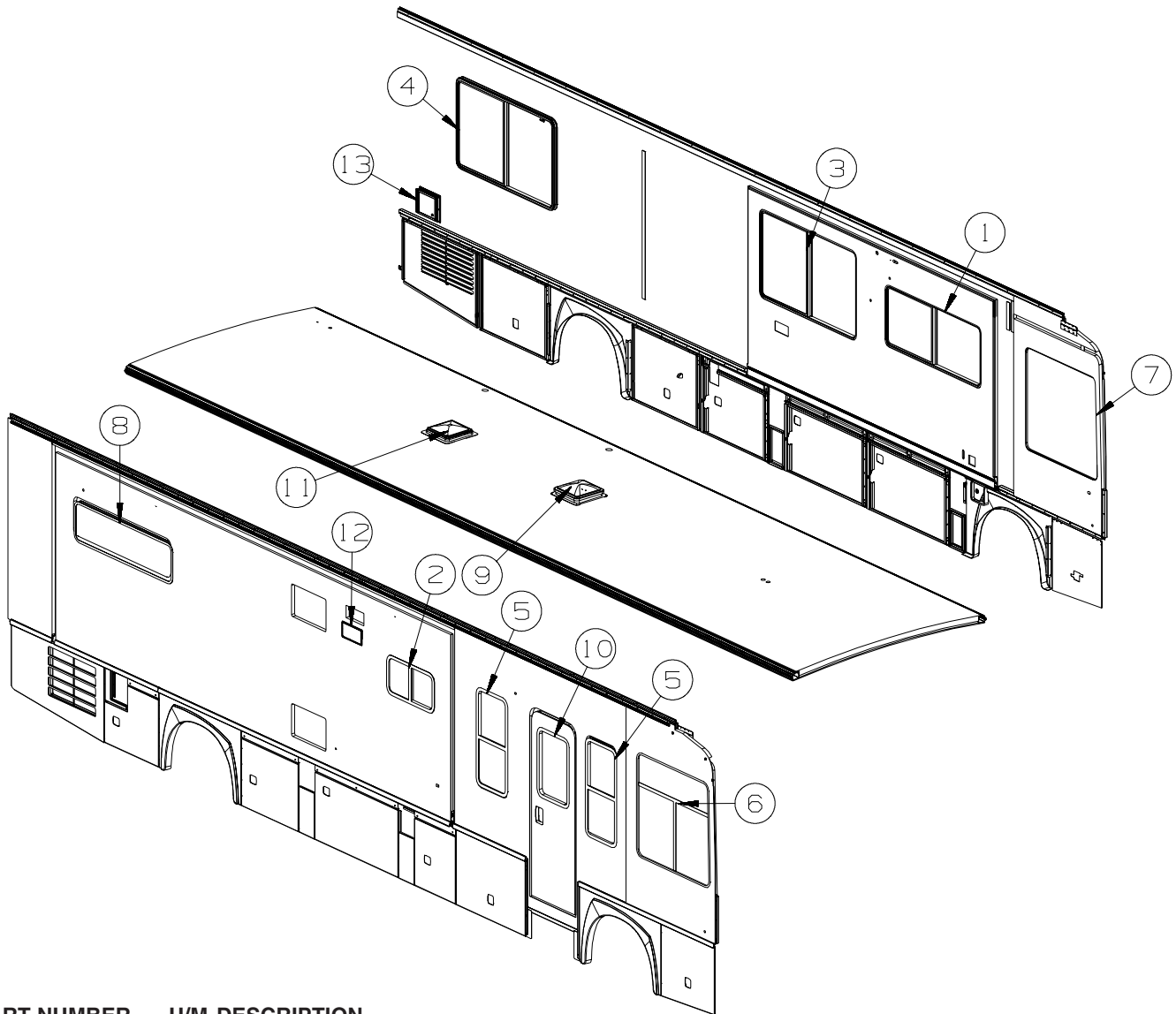
| KEY | PART NUMBER   | U/M | DESCRIPTION          | VENDOR NO. |
|-----|---------------|-----|----------------------|------------|
|     | 151678-01-700 | EA  | ADAPTOR              | 10015      |
|     | 151678-01-701 | EA  | CARTRIDGE            | 10417      |
|     | 151678-01-702 | EA  | WASHER               | 10269      |
|     | 151680-01-700 | EA  | KNOB                 | 10185      |
|     | 151680-01-701 | EA  | INDICATOR CAP - RED  | 10178      |
|     | 151680-01-702 | EA  | INDICATOR CAP - BLUE | 10177      |

155482-01-01A

| KEY | PART NUMBER   | U/M | DESCRIPTION             | VENDOR NO. |
|-----|---------------|-----|-------------------------|------------|
|     | 155482-01-700 | EA  | O-RING - F/WATER FILTER | 94-178-09  |

## WINDOW & VENTS GROUP

### WINDOW & VENT LAYOUT



| KEY | PART NUMBER   | U/M | DESCRIPTION   |
|-----|---------------|-----|---|
| 1*  | 150648-02-01A | EA  | WINDOW-HORIZ SLIDER/FLUSH/THERMO/LH - 26.3"X 59.9"-BLK/BLK            |
| 2*  | 150648-04-01A | EA  | WINDOW-HORIZ SLIDER/FLUSH/THERMO/RH - 16" X 28.7"-BLK/BLK             |
| 3*  | 150648-27-01A | EA  | WINDOW-HORIZ SLIDER/FLUSH/THERMO/LH - 37.9"X 60.4" - BLACK            |
| 4*  | 150648-34-01A | EA  | WINDOW-HORIZ SLIDER/ESCAPE/FLUSH/THERMO/LH - 37.9" X 60.4"            |
| 5*  | 150649-27-01A | EA  | WINDOW - VERT SLIDER/FLUSH/THERMO - 41.1" X 18.7"                     |
| 6*  | 151069-06-01A | EA  | WINDOW - CAB/RIGHT HAND/FLUSH/THERMO - 43.6" X 44.9"/43.6"            |
| 7   | 151069-07-01A | EA  | WINDOW - CAB/LEFT HAND/FLUSH/THERMO - 43.6" X 44.9"/43.6"             |
| 8   | 161452-11-01A | EA  | WINDOW - TIPOUT/FLUSH/ESCAPE/THERMO - 16.3" X 60.7"                   |
| 9*  | 123780-27-01A | EA  | FANTASTIC VENT-4"ROOF-W/FAN/PWR LIFT/SNGL DOME-W/O THERM              |
| 10* | 150651-07-01A | EA  | WINDOW - STATIONARY/FLUSH/THERMO - 26.3" X 19.1" - BLACK              |
| 11* | 122882-04-01A | EA  | VENT - ROOF - W/FAN/POWER LIFT - W/O INSIDE GARNISH - UL              |
| 11* | 122882-05-01A | EA  | VENT - ROOF - W/FAN/POWER LIFT - W/O INSIDE GARNISH - <b>CANADIAN</b> |
| 11  | 122882-07-01A | EA  | GARNISH - ROOF VENT - 2.5" TO 4.1"                                    |
| 12  | 138983-01-02A | EA  | VENT - MICROWAVE/OUTER - BLACK  |
| 12  | 138983-03-01A | EA  | COVER - VENT MICROWAVE/OUTER - BRIGHT WHITE                           |
| 13  | 164037-02-W66 | EA  | FRAME - INTAKE/AIR - BLACK  |
| 13  | 165453-01-02B | EA  | FRAME/TRIM RING - AIR INTAKE - 11.1" X 9.6" - E-COATED                |

\*COMPONENT PARTS LISTED LATER IN THIS GROUP

**WINDOW & VENTS GROUP (CONTINUED)**  
**COMPONENT PARTS FOR WINDOW & VENT LAYOUT**

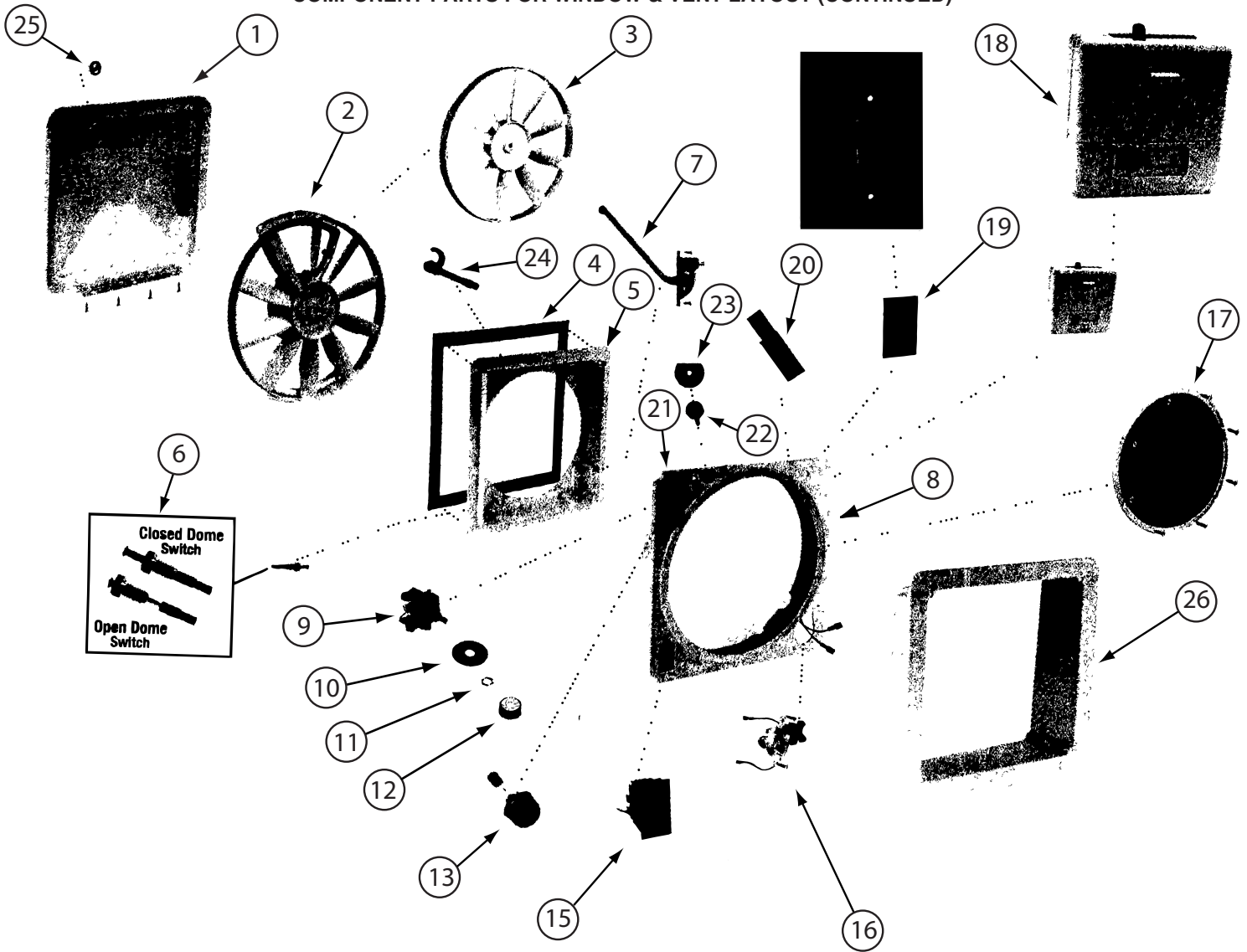
**122882-04-01A**

| <b>KEY</b> | <b>PART NUMBER</b> | <b>U/M</b> | <b>DESCRIPTION</b>           | <b>VENDOR NO.</b> |
|------------|--------------------|------------|------------------------------|-------------------|
|            | 064470-01-700      | EA         | COVER - VENT - W/O SLIDE BAR | J7291             |
|            | 064470-01-701      | EA         | SLIDE BAR - VENT LID         | JRP1291B          |
|            | 064469-03-708      | EA         | GEAR-DRIVE                   | RP-1024           |
|            | 110051-07-701      | EA         | MOTOR-LIFT, W/BRKT-GEAR 3/16 | JRP1099B          |
|            | 122882-04-700      | EA         | SCREEN                       | J29-670-01A       |

**122882-05-01A**

| <b>KEY</b> | <b>PART NUMBER</b> | <b>U/M</b> | <b>DESCRIPTION</b>           | <b>VENDOR NO.</b> |
|------------|--------------------|------------|------------------------------|-------------------|
|            | 064470-01-700      | EA         | COVER - VENT - W/O SLIDE BAR | J7291             |
|            | 064470-01-701      | EA         | SLIDE BAR - VENT LID         | JRP1291B          |
|            | 064469-03-708      | EA         | GEAR-DRIVE                   | RP-1024           |
|            | 064469-03-709      | EA         | GEAR-PINION F/LIFT MOTOR     | RP-1025           |
|            | 110051-07-701      | EA         | MOTOR-LIFT, W/BRKT-GEAR 3/16 | JRP1099B          |
|            | 122882-04-700      | EA         | SCREEN                       | J29-670-01A       |

**WINDOW & VENTS GROUP (CONTINUED)**  
**COMPONENT PARTS FOR WINDOW & VENT LAYOUT (CONTINUED)**

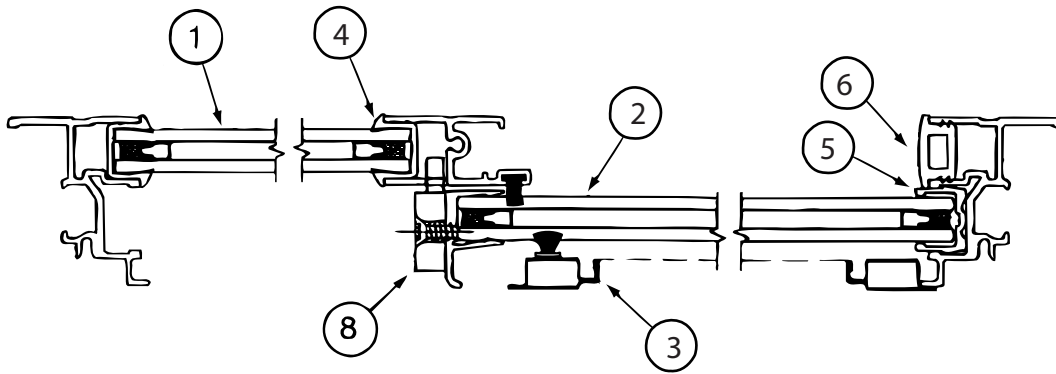


123780-27-01A

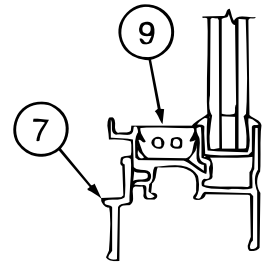
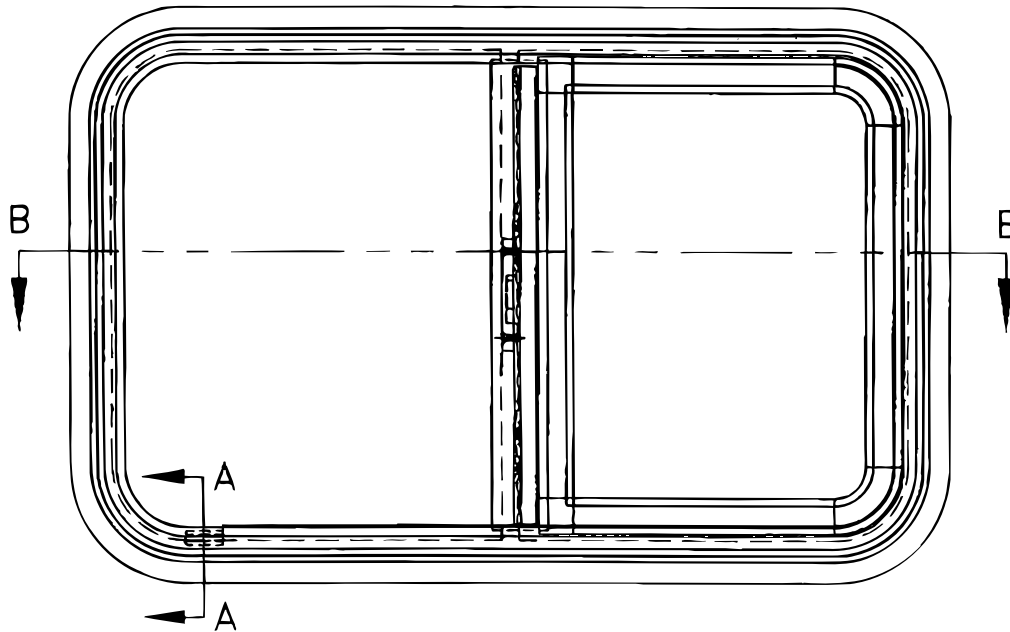
| KEY | PART NUMBER   | U/M | DESCRIPTION                  | VENDOR NO.          |
|-----|---------------|-----|------------------------------|---------------------|
| 1   | 123780-22-700 | EA  | COVER - VENT W/HINGE & SLIDE | K8020-81            |
| 2   | 123780-26-700 | EA  | MOTOR & FAN BLADE W/BRACKET  | XK8017-03           |
| 3   | 123780-26-701 | EA  | BLADE/FAN - 12" OPAQUE WHT   | 8138-81             |
| 4   | 123780-22-701 | EA  | SEAL/RUBBER-4 1/2' W/GLUE    | K1144-09            |
| 5   | 123780-22-702 | EA  | BASE/MAIN - W/LOCK/SEAL/ARM  | XK8010-81           |
| 6   | 084079-01-707 | EA  | SWITCH - SAFETY              | 1122-05             |
| 7   | 084079-11-701 | EA  | ARM-LIFT ASSEMBLY, AUTOMATIC | 2011-05             |
| 8   | 123780-22-703 | EA  | SCREEN KIT W/RING/ARM/LOCK   | XK1220-81           |
| 9   | 084079-01-709 | EA  | SWITCH - MAIN - 3 SPEED      | 1031-05             |
| 13  | 123780-21-700 | EA  | FUSE HOLDER W/4AMP FUSE/KNOB | K9018-09            |
| 15  | 123780-16-700 | EA  | KNOB-BLK/AUTOMATIC LIFT MTR  | K1140-09            |
| 16  | 084079-11-707 | EA  | MOTOR-AUTO LIFT-WHT CAP/EXT  | 6050-81 NS          |
| 17  | 123780-21-703 | EA  | SCREEN - POP N LOCK          | 2035-81             |
| 19  | 123780-27-700 | EA  | SWITCH - UP/DOWN (DM SERIES) | 9024-09             |
| 21  | 123780-22-704 | EA  | TRAVEL LOCK ASSEMBLY         | 4021-09             |
| 26  | 123780-22-705 | EA  | GARNISH-3 1/2"CLAMP STY-WHT  | XK2040-81           |
|     | 123780-21-704 | EA  | CIRCUIT BOARD 102C/103J      | 9025-90 / MC103JKIB |

CONTACT WINNEBAGO PART SALES FOR UNLISTED COMPONENT(S)

**WINDOW & VENTS GROUP (CONTINUED)**  
**COMPONENT PARTS FOR WINDOW & VENT LAYOUT (CONTINUED)**



**CROSS SECTION B-B**

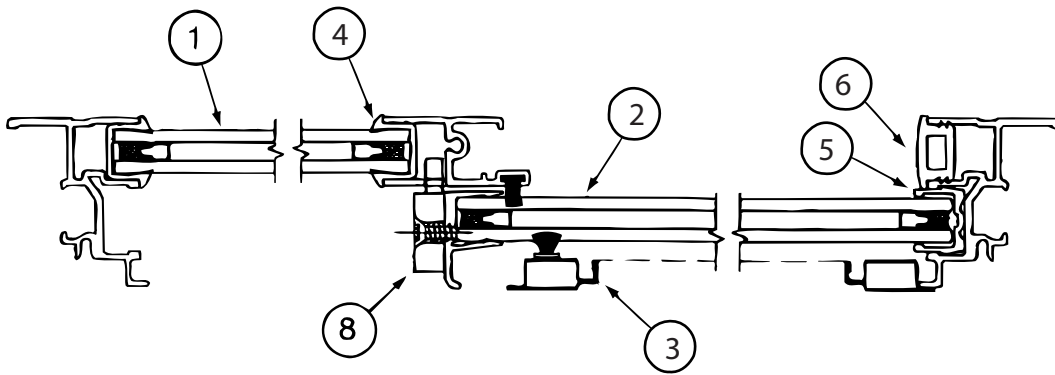


**CROSS SECTION A-A**

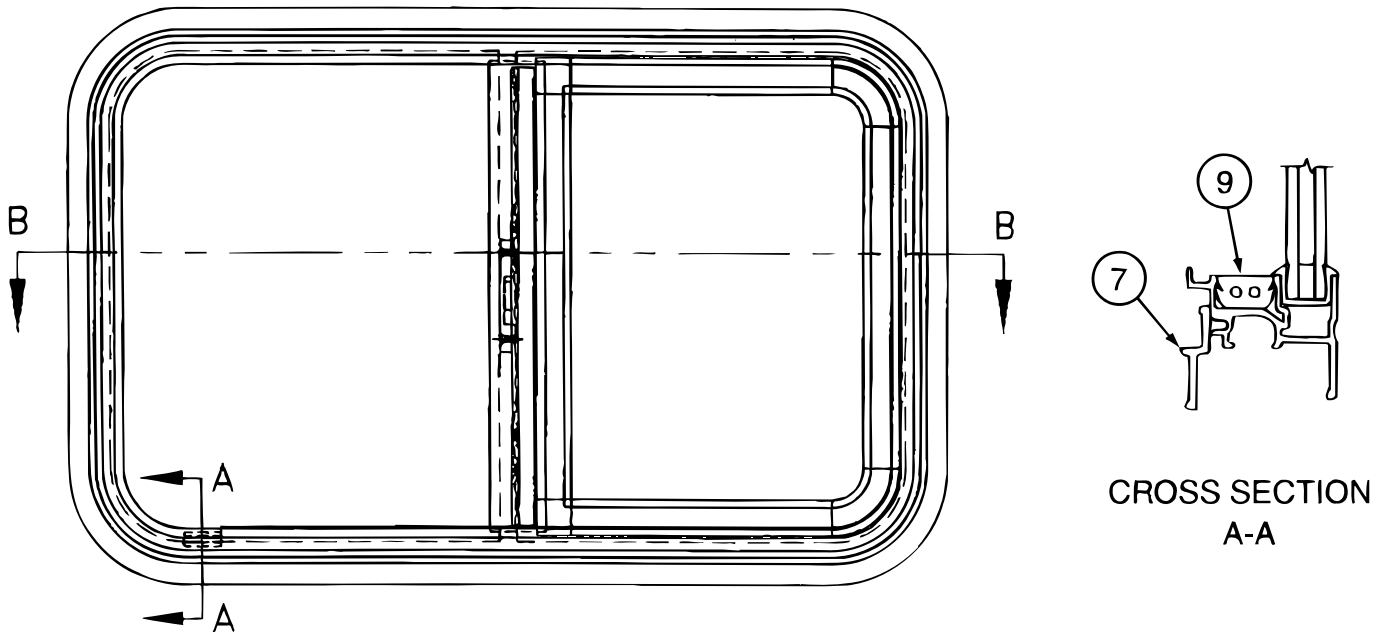
150648-02-01A, 150648-03-01A/3A

| KEY | PART NUMBER   | U/M | DESCRIPTION                  | VENDOR NO  |
|-----|---------------|-----|------------------------------|------------|
| 1   | 112795-68-700 | EA  | GLASS - STATIONARY           | 390-028353 |
| 2   | 150648-02-700 | EA  | GLASS-SLIDING W/SASH & LATCH | FH3009G8   |
| 3   | 150648-19-700 | EA  | SCREEN ASM                   | 410-035332 |
| 4   | 112795-01-705 | FT  | VINYL - GLAZING              | 132-027331 |
| 5   | 151069-01-700 | EA  | CHANNEL-RUN, SLIDING         | 122-030627 |
| 6   | 150648-01-703 | EA  | PLUG - FILLER                | 132-030308 |
| 7   | 098647-22-701 | EA  | RETAINER - TRIM              | H287-67    |
| 8   | 150648-01-700 | EA  | LATCH-HORIZONTAL SLIDE-BLK   | FH3000-CK  |
| 8   | 150648-01-701 | EA  | LATCH-HORIZONTAL SLIDE-RED   | FH3003-CK  |
| 9   | 150648-01-704 | EA  | SLIDE STOP                   | 132-030866 |
|     | 150649-05-702 | FT  | FIN SEAL-F/LOCKING RAIL-BLK  | 171-062348 |

**WINDOW & VENTS GROUP (CONTINUED)**  
**COMPONENT PARTS FOR WINDOW & VENT LAYOUT (CONTINUED)**



CROSS SECTION B-B

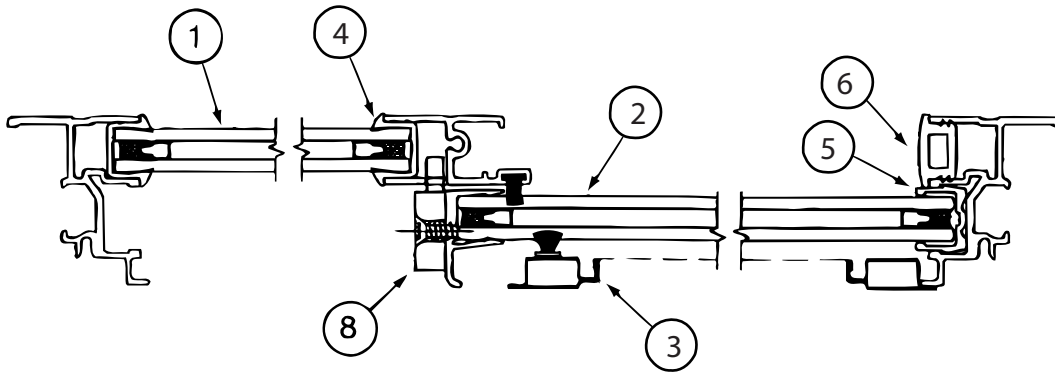


CROSS SECTION  
A-A

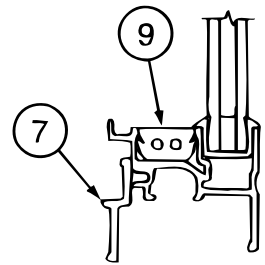
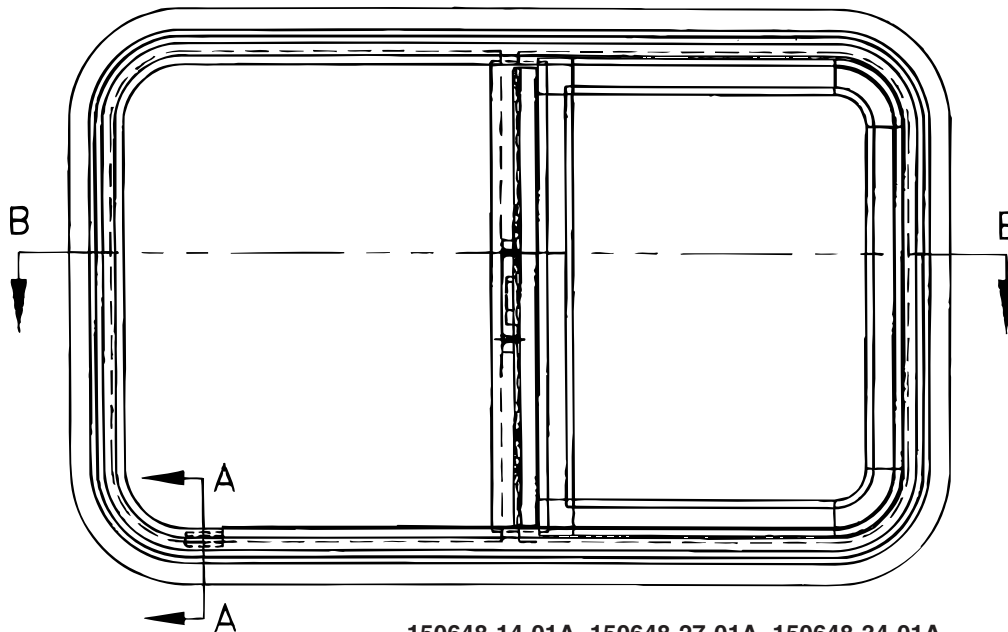
150648-04-01A, 150648-05-01A

| KEY | PART NUMBER   | U/M | DESCRIPTION                  | VENDOR NO  |
|-----|---------------|-----|------------------------------|------------|
| 1   | 112795-72-700 | EA  | GLASS - STATIONARY           | 390-028307 |
| 2   | 150648-04-700 | EA  | GLASS-SLIDING W/SASH & LATCH | FH3002G8   |
| 3   | 150648-05-700 | EA  | SCREEN ASM                   | 410-031158 |
| 4   | 112795-01-705 | FT  | VINYL - GLAZING              | 132-027331 |
| 5   | 151069-01-700 | EA  | CHANNEL-RUN, SLIDING         | 122-030627 |
| 6   | 150648-01-703 | EA  | PLUG - FILLER                | 132-030308 |
| 7   | 150648-05-701 | EA  | RETAINER - TRIM              | CH29-67    |
| 8   | 150648-01-700 | EA  | LATCH-HORIZONTAL SLIDE-BLK   | FH3000-CK  |
| 8   | 150648-01-701 | EA  | LATCH-HORIZONTAL SLIDE-RED   | FH3003-CK  |
| 9   | 150648-01-704 | EA  | SLIDE STOP                   | 132-030866 |
|     | 150649-05-702 | FT  | FIN SEAL-F/LOCKING RAIL-BLK  | 171-062348 |

**WINDOW & VENTS GROUP (CONTINUED)**  
**COMPONENT PARTS FOR WINDOW & VENT LAYOUT (CONTINUED)**



**CROSS SECTION B-B**



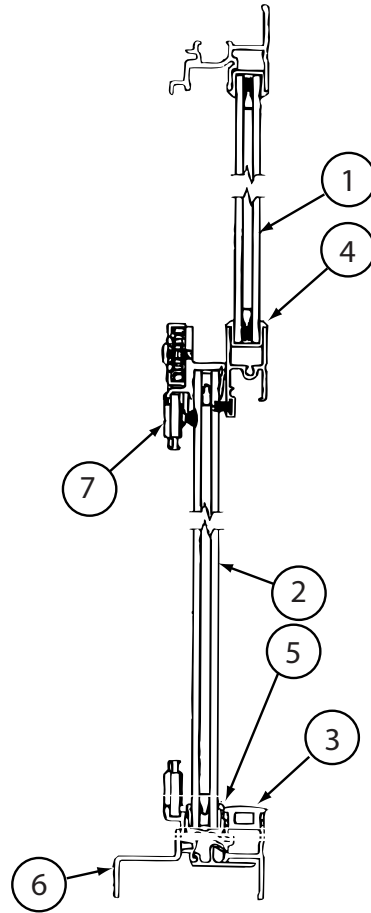
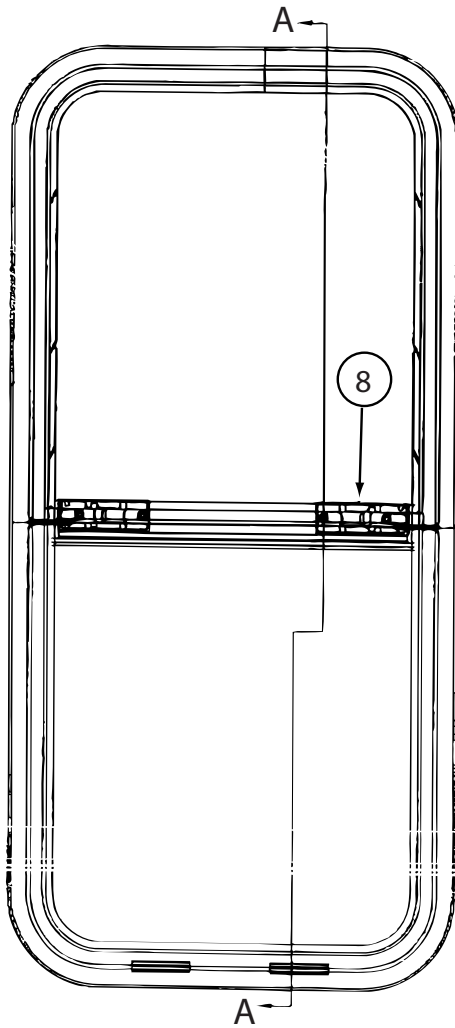
**CROSS SECTION A-A**

150648-14-01A, 150648-27-01A, 150648-34-01A

| KEY | PART NUMBER   | U/M | DESCRIPTION                  | VENDOR NO  |
|-----|---------------|-----|------------------------------|------------|
| 1   | 150648-14-701 | EA  | GLASS - STATIONARY           | 390-036160 |
| 2   | 150648-14-702 | EA  | GLASS-SLIDING W/SASH & LATCH | FH3010G8   |
| 3   | 150648-14-700 | EA  | SCREEN ASM                   | 410-035333 |
| 4   | 112795-01-705 | FT  | VINYL - GLAZING              | 132-027331 |
| 5   | 151069-01-700 | EA  | CHANNEL-RUN, SLIDING         | 122-030627 |
| 6   | 150648-01-703 | EA  | PLUG - FILLER                | 132-030308 |
| 7   | 150648-14-703 | EA  | RETAINER - TRIM              | H442-67    |
| 8   | 150648-01-700 | EA  | LATCH-HORIZONTAL SLIDE-BLK   | FH3000-CK  |
| 8   | 150648-01-701 | EA  | LATCH-HORIZONTAL SLIDE-RED   | FH3003-CK  |
| 9   | 150648-01-704 | EA  | SLIDE STOP                   | 132-030866 |
|     | 150649-05-702 | FT  | FIN SEAL-F/LOCKING RAIL-BLK  | 171-062348 |



**WINDOW & VENTS GROUP (CONTINUED)**  
**COMPONENT PARTS FOR WINDOW & VENT LAYOUT (CONTINUED)**

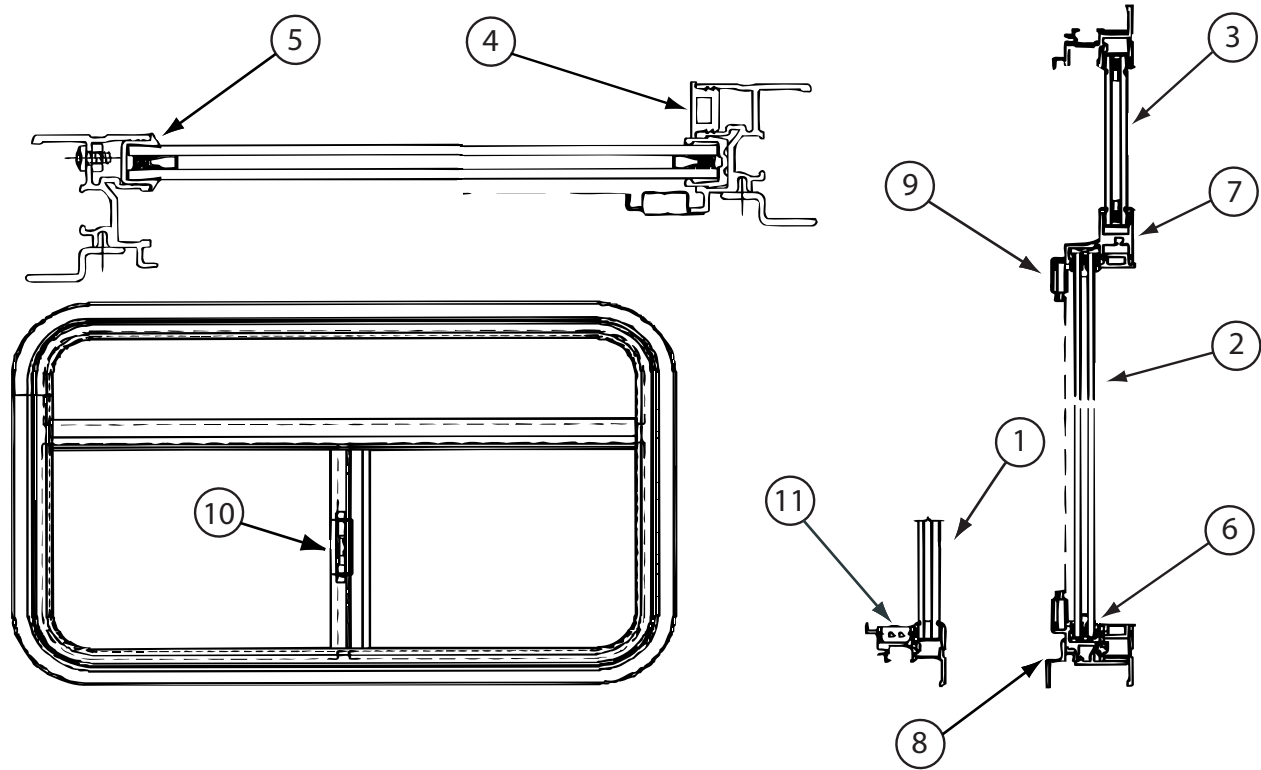


**CROSS SECTION A-A**

**150649-27-01A**

| <b>KEY</b> | <b>PART NUMBER</b> | <b>U/M</b> | <b>DESCRIPTION</b>           | <b>VENDOR NO</b> |
|------------|--------------------|------------|------------------------------|------------------|
| 1          | 150649-27-701      | EA         | GLASS - STATIONARY           | 390-037475       |
| 2          | 150649-27-702      | EA         | GLASS-SLIDING W/PULL & LATCH | FH3102G9         |
| 3          | 150648-01-703      | FT         | PLUG - FILLER                | 132-030308       |
| 4          | 112795-01-705      | FT         | VINYL - GLAZING              | 132-027331       |
| 5          | 151069-01-700      | FT         | CHANNEL-RUN, SLIDING         | 122-030627       |
| 6          | 150649-27-703      | EA         | RETAINER - TRIM              | H310267          |
| 7          | 150649-27-704      | EA         | WEATHERSTRIP F/LOCKING RAIL  | FH310219         |
| 8          | 150649-27-700      | EA         | SCREEN ASM                   | 410-037477       |
| 9          | 112795-01-700      | EA         | LATCH ASM., BLK.,(BOLT ON)   | DH287-CK         |

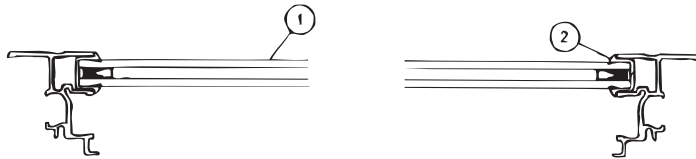
**WINDOW & VENTS GROUP (CONTINUED)**  
**COMPONENT PARTS FOR WINDOW & VENT LAYOUT (CONTINUED)**



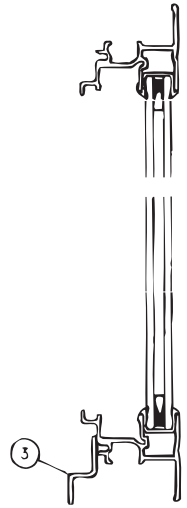
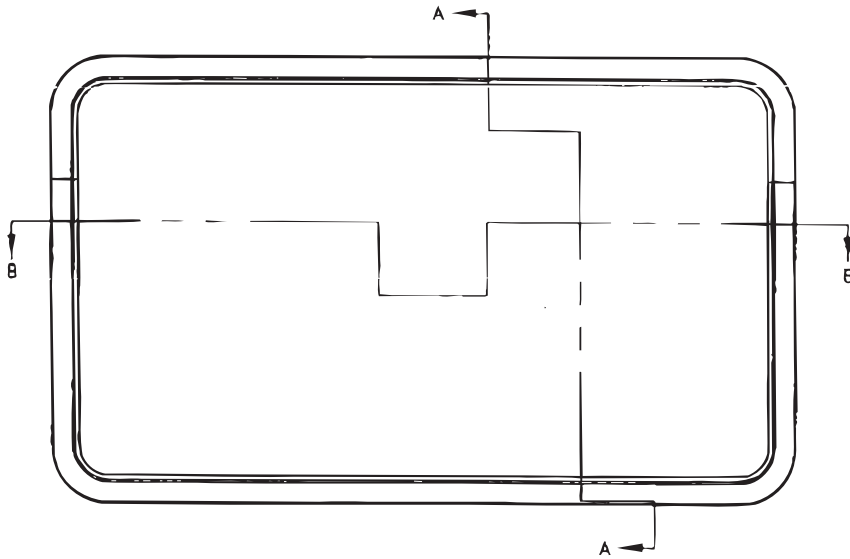
151069-06-01A

| KEY | PART NUMBER   | U/M | DESCRIPTION                  | VENDOR NO  |
|-----|---------------|-----|------------------------------|------------|
| 1   | 151069-06-701 | EA  | GLASS - STATIONARY - LOWER   | 390-037587 |
| 2   | 151069-06-702 | EA  | GLASS-SLIDING W/SASH & LATCH | FH3041A9R  |
| 3   | 151069-06-703 | EA  | GLASS - STATIONARY - UPPER   | 390-036522 |
| 4   | 150648-01-703 | FT  | PLUG - FILLER                | 132-030308 |
| 5   | 112795-01-705 | FT  | VINYL - GLAZING              | 132-027331 |
| 6   | 151069-01-700 | FT  | CHANNEL-RUN, SLIDING         | 122-030627 |
| 7   | 151069-06-704 | EA  | WEATHERSTRIP F/LOCKING RAIL  | FH304019   |
| 8   | 151069-06-705 | EA  | RETAINER - TRIM              | H671-67R   |
| 9   | 151069-06-700 | EA  | SCREEN ASM                   | 410-037588 |
| 10  | 150648-01-700 | EA  | LATCH-HORIZONTAL SLIDE-BLK   | FH3000-CK  |
| 11  | 150648-01-704 | EA  | SLIDE STOP                   | 132-030866 |

**WINDOW & VENTS GROUP (CONTINUED)**  
**COMPONENT PARTS FOR WINDOW & VENT LAYOUT (CONTINUED)**



CROSS SECTION B-B



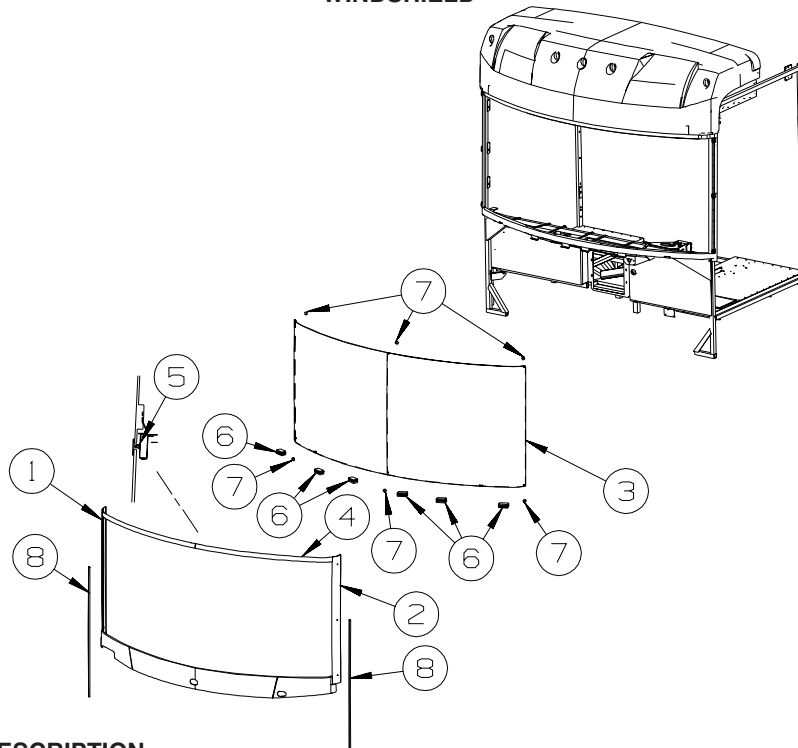
CROSS SECTION A-A

150651-07-01A

| KEY | PART NUMBER   | U/M | DESCRIPTION        | VENDOR NO  |
|-----|---------------|-----|--------------------|------------|
| 1   | 150651-07-700 | EA  | GLASS - STATIONARY | 390-036022 |
| 2   | 150651-07-701 | EA  | RETAINER - TRIM    | H3074-67   |
| 3   | 112795-01-705 | FT  | VINYL - GLAZING    | 132-027331 |

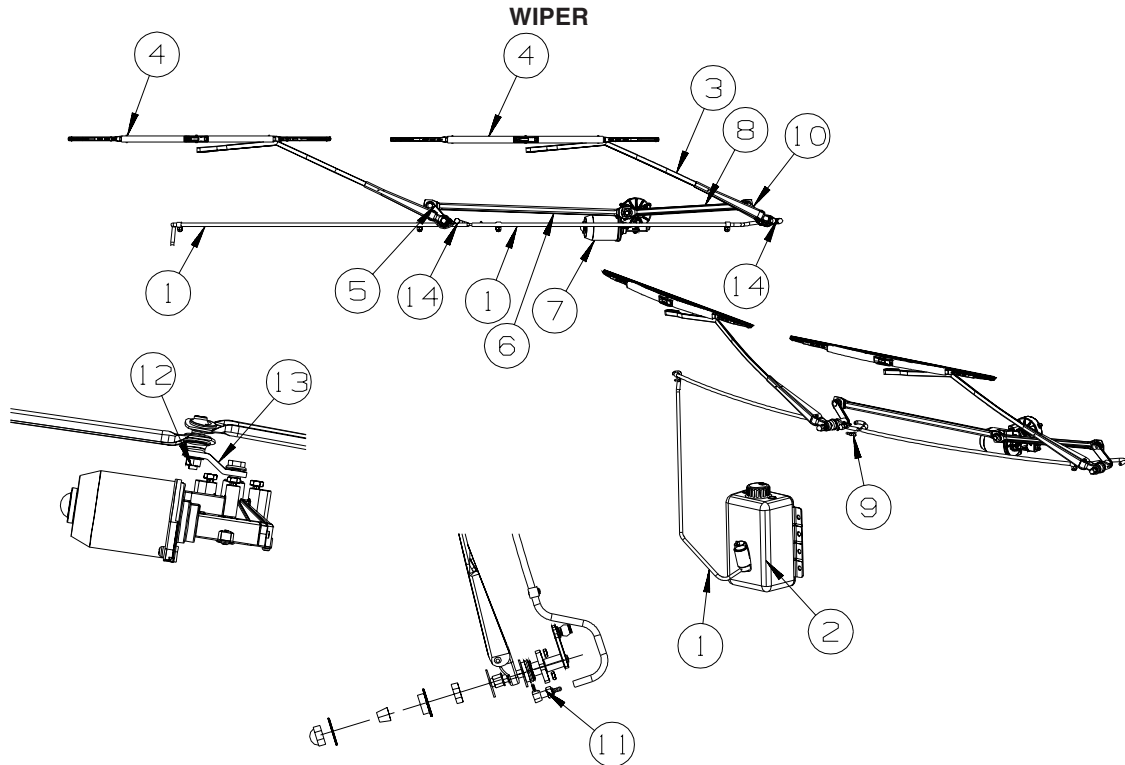
# WINDSHIELD & WIPER GROUP

## WINDSHIELD



| KEY | PART NUMBER   | U/M | DESCRIPTION  |
|-----|---------------|-----|--|
| 1   | 144054-01-02A | EA  | TRIM - WINDSHIELD - A PILLAR - RIGHT HAND - BLACK<br>FROM: 00-00-00 THRU: 02-17-08 |
| 1   | 163165-01-02A | EA  | TRIM - WINDSHIELD - A PILLAR - RIGHT HAND - BLACK<br>FROM: 02-18-08 THRU: 99-99-99 |
| 2   | 144054-02-02A | EA  | TRIM - WINDSHIELD - A PILLAR - LEFT HAND - BLACK<br>FROM: 00-00-00 THRU: 02-17-08  |
| 2   | 163165-02-02A | EA  | TRIM - WINDSHIELD - A PILLAR - LEFT HAND - BLACK<br>FROM: 02-18-08 THRU: 99-99-99  |
| 3   | 159448-01-000 | EA  | WINDSHIELD - SOLID/1 PIECE - 98.7"W X 44.7"H                                       |
| 4   | 120533-01-000 | FT  | MOLDING - REVEAL - WINDSHIELD  |
| 5   | 127862-01-000 | EA  | CARRIER/REVEAL - WINDSHIELD - 47.2"  |
| 6   | 002328-03-000 | EA  | BLOCK - WINDSHIELD - .125" X .5" X .98"  |
| 7   | 081914-02-000 | EA  | BUMPER - RUBBER - ROUND - 5/16" DIA. X 13/64" THICK                                |
| 8   | 158297-01-000 | FT  | SEAL - BULB - .5" X .7" - ADHESIVE BACK - BLACK                                    |

## WINDSHIELD & WIPER GROUP (CONTINUED)



| KEY | PART NUMBER   | U/M | DESCRIPTION                                       |
|-----|---------------|-----|---|
| 1   | 045794-01-000 | FT  | HOSE - WINDSHIELD WASHER - 5/32"ID - BLACK        |
| 2   | 157507-01-000 | EA  | RESERVOIR/PUMP - WINDSHIELD WASHER                |
| 3*  | 157531-01-000 | EA  | ARM - WIPER - RADIAL - 28"                        |
| 4   | 157532-01-000 | EA  | BLADE - WINDSHIELD WIPER - 28"                    |
| 5*  | 157512-01-000 | EA  | SHAFT/PIVOT - WINDSHIELD WIPER - DRIVER/PASSENGER |
| 6   | 157521-02-000 | EA  | LINK/WIPER - CONNECTING - PASSENGER               |
| 7   | 157508-01-000 | EA  | WIPER MOTOR - WINDSHIELD                          |
| 8   | 157521-01-000 | EA  | LINK/WIPER - CONNECTING - DRIVER                  |
| 9   | 146486-01-000 | EA  | TEE - PLASTIC - 5/32" X 5/32" X 5/32"             |
| 10* | 149401-02-000 | EA  | SHAFT/PIVOT - WINDSHIELD WIPER - 4.1" OVERALL     |
| 11  | 157533-02-000 | EA  | FITTING/WIPER - COWL/TALL                         |
| 12  | 149395-01-000 | EA  | STUD/DOUBLE BALL CRANK - WIPER MOTOR              |
| 13  | 157578-01-000 | EA  | ARM/DRIVE - WIPER MOTOR                           |
| 14  | 110742-03-000 | EA  | GASKET - WIPER ADAPTER SHAFT                      |

\*COMPONENT PARTS LISTED LATER IN THIS GROUP

### COMPONENT PARTS FOR WIPER

149401-01-000,149401-02-000

| KEY | PART NUMBER   | U/M | DESCRIPTION                  | VENDOR NO.      |
|-----|---------------|-----|------------------------------|-----------------|
|     | 096505-02-703 | EA  | NUT/ACORN - HD W/.687 BRL    | 51065-40-NT27WC |
|     | 149401-01-700 | EA  | HARDWARE PKG - F/SHAFT&PIVOT | PSHWKIT         |
|     | 149401-01-701 | EA  | SEAL CAP/RUBBER GROMMET      | 300749          |

157512-01-000

| KEY | PART NUMBER   | U/M | DESCRIPTION                  | VENDOR NO.      |
|-----|---------------|-----|------------------------------|-----------------|
|     | 096505-02-703 | EA  | NUT/ACORN - HD W/.687 BRL    | 51065-40-NT27WC |
|     | 149401-01-700 | EA  | HARDWARE PKG - F/SHAFT&PIVOT | PSHWKIT         |

157531-01-000

| KEY | PART NUMBER   | U/M | DESCRIPTION             | VENDOR NO. |
|-----|---------------|-----|-------------------------|------------|
|     | 157531-01-700 | EA  | WASHER NOZZLE KIT W/HDW | 19475      |